



Worldwide Supplier to Automotive Electrical Rebuilders

[Open Orders](#)

[Ship Tracker](#)

[WAI Part Lookup](#)

[Cross Reference](#)

[Vehicle Lookup](#)

[Electrical System](#)

[Bill Of Materials](#)

[Previous Page](#)

[Home](#)

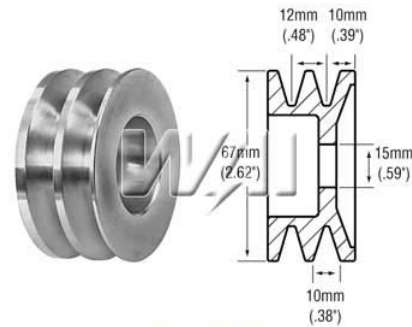
[Company I](#)

[Products](#)

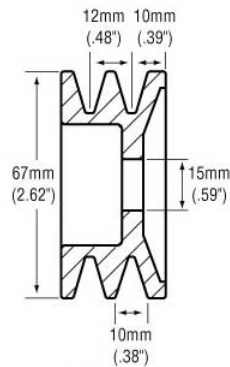
[Tech Info](#)

[Publication](#)

[Login](#)



Copyright © WAI



Copyright © WAI

24-83100

Pulley - 2-Groove

For:

[Mitsubishi IR/EF Alternators](#)

Used On:

[\(1987-81\) Chrysler, Dodge, Plymouth](#)

Unit Nos:

[Mitsubishi A4T25191, A4T25199, A4T30399](#)

Lester Nos:

[14557](#)

WAI Ref Nos:

[1-1222-01MI, 1-1499-01MI](#)

Dimensions:

[10mm Belts x 67mm OD x 15mm Bore](#)

Features:

[Machined pulley cut from cold rolled steel](#)

[Information or questions:](#)

copyright © 2002 Wetherill Associates, Inc.
All rights reserved.