

MAZDA RX7 1993-95

MAZDA RX7 1993-95

SECTION INDEX

A/C /HEATER	491
A/C REFRIGERANT CAPACITIES	491
ABS/BRAKES	493
AIR BAG SYSTEM	493
AIR CLEANER	495
CENTER CONSOLE	496
CLEAR COAT IDENTIFICATION	489
COOLING	491
COWL & DASH	495
CRUISE CONTROL SYSTEM	493
ELECTRICAL	495
EMISSION SYSTEM	495
ENGINE	495
ENGINE OIL COOLER	491
ENGINE/TRANS MOUNTS	495
EXHAUST	495
FRONT BUMPER	490
FRONT DOOR	497
FRONT FENDER	492
FRONT INNER STRUCTURE	492
FRONT LAMPS	490
FRONT STEERING LINKAGE/GEAR	494
FRONT SUSPENSION	494
FUEL TANK	500
GROUND EFFECTS	492
HOOD	490
INFORMATION LABELS	489
INSTRUMENT PANEL	496
INTERCOOLER	491
LIFTGATE	499
PAINT CODE LOCATION	489
QUARTER PANEL	498
REAR BODY	500
REAR BUMPER	501
REAR DRIVE AXLE	499
REAR LAMPS	500
REAR SUSPENSION	499
ROCKER/PILLARS/FLOOR	496
ROOF	498
SEAT	496
SEAT BELTS	497
SPECIAL CAUTIONS	489
STEERING PUMP	494
STEERING WHEEL/COLUMN	494
SUNROOF	498
TURBOCHARGER	495
UNDERHOOD DIMENSIONS	492
WHEEL	494
WINDSHIELD	495

SPECIAL CAUTIONS

SUPPLEMENTAL RESTRAINT SYSTEM

Refer to Procedure Explanation 29 for Supplemental Restraint/Air Bag Special Cautions.

PAINT CODE LOCATION

Paint code located on left lock pillar.

CLEAR COAT IDENTIFICATION

1993-94

All metallic colors are clear coat. Code 051 is three stage.

1995

All colors are clear coat. Code NU is three stage.

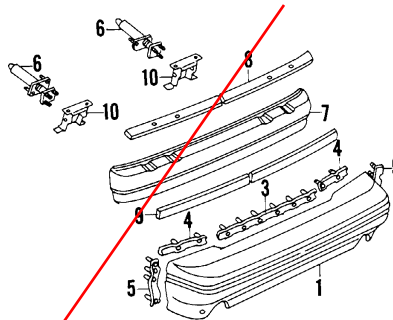
INFORMATION LABELS

Illustration Located in Next Column

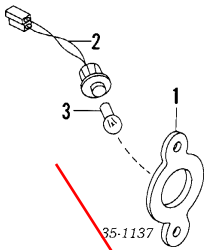
1 Oil Caution	KA78-57-K91
2 Emission	
w/o Calif Emission	
Man Trans	93 N3A1-69-036

- 5 Plate, Support L FB01-50-370
R FB01-50-380
L FB01-50-390
- 6 Absorber, Impact R/L FC01-50-312-3
- 7 Bar, Reinf FB01-50-330B
- 8 Arm, Mounting R FB01-50-280
L FB01-50-290

CANADA

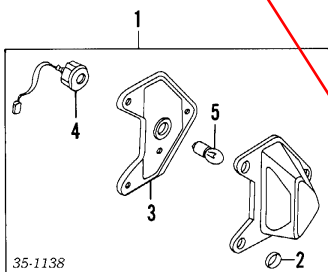


- 1 Cover, Rear (P) N.A.
(P) Paint to Match
- 2 Clip, Cover (3) R/L N.A.
- 3 Plate, Cover Mtg Center N.A.
- 4 Plate, Cover Mtg Side R/L N.A.
- 5 Plate, Support R/L N.A.
- 6 Absorber, Impact R/L N.A.
- 7 Bar, Reinf N.A.
- 8 Spacer, Bar Upper N.A.
- 9 Spacer, Bar Lower N.A.
- 10 Arm, Mounting R/L N.A.



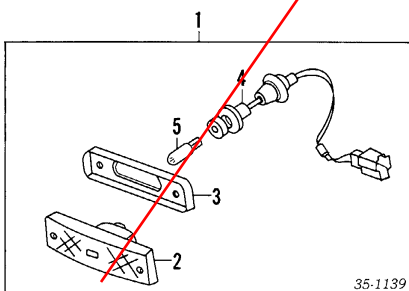
- 2 Socket w/Wire† R/L FB01-51-172
 - 3 Bulb† R/L 0000-11-0089
- †Included w/Combination Lamp Assy

LICENSE LAMP CONV



- 1 Lamp Assy, License R/L 8BF1-51-270
 - 2 Gasket† R/L FB67-51-273
 - 3 Shade, Lamp† R/L FB67-51-276
 - 4 Socket & Wire† R/L FB67-51-272
 - 5 Bulb† R/L 0000-11-0089
- †Included w/License Lamp Assy

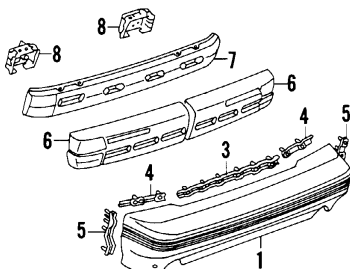
SIDE MARKER LAMP



- 1 Lamp Assy, Side Marker R 8BF1-51-550
L 8BF1-51-560
 - 2 Lens† R FB01-51-555
L FB01-51-565
 - 3 Gasket† R/L FB01-51-552A
 - 4 Socket w/Wire† R/L FB01-51-554
 - 5 Bulb† R/L 0000-11-0194
- †Included w/Side Marker Lamp Assy

REAR BUMPER

USA



- 1 Cover, Rear (P) FC01-50-221A
(P) Paint to Match
- 2 Clip, Cover (3) R/L FB01-50-072
- 3 Plate, Cover Mtg Center FB01-50-350
- 4 Plate, Cover Mtg Side R FB01-50-360

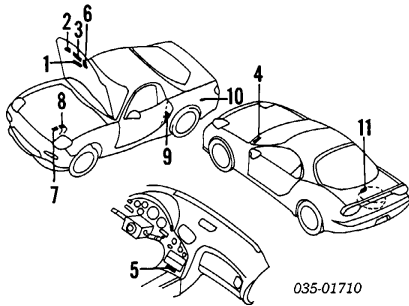
madpl1_g02_

Procedure Explanation Pages Must Be Used with the Above Text for an Accurate Damage Report.
Comments or suggestions? Need assistance? Call 1-800-854-7030 or 858-578-6550. Ext. 8220. Fax 1-888-256-7969 or 858-549-0629.

489

MAZDA RX7 1993-95

INFORMATION LABELS Cont'd

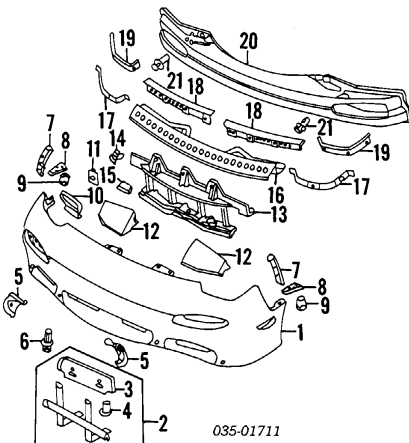


035-01710

- | | |
|-------------------------------|-----------------|
| | 94 N3C1-69-036A |
| | 95 N3D8-69-036A |
| Auto Trans | 93 N3A2-69-036 |
| | 94 N3C3-69-036 |
| | 95 N3D9-69-036A |
| w/Calif Emission
Man Trans | 93 N3A3-69-036 |
| | 94 N3C2-69-036A |
| | 95 N3E1-69-036A |
| Auto Trans | 93 N3A4-69-036 |
| | 94 N3C4-69-036 |
| | 95 N3E2-69-036A |

- | | |
|--|--|
| 3 Air Bag Caution
On Hood | KA78-57-K91 |
| Air Bag Caution, Dashboard | |
| 4 Upper | NA01-69-068A |
| 5 Lower | FD01-57-K92 |
| 6 A/C Caution
Battery | NA01-61-439 |
| 7 Labeled A | FA03-69-C72A |
| 8 Labeled B | FA01-69-064B |
| Safety Panel
Canada | N.A. |
| 9 Tire | FD01-69-014B |
| 10 Unleaded Fuel
Fuel Warning
Gasoline | UB40-69-C61
KA10-69-D61A
TA16-69-065 |
| 11 Temporary Tire | FD03-69-074 |

FRONT BUMPER



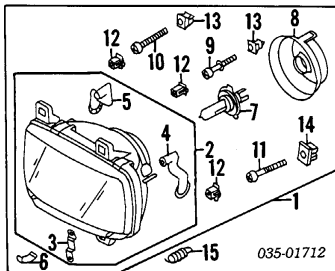
035-01711

- | | |
|--|----------------------------------|
| 1 Cover, Front (P)
(P) Paint to Match | FD01-50-031C |
| Emblem, Front | FD02-51-731 |
| 2 Frame Assy, License | FD01-50-170B |
| 3 Protector, Frame | FB01-50-144 |
| 4 Rivet (2) | FD01-50-021 |
| ¶Included w/License Frame Assy | |
| 5 Cover, Bumper Lower | R FD01-51-5T0
L FD01-51-5V0 |
| 6 Fastener, Bumper | R/L BF82-50-233 |
| 7 Plate, Cover Mtg Upper | R FD01-50-1D0
L FD01-50-1E0 |
| 8 Plate, Cover Mtg Lower | R FD01-50-1G1
L FD01-50-1F1 |
| 9 Grommet | R/L FD01-50-025 |
| 10 Cover, Bumper Upper | R FD01-51-3G5
L FD01-51-3H5 |
| 11 Clip, Cover (2) | GJ21-50-049 |
| 12 Spacer | R FD01-50-CR0
L FD01-50-CS0 |
| 13 Guide, Air | FD01-50-A21 |
| 14 Fastener, Air Guide (3) | BF67-50-033 |
| 15 Cover, Grille | NA01-50-101A |
| 16 Retainer, Cover Center | FD01-50-0K1B |
| 17 Retainer, Cover Outer | R FD01-50-0KXA
L FD01-50-0K0A |
| Plate, Retainer Mtg | |
| 18 Center | R FD01-50-1AYB
L FD01-50-1AXB |
| 19 Outer | R FD01-50-1B0A |

- | | |
|---|-----------------|
| 20 Bar Assy, Reinforcement | L FD01-50-1C0A |
| USA | FD01-50-070B |
| Canada | |
| w/ H/Lamp Washers | N.A. |
| w/o H/Lamp Washers | N.A. |
| 21 Fastener | R/L B103-68-865 |
| ¶Included w/Reinforcement Bar Assy | |
| Spoiler, Air-See Ground Effects Section | |

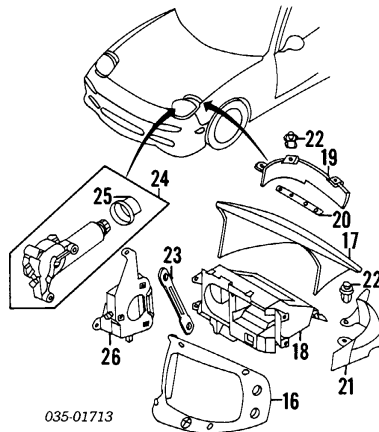
FRONT LAMPS

HEADLAMP



035-01712

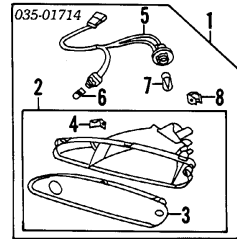
- | | |
|------------------------------------|----------------------------------|
| 1 Lamp Assy | R FD01-51-030D
L FD01-51-040D |
| 2 Lens & Housing Assy | R FD01-51-0K0D
L FD01-51-0L0D |
| 3 Bracket, Headlamp (a) | R/L FD01-51-0B7 |
| 4 Tube, Outer (a) | R/L FD01-51-0K8 |
| 5 Tube, Inner (a) | R/L FD01-51-0K7 |
| (a) Included w/Lens & Housing Assy | |
| 6 Clip, Headlamp (4/Side) | R/L B455-51-0A6 |
| 7 Bulb | R/L 0000-11-9003 |
| 8 Cover, Socket | R/L FD01-51-0A1 |
| Screw, Adjust | |
| 9 Upper Outer | R/L FD01-51-047 |
| 10 Upper Inner | R/L FD01-51-037 |
| 11 Lower | R/L BM89-51-037 |
| 12 Bearing, Lamp (3/Side) | R/L BR70-51-0K3 |
| 13 Fastener, Lamp Upper | |
| 14 Upper (2/Side) | R/L BR70-51-0E1 |
| 14 Lower | R/L FD01-51-025 |
| ¶Included w/Lamp Assy | |
| 15 Spring, Adjust | R/L FC42-51-036 |



035-01713

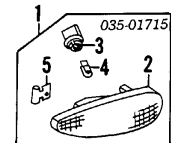
- | | |
|------------------------------------|----------------------------------|
| 16 Bezel, Lamp | |
| USA | R FD01-50-741C
L FD01-50-751C |
| Canada | |
| w/ H/Lamp Washers | R/L N.A. |
| w/o H/Lamp Washers | R/L N.A. |
| ¶Order by Application | |
| 17 Lid, Lamp | R FDY2-51-SH1
L FDY2-51-SH2 |
| 18 Hinge, Lid | R FD01-51-SC0D
L FD01-51-SD0D |
| 19 Protector, Lamp Rear | R FD01-51-SE1A
L FD01-51-SE2A |
| 20 Plate, Retractor | R/L FD01-51-S08A |
| 21 Protector, Lamp Side | R FD01-51-SL1A
L FD01-51-SL2A |
| 22 Rivet (5/Side) | R/L UB39-50-795 |
| 23 Rod, Retractor | R/L FD01-51-SA5 |
| 24 Motor Assy, Retractor | R FD01-51-SAXB
L FD01-51-SBXB |
| 25 Boot, Motor | R/L NA01-51-669 |
| ¶Included w/Retractable Motor Assy | |
| 26 Bracket, Motor | R/L FD01-51-S1Y |

PARK/SIDE MARKER LAMP



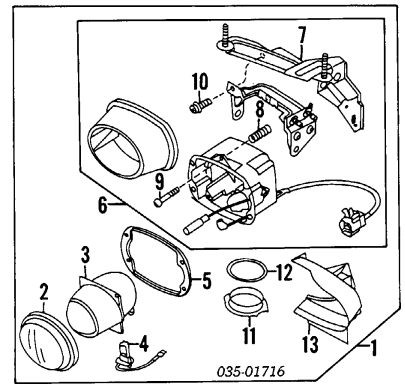
- | | |
|---------------------------------|----------------------------------|
| 1 Lamp Assy | R FD01-51-060D
L FD01-51-070D |
| 2 Lens & Body Assy | R FD01-51-06XB
L FD01-51-07XB |
| 3 Lens (a) | R FD01-51-061
L FD01-51-071 |
| 4 Bracket, Lamp (a) | R/L FD01-51-056 |
| (a) Included w/Lens & Body Assy | |
| 5 Socket & Wire | R/L FD01-51-064A |
| 6 Bulb, Park Lamp | R/L 0000-11-0194 |
| 7 Bulb, Marker Lamp | R/L 0000-11-1156 |
| 8 Spring | R/L FD01-51-057 |
| ¶Included w/Lamp Assy | |

SIGNAL LAMP



- | | |
|-----------------------|----------------------------------|
| 1 Lamp Assy | R FD01-51-5E0B
L FD01-51-5F0B |
| 2 Lens & Body | R FD01-51-5E1B
L FD01-51-5F1B |
| 3 Socket | R/L H380-51-5E2 |
| 4 Bulb | R/L 0000-11-0168 |
| 5 Spring | R/L FD01-51-5E3 |
| ¶Included w/Lamp Assy | |

FOG LAMP

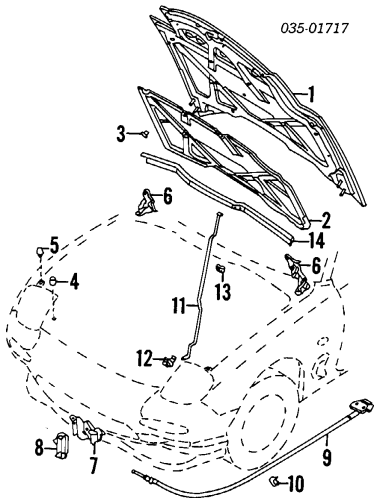


- | | |
|-----------------------------|----------------------------------|
| 1 Lamp Assy | R F111-51-680A
L F111-51-690A |
| 2 Lens | R/L FD01-51-683 |
| 3 Lamp Unit | R/L FD01-51-6G1A |
| 4 Bulb | R/L 0000-11-0H3 |
| 5 Gasket | R/L FD01-51-682 |
| 6 Housing Assy | R FD01-51-68YB
L FD01-51-69YB |
| 7 Bracket, Lamp (a) | R FD01-51-684A
L FD01-51-694A |
| 8 Spring (a) | R/L FD01-51-696 |
| 9 Screw, Adjust (a) | R/L FD01-51-6G9 |
| 10 Bolt, Special (a) | R/L FD01-51-6G8 |
| (a) Included w/Housing Assy | |
| 11 Cover, Lamp Front | R/L FD01-51-676 |
| 12 Gasket, Cover | R/L FD01-51-692 |
| 13 Cover, Lamp Side | R/L FD01-51-677-8 |
| ¶Included w/Lamp Assy | |

HOOD

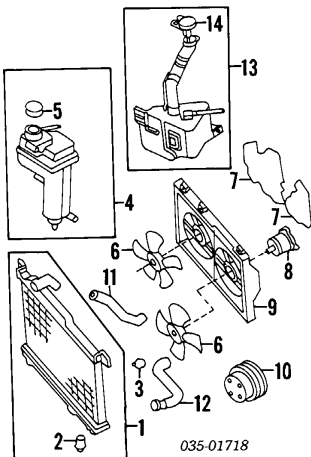
¶Illustration Located in Next Column

- | | |
|-------------------|--------------|
| 1 Panel, Hood | FD01-52-310G |
| 2 Insulator, Hood | FD01-68-601C |



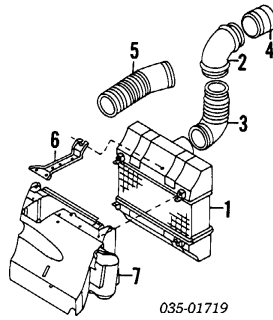
- 3 Fastener, Insulator (13) 93 G030-68-885C-00
94-95 GA2A-56-694
- 4 Cushion, Front R/L FB01-56-787B
- 5 Cushion, Side R/L FB01-56-786A
- 6 Hinge R FD01-52-410C
L FD01-52-420C
- 7 Latch FD01-56-620B
- 8 Support, Latch FD01-56-67X
- 9 Cable, Latch Release FD01-56-720C
- 10 Clip, Cable D001-56-731
- 11 Rod, Support FD01-56-650A
- 12 Holder, Supt Rod Front G144-52-518C
- 13 Holder, Supt Rod Rear FD01-56-642
- 14 Seal, Hood Rear FD01-56-760B

COOLING



- 1 Radiator Assy
Man Trans N3A1-15-200A
Auto Trans N3A2-15-200A
- 2 Rubber, Mount Lower R/L JE48-15-202
†Included w/Radiator
- 3 Rubber, Mount Upper R/L F285-13-363
- 4 Tank Assy, Expansion N3A1-15-35XB
- 5 Cap, Tank N3A1-15-205A
†Included w/Expansion Tank Assy
- 6 Blade, Fan R N3A1-15-140
L N3A2-15-140
- 7 Cover, Fan R N3A1-15-028
L N3A1-15-029
- 8 Motor, Fan R/L N3A1-15-150
- 9 Shroud, Fan N3A2-15-211C
- Pump & Housing Assy, Water
Man Trans 93 N3C1-15-010D
94-95 N3C1-15-010D
Auto Trans 93 N3C2-15-010D
94-95 N3C2-15-010D
†Add'l Parts &/or Dealer Contact Required
- Pump, Water 8AF4-15-100A
†Included w/Water Pump & Housing Assy
- 10 Pulley, Water Pump N3A1-15-131
- 11 Hose, Rad Upper N3A1-15-186B
- 12 Hose, Rad Lower N3A1-15-185B
- 13 Tank Assy, Coolant N3A1-15-350B
- 14 Cap, Tank N3A1-15-355
†Included w/Coolant Tank Assy

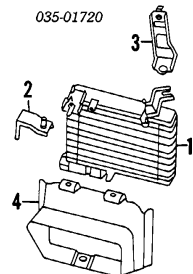
INTERCOOLER



- 1 Intercooler N3G1-13-550
- 2 Pipe, Air Intake N3A1-13-33X
- Joint, Rubber
- 3 No. 1 N3C1-13-245
- 4 No. 2 N3A2-13-247
- 5 No. 3 N3A1-13-246A
- 6 Bracket, Intercooler N3A1-13-56X
- 7 Duct, Air N3A1-13-56YB

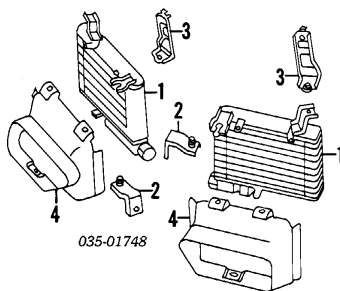
ENGINE OIL COOLER

SINGLE TYPE



- 1 Cooler, Engine Oil N3A1-14-700A
- 2 Bracket, Oil Cooler Side N3A1-14-770B
- 3 Bracket, Oil Cooler Upper N3A1-14-780B
- 4 Duct, Oil Cooler N3A1-14-708

DUAL TYPE



- 1 Cooler, Engine Oil R N3A3-14-700A
L N3A1-14-700A
- Bracket, Cooler Oil
- 2 No. 1 R N3A2-14-770B
L N3A1-14-770B
- 3 No. 2 R N3A2-14-780B
L N3A1-14-780B
- 4 Duct, Oil Cooler R N3A2-14-708
L N3A1-14-708

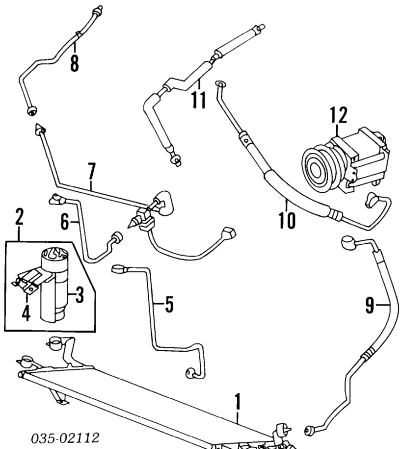
A/C REFRIGERANT CAPACITIES

A/C R-12 Refrigerant Capacity
1993-94: 21 Ozs (1.31 Lbs)
A/C R-134 Refrigerant Capacity
1994-95: 15.9-19.4 Ozs (.993-1.21 Lbs)

A/C /HEATER

Illustration Located in Next Column

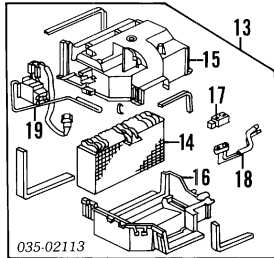
- 1 Condenser
Dealer Installed 93-94 FD31-61-480
95 FD31-61-480
Factory Installed 93 FD04-61-480



- 2 Receiver/Drier Assy
Dealer Installed FD01-61-500B
Factory Installed 93-94 FD04-61-500
94 FD15-61-500
95 FD31-61-500
- 3 Receiver/Drier 94 FD15-61-480
95 F110-61-480
Dealer Installed-Serviced w/Assy FD01-61-500B
Factory Installed 93 N001-61-501
94-95 FD15-61-500
- 4 Brkt, Receiver/Drier 93 N001-61-501
Dealer Installed-Serviced w/Assy 94-95 FD15-61-500
Factory Installed FD04-61-502
†Included w/Receiver/Drier Assy
- 5 Pipe, Receiver/Cond 93-94 FD01-61-468B
95 FD31-61-468
Factory Installed 93 FD04-61-468A
94-95 FD15-61-468
- Pipe, Receiver/Evap
- 6 Front FD01-61-466A
Dealer Installed 1993-94 FD31-61-465
1995 93 FD04-61-466A
Factory Installed 94-95 FD15-61-466
- 7 Center 93 FD01-61-467A
Dealer Installed 94-95 FD16-61-46X
93 FD04-61-467B
94-95 FD15-61-467A
- 8 Rear FD01-61-464B
Dealer Installed 1993-94 FD31-61-464
1995 93 FD04-61-464A
Factory Installed 94-95 FD15-61-464
- 9 Hose, Pressure 93-94 FD01-61-461A
95 FD01-61-461A
Factory Installed 93 FD04-61-461B
94-95 FD15-61-464
- 10 Hose, Suction 93-94 FD01-61-465A
95 FD31-61-465
Factory Installed 93 FD04-61-465
94-95 FD15-61-462
- 11 Pipe, Cooler 93-94 FD01-61-464B
95 FD31-61-465
Dealer Installed 93 FD04-61-465
94 FD15-61-465A
95 FD15-61-465A
- 12 Compressor Assy 93-94 FD01-61-450
95 FD31-61-450
Dealer Installed 93 FD01-61-450
94-95 FD15-61-450A
- Compressor 93-94 FD01-61-450
Dealer Installed 95 FD31-61-K00
Factory Installed 93 FD01-61-450
94-95 FD15-61-K00
- Clutch Assy, Drive 93-94 FD01-61-L10
95 FD31-61-L10
Dealer Installed 93 FD05-61-L10
94-95 FD15-61-L10
- Pulley, Clutch (a) 93-94 FD01-61-L12
95 FD31-61-L12
Dealer Installed 93 FD05-61-L12
94-95 FD15-61-L12
*†Included w/Compressor Assy
(a) Included w/Drive Clutch Assy*

MAZDA RX7 1993-95

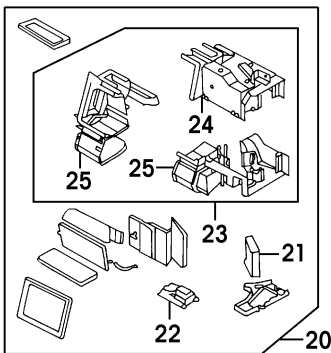
A/C /HEATER Cont'd



035-02113

- 13 **Evaporator Assy**
Dealer Installed 93 FD01-61-520A
94 FD17-61-520
95 FD31-61-520
Factory Installed 93 FD04-61-520
94-95 FD15-61-520
- 14 **Core, Evaporator**¶
Dealer Installed 93 FD01-61-J10
94-95 FD17-61-J10
Factory Installed 93 FD04-61-J10
94-95 FD15-61-J10
- 15 **Case, Evap Up**¶
Dealer Installed 93 FD01-61-J02
94-95 FD17-61-J02
Factory Installed 93 FD04-61-J01
94-95 FD15-61-J01
- 16 **Case, Evap Lwr**¶
Dealer Installed 93 FD01-61-J01
94-95 FD17-61-J01
Factory Installed 93 FD04-61-J02
94-95 FD15-61-J02
- 17 **Valve, Expansion**¶
Dealer Installed 93 FD01-61-J14
94-95 FD31-61-J14
Factory Installed 93 FD04-61-J14
94-95 FD15-61-J14
- 18 **Pipe, Evaporator**¶
Dealer Installed 93 FD01-61-J15
94-95 FD17-61-J15
Factory Installed 93 FD04-61-J15
94-95 FD15-61-J15
- 19 **Thermostat**¶
Dealer Installed 93 FD01-61-J20
94-95 FB01-61-J20
Factory Installed 93 FD01-61-J20
94-95 FB01-61-J20

¶Included w/Evaporator Assy

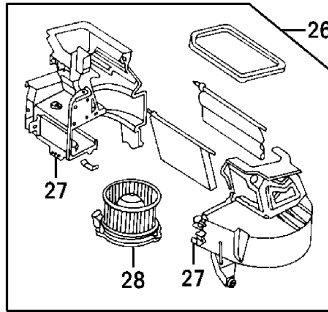


035-02352

- 20 **Heater Assy** FD01-61-130B
- 21 **Core, Heater**¶ FD01-61-A10
- 22 **Actuator, Temp**¶ FD01-61-A60
- 23 **Case Assy, Heater**¶ FD01-61-A80
- 24 **Case, Upper**¶ (a) FD01-61-A03
1993
1994-95-Serviced w/Heater Assy
- 25 **Case, Side**¶ (a) R/L FD01-61-A01-2
1993
1994-95-Serviced w/Heater Assy
¶Included w/Heater Assy
(a) Included w/Heater Case Assy

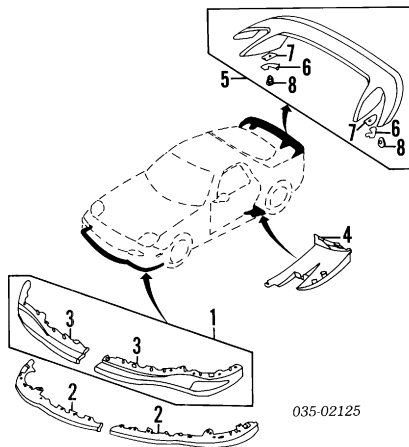
Illustration Located in Next Column

- 26 **Blower Assy** FD01-61-140B
- 27 **Case, Blower**¶ R/L FD01-61-B01-2
- 28 **Motor, Blower**¶ FD01-61-B10
¶Included w/Blower Assy



035-02353

GROUND EFFECTS



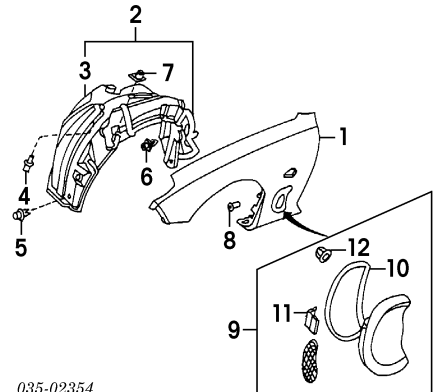
035-02125

- 1 **Spoiler Assy**
Std Duty Susp-Serviced by Components FD03-51-9H0
Hvy Duty Susp
- 2 **Skirt, Air Dam**
Std Duty Susp R FD01-51-9K1
L FD01-51-9L1
- 3 **Hvy Duty Susp**¶ R FD03-51-9H1A
L FD03-51-9H2A
¶Included w/Spoiler Assy
- 4 **Spoiler, Side** R FD01-51-9B0B
L FD01-51-9C0B
- 5 **Spoiler Assy, Rear**
Factory Installed (P) FD03-51-960C-PT
Dealer Installed (P) FD01-V4-920G
¶Chart White listed, Order by Application
GU Shade Green; J9 Competition Yellow O;
M8 Montego Blue; NU Vintage Red;
PZ Brilliant Black; UC Crystal White;
3L Silver Stone Metallic; PT Chaste White
(P) Paint to Match
- 6 **Bracket, Spoiler**¶ R/L FD03-51-965-6
- 7 **Gasket, Spoiler**¶ R FD03-51-9G8A
L FD03-51-9G9A
- 8 **Clip, Spoiler**¶ R/L B459-51-958
¶Included w/Rear Spoiler Assy

FRONT FENDER

Illustration Located in Next Column

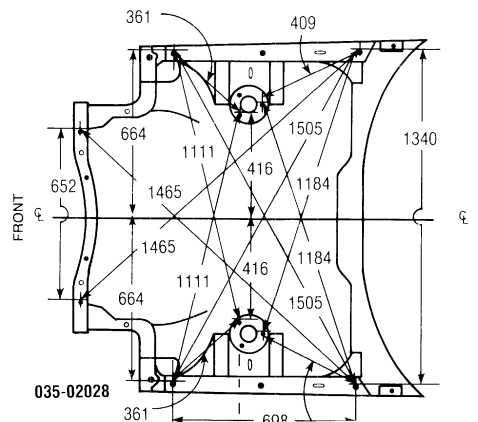
- 1 **Fender** R FD01-52-111D
L FD01-52-211D
- 2 **Skirt Assy** 93-94 R FD01-56-130H
L FD01-56-140G
95 R FD01-56-130H
L FD01-56-140H
- 3 **Shield, Splash**¶
1993-94-Serviced w/Skirt Assy
1995 R FD01-56-13ZF
L FD01-56-14ZF
¶Included w/Skirt Assy
- 4 **Fastener, Skirt (8/Side)** R/L NA01-56-145
- 5 **Retainer, Front (3/Side)** R/L FB01-56-964
- 6 **Retainer, Rear** R/L B455-56-143
- 7 **Nut, Clip (3/Side)** R/L B455-56-135
- 8 **Clip, Skirt** R/L B455-56-145
- 9 **Grille Assy, Fender Side** R FDY2-50-91XB
L FDY2-50-92XB
- 10 **Protector, Grille (a)** R/L FD01-50-912



035-02354

- 11 **Clip, Grille (a)** R/L FD01-50-913
- 12 **Clip, Upper (a)** R/L FC17-51-PS9
(a) Included w/Fender Side Grille Assy

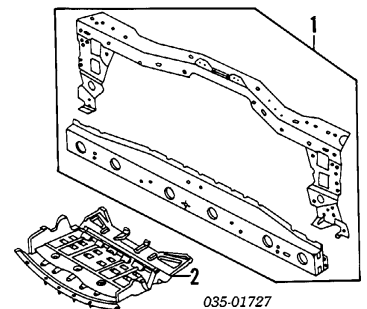
UNDERHOOD DIMENSIONS



035-02028

FRONT INNER STRUCTURE

FRONT



035-01727

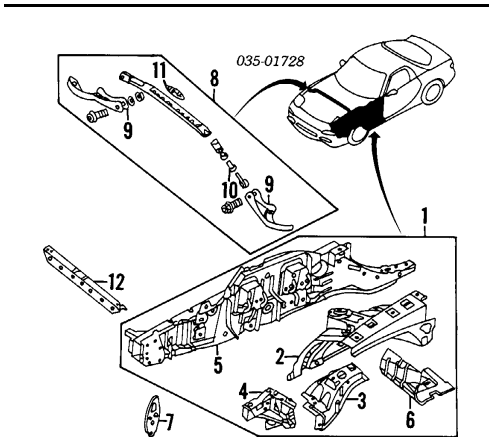
- 1 **Support, Front** FD01-53-150B
- 2 **Cover, Under** FD01-56-1B0C

SIDE

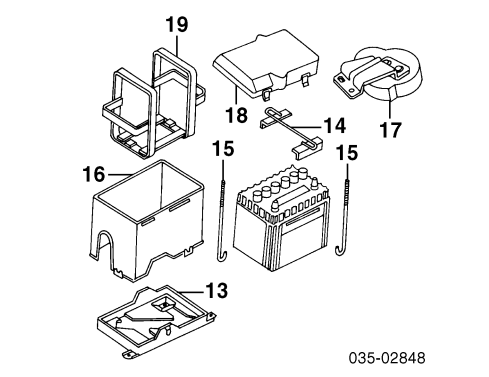
Illustration Located in Next Column

- 1 **Apron Assy** R FD01-53-200A
L FD01-54-200A
- 2 **Panel, Apron**¶ R FD01-53-210E
L FD01-54-210G
- 3 **Reinforcement, Apron**¶ R FD01-53-270A
L FD01-54-270A
- 4 **Panel, Side Shroud**¶ R FD01-53-12XL
L FD01-54-12XL
- 5 **Rail, Front Side**¶ R FD01-53-300P
L FD01-54-300R
- 6 **Box, Torque**¶ R FD01-53-391
L FD01-54-391
¶Included w/Apron Assy
- 7 **Hook, Tie-Down** R FD01-56-221

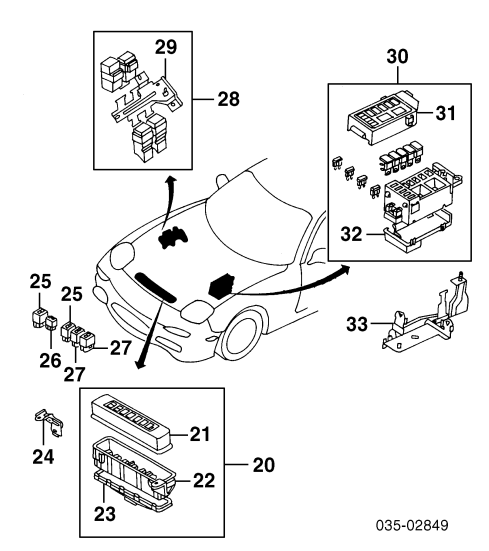
MAZDA RX7 1993-95



- 8 Bar Assy, Strut L FD01-56-231
93 F111-56-48Z
94-95 F111-56-482
- 9 Plate, Strut Bar 93 R FD03-56-482A
L FD03-56-483A
94-95 R F111-56-482
L FD03-56-483A
- 10 Bolt, Strut Bar R/L FD03-56-498
- 11 Plate, Logo FD03-56-489
- 12 Crossmember, Front *†*Included w/Strut Bar Assy
FD01-56-290A

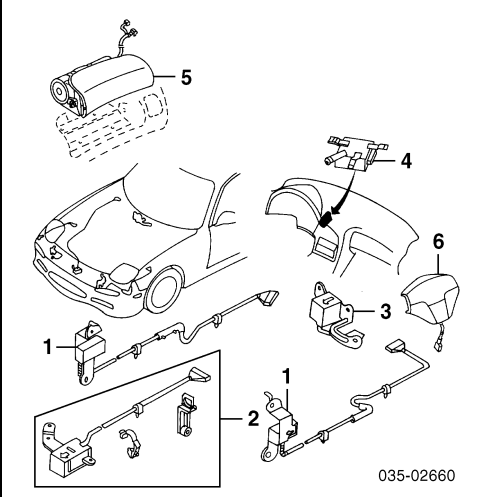


- 13 Tray, Battery FD01-56-981A
- 14 Clamp, Battery H384-56-03XA
- 15 Bolt, Mounting (2) 93 FD01-53-318
94 0370-70-985B
95 0370-70-985B
- 16 Box, Battery N3A1-18-591F
- 17 Cover, Battery Box Std Duty N3A2-18-593A
Hvy Duty N3A1-18-593B
- 18 Band, Battery FE50-18-522
- 19 Battery-See Electrical Section



- 20 Box Assy, Relay 93 FD01-66-750C
94-95 FD15-66-750
- 21 Cover, Relay Up 93 FD01-66-752A
94-95 FD15-66-752
- 22 Case, Relay Box FD01-66-755C
- 23 Cover, Relay Box Lwr FD01-66-756
- 24 Bracket, Relay Box *†*Included w/Relay Box Assy
FD01-67-B12
- 25 Relay, Air Pump/Audio HD22-67-740
- 26 Relay, Horn LA10-67-740
- 27 Relay, Retractor/Lamp KA32-67-720
- 28 Bracket & Relay Assy, Cooling Fan FD01-67-9B0A
- 29 Bracket, Relay FD01-67-9B1B
- 30 Block Assy, Main Fuse 1993-94 FD01-66-760B
1995 FD31-66-760
- 31 Cover, Main Fuse Block 93-94 FD01-66-761B
95 FD31-66-761
- 32 Cover, Under FD01-66-767
- 33 Bracket, Main Fuse Block *†*Included w/Main Fuse Block Assy
FD05-67-B7XE

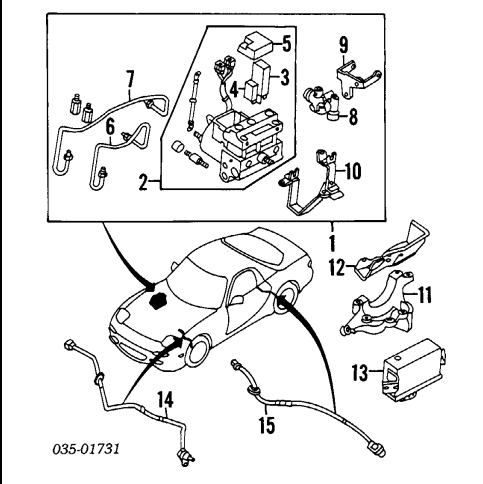
AIR BAG SYSTEM



- 1 Sensor, Air Bag R FD15-57-K2X
L FD01-57-K2YC
- 2 Front Outer 93 FD01-57-K1XD
94-95 FD01-57-K1XD
- 3 Front Center 94-95 FD01-57-K1XD
FD01-57-K40A
- 4 Rear
- 5 Control Unit, Diagnosis 1993 FD01-67-7F0C
1994-95 FD15-67-7F0A
- 6 Module, Driver Air Bag 93 FD15-57-K00A
94-95 FD15-57-K00A
- 7 Module, Pass Air Bag FD15-57-K7X
- 8 Clockspring-See Steering Wheel/Column Section
- 9 Serviced w/Combination Switch

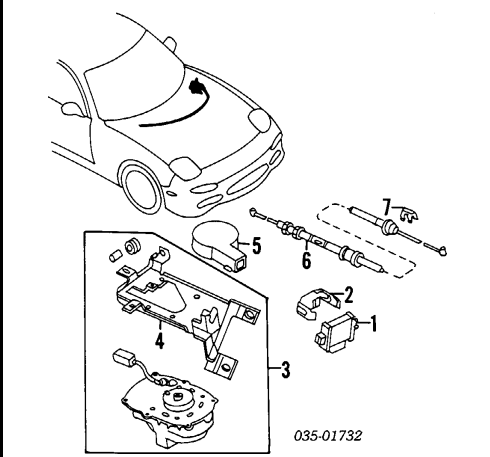
ABS/BRAKES

1993-94



- 1 Hydraulic Unit Assy, ABS FD04-43-780F
- 2 Hyd Unit, ABS FD04-43-7A0D
- 3 Relay, Hyd Motor Unit (a) NA23-43-7A2
- 4 Relay, Hyd Valve Unit (a) NA23-43-7A3
- 5 Cover, Relay (a) NA23-43-7A4
- 6 Pipe, Hydraulic Front FD04-43-270B
- 7 Pipe, Hydraulic Rear FD04-43-280D
- 8 Valve, Hydraulic FD04-43-920
- 9 Holder, Hyd Valve FD01-43-750C
- 10 Brkt, Hyd Unit Upper FD04-43-320D
- 11 Brkt, Hyd Unit Lwr FD04-43-311B
- 12 Insulator FD01-43-860E
- 13 Control, ABS 93 FD01-67-650
94 FD03-67-650
- 14 Sensor, ABS Front R FD05-43-70XB
L FD05-43-73XC
- 15 Sensor, ABS Rear R FD04-43-71YC
L F146-43-72Y

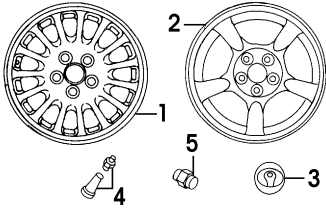
CRUISE CONTROL SYSTEM



- 1 Control Unit, Cruise FD01-66-320A
- 2 Bracket, Cruise Control FD01-67-BCXB
- 3 Actuator Assy, Cruise FD01-66-310C
- 4 Bracket, Actuator FD02-66-3AXC
- 5 Cover, Actuator *†*Included w/Cruise Actuator Assy
GN55-66-319D
- 6 Cable, Actuator FD01-66-311B
- 7 Spring, Cable (2) 8871-13-087A

MAZDA RX7 1993-95

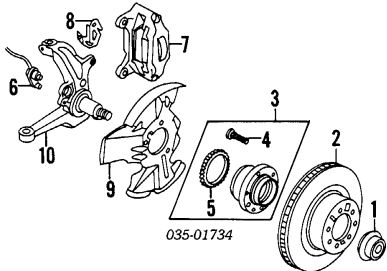
WHEEL



035-02365

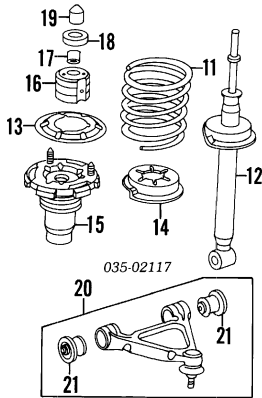
- | | |
|-------------------|--------------|
| 1 Wheel, Spare | 9965-19-406 |
| 2 Wheel, Aluminum | |
| Man Trans | 9965-28-060 |
| Auto Trans | 9965-05-806 |
| 3 Cap, Center | FD01-37-191B |
| 4 Valve, Stem | 9963-60-4130 |
| 5 Nut, Lug | B002-37-160A |

FRONT SUSPENSION



035-01734

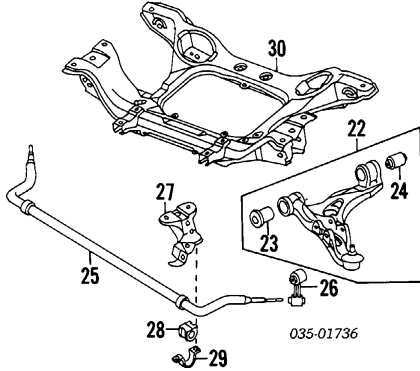
- | | |
|--|----------------------|
| 1 Cap, Hub | R/L GA2A-26-071 |
| 2 Rotor, Brake | R/L FD01-33-25XA |
| 3 Hub Assy | R/L GA5S-26-15XA |
| 4 Bolt, Hub (5/Side) | R/L J00Y-33-062 |
| 5 Rotor, Sensor (a) | R/L GA5S-26-471 |
| *Included w/Hub Assy | |
| 6 Sensor, ABS-See Anti-Lock Brake System Section | |
| 7 Caliper, Brake | R FD13-33-980D |
| L FD13-33-990D | |
| Hose, Brake | R/L FD01-43-980C |
| 8 Bracket, Hose | R FD01-43-86YB |
| L FD01-43-87YA | |
| 9 Shield, Splash | 93-94 R FD01-33-261B |
| L FD01-33-271B | |
| | 95 R F124-33-261 |
| | L F124-33-271A |
| 10 Knuckle, Steering | 93-94 R FD15-33-021 |
| | L FD15-33-031 |
| | 95 R FD15-33-021 |
| | L FD15-33-031 |



035-02117

- | | |
|-----------------------|----------------------|
| 11 Spring, Coil | |
| 1993 | R/L FD03-34-011 |
| 1994-95 | |
| Std Duty | R/L FD01-34-011 |
| Hvy Duty | R/L FD17-34-011 |
| 12 Strut | |
| Std Duty | 93 R FD01-34-700B |
| | L FD01-34-900B |
| | 94 R FD15-34-700A |
| | L FD15-34-900A |
| | 95 R F123-34-700A |
| | L F123-34-900A |
| Hvy Duty | 93 R FD03-34-700C |
| | L FD03-34-900C |
| | 94-95 R FD16-34-700A |
| | L FD16-34-900A |
| 13 Seat, Spring Upper | R/L FD01-34-003 |
| 14 Seat, Spring Lower | R/L FD01-28-012 |

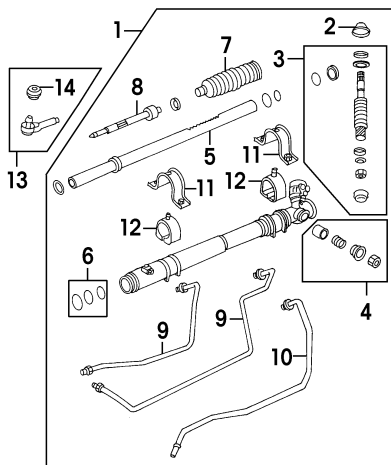
- | | |
|----------------------------|------------------------|
| 15 Bumper, Stop | 93 R/L FD01-34-110C |
| | 94 R/L FD15-34-110A |
| | 95 R/L FD15-34-110B |
| 16 Insulator, Mounting | 93 R/L FD01-28-380 |
| | 94-95 R/L FD15-28-380A |
| 17 Spacer | R/L FD01-28-123A |
| 18 Stopper | R/L FD01-34-120 |
| 19 Cap, Mount | R/L FD01-34-711A |
| 20 Arm Assy, Upper | 93 R F131-34-200 |
| | L F131-34-250 |
| | 94-95 R F131-34-200 |
| | L F131-34-250 |
| 21 Bushing, Upper Arm (a) | R/L F131-34-480 |
| (2/Side) | |
| *Included w/Upper Arm Assy | |



035-01736

- | | |
|----------------------------|------------------|
| 22 Arm Assy, Lower | |
| 1993-94 | R F131-34-300B |
| | L F131-34-350B |
| 1995 | |
| Std Duty | R F134-34-300B |
| | L F134-34-350B |
| Hvy Duty | R F131-34-300B |
| | L F131-34-350B |
| 23 Bushing, Arm Front (a) | |
| 1993-94 | R/L FD01-34-460B |
| 1995 | F123-34-460A |
| Std Duty | R/L F123-34-460A |
| Hvy Duty | R/L FD01-34-460B |
| 24 Bushing, Arm Rear (a) | R/L FD01-34-470A |
| *Included w/Lower Arm Assy | |
| 25 Bar, Stabilizer | FD01-34-151A |
| 26 Link, Stabilizer | R FD01-34-17X |
| | L FD01-34-19X |
| 27 Bracket, Stabilizer | R FD01-34-160F |
| | L FD01-34-180E |
| 28 Bushing, Stabilizer | R/L FD01-34-156 |
| 29 Plate, Bushing | R/L FD01-34-155 |
| 30 Crossmember, Susp | FD01-34-800H |

FRONT STEERING LINKAGE/GEAR

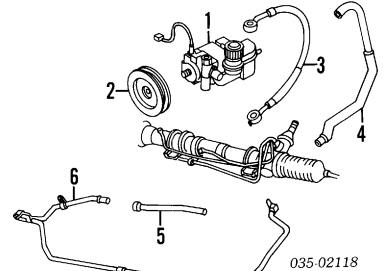


035-02366

- | | |
|--------------------------|-----------------------|
| 1 Gear Assy | FD15-32-110B |
| 2 Cover, Lever (a) | FD01-32-112 |
| 3 Valve Assy (a) | FD15-32-380 |
| 4 Yoke Set (a) | FD01-32-11X |
| 5 Rack, Gear (a) | FD01-32-119A |
| 6 Stopper, Gear Rack (a) | FD01-32-202 |
| 7 Boot, Rack (a) | R FD02-32-125A |
| | L FD01-32-125A |
| 8 Rod, Inner Tie (a) | 93-94 R/L FD01-32-240 |
| | 95 R/L FD01-32-240B |
| 9 Pipe, Pressure (a) | R FD01-32-450 |
| | L FD02-32-450 |
| 10 Pipe, Return (a) | FD01-32-480F |
| 11 Brkt, Gear Mount (a) | R/L FD01-32-133 |

- | | |
|-----------------------------------|-----------------|
| 12 Cushion, Gear Mount (a) | R F110-32-123 |
| | L F110-32-124 |
| *Included w/Gear Assy | |
| 13 Rod Assy, Outer Tie | R/L 8AB2-32-280 |
| 14 Seal (a) | R/L B455-32-279 |
| (a) Included w/Outer Tie Rod Assy | |

STEERING PUMP

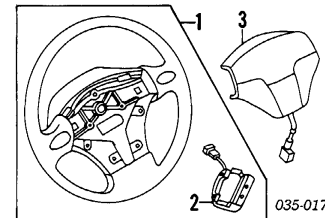


035-02118

- | | |
|----------------------------|--------------------|
| 1 Pump, Strg | 93 FD01-32-600D |
| | 94-95 FD15-32-600B |
| 2 Pulley, Pump Belt, Drive | FD01-32-620B |
| | N3A1-15-907 |
| 3 Hose, Pressure | FD01-32-490D |
| 4 Hose, Return | FD01-32-682E |
| 5 Hose, Cooler | FD01-32-683A |
| 6 Pipe, Cooler | FD01-32-480F |

STEERING WHEEL/COLUMN

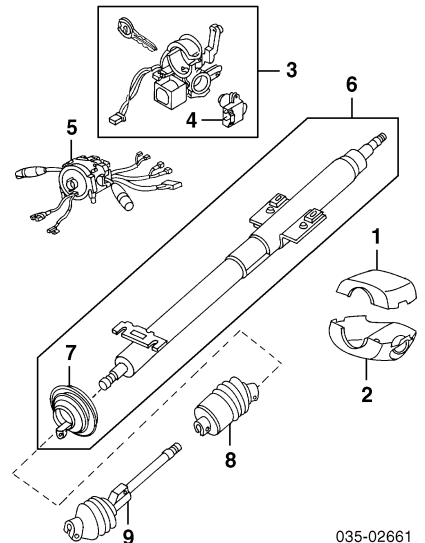
WHEEL & TRIM



035-01738

- | | |
|--|--------------|
| 1 Wheel Assy, Steering | |
| Std Duty Susp | FD01-32-980E |
| Hvy Duty Susp | FD03-32-980E |
| 2 Switch, Cruise Control (a) | FD01-66-3D1A |
| *Included w/Steering Wheel Assy | |
| 3 Module, Air Bag-See Air Bag System Section | |

COLUMN



035-02661

- | | |
|-----------------------------|-----------------|
| 1 Cover, Column Upper | FD01-60-221C-00 |
| 2 Cover, Column Lower | FD01-60-230D-00 |
| 3 Cylinder & Key Assy, Lock | |
| Man Trans | FD01-76-290B |
| Auto Trans | FD02-76-290C |
| 4 Switch, Ignition (a) | FD01-66-151A |

MAZDA RX7 1993-95

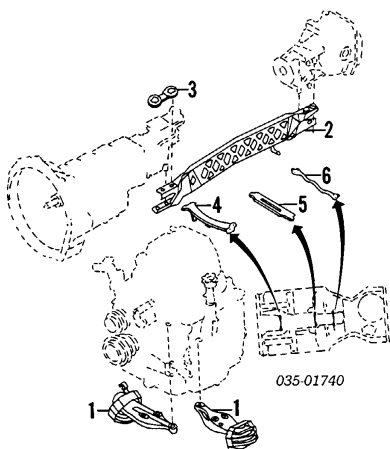
†Included w/Lock Cylinder & Key Assy

5 Switch, Combination w/Sunroof	FD04-66-120D
w/o Sunroof	FD01-66-120E
Clockspring-Serviced w/Combination Switch	
6 Shaft Assy, Steering	93 FD05-32-100
	94-95 FD15-32-100
7 Cover, Lever†	93 FD01-32-411B
	94-95 FD15-32-411
†Included w/Steering Shaft Assy	
8 Shaft, Intermediate	FD01-32-090A
9 Joint, Steering	93 FD01-32-850A
	94-95 FD15-32-850

ENGINE

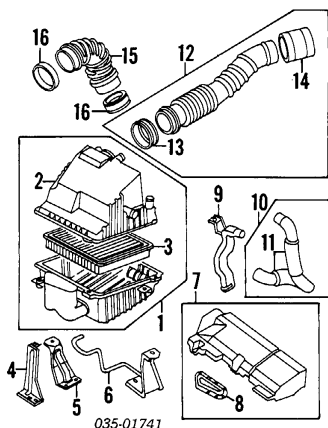
Pulley, Crankshaft	93 N3A1-11-400A
	94-95 N3C1-11-400
Cover, Timing Front	N3A1-10-500
Housing, Front	N3F1-10-C00
Pan, Eng Oil	N3G1-10-400
Gasket, Eng Oil Pan	N3YA-10-427
Pump, Fuel-See Fuel Tank Section	

ENGINE/TRANS MOUNTS



1 Mount, Eng Front	R FD01-39-040D
	L FD31-39-050B
2 Frame, Center	FD01-39-710D
3 Stopper, Frame	FD01-39-723
4 Crossmember, Front	FD01-56-3A1
5 Crossmember, Center	FD01-56-3B1
6 Crossmember, Rear	FD01-56-3C1D

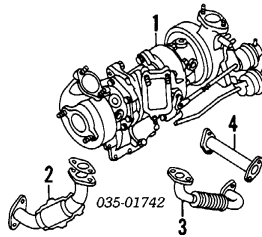
AIR CLEANER



1 Cleaner Assy, Air	N3A1-13-320
2 Cover, Air Cleaner†	N3A1-13-201
3 Element, Cleaner†	N350-13-Z40-9U
†Included w/Air Cleaner Assy	
Bracket, Air Cleaner	
4 No. 1	N3A1-20-200
5 No. 2	N3A1-20-210
6 No. 3	N3A2-20-220
7 Duct Assy, Fresh Air	N3A1-13-200
8 Seal, Duct†	N3A1-13-203
†Included w/Fresh Air Duct Assy	
9 Pipe, Relief	N3A1-13-C9YA
10 Hose Assy, Air	93 N3A4-13-75XA
	94-95 N3C1-13-C9Y
11 Protector, Hose† (2)	93 N3A4-13-889
†Included w/Air Hose Assy	
12 Hose Assy, Air Intake	N3A1-13-220
13 Joint, Air Hose Front†	N3A1-13-247

14 Joint, Air Hose Rear†	N3A3-13-247
†Included w/Air Intake Hose Assy	
15 Hose, Air	N3A1-13-221A
16 Joint, Rubber (2)	N3A1-13-247

TURBOCHARGER



1 Turbocharger†	93 N3C1-13-700A
	94-95 N3C1-13-700A
†Add'l Parts &/or Dealer Contact Required	
Pipe, Oil	
2 No. 1	N3D8-14-290
3 No. 2	N3D9-14-290
4 Pipe, Oil Outlet	N3A1-14-260

EXHAUST

Manifold, Exhaust	93-94 N3A1-13-450A
	95 N3A7-13-450B
Converter, Front Catalytic	
Man Trans	N3A1-20-500
Auto Trans	N3A2-20-500
Converter, Rear Catalytic	
Man Trans	93-94 N3A1-20-600A
	95 N3D8-20-600A
Auto Trans	93-94 N3A2-20-600A
	95 N3D9-20-600A
Muffler w/Pipe	
Man Trans	N3C1-40-100A
Auto Trans	93 N3A2-40-10XD
	94 N3C1-40-100A
	95 N3C1-40-100A

EMISSION SYSTEM

Pump, Air	
Man Trans	N3A3-13-810A
Auto Trans	N3A4-13-810A
Pulley, Pump-Serviced w/Air Pump	
Belt, Drive-See Electrical Section	
Valve Assy, Air Control	
Man Trans	N3A3-13-990
Auto Trans	N3A4-13-990
Valve, Solenoid†	
No. 1	N250-20-725
No. 2	N304-20-725
†Included w/Air Control Valve Assy	
Valve, EGR	
93	N3A1-20-300
94	N3A3-20-300
95	N.A.
Canister, Vapor	N3A1-13-970

ELECTRICAL

ALTERNATOR

Alternator Assy†	N3A1-18-300R-00
†Remanufactured Part. Contact Dealer for Core Charge & Exchange Information	
Pulley, Alternator (a)	N390-18-W11
(a) Included w/Alternator Assy	
Strap, Alternator	
Belt, Drive	N3A1-18-360B
Man Trans	N3Z1-18-381-9U
Auto Trans	N3Z2-18-381

BATTERY

Battery	
Man Trans	0000-80-026R-WB
Auto Trans	0000-80-224F-WB

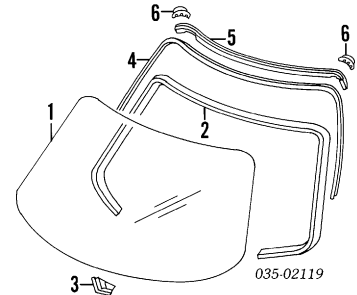
HORN

Horn	
High Note	SA59-66-780A
Low Note	FD01-66-790B

POWERTRAIN CONTROLS

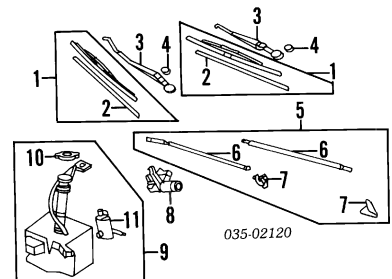
Coil, Leading Ignition	N3A3-18-100
Coil, Trailing Ignition	
No. 1	N3A1-18-100
No. 2	N3A2-18-100
Control, Electronic Ignition†	
w/o Calif Emission	
Man Trans	N3A1-18-881R
Auto Trans	N3A2-18-881R
w/Calif Emission	
Man Trans	N3A3-18-881R
Auto Trans	N3A4-18-881R
†Order by Application	

WINDSHIELD



1 Glass, Windshield	Mazda	93 FD01-63-900
		94 F132-63-900A
		95 FD31-63-900
2 Dam, Windshield		FD01-50-894
3 Spacer, Windshield	93-94 R/L	B455-50-891A
	95 R/L	EA01-50-891A
4 Moulding, Reveal		FD01-50-6AXC
5 Protector, Midg Upper		NA01-50-6B1
6 Protector, Midg Side	R/L	NA01-50-6B2
Midg, Inside Garnish	R	FD01-68-160G-02
	L	FD01-68-170G-02
Mirror, Rear View		93 HG31-69-220C
		94 HG31-69-220C
		95 HG82-69-220A
Visor, Sun†		
w/Sunroof		
	93-94 R	FD01-69-270C-02
	L	FD01-69-320C-02
	95 R	FD34-69-270-02
	L	FD34-69-320A-02
w/o Sunroof		
	93-94 R	FD03-69-270C-02
	L	FD03-69-320C-02
	95 R	FD31-69-270A-02
	L	FD31-69-320A-02
†Black listed, Order by Application		
02 Black; 33 Tan		

WIPER SYSTEM



1 Blade Assy, Wiper	R	TA02-67-330A-9U
	L	FD01-67-330B
2 Insert, Blade†	93-94 R/L	DB09-67-333-9U
	95 R/L	DB09-67-333-9U
†Included w/Wiper Blade Assy		
3 Arm, Wiper	R	FD02-67-321
	L	FD01-67-321
4 Cover, Wiper Arm	R/L	LA01-67-395C
5 Link Assy, Wiper		
Std Duty		FD01-67-360
Hvy Duty		FD02-67-360
6 Arm, Link†	R	FD01-67-361
	L	FD01-67-362
7 Pivot, Wiper†		
Std Duty	R/L	FD01-67-363-4
Hvy Duty	R/L	FD02-67-363-4
†Included w/Wiper Link Assy		
8 Motor, Wiper		
Std Duty		FD14-67-340
Hvy Duty		FD14-67-340
9 Tank Assy, Fluid		FD01-67-480B
10 Cap, Tank†		FD01-67-483
11 Pump, Washer†		B25D-67-482A
†Included w/Fluid Tank Assy		

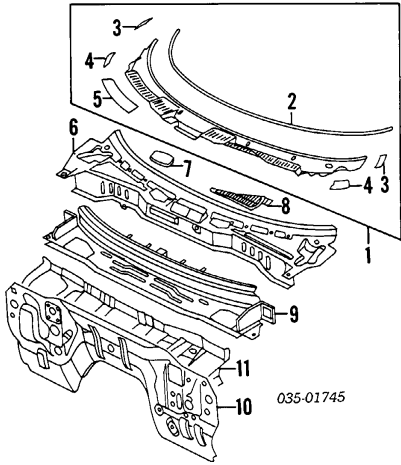
COWL & DASH

Illustration Located in Next Column

1 Grille Assy, Cowl	FD01-50-790A
2 Seal, Grille†	GA7B-50-794
Protector, Grille†	
3 No. 1	R FD01-50-783
	L FD01-50-793
4 No. 2	R/L FD01-50-798
5 No. 3	FD01-50-795

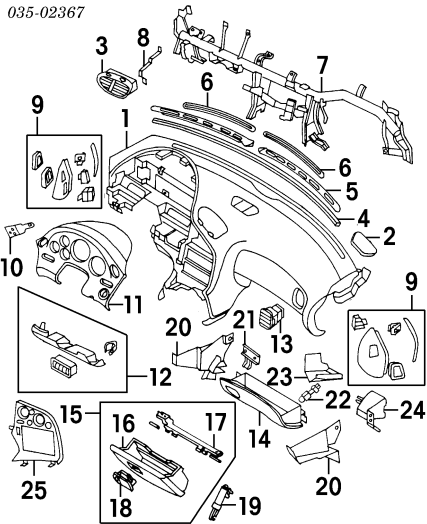
MAZDA RX7 1993-95

COWL & DASH Cont'd



- 6 Panel, Cowl Baffle, Cowl FD01-70-610A
 - 7 No. 1 FD01-56-351
 - 8 No. 2 FD01-50-7P0A
 - 9 Panel, Dash Upper 93 FD01-53-510C
94-95 FD15-53-510
 - 10 Panel, Dash Lower w/Sunroof FD04-54-400E
w/o Sunroof FD01-54-400D
 - 11 Insulator, Dash w/Sunroof FD05-68-63XD
w/o Sunroof FD01-68-63XD
- †Incl'd w/Cowl Grille Assy
†Order by Application

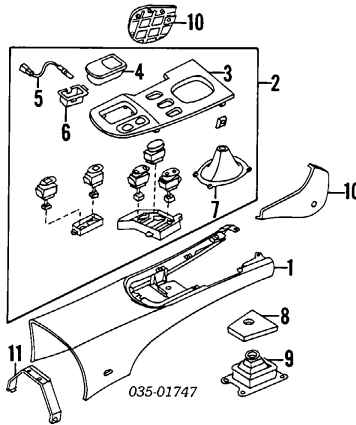
INSTRUMENT PANEL



- 1 Panel, Instrument 93 FD01-60-350D-02
94-95 FD15-60-350D-02
- 2 Grille, Speaker Speaker, Radio w/Sunroof FD04-66-960A
w/o Sunroof 0000-81-H07A
- Radio w/Sunroof 0000-81-9609-R8
w/o Sunroof 0000-81-9612-R8
- †Order by Application
- 3 Grille, Ventilator FD01-64-930A-02
- 4 Pad, Garnish Upper FD01-60-735
- 5 Grille, Defroster R FD01-60-780-02
L FD01-60-790-02
- 6 Tape, Defroster R/L FD01-60-123
- 7 Crossmember, Inst Pnl 93 FD01-60-420C
94 FD15-60-420E
95 FD15-60-420G
- 8 Bracket, Center FD01-60-534
- 9 Panel, Side 93 R FD01-64-910A-02
L FD01-64-920B-02
94-95 R FD15-64-910-02
L FD01-64-920B-02
- 10 Bracket, Center Panel FD01-60-582
- 11 Hood, Meter 93 FD01-55-420E-00
94-95 FD15-55-420
- 12 Panel, Lower FD01-64-280C-02

- 13 Louver, Vent Grille 93 FD01-64-81XA-02
94-95 FD15-64-81XA-02
 - Glove Box Assy FD01-64-030D-02
 - 14 1993 FD01-64-030E-02
 - 15 1994-95 FD15-64-161C
 - 16 Glove Box† FD15-64-161A
 - 17 Hinge, Glove Box† FD15-64-071A
 - 18 Latch, Glove Box† BC5E-64-090E-00
 - †Incl'd w/1994-95 Glove Box Assy
 - Lock & Key, Glove Box 93 FD01-76-250-02
94-95 FD15-76-250C
 - 19 Damper, Glove Box 94-95 FD15-64-08XB
 - 20 Cover, Glove Box 93 R FD01-64-116B
L FD01-64-117B
94-95 R FD15-64-117A
L FD15-64-914B-02
 - 21 Striker, Glove Box 93 FD01-64-10X
94-95 FD15-64-10XC
 - 22 Switch, Glove Box J002-66-540A
 - 23 Cover, Side 93 FD01-64-914B-02
 - 24 Cover, Lamp 93 FD01-64-170A
 - 25 Panel, Center 93 FD01-55-21X
94-95 FD15-55-21X
- Module, Air Bag-See Air Bag System Section

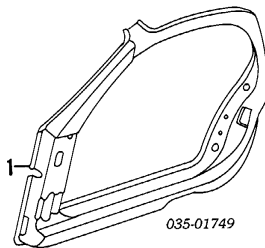
CENTER CONSOLE



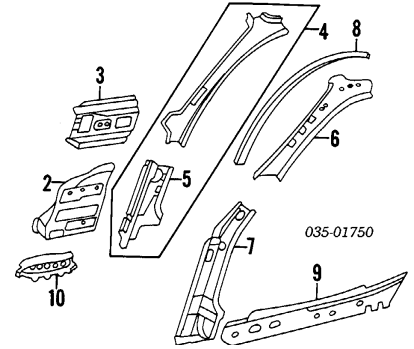
- 1 Panel, Console FD01-64-420E-02
- 2 Cover Assy, Console w/Sunroof FD04-64-470F-00
Man Trans FD05-64-470F-00
Auto Trans
- w/o Sunroof FD01-64-470F-00
Man Trans FD02-64-470F-00
Auto Trans
- 3 Panel, Switch 1993† (a) FD01-64-471D-00
1994-95 (a) FD15-64-471
Man Trans FD15-64-471
Auto Trans
- †Order by Application
- 4 Ashtray (a) FD01-64-610A-00
- 5 Bulb & Socket (a) FD01-55-280
- 6 Case, Lamp (a) FD01-64-414A
- 7 Boot, Lever Change (a) FD01-64-330C-00
- (a) Incl'd w/Console Cover Assy
- 8 Insulator, Boot FD01-64-490A
- 9 Pad, Boot FB01-64-495
- 10 Cover, Console Side 93 R FD01-64-220A-02
L FD01-64-240A-02
94-95 R FD15-64-220A-02
L FD01-64-240A-02
- 11 Bracket, Console 93 FD01-64-416
94-95 FD15-64-43XA

ROCKER/PILLARS/FLOOR

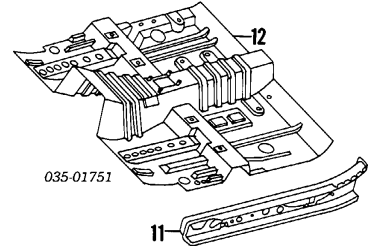
SHEET METAL



- 1 Panel, Outer Side R FDY1-70-200
L FDY1-71-200

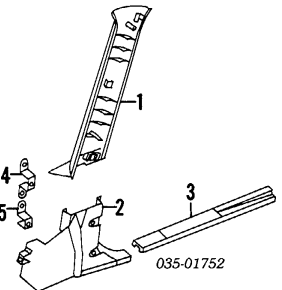


- 2 Panel, Cowl Side R FD01-70-020B
L FD01-71-020B
- 3 Reinf, Cowl Side R FD01-70-651A
L FD01-71-651A
- 4 Pillar Assy, Inner Hinge w/Sunroof R FDY4-70-24X
L FDY4-71-24X
w/o Sunroof R FDY1-70-24X
L FDY1-71-24X
- 5 Pillar, Inner Hinge† R FD01-70-230A
L FD01-71-230A
- †Incl'd w/Inner Hinge Pillar Assy
- Reinf, Hinge Pillar
- 6 Upper R FD01-70-242B
L FD01-71-242B
- 7 Lower R FD01-70-030D
L FD01-71-030E
- 8 Rail, Drip R FD01-70-311A
L FD01-71-311A
- 9 Reinf, Rocker Panel R FD01-70-272B
L FD01-71-272B
- 10 Gusset, Rocker Panel R FD01-70-274A
L FD01-71-274A



- 11 Panel, Inner Rocker R FD01-53-950B
L FD01-54-950A
- 12 Pan, Front Floor FDY1-53-600A

INTERIOR TRIM



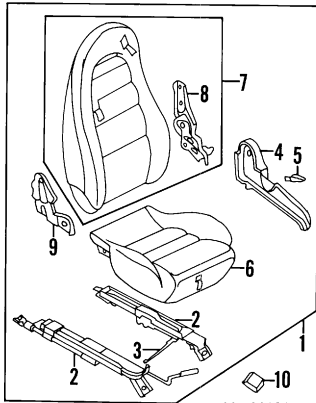
- 1 Midg, Inside Garnish-See Windshield Section
- 2 Trim, Cowl Panel† R FD01-68-371A-17
L FD01-68-391A-17
- 3 Plate, Scuff† R FD01-68-710A-17
L FD01-68-720A-17
- †Red listed, Order by Application
02 Black; 17 Red; 33 Tan
- 4 Bracket, Trim Upper R FD01-68-351
L FD01-68-356
- 5 Bracket, Trim Lower R FD01-68-352
L FD01-68-357

SEAT

Illustration Located in Next Column

- 1 Seat Assy† Base Model R FD01-57-100C-02
L FD01-57-150C-02

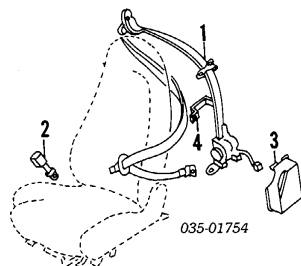
MAZDA RX7 1993-95



035-02121

- | | | |
|-------------|---|-----------------|
| R1, R2 Pkg | R | FD19-57-100B-02 |
| | L | FD03-57-150G-02 |
| Touring Pkg | R | FD05-57-100C-17 |
| | L | FD05-57-150D-02 |
- 2 Adjuster Slide (a)**
- | | | |
|----------------|---|-------------|
| Passenger Side | R | FD01-88-102 |
| | L | FD01-88-103 |
| Driver Side | R | FD01-88-152 |
| | L | FD01-88-153 |
- 3 Wire, Release (a)** R/L H115-88-108
- 4 Cover, Side (a)** R FD01-88-1G1-17
L FD01-88-1H3-17
- 5 Knob, Recliner (a)** R FD01-88-1G5-17
L FD01-88-1H5-17
- 6 Cushion, Front Seat (a)**
- | | | |
|-------------|---|-----------------|
| Base Model | R | FD01-88-110-02 |
| | L | FD01-88-160-02 |
| R1, R2 Pkg | R | FD03-88-110A-02 |
| | L | FD03-88-160B-02 |
| Touring Pkg | R | FD05-88-110-17 |
| | L | FD05-88-160-17 |
- 7 Back Assy, Front Seat (a)**
- | | | |
|--------------------|---|-----------------|
| Base, R1, R2 Model | R | FD01-88-130-02 |
| | L | FD01-88-180C-02 |
| R1, R2 Pkg | R | FD03-88-130-02 |
| | L | FD03-88-180-02 |
| Touring Model | R | FD05-88-130-17 |
| | L | FD05-88-180-17 |
- †Red listed, Order by Application
02 Black; 17 Red; 33 Tan*
- 8 Adjuster, Recline (a) (b)** R FD01-88-101
L FD01-88-155
- (b) Included w/Front Seat Back Assy*
- 9 Bracket, Front Seat (a)** R FD01-88-124
L FD01-88-174
- (a) Included w/Seat Assy*
- 10 Cover, Slide Adjuster (a)** R/L J001-57-041-17
(2/Side)
- †Red listed, Order by Application
02 Black; 17 Red; 33 Tan*

SEAT BELTS



035-01754

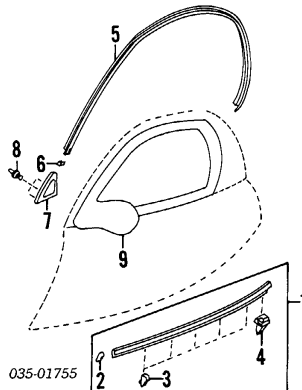
- Belt, Seat (a)**
- | | | |
|------------------|---|-----------------|
| 1 Retractor Side | R | FD01-57-630C-17 |
| | L | FD01-57-690D-17 |
| 2 Buckle Side | R | FD01-57-620A-17 |
| | L | FD01-57-680B-17 |
- †Red listed, Order by Application
02 Black; 17 Red; 33 Tan*
- 3 Cover, Retractor** R/L FD01-57-988-9
- 4 Plate, Seat Belt** R/L FD01-57-985A

FRONT DOOR

SHEET METAL

- | | | |
|------------------------|---|--------------|
| Shell Assy, Door | R | F132-58-020B |
| | L | F132-59-020B |
| Panel, Door Repair (a) | R | FD01-58-030B |
| | L | FD01-59-030B |
- †Included w/Door Shell Assy*

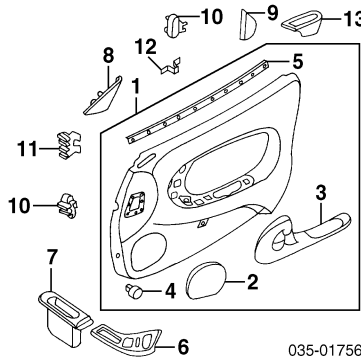
EXTERIOR TRIM



035-01755

- | | | |
|-----------------------------------|---|--------------|
| 1 Moulding Assy, Belt | R | FD01-50-640E |
| | L | FD01-50-650E |
| 2 Protector, Belt Mldg (a) | R | FD01-50-644A |
| | L | FD01-50-654A |
- Clip, Belt Mldg (a)**
- | | | |
|----------------|-----|--------------|
| No. 1 (5/Side) | R/L | FD01-50-649A |
| No. 2 | R/L | FD01-50-646B |
- †Included w/Belt Moulding Assy*
- | | | |
|-----------------------------------|---|--------------|
| 5 Moulding Assy, Drip | R | FD01-50-510E |
| | L | FD01-50-530E |
| 6 Protector, Drip Mldg (a) | R | FD01-50-516A |
| | L | FD01-50-536A |
- †Included w/Drip Moulding Assy*
- | | | |
|---------------------------------|-----|----------------|
| 7 Garnish, Door Corner | R | FD01-50-8R0B |
| | L | FD01-50-8S0B |
| 8 Clip, Garnish (3/Side) | R/L | G043-50-742 |
| 9 Mirror, Rear View (a) | R | FD01-76-120-NU |
| | L | FD01-76-180-NU |
| | R | FD01-69-240-NU |
| | L | FD01-69-242-NU |
- Base, Mirror (a)**
- †Vintage Red listed, Order by Application
GU Shade Green; J9 Competition Yellow;
M8 Montego Blue M; NU Vintage Red;
PZ Brilliant Black; UC Crystal White;
3L Silver Stone Metallic; PT Chaste White*

INTERIOR TRIM

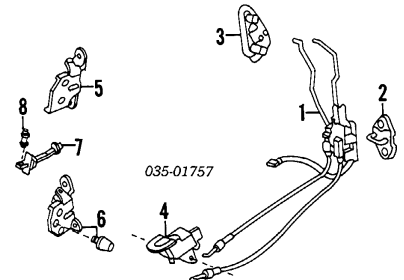


035-01756

- | | | |
|---------------------------|---|-----------------|
| 1 Panel Assy, Trim | R | FD01-68-420G-17 |
| 1993-94 (a) | L | FD01-68-450E-17 |
| 1995 | R | FD15-68-420J-02 |
| | L | FD15-68-450J-02 |
- 2 Grille, Speaker (a)**
- | | | |
|-------------|---|-----------------|
| 1993-94 (a) | R | FD01-68-4H0-17 |
| | L | FD01-68-4W0-17 |
| 1995 | R | FD01-68-4H0B-02 |
| | L | FD01-68-4W0B-02 |
- †Red listed, Order by Application
02 Black; 17 Red; 33 Tan
(a) Included w/Trim Panel Assy*
- Speaker, Radio**
- | | | |
|---------------|---|-----------------|
| 1993 | R | FD06-66-96XA |
| | L | 0000-81-E04A-LH |
| 1994-95 | R | FD09-66-960C |
| w/CD Player | L | FD08-66-960C |
| | R | 0000-81-1612-RH |
| w/o CD Player | L | 0000-81-1612-LH |
- 3 Grip, Assist (a)** 93 FD15-69-44X-00
94-95 FD15-69-44X-00
- (a) Included w/Right Trim Panel Assy*
- | | | |
|----------------------------------|-----|-------------|
| 4 Fastener, Trim (a) | R/L | G350-68-AB1 |
| 5 Weatherstrip, Inner (a) | R | FD01-58-821 |
| | L | FD01-59-821 |
- †Included w/Trim Panel Assy*
- | | | |
|----------------------------|-------|-----------------|
| 6 Panel, Switch (b) | 93 | FD01-68-4LYB-00 |
| | 94-95 | FD15-68-4LY-00 |

- | | | |
|---------------------------|-------|-----------------|
| 7 Lid, Armrest (b) | 93 | FD01-68-4M0C-00 |
| | 94-95 | FD15-68-4M0B-00 |
- (b) Included w/Left Trim Panel Assy*
- | | | |
|------------------------------|---|--------------|
| 8 Garnish, Door Front | R | FD01-68-DJXC |
| | L | FD01-68-DJYC |
| 9 Garnish, Door Rear | R | FD01-68-51XE |
| | L | FD01-68-51YE |
- Bracket, Trim**
- | | | |
|-------------------------|-----|-----------------|
| 10 No. 1 (2/Side) | R/L | FD01-68-414A |
| 11 No. 2 | R | FD01-68-413B |
| | L | FD01-68-414A |
| 12 No. 3 | R | FD01-68-411 |
| | L | FD01-68-412A |
| 13 Panel, Recess | R | FD01-68-DDXE-00 |
| | L | FD01-68-DDYE-00 |

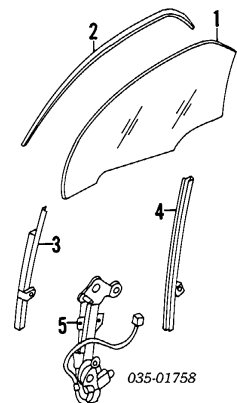
HARDWARE



035-01757

- | | | |
|---|---------|-----------------|
| 1 Latch, Door | 93 R | FD01-58-310E |
| | L | FD01-59-310E |
| | 94-95 R | FD15-58-310 |
| | L | FD15-59-310B |
| Cylinder, Lock | R | FD01-76-210D |
| | L | FD01-76-220C |
| 2 Striker, Latch | R/L | FD01-58-361 |
| 3 Handle, Outside | 93 R | FD01-58-410D |
| | L | FD01-59-410C |
| | 94 R | FD15-58-410D |
| | L | FD15-59-410D |
| | 95 R | FD15-58-410D |
| | L | FD15-59-410D |
| 4 Handle, Inner | R | FD01-58-330C-00 |
| | L | FD01-59-330C-00 |
| 5 Hinge, Upper | R | FD01-58-210C |
| | L | FD01-59-210C |
| 6 Hinge, Lower | R | FD01-58-240D |
| | L | FD01-59-240D |
| 7 Check, Door | R/L | FD01-58-270B |
| 8 Pin, Door Check Weatherstrip, Door | R/L | FD01-58-270B |
| Upper | R | FD01-58-76YF |
| | L | FD01-59-76YF |
| Lower | R | FD01-58-76XA |
| | L | FD01-59-76XA |
| W/Strip, Door Surround | R | FD01-58-760E |
| | L | FD01-59-760E |
| Welt, Seaming | R | FD01-68-911B-02 |
| | L | FD01-68-912B-02 |

GLASS & PARTS

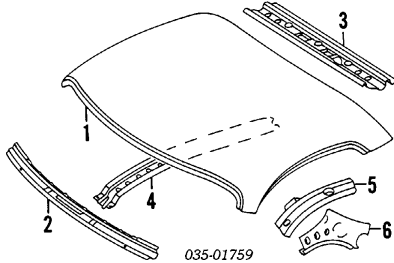


035-01758

- | | | |
|--------------------------------|---------|--------------|
| 1 Glass, Front Door | 93 R | FD01-58-511A |
| Mazda | L | FD01-59-511A |
| | 94-95 R | FD15-58-511A |
| | L | F132-59-511 |
| 2 Channel, Glass Run | R | FD01-58-605E |
| | L | FD01-59-605E |
| 3 Guide, Glass Front | R | FD01-58-601B |
| | L | FD01-59-601B |
| 4 Guide, Glass Rear | R | FD01-58-603A |
| | L | FD01-59-603A |
| 5 Regulator Assy, Power | 93 R | FD01-58-560C |
| | L | FD01-59-560C |
| | 94-95 R | FD15-58-560D |
| | L | FD15-59-560C |
| Stopper, Regulator (a) | R/L | D062-58-566 |
- †Included w/Power Regulator Assy*

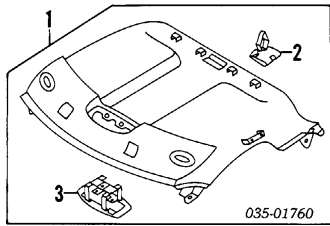
MAZDA RX7 1993-95

ROOF SHEET METAL



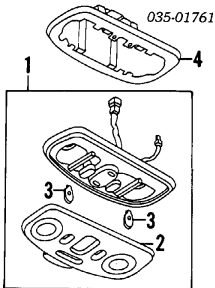
- 1 Panel, Roof
w/Sunroof FD04-70-600B
w/o Sunroof FD01-70-601A
- 2 Header, Front FD01-70-640
- 3 Header, Rear FD01-70-700B
- 4 Reinf, Center w/o Sunroof FD01-70-661
- 5 Rail, Drip Inner R FD01-70-050
L FD01-71-050
- 6 Reinf, Roof Rail R FD01-70-252A
L FD01-71-252A

INTERIOR TRIM



- 1 Headliner Assy¶
w/Sunroof FD01-68-030B-17
w/o Sunroof FD03-68-030B-17
¶Red listed, Order by Application
02 Black; 17 Red; 33 Tan
- 2 Clip, Headliner (a) GA2A-68-D21
- 3 Brkt, Overhead Console (a) FD01-69-98X
(a) Included w/Headliner Assy

OVERHEAD CONSOLE

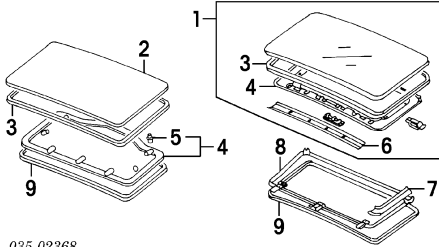


- 1 Console Assy, Overhead¶
w/Sunroof FD01-69-970D-17
w/o Sunroof FD03-69-970C-17
¶Red listed, Order by Application
02 Black; 17 Red; 33 Tan
- 2 Lens (a)
w/Sunroof 93 EA05-69-973
94 FD05-69-973
95 EA05-69-973
w/o Sunroof 93 EA01-69-973
94 FD02-69-973
95 EA01-69-973
- 3 Bulb (a) (2) 0000-11-0194
(a) Included w/Overhead Console Assy
- 4 Brkt, Overhead Console
-See Roof Section

SUNROOF

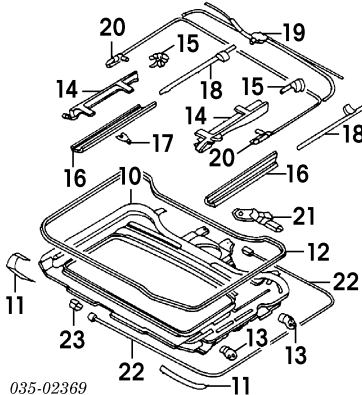
Illustration Located in Next Column

- 1 Panel Assy, Sliding F114-69-810B
- 2 Steel Sunroof FD01-69-810B



035-02368

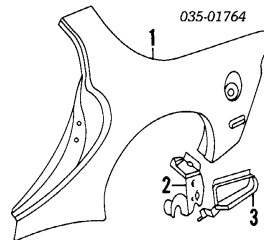
- 3 Weatherstrip
Glass Sunroof¶ F114-69-825
Steel Sunroof FD01-69-825A
- 4 Trim Assy, Sliding Panel (a)
Glass Sunroof¶-Serviced w/Assy F114-69-960A-02
Steel Sunroof FD01-69-960A-02
¶Included w/Glass Sliding Panel Assy
(a) Black listed, Order by Application
02 Black; 17 Red; 33 Tan
- 5 Clip, Trim (b) (2) G034-69-897
(a) Included w/Sliding Panel Trim Assy
- 6 Cover, Lower Panel Front¶
Glass Sunroof F114-69-893
¶Included w/Glass Sliding Panel Assy
- 7 Cover, Lower Panel Side R/L F114-69-983-4
- 8 Sunshade F114-69-890A
- 9 Welt, Seaming (a)
Glass Sunroof FD01-69-981-17
Steel Sunroof FD01-69-981-17
(a) Red listed, Order by Application
02 Black; 17 Red; 33 Tan



035-02369

- 10 Frame Assy, Sliding Panel FD01-69-840
- 11 Cover, Frame¶ R FD01-69-846
L FD02-69-846
- 12 Seal, Frame¶ FD01-69-845
- 13 Bracket, Sunroof¶ (2/Side) R/L FD01-69-842
¶Included w/Sliding Panel Frame Assy
- 14 Guide, Rear R FD01-69-864
L FD01-69-865
- 15 Plate, Guide R FD01-69-9H3
L FD01-69-9H4
- 16 Rail, Guide R/L FD01-69-851-2
- 17 Shim (2/Side) R/L FB03-69-896A
- 18 Guide, Roof R FD01-69-9H1
L FD01-69-9H2
- 19 Drive Unit FD01-69-861
- 20 Plate, Drive Unit R/L FD01-69-858-9
- 21 Motor, Sliding Panel EA05-69-871
- 22 Harness, Sliding Panel EA05-69-872
- 23 Relay, Sliding Roof EA05-69-873

QUARTER PANEL SHEET METAL



035-01764

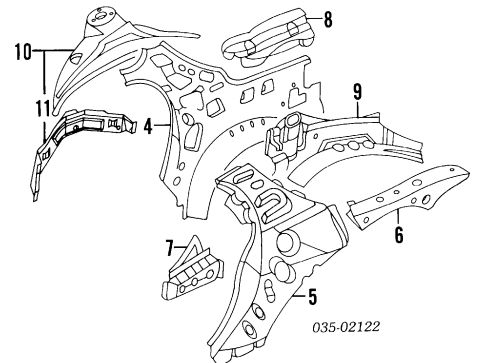
- 1 Panel, Outer Quarter R FDY1-70-400C
L FDY1-71-400C
- Door, Fuel FD01-42-41X
- Stopper, Fuel Door 0187-70-491
- Bracket, Stopper FD01-56-860C

Cable, Opener Lever, Opener Antenna Assy Mast, Antenna¶

- FD01-56-870A
- FD01-56-860C
- 0000-81-9302
- 0000-81-A902

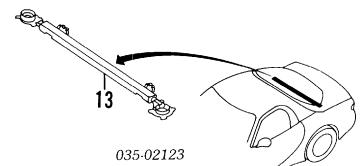
¶Included w/Antenna Assy

- 2 Gusset, Qtr Panel L FD01-71-1B0A
- 3 Reinf, Floor Side L FD01-71-1D0



035-02122

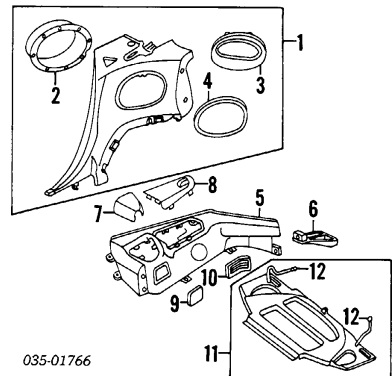
- 4 Panel, Inner Quarter R FDY1-70-110A
L FDY1-71-110A
- 5 Reinf, Inner Panel R FD01-70-120B
L FD01-71-120B
- 6 Reinf, Beltline R FD01-70-130A
L FD01-71-131A
- 7 Plate, Front Joint 93 R FD01-70-112C
L FD01-71-112C
94-95 R FD15-70-11Z
L FD15-71-11Z
- 8 Panel, Floor Side R FD01-70-1X1
L FD01-71-1X1
- 9 Reinf, Susp Housing R FD01-70-12XA
L FD01-71-12XB
- 10 Panel Assy, Wheelhouse R FD01-70-150D
L FD01-71-150E
- 11 Plate, Closing¶ R FD01-70-15XC
L FD01-71-15XD
¶Included w/Wheelhouse Panel Assy
- 12 Bracket, Trim R FD01-70-119
L FD01-71-119



035-02123

- 13 Bar, Strut 93 FD01-56-38YB-02
94-95 FD15-56-38Y

INTERIOR TRIM



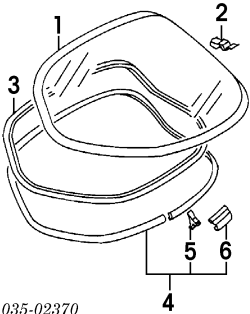
035-01766

- 1 Panel Assy, Upper Trim 1993
w/Sunroof R FD05-68-520E-17
L FD05-68-550D-17
w/o Sunroof R FD01-68-520D-17
L FD01-68-550E-17
- 1994-95
w/Sunroof R FD05-68-520F-02
L FD05-68-550F-02
w/o Sunroof R FD01-68-520H-02
L FD01-68-550H-02
- ¶Red listed, Order by Application
02 Black; 17 Red; 33 Tan
- 2 Pocket, Quarter Trim (a) w/Sunroof R FD05-68-5C1-02
L FD05-68-5N1-02

MAZDA RX7 1993-95

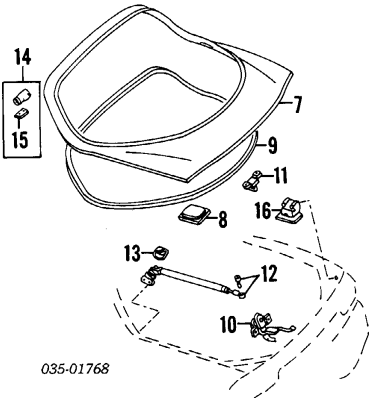
- 3 Cover, Quarter Trim[¶] (a)
w/Sunroof
R FD05-68-5CX-17
L FD05-68-5NX-17
- 4 Grille, Speaker[¶] (a)
w/o Sunroof
R FD01-68-5H0-17
L FD01-68-5W0-17
*¶Blue listed, Order by Application
02 Black; 17 Red; 33 Tan
(a) Included w/Upper Trim Panel Assy*
- Speaker, Radio
w/o Sunroof
R 0000-81-2008-RH
L 0000-81-2008-LH
- 5 Trim, Trunk Side
R FD01-68-850D-02
L FD01-68-870E-02
- 6 Bracket, Trunk Side
R FD01-68-8H2
L FD01-68-8H7
- 7 Cap, Hole
R FD01-68-J30A-02
L FD01-68-J40A-02
- 8 Lid, Trunk Side
R FD01-68-870A-02
L FD01-68-8V0A-02
- 9 Cover, Trunk Side
R FD01-68-857-02
L FD01-68-877-02
- 10 Grille, Extractor
- 11 Tray Assy, Package
w/Sunroof FD05-68-310C-02
w/o Sunroof FD01-68-310B-02
- 12 Strap[¶]
¶Included w/Package Tray Assy
R/L EA01-68-315

LIFTGATE SHEET METAL



035-02370

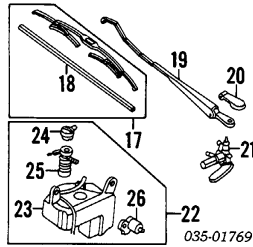
- 1 Glass Assy, Liftgate
Mazda 93 FD01-63-930D
94-95 FD15-63-930
- 2 Terminal, Glass[¶] (3)
¶Included w/OEM Liftgate Glass Assy
FB01-63-959
- 3 Dam, Glass 93 B481-50-894
94-95 8545-63-902
- 4 Moulding Assy, Glass FD01-50-6G0B
- 5 Joint, Glass Midg[¶] FD01-50-615
- 6 Clip, Glass Midg[¶] FD01-50-619A
¶Included w/Glass Moulding Assy



035-01768

- 7 Frame, Liftgate
w/Sunroof FD04-62-020H
w/o Sunroof FD01-62-020H
Std Duty FD03-62-020G
Hvy Duty
- 8 Stopper, Liftgate R/L B467-62-864B
- 9 Weatherstrip, Frame FD01-62-761
- 10 Latch FD01-62-310
- 11 Striker, Latch KA01-62-361
- 12 Cylinder w/Key FD01-76-260B
- 13 Fastener, Cylinder GJ21-56-902A
- 14 Stay, Prop
w/Spoiler R 8BF9-62-620
L 8BF6-63-620
- 15 w/o Spoiler R 8BF6-62-620
L 8BF5-63-620
- 16 Cover, Prop Stay R/L FB01-62-615
- 17 Hinge Assy R/L FD01-62-210C

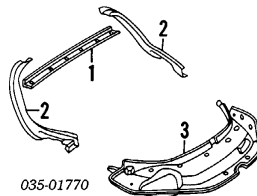
- 15 Gasket, Hinge[¶] R/L B001-62-212
¶Included w/Hinge Assy
- 16 Wedge, Liftgate R/L FD01-62-681C



035-01769

- 17 Blade Assy, Wiper NC11-67-330-9U
- 18 Insert, Blade[¶] D040-67-333-9U
¶Included w/Wiper Blade Assy
- 19 Arm, Wiper Blade FD01-67-421
- 20 Cover, Wiper Arm B093-76-641
- 21 Motor, Wiper FD01-67-450C
- 22 Tank Assy, Washer FD02-67-480
- 23 Tank, Washer[¶] FD02-67-481
- 24 Cap, Tank[¶] FD02-67-483
- 25 Funnel[¶] FD02-67-484
- 26 Pump, Washer[¶] FD02-67-482
¶Included w/Washer Tank Assy

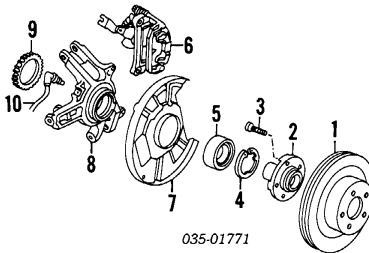
INTERIOR TRIM



035-01770

- 1 Trim, Upper FD01-68-930A-02
- 2 Trim, Side R FD01-68-940B-02
L FD01-68-950B-02
- 3 Trim, Lower FD01-68-960C-02

REAR SUSPENSION

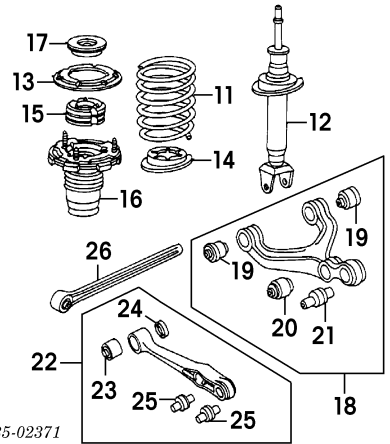


035-01771

- 1 Rotor, Brake R/L FD01-26-25XA
- 2 Hub R/L J001-26-240D
- 3 Bolt, Hub (5/Side) R/L B01Y-33-062
- 4 Ring, Retaining R/L J001-26-139A
- 5 Bearing, Wheel R/L J001-26-151
- 6 Caliper, Brake R FDY1-26-98ZR
L FDY1-26-99ZR
- Hose, Brake R/L FD01-43-810B
- 7 Shield, Splash R/L FD01-26-261
- 8 Spindle, Hub R FD01-26-112A
L FD01-26-122A
- 9 Rotor, Sensor R/L H431-26-471
- 10 Sensor, ABS-See Anti-Lock Brake System Section

Illustration Located in Next Column

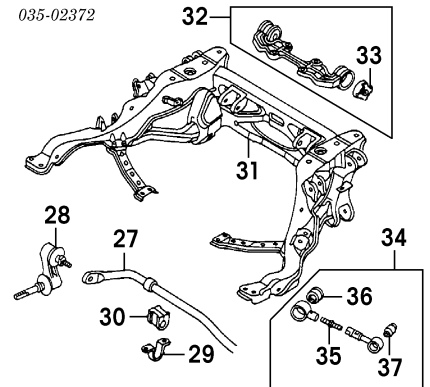
- 11 Spring, Coil 93 R/L FD03-28-011
94-95 R/L FD15-28-011B
- 12 Absorber, Shock
Std Duty 93 R/L FD01-28-700E
94-95 R/L FD15-28-700A
93 R/L FD03-28-700E
94-95 R/L FD16-28-700A
- 13 Seat, Spring Upper R/L FD01-34-003
- 14 Seat, Spring Lower R/L FD01-28-012
- 15 Mount, Spring 93 R/L FD01-28-380
94-95 R/L FD15-28-380A
- 16 Bumper, Stop 93 R/L FD01-28-110A
94-95 R/L FD15-28-110A
- 17 Plate, Mounting R/L FD01-34-120
- 18 Arm Assy, Upper
1993-94 R/L FD01-28-2A0B
1995
Std Duty R/L F123-28-2A0A



035-02371

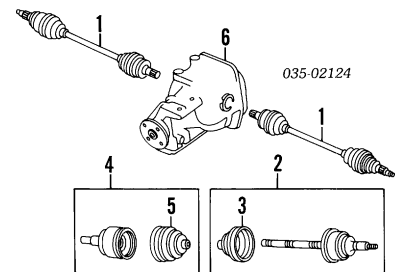
- Hvy Duty R/L FD01-28-2A0B
- 19 Bushing, Upper Arm[¶] (2/Side) R/L FD01-28-8C0A
- 20 Bushing, Damper[¶] R/L FD01-28-710A
- 21 Bushing, Rear[¶] R/L FD01-26-220
¶Included w/Upper Arm Assy
- 22 Arm Assy, Lower R/L FD01-28-300B
- 23 Bushing, Lower Arm[¶] R/L FD01-28-460
- 24 Stopper, Lower Arm[¶] R/L FD01-28-461
- 25 Bushing, Rear[¶] (2/Side) R/L FD01-26-220
¶Included w/Lower Arm Assy
- 26 Link, Lower
Std Duty R/L FD15-28-50X
Hvy Duty R/L FD16-28-50X

035-02372



- 27 Bar, Stabilizer 93 FD01-28-151A
94-95 FD15-28-151A
- 28 Link, Stabilizer R FD01-28-170B
L FD01-28-180B
- 29 Bracket, Stabilizer R/L FD01-28-155A
- 30 Bushing, Stabilizer 93 R/L FD01-28-156C
94-95 R/L FD15-28-156A
FD15-28-80XB
- 31 Crossmember, Susp FD01-39-730A
- 32 Bracket Assy, Differential Mounting R/L FD01-28-890A
¶Included w/Differential Mounting Bracket Assy
- 33 Mount, Rubber[¶] R/L FD02-28-450
- 34 Link Assy, Toe Control R/L FD01-28-457
- 35 Bolt Control Link[¶] R/L FD01-28-42Y
- 36 Bushing, Control Link[¶] R/L FD01-26-230
- 37 Bushing, Rear[¶] R/L FD01-26-230
¶Included w/Toe Control Link Assy

REAR DRIVE AXLE



035-02124

- 1 Shaft Assy, Drive R/L MA10-25-500
- 2 Joint Set, Outer[¶] R/L MA10-22-510
- 3 Boot Kit, Outer[¶] (a) R/L MA10-22-530
(a) Included w/Outer Joint Set
- 4 Joint Set, Inner[¶] R/L MA10-22-520

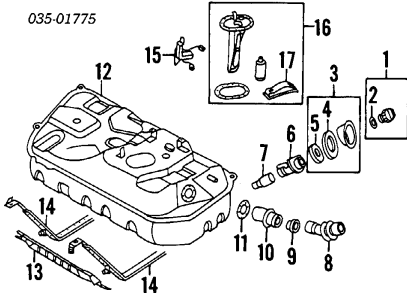
MAZDA RX7 1993-95

REAR DRIVE AXLE Cont'd

- 5 Boot Kit, Inner (b) R/L MA10-22-540
*†*Included w/Drive Shaft Assy
 (b) Included w/Inner Joint Set
- 6 Differential Assy
 Man Trans R008-27-100C
 Auto Trans R010-27-100B

FUEL TANK

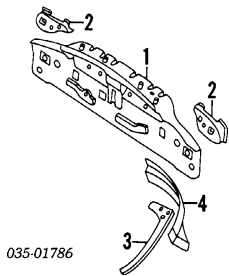
035-01775



- 1 Cap Assy, Filler UE54-42-250
- 2 Gasket, Cap (†) BF67-42-252
*†*Included w/Filler Cap Assy
- 3 Cover Assy, Dust FD01-42-24Z
- 4 Gasket, Cover (†) FD01-42-244
- 5 Gasket, Reinf (†) GE60-42-243
*†*Included w/Dust Cover Assy
- 6 Pipe, Filler Upper FD01-42-210A
- 7 Pipe, Inner FD01-42-237
- 8 Hose, Joint FD01-42-231A
- 9 Valve, Non Return D061-42-270
- 10 Pipe, Filler Lower HG30-42-11X
- 11 Gasket, Filler Pipe HG31-42-114
- 12 Tank, Fuel
 1993 F111-42-110A
 1994-95 F111-42-110A
 Man Trans FD17-42-110B
 Auto Trans FD01-42-790
- 13 Protector, Fuel Tank FD01-42-710
- 14 Band, Fuel Tank R FD01-42-710
 L FD01-42-720
- 15 Gauge, Fuel Tank FD01-60-960A
 1993 FD01-60-960A
 1994-95 FD01-60-960A
 Man Trans FD17-60-960
 Auto Trans N3A1-13-35Z
- 16 Pump Assy, Fuel N390-13-350
- 17 Filter, Pump (†) N390-13-350
*†*Included w/Fuel Pump Assy

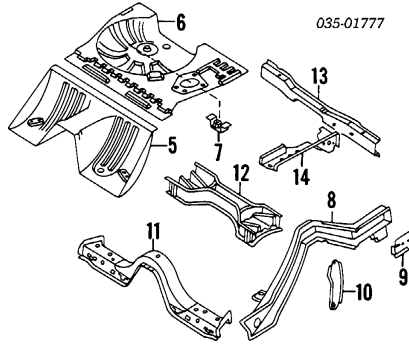
REAR BODY

SHEET METAL



035-01786

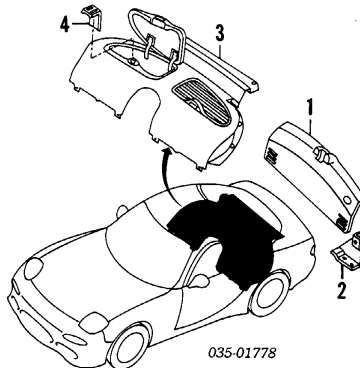
- 1 Panel, Rear Body FD01-70-750C
 - Nameplate
 "Mazda" FD01-51-711A
 "RX-7" FD01-51-721C
 Red FD01-51-721C
 Silver FD02-51-741A
 - 2 Emblem FD02-51-741A
 - 3 Bracket, Rear Lamp R FD01-70-490B
 L FD01-71-490B
 - 4 Plate, Corner R FD01-70-440B
 L FD01-71-440B
 R FD01-70-11Y
 L FD01-71-11Y
- Illustration Located in Next Column*
- 5 Pan, Center Floor FDY1-53-720
 - 6 Pan, Rear Floor FDY1-53-710
 - 7 Bracket, Rear Floor R/L 0305-53-160
 - 8 Sidemember, Rear R FD01-53-810E
 L FD01-54-810F
 - 9 Plate, Closing R FD01-53-781B



035-01777

- 10 Hook, Tie-Down L FD01-54-781B
 R FD01-56-251B
 L FD01-56-252B
- 11 Crossmember, Front FD01-53-910A
- 12 Crossmember, Center FD01-53-930C
- 13 Crossmember, Rear FD01-53-940A
- 14 Frame, Center FD01-53-9B0A

INTERIOR TRIM

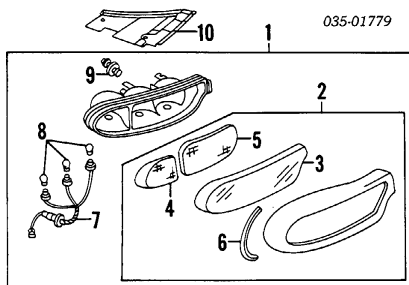


035-01778

- 1 Trim, Rear End FD01-68-89X-02
- 2 Bracket, Trunk Side-See Quarter Panel Section FD01-69-760B-17
- 3 Box, Storage FD01-69-768A-17
- 4 Plate, Lock (†) FD01-69-768A-17
*†*Red listed, Order by Application
 02 Black; 17 Red; 33 Tan

REAR LAMPS

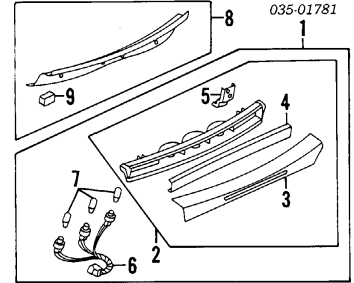
COMBINATION LAMP



035-01779

- 1 Lamp Assy R 8BFH-51-150
 L 8BFH-51-160
- 2 Lens & Body Assy (†) R FD01-51-170B
 L FD01-51-180B
- Lens (a)
 3 No. 1 R FD01-51-153B
 L FD01-51-163B
 R FD01-51-152
 L FD01-51-180B
- 4 No. 2 R FD01-51-151
 L FD01-51-161
- 5 No. 3 R FD01-51-173
 L FD01-51-183
- 6 Protector, Lamp (a) (a) Included w/Lens & Body Assy
- 7 Socket & Wire (†) R/L FD01-51-155C
- 8 Bulb (†) Stop/Tail R/L 0000-11-1157
 Side Marker R/L 0000-11-1156
- 9 Grommet (†) (3/Side) R/L EA04-51-146A
*†*Included w/Lamp Assy
- 10 Cover, Lamp R FD01-51-17XE
 L FD01-51-18XE

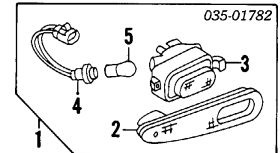
HIGH MOUNT STOP LAMP



035-01781

- 1 Lamp Assy FD01-50-850D
- 2 Lens & Body Assy (†) FD01-51-59XB
- 3 Lens, Outer (a) FD01-51-591A
- 4 Lens, Inner (a) FD01-51-577
- 5 Bracket, Lamp (a) FD01-51-585
 (a) Included w/Lens & Body Assy
- 6 Socket & Wire (†) FD01-51-584A
- 7 Bulb (†) 0000-11-0921
*†*Included w/Lamp Assy
- 8 Cover, Lamp FD01-51-58YC
- 9 Protector, Cover (a) (4) FD01-51-589
 (a) Included w/Lamp Cover

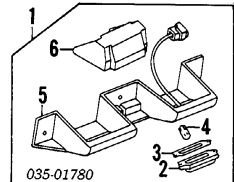
BACK-UP LAMP



035-01782

- 1 Lamp Assy R F100-51-240B
 L F100-51-250B
- 2 Lens & Body (†) R FD01-51-24XA
 L FD01-51-25XA
- 3 Housing (†) R FD01-51-241B
 L FD01-51-251B
- 4 Socket & Wire (†) R/L FD01-51-244
- 5 Bulb (†) R/L 0000-11-1156
*†*Included w/Lamp Assy

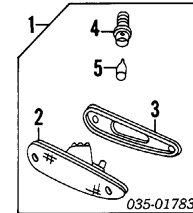
LICENSE LAMP



035-01780

- 1 Lamp Assy FD01-51-270C
- 2 Lens (†) R/L G225-51-274B
- 3 Gasket, Lens (†) R/L G225-51-273
- 4 Bulb (†) R/L 0000-11-0194
- 5 Bracket, Lamp (†) FD01-51-261A
- 6 Cover, Lamp (†) R/L FD01-51-293
*†*Included w/Lamp Assy

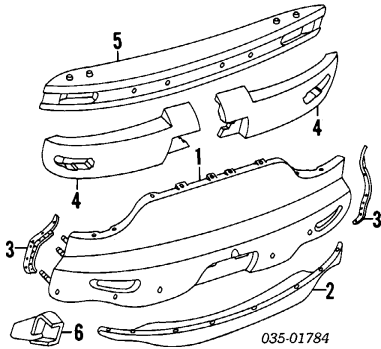
SIDE MARKER LAMP



035-01783

- 1 Lamp Assy R F138-51-5H0
 L F138-51-5J0
- 2 Lens & Body (†) R FD01-51-5H1C
 L FD01-51-5J1C
- 3 Gasket (†) R FD01-51-5H3
 L FD01-51-5J3
- 4 Socket (†) R/L FD01-51-5H2
- 5 Bulb (†) R/L 0000-11-1156
*†*Included w/Lamp Assy

REAR BUMPER



- 1 Cover, Rear (P) FD01-50-221B
- 2 Dam, Air (P) FD01-50-231A
(P) Paint to Match
- 3 Bracket, Cover R FD01-50-3A0A
L FD01-50-3B0A
- 4 Absorber, Impact R FD07-50-31X
L FD07-50-31Y
- 5 Bar, Reinforcement FD01-50-260A
- 6 Protector, Cover L FD01-50-1J1

035-01784

MAZDA RX-8 2004

SECTION INDEX

A/C /HEATER/VENTILATION	503
A/C REFRIGERANT CAPACITIES	503
ABS/BRAKES	504
AIR BAG SYSTEM	504
AIR CLEANER	506
BACK WINDOW	513
CENTER CONSOLE	509
CLEAR COAT IDENTIFICATION	501
COOLING	502
COWL & DASH	508
ELECTRICAL	507
EMISSION SYSTEM	507
ENGINE OIL COOLER	502
ENGINE UNDER COVER	506
ENGINE/TRANS	506
ENGINE/TRANS MOUNTS	506
EXHAUST	507
FRONT BUMPER	501
FRONT DOOR	511
FRONT FENDER	503
FRONT INNER STRUCTURE	504
FRONT LAMPS	502
FRONT SEAT	510
FRONT STEERING LINKAGE/GEAR	505
FRONT SUSPENSION	505
FUEL TANK	515
GRILLE	502
HOOD	502
INFORMATION LABELS	501
INSTRUMENT PANEL	508
LUGGAGE LID	514
PAINT CODE LOCATION	501
QUARTER PANEL	513
REAR BODY	515
REAR BUMPER	516
REAR DOOR	512
REAR DRIVE AXLE	515
REAR LAMPS	516
REAR SEAT	511
REAR SUSPENSION	514
ROCKER/PILLARS/FLOOR	509
ROOF	512
SEAT BELTS	511
SPECIAL CAUTIONS	501
STEERING WHEEL/COLUMN	505
SUNROOF	513
UNDERHOOD DIMENSIONS	504
WHEEL	505
WINDSHIELD	508

SPECIAL CAUTIONS

SRS

Refer to Procedure Explanation 29 for Supplemental Restraint/Air Bag Special Cautions.

PAINT CODE LOCATION

Paint code located on left door jamb.

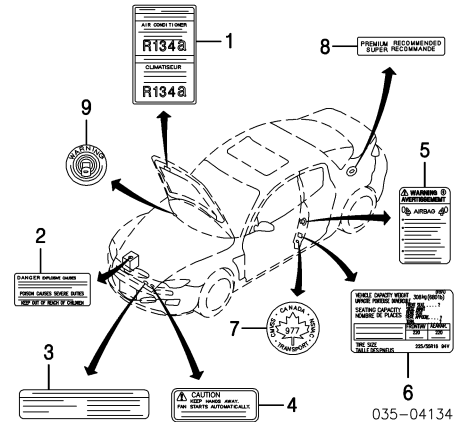
CLEAR COAT IDENTIFICATION

All colors are clear coat.

INFORMATION LABELS

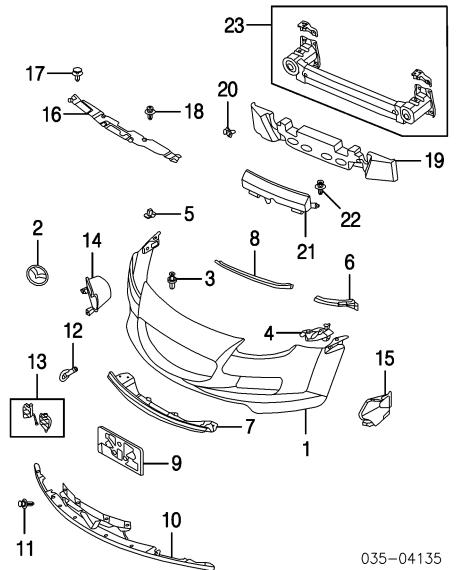
Illustration Located in Next Column

- 1 Label, A/C Caution FE01-61-439
- 2 Label, Battery Caution FA01-69-064B
- 3 Label, Fan Warning B303-15-031A
- 4 Label, Fan Caution B660-15-031
- 5 Label, Air Bag Warning R/L FE01-57-K92
- 6 Label, Tire Pressure
Std Susp FE01-69-014
Sport Susp FE02-69-014
- 7 Label, Safety L FA11-69-C31B
- 8 Label, Fuel Warning L TA16-69-065



- 9 Label, Theft Warning In Glove Box EC01-66-201

FRONT BUMPER



- 1 Cover, Bumper (P) w/ H/Lamp Washers FE01-50-031C
w/o H/Lamp Washers FE01-50-031D
(P) Paint to Match
- 2 Emblem F151-51-731A
- 3 Clip, Cover (4) EA01-50-037
- 4 Retainer, Side Cover R F151-50-0U1D
L F151-50-0T1D
- 5 Grommet, Cover R/L GJ6A-50-0Z5
- 6 Bracket, Side Cover R F151-50-151A
L F151-50-161A
- 7 Retainer, Center Cover F151-50-0K0C
- 8 Plate, Retainer R F151-50-1A1D
L F151-50-1B1D
- 9 Brkt, License Plate FE01-50-170A
- 10 Spoiler, Front F151-51-9K1A
- 11 Clip, Spoiler (4) GD7A-50-EA1
- 12 Hook, Tow R/L F151-50-EJ0
- 13 Cover Set, Tow Hook F151-50-A10A
- 14 Cover, Lamp Hole
w/Fog Lamps
w/ H/Lamp Washers R FE01-50-C12
w/o H/Lamp Washers R F151-50-C12
w/o Fog Lamps
w/ H/Lamp Washers
Auto Trans R FE01-50-C11
w/o H/Lamp Washers R F151-50-C11
- 15 Duct, Oil Cooler
Man Trans R N3K2-14-708A
L N3K1-14-708A
Auto Trans L N3K1-14-708A
- 16 Plate, Seal F151-50-1U1A
- 17 Rivet, Plate R/L H260-61-895
- 18 Fastener, Plate (4) GJ21-68-885B-02
- 19 Absorber, Energy FE01-50-111A
- 20 Fastener, Absorber R/L BF82-50-233
- 21 Retainer, Absorber F151-50-0J1C
- 22 Fastener, Retainer (3) GD7A-50-EA1
- 23 Reinf, Bumper FE01-50-070D

035-04135