

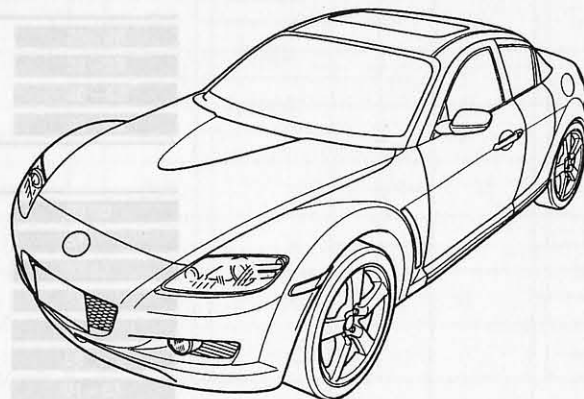


CONTENTS

# Parts Catalog

Click on the BOOKMARKS tab to the left. Each section that has a plus sign to the left is expandable.

## Mazda RX-8 U.S.A. & Canada ( '04 ▶ )



FE17 \*\* -100001 ~

Mar. '03

Catalog No. AU-FA07-00



**mazda**

© 2003 Mazda Motor Corporation

CONTENTS OF GENERAL INFO. & ABBREVIATION LISTS

### GENERAL INFORMATION

- Model Identification
- Combination List of Body Panels and Interior Colors
- List of Complete Assembly Parts
- Vehicle Identification System
- How to Locate Parts
- How to Interpret the Text
- How to Interpret the Illustration
- How to Interpret the Model Application
- How to Interpret the VIN Application
- How to Interpret the Replacement
- Mazda Part Numbering System

### ABBREVIATION LISTS

- Abbreviations — English
- Abbreviations — French
- Abbreviations — Spanish
- Abbreviations — German

INDEX — PART NUMBER

INDEX — ALPHABETICAL (ENGLISH)

# MODEL IDENTIFICATION

This parts catalog has been compiled to cover the following models.

RX-8 for U.S.A. & Canada									( 1 / 1 )			
Rotary engine 13B									VIN (Chassis No.) FE17* *-100001~		Production period	
Model No.	Power	T/mission	Sun roof	Antilock brake	D.S.C.	Suspension	Differential		From	To		
FE01	Normal	4AT	—	X	—	Normal	Normal		Mar. 2003			
FE02			—		—	Sport						
FE03			X		X	Normal						
FE04			—		—	Sport						
FE05	High	6MT	Limited slip									
FE06	—	—	X									
FE61	Normal	4AT			X							
FE62	High	6MT										

AUFA07

# BODY PAINT AND INTERIOR COLORS

This list shows combination of body paint and interior color. Using this list you will be able to find out necessary color code of part you need in the text.

Body paint		Interior color code			
Name	Code	FF3 (Black)	FF4 (Black / Red)	FF5 (Black / Brown)	FF6 (Black (Fabric))
Brilliant black	A3F	X	X		X
Lightning yellow	A4J	X	X	X	X
Sunlight silver metallic	22V	X	X	X	X
Titanium gray II metallic	29Y	X			X
Velocity red	27A	X		X	X
Winning blue metallic	27B	X	X	X	X
Nordic green mica	27C	X			X

AUFA07

# COMPLETE ASSEMBLY PARTS NUMBERS

## Engine

(1/1)

Specifications of vehicles		Parts number
	Power	
	Normal	N3H4-02-000
	High	N3H6-02-000

## T/mission

Specifications of vehicles		Parts number
	T/mission	
	Manual T/mission	Y610-17-01XG
	Automatic T/mission	BW60-19-090B

## Cabin

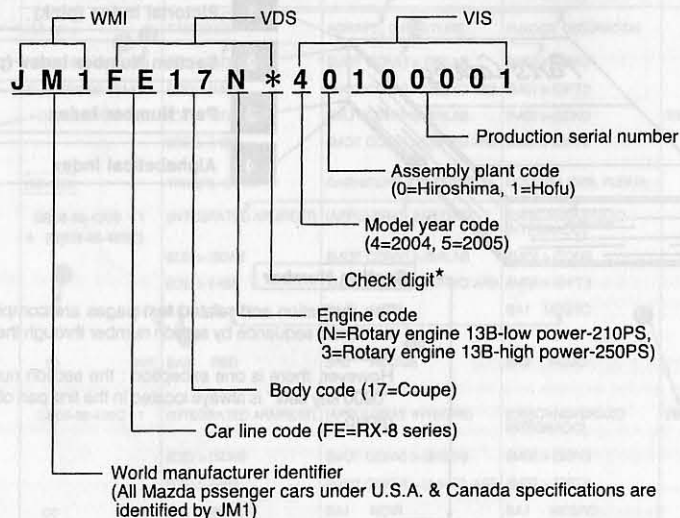
Specifications of vehicles		Parts number
Sun roof	Suspension	
—	Normal	FE01-07-000
	Sport	FE02-07-000
X	Normal	FE03-07-000
	Sport	FE04-07-000

The ※ mark in the above chart does not affect on part number selection. Complete assemblies are available and manufactured in accordance with current production specifications only. No engine complete No. is described on models the Partial engine is established. (For Partial engine, see section 1000.)



## VEHICLE IDENTIFICATION SYSTEM FOR RX-8 SERIES (2004~)

VIN(=Vehicle Identification Number) for RX-8 series (2004~Year Model) consists of WMI (=World Manufacturer Identifier), VDS (=Vehicle Description Section) and VIS (=Vehicle Identification Section). VDS consisting of six alphanumeric characters denotes the "MODEL SERIES". VIS consisting of eight alphanumeric characters denotes the serial unit number of vehicle and is sequentially numbered within each VDS.



\*Check digit is included as a VIN security feature to permit law enforcement verification of the authenticity of a suspected illegal VIN plate. This single digit number is determined, based upon a complex mathematical formula which is applied to each vehicle's VIN number.

[Note]

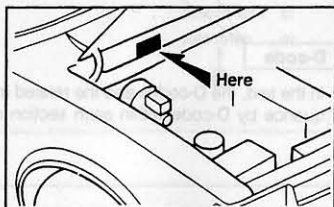
If the VIN(Chassis) reference number in the PCM(Parts Catalog Microfiche) appeared as:

F E 1 7 \* \* - 1 0 0 0 0 1

.....the vehicle's VIN would be e.g. JM1FE17N\*40100001.

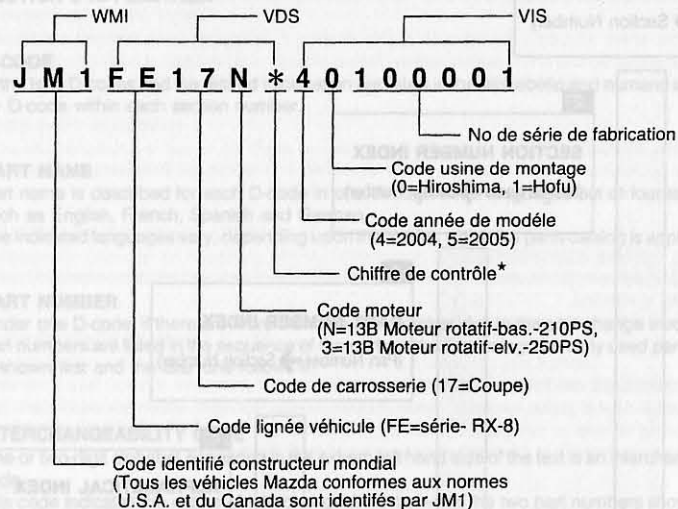
### LOCATION OF VIN PLATE

The plate is attached to the top ledge of the dash panel under the bonnet(engine hood), refer to the illustration shown right.



## SYSTEME D'IDENTIFICATION DE VEHICULE POUR LA SERIE -RX-8 (2004~), (FRANCAIS)

Le VIS (No d'identification du véhicule) pour la Série-RX-8 (année de modèle 2004~) est constitué du WMI(identificateur de constructeur mondial), de la VDS (section de description véhicule), et de la VIS (section d'identification véhicule). La VDS constitué de 6 caractères alphanumériques indique la "SERIE DE MODELE". La VIS constitué de 8 caractères alphanumériques indique le No de série d'unité et est numérotée s'quentiellement à l'intérieur de chaque VDS.



\*Ce chiffre de contrôle est introduit dans le NIV aux fins de sécurité pour permettre le contrôle légal de l'authenticité d'une plaque NIV illégale suspecte. Ce numéro à un chiffre est déterminé sur base d'une formule mathématique complexe utilisée pour le NIV de chaque véhicule.

[N.B]

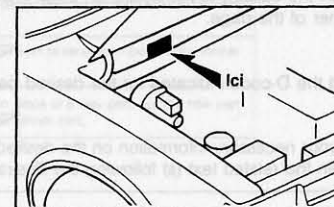
Si le numéro de référence du NIV (VIN=Châssis) dans la PCM (microfiche de la liste de pièces) apparaît comme suit:

F E 1 7 \* \* - 1 0 0 0 0 1

...le NIV peut être p.e. JM1FE17N\*40100001.

### EMPLACEMENT DE LA PLAQUE DE NIV (VIN)

La plaque est fixée au bord supérieur du tablier dans le compartiment moteur; voir la figure ci-contre.



1	-RING, SQUARE	(4)
2	-RING, SQUARE-OUTER	(4)
3	-RING, 'O'	(4)
4	-RING, 'O'	(1)
5	-WASHER, SEAL	(17)
6	-RING, 'O'-INNER	(4)
7	-RING, 'O'-OUTER	(4)
8	-INSULATOR, INJECTION	(2)
9	-INSULATOR, INJECTION	(2)
10	-RING, 'O'	(1)
11	-GASKET, THERMOSTAT	(1)
12	-GASKET	(1)
13	-GASKET, IN MANIFOLD	(1)
14	-GASKET, IN MANIFOLD	(2)
15	-GASKET, IN MANIFOLD	(1)
16	-GASKET, THROTTLE BODY	(1)
17	-GASKET, A. C. V.	(1)
18	-GASKET, A. C. V.	(1)
19	-GASKET, OIL FILTER	(1)
20	-GASKET, METERING OIL	(1)
21	-GASKET, WATER PUMP	(1)
22	-PACKING	(4)
23	-PACKING	(8)
24	-PACKING	(4)
25	-GASKET, IN MANIFOLD	(1)
26	-GASKET, TURBOCHARGER	(1)

NOTE

① ... ⑩ ⇒ 23-0401

THE D-CODE OF 23-0401 CONSISTS OF  
FIGURE NUMBERS ① THROUGH ⑩.

(AT)

NOTE

⑪ ... ⑳ ⇒ 10-271S

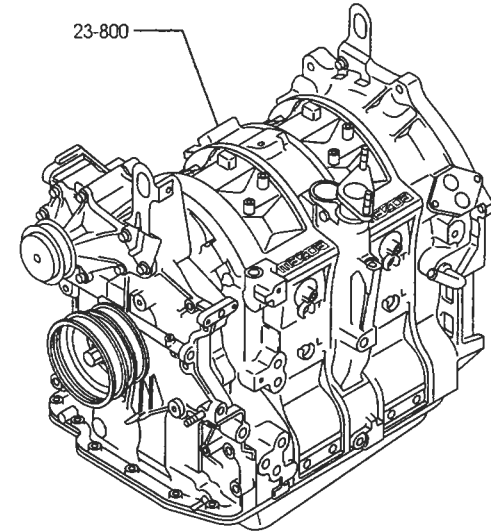
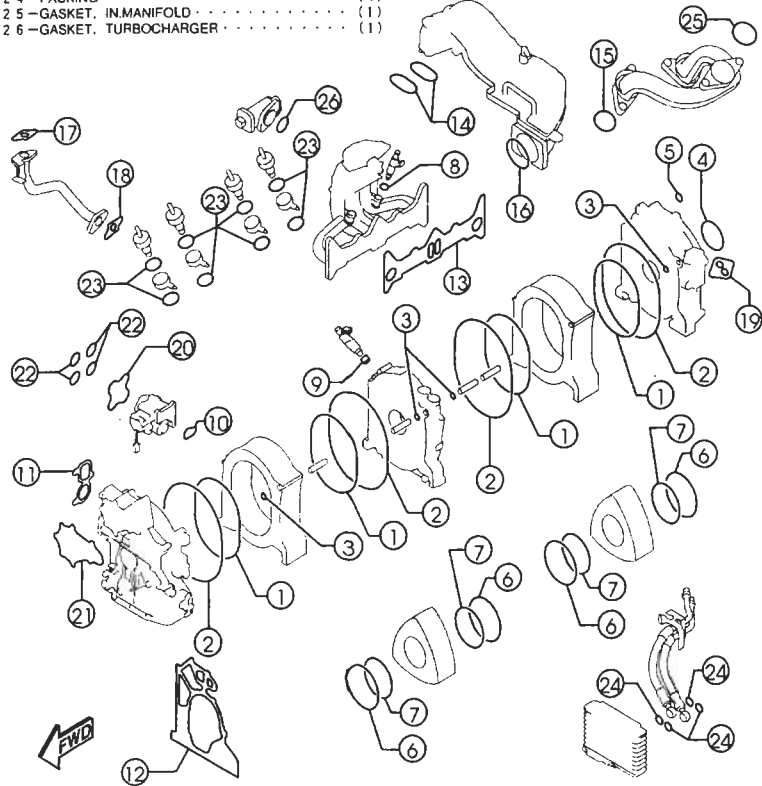
THE D-CODE OF 10-271S CONSISTS OF  
FIGURE NUMBERS ⑪ THROUGH ⑳.

(MT)

NOTE

⑪ ... ㉔ ⇒ 10-271S

THE D-CODE OF 10-271S CONSISTS OF  
FIGURE NUMBERS ⑪ THROUGH ㉔.

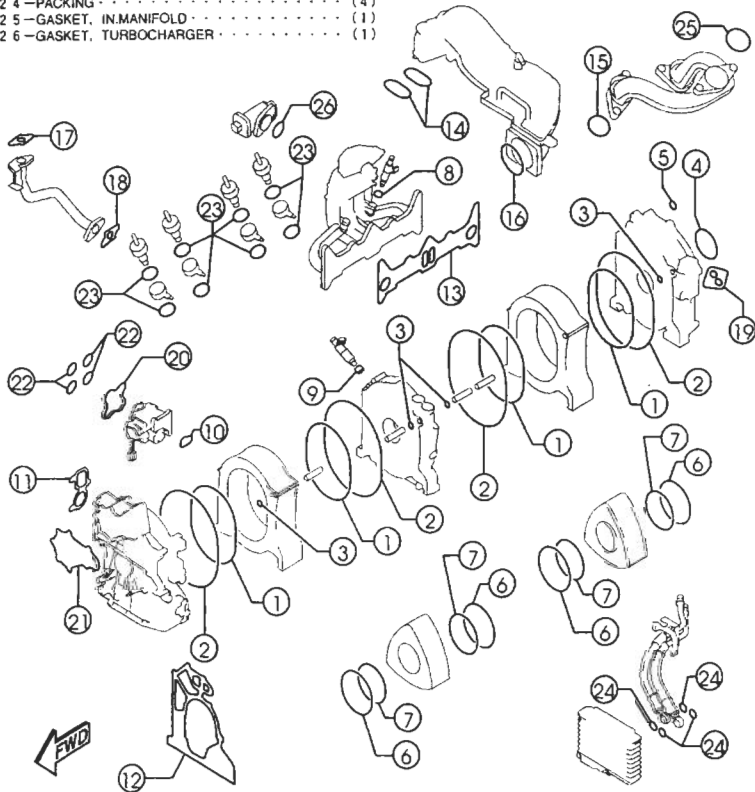


- 1 -RING, SQUARE ..... (4)
- 2 -RING, SQUARE-OUTER ..... (4)
- 3 -RING, 'O' ..... (4)
- 4 -RING, 'O' ..... (1)
- 5 -WASHER, SEAL ..... (17)
- 6 -RING, 'O'-INNER ..... (4)
- 7 -RING, 'O'-OUTER ..... (4)
- 8 -INSULATOR, INJECTION ..... (2)
- 9 -INSULATOR, INJECTION ..... (2)
- 10 -RING, 'O' ..... (1)
- 11 -GASKET, THERMOSTAT ..... (1)
- 12 -GASKET ..... (1)
- 13 -GASKET, IN MANIFOLD ..... (1)
- 14 -GASKET, IN MANIFOLD ..... (2)
- 15 -GASKET, IN MANIFOLD ..... (1)
- 16 -GASKET, THROTTLE BODY ..... (1)
- 17 -GASKET, A. C. V. .... (1)
- 18 -GASKET, A. C. V. .... (1)
- 19 -GASKET, OIL FILTER ..... (1)
- 20 -GASKET, METERING OIL ..... (1)
- 21 -GASKET, WATER PUMP ..... (1)
- 22 -PACKING ..... (4)
- 23 -PACKING ..... (8)
- 24 -PACKING ..... (4)
- 25 -GASKET, IN MANIFOLD ..... (1)
- 26 -GASKET, TURBOCHARGER ..... (1)

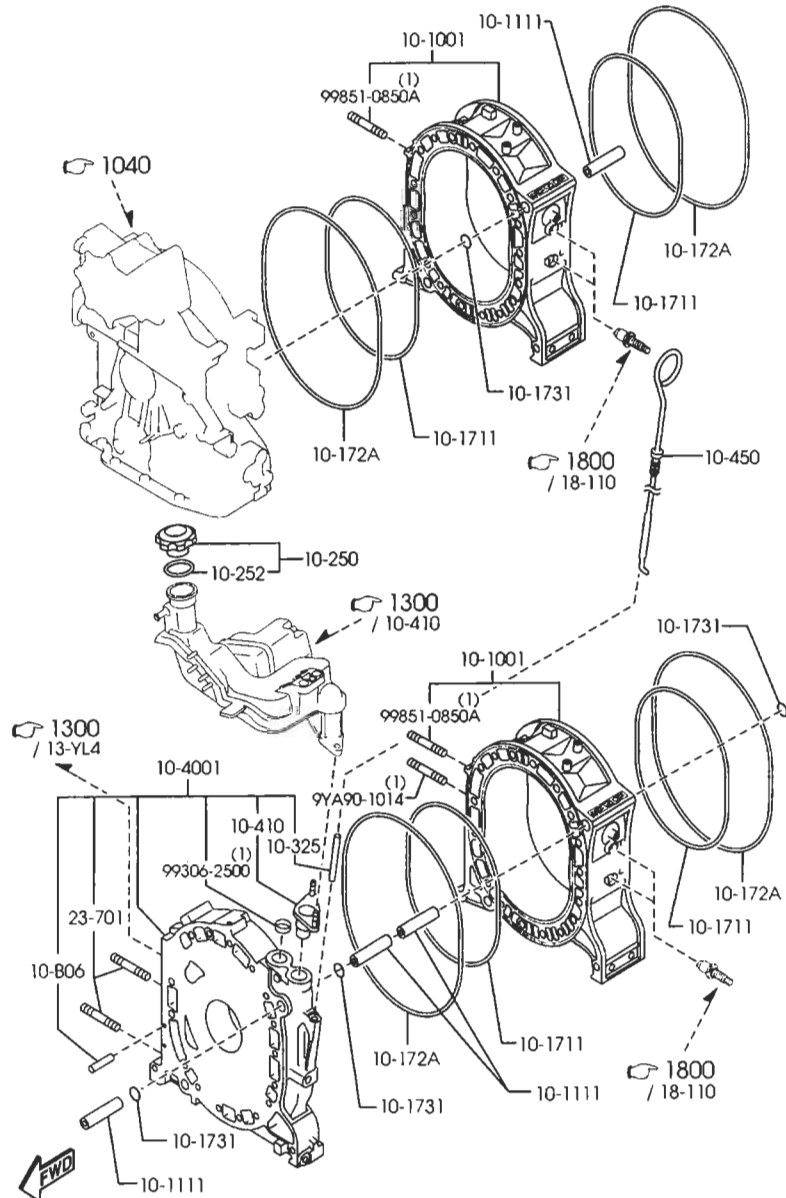
**NOTE**  
 ① ... ⑩ ⇒ 23-0401  
 THE D-CODE OF 23-0401 CONSISTS OF  
 FIGURE NUMBERS ① THROUGH ⑩ .

(AT)  
**NOTE**  
 ⑪ ... ⑳ ⇒ 10-271S  
 THE D-CODE OF 10-271S CONSISTS OF  
 FIGURE NUMBERS ⑪ THROUGH ⑳ .

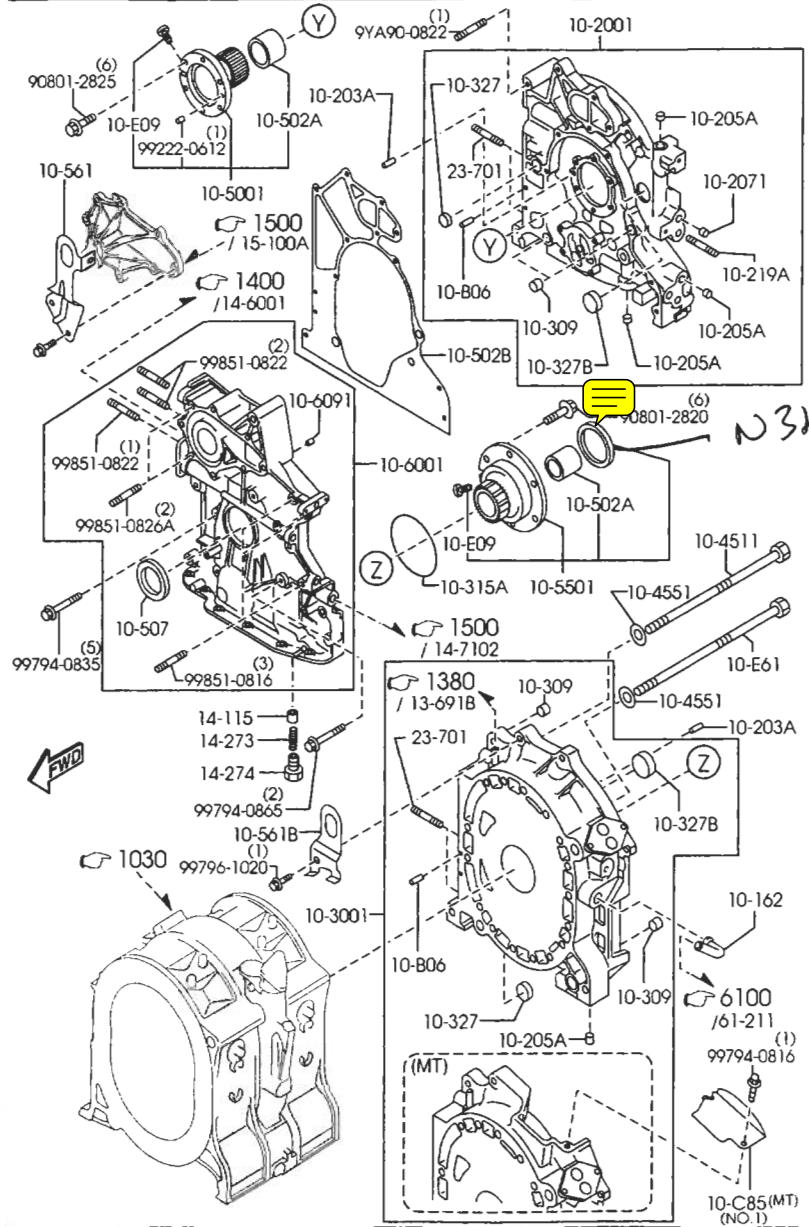
(MT)  
**NOTE**  
 ⑪ ... ㉔ ⇒ 10-271S  
 THE D-CODE OF 10-271S CONSISTS OF  
 FIGURE NUMBERS ⑪ THROUGH ㉔ .



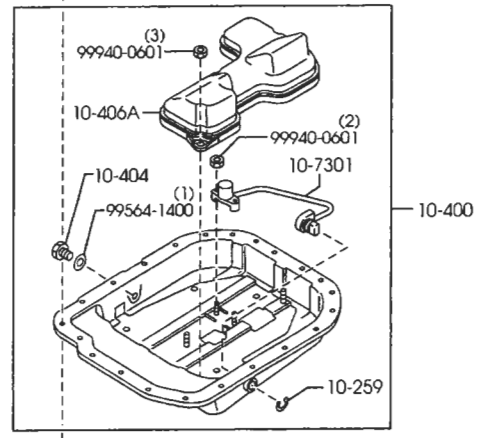
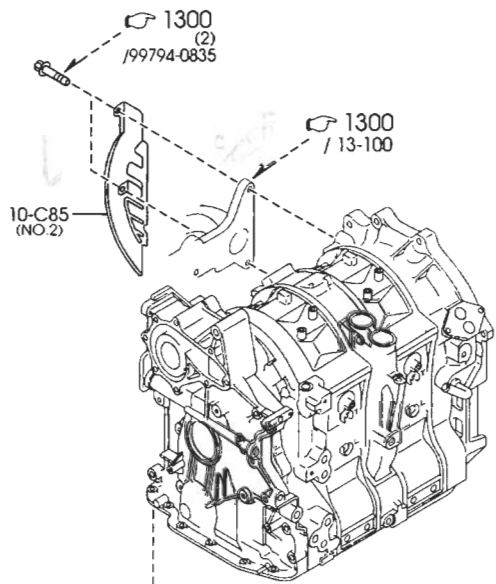
PART NO.	QTY	MODEL/RESTRICTION	MODEL/RESTRICTION	MODEL/RESTRICTION	FROM-TO
↑-----↑ 10-271S ↓-----↓					
8DFK-10-271	1	(AT)	GASKET SET,ENGINE	JEU,JOINTS DE MOTEUR (B.V.AUTOM)	
8DFL-10-271	1	(MT)		(B.V.MANU)	
↑-----↑ 23-0401 ↓-----↓					
N321-10-560	1		RING SET,'O'	JEU,JOINTS TORIQUE	
↑-----↑ 23-800 ↓-----↓					
N3H2-02-200	1		ENGINE,SHORT	MOTEUR NU	

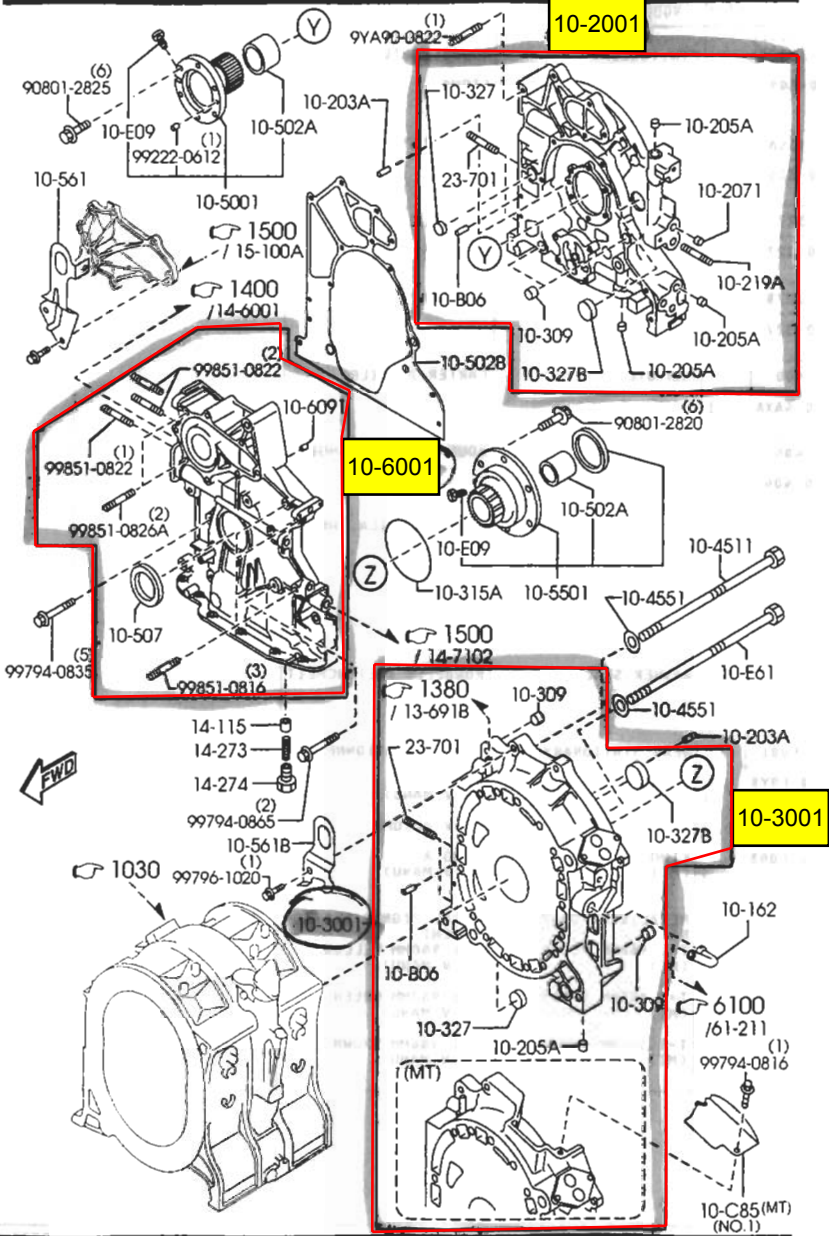


PART NO.	QTY	MODEL/RESTRICTION	MODEL/RESTRICTION	MODEL/RESTRICTION	FROM-TO
10-806		PIN, SPRING	GOUJON, RESSORT		
N3H1-10-806	4				
10-1001		HOUSING, ROTOR-FRONT	CARTER, ROTOR AV		
N3H1-10-B10A	2				
10-1111		DOWEL, TUBULAR	RACCORD		
1757-10-111	4				
10-1711		RING, SQUARE	JOINT, CARRE		
N326-10-B71A	4				
10-172A		RING, SQUARE-OUTER	ANNEAU CARRE EXT.		
N326-10-B72	4				
10-1731		RING, 'O'	JOINT 'O'		
N3A1-10-B73	4				
10-250		CAP, OIL FILLER	BOUCHON, REMPLIS. HU ILE		
N3H4-10-250	1				
10-252		GASKET	JOINT		
0324-10-252	1				
10-325		PIPE, OIL LEVEL GAUGE	TUYAU,		
N326-10-441	1				
10-4001		HOUSING, INTERMEDIATE	FLASQUE, INTERMEDIAIR E		
N3H1-10-D00	1 (AT)		(B.V. AUTOM)		
N3H3-10-D00	1 (MT)		(B.V. MANU)		
10-410		PIPE, OIL FILLER	TUYAU DE REMPLISSAGE D'HUILE		
N3H1-10-D10	1				
10-450		GAUGE, OIL LEVEL	JAUGE, NIVEAU D'HUILE		
N3H1-10-450A	1				
23-701		STUD, TURBOCHARGER	GOUJON, TURBO-CHARGEUR		
SL50-13-708A	2				



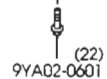
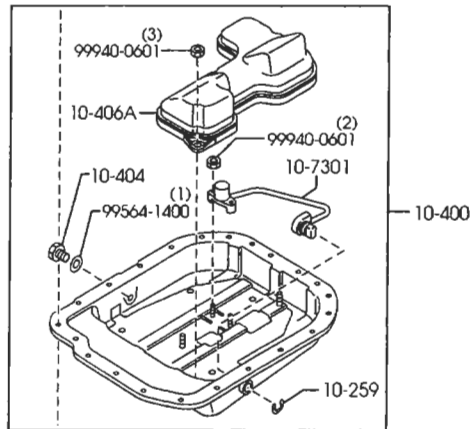
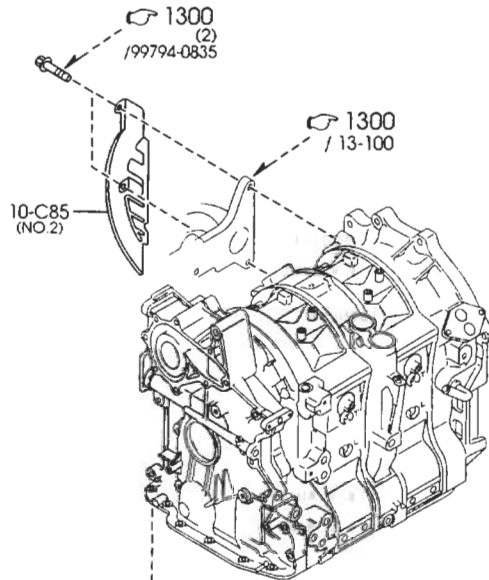
N3H-10-508



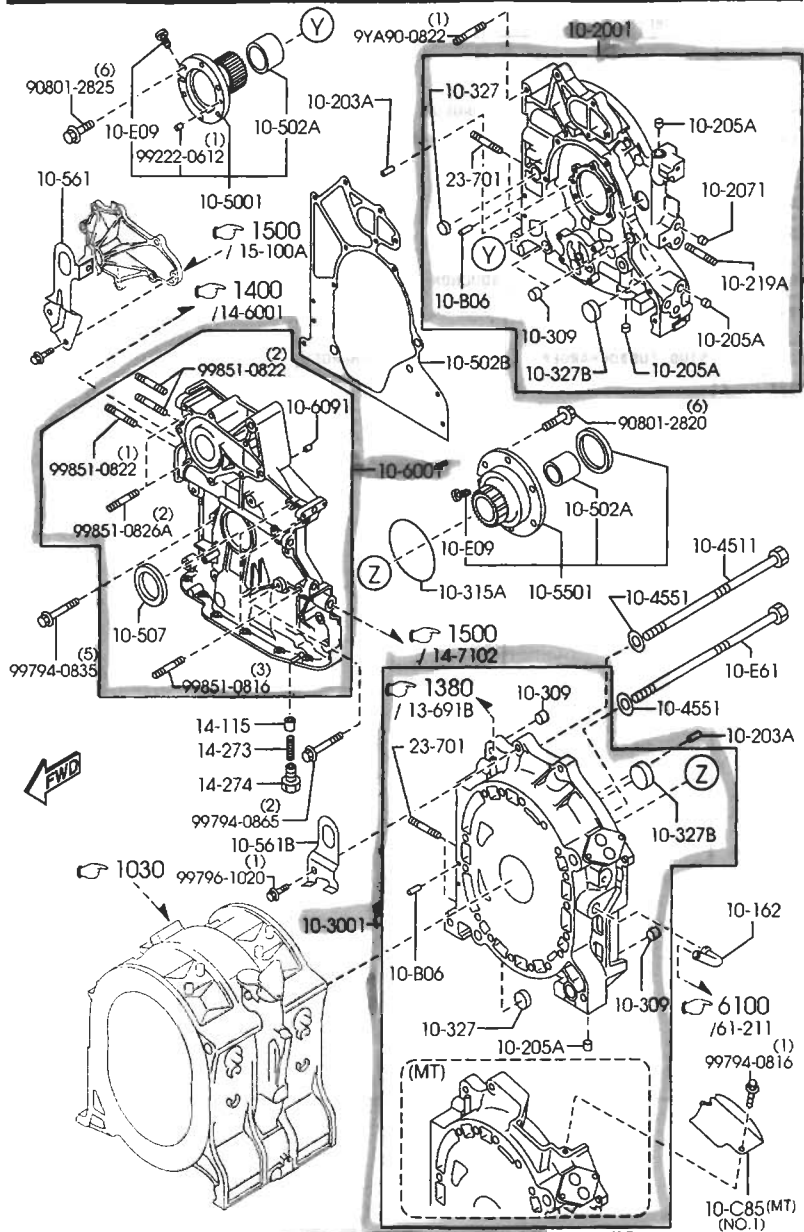


PART NO.	QTY	MODEL/RESTRICTION	MODEL/RESTRICTION	MODEL/RESTRICTION	FROM-TO
10-B06	8	PIN, SPRING	GOUJON, RESSORT		
N3H1-10-B06					
10-C85	1	COVER, DUST	COUVERCLE, POUSSIERE		
N350-10-C85		(ILLUST. NO. 1) (MT)	(B. V. MANU)		
10-C86	1	COVER, DUST	COUVERCLE, POUSSIERE		
N3H1-10-C86		(ILLUST. NO. 2)			
10-E09	2	PIN, STOPPER	CHEVILLE, BOUCHON		
NF01-10-E09		(MT)	(B. V. MANU)		
10-E61	4	BOLT, TENSION	BOULON		
N3H1-10-E61					
10-162	1	PIPE	CONDUIT		
N3H1-10-C71					
10-2001	1	HOUSING, FRONT	CARTER AV.		
N3H1-10-C00		(AT)	(B. V. AUTOM)		
N3H3-10-C00		(MT)	(B. V. MANU)		
10-203A	2	PIN, DOWEL	GOUJON		
0839-10-203					
10-205A	4	PLUG, BLIND	BOUCHON		
8562-10-205					
10-2071	1	PLUG, BLIND	BOUCHON		
1757-10-207A					
10-219A	1	STUD, HOUSING	GOUJON, CARTER		
N249-10-219					
10-259	1	CLIP	ATTACHE		
N3H1-10-259					
10-3001	1	HOUSING, REAR	CARTER ARR.		
N3H2-10-C50		(AT)	(B. V. AUTOM)		
N3H3-10-C50		(MT)	(B. V. MANU)		

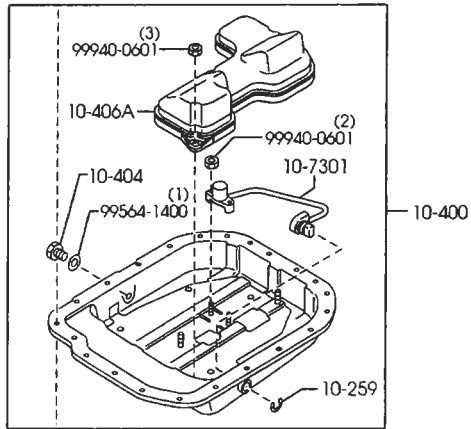
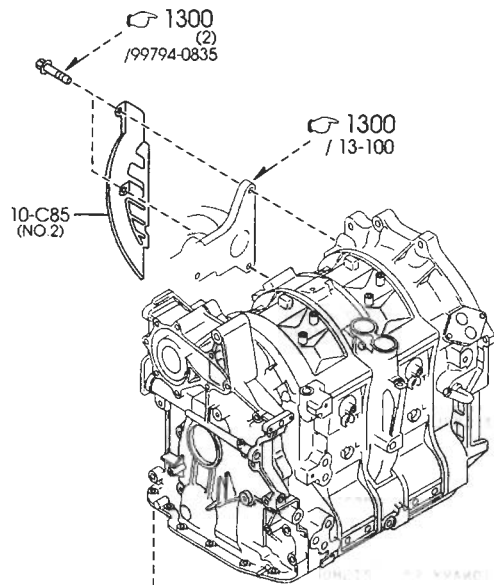




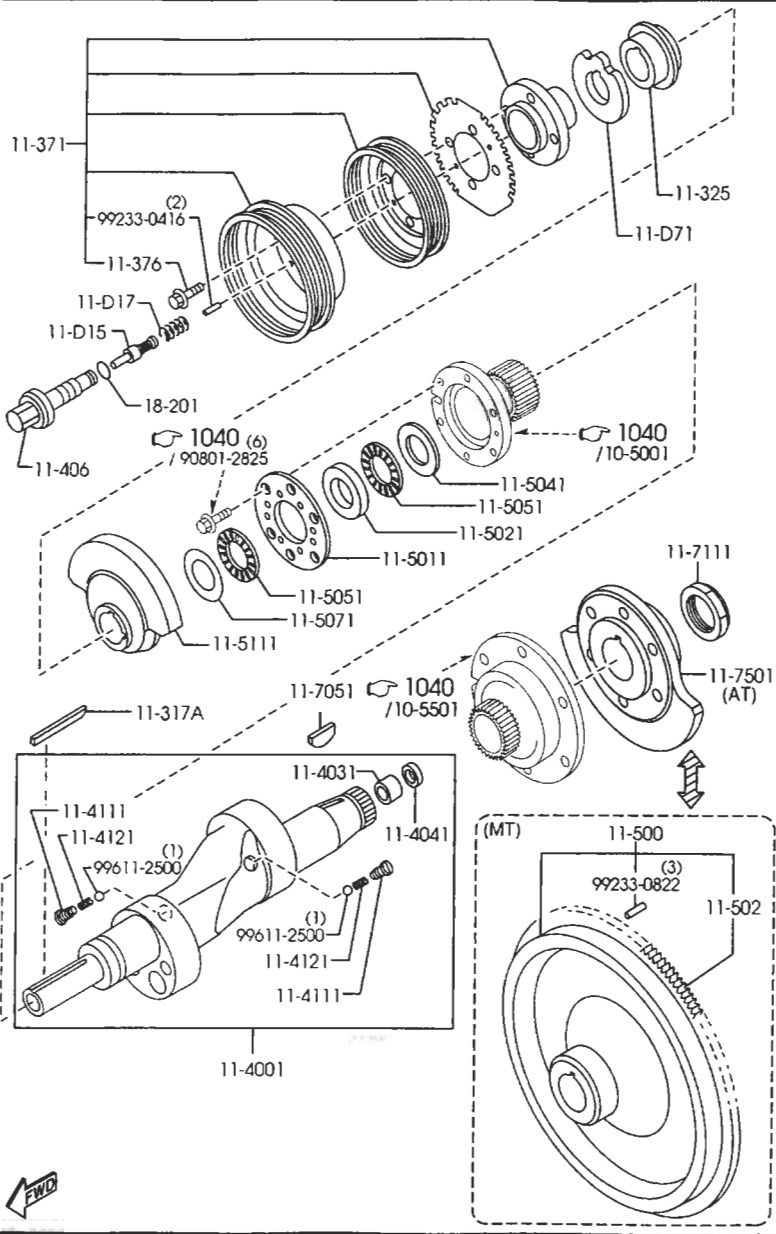
PART NO.	QTY	MODEL/RESTRICTION	MODEL/RESTRICTION	MODEL/RESTRICTION	FROM-TO
10-309 1757-10-309	4	PIN, TUBULAR	RONDELLE TUBULAIRE		
10-315A N3H1-10-315	1	RING, "O"	JOINT "O"		
10-327 N3F1-10-327	5	PLUG, BLIND	PASTILLE		
10-327B N3F2-10-327	4	PLUG, BLIND	BOUCHON		
10-400 N3H1-10-40XA	1	PAN, OIL	CARTER D'huile		
10-404 HE03-10-404	1	PLUG, DRAIN	BOUCHON DE VIDANGE		
10-406A N3H1-10-40Y	1	PLATE, OIL BAFFLE	PLATEAU, CHICA. #8.-3 .CYL.		
10-4511 N350-10-E51B	14	BOLT, TENSION	BOULON		
10-4551 0839-10-455	17	WASHER, SEAL	RONDELLE D'ETANCHEIT E		
10-5001 N3H3-10-E0YB	1	GEAR, STATIONARY-FRT.	PIGNON STATIONNEMENT AV.		
N3H1-10-E00B	1	KING B (MT)	KING B (B.V. MANU)		
N3H3-10-E00B	1	(AT)	(B.V. AUTOM)		
10-502A NF01-10-E04	2	KING A (MT)	KING A (B.V. MANU)		
NF01-10-E05	2	METAL, STATIONARY GEAR	METAL, PIGNON STATION NEMENT		
NF01-10-E06	2	T=1.980MM YELLOW (MT)	T=1.980MM YELLOW (B.V. MANU)		
		T=1.983MM GREEN (MT)	T=1.983MM GREEN (B.V. MANU)		
		T=1.986MM BROWN (MT)	T=1.986MM BROWN (B.V. MANU)		



PART NO.	QTY	MODEL/RESTRICTION	MODEL/RESTRICTION	MODEL/RESTRICTION	FRON-TO
CONT'D					
NF01-10-E07	2	T=1.989MM BLACK (MT)	T=1.989MM BLACK (B.V.MANU)		
NF01-10-E08	2	T=1.992MM BLUE (MT)	T=1.992MM BLUE (B.V.MANU)		
NF01-10-E22	2	T=1.988MM YELLOW (MT)	T=1.988MM YELLOW (B.V.MANU)		
NF01-10-E23	2	T=1.991MM GREEN (MT)	T=1.991MM GREEN (B.V.MANU)		
NF01-10-E24	2	T=1.994MM BROWN (MT)	T=1.994MM BROWN (B.V.MANU)		
NF01-10-E25	2	T=1.997MM BLACK (MT)	T=1.997MM BLACK (B.V.MANU)		
NF01-10-E26	2	T=2.000MM BLUE (MT)	T=2.000MM BLUE (B.V.MANU)		
0820-10-502B	2	STD. (AT)	STD. (B.V.AUTOM)		
10-502B		GASKET,T.B.COVER LWR	JOINT INF.,		
N3H1-10-502A	1				
10-507		SEAL,OIL	ARRET D'HUILE		
N3A1-10-507	1				
10-5501		GEAR,STATIONARY-RR.	PIGNON STATIONNEMENT		
N3H3-10-E1YB	1	KING B (MT)	ARR. KING B (B.V.MANU)		
N3H1-10-E10B	1	(AT)	(B.V.AUTOM)		
N3H3-10-E10B	1	KING A (MT)	KING A (B.V.MANU)		
10-561		HANGER,ENGINE	CROCHET,MOTEUR		
N3H1-10-561	1				
10-561B		HANGER,ENGINE-REAR	ANNEAU DE SUSP.AR,MO TEUR		
N3H1-10-566	1				
10-6001		COVER,FRONT	CACHE AV.		
N3H1-10-500A	1				
10-6091		PIN,SPRING	AXE DE RESSORT		
1757-10-609	1				
10-7301		SENSOR,OIL LEVEL	CAPTEUR DE NIVEAU D' HUILE		

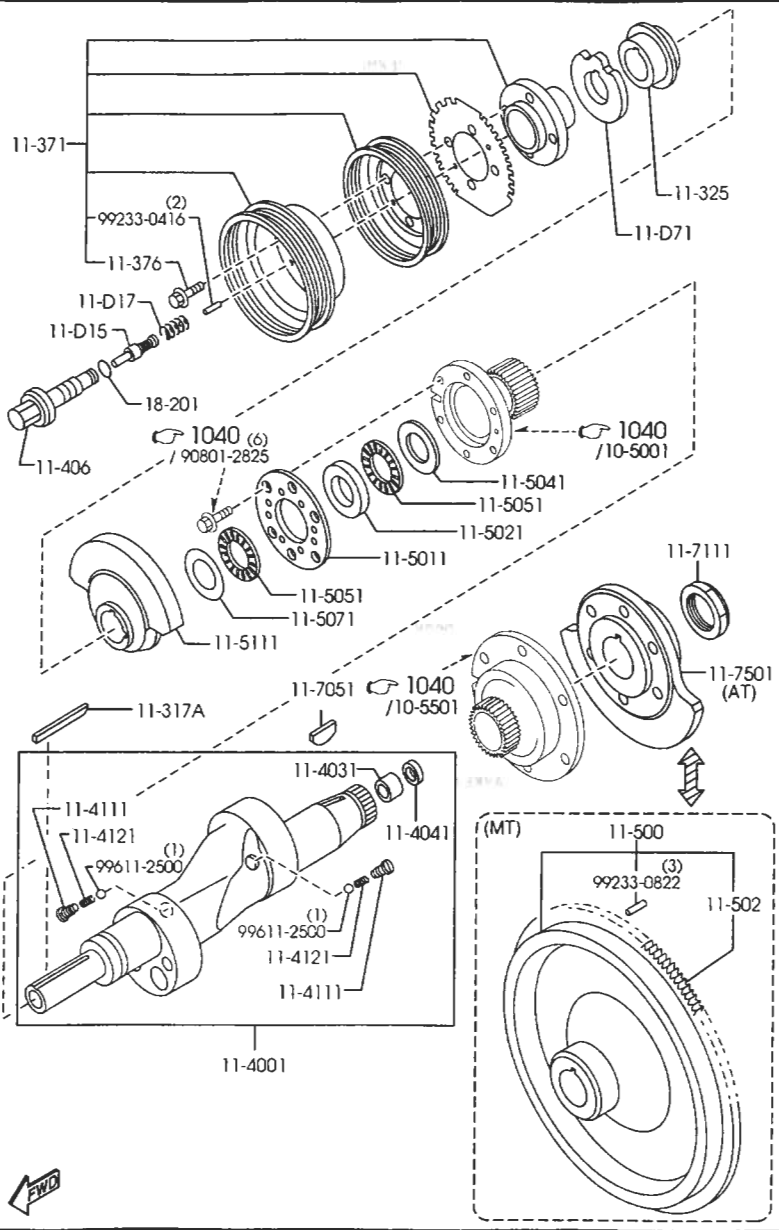


PART NO.	QTY	MODEL/RESTRICTION	MODEL/RESTRICTION	MODEL/RESTRICTION	FROM-TO
CONT'D N3H1-10-470	1				
+-----+   14-115   +-----+		PLUNGER, CONTROL	PLONGEUR DE SURETE		
0839-14-115	1	HIROSHIMA SEIMITU	HIROSHIMA SEIMITU		
+-----+   14-273   +-----+		SPRING	RESSORT		
N3H1-14-237	1				
+-----+   14-274   +-----+		PLUG	BOUCHON		
0839-14-274	1				
+-----+   23-701   +-----+		STUD, TURBOCHARGER	GOUJON, TURBO-CHARGEUR		
SL50-13-708A	4				

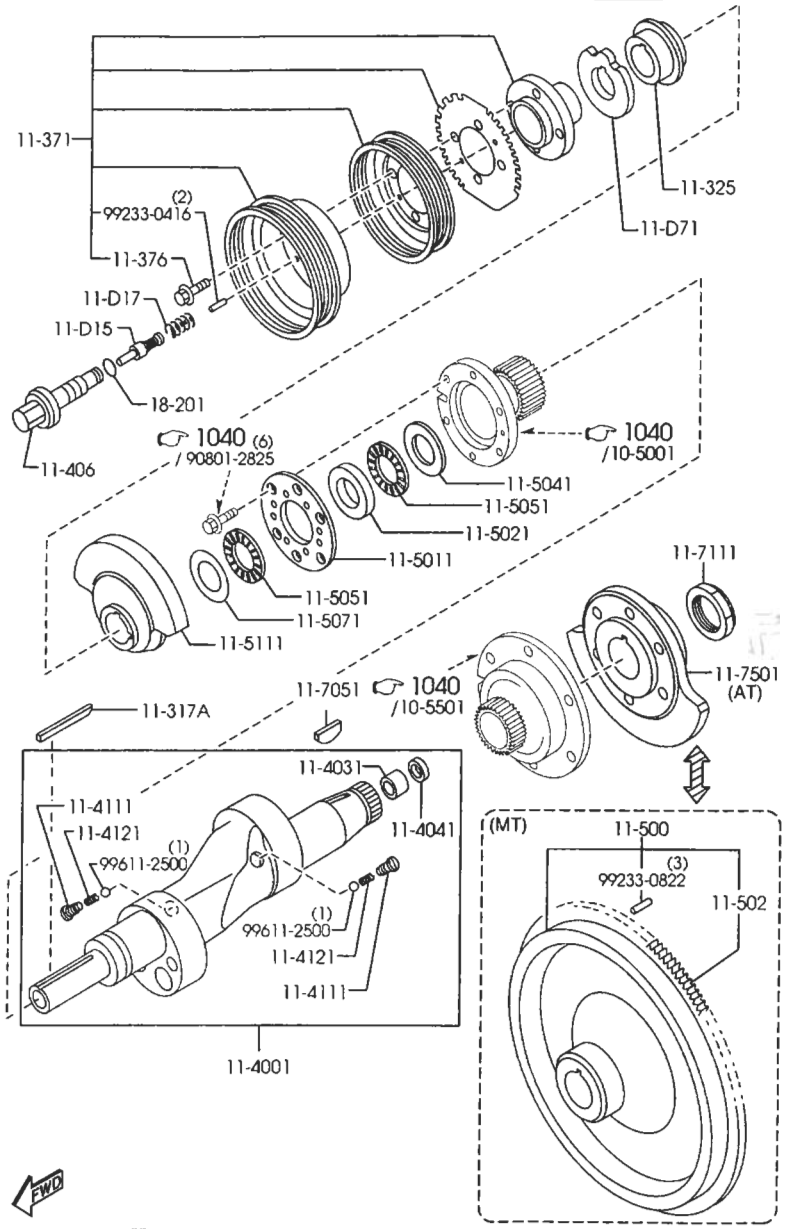


PART NO.	QTY	MODEL/RESTRICTION	MODEL/RESTRICTION	MODEL/RESTRICTION	FROM-TO
11-D15 N326-11-D15	1	PELLET, THERMO-ECCENTRIC	PASTILLE, THERMO-EXCENT.-S		
11-D17 N326-11-D17	1	SPRING, THERMO PELLET-E/S	RESSORT, THERMO-PAST.-EXCE		
11-D71 N3H1-11-D71	1	GEAR, DISTRIBUTOR	JEU ENGRENAGE, DISTRIBUTEUR		
11-317A N3H1-11-D19	1	KEY	CLEF		
11-325 N3H1-11-D75	1	SPROCKET, OIL PUMP	DOUILLE, POMPE A HUILE		
11-371 N3H1-11-400B	1	PULLEY, CRANKSHAFT	POULIE		
11-376 B631-11-405	4	BOLT, PULLEY	BOULON, POULIE		
11-4001 N3H1-11-D00	1 (MT)	SHAFT, ECCENTRIC	AXE EXCENTRIQUE (B.V.MANU)		
11-4001 N3H2-11-D00	1 (AT)	SHAFT, ECCENTRIC	AXE EXCENTRIQUE (B.V.AUTOM)		
11-4031 N326-11-D03	1 (MT)	BEARING, NEEDLE	ROULEMENT (B.V.MANU)		
11-4041 1881-11-404A	1 (MT)	SEAL, OIL	ARRET D'HUILE (B.V.MANU)		
11-406 N3H1-11-406	1	BOLT, LOCK-C. SHAFT PULLEY	BOULON, VERROU-POULIE VILB		
11-4111 N326-11-D11	2	PLUG, OIL JET	BOUCHON, HUILE		
11-4121 0839-11-412	2	SPRING	RESSORT		



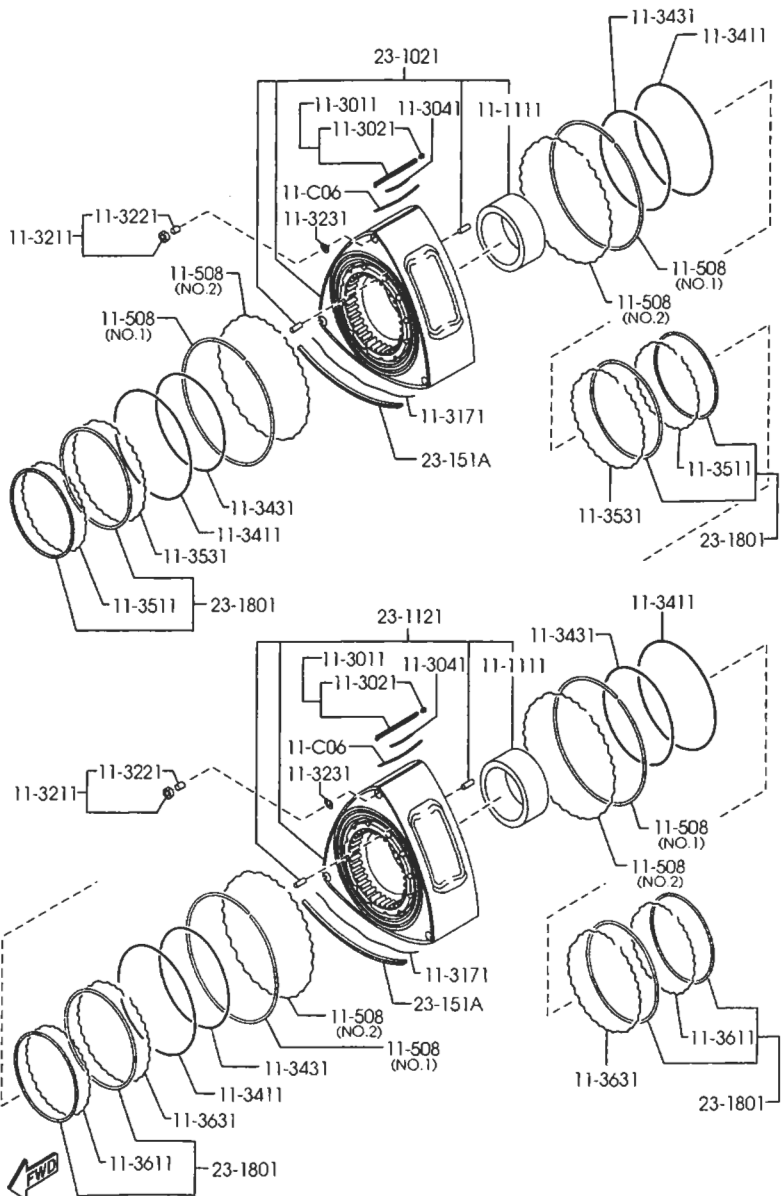


PART NO.	QTY	MODEL/RESTRICTION	MODEL/RESTRICTION	MODEL/RESTRICTION	FROM-TO
11-500 N323-11-50X	1	WHEEL, FLY (MT)	VOLANT MOTEUR (B.V.MANU)		
11-5011 N3H1-11-D51	1	PLATE	PLAQUE		
11-502 N318-11-502A	1	GEAR, RING-FLY WHEEL (MT)	COURONNE, VOLANT MOTEUR (B.V.MANU)		
11-5021 NF01-11-D55	1	SPACER	RONDELLE	L=8.0, -0.005/-0.025	L=8.0, -0.005/-0.025
NF01-11-D56	1			L=8.0, -0.005/+0.015	L=8.0, -0.005/+0.015
NF01-11-D57	1			L=8.0, +0.015/+0.035	L=8.0, +0.015/+0.035
NF01-11-D58	1			L=8.0, +0.035/+0.055	L=8.0, +0.035/+0.055
NF01-11-D59	1			L=8.0, +0.055/+0.075	L=8.0, +0.055/+0.075
11-5041 N390-11-D52	1	PLATE, THRUST	PLAQUETTE		
11-5051 N3F1-11-D54	2	BEARING, NEEDLE	ROULEMENT		
11-5071 NF01-11-D53	1	WASHER, THRUST	EPAISSEUR, PIGNON MARCHE ARR		
11-5111 N321-11-D6X	1	WEIGHT, BALANCE (MT)	CONTRE-POIDS (B.V.MANU)		
11-5111 N322-11-D6X	1	WEIGHT, BALANCE (AT)	CONTRE-POIDS (B.V.AUTOM)		
11-7051 0820-11-705	1	KEY, FLY WHEEL	CALE, VOLANT MOTEUR		
11-7111 0810-11-711A	1	NUT, LOCK	ECROU DE SERRAGE		
11-7501 N322-11-52X	1	WEIGHT, COUNTER (AT)	POIDS DE COMMANDE (B.V.AUTOM)		

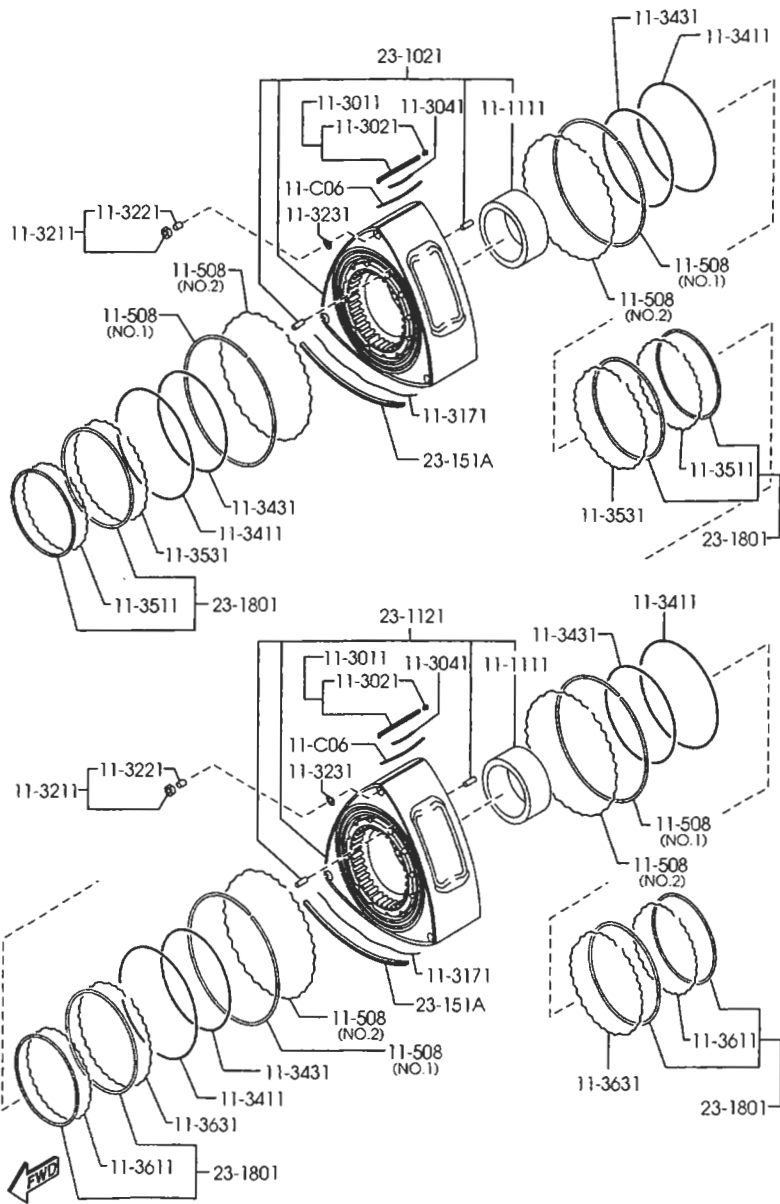


PART NO.	QTY	MODEL/RESTRICTION	MODEL/RESTRICTION	MODEL/RESTRICTION	FROM-TO
18-201 99541-01105	1	RING, 'O'	JOINT 'O'		

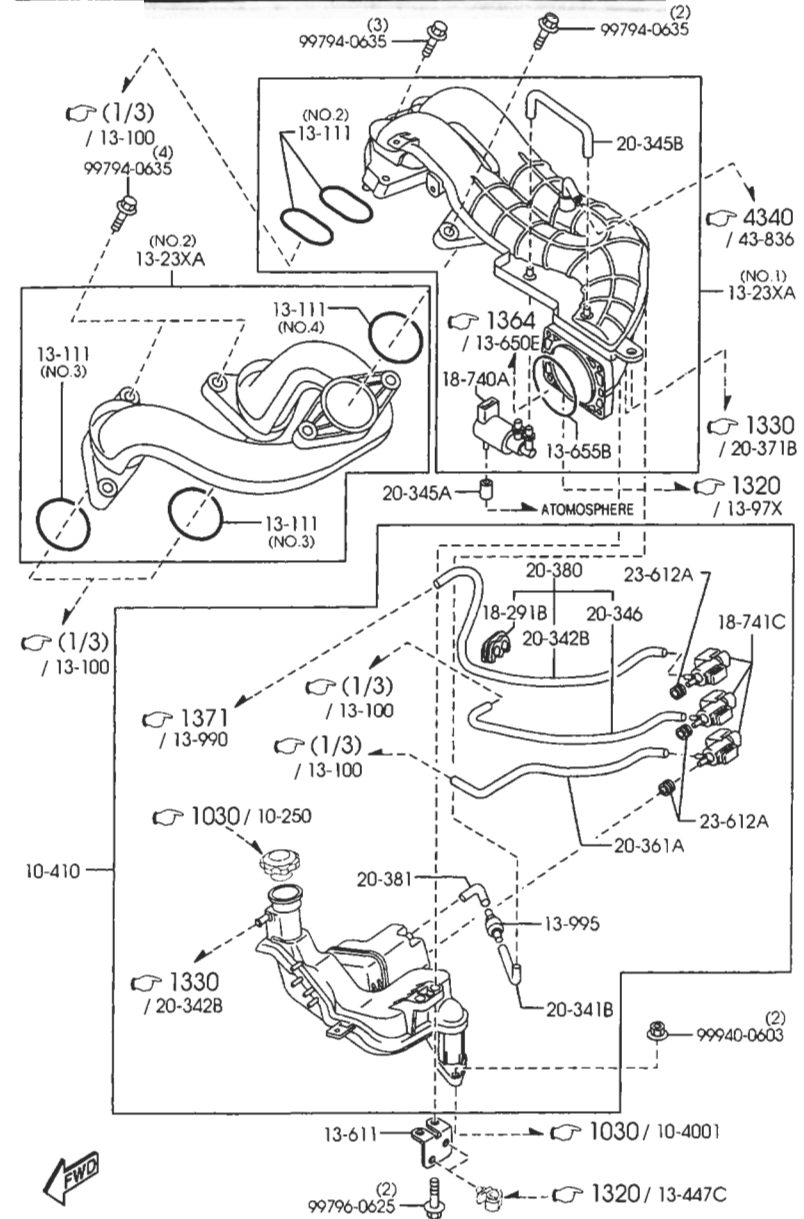
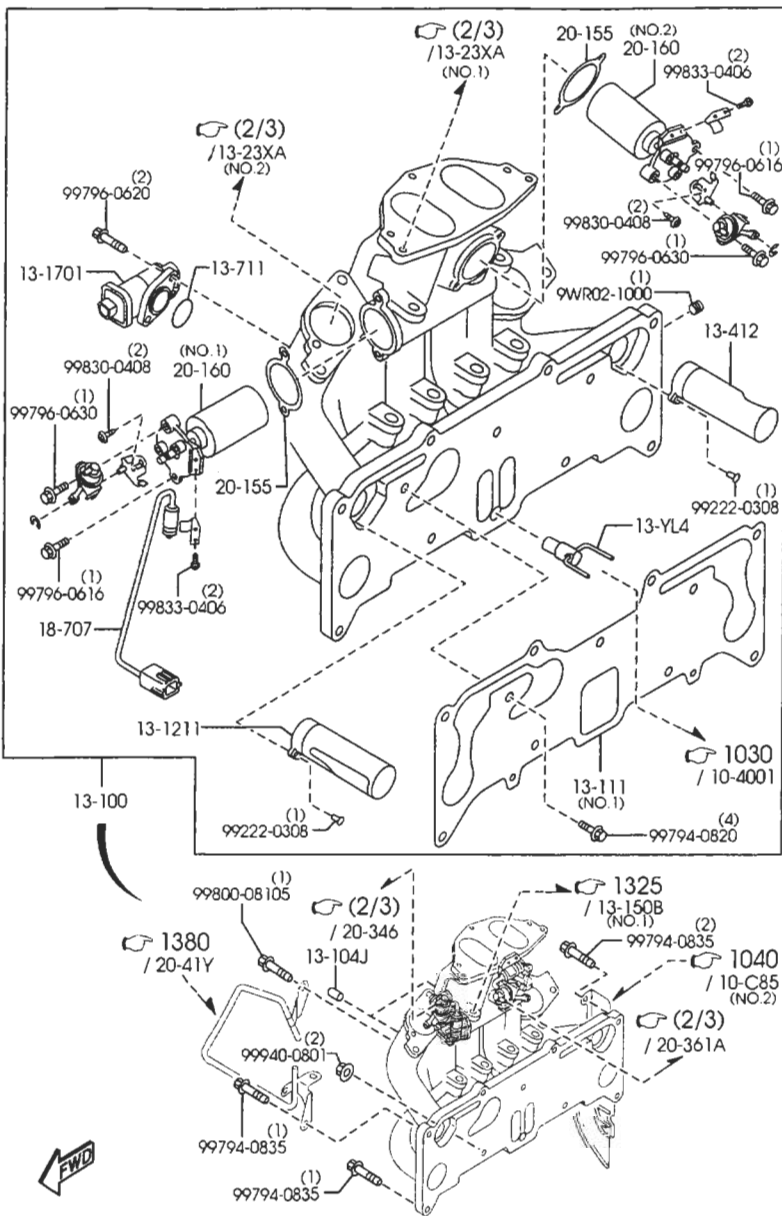


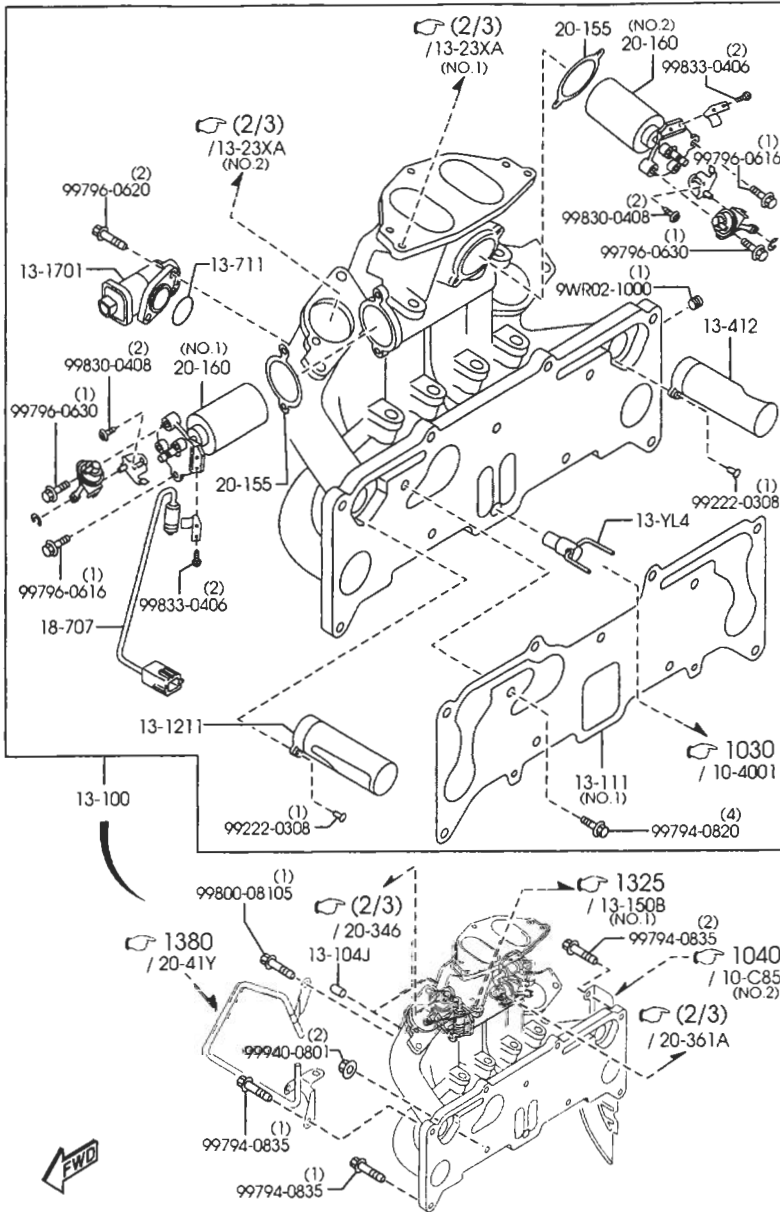


PART NO.	QTY	MODEL/RESTRICTION	MODEL/RESTRICTION	MODEL/RESTRICTION	FROM-TO
11-C06 N3H3-11-C06	6	SPRING, OUTER-APEX SEAL	RESSORT, EXTER.-BAG. A U SOM		
11-1111 N3A2-11-B11	2	METAL, ROTOR 3.000(0.000--0.005) (MT)	COUSSINET DE ROTOR 3.000(0.000--0.005) (B.V. MANU)		
11-1111 N3A3-11-B11	2	3.000(+0.005-0.000) (MT)	3.000(+0.005-0.000) (B.V. MANU)		
1011-11-111	2	(AT)	(B.V. AUTOM)		
11-3011 N3H1-11-C00B	6	SEAL, APEX	JOINT DE SOMMET		
11-3021 N3H1-11-C02B	6	PIECE, SIDE	PIECE DE COTE (MOTEUR ROT.)		
11-3041 N3H3-11-C04	6	SPRING, APEX SEAL	RESSORT, SEGMENT DE SOMMET		
11-3171 N3H1-11-C17A	12	SPRING, SIDE SEAL	RESSORT, SEGMENT MOTEUR ROT.		
11-3211 N3H1-11-C20E N3H1-11-C21E	12	SEAL, CORNER PLUG, CORNER SEAL	JOINT BOUCHON, SEGMENT D'ANGLE	Small 115" STAMP CAME 110" STAMP	
11-3221 N3H1-11-C22B	24	SPRING, CORNER SEAL	RESSORT DE SEGMENT		
11-3231 N3H1-11-C24A	12				
11-3411 N3H3-11-C35	4	RING, 'O'-INNER	JOINT 'O', INTERIEUR		
11-3431 N3H3-11-C37	4	RING, 'O'-OUTER	JOINT 'O', EXTERIEUR		
11-3511 1011-11-351	2	SPRING, FRT.-INNER	RESSORT AVANT, INTERIEUR		
11-3531		SPRING, FRT.-OUTER	RESSORT AVANT, EXTERIEUR		

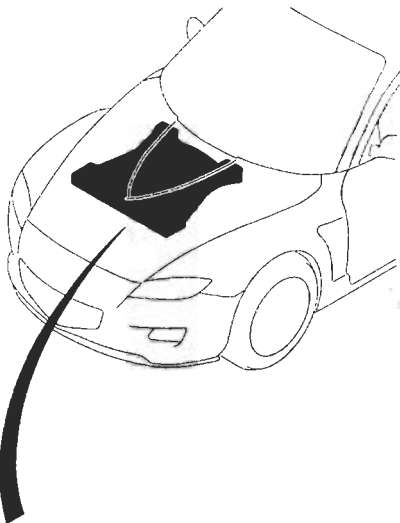


PART NO.	QTY	MODEL/RESTRICTION	MODEL/RESTRICTION	MODEL/RESTRICTION	FROM-TO
CONT'D N3H3-11-C43	2				
+-----+   11-3611   +-----+		SPRING,REAR-INNER	RESSORT ARRIERE, INT ERIEUR		
1011-11-361	2				
+-----+   11-3631   +-----+		SPRING,REAR-OUTER	RESSORT ARRIERE, EXT ERIEUR		
N3H3-11-C47	2				
+-----+   11-508   +-----+		RING	CERCLE		<i>CUTOFF SEAL</i>
N3H1-11-C51	4 (ILLUST. NO.1)				<i>SPRING</i>
N3H1-11-C55A	4 (ILLUST. NO.2)				
+-----+   23-1021   +-----+		ROTOR,FRONT	ROTOR AV		<i>N321-11-1510B</i>
N3Z3-11-B10	1				
+-----+   23-1121   +-----+		ROTOR,REAR	ROTOR AR		<i>N324-11-1801S</i>
N3Z3-11-B50	1				
+-----+   23-151A   +-----+		SEAL, SIDE	SEGMENT		
N3Z1-11-C10	12	167.883(-0.14--0.16) (FOR STAMP B,C,D & E)	167.883(-0.14--0.16)		
N3Z2-11-C10	12	167.883(-0.06--0.08) (FOR STAMP F,G,H & I)	167.883(-0.06--0.08)		
N3Z3-11-C10	12	167.883(0+0.02) (FOR STAMP J,K,L & M)	167.883(0+0.02)		
N3Z4-11-C10 <i>D</i>	12	167.883(+0.08+0.10) (FOR STAMP N,O,P & Q)	167.883(+0.08+0.10)		
+-----+   23-1801   +-----+		SEAL SET,OIL	JEU SEGMENT D'HUILE		
N3Z1-11-S10	4				

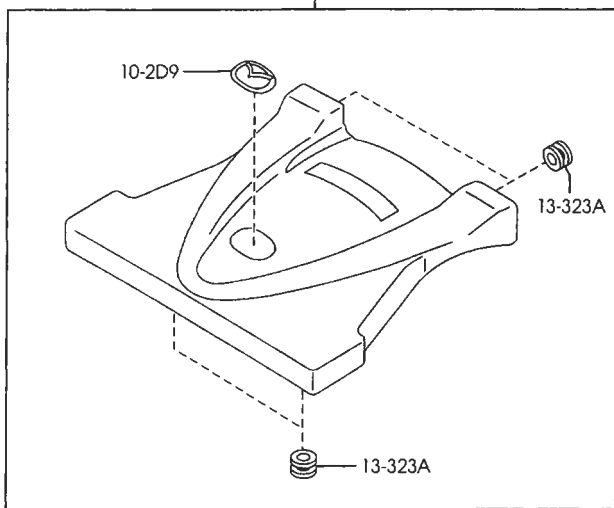


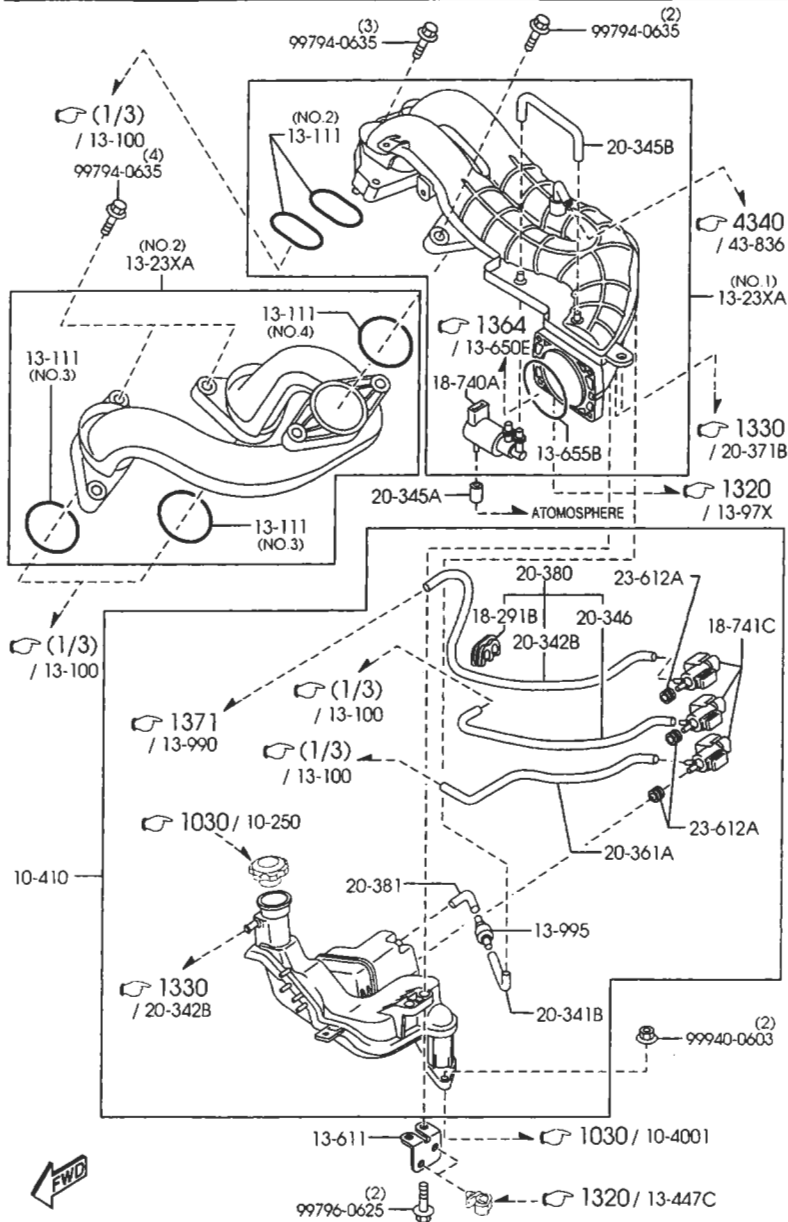


PART NO.	QTY	MODEL/RESTRICTION	MODEL/RESTRICTION	MODEL/RESTRICTION	FROM-TO
10-2D9 L323-10-2D9	1	ORNAMENT, PLATE (W/ENGINE COVER)	ORNEMENT, PLAQUE-MAZDA		
10-410 N3H4-10-D10C	1	PIPE, OIL FILLER	TUYAU DE REMPLISSAGE D'HUILE		
13-YL4 N3H1-13-C50	1	PIPE	CONDUIT		
13-100 N3H6-13-100B	1	MANIFOLD, INLET	COLLECTEUR, ADMISSION		
13-104J 1010-13-104	2	CAP, BLIND	BOUCHON		
13-111 N3H3-13-111A N3H4-13-112A N3H6-13-112 N3H6-13-113A	1 2 2 1	GASKET, IN. MANIFOLD	JOINT, COLLECTEUR AD		
13-1211 N3H2-13-B60A	1	VALVE	SOUPAPE		
13-13X N3H3-13-13XA	1	COVER, SURGE TANK (W/ENGINE COVER)	COUVERCLE, RESERV. COMPENS		
13-1701 N3H6-13-B70	1	ACTUATOR, A. P. V.	COMMANDE		
13-23XA N3H5-13-23XA N3H6-13-23XA	1 1 1	MANIFOLD(R), EXTENSION	COLLECTEUR(D), EXTENSION		
13-323A N3H1-13-323	4	RUBBER, MOUNTING (W/ENGINE COVER)	CAOUTCHOUC, MONTAGE		
13-412 N3H3-13-B60A	1	VALVE	SOUPAPE		



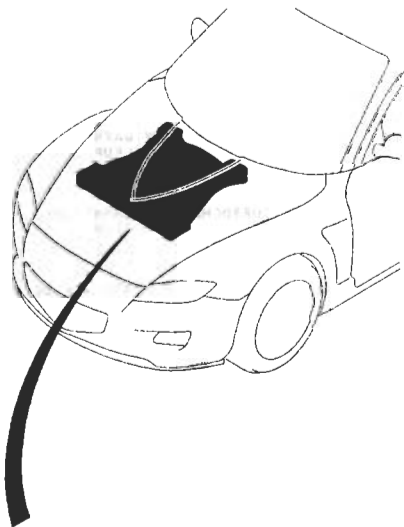
13-13X



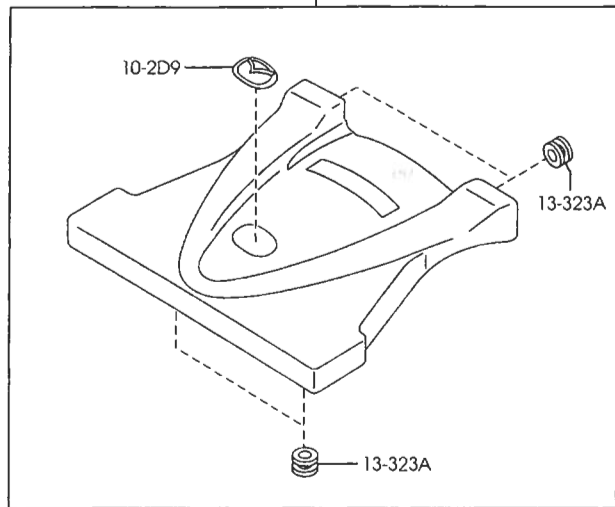


PART NO.	QTY	MODEL/RESTRICTION	MODEL/RESTRICTION	MODEL/RESTRICTION	FROM-TO
13-611 N3H1-20-653	1	BRACKET	ATTACHE		
13-655B N3H1-13-655A	1	GASKET, THROTTLE BODY	GARNIT., CORPS ETRANG LEUR		
13-711 N3H6-13-B71	1	GASKET, TURBOCHARGER	GARNITURE, TURBO-CHAR GEUR		
13-995 HE41-13-995	1	VALVE, CHECK	SOUPAPE DE RETENUE		
18-291B HE21-18-291	1	CLAMP, HOSE	ETRIER		
18-707 N3H4-18-9B1	1	SENSOR	CAPTEUR, DECANTEUR		
18-740A Z504-18-741A	1	VALVE, SOLENOID	SOUPAPE DE SOLENOID		
18-741C KL01-18-741	3	VALVE, SOLENOID	SOUPAPE DE SOLENOID		
20-155 N3H4-20-155	2	GASKET, SHUTTER VALVE	GARNITURE, SOUPAPE OB TUAR.		
20-160 N3H5-20-160A	1	VALVE, SHUTTER-MANIFOLD (ILLUST. NO.1)	SOUPAPE, OBTURAT. - TUB ULURE		
20-160 N3H6-20-160	1	(ILLUST. NO.2)			
20-341B B305-20-341	1	TUBE, VACUUM-SOL. VAL VE	TUBE, DEPRESSION-SOUP .-SOL		
20-342B WLE4-20-342	1	TUBE, VACUUM	TUBE, VIDE		
20-345A N3H1-20-345	1	TUBE, VACUUM	TUBE, VIDE		

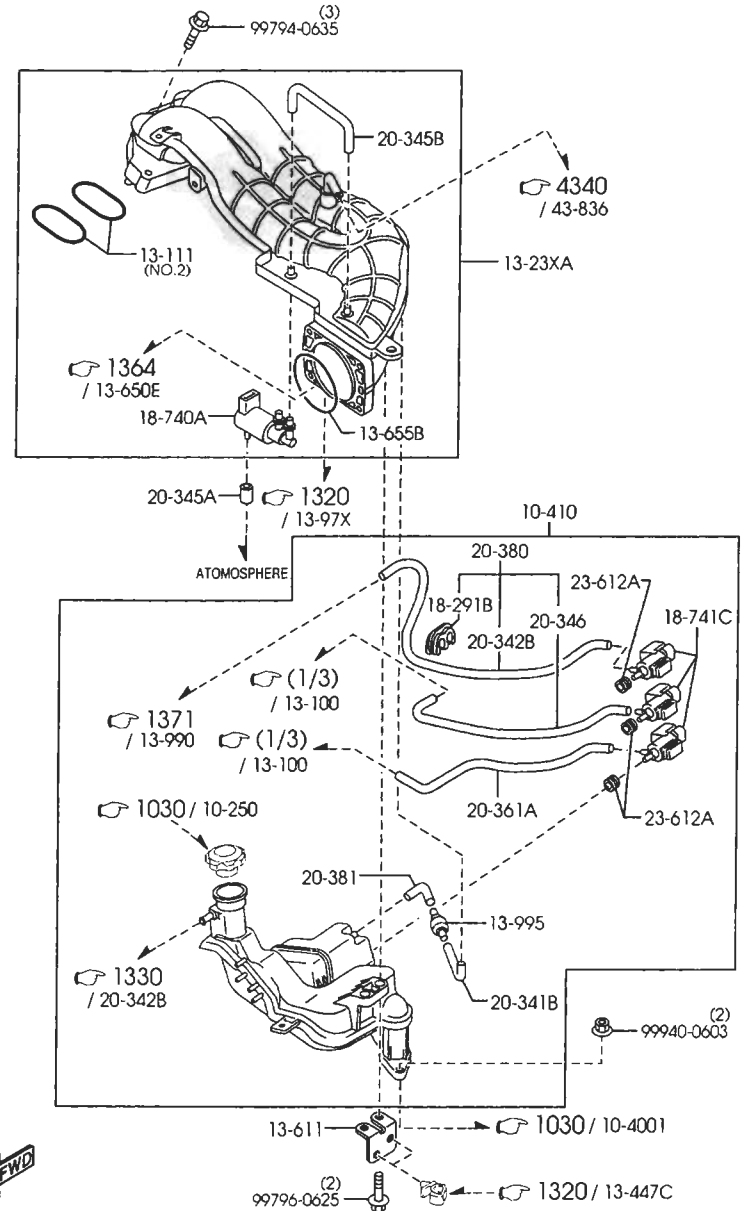
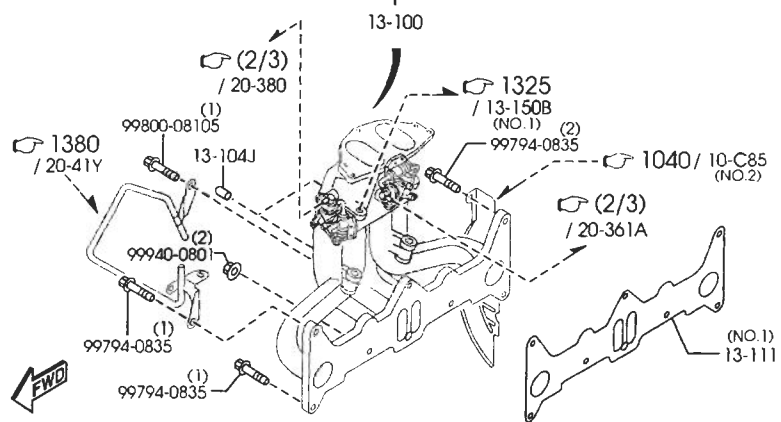
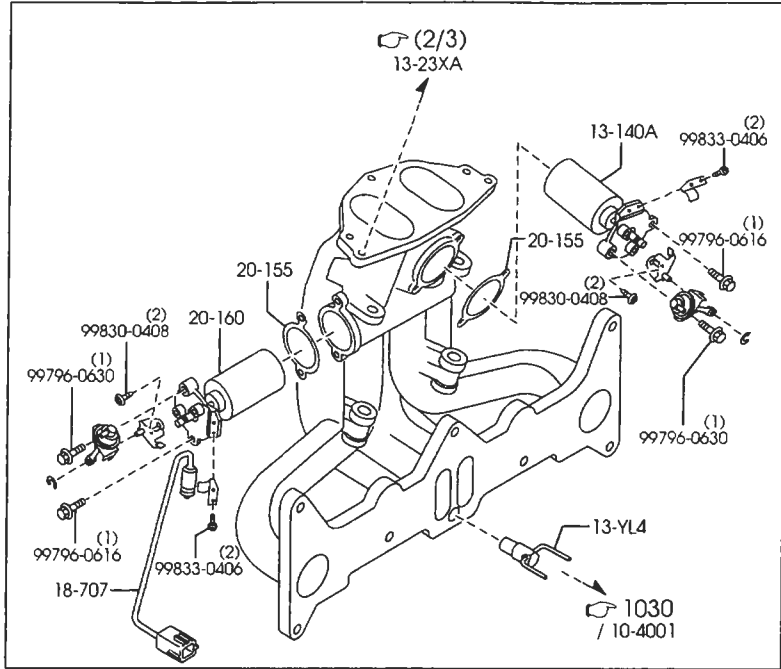


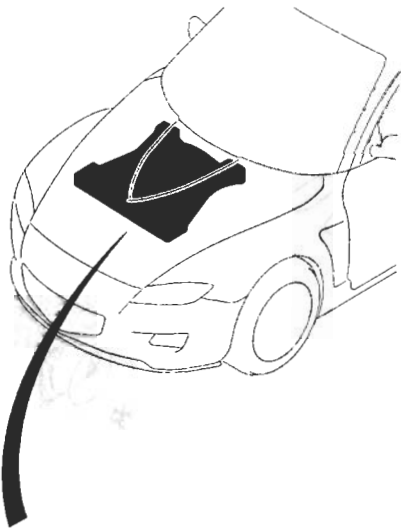


13-13X

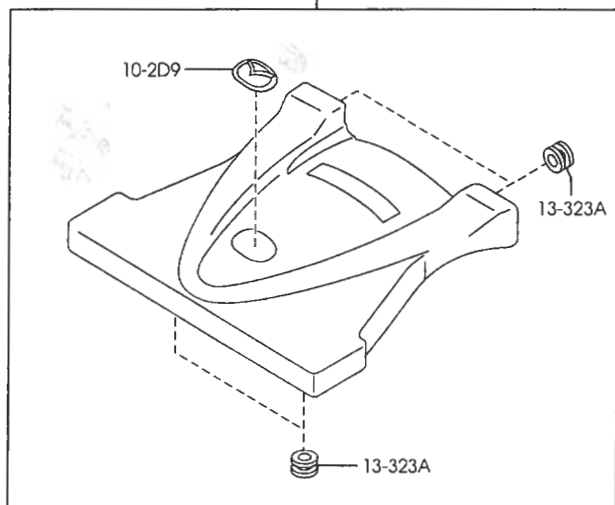


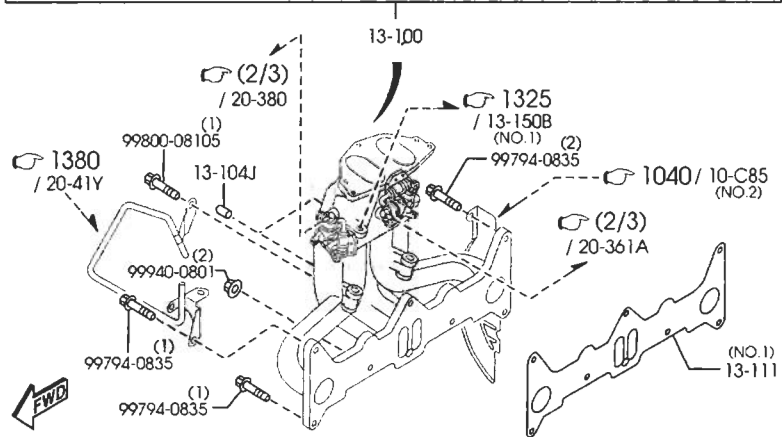
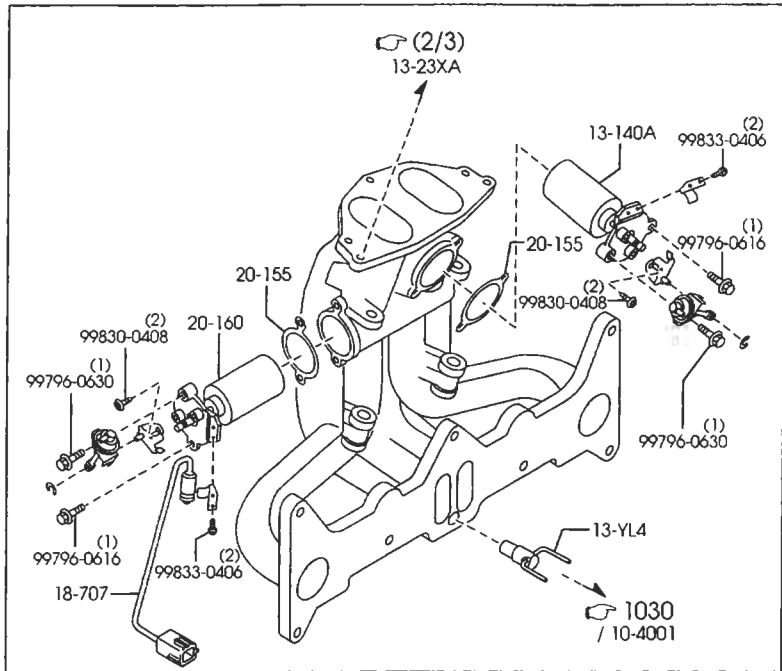
PART NO.	QTY	MODEL/RESTRICTION	MODEL/RESTRICTION	MODEL/RESTRICTION	FROM-TO
20-345B N3H4-20-345	1	TUBE, VACUUM	TUBE,VIDE		
20-346 N3H1-20-346	1	TUBE, VACUUM	TUBE,VIDE		
20-361A KJ01-20-361	1	TUBE, VACUUM	TUBE,VIDE		
20-380 N3H1-20-380A	1	TUBE, VACUUM	RACCORD,CAPSULE A DE PRESSION		
20-381 FS7N-20-381	1	TUBE, VACUUM	RACCORD,CAPSULE A DE PRESSION		
23-612A N3F1-20-485	3	BUSH	BUSELURE		



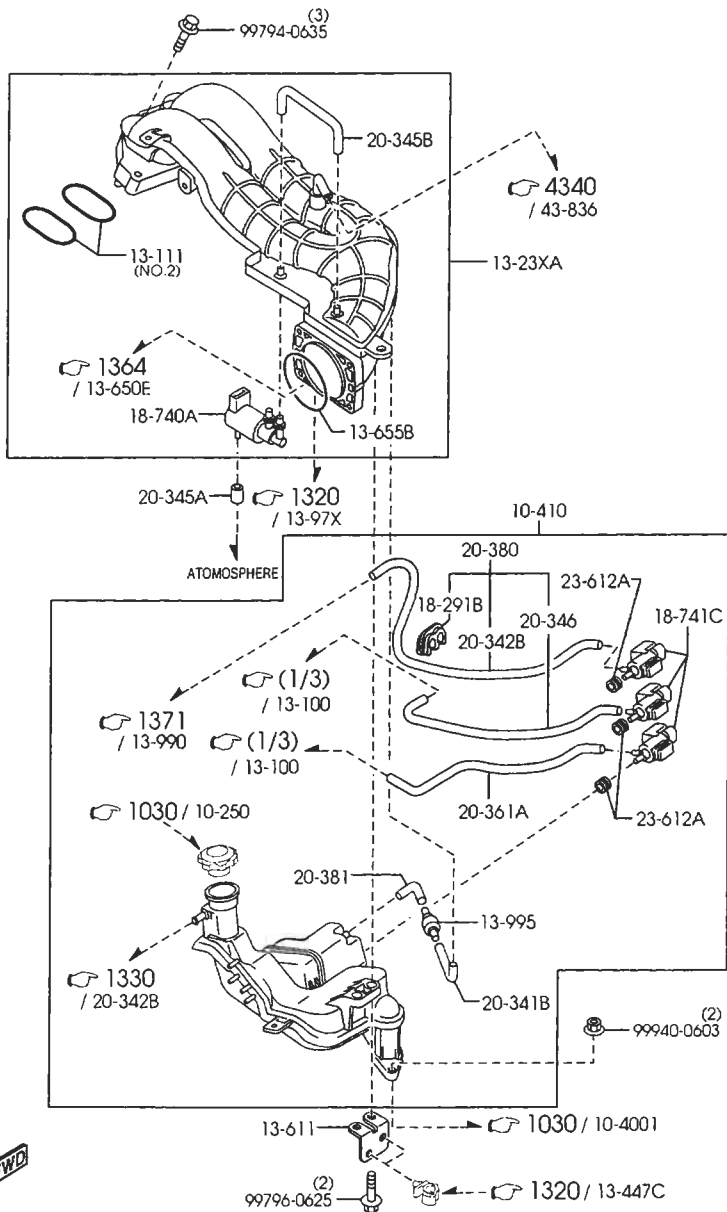


13-13X

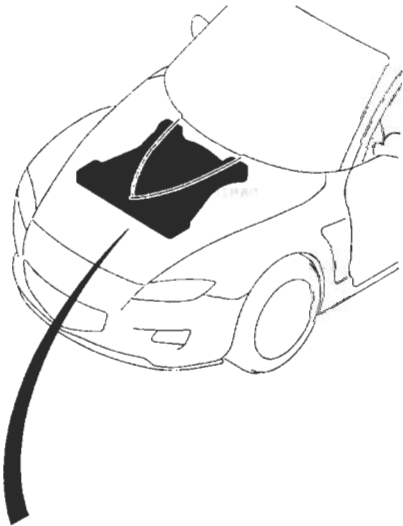




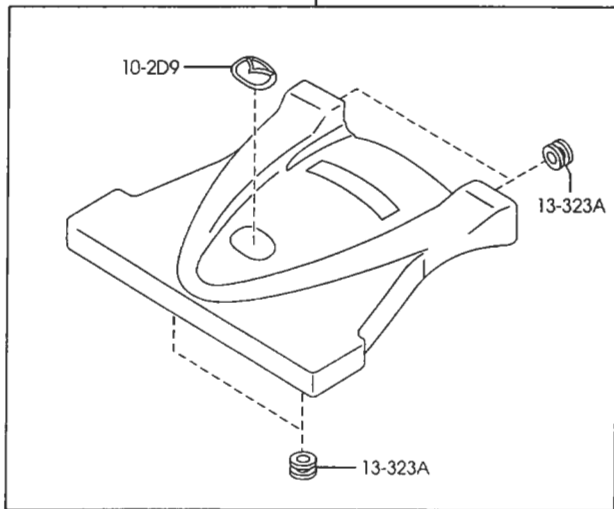
PART NO.	QTY	MODEL/RESTRICTION	MODEL/RESTRICTION	MODEL/RESTRICTION	FROM-TO
10-2D9		ORNAMENT, PLATE	ORNEMENT, PLAQUE-MAZDA		
L323-10-2D9	1	(W/ENGINE COVER)			
10-410		PIPE, OIL FILLER	TUYAU DE REMPLISSAGE D'HUILE		
N3H4-10-D10C	1				
13-YL4		PIPE	CONDUIT		
N3H1-13-C50	1				
13-100		MANIFOLD, INLET	COLLECTEUR, ADMISSION		
N3H4-13-100A	1				
13-104J		CAP, BLIND	BOUCHON		
1010-13-104	2				
13-111		GASKET, IN. MANIFOLD	JOINT, COLLECTEUR AD		
N3H1-13-111	1	(ILLUST. NO.1)			
N3H4-13-112A	2	(ILLUST. NO.2)			
13-13X		COVER, SURGE TANK	COUVERCLE, RESERV. COMPENS		
N3H5-13-13XA	1	(W/ENGINE COVER)			
13-140A		VALVE, SHUTTER	SOUPE DE FERMETURE		
N3H4-20-160A	1				
13-23XA		MANIFOLD(R), EXTENSION	COLLECTEUR(D), EXTENSION		
N3H4-13-23XA	1				
13-323A		RUBBER, MOUNTING	CAOUTCHOUC, MONTAGE		
N3H1-13-323	4	(W/ENGINE COVER)			
13-611		BRACKET	ATTACHE		
N3H1-20-653	1				
13-655B		GASKET, THROTTLE BODY	GARNIT., CORPS ETRANGER		
N3H1-13-655A	1		LEUR		
13-995		VALVE, CHECK	SOUPE DE RETENUE		
HE41-13-995	1				



PART NO.	QTY	MODEL/RESTRICTION	MODEL/RESTRICTION	MODEL/RESTRICTION	FROM-TO
HE21-18-291	1	18-291B CLAMP, HOSE	ETRIER		
N3H4-18-9B1	1	18-707 SENSOR	CAPTEUR, DECANTEUR		
Z504-18-741A	1	18-740A VALVE, SOLENOID	SOUPAPE DE SOLENOID		
KL01-18-741	3	18-741C VALVE, SOLENOID	SOUPAPE DE SOLENOID		
N3H4-20-155	2	20-155 GASKET, SHUTTER VALVE	GARNITURE, SOUPAPE OBTUR.		
N3H5-20-160A	1	20-160 VALVE, SHUTTER-MANIFOLD	SOUPAPE, OBTURAT. - TUBULURE		
B305-20-341	1	20-341B TUBE, VACUUM-SOL. VALVE	TUBE, DEPRESSION-SOUP.-SOL		
WLE4-20-342	1	20-342B TUBE, VACUUM	TUBE, VIDE		
N3H1-20-345	1	20-345A TUBE, VACUUM	TUBE, VIDE		
N3H4-20-345	1	20-345B TUBE, VACUUM	TUBE, VIDE		
N3H1-20-346	1	20-346 TUBE, VACUUM	TUBE, VIDE		
KJ01-20-361	1	20-361A TUBE, VACUUM	TUBE, VIDE		
N3H1-20-380A	1	20-380 TUBE, VACUUM	RACCORD, CAPSULE A DEPRESSION		
FS7N-20-381	1	20-381 TUBE, VACUUM	RACCORD, CAPSULE A DEPRESSION		

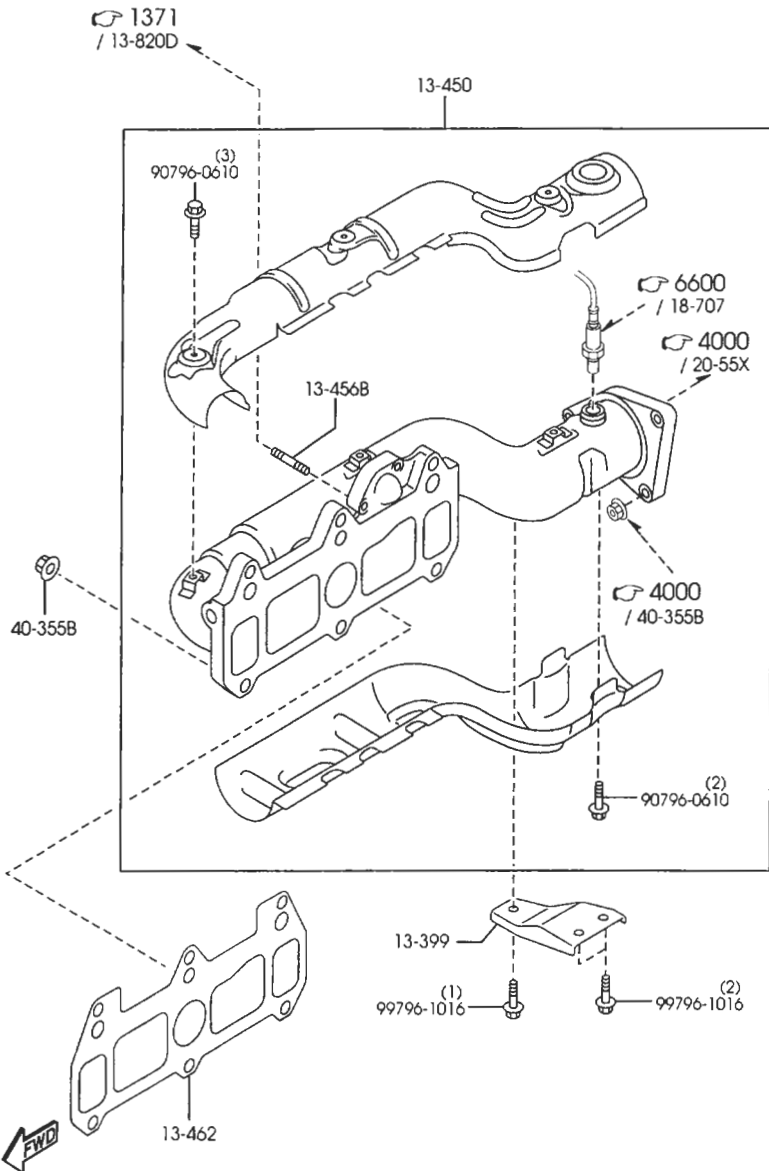


13-13X

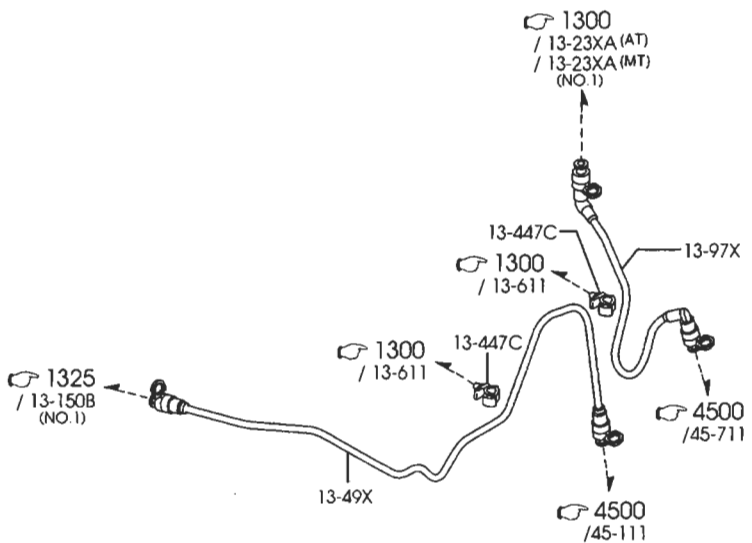


PART NO.	QTY	MODEL/RESTRICTION	MODEL/RESTRICTION	MODEL/RESTRICTION	FROM-TO
23-612A N3F1-20-4B5	3	BUSH	BUSELURE		





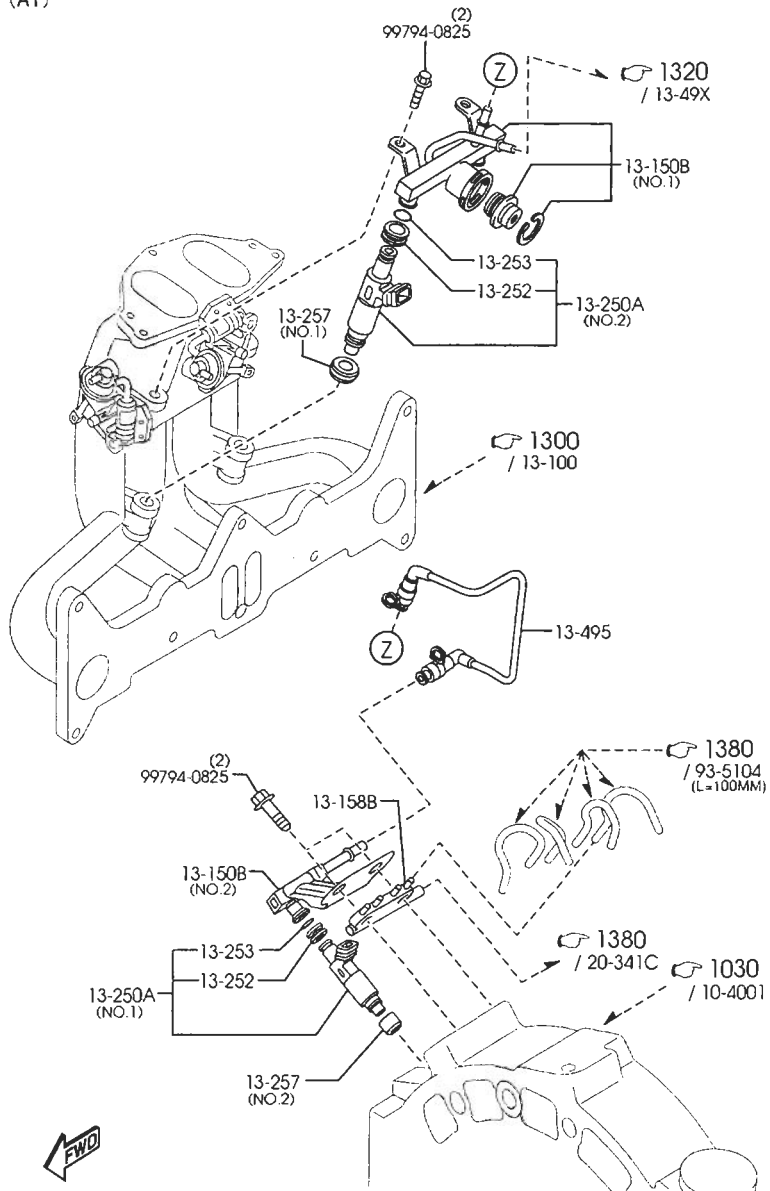
PART NO.	QTY	MODEL/RESTRICTION	MODEL/RESTRICTION	MODEL/RESTRICTION	FROM-TO
13-399 NSH1-13-467	1	STAY	ETA1		
13-450 NSH3-13-450C	1	MANIFOLD, EXHAUST	COLLECTEUR, ECHAPPEMENT		
13-456B NSH1-13-456	2	STUD, EX. MANIFOLD	GOIJON, COLLECTEUR D' ECH.		
13-462 NSH1-13-461B	1	GASKET, EX. MANIFOLD	JOINT, COLLECTEUR EC HAPPEMENT		
40-355B JE10-40-355	6	NUT	ECROU		



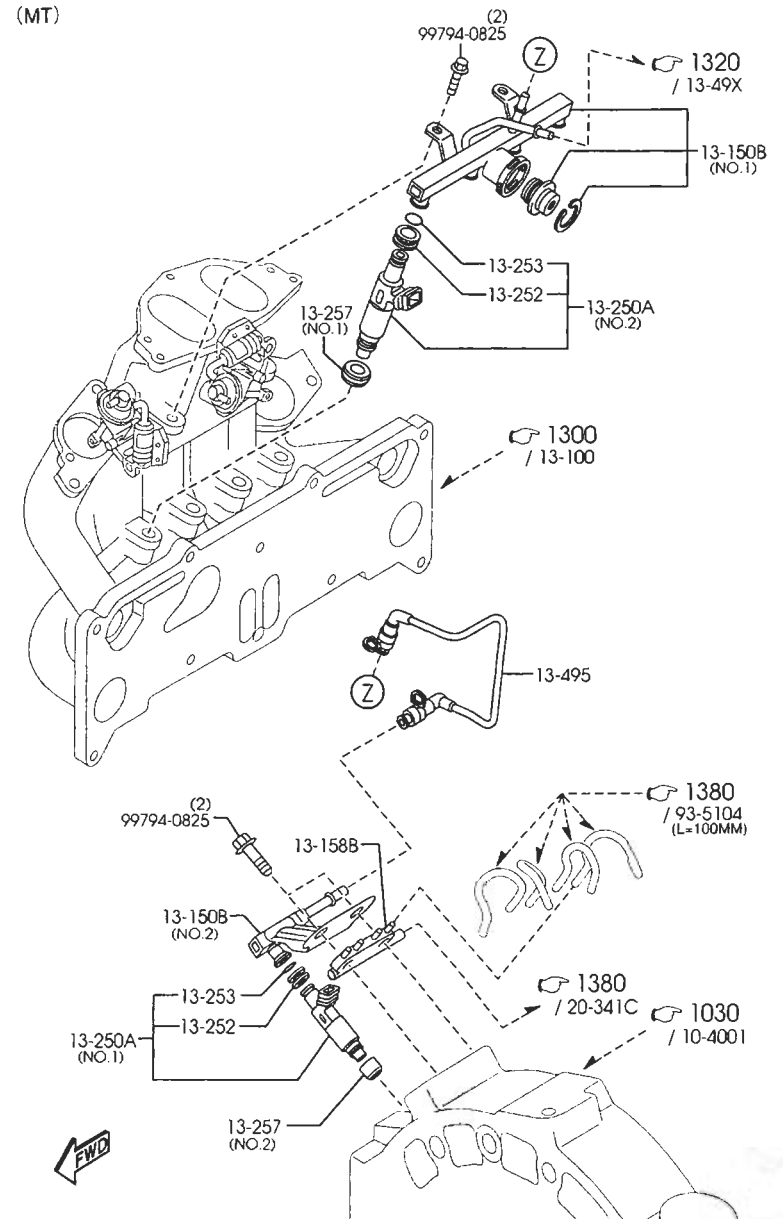
PART NO.	QTY	MODEL/RESTRICTION	MODEL/RESTRICTION	MODEL/RESTRICTION	FROM-TO
13-447C					
BP4W-13-447	2	CLAMP, HOSE	COLLIER DE SERRAGE		
13-49X					
N3H1-13-49XA	1	HOSE, FUEL	TUYAU, COMUST. - E. G. I.		
13-97X					
N3H1-13-97X	1	HOSE, CANISTER	TUYAU, CARTOUCHE FILT RANTE		



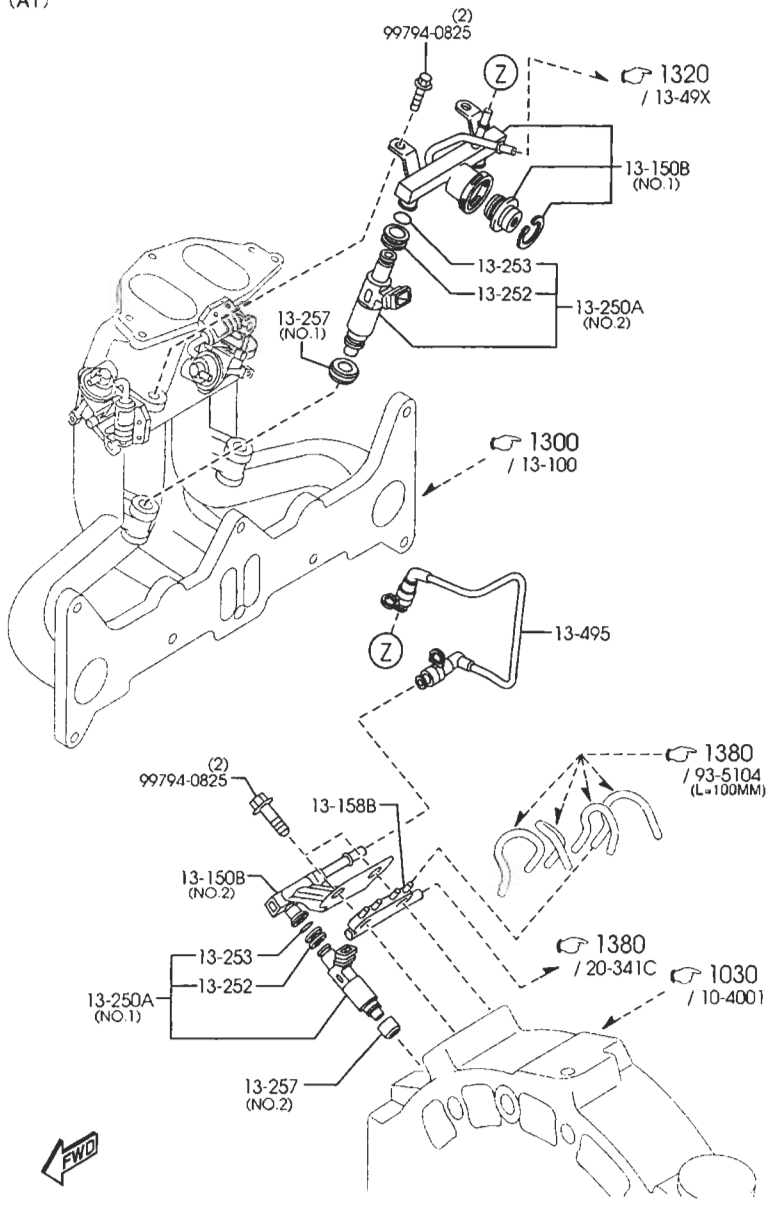
(AT)



(MT)

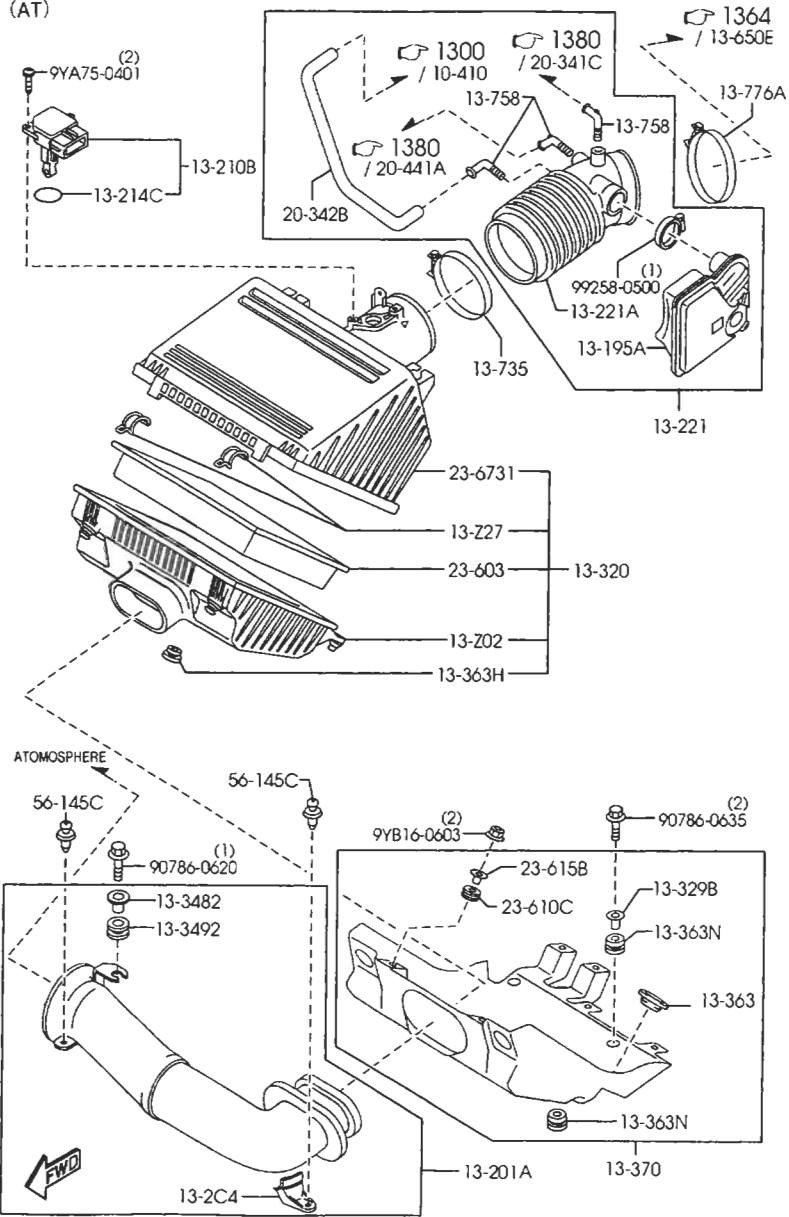


(AT)



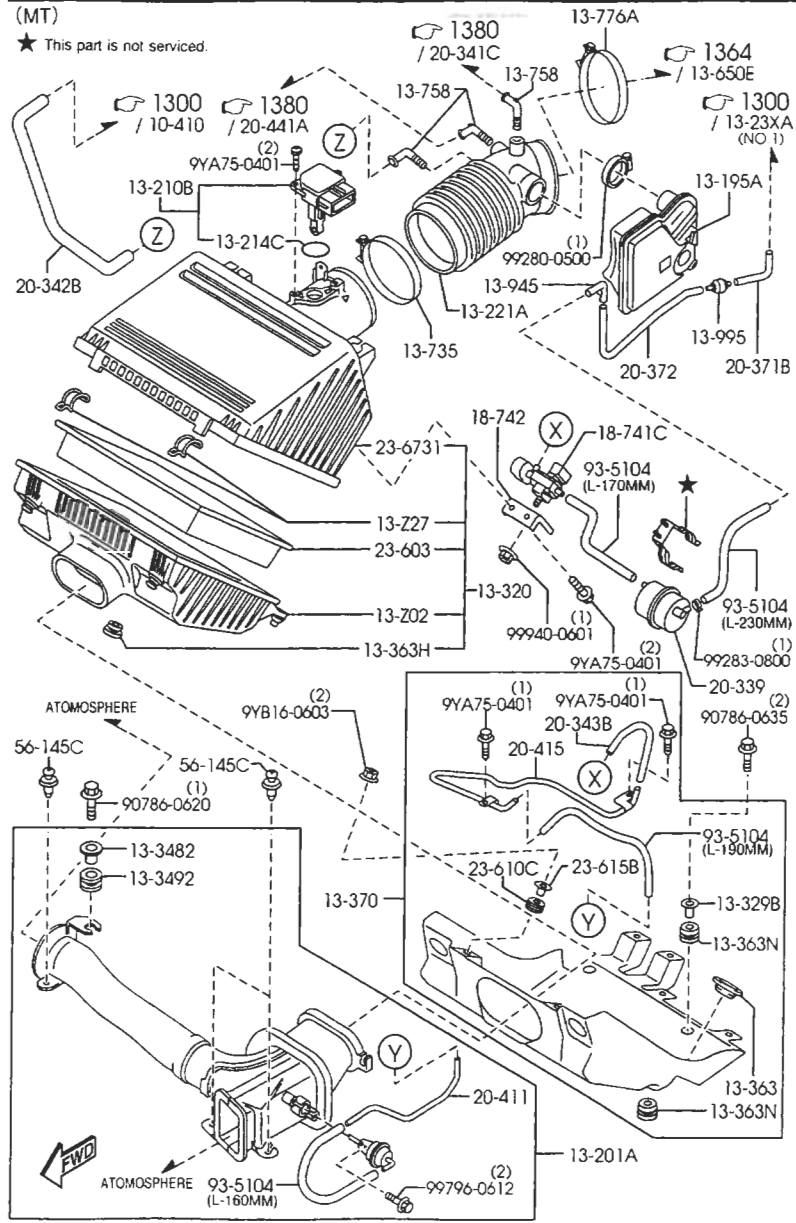
PART NO.	QTY	MODEL/RESTRICTION	MODEL/RESTRICTION	MODEL/RESTRICTION	FROM-TO
13-150B					
N3H1-13-15Z	1	(ILLUST. NO.1) (AT)	DISTRIBUTEUR, FUEL URANT (B.V.AUTOM)		
N3H3-13-15Z	1	(ILLUST. NO.1) (MT)	(B.V.MANU)		
N3H1-13-150	1	(ILLUST. NO.2)			
13-158B					
N3H1-13-158	1		INSULANT(L), FUEL DI ST. ISOLANT(G), DISTRIB. COMB.		
13-250A					
N3H1-13-250A	2	(ILLUST. NO.1)	INJECTION, FUEL-M.P.E LECT. INJECTEUR DE CARBU RANT		
N3H2-13-250	2	(ILLUST. NO.2) (AT)	(B.V.AUTOM)		
N3H3-13-250A	4	(ILLUST. NO.2) (MT)	(B.V.MANU)		
13-252					
8574-13-252	4	(AT)	GROMMET ANNEAU (B.V.AUTOM)		
8574-13-252	6	(MT)	(B.V.MANU)		
13-253					
8574-13-253	4	(AT)	RING, 'O' JOINT 'O' (B.V.AUTOM)		
8574-13-253	6	(MT)	(B.V.MANU)		
13-257					
N3H1-13-257	2	(ILLUST. NO.1) (AT)	INSULANT, INJECTION ISOLANT (B.V.AUTOM)		
N3H1-13-257	4	(ILLUST. NO.1) (MT)	(B.V.MANU)		
N3H2-13-257	2	(ILLUST. NO.2)			
13-495					
N3H1-13-495	1		HOSE, FUEL TUYAU FLEXIBLE, CARBU RANT		

(AT)

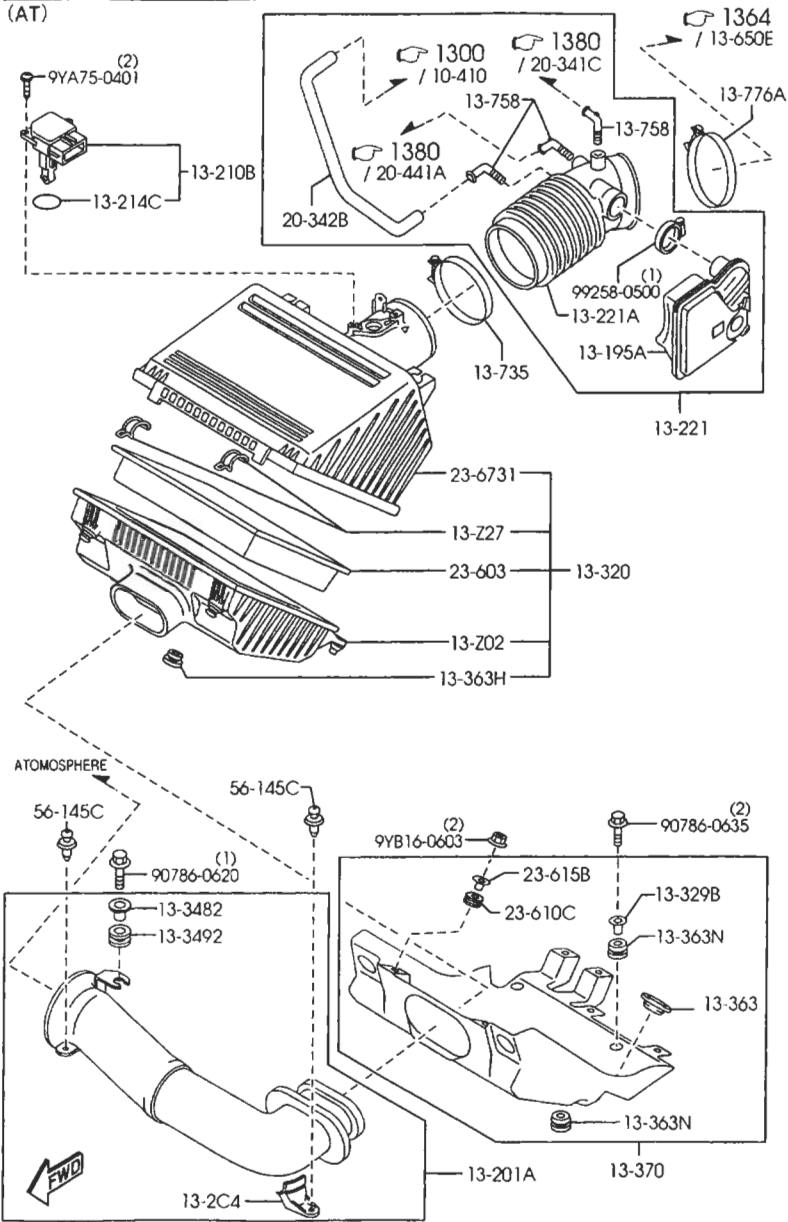


(MT)

★ This part is not serviced.



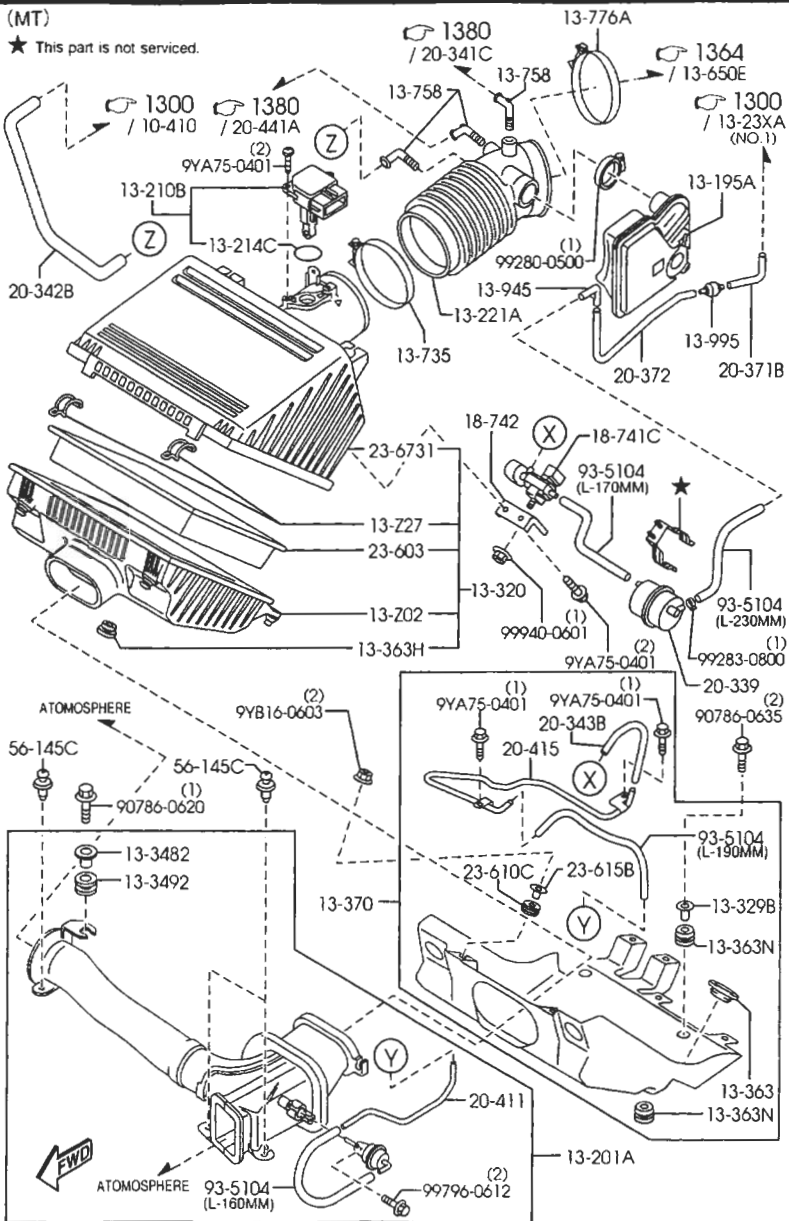
(AT)



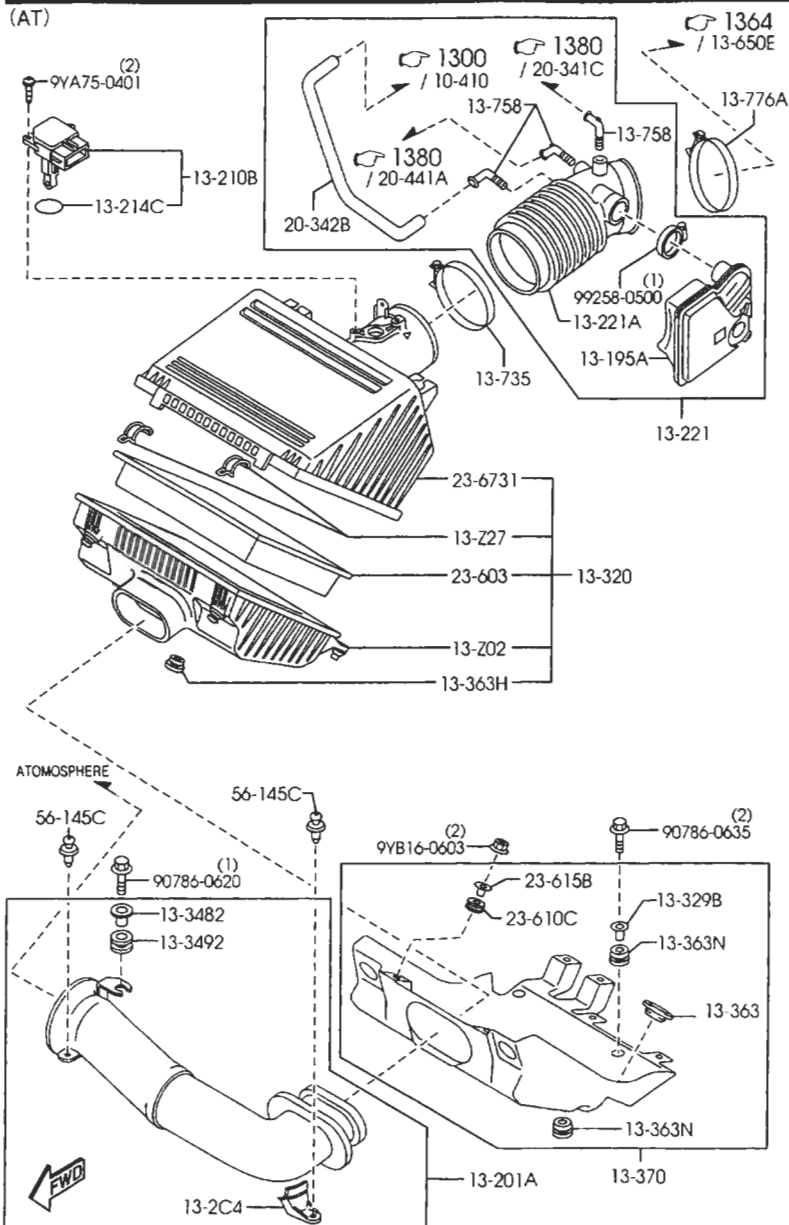
PART NO.	QTY	MODEL/RESTRICTION	MODEL/RESTRICTION	MODEL/RESTRICTION	FROM-TO
13-202	1	CASE, AIR CLEANER	BOITE, EPURATEUR AIR		
N3H1-13-202A					
13-227	2	CLIP	COLLIER		
B593-13-227					
13-195A	1 (AT)	CHAMBER, RESONANCE	CHAMBRE, RESONANCE		
N3H2-13-195A			(B.V. AUTOM)		
N3H6-13-195A	1 (MT)		(B.V. MANU)		
13-2C4	1 (AT)	BRACKET, AIR PIPE	SUPPORT TUYAU AIR		
N3H1-13-2C4			(B.V. AUTOM)		
13-201A	1 (AT)	DUCT, FRESH AIR	CONDUITE D'AIR FRAIS		
N3H1-13-200A			(B.V. AUTOM)		
N3H3-13-200C	1 (MT)		(B.V. MANU)		
13-210B	1	SENSOR, AIR FLOW	CAPTEUR DE DEBIT D'AIR		
ZL01-13-215					
13-214C	1	RING, O'-AIR FLOW SENSOR	JOIN TORIQUE-CAPTEUR AIR		
ZL01-13-214					
13-221	1 (AT)	HOSE, AIR	TUYAU, AIR		
N3H2-13-220D			(B.V. AUTOM)		
13-221A	1	HOSE, AIR	CONDUITE D'AIR		
N3H1-13-221D					
13-320	1 (AT)	CLEANER, AIR	FILTRE A AIR		
N3H1-13-320G			(B.V. AUTOM)		
N3H3-13-320F	1 (MT)		(B.V. MANU)		
13-329B	2	SPACER	RONDELLE		
FE51-13-329					
13-3482	1	SPACER, AIR INT. PIPE	ENTRE., TUBE PRISE AIR.		
SLA1-13-321					
13-3492		INSULATOR	I, SOLATEUR		

(MT)

★ This part is not serviced.

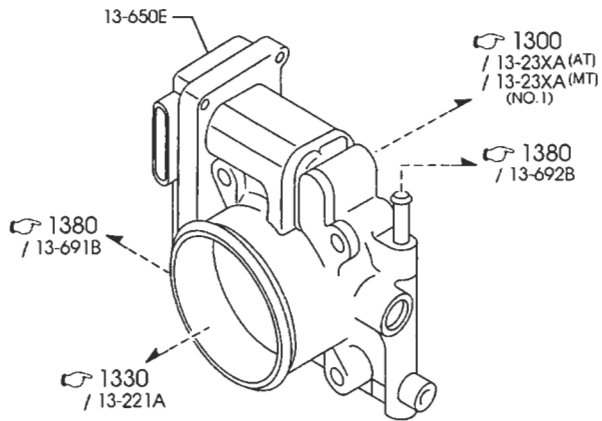


PART NO.	QTY	MODEL/RESTRICTION	MODEL/RESTRICTION	MODEL/RESTRICTION	FROM-TO
CONT'D S501-13-349	1				
13-363		RUBBER, INSULATION	CAOUTCHOUC ISOLANT		
L813-13-363A	4				
13-363H		RUBBER, INSULATION	CAOUTCHOUC ISOLANT		
R205-13-363	1				
13-363N		RUBBER, MOUNTING	CAOUTCHOUC DE FIXATION		
FE51-13-363	3				
13-370		INSULATOR	ISOLATEUR		
N3H1-13-3C0B	1 (AT)		(B.V. AUTOM)		
N3H3-13-3C0D	1 (MT)		(B.V. MANU)		
13-735		CLIP	ATTACHE		
N3H1-13-735	1				
13-758		JOINT, AIR HOSE	JOINT, TUYAU AIR		
FEMJ-13-758	3				
13-776A		CLIP	ATTACHE		
N3H2-13-735	1				
13-945		CONNECTOR, TUBE	RACCORD, TUBE		
FE4J-13-945	1 (MT)		(B.V. MANU)		
13-995		VALVE, CHECK	SOUPE DE RETENUE		
HE41-13-995	1 (MT)		(B.V. MANU)		
18-741C		VALVE, SOLENOID	SOUPE DE SOLENOID		
ZM03-18-741	1 (MT)		(B.V. MANU)		
18-742		BRACKET	ATTACHE		
N3H3-18-742	1 (MT)		(B.V. MANU)		
20-339		CHAMBER, VACUUM	CHAMBRE, REPRESSION		
BPDS-20-339	1 (MT)		(B.V. MANU)		
20-342B		TUBE, VACUUM	TUBE, VIDE		
N3H1-20-342B	1				



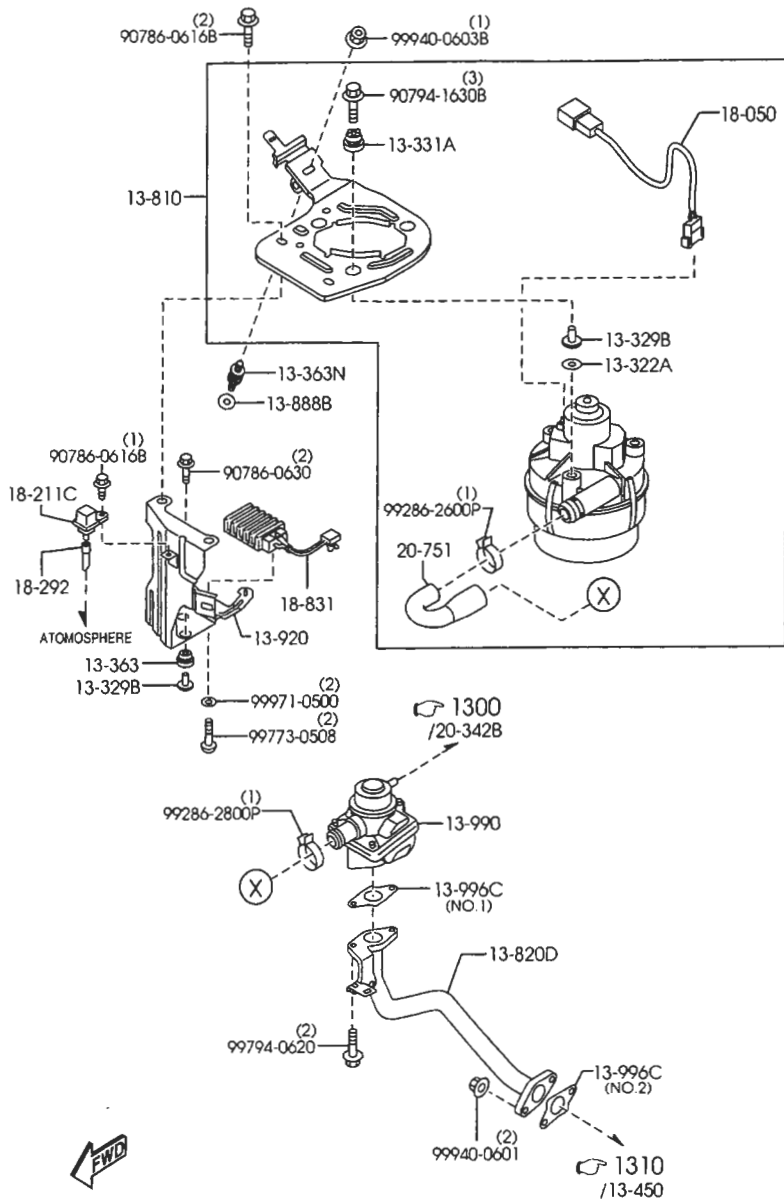
PART NO.	QTY	MODEL/RESTRICTION	MODEL/RESTRICTION	MODEL/RESTRICTION	FROM-TO
20-343B	1	TUBE, VACUUM	TUBE, VIDE-SOUPAPE SO LENOI (B.V.MANU)		
RFJ5-20-343A	(MT)				
20-371B	1	TUBE, VACUUM	TUYAU DEPRESSION (B.V.MANU)		
N3H3-20-371	(MT)				
20-372	1	TUBE, VACUUM	RACCORD, CAPSULE A DE (B.V.MANU)		
N3H3-20-372B	(MT)				
20-411	1	PIPE, VACUUM	TUYAU, VIDE (B.V.MANU)		
N3H3-20-410	(MT)				
20-415	1	PIPE, VACUUM	CONDUIT A VIDE (B.V.MANU)		
N3H3-20-41XA	(MT)				
23-603	1	ELEMENT, AIR CLEANER	ELEMENT, FILTRE A AIR		
N3H1-13-240					
23-610C	2	INSULATOR	ISOLATEUR		
E367-13-Z08					
23-615B	2	COLLAR	BAGUE		
E367-13-Z11					
23-6731	1	COVER, AIR CLEANER	CACHE (B.V.AUTOM)		
N3H1-13-Z01F	(AT)				
N3H3-13-Z01E	1		(B.V.MANU)		
56-145C	2	CLIP, MUD GUARD	ETRIER, GARDE BOUE (B.V.AUTOM)		
BCID-56-145	3		(B.V.MANU)		
93-5104	1	HOSE	FLEXIBLE ESSENCE		
99351-04999	(MT)	L=1M CUT IT TO USE	L=1M CUT IT TO USE (B.V.MANU)		



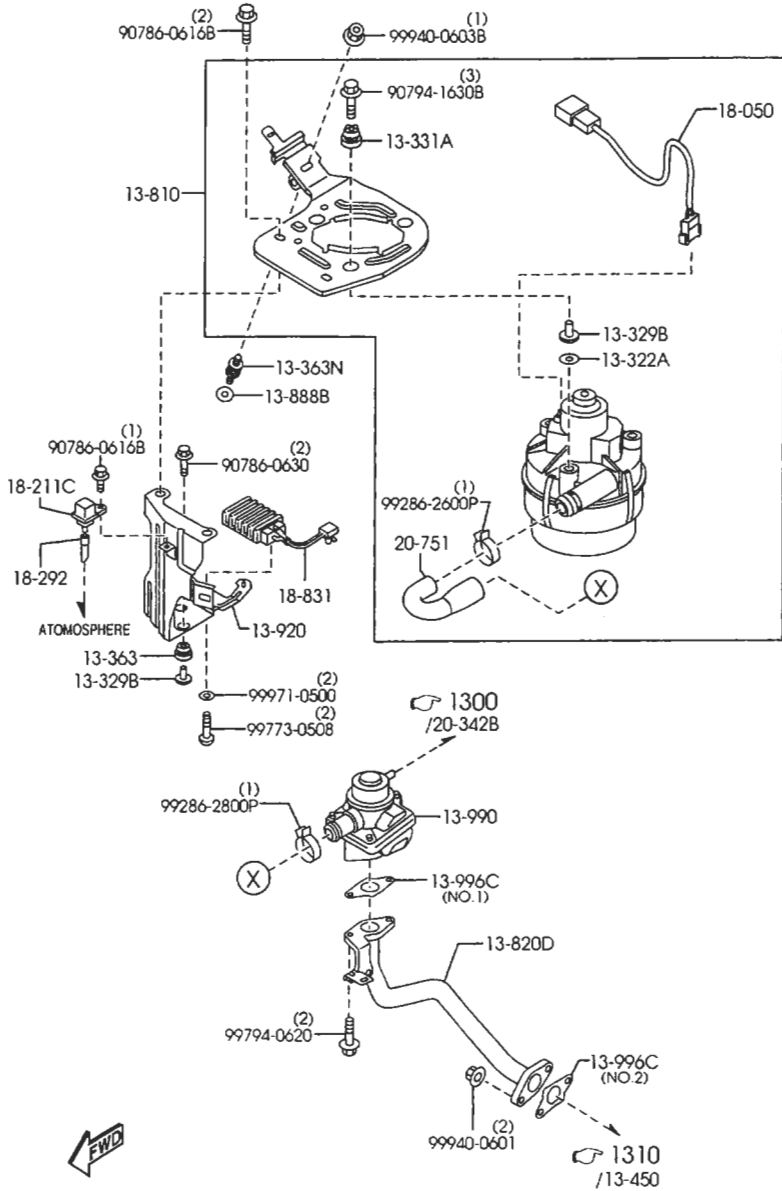


PART NO.	QTY	MODEL/RESTRICTION	MODEL/RESTRICTION	MODEL/RESTRICTION	FROM-TO
+-----+   13-650E   +-----+ N3H1-13-6B0C	1	BODY, THROTTLE	CORPS, ETRANGLEUR		



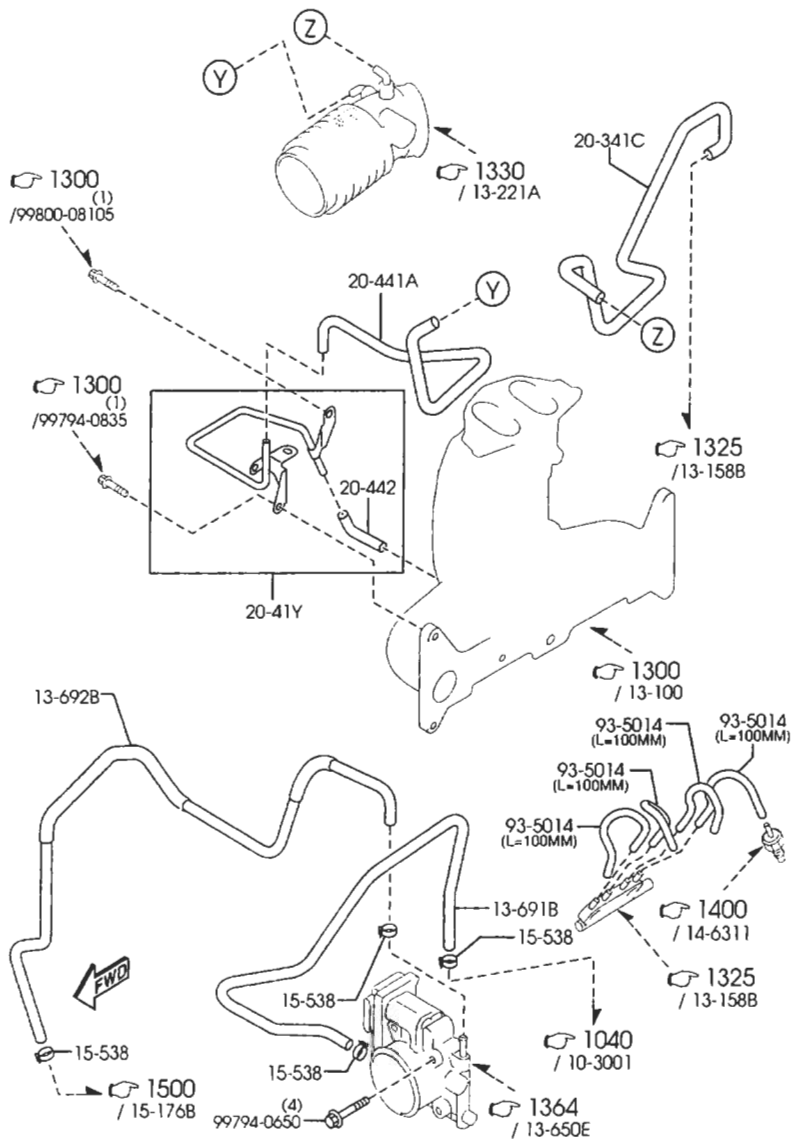


PART NO.	QTY	MODEL/RESTRICTION	MODEL/RESTRICTION	MODEL/RESTRICTION	FROM-TO
13-322A N3H1-13-322A	3	WASHER, AIR CLENER	RONDELLE, EPURATEUR D' AIR		
13-329B N3H2-13-329	5	SPACER	RONDELLE		
13-331A N3H2-13-363	3	RUBBER, MOUNTING	CAOUTCHOUC DE FIXATION		
13-363 N3H3-13-363A	2	RUBBER, INSULATION	CAOUTCHOUC ISOLANT		
13-363M N3H1-13-363	1	RUBBER, MOUNTING	CAOUTCHOUC DE FIXATION		
13-810 N3H1-13-81XA	1	PUMP, AIR	POMPE A AIR		
13-820D N3H1-13-820A	1	PIPE, AIR	CONDUIT, AIR		
13-888B N3H1-13-888	1	PROTECTOR, VACUUM TUBE	PROTECTEUR, TUBE VIDE		
13-920 N3H1-13-920	1	BRACKET, AIR PUMP	ATTACHE, POMPE A AIR		
13-990 N3H1-13-990B	1	VALVE, AIR CONTROL	SOUPAPE, REGLAGE AIR		
13-996C N3H1-13-996	1	GASKET, A.C.V.	JOINT		
13-996C N3H1-13-996	1	(ILLUST. NO.1)			
13-996C N3H1-13-996	1	(ILLUST. NO.2) (AT)	(B.V.AUTOM)		
13-996C N3H3-13-996	1	(ILLUST. NO.2) (MT)	(B.V.MANU)		
18-050 N3H2-18-051	1	WIRING, ENGINE	CABLE, MOTEUR		
18-211C		SENSOR, BOOST	CAPTEUR DE DEPRESSION D'ADM.		

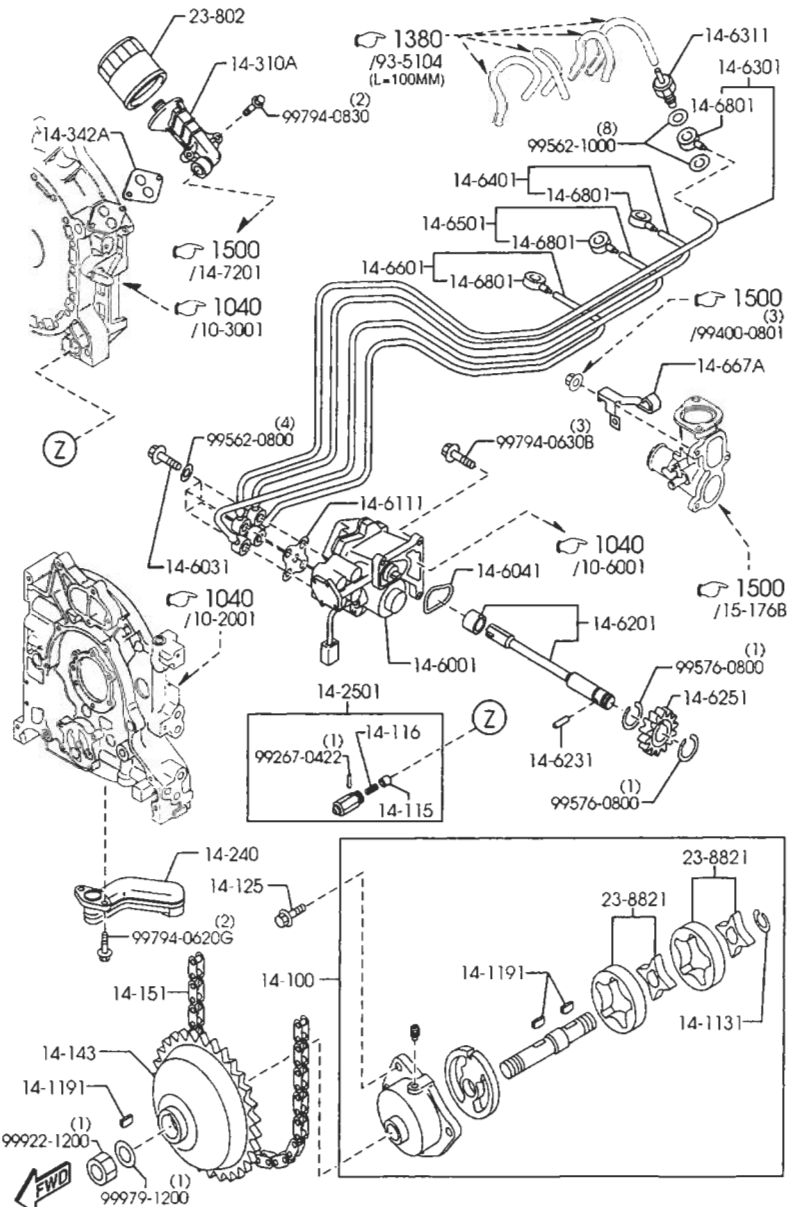


PART NO.	QTY	MODEL/RESTRICTION	MODEL/RESTRICTION	MODEL/RESTRICTION	FROM-TO
CONT'D KL47-18-211A	1				
┌ 18-292 ┐		TUBE, VACUUM	TUBE, DEPRESSION		
└-----┘					
ZM01-18-292	1				
┌ 18-831 ┐		RESISTOR	RHEOSTAT		
└-----┘					
NSH1-18-831	1				
┌ 20-751 ┐		HOSE, AIR	CONDUITE D'AIR		
└-----┘					
NSH1-20-751	1				

1380A EMISSION CONTROL SYSTEM

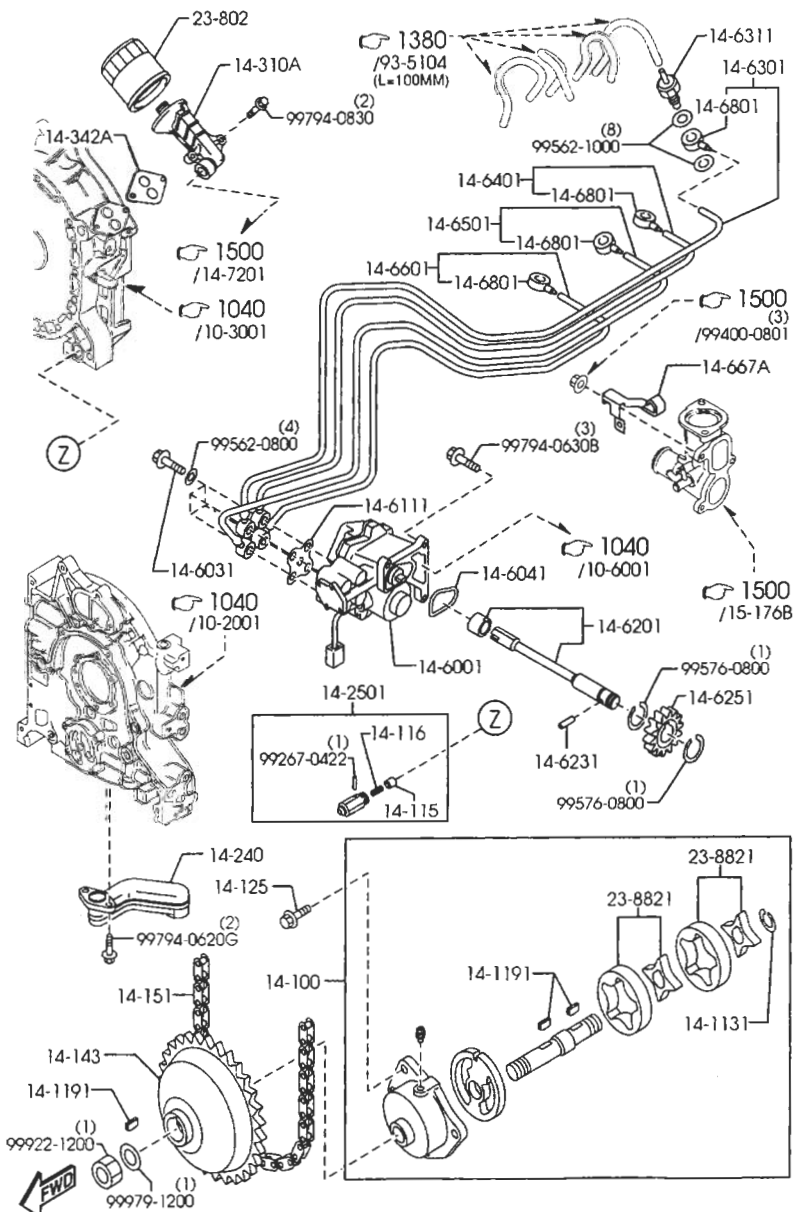


PART NO.	QTY	MODEL/RESTRICTION	MODEL/RESTRICTION	MODEL/RESTRICTION	FROM-TO
13-691B N3H1-13-691A	1	HOSE, WATER	TUYAU FLEXIBLE, EAU		
13-692B N3H1-13-692B	1	HOSE, WATER	TUYAU FLEXIBLE, EAU		
15-538 B6BF-15-538	4	CLAMP, WATER HOSE	COLLIER, FLEXIBLE EAU		
20-341C N3H1-20-341B	1	TUBE, VACUUM	TUBE VIDE		
20-41Y N3H1-20-41YB	1	PIPE, AIR-VALVE ACTUATOR	TUYAU, AIR-ACTUATOR S OUP.		
20-441A N3H1-20-441	1	TUBE, VACUUM	TUBE, DEPRESSION		
20-442 N3H1-20-442	1	TUBE, VACUUM	TUBE, DEPRESSION		
93-5104 99351-04999	1	HOSE L=1M CUT IT TO USE	FLEXIBLE ESSENCE L=1M CUT IT TO USE		



PART NO.	QTY	MODEL/RESTRICTION	MODEL/RESTRICTION	MODEL/RESTRICTION	FROM-TO
14-100	1	PUMP,OIL	POMPE A HUILE		
N3H1-14-100					
14-1131	1	RING,SNAP	CALE		
0810-14-113					
14-115	1	PLUNGER,CONTROL	PLONGEUR DE SURETE		
0221-14-115					
14-116	1	SPRING,PRESSURE	RESSORT, PRESSION		
0221-14-116					
14-1191	3	KEY	CLEF		
0839-14-119B					
14-125	4	BOLT,SET	BOULON, JEU		
8553-14-125					
14-143	1	WHEEL,SPROCKET	PIGNON		
N3H1-14-143					
14-151	1	CHAIN,OIL PUMP	CHAINE, POMPE A HUILE		
N326-14-151					
14-240	1	STRAINER,OIL	TAMIS D'HUILE		
N3H1-14-240					
14-2501	1	REGULATOR,PRESSURE	REGULATEUR DE PRESSION		
3648-14-250					
14-310A	1	BODY,OIL FILTER	CORPS FILTRE A HUILE		
N3H1-14-311A					
14-342A	1	GASKET,OIL FILTER	JOINT,FILTRE A HUILE		
N3H1-14-342					
14-6001	1	PUMP,METERING OIL	POMPE, DEBIT HUILE		
N3H1-14-600					
14-6031	4	BOLT,CONNECTOR	BOULON DE RACCORD		
RF2A-14-603					

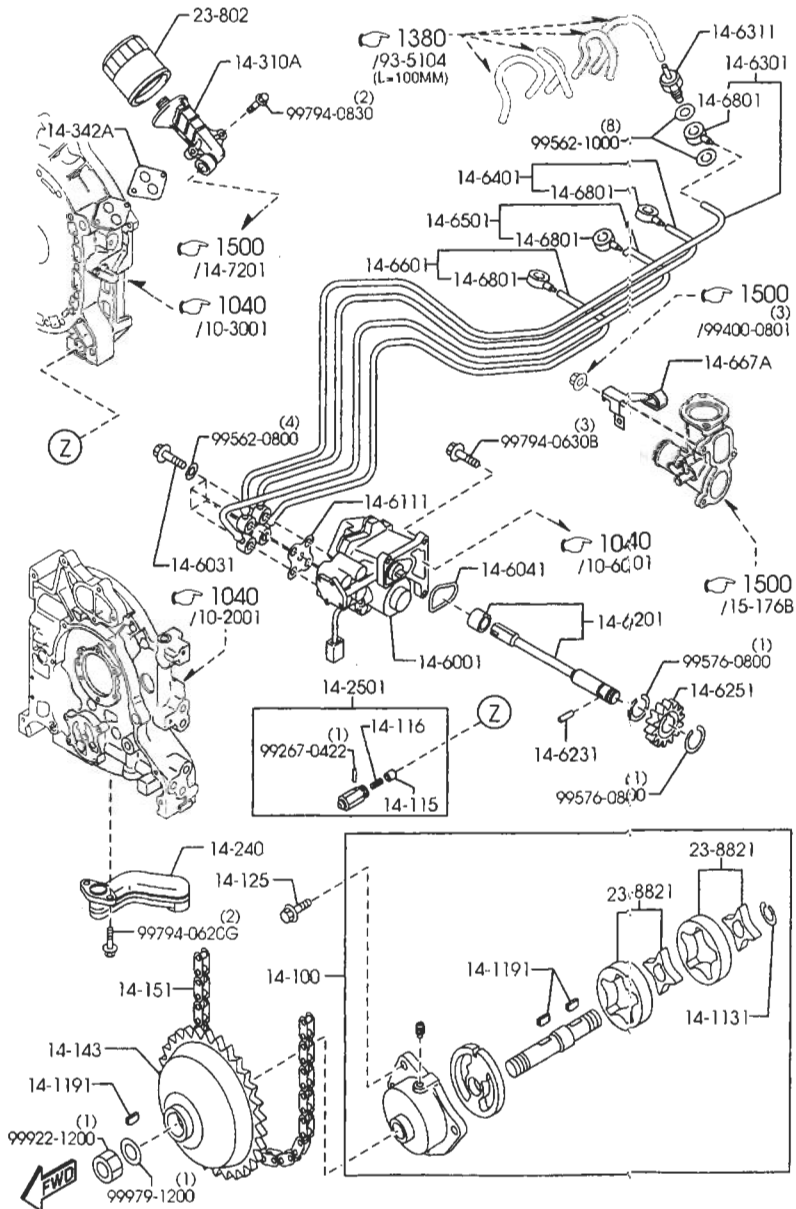
1400A OIL PUMP & FILTER



1400A -2 OIL PUMP & FILTER

PART NO.	QTY	MODEL/RESTRICTION	MODEL/RESTRICTION	MODEL/RESTRICTION	FROM-TO
14-6041		RING, 'O'	JOINT 'O'		
N3H1-14-604	1				
14-6111		GASKET, METERING OIL	JOINT,		
N350-14-602	1	NON ASBESTOS	NON ASBESTOS		
14-6201		SHAFT, DRIVEN GEAR	AXE, PIGNON ENTRAIN		
N3H1-14-620	1				
14-6231		PIN, DRIVEN GEAR	CALE DU PIGNON D'ENTRAINEMENT		
0813-14-623	1				
14-6251		GEAR, DRIVEN	PIGNON D'ENTRAINEMENT		
N3H1-14-625	1				
14-6301		TUBE, METERING OIL	TUYAU D'HUILE		
N3H1-14-660	1				
14-6311		BOLT, CONNECTOR	BOULON DE RACCORD		
N3H1-14-631A	4				
14-6401		TUBE, METERING OIL	TUYAU D'HUILE		
N3H1-14-670	1				
14-6501		TUBE, METERING OIL	TUYAU D'HUILE		
N3H1-14-680	1				
14-6601		TUBE, METERING OIL	TUBE D'AIR NO 1 ET NO 2		
N3H1-14-690	1				
14-667A		CLIP, OIL TUBE	ATTACHE, CONDUIT D'HUILE		
N3H1-14-667	1				
14-6801		VALVE, CHECK	SOUPAPE DE RETENUE		
N3F3-14-650	4				
23-802		CARTRIDGE, OIL FILTER	ELEMENT, FILTRE A HUILE		
B6Y1-14-302A	1	(MAZDA MARK T.ROKI) (SUPPLIER IN SELECTION)	(MAZDA MARK T.ROKI)		
N350-14-302		MAZDA MARK, DENSO	MAZDA MARK, DENSO		

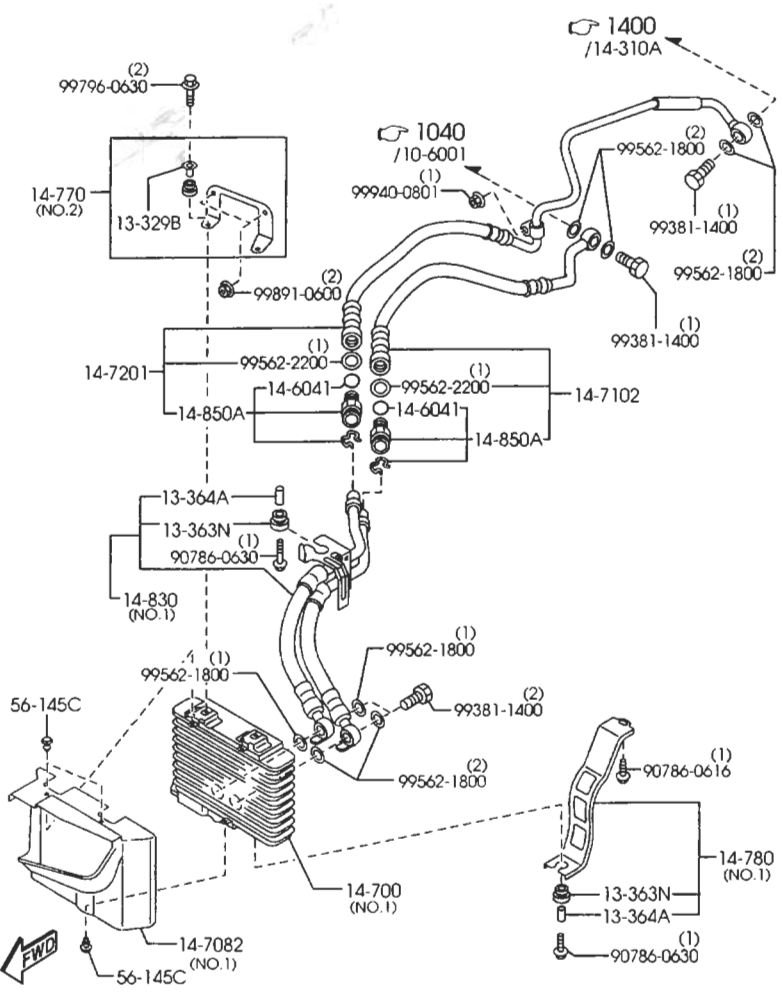
1400A OIL PUMP & FILTER



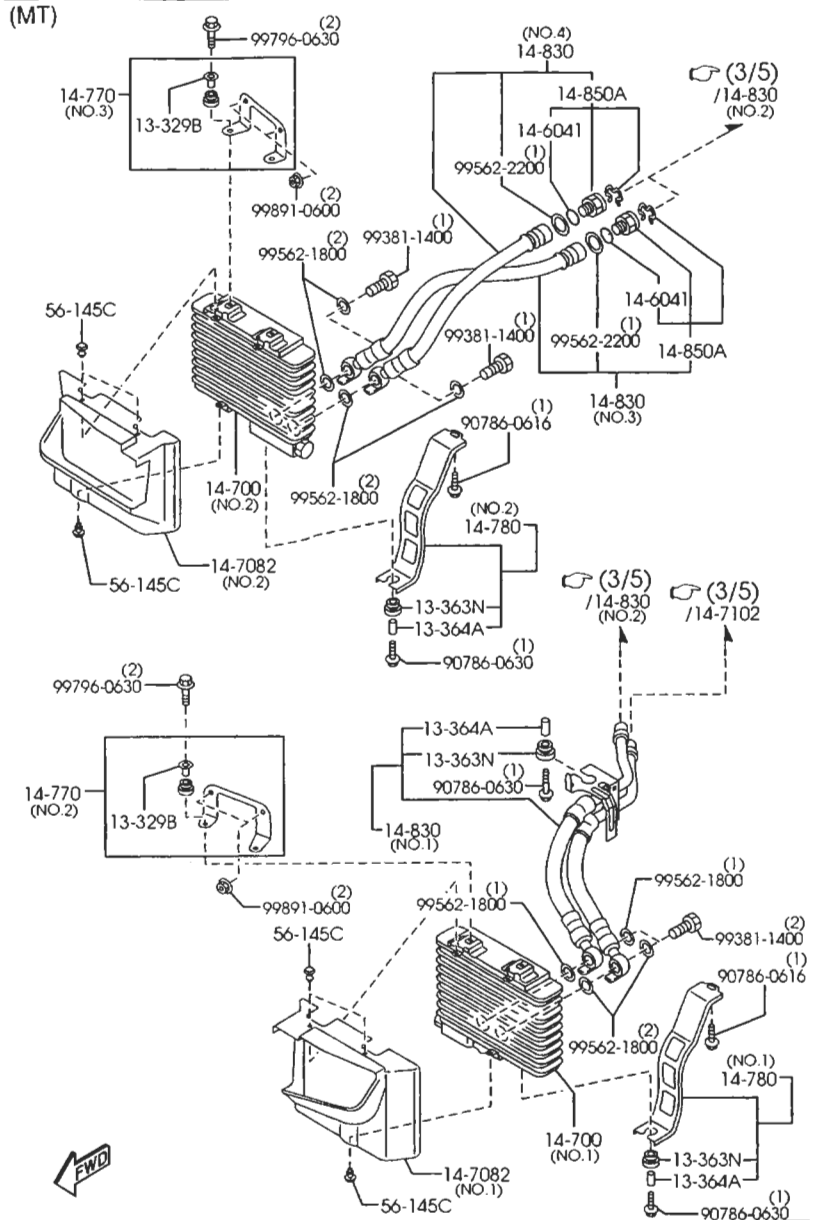
1400A -3 \* OIL PUMP

PART NO.	QTY	MODEL/RESTRICTION	MODEL/RESTRICTION	MODEL/RESTRICTION	FROM-TO
CONT'D	1	(SUPPLIER IN SELECTI ON)			
----- 23-8821 ----- N326-14-140	2	ROTOR SET,OIL PUMP	JEU DE ROROR,POMPE A HUILE		

(AT)

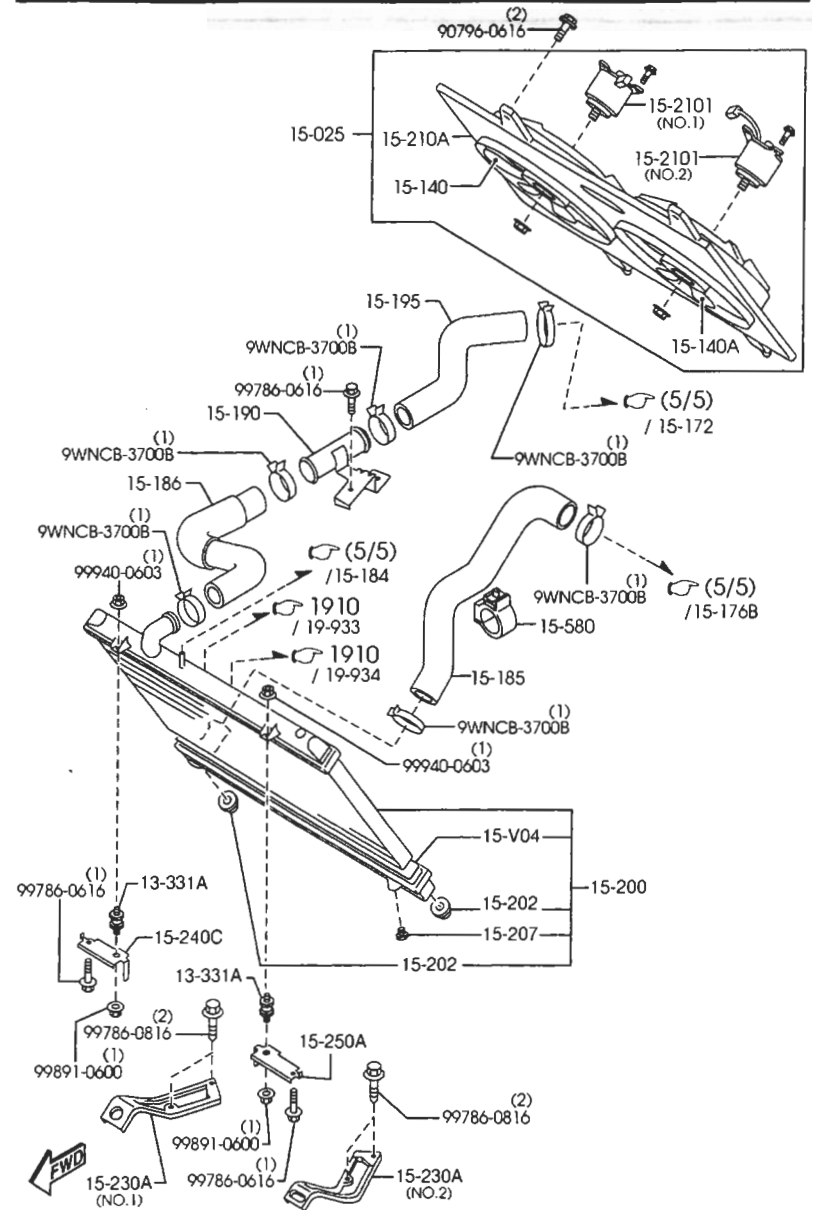
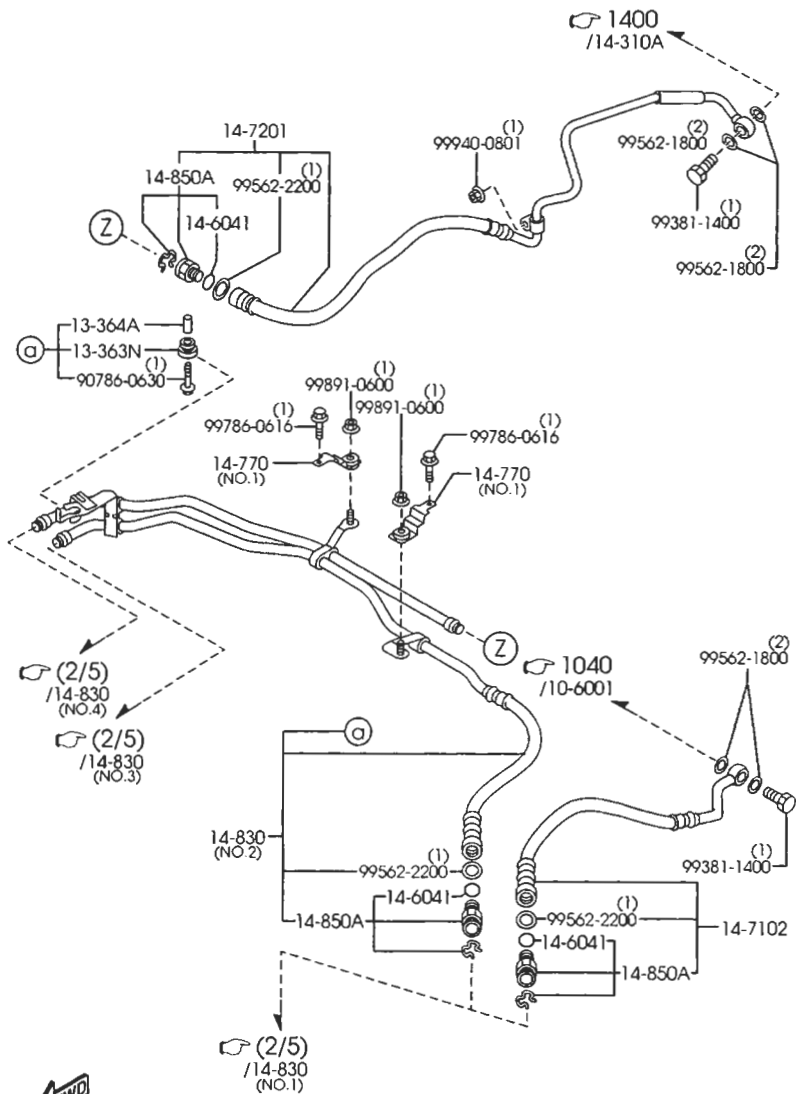


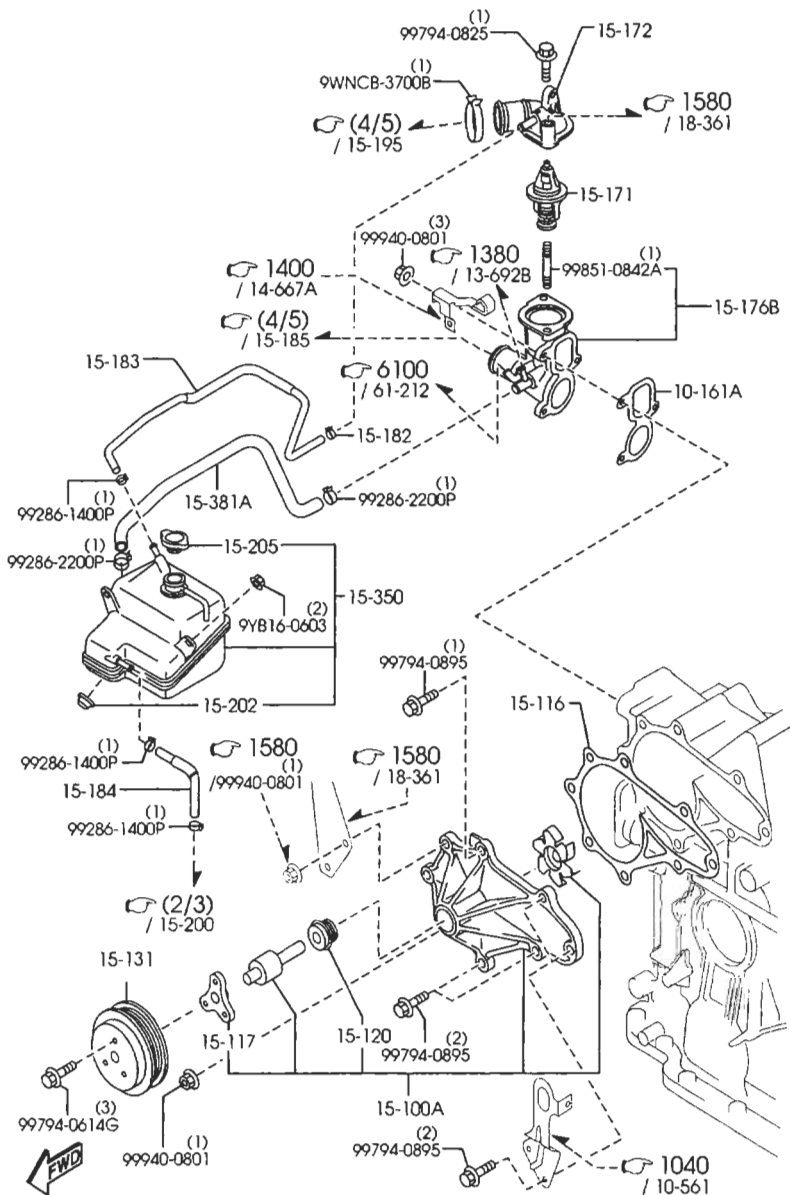
(MT)



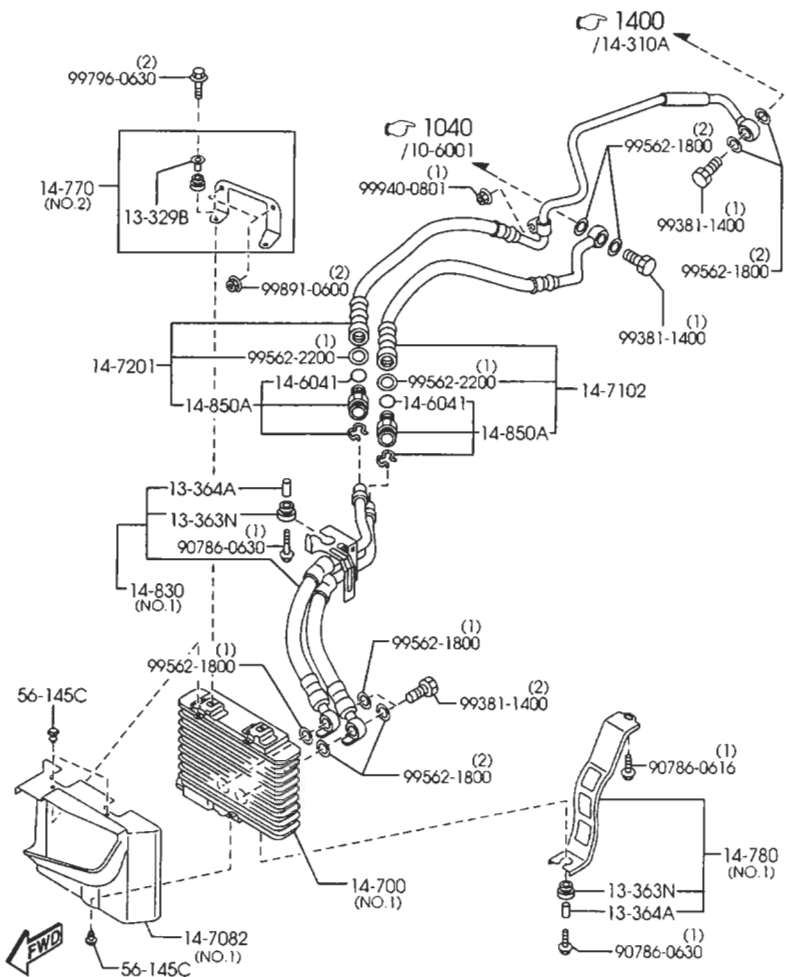


(MT)



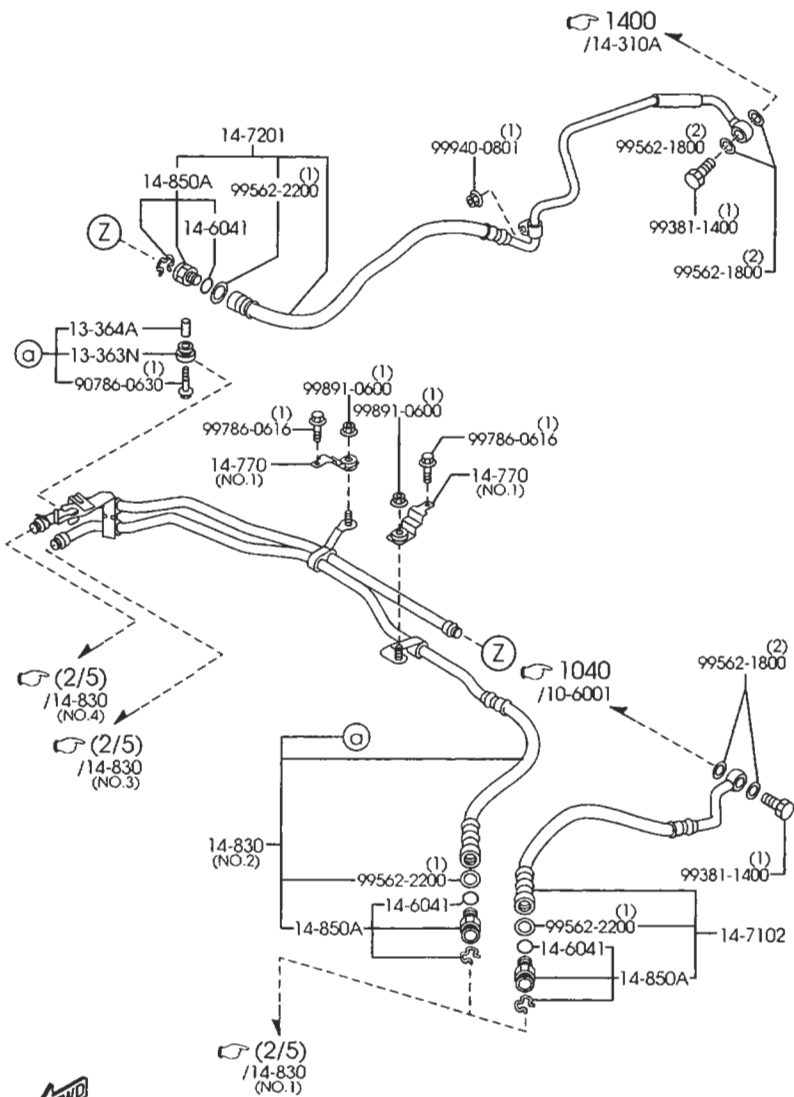


(AT)

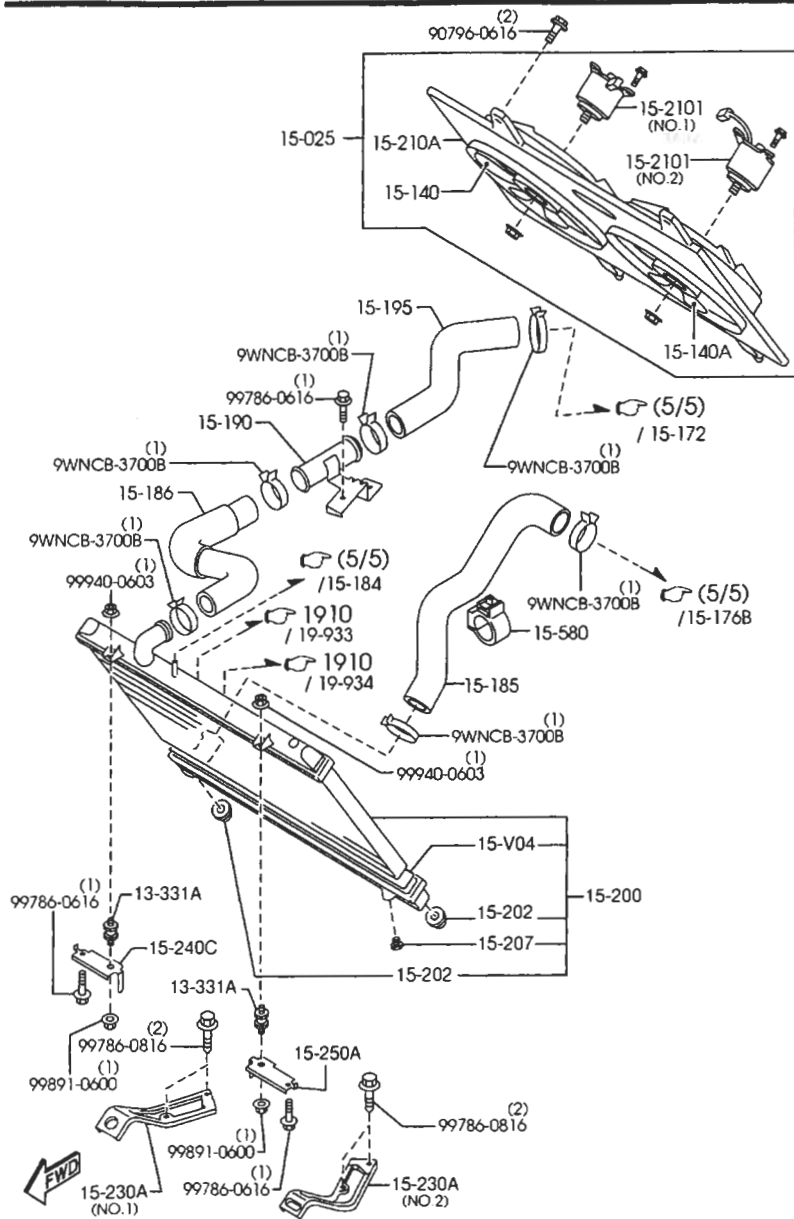


PART NO.	QTY	MODEL/RESTRICTION	MODEL/RESTRICTION	MODEL/RESTRICTION	FROM-TO
10-161A		GASKET	RACCORD		
N3H1-10-153	1				
13-329B		SPACER	RONDELLE		
FE51-13-329	2 (AT)		(B.V. AUTOM)		
FE51-13-329	4 (MT)		(B.V. MANU)		
13-331A		RUBBER, MOUNTING	CAOUTCHOUC DE FIXATION		
0222-13-363	2				
13-363N		RUBBER, MOUNTING	CAOUTCHOUC DE FIXATION		
NF01-13-363	2 (AT)		(B.V. AUTOM)		
NF01-13-363	4 (MT)		(B.V. MANU)		
13-364A		SPACER	RONDELLE		
NF01-13-364	2 (AT)		(B.V. AUTOM)		
NF01-13-364	4 (MT)		(B.V. MANU)		
14-6041		RING, "O"	JOINT "O"		
N3G1-14-604	2 (AT)		(B.V. AUTOM)		
N3G1-14-604	5 (MT)		(B.V. MANU)		
14-700		COOLER, OIL	RADIATEUR D'HUILE		
N3H1-14-700C	1 (ILLUST. NO.1)				
N3H6-14-700C	1 (ILLUST. NO.2) (MT)		(B.V. MANU)		
14-7082		DUCT, OIL COOLER	CONDUITE,		
N3H1-14-708B	1 (ILLUST. NO.1)				
N3H6-14-708B	1 (ILLUST. NO.2) (MT)		(B.V. MANU)		
14-7102		HOSE, OIL	FLEXIB. D'HUILE		
N3H1-14-710A	1				
14-7201		HOSE, OIL	FLEXIB. D'HUILE		
N3H1-14-720A	1				
14-770		BRACKET, OIL COOLER	ATTACHE, RADIATEUR HUILE		
N3H6-14-760	2 (ILLUST. NO.1) (MT)		(B.V. MANU)		

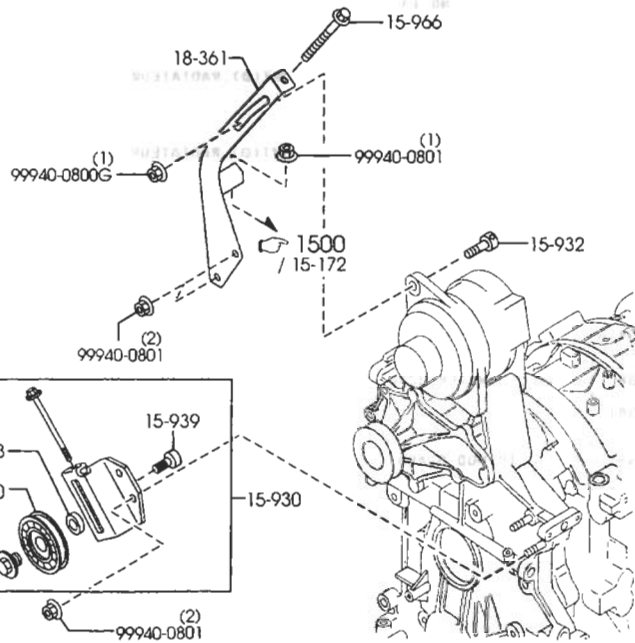
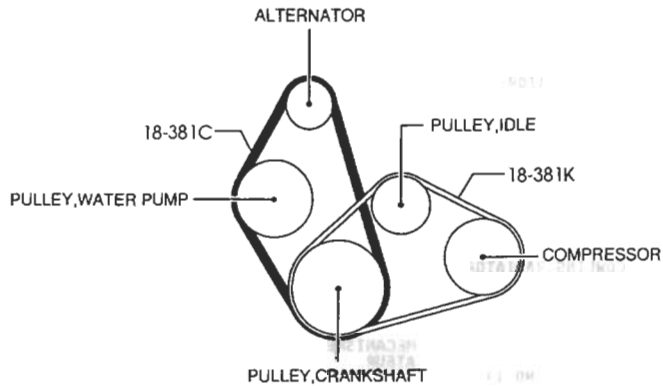
(MT)



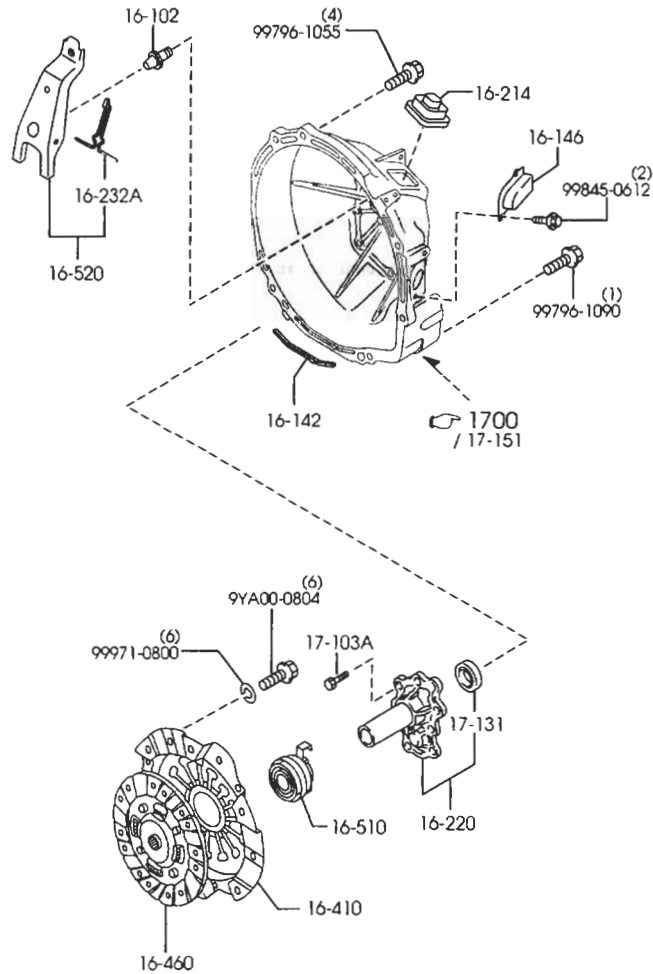
PART NO.	QTY	MODEL/RESTRICTION	MODEL/RESTRICTION	MODEL/RESTRICTION	FROM-TO
RF1S-15-140	1	FAN, COOLING CALSONIC	VENTILLATEUR, REFROIDISSEMENT CALSONIC		
RF2A-15-140	1	FAN, COOLING	VENTILLATEUR, REFROIDISSEMENT		
N3H1-15-171	1	THERMOSTAT	THERMOSTAT		
N3H1-15-170A	1	COVER, THERMOSTAT	COUVERCLE THERMOSTAT		
N3H1-15-1H0A	1	CASE, THERMOSTAT	BOITE, THERMOSTAT		
N3A1-15-182A	1	CLAMP, WATER HOSE	COLLIER, FLEX.-FLEX. EAU.		
N3H1-15-183A	1	HOSE, WATER	TUYAU FLEXIBLE, EAU		
N3H1-15-184A	1	HOSE, WATER	DURITE D'EAU		
N3H1-15-185	1	HOSE, WATER	DURITE D'EAU		
N3H1-15-186A	1	HOSE, WATER	DURITE D'EAU		
N3H2-15-190	1	PIPE, WATER	TUYAU D'EAU		
N3H2-15-186	1	HOSE, WATER	DURITE D'EAU		
N3H4-15-200B	1 (AT)	RADIATOR	RADIATEUR (B.V. AUTOM)		
N3H6-15-200B	1 (MT)	RADIATOR	RADIATEUR (B.V. MANU)		



PART NO.	QTY	MODEL/RESTRICTION	MODEL/RESTRICTION	MODEL/RESTRICTION	FROM-TO
JE48-15-202	3	15-202 RUBBER, MOUNT	CAOUTCHOUC, TASSEAU		
D316-15-205	1	15-205 CAP, RADIATOR CALSONIC	BOUCHON DE RADIATEUR CALSONIC		
NF01-15-203	1	15-207 COCK, DRAIN CALSONIC	ROBINET DE PURGE CALSONIC		
N3H1-15-210	1	15-210A COWLING, RADIATOR	TOLE DE RADIATEUR		
N3H1-15-150	1 (ILLUST. NO.1)	15-2101 FAN DRIVE	MECANISME DE VENTILL ATEUR		
N3H2-15-150	1 (ILLUST. NO.2)				
N3H1-15-231	1 (ILLUST. NO.1)	15-230A BRACKET, RADIATOR LWR	ATTACHE, RADIATEUR		
N3H2-15-231	1 (ILLUST. NO.2)				
N3H1-15-241	1	15-240C BRACKET(R), RADIATOR	SUPPORT(D), RADIATEUR		
N3H1-15-251	1	15-250A BRACKET(L), RADIATOR	SUPPORT(G), RADIATEUR		
N3H1-15-350C	1	15-350 TANK, SUB-RADIATOR	VASE D'EXPANSION		
N3H1-15-381A	1	15-381A HOSE, SUB TANK	TUYAU, VASE D'EXPANSI ON		
N3H1-15-581	1	15-580 CLIP, WATER HOSE	COLLIER, TUYAU EAU		
BC1D-56-145	3 (AT)	56-145C CLIP, MUD GUARD	ETRIER, GARDE BOUE		
BC1D-56-145	6 (MT)		(B.V. AUTOM) (B.V. MANU)		

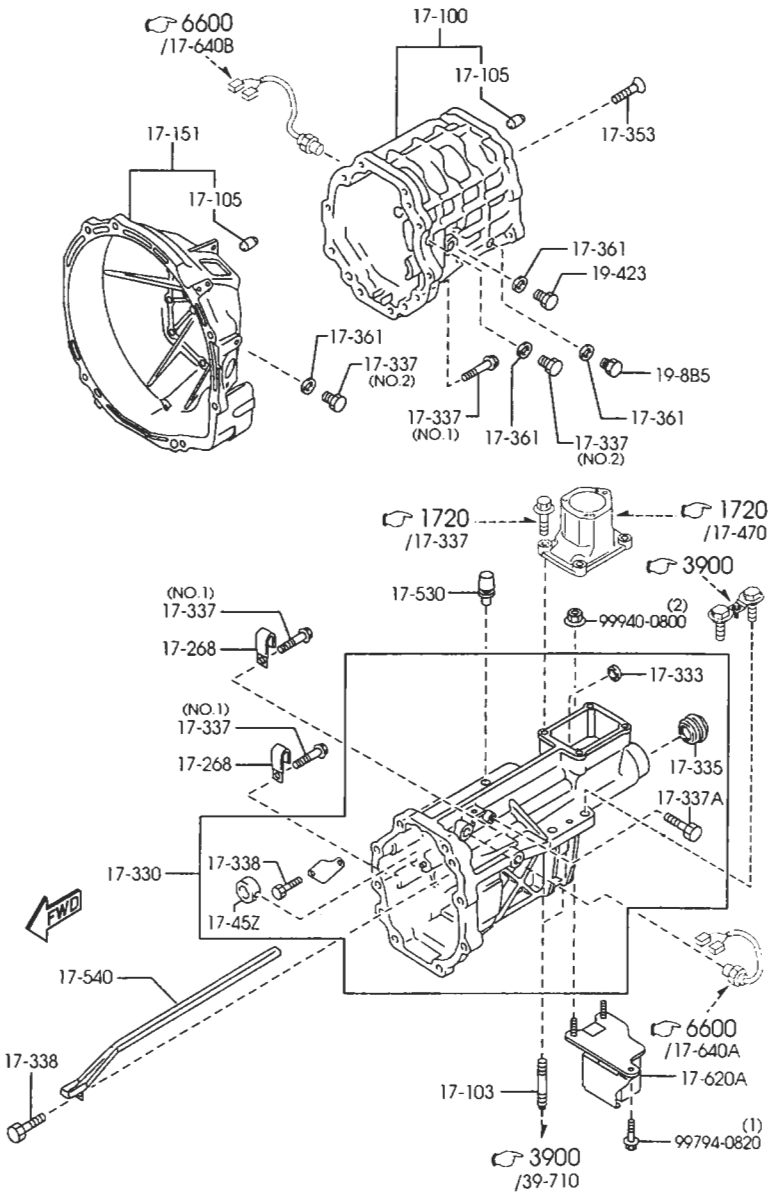


PART NO.	QTY	MODEL/RESTRICTION	MODEL/RESTRICTION	MODEL/RESTRICTION	FROM-TO
15-930		BRACKET, IDLE PULLEY	SUPPORT DE POULIE-GU IDE		
N3H1-15-930	1				
15-932		SHAFT, PULLEY	ARBRE, POULIE		
NF01-15-932	1				
15-933		COLLAR, COMP. BRKT	BAGUE		
N3H1-15-933	1				
15-939		SHAFT, PULLEY	ARBRE, POULIE		
N3H1-15-932	1				
15-940		PULLEY, IDLE	POULIE, FIXE		
N3H1-15-940	1				
15-966		BOLT, ADJUST	BOULON, REGLAGE		
N390-15-966	1				
18-361		STRAP, ALTERNATOR	ATTACHE ALTERNATEUR		
N3H1-18-360A	1				
18-381C		BELT 'V', W/PUMP&ALTER NATOR	COURR. TRAP., P. EAU & ALT.		
N3H1-18-381	1				
18-381K		BELT 'V', AIR CON.	COURR. TRAPE., CLIMAT ISEUR		
N3H1-15-908	1				



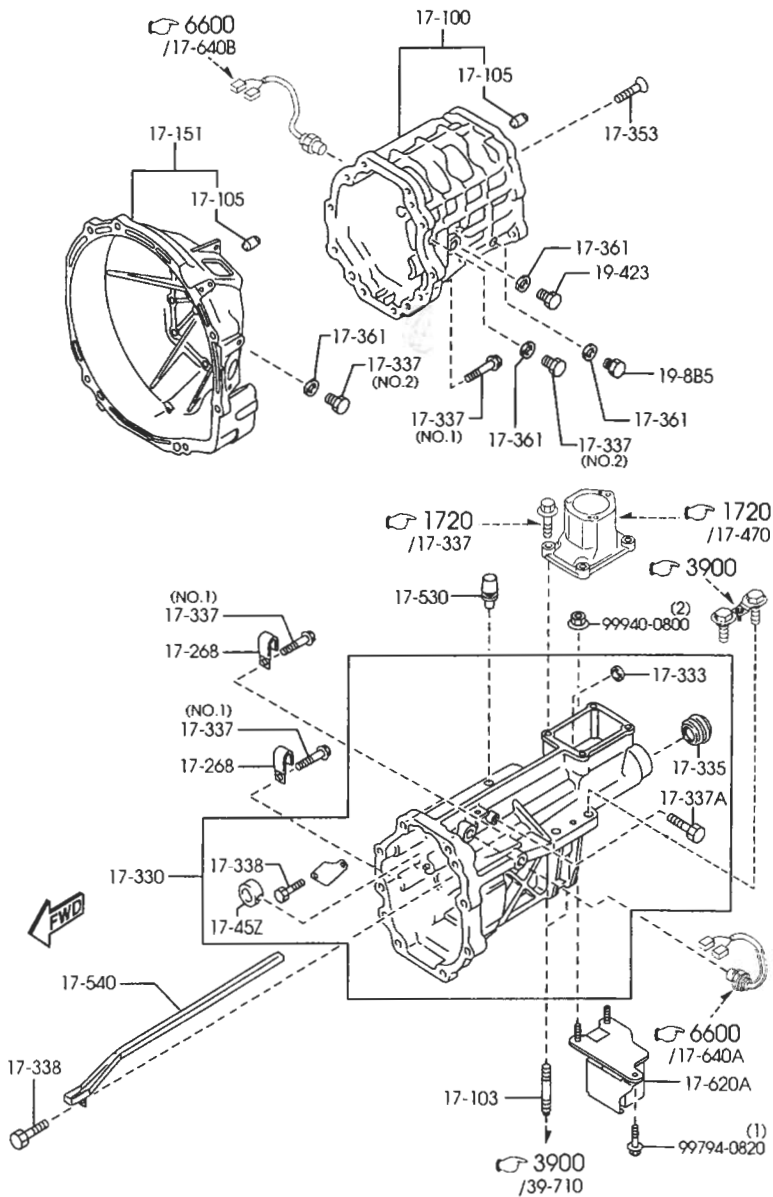
PART NO.	QTY	MODEL/RESTRICTION	MODEL/RESTRICTION	MODEL/RESTRICTION	FROM-TO
16-102	1	PIN, PIVOT-CLUTCH REL FORK	PIVOT D'APPUI		
F202-16-102A	1				
16-142	1	COVER, DUST	CACHE, POUSSIERE		
N317-16-142	1				
16-146	1	COVER, VENT.	CACHE		
N302-16-150B	1				
16-214	1	COVER, DUST-CLUTCH FORK	CACHE, POUSSIERE		
JF01-16-214	1				
16-220	1	COVER, FRONT CLUTCH	CACHE AV.		
Y601-16-220	1				
16-232A	1	SUPPORTER, FORK	SUPPORT, FOURCHETTE		
KL03-16-232	1				
16-410	1	COVER, CLUTCH	MECANISME D'EMBRAYAGE		
N318-16-410A	1				
16-460	1	DISC, CLUTCH	DISQUE D'EMBRAYAGE		
N318-16-460A	1				
16-510	1	COLLAR, CLUTCH REL.	BUTEE		
FE62-16-510C	1				
16-520	1	FORK, CLUTCH RELEASE	FOURCHETTE DE DEBRAYAGE		
N317-16-520	1				
17-103A	7	BOLT	BOULON		
Y601-17-103	7				
17-131	1	SEAL, OIL	JOINT A L'HUILE		
Y601-17-131	1				



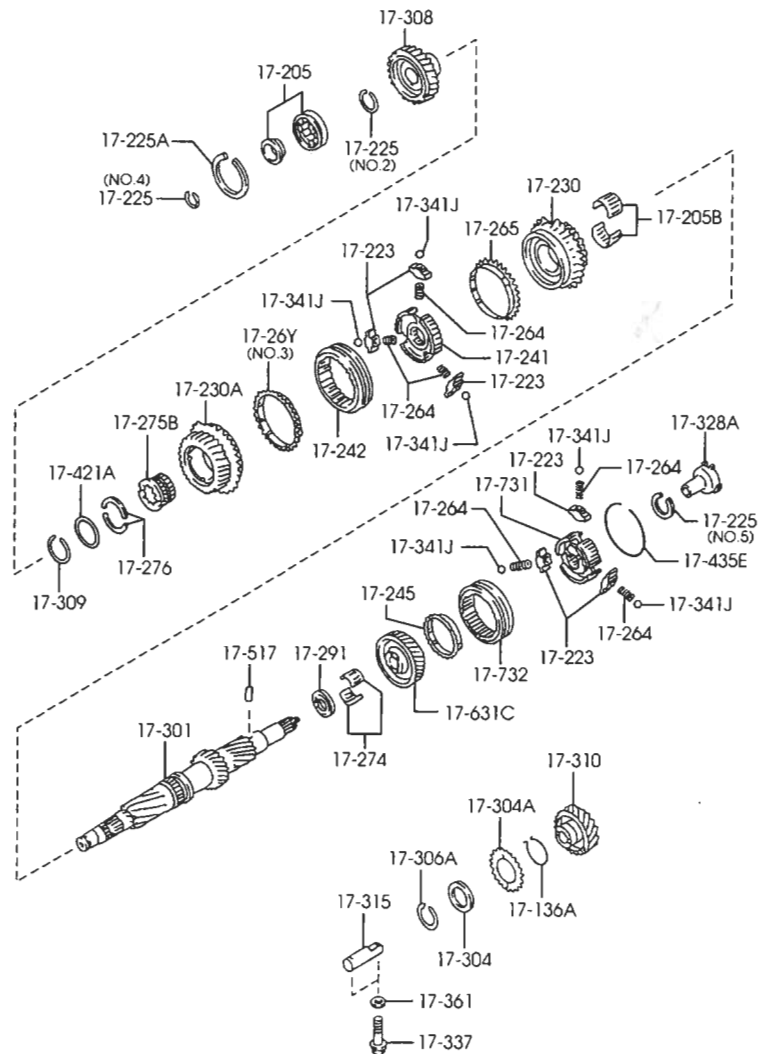
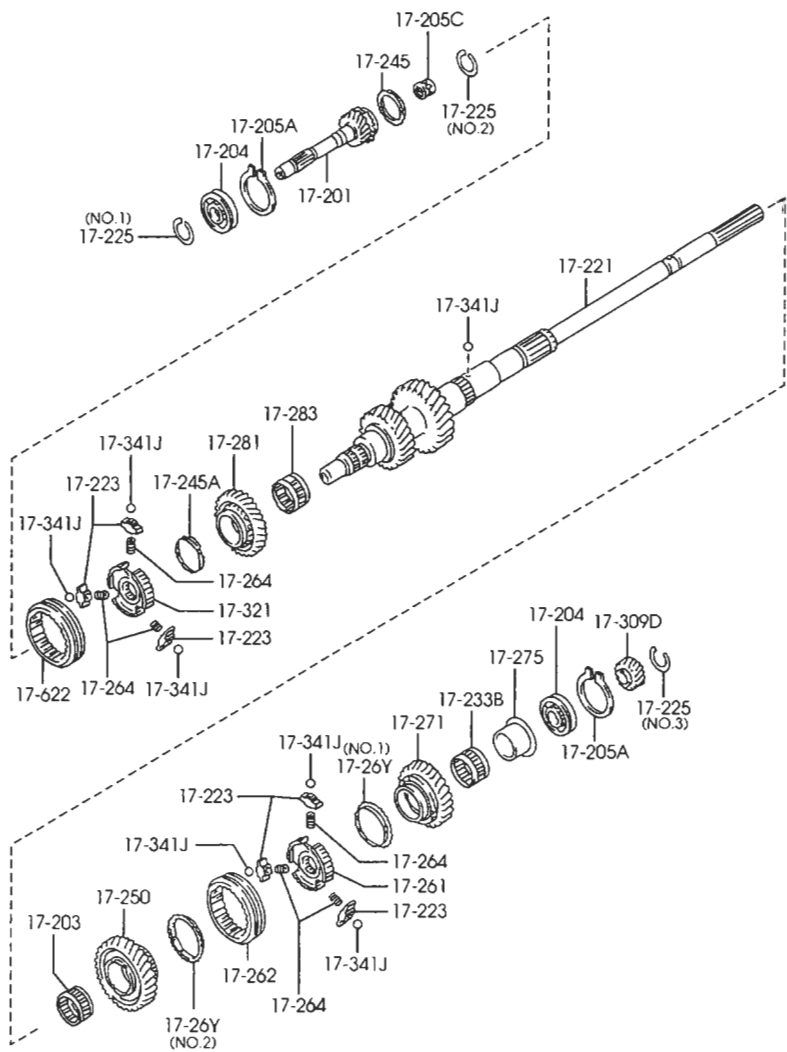


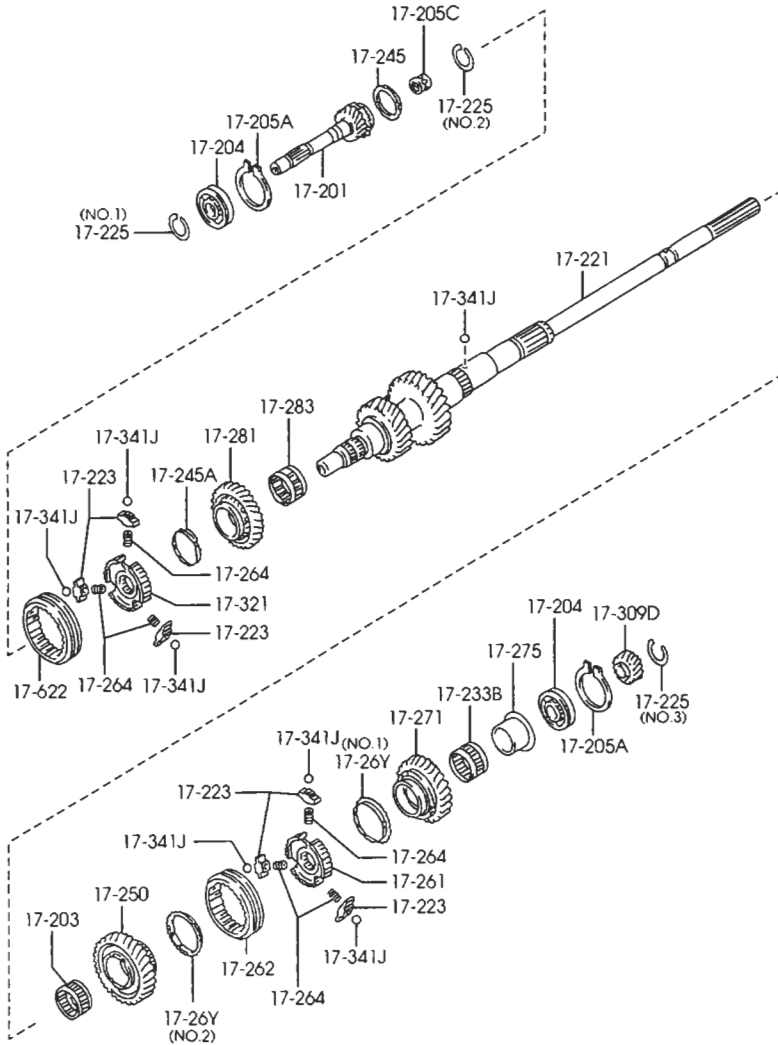
PART NO.	QTY	MODEL/RESTRICTION	MODEL/RESTRICTION	MODEL/RESTRICTION	FROM-TO
17-100	1	CASE,T/MISSION	BOITIER, TRANSMISSIO N		
Y601-17-100	1				
17-103	2	BOLT	BOULON		
R526-17-103	2				
17-105	2	DOWEL,TRANS.&CLUTCH CASE	CALE,TRANS.&BOITE EM BRAY.		
Y601-17-105	2				
17-151	1	HOUSING,CLUTCH	CARTER,EMBRAYAGE		
Y611-17-150	1				
17-268	3	CLIP	ATTACHE		
Y601-17-269	3				
17-330	1	HOUSING,EXTENSION	RALLONGE DE BOITE		
Y611-17-330	1				
17-333	1	BUSH	CACHE-POUSSIERE		
Y601-17-333	1				
17-335	1	SEAL,OIL	ARRET D'HUILE		
R501-17-335A	1				
17-337	17	BOLT	BOULON		
Y601-17-337	17	(ILLUST. NO.1)			
Y602-17-337	2	(ILLUST. NO.2)			
17-337A	1	BOLT	BOULON		
Y604-17-337	1				
17-338	3	BOLT	BOULON		
Y605-17-337	3				
17-353	4	SCREW SET	JEU DE VIS		
Y601-17-347	4				
17-361	4	GASKET,REAR COVER	JOINT AR		
Y601-17-361	4				



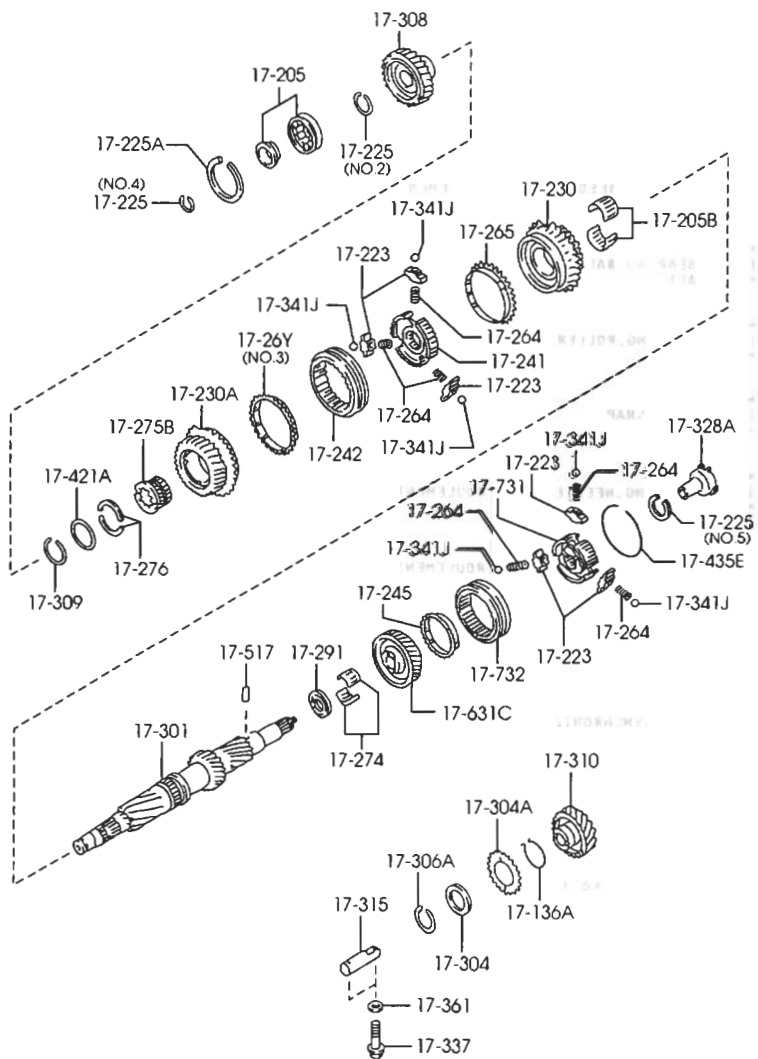


PART NO.	QTY	MODEL/RESTRICTION	MODEL/RESTRICTION	MODEL/RESTRICTION	FROM-TO
17-45Z		SUPPORT, LEVER	SUPPORT, LEVIER		
Y601-17-45Z	1				
17-530		BREATHER, AIR-T/MISSI ON	RESPIRATEUR, AIR		
Y601-17-530	1				
17-540		PASS, OIL	PASSAGE D'HUILE		
Y601-17-540	1				
17-620A		DAMPER, DYNAMIC	AMORTISSEUR		
R505-17-070A	1				
19-423		PLUG	BOUCHON		
Y601-17-495	1				
19-885		PLUG	BOUCHON		
Y602-17-495	1				

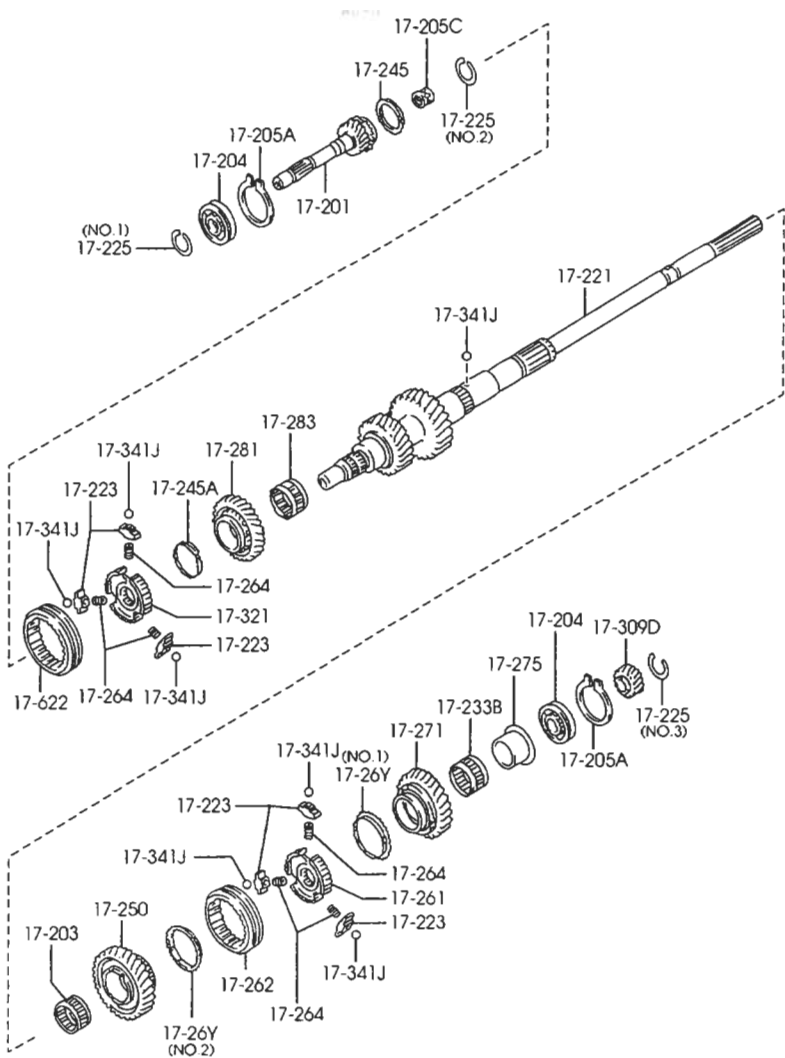




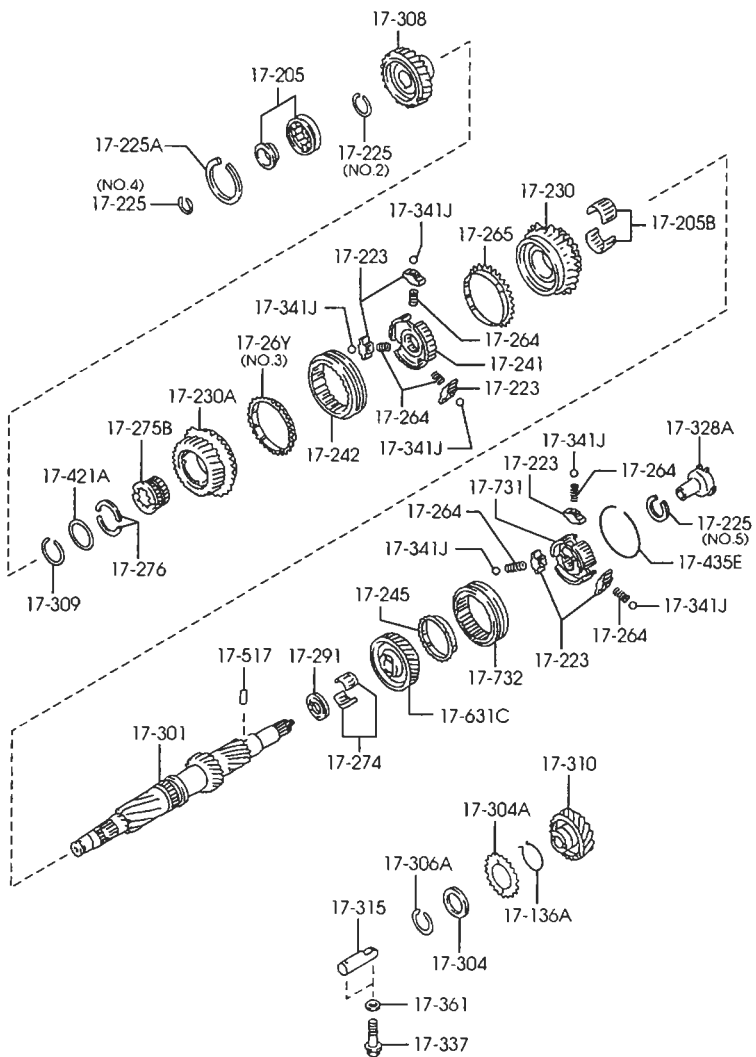
PART NO.	QTY	MODEL/RESTRICTION	MODEL/RESTRICTION	MODEL/RESTRICTION	FROM-TO
17-136A		SPRING, TORSION	RESSORT, TORSION		
Y601-17-136	1				
17-201		GEAR, MAIN DRIVE	ARBRE MOTEUR		
Y611-17-21X	1				
17-203		BEARING, NEEDLE	ROULEMENT		
Y602-17-233	1				
17-204		BEARING, BALL-MAIN SH AFT	ROULEMENT A BILLES		
Y601-17-204	2				
17-205		BEARING, ROLLER	ROULEMENT		
Y611-17-306	1				
17-205A		RING, SNAP	CALE		
Y661-17-225	2				
17-205B		BEARING, NEEDLE	ROULEMENT		
Y603-17-233	1				
17-205C		BEARING, NEEDLE	ROULEMENT		
Y604-17-233	1				
17-221		SHAFT, MAIN	ARBRE RECEPTEUR		
Y610-17-221	1				
17-223		KEY, SYNCHRONIZER	CALE DE SYNCHRONISATION		
Y601-17-263	12				
17-225		RING, SNAP	CALE		
Y601-17-225	1	T=1.95MM (ILLUST. NO.1)	T=1.95MM		
Y602-17-225	1	T=2.00MM (ILLUST. NO.1)	T=2.00MM		
Y603-17-225	1	T=2.05MM (ILLUST. NO.1)	T=2.05MM		
Y604-17-225	1	T=2.10MM (ILLUST. NO.1)	T=2.10MM		
Y605-17-225	1	T=2.15MM (ILLUST. NO.1)	T=2.15MM		
Y606-17-225	1	T=2.20MM	T=2.20MM		



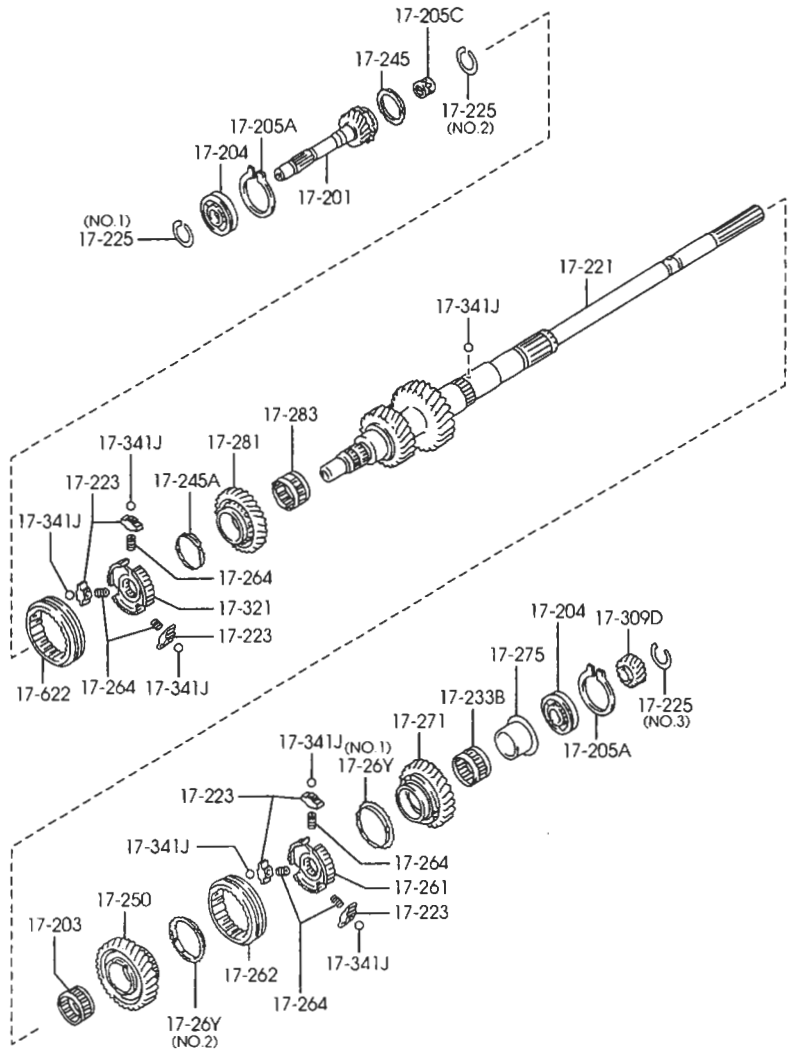
PART NO.	QTY	MODEL/RESTRICTION	MODEL/RESTRICTION	MODEL/RESTRICTION	FROM-TO
CONT'D	1	(ILLUST. NO.1)			
Y611-17-225	2	T=1.80MM (ILLUST. NO.2)	T=1.80MM		
Y612-17-225	2	T=1.85MM (ILLUST. NO.2)	T=1.85MM		
Y613-17-225	2	T=1.90MM (ILLUST. NO.2)	T=1.90MM		
Y614-17-225	2	T=1.95MM (ILLUST. NO.2)	T=1.95MM		
Y615-17-225	2	T=2.00MM (ILLUST. NO.2)	T=2.00MM		
Y616-17-225	2	T=2.05MM (ILLUST. NO.2)	T=2.05MM		
Y621-17-225	1	T=2.67MM (ILLUST. NO.3)	T=2.67MM		
Y622-17-225	1	T=2.73MM (ILLUST. NO.3)	T=2.73MM		
Y623-17-225	1	T=2.79MM (ILLUST. NO.3)	T=2.79MM		
Y624-17-225	1	T=2.85MM (ILLUST. NO.3)	T=2.85MM		
Y625-17-225	1	T=2.91MM (ILLUST. NO.3)	T=2.91MM		
Y626-17-225	1	T=2.97MM (ILLUST. NO.3)	T=2.97MM		
Y627-17-225	1	T=3.03MM (ILLUST. NO.3)	T=3.03MM		
Y628-17-225	1	T=3.09MM (ILLUST. NO.3)	T=3.09MM		
Y629-17-225	1	T=3.15MM (ILLUST. NO.3)	T=3.15MM		
Y630-17-225	1	T=3.21MM (ILLUST. NO.3)	T=3.21MM		
Y631-17-225	1	T=3.27MM (ILLUST. NO.3)	T=3.27MM		
Y641-17-225	1	T=2.10MM (ILLUST. NO.3)	T=2.10MM		
Y642-17-225	1	T=2.20MM (ILLUST. NO.4)	T=2.20MM		
Y643-17-225	1	T=2.05MM (ILLUST. NO.4)	T=2.05MM		
Y644-17-225	1	T=2.15MM (ILLUST. NO.4)	T=2.15MM		
Y645-17-225	1	T=2.25MM (ILLUST. NO.4)	T=2.25MM		



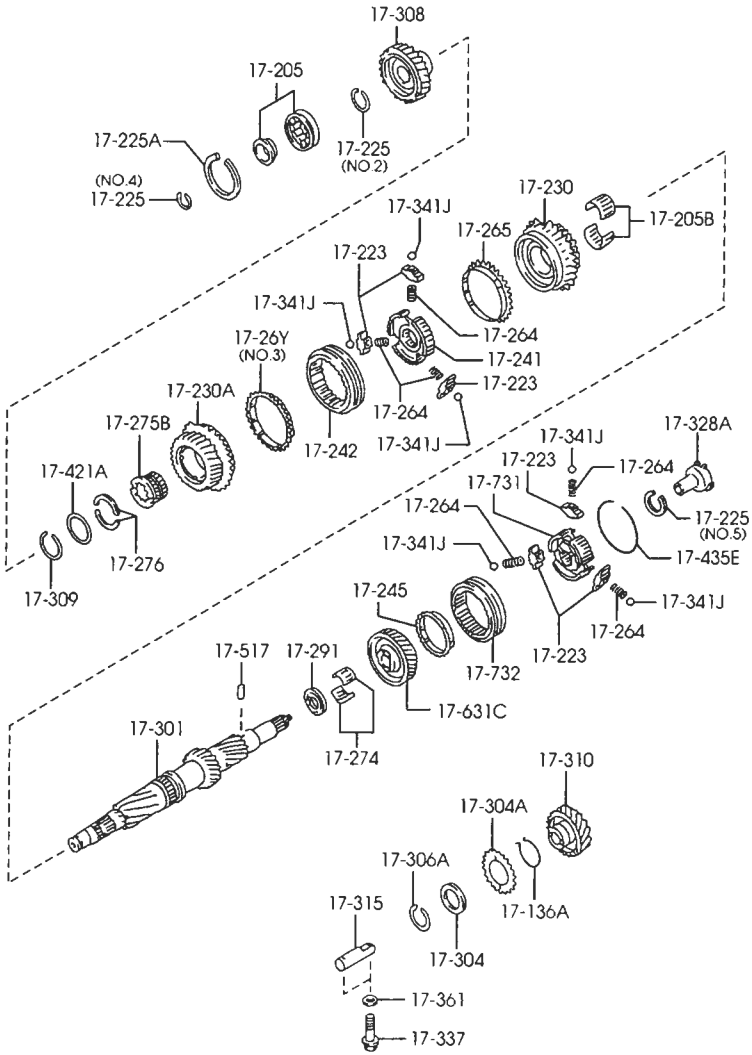
PART NO.	QTY	MODEL/RESTRICTION	MODEL/RESTRICTION	MODEL/RESTRICTION	FROM-TO
CONT'D					
Y646-17-225	1	T=2.30MM (ILLUST. NO.4)	T=2.30MM		
Y651-17-225	1	T=2.80MM (ILLUST. NO.4)	T=2.80MM		
Y652-17-225	1	T=2.85MM (ILLUST. NO.5)	T=2.85MM		
Y653-17-225	1	T=2.90MM (ILLUST. NO.5)	T=2.90MM		
Y654-17-225	1	T=2.95MM (ILLUST. NO.5)	T=2.95MM		
Y655-17-225	1	T=3.00MM (ILLUST. NO.5)	T=3.00MM		
Y656-17-225	1	T=3.05MM (ILLUST. NO.5)	T=3.05MM		
		-----+   17-225A   +-----+	RING,SNAP	CALE	
Y662-17-225	1	-----+   17-230   +-----+	GEAR,3RD	PIGNON RECEPTEUR, 3E ME	
Y610-17-230	1	-----+   17-230A   +-----+	GEAR,4TH	PIGNON 4E	
Y611-17-220	1	-----+   17-233B   +-----+	BEARING,NEEDLE	ROULEMENT	
Y601-17-233	1	-----+   17-241   +-----+	HUB,CLUTCH	PIGNON FIXE	
Y611-17-241	1	-----+   17-242   +-----+	SLEEVE,CLUTCH HUB	MANCHON,MOYEU D,EMBRAYAGE	
Y611-17-242	1	-----+   17-245   +-----+	RING,SYNCHRONIZER	BAGUE DE SYNCHRONISATION	
Y601-17-245	2	-----+   17-245A   +-----+	RING,SYNCHRONIZER	BAGUE DE SYNCHRONISATION	
Y602-17-245	1	-----+   17-250   +-----+	GEAR,2ND	PIGNON RECEPTEUR, 2E ME	
Y611-17-251	1				



PART NO.	QTY	MODEL/RESTRICTION	MODEL/RESTRICTION	MODEL/RESTRICTION	FROM-TO
17-26Y	1	RING, SYNCHRONIZER	BAGUE DE SYNCHRONISATION		
Y601-17-26Y	1	(ILLUST. NO.1)			
Y611-17-26Y	1	(ILLUST. NO.2)			
Y612-17-26Y	1	(ILLUST. NO.3)			
17-261	1	HUB, CLUTCH	PIGNON FIXE		
Y601-17-261	1				
17-262	1	SLEEVE, CLUTCH HUB	SYNCHROMECH		
Y611-17-262	1				
17-264	12	SPRING, SYNCHRO. KEY	RESSORT, BAGUE SYNCHRO		
Y601-17-264	12				
17-265	1	RING, SYNCHRONIZER	BAGUE DE SYNCHRONISATION		
Y601-17-265	1				
17-271	1	GEAR, 1ST	PIGNON RECEPTEUR, 1ER		
Y611-17-271	1				
17-274	1	BEARING, NEEDLE	ROULEMENT		
Y605-17-233	1				
17-275	1	RACE, INNER	BAGUE DE ROULEMENT, INTERIEURE		
Y601-17-285	1				
17-275B	1	RACE, INNER	BAGUE DE ROULEMENT, INTERIEURE		
Y602-17-285	1				
17-276	2	WASHER, THRUST	EPAISSEUR, PIGNON MARCHE ARR		
Y601-17-276	2	T=3.75MM	T=3.75MM		
Y602-17-276	2	T=3.80MM	T=3.80MM		
Y603-17-276	2	T=3.85MM	T=3.85MM		
Y604-17-276	2	T=3.90MM	T=3.90MM		
Y605-17-276	2	T=3.95MM	T=3.95MM		
Y606-17-276	2	T=4.00MM	T=4.00MM		



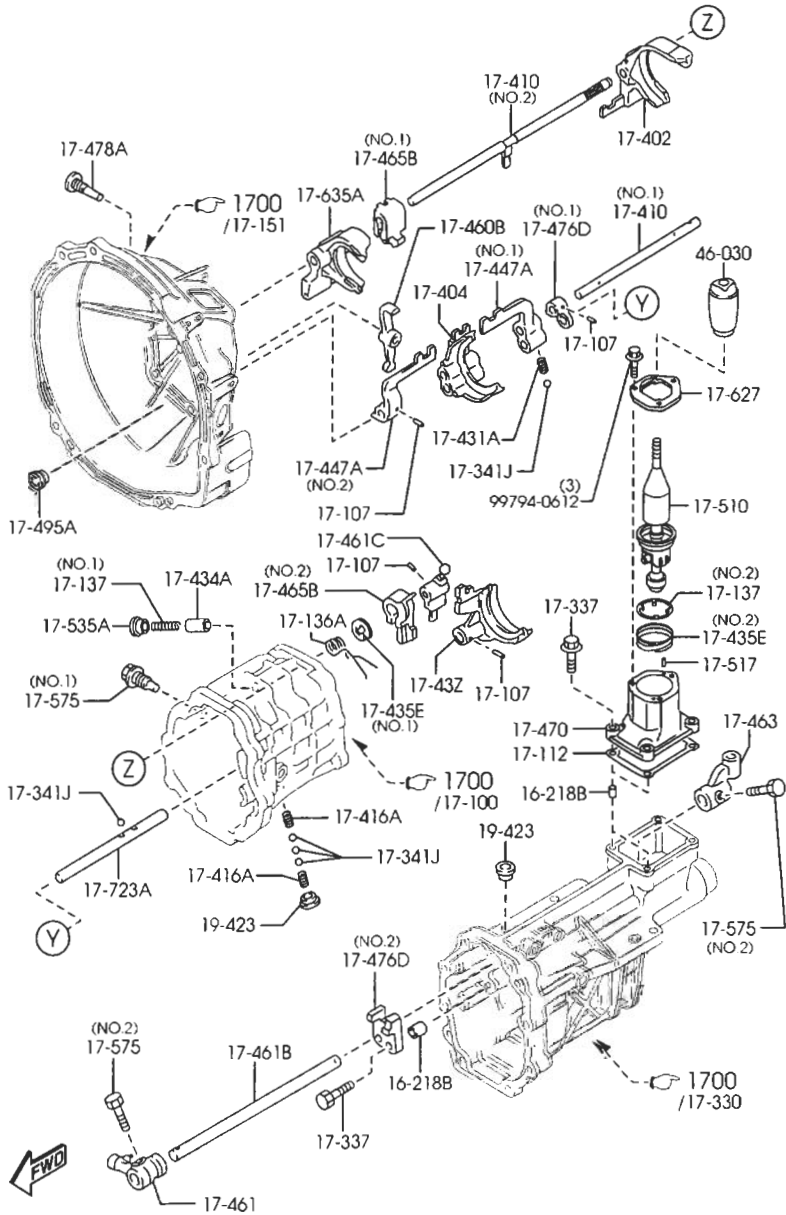
PART NO.	QTY	MODEL/RESTRICTION	MODEL/RESTRICTION	MODEL/RESTRICTION	FROM-TO
CONT'D					
Y607-17-276	2	T=4.05MM	T=4.05MM		
Y608-17-276	2	T=4.10MM	T=4.10MM		
17-281		GEAR, REVERSE	PIGNON MARCHE ARR		
Y601-17-281	1				
17-283		BEARING, NEEDLE	ROULEMENT		
Y606-17-233	1				
17-291		WASHER, THRUST	EPAISSEUR, PIGNON MARCHE ARR		
Y609-17-276	1				
17-301		GEAR, COUNTER SHAFT	TRAIN FIXE		
Y611-17-301	1				
17-304		SPACER	RONDELLE		
Y602-17-307	1				
17-304A		GEAR, FRICTION	ENGRENAGE DE FRICTION		
Y602-17-304	1				
17-306A		RING, SNAP	CALE		
Y663-17-225	1				
17-308		GEAR, COUNTER	TRAIN FIXE		
Y611-17-318	1				
17-309		RING, SNAP	BAGUE		
Y664-17-225	1				
17-309D		GEAR, COUNTER (6TH)	VITESSE COMPTEUR (SIXIEME)		
Y601-17-309	1				
17-310		GEAR, REVERSE IDLE	PIGNON DE RENVOI		
Y601-17-310	1				
17-315		SHAFT, REV. IDLE GEAR	ARBRE, PIGNON MARCHE ARR		
Y601-17-315	1				



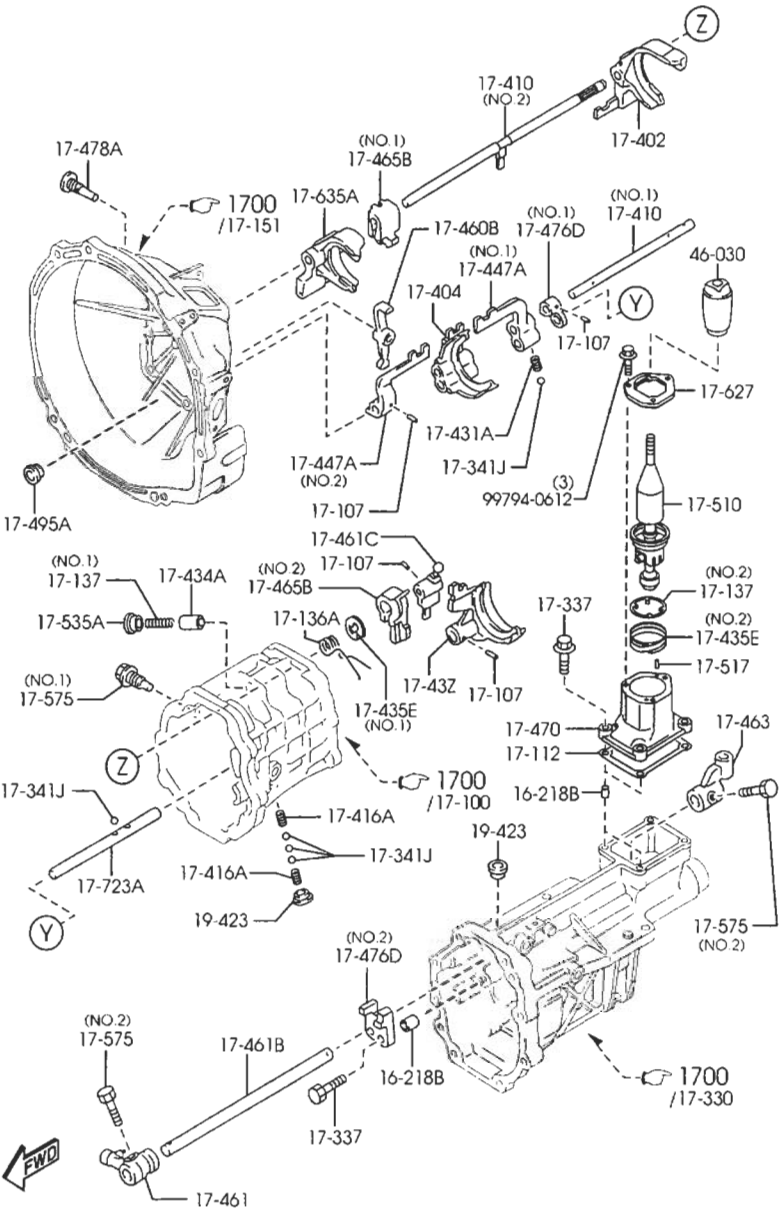
PART NO.	QTY	MODEL/RESTRICTION	MODEL/RESTRICTION	MODEL/RESTRICTION	FROM-TO
17-321		HUB, CLUTCH	PIGNON FIXE		
Y601-17-621	1				
17-328A		FUNNEL	ENTONNOIR		
Y601-17-32X	1				
17-337		BOLT	BOULON		
Y602-17-337	2				
17-341J		BALL, STEEL	BILLE D'ACIER		
Y601-17-108	13				
17-361		GASKET, REAR COVER	JOINT AR		
Y602-17-361	2				
17-421A		RING, RETAINING	CERCLE D'ARRET		
Y603-17-435	1				
17-435E		RING, RETAINING	ANNEAU DE RETENUE		
Y602-17-435	1				
17-517		PIN	CLAVETTE		
Y601-17-517	1				
17-622		SLEEVE, CLUTCH HUB	MANCHON, EMBRAYAGE		
Y601-17-622A	1				
17-631C		GEAR, 6TH	VITESSE, SIXIEME		
Y611-17-631	1				
17-731		HUB, CLUTCH	PIGNON FIXE		
Y601-17-731	1				
17-732		SLEEVE, CLUTCH HUB	DOUILLE, MOYFU EMRRAY AGE		
Y601-17-732	1				



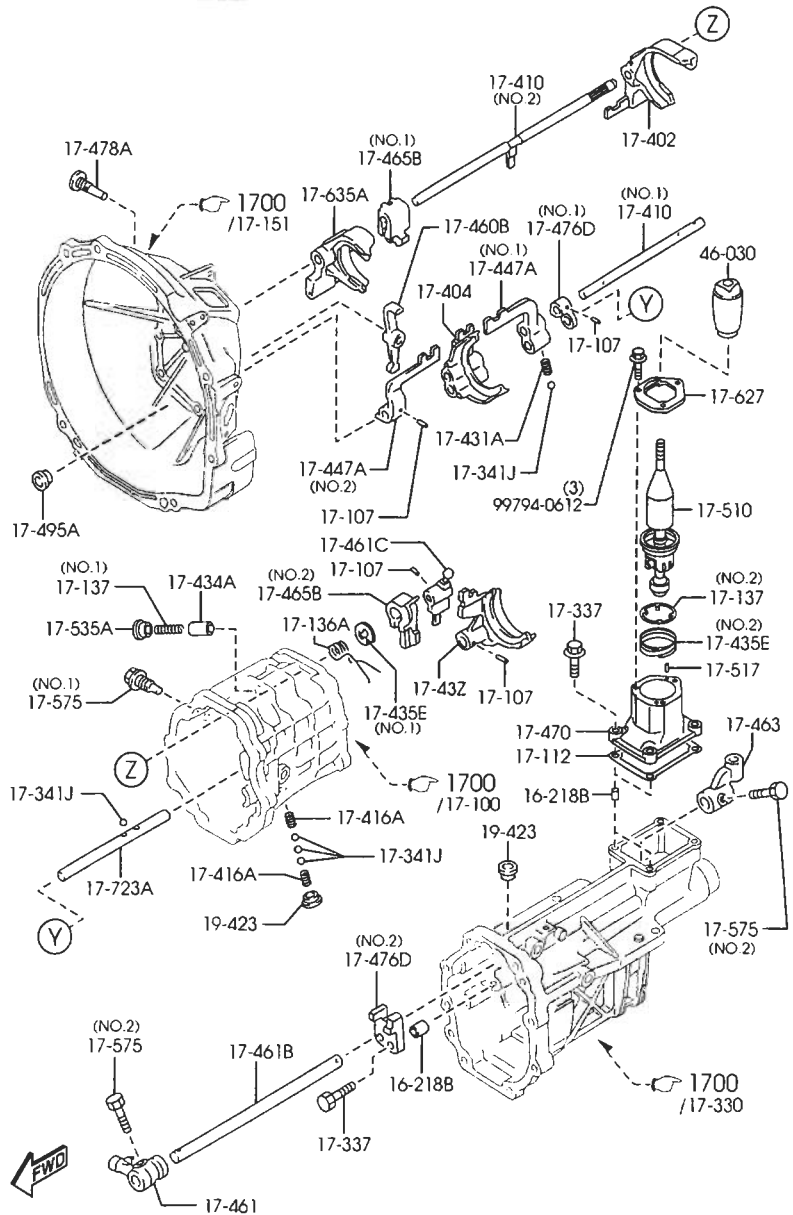




PART NO.	QTY	MODEL/RESTRICTION	MODEL/RESTRICTION	MODEL/RESTRICTION	FROM-TO
16-218B	4	PIN, TUBULAR	RONDELLE TUBULAIRE		
Y601-17-209					
17-107	4	PIN, SPRING	AXE DE RESSORT		
Y601-17-107					
17-112	1	GASKET	JOINT		
Y611-17-112					
17-136A	1	SPRING, TORSION	RESSORT, TORSION		
Y611-17-136					
17-137	1 (ILLUST. NO.1)	SPRING	RESSORT		
Y601-17-137A					
17-137	1 (ILLUST. NO.2)				
Y611-17-137					
17-337	6	BOLT	BOULON		
Y603-17-337					
17-341J	5	BALL, STEEL	BILLE D'ACIER		
Y602-17-108					
17-402	1	FORK, SHIFT (1ST & 2ND)	FOURCHETTE, VITESSE		
Y601-17-40X					
17-404	1	FORK, SHIFT (3RD & 4TH)	FOURCHETTE, VITESSE		
Y601-17-40Y					
17-410	1 (ILLUST. NO.1)	ROD, SHIFT (1ST & 2ND)	TIGE, CHANGEMENT VITESSES		
Y602-17-411					
17-416A	1 (ILLUST. NO.2)				
Y611-17-411					
17-416A	2	SPRING	RESSORT		
Y602-17-137					
17-432	1	FORK, SHIFT-6	FOURCHETTE, VITESSE		
Y601-17-43Z					
17-431A	1	SPRING	RESSORT		
Y603-17-137					

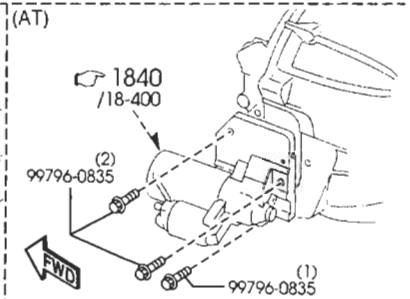
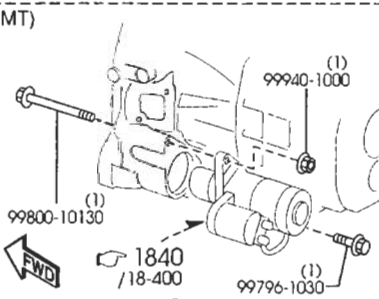
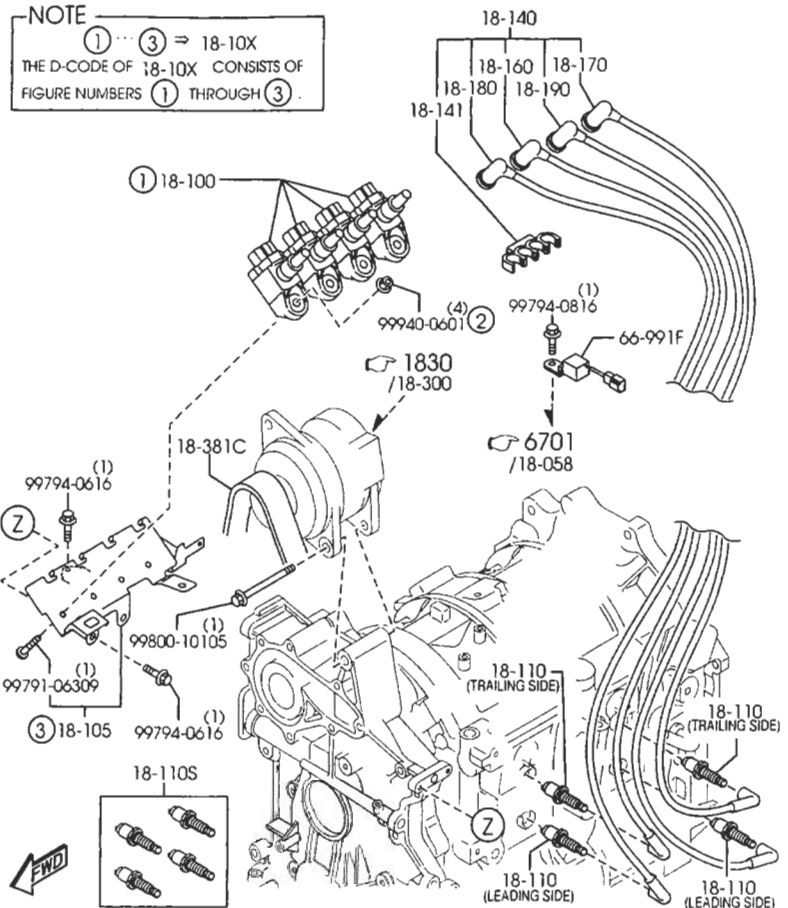


PART NO.	QTY	MODEL/RESTRICTION	MODEL/RESTRICTION	MODEL/RESTRICTION	FROM-TO
17-434A		PIN,PUSH	GOUPILLE,POUSSOIR		
Y601-17-4A0	1				
17-435E		RING,RETAINING	ANNEAU DE RETENUE		
Y601-17-435	1	(ILLUST. NO.1)			
Y612-17-435	1	(ILLUST. NO.2)			
17-447A		ARM,SHIFT	RENOI DE CDE		
Y601-17-44Y	1	(ILLUST. NO.1)			
Y602-17-447	1	(ILLUST. NO.2)			
17-460B		LEVER,COUNTER	LEVIER,CONTRE		
Y601-17-446	1				
17-461		LEVER,CONTROL	LEVIER DE CONTROLE		
Y611-17-45X	1				
17-461B		ROD,CONTROL	TIGE DE COMMANDE		
Y611-17-461	1				
17-461C		LEVER,IN. SHIFT	LEVIER INT.DE PASSAG E VITESSES		
Y611-17-455	1				
17-463		SPRING	RESSORT		
Y611-17-463	1				
17-465B		SLEEVE,INTERLOCK	MANCHON DE VERROUILL AGE		
Y601-17-465A	1	(ILLUST. ND.1)			
Y602-17-465	1	(ILLUST. NO.2)			
17-470		CASE,CHANGE CONTROL	LOGEMENT, LEVIER DE VITESSE		
Y611-17-471	1				
17-476D		BLOCK,STOPPER	BLOC,ARRETOIR		
Y601-17-476	1	(ILLUST. NO.1)			
Y602-17-476	1	(ILLUST. NO.2)			
17-478A		SHAFT,CRANK LEVER	AXE,LEVIER COUDE		
Y601-17-478	1				



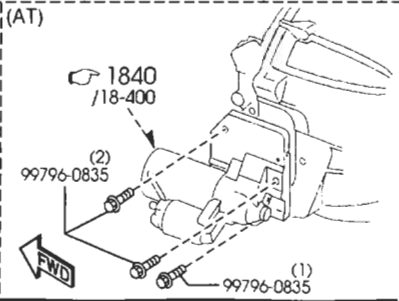
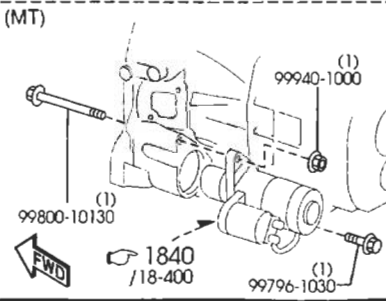
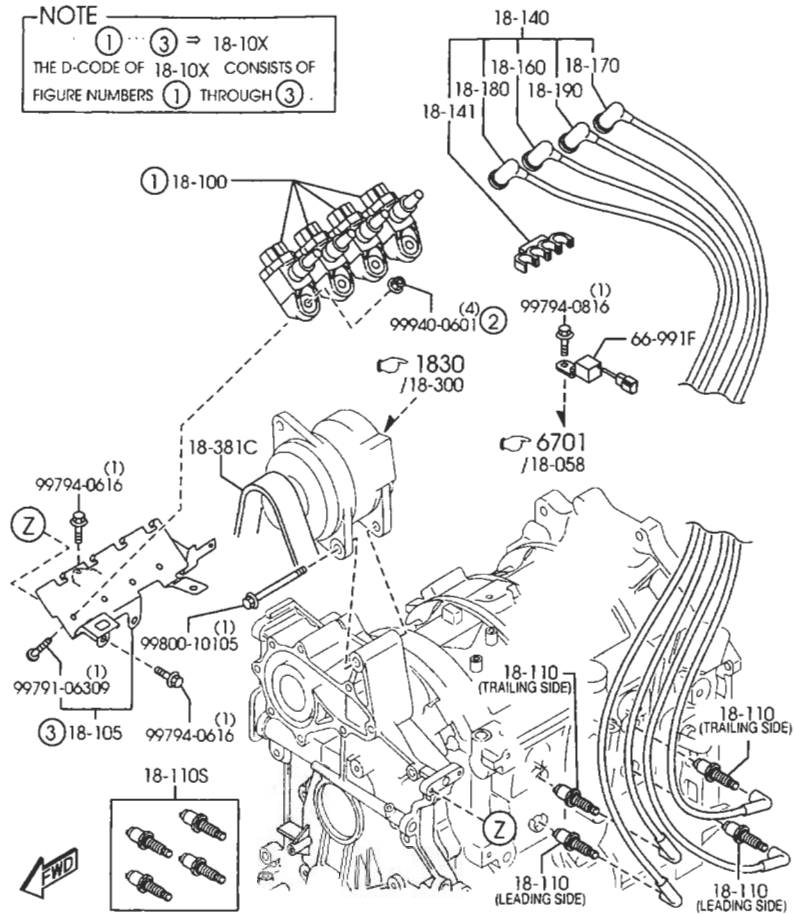
PART NO.	QTY	MODEL/RESTRICTION	MODEL/RESTRICTION	MODEL/RESTRICTION	FROM TO
17-495A	1	PLUG	BOUCHON		
Y604-17-495					
17-510	1	LEVER, CHANGE	LEVIER DE VITESSES		
Y602-17-510A					
17-517	2	PIN	CLAVETTE		
Y611-17-517					
17-535A	1	PLUG	BOUCHON		
Y606-17-495					
17-575	1 (ILLUST. NO. 1)	BOLT	BOULON		
Y601-17-575					
17-575	2 (ILLUST. NO. 2)	BOLT	BOULON		
Y602-17-575					
17-627	1	PLATE	PLAQUE		
Y601-17-571A					
17-635A	1	FORK, SHIFT-5TH & REVERSE	FOURCHETTE, CHANG. 5E & INV		
Y601-17-43Y					
17-723A	1	ROD, SHIFT	SELECTEUR DE VITESSE		
Y603-17-411					
19-423	2	PLUG	BOUCHON		
Y603-17-495					
46-030	1	KNOB, CHANGE LEVER	BOULE DE LEVIER DE VITESSE		
F157-46-030A					

NOTE  
 ①...③ ⇒ 18-10X  
 THE D-CODE OF 18-10X CONSISTS OF  
 FIGURE NUMBERS ① THROUGH ③

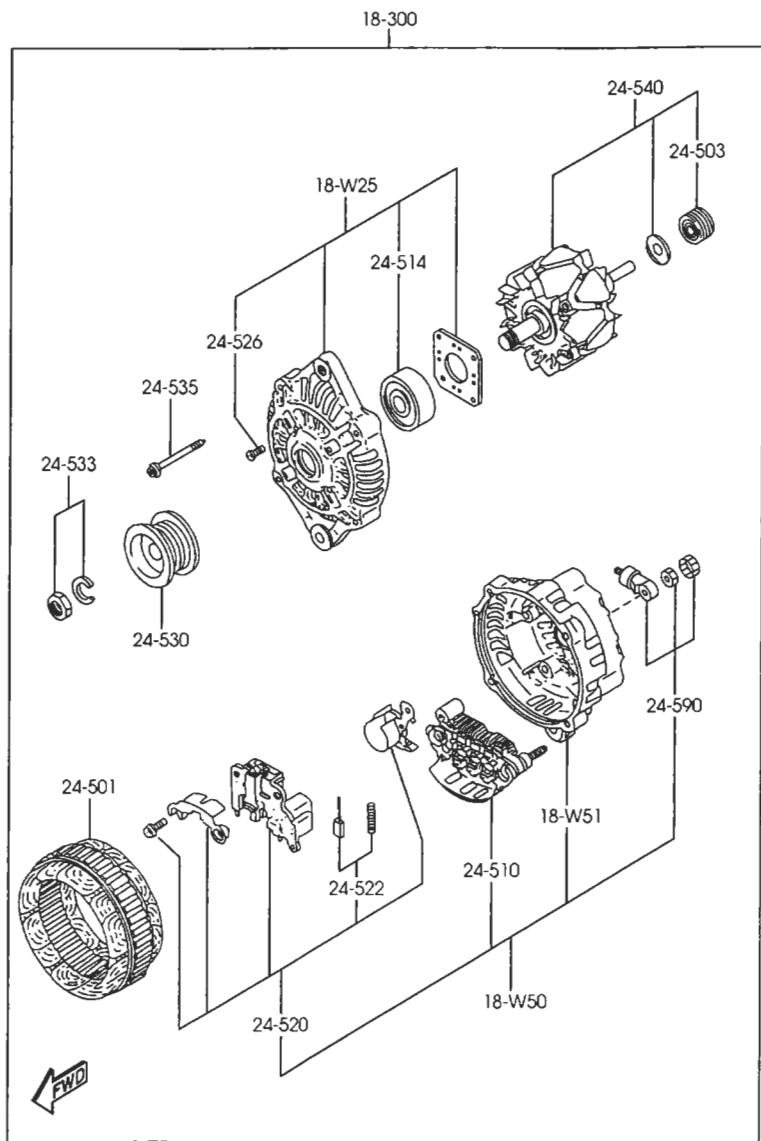


PART NO.	QTY	MODEL/RESTRICTION	MODEL/RESTRICTION	MODEL/RESTRICTION	FROM-TO
18-10X NSH1-18-10X	1	COIL & IGNITER	BOBINE & ALLUMEUR		
18-100 NSH1-18-100	4	COIL, IGNITION	BOBINE D'ALLUMAGE		
18-105 NSH1-18-105	1	BRACKET, DIST. MODULE	SUPPORT, MODULE DIST.		
18-110 NSH1-18-110A	2	PLUG, SPARK NGK (RE9B-T) (TRAILING SIDE) (STD.)	BOUGIE NGK (RE9B-T)		
N3H2-18-110A	2	NGK (RE7A-L) (LEADING SIDE) (STD.)	NGK (RE7A-L)		
N3H3-18-110	2	NGK (RE8A-T) (TRAILING SIDE) (OPTION HOT TYPE)	NGK (RE8A-T) (OPTION TYPE CHAUD)		
N3H4-18-110	2	NGK (RE6A-L) (LEADING SIDE) (OPTION HOT TYPE)	NGK (RE6A-L) (OPTION TYPE CHAUD)		
18-110S NSX6-18-530	1	PLUG SET, SPARK	JEU BOUGIE, ETINCELLE		
18-140 NSH1-18-140	1	CORD SET, HI. TENSION	FAISCEAU, HAUTE TENSION		
18-141 F201-18-141	1	SUPPORTER	SUPPORT, FIL DE BOBINE		
18-160 NSH1-18-160	1	CORD NO.1, HI. TENSION	FAISCEAU NO 1		
18-170 NSH1-18-170	1	CORD NO.2, HI. TENSION	FAISCEAU NO 2		
18-180 NSH1-18-180	1	CORD NO.3, HI. TENSION	FAISCEAU NO 3		
18-190 NSH1-18-190	1	CORD NO.4, HI. TENSION	FAISCEAU NO 4		

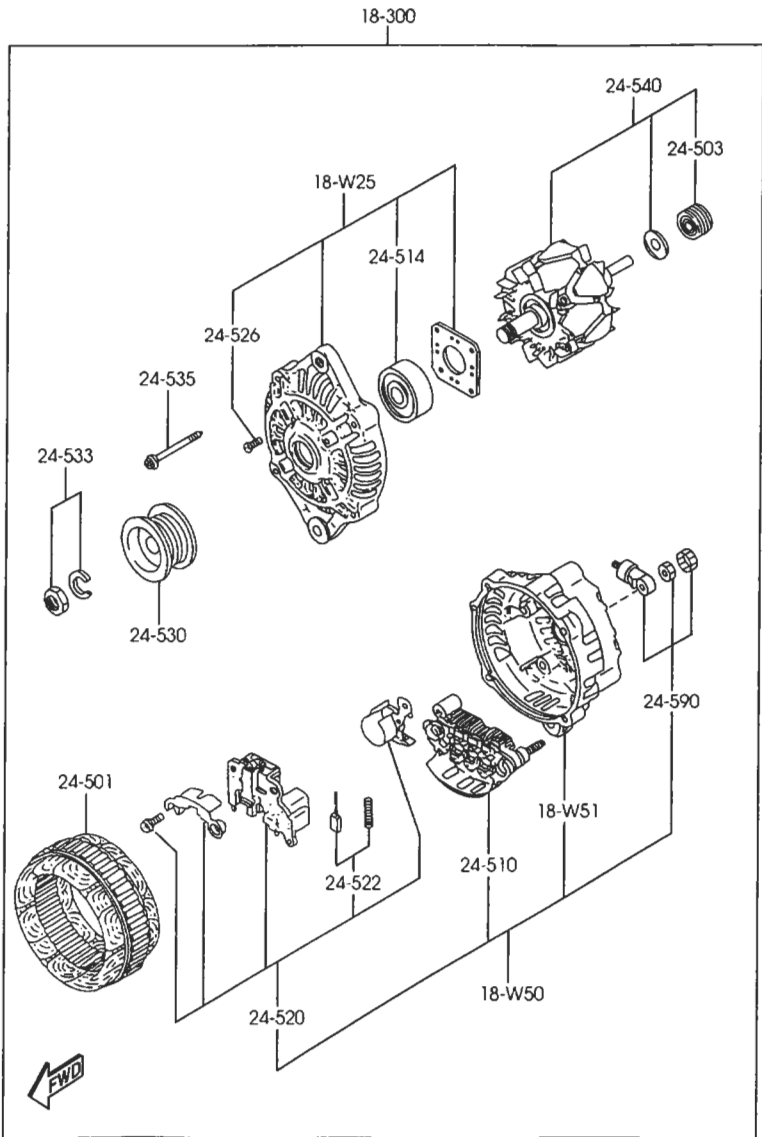
**NOTE**  
 ①...③ = 18-10X  
 THE D-CODE OF 18-10X CONSISTS OF  
 FIGURE NUMBERS ① THROUGH ③.



PART NO.	QTY	MODEL/RESTRICTION	MODEL/RESTRICTION	MODEL/RESTRICTION	FROM-TO
18-381C NSH1-18-381	1	BELT *V*, W/PUMP&ALTER NATOR	COURR. TRAP., P.EAU & ALT.		
66-991F N3A1-66-991	1	CONDENSER	CONDENSATEUR		



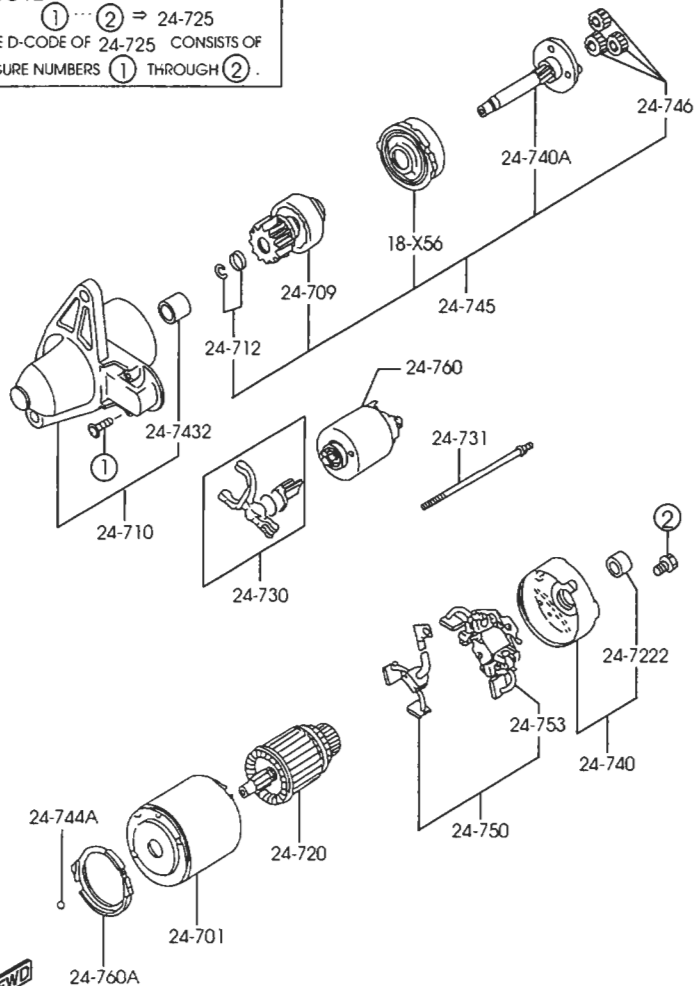
PART NO.	QTY	MODEL/RESTRICTION	MODEL/RESTRICTION	MODEL/RESTRICTION	FRON-TO
18-W25 NSH1-18-W25	1	COVER, FRONT-ALTERNATOR	COUVERCLE, ALTERNATEUR AV.		
18-W50 NSH1-18-W50	1	COVER, REAR-ALTERNATOR	COUVERCLE, AR-ALTERNATEUR		
18-W51 NSH1-18-W51	1	COVER, REAR-ALTERNATOR	COUVERCLE, ALTERNATEUR ARR		
18-300 NSH1-18-300	1	ALTERNATOR	ALTERNATEUR		
24-501 NSH1-18-W45	1	STATOR	INDUIT FIXE		
24-503 NS36-18-W36	1	BEARING, BALL-ALT. REAR	ROULEMENT A BILLES AR		
24-510 NSH1-18-W60	1	RECTIFIER	REDRESSEUR		
24-514 PN16-18-W27	1	BEARING, BALL-ALT. FRONT	ROULEMENT A BILLES ONT		
24-520 Z599-18-W70	1	REGULATOR, VOLTAGE	REGULATEUR		
24-522 B3C7-18-W77	2	BRUSH	BALAIS		
24-526 RF71-18-W26	1	SCREW SET	JEU DE VIS		
24-530 NSH1-18-W11	1	PULLEY	POULIE		
24-533 B3C7-18-W05	1	NUT SET	JEU D'ECROUS		
24-535 RF71-18-W20	1	SCREW SET	JEU DE VIS		



PART NO.	QTY	MODEL/RESTRICTION	MODEL/RESTRICTION	MODEL/RESTRICTION	FROM-TO
24-540 NSH1-18-W35	1	ROTOR	ROTOR		
24-590 BPD3-18-W80	1	TERMINAL SET	POLES		

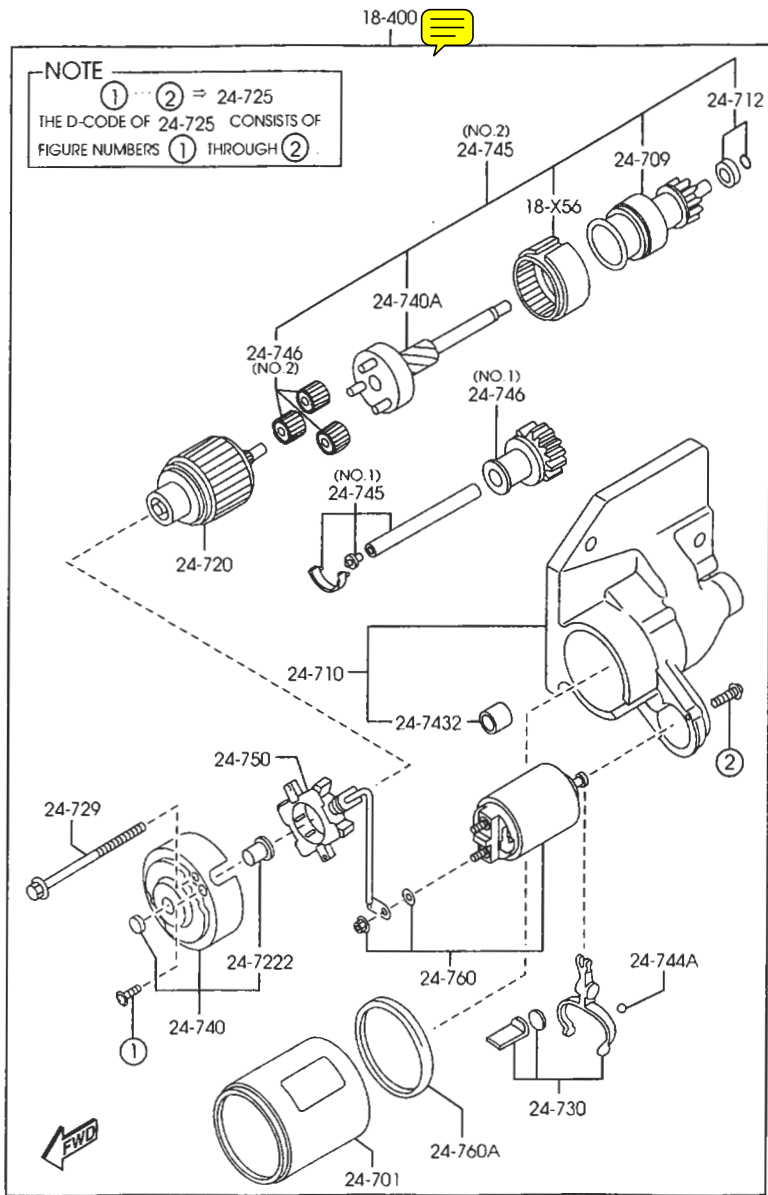
18-400

NOTE  
 ① ... ② ⇒ 24-725  
 THE D-CODE OF 24-725 CONSISTS OF  
 FIGURE NUMBERS ① THROUGH ②.

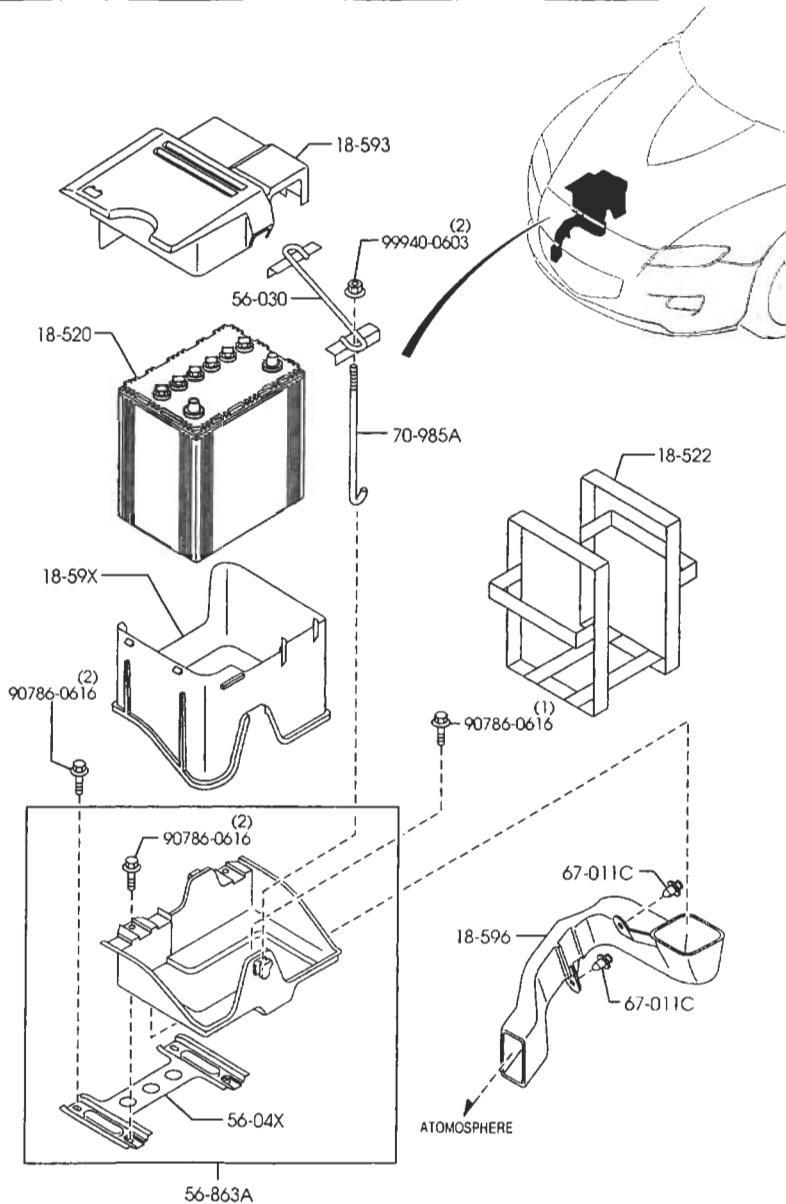


PART NO.	QTY	MODEL/RESTRICTION	MODEL/RESTRICTION	MODEL/RESTRICTION	FROM-TO
18-400 FP13-18-X56	1	GEAR, INTERNAL-STARTER	ENGRENAGE, INTER.-DEM		
18-400 N3H1-18-400	1	STARTER	DEMARREUR		
24-701 N3H1-18-X65	1	YOKE	MANCHON		
24-709 N3H1-18-X25	1	PINION	PIGNON		
24-710 N3H1-18-X00	1	BRACKET, FRONT	ATTACHE, AV		
24-712 N326-18-X30	1	STOPPER SET	ARRETOIR, JEU		
24-720 YF47-18-X60	1	ARMATURE	INDUIT		
24-722 N326-18-X62A	1	SLEEVE, BEARING-REAR	ROULEMENT		
24-725 N3H1-18-X95	1	SCREW SET	JEU DE VIS		
24-730 JEB3-18-X05	1	LEVER	LEVIER		
24-731 E356-18-X90	2	BOLT SET	JEU DE BOULONS		
24-740 N3H1-18-X80	1	BRACKET, REAR	ATTACHE, AR		
24-740A KL36-18-X40	1	SHAFT	ARBRE		

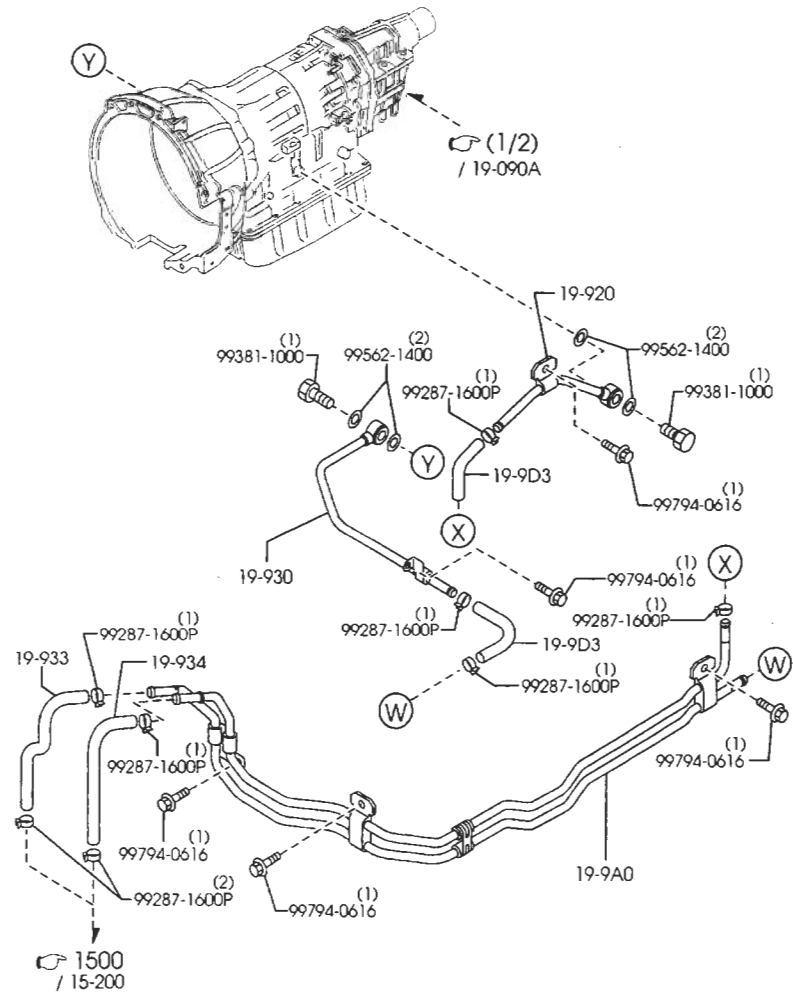
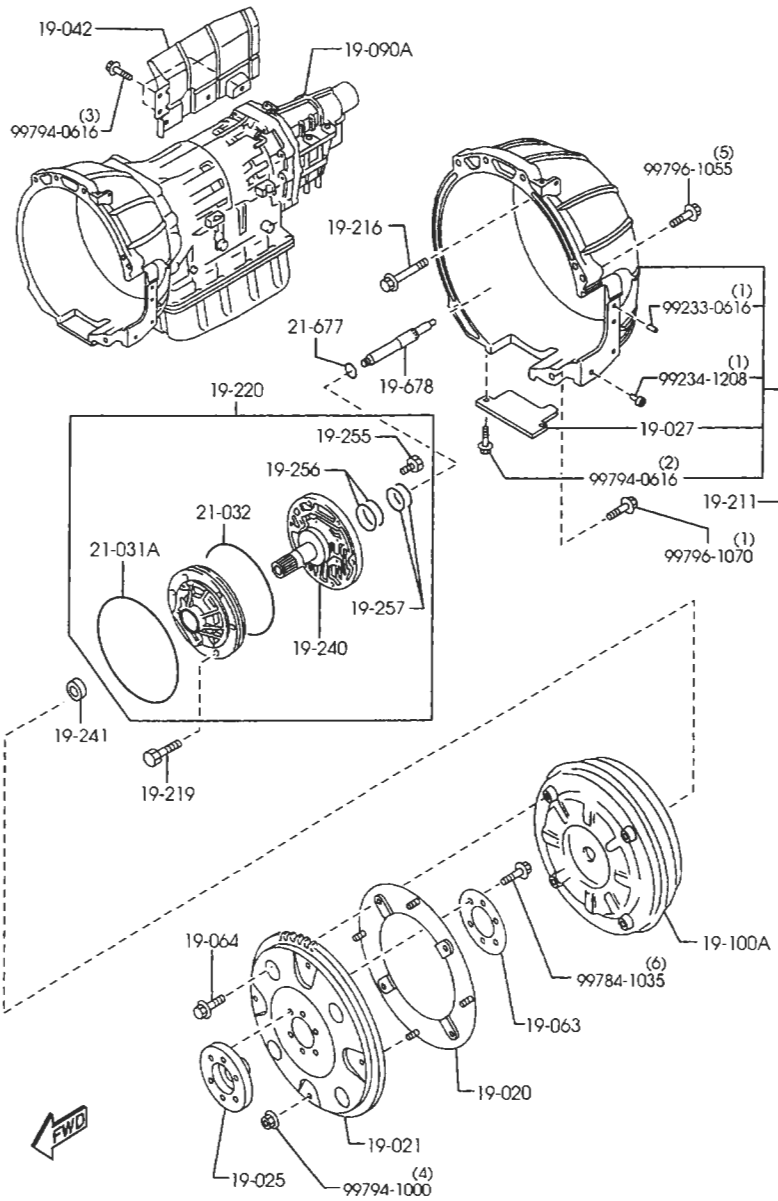


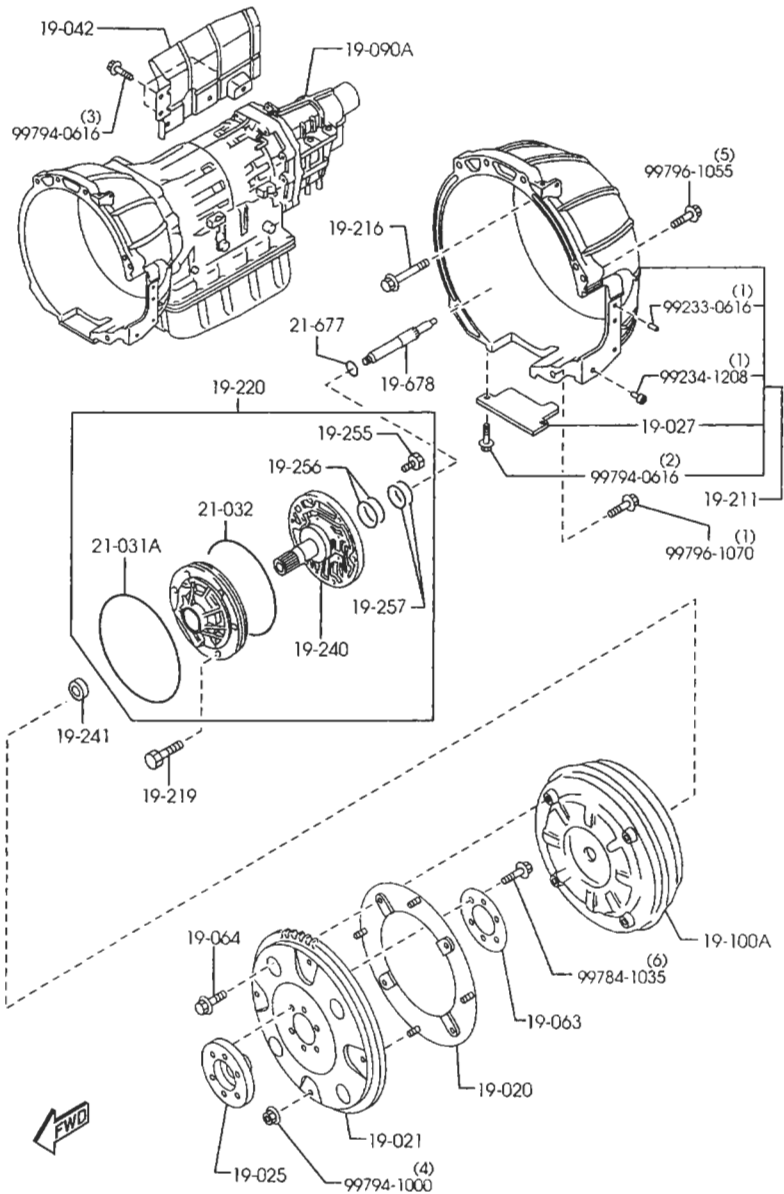


PART NO.	QTY	MODEL/RESTRICTION	MODEL/RESTRICTION	MODEL/RESTRICTION	FROM-TO
↑ 24-7432 ↓ E356-18-X01	1	SLEEVE, BEARING-FRONT MITSUBISHI	ROULEMENT MITSUBISHI		
↑ 24-744A ↓ N326-18-X93	1	BALL, STEEL MITSUBISHI	BILLE D'ACIER MITSUBISHI		
↑ 24-745 ↓ KL70-18-X20 N3H2-18-X20	1 1	SHAFT, CLUTCH (ILLUST. NO. 1) (ILLUST. NO. 2)	ARBRE MOTEUR		
↑ 24-746 ↓ N3H2-18-X57 N326-18-X57	1 3	GEAR (ILLUST. NO. 1) MITSUBISHI (ILLUST. NO. 2)	PIGNON MITSUBISHI		
↑ 24-750 ↓ N3H2-18-X70	1	HOLDER, BRUSH	PORTE CHARBON		
↑ 24-760 ↓ N3H2-18-X10	1	SWITCH	COMMUTATEUR		
↑ 24-760A ↓ N326-18-X87	1	GASKET	JOINT		

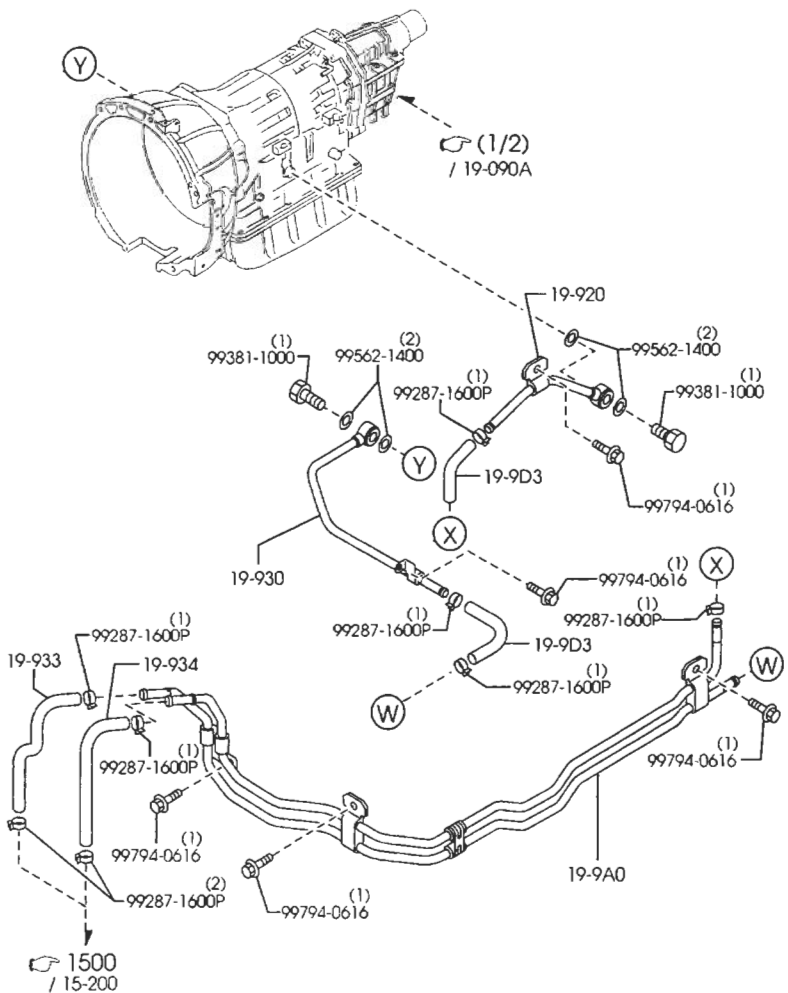


PART NO.	QTY	MODEL/RESTRICTION	MODEL/RESTRICTION	MODEL/RESTRICTION	FROM-TO
18-520		BATTERY	BATTERIE		
AM 18-520A	1	75D26L PANASONIC (75D26L)	75D26L PANASONIC		
F220-18-520E	1	50D20L PANASONIC (50D20L) (6-SP)	50D20L PANASONIC (6-VITS)		
F221-18-520E	1	55D23L PANASONIC (55D23L) (4-SP)	55D23L PANASONIC (4-VITS)		
18-522		BAND, BATTERY	COLLIER DE SERRAGE		
FE50-18-522	1				
18-59X		BOX, BATTERY	BOITE, BATTERIE		
N3H1-18-591D	1				
18-593		COVER, BOX-BATTERY	COUVERCLE, BOITE-BATTERIE		
N3H1-18-593C	1				
18-596		DUCT, BATTERY	CONDUIT, BATTERIE.		
N3H1-18-596	1				
56-030		CLAMP, BATTERY	CORNIERE DE BATTERIE		
H384-56-03XA	1				
56-04X		STAY, BATTERY CARRIER	SUPPORT, PORTEUR BATTERIE.		
F151-56-04YB	1				
56-863A		TRAY, BATTERY	BAC, SUPPORT BATTERIE		
F151-56-041B	1				
67-011C		CLIP	CLIP		
GJ21-28-803	2				
70-985A		BOLT, CLAMP	BOULON, CRAMPON		
0259-54-292A	2				





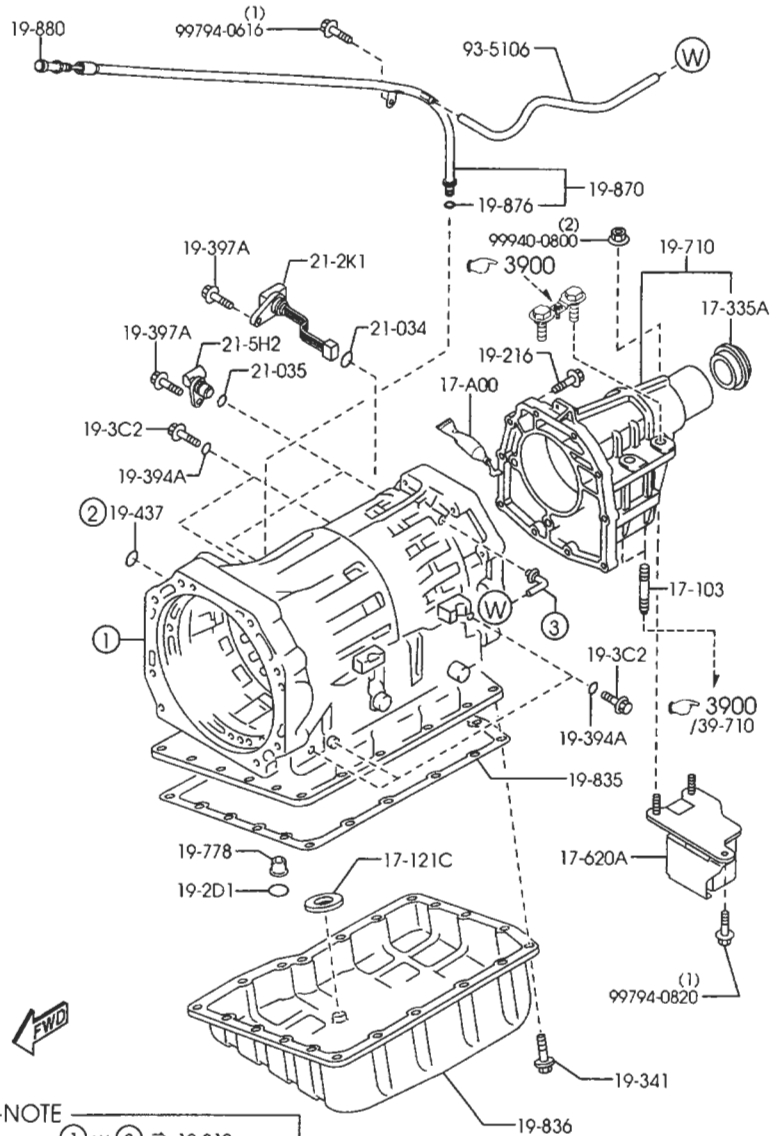
PART NO.	QTY	MODEL/RESTRICTION	MODEL/RESTRICTION	MODEL/RESTRICTION	FROM-TO
19-020	1	PLATE,DRIVE	DISQUE, BOITE AUTOM.		
BW60-19-02X	1				
19-021	1	PLATE,DRIVE	DISQUE, BOITE AUTOM.		
BW60-19-020	1				
19-025	1	PLATE,BACKING	EPAISSEUR		
BW60-19-025	1				
19-027	1	COVER,UNDER	COUVERCLE, INF.		
BW60-19-027	1				
19-042	1	INSULATOR	ISOLATEUR		
BW60-19-042	1				
19-063	1	PLATE,BACKING	EPAISSEUR		
BW60-19-063	1				
19-064	4	BOLT	BOULON		
3649-19-064A	4				
19-090A	1	T/MISSION CPT.	TRANSMISSION COMPLET E		
BW60-19-090B	1				
19-100A	1	CONVERTER,TORQUE	COUPLEUR		
BW60-19-100	1				
19-211	1	HOUSING,CONVERTER	CARTER DE CONVERTISS EUR		
BW60-19-210	1				
19-216	8	BOLT	BOULON		
BW01-19-216	8				
19-219	8	BOLT	BOULON		
BW01-19-219	8				
19-220	1	PUMP,OIL	POMPE A HUILE		
BW11-19-220	1				
19-240	1	COVER,OIL PUMP	CACHE		
BW11-19-240	1				



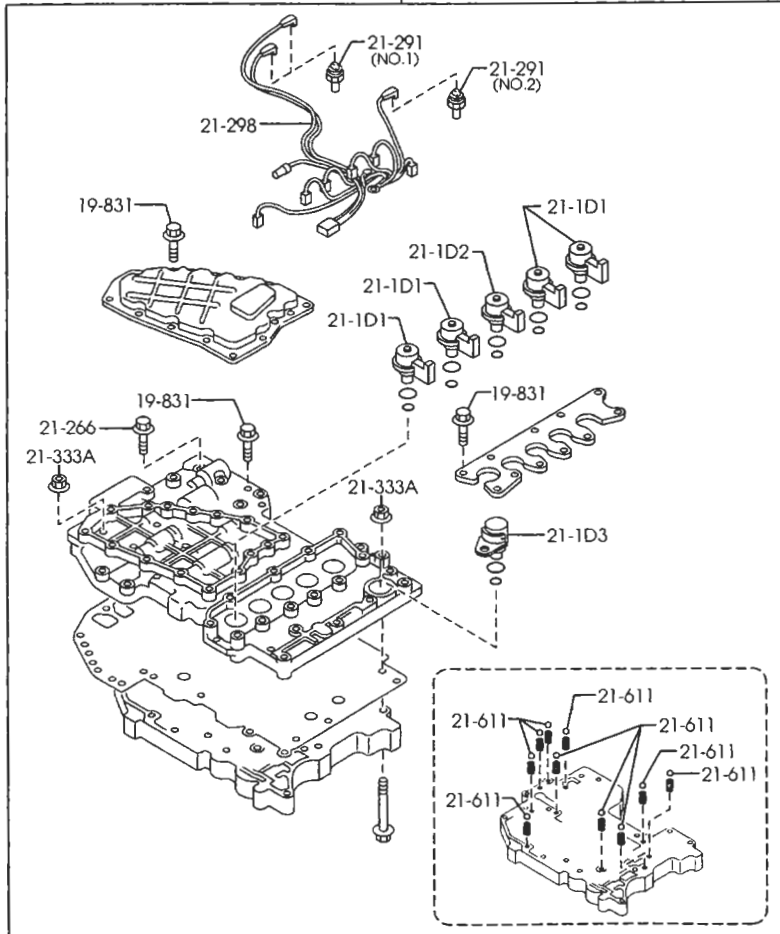
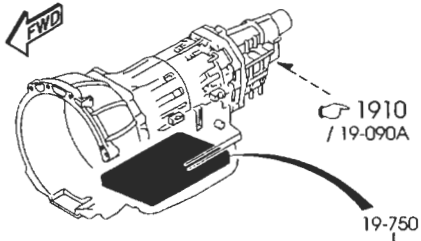
PART NO.	QTY	MODEL/RESTRICTION	MODEL/RESTRICTION	MODEL/RESTRICTION	FROM-TO
19-241		SEAL,OIL	JOINT,POMPE HUILE		
BW01-19-241	1				
19-255		BOLT	BOULON		
BW01-19-255	8				
19-256		RING,SEAL	CERCLE ETANCHE		
BV11-19-256	2				
19-257		RING,SEAL	CERCLE ETANCHE		
BW01-19-257	2				
19-678		SHAFT,INPUT	ARBRE DE PRISE		
BW13-21-678	1				
19-9A0		PIPE,OIL-OILPUMP	TUBE,HUILE-POMPE		
BW60-19-9A0	1				
19-9D3		HOSE,OIL	TUYAU,HUILE		
FU51-19-9D3A	2				
19-920		PIPE,OIL	CONDUIT, HUILE		
BW60-19-920A	1				
19-930		PIPE,OIL	CONDUIT, HUILE		
BW60-19-930A	1				
19-933		HOSE,OIL	FLEXIB.D'HUILE		
BW60-19-933	1				
19-934		HOSE,OIL	FLEXIB.D'HUILE		
BW60-19-934	1				
21-031A		RING,'O'	JOINT 'O'		
BW01-21-031	1				
21-032		RING,'O'-UP.ACCUM 2N D PIS	O-RING,ACCUM/2E PIST SUP		
BW01-21-032	1				
21-677		RING,'O'	JOINT 'O'		
BV01-21-677	1				





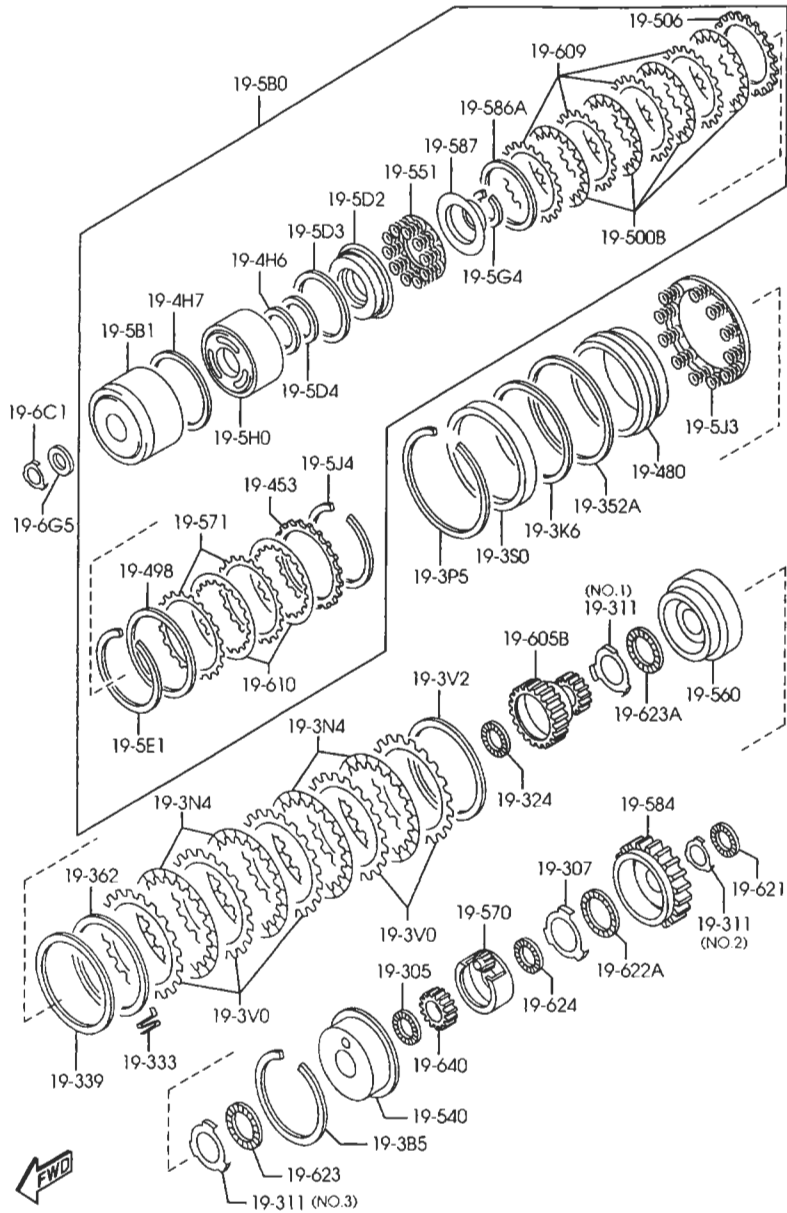


PART NO.	QTY	MODEL/RESTRICTION	MODEL/RESTRICTION	MODEL/RESTRICTION	FRON-TO
19-778		SPRING,SECOND LOCK	RESSORT,2EME VERROU		
FX01-19-778	1				
19-835		GASKET,OIL PAN	JOINT, CARTER HUILE		
BW60-19-835	1				
19-836		PAN,OIL	CARTER D'HUILE		
BW60-19-836	1				
19-870		TUBE,OIL LEVEL	TUBE, JAUGE D'HUILE		
BW60-19-87X	1				
19-876		RING,'O'	JOINT 'O'		
BW60-19-876	1				
19-880		GAUGE,OIL LEVEL	JAUGE, NIVEAU D'HUILE		
BW60-19-880A	1				
21-034		RING,'O'-ACCUM. CLUTCH	O-RING,ACCUM/EMBR DIRECTE		
BW01-21-034	1				
21-035		RING,'O'-ACCUM. FOR. CLUTCH	O-RING,ACCUM/EMBR AV CLUTCH		
BW01-21-035	2				
21-2K1		CONNECTOR,SOLENOID VALVE	CONNECT.,SOUPAPE SOLENOID		
BW01-21-2K1	1				
21-5H2		SENSOR,REVOLUTION	CAPTEUR,REVOLUTION		
BW01-21-5H2	2				
93-5106		HOSE	FLEXIBLE ESSENCE		
99351-06380	1				

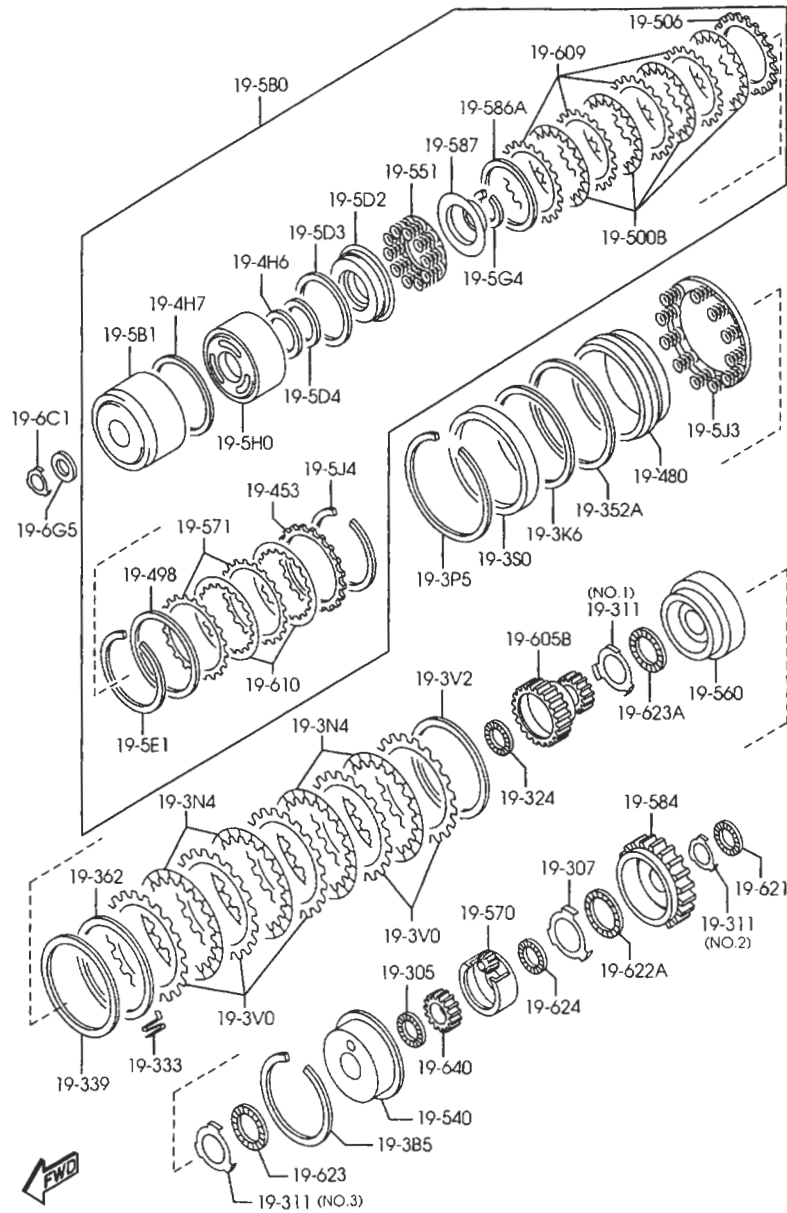


PART NO.	QTY	MODEL/RESTRICTION	MODEL/RESTRICTION	MODEL/RESTRICTION	FROM-TO
19-750 BW60-19-750	1	VALVE, CONTROL	SOUPAPE, CONTROLE		
19-831 BW01-19-831	13	BOLT, CONTROL VALVE	BOULON DE SOUPAPE DE CONTROLE		
21-1D1 BW01-21-1D1	4	SOLENOID	SOLENOIDE		
21-1D2 BW01-21-1D2	1	SOLENOID	SOLENOIDE		
21-1D3 BW01-21-1D3	1	SOLENOID	SOLENOIDE		
21-266 FX01-21-266	10	BOLT	BOULON		
21-291 BW01-21-2J1	2	SWITCH, OIL PRESSURE	INTERRUPTEUR, PRESSI ON HUILE		
		(ILLUST. NO.1)			
		(ILLUST. NO.2)			
21-298 BW01-21-2K0	1	COUPLER, SOLENOID VAL VE	COUPLEUR, SOUPAPE SOL ENOID		
21-333A BV71-21-333	2	NUT	ECROU		
21-611 BV71-21-611	10	BALL, STEEL	BILLE D'ACIER		

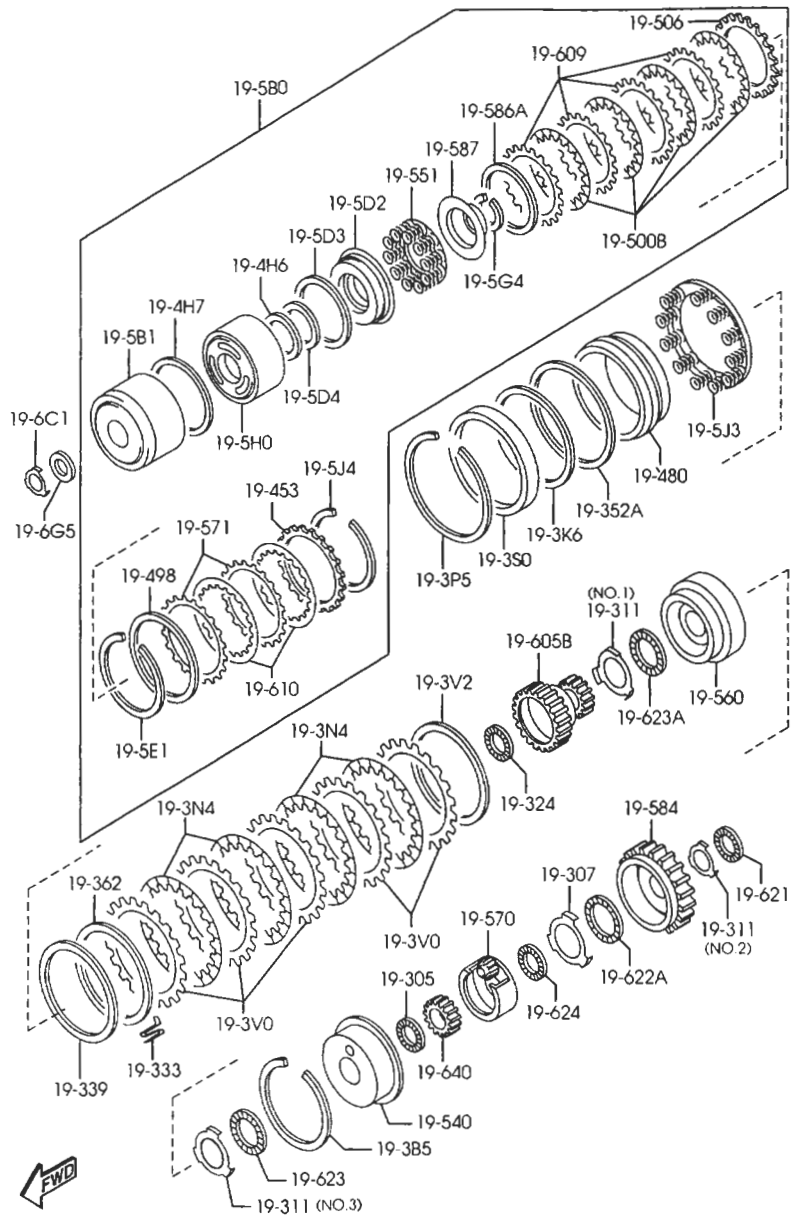




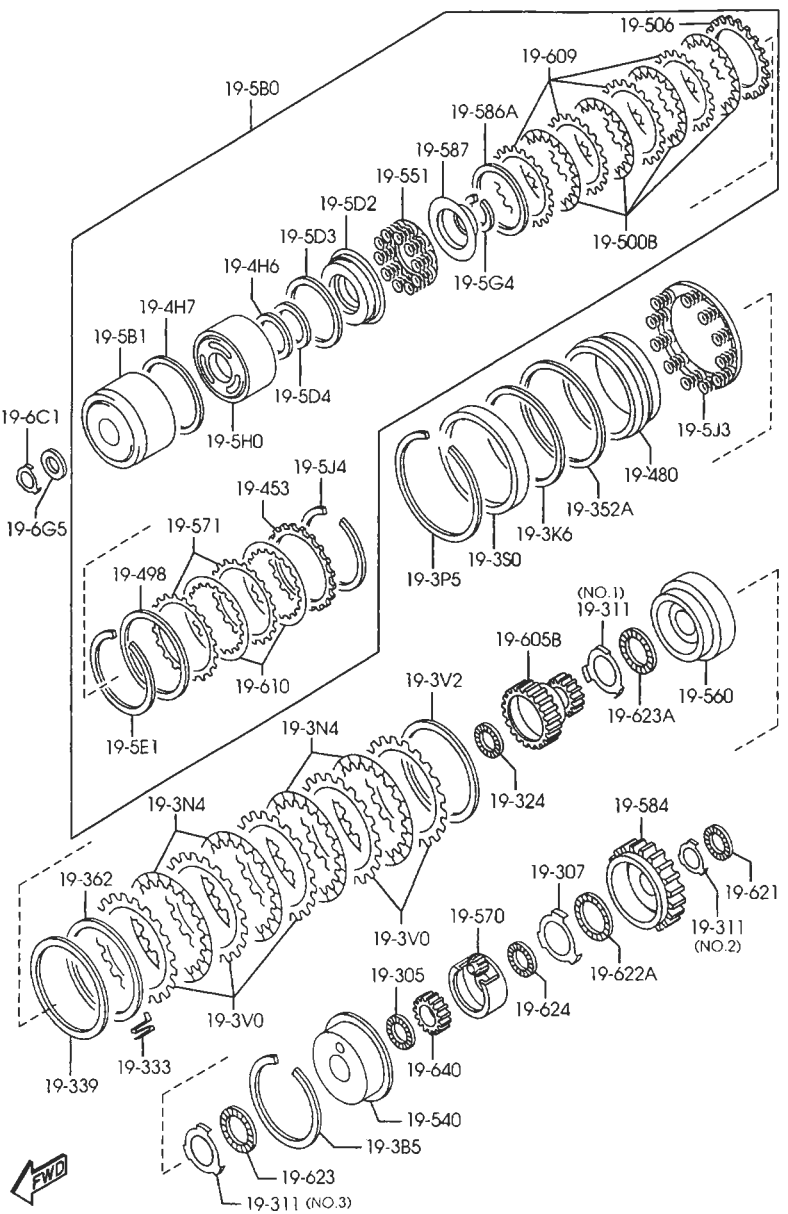
PART NO.	QTY	MODEL/RESTRICTION	MODEL/RESTRICTION	MODEL/RESTRICTION	FROM-TO
19-3B5		RING, SNAP	CALE		
BW01-19-3B5	1				
19-3K6		SEAL, PISTON	JOINT, PISTON		
BW01-19-3K6	1				
19-3N4		PLATE, DRIVEN	PLAQUE, ENTRAINE		
BW01-19-3N4A	4				
19-3P5		RING, SNAP	CALE		
BW01-19-3P5	1				
19-3S0		RETAINER	ARRET		
BW01-19-3S0	1				
19-3V0		PLATE, DRIVEN	PLAQUE, ENTRAINE		
BW15-19-3V0	5				
19-3V2		PLATE, RETAINING	ARRETOIR		
BW01-19-3V2A	1	T=5.6MM	T=5.6MM		
19-305		BEARING, NEEDLE	PALIER, BUTEE AIGUILLE		
BV11-19-305	1				
19-307		RACE, BEARING	GORGE, ROULEMENT		
BW01-19-303	1	T=1.4MM	T=1.4MM		
BW01-19-306	1	T=1.6MM	T=1.6MM		
BV11-19-311	1	T=1.2MM	T=1.2MM		
19-311		RACE, BEARING	GORGE, ROULEMENT		
BW01-19-311	1	(ILLUST. NO. 1)			
BW01-19-312	1	(ILLUST. NO. 2)			
BW01-19-313	1	(ILLUST. NO. 3)			
19-324		BEARING, NEEDLE	PALIER, BUTEE AIGUILLE		
BW01-19-305	1				



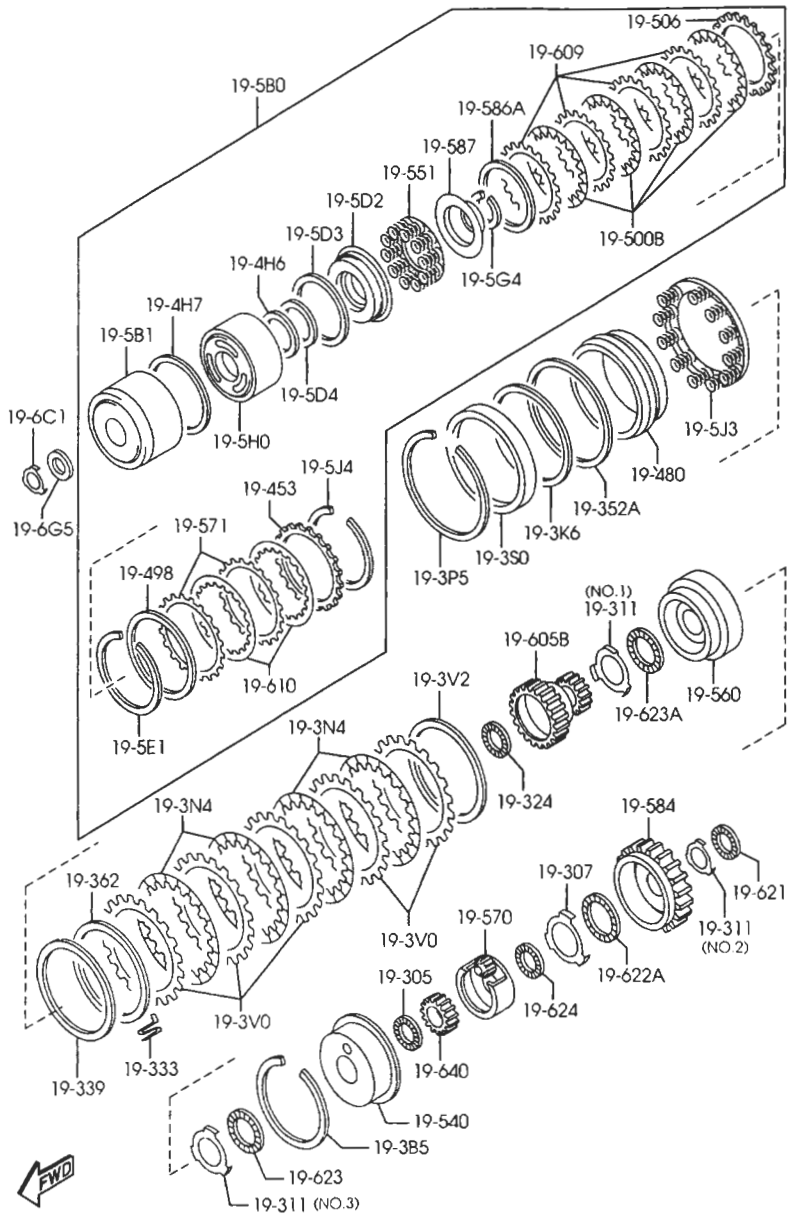
PART NO.	QTY	MODEL/RESTRICTION	MODEL/RESTRICTION	MODEL/RESTRICTION	FROM-TO
19-333		SPRING	RESSORT		
BW01-19-333A	3				
19-339		PLATE, DISHED	TOLE, ONOULEE		
BW01-19-339	1				
19-352A		SEAL, PISTON	JOINT, PISTON		
BW01-19-352	1				
19-362		PLATE, RETAINING	PLAQUE, RETENUE		
BW11-19-362A	1	T=5MM	T=5MM		
BW11-19-364A	1	T=5.2MM	T=5.2MM		
BW01-19-365A	1	T=5.8MM	T=5.8MM		
BW01-19-366A	1	T=6MM	T=6MM		
BW01-19-367A	1	T=6.2MM	T=6.2MM		
BW01-19-368A	1	T=6.4MM	T=6.4MM		
BW01-19-369A	1	T=5.4MM	T=5.4MM		
19-4H6		SEAL, LATHE CUT	JOINT, COUPE TOUR		
BW01-19-4H6	1				
19-4H7		SEAL, PISTON	JOINT, PISTON		
BW01-19-4H7	1				
19-453		PLATE, RETAINING	PLAQUE, COMMANDE		
BW01-19-456	1	T=4.8MM	T=4.8MM		
BW01-19-457	1	T=5MM	T=5MM		
BW01-19-458	1	T=5.2MM	T=5.2MM		
BW01-19-459	1	T=5.4MM	T=5.4MM		
19-480		PISTON, CLUTCH	PISTON, CYLINDRE EMBRAYAGE		
BW60-19-480	1				



PART NO.	QTY	MODEL/RESTRICTION	MODEL/RESTRICTION	MODEL/RESTRICTION	FROM-TO
19-498	1	PLATE, DISHED	RONDELLE BOMBEE		
BW01-19-544	1				
19-580	1	CLUTCH, REVERSE	EMBRAYAGE, INVERSE		
BW60-19-580	1				
19-581	1	DRUM, REVERSE	TAMBOUR, INVERSE		
BW01-19-581A	1				
19-5D2	1	PISTON, HIGH CLUTCH	PISTON, HAUT EMBRAYAGE		
BW01-19-5D2A	1				
19-5D3	1	SEAL, LATHE CUT	JOINT ETANCHE, COUPE TOUR		
BV11-19-5D3	1				
19-5D4	1	SEAL, LATHE CUT	JOINT, COUPE TOUR		
BV11-19-5D4	1				
19-5E1	1	RING, SNAP	CALE		
BW01-19-5J6	1				
19-5G4	1	RING, SNAP	BAGUE, SERRAGE		
BW01-19-5J5	1				
19-5H0	1	PISTON, REVERSE	PISTON, INVERSE		
BW06-19-5H0A	1				
19-5J3	1	SPRING, RETURN	RESSORT, RAPPEL		
BW01-19-3P0A	1				
19-5J4	1	RING, SNAP	CALE		
BW01-19-5J4	1				
19-5008	4	PLATE, DRIVEN	PLAQUE, COMMANDE		
BW15-19-620	4				
19-506	1	PLATE, RETAINING	ARRETOIR		
BW01-19-5L1	1	T=4.6MM	T=4.6MM		
BW01-19-5L2	1	T=4.8MM	T=4.8MM		

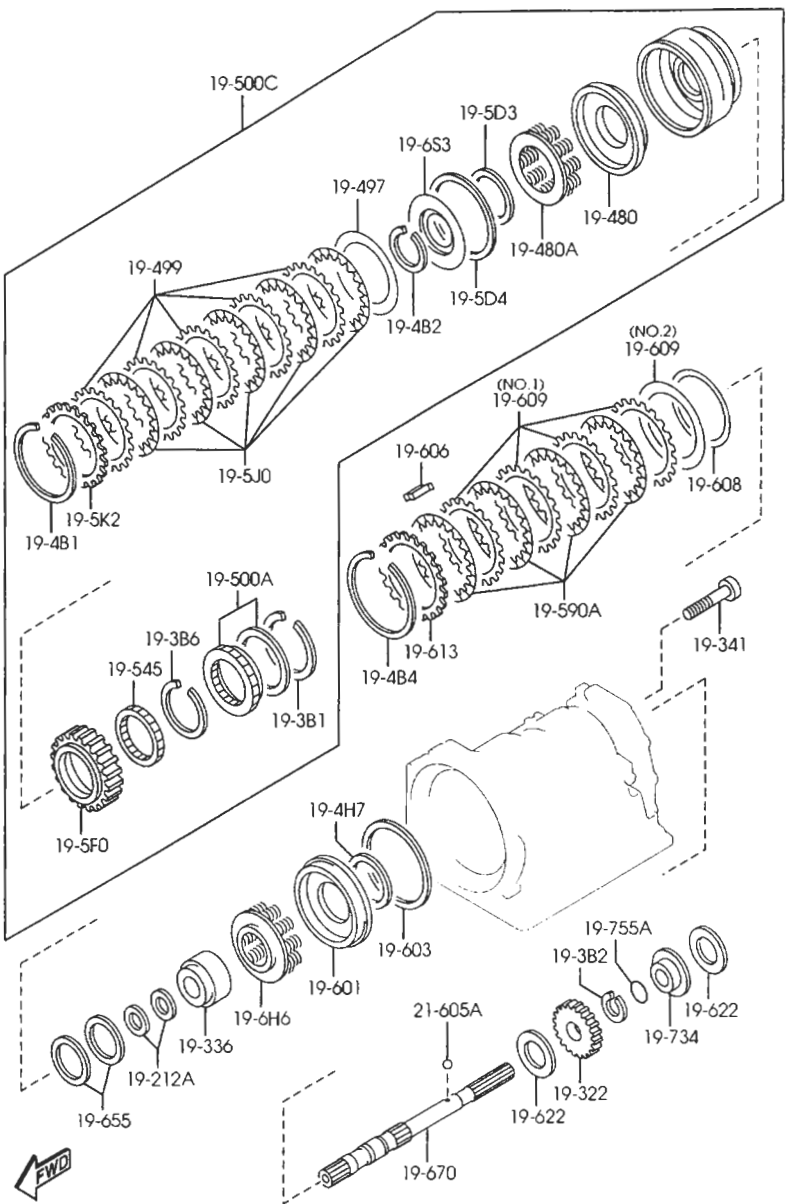


PART NO.	QTY	MODEL/RESTRICTION	MODEL/RESTRICTION	MODEL/RESTRICTION	FROM-TO
CONT'D					
BW01-19-5L3	1	T=5MM	T=5MM		
BW01-19-5L4	1	T=5.2MM	T=5.2MM		
BW01-19-5L5	1	T=5.4MM	T=5.4MM		
19-540		CARRIER,FRONT	SUPPORT AV.		
BW11-19-540	1				
19-551		SPRING,PISTON RETAINER	RESSORT,RETENUE PISTON		
BW01-19-551	1				
19-560		GEAR,SUN	PIGNON		
BW01-19-560A	1				
19-570		CARRIER,REAR	SUPPORT ARR.		
BW60-19-570	1				
19-571		PLATE,DRIVEN-FRONT	PLAQUE,ENTRAINE-AVANT.		
BW01-19-571	2				
19-584		GEAR,INTERNAL	ENGRENAGE,INTERIEUR		
BW01-19-584	1				
19-586A		PLATE,DISHED	TOLE,ONDULEE		
BW01-19-586	1				
19-587		PLATE	PLAQUE		
BW02-19-6S3	1				
19-6C1		RACE, BEARING	GORGE, ROULEMENT		
BW01-19-6C4	1	T=1.8MM	T=1.8MM		
BW01-19-6C5	1	T=2MM	T=2MM		
BW01-19-6C6	1	T=2.2MM	T=2.2MM		
BW01-19-6C7	1	T=2.4MM	T=2.4MM		
19-6G5		BEARING,NEEDLE ROLLER	PALIER,BUTEE AIGUILLE		
BW01-19-6G5	1				

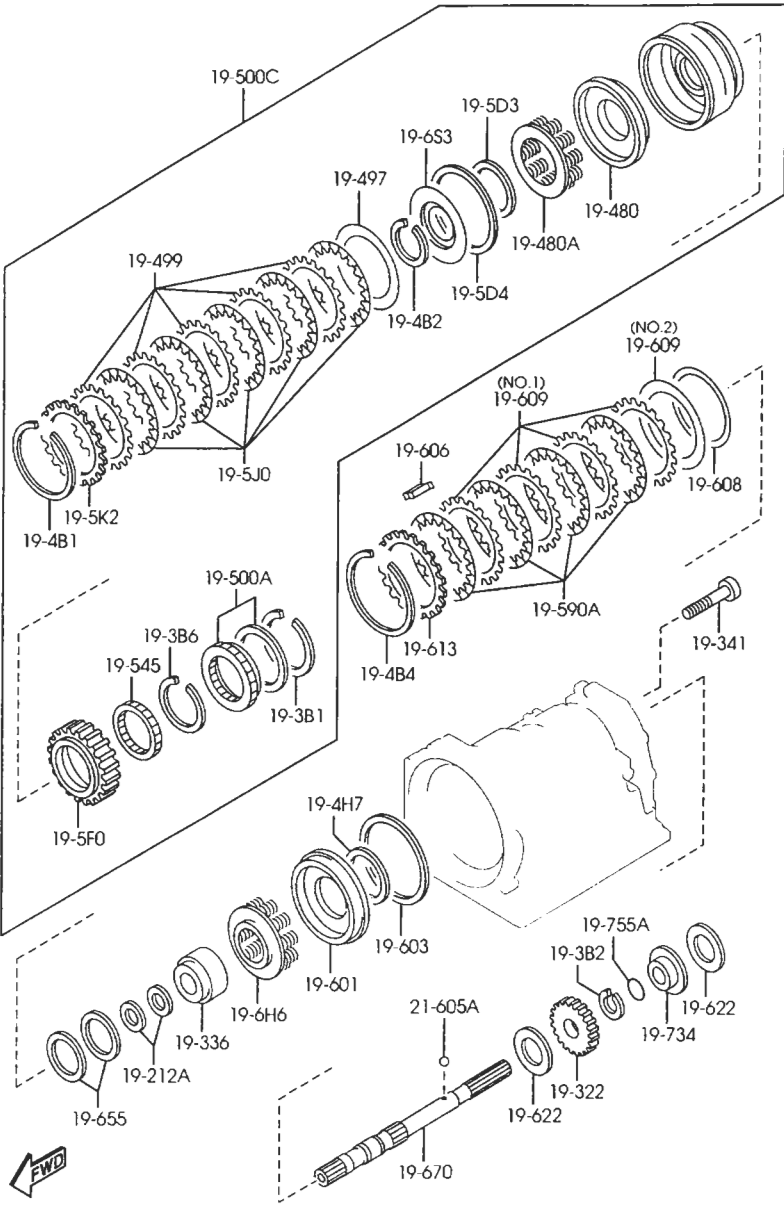


PART NO.	QTY	MODEL/RESTRICTION	MODEL/RESTRICTION	MODEL/RESTRICTION	FROY-TO
19-605B BW01-19-605	1	HUB	MOYEU		
19-609 BW01-19-6E1	4	PLATE,DRIVEN	DISQUE EXT., BTE AUT OM.		
19-610 BW01-19-610	2	PLATE,DRIVE	DISQUE, BOITE AUTOM.		
19-621 BW01-19-621	1	BEARING,NEEDLE	ROULEMENT		
19-622A BV11-19-307	1	BEARING,NEEDLE	ROULEMENT		
19-623 BW01-19-304	1	BEARING,NEEDLE	ROULEMENT		
19-623A BW02-19-304A	1	BEARING,NEEDLE	ROULEMENT		
19-624 BV45-19-304	1	BEARING,NEEDLE	ROULEMENT		
19-640 BV35-19-6F1	1	GEAR,SMALL SUN	ENGRENAGE, PIGNON-SOL EIL P.		

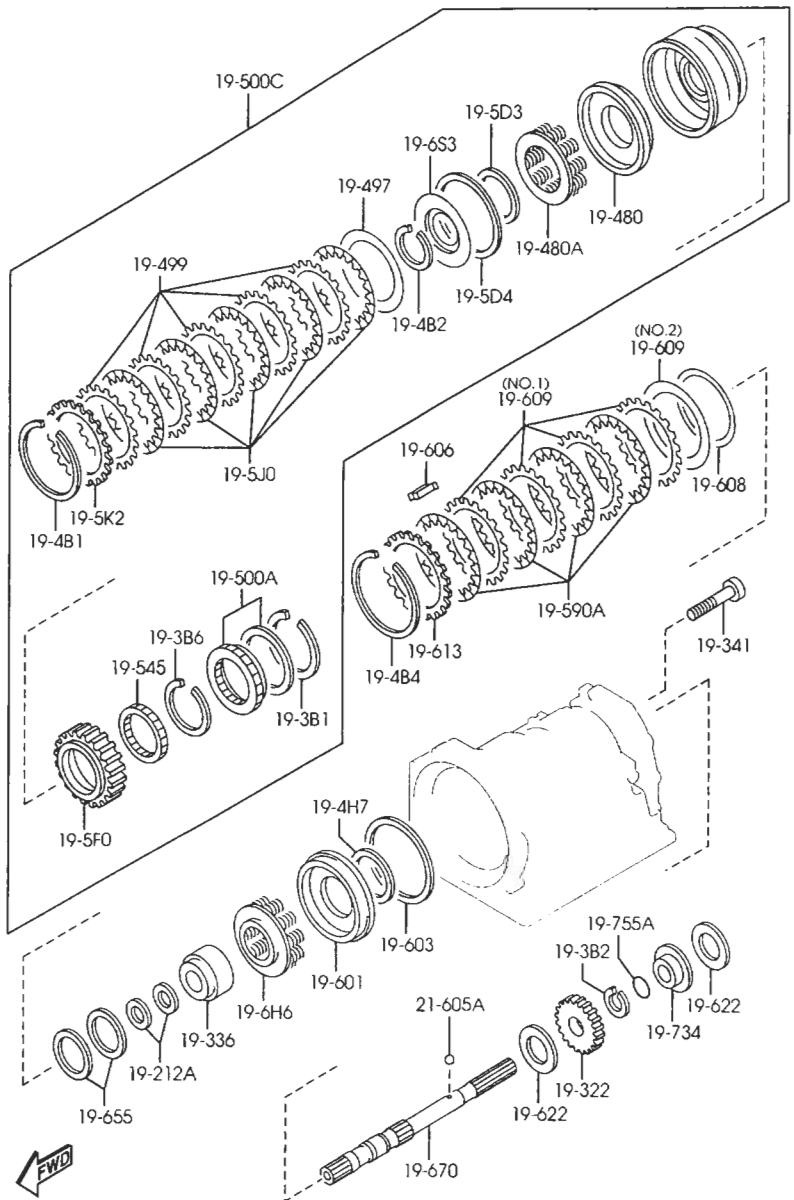
1940A AUTOMATIC TRANSMISSION GOVERNOR, LOW & REVERSE PISTON



PART NO.	QTY	MODEL/RESTRICTION	MODEL/RESTRICTION	MODEL/RESTRICTION	FROM-TO
19-212A	2	RING, SEAL	BAGUE D'ETANCHEITE		
BW01-19-212					
19-3B1	1	RING, SNAP	CALE		
BV71-19-3B1					
19-3B2	1	RING, SNAP	CALE		
BV11-19-3B2					
19-3B6	1	RING, SNAP	CALE		
BV11-19-3B6					
19-322	1	GEAR, PARKING	ENGRENAGE, STATIONNEMENT		
BW01-19-322					
19-336	1	RACE, INNER	BAGUE DE ROULEMENT, INTERIEURE		
BW01-19-336					
19-341	7	BOLT, ANCHOR END	VERROU D'EXCENTRIQUE		
BW01-19-341					
19-4B1	1	RING, SNAP	CALE		
BW01-19-4B1					
19-4B2	1	RING, SNAP	CALE		
BW01-19-4B2					
19-4B4	1	RING, SNAP	CALE		
BV11-19-4B4					
19-4H7	1	SEAL, PISTON	JOINT, PISTON		
BV80-19-4H7					
19-480	1	PISTON, CLUTCH	PISTON, CYLINDRE EMBRAYAGE		
BW60-19-5P0					
19-480A	1	PISTON, CLUTCH	PISTON, CYLINDRE EMBRAYAGE		
BW01-19-520					
19-497	1	PLATE, DISHED	TOLE, ONDULEE		
BW01-19-497					

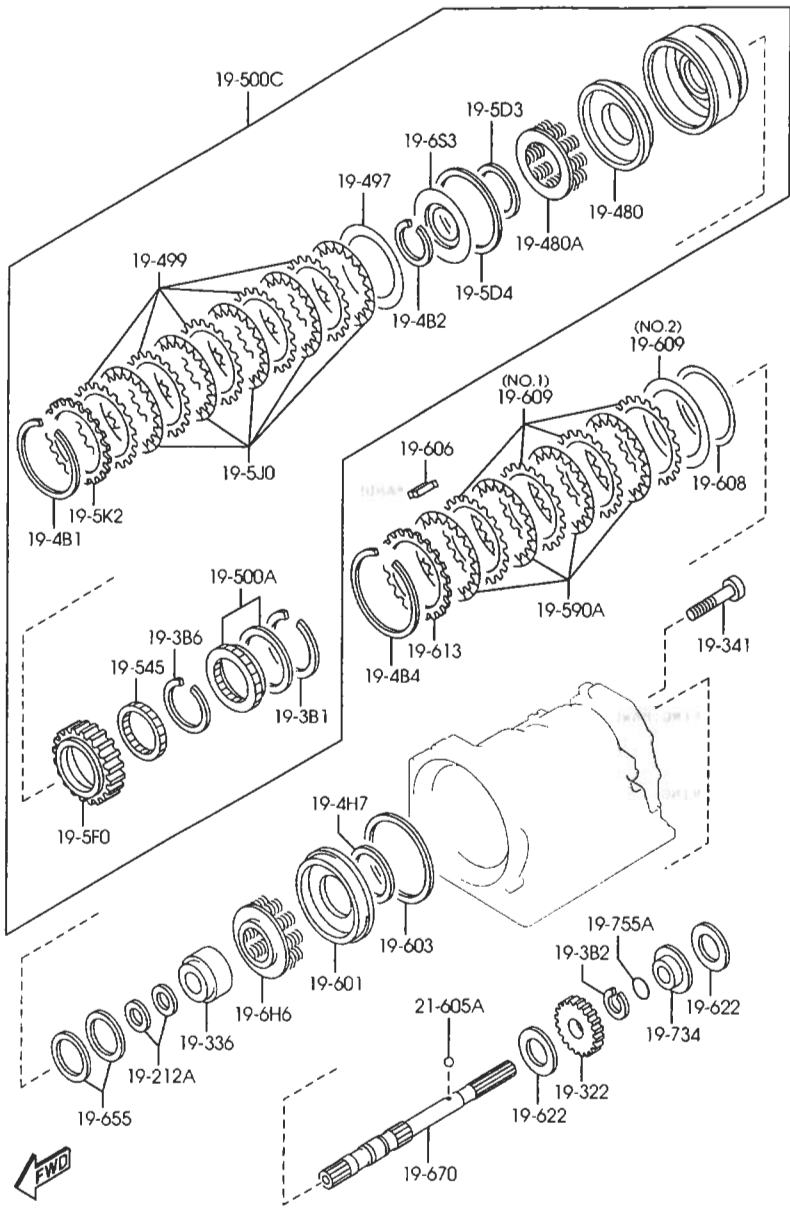


PART NO.	QTY	MODEL/RESTRICTION	MODEL/RESTRICTION	MODEL/RESTRICTION	FROM-TO
19-499	5	PLATE,DRIVEN	DISQUE EXT., BTE AUTOM.		
BW01-19-499					
19-5D3	1	SEAL,LATHE CUT	JOINT ETANCHE,COUPE TOUR		
BW01-19-5D3					
19-5D4	1	SEAL,LATHE CUT	JOINT,COUPE TOUR		
BW01-19-5D4					
19-5F0	1	DRUM,CLUTCH	TAMBOUR D'EMBRAYAGE		
BW04-19-5F0A					
19-5J0	5	PLATE,DRIVE	PLAQUE,ENTRAINEMENT		
BW01-19-5J0A					
19-5K2	1	PLATE,RETAINING	PLAQUE,RETENUE		
BW01-19-5K2		T=3.8MM	T=3.8MM		
BW01-19-5K3	1	T=4MM	T=4MM		
BW01-19-5K4	1	T=4.2MM	T=4.2MM		
BW01-19-5K5	1	T=4.4MM	T=4.4MM		
BW01-19-5K6	1	T=4.6MM	T=4.6MM		
BW01-19-5K7	1	T=4.8MM	T=4.8MM		
19-500A	1	CLUTCH & ONE WAY	EMBRAYAGE ET SEUL VOIE,		
BV71-19-651					
19-500C	1	CLUTCH	ENBRAYGE		
BW60-19-500					
19-545	1	BEARING,NEEDLE	ROULEMENT AIGUILLES		
BW01-19-545					
19-590A	4	PLATE,DRIVE-CENTER	PLAQUE,ENTRAINEM. CENTRE		
BW01-19-590					
19-6H6		RETAINER,SPRING	RETENUE,RESSORT		

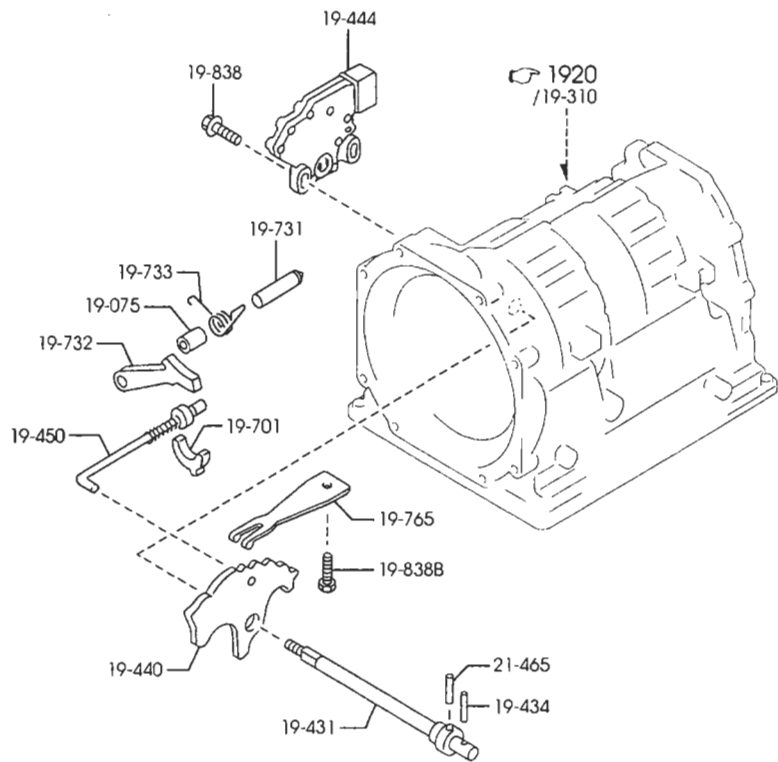


PART NO.	QTY	MODEL/RESTRICTION	MODEL/RESTRICTION	MODEL/RESTRICTION	FROM-TO
CONT'D BV66-19-6H6	1				
19-653		PLATE	PLAQUE		
BW01-19-653	1				
19-601		PISTON, LOW & REVERSE	PISTON IERE & MARCHÉ ARR		
BV91-19-601	1				
19-603		SEAL, PISTON	JOINT, PISTON		
BV11-19-603	1				
19-606		SPRING, PISTON	RESSORT DE PISTON		
BW01-19-606	1				
19-608		PLATE, DISHED	RONDELLE BOMBÉE		
BV11-19-608	1				
19-609		PLATE, DRIVEN	DISQUE EXT., BTE AUT OM.		
BW01-19-609	4 (ILLUST. NO. 1)				
BW02-19-609	1 (ILLUST. NO. 2)				
19-613		PLATE, RETAINING	ARRETOIR		
BW01-19-613	1	T=5.2MM	T=5.2MM		
BW01-19-617	1	T=5.4MM	T=5.4MM		
BW01-19-618	1	T=5.6MM	T=5.6MM		
BW01-19-623	1	T=5.8MM	T=5.8MM		
BW01-19-626	1	T=6MM	T=6MM		
19-622		BEARING, NEEDLE	ROULEMENT		
BV11-19-622	2				
19-655		RING, SEAL	CERCLE ETANCHE		
BW01-19-655	2				
19-670		SHAFT	ARBRE		
BW60-19-670	1				





PART NO.	QTY	MODEL/RESTRICTION	MODEL/RESTRICTION	MODEL/RESTRICTION	FROM-TO
19-734		SPACER, DOWEL	RONDELLE		
BW01-19-734A	1				
19-755A		RING, SNAP	BAGUE, RESSORT		
BW01-19-755	1				
21-605A		BALL, STEEL	BILLE, ACIER		
BW01-21-605	1				

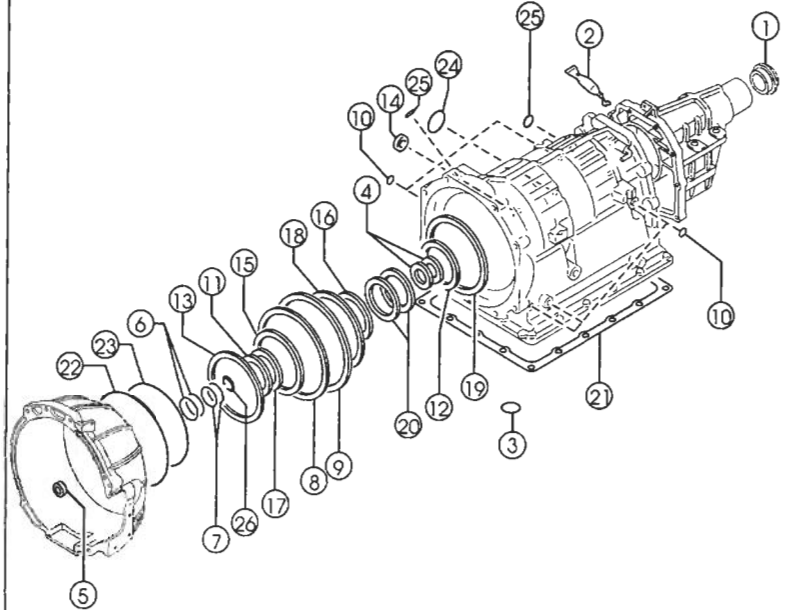


PART NO.	QTY	MODEL/RESTRICTION	MODEL/RESTRICTION	MODEL/RESTRICTION	FROM-TO
19-075	1	SPACER	RONDILLE		
BW01-19-075					
19-431	1	SHAFT, MANUAL	ARBRE MANUEL		
BW01-19-431					
19-434	1	PIN	CLAVETTE		
BW01-19-434					
19-440	1	PLATE, MANUAL	PLAQUE DE COMMANDE T /MISSION		
BW60-19-440					
19-444	1	SWITCH, INHIBITOR	RELAIS		
BW01-19-444					
19-450	1	ROD, PARKING	TIGE, FREIN AMAIN		
BW60-19-450					
19-701	1	SUPPORTER, ACTUATOR	SUPPORT, COMMANDE		
BW01-21-471					
19-731	1	SHAFT, PARKING PAWL	CALE, LINGUET PARKIN G		
BW01-21-472					
19-732	1	PAWL, PARKING	CLIQUET, PARKING		
BW01-19-732					
19-733	1	SPRING, PAWL RETURN	RESSORT, LINGUET RAP PEL		
BW01-19-733					
19-765	1	SPRING	RESSORT		
BW60-19-765					
19-838	2	BOLT-HEX, HD WASHER	BOULON		
BW01-19-429					
19-838B	1	BOLT	BOULON		
BW01-21-475					
21-465	1	PIN, SPRING-PARKING R OD	AXE DE RESSORT		
BW01-21-465					

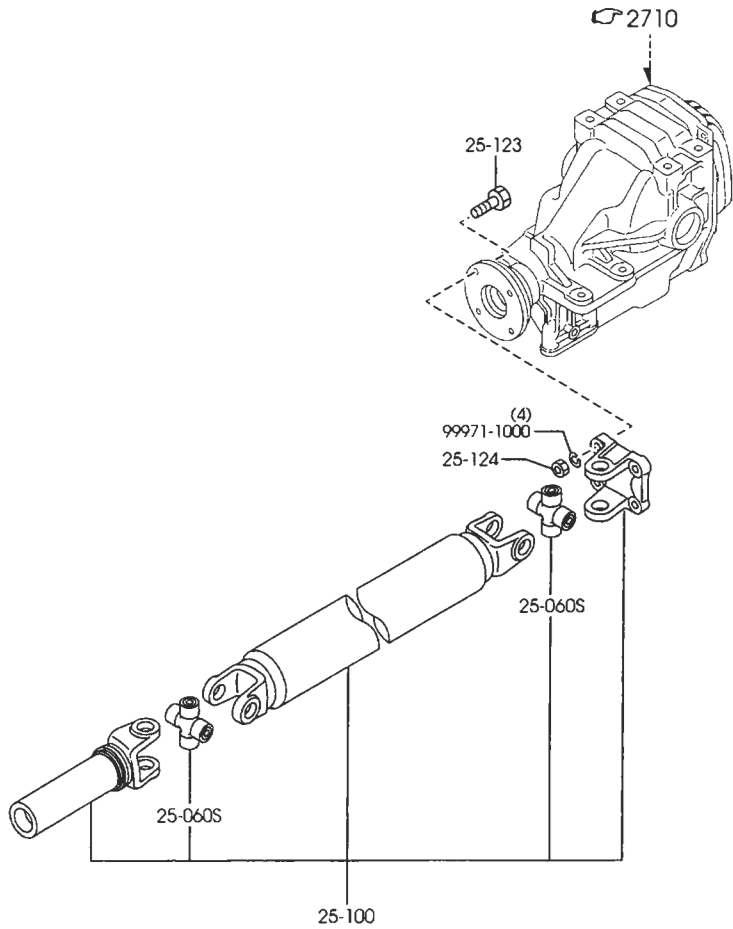


22-900

- 1-SEAL OIL ..... (1)
- 2-SEALANT, FLUID ..... (1)
- 3-WASHER, THRUST ..... (1)
- 4-RING, SEAL ..... (2)
- 5-SEAL OIL ..... (1)
- 6-RING, SEAL ..... (2)
- 7-RING, SEAL ..... (2)
- 8-SEAL, PISTON ..... (1)
- 9-SEAL, PISTON ..... (1)
- 10-RING, 'O' ..... (5)
- 11-SEAL, LATHE CUT ..... (1)
- 12-SEAL, PISTON ..... (1)
- 13-SEAL, PISTON ..... (1)
- 14-SEAL, MANUAL SHAFT LEVER ..... (1)
- 15-SEAL, LATHE CUT ..... (1)
- 16-SEAL, LATHE CUT ..... (1)
- 17-SEAL, LATHE CUT ..... (1)
- 18-SEAL, LATHE CUT ..... (1)
- 19-SEAL, PISTON ..... (1)
- 20-RING, SEAL ..... (2)
- 21-GASKET, OIL PAN ..... (1)
- 22-RING, 'O' ..... (1)
- 23-RING, 'O' ..... (1)
- 24-RING, 'O' -ACCUM. .... (1)
- 25-RING, 'O' -ACCUM. .... (2)
- 26-RING, 'O' ..... (1)

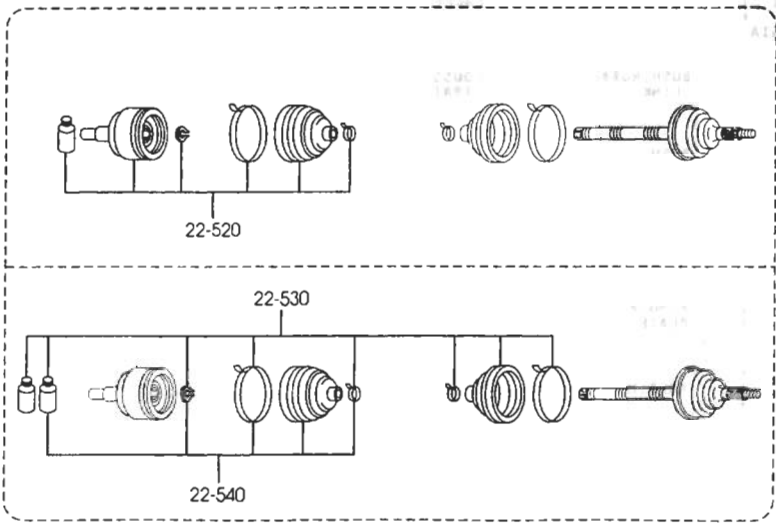
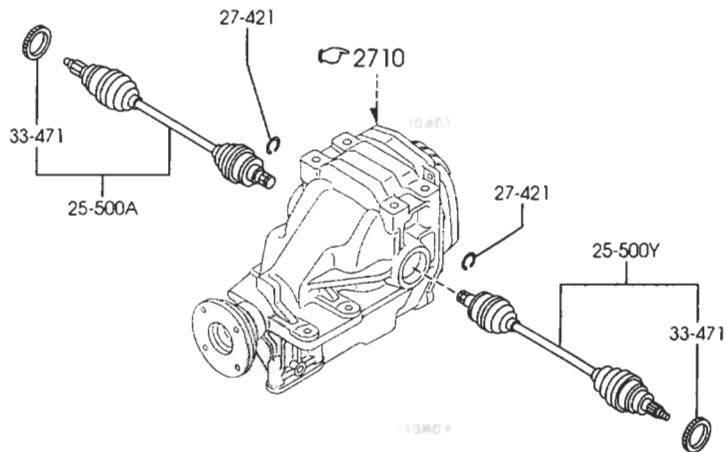


PART NO.	QTY	MODEL/RESTRICTION	MODEL/RESTRICTION	MODEL/RESTRICTION	FROM-TO
+-----+   22-900   +-----+		GASKET & SEAL KIT	POCHETTE, JOINTS		
BW60-22-900	1				

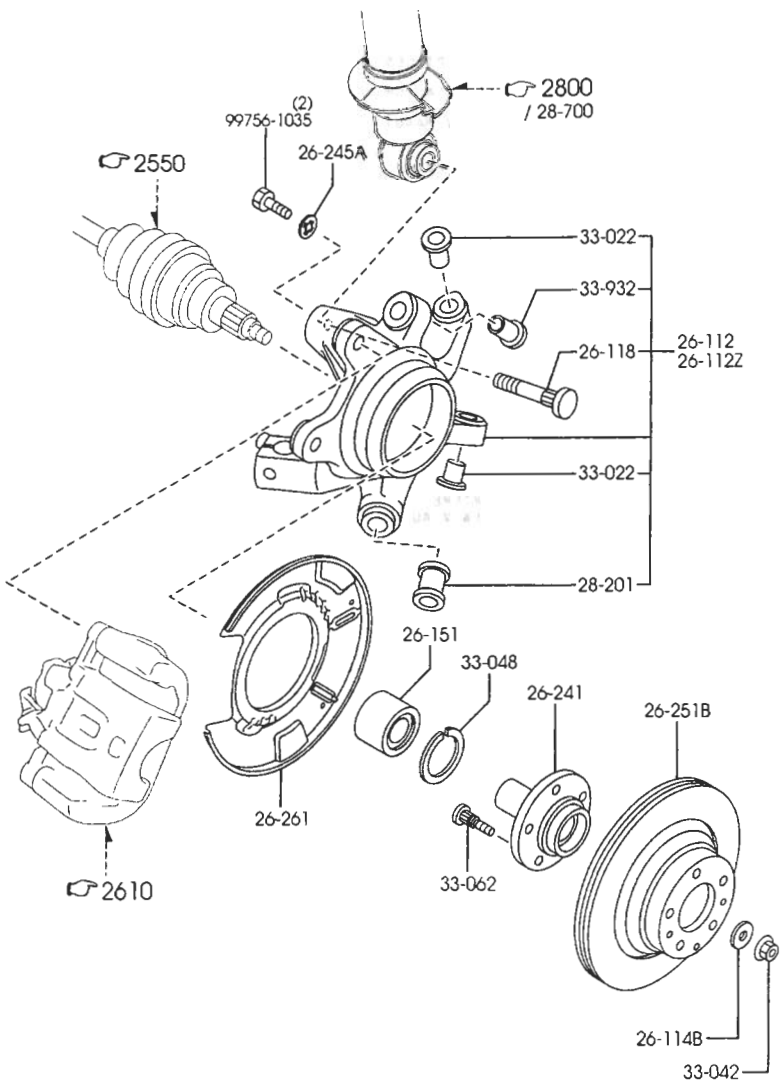


PART NO.	QTY	MODEL/RESTRICTION	MODEL/RESTRICTION	MODEL/RESTRICTION	FROM-TO
25-060S P003-25-060A	2	JOINT SET, UNIVERSAL	JEU CARDAN		
25-100 PA21-25-100B	1 (AT)	SHAFT, PROPELLER-FRT	ARBRE DE TRANSMISSIO N AV (B.V. AUTOM)		
PC01-25-100B	1 (MT)		(B.V. MANU)		
25-123 P011-25-123	4	BOLT	BOULON		
25-124 1368-25-124	4	NUT	ECROU		



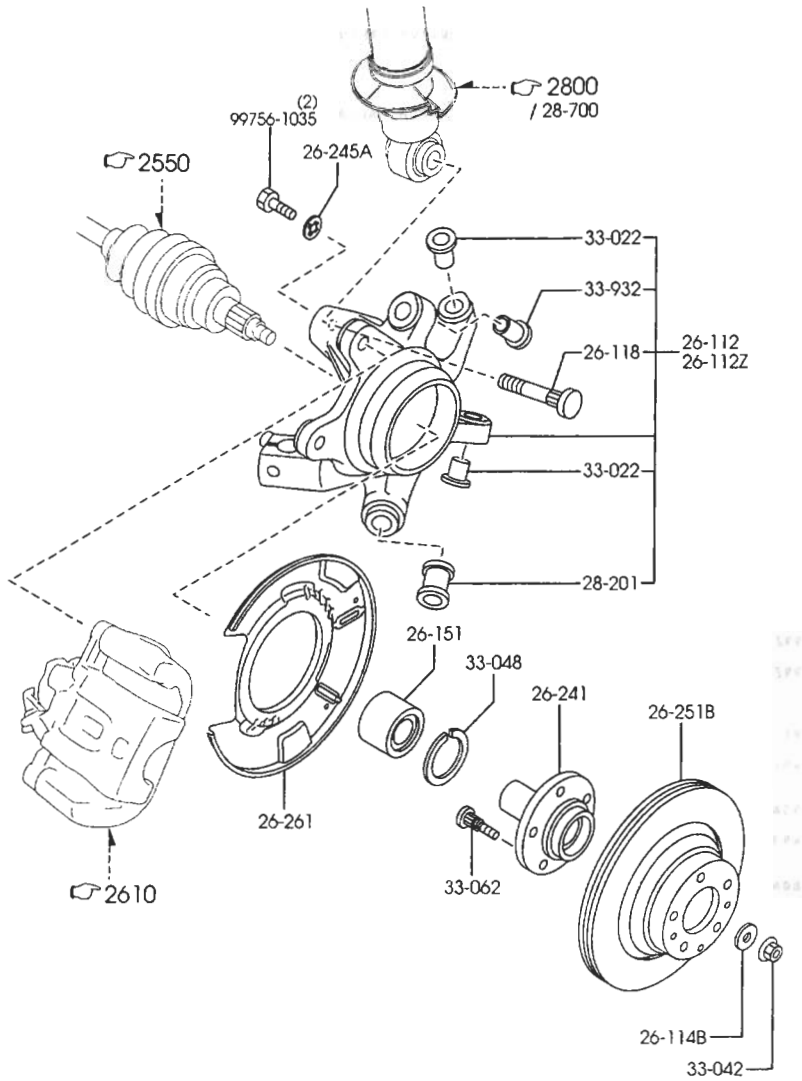


PART NO.	QTY	MODEL/RESTRICTION	MODEL/RESTRICTION	MODEL/RESTRICTION	FROM-TO
22-520		JOINT SET, INNER	JEU, PIECES INT.		
MA01-22-520	2	(AT)	(B.V. AUTOM)		
MA02-22-520	2	(MT)	(B.V. MANU)		
22-530		BOOT SET, OUTER JOINT	JEU CACHES		
MA01-22-530	2	(AT)	(B.V. AUTOM)		
MA02-22-530	2	(MT)	(B.V. MANU)		
22-540		BOOT SET, INNER JOINT	JEU CACHES		
MA01-22-540	2	(AT)	(B.V. AUTOM)		
MA02-22-540	2	(MT)	(B.V. MANU)		
25-500A		SHAFT(R), DRIVE-RR	ARBRE(D), COMMANDE-ARRIERE		
MA01-25-50X	1	(AT)	(B.V. AUTOM)		
MA02-25-50XA	1	(MT)	(B.V. MANU)		
25-500Y		SHAFT(L), DRIVE-RR	ARBRE(G), COMMANDE-ARRIERE		
MA01-25-60X	1	(AT)	(B.V. AUTOM)		
MA02-25-60XA	1	(MT)	(B.V. MANU)		
27-421		CLIP	ATTACHE		
P017-27-421A	2				
33-471		ROTOR, SENSOR-FRT A.B.S.	ROTOR, SENSOR-AVANT .S.		
GAZG-33-471A	2				

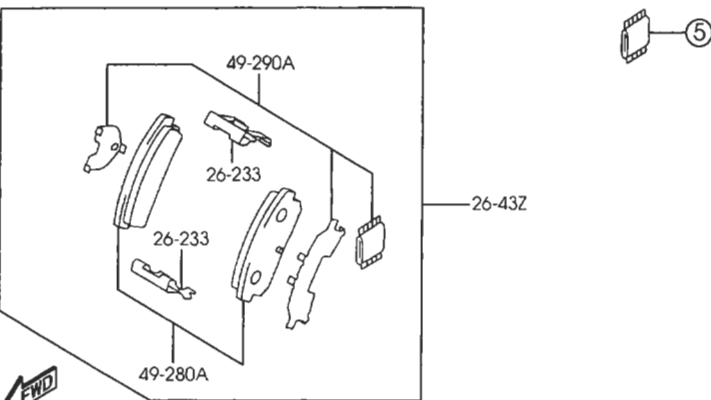
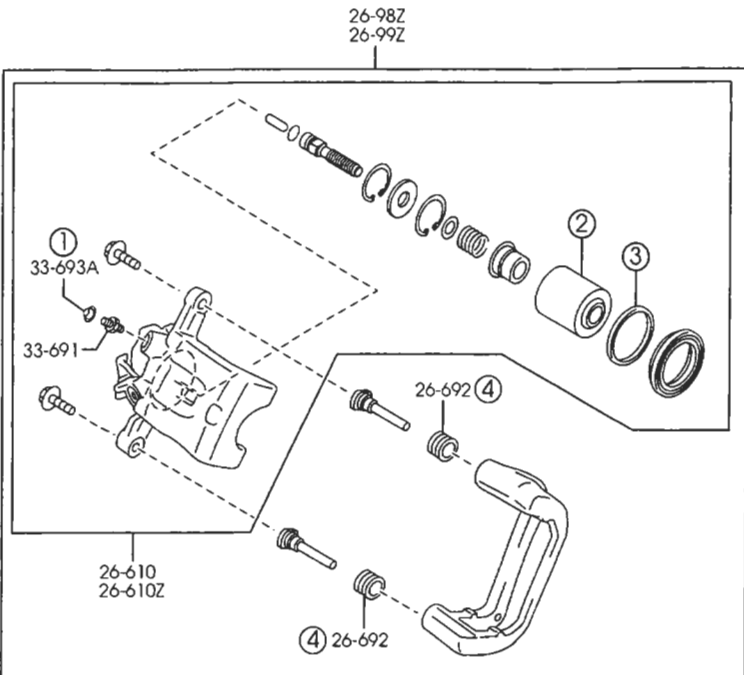


PART NO.	QTY	MODEL/RESTRICTION	MODEL/RESTRICTION	MODEL/RESTRICTION	FROM-TO
↑ 26-112 ↓ F151-26-11X	1	SUPPORT(R), HUB	MOYEU(D), SUPPORT		
↑ 26-1122 ↓ F151-26-12X	1	SUPPORT(L), HUB	MOYEU(G), SUPPORT		
↑ 26-114B ↓ J001-26-114	2	WASHER, PLAIN	RONDELLE		
↑ 26-118 ↓ F151-26-118	2	CONE, SPLIT	CONE		
↑ 26-151 ↓ F151-26-151	2	BEARING, WHEEL	ROULEMENT		
↑ 26-241 ↓ F151-26-241A	2	FLANGE, REAR AXLE	BRIDE, PONT AR		
↑ 26-245A ↓ F151-26-245	4	WASHER	RONDELLE		
↑ 26-251B ↓ F151-26-251	2	PLATE, DISC	PLAQUE, DISQUE		
↑ 26-261 ↓ F151-26-261A	2	COVER, DUST	CACHE, POUSSIERE		
↑ 28-201 ↓ F151-28-430	2	BUSH, RUBBER-TRAILING LINK	COUSSINET, CAOUT.-LIA TRAI		
↑ 33-022 ↓ F151-33-024	4	BUSH	BUSELURE		
↑ 33-042 ↓ LA01-33-042B	2	NUT	ECROU		
↑ 33-048 ↓ GE4T-33-048	2	RING, RETAINING-DISC PLATE	BAGUE, RETENUE-PLAQUE DISQ		
↑ 33-062 ↓ B455-33-062	10	BOLT, HUB	BOULON, JEU		





PART NO.	QTY	MODEL/RESTRICTION	MODEL/RESTRICTION	MODEL/RESTRICTION	FROM-TO
33-932		BUSH	BUSELURE		
F152-33-024	2				



NOTE  
 ① ... ⑤ ⇒ 26-46Z  
 THE D-CODE OF 26-46Z CONSISTS OF  
 FIGURE NUMBERS ① THROUGH ⑤.

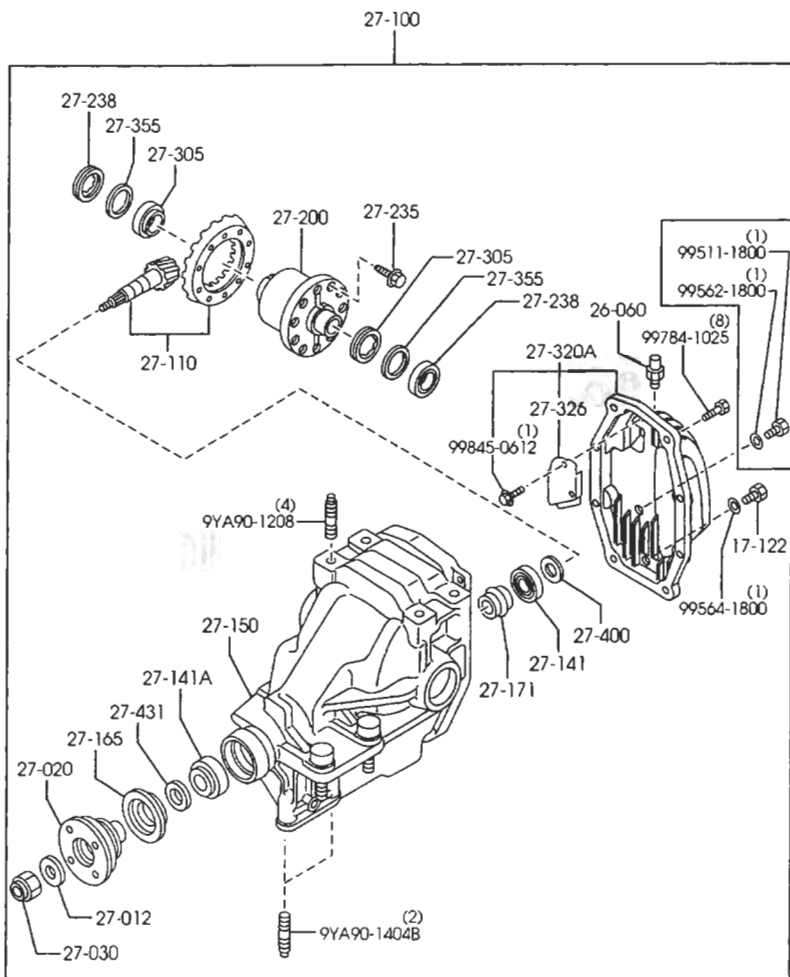
PART NO.	QTY	MODEL/RESTRICTION	MODEL/RESTRICTION	MODEL/RESTRICTION	FROM-TO
26-233		SPRING'V',REAR BRAKE	RESSORT'V',FREIN ARR IERE		
F151-26-233	4				
26-43Z		PAD SET,RR CALIPER	JEU TAMPON,CALIBRE A R		
F1Y1-26-43Z	1				
26-46Z		SEAL & BOOT SET,CAL. -RR	JEU JOINT & COFFRE,C AL-AR		
F1Y1-26-46Z	1				
26-610		BODY & PISTON(R),CAL IPER	COMPAS(D)		
F151-26-61X	1				
26-610Z		BODY & PISTON(L),CAL IPER	COMPAS(G)		
F151-26-71X	1				
26-692		BOOT,GUIDE PIN	SOUFFLET,BROCHE-GUID		
F151-26-692	4				
26-98Z		CALIPER(R),PADLESS-R R	CALIBRE SANS CALE,AR -D		
F1Y1-26-98Z	1				
F1Z1-26-98Z	1	REBUILT PARTS	REBUILT PARTS		
26-99Z		CALIPER(L),PADLESS-R R	CALIBRE SANS CALE,AR -D		
F1Y1-26-99Z	1				
F1Z1-26-99Z	1	REBUILT PARTS	REBUILT PARTS		
33-691		SCREW,BLEEDER	VIS DE PURGE		
F151-33-691	2				
33-693A		CAP,BLEEDER SCREW	BOUCHON PURGEUR		
F151-33-693	2				
49-280A		PAD SUB SET,RR CALIP ER	SOUS-JEU,PLAQUETTE A R		
F1Y1-26-48Z	1				
49-290A		ATTACHMENT,PAD-REAR	ATTACHES PLAQUETTES		
F1Y1-26-49Z	1				

THOUGH ILLUSTRATIONS OF D-CODE 26-43Z, 26-46Z, 49-280A AND 49-290A ARE FOR LEFT SIDE ONLY, QUANTITIES OF THESE D-CODES IN THE TEXT ARE FOR ONE VEHICLE.





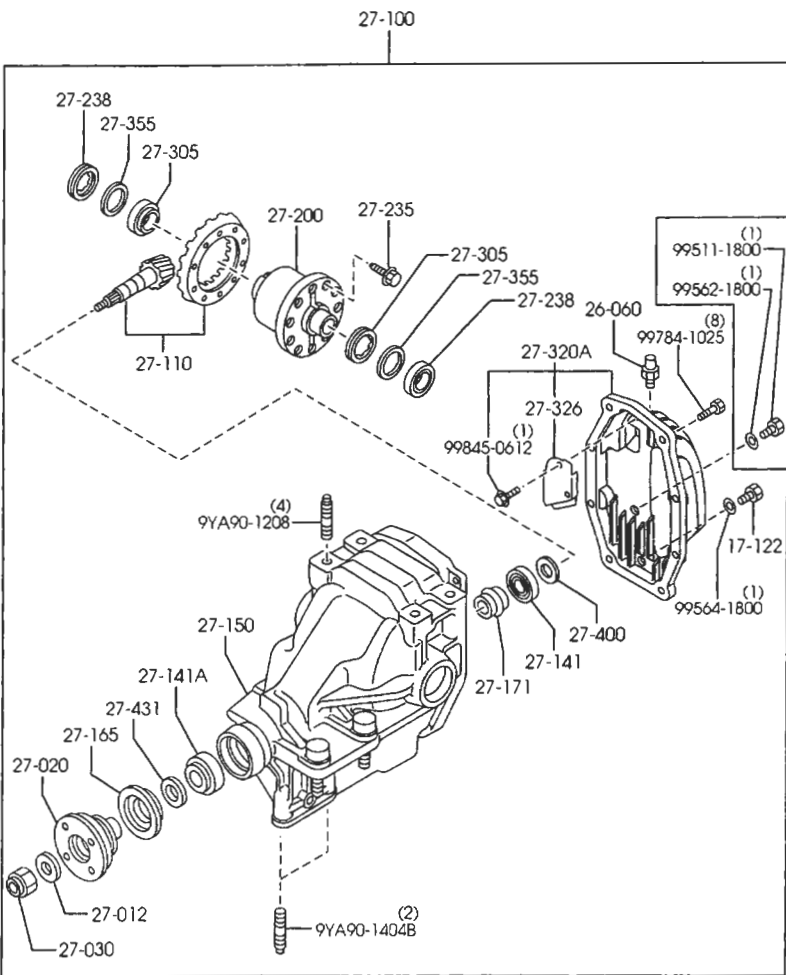
(MT)  
 ((AT) > (L. S. DIFF))



PART NO.	QTY	MODEL/RESTRICTION	MODEL/RESTRICTION	MODEL/RESTRICTION	FROM-TO
17-122		PLUG, MAGNET	BOUCHON, AIMANT		
0810-17-121	1				
26-060		BREATHER	BOUCHON		
0730-26-060	1				
27-012		WASHER	RONDELLE		
0223-27-012	1				
27-020		FLANGE, COMPANION	BRIDE		
P045-27-120B	1	(MT)	(B. V. MANU)		
RA13-27-120	1	(AT)	(B. V. AUTOM)		
27-030		NUT, LOCK	ECROU DE SERRAGE		
0223-27-030	1				
27-100		DRIVING & DIFF.	CARTER PONT AV. ASSE		
RA14-27-100D	1	((AT)>(NOR. DIFF))	MBLE ((B. V. AUTOM)>(DIF NR ML))		
RS03-27-100F	1	(MT)	(B. V. MANU)		
RS04-27-100E	1	((AT)>(L. S. DIFF))	((B. V. AUTOM)>(DIF AU T-BLQ))		
27-110		GEAR SET, FINAL	COUPLE CONIQUE		
PA28-27-110	1				
27-141		BEARING, PINION	ROULEMENT (AV.), PIGNON		
R001-27-210	1				
27-141A		BEARING, PINION	ROULEMENT (ARR.), PIGNON		
0604-27-220	1				
27-150		CARRIER, DIFFERENTIAL	DIFFERENTIEL, SUPPORT		
RA12-27-150B	1				
27-165		SEAL, OIL	ARRET D'HUILE		
RA02-27-165	1	(AT)	(B. V. AUTOM)		
RA03-27-165A	1	(MT)	(B. V. MANU)		
27-171		PIECE, DISTANCE	BUSELURE DE SEPARATION		
R004-27-171A	1				



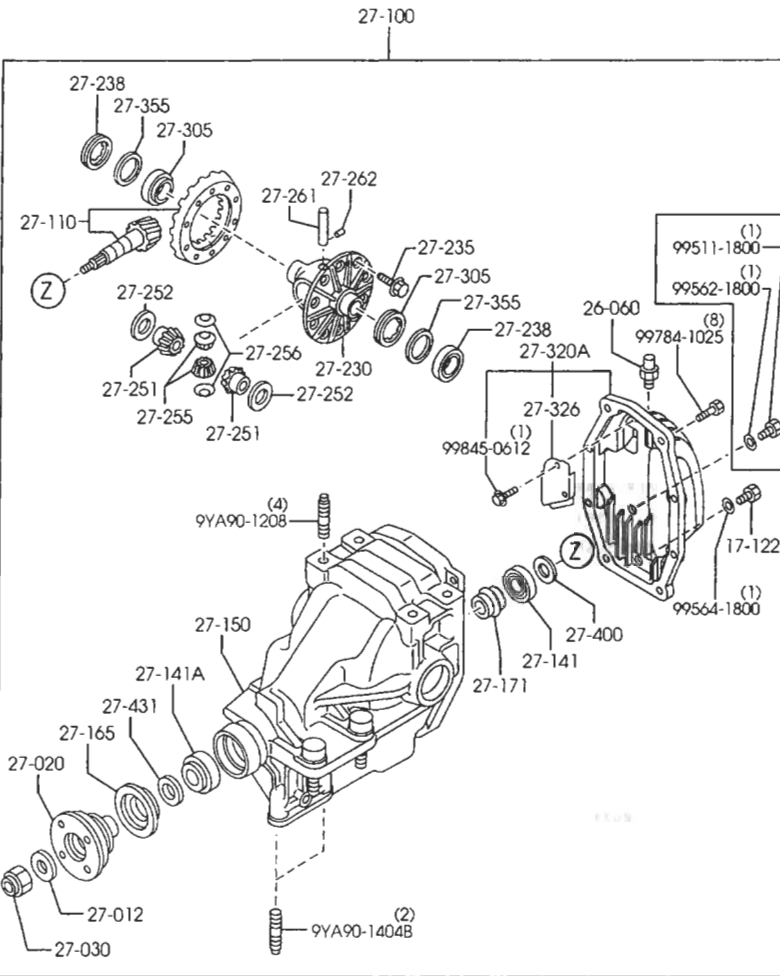
(MT)  
 ((AT) > (L. S. DIFF))



PART NO.	QTY	MODEL/RESTRICTION	MODEL/RESTRICTION	MODEL/RESTRICTION	FROM-TO
27-261					
P005-27-261A	1	((AT))>(NOR. DIFF)	((B.V.AUTOM))>(DIF NR ML)		
27-262					
0114-27-262	1	((AT))>(NOR. DIFF)	((B.V.AUTOM))>(DIF NR ML)		
27-305					
0118-27-350A	2				
27-320A					
RA12-27-320A	1				
27-326					
M005-27-326A	1				
27-355					
R001-27-355	2	T=5.5MM	T=5.5MM		
R001-27-356	2	T=5.6MM	T=5.6MM		
R001-27-357	2	T=5.65MM	T=5.65MM		
R001-27-358	2	T=5.7MM	T=5.7MM		
R001-27-359	2	T=5.75MM	T=5.75MM		
R001-27-361	2	T=5.8MM	T=5.8MM		
R001-27-362	2	T=5.85MM	T=5.85MM		
R001-27-363	2	T=5.9MM	T=5.9MM		
R001-27-364	2	T=5.95MM	T=5.95MM		
R001-27-365	2	T=6MM	T=6MM		
R001-27-366	2	T=6.05MM	T=6.05MM		
R001-27-367	2	T=6.1MM	T=6.1MM		
R001-27-368	2	T=6.15MM	T=6.15MM		

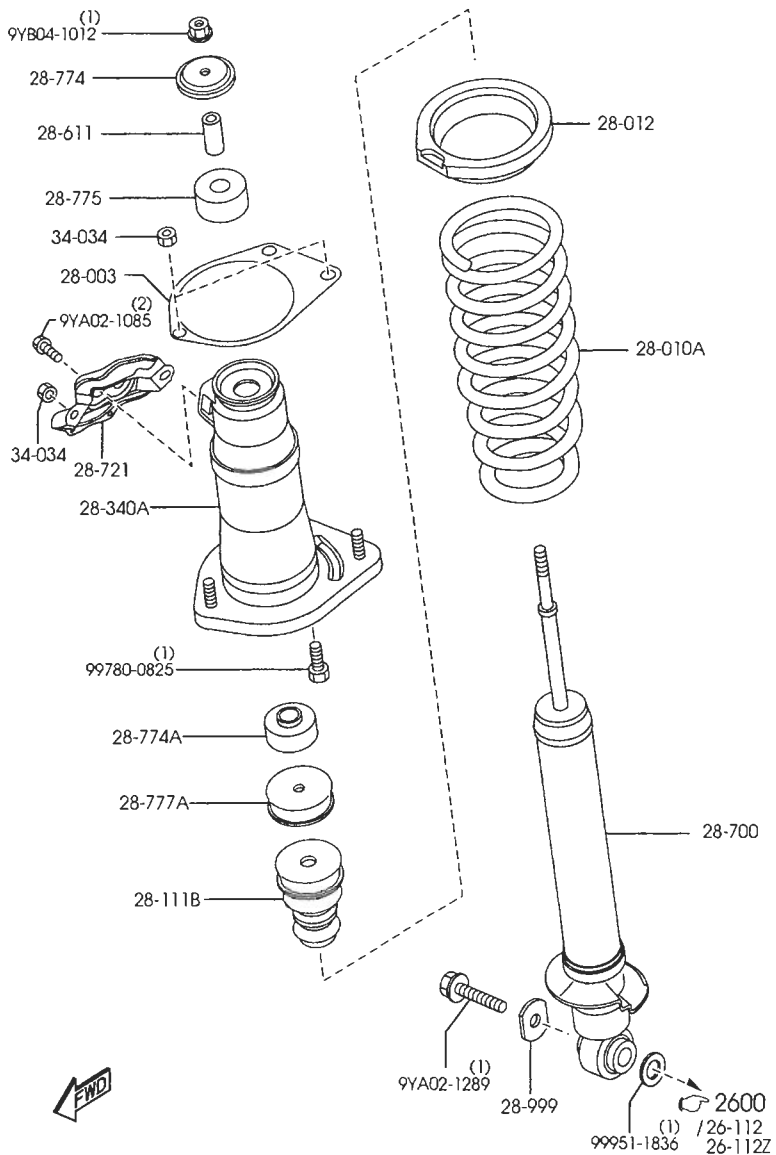


( (AT) > (NOR. DIFF) )

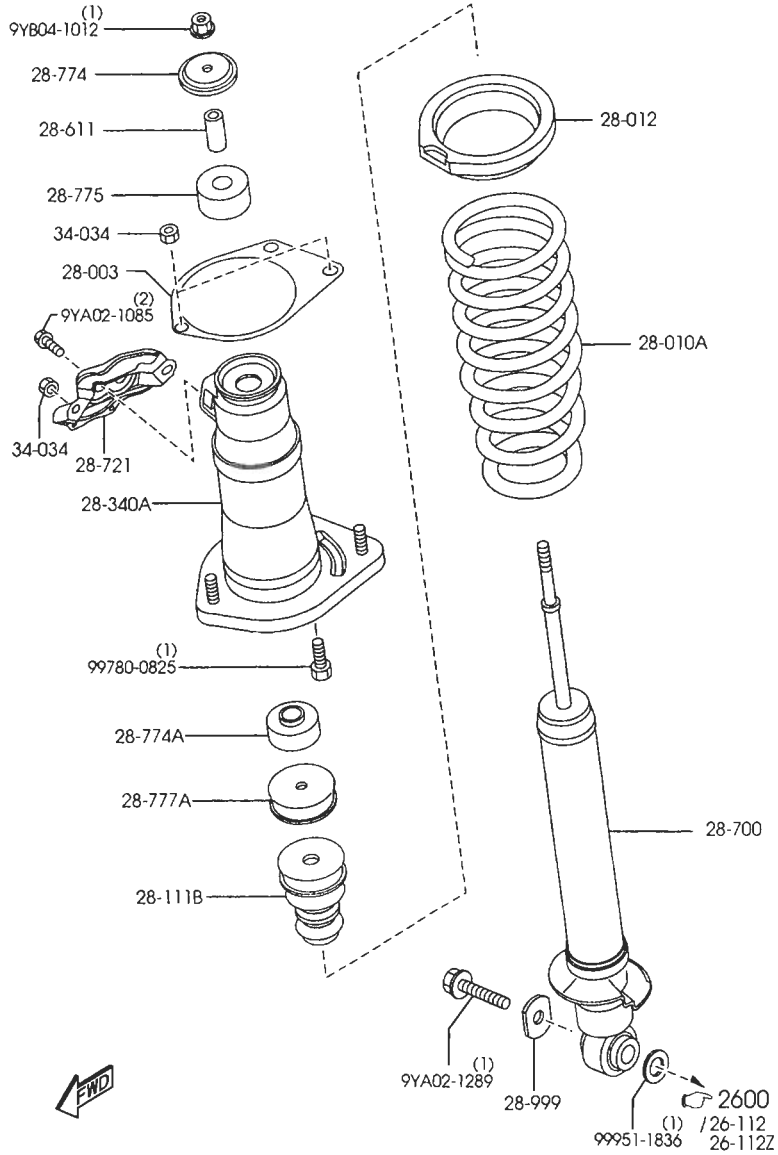


PART NO.	QTY	MODEL/RESTRICTION	MODEL/RESTRICTION	MODEL/RESTRICTION	FROM-TO
CONT'D					
R001-27-369	2	T=6.2MM	T=6.2MM		
R001-27-371	2	T=6.25MM	T=6.25MM		
R001-27-372	2	T=6.3MM	T=6.3MM		
R001-27-373	2	T=6.35MM	T=6.35MM		
R001-27-374	2	T=6.4MM	T=6.4MM		
R001-27-375	2	T=6.5MM	T=6.5MM		
RA12-27-400	1	SPACER SET	JEU RONDELLE ECARTMENT		
PA01-27-431	1	SPACER	RONDELLE		

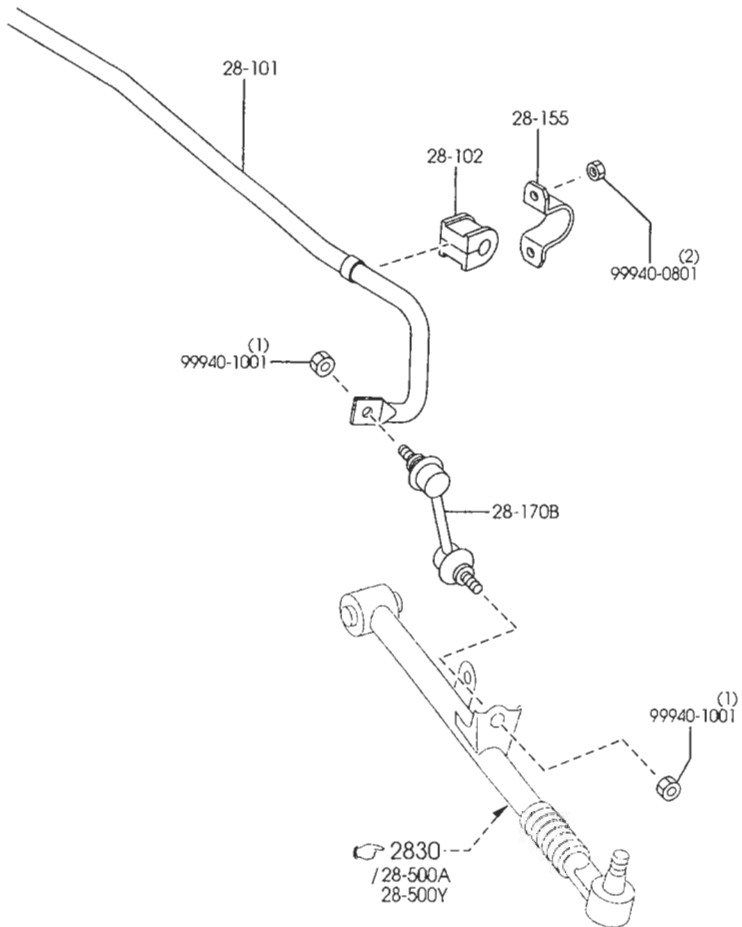




PART NO.	QTY	MODEL/RESTRICTION	MODEL/RESTRICTION	MODEL/RESTRICTION	FROM-TO
28-003 F151-28-003	2	SHEET,RR DAMPER	TOLE,PARE-CHOC'S ARRIERE		
28-010A F151-28-011 F157-28-011	2	SPRING,COIL-REAR (NOR. SUSP) (SPORT SUSP)	RESSORT, HELICOIDAL (SUSP.NRML) (SUSP. SPORTIVE)		
28-012 F151-28-012	2	SPRING NO.2,LEAF	RESSORT A LAME NO 2		
28-111B F152-28-1A1	2	STOPPER,BUMP	BUTEE DE TALONNAGE		
28-340A F151-28-34XA F151-28-340A	1	SHEET,SPRING-UPPER (FOR LEFT SIDE)	FEUILLE SUP.,RESSORT (POUR COTE DROIT)		
28-611 F151-28-773	2	SPACER	EPAISSEUR		
28-700 F151-28-700A F157-28-700A	2	DAMPER,REAR (NOR. SUSP) (SPORT SUSP)	AMOTISSEUR AR (SUSP.NRML) (SUSP. SPORTIVE)		
28-721 F151-28-721	2	BRACKET,DAMPER			
28-774 F151-28-774	2	RETAINER,REAR DAMPER	ARRET,AMORTISSEUR ARRIERE		
28-774A F151-28-776	2	BUSH,RUBBER	BUSELURE CTC		
28-775 F151-28-775A	2	BUSH,RUBBER	BUSELURE CTC		
28-777A F151-28-777	2	CASING,STOPPER-RR DAMPER	TUBAGE,OBTURAT.-AMORT AR.		
28-999		WASHER	RONDELLE		

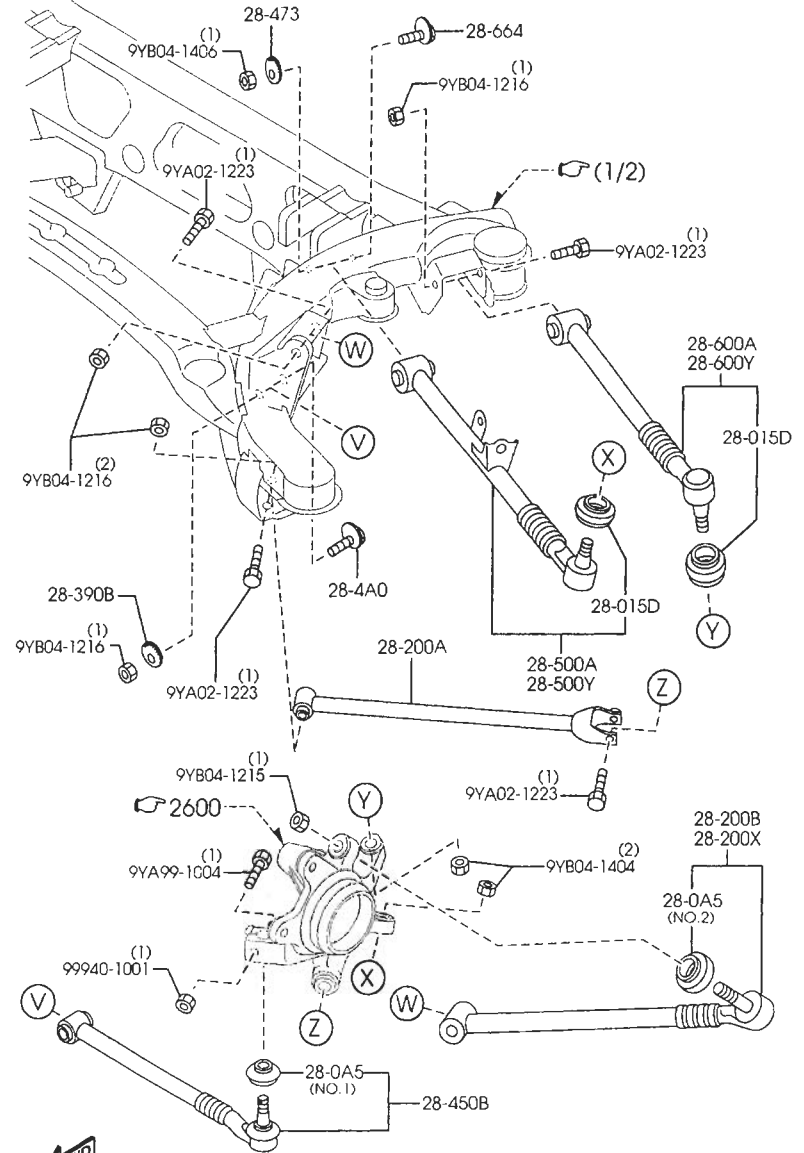
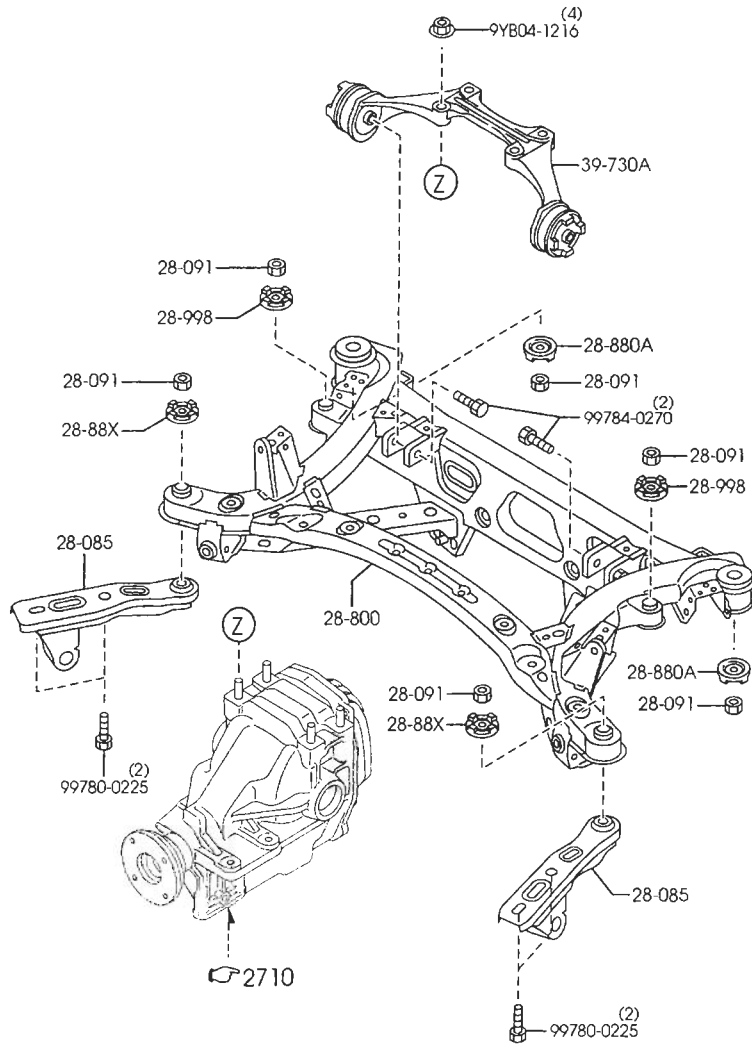


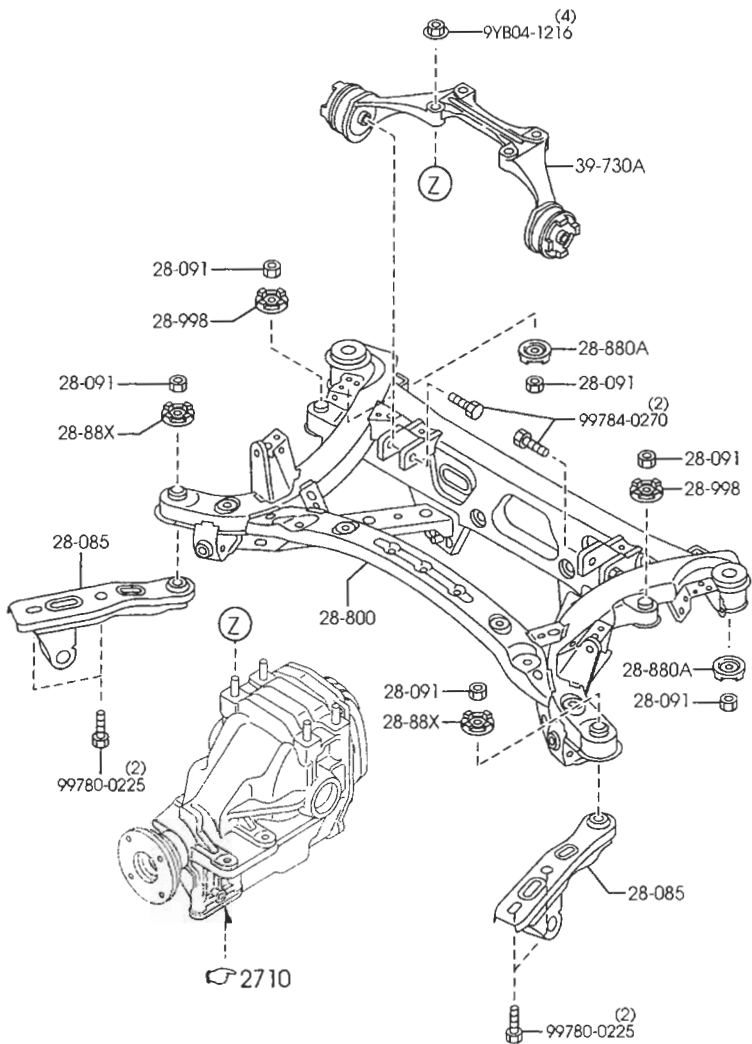
PART NO.	QTY	MODEL/RESTRICTION	MODEL/RESTRICTION	MODEL/RESTRICTION	FROM-TO
CONT'D F151-28-999	2				
34-034		NUT, FLANGE	ECROU		
H380-34-034A	8				



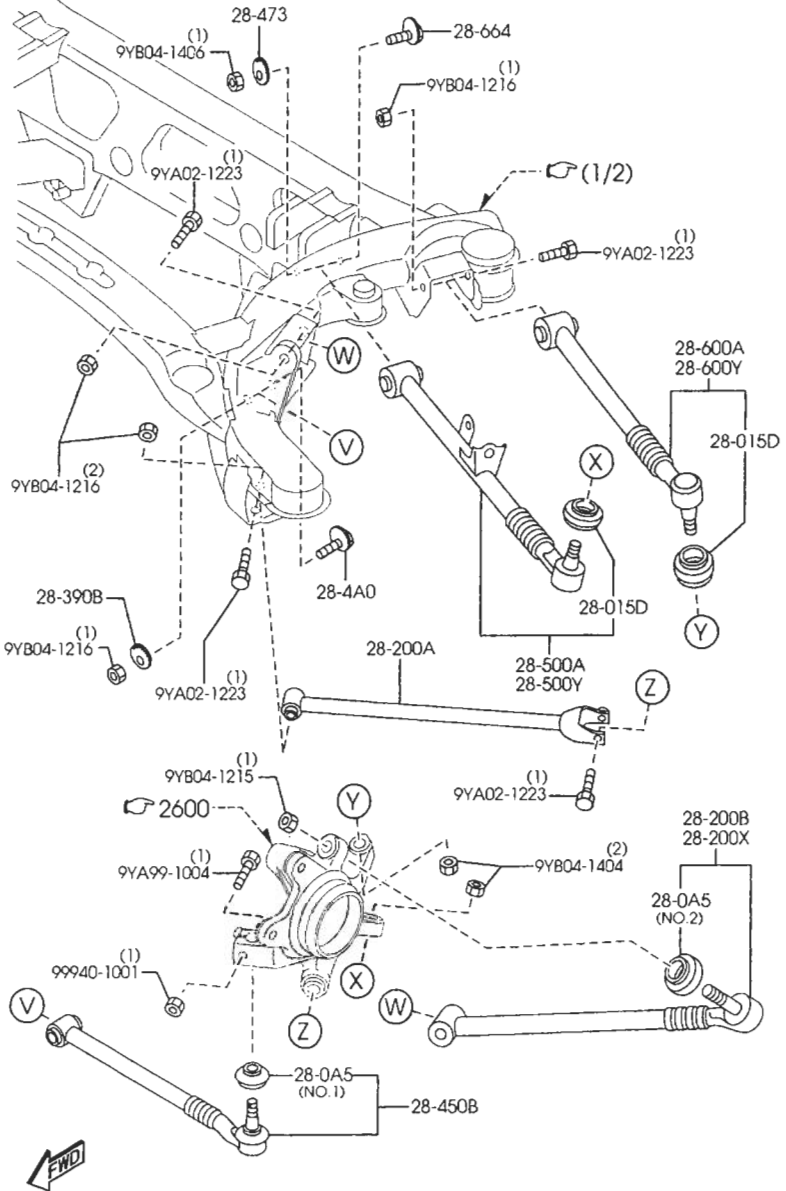
PART NO.	QTY	MODEL/RESTRICTION	MODEL/RESTRICTION	MODEL/RESTRICTION	FROM-TO
28-101		STABILIZER,RR	STABILISATEUR		
F151-28-151	1	(NOR. SUSP)	(SUSP. NRML)		
F157-28-151	1	(SPORT SUSP)	(SUSP. SPORTIVE)		
28-102		BUSH,STABILIZER-RR	BUSELURE CTC		
FD15-28-156A	2				
28-155		PLATE,STABILIZER-RR	SUPPORT		
FD01-28-155A	2				
28-170B		LINK,CONTROL-STAB	LIAISON,CONTROL-STAB		
F151-28-170	2		ILIS.		



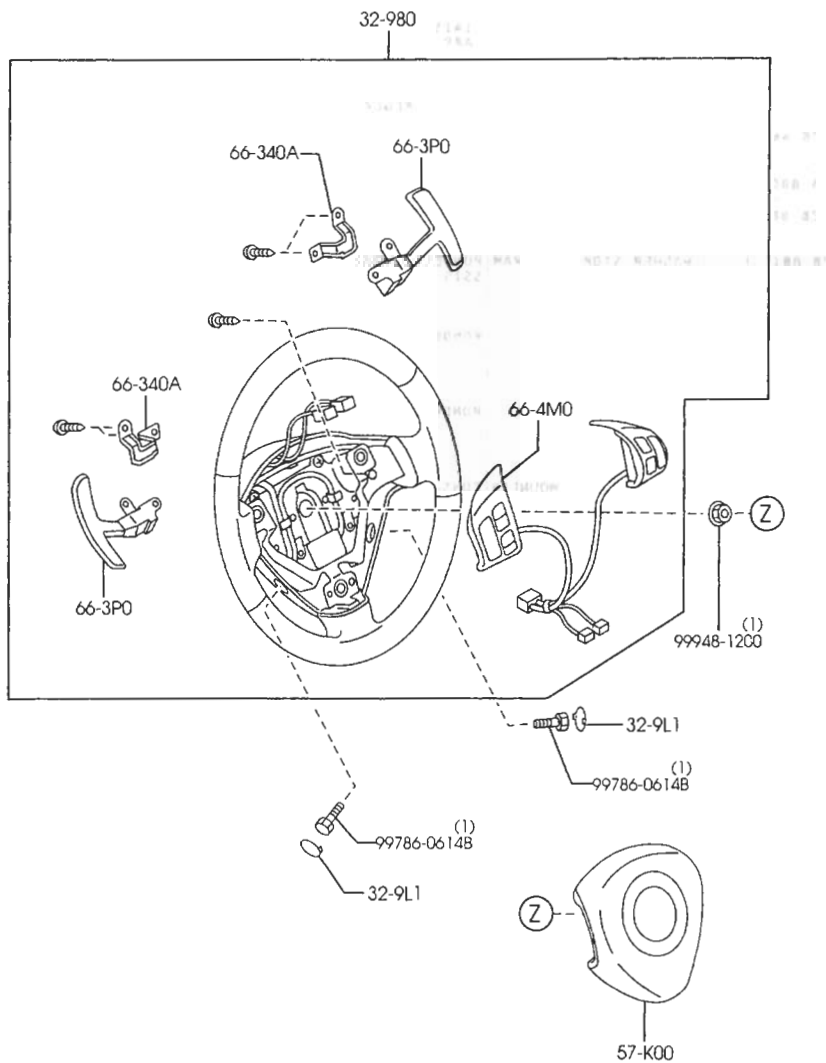




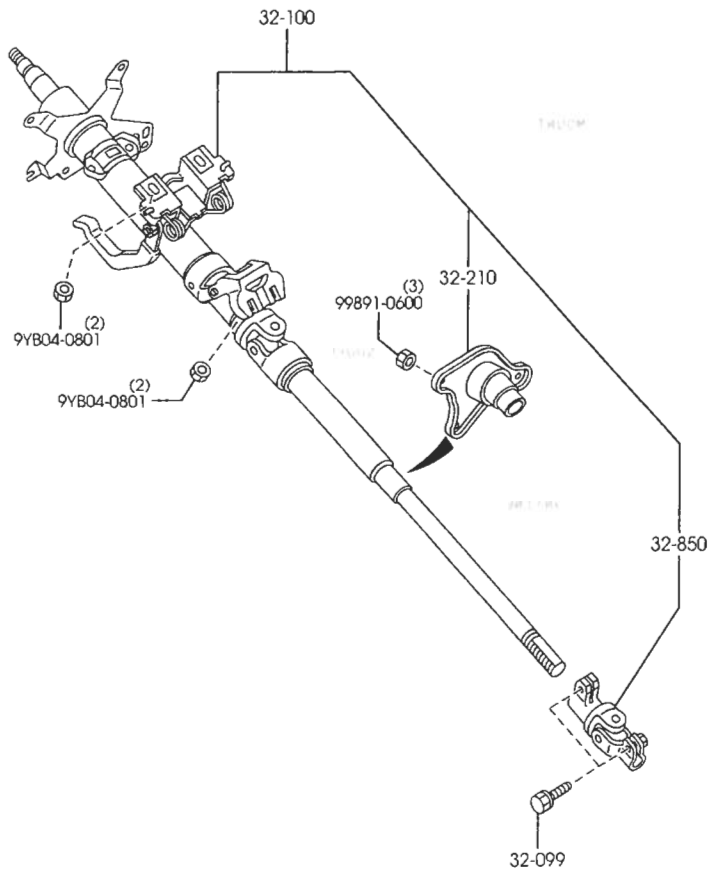
PART NO.	QTY	MODEL/RESTRICTION	MODEL/RESTRICTION	MODEL/RESTRICTION	FROM-TO
28-0A5		BOOT, DUST	SOUFFIET, POUSSIER		
F151-28-4A3	2	(ILLUST. NO.1)			
F151-28-4B3	2	(ILLUST. NO.2)			
28-015D		BOOT, DUST	COIFFE		
F151-28-503	4				
28-085		PLATE	PLAQUE		
F151-28-88Z	2				
28-091		NUT	ECROU		
H266-28-091	6				
28-200A		LINK, TRAILING	LIAISON, TRAINANT		
F151-28-200A	2				
28-200B		LINK(R), TRAILING	CHAINON(D), TRAINANT.		
F151-28-D00B	1				
28-200X		LINK(L), TRAILING	CHAINON(G), TRAINANT.		
F151-28-D10B	1				
28-390B		PLATE, CAM	PLATEAU A CAMES		
FD16-28-473	2				
28-4A0		BOLT, ADJUST	BOULON, REGLAGE		
FE01-28-66Z	2				
28-450B		LINK, TOE CONTROL	MAILLON, CONTACT. BOUT		
F151-28-45XA	2				
28-473		PLATE, CAM-SUB FRAME	PLAQUE, CAME-SOUS CHASSIS		
F151-28-473	2				
28-500A		LINK(R), LATERAL	BIELLE LATIERALE		
F151-28-500A	1				
28-500Y		LINK(L), LATERAL	BIELLE LATIERALE(G)		
FE03-28-550A	1	(W/DSC)	(AVEC DSC)		
F151-28-550A	1	(W/O DSC)	(SANS DSC)		



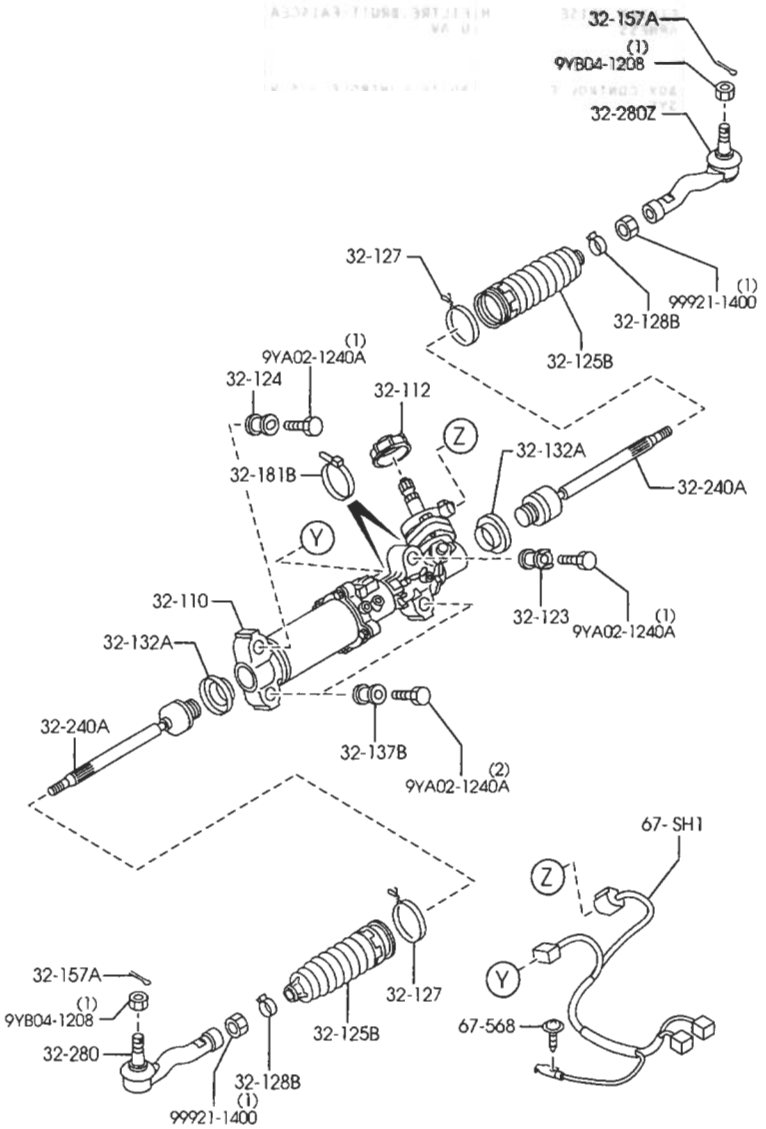
PART NO.	QTY	MODEL/RESTRICTION	MODEL/RESTRICTION	MODEL/RESTRICTION	FROM-TO
28-600A F151-28-600A	1	LINK(R), LATERAL-REAR SIDE	LIAISON(D), LAT.-COTE ARR.		
28-600Y F151-28-650A	1	LINK(L), LATERAL-REAR SIDE	LIAISON(G), LAT.-COTE ARR.		
28-664 F151-28-66Z	2	BOLT, ADJUST	BOULON, REGLAGE		
28-800 F151-28-80XB	1	FRAME, SUB	CADRE AUXILIAIRE		
28-88X F151-28-88X	2	WASHER, STOP-SUB FRAME	RONDELLE, ARRET-S. CHASSIS.		
28-880A F151-28-880	2	WASHER, STOP	RONDELLE D'ARRET		
28-998 F151-28-998	2	WASHER	RONDELLE		
39-730A F151-39-730A	1	BRACKET, DIFF. MOUNTING	CONSOLE, MONTAGE DIFF.		



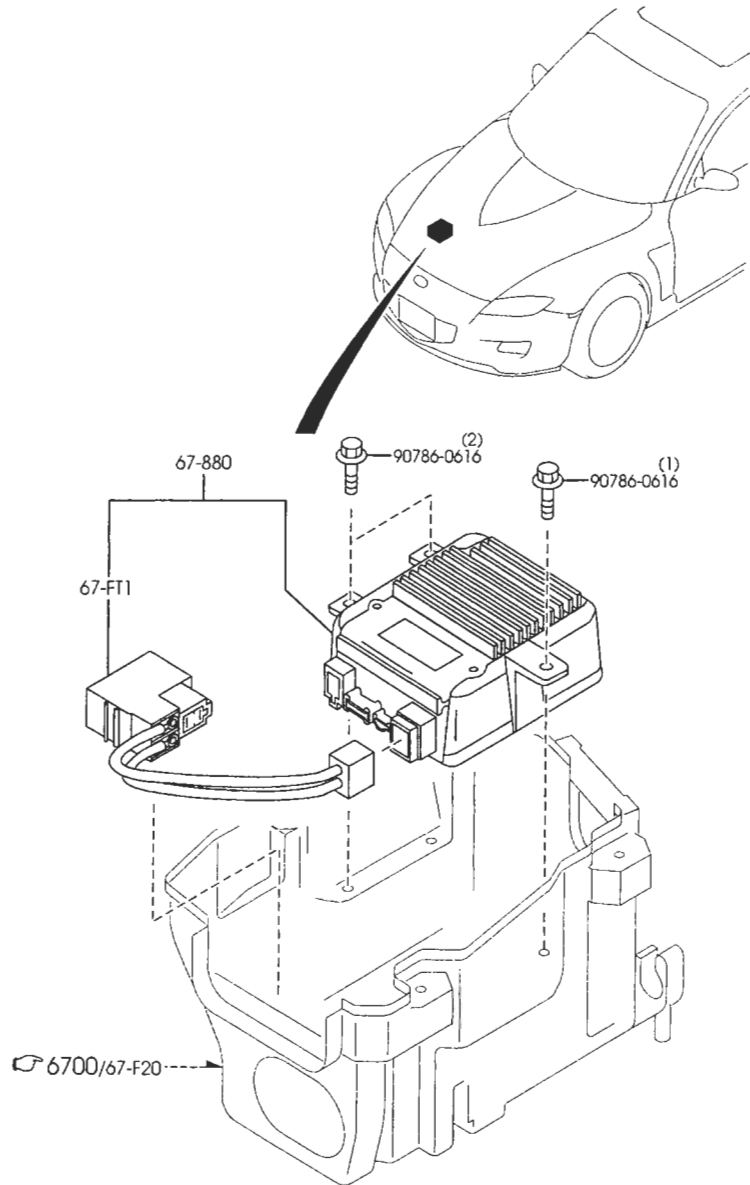
PART NO.	QTY	MODEL/RESTRICTION	MODEL/RESTRICTION	MODEL/RESTRICTION	FROM-TO
32-9L1					
F151-32-9L1	2	CAP	BOUCHON		
32-980					
F155-32-980B	1	BOSS, STEERING WHEEL (AT)	VOLANT (B.V.AUTOM)		
02	INT-	FF3 FF6 BLACK	FF3 FF6 NOIR		
15	INT-	FF4 RED	FF4 ROUGE		
23	INT-	FF5 BROWN	FF5 BRUN		
F157-32-980B	1	(MT)	(B.V.MANU)		
02	INT-	FF3 FF6 BLACK	FF3 FF6 NOIR		
15	INT-	FF4 RED	FF4 ROUGE		
23	INT-	FF5 BROWN	FF5 BRUN		
57-K00					
F151-57-K00A	1	MODULE, AIR BAG	MODULE, SAC AIR		
02	INT-	FF3 FF4 FF5 FF6 BLACK	FF3 FF4 FF5 FF6 NOIR		
66-3P0					
F154-66-3P0	1	SWITCH, STEERING SHIF (FOR RIGHT SIDE) (AT)	INT.COM VIT DIRECTION (POUR COTE DROIT) (B.V.AUTOM)		
F155-66-3P0	1	(FOR LEFT SIDE) (AT)	(B.V.AUTOM)		
66-340A					
F154-66-4M1	1	COVER, SWITCH HOLE (FOR RIGHT SIDE) (AT)	BOUCHON EMPLAC.INTER (POUR COTE DROIT) (B.V.AUTOM)		
F155-66-4M1	1	(FOR LEFT SIDE) (AT)	(B.V.AUTOM)		
66-4M0					
F155-66-4D1	1	SWITCH, STEERING (AT)	INTERRUPTEUR, DIRECT.COMM (B.V.AUTOM)		
F157-66-4M0	1	(MT)	(B.V.MANU)		



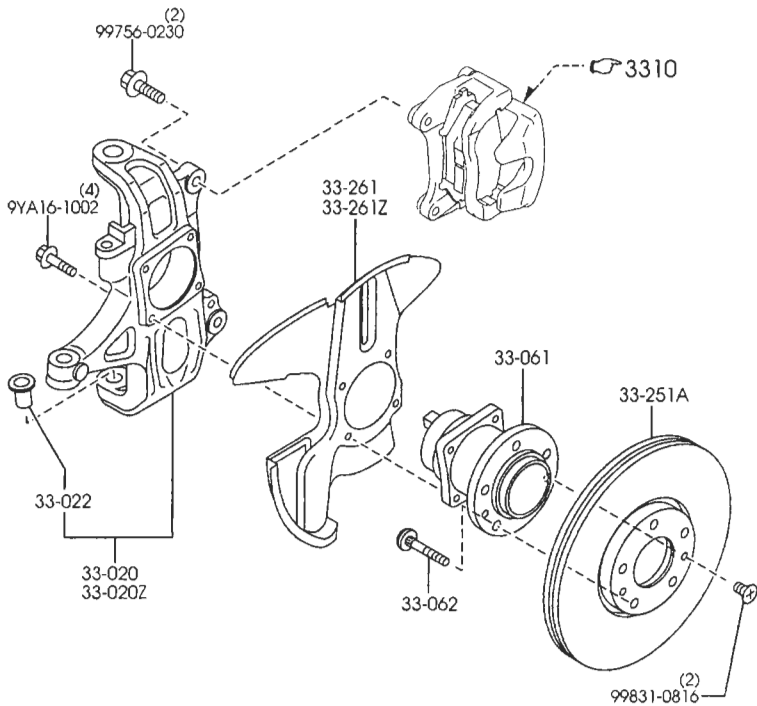
PART NO.	QTY	MODEL/RESTRICTION	MODEL/RESTRICTION	MODEL/RESTRICTION	FROM-TO
32-099		BOLT, SHAFT	BOULON, ARBRE		
B455-32-099A	2				
32-100		SHAFT, ENGY. ABSORBER	COLONE TELESCOPIQUE		
FE01-32-10XD	1				
32-210		COVER, DUST	COUVERCLE, ARBRE DIRECTION		
FE01-32-210B	1				
32-850		JOINT, STEERING	JOINT, DIRECTION		
FE01-32-850	1				



PART NO.	QTY	MODEL/RESTRICTION	MODEL/RESTRICTION	MODEL/RESTRICTION	FROM-TO
67-SH1		CORD, SHORT	CABLE, COURT		
F151-67-SH0A	1				
67-568		SCREW, TAPPING	VIS FIXATION SUPPORT		
GJ6A-67-EB1A	1				



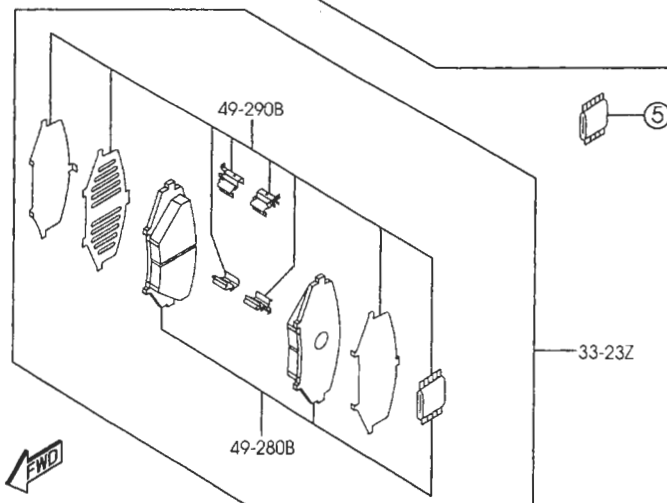
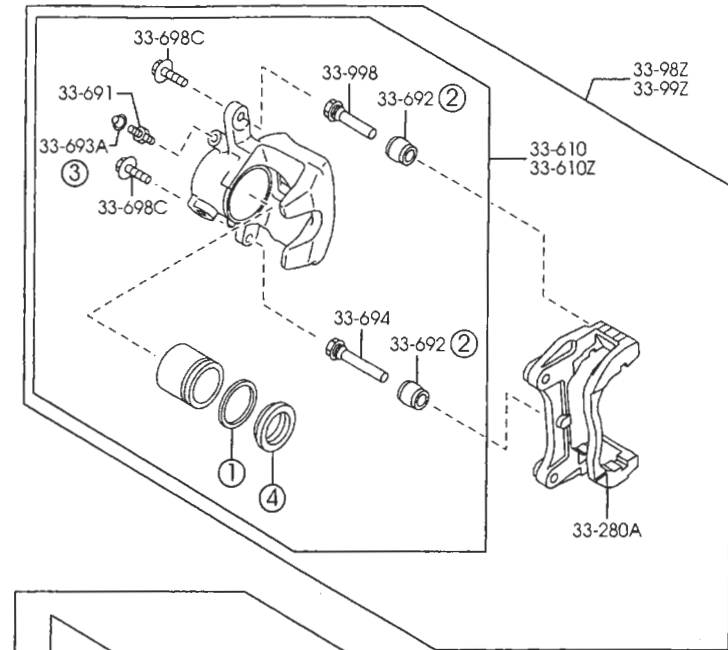
PART NO.	QTY	MODEL/RESTRICTION	MODEL/RESTRICTION	MODEL/RESTRICTION	FROM-TO
+-----+   67-FT1   +-----+ F152-67-FT1	1	FILTER, NOISE-FRONT HARNESS	FILTRE, BRUIT-FAISCEAU AV		
+-----+   67-880   +-----+ F151-67-880B	1	BOX, CONTROL-E.C.P.S. SYS.	BOITE, CONTROLE-S.S.V.S.D.		



PART NO.	QTY	MODEL/RESTRICTION	MODEL/RESTRICTION	MODEL/RESTRICTION	FROM-TO
33-020	1	KNUCKLE(R), STEERING	PORTE-FUSEE(D)		
F151-33-020	1				
33-020Z	1	KNUCKLE(L), STEERING	PORTE-FUSEE(G)		
F151-33-030	1				
33-022	2	BUSH	BUSELURE		
F151-33-023	2				
33-061	2	HUB, WHEEL	MOYEU, ROUE AV		
F151-33-04Y	2				
33-062	10	BOLT, HUB	BOULON, JEU		
F151-33-062	10				
33-251A	2	PLATE, DISC	DISQUE DE FREIN		
F151-33-251	2	(NOR. SUSP)	(SUSP. NRML)		
F157-33-251	2	(SPORT SUSP)	(SUSP. SPORTIVE)		
33-261	1	COVER(R), DUST	CACHE		
F151-33-261A	1				
33-261Z	1	COVER(L), DUST	CACHE		
F151-33-271A	1				



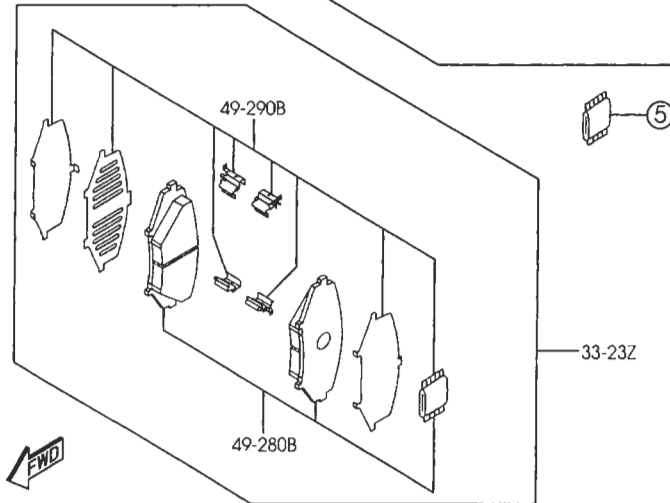
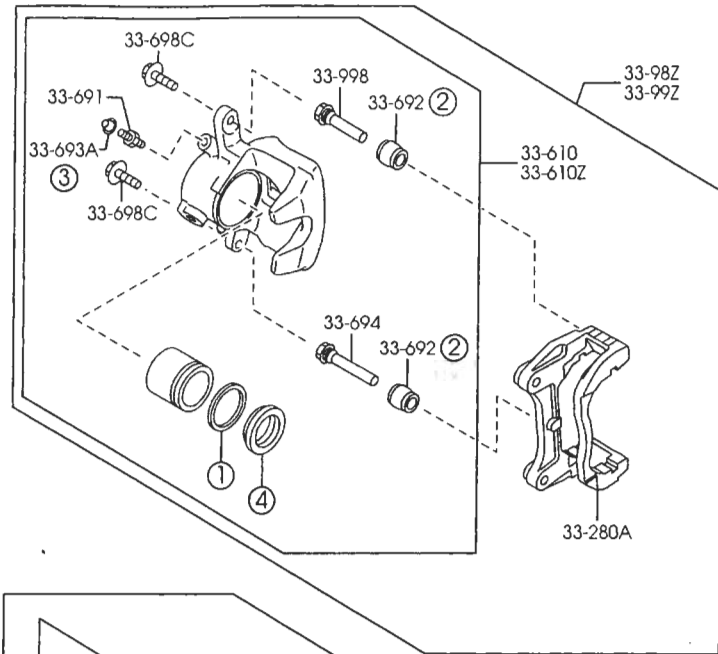




**NOTE**  
 ① ... ⑤ ⇒ 33-26Z  
 THE D-CODE OF 33-26Z CONSISTS OF  
 FIGURE NUMBERS ① THROUGH ⑤.

THOUGH ILLUSTRATIONS OF D-CODE 33-23Z, 33-26Z, 49-280B AND 49-290B ARE FOR LEFT SIDE ONLY. QUANTITIES OF THESE D-CODES IN THE TEXT ARE FOR ONE VEHICLE.

PART NO.	QTY	MODEL/RESTRICTION	MODEL/RESTRICTION	MODEL/RESTRICTION	FROM-TO
↑-----↑ 33-23Z ↓-----↓ F1Y1-33-23ZA	1	PAD SET,FRT CALIPER	JEU TAMPON,CALIBRE A V		
↑-----↑ 33-26Z ↓-----↓ B2YD-33-26Z	1	SEAL & BOOT SET,CAL.-FRT	JEU JOINT & COFFRE,CAL-AV		
↑-----↑ 33-280A ↓-----↓ F151-33-281 F157-33-281	2 2	SUPPORT,MOUNTING	SUPPORT DE FIXATION		
↑-----↑ 33-610 ↓-----↓ F151-33-61X	1	BODY & PISTON(R),CALIPER	CORPS & PISTON (D)		
↑-----↑ 33-610Z ↓-----↓ F151-33-71X	1	BODY & PISTON(L),CALIPER	CORPS & PISTON (G)		
↑-----↑ 33-691 ↓-----↓ B001-33-691	2	SCREW,BLEEDER	VIS DE PURGE		
↑-----↑ 33-692 ↓-----↓ B25D-33-692	4	BOOT,GUIDE PIN	SOUFFLET,BROCHE-GUIDE		
↑-----↑ 33-693A ↓-----↓ 0259-33-693	2	CAP,BLEEDER SCREW	BOUCHON PURGEUR		
↑-----↑ 33-694 ↓-----↓ B25D-33-694	2	PIN,GUIDE-FRT CALIPER	BROCHE GUIDE		
↑-----↑ 33-698C ↓-----↓ B25D-33-698	4	BOOT,LOCK PIN	SOUFFLET,AXE DE BLOCAGE		
↑-----↑ 33-98Z ↓-----↓ F1Y1-33-98Z F1Y7-33-98Z	1 1	CALIPER(R),PADLESS-FR (NOR. SUSP) (SPORT SUSP)	CALIBRE SANS CALE,AV-D (SUSP.NRML) (SUSP. SPORTIVE)		
F1Z1-33-98Z	1	REBUILT PARTS (NOR. SUSP)	REBUILT PARTS (SUSP.NRML)		
F1Z7-33-98Z	1	REBUILT PARTS (SPORT SUSP)	REBUILT PARTS (SUSP. SPORTIVE)		
↑-----↑ 33-99Z ↓-----↓ F1Y1-33-99Z	1	CALIPER(L),PADLESS-FR (NOR. SUSP)	CALIBRE SANS CALE,AV-G (SUSP.NRML)		

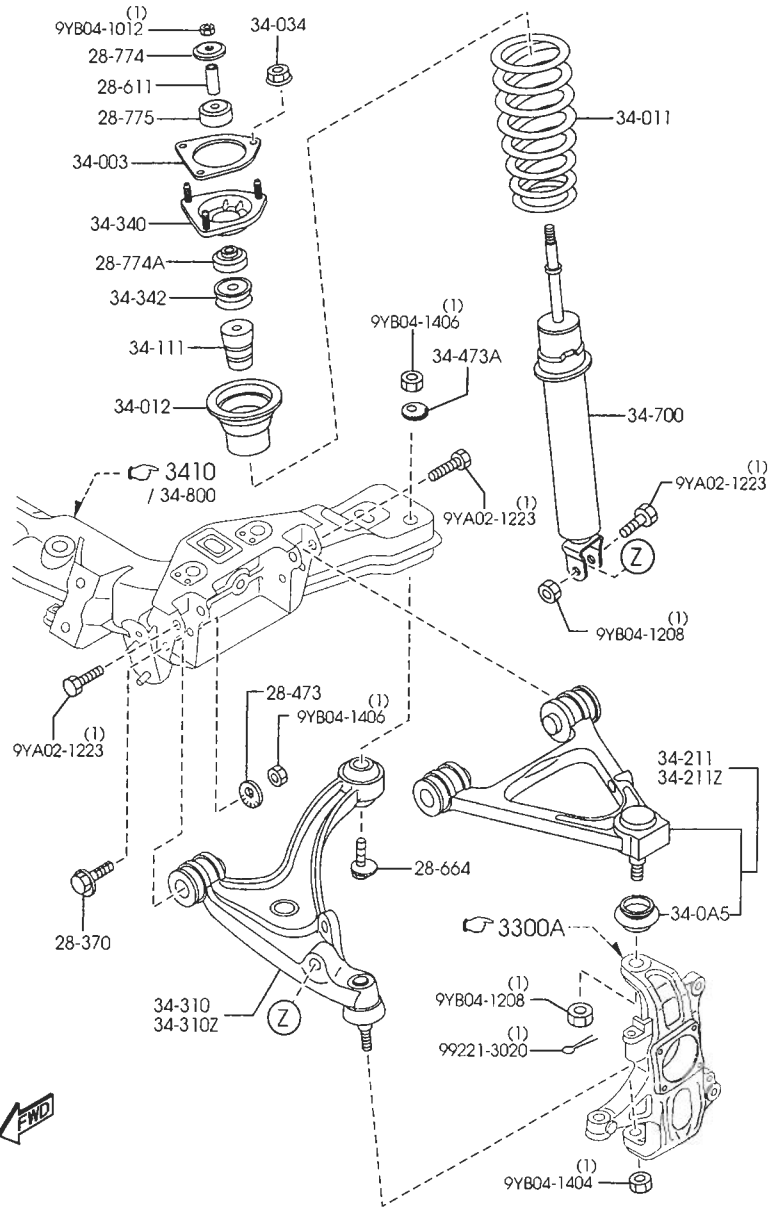


**NOTE**  
 ① ... ⑤ ⇒ 33-26Z  
 THE D-CODE OF 33-26Z CONSISTS OF  
 FIGURE NUMBERS ① THROUGH ⑤.

THOUGH ILLUSTRATIONS OF D-CODE 33-23Z, 33-26Z, 49-280B AND 49-290B ARE FOR LEFT SIDE ONLY, QUANTITIES OF THESE D-CODES IN THE TEXT ARE FOR ONE VEHICLE.

PART NO.	QTY	MODEL/RESTRICTION	MODEL/RESTRICTION	MODEL/RESTRICTION	FROM-TO
CONT'D F1Y7-33-99Z	1	(SPORT SUSP)	(SUSP. SPORTIVE)		
F1Z1-33-99Z	1	REBUILT PARTS (NOR. SUSP)	REBUILT PARTS (SUSP.NRML)		
F1Z7-33-99Z	1	REBUILT PARTS (SPORT SUSP)	REBUILT PARTS (SUSP. SPORTIVE)		
↑-----↑   33-998   ↑-----↑ B25D-33-998	2	PIN,GUIDE-INNER PAD	AXE-GUIDE DE PLAQUETTE INT.		
↑-----↑   49-280B   ↑-----↑ F1Y1-33-28Z	1	PAD SUB SET,FRT CALI PER	JEU,PLAQUETTE D'ETRI ER AV		
↑-----↑   49-290B   ↑-----↑ F1Y1-33-29ZA	1	ATTACHMENT,PAD-FRONT	ATTACHES PLAQUETTES		

3400A FRONT SUSPENSION MECHANISMS

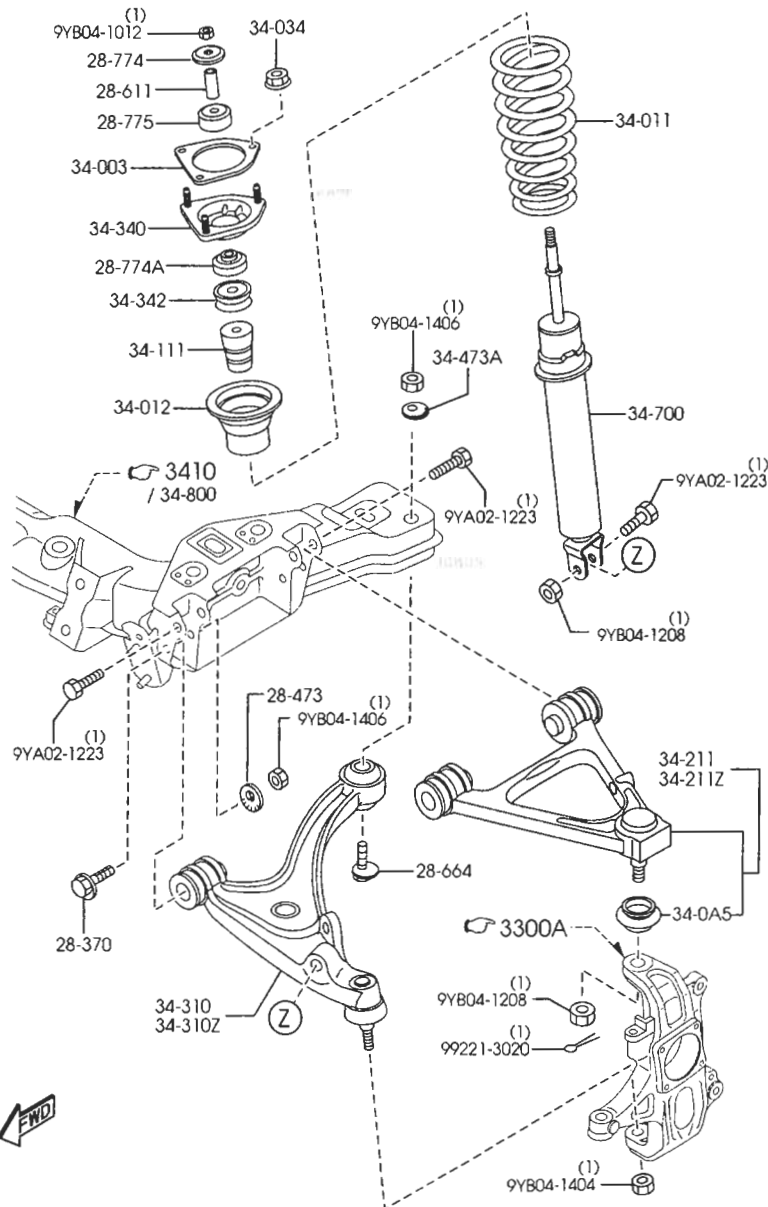


3400A -1 FRONT SU

PART NO.	QTY	MODEL/RESTRICTION	MODEL/RESTRICTION	MODEL/RESTRICTION	FROM-TO
28-370 F151-34-66Z	2	BOLT, ADJUST	BOULON, REGLAGE		
28-473 F151-28-473	2	PLATE, CAM-SUB FRAME	PLAQUE, CAME-SOUS CHASSIS		
28-611 F151-28-773	2	SPACER	EPAISSEUR		
28-664 F151-28-66Z	2	BOLT, ADJUST	BOULON, REGLAGE		
28-774 F151-28-774	2	RETAINER, REAR DAMPER	ARRRET, AMORTISSEUR ARRIERE		
28-774A F151-28-776	2	BUSH, RUBBER	BUSELURE CTC		
28-775 F151-28-775A	2	BUSH, RUBBER	BUSELURE CTC		
34-0A5 F151-34-541	2	BOOT, DUST	CACHE-POUSSIERE		
34-003 F151-34-003	2	SHEET, FRT DAMPER	TOLE, PARE-CHOC AVANT		
34-011 F151-34-011B F157-34-011B	2 (NOR. SUSP) 2 (SPORT SUSP)	SPRING, COIL-FRONT	RESSORT, HELICOIDAL (SUSP. NRML) (SUSP. SPORTIVE)		
34-012 F151-34-012B	2	SHEET, RUBBER	SIEGE, C.T.C.		
34-034 H380-34-034A	6	NUT, FLANGE	ECROU		
34-111 F151-34-111	2	BUMPER, BOUND	BUTEE DE TALONNAGE		

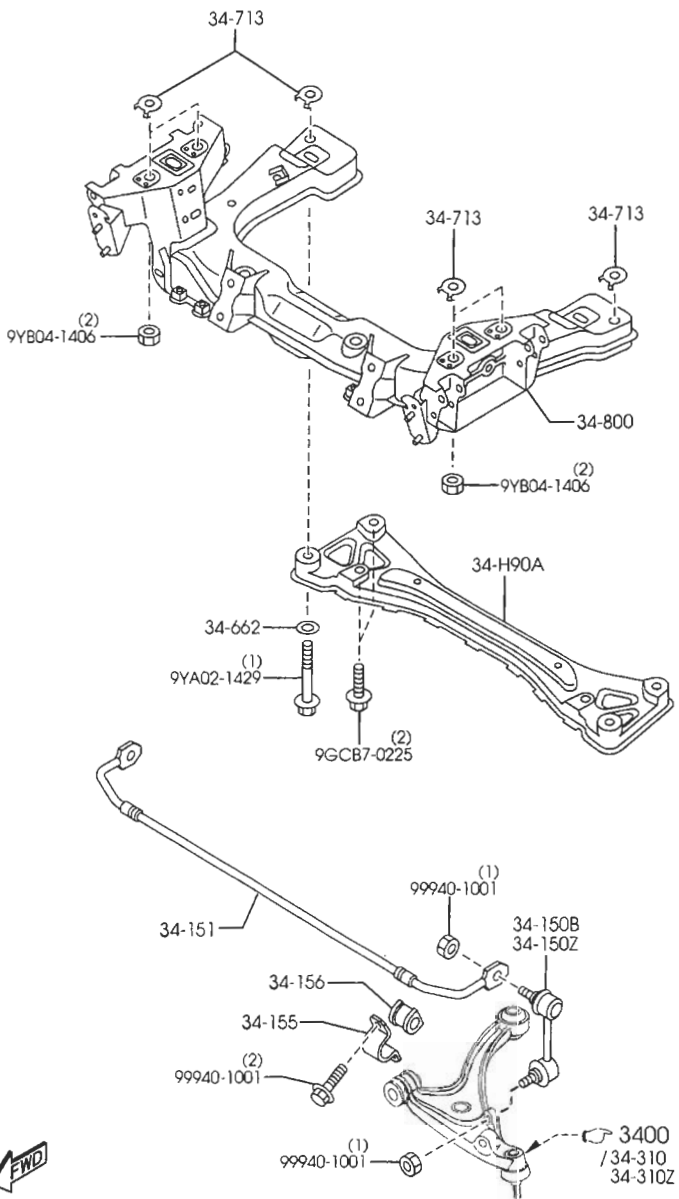


3400A FRONT SUSPENSION MECHANISMS



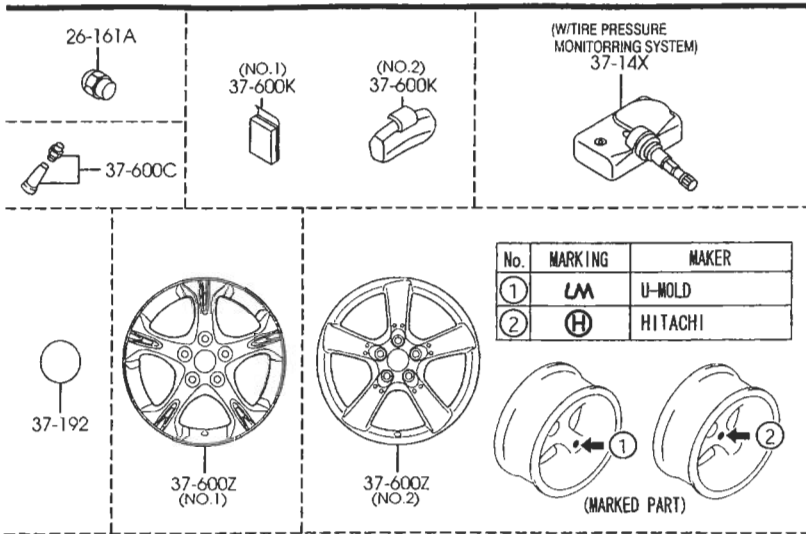
3400A -2 \* FRONT S

PART NO.	QTY	MODEL/RESTRICTION	MODEL/RESTRICTION	MODEL/RESTRICTION	FROM-TO
+-----+   34-211   +-----+	1	ARM(R),UPPER F151-34-200B	BRAS SUPER(D)		
34-211Z   +-----+					
+-----+   34-310   +-----+	1	ARM(L),UPPER F151-34-250B	BRAS SUPER GAUCHE		
34-310Z   +-----+					
+-----+   34-310   +-----+	1	ARM(R),LOWER F151-34-300	BRAS INF.DROIT		
34-310Z   +-----+					
+-----+   34-310Z   +-----+	1	ARM(L),LOWER F151-34-350	BRAS		
34-310   +-----+					
+-----+   34-340   +-----+	2	SHEET,SPRING-UPPER F151-34-340	SIEGE DE RESSORT, SU P.		
34-342   +-----+					
+-----+   34-342   +-----+	2	CASING,STOPPER F151-34-778	BOITIER,ARRET		
34-473A   +-----+					
+-----+   34-473A   +-----+	2	PLATE,CAM F151-34-473	PLATEAU A CAMES		
34-700   +-----+					
+-----+   34-700   +-----+	2	DAMPER,FRONT F151-34-700A	AMORTISSEUR AV (SUSP.NRML)		
34-700A   +-----+					
+-----+   34-700A   +-----+	2	DAMPER,FRONT F157-34-700A	AMORTISSEUR AV (SUSP.SPORTIVE)		
34-700A   +-----+					

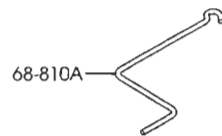
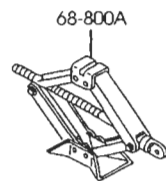
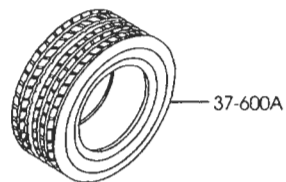
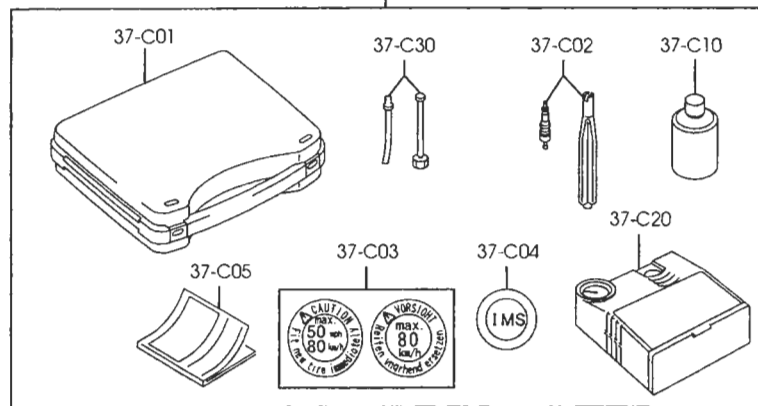


PART NO.	QTY	MODEL/RESTRICTION	MODEL/RESTRICTION	MODEL/RESTRICTION	FROM-TO
34-H90A F151-34-H90	1	MEMBER, TRANSVERSE	MEMBRE, TRANSVERSAL		
34-150B F151-34-150	1	LINK(R), CONTROL	LIAISON(D), COMMANDE		
34-150Z F151-34-170	1	LINK(L), CONTROL	LIAISON(G), COMMANDE		
34-151 F151-34-151	1	STABILIZER, FRONT (NOR. SUSP)	STABILISATEUR (SUSP. NRML)		
34-151 F157-34-151	1	(SPORT SUSP)	(SUSP. SPORTIVE)		
34-155 F151-34-155	2	PLATE, STABILIZER	PLAQUE, BARRE STABIL		
34-156 F151-34-156	2	BUSH, STABILIZER-FRT (NOR. SUSP)	BUSELURE (SUSP. NRML)		
34-156 F157-34-156	2	(SPORT SUSP)	(SUSP. SPORTIVE)		
34-662 GJ6S-34-096	2	WASHER	RONDELLE		
34-713 F151-34-096	6	WASHER	RONDELLE		
34-800 FE01-34-800B	1	MEMBER, CROSS	TRAVERSE		

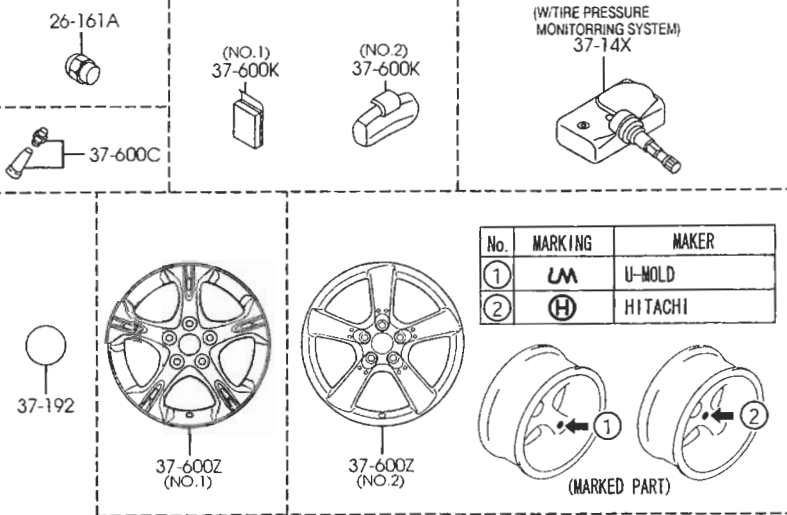




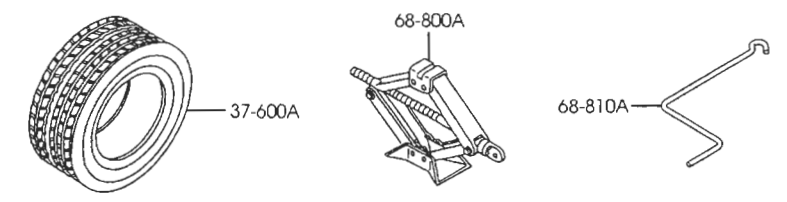
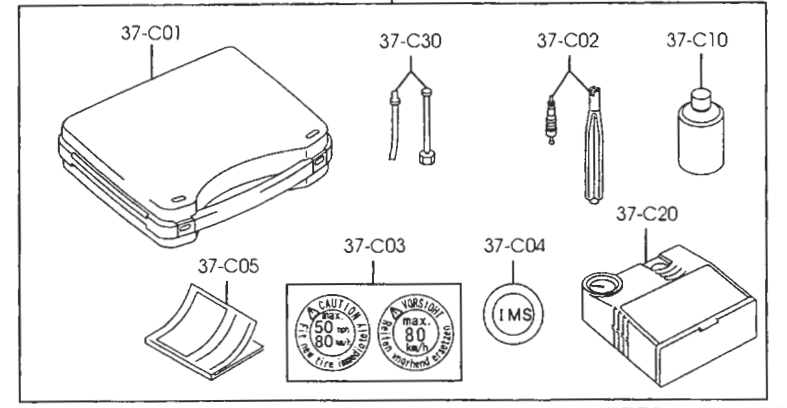
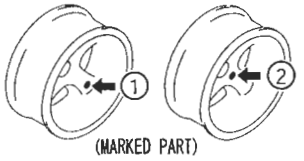
37-C00



PART NO.	QTY	MODEL/RESTRICTION	MODEL/RESTRICTION	MODEL/RESTRICTION	FROM-TO
26-161A B002-37-160	20	NUT, HUB PLATED	ECROU, MOYEU PLATED		
37-C00 FE01-37-C00	1	REPAIR KIT, PUNCTURE	NEC REP, CREVAISON		
37-C01 F151-37-C01	1	CASE, REPAIR KIT	BOITIER, NEC REP		
37-C02 F151-37-C02	1	TOOL, VALVE CORE	OUTIL, AME SOUPE		
37-C03 FE01-37-C03	1	LABEL, PUNCTURE REPAIR KIT	ETIQ, NEC REP CREVAISON		
37-C04 FE01-37-C04	1	LABEL, PUNCTURE REPAIR KIT	ETIQ, NEC REP CREVAISON		
37-C05 FE01-37-C05	1	MANUAL	MANUEL		
37-C10 FE01-37-C10	1	SEALANT	ENDUIT D'ETANCHEITE		
37-C20 FE01-37-C20	1	COMPRESSOR	COMPRESSEUR		
37-C30 F151-37-C30	1	HOSE, FILLER	FLEXIBLE, REMPLISSAGE		
37-14X FE01-37-14XA	4	SENSOR, SET-WHL. (W/TIRE PRESSURE MONITORING SYSTEM)	ENS CAPTEUR, ROUE		
37-192 GJ6G-37-192	4	EMBLEM, CAP-WHEEL	EMBLEME		
37-600A 90620-4472B 90624-75726	4 4 4	TIRE (SPORT SUSP) (NOR. SUSP)	PNEU (SUSP. SPORTIVE) (SUSP. NRML)		



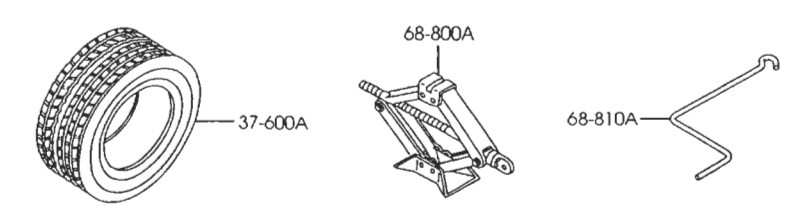
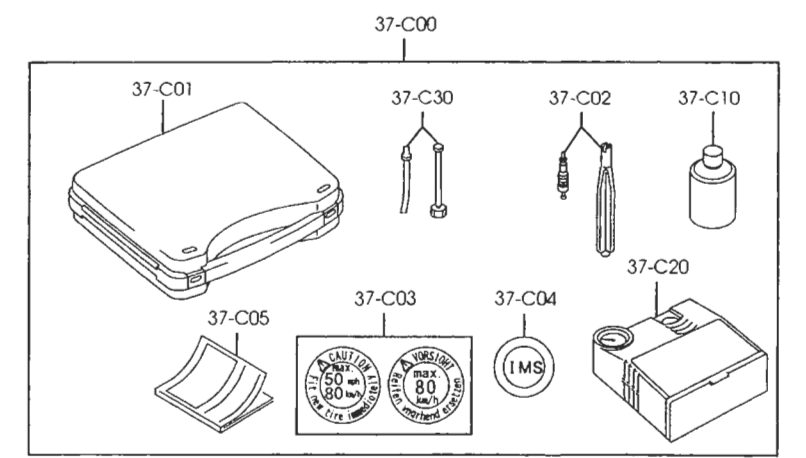
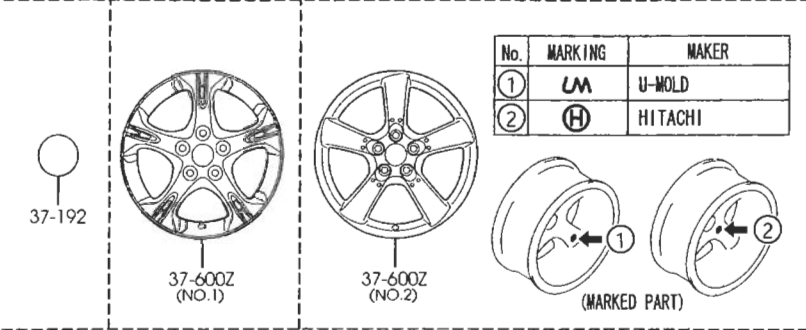
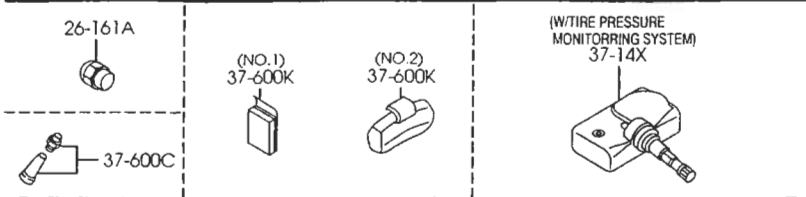
No.	MARKING	MAKER
①	UM	U-MOLD
②	H	HITACHI



PART NO.	QTY	MODEL/RESTRICTION	MODEL/RESTRICTION	MODEL/RESTRICTION	FROM-TO
37-600C	4	VALVE, AIR	SOUPAPE AIR		
99636-04130		TR413 BRIDGESTONE	TR413 BRIDGESTONE		
37-600K	1	WEIGHT, DISC WHEEL-ALUMI	CONTREPOIDS EN ALUMI		
99657-00160		160G CUT IT TO USE (ILLUST. NO.1)	160G CUT IT TO USE		
99658-20005	4	5G (ILLUST. NO.2)	5G		
99658-20010	4	10G (ILLUST. NO.2)	10G		
99658-20015	4	15G (ILLUST. NO.2)	15G		
99658-20020	4	20G (ILLUST. NO.2)	20G		
99658-20025	4	25G (ILLUST. NO.2)	25G		
99658-20030	4	30G (ILLUST. NO.2)	30G		
99658-20035	4	35G (ILLUST. NO.2)	35G		
99658-20040	4	40G (ILLUST. NO.2)	40G		
99658-20045	4	45G (ILLUST. NO.2)	45G		
99658-20050	4	50G (ILLUST. NO.2)	50G		
99658-20055	4	55G (ILLUST. NO.2)	55G		
99658-20060	4	60G (ILLUST. NO.2)	60G		
37-600Z	4	WHEEL, DISC-ALUMI.	ROUE A DISQUE EN ALU		
99650-47560		16X7.5JJP=114.3/0=50 (ILLUST. NO.1) (NOR. SUSP)	16X7.5JJP=114.3/0=50 (SUSP. NRML)		
99650-48080	4	18X8JJ P=114.3/0=50 (ILLUST. NO.2) (HITACHI) (SUPPLIER IN SELECTION) (SPORT SUSP)	18X8JJ P=114.3/0=50 (SUSP. SPORTIVE)		
99650-58080	4	18X8JJ P=114.3/0=50 (ILLUST. NO.2) (U-MOLD) (SUPPLIER IN SELECTION) (SPORT SUSP)	18X8JJ P=114.3/0=50 (SUSP. SPORTIVE)		

20.2 lbs

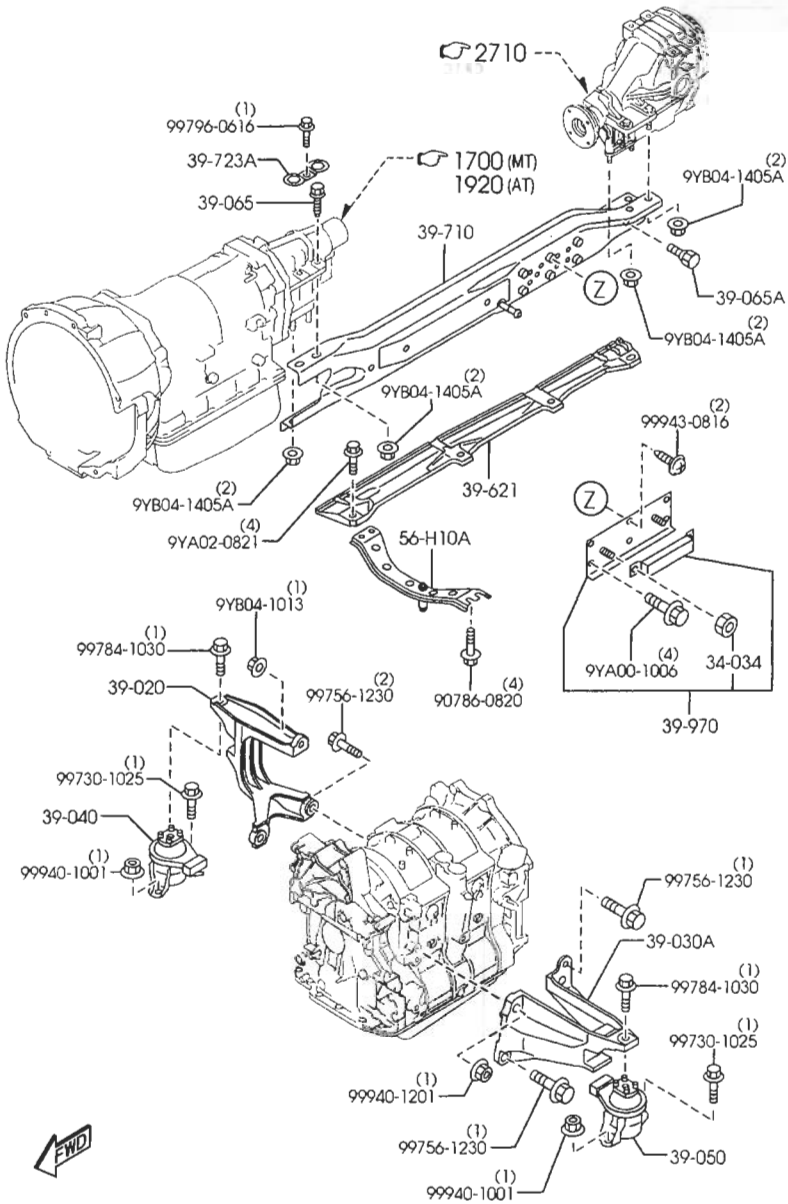
3700A TIRES & JACK



3700A -3 \* TIRES & JACK

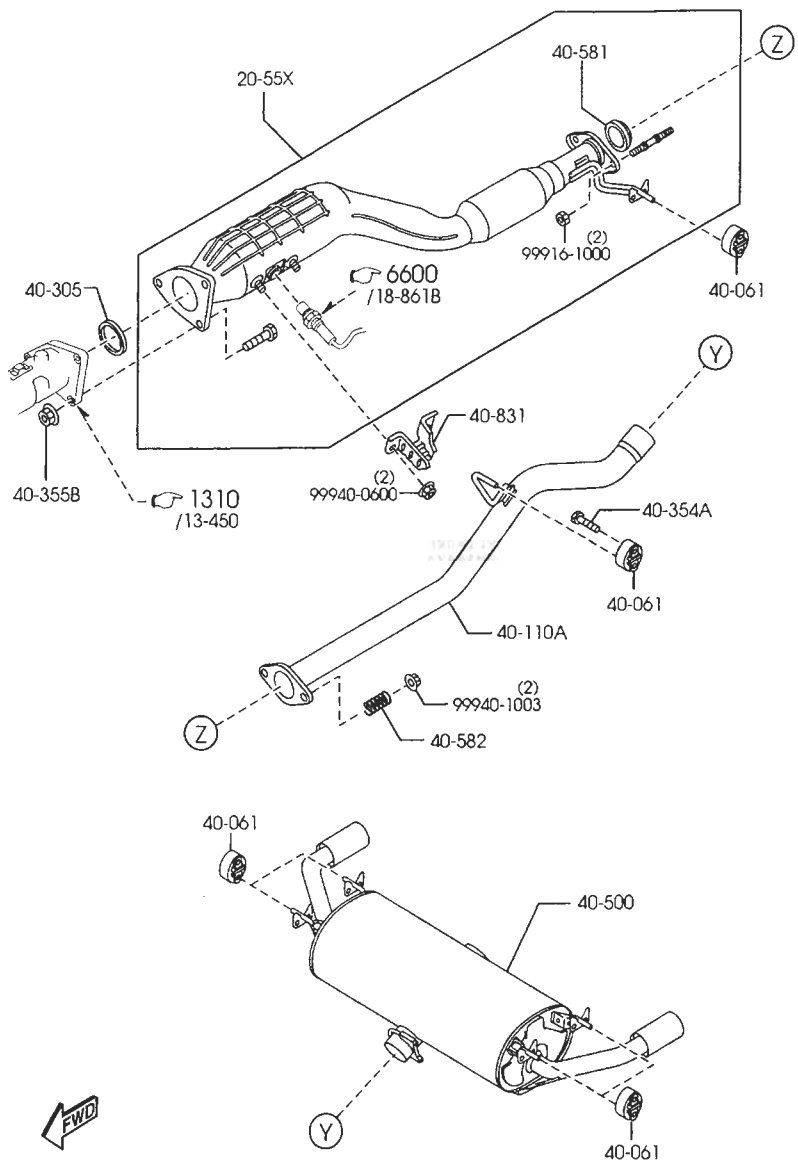
PART NO.	QTY	MODEL/RESTRICTION	MODEL/RESTRICTION	MODEL/RESTRICTION	FROM-TO
68-800A GA5R-37-790A	1	JACK	CRIC		
68-810A GJ21-37-810A	1	HANDLE, JACK	LEVIER DE CRIC		



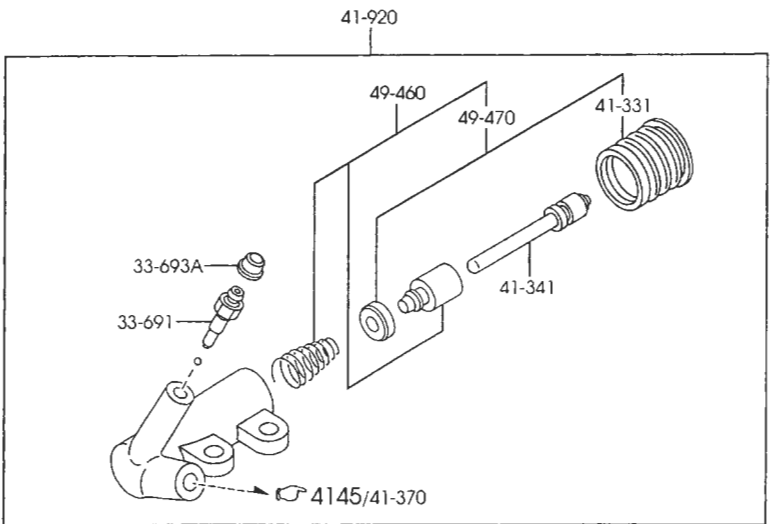
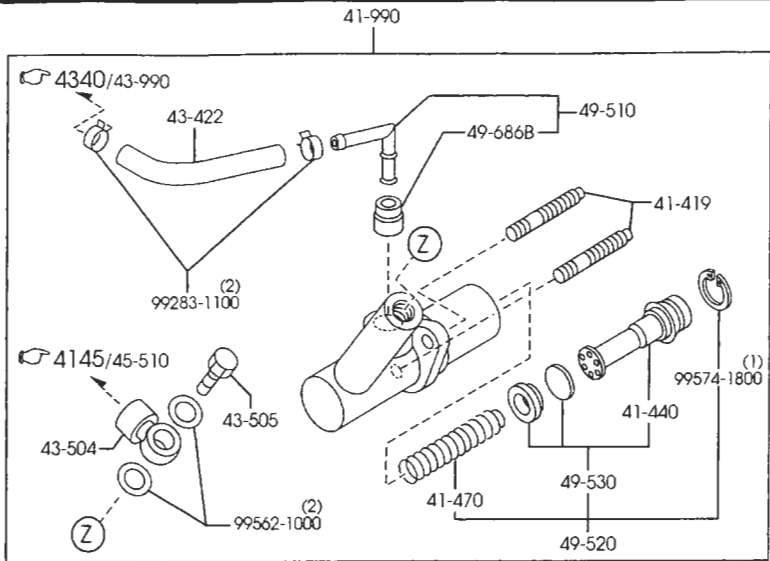


PART NO.	QTY	MODEL/RESTRICTION	MODEL/RESTRICTION	MODEL/RESTRICTION	FROM-TO
34-034		NUT, FLANGE	ECROU		
B455-34-034	2				
39-020		BRACKET, ENGINE MOUNT	ATTACHE, SUPPORT MOTEUR		
F151-39-021	1				
39-030A		BRACKET(L), ENGINE	ATTACHE (G), MOTEUR		
F151-39-031	1				
39-040		RUBBER(R), ENGINE MT.	CAOUTCHOUC DE FIX.(D)		
F151-39-040	1				
39-050		RUBBER(L), ENGINE MT.	CAOUTCHOUC DE FIX.(G)		
F151-39-050	1				
39-065		BOLT	BOULON		
FD01-39-065	2				
39-065A		BOLT	BOULON		
FD01-39-066	1				
39-621		INSULATOR, HEAT	ISOLANT, CHALEUR		
F151-39-621C	1				
39-710		FRAME, POWER PLANT	CHASSIS, GROUPE MOTEUR		
F151-39-710E	1				
39-723A		STOPPER	PASTILLE		
FD01-39-723	1				
39-970		DAMPER, DYNAMIC-ENG MOUNT	AMORTISSEUR, DYNAMIQUE-MOT		
F151-39-970C	1				
56-H10A		MEMBER, CROSS	TRAVERSE		
F152-56-H10	1				



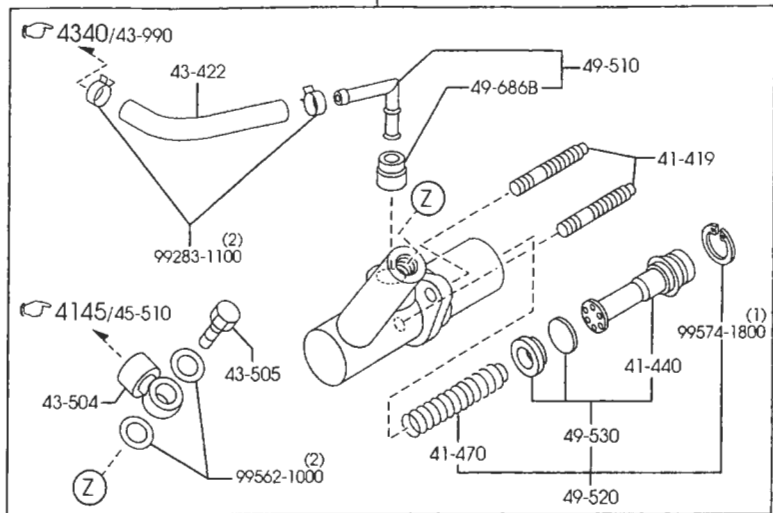


PART NO.	QTY	MODEL/RESTRICTION	MODEL/RESTRICTION	MODEL/RESTRICTION	FROM-TO
20-55X N3H4-20-55XD	1	CONVERTER	TRANSPORTEUR		
40-061 N3H2-40-061	6	HANGER, SILENCER	SUPPORT, ECHAPPEMENT		
40-110A N3H1-40-600A	1	PIPE, MIDDLE	TUYAU DE MILIEU		
40-305 N3H1-40-305	1	GASKET	JOINT		
40-354A N3H1-40-354	1	BOLT	BOULON		
40-355B JE10-40-355	3	NUT	ECROU		
40-500 N3H1-40-100D	1	SILENCER, MAIN	POT D'ECHAPPEMENT		
40-581 L307-40-581	1	RING, SEAL	CERCLE ETANCHE		
40-582 YJ15-40-582	2	SPRING	RESSORT		
40-831 N3H1-40-851	1	PROTECTOR, MIDDLE PIPE	PROTECTEUR, TUBE MOYEN		

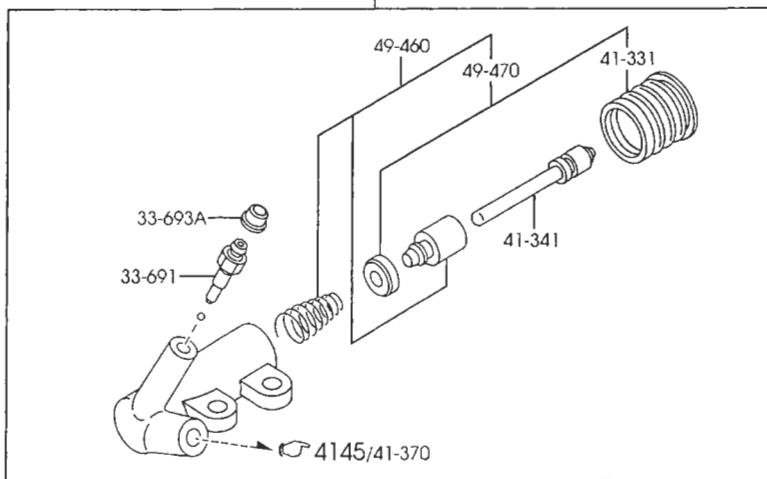


PART NO.	QTY	MODEL/RESTRICTION	MODEL/RESTRICTION	MODEL/RESTRICTION	FROM-TO
33-691		SCREW, BLEEDER	VIS DE PURGE		
GA5R-33-691	1				
33-693A		CAP, BLEEDER SCREW	BOUCHON PURGEUR		
O259-33-693	1				
41-331		BOOT	COIFFE		
H005-41-331	1				
41-341		ROD, PUSH	TIGE		
GA2A-41-341A	1				
41-419		STUD, CLUTCH CYL.	GOUJON,		
FD01-41-419	2				
41-440		PISTON	PISTON		
B312-41-440	1				
41-470		SPRING	RESSORT		
B312-41-470	1				
41-920		CYL., CLUTCH RELEASE	CYLINDRE, RECEPTEUR,		
F151-41-920	1		EMBAYAGE		
41-990		CYL., CLUTCH MASTER	MAITRE CYLINDRE, EMB		
FE05-41-990A	1		RAYAGE		
43-422		HOSE, RESERVE	DURITE DE SECOURS		
1708-43-423	1				
43-504		JOINT, PIPE	JOINT		
W023-43-504	1				
43-505		BOLT, CONNECTOR	BOULON		
W023-43-505	1				
49-460		PARTS KIT, INNER	KIT, PIECES INT.		
FB01-49-460	1				
49-470		SEAL KIT	JEU DE JOINTS D, ETAN		
FB01-49-470	1		CHEITE		

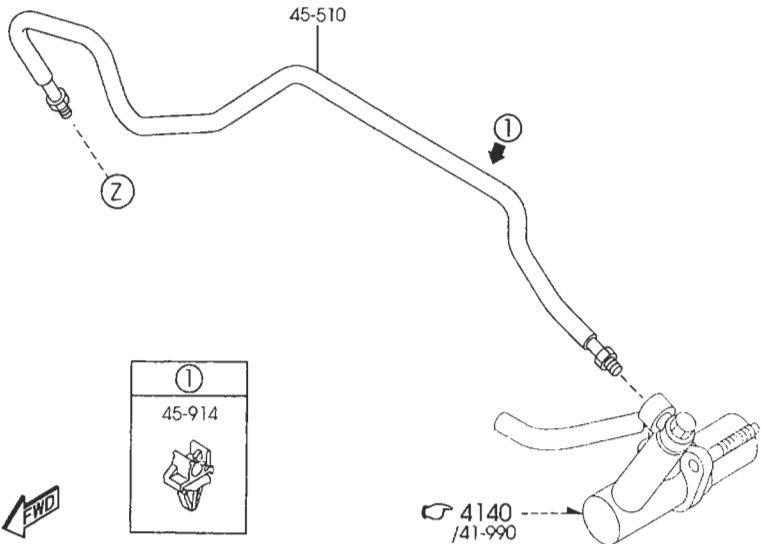
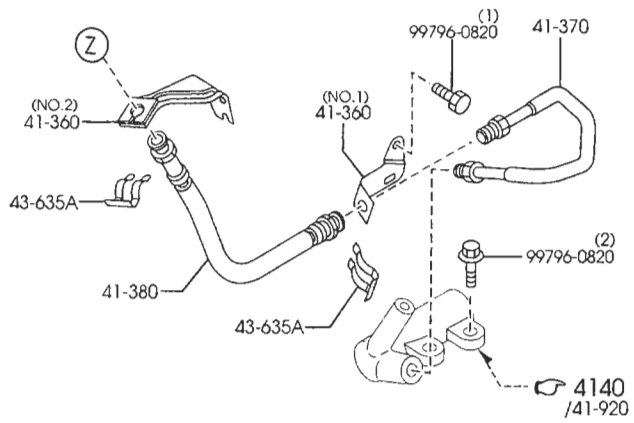
41-990



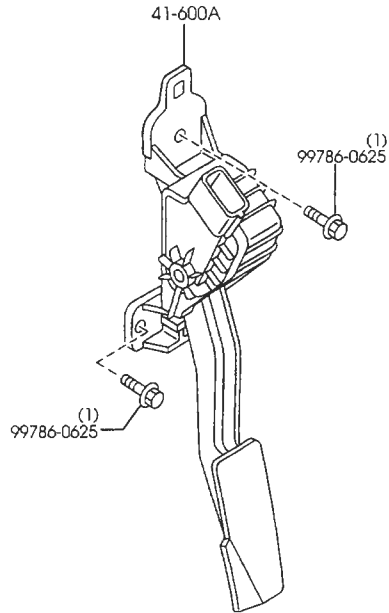
41-920



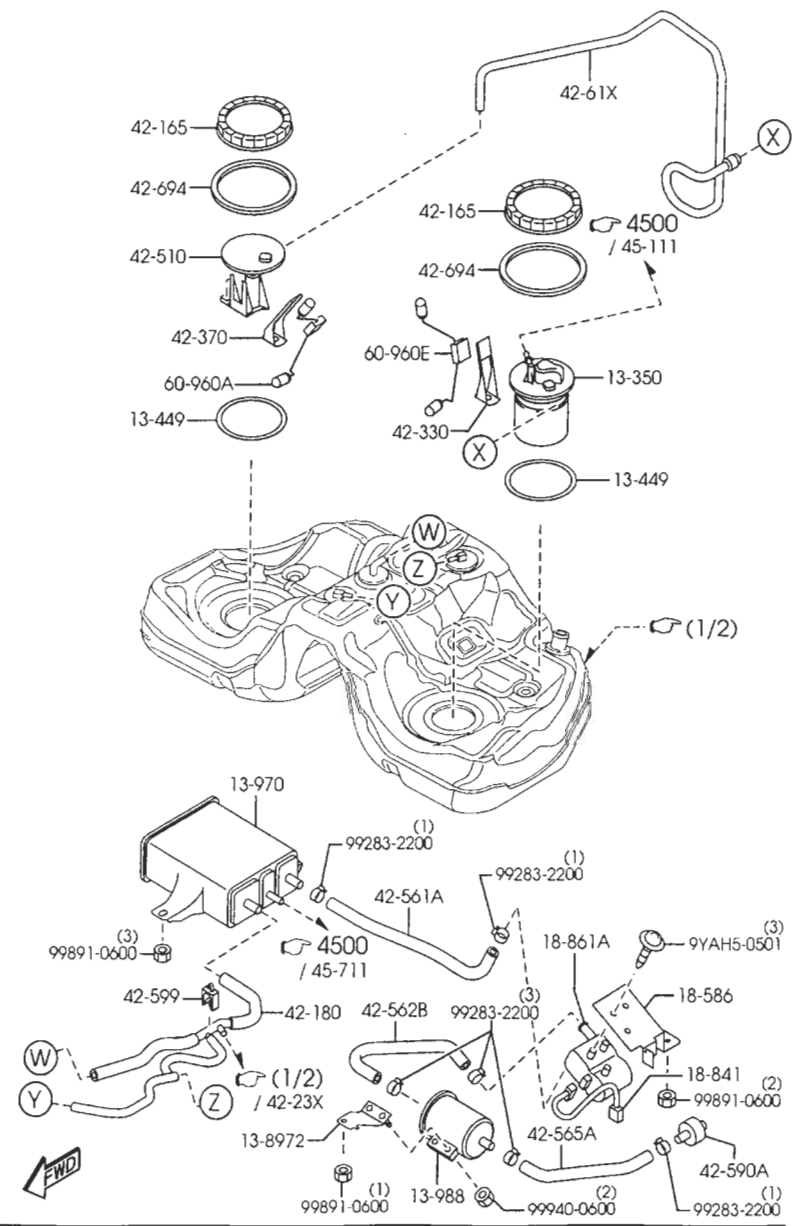
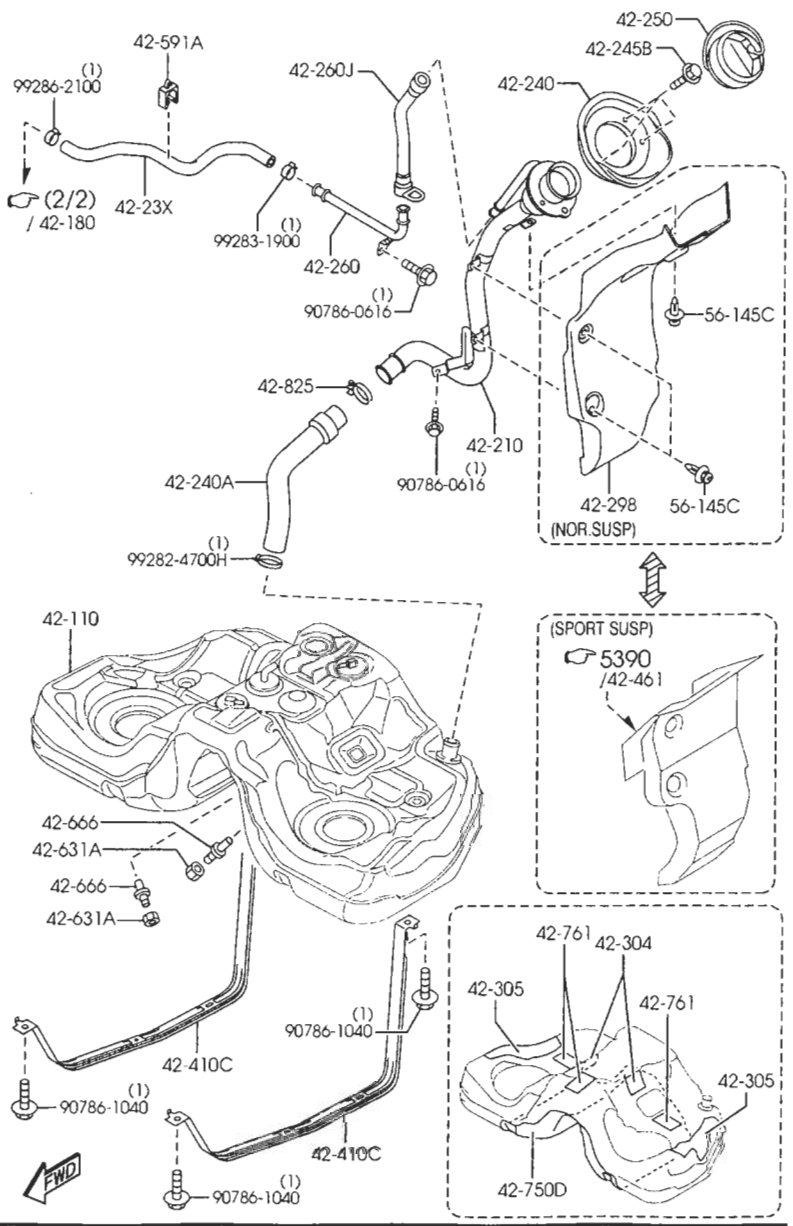
PART NO.	QTY	MODEL/RESTRICTION	MODEL/RESTRICTION	MODEL/RESTRICTION	FROM-TO
+-----+   49-510   +-----+		BUSH SET	BUSELURE		
W001-49-510	1				
+-----+   49-520   +-----+		PARTS KIT, INN.-CLUTC H	NECESSAIRE REPARATIO N		
B312-41-522	1				
+-----+   49-530   +-----+		SEAL KIT	KIT D'ETANCHEITE		
B312-41-53Z	1				
+-----+   49-686B   +-----+		BUSH, ELBOW JOINT	BUSELURE		
0839-49-686A	1				

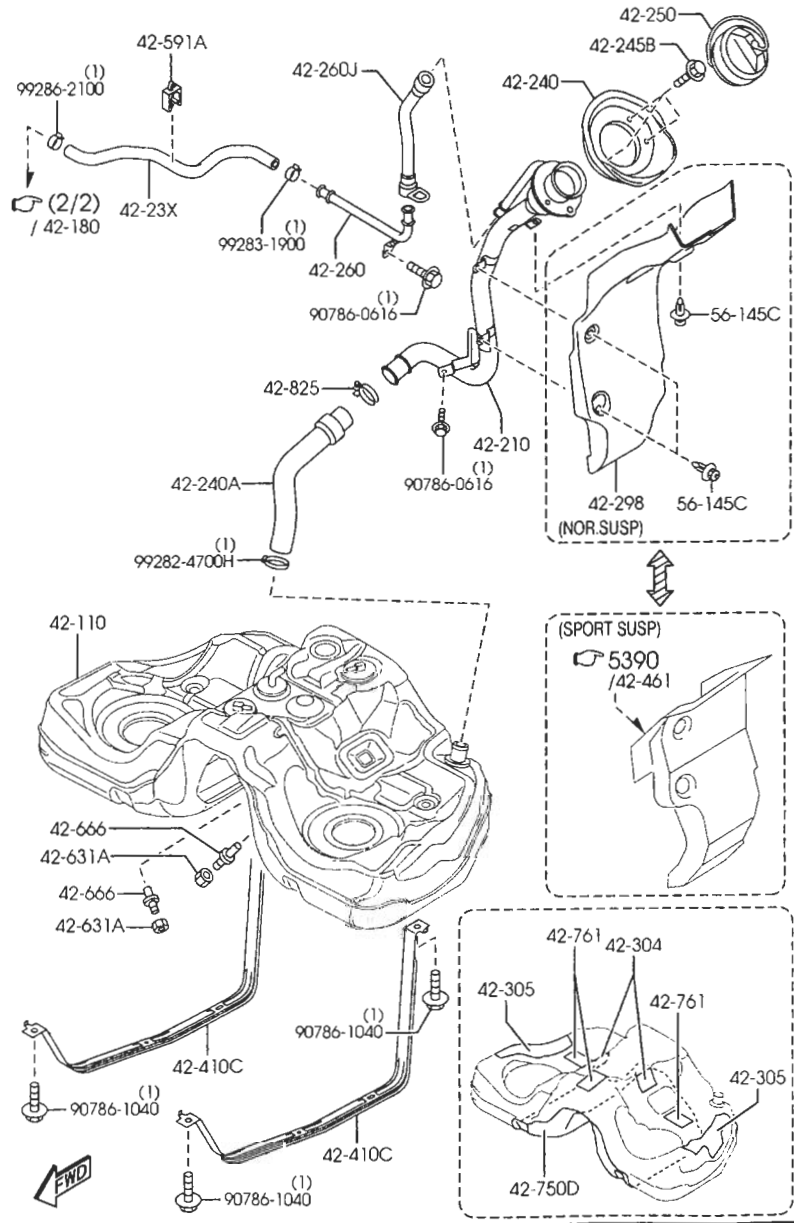


PART NO.	QTY	MODEL/RESTRICTION	MODEL/RESTRICTION	MODEL/RESTRICTION	FROM-TO
41-360		HOLDER,CLUTCH	SUPPORT		
F151-41-370A	1	(ILLUST. NO.1)			
F152-41-370A	1	(ILLUST. NO.2)			
41-370		PIPE,CLUTCH	CONDUIT, EMBRAYAGE		
F151-41-360	1				
41-380		HOSE,FLEXIBLE	DURITE FLEXIBLE		
F151-41-380A	1				
43-635A		CLIP,FLEXIBLE HOSE	ATTACHE, CONDUIT FLEXIBLE		
0136-43-635	2				
45-510		PIPE,CLUTCH	CONDUIT, EMBRAYAGE		
FE05-45-510	1				
45-914		HOLDER,PIPE	SUPPORT,PIPE		
FB01-45-914	1	NIFUKO	NIFUKO		



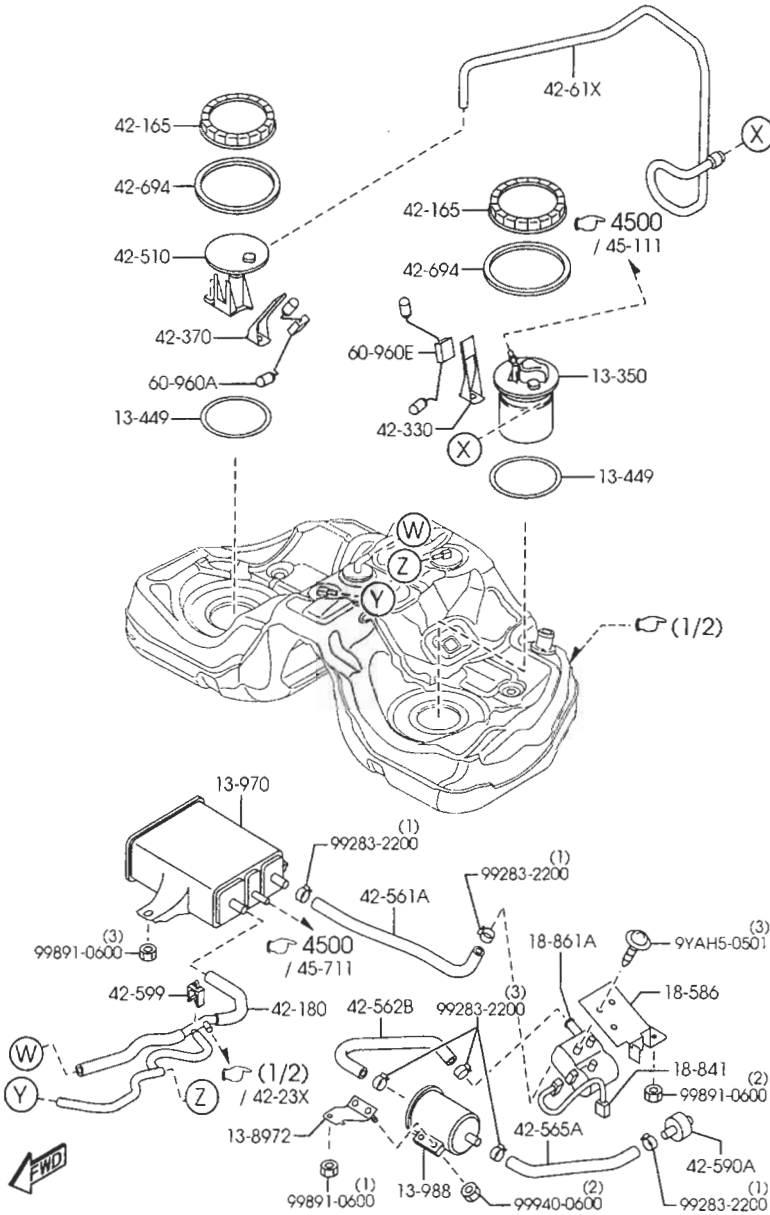
PART NO.	QTY	MODEL/RESTRICTION	MODEL/RESTRICTION	MODEL/RESTRICTION	FROM-TO
41-600A					
F151-41-600B	1	PEDAL, ACCEL. (PEDAL-STD.)	PEDALE, ACCELERATEUR		
F157-41-600B	1	(PEDAL-ALUM.) (MT)	(B.V.MANU)		



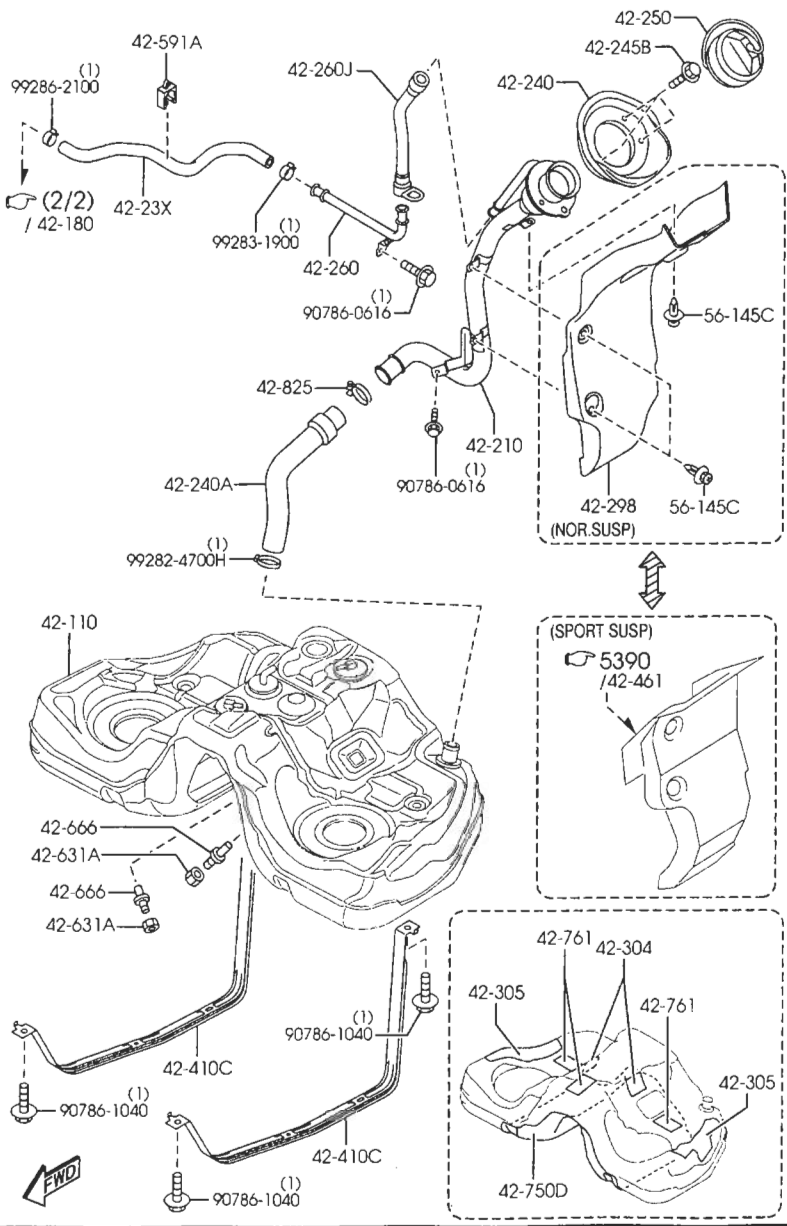


PART NO.	QTY	MODEL/RESTRICTION	MODEL/RESTRICTION	MODEL/RESTRICTION	FRONT
13-350 N3H1-13-35ZA	1	PUMP,FUEL	POMPE A ESSENCE		
13-449 F151-42-A61	2	GASKET,FUEL PUMP	JOINT		
13-8972 N3H4-13-98YA	1	BRACKET	ATTACHE		
13-970 N3H4-13-970A	1	CANISTER	TAMBOUR		
13-988 KL64-13-988	1	FILTER,AIR	FILTRE A AIR		
18-586 N3H4-18-586A	1	BRACKET,LEAKAGE SENSOR			
18-841 N3H4-18-791	1	CORD,SHORT	FAISCEAU,COURT		
18-861A AJ51-18-581	1	SENSOR	CAPTEUR,DECANTEUR		
42-110 FE01-42-110A	1	TANK,FUEL	RESERVOIR D'ESSENCE		
42-165 F151-42-A14A	2	RING,'O'	JOINT 'O'		
42-180 FE01-42-180	1	PIPE,FUEL	TUYAU DE CARBURANT		
42-210 FE01-42-210B	1	PIPE,FILLER	PIPE DE REMPLISSAGE		
42-23X FE01-42-23X	1	HOSE,BREATHER	TUYAU AERATION		
42-240 FE01-42-24Z	1	COVER,DUST	CACHE,POUSSIERE		

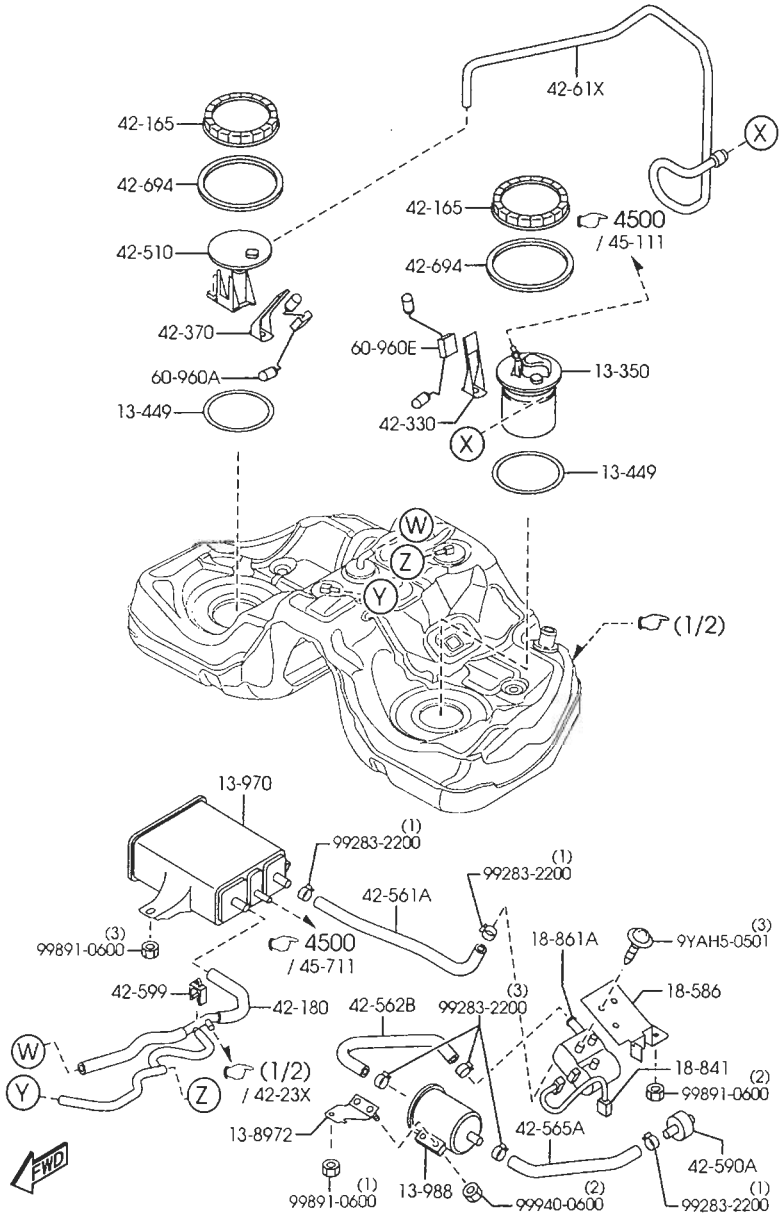




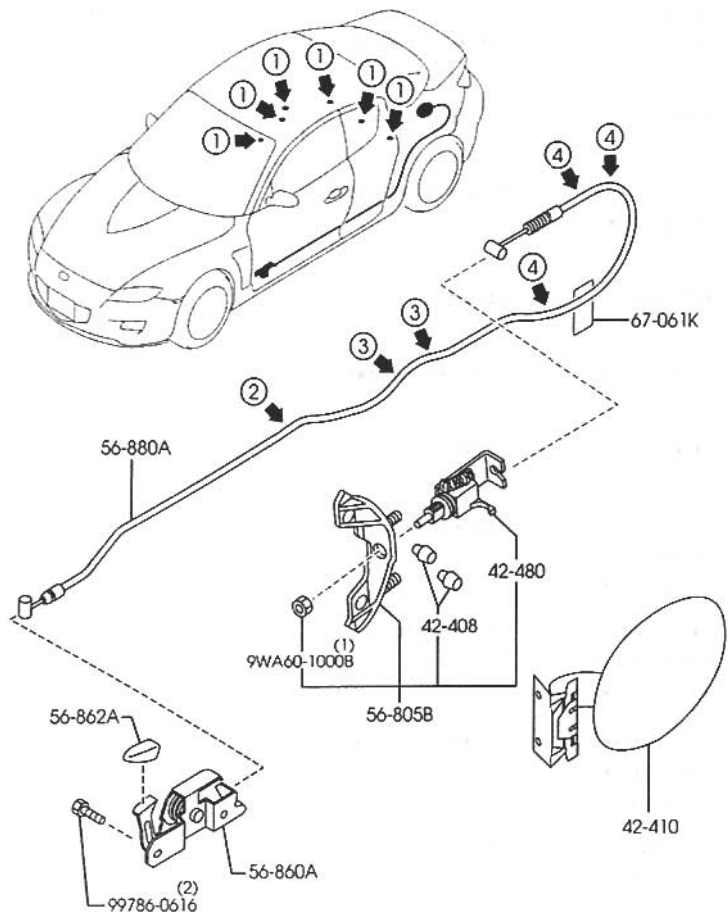
PART NO.	QTY	MODEL/RESTRICTION	MODEL/RESTRICTION	MODEL/RESTRICTION	FROM-TO
42-240A FE01-42-231	1	HOSE, JOINT	FLEXIBLE, JOINT-TUBE REMP		
42-245B H260-42-245A	3	BOLT, DUST COVER	BOULON, COUVERCLE POUSSIE.		
42-250 FE01-42-250A	1	CAP, FILLER	BOUCHON, REMPLIS. HUILE		
42-260 FE01-42-260A	1	PIPE, BREATHER	CONDUIT D'AERATION		
42-260J FE01-42-232A	1	HOSE, BREATHER	TUYAU, RENIFLARD		
42-298 F151-42-298	1	PROTECTOR, FILLER HOSE (NDR. SUSP)	PROTECTEUR, CHEMINE. REMP. (SUSP. NRML)		
42-304 B455-42-761	2	PAD, FUEL TANK 80X70X8	ISOLATEUR, RESERVOIR ESSENCE 80X70X8		
42-305 B455-42-763	2	PAD, FUEL TANK 300 X 50	ISOLATEUR, RESERVOIR ESSENCE 300 X 50		
42-330 F151-42-116	1	BRACKET, TANK	ATTACHE, RESERVOIR		
42-370 F151-42-117	1	BRACKET, TANK	ATTACHE, RESERVOIR		
42-410C F151-42-710	2	BAND(R), TANK FIX.	COLLIER(D)RESERVOIR		
42-510 F151-42-18XA	1	PIPE, FUEL	CONDUIT, ESSENCE		
42-561A FE01-42-561	1	HOSE, FUEL	FLEXIBLE ESSENCE		



PART NO.	QTY	MODEL/RESTRICTION	MODEL/RESTRICTION	MODEL/RESTRICTION	FROM-TO
42-562B	1	HOSE, FUEL	TUYAU ESSENCE		
FE01-42-562					
42-565A	1	HOSE, FUEL	TUYAU ESSENCE		
FE01-42-563					
42-590A	1	CHAMBER, EVAPO. -TANK BRKT	CHAMBRE, EVAPO. -RESER V. E.		
NC49-42-590A					
42-591A	1	CLIP, HOSE	COLLIER, TUYAU FLEX. -RESP.		
FE01-42-553					
42-599	1	CLIP, HOSE	CLIP, TUYAU		
FE02-42-553					
42-61X	1	PIPE, FUEL	CONDUIT&ATTACHE, COMBUSTIB		
F151-42-61X					
42-631A	2	CLIP	COUV. ,COLLIER-COND. C OMBUS		
GJ6A-42-631					
42-666	2	CLIP	ATTACHE		
F151-42-784					
42-694	2	RETAINER	ARRET		
F151-42-A15A					
42-750D	1	INSULATOR, FUEL TANK	ISOLANT, RESERV. CARB URANT		
F151-42-740					
42-761	3	PAD	TAMPON		
F151-42-761					
42-825	1	CLAMP, HOSE	COLLIER DE SERRAGE		
FE01-42-239					
56-145C	3	CLIP, MUD GUARD	ETRIER, GARDE BOUE		
BC1D-56-145					
60-960A	1	GAUGE, FUEL TANK	JAUGE, RESERVOIR ESS ENCE		
F151-60-960					



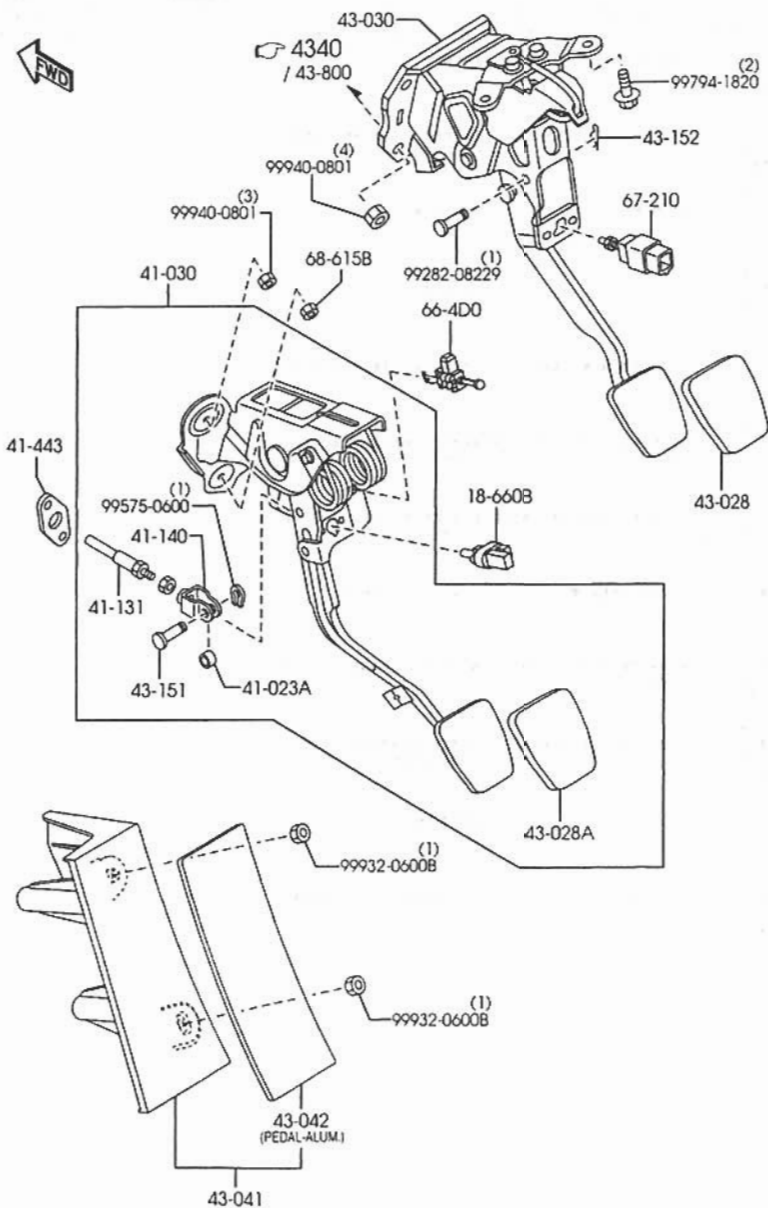
PART NO.	QTY	MODEL/RESTRICTION	MODEL/RESTRICTION	MODEL/RESTRICTION	FROM-TO
†-----†   60-960E   †-----† F151-60-970A	1	GAUGE, FUEL TANK-INNE R	GAUGE, RESERVOIR CARB U.-IN		



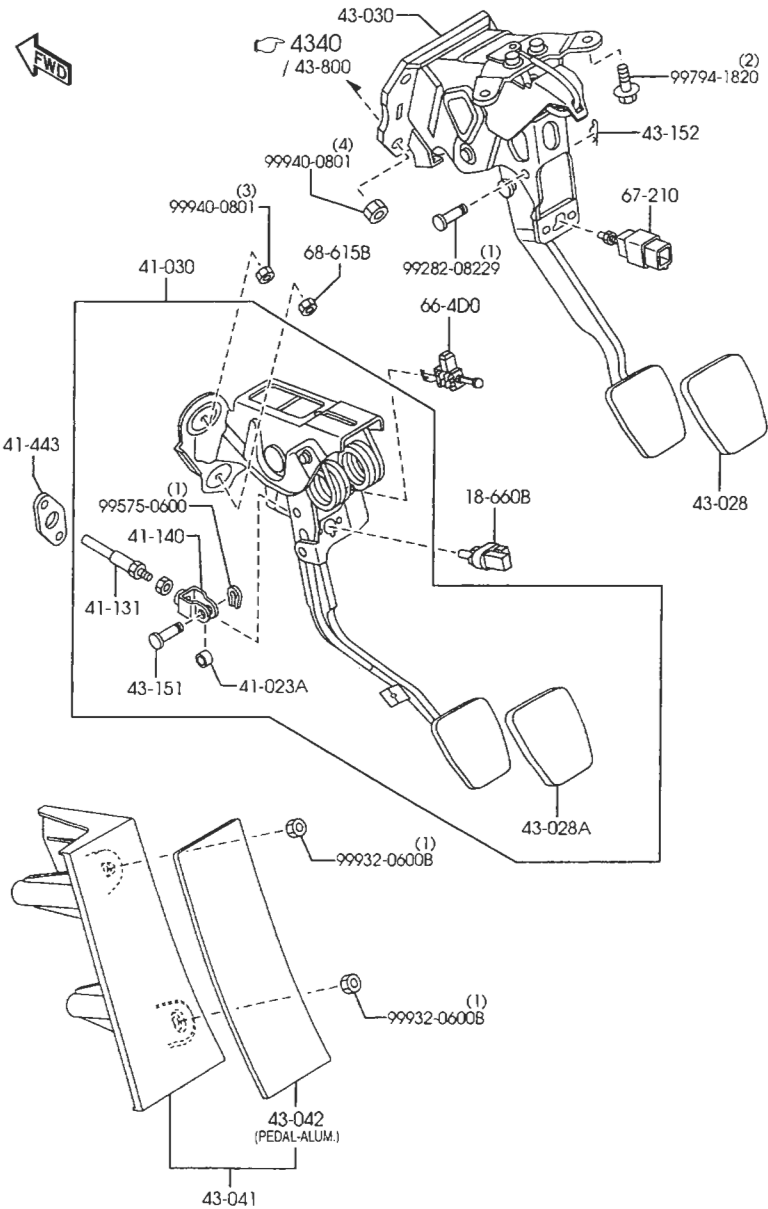
①	②	③	④
45-961B	56-804	56-832	67-054D



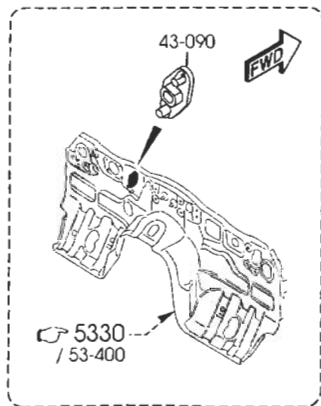
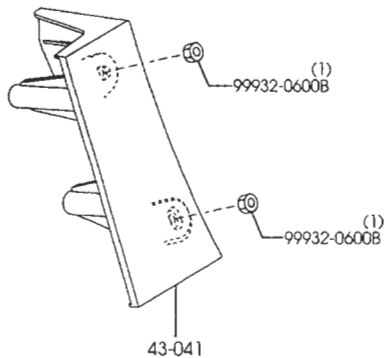
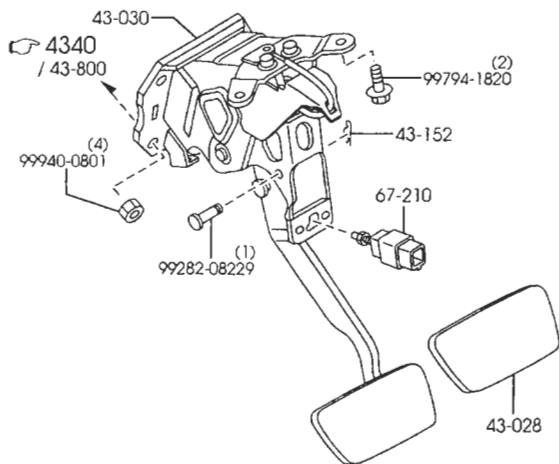
PART NO	QTY	MODEL/RESTRICTION	MODEL/RESTRICTION	MODEL/RESTRICTION	FROM-TO
42-408		STOPPER,FILLER LID	BUTEE,		
0187-70-491	2				
42-410		LID,FUEL FILLER	TRAPPE DE REMPLISSAGE CARBUR.		
F151-42-410A	1				
42-480		OPENER,FILLER LID	OUVREUR,		
B095-56-890B	1				
45-961B		CAP	CHAPEAU		
H002-45-961	6				
56-804		CLIP,OPENER CABLE-HINGE	COLLIER,CABLE OUVERT-CHAR		
BC1D-56-833	1				
56-805B		STOPPER,LID HINGE-TRUNK	ARRET,CHARN. CAPOT-COFFRE		
F151-56-83XB	1				
56-832		CLIP'B',OPENER CABLE	ETRIER'B',CABLE OUVERTURE		
GE4T-56-832	2				
56-860A		LEVER,OPENER	LEVIER,OUVREUR		
FE01-56-860	1				
56-862A		KNOB,OPENER LEVER-FILLER	BOUTON,LEVIER OUVERT		
ET11-56-862A	1				
56-880A		CABLE,F/LID OPENER	CABLE,OUVREUR TRAPPE CARBURANT		
FE01-56-880	1				
67-054D		CLIP	ATTACHE		
HZ60-67-054	3				
67-061K		PAD,PROTECTOR	FIBRANNE,PROTECTEUR		
G001-67-061	1				



PART NO.	QTY	MODEL/RESTRICTION	MODEL/RESTRICTION	MODEL/RESTRICTION	FROM-TO
18-660B		SWITCH, CLUTCH	CONTACT, EMBRAYAGE		
GJ6A-66-49Y	1				
41-023A		BUSH	BALAIS		
0727-41-023	1				
41-030		PEDAL, CLUTCH	PEDALE D'EMBRAYAGE		
FE05-41-300A	1 (PEDAL-ALUM.)				
FE15-41-300A	1 (PEDAL-STD.)				
41-131		ROD, PUSH	POUSSOIR		
F151-41-131	1				
41-140		FORK, CLUTCH	FOURCHETTE, EMBRAYAGE		
GASR-41-141	1				
41-443		GASKET	JOINT		
H001-41-443	1				
43-028		PAD, PEDAL	PATIN, PEDALE		
D350-43-028	1 (PEDAL-STD.)				
F161-43-028	1 (PEDAL-ALUM.)				
43-028A		PAD, PEDAL	PATIN, PEDALE		
D350-43-028	1 (PEDAL-STD.)				
F157-43-028	1 (PEDAL-ALUM.)				
43-030		PEDAL, BRAKE	PEDALE DE FREIN		
FE05-43-300B	1 (PEDAL-ALUM.)				
FE15-43-300B	1 (PEDAL-STD.)				
43-041		REST, FOOT	REPOSE-PIED		
FE01-43-040	1 (PEDAL-STD.)				
FE05-43-040	1 (PEDAL-ALUM.)				
43-042		PAD, FOOT REST	CALE, REPOSE-PIED		
FE05-43-04X	1 (PEDAL-ALUM.)				
43-151		PIN, JOINT	AXE DE LIAISON		
GASR-41-083	1				

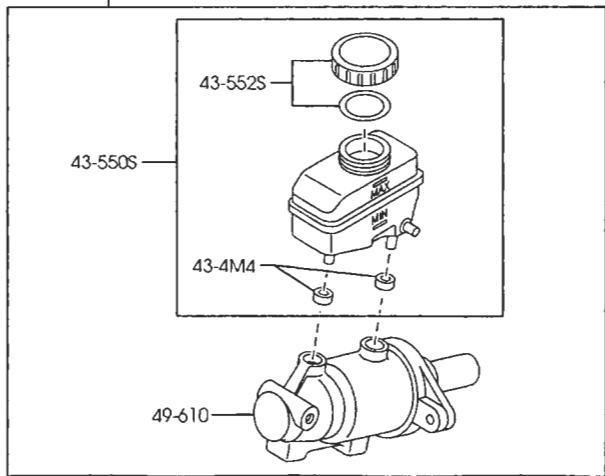
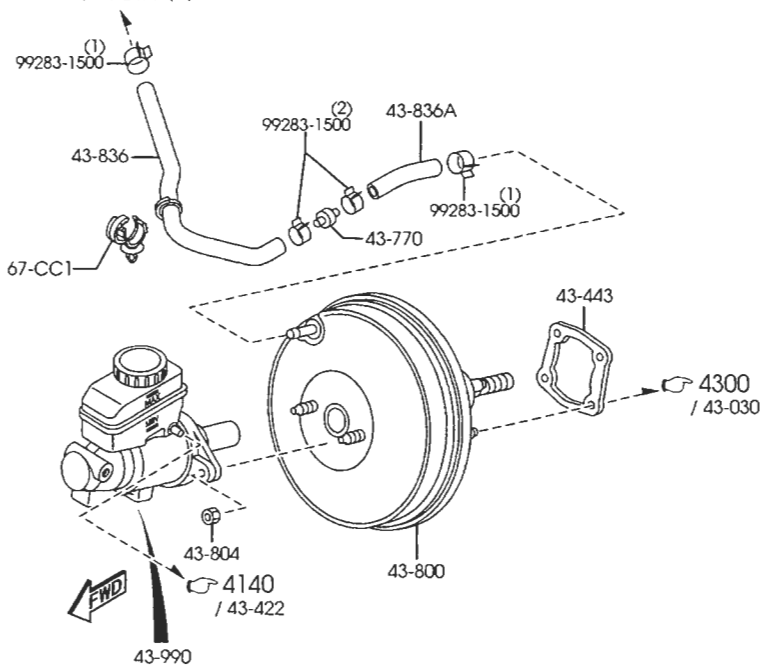


PART NO.	QTY	MODEL/RESTRICTION	MODEL/RESTRICTION	MODEL/RESTRICTION	FROM-TO
43-152 D001-43-152	1	PIN, SNAP	AXE D'ARRET		
66-4D0 D374-66-4D0	1	SWITCH, CLUTCH CUT	INTERRUPT. COUPE EMB RAYAG		
67-210 GJ6E-66-490	1	SWITCH, STOP-LAMP	INTERR., ARRET-LAMPE		
68-615B B100-68-615	1	NUT, FLANGE-CAP	ECROU, COLLET-CHAPEAU		



PART NO.	QTY	MODEL/RESTRICTION	MODEL/RESTRICTION	MODEL/RESTRICTION	FROM-TO
43-028		PAD, PEDAL	PATIN, PEDALE		
GJ6G-43-028	1	(PEDAL-STD.)			
43-030		PEDAL, BRAKE	PEDALE DE FREIN		
FE01-43-300B	1	(PEDAL-STD.)			
43-041		REST, FOOT	REPOSE-PIED		
FE01-43-040	1				
43-090		PLATE	PLAQUE		
BC1E-43-090	1				
43-152		PIN, SNAP	AXE D'ARRET		
D001-43-152	1				
67-210		SWITCH, STOP-LAMP	INTERR., ARRET-LAMPE		
GJ6E-66-490	1				

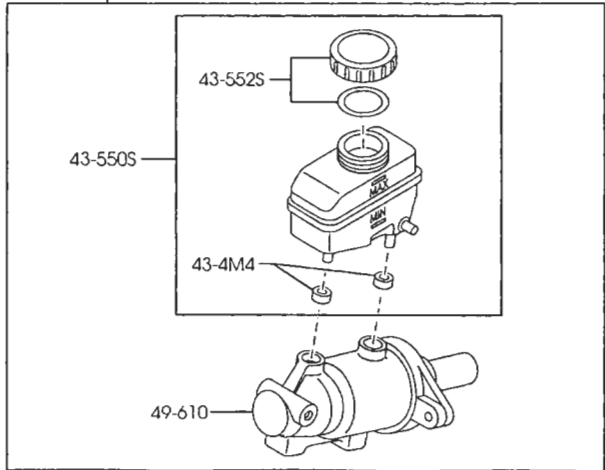
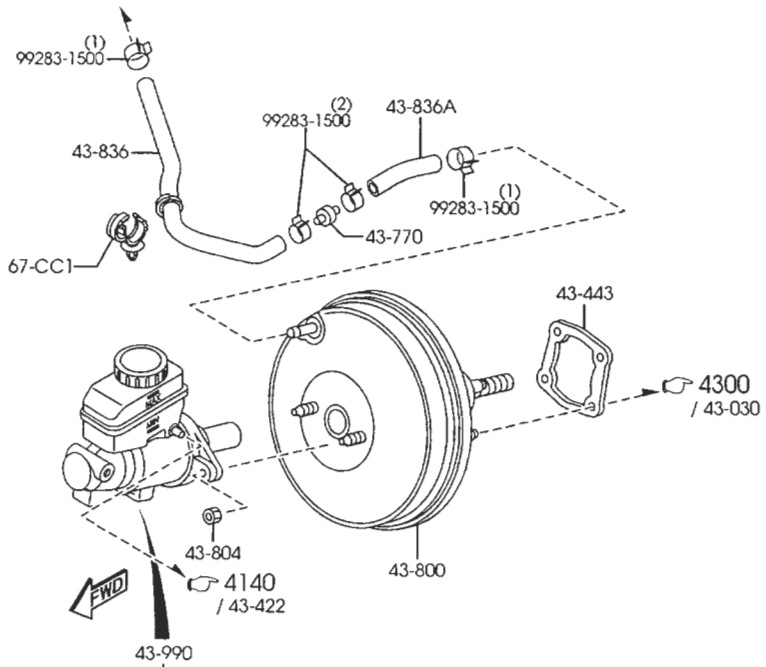
1300 / 13-23XA (NO.1) (MT)  
/ 13-23XA (AT)



PART NO.	QTY	MODEL/RESTRICTION	MODEL/RESTRICTION	MODEL/RESTRICTION	FROM-TO
43-4M4					
F151-43-4M4	2	GROMMET	AMORTISSEUR		
43-443					
H001-43-443	1	GASKET,VAC POWER ASSIST NON ASBESTOS	JOINT NON ASBESTOS		
43-550S					
FE01-43-55Z	1 (AT)	TANK SET,RESERVE	RESERVOIR ASSEMBLE, RESERVE (B.V.AUTOM)		
FE05-43-55Z	1 (MT)		(B.V.MANU)		
43-552S					
F151-43-55Y	1	CAP SET,RESERVE TANK	BOUCHON RESERVOIR RE SERVE		
43-770					
FB44-43-770	1	VALVE,CHECK	SOUPAPE DE RETENU		
43-800					
FEY1-43-80Z	1	VACUUM POWER ASSIST	ASSISTANCE PAR DEPRES SION		
43-804					
F151-43-954	2	NUT	ECROU		
43-836					
FE01-43-836	1	HOSE,VACUUM	DURITE DE DEPRESSION		
43-836A					
FE01-43-838	1	HOSE,VACUUM	DURITE DE DEPRESSION		
43-990					
FE01-43-40ZA	1 ((AT)>(W/D DSC) )	CYL.,TANDEM MASTER	MAITRE CYLINDRE, SER VO ((B.V.AUTOM)>(SANS D SC) )		
FE03-43-40ZA	1 ((AT)>(W/DSC) )		((B.V.AUTOM)>(AVEC D SC) )		
FE05-43-40ZA	1 ((MT)>(W/D DSC) )		((B.V.MANU)>(SANS DS C) )		
FE06-43-40ZA	1 ((MT)>(W/DSC) )		((B.V.MANU)>(AVEC DS C) )		
49-610					
F151-43-43ZA	1 (W/O DSC)	PARTS KIT,INN.-BRAKE	NECESSAIRE DE REPARA TION (SANS DSC)		
F153-43-43ZA	1 (W/DSC)		(AVEC DSC)		

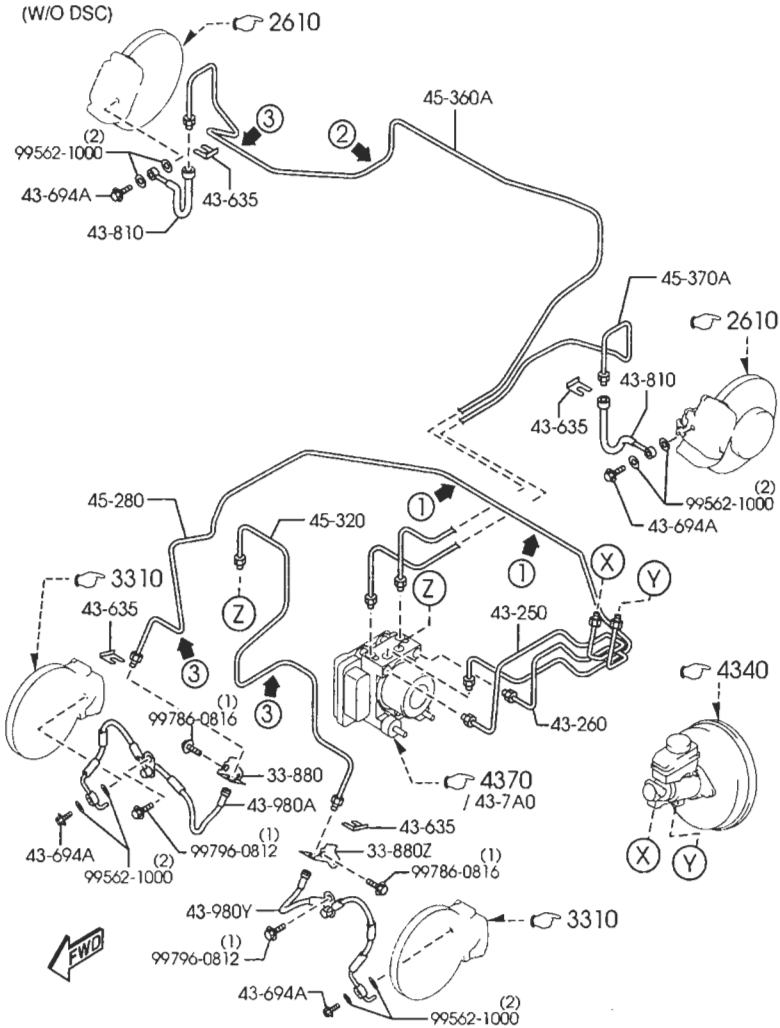


1300 / 13-23XA(NO.1)(MT)  
/ 13-23XA(AT)



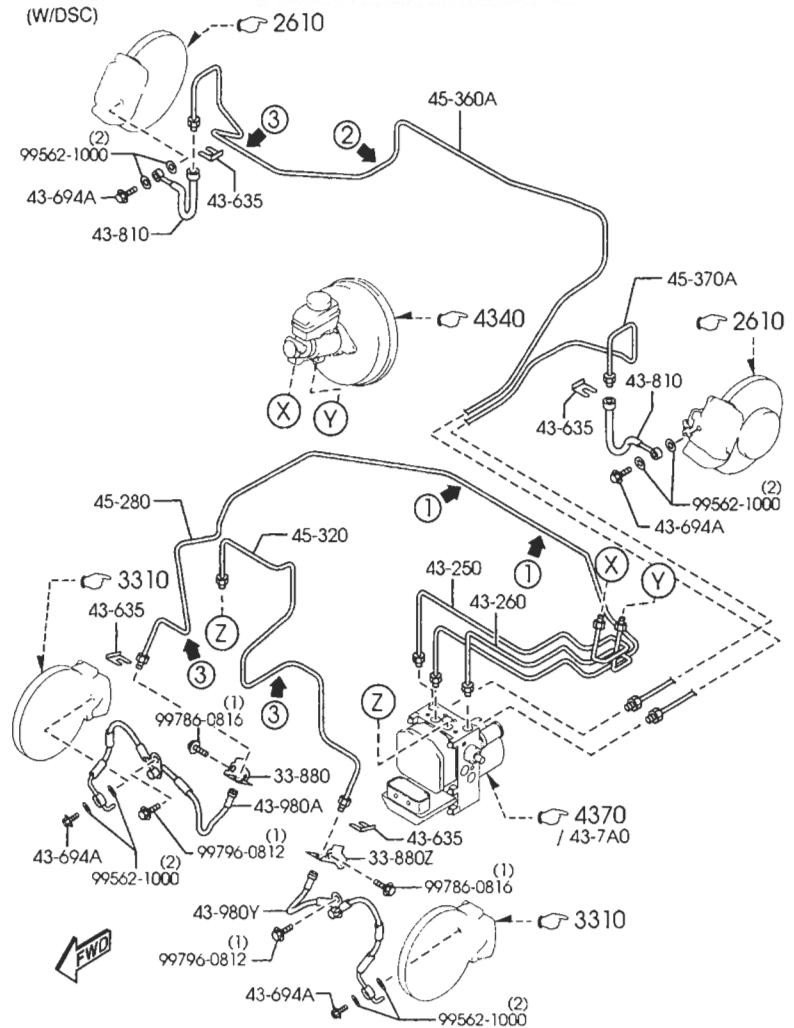
PART NO.	QTY	MODEL/RESTRICTION	MODEL/RESTRICTION	MODEL/RESTRICTION	FROM-TO
+-----+   67-CC1   +-----+ BC5A-67-CC1	1	CLIP, HARNESS	COLLIER, HARNAIS		

(W/O DSC)

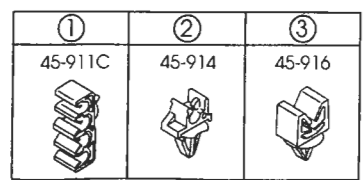
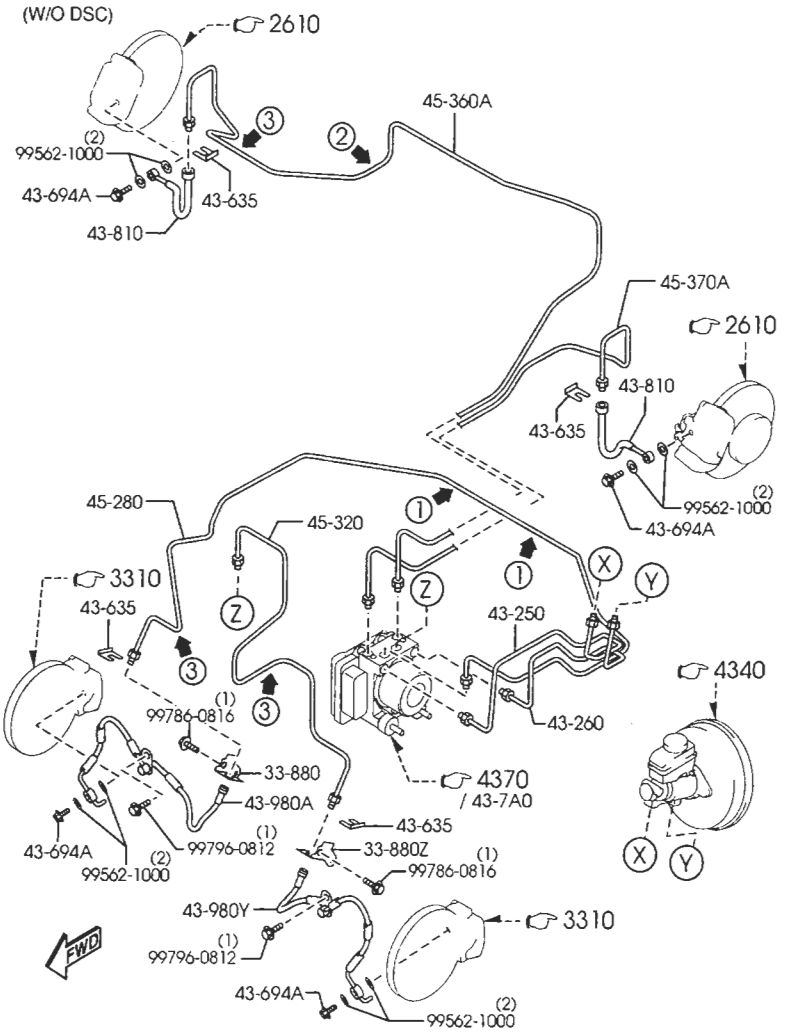


①	②	③
45-911C	45-914	45-916

(W/DSC)

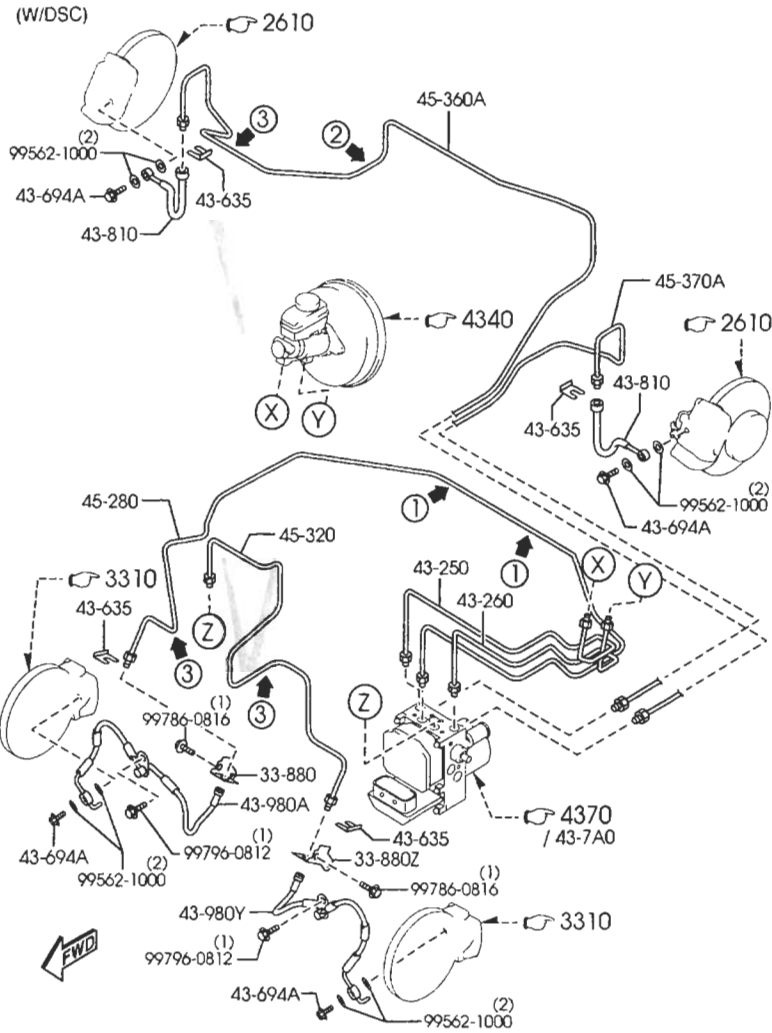


①	②	③
45-911C	45-914	45-916



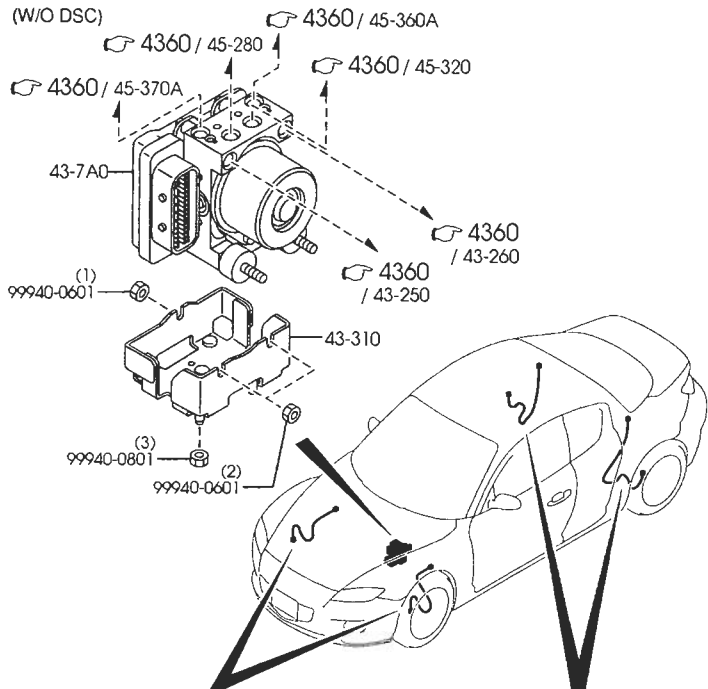
PART NO.	QTY	MODEL/RESTRICTION	MODEL/RESTRICTION	MODEL/RESTRICTION	FROM-TO
F151-33-880	1	HOLDER(R)	MONTURE(D)		
F151-33-890	1	HOLDER(L)	MONTURE(G)		
FE01-43-250	1	PIPE NO.1,BRAKE-A.B. (W/O DSC)	TUYAU NO.1,FREIN-A.B. (SANS DSC)		
FE03-43-250	1	(W/DSC)	(AVEC DSC)		
FE01-43-260	1	PIPE NO.2,BRAKE-A.B. (W/O DSC)	TUYAU NO.2,FREIN-A.B. (SANS DSC)		
FE03-43-260	1	(W/DSC)	(AVEC DSC)		
W023-43-635A	4	CLIP,FLEXIBLE HOSE	ATTACHE, CONDUIT FLEXIBLE		
B001-43-694A	4	BOLT,CONNECTOR	BOULON		
F151-43-810	2	HOSE,FLEXIBLE	DURITE FLEXIBLE		
F151-43-980	1	HOSE(R),FLEXIBLE-FRT	FLEXIBLE(D),FLEX. AVANT.		
F151-43-990	1	HOSE(L),FLEXIBLE-FRT	FLEXIBLE(G),FLEX. AVANT.		
F151-45-280	1	PIPE(R),BRAKE-FRONT (W/O DSC)	CONDUIT (D), FREIN AVANT (SANS DSC)		
F153-45-280	1	(W/DSC)	(AVEC DSC)		
F151-45-320	1	PIPE(L),BRAKE-FRONT (W/O DSC)	CONDUIT (G), FREIN AVANT (SANS DSC)		
F153-45-320	1	(W/DSC)	(AVEC DSC)		
F151-45-360A	1	PIPE,BRAKE-REAR (W/O DSC)	CONDUIT, FREIN ARRIERE (SANS DSC)		
F153-45-360A	1	(W/DSC)	(AVEC DSC)		

(W/DSC)

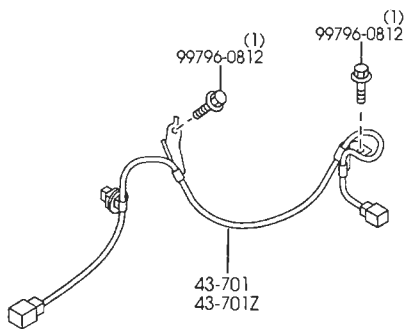


①	②	③
45-911C	45-914	45-916

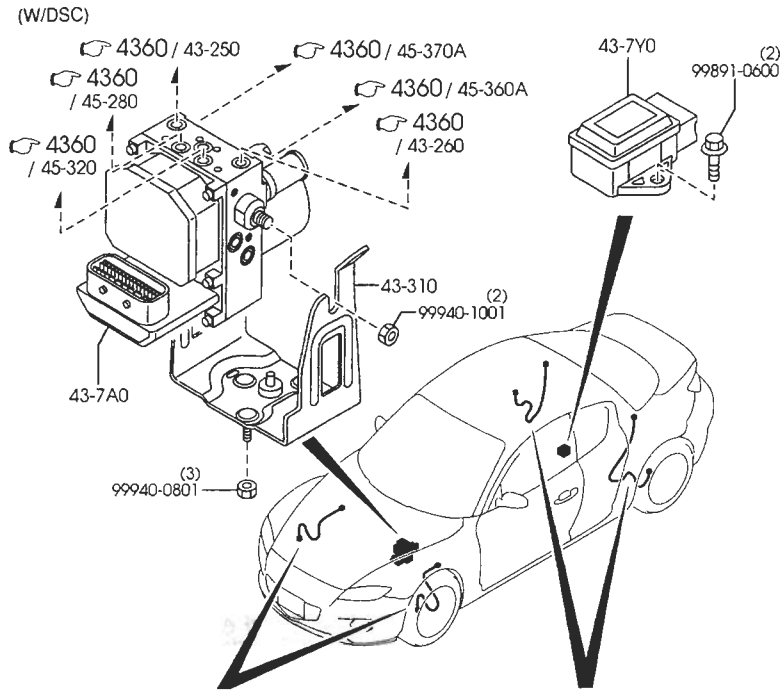
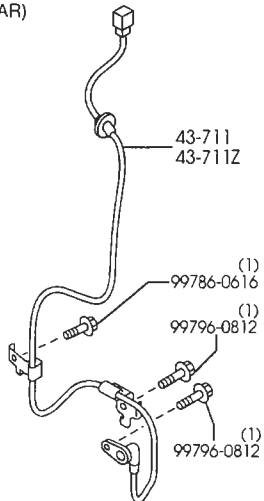
PART NO.	QTY	MODEL/RESTRICTION	MODEL/RESTRICTION	MODEL/RESTRICTION	FRONT-TO
45-370A		PIPE(L), REAR BRAKE	TUYAU(G), FREIN AR		
F151-45-370	1	(W/O DSC)	(SANS DSC)		
F153-45-370	1	(W/DSC)	(AVEC DSC)		
45-911C		CLIP, PIPE	ATTACHE, CONDUIT		
F151-45-911	2				
45-914		HOLDER, PIPE	SUPPORT, PIPE		
FB01-45-914	1	NIFUKO	NIFUKO		
45-916		HOLDER, PIPE	SUPPORT, PIPE		
BC1D-45-916	3				



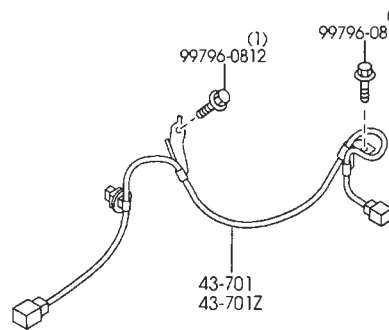
(FRONT)



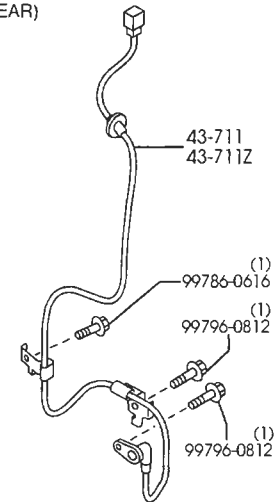
(REAR)

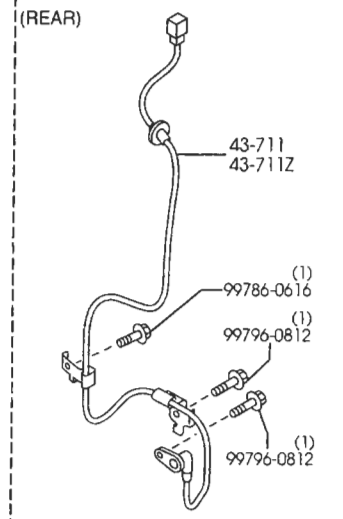
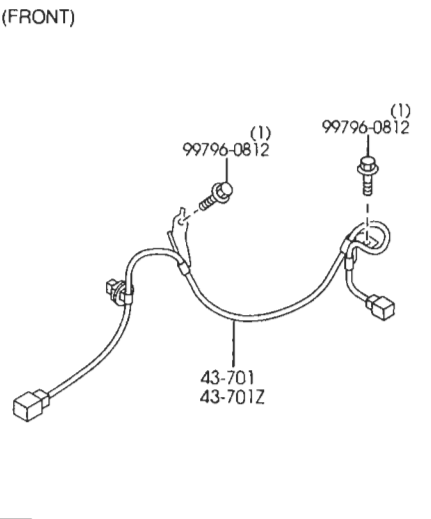
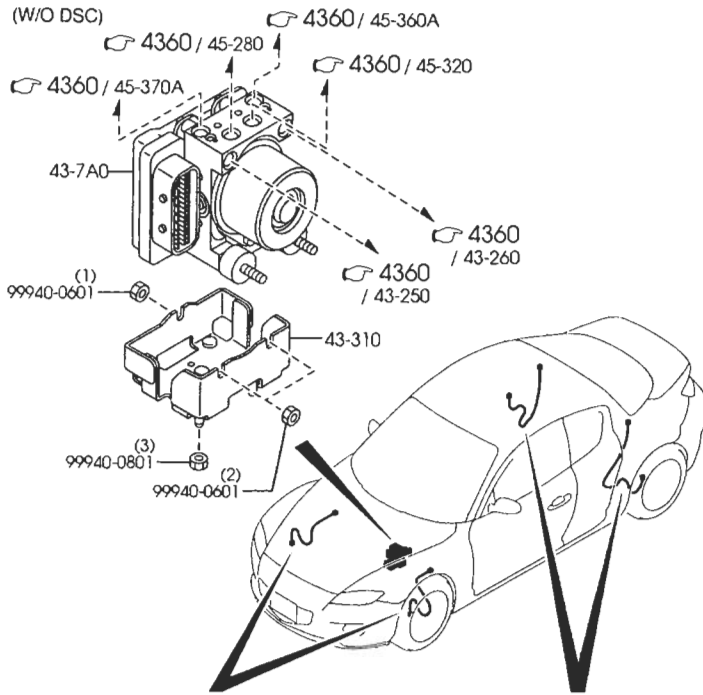


(FRONT)

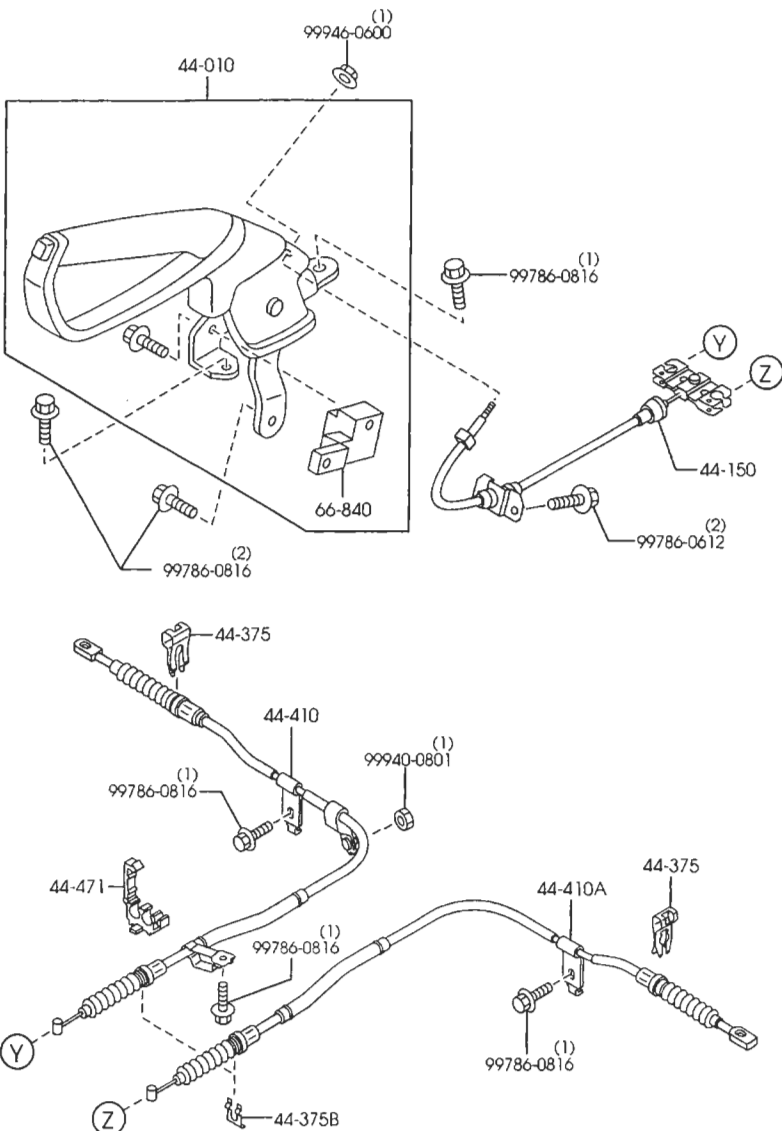


(REAR)

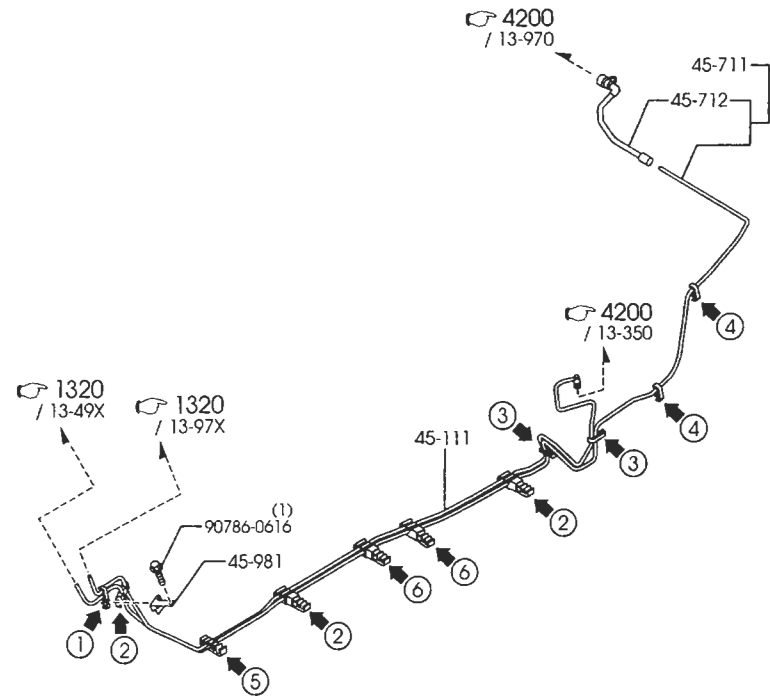




PART NO.	QTY	MODEL/RESTRICTION	MODEL/RESTRICTION	MODEL/RESTRICTION	FROM-TO
43-310		BRACKET NO.1,A.B.S.	SUPPORT NO.1,A.B.S.		
F151-43-310	1	(W/O DSC)	(SANS DSC)		
F153-43-310	1	(W/DSC)	(AVEC DSC)		
43-7A0		UNIT, HYDRAULIC-ABS	UNITE HYDRAULIQUE, A.B.S.		
F1Y1-43-7A0	1	(W/O DSC)	(SANS DSC)		
F1Y3-43-7A0	1	(W/DSC)	(AVEC DSC)		
43-7Y8		SENNOR, YAW RATE	CAPTEUR		
F153-43-7Y1	1	(W/DSC)	(AVEC DSC)		
43-701		SENSOR(R), FRT-A.B.S.	SENSOR(D), AVANT-A.B.S.		
F151-43-70X	1				
43-701Z		SENSOR(L), FRT-A.B.S.	SENSOR(G), AVANT-A.B.S.		
F151-43-73X	1				
43-711		SENSOR(R), RR-A.B.S.	SENSOR(D), D.ARR. A.B.S.		
F151-43-71Y	1				
43-711Z		SENSOR(L), RR-A.B.S.	SENSOR(G), D.AR. -A.B.S.		
F151-43-72Y	1				



PART NO.	QTY	MODEL/RESTRICTION	MODEL/RESTRICTION	MODEL/RESTRICTION	FROM-TO
44-010	1	LEVER,PARKING BRAKE	LEVIER DE FREIN A MAIN		
F151-44-010D	1				
44-150	1	CABLE,PARKING-FRT	CABLE, AV		
F151-44-150	1				
44-375	2	CLIP,PARKING CABLE	ATTACHE,FREIN A MAIN		
GA2B-44-375A	2	CHUOHATSUJO	CHUOHATSUJO		
44-375B	2	CLIP	ATTACHE		
0118-44-375	2				
44-410	1	CABLE(R),R.-PARK.	CABLE, ARRIERE		
F151-44-410C	1				
44-410A	1	CABLE(L),R.-PARK.	CABLE FREIN A MAIN(G)		
F151-44-420B	1				
44-471	1	CLIP	ATTACHE		
F151-44-471	1				
66-840	1	SWITCH,PARKING LAMP	INTE., TEMOIN FREIN A MAIN		
GJ6G-66-450	1				

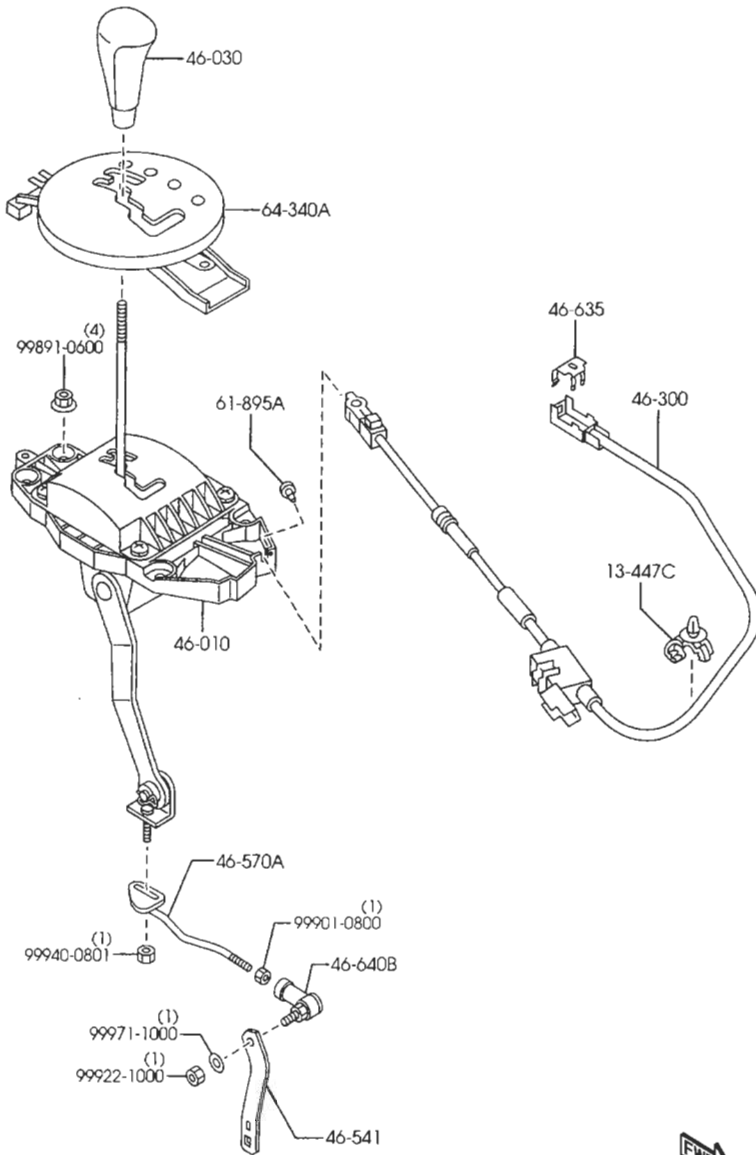


FWD

①	②	③	④	⑤	⑥
45-911B (NO.1)	45-911B (NO.2)	45-913	45-915B	45-919	45-922

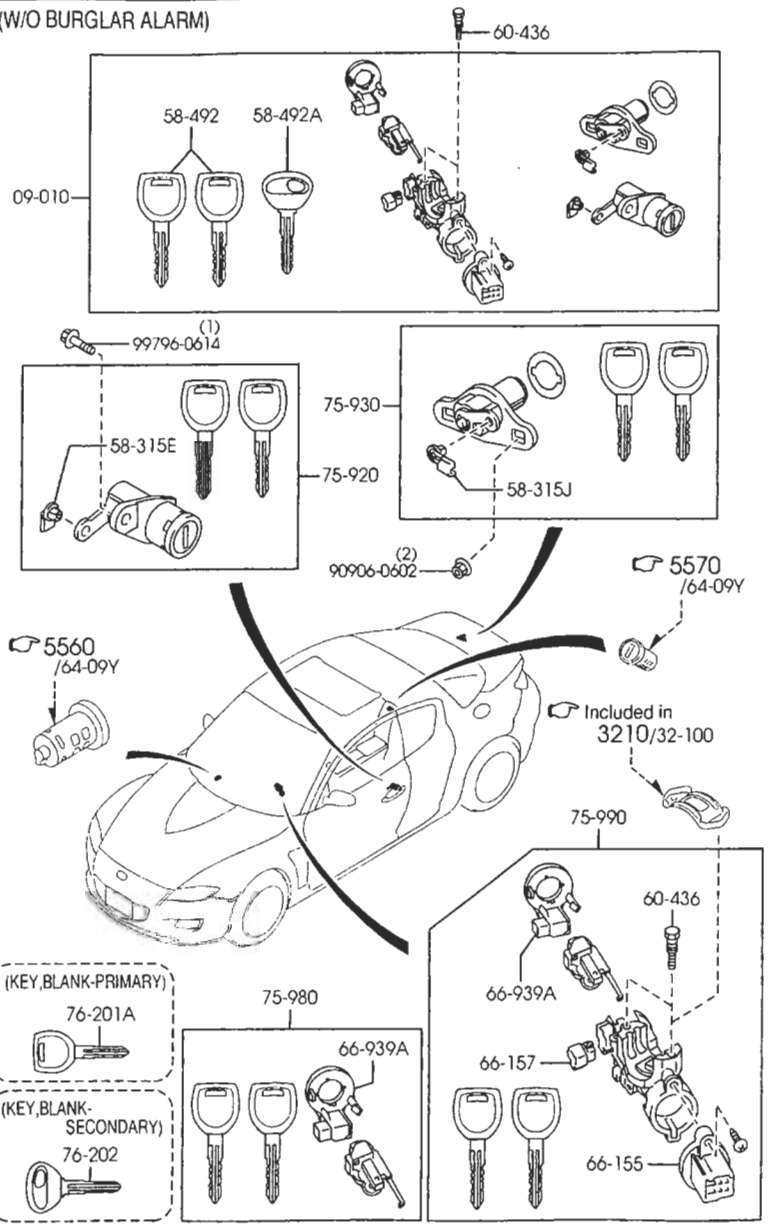
PART NO.	QTY	MODEL/RESTRICTION	MODEL/RESTRICTION	MODEL/RESTRICTION	FROM-TO
45-111 F151-45-110A	1	PIPE,FUEL-MAIN	CONDUIT, ESSENCE		
45-711 FE01-45-710	1	PIPE,EVAPORATION	CONDUIT, EVAPORATION		
45-712 FE01-45-130	1	PIPE,EVAPORATOR	TUYAU D'EVAPORATION		
45-911B F151-45-912 GJ6A-45-912	1 (ILLUST. NO.1) 3 (ILLUST. NO.2)	HOLDER,PIPE	SUPPORT,PIPE		
45-913 F151-45-913	2	HOLDER,PIPE	ATTACHE TUYAU		
45-915B GJ6A-45-916	2	HOLDER,PIPE	PORTE,TUYAU		
45-919 GJ6A-45-919	1	CLIP,PIPE	ATTACHE TUYAU		
45-922 GJ6A-45-923	2	HOLDER,PIPE	PORTE,TUYAU		
45-981 F151-45-999	1	BRACKET,CLIP	SUPPORT		



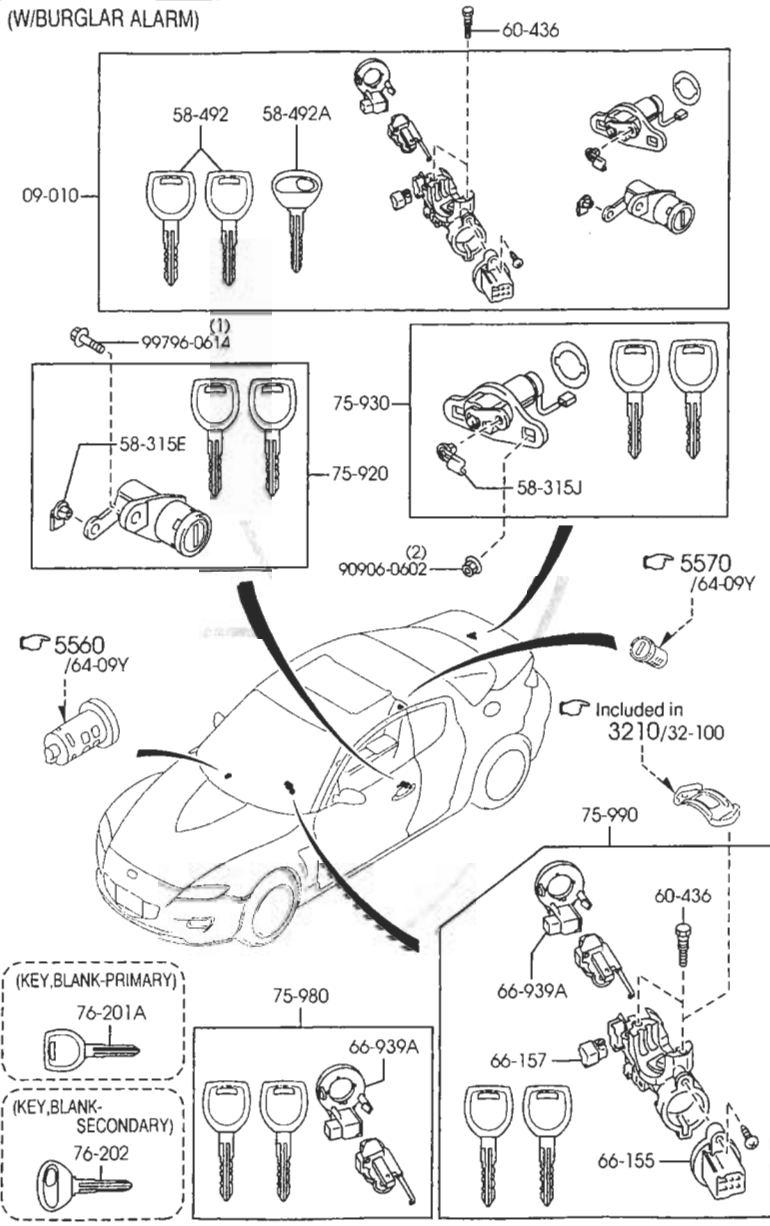


PART NO.	QTY	MODEL/RESTRICTION	MODEL/RESTRICTION	MODEL/RESTRICTION	FROM-TO
13-447C		CLAMP, HOSE	COLLIER DE SERRAGE		
B61P-13-447	1				
46-010		LEVER, SELECT	LEVIER SELECTEUR		
FE01-46-100C	1				
46-030		KNOB, CHANGE LEVER	BOULE DE LEVIER DE VITESSE		
F154-46-030A	1				
46-300		CABLE, INTER LOCK	CABLE, ENCLenchEMENT		
FE01-46-300	1				
46-541		LEVER	LEVIER		
F154-46-311	1				
46-570A		ROD, SELECTOR-REAR	TIGE DE SELECTION AR		
F154-46-570	1				
46-635		CLIP, CONTROL CABLE	PINCE, LEVIER VITESSE & CA		
GEBM-46-635B	1				
46-640B		JOINT, BALL	ROTULE		
F154-46-640	1				
61-895A		RIVET, PLASTIC-COVER	RIVET, PLASTIQUE-COUVERCLE		
H260-61-895	1				
64-340A		INDICATOR	INDICATEUR		
FE01-64-350A	1				

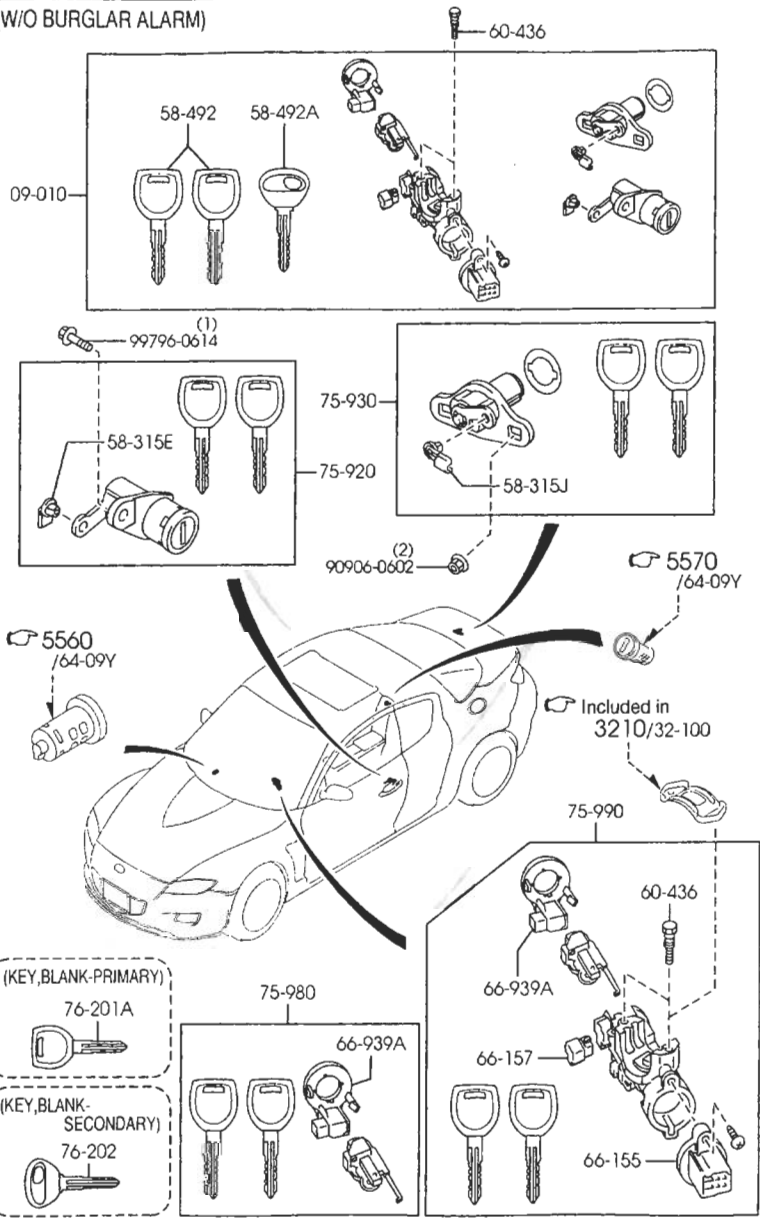
(W/O BURGLAR ALARM)



(W/BURGLAR ALARM)

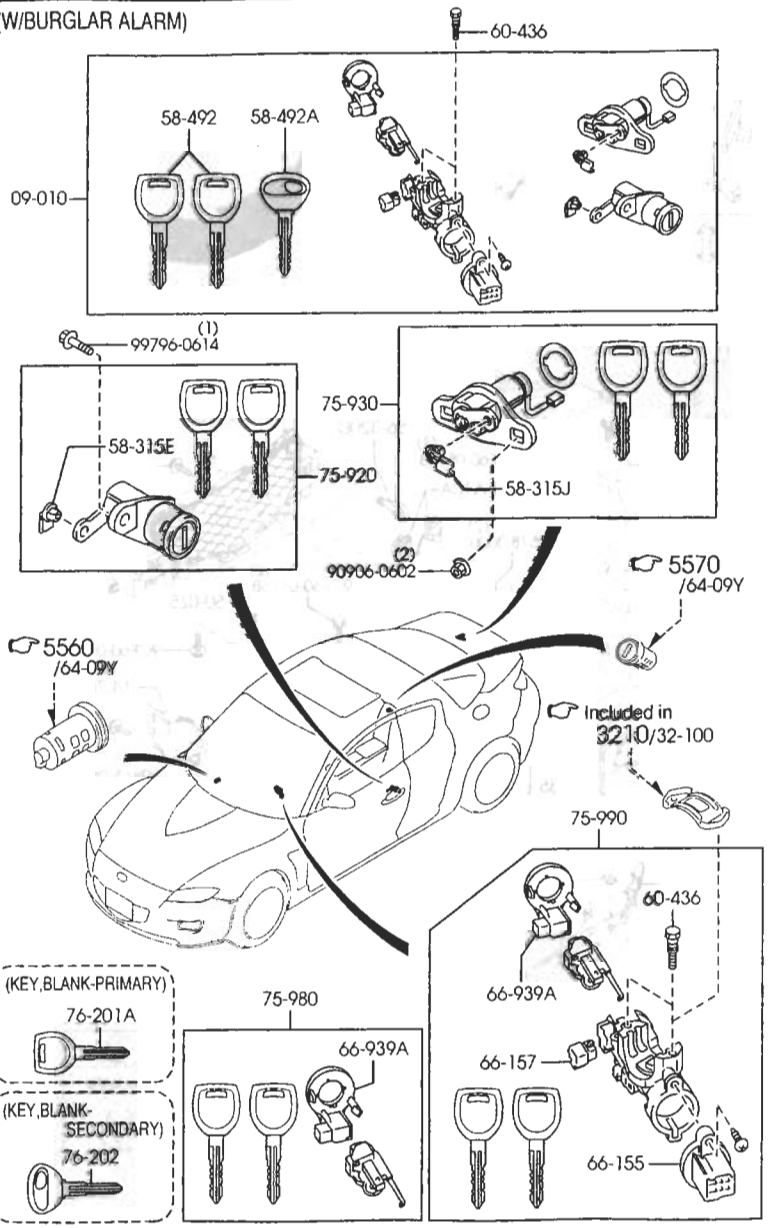


(W/O BURGLAR ALARM)

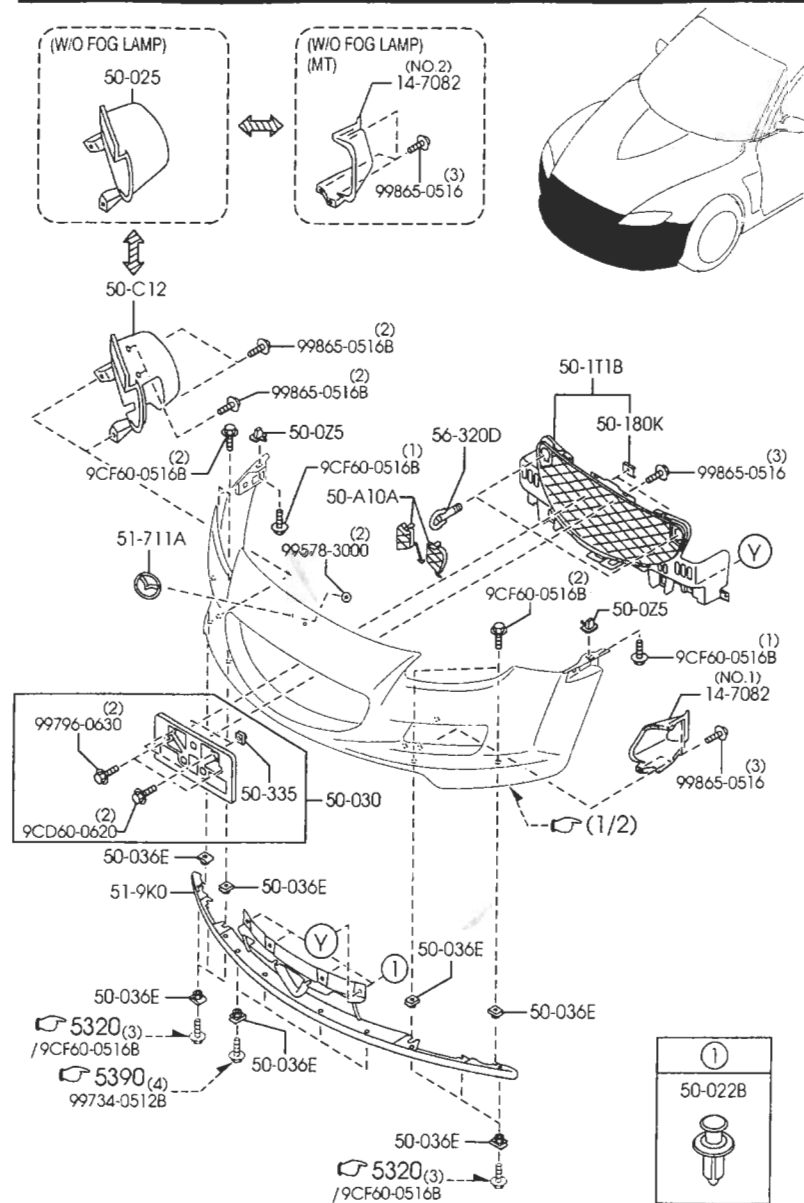
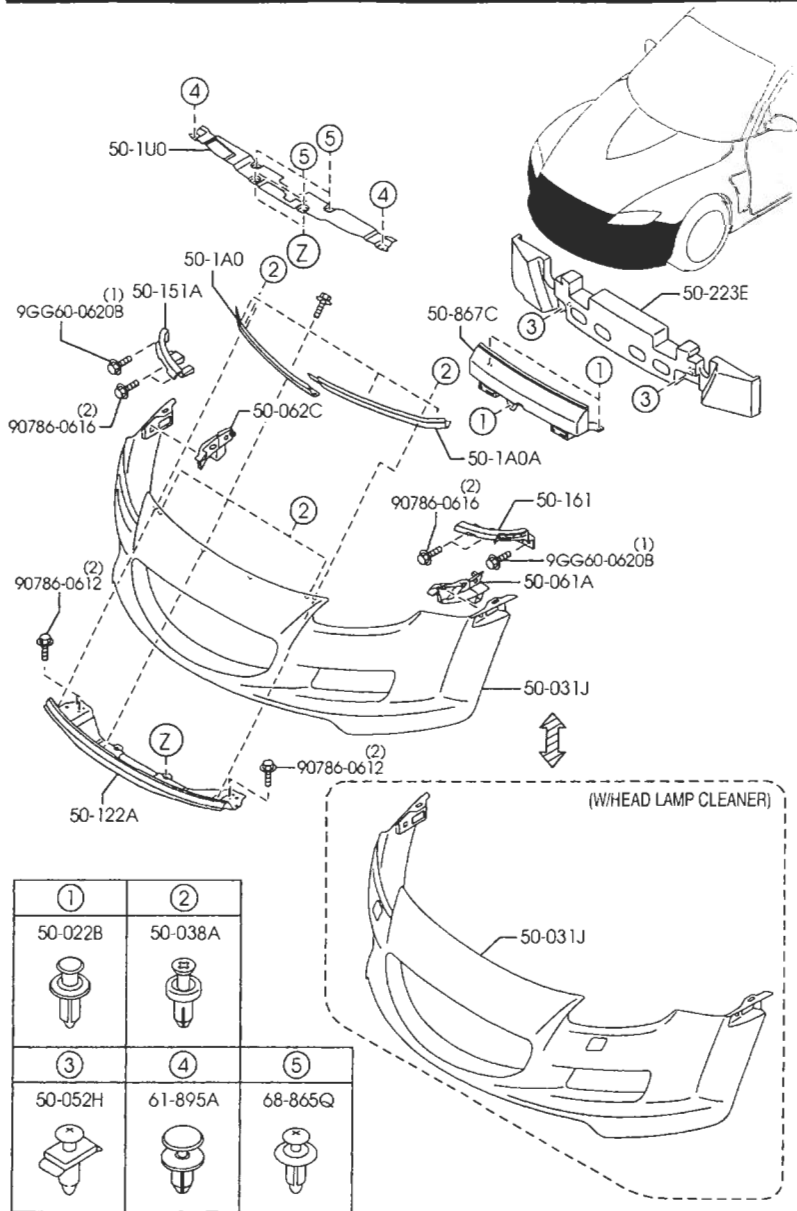


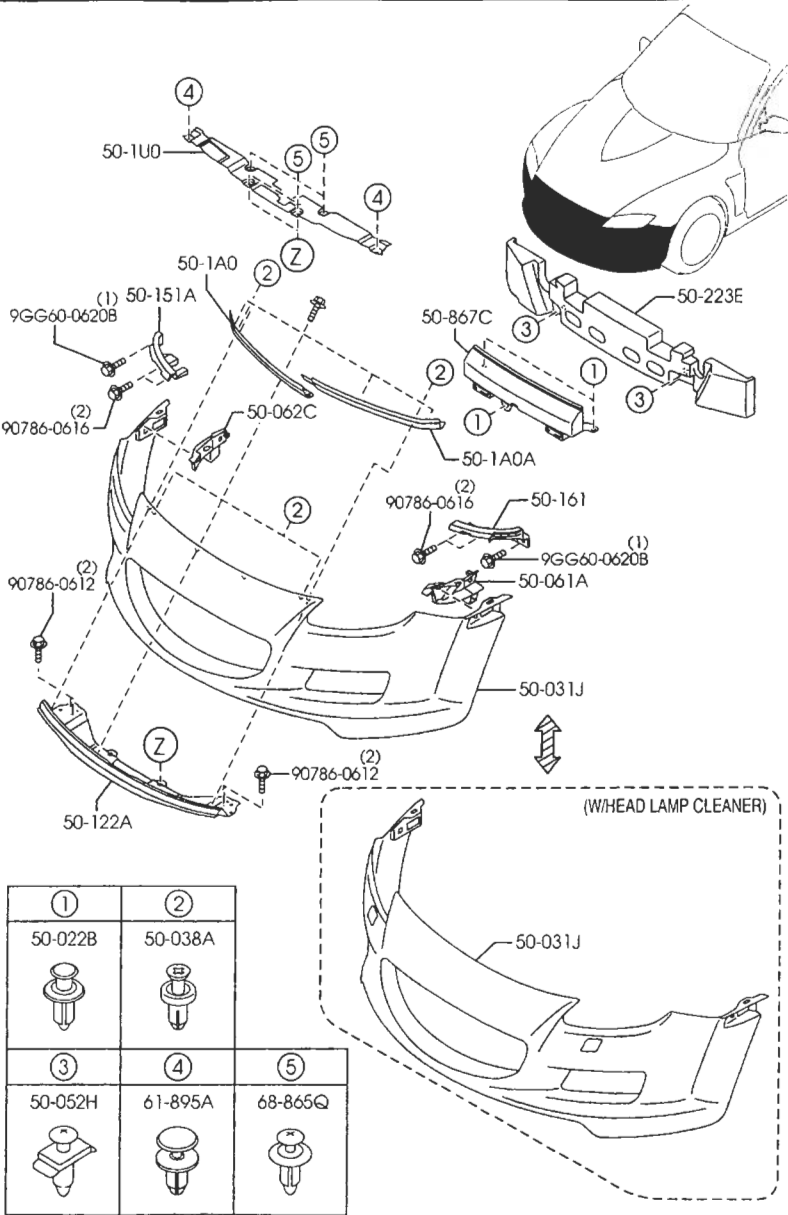
PART NO.	QTY	MODEL/RESTRICTION	MODEL/RESTRICTION	MODEL/RESTRICTION	FROM-TO
09-010	1	KEY SET (W/O BURGLAR ALARM) (AT)	JEU DE BARILLET (B.V.AUTOM)		
FE01-09-010A	1	(W/BURGLAR ALARM) (AT)	(B.V.AUTOM)		
FE02-09-010A	1	(W/BURGLAR ALARM) (AT)	(B.V.AUTOM)		
FE05-09-010A	1	(W/O BURGLAR ALARM) (MT)	(B.V.MANU)		
FE06-09-010A	1	(W/BURGLAR ALARM) (MT)	(B.V.MANU)		
58-315E	1	CLIP (L)	CLIP		
S084-72-315	1				
58-315J	1	CLIP	ATTACHE		
H260-59-315	1				
58-492	2	KEY, PRIMARY	CLEF, PRIMAIRE		
F151-58-26X	2	KEY NO. IS REQUIRED	KEY NO. IS REQUIRED		
58-492A	1	KEY, SECONDARY	CLE DE RESERVE		
GJ6A-58-36X	1	KEY NO. IS REQUIRED	KEY NO. IS REQUIRED		
60-436	2	BOLT, SEF	BOULON, JEU		
H043-66-154	2				
66-155	1	SWITCH, IGNITION	CONTACT D'ALLUMAGE		
LC70-66-151	1				
66-157	1	SWITCH, KEY LESS-IG. SWITCH	INTERRUPT., KEY LESS-IN.CO		
LC70-66-157	1				
66-939A	1	COIL, ANTENNA-IMMOVI (AT)	BOBINE, ANTENNE-IMMOB ILIS. (B.V.AUTOM)		
GJ6A-66-938A	1	(AT)	(B.V.AUTOM)		
GK2A-66-938	1	(MT)	(B.V.MANU)		
75-920	1	KEY SUB SET (L), DOOR	JEU DE BARILLET (G), PORTE		
FEY1-76-220	1				
75-930	1	KEY SUB SET, TRUNK	JEU DE BARILLET, COF FRE		
FEY2-76-230	1	(W/BURGLAR ALARM)			

(W/BURGLAR ALARM)

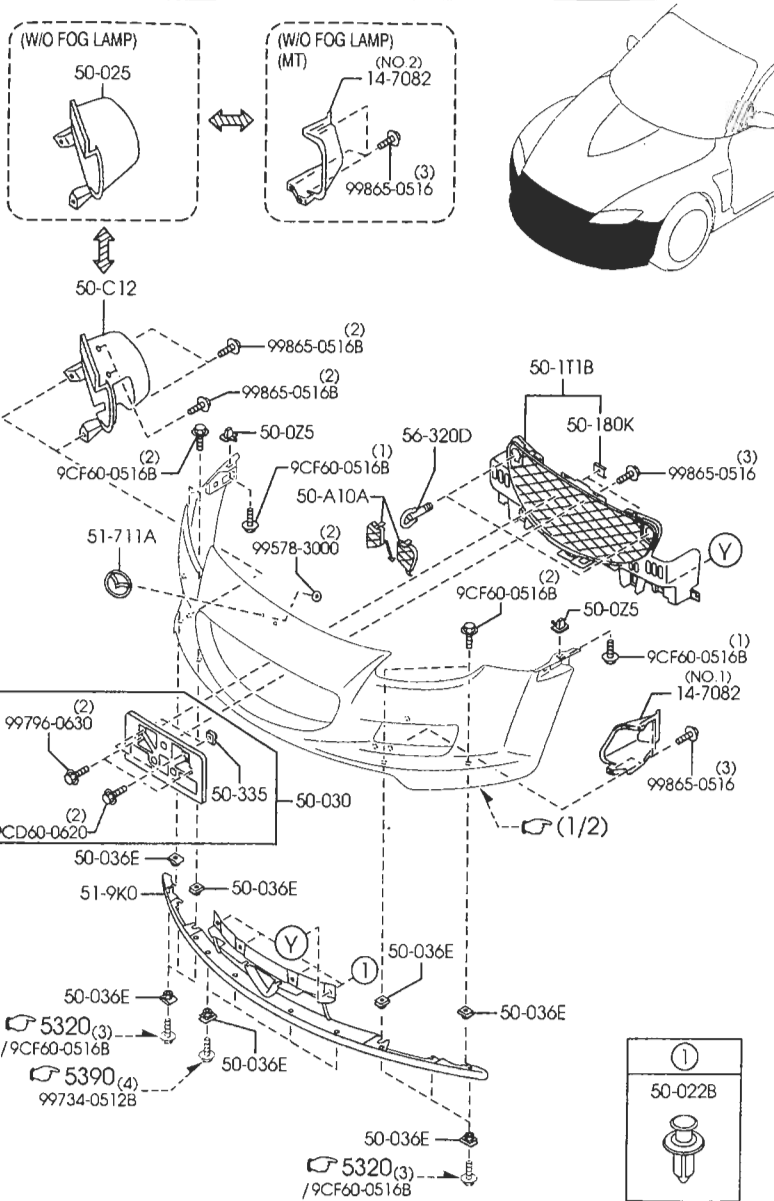


PART NO.	QTY	MODEL/RESTRICTION	MODEL/RESTRICTION	MODEL/RESTRICTION	FROM-TO
CONT'D					
FEY5-76-230	1	(W/O BURGLAR ALARM)			
75-980		KEY SUB SET, IG. SWICH	SOUS-JEU,		
FEY1-76-14X	1	(AT)	(B.V. AUTOM)		
FEY5-76-14X	1	(MT)	(B.V. MANU)		
75-990		KEY SUB SET, ST. LOCK	SOUS-JEU,		
FEY1-76-29X	1	(AT)	(B.V. AUTOM)		
FEY5-76-29X	1	(MT)	(B.V. MANU)		
76-201A		KEY, BLANK-PRIMARY	CLE, PLEIN-PRIMAIRE		
FIY1-76-26X	1				
76-202		KEY, BLANK-SECONDARY	CLE, PLEIN-SECONDAIRE		
GJYA-76-36X	1				

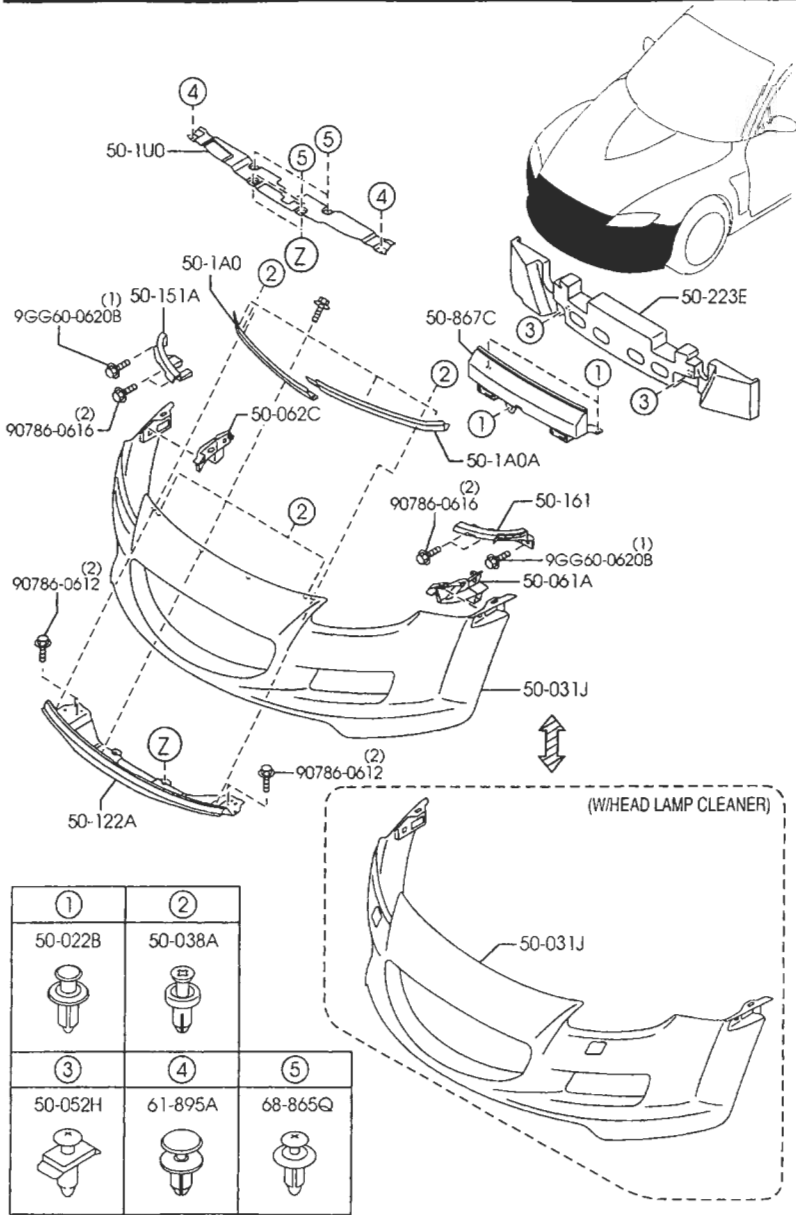




PART NO.	QTY	MODEL/RESTRICTION	MODEL/RESTRICTION	MODEL/RESTRICTION	FROM-TO
14-7082		DUCT, OIL COOLER	CONDUITE,		
N3K1-14-708	1	(ILLUST. NO.1) (W/O FOG LAMP)			
N3K2-14-708	1	(ILLUST. NO.2) (W/O FOG LAMP) (MT)	(B.V.MANU)		
50-A10A		COVER, TOWING HOOK-BU MPER	COUVERCLE, CROC REM-P .CHOC		
F151-50-A10	1				
50-C12		COVER(R), LAMP HOLE	COUV.(D), TROU LAMPE		
FE01-50-C12	1	(W/FOG LAMP+W/HEAD L AMP CLEANER) (AT)	A/LAVE-PHARES) (B.V.AUTOM)		
F151-50-C12	1	(W/FOG LAMP+W/O HEAD LAMP CLEANER)	S/LAVE-PHARES)		
50-025		GROMMET, SCREW	PROTECTEUR, VIS		
GJ6A-50-025	2				
50-022B		FASTENER	AGRAFE		
GD7A-50-EA1	7				
50-025		COVER(R), LAMP	COUVERCLE LAMPE(D)		
FE01-50-C11	1	(W/O FOG LAMP+W/HEAD LAMP CLEANER) (AT)	A/LAVE-PHARES) (B.V.AUTOM)		
F151-50-C11	1	(W/O FOG LAMP+W/O HE AD LAMP CLEANER)	S/LAVE-PHARES)		
50-030		HOLDER, LICENSE PLATE	SUPPORT PLAQUE		
FE01-50-170A	1				
50-031J		BUMPER, FRONT	AMORTISSEUR, AVANT		
FE01-50-031C	1	(W/HEAD LAMP CLEANER )	(A/LAVE-PHARES)		
AA	EXT-	A3F A4J 22V 25D 25G 27A 27B 27C PRIMER (PAINT TO MAT	A3F A4J 22V 25D 25G 27A 27B 27C APPRET(PEINTURE COOR		
F151-50-031D	1	(W/O HEAD LAMP CLEAN ER)	(S/LAVE-PHARES)		
AA	EXT-	A3F A4J 22V 25D 25G 27A 27B 27C PRIMER (PAINT TO MAT	A3F A4J 22V 25D 25G 27A 27B 27C APPRET(PEINTURE COOR		

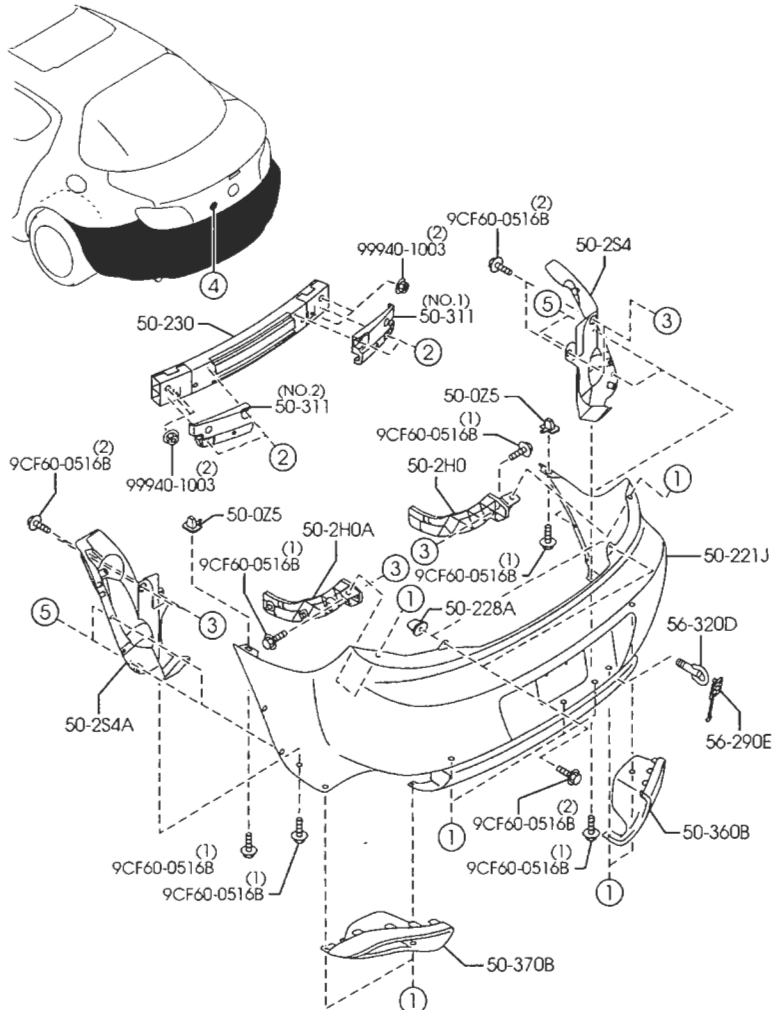


PART NO.	QTY	MODEL/RESTRICTION	MODEL/RESTRICTION	MODEL/RESTRICTION	FROM-TO
50-036E B455-50-038	14	CLIP	ATTACHE		
50-038A EA01-50-037	4	RIVET	RIVET		
50-052H BF82-50-233	2	FASTENER, F.-BUMPER	AGRAFE, PARE-CHOCS AV		
50-061A F151-50-0T1B	1	RETAINER NO.1, BUMPER	ARRETOIR NO 1, PARE-C HOCS		
50-062C F151-50-0U1B	1	RETAINER NO.2, BUMPER	ARRETOIR NO 2, PARE-C HOCS		
50-1A0 F151-50-1A1A	1	PLATE NO.1(R), SET-F.	PLAQUE NO.1(D) GROUP E-AV.		
50-1A0A F151-50-1B1A	1	PLATE NO.1(L), SET-F.	PLAQUE NO.1(G), GROUP E-AV.		
50-1T1B FE01-50-1T0B	1	MESH, FRONT BUMPER	MAILLE, AMORTISSEUR A V		
50-1U0 F151-50-1U1A	1	PLATE, SEAL	PLAQUE D'ETANCHEITE		
50-122A F151-50-0K0B	1	RETAINER, FRT. BUMPER	ARRETOIR, PAPE-CHOCS AV		
50-151A F151-50-151A	1	BRACKET(R)	SUPPORT(D)		
50-161 F151-50-161A	1	BRACKET(L)	SUPPORT(G)		
50-180K J001-50-171	2	HOLDER, LICENSE PLATE	SUPPORT, PLAQUE IMMAT RICUL		
50-223E FE01-50-111	1	FOAM, BUMPER-FRONT	MOUS, AMORT-AV.		



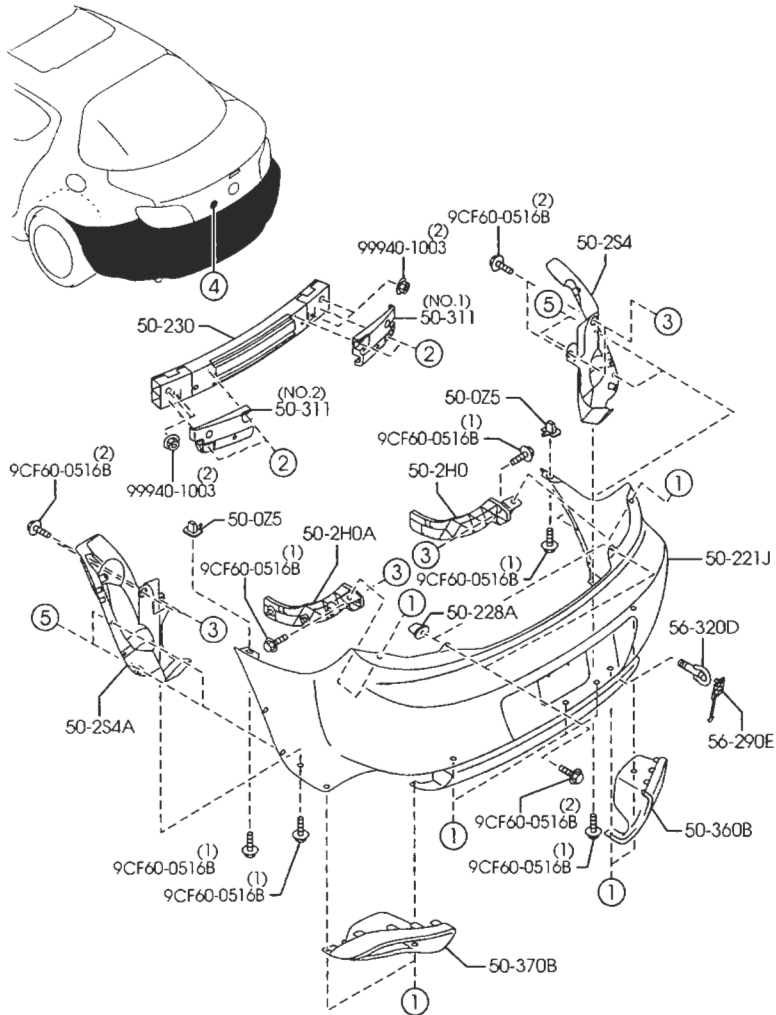
PART NO.	QTY	MODEL/RESTRICTION	MODEL/RESTRICTION	MODEL/RESTRICTION	FROM-TO
50-335		NUT,CLIP	ECROU,CLIP		
FB01-50-133C	2				
50-867C		RETAINER	ARRET		
F151-50-0J18	1				
51-711A		ORNAMENT,FRONT	ORNEMENT AV		
F151-51-731A	1				
51-9K0		SKIRT(R),FRONT AIR D	JUPE(D),BAR.AIR AVAN		
F151-51-9K1A	1	AM	T		
56-320D		HOOK,TOWING	CROCHET DE REMORQUAG		
F151-50-EJ0	2		E		
61-895A		RIVET,PLASTIC-COVER	RIVET,PLASTIQUE-COUV		
H260-61-895	2		ERCLE		
68-865Q		FASTENER	AGRAFE		
GJ21-68-885B	4				
02	INT-	FF3 FF4 FF5 FF6 BLACK	FF3 FF4 FF5 FF6 NOIR		





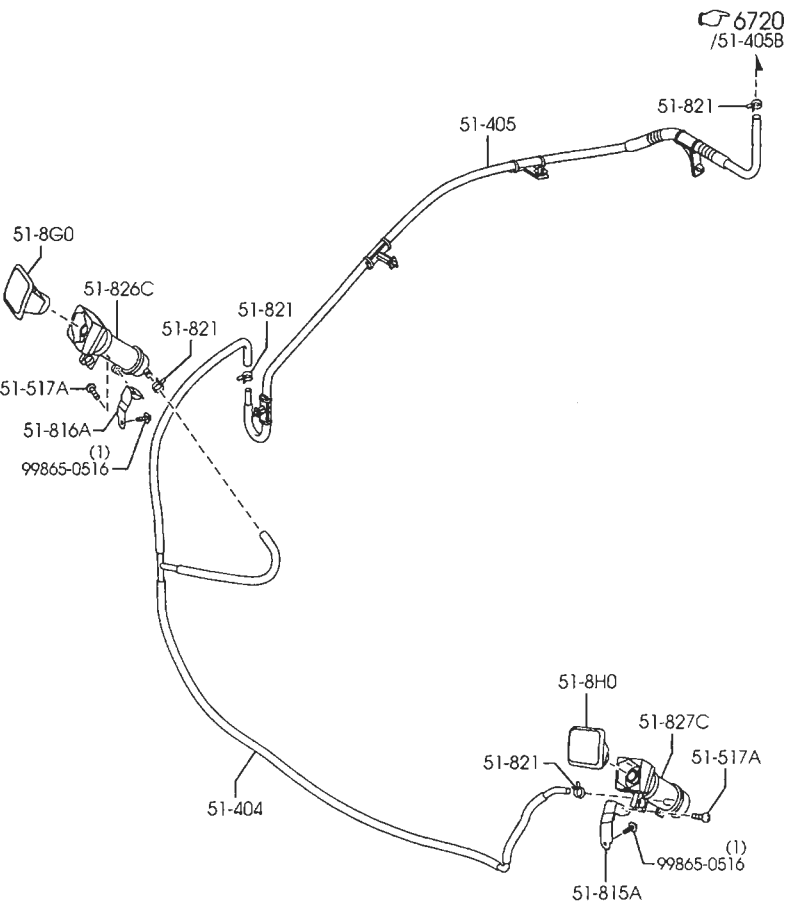
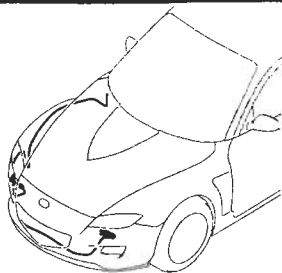
①	②	③	④	⑤
50-022B	50-233C	50-841B	56-056	56-145C

PART NO.	QTY	MODEL/RESTRICTION	MODEL/RESTRICTION	MODEL/RESTRICTION	FROM-TO
50-025 GJ6A-50-025	2	GROMMET, SCREW	PROTECTEUR, VIS		
50-022B GD7A-50-EA1	9	FASTENER	AGRAFE		
50-2H0 F151-50-2H1B	1	RETAINER(R), REAR BUMPER	ARRET(D), AMORTISSEUR AR.		
50-2H0A F151-50-2J1B	1	RETAINER(L), REAR BUMPER	ARRET(G), AMORTISSEUR AR.		
50-2S4 F151-50-341B	1	SHIELD(R), SPLASH-R.B BUMPER	BOUCLIER(D), ECLABOUS S.-AM		
50-2S4A F151-50-351B	1	SHIELD(L), SPLASH-R.B BUMPER	BOUCLIER(G), ECLABOUS S.-AM		
50-221J FE01-50-221C	1	BUMPER, REAR	AMORTISSEUR, AR		
AA	EXT-	A3F A4J 22V 25D 25G 27A 27B 27C PRIMER (PAINT TO MAT	A3F A4J 22V 25D 25G 27A 27B 27C APPRET(PEINTURE COOR		
50-228A H260-50-6K8	2	GROMMET	BAGUE, AMORTISSEUR AR RIERE		
50-230 FE01-50-260A FE02-50-260A	1 1	REINF, BUMPER-REAR (BUMPER-FOR CANADA) (BUMPER-FOR EXC. CANADA)	PARE-CHOCS (D), AR		
50-233C BF82-50-233	4	FASTENER, REAR BUMPER	FERMETURE, PARE-CHOCS AR		
50-311 FE01-50-311 FE02-50-311 FE03-50-311	1 1 1	FILLER, FRONT BUMPER (ILLUST. NO.1) (BUMPER-FOR CANADA) (ILLUST. NO.2) (BUMPER-FOR CANADA) (ILLUST. NO.1) (BUMPER-FOR EXC. CANADA)	REMPLEISSEUR		

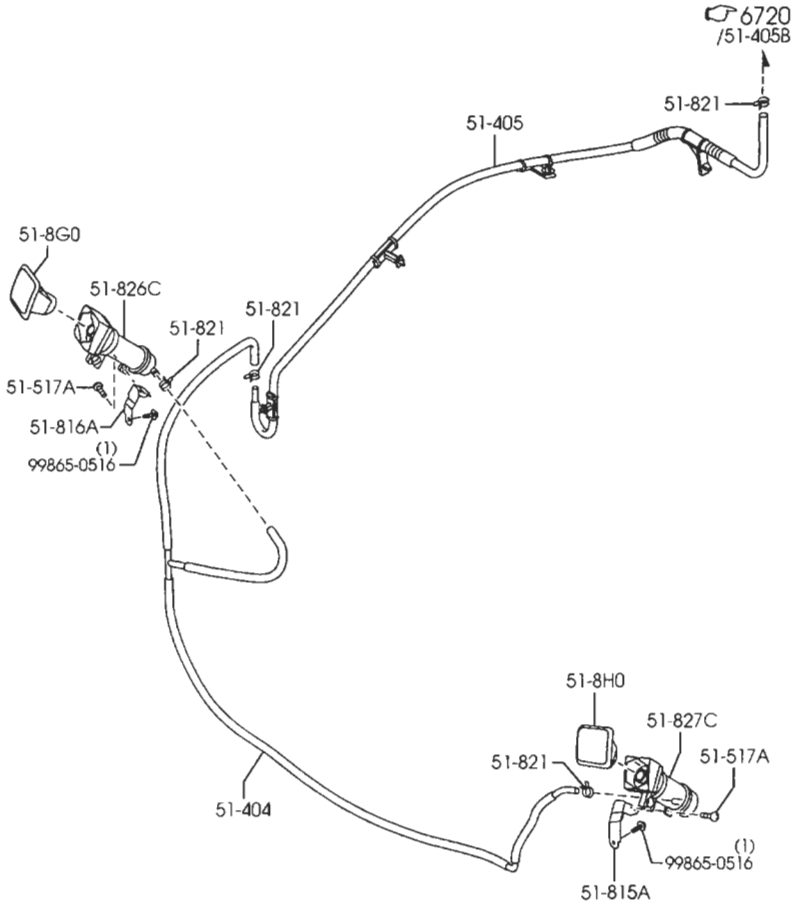
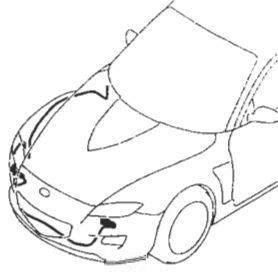


①	②	③	④	⑤
50-022B	50-233C	50-841B	56-056	56-145C

PART NO.	QTY	MODEL/RESTRICTION	MODEL/RESTRICTION	MODEL/RESTRICTION	FROM-TO
CONT'D FE04-50-311	1	(ILLUST. NO. 2) (BUMPER-FOR EXC. CAN ADA)			
+-----+   50-360B   +-----+		GUARD(R),REAR BUMPER	GARDE(G),AMORT. AR		
F151-50-361A	1				
+-----+   50-370B   +-----+		GUARD(L),REAR BUMPER	GARDE(G),AMORT. AR		
F151-50-371A	1				
+-----+   50-841B   +-----+		GROMMET,SCREW	ANNEAU,VIS		
H260-50-841	6				
+-----+   56-056   +-----+		COVER,HOLE	COUVERCLE,TROU		
A001-56-053	1				
+-----+   56-145C   +-----+		CLIP,MUD GUARD	ETRIER,GARDE BOUE		
BC1D-56-145	4				
+-----+   56-290E   +-----+		COVER,TOWING HOOK	COUVERCLE,CROCHET RE MORQU		
F151-50-EK0A	1				
+-----+   56-320D   +-----+		HOOK,TOWING	CROCHET DE REMORQUA E		
F151-50-EJ0	1				

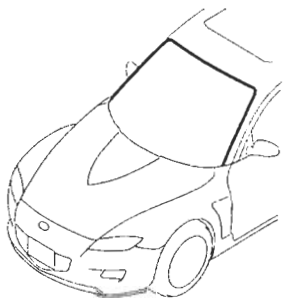
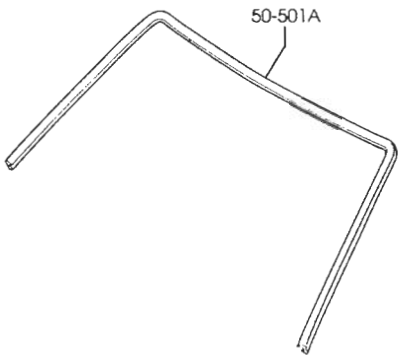


PART NO.	QTY	MODEL/RESTRICTION	MODEL/RESTRICTION	MODEL/RESTRICTION	FROM-TO
51-404		PIPE	TUYAU		
FE03-51-404	1				
51-405		PIPE	CONDUIT		
FE03-51-405	1				
51-517A		BOLT	BOULON		
FE03-51-517	2				
51-8G0		NOZZLE(R),CLEANER	TUBULURE(D),EPURATEUR		
FE03-51-8G1	1				
PZ	EXT-	A3F BRILLIANT BLACK	A3F NOIR BRILLIANT		
66	EXT-	25G TITANUM GRAY M	25G GRIS TITANESQUE META		
67	EXT-	22V SUNLIGHT SILVER M	22V ARGENT METALL. SOLEIL		
87	EXT-	27A VELOCITY RED MC	27A ROUGE VELOCITY MC		
93	EXT-	A4J LIGHTNING YELLOW	A4J JAUNE ECLAIR		
94	EXT-	27B WINNING BLUE M.	27B BLEU WINNING M.		
97	EXT-	27C NORDIC GREEN MC	27C VERT NORDIQUE MC		
51-8H0		NOZZLE(L),CLEANER	TUBULURE(G),EPURATEUR		
FE03-51-8H1	1				
PZ	EXT-	A3F BRILLIANT BLACK	A3F NOIR BRILLIANT		
66	EXT-	25G TITANUM GRAY M	25G GRIS TITANESQUE META		
67	EXT-	22V SUNLIGHT SILVER M	22V ARGENT METALL. SOLEIL		
87	EXT-	27A VELOCITY RED MC	27A ROUGE VELOCITY MC		
93	EXT-	A4J LIGHTNING YELLOW	A4J JAUNE ECLAIR		
94	EXT-	27B WINNING BLUE M.	27B BLEU WINNING M.		
97	EXT-	27C NORDIC GREEN MC	27C VERT NORDIQUE MC		
51-815A		BRACKET'B'	SUPPORT'B''		
FE03-51-077	1				
51-816A		BRACKET'A'	SUPPORT'A''		
FE03-51-067	1				

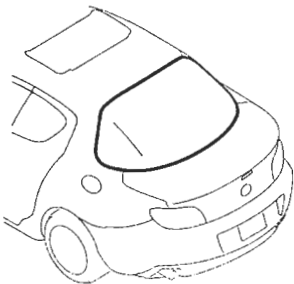
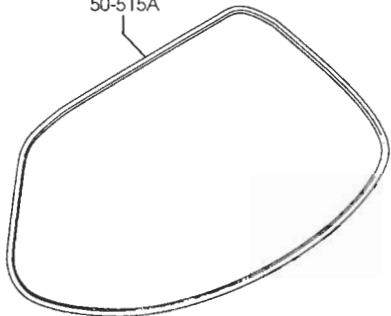


PART NO.	QTY	MODEL/RESTRICTION	MODEL/RESTRICTION	MODEL/RESTRICTION	FROM-TO
51-821		CLIP	ATTACHE		
FE03-51-828	4				
51-826C		ACTU.H/L CLEANER (R)	ACT.LAVE-PHARE (D)		
FE03-51-826	1				
51-827C		ACTU.H/L CLEANER (L)	ACT.LAVE-PHARE (G)		
FE03-51-827	1				

5030A WINDOW MOULDINGS

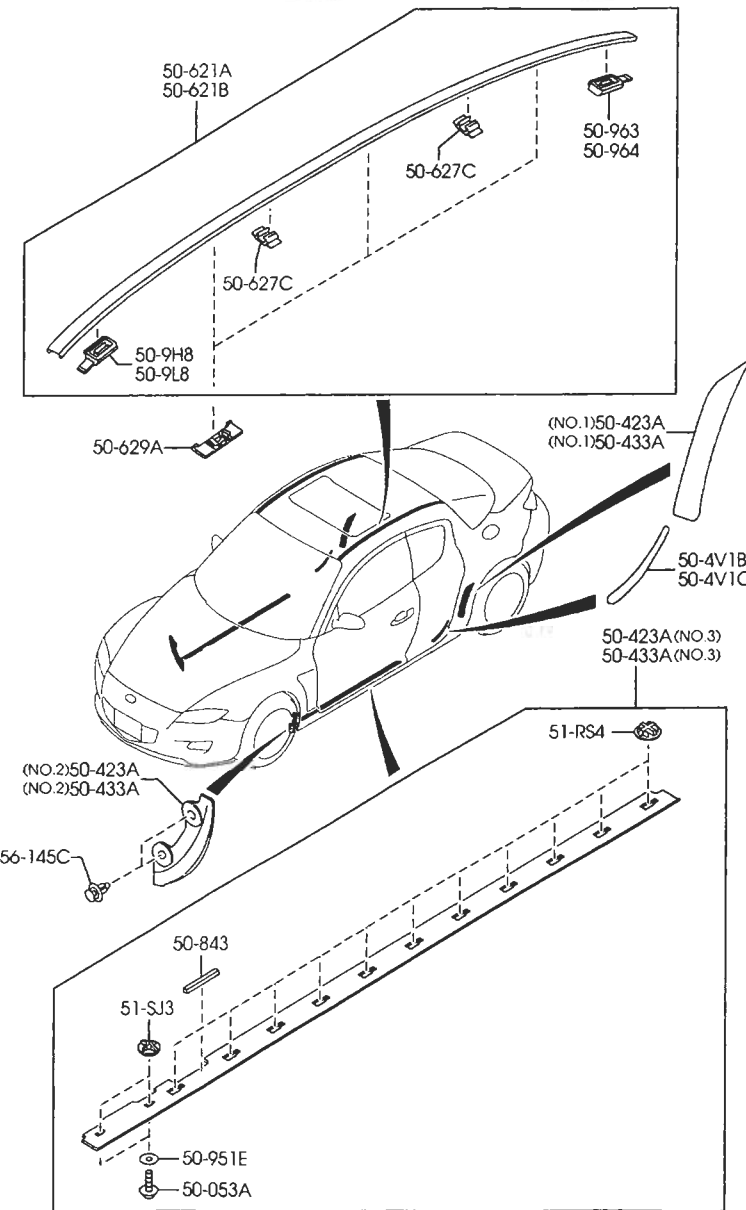


50-515A

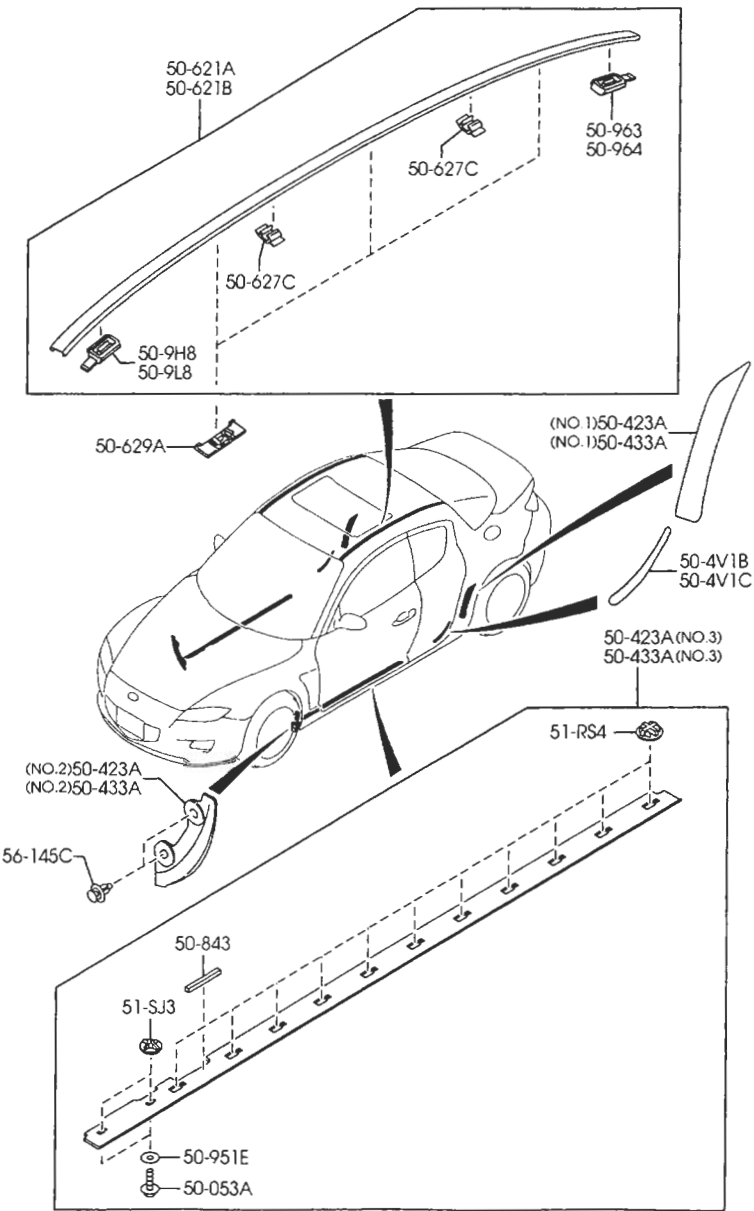


5030A -1 \* WINDOW

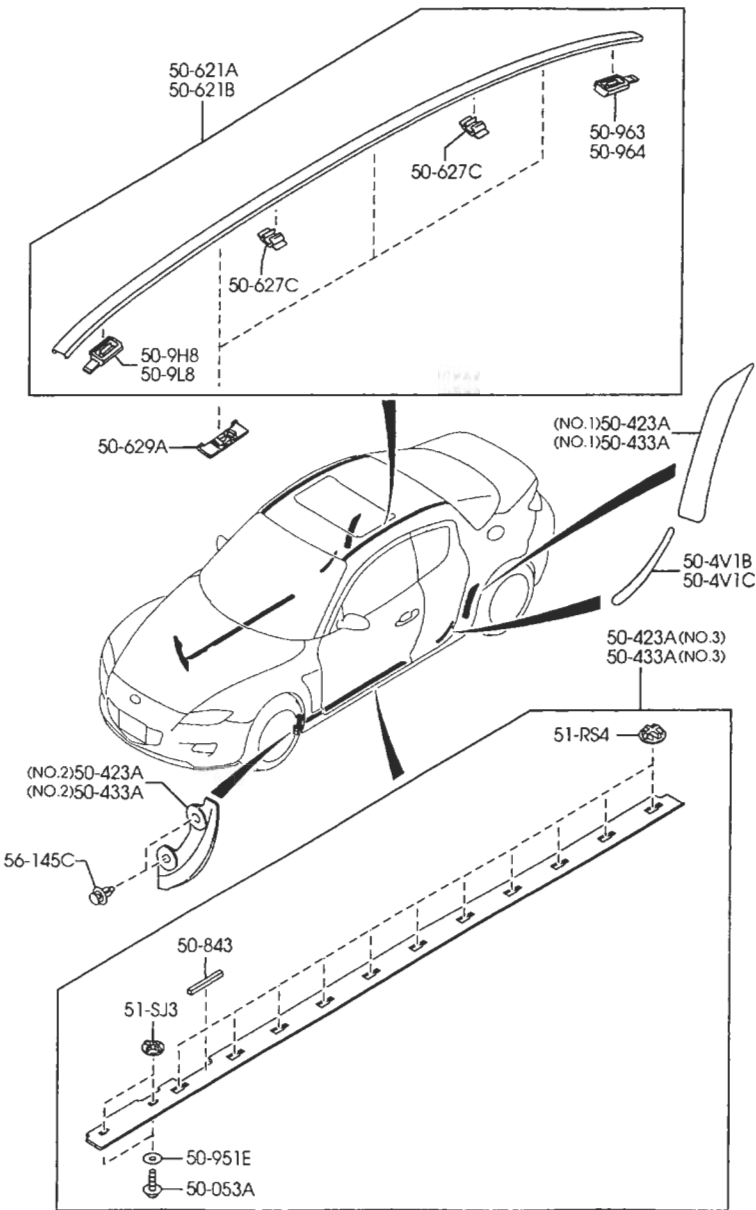
PART NO.	QTY	MODEL/RESTRICTION	MODEL/RESTRICTION	MODEL/RESTRICTION	FROM-TO
+-----+   50-501A   +-----+ FE15-50-601	1	MOULD,FRT WINDOW-UP	MOULURE SUP.,FENETRE AV		
+-----+   50-515A   +-----+ F151-50-614	1	MOULD,LOWER-BACK WINDOW	MOULURE INF.,FENETRE AR		



PART NO.	QTY	MODEL/RESTRICTION	MODEL/RESTRICTION	MODEL/RESTRICTION	FROM-TO
50-053A		SCREW, TAPPING	VIS FIXATION SUPPORT		
GJ6A-50-713	4	(SPORT SUSP)	(SUSP. SPORTIVE)		
50-4V1B		GUARD(R), STONE-FRONT	GARDE(D), PIERRE-AVANT		
FE01-50-4P2A	1				
50-4VIC		GUARD (L), STONE-FRONT	GARDE(G), PIERRE-AVANT		
FE01-50-4R2A	1				
50-423A		GUARD'A'(R), STONE	PLAQUE ANTI-GRAVILLONS'A'(D)		
FE01-50-4P1A	1	(ILLUST. NO.1)			
FE02-50-4P1	1	(ILLUST. NO.2)			
F159-50-480A	1	(ILLUST. NO.3) (SPORT SUSP)	(SUSP. SPORTIVE)		
50-433A		GUARD'A'(L), STONE	PLAQUE ANTI-GRAVILLONS'A'(G)		
FE01-50-4R1A	1	(ILLUST. NO.1)			
FE02-50-4R1	1	(ILLUST. NO.2)			
F159-50-490A	1	(ILLUST. NO.3) (SPORT SUSP)	(SUSP. SPORTIVE)		
50-621A		MOULD(R), ROOF	MOULE(D), TOIT		
F151-50-9H0	1				
PZ	EXT-	A3F BRILLIANT BLACK	A3F NOIR BRILLANT		
66	EXT-	25G TITANUM GRAY M	25G GRIS TITANESQUE META		
67	EXT-	22V SUNLIGHT SILVER M	22V ARGENT METALL. SOLEIL		
87	EXT-	27A VELOCITY RED MC	27A ROUGE VELOCITY MC		
93	EXT-	A4J LIGHTNING YELLOW	A4J JAUNE ECLAIR		
94	EXT-	27B WINNING BLUE M.	27B BLEU WINNING M.		
97	EXT-	27C NORDIC GREEN MC	27C VERT NORDIQUE MC		
50-621B		MOULD(L), ROOF	MOULE(G), TOIT		
F151-50-9L0	1				
PZ	EXT-	A3F BRILLIANT BLACK	A3F NOIR BRILLANT		
66	EXT-	25G TITANUM GRAY M	25G GRIS TITANESQUE META		
67	EXT-	22V SUNLIGHT SILVER M	22V ARGENT METALL. SOLEIL		



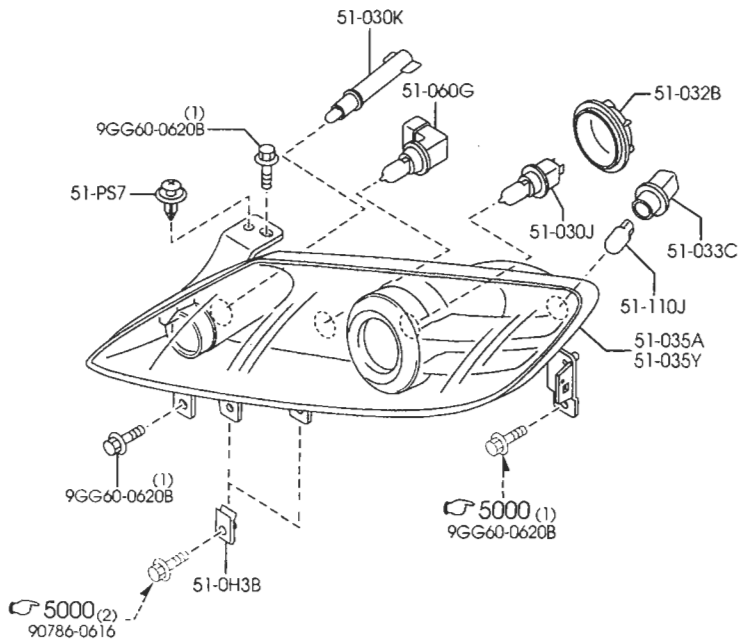
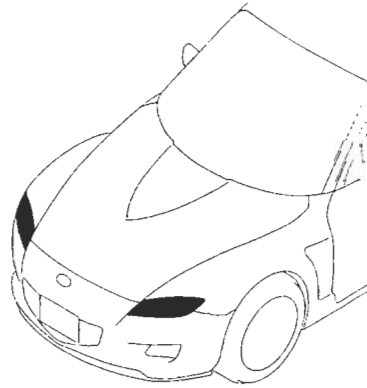
PART NO.	QTY	MODEL/RESTRICTION	MODEL/RESTRICTION	MODEL/RESTRICTION	FROM-TO
CONT'D					
87	EXT-	27A VELOCITY RED MC	27A ROUGE VELOCITY MC		
93	EXT-	A4J LIGHTNING YELLOW	A4J JAUNE ECLAIR		
94	EXT-	27B WINNING BLUE M.	27B BLEU WINNING M.		
97	EXT-	27C NORDIC GREEN MC	27C VERT NORDIQUE MC		
		-----+   50-627C   -----+	PROTECTOR	PROTECTEUR	
GJ6A-50-9H9	4				
		-----+   50-629A   -----+	CLIP	ATTACHE	
GJ6A-50-629	6				
		-----+   50-843   -----+	GASKET	JOINT	
F151-50-856	2	(SPORT SUSP)	(SUSP. SPORTIVE)		
		-----+   50-9H8   -----+	PROTECTOR(R), ROOF ML D	PROTECTEUR(D), MOUL. TOIT	
F151-50-9H1	1				
PZ	EXT-	A3F BRILLIANT BLACK	A3F NOIR BRILLANT		
66	EXT-	25G TITANUM GRAY M	25G GRIS TITANESQUE META		
67	EXT-	22V SUNLIGHT SILVER M	22V ARGENT METALL. SOLEIL		
87	EXT-	27A VELOCITY RED MC	27A ROUGE VELOCITY MC		
93	EXT-	A4J LIGHTNING YELLOW	A4J JAUNE ECLAIR		
94	EXT-	27B WINNING BLUE M.	27B BLEU WINNING M.		
97	EXT-	27C NORDIC GREEN MC	27C VERT NORDIQUE MC		
		-----+   50-9L8   -----+	PROTECTOR(L), ROOF ML D	PROTECTEUR(G), MOUL. TOIT	
F151-50-9L1	1				
PZ	EXT-	A3F BRILLIANT BLACK	A3F NOIR BRILLANT		
66	EXT-	25G TITANUM GRAY M	25G GRIS TITANESQUE META		
67	EXT-	22V SUNLIGHT SILVER M	22V ARGENT METALL. SOLEIL		
87	EXT-	27A VELOCITY RED MC	27A ROUGE VELOCITY MC		
93	EXT-	A4J LIGHTNING YELLOW	A4J JAUNE ECLAIR		
94	EXT-	27B WINNING BLUE M.	27B BLEU WINNING M.		
97	EXT-	27C NORDIC GREEN MC	27C VERT NORDIQUE MC		



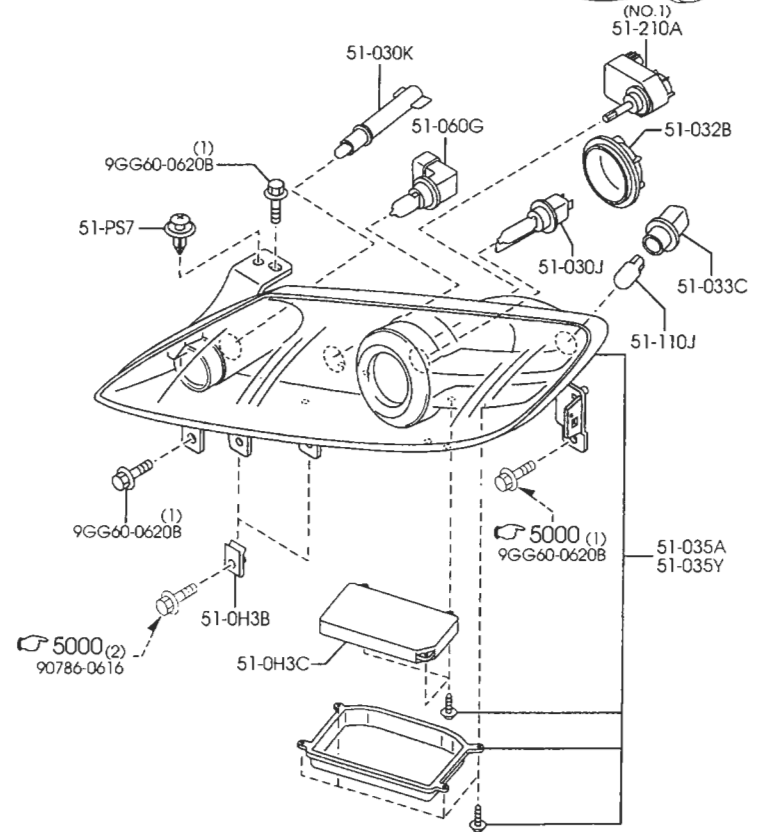
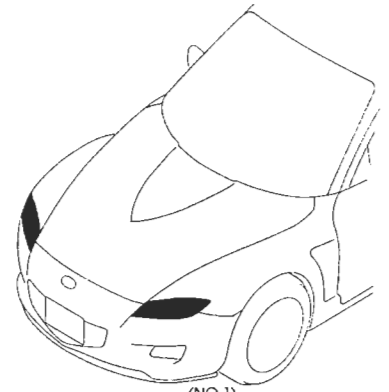
PART NO.	QTY	MODEL/RESTRICTION	MODEL/RESTRICTION	MODEL/RESTRICTION	FROM-TO
50-951E		WASHER	RONDELLE		
GJ6A-51-959	4	(SPORT SUSP)	(SUSP. SPORTIVE)		
50-963		PROTECTOR(R)	PROTECTEUR (D)		
F151-50-9H2	1				
PZ	EXT-	A3F BRILLIANT BLACK	A3F NOIR BRILLANT		
66	EXT-	25G TITANUM GRAY M	25G GRIS TITANESQUE META		
67	EXT-	22V SUNLIGHT SILVER M	22V ARGENT METALL. SOLEIL		
87	EXT-	27A VELOCITY RED MC	27A ROUGE VELOCITY MC		
93	EXT-	A4J LIGHTNING YELLOW	A4J JAUNE ECLAIR		
94	EXT-	27B WINNING BLUE M.	27B BLEU WINNING M.		
97	EXT-	27C NORDIC GREEN MC	27C VERT NORDIQUE MC		
50-964		PROTECTOR(L)	PROTECTEUR(G)		
F151-50-9L2	1				
PZ	EXT-	A3F BRILLIANT BLACK	A3F NOIR BRILLANT		
66	EXT-	25G TITANUM GRAY M	25G GRIS TITANESQUE META		
67	EXT-	22V SUNLIGHT SILVER M	22V ARGENT METALL. SOLEIL		
87	EXT-	27A VELOCITY RED MC	27A ROUGE VELOCITY MC		
93	EXT-	A4J LIGHTNING YELLOW	A4J JAUNE ECLAIR		
94	EXT-	27B WINNING BLUE M.	27B BLEU WINNING M.		
97	EXT-	27C NORDIC GREEN MC	27C VERT NORDIQUE MC		
51-RS4		CLIP	COLLIER, AEROSTABILIS AT-AR		
F151-51-SJ3A	22	(SPORT SUSP)	(SUSP. SPORTIVE)		
51-SJ3		CLIP	ATTACHE		
C100-51-SJ3A	4	(SPORT SUSP)	(SUSP. SPORTIVE)		
56-145C		CLIP, MUD GUARD	ETRIER, GARDE BOUE		
BC10-56-145	4				



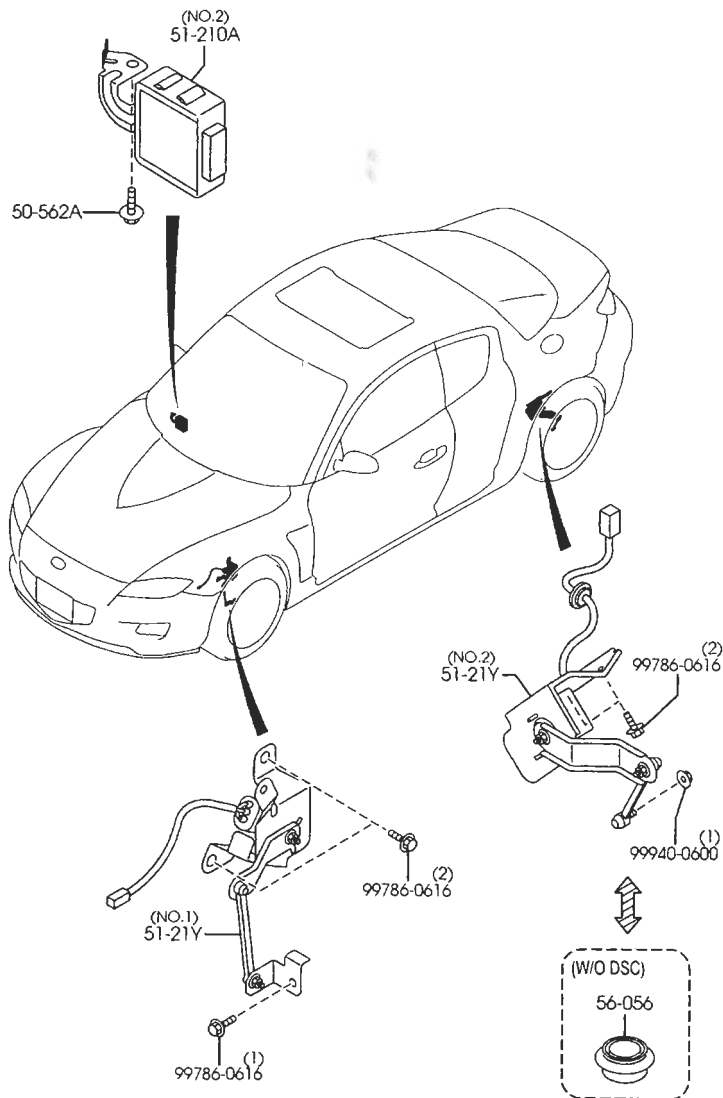
(W/O DSC)



(W/DSC)



(W/DSC)



(W/O DSC)

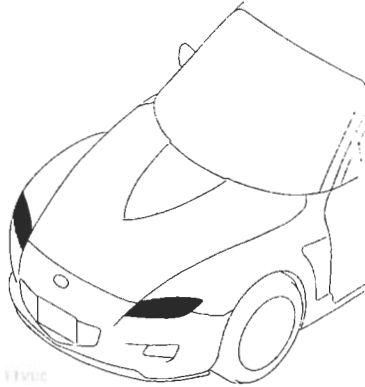
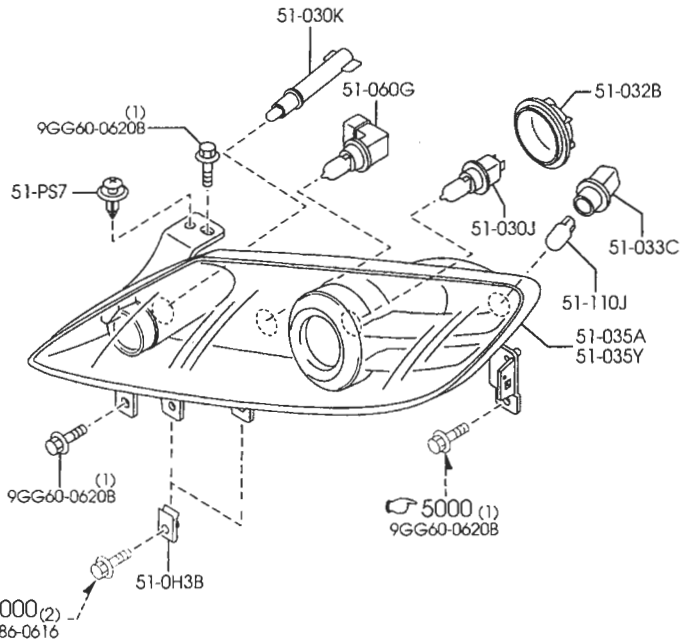
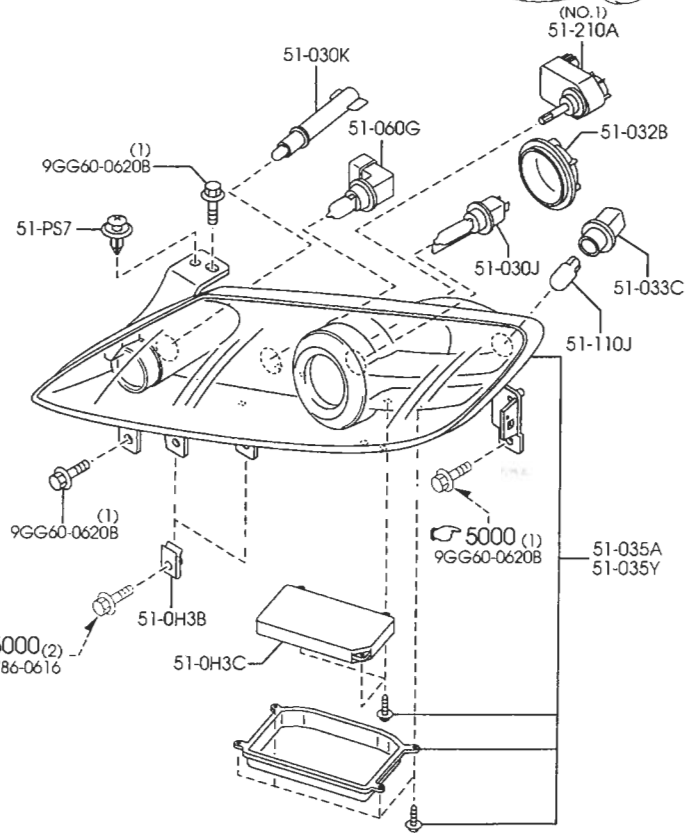
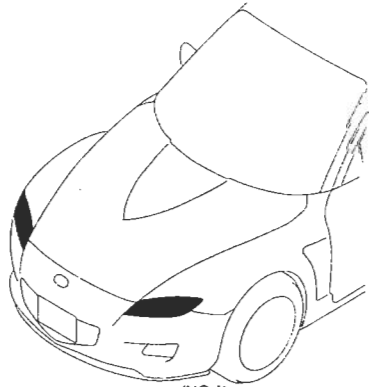


FIG.1

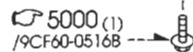
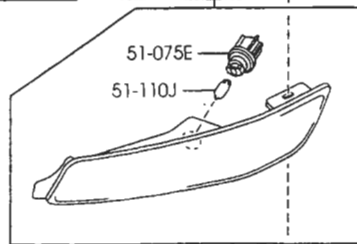
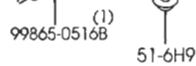
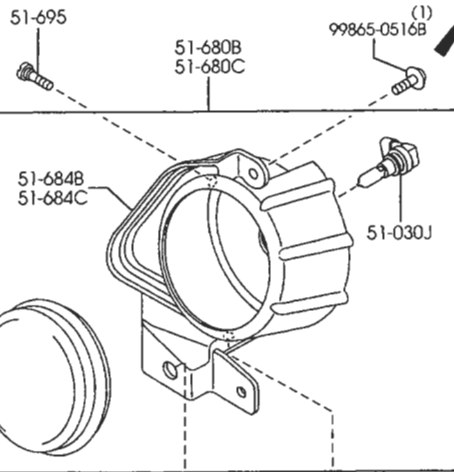
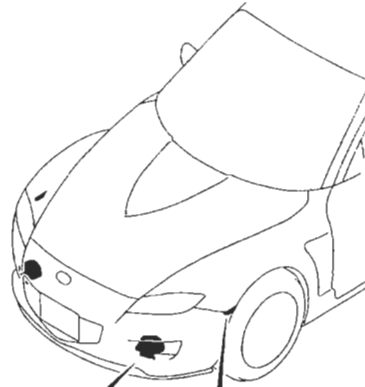


PART NO.	QTY	MODEL/RESTRICTION	MODEL/RESTRICTION	MODEL/RESTRICTION	FROM-TO
50-562A		BOLT	BOULON		
B455-55-561	1	(W/DSC)	(AVEC DSC)		
51-PS7		RIVET	RIVET		
B27K-51-PS7	2				
51-0H3B		NUT, HEAD LAMP	ECROU, PHARE		
F151-51-0A6	4				
51-0H3C		H I D CONTROL UNIT	UNITE COMMANDE H.I.D		
F152-51-0H3	2	(W/DSC)	(AVEC DSC)		
51-030J		BULB	AMPOULE		
90703-2550	2	H7 12V 55W (W/O DSC)	H7 12V 55W (SANS DSC)		
90703-6350	2	12V 35W (W/DSC)	12V 35W (AVEC DSC)		
51-030K		BULB	AMPOULE		
99701-6050	2	12V 5W	12V 5W		
51-032B		COVER	COUVERCLE		
N066-51-0A1	2				
51-033C		SOCKET	DOUILLE		
E115-51-0B4	2				
51-035A		UNIT(R), HEAD LAMP	UNITE		
FE01-51-0K0C	1	(W/O DSC)	(SANS DSC)		
FE03-51-0K0C	1	(W/DSC)	(AVEC DSC)		
51-035Y		UNIT(L), HEAD LAMP	UNITE		
FE01-51-0L0C	1	(W/O DSC)	(SANS DSC)		
FE03-51-0L0C	1	(W/DSC)	(AVEC DSC)		
51-060G		BULB	AMPOULE		
90703-8650	2	12V 65W	12V 65W		
51-110J		BULB	AMPOULE		
99700-6210Y		12V 21W	12V 21W		

(W/DSC)



PART NO.	QTY	MODEL/RESTRICTION	MODEL/RESTRICTION	MODEL/RESTRICTION	FROM-TO
CONT'D	2				
51-21Y		SENSOR, AUTO LEVELING -FRT	CAPTEUR, NIVEAU AUTOMATIQU		
FE03-51-21YA	1	(ILLUST. NO.1) (W/DSC)	(AVEC DSC)		
FE03-51-22YA	1	(ILLUST. NO.2) (W/DSC)	(AVEC DSC)		
51-210A		UNIT, LEVELING-HEAD LAMP	UNITE, NIVELLEMENT-PHARE		
F152-51-210	2	(ILLUST. NO.1) (W/DSC)	(AVEC DSC)		
FE03-51-225	1	(ILLUST. NO.2) (W/DSC)	(AVEC DSC)		
56-056		COVER, HOLE	COUVERCLE, TROU		
A001-56-053	1				



5000/50-025

51-120  
51-120Z

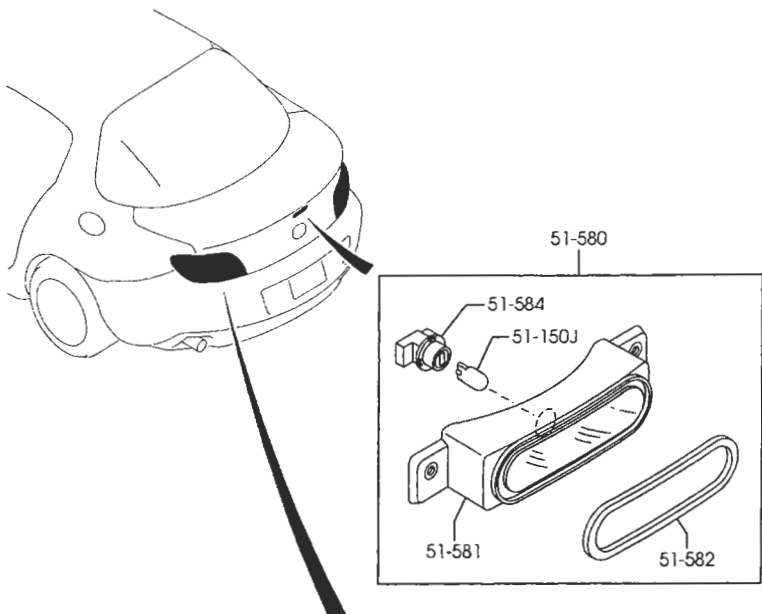
51-695  
51-680B  
51-680C  
99865-0516B (1)

51-684B  
51-684C  
51-030J

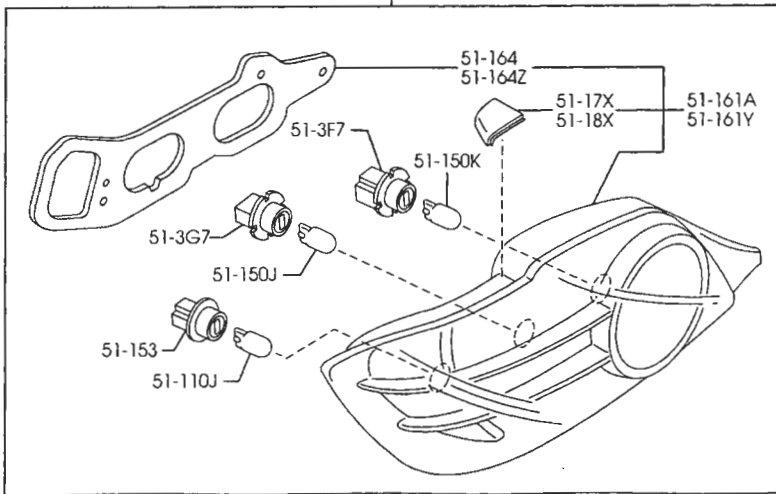
51-075E  
51-110J

5000 (1)  
/9CF60-0516B

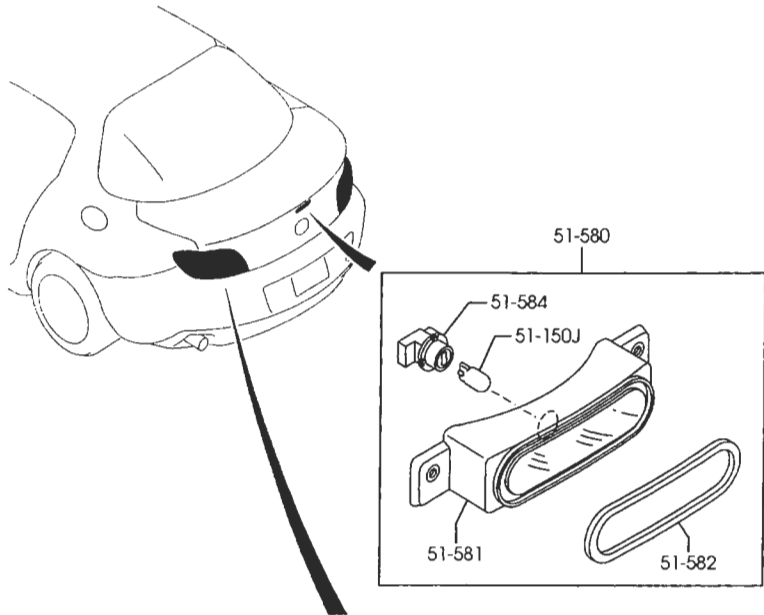
PART NO.	QTY	MODEL/RESTRICTION	MODEL/RESTRICTION	MODEL/RESTRICTION	FROM-TO
51-030J 90703-7550	2	BULB 12V 55W (W/FOG LAMP)	AMPOULE 12V 55W		
51-075E F151-51-124A	2	SOCKET,F.TURN LAMP	DOUILLE,LAMPE CLIGNO T. AV		
51-110J 99701-6038	2	BULB 12V 3.8W	AMPOULE 12V 3.8W		
51-120 FE01-51-5E0B	1	LAMP(R),SIDE TURN	CLIGNOTANT LATERAL(D )		
51-120Z FE01-51-5F0B	1	LAMP(L),SIDE TURN	CLIGNOTANT LATERAL(G )		
51-6H9 GG2M-51-6H9	2	SCREW SET (W/FOG LAMP)	JEU DE VIS		
51-680B F151-51-680A	1	LAMP(R),F.FOG (W/FOG LAMP)	PHARE(D),ANTI-BROUIL LARD		
51-680C F151-51-690A	1	LAMP(L),F.FOG (W/FOG LAMP)	PHARE(G),ANTI-BROUIL LARD		
51-684B F151-51-684	1	BRACKET(R),F.FOG LAM P (W/FOG LAMP)	SUPPORT(D),PHARE A.B ROUIL		
51-684C F151-51-694	1	BRACKET(L),F.FOG LAM P (W/FOG LAMP)	SUPPORT(G),PHARE-A.B ROUI.		
51-695 F151-51-695	2	SCREW,FRONT FOG LAMP (W/FOG LAMP)	VIS,PHARE A-BROUILLA RD AV		



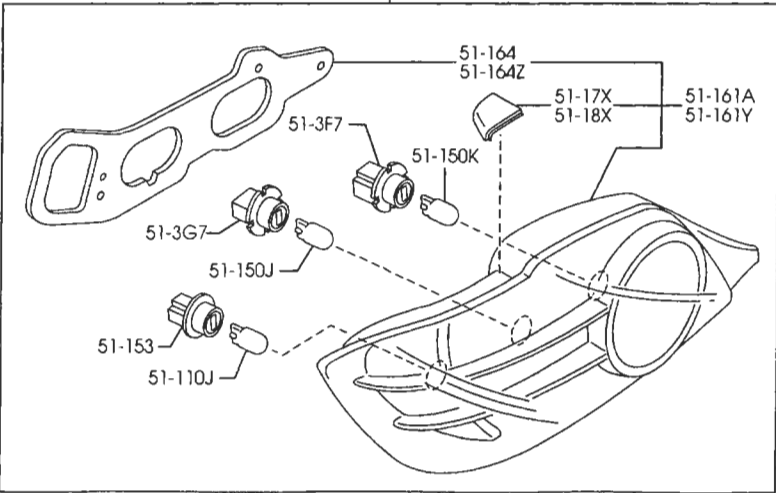
51-150B  
51-160



PART NO.	QTY	MODEL/RESTRICTION	MODEL/RESTRICTION	MODEL/RESTRICTION	FROM-TO
51-110J		BULB	AMPOULE		
99700-6210Y	2	12V 21W	12V 21W		
51-150B		LAMP(R),RR COMB.	LAMPE(D),COMBINAISON ARR		
FE01-51-1500	1				
51-150J		BULB	AMPOULE		
99700-6210	3	12V 21W	12V 21W		
51-150K		BULB	AMPOULE		
99700-8215	2	12V 21/5W	12V 21/5W		
51-153		SOCKET,RR.COMB.	DOUILLE		
GJ6A-51-074	2				
51-160		LAMP(L),RR COMB.	LAMPE(G),COMBIN. AR		
FE01-51-160D	1				
51-161A		LENS & BODY(R),RR CO MB.	LENTILLE ET CORPS(D)		
FE01-51-170D	1				
51-161Y		LENS & BODY(L),RR CO MB.	LENTILLE ET CORPS(G)		
FE01-51-180D	1				
51-164		GASKET(R),RR.COMB.	JOINT (D)		
F151-51-153	1				
51-164Z		GASKET(L),RR.COMB.	POCHETTE (G)		
F151-51-163	1				
51-17X		COVER(R),RR COMB.	COUVERCLE(D),COMB. A R		
F151-51-174	1				
51-18X		COVER(L),RR COMB.	COUVERCLE(G),COMB. A R		
F151-51-184	1				
51-3F7		SOCKET	DOUILLE		
G19S-51-3G7	2				

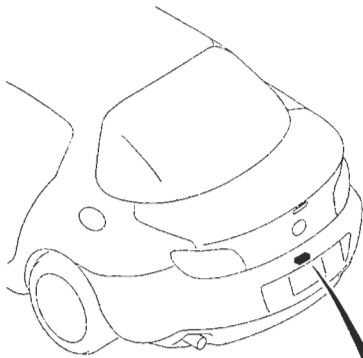


51-150B  
51-160

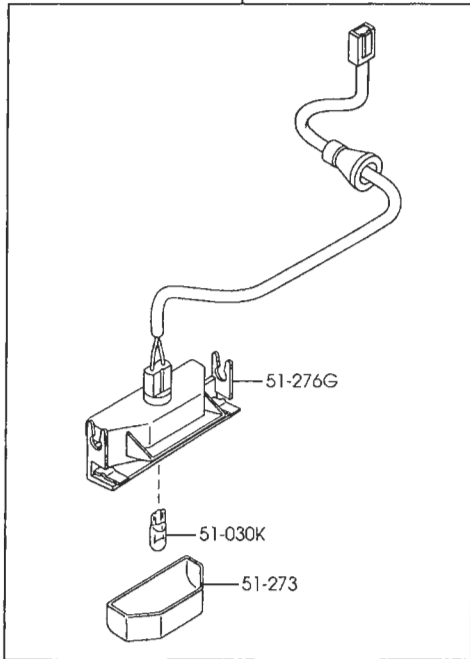


PART NO.	QTY	MODEL/RESTRICTION	MODEL/RESTRICTION	MODEL/RESTRICTION	FROM-TO
51-3G7 GG2M-51-3G7	2	SOCKET(L),TRUNK LID LAMP	DOUILLE(G),LAMPE COF F COU		
51-580 F151-51-580A	1	LAMP,STOP-HI.MOUNT.	FEU,STOP-IN.ELEV.		
51-581 F151-51-58XA	1	LENS & BODY,LAMP-H.M .STOP	OBJECTIF & CORPS,LAM PE		
51-582 F151-51-592A	1	GASKET,STOP LAMP-HI. MOUNT	JOINT ETAN.FEU STOP-ELEVE		
51-584 GJ6A-51-3G7	1	SOCKET,STOP LAMP-HI. MOUNT	DOUILLE,FEU STOP-ELE VE		



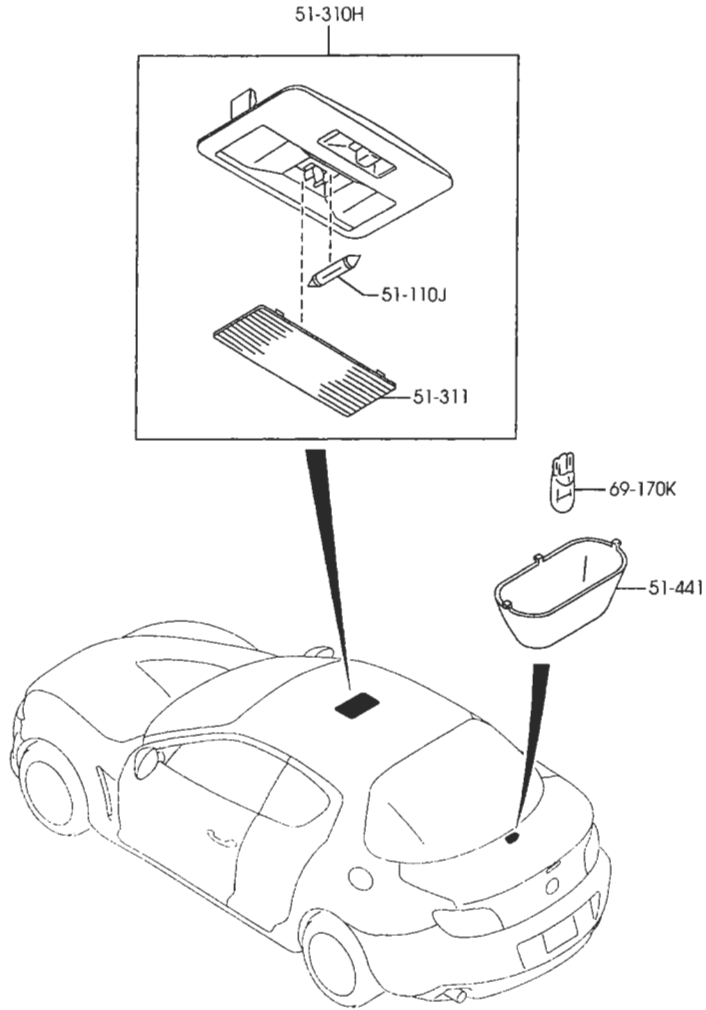


51-270



PART NO.	QTY	MODEL/RESTRICTION	MODEL/RESTRICTION	MODEL/RESTRICTION	FROM-TO
51-030K 99701-6050	1	BULB 12V 5W	AMPOULE 12V 5W		
51-270 F151-51-270A	1	LAMP,LICENSE	FEU DE PLAQUE		
51-273 F151-51-274	1	LENS,LICENCE LAMP	VERRE		
51-276G F151-51-272A	1	SOCKET,LICENSE LAMP	DOUILLE,FEU DE PLAQUE		

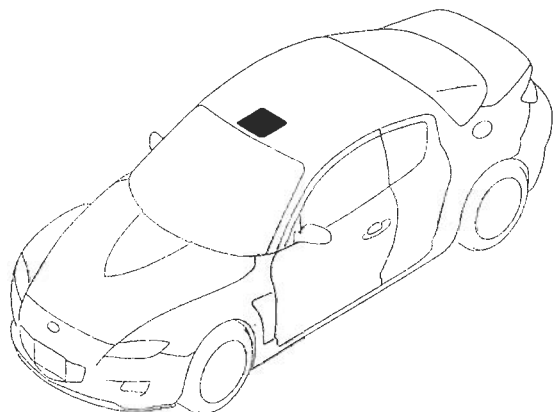
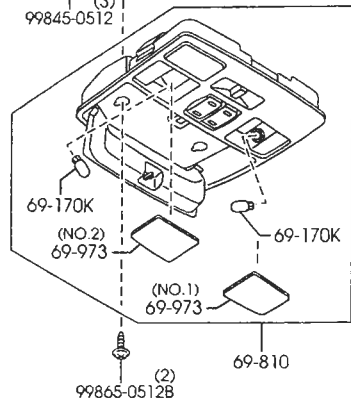
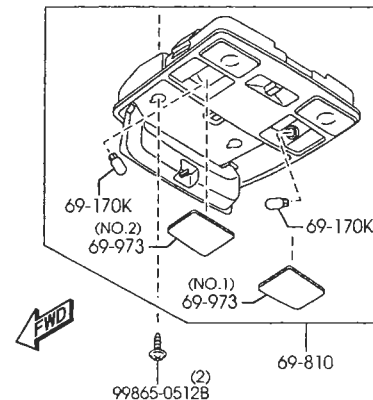
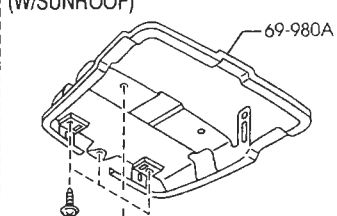
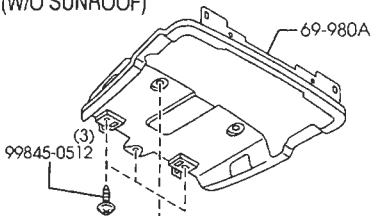




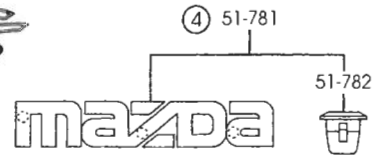
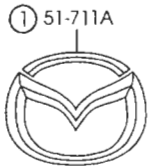
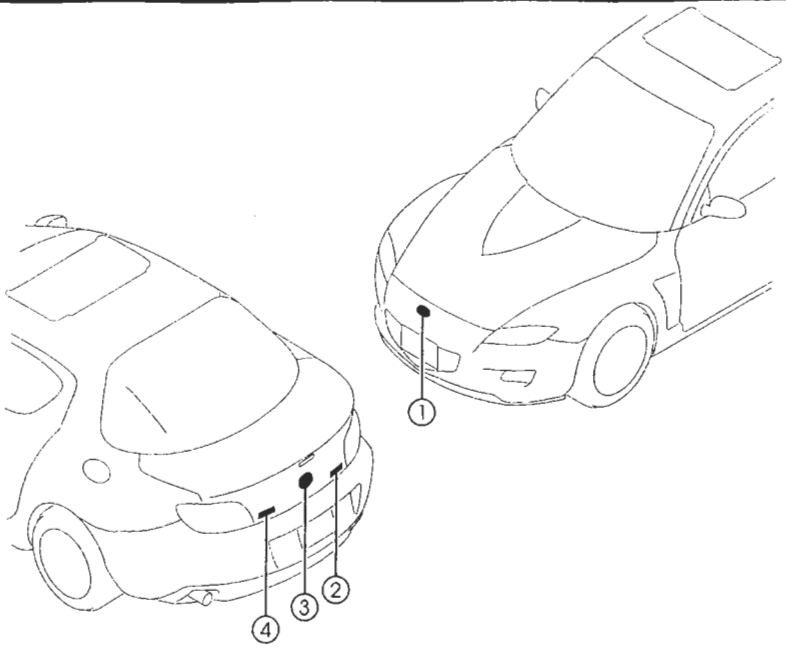
PART NO.	QTY	MODEL/RESTRICTION	MODEL/RESTRICTION	MODEL/RESTRICTION	FROM-TO
51-110J		BULB	AMPOULE		
99700-5100L	1	12V 10W	12V 10W		
51-310H		LAMP, INTERIOR & MAP	PLAFONNIER ET LAMPE LECT.		
D350-51-310D	1				
77	INT-	FF3 FF4 FF5 FF6 SPORTS GRAY TOP	FF3 FF4 FF5 FF6		
51-311		LENS, INTERIOR LAMP	LENTILLE, PLAFONNIER		
D350-51-311B	1				
51-441		LENS	VERRE		
B130-51-441	1				
69-170K		BULB, INTERIOR MIRROR	AMPOULE		
99701-6050	1	12V 5W	12V 5W		

(W/O SUNROOF)

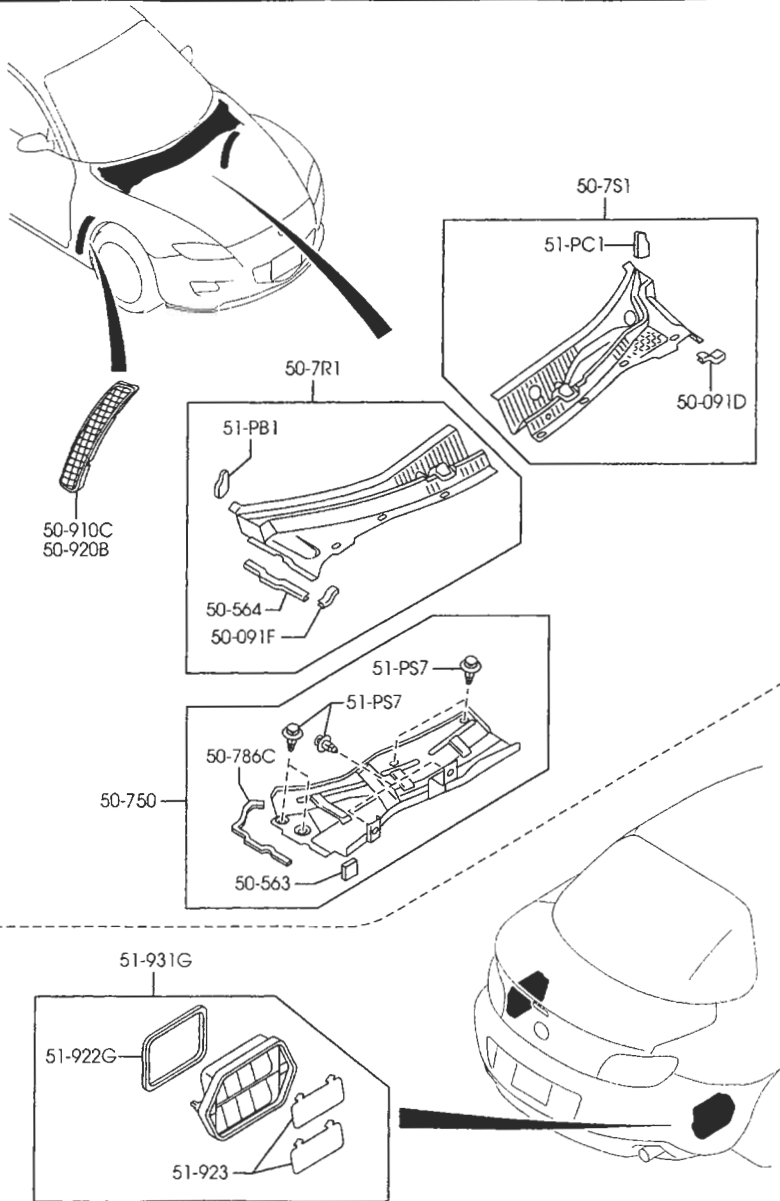
(W/SUNROOF)



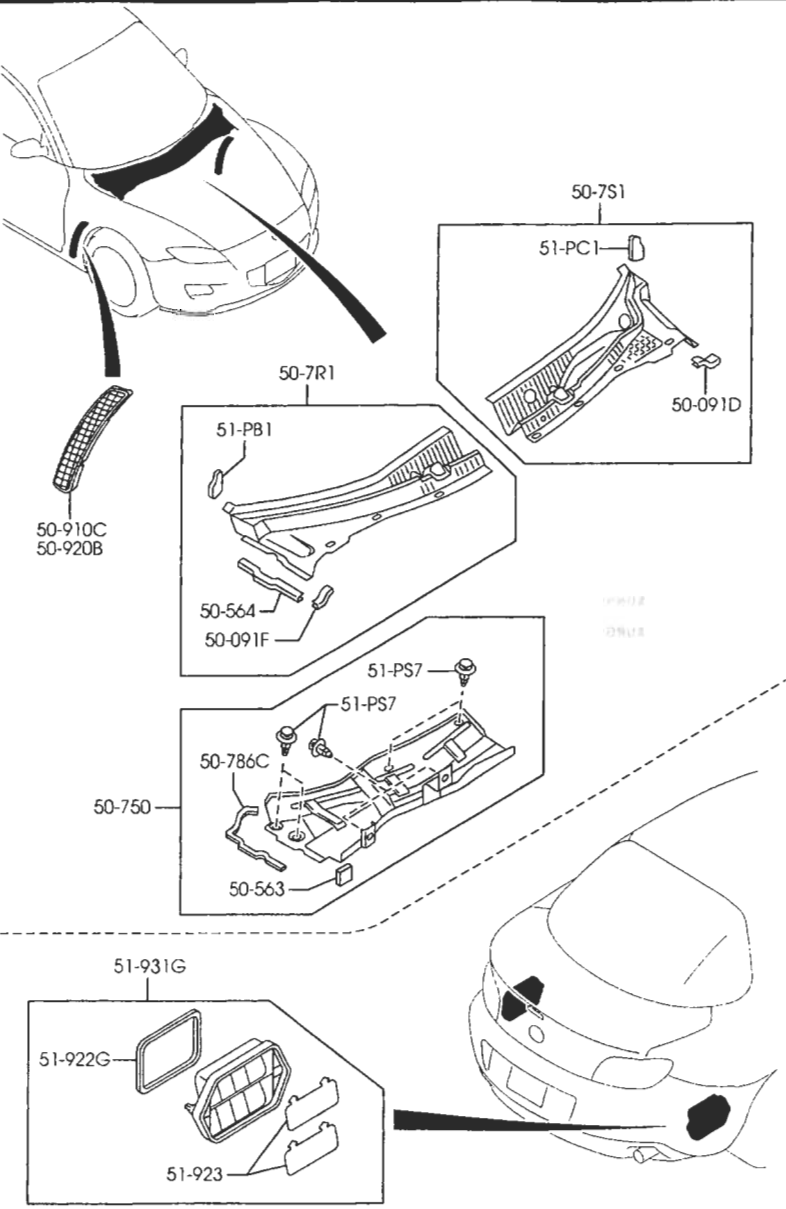
PART NO.	QTY	MODEL/RESTRICTION	MODEL/RESTRICTION	MODEL/RESTRICTION	FROM-TO
69-170K		BULB, INTERIOR MIRROR	AMPOULE		
99701-6050	2	12V 5W	12V 5W		
69-810		CONSOLE, OVERHEAD	CONSOLE		
GK2A-69-970B	1	(W/SUNROOF)	(TOIT OUVR)		
77	INT-	FF3 FF4 FF5 FF6 SPORTS GRAY TOP	FF3 FF4 FF5 FF6		
GK2E-69-970	1	(W/O SUNROOF)	(S/TOIT OUVR)		
77	INT-	FF3 FF4 FF5 FF6 SPORTS GRAY TOP	FF3 FF4 FF5 FF6		
69-973		LENS, OVERHEAD CONSOL	VERRE, CONSOLE AERIEN		
GJ6A-69-973	1	(ILLUST. NO.1)	NE		
GJ6E-69-973	1	(ILLUST. NO.2)			
69-980A		BRACKET, OVERHEAD CON	SUPPORT		
F151-69-98XA	1	SOLE (W/O SUNROOF)	(S/TOIT OUVR)		
F153-69-98X	1	(W/SUNROOF)	(TOIT OUVR)		



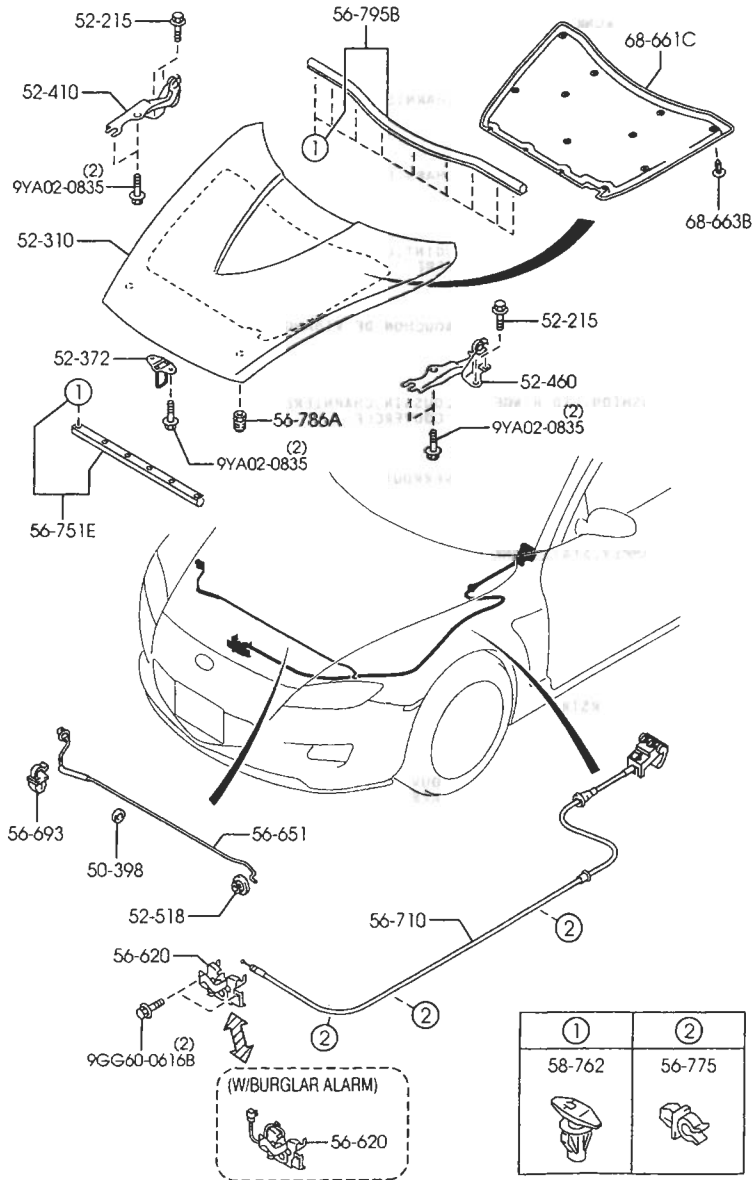
PART NO.	QTY	MODEL/RESTRICTION	MODEL/RESTRICTION	MODEL/RESTRICTION	FRONT TO
51-711A F151-51-731A	1	ORNAMENT,FRONT	ORNEMENT AV		
51-711E F151-51-721	1	ORNAMENT	ORNEMENT		
51-741A F152-51-731A	1	MASCOT,REAR	MASCOTTE,AR		
51-781 F151-51-710A	1	ORNAMENT,REAR	ORNEMENT AV		
51-782 F151-51-958	3	CLIP,TUBULAR	ATTACHE		



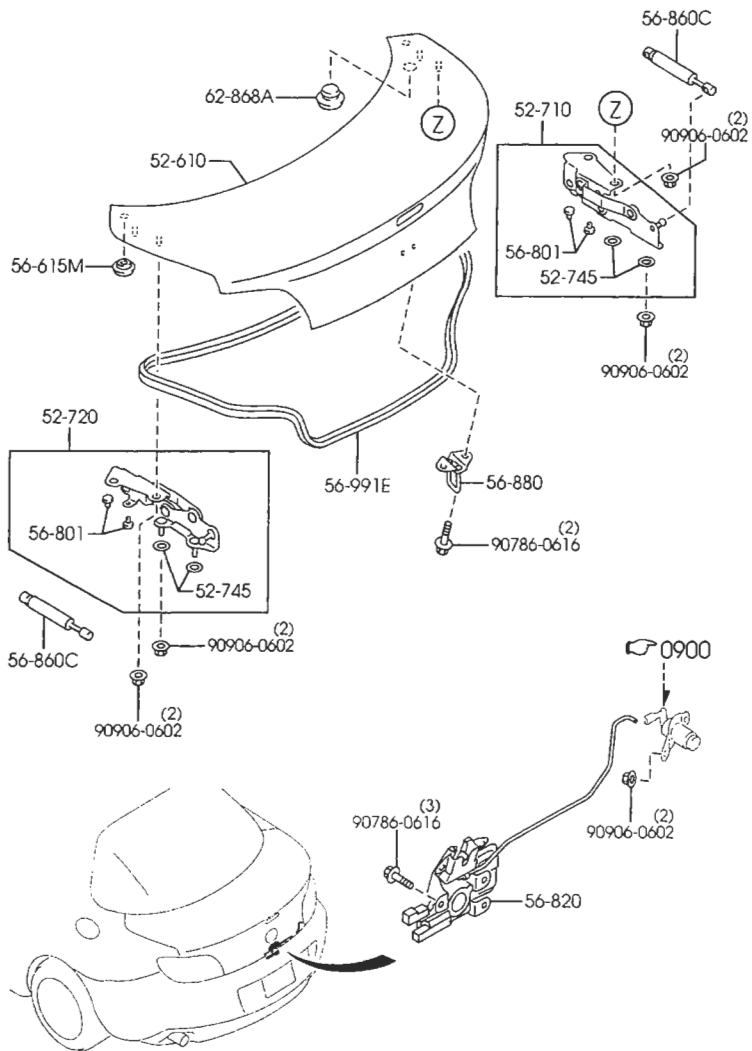
PART NO.	QTY	MODEL/RESTRICTION	MODEL/RESTRICTION	MODEL/RESTRICTION	FROM-TO
50-091D		GASKET	JOINT		
F151-50-795	1				
50-091F		GASKET	JOINT		
F152-50-795	1				
50-563		GASKET	JOINT		
F154-50-795	1				
50-564		GASKET	JOINT		
F156-50-795	1				
50-7R1		GRILLE(R),COWL	JOINT,GRILLE-AUVENT		
FE01-50-7R0C	1				
50-7S1		GRILLE(L),COWL	JOINT,GRILLE-AUVENT		
FE01-50-7S0B	1				
50-750		GRILLE(C),COWL	GRILLE(C),AUVENT		
FE01-50-7P0	1				
50-786C		GASKET	JOINT		
FE01-50-795	1				
50-910C		GRILLE(R),FENDER	GRILLE(D),AILE		
F151-50-910A	1				
50-920B		GRILLE(L),FENDER	GRILLE(G),AILE		
F151-50-920A	1				
51-PB1		MLDG(R),FENDER-FRT	MOULAGE AILE-AVANT(D)		
FE01-51-PB1B	1				
51-PC1		MLDG(L),FENDER-FRT	MOULAGE AILE-AVANT(G)		
FE01-51-PC1A	1				
51-PS7		RIVET	RIVET		
F151-51-833	6				
51-922G		GASKET,CHAMBER-EXTRACTOR	JOINT		
E016-51-922	2				



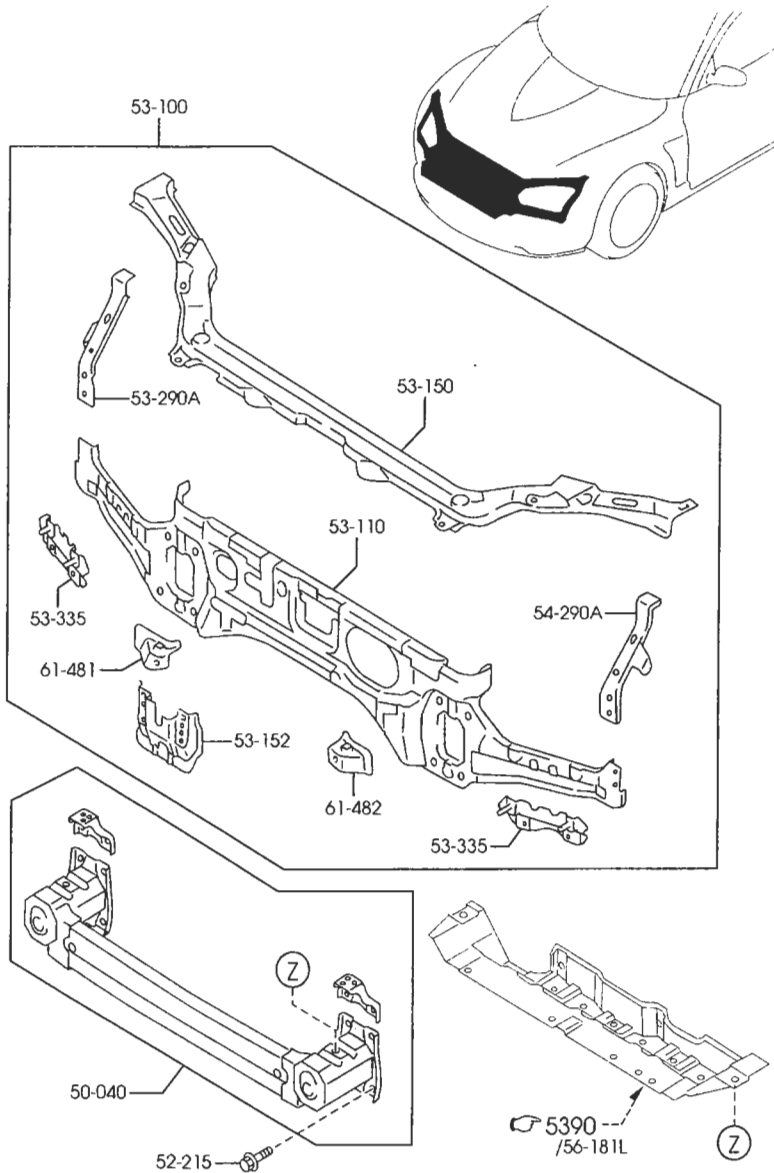
PART NO.	QTY	MODEL/RESTRICTION	MODEL/RESTRICTION	MODEL/RESTRICTION	FROM-TO
51-923	4	VALVE, EXTRACT CHAMBER	SOUPAPE, CHAMBRE EXTRACT.		
D350-51-923					
51-931G	2	CHAMBER, EXTRACTOR	CHAMBRE, EXTRACTEUR		
D350-51-920					



PART NO.	QTY	MODEL/RESTRICTION	MODEL/RESTRICTION	MODEL/RESTRICTION	FROM-TO
56-786A BCIM-56-786	2	RUBBER,CUSHION	SILENT BLOC		
56-795B F151-56-760	1	WEATHERSTRIP,BONNET-REAR	BURRELET,CAPOT-MOTEUR AR		
58-762 BC1D-58-762	15	FASTENER	AGRAFE		
68-661C F151-56-681A	1	INSULATOR,BONNET	INSOLATEUR,CAPOT		
68-663B GA2A-56-694	13	FASTENER,BONNET	AGRAFE,CAPOT		



PART NO.	QTY	MODEL/RESTRICTION	MODEL/RESTRICTION	MODEL/RESTRICTION	FROM-TO
52-610		LID,TRUNK	COUVERCLE DE MALLE		
F151-52-610A	1				
52-710		HINGE(R),TRUNK LID	CHARNIERE (D),COFFRE		
F151-52-710	1				
52-720		HINGE(L),TRUNK LID	CHARNIERE (G),COFFRE		
F151-52-720	1				
52-745		GASKET,LTD HINGE-TRUNK	JOINT,CHARN CAPOT-COFFRE		
GASR-52-745B	4				
56-615M		PLUG,DRAIN	BOUCHON DE VIDANGE		
NA01-56-051	2				
56-801		CUSHION,LID HINGE	COUSSIN,CHARNIERE DE COUVERCLE		
GJ6A-56-802A	4				
56-820		LOCK,LID	VERROUILLAGE COFFRE		
FE01-56-820A	1				
56-860C		DAMPER,STAY-TRUNK LID	AMORT.,ETAI-COUVERCLE COF		
F151-56-930	2				
56-880		STRIKER,LID	GACHE, COFFRE		
F151-56-840	1				
56-991E		WEATHERSTRIP,LID	PROFILE D'ETANCH.,		
F151-56-951A	1				
62-868A		COVER,HOLE-LIFT GATE	COUVERCLE,TRU-PORTE ARR.		
B499-62-868	1				

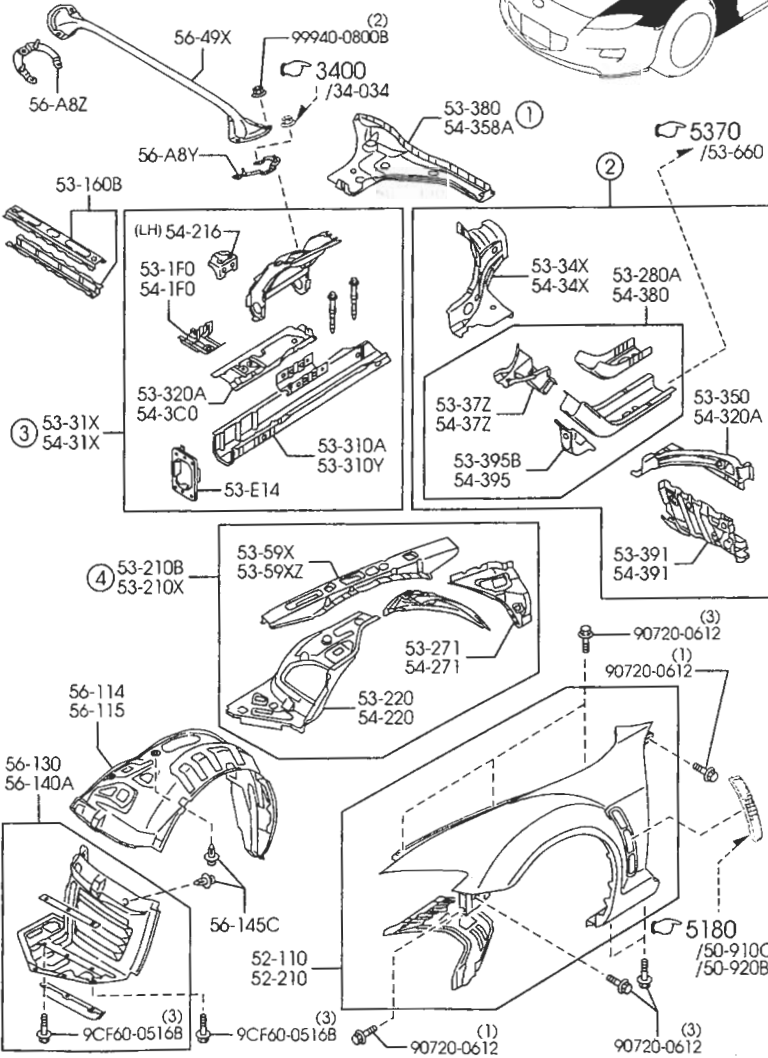
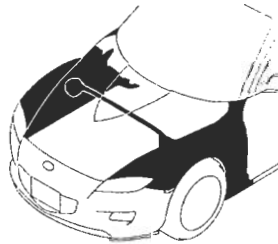


PART NO.	QTY	MODEL/RESTRICTION	MODEL/RESTRICTION	MODEL/RESTRICTION	FROM-TO
50-040 FE01-50-070B	1	REINF,BUMPER-FRONT	RENFORT,PARE-CHOCS		
52-215 GA2A-52-403A	8	BOLT,BONNET HINGE	BOULON DE CHARNIERE		
53-100 FE01-53-100D	1	PANEL,SHROUD	TOLE DE RADIATEUR		
53-110 FE01-53-110B	1	PANEL,SHROUD	PANNEAU DEFLECTEUR		
53-150 FE01-53-150B	1	MEMBER,SHROUD-UPPER	PLAQUE SUP.,DEFLECTEUR		
53-152 F151-53-152	1	REINF(R),SHROUD-UPPER	RENFORT DEFLECTEUR-SUP(D)		
53-290A F151-53-1E0	1	BRACKET(R),FENDER	SUPPORT AILE (D)		
53-335 F151-53-17YA	2	REINFORCEMENT,MTG	RENFORT,MONTAGE		
54-290A F151-54-1E0	1	BRACKET(L),FENDER	SUPPORT(G)AILE		
61-481 F151-53-19X	1	BRACKET(R),CONDENSER	SUPPORT CONDENSATEUR(D)		
61-482 F151-54-19X	1	BRACKET(L),CONDENSER	SUPPORT CONDENSATEUR(G)		



NOTE

① ... ④ ⇒ 53-210  
54-210  
THE D-CODE OF 54-210 CONSISTS OF  
FIGURE NUMBERS ① THROUGH ④.



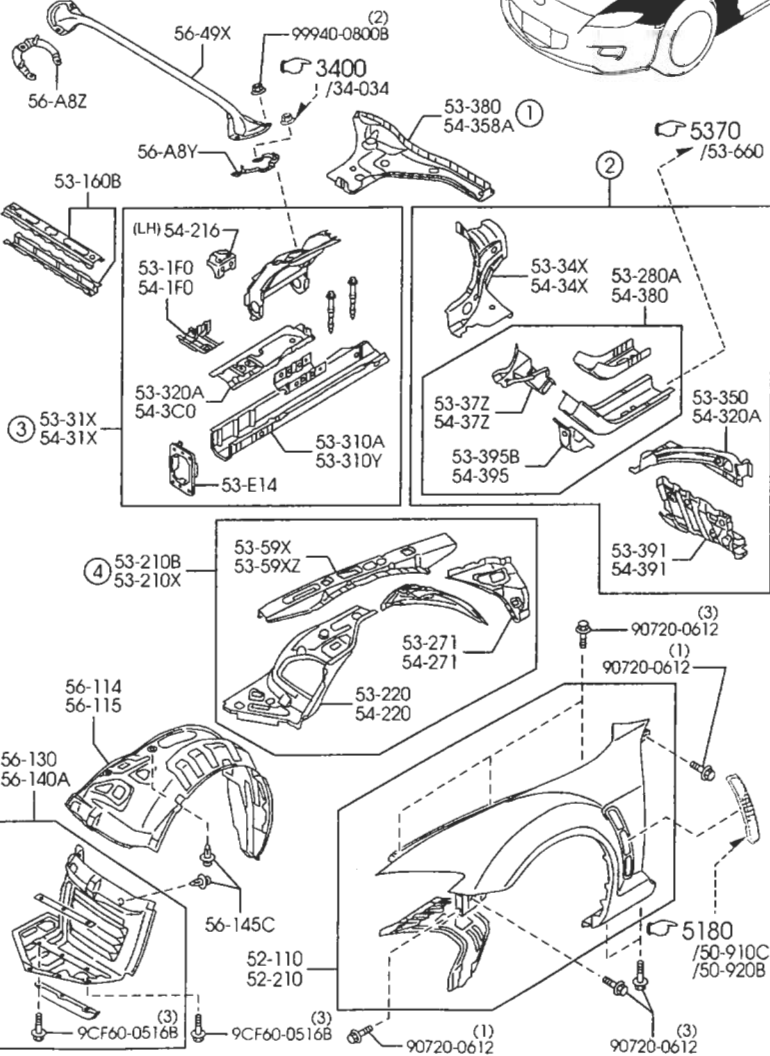
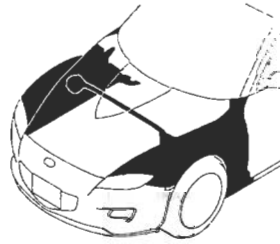
PART NO.	QTY	MODEL/RESTRICTION	MODEL/RESTRICTION	MODEL/RESTRICTION	FROM-TO
52-110		PANEL(R),FENDER-FRT.	AILE AVANT (D)		
F151-52-110	1				
52-210		PANEL(L),FENDER-FRT.	AILE AVANT (G)		
F151-52-210	1				
53-E14		BRACKET,BUMPER	ATTACHE,PARE-CHOCS		
F151-53-33X	2				
53-1F0		SIDE NO.1(R),CROSS	COTE NO.1(D),CROIX		
F151-53-16Y	1				
53-160B		MEMBER,CROSS	TRAVERSE		
F151-53-16XA	1				
53-210		PANEL(R),APRON & FRAME	PASSAGE DE ROUE (D)		
FE01-53-200	1				
53-210B		PANEL(R),WHEEL APRON	PANNEAU(D),TABLIER ROUE		
F151-53-210E	1				
53-210X		PANEL(L),WHEEL APRON	PANNEAU(G),TABLIER ROUE		
F151-54-210E	1				
53-220		PANEL(R),WHEEL APRON-FRT	PANNEAU(AV.D),TABLIER R		
F151-53-220E	1				
53-271		REINF.(RR/R),APRON-LOWER	RENFORT(AR/D),TABLIER R-INF		
F151-53-271	1				
53-280A		FRAME(R),FRONT-REAR	CADRE(D),AV-AR		
F151-53-390A	1				
53-31X		FRAME(R),FRONT	CADRE(D),AVANT		
F151-53-31XB	1				
53-310A		FRAME(R),SIDE-INNER	CADRE LATERAL INT.(D)		
F151-53-310	1				
53-310Y		FRAME(L),SIDE-INNER	CADRE LATERAL INT.(G)		
F151-54-310	1				

## 5320A FENDER &amp; WHEEL APRON PANELS

## NOTE

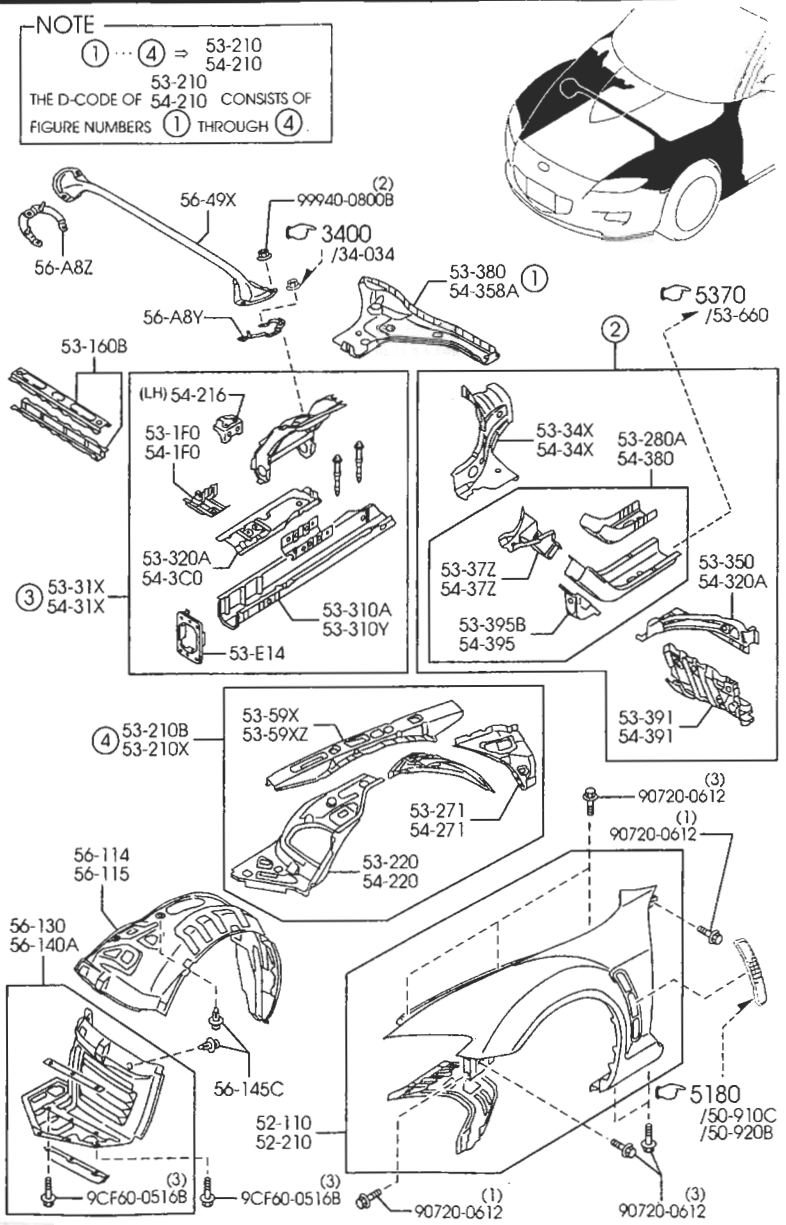
① ... ④ ⇒ 53-210  
54-210

53-210  
THE D-CODE OF 54-210 CONSISTS OF  
FIGURE NUMBERS ① THROUGH ④.



PART NO.	QTY	MODEL/RESTRICTION	MODEL/RESTRICTION	MODEL/RESTRICTION	FROM-TO
53-320A		FRAME(R),FRONT-OUTER	CADRE AVANT-EXT(D)		
F151-53-320	1				
53-34X		REINF(R),FRONT FRAME	RENFORT CADRE AVANT(D)		
FE01-53-342	1				
53-350		FRAME(R),SIDE-OUTER	CADRE LATERAL EXT.(D)		
F151-53-331	1				
53-37Z		FRAME(UP.R),FRONT-REAR	CHASSIS(SUP.D),AV-AR		
F151-53-391	1				
53-380		REINFORCEMENT(R)	CADRE(D),AV-AR		
F151-53-39XA	1				
53-391		BOX(R),TORQUE	BOITIER (D), COUPLE MOTEUR		
F151-53-381	1				
53-395B		BRKT LWR ARM (R)	SUPPORT,BRAS INF(D)		
F151-53-39Z	1				
53-59X		REINF.(R),WHEEL APRON	RENFORT(D),TABLIER N		
F151-53-260A	1				
53-59XZ		REINF.(L),WHEEL APRON	RENFORT(G),TABLIER N		
F151-54-260B	1				
54-1F0		SIDE NO.1(L),CROSS	COTE NO.1(G),CRO1X		
F151-53-16Y	1				
54-210		PANEL(L),APRON & FRAME	PASSAGE DE ROUE (G) ME		
FE01-54-200	1				
54-216		GUSSET	GOUSSET		
F151-54-318	1				
54-220		PANEL(L),WHEEL APRON-FRT	PANNEAU(AV.G),TABLIER R		
F151-54-220D	1				
54-271		REINF.(RR/L),APRON-LOWER	RENFORT(AR/G),TABLIER R-INF		
F151-54-271	1				

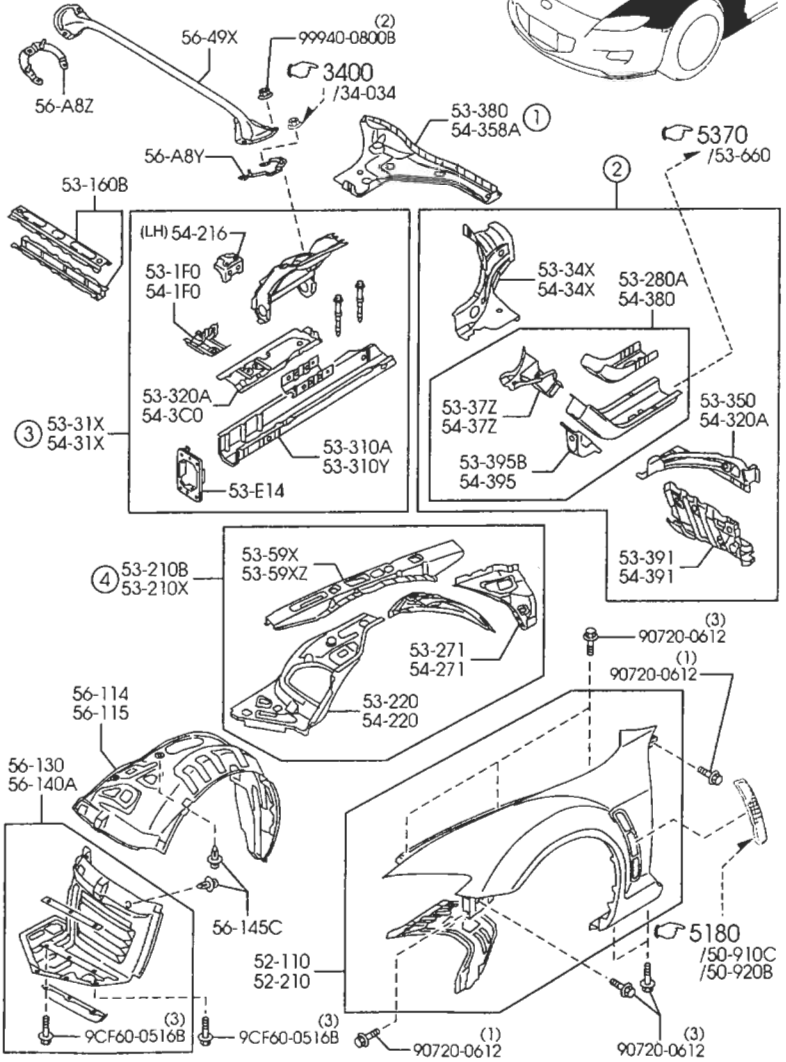
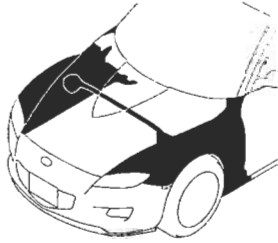
NOTE  
 ① ... ④ = 53-210  
 54-210  
 THE D-CODE OF 53-210  
 CONSISTS OF  
 FIGURE NUMBERS ① THROUGH ④.



PART NO.	QTY	MODEL/RESTRICTION	MODEL/RESTRICTION	MODEL/RESTRICTION	FROM-TO
54-3C0 F151-54-321	1	FRAME(L),FRONT-OUTER	CADRE AVANT-EXT(G)		
54-31X F151-54-31XB	1	FRAME(L),FRONT	CADRE(G),AVANT		
54-320A F151-54-331	1	FRAME(L),FRONT-OUTER	CADRE AVANT-EXT(G)		
54-34X FE01-54-342	1	REINF(L),FRONT FRAME	RENFORT CADRE AVANT(G)		
54-358A F151-54-39XA	1	REINFORCEMENT(L)	ARMATURE (G)		
54-37Z F151-54-391	1	FRAME(UP.L),FRONT-REAR	CHASSIS(SUP.G),AV-AR		
54-380 F151-54-390A	1	FRAME(L),FRONT-REAR	CADRE(G),AV-AR		
54-391 F151-54-381	1	BOX(L),TORQUE	BOITIER (G), COUPLE MOTEUR		
54-395 F151-54-39Z	1	BRKT LWR ARM (L)	SUPPORT,BRAS INF(G)		
56-A8Y F151-56-49Z	1	BRKT(L),STRUT BAR	CONSOLE(G),BARRE ENT RETO.		
56-ABZ F151-56-49Y	1	BRKT(R),STRUT BAR	CONSOLE(G),BARRE ETR ETO.		
56-114 F151-56-131A	1	GUARD(R),MUD	GARDE-BOUD(D)		
56-115 F151-56-141A	1	GUARD(L),MUD	GARDE-BOUE(G)		
56-130 F151-56-13YB	1	GUARD(R),MUD	GARDE-BOUD(D)		

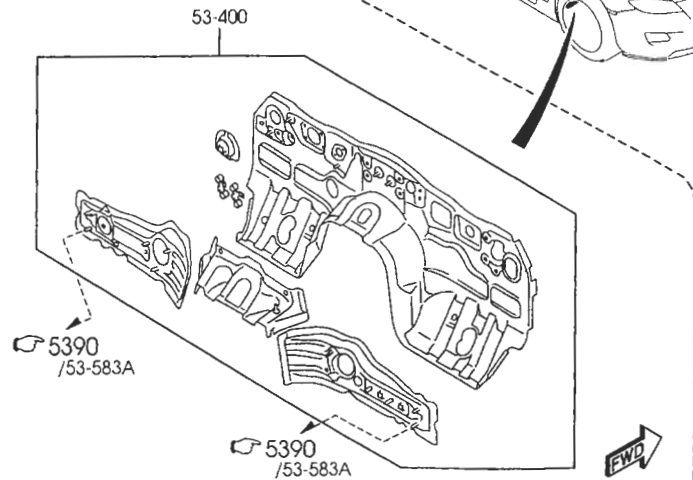
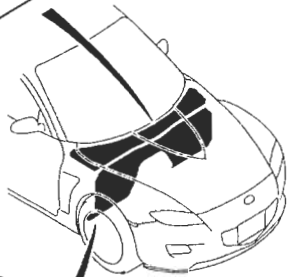
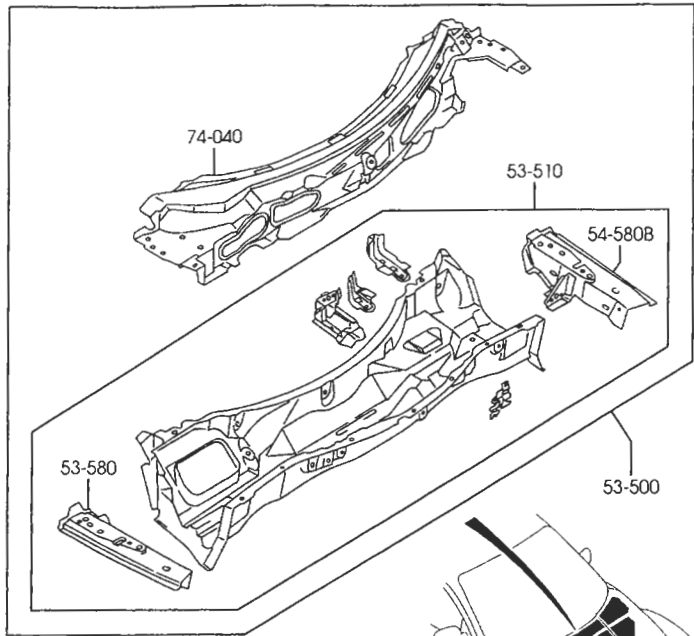
5320A FENDER & WHEEL APRON PANELS

**NOTE**  
 ①...④ ⇒ 53-210  
 53-210  
 THE D-CODE OF 54-210 CONSISTS OF  
 FIGURE NUMBERS ① THROUGH ④.

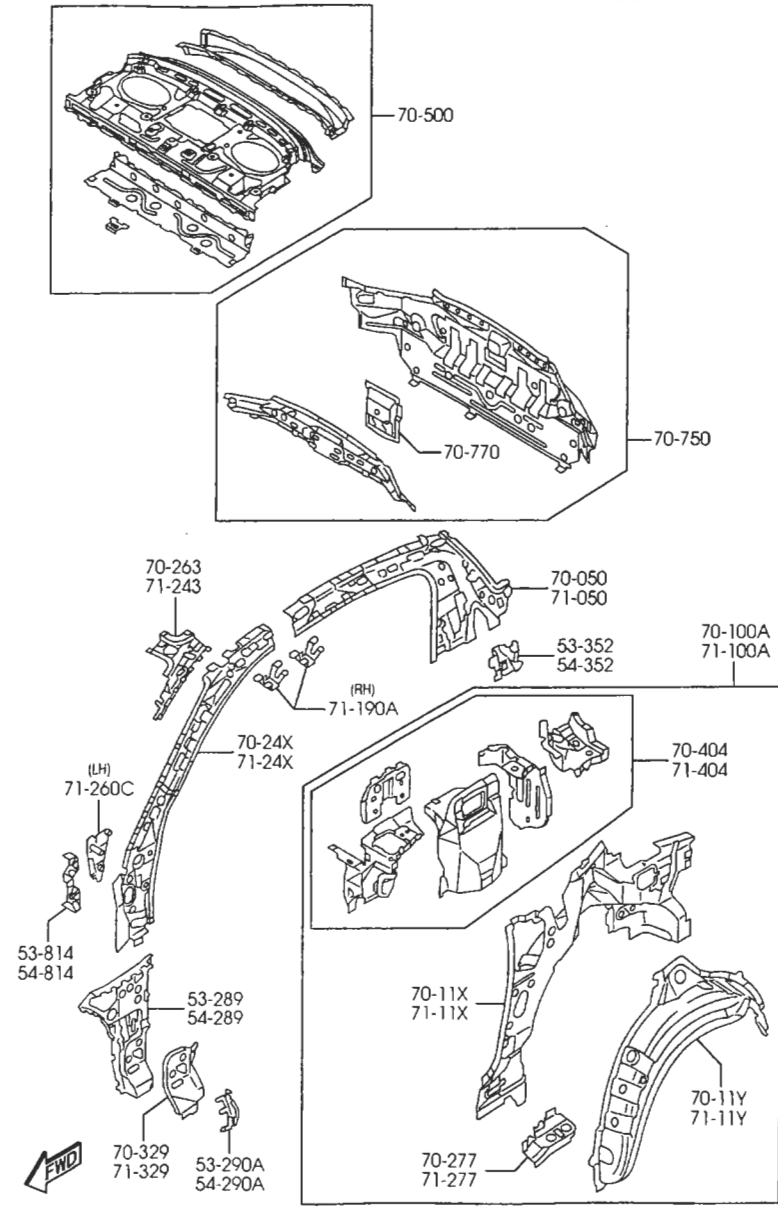
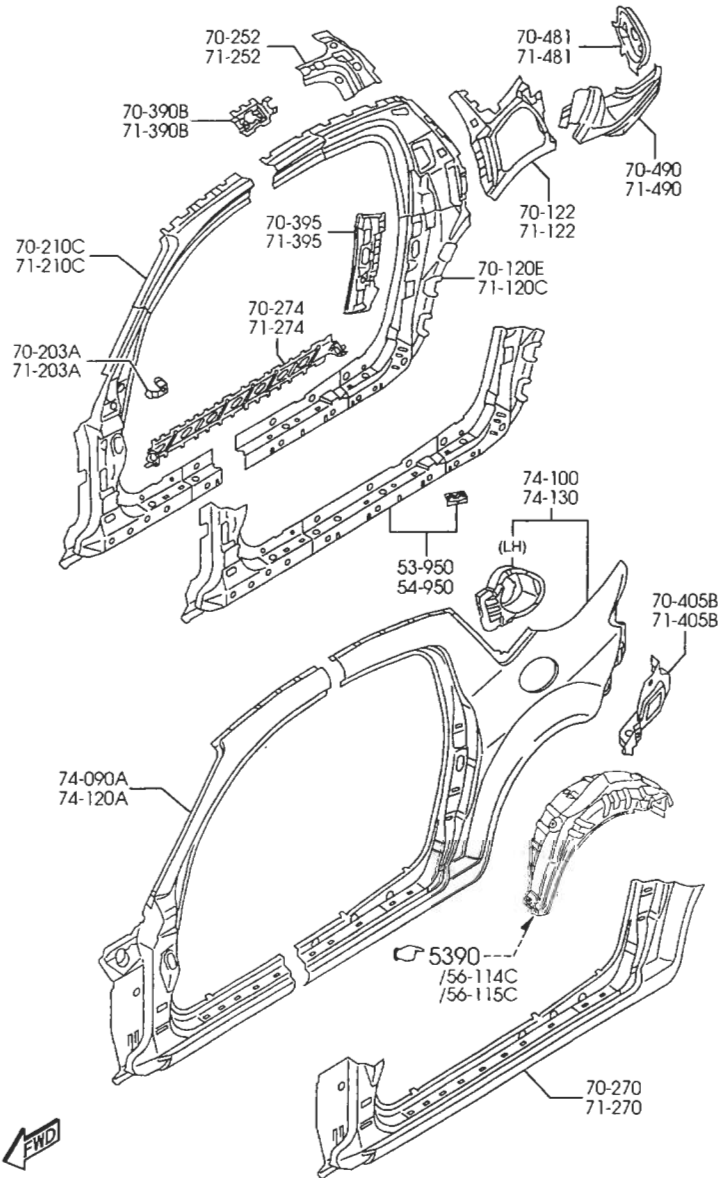


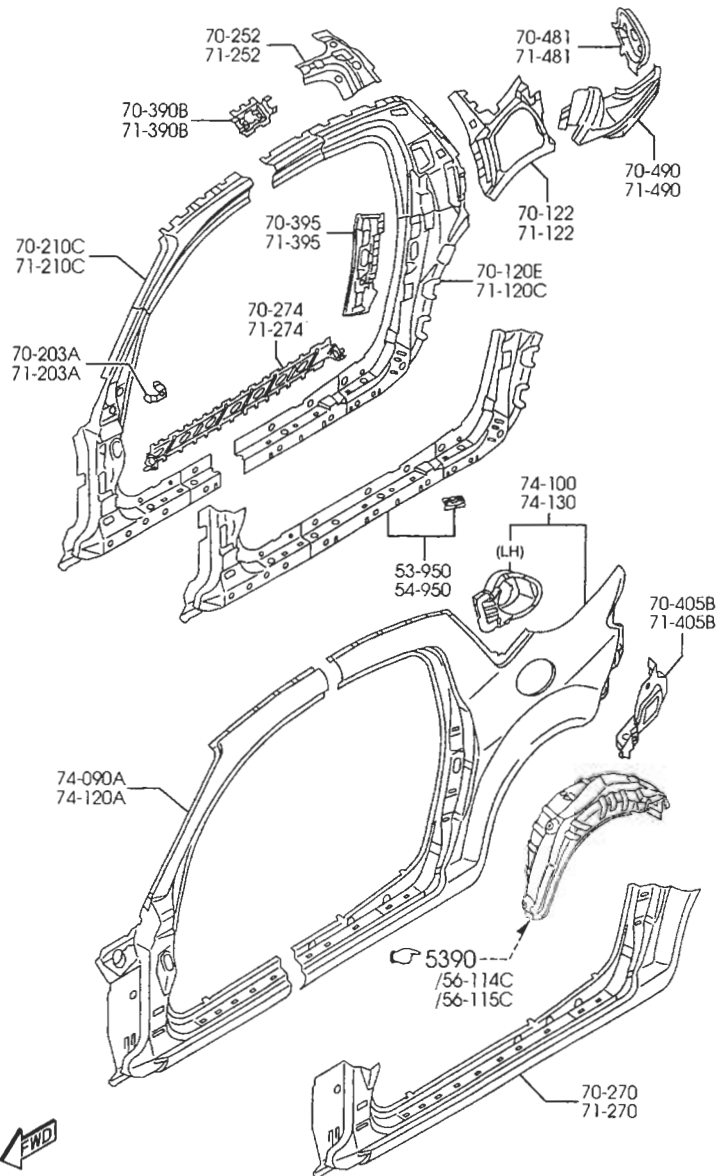
5320A -4 \* FENDER & WHEEL APRON PANELS

PART NO.	QTY	MODEL/RESTRICTION	MODEL/RESTRICTION	MODEL/RESTRICTION	FROM-TO
56-140A F151-56-14YB	1	GUARD(L),MUD	GARDE-BOUE(G)		
56-145C BC1D-56-145	38	CLIP,MUD GUARD	ETRIER,GARDE BOUE		
56-49X F151-56-49XA	1	BAR,STRUT	BARE,RENFORT-TABLIER ROUE		

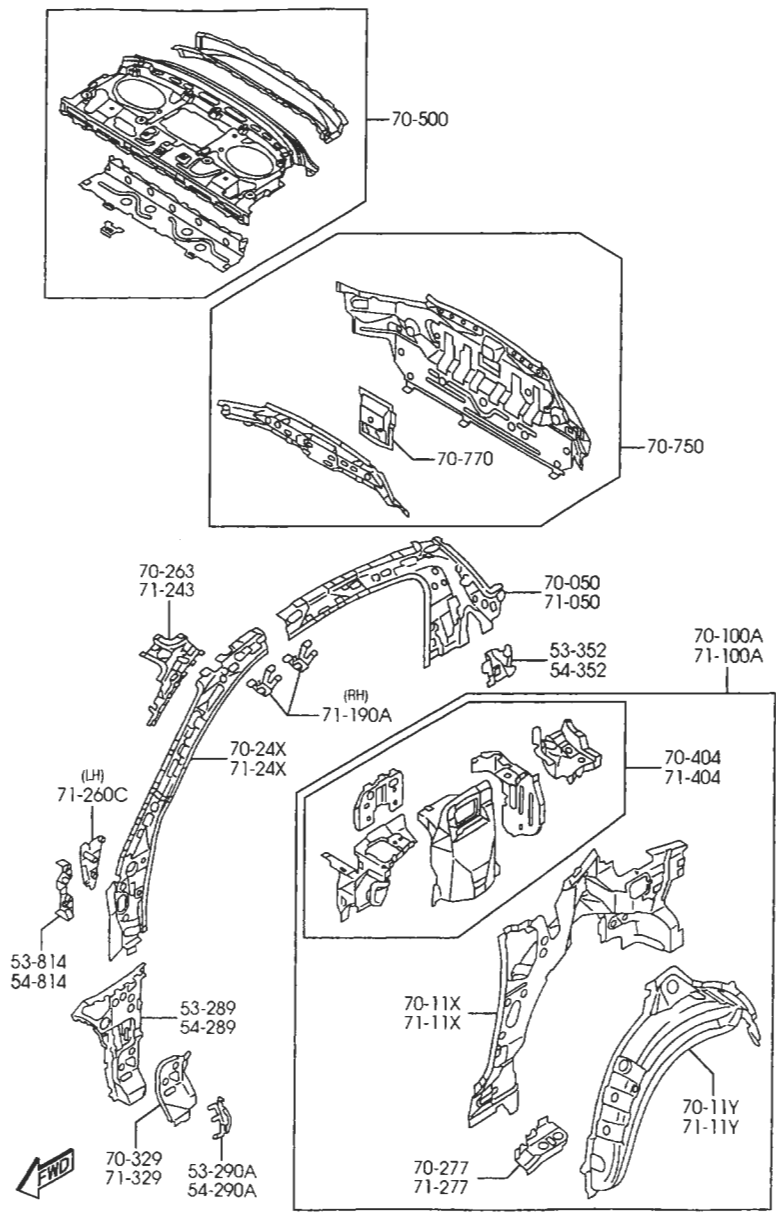


PART NO.	QTY	MODEL/RESTRICTION	MODEL/RESTRICTION	MODEL/RESTRICTION	FROM-TO
53-400 FE01-53-400	1	PANEL,DASH-LOWER	TRVERSE INFERIEURE		
53-500 FE01-53-500C	1	PANEL,DASH & COWL FRONT	BORD,TAB. & AUVENT AVANT		
53-510 FEY1-53-510	1	PANEL,DASH-UPPER	TRVERSE SUPERIEURE		
53-580 FE01-53-580A	1	PLATE(R),COWL-UPPER	PLAQUE SUP.(D),AUVENT		
54-580B FE01-54-580A	1	PLATE(L),COWL-UPPER	PLAQUE SUP.(G),AUVENT		
74-040 FE01-53-5A0A	1	PANEL,COWL	ARMATURE AV.		



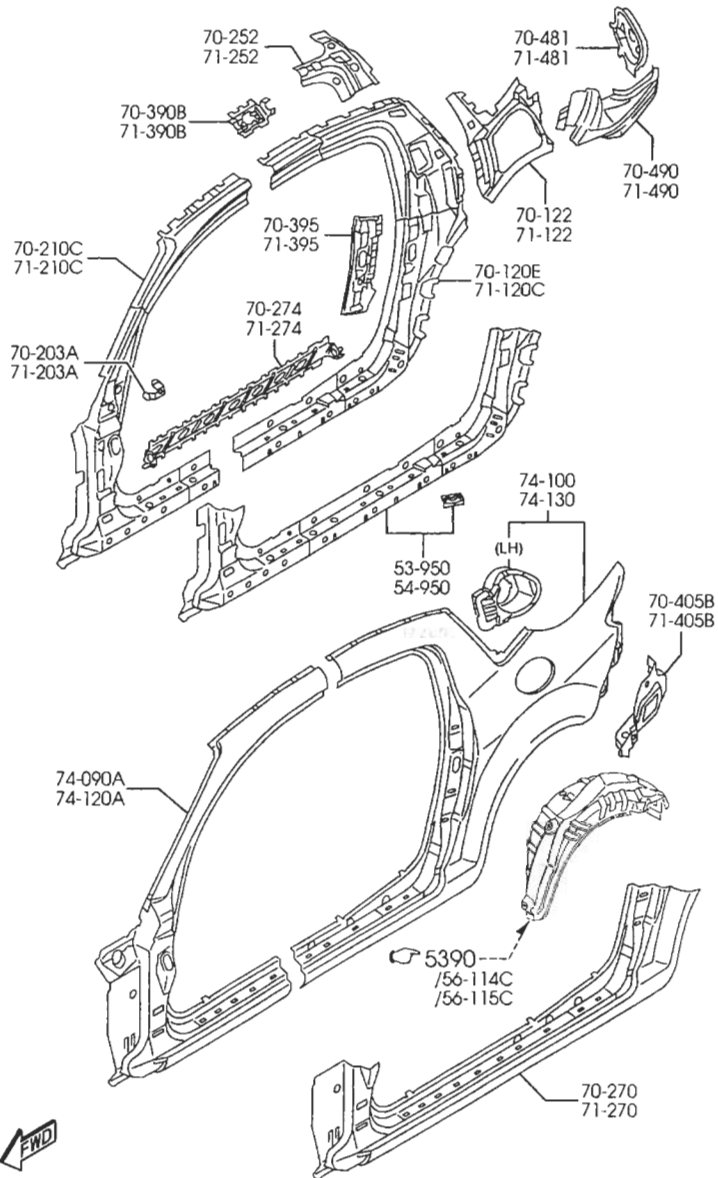


PART NO.	QTY	MODEL/RESTRICTION	MODEL/RESTRICTION	MODEL/RESTRICTION	FROM-TO
53-289 F151-70-651	1	REINF.(R),COWL SIDE- INNER	REINF.(D),CAPOT COTE -INF.		
53-290A F151-70-071A	1	BRACKET(R),FENDER	SUPPORT AILE (D)		
53-352 F151-70-791A	1	REINF(R),FRAME-INNER	RENFORT CADRE-INT(D)		
53-814 FE01-70-260	1	BRACKET(R)	ATTACHE (D)		
53-950 F1Y1-70-27X	1	PANEL(R),SIDE SILL	LONGERON EXT. (D)		
54-289 F151-71-651	1	REINF.(L),COWL SIDE- INNER	REINF.(G),CAPOT COTE -INF.		
54-290A F151-71-071A	1	BRACKET(L),FENDER	SUPPORT(G)AILE		
54-352 F151-71-791A	1	REINF(L),FRAME-INNER	RENFORT CADRE-INT(G)		
54-814 FE01-71-260	1	BRACKET(L)	SUPPORT (G)		
54-950 F1Y1-71-27X	1	PANEL(L),SIDE SILL	LONGERON EXT. (G)		
70-050 F1Y1-70-05Y	1	RAIL(R),ROOF-INNER	GOUTTIERE (D),INTERI EUR T		
70-100A F151-70-100E	1	PANEL(R),REAR PILLAR	PANNEAU(D),MONTANT A R		
70-11X F151-70-110C	1	PILLAR(R),REAR-INNER	PILIER(D),AR.-INT		
70-11Y F151-70-115	1	PILLAR'C'(R),REAR-IN NER	PILIER'C'(D),ARRIERE -INT.		



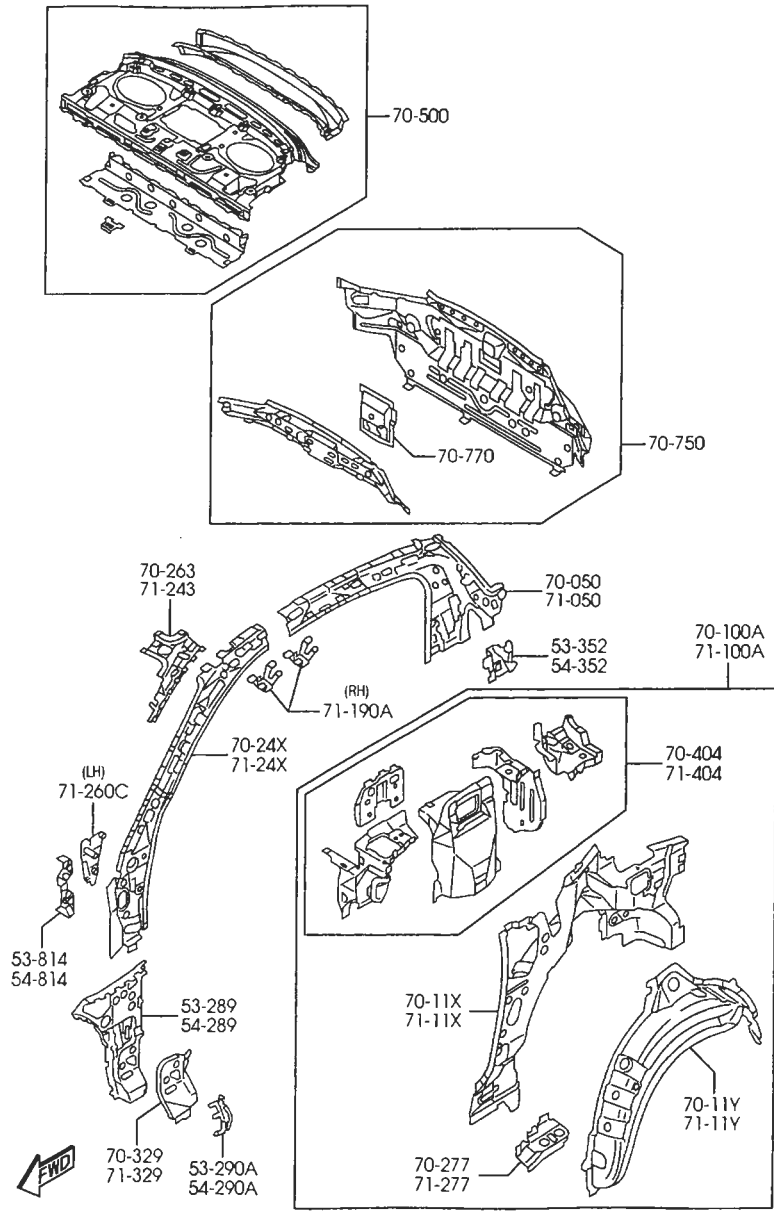
PART NO.	QTY	MODEL/RESTRICTION	MODEL/RESTRICTION	MODEL/RESTRICTION	FROM-TO
70-120E F1Y1-70-12YA	1	REINF.(R),REAR PILLAR IN.	RENFORT(D),PILIER AR		
70-122 F151-70-122	1	REINF.(R),QTR PANEL-REAR	RENFORT(D),PANN.QTR-AR		
70-203A F151-70-21Y	1	BRACKET(R)	SUPPORT		
70-210C F1Y1-70-030	1	REINF.(R),HINGE	RENFORT(D)CHARNIERE		
70-24X F1Y1-70-240	1	PILLAR(R),FRONT-INNER	PILIER(D),AVANT-INT.		
70-252 F151-70-252	1	REINF.(R).ROOF RAIL	RENF.(D),LONGERON DE TOIT		
70-263 F151-70-24Z	1	REINF.(R),FRT PILLAR-LWR	RENFORT(D),PIED AUV.-INF.		
70-270 F1Y1-70-270	1	PANEL(R),SIDE SILL	LONGERON EXT. (D)		
70-274 F151-70-135	1	GUSSET(R),SIDE SILL OUTER	GOUSSET(D),M.PIED LAT EXT		
70-277 F151-70-272	1	REINF.(R),SIDE SILL	RENFORT		
70-329 F151-70-058	1	REINFORCEMENT(R)	RENFORT		
70-390B F151-70-390	1	REINF.(R),STRIKER	RENFORT(D),GACHE		
70-395 F151-70-381	1	REINF.(R),HINGE-RR DOOR	RENFORT(D),CHARN.-PDRT AR		
70-404 F151-70-180B	1	JUNCTION(R),PACKAGE	JONCTION(D)		



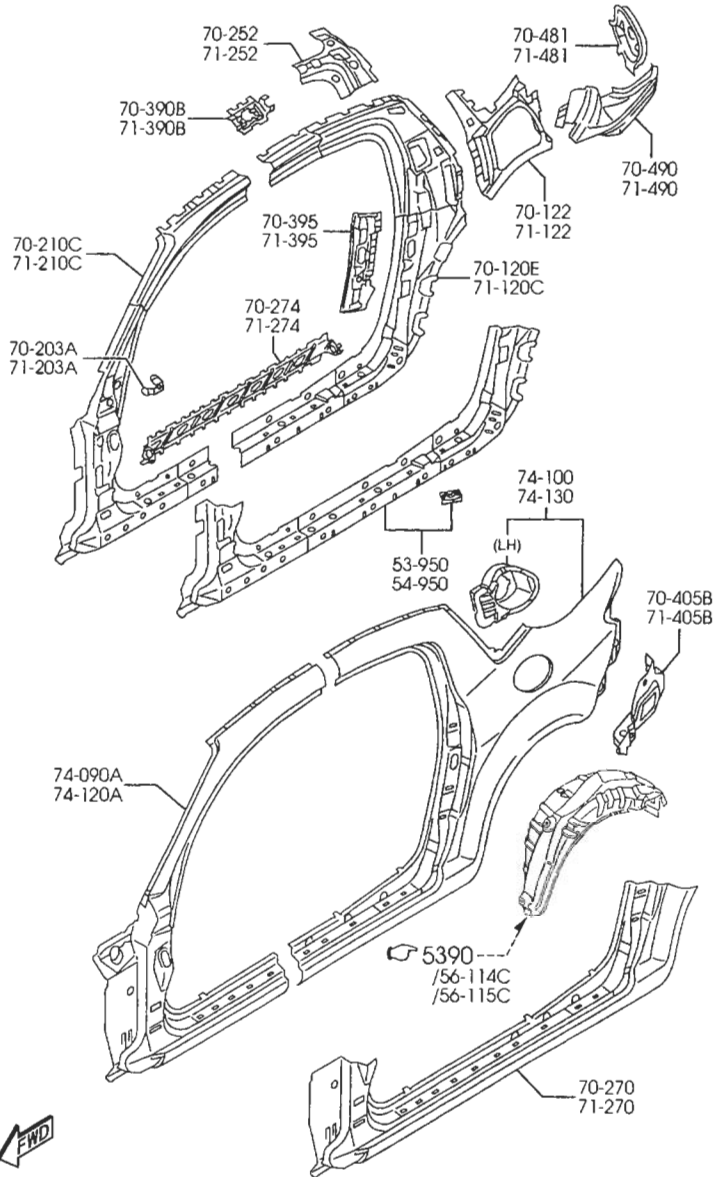


PART NO.	QTY	MODEL/RESTRICTION	MODEL/RESTRICTION	MODEL/RESTRICTION	FROM-TO
70-405B 71-405B F151-70-4A1	1	PANEL(R),RR FENDER-L OWER	PANNEAU(D),PARE-CHOC S AR		
70-481 F151-70-480B	1	PLATE(R),CORNER	PLAQUE DE COIN(D)		
70-490 F151-70-441	1	RAIL(R),RAIN-REAR	GOUTTIERE ARR.(D)		
70-500 F151-70-500	1	TRAY,PACKAGE	VIDE-POCHE		
70-750 FE01-70-750A	1	PANEL,REAR END	JUPE ARRIERE		
70-770 F151-70-780	1	REINFORCEMENT,STRIKE R	RENFORT BUTEE		
71-050 F1Y1-71-05Y	1	RAIL(L),ROOF-INNER	GOUTTIERE (G),INTERI EUR T		
71-100A F151-71-100F	1	PANEL(L),REAR PILLAR	PANNEAU(G),MONTANT A R		
71-11X F151-71-110E	1	PILLAR(L),REAR INNER	PILIER(G),INT AR.-AR		
71-11Y F151-71-115	1	PILLAR(L),REAR INNER	PILIER(G),INT. AR.-A V.		
71-120C F1Y1-71-12YA	1	REINF.(L),REAR PILLA R IN.	RENFORT(G),PANNEAU Q UART-AV.		
71-122 F151-71-122	1	REINF.(L),QTR PANEL- REAR	RENFORT(G),PANN.QTR- AR		
71-190A FE01-70-192	2	PLATE,NUT	PLAQUE,ECROU		
71-203A F151-71-21Y	1	BRACKET(L)	SUPPORT		

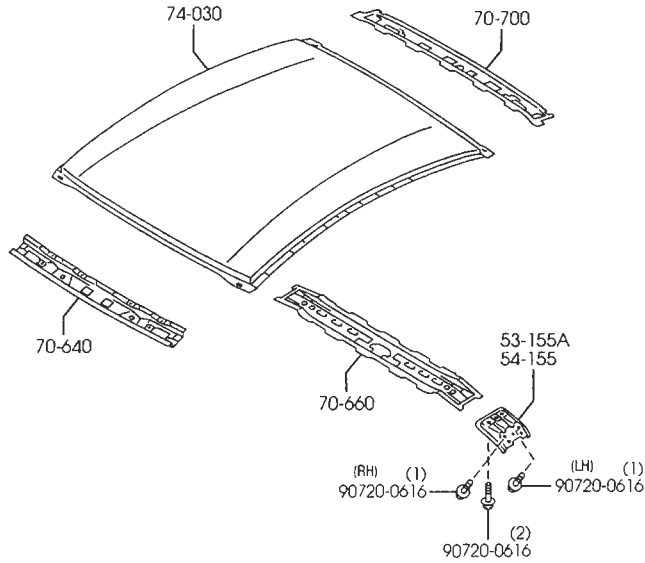
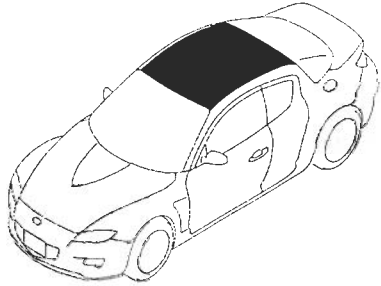




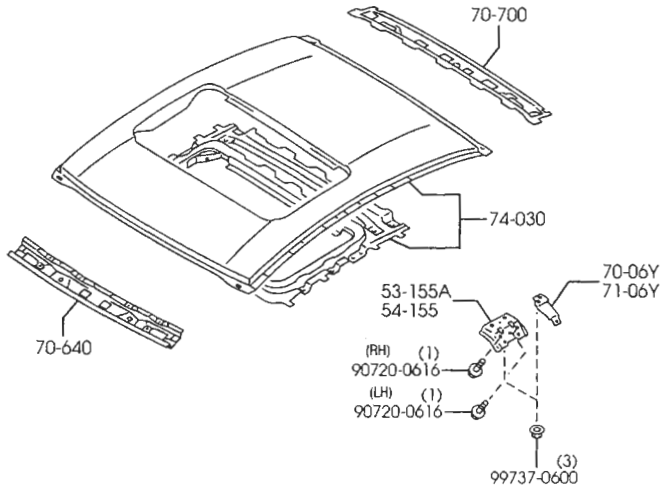
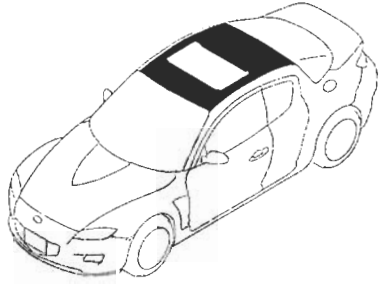
PART NO.	QTY	MODEL/RESTRICTION	MODEL/RESTRICTION	MODEL/RESTRICTION	FROM-TO
71-210C FIY1-71-030	1	REINF.(L),HINGE	RENFORT CHARNIERE(G)		
71-24X FIY1-71-240	1	PILLAR(L),FRONT-INNE R	PILIER(G),AVANT-INT.		
71-243 F151-71-24Z	1	REINF(L),FRT PILLAR- INN	RENFORT PILIER AVANT (G)		
71-252 F151-71-25Z	1	REINF.(L),ROOF RAIL	RENF.(G),LONGERON DE TOIT		
71-260C FE01-71-26XA	1	BRKT(L),INST.	SUPPORT TABLEAU(G)		
71-270 FIY1-71-270	1	PANEL(L),SIDE SILL	PANNEAU(G),SEUIL LAT ERAL		
71-274 F151-71-135	1	GUSSET(L),SIDE SILL OUTER	GOUSSET(G),M.PIED LA T EXT		
71-277 F151-71-27Z	1	REINF.(L),SIDE SILL	RENFORT		
71-329 F151-71-058	1	REINFORCEMENT(L)	RENFORT		
71-390B F151-71-390	1	REINF.(L),STRIKER	RENFORT(G),GACHE		
71-395 F151-71-381	1	REINF.(L),REAR DOOR HINGE	RENFORT(D),CHARN. PO RT AR		
71-404 F151-71-180B	1	JUNCTION(L),PACKAGE	JONCTION(G)		
71-405B F151-71-4A1	1	PANEL(L),RR FENDER-L OWER	PANNEAU(G),P.CHOCS A R-INF		
71-481 F151-71-481C	1	PLATE(L),CORNER	PLAQUE COIN(G)		



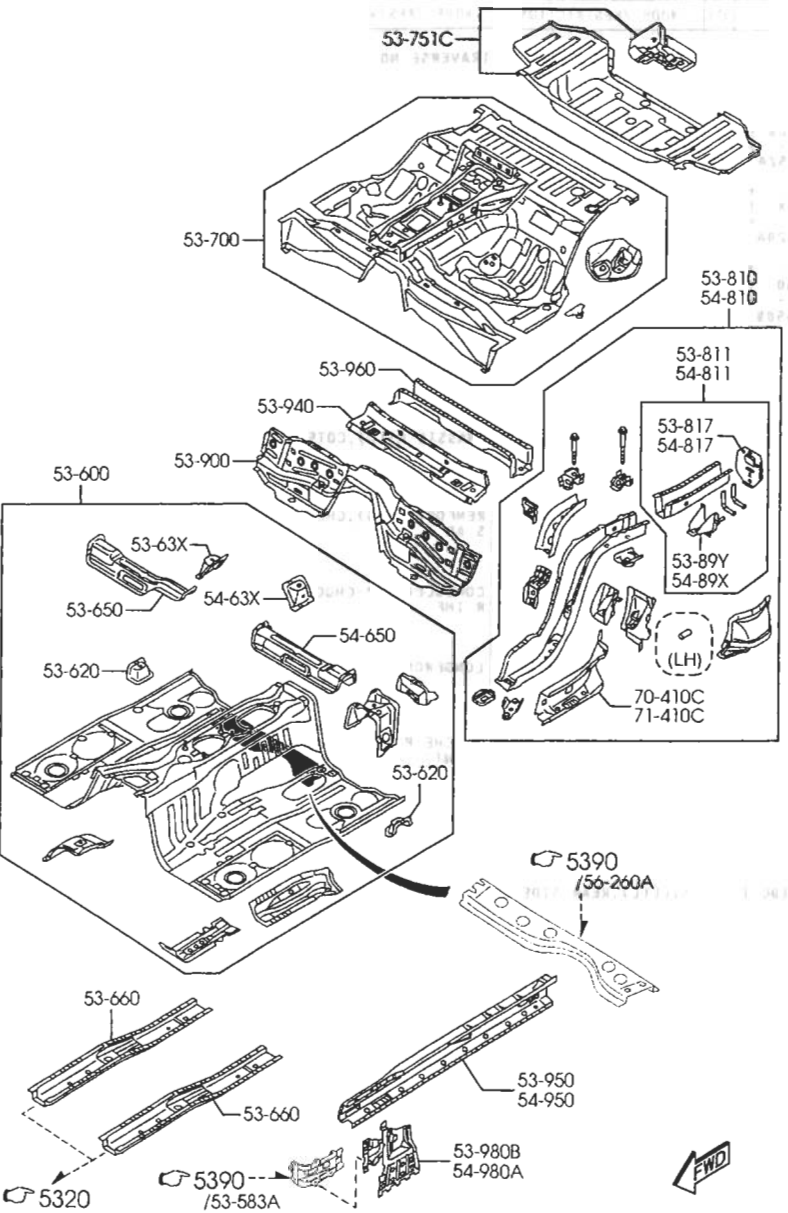
PART NO.	QTY	MODEL/RESTRICTION	MODEL/RESTRICTION	MODEL/RESTRICTION	FROM-TO
71-490	1	RAIL(L),RAIN-REAR	GOUTTIERE ARR.(G)		
F151-71-441					
74-090A	1	PILLAR(R),FRONT-OUT.	MONTANT EXT,AV(D)		
F1Y1-70-220					
74-100	1	PANEL(R),FENDER-REAR	AILE ARRIERE (D)		
F1Y1-70-410A					
74-120A	1	PILLAR(L),FRONT-OUT.	MONTANT EXT.AV(G)		
F1Y1-71-220					
74-130	1	PANEL(L),FENDER-REAR	AILE ARRIERE (G)		
F1Y1-71-410C					



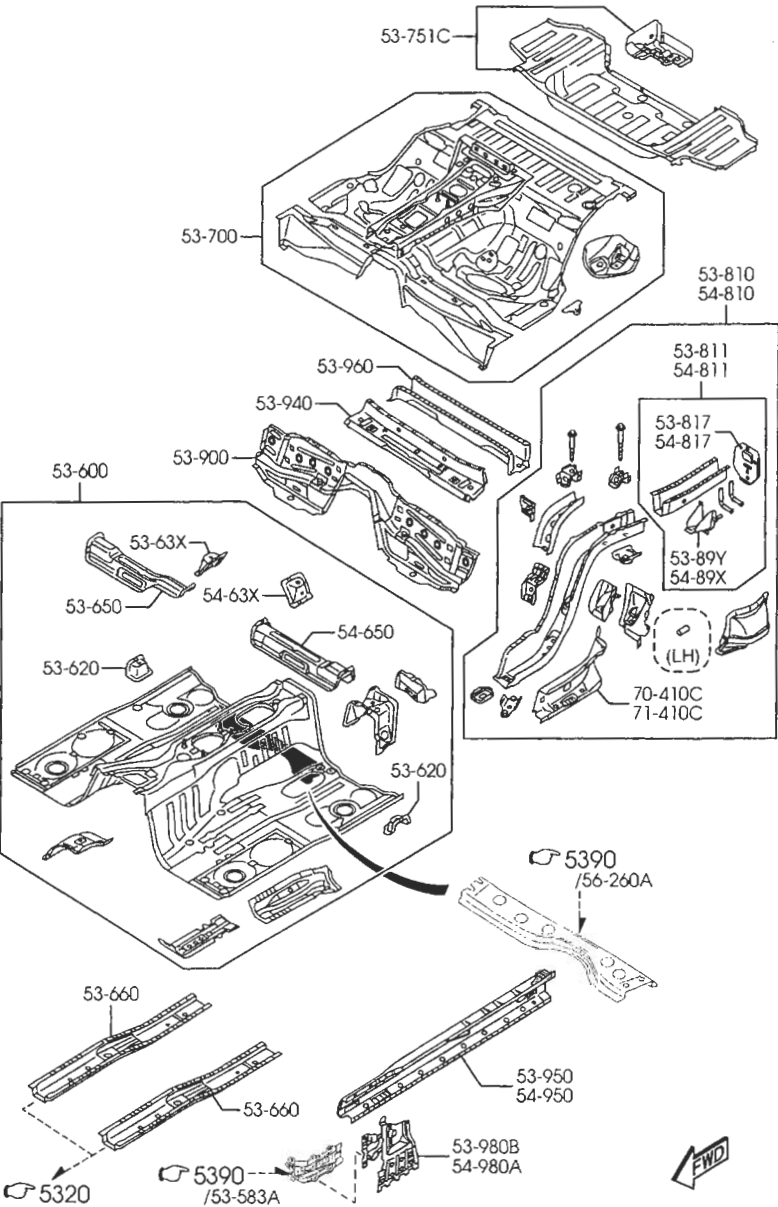
PART NO.	QTY	MODEL/RESTRICTION	MODEL/RESTRICTION	MODEL/RESTRICTION	FROM-TO
53-155A F151-70-635	1	GUSSET(R)	GOUSSET(D)		
54-155 F151-71-635	1	GUSSET(L)	GOUSSET(G)		
70-640 F151-70-641	1	HEADER, FRONT	RENFORT, AVT.		
70-660 F151-70-660	1	REINFORCEMENT, ROOF	ARMATURE DE PAVILLON		
70-700 F151-70-700	1	HEADER, REAR	RENFORT, ARR.		
74-030 F1Y1-70-60X	1	PANEL, ROOF	PAVILLON		



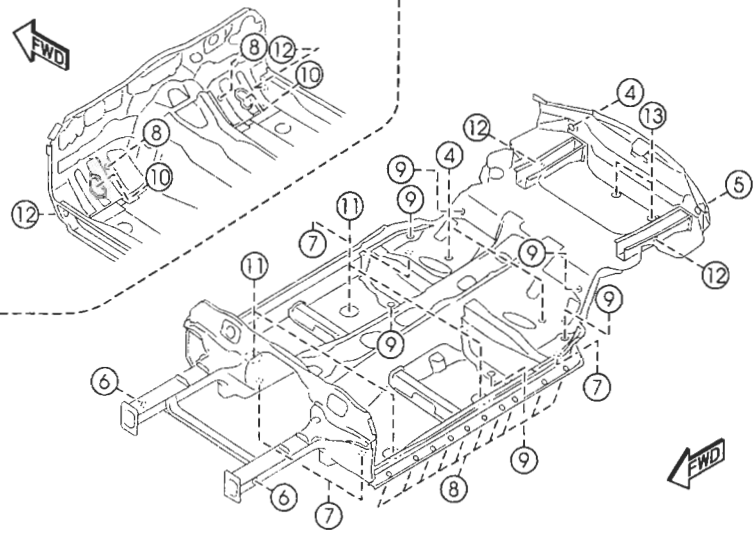
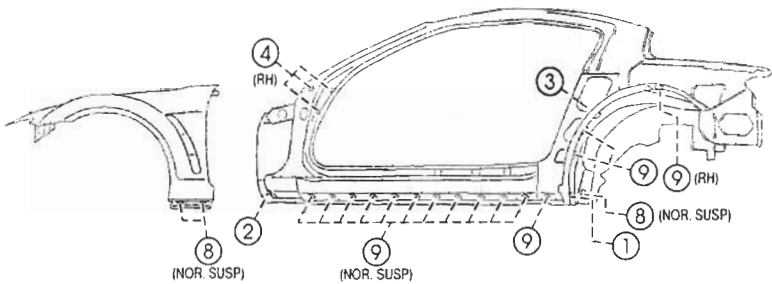
PART NO.	QTY	MODEL/RESTRICTION	MODEL/RESTRICTION	MODEL/RESTRICTION	FROM-TO
53-155A F153-70-635	1	GUSSET(R)	GOUSSET(D)		
54-155 F153-71-635	1	GUSSET(L)	GOUSSET(G)		
70-06Y F153-70-623	1	BRKT(R),SLDG ROOF-RE AR	SUPPORT(D),TOIT GLIS S-AR.		
70-640 F151-70-641	1	HEADER,FRONT	RENFORT,AVT.		
70-700 F151-70-700	1	HEADER,REAR	RENFORT,ARR.		
71-06Y F153-71-623	1	BRKT(L),SLDG ROOF-RE AR	SUPPORT(G),TOIT GLIS S-AR		
74-030 F1Y3-70-60X	1	PANEL,ROOF	PAVILLON		



PART NO.	QTY	MODEL/RESTRICTION	MODEL/RESTRICTION	MODEL/RESTRICTION	FROM-TO
53-600	1	PAN,FLOOR-FRONT	PLANCHER AVANT		
F151-53-600D					
53-620	2	BRACKET,SEAT	SUPPORT,SIEGE		
F151-53-630A					
53-63X	1	BRACKET(R),SEAT	SUPPORT SIEGE(D)		
F151-53-620A					
53-650	1	MEMBER NO.2(R),CROSS-FLOOR	TRAVERSE NO.2(D),PLANC.		
F151-53-650B					
53-660	2	FRAME'B'(R),FRONT	CADRE AR(D),		
F151-53-660A					
53-700	1	PAN,FLOOR-REAR	PLANCHER ARRIERE		
F1Y1-53-710G					
53-751C	1	PAN,FLOOR-TRUNK	CUVETTE,		
F1Y1-53-75XC					
53-810	1	FRAME(R),REAR SIDE	ARMATURE (D), COTE A R.		
F151-53-810K					
53-811	1	FRAME'A'(R),REAR SIDE	CHASSIS'A'(D),COTE A R.		
F1Y1-53-81XC					
53-817	1	REINF(R),REAR FRAME	RENFORT'B'(D),CHASSIS AR		
F151-53-816A					
53-89Y	1	BRKT(R),RR BUMPER-LOWER	CONSOLE(D),P-CHACS AR-INF		
F151-53-89XA					
53-900	1	MEMBER NO.3,CROSS	TRAVERSE NO 3		
F151-53-900E					
53-940	1	MEMBER NO.4,CROSS	TRAVERSE NO 4		
F151-53-920D					
53-950	1	PANEL(R),SIDE SILL	LONGERON EXT. (D)		
F151-53-950C					



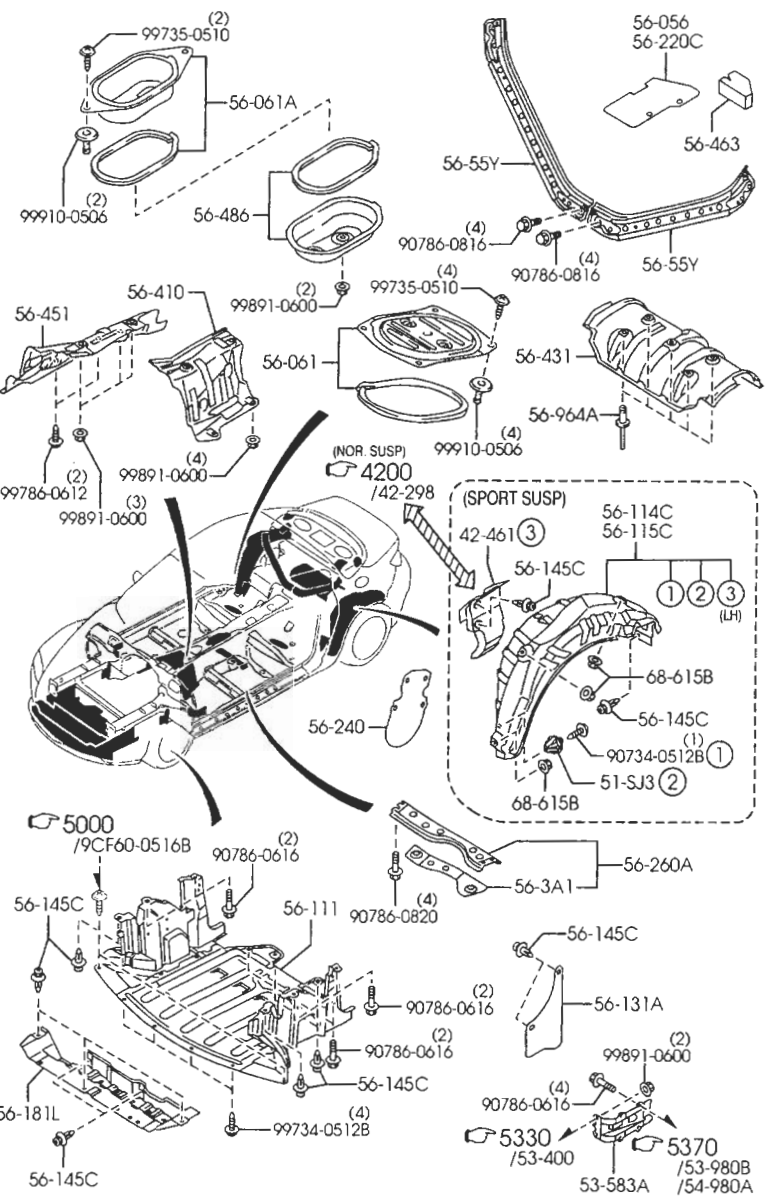
PART NO.	QTY	MODEL/RESTRICTION	MODEL/RESTRICTION	MODEL/RESTRICTION	FROM-TO
53-960 F151-53-940B	1	MEMBER NO.5,CROSS	TRAVERSE NO 5		
53-980B F151-53-95ZA	1	SILL(RR.R),SIDE-INNE R	MARCHE-PIED(AR.D),LA T-INT		
54-63X F151-54-620A	1	BRACKET(L),SEAT	SUPPORT SIEGE(G)		
54-650 F151-54-650B	1	MEMBER NO.2(L),CROSS -FLOOR	TRAVERSE NO.2(G),PLA NC.		
54-810 F151-54-810K	1	FRAME(L),REAR SIDE	ARMATURE (G), COTE A R.		
54-811 F151-54-81XC	1	FRAME'A'(L),REAR SID E	CHASSIS'A'(G),COTE A R.		
54-817 F151-54-816A	1	REINF(L),REAR FRAME	RENFORT'B'(G),CHASSI S AR		
54-89X F151-54-89XA	1	BRKT(L),RR BUMPER-LO WER	CONSOLE(G),P-CHOCS A R INF		
54-950 F151-54-950C	1	PANEL(L),SIDE SILL	LONGERON EXT. (G)		
54-980A F151-54-95ZA	1	SILL(RR.L),SIDE-INNE R	MARCHE-PIED(AR.D),LA T-INT		
70-410C F151-53-812C	1	SILL(R),REAR SIDE IN	SEUIL LATERAL AR INT (D)		
71-410C F151-54-812C	1	SILL(L),REAR SIDE IN	SEUIL LATERAL AR INT (G)		



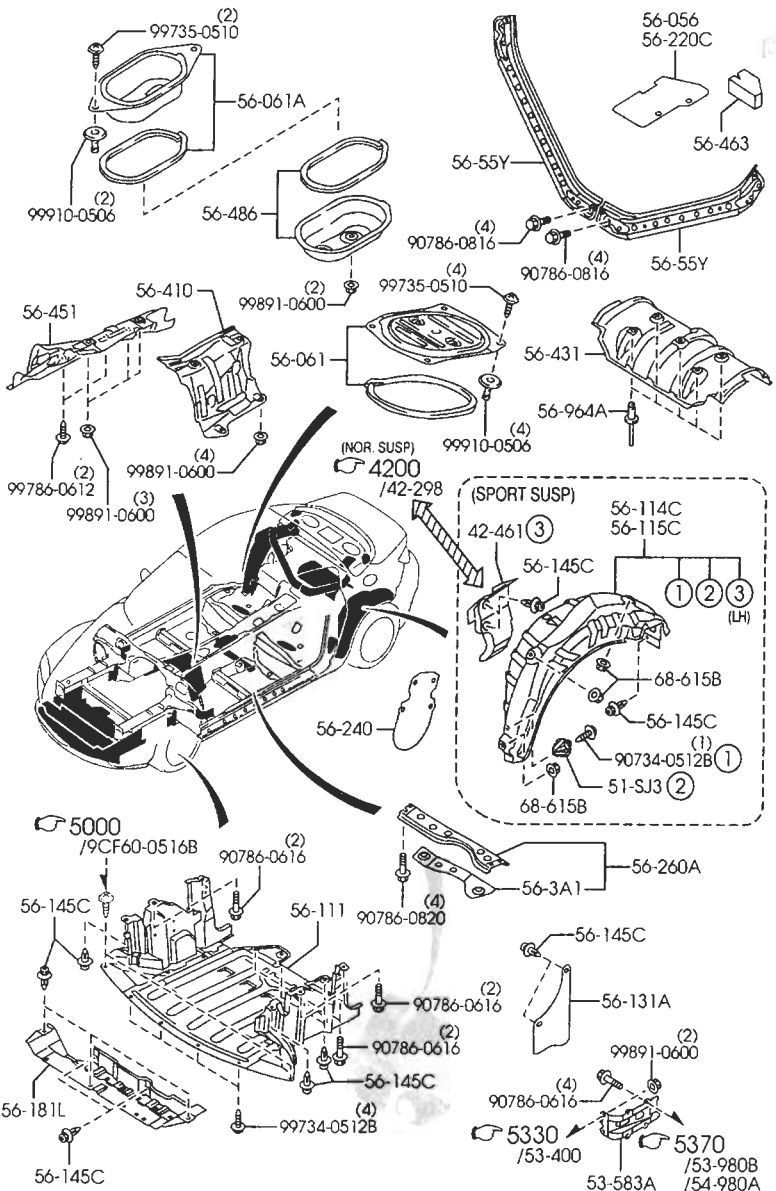
- |           |           |           |
|-----------|-----------|-----------|
| ① 51-051C | ⑥ 56-054  | ⑪ 56-231A |
| ② 56-051  | ⑦ 56-054A | ⑫ 56-241B |
| ③ 56-051B | ⑧ 56-056  | ⑬ 56-639  |
| ④ 56-052  | ⑨ 56-061A |           |
| ⑤ 56-053  | ⑩ 56-112  |           |

PART NO.	QTY	MODEL/RESTRICTION	MODEL/RESTRICTION	MODEL/RESTRICTION	FROM-TO
51-051C BR70-51-264	2	PLUG,HOLE	BOUCHON D'ORIFICE		
56-051 F151-56-051	2	COVER,HOLE	BOUCHON		
56-051B T001-56-052	2	COVER,HOLE	COUVERCLE,TROU		
56-052 B092-56-052	6	PLUG,DRAIN D=12MM	BOUCHON DE VIDANGE D=12MM		
56-053 BC1D-56-052	1	COVER,HOLE	BOUCHON DE TROU		
56-054 FB67-56-051	2	PLUG,HOLE	BOUCHON D'ORIFICE		
56-054A FD01-56-051	4	PLUG,HOLE	BOUCHON RAINURE		
56-056 GA5R-56-052	22	COVER,HOLE (SPORT SUSP)	COUVERCLE,TROU (SUSP. SPORTIVE)		
	28	(NOR. SUSP)	(SUSP.NRML)		
56-061A T001-56-053	13	COVER,HOLE (SPORT SUSP)	COUVERCLE,TROU (SUSP. SPORTIVE)		
	35	(NOR. SUSP)	(SUSP.NRML)		
56-112 GJ6A-56-052	2	PLUG,DRAIN	BOUCHON DE VIDANGE		
56-231A B173-56-053	4	COVER,SERVICE HOLE	CHAPEAU, ORIFICE DE VISITE		
56-241B B001-56-051	4	PLUG	BOUCHON		
56-639 0810-56-639	2	COVER,SERVICE HOLE	CHAPEAU, ORIFICE DE VISIT		

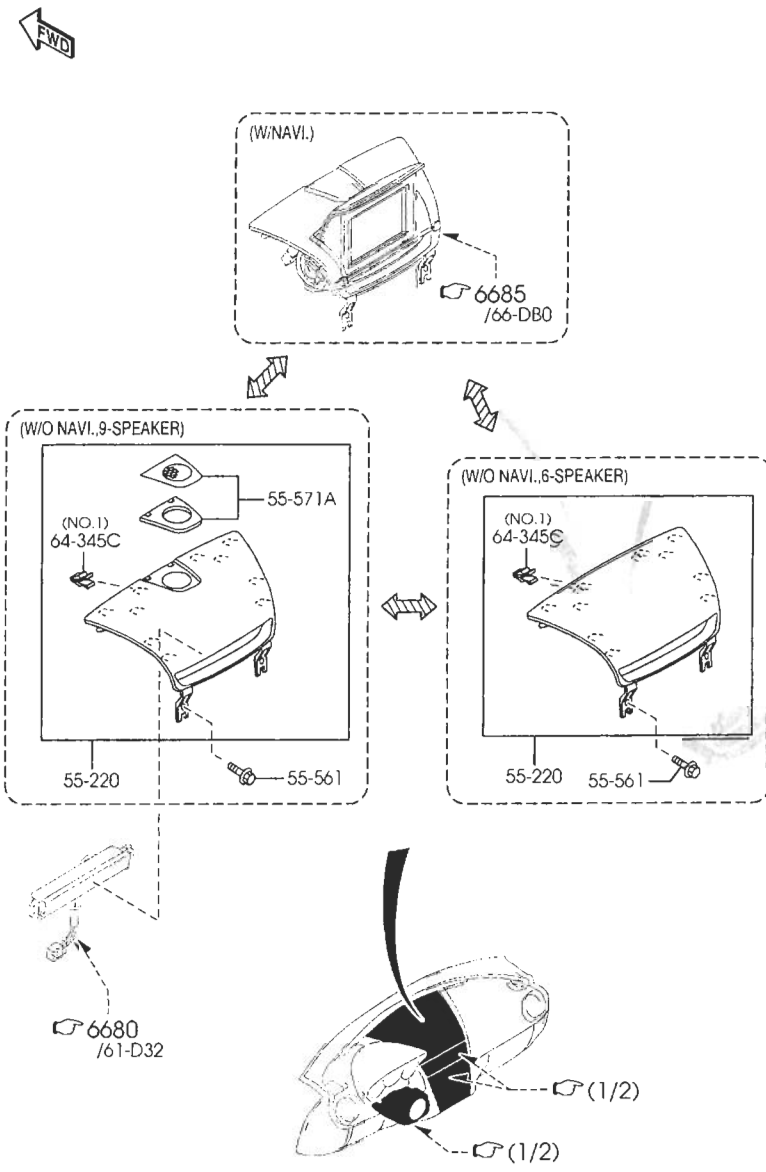
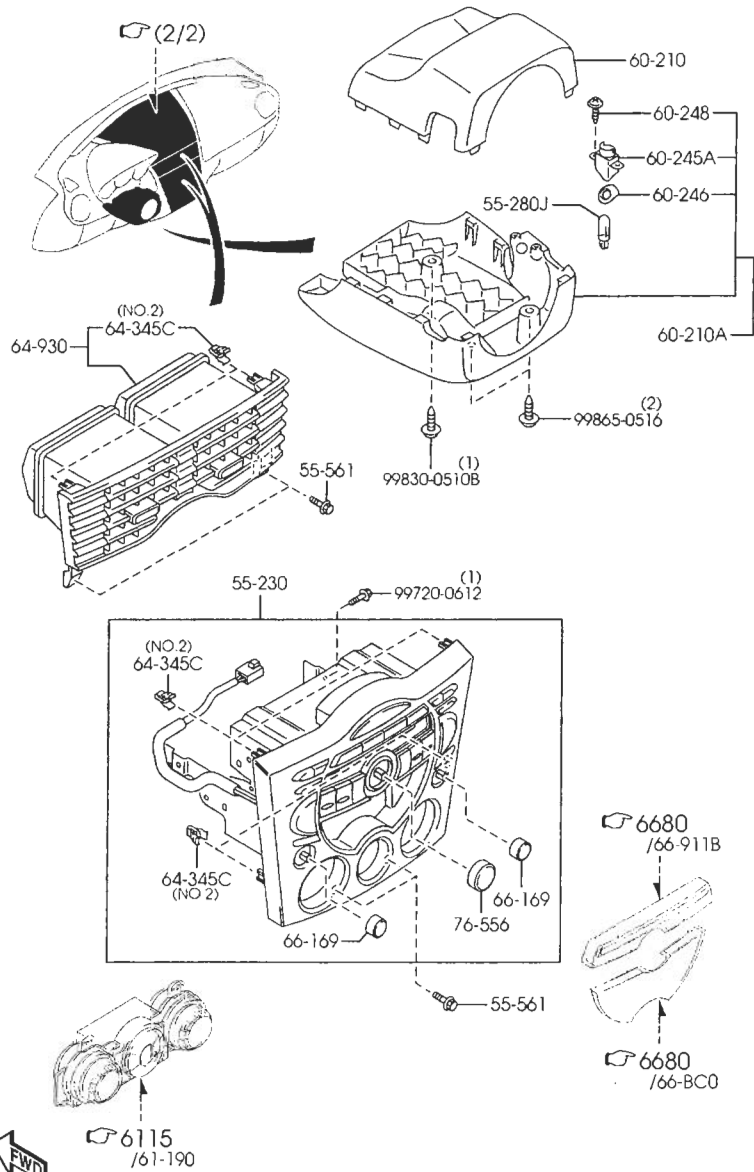


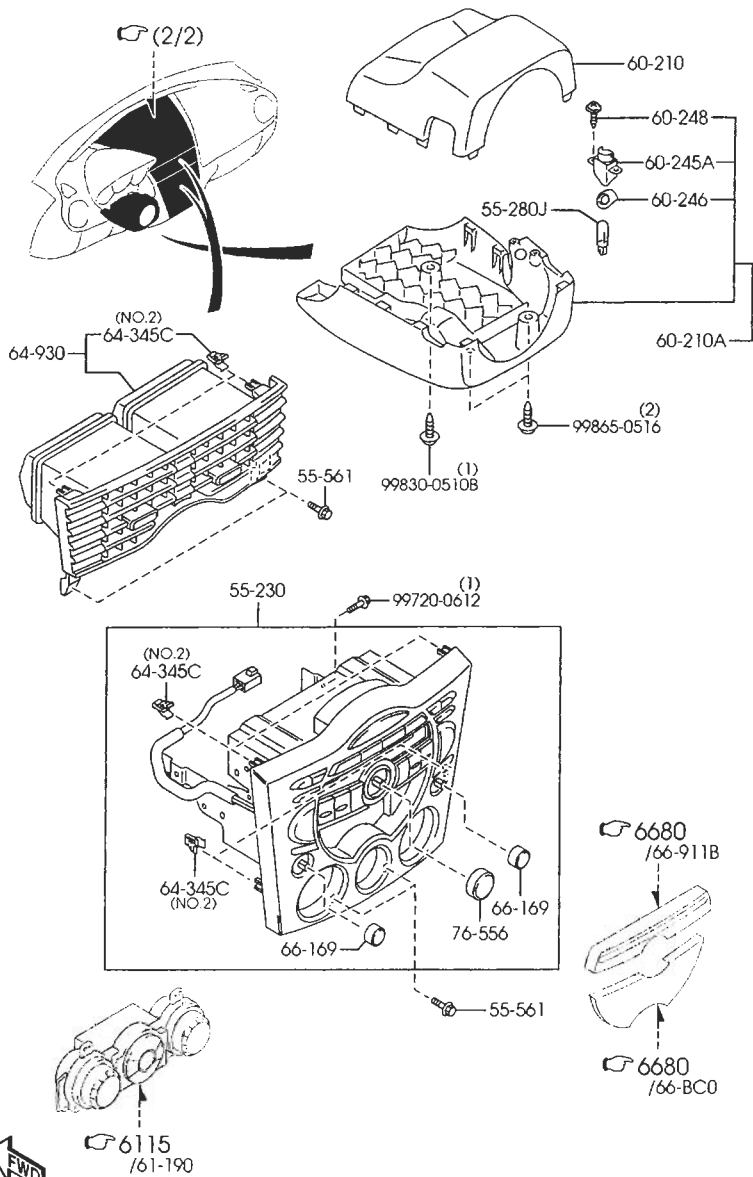


PART NO.	QTY	MODEL/RESTRICTION	MODEL/RESTRICTION	MODEL/RESTRICTION	FROM-TO
42-461 F157-42-29B	1	PROTECTOR (SPORT SUSP)	PROTECTEUR (SUSP. SPORTIVE)		
51-SJ3 C100-51-SJ3A	2	CLIP (SPORT SUSP)	ATTACHE (SUSP. SPORTIVE)		
53-583A F151-56-521	2	GUSSET, NO.1	GOUSSET NO 1		
56-056 F151-56-078A	1	COVER, HOLE	COUVERCLE, TROU		
56-061 F151-56-070B	2	COVER, SERVICE HOLE	CHAPEAU, ORIFICE DE VISIT		
56-061A F151-56-06XA	1	COVER, HOLE	COUVERCLE, TROU		
56-111 F151-56-110A	1	COVER, UNDER	COUVERCLE, INF.		
56-114C F157-56-1H0C	1	GUARD(R), MUD-REAR (SPORT SUSP)	GARDE(D), BOUE-ARRIERE (SUSP. SPORTIVE)		
56-115C F157-56-1J0C	1	GUARD(L), MUD-REAR (SPORT SUSP)	GARDE(G), BOUE-ARRIERE (SUSP. SPORTIVE)		
56-131A F151-56-321A	2	SHIELD, SPLASH	BOUCLIER		
56-145C BC1D-56-145	13	CLIP, MUD GUARD (NOR. SUSP)	ETRIER, GARDE BOUE (SUSP. NRML)		
56-145C BC1D-56-145	17	CLIP, MUD GUARD (SPORT SUSP)	ETRIER, GARDE BOUE (SUSP. SPORTIVE)		
56-181L F151-56-1Y1B	1	PLATE, SEAL-RAD. SHROUD	PLAQUE, JOINT-RAD. HAUBAN		
56-220C F151-56-079A	1	COVER, HOLE	COUVERCLE, TROU		

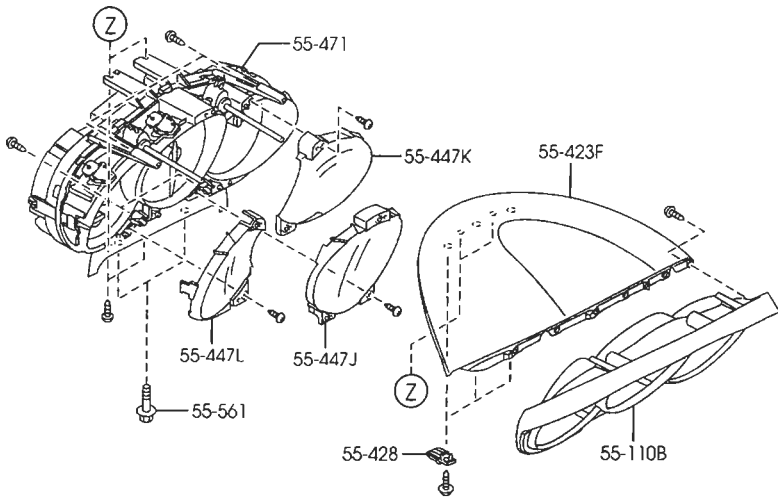


PART NO.	QTY	MODEL/RESTRICTION	MODEL/RESTRICTION	MODEL/RESTRICTION	FROM-TO
56-240		COVER	CACHE		
F151-56-065	2				
56-260A		BRACKET	ATTACHE		
F151-56-H20B	1				
56-3A1		MEMBER 'A', TUNNEL	MEMBRE 'A', TUNNEL		
F151-56-3A1B	1				
56-410		INSULATOR, HEAT-FRONT	ISOLANT THERMIQUE AV		
F151-56-441B	1				
56-431		INSULATOR, HEAT	ISOLATEUR		
F151-56-451A	1				
56-451		INSULATOR	ISOLATEUR		
F151-56-411B	1				
56-463		INSULATOR, REAR	ISOLANT AR		
F151-56-463	2				
56-486		INSULATOR	ISOLANT		
F151-56-45YA	1				
56-55Y		BRACE-DIAGONAL	SUPPORT, DIAGONAL		
F151-56-55YB	2				
56-964A		RIVET, SEAL PLATE-SHR OUD	RIVET, PLAQUE ETANCH. HAUB.		
B25D-56-398	5				
68-615B		NUT, FLANGE-CAP	ECROU, COLLET-CHAPEAU		
B100-68-615	6 (SPORT SUSP)		(SUSP. SPORTIVE)		





PART NO.	QTY	MODEL/RESTRICTION	MODEL/RESTRICTION	MODEL/RESTRICTION	FROM-TO
55-220		PANEL,CENTER	MONTANT CENTRAL		
F151-55-210	1	(W/O NAVI. ,6-SPEAKER)			
F152-55-210	1	(W/O NAVI. ,9-SPEAKER)			
55-230		PANEL,AUDIO	PANNEAU,AUDIO		
FE01-66-9H0	1				
55-280J		BULB	AMPOULE		
B456-60-223	1	14V 1.4W	14V 1.4W		
55-561		BOLT,INST. PANEL	BOULON,TABLEAU BORD		
B455-55-561	6				
55-571A		GRILLE,SPEAKER	GRILLE,HAUT-PARLEUR		
F151-55-531	1	(W/O NAVI. ,9-SPEAKER)			
60-210		COVER,COLUMN-UPPER	GAINE DE DIRECTION, SUP.		
F151-60-221	1				
60-210A		COVER,COLUMN-LOWER	GAINE COLONNE DIRECTION		
F151-60-230A	1				
60-245A		CASE,LAMP	BOITIER,FEU		
F151-60-245A	1				
60-246		LENS,COLUMN COVER	LENTILLE,		
F151-60-246	1				
60-248		SCREW,TAPPING	VIS FIXATION SUPPORT		
G030-60-248	2				
64-345C		SPRING,UPPER PLATE	RESSORT,PLAQUE SUP		
B30D-64-345	10	(ILLUST. NO.1) (W/O NAVI.)			
S47P-64-345	6	(ILLUST. NO.2)			
64-930		GRILLE(C),VENTILATOR	GRILLE(C),VENTILATEUR		
F151-64-930	1				

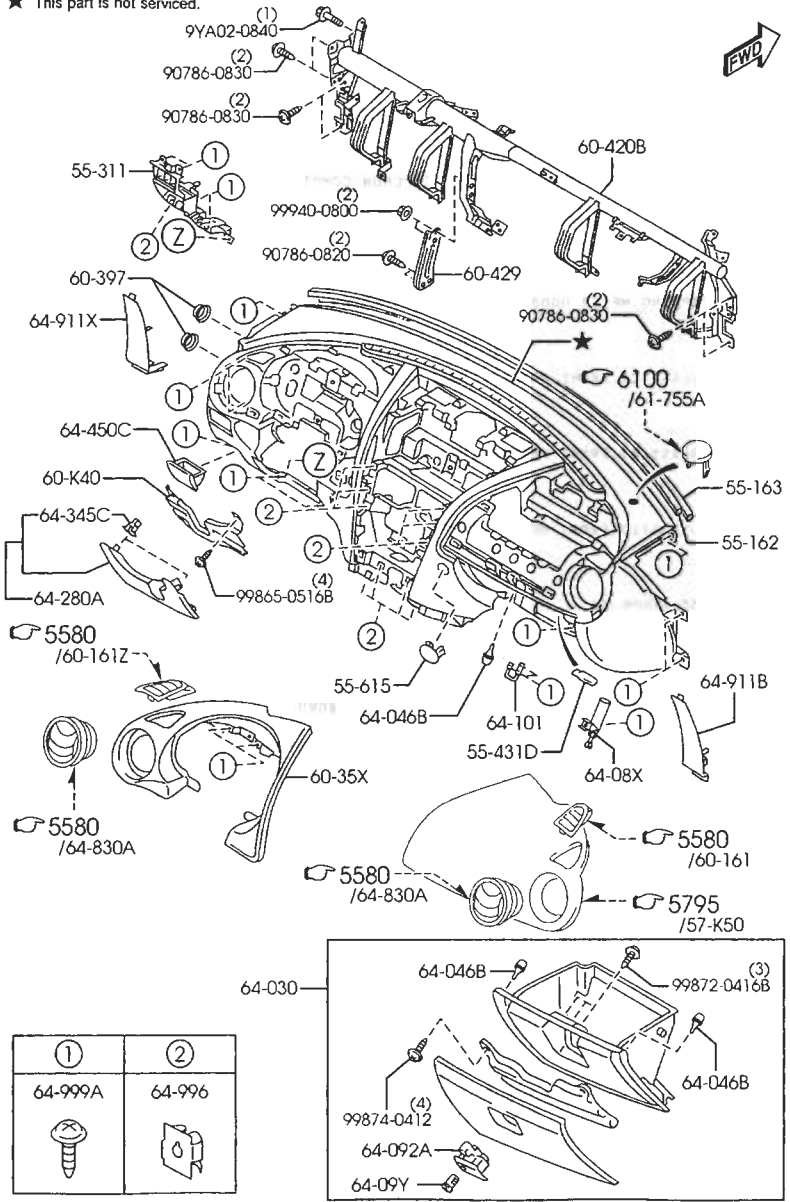


Screws for meter set assemble are provided gratis as required.

PART NO.	QTY	MODEL/RESTRICTION	MODEL/RESTRICTION	MODEL/RESTRICTION	FROM-TO
55-110B	1	PANEL ,METER	PANNEAU ,COMPTEUR		
FE01-55-214	1				
02	INT-	FF3 FF4 FF5 FF6 BLACK	FF3 FF4 FF5 FF6 NOIR		
55-423F	1	COVER ,METER HOOD	CACHE ,CAPCHON COMPTEUR		
FE01-55-463	1				
02	INT-	FF3 FF4 FF5 FF6 BLACK	FF3 FF4 FF5 FF6 NOIR		
55-428	3	SPRING ,METER HOOD	RESSORT ,CAPUCHON COMPTEUR		
F151-64-345	3				
55-447J	1	GLASS(C) ,FRONT-METER	VITRE(C) ,COMPTEUR AV		
F151-55-447	1				
55-447K	1	GLASS(R) ,FRONT-METER	VITRE(D) ,COMPTEUR AV		
F157-55-447	1				
55-447L	1	GLASS(L) ,FRONT-METER	VITRE(G) ,COMPTEUR AV		
F154-55-447	1				
55-471	1 (AT)	SPEEDOMETER	COMPTEUR		
FE01-55-471	1 (AT)		(B.V. AUTOM)		
FE05-55-471	1 (MT)		(B.V. MANU)		
55-561	2	BOLT ,INST. PANEL	BOULON ,TABLEAU BORD		
B455-55-561	2				

5560A DASHBOARD & RELATED PARTS

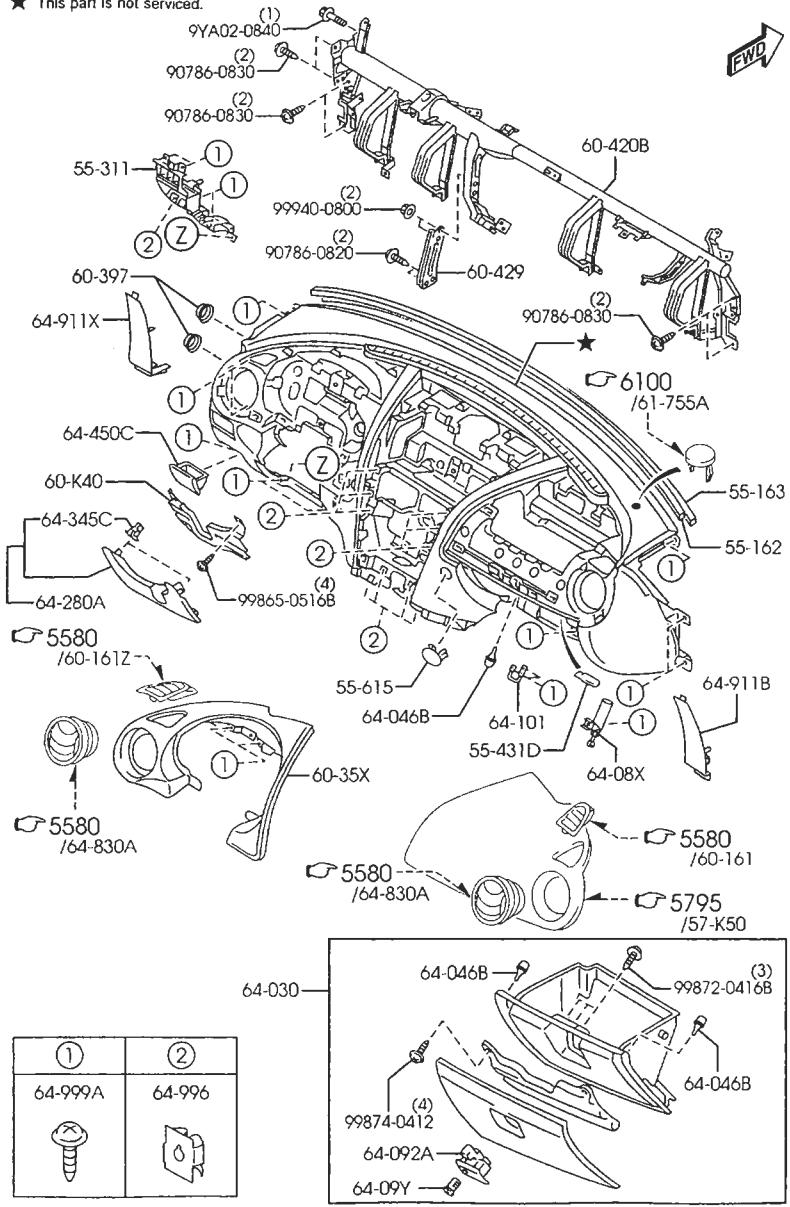
★ This part is not serviced.



5560A -1 DASHBOARD & RELATED PARTS

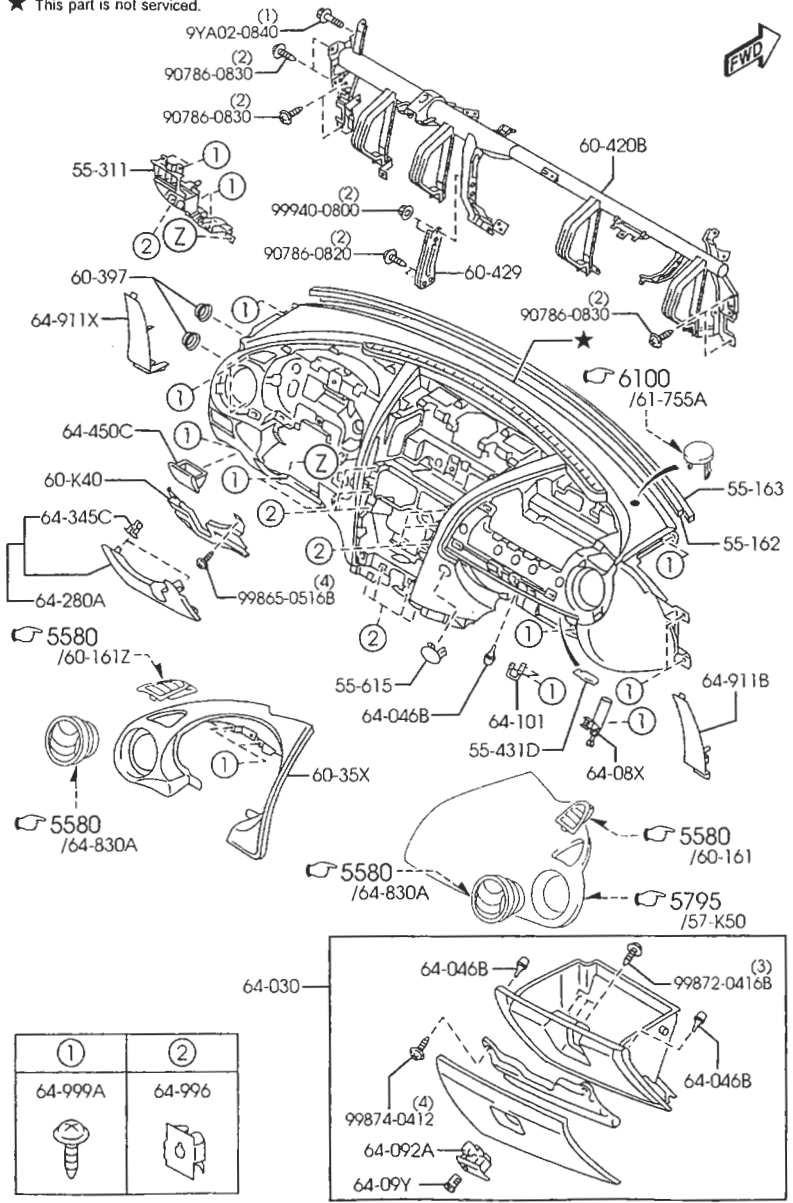
PART NO.	QTY	MODEL/RESTRICTION	MODEL/RESTRICTION	MODEL/RESTRICTION	FROM - TO
55-162		TAPE, SEAL	RUBAN D'ETANCHEITE		
F151-55-162	1				
55-163		TAPE, SEAL	RUBAN D'ETANCHEITE		
F151-55-163	1				
55-311		PANEL, SWITCH	PANNEAU A INTERRUPTURS		
FE01-55-311	1				
55-431D		BULB, GLOVE BOX LAMP	AMPOULE LAMPE BOITE GANTS		
H450-55-431	1				
55-615		COVER, HOLE	COUVERCLE, ORIFICE		
FE01-55-723A	1				
02	INT-	FF3 FF4 FF5 FF6 BLACK	FF3 FF4 FF5 FF6 NOIR		
60-K40		BOLSTER, KNEE	COUSSIN GENOUILLERE		
FE01-60-K90	1				
60-35X		PAD, INSTRUMENT PANEL	PATIN, TAB.-BORD		
FE01-60-350A	1				
02	INT-	FF3 FF4 FF5 FF6 BLACK	FF3 FF4 FF5 FF6 NOIR		
60-397		CAP	BOUCHON		
FE01-60-397	2				
60-420B		MEMBER, CRASH PAD	MEMBRE, TABLEAU BORD		
FE01-60-420C	1				
60-429		BRACKET, INST. PANEL	CONSOLE, TABLEAU CONTROLE		
FE01-60-453	1				
64-030		BOX, GLOVE	COUVERCLE, BOITE A GANTS		
FE01-64-030	1				
02	INT-	FF3 FF4 FF5 FF6 BLACK	FF3 FF4 FF5 FF6 NOIR		
64-046B		CUSHION, RUBBER-AIR BOARD	COUSS., CAOUT.-PLANCH. AIR		
LB82-64-046	3				

★ This part is not serviced.



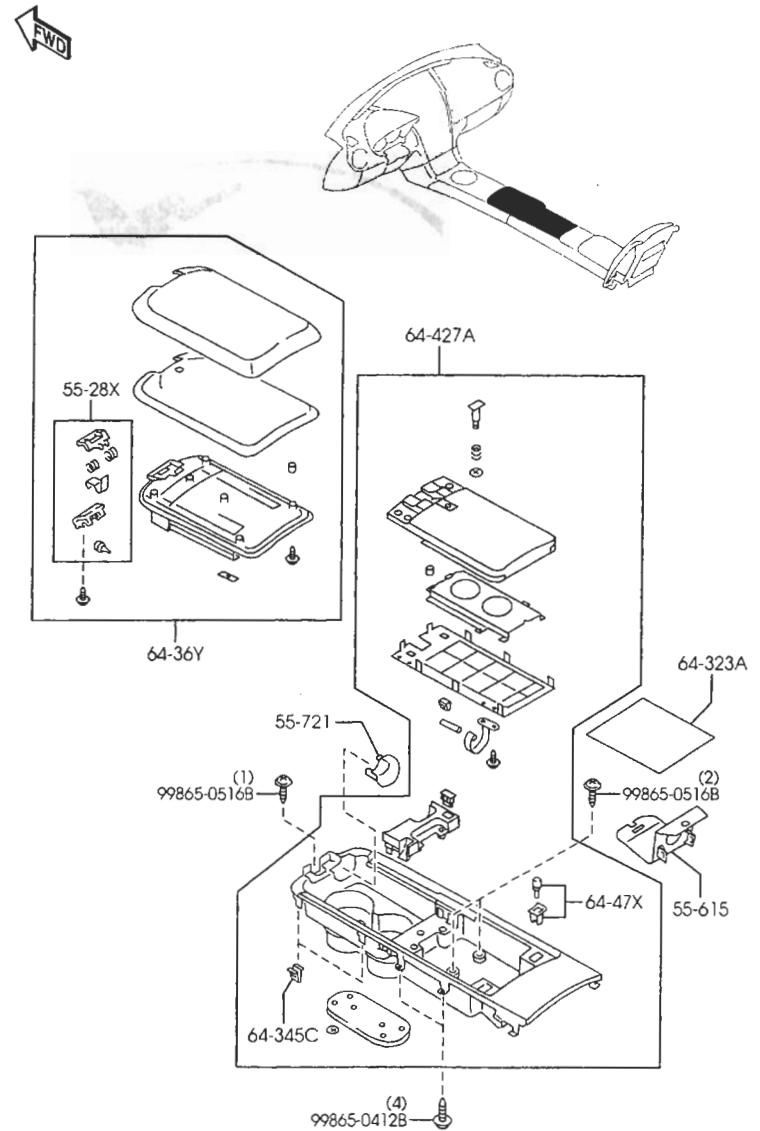
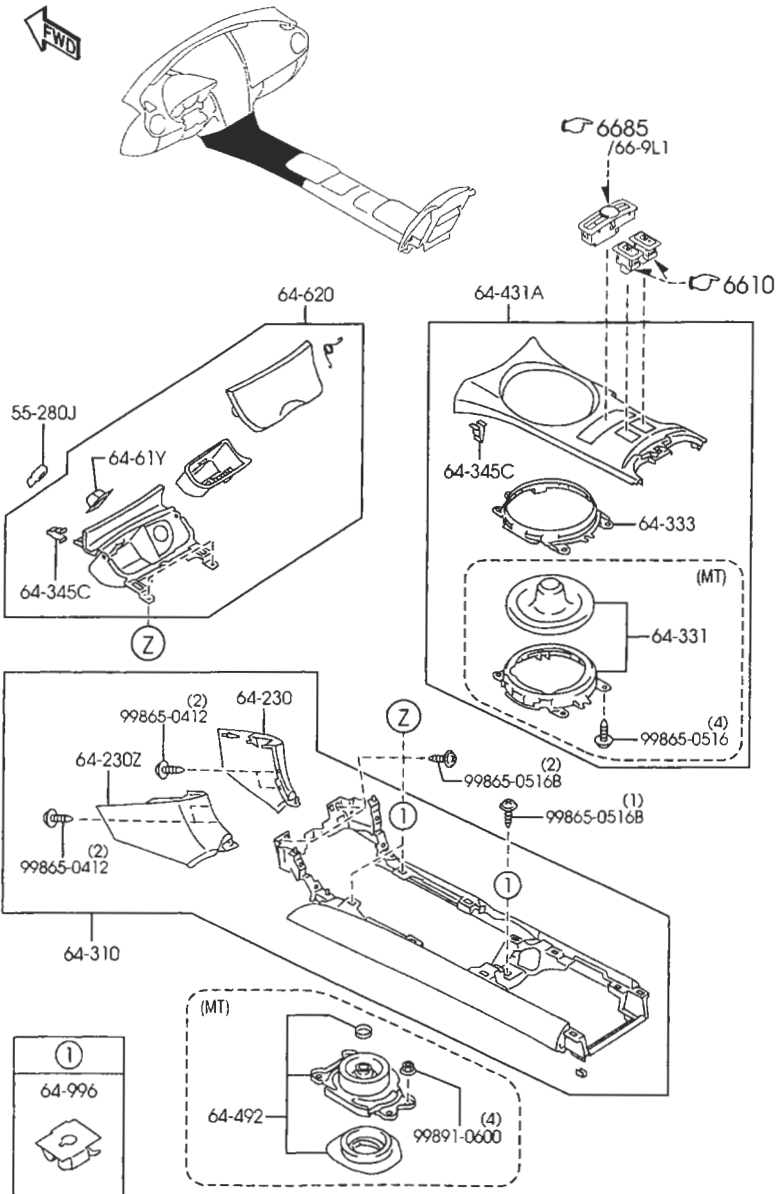
PART NO.	QTY	MODEL/RESTRICTION	MODEL/RESTRICTION	MODEL/RESTRICTION	FROM-TO
----- 64-08X -----		DAMPER,GLOVE BOX	COLLIER,BOLTE GANTS		
FE01-64-08XB	1				
----- 64-09Y -----		CYLINDER,GLOVE LID	CYLINDRE,		
GE4T-64-09YB	1				
00	INT-	FF3 FF4 FF5 FF6 BLACK	FF3 FF4 FF5 FF6 NOIR		
----- 64-092A -----		LOCK,GLOVE LID	SERRURE,		
FE01-64-090	1				
02	INT-	FF3 FF4 FF5 FF6 BLACK	FF3 FF4 FF5 FF6 NOIR		
----- 64-101 -----		STRIKER	GACHE		
F151-64-101	1				
----- 64-280A -----		PANEL,LOWER	PANNEAU INFERIEUR		
FE01-64-280	1				
02	INT-	FF3 FF4 FF5 FF6 BLACK	FF3 FF4 FF5 FF6 NOIR		
----- 64-345C -----		SPRING,UPPER PLATE	RESSORT,PLAQUE SUP		
S47P-64-345	2				
----- 64-450C -----		BOX,COIN	BOITE		
FE01-64-18YA	1				
02	INT-	FF3 FF4 FF5 FF6 BLACK	FF3 FF4 FF5 FF6 NOIR		
----- 64-911B -----		PANEL(R),SIDE-INST. PANEL	PANN.(D),LAT.-PATIN		
F151-64-950B	1				
02	INT-	FF3 FF4 FF5 FF6 BLACK	FF3 FF4 FF5 FF6 NOIR		
----- 64-911X -----		PANEL(L),SIDE-INST. PANEL	PANN.(G),LAT.-PATIN		
F151-64-960B	1				
02	INT-	FF3 FF4 FF5 FF6 BLACK	FF3 FF4 FF5 FF6 NOIR		
----- 64-996 -----		NUT,EXPANSION	ECROU D'EXPANSION		
GJ21-64-996	11				

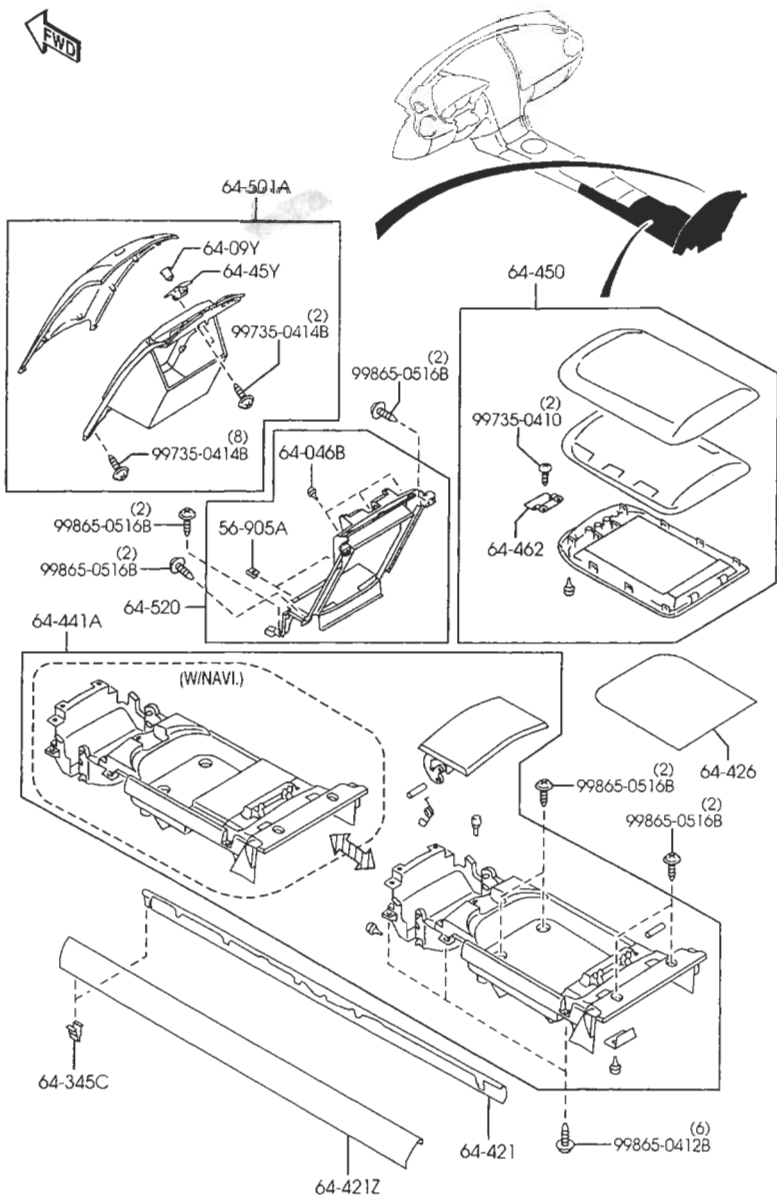
★ This part is not serviced.

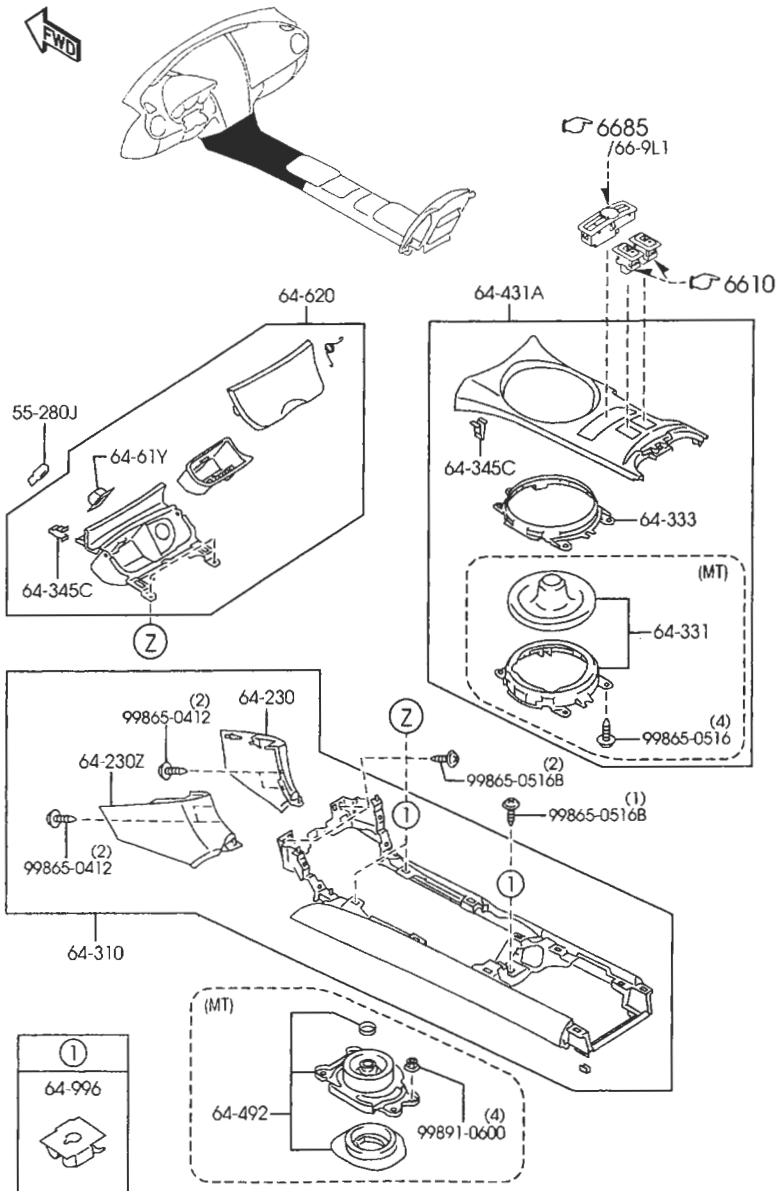


PART NO.	QTY	MODEL/RESTRICTION	MODEL/RESTRICTION	MODEL/RESTRICTION	FROM-TO
64-999A W201-64-999	25	SCREW, TAPPING	VIS TARAUDEUSE		

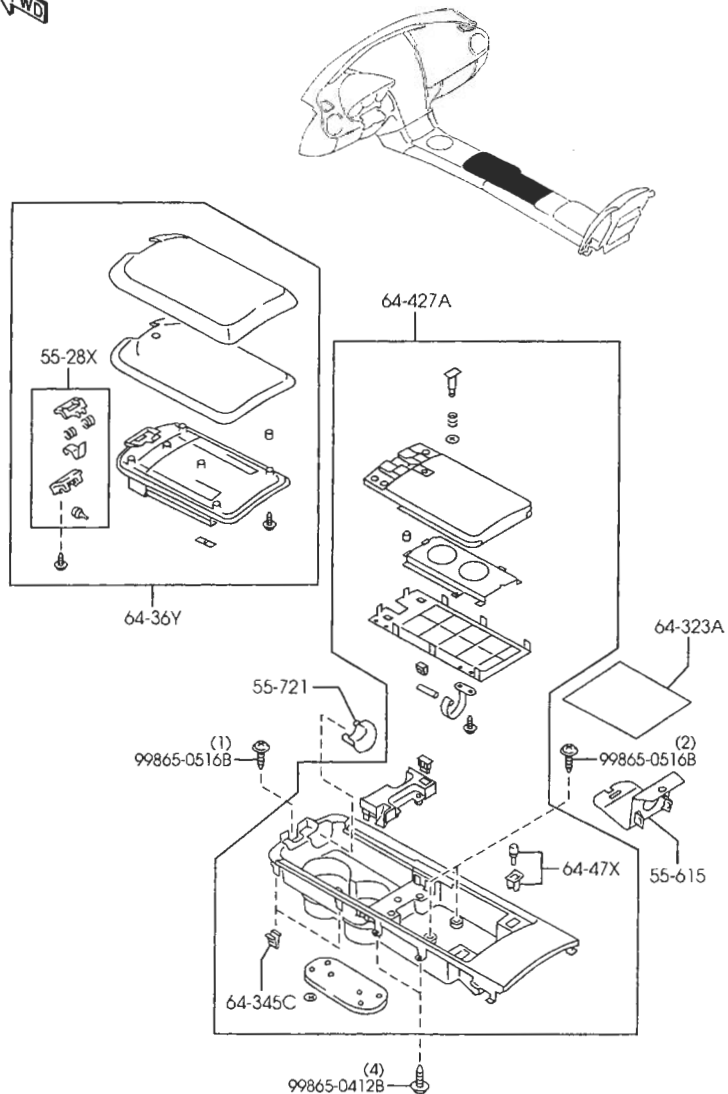






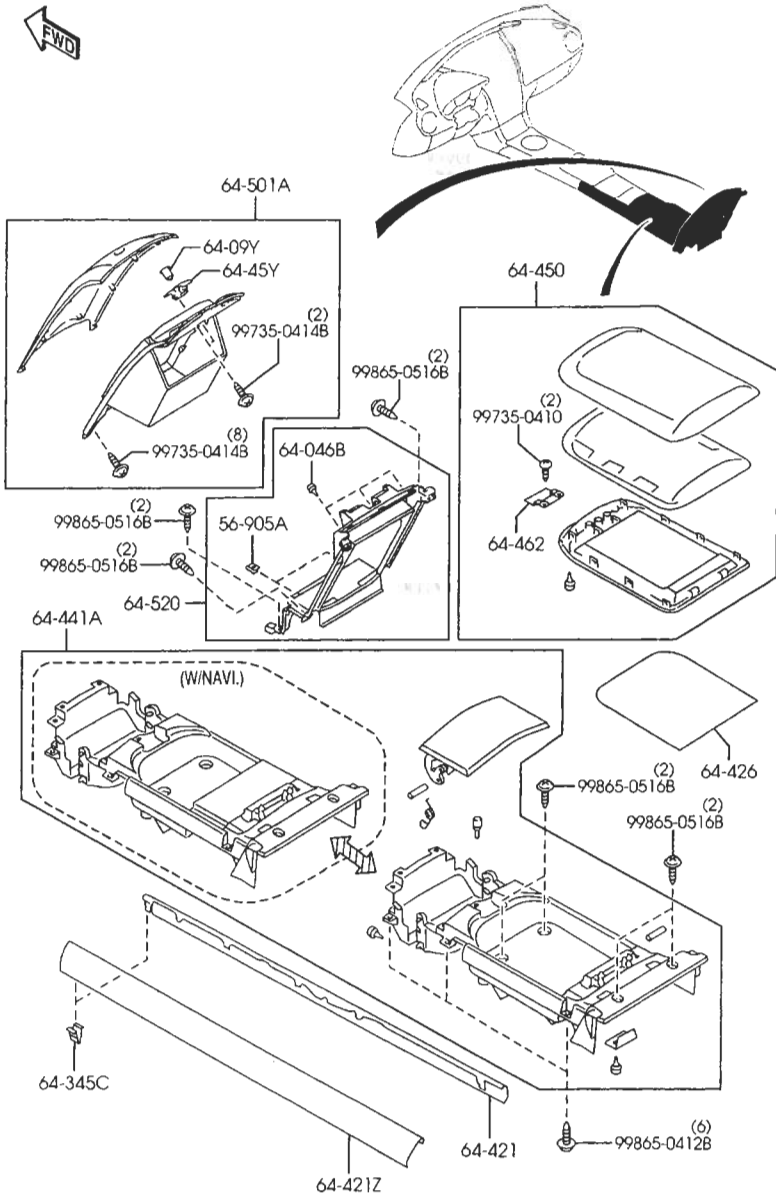


PART NO.	QTY	MODEL/RESTRICTION	MODEL/RESTRICTION	MODEL/RESTRICTION	FROM-TO
55-28X F151-55-28XA	1	LOCK, LID	VERROUILLAGE COFFRE		
55-280J B456-60-223	1	BULB 14V 1.4W	AMPOULE 14V 1.4W		
55-615 F151-55-723A	1	COVER, HOLE	COUVERCLE, ORIFICE		
55-721 F151-55-721	1	COVER, HOLE-CLOCK	COUVERCLE MONTRE		
56-905A B092-60-408	2	NUT, SPRING	ECROU		
64-046B L882-64-046	3	CUSHION, RUBBER-AIR BOARD	COUSS., CAOUT.-PLANCH .AIR		
64-09Y GE4T-64-09YB	1	CYLINDER, GLOVE LID	CYLINDRE,		
00	INT-	FF3 FF4 FF5 FF6 BLACK	FF3 FF4 FF5 FF6 NOIR		
64-230 F151-64-231A	1	WALL(R), SIDE	FLANC(D)		
02	INT-	FF3 FF4 FF5 FF6 BLACK	FF3 FF4 FF5 FF6 NOIR		
64-230Z F151-64-241	1	WALL(L), SIDE	FLANC(G)		
02	INT-	FF3 FF4 FF5 FF6 BLACK	FF3 FF4 FF5 FF6 NOIR		
64-310 F151-64-320A	1	CONSOLE, FRONT	CONSOLE, AV		
02	INT-	FF3 FF4 FF5 FF6 BLACK	FF3 FF4 FF5 FF6 NOIR		
64-323A F151-64-393B	1	MAT, CONSOLE	TAPIS DE CONSOLE		

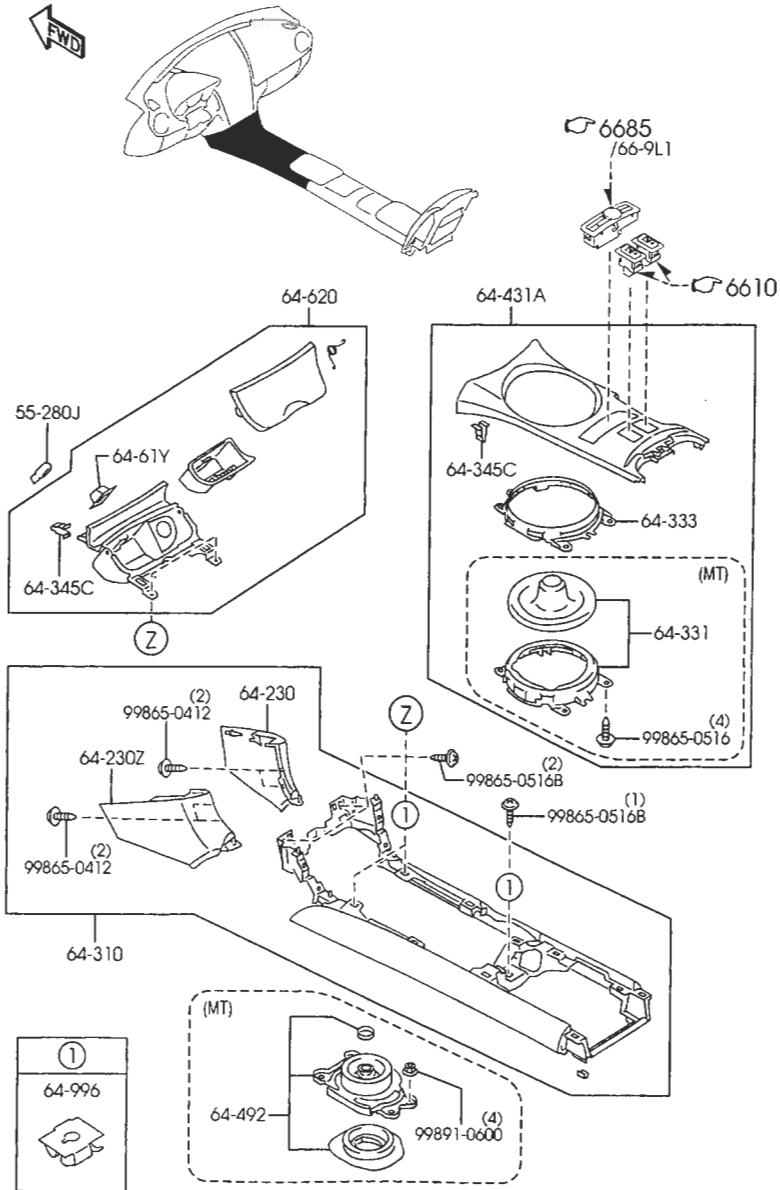


PART NO.	QTY	MODEL/RESTRICTION	MODEL/RESTRICTION	MODEL/RESTRICTION	FROM-TO
+-----+   64-331   +-----+		BOOT,CHANGE	COIFFE, LEVIER DE VI TESSE		
F151-64-330A	1	(MT)	(B.V.MANU)		
+-----+   64-333   +-----+		PLATE SET,CHANGE BOO T	JEU PLAQUE,SOUFF.-CH ANGE.		
F151-64-333	1				
+-----+   64-345C   +-----+		SPRING,UPPER PLATE	RESSORT,PLADUE SUP		
S47P-64-345	14				
+-----+   64-36Y   +-----+		LID,FRONT-RR CONSOLE	COUVERCLE,AV.-CONSO LE AR		
F151-64-36YB	1				
02	INT-	FF3 FF4 FF5 FF6 BLACK	FF3 FF4 FF5 FF6 NOIR		
+-----+   64-421   +-----+		WALL(R),SIDE-RR CONS OLE	PARDI(D),CONSOLE ARR -LAT		
F151-64-421	1				
+-----+   64-421Z   +-----+		WALL(L),SIDE-RR CONS OLE	PARDI(G),CONSOLE ARR -LAT		
F152-64-421	1				
+-----+   64-426   +-----+		MAT,CONSOLE-REAR	NATTE,CONSOLE-ARRIER E		
F151-64-449A	1	(W/O NAVI.)			
F152-64-449A	1	(W/NAVI.)			
+-----+   64-427A   +-----+		HOLDER,CUP	SUPPORT,CAPUCHON		
FE01-64-39XB	1	(W/O NAVI.) (AT)	(B.V.AUTOM)		
02	INT-	FF3 FF4 FF5 FF6 BLACK	FF3 FF4 FF5 FF6 NOIR		
FE05-64-39XB	1	(W/NAVI.)			
02	INT-	FF3 FF4 FF5 FF6 BLACK	FF3 FF4 FF5 FF6 NOIR		
+-----+   64-431A   +-----+		PANEL,UPPER	PANNEAU,SUP.		
FE02-64-430A	1	(W/O NAVI.+SEAT TYPE -LEATHER) (AT)	(B.V.AUTOM)		
02	INT-	FF3 FF4 FF5 FF6 BLACK	FF3 FF4 FF5 FF6 NOIR		
FE04-64-430A	1	(W/NAVI.+SEAT TYPE-L EATHER) (AT)	(B.V.AUTOM)		
02	INT-	FF3 FF4 FF5 FF6	FF3 FF4 FF5 FF6 NOIR		

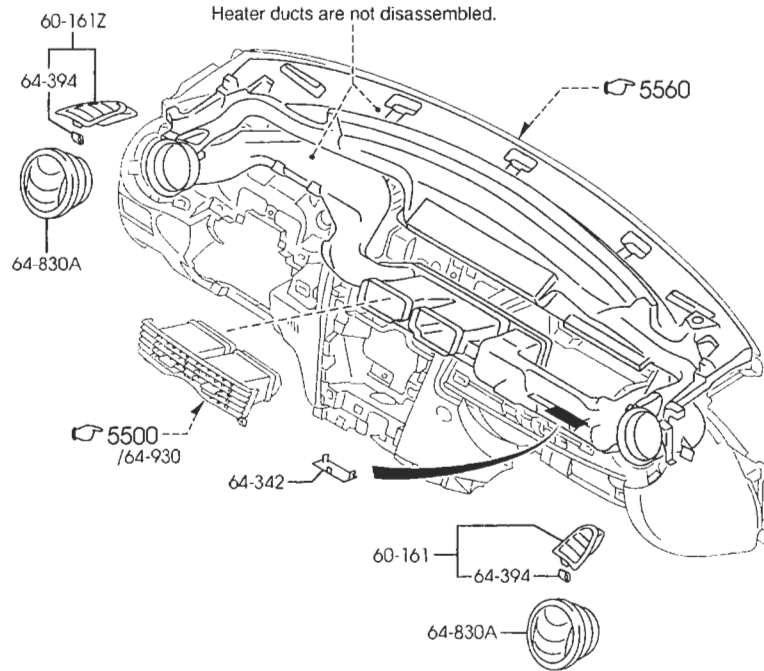
FWD



PART NO.	QTY	MODEL/RESTRICTION	MODEL/RESTRICTION	MODEL/RESTRICTION	FROM-TO
CONT'D					
FE06-64-430A	1	BLACK (W/O NAVI.+SEAT TYPE -LEATHER) (MT)	(B.V.MANU)		
02	INT-	FF3 FF4 FF5 FF6 BLACK	FF3 FF4 FF5 FF6 NOIR BLACK		
FE20-64-430A	1	(W/NAVI.+SEAT TYPE-L EATHER) (MT)	(B.V.MANU)		
02	INT-	FF3 FF4 FF5 FF6 BLACK	FF3 FF4 FF5 FF6 NOIR		
F151-64-430B	1	(W/O NAVI.+SEAT TYPE -CLOTH) (MT)	(B.V.MANU)		
02	INT-	FF3 FF4 FF5 FF6 BLACK	FF3 FF4 FF5 FF6 NOIR		
F152-64-430B	1	(W/NAVI.+SEAT TYPE-C LOTH) (MT)	(B.V.MANU)		
02	INT-	FF3 FF4 FF5 FF6 BLACK	FF3 FF4 FF5 FF6 NOIR		
F154-64-430B	1	(W/O NAVI.+SEAT TYPE -CLOTH) (AT)	(B.V.AUTOM)		
02	INT-	FF3 FF4 FF5 FF6 BLACK	FF3 FF4 FF5 FF6 NOIR		
F155-64-430B	1	(W/NAVI.+SEAT TYPE-C LOTH) (AT)	(B.V.AUTOM)		
02	INT-	FF3 FF4 FF5 FF6 BLACK	FF3 FF4 FF5 FF6 NOIR		
		64-441A	BOITE, REAR CONSOLE	BOITE, CONSOLE AR.	
F151-64-440B	1	(W/O NAVI.)			
02	INT-	FF3 FF4 FF5 FF6 BLACK	FF3 FF4 FF5 FF6 NOIR		
F152-64-440A	1	(W/NAVI.)			
02	INT-	FF3 FF4 FF5 FF6 BLACK	FF3 FF4 FF5 FF6 NOIR		
		64-45Y	LOCK, CONSOLE LID	VERROUILLAGE, COUV. C ONSOL	
F151-64-45YA	1				
		64-450	LID, CONSOLE	COUVERCLE CONSOLE	
F151-64-460	1				
02	INT-	FF3 FF4 FF5 FF6	FF3 FF4 FF5 FF6 NOIR		



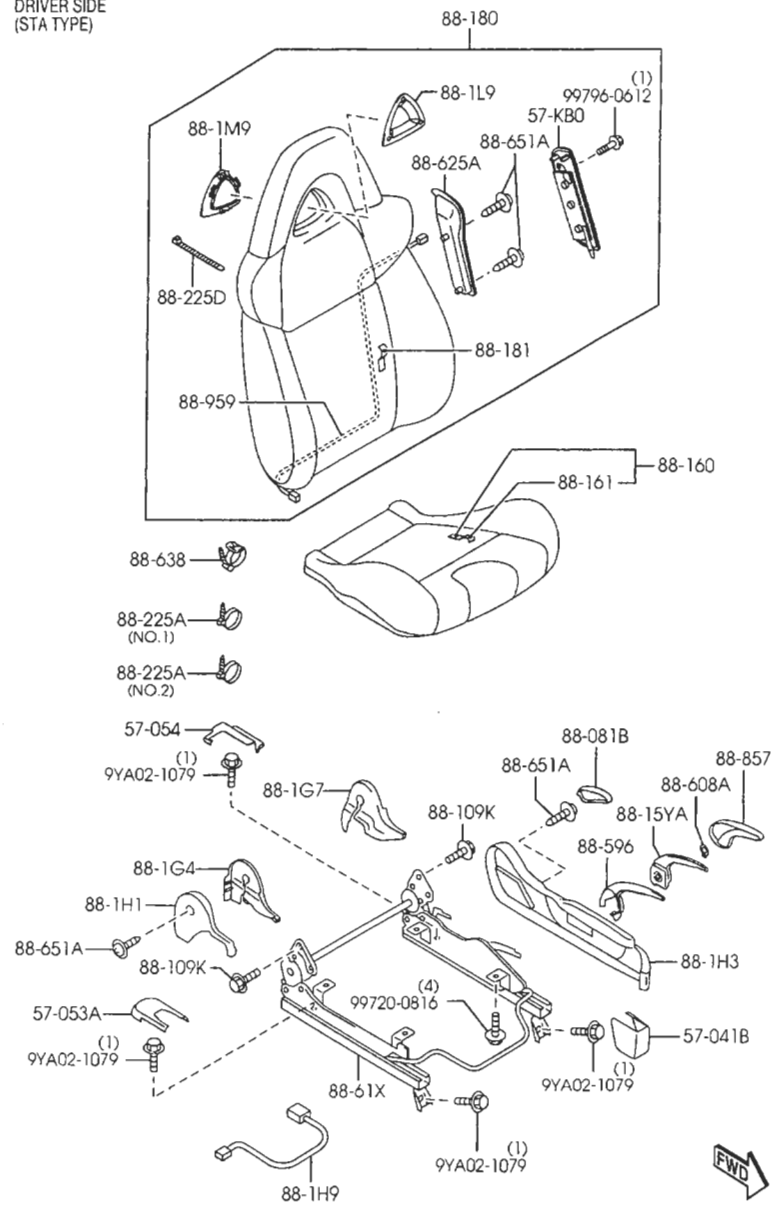
PART NO.	QTY	MODEL/RESTRICTION	MODEL/RESTRICTION	MODEL/RESTRICTION	FROM-TO
CONT'D					
		BLACK			
64-462		LOCK, LID	VERROUILLAGE COFFRE		
F151-64-453	1				
64-47X		COVER(R), HOLE-RR CONSOLE	COUVERCLE(D), TROU-CONS AR		
F151-64-47X	1				
64-492		INSULATOR, BOOT	ISOLANT, COFFRE BAGAGE		
F157-64-490	1 (MT)		(B.V. MANU)		
64-501A		BOX, STORAGE	BOITE, ACCUMULATEUR		
F151-64-50XA	1				
02	INT-	FF3 FF4 FF5 FF6 BLACK	FF3 FF4 FF5 FF6 NOIR		
64-520		COVER, UNDER	COUVERCLE INF.		
F151-64-510	1				
64-61Y		BOX, LAMP-ASHTRAY	BOITE, LAMPE-CENDRIER		
F151-64-61Y	1				
64-620		TRAY, ASH	CENDRIER		
F151-64-610A	1				
02	INT-	FF3 FF4 FF5 FF6 BLACK	FF3 FF4 FF5 FF6 NOIR		
64-996		NUT, EXPANSION	ECROU D'EXPANSION		
GJ21-64-996	3				



PART NO.	QTY	MODEL/RESTRICTION	MODEL/RESTRICTION	MODEL/RESTRICTION	FROM-TO
+-----+   60-161   +-----+ F151-60-160	1	GRILLE(R),DEMISTER	GRILLE(D),DESEMBUAGE		
+-----+   60-161Z   +-----+ F151-60-170	1	GRILLE(L),DEMISTER	GRILLE(G),DESEMBUAGE		
+-----+   64-342   +-----+ F151-64-115A	1	COVER	CACHE		
+-----+   64-394   +-----+ GA2A-64-394	2	SPRING	RESSORT		
+-----+   64-830A   +-----+ F151-64-730	2	GRILLE,VENTILATION	GRILLE,VENTILATION		

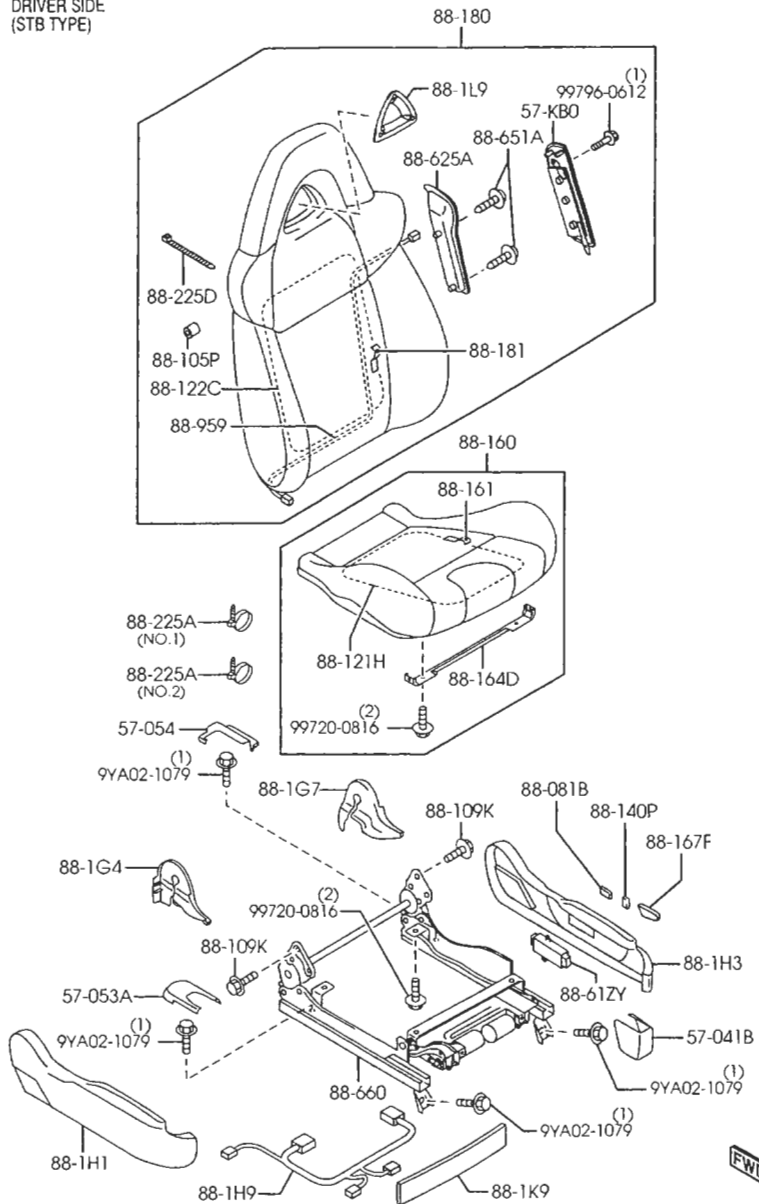
SPECIFICATIONS SEAT TYPE	MATERIAL	FRONT SEAT POWER SEAT
STA TYPE	CLOTH-A	without
STB TYPE	LEATHER	with

DRIVER SIDE  
(STA TYPE)

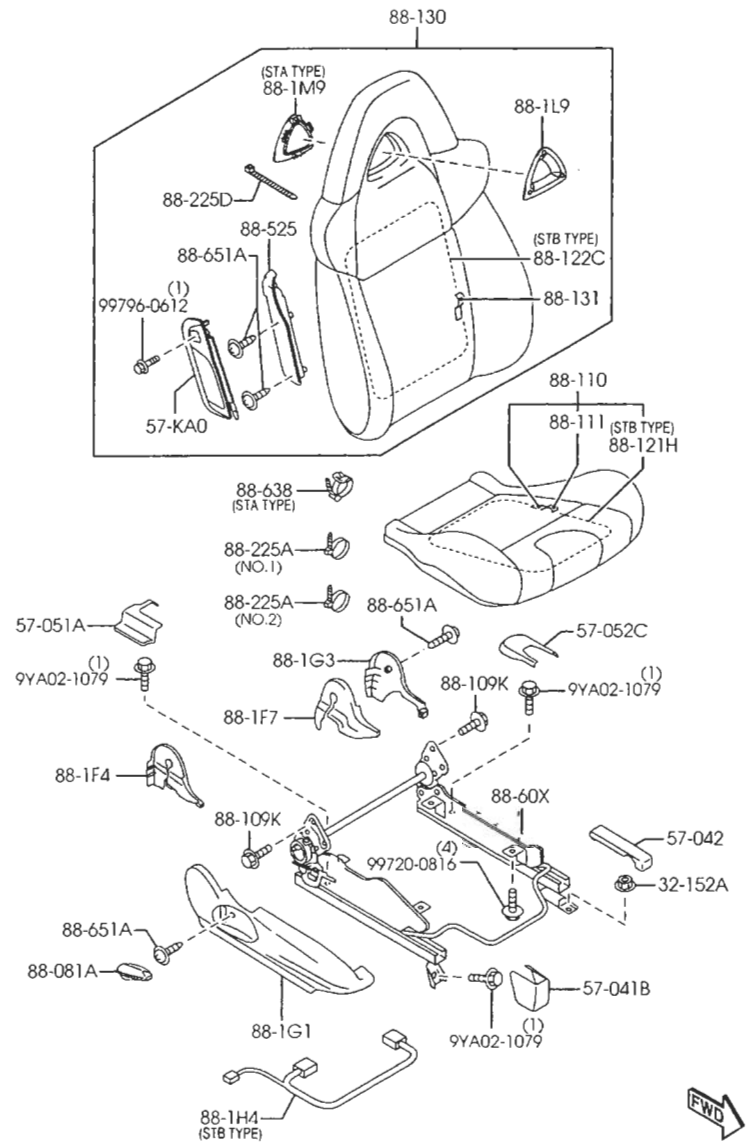




DRIVER SIDE  
(STB TYPE)



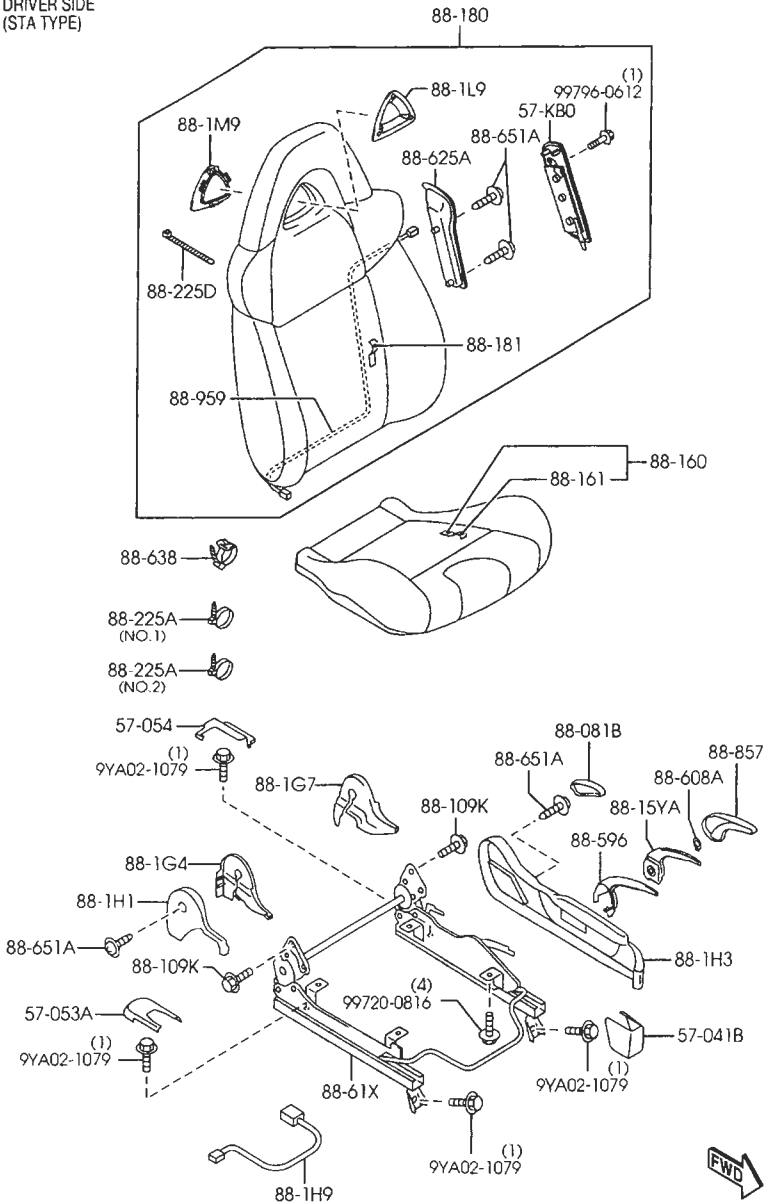
PASSENGER SIDE



SEAT TYPE \ SPECIFICATIONS	MATERIAL	FRONT SEAT POWER SEAT
	STA TYPE	CLOTH-A
STB TYPE	LEATHER	with

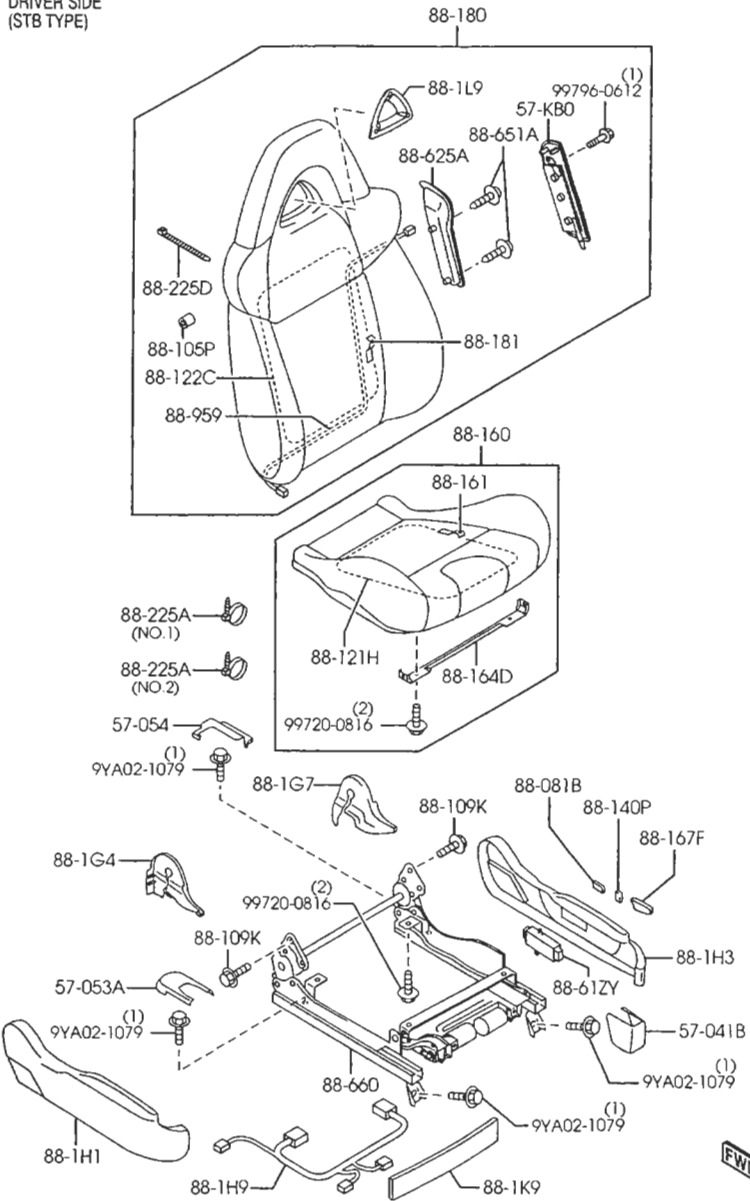
PART NO.	QTY	MODEL/RESTRICTION	MODEL/RESTRICTION	MODEL/RESTRICTION	FROM-TO
+-----+   32-152A   +-----+		NUT,ADJUST	ECROU DE REGLAGE		
B26K-32-172A	1				
+-----+   57-KA0   +-----+		MODULE(R)-A/B,SIDE	MODULE(D)-A/R,LATERA L		
FE01-57-KA0	1	(STB TYPE)			
FE02-57-KA0	1	(STA TYPE)	(TYPE STA)		
+-----+   57-KB0   +-----+		MODULE(L)-A/B,SIDE	MODULE(G)-A/R,LATERA L		
FE01-57-KB0	1	(STB TYPE)			
FE02-57-KB0	1	(STA TYPE)	(TYPE STA)		
+-----+   57-041B   +-----+		COVER NO.1,ADJ-FRT	COUVERCLE NO.1,ADJUS TEUR		
F151-57-041	2				
02	INT-	FF3 FF4 FF5 FF6 BLACK	FF3 FF4 FF5 FF6 NOIR		
+-----+   57-042   +-----+		COVER NO.2,ADJ-FRT	COUVERCLE NO.2,REGUL . AV.		
F151-57-042	1				
02	INT-	FF3 FF4 FF5 FF6 BLACK	FF3 FF4 FF5 FF6 NOIR		
+-----+   57-051A   +-----+		COVER'A',ADJUSTER-RR	COUVERCLE'A',REGLEUR -AR		
F151-57-051	1				
02	INT-	FF3 FF4 FF5 FF6 BLACK	FF3 FF4 FF5 FF6 NOIR		
+-----+   57-052C   +-----+		COVER'B',ADJUSTER-RR	COUVERCLE'B',REGLEUR -AR		
F151-57-052	1				
02	INT-	FF3 FF4 FF5 FF6 BLACK	FF3 FF4 FF5 FF6 NOIR		
+-----+   57-053A   +-----+		COVER'C',ADJUSTER-RR	COUVERCLE'C',REGLEUR -AR		
F151-57-053	1				
02	INT-	FF3 FF4 FF5 FF6 BLACK	FF3 FF4 FF5 FF6 NOIR		
+-----+   57-054   +-----+		COVER'D',ADJUSTER-RR	COUVERCLE'D',REGLEUR -AR		
F151-57-054	1				
02	INT-	FF3 FF4 FF5 FF6 BLACK	FF3 FF4 FF5 FF6 NOIR		

DRIVER SIDE  
(STA TYPE)



PART NO.	QTY	MODEL/RESTRICTION	MODEL/RESTRICTION	MODEL/RESTRICTION	FROM-TO
88-081A		KNOB(R),KNUCKLE	BOULE(D)		
F151-88-1G5	1				
02	INT-	FF3 FF4 FF5 FF6 BLACK	FF3 FF4 FF5 FF6 NOIR		
88-081B		KNOB(L),KNUCKLE	BOULE(G)		
F151-88-1H5	1	(STA TYPE)	(TYPE STA)		
02	INT-	FF6 BLACK	FF6 NOIR		
GK3J-88-1H5	1	(STB TYPE)			
02	INT-	FF3 FF4 FF5 BLACK	FF3 FF4 FF5 NOIR		
88-1F4		COVER NO.1,REVERSE	COUVERT. NO.1,INVERSE		
F151-88-1F4	1				
02	INT-	FF3 FF4 FF5 FF6 BLACK	FF3 FF4 FF5 FF6 NOIR		
88-1F7		COVER NO.2,REVERSE	COUVERCLE NO.2,INVERSE		
FE01-88-1F7	1				
02	INT-	FF3 FF4 FF5 FF6 BLACK	FF3 FF4 FF5 FF6 NOIR		
88-1G1		COVER NO.1,SIDE-F.SEAT	CACHE NO.1,LAT.-SIEGE AV		
FE01-88-1GX	1				
02	INT-	FF3 FF4 FF5 FF6 BLACK	FF3 FF4 FF5 FF6 NOIR		
88-1G3		COVER NO.2,SIDE-F.SEAT	CACHE NO.2,LAT.-SIEGE AV		
F151-88-1LX	1				
02	INT-	FF3 FF4 FF5 FF6 BLACK	FF3 FF4 FF5 FF6 NOIR		
88-1G4		COVER NO.3,REVERSE	COUVERCLE NO.3,INVERSE		
FE01-88-1G4	1	(STA TYPE)	(TYPE STA)		
02	INT-	FF6 BLACK	FF6 NOIR		
FE02-88-1G4	1	(STB TYPE)			
02	INT-	FF3 FF4 FF5 BLACK	FF3 FF4 FF5 NOIR		
88-1G7		COVER NO.4,REVERSE	COUVERT. NO.4,INVERSE		
FE02-88-1G7	1	(STB TYPE)			
02	INT-	FF3 FF4 FF5 BLACK	FF3 FF4 FF5 NOIR		

DRIVER SIDE  
(STB TYPE)



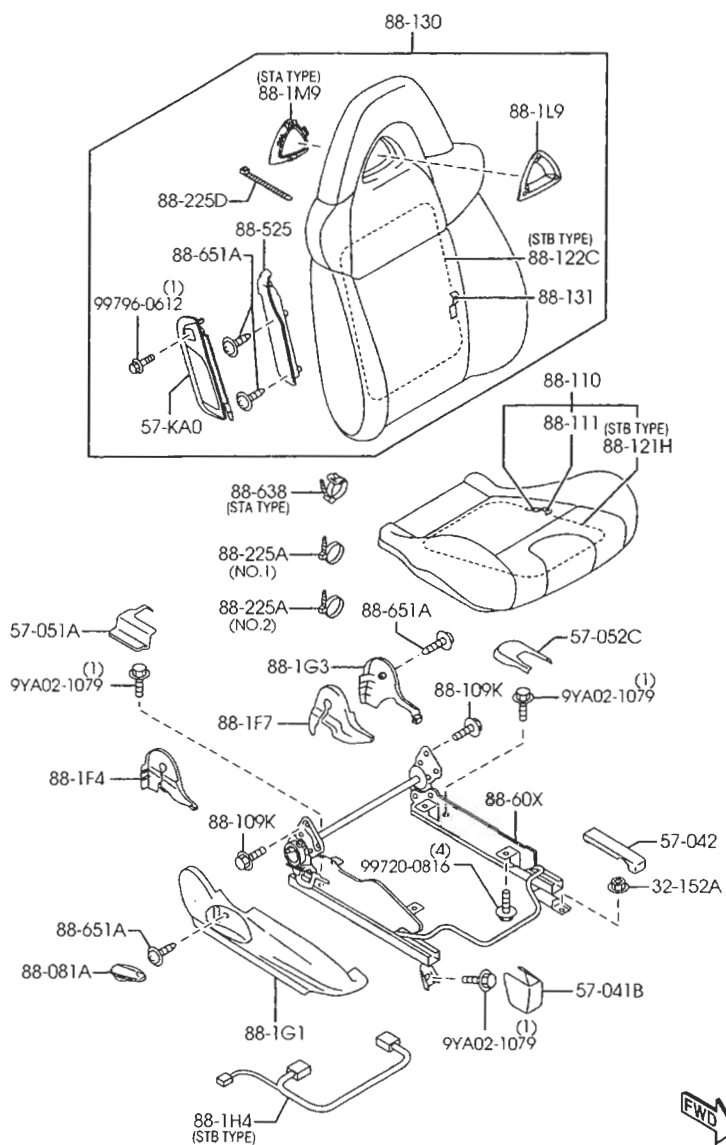
AUFA07

PART NO.	QTY	MODEL/RESTRICTION	MODEL/RESTRICTION	MODEL/RESTRICTION	FROM-TO
CONT'D					
F151-88-1G7	1	(STA TYPE)	(TYPE STA)		
02	INT-	FF6 BLACK	FF6 NOIR		
88-1H1		COVER NO.3, SIDE-F. SEAT	CACHE NO.3, LAT.-SIEGE AV		
FE02-88-1MX	1	(STB TYPE)			
02	INT-	FF3 FF4 FF5 BLACK	FF3 FF4 FF5 NOIR		
F151-88-1MX	1	(STA TYPE)	(TYPE STA)		
02	INT-	FF6 BLACK	FF6 NOIR		
88-1H3		COVER NO.4, SIDE-F. SEAT	CACHE NO.4, LAT.-SIEGE AV		
FE01-88-1HX	1	(STA TYPE)	(TYPE STA)		
02	INT-	FF6 BLACK	FF6 NOIR		
FE02-88-1HX	1	(STB TYPE)			
02	INT-	FF3 FF4 FF5 BLACK	FF3 FF4 FF5 NOIR		
88-1H4		HARNES(R), SEAT-FRONT	FAISCEAU(D), SIEGE-AV		
FE02-88-1H4	1	(STB TYPE)			
88-1H9		HARNES(L), SEAT-FRONT	FAISCEAU(G), SIEGE-AV		
FE01-88-1H9	1	(STA TYPE)	(TYPE STA)		
FE02-88-1H9	1	(STB TYPE)			
88-1K9		COVER(L), LOWER-FRONT	CACHE(G), INF.-AV.		
FE02-88-1K9	1	(STB TYPE)			
02	INT-	FF3 FF4 FF5 BLACK	FF3 FF4 FF5 NOIR		
88-1L9		BEZEL(R), F. SEAT BACK	BISEAU(D), DOSS. SIEGE AV		
F151-88-1L9	2				
88-1M9		BEZEL(L), F. SEAT BACK	BISEAU(G), DOSS. SIEGE AV		
F151-88-1M9	2	(STA TYPE)	(TYPE STA)		
88-105P		BUSH	BUSELURE		
TC86-88-033	1	(STB TYPE)			
88-109K		SCREW, KNUCKLE	VIS, GENOUILLERE		
C100-88-109	8				
88-110		CUSHION(R), FRT SEAT	HOUSSE DE SIEGE (D)		

CAT. AUFA07-00

2003-01

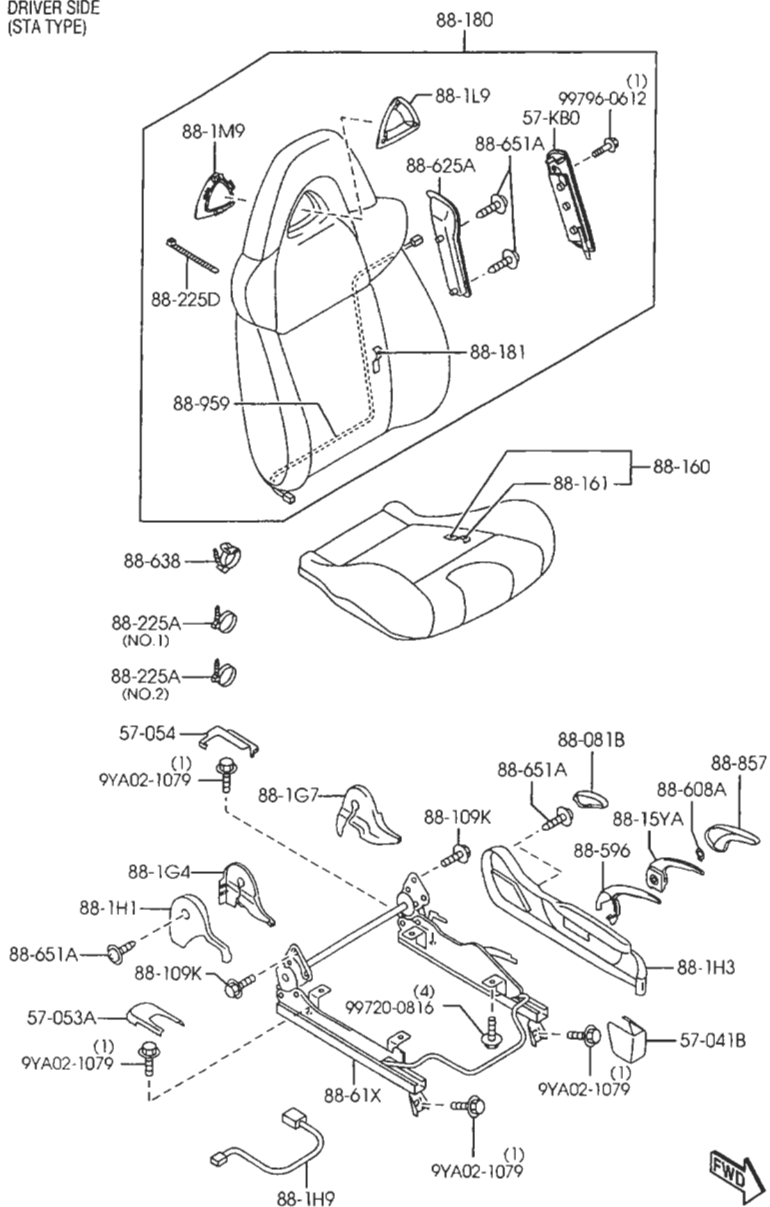
PASSENGER SIDE



PART NO.	QTY	MODEL/RESTRICTION	MODEL/RESTRICTION	MODEL/RESTRICTION	FROM-TO
CONT'D					
FE02-88-110	1	(STB TYPE)			
02	INT-	FF3 BLACK	FF3 NOIR		
15	INT-	FF4 RED/BLACK	FF4 ROUGE/NOIR		
23	INT-	FF5 BROWN/BLACK	FF5 BRUN/NOIR		
F151-88-110	1	(STA TYPE)	(TYPE STA)		
02	INT-	FF6 SPORTS GRAY/BLACK	FF6 NOIR/GRIS SPORTS		
		+-----+			
		88-111	TRIM(R),SEAT CUSHION	HOUSSE DE SIEGE (D)	
		+-----+			
FE02-88-111	1	(STB TYPE)			
02	INT-	FF3 BLACK	FF3 NOIR		
15	INT-	FF4 RED/BLACK	FF4 ROUGE/NOIR		
23	INT-	FF5 BROWN/BLACK	FF5 BRUN/NOIR		
F151-88-111	1	(STA TYPE)	(TYPE STA)		
02	INT-	FF6 SPORTS GRAY/BLACK	FF6 NOIR/GRIS SPORTS		
		+-----+			
		88-121H	HEATER,SEAT CUSHION	CHAUFFA.COUSSIN DE SIEGE	
		+-----+			
FE02-88-121	2	(STB TYPE)			
		+-----+			
		88-122C	HEATER,SEAT BACK	CHAUFFAGE,DOSSIER SIEGE	
		+-----+			
FE02-88-122	2	(STB TYPE)			
		+-----+			
		88-130	BACK(R),FRONT SEAT	SIEGE(D), ARRIERE	
		+-----+			
FE01-88-130	1	(STA TYPE)		(TYPE STA)	
02	INT-	FF6 SPORTS GRAY/BLACK	FF6 NOIR/GRIS SPORTS		
FE02-88-130	1	(STB TYPE)			
02	INT-	FF3 BLACK	FF3 NOIR		
15	INT-	FF4 RED/BLACK	FF4 ROUGE/NOIR		
23	INT-	FF5 BROWN/BLACK	FF5 BRUN/NOIR		
		+-----+			
		88-131	TRIM(R),SEAT BACK	GARNITURE (D), SIEGE ARR	
		+-----+			
FE01-88-131	1	(STA TYPE)		(TYPE STA)	
02	INT-	FF6 SPORTS GRAY/BLACK	FF6 NOIR/GRIS SPORTS		
FE02-88-131	1	(STB TYPE)			
02	INT-	FF3 BLACK	FF3 NOIR		
15	INT-	FF4 RED/BLACK	FF4 ROUGE/NOIR		

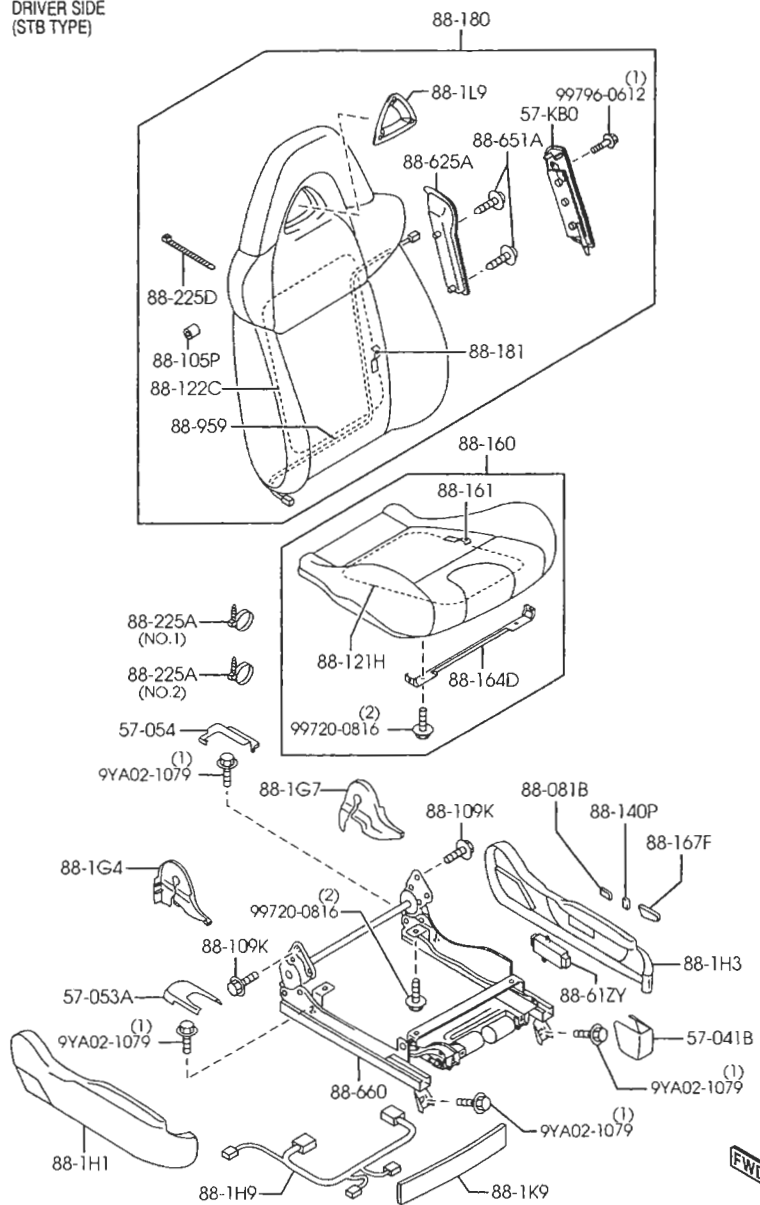
SPECIFICATIONS SEAT TYPE	MATERIAL	FRONT SEAT POWER SEAT
	STA TYPE	CLOTH-A
STB TYPE	LEATHER	with

PART NO.	QTY	MODEL/RESTRICTION	MODEL/RESTRICTION	MODEL/RESTRICTION	FROM-TO
CONT'D					
23	INT-	FF5 BROWN/BLACK	FF5 BRUN/NOIR		
+-----+   88-140P   +-----+		LEVER,LUMBAR SUPPORT	LEVIER,SUPPORT LOMBA IRE		
FE02-88-188	1	(STB TYPE)			
+-----+   88-15YA   +-----+		UNIT(L),LEVER-F SEAT	UNITE(G), LEV.-SIEGE AV. (TYPE STA)		
GJ6A-88-15Y	1	(STA TYPE)			
+-----+   88-160   +-----+		CUSHION(L),FRT SEAT	HOUSSE DE SIEGE (G) (TYPE STA)		
FE01-88-160	1	(STA TYPE)			
02	INT-	FF6 SPORTS GRAY/BLACK	FF6 NOIR/GRIS SPORTS		
FE02-88-160	1	(STB TYPE)			
02	INT-	FF3 BLACK	FF3 NOIR		
15	INT-	FF4 RED/BLACK	FF4 ROUGE/NOIR		
23	INT-	FF5 BROWN/BLACK	FF5 BRUN/NOIR		
+-----+   88-161   +-----+		TRIM(L),SEAT CUSHION	HOUSSE DE SIEGE (G)		
FE02-88-161	1	(STB TYPE)			
02	INT-	FF3 BLACK	FF3 NOIR		
15	INT-	FF4 RED/BLACK	FF4 ROUGE/NOIR		
23	INT-	FF5 BROWN/BLACK	FF5 BRUN/NOIR		
F151-88-161	1	(STA TYPE)	(TYPE STA)		
02	INT-	FF6 SPORTS GRAY/BLACK	FF6 NOIR/GRIS SPORTS		
+-----+   88-164D   +-----+		BRACKET,SEAT CUSHION	SUPPORT, COUSSIN		
F153-88-164	1	(STB TYPE)			
+-----+   88-167F   +-----+		KNOB(L),SLIDE	BOUTON(G), COULISS.		
GK3J-88-167	1	(STB TYPE)			
02	INT-	FF3 FF4 FF5 BLACK	FF3 FF4 FF5 NOIR		
+-----+   88-180   +-----+		BACK(L),FRONT SEAT	SIEGE(G), ARRIERE (TYPE STA)		
FE01-88-180	1	(STA TYPE)			
02	INT-	FF6 SPORTS GRAY/BLACK	FF6 NOIR/GRIS SPORTS		
FE02-88-180	1	(STB TYPE)			
02	INT-	FF3 BLACK	FF3 NOIR		

DRIVER SIDE  
(STA TYPE)

PART NO.	QTY	MODEL/RESTRICTION	MODEL/RESTRICTION	MODEL/RESTRICTION	FROM-TO
CONT'D					
15	INT-	FF4 RED/BLACK	FF4 ROUGE/NOIR		
23	INT-	FF5 BROWN/BLACK	FF5 BRUN/NOIR		
88-181		TRIM(L), SEAT BACK	HOUSSE (G), SIEGE AR		
FE01-88-181	1	(STA TYPE)	(TYPE STA)		
02	INT-	FF6 SPORTS GRAY/BLACK	FF6 NOIR/GRIS SPORTS		
FE02-88-181	1	(STB TYPE)			
02	INT-	FF3 BLACK	FF3 NOIR		
15	INT-	FF4 RED/BLACK	FF4 ROUGE/NOIR		
23	INT-	FF5 BROWN/BLACK	FF5 BRUN/NOIR		
88-225A		BAND	COLLIER		
GJ6G-88-073	2	(ILLUST. NO.1)			
H380-88-225	6	(ILLUST. NO.2)			
88-225D		BAND	COLLIER		
1394-88-225	6				
88-525		COVER NO.2(R), SIDE	COUVERCLE NO.2(D), LA		
F151-88-2M2	1	(STA TYPE)	TERAL (TYPE STA)		
F153-88-2M2	1	(STB TYPE)			
88-596		COVER(L), LEVER	COUVERCLE(G), LEVIER		
GJ6A-88-4E5	1	(STA TYPE)	(TYPE STA)		
02	INT-	FF6 BLACK	FF6 NOIR		
88-60X		ADJUSTER UNIT(R), FRT SEAT	DISP. REGLEUR(D), SIEGE AV		
FE01-88-A00	1				
88-608A		RING, RETAINING-FRT SEAT	ANNEAU-RESSORT, SIEGE AVANT		
GJ6A-88-098	1	(STA TYPE)	(TYPE STA)		
88-61X		ADJUSTER UNIT(L), FRT SEAT	DISP. REGLEUR(G), SIEGE AV		
FE01-88-H50	1	(STA TYPE)	(TYPE STA)		
88-61ZY		SWITCH(L), POWER-SEAT	INTERRUPT(G), SIEGE MECANIC		
GK3J-88-158	1	(STB TYPE)			

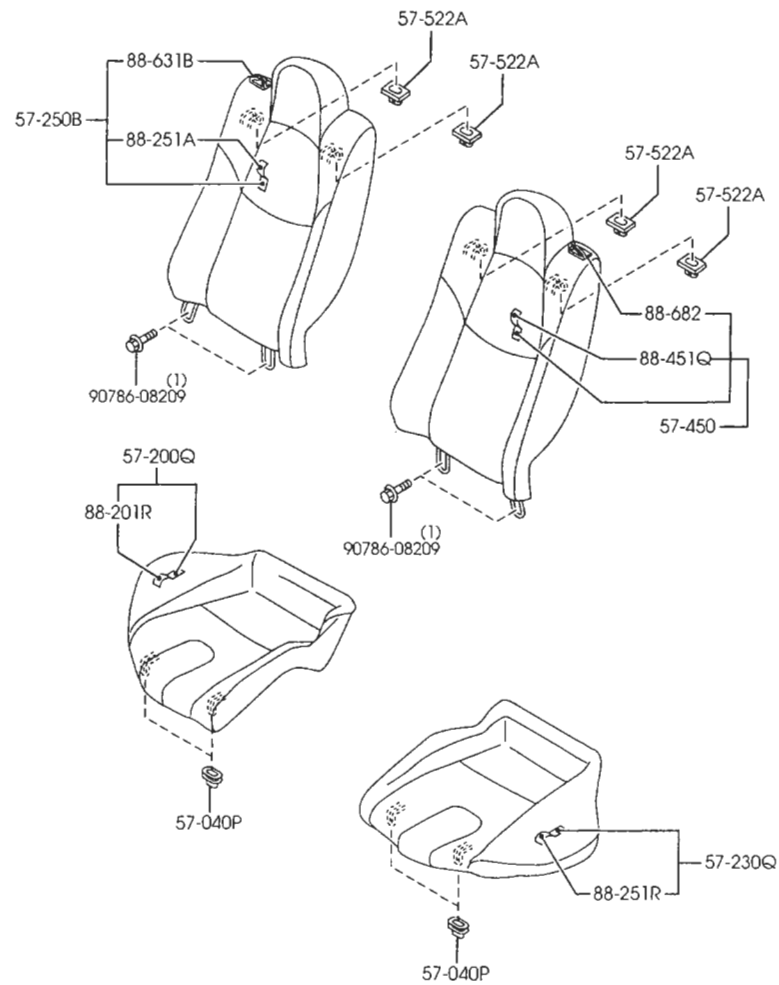
DRIVER SIDE  
(STB TYPE)



PART NO.	QTY	MODEL/RESTRICTION	MODEL/RESTRICTION	MODEL/RESTRICTION	FROM-TO
88-625A		COVER NO.2(L),SIDE	COUVERCLE NO.2(G),LA		
F151-88-2M3	1	(STA TYPE)	TERAL		
F153-88-2M3	1	(STB TYPE)	(TYPE STA)		
88-638		CLIP	ATTACHE		
C100-88-126	4	(STA TYPE)	(TYPE STA)		
88-651A		SCREW,TAPPING	MEMBRURE,VERTICALE		
G211-88-651	10	(STA TYPE)	(TYPE STA)		
G211-88-651	12	(STB TYPE)			
88-660		POWER UNIT(L),FRT SE	GROUPE MDT(G),SIEGE		
FE02-88-AF0	1	AT	AV		
88-857		LEVER(L),LIFTER	LEVIER(G), ELEVATEUR		
GJ6A-88-857	1	(STA TYPE)	(TYPE STA)		
02	INT-	FF6 BLACK	FF6 NOIR		
88-959		HARNES,FRT SEAT	HARNAIS,SIEGE AV		
F151-88-034	1				

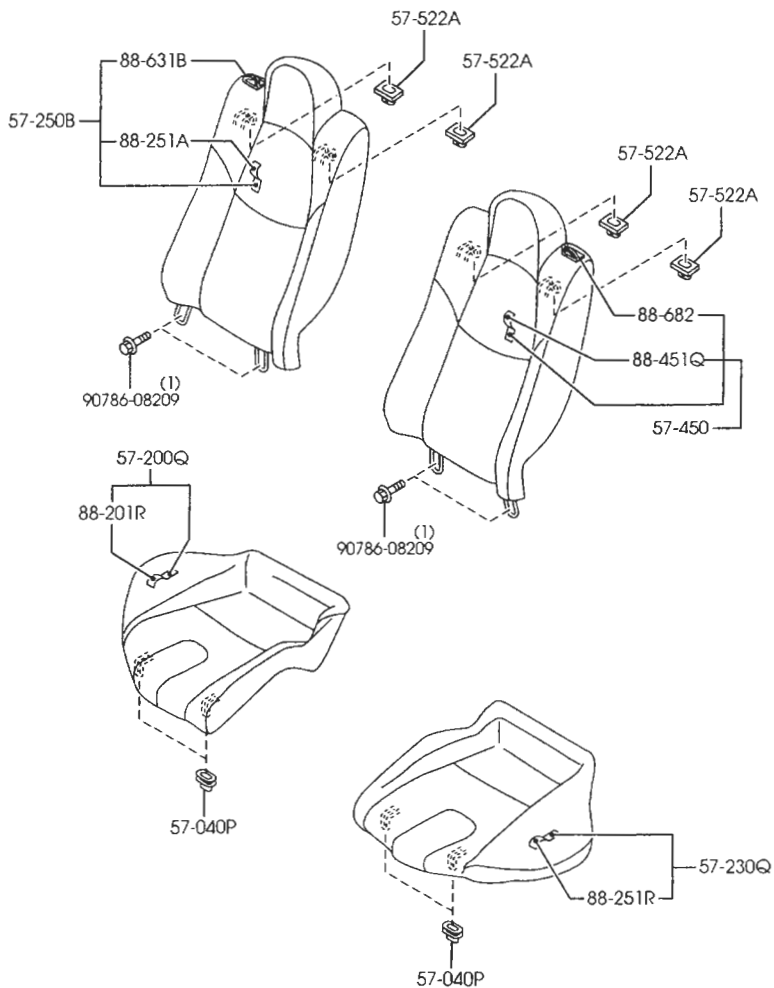


SPECIFICATIONS	
SEAT TYPE	MATERIAL
STA TYPE	CLOTH-A
STB TYPE	LEATHER



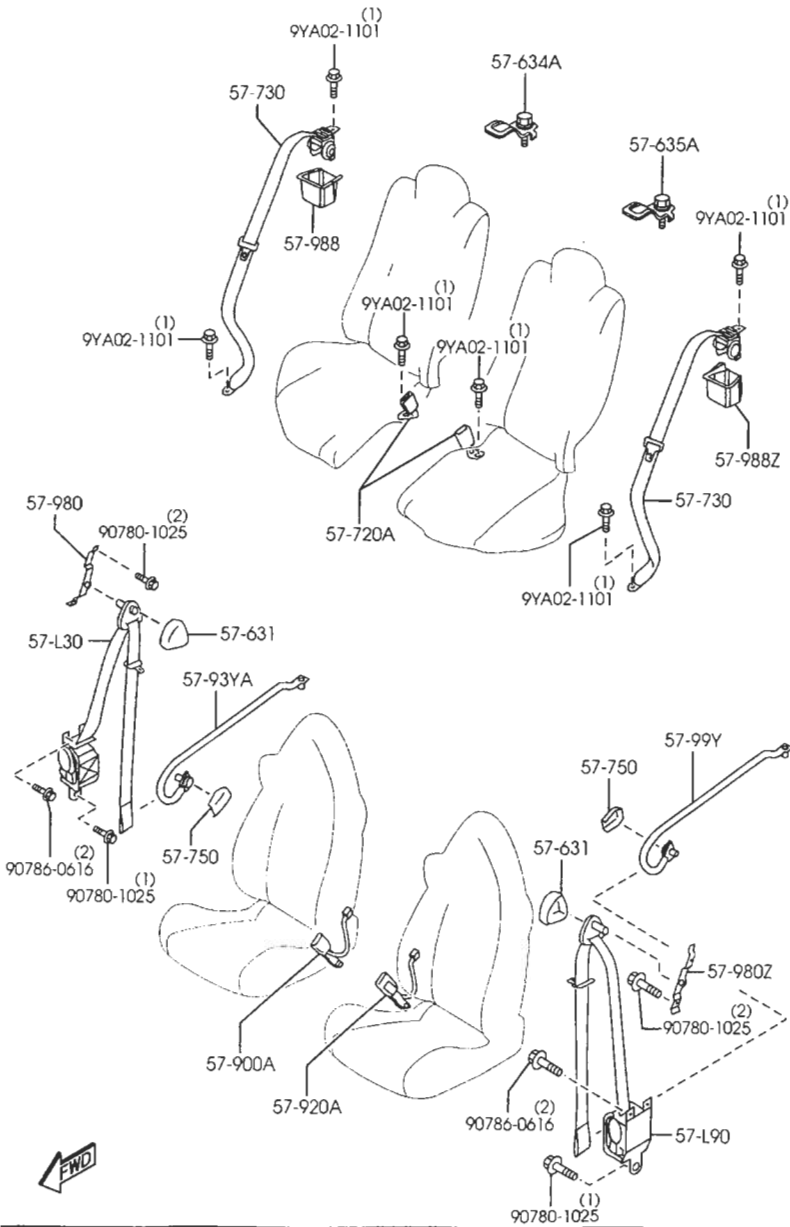
SPECIFICATIONS		MATERIAL
SEAT TYPE		
STA TYPE		CLOTH-A
STB TYPE		LEATHER

PART NO.	QTY	MODEL/RESTRICTION	MODEL/RESTRICTION	MODEL/RESTRICTION	FROM-TO
+-----+   57-040P   +-----+		LOCK,RR. SEAT CUSHIO N	BLOCAGE,COUSSIN DE		
GJ6A-57-529	4				
+-----+   57-200Q   +-----+		CUSHION(R),REAR SEAT	COUSSIN(D),SIEGE AR		
FE01-57-250C	1	(STA TYPE)	(TYPE STA)		
02	INT-	FF6 SPORTS GRAY/BLACK	FF6 NOIR/GRIS SPORTS		
FE02-57-250C	1	(STB TYPE)			
02	INT-	FF3 BLACK	FF3 NOIR		
15	INT-	FF4 RED/BLACK	FF4 ROUGE/NOIR		
23	INT-	FF5 BROWN/BLACK	FF5 BRUN/NOIR		
+-----+   57-230Q   +-----+		CUSHION(L),REAR SEAT	COUSSIN(G),SIEGE AR		
FE01-57-300C	1	(STA TYPE)	(TYPE STA)		
02	INT-	FF6 SPORTS GRAY/BLACK	FF6 NOIR/GRIS SPORTS		
FE02-57-300C	1	(STB TYPE)			
02	INT-	FF3 BLACK	FF3 NOIR		
15	INT-	FF4 RED/BLACK	FF4 ROUGE/NOIR		
23	INT-	FF5 BROWN/BLACK	FF5 BRUN/NOIR		
+-----+   57-250B   +-----+		BACK(R),REAR SEAT	SIEGE D ARR.		
F151-57-400B	1	(STA TYPE)	(TYPE STA)		
02	INT-	FF6 SPORTS GRAY/BLACK	FF6 NOIR/GRIS SPORTS		
F153-57-400B	1	(STB TYPE)			
02	INT-	FF3 BLACK	FF3 NOIR		
15	INT-	FF4 RED/BLACK	FF4 ROUGE/NOIR		
23	INT-	FF5 BROWN/BLACK	FF5 BRUN/NOIR		
+-----+   57-450   +-----+		BACK(L),REAR SEAT	SIEGE G ARR.		
F151-57-450B	1	(STA TYPE)	(TYPE STA)		
02	INT-	FF6 SPORTS GRAY/BLACK	FF6 NOIR/GRIS SPORTS		
F153-57-450B	1	(STB TYPE)			
02	INT-	FF3 BLACK	FF3 NOIR		
15	INT-	FF4 RED/BLACK	FF4 ROUGE/NOIR		
23	INT-	FF5 BROWN/BLACK	FF5 BRUN/NOIR		



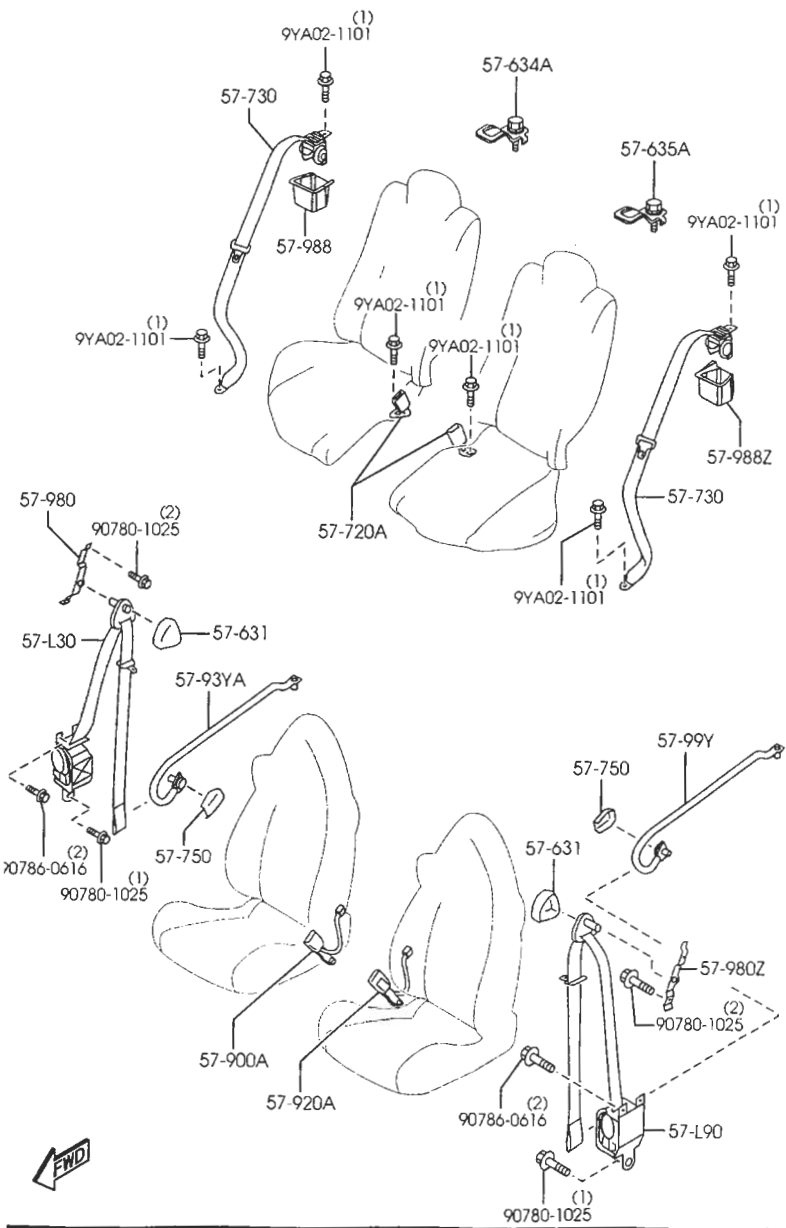
PART NO.	QTY	MODEL/RESTRICTION	MODEL/RESTRICTION	MODEL/RESTRICTION	FRONT-TO
57-522A G14H-57-522	4	BUSH,RR SEAT BACK	COUSSINET,DOSSIER SI EGE A		
88-201R FE01-88-251	1	TRIM(R),REAR SEAT CU SHION (STA TYPE)	GARNITURE(D),COUSSIN AR (TYPE STA)		
02	INT-	FF6 SPORTS GRAY/BLACK	FF6 NOIR/GRIS SPORTS		
FE02-88-251	1	(STB TYPE)			
02	INT-	FF3 BLACK	FF3 NOIR		
15	INT-	FF4 RED/BLACK	FF4 ROUGE/NOIR		
23	INT-	FF5 BROWN/BLACK	FF5 BRUN/NOIR		
88-251A F151-88-401	1	TRIM(R),RR SEAT BACK (STA TYPE)	GARNITURE,DOSSIER AR (G) (TYPE STA)		
02	INT-	FF6 SPORTS GRAY/BLACK	FF6 NOIR/GRIS SPORTS		
F153-88-401	1	(STB TYPE)			
02	INT-	FF3 BLACK	FF3 NOIR		
15	INT-	FF4 RED/BLACK	FF4 ROUGE/NOIR		
23	INT-	FF5 BROWN/BLACK	FF5 BRUN/NOIR		
88-251R FE01-88-301	1	TRIM(L),REAR SEAT CU SHION (STA TYPE)	GARNITURE(G),COUSSIN AR (TYPE STA)		
02	INT-	FF6 SPORTS GRAY/BLACK	FF6 NOIR/GRIS SPORTS		
FE02-88-301	1	(STB TYPE)			
02	INT-	FF3 BLACK	FF3 NOIR		
15	INT-	FF4 RED/BLACK	FF4 ROUGE/NOIR		
23	INT-	FF5 BROWN/BLACK	FF5 BRUN/NOIR		
88-451Q F151-88-451	1	TRIM(L),RR SEAT BACK (STA TYPE)	HOUSSE G DOSSIER ARR (TYPE STA)		
02	INT-	FF6 SPORTS GRAY/BLACK	FF6 NOIR/GRIS SPORTS		
F153-88-451	1	(STB TYPE)			
02	INT-	FF3 BLACK	FF3 NOIR		
15	INT-	FF4 RED/BLACK	FF4 ROUGE/NOIR		
23	INT-	FF5 BROWN/BLACK	FF5 BRUN/NOIR		



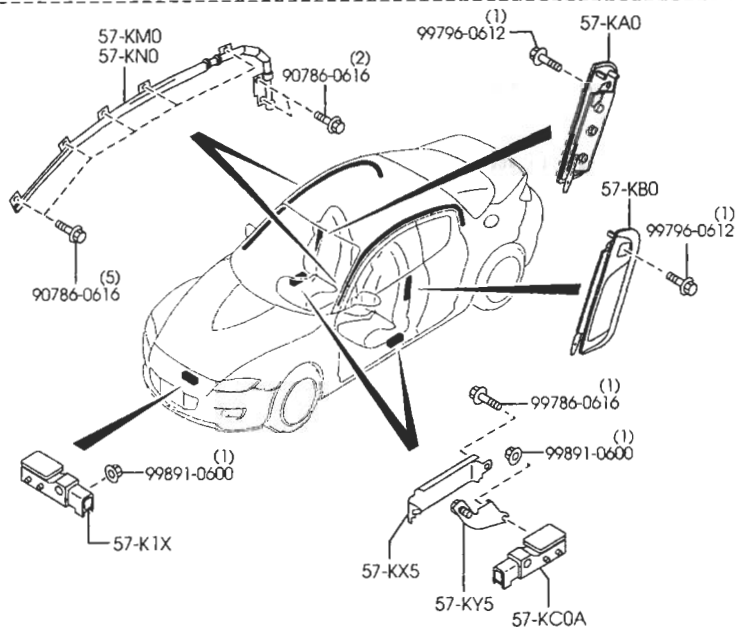
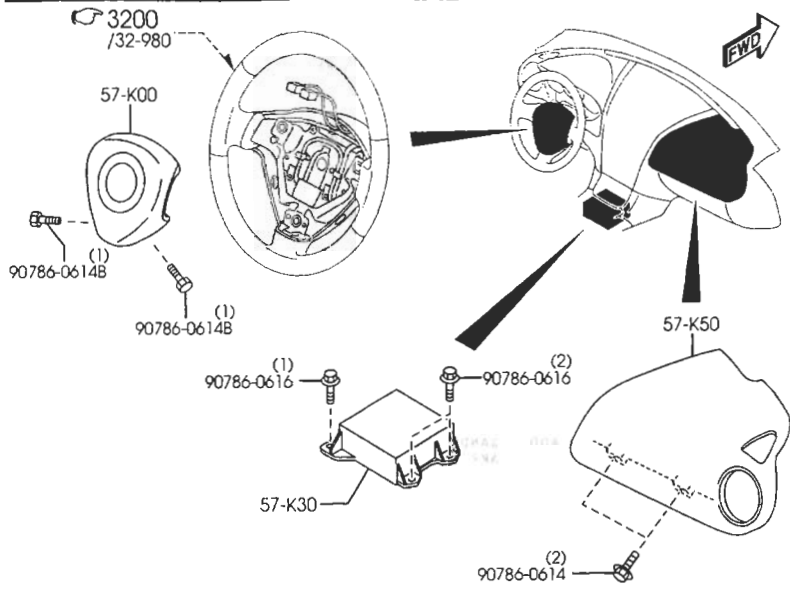


PART NO.	QTY	MODEL/RESTRICTION	MODEL/RESTRICTION	MODEL/RESTRICTION	FROM-TO
57-L30		BELT*B*(R),PRETENSIO NER	COURROIE*B*(D),PRETE NSIO.		
FE01-57-L30	1				
02	INT-	FF3 FF4 FF5 FF6 BLACK	FF3 FF4 FF5 FF6 NOIR		
57-L90		BELT*B*(L),PRETENSIO NER	COURROIE*B*(G),PRETE NSIO.		
F151-57-L30	1				
02	INT-	FF3 FF4 FF5 FF6 BLACK	FF3 FF4 FF5 FF6 NOIR		
57-631		COVER,ANCHOR	COUVERCLE		
S47P-57-631	2				
57-634A		ANCHOR(R),SEAT BELT	ANCRE(D),CEINTURE SE CUR.		
GJ64-57-772A	1				
57-635A		ANCHOR(L),SEAT BELT	ANCRE(G),CEINTURE SE CUR.		
DE60-57-772	1				
57-720A		BELT*A',REAR SEAT	CEINTURE*A',SIEGE AR		
F151-57-720	2				
57-730		BELT*B',REAR SEAT	CEINTURE*B',SIEGE AR		
F151-57-730	2				
02	INT-	FF3 FF4 FF5 FF6 BLACK	FF3 FF4 FF5 FF6 NOIR		
57-750		CAP,BELT	CHAPEAU,BOULON		
F151-57-638A	2				
57-900A		BELT*A*(R),FRT SEAT (SEAT TYPE-CLOTH)	CEINTURE *A*(D)AV.		
F151-57-620	1				
F152-57-620	1	(SEAT TYPE-LEATHER)			
57-920A		BELT*A*(L),FRT SEAT	CEINTURE *A*(G)AV.		
F152-57-620	1				
57-93YA		RAIL(R),SEAT BELT	LONGERON (D),CEINT S ECU		
F151-57-93Y	1				
57-980		BRACKET(R),RETRACTOR	SUPPORT(D)		

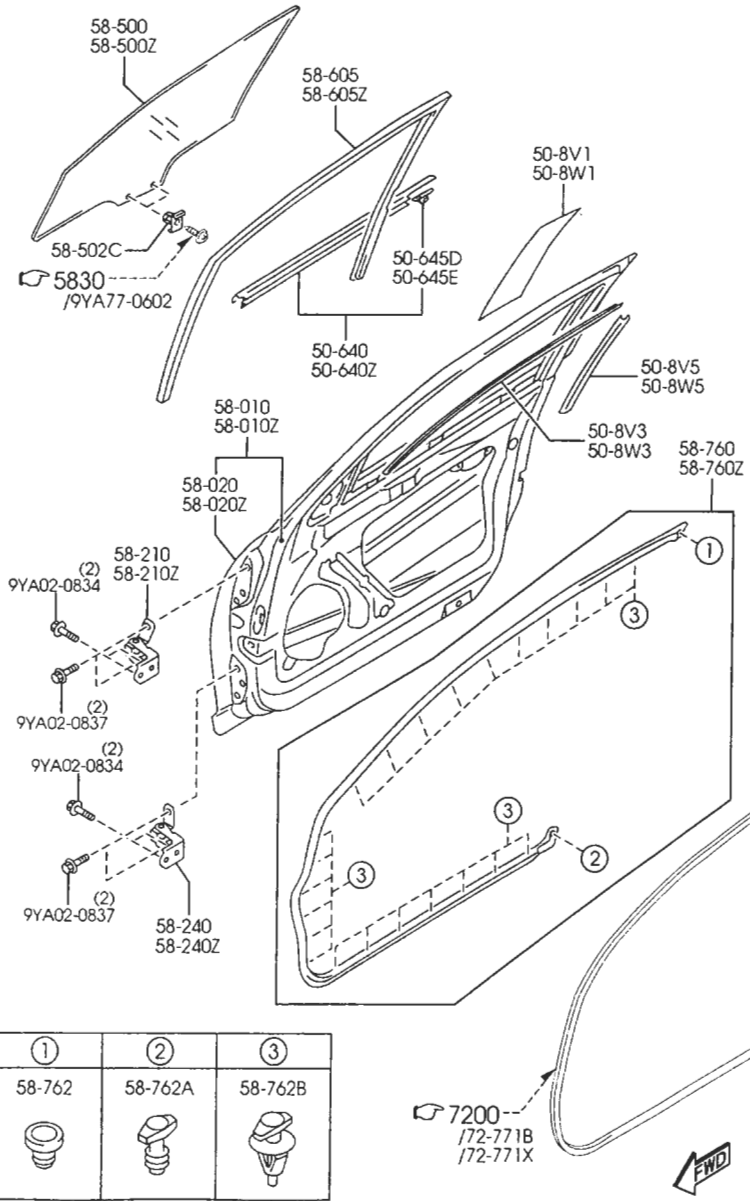




PART NO.	QTY	MODEL/RESTRICTION	MODEL/RESTRICTION	MODEL/RESTRICTION	FROM-TO
CONT'D					
F151-57-92X	1				
-----+   57-980Z   +-----		BRACKET(L),RETRACTOR	SUPPORT(L)		
F151-57-99X	1				
-----+   57-988   +-----		COVER(R),RETRACTOR	COUVERCLE(D)		
F152-57-988	1				
-----+   57-988Z   +-----		COVER(L),RETRACTOR	COUVERCLE(G)		
F152-57-989	1				
-----+   57-99Y   +-----		RAIL(L),SEAT BELT	LONGERON (G),CEINT S ECU		
F151-57-99Y	1				

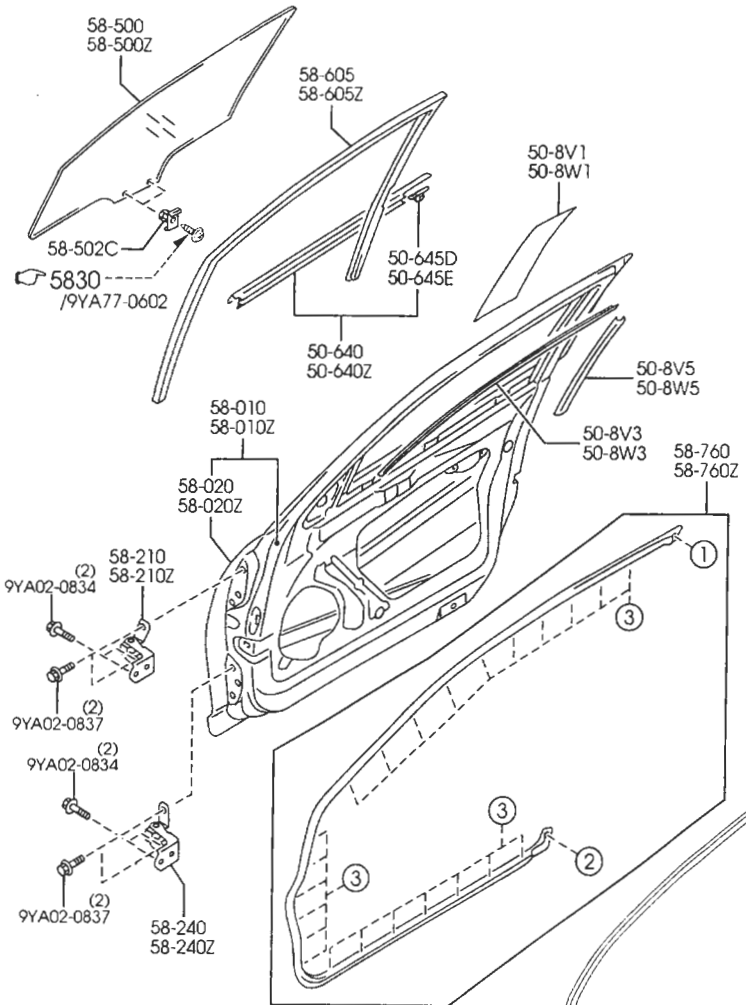


PART NO.	QTY	MODEL/RESTRICTION	MODEL/RESTRICTION	MODEL/RESTRICTION	FROM-TO
57-KA0		MODULE(R)-A/B, SIDE	MODULE(D)-A/R, LATERAL		
FE01-57-KA0	1	(SEAT TYPE-LEATHER)			
FE02-57-KA0	1	(SEAT TYPE-CLOTH)			
57-KB0		MODULE(L)-A/B, SIDE	MODULE(G)-A/R, LATERAL		
FE01-57-KB0	1	(SEAT TYPE-LEATHER)			
FE02-57-KB0	1	(SEAT TYPE-CLOTH)			
57-KCOA		SENS, IMPACT-SIDE A/B	CAPT. COLLISION LAT. A/B		
GJ6A-57-KC0	2				
57-KM0		AIR BAG(R), CURTAIN	RIDEAU(D), SAC AIR		
F151-57-KM0B	1				
57-KN0		AIR BAG(L), CURTAIN	RIDEAU(G), SAC AIR		
F151-57-KN0B	1				
57-KX5		BRKT, AIR BAG MODULE	CONSOLE, MODULE SAC AIR		
F151-57-KX0A	1	(FOR RIGHT SIDE)	(POUR COTE DROIT)		
F152-57-KX0A	1	(FOR LEFT SIDE)			
57-KY5		BRACKET, AIR BAG	SUPPORT, SAC AIR		
F153-57-KX0A	1	(FOR RIGHT SIDE)	(POUR COTE DROIT)		
F154-57-KX0A	1	(FOR LEFT SIDE)			
57-K00		MODULE, AIR BAG	MODULE, SAC AIR		
F151-57-K00A	1				
02	INT-	FF3 FF4 FF5 FF6 BLACK	FF3 FF4 FF5 FF6 NOIR		
57-K1X		SENSOR, AIR BAG	CAPTEUR, SAC AIR		
F151-57-K1X	1				
57-K30		UNIT, SAS	UNITE, CAPTEUR SAC AIR		
FE01-57-K30A	1				
57-K50		MODULE, AIR BAG PASSENGER	MODULE, SAC AIR-VOYAGEUR		
FE01-57-K70A	1				
02	INT-	FF3 FF4 FF5 FF6 BLACK	FF3 FF4 FF5 FF6 NOIR		



PART NO.	QTY	MODEL/RESTRICTION	MODEL/RESTRICTION	MODEL/RESTRICTION	FRONT
58-010Z					
F151-59-020D	1	BODY(L),FRONT DOOR	PORTE AV,(G)		
58-020					
F151-58-031B	1	PANEL(R),OUT.-FRT DOOR	PANNEAU PORTE (D)		
58-020Z					
F151-59-031B	1	PANEL(L),OUT.-FRT DOOR	PANNEAU PORTE (G)		
58-210					
F151-58-210	1	HINGE(R),DOOR-UPPER	CHARNIERE SUPERIEURE, PORTE		
58-210Z					
F151-59-210	1	HINGE(L),DOOR-UPPER	CHARNIERE SUPERIEURE (G)		
58-240					
F151-59-210	1	HINGE(R),DOOR-LOWER	CHARNIERE INF.(D),PORTE		
58-240Z					
F151-58-210	1	HINGE(L),DOOR-LOWER	CHARNIERE (G),PORTE INFERIEURE		
58-500					
F151-58-511	1	GLASS(R),DOOR-FRT	GLACE DE PORTE (D)		
58-500Z					
F151-59-511	1	GLASS(L),DOOR-FRT	GLACE DE PORTE (G)		
58-502C					
D350-58-502	4	GROMMET,SCREW	ANNEAU		
58-605					
F151-58-605A	1	CHANNEL(R),GLASS	COULISSEAU DE PORTE		
58-605Z					
F151-59-605A	1	CHANNEL(L),GLASS	GLISSIERE VITRE(G)		
58-760					
F151-58-760	1	WEATHERSTRIP(R),DOOR	JOINT C.T.C. (D),PAILLON		
58-760Z					
F151-59-760	1	WEATHERSTRIP(L),DOOR	JOINT CAOUTCHOUC (G),POR		

①	②	③
58-762	58-762A	58-762B



(2) 9YA02-0834

(2) 9YA02-0837

(2) 9YA02-0834

(2) 9YA02-0837

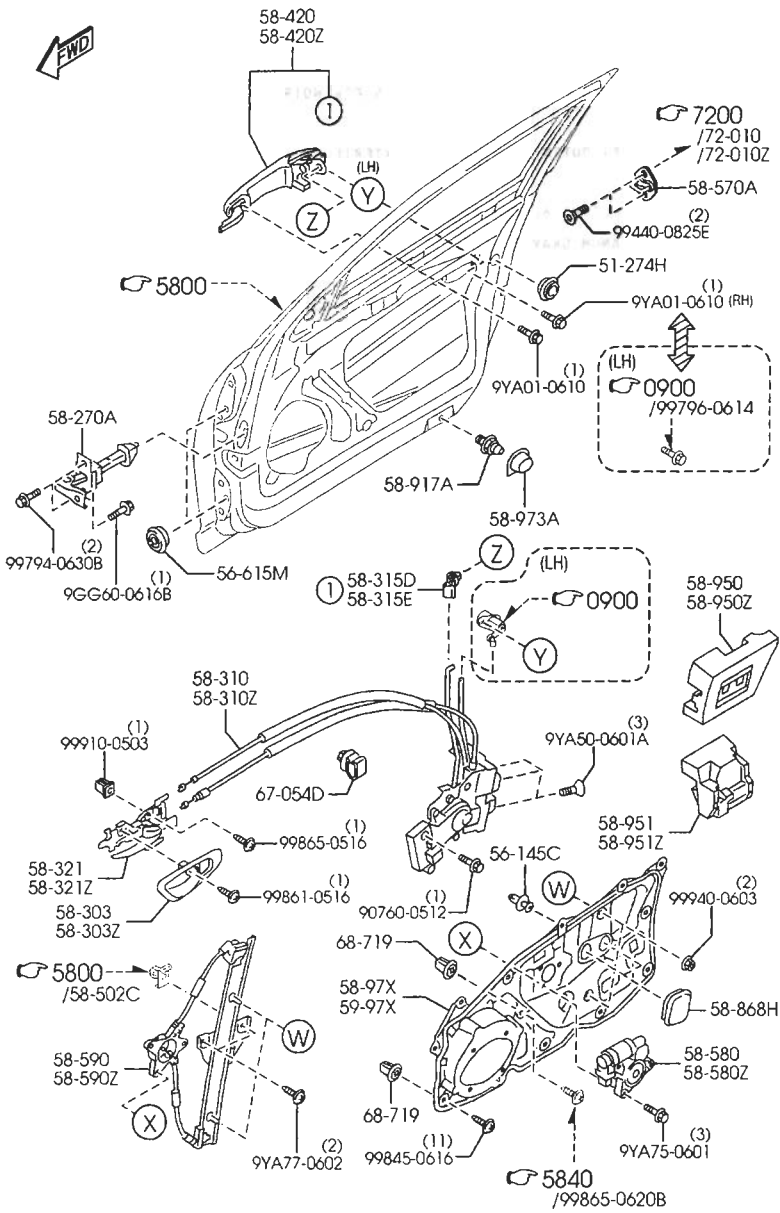
①	②	③
58-762	58-762A	58-762B

7200 /72-771B /72-771X

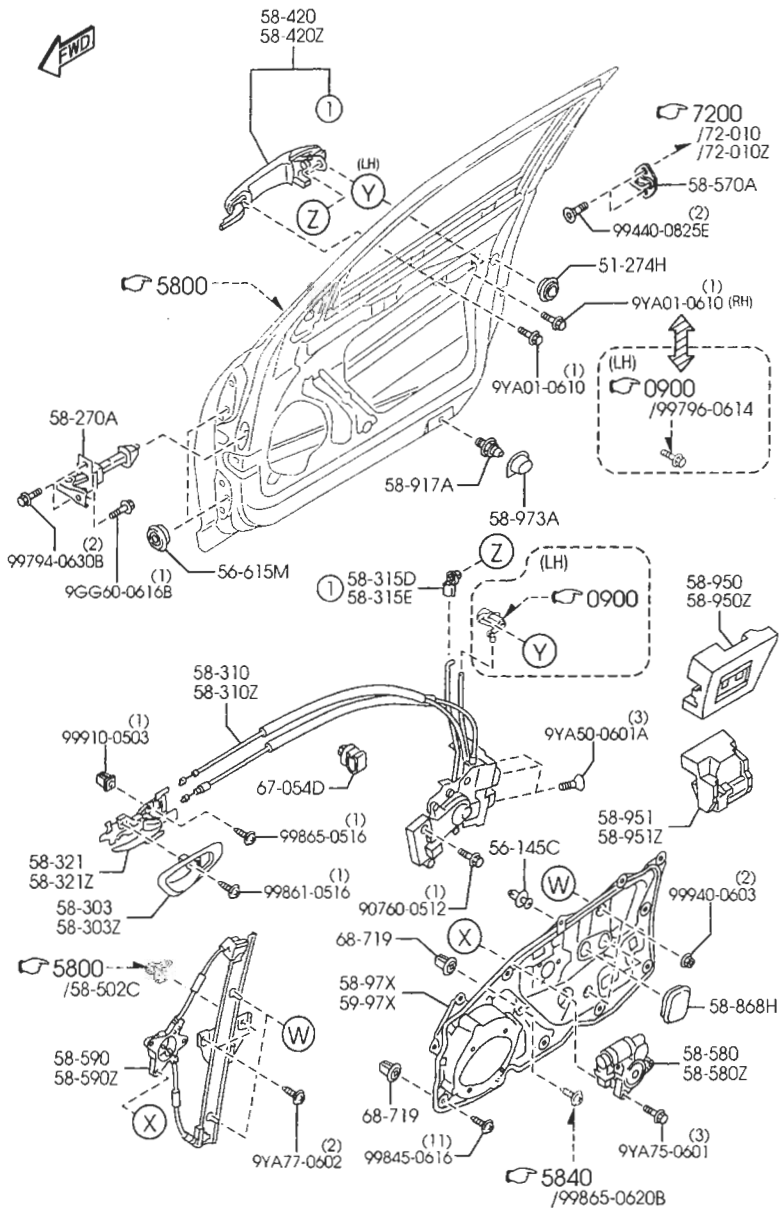


PART NO.	QTY	MODEL/RESTRICTION	MODEL/RESTRICTION	MODEL/RESTRICTION	FROM-TO
58-762		FASTENER	AGRAFE		
F151-58-762	2				
58-762A		FASTENER	AGRAFE		
F152-58-762	2				
58-762B		FASTENER	AGRAFFE		
F154-58-762	46				

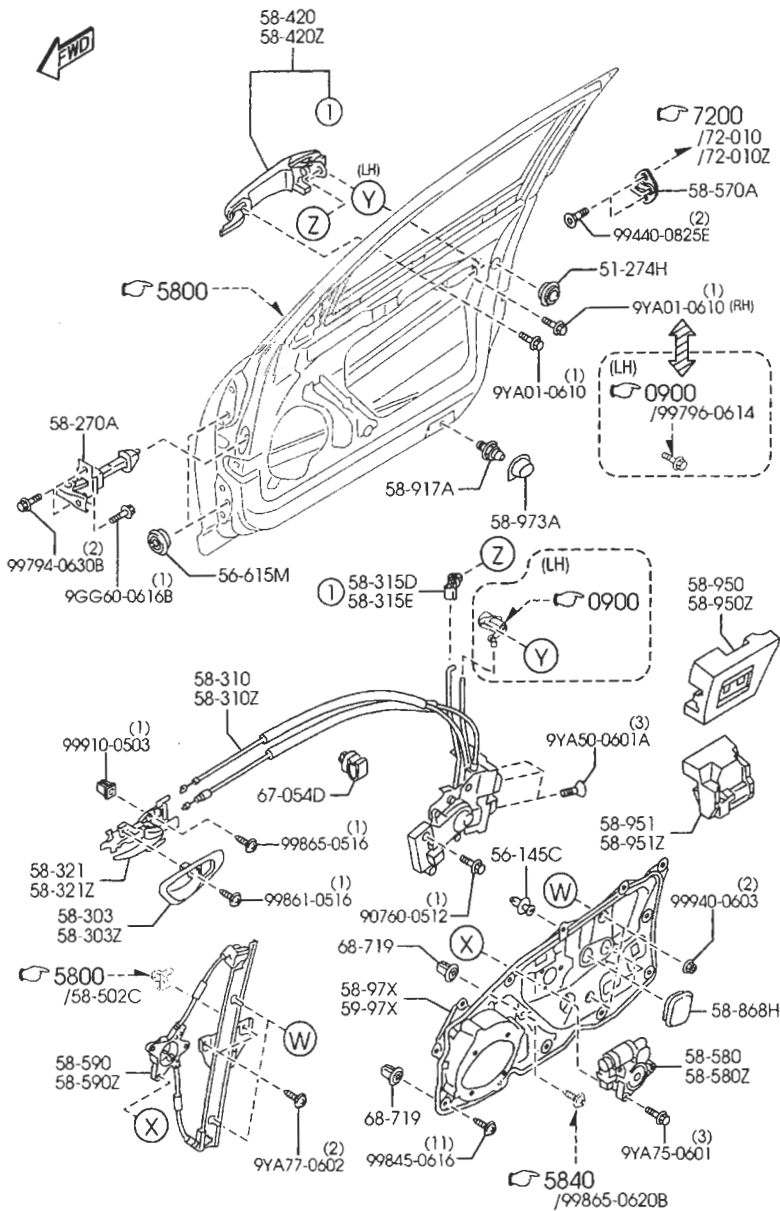




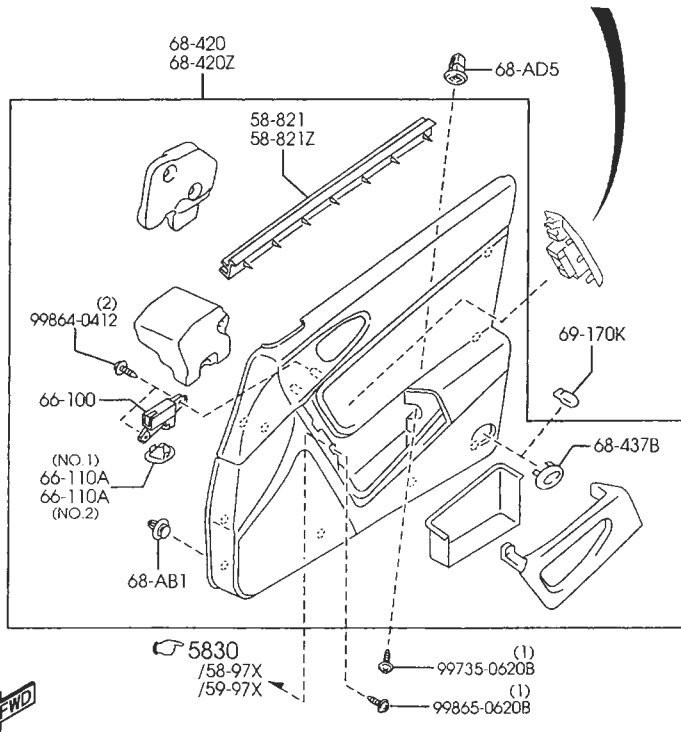
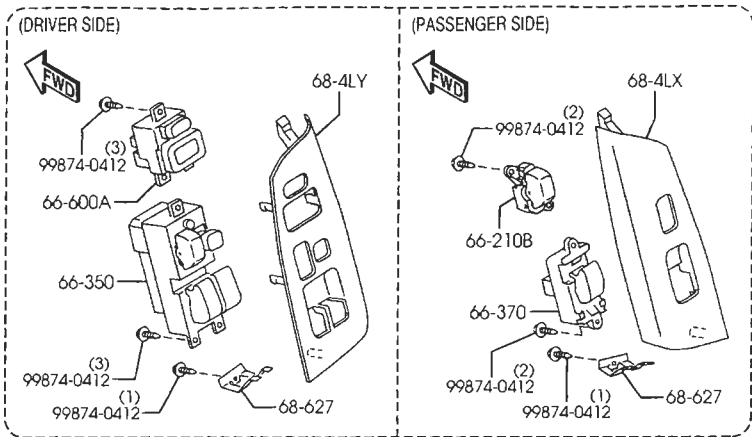
PART NO.	QTY	MODEL/RESTRICTION	MODEL/RESTRICTION	MODEL/RESTRICTION	FROM-TO
51-274H		GROMMET	ANNEAU		
BF67-51-261	2				
56-145C		CLIP, MUD GUARD	ETRIER, GARDE BOUE		
BC10-56-145	2				
56-615M		PLUG, DRAIN	BOUCHON DE VIDANGE		
NA01-56-051	4				
58-270A		CHECKER, DOOR	DISPOSITIF DE VERIFI CATIO		
F152-58-270	2				
58-303		COVER(R), IN. HANDLE	CACHE, POIGNEE INT.		
F151-58-303A	1				
02	INT-	FF3 FF4 FF5 FF6 BLACK	FF3 FF4 FF5 FF6 NOIR		
58-303Z		COVER(L), IN. HANDLE	COUVERCLE POIGNEE(G)		
F151-59-303A	1				
02	INT-	FF3 FF4 FF5 FF6 BLACK	FF3 FF4 FF5 FF6 NOIR		
58-310		LOCK(R), DOOR	SERRURE, PORTE (D)		
FE01-58-310	1	(W/O BURGLAR ALARM)			
FE02-58-310	1	(W/BURGLAR ALARM)			
58-310Z		LOCK(L), DOOR	SERRURE, PORTE (G)		
FE01-59-310	1				
58-315D		CLIP (R)	CLIP		
GT2G-59-315	1				
58-315E		CLIP (L)	CLIP		
GT2G-58-315	1				
58-321		HANDLE(R), INNER	POIGNEE INTERIEURE (D)		
F151-58-330B	1				
02	INT-	FF3 FF4 FF5 FF6 BLACK	FF3 FF4 FF5 FF6 NOIR		
58-321Z		HANDLE(L), INNER	POIGNEE INTERIEURE (G)		



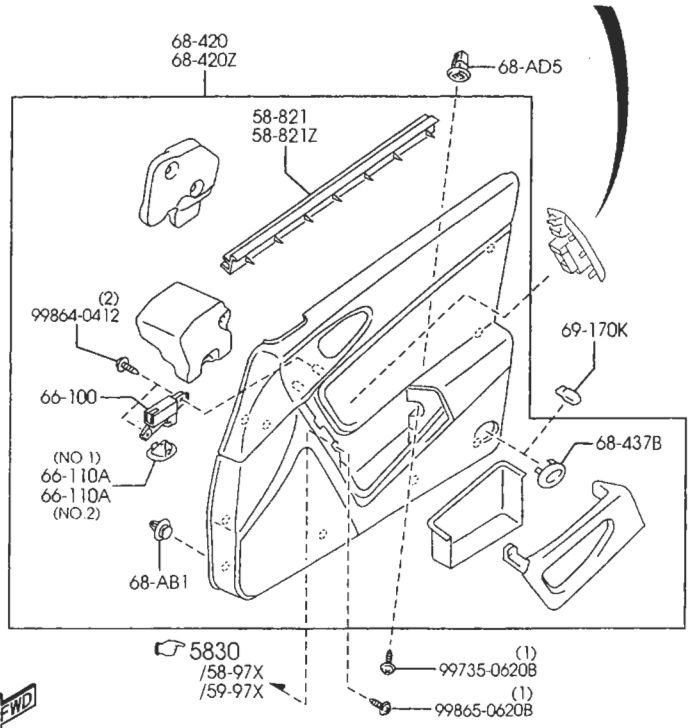
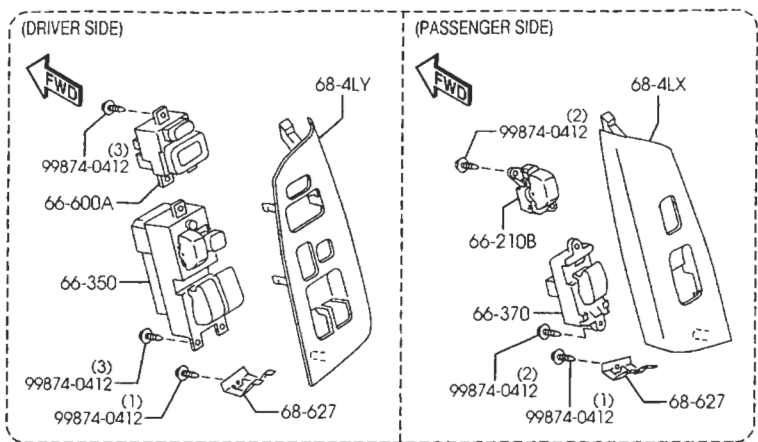
PART NO.	QTY	MODEL/RESTRICTION	MODEL/RESTRICTION	MODEL/RESTRICTION	FROM-TO
CONT'D F151-59-330B	1				
02	INT-	FF3 FF4 FF5 FF6 BLACK	FF3 FF4 FF5 FF6 NOIR BLACK		
		↑ 58-420 ↓			
		HANDLE(R), OUTER	POIGNEE EXTERIEURE (D)		
GJ6A-58-4100	1				
PZ	EXT-	A3F BRILLIANT BLACK	A3F NOIR BRILLIANT		
66	EXT-	25G TITANUM GRAY M	25G GRIS TITANESQUE META		
67	EXT-	22V SUNLIGHT SILVER M	22V ARGENT METALL. SOLEIL		
87	EXT-	27A VELOCITY RED MC	27A ROUGE VELOCITY MC		
93	EXT-	A4J LIGHTNING YELLOW	A4J JAUNE ECLAIR		
94	EXT-	27B WINNING BLUE M.	27B BLEU WINNING M.		
97	EXT-	27C NORDIC GREEN MC	27C VERT NORDIQUE MC		
		↑ 58-420Z ↓			
		HANDLE(L), OUTER	POIGNEE EXTERIEURE (G)		
GJ6A-59-410E	1				
PZ	EXT-	A3F BRILLIANT BLACK	A3F NOIR BRILLANT		
66	EXT-	25G TITANUM GRAY M	25G GRIS TITANESQUE META		
67	EXT-	22V SUNLIGHT SILVER M	22V ARGENT METALL. SOLEIL		
87	EXT-	27A VELOCITY RED MC	27A ROUGE VELOCITY MC		
93	EXT-	A4J LIGHTNING YELLOW	A4J JAUNE ECLAIR		
94	EXT-	27B WINNING BLUE M.	27B BLEU WINNING M.		
97	EXT-	27C NORDIC GREEN MC	27C VERT NORDIQUE MC		
		↑ 58-570A ↓			
		STRIKER	GACHE		
F151-58-361	2				
		↑ 58-580 ↓			
		MOTOR(R), WINDOW	MOTEUR(D), LEVE-GLACE		
GJ6A-58-58XA	1				
		↑ 58-580Z ↓			
		MOTOR(L), WINDOW	MOTEUR(G), LEVE-GLACE		
G22C-59-58XA	1				
		↑ 58-590 ↓			
		ARM/BASE(R), WINDOW	BASE(D) MANIVELLE		
F151-58-590A	1				



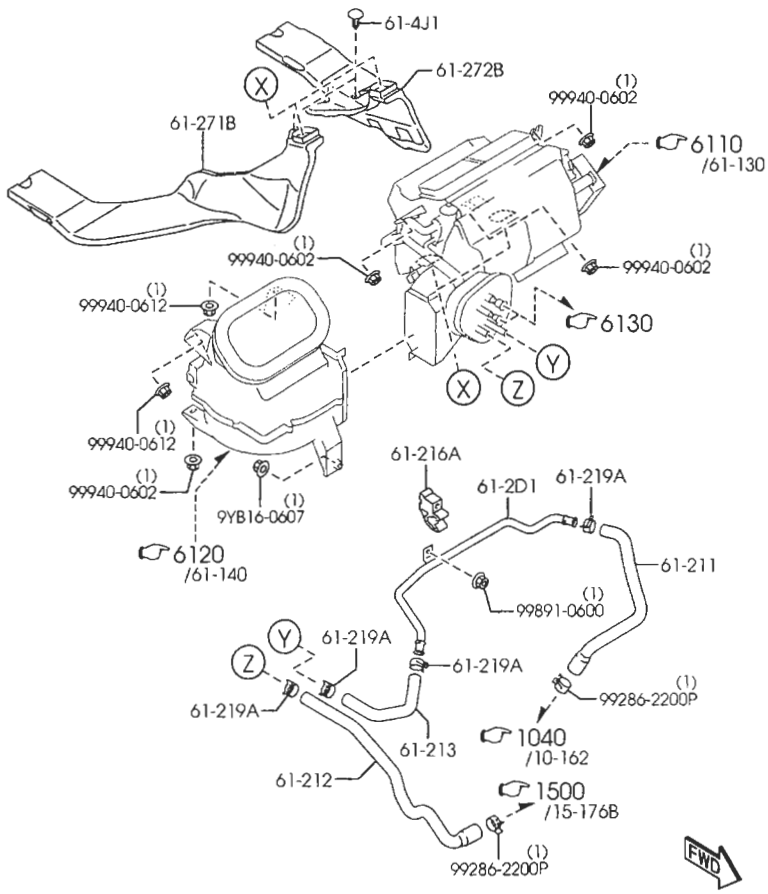
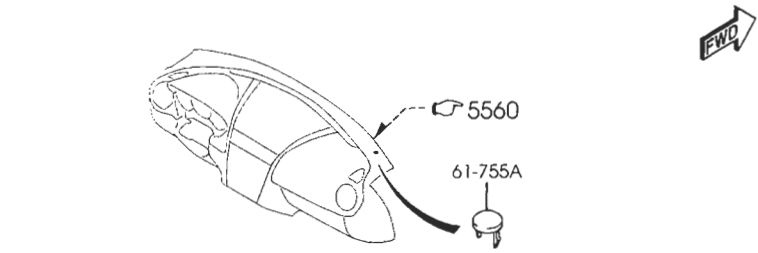
PART NO.	QTY	MODEL/RESTRICTION	MODEL/RESTRICTION	MODEL/RESTRICTION	FROM-TO
58-590Z	1	ARM/BASE(L), WINDOW	BASE(G)MANIVELLE		
F151-59-590A					
58-868H	4	PLUG, HOLE	BOUCHON D'ORIFICE		
F151-58-866					
58-917A	2	PIN, CATCH-FRONT DOOR	GOUPE, LOQUET-PORTE AV		
F151-58-917					
58-950	1	PAD(R), FRONT DOOR	TAMPON(D), PORTE AV		
F151-58-950A					
58-950Z	1	PAD(L), FRONT DOOR	TAMPON(G), PORTE AV		
F151-59-950A					
58-951	1	PAD(R)	BOURRELET(D)		
FE01-58-960					
58-951Z	1	PAD(L)	BOURRELET(G)		
FE01-59-960					
58-97X	1	CARRIER(FRT, R), DOOR MODULE (6-SPEAKER)	SUPPORT(AV, D), MOD. PORTE		
F151-58-97XA					
F152-58-97XA					
58-973A	2	COVER, HOLE-CATCH PIN	CACHE, ORIF-GOUP LOQUET		
F151-58-973					
59-97X	1	CARRIER(L), DOOR MODULE (6-SPEAKER)	PORTEUR(G), PORTE MODULE		
F151-59-97XA					
F152-59-97XA					
67-054D	2	CLIP	ATTACHE		
H260-67-054					
68-719	24	GROMMET, SCREW	PROTECTEUR, VIS		
F151-58-975					



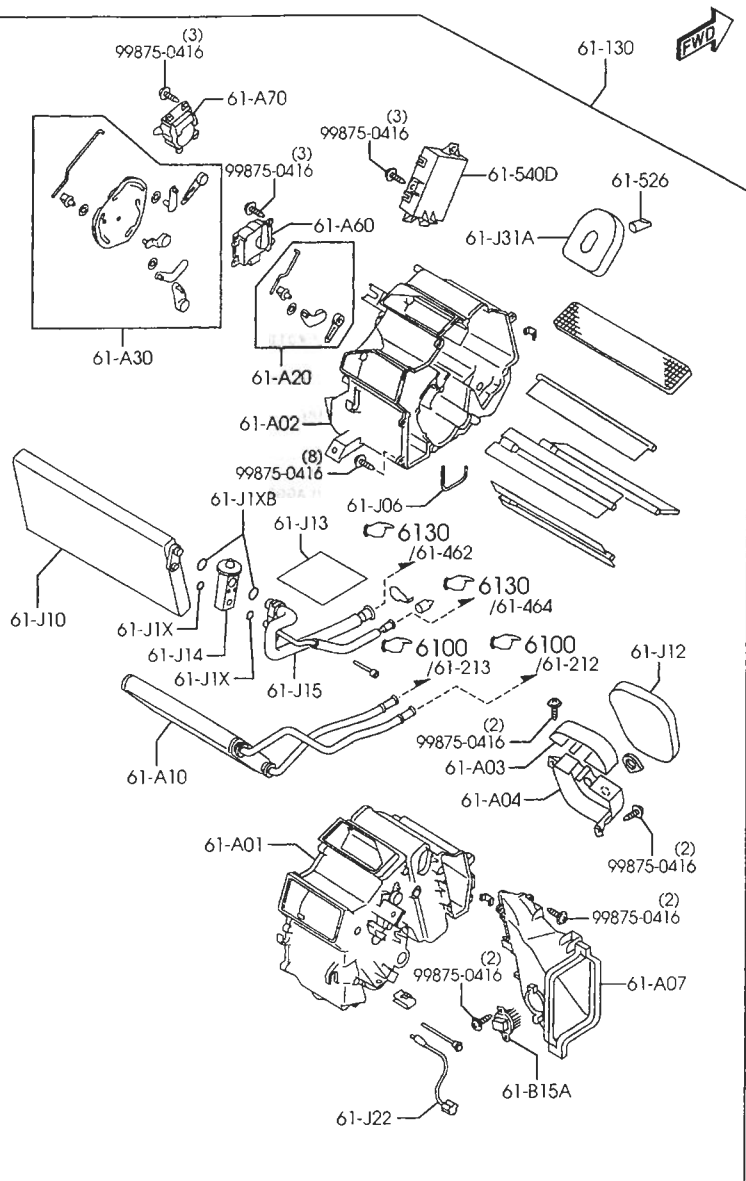
PART NO.	QTY	MODEL/RESTRICTION	MODEL/RESTRICTION	MODEL/RESTRICTION	FROM-TO
58-821		WEATHERSTRIP(R), INN.	JOINT CAOUTCHOUC (D), INT		
F151-58-821	1				
58-821Z		WEATHERSTRIP(L), INN.	JOINT CAOUTCHOUC (G), INT		
F151-59-821	1				
66-100		LED, DOOR TRIM	DEL, GARN PORTE		
F151-66-100	2				
66-110A		CASE, LED-DOOR TRIM	BOITIER, DEL-GARN PORTE		
FE01-66-110	1 (ILLUST. NO.2)				
F151-66-110	1 (ILLUST. NO.1)				
66-210B		SWITCH, DOOR LOCK	INTERR. DE VERROUILLAGE,		
FE01-66-660	1				
66-350		SWITCH, POWER WINDOW	INTERR., VITRE ELECTRIQUE		
FE01-66-350	1				
66-370		SWITCH, POWER WINDOW	INTERRUPTEUR LEVE-GLACE		
F151-66-370	1				
66-600A		SWITCH, RMT. MIRROR	INTERR.,		
GJ6A-66-600	1				
68-AB1		FASTENER	AGRAFE		
GJ6A-68-AB1	18				
68-AD5		GROMMET, SCREW	BAGUE, VIS		
F151-68-AD5	2				
68-4LX		PANEL(R), SWITCH	PANNEAU A INTERR. (D)		
FE01-68-4L1B	1				
68-4LY		PANEL(L), SWITCH	PANNEAU A INTERRUPTEURS		
FE01-68-4L6B	1				
68-420		TRIM(R), DOOR	GARNITURE (D), PORTE		
FE01-68-420C	1 (SIDE DOOR TRIM-CLOTH)				
02	INT-	FF6	FF6 NOIR/GRIS SPORTS		



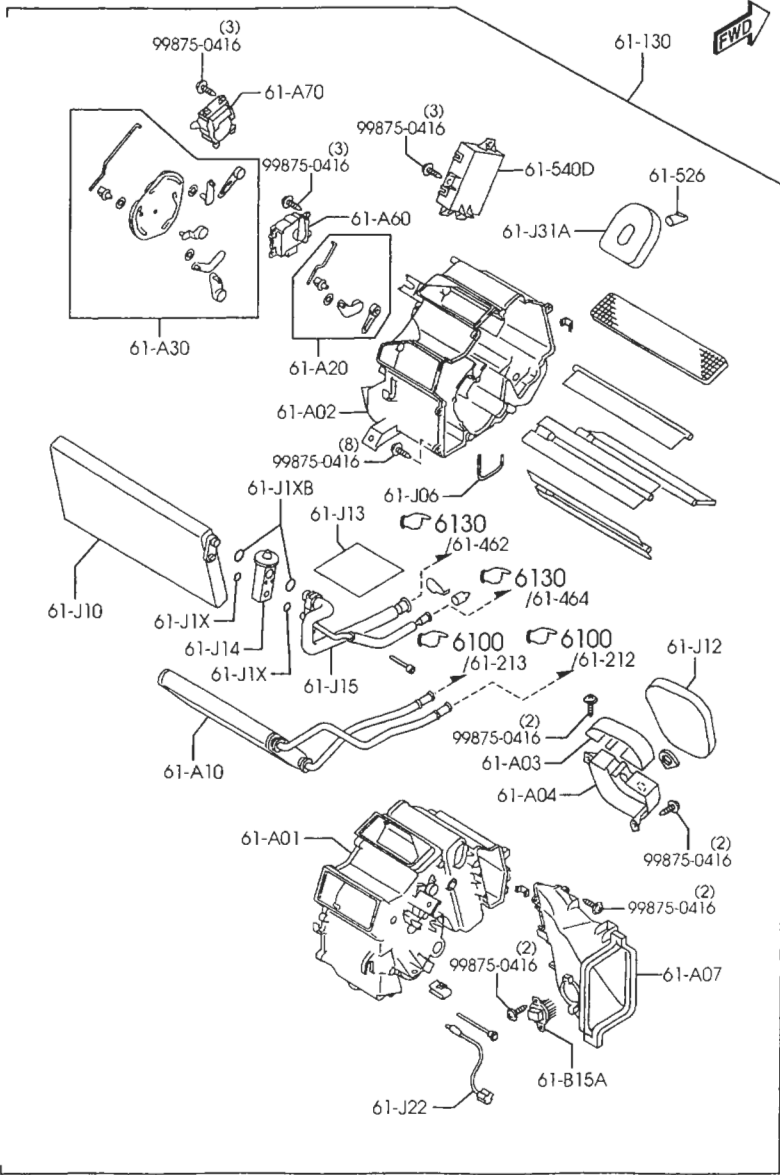
PART NO.	QTY	MODEL/RESTRICTION	MODEL/RESTRICTION	MODEL/RESTRICTION	FROM-TO
<b>CONT'D</b>					
		SPORTS GRAY/BLACK			
FE02-68-420C	1	(SIDE DOOR TRIM-VINY L LEATHER)			
02	INT-	FF3 BLACK	FF3 NOIR		
15	INT-	FF4 RED/BLACK	FF4 ROUGE/NOIR		
23	INT-	FF5 BROWN/BLACK	FF5 BRUN/NOIR		
		68-420Z			
		TRIM(L), DOOR	GARNITURE (G), PORTE		
FE01-68-450C	1	(SIDE DOOR TRIM-CLOT H)			
02	INT-	FF6 SPORTS GRAY/BLACK	FF6 NOIR/GRIS SPORTS		
FE02-68-450C	1	(SIDE DOOR TRIM-VINY L LEATHER)			
02	INT-	FF3 BLACK	FF3 NOIR		
15	INT-	FF4 RED/BLACK	FF4 ROUGE/NOIR		
23	INT-	FF5 BROWN/BLACK	FF5 BRUN/NOIR		
		68-437B			
		LENS, COURTESY LAMP	LENTILLE, LAMPE D'COU RTOIS		
F151-68-461	2				
		68-627			
		SPRING	RESSORT		
GE4T-68-8N1	2				
		69-170K			
		BULB, INTERIOR MIRROR	AMPOULE		
99701-6050	2	12V 5W	12V 5W		



PART NO.	QTY	MODEL/RESTRICTION	MODEL/RESTRICTION	MODEL/RESTRICTION	FROM-TO
61-2D1	1	PIPE, WATER	TUYAU D'EAU		
FE01-61-22Y	1				
61-211	1	HOSE NO. 1, WATER	DURITE D'EAU NO 1		
FE01-61-211	1				
61-212	1	HOSE NO. 2, WATER	DURITE D'EAU NO 2		
FE01-61-212	1				
61-213	1	HOSE NO. 3, WATER	DURITE D'EAU		
FE01-61-213	1				
61-216A	1	CLIP	ATTACHE		
F151-61-217	1				
61-219A	4	CLAMP, HOSE	COLLIER DE SERRAGE		
F151-61-242	4				
61-271B	1	DUCT NO. 1, REAR	CONDUIT NO.1 ARR		
F151-61-271	1				
61-272B	1	DUCT NO. 2, REAR	CONDUIT NO.2 ARR		
F151-61-272	1				
61-4J1	2	FASTENER	AGRAFE		
A002-68-AA5	2				
61-755A	1	COVER, SUN SENSOR	COUVERCLE, SENSOR-SOL EIL		
FE01-61-799	1				

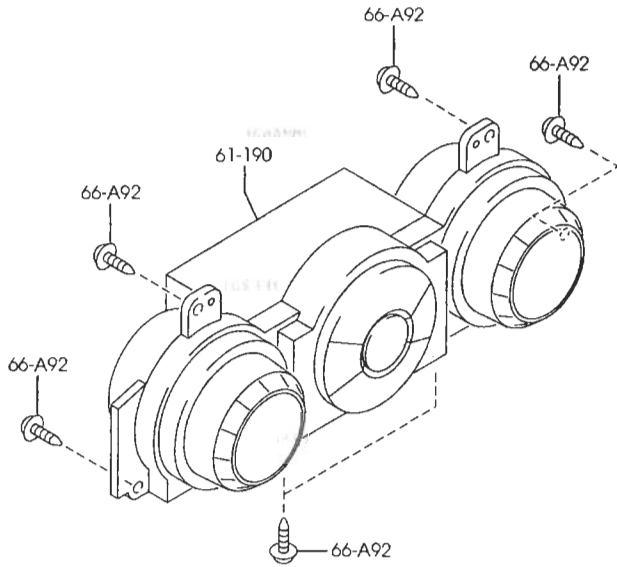


PART NO.	QTY	MODEL/RESTRICTION	MODEL/RESTRICTION	MODEL/RESTRICTION	FROM-TO
61-A01	1	CASE 'A', HEATER UNIT	BOITE 'A', ENSEMBLE-RE CHAUF		
FE01-61-A01					
61-A02	1	CASE 'B', HEATER UNIT	BOITE 'B', ENSEMBLE-RE CHAUF		
FE01-61-A02					
61-A03	1	CASE 'C', HEATER UNIT	BOITE 'C', ENSEMBLE-RE CHAUF		
FE01-61-A03					
61-A04	1	CASE 'D', HEATER UNIT	BOITE 'D', ENSEMBLE-RE CHAUF		
FE01-61-A04					
61-A07	1	DUCT, HEATER UNIT	CONDUIT, UNITE RECHAUFFEUR		
FE01-61-A07					
61-A10	1	CORE, HEATER UNIT	NOYAU, RECHAUFFEUR		
FE01-61-A10					
61-A20	1	LINK SET, TEMP	JEU LIAISON, TEMP.		
FE01-61-A20					
61-A30	1	LINK SET, MODE	JEU LIAISON, MODE		
FE01-61-A30					
61-A60	1	ACTUATOR, TEMP.	COMMANDE, TEMPERATURE		
FE01-61-A60					
61-A70	1	ACTUATOR, MODE-HEATER UNIT	ACTUATOR, MODE POUR UNITE		
FE01-61-A70					
61-B15A	1	RESISTOR, HEATER UNIT	RESISTANCE, UNITE CHAUFF		
FE01-61-B15					
61-J06	1	SEAL, COOLING UNIT	JOINT, UNITE REFRIGERATION		
F151-61-J06					
61-J1X	2	RING, 'O'-NO.1	JEU BAGUE 'O', NO.1		
W257-61-J17					
61-J1XB	2	RING, 'O'-NO.3	JEU BAQUE 'O', NO.3		
W329-61-J17					



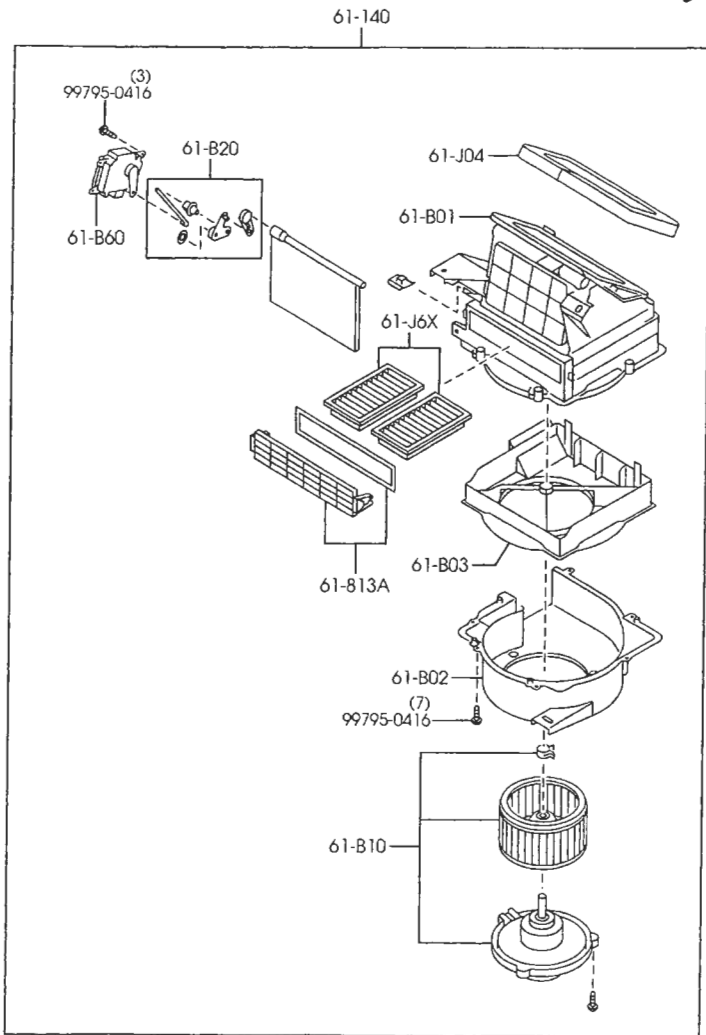
PART NO.	QTY	MODEL/RESTRICTION	MODEL/RESTRICTION	MODEL/RESTRICTION	FROM-TO
61-J10	1	EVAPORATOR	EVAPORATEUR		
FE01-61-J10					
61-J12	1	SEAL, COOLING UNIT	JOINT, UNITE REFRIGERATION		
FE01-61-J12					
61-J13	1	INSULATOR, COOLING UNIT	ISOLANT, UNITE REFRIGERATION		
F151-61-J13					
61-J14	1	VALVE, EXPANSION	ROBINET DETENDEUR		
F151-61-J14					
61-J15	1	PIPE, COOLING UNIT	TUBE, UNITE REFRIGERATION		
FE01-61-462					
61-J22	1	SENSOR, VALVE	CAPTEUR, SOUPEPE		
F151-61-J22					
61-J31A	1	SEAL, COOLING UNIT	DICHUNG, KUEHLAGGR.		
F151-61-J31					
61-130	1	HEATER UNIT	CHAUFFAGE		
FE01-61-130A					
61-526	1	HOSE, DRAIN	DURITE D'ECOULEMENT		
F151-61-526					
61-540D	1	AMP., CONTROL	AMPLIFICAT., CONTROLE		
FE01-61-540					



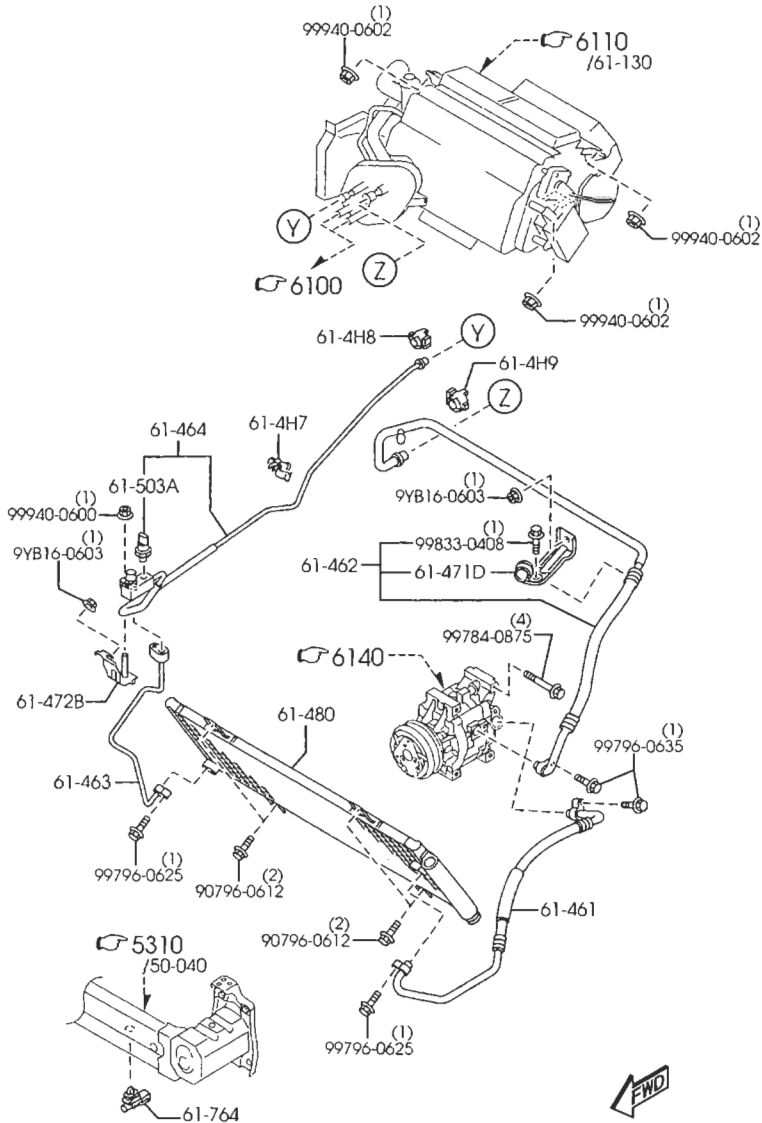


PART NO.	QTY	MODEL/RESTRICTION	MODEL/RESTRICTION	MODEL/RESTRICTION	FROM-TO
61-190 FE01-61-190	1	CONTROL, HEATER	COMMANDE DE CHAUFFAGE		
66-A92 T060-66-A92	6	SCREW, ANTENNA	VIS, ANTENNE		

FWD

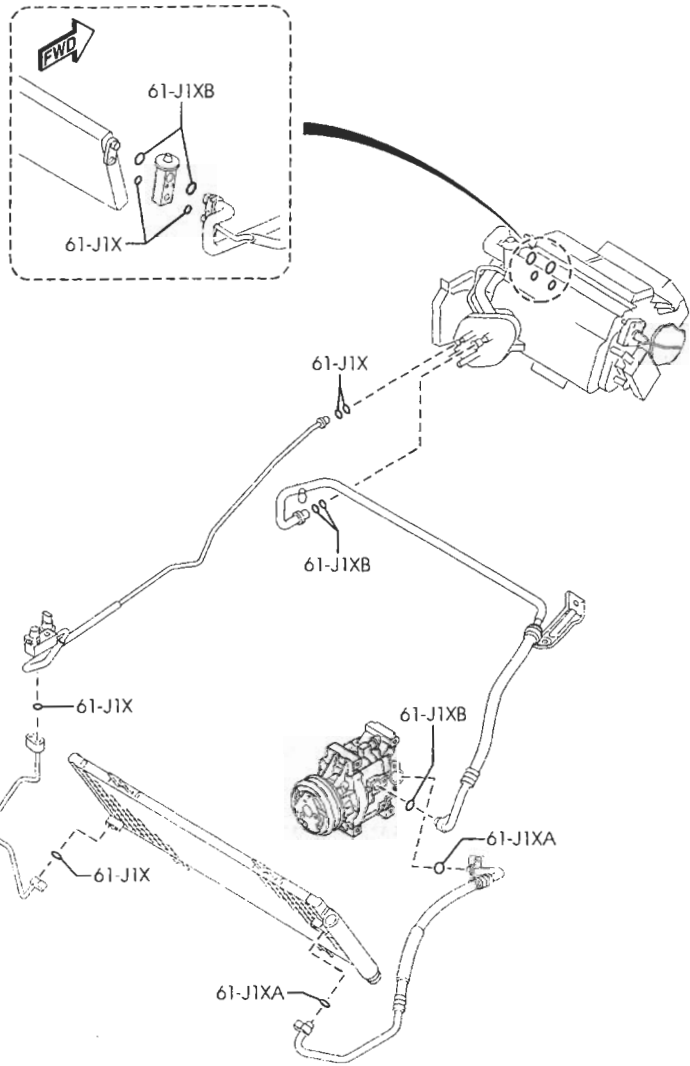


PART NO.	QTY	MODEL/RESTRICTION	MODEL/RESTRICTION	MODEL/RESTRICTION	FROM-TO
61-B01		CASE'A',BLOWER UNIT	BOITE'A',GROUPE SOUF FLANT		
FE01-61-B01	1				
61-B02		CASE'B',BLOWER UNIT	BOITE'B',GROUPE SOUF FLANT		
FE01-61-B02	1				
61-B03		CASE,INTAKE-HEATER B LOWER	CAISSE,SOUFFL.CHAUFF .DADM		
FE01-61-B03	1				
61-B10		MOTOR,FAN-BLOWER UNI T	MOTEUR,VENT.-UNITE U ENT.		
FE01-61-B10	1				
61-B20		LINK,RECYCLE & FRESH	TETE COULISSANTE,		
FE01-61-B20	1				
61-B60		ACTUATOR,RECYCLE & F RESH	ACTUATOR,COMMANDE LO GIQUE		
FE01-61-B60	1				
61-J04		SEAL,COOLING UNIT	JOINT,UNITE REFRIGER ATION		
F152-61-J04	1				
61-J6X		FILTER,COOLING UNIT	FILTRE,UNITE REFROID ISS.		
LDY4-61-J6X	1				
61-140		BLOWER UNIT	SOUFFLERIE		
FE01-61-140B	1				
61-813A		COVER,FILTER	BOUCHON FILTRE		
F151-61-D25	1				

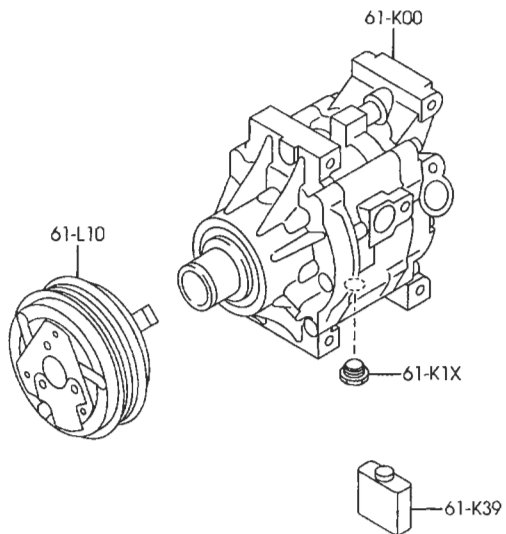


PART NO.	QTY	MODEL/RESTRICTION	MODEL/RESTRICTION	MODEL/RESTRICTION	FROM-TO
61-4H7			ATTACHE		
F151-61-4H5	1				
61-4H8			ETRIER		
NC73-61-4H5	1				
61-4H9			ATTACHE		
NC72-61-4H5	1				
61-461		HOSE,FLEXIBLE-HIGH	TUYAU FLEXIBLE SUP.		
F151-61-461	1				
61-462		HOSE,FLEXIBLE-LOW	TUYAU FLEXIBLE INF.		
FE01-61-4T0	1				
61-463		PIPE NO.1,COOLER	CONDUIT NO 1		
F151-61-464	1				
61-464		PIPE NO.2,COOLER	CONDUIT NO 2		
FE01-61-46X	1				
61-471D		CLIP,HOSE	ATTACHE,DURITE		
FE01-61-473	1				
61-472B		BRACKET	SUPPORT,CHARGE AUTO.		
F151-61-472	1				
61-480		CONDENSER	CONDENSATEUR		
F151-61-480	1				
61-503A		SWITCH,PRESS-COOLER PIPE	INTERRUPT,PRESS-TUY. REFR.		
F151-61-503	1				
61-764		SENSOR,AMBIENT	CAPTEUR,AMBIANT		
F151-61-764	1				



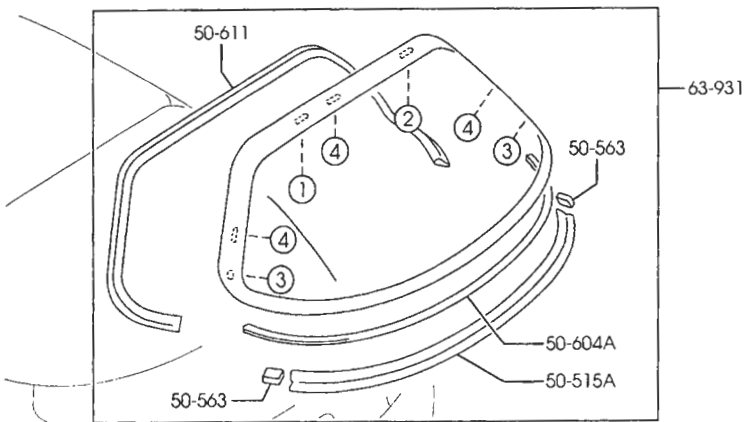
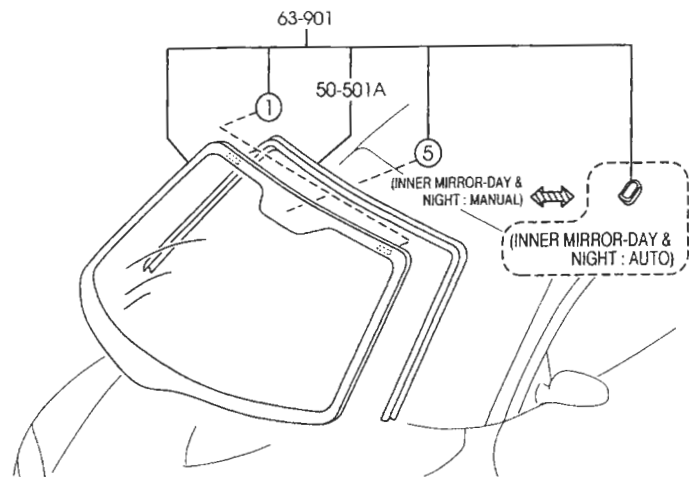


PART NO.	QTY	MODEL/RESTRICTION	MODEL/RESTRICTION	MODEL/RESTRICTION	FROM-TO
↑-----↑   61-J1X   ↑-----↑ W257-61-J17	6	RING,'O'-NO.1	JEU BAGUE'O',NO.1		
↑-----↑   61-J1XA   ↑-----↑ W326-61-J17	2	RING,'O'-NO.2	JEU BAGUE'O',NO.2		
↑-----↑   61-J1XB   ↑-----↑ W329-61-J17	5	RING,'O'-NO.3	JEU BAQUE'O',NO.3		



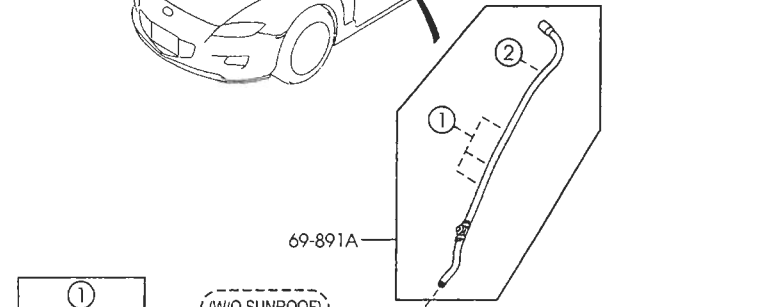
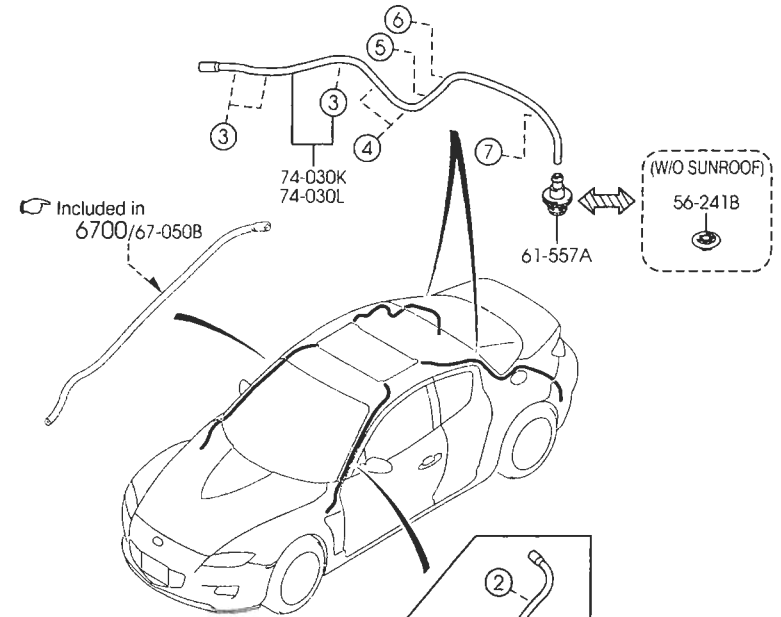
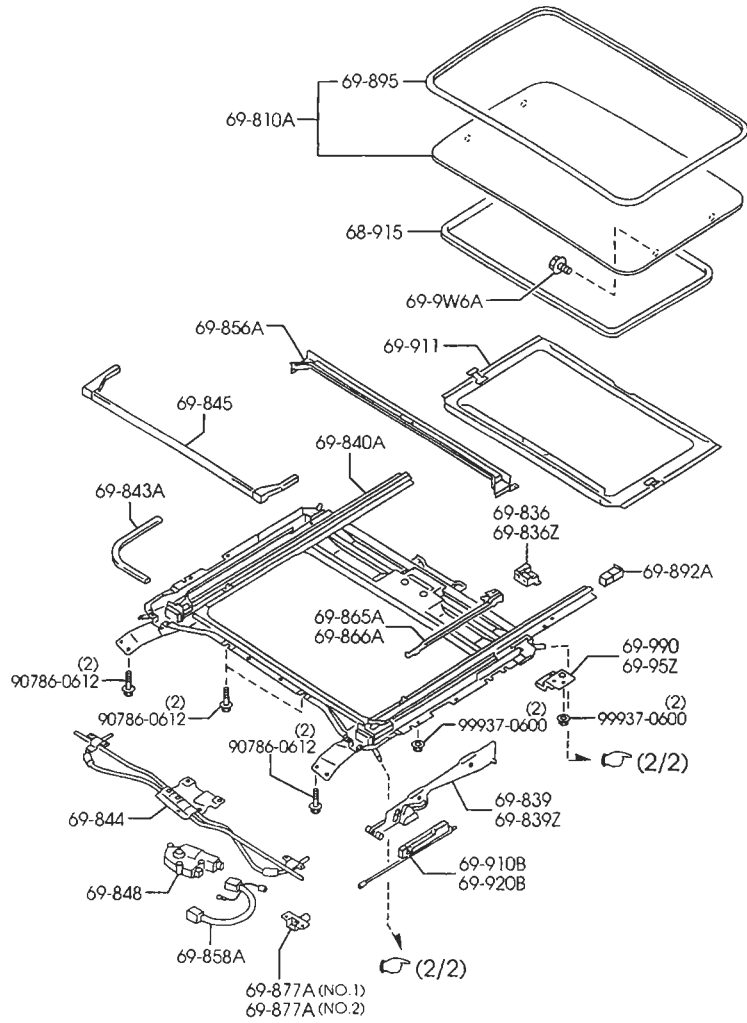
PART NO.	QTY	MODEL/RESTRICTION	MODEL/RESTRICTION	MODEL/RESTRICTION	FROM-TO
+-----+   61-K00   +-----+ F151-61-K00	1	COMPRESSOR,AIR CON.	COMPRESSEUR,COND. AIR		
+-----+   61-K1X   +-----+ N053-61-K1X	1	VALVE,RELIEF	SOUPAPE SURETE		
+-----+   61-K39   +-----+ W257-61-K39	1	OIL,COMPRESSOR	HUILE,COMPRESSEUR		
+-----+   61-L10   +-----+ F151-61-L10	1	CLUTCH,MAGNET	EMBAYAGE,MAGNETIQUE		

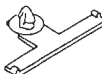
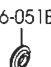
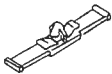


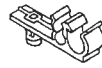

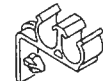


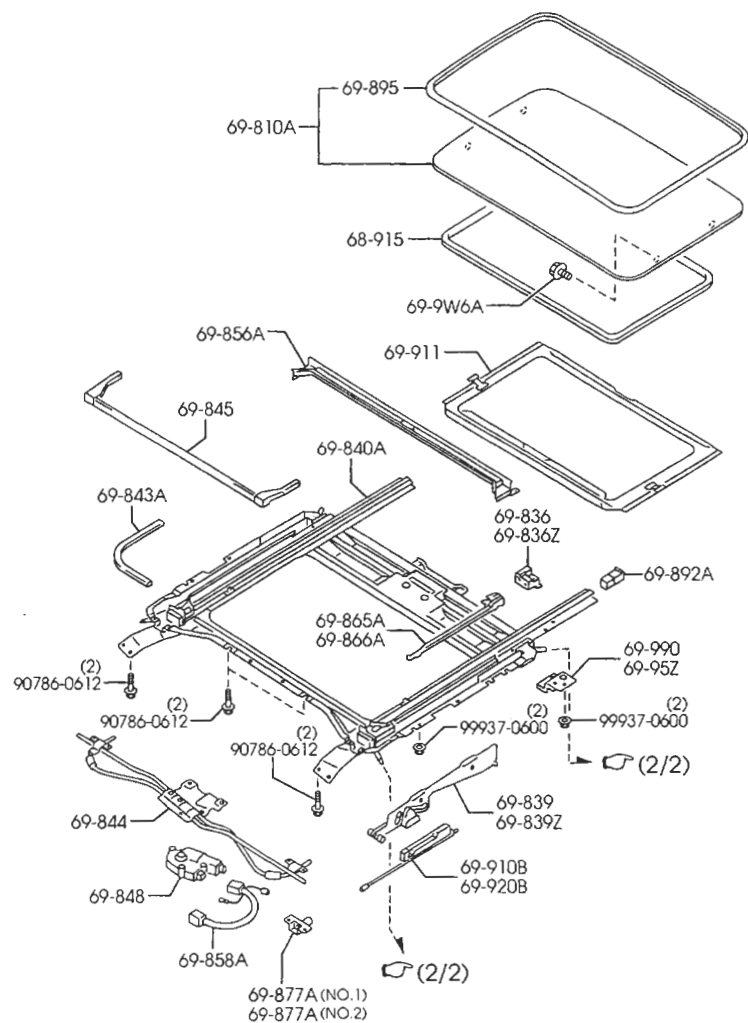


①	②	③	④	⑤
(NO.1) 69-938A	(NO.2) 69-938A	62-625	63-959	69-240A

PART NO.	QTY	MODEL/RESTRICTION	MODEL/RESTRICTION	MODEL/RESTRICTION	FROM-TO
50-501A FE15-50-601	1	MOULD, FRT WINDOW-UP	MOULURE SUP., FENETRE AV		
50-515A F151-50-614	1	MOULD, LOWER-BACK WINDOW	MOULURE INF., FENETRE AR		
50-563 F151-50-606	2	GASKET	JOINT		
50-604A F151-50-899	1	DAM, WEATHERSTRIP	JOINT D'ENCADREMENT		
50-611 F151-50-611A	1	MOULD, RR. WINDOW	MOULURE FENETRE ARR.		
62-625 F151-63-939A	2	BOLT, STUD	BOULON		
63-901 FE01-63-900A	1	GLASS, WINDSHIELD	PAREBRISSE		
FE02-63-900A	1	(INNER MIRROR-DAY & NIGHT: MANUAL+W/VIN PLATE)			
FE03-63-900A	1	(INNER MIRROR-DAY & NIGHT: AUTO)			
	1	(INNER MIRROR-DAY & NIGHT: MANUAL+W/O VIN PLATE)			
63-931 FE01-63-930B	1	GLASS, BACK WINDOW	GLACE DE LUNETTE AR.		
63-938A D412-63-938	3	PIN, STUD	GOUJON FILETE		
	3	(ILLUST. NO.1)			
	1	(ILLUST. NO.2)			
63-959 FB01-63-959	3	TERMINAL, BACK WIND. GLASS	TERMINAL, PANNEAU AR. GLASS		
69-240A BC1C-69-240	1	BASE, INTERIOR MIRROR	SOCLE MIRROR		
	1	(INNER MIRROR-DAY & NIGHT: MANUAL)			

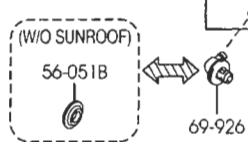
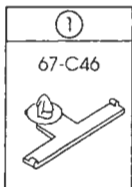
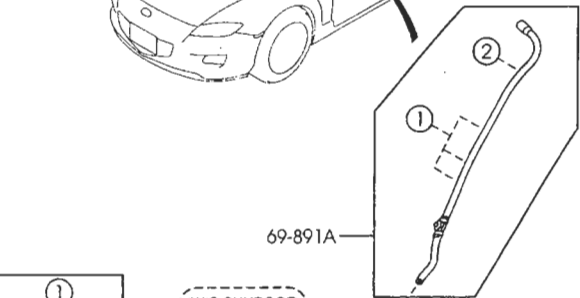
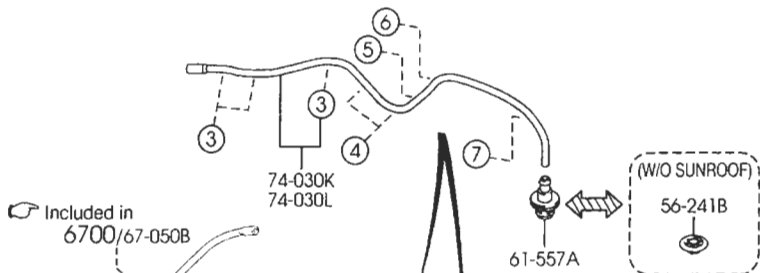


① 67-C46 	(W/O SUNROOF) 56-051B 	② 67-071 	③ 67-051G 	④ 66-941A 	⑤ 67-054F 	⑥ 69-897A 	⑦ 67-051E 
--	--	--	---	---	---	---	---



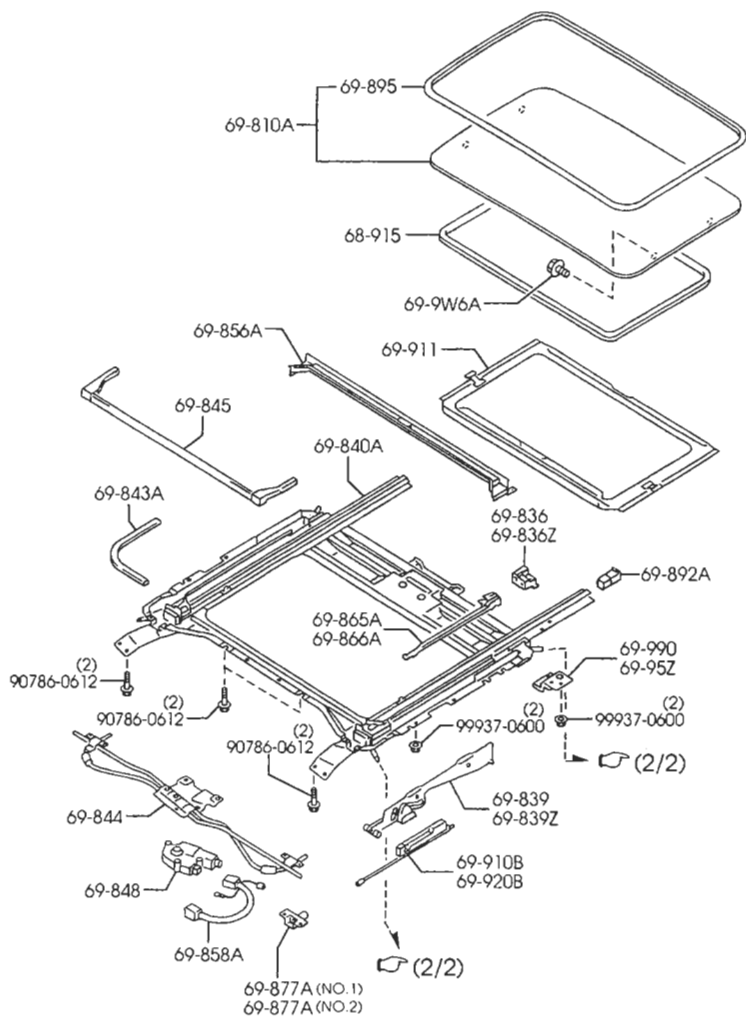
PART NO.	QTY	MODEL/RESTRICTION	MODEL/RESTRICTION	MODEL/RESTRICTION	FROM-TO
56-051B T060-56-052	2	COVER, HOLE (W/O SUNROOF)	COUVERCLE, TROU (S/TOIT OUVR)		
56-241B B001-56-051	2	PLUG (W/O SUNROOF)	BOUCHON (S/TOIT OUVR)		
61-557A LC73-61-557A	2	GROMMET	ANNEAU		
66-941A UB54-67-121	4	CLIP	ATTACHE		
67-C46 B311-67-C99	3	CLIP	ATTACHE		
67-051E GJ26-67-051A	2	CLIP	ATTACHE		
67-051G B455-67-CA6A	6	CLIP	ATTACHE		
67-054F G030-67-052	2	CLIP	ATTACHE		
67-071 B111-67-C99	1	CLIP	CLIP		
68-915 F153-69-981	1	WELT, SEAMING	JOINT IN. DE PORTE		
77	INT-	FF3 FF4 FF5 FF6 SPORTS GRAY TOP	FF3 FF4 FF5 FF6		
69-810A F153-69-810	1	PANEL, SLIDING ROOF	PANNEAU, TOIT OUVRANT		
69-836 F153-69-858	1	PLATE(R), SET	JEU DE PLAQUES(D)		
69-836Z F153-69-859	1	PLATE(L), SET	JEU DE PLAQUES(G)		



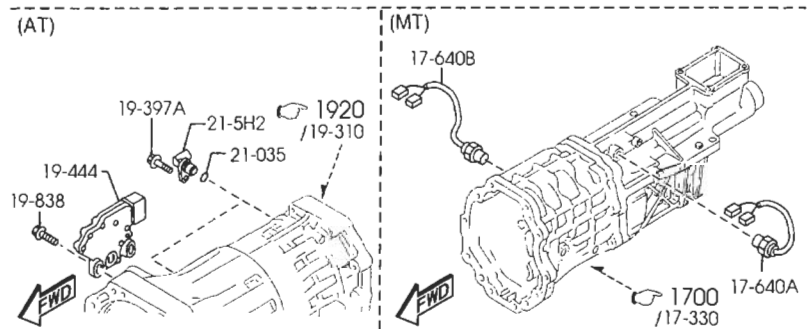
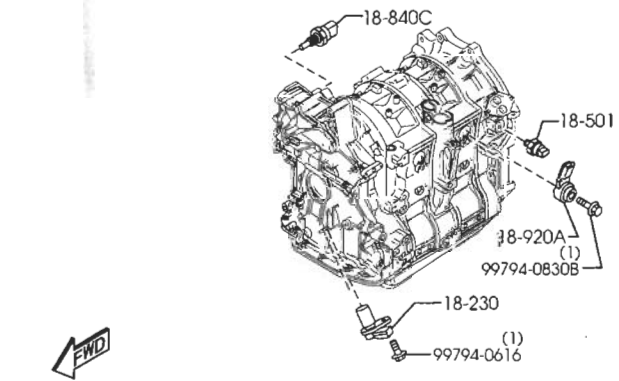
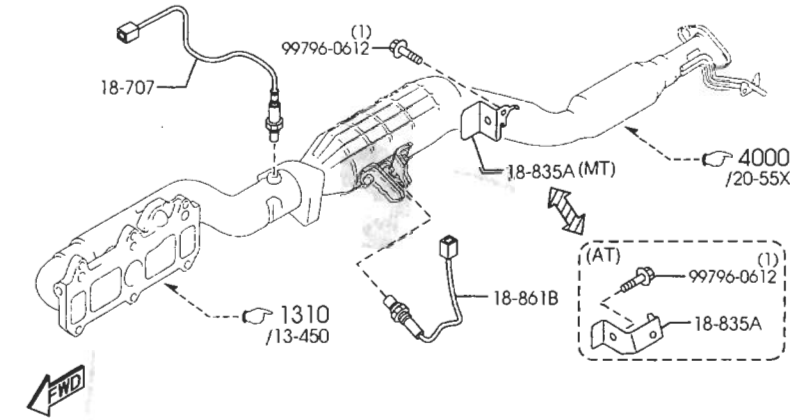
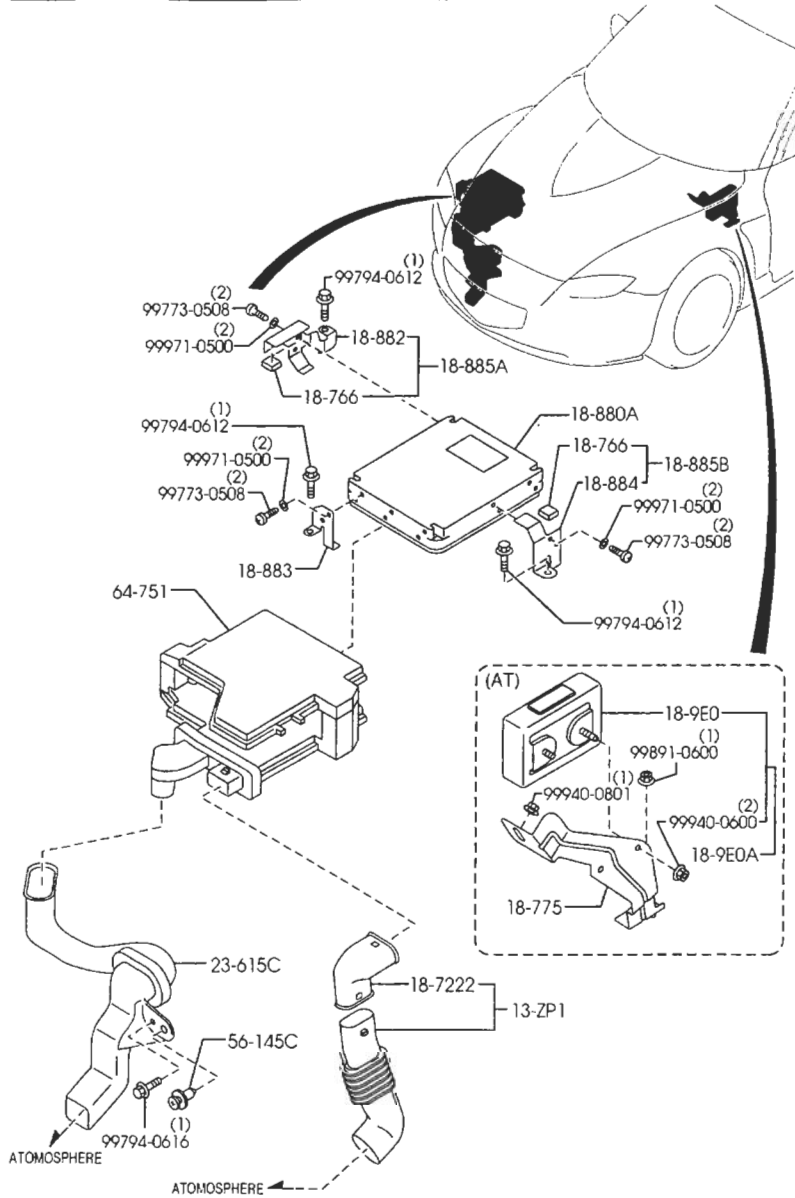


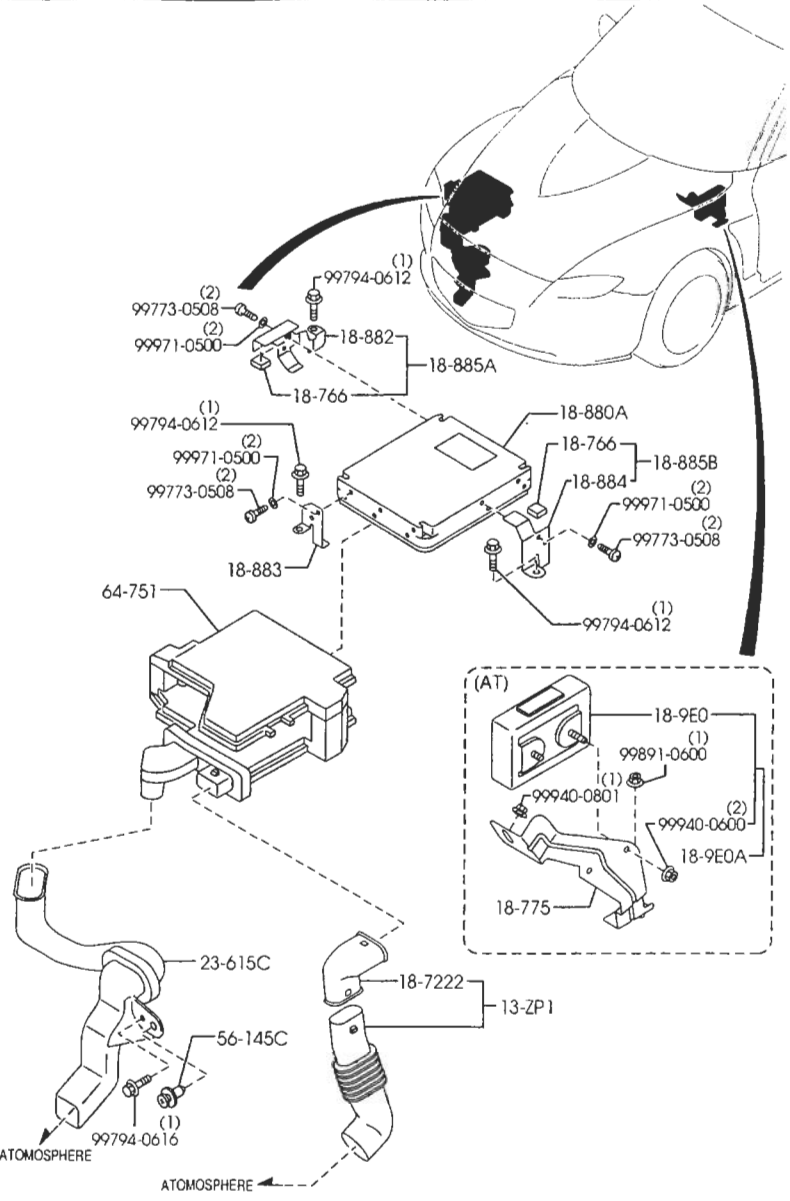
② 67-071	③ 67-051G	④ 66-941A	⑤ 67-054F	⑥ 69-897A	⑦ 67-051E

PART NO.	QTY	MODEL/RESTRICTION	MODEL/RESTRICTION	MODEL/RESTRICTION	FROM-TO
69-839 F153-69-862	1	GUIDE(R),FRONT	GUIDE AV(D)		
69-839Z F153-69-863	1	GUIDE(L),FRONT	GUIDE AV(G)		
69-840A F153-69-840	1	FRAME,SLIDING ROOF	CADRE,TROT COULISSANT		
69-843A F153-69-849	1	CUSHION	HOUSSE		
69-844 F153-69-860	1	UNIT,DRIVE	UNITE,COMMANDE		
69-845 F153-69-880	1	DEFLECTOR	DEFLECTEUR		
69-848 F153-69-870	1	MOTOR,SLIDING ROOF	MOTEUR,TOIT OUVRANT		
69-856A F153-69-867	1	RAIL,DRIP-SLIDING ROOF	GOUTTIERE,TOIT OUVRANT		
69-858A F153-69-872	1	HARNES,SLIDING ROOF	HARNAIS,TOIT OUVRANT		
69-865A F153-69-9H1	1	SHUTTING(R),SLIDING ROOF	FERMETURE(D),TOIT COULISS		
69-866A F153-69-9H2	1	SHUTTING(L),SLIDING ROOF	FERMETURE(G),TOIT COULISS		
69-877A F153-69-877	1	GUIDE,CABLE-SLIDING ROOF (ILLUST. NO.1)	GUIDE,CABLE-TROT COULISSA		
69-877 F156-69-877	1	(ILLUST. NO.2)			
69-891A F153-69-920A	1	HOSE,DRAIN-FRONT	FLEXIBLE,VIDANGE-TOIT AVA		

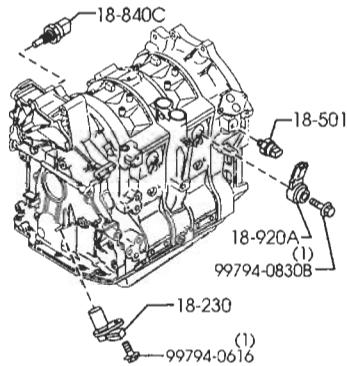
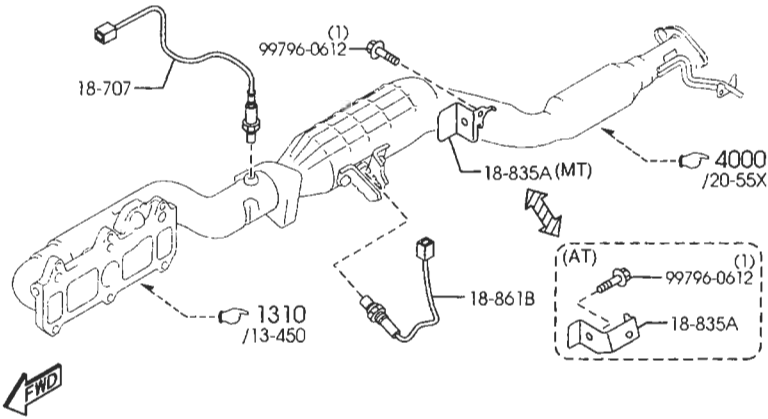


PART NO.	QTY	MODEL/RESTRICTION	MODEL/RESTRICTION	MODEL/RESTRICTION	FROM-TO
69-892A		STOPPER,SUN SHADE	ARRET,PARE SOLEIL		
F153-69-892	2				
69-895		WEATHERSTRIP,S/ROOF	PROFILE D'ETANCH.		
F153-69-825	1				
69-897A		CLIP	ATTACHE		
BJ29-69-923B	2				
69-9W6A		SCREW,PANEL-SLIDING ROOF	VIS,PANNEAU-TOIT		
F153-69-9W6	4				
69-910B		CABLE(R),DRIVE	CABLE		
F153-69-912	1				
69-911		SHADE,SUN	PAPASOLEIL		
F153-69-890	1				
77	INT-	FF3 FF4 FF5 FF6 SPORTS GRAY TOP	FF3 FF4 FF5 FF6		
69-920B		CABLE(L),DRIVE	CABLE		
F153-69-913	1				
69-926		JOINT, DRAIN HOSE-REAR	JOINT,TUYAU VIDANGE-ARR		
G14T-69-926A	2				
69-95Z		BRACKET,SUN ROOF-REAR	CONSOLE,TOIT SOLEIL-ARR		
F153-69-844	1				
69-990		BRACKET,SUN ROOF	CONSOLE,TOIT SOLEIL		
F153-69-843	1				
74-030K		HOSE,DRAIN	TUYAU VIDANGEUR		
F156-69-920	1				
74-030L		HOSE,DRAIN-REAR	DURITE D'ECOULEMENT		
F160-69-920	1				



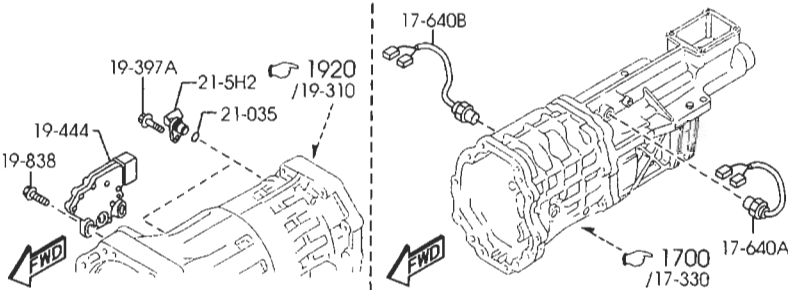


PART NO.	QTY	MODEL/RESTRICTION	MODEL/RESTRICTION	MODEL/RESTRICTION	FROM-TO
13-ZP1 N3H1-18-78YA	1	DUCT	CONDUIT		
17-640A Y612-17-640	1	SWITCH,PARK & NEUTRAL (MT)	CONTACT DE POINT MDR T (B.V.MANU)		
17-640B Y611-17-640	1	SWITCH,BACK UP LAMP (MT)	INTERRUPTEUR,LAMPE D'E REC (B.V.MANU)		
18-230 N3A1-18-221A	1	SENSOR,CRANKSHAFT POSITION	DETECTEUR,ANGLE MANIVEL.		
18-501 N3H1-18-501	1	SWITCH,OIL PRESSURE	INTERRUPTEUR, PRESSION HUILE		
18-707 N3H2-18-861B	1	SENSOR (AT)	CAPTEUR,DECANTEUR (B.V.AUTOM)		
18-7222 N3H3-18-861A	1	HOSE (MT)	DURITE (B.V.MANU)		
18-766 N3H1-18-783	1	PROTECTOR,CAT.SENSOR	PROTECTEUR,		
18-775 N3H2-18-930	1	BRACKET,CONTROL UNIT -IGNITER (AT)	SUPPORT,C.U.-ALLUMEUR (B.V.AUTOM)		
18-835A N3H1-18-836	1	BRACKET (MT)	SUPPORT,DETECT.SURPRES. (B.V.MANU)		
18-840C B593-18-840A	1	SENSOR,TEMP.-ENG.COOLANT DENSO 2 TERMINALS CO	CAPTEUR DE TEMPERATURE D'EAU DENSO 2 TERMINALS CO		
18-861B N3H2-18-861A	1	SENSOR,OXYGEN (AT)	CAPTEUR D'OXYGENE (B.V.AUTOM)		
18-861A N3H3-18-861A	1	SENSOR,OXYGEN (MT)	CAPTEUR D'OXYGENE (B.V.MANU)		

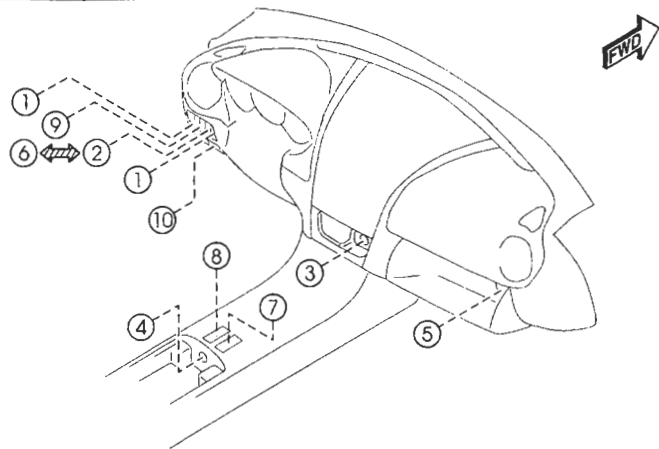


(AT)

(MT)

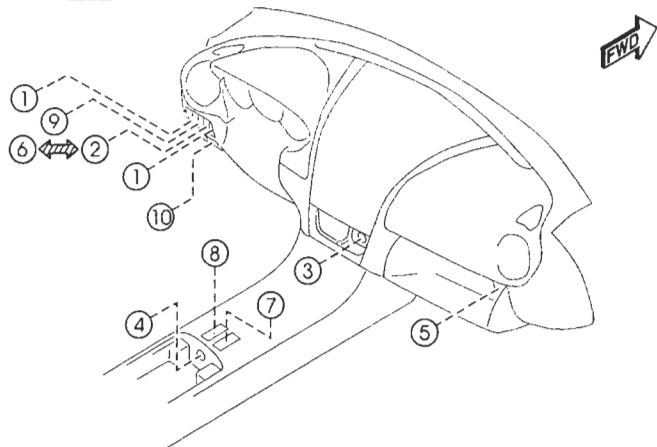


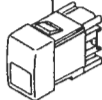
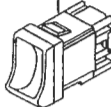
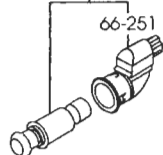
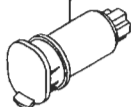
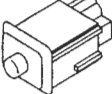
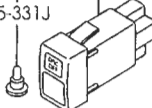


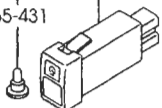
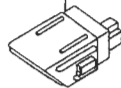
PART NO.	QTY	MODEL/RESTRICTION	MODEL/RESTRICTION	MODEL/RESTRICTION	FROM-TO
18-880A N3H4-18-881A	1	MODULE, POWERTRAIN CONTROL (AT)	UNITE COMMANDE, INJECTION (B.V. AUTOM)		
N3H6-18-881A	1	(MT)	(B.V. MANU)		
18-882 N3H1-18-882	1	BRACKET, CONTROL UNIT	SUPPORT, UNITE CONTROL		
18-883 N3H1-18-883	1	BRACKET, CONTROL UNIT	SUPPORT, UNITE CONTROL		
18-884 N3H2-18-884	1	BRACKET, CONTROL UNIT	SUPPORT, UNITE CONTROL		
18-885A N3H1-18-885	1	BRACKET, CONTROL UNIT	SUPPORT		
18-885B N3H2-18-885	1	BRACKET, CONTROL UNIT	SUPPORT, UNITE CONTROL		
18-9E0 N3H4-18-9E1A	1	MODULE, PWT. CONT. -A/T (AT)	UNITE, CONTROLE-A/T. (B.V. AUTOM)		
18-9E0A N3H4-18-9E0A	1	CONTROLLER, CVT (AT)	CONTROLE, CVT (B.V. AUTOM)		
18-920A N3H1-18-921	1	SENSOR, KNOCK	CAPTEUR DE CLIQUETIS		
19-397A 0338-19-397	2	BOLT (AT)	BOULON (B.V. AUTOM)		
19-444 BW01-19-444	1	SWITCH, INHIBITOR (AT)	RELAIS (B.V. AUTOM)		
19-838 BW01-19-429	2	BOLT-HEX, HD WASHER (AT)	BOULON (B.V. AUTOM)		
21-035 BW01-21-035	2	RING, O'-ACCUM. FOR. CLUTCH (AT)	O-RING, ACCUM/EMBR AV (B.V. AUTOM)		



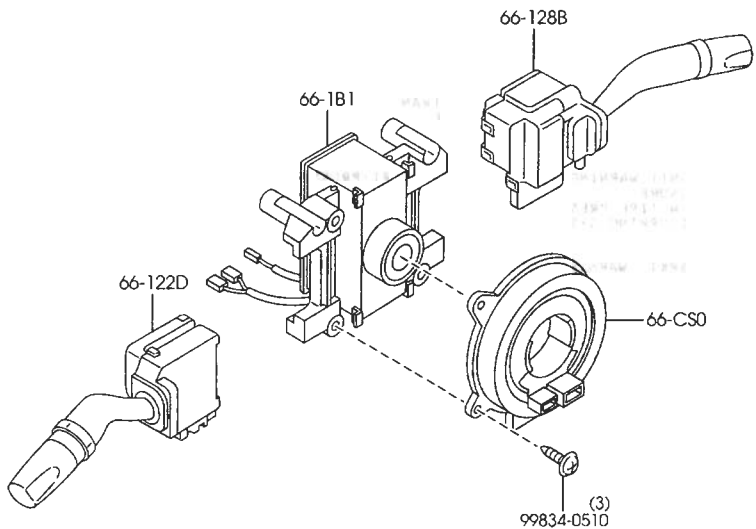
① 55-225B 	② 55-225D 	③ 66-250 66-251 	④ 66-290A 
⑤ 66-4K0 	⑥ 66-4T0A 55-331J 	⑦ 66-420C 55-341J 66-591A 	⑧ 66-420D 55-341J 66-591A 
⑨ 66-6R0A 55-431 	⑩ 66-630 		

PART NO.	QTY	MODEL/RESTRICTION	MODEL/RESTRICTION	MODEL/RESTRICTION	FROM-TO
55-225B GJ6E-55-225	2	COVER, HOLE	COUVERCLE		
55-225D GJ6E-55-225	1	COVER, HOLE (W/O DSC)	COUVERCLE, TROU (SANS DSC)		
55-331J GJ6A-66-461	1	BULB CLEAR (W/DSC)	AMPOULE CLEAR (AVEC DSC)		
55-341J GJ6A-66-461	2	BULB CLEAR (W/SEAT WARMER)	AMPOULE CLEAR (A/CHAUFFE-SIEGE)		
55-431 GJ6A-66-461	1	BULB, RESISTOR CLEAR	AMPOULE, REGISTRE CLEAR		
66-250 F151-66-250	1	LIGHTER, CIGAR	ALLUME-CIGARE		
66-251 F151-66-251	1	RING, ILLUMINATION	ANNEAU, ECLAIRAGE TAB LEAU		
66-290A GK2A-66-290	1	OUTLET	BOUILLE		
66-4K0 GK2A-66-4K0	1	SWITCH, CANCEL-TRUNK	INTERRUPT, ANNUL.-COF FRE		
66-4T0A GJ6E-66-4T0	1	SWITCH, DSC OFF, (W/DSC)	COMMUTAT, DSC OFF. (AVEC DSC)		
66-420C GJ6E-66-420	1	SWITCH(R), SEAT WARME R (W/SEAT WARMER)	INTERRUPT.(D), CHAUF. SIEGE (A/CHAUFFE-SIEGE)		
02	INT-	FF3 FF4 FF5 FF6 BLACK	FF3 FF4 FF5 FF6 NOIR		
66-420D GJ6A-66-420	1	SWITCH(L), SEAT WARME R (W/SEAT WARMER)	INTERRUPT.(G), CHAUF. SIEGE (A/CHAUFFE-SIEGE)		
02	INT-	FF3 FF4 FF5 FF6 BLACK	FF3 FF4 FF5 FF6 NOIR		



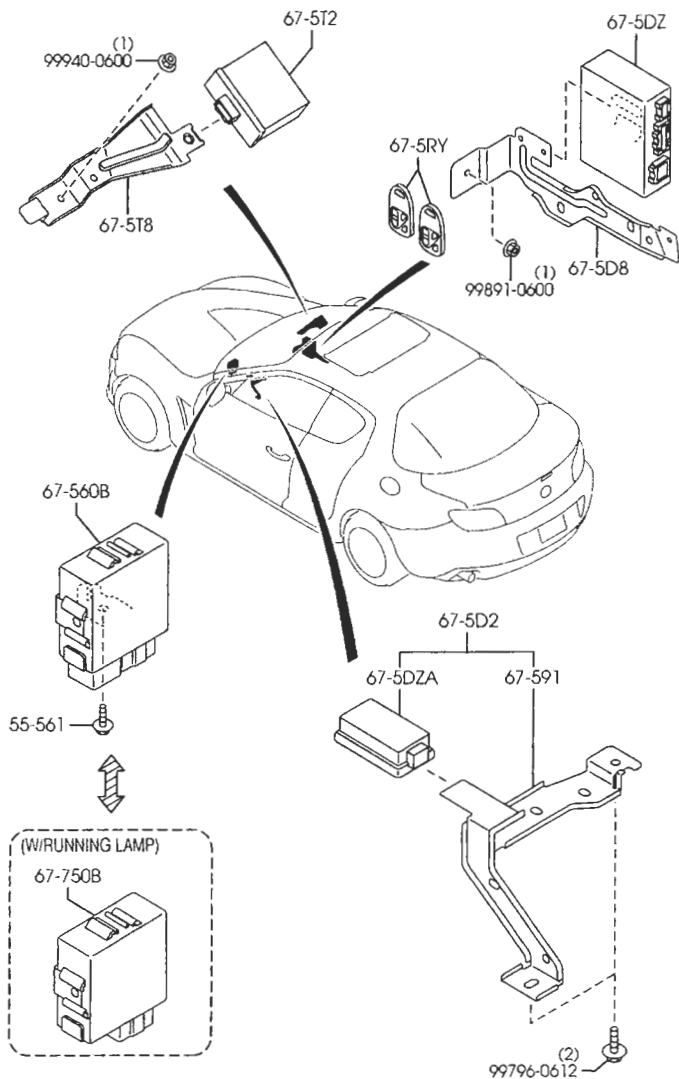
① 55-225B 	② 55-225D 	③ 66-250 66-251 	④ 66-290A 
⑤ 66-4K0 	⑥ 66-4T0A 55-331J 	⑦ 66-420C 55-341J 66-591A 	⑧ 66-420D 55-341J 66-591A 
⑨ 66-6R0A 55-431 	⑩ 66-630 		

PART NO.	QTY	MODEL/RESTRICTION	MODEL/RESTRICTION	MODEL/RESTRICTION	FROM-TO
+-----+   66-591A   +-----+ GJ6A-66-591	2	BULB BROWN (W/SEAT WARMER)	AMPOULE,INT'RPT PARC LANG BROWN (A/CHAUFFE-SIEGE)		
+-----+   66-6R0A   +-----+ F151-66-6R0A	1	UNIT,RESISTOR	UNITE,RESISTANCE		
+-----+   66-630   +-----+ GK2A-66-630	1	SWITCH,LID OPENER	INTERR.,		

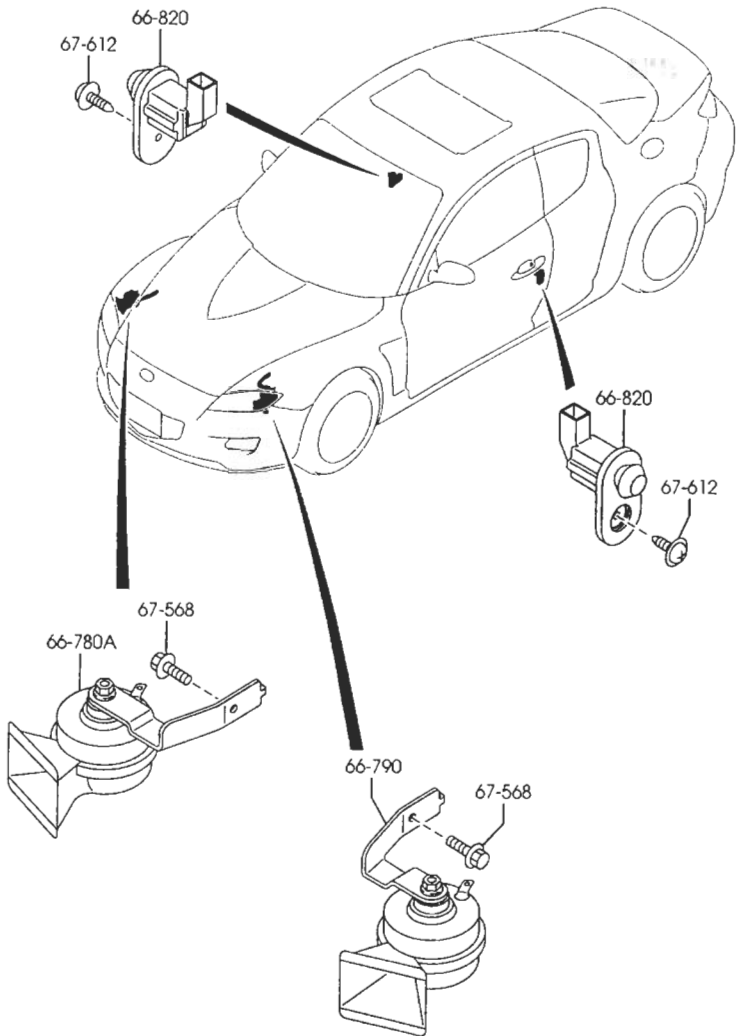


PART NO.	QTY	MODEL/RESTRICTION	MODEL/RESTRICTION	MODEL/RESTRICTION	FROM-TO
66-CS0					
GJ6A-66-CS0	1	SPRING,CLOCK	RESSORT MONTRE		
66-1B1					
F152-66-1B1	1	BODY,COMBINATION SWITCH (W/DSC)	INTERRUPT.,CORPS COMB. (AVEC DSC)		
GE6T-66-1B1	1	(W/D DSC)	(SANS DSC)		
66-122D					
GJ6H-66-122	1	LEVER,LIGHT-COMB.SW (W/FOG LAMP)	LEVIER,ECLAIRAGE,INTERRU.		
GJ6R-66-122	1	(W/D FOG LAMP)			
66-128B					
GJ6A-66-128	1	LEVER,WIPER-COMB. SWITCH	LEVIER,ESSUY.-INTERRUPT.		

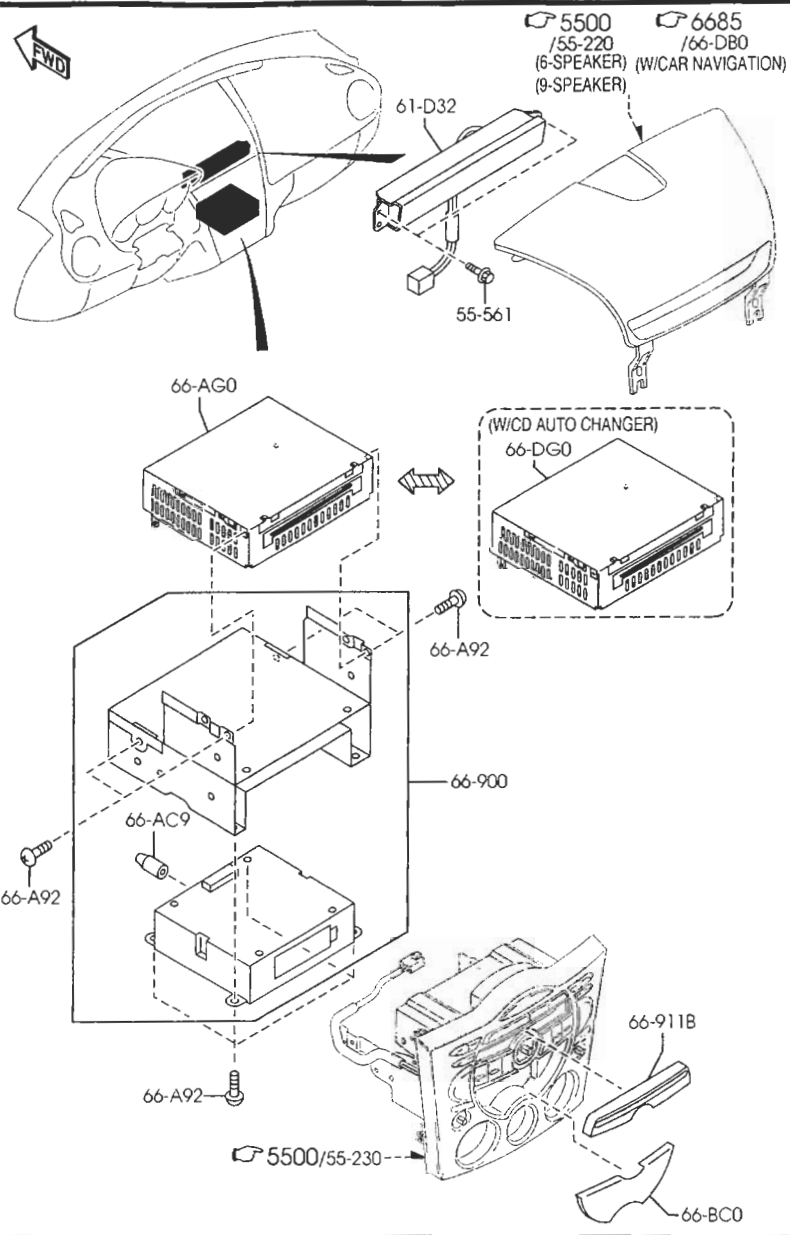




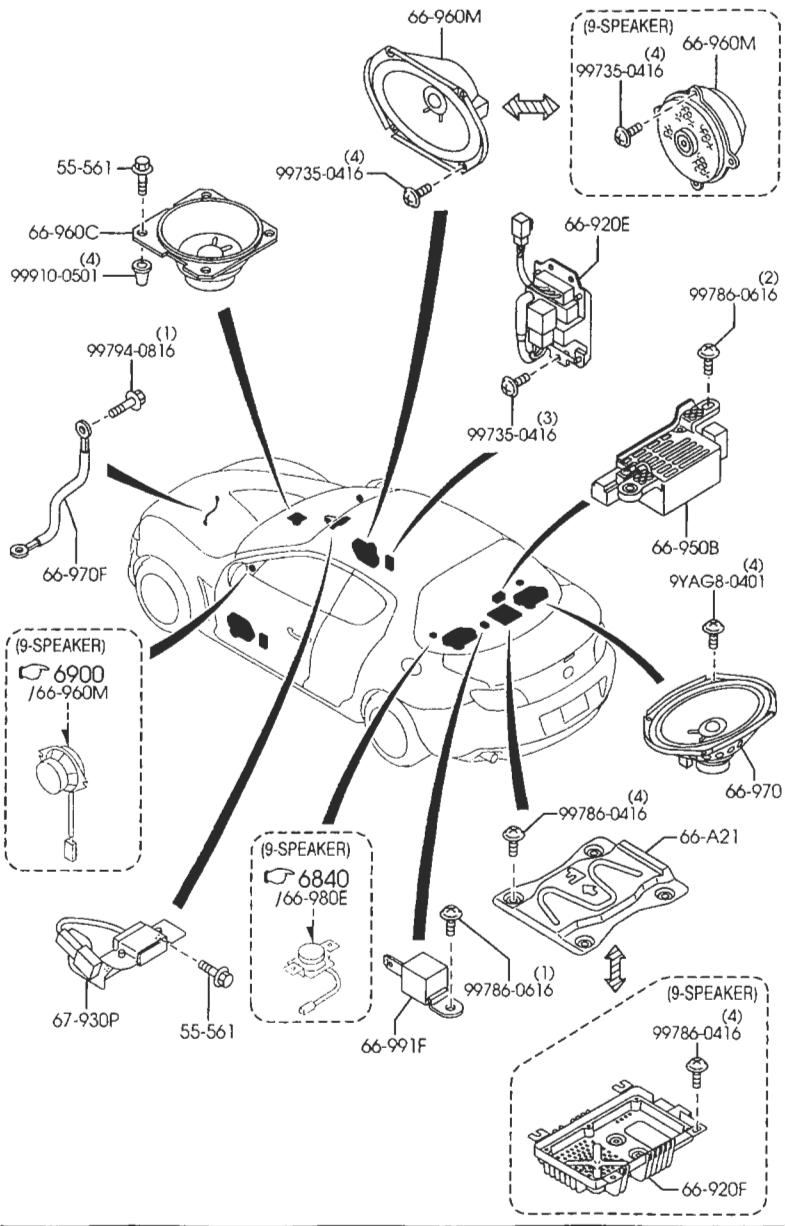
PART NO.	QTY	MODEL/RESTRICTION	MODEL/RESTRICTION	MODEL/RESTRICTION	FROM-TO
55-561		BOLT, INST. PANEL	BOULON, TABLEAU BORD		
B455-55-561	1				
67-5DZ		KEYLESS ENTRY SET	JEU ENTREE SANS CLE		
FEY1-67-5DZA	1	(W/O BURGLAR ALARM)			
FEY3-67-5DZA	1	(W/BURGLAR ALARM)			
67-5DZA		RECEIVER, KEYLESS	RECEPTEUR, SANS CLE		
FE06-67-5DZ	1				
67-5D2		UNIT, KEYLESS ENTRY	UNITE, SANS CLAVET		
FE06-67-5R0	1				
67-5D8		BRACKET, UNIT-KEY LES	SUPPORT, UNITE ENT S		
FE01-67-5D8A	1	S	CLE		
67-5RY		TRANSMITTER SET, KEYL	JEU TRANSMETTEUR, SAN		
FE01-67-5RY	2	ESS	S CLE		
67-5T2		UNIT, WARNING-AIR PRE	UNITE, AVERT-PRESSION		
FE01-67-5T2	1	SSURE	AIR		
67-5T8		BRKT., WARNING UNIT	SUPPORT, UNITE AVERT		
FE01-67-5T8	1	(W/TIRE PRESSURE MON			
		ITORRING SYSTEM)			
67-560B		UNIT, CENTRAL PROCESS	UNITE CENTRALE DE TR		
FE01-67-560	1	ING	AITEMENT		
67-591		BRACKET	SUPPORT		
FE06-67-5D8	1				
67-750B		UNIT, CONT.-RUNNING L	GROUPE, CONTROLE-LA.		
FE01-67-750	1	AMP	COUR.		
		(W/RUNNING LAMP)			



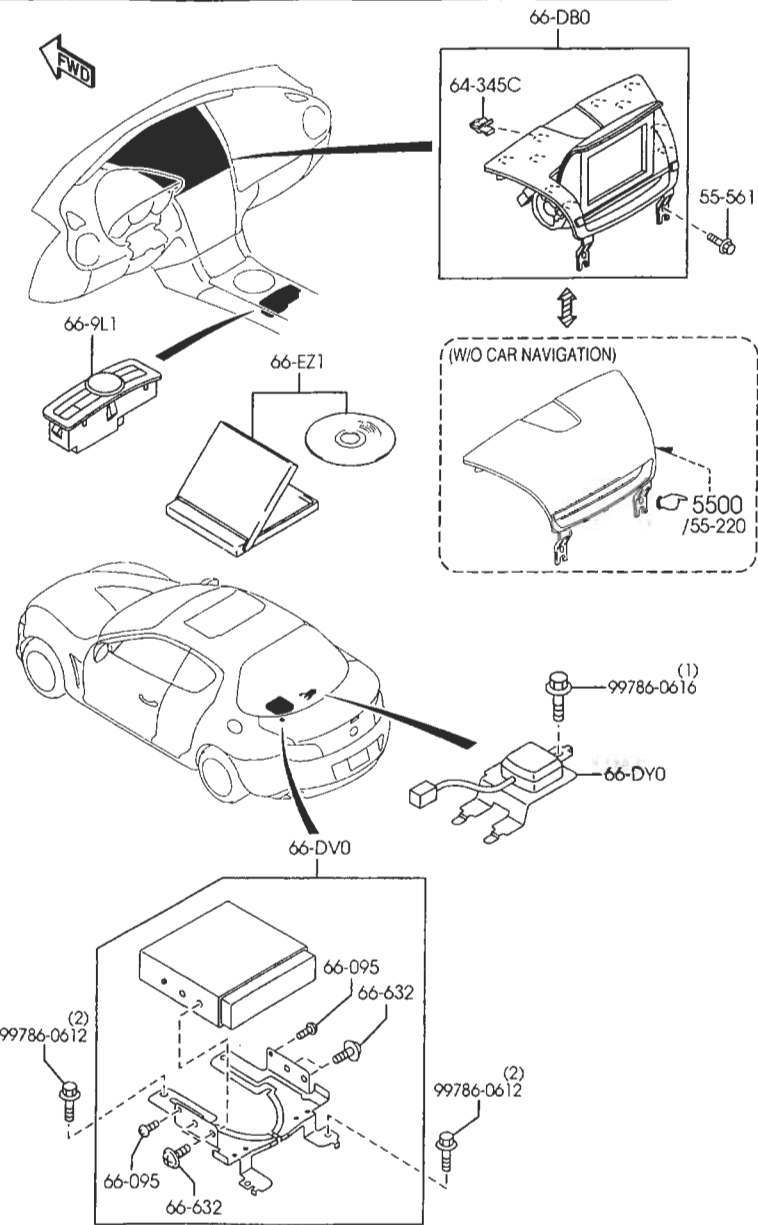
PART NO.	QTY	MODEL/RESTRICTION	MODEL/RESTRICTION	MODEL/RESTRICTION	FROM-TO
66-780A F151-66-78Y	1	HORN,HIGH TONE	AVERTISSEUR A TON HAUT		
66-790 F151-66-79Y	1	HORN,LOW TONE	KLAXON,GRAVE		
66-820 DD10-66-540	2	SWITCH,DOOR	RUPTEUR, PORTE		
67-568 E120-67-5D7	2	SCREW,TAPPING	VIS FIXATION SUPPORT		
67-612 F151-67-5D7	2	SCREW,TAPPING	VIS FIXATION SUPPORT		



PART NO.	QTY	MODEL/RESTRICTION	MODEL/RESTRICTION	MODEL/RESTRICTION	FROM-TO
55-561	2	BOLT, INST. PANEL	BOULON, TABLEAU BORD		
B455-55-561					
61-D32	1	DISPLAY, INFORMATION	MATRICE POINTS, INFORM.		
F151-61-1J0					
66-AC9	1	RUBBER, REAR-ET/ED CO	CAOUTCHOUC, ARRIERE		
B30E-66-AC9					
66-AG0	1	PLAYER, COMPACT DISC	JOUEUR, DISQUE COMPACT.		
F153-66-AG0		(W/O CD AUTO CHANGER)			
66-A92	8	SCREW, ANTENNA	VIS, ANTENNE		
T060-66-A92					
66-BC0	1	PANEL, ESCUTCHEON	PANNEAU CACHE		
F151-66-BC0					
66-DG0	1	CHANGER, COMPACT DISC	CHANGEUR, DISQUE COMPACT		
TC87-66-EG0		(W/CD AUTO CHANGER)			
66-900	1	TUNER	TUNER		
FE01-66-AS0		(6-SPEAKER)			
FE02-66-AS0	1	(9-SPEAKER)			
66-911B	1	COVER, HOLE	BOUCHON		
F152-66-BG4		(W/O CD AUTO CHANGER)			
F153-66-BG4	1	(W/CD AUTO CHANGER)			

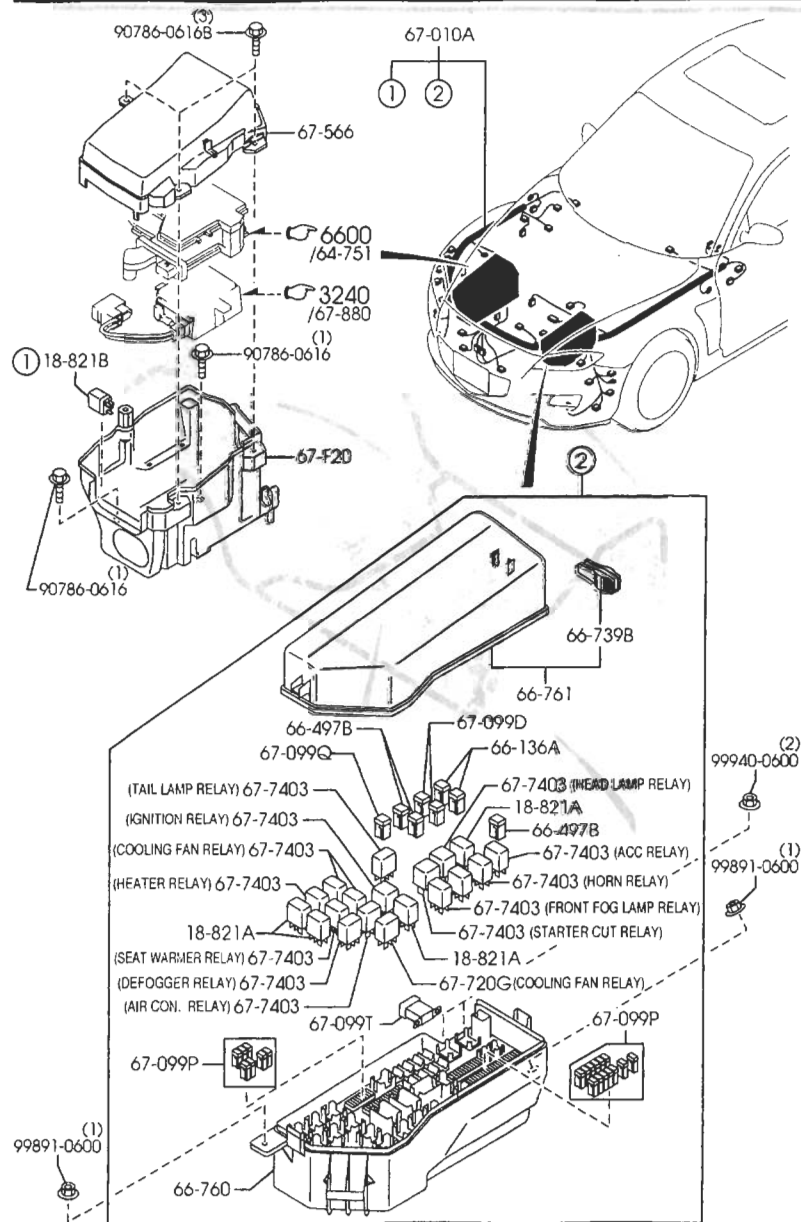
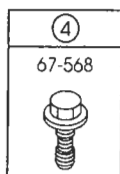
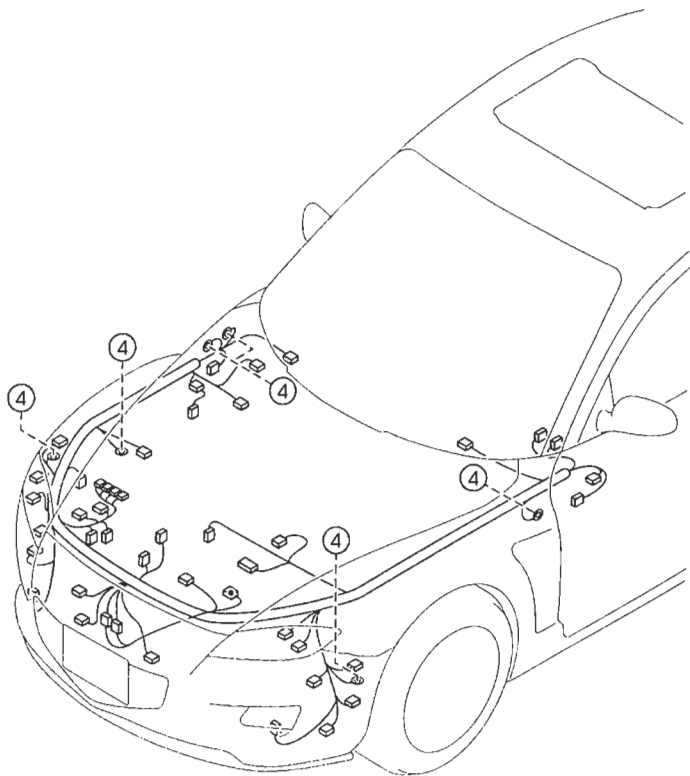


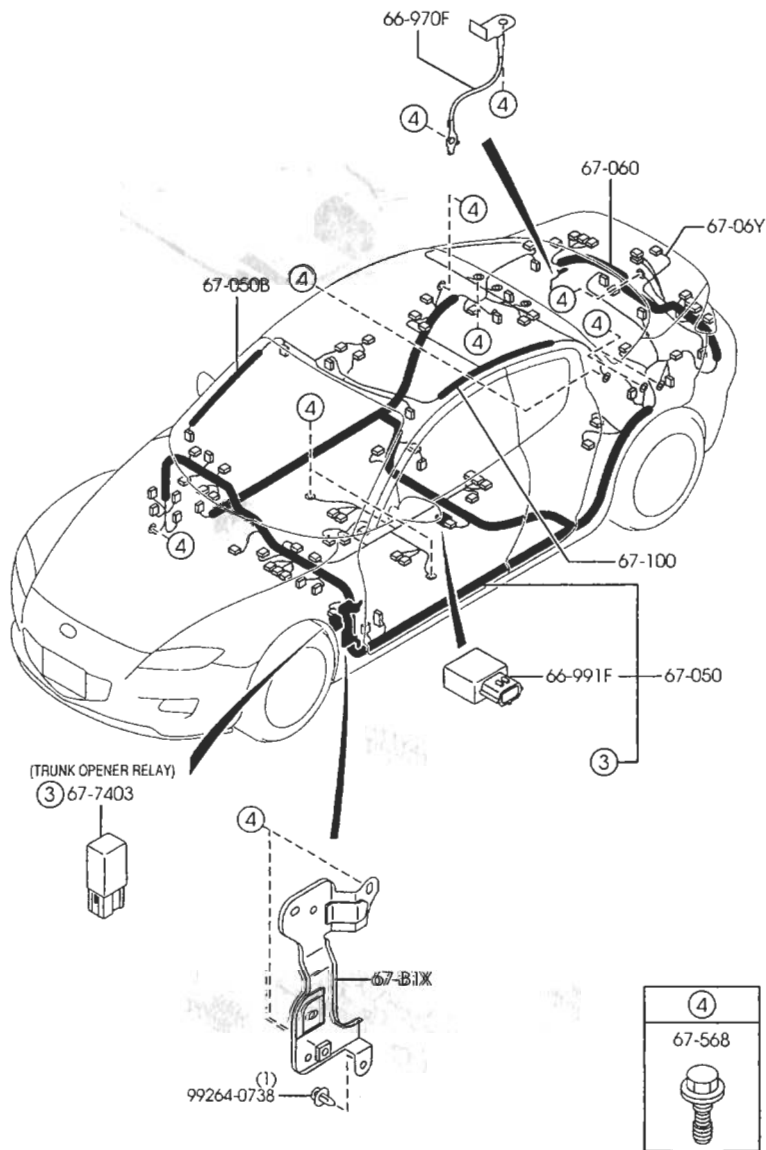
PART NO.	QTY	MODEL/RESTRICTION	MODEL/RESTRICTION	MODEL/RESTRICTION	FROM-TO
55-561		BOLT, INST. PANEL	BOULON, TABLEAU BORD		
B455-55-561	5	(9-SPEAKER)			
66-A21		BRACKET, AMP	SUPPORT, AMP		
F151-66-A21	1	(6-SPEAKER)			
66-920E		AMP, POWER-FRONT	AMPLIFICATEUR		
F152-66-920A	2	(9-SPEAKER)			
66-920F		AMP, POWER-REAR	AMPLIFICATEUR		
F151-66-920	1	(9-SPEAKER+SEAT TYPE -CLOTH)			
F153-66-920	1	(9-SPEAKER+SEAT TYPE -LEATHER)			
66-950B		FILTER, NOISE	FILTRE DE BRUIT		
G22C-66-950	1				
66-960C		SPEAKER, FRONT	HAUT-PARLEUR AV		
F151-66-960	1	(9-SPEAKER)			
66-960M		SPEAKER, LOUD-DOOR	PARLEUR, PORTE		
F152-66-960	2	(9-SPEAKER)			
GJ6A-66-960	2	(6-SPEAKER)			
66-970		SPEAKER, LOUD-REAR	HAUT-PARLEUR AR		
F155-66-960	2	(6-SPEAKER)			
F156-66-960	2	(9-SPEAKER)			
66-970F		CORD, EARTH	CABLE		
F151-67-E70	1				
66-991F		CONDENSER	CONDENSATEUR		
AS01-66-991	1				
67-930P		MICROPHONE	MICROPHONE		
FEO1-66-EMO	1	(9-SPEAKER)			

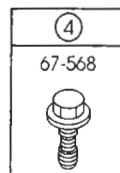
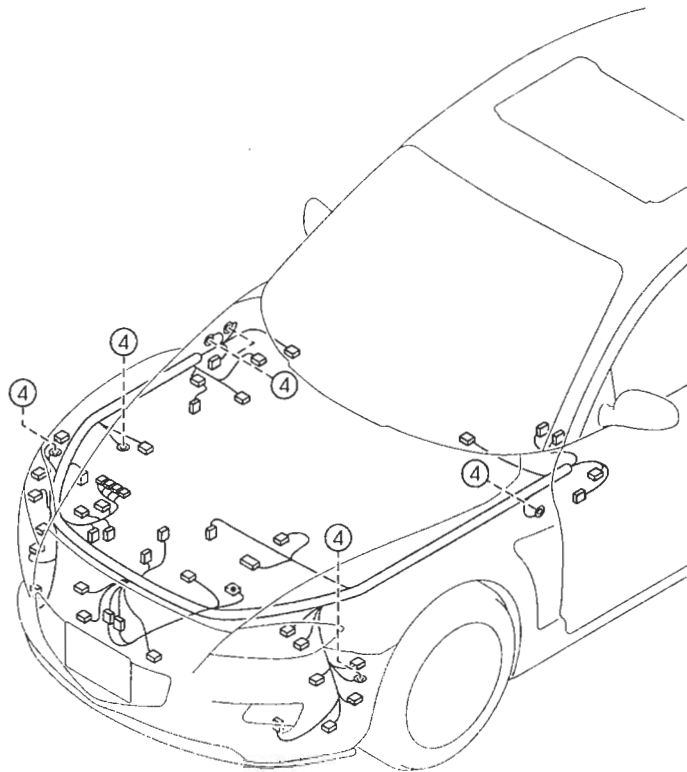


PART NO.	QTY	MODEL/RESTRICTION	MODEL/RESTRICTION	MODEL/RESTRICTION	FROM-TO
55-561	2	BOLT, INST. PANEL	BOULON, TABLEAU BORD		
B455-55-561					
64-345C	10	SPRING, UPPER PLATE	RESSORT, PLAQUE SUP		
B30D-64-345					
66-DB0	1	UNIT, G.P.S.-CCS	UNITE, G.P.S.-VCS		
F151-66-DV0					
66-DV0	1	NAVIGATION UNIT, DVD	UNITE DE NAVIGATION		
FE01-66-DF0					
66-DY0	1	ANTENNA, G.P.S.	ANTENNE, G.P.S		
F151-66-DY0					
66-EZ1	1	ROM, COMPACT DISK-AUDIO	ROM, DISQUE COMP. -AUDIO		
BN8R-66-D20					
66-095	2	SCREW	VIS		
F151-66-A92					
66-632	4	SCREW	VIS		
GK3A-66-A92					
66-9L1	1	PANEL, REMOTE CONTROL	PANNEAU, COMMANDE DISTANCE		
FE15-66-9L1					

**SORRY, BUT CONNECTORS ARE NOT SOLD SEPARATELY FROM HARNESSSES, UNLESS SHOWN WITH AN INDIVIDUAL NUMBER**

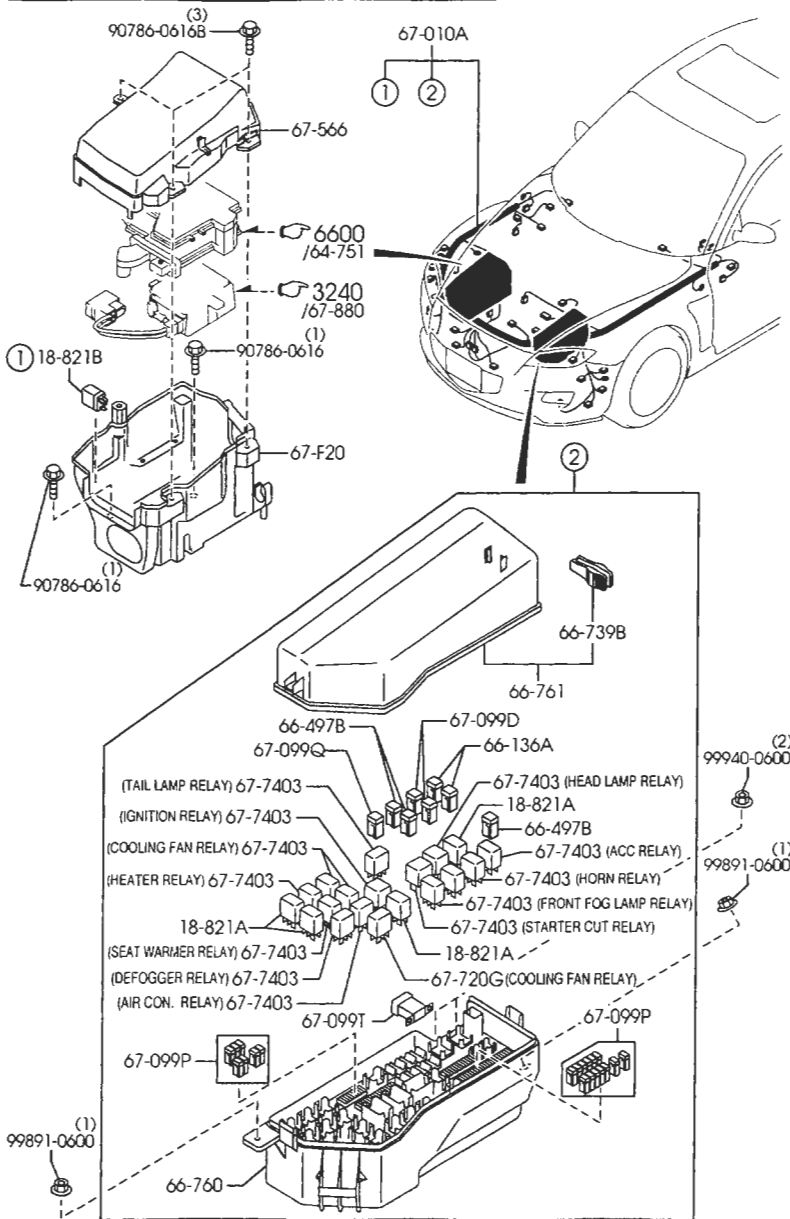




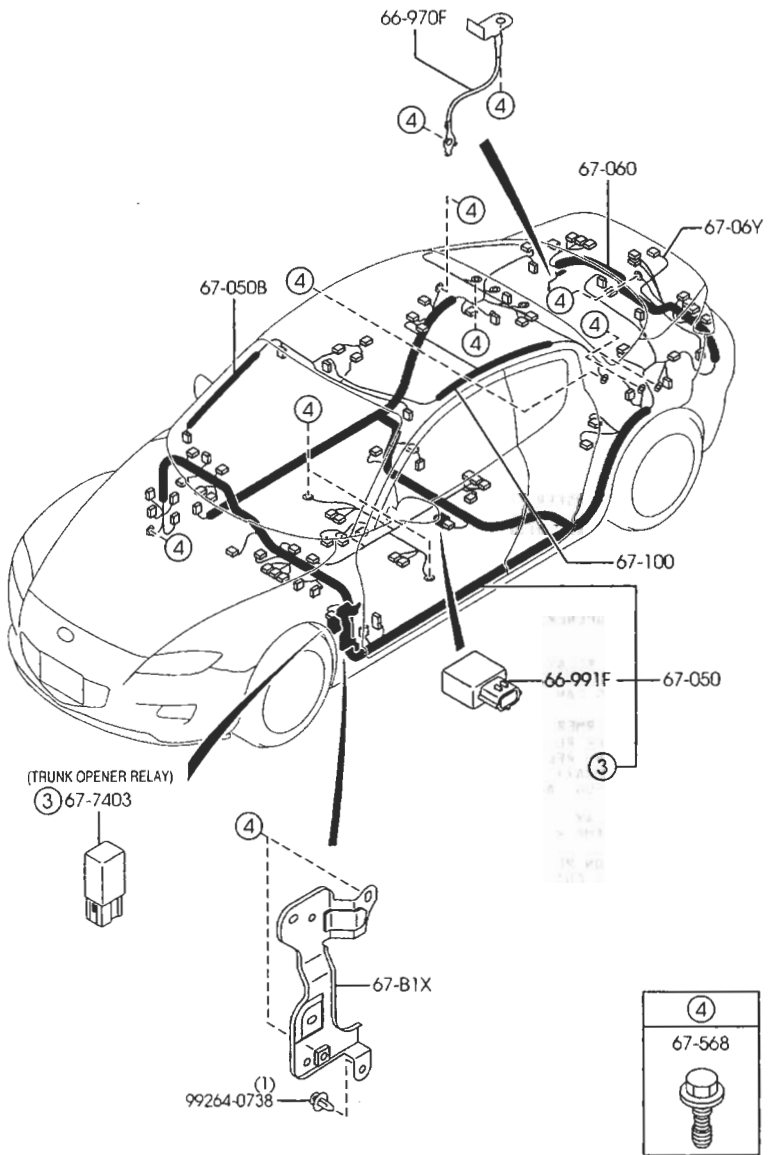


PART NO.	QTY	MODEL/RESTRICTION	MODEL/RESTRICTION	MODEL/RESTRICTION	FROM-TO
+-----+   18-821A   +-----+ AJ51-18-821	4	RELAY,CIRCUIT	RELAIS CIRCUIT		
+-----+   18-821B   +-----+ N3H1-18-821	1	RELAY,AIR PUMP	RELAIS, POMPE A AIR		
+-----+   66-136A   +-----+ GJ6E-67-S99	2	FUSE (40A)	FUSIBLE(40A)		
+-----+   66-497B   +-----+ GJ6A-67-S99	3	FUSE (30A)	FUSIBLE (30A)		
+-----+   66-739B   +-----+ W611-66-739	1	PULLER,FUSE	EXTRACTEUR,FUSIBLE		
+-----+   66-760   +-----+ F151-66-760	1	BLOCK,MAIN FUSE	BOITE A,FUSIBLE PRIM CIPAL		
+-----+   66-761   +-----+ F151-66-76YB	1	COVER,MAIN FUSE BLOC K	COUVERCLE FUSIBLE PR INCIP		
+-----+   66-970F   +-----+ F151-66-997	1	CORD,EARTH	CABLE		
+-----+   66-991F   +-----+ FP39-66-991	1	CONDENSER	CONDENSATEUR		
+-----+   67-B1X   +-----+ F151-67-B1X	1	BRACKET,HARNESS	SUPPORT,FAISCEAU		
+-----+   67-F20   +-----+ F151-67-F20B	1	COVER,UNDER-CONTROL UNIT	COUV. INF.-UNITE DE COM		
+-----+   67-010A   +-----+ FE01-67-010B	1	HARNESS,FRONT	FAISCEAU AV		
+-----+   67-010B   +-----+ FE02-67-010B	1	(W/O HEAD LAMP CLEAN ER+SEAT TYPE-CLOTH+W /O BURGLAR ALARM) ( (STD.-POWER)>(W/O D SC) )	(S/LAVE-PHARES+  ( (PSSNC NRML)>(SANS DSC) )		
+-----+   67-010B   +-----+ FE02-67-010B	1	(W/HEAD LAMP CLEANER ) ( (STD.-POWER)>(W/O D SC) )	(A/LAVE-PHARES)  ( (PSSNC NRML)>(SANS DSC) )		

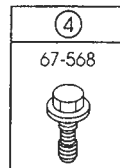
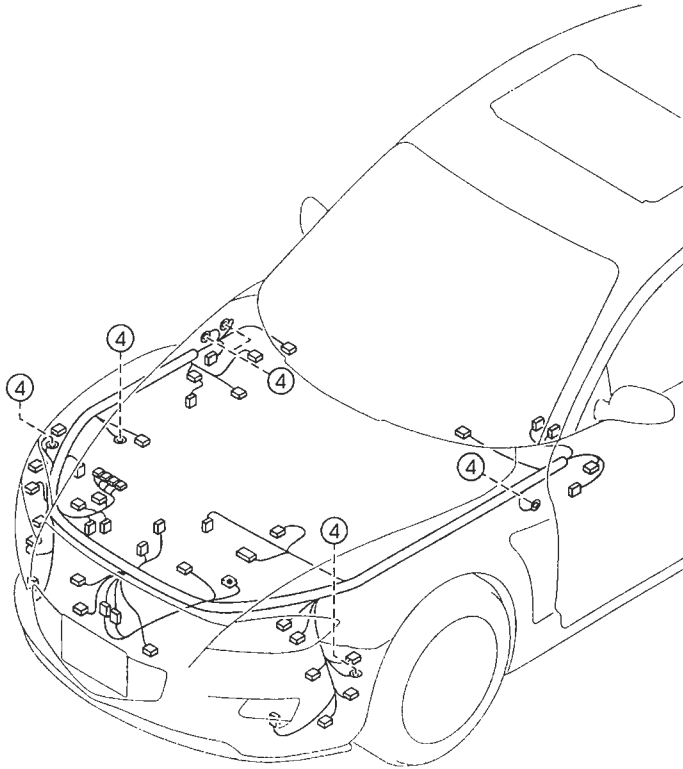




PART NO.	QTY	MODEL/RESTRICTION	MODEL/RESTRICTION	MODEL/RESTRICTION	FROM-TO
CONT'D					
FE03-67-010B	1	(W/O HEAD LAMP CLEANER) ((STD.-POWER))>(W/DSC)	(S/LAVE-PHARES) ((PSSNC NRML))>(AVEC DSC)		
FE04-67-010B	1	(W/HEAD LAMP CLEANER) ((STD.-POWER))>(W/DSC)	(A/LAVE-PHARES) ((PSSNC NRML))>(AVEC DSC)		
FE05-67-010B	1	(W/O HEAD LAMP CLEANER) ((HIGH-POWER))>(W/O DSC)	(S/LAVE-PHARES) ((PSSNC ELV))>(SANS DSC)		
FE06-67-010B	1	(W/O HEAD LAMP CLEANER) ((HIGH-POWER))>(W/DSC)	(S/LAVE-PHARES) ((PSSNC ELV))>(AVEC DSC)		
FE36-67-010B	1	(W/O HEAD LAMP CLEANER+SEAT TYPE-LEATHER) ((STD.-POWER))>(W/O DSC)	(S/LAVE-PHARES+) ((PSSNC NRML))>(SANS DSC)		
FE36-67-010B	1	(W/O HEAD LAMP CLEANER+SEAT TYPE-CLOTH+W/BURGLAR ALARM) ((STD.-POWER))>(W/O DSC)	(S/LAVE-PHARES+) ((PSSNC NRML))>(SANS DSC)		
FE44-67-010B	1	(W/HEAD LAMP CLEANER) ((HIGH-POWER))>(W/O DSC)	(A/LAVE-PHARES) ((PSSNC ELV))>(SANS DSC)		
FE49-67-010B	1	(W/HEAD LAMP CLEANER) ((HIGH-POWER))>(W/DSC)	(A/LAVE-PHARES) ((PSSNC ELV))>(AVEC DSC)		
		-----+   67-050   -----+	HARNES, REAR	FAISCEAU AR	
FE01-67-050A	1	(W/O NAVI. ,6-SPEAKER+W/O FRT. OUTER MIRROR DEFOGGER) ((STD.-POWER))>(W/O DSC)		((PSSNC NRML))>(SANS DSC)	
FE03-67-050A	1	(W/O NAVI. ,6-SPEAKER) ((STD.-POWER))>(W/DSC)		((PSSNC NRML))>(AVEC DSC)	
FE03-67-050A	1	(W/O NAVI. ,6-SPEAKER+W/FRT. OUTER MIRROR DEFOGGER) ((STD.-POWER))>(W/O DSC)		((PSSNC NRML))>(SANS DSC)	
FE04-67-050A	1	(W/O NAVI. ,9-SPEAKER) ((STD.-POWER))		(PSSNC NRML)	
FE05-67-050A	1	(W/O NAVI. ,9-SPEAKER)			

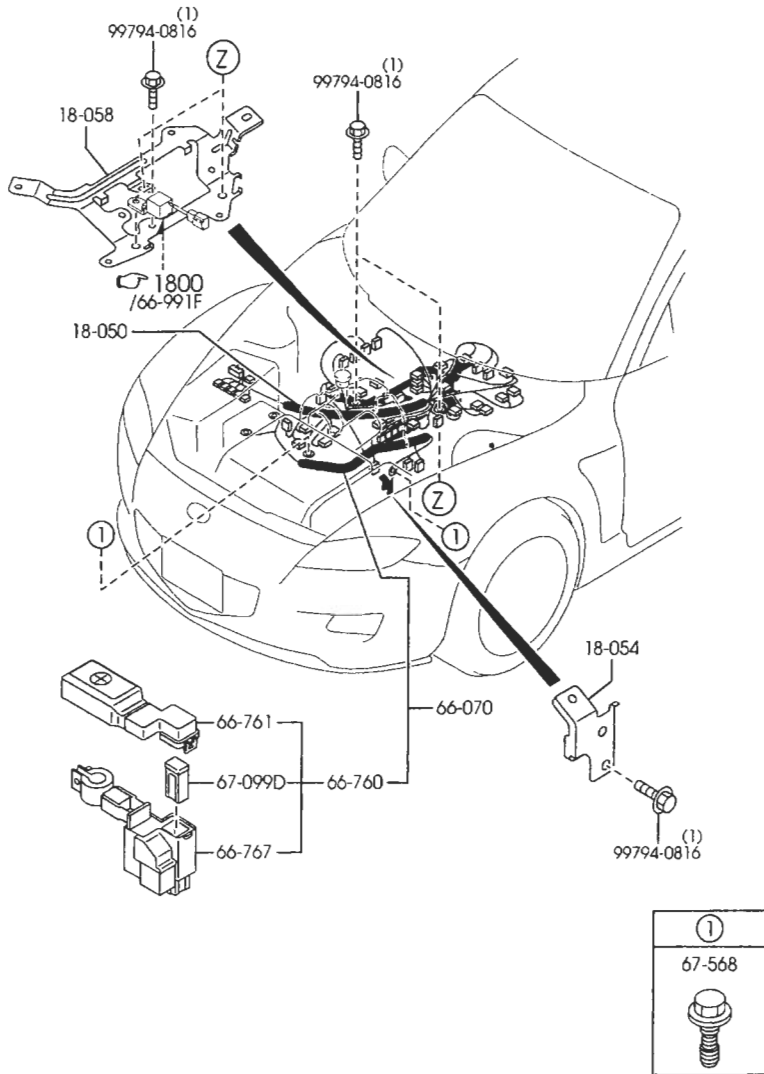


PART NO.	QTY	MODEL/RESTRICTION	MODEL/RESTRICTION	MODEL/RESTRICTION	FRON-TO
CONT'D		(HIGH-POWER)	(PSSNC ELV)		
FE06-67-050A	1	(W/O NAVI. ,6-SPEAKER)	(PSSNC ELV)		
FE63-67-050A	1	(W/NAVI. ,6-SPEAKER)	(PSSNC ELV)		
FE64-67-050A	1	(STD.-POWER)	(PSSNC NRML)		
FE65-67-050A	1	(W/NAVI. ,9-SPEAKER)	(PSSNC NRML)		
FE66-67-050A	1	(HIGH-POWER)	(PSSNC ELV)		
FE66-67-050A	1	(W/NAVI. ,6-SPEAKER)	(PSSNC ELV)		
-----+   67-050B   -----+		HARNESS,ROOF	FAISCEAU,TOIT		
FE01-67-130A	1	(INNER MIRROR-DAY & NIGHT: AUTO) (W/O SUNROOF)	(S/TOIT OUVR)		
FE03-67-130A	1	(INNER MIRROR-DAY & NIGHT: AUTO) (W/SUNROOF)	(TOIT OUVR)		
F151-67-130A	1	(INNER MIRROR-DAY & NIGHT: MANUAL) (W/O SUNROOF)	(S/TOIT OUVR)		
F153-67-130B	1	(INNER MIRROR-DAY & NIGHT: MANUAL) (W/SUNROOF)	(TOIT OUVR)		
-----+   67-06Y   -----+		HARNESS NO.3,REAR	HARNAIS NO.3,ARRIERE		
F151-67-06YA	1				
-----+   67-060   -----+		HARNESS NO.2,REAR	FAISCEAU AR NO 2		
FE01-67-060B	1	(W/O BURGLAR ALARM)			
FE02-67-060B	1	(W/BURGLAR ALARM)			
-----+   67-099D   -----+		FUSE (60A)	FUSIBLE(60A)		
GJ6G-67-S99	2				
-----+   67-099P   -----+		FUSE	COUPE-CIRCUIT		
99705-1210	5	10A	10A		
99705-1215	11	15A	15A		
99705-1220		20A	20A		



PART NO.	QTY	MODEL/RESTRICTION	MODEL/RESTRICTION	MODEL/RESTRICTION	FROM-TO
CONT'D	3				
99705-1230	1	30A	30A		
+-----+   67-099Q   +-----+		FUSE (50A)	FUSIBLE (50A)		
GJ6F-67-599	1				
+-----+   67-099T   +-----+		FUSE (120A)	FUSIBLE(120A)		
F151-67-099	1	120A	120A		
+-----+   67-100   +-----+		HARNESS,ROOM LAMP	FAISCEAU DE PLAFONNIER		
F151-67-100A	1				
+-----+   67-566   +-----+		COVER,CONTROL UNIT	COUVERCLE		
F151-67-F10A	1				
+-----+   67-568   +-----+		SCREW,TAPPING	VIS FIXATION SUPPORT		
GJ6A-67-EB1A	19				
+-----+   67-720G   +-----+		RELAY,TRANSFER	RELAIS,FRANSFERT		
B115-67-720	1	(COOLING FAN RELAY)	(RELAIS DE VENT REFR OIDISSEMENT)		
+-----+   67-7403   +-----+		RELAY,N.O.	RELAIS,N.O.		
B110-67-730	1	(TRUNK OPENER RELAY)			
B115-67-730	10	(HEATER RELAY) (COOLING FAN RELAY)	(RELAIS DE CHAUFFAGE) (RELAIS DE VENT REFR OIDISSEMENT)		
L110-67-730	3	(SEAT WARMER RELAY) (DEFOGGER RELAY) (AIR CON. RELAY) (HORN RELAY) (FRONT FOG LAMP RELAY) (ACC RELAY) (TAIL LAMP RELAY)			
		(IGNITION RELAY) (STARTER CUT RELAY) (HEAD LAMP RELAY)			

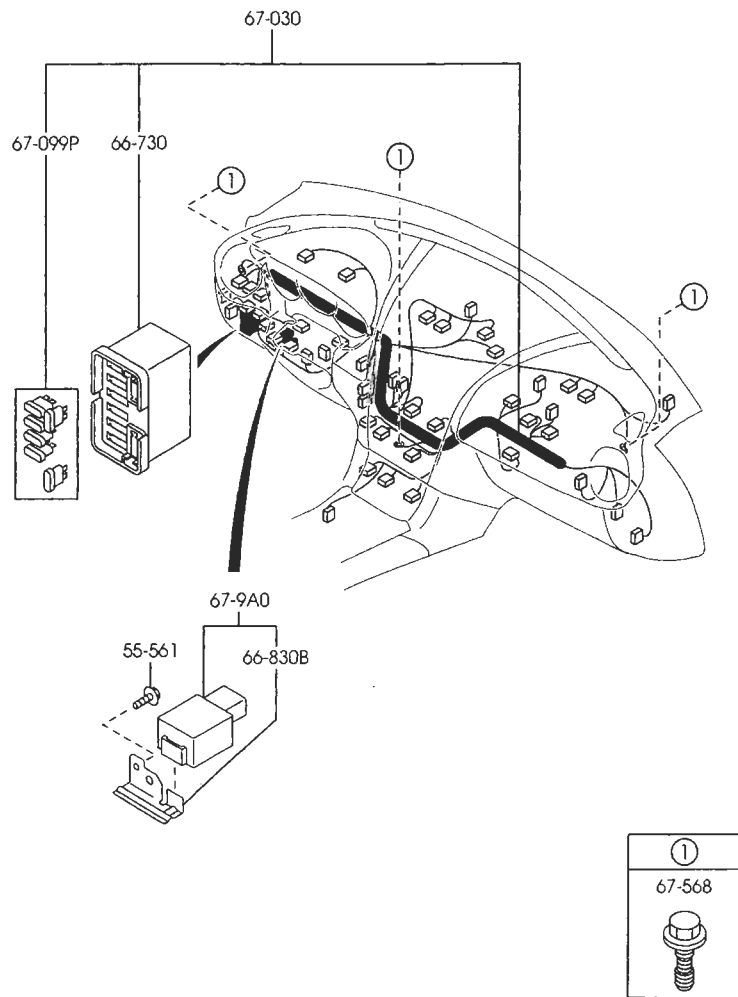
**SORRY, BUT CONNECTORS ARE NOT SOLD SEPARATELY FROM HARNESSSES, UNLESS SHOWN WITH AN INDIVIDUAL NUMBER**



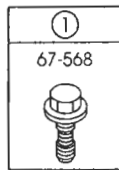
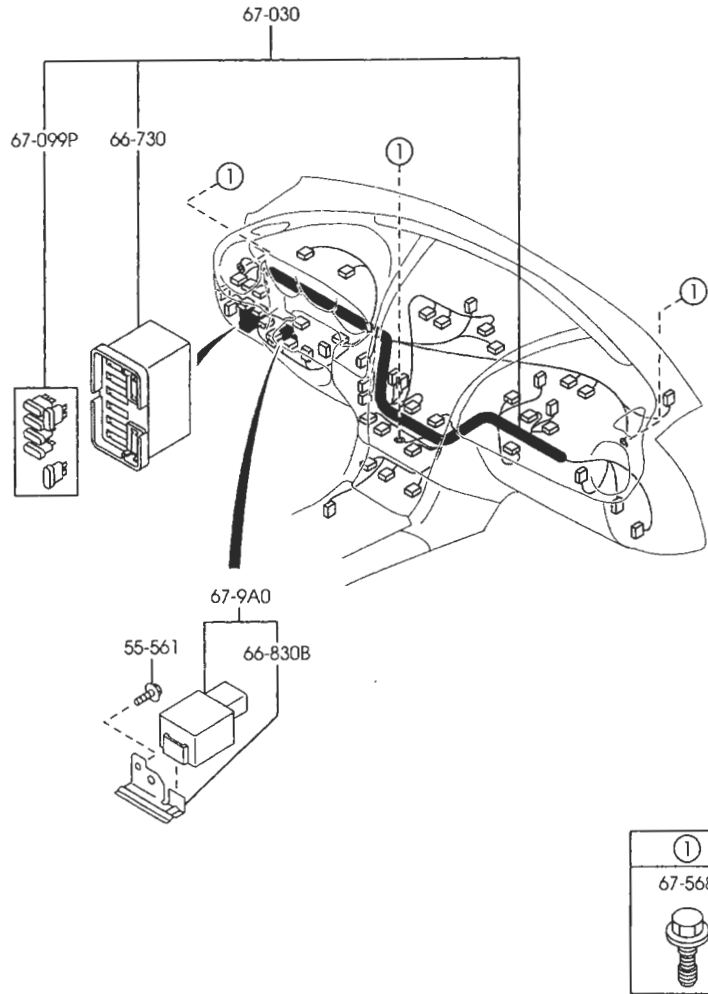
PART NO.	QTY	MODEL/RESTRICTION	MODEL/RESTRICTION	MODEL/RESTRICTION	FROM-TO
18-050		WIRING,ENGINE	CABLE,MOTEUR		
N3H2-18-052E	1	(AT)	(B.V.AUTOM)		
N3H3-18-052E	1	(MT)	(B.V.MANU)		
18-054		BRACKET,HOLE-ENG.WIRING	POTENCE,TROU-CABLAGE MOT		
N3H2-18-0FY	1				
18-058		BRACKET,ENGINE HARNESS	SUPPORT,HARNAIS MOTEUR		
N3H1-18-058	1				
66-760		BLOCK,MAIN FUSE	BOITE A,FUSIBLE PRINCIPAL		
F154-66-760A	1				
66-761		COVER,MAIN FUSE BLOCK	COUVERCLE FUSIBLE PRINCIPAL		
F154-66-761A	1				
66-767		COVER,UNDER-MAIN FUSE BLK	COUVERCLE,SOUS-BL.FUSE BLK		
F154-66-767A	1				
67-070		HARNESS,ENGINE	FAISCEAU,MOTEUR		
F151-67-070C	1	(MT)	(B.V.MANU)		
F154-67-070C	1	(AT)	(B.V.AUTOM)		
67-099D		FUSE (60A)	FUSIBLE(60A)		
GJ6G-67-S99	1				
67-568		SCREW,TAPPING	VIS FIXATION SUPPORT		
GJ6A-67-EB1A	2				



SORRY, BUT CONNECTORS ARE NOT SOLD SEPARATELY FROM HARNESSES,  
UNLESS SHOWN WITH AN INDIVIDUAL NUMBER

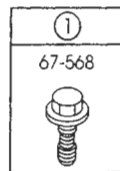
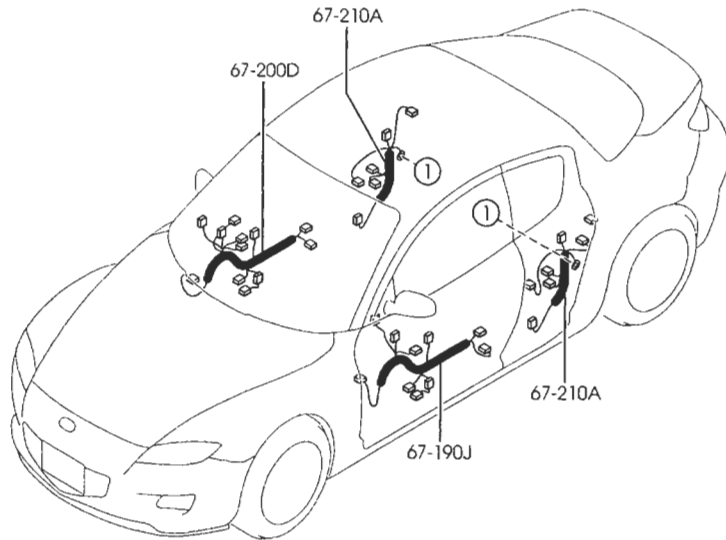


PART NO.	QTY	MODEL/RESTRICTION	MODEL/RESTRICTION	MODEL/RESTRICTION	FROM TO
+-----+   55-561   +-----+		BOLT, INST. PANEL	BOULON, TABLEAU BORD		
B455-55-561	1				
+-----+   66-730   +-----+		BLOCK, FUSE	BOITE A, FUSIBLE		
F151-66-730	1				
+-----+   66-830B   +-----+		UNIT, FLASHER	CENTRALE DE CLIGNOTE MENT		
F151-66-830	1				
+-----+   67-030   +-----+		HARNESS, INSTRUMENT	FAISCEAU DE TABLEAU DE BO		
FE01-67-030A	1	(W/O RUNNING LAMP+W/ O NAVI. ,6-SPEAKER) (W/O DSC)	(SANS DSC)		
FE02-67-030B	1	(W/RUNNING LAMP+W/O NAVI. ,9-SPEAKER) (W/O DSC)	(SANS DSC)		
FE03-67-030A	1	(W/O RUNNING LAMP+W/ O NAVI. ,6-SPEAKER) (W/DSC)	(AVEC DSC)		
FE04-67-030A	1	(W/O RUNNING LAMP+W/ O NAVI. ,9-SPEAKER+W /TIRE PRESSURE MONIT ORRING SYSTEM) (W/DSC)	(AVEC DSC)		
FE05-67-030A	1	(W/O RUNNING LAMP+W/ O NAVI. ,9-SPEAKER) (W/O DSC)	(SANS DSC)		
FE06-67-030A	1	(W/RUNNING LAMP+W/O NAVI. ,9-SPEAKER) (W/DSC)	(AVEC DSC)		
FE38-67-030A	1	(W/O RUNNING LAMP+W/ O NAVI. ,9-SPEAKER+W /O TIRE PRESSURE MON ITORRING SYSTEM) (W/DSC)	(AVEC DSC)		
FE63-67-030A	1	(W/O RUNNING LAMP+W/ NAVI. ,6-SPEAKER) (W/O DSC)	(SANS DSC)		
FE64-67-030A	1	(W/RUNNING LAMP+W/NA VI. ,6-SPEAKER) (W/O DSC)	(SANS OSC)		
FE65-67-030A	1	(W/O RUNNING LAMP+W/ NAVI. ,6-SPEAKER) (W/DSC)	(AVEC DSC)		
FE66-67-030A	1	(W/O RUNNING LAMP+W/ NAVI. ,9-SPEAKER) (W/DSC)	(AVEC DSC)		
FE67-67-030A	1	(W/O RUNNING LAMP+W/ NAVI. ,9-SPEAKER) (W/O DSC)	(SANS DSC)		

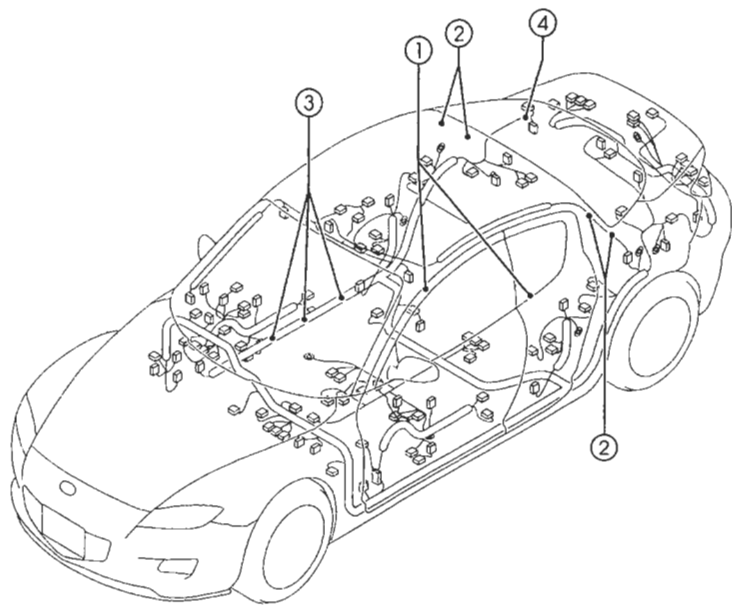


PART NO.	QTY	MODEL/RESTRICTION	MODEL/RESTRICTION	MODEL/RESTRICTION	FROM-TO
CONT'D FE68-67-030A	1	(W/RUNNING LAMP+W/NA VI. ,9-SPEAKER) (W/DSC)	(AVEC DSC)		
┌-----┐ └ 67-099P ┘ ┌-----┐		FUSE	COUPE-CIRCUIT		
99705-1207	3	7.5A	7.5A		
99705-1215	1	15A	15A		
99705-1220	2	20A	20A		
┌-----┐ └ 67-568 ┘ ┌-----┐		SCREW,TAPPING	VIS FIXATION SUPPORT		
GJ6A-67-EB1A	3				
┌-----┐ └ 67-9A0 ┘ ┌-----┐		BRACKET & RELAY	RELAIS		
F151-67-9A0	1				

SORRY, BUT CONNECTORS ARE NOT SOLD SEPARATELY FROM HARNESES,  
UNLESS SHOWN WITH AN INDIVIDUAL NUMBER



PART NO.	QTY	MODEL/RESTRICTION	MODEL/RESTRICTION	MODEL/RESTRICTION	FROM-TO
-----+   67-190J   -----+					
FE01-67-190A	1	HARNES, DOOR-DRIVER SIDE (6-SPEAKER, W/O NAVI +W/O FRT. OUTER MIRROR DEFOGGER)	CABLAGE, HARNAIS-C. COND.		
FE02-67-190A	1	(6-SPEAKER, W/NAVI .)			
FE02-67-190A	1	(6-SPEAKER, W/O NAVI +W/FRT. OUTER MIRROR DEFOGGER)			
FE03-67-190A	1	(9-SPEAKER)			
-----+   67-200D   -----+					
FE01-67-200A	1	HARNES, DOOR-PASSENGER SIDE (6-SPEAKER, W/O NAVI +W/O FRT. OUTER MIRROR DEFOGGER+W/O BURGLAR ALARM)	CABLAGE, HARNAIS-C. V. DYAG.		
FE02-67-200A	1	(6-SPEAKER, W/NAVI .)			
FE02-67-200A	1	(6-SPEAKER, W/O NAVI +W/O FRT. OUTER MIRROR DEFOGGER+W/BURGLAR ALARM)			
FE03-67-200A	1	(9-SPEAKER)			
-----+   67-210A   -----+					
F151-67-210B	1	WIRING, REAR DOOR (FOR RIGHT SIDE)	CABLAGE, PORTE ARRIERE (POUR COTE DROIT)		
F151-67-220A	1	(FOR LEFT SIDE)			
-----+   67-568   -----+					
GJ6A-67-EB1A	2	SCREW, TAPPING	VIS FIXATION SUPPORT		

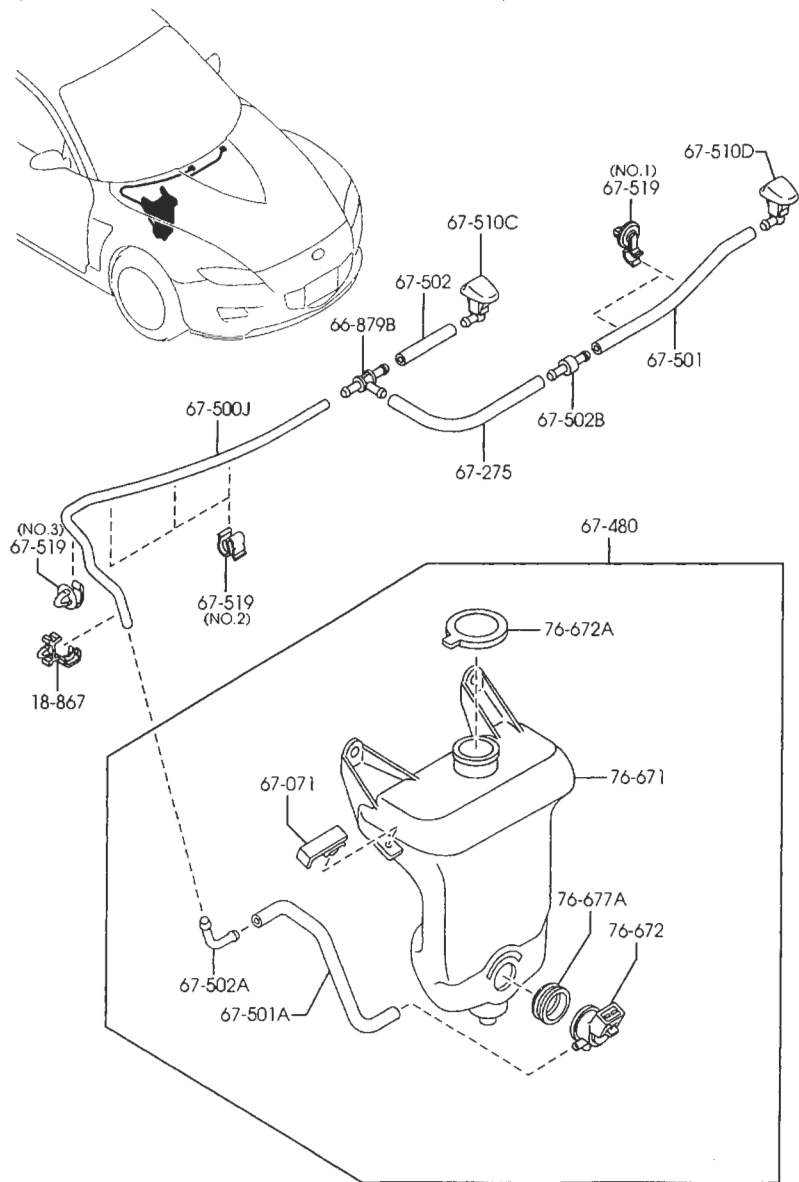


①	②	③	④
56-051F	66-941A	67-H51	67-054F

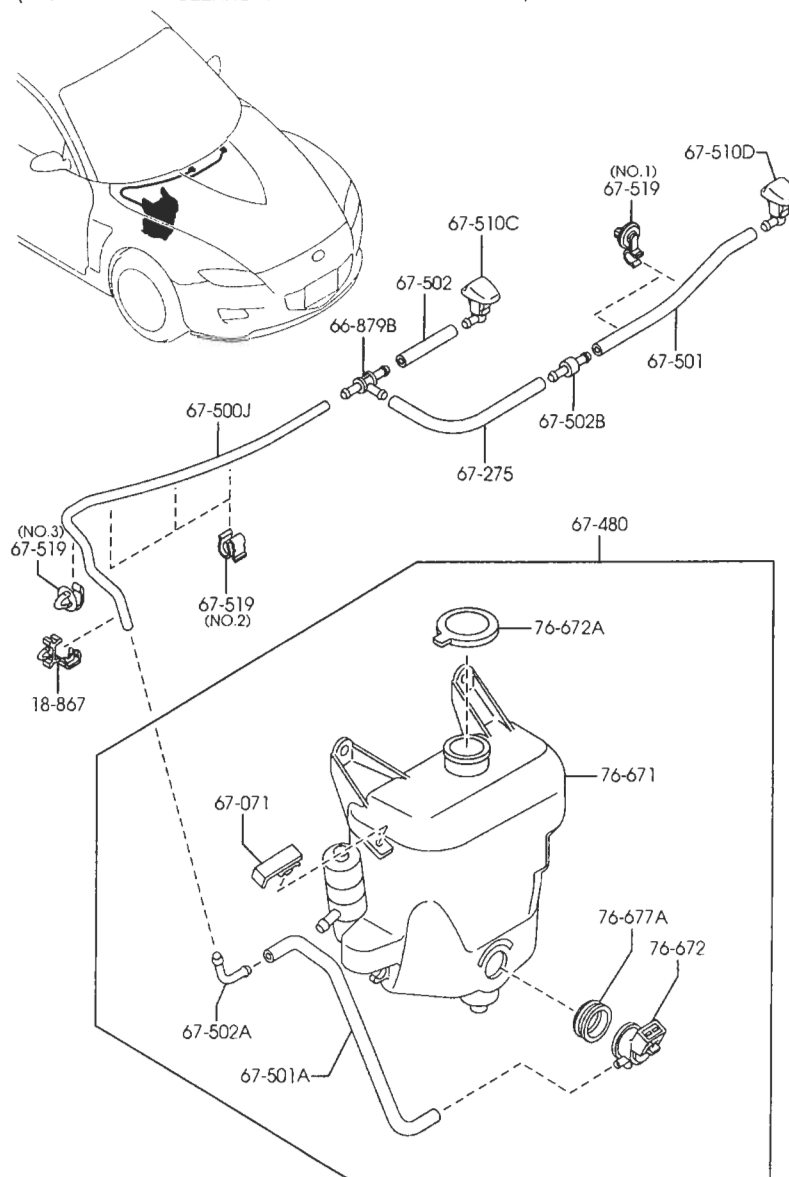
PART NO.	QTY	MODEL/RESTRICTION	MODEL/RESTRICTION	MODEL/RESTRICTION	FROM-TO
+-----+   56-051F   +-----+ B455-56-051A	2	PLUG, DRAIN-WHL APRON UP.	FICHE, DRAINAGE-TAB. R. SUP		
+-----+   66-941A   +-----+ UB54-67-121	4	CLIP (W/O SUNROOF)	ATTACHE (S/TOIT OUVR)		
+-----+   67-H51   +-----+ F151-67-P52	3	PROTECTOR, HARNESS-RR (W/O NAVI. ,W/O CD A UTO CHANGER, 6-SPEAKE R)	PROTECTEUR, HARNAIS-A RR.		
+-----+   67-054F   +-----+ G030-67-052	1	CLIP (W/O SUNROOF)	ATTACHE (S/TOIT OUVR)		



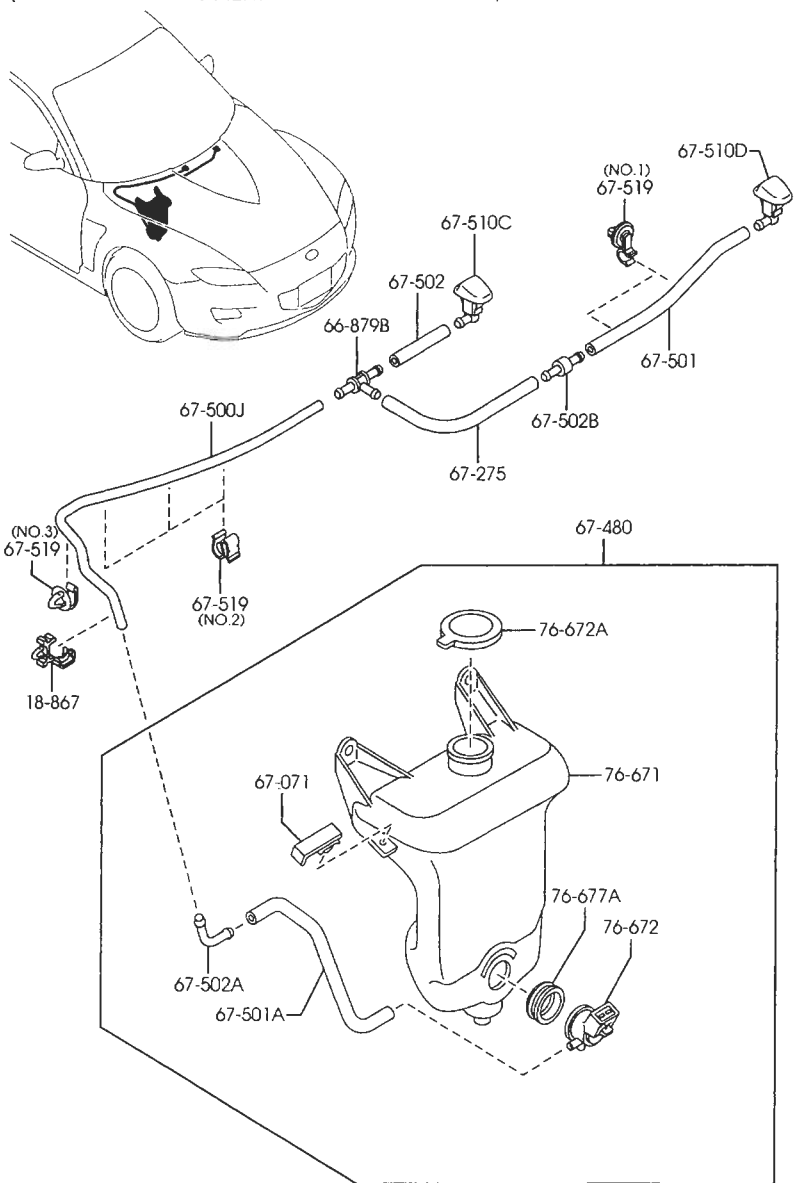
(W/O HEAD LAMP CLEANER+FRT. WASHER TANK-STD.)



(W/O HEAD LAMP CLEANER+FRT. WASHER TANK-LARGE)

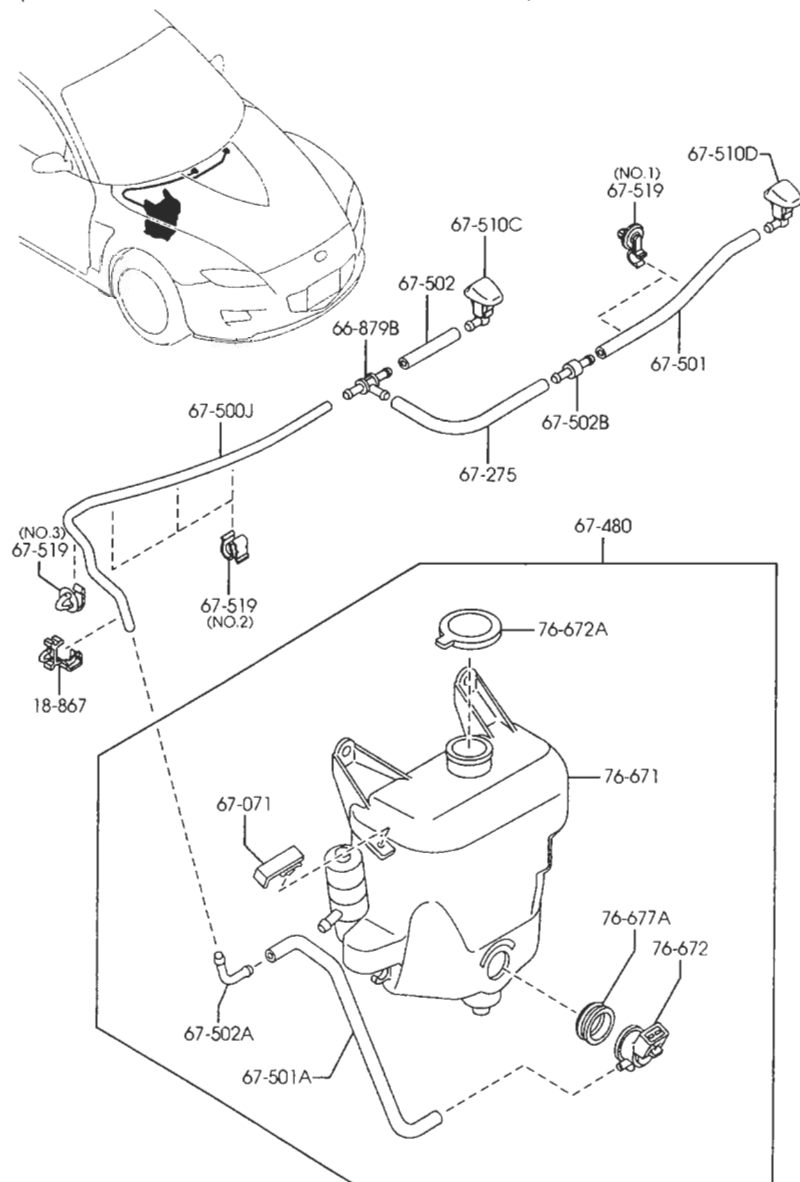


(W/O HEAD LAMP CLEANER+FRT. WASHER TANK-STD.)



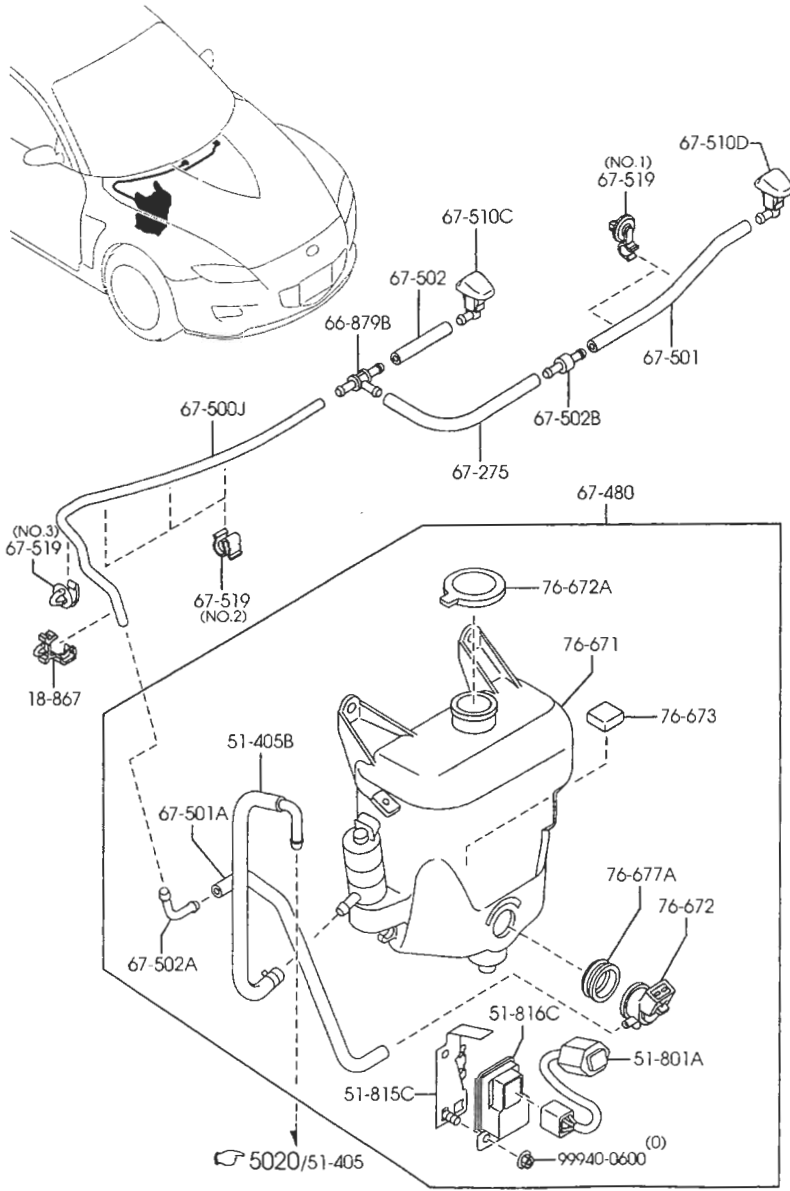
PART NO.	QTY	MODEL/RESTRICTION	MODEL/RESTRICTION	MODEL/RESTRICTION	FROM-TO
18-867	1	CLIP	ATTACHE		
B367-18-867					
51-405B	1	PIPE, HEAD LAMP CLEANER	TUYAU, LAVEUR PHARE		
FE03-51-403		(W/HEAD LAMP CLEANER)	(A/LAVE-PHARES)		
51-801A	1	CORD, H/LAMP CLEANER	FAISCEAU		
FE05-51-213		(W/HEAD LAMP CLEANER)	(A/LAVE-PHARES)		
51-815C	1	BRKT., CONT. UNIT-H/L CLEAN	SUP., UNITE COM-LAVE-PHARE		
FE03-51-815A		(W/HEAD LAMP CLEANER)	(A/LAVE-PHARES)		
51-816C	1	UNIT, CONT.-H/L CLEANER	UNITE COM-LAVE-PHARE		
FE03-51-816		(W/HEAD LAMP CLEANER)	(A/LAVE-PHARES)		
66-879B	1	JOINT	RACCORD		
F152-67-502					
67-071	1	CLIP	CLIP		
B211-67-C99		(W/D HEAD LAMP CLEANER)	(S/LAVE-PHARES)		
67-275	1	HOSE, SCREEN WASHER	TUYAU, LAVE-GLACE		
B28C-67-501A					
67-480	1	TANK, WASHER-FRONT	RESERVOIR DE LAVE-GLACE		
FE01-67-480A		(W/D HEAD LAMP CLEANER+FRT. WASHER TANK-STD.)	(S/LAVE-PHARES+)		
FE02-67-480A		(W/D HEAD LAMP CLEANER+FRT. WASHER TANK-LARGE)	(S/LAVE-PHARES+RES LAVE-GLACE AVANT-GRAND)		
FE03-67-480B		(W/HEAD LAMP CLEANER)	(A/LAVE-PHARES)		
67-500J	1	PIPE, SCREEN WASHER	TUYAU		
FE03-67-501					
67-501	1	HOSE(R), NOZZLE	TUYAU(D), BUSE		
F154-67-501					

(W/O HEAD LAMP CLEANER+FRT. WASHER TANK-LARGE)



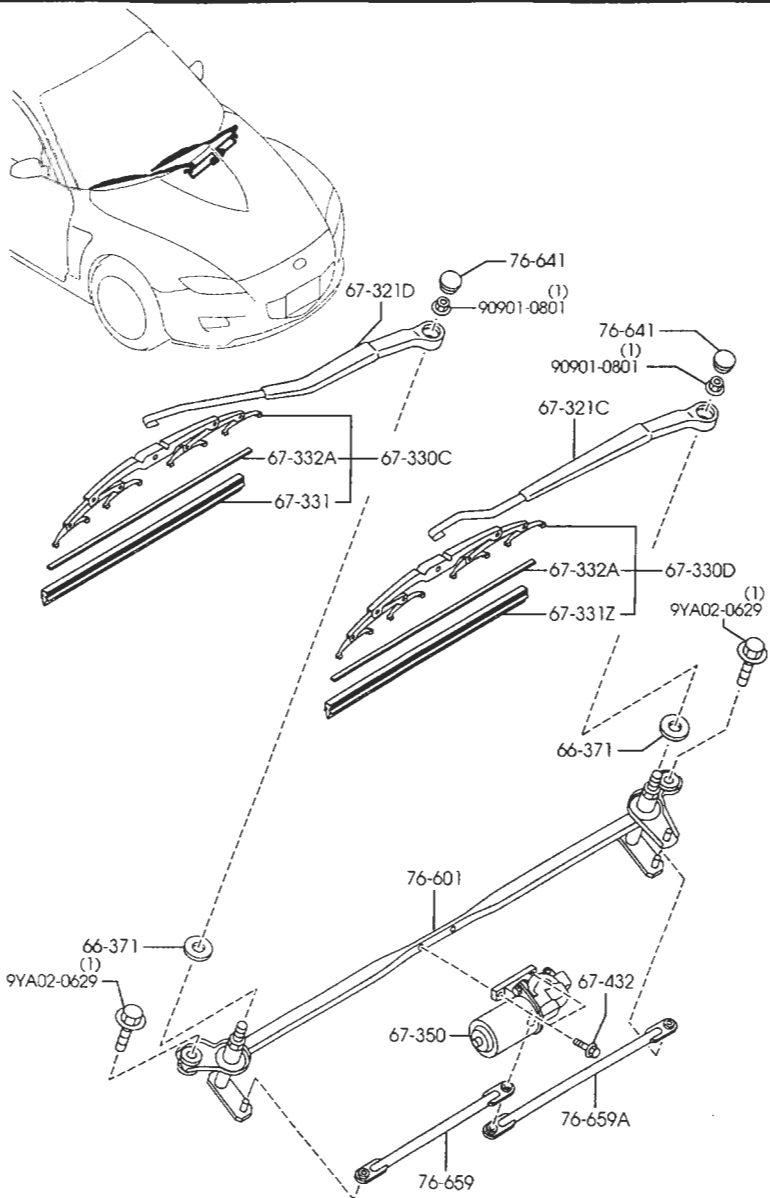
PART NO.	QTY	MODEL/RESTRICTION	MODEL/RESTRICTION	MODEL/RESTRICTION	FROM-TO
67-501A		HOSE, SCREEN WASHER	TUYAU		
FE01-67-501	1	(FRT. WASHER TANK-ST D.)			
FE02-67-501	1	(FRT. WASHER TANK-LARGE)	(RES LAVE-GLACE AVANT-GRAND)		
67-502		HOSE(L), NOZZLE	TUYAU(G), BUSE		
FE04-67-501	1				
67-502A		JOINT, HOSE	RACCORD DE TUYAU C.T.C.		
G14S-67-502	1				
67-502B		JOINT, HOSE	RACCORD, TUYAU SOUPLE		
E112-67-502	1				
67-510C		NOZZLE(R), WASHER	BUSE(D), LAVE-GLACE		
FE02-67-510	1				
67-510D		NOZZLE(L), WASHER	BUSE(G), LAVE-GLACE		
FE01-67-510	1				
67-519		CLIP, PIPE	ATTACHE		
F151-67-519	2	(ILLUST. NO.1)			
F152-67-519	3	(ILLUST. NO.2)			
F153-67-519	1	(ILLUST. NO.3)			
76-671		TANK, WASHER	RESERVOIR DE LAVE-GLACE		
FE01-67-481A	1	(W/O HEAD LAMP CLEANER+FRT. WASHER TANK-ST D.)	(S/LAVE-PHARES+)		
FE02-67-481A	1	(W/O HEAD LAMP CLEANER+FRT. WASHER TANK-LARGE)	(S/LAVE-PHARES+RES LAVE-GLACE AVANT-GRAND)		
FE03-67-481A	1	(W/HEAD LAMP CLEANER)	(A/LAVE-PHARES)		
76-672		PUMP, WASHER	POMPE, ESSUIE-GLACE		
FE01-67-482	1				
76-672A		CAP, TANK	BOUCHON DE RESERVOIR		
GJ6A-67-483A	1				

(W/HEAD LAMP CLEANER)

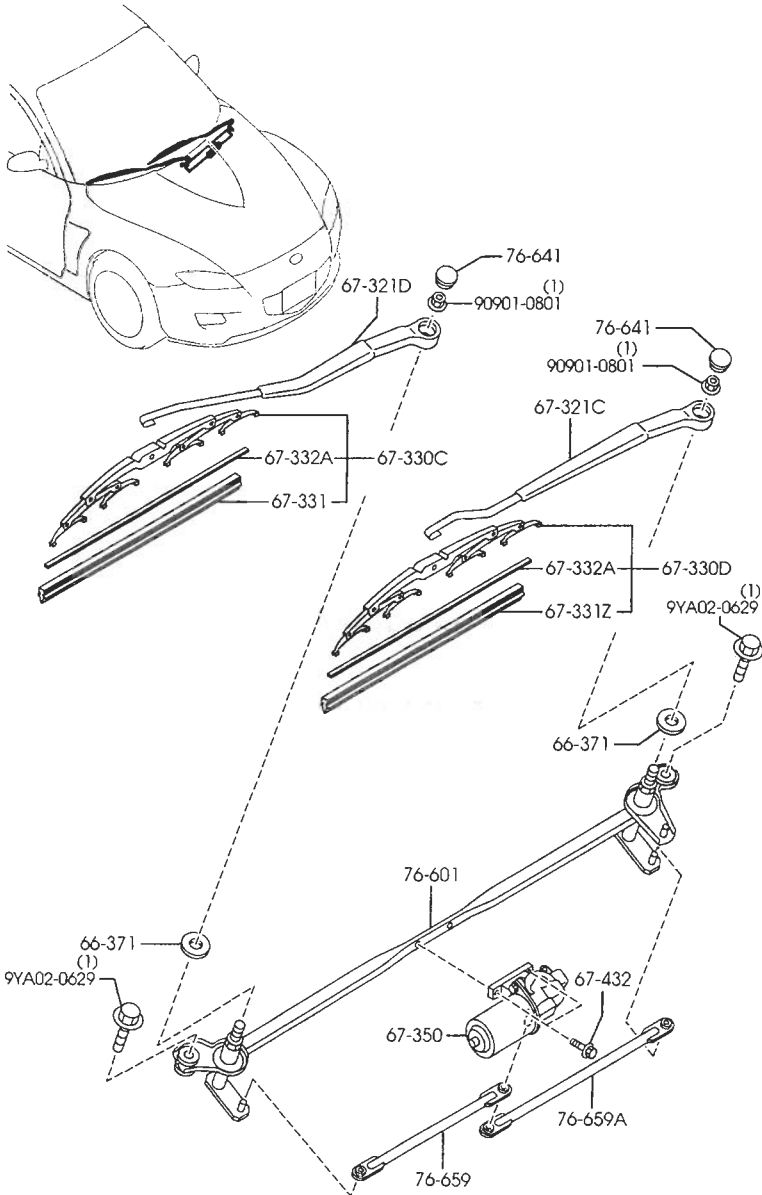


AUFA07

PART NO.	QTY	MODEL/RESTRICTION	MODEL/RESTRICTION	MODEL/RESTRICTION	FROM-TO
<div style="border: 1px dashed black; padding: 2px; display: inline-block;">76-673</div> FE03-67-488	1	SWITCH, LEVEL (W/HEAD LAMP CLEANER )	CONTACT DE NIVEAU (A/LAVE-PHARES)		
<div style="border: 1px dashed black; padding: 2px; display: inline-block;">76-677A</div> G22C-67-491	1	GROMMET, WASHER TANK	ANNEAU		

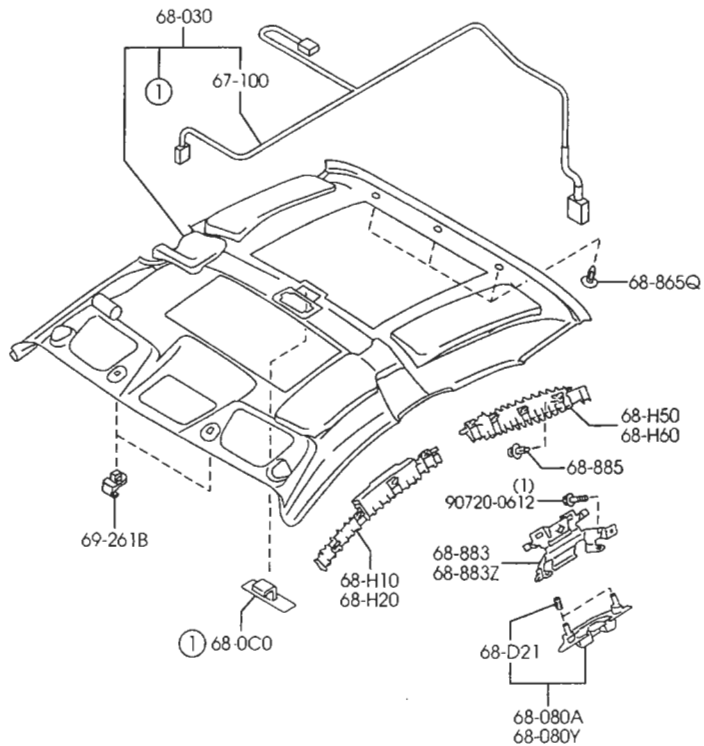


PART NO.	QTY	MODEL/RESTRICTION	MODEL/RESTRICTION	MODEL/RESTRICTION	FROM-TO
66-371		CAP, SEAL	BOUCHON D'ETANCHEITE		
GJ6A-67-366A	2				
67-321C		ARM, WIPER-DRIVER SIDE	BRAS, BALAI-COTE CONDUCT.		
FE01-67-321	1				
67-321D		ARM, WIPER-PASS. SIDE	BRAS, BALAI-COTE		
FE02-67-321	1				
67-330C		BLADE(R), WIPER-FRONT	LAME(D), ESSUYEUR-AVANT		
BE5J-67-330	1				
67-330D		BLADE(L), WIPER-FRONT	LAME(G), ESSUYEUR-AVANT		
DC20-67-330	1				
67-331		RUBBER, BLADE-FRONT	CAOUT. (D), LAME-AVANT		
B16B-67-333	1				
67-331Z		RUBBER, BLADE-FRONT	CAOUT. (G), LAME-AVANT		
H430-67-333	1				
67-332A		PLATE, BACKING	PLAQUE, SOUTIEN		
B16B-67-332	1	(FOR RIGHT SIDE)	(POUR COTE DROIT)		
O102-67-332	1	(FOR LEFT SIDE)			
67-350		MOTOR, WIPER	MOTEUR ESSUIE-CLACE		
FE01-67-340	1	(WIPER MOTOR-STD.)			
FE02-67-340	1	(WIPER MOTOR-COLD SPEC)			
67-432		SCREW	VIS		
GJ6A-67-323	2				
76-601		LINK, WIPER	TRINGLE D'ESSUIE-GLACE		
FE01-67-360	1	(WIPER MOTOR-STD.)			
FE02-67-360	1	(WIPER MOTOR-COLD SPEC)			
76-641		COVER, WIPER ARM-FRONT	COUVERCLE BRAS ESSUIE-GLAC		
G22C-67-395	2				

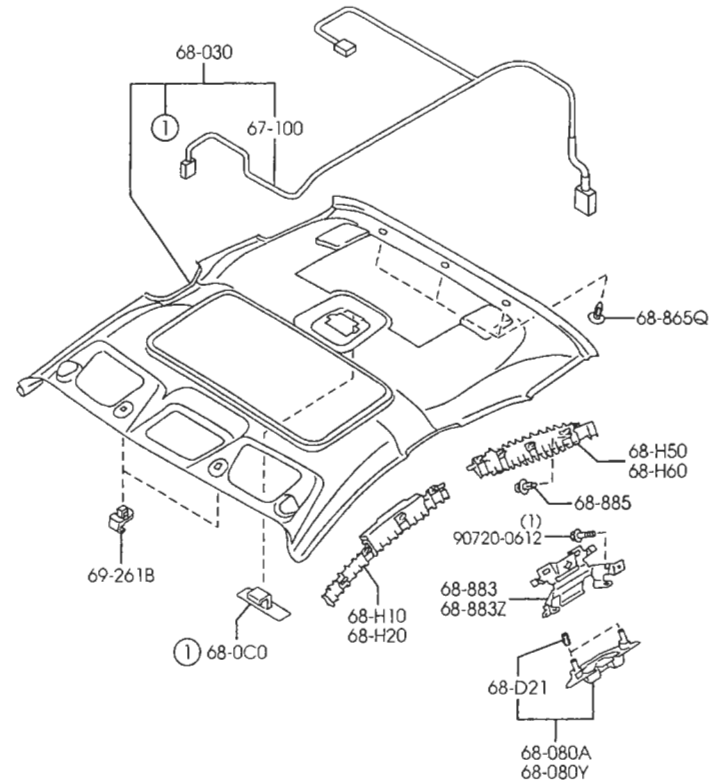


PART NO.	QTY	MODEL/RESTRICTION	MODEL/RESTRICTION	MODEL/RESTRICTION	FROM-TO
76-659		ARM NO.1, LINK	BRAS		
F151-67-361	1				
76-659A		ARM NO.2, LINK	BRAS		
F151-67-362	1				

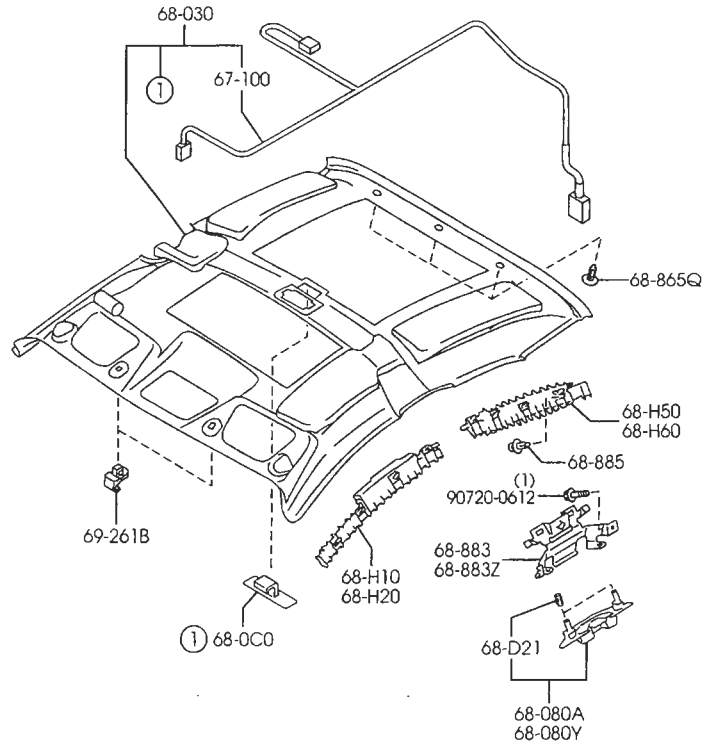
(W/O SUNROOF)



(W/SUNROOF)



(W/O SUNROOF)

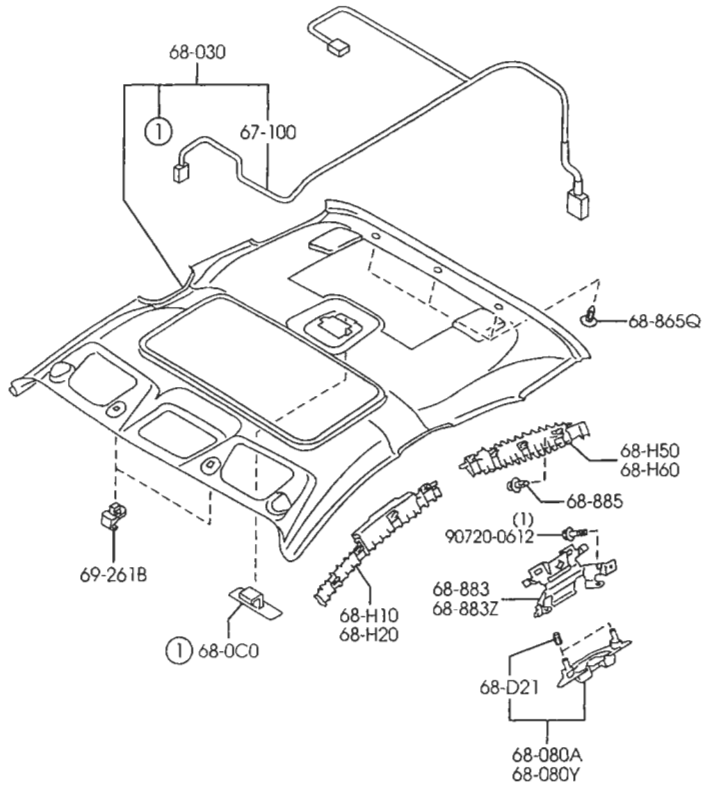


PART NO.	QTY	MODEL/RESTRICTION	MODEL/RESTRICTION	MODEL/RESTRICTION	FROM-TO
67-100		HARNES, ROOM LAMP	FAISCEAU DE PLAFONNIER		
F151-67-100A	1	(W/O SUNROOF)	(S/TOIT OUVR)		
F153-67-100A	1	(W/SUNROOF)	(TOIT OUVR)		
68-D21		CLIP, TRIM	COLLIER, ASSIETTE		
LA10-68-D21	4				
68-H10		PAD(R), FRT-HEAD IMPACT	TAMPON(D), AV.-CHOC TETE		
FE01-68-H10C	1				
68-H20		PAD(L), FRT-HEAD IMPACT	TAMPON(G), AV.-CHOC TETE		
FE01-68-H20C	1				
68-H50		PAD(R), REAR-HEAD IMPACT	TAMPON(D), AR.-CHOC TETE		
F152-68-H50C	1				
68-H60		PAD(L), REAR-HEAD IMPACT	TAMPON(G), AR.-CHOC TETE		
F152-68-H60C	1				
68-0C0		CLIP, TOP CEILING	COLLIER, PLAFOND		
F151-68-0C0A	1				
68-030		CEILING, TOP	CIEL DE PAVILLON		
FE01-68-030C	1	(W/O SUNROOF)	(S/TOIT OUVR)		
77	INT-	FF3 FF4 FF5 FF6 SPORTS GRAY TOP	FF3 FF4 FF5 FF6		
FE03-68-030D	1	(W/SUNROOF)	(TOIT OUVR)		
77	INT-	FF3 FF4 FF5 FF6 SPORTS GRAY TOP	FF3 FF4 FF5 FF6		
68-080A		TRIM(R), ROOF SIDE	GARNITURE LAT.(D), TOIT		
F151-68-12XA	1				
02	INT-	FF3 FF4 FF5 FF6 BLACK	FF3 FF4 FF5 FF6 NOIR		
68-080Y		TRIM(L), ROOF SIDE	GARNITURE LAT.(G), TOIT		
F151-68-12YA	1				
02	INT-	FF3 FF4 FF5 FF6 BLACK	FF3 FF4 FF5 FF6 NOIR		
68-865Q		FASTENER	AGRAFE		



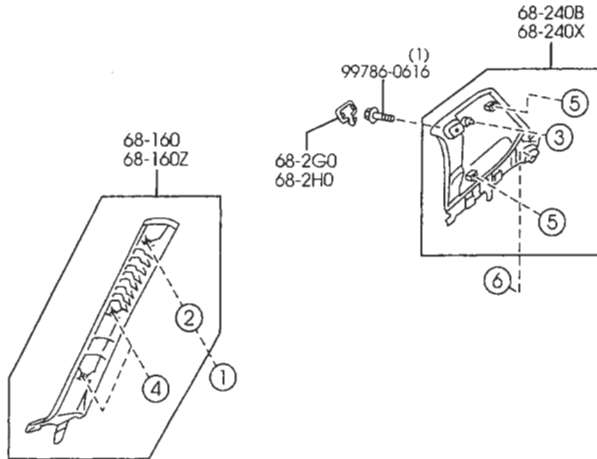
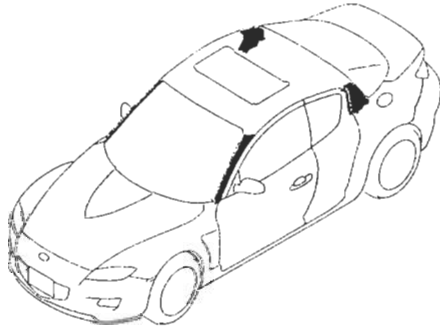


(W/SUNROOF)



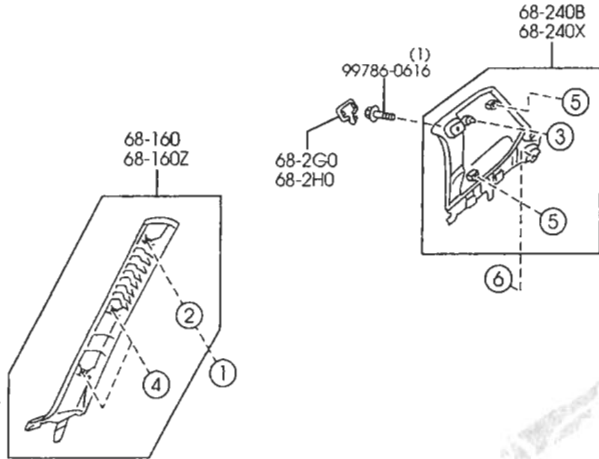
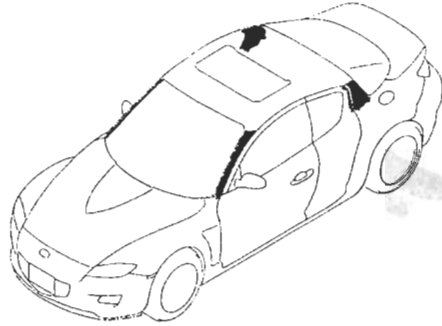
PART NO.	QTY	MODEL/RESTRICTION	MODEL/RESTRICTION	MODEL/RESTRICTION	FROM-TO
CONT'D GJ21-68-885B	3				
03	INT-	FF3 FF4 FF5 FF6 LIGHT GRAY	FF3 FF4 FF5 FF6 GRIS CLAIR		
↑-----↑   68-883   ↑-----↑		BRACKET(R),UPPER	SUPPORT(D),SUPERIEU		
F151-68-DL1A	1				
↑-----↑   68-883Z   ↑-----↑		BRACKET(L),UPPER	SUPPORT(G),SUPERIEU		
F151-68-DL6A	1				
↑-----↑   68-885   ↑-----↑		FASTENER	AGRAFE		
H380-68-885	2				
↑-----↑   69-261B   ↑-----↑		ADAPTER,CENTER	ADAPTEUR,CENTRAL		
LC62-69-261A	2				
77	INT-	FF3 FF4 FF5 FF6 SPORTS GRAY TOP	FF3 FF4 FF5 FF6		





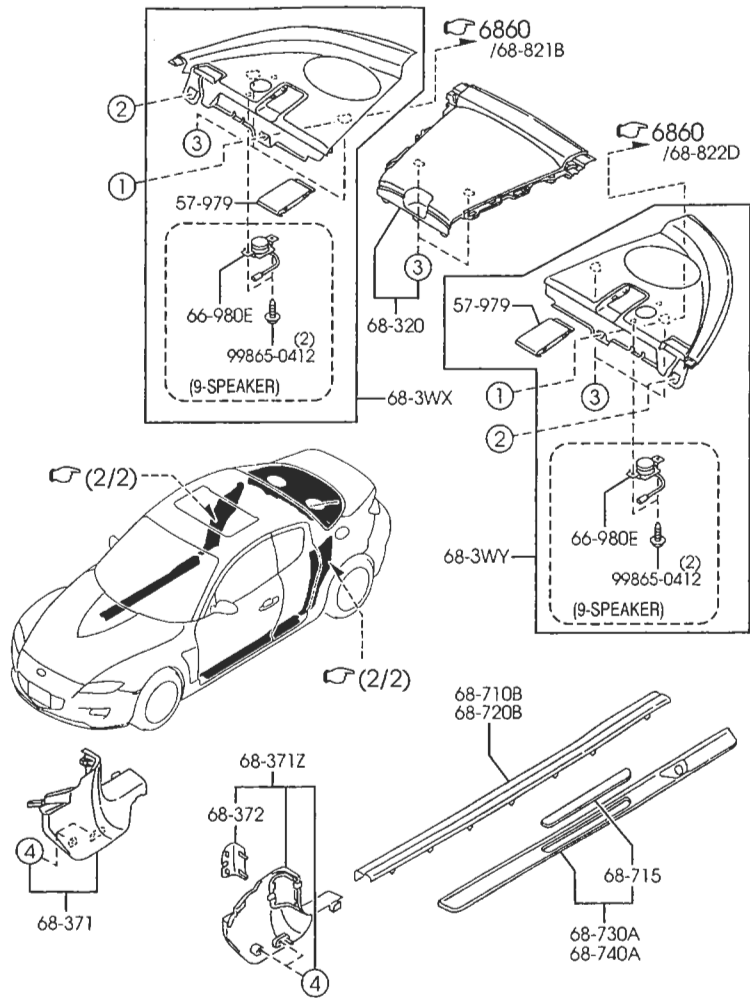
①	②	③	④	⑤	⑥
68-155	68-162	68-D21	64-345C	68-865	68-865Q

PART NO.	QTY	MODEL/RESTRICTION	MODEL/RESTRICTION	MODEL/RESTRICTION	FROM-TO
64-345C LB82-64-345	4	SPRING, UPPER PLATE	RESSORT, PLAQUE SUP		
68-D21 LA10-68-D21	2	CLIP, TRIM	COLLIER, ASSIETTE		
68-155 GJ6A-68-155A	2	GROMMET, SCREW	PROTECTEUR, VIS		
68-160 F152-68-160A	1	TRIM(R), 'A'PILLAR	ASSIETTE(D), 'A'MONTANT		
77	INT-	FF3 FF4 FF5 FF6 SPORTS GRAY TOP	FF3 FF4 FF5 FF6		
68-160Z F152-68-170A	1	TRIM(L), 'A'PILLAR	ASSIETTE(G), 'A'MONTANT		
77	INT-	FF3 FF4 FF5 FF6 SPORTS GRAY TOP	FF3 FF4 FF5 FF6		
68-162 GJ6A-68-162	2	CLIP, TRIM	COLLIER, MASSIF/P C. INF.		
68-200 F152-68-2G1A	1	COVER(RR,R), 'C'PILLAR	COUVERCLE(AR,D), PILLIER C.		
77	INT-	FF3 FF4 FF5 FF6 SPORTS GRAY TOP	FF3 FF4 FF5 FF6		
68-2H0 F152-68-2H1A	1	COVER(RR,L), 'C'PILLAR	COUVERCLE(AR,G), PILLIER C.		
77	INT-	FF3 FF4 FF5 FF6 SPORTS GRAY TOP	FF3 FF4 FF5 FF6		
68-240B F152-68-250B	1	TRIM(R), 'C'PILLAR	GARNITURE(D), MONTANT 'C'		
77	INT-	FF3 FF4 FF5 FF6 SPORTS GRAY TOP	FF3 FF4 FF5 FF6		
68-240X F152-68-260B	1	TRIM(L), 'C'PILLAR	GARNITURE(G), MONTANT 'C'		
77	INT-	FF3 FF4 FF5 FF6 SPORTS GRAY TOP	FF3 FF4 FF5 FF6		

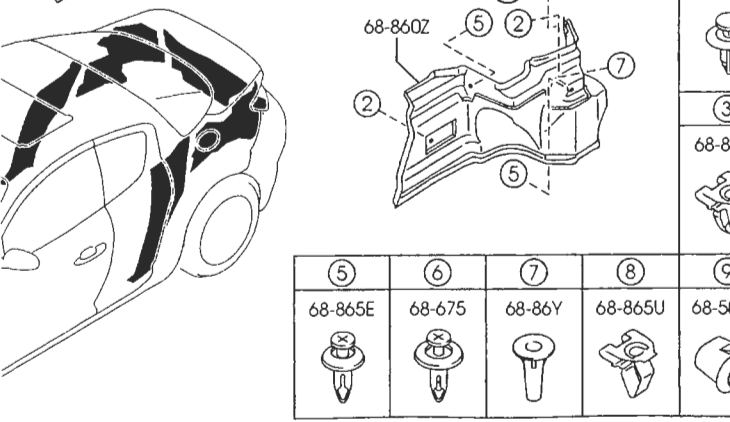
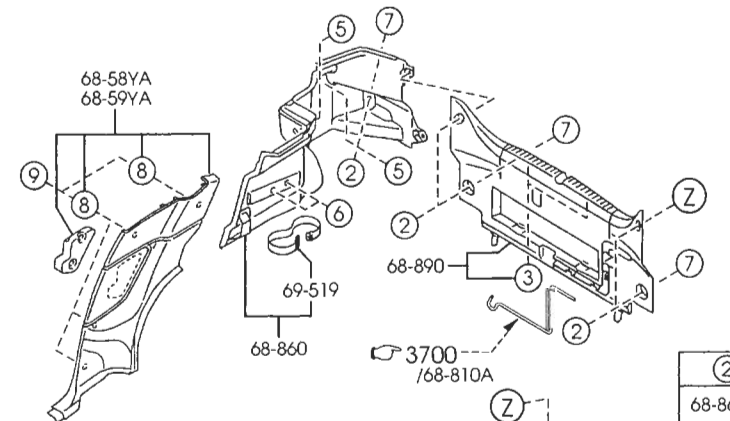
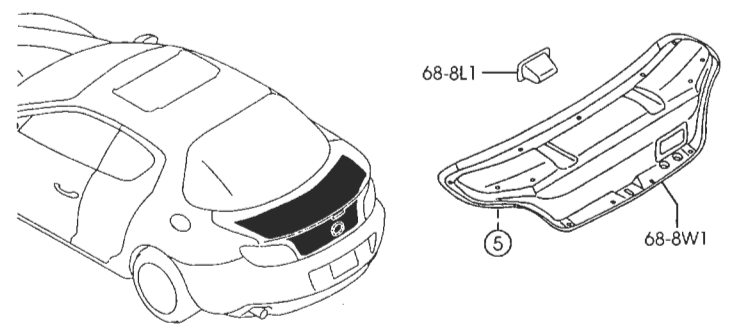


①	②	③	④	⑤	⑥
68-155	68-162	68-D21	64-345C	68-865	68-865Q

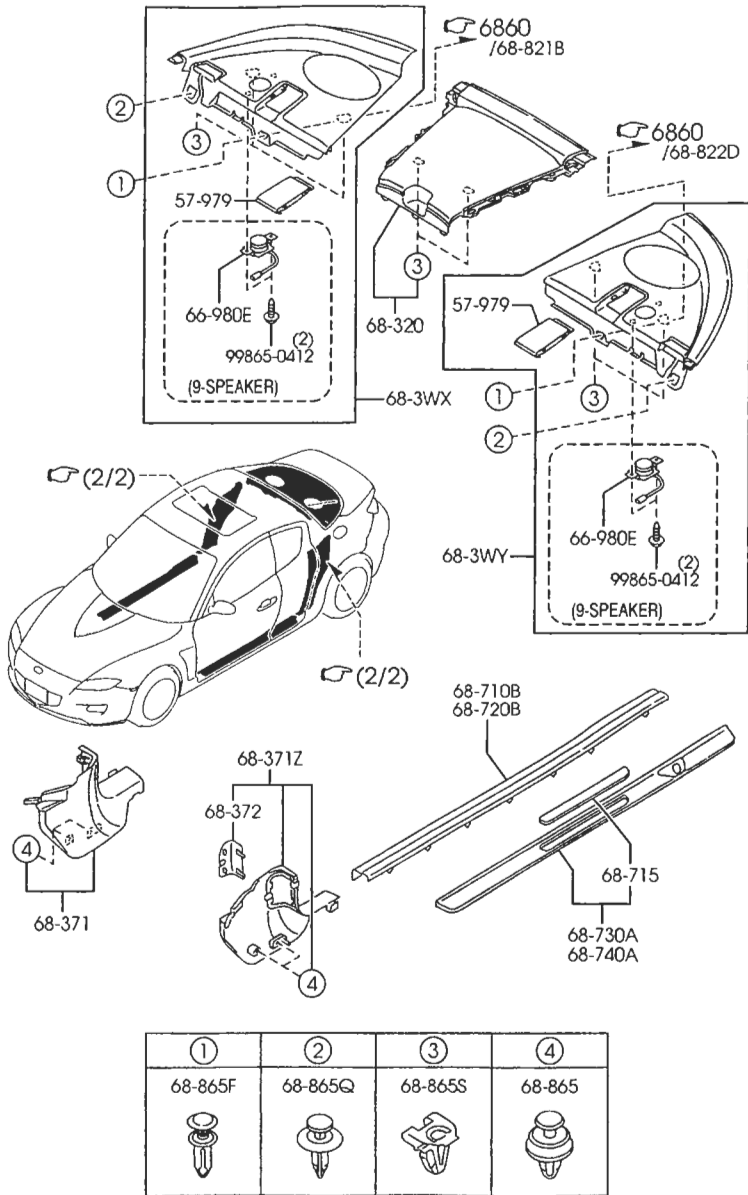
PART NO.	QTY	MODEL/RESTRICTION	MODEL/RESTRICTION	MODEL/RESTRICTION	FROM-TO
68-865		FASTENER	AGRAFE		
GE4T-68-865A	4				
68-865Q		FASTENER	AGRAFE		
GJ21-68-885B	2				
02	INT-	FF3 FF4 FF5 FF6 BLACK	FF3 FF4 FF5 FF6 NOIR		



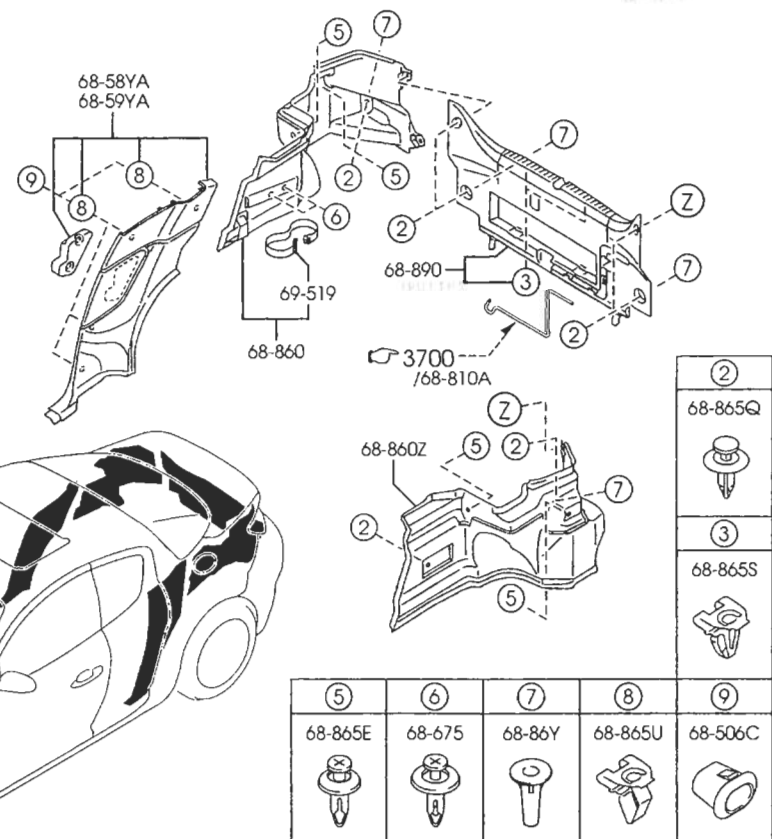
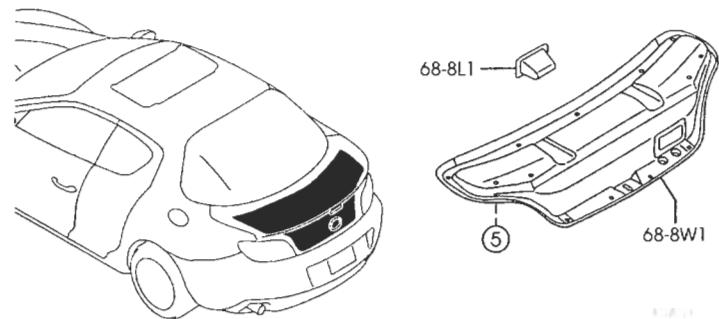
①	②	③	④
68-865F	68-865Q	68-865S	68-865



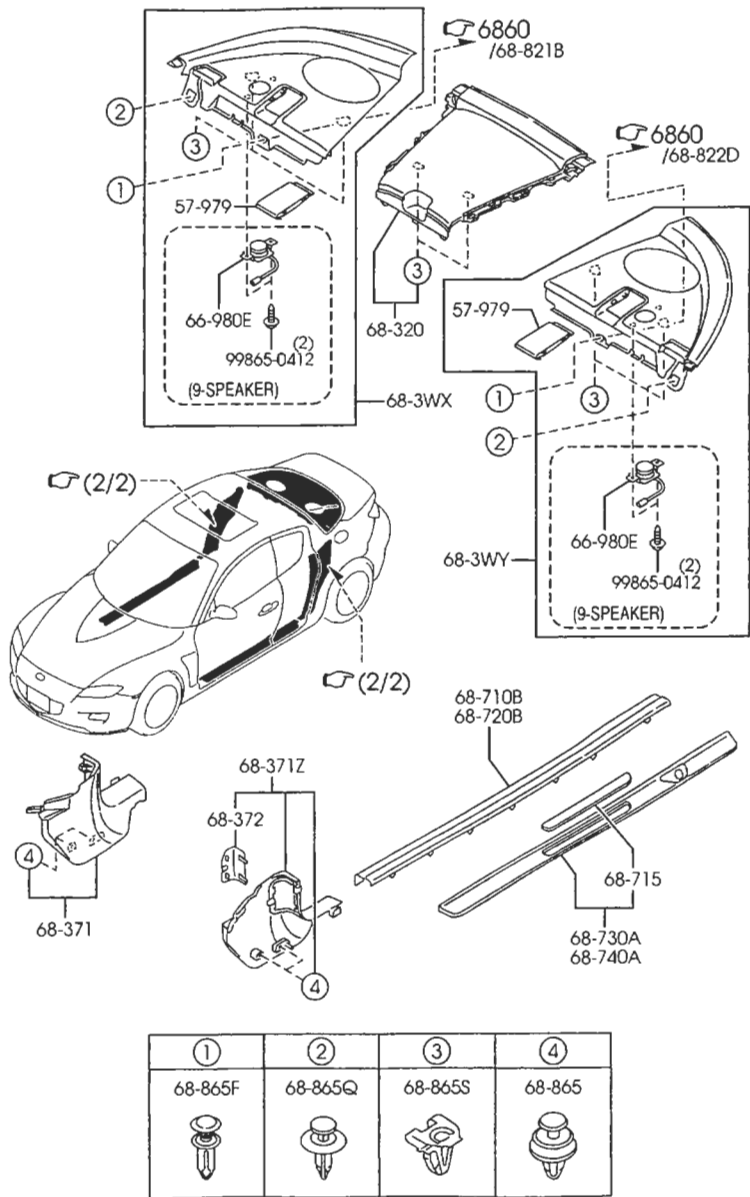
⑤	⑥	⑦	⑧	⑨
68-865E	68-675	68-86Y	68-865U	68-506C



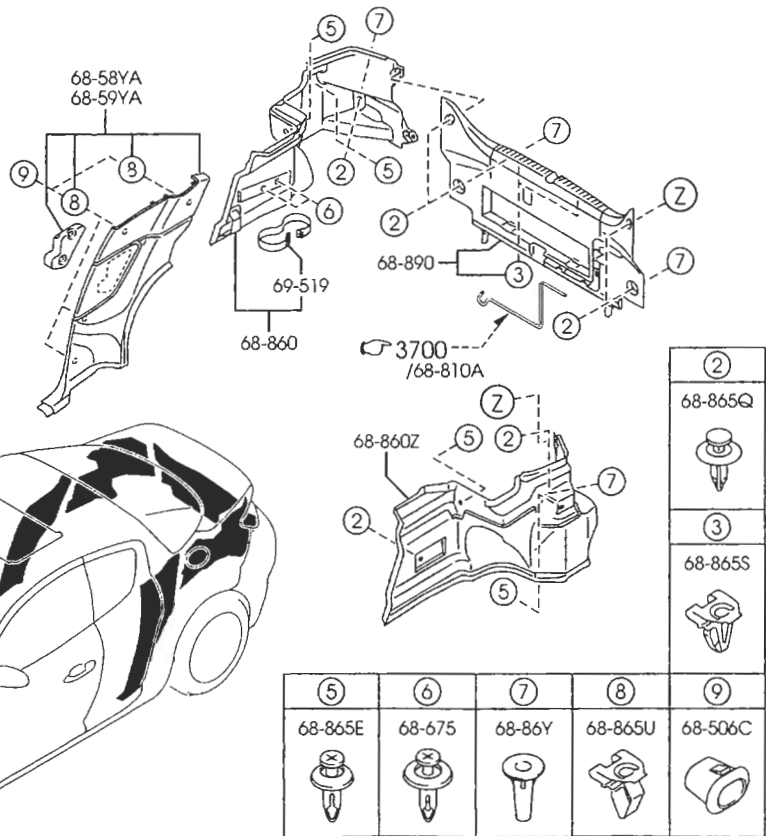
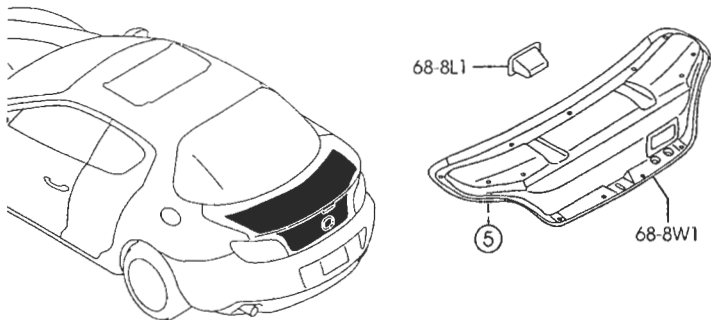
PART NO.	QTY	MODEL/RESTRICTION	MODEL/RESTRICTION	MODEL/RESTRICTION	FROM-TO
66-980E		SPEAKER, TWEETER	HAUT PARLEUR, TWEETER		
F153-66-960	2	(9-SPEAKER)			
68-381		BEZEL(R), SEAT BELT	BAC(D), COURROIE		
F151-68-381	2				
02	INT-	FF3 FF4 FF5 FF6 BLACK	FF3 FF4 FF5 FF6 NOIR		
68-3WX		TRIM(R), UPPER-RR PACKAGE (6-SPEAKER)	GARNISSAGE(D), SUP.-P AQ.AR		
F151-68-3WX	1				
02	INT-	FF3 FF4 FF5 FF6 BLACK	FF3 FF4 FF5 FF6 NOIR		
F154-68-3WX	1	(9-SPEAKER)			
02	INT-	FF3 FF4 FF5 FF6 BLACK	FF3 FF4 FF5 FF6 NOIR		
68-3WY		TRIM(L), UPPER-RR PACKAGE (6-SPEAKER)	GARNISSAGE(G), SUP.-P AQ.AR		
F151-68-3WY	1				
02	INT-	FF3 FF4 FF5 FF6 BLACK	FF3 FF4 FF5 FF6 NOIR		
F154-68-3WY	1	(9-SPEAKER)			
02	INT-	FF3 FF4 FF5 FF6 BLACK	FF3 FF4 FF5 FF6 NOIR		
68-320		TRAY, REAR PACKAGE	GARNITURE (D), VIDE-POCHE		
F151-68-3A0A	1				
02	INT-	FF3 FF4 FF5 FF6 BLACK	FF3 FF4 FF5 FF6 NOIR		
68-371		TRIM(R), FRONT SIDE	GARNITURE (D), COTE AV.		
F151-68-370B	1				
02	INT-	FF3 FF4 FF5 FF6 BLACK	FF3 FF4 FF5 FF6 NOIR		
68-371Z		TRIM(L), FRONT SIDE	GARNITURE,		
FE01-68-390B	1				
02	INT-	FF3 FF4 FF5 FF6 BLACK	FF3 FF4 FF5 FF6 NOIR		
68-372		COVER, FRONT SIDE TRIM	COUVERCLE		
F151-68-381B	1				
02	INT-	FF3 FF4 FF5 FF6	FF3 FF4 FF5 FF6 NOIR		



PART NO.	QTY	MODEL/RESTRICTION	MODEL/RESTRICTION	MODEL/RESTRICTION	FROM-TO
CONT'D					
		BLACK			
-----+ 68-506C -----+		GROMMET, QUARTER TRIM	BAGUE, ASSIETTE QUART		
E001-68-506	8				
-----+ 68-58YA -----+		TRIM(R), REAR SIDE (SIDE DOOR TRIM-CLOTH)	GARNITURE(D), LAT. AR		
FE01-68-58YC	1				
02	INT-	FF6 SPORTS GRAY/BLACK	FF6 NOIR/GRIS SPORTS		
FE02-68-58YC	1	(SIDE DOOR TRIM-VINYL LEATHER)			
02	INT-	FF3 BLACK	FF3 NOIR		
15	INT-	FF4 RED/BLACK	FF4 ROUGE/NOIR		
23	INT-	FF5 BROWN/BLACK	FF5 BRUN/NOIR		
-----+ 68-59YA -----+		TRIM(L), REAR SIDE (SIDE DOOR TRIM-CLOTH)	GARNITURE(G), LAT. AR		
FE01-68-59YC	1				
02	INT-	FF6 SPORTS GRAY/BLACK	FF6 NOIR/GRIS SPORTS		
FE02-68-59YC	1	(SIDE DOOR TRIM-VINYL LEATHER)			
02	INT-	FF3 BLACK	FF3 NOIR		
15	INT-	FF4 RED/BLACK	FF4 ROUGE/NOIR		
23	INT-	FF5 BROWN/BLACK	FF5 BRUN/NOIR		
-----+ 68-675 -----+		FASTENER	AGRAFE		
B100-68-675	2				
02	INT-	FF3 FF4 FF5 FF6 BLACK	FF3 FF4 FF5 FF6 NOIR		
-----+ 68-710B -----+		PLATE(R), SCUFF-INNER			
F151-68-710A	1				
02	INT-	FF3 FF4 FF5 FF6 BLACK	FF3 FF4 FF5 FF6 NOIR		
-----+ 68-715 -----+		PLATE, REAR SCUFF	SEUIL DE PORTE AR		
F151-68-715A	2				
-----+ 68-720B -----+		PLATE(L), SCUFF-INNER			
F151-68-720A	1				



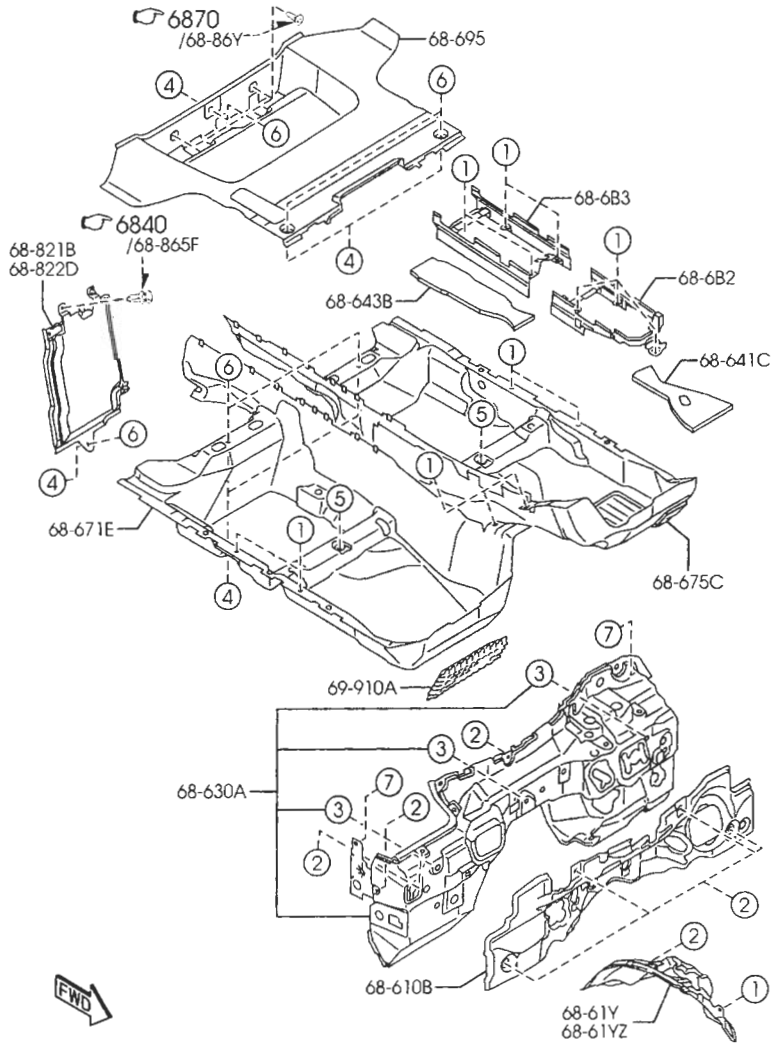
PART NO.	QTY	MODEL/RESTRICTION	MODEL/RESTRICTION	MODEL/RESTRICTION	FROM-TO
CONT'D					
02	INT-	FF3 FF4 FF5 FF6 BLACK	FF3 FF4 FF5 FF6 NOIR		
		+-----+   68-730A   +-----+	PLATE(R),SCUFF-OUTER		
F151-68-730B	1				
02	INT-	FF3 FF4 FF5 FF6 BLACK	FF3 FF4 FF5 FF6 NOIR		
		+-----+   68-740A   +-----+	PLATE(L),SCUFF-OUTER		
F151-68-740B	1				
02	INT-	FF3 FF4 FF5 FF6 BLACK	FF3 FF4 FF5 FF6 NOIR		
		+-----+   68-BL1   +-----+	RECESS,LIFT GATE TRIM	CAVITE,GARN. PORTE L'EEVEE	
GJ6A-68-966	1				
02	INT-	FF3 FF4 FF5 FF6 BLACK	FF3 FF4 FF5 FF6 NOIR		
		+-----+   68-8W1   +-----+	TRIM,TRUNK LID	GARNITURE,CAPOT COFFRE	
F151-68-8WXB	1				
		+-----+   68-86Y   +-----+	CAP,SEAL-TRUNK END TRIM	CAPUCHON,ETANC.-GARNITURE .COFFRE	
KA01-68-86YA	4				
		+-----+   68-860   +-----+	TRIM(R),TRUNK SIDE	GARNITURE (D), COTE COFFRE	
F151-68-850B	1				
		+-----+   68-860Z   +-----+	TRIM(L),TRUNK SIDE	GARNITURE,	
F151-68-870B	1				
		+-----+   68-865   +-----+	FASTENER	AGRAFE	
GE4T-68-865A	4				
		+-----+   68-865E   +-----+	FASTENER	AGRAFE	
B040-68-865A	17				
00	INT-	FF3 FF4 FF5 FF6 BLACK	FF3 FF4 FF5 FF6 NOIR		
		+-----+   68-865F   +-----+	FASTENER	AGRAFE	
B041-68-865	2				
02	INT-	FF3 FF4 FF5 FF6 BLACK	FF3 FF4 FF5 FF6 NOIR		



PART NO.	QTY	MODEL/RESTRICTION	MODEL/RESTRICTION	MODEL/RESTRICTION	FROM-TO
68-865Q		FASTENER	AGRAFE		
GJ21-68-885B	9				
02	INT-	FF3 FF4 FF5 FF6 BLACK	FF3 FF4 FF5 FF6 NOIR		
68-865S		CLIP,TRIM	ATTACHE		
GJ12-68-865	8				
68-865U		CLIP,TRIM	ATTACHE		
GJ21-68-865	8				
68-890		TRIM,TRUNK END	GARNITURE DE COIN, C OFFRE		
FE01-68-89XA	1				
69-519		BAND	COLLIER DE SERRAGE		
F151-69-502	1				

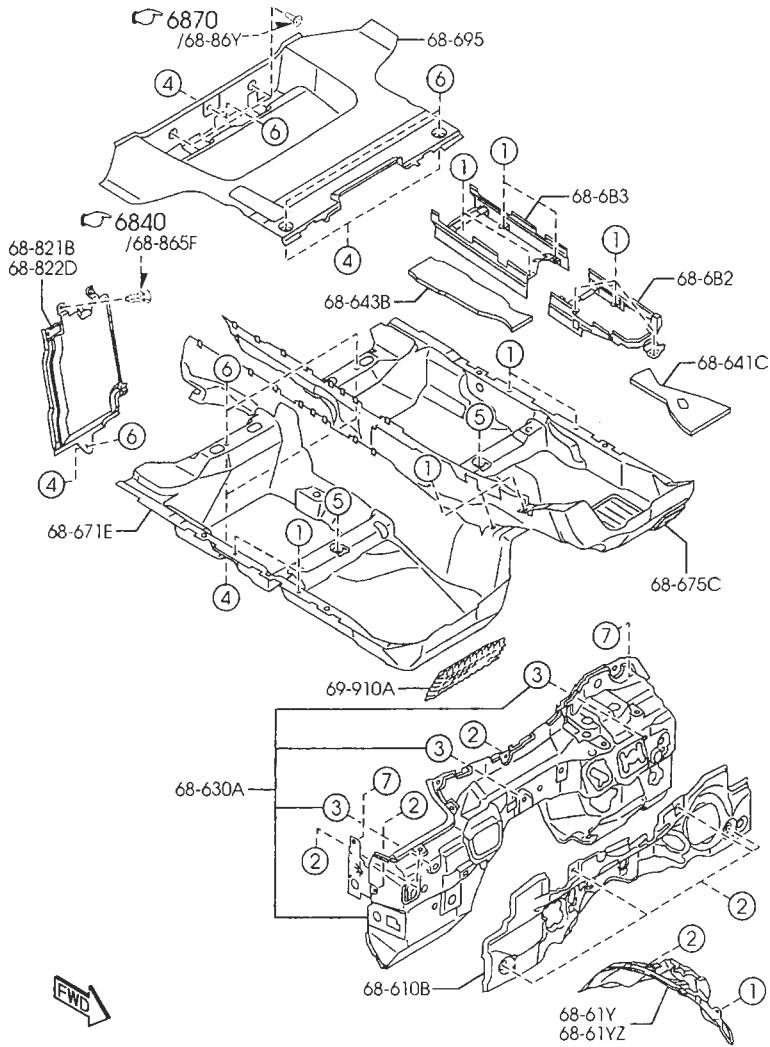






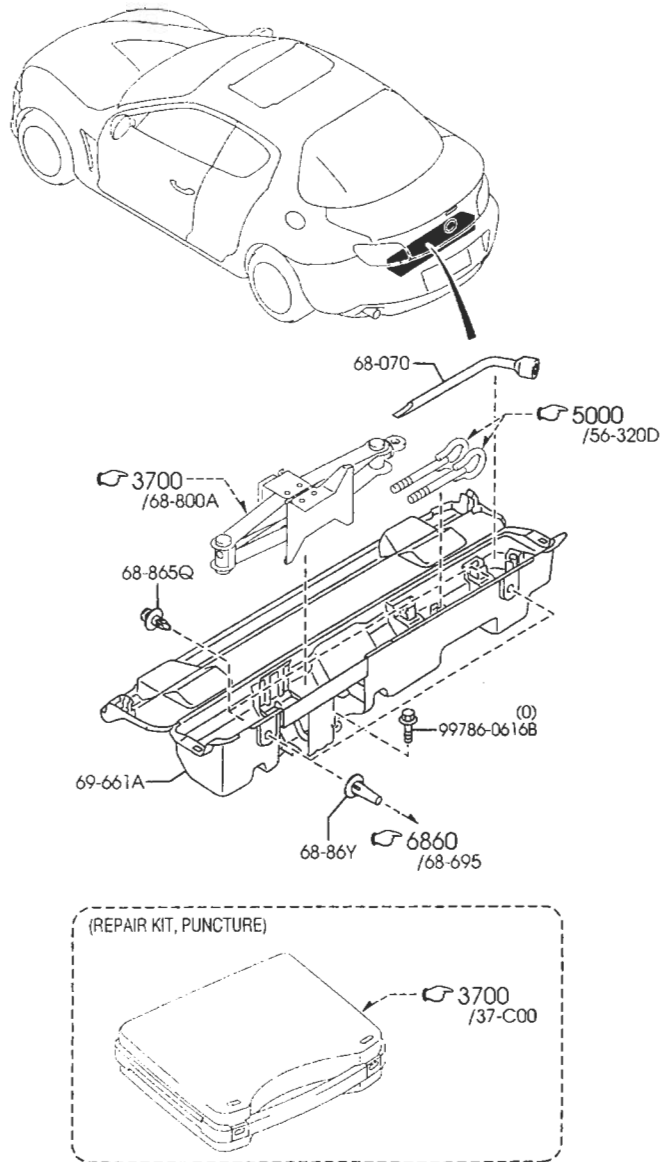
①	②	③	④	⑤	⑥	⑦
68-865C	68-615B	68-625	68-866F	68-885	68-865D	56-385B

PART NO.	QTY	MODEL/RESTRICTION	MODEL/RESTRICTION	MODEL/RESTRICTION	FROM-TO
56-385B		FASTENER, COVER-RAD. S	AGRAFE, COUV. -HAUBAN		
C001-56-385	2	HROUD	RAD.		
68-6B2		BRACKET, TUNNEL-FRONT	SUPPORT, TUNNEL-AVANT		
F151-68-6B2A	1				
68-6B3		BRACKET, TUNNEL-REAR	SUPPORT, TUNNEL-ARRIE		
F151-68-6B3A	1		RE		
68-61Y		INS. (R), WHEEL APRON	ISOLANT(D), TABLIER		
F151-68-618	1				
68-61YZ		INS. (L), WHEEL APRON	ISOLANT(G), TABLIER		
F151-68-619	1				
68-610B		INSULATOR, ENGINE ROO	ISOLATEUR, SALLE MACH		
FE01-68-611	1	M	INE		
68-615B		NUT, FLANGE-CAP	ECROU, COLLET-CHAPEAU		
B100-68-615	14				
68-625		NUT, CAP	ECROU		
B02J-68-625	3				
68-630A		INSULATOR, DASHBOARD	ISOLATEUR, TABLEAU D		
FE01-68-63XC	1		E BORD		
68-641C		INSULATOR, FLOOR	ISOLANT, PLANCHER		
F151-68-641	1				
68-643B		INSULATOR, FLOOR	ISOLANT, PLANCHER		
F151-68-643	1				
68-671E		MAT(R), FLOOR	TAPIS(D), PLANCHER		
FE01-68-671A	1				
02	INT-	FF3 FF4 FF5 FF6	FF3 FF4 FF5 FF6 NOIR		
		BLACK			
68-675C		MAT(L), FLOOR	TAPIS(G), PLANCHER		
FE01-68-675A	1				
02	INT-	FF3 FF4 FF5 FF6	FF3 FF4 FF5 FF6 NOIR		



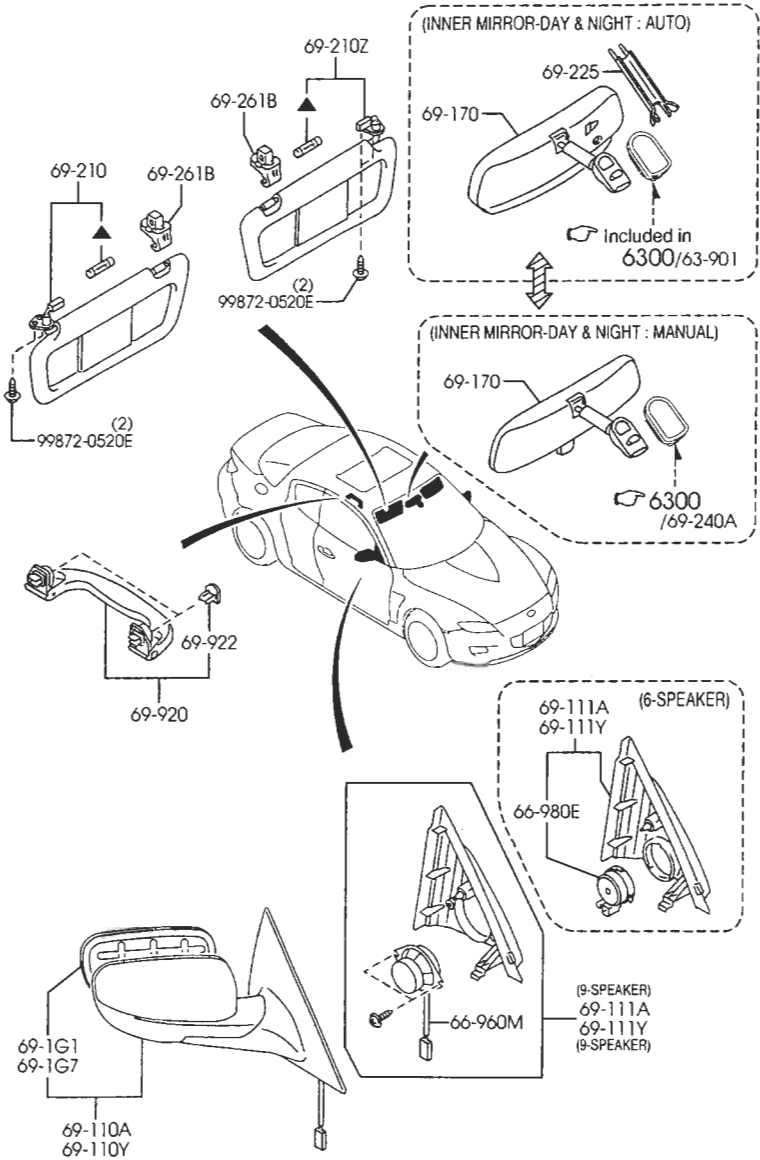
①	②	③	④	⑤	⑥	⑦
68-865C	68-615B	68-625	68-866F	68-885	68-865D	56-385B

PART NO.	QTY	MODEL/RESTRICTION	MODEL/RESTRICTION	MODEL/RESTRICTION	FROM-TO
CONT'D		BLACK			
68-695		MAT,TRUNK ROOM	TAPIS,COFFRE A BAGAGES		
F151-68-81XB	1				
68-821B		BOARD(R),PARTITION	PANNEAU(D), CLOISON		
F151-68-821A	1				
68-822D		BOARD(L),PARTITION	PANNEAU(G), CLOISON		
F151-68-822A	1				
68-865C		FASTENER	AGRAFE		
G032-68-865A	15				
00	INT-	FF3 FF4 FF5 FF6 BLACK	FF3 FF4 FF5 FF6 NOIR		
68-865D		FASTENER	AGRAFE		
S083-68-865A	7				
00	INT-	FF3 FF4 FF5 FF6 BLACK	FF3 FF4 FF5 FF6 NOIR		
68-866F		FASTENER,SEAL	AGRAFE		
G031-68-866B	7				
68-885		FASTENER	AGRAFE		
H380-68-885	2				
69-910A		SUPPORT,FOOT	SUPPORT,REPOSE-PIED		
FE01-69-690	1				



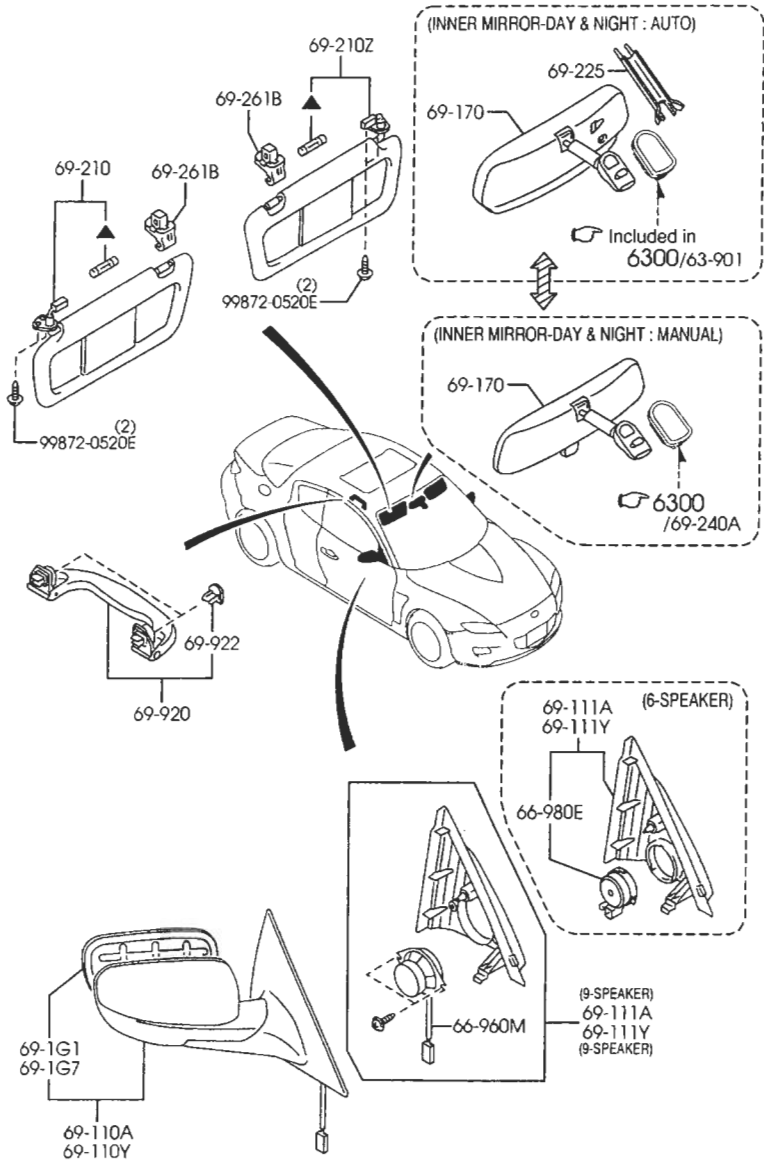
PART NO.	QTY	MODEL/RESTRICTION	MODEL/RESTRICTION	MODEL/RESTRICTION	FROY-TO
68-070 NA01-68-070	1	WRENCH, HUB NUT	CLEF DE MOYEU		
68-86Y KA01-68-86YA	2	CAP, SEAL-TRUNK END T RIM	CAPUCHON, ETANC.-GARN .COFF		
68-865Q GJ21-68-885B	2	FASTENER	AGRAFE		
02	INT-	FF3 FF4 FF5 FF6 BLACK	FF3 FF4 FF5 FF6 NOIR		
69-661A F151-69-67YB	1	BOX, TOOL	BOITE A OUTILS		

▲ Part number will be assigned.



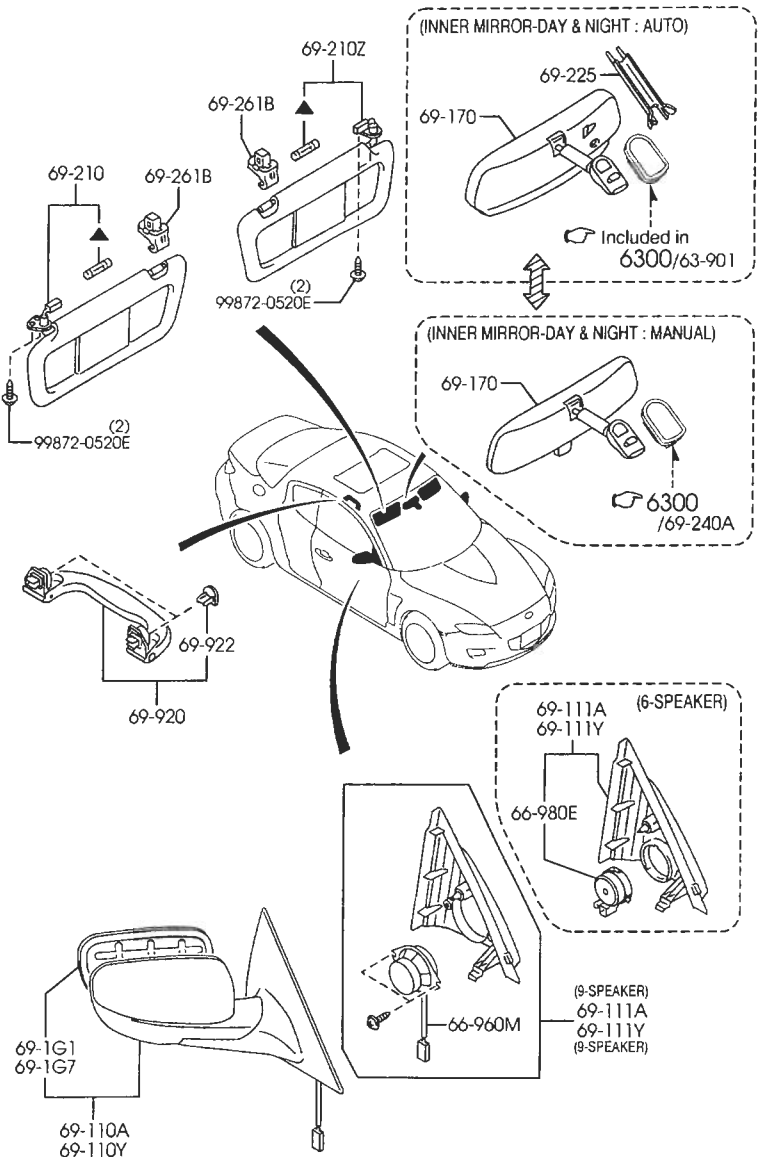
PART NO.	QTY	MODEL/RESTRICTION	MODEL/RESTRICTION	MODEL/RESTRICTION	FROM-TO
66-960M F154-66-960	2	SPEAKER, LOUD-DOOR (9-SPEAKER)	PARLEUR, PORTE		
66-980E GK2A-66-960	2	SPEAKER, TWEETER (6-SPEAKER)	HAUT PARLEUR, TWEETER		
69-1G1 FE01-69-1G1	1	GLASS & HOLDER(R), MIRROR (W/O FRT. OUTER MIRROR OR DEFOGGER)	SUPPORT & VERRE(D), MIRROR		
FE02-69-1G1	1	(W/FRT. OUTER MIRROR DEFOGGER)			
69-1G7 FE01-69-1G7	1	GLASS & HOLDER(L), MIRROR (W/O FRT. OUTER MIRROR OR DEFOGGER)	SUPPORT & VERRE(G), MIRROR		
FE02-69-1G7	1	(W/FRT. OUTER MIRROR DEFOGGER)			
69-110A FE01-69-120A	1	MIRROR(R), DOOR (W/O FRT. OUTER MIRROR OR DEFOGGER)	RETROVISEUR(D), PORTE		
PZ	EXT-	A3F BRILLIANT BLACK	A3F NOIR BRILLIANT		
66	EXT-	25G TITANUM GRAY M	25G GRIS TITANESQUE META		
67	EXT-	22V SUNLIGHT SILVER M	22V ARGENT METALL. SOLEIL		
87	EXT-	27A VELOCITY RED MC	27A ROUGE VELOCITY MC		
93	EXT-	A4J LIGHTNING YELLOW	A4J JAUNE ECLAIR		
94	EXT-	27B WINNING BLUE M.	27B BLEU WINNING M.		
97	EXT-	27C NORDIC GREEN MC	27C VERT NORDIQUE MC		
FE02-69-120A	1	(W/FRT. OUTER MIRROR DEFOGGER)			
PZ	EXT-	A3F BRILLIANT BLACK	A3F NOIR BRILLIANT		
66	EXT-	25G TITANUM GRAY M	25G GRIS TITANESQUE META		
67	EXT-	22V SUNLIGHT SILVER M	22V ARGENT METALL. SOLEIL		
87	EXT-	27A VELOCITY RED MC	27A ROUGE VELOCITY MC		
93	EXT-	A4J LIGHTNING YELLOW	A4J JAUNE ECLAIR		
94	EXT-	27B WINNING BLUE M.	27B BLEU WINNING M.		

▲ Part number will be assigned.

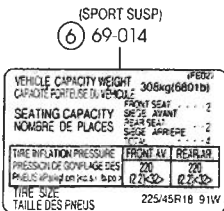
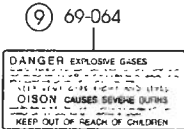
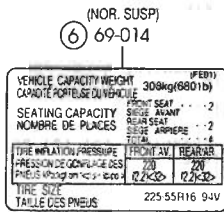
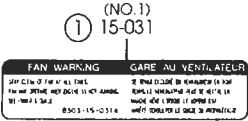
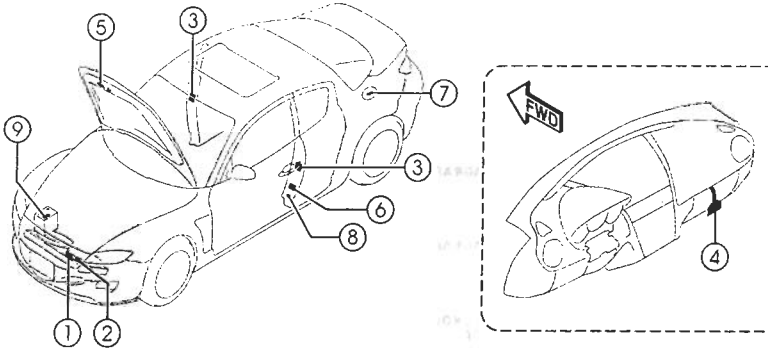


PART NO.	QTY	MODEL/RESTRICTION	MODEL/RESTRICTION	MODEL/RESTRICTION	FROM-TO
CONT'D 97	EXT-	27C NORDIC GREEN MC	27C VERT NORDIQUE MC		
↑ 69-110Y ↓		MIRROR(L), DOOR	RETROVISEUR(G), PORTE		
FE01-69-180A	1	(W/O FRT. OUTER MIRROR DEFOGGER)			
PZ	EXT-	A3F BRILLIANT BLACK	A3F NOIR BRILLIANT		
66	EXT-	25G TITANUM GRAY M	25G GRIS TITANESQUE META		
67	EXT-	22V SUNLIGHT SILVER M	22V ARGENT METALL. SOLEIL		
87	EXT-	27A VELOCITY RED MC	27A ROUGE VELOCITY MC		
93	EXT-	A4J LIGHTNING YELLOW	A4J JAUNE ECLAIR		
94	EXT-	27B WINNING BLUE M.	27B BLEU WINNING M.		
97	EXT-	27C NORDIC GREEN MC	27C VERT NORDIQUE MC		
FE02-69-180A	1	(W/FRT. OUTER MIRROR DEFOGGER)			
PZ	EXT-	A3F BRILLIANT BLACK	A3F NOIR BRILLIANT		
66	EXT-	25G TITANUM GRAY M	25G GRIS TITANESQUE META		
67	EXT-	22V SUNLIGHT SILVER M	22V ARGENT METALL. SOLEIL		
87	EXT-	27A VELOCITY RED MC	27A ROUGE VELOCITY MC		
93	EXT-	A4J LIGHTNING YELLOW	A4J JAUNE ECLAIR		
94	EXT-	27B WINNING BLUE M.	27B BLEU WINNING M.		
97	EXT-	27C NORDIC GREEN MC	27C VERT NORDIQUE MC		
↑ 69-111A ↓		GARNISH(R), SAIL-IN.	GARNISSAGE TRIANGUL. INT.(D)		
FE01-69-11YA	1	(6-SPEAKER)			
F152-69-11YA	1	(9-SPEAKER)			
↑ 69-111Y ↓		GARNISH(L), SAIL-IN.	GARNISSAGE TRIANGUL. INT.(G)		
FE01-69-17YA	1	(6-SPEAKER)			
F152-69-17YA	1	(9-SPEAKER)			
↑ 69-170 ↓		MIRROR, INTERIOR	MIROIR INTERIEUR		
GK2E-69-220	1	(INNER MIRROR-DAY & NIGHT: AUTO)			
HGB2-69-220A	1	(INNER MIRROR-DAY & NIGHT: MANUAL)			

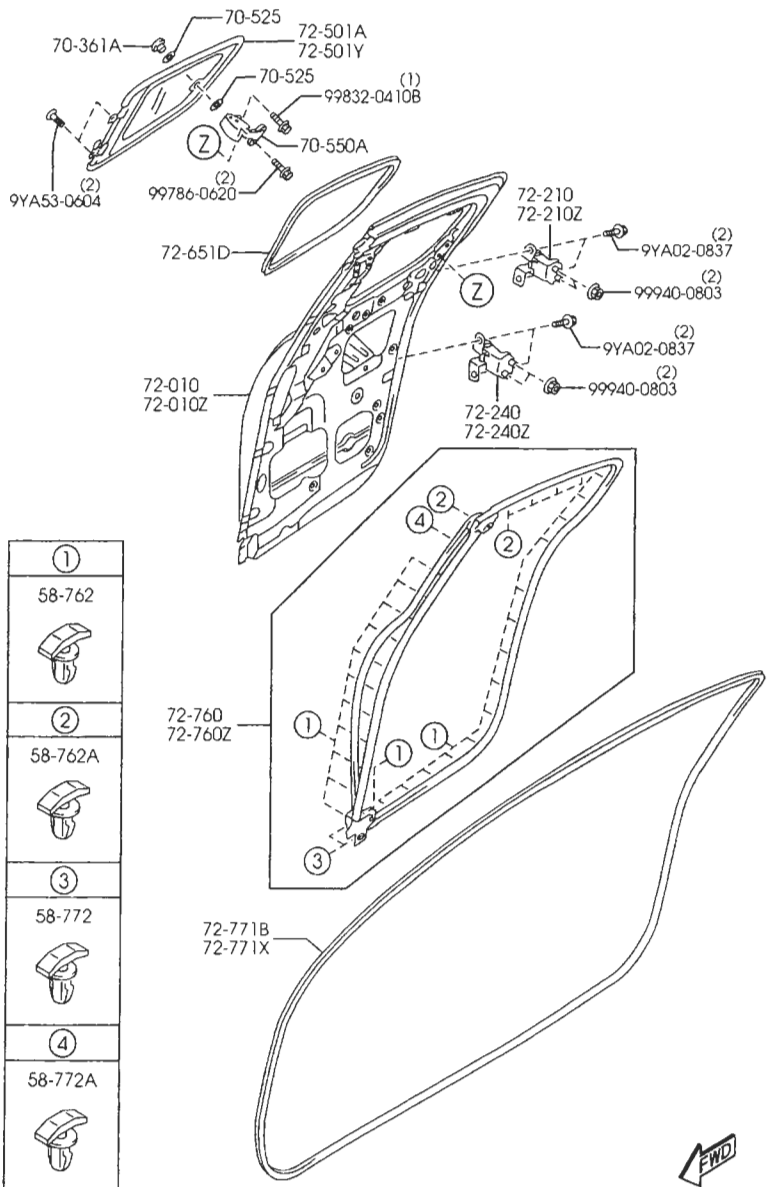
▲ Part number will be assigned.



PART NO.	QTY	MODEL/RESTRICTION	MODEL/RESTRICTION	MODEL/RESTRICTION	FROM-TO
69-210					
FE01-69-270B	1	SUN VISOR(R) (AIR BAG CAUTION LABEL-EXC. CANADA)	PARE-SOLEIL (D)		
77	INT-	FF3 FF4 FF5 FF6 SPORTS GRAY TOP	FF3 FF4 FF5 FF6		
FE02-69-270B	1	SUN VISOR(L) (AIR BAG CAUTION LABEL-CANADA)	PAPE-SOLEIL	(ETIQ ATT SAC GONFLABLE-CANADA)	
77	INT-	FF3 FF4 FF5 FF6 SPORTS GRAY TOP	FF3 FF4 FF5 FF6		
69-210Z					
FE01-69-320B	1	COVER, INTERIOR MIRROR (INNER MIRROR-DAY & NIGHT: AUTO)	COUVERCLE, MIROIR INT		
77	INT-	FF3 FF4 FF5 FF6 SPORTS GRAY TOP	FF3 FF4 FF5 FF6		
FE02-69-320B	1	ADAPTER, CENTER (AIR BAG CAUTION LABEL-CANADA)	ADAPTEUR, CENTRAL	(ETIQ ATT SAC GONFLABLE-CANADA)	
77	INT-	FF3 FF4 FF5 FF6 SPORTS GRAY TOP	FF3 FF4 FF5 FF6		
69-225					
FE01-69-225	1	HANDLE, ASSIST (INNER MIRROR-DAY & NIGHT: AUTO)	POIGNEE D'APPUI		
69-261B					
LC62-69-261A	2	CAP, ASSIST HANDLE	BOUCHON MANIVELLE		
77	INT-	FF3 FF4 FF5 FF6 SPORTS GRAY TOP	FF3 FF4 FF5 FF6		
69-920					
GJ6A-69-470B	1	SUN VISOR(L) SPORTS GRAY TOP			
77	INT-	FF3 FF4 FF5 FF6 SPORTS GRAY TOP	FF3 FF4 FF5 FF6		
69-922					
GJ6A-69-472	2	COVER, INTERIOR MIRROR SPORTS GRAY TOP			
77	INT-	FF3 FF4 FF5 FF6 SPORTS GRAY TOP	FF3 FF4 FF5 FF6		

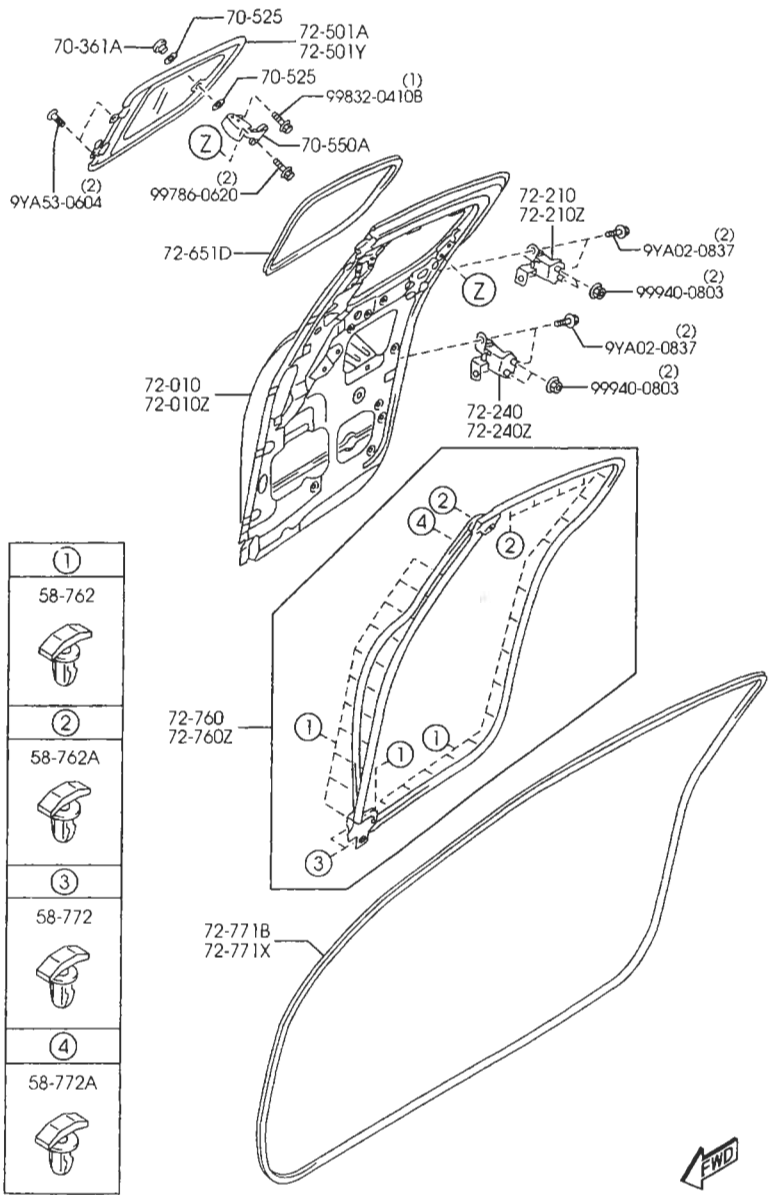


PART NO.	QTY	MODEL/RESTRICTION	MODEL/RESTRICTION	MODEL/RESTRICTION	FROM-TO
15-031	1	LABEL, CAUTION	ETIQUETTE D'AVERTISSEMENT		
B303-15-031A	1	(ILLUST. NO.1)			
57-K92	2	LABEL 'B', CAUTION-A/B	ETIQUETTE 'B', CAUT-SAC AIR		
FE01-57-K92	2				
57-K93	1	LABEL 'C', CAUTION-A/B	ETIQUETTE 'C', CAUT-SAC AIR		
BG1R-57-K93A	1				
61-829	1	LABEL, CAUTION	ETIQUETTE D'AVERTISSEMENT		
FE01-61-439	1				
66-201A	1	LABEL, BURGLAR ALARM (M)	ETIQUETTE, PISP. ANTI-VOL (M)		
EC01-66-201	1	(W/BURGLAR ALARM)			
69-014	1	LABEL, TIRE (NOR. SUSP)	ETIQUETTE, PNEU (SUSP. NRML)		
FE01-69-014	1				
69-014	1	LABEL, GASOLINE (SPORT SUSP)	ETIQUETTE, ESSENCE (SUSP. SPORTIVE)		
FE02-69-014	1				
69-038A	1	LABEL, SAFETY PANEL	ETIQUETTE,		
HG30-69-065	1				
69-055A	1	LABEL, BATTERY	ETIQUETTE, BATTERIE		
FE01-69-064B	1				

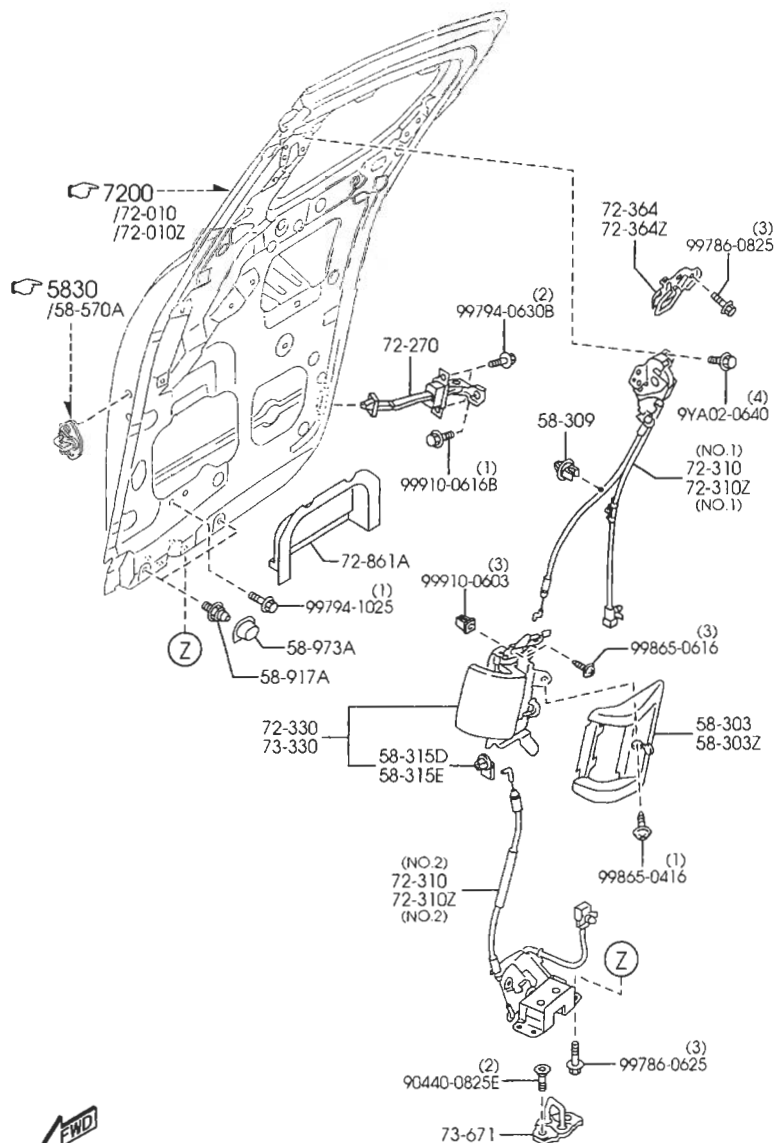


PART NO.	QTY	MODEL/RESTRICTION	MODEL/RESTRICTION	MODEL/RESTRICTION	FROM-TO
58-762	52	FASTENER	AGRAFE		
BC1D-58-762					
58-762A	10	FASTENER	AGRAFE		
FD01-58-762					
58-772	4	FASTENER	AGRAFE		
F151-58-762					
58-772A	2	FASTENER	AGRAFE		
F152-58-762					
70-361A	2	NUT, GLASS CLAMP	ECROU, CRAMPON DE GLACE		
0419-72-525					
70-525	4	WASHER	RONDELLE		
S05B-72-523A					
70-550A	2	LOCK, QTR. WINDOW	BLOCAGE,		
F151-72-360A					
72-010	1	BODY(R), REAR DOOR	PORTE (D)		
F151-72-020E					
72-010Z	1	BODY(L), REAR DOOR	PORTE ARR. (G)		
F151-73-020E					
72-210	1	HINGE 'A' (R), DOOR	CHARNIERE 'A' (D), PORTE		
F151-72-210					
72-210Z	1	HINGE 'A' (L), DOOR	CHARNIERE 'A' (G), PORTE		
F151-73-210					
72-240	1	HINGE 'B' (R), DOOR	CHARNIERE 'B' (D), PORTE		
F151-73-210					
72-240Z	1	HINGE 'B' (L), DOOR	CHARNIERE 'B' (G), PORTE		
F151-72-210					
72-501A	1	GLASS(R), QTR. WINDOW	GLACE DE DEFLECTEUR (D)		
FE01-72-5G1A					

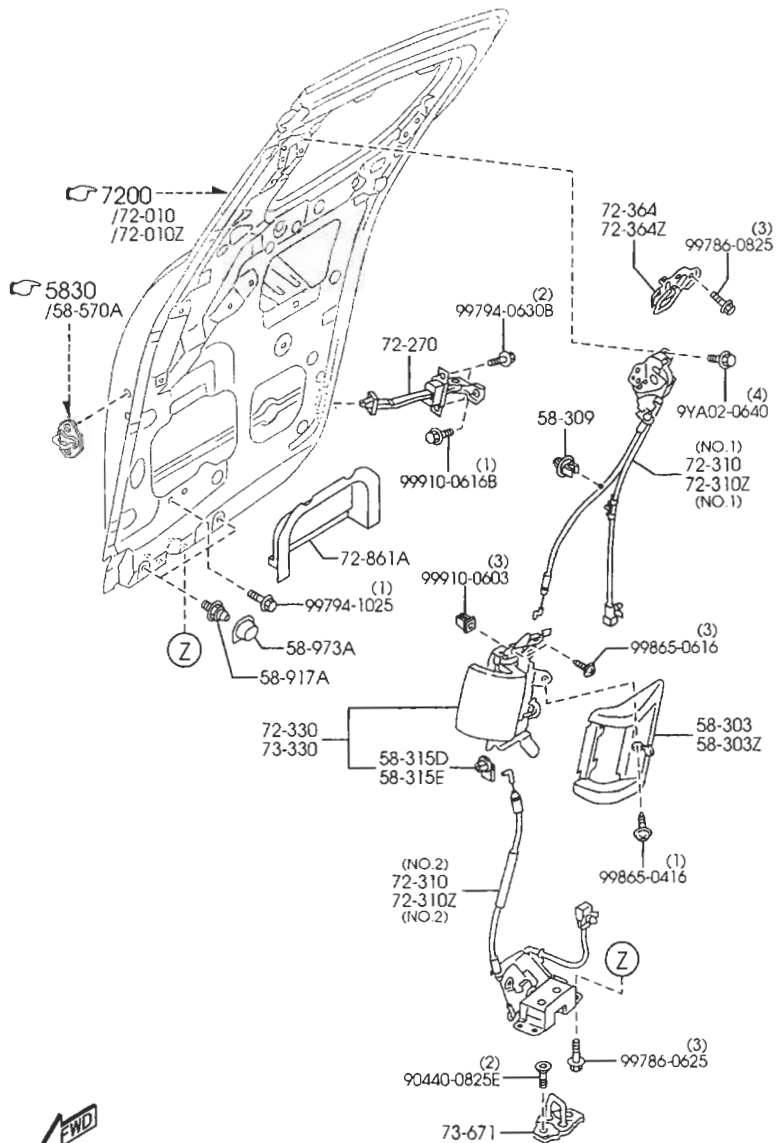




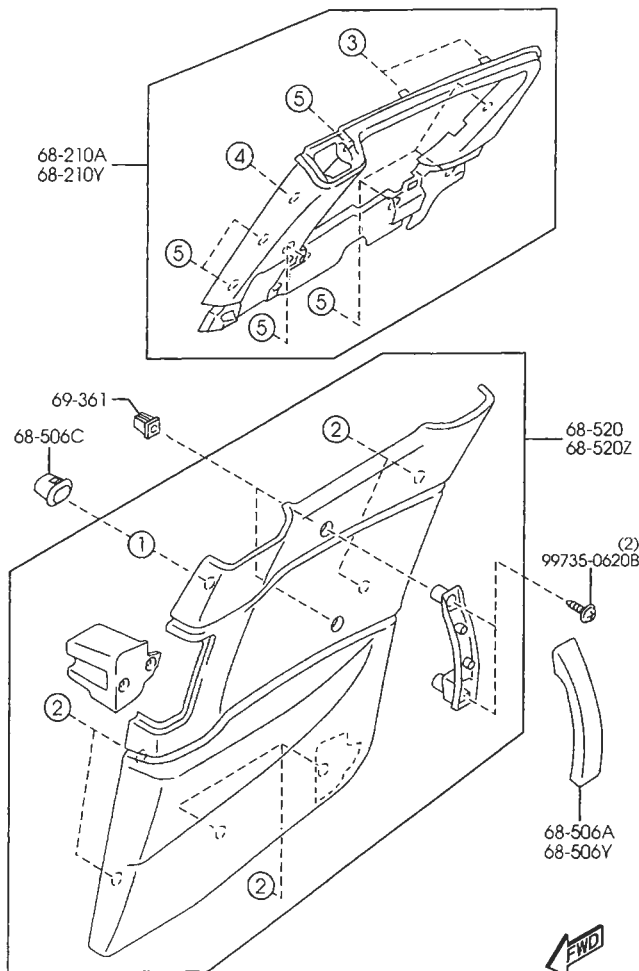
PART NO.	QTY	MODEL/RESTRICTION	MODEL/RESTRICTION	MODEL/RESTRICTION	FROM-TO
72-501Y FE01-73-5G1A	1	GLASS(L),QTR.WINDOW	GLACE DE DEFLECTEUR (G)		
72-651D F151-72-7G1A	2	WEATHERSTRIP,QTR	PROFILE D'ETANCH.,CU STODE		
72-760 F151-72-760A	1	WEATHERSTRIP(R)	JOINT CAOUTCHOUC (D)		
72-760Z F151-73-760A	1	WEATHERSTRIP(L)	JOINT CAOUTCHOUC (G)		
72-771B F151-72-771A	1	WTHSTP.(R),CAB. SIDE	PROFILE D'ETAN.LAT.(D),		
72-771X F151-73-771A	1	WTHSTP.(L),CAB. SIDE	PROFILE D'ETAN.LAT.(G),		



PART NO.	QTY	MODEL/RESTRICTION	MODEL/RESTRICTION	MODEL/RESTRICTION	FROM-TO
58-303		CDVER(R),IN.HANDLE	CACHE, POIGNEE INT.		
F151-72-303A	1				
02	INT-	FF3 FF4 FF5 FF6 BLACK	FF3 FF4 FF5 FF6 NOIR		
58-303Z		COVER(L),IN.HANDLE	COUVERCLE POIGNEE(G)		
F151-73-303A	1				
02	INT-	FF3 FF4 FF5 FF6 BLACK	FF3 FF4 FF5 FF6 NOIR		
58-309		HOLDER,ROD	SUPPORT,TRINGLE		
B001-58-309A	2				
58-315D		CLIP (R)	CLIP		
DC69-59-315	1				
58-315E		CLIP (L)	CLIP		
DC69-58-315	1				
58-917A		PIN,CATCH-FRONT DOOR	GROUP, LOQUET-PORTE AV		
F151-58-917	4				
58-973A		COVER,HOLE-CATCH PIN	CACHE,ORIF-GROUP LOQUET		
F151-58-973	4				
72-270		CHECKER	DISPOSITIF DE VERIFICATION		
F151-72-270	2				
72-310		LOCK(R),DOOR	SERRURE, PORTE (D)		
F151-72-310	1 (ILLUST. NO.1)				
F152-72-310	1 (ILLUST. NO.2)				
72-310Z		LOCK(L),DOOR	SERRURE, PORTE (G)		
F151-73-310	1 (ILLUST. NO.1)				
F152-73-310	1 (ILLUST. NO.2)				
72-330		HANDLE(R),INNER-RR DOOR	MANCHE,PORTE AR INT		
F151-72-330B	1				
02	INT-	FF3 FF4 FF5 FF6 BLACK	FF3 FF4 FF5 FF6 NOIR		

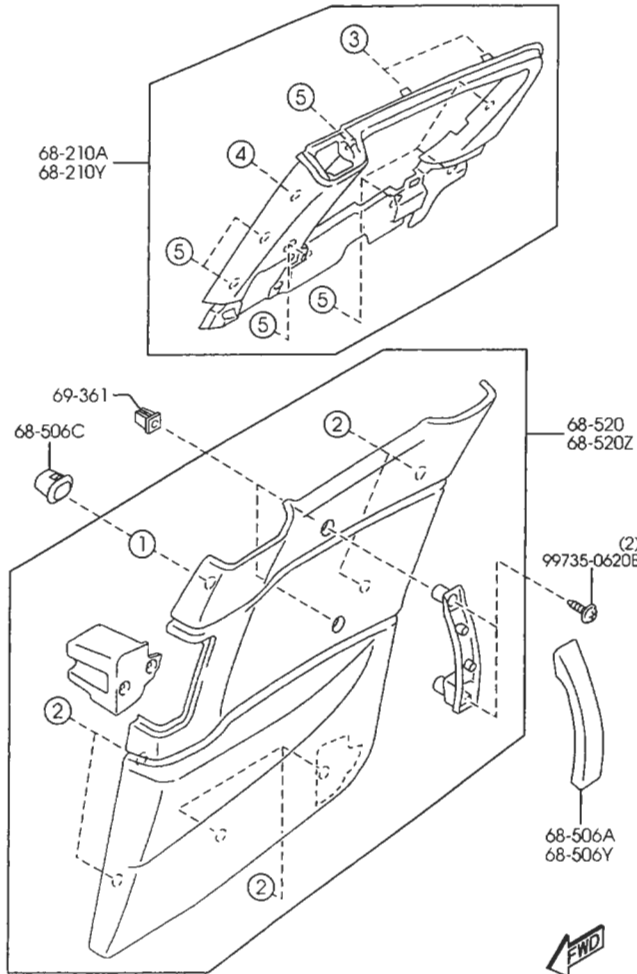


PART NO.	QTY	MODEL/RESTRICTION	MODEL/RESTRICTION	MODEL/RESTRICTION	FROM-TO
72-364 F151-72-361	1	STRIKER(R),RR. DOOR UPPER	MARTEAU(D),PORTE AR. SUP.		
72-364Z F151-73-361	1	STRIKER(L),RR. DOOR UPPER	MARTEAU(G),PORTE AR. SUP.		
72-861A F151-72-861	2	SCREEN,REAR DOOR	ECRAN,PORTE AR		
73-330 F151-73-330B	1	HANDLE(L),INNER-RR D OOR	MNCHETTE,PORTE INT. AR		
02	INT-	FF3 FF4 FF5 FF6 BLACK	FF3 FF4 FF5 FF6 NOIR		
73-671 F152-72-361	2	STRIKER	GACHE		



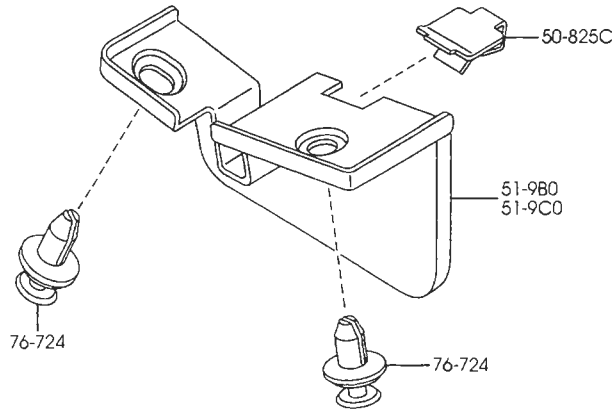
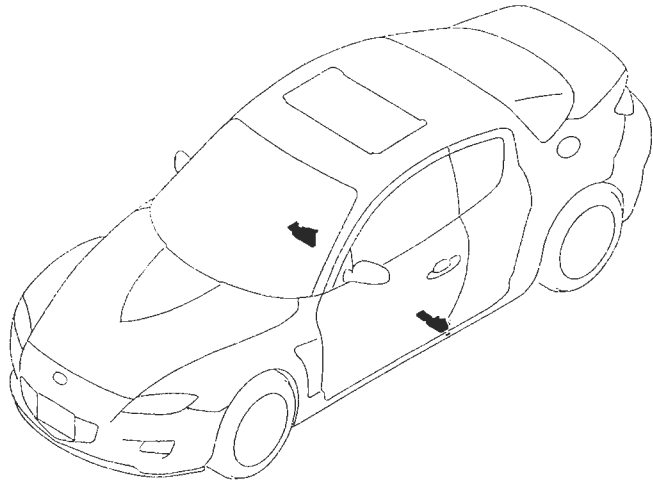
①	②	③	④	⑤
68-865U	68-AB1	68-865A	68-865N	68-865

PART NO.	QTY	MODEL/RESTRICTION	MODEL/RESTRICTION	MODEL/RESTRICTION	FROM-TO
68-AB1		FASTENER	AGRAFE		
GJ6A-68-AB1	12				
68-210A		TRIM(R), 'B' PILLAR-UPPER	GARNITURE(D), 'B', PILLIER S		
F151-68-190D	1				
02	INT-	FF3 FF4 FF5 FF6 BLACK	FF3 FF4 FF5 FF6 NOIR		
68-210Y		TRIM(L), 'B' PILLAR-UPPER	GAR(G), 'B', PILLIER SUP		
F151-68-210D	1				
02	INT-	FF3 FF4 FF5 FF6 BLACK	FF3 FF4 FF5 FF6 NOIR		
68-506A		CAP(R), PULL HANDLE	BOUCHON		
F151-68-D62B	1				
02	INT-	FF3 FF4 FF5 FF6 BLACK	FF3 FF4 FF5 FF6 NOIR		
68-506C		GROMMET, QUARTER TRIM	BAGUE, ASSIETTE QUART		
E001-68-506	2				
68-506Y		CAP(L), PULL HANDLE	BOUCHON		
F151-68-D82B	1				
02	INT-	FF3 FF4 FF5 FF6 BLACK	FF3 FF4 FF5 FF6 NOIR		
68-520		TRIM(R), DOOR-REAR (SIDE DOOR TRIM-CLOTH)	GARNITURE (D), PORTE		
FE01-68-520C	1				
02	INT-	FF6 SPORTS GRAY/BLACK	FF6 NOIR/GRIS SPORTS		
FE02-68-520C	1	(SIDE DOOR TRIM-VINYL LEATHER)			
02	INT-	FF3 BLACK	FF3 NOIR		
15	INT-	FF4 RED/BLACK	FF4 ROUGE/NOIR		
23	INT-	FF5 BROWN/BLACK	FF5 BRUN/NOIR		
68-520Z		TRIM(L), DOOR-REAR (SIDE DOOR TRIM-CLOTH)	GARNITURE (G), PORTE		
FE01-68-550C	1				
02	INT-	FF6 SPORTS GRAY/BLACK	FF6 NOIR/GRIS SPORTS		



①	②	③	④	⑤
68-865U	68-AB1	68-865A	68-865N	68-865

PART NO.	QTY	MODEL/RESTRICTION	MODEL/RESTRICTION	MODEL/RESTRICTION	FROM-TO
CONT'D					
FE02-68-550C	1	(SIDE DOOR TRIM-VINY L LEATHER)			
02	INT-	FF3 BLACK	FF3 NOIR		
15	INT-	FF4 RED/BLACK	FF4 ROUGE/NOIR		
23	INT-	FF5 BROWN/BLACK	FF5 BRUN/NOIR		
68-865		FASTENER	AGRAFE		
GE4T-68-865A	14				
68-865A		FASTENER	AGRAFE		
F151-68-865A	4				
68-865N		CLIP, TRIM	ATTACHE		
M020-68-865A	2				
68-865U		CLIP, TRIM	ATTACHE		
GJ21-68-865	2				
69-361		GROMMET, SCREW	ANNEAU		
B316-69-361	4				



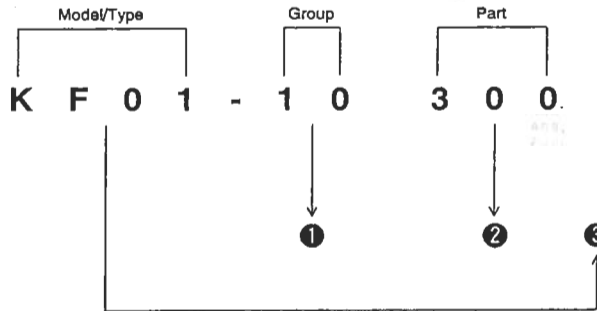
PART NO.	QTY	MODEL/RESTRICTION	MODEL/RESTRICTION	MODEL/RESTRICTION	FROM-TO
50-825C		NUT,CLIP	ECROU,CLIP		
F151-50-811A	2				
51-980		SPOILER(R),SIDE	SPOILER(D),LATERAL		
F151-51-981	1				
51-9C0		SPOILER(L),SIDE	SPOILER(G),LATERAL		
F151-51-9C1	1				
76-724		RIVET	RIVET		
B092-51-833	4				

# PART NUMBER INDEX

This index is listed in the following sequence.

## GENERAL PARTS

EXAMPLE



- ① First, in the sequence of group (5th & 6th digits)
- ② Second, in the sequence of part (7th-9th digits)
- ③ Third, in the sequence of model/type (1st-4th digits)

## STANDARD PARTS

Standard Parts are listed in numerical sequence after General Parts.

(Note: Those parts which do not have D-Code are not listed in the index.)

## PART NUMBER INDEX

This index is listed in the following sequence.

### GENERAL PARTS

EXAMPLE

- ① Model/type
- ② Group
- ③ Part
- ④ First, in the sequence of group (5th & 6th digits)
- ⑤ Second, in the sequence of part (7th-9th digits)
- ⑥ Third, in the sequence of model/type (1st-4th digits)

## INDEX DES NOMBRES DE PIÈCES

Cet index a été composé selon la séquence suivante.

### PIÈCES GÉNÉRALES

EXEMPLE

- ① Modèle/type
- ② Groupe
- ③ Pièce
- ④ Premièrement, séquence du groupe (5ème et 6ème chiffres)
- ⑤ Deuxièmement, séquence de la pièce (7ème à 9ème chiffres)
- ⑥ Troisièmement, séquence du modèle/type (1er à 4ème chiffres)

## NUMERO INDICE DE PIEZA

Este indice se ordena en la siguiente secuencia.

### PIEZAS GÉNERALES

EJEMPLO

- ① Tipo de modelo
- ② Grupo
- ③ Pieza
- ④ Primero, en la secuencia de grupo (las cifras en 5to y 6to lugar)
- ⑤ Segundo, en la secuencia de pieza (entre las cifras 7mo-9no lugar)
- ⑥ Tercero, en la secuencia de tipo de modelo (entre las cifras 1ro-4to lugar)

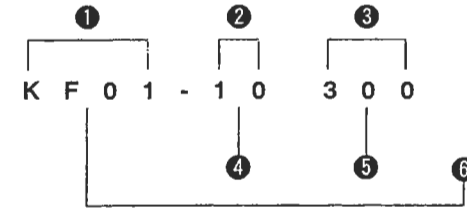
## TEILENUMMERN

Die Teilenummern setzen sich wie folgt zusammen.

### ALLGEMEINE TEILE

BEISPIEL

- ① Modell/Typ
- ② Baugruppe
- ③ Teil
- ④ Angabe der Baugruppe (5. und 6. Ziffer)
- ⑤ Angabe des Teils (7. bis 9. Ziffer)
- ⑥ Angabe des Modells bzw. Typs (1. bis 4. Ziffer)



### STANDARD PARTS

Standard Parts are listed in numerical sequence after General Parts.  
(Note: Those parts which do not have D-Code are not listed in the index.)

### PIÈCES STANDARD

Les pièces standard sont énumérées selon une séquence numérique, après les pièces générales.  
(Remarque: Les pièces qui ne possèdent pas de code D ne sont pas mentionnées dans cet index.)

### PIEZAS NORMALES

Las piezas normales se numeran secuencialmente después de las Piezas generales.  
(Nota: Las piezas que no tienen un código D no están en el índice.)

### STANDARDTEILE

Die Standardteile sind nach den allgemeinen Teilen mit fortlaufender Numerierung aufgeführt.  
(Hinweis: Teile ohne D-Code sind nicht aufgeführt.)







PART NUMBER INDEX

Table of part numbers and descriptions, including items like MA03-22-520, MA02-22-520, MA01-22-530, MA02-22-530, MA01-22-540, MA02-22-540, MA02-22-900, MA03-25-060A, PA21-25-100B, PC01-25-100B, PO11-25-123, L360-25-124, MA01-25-50X, MA02-25-50XA, MA01-25-60X, MA02-25-60XA, MA01-26-11X, J001-26-11X, F151-26-118, F151-26-12X, F151-26-151, F151-26-233, F151-26-241A, F151-26-245, F151-26-251, F151-26-261A, F1Y1-26-43Z, F1Y1-26-46Z, F1Y1-26-48Z, F1Y1-26-49Z, F151-26-61X, F151-26-69Z, F151-26-71X, F1Z1-26-98Z, F1Y1-26-99Z, F1Z1-26-99Z, O223-27-012, O223-27-030, RA14-27-100F, RS03-27-100F, RS04-27-100E, PA28-27-110, P045-27-120B, RA13-27-120, RA12-27-150B, RA05-27-165A, RB04-27-171A, RS01-27-200A, R001-27-210, O604-27-220, P019-27-231A, 8051-27-235

Table of part numbers and descriptions, including items like 8051-27-236, P043-27-238A, R004-27-238, P019-27-251B, P016-27-252, 0578-27-252, P016-27-253, P045-27-253, 0578-27-254, P005-27-255A, P016-27-256, P005-27-261A, O114-27-262, RA12-27-320A, H005-27-326A, O118-27-350A, R001-27-355, R001-27-356, R001-27-357, R001-27-358, R001-27-359, R001-27-360, R001-27-362, R001-27-363, R001-27-364, R001-27-365, R001-27-366, R001-27-367, R001-27-368, R001-27-369, R001-27-371, R001-27-372, R001-27-373, R001-27-374, R001-27-375, RA12-27-400, P017-27-421A, PA01-27-431, F151-28-000B, F151-28-000C, F151-28-000D, F151-28-000E, F151-28-000F, F151-28-000G, F151-28-000H, F151-28-000I, F151-28-000J, F151-28-000K, F151-28-000L, F151-28-000M, F151-28-000N, F151-28-000O, F151-28-000P, F151-28-000Q, F151-28-000R, F151-28-000S, F151-28-000T, F151-28-000U, F151-28-000V, F151-28-000W, F151-28-000X, F151-28-000Y, F151-28-000Z, F151-28-001, F151-28-002, F151-28-003, F151-28-004, F151-28-005, F151-28-006, F151-28-007, F151-28-008, F151-28-009, F151-28-010, F151-28-011, F151-28-012, H266-28-091, F152-28-1A1, F151-28-151, F157-28-151, F001-28-155A, FD15-28-156A, F151-28-170, F151-28-200A, F151-28-34XA, F151-28-340A, F151-28-4A3, F151-28-4B3, F151-28-430, F151-28-45XA, FD16-28-473, F151-28-473, F151-28-500A, F151-28-503, FE03-28-550A, F151-28-550A, F151-28-600A, F151-28-650A, FE01-28-66Z, F151-28-66Z, F151-28-700A, F157-28-700A, F151-28-721, F151-28-773

Table of part numbers and descriptions, including items like F151-28-774, B200A-1, F3400A-1, F151-28-775A, B280A-1, F3400A-1, F151-28-776, B280A-1, F3400A-1, F151-28-777, B280A-1, F151-28-80XB, B280A-2, G21-28-803, B1850A-1, F151-28-88X, B280A-2, F151-28-88Z, B280A-1, F151-28-880, B280A-2, F151-28-998, B280A-2, F151-28-999, B280A-1, B455-32-099A, FE01-32-10XD, FE01-32-110, F151-32-112, F151-32-123, F152-32-123, F153-32-123, F151-32-125, F151-32-127, F151-32-128, F151-32-132, B26K-32-172A, F151-32-181, FE01-32-210B, F151-32-240, F151-32-280, GG2M-32-281, F151-32-290, FE01-32-850, F151-32-911, F155-32-980B02, F155-32-980B15, F155-32-980B23, F157-32-980B02, F157-32-980B15, F157-32-980B23, F151-33-020, F151-33-023, F151-33-024, F152-33-024, F151-33-030, F151-33-04Y, LA01-33-04ZB, GE4T-33-04B, B455-33-06Z, F151-33-06Z, F1Y1-33-23ZA, F151-33-251, F157-33-251, B2YD-33-26Z, F151-33-261A, F151-33-271A, F1Y1-33-28Z, F151-33-281, F157-33-281, F1Y1-33-29ZA, GA2B-33-471A, F151-33-41X, B001-33-491, F151-33-491, GA5R-33-491, B25D-33-49Z, F151-33-493, O259-33-493

Table of part numbers and descriptions, including items like B25D-33-693, B25D-33-694, B25D-33-698, F151-33-71X, F151-33-880, F151-33-890, F1Y1-33-98Z, F1Y7-33-98Z, F1Z1-33-98Z, F1Z7-33-98Z, F1Y1-33-99Z, F1Y7-33-99Z, F1Z1-33-99Z, F1Z7-33-99Z, B25D-33-998, F151-34-H90, F151-34-003, F151-34-011B, F157-34-011B, F151-34-012B, B455-34-034, H380-34-034A, F151-34-096, GJ63-34-096, F15-34-111, F151-34-150, F151-34-151, F157-34-151, F151-34-155, F151-34-156, F157-34-156, F151-34-170, F151-34-200B, F151-34-250B, F151-34-300, F151-34-340, F151-34-350, F151-34-473, F151-34-541, F151-34-66Z, F151-34-700A, F157-34-700A, F151-34-778, FE01-34-800B, F151-37-C00, F151-37-C01, F151-37-C02, F151-37-C03, FE01-37-C04, FE01-37-C05, FE01-37-C10, FE01-37-C20, F151-37-C30, FE01-37-14XA, B00Z-37-160, GJ6B-37-19Z, GA5R-37-790A, O251-37-810A, F151-39-021, F151-39-031

Table of part numbers and descriptions, including items like O259-33-693, B25D-33-694, B25D-33-698, F151-33-71X, F151-33-880, F151-33-890, F1Y1-33-98Z, F1Y7-33-98Z, F1Z1-33-98Z, F1Z7-33-98Z, F1Y1-33-99Z, F1Y7-33-99Z, F1Z1-33-99Z, F1Z7-33-99Z, B25D-33-998, F151-34-H90, F151-34-003, F151-34-011B, F157-34-011B, F151-34-012B, B455-34-034, H380-34-034A, F151-34-096, GJ63-34-096, F15-34-111, F151-34-150, F151-34-151, F157-34-151, F151-34-155, F151-34-156, F157-34-156, F151-34-170, F151-34-200B, F151-34-250B, F151-34-300, F151-34-340, F151-34-350, F151-34-473, F151-34-541, F151-34-66Z, F151-34-700A, F157-34-700A, F151-34-778, FE01-34-800B, F151-37-C00, F151-37-C01, F151-37-C02, F151-37-C03, FE01-37-C04, FE01-37-C05, FE01-37-C10, FE01-37-C20, F151-37-C30, FE01-37-14XA, B00Z-37-160, GJ6B-37-19Z, GA5R-37-790A, O251-37-810A, F151-39-021, F151-39-031

Table of part numbers and descriptions, including items like F151-39-040, F151-39-050, FD01-39-065, FD01-39-066, F151-39-621C, F151-39-710E, FD01-39-723, F151-39-730A, F151-39-970C, F151-42-553, FE02-42-553, FE01-42-561, FE01-42-562, FE01-42-563, NC49-42-590A, F151-42-61X, GJ6A-42-631, F151-42-710, F151-42-740, B455-42-761, F151-42-761, B455-42-763, F151-42-784, N3H2-40-061, N3H1-40-100D, N3H1-40-305, N3H1-40-354, JE10-40-355, L307-40-581, YJ15-40-582, N3H1-40-600A, N3H1-40-851, GA2A-41-341A, F151-41-360, F151-41-370A, F151-41-370A, F151-41-380A, FD01-41-619, B31Z-41-640, H001-41-643, B31Z-41-670, B31Z-41-52Z, B31Z-41-55Z, F151-41-600B, F157-41-600B, F151-41-620, FE05-41-990A, F151-42-A14A, F151-42-A15A, F151-42-A61, FE01-42-110A, F151-42-116, F151-42-117, F151-42-18XA, FE01-42-180, FE01-42-210B, FE01-42-231, FE01-42-232A, FE01-42-232A, FE01-42-239, FE01-42-242, H260-42-245A, FE01-42-250A, FE01-42-260A, F151-42-298, F157-42-298, F151-42-410A

Table of part numbers and descriptions, including items like FE01-42-553, FE02-42-553, FE01-42-561, FE01-42-562, FE01-42-563, NC49-42-590A, F151-42-61X, GJ6A-42-631, F151-42-710, F151-42-740, B455-42-761, F151-42-761, B455-42-763, F151-42-784, D350-43-028, F157-43-028, F161-43-028, GJ60-43-028, FE05-43-04X, FE01-43-040, FE05-43-040, BC1E-43-090, D001-43-15Z, FE01-43-250, FE03-43-250, FE01-43-260, FE03-43-260, GA5R-41-141, F151-41-131, GA5R-41-141, FE05-41-300A, FE15-41-300A, H005-41-331, F151-43-4M4, FE01-43-402A, FE03-43-402A, FE05-43-402A, FE06-43-402A, F1708-43-423, F151-43-432A, F153-43-432A, H001-43-443, H001-43-443, W023-43-504, W023-43-505, F151-43-55Z, F151-43-55Z, FE05-43-55Z, W023-43-635A, O136-43-635, B001-43-694A, F1Y1-43-7AD, F1Y3-43-7AD, F153-43-7Y1, F151-43-70X, F151-43-71Y, F151-43-72Y, F151-43-73X, FB44-43-770, FEY1-43-80Z, F151-43-810, F151-43-836, FE01-43-836, F151-43-956, F151-43-980, F151-43-990



PART NUMBER INDEX

F151-56-110A	5390A	-1	BG1R-57-K93A	6930A	-1
F151-56-13YB	5320A	-3	FE01-57-L30 02	5790A	-1
F151-56-131A	5320A	-3	F151-57-L30 02	5790A	-1
F151-56-14YB	5320A	-4	F151-57-041 02	5700A	-1
F151-56-141A	5320A	-3	F151-57-042 02	5700A	-1
BC1D-56-145	1330A	-3	F151-57-051 02	5700A	-1
	1500A	-4	F151-57-052 02	5700A	-1
	4200A	-2	F151-57-053 02	5700A	-1
	5010A	-2	F151-57-054 02	5700A	-1
	5040A	-3	FE01-57-250C02	5750A	-1
	5320A	-4	FE02-57-250C02	5750A	-1
	5390A	-1	FE02-57-250C15	5750A	-1
	5830A	-1	FE02-57-250C23	5750A	-1
	6600A	-3	FE01-57-300C02	5750A	-1
F151-56-3A1B	5390A	-2	FE02-57-300C02	5750A	-1
F151-56-321A	5390A	-1	FE02-57-300C15	5750A	-1
C001-56-385	6860A	-1	FE02-57-300C23	5750A	-1
B25D-56-398	5390A	-2	F151-57-400B02	5750A	-1
F151-56-411B	5390A	-2	F153-57-400B02	5750A	-1
F151-56-441B	5390A	-2	F153-57-400B15	5750A	-1

F151-58-821	5840A	-1	F151-59-020D	5800A	-2
F151-58-866	5830A	-3	F151-59-031B	5800A	-2
F151-58-917	5830A	-3	F151-59-210	5800A	-2
	7230A	-1	F151-59-303A02	5830A	-1
F151-58-950A	5830A	-3	FE01-59-310	5830A	-1
FE01-58-960	5830A	-3	DC69-59-315	7230A	-1
F151-58-97XA	5830A	-1	GT2G-59-315	5830A	-1
F152-58-97XA	5830A	-3	H260-59-315	0900A	-1
F151-58-973	5830A	-3	F151-59-330B02	5830A	-2
	7230A	-1	GJ6A-59-410EPZ	5830A	-2
F151-58-975	5830A	-3	GJ6A-59-410E67	5830A	-2
	7230A	-1	GJ6A-59-410E77	5830A	-2
	5830A	-3	GJ6A-59-410E84	5830A	-2
	5830A	-3	GJ6A-59-410E94	5830A	-2
	7230A	-1	GJ6A-59-410E97	5830A	-2
F151-58-975	5830A	-3	F151-59-511	5800A	-2
	5830A	-3	G22C-59-58XA	5830A	-2
	7230A	-1	F151-59-590A	5830A	-3
			F151-59-605A	5800A	-2
			F151-59-760	5800A	-2
			F151-59-821	5840A	-1

F151-61-A20	6110A	-1	F151-61-271	6100A	-1
FE01-61-A30	6110A	-1	F151-61-272	6100A	-1
FE01-61-A60	6110A	-1	F151-61-4H5	6130A	-1
FE01-61-A70	6110A	-1	NC72-61-4H5	6130A	-1
FE01-61-B01	6120A	-1	NC73-61-4H5	6130A	-1
FE01-61-B02	6120A	-1	FE01-61-470	6130A	-1
FE01-61-B03	6120A	-1	FE01-61-439	6930A	-1
FE01-61-B10	6120A	-1	FE01-61-46X	6130A	-1
FE01-61-B15	6110A	-1	FE01-61-462	6110A	-2
FE01-61-B20	6120A	-1	F151-61-464	6130A	-1
FE01-61-B60	6120A	-1	F151-61-466	6130A	-1
F151-61-D25	6120A	-1	F151-61-472	6130A	-1
F152-61-J04	6120A	-1	FE01-61-473	6130A	-1
F151-61-J06	6110A	-1	F151-61-480	6130A	-1
FE01-61-J10	6110A	-2	F151-61-503	6130A	-1
FE01-61-J12	6110A	-2	F151-61-526	6110A	-2
F151-61-J13	6110A	-2	FE01-61-540	6110A	-2
F151-61-J14	6110A	-2	LC73-61-557A	6330A	-1
FE01-61-J17	6110A	-1	F151-61-764	6130A	-1
	6135A	-1	FE01-61-799	6100A	-1

PART NUMBER INDEX

F151-61-A20	6110A	-1	D412-63-938	6300A	-1
FE01-61-A30	6110A	-1	F151-63-938A	6300A	-1
FE01-61-A60	6110A	-1	F151-63-939A	6300A	-1
FE01-61-A70	6110A	-1	F801-63-959	6300A	-1
FE01-61-B01	6120A	-1			
FE01-61-B02	6120A	-1			
FE01-61-B03	6120A	-1			
FE01-61-B10	6120A	-1			
FE01-61-B15	6110A	-1			
FE01-61-B20	6120A	-1			
FE01-61-B60	6120A	-1			
F151-61-D25	6120A	-1			
F152-61-J04	6120A	-1			
F151-61-J06	6110A	-1			
FE01-61-J10	6110A	-2			
FE01-61-J12	6110A	-2			
F151-61-J13	6110A	-2			
F151-61-J14	6110A	-2			
FE01-61-J17	6110A	-1			
	6135A	-1			

F151-66-A21	6682A	-1	F151-64-421	5570A	-2
F151-66-A92	6685A	-1	F151-64-421	5570A	-2
GK3A-66-A92	6685A	-1	FE02-64-430A02	5570A	-2
T060-66-A92	6115A	-1	FE04-64-430A02	5570A	-2
	6680A	-1	FE06-64-430A02	5570A	-3
	5500A	-2	FE20-64-430A02	5570A	-3
	5500A	-2	F151-64-430B02	5570A	-3
	6680A	-1	F152-64-430B02	5570A	-3
	6680A	-1	F154-64-430B02	5570A	-3
	6680A	-1	F155-64-430B02	5570A	-3
	6680A	-1	F151-64-440B02	5570A	-3
	6680A	-1	F152-64-440A02	5570A	-3
	6680A	-1	F151-64-449A	5570A	-2
	6680A	-1	F152-64-449A	5570A	-2
	6680A	-1	F151-64-45YA	5570A	-3
	6680A	-1	F151-64-453	5570A	-4
	6680A	-1	F151-64-460 02	5570A	-3
	6680A	-1	F151-64-47X	5570A	-4
	6680A	-1	F157-64-990	5570A	-4
	6680A	-1	F151-64-50XA02	5570A	-4





## PART NUMBER INDEX

FE01-72-5G1A	7200A	-1	FE02-88-111	23	5700A	-4	99541-01105	1100A	-3
S05B-72-523A	7200A	-1	F151-88-111	02	5700A	-4	99636-04130	3700A	-2
0419-72-525	7200A	-1	FE02-88-121		5700A	-4	99650-47560	3700A	-2
F151-72-7G1A	7200A	-2	FE02-88-122		5700A	-4	99650-48080	3700A	-2
F151-72-760A	7200A	-2	C100-88-126		5700A	-7	99650-58080	3700A	-2
F151-72-771A	7200A	-2	FE01-88-130	02	5700A	-4	99657-00160	3700A	-2
F151-72-861	7230A	-2	FE02-88-130	02	5700A	-4	99658-20005	3700A	-2
*****			FE02-88-130	15	5700A	-4	99658-20010	3700A	-2
* 73-000 *			FE02-88-130	23	5700A	-4	99658-20015	3700A	-2
* *			FE01-88-131	02	5700A	-4	99658-20020	3700A	-2
*****			FE02-88-131	02	5700A	-4	99658-20025	3700A	-2
F151-73-020E	7200A	-1	FE02-88-131	15	5700A	-4	99658-20030	3700A	-2
F151-73-210	7200A	-1	FE02-88-131	23	5700A	-5	99658-20035	3700A	-2
F151-73-303A02	7230A	-1	GJ6A-88-15Y		5700A	-5	99658-20040	3700A	-2
F151-73-310	7230A	-1	GK3J-88-158		5700A	-6	99658-20045	3700A	-2
F152-73-310	7230A	-1	FE01-88-160	02	5700A	-5	99658-20050	3700A	-2
F151-73-330B02	7230A	-2	FE02-88-160	02	5700A	-5	99658-20055	3700A	-2
			FE02-88-160	15	5700A	-5	99658-20060	3700A	-2
F151-73-361	7230A	-2	FE02-88-160	23	5700A	-5	99700-5100L	5125A	-1
FE01-73-5G1A	7200A	-2	FE02-88-161	02	5700A	-5	99700-6210	5110A	-1
F151-73-760A	7200A	-2	FE02-88-161	15	5700A	-5			
F151-73-771A	7200A	-2	FE02-88-161	23	5700A	-5	99700-8215	5110A	-1
*****			F153-88-164		5700A	-5	99701-6038	5105A	-1
* 76-000 *			GK3J-88-167	02	5700A	-5	99701-6050	5100A	-1
* *			FE01-88-180	02	5700A	-5		5120A	-1
*****			FE02-88-180	02	5700A	-5		5125A	-1
FEY1-76-14X	0900A	-2	FE02-88-180	15	5700A	-6		5840A	-2
FEY5-76-14X	0900A	-2	FE02-88-180	23	5700A	-6	99705-1207	6702A	-2
F1Y1-76-26X	0900A	-2	FE01-88-181	02	5700A	-6	99705-1210	6700A	-3
FEY1-76-220	0900A	-1	FE02-88-181	02	5700A	-6	99705-1215	6700A	-3
FEY2-76-230	0900A	-1	FE02-88-181	15	5700A	-6		6702A	-2
FEY5-76-230	0900A	-2	FE02-88-181	23	5700A	-6	99705-1220	6700A	-3
FEY1-76-29X	0900A	-2	FE02-88-188		5700A	-5		6702A	-2
FEY5-76-29X	0900A	-2	F151-88-2L7	02	5750A	-3	99705-1230	6700A	-4
GJYA-76-36X	0900A	-2	F151-88-2M2		5700A	-6			
*****			F153-88-2M2		5700A	-6	*****		
* 88-000 *			F151-88-2M3		5700A	-7	* STANDARD PARTS *		
* *			F153-88-2M3		5700A	-7	* *		
*****			F151-88-2M7	02	5750A	-3	*****		
FE02-88-AF0	5700A	-7	H380-88-225		5700A	-6			
FE01-88-A00	5700A	-6	1394-88-225		5700A	-6	90703-6350	5100A	-1
FE01-88-H50	5700A	-6	FE01-88-251	02	5750A	-2	90703-7550	5105A	-1
TC86-88-033	5700A	-3	FE02-88-251	02	5750A	-2	90703-8650	5100A	-1
F151-88-034	5700A	-7	FE02-88-251	15	5750A	-2			
GJ6G-88-073	5700A	-6	FE02-88-251	23	5750A	-2			
GJ6A-88-098	5700A	-6	FE01-88-301	02	5750A	-2			
F151-88-1F4	02	5700A	FE02-88-301	02	5750A	-2			
FE01-88-1F7	02	5700A	FE02-88-301	15	5750A	-2			
FE01-88-16X	02	5700A	FE02-88-301	23	5750A	-2			
FE01-88-164	02	5700A	GJ6A-88-4E5	02	5700A	-6			
FE02-88-164	02	5700A	F151-88-401	02	5750A	-2			
F151-88-165	02	5700A	F153-88-401	02	5750A	-2			
FE02-88-167	02	5700A	F153-88-401	15	5750A	-2			
			F153-88-401	23	5750A	-2			
F151-88-167	02	5700A	F151-88-451	02	5750A	-2			
FE01-88-1HX	02	5700A	F153-88-451	02	5750A	-2			
FE02-88-1HX	02	5700A	F153-88-451	15	5750A	-2			
FE02-88-1H4		5700A	F153-88-451	23	5750A	-2			
F151-88-1H5	02	5700A	G211-88-651		5700A	-7			
GK3J-88-1H5	02	5700A							
FE01-88-1H9		5700A	GJ6A-88-857	02	5700A	-7			
FE02-88-1H9		5700A	*****						
FE02-88-1K9	02	5700A	* 90-000 *						
F151-88-1LX	02	5700A	* *						
F151-88-1L9		5700A	*****						
FE02-88-1MX	02	5700A	90620-44728		3700A	-1			
F151-88-1M9	02	5700A	90624-75726		3700A	-1			
C100-88-109		5700A	90703-2550		5100A	-1			
FE02-88-110	02	5700A	*****						
FE02-88-110	15	5700A	* 99-000 *						
FE02-88-110	23	5700A	* *						
F151-88-110	02	5700A	*****						
FE02-88-111	02	5700A	99351-04999		1330A	-3			
FE02-88-111	15	5700A			1380A	-1			
			99351-06380		1920A	-2			

\*\*\*\*\*  
\* \* \* \* \*  
\* A \*  
\* \* \* \* \*  
\*\*\*\*\*

ACTU.H/L CLEANER (L)----- 5020A -2  
ACTU.H/L CLEANER (R)----- 5020A -2  
ACTUATOR,A.P.V.----- 1300A -1  
ACTUATOR,MODE-HEATER UNIT-- 6110A -1  
ACTUATOR,RECYCLE & FRESH-- 6120A -1  
ACTUATOR,TEMP.----- 6110A -1  
ADAPTER,CENTER----- 6800A -2  
ADAPTER,CENTER----- 6900A -3  
ADJUSTER UNIT(L),FRT SEAT-- 5700A -6  
ADJUSTER UNIT(R),FRT SEAT-- 5700A -6  
AIR BAG(L),CURTAIN----- 5795A -1  
AIR BAG(R),CURTAIN----- 5795A -1  
ALTERNATOR----- 1830A -1  
AMP.,CONTROL----- 6110A -2  
AMP.,POWER-FRONT----- 6682A -1  
AMP.,POWER-REAR----- 6682A -1  
ANCHOR(L),SEAT BELT----- 5790A -1  
ANCHOR(R),SEAT BELT----- 5790A -1  
ANTENNA,G.P.S.----- 6685A -1  
ARM NO.1,LINK----- 6730A -2  
ARM NO.2,LINK----- 6730A -2  
ARM(L),LOWER----- 3400A -2  
ARM(L),UPPER----- 3400A -2  
ARM(R),LOWER----- 3400A -2  
ARM(R),UPPER----- 3400A -2  
ARM/BASE(L),WINDOW----- 5830A -3  
ARM/BASE(R),WINDOW----- 5830A -2  
ARM,SHIFT----- 1720A -2  
ARM,WIPER-DRIVER SIDE----- 6730A -1  
ARM,WIPER-PASS. SIDE----- 6730A -1  
ARMATURE----- 1840A -1  
ARMATURE----- 1840AA -1  
ATTACHMENT,PAD-FRONT----- 3310A -2  
ATTACHMENT,PAD-REAR----- 2610A -1

\*\*\*\*\*  
\* \* \* \* \*  
\* B \*  
\* \* \* \* \*  
\*\*\*\*\*

BACK(L),FRONT SEAT----- 5700A -5  
BACK(L),FRONT SEAT----- 5700A -6  
BACK(L),REAR SEAT----- 5750A -1  
BACK(R),FRONT SEAT----- 5700A -4  
BACK(R),REAR SEAT----- 5750A -1  
BALL,STEEL----- 1710A -6  
BALL,STEEL----- 1720A -1  
BALL,STEEL----- 1840A -2  
BALL,STEEL----- 1840AA -2  
BALL,STEEL----- 1925A -1  
BALL,STEEL----- 1940A -4  
BALL,STEEL----- 1925A -1  
BALL,STEEL----- 1940A -4  
BAND----- 5700A -6  
BAND----- 6840A -4  
BAND(R),TANK FIX.----- 4200A -2  
BAND, BATTERY----- 1850A -1  
BAR,STRUT----- 5320A -4  
BASE,INTERIOR MIRROR----- 6300A -1  
BATTERY----- 1850A -1  
BATTERY----- 2710A -3  
BEARING,BALL-ALT. FRONT--- 1830A -1  
BEARING,BALL-ALT. REAR--- 1830A -1  
BEARING,BALL-MAIN SHAFT--- 1710A -1  
BEARING,NEEDLE----- 1100A -1  
BEARING,NEEDLE----- 1100A -2  
BEARING,NEEDLE----- 1710A -1  
BEARING,NEEDLE----- 1710A -3  
BEARING,NEEDLE----- 1710A -4  
BEARING,NEEDLE----- 1710A -5  
BEARING,NEEDLE----- 1930A -1  
BEARING,NEEDLE----- 1930A -5  
BEARING,NEEDLE----- 1940A -2  
BEARING,NEEDLE----- 1940A -3  
BEARING,NEEDLE----- 1930A -4  
BEARING,PINION----- 2710A -1  
BEARING,ROLLER----- 1710A -1  
BEARING,WHEEL----- 2600A -1

BELT'A'(L),FRT SEAT----- 5790A -1  
BELT'A'(R),FRT SEAT----- 1040A -1  
BELT'A',REAR SEAT----- 5790A -1  
BELT'B'(L),PRETENSIONER--- 5790A -1  
BELT'B'(R),PRETENSIONER--- 5790A -1  
BELT'B',REAR SEAT----- 5790A -1  
BELT'V',AIR CON.----- 1580A -1  
BELT'V',W/PUMPBALTERNATOR- 1580A -1  
BEZEL(L),F.SEAT BACK----- 5700A -3  
BEZEL(R),F.SEAT BACK----- 5700A -3  
BEZEL(R),SEAT BELT----- 6840A -1  
BLADE(L),WIPER-FRONT----- 6730A -1  
BLADE(R),WIPER-FRONT----- 6730A -1  
BLOCK,FUSE----- 6702A -1  
BLOCK,MAIN FUSE----- 6700A -1  
BLOCK,MAIN FUSE----- 6701A -1  
BLOCK,STOPPER----- 1720A -2  
BLOWER UNIT----- 6700A -1  
BOARD(L),PARTITION----- 6860A -2  
BOARD(R),PARTITION----- 6860A -2  
BODY & PISTON(L),CALIPER-- 2610A -1  
BODY & PISTON(R),CALIPER-- 2610A -1  
BODY(L),FRONT DOOR----- 5800A -2  
BODY(L),REAR DOOR----- 7200A -1  
BODY(R),FRONT DOOR----- 5800A -1  
BODY(R),REAR DOOR----- 7200A -1  
BODY,COMBINATION SWITCH--- 6611A -1  
BODY,OIL FILTER----- 1400A -1  
BODY,THROTTLE----- 1364A -1  
BODY,WATER PUMP----- 1500A -2  
BOLSTER,KNEE----- 5560A -1  
BOLT----- 1600A -1  
BOLT----- 1700A -1  
BOLT----- 1710A -6  
BOLT----- 1720A -1  
BOLT----- 1720A -3  
BOLT----- 1950A -1  
BOLT----- 2505A -1  
BOLT----- 3900A -1  
BOLT----- 4000A -1  
BOLT----- 5020A -1  
BOLT----- 5100A -1  
BOLT----- 6600A -2  
BOLT SET----- 1840A -1  
BOLT-HEX,HD WASHER----- 1950A -1  
BOLT,ADJUST----- 6600A -2  
BOLT,ADJUST----- 1580A -1  
BOLT,ADJUST----- 2830A -1  
BOLT,ADJUST----- 2830A -2  
BOLT,ANCHOR END----- 3400A -1  
BOLT,ANCHOR END----- 1920A -1  
BOLT,BONNET HINGE----- 1940A -1  
BOLT,BONNET HINGE----- 5230A -1  
BOLT,CLAMP----- 5310A -1  
BOLT,CONNECTOR----- 1850A -1  
BOLT,CONNECTOR----- 1400A -1  
BOLT,CONNECTOR----- 1400A -2  
BOLT,CONNECTOR----- 1410A -1  
BOLT,CONNECTOR----- 4360A -1  
BOLT,CONTROL VALVE----- 1925A -1  
BOLT,DUST COVER----- 4200A -2  
BOLT,HUB----- 2600A -1  
BOLT,HUB----- 3300A -1  
BOLT,INST. PANEL----- 5500A -1  
BOLT,INST. PANEL----- 5540A -1  
BOLT,INST. PANEL----- 6630A -1  
BOLT,INST. PANEL----- 6680A -1  
BOLT,INST. PANEL----- 6682A -1  
BOLT,INST. PANEL----- 6685A -1  
BOLT,INST. PANEL----- 6702A -1  
BOLT,LOCK-C.SHAFT PULLEY-- 1100A -1  
BOLT,PULLEY----- 1100A -1  
BOLT,RING GEAR----- 2710A -2  
BOLT,SET----- 0900A -1  
BOLT,SET----- 1400A -1  
BOLT,SHAFT----- 3210A -1

BOLT,STUD----- 6300A -1  
BOLT,TENSION----- 5370A -1  
BOLT,TENSION----- 1040A -2  
BOLT,TENSION----- 5230A -1  
BONNET----- 4140A -1  
BOOT SET,INNER JOINT----- 2550A -1  
BOOT SET,OUTER JOINT----- 2550A -1  
BOOT,CHANGE----- 5570A -2  
BOOT,DUST----- 2830A -1  
BOOT,GUIDE PIN----- 3400A -1  
BOOT,GUIDE PIN----- 3310A -1  
BOOT,LOCK PIN----- 3310A -1  
BOOT,RACK----- 3220A -1  
BOSS,STEERING WHEEL----- 3200A -1  
BOSS,W.PUMP PULLEY----- 1500A -2  
BOX(L),TORQUE----- 5320A -3  
BOX(R),TORQUE----- 5320A -2  
BOX,COIN----- 5560A -2  
BOX,CONTROL-E.C.P.S.SYS. 3240A -1  
BOX,GLOVE----- 5560A -1  
BOX,LAMP-ASHTRAY----- 5570A -4  
BOX,REAR CONSOLE----- 5570A -3  
BOX,STORAGE----- 5570A -4  
BOX,TOOL----- 6870A -1  
BRACE-DIAGONAL----- 5390A -2  
BRACKET----- 1300A -2  
BRACKET----- 1300AA -1  
BRACKET----- 1330A -2  
BRACKET----- 4200A -1  
BRACKET----- 5390A -2  
BRACKET----- 6600A -1  
BRACKET----- 6630A -1  
BRACKET & RELAY----- 6702A -2  
BRACKET NO 1,A.B.S.----- 4376A -1  
BRACKET(L)----- 5000A -2  
BRACKET(L)----- 5340A -1  
BRACKET(L)----- 5340A -3  
BRACKET(L),CONDENSER----- 5310A -1  
BRACKET(L),ENGINE----- 3900A -1  
BRACKET(L),F.FOG LAMP----- 5105A -1  
BRACKET(L),FENDER----- 5310A -1  
BRACKET(L),FENDER----- 5340A -1  
BRACKET(L),RADIATOR----- 1500A -4  
BRACKET(L),RETRACTOR----- 5790A -2  
BRACKET(L),SEAT----- 5370A -2  
BRACKET(L),UPPER----- 6800A -2  
BRACKET(R)----- 5000A -2  
BRACKET(R)----- 5340A -1  
BRACKET(R)----- 5340A -2  
BRACKET(R),CONDENSER----- 5310A -1  
BRACKET(R),F.FOG LAMP----- 5105A -1  
BRACKET(R),FENDER----- 5310A -1  
BRACKET(R),FENDER----- 5340A -1  
BRACKET(R),RADIATOR----- 1500A -4  
BRACKET(R),RETRACTOR----- 5790A -1  
BRACKET(R),SEAT----- 5370A -1  
BRACKET(R),UPPER----- 6800A -2  
BRACKET,AIR BAG----- 5795A -1  
BRACKET,AIR PIPE----- 1330A -1  
BRACKET,AIR PUMP----- 1371A -1  
BRACKET,AMP----- 6682A -1  
BRACKET,BUMPER----- 5320A -1  
BRACKET,CLIP----- 4500A -1  
BRACKET,CONTROL UNIT----- 6600A -2  
BRACKET,CONTROL UNIT-IGNI- 6600A -1  
BRACKET,DIFF. MOUNTING--- 2830A -2  
BRACKET,DIST.MODULE----- 1800A -1  
BRACKET,ENGINE HARNESS--- 6701A -1  
BRACKET,ENGINE MOUNT----- 3900A -1  
BRACKET,FRONT----- 1840A -1  
BRACKET,FRONT----- 1840AA -1  
BRACKET,HARNESS----- 6700A -1  
BRACKET,HOLE-ENG.WIRING--- 6701A -1  
BRACKET,Idle PULLEY----- 1580A -1  
BRACKET,INST. PANEL----- 5560A -1  
BRACKET,LEAKAGE SENSOR--- 4200A -1  
BRACKET,OIL COOLER----- 1500A -1  
BRACKET,OIL COOLER----- 1500A -2  
BRACKET,OVERHEAD CONSOLE-- 5130A -1  
BRACKET,RADIATOR LWR----- 1500A -4  
BRACKET,REAR----- 1840A -1

BRACKET,REAR----- 1840AA -1  
BRACKET,SEAT----- 5370A -1  
BRACKET,SEAT CUSHION----- 5700A -5  
BRACKET,SUN ROOF----- 6330A -3  
BRACKET,SUN ROOF-REAR--- 6330A -3  
BRACKET,TANK----- 4200A -2  
BRACKET,TUNNEL-FRONT----- 6860A -1  
BRACKET,TUNNEL-REAR----- 6860A -1  
BRACKET,UNIT-KEY LESS--- 6630A -1  
BRACKET'A'----- 5020A -1  
BRACKET'B'----- 5020A -1  
BRACKET,BUMPER----- 2800A -1  
BREATHER----- 2710A -1  
BREATHER,AIR-T/MISSION--- 1700A -2  
BRKT LWR ARM (L)----- 5320A -3  
BRKT LWR ARM (R)----- 5320A -2  
BRKT,CONT.UNIT-H/L CLEAN- 6720A -1  
BRKT,WARNING UNIT----- 6630A -1  
BRKT(L),INST.----- 5340A -4  
BRKT(L),RR BUMPER-LOWER-- 5370A -2  
BRKT(L),SLDG ROOF-REAR--- 5360B -1  
BRKT(L),STRUT BAR----- 5320A -3  
BRKT(R),RR BUMPER-LOWER-- 5370A -1  
BRKT(R),SLDG ROOF-REAR--- 5360B -1  
BRKT(R),STRUT BAR----- 5320A -3  
BRKT,AIR BAG MODULE----- 5795A -1  
BRUSH----- 1830A -1  
BRUSH,YOKE----- 1840A -2  
BULB----- 5100A -1  
BULB----- 5105A -1  
BULB----- 5110A -1  
BULB----- 5120A -1  
BULB----- 5125A -1  
BULB----- 5500A -1  
BULB----- 5570A -1  
BULB----- 6610A -1  
BULB----- 6610A -2  
BULB,GLOVE BOX LAMP----- 5560A -1  
BULB,INTERIOR MIRROR----- 5125A -1  
BULB,INTERIOR MIRROR----- 5840A -2  
BULB,RESISTOR----- 6610A -1  
BUMPER,BOUND----- 3400A -1  
BUMPER,FRONT----- 5000A -1  
BUMPER,REAR----- 5010A -1  
BUSH----- 1300A -3  
BUSH----- 1300AA -3  
BUSH----- 1700A -1  
BUSH----- 2600A -1  
BUSH----- 2600A -2  
BUSH----- 3300A -1  
BUSH----- 4300A -1  
BUSH----- 5700A -3  
BUSH SET----- 4140A -2  
BUSH,ELBOW JOINT----- 4140A -2  
BUSH,RR SEAT BACK----- 5750A -2  
BUSH,RUBBER----- 2800A -1  
BUSH,RUBBER----- 3400A -1  
BUSH,STABILIZER-FRT----- 2600A -1  
BUSH,STABILIZER-FRT----- 3410A -1  
BUSH,STABILIZER-RR----- 2810A -1

\*\*\*\*\*  
\* \* \* \* \*  
\* C \*  
\* \* \* \* \*  
\*\*\*\*\*

CABLE(L),DRIVE----- 6330A -3  
CABLE(L),R.-PARK.----- 4400A -1  
CABLE(R),DRIVE----- 6330A -3  
CABLE(R),R.-PARK.----- 4400A -1  
CABLE,F/LID OPENER----- 4210A -1  
CABLE,INTER LOCK----- 4600A -1  
CABLE,PARKING-FRT----- 4600A -1  
CALIPER(L),PADLESS-FR----- 3310A -1  
CALIPER(L),PADLESS-FR----- 3310A -2  
CALIPER(L),PADLESS-RR----- 2610A -1  
CALIPER(R),PADLESS-FR----- 3310A -1  
CALIPER(R),PADLESS-RR----- 2610A -1  
CANISTER----- 4200A -1  
CAP----- 3200A -1  
CAP----- 4210A -1  
CAP----- 5560A -1  
CAP SET,RESERVE TANK----- 4340A -1





## ALPHABETICAL INDEX \*\*\* ENGLISH \*\*\*

FASTENER-----	6870A -1
7200A -1	
7240A -1	
7240A -2	
FASTENER, BONNET-----	5230A -2
FASTENER, COVER-RAD. SHROUD-----	6860A -1
FASTENER, F. - BUMPER-----	5000A -2
FASTENER, REAR BUMPER-----	5010A -1
FASTENER, SEAL-----	6860A -2
FILLER, FRONT BUMPER-----	5010A -1
5010A -2	
4200A -1	
FILTER, AIR-----	6120A -1
FILTER, COOLING UNIT-----	6682A -1
FILTER, NOISE-----	3240A -1
FILTER, NOISE-FRONT HARNES-----	2710A -1
FLANGE, COMPANION-----	2600A -1
FLANGE, REAR AXLE-----	5000A -2
FOAM, BUMPER-FRONT-----	4300A -1
FORK, CLUTCH-----	1600A -1
FORK, CLUTCH RELEASE-----	1720A -1
FORK, SHIFT (1ST & 2ND)-----	1720A -1
FORK, SHIFT (3RD & 4TH)-----	1720A -1
FORK, SHIFT-5TH & REVERSE-----	1720A -3
FORK, SHIFT-6-----	1720A -1
FRAME(L), FRONT-----	5320A -3
FRAME(L), FRONT-OUTER-----	5320A -3
FRAME(L), FRONT-REAR-----	5370A -2
FRAME(L), REAR SIDE-----	5320A -1
FRAME(L), SIDE-INNER-----	5320A -1
FRAME(R), FRONT-----	5320A -2
FRAME(R), FRONT-OUTER-----	5320A -1
FRAME(R), FRONT-REAR-----	5370A -1
FRAME(R), REAR SIDE-----	5320A -1
FRAME(R), SIDE-INNER-----	5320A -2
FRAME(R), SIDE-OUTER-----	5320A -3
FRAME(UP, L), FRONT-REAR-----	5320A -2
FRAME(UP, R), FRONT-REAR-----	3900A -1
FRAME, POWER PLANT-----	6330A -2
FRAME, SLIDING ROOF-----	2830A -2
FRAME, SUB-----	5370A -2
FRAME'A'(L), REAR SIDE-----	5370A -1
FRAME'A'(R), REAR SIDE-----	5370A -1
FRAME'B'(R), FRONT-----	1710A -6
FUNNEL-----	6700A -3
FUSE-----	6700A -4
6702A -2	
6700A -4	
6700A -1	
6700A -4	
6700A -3	
6701A -1	
*****	
* G *	
*****	
GARNISH(L), SAIL-IN-----	6900A -2
GARNISH(R), SAIL-IN-----	1030A -1
GASKET-----	1500A -1
1720A -1	
1840A -2	
1840AA-2	
4000A -1	
4300A -1	
5040A -2	
5180A -1	
6300A -1	
GASKET & SEAL KIT-----	1960A -1
GASKET SET, ENGINE-----	5110A -1
GASKET(L), RR. COMB-----	5110A -1
GASKET(R), RR. COMB-----	1371A -1
GASKET, A.C.V.-----	5180A -1
GASKET, CHAMBER-EXTRACTOR-----	1310A -1
GASKET, EX. MANIFOLD-----	4200A -1
GASKET, FUEL PUMP-----	1300A -1
GASKET, IN. MANIFOLD-----	1300AA-1
GASKET, LTD HINGE-TRUNK-----	5260A -1
GASKET, METERING OIL-----	1400A -2

GASKET, OIL FILTER-----	1400A -1
GASKET, OIL PAN-----	1920A -2
GASKET, REAR COVER-----	1700A -1
1710A -6	
GASKET, SHUTTER VALVE-----	1300A -2
1300AA-2	
GASKET, STOP LAMP-HI. MOUNT-----	5110A -2
GASKET, T.B. COVER LWR-----	1040A -3
GASKET, THROTTLE BODY-----	1300A -2
1300AA-1	
GASKET, TURBOCHARGER-----	1300A -2
GASKET, VAC POWER ASSIST-----	4340A -1
GASKET, WATER PUMP-----	1500A -2
GAUGE, FUEL TANK-----	4200A -3
GAUGE, FUEL TANK-INNER-----	4200A -4
GAUGE, OIL LEVEL-----	1930A -2
1840A -2	
GEAR-----	1840A -2
1840AA-2	
GEAR SET, FINAL-----	2710A -1
GEAR, COUNTER-----	1710A -5
GEAR, COUNTER SHAFT-----	1710A -5
GEAR, COUNTER (6TH)-----	1710A -5
GEAR, DIFF SIDE-----	2710A -2
GEAR, DISTRIBUTOR-----	1100A -1
GEAR, DRIVEN-----	1400A -2
GEAR, FRICTION-----	1710A -5
GEAR, INTERNAL-----	1930A -4
GEAR, INTERNAL-STARTER-----	1840A -1
1840AA-1	
GEAR, MAIN DRIVE-----	1710A -1
GEAR, PARKING-----	1940A -1
GEAR, REVERSE-----	1710A -5
GEAR, REVERSE IDLE-----	1710A -5
GEAR, RING-FLY WHEEL-----	1100A -2
GEAR, SMALL SUN-----	1930A -5
GEAR, STATIONARY-FRT-----	1040A -2
GEAR, STATIONARY-RR-----	1040A -3
GEAR, STEERING-----	3220A -1
GEAR, SUN-----	1930A -4
GEAR, 1ST-----	1710A -4
GEAR, 2ND-----	1710A -3
GEAR, 3RD-----	1710A -3
GEAR, 4TH-----	1710A -3
GEAR, 6TH-----	1710A -6
GLASS & HOLDER(L), MIRROR-----	6900A -1
GLASS & HOLDER(R), MIRROR-----	6900A -1
GLASS(C), FRONT-METER-----	5540A -1
GLASS(L), DOOR-FRT-----	5800A -2
GLASS(L), FRONT-METER-----	5540A -1
GLASS(L), QTR. WINDOW-----	7200A -2
GLASS(R), DOOR-FRT-----	5800A -2
GLASS(R), FRONT-METER-----	5540A -1
GLASS(R), QTR. WINDOW-----	7200A -1
GLASS, BACK WINDOW-----	6300A -1
GLASS, WINDSHIELD-----	6300A -1
GRILLE(C), COWL-----	5180A -1
GRILLE(C), VENTILATOR-----	5500A -1
GRILLE(L), COWL-----	5180A -1
GRILLE(L), DEMISTER-----	5580A -1
GRILLE(L), FENDER-----	5180A -1
GRILLE(R), COWL-----	5180A -1
GRILLE(R), DEMISTER-----	5580A -1
GRILLE(R), FENDER-----	5180A -1
GRILLE, SPEAKER-----	5500A -1
GRILLE, VENTILATION-----	5580A -1
GROMMET-----	1325A -1
4340A -1	
5010A -1	
5830A -1	
6330A -1	
GROMMET, QUARTER TRIM-----	6840A -2
7240A -1	
GROMMET, SCREW-----	5000A -1
5010A -1	
5010A -2	
5800A -2	
5830A -3	
5840A -1	
6820A -1	
7240A -2	
GROMMET, WASHER TANK-----	6720A -3
GUARD (L), STONE-FRONT-----	5040A -1
GUARD(L), MUD-----	5320A -3

## ALPHABETICAL INDEX \*\*\* ENGLISH \*\*\*

GUARD(L), MUD-----	5320A -4
GUARD(L), MUD-REAR-----	5390A -1
GUARD(L), REAR BUMPER-----	5010A -2
GUARD(R), MUD-----	5320A -3
GUARD(R), MUD-REAR-----	5390A -1
GUARD(R), REAR BUMPER-----	5010A -2
GUARD(R), STONE-FRONT-----	5040A -1
GUARD'A'(L), STONE-----	5040A -1
GUARD'A'(R), STONE-----	5040A -1
GUIDE(L), BELT SEAT-----	5750A -3
GUIDE(L), FRONT-----	6330A -2
GUIDE(R), BELT SEAT-----	5750A -3
GUIDE(R), FRONT-----	6330A -2
GUIDE, CABLE-SLIDING ROOF-----	6330A -2
GUSSET-----	1920A -2
GUSSET(L)-----	5360A -1
5360B -1	
GUSSET(L), SIDE SILL OUTER-----	5340A -4
GUSSET(R)-----	5360A -1
5360B -1	
GUSSET(R), SIDE SILL OUTER-----	5340A -2
GUSSET, NO. 1-----	5390A -1
*****	
* H *	
*****	
H I D CONTROL UNIT-----	5100A -1
HANDLE(L), INNER-----	5830A -2
HANDLE(L), INNER-RR DOOR-----	7230A -1
HANDLE(L), OUTER-----	5830A -2
HANDLE(R), INNER-----	5830A -1
HANDLE(R), INNER-RR DOOR-----	7230A -1
HANDLE(R), OUTER-----	5830A -2
HANDLE, ASSIST-----	6900A -3
HANDLE, JACK-----	3700A -3
HANGER, ENGINE-----	1040A -3
HANGER, ENGINE-REAR-----	1040A -3
HANGER, SILENCER-----	4000A -1
HARNES NO. 2, REAR-----	6700A -3
HARNES NO. 3, REAR-----	6700A -3
HARNES(L), SEAT-FRONT-----	5700A -3
HARNES(R), SEAT-FRONT-----	5700A -3
HARNES, DOOR-DRIVER SIDE-----	6703A -1
HARNES, DOOR-PASSENGER SI-----	6703A -1
HARNES, ENGINE-----	6701A -1
HARNES, FRONT-----	6700A -1
6700A -2	
HARNES, FRT SEAT-----	5700A -7
HARNES, INSTRUMENT-----	6702A -1
6702A -2	
HARNES, REAR-----	6700A -2
6700A -3	
HARNES, ROOF-----	6700A -3
HARNES, ROOM LAMP-----	6700A -4
6800A -1	
HARNES, SLIDING ROOF-----	6330A -2
HEADER, FRONT-----	5360A -1
5360B -1	
HEADER, REAR-----	5360A -1
5360B -1	
HEATER UNIT-----	6110A -2
HEATER, SEAT BACK-----	5700A -4
HEATER, SEAT CUSHION-----	5700A -4
HINGE(L), BONNET-----	5230A -1
HINGE(L), DOOR-LOWER-----	5800A -2
HINGE(L), DOOR-UPPER-----	5800A -2
HINGE(L), TRUNK LID-----	5260A -1
HINGE(R), BONNET-----	5230A -1
HINGE(R), DOOR-LOWER-----	5800A -2
HINGE(R), DOOR-UPPER-----	5800A -2
HINGE(R), TRUNK LID-----	5260A -1
HINGE'A'(L), DOOR-----	7200A -1
HINGE'A'(R), DOOR-----	7200A -1
HINGE'B'(L), DOOR-----	7200A -1
HINGE'B'(R), DOOR-----	7200A -1
HOLDER(L)-----	4360A -1
HOLDER(R)-----	4360A -1
HOLDER, BONNET STAY-----	5230A -1
HOLDER, BONNET STAY-FRONT-----	5230A -1
HOLDER, BRUSH-----	1840A -2
1840AA-2	

HOLDER, CLUTCH-----	4145A -1
HOLDER, CUP-----	5570A -2
HOLDER, LICENSE PLATE-----	5000A -1
5000A -2	
HOLDER, PIPE-----	4145A -1
4360A -2	
4500A -1	
7250A -1	
HOLDER, ROD-----	5000A -3
HORN, TOWING-----	5010A -2
HORN, HIGH TONE-----	6635A -1
HORN, LOW TONE-----	6635A -1
HOSE-----	1330A -3
1380A -1	
1920A -2	
6600A -1	
HOSE NO. 1, WATER-----	6100A -1
HOSE NO. 2, WATER-----	6100A -1
HOSE NO. 3, WATER-----	6100A -1
HOSE(L), FLEXIBLE-FRT-----	4360A -1
HOSE(L), NOZZLE-----	6720A -2
HOSE(R), FLEXIBLE-FRT-----	4360A -1
HOSE(R), NOZZLE-----	6720A -1
HOSE, AIR-----	1330A -1
1371A -2	
HOSE, BREATHER-----	4200A -1
4200A -2	
HOSE, CANISTER-----	1320A -1
HOSE, DRAIN-----	6110A -2
6330A -3	
HOSE, DRAIN-FRONT-----	6330A -2
HOSE, DRAIN-REAR-----	6330A -3
HOSE, FILLER-----	3700A -1
HOSE, FLEXIBLE-----	4145A -1
4360A -1	
HOSE, FLEXIBLE-HIGH-----	6130A -1
HOSE, FLEXIBLE-LOW-----	6130A -1
HOSE, FUEL-----	1320A -1
1325A -1	
4200A -2	
4200A -3	
HOSE, JOINT-----	4200A -2
HOSE, OIL-----	1500A -1
1500A -2	
1910A -2	
HOSE, RESERVE-----	4140A -1
HOSE, SCREEN WASHER-----	6720A -1
6720A -2	
HOSE, SUB TANK-----	1500A -4
HOSE, VACUUM-----	4340A -1
HOSE, WATER-----	1380A -1
1500A -3	
HOUSING, CLUTCH-----	1700A -1
HOUSING, CONVERTER-----	1910A -1
HOUSING, EXTENSION-----	1700A -1
1920A -1	
HOUSING, FRONT-----	1040A -1
HOUSING, INTERMEDIATE-----	1030A -1
HOUSING, REAR-----	1040A -1
HOUSING, ROTOR-FRONT-----	1030A -1
HUB-----	1930A -5
HUB, CLUTCH-----	1710A -3
1710A -4	
1710A -6	
HUB, WHEEL-----	3300A -1
*****	
* I *	
*****	
INDICATOR-----	4600A -1
INJECTION, FUEL-M.P. ELECT.-	1325A -1
INS. (L), WHEEL APRON-----	6860A -1
INS. (R), WHEEL APRON-----	6860A -1
INSULATOR-----	1330A -1
1330A -2	
1330A -3	
5390A -2	
INSULATOR(L), FUEL DIST.----	1325A -1
INSULATOR, BONNET-----	5230A -2
INSULATOR, BOOT-----	5570A -4

INSULATOR, COOLING UNIT--- 6110A -2  
 INSULATOR, DASHBOARD--- 6860A -1  
 INSULATOR, ENGINE ROOM--- 6860A -1  
 INSULATOR, FLOOR--- 6860A -1  
 INSULATOR, FUEL TANK--- 4200A -3  
 INSULATOR, HEAT--- 3900A -1  
 5390A -2  
 5390A -2  
 INSULATOR, HEAT-FRONT--- 1325A -1  
 INSULATOR, INJECTION--- 5390A -2  
 INSULATOR, REAR---

\*\*\*\*\*  
 \* \* \*  
 \* J \*  
 \* \* \*  
 \*\*\*\*\*

JACK----- 3700A -3  
 JOINT----- 6720A -1  
 JOINT SET, INNER--- 2550A -1  
 JOINT SET, UNIVERSAL--- 2505A -1  
 JOINT(L), BALL-OUTER--- 3220A -1  
 JOINT(R), BALL-OUTER--- 3220A -1  
 JOINT, AIR HOSE--- 1330A -2  
 JOINT, BALL--- 3220A -1  
 4600A -1  
 JOINT, DRAIN HOSE-REAR--- 6330A -3  
 JOINT, HOSE--- 6720A -2  
 JOINT, PIPE--- 6140A -1  
 JOINT, STEERING--- 3210A -1  
 JOINT, STEERING(L), PACKAGE--- 5340A -4  
 JOINT, STEERING(R), PACKAGE--- 5340A -2

\*\*\*\*\*  
 \* \* \*  
 \* K \*  
 \* \* \*  
 \*\*\*\*\*

KEY----- 1100A -1  
 1400A -1  
 KEY SET----- 0900A -1  
 KEY SUB SET(L), DOOR--- 0900A -1  
 KEY SUB SET, IG. SWITCH--- 0900A -2  
 KEY SUB SET, ST. LOCK--- 0900A -2  
 KEY SUB SET, TRUNK--- 0900A -1  
 0900A -2  
 KEY, BLANK-PRIMARY--- 0900A -2  
 KEY, BLANK-SECONDARY--- 0900A -2  
 KEY, FLY WHEEL--- 1100A -2  
 KEY, PRIMARY--- 0900A -1  
 KEY, SECONDARY--- 0900A -1  
 KEY, SYNCHRONIZER--- 1710A -1  
 KEYLESS ENTRY SET--- 6630A -1  
 KNOB--- 5500A -2  
 KNOB(L), KNUCKLE--- 5700A -2  
 KNOB(L), SLIDE--- 5700A -5  
 KNOB(R), KNUCKLE--- 5700A -2  
 KNOB, CHANGE LEVER--- 1720A -3  
 4600A -1  
 KNOB, OPENER LEVER-FILLER--- 4210A -1  
 KNOB, VOLUME--- 5500A -2  
 KNUCKLE(L), STEERING--- 3300A -1  
 KNUCKLE(R), STEERING--- 3300A -1

\*\*\*\*\*  
 \* \* \*  
 \* L \*  
 \* \* \*  
 \*\*\*\*\*

LABEL, BATTERY--- 6930A -1  
 LABEL, BURGLAR ALARM--- 6930A -1  
 LABEL, CAUTION--- 6930A -1  
 LABEL, GASOLINE--- 6930A -1  
 LABEL, PUNCTURE REPAIR KIT--- 3700A -1  
 LABEL, SAFETY PANEL--- 6930A -1  
 LABEL, TIRE--- 6930A -1  
 LABEL 'B', CAUTION A/B--- 6930A -1  
 LABEL 'C', CAUTION A/B--- 6930A -1  
 LAMP(L), F. FOG--- 5105A -1  
 LAMP(L), RR. COMB--- 5110A -1  
 LAMP(L), SIDE TURN--- 5105A -1  
 LAMP(R), F. FOG--- 5105A -1

LAMP(R), RR. COMB.----- 5110A -1  
 LAMP(R), SIDE TURN--- 5105A -1  
 LAMP, INVERTER & MAP--- 5125A -1  
 LAMP, LICENSE--- 5120A -1  
 LAMP, STOP-HI. MOUNT--- 5110A -2  
 LED. DOOR TRIM--- 5840A -1  
 LENS--- 5125A -1  
 LENS & BODY(L), RR. COMB.--- 5110A -1  
 LENS & BODY(R), RR. COMB.--- 5110A -1  
 LENS & BODY, LAMP-H.M. STOP--- 5110A -2  
 LENS, COLUMN COVER--- 5500A -1  
 LENS, COURTESY LAMP--- 5840A -2  
 LENS, INTERIOR LAMP--- 5125A -1  
 LENS, LICENCE LAMP--- 5120A -1  
 LENS, OVERHEAD CONSOLE--- 5130A -1  
 LEVER--- 1840A -1  
 1840AA -1  
 4600A -1

LEVER(L), LIFTER----- 5700A -7  
 LEVER, CHANGE--- 1720A -3  
 LEVER, CONTROL--- 1720A -2  
 LEVER, COUNTER--- 1720A -2  
 LEVER, IN. SHIFT--- 1720A -2  
 LEVER, LIGHT-COMB. SW--- 6611A -1  
 LEVER, LUMBAR SUPPORT--- 5700A -5  
 LEVER, OPENER--- 4210A -1  
 LEVER, PARKING BRAKE--- 4400A -1  
 LEVER, SELECT--- 4600A -1  
 LEVER, WIPER-COMB. SWITCH--- 6611A -1  
 LID, CONSOLE--- 5570A -3  
 LID, FRONT-RR CONSOLE--- 5570A -2  
 LID, FUEL FILLER--- 4210A -1  
 LID, TRUNK--- 5260A -1  
 LIGHTER, CIGAR--- 6610A -1  
 LINK SET, MODE--- 6110A -1  
 LINK SET, TEMP--- 6110A -1  
 LINK(L), CONTROL--- 3410A -1  
 LINK(L), LATERAL--- 2830A -1  
 LINK(L), LATERAL-REAR SIDE--- 2830A -2  
 LINK(L), TRAILING--- 2830A -1  
 LINK(R), CONTROL--- 3410A -1  
 LINK(R), LATERAL--- 2830A -1  
 LINK(R), LATERAL-REAR SIDE--- 2830A -2  
 LINK(R), TRAILING--- 2830A -1  
 LINK, CONTROL-STAB--- 2810A -1  
 LINK, RECYCLE & FRESH--- 6120A -1  
 LINK, TOE CONTROL--- 2830A -1  
 LINK, TRAILING--- 2830A -1  
 LINK, WIPER--- 6730A -1  
 LOCK(L), DOOR--- 5830A -1  
 7230A -1  
 LOCK(R), DOOR--- 5830A -1  
 7230A -1  
 LOCK, BONNET--- 5230A -1  
 LOCK, CONSOLE LID--- 5570A -3  
 LOCK, GLOVE LID--- 5560A -2  
 LOCK, LID--- 5260A -1  
 5570A -1  
 5570A -4  
 7200A -1  
 LOCK, QTR. WINDOW----- 7200A -1  
 LOCK, RR. SEAT CUSHION--- 5750A -1

\*\*\*\*\*  
 \* \* \*  
 \* M \*  
 \* \* \*  
 \*\*\*\*\*

MANIFOLD(R), EXTENSION--- 1300A -1  
 1300AA -1  
 MANIFOLD, EXHAUST--- 1310A -1  
 MANIFOLD, INLET--- 1300A -1  
 1300AA -1  
 MANUAL--- 3700A -1  
 MASCOT, REAR--- 5170A -1  
 MAT(L), FLOOR--- 6860A -1  
 MAT(R), FLOOR--- 6860A -1  
 MAT, CONSOLE--- 5570A -1  
 MAT, CONSOLE-REAR--- 5570A -2  
 MAT, TRUNK ROOM--- 6860A -1  
 MEMBER NO. 2(L), CROSS-FLOD--- 5370A -2  
 MEMBER NO. 2(R), CROSS-FLOD--- 5370A -1  
 MEMBER NO. 3, CROSS--- 5370A -1  
 MEMBER NO. 4, CROSS--- 5370A -1

MEMBER NO. 5, CROSS--- 5370A -2  
 MEMBER, CRASH PAD--- 5560A  
 MEMBER, CROSS--- 3410A -1  
 3900A -1  
 5320A -1  
 5310A -1  
 MEMBER, SHROUD-UPPER--- 3410A -1  
 MEMBER, TRANSVERSE--- 5390A -2  
 MEMBER 'A', TUNNEL--- 5000A -2  
 MESH, FRONT BUMPER--- 1110A -1  
 METAL, ROTOR--- 1040A -2  
 METAL, STATIONARY GEAR--- 1040A -3  
 MICROPHONE--- 6682A -1  
 MIRROR(L), DOOR--- 6900A -2  
 MIRROR(R), DOOR--- 6900A -1  
 6900A -2  
 MIRROR, INTERIOR--- 6900A -2  
 MLDG(L), FENDER-FRT--- 5180A -1  
 MLDG(R), FENDER-FRT--- 5180A -1  
 MODULE(L)-A/B, SIDE--- 5795A -1  
 5700A -1  
 5795A -1  
 MODULE, AIR BAG--- 3200A -1  
 5795A -1  
 5795A -1  
 MODULE, AIR BAG PASSENGER--- 6600A -2  
 MODULE, POWERTRAIN CONTROL--- 6600A -2  
 MODULE, PWT. CONT. -A/T--- 5830A -2  
 MOTOR(L), WINDOW--- 5830A -2  
 MOTOR(R), WINDOW--- 5830A -2  
 MOTOR, FAN-BLOWER UNIT--- 6120A -1  
 MOTOR, SLIDING ROOF--- 6330A -2  
 MOTOR, WIPER--- 6730A -1  
 MOULD(L), FRT. BELT--- 5800A -1  
 MOULD(L), ROOF--- 5040A -1  
 5040A -2  
 MOULD(R), FRT. BELT--- 5800A -1  
 MOULD(R), ROOF--- 5040A -1  
 MOULD, FRT WINDOW-UP--- 6300A -1  
 6300A -1  
 MOULD, LOWER-BACK WIND--- 6300A -1  
 6300A -1  
 MOULD, RR. WINDOW--- 6300A -1

\*\*\*\*\*  
 \* \* \*  
 \* N \*  
 \* \* \*  
 \*\*\*\*\*

NAVIGATION UNIT, DVD--- 6685A -1  
 NOZZLE(L), CLEANER--- 5020A -1  
 NOZZLE(L), WASHER--- 6720A -2  
 NOZZLE(R), CLEANER--- 5020A -1  
 NOZZLE(R), WASHER--- 6720A -2  
 NUT--- 1310A -1  
 1925A -1  
 2505A -1  
 2600A -1  
 2830A -1  
 4000A -1  
 4340A -1  
 NUT SET--- 1830A -1  
 NUT, ADJUST--- 5700A -1  
 NUT, CAP--- 6860A -1  
 NUT, CLIP--- 5000A -3  
 7800A -1  
 NUT, EXPANSION--- 5560A -2  
 5570A -4  
 2800A -2  
 3400A -1  
 3900A -1  
 NUT, FLANGE-CAP--- 4300A -2  
 5390A -2  
 6860A -1  
 NUT, GLASS CLAMP--- 7200A -1  
 NUT, HEAD LAMP--- 5100A -1  
 NUT, HUB--- 3700A -1  
 NUT, LOCK--- 1100A -2  
 2710A -1  
 NUT, SPRING--- 5570A -1

\*\*\*\*\*  
 \* \* \*  
 \* O \*  
 \* \* \*  
 \*\*\*\*\*

OIL, COMPRESSOR--- 6140A -1  
 OPENER, FILLER LID--- 4210A -1  
 ORNAMENT--- 5170A -1  
 ORNAMENT, FRONT--- 5000A -3  
 5170A -1  
 ORNAMENT, PLATE--- 1300A -1  
 1300AA -1  
 ORNAMENT, REAR--- 5170A -1  
 OUTLET--- 6610A -1

\*\*\*\*\*  
 \* \* \*  
 \* P \*  
 \* \* \*  
 \*\*\*\*\*

PAD, SUB SET, RR CALIPER--- 2610A -2  
 PAD, SUB SET, RR CALIPER--- 2610A -3  
 PAD(L), FRONT DOOR--- 5830A -3  
 PAD(L), FRT-HEAD IMPACT--- 6800A -1  
 PAD(L), REAR-HEAD IMPACT--- 6800A -1  
 PAD(R)--- 5830A -3  
 PAD(R), FRONT DOOR--- 5830A -3  
 PAD(R), FRT-HEAD IMPACT--- 6800A -1  
 PAD(R), REAR-HEAD IMPACT--- 6800A -1  
 PAD, FOOT REST--- 4300A -1  
 PAD, FUEL TANK--- 4200A -2  
 PAD, INSTRUMENT PANEL--- 5560A -1  
 PAD, PEDAL--- 4300A -1  
 4300B -1  
 PAD, PROTECTOR--- 4210A -1  
 PAN, FLOOR-FRONT--- 5370A -1  
 PAN, FLOOR-REAR--- 5370A -1  
 PAN, FLOOR-TRUNK--- 5370A -1  
 PAN, OIL--- 1040A -2  
 1920A -2  
 5320A -1  
 PANEL(L), APRON & FRAME--- 5340A -5  
 PANEL(L), FENDER-REAR--- 5800A -2  
 PANEL(L), FENDER-REAR--- 5340A -3  
 PANEL(L), REAR PILLAR--- 5340A -4  
 PANEL(L), RR FENDER-LOWER--- 5340A -1  
 PANEL(L), SIDE SILL--- 5340A -4  
 5370A -2  
 PANEL(L), SIDE-INST. PANEL--- 5560A -2  
 PANEL(L), SWITCH--- 5840A -1  
 PANEL(L), WHEEL APRON--- 5320A -1  
 PANEL(L), WHEEL APRON-FRT--- 5320A -2  
 PANEL(R), APRON & FRAME--- 5320A -1  
 PANEL(R), FENDER-FRT--- 5320A -1  
 PANEL(R), FENDER-REAR--- 5340A -5  
 PANEL(R), OUT.-FRT DOOR--- 5340A -2  
 PANEL(R), REAR PILLAR--- 5340A -1  
 PANEL(R), RR FENDER-LOWER--- 5340A -3  
 PANEL(R), SIDE SILL--- 5340A -1  
 5340A -2  
 5370A -1  
 PANEL(R), SIDE-INST. PANEL--- 5560A -2  
 PANEL(R), SWITCH--- 5840A -1  
 PANEL(R), WHEEL APRON--- 5320A -1  
 PANEL(R), WHEEL APRON-FRT--- 5320A -2  
 PANEL, AUDIO--- 5500A -1  
 PANEL, CENTER--- 5500A -1  
 PANEL, COWL--- 5330A -1  
 PANEL, DASH & COWL FRONT--- 5330A -1  
 PANEL, DASH-LOWER--- 5330A -1  
 PANEL, DASH-UPPER--- 5330A -1  
 PANEL, ESCUTCHEON--- 6680A -1  
 PANEL, LOWER--- 5560A -2  
 PANEL, METER--- 5560A -1  
 PANEL, REAR END--- 5340A -3  
 PANEL, REMOTE CONTROL--- 6685A -1

PANEL, ROOF-----	5360A -1	PIPE, OIL LEVEL GAUGE-----	1030A -1
PANEL, SHROUD-----	5360B -1	PIPE, OIL-OILPUMP-----	1910A -2
PANEL, SLIDING ROOF-----	5310A -1	PIPE, SCREEN WASHER-----	6720A -1
PANEL, SWITCH-----	6330A -1	PIPE, VACUUM-----	1350A -3
PANEL, UPPER-----	5560A -1	PIPE, WATER-----	1500A -3
	5570A -2		6100A -1
	5570A -3	PISTON-----	4140A -1
PARTS KIT, INN. BRAKE-----	4340A -1	PISTON, CLUTCH-----	1930A -2
PARTS KIT, INN. CLUTCH-----	4140A -1		1940A -1
PARTS KIT, INN.-----	4140A -1	PISTON, HIGH CLUTCH-----	1930A -3
PASS, OIL-----	1700A -2	PISTON, LOW & REVERSE-----	1940A -3
PAML, PARKING-----	1950A -1	PISTON, REVERSE-----	1930A -3
PEDAL, ACCEL-----	4160A -1	PLATE-----	1100A -2
PEDAL, BRAKE-----	4300A -1		1720A -3
	4300B -1		1930A -4
	4300A -1		1940A -3
PEDAL, CLUTCH-----	4300A -1		2830A -1
PELLET, THERMO-ECCENTRIC-----	1100A -1		4300B -1
PIECE, DISTANCE-----	2710A -1	PLATE NO.1(L), SET-F-----	5000A -2
PIECE, SIDE-----	1110A -1	PLATE NO.1(R), SET-F-----	5000A -2
PILLAR(L), FRONT-INNER-----	5340A -4	PLATE SET, CHANGE BOOT-----	5570A -2
PILLAR(L), FRONT-OUT-----	5340A -5	PLATE(L), CORNER-----	5340A -4
PILLAR(L), REAR INNER-----	5340A -3	PLATE(L), COWL-UPPER-----	5330A -1
PILLAR(R), FRONT-INNER-----	5340A -2	PLATE(L), SCUFF-INNER-----	6840A -3
PILLAR(R), FRONT-OUT-----	5340A -5	PLATE(L), SCUFF-OUTER-----	6840A -3
PILLAR(R), REAR-INNER-----	5340A -1	PLATE(L), SET-----	6330A -1
PILLAR*(C)(R), REAR-INNER-----	5340A -1	PLATE(R), CORNER-----	5340A -3
PIN-----	1710A -6	PLATE(R), COWL-UPPER-----	5330A -1
	1720A -3	PLATE(R), SCUFF-INNER-----	6840A -2
	1950A -1	PLATE(R), SCUFF-OUTER-----	6840A -3
	2710A -3	PLATE(R), SET-----	6330A -1
	3220A -1	PLATE, BACKING-----	1910A -1
PIN, CATCH-FRONT DOOR-----	5830A -3		6730A -1
	7230A -1	PLATE, BAFFLE-----	2710A -3
PIN, DOWEL-----	1040A -1	PLATE, CAM-----	2830A -1
PIN, DRIVEN GEAR-----	1400A -2		3400A -2
PIN, GUIDE-FRT CALIPER-----	3310A -1	PLATE, CAM-SUB FRAME-----	2830A -1
PIN, GUIDE-INNER PAD-----	3310A -2		3400A -1
PIN, JOINT-----	4300A -1	PLATE, DISC-----	2600A -1
PIN, PIVOT-CLUTCH REL.FORK-----	1600A -1		3300A -1
PIN, PUSH-----	1720A -2	PLATE, DISHED-----	1930A -2
PIN, SNAP-----	4300A -2		1930A -3
	4300B -1		1930A -4
PIN, SPRING-----	1030A -1		1940A -1
	1040A -1	PLATE, DRIVE-----	1910A -1
	1040A -3		1930A -5
	1720A -1	PLATE, DRIVE-CENTER-----	1940A -2
PIN, SPRING-PARKING ROD-----	1950A -1	PLATE, DRIVEN-----	1930A -1
PIN, STOPPER-----	1040A -1		1930A -3
PIN, STUD-----	6300A -1		1930A -5
PIN, TUBULAR-----	1040A -2		1940A -2
	1720A -1	PLATE, DRIVEN-FRONT-----	1930A -4
PINION-----	1840A -1	PLATE, MANUAL-----	1950A -1
	1840AA -1	PLATE, NUT-----	5340A -3
PINION, DIFFERENTIAL-----	2710A -2	PLATE, OIL BAFFLE-----	1040A -2
PIPE-----	1040A -1	PLATE, REAR SCUFF-----	6840A -2
	1300A -1	PLATE, RETAINING-----	1930A -1
	1300AA -1		1930A -2
	5020A -1		1930A -3
PIPE NO.1, BRAKE-A.B.-----	4360A -1		1930A -4
PIPE NO.1, COOLER-----	6130A -1		1940A -2
PIPE NO.2, BRAKE-A.B.-----	4360A -1		1940A -3
PIPE NO.2, COOLER-----	6130A -1		1940A -4
PIPE(L), BRAKE-FRONT-----	4360A -1		1940A -5
PIPE(L), BRAKE BRAKE-----	4360A -2		1940A -6
PIPE(R), BRAKE-FRONT-----	4360A -1		1940A -7
PIPE, AIR-----	1371A -1	PLATE, SEAL-----	5000A -2
PIPE, AIR-VALVE ACTUATOR-----	1380A -1	PLATE, SEAL-RAD. SHROUD-----	5390A -1
PIPE, BRAKE-REAR-----	4360A -1	PLATE, STABILIZER-----	3410A -1
PIPE, BREATHER-----	4200A -2	PLATE, STABILIZER-RR-----	2810A -1
PIPE, CLUTCH-----	4145A -1	PLATE, THRUST-----	1100A -2
PIPE, COOLING UNIT-----	6110A -2	PLAYER, COMPACT DISC-----	6680A -1
PIPE, EVAPORATION-----	4500A -1	PLUG-----	1040A -4
PIPE, EVAPORATOR-----	4500A -1		1700A -2
PIPE, FILLER-----	4200A -1		1720A -3
PIPE, FUEL-----	4200A -1		1920A -1
	4200A -2		5380A -1
	4200A -3		6330A -1
PIPE, FUEL-MAIN-----	4500A -1	PLUG SET, SPARK-----	1800A -1
PIPE, HEAD LAMP CLEANER-----	6720A -1	PLUG, BLIND-----	1040A -1
PIPE, MIDDLE-----	4000A -1		1040A -2
PIPE, OIL-----	1910A -2	PLUG, CORNER SEAL-----	1040A -1
PIPE, OIL FILLER-----	1030A -1	PLUG, DRAIN-----	1040A -2
	1300A -1		5260A -1
	1300AA -1		5380A -1

PLUG, DRAIN-----	5830A -1	REINF(R), FRAME-INNER-----	5340A -1
PLUG, DRAIN-WHL APRON UP.---	6704A -1	REINF(R), FRONT FRAME-----	5320A -2
PLUG, HOLE-----	5380A -1	REINF(R), REAR FRAME-----	5370A -1
	5830A -3	REINF(R), SHROUD-UPPER-----	5310A -1
PLUG, MAGNET-----	1920A -1	REINF, BUMPER-FRONT-----	5310A -1
PLUG, OIL JET-----	2710A -1	REINF, BUMPER-REAR-----	5010A -1
PLUG, SPARK-----	1800A -1	REINFORCEMENT(L)-----	5320A -3
PLUNGER, CONTROL-----	1040A -4		5340A -4
	1400A -1	REINFORCEMENT(R)-----	5320A -2
POWER UNIT(L), FRT SEAT-----	5700A -7		5340A -2
PROTECTOR-----	5040A -2	REINFORCEMENT, MTG-----	5310A -1
	5390A -1	REINFORCEMENT, ROOF-----	5360A -1
PROTECTOR(L)-----	5040A -3	REINFORCEMENT, STRIKER-----	5340A -3
PROTECTOR(L), MOULD-B.LINE-----	5800A -1	RELAY, AIR PUMP-----	6700A -1
PROTECTOR(L), ROOF MLD-----	5040A -2	RELAY, CIRCUIT-----	6700A -1
PROTECTOR(R)-----	5040A -3	RELAY, N.O.-----	6700A -4
PROTECTOR(R), MOULD-B.LINE-----	5800A -1	RELAY, TRANSFER-----	6700A -4
PROTECTOR(R), ROOF MLD-----	5040A -2	REPAIR KIT, PUNCTURE-----	3700A -1
PROTECTOR, CAT. SENSOR-----	6600A -1	RESISTOR-----	1371A -2
PROTECTOR, FILLER HOSE-----	4200A -2	RESISTOR, HEATER UNIT-----	6110A -1
PROTECTOR, HARNESS-RR-----	6704A -1	REST, FOOT-----	4300A -1
PROTECTOR, MIDDLE PIPE-----	4000A -1		4300B -1
PROTECTOR, VACUUM TUBE-----	1371A -1	RETAINER-----	1930A -1
PULLER, FUSE-----	6700A -1		4200A -3
PULLEY-----	1830A -1		5000A -3
PULLEY, CRANKSHAFT-----	1100A -1	RETAINER NO.1, BUMPER-----	5000A -2
PULLEY, IDLE-----	1580A -1	RETAINER NO.2, BUMPER-----	5000A -2
PULLEY, WATER PUMP-----	1500A -2	RETAINER(L), REAR BUMPER-----	5010A -1
PUMP, AIR-----	1371A -1	RETAINER(R), REAR BUMPER-----	5010A -1
PUMP, FUEL-----	4200A -1	RETAINER, FRT BUMPER-----	5000A -2
PUMP, METERING OIL-----	1400A -1	RETAINER, REAR DAMPER-----	3400A -1
PUMP, OIL-----	1400A -1		1940A -2
	1910A -1	RETAINER, SPRING-----	1110A -2
PUMP, WASHER-----	6720A -2	RING-----	1000A -1
		RING, 'O'-----	1030A -1
	*****	RING, 'O'-----	1060A -2
	* R *	RING, 'O'-----	1325A -1
	* *	RING, 'O'-----	1400A -2
	*****	RING, 'O'-----	1500A -1
RACE, BEARING-----	1930A -1	RING, 'O'-----	1910A -2
	1930A -4	RING, 'O'-ACCUM. CLUTCH-----	1920A -1
RACE, INNER-----	1710A -4	RING, 'O'-ACCUM. FOR. CLUT-----	1920A -2
	1940A -1		6600A -2
RADIATOR-----	1500A -3	RING, 'O'-AIR FLOW SENSOR-----	1330A -1
RAIL(L), RAIN-REAR-----	5340A -5	RING, 'O'-DRAIN COCK RAD.---	1500A -2
RAIL(L), REAR-INNER-----	5340A -3	RING, 'O'-INNER-----	1110A -1
RAIL(L), SEAT BELT-----	5790A -2	RING, 'O'-NO.1-----	6110A -1
RAIL(R), RAIN-REAR-----	5340A -3		6135A -1
RAIL(R), REAR-INNER-----	5340A -1	RING, 'O'-NO.2-----	6135A -1
RAIL(R), SEAT BELT-----	5790A -1	RING, 'O'-NO.3-----	6110A -1
RAIL, DRIP-SLIDING ROOF-----	6330A -2		6135A -1
RECEIVER, KEYLESS-----	6630A -1	RING, 'O'-OUTER-----	1110A -1
RECESS, LIFT GATE TRIM-----	6840A -3	RING, 'O'-UP-ACCUM 2ND PIS-----	1910A -2
RECTIFIER-----	1830A -1	RING, ILLUMINATION-----	6610A -1
REGULATOR, PRESSURE-----	1400A -1	RING, RETAINING-----	1710A -6
REGULATOR, VOLTAGE-----	1830A -1		1720A -2
REINF.(L), COWL SIDE-INNER-----	5340A -1	RING, RETAINING-DISC PLATE-----	2600A -1
REINF.(L), HINGE-----	5340A -4	RING, RETAINING-FRT SEAT-----	5700A -6
REINF.(L), QTR PANEL-REAR-----	5340A -3	RING, SEAL-----	1940A -1
REINF.(L), REAR DOOR HINGE-----	5340A -4		1940A -3
REINF.(L), REAR PILLAR IN-----	5340A -3	RING, SNAP-----	1400A -1
REINF.(L), ROOF RAIL-----	5340A -4		1710A -1
REINF.(L), SIDE SILL-----	5340A -4		1710A -2
REINF.(L), STRIKER-----	5340A -4		1710A -3
REINF.(L), WHEEL APRON-----	5320A -2		1710A -5
REINF.(R), ROOF RAIL-----	5340A -2		1930A -1
REINF.(R), COWL SIDE-INNER-----	5340A -1		1930A -3
REINF.(R), FRT PILLAR-LWR-----	5340A -2		1940A -1
REINF.(R), HINGE-----	5340A -2		1940A -4
REINF.(R), HINGE-RR DOOR-----	5340A -2	RING, SQUARE-----	1030A -1
REINF.(R), QTR PANEL-REAR-----	5340A -2	RING, SQUARE-OUTER-----	1030A -1
REINF.(R), REAR PILLAR IN-----	5340A -2	RING, SYNCHRONIZER-----	1710A -3
REINF.(R), SIDE SILL-----	5340A -2		1710A -4
REINF.(R), STRIKER-----	5340A -2	RIVET-----	5000A -2
REINF.(R), WHEEL APRON-----	5320A -2		5100A -1
REINF.(RR/L), APRON-LOWER-----	5320A -2		5180A -1
REINF.(RR/R), APRON-LOWER-----	5320A -1		7800A -1
REINF.(L), FRAME-INNER-----	5340A -1		
REINF.(L), FRONT FRAME-----	5320A -3		
REINF.(L), FRT PILLAR-INN-----	5340A -4		
REINF.(L), REAR FRAME-----	5370A -2		

RIVET, PLASTIC-COVER	4600A-1	SEAL, OIL	2710A-1
	5000A-3		2710A-2
RIVET, SEAL PLATE-SHROUD	5390A-2	SEAL, PISTON	1930A-1
ROD, CONTROL	1720A-2		1930A-2
ROD, PARKING	1950A-1		1940A-1
ROD, PUSH	4140A-1		1940A-3
	4300A-1	SEAL, SIDE	1110A-2
ROD, SELECTOR-REAR	4600A-1	SEAL, WATER-PUMP	1500A-2
ROD, SHIFT	1720A-3	SEALANT	3700A-1
ROD, SHIFT (1ST&2ND)	1720A-1	SEALANT, FLUID	1920A-1
ROM, COMPACT DISK-AUDIO	6685A-1	SENSORS, YAW RATE	4370A-1
ROTOR	1830A-2	SENS, IMPACT-SIDE A/B	5795A-1
ROTOR SET, OIL PUMP	1400A-3	SENSOR	1300A-2
ROTOR, FRONT	1110A-2		1300AA-2
ROTOR, REAR	1110A-2		4200A-1
ROTOR, SENSOR-FRT A. B. S.	2550A-1		6600A-1
RUBBER(L), ENGINE MT.	3900A-1	SENSOR(L), FRT-A. B. S.	4370A-1
RUBBER(R), ENGINE MT.	3900A-1	SENSOR(L), RR-A. B. S.	4370A-1
RUBBER, BLADE-FRONT	6730A-1	SENSOR(R), FRT-A. B. S.	4370A-1
RUBBER, CUSHION	5230A-2	SENSOR(R), RR-A. B. S.	4370A-1
RUBBER, INSULATION	1330A-2	SENSOR, AIR BAG	5795A-1
	1371A-1	SENSOR, AIR FLOW	1330A-1
RUBBER, MOUNT	1500A-4	SENSOR, AMBIENT	6130A-1
RUBBER, MOUNTING	1300A-1	SENSOR, AUTO LEVELING-FRT	5100A-2
	1300AA-1	SENSOR, BOOST	1371A-1
	1330A-2	SENSOR, CRANKSHAFT POSI.	6600A-1
	1371A-1	SENSOR, KNOCK	6600A-2
	1500A-1	SENSOR, OIL LEVEL	1040A-1
	3220A-1	SENSOR, OXYGEN	6600A-1
	6680A-1	SENSOR, REVOLUTION	1920A-2
RUBBER, REAR-ET/ED COMBI.	6680A-1		6600A-3
RUBBER, SEAL-BONNET	5230A-1		3700A-1
		SENSOR, SET-WHL	6600A-1
	*****	SENSOR, TEMP.-ENG. COOLANT	6110A-2
	* * * * *	SENSOR, VALVE	6330A-3
	* S * * *	SHADE, SUN	1840A-1
	* * * * *	SHAFT	1840AA-1
			1940A-3
SCREEN, REAR DOOR	7230A-2	SHAFT(L), DRIVE-RR	2550A-1
SCREW	6685A-1	SHAFT(R), DRIVE-RR	2550A-1
	6730A-1	SHAFT, CLUTCH	1840A-2
SCREW SET	1700A-1		1840AA-2
	1830A-1	SHAFT, CRANK LEVER	1720A-2
	1840A-1	SHAFT, DIFF. PINION	2710A-3
	1840AA-1	SHAFT, DRIVEN GEAR	1400A-2
SCREW, ANTENNA	5105A-1	SHAFT, ECCENTRIC	1100A-1
	6115A-1	SHAFT, ENGY. ABSORBER	3210A-1
SCREW, BLEEDER	6680A-1	SHAFT, INPUT	1910A-2
	2610A-1	SHAFT, MAIN	1710A-1
	3310A-1	SHAFT, MANUAL	1950A-1
SCREW, FRONT FOG LAMP	4140A-1	SHAFT, PARKING PAWL	1950A-1
SCREW, KNUCKLE	5105A-1	SHAFT, PROPELLER-FRT	2505A-1
SCREW, KNUCKLE	5700A-3	SHAFT, PULLEY	1580A-1
SCREW, PANEL-SLIDING ROOF	6330A-3	SHAFT, REV. IDLE GEAR	1710A-5
SCREW, TAPPING	3220A-2	SHAFT, FRT DAMPER	3400A-1
	5040A-1	SHEET, RR DAMPER	2800A-1
	5500A-1	SHEET, RUBBER	3400A-1
	5560A-3	SHEET, SPRING-UPPER	2800A-1
	5700A-7		3400A-2
	6635A-1	SHIELD(L), SPLASH-R. BUMPER	5010A-1
	6700A-4	SHIELD(R), SPLASH-R. BUMPER	5010A-1
	6701A-1	SHIELD, SPLASH	5390A-1
	6702A-2	SHIM, ADJUST	2710A-3
	6703A-1		2710A-4
SEAL & BOOT SET, CAL.-FRT	3310A-1	SHUTTING(L), SLIDING ROOF	6330A-2
SEAL & BOOT SET, CAL.-RR	2610A-1	SHUTTING(R), SLIDING ROOF	6330A-2
SEAL KIT	4140A-1	SIDE NO. 1(L), CROSS	5320A-2
	4140A-2	SIDE NO. 1(R), CROSS	5320A-1
SEAL SET, OIL	1110A-2	SILENCER, MAIN	4000A-1
SEAL, APEX	1110A-1	SILL(L), REAR SIDE IN	5370A-2
SEAL, COOLING UNIT	6110A-1	SILL(R), REAR SIDE IN	5370A-1
	6110A-2	SILL(RR. L), SIDE-INNER	5370A-2
	6120A-1	SILL(RR. R), SIDE-INNER	5370A-2
SEAL, CORNER	1110A-1	SKIRT(R), FRONT AIR DAM	5000A-3
SEAL, LATHE CUT	1930A-2	SLEEVE, BEARING-FRONT	1840A-2
	1930A-3		1840AA-2
	1940A-2	SLEEVE, BEARING-REAR	1840A-1
	1920A-1		1840AA-1
SEAL, MANUAL SHAFT LEVER	1040A-3	SLEEVE, CLUTCH HUB	1710A-3
SEAL, OIL	1100A-1		1710A-4
	1600A-1		1710A-6
	1700A-1	SLEEVE, INTERLOCK	1720A-2
	1910A-2	SOCKET	5100A-1
	1920A-1		5110A-1

SOCKET(L), TRUNK LID LAMP	5110A-2	STRAP, ALTERNATOR	1580A-1
SOCKET, F. TURN LAMP	5105A-1	STRIKER	5560A-2
SOCKET, LICENSE LAMP	5120A-1		5830A-2
SOCKET, RR. COMB.	5110A-1		7230A-2
SOCKET, STOP LAMP-HI. MOUNT	5110A-2	STRIKER(L), RR. DOOR UPPER	7230A-2
SOLENOID	1925A-1	STRIKER(R), RR. DOOR UPPER	7230A-2
SPACER	1100A-2	STRIKER, BONNET	5230A-1
	1330A-1	STRIKER, LID	5260A-1
	1371A-1	STRIPE NO. 1(L), BODY SIDE	5080A-1
	1500A-1		5800A-1
	1710A-5	STRIPE NO. 1(R), BODY SIDE	5080A-1
	1950A-1		5800A-1
	2710A-4	STRIPE NO. 3(L), BODY SIDE	5080A-1
	2800A-1		5800A-1
	3400A-1	STRIPE NO. 3(R), BODY SIDE	5080A-1
	5230A-1		5800A-1
SPACER SET	2710A-4	STRIPE NO. 5(L), BODY SIDE	5080A-1
SPACER, AIR INT. PIPE	133A-1		5800A-1
SPACER, BOWEL	1940A-4	STRIPE NO. 5(R), BODY SIDE	5080A-1
SPEAKER, FRONT	6682A-1		5800A-1
SPEAKER, LOUD-DOOR	6682A-1	STUD, CLUTCH CYL.	4140A-1
	6900A-1	STUD, EX. MANIFOLD	1310A-1
SPEAKER, LOUD-REAR	6682A-1	STUD, HOUSING	1040A-1
SPEAKER, TWEETER	6840A-1	STUD, TURBOCHARGER	1030A-1
	6900A-1		1040A-4
SPEEDOMETER	5540A-1	SUN VISOR(L)	6900A-3
SPOILER(L), SIDE	7800A-1	SUN VISOR(R)	6900A-3
SPOILER(R), SIDE	7800A-1	SUPPORT(L), HUB	2600A-1
SPRING	1040A-4	SUPPORT(R), HUB	2600A-1
	1100A-1	SUPPORT, FOOT	6860A-2
	1720A-1	SUPPORT, LEVER	1700A-2
	1720A-2	SUPPORT, MOUNTING	3310A-1
	1930A-2	SUPPORTER	1800A-1
	1950A-1	SUPPORTER, ACTUATOR	1950A-1
	4000A-1	SUPPORTER, FORK	1600A-1
	4140A-1	SWITCH	1840A-2
	5580A-1		1840AA-2
	5840A-2	SWITCH(L), POWER-SEAT	5700A-6
SPRING NO. 2, LEAF	2800A-1	SWITCH(L), SEAT WARMER	6610A-1
SPRING, APEX SEAL	1110A-1	SWITCH(R), SEAT WARMER	6610A-1
SPRING, CLOCK	6611A-1	SWITCH, BACK UP LAMP	6600A-1
SPRING, COIL-FRONT	3400A-1	SWITCH, CANCEL-TRUNK	6610A-1
SPRING, COIL-REAR	2800A-1	SWITCH, CLUTCH	4300A-1
SPRING, CORNER SEAL	1110A-1	SWITCH, CLUTCH CUT	4300A-2
SPRING, FRT.-INNER	1110A-1	SWITCH, DOOR	6635A-1
SPRING, FRT.-OUTER	1110A-1	SWITCH, DOOR LOCK	5840A-1
SPRING, METER HOOD	5540A-1	SWITCH, DSC OFF.	6610A-1
SPRING, OUTER-APEX SEAL	1110A-1	SWITCH, IGNITION	0900A-1
SPRING, PAWL RETURN	1950A-1	SWITCH, INHIBITOR	1950A-1
SPRING, PISTON	1940A-3		6600A-2
SPRING, PISTON RETAINER	1930A-4	SWITCH, KEY LESS-IG. SWITCH	0900A-1
SPRING, PRESSURE	1400A-1	SWITCH, LEVEL	6720A-3
SPRING, REAR-INNER	1110A-2	SWITCH, LID OPENER	6610A-2
SPRING, REAR-OUTER	1110A-2	SWITCH, OIL PRESSURE	1925A-1
SPRING, RETURN	1930A-3		6600A-1
SPRING, SECOND LOCK	1920A-2	SWITCH, PARK & NEUTRAL	6600A-1
SPRING, SIDE SEAL	1110A-1	SWITCH, PARKING LAMP	4400A-1
SPRING, SYNCHRO. KEY	1710A-4	SWITCH, POWER WINDOW	5840A-1
SPRING, THERMO PELLET-E/S	1100A-1	SWITCH, PRESS-COOLER PIPE	6130A-1
SPRING, TORSION	1710A-1	SWITCH, RMT. MIRROR	5840A-1
	1720A-1	SWITCH, STEERING	3200A-1
	5500A-1	SWITCH, STEERING SHIFT	3200A-1
SPRING, UPPER PLATE	5560A-2	SWITCH, STOP-LAMP	4300A-2
	5570A-2		4300B-1
	6685A-1		
	6820A-1	*****	
SPRING'V', REAR BRAKE	2610A-1	* * * * *	
SPROCKET, OIL PUMP	1100A-1	* T *	
STABILIZER, FRONT	3410A-1	* * * * *	
STABILIZER, RR	2810A-1		
STARTER	1840A-1		
	1840AA-1	T/MISSIION CPT.	1910A-1
STATOR	1830A-1	TANK SET, RESERVE	4340A-1
STAY	1310A-1	TANK, FUEL	4200A-1
STAY, BATTERY CARRIER	1850A-1	TANK, SUB-RADIATOR	1500A-4
STAY, LOCK-BONNET	5230A-1	TANK, WASHER	6720A-2
STOPPER	3900A-1	TANK, WASHER-FRONT	6720A-1
STOPPER SET	1840A-1	TAPE, SEAL	5560A-1
	1840AA-1	TERMINAL SET	1830A-2
	2800A-1	TERMINAL, BACK WIND. GLASS	6300A-1
STOPPER, BUMP	4210A-1	THERMOSTAT	1500A-3
STOPPER, FILLER LID	4210A-1	TIRE	3700A-1
STOPPER, LID HINGE-TRUNK	4210A-1	TOOL, VALVE CORE	3700A-1
STOPPER, SUN SHADE	6330A-3	TRANSMITTER SET, KEYLESS	6630A-1
STRAINER, OIL	1400A-1		

## ALPHABETICAL INDEX \*\*\* ENGLISH \*\*\*

TRAY,ASH-----	5570A	-4
TRAY,BATTERY-----	1850A	-1
TRAY,PACKAGE-----	5340A	-3
TRAY,REAR PACKAGE-----	6840A	-1
TRIM(L), 'A' PILLAR-----	6820A	-1
TRIM(L), 'B' PILLAR-UPPER---	7240A	-1
TRIM(L), 'C' PILLAR-----	6820A	-1
TRIM(L), DOOR-----	5840A	-2
TRIM(L), DOOR-REAR-----	7240A	-1
	7240A	-2
TRIM(L), FRONT SIDE-----	6840A	-1
TRIM(L), REAR SEAT CUSHION---	5750A	-2
TRIM(L), REAR SIDE-----	6840A	-2
TRIM(L), ROOF SIDE-----	6800A	-1
TRIM(L), RR SEAT BACK-----	5750A	-2
TRIM(L), SEAT BACK-----	5700A	-6
TRIM(L), SEAT CUSHION-----	5700A	-5
TRIM(L), TRUNK SIDE-----	6840A	-3
TRIM(L), UPPER-RR PACKAGE---	6840A	-1
TRIM(R), 'A' PILLAR-----	6820A	-1
TRIM(R), 'B' PILLAR-UPPER---	7240A	-1
TRIM(R), 'C' PILLAR-----	6820A	-1
TRIM(R), DOOR-----	5840A	-1
	5840A	-2
TRIM(R), DOOR-REAR-----	7240A	-1
TRIM(R), FRONT SIDE-----	6840A	-1
TRIM(R), REAR SEAT CUSHION---	5750A	-2
TRIM(R), REAR SIDE-----	6840A	-2
TRIM(R), ROOF SIDE-----	6800A	-1
TRIM(R), RR SEAT BACK-----	5750A	-2
TRIM(R), SEAT BACK-----	5700A	-4
	5700A	-5
TRIM(R), SEAT CUSHION-----	5700A	-4
TRIM(R), TRUNK SIDE-----	6840A	-3
TRIM(R), UPPER-RR PACKAGE---	6840A	-1
TRIM, TRUNK END-----	6840A	-4
TRIM, TRUNK LID-----	6840A	-3
TUBE, METERING OIL-----	1400A	-2
TUBE, OIL LEVEL-----	1920A	-2
TUBE, VACUUM-----	1300A	-2
	1300A	-3
	1300AA	-2
	1330A	-2
	1330A	-3
	1371A	-2
	1380A	-1
TUBE, VACUUM-SOL. VALVE----	1300A	-2
	1300AA	-2
TUNER-----	6680A	-1
	*****	
	*          *	
	*          *	
	*          *	
	*          *	
	*****	
UNIT(L), HEAD LAMP-----	5100A	-1
UNIT(L), LEVER-F SEAT-----	5700A	-5
UNIT(R), HEAD LAMP-----	5100A	-1
UNIT,CENTRAL PROCESSING---	6630A	-1
UNIT,CONT.-H/L CLEANER---	6720A	-1
UNIT,CONT.-RUNNING LAMP---	6630A	-1
UNIT, DRIVE-----	6330A	-2
UNIT, FLASHER-----	6702A	-1
UNIT, G. P. S. - CCS-----	6685A	-1
UNIT, HYDRAULIC-ABS-----	4370A	-1
UNIT, KEYLESS ENTRY-----	6630A	-1
UNIT, LEVELING-HEAD LAMP---	5100A	-2
UNIT, RESISTOR-----	6610A	-2
UNIT, SAS-----	5795A	-1
UNIT, WARNING-AIR PRESSURE---	6630A	-1
	*****	
	*          *	
	*          *	
	*          *	
	*****	
VACUUM POWER ASSIST-----	4340A	-1
VALVE-----	1300A	-1
VALVE, AIR-----	3700A	-2
VALVE, AIR CONTROL-----	1371A	-1
VALVE, CHECK-----	1300A	-2
	1300AA	-1
VALVE, CHECK-----	1330A	-2
	1400A	-2
	4340A	-1
	1925A	-1
VALVE, CONTROL-----	6110A	-2
VALVE, EXPANSION-----	5180A	-2
VALVE, EXTRACT CHAMBER---	6140A	-1
VALVE, RELIEF-----	1300AA	-1
VALVE, SHUTTER-----	1300A	-2
VALVE, SHUTTER-MANIFOLD---	1300AA	-2
	1300A	-2
	1300AA	-2
VALVE, SOLENOID-----	1300A	-2
	1300AA	-2
	1330A	-2
	*****	
	*          *	
	*          *	
	*          *	
	*****	
WALL(L), SIDE-----	5570A	-1
WALL(L), SIDE-RR CONSOLE---	5570A	-2
WALL(R), SIDE-----	5570A	-1
WALL(R), SIDE-RR CONSOLE---	5570A	-2
WASHER-----	2600A	-1
	2710A	-1
	2710A	-2
	2800A	-1
	2830A	-2
	3220A	-1
	3410A	-1
	5040A	-3
	7200A	-1
WASHER, AIR CLENER-----	1371A	-1
WASHER, PLAIN-----	2600A	-1
WASHER, SEAL-----	1040A	-2
WASHER, STOP-----	2830A	-2
WASHER, STOP-SUB FRAME---	2830A	-2
WASHER, THRUST-----	1100A	-2
	1710A	-4
	1710A	-5
	1920A	-1
	2710A	-2
WEATHERSTRIP(L)-----	7200A	-2
WEATHERSTRIP(L), DOOR-----	5800A	-2
WEATHERSTRIP(L), INN.-----	5840A	-1
WEATHERSTRIP(R)-----	7200A	-2
WEATHERSTRIP(R), DOOR-----	5800A	-2
WEATHERSTRIP(R), INN.-----	5840A	-1
WEATHERSTRIP, BONNET-REAR---	5230A	-2
WEATHERSTRIP, LID-----	5260A	-1
WEATHERSTRIP, QTR-----	7200A	-2
WEATHERSTRIP, S/ROOF-----	6330A	-3
WEIGHT, BALANCE-----	1100A	-2
WEIGHT, COUNTER-----	1100A	-2
WEIGHT, DISC WHEEL-ALUMI---	3700A	-2
WELT, SEAMING-----	6330A	-1
WHEEL, DISC-ALUMI.-----	3700A	-2
WHEEL, FLY-----	1100A	-2
WHEEL, SPROCKET-----	1400A	-1
WIRE, RELEASE-BONNET-----	5230A	-1
WIRING, ENGINE-----	1371A	-1
	6701A	-1
WIRING, REAR DOOR-----	6703A	-1
WRENCH, HUB NUT-----	6870A	-1
WTHSTP. (L), CAB. SIDE-----	7200A	-2
WTHSTP. (R), CAB. SIDE-----	7200A	-2
	*****	
	*          *	
	*          *	
	*          *	
	*****	
YOKE-----	1840A	-1
	1840AA	-1