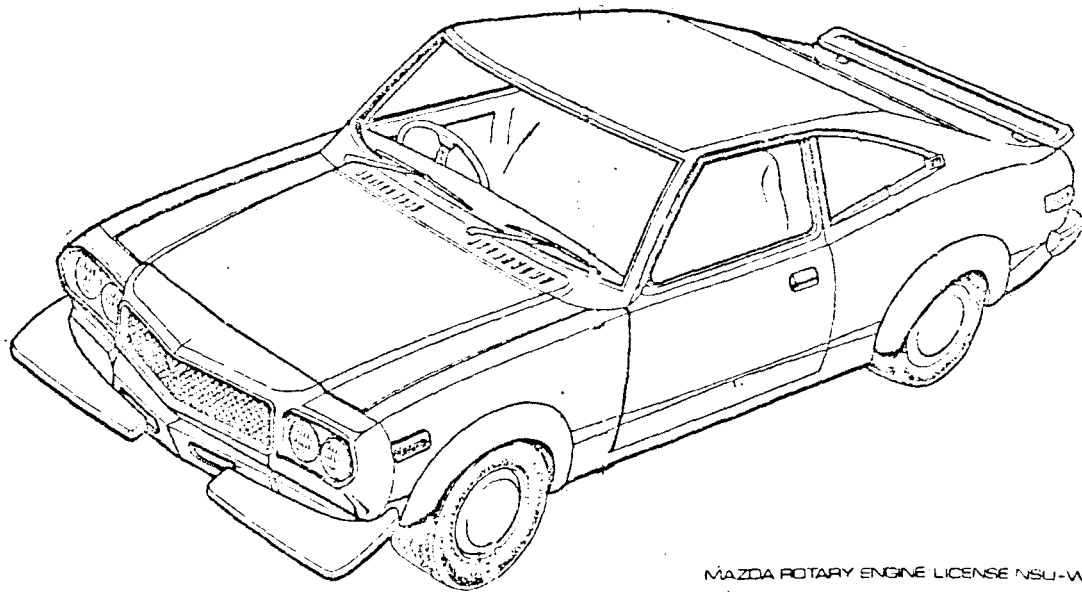


# Mazda RX-3

## *Competition*

## Parts



MAZDA ROTARY ENGINE LICENSE NSU-WANKEL

**Toyo Kogyo Co., Ltd.**

© 1977 Toyo Kogyo Co., Ltd.


June 1977

Automobiles  
**mazda**

**DRAFT**

## How to use this parts catalogue

- (1) This parts catalogue is compiled only for the exclusive parts of the sport kit for the RX-3 model. For parts required which are not listed here, refer to the parts catalogue Vol. 1 or Vol. 5 for the RX-3 (S P) model and order.
- (2) Layout of parts catalogue  
Part number, description and quantity used of the spare parts available for the sport kit shown in the illustrations, are listed.
- (3) How to locate parts  
Refer to index, to define which group the part required belongs to, turn to page indicated, and confirm part number, description and quantity used per unit.
- (4) As there are some parts of the "Brake Kit" that are already standard parts for export models, refer to remarks column to discern.
- (5) Part numbers, description, quantity used etc. are subject to change without prior notice. Moreover, revisions will not be made to this catalogue, when any changes are made.
- (6) Abbreviations

(R) .....	Right	(Std.) .....	Standard
(L) .....	Left	O.S. ....	Over Size
(C) .....	Center	U.S. ....	Under Size
(Frt.) .....	Front	EX. ....	Exhaust
(Rr.) .....	Rear	IN. ....	Inlet
(Cpt.) .....	Complete	R.H.D. ....	Right Hand Drive Models
Ass'y .....	Assembly	 .....	Group Indication

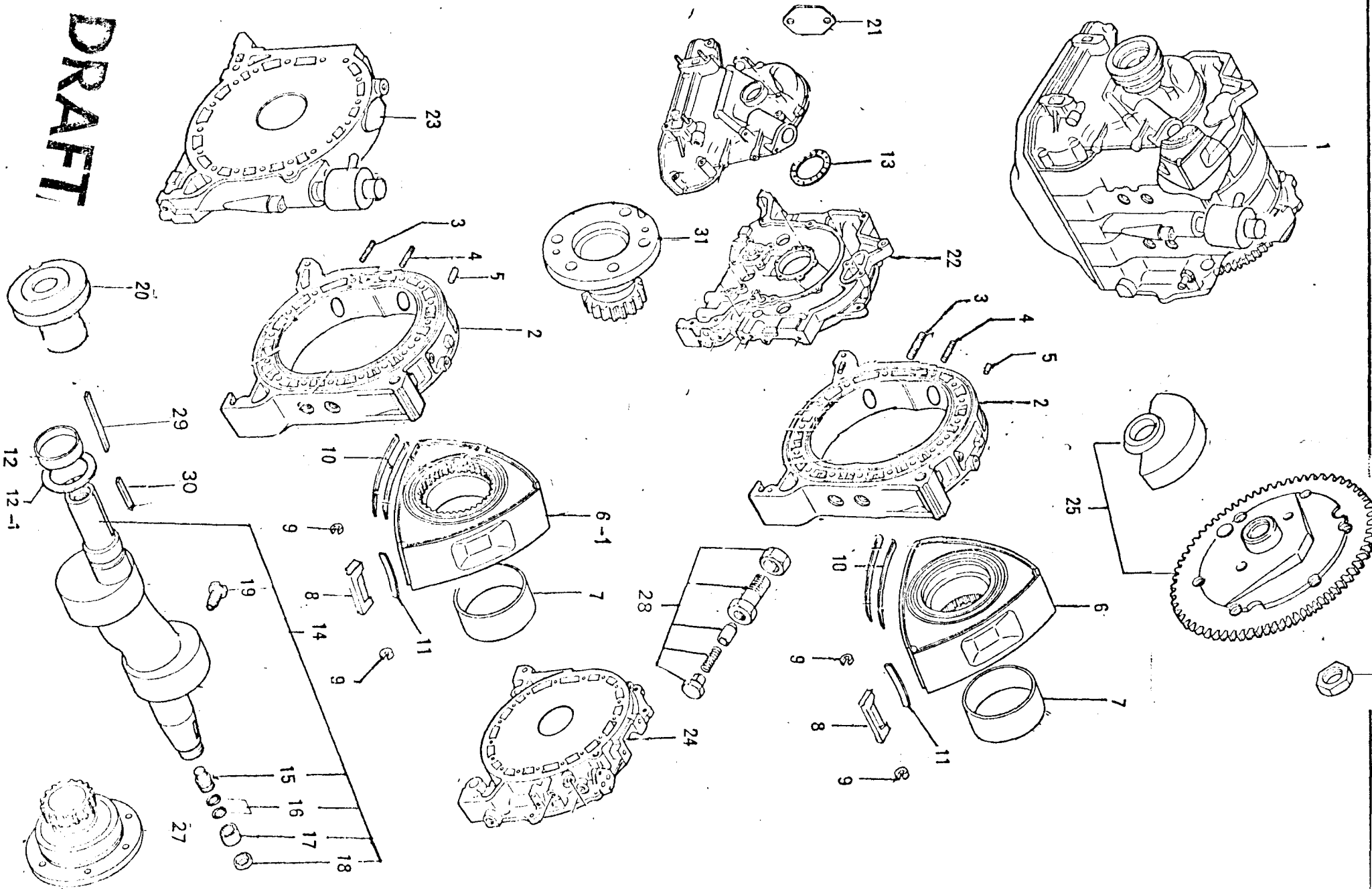
**DRAFT**

## INDEX

Group No.	Description	Fig. Page	Part No.
79	Rotation Group	1	2 ~ 4
79	IN. Group	5	6 ~ 7
79	EX. Group	7	8
79	Cooling Group	9	10
79	Clutch, T/mission & Driving (Five - Forward Speed T/mission use)	11	12 ~ 15
79	T/mission (Case) (Five - Forward Speed T/mission use)	16	17 ~ 22
79	T/mission (Gears) (Five - Forward Speed T/mission use)	23	24 ~ 28
79	Electric Group	29	30 ~ 31
79	Sport Kit (Suspension & Steering)	32	33 ~ 35
79	Brake Kit	36	37
77	Optional Parts	38	39

**DRAFT**

DRAFT



No.	Part Number	Description	Q'ty	Remarks
	3997 02 000	Engine Cpt	1	Not included Carburettor, Starter
1	3997 23 2.00	Short Engine	1	
2	1058 78 100A	Rotor Housing	2	
3	0839 10 105	Stud	4	Stock Parts
4	99851 0822A	Stud	4	Stock Parts
5	99233 0412	Pin	2	
6	0839 78 130E	Rotor Assy Frt.	1	
6-1	0839 78 140E	Rotor Assy Rr.	1	
7	1058 78 135	Rotor Bearing	2	
				Selective use
	1011 11 111	Rotor Bearing	2	Stock Parts
8	0839 78 145B	Apex Seal	6	
9	0862 78 146	Corner Seal	12	
10	1011 23 151A	Side Seal	24	Stock Parts
11	1058 78 147	Apex Seal Spring	6	
12	0839 78 155	Spacer (L=8.00)		
	0839 78 156	Spacer (L=8.02)		
			1	Selective use

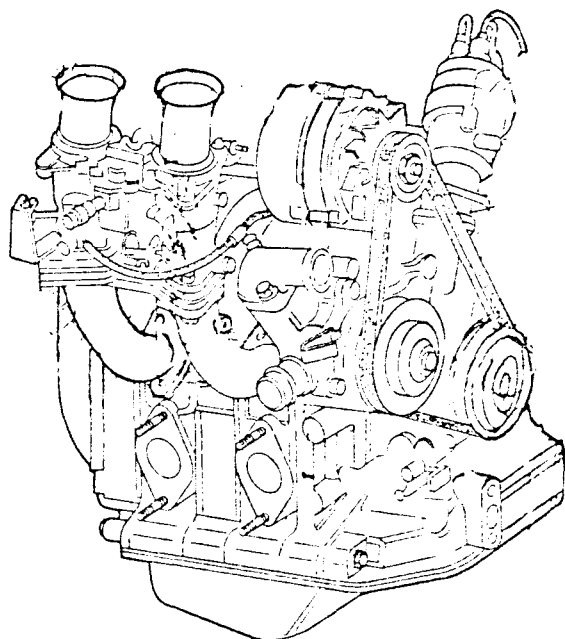
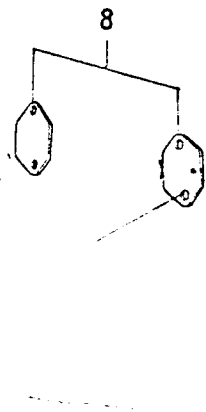
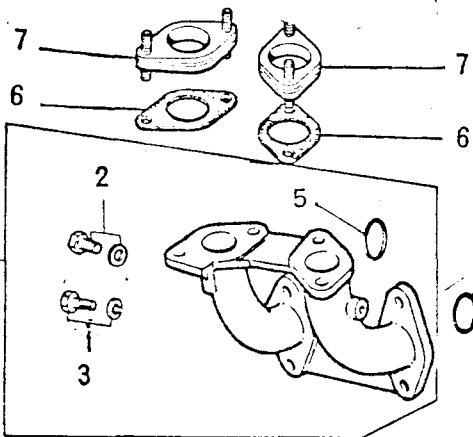
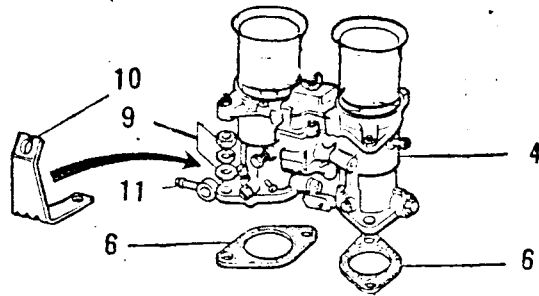
**DRAFT**

No.	Part Number	Description	Q'ty	Remarks
	0839 78 157	Spacer (L=8.04)		
	0839 78 158	Spacer (L=8.08)		
13	0822 78 184	Needle Bearing	2	
14	3997 11 400	Eccentric Shaft	1	
15	0813 11 405	Blind Plug	1	Stock Parts
16	995410 1101	O Ring	2	Stock Parts
17	1881 11 403	Needle Bearing	1	Stock Parts
18	1881 11 404	Oil Seal	1	Stock Parts
19	0839 11 411A	Oil Jet Plug	2	Stock Parts
20	3997 11 601	Pulley	1	
21	3997 10 602	Plate	1	
22	3997 10 200	Front Housing	1	
23	3997 10 400	Intermediate Housing	1	
24	3997 10 300	Rear Housing	1	
25	1058 78 160	Balance Ass'y	1	Wheel, Fly & Balance Weight,
12-1	1058 78 187	Spacer	1	

**DRAFT**

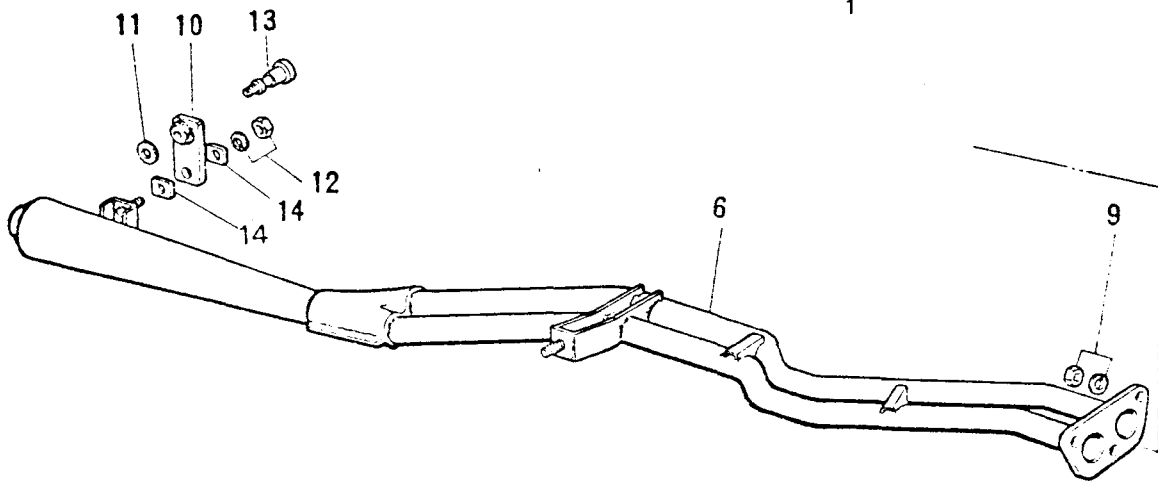
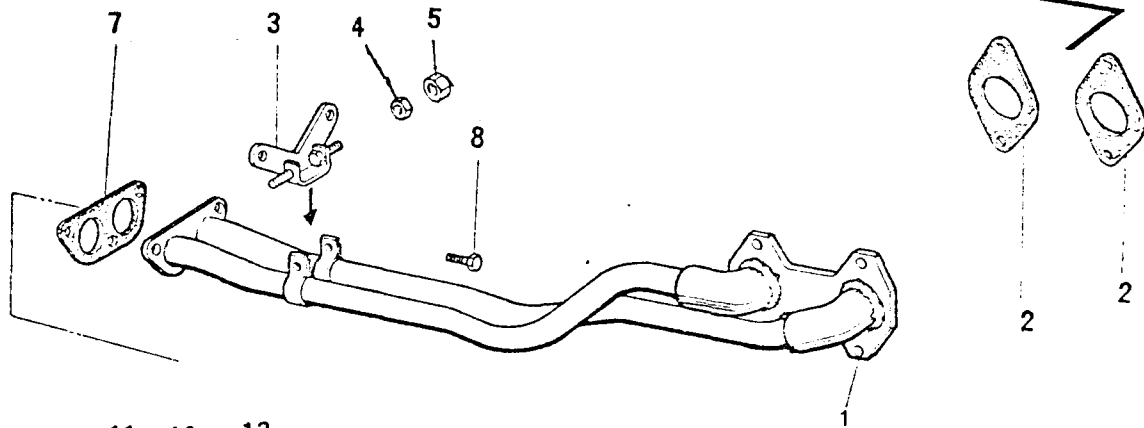
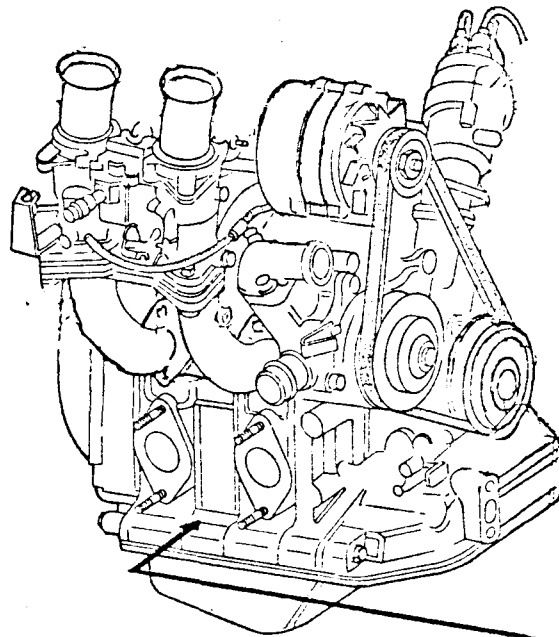
No.	Part Number	Description	Q'ty	Remarks
26	0810 11 711	Lock Nut	1	
27	3997 10 550 A	Gear (Rr.), Stationary	1	
28	1058 78 380	Presser Regulator	1	
29	3997 11 512	Key	1	
30	3997 11 513	Key	1	
	1708 99 100D	Engine Gasket Set	1	
	1202 23 180	Oil Seal Set	1	Stock Parts
31	3997 10 500	Gear (Frt.), Stationary	1	

**DRAFT**



**DRAFT**

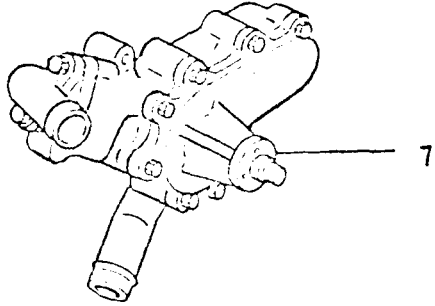
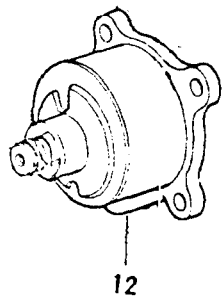
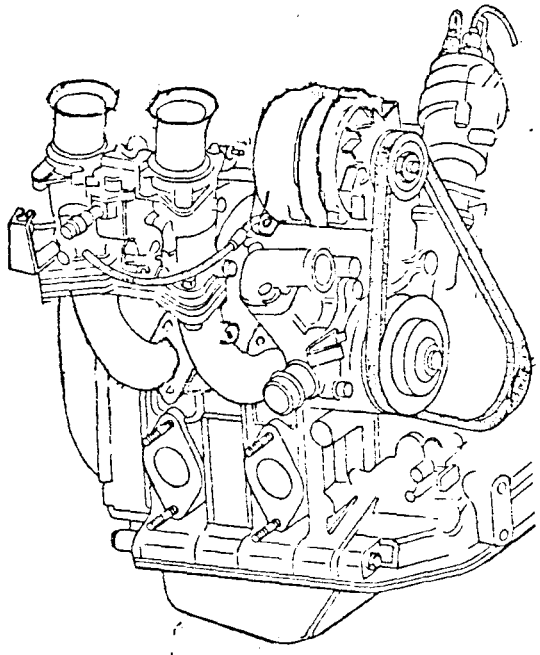




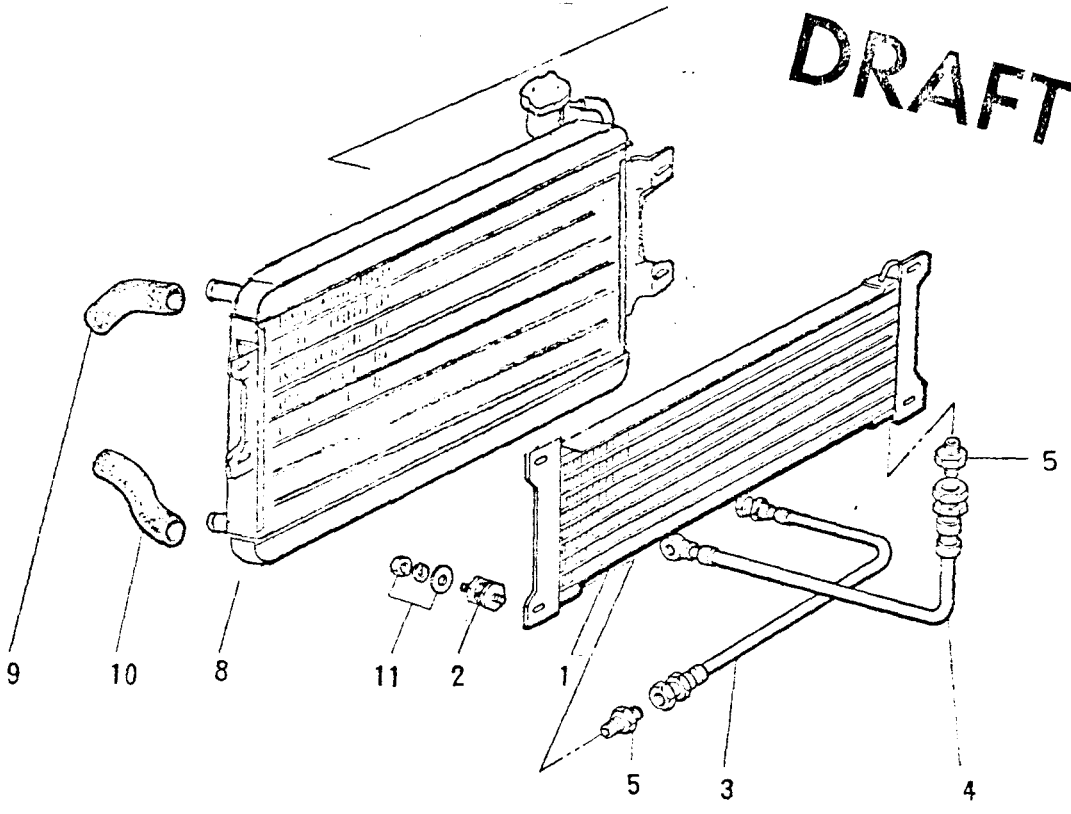
**DRAFT**

No.	Part Number	Description	Q'ty	Remarks
1	0839 78 250	EXH. Manifold	1	
2	0839 78 298	Gasket, EXH. Manifold	2	
3	0833 78 265	Holder, 5-Forward Speed T/M	1	
4	99940 0801	Nut, EX. Manifold & Holder	4	Stock Parts
5	99901 0800	Nut, EX. Manifold & Holder	4	Stock Parts
6	0870 78 260	EX. Pipe	1	
7	0839 78 299	Gasket, EX. Manifold & EX. Pipe	1	
8	99801 1035	Bolt, EX. Manifold & EX. Pipe	3	Stock Parts
9	99901 1000	Nut	3	
	99971 1000	Spring Washer	3	Stock Parts
10	0603 40 060A	Silencer Hanger	1	Stock Parts
11	0603 40 068A	Plain Washer	2	Stock Parts
12	99901 0800	Nut	2	Stock Parts
	99971 0800	Spring Washer	2	Stock Parts
13	0603 38 512A	Bolt	1	
14	0111 40 358	Insulator, Hanger	2	Stock Parts

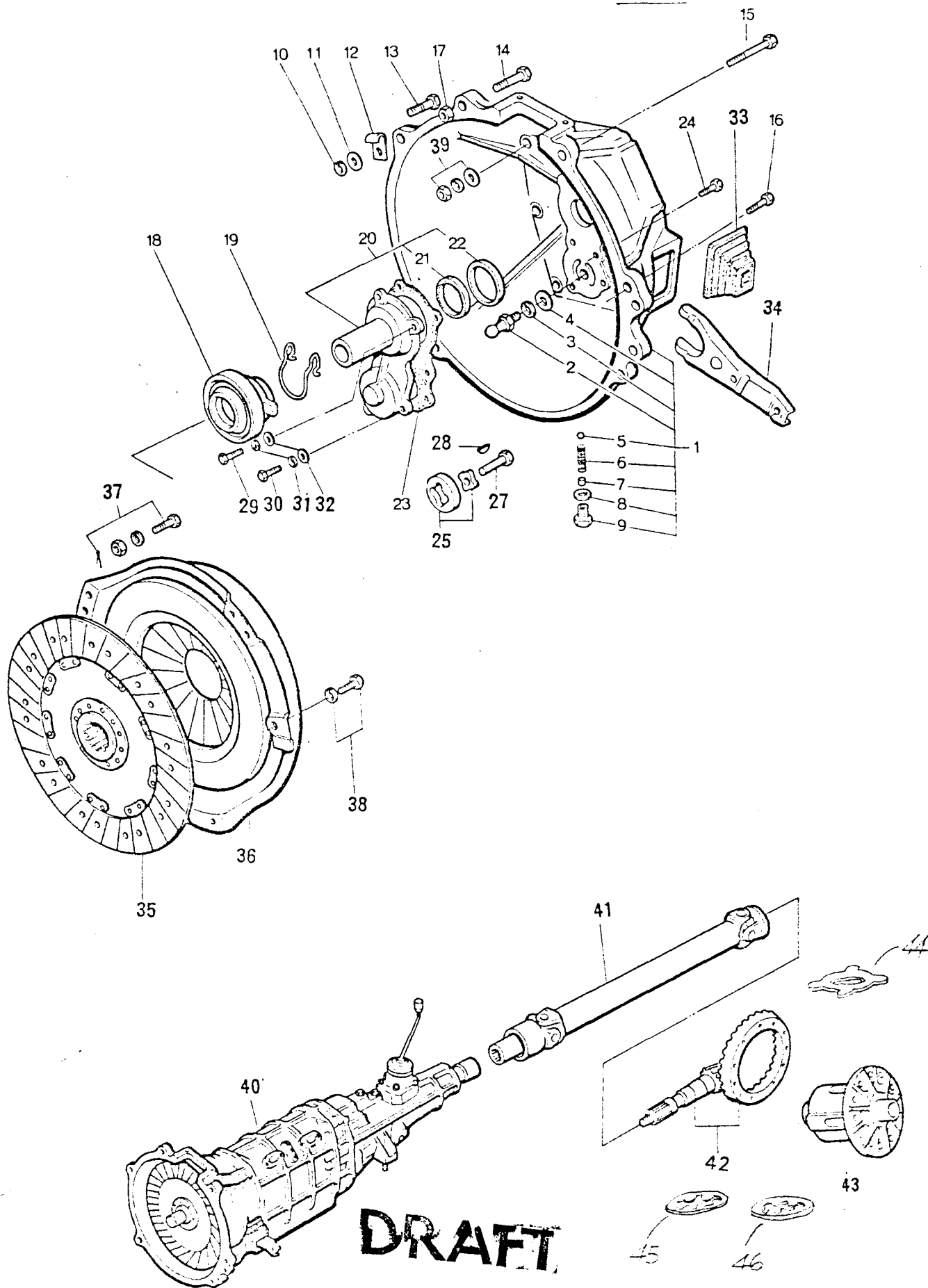
**DRAFT**



**DRAFT**



No.	Part Number	Description	Q'ty	Remarks
1	1058 78 180	Oil Cooler	1	
2	0820 15 312A	Insulation Rubber	4	
3	1058 78 181	Oil Hose	1	
4	1058 78 182	Oil Hose	1	
5	99381 1400	Connectör	2	Stock Parts
6	1058 78 193	Water Pump Pulley	1	
7	3997 15 010A	Water Pump	1	
8	1058 78 190	Radiator	1	
9	1058 78 191	Water Hose	1	
10	1058 78 192	Water Hose	1	
11	99901 0800	Nut, Insulation Rubber	8	Stock Parts
	99952 0822	Plain Washer	8	Stock Parts
	99971 0800	Spring Washer	8	Stock Parts
12	1058 78 220A	Pump, Oil	1	
<b>DRAFT</b>				



No.	Part Number	Description	Q'ty	Remarks
1	0858 16 211	Clutch Housing	1	
2	0603 16 102B	Pivot Pin	1	
3	99971 1200	Spring Washer	1	Stock Parts
4	99952 1200	Plain Washer	1	Stock Parts
5	99611 3000	Steel Ball	1	Stock Parts
6	0810 16 137	Spring	1	
7	0810 16 138	Spring Seat	1	
8	99562 1400	Gasket	1	Stock Parts
9	0187 17 525	Spring Cap	1	
10	99971 1000	Spring Washer	6	Stock Parts
11	99953 1000	Plain Washer	5	Stock Parts
12	99295 1510	Clip	1	Stock Parts
13	99811 1050	Bolt	2	Stock Parts
14	99811 1055	Bolt	1	Stock Parts
15	99811 1075	Bolt	1	Stock Parts
16	99811 1045	Bolt		Stock Parts

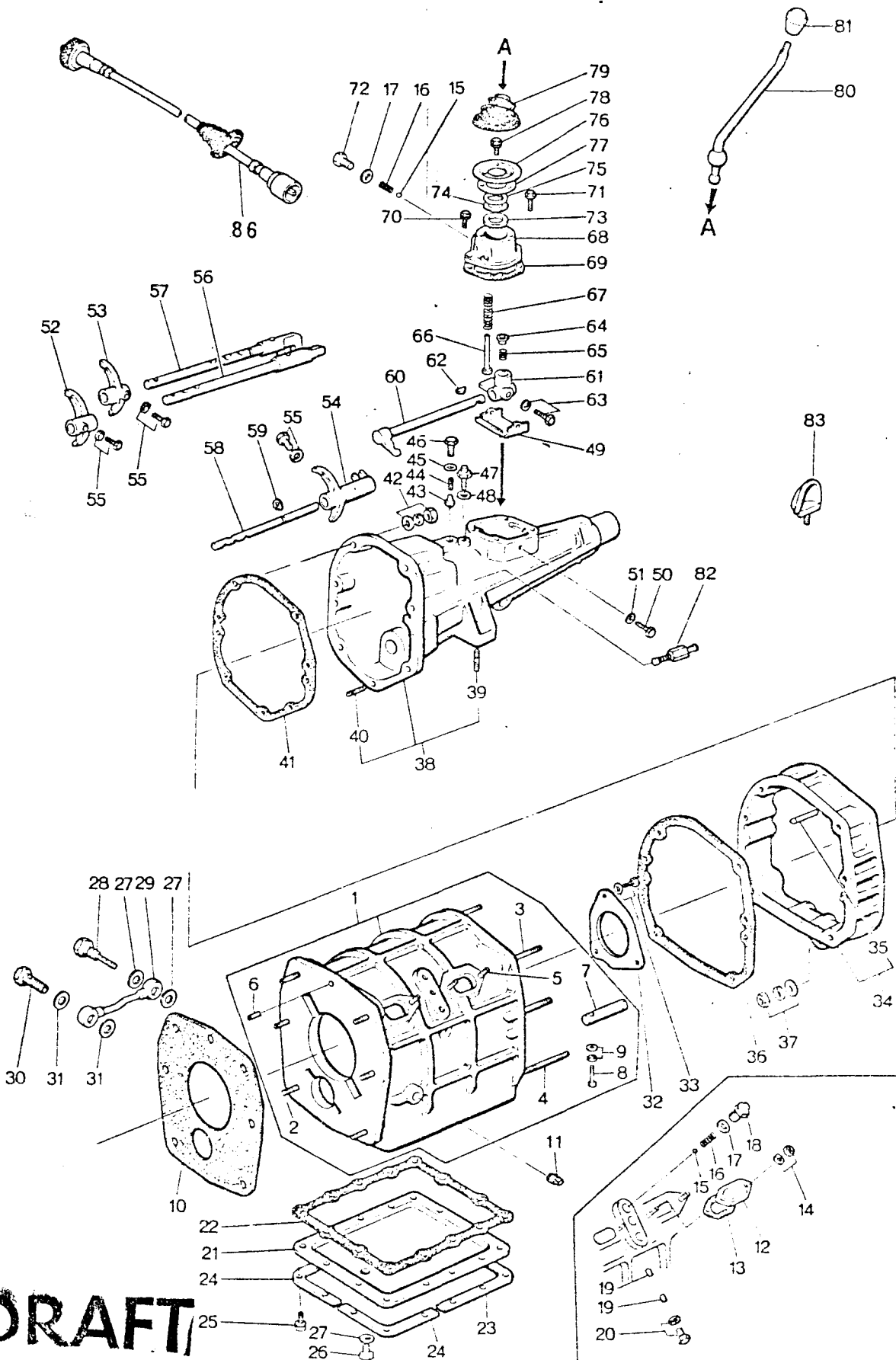
**DRAFT**

No.	Part Number	Description	Q'ty	Remarks
17	99921 1000	Nut	4	Stock Parts
18	0820 16 510	Clutch Release Collar	1	Stock Parts
19	0820 16 515	Spring	1	Stock Parts
20	0837 16 220	Front Cover	1	
21	0603 16 103	Oil Seal	1	Stock Parts
22	0813 16 123	Oil Slinger	1	
23	0837 16 224	Gasket	1	
24	99811 1032	Bolt	1	Stock Parts
25	0813 16 130	Rotor Set, Oil Pump	1	
			1	
27	0813 16 131A	Shaft, Oil Pump	1	
28	0810 16 132	Key	1	
28 -1	99806 0828	Bolt	4	Stock Parts
30	99751 0832	Reamer Bolt	1	Stock Parts
31	99971 0800	Spring Washer	5	Stock Parts
32	99953 0800	Plain Washer	5	Stock Parts

**DRAFT**







**DRAFT**



No.	Part Number	Description	Q'ty	Remarks
1	0821 17 100 B	T/mission Case	1	
2	99855 1232	Stud, Clutch Housing	6	Stock Parts
3	99855 1070	Stud, Extension	4	Stock Parts
4	0821 17 104	Stud, Extension	2	
5	99852 0610	Stud, Blind Cover	4	Stock Parts
6	99233 0816	Knock Pin, Clutch Housing	1	Stock Parts
7	0821 17 102	Shaft, Reverse Idle Gear	1	
8	0810 17 103	Bolt, Shaft	1	
9	99953 0600	Plain Washer	1	Stock Parts
	99971 0600	Spring Washer	1	Stock Parts
10	0821 17 111	Gasket, T/mission Case (Frt.)	1	
11	99502 4000	Plug, Oil Level	1	Stock Parts
12	0810 17 381 A	Blind Cover	2	Stock Parts
13	0810 17 385	Gasket, Blind Cover	2	Stock Parts
14	99906 0600	Nut, Blind Cover	4	Stock Parts
	99971 0600	Spring Washer	4	Stock Parts

**DRAFT**

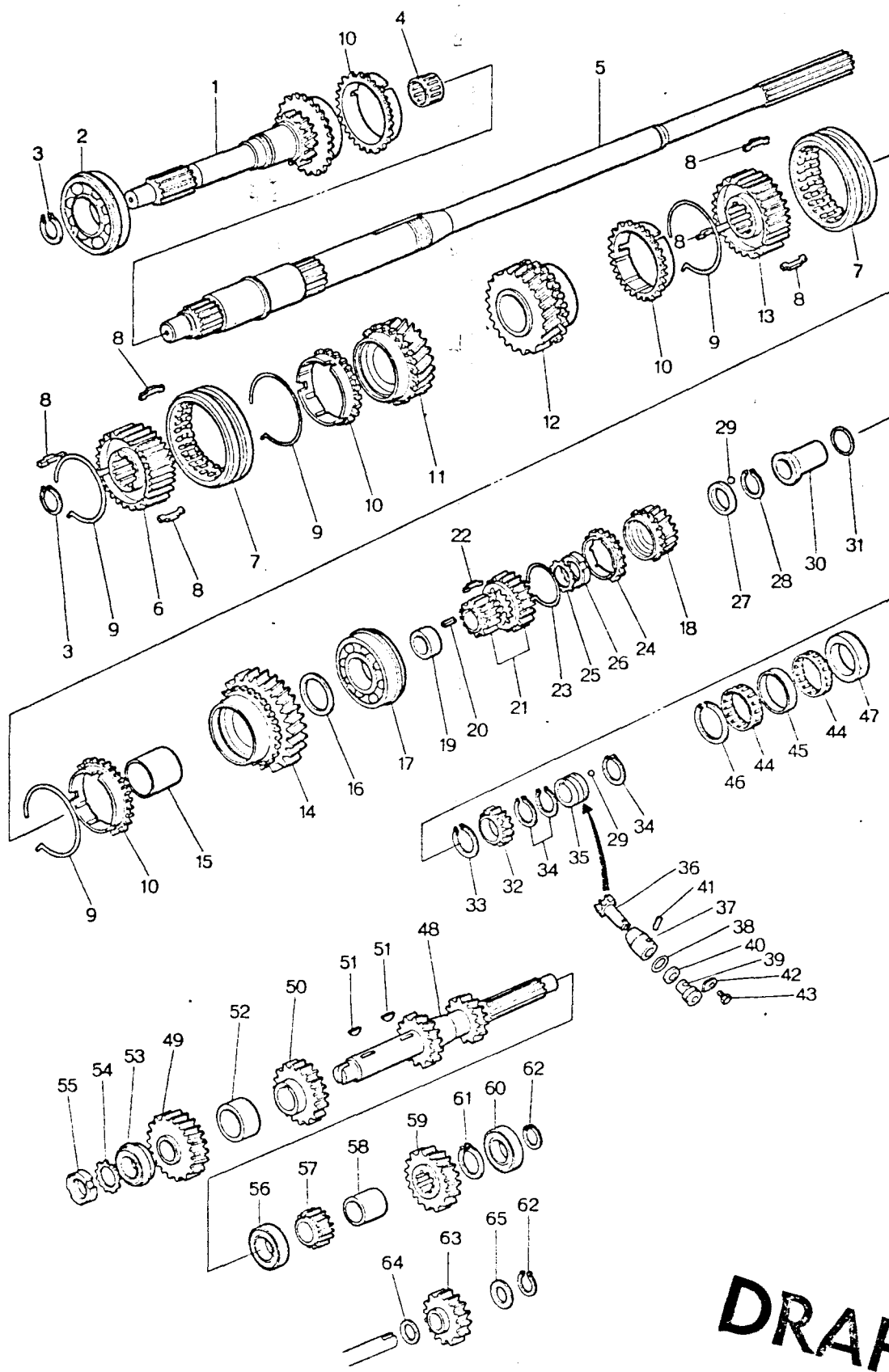
No.	Part Number	Description	Q'ty	Remarks
30	99380 1000	Connector Bolt, Oil Pipe	1	Stock Parts
31	99564 1400	Gasket	2.	Stock Parts
32	0821 17 391 A	Bearing Stopper	1	
33	99781 0616A	Bolt, Bearing Stopper	3	Stock Parts
	99971 0600	Spring Washer	3	Stock Parts
34	0821 17 320 B	Center Housing, T/mission	1	
35	0821 17 322	Knock Pin	2	
36	0821 17 325	Gasket, T/mission Case & Center Housing	1	
37	99901 0800	Nut	1	Stock Parts
	99953 0800	Plain Washer	1	Stock Parts
	99971 0800	Spring Washer	1	Stock Parts
38	0837 17 330B	Extension Housing	1	
39	0305 17 334	Dust Cover	1	
39	99851 0816	Stud	2	Stock Parts
40	99851 0822	Stud	1	Stock Parts
41	0821 17 361	Gasket, Extension Housing	1	

DRAFT

No.	Part Number	Description	Q'ty	Remarks
42	99921 1000	Nut, Extension Housing	6	Stock Parts
	99953 1000	Plain Washer	4	Stock Parts
	99971 1000	Spring Washer	6	Stock Parts
43	0303 17 561	Friction Piece	1	Stock Parts
44	0103 17 411	Spring	1	Stock Parts
45	99564 1400	Gasket	1	Stock Parts
46	0183 17 491	Spring Cap	1	Stock Parts
47	0647 26 060	Breather	1	
48	99564 1000	Gasket, Breather	1	Stock Parts
49	0837 17 390	Oil Baffle	1	
50	99806 0614	Bolt	2	Stock Parts
51	99564 0600	Gasket	2	Stock Parts
52	0810 17 402	Shift Fork, Low & Second	1	Stock Parts
53	0810 17 404	Shift Fork, Third & Top	1	Stock Parts
54	0837 17 406	Shift Fork, Reverse & Over Top	1	
55	0118 17 313	Screw, Shift Fork	3	Stock Parts

No.	Part Number	Description	Q'ty	Remarks
	99971 0600	Spring Washer	3	Stock Parts
56	0837 17 410	Shift Fork Rod, Low & Second	1	
57	0837 17 420	Shift Fork Rod, Third & Top	1	
58	0821 17 431B	Shift Fork Rod, Reverse & Over Top	1	
59	0821 17 435	Retaining Ring	1	Stock Parts
60	0837 17 450	Control Lever	1	
61	0271 17 461B	Control Rod Gate	1	
62	0111 17 323	Key, Control Rod Gate	1	Stock Parts
63	0187 17 492	Reamer Bolt, Rod Gate	1	Stock Parts
	99971 0800	Spring Washer	1	Stock Parts
64	0221 17 462	Spring Seat	1	Stock Parts
65	0221 17 463	Spring	1	Stock Parts
66	0221 17 551A	Select Lock Spindle	1	Stock Parts
67	0221 17 552	Spring	1	Stock Parts
68	0303-17-470	Change Control Case	1	Stock Parts
69	0271 17 478	Gasket, Change Control Case	1	Stock Parts

**DRAFT**



**DRAFT**

No.	Part Number	Description	Q'ty	Remarks
1	0837 17 201 A	Main Drive Gear	1	
2	99606 33070	Ball Bearing	1	Stock Parts
3	99573 3500	Snap Ring	2	Stock Parts
4	0810 17 205	Needle Roller Bearing	1	Stock Parts
5	0837 17 221	Main Shaft	1	
6	0810 17 241	Clutch Hub, Third & Top	1	
7	0810 17 242	Clutch Hub Sleeve	2	
8	0810 17 243	Key, Synchronizer	6	
9	0600 17 324	Spring, Synchronizer	4	
10	0881 17 245 C	Synchronizer Ring	4	Stock Parts
11	0837 17 230 A	Third Gear	1	Stock Parts
12	0837 17 250 A	Second Gear	1	
13	0810 17 261	Clutch Hub, Low & Second	1	
14	0837 17 270 A	Low Gear	1	
15	0821 17 275	Gear Sleeve	1	
16	0821 17 276	Thrust Washer	2	

**DRAFT**



No.	Part Number	Description	Qty	Remarks
17	0821 17 204	Ball Bearing	1	
18	0837 17 610 A	Over Top Gear	1	
19	0821 17 615	Spacer	1	
20	0839 17 285	Key	1	
21	0821 17 620 A	Reverse Gear Set	1	
22	0613 17 223	Key, Synchronizer	1	
23	0103 17 244A	Spring, Synchronizer Key	1	Stock Parts
24	0862 17 245 A	Synchronizer Ring	1	Stock Parts
25	0821 17 628	Lock Washer	1	
26	0821 17 629	Lock Nut	1	
27	0821 17 631A	Thrust Lock Washer (t = 5.7)	1	
28	0821 17 632A	Thrust Lock Washer (t = 5.9)	1	Selective use
29	0821 17 633A	Thrust Lock Washer (t = 6.1)	1	
30	0821 17 634A	Thrust Lock Washer (t = 6.3)		

DIT

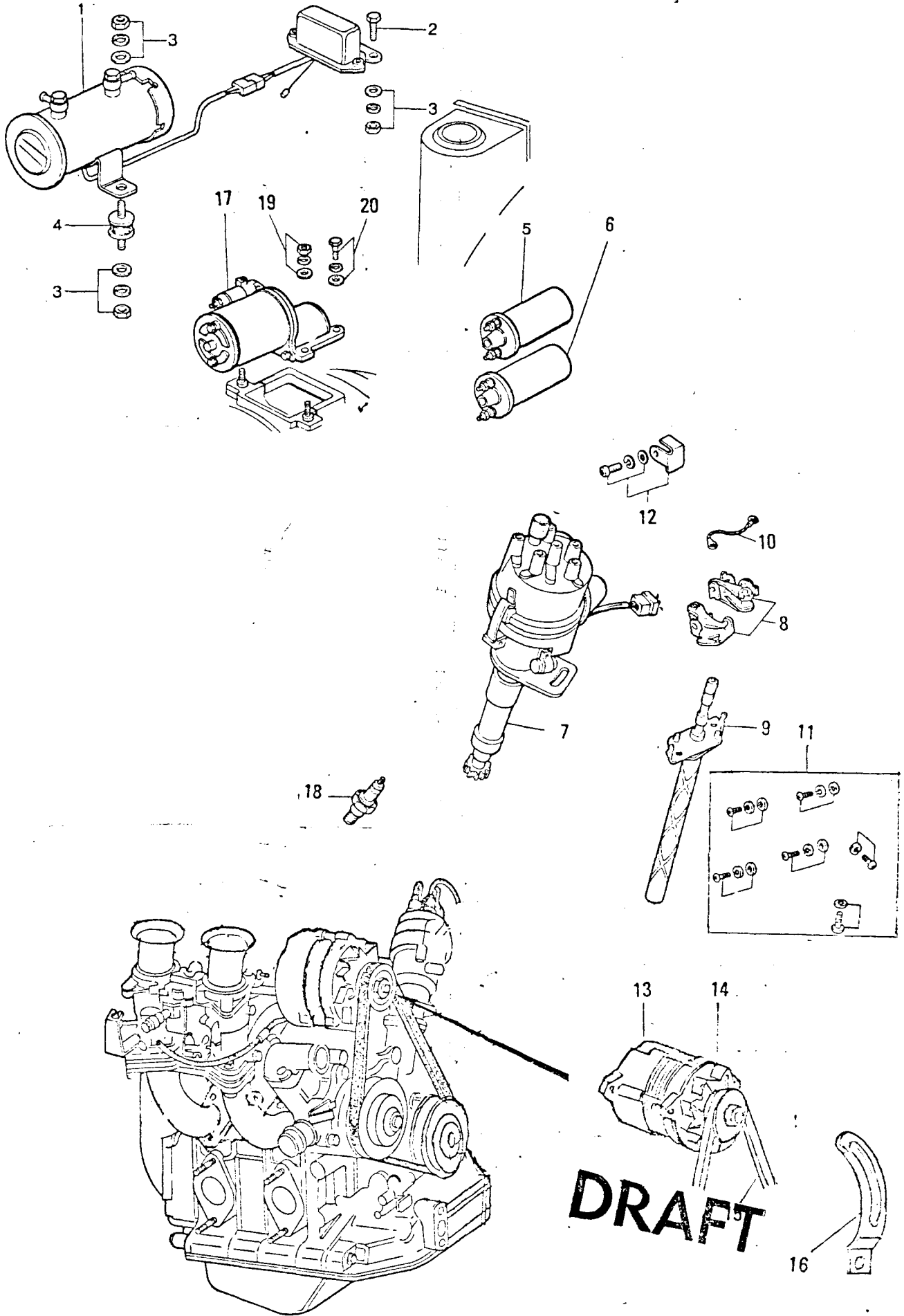
No.	Part Number	Description	Q'ty	Remarks
28	0821 17 641A	Retaining Ring	1	
29	99611 1500	Steel Ball	2	Stock Parts
30	0837 17 645	Spacer	1	
31	99963 2630	Shim (t = 0.30)		Stock Parts
	99963 2635	Shim (t = 0.35)	Selective use	1 Stock Parts
	99963 2640	Shim (t = 0.40)		Stock Parts
32	0821 17 343	Roller Bearing	1	
33	0821 17 344	Snap Ring	1	
34	99573 2500	Snap Ring	3	Stock Parts
35	0259 17 341A	Drive Gear, Speedometer	Stock Parts	For 4.375 Gear Ratio Final Gear Set
	0755 17 341	Drive Gear, Speedometer	Selective use	1 For 4.625 Gear Ratio Final Gear Set
	0662 17 341	Drive Gear, Speedometer		For 4.875 Gear Ratio Final Gear Set
36	0249 17 345	Driven Gear, Speedometer	Stock Parts	For 4.375 Gear Ratio Final Gear Set
	0755 17 345	Driven Gear, Speedometer	Selective use	1 For 4.625 Gear Ratio Final Gear Set
	0662 17 345	Driven Gear, Speedometer		For 4.875 Gear Ratio Final Gear Set
37	0187 17 346B	Sleeve, Driven Gear	1	Stock Parts

DRAFT

No.	Part Number	Description	Q'ty	Remarks
38	99541 02101	"O" Ring	1	Stock Parts
39	0187 17 351A	Joint, Sleeve	1	Stock Parts
40	99586 10207	Oil Seal	1	Stock Parts
41	0187 17 352	Knock Pin	1	Stock Parts
42	0111 17 354	Lock Plate, Driven Gear	1	Stock Parts
43	908062 6 14	Set Bolt, Lock Plate	1	Stock Parts
44	0810 17 332	Needle Roller Bearing	2	
45	0810 17 333	Spacer	1	
46	0810 17 334	Snap Ring	2	
47	0249 17 335	Oil Seal	1	
48	0837 17 291	Counter Gear	1	
49	0837 17 292	Counter Driven Gear	1	
50	0837 17 293	Counter Third Gear	1	
51	0810 17 294	Key	2	
52	0810 17 295	Spacer	1	
53	0821 17 297	Ball Bearing	1	Stock Parts

**DRAFT**

No.	Part Number	Description	Q'ty	Remarks
54	99976 2500	Lock Washer	1	Stock Parts
55	99936 2500	Lock Nut	1	Stock Parts
56	0821 17 303	Needle Roller Bearing	1	Stock Parts
57	0821 17 302	Countershaft Reverse Gear	1	Stock Parts
58	0821 17 304	Spacer (L = 32.0)		
	0821 17 305	Spacer (L = 32.1)		
		Selective use	1	
	0821 17 306	Spacer (L = 32.2)		
	0821 17 307	Spacer (L = 32.3)		
59	0837 17 308	Counter Over Top Gear	1	
60	0821 17 309	Roller Bearing	1	
61	0821 17 344	Snap Ring	1	
62	99573 2000 . .	Snap Ring	2	Stock Parts
63	0821 17 310	Reverse Idle Gear	1	
64	0821 17 313	Thrust Washer	1	Stock Parts
65	0821 17 314	Thrust Lock Washer	1	
			1	

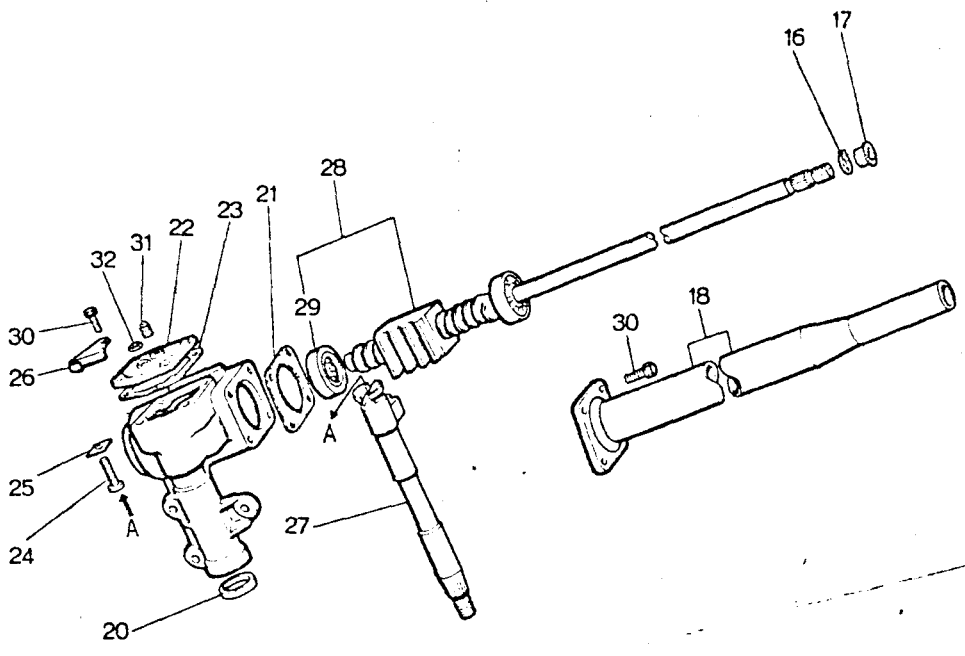


**DRAFT**

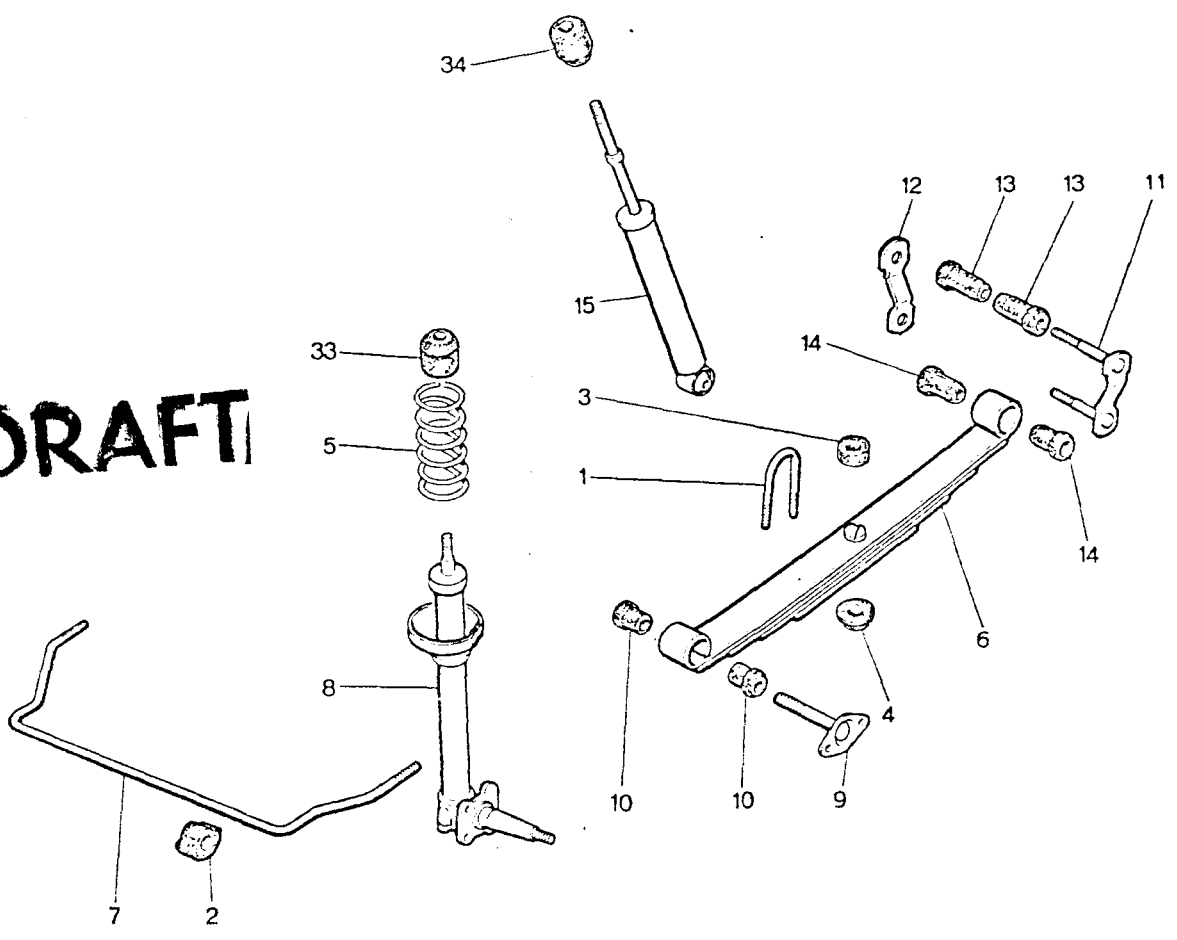
No.	Part Number	Description	Q'ty	Remarks
1	0822 78 250	Fuel Pump	1	
2	99806 0612	Bolt, Fuel Pump	2	Stock Parts
3	99906 0600	Nut, Fuel Pump	6	Stock Parts
	99952 0600	Plain Washer	6	Stock Parts
	99971 0600	Spring Washer	6	Stock Parts
4	0813 13 416	Insulation Rubber	2	
5	0823 18 100A	Ignition Coil	1	Stock Parts
6	0866 18 100A	Ignition Coil	1	Stock Parts
7	3997 18 200'	Distributor	1	
8	1058 78 171	Support Assy-Arm	2	
9	1058 78 173	Shaft Set	1	
10	1058 78 174	Wire Assy-Lead	1	
11	1058 78 175	Screw Set	1	
12	3900 24 350	Holder Set	1	
13	0483 18 300A	Alternator	1	
14	0833 78 153 A	Pulley, Alternator	1	

**DRAFT**

No.	Part Number	Description	Q'ty	Remarks
15	1058 78 154	Belt-V	1	
16	1058 78 172	Strap-Alternator	1	
17	0845 18 400	Starter	1	
18	0822 78 457	Spark Plug (N.G.K.B11.0E)	4	
		Selective use		
	0822 78 458	Spark Plug (N.G.K.B11.5E)	4	
19	99901 0800	Nut, Starter	2	Stock Parts
	99953 0800	Plain Washer	2	Stock Parts
	99971 0800	Spring Washer	2	Stock Parts
20	99801 0828	Bolt, Starter	2	Stock Parts
	99953 0800	Plain Washer	2	Stock Parts
	99971 0800	Spring Washer	2	Stock Parts



**DRAFT**





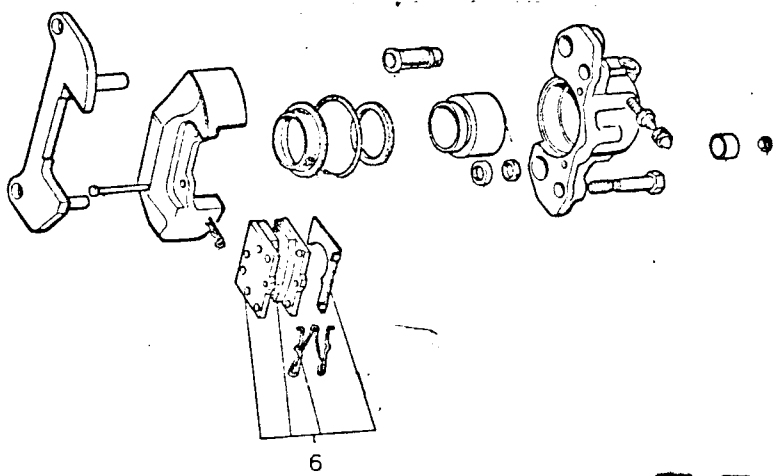
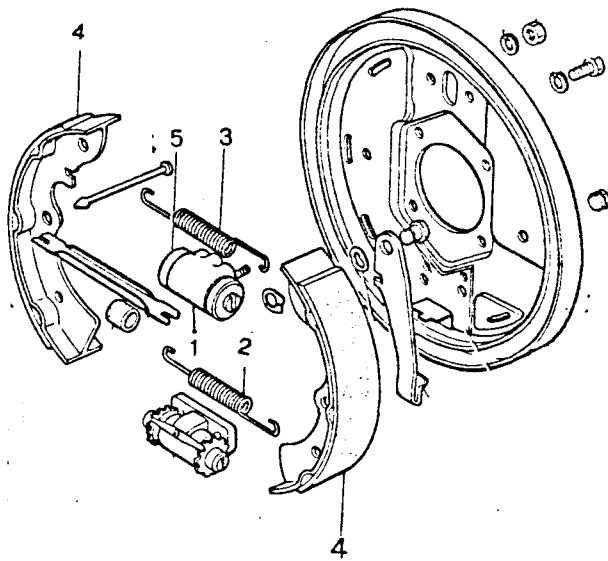
No.	Part Number	Description	Q'ty	Remarks
1	0208 28 161	Lock Bolt	4	
2	0305 34 156	Rubber Bush	2	Stock Parts
3	0329 78 313	Centering Rubber	2	
4	0870 78 314	Centering Rubber	2	
5	0870 78 315 A	Front Spring	2	
6	0870 78 316 A	Rear Spring	2	
7	0870 78 317A	Stabilizer	1	
8	0870 78 330E	Front Damper (R)	1	
	0870 78 340E	Front Damper (L)	1	
9	0870 78 410	Spring Pin	2	
10	0870 78 414	Front Bush	4	
11	0870 78 420	Shackle Plate	2	
12	0870 78 423	Shackle Plate No. 2	2	
13	0870 78 424	Rear Bush No. 2	4	
14	0870 78 429	Rear Bush No. 1	4	
15	0870 78 430	Rear Damper	2	

**DRAFT**

No.	Part Number	Description	Q'ty	Remarks
16	0208 32 059	Stop Ring	1	Stock Parts
17	0259 32 071	Bush, Steering Support	1	Stock Parts
18	1524 32 080 A	Shaft Jacket	1	
20	0317 32 129	Oil Seal	1	Stock Parts
21	0259 32 154	Shim (t = 0.05), End Cover		Stock Parts
	0259 32 155	Shim (t = 0.075)		Stock Parts
		Selective use	1	
	0259 32 156	Shim (t = 0.1)		Stock Parts
	0259 32 157	Shim (t = 0.2)		Stock Parts
22	0259 32 160	Side Housing Cover (R. H. D.) only	1	
23	0259 32 163	Gasket, Cover	1	Stock Parts
24	0180 32 165A	Adjust Screw	1	Stock Parts
25	0180 32 171A	Adjust Shim (t = 1.95)		Stock Parts
	0180 32 172A	Adjust Shim (t = 2.00)		Stock Parts
		Selective use	1	
	0180 32 173A	Adjust Shim (t = 2.05)		Stock Parts
	0180 32 174A	Adjust Shim (t = 2.10)		Stock Parts

**DRAFT**





**DRAFT**

