

RX-7

Factory Service Material

This manual can be downloaded for free from
<http://members.xoom.com/twinturboteddy/fsm/rx7.htm>

Or you can donate \$10 to diepat@earthlink.net through **paypal.com** and a gift CD with all manuals and resources I carry will be sent to you.

This includes

- 1993 Factory Service Manual
- 1988 Factory Service Manual
- 1995 Printed Microfiche of all parts
- 1989 Printed Microfiche of all parts*
- 1990 Printed Microfiche of all parts*
- 1986 Printed Microfiche of all parts*
- 1987 Printed Microfiche of all parts*
- 1988 Printed Microfiche of all parts*

The \$10 donation is used to offset the tremendous amount of time it takes to make everything available.



* These works are currently in process and may or not be readily available upon request. They will be hosted on the same link above and for download

SPECIAL TOOLS

GENERAL INFORMATION.....	40— 2
ENGINE	40— 3
COOLING.....	40— 4
CLUTCH AND MANUAL TRANSMISSION ..	40— 5
AUTOMATIC TRANSMISSION	40— 5
FRONT AND REAR AXLE	40— 7
DIFFERENTIAL.....	40— 7
BRAKE	40— 8
STEERING AND SUSPENSION	40— 8
CHECKER AND OTHER.....	40— 9

77U40X-001

GENERAL INFORMATION

The letters in the Priority Column indicate the degree of importance of each tool.

A Indispensable

The tools ranked "A" in this list are indispensable for performing operations satisfactorily, easily and efficiently and so it is advisable that all service shops have these tools.

B Selective

The tools in this list are not as necessary as tools ranked A, but all service shops should have these tools if possible in order to easily perform operations for efficient repair operations.

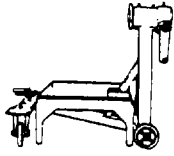


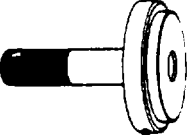
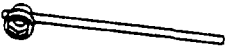
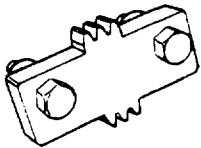


87U40X-001

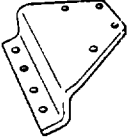
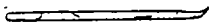



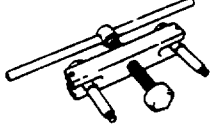
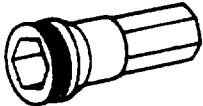

Note

When ordering tool sets which consist of several tools, check the List in the Parts Catalogue or Special Service Tools Booklet (4063-11-85B) etc. to make sure that some tools are duplicated in other sets which may already have been purchased. If so, order only those new tools which are needed.

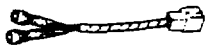

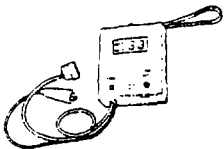
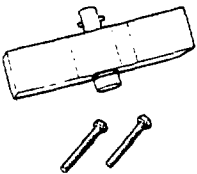
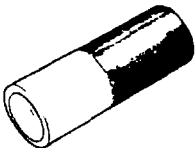
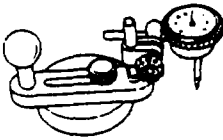
87U40X-002

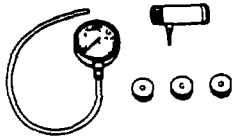
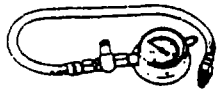
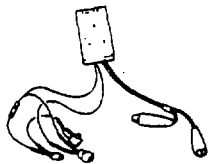

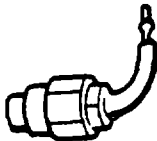

ENGINE

TOOL NUMBER & DESCRIPTION	PRIORITY	ILLUSTRATION
49 0107 680A Engine stand	A	
49 0813 215A Puller, tubular dowel & A/T oil pump	A	
49 0813 250 Seal case	B	
49 0813 240 Installer & puller, rotor bush	A	
49 0820 035 Box wrench, flywheel	A	
49 F011 101 Brake, ring gear (Manual transmission)	A	
49 1285 071 Puller, bearing	A	
49 0727 295 Carrier	B	


TOOL NUMBER & DESCRIPTION	PRIORITY	ILLUSTRATION
49 114 005 Hanger, engine stand	A	
49 0813 225 Remover, oil seal	A	
49 0813 235 Puller & installer, main bearing	A	
49 0839 165 Gauge, corner seal	A	
49 1881 055 Stopper, counter weight (Automatic transmission)	A	
49 0839 305A Puller, counter weight	A	
49 0839 095 Wrench, plug	B	
49 0823 072A Installer, eccentric shaft bearing	A	

40 SPECIAL TOOLS

TOOL NUMBER & DESCRIPTION	PRIORITY	ILLUSTRATION
49 F018 001 Checker, lamp	A	
49 H075 280 Checker, compression	A	
49 H018 9A1 Self diagnosis checker	A	
49 F015 001 Puller & installer, water pump pulley boss	A	
49 F015 002 Installer, water seal	A	
49 0727 570 Pinion height adjust gauge body	A	


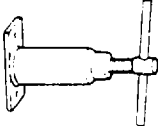
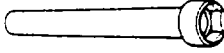

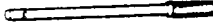
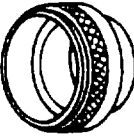
TOOL NUMBER & DESCRIPTION	PRIORITY	ILLUSTRATION
49 2113 010B Gauge set, air pump	A	
49 0187 280 Oil pressure gauge	B	
49 F018 002 Igniter checker	A	
49 0636 145 Puller, fan pulley boss	A	
49 F018 901 Adaptor	A	
49 B092 953 Injector checker	A	

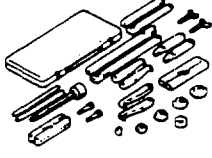
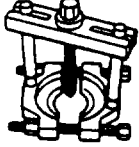



COOLING

TOOL NUMBER & DESCRIPTION	PRIORITY	ILLUSTRATION
49 0823 146 Supporting block, water pump impeller	A	

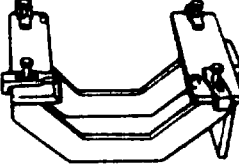
TOOL NUMBER & DESCRIPTION	PRIORITY	ILLUSTRATION
—	—	—

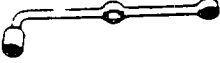
CLUTCH AND MANUAL TRANSMISSION

TOOL NUMBER & DESCRIPTION	PRIORITY	ILLUSTRATION
49 SE01 310 Centering tool, clutch disc	A	
49 0305 430 Pusher, main drive shaft	A	
49 1243 465A Wrench, main shaft lock nut	A	
49 0180 321A Installer, main drive gear bearing	A	
49 0862 350 Guide, shift fork assembly	B	
49 G030 338 Attachment E	B	

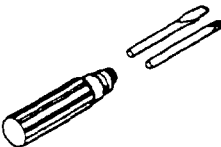

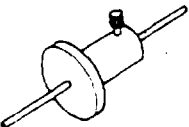

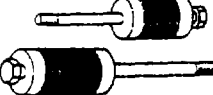


TOOL NUMBER & DESCRIPTION	PRIORITY	ILLUSTRATION
49 0839 425C Puller set, bearing	A	
49 0710 520 Puller, bearing	A	
49 0500 330 Installer, transmission bearing	A	
49 0259 440 Holder, main shaft	A	
49 0187 451A Guide, interlock pin assembly	B	
—	—	—

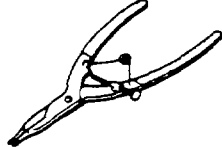
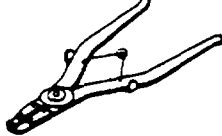

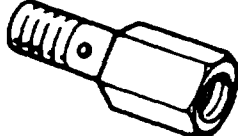
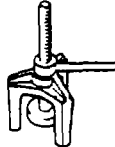
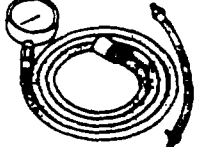
AUTOMATIC TRANSMISSION

TOOL NUMBER & DESCRIPTION	PRIORITY	ILLUSTRATION
49 U019 003 Hanger, transmission	B	

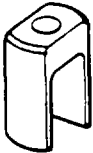
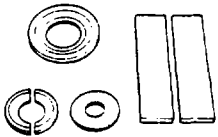
TOOL NUMBER & DESCRIPTION	PRIORITY	ILLUSTRATION
49 0877 435 Special, wrench	A	

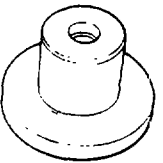
40 SPECIAL TOOLS

TOOL NUMBER & DESCRIPTION	PRIORITY	ILLUSTRATION
49 8000 021 Torque driver	B	
49 8000 031 Hexagon wrench	B	
49 G032 355 Adjust gauge	B	
49 0378 346 Hex-head wrench	A	
49 0378 390 Puller, oil pump	A	
49 0378 406A Adaptor, oil pressure gauge	B	
49 S019 0A0 Set, centering tool	A	

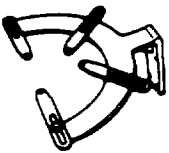
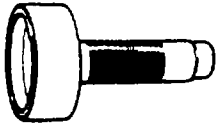
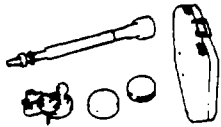
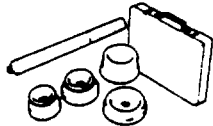
TOOL NUMBER & DESCRIPTION	PRIORITY	ILLUSTRATION
49 8000 015 Remover, snap ring	B	
49 8000 025 Remover, snap ring	B	
49 8000 035 Spinner handle	B	
49 H075 406 Adaptor oil pressure gauge	A	
49 0378 375 Compressor, clutch spring	A	
49 0378 400A Gauge set, oil pressure	A	
—	—	—

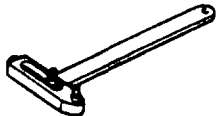

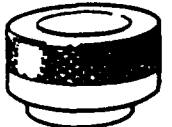
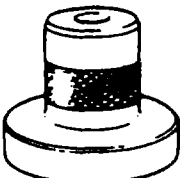
FRONT AND REAR AXLE

TOOL NUMBER & DESCRIPTION	PRIORITY	ILLUSTRATION
49 FA18 601 Compressor, disc brake spring	A	
49 0259 745 Separator, bearing	A	

TOOL NUMBER & DESCRIPTION	PRIORITY	ILLUSTRATION
49 F026 102 Installer, bearing	A	
—	—	—


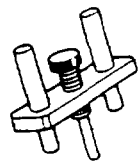
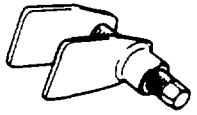
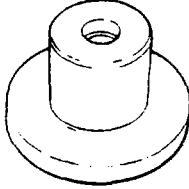
DIFFERENTIAL

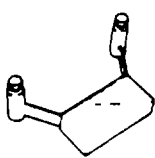
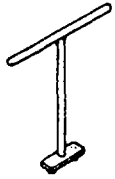
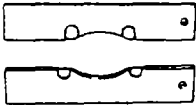
TOOL NUMBER & DESCRIPTION	PRIORITY	ILLUSTRATION
49 M005 561 Hanger, diff. carrier	A	
49 B001 795 Installer, oil seal	A	
49 F027 0A0 Gauge set, pinion height adjust	A	
49 F027 0A1 Installer set, bearing	A	

TOOL NUMBER & DESCRIPTION	PRIORITY	ILLUSTRATION
49 0259 720 Wrench, diff. side bearing adjust nut	B	
49 S120 710 Holder, coupling flange	B	
49 UB71 525 Installer, bearing	A	
49 V001 795 Installer, oil seal	A	

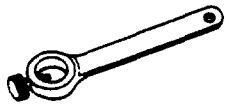
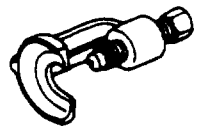
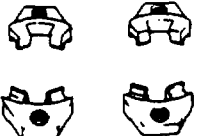
40 SPECIAL TOOLS

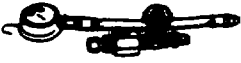
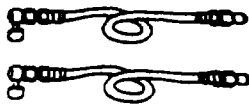

BRAKE

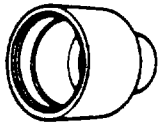
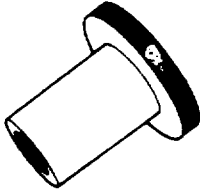


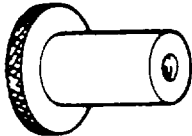
TOOL NUMBER & DESCRIPTION	PRIORITY	ILLUSTRATION
49 0259 770B Wrench, flare nut	A	
49 F043 001 Adjust gauge	A	
49 0221 600C Expand tool, disc brake	B	
49 F026 102 Installer	A	

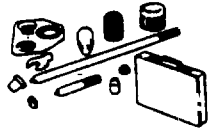
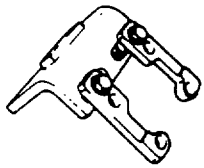
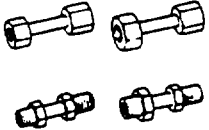
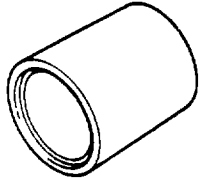

TOOL NUMBER & DESCRIPTION	PRIORITY	ILLUSTRATION
49 F033 001 Stopper, disc brake piston	A	
49 FA18 602 Wrench, disc brake piston	B	
49 F026 103 Puller, wheel hub	A	
—	—	—

STEERING AND SUSPENSION


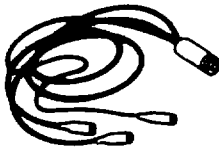
TOOL NUMBER & DESCRIPTION	PRIORITY	ILLUSTRATION
49 0180 510B Attachment, preload measuring	B	
49 0118 850C Puller, ball joint	B	
49 0223 640B Arm, coil spring compressor	A	


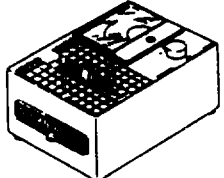
TOOL NUMBER & DESCRIPTION	PRIORITY	ILLUSTRATION
49 1232 670A Gauge set, power steering	A	
49 H002 671 Adaptor, power steering gauge	A	
49 G030 625A Puller & Installer, lower arm bush	B	

TOOL NUMBER & DESCRIPTION	PRIORITY	ILLUSTRATION
49 8038 785 Boot installer, ball joint dust cover	B	
49 F026 101 Adaptor, caster camber gauge	A	
49 0370 641 Screw, coil spring compressor	A	
49 F028 2A0 Puller & Installer set, rubber bush	A	
49 1205 605 Adaptor, caster camber gauge	B	

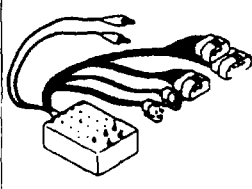
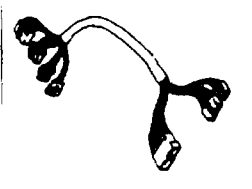

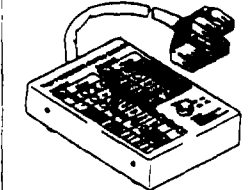
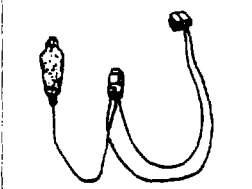
TOOL NUMBER & DESCRIPTION	PRIORITY	ILLUSTRATION
49 F032 3A0 Repair set, power steering	A	
49 F032 301 Hanger, power steering pump	A	
49 F032 3A1 Adaptor set, power steering	A	
49 F034 201 Boot installer, ball joint dust cover	A	
49 W023 585 Adjust wrench	A	

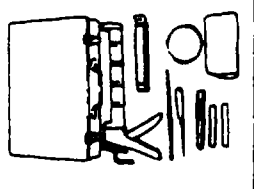
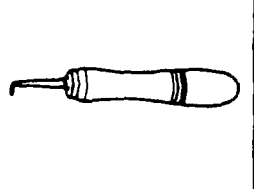
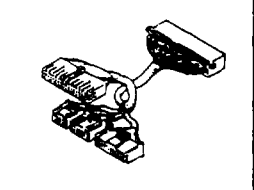
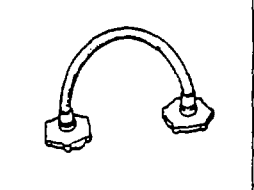
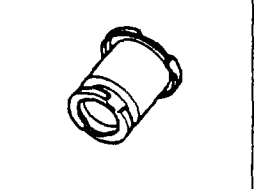
CHECKER AND OTHER

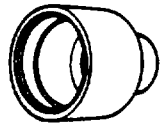
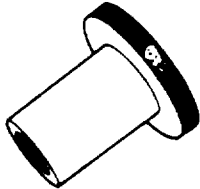


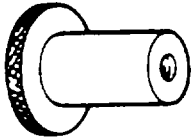
TOOL NUMBER & DESCRIPTION	PRIORITY	ILLUSTRATION
49 0839 285 Checker, fuel thermometer	A	
49 0242 685A Switch, starter	B	

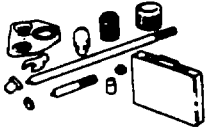
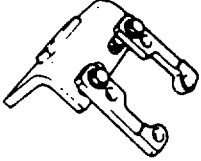
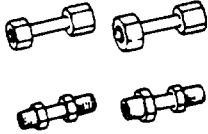
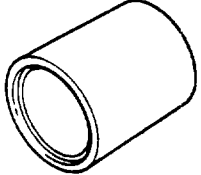

TOOL NUMBER & DESCRIPTION	PRIORITY	ILLUSTRATION
49 9200 750A Multi-pressure tester	B	
49 9200 162 Engine signal monitor	A	

40 SPECIAL TOOLS


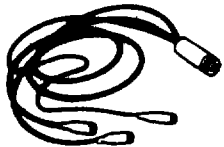
TOOL NUMBER & DESCRIPTION	PRIORITY	ILLUSTRATION
49 9200 030B Logicon checker	B	
49 F061 001 Adaptor, logi-con checker	A	
49 1111 960 Board, special tool	B	
49 9200 150 Theft-deterrent system cheker	A	
49 U018 003 Adapter harness	A	


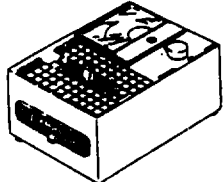
TOOL NUMBER & DESCRIPTION	PRIORITY	ILLUSTRATION
49 0305 870A Tool set, window (bond type)	A	
49 0208 701A Air-out tool, boot	B	
49 9200 163 Adaptor, engine signal monitor	A	
49 9200 146 Adapter, A	A	
49 9200 147 Adapter, B	A	

TOOL NUMBER & DESCRIPTION	PRIORITY	ILLUSTRATION
49 8038 785 Boot installer, ball joint dust cover	B	
49 F026 101 Adaptor, cast-er camber gauge	A	
49 0370 641 Screw, coil spring compressor	A	
49 F028 2A0 Puller & Installer set, rubber bush	A	
49 1205 605 Adaptor, cast-er camber gauge	B	

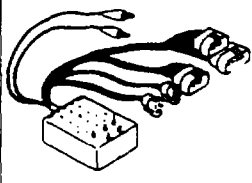
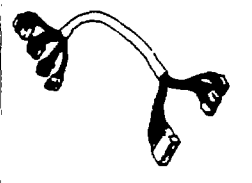

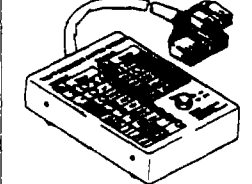
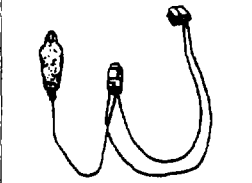
TOOL NUMBER & DESCRIPTION	PRIORITY	ILLUSTRATION
49 F032 3A0 Repair set, power steering	A	
49 F032 301 Hanger, power steering pump	A	
49 F032 3A1 Adaptor set, power steering	A	
49 F034 201 Boot installer, ball joint dust cover	A	
49 W023 585 Adjust wrench	A	

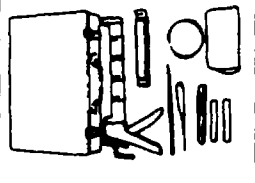
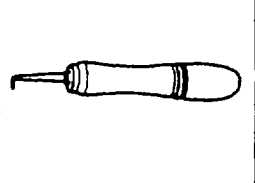
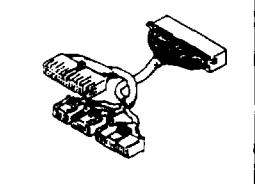
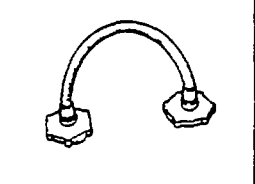
CHECKER AND OTHER

TOOL NUMBER & DESCRIPTION	PRIORITY	ILLUSTRATION
49 0839 285 Checker, fuel thermometer	A	
49 0242 685A Switch, starter	B	

TOOL NUMBER & DESCRIPTION	PRIORITY	ILLUSTRATION
49 9200 750A Multi-pressure tester	B	
49 9200 162 Engine signal monitor	A	

40 SPECIAL TOOLS

TOOL NUMBER & DESCRIPTION	PRIORITY	ILLUSTRATION
49 9200 030B Logicon checker	B	
49 F061 001 Adaptor, logi-con checker	A	
49 1111 960 Board, special tool	B	
49 9200 150 Theft-deterrent system checker	A	
49 U018 003 Adapter harness	A	

TOOL NUMBER & DESCRIPTION	PRIORITY	ILLUSTRATION
49 0305 870A Tool set, window (bond type)	A	
49 0208 701A Air-out tool, boot	B	
49 9200 163 Adaptor, engine signal monitor	A	
49 9200 146 Adapter, A	A	
49 9200 147 Adapter, B	A	