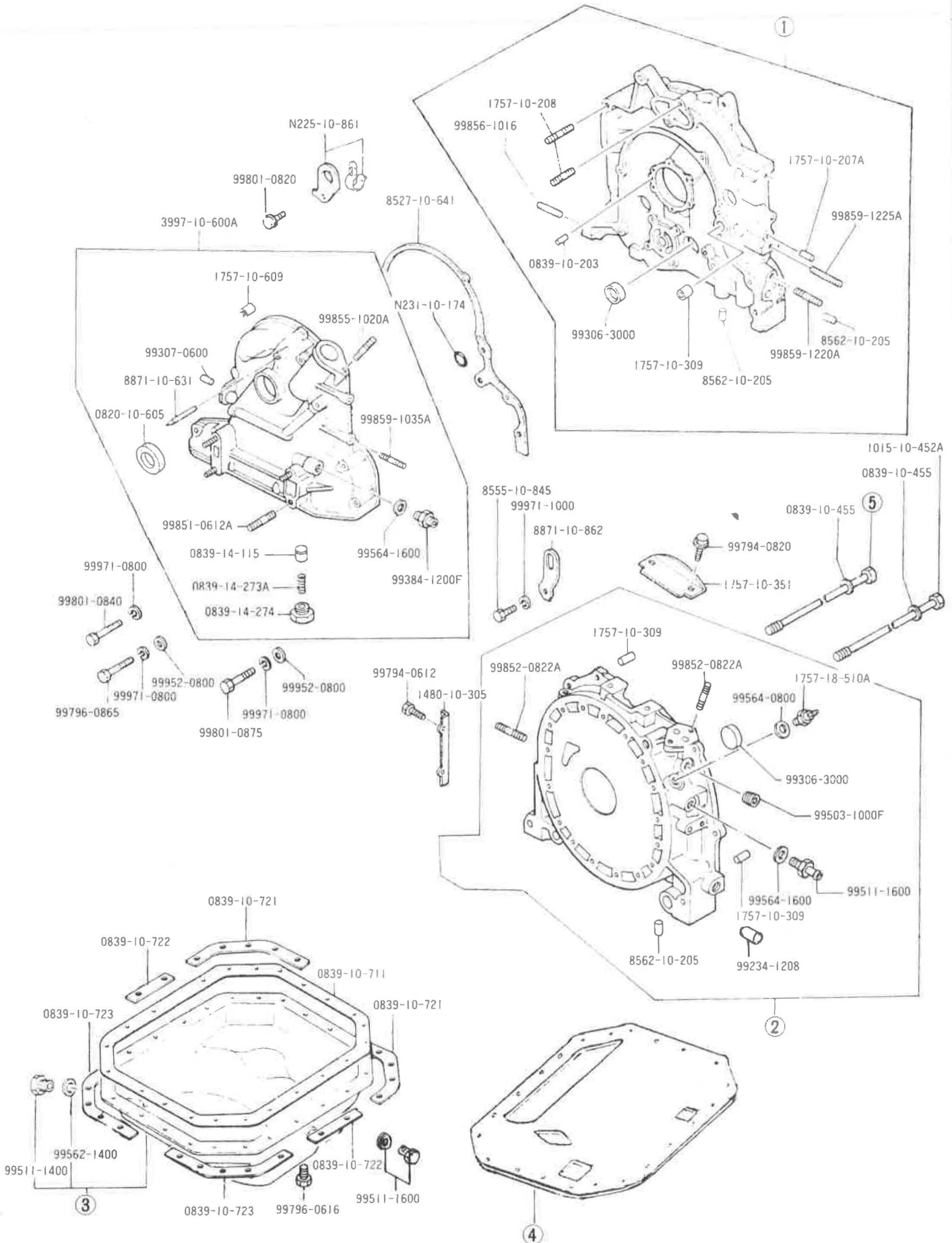


**PARTS
CATALOGUE
'88~'89**

MAZDA SPEED

RE-12A

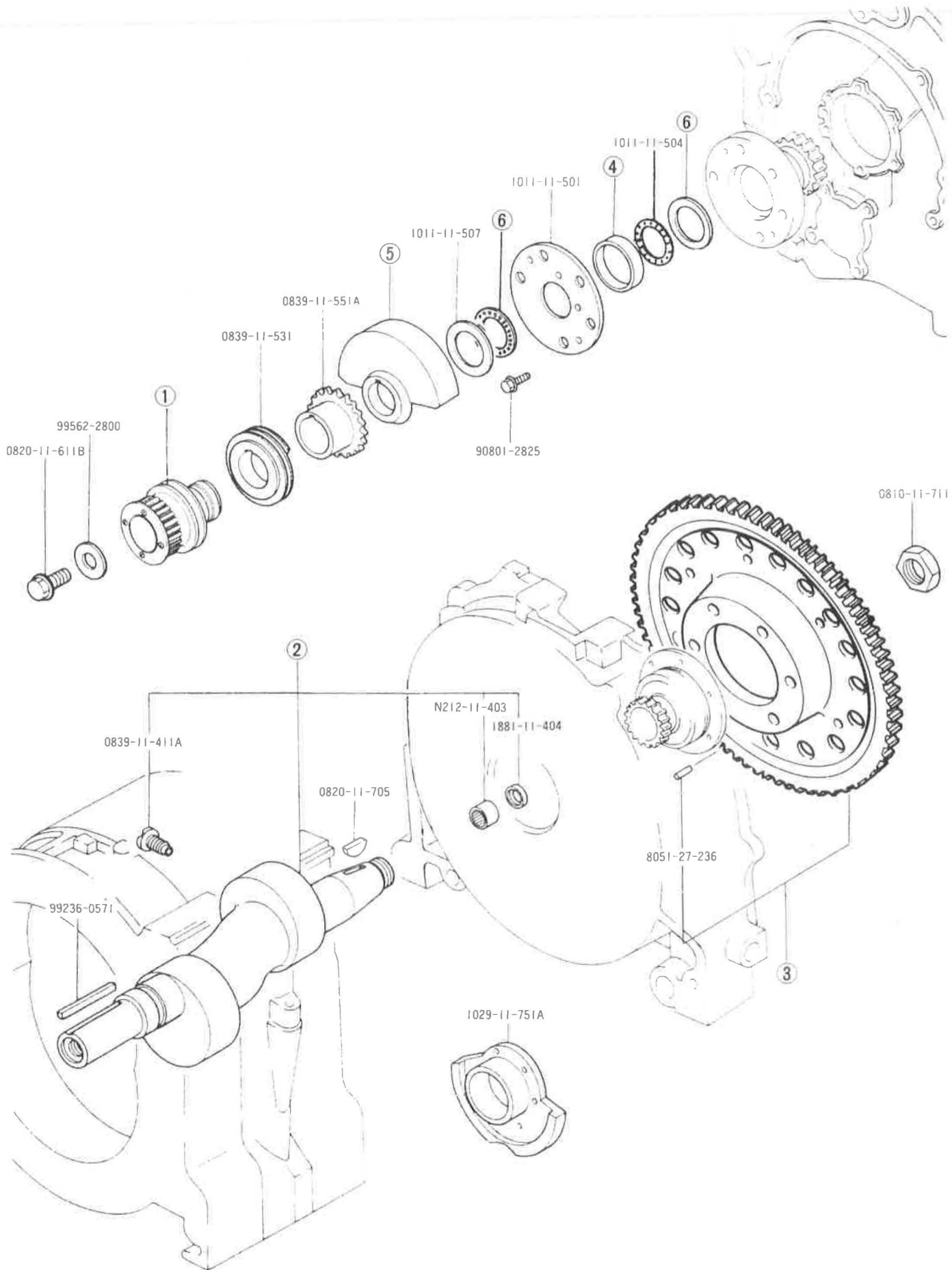
HOUSING



NO.	CODE	PART NO.	DESCRIPTION	QTY	UNIT PRICE	REMARKS
1	S	4352 10 200	HOUSING, FRONT	1	29,500	
2	S	4801 10 300	HOUSING, REAR	1	35,200	
3	S	4352 10 700A	PAN, OIL	1	5,400	
4	S	4352 10 709	PLATE, BAFFLE	1	1,450	
5	S	4352 10 451A	BOLT, TENSION	17	1,000	

RE-12A

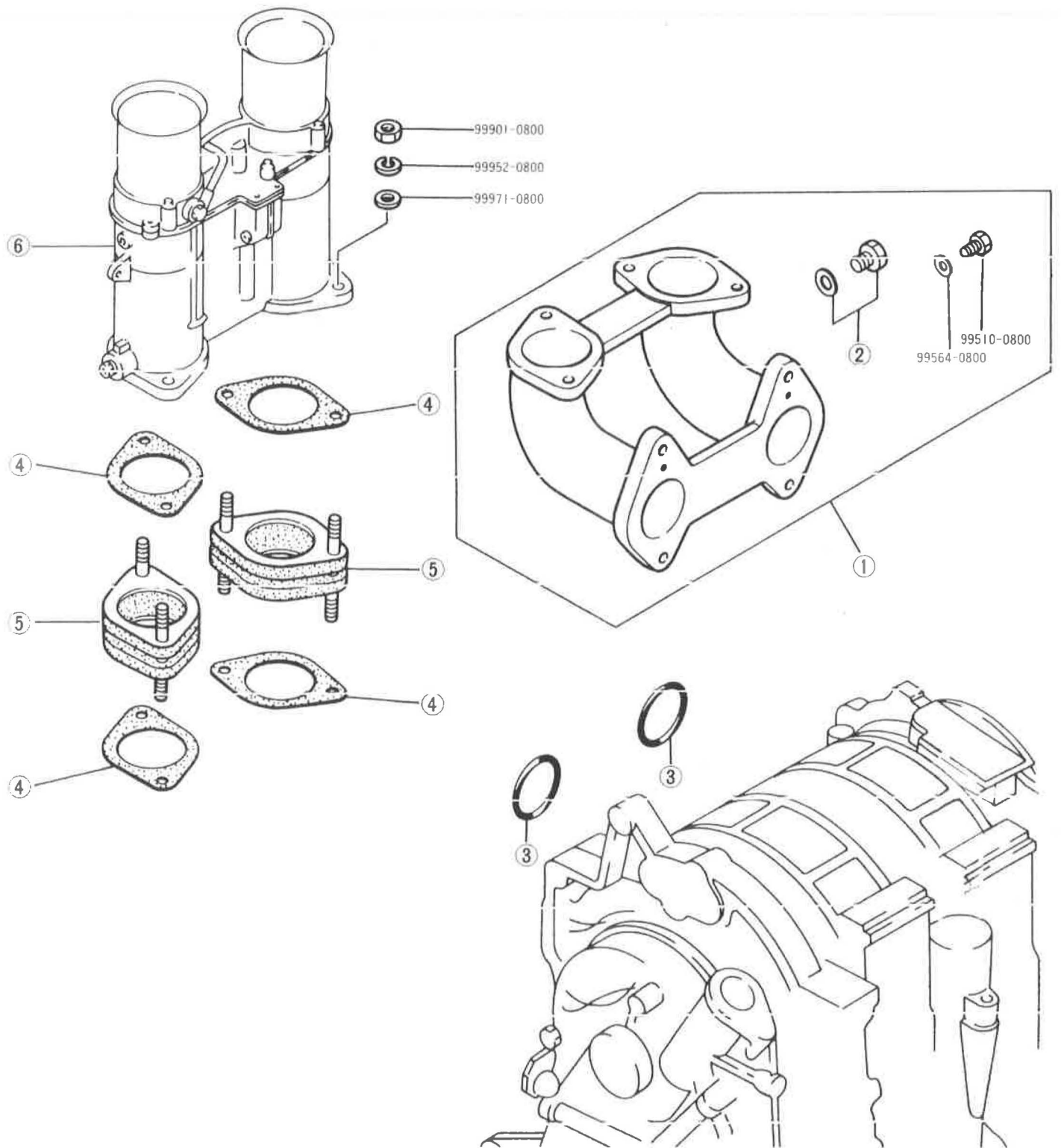
ECCENTRIC SHAFT & FLYWHEEL



NO.	CODE	PART NO.	DESCRIPTION	QTY	UNIT PRICE	REMARKS
1	S	4352 11 601	PULLEY, DRIVE	1	36,300	
2	S	4352 11 400	SHAFT, ECCENTRIC	1	38,500	
3	G	C0030B	WHEEL, FLY	1	50,000	5.5kg
"	S	4352 11 755	WHEEL, FLY	1	100,000	4.0kg
4	S	0839 78 155	SPACER	1	170	8.02mm
"	S	0839 78 156	SPACER	1	170	8.08mm
"	S	0839 78 157	SPACER	1	170	8.04mm
"	S	0839 78 158	SPACER	1	170	8.00mm
5	S	4352 11 010	WEIGHT, BALANCE	1	30,000	
6	S	0822 78 184	BEARING, NEEDLE	2	720	

RE-12A

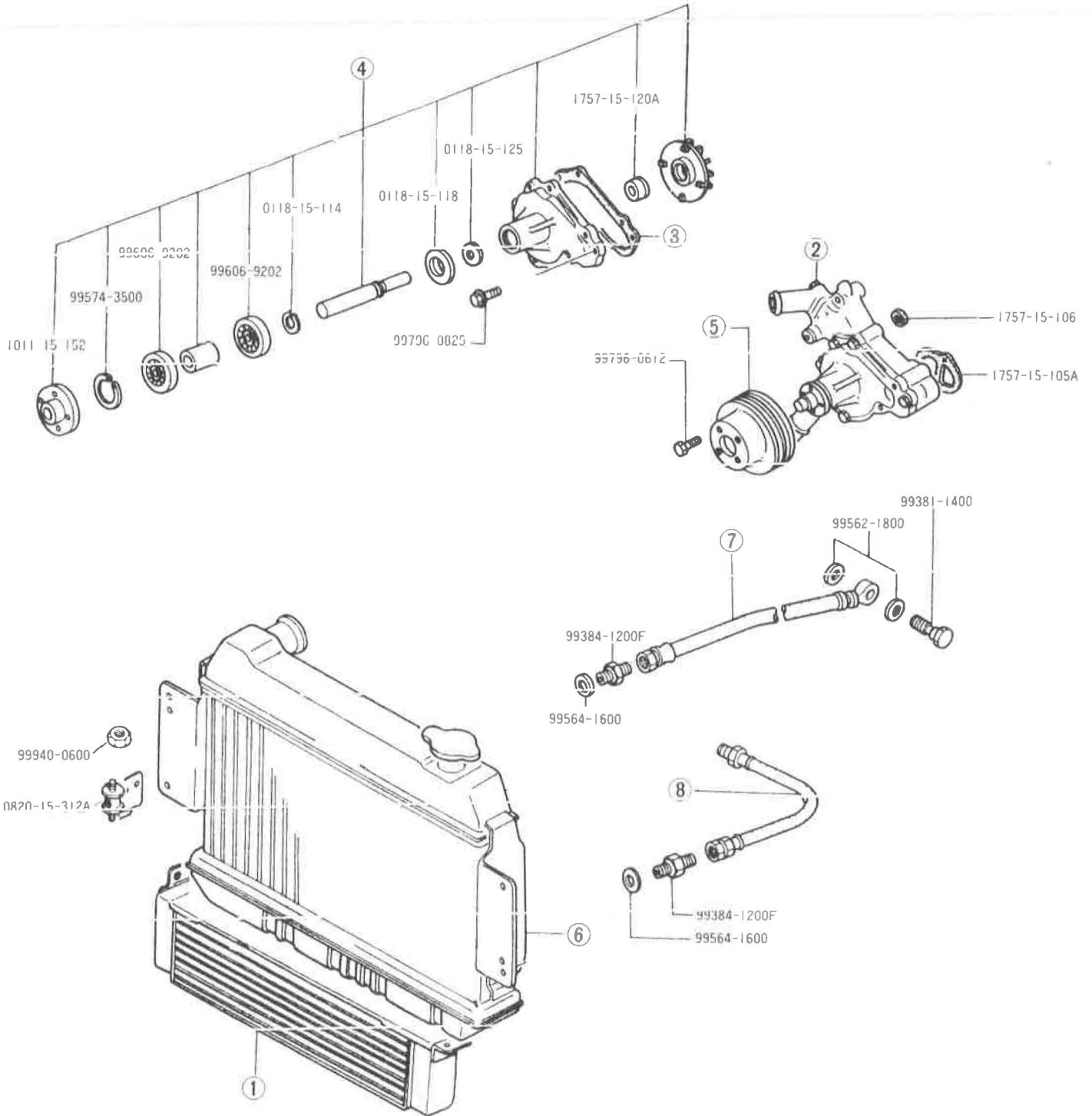
INLET MANIFOLD



NO.	CODE	PART NO.	DESCRIPTION	QTY	UNIT PRICE	REMARKS
1	S	4352 13 100	MANIFOLD. INLET	1	41,800	
2		0862 78 208	PLUG, BLIND	1		
3	S	0862 78 205	RING, "O"-IN. MANIFOLD	2	190	
4	S	0862 78 206	GASKET, IN. MANIFOLD	4	100	
5	S	0862 78 240	SUPPORTER	2	8,000	
6			CARBURETER	1		WEBER 48 IDA

RE-12A

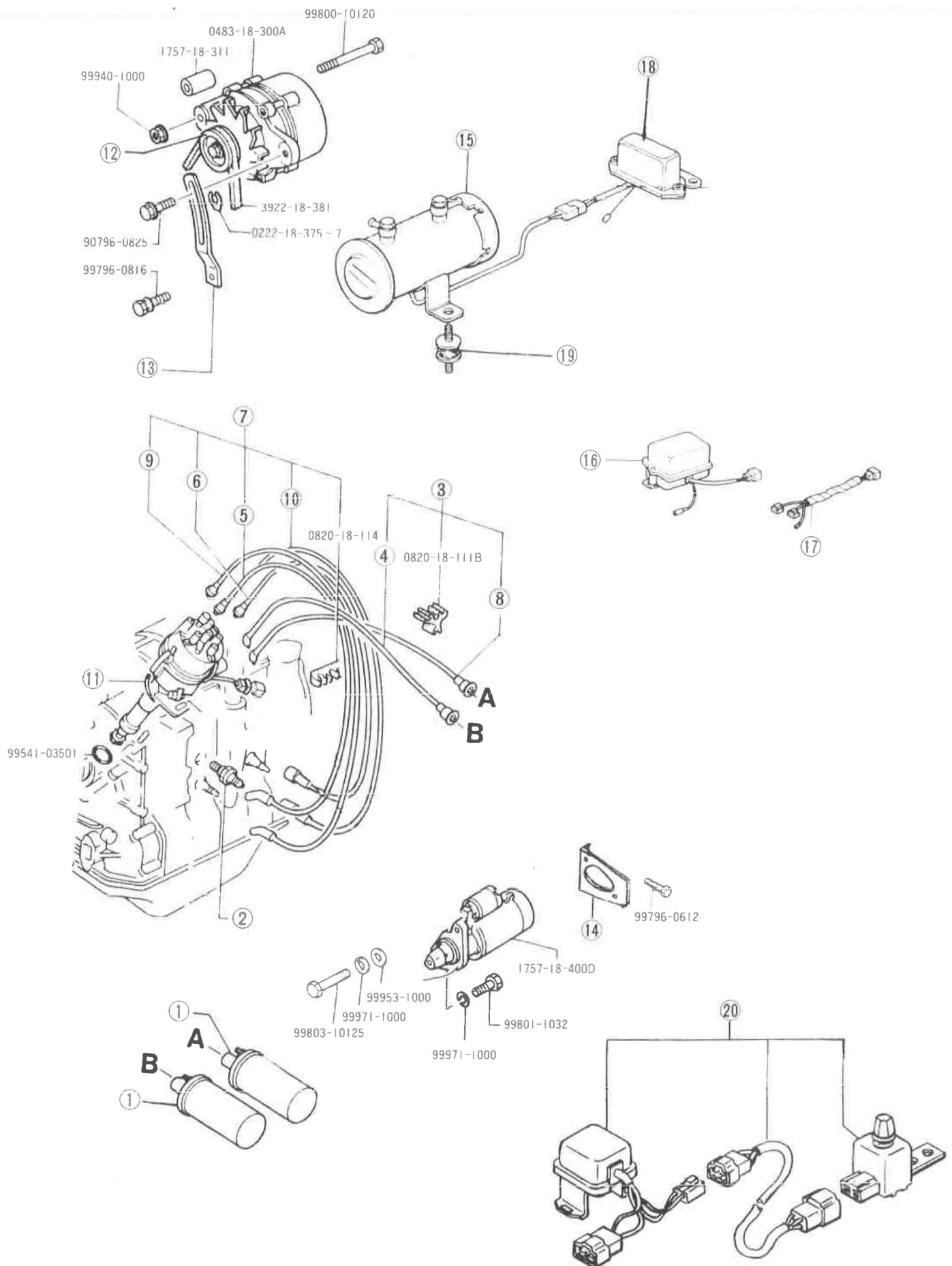
COOLING SYSTEM



NO.	CODE	PART NO.	DESCRIPTION	QTY	UNIT PRICE	REMARKS
1	S	1058 78 180	COOLER, OIL	1	55,000	
2	S	4801 15 010	PUMP, WATER	1	105,600	
3	S	4801 15 132	GASKET, WATER PUMP	1	250	
4	S	4801 15 130	COVER, WATER PUMP	1	44,000	
5	S	4801 15 151	PULLEY, WATER PUMP	1	19,800	
6	S	1058 78 190	RADIATOR	1	60,000	
7	S	4352 14 730	HOSE, OIL	1	5,500	
8	S	4352 14 720	HOSE, OIL	1	6,000	

RE-12A

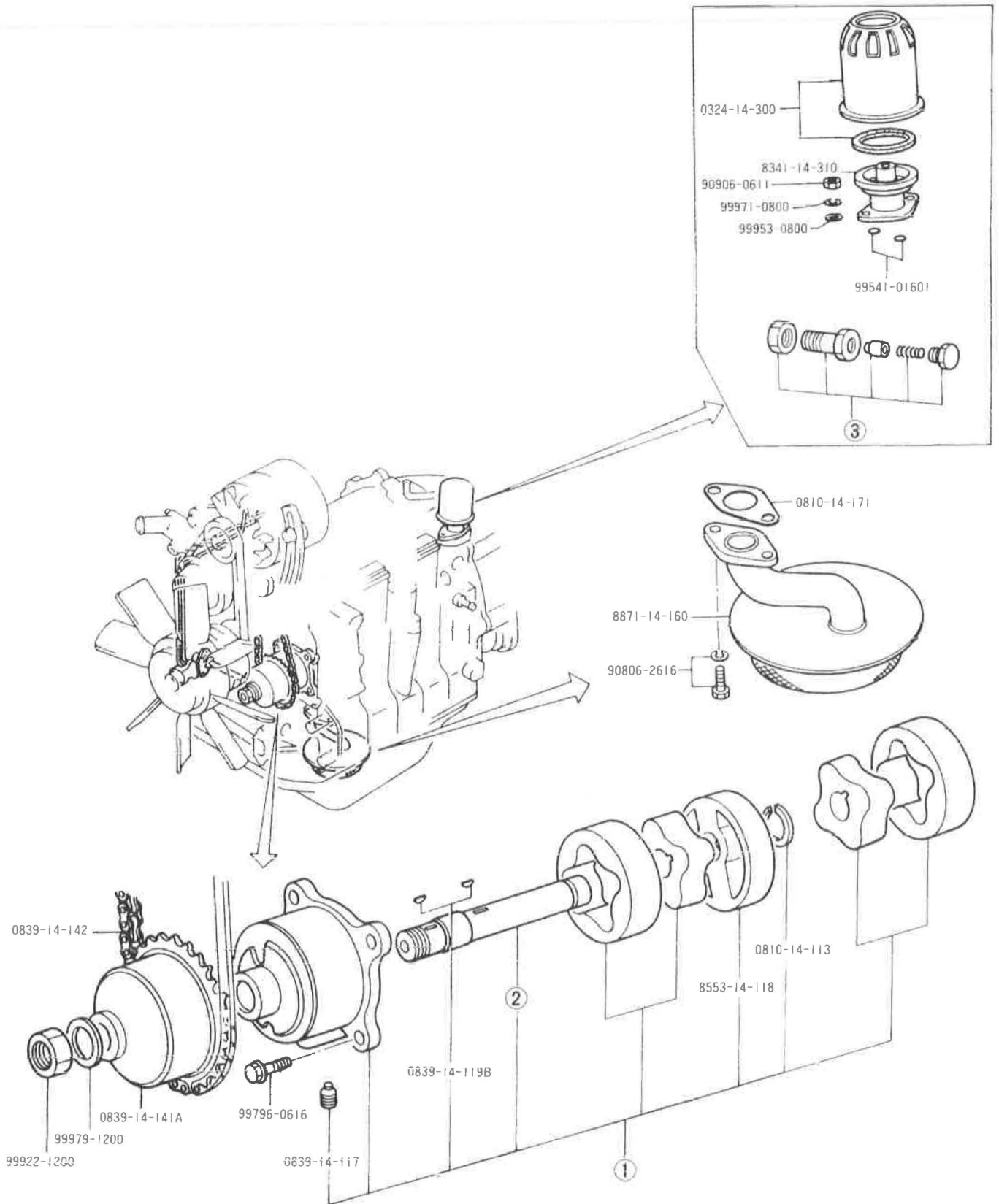
ELECTRIC EQUIPMENT



NO.	CODE	PART NO.	DESCRIPTION	QTY	UNIT PRICE	REMARKS
1	S	4801 18 100	COIL, IGNITION	2	19,800	
2		4352 18 600	PLUG, SPARK	4		
3	S	4352 18 110	CORD, HIGH TENSION	1	1,550	
"	S	4801 18 110A	CORD, HIGH TENSION	1	1,320	'83.4~
4	S	4352 18 120	CORD, HIGH TENSION	1	770	
"	S	4801 18 120A	CORD, HIGH TENSION	1	770	'83.4~
5	S	4801 18 130	CORD, HIGH TENSION	1	660	
"	S	4801 18 130A	CORD, HIGH TENSION	1	660	'83.4~
6	S	4801 18 140	CORD, HIGH TENSION	1	660	
"	S	4801 18 140A	CORD, HIGH TENSION	1	660	'83.4~
7	S	4801 18 150	CORD, HIGH TENSION	1	2,860	
"	S	4801 18 150A	CORD, HIGH TENSION	1	2,860	'83.4~
8	S	4352 18 160	CORD, HIGH TENSION	1	770	
"	S	4801 18 160A	CORD, HIGH TENSION	1	770	'83.4~
9	S	4801 18 170	CORD, HIGH TENSION	1	770	
"	S	4801 18 170A	CORD, HIGH TENSION	1	770	'83.4~
10	S	4801 18 180	CORD, HIGH TENSION	1	770	
"	S	4801 18 180A	CORD, HIGH TENSION	1	770	'83.4~
11	S	4801 18 200	DISTRIBUTOR	1	118,800	
12	S	0833 78 153	PULLEY	1	8,800	
13	S	4801 18 361	STRAP, ALTERNATOR	1	8,580	
14	S	4532 18 401	SUPPORTER, STARTER	1	2,250	
15	S	4352 18 260	PUMP, FUEL	1	10,000	
16	S	4801 18 800	IGNITOR	1	188,100	
17	S	4801 18 870	LEAD WIRING	1	2,800	
"	S	4801 18 870A	LEAD WIRING	1	2,800	'83.4~
18	S	4352 18 270	RELAY	1	8,300	
19	S	4352 18 280	MOUNTING	2	1,850	
20	S	4801 18 980	LIMITTER, OUVER REV.	1	72,600	

RE-12A

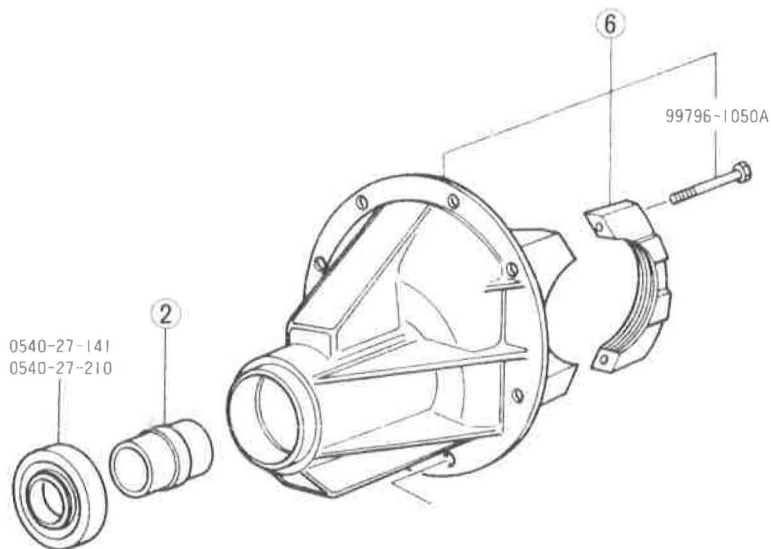
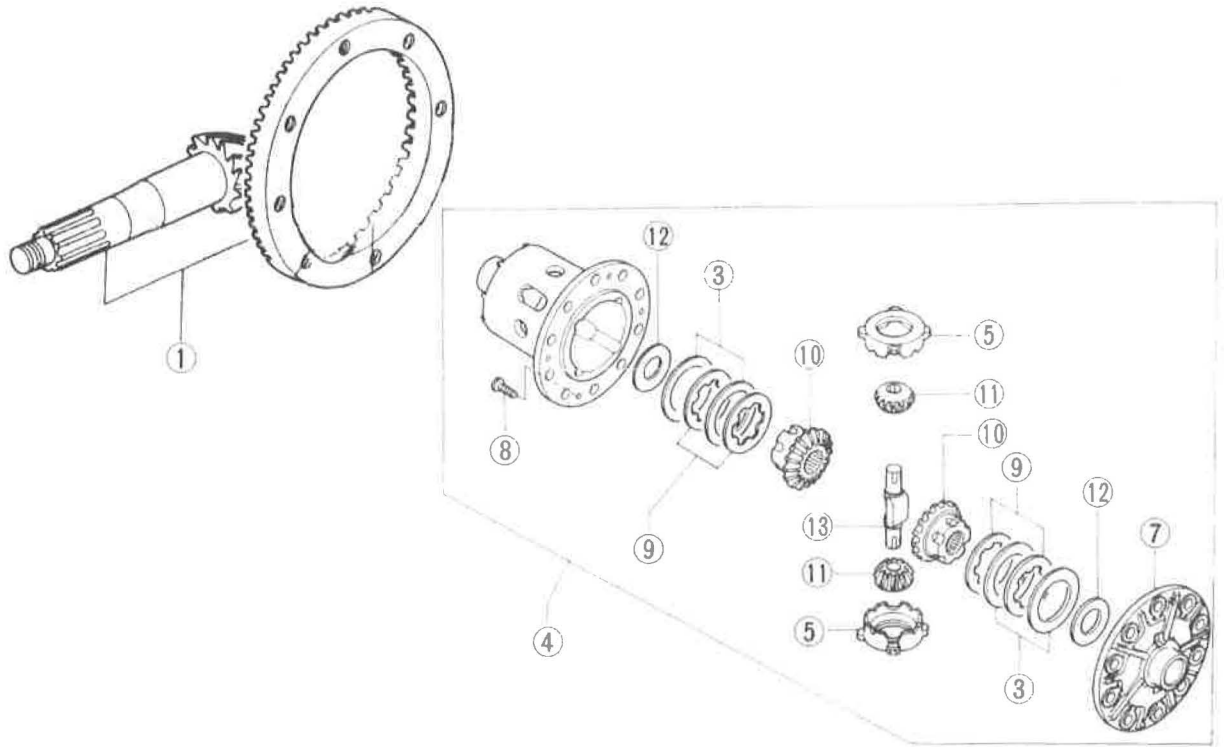
OIL PUMP



NO.	CODE	PART NO.	DESCRIPTION	QTY	UNIT PRICE	REMARKS
1	S	1058 78 220C	PUMP, OIL	1	11,000	
2	S	1058 78 224B	SHAFT, OIL PUMP	1	1,450	
3	S	4352 14 250	REGULATOR, PRESSURE	1	4,950	

RX-7

DRIVING



NO.	CODE	PART NO.	DESCRIPTION	QTY	UNIT PRICE	REMARKS
1	S	8005 27 110	GEAR SET, FINAL	1	31,500	4.111
"	S	0839 79 950	GEAR SET, FINAL	1	38,500	4.375
"	S	1397 27 110A	GEAR SET, FINAL	1	35,000	4.444
"	S	4352 27 110	GEAR SET, FINAL	1	38,500	4.625
"	S	1312 27 110A	GEAR SET, FINAL	1	29,500	4.875
"	S	1480 27 110	GEAR SET, FINAL	1	38,500	5.125
2	S	4352 27 171	PIECE, DISTANCE	1	1,000	
3	S	0221 79 967	PLATE, FRICTION	4	1,450	
4	S	0820 79 960B	LIMITED SLIP DIFF.	1	66,000	~'83.9 24 spline S1 \$2
"	S	0820 79 960C	LIMITED SLIP DIFF.	1	66,000	'83.10~ 26 spline S3
5	S	0820 79 965	RING, PRESSURE	2	7,900	
6	S	4352 27 150A	CARRIER, DIFFERENTIAL	1	44,000	
7	S	0221 79 970B	CASE ASS'Y.	1	24,500	
8	S	0221 79 995	SCREW	4	20	
9	S	0221 79 977	DISK, FRICTION	4	1,450	
"	S	0221 79 978	DISK, FRICTION	4	1,450	
10	S	M020 27 251	GEAR, DIFF. SIDE	2	3,750	~'83.9 24 spline
"	S	0820 79 981A	GEAR, DIFF. SIDE	2	3,750	'83.10~ 26 spline
11	S	0221 79 985	PINION, DIFF.	4	1,900	
12	S	0221 79 987	WASHER, THRUST	2	280	
"	S	0221 79 988	WASHER, THRUST	2	390	
13	S	0820 79 991	SHAFT, DIFF. PINION	2	4,850	