

meet the  
**MAZDA HAULERS**





## THE MAZDA FORMULA: Power and Confidence.

No other pickup sold in America offers a combination of power and confidence like Mazda's Rotary Pickup.

The rotary engine generates an SAE net horsepower of 110. That's more horsepower than any of the other leading truck imports. And it means Mazda's rotary pickup will haul a payload of 1400 lbs. That's a lot of muscle

for a small pickup.

And there's a lot of confidence behind the rotary engine: a 50,000 mile/3 year limited engine warranty. No other pickup comes close to that kind of confidence.

Power and confidence. Two words to remember when you're shopping for a small pickup. And Mazda offers both.





**ROTARY POWER GUARANTEED:  
50,000 Miles or 3 Years.**

The Mazda limited rotary-engine warranty states that the basic engine block and internal parts will be free of defects, with normal use and prescribed maintenance, for

50,000 miles or three years, or Mazda will fix it free. This non-transferable limited warranty is free on all new rotary-engine Mazdas sold and serviced in the continental United States.



**COMPLETE INSTRUMENTATION  
AND CAR-LIKE COMFORT.**

The efficient design of the dashboard makes instruments readable at a glance. There's a tripodometer to keep track of your hauls, a tachometer and a full complement of instruments to monitor the vital functions of your truck. For driving comfort there's a deep-

foam cushioned seat, tinted glass, upholstered door panels with padded armrests, and soft but durable nylon carpeting. The easy-to-reach stick shift is attached to a fully synchronized transmission.





Mazda's rotary engine is so smooth and quiet you need a tachometer to judge the rpm's. It's standard. All instruments are well-lighted.

This sporty 5-speed synchromesh transmission promotes fuel efficiency and reduces engine wear. (Standard in certain states, optional in others.)

Convenient multi-purpose switching stalk puts six important functions at your finger tips: turning signals, lane changing and passing signals, high/low beam, and windshield washer and wipers.

All Mazdas are engineered to meet existing federal safety requirements. 3-point seat belts increase driving security.

A two-speed window wiper and washer adapts to any weather condition for better visibility while you're hauling.







6

Robust heater and defroster keeps you toasty in cold weather, clears windows of frost quickly. AM radio is optional.



7

All-steel truck bed is over six feet long and nearly five feet wide. Tailgate chains are plastic-coated to prevent scratches.



8

Tires are 6-ply radials for a better ride and longer tire life. Each wheel is attached to double-acting shocks, independent suspension in front.



9

Dual headlights are set in a smartly-styled grill, offer better light dispersion for those late-night hauls.



10

Mazda's rotary engine has less to go wrong. There are no pistons, no valves, no lifters and no connecting rods. But there's abundant power.





**MEET THE LOWEST-PRICED  
PICKUP SOLD IN AMERICA.\***

### **THE MAZDA B-1600**

A perky 1600cc overhead cam engine gives Mazda's piston-engine pickup a hefty payload capacity of 1200 pounds. And despite its low, low price, the B-1600 is equipped with the kind of standard features that make every Mazda a great value. Like white-wall

tires, padded instrument panel, front stabilizer bar, chrome front bumper, a locking fuel door, and a smooth four-speed transmission. (See specifications page for more of the Mazda standard features.)

\*Based on a comparison of Manufacturer's suggested retail price. Freight, dealer prep, tax license and California emission device extra.





## ECONOMICAL

A low price and fuel economy (28 mpg highway, 19 city\*) means a low operating cost for the working man, and a great vacation value for the family.



## SPORTY

4-speed synchromesh transmission and front stabilizer bar gives the piston pickup a sportlike feel. It's a joy to drive, on or off the highway.



## DURABLE

Rugged front coil suspension and 6-leaf rear springs can take the demands of the hard-driving man. Mazda pickups are built to last.

## WELL-EQUIPPED

Standard features on the B-1600 include a convenient six-way combination switch (lights, window washer/wiper) 4-speed transmission, padded instrument panel, heater and defroster, oil pressure and brake warning lights, cigarette lighter and many more.

\*EPA estimates with manual transmission. The actual mileage you get will vary depending on how and where you drive, your truck's condition, and optional equipment.



## ROTARY PICKUP SPECIFICATIONS

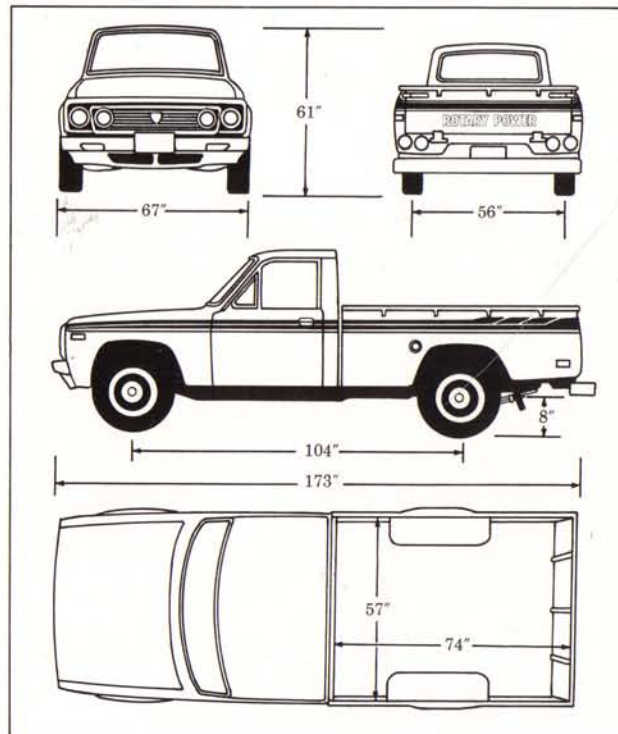
Engine type	.....2-R
Displacement	
Cubic Inches	.....80
Cubic Centimeters	.....1308
Compression ratio	.....9.2:1
Horsepower	
SAE Net @ RPM	.....110 @ 6000
Torque, Net,	
Ft. Lbs. @ RPM	.....117 @ 3500
Fuel requirement	.....Unleaded
Battery rating, Amp hours	.....12-60
Alternator rating,	
Amp output	.....50
Tire size	.....7.35 x 14 (six ply)
Overall width, inches	.....67
Overall length, inches	.....173
Overall height, inches	.....61
Curb weight, in pounds	
Manual transmission	.....2835
Auto. transmission	.....2850
Wheelbase, inches	.....104
Tread, inches	
Front	.....57
Rear	.....56
Road clearance, inches	.....8
Turning radius, feet & inches	.....19/1

### STANDARD FEATURES

Power assisted front disc brakes  
 Power assisted rear drum brakes  
 Engine oil cooler  
 4-barrel, 2-stage carburetor  
 5-speed synchromesh trans.  
 Front stabilizer bar  
 Hydraulic clutch linkage  
 Tachometer  
 Trip odometer  
 Ammeter  
 Brake failure warning light  
 Parking brake warning light  
 Low oil level warning light  
 Low engine coolant warning light  
 6-way combination switch  
 Heater & defroster  
 Tinted glass  
 Carpeting  
 Vinyl upholstery  
 Interior hood release  
 Parcel shelf  
 Padded sunvisors  
 Cigarette lighter  
 Chrome front bumper  
 Custom wheels  
 Dual horns  
 Tool kit  
 Touch-up paint

### OPTIONAL FEATURES

3-speed automatic trans.  
 Air conditioning  
 AM radio  
 Rear step bumper



## B-1600 PICKUP SPECIFICATIONS

Engine type	.....4 cyl. OHC
Displacement	
Cubic inches	.....97
Cubic centimeters	.....1586
Compression ratio	.....8.6:1
Horsepower SAE @ RPM	.....64 @ 5000
Torque, Net, Ft. lbs.	
@ RPM	.....78 @ 3000
Fuel requirement	.....Unleaded
Tire size	.....600 x 14 WSW
Overall width, inches	.....63
Overall length, inches	.....172
Overall height, inches	.....62
Curb weight, in pounds	
Manual Trans.	.....2525
Wheelbase, inches	.....104
Tread, inches	
Front	.....51
Rear	.....51
Road clearance, inches	.....8
Turning radius, feet & inches	.....16/5

### STANDARD FEATURES

4-speed synchromesh trans.  
 Front stabilizer bar  
 Whitewall tires  
 Wheel covers  
 Tinted glass  
 Heater & defroster  
 Interior-hood release  
 Oil pressure warning light  
 Parking brake warning light  
 Brake failure warning light  
 6-way combination switch  
 Padded sunvisors  
 Vinyl upholstery  
 Parcel shelf  
 Cigarette lighter  
 Chrome front bumper  
 Heavy-duty, two-ton jack  
 Double-latched tailgate with support chains  
 Tool kit  
 Touch-up paint

### OPTIONAL FEATURES

Air conditioning  
 AM radio  
 Rear-step bumper

