

MAZDA R100
COUPE & SEDAN
PARTS CATALOG



TOYO KOGYO CO., LTD.

MAZDA ROTARY ENGINE - LICENSE NSU - WANKEL





HOW TO USE THIS PARTS CATALOG

This parts catalog is compiled for the following models.
Model : MAZDA R100 Coupe & MAZDA R100 Sedan

Model No.	Model/Type	Description
2061	M10A-4	MAZDA R100 Sedan, Plain Type Dashboard Model (L.H.D.) For France
2062	M10A-4	MAZDA R100 Sedan, Plain Type Dashboard Model (L.H.D.) General Export Model
2063	M10A-4	MAZDA R100 Sedan, Plain Type Dashboard Model (R.H.D.) General Export Model
2064	M10A-4	MAZDA R100 Sedan, Plain Type Dashboard Model (R.H.D.) For England
2112	M10A	MAZDA R100 Coupe, "T" Type Dashboard Model (L.H.D.) Arctic Spec. Model, For Finland & Norway
2113	M10A	MAZDA R100 Coupe, "T" Type Dashboard Model (L.H.D.) For West Canada
2123	M10A	MAZDA R100 Coupe, "T" Type Dashboard Model (R.H.D.) General Export Model
2124	M10A	MAZDA R100 Coupe, "T" Type Dashboard Model (L.H.D.) For Okinawa
2125	M10A	MAZDA R100 Coupe, "T" Type Dashboard Model (L.H.D.) General Export Model
2328	M10A	MAZDA R100 Coupe, "T" Type Dashboard Model (L.H.D.) For East Canada, Emission Controlled Model
2329	M10A	MAZDA R100 Coupe, "T" Type Dashboard Model (L.H.D.) For U.S.A., Emission Controlled Model
2334	M10A-E	MAZDA R100 Coupe E Type, Plain Type Dashboard (R.H.D.) General Export Model
2335	M10A-E	MAZDA R100 Coupe E Type, Plain Type Dashboard (L.H.D.) For France
2336	M10A-E	MAZDA R100 Coupe E Type, Plain Type Dashboard (L.H.D.) General Export Model
2339	M10A-E	MAZDA R100 Coupe E Type, Plain Type Dashboard (L.H.D.) For U.S.A., Emission Controlled Model
2415	M10A-4-SL	MAZDA R100 Sedan SL, "T" Type Dashboard Model (L.H.D.) For France
2416	M10A-4-SL	MAZDA R100 Sedan SL, "T" Type Dashboard Model (L.H.D.) General Export Model
2417	M10A-4-SL	MAZDA R100 Sedan SL, "T" Type Dashboard Model (L.H.D.) Arctic Spec. Model, For Finland & Norway
2418	M10A-4-SL	MAZDA R100 Sedan SL, "T" Type Dashboard Model (R.H.D.) General Export Model
2419	M10A-4-SL	MAZDA R100 Sedan SL, "T" Type Dashboard Model (R.H.D.) For England
2797	M10A	MAZDA R100 Coupe, "T" Type Dashboard Model (R.H.D.) For England

(I) Layout

This parts catalog consists of index of groups, illustrations composition lists and index of part numbers.

Pages listing parts, with no designation of applying models signify that the parts listed therein are used in common for all models, and whenever the page lists parts for specific models, this is shown by giving the applying models on the page.

(II) How to locate parts

1) When part number is not known.

A. Refer to index groups and locate the group to which the part belongs.



B. Open to group illustration page and locate part wanted.



C. See the number given for the part in the illustration and find corresponding number in the parts composition lists.



D. Then, you will find name and part number of the part on the right side of this number.

2) When part number is known but shape and name of part is unknown.

A. See index given at back of the parts catalog and find pages where illustration, part number and figure number is listed.



B. Open to page indicated and locate the part number in the parts composition list, and after this locate the part in the illustration by referring to figure number given at front of the part number.



C. The corresponding figure number in the illustration is for the part required.

On part Number

A. Exclusive parts

Example :

0822
└───┘
Indication of
Vehicle Model

10
└───┘
Indication of
Group

100
└───┘
Indication of
inherent number

B
└───┘
Indication of
Modification

B. Standardized parts (General parts)

Example :

90
Or
99
└───┘
Indication of
Standardized part

801
└───┘
Indication of
Category

0612
└───┘
Indication of
Size

C
└───┘
Indication of
Material

C. Standardized parts (Tires, Tubes, Disc Wheels, etc.)

Example :

99
└───┘
Indication of
Standardized part

62
└───┘
Indication of
Category

08
└───┘
Indication of
Type

7016
└───┘
Indication of
Size

3) On Quantity

The quantity given in parts composition list shows number of parts used per vehicle and does not indicate selling unit.

4) Other Precautions

☆ Mark— Parts marked thus are not available as replacement parts, therefore, when these parts are required, order in the form of assemblies (or sets) including these parts or in the form of parts interchangeable with these parts.

5) Abbreviations

(R) Right

(L) Left

(C) Center

(Frt.) Front

(Rr.) Rear

Cpt. Complete

Ass'y Assembly

Std. Standard

O. S. Over Size

U. S. Under Size

EX. Exhaust

IN. Inlet

T/Mission Transmission

Ⓐ Austrian Approval Mark

Ⓔ ECE (Economic Commission for Europe) Approval Mark

BS British Approval Mark

Ⓒ Parts with Different Colours
(Indicate Colour when Ordering)

▲ Indication of Group

(III) On Groups

- 1) The figure enclosed by a triangle at the top of each page (Example ▲₁₀) indicates group number.
- 2) Group numbers are determined according to structure and function of parts.
- 3) The group number given in index of groups coincide with the numerals (Example ▲₁₀) of the illustration and parts composition pages.

(IV) Explanation on Parts Composition Lists

1) Indication of composition of assembly:

A. The largeness of the letters used for part names are given in three sizes.

- (a) The largest letters show the largest composition of parts. Therefore, the parts printed in the largest letters always include parts printed offset to the right, and also printed in medium-size letters.
- (b) The parts printed in medium-size letters always include parts printed in the smallest letters and offset to the right.
- (c) The parts printed in smallest letters and offset to the right are always included in the parts printed in medium-sized letters or largest size letters that are located above.

(d) The parts printed in smallest letters and not offset to the right signify that these parts do not form any part of any assembly or sub assembly.

B. Indication of parts composition by spacing out between lines. In the case of an assembly or sub-assembly consisting of more than 2 parts, the space between the parts forming the assembly or sub-assembly and the other parts is widened, to clearly indicate the parts forming the assembly or sub-assembly.

(a)	—————	0329 32 110	Steering Gear Ass'y	1
(b)	—————	1 — 0324 32 121	Steering Gear Housing	1
(c)	—————	0820 32 130A	Steering Worm Ball Nut Ass'y	1
(d)	—————	2 — 0259 32 182	Ball Bearing	1
(e)	—————	3 — 0820 32 141	Sector Shaft	1
(f)	—————	4 — 99781 1092	Bolt, Steering Gear	3

(a) Includes (b) to (e)

(c) Includes (d)

(f) Is not included in any ass'y nor sub ass'y

(V) Precautions to be taken when placing orders for parts

- 1) Always specify part number, name of part and quantity required.
- 2) Be sure to list the parts in order of part number, when filling in order sheet.
- 3) As processing of orders received by us is done by electronic computers, importance is attached to the part number. Therefore, in case the part number and name of the part do not coincide with each other, the part will be sent to you in accordance with part number.

(VI) Replacement pages and purport

Page replacements are supplied in monthly frequency as a rule, listing parts modified or newly added and month and year date will be printed in lower corner of each replacement page.

Therefore it is essential that care be taken to check on these dates to confirm if the parts listed conform to the car imported, before ordering.

1) Explanation on designation given in remarks column

a. Car No. Chassis no. of car that modification becomes effective from.

b. ⁷⁰/₇ 70 designates year of modification and numerals 1 ~ 12 shows month of year.

c. ○ Mark Indicates that modified part and former part are interchangeable.

- d. ✖ Mark Indicates that former part has been superseded by new part and is no longer available.
- e. × Mark Indicates that modified part and old part are not interchangeable.
- f. Δ Mark Indicates that old part is interchangeable with new part but it is not advisable to use old part as a replacement for cars utilizing the new part.

INDEX

Group No.	Description	Fig. Page	Part No.
	Engine Parts		
10	Rotor Housing (Front) (General Export Model)	1	2 ~ 4
10	Rotor Housing (Front) (Emission Controlled Model)	5	6 ~ 8
10	Rotor Housing (Rear) (General Export Model)	9	10 ~ 12
10	Rotor Housing (Rear) (Emission Controlled Model)	13	14 ~ 16
10.11	Rotor (Front)	17	18 ~ 20
10.11	Rotor (Rear)	21	22 ~ 23
13	In. & Ex. Manifold (General Export Model)	24	25 ~ 26
13	In. & Ex. Manifold (Emission Controlled Model)	27	28 ~ 29
13	Emission Control System	30	31 ~ 32
23	Carburettor (General Export Model)	33 ~ 34	35 ~ 38
23	Air Cleaner (R.H.D.) & For Okinawa	39	40
23	Air Cleaner (L.H.D.)	41	42
23	Air Cleaner (Emission Controlled Model)	43	44
14	Oil Pump	45	46 ~ 48
23	Metering Oil Pump	49	50
14.15	Cooling System (General Export Model)	51	52 ~ 54

INDEX

Group No.	Description	Fig. Page	Part No.
14.15	Cooling System (Emission Controlled Model)	55	56 ~ 58
15	Water Pump (General Export Model)	59	60 ~ 61
15	Water Pump (Emission Controlled Model)	62	63 ~ 64
16.41	Clutch Control System (Emission Controlled Model)	65	66 ~ 68
17	T/Mission (Case) (Emission Controlled Model)	69	70 ~ 72
17	T/Mission (Gear) (Emission Controlled Model)	73	74 ~ 76
17	T/Mission (Shift Fork) (Emission Controlled Model)	77	78
17	T/Mission (Change Control) (Emission Controlled Model)	79	80 ~ 81
18	Electric Equipment (Engine No. 1) (Emission Controlled Model)	82	83 ~ 85
18	Electric Equipment (Engine No. 2) (Emission Controlled Model)	86	87 ~ 89
24	Distributor (Trailing Side) (General Export Model)	90	91
24	Distributor (Leading Side) (General Export Model)	92	93 ~ 94
24	Alternator (General Export Model)	95	96 ~ 97
24	Starter (General Export Model)	98	99 ~ 101
Chassis Parts			
25	Propeller Shaft (General Export Model)	102	103
26	Rear Axle (General Export Model)	104	105 ~ 106

INDEX

Group No.	Description	Fig. Page	Part No.
26	Rear Brake	107	108 ~ 110
27	Driving	111	112 ~ 114
28	Rear Suspension	115	116 ~ 117
32	Steering System (Wheel & Gear) (With Energy Absorbing Shaft)	118	119 ~ 123
32	Steering System (Wheel & Gear) (With Steering Lock)	124	125 ~ 129
32	Steering System (Wheel Gear)	130	131 ~ 134
32	Steering System (Rod, R.H.D.)	135	136 ~ 137
32	Steering System (Rod, L.H.D.) (Plain Type Dashboard Sedan Model)	138	139 ~ 140
32	Steering System (Rod, L.H.D.) ("T" Type Dashboard & Coupe Model)	141	142 ~ 143
33	Front Axle	144	145 ~ 146
49	Caliper	147	148 ~ 149
34	Front Suspension (Spring)	150	151 ~ 152
34	Front Suspension (Damper)	153	154 ~ 155
34	Front Suspension (Cross Member)	156	157 ~ 158
39	Engine & T/Mission Support (General Export Model)	159	160
39	Engine & T/Mission Support (Emission Controlled Model)	161	162
40	Exhaust System (General Export Model)	163	164 ~ 165

INDEX

Group No	Description	Fig. Page	Part No.
40	Exhaust System (Emission Controlled Model)	166	167
42	Fuel Tank	168	169 ~ 171
13.45	Fuel Piping (General Export Model)	172	173 ~ 174
13.45	Fuel Piping (Emission Controlled Model)	175	176 ~ 177
23	Fuel Pump	178	179 ~ 180
41	Accelerator Control System (R.H.D.)	181	182
41	Accelerator Control System (L.H.D.)	183	184
41.43	Clutch & Brake System (R.H.D.)	185	186 ~ 187
41.43	Clutch & Brake System (L.H.D.)	188	189 ~ 190
41.43	Clutch & Brake Master Cylinder	191	192 ~ 193
49	Tandem Master Cylinder (R.H.D.)	194	195 ~ 196
49	Tandem Master Cylinder (L.H.D.)	197	198 ~ 199
44	Parking Brake System	200	201 ~ 202
43.45	Clutch & Brake Piping (R.H.D.)	203	204
43.45	Clutch & Brake Piping (R.H.D.) (With Tandem Master Cylinder)	205	206
43.45	Clutch & Brake Piping (L.H.D.) (General Export Model)	207	208
43.45	Clutch & Brake Piping (L.H.D.) (Emission Controlled Model)	209	210 ~ 211

INDEX

Group No.	Description	Fig. Page	Part No.
	Body Parts		
50.78	Bumper	212	213 ~ 214
52	Bonnet Lock	215	216 ~ 217
52	Trunk Lid Lock	218	219
51~70	Body Panels (Front)	220	221 ~ 223
53.54	Body Panels (Side)	224	225 ~ 227
	(All Coupe Models)		
53.54	Body Panels (Side)	228	229 ~ 231
	(All Sedan Models)		
52~70	Body Panel (Floor, Rear & Roof)	232	233 ~ 238
55.68	Dashboard (Meter & Switch, R.H.D.)	239	240 ~ 244
	("T" Type Dashboard Model)		
55.68	Dashboard (Meter & Switch, L.H.D.)	245	246 ~ 250
	("T" Type Dashboard Model)		
55.60	Dashboard (Meter & Switch, R.H.D.)	251	252 ~ 254
	(Plain Type Dashboard Model)		
55.60	Dashboard (Meter & Switch, L.H.D.)	255	256 ~ 258
	(Plain Type Dashboard Model)		
55	Meter (R.H.D.)	259	260 ~ 261
	("T" Type Dashboard Model)		
55	Meter (L.H.D.)	262	263 ~ 264
	("T" Type Dashboard Model)		
55.75	Meter (R.H.D.)	265	266
	(Plain Type Dashboard Model)		
55.75	Meter (L.H.D.)	267	268
	(Plain Type Dashboard Model)		
57	Seat (R.H.D.)	269	270 ~ 273
	(All Coupe Models)		

INDEX

Group No.	Description	Fig. Page	Part No.
57	Seat (L.H.D.) (All Coupe Models)	274	275 ~ 279
57	Seat ("T" Type Dashboard Sedan Model)	280	281 ~ 284
57	Seat (Plain Type Dashboard Sedan Model)	285	286 ~ 289
58.59	Front Side Door (Glass)	290	291 ~ 294
58.59	Front Side Door (Lock)	295	296 ~ 300
61.76	Car Heater (R.H.D.) ("T" Type Dashboard Model)	301	302 ~ 305
61.76	Car Heater (L.H.D.) ("T" Type Dashboard Model)	306	307 ~ 310
61.76	Car Heater (L.H.D., Powerful Type) ("T" Type Dashboard Model)	311	312 ~ 315
61.76	Car Heater (R.H.D.) (Nippon Radiator Make) (Plain Type Dashboard Model)	316	317 ~ 320
61.76	Car Heater (R.H.D.) (Denso Make) (Plain Type Dashboard Model)	321	322 ~ 325
61.76	Car Heater (L.H.D.) (Plain Type Dashboard Model)	326	327 ~ 330
66	Lamps (Front Side) (Canada & U. S. A. Model)	331	332 ~ 333
66	Lamps (Front Side) (General Export Model)	334	335 ~ 339
66	Lamps (Rear Side) (Canada & U. S. A. Model)	340	341 ~ 343
66	Lamps (Rear Side) (General Export Model)	344	345 ~ 347
66.67	Electric Equipment (Body, R.H.D.) (All Coupe Models)	348	349 ~ 352
66.67	Electric Equipment (Body, L.H.D.) (General Export Coupe Model)	353	354 ~ 357

INDEX

Group No.	Description	Fig. Page	Part No.
66.67	Electric Equipment (Body, L.H.D.) (Canada & U. S. A. Coupe Model)	358	359 ~ 362
66.67	Electric Equipment (Body, R.H.D.) (All Sedan Models)	363	364 ~ 367
66.67	Electric Equipment (Body, L.H.D.) (All Sedan Models)	368	369 ~ 372
66.87	Windshield Wiper	373	374 ~ 375
87	Wiper Motor	376	377
66.87	Windshield Washer	378	379
66	Auto Radio (“T” Type Dashboard Model)	380	381 ~ 382
66	Auto Radio (Plain Type Dashboard Model)	383	384 ~ 385
66.68	Crush Pad & Glove Box (R.H.D.) (“T” Type Dashboard Model)	386	387 ~ 389
66.68	Crush Pad & Glove Box (L.H.D.) (“T” Type Dashboard Model)	390	391 ~ 393
68.70	Crush Pad, Glove Pocket & Console Box (Plain Type Dashboard Model)	394	395 ~ 398
68	Service Tools	399	400 ~ 401
69	Attachment (All Coupe Models)	402	403 ~ 406
69	Attachment (All Sedan Models)	407	408 ~ 410
69	Trim & Top Ceiling (“T” Type Dashboard Coupe Model)	411	412 ~ 413
69	Trim & Top Ceiling (Plain Type Dashboard Coupe Model)	414	415
69	Trim & Top Ceiling (All Sedan Models)	416	417 ~ 418

INDEX

Group No.	Description	Fig. Page	Part No.
69	Floor Mat & Trim (R.H.D.) (“T” Type Dashboard Coupe Model)	419	420 ~ 421
69	Floor Mat & Trim (L.H.D.) (“T” Type Dashboard Coupe Model)	422	423 ~ 425
69	Floor Mat & Trim (Plain Type Dashboard Coupe Model)	426	427 ~ 428
69	Floor Mat & Trim (“T” Type Dashboard Sedan Model)	429	430 ~ 431
69	Floor Mat & Trim (Plain Type Dashboard Sedan Model)	432	433 ~ 434
70.71	Window Glass & Moulding (All Coupe Models)	435	436 ~ 438
70.71	Window Glass & Moulding (All Sedan Models)	439	440 ~ 441
70.71	Ventilator (“T” Type Dashboard Model)	442	443 ~ 444
70.71	Ventilator (Plain Type Dashboard Model)	445	446 ~ 447
72.73	Rear Side Door (Glass) (All Sedan Models)	448	449 ~ 451
72.73	Rear Side Door (Lock) (All Sedan Models)	452	453 ~ 456
09	Key Set (All Coupe Models)	457	458 ~ 459
09	Key Set (All Sedan Models)	460	461 ~ 462
78	Car Cooler (R.H.D.) (“T” Type Dashboard Model)	463	464 ~ 467
78	Car Cooler (L.H.D.) (“T” Type Dashboard Model)	468	469 ~ 472
	Index		473 ~ 524



0
0
0
0
0
0
0
0



ROTOR HOUSING (FRONT)

(GENERAL EXPORT MODEL)

10

No.	Part Number	Description	Q'ty	Remarks
1	0822 10 100C	ROTOR HOUSING Ass'y (Fr.)	1	
	0822 10 100D	ROTOR HOUSING Ass'y (Fr.)	1	Car No. 63909 ⁷⁰ / ₈ ~ O
	0822 10 100E	ROTOR HOUSING Ass'y (Fr.)	1	Car No. 64624 ⁷⁰ / ₈ ~ X
	0822 10 100F	ROTOR HOUSING Ass'y (Fr.)	1	Car No. 94734 ⁷¹ / ₄ ~ X
•	0822 10 100G	ROTOR HOUSING Ass'y (Fr.)	1	Car No. 102200 ⁷¹ / ₆ ~ O
2	99851 0814	Stud, Engine Hanger	1	
•	99851 0814A	Stud Engine Hanger	1	Car No. 103763 ⁷¹ / ₁₂ ~ O
3	99851 0870	Stud, Inlet Manifold	1	
•	99851 0870A	Stud, Inlet Manifold	1	Car No. 103763 ⁷¹ / ₁₂ ~ O
4	99851 1028	Stud, Exhaust Manifold	2	
•	99851 1028A	Stud, Exhaust Manifold	2	Car No. 103763 ⁷¹ / ₁₂ ~ O
5	99851 0614	Stud, Oil Pan	2	Car No. 64624 ⁷⁰ / ₈ ~ Discarded
	9080 62 6 16	Bolt & Washer	2	Car No. 64624 ⁷⁰ / ₈ ~ Added Anew
6	0813 10 405	Licence Mark	1	
7	0813 10 111	Tubular Dowel	2	
8	0810 10 171	Sealing Rubber, Inner	2	
9	0813 10 172	Sealing Rubber, Outer	2	
10	0813 10 173	"O" Ring, Tubular Dowel Hole	4	
11	0813 10 174	"O" Ring, Tension Bolt Hole	36	Car No. 94733 ⁷¹ / ₄ ~ Discarded
	0820 23 040	"O" Ring Set (No. 8 ~ No. 11 included)	1	
12	0839 10 200B	FRONT HOUSING Ass'y	1	
•	2123 10 200	FRONT HOUSING Ass'y	1	Car No. 64624 ⁷⁰ / ₈ ~ O
•	2123 10 200C	FRONT HOUSING Ass'y	1	Car No. 82291 ⁷¹ / ₁ ~ X
•	2123 10 200D	FRONT HOUSING Ass'y	1	Car No. 87033 ⁷¹ / ₁ ~ X
•	2123 10 200G	FRONT HOUSING Ass'y	1	Car No. 95859 ⁷¹ / ₄ ~ O
•	2113 10 200B	FRONT HOUSING Ass'y for West Canada	1	Car No. 64614 ⁷⁰ / ₈ ~ O
•	2113 10 200E	FRONT HOUSING Ass'y	1	Car No. 83040 ⁷¹ / ₁ ~ X
•	2113 10 200F	FRONT HOUSING Ass'y Arctic Spec. Model	1	Car No. 87033 ⁷¹ / ₁ ~ X
•	2113 10 200I	FRONT HOUSING Ass'y	1	Car No. 95859 ⁷¹ / ₄ ~ O
13	0829 10 203	Knock Pin, Gear	1	
	0839 10 203	Pin, Dowel	1	Car No. 83040 ⁷¹ / ₁ ~ X
14	0813 10 204	Tubular Dowel	2	
•	2329 10 204	Tubular Dowel	2	Car No. 103690 ⁷¹ / ₁₁ ~ O
15	99307 0800	Blind Plug	1	
	0839 10 206	Blind Plug	1	Car No. 95859 ⁷¹ / ₄ ~ O
16	99307 1000	Blind Plug	1	
	99307 1200	Blind Plug	3	Car No. 83040 ⁷¹ / ₁ ~ X
	0839 10 205	Blind Plug	3	Car No. 95859 ⁷¹ / ₄ ~ O
17	99306 3000	Blind Plug, water	4	
18	99852 0850	Stud, Water Pump	1	Car No. 83040 ⁷¹ / ₁ ~ Discarded
19	99852 0878	Stud, Water Pump	3	
•	99852 0878A	Stud, Water Pump	3	Car No. 103763 ⁷¹ / ₁₂ ~ O
20	99852 0822	Stud, Inlet Manifold	2	
•	99852 0822A	Stud, inlet Manifold	2	Car No. 103763 ⁷¹ / ₁₂ ~ O
21	99852 0614	Stud, Oil Pan	2	
22	99859 1220	Stud, Mounting	4	
•	99859 1220A	Stud, Mounting	4	Car No. 103763 ⁷¹ / ₁₂ ~ O

ROTOR HOUSING (FRONT)

(GENERAL EXPORT MODEL)

No.	Part Number	Description	Qty	Remarks
23	0820 18 311	Alternator Bracket	1	
24	0813 10 174	"O" Ring	1	
(N)	2113 10 206	Blind Plug	1	Car No. 64615 ⁷⁰ / ₈ ~ Added Anew
25	0820 10 600E	FRONT COVER Ass'y	1	
	0820 10 600F	FRONT COVER Ass'y	1	Car No. 64624 ⁷⁰ / ₈ ~ O
	0839 10 600	FRONT COVER Ass'y	1	Car No. 83040 ⁷¹ / ₁ ~ X
26	99307 0600	Blind Plug	5	
27	99307 1200	Blind Plug	2	Car No. 83040 ⁷¹ / ₁ ~ Discarded
28	99307 1400	Blind Plug	1	Car No. 83040 ⁷¹ / ₁ ~ Discarded
29	99851 0818	Stud, Distributor	4	
•	99851 0818A	Stud, Distributor	4	Car No. 103763 ⁷¹ / ₁₂ ~ O
30	99851 0614	Stud, Oil Pan	6	
31	0820 10 631A	Top Indicator Pin	1	
32	0813 10 605	Oil Seal	1	
	0820 10 605	Oil Seal	1	Car No. 65849 ⁷⁰ / ₉ ~ O
33	99851 0645	Stud	2	
34	99852 0645	Stud	2	Car No. 83040 ⁷¹ / ₁ ~ Discarded
35	0813 10 611	Pellet	1	
36	0813 10 612	Slide Valve	1	Car No. 83039 ⁷¹ / ₁ ~ Discarded
	0850 14 115	Plunger	1	Car No. 83040 ⁷¹ / ₁ ~ Added Anew
37	0813 10 613	Return Spring	1	
	0850 14 273	Return Spring	1	Car No. 83040 ⁷¹ / ₁ ~ X
38	0820 10 614	Plug, Pellet	1	
	0221 14 117	Plug, Pellet	1	Car No. 83040 ⁷¹ / ₁ ~ X
39	99384 1200	Union Joint	1	
40	99562 1600	Packing	1	
41	0820 10 641C	Gasket, Front Cover	1	
	0839 10 641	Gasket, Front Cover	1	Car No. 83040 ⁷¹ / ₁ ~ X
42	908016 8 35	Set Bolt, Front Cover	3	
	908016 8 40	Set Bolt, Front Cover	4	Car No. 83040 ⁷¹ / ₁ ~ X
43	908016 8 45	Set Bolt, Front Cover	2	Car No. 83039 ⁷¹ / ₁ ~ Discarded
44	908016 8 65	Set Bolt, Front Cover	1	Car No. 66862 ⁷⁰ / ₉ ~ Discarde
	99801 08 65	Bolt	1	
	99971 0800	Spring Washer	1	
	99952 0800	Plain Washer	1	Car No. 66862 ⁷⁰ / ₉ ~ Added Anew

ROTOR HOUSING (FRONT)

(GENERAL EXPORT MODEL)



No.	Part Number	Description	Qty	Remarks
45	908016 8 75	Set Bolt, Front Cover	2	Car No. 66862 ⁷⁰ / ₁₀₀ ~ Discarded Car No. 66862 ⁷⁰ / ₁₀₀ ~ Added Anew
•	99801 0875	Bolt	2	
•	99971 0800	Spring Washer	2	
•	99952 0800	Plain Washer	2	
46	0820 10 861	Hanger, Engine	1	
47	0820 14 642	Clip	1	
48	99901 0800	Nut, Hanger	1	
	99971 0800	Spring Washer	1	

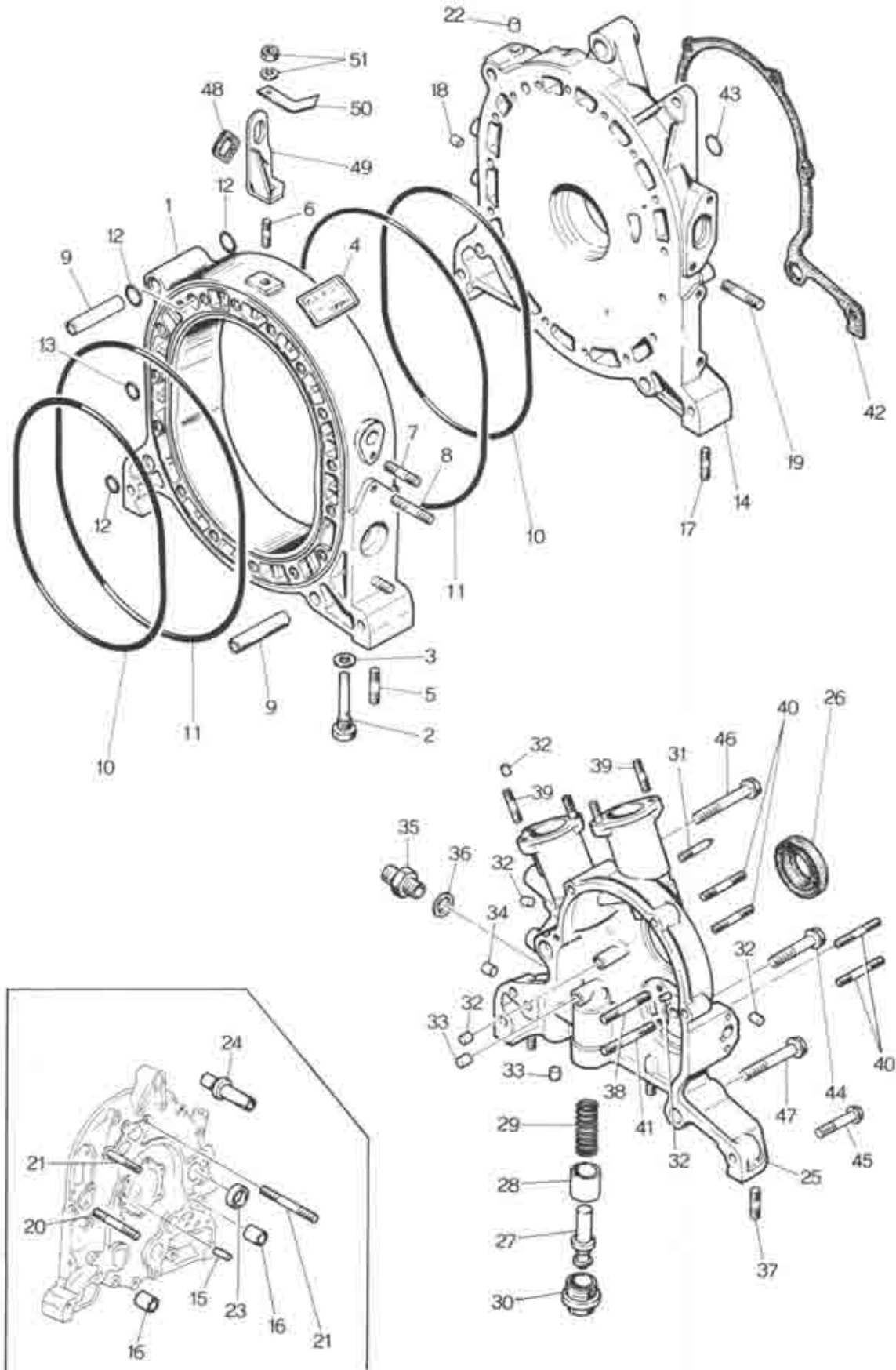


C
D
E
F
G
H
I
J
K
L
M
N
O
P
Q
R
S
T
U
V
W
X
Y
Z



ROTOR HOUSING (FRONT)

(EMISSION CONTROLLED MODEL)



ROTOR HOUSING (FRONT)

(EMISSION CONTROLLED MODEL)

10

No.	Part Number	Description	Qty	Remarks
1	2328 10 100A	ROTOR HOUSING Ass'y (Fr.)	1	
	2328 10 100B	ROTOR HOUSING Ass'y (Fr.)	1	Car No. 64871 ⁷⁰ / ₈ ~ X
2	2329 10 103A	Air Nozzle	1	
3	99564 1200	Packing	1	
4	0813 10 405	Licence Mark	1	
• 5	99851 0614	Stud, Oil Pan	2	Car No. 64624 ⁷⁰ / ₈ ~ Discarded
• 6	908062 6 16	Set Bolt, Oil Pan	2	Car No. 64624 ⁷⁰ / ₈ ~ Added Anew
6	99851 0816	Stud, Engine Hanger	1	
7	99851 0822	Stud, Inlet Manifold	1	
8	99851 1028	Stud, Reactor	2	
	2329 10 105	Stud, Reactor	2	Car No. 59444 ⁷⁰ / ₈ ~ ○
9	0813 10 111	Tubular Dowel	2	
10	0810 10 171	Sealing Rubber, Inner	2	
11	0813 10 172	Sealing Rubber, Outer	2	
12	0813 10 173	"O" Ring, Tubular Dowel Hole	4	
13	0813 10 174	"O" Ring, Tension Bolt Hole	36	
	0820 23 040	"O" Ring Set (No. 10 ~ NO. 13 included)	1	
14	2329 10 200C	FRONT HOUSING Ass'y	1	
	2329 10 200E	FRONT HOUSING Ass'y	1	Car No. 70576 ⁷⁰ / ₁₁ ~ ○
15	0820 10 203	Dowel Pin	1	
16	2329 10 204	Tubular Dowel	2	
17	99852 0614	Stud, Oil Pan	2	
18	99307 0800	Blind Plug	1	
19	99852 0822	Stud, Inlet Manifold	2	
20	99852 0865	Stud, Water Pump	1	
21	99852 0878	Stud, Water Pump	2	
22	99307 1000	Blind Plug	1	



ROTOR HOUSING (FRONT)

(EMISSION CONTROLLED MODEL)

No.	Part Number	Description	Qty	Remarks
23	99306 3000	Blind Plug	4	
24	0820 18 311	Alternator Bracket	1	
• (N)	2113 10 206	Blind Plug	1	Car No. 64615 ⁷⁰ / ₈ ~ Added Anew
25	2329 10 600A	FRONT COVER Ass'y	1	
	2329 10 600C	FRONT COVER Ass'y	1	Car No. 64871 ⁷⁰ / ₈ ~ X
26	0813 10 605	Oil Seal	1	
27	0813 10 611	Pellet	1	
28	0813 10 612	Slide Valve	1	
29	0813 10 613	Return Spring	1	
30	0820 10 614	Plug, Pellet	1	
31	0820 10 631A	Pin, Top Indicator	1	
32	99307 0600	Blind Plug	5	
33	99307 1200	Blind Plug	2	
34	99307 1400	Blind Plug	1	
35	99384 1200	Union Joint	1	
36	99564 1600	Packing	1	
•	37 99851 0614	Stud Oil Pan	6	Car No. 64624 ⁷⁰ / ₈ ~ Discarded
•	908062 6 16	Set Bolt, Oil Pan	6	Car No. 64624 ⁷⁰ / ₈ ~ Added Anew
38	99851 0645	Stud	2	
39	99851 0818	Stud, Distributor	4	
40	99855 1020	Stud	4	
41	99852 0645	Stud	2	
42	0820 10 641C	Gasket, Front Cover	1	
43	0813 10 174	"O" Ring	1	
44	908016 8 35	Set Bolt, Front Cover	3	

ROTOR HOUSING (FRONT)

(EMISSION CONTROLLED MODEL)

10

No.	Part Number	Description	Q'ty	Remarks
45	908016 8 45	Set Bolt, Front Cover	2	
46	908016 8 65	Set Bolt, Front Cover	1	
47	908016 8 75	Set Bolt, Front Cover	2	
48	2329 10 864	Protector	1	
49	2329 10 860	Engine Hanger Ass'y	1	
50	0820 14 642	Clip	1	
51	99901 0800	Nut, Engine Hanger	1	
	99971 0800	Spring Washer	1	
•	2328 23 200	SHORT ENGINE Ass'y (For Canada)	1	
•	2359 23 200	SHORT ENGINE Ass'y (For U.S.A.)	1	
•	2329 99 100	PACKING SET, Engine	1	



DEPARTMENT OF HOUSING AND URBAN DEVELOPMENT
OFFICE OF COMMUNITY DEVELOPMENT

1

2

3

4

5

6

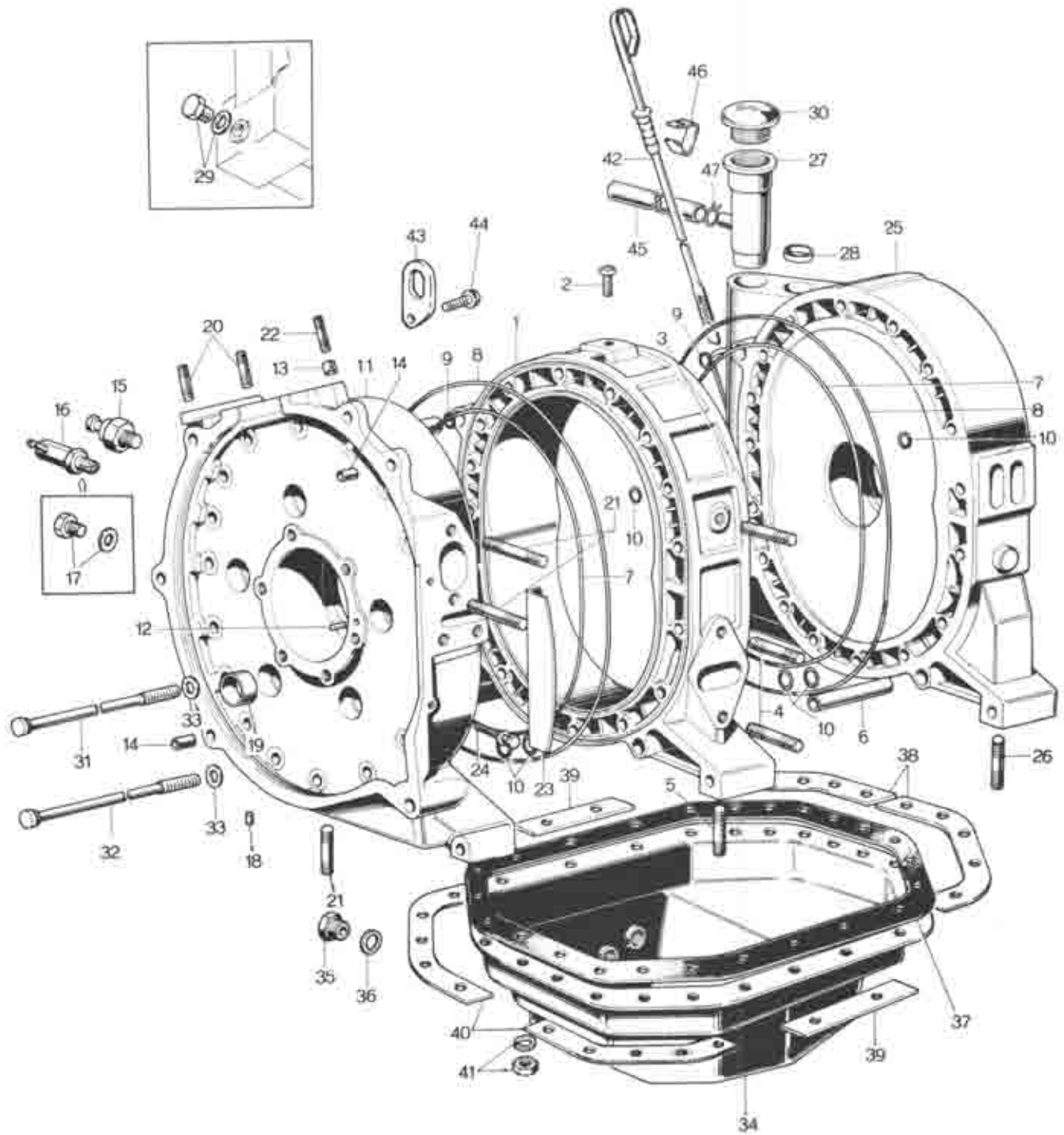


0
0
0
0
0
0
0
0



ROTOR HOUSING (REAR)

(GENERAL EXPORT MODEL)



ROTOR HOUSING (REAR)

(GENERAL EXPORT MODEL)

10

No.	Part Number	Description	Q'ty	Remarks
1	0822 10 150C	ROTOR HOUSING Ass'y (Rr.)	1	
	0822 10 150D	ROTOR HOUSING Ass'y (Rr.)	1	Car No. 63909 ⁷⁰ / ₈ ~ ○
	0822 10 150E	ROTOR HOUSING Ass'y (Rr.)	1	Car No. 64624 ⁷⁰ / ₈ ~ X
	0822 10 150F	ROTOR HOUSING Ass'y (Rr.)	1	Car No. 94734 ⁷¹ / ₄ ~ X
•	0822 10 150G	ROTOR HOUSING Ass'y (Rr.)	1	Car No. 102200 ⁷¹ / ₆ ~ ○
2	99833 0810	Screw	1	
3	99851 0870	Stud, Inlet Manifold	1	
•	99851 0870A	Stud, Inlet Manifold	1	Car No. 103763 ⁷¹ / ₁₂ ~ ○
4	99851 1028	Stud, Exhaust Manifold	2	
•	99851 1028A	Stud, Exhaust Manifold	2	Car No. 103763 ⁷¹ / ₁₂ ~ ○
5	99851 0614	Stud, Oil Pan	2	Car No. 64624 ⁷⁰ / ₈ ~ Discarded
	908062 6 16	Washer & Bolt	2	Car No. 64624 ⁷⁰ / ₈ ~ Added Anew
6	0813 10 111	Tubular Dowel	2	
7	0810 10 171	Sealing Rubber, Inner	2	
8	0813 10 172	Sealing Rubber, Outer	2	
9	0813 10 173	"O" Ring, Tubular Dowel Hole	4	
10	0813 10 174	"O" Ring, Tension Bolt Hole	36	
(N)	0820 23 040	"O" Ring Set (No. 7 ~ No. 10 included)	1	
11	0822 10 300B	REAR HOUSING Ass'y	1	
•	2123 10 300	REAR HOUSING Ass'y	1	With Car Heater (R.H.D.)
•	2123 10 300C	REAR HOUSING Ass'y	1	Car No. 64624 ⁷⁰ / ₈ ~ X
	2123 10 300E	REAR HOUSING Ass'y	1	Car No. 83263 ⁷¹ / ₄ ~ X
	2112 10 300E	REAR HOUSING Ass'y	1	Car No. 95859 ⁷¹ / ₄ ~ X
•	2112 10 300H	REAR HOUSING Ass'y	1	
•	2359 10 300	REAR HOUSING Ass'y	1	With Car Heater (L.H.D.)
•	2359 10 300B	REAR HOUSING Ass'y	1	Car No. 64624 ⁷⁰ / ₈ ~ X
	2125 10 300E	REAR HOUSING Ass'y	1	Car No. 83263 ⁷¹ / ₄ ~ X
	2125 10 300H	REAR HOUSING Ass'y	1	Car No. 95859 ⁷¹ / ₄ ~ X
•	2335 10 300A	REAR HOUSING Ass'y	1	
•	2335 10 300C	REAR HOUSING Ass'y	1	Without Car Heater
	2335 10 300C	REAR HOUSING Ass'y	1	Car No. 64624 ⁷⁰ / ₈ ~ X
	2335 10 300C	REAR HOUSING Ass'y	1	Car No. 83263 ⁷¹ / ₄ ~ X
	2335 10 300C	REAR HOUSING Ass'y	1	Car No. 95859 ⁷¹ / ₄ ~ X
12	0820 10 203	Knock Pin, Gear	1	
13	99234 1208	Tubular Pin, Starter	2	
14	0221 10 309	Tubular Pin	2	
15	0813 18 501	Oil Pressure Switch	1	
16	0820 15 330	Hose Joint, With Car Heater	1	
17	99511 1600	Plug, Without Car Heater	1	
	99564 1600	Packing	1	
18	99307 1200	Blind Plug	1	
	0839 10 205	Blind Plug	1	
19	99306 3000	Blind Plug, Water	5	Car No. 95859 ⁷¹ / ₄ ~ ○

ROTOR HOUSING (REAR)

(GENERAL EXPORT MODEL)

No.	Part Number	Description	Qty	Remarks
20	99852 0822	Stud, Oil Filter	4	
•	99852 0822A	Stud, Oil Filter	4	Car No. 103763 ⁷¹ / ₁₂ ~ ○
21	99852 0614	Stud, Oil Pan	8	Car No. 64624 ⁷⁰ / ₈ ~ Discarded
	908062 6 14	Washer & Bolt	8	Car No. 64624 ⁷⁰ / ₉ ~ Added Anew
22	99852 0830	Stud, Starter	2	
•	99852 0830A	Stud, Starter	2	Car No. 103763 ⁷¹ / ₁₂ ~ ○
23	0820 10 305	Dust Cover	1	
24	908062 6 10	Set Bolt, Dust Cover	2	Car No. 66861 ⁷⁰ / ₉ ~ Discarded
	99806 0610	Bolt	2	Car No. 66862 ⁷⁰ / ₉ ~ Added Anew
	99971 0600	Spring washer	2	
25	0822 10 400A	INTERMEDIATE HOUSING Ass'y	1	Car No. 64624 ⁷⁰ / ₈ ~ X
	2123 10 400	INTERMEDIATE HOUSING Ass'y	1	Car No. 83040 ⁷¹ / ₁ ~ X
	2123 10 400A	INTERMEDIATE HOUSING Ass'y	1	Car No. 94253 ⁷¹ / ₄ ~ ○
	2123 10 400C	INTERMEDIATE HOUSING Ass'y	1	Car No. 64624 ⁷⁰ / ₈ ~ Discarded
26	99852 0614	Stud, Oil Pan	2	Car No. 64624 ⁷⁰ / ₈ ~ Added Anew
	908062 6 16	Washer & Bolt	2	
27	0820 10 410B	Oil Filler Pipe Ass'y	1	
28	99305 2800	Expansion Plug	1	
29	99510 1000	Plug	1	
	99564 1000	Packing	1	
30	0243 10 250B	Oil Filler Cap Ass'y	1	
31	0820 10 451	Tension Bolt	17	
	0822 10 451A	Tension Bolt	18	Car No. 62480 ⁷⁰ / ₆ ~ X
	0822 10 451B	Tension Bolt	18	Car No. 69264 ⁷⁰ / ₁₀ ~ ○
	0822 10 451C	Tension Bolt	18	Car No. 83040 ⁷¹ / ₁ ~ ○
32	0820 10 452	Tension Bolt	1	
	0822 10 452A	Tension Bolt	1	Car No. 62480 ⁷⁰ / ₆ ~ X
	0822 10 452B	Tension Bolt	1	Car No. 69264 ⁷⁰ / ₁₀ ~ ○
	0822 10 452D	Tension Bolt	1	Car No. 83040 ⁷¹ / ₁ ~ X
33	0813 10 455A	Plain Washer	19	
	0823 10 455	Plain Washer	19	Car No. 62480 ⁷⁰ / ₆ ~ X
	0839 10 455	Washer Seal	19	Car No. 94734 ⁷¹ / ₄ ~ △
	0813 10 456A	Nut	19	Car No. 62480 ⁷⁰ / ₆ ~ Discarded
	0820 10 453	Tension Bolt	1	Car No. 62480 ⁷⁰ / ₆ ~ Discarded
34	0820 10 700B	OIL PAN Ass'y	1	
	2359 10 700C	OIL PAN Ass'y	1	Car No. 100261 ⁷¹ / ₆ ~ ○
•	2359 23 240	OIL PAN Ass'y	1	Car No. 103315 ⁷¹ / ₇ ~ ○
35	99511 1400	Drain Plug	1	
36	99562 1400	Packing, Drain Plug	1	

ROTOR HOUSING (REAR) (GENERAL EXPORT MODEL)

10

No.	Part Number	Description	Q'ty	Remarks
37	0820 10 711	Gasket	1	
38	0820 10 721	Stiffener	2	
39	0820 10 722	Stiffener	2	
40	0820 10 723	Stiffener	2	
41	99906 0600	Nut, Oil Pan	22	
	99971 0600	Spring Washer	22	
42	0820 10 830B	Oil Level Gauge	1	
43	0820 10 862A	Engine Hanger	1	
44	908012 8 18	Set Bolt, Engine Hanger	1	
45	0820 10 871A	Ventilation Hose	1	
46	0820 10 872A	Clip	1	
47	0222 13 493	Clip	1	



ROTOR HOUSING (FRONT)

GENERAL ROTOR PARTS LIST

QTY	DESCRIPTION	UNIT	REF
1	ROTOR HOUSING	EA	1
1	ROTOR HOUSING	EA	2
1	ROTOR HOUSING	EA	3
1	ROTOR HOUSING	EA	4
1	ROTOR HOUSING	EA	5
1	ROTOR HOUSING	EA	6
1	ROTOR HOUSING	EA	7
1	ROTOR HOUSING	EA	8
1	ROTOR HOUSING	EA	9
1	ROTOR HOUSING	EA	10
1	ROTOR HOUSING	EA	11
1	ROTOR HOUSING	EA	12
1	ROTOR HOUSING	EA	13
1	ROTOR HOUSING	EA	14
1	ROTOR HOUSING	EA	15
1	ROTOR HOUSING	EA	16
1	ROTOR HOUSING	EA	17
1	ROTOR HOUSING	EA	18
1	ROTOR HOUSING	EA	19
1	ROTOR HOUSING	EA	20
1	ROTOR HOUSING	EA	21
1	ROTOR HOUSING	EA	22
1	ROTOR HOUSING	EA	23
1	ROTOR HOUSING	EA	24
1	ROTOR HOUSING	EA	25
1	ROTOR HOUSING	EA	26
1	ROTOR HOUSING	EA	27
1	ROTOR HOUSING	EA	28
1	ROTOR HOUSING	EA	29
1	ROTOR HOUSING	EA	30
1	ROTOR HOUSING	EA	31
1	ROTOR HOUSING	EA	32
1	ROTOR HOUSING	EA	33
1	ROTOR HOUSING	EA	34
1	ROTOR HOUSING	EA	35
1	ROTOR HOUSING	EA	36
1	ROTOR HOUSING	EA	37
1	ROTOR HOUSING	EA	38
1	ROTOR HOUSING	EA	39
1	ROTOR HOUSING	EA	40
1	ROTOR HOUSING	EA	41
1	ROTOR HOUSING	EA	42
1	ROTOR HOUSING	EA	43
1	ROTOR HOUSING	EA	44
1	ROTOR HOUSING	EA	45
1	ROTOR HOUSING	EA	46
1	ROTOR HOUSING	EA	47
1	ROTOR HOUSING	EA	48
1	ROTOR HOUSING	EA	49
1	ROTOR HOUSING	EA	50
1	ROTOR HOUSING	EA	51
1	ROTOR HOUSING	EA	52
1	ROTOR HOUSING	EA	53
1	ROTOR HOUSING	EA	54
1	ROTOR HOUSING	EA	55
1	ROTOR HOUSING	EA	56
1	ROTOR HOUSING	EA	57
1	ROTOR HOUSING	EA	58
1	ROTOR HOUSING	EA	59
1	ROTOR HOUSING	EA	60
1	ROTOR HOUSING	EA	61
1	ROTOR HOUSING	EA	62
1	ROTOR HOUSING	EA	63
1	ROTOR HOUSING	EA	64
1	ROTOR HOUSING	EA	65
1	ROTOR HOUSING	EA	66
1	ROTOR HOUSING	EA	67
1	ROTOR HOUSING	EA	68
1	ROTOR HOUSING	EA	69
1	ROTOR HOUSING	EA	70
1	ROTOR HOUSING	EA	71
1	ROTOR HOUSING	EA	72
1	ROTOR HOUSING	EA	73
1	ROTOR HOUSING	EA	74
1	ROTOR HOUSING	EA	75
1	ROTOR HOUSING	EA	76
1	ROTOR HOUSING	EA	77
1	ROTOR HOUSING	EA	78
1	ROTOR HOUSING	EA	79
1	ROTOR HOUSING	EA	80
1	ROTOR HOUSING	EA	81
1	ROTOR HOUSING	EA	82
1	ROTOR HOUSING	EA	83
1	ROTOR HOUSING	EA	84
1	ROTOR HOUSING	EA	85
1	ROTOR HOUSING	EA	86
1	ROTOR HOUSING	EA	87
1	ROTOR HOUSING	EA	88
1	ROTOR HOUSING	EA	89
1	ROTOR HOUSING	EA	90
1	ROTOR HOUSING	EA	91
1	ROTOR HOUSING	EA	92
1	ROTOR HOUSING	EA	93
1	ROTOR HOUSING	EA	94
1	ROTOR HOUSING	EA	95
1	ROTOR HOUSING	EA	96
1	ROTOR HOUSING	EA	97
1	ROTOR HOUSING	EA	98
1	ROTOR HOUSING	EA	99
1	ROTOR HOUSING	EA	100



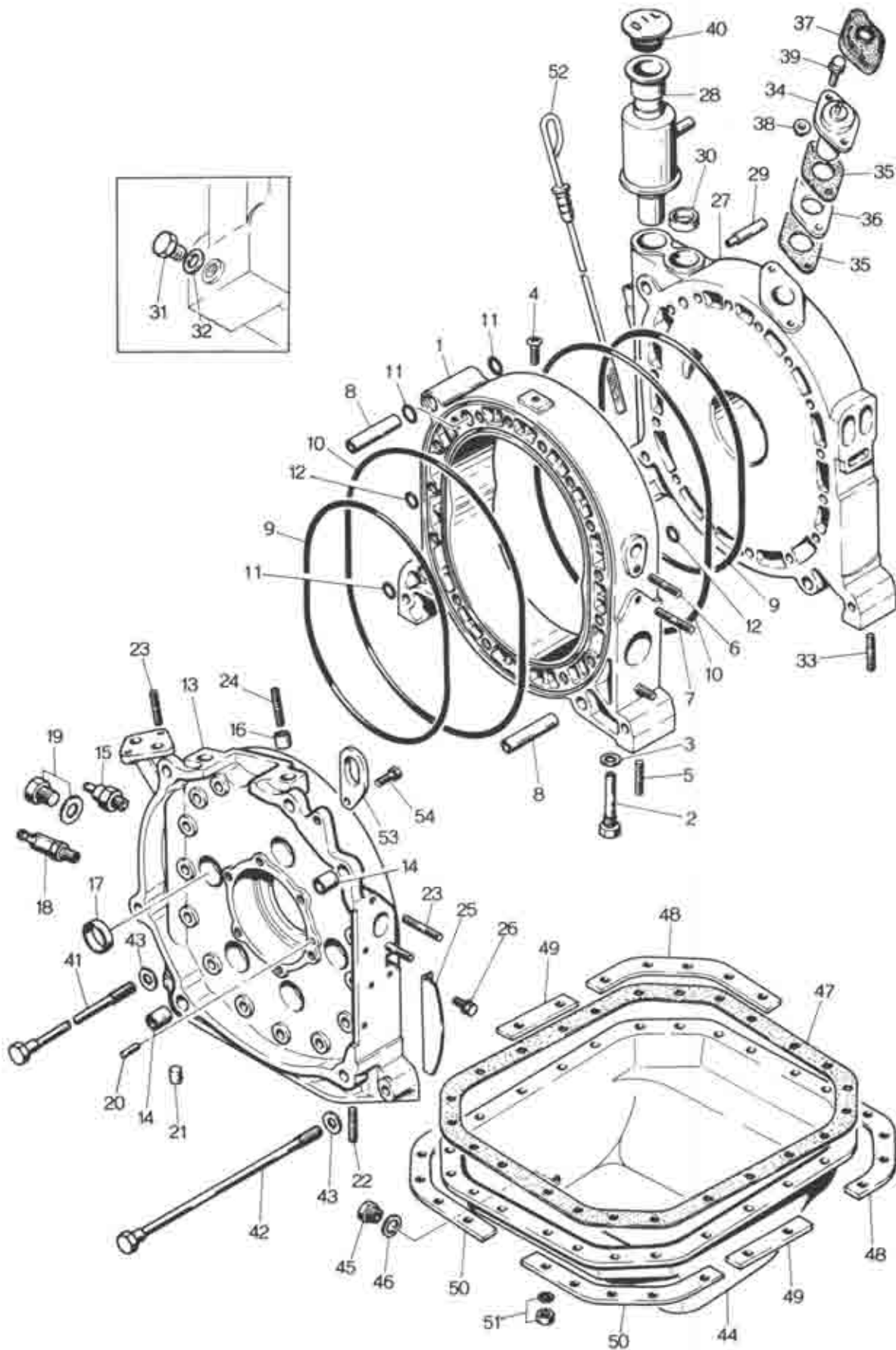


1
2
3
4
5
6
7
8
9
10



ROTOR HOUSING (REAR)

(EMISSION CONTROLLED MODEL)



ROTOR HOUSING (REAR)

(EMISSION CONTROLLED MODEL)



No.	Part Number	Description	Qty	Remarks
1	2328 10 150A	ROTOR HOUSING Ass'y (Rr.)	1	
	2328 10 150B	ROTOR HOUSING Ass'y (Rr.)	1	Car No. 64871 7/8 ~ X
2	2329 10 103A	Air Nozzle	1	
3	99564 1200	Packing	1	
4	99833 0810	Screw	1	
• 5	99851 0614	Stud, Oil Pan	2	Car No. 64624 7/8 ~ Discarded
•	908062 6 16	Set Bolt, Oil Pan	2	Car No. 64624 7/8 ~ Added Anew
6	99851 0822	Stud, Inlet Manifold	1	
7	99851 1028	Stud, Reactor	2	
	2329 10 105	Stud, Reactor	2	Car No. 59444 7/8 ~ O
8	0813 10 111	Tubular Dowel	2	
9	0810 10 171	Sealing Rubber, Inner	2	
10	0813 10 172	Sealing Rubber, Outer	2	
11	0813 10 173	"O" Ring, Tubular Dowel Hole	4	
12	0813 10 174	"O" Ring, Tension Bolt Hole	36	
	0820 23 040	"O" Ring Set (No. 9 ~ No. 12 included)	1	
13	2328 10 300C	REAR HOUSING Ass'y,	1	
	2328 10 300D	REAR HOUSING Ass'y,	1	Car No. 64871 7/8 ~ X
14	0221 10 309	Tubular Pin	2	
15	0813 18 501	Oil Pressure Switch	1	
16	99234 1208	Tubular Pin	2	
17	99306 3000	Blind Plug	5	
18	0820 15 330	Hose Joint, With car Heater	1	
19	99511 1600	Plug	1	Without Car Heater
	99564 1600	Packing	1	
20	0820 10 203	Dowel Pin	1	

10

ROTOR HOUSING (REAR)

(EMISSION CONTROLLED MODEL)

No.	Part Number	Description	Qty	Remarks
21	99307 1200	Blind Plug	1	
• 22	99852 0614	Stud, Oil Pan	8	Car No. 64624 ^{70/8} ~ Discarded Car No. 64624 ^{70/8} ~ Added Anew
•	908062 6 16	Set Bolt, Oil Pan		
23	99852 0822	Stud, Oil Filter	4	
24	99852 0830	Stud, Starter	2	
25	0820 10 305	Dust Cover	1	
26	908062 6 10	Set Bolt, Dust Cover	2	
27	2329 23 050	INTERMEDIATE HOUSING Ass'y	1	
28	2329 10 410	Oil Separator	1	
29	2329 10 417	Pipe Joint	1	
30	99305 2800	Expansion Plug	1	
31	99510 1000	Hex Head Plug	1	
32	99564 1000	Packing	1	
• 33	99852 0614	Stud	2	Car No. 64624 ^{70/8} ~ Discarded Car No. 64624 ^{70/8} ~ Added Anew
•	908062 6 16	Set Bolt, Oil Pan		
34	2329 18 920A	Thermo Sensor	1	
35	2329 18 921	Gasket	2	
36	2329 18 922	Insulator	1	
37	2329 18 923	Cover	1	
38	2329 18 924	Washer	2	
39	908012 8 25	Set Bolt	2	
40	0243 10 250B	Oil Filter Cap	1	

ROTOR HOUSING (REAR)

(EMISSION CONTROLLED MODEL)

10

No.	Part Number	Description	Qty	Remarks
41	0822 10 451A	Tension Bolt	18	
42	0822 10 452A	Tension Bolt	1	
43	0823 10 455	Plain Washer	19	
44	0820 10 700B	OIL PAN	1	
45	99511 1400	Drain Plug	1	
46	99562 1400	Packing	1	
47	0820 10 711	Gasket	1	
48	0820 10 721	Stiffener	2	
49	0820 10 722	Stiffener	2	
50	0820 10 723	Stiffener	2	
51	99906 0600	Nut, Oil Pan	22	
	99971 0600	Spring Washer	22	
52	0820 10 830B	Oil Level Gauge	1	
53	0820 10 862A	Engine Hanger	1	
54	908016 8 18	Set Bolt, Engine Hanger	1	



1
2
3
4
5
6
7
8
9
10
11
12
13
14
15
16
17
18
19
20
21
22
23
24
25
26
27
28
29
30
31
32
33
34
35
36
37
38
39
40
41
42
43
44
45
46
47
48
49
50
51
52
53
54
55
56
57
58
59
60
61
62
63
64
65
66
67
68
69
70
71
72
73
74
75
76
77
78
79
80
81
82
83
84
85
86
87
88
89
90
91
92
93
94
95
96
97
98
99
100



3

0

0

0

0

0



ROTOR (FRONT)



No.	Part Number	Description	Q'ty	Remarks
	0820 23 103A	ROTOR Ass'y (Frnt.) "c"	1	
	2329 23 103	ROTOR Ass'y (Frnt.) "c" Emission Controlled Model	1	
2	0820 11 111A	Rotor Bearing	1	
	0820 11 111B	Rotor Bearing	1	Car No. 63173 ^{7/11} ~ O
3	99885 0406	Screw	3	
4	0820 23 131A	Apex Seal	3	
	0820 23 131C	Apex Seal	3	Car No. 62907 ^{7/11} ~ O
5	0820 11 304A	Apex Seal Spring	3	
6	2125 23 151	Side Seal Outer (Frnt.)	3	
	2125 23 154	Side Seal Outer (Frnt.)	3	
7	2125 23 152	Side Seal Inner (Frnt.)	3	
	2125 23 155	Side Seal Inner (Frnt.)	3	
8	0820 11 317	Side Seal Spring	12	
9	0820 11 321B	Corner Seal	6	
	0820 23 175	Corner Seal (Over Size) 0.2	6	
	0820 23 175A	Corner Seal (Over Size) 0.2	6	Car No. 61649 ^{7/11} ~ O
	0820 23 176	Corner Seal (Over Size) 0.03	6	
10	0820 11 323	Corner Seal Spring	6	
	0839 11 323	Corner Seal Spring	6	Car No. 72949 ^{7/11} ~ O
11	0820 11 331	Oil Seal, Inner	2	
12	0820 11 333	Oil Seal, Outer	2	
13	0820 11 341	"O" Ring, Inner	2	
14	0820 11 343	"O" Ring, Outer	2	
15	0820 11 351	Oil Seal Spring, Inner	2	
16	0820 11 353	Oil Seal Spring, Outer	2	

10

11

ROTOR (FRONT)

No.	Part Number	Description	Qty	Remarks
17	0820 10 500A	STATIONARY GEAR Ass'y (Frt.)	1	
•	0839 10 500	STATIONARY GEAR Ass'y (Frt.)	1	Car No. 83040 ⁷¹ / ₁ ~ X
18	0813 10 502A	Main Bearing	1	
	0820 10 502	Main Bearing	1	Car No. 83173 ⁷¹/₁ ~ O
19	0813 10 503	Lock Pin, Bush	1	
20	0820 10 504	Knock Pin	1	
21	0820 11 501A	Thrust Bearing	1	
•	0839 11 501	Thrust Bearing	1	Car No. 83040 ⁷¹ / ₁ ~ X
22	99801 0822	Bolt, Stationary Gear	6	
23	0813 11 503	Lock Washer	3	
•	0820 11 503	Lock Washer	3	Car No. 83040 ⁷¹ / ₁ ~ Δ
24	0820 11 504	Thrust Plate	1	
	0839 11 504B	Thrust Plate	1	Car No. 62024 ⁷⁰ / ₆ ~ O *
25	0813 11 505B	Needle Bearing	2	
26	0820 11 506	Spacer L = 9.08	1	
•	0839 11 506	Spacer L = 9.08	1	Car No. 83040 ⁷¹ / ₁ ~ O
	0820 11 508	Spacer L = 9.04	1	Selective use
•	0839 11 508	Spacer L = 9.04	1	
	0820 11 509	Spacer L = 9.00	1	
•	0839 11 509	Spacer L = 9.00	1	Car No. 83040 ⁷¹ / ₁ ~ O
	0820 11 502	Spacer = 9.02	1	
•	0839 11 502	Spacer = 9.02	1	Car No. 83040 ⁷¹ / ₁ ~ O
27	0820 11 507	Thrust Washer	1	
28	0820 11 511E	Balance Weight	1	
•	0820 11 511F	Balance Weight	1	Car No. 83040 ⁷¹ / ₁ ~ O
29	0820 11 512A	Key	1	
30	0820 11 521B	Drive Gear, Oil Pump	1	
•	0839 11 551	Sprocket, Oil Pump	1	Car No. 83040 ⁷¹ / ₁ ~ X
31	0820 11 531	Drive Gear, Distributor	1	
•	0839 11 531	Drive Gear, Distributor	1	Car No. 75586 ⁷⁰ / ₁₂ ~ O
32	0813 11 541	Oil Baffle Plate	1	
33	0820 11 542	Spacer	1	
34	0820 11 601	Pulley, General Export Model	1	
35	2329 11 601A	Pulley, Emission Controlled Model	1	
36	99236 0525	Key	1	
37	0820 11 611A	Bolt, Pulley	1	

ROTOR (FRONT)

1011

No.	Part Number	Description	Qty	Remarks
38	99816 1640	Bolt, Pulley, Emission Controlled Model	1	
39	0823 11 612	Packing, General Export Model	1	
•	99564 2800	Packing, General Export Model	1	Car No. 82291 ² / ₁ ~○
40	2329 11 613	Washer, Emission Controlled Model	1	



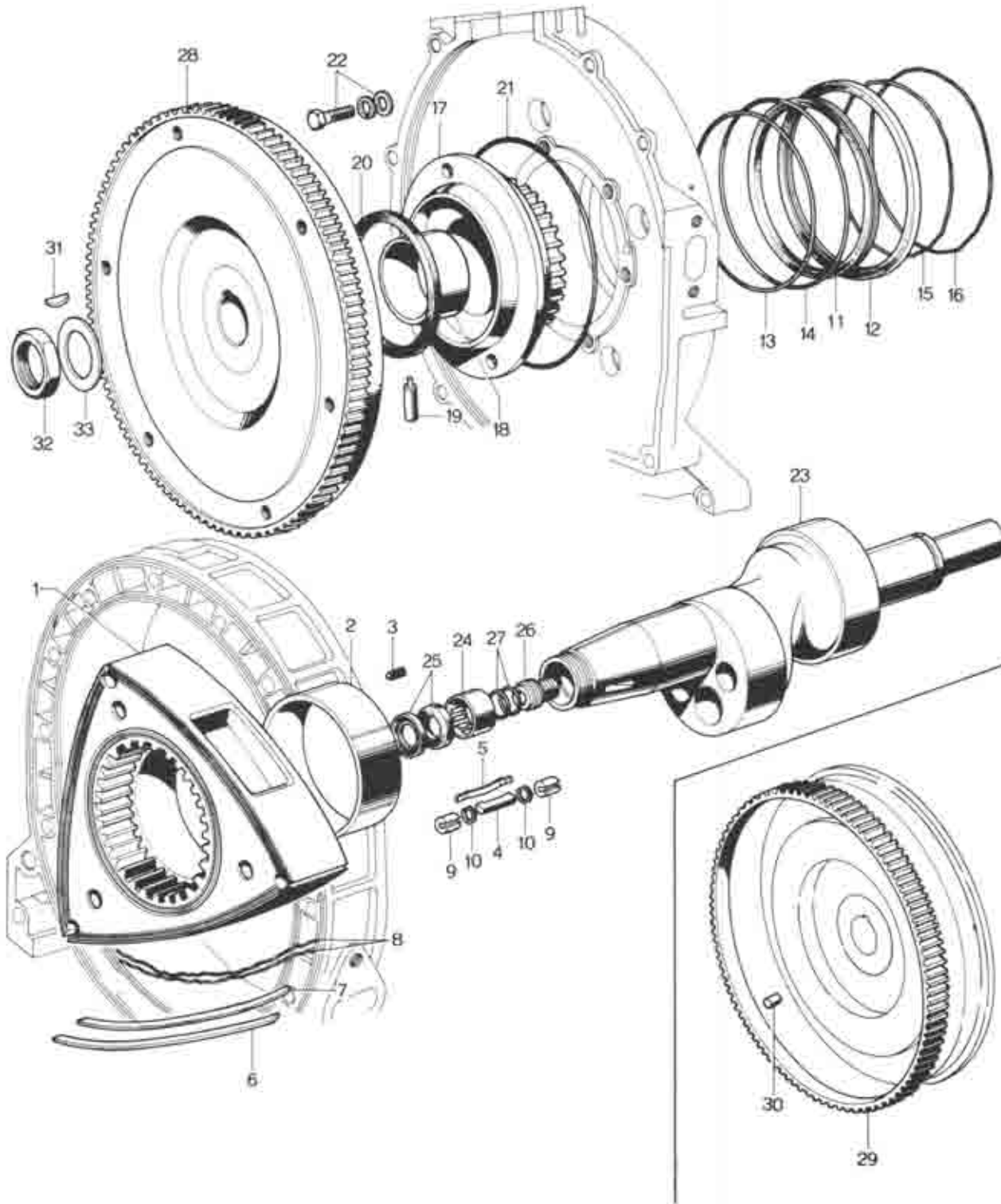
J
D
D
D
D
D
D
D



10

11

ROTOR (REAR)



ROTOR (REAR)



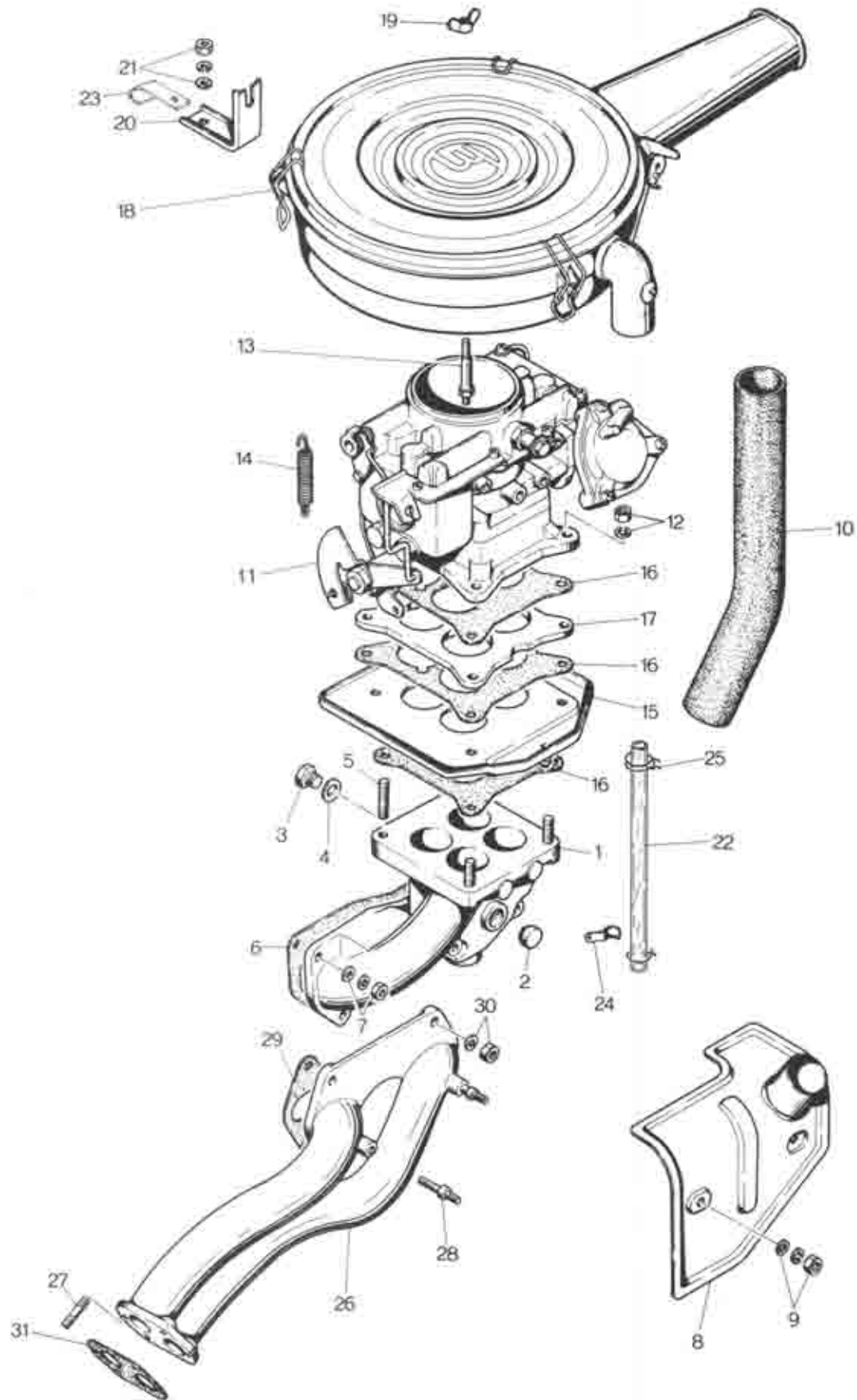
No.	Part Number	Description	Q'ty	Remarks
1	0820 23 113A	ROTOR Ass'y (Rr.) "c" General Export Model	1	
	2329 23 113	ROTOR Ass'y (Rr.) "c" Emission Controlled Model	1	
2	0820 11 111A	Rotor Bearing	1	
	0820 11 111E	Rotor Bearing	1	Car No. 83040 7/16 ~ Δ
	0820 11 111F	Rotor Bearing	1	Car No. 91922 7/16 ~ ○
3	99885 0406	Screw	3	
4	0820 23 131A	Apex Seal	3	
	0820 23 131C	Apex Seal	3	Car No. 62907 70/100 ~ ○
5	0820 11 304A	Apex Seal Spring	3	
6	2125 23 154	Side Seal Outer (Rr.)	3	
	2125 23 151	Side Seal Outer (Rr.)	3	
7	2125 23 155	Side Seal Inner (Rr.)	3	
	2125 23 152	Side Seal Inner (Rr.)	3	
8	0820 11 317	Side Seal Spring	12	
9	0820 11 321B	Corner Seal	6	
	0820 23 175	Corner Seal (Over Size 0.2)	6	
	0820 23 175A	Corner Seal (Over Size 0.2)	6	Car No. 61649 70/100 ~ ○
	0820 23 176	Corner Seal (Over Size 0.03)	6	
	0820 23 176A	Corner Seal (Over Size 0.03)	6	Car No. 90655 71/32 ~ ○
10	0820 11 323	Corner Seal Spring	6	
	0839 11 323	Corner Seal Spring	6	Car No. 72947 70/11 ~ ○
11	0820 11 331	Oil Seal, Inner	2	Order Under 0820 23 180
12	0820 11 333	Oil Seal, Outer	2	
13	0820 11 341	"O" Ring, Inner	2	
14	0820 11 343	"O" Ring, Outer	2	
15	0820 11 351	Spring, Oil Seal Inner	2	
	0839 11 351	Spring, Oil Seal Inner	2	Car No. 99984 71/8 ~ ○
16	0820 11 353	Spring, Oil Seal Outer	2	Car No. 99984 71/8 ~ ○
	0839 11 353	Spring, Oil Seal Outer	2	
	0820 23 180	Oil Seal Set (Fig.No. 11 & 12 included)	2	
17	0820 10 550	STATIONARY GEAR Ass'y (Rr.)	1	
	0820 10 550A	STATIONARY GEAR Ass'y (Rr.)	1	Car No. 89519 71/2 ~ ○
	0820 10 550B	STATIONARY GEAR Ass'y (Rr.)	1	Car No. 92891 71/3 ~ ○
18	0813 10 502A	Bush, Main Bearing	1	
	0820 10 502A	Bush, Main Bearing	1	Car No. 89519 71/2 ~ X
	0820 10 502B	Bush, Main Bearing	1	Car No. 92891 71/3 ~ X
19	0813 10 554	Lock Pin, Bush	1	

10

11

ROTOR (REAR)

No.	Part Number	Description	Qty	Remarks
20	0820 10 556A	Oil Seal	1	Car No. 67812 ⁷⁰ / ₉ ~ Added Anew
	0839 10 556	Oil Seal	1	
21	0813 10 555	"O" Ring	1	
22	908012 8 18	Set Bolt, Stationary Gear	6	
23	0820 11 400	ECCENTRIC SHAFT Ass'y	±	Car No. 61563 ⁷⁰ / ₅ ~ ○ ※ Car No. 62024 ⁷⁰ / ₆ ~ ○ ※ Car No. 83040 ⁷¹ / ₁ ~ X Car No. 87033 ⁷¹ / ₁ ~ X
	0820 11 400C	ECCENTRIC SHAFT Ass'y	±	
	0820 11 400D	ECCENTRIC SHAFT Ass'y	1	
•	0820 11 400F	ECCENTRIC SHAFT Ass'y	1	
•	0820 11 400G	ECCENTRIC SHAFT Ass'y	1	
24	0810 11 403	Needle Bearing	1	
25	0810 11 404	Oil Seal	2	
26	0813 11 405	Blind Plug	1	
27	99541 01101	"O" Ring	2	
28	0820 11 700F	FLY WHEEL Ass'y,	1	Car No. 87003 ⁷¹ / ₁ ~ X
	0820 11 700G	FLY WHEEL Ass'y,	1	
29	0600 11 502	Ring Gear	1	☆
30	0820 11 703	Pin	1	
31	0820 11 705	Key, Fly Wheel	1	
32	0810 11 711	Nut, Fly Wheel	1	
33	0820 11 712	Lock Washer	1	



IN. & EX. SYSTEM

(GENERAL EXPORT MODEL)

13

No.	Part Number	Description	Qty	Remarks
1	0820 13 100E	INLET MANIFOLD Ass'y	1	
2	99307 1800	Blind Plug	2	
3	99510 0800	Blind Plug	2	
4	99564 0800	Packing, Blind Plug	2	
5	99851 0826	Stud, Carburettor	4	
	99851 0826A	Stud, Carburettor	4	Car No. 103763 ⁷¹ / ₁₂ ~ O
6	0844 13 112	Gasket, Manifold	1	
7	99901 0800	Nut, Manifold	6	
	99971 0800	Spring Washer	6	
	99953 0800	Plain Washer	6	
8	0820 13 330A	Hot Air Duct (R.H.D.) & For Okinawa	1	
	2113 13 330	Hot Air Duct (R.H.D.) & For Okinawa	1	Car No. 63909 ⁷⁰ / ₇ ~ X
	2113 13 330	Hot Air Duct (L.H.D.)	1	
	2113 13 330A	Hot Air Duct, All Model	1	Car No. 95677 ⁷¹ / ₄ ~ Δ
9	99906 0600	Nut, Hot Air Duct	2	
	99971 0600	Spring Washer	2	
	99953 0600	Plain Washer	2	
10	0820 13 341A	Hot Air Hose (R.H.D.) & For Okinawa	1	
	2113 13 341	Hot Air Hose (R.H.D.) & For Okinawa	1	Car No. 63909 ⁷⁰ / ₇ ~ X
	2113 13 341	Hot Air Hose (L.H.D.)	1	
11	2113 13 200B	Carburettor (L.H.D.)	1	Car No. 63909 ⁷⁰ / ₇ ~ X
	2113 13 200E	Carburettor (L.H.D.)	1	Car No. 66996 ⁷⁰ / ₉ ~ O
	2113 13 200F	Carburettor (L.H.D.)	1	Car No. 70537 ⁷⁰ / ₁₁ ~ O
	2113 13 200G	Carburettor (L.H.D.)	1	Car No. 83040 ⁷¹ / ₁ ~ O
	2113 13 200H	Carburettor (L.H.D.)	1	
	2123 13 200B	Carburettor (R.H.D.)	1	Car No. 63909 ⁷⁰ / ₇ ~ X
	2123 13 200D	Carburettor (R.H.D.)	1	Car No. 66996 ⁷⁰ / ₉ ~ O
	2123 13 200E	Carburettor (R.H.D.)	1	Car No. 70537 ⁷⁰ / ₁₁ ~ O
	2123 13 200F	Carburettor (R.H.D.)	1	Car No. 83040 ⁷¹ / ₁ ~ O
	2123 13 200G	Carburettor (R.H.D.)	1	Car No. 103315 ⁷¹ / ₇ ~ O
	2123 13 200H	Carburettor (R.H.D.)	1	Car No. 63909 ⁷⁰ / ₇ ~ Discarded
	2124 13 200	Carburettor (L.H.D.) For Okinawa	1	
12	99901 0800	Nut, Carburettor	4	
	99971 0800	Spring Washer	4	
13	0820 13 201A	Stud, Air Cleaner	1	
14	0820 13 202B	Throttle Return Spring	1	
	0820 13 202C	Throttle Return Spring	1	Car No. 65573 ⁷⁰ / ₉ ~ O
(N)	0820 13 203	Throttle Return Spring Cover	1	Car No. 66996 ⁷⁰ / ₉ ~ Added Anew
15	0820 13 230F	Carburettor Tray	1	
	0820 13 230G	Carburettor Tray	1	Car No. 64505 ⁷⁰ / ₇ ~ Δ
	0820 13 230H	Carburettor Tray	1	Car No. 65573 ⁷⁰ / ₉ ~ O

IN. & EX. SYSTEM

(GENERAL EXPORT MODEL)

No.	Part Number	Description	Qty	Remarks
16	0820 13 221	Gasket, Carburettor	3	
	0820 13 221A	Gasket, Carburettor	3	Car No. 63909 ⁷⁰/₇ ~ Δ
17	0820 13 222	Insulator, Carburettor	1	
	0820 13 222A	Insulator, Carburettor	1	Car No. 63909 ⁷⁰/₇ ~ Δ
18	2113 13 300D	Air Cleaner (L.H.D.)	1	
	2113 13 300F	Air Cleaner (L.H.D.) 2113	1	
	2112 13 300	Air Cleaner (L.H.D.) 2061,2062,2112,2125,2335,2336, 2415~2417	1	Car No. 63909 ⁷⁰ / ₇ ~ ○
	2125 13 300F	Air Cleaner (R.H.D.) & Okinawa	1	
	2123 13 300	Air Cleaner (R.H.D.) & Okinawa	1	Car No. 63909 ⁷⁰ / ₇ ~ X
19	99941 0801	Wing Nut, Air Cleaner	1	
20	0820 13 311D	Air Cleaner Supporter	1	2063,2064,2123,2124,2334, 2418,2419,2797
	2113 13 311	Air Cleaner Supporter	1	2061,2062,2112,2113,2125, 2335,2336,2415,2416,2417
21	99901 0800	Nut, Supporter	2	
	99971 0800	Spring Washer	2	
	99952 0816	Plain Washer	2	
22	0820 13 235	Drain Pipe	1	
23	99295 1508	Clip	1	
24	0820 13 237	Clip	1	
25	0710 45 191	Clip	1	
26	0844 13 600	EXHAUST MANIFOLD	1	
27	99851 1025	Stud, Exhaust Pipe	4	
•	99851 1025A	Stud, Exhaust Pipe	4	Car No. 103763 ⁷¹ / ₁₂ ~ ○
28	0180 13 459	Stud, Hot Air Duct	2	
29	0813 13 611B	Gasket, Exhaust Manifold	2	
30	0813 13 613	Nut, Exhaust Manifold	4	
	99971 1000	Spring Washer	4	
31	0844 13 621	Gasket, Exhaust Manifold	1	
• (N)	0820 13 205	Cap, Limitter	1	
•	0820 13 205A	Cap, Limitter	1	Car No. 103335 ⁷¹ / ₈ ~ X

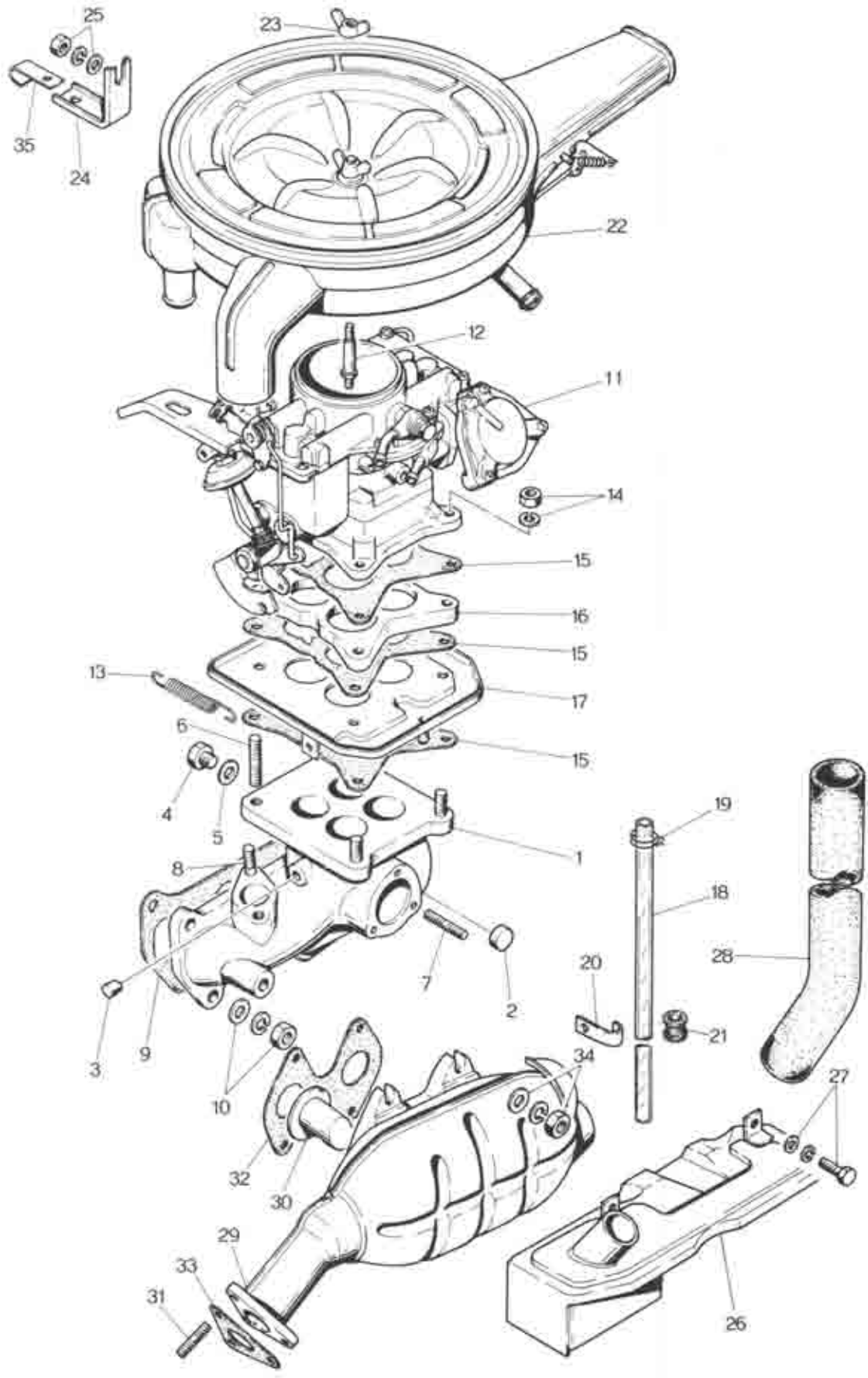


1
2
3
4
5
6
7
8
9
10

INSTITUTIONAL INVESTMENT
IN THE
UNITED STATES
AND
CANADA
1980-1981
ANNUAL REPORT
OF THE
INSTITUTIONAL INVESTMENT
INSTITUTIONS
OF THE
UNITED STATES
AND
CANADA
1980-1981
ANNUAL REPORT
OF THE
INSTITUTIONAL INVESTMENT
INSTITUTIONS
OF THE
UNITED STATES
AND
CANADA

IN. & EX. SYSTEM

(EMISSION CONTROLLED MODEL)



IN. & EX. SYSTEM

(EMISSION CONTROLLED MODEL)

13

No.	Part Number	Description	Q'ty	Remarks
1	2329 13 100D	INLET MANIFOLD Ass'y	1	
	2329 13 100E	INLET MANIFOLD Ass'y	1	Car No. 62138 ^{70/6} ~ O
	2329 13 100F	INLET MANIFOLD Ass'y	1	Car No. 64215 ^{70/7} ~ O
2	99307 1800	Blind Plug	1	
3	99307 0800	Blind Plug	1	
4	99510 0800	Hex Head Plug	1	
5	99564 0800	Packing	1	
6	99851 0838	Stud	4	
7	99851 0614	Stud	3	
8	99851 0622	Stud	2	
9	2329 13 111A	Gasket, Inlet Manifold	1	
10	99901 0800	Nut, Inlet Manifold	6	
	99953 0800	Plain Washer	5	
	99971 0800	Spring Washer	6	
11	2329 13 200C	Carburettor	†	
	2329 13 200D	Carburettor	†	Car No. 62424 ^{70/6} ~ O ※
	2329 13 200E	Carburettor	†	Car No. 62138 ^{70/6} ~ O ※
	2329 13 200F	Carburettor	1	Car No. 64215 ^{70/7} ~ O ※
	2329 13 200G	Carburettor	1	Car No. 66996 ^{70/9} ~ O
	2329 13 230D	Carburettor Tray	1	Car No. 66996 ^{70/9} ~ O
12	0820 13 201A	Stud, Carburettor	1	
13	0820 13 202B	Return Spring, Throttle	1	
	0820 13 202C	Return Spring, Throttle	1	Car No. 66996 ^{70/9} ~ O
• (N)	0820 13 204	Throttle Return Spring Cover	1	Car No. 66996 ^{70/9} ~ Added Anew
14	99901 0800	Nut, Carburettor	4	
	99971 0800	Spring Washer	4	
	99953 0800	Plain Washer	4	
15	2329 13 221	Gasket, Carburettor	3	
16	2329 13 222	Insulator	1	
17	2329 13 230C	Carburettor Tray	1	
	2329 13 230D	Carburettor Tray	1	Car No. 66996 ^{70/9} ~ O
18	0820 13 235	Drain Pipe	1	
	2329 13 235	Drain Pipe	1	Car No. 62251 ^{70/6} ~ O
19	0710 45 191	Clip, Drain Pipe	1	
20	99295 1006	Clip, Drain Pipe, Tire House	1	

IN. & EX. SYSTEM

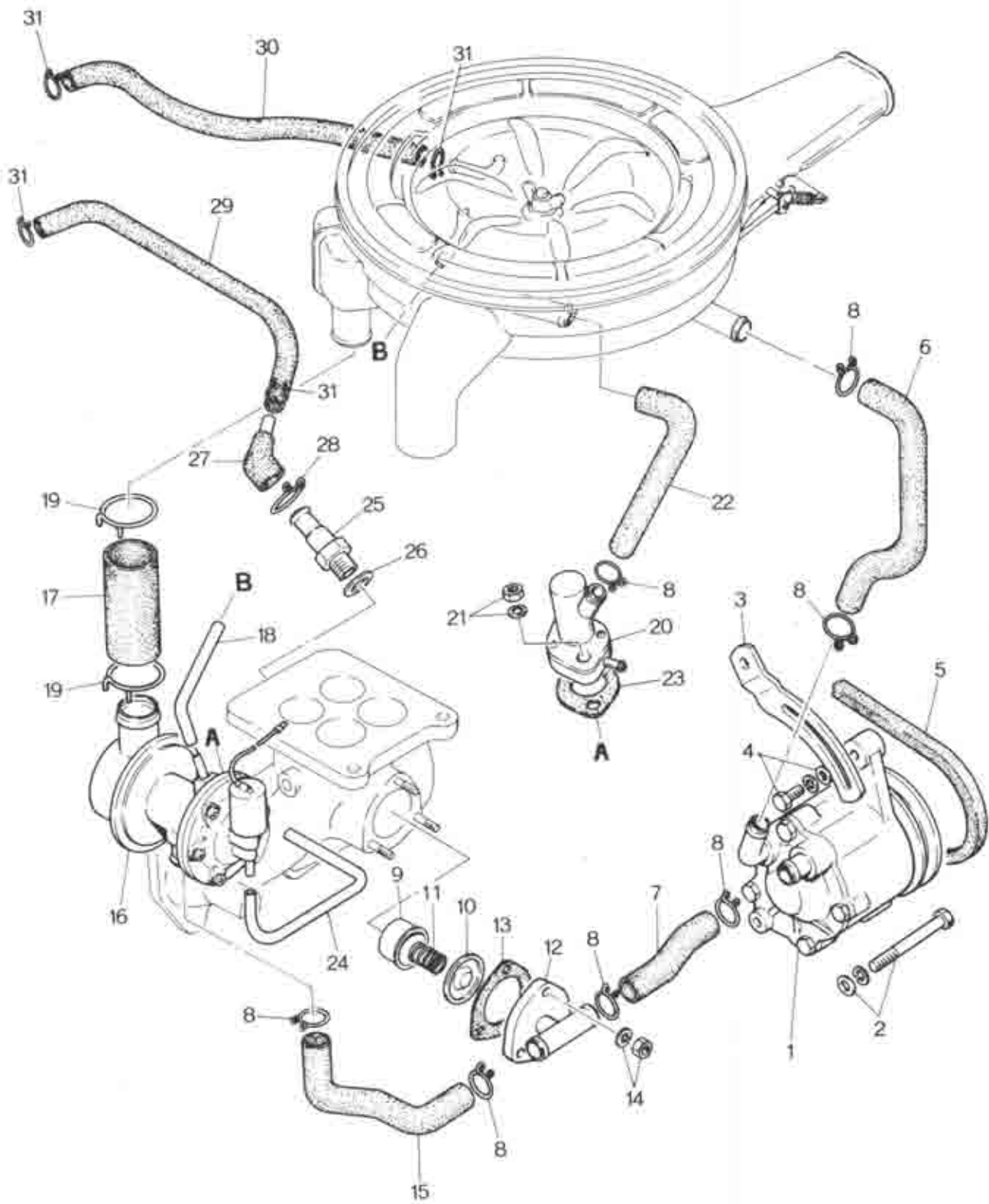
(EMISSION CONTROLLED MODEL)

No.	Part Number	Description	Q'ty	Remarks
21	99681 1001	Protector, Drain Pipe	1	
22	2329 13 300D 2329 13 300E	Air Cleaner Air Cleaner	± 1	Car No. 64215 ^{70/7} ~ ○ ※
23	99941 0800	Wing Nut	1	
24	2113 13 311	Support, Air Cleaner	1	
25	99901 0800	Nut, Air Cleaner	1	
	99971 0800	Spring Washer	1	
	99951 0818	Plain Washer	1	
26	2329 13 330B	Hot Air Duct	1	
27	99801 0812	Bolt	2	
	99952 0800	Plain Washer	2	
	99971 0800	Spring Washer	2	
28	2329 13 341	Hot Air Hose	1	
29	2329 13 800F	REACTOR	1	
30	2329 13 810C	Inlet Pipe	2	☆
31	2329 13 876	Stud	3	
32	2329 13 804A	Gasket, Reactor	1	
33	2329 13 879	Gasket	1	
34	2158 40 355	Nut	4	
	99971-1000 2329 13 882	Spring Washer Spring Washer	± 4	Car No. 58954 ^{70/4} ~ ○ ※
	99952-1000 0823 10 455	Plain Washer Plain Washer	± 4	Car No. 58954 ^{70/4} ~ ○ ※
35	99295 1508	Clip	1	



0
0
0
0
0
0
0
0





EMISSION CONTROL SYSTEM

13

No.	Part Number	Description	Qty	Remarks
1	2329 13 710B	Air Pump	1	
2	99803 08100	Bolt, Air Pump	1	
	99971 0800	Spring Washer	1	
	99953 0800	Plain Washer	1	
3	2329 13 714A	Air Pump Strap	1	
4	99801 0828	Bolt, Strap	1	
	99952 0800	Plain Washer	1	
	99971 0800	Spring Washer	1	
5	2329 13 715	"V" Belt, Air Pump	1	
6	2329 13 721A	Air Hose, Air Cleaner ~ Air Pump	1	
7	2329 13 725B	Air Hose, Air Pump ~ Manifold	1	
8	2329 13 726	Clip, Air Hose	7	
9	2329 13 731A	Case, Check Valve	1	*
10	2329 13 732A	Check Valve	1	Order Under 2329 13 730C *
11	2329 13 735A	Return Spring	1	*
12	2329 13 740A	Joint Pipe Ass'y	1	
13	2329 13 744	Gasket	1	
14	99906 0600	Nut, Joint Pipe	3	
	99971 0600	Spring Washer	3	
15	2329 13 745B	Air Hose, Check Valve ~ Relief Valve	1	
16	2329 13 750C	Relief Valve	1	
17	2329 13 752C	Air Hose, Relief Valve ~ Air Cleaner	1	
18	2329 13 754A	Balance Tube, Relief Valve ~ Air Cleaner	1	
19	2329 13 756A	Clip, Air Hose	2	
20	2329 13 760D	Coasting Valve	1	
21	99906 0600	Nut, Coasting Valve	1	
	99971 0600	Spring Washer	2	
22	2329 13 761A	Air Hose, Coasting Valve ~ Air Cleaner	1	

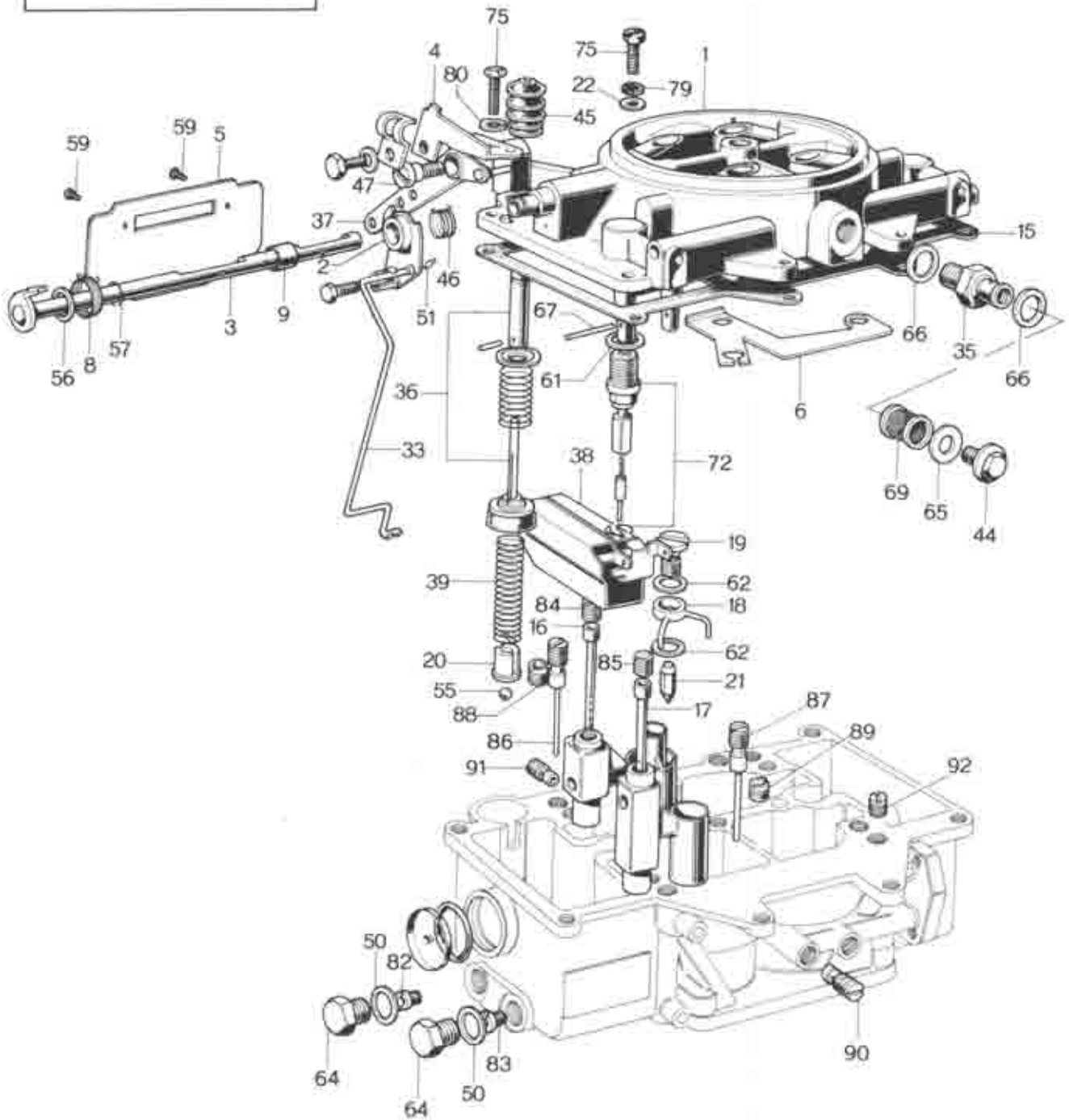
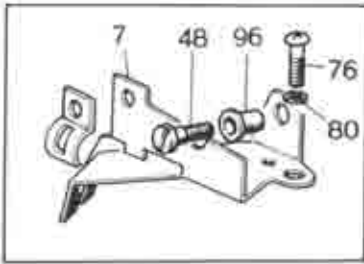
EMISSION CONTROL SYSTEM

No.	Part Number	Description	Qty	Remarks
23	2329 13 762	Gasket, Coasting Valve	1	
24	2329 13 763A	Vacuum Tube, Coasting Valve ~ Relief Valve	1	
25	2329 13 780	Ventilation Valve	1	
26	99564 1600	Gasket	1	
27	2329 13 781A	Connector Pipe	1	
28	2329 13 783	Clip, Connector Pipe, Air Hose	2	
29	2329 13 785A	Ventilation Hose, Manifold ~ Oil Separator	1	
30	2329 13 786B	Ventilation Hose, I.M.H. ~ Air Cleaner	8	
31	2329 13 787	Clip, Ventilation Hose	8	
(N)	0813 13 641	Clip, A.A. Valve	2	
(N)	2329 13 770B	Anti-After Burn Valve	1	
(N)	2329 13 771A	Air Hose	1	
(N)	2329 13 772B	Air Hose	1	
• (N)	2329 13 773	Vacuum Tube	2	Car No. 62907 ^{79/7} ~ Quantity
(N)	2329 13 910	Balance Valve	1	
(N)	2329 13 912	Balance Tube	1	
• (N)	2329 13 913	Balance Tube	1	Car No. 62907 ^{79/7} ~ Discarded



C
D
D
D
D
D
D







CARBURETTOR

(GENERAL EXPORT MODEL)

No.	Part Number	Description	Qty	Remarks
•	2113 13 200B	CARBURETTOR (L.H.D.)	1	Car No. 63909 ^{70/7} ~ Discarded Car No. 63909 ^{70/7} ~ ○ Car No. 66996 ^{70/11} ~ ○ Car No. 70537 ^{70/11} ~ ○
	2124 13 200	CARBURETTOR (L.H.D.) For Okinawa	1	
	2113 13 200E	CARBURETTOR (L.H.D.) (Okinawa included)	1	
	2113 13 200F	CARBURETTOR (L.H.D.) (Okinawa included)	1	
	2113 13 200G	CARBURETTOR (L.H.D.) (Okinawa included)	1	
1	2123 13 200B	CARBURETTOR (R.H.D.)	1	Car No. 63909 ^{70/7} ~ X Car No. 66996 ^{70/7} ~ ○ Car No. 70537 ^{70/11} ~ ○
	2123 13 200D	CARBURETTOR (R.H.D.)	1	
	2123 13 200E	CARBURETTOR (R.H.D.)	1	
	2123 13 200F	CARBURETTOR (R.H.D.)	1	
	0820 13 301B	Choke Chamber	1	
2	0820 13 302A	Choke Lever	1	
3	0820 13 304A	Choke Shaft	1	
4	0820 23 303A	Choke Wire Arm (R.H.D.)	1	
	2125 23 303	Choke Wire Arm (L.H.D.)	1	
5	0820 23 306	Choke Valve	1	
6	0820 23 305	Supporter (R.H.D.)	1	
7	2125 23 305	Supporter (L.H.D.)	1	
8	0820 23 309	Choke Valve Spring	1	
9	0820 23 311	Sleeve	1	
10	0820 23 321C	Float Chamber	1	
11	0820 23 371A	Diaphragm Chamber	1	
12	0820 23 372	Diaphragm	1	
13	0820 23 373	Gasket, Diaphragm	1	
14	0820 23 334A	Spring, Diaphragm	1	
15	0820 23 327	Gasket, Float Chamber	1	
16	0820 23 329A	Emulsion Tube (P)	2	
17	0820 23 330	Emulsion Tube (S)	2	
18	0820 23 338	Pump Injector	1	
19	0813 23 328	Weight Set Screw	1	
20	0820 23 337A	Distance Piece	1	
21	0820 23 339	Injector Weight (D)	1	
22	0820 23 416	5 φ Washer	2	

CARBURETTOR

(GENERAL EXPORT MODEL)

23

No.	Part Number	Description	Qty	Remarks
23	0820 23 341C	Throttle Chamber	1	
24	0820 23 342B	Throttle Shaft (P)	1	
25	0820 23 343B	Throttle Shaft (S)	1	
26	0820 23 344	Throttle Lever (R.H.D.)	1	
27	2125 23 344	Throttle Lever (L.H.D.)	1	
28	0820 23 345A	Control Lever	1	
29	0820 23 346A	Adjust Lever	1	
30	0820 23 349	Gasket, Throttle Chamber	1	
31	0820 23 353	Spring, Control Lever	1	
32	0820 23 332	Pump Connecting Rod	1	
33	0820 23 308	Choke Connecting Rod	1	
34	0820 23 397B	Throttle Adjust Screw	1	
35	0820 23 307	Connector	1	
36	0813 23 323	Piston	1	
37	0813 23 325	Pump Lever	1	
38	0813 23 326	Float	2	
39	0813 23 333	Piston Return Spring	1	
40	0813 23 347	Starting Lever	1	
41	0820 23 351	Throttle Valve (S)	2	
42	0820 23 322B	Chamber Cover, Diaphragm	1	
43	0268 23 317	Throttle Valve (P)	2	
44	0118 23 398	Filter Set Screw	1	
45	0118 23 342	Pump Cover	1	
46	0813 23 361	Choke Spring	1	
47	0820 23 362	Pump Lever Shaft (R.H.D.)	1	
• 48	2125 23 362	5 ϕ Screw	1	

23

CARBURETTOR

(GENERAL EXPORT MODEL)

No.	Part Number	Description	Qty	Remarks
49	0820 23 404	Sleeve	1	
50	0221 23 366	9 ϕ Washer	4	
51	0114 13 715	Stop Pin	1	
52	0136 13 717A	1 ϕ Cotter Pin	3	
53	0118 23 369	8 ϕ Nut	2	
54	0813 23 383	Spring, Idle Adjust Screw	1	
55	0820 23 471	5/32 Ball	1	
56	0114 13 759	Sleeve	1	
57	0114 13 757	Clip	1	
58	0820 23 387A	Spring, Throttle Adjust Screw	1	
59	0820 23 388	3 ϕ Screw	2	
60	0820 23 389	3 ϕ Screw	8	
61	0221 23 314	10 ϕ Washer	2	
62	0187 23 356	7 ϕ Washer	2	
63	0813 23 392	8 ϕ Washer	2	
64	0221 23 395	Drain Plug	4	
65	0813 23 395	8 ϕ Washer	1	
66	0114 13 788A	12 ϕ Washer	2	
67	0820 23 396	Float Shaft	2	
68	0221 23 375	5 ϕ Washer	4	
69	0813 23 401	Filter	1	
70	0813 23 403	Clip	1	
71	0820 23 405	Idle Adjust Screw	1	
72	0268 23 372	2 ϕ Needle Valve	2	
73	0820 23 399	5 ϕ Washer	1	
74	0820 23 411	4 ϕ Screw	3	

CARBURETTOR

(GENERAL EXPORT MODEL)



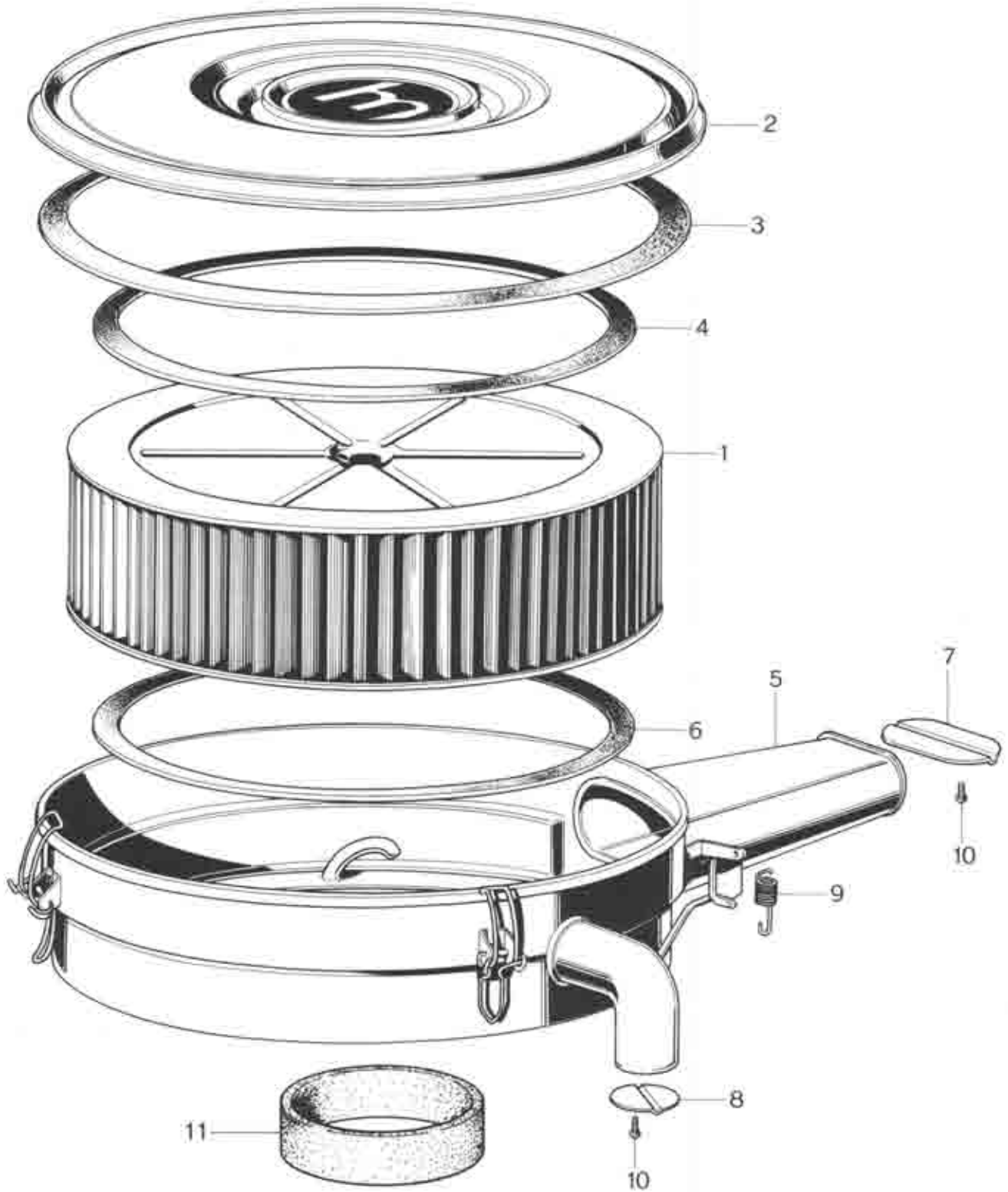
No	Part Number	Description	Qty	Remarks
75	0820 23 412	5 ϕ Screw	10	(L.H.D.)
			11	(R.H.D.)
76	2125 23 414	5 ϕ Screw (L.H.D.)	1	
77	0820 23 413	5 ϕ Screw	1	
78	0813 23 411	4 ϕ Screw	4	
79	0813 23 415	4 ϕ Spring Washer	3	
80	0114 13 795	5 ϕ Spring Washer	11	(R.H.D.)
			12	(L.H.D.)
81	0221 23 368	8 ϕ Spring Washer	2	
82	2125 23 421	# 82 Main Jet	2	
83	0820 23 422A	# 130 Main Jet (P)	2	
84	2125 23 423	#70 Main Air Bleed (P)	2	
85	0813 23 424	# 140 Main Air Bleed (S)	2	
86	0820 23 425	# 45 Slow Jet (P)	2	
87	0820 23 426B	# 80 Slow Jet (S)	2	
88	0820 23 427	# 220 Slow Air Bleed (P)	2	
89	0820 23 428	# 150 Slow Air Bleed (S)	2	
90	0820 23 431A	#180 Vacuum Jet (P) (R.H.D.) & For Okinawa	1	
	2113 23 431	#190 Vacuum Jet (P) (L.H.D.)	1	
91	0820 23 432B	# 140 Vacuum Jet (S)	1	
92	0820 23 433	# 0 Slow Air Bleed	2	
93	0820 23 358	Throttle Lever	1	
94	0820 23 359	Spacer	1	
95	0820 23 498	Pump Lever, Metering	1	
96	2125 23 363	Guide (L.H.D.)	1	



1. ()
2. ()
3. ()
4. ()
5. ()
6. ()
7. ()
8. ()
9. ()
10. ()



1
2
3
4
5
6
7
8
9
10



AIR CLEANER (R.H.D. & OKINAWA)

23

No.	Part Number	Description	Q'ty	Remarks
	2125 13 300F	AIR CLEANER (TOKYO ROKI MAKE)	1	
	2123 13 300	(R.H.D.) & For Okinawa	1	Car No. 63909 ^{70/7} ~ X
1	0820 23 672	Element	1	
	2113 23 672	Element	1	Car No. 63909 ^{70/7} ~ X
2	2125 23 673A	COVER Ass'y	1	Car No. 63909 ^{70/7} ~ X
	2123 23 673	COVER Ass'y	1	Car No. 69909 ^{70/10} ~ O
	2123 23 673A	COVER Ass'y	1	
3	0820 23 674	Packing, Cover (Felt)	1	
	2113 23 674	Packing, Cover (Felt)	1	Car No. 63909 ^{70/7} ~ X
4	0820 23 675	Packing, Element (Rubber Sponge)	1	
	2113 23 675	Packing, Element (Rubber Sponge)	1	Car No. 63909 ^{70/7} ~ X
5	0820 23 671B	BODY Ass'y	1	
	0820 23 671D	BODY Ass'y	1	Car No. 69909 ^{70/10} ~ O
6	0820 23 675	Packing, Element (Rubber Sponge)	1	Car No. 63909 ^{70/7} ~ X
	2113 23 675	Packing, Element	1	Car No. 69909 ^{70/10} ~ X
	0820 23 687	Packing, Element No. 2	1	
7	0820 23 676A	Shutter (A)	1	
	2113 23 676	Shutter (A)	1	Car No. 63909 ^{70/7} ~ X
8	0820 23 677	Shutter (B)	1	
	2113 23 677	Shutter (B)	1	Car No. 63909 ^{70/7} ~ X
9	0820 23 678	Spring	2	
10	0221 23 201	Screw	2	
	0222 23 201	Screw	2	Car No. 63909 ^{70/7} ~ X
11	0813 23 679	Dust Seal	1	
	2113 23 679	Dust Seal	1	Car No. 63909 ^{70/7} ~ X
(N)	2113 23 681	Wing Nut	1	Car No. 63909 ^{70/7} ~ Added Anew
	0305 23 613	Wing Nut	1	Car No. 69909 ^{70/10} ~ O
(N)	2113 23 682	Seal Washer	1	Car No. 63909 ^{70/7} ~ Added Anew
	0820 23 682	Seal Washer	1	Car No. 69909 ^{70/10} ~ O



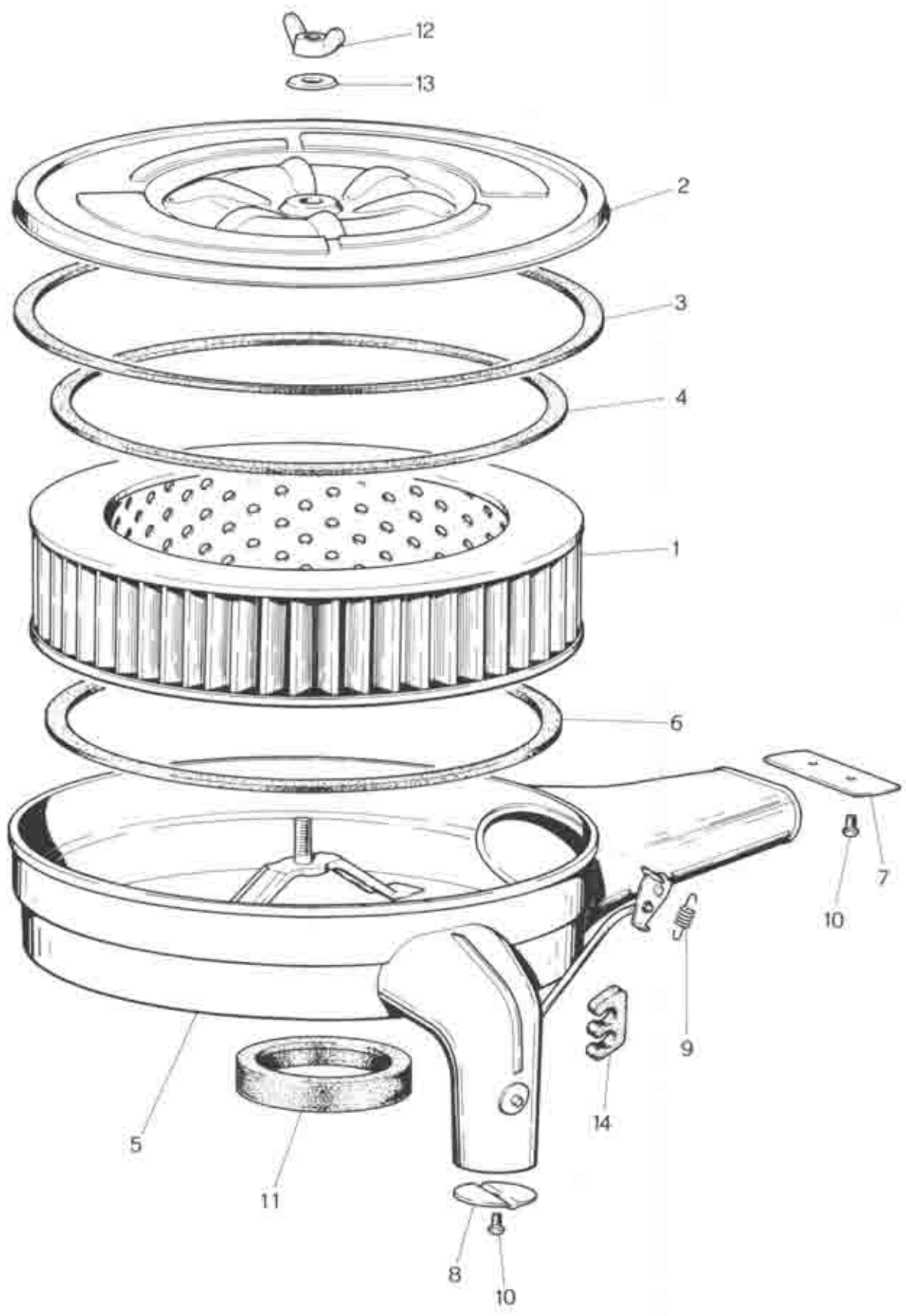
AIR CLEANER PLANT OF OKINAWA

No.	Name	Grade	Remarks
1
2
3
4
5
6
7
8
9
10
11
12
13
14
15
16
17
18
19
20
21
22
23
24
25
26
27
28
29
30
31
32
33
34
35
36
37
38
39
40
41
42
43
44
45
46
47
48
49
50



C
D
D
D
D
D
D
D





AIR CLEANER (L.H.D.) (OKINAWA EXCLUDED)

23

No	Part Number	Description	Qty	Remarks
	2113 13 300D	AIR CLEANER (TOKYO ROKI MAKE)	1	
	2113 13 300F	AIR CLEANER (2113)	1	Car No. 63909 ^{70/7} ~ ○
	2112 13 300	AIR CLEANER (2125,2415~2417,2061)	1	Car No. 63909 ^{70/7} ~ ○
		(2062,2112,2335,2336)		
1	2113 23 672	Element	1	
2	2113 23 673	COVER Ass'y	1	
	2113 23 673A	COVER Ass'y (2113)	1	Car No. 63909 ^{70/7} ~ ○
	2113 23 673B	COVER Ass'y (2113)	1	Car No. 69909 ^{70/10} ~ ○
	2112 23 673	COVER Ass'y (2125,2415~2417,2061,2062,2112,2335,2336)	1	Car No. 63909 ^{70/7} ~ ○
	2112 23 673A	COVER Ass'y (2125,2415~2417,2061,2062,2112,2335,2336)	1	Car No. 69909 ^{70/10} ~ ○
3	2113 23 674	Packing, Cover	1	
4	2113 23 675	Packing, Element	1	
5	2113 23 671	BODY Ass'y	1	
	2113 23 671A	BODY Ass'y	1	Car No. 69909 ^{70/10} ~ ○
6	2113 23 675	Packing, Element	1	
7	2113 23 676	Shutter "A"	1	
8	2113 23 677	Shutter "B"	1	
9	0820 23 678	Spring	2	
10	0222 23 201	Screw	2	
11	2113 23 679	Dust Seal	1	
12	2113 23 681	Wing Nut	1	
13	2113 23 682	Seal Washer	1	
14	2113 23 683	Protector, HT. Cord.	1	



Handwritten mark or symbol in the top right corner.

Handwritten mark or symbol on the right side of the page.

Handwritten mark or symbol on the right side of the page.

Handwritten mark or symbol on the right side of the page.

Handwritten mark or symbol on the right side of the page.

Handwritten mark or symbol on the right side of the page.

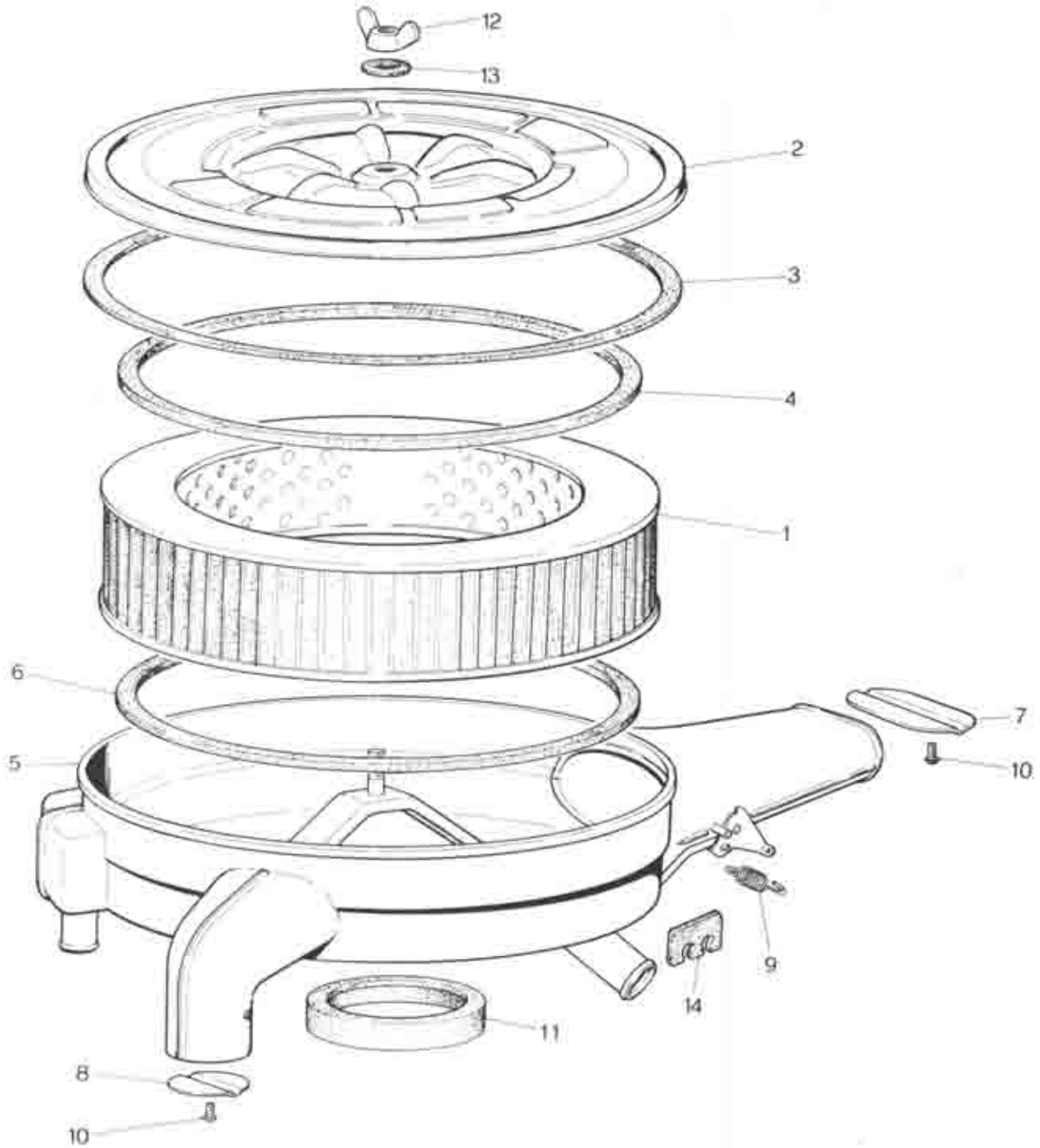


0
1
2
3
4
5
6
7
8
9



AIR CLEANER

(EMISSION CONTROLLED MODEL)



AIR CLEANER

(EMISSION CONTROLLED MODEL)

23

No.	Part Number	Description	Qty	Remarks
	2329 13 300D	AIR CLEANER (TOKYO ROKI MAKE)	1	
1	2113 23 672	Element	1	
2	2329 23 673	COVER Ass'y	1	
3	2113 23 674	Packing, Cover	1	
4	2113 23 675	Packing, Element	1	
5	2329 23 671	BODY Ass'y	1	
6	2113 23 675	Packing, Element	1	
7	2329 23 676	Shutter "A"	1	
8	2329 23 677	Shutter "B"	1	
9	0820 23 678	Spring	2	
10	0222 23 201	Screw	2	
11	2113 23 679	Dust Seal	1	
12	2113 23 681	Wing Nut	1	
13	2113 23 682	Seal Washer	1	
14	2113 13 311	Supporter	1	

NOT CLEANER



0
0
0
0
0
0
0
0

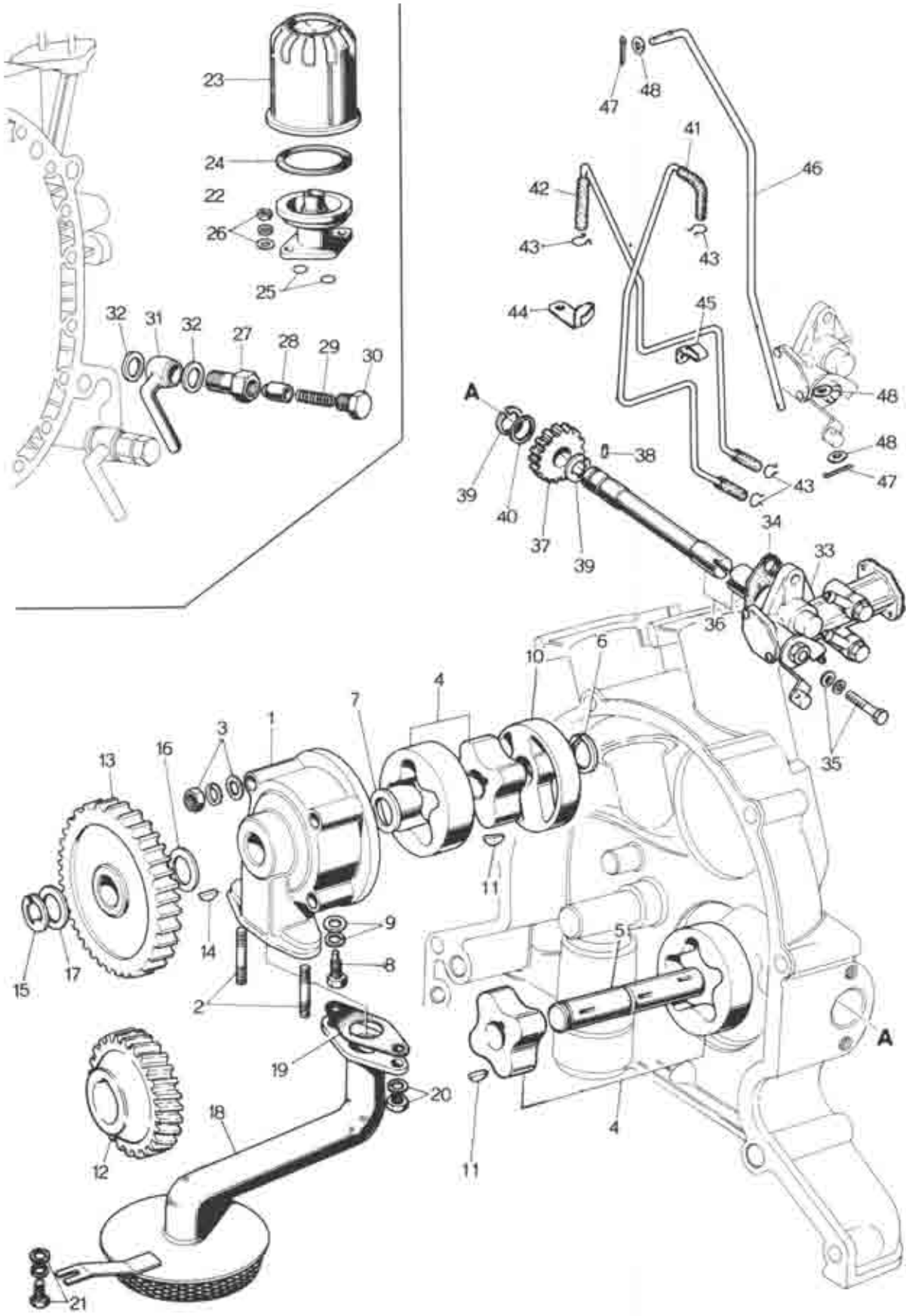


0
1
2
3
4
5
6
7
8
9



14

OIL PUMP



No.	Part Number	Description	Qty	Remarks
1	0820 14 100C	OIL PUMP BODY Ass'y	1	
2	99852 0614	Stud	2	
3	99971 0600	Spring Washer	4	
	99906 0600	Nut	4	
	99953 0600	Plain Washer	4	
4	0820 23 882	Oil Pump Rotor Set	2	
5	0820 14 112C	Shaft, Oil Pump	1	
6	0810 14 113	Snap Ring	1	
7	0810 14 114	Thrust Washer	1	
8	0820 14 117A	Lock Bolt, Oil Pump	1	
9	99953 0600	Plain Washer	1	
	99971 0600	Spring Washer	1	
10	0820 14 118	Middle Plate, Oil Pump	1	
11	0820 14 119	Key	2	
	0820 23 881	OIL PUMP GEAR SET	1	
12	0820 11 521B	Oil Pump Drive Gear	1	
13	0820 14 151C	Oil Pump Drive Gear	1	
14	0107 18 274	Key	1	
15	99573 1200	Snap Ring	1	
16	0810 14 204	Adjust Shim t = 0.3	1	

14

OIL PUMP

No.	Part Number	Description	Qty	Remarks
17	0820 14 204	Adjust Shim t = 0.6		
	0820 14 205	Adjust Shim t = 0.3	1	Selective use
	0820 14 206	Adjust Shim t = 0.1		
18	0820 14 160A	Oil Strainer Ass'y	1	
	0820 14 160B	Oil Strainer Ass'y	1	Car No. 64913 ⁷⁰ / ₈ ~ O
	0820 14 160C	Oil Strainer Ass'y	1	Car No. 83040 ⁷¹ / ₁ ~ X
	0820 14 160D	Oil Strainer Ass'y	1	Car No. 90655 ⁷¹ / ₃ ~ O
	0820 14 160E	Oil Strainer Ass'y	1	Car No. 77200 ⁷¹ / ₁ ~ O
19	0810 14 171	Gasket, Oil Strainer	1	
20	99906 0600	Nut	2	
	99971 0600	Spring Washer	2	
21	908066 6 10	Set Bolt, Oil Strainer	1	Car No. 64913 ⁷⁰ / ₈ ~ Discarded
	0820 14 300	OIL FILTER (R.H.D.)	1	
	0820 14 300A	OIL FILTER (R.H.D.)	1	Car No. 63831 ⁷⁰ / ₇ ~ O
	0839 14 300	OIL FILTER (R.H.D.)	1	Car No. 103690 ⁷¹ / ₁₁ ~ O
	2125 14 300A	OIL FILTER (L.H.D.)	1	
	2125 14 300B	OIL FILTER (L.H.D.)	1	Car No. 70537 ⁷⁰ / ₁₁ ~ O
22	0820 23 801	Cover (R.H.D.)	1	
	0820 23 801A	Cover (R.H.D.)	1	Car No. 63831 ⁷⁰ / ₇ ~ O
	2125 23 801A	Cover (L.H.D.)	1	
	2125 23 801B	Cover (L.H.D.)	1	Car No. 70537 ⁷⁰ / ₁₁ ~ O
23	0813 23 802A	Cartridge, Oil Filter	1	
24	0813 23 803	Gasket	1	
25	99541 01601	"O" Ring, Oil Filter	2	
26	99901 0800	Nut, Oil Filter	2	
	99971 0800	Spring Washer	2	
	99953 0800	Plain Washer	2	
	0820 14 250	PRESSURE REGULATOR Ass'y	1	
	0820 14 250A	PRESSURE REGULATOR Ass'y	1	Car No. 64615 ⁷⁰ / ₈ ~ O
27	0820 14 251	Pressure Regulator Body	1	
	0820 14 251A	Pressure Regulator Body	1	Car No. 64615 ⁷⁰ / ₈ ~ O

No.	Part Number	Description	Qty	Remarks
28	0221 14 115	Pressure Control Plunger	1	
29	0221 14 116	Pressure Control Spring	1	
30	0221 14 117	Plug	1	
(N)	0820 14 252	Nut	1	Car No. 64615 ⁷⁰ / ₈ ~ Added Anew
• 31	0820 14 260	Connector Ass'y	1	Car No. 71818 ⁷⁰ / ₁₁ ~ Discarded
32	99564 2200	Packing	2	Car No. 64615 ⁷⁰ / ₈ ~ Discarded
33	0820 14 600D	Metering Oil Pump Cpt.	1	
•	0839 14 600B	Metering Oil Pump Cpt.	1	Car NO. 68290 ⁷⁰ / ₁₀ ~ O
34	0810 14 611	Gasket, Metering Oil Pump	1	
35	99806 0630	Bolt, Metering Oil Pump	1	
	99806 0618	Bolt	1	
	99971 0600	Spring Washer	2	
	99953 0600	Plain Washer	2	
36	0820 14 620	Driven Gear Shaft Ass'y	1	
37	0820 14 625	Driven Gear	1	
38	0813 14 623	Pin	1	
39	99576 0800	Snap Ring	2	
40	0810 18 276	Adjust Shim t = 0.6	2	
	0810 18 277	Adjust Shim t = 0.3	2	
41	0820 14 630A	Metering Oil Tube Ass'y	1	
42	0820 14 640	Metering Oil Tube Ass'y	1	
43	0813 14 641	Clip	4	
44	0820 14 643	Clip	1	
45	0820 14 647	Clip	1	
46	2329 14 651	Connecting Rod	1	
47	99221 1212	Split Pin	2	
48	99953 0400	Plain Washer	3	



DIL PUMP

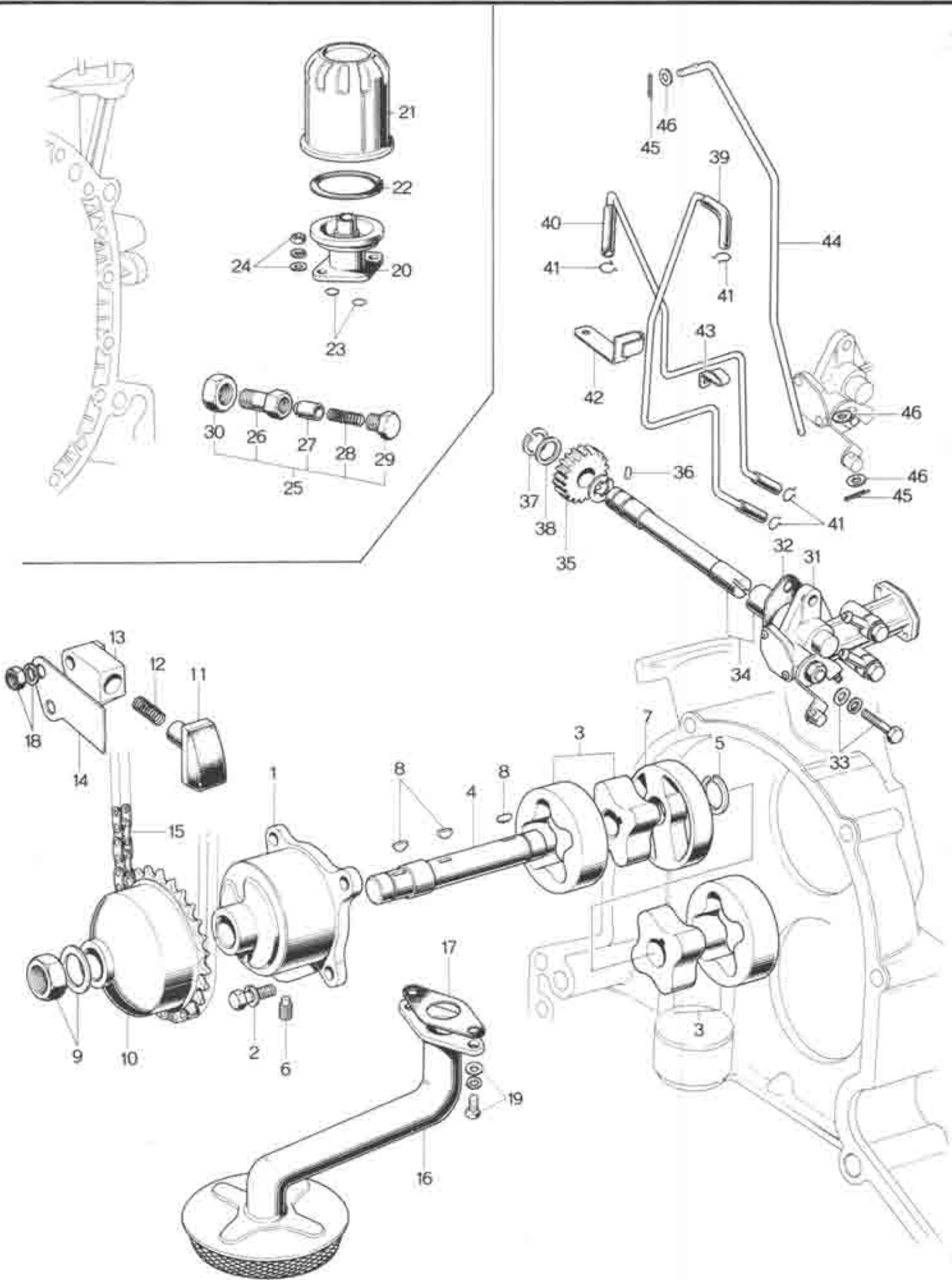
No	Description	Unit	Quantity	Price	Total
1
2
3
4
5
6
7
8
9
10
11
12
13
14
15
16
17
18
19
20
21
22
23
24
25
26
27
28
29
30
31
32
33
34
35
36
37
38
39
40
41
42
43
44
45
46
47
48
49
50



The Olympia Juno Hotel is a grand structure of
 classical architecture, with a facade of
 white marble and a portico of
 six columns. The interior is
 equally magnificent, with
 a grand staircase and
 a ballroom of
 unparalleled beauty. The
 hotel is situated on the
 waterfront, and offers
 a view of the city and
 the sea. The service is
 impeccable, and the
 food is of the highest
 quality. The Olympia Juno
 Hotel is a place of
 elegance and refinement,
 and is the perfect place
 for a luxurious stay.

OIL PUMP

(USED FROM CAR NO. 83673 7/1~)



OIL PUMP

(USED FROM CAR NO. 83673 $7\frac{1}{4}$ ~)

14

No.	Part Number	Description	Q'ty	Remarks
1	0839 14 101A	Body, Oil Pump	1	
•	0839 14 101B	Body, Oil Pump	1	Car No. 101428 $7\frac{1}{4}$ ~ ○
2	908066 6 18	Bolt, Set—Oil Pump Body	4	
3	0820 23 882A	Rotor Set, Oil Pump	2	
4	0839 14 112A	Shaft, Oil Pump	1	
	0839 14 112B	Shaft, Oil Pump	1	Car No. 87858 $7\frac{1}{2}$ ~ ○
5	0810 14 113	Ring, Snap	1	
6	0839 14 117	Bolt, Lock—Oil Pump	1	
7	0820 14 118C	Plate, Middle Oil Pump	1	
8	0839 14 119A	Key	1	
	0839 14 119B	Key	1	Car No. 95155 $7\frac{1}{4}$ ~ ○
9	99922 1200	Nut	1	
	99979 1200	Washer, Tab	1	
10	0839 14 141	Gear, Drive—Oil Pump	1	
	0839 14 141A	Gear, Drive—Oil Pump	1	Car No. 87858 $7\frac{1}{2}$ ~ ○
11	0823 14 130	Adjuster, Chain	1	
12	0823 14 131	Spring	1	
13	0839 14 132	Body	1	
14	0839 14 133	Plate, Guide	1	
15	0839 14 142	Chain	1	
16	0820 14 160C	Strainer, Oil	1	
	0820 14 160D	Strainer, Oil	1	Car No. 90655 $7\frac{1}{3}$ ~ ○
17	0810 14 171	Gasket, Oil Strainer	1	
18	99906 0600	Nut, Chain Adjust	2	
	99971 0600	Washer, Spring	2	
19	908062 6 16	Bolt, Set—Oil Strainer	2	
	0839 14 300	FILTER, Oil (R.H.D.)	1	
	2125 14 300B	FILTER, Oil (L.H.D.)	1	
• 20	0839 23 801	Cover, (R.H.D.)	1	
	2125 23 801B	Cover, (L.H.D.)	1	
21	0813 23 802A	Cartridge, Oil Filter	1	
22	0813 23 803	Gasket	1	

14

OIL PUMP

(USED FROM CAR NO. 83673^{71/1} ~)

No.	Part Number	Description	Q'ty	Remarks
23	99541 01601	Ring, "O"—Oil	2	
24	99901 0800	Nut, Oil Filter	2	
	99971 0800	Washer, Spring	2	
	99953 0800	Washer, Plain	2	
25	0820 14 250A	REGULATOR Ass'y, PRESSURE	1	
	0820 14 250C	REGULATOR Ass'y, PRESSURE	1	Car No. 92891 ^{71/3} ~ ○
26	0820 14 251B	Body, Pressure Regulator	1	
	0820 14 251C	Body, Pressure Regulator	1	Car No. 92891 ^{71/3} ~ ○
27	0221 14 115	Plunger, Pressure Control	1	
28	0221 14 116	Spring, Pressure Control	1	
29	0221 14 117	Plug	1	
30	0820 14 252	Nut	1	
	99267 0422	Pin	1	Car No. 92891 ^{71/3} ~ Added Anew
31	0839 14 600B	Pump Cpt. Metering Oil	1	
	2090 14 600	Pump Cpt. Metering Oil	1	Car No. 94190 ^{71/3} ~ ○
32	0810 14 611	Gasket, Metering Oil Pump	1	
33	99806 0630	Bolt, Metering Oil Pump	1	
	99806 0618	Bolt	1	
	99971 0600	Washer, Spring	2	
	99953 0600	Washer, Plain	2	
34	0820 14 620	Shaft, Driven Gear	1	
35	0820 14 625	Gear, Driven	1	
36	0813 14 623	Pin	1	
37	99576 0800	Ring, Snap	2	
38	0810 18 276	Shim, (t = 0.6)—Adjust	2	
	0810 18 277	Shim, (t = 0.3)—Adjust	2	

OIL PUMP

(USED FROM CAR NO. 83673 $\frac{3}{4}$ ~)

14

No.	Part Number	Description	Q'ty	Remarks
39	0820 14 630A	Tube, Metering Oil	1	
40	0820 14 640	Tube, Metering Oil	1	
41	0813 14 641	Clip	4	
42	0820 13 643	Clip	1	
43	0820 14 647	Clip	1	
44	2329 14 651	Rod, Connecting	1	
45	99221 1212	Pin, Split	2	
46	99953 0400	Washer, Plain	3	

METERING OIL PUMP

23

No.	Part Number	Description	Q'ty	Remarks
	0820 14 600D	PUMP Ass'y, Metering Oil	1	
	0839 14 600B	PUMP Ass'y, Metering Oil	1	Car No. 68290 $\frac{7}{10}$ ~ ○
	2090 14 600	PUMP Ass'y, Metering Oil	1	Car No. 94190 $\frac{7}{3}$ ~ ○
1	0820 23 832B	Washer, Thrust	1	
2	0820 23 833A	Plate	1	
	0820 23 833B	Plate	1	Car No. 93327 $\frac{7}{3}$ ~ ○
3	0820 23 834A	Plate	1	
	0820 23 834B	Plate	1	Car No. 93327 $\frac{7}{3}$ ~ ○
4	0730 23 837	Ring, "O"	2	
5	0820 23 835A	Bearing, Worm	1	
6	0730 23 839	Ring, "O"	1	
7	0820 23 836	Connector	2	
8	0730 23 842	Bolt, Connector	2	
9	0730 23 843	Washer, Connector	4	
10	908332 4 08	Screw, Set-Plate	4	
11	0730 23 845	Plunger	1	
12	0730 23 846	Worm, Driveing	1	
13	0820 23 837A	Plunger, Sub	1	
	2090 23 837	Plunger, Sub	1	Car No. 94190 $\frac{7}{3}$ ~ ○
14	0820 23 838	Plunger, Differential	1	
	2090 23 838	Plunger, Differential	1	Car No. 94190 $\frac{7}{3}$ ~ ○
15	0730 23 848	Nut, Push	1	
•	2090 23 853	Nut, Push	1	Car No. 103335 $\frac{7}{8}$ ~ X
• 16	0820 23 839A	Plate, Spring	1	Car No. 103335 $\frac{7}{8}$ ~ Discarded
17	0820 23 840	Spring, Plunger	1	
18	0839 23 841	Pin, Control	1	
	2090 23 841	Pin, Control	1	Car No. 94190 $\frac{7}{2}$ ~ ○
19	0730 23 854	Ring, "V"	1	
20	0820 23 842	Cap	1	
21	0820 23 843	Strainer	2	
22	0820 23 844A	Lever, Control	1	
	2090 23 844	Lever, Control	1	Car No. 94190 $\frac{7}{3}$ ~ ○
23	0820 23 845A	Screw, Adjust	1	
24	0820 23 847A	Nut, Adjust Screw	1	
25	99907 0600	Nut, Control Lever	1	



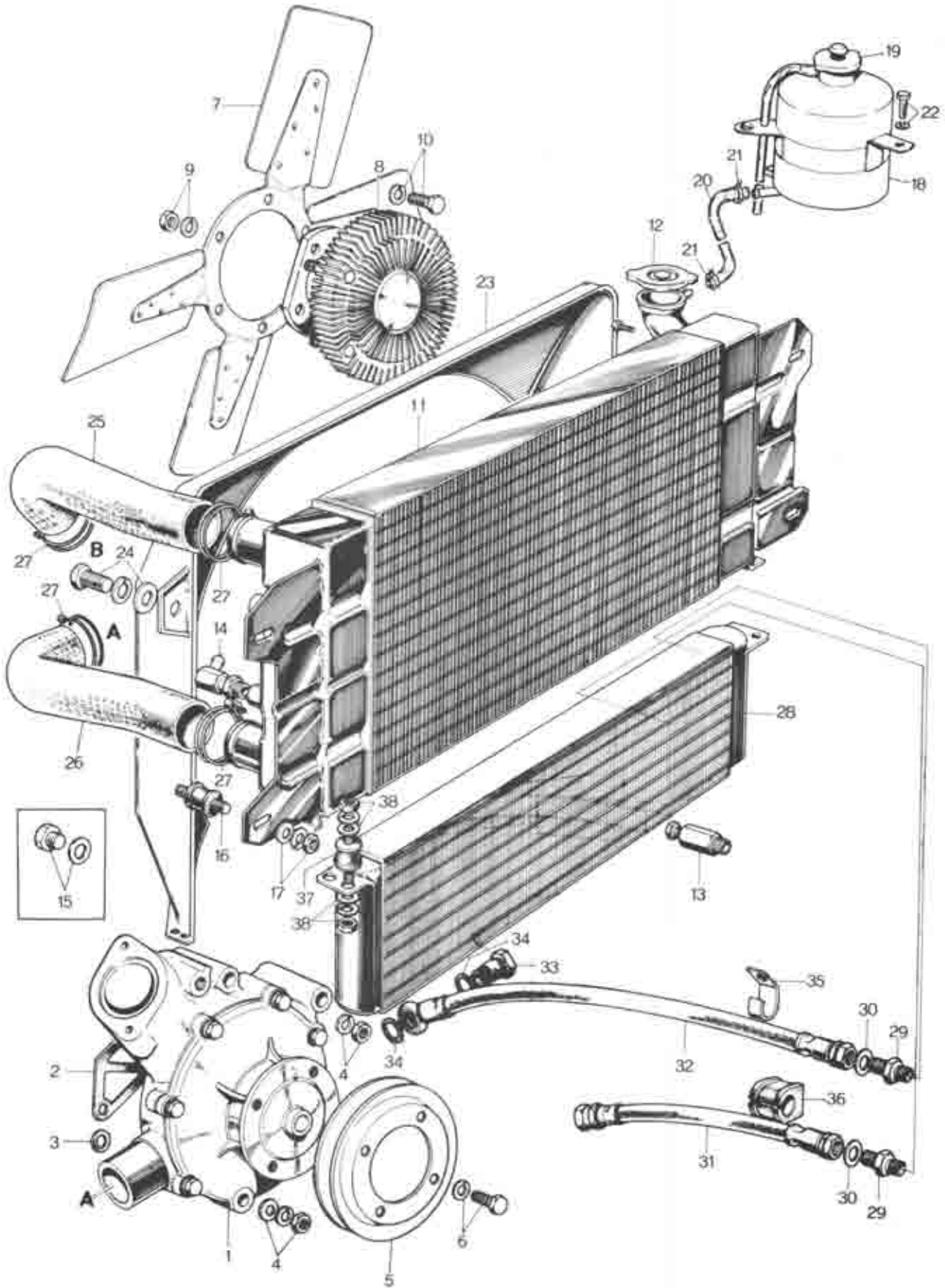
METERING OIL PUMP

No.	Part Number	Description	Qty	Remarks
	99971 0600	Washer, Spring	1	
26	0820 23 848A	Spring, Return	1	



COOLING SYSTEM

(GENERAL EXPORT MODEL)



COOLING SYSTEM

(GENERAL EXPORT MODEL)



No.	Part Number	Description	Qty	Remarks
1	0820 15 010D	Water Pump Cpt.	1	
	0820 15 010E	"T" Type Dashboard use	1	Car No. 62480 $\frac{7}{16}$ ~ X
	0820 15 010F		1	Car No. 83040 $\frac{7}{16}$ ~ X
	0822 15 010A	Water Pump Cpt.	1	Car No. 62480 $\frac{7}{16}$ ~ X
	0822 15 010B	Plain Type Dashboard use	1	Car No. 83040 $\frac{7}{16}$ ~ X
	0822 15 010C	Plain Type Dashboard use	1	Car No. 103749 $\frac{7}{12}$ ~ O
2	0820 15 105	Packing, Water Pump	1	
	0822 15 105	Packing, Water Pump	1	Car No. 62480 $\frac{7}{16}$ ~ X
3	0820 15 106	Packing, Water Pump	1	
4	99901 0800	Nut, Water Pump	3	Car No. 83040 $\frac{7}{16}$ ~ Quantity
	99953 0800	Plain Washer	3	
	99971 0800	Spring Washer	3	Car No. 83040 $\frac{7}{16}$ ~ Quantity
	908012 8 30	Washer & Bolt	1	Car No. 83040 $\frac{7}{16}$ ~ Added Anew
5	0820 15 151	Pulley, Water Pump	1	
6	908062 6 10	Set Bolt, Pulley	4	Car No. 83039 $\frac{7}{16}$ ~ Discarded
	99806 0610	Bolt	4	Car No. 83040 $\frac{7}{16}$ ~ Added Anew
	99971 0600	Spring Washer	4	
7	0820 15 250C	FAN & FAN DRIVE Ass'y	1	
	0820 15 250D	FAN & FAN DRIVE Ass'y	1	Car No. 58954 $\frac{7}{16}$ ~ O
	0820 15 250E	FAN & FAN DRIVE Ass'y	1	Car No. 63245 $\frac{7}{16}$ ~ O
	0820 15 250F	FAN & FAN DRIVE Ass'y	1	Car No. 73747 $\frac{7}{12}$ ~ O
	0820 15 200B	Cooling Fan	1	
	0820 15 200C	Cooling Fan	1	Car No. 58954 $\frac{7}{16}$ ~ O
8	0839 15 210	Fan Drive	1	
	0839 15 210A	Fan Drive	1	Car No. 63245 $\frac{7}{16}$ ~ O
	0820 15 210D	Fan Drive	1	Car No. 73747 $\frac{7}{12}$ ~ O
9	99906 0600	Nut, Fan & Fan Drive	6	
	99971 0600	Spring Washer	6	
10	908066 6 18	Set Bolt, Fan Drive	4	
11	0820 15 310G	RADIATOR (R.H.D.)	1	
	0820 15 310H	RADIATOR (R.H.D.)	1	Car No. 72696 $\frac{7}{11}$ ~ X
	0820 15 310I	RADIATOR (R.H.D.)	1	Car No. 77243 $\frac{7}{12}$ ~ O
	2113 15 310	RADIATOR (L.H.D.)	1	
	2113 15 310A	RADIATOR (L.H.D.)	1	Car No. 58501 $\frac{7}{16}$ ~ X
	2113 15 310B	RADIATOR (L.H.D.)	1	Car No. 64624 $\frac{7}{16}$ ~ X
12	2113 15 310C	RADIATOR (L.H.D.)	1	Car No. 77243 $\frac{7}{12}$ ~ O
	0820 23 921A	Cap, Radiator	1	

14 15

COOLING SYSTEM

(GENERAL EXPORT MODEL)

No.	Part Number	Description	Qty	Remarks
13	0118 10 320	Water Drain Cock	1	
14	0820 15 330	Hose Joint, With Car Heater (R.H.D.)	1	
	2113 15 330	Hose Joint, With Car Heater (L.H.D.)	1	
15	99511 1600	Plug, Without Car Heater	1	
	99564 1600	Packing	1	
16	0820 15 312	Insulation Rubber	4	
17	99901 0800	Nut, Radiator	4	
	99951 0822	Plain Washer	4	
	99971 0800	Spring Washer	4	
18	0820 15 350C	RESERVE TANK (R.H.D.)	1	
	2113 15 350A	RESERVE TANK (L.H.D.)	1	
19	0222 15 255	Cap, Reserve Tank	1	
20	0820 15 351E	Water Hose, Reserve Tank (R.H.D.)	1	
	2113 15 351	Water Hose, Reserve Tank (L.H.D.)	1	
	2329 15 351	Water Hose, Reserve Tank (L.H.D.)	1	Car No. 58501 ⁷⁹ / ₄ ~ X
21	99285 0800	Clip, Water Hose	2	
22	908016 8 12	Set Bolt, Reserve Tank	4	Car No. 72759 ⁷⁹ / ₁₁ ~ Quantity
23	0820 15 401G	Radiator Shroud	1	
	2329 15 401A	Radiator Shroud	1	Car No. 72759 ⁷⁹ / ₁₁ ~ X
24	908016 8 16	Set Bolt, Radiator Shroud	2	Car No. 72759 ⁷⁹ / ₁₁ ~ Discarded
25	0820 15 511B	Water Hose, Thermostat ~ Radiator	1	
26	0820 15 521C	Water Hose, Radiator ~ Water Pump	1	
27	99282 4900	Hose Band, Water Hose	4	
28	0820 14 700C	Oil Cooler	1	

COOLING SYSTEM

(GENERAL EXPORT MODEL)

▲ 14

▲ 15

No.	Part Number	Description	Qty	Remarks
29	99384 1200	Union Joint, Oil Cooler	2	
30	99562 1600	Packing	2	
31	0820 14 720B	Oil Hose	1	
•	2329 14 720	Oil Hose (L.H.D.)	1	Car No. 67991 ^{70/10} ~ ○
•	0820 14 720C	Oil Hose (R.H.D.)	1	Car No. 69220 ^{70/11} ~ ○
32	0820 14 730A	Oil Hose	1	
•	2329 14 730	Oil Hose (L.H.D.)	1	Car No. 67991 ^{70/10} ~ ○
•	0826 14 730B	Oil Hose (R.H.D.)	1	Car No. 69220 ^{70/11} ~ ○
33	99381 1400	Connector Bolt, Oil Hose	1	
34	99562 1800	Packing	2	
35	0820 14 735A	Clip, Oil Hose	1	
36	0813 14 716	Protector, Oil Hose	1	
37	0222 13 363	Insulation Rubber, Oil Cooler	4	
38	99901 0600	Nut, Oil Cooler	8	
•	99906 0600	Nut, Oil Cooler	8	Car No. 63363 ^{70/7} ~ X
	99952 0600	Plain Washer	8	
	99971 0600	Spring Washer	8	
• (N)	2329 14 725	Tube (L.H.D.)	1	Car No. 69162 ^{70/10} ~ Added Anew

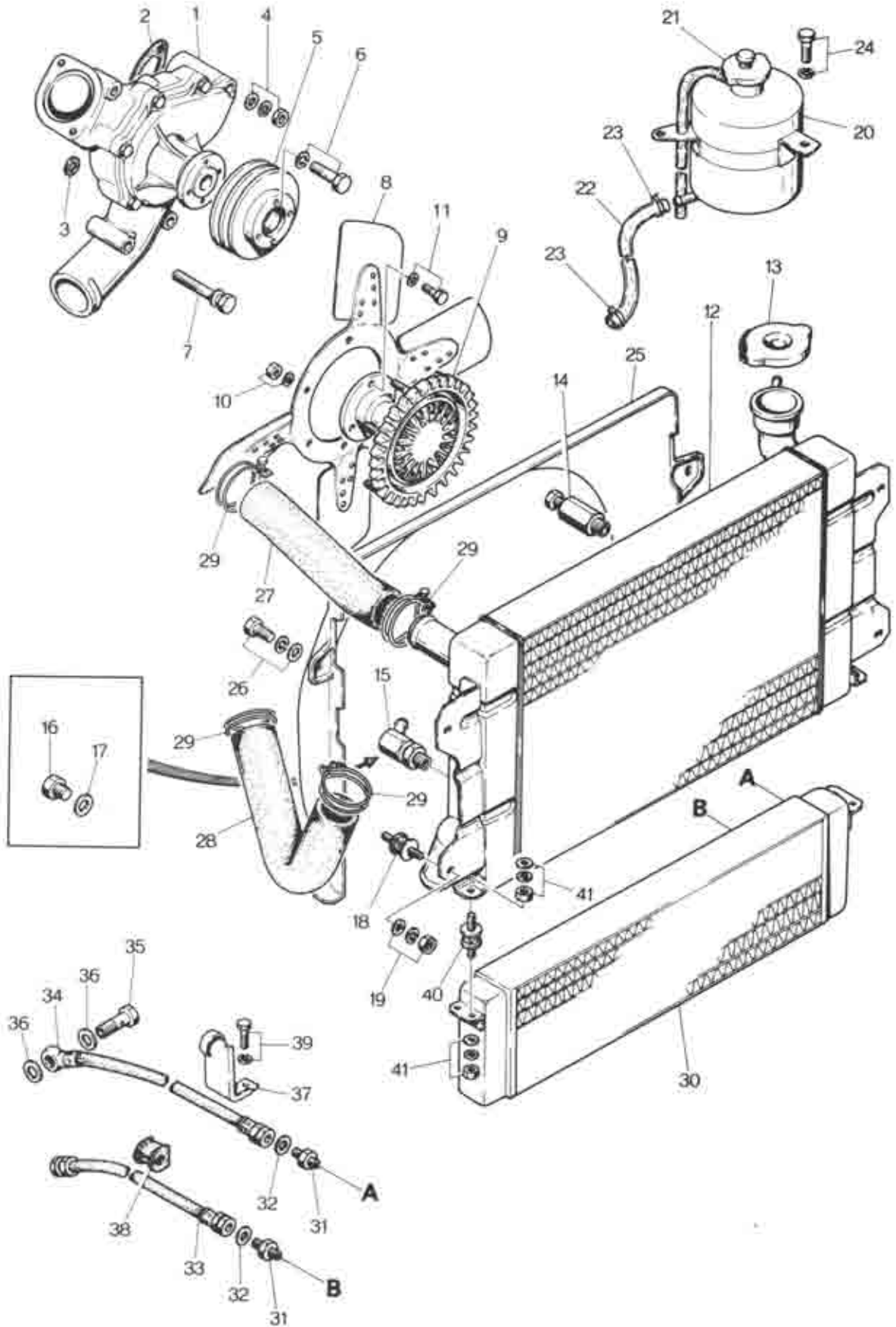


Yıl	Okul Türü	Okul Adı	Okul No	Okul Durumu
2023	İlkokul
2023	Ortaokul
2023	Lise
2023	Yüksek Okul
2023	Diğer
2024	İlkokul
2024	Ortaokul
2024	Lise
2024	Yüksek Okul
2024	Diğer



COOLING SYSTEM

(EMISSION CONTROLLED MODEL)



COOLING SYSTEM

(EMISSION CONTROLLED MODEL)



No.	Part Number	Description	Qty	Remarks
1	2329 15 010C	Water Pump Cpt. "T" Type Dashboard use	1	
	2339 15 010A	Water Pump Cpt. Plain Type Dashboard use	1	
2	0822 15 105	Packing, Water Pump	1	
3	0820 15 106	Packing, Water Pump	1	
4	99901 0800	Nut, Water Pump	3	
	99953 0800	Plain Washer	3	
	99971 0800	Spring Washer	3	
5	2329 15 151A	Pulley, Water Pump	1	
6	908062 6 14	Set Bolt, Pulley	4	
7	908012 8 30	Set Bolt, Water Pump	1	
	2329 15 250B	FAN & FAN DRIVE Ass'y	1	
8	2329 15 200A	Cooling Fan	1	
9	2329 15 210	Fan Drive	1	
10	99906 0600	Nut, Fan & Fan Drive	6	
	99971 0600	Spring Washer	6	
11	908062 6 16	Set Bolt, Fan Drive	4	
12	2329 15 310C	RADIATOR	1	
13	0820 23 921A	Cap, Radiator	1	

14 **15**

COOLING SYSTEM

(EMISSION CONTROLLED MODEL)

No.	Part Number	Description	Qty	Remarks
14	0118 10 320	Water Drain Cock	1	
15	2113 15 330	Hose Joint, With Car Heater	1	
16	99511 1600	Plug, Without Car Heater	1	
17	99564 1600	Packing	4	
18	0820 15 312	Insulation Rubber	4	
19	99901 0800	Nut, Radiator	4	
	99951 0822	Plain Washer	4	
	99971 0800	Spring Washer	4	
20	2113 15 350A	RESERVE TANK	1	
21	0222 15 255	Cap, Reserve Tank	1	
22	2329 15 351	Water Hose, Reserve Tank	1	
23	99285 0800	Clip, Water Hose	2	
24	908016 8 12	Set Bolt, Reserve Tank	2	
25	2329 15 401A	Radiator Shroud	1	
26	908016 8 12	Set Bolt, Radiator Shroud	2	
27	2329 15 511	Water Hose, Thermostat ~ Radiator	1	
28	2329 15 521	Water Hose, Radiator ~ Water Pump	1	
29	99282 4900	Hose Band, Water Hose	4	
30	0820 14 700C	Oil Cooler	1	
31	99384 1200	Union Joint, Oil Cooler	2	
32	99562 1600	Packing	2	
33	0820 14 720B	Oil Hose	1	

COOLING SYSTEM

(EMISSION CONTROLLED MODEL)

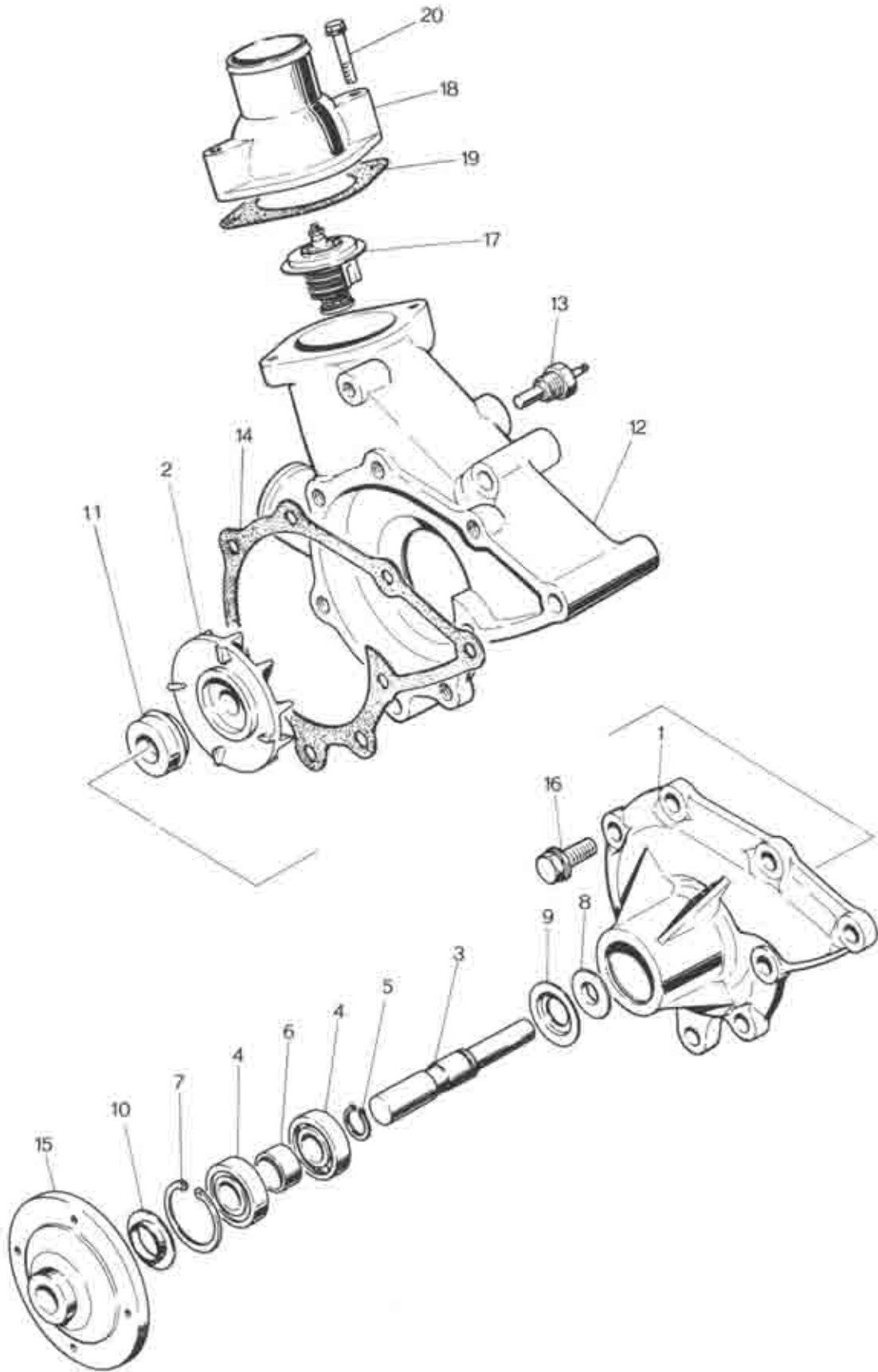


No.	Part Number	Description	Qty	Remarks
34	0820 14 730A	Oil Hose	1	
• 35	99381 1400	Connector Bolt, Oil Hose	1	
36	99562 1800	Packing	2	
37	2329 14 735	Clip	1	
38	0813 14 716	Protector	1	
39	99811 1216	Bolt, Clip	1	
	99971 1200	Spring Washer	1	
40	0222 13 363	Insulation Rubber	4	
41	99901 0600	Nut, Insulation Rubber	8	
•	99906 0600	Nut, Insulation Rubber	8	Car No. 63363 ⁷⁰ / ₇₁ ~ X
	99952 0600	Plain Washer	8	
	99971 0600	Spring Washer	8	



WATER PUMP

(GENERAL EXPORT MODEL)



WATER PUMP

(GENERAL EXPORT MODEL)

15

No.	Part Number	Description	Q'ty	Remarks
	0820 15 010D	WATER PUMP Cpt.	1	
	0820 15 010E		1	Car No. 63489 ⁷⁰ / ₆ ~ X
	0820 15 010F	"T" Type Dashboard use	1	Car No. 83040 ⁷¹ / ₁ ~ X
	0820 15 010G	WATER PUMP Cpt.	1	Car No. 103749 ⁷¹ / ₁₂ ~ O
	0822 15 010A	WATER PUMP Cpt.	1	
	0822 15 010B		1	Car No. 62480 ⁷⁰ / ₆ ~ X
	0822 15 010C	Plain Type Dashboard use	1	Car No. 83040 ⁷¹ / ₁ ~ X
	0822 15 010D	Plain Type Dashboard use	1	Car No. 103749 ⁷¹ / ₁₂ ~ O
	0820 15 130A	Water Pump Cover Ass'y	1	
1	0820 15 131A	Pump Cover	1	
2	0813 15 111	Impeller	1	
3	0820 15 112	Shaft	1	
4	0118 15 121	Ball Bearing	2	
5	0118 15 114	Stop Ring	1	
6	0820 15 115	Spacer	1	
7	99574 3500	Retaining Ring	1	
8	0813 15 117	Baffle Plate	1	
9	0118 15 118	Dust Seal Plate	1	
10	0810 15 119	Dust Seal Plate	1	
11	0820 15 120	Water Seal Cpt.	1	
12	0820 15 100D	WATER PUMP CASING Ass'y	1	
	0820 15 100E	"T" Type Dashboard use	1	Car No. 62480 ⁷⁰ / ₆ ~ X
	0820 15 100F		1	Car No. 83667 ⁷¹ / ₁ ~ X
	0820 15 100G		1	Car No. 103749 ⁷¹ / ₁₂ ~ O
	0822 15 100A	WATER PUMP CASING Ass'y	1	
	0822 15 100B	Plain Type Dashboard use	1	Car No. 62480 ⁷⁰ / ₆ ~ X
	0822 15 100C		1	Car No. 103749 ⁷¹ / ₁₂ ~ O
13	0118 18 510	Heat Gauge Unit "T" Type Dashboard use	1	
	0259 18 510	Heat Gauge Unit Plain Type Dashboard use	1	
14	0820 15 132A	Packing, Pump Cover	1	
15	0820 15 152	Pulley Boss	1	
16	908016 8 22	Set Bolt, Water Pump	5	

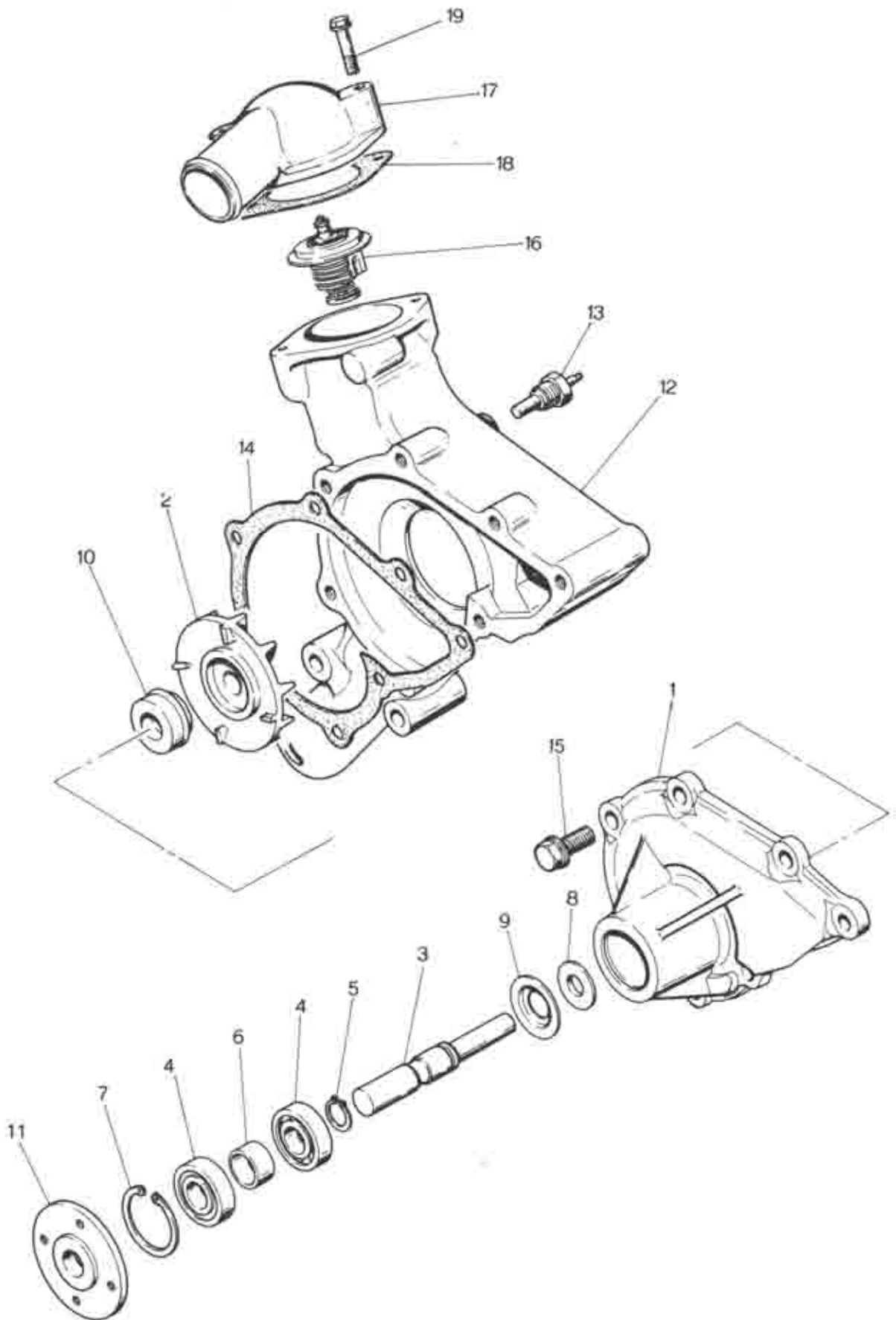


WATER PUMP

(GENERAL EXPORT MODEL)

No.	Part Number	Description	Qty	Remarks
17	0820 15 171	Thermostat, General Export Model	1	
	0823 15 171	Thermostat, General Export Model	1	Car No. 65849 ⁷⁰ / ₁₀ ~ ○
	0823 15 171	Thermostat, Arctic Spec. Model	1	
18	0822 15 172	Cover, Thermostat	1	
19	0813 15 173	Packing, Thermostat Cover	1	
20	908016 8 35	Set Bolt, Thermostat Cover	2	
20	908016 8 35	Set Bolt, Thermostat Cover	2	Car No. 68468 ⁷⁰ / ₁₀ ~ Discarded
	99801 0835	Bolt	2	
	99971 0800	Spring Washer	2	Car No. 68469 ⁷⁰ / ₁₀ ~ Added Ar
	99953 0800	Plain Washer	2	
	0820 99 150	WATER PUMP REPAIR KIT (Fig. No. 2~5, 7, 9, 10, 11 included)	1	



WATER PUMP**(EMISSION CONTROLLED MODEL)**

WATER PUMP

(EMISSION CONTROLLED MODEL)



No.	Part Number	Description	Qty	Remarks
	2329 15 010C	WATER PUMP Cpt.	1	
	2329 15 010D	"T" Type Dashboard use	1	Car No. 62472 ⁷⁹ / ₆ ~ ○
	2339 15 010A	WATER PUMP Cpt. Plain Type Dashboard use	1	
	2329 15 130A	WATER PUMP COVER Ass'y	1	
1	2329 15 131A	Pump Cover	1	
2	0813 15 111	Impeller	1	
3	0820 15 112	Shaft	1	
4	0118 15 121	Ball Bearing	2	
5	0118 15 114	Stopper Ring	1	
6	0820 15 115	Spacer	1	
7	99574 3500	Soap Ring	1	
8	0813 15 117	Baffle Plate	1	
9	0118 15 118	Dust Seal Plate	1	
10	0820 15 120	Water Seal	1	
11	2329 15 152	Water Pump Pulley Boss	1	
12	2329 15 100B	CASING	1	
	2329 15 100C	"T" Type Dashboard use	1	Car No. 62472 ⁷⁹ / ₆ ~ ○
	2339 15 100B	CASING Plain Type Dashboard use	1	
13	0118 18 510	Heat Gauge Unit "T" Type Dashboard use	1	
	0259 18 510	Heat Gauge Unit Plain Type Dashboard use	1	
	0110 18 515	"O" Ring	1	Car No. 62472 ⁷⁹ / ₆ ~ Added Anew
14	2329 15 132A	Gasket	1	

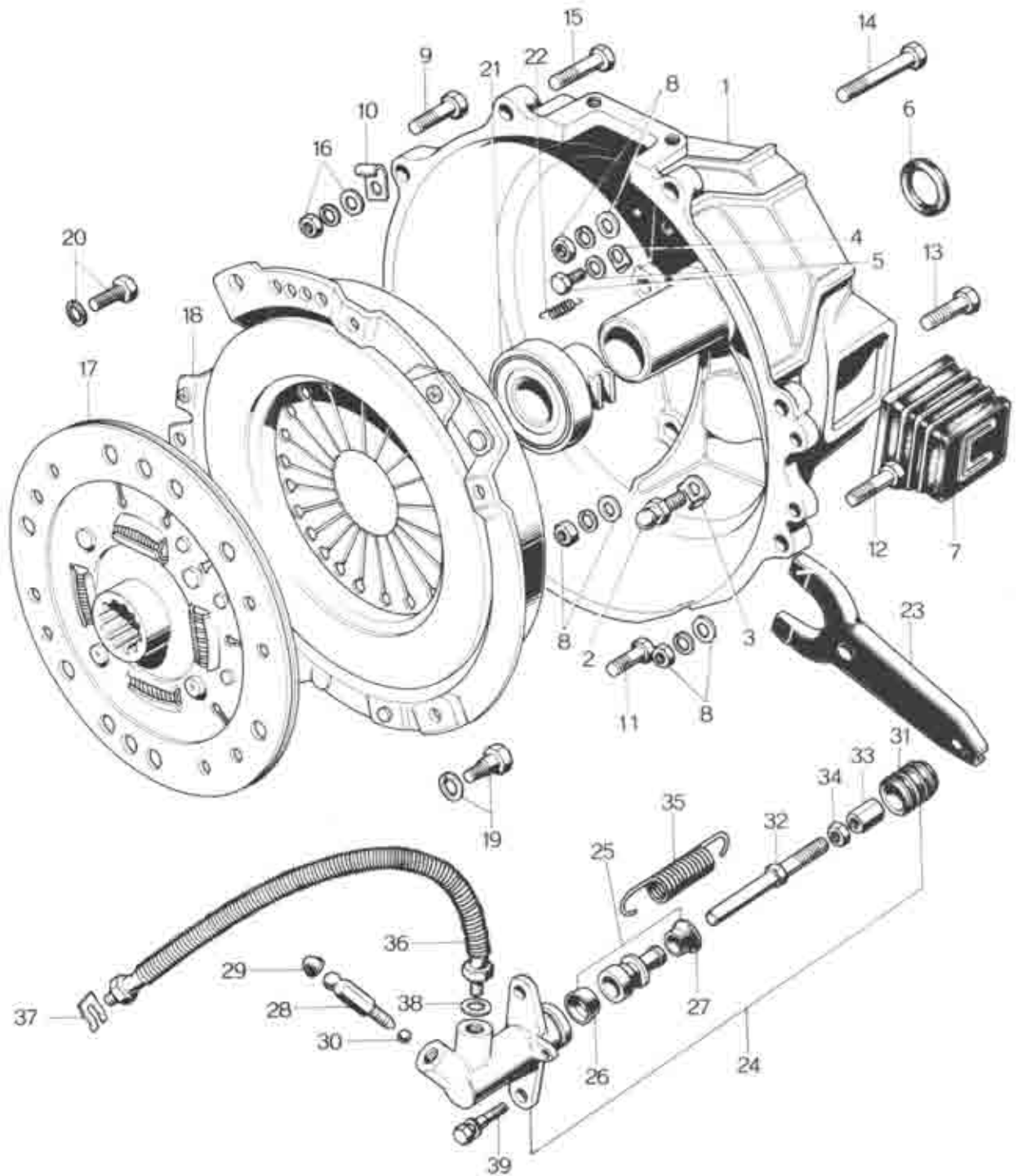
15

WATER PUMP

(EMISSION CONTROLLED MODEL)

No.	Part Number	Description	Qty	Remarks
15	908016 8 25	Set Bolt	5	
16	0823 15 171	Thermostat	1	
17	0839 15 172	Cover, Thermostat	1	
18	0813 15 173	Gasket, Thermostat Cover	1	
19	908016 8 40	Set Bolt, Thermostat Cover	2	
•	0820 99 150	WATER PUMP REPAIR KIT (Fig. No. 2~5, 7, 9, 10, 11 included)	1	





CLUTCH CONTROL SYSTEM

16

41

No.	Part Number	Description	Qty	Remarks
1	0820 16 100A	CLUTCH HOUSING Ass'y	1	
	0820 16 100B	CLUTCH HOUSING Ass'y	1	Car No. 61910 $\frac{70}{16}$ ~ O
2	0603 16 102B	Pivot Pin	1	
3	0137 16 114	Lock Washer	1	
4	0107 16 108	Spring Hanger	1	Car No. 61910 $\frac{70}{16}$ ~ Discarded
5	99971 0600	Spring Washer	1	Car No. 61910 $\frac{70}{16}$ ~ Discarded
	99806 0612	Bolt	1	Car No. 61910 $\frac{70}{16}$ ~ Discarded
6	0603 16 103	Oil Seal	1	
7	0155 16 104	Dust Cover	1	
	0500 16 104	Dust Cover	1	Car No. 103335 $\frac{71}{16}$ ~ O
8	99953 1200	Plain Washer, T/Mission Case	6	
	99971 1200	Spring Washer	6	
	99921 1200	Nut	6	
9	99811 1050	Bolt, Clutch Housing	1	
10	99295 1510	Clip	1	
11	99811 1048	Bolt, Clutch Housing	1	
12	99811 1045	Bolt, Clutch Housing	2	
13	99811 1055	Bolt, Clutch Housing	1	
14	99811 1075	Bolt, Clutch Housing	1	
15	99811 1032	Bolt, Clutch Housing	1	
16	99953 1000	Plain Washer	5	
	99971 1000	Spring Washer	6	
	99921 1000	Nut	4	
17	0820 16 150B	Clutch Disc	1	
	0820 16 150C	Clutch Disc	1	Car No. 65573 $\frac{70}{16}$ ~ O
	4069 16 150D	Clutch Disc	1	Car No. 89498 $\frac{71}{16}$ ~ O
	4077 16 460B	Clutch Disc	1	Car No. 103748 $\frac{71}{16}$ ~ X
18	0222 16 180	Pressure Plate	1	
	0820 16 410	Pressure Plate	1	Car No. 61910 $\frac{70}{16}$ ~ O
19	0180 16 215	Reamer Bolt	2	
	0839 16 432	Reamer Bolt	2	Car No. 89498 $\frac{71}{16}$ ~ O

CLUTCH CONTROL SYSTEM

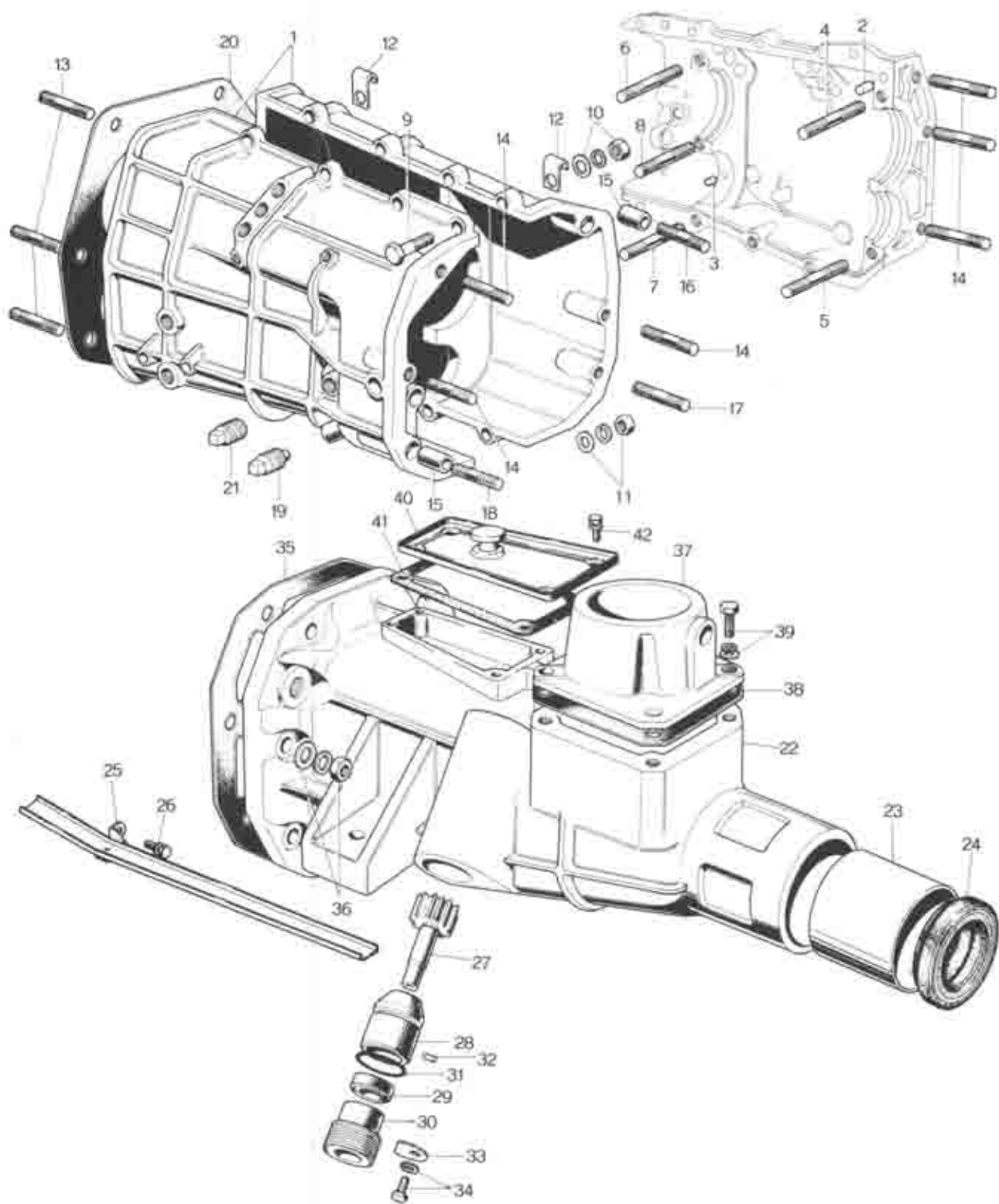
No.	Part Number	Description	Qty	Remarks
	99971 0800	Spring Washer	2	
20	99811 0820	Bolt, Pressure Plate	4	
	997537 8118	Bolt, Pressure Plate	4	Car No. 95677 ⁷ / ₄ ~ ○
	99971 0800	Spring Washer	4	
21	0222 16 220A	Release Collar	1	
	0820 16 510	Release Collar	1	Car No. 61910 ⁷⁰ / ₅ ~ ○
22	0603 16 224A	Spring, Release Collar	1	
	0820 16 515	Spring, Release Collar	1	Car No. 61910 ⁷⁰ / ₅ ~ ○
23	0820 16 230	Clutch, Release Fork	1	
24	0820 41 920	CLUTCH RELEASE CYLINDER	1	
25	0603 41 320	CLUTCH PISTON	1	
26	0603 41 322A	Piston Cup	1	
	0603 41 322B	Piston Cup	1	Car No. 60429 ⁷⁰ / ₅ ~ ○
27	0603 41 323	Secondary Cup	1	
28	0259 33 691	Bleeder Valve	1	
29	0259 33 693	Cap	1	
30	99611 1500	Steel Ball	1	
31	0191 41 331	Boot	1	
32	0604 41 341	Clutch Release Rod	1	
33	0118 41 342	Adjusting Screw	1	
34	99922 0800	Nut	1	
35	0810 41 308	Return Spring	1	
36	0118 41 380A	Flexible Pipe	1	

CLUTCH CONTROL SYSTEM

16

41

No.	Part Number	Description	Q'ty	Remarks
37	0136 43 635	Clip	1	
38	99564 1000	Packing	1	
39	908016 8 28	Set Screw, Release Cylinder	2	



No.	Part Number	Description	Qty	Remarks
1	0820 17 100	T/MISSION CASE Ass'y	1	
	0820 17 100A	T/MISSION CASE Ass'y	1	Car No. 62759 ^{70/7} ~ X
	0820 17 100B	T/MISSION CASE Ass'y	1	Car No. 102866 ^{71/6} ~ X
	0820 17 100C	T/MISSION CASE Ass'y	1	Car No. 103633 ^{71/10} ~ O
2	99233 0816	Knock Pin, T/Mission Case (R) (L) Knock	1	(0820 17 100B) and (0820 17 100A) are 0107 17 121 and 0600 17 121 interchangeable when with exchange as a set
3	0603 17 104	Knock Pin, T/Mission Case (R) (L) Knock	1	
4	99855 1085	Stud, T/Mission Case (R) (L)	1	
5	99855 1078	Stud, T/Mission Case (R) (L)	1	
6	99855 1055	Stud, T/Mission Case (R) (L)	1	
7	99855 1040	Stud, T/Mission Case (R) (L)	1	
8	99851 0860	Stud, T/Mission Case (R) (L)	1	
9	99801 0845	Bolt, T/Mission Case (R) (L)	7	
10	99921 1000	Nut, T/Mission Case (R) (L)	4	
	99971 1000	Spring Washer	4	
	99953 1000	Plain Washer	4	
11	99901 0800	Nut, T/Mission Case (R) (L)	8	
	99971 0800	Spring Washer	8	
	99953 0800	Plain Washer	6	
12	99295 0608	Clip, Reverse Lamp Cord	2	
13	99855 1232	Stud, Front Side	6	
14	99855 1025	Stud, Rear Side	3	
15	0603 17 105	Tubular Pin, Extension Knock	2	
16	99855 1035	Stud, Rear Side	1	
17	99855 1028	Stud	1	
18	99855 1038	Stud	1	
19	0600 17 121	Magnet Plug	1	
	0107 17 121	Magnet Plug	1	Car No. 102866 ^{71/6} ~ X
20	0603 17 131	Packing, T/Mission Case Front	1	

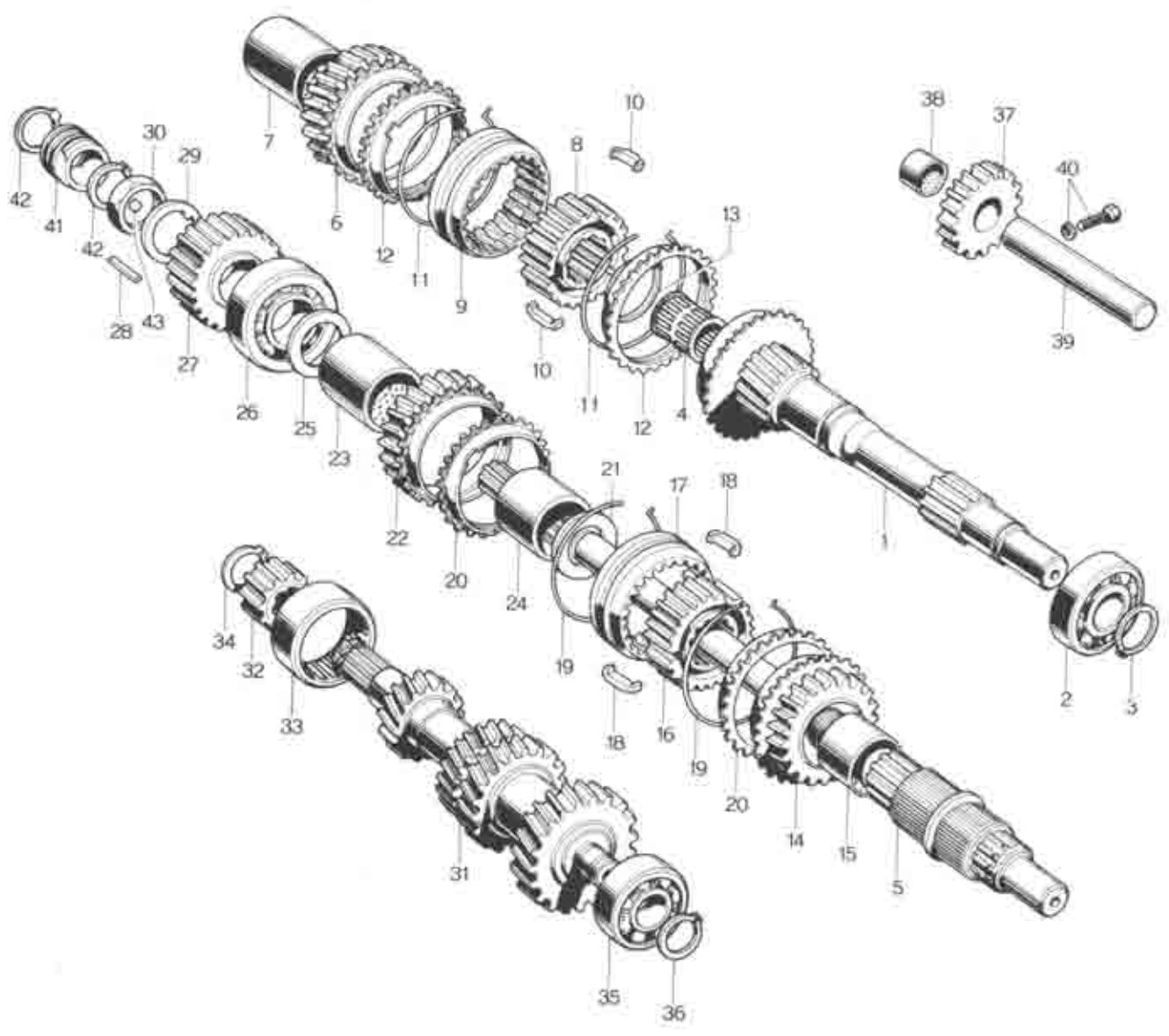
No.	Part Number	Description	Qty	Remarks
21	99502 4000	Tapered Plug	1	
22	0820 17 330A	EXTENSION HOUSING Ass'y	1	
23	0187 17 333	Bush	1	
24	0317 17 335	Oil Seal	1	
25	0820 17 540A	Oil-Pass	1	
	0820 17 540B	Oil-Pass	1	Car No. 94253 ⁷¹ / ₄ ~ O
26	908332 5 10	Set Screw, Oil Pass	1	Car No. 64883 ⁷⁰ / ₈ ~ Discarded
	99833 0510	Screw, Oil Pass	1	Car No. 64883 ⁷⁰ / ₈ ~ Added An
	99971 0500	Spring Washer	1	
27	0820 17 345	Driven Gear, Speedometer	1	
28	0187 17 346B	Sleeve, Speedometer	1	
29	99586 10207	Oil Seal	1	
30	0187 17 351A	Cable Joint	1	
31	99541 02101	"D" Ring	1	
32	0187 17 352	Knock Pin	1	
33	0111 17 354	Lock Plate	1	
34	99806 0614	Bolt, Lock Plate	1	
	908062 6 14	Bolt & Washer	1	Car No. 64913 ⁷⁰ / ₈ ~ O
	99971 0600	Spring Washer	1	Car No. 64913 ⁷⁰ / ₈ ~ Discarded
35	0603 17 361	Packing, T/Mission Extension	1	
36	99921 1000	Nut, T/Mission Extension	6	
	99953 1000	Plain Washer	6	
	99971 1000	Spring Washer	6	
•	0221 17 470	Change Control Case Ass'y	1	
•	37 0221 17 471A	Case, Change Control	1	
•	0221 17 471B	Case, Change Control	1	Car No. 103335 ⁷¹ / ₉ ~ X
•	0303 17 472	Plain Change Lever	1	Car No. 103335 ⁷¹ / ₉ ~ Added An
38	0221 17 478	Packing, Change Control Case	1	
39	99953 0800	Plain Washer, Change Control Case	4	

No.	Part Number	Description	Qty	Remarks
	99971 0800	Spring Washer	4	
	99801 0825	Bolt	4	
40	0820 17 520	Breather Cover Ass'y	1	
41	0820 17 524	Packing	1	
42	908062 6 10	Set Bolt, Breather Cover	4	





[The text in this section is extremely faint and illegible due to low contrast and poor scan quality. It appears to be a large block of text, possibly a list or a series of paragraphs.]



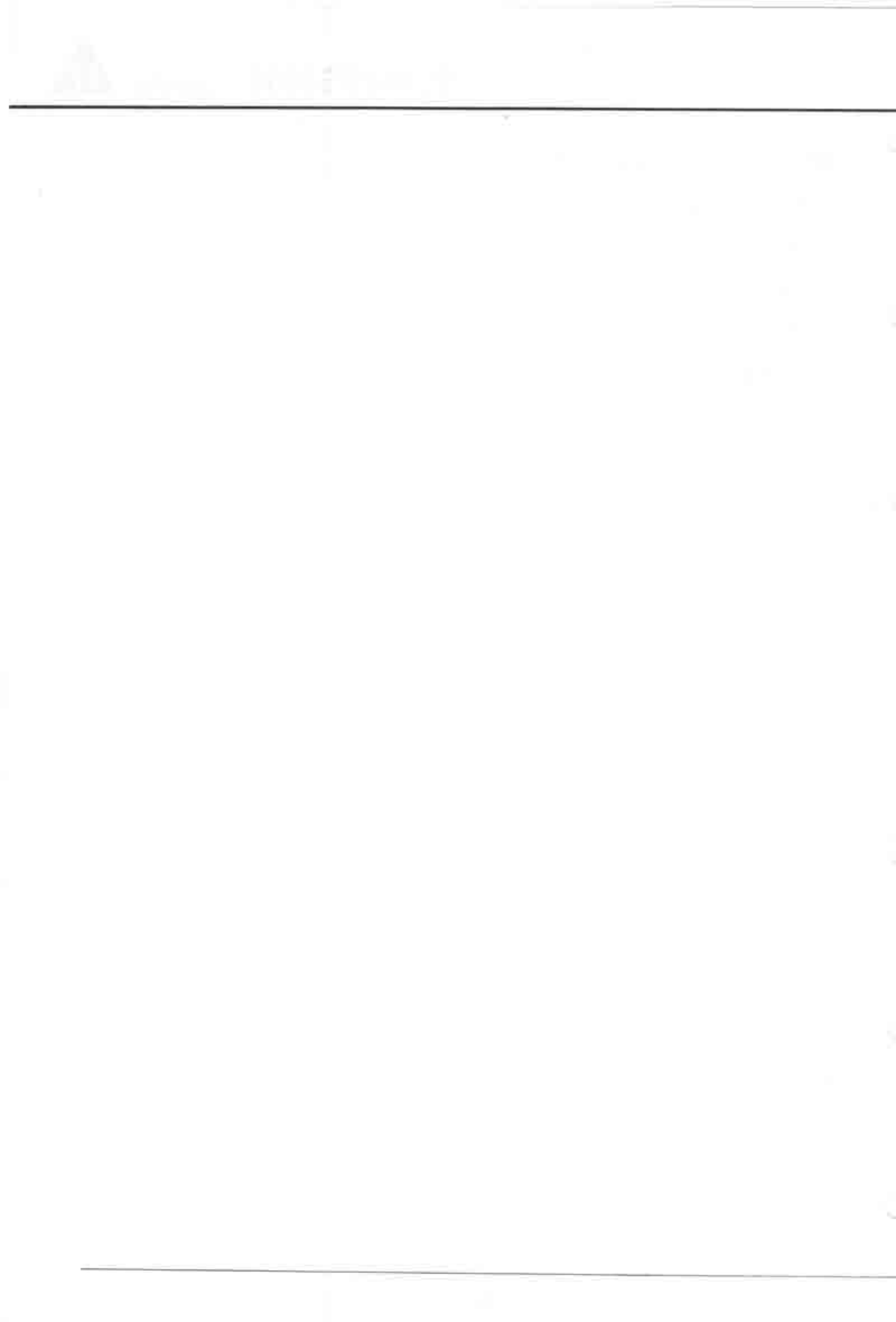
No.	Part Number	Description	Q'ty	Remarks
1	0820 17 201	Main Drive Gear	1	
•	0866 17 201	Main Drive Gear	1	Car No. 103748 ⁷¹ / ₁₂ ~ X
2	99606 63060	Ball Bearing	1	
3	99573 3000	Snap Ring	1	
4	0603 17 210	Needle Roller Bearing	1	
5	0820 17 221B	Main Shaft	1	
• (N)	99963 6310	Shim	1	Car No. 103315 ⁷¹ / ₇ ~ Added Anew
• (N)	99963 6330	Shim	1	Car No. 103315 ⁷¹ / ₇ ~ Added Anew
6	0603 17 230A	THIRD GEAR Ass'y	1	
•	0290 17 230A	THIRD GEAR Ass'y	1	Car No. 103748 ⁷¹ / ₁₂ ~ X
7	0187 17 232	Bush	1	
8	0820 17 241	Clutch Hub, Third & Top	1	
•	0820 17 241A	Clutch Hub, Third & Top	1	Car No. 68484 ⁷⁰ / ₁₀ ~ O
•	0820 17 241B	Clutch Hub, Third & Top	1	Car No. 101464 ⁷¹ / ₆ ~ O
•	0290 17 241B	Clutch Hub, Third & Top	1	Car No. 103748 ⁷¹ / ₁₂ ~ X
• 9	0187 17 242	Clutch Hub Sleeve	1	Car No. 103748 ⁷¹ / ₁₂ ~ Discarded
10	0187 17 243	Synchronizer Key	3	
• 11	0103 17 244A	Synchronizer Key Spring	2	Car No. 103748 ⁷¹ / ₁₂ ~ Discarded
12	4069 17 245	Synchronizer Ring	2	Car No. 103748 ⁷¹ / ₁₂ ~ Discarded
•	0839 17 245	Synchronizer Ring	2	Car No. 103748 ⁷¹ / ₁₂ ~ Added Anew
13	99573 3200	Snap Ring	1	
	0317 17 225	Snap Ring	1	Car No. 87150 ⁷⁰ / ₂ ~ O
14	0222 17 250A	SECOND GEAR Ass'y	1	
•	0866 17 250	SECOND GEAR Ass'y	1	Car No. 103335 ⁷¹ / ₈ ~ X
15	0187 17 272	Bush	1	
16	0820 17 261	Clutch Hub	1	
	0820 17 261A	Clutch Hub	1	Car No. 69117 ⁷⁰ / ₁₀ ~ O
• 17	0603 17 262	Clutch Hub Sleeve	2	Car No. 103748 ⁷¹ / ₁₂ ~ Q'ty
18	0187 17 243	Synchronizer Key	3	

No.	Part Number	Description	Q'ty	Remarks
• 19	0600 17 324	Synchronizer Key Spring	4	Car No. 103335 ⁷ / ₁₂ ~ Q'ty
20	0813 17 245	Synchronizer Ring	2	
•	0839 17 245	Synchronizer Ring	2	Car No. 103335 ⁷ / ₈ ~ X
21	0187 17 276	Thrust Lock Washer	1	
• 22	0222 17 270A	LOW GEAR Ass'y	1	
	0866 17 270	LOW GEAR Ass'y	1	Car No. 103335 ⁷ / ₈ ~ X
23	0187 17 272	Bush	1	
24	0187 17 275A	Gear Sleeve	1	
25	0187 17 276	Thrust Washer	1	
26	99606 33060	Ball Bearing	1	
27	0603 17 281	Reverse Gear	1	
28	99236 0725	Key	1	
29	0187 17 283	Lock Washer	1	
30	0187 17 284	Nut	1	
31	0222 17 301A	Countershaft Gear	1	
	0222 17 301B	Countershaft Gear	1	Car No. 62759 ⁷ / ₁ ~ X
32	0603 17 302	Reverse Gear	1	
33	0603 17 303	Needle Roller Bearing	1	
34	99573 2200	Snap Ring	1	
35	0164 17 277	Ball Bearing	1	
	99606 63440	Ball Bearing	1	Car No. 62759 ⁷ / ₁ ~ X
36	0603 17 305	Snap Ring	1	
37	0603 17 310	REVERSE IDLE GEAR Ass'y	1	
38	0603 17 312	Bush	1	

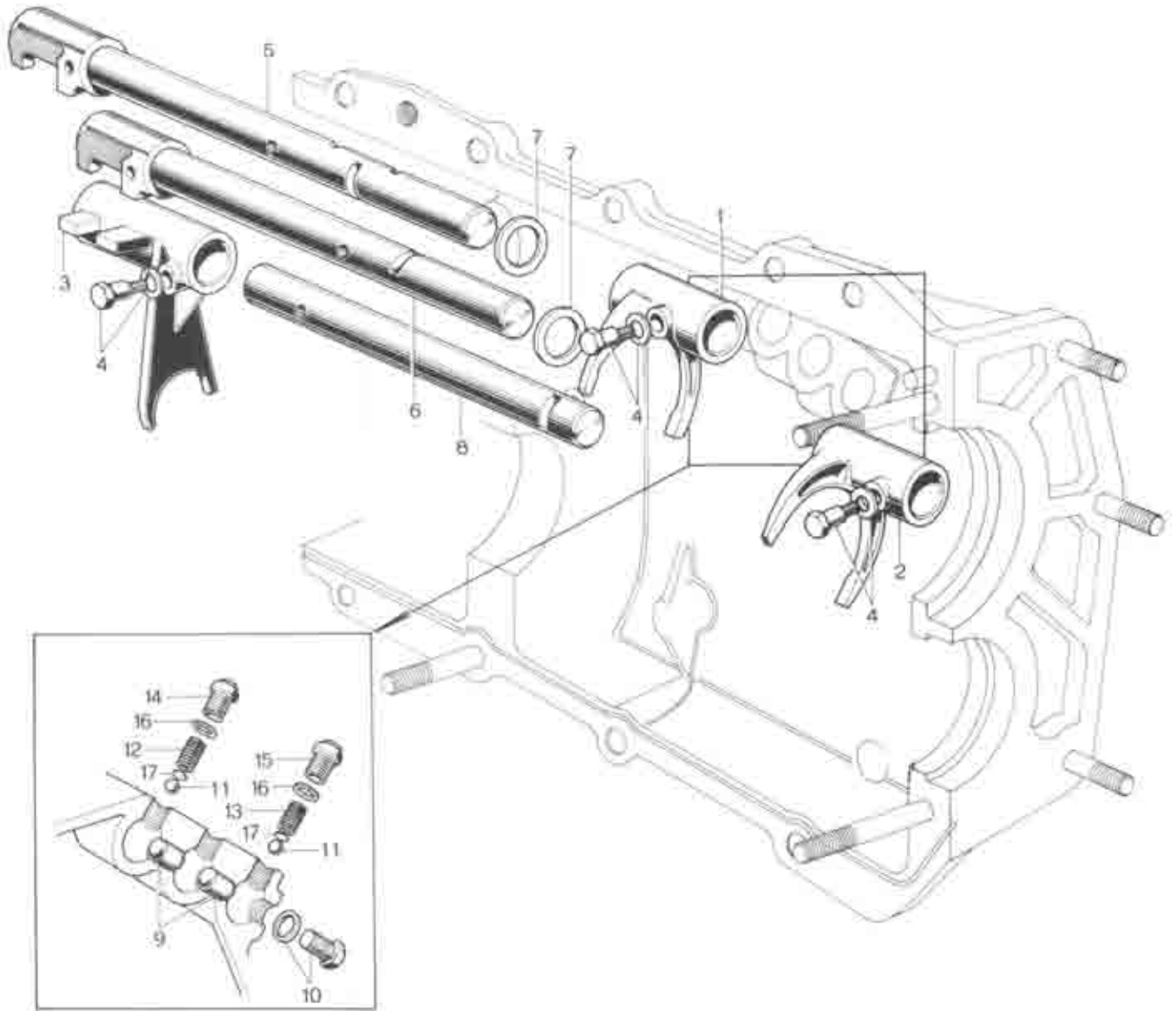
T/MISSION (GEAR)

17

No.	Part Number	Description	Qty	Remarks
39	0603 17 321	Shaft, Reverse Idle Gear	1	
40	0187 17 323	Set Screw	1	
	99564 0800	Packing	1	
41	0820 17 341	Drive Gear, Speedometer	1	
42	99573 2500	Snap Ring	1	
43	99611 1500	Steel Ball	1	







T/MISSION (SHIFT FORK)

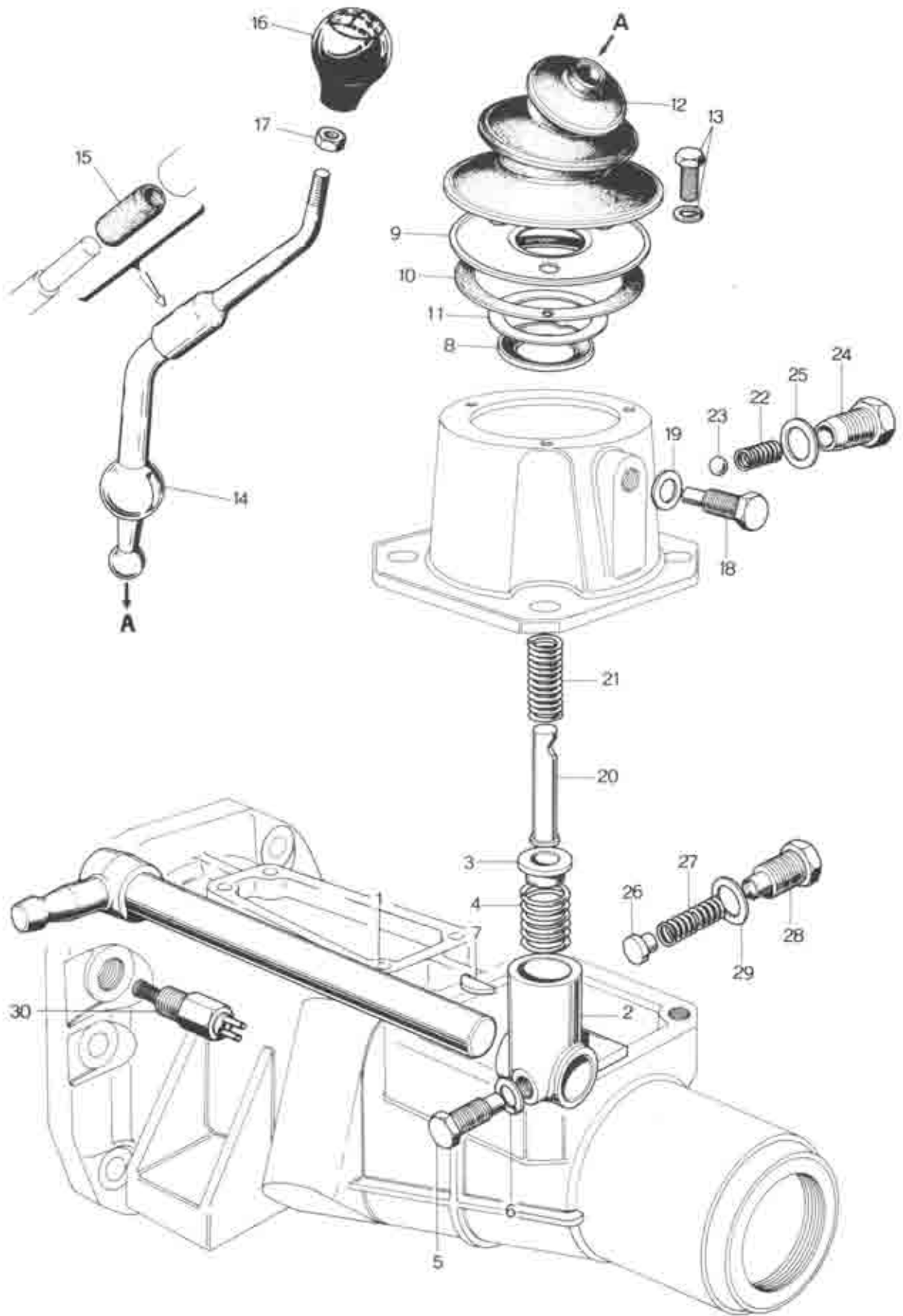
17

No.	Part Number	Description	Q'ty	Remarks
1	0290 17 402	Shift Fork, Low & Second	1	
2	0187 17 404	Shift Fork, Third & Top	1	
	0290 17 404	Shift Fork, Third & Top	1	Car No. 103748 ⁷¹ / ₁₂ ~ X
3	2981 17 406	Shift Fork, Reverse	1	
4	0118 17 313	Set Screw	3	
	99971 0600	Spring Washer	3	
5	2981 17 410	Shift Fork Rod Ass'y, Low & Second	1	
6	2981 17 420	Shift Fork Rod Ass'y, Third & Top	1	
	0292 17 420	Shift Fork Rod Ass'y, Third & Top	1	Car No. 103748 ⁷¹ / ₁₂ ~ X
7	0118 17 316	Adjusting Spacer	2	
8	2981 17 431	Shift Fork Rod, Reverse	1	
9	0114 17 351	Interlock Pin	2	
10	99510 1000	Plug	1	
	99564 1000	Packing	1	
11	99611 2500	Steel Ball	4	
12	0103 17 411	Ball Spring, Shift Lock	2	
13	0014 17 411	Ball Spring, Shift Lock Reverse	2	
14	0221 17 441	Spring Cap	2	
15	0221 17 441	Spring Cap, Reverse	2	
16	99562 1400	Packing	4	
17	0183 17 493	Adjust Plate	2	



Year	1950	1951	1952	1953	1954	1955	1956	1957	1958	1959	1960	1961	1962	1963	1964	1965	1966	1967	1968	1969	1970	1971	1972	1973	1974	1975	1976	1977	1978	1979	1980	1981	1982	1983	1984	1985	1986	1987	1988	1989	1990	1991	1992	1993	1994	1995	1996	1997	1998	1999	2000	2001	2002	2003	2004	2005	2006	2007	2008	2009	2010	2011	2012	2013	2014	2015	2016	2017	2018	2019	2020	2021	2022	2023	2024																																																																																																																														
Real GDP	100	102	104	106	108	110	112	114	116	118	120	122	124	126	128	130	132	134	136	138	140	142	144	146	148	150	152	154	156	158	160	162	164	166	168	170	172	174	176	178	180	182	184	186	188	190	192	194	196	198	200	202	204	206	208	210	212	214	216	218	220	222	224	226	228	230	232	234	236	238	240	242	244	246	248	250	252	254	256	258	260	262	264	266	268	270	272	274	276	278	280	282	284	286	288	290	292	294	296	298	300	302	304	306	308	310	312	314	316	318	320	322	324	326	328	330	332	334	336	338	340	342	344	346	348	350	352	354	356	358	360	362	364	366	368	370	372	374	376	378	380	382	384	386	388	390	392	394	396	398	400	402	404	406	408	410	412	414	416	418	420	422	424	426	428	430	432	434	436	438	440	442	444	446	448	450	452	454	456	458	460	462	464	466	468	470	472	474	476	478	480	482	484	486	488	490	492	494	496	498	500



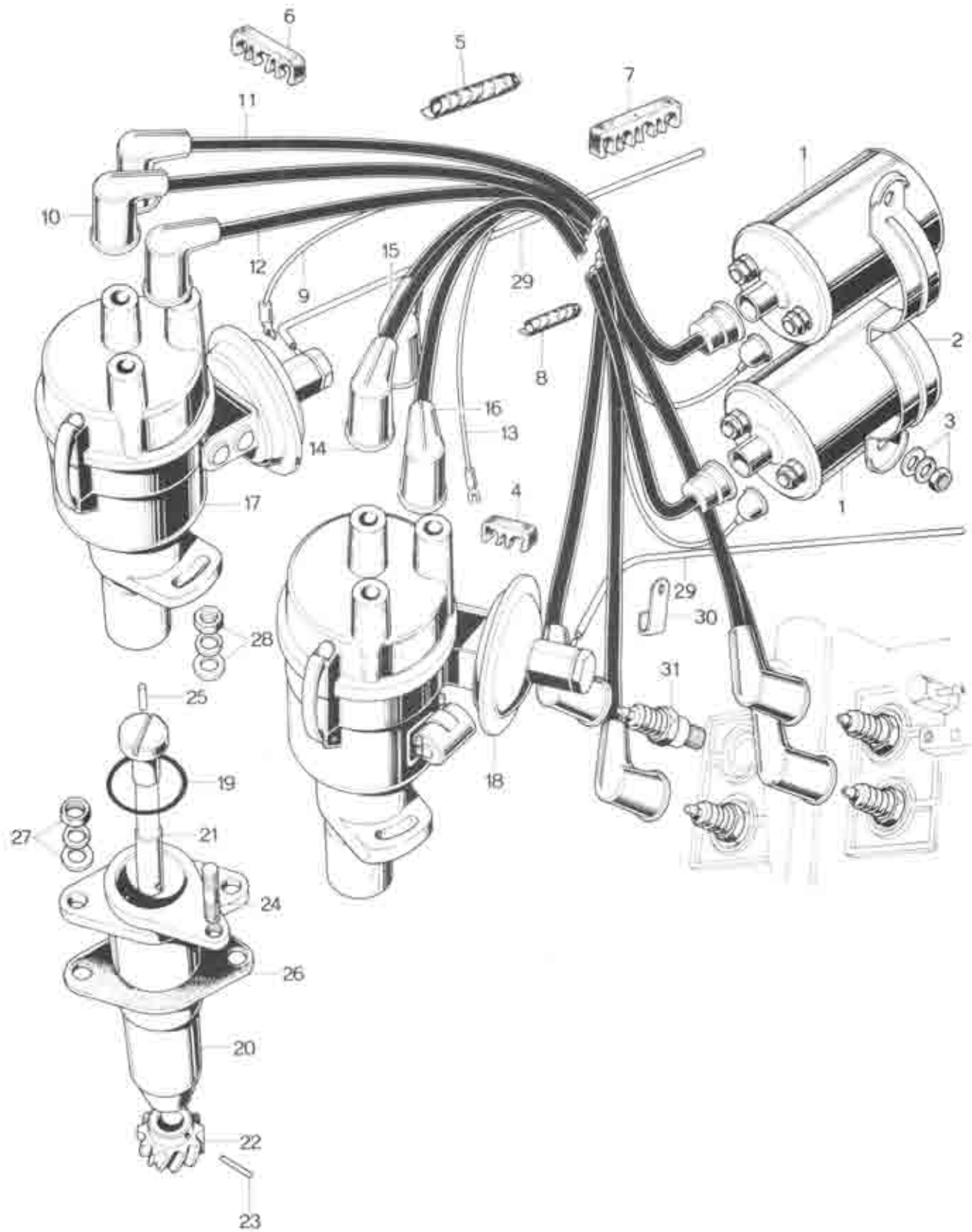


No.	Part Number	Description	Qty	Remarks
1	0820 17 450A	Control Lever Ass'y	1	
2	0221 17 461A	Control Lever End	1	
3	0221 17 462	Spring Seat	1	
4	0221 17 463	Spring	1	
5	0187 17 492	Reamer Bolt	1	
6	99971 0800	Spring Washer	1	
7	0111 17 323	Key	1	
8	0221 17 472	Bush	1	
	0303 17 481	Bush	1	Car No. 87858 ⁷¹ / ₂ ~ X
9	0221 17 473	Cover Plate	1	
10	0221 17 474	Packing	1	
	0303 17 474	Packing	1	Car No. 87858 ⁷¹ / ₂ ~ X
11	99963 3310	Adjust Shim, Selective use	1	
	99963 3330	Adjust Shim, Selective use	1	⁷⁰ / ₈ ~ Added Anew
12	2033 17 475	Dust Boot	1	
13	99806 0614	Bolt	3	
	908062 6 14	Bolt & Washer	3	Car No. 64636 ⁷⁰ / ₈ ~ O
	99971 0600	Spring Washer	3	Car No. 64636 ⁷⁰ / ₈ ~ Discarded
	0303 17 482	Washer-Wave	1	} Car No. 87858 ⁷¹ / ₂ ~ Added Anew
	99963 3330	Shim	1	
14	0820 17 510B	CHANGE LEVER Ass'y	1	
15	0810 17 512	Bush	1	☆
	0820 17 512	Bush	1	Car No. 67812 ⁷⁰ / ₁₀ ~ O
16	0329 17 520	Knob, Change Lever	1	
17	0824 17 524	Nut, Change Lever	1	
• 18	0221 17 541	Set Screw, Change Lever	1	Car No. 103335 ⁷¹ / ₄ ~ Discarded
19	99564 0800	Packing	1	
20	0221 17 551A	Select Lock Spindle	1	
21	0221 17 552	Return Spring	1	
22	0103 17 411	Ball Spring, Shift Lock	1	

T/MISSION (CHANGE CONTROLS)

No.	Part Number	Description	Q'ty	Remarks
23	99611 2500	Steel Ball	1	
24	0191 17 491	Spring Cap	1	
25	99562 1400	Packing	1	
26	2780 17 561	Friction Piece	1	
•	0303 17 561	Friction Piece	1	Car No. 103315 $1\frac{1}{2}$ ~ O
27	0103 17 411	Ball Spring, Shift Lock	1	
28	0183 17 491	Spring Cap	1	
29	99562 1400	Packing	1	
30	0820 17 505	Switch, Reverse Lamp	1	





ELECTRIC EQUIPMENT

(ENGINE No. 1)

18

No.	Part Number	Description	Q'ty	Remarks
1	0813 18 100A	Ignition Coil	2	Car No. 63942 ⁷⁰ / ₈ ~ Discarded
	0820 18 100D	Ignition Coil	1	Car No. 63942 ⁷⁰ / ₈ ~ Added Anew
	0823 18 100	Ignition Coil	1	Car No. 63942 ⁷⁰ / ₈ ~ Added Anew
2	0820 18 106	Bracket, Ignition Coil	1	
	0845 18 190	Bracket Ass'y, Ignition Coil	1	Car No. 87150 ⁷¹ / ₂ ~ X
3	99906 0600	Nut, Ignition Coil	2	
	99971 0600	Spring Washer	2	
	99952 0600	Plain Washer	2	
(N)	0823 18 101	Resistor	1	Car No. 64636 ⁷⁰ / ₈ ~ Added Anew
	908336 5 12	Set Screw	1	Car No. 64636 ⁷⁰ / ₈ ~ Added Anew
	907436 5 16	Set Screw	1	Car No. 87150 ⁷¹ / ₂ ~ O
	99907 0500	Nut	4	Car No. 64636 ⁷⁰ / ₈ ~ Added Anew
	99971 0500	Spring Washer	4	
	99952 0500	Plain Washer	4	
	0820 18 110C	HIGH TENSION CORD Ass'y	1	R.H.D. & For OKINAWA
	0820 18 110D	HIGH TENSION CORD Ass'y	1	
4	0820 18 111B	Supporter	1	
5	0823 18 111	Supporter, $\ell = 124$	1	
6	0820 18 113	Supporter	2	Car No. 87150 ⁷¹ / ₂ ~ Discarded
7	0820 18 114	Supporter	1	
8	0823 18 114	Supporter, $\ell = 92$	1	
9	0820 18 115A	Cord, Coil ~ Distributor	1	
	0820 18 115B	Cord, (T)	1	Car No. 87150 ⁷¹ / ₂ ~ X
10	0820 18 120B	High Tension Cord, Coil ~ Distributor	1	
	0839 18 120	High Tension Cord, Coil ~ Distributor	1	Car No. 87150 ⁷¹ / ₂ ~ O
11	0820 18 130	High Tension Cord (T - 1)	1	Car No. 87150 ⁷¹ / ₂ ~ Discarded
12	0820 18 140	High Tension Cord (T - 2)	1	
13	0820 18 155	Cord, Coil ~ Distributor	1	
	0820 18 155A	Cord, (L)	1	Car No. 87150 ⁷¹ / ₂ ~ X
14	0820 18 160	High Tension Cord, Coil ~ Distributor	1	
	0839 18 160	High Tension Cord, Coil ~ Distributor	1	Car No. 87150 ⁷¹ / ₂ ~ O
15	0820 18 170	High Tension Cord (L - 1)	1	Car No. 87150 ⁷¹ / ₂ ~ Discarded
16	0820 18 180	High Tension Cord (L - 2)	1	
•	0839 18 150	High Tension Cord Ass'y - Plug	1	Car No. 87150 ⁷¹ / ₂ ~ Added Anew
	2113 18 110	HIGH TENSION CORD Ass'y No. 1 (L.H.D.)	1	
	2113 18 110A	HIGH TENSION CORD Ass'y No. 1 (L.H.D.)	1	Car No. 63942 ⁷⁰ / ₈ ~ X
4	0820 18 111B	Supporter	2	
5	0823 18 111	Supporter	2	Car No. 58954 ⁷⁰ / ₄ ~ Discarded
9	2113 18 115	Cord, Coil Distributor (L.H.D.)	1	
	2113 18 115A	Cord, Coil Distributor (L.H.D.)	1	Car No. 63942 ⁷⁰ / ₈ ~ X

No.	Part Number	Description	Qty	Remarks
10	2113 18 120	High Tension Cord, Coil ~ Distributor (L.H.D.)	1	
13	2113 18 155	Cord, Coil ~ Distributor (L.H.D.)	1	
	2113 18 155A	Cord, Coil ~ Distributor (L.H.D.)	1	Car No. 63942 ⁷⁰ / ₈ ~ X
14	2113 18 160	High Tension Cord, Coil ~ Distributor	1	
	2113 18 160A	High Tension Cord, Coil ~ Distributor	1	Car No. 63942 ⁷⁰ / ₈ ~ X
	2113 18 150	HIGH TENSION CORD Ass'y No. 2 (L.H.D.)	1	
	0839 18 150	HIGH TENSION CORD Ass'y No. 2 (L.H.D.)	1	Car No. 63942 ⁷⁰ / ₈ ~ O
	2329 18 150	HIGH TENSION CORD Ass'y No. 2 Emission Controlled Model	1	
5	0823 18 111	Supporter	2	Car No. 58954 ⁷⁰ / ₄ ~ Discarded
7	0820 18 114	Supporter	2	Car No. 87150 ⁷¹ / ₂ ~ Q'ty
11	0820 18 130	High Tension Cord (T-1) (L.H.D.)	1	
	0839 18 130	High Tension Cord (T-1) (L.H.D.)	1	Car No. 87150 ⁷¹ / ₂ ~ O
	2329 18 130	High Tension Cord (T-1), Emission Controlled Model	1	
12	0820 18 140	High Tension Cord (T-2) (L.H.D.)	1	
	0839 18 140	High Tension Cord (T-2) (L.H.D.)	1	Car No. 87150 ⁷¹ / ₂ ~ O
	2329 18 140	High Tension Cord (T-2), Emission Controlled Model	1	
15	0820 18 170	High Tension Cord (L-1) (L.H.D.)	1	
	0839 18 170	High Tension Cord (L-1) (L.H.D.)	1	Car No. 87150 ⁷¹ / ₂ ~ O
	2329 18 170	High Tension Cord (L-1), Emission Controlled Model	1	
16	0820 18 180	High Tension Cord (L-2) (L.H.D.)	1	
	0839 18 180	High Tension Cord (L-2) (L.H.D.)	1	Car No. 87150 ⁷¹ / ₂ ~ O
	2329 18 180	High Tension Cord (L-2), Emission Controlled Model	1	
17	0820 18 200D	Distributor (Trailing)	1	
	0820 18 200E	Distributor (Trailing)	1	Car No. 97194 ⁷¹ / ₅ ~ Δ
	2329 18 200	Distributor (Trailing), Emission Controlled Model	1	
18	0820 18 700B	Distributor (Leading)	1	
	2329 18 700	Distributor (Leading), Emission Controlled Model	1	
19	0107 18 201	"O" Ring	2	

ELECTRIC EQUIPMENT

(ENGINE No. 1)

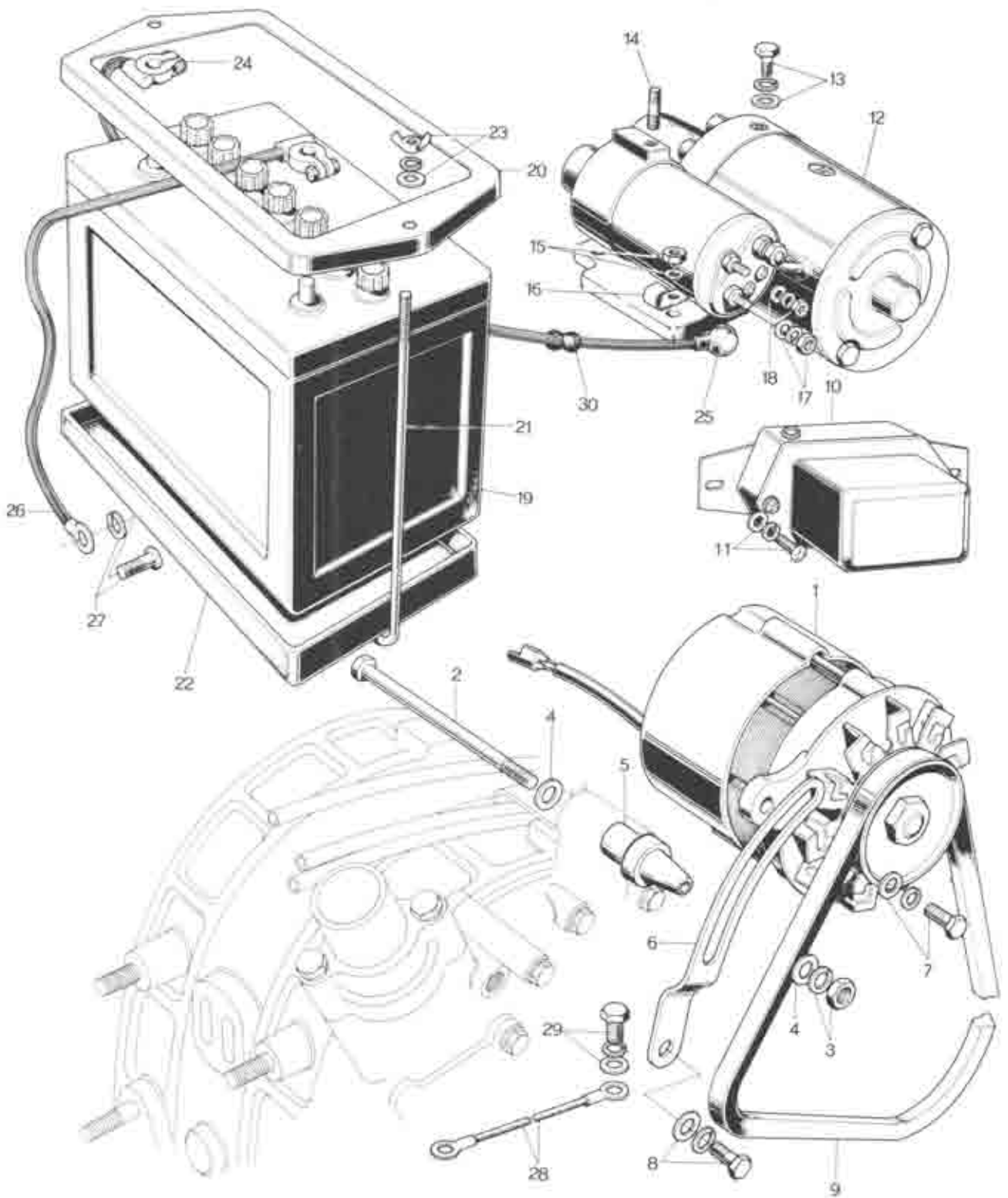
18

No.	Part Number	Description	Qty	Remarks
	0820 18 270D	DISTRIBUTOR SOCKET Ass'y	2	
	0820 18 270E	DISTRIBUTOR SOCKET Ass'y	2	Car No. 94253 $\frac{7}{8}$ ~ O
	0820 18 270F	DISTRIBUTOR SOCKET Ass'y	2	Car No. 103335 $\frac{7}{8}$ ~ X
20	0820 18 271C	Socket	2	
	0820 18 271D	Socket	2	Car No. 94253 $\frac{7}{8}$ ~ O
21	0820 18 272A	Drive Shaft	2	
	0839 18 272	Drive Shaft	2	Car No. 61978 $\frac{7}{8}$ ~ X
	0839 18 272A	Drive Shaft	2	Car No. 103335 $\frac{7}{8}$ ~ X
22	0820 18 273	Driven Gear	2	
	0820 18 273A	Driven Gear	2	Car No. 61978 $\frac{7}{8}$ ~ X
23	99222 0320	Spring Pin	2	
	0820 11 105	Spring Pin	2	Car No. 61978 $\frac{7}{8}$ ~ X
24	99851 0618	Stud	2	
	99851 0618A	Stud	2	Car No. 103748 $\frac{7}{12}$ ~ O
25	0813 18 288	Insert	2	
26	0820 18 279A	Gasket, Distributor Socket	2	
27	99901 0800	Nut, Distributor Socket	4	
	99971 0800	Spring Washer	4	
	99953 0800	Plain Washer	4	
28	99906 0600	Nut, Distributor	2	
	99971 0600	Spring Washer	2	
	99952 0600	Plain Washer	2	
29	0823 18 291	Vacuum Control Tube	2	
30	0820 18 296	Clip, General Export Model	1	Car No. 95206 $\frac{7}{8}$ ~ Discarded
31	0823 18 600	Spark Plug (N.G.K.)	4	
	0839 18 600	Spark Plug (N.G.K.) B7EJ (NIPPON DENSO) W25EG2	4	Car No. 63909 $\frac{7}{8}$ ~ O
	0866 18 600	Spark Plug (N.G.K.) B7EM	4	Car No. 103690 $\frac{7}{11}$ ~ Δ
	2125 18 600	Spark Plug, (NIPPON DENSO, W 25EG)	4	
	0840 18 600	Spark Plug, (N.G.K.) B8EJ (NIPPON DENSO) W25EG2	4	Car No. 63909 $\frac{7}{8}$ ~ O
	0867 18 600	Spark Plug (N.G.K.) B8EM	4	Car No. 103690 $\frac{7}{11}$ ~ Δ
	2329 18 600	Spark Plug, Emission Controlled Model (NIPPON DENSO) W 22EH2 (N.G.K.) B7EJ2	4	
	2339 18 600	Spark Plug, Emission Controlled Model (NIPPON DENSO) W25EH2 (N.G.K.) B8EJ6	4	
	0848 18 600	Spark Plug (N.G.K.) B6EJ (NIPPON DENSO) W17EG2	4	$\frac{7}{8}$ ~ Added Anew
	0865 18 600	Spark Plug (N.G.K.) B6EM	4	Car No. 103690 $\frac{7}{11}$ ~ Δ



ಕ್ರ. ಸಂ.	ನಾಮ	ವಿಧಾನಸಭೆ	ವಿಧಾನಪರಿಷತ್	ಮತದಾನ ಕ್ಷೇತ್ರ	ತಾ.ಪಂ.	ಬಿ.ಬಿ.ಬಿ.	ಬಿ.ಬಿ.ಬಿ.	ಬಿ.ಬಿ.ಬಿ.	ಬಿ.ಬಿ.ಬಿ.
1	ಶ್ರೀ								
2	ಶ್ರೀ								
3	ಶ್ರೀ								
4	ಶ್ರೀ								
5	ಶ್ರೀ								
6	ಶ್ರೀ								
7	ಶ್ರೀ								
8	ಶ್ರೀ								
9	ಶ್ರೀ								
10	ಶ್ರೀ								
11	ಶ್ರೀ								
12	ಶ್ರೀ								
13	ಶ್ರೀ								
14	ಶ್ರೀ								
15	ಶ್ರೀ								
16	ಶ್ರೀ								
17	ಶ್ರೀ								
18	ಶ್ರೀ								
19	ಶ್ರೀ								
20	ಶ್ರೀ								
21	ಶ್ರೀ								
22	ಶ್ರೀ								
23	ಶ್ರೀ								
24	ಶ್ರೀ								
25	ಶ್ರೀ								
26	ಶ್ರೀ								
27	ಶ್ರೀ								
28	ಶ್ರೀ								
29	ಶ್ರೀ								
30	ಶ್ರೀ								
31	ಶ್ರೀ								
32	ಶ್ರೀ								
33	ಶ್ರೀ								
34	ಶ್ರೀ								
35	ಶ್ರೀ								
36	ಶ್ರೀ								
37	ಶ್ರೀ								
38	ಶ್ರೀ								
39	ಶ್ರೀ								
40	ಶ್ರೀ								
41	ಶ್ರೀ								
42	ಶ್ರೀ								
43	ಶ್ರೀ								
44	ಶ್ರೀ								
45	ಶ್ರೀ								
46	ಶ್ರೀ								
47	ಶ್ರೀ								
48	ಶ್ರೀ								
49	ಶ್ರೀ								
50	ಶ್ರೀ								
51	ಶ್ರೀ								
52	ಶ್ರೀ								
53	ಶ್ರೀ								
54	ಶ್ರೀ								
55	ಶ್ರೀ								
56	ಶ್ರೀ								
57	ಶ್ರೀ								
58	ಶ್ರೀ								
59	ಶ್ರೀ								
60	ಶ್ರೀ								
61	ಶ್ರೀ								
62	ಶ್ರೀ								
63	ಶ್ರೀ								
64	ಶ್ರೀ								
65	ಶ್ರೀ								
66	ಶ್ರೀ								
67	ಶ್ರೀ								
68	ಶ್ರೀ								
69	ಶ್ರೀ								
70	ಶ್ರೀ								
71	ಶ್ರೀ								
72	ಶ್ರೀ								
73	ಶ್ರೀ								
74	ಶ್ರೀ								
75	ಶ್ರೀ								
76	ಶ್ರೀ								
77	ಶ್ರೀ								
78	ಶ್ರೀ								
79	ಶ್ರೀ								
80	ಶ್ರೀ								
81	ಶ್ರೀ								
82	ಶ್ರೀ								
83	ಶ್ರೀ								
84	ಶ್ರೀ								
85	ಶ್ರೀ								
86	ಶ್ರೀ								
87	ಶ್ರೀ								
88	ಶ್ರೀ								
89	ಶ್ರೀ								
90	ಶ್ರೀ								
91	ಶ್ರೀ								
92	ಶ್ರೀ								
93	ಶ್ರೀ								
94	ಶ್ರೀ								
95	ಶ್ರೀ								
96	ಶ್ರೀ								
97	ಶ್ರೀ								
98	ಶ್ರೀ								
99	ಶ್ರೀ								
100	ಶ್ರೀ								





ELECTRIC EQUIPMENT (ENGINE No. 2)

18

No.	Part Number	Description	Qty	Remarks
1	0820 18 300C	Alternator, General Export Model	1	
	2329 18 300A	Alternator, General Export Model	1	Car No. 94734 $7\frac{1}{4}$ ~ O
	2329 18 300A	Alternator, Emission Controlled Model	1	
2	99803 08120	Bolt, Alternator	1	
3	99901 0800	Nut, Alternator	1	
	99971 0800	Spring Washer	1	
4	99952 0800	Plain Washer, Alternator	2	
5	0820 18 311	Alternator Bracket	1	
6	0820 18 361	Alternator Strap, General Export Model	1	
	2329 18 361	Alternator Strap, Emission Controlled Model	1	
7	99801 0822	Bolt, Alternator	1	
	99951 0818	Plain Washer	1	
	99971 0800	Spring Washer	1	
8	908012 8 16	Set Bolt, Alternator Strap	1	
9	0820 18 381	"V" Belt, General Export Model	1	
	2123 18 381	"V" Belt, General Export Model	1	Car No. 64636 $7\frac{7}{8}$ ~ O
	2329 18 381	"V" Belt, General Export Model	1	Car No. 94734 $7\frac{1}{4}$ ~ O
	2329 18 381	"V" Belt, Emission Controlled Model	1	
10	0222 18 391	Regulator	1	
	0222 18 391C	Regulator	1	Car No. 93826 $7\frac{1}{2}$ ~ O
11	99834 0616	Screw, Regulator	2	
	907976 612	Washer and Bolt	2	Car No. 103335 $7\frac{1}{9}$ ~ O
	99971 0600	Spring Washer	2	
	99953 0600	Plain Washer	2	Car No. 103335 $7\frac{1}{9}$ ~ Discarded
12	0820 18 400C	Starter, General Export Model	1	
	0845 18 400	Starter, General Export Model	1	Car No. 87150 $7\frac{1}{2}$ ~ X
	99295 2008	Clip	1	Car No. 87150 $7\frac{1}{2}$ ~ Added Anew
	2329 18 400	Starter, Emission Controlled Model	1	
13	99801 0828	Bolt, Starter	2	
	99801 0830	Bolt, Starter	2	Car No. 103749 $7\frac{1}{12}$ ~ O
	99971 0800	Spring Washer	2	
	99953 0800	Plain Washer	2	
14	99851 0814	Stud, Air Cleaner Supporter	1	
	99851 0814A	Stud, Air Cleaner Supporter	1	Car No. 103749 $7\frac{1}{12}$ ~ O
15	99901 0800	Nut, Starter	2	

No.	Part Number	Description	Qty	Remarks
	99971 0800	Spring Washer	2	
16	99295 2008	Clip, Harness Set	1	
•	99295 1008	Clip, Harness Set	1	Car No. 103315 ⁷ / ₈ ~ ○
17	99901 0800	Nut, Screw, Terminal "B"	1	
	99971 0800	Spring Washer	1	
	99952 0800	Plain Washer	1	
18	99906 0500	Nut, Starter, Terminal "S"	1	
	99971 0500	Spring Washer	1	
	99952 0500	Plain Washer	1	
19	0820 18 520A	Battery (NS 60L), General Export Model	1	
	0845 18 520	Battery (NS 60L), (R.H.D. & Okinawa included)	1	Car No. 69162 ⁷ / ₈ ~ Added An
	2244 18 520	Battery (N50 ZL), Arctic Spec. Model	1	
	2329 18 520	Battery (N50 ZL)	1	
20	0820 53 291	Battery Clamp, NS 60L Battery use	1	
	2244 54 291	Battery Clamp, N50 ZL Battery use	1	
21	0223 54 225	Bolt, Clamp No. 1, NS 60L Battery use	2	
	0259 54 292	Bolt, Clamp, N50 ZL Battery use	1	
22	0810 56 863A	Battery Tray, NS 60L Battery use	1	
	2113 54 295	Battery Tray, N50 ZL Battery use	1	
23	99941 0600	Wing Nut, Battery	2	
	99952 0618	Plain Washer	2	
	99971 0600	Spring Washer	2	
24	0820 66 710B	BATTERY POSITIVE CABLE (R.H.D.)	1	
	0820 66 710C	BATTERY POSITIVE CABLE (R.H.D.)	1	Car No. 87858 ⁷ / ₈ ~ ○
	2113 66 710D	BATTERY POSITIVE CABLE (L.H.D.)	1	
	2329 66 710	BATTERY POSITIVE CABLE (L.H.D.)	1	Car No. 87150 ⁷ / ₈ ~ Δ
	2329 66 710	BATTERY POSITIVE CABLE (Emission Control Model)	1	
	2124 66 710	BATTERY POSITIVE CABLE For Okinawa	1	
	2124 66 710A	BATTERY POSITIVE CABLE For Okinawa	1	Car No. 87150 ⁷ / ₈ ~ Δ
25	0114 66 905	Rubber Cap, (R.H.D.) & For OKINAWA	1	
	0118 66 712	Rubber Cap (L.H.D.)	1	

ELECTRIC EQUIPMENT (ENGINE No. 2)

18

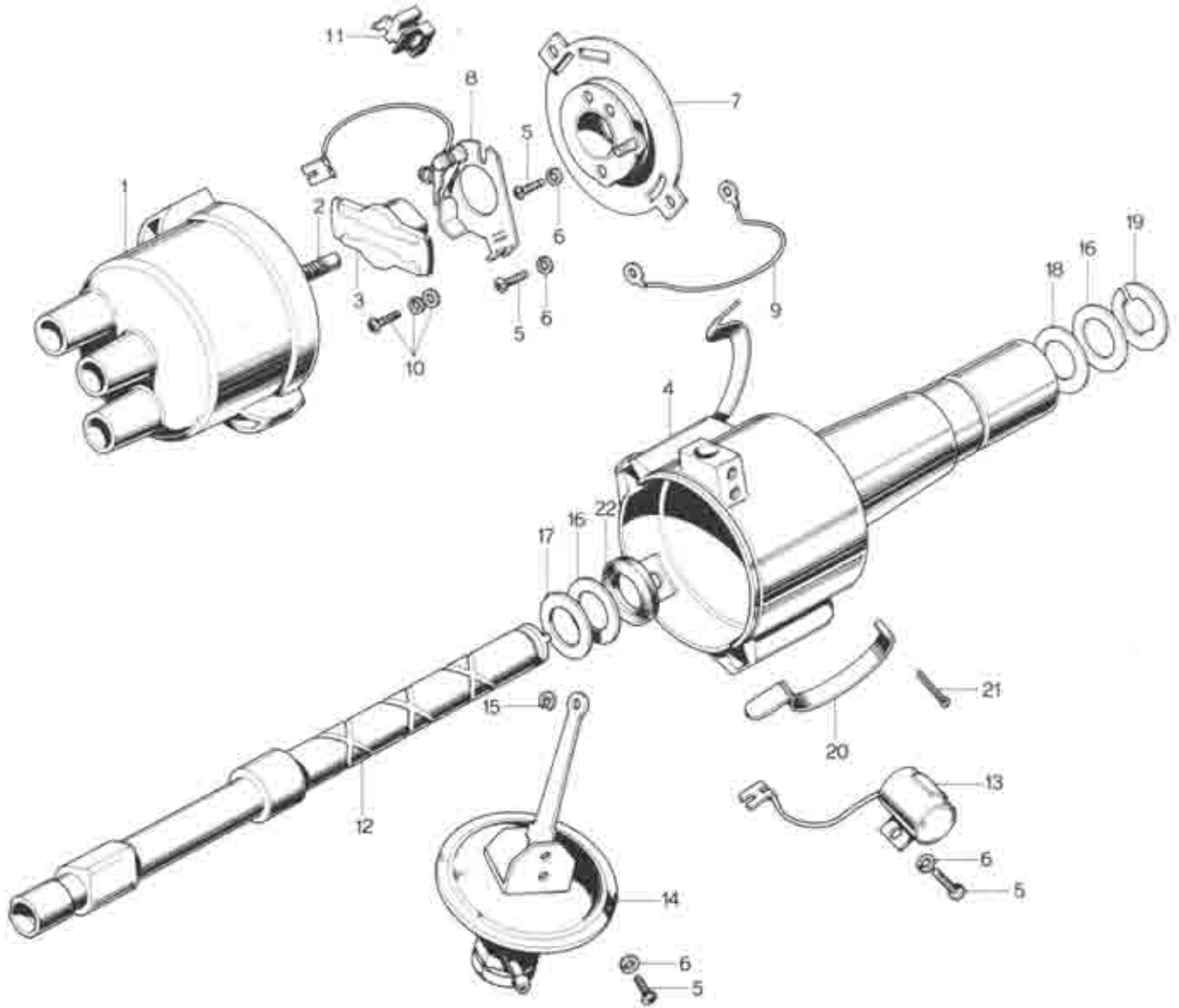
No.	Part Number	Description	Qty	Remarks
26	0187 66 721	Earth Wire, Battery (R.H.D.) & For DKINAWA	1	
	2113 66 721	Earth Wire, Battery (L.H.D.)	1	
27	9080332 8 16	Set Screw, Earth Wire	1	
28	0118 66 722	Earth Wire, Engine	1	
29	908010 8 16	Set Bolt, Earth Wire	1	
30	99686 1000	Protector, Positive Cable (L.H.D.)	1	



The main body of the page contains extremely faint and illegible text, which appears to be a list or a series of entries. The text is too light to be transcribed accurately.



DISTRIBUTOR (TRAILING SIDE) (GENERAL EXPORT MODEL)



DISTRIBUTOR (TRAILING SIDE) (GENERAL EXPORT MODEL)

24

No.	Part Number	Description	Qty	Remarks
	0820 18 200D	DISTRIBUTOR Ass'y, TRAILING	1	
	0820 18 200E	DISTRIBUTOR Ass'y, TRAILING	1	Car No. 97194 ⁷ / ₈ ~ Δ
1	0820 24 301	CAP	1	
2	2545 23 496	Contact Carbon	1	
3	0813 24 303	Rotor	1	
4	0820 24 304A	Housing	1	
5	0249 24 367	Small Screw (4 x 8)	6	
6	0107 18 208	Spring Washer	1	
7	0820 24 315	Breaker Base	1	
8	0813 24 316	Arm Support	1	
9	0107 18 212	Earth Cord	1	
10	0820 24 318	Screw	3	
	0820 24 312	Set Screw	2	Car No. 103315 ⁷ / ₈ ~ ○
11	0820 24 319	Terminal	1	
12	0820 24 321	Camshaft	1	
13	0820 24 322	Condenser	1	
14	0820 24 323	Vacuum Control	1	
	0820 24 323A	Vacuum Control	1	Car No. 103315 ⁷ / ₈ ~ ○
15	0107 18 266	Lock Washer	1	
16	0107 18 226A	Washer (12.7 x 20 x 1.0)	2	
17	0107 18 225	Washer (12.7 x 20 x 0.1)	1	
18	0107 18 224	Washer (12.7 x 20 x 0.2)	1	
19	0107 18 221A	Lock Washer	1	
20	0813 24 329	Clamp	2	
21	0107 18 253	Cotter Pin	2	
22	0107 18 216A	Oil Seal	1	



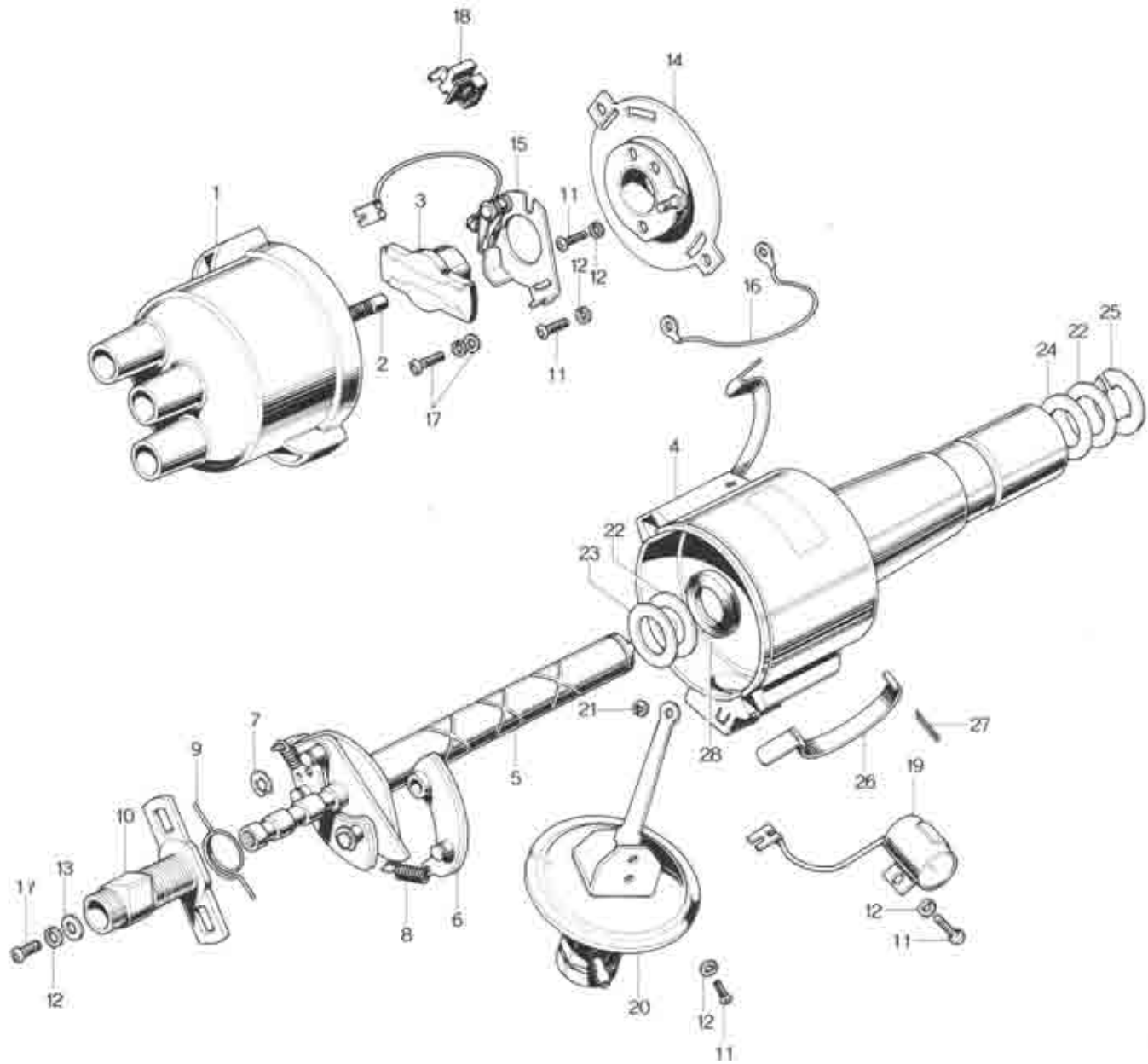
REPORT

DATE: _____

NO.	DESCRIPTION	AMOUNT	TOTAL
1			
2			
3			
4			
5			
6			
7			
8			
9			
10			
11			
12			
13			
14			
15			
16			
17			
18			
19			
20			
21			
22			
23			
24			
25			
26			
27			
28			
29			
30			
31			
32			
33			
34			
35			
36			
37			
38			
39			
40			
41			
42			
43			
44			
45			
46			
47			
48			
49			
50			
51			
52			
53			
54			
55			
56			
57			
58			
59			
60			
61			
62			
63			
64			
65			
66			
67			
68			
69			
70			
71			
72			
73			
74			
75			
76			
77			
78			
79			
80			
81			
82			
83			
84			
85			
86			
87			
88			
89			
90			
91			
92			
93			
94			
95			
96			
97			
98			
99			
100			



DISTRIBUTOR (LEADING SIDE) (GENERAL EXPORT MODEL)



DISTRIBUTOR (LEADING SIDE)

(GENERAL EXPORT MODEL)

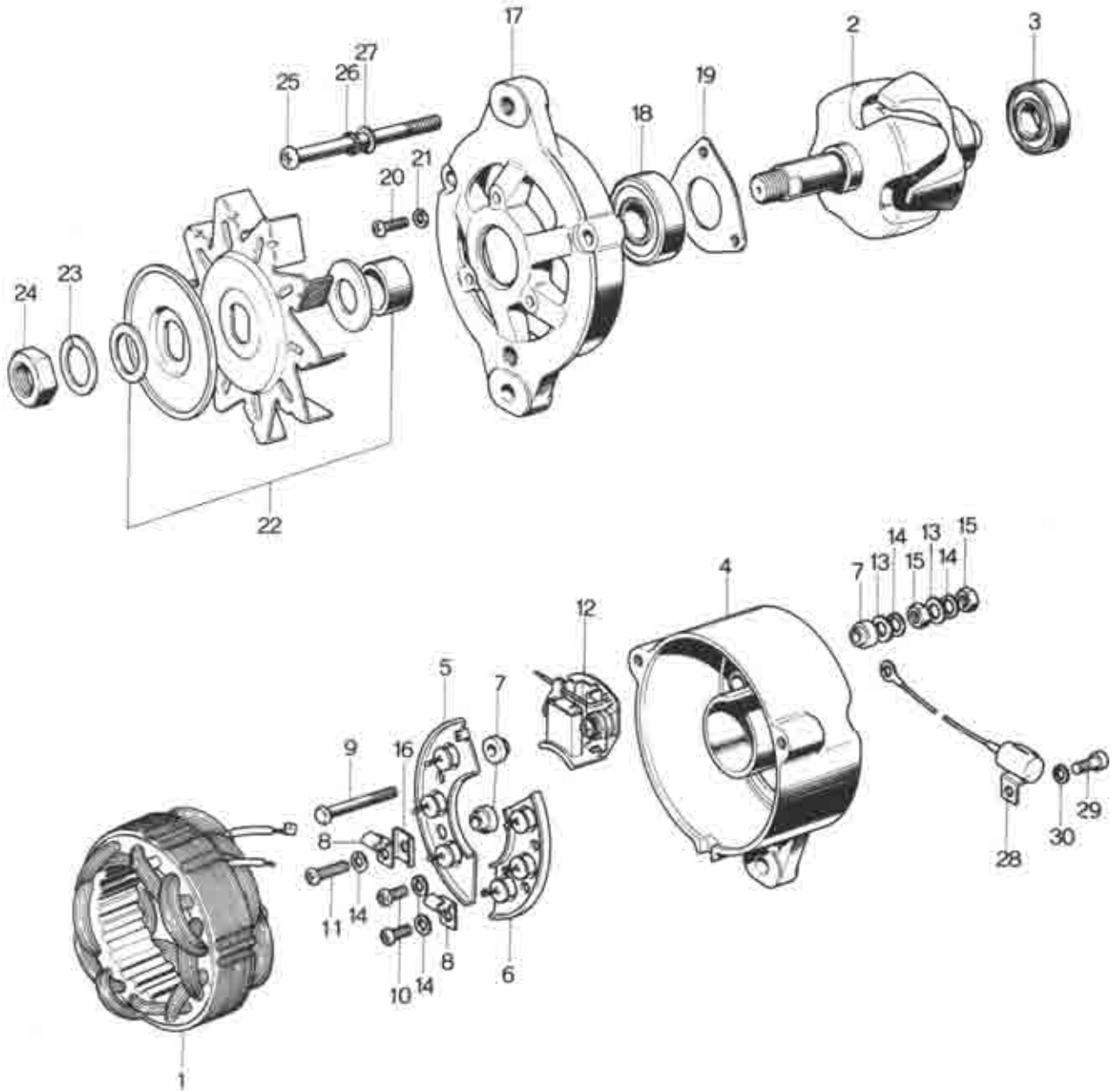
24

No.	Part Number	Description	Q'ty	Remarks
	0820 18 700B	DISTRIBUTOR Ass'y, LEADING	1	
1	0820 24 301	CAP	1	
2	2545 23 496	Contact Carbon	1	
3	0813 24 303	Rotor	1	
4	0820 24 404A	Housing	1	
5	0820 24 405	Shaft	1	
6	0813 24 306	Governor Weight	2	
7	0107 18 231	Lock Washer	2	
8	0813 24 308	Governor Spring	2	
9	0813 24 309	Hair Pin Spring	1	
10	0820 24 411	Cam	1	
• 11	0249 24 367	Small Screw (4 x 8)	1	Car No. 103315 ⁷ / ₇ ~ Q'ty
•	0813 24 312	Washer & Screw	5	Car No. 103315 ⁷ / ₇ ~ ○
• 12	0107 18 208	Spring Washer (4.1 x 7.6 x 1.0)	1	Car No. 103315 ⁷ / ₇ ~ Q'ty
13	0107 18 227	Washer (4.2 x 9.5 x 0.8)	1	
14	0820 24 315	Breaker Base	1	
15	0813 24 316	Arm Support	1	
16	0107 18 212	Earth Cord	1	
• 17	0820 24 318	Set Screw	3	
•	0820 24 312	Set Screw	2	Car No. 103315 ⁷ / ₇ ~ ○
•	0839 24 312	Set Screw	1	Car No. 103315 ⁷ / ₇ ~ ○
18	0820 24 319	Terminal	1	
19	0820 24 322	Condenser	1	
20	0820 24 423	Vacuum Control	1	
•	0820 24 423A	Vacuum Control	1	Car No. 103315 ⁷ / ₇ ~ ○
21	0107 18 266	Lock Washer	1	
22	0107 18 226A	Washer (12.7 x 20 x 1.0)	2	

24**DISTRIBUTOR (LEADING SIDE)
(GENERAL EXPORT MODEL)**

No.	Part Number	Description	Q'ty	Remarks
23	0107 18 225	Washer (12.7 x 20 x 0.1)	1	
24	0107 18 224	Washer (12.7 x 20 x 0.2)	1	
25	0107 18 221A	Lock Washer	1	
26	0813 24 329	Clamp	2	
27	0107 18 253	Cotter Pin	2	
28	0107 18 216A	Oil Seal	1	

ALTERNATOR (GENERAL EXPORT MODEL)



ALTERNATOR TJA

(GENERAL EXPORT MODEL)

24

No.	Part Number	Description	Qty	Remarks
	0820 18 300C	ALTERNATOR	1	
1	0820 24 501A	Stator	1	
2	0820 24 502B	ROTOR	1	
3	0820 24 503	Ball Bearing	1	
	0326 24 520	REAR BRACKET Ass'y	1	
4	0326 24 522	Rear Bracket	1	
5	0326 24 541	Heat Sink Cpt. ⊕	1	
6	0326 24 542	Heat Sink Cpt. ⊖	1	
7	0208 24 563A	Insulation Plate	3	
• 8	0820 24 519	Clamp	3	Car No. 62910 ⁷ / ₁₆ ~ Quantity
9	0636 24 561A	Square Bolt (5 x 32)	1	
10	0222 24 517	Small Screw (5 x 10)	2	
11	0820 24 526	Small Screw (5 x 16)	1	
12	0326 24 556	Bush Holder	1	
13	0187 24 566	Washer (5.5 x 10 x 0.8)	5	
14	0200 23 531	Spring Washer (5 x 1.3)	5	
15	0222 24 568	Nut (5 x 8 x 4)	2	
16	0820 24 513	"U" Insulation	1	

ALTERNATOR

(GENERAL EXPORT MODEL)

No.	Part Number	Description	Qty	Remarks
	0326 24 510	FRONT BRACKET Ass'y	1	
17	0326 24 512	Front Bracket	1	
18	0208 24 514	Ball Bearing	1	
19	0326 24 518	Bearing Press Plate	1	
20	0636 24 568B	Screw	3	
21	0200 23 531	Spring Washer	3	
22	0820 24 530C	Pulley	1	
23	0187 24 577	Spring Washer	1	
24	0187 24 579A	Nut (12 x 22B x 7H)	1	
25	0326 24 574	Small Screw (5 x 67)	3	
26	0200 23 531	Spring Washer	3	
27	0187 24 566	Washer (5.5 x 10 x 0.8t)	3	
28	0290 24 581	Condenser	1	
29	0636 24 524A	Screw	1	
30	0200 23 531	Spring Washer	1	

ALTERNATOR

(EMISSION CONTROLLED MODEL)



No.	Part Number	Description	Q'ty	Remarks
	2329 18 300A	ALTERNATOR	1	
1	0820 24 501A	Stator	1	
2	0820 24 502B	ROTOR	1	
	0605 24 502	ROTOR	1	Car No. 103650 ⁷¹ / ₁₀ ~ ○
3	0820 24 503	Ball Bearing	1	
	0326 24 520	REAR BRACKET Ass'y	1	
4	0326 24 522	Rear Bracket	1	
5	0326 24 541	Heat Sink Cpt. ⊕	1	
6	0326 24 542	Heat Sink Cpt. ⊖	1	
7	0208 24 563A	Insulation Plate	3	
8	0820 24 519	Clamp	3	
9	0636 24 561A	Square Bolt (5 x 32)	1	
10	0222 24 517	Small Screw (5 x 10)	2	
11	0208 24 567A	Small Screw (5 x 16)	1	
12	0326 24 556	Bush Holder	1	
	0605 24 556	Bush Holder	1	Car No. 103650 ⁷¹ / ₁₀ ~ ○
13	0187 24 566	Washer (5.5 x 10 x 0.8)	5	
14	0200 23 531	Spring Washer (5 x 1.3)	5	
15	0222 24 568	Nut (5 x 8 x 4)	2	
16	0820 24 513	"U" Insulation	1	

ALTERNATOR

(EMISSION CONTROLLED MODEL)

No.	Part Number	Description	Q'ty	Remarks
	0820 24 521A	FRONT BRACKET Ass'y	1	
17	0820 24 522A	Front Bracket	1	
18	0208 24 514	Ball Bearing	1	
19	0326 24 518	Bearing Press Plate	1	
20	0636 24 568B	Screw	3	
21	0200 23 531	Spring Washer	3	
22	2329 24 530	Pulley	1	
23	0187 24 577	Spring Washer	1	
24	0187 24 579A	Nut (12 x 22B x 7H)	1	
25	0326 24 574	Small Screw (5 x 67)	3	
26	0200 23 531	Spring Washer	3	
27	0187 24 566	Washer (5.5 x 10 x 0.8t)	3	
28	0290 24 581	Condenser	1	
29	0636 24 524A	Screw	1	
30	0200 23 531	Spring Washer	1	



[The main body of the page contains extremely faint, illegible text, likely bleed-through from the reverse side of the document. The text is arranged in several horizontal lines across the page.]

STARTER

(GENERAL EXPORT MODEL)

24

No.	Part Number	Description	Qty	Remarks
	0820 18 400C	STARTER	1	
1	0820 24 757	Small Screw (5 x 36)	4	
2	0820 24 759	Small Screw (6 x 22)	1	
3	0200 23 531	Spring Washer (5.1 x 92 x 13)	4	
4	0187 24 566	Washer (5.5 x 10 x 0.8)	4	
5	0200 23 519	Spring Washer (6.1 x 12.2 x 1.5)	5	
6	0813 24 726	Washer (6.5 x 13 x 1)	3	
7	0820 24 710B	FRONT BRACKET	1	
8	0249 24 731	Metal	1	
9	0820 24 714	Washer (14.4 x 26 x 1.6)	1	
10	0820 24 713	Ring	1	
11	0820 24 712	Pinion Stopper	1	
12	0820 24 701A	Yoke	1	
13	0820 24 709	Over Running Clutch	1	
14	0813 24 704	Screw (8 x 15)	4	
15	0813 24 703	Pole Piece	4	
16	0820 24 702	Field Coil	1	
17	0820 24 716	Lever	1	
18	0820 24 721	Pinion Shaft	1	
19	0813 24 723A	Brush	4	
20	0813 24 724	Brush Spring	4	

STARTER STRATE

(GENERAL EXPORT MODEL)

No.	Part Number	Description	Qty	Remarks
21	0820 24 756	Washer (12.7 x 28 x 0.2)	1	
22	0820 24 755	Lever Spring (B)	1	
23	0820 24 754	Lever Spring (A)	1	
24	0820 24 720	REAR BRACKET	1	
25	0249 24 731	Metal	1	
26	0820 24 717	Spring Seat (B)	1	
27	0820 24 747	Washer (14.4 x 26 x 0.8)	1	
28	0820 24 748	Washer (14.4 x 26 x 0.2)	2	
29	0603 23 617	Through Bolt (6 x 132)	1	
30	0107 18 423A	Through Bolt (6 x 150)	1	
31	0820 24 706A	CENTER BRACKET	1	
32	0249 24 731	Metal	1	
33	0820 24 707	Metal	1	
34	0820 24 751	Plunger	1	
35	0820 24 749	Washer (24.2 x 34 x 0.5)	2	
36	0820 24 752	Spring	1	
37	0820 24 759	Small Screw (6 x 22)	2	
38	0820 24 736	Switch	1	
39	0820 24 705	Armature	1	
40	0820 24 741	Washer (14.5 x 30 x 1.2)	1	

STARTER

(GENERAL EXPORT MODEL)

24

No.	Part Number	Description	Q'ty	Remarks
41	0118 23 691	Insulation Washer (14.4 x 30 x 0.8)	1	
42	0118 23 689	Washer (14.5 x 30 x 0.25)	2	



1000

1000

1

STARTER

(USED FROM CAR NO. 87150^{7 1/2} ~)

24

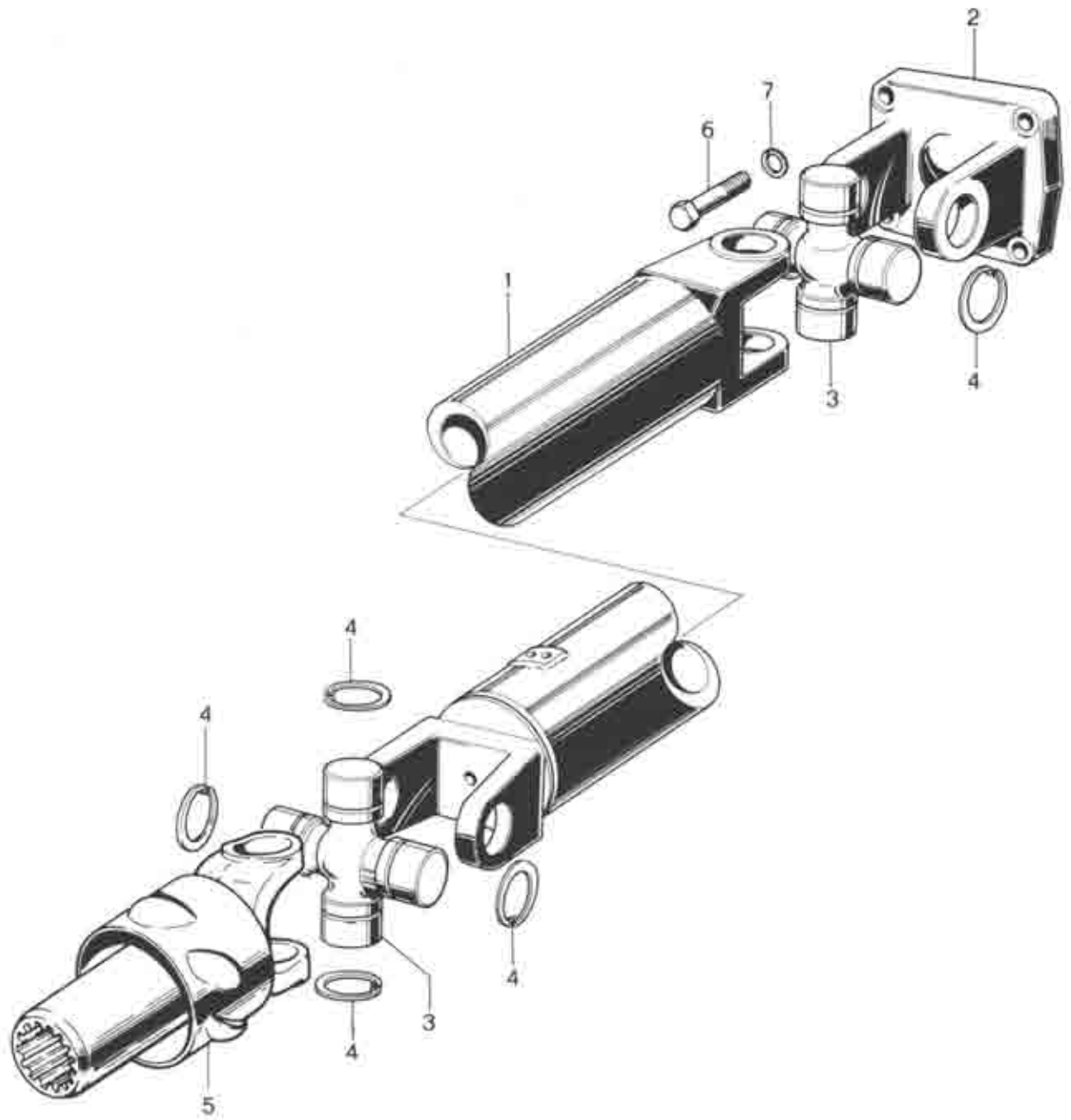
No.	Part Number	Description	Q'ty	Remarks
	0845 18 400	STARTER		
1	0164 23 664	Screw (6 x 25)	6	
2	0107 18 424	Washer, Spring (6.1 x 12.2 x 1.5)	8	
3	0845 24 716	Lever Ass'y	1	
4	0118 23 636	Lever, Spring	1	
5	0118 23 637	Lever, Spring	1	
6	0845 24 717	Holder Ass'y	1	
7	0845 24 706	Bracket Ass'y, Center	1	
8	0820 24 707	Bearing, Sleeve (C)	1	
9	0222 24 741	Bearing, Sleeve (R)	1	
10	0222 24 760A	Switch Ass'y	1	
11	0222 24 756	Bolt, (6 x 134)	2	
12	0845 24 710	BRACKET Ass'y, Front	1	
13	0222 24 741	Bearing, Sleeve (R)	1	
14	0820 24 714	Washer (4.4 x 26 x 1.6)	1	
15	0820 24 713	Ring	1	
16	0845 24 712	Stopper	1	
17	0845 24 709	Clutch, Over Running	1	
18	0845 24 721	Shaft Ass'y, Gear	1	
19	0820 24 747	Washer (14.4 x 26 x 0.8)	1	
20	0820 24 748	Washer (14.4 x 26 x 0.2)	2	

24

STARTER(USED FROM CAR NO. 87150 $\frac{71}{2}$ ~)

No.	Part Number	Description	Q'ty	Remarks
21	0845 24 749	Washer (24.5 x 34 x 1.6)	1	
22	0845 24 705	Armature	1	
23	0107 18 406B	Washer (14.5 x 30 x 1.2)	1	
24	0118 23 689	Washer (14.5 x 30 x 0.25)	2	
25	0118 23 691	Washer, Insulation (14.4 x 30 x 0.8)	1	
26	0845 24 701	YOKE Ass'y	1	
27	0222 24 753	Brush	2	
• (N)	0866 24 704	Screw	4	Car No. 103335 $\frac{71}{8}$ ~ Added A
28	0222 24 750	HOLDER Ass'y, Brush	1	
29	0222 24 752A	Brush, Spring	4	
30	0222 24 753	Brush	2	
31	0845 24 720	BRACKET Ass'y, Rear	1	
32	0222 24 741	Bearing, Sleeve (R)	1	
33	0200 23 531	Washer, Spring (5.9 x 9.2 x 1.3)	2	
34	0222 24 517	Screw (5 x 10)	2	





PROPELLER SHAFT

25

No.	Part Number	Description	Qty	Remarks	
1	0820 25 950D	PROPELLER SHAFT Ass'y	1		
2	0259 25 021B	Universal Joint Yoke	1		
3	0259 25 060	Universal Joint	1		
4	0259 25 071A	Snap Ring			
	0259 25 072A	Snap Ring			
	0259 25 073A	Snap Ring			
	0259 25 074A	Snap Ring			
	0259 25 075A	Snap Ring			Selective use 8
	0259 25 076A	Snap Ring			
	0259 25 077A	Snap Ring			
	0259 25 078A	Snap Ring			
	0259 25 079A	Snap Ring			
5	0324 25 130	Sliding Yoke	1		
	0866 25 130	Sliding Yoke	1	Car No. 103436 7/8 ~ O	
6	0710 25 024	Bolt	4		
7	99971 0800	Spring Washer	4		



TRANS JOURNAL

Volume 1, Number 1

Journal of the Transsexual Community

Editor: [Name]

Editorial Board: [List of names]

Editorial Board: [List of names]

Editorial Board: [List of names]

(4)

Editorial Board: [List of names]

Editorial Board: [List of names]

Editorial Board: [List of names]

Editorial Board: [List of names]

Editorial Board: [List of names]

Editorial Board: [List of names]

Editorial Board: [List of names]

Editorial Board: [List of names]

Editorial Board: [List of names]

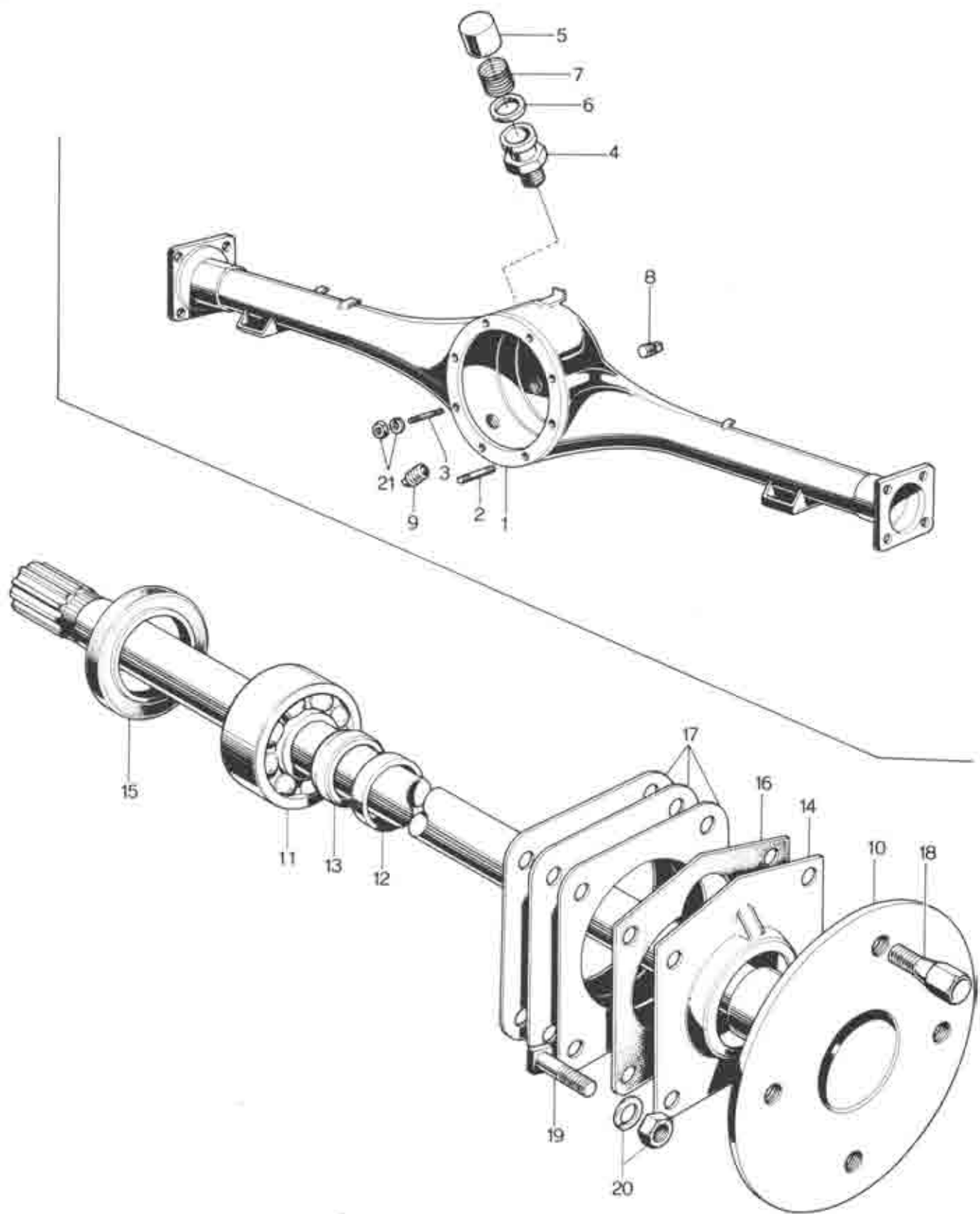
Editorial Board: [List of names]

Editorial Board: [List of names]

Editorial Board: [List of names]

Editorial Board: [List of names]





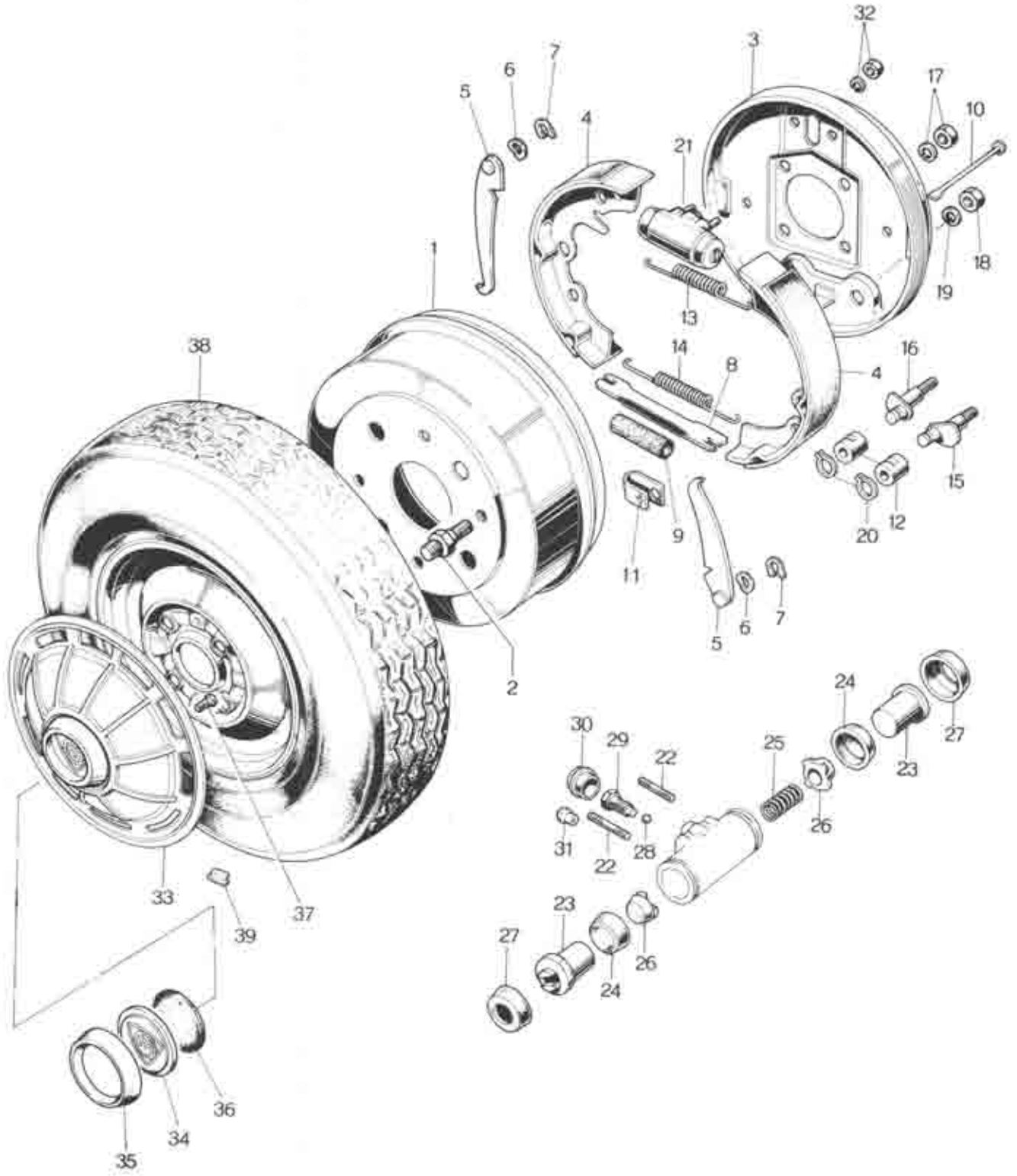
REAR AXLE

26

No.	Part Number	Description	Q'ty	Remarks
1	0820 26 010D	CASING Cpt.	1	
2	99852 0820	Stud	7	
3	99852 0880	Stud	1	
	0259 26 060A	BREATHER Ass'y	1	
4	0259 26 062A	Breather Body	1	
5	0259 26 063	Breather Cap	1	
6	0259 26 064	Breather Cap Rubber	1	
7	0259 26 065A	Breather Cap Spring	1	
8	0259 26 041	Plug, Oil Level	1	
9	0259 26 051	Magnet Plug, Drain	1	
10	0820 26 115A	Rear Axle Shaft	2	
11	0317 26 151	Rear Wheel Bearing	2	Car No. 82291 $\frac{7}{8}$ ~ X
	0317 26 151A	Rear Wheel Bearing	2	
12	0259 26 155	Bearing Spacer	2	
13	0259 26 152	Bearing Collar	2	
14	0259 26 121	Retaining Plate	2	Car No. 82291 $\frac{7}{8}$ ~ Δ
	0317 26 121	Retaining Plate	2	
15	0187 26 154	Oil Seal	2	
16	0259 26 129	Packing, Wheel Bearing	2	
17	0259 26 141	Adjust Shim, Wheel Bearing	Selective use 4	
	0259 26 142	Adjust Shim, Wheel Bearing		
18	0259 33 165	Wheel Set Bolt	8	
19	0259 26 132	Bolt, Retaining Plate	8	
20	99901 0800	Nut, Retaining Plate	8	

No.	Part Number	Description	Qty	Remarks
	99971 0800	Spring Washer	8	
21	99901 0800	Nut, Diff. Carrier	8	
	99971 0800	Spring Washer	8	



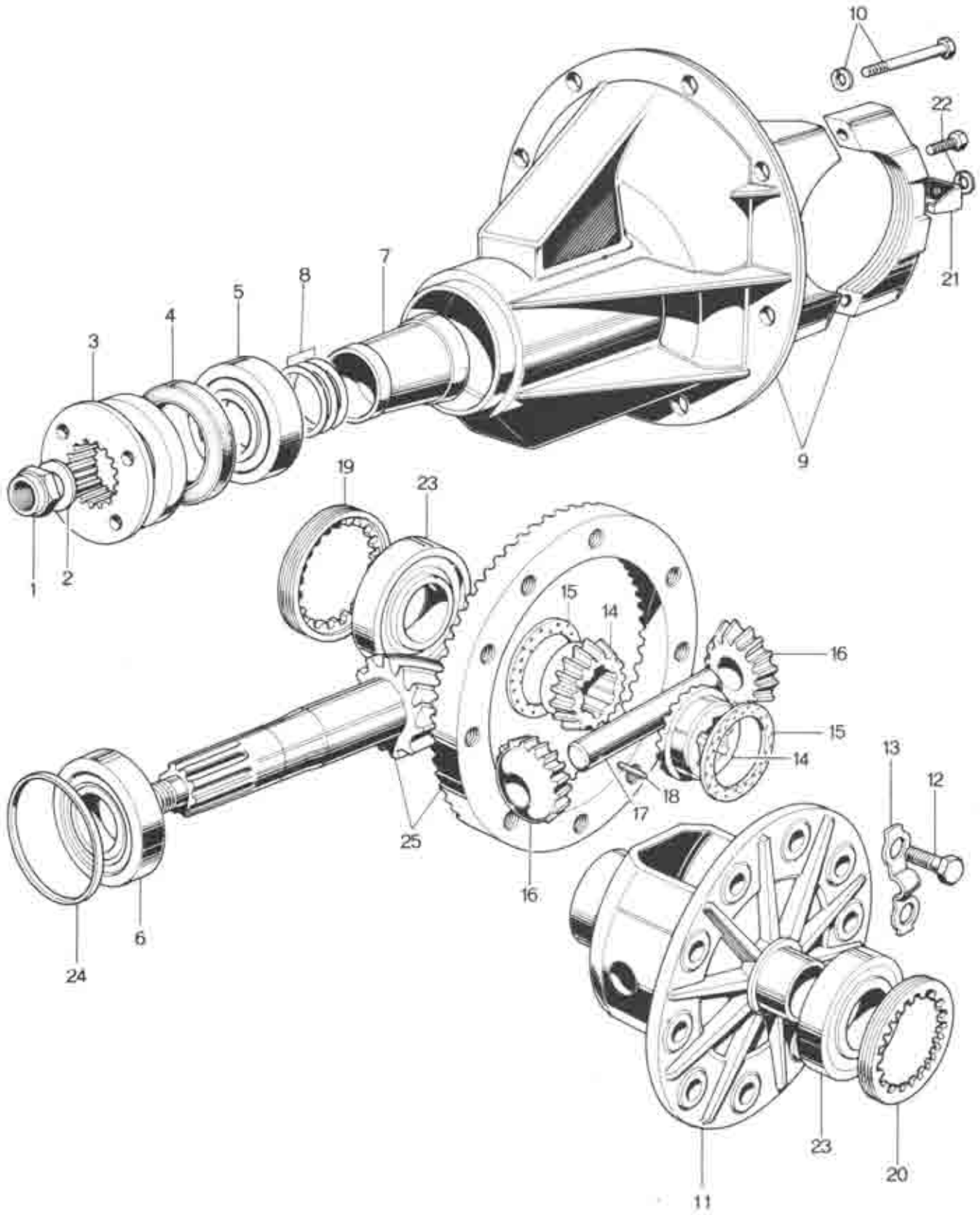


REAR BRAKE

26

No.	Part Number	Description	Q'ty	Remarks
1	0305 26 251	Rear Brake Drum	2	
2	0305 26 255	Bolt	4	
3	0259 26 280	Brake Back Plate (R)	1	
	0259 26 290	Brake Back Plate (L)	1	
4	2113 26 310	Brake Shoe	4	
5	0187 26 800	Operating Lever (R)	1	
	0187 26 810	Operating Lever (L)	1	
6	0118 26 834	Wave Washer	2	
7	99575 0600	"U" Stop Ring	2	
8	0187 26 821	Operating Strut (R)	1	
	0187 26 921	Operating Strut (L)	1	
9	0118 26 897	Holder	2	
10	0187 33 391	Brake Shoe Guide Pin	4	
11	0110 26 354	Clip Spring	4	
12	0118 33 331	Anchor Plate	4	
13	0187 26 341	Return Spring	2	
14	0118 26 342	Return Spring	2	
15	0187 26 501	Anchor Pin (R)	2	
16	0187 26 511	Anchor Pin (L)	2	
17	99921 1200	Nut, Anchor Pin	2	
	99971 1200	Spring Washer	2	
18	99943 1200	Nut, Anchor Pin	2	
19	0118 33 513	Spring Washer	2	
20	99573 1200	Snap Ring	4	





No.	Part Number	Description	Qty	Remarks
	0820 27 000D	DRIVING & DIFFERENTIAL	Cpt.	
	2112 27 000D	DRIVING & DIFFERENTIAL High Speed Type	Cpt. 1	
1	0223 27 030	Nut, Drive Pinion	1	
2	0223 27 012	Washer	1	
3	0223 27 020B	Companion Flange	1	
4	0223 27 018	Oil Seal	1	
	2112 27 018	Oil Seal, High Speed Type	1	
5	0755 27 141	Drive Pinion Bearing (Frt.)	1	
6	0221 27 141	Drive Pinion Bearing (Rr.)	1	
(N)	0305 27 171	Distance Piece	1	Car No. 94253 ⁷ / ₄ ~ Added Anew
7	0223 27 112	Distance Piece		
	0223 27 113	Distance Piece		
	0223 27 114	Distance Piece		
	0223 27 115	Distance Piece		
8	0603 27 121	Adjust Shim		
	0603 27 122	Adjust Shim		
	0221 27 123	Adjust Shim		
			1	Car No. 94253 ⁷ / ₄ ~ Discarded
9	0820 27 150A	DIFFERENTIAL CARRIER	Ass'y	1
10	99811 1050	Bolt, Bearing Cap	4	
	99971 1000	Spring Washer	4	
11	0290 27 231	Differential Gear Case	1	

No.	Part Number	Description	Q'ty	Remarks	
12	997538 1022	Bolt, Ring Gear	} Selective use 10		
	997534 1022	Bolt			
13	0221 27 245	Lock Washer	5		
•	99958 1018	Washer Plane	10	Car No. 103690 7/11 ~ O	
14	0820 27 251	Differential Side Gear	2		
15	0290 27 252	Thrust Washer	} Selective use —		
	0290 27 253	Thrust Washer			
	0290 27 254	Thrust Washer			
16	0221 27 255	Differential Pinion	2		
17	0221 27 261	Pinion Shaft	1		
•	0305 27 261	Pinion Shaft	1	Car No. 103318 7/7 ~ O	
18	0114 27 262	Pin, Differential Pinion Shaft	1		
•	19	0290 27 301	Adjust Screw (R)	2	Car No. 103318 7/7 ~ Q'ty
•	20	0290 27 341	Adjust Screw (L)	1	Car No. 103318 7/7 ~ Discarded
21	0290 27 302	Lock Plate	2		
22	99811 0812	Bolt, Lock Plate	2		
	99971 0800	Spring Washer	2		
23	0221 27 305	Differential Bearing	2		
24	0223 27 401	Spacer, Pinion Height (t = 3.08)	} Selective use —		
	0223 27 402	Spacer (t = 3.11)			
	0223 27 403	Spacer (t = 3.14)			
	0223 27 404	Spacer (t = 3.17)			
	0223 27 405	Spacer (t = 3.20)			
	0223 27 406	Spacer (t = 3.23)			
	0223 27 407	Spacer (t = 3.26)			
	0223 27 408	Spacer (t = 3.29)			
	0223 27 409	Spacer (t = 3.32)			
	0223 27 411	Spacer (t = 3.35)			



REAR SUSPENSION

28

No.	Part Number	Description	Q'ty	Remarks
1	0820 28 010B	REAR SPRING	2	
	0820 28 011B	Leaf Spring No.1	2	
	0820 28 012B	Leaf Spring No.2	2	Coupe use
	0820 28 013B	Leaf Spring No.3	2	
	0820 28 014B	Leaf Spring No.4	2	
	0820 28 015B	Leaf Spring No.5	2	
1	2160 28 010	REAR SPRING	2	
	2160 28 011	Leaf Spring No.1	2	
	2160 28 012	Leaf Spring No.2	2	Sedan use
	2160 28 013	Leaf Spring No.3	2	
	2160 28 014	Leaf Spring No.4	2	
2	0259 28 110	Spring Pin	2	
3	99811 0820	Bolt, Spring Pin	4	Car No. 103722 7/11 ~ O
	99801 0822	Bolt, Spring Pin	4	
	99971 0800	Spring Washer	4	
	99921 0800	Nut	4	
4	99921 1000	Nut, Spring Pin	2	
	99952 1000	Plain Washer	2	
	99971 1000	Spring Washer	2	
5	0259 28 140	Shackle Plate	2	
6	0259 28 143	Shackle Plate	2	
7	99921 1000	Nut	6	
	99971 1000	Spring Washer	4	

No.	Part Number	Description	Qty	Remarks
8	0259 28 151	Spring Clamp (R)	1	
	0259 28 171	Spring Clamp (L)	1	
9	0193 28 161	Lock Bolt, Sedan use	4	
	0652 28 161	Lock Bolt, Coupe use	4	
10	99921 1000	Nut, Lock Bolt	8	
	99971 1000	Spring Washer	8	
11	0259 28 182	Rubber Pad	4	
12	0652 28 183	Holder, Rubber Pad	2	
13	0259 28 320	Bump Stopper	2	
14	0259 28 333	Bush, Front	4	
15	0259 28 343	Bush, Rear	8	
16	0662 28 700	Rear Damper	2	
	0778 28 700	Rear Damper	2	Car No. 77243 ⁷⁹ / ₁₂ ~ ○
17	0603 34 153	Rubber Bush	8	
18	0187 34 776	Retainer	8	
19	0187 34 777	Centering Washer	4	
20	0187 41 644	Bush	2	
	0259 28 778	Gromet	2	Car No. 69117 ⁷⁹ / ₁₀ ~ ○
21	99921 1000	Nut, Damper	4	
	99922 1000	Nut	4	
22	0820 28 185	Plate, Coupe use	2	



STEERING SYSTEM (WHEEL & GEAR)

(WITH ENERGY ABSORBING SHAFT)



No.	Part Number	Description	Qty	Remarks
1	0820 32 800A	CAP Ass'y	1	©
	2113 32 800	CAP Ass'y, For U.S.A. & Canada	1	©
2	0820 32 811A	Emblem	1	©
	2113 32 811A	Emblem, For U.S.A. & Canada	1	©
3	99579 3000	Speed Nut	1	
4	0329 32 980	STEERING WHEEL BOSS Ass'y Plain Type Dashboard use	1	
	0820 32 980C	STEERING WHEEL BOSS Ass'y (“T” Type Dashboard Model)	1	
5	0329 32 013A	Cap Retainer	1	
6	0329 32 014	Spring	1	
7	0329 32 015	Insulator	1	
8	0329 32 016	Contact Plate	1	
9	0329 32 019	Spring	1	
10	0329 32 031	Sub Retainer	1	
11	0329 32 033	Insulator Pipe	1	
12	0329 32 034	Terminal	1	
13	0329 32 049	Core Cover Plain Type Dashboard use	1	
	0820 32 049A	Core Cover, “T” Type Dashboard Model	1	
14	99866 0420	Tapping Screw	3	
15	99866 0308	Tapping Screw	3	
16	99947 1200	Self Lock Nut	1	
17	0208 32 059	Stop Ring	1	
18	0259 32 071	Support Bush	1	

STEERING SYSTEM (WHEEL & GEAR)

(WITH ENERGY ABSORBING SHAFT)

No.	Part Number	Description	Q'ty	Remarks
19	2329 32 100	Energy Absorbing Shaft (L.H.D.)	1	Car No. 64692 ^{70/8} ~ ○
	2329 32 100A	With Steering Lock ("T" Type Dashboard Model)	1	
	2329 32 100B		1	Car No. 77063 ^{70/12} ~ ○
	2123 32 100	Energy Absorbing Shaft (R.H.D.)	1	
		("T" Type Dashboard Coupe use)		
	2370 32 100	Energy Absorbing Shaft (L.H.D.)	1	Car No. 64942 ^{70/8} ~ ○
	2360 32 100	Plain Type Dashboard Sedan use	1	
	2061 32 100		1	Car No. 72947 ^{70/11} ~ ○
	2410 32 100	Energy Absorbing Shaft (L.H.D.)	1	
	2410 32 100B	Plain Type Dashboard Coupe use	1	Car No. 64942 ^{70/8} ~ ○
2335 32 100		1	Car No. 72947 ^{70/11} ~ ○	
2427 32 100	Energy Absorbing Shaft (R.H.D.)	1		
2428 32 100	("T" Type Dashboard Sedan use)	1	Car No. 63173 ^{70/7} ~ ○	
20	0305 32 089A	Bush, Center Link	1	
	0820 32 089	Dust Cover	1	Car No. 64942 ^{70/8} ~ Δ
21	0326 32 411	Dust Cover	1	
22	99901 0800	Nut, Dust Cover	3	
	99952 0800	Plain Washer	3	
	99971 0800	Spring Washer	3	
23	2244 32 423	Fixing Rubber	1	
24	2113 32 425A	Fixing Bracket, Upper ("T" Type Dashboard Model)	1	
	2244 32 425	Fixing Bracket, Upper Plain Type Dashboard Sedan use	1	
	2320 32 425	Fixing Bracket, Upper Plain Type Dashboard Coupe use	1	
25	2113 32 426A	Fixing Bracket, Lower ("T" Type Dashboard Model)	1	
	2244 32 426	Fixing Bracket, Lower Plain Type Dashboard Sedan use	1	
	2320 32 426	Fixing Bracket, Lower Plain Type Dashboard Coupe use	1	
26	908051 8 25	Set Bolt, Fixing Bracket ("T" Type Dashboard Model)	2	
	908051 8 25B	Set Bolt	2	Plain Type Dashboard use
	99952 0800B	Plain Washer	2	
27	0187 32 850A	STEERING JOINT Ass'y	1	
28	0187 32 886B	Clamp	1	
29	99781 0835	Bolt, Clamp	1	
	99971 0800	Spring Washer	1	

STEERING SYSTEM (WHEEL & GEAR)

(WITH ENERGY ABSORBING SHAFT)

32

No.	Part Number	Description	Qty	Remarks
30	99781 0825	Bolt, Steering Joint	1	
	99971 0800	Spring Washer	1	
31	0187 32 860	Spring, Steering Joint	1	
	0329 32 110	STEERING GEAR Ass'y (R.H.D.)	1	
	0329 32 110A	STEERING GEAR Ass'y (R.H.D.)	1	Car No. 63893 ⁷⁰ / ₇ ~ X
	0303 32 110	STEERING GEAR Ass'y (R.H.D.)	1	Car No. 64942 ⁷⁰ / ₈ ~ X
	2244 32 110A	STEERING GEAR Ass'y (L.H.D.)	1	
	2350 32 110	STEERING GEAR Ass'y (L.H.D.)	1	Car No. 63893 ⁷⁰ / ₇ ~ X
	2113 32 110	STEERING GEAR Ass'y (L.H.D.)	1	Car No. 64942 ⁷⁰ / ₈ ~ X
	2113 32 110A	STEERING GEAR Ass'y (L.H.D.)	1	Car No. 103332 ⁷¹ / ₇ ~ O
	2113 32 110B	STEERING GEAR Ass'y (L.H.D.)	1	Car No. 103366 ⁷¹ / ₉ ~ O
32	0324 32 121	Gear Housing (R.H.D.)	1	
	0324 32 121A	Gear Housing (R.H.D.)	1	Car No. 63893 ⁷⁰ / ₇ ~ X
	2158 32 121	Gear Housing (L.H.D.)	1	
	2350 32 121	Gear Housing (L.H.D.)	1	Car No. 63893 ⁷⁰ / ₇ ~ X
	2113 32 120	Gear Housing (L.H.D.)	1	Car No. 64942 ⁷⁰ / ₈ ~ X
	99295 1508	Clip	1	Car No. 103332 ⁷¹ / ₇ ~ Added Anew
33	0820 32 130A	STEERING WORM BALL NUT Ass'y (R.H.D.)	1	
	0305 32 130B	STEERING WORM BALL NUT Ass'y (R.H.D.)	1	Car No. 64942 ⁷⁰ / ₈ ~ X
	2244 32 130A	STEERING WORM BALL NUT Ass'y (L.H.D.)	1	
	2113 32 130	STEERING WORM BALL NUT Ass'y (L.H.D.)	1	Car No. 64942 ⁷⁰ / ₈ ~ X
34	0259 32 182	Bearing	2	
35	0820 32 141	Sector Shaft	1	
	0820 32 141A	Sector Shaft	1	Car No. 63893 ⁷⁰ / ₇ ~ X
	0305 32 141	Sector Shaft	1	Car No. 64942 ⁷⁰ / ₈ ~ X
36	0820 32 151	End Cover	1	
37	0259 32 154	Shim, End Cover	1	
	0259 32 155	Shim	1	Selective use
	0259 32 156	Shim	1	
	0259 32 157	Shim	1	
38	0259 32 160	Side Cover	1	

STEERING SYSTEM (WHEEL & GEAR)

(WITH ENERGY ABSORBING SHAFT)

No	Part Number	Description	Qty	Remarks	
39	0259 32 163	Gasket, Side Cover	1		
40	0180 32 165A	Adjust Screw, Sector	1		
41	99922 1000	Lock Nut	1		
42	0180 32 171A	Adjust Shim, Sector	1	Selective use	
	0180 32 172A	Adjust Shim			
	0180 32 173A	Adjust Shim			
	0180 32 174A	Adjust Shim			
43	908012 8 16	Set Bolt, Cover	8		
44	99583 22327	Oil Seal, Sector	1	Car No. 63893 ⁷⁰ / ₁ ~ X	
	0317 32 129	Oil Seal, Sector	1		
45	0180 32 184	Oil Seal, Worm	1		
46	0820 32 190	Oil Plug	1		
47	0208 32 188	Adjust Shim, Gear Housing, Selective use	1		
48	99781 1092	Bolt, Gear Housing	3		
	99951 1022	Plain Washer	2		
	99942 1000	Nut	3		
49	2334 32 220	PITMAN ARM Ass'y (R.H.D.)	1	Car No. 638939 ⁷⁰ / ₇ ~ X	
	2334 32 220A	PITMAN ARM Ass'y (R.H.D.)	1		
	0820 32 220B	PITMAN ARM Ass'y (R.H.D.)	1		Car No. 103335 ⁷¹ / ₈ ~ O
	2158 32 220	PITMAN ARM Ass'y (L.H.D.)	1		
	2350 32 220	PITMAN ARM Ass'y (L.H.D.)	1		Car No. 63839 ⁷⁰ / ₇ ~ X
	2350 32 220A	PITMAN ARM Ass'y (L.H.D.)	1		Car No. 60429 ⁷⁰ / ₅ ~ O
50	0259 32 279	Dust Seal	1		
51	0259 32 289	Set Ring	1		
52	0208 32 278	Plug	1	Car No. 60429 ⁷⁰ / ₅ ~ Discarded	
53	0187 32 235	Stopper Bolt	1		
	0603 32 315	Stopper Bolt, Turning Radius Adjust	1	Car No. 60429 ⁷⁰ / ₅ ~ O	
54	99922 1000	Nut, Turning Radius Adjust	1		

STEERING SYSTEM (WHEEL & GEAR)

(WITH ENERGY ABSORBING SHAFT)

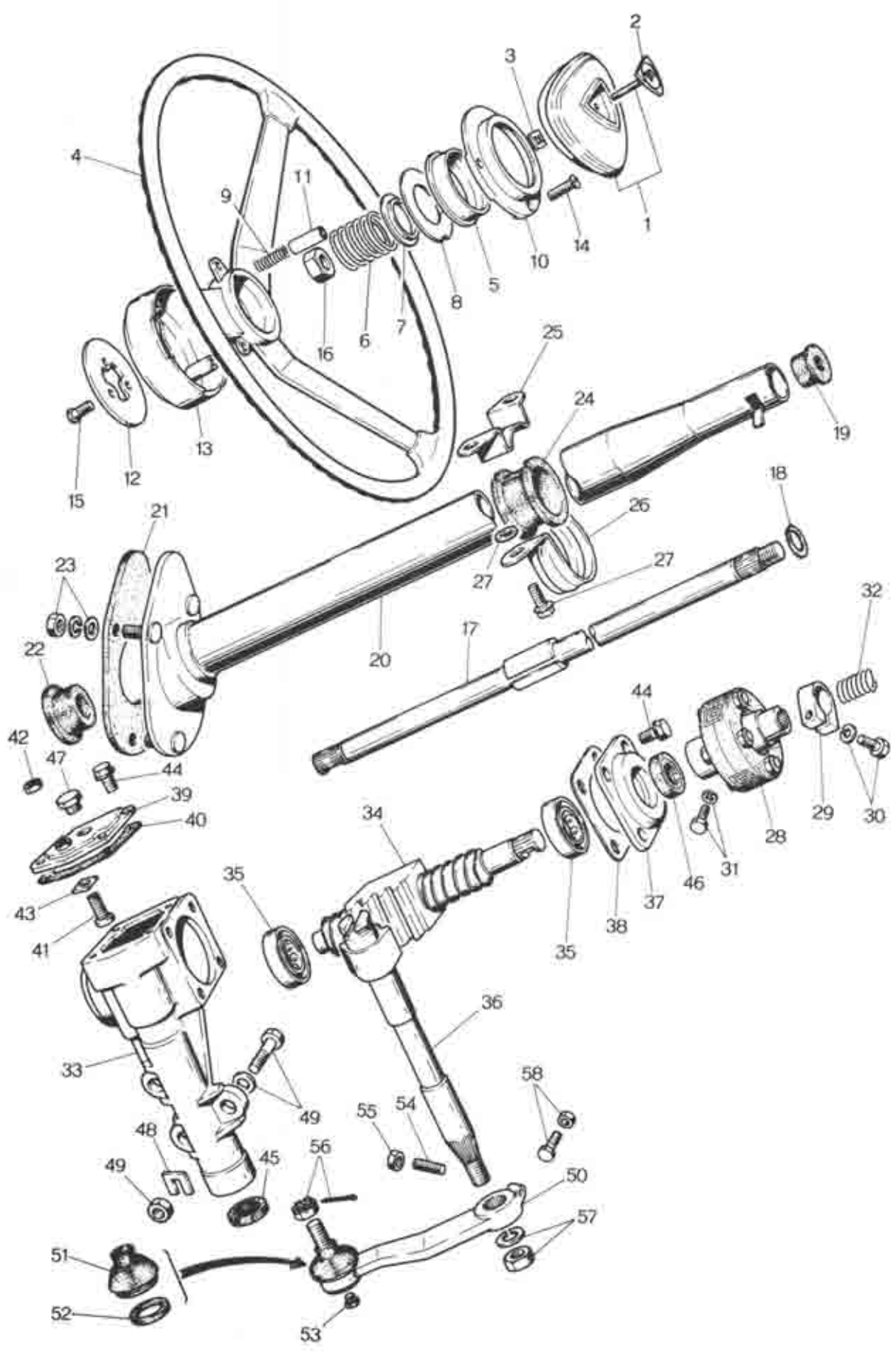
32

No.	Part Number	Description	Qty	Remarks
55	99924 1000	Nut, Pitman Arm	1	
	99221 2020	Split Pin	1	
56	99921 1600	Nut	1	
	99921 1800	Nut	1	Car No. 63893 ^{70/7} ~ X
	99971 1600	Spring Washer	1	
	99971 1800	Spring Washer	1	Car No. 63893 ^{70/7} ~ X
57	0187 32 235	Bolt, Turning Radius Adjust	1	
	99922 1000	Nut	1	
58	0813 61 389	Clamp No.2 (L.H.D.) Speedometer Cable	1	
	0813 61 389A	Clamp No.2 (L.H.D.) Speedometer Cable	1	Car No. 64215 ^{70/7} ~ O
•	2113 55 556	Clip No. 2 (L.H.D.) Speedometer Cable	1	Car No. 72454 ^{70/11} ~ O



STEERING SYSTEM (WHEEL & GEAR)

(WITH STEERING LOCK)



STEERING SYSTEM (WHEEL & GEAR)

(WITH STEERING LOCK)

32

No.	Part Number	Description	Qty	Remarks
1	0820 32 800A	CAP Ass'y	1	Ⓒ
	2113 32 800A	CAP Ass'y, For U.S.A. & Canada	1	Ⓒ
2	0820 32 811A	Emblem	1	Ⓒ
	2113 32 811A	Emblem, For U.S.A. & Canada	1	Ⓒ
3	99579 3000	Speed Nut	1	
4	0329 32 980	STEERING WHEEL BOSS Ass'y	1	
5	0329 32 013	Cap Retainer	1	
6	0329 32 014	Spring	1	
7	0329 32 015	Insulator	1	
8	0329 32 016	Contact	1	
9	0329 32 019	Spring	1	
10	0329 32 031	Sub Retainer	1	
11	0329 32 033	Insulator Plate	1	
12	0329 32 034	Terminal	1	
13	0329 32 049	Core Cover	1	
14	99866 0420	Tapping Screw	3	
15	99686 0308	Tapping Screw	3	
16	99947 1200	Self Lock Nut	1	
17	2334 32 050	Steering Shaft (R.H.D.) Coupe use	1	
	2336 32 050	Steering Shaft (L.H.D.) Coupe use	1	
	2372 32 050A	Steering Shaft (L.H.D.) Sedan use	1	
	2399 32 050A	Steering Shaft (R.H.D.) Sedan use	1	

STEERING SYSTEM (WHEEL & GEAR)

(WITH STEERING LOCK)

No.	Part Number	Description	Qty	Remarks
18	0208 32 059	Stop Ring	1	
19	0259 32 071	Support Bush	1	
20	2334 32 080	Shaft Jacket, Coupe use	1	
	2399 32 080	Shaft Jacket, Coupe use	1	
21	0326 32 411	Dust Cover	1	
22	0305 32 089A	Bush, Centering	1	
23	99901 0800	Nut, Dust Cover	3	
	99971 0800	Spring Washer	3	
	99952 0800	Plain Washer	3	
24	2244 32 423	Fixing Rubber	1	
25	2244 32 425	Fixing Bracket, Upper	1	2062,2064,2334
	2320 32 425	Fixing Bracket, Upper	1	2336
26	2244 32 426	Fixing Bracket, Lower	1	2062,2064,2334
	2320 32 426	Fixing Bracket Lower	1	2336
27	908051 8 25B	Set Bolt, Fixing Bracket	2	
	99952 0800B	Plain Washer	2	
28	0187 32 850A	STEERING JOINT	1	
29	0187 32 886B	Clamp	1	
30	99781 0835	Bolt, Clamp	1	
	99971 0800	Spring Washer	1	
31	99781 0825	Bolt, Joint	1	
	99971 0800	Spring Washer	1	

STEERING SYSTEM (WHEEL & GEAR)

WITH STEERING LOCK) WITHOUT ENERGY ABSORBING SHAFT



No.	Part Number	Description	Qty	Remarks
32	0187 32 860	Spring, Steering Joint	1	
	0326 32 110	STEERING GEAR Ass'y (R.H.D.)	1	
	0326 32 110A	STEERING GEAR Ass'y Sedan use	1	Car No. 63893 ^{70/7} ~ X
	0329 32 110	STEERING GEAR Ass'y (R.H.D.)	1	
	0329 32 110A	STEERING GEAR Ass'y Coupe use	1	Car No. 63893 ^{70/7} ~ X
	0303 32 110	STEERING GEAR Ass'y Coupe use	1	Car No. 64942 ^{70/8} ~ X
	2244 32 110A	STEERING GEAR Ass'y (L.H.D.)	1	
	2350 32 110	STEERING GEAR Ass'y (L.H.D.)	1	Car No. 63893 ^{70/7} ~ X
	2113 32 110	STEERING GEAR Ass'y (L.H.D.)	1	Car No. 64942 ^{70/8} ~ X
	2113 32 110A	STEERING GEAR Ass'y (L.H.D.)	1	Car No. 103332 ^{71/7} ~ O
	2113 32 110B	STEERING GEAR Ass'y (L.H.D.)	1	Car No. 103366 ^{71/9} ~ O
33	0324 32 121	Gear Housing (R.H.D.)	1	
	0324 32 121A	Gear Housing (R.H.D.)	1	Car No. 63893 ^{70/7} ~ X
	0303 32 121	Gear Housing (R.H.D.)	1	Car No. 64942 ^{70/8} ~ X
	2158 32 121	Gear Housing (L.H.D.)	1	
	2350 32 121	Gear Housing (L.H.D.)	1	Car No. 63893 ^{70/7} ~ X
	2113 32 120	Gear Housing (L.H.D.)	1	Car No. 64942 ^{70/8} ~ X
	99295 1508	Clip	1	Car No. 103332 ^{71/7} ~ Added Anew
34	0326 32 130	STEERING WORM BALL NUT Ass'y (R.H.D.) Sedan use	1	
	0820 32 130A	STEERING WORM BALL NUT Ass'y (R.H.D.)	1	
	0305 32 130B	STEERING WORM BALL NUT Ass'y Coupe use	1	Car No. 64942 ^{70/8} ~ X
	2244 32 130A	STEERING WORM BALL NUT Ass'y (L.H.D.)	1	
	2113 32 130	STEERING WORM BALL NUT Ass'y (L.H.D.)	1	Car No. 64942 ^{70/8} ~ X
35	0259 32 182	Bearing	2	
36	0259 32 141	Sector Shaft (R.H.D.) Sedan use	1	2064
	0317 32 141	Sector Shaft (R.H.D.) Sedan use	1	Car No. 63893 ^{70/7} ~ X
	0305 32 141	Sector Shaft	1	Car No. 63893 ^{70/8} ~ X
	0820 32 141	Sector Shaft	1	2062, 2334, 2336
	0820 32 141A	Sector Shaft	1	Car No. 63893 ^{70/7} ~ X
	0305 32 141	Sector Shaft	1	Car No. 64942 ^{70/8} ~ X
37	0820 32 151	End Cover	1	
38	0259 32 154	Shim, End Cover		
	0259 32 155	Shim		
	0259 32 156	Shim	1	Selective use
	0259 32 157	Shim		
39	0259 32 160	Side Cover	1	
40	0259 32 163	Gasket, Side Cover	1	

STEERING SYSTEM (WHEEL & GEAR)

(WITH STEERING LOCK) WITHOUT ENERGY ABSORBING SHA

No.	Part Number	Description	Q'ty	Remarks
41	0180 32 165A	Adjust Screw	1	
42	99922 1000	Lock Nut	1	
43	0180 32 171A	Adjust Shim, Sector	1	Selective use
	0180 32 172A	Adjust Shim		
	0180 32 173A	Adjust Shim		
	0180 32 174A	Adjust Shim		
44	908012 8 16	Set Bolt, Cover	8	
45	99583 22327	Oil Seal, Sector	1	
	0317 32 129	Oil Seal, Sector	1	Car No. 63893 ⁷⁰ / ₇ ~ X
46	0180 32 184	Oil Seal, Worm	1	
47	0820 32 190	Oil Plug	1	
48	0208 32 188	Adjust Shim, Gear Housing, Selective use	1	
49	99781 1092	Bolt, Gear Housing	3	
	99951 1022	Plain Washer	2	
	99921 1000	Nut	3	
50	2334 32 220	PITMAN ARM Ass'y (R.H.D.)	1	
	2334 32 220A	PITMAN ARM Ass'y (R.H.D.)	1	Car No. 63839 ⁷⁰ / ₇ ~ X
	0820 32 220B	PITMAN ARM Ass'y (R.H.D.)	1	Car No. 103335 ⁷¹ / ₈ ~ O
	2158 32 220	PITMAN ARM Ass'y (L.H.D.)	1	
	2350 32 220	PITMAN ARM Ass'y (L.H.D.)	1	Car No. 63839 ⁷⁰ / ₇ ~ X
	2350 32 220A	PITMAN ARM Ass'y (L.H.D.)	1	Car No. 60429 ⁷⁰ / ₅ ~ O
51	0259 32 279	Dust Seal	1	
52	0259 32 289	Set Ring	1	
53	0208 32 278	Plug	1	Car No. 60429 ⁷⁰ / ₅ ~ Discarded
54	0187 32 235	Stopper Bolt	1	
	0603 32 315	Stopper Bolt, Turning Radius Adjust	1	Car No. 60429 ⁷⁰ / ₅ ~ O
55	99922 1000	Nut	1	

STEERING SYSTEM (WHEEL & GEAR)

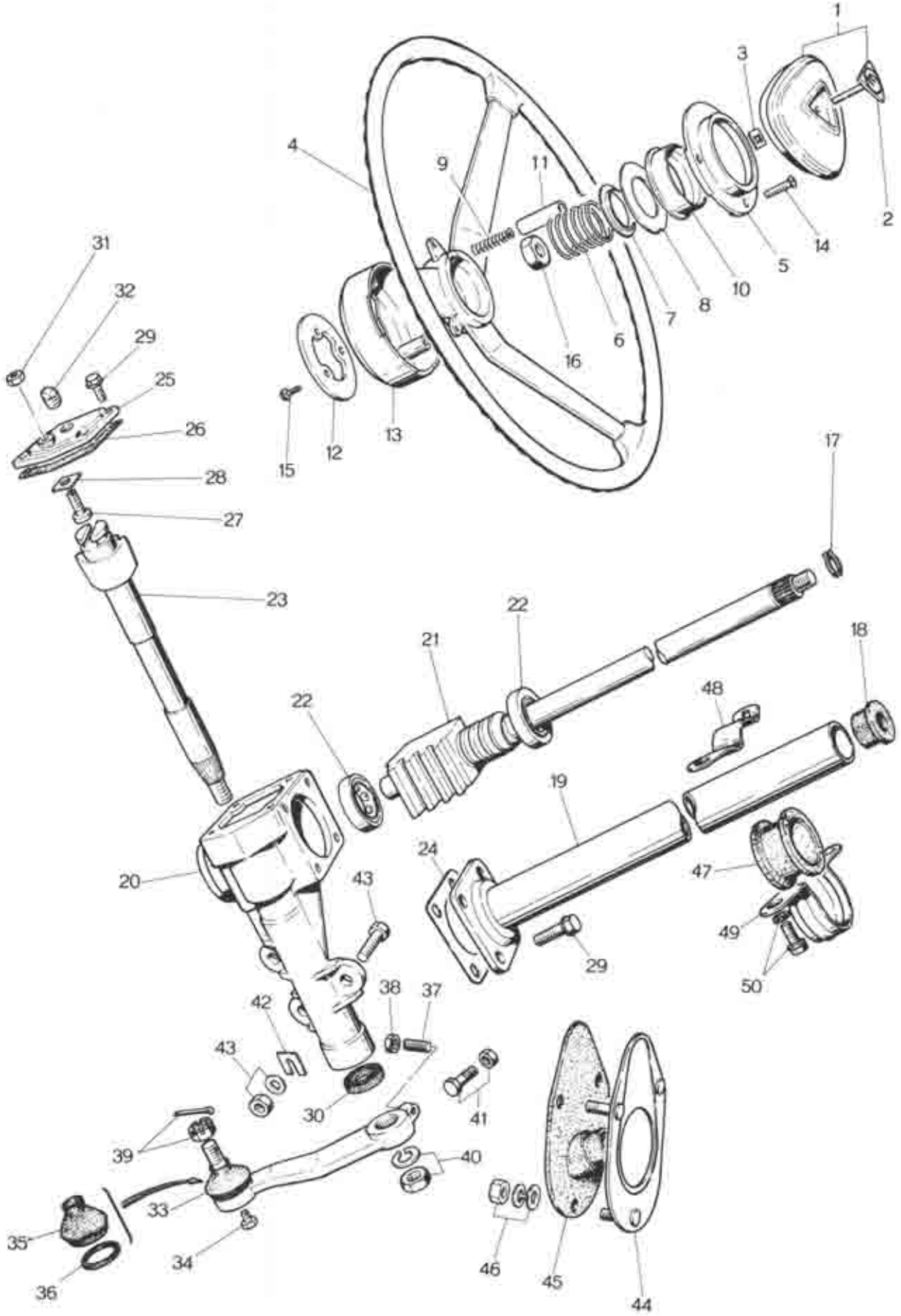
(WITH STEERING LOCK)

32

No.	Part Number	Description	Qty	Remarks
56	99924 1000	Nut, Pitman Arm	1	
	99221 2020	Split Pin	1	
57	99921 1800	Nut, Sector Shaft	1	
	99971 1800	Spring Washer	1	
58	0187 32 235	Bolt, Turning Radius Adjust	1	
	99922 1000	Nut	1	







STEERING SYSTEM (WHEEL & GEAR)

WITHOUT STEERING LOCK & ENERGY ABSORBING SHAFT

32

No.	Part Number	Description	Q'ty	Remarks
1	0820 32 800A	CAP Ass'y	1	©
2	0820 32 811A	Emblem	1	©
3	99579 3000	Speed Nut	1	
4	0329 32 980	STEERING WHEEL BOSS Ass'y	1	
5	0329 32 013	Cap Retainer	1	
6	0329 32 014	Spring	1	
7	0329 32 015	Insulator	1	
8	0329 32 016	Contact Plate	1	
9	0329 32 019	Spring	1	
10	0329 32 031	Sub Retainer	1	
11	0329 32 033	Pipe	1	
12	0329 32 034	Terminal	1	
13	0329 32 049	Wheel Core Cover	1	
14	99866 0420	Tapping Screw	3	
15	99868 0308	Tapping Screw	3	
16	99947 1200	Self Lock Nut	1	
	0324 32 110	STEERING GEAR Ass'y (R.H.D.)		
	0324 32 110A	STEERING GEAR Ass'y (R.H.D.)		Car No. 63893 ^{70/71} ~ X
	0303 32 110	STEERING GEAR Ass'y (R.H.D.)		Car No. 64942 ^{70/8} ~ X
	2371 32 110	STEERING GEAR Ass'y (L.H.D.)		
17	0208 32 059	Stop Ring	1	
18	0259 32 071	Support Bush	1	

STEERING SYSTEM (WHEEL & GEAR)

WITHOUT STEERING LOCK & ENERGY ABSORBING SHAFT

No.	Part Number	Description	Q'ty	Remarks
19	0317 32 080	Shaft Jacket	1	
20	0324 32 121	Gear Housing (R.H.D.)	1	
	0324 32 121A	Gear Housing (R.H.D.)	1	Car No. 63839 ^{70/7} ~ X
	0303 32 121	Gear Housing (R.H.D.)	1	Car No. 64942 ^{70/8} ~ X
	2158 32 121	Gear Housing (L.H.D.)	1	
	2350 32 121	Gear Housing (L.H.D.)	1	Car No. 63839 ^{70/7} ~ X
•	2113 32 120	Gear Housing (L.H.D.)	1	Car No. 64942 ^{70/8} ~ X
21	0317 32 130	WORM BALL NUT	1	
22	0259 32 182	Bearing	2	
23	0259 32 141	Sector Shaft (R.H.D.)	1	2063
	0317 32 141	Sector Shaft (R.H.D.)	1	Car No. 63893 ^{70/7} ~ X
	0305 32 141	Sector Shaft (R.H.D.)	1	Car No. 64942 ^{70/8} ~ X
	0820 32 141	Sector Shaft (L.H.D.)	1	2062
	0820 32 141A	Sector Shaft (L.H.D.)	1	Car No. 63893 ^{70/7} ~ X
24	0305 32 141	Sector Shaft (L.H.D.)	1	Car No. 64942 ^{70/8} ~ X
	0259 32 154	Adjust Shim, End Cover		
	0259 32 155	Adjust Shim		
	0259 32 156	Adjust Shim	Selective use	1
	0259 32 157	Adjust Shim		
25	0259 32 160	Side Cover	1	
26	0259 32 163	Gasket, Side Cover	1	
27	0180 32 165A	Adjust Screw	1	
28	0180 32 171A	Adjust Shim		
	0180 32 172A	Adjust Shim		
	0180 32 173A	Adjust Shim	Selective use	1
	0180 32 174A	Adjust Shim		
29	908012 8 16	Set Bolt, Cover	8	
30	99583 22327	Oil Seal	1	
	0317 32 129	Oil Seal	1	Car No. 63893 ^{70/7} ~ X
31	99922 1000	Nut	1	
32	99502 2000	Plug	1	

STEERING SYSTEM (WHEEL & GEAR)

WITHOUT STEERING LOCK & ENERGY ABSORBING SHAFT

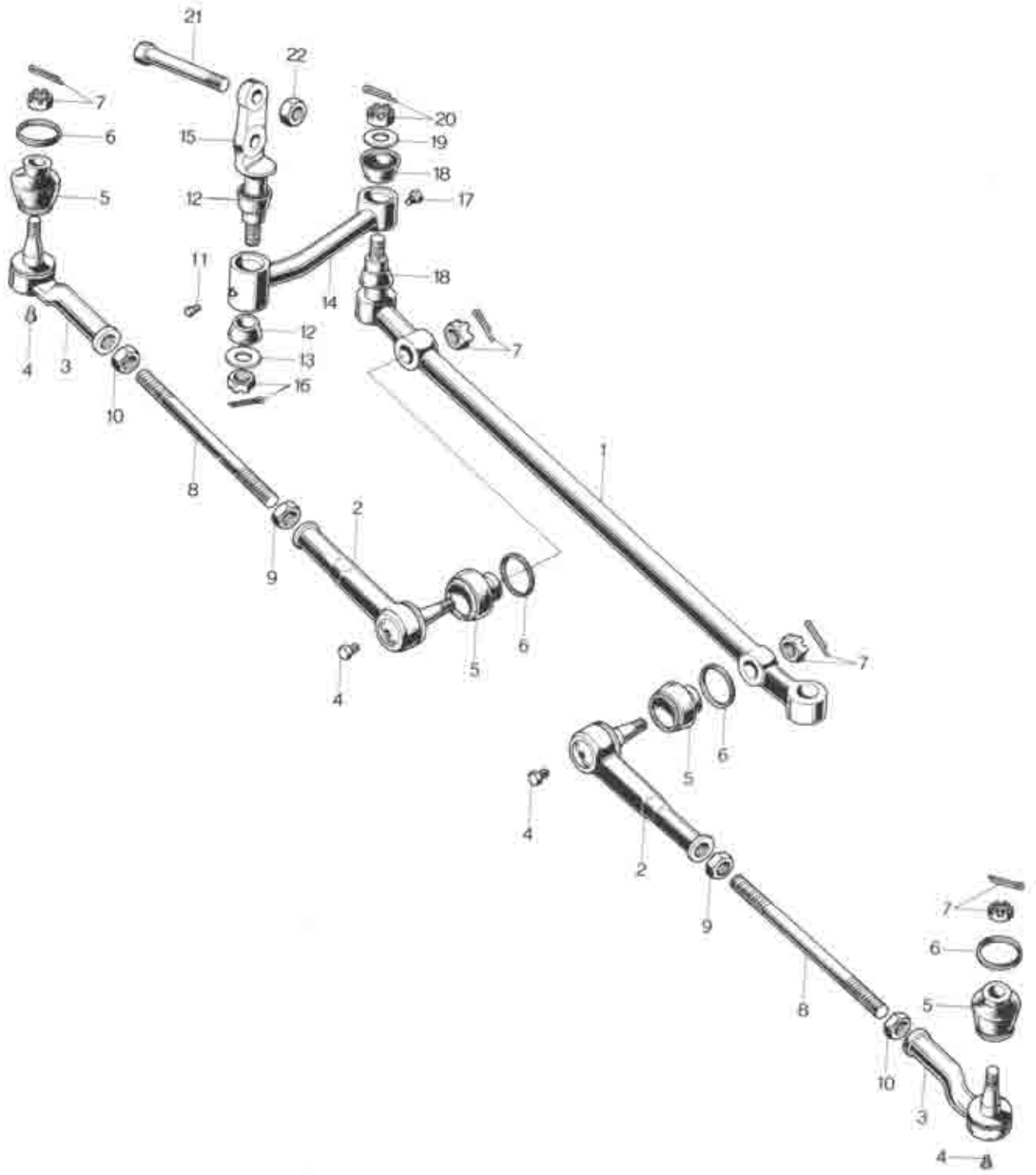
32

No.	Part Number	Description	Qty	Remarks
33	2334 32 220	PITMAN ARM (R.H.D.)	1	
	2334 32 220A	PITMAN ARM (R.H.D.)	1	Car No. 63893 ^{70/5} ~ X
	0820 32 220B	PITMAN ARM (R.H.D.)	1	Car No. 103335 ^{71/8} ~ O
	2158 32 220	PITMAN ARM (L.H.D.)	1	
	2350 32 220	PITMAN ARM (L.H.D.)	1	Car No. 63893 ^{70/7} ~ X
	2350 32 220A	PITMAN ARM (L.H.D.)	1	Car No. 60429 ^{70/5} ~ O
34	0208 32 278	Plug	1	Car No. 60429 ^{70/5} ~ Discarded
35	0259 32 279	Dust Seal	1	
36	0259 32 289	Set Ring	1	
37	0187 32 235	Stopper Bolt	1	
	0603 32 315	Stopper Bolt, Turning Radius Adjust	1	Car No. 60429 ^{70/5} ~ O
38	99922 1000	Nut, Turning Radius Adjust	1	
39	99924 1000	Nut, Pitman Arm	1	
	99221 2020	Split Pin	1	
40	99921 1600	Nut, Pitman Arm	1	
	99921 1800	Nut, Pitman Arm	1	Car No. 63893 ^{70/7} ~ X
	99971 1600	Spring Washer	1	
	99971 1800	Spring Washer	1	Car No. 63893 ^{70/7} ~ X
41	0187 32 235	Bolt	1	
	99922 1000	Nut	1	
42	0208 32 188	Adjust Shim	2	
43	99781 1092	Bolt, Gear Housing	3	
	99951 1022	Plain Washer	2	
	99924 1000	Nut	3	
44	0324 32 410	Set Plate	1	
	0820 32 089	Dust Cover	1	Car No. 64942 ^{70/8} ~ X
45	0324 32 411	Dust Cover	1	
	0326 32 411	Dust Cover	1	Car No. 64942 ^{70/8} ~ X
46	99901 0800	Nut, Set Plate	3	
	99971 0800	Spring Washer	3	
	99952 0800	Plain Washer	3	
47	0259 32 423	Fixing Rubber	1	
48	0259 32 425	Fixing Bracket, Upper	1	



STEERING SYSTEM (WHEEL & GEAR) WITHOUT STEERING LOCK & ENERGY ABSORBING SHAFT

No.	Part Number	Description	Qty	Remarks
49	0259 32 426	Fixing Bracket, Lower	1	
50	908051 8 25B	Set Bolt, Fixing Bracket	2	
	907831 8 30	Set Bolt, Fixing Bracket	2	Car No. 94253 7/4 ~ O
	99952 0800B	Plain Washer	2	



STEERING SYSTEM (ROD, R.H.D.)

32

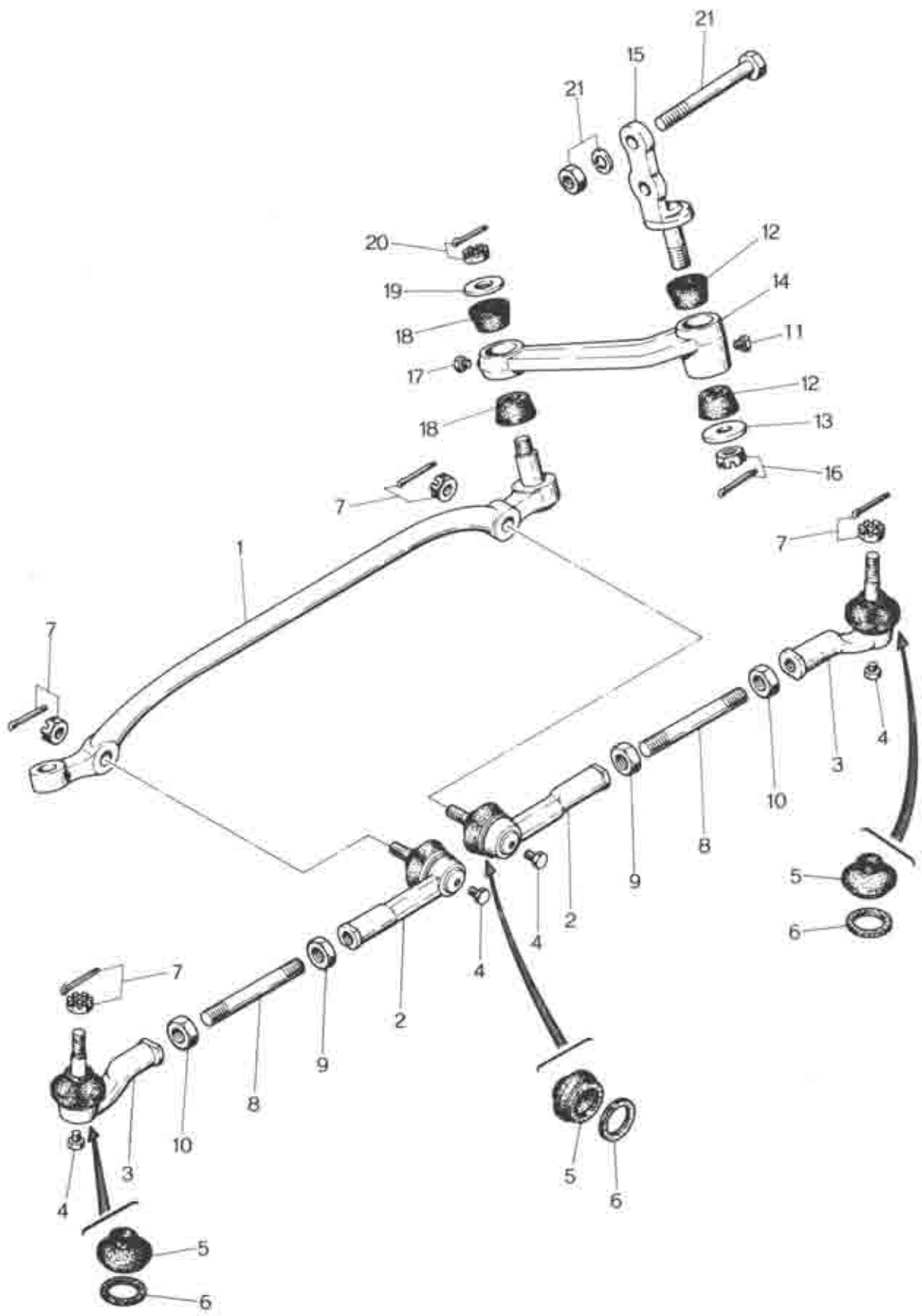
No.	Part Number	Description	Qty	Remarks
1	0259 32 250A	Center Link	1	
2	2370 99 322	SOCKET Ass'y	2	
	2113 99 322A	SOCKET Ass'y	2	Car No. 103690 $\frac{7}{11}$ ~ X
3	2370 99 324	SOCKET Ass'y	2	
4	0208 32 278	Plug	4	
5	0259 32 279	Dust Seal	4	
6	0259 32 289	Set Ring	4	
7	99924 1000	Nut, Socket	4	
	99221 2020	Split Pin	4	
	99221 2015	Split Pin	4	Car No. 61357 $\frac{70}{5}$ ~ O
8	0305 32 365	Tie Rod	2	
	2113 32 365	Tie Rod	2	Car No. 103690 $\frac{7}{11}$ ~ X
9	99922 1400	Lock Nut, Tie Rod	2	
10	99944 1400	Lock Nut, Tie Rod	2	
	0317 32 320	IDLER Ass'y	1	
11	0208 32 278	Plug	1	
12	0259 32 329	Tapered Bush	2	
13	0259 32 341	Washer	1	
14	0305 32 351	Idler Arm	1	
15	0259 32 352	Spindle	1	
16	99924 1200	Nut	1	
	99221 3020	Split Pin	1	

STEERING SYSTEM (ROD, R.H.D.)

No.	Part Number	Description	Qty	Remarks
17	0208 32 278	Plug, Center Link	1	
18	0259 32 329	Tapered Bush	2	
19	0259 32 341	Washer	2	
20	99924 1200	Nut	1	
	99221 3020	Split Pin	1	
21	99781 1090	Bolt, Idler	2	
	99942 1000	Nut	2	



STEERING SYSTEM (ROD, L.H.D.) (PLAIN TYPE DASHBOARD SEDAN MODEL)



STEERING SYSTEM (ROD, L.H.D.)

(PLAIN TYPE DASHBOARD SEDAN MODEL)



No.	Part Number	Description	Qty	Remarks
1	2158 32 250A	Center Link	1	
2	2370 99 322	SOCKET Ass'y	2	
	2113 99 322A	SOCKET Ass'y	2	Car No. 103690 ⁷ / ₁₁ ~ X
3	2370 99 324	SOCKET Ass'y	2	
4	0208 32 278	Plug	4	
5	0259 32 279	Dust Seal	4	
6	0259 32 289	Set Ring	4	
7	99924 1000	Nut, Socket	4	
	99221 2020	Split Pin	4	
	99221 2015	Split Pin	4	Car No. 61357 ⁷⁰ / ₅ ~ O
8	0305 32 365	Tie Rod	2	
	2113 32 365	Tie Rod	2	Car No. 103690 ⁷ / ₁₁ ~ X
9	99922 1400	Lock Nut, Tie Rod	2	
10	99944 1400	Lock Nut, Tie Rod	2	
	2370 32 320	IDLER Ass'y	1	
11	0208 32 278	Plug	1	
12	0259 32 329	Tapered Bush	2	
13	0259 32 341	Washer	1	
14	2370 32 351	Idler Arm	1	
15	0259 32 352	Spindle	1	
16	99924 1200	Nut	1	
	99221 3020	Split Pin	1	

STEERING SYSTEM (ROD, L.H.D.)

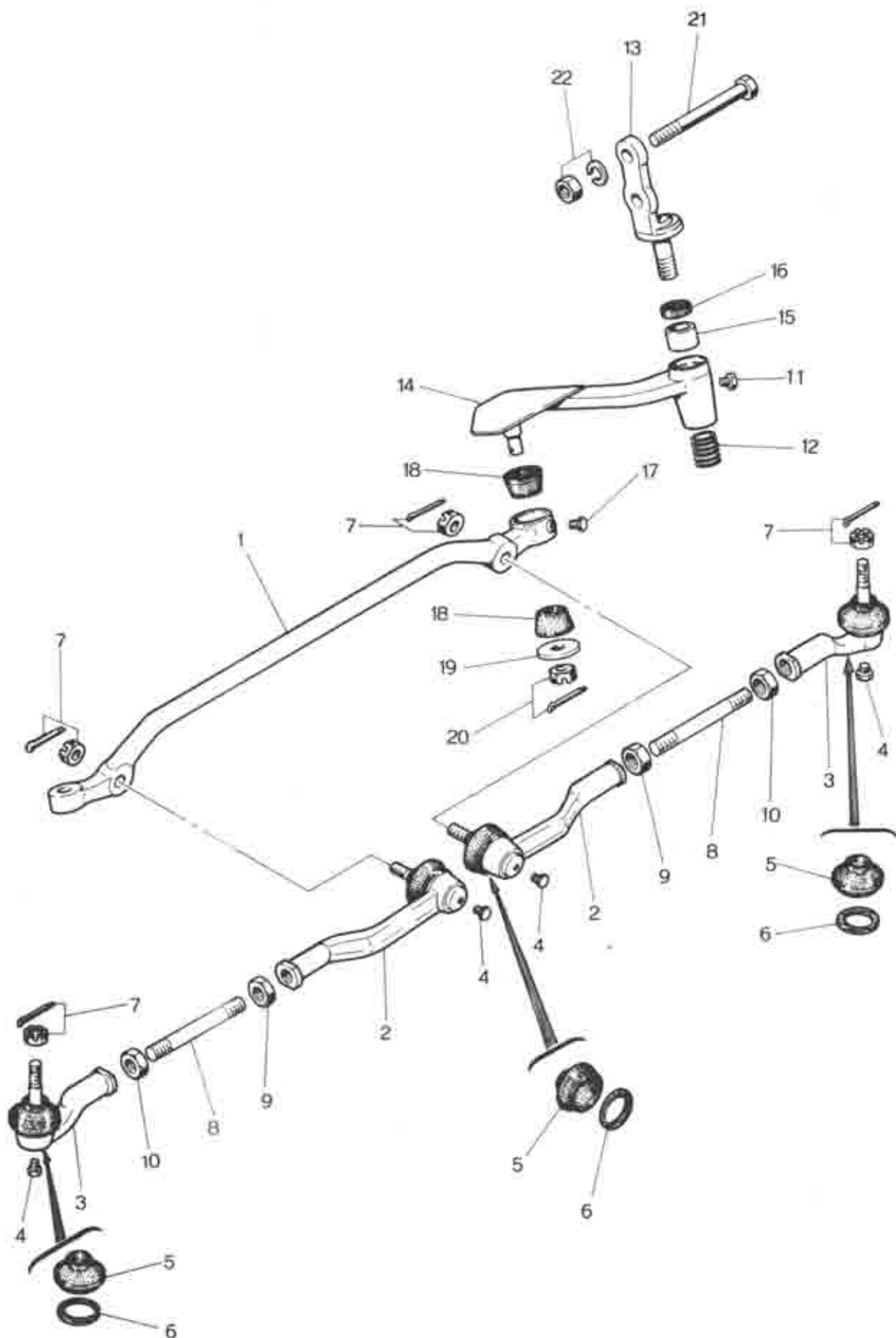
(PLAIN TYPE DASHBOARD SEDAN MODEL)

No.	Part Number	Description	Qty	Remarks
17	0208 32 278	Plug, Center Link	1	
18	0259 32 329	Tapered Bush	2	
19	0259 32 341	Washer	1	
20	99924 1200	Nut	1	
	99221 3020	Split Pin	1	
21	99781 1090	Bolt, Idler	2	
	99921 1000	Nut	2	
	99942 1000	Nut	2	Car No. 57664 ⁷⁰ / ₄ ~ O
	99971 1000	Spring Washer	2	Car No. 57664 ⁷⁰ / ₄ ~ Discarded



STEERING SYSTEM (ROD, L.H.D.)

("T" TYPE DASHBOARD & COUPE MODELS)



STEERING SYSTEM (ROD. L.H.D.)

("T" TYPE DASHBOARD & COUPE MODELS)

32

No.	Part Number	Description	Q'ty	Remarks
1	2113 32 261	Center Link	1	
2	2113 99 322A	SOCKET Ass'y	2	
3	2370 99 324	SOCKET Ass'y	2	
4	0208 32 278	Plug	4	
5	0259 32 279	Dust Seal	4	
6	0259 32 289	Set Ring	4	
7	99924 1000	Nut, Socket	4	
	99221 2020	Split Pin	4	
	99221 2015	Split Pin	4	Car No. 61357 ⁷⁹ / ₈ ~ O
8	2113 32 365	Tie Rod	2	
9	99922 1400	Lock Nut, Tie Rod	2	
10	99944 1400	Lock Nut, Tie Rod	2	
	2113 32 320B	STEERING LINK Ass'y	1	
	2080 32 320	STEERING LINK Ass'y	1	2112, 2124 Car No. 90655 ⁷¹ / ₈ ~ Added Anew
	2080 32 320A	STEERING LINK Ass'y	1	Car No. 103332 ⁷¹ / ₇ ~ Δ
11	0208 32 278	Plug	1	
12	0111 32 173	Spring	1	
13	2113 32 330	Spindle	1	
14	2113 32 350B	IDLER ARM Ass'y	1	
	2113 32 350C	IDLER ARM Ass'y	1	Car No. 94253 ⁷¹ / ₄ ~ O
	2080 32 350	IDLER ARM Ass'y	1	Car No. 103332 ⁷¹ / ₇ ~ Δ
15	2113 32 354	Bush	1	

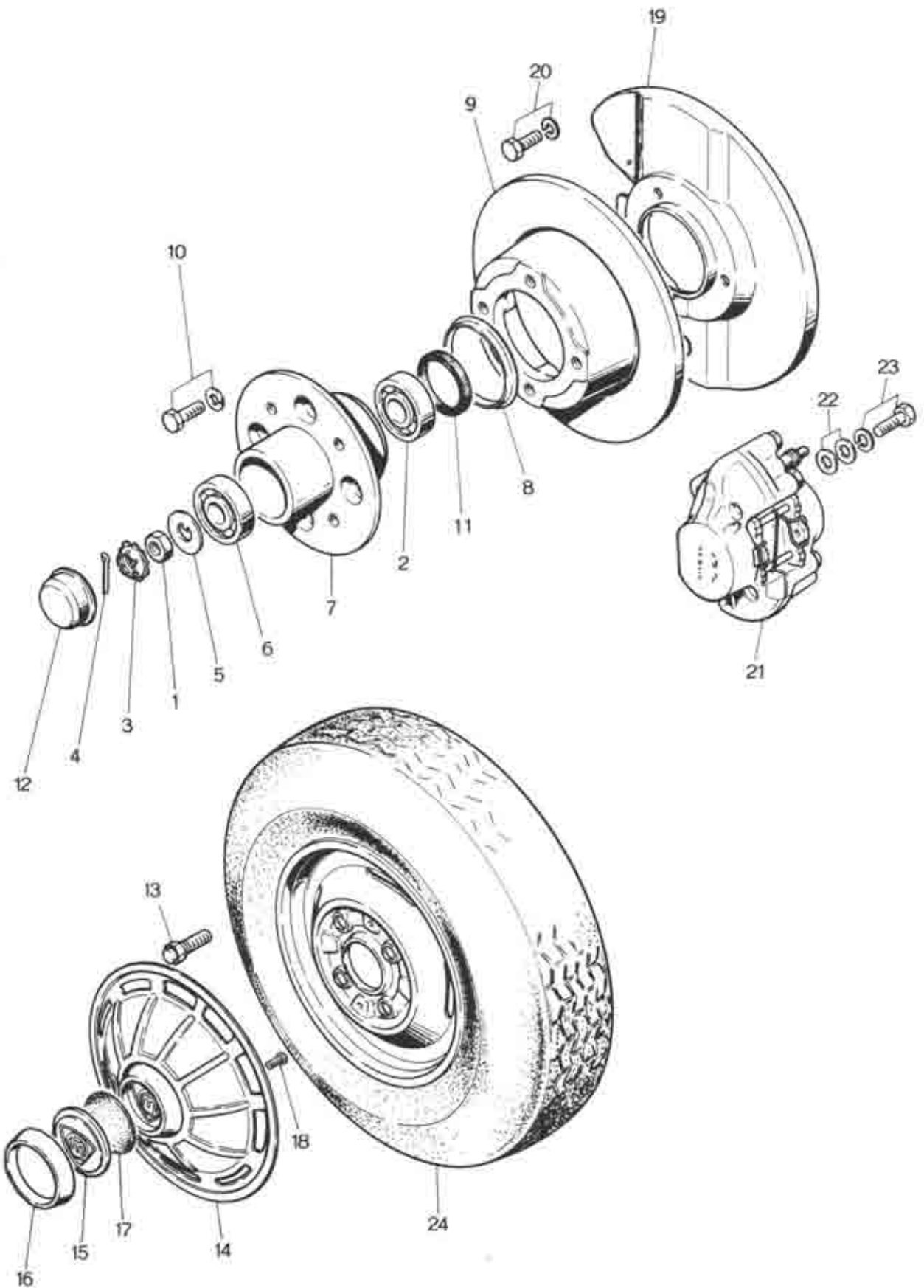


STEERING SYSTEM (ROD, L.H.D.)

("T" TYPE DASHBOARD & COUPE MODELS)

No.	Part Number	Description	(Q'ty)	Remarks
16	2113 32 356	Oil Seal	1	
17	0208 32 278	Plug, Idler	1	
18	2113 32 329	Tapered Bush	2	
19	0259 32 341	Washer	1	
20	99924 1200	Nut, Idler	1	
	99221 3020	Split Pin	1	
21	2113 32 359	Bolt, Idler	2	
	99811 1080	Bolt (2124, 2112)	2	
	99783 1090	Bolt, Idler	2	Car No. 98036 ⁷ / ₈ ~ O
22	99921 1000	Nut, Idler	2	
	99942 1000	Nut, Idler	2	Car No. 57664 ⁷⁰ / ₄ ~ O
			2	Car No. 90655 ⁷ / ₈ ~ Discarded
	99971 1000	Spring Washer	2	Car No. 57664 ⁷⁰ / ₄ ~ Discarded





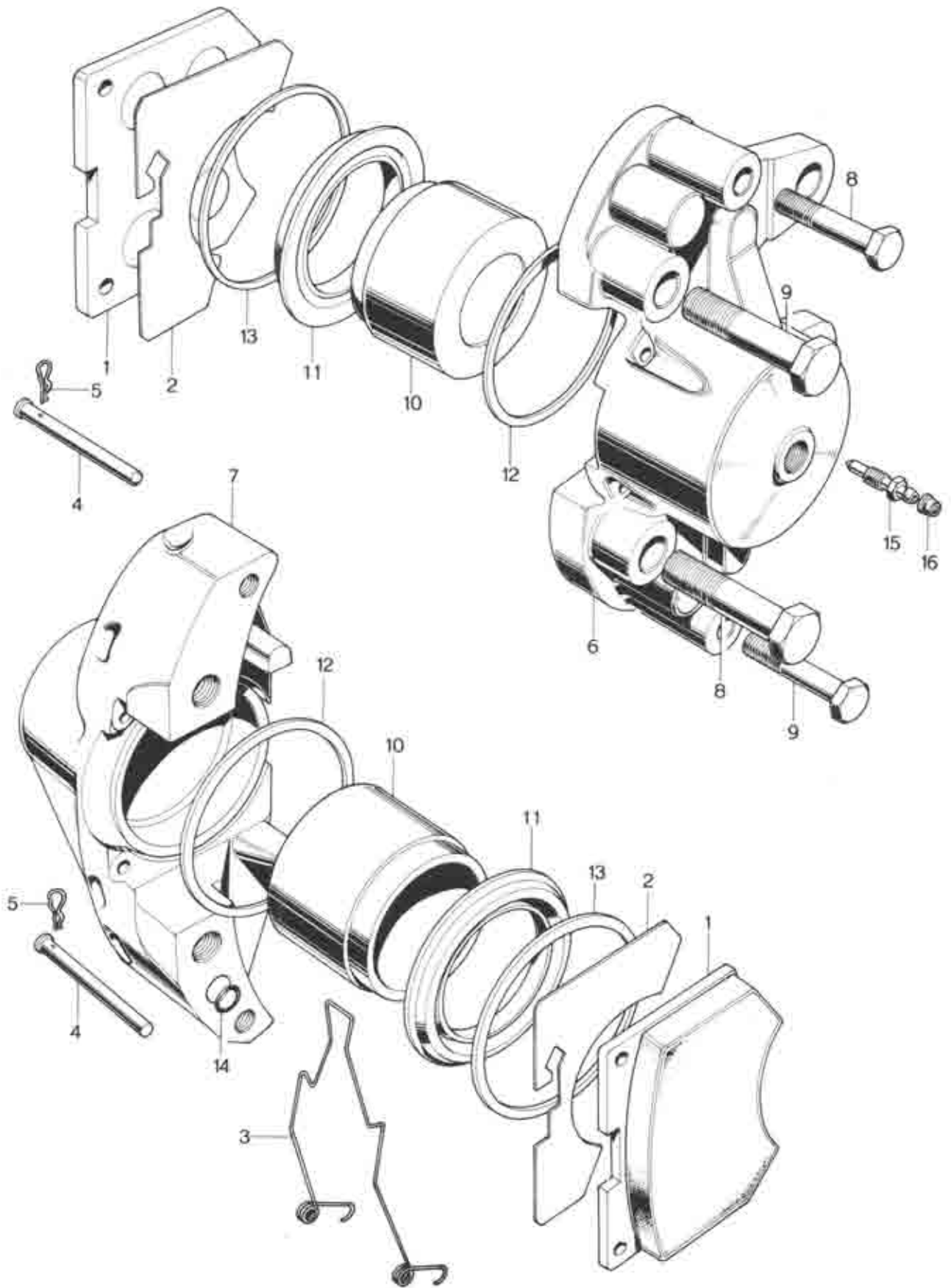
FRONT AXLE

33

No.	Part Number	Description	Q'ty	Remarks
1	0662 33 042	Nut, Wheel Bearing	2	
2	0259 33 047	Front Wheel Bearing, Inner	2	
3	0317 33 049	Set Cover	2	
4	99221 4030	Split Pin, Wheel Bearing	2	
5	0317 33 043	Washer, Wheel Bearing	2	
6	0317 33 075	Front Wheel Bearing, Outer	2	
	2113 33 060A	FRONT WHEEL HUB Ass'y	2	☆
7	2113 33 061A	Front Wheel Hub	2	
8	0221 33 035	Dust Ring	2	
9	2113 33 251	Disc Plate	2	
	2113 33 251A	Disc Plate	2	Car No. 64871 ^{70/8} ~ ○
10	0221 33 698	Bolt	8	
	99971 1000	Spring Washer	8	
11	0187 33 065A	Oil Seal, Wheel Bearing	2	
	0398 33 065	Oil Seal, Wheel Bearing	2	Car No. 103335 ^{71/8} ~ ○
12	0259 33 071	Hub Cap	2	
13	0259 33 165	Wheel Set Bolt	8	
14	2113 33 170A	WHEEL CAP	2	
	2113 33 170B	WHEEL CAP	2	Car No. 62706 ^{70/7} ~ X
15	0813 33 175	Emblem	2	
16	0813 33 176A	Retainer	2	
17	0813 33 177	Pad	2	
18	908332 3 06	Set Screw	6	

No.	Part Number	Description	Qty	Remarks
19	2113 33 261B	Dust Plate (R)	2	
	2113 33 271B	Dust Plate (L)	1	
20	99801 0812	Bolt, Dust Plate	6	
	99971 0800	Spring Washer	6	
21	2113 33 610	Caliper (R)	1	
	2113 33 610A	Caliper (R)	1	Car No. 61604 ^{70/5} ~ ○ ※
	2113 33 710	Caliper (L)	1	
	2113 33 710A	Caliper (L)	1	Car No. 61604 ^{70/5} ~ ○ ※
22	0221 33 617	Adjust Shim t = 0.2	2	
	0221 33 618	Adjust Shim t = 0.6	2	
	0221 33 619	Adjust Shim t = 0.8	2	
23	0820 33 696	Bolt, Caliper	4	
	99971 1000	Spring Washer	4	
24	9962 01 1454	145SR-14 Radial Tire, White Ring	2	
	9962 03 1454	145SR-14 Radial Tire	2	
	9962 02 1454	145SR-14 Radial Tubeless Tire	2	
	9963 01 1454	145SR-14 Tube	2	
	9963 60 4140	Air Valve TR-414, Tubeless Tire use	2	
	9965 03 4040	4-J x 14WDC Disc Wheel	2	©
	9965 04 4040	4-J x 14WDC Disc Wheel	2	Car No. 62706 ^{70/7} ~ Δ

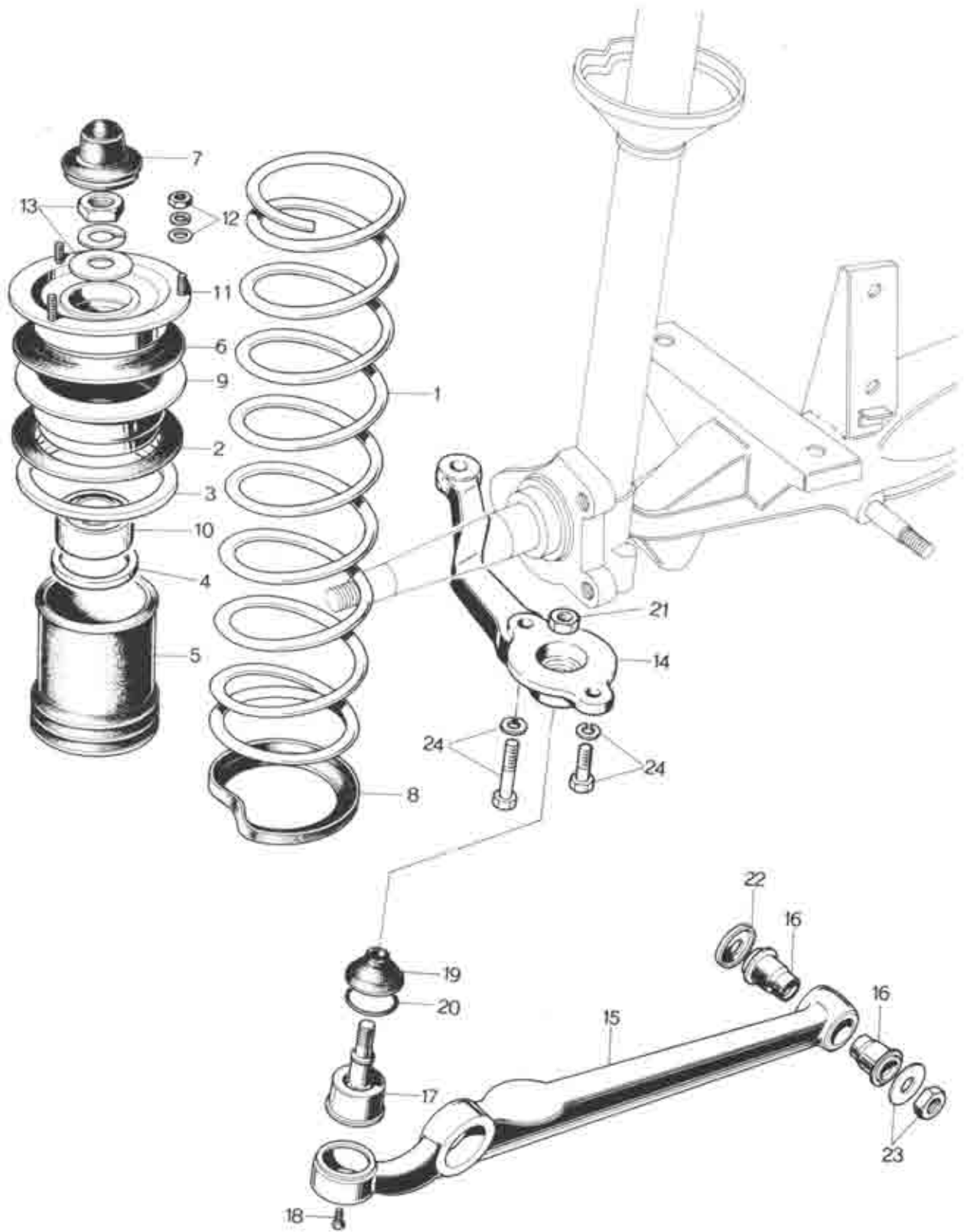




No	Part Number	Description	Qty	Remarks
	2113 33 610	CALIPER Ass'y (R)	‡	
	2113 33 610A		1	Car No. 61604 70/5 ~ O ※
	2113 33 710	CALIPER Ass'y (L)	‡	
	2113 33 710A	CALIPER Ass'y (L) Fig. No. 1 ~ 16 Included	1	Car No. 61604 70/5 ~ O ※
	2113 49 230	PAD SET	‡ Set	
	2113 49 230A	PAD SET	1	Car No. 61604 70/5 ~ O ※
1	2113 33 625	Pad	4	Order Under No. 2113 49 230A ☆
2	0820 33 626	Shim (R)	2	
	0820 33 726A	Shim (L)	2	
3	0820 33 636A	Pad Spring	2	
4	0820 33 695	Pin	4	
5	0820 33 698	Clip	4	
	0820 49 210	CYLINDER Ass'y (R)	1	
	0820 49 220	CYLINDER Ass'y (L)	1	
6	0820 33 621A	Inner Caliper (R)	1	} Order Under No. 0820 49 210 (R) 0820 49 220 (L) ☆
	0820 33 721A	Inner Caliper (L)	1	
7	0820 33 421	Outer Caliper	2	
8	0820 33 697	Bridge Bolt (M = 10)	4	
9	0820 33 699	Bridge Bolt (M = 8)	4	
10	0820 33 651	Piston	4	☆
	0820 49 240	PISTON SEAL KIT	1 Set	

No.	Part Number	Description	Qty.	Remarks
11	0820 33 671	Piston Seal	4	Order Under No. 0820 49 240
12	0820 33 681	Dust Seal	4	
	0820 49 251	Rubber Grease	—	
	0820 49 250	PISTON SEAL SET	1 Set	
11	0820 33 671	Piston Seal	4	Order Under No. 0820 49 250
	0820 49 251	Rubber Grease	—	
13	0820 33 682	Retaining Ring	4	
• 14	0820 33 623	Caliper Seal	4	
15	0820 33 691A	Bleeder Screw	2	
16	0221 33 693	Cap	2	
	0820 33 693	Cap	2	Car No. 61910 7/8 ~ 〇





FRONT SUSPENSION (SPRING)

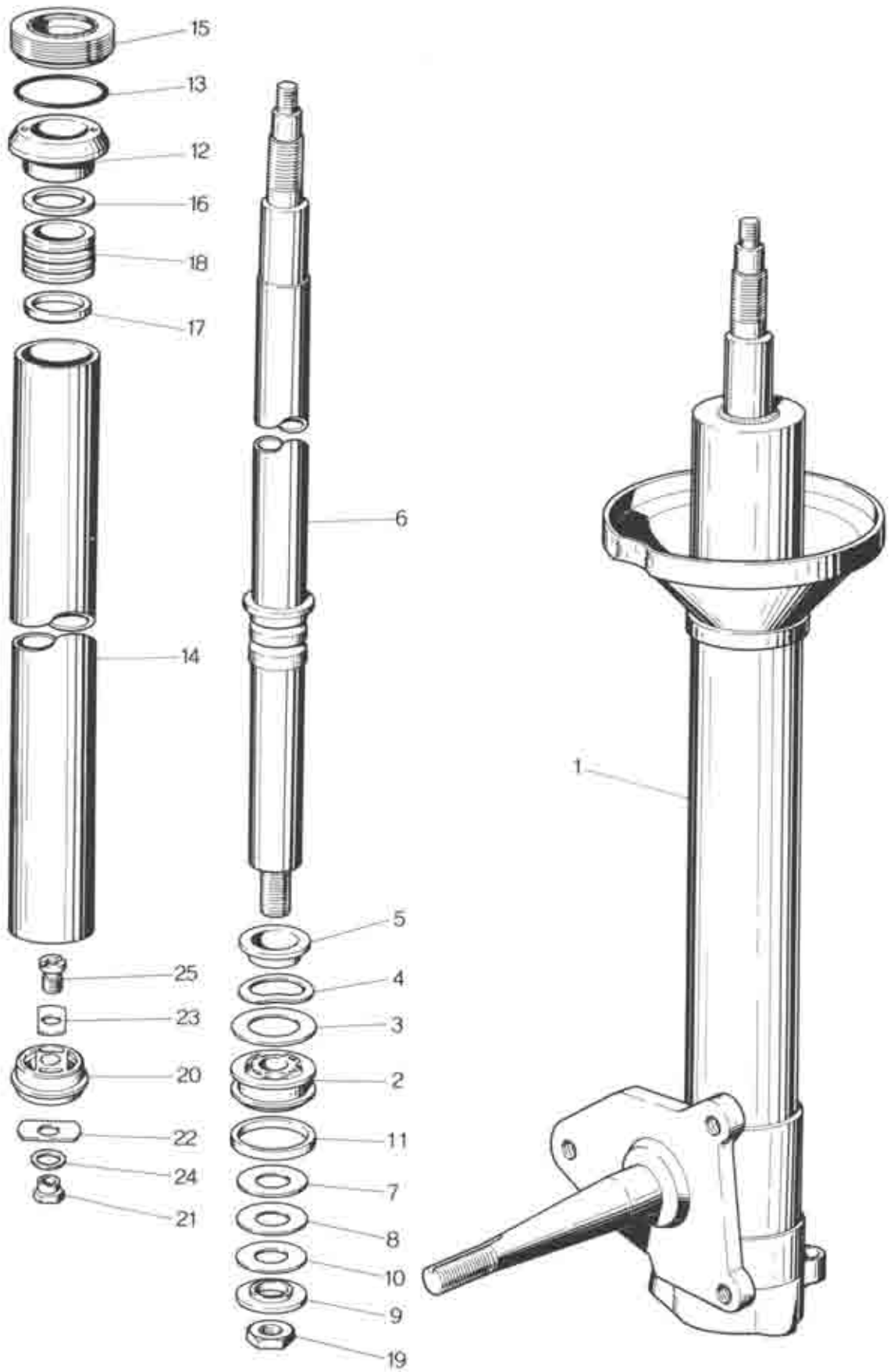
34

No.	Part Number	Description	Qty	Remarks
1	0820 34 011	Coil Spring	2	
2	0259 34 012	Rubber Seat, Upper	2	
3	0259 34 013	Adjusting Plate	2	
4	2158 34 014	Dust Seal Ring	2	
5	0259 34 015	Boot	2	
6	0259 34 016	Seal	2	
7	0259 34 019	Cap	2	
8	0259 34 021	Rubber Seat, Lower	2	
9	2158 34 340	Rubber Seat, Upper	2	
10	2158 34 381	Bearing	2	
11	2158 34 390	Mounting Rubber	2	
12	99901 0800	Nut, Mounting Rubber	6	
	99971 0800	Spring Washer	6	
	99952 0800	Plain Washer	6	
13	99921 1400	Nut, Damper Upper Side	2	
	99971 1400	Spring Washer	2	
	99951 1430	Plain Washer	2	
	0317 34 310A	ARM Ass'y (R)	1	
	0317 34 320A	ARM Ass'y (L)	1	
14	0305 34 311	Arm	2	
15	0305 32 301A	Knuckle Arm (R)	1	
	0305 32 311A	Knuckle Arm (L)	1	
16	0317 34 460	Rubber Bush	4	

FRONT SUSPENSION (SPRING)

No.	Part Number	Description	Q'ty	Remarks
17	0259 99 356	SOCKET Ass'y	2	
18	0208 32 278	Plug	2	
19	0187 32 279A	Dust Seal	2	
20	0259 32 289	Set Ring	2	
21	99942 1200	Self Lock Nut	2	
22	0317 34 662	Washer No.1	2	
23	0317 34 663	Washer No.2	2	
	99947 1400	Self Lock Nut	2	
24	99781 1225	Bolt, Socket	2	
	99781 1240	Bolt	2	
	99971 1200	Spring Washer	4	





FRONT SUSPENSION (DAMPER)

34

No.	Part Number	Description	Qty	Remarks
1	2113 34 910D	FRONT DAMPER Ass'y (R)	1	
	2113 34 910E	FRONT DAMPER Ass'y (R)	1	Car No. 94253 ⁷¹ / ₄ ~ ○
	2113 34 960D	FRONT DAMPER Ass'y (L)	1	
	2113 34 960E	FRONT DAMPER Ass'y (L)	1	Car No. 94253 ⁷¹ / ₄ ~ ○
2	0305 34 701	Piston	2	
	0305 34 701A	Piston	2	Car No. 100261 ⁷¹ / ₆ ~ ○
3	0259 34 705	Check Valve	2	
4	0305 34 707	Check Valve Spring	6	
5	0259 34 708	Washer	2	
6	0305 34 710A	Piston Rod	2	
7	0259 34 712	Relief Valve	8	
8	0305 34 712	Relief Valve	2	
9	0305 34 713	Washer	2	
10	0305 34 714	Valve	2	
11	0259 34 719A	Piston Ring	2	
12	0259 34 730	Piston Rod Guide	2	
	0866 34 730	Piston Rod Guide	2	Car No. 103335 ⁷¹ / ₈ ~ Δ
13	0183 34 731	"O" Ring	4	
14	0305 34 732A	Pressure Tube	2	
15	0305 34 760A	OIL SEAL Ass'y	2	
	0866 34 760	OIL SEAL Ass'y	2	Car No. 103335 ⁷¹ / ₈ ~ Δ
	0259 34 735A	Oil Seal	2	
	0866 34 735	Oil Seal	2	Car No. 103335 ⁷¹ / ₈ ~ Δ
16	0259 34 767	Ring	2	
17	0259 34 768	Guide Stopper	2	
18	0259 34 769B	Stopper	2	
19	99921 1200	Nut	2	
	0305 34 709	Nut	2	Car No. 68290 ⁷⁰ / ₁₀ ~ ○

FRONT SUSPENSION (DAMPER)

No.	Part Number	Description	Qty	Remarks
	0305 34 720	VALVE CASING Ass'y	2	
20	0305 34 721A	Base, Valve Casing	2	Order Under 0305 34 720
21	0305 34 722A	Nut	2	
22	0305 34 723	Valve	10	
23	0305 34 724	Valve	8	
24	0305 34 726A	Washer	2	
25	0305 34 729A	Bolt	2	



FRONT SUSPENSION (CROSS MEMBER)

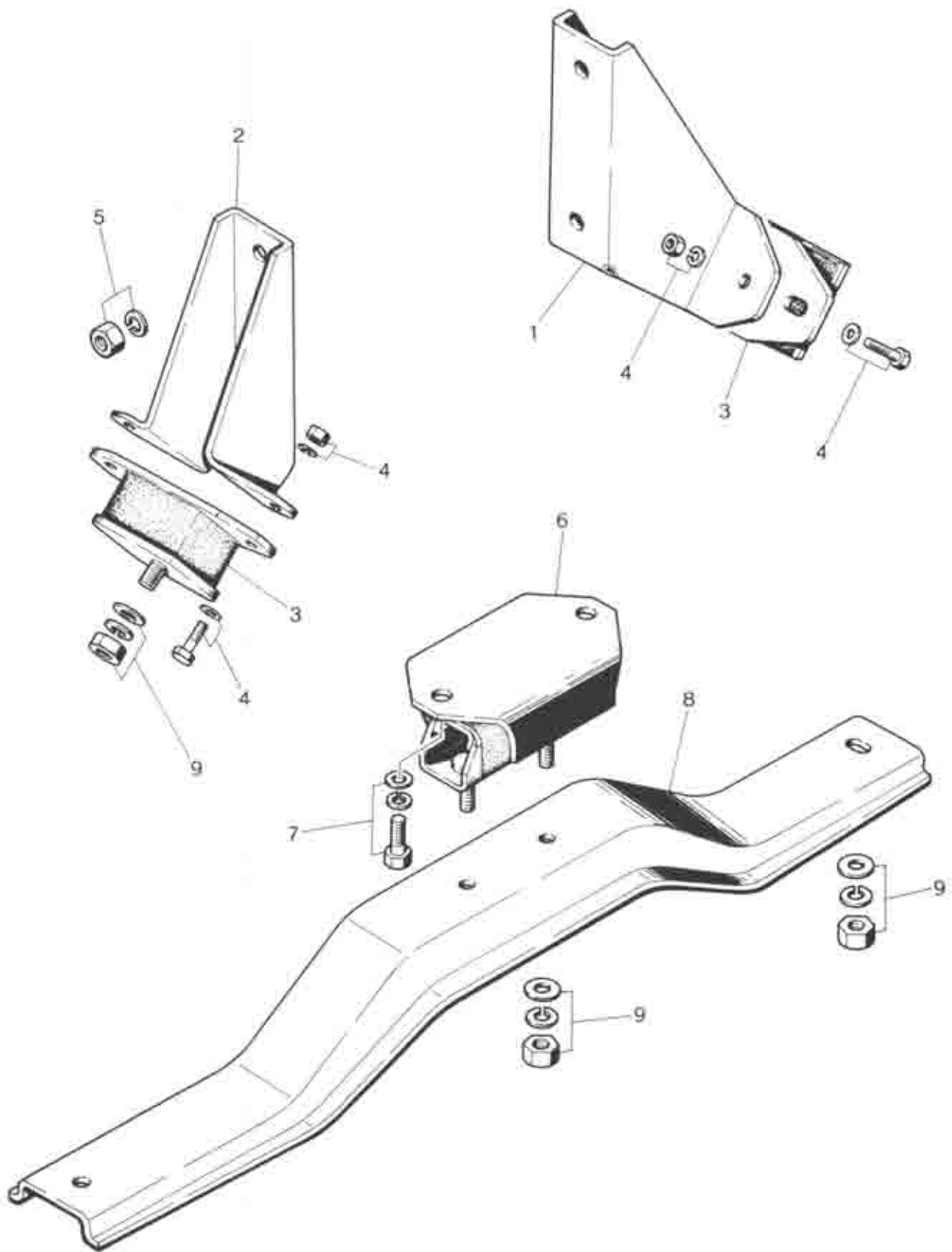
34

No.	Part Number	Description	Q'ty	Remarks
1	0820 34 161	Stabilizer	1	
2	0259 34 153	Rubber Bush, Stabilizer	4	
3	0259 34 155	Plate, Stabilizer Support	2	
4	0820 34 156	Rubber Bush	2	
5	99781 1020	Bolt, Stabilizer Support	4	
	99971 1000	Spring Washer	4	
6	0259 34 157	Washer, Stabilizer (Frt.)	2	
7	0259 34 158	Washer, Stabilizer (Rr.)	2	
8	99947 1400	Nut	2	
9	0820 34 800A	CROSS MEMBER, FRONT SUSPENSION General Export Model	1	
	2329 34 800A	CROSS MEMBER, FRONT SUSPENSION Emission Controlled Model	1	
	0317 34 810	Seat, Cabin Support (R)	1	
	0317 34 820	Seat, Cabin Support (L)	1	
10	0820 34 110	Bound Stopper	2	
11	99806 0618	Bolt, Bump Stopper	4	
	99971 0600	Spring Washer	4	
	99906 0600	Nut	4	
12	0259 34 896	Cushion, Upper	2	
13	0259 34 897	Washer	4	
14	0259 34 898	Cushion, Lower	4	
15	99942 1000	Self Lock Nut	4	

FRONT SUSPENSION (CROSS MEMBER)

No.	Part Number	Description	Qty	Remarks
16	2113 56 901A	Under Cover	1	
	2329 56 901B	Under Cover, Emission Controlled Model	1	
17	908041 6 30	Set Bolt, Under Cover	4	
18	0223 52 007	Spacer, Under Cover	4	
19	0820 56 905	Spring Nut	4	
20	908631 5 16	Set Screw, Under Cover	4	
21	0820 56 906	Spacer	4	





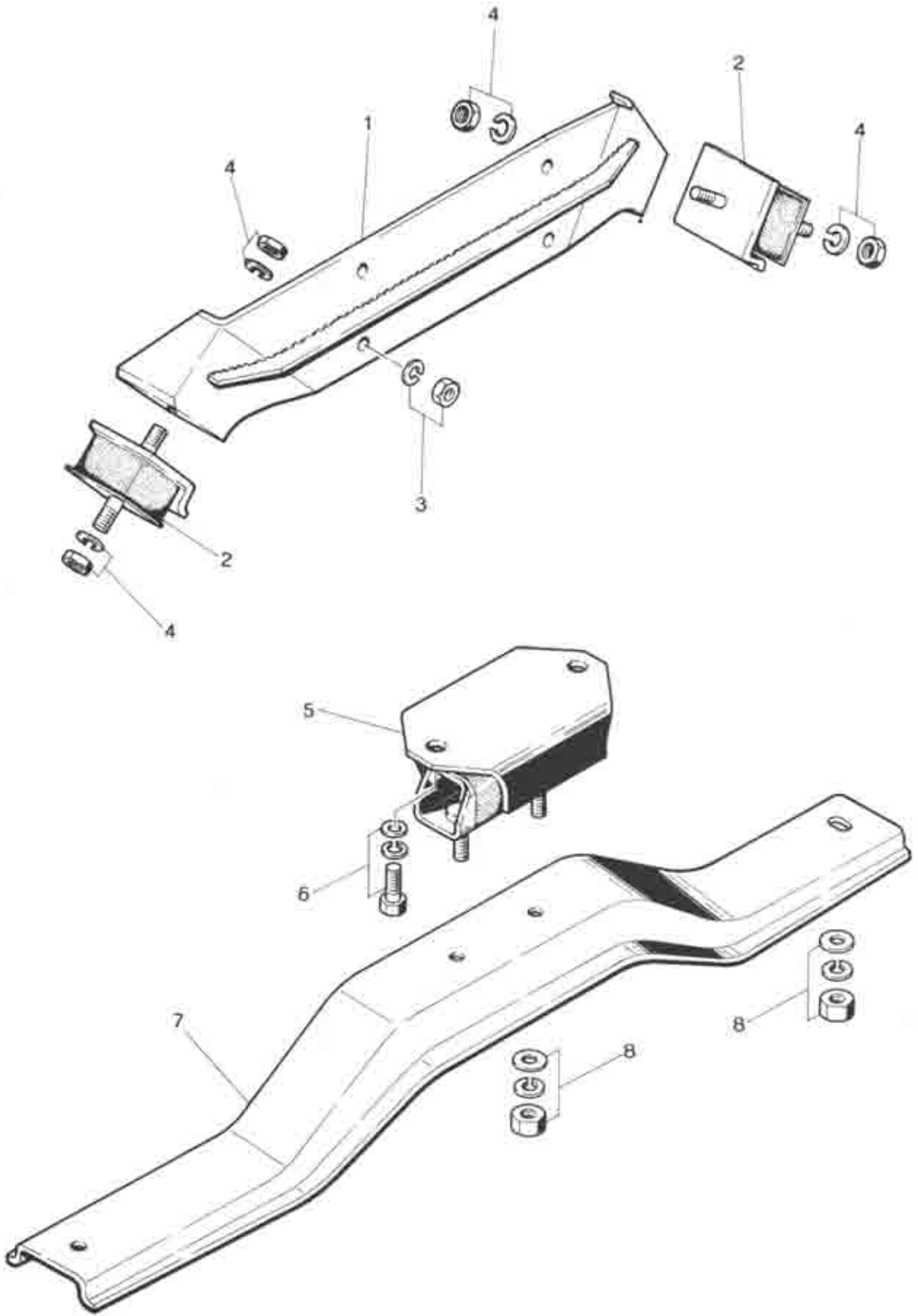
ENGINE & T/MISSION SUPPORT

(GENERAL EXPORT MODEL)

39

No.	Part Number	Description	Q'ty	Remarks
1	0820 39 021	Engine Mounting Bracket (R)	1	
2	0820 39 031	Engine Mounting Bracket (L)	1	
3	0662 39 040	Engine Mounting Rubber	2	
4	99801 0822	Set Bolt	4	
	99951 0822	Plain Washer	4	
	99901 0800	Nut	4	
	99971 0800	Spring Washer	4	
5	99971 1200	Spring Washer	4	
	99921 1200	Nut	4	
6	0259 39 340	T/Mission Mounting Rubber	1	
7	908012 8 18	Set Bolt	2	
8	0820 39 380	T/Mission Mount Member	1	
9	99921 1000	Nut	6	
	99951 1030	Plain Washer	6	
	99971 1000	Spring Washer	6	





ENGINE & T/MISSION SUPPORT

(EMISSION CONTROLLED MODEL)

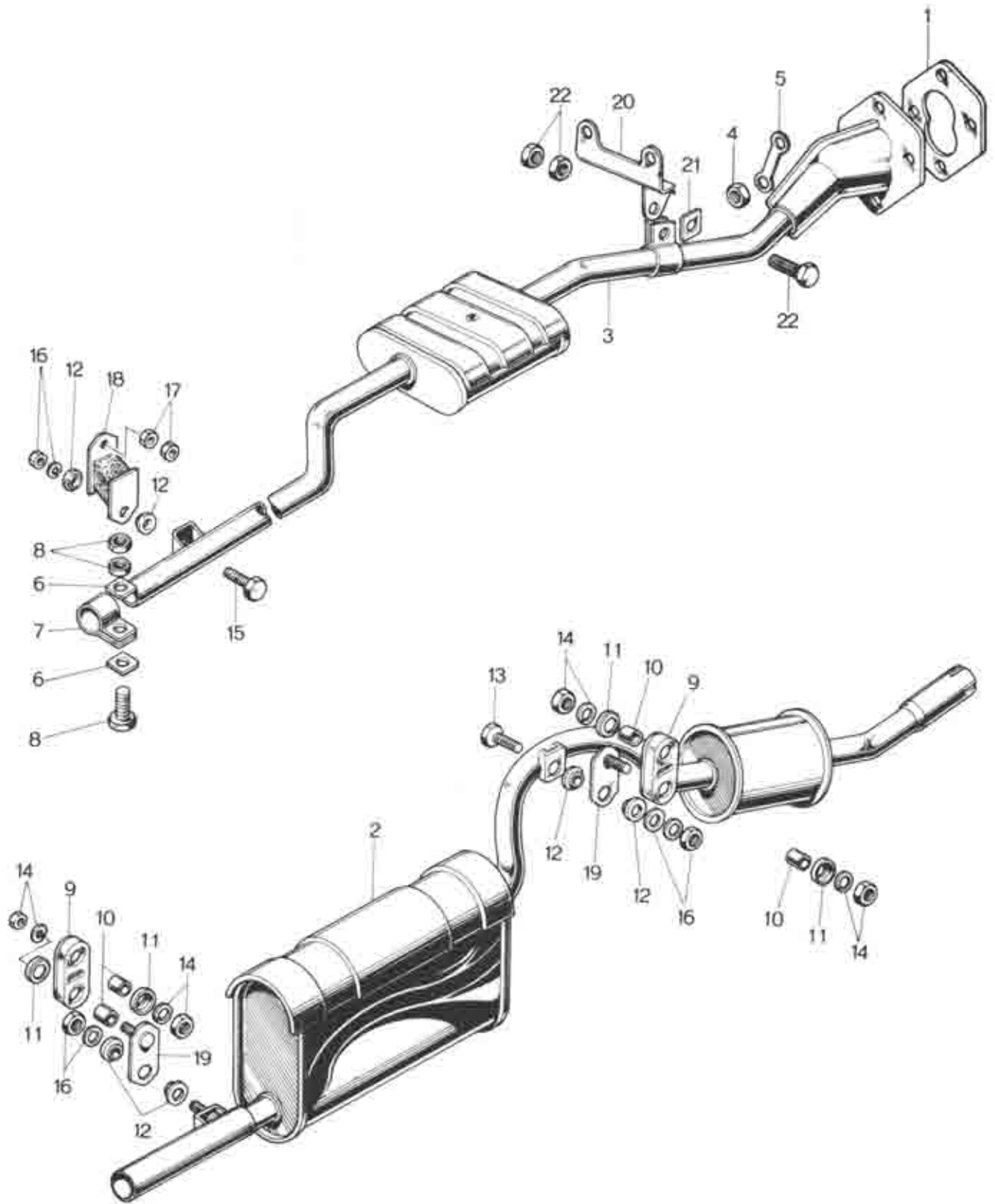
39

No.	Part Number	Description	Qty.	Remarks
1	2329 39 021	Engine Bracket	1	
2	2329 39 040	Engine Mounting Rubber	2	
3	99921 1000	Nut, Engine Bracket	4	
	99971 1000	Spring Washer	4	
4	99921 1200	Nut, Mounting Rubber	4	
	99971 1200	Spring Washer	4	
5	0259 39 340	T/Mission Mounting Rubber	1	
6	908012 8 18	Set Bolt, Mounting Rubber	2	
7	0820 39 380	T/Mission Mount Member	1	
8	99921 1000	Nut, Mount Member	6	
	99951 1030	Plain Washer	6	
	99971 1000	Spring Washer	6	



EXHAUST SYSTEM

(GENERAL EXPORT MODEL)



EXHAUST SYSTEM

(GENERAL EXPORT MODEL)

40

No.	Part Number	Description	Qty	Remarks
1	0844 13 621	Gasket	1	
2	0820 40 010D	Silencer	1	
3	0820 40 300C	Pre Silencer No.1	1	
4	2158 40 355	Nut	4	
5	0820 40 357	Lock Washer	2	
6	0208 13 458	Clamp	2	
7	0183 40 356	Joint	1	
8	99801 0828	Bolt, Joint	1	
	99901 0800	Nut	1	
	99902 0800	Lock Nut	1	
9	0820 40 161	Silencer Hanger	2	
10	0820 40 165	Pipe	4	
11	0820 40 166	Washer	4	
12	0824 40 401	Insulator	6	
13	99801 0828	Bolt	1	
14	99901 0800	Nut	4	
	99971 0800	Spring Washer	4	
15	99801 0832	Bolt	1	
16	99949 0800	Nut	3	
	99952 0800	Plain Washer	3	
17	99901 0800	Nut	1	
	99902 0800	Nut	1	
18	0820 40 180	Silencer Hanger	1	
19	0820 40 170	Plate Ass'y	2	
20	0820 40 351A	Bracket	1	
21	0208 13 458	Clamp	1	

40

EXHAUST SYSTEM

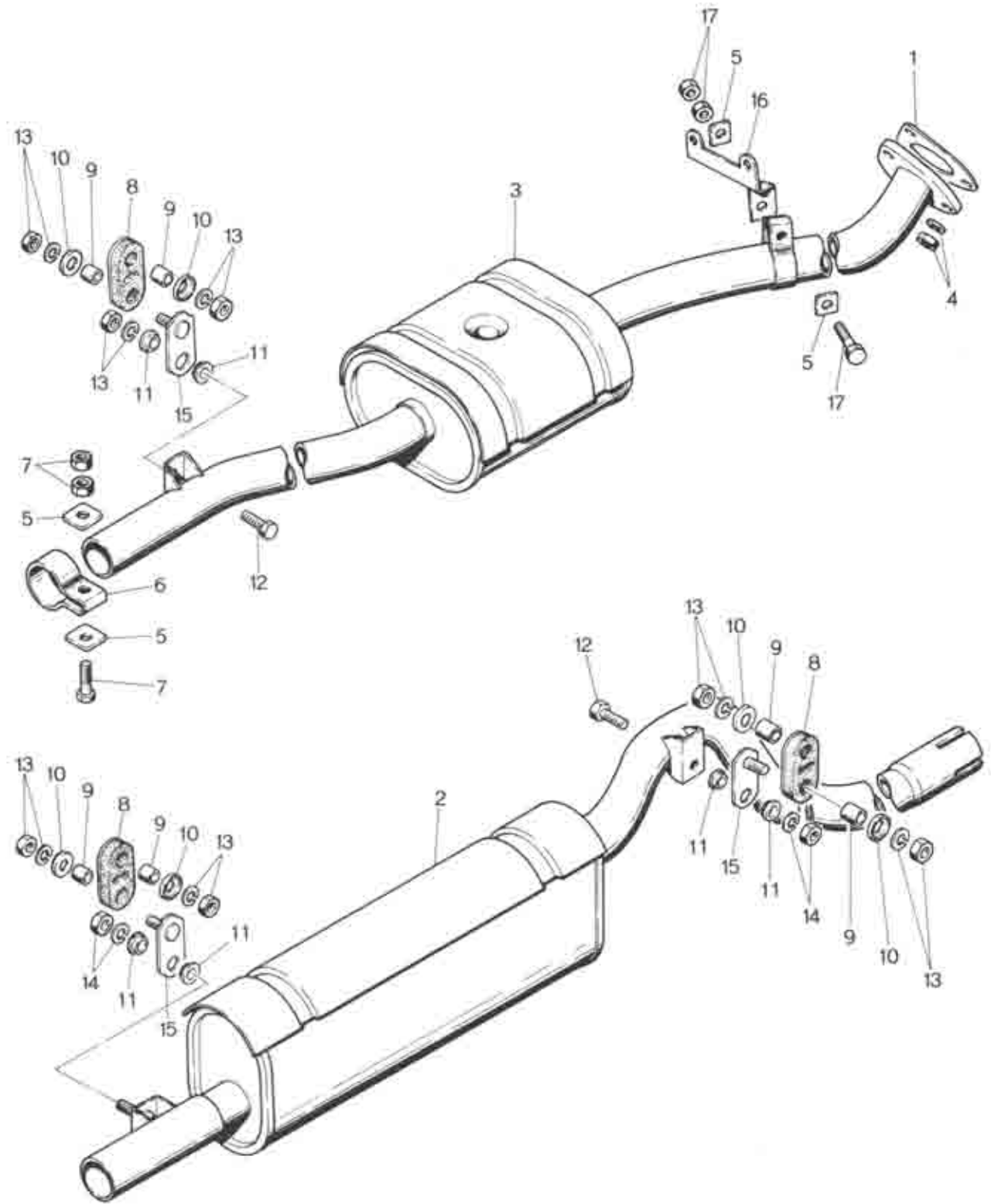
(GENERAL EXPORT MODEL)

No.	Part Number	Description	Qty	Remarks
22	99801 0832	Bolt	1	
	99901 0800	Nut	1	
	99902 0800	Nut	1	



EXHAUST SYSTEM

(EMISSION CONTROLLED MODEL)



EXHAUST SYSTEM

(EMISSION CONTROLLED MODEL)

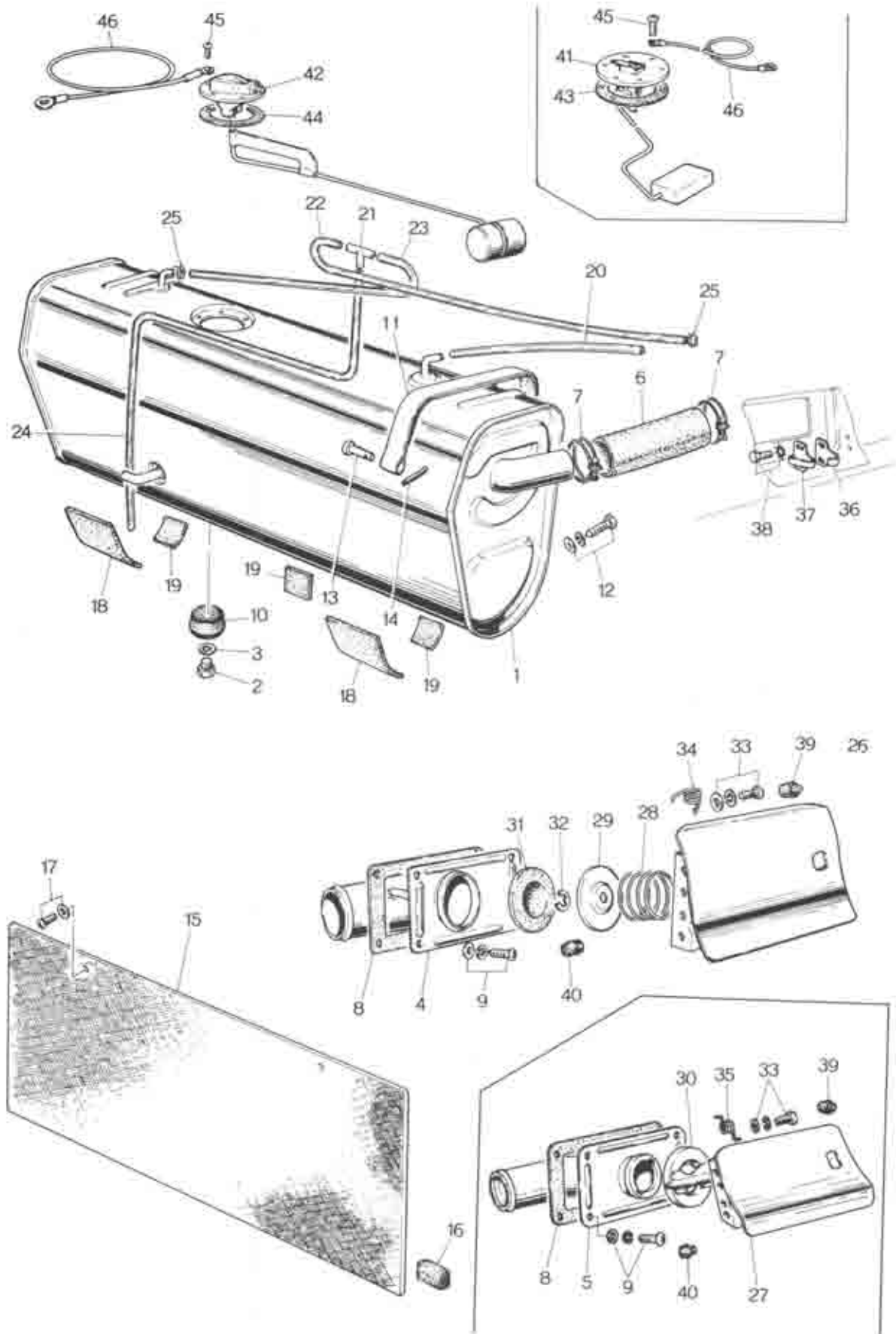


No.	Part Number	Description	Q'ty	Remarks
1	2329 13 879	Gasket	1	
2	2329 40 010	Silencer	1	
3	2329 40 300	Pre Silencer	1	
4	2158 40 355	Nut, Pre Silencer	3	
	99971 1000	Spring Washer	3	
5	0208 13 458	Clamp, Joint	4	
6	0183 40 356	Joint	1	
7	99801 0828	Bolt, Joint	1	
	99901 0800	Nut	1	
	99902 0800	Lock Nut	1	
8	0820 40 161	Silencer Hanger	3	
9	0820 40 165	Pipe	6	
10	0820 40 166	Washer	6	
11	0824 40 401	Insulator	6	
12	99801 0828	Bolt, Silencer Hanger	2	
13	99901 0800	Nut, Silencer Hanger	6	
	99971 0800	Spring Washer	6	
14	99949 0800	Nut, Silencer Hanger	3	
	99953 0800	Plain Washer	3	
15	0820 40 170	Plate Ass'y	3	
16	0820 40 351A	Bracket	1	
17	99801 0832	Bolt, Bracket	1	
	99901 0800	Nut	1	
	99902 0800	Nut	1	





42 FUEL TANK



FUEL TANK

42

No.	Part Number	Description	Qty	Remarks
1	0820 42 310C	FUEL TANK	1	
2	0114 42 046A	Drain Plug	1	
3	99560 1200	Packing	1	
4	0259 42 360A	Filler Pipe Ass'y, One Touch Type	1	
5	2244 42 360A	Filler Pipe Ass'y	1	
6	0259 42 364	Joint Hose	1	
7	99282 5500	Hose Band	2	
8	0259 42 366	Packing, Inlet Pipe	1	
9	908337 5 12	Set Screw, Inlet Pipe	4	
10	0187 42 371	Dust Seal Rubber	1	
11	0820 42 370A	Fuel Tank Strap	2	
12	908056 8 35	Set Screw, Tank Strap Set	2	
13	99231 0636	Joint Pin	2	
14	99221 1610	Split Pin	2	
15	0820 42 380B	PARTITION BOARD Ass'y, COUPE TYPE	1	
	0844 42 380	PARTITION BOARD Ass'y, SEDAN TYPE	1	
16	0820 42 382	Spacer	3	
17	99862 0416	Tapping Screw, Partition Board	2	
	99968 0400	Washer	2	

FUEL TANK

No.	Part Number	Description	Qty	Remarks
18	0259 42 791	Tank Seat	2	
19	0259 42 792	Spacer "B"	4	
20	99336 10034	Soft Vinyl Pipe, Body Side	1	
21	0259 42 390	Joint	1	
22	99336 06096	Soft Vinyl Pipe, Body Side	1	
23	99336 06092	Soft Vinyl Pipe, Body Side	1	
24	0259 42 395	Vent Tube	1	
25	99285 0600	Wire Clip	2	
26	0820 42 410	Filler Lid Ass'y, One Touch Type	1	
27	2113 42 410A	Filler Lid Ass'y	1	
28	0259 42 425	Spring, Filler Cap	1	} One Touch Type
29	0223 42 426	Filler Cap	1	
30	2280 42 460	Filler Cap	1	
31	0223 42 427	Packing, Filler Cap	1	} One Touch Type
32	99575 0500	Retaining Ring	1	
33	908336 4 12	Set Screw, Hinge	2	
34	0259 42 455A	Check Spring, One Touch Type	1	
35	2244 42 455	Check Spring	1	
36	0820 42 375	Back Up Plate	1	
37	0820 42 376	Lock Plate	1	
38	908066 4 12	Set Bolt	2	
39	0187 70 491	Cushion Rubber	1	
40	0259 42 459	Cushion Rubber	1	
41	0820 66 770	FUEL TANK GAUGE, "T" TYPE DASHBOARD USE	1	

FUEL TANK

42

No.	Part Number	Description	Qty	Remarks
42	0822 66 770	FUEL TANK GAUGE	1	
43	0820 66 773	Gasket, "T" Type Dashboard use	1	
44	0243 66 773	Gasket	1	
45	99833 0410	Screw, Tank Gauge	1	
	99833 0408	Screw	5	
46	0259 66 735	Earth Cord, Tank Gauge	1	

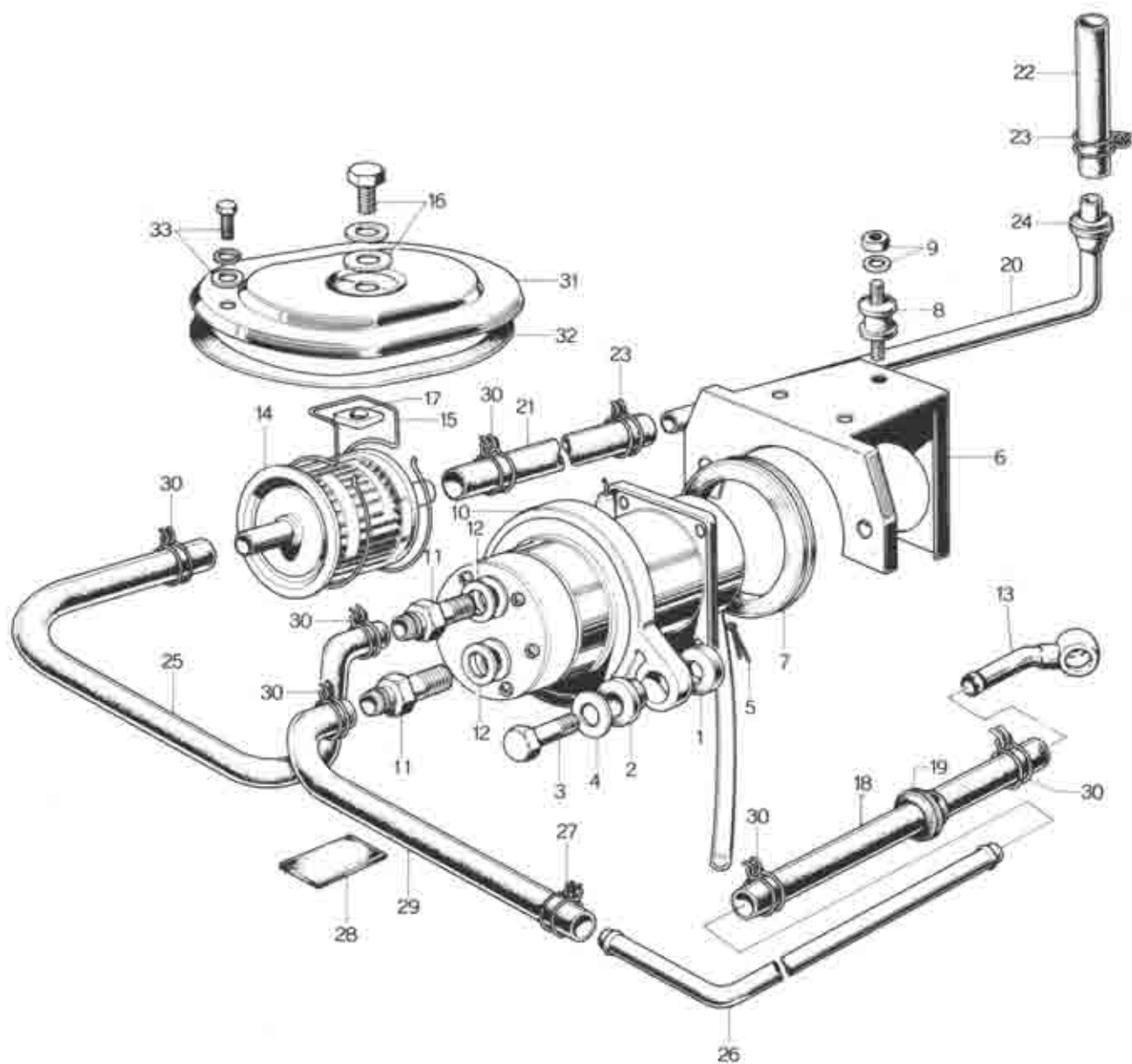


13

45

FUEL PIPING

(GENERAL EXPORT MODEL)



FUEL PIPING

(GENERAL EXPORT MODEL)

13

45

No.	Part Number	Description	Qty	Remarks
1	0222 13 355	Insulation Rubber, Fuel Pump	2	
2	0222 13 356	Insulation Rubber, Fuel Pump	2	
3	0222 13 357	Bolt, Pump	2	
4	0222 13 358	Plain Washer	2	
5	99221 1012	Split Pin, Pump	2	
6	0222 13 360	Fuel Pump Bracket	1	
7	0222 13 362	Supporter	1	
8	0222 13 363	Insulation Rubber	3	
9	99906 0600	Nut, Insulation Rubber	3	
	99971 0600	Spring Washer	3	
10	0820 13 400	Fuel Pump	1	
	0820 13 400A	Fuel Pump	1	Car No. 64905 ⁷⁰ / ₈ ~ ○
	0820 13 400C	Fuel Pump	1	Car No. 84459 ⁷¹ / ₁ ~ ○
11	0620 13 433	Gasoline Pipe Connector	2	
12	99564 1200	Gasket	2	
13	0820 13 440B	Gasoline Pipe Ass'y, Carburettor	1	
14	0222 13 470A	Gasoline Filter	1	
15	0222 13 481	Clamp, Gasoline Filter	1	
	0381 13 481	Clamp, Gasoline Filter	1	Car No. 103733 ⁷¹ / ₁₁ ~ ○
16	99801 0814	Bolt, Gasoline Filter	1	
	99952 0800	Plain Washer	1	
	99971 0800	Spring Washer	1	
17	99911 0800	Square Nut	1	
18	0813 45 021	Fuel Pipe	1	
19	0187 55 554	Protector	1	
	0820 45 020	FUEL PIPE Ass'y No.1	1	
20	0820 45 021	Main Fuel Pipe No.1	1	

13

45

FUEL PIPING

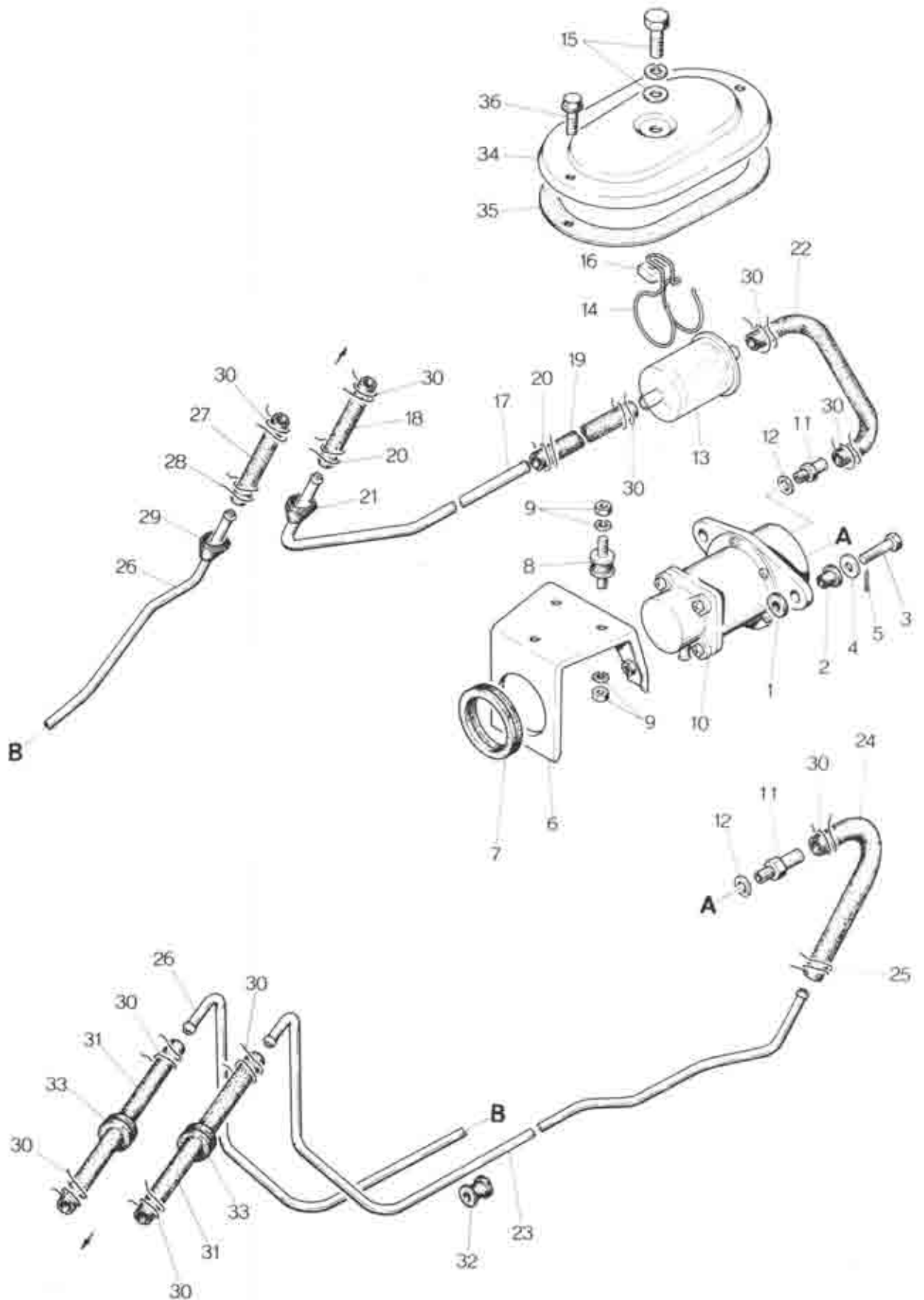
(GENERAL EXPORT MODEL)

No.	Part Number	Description	Qty	Remarks
21	0820 45 022	Fuel Pipe, Strainer	1	
22	0813 45 021	Fuel Pipe, Tank	1	
23	0222 13 493	Clip, Fuel Pipe	2	
24	0183 55 555	Grommet	1	
25	0680 45 023	Fuel Pipe	1	
	0820 45 040E	FUEL PIPE Ass'y No.2 (Arctic Spec. Model Excluded)	1	
26	0820 45 041D	Main Fuel Pipe No.2	1	
	2112 45 041	Main Fuel Pipe No. 2, Arctic Spec. Model	1	Car No. 73747 ⁷⁰ / ₁₂ ~ Added An
27	0222 13 493	Clip, Fuel Tank	1	
28	0208 66 949	Protector Pad	3	
29	0647 45 041	Fuel Pipe	1	
	0621 45 071	Fuel Pipe, Arctic Spec. Model	1	Car No. 73747 ⁷⁰ / ₁₂ ~ Added An
30	0222 13 493	Clip, Gasoline Pipe	10	
31	0223 56 521	Cover	1	
32	0223 56 522	Seal Rubber	1	
33	908047 6 20	Set Bolt, Service Hole Cover	2	
	0034 13 373	Bolt, Arctic Spec. Model	1	Car No. 73747 ⁷⁰ / ₁₂ ~ Added F



FUEL PIPING

(EMISSION CONTROLLED MODEL)



FUEL PIPING

(EMISSION CONTROLLED MODEL)



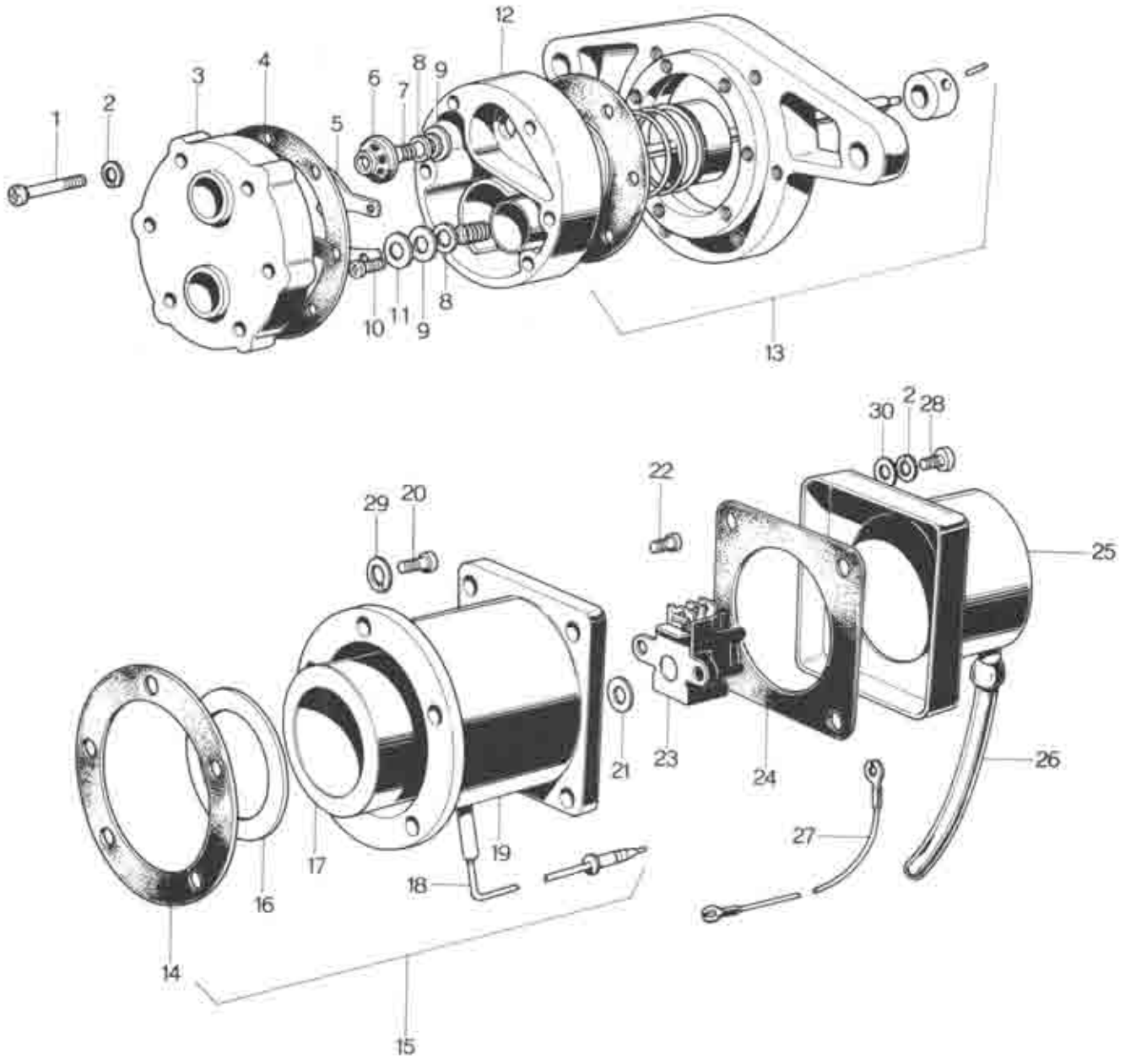
No.	Part Number	Description	Q'ty	Remarks
1	0222 13 355	Insulation Rubber, Fuel Pump	2	
2	0222 13 356	Insulation Rubber, Fuel Pump	2	
3	0222 13 357	Bolt, Fuel Pump	2	
4	0222 13 358	Plain Washer, Fuel Pump	2	
5	99221 1012	Split Pin, Fuel Pump	2	
6	0222 13 360	Bracket, Fuel Pump	1	
7	0222 13 362	Supporter, Bracket	1	
8	0222 13 363	Insulation Rubber	3	
9	99906 0600	Nut, Insulation Rubber	3	
	99971 0600	Spring Washer	3	
10	0820 13 400	Fuel Pump	1	
	0820 13 400A	Fuel Pump	1	Car No. 64905 ⁷⁰ / ₈ ~ ○
11	0620 13 433	Connector, Gasoline Pipe	2	
12	99564 1200	Gasket	2	
13	0222 13 470A	Gasoline Filter	1	
14	0222 13 481	Clamp, Gasoline Filter	1	
	0381 13 481	Clamp, Gasoline Filter	1	Car No. 103733 ⁷¹ / ₁₁ ~ ○
15	99801 0814	Bolt, Gasoline Filter	1	
	99952 0800	Plain Washer	1	
	99971 0800	Spring Washer	1	
16	99911 0800	Square Nut	1	
	2329 45 020	FUEL PIPE Ass'y No.1	1	
17	2329 45 021	Fuel Pipe No.1	1	
18	0813 45 021	Fuel Pipe, Tank Side	1	
19	0820 45 022	Fuel Pipe, Strainer Side	1	
20	0222 13 493	Clip, Fuel Pipe	2	

FUEL PIPING

(EMISSION CONTROLLED MODEL)

No.	Part Number	Description	Q'ty.	Remarks
21	0183 55 555	Protector	1	
22	0680 45 023	Fuel Pipe, Strainer ~ Fuel Pump	1	
	2329 45 040A	FUEL PIPE Ass'y No.2	1	
23	2329 45 041B	Fuel Pipe No.2	1	
24	0647 45 041	Fuel Pipe, Fuel Pump Side	1	
25	0222 13 493	Clip, Fuel Pipe	2	
	2329 45 060	FUEL PIPE Ass'y No.3, RETURN	1	
	2329 45 060A	FUEL PIPE Ass'y No.3, RETURN	1	Car No. 59909 $\frac{7}{8}$ " ~ O
26	2329 45 061	Fuel Pipe No.3	1	
	2329 45 061A	Fuel Pipe No.3	1	Car No. 59909 $\frac{7}{8}$ " ~ O
27	0672 45 051	Fuel Pipe, Tank Side	1	
28	0222 13 493	Clip, Fuel Pipe	2	
29	0183 55 555	Protector	1	
30	0222 13 493	Clip, Fuel Pipe	15	
31	99340 06300	Fuel Pipe, Carburettor Side	2	
32	99686 1400	Protector	3	
33	0187 55 554	Protector, Fuel Pipe	2	
34	0223 56 521	Cover, Gasoline Filter	1	
35	0223 56 522	Seal Rubber	1	
36	908047 6 20	Set Bolt, Cover	2	





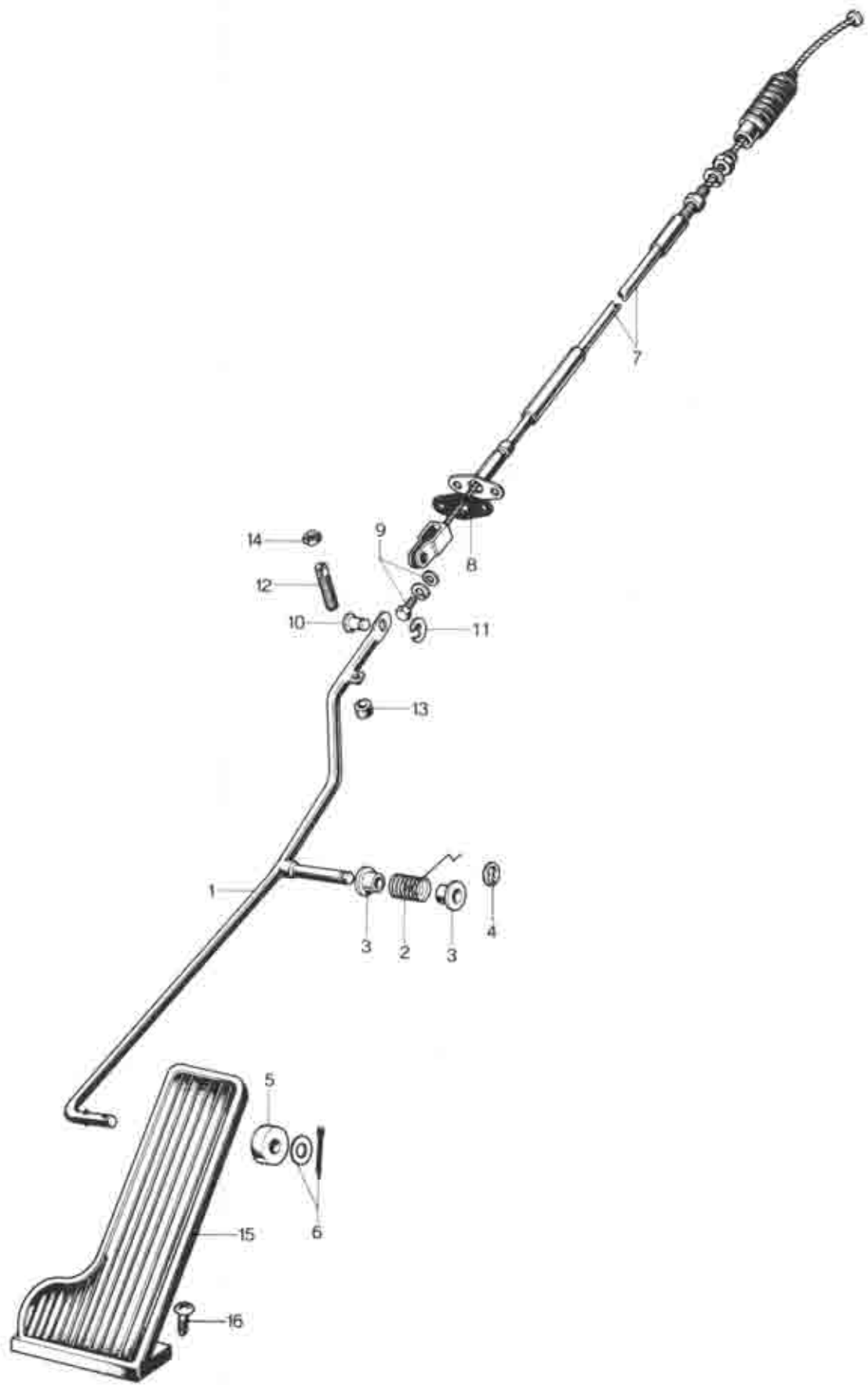
FUEL PUMP

23

No.	Part Number	Description	Qty	Remarks
	0820 13 400	FUEL PUMP	1	
	0820 13 400A	FUEL PUMP	1	Car No. 64905 ⁷⁰ / ₈ ~ ○
	0820 13 400C	FUEL PUMP	1	Car No. 84459 ⁷¹ / ₁ ~ ○
	0820 23 601	PUMP Ass'y	1	
1	0820 23 602	Screw (M4 x 0.7 x 40)	6	
2	0014 13 389	Spring Washer	4	
	0190 13 389	Spring Washer	17	Car No. 69220 ⁷⁰ / ₁₁ ~ ○
3	0221 23 215	Cap	1	
4	0820 23 603	Gasket	1	
5	0137 13 369B	Valve Retainer	2	
6	0137 13 368A	Valve Holder	1	
7	0137 13 356A	Valve Spring	2	
8	0137 13 355A	Valve	2	
9	0137 13 357A	Valve Seat	2	
10	0820 23 604	Screw (M4 x 0.7 x 6)	2	
11	0137 13 361A	Retainer	1	
12	0137 13 351B	Valve Chamber	1	
13	0820 23 611	Diaphragm Ass'y	1	
14	0221 23 229	Packing (0.5t)	1	
	0221 23 231	Packing (0.25t)	1	
	0221 23 232	Packing (0.1t)	1	
15	0820 23 615	BODY Ass'y	1	
	0820 23 615A	BODY Ass'y	1	Car No. 103315 ⁷¹ / ₆ ~ X
16	0221 23 226	Magnetic Permeable Plate	1	
17	0221 23 225	Coil	1	

No.	Part Number	Description	Qty	Remarks
18	0137 13 394A	Lead Wire	1	
19	0820 23 616	Body	1	
•	0820 23 616A	Body	1	Car No. 103315 ⁷¹ / ₆ ~ X
20	0820 23 621	Screw (M4 x 0.7 x 8)	5	
21	0221 23 227	Adjusting Washer (0.25t)	1	
	0221 23 228	Adjusting Washer (0.6t)	1	
22	0820 23 625	Screw (M4 x 0.7 x 6)	2	Car No. 70537 ⁷⁰ / ₁₁ ~ Quantity
23	0222 23 630	Switch	1	
	0222 23 630A	Switch	1	Car No. 64905 ⁷⁰ / ₈ ~ O
	0222 23 630B	Switch	1	Car No. 69220 ⁷⁰ / ₁₁ ~ O
24	0221 23 234	Cover Packing	1	
•	0222 23 631	Cover Packing	1	Car No. 82291 ⁷¹ / ₁ ~ O
•	0222 23 631A	Cover Packing	1	Car No. 100385 ⁴¹ / ₆ ~ X
25	0221 23 233	Cover	1	
•	0222 23 233	Cover	1	Car No. 100385 ⁷¹ / ₆ ~ X
26	0820 23 628	Breather Pipe	1	
27	0820 23 626	Earth Wire	1	
28	0820 23 623	Screw (M4 x 0.7 x 10)	4	
29	0820 23 622	Toothed Washer	5	Car No. 82291 ⁷¹ / ₁ ~ Discarded
30	0820 23 624	Washer	4	





ACCELERATOR CONTROL SYSTEM (R.H.D.)

41

No.	Part Number	Description	Qty	Remarks
1	0259 41 610B	Accelerator Control Rod	1	
2	0259 41 619	Return Spring	1	
3	0259 41 644	Bush	2	
4	99575 0600	"U" Stop Ring	1	
5	0259 41 613	Roller	1	
6	99953 0800	Plain Washer	2	
	99221 2012	Split Pin	1	
7	0820 41 660	Accelerator Control Wire	1	
8	0249 41 671	Rubber Seat, Accelerator Control Wire	1	
9	908067 6 20	Set Bolt, Accelerator Control Wire	2	
10	99230 0511	Pin, Accelerator Control Wire	1	
11	99575 0300	"U" Stop Ring, Accelerator Control Wire	1	
12	0118 41 681	Stopper	1	
13	0118 41 682	Rubber	1	
14	99907 0600	Lock Nut	1	
15	0290 41 710	Accelerator Pedal	1	
16	99743 0520	Screw	2	



1

2

3

4

5

6

7

8

9

10

11

12

13

14

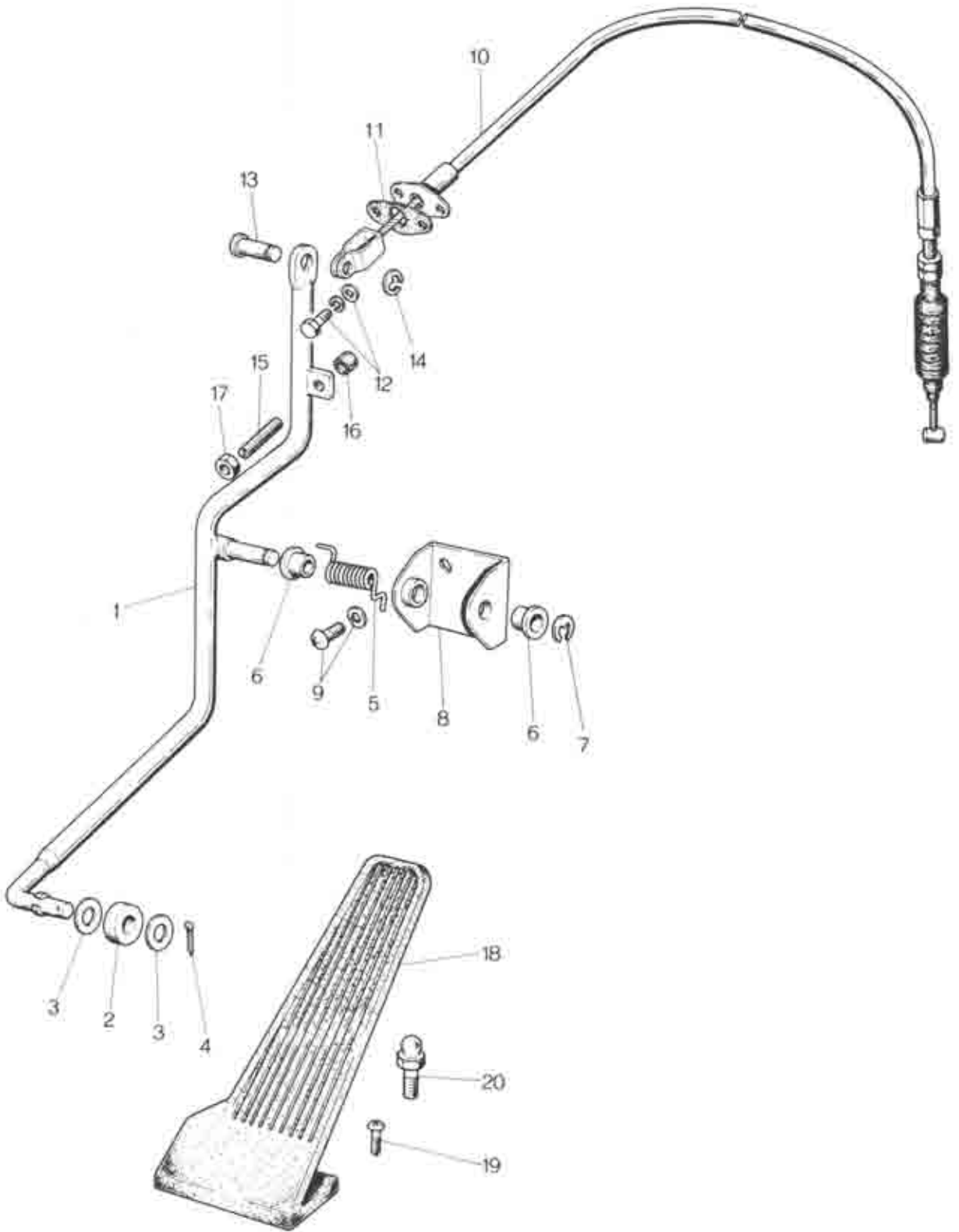
15

16

17

18





ACCELERATOR CONTROL SYSTEM (L.H.D.)

41

No.	Part Number	Description	Qty	Remarks
1	2158 41 610A	Accelerator Control Rod	1	
2	0259 41 613	Roller	1	
3	99953 0800	Plain Washer	2	
4	99221 2012	Split Pin	1	
5	2158 41 619	Spring	1	
6	0259 41 644	Bush	2	
7	99575 0600	"U" Stop Ring	1	
8	0259 53 103	Accelerator Rod Retainer	1	
9	0305 41 641	Accelerator Rod Retainer	1	Car No. 62716 $\frac{7}{8}$ ~ Δ
9	908332 6 12	Set Screw, Accel. Rod Retainer	2	
10	2113 41 660	Accelerator Control Wire	1	
11	2113 41 660A	Accelerator Control Wire	1	Car No. 61910 $\frac{7}{8}$ ~ \circ
11	0249 41 671	Rubber Seat, Accel. Control Wire	1	
12	908067 6 20	Set Bolt, Accel. Control Wire	2	
13	99230 0511	Pin, Accel. Control Wire	1	
14	99575 0300	"U" Stop Ring	1	
15	0118 41 681	Stopper	1	
16	0118 41 682	Rubber	1	
17	99907 0600	Lock Nut	1	
18	0290 41 710	Accelerator Pedal	1	
19	99743 0520	Screw, Accel. Pedal	2	
20	0249 41 719	Ball Stud	2	



CLUTCH & BRAKE SYSTEM (R.H.D.)



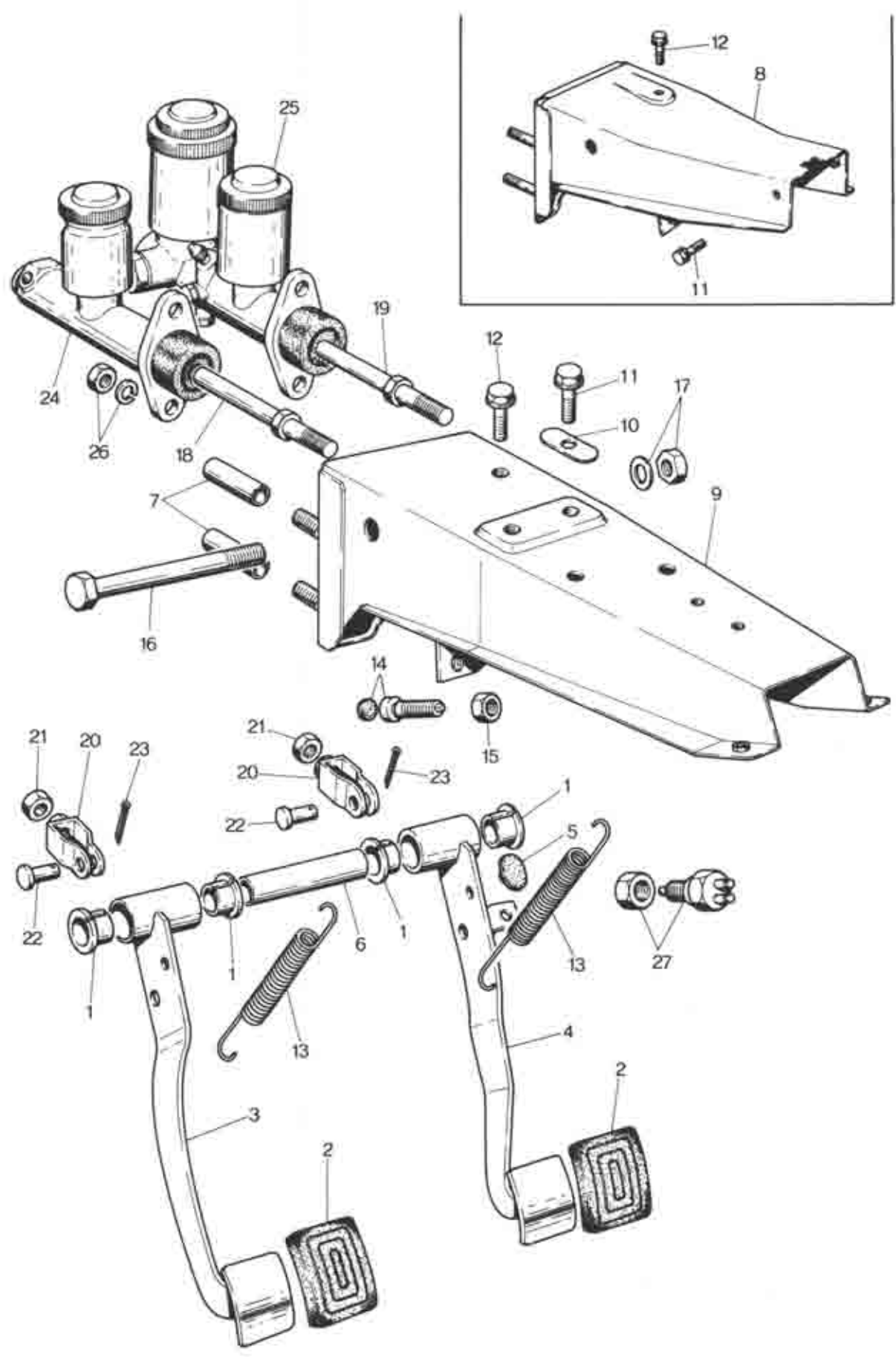

No.	Part Number	Description	Qty	Remarks
1	0259 43 022	Bush	4	
2	0259 43 028	Pedal Pad	2	
3	0259 41 030	Clutch Pedal	1	Car No. 61910 $\frac{70}{16}$ ~ X Car No. 63173 $\frac{70}{17}$ ~ X
	0820 41 030	Clutch Pedal	1	
	0820 41 030A	Clutch Pedal	1	
4	0820 43 030	Brake Pedal	1	
5	0187 43 029	Stopper Rubber	1	
6	0259 43 061	Pipe	1	
7	0259 43 065	Pipe	4	
8	0317 43 070	Master Cylinder Bracket, Plain Type Dashboard Model	1	Car No. 61910 $\frac{70}{16}$ ~ X
	0846 43 070	Master Cylinder Bracket, Plain Type Dashboard Model	1	
9	0846 43 070A	Master Cylinder Bracket, Plain Type Dashboard Model	1	Car No. 63363 $\frac{70}{17}$ ~ O
	0820 43 070B	Master Cylinder Bracket, "T" Type Dashboard Model	1	Car No. 61910 $\frac{70}{16}$ ~ X Car No. 63363 $\frac{70}{17}$ ~ O
	0820 43 070C	Master Cylinder Bracket, "T" Type Dashboard Model	1	
	0820 43 070D	Master Cylinder Bracket, "T" Type Dashboard Model	1	
10	908016 8 16	Set Bolt, Master Cylinder Bracket	2	
11	908017 8 20	Set Bolt, Master Cylinder Bracket	1	
12	0114 41 081	Return Spring	1	Car No. 61910 $\frac{70}{16}$ ~ Quantity Car No. 61910 $\frac{70}{16}$ ~ Added Anew Car No. 103748 $\frac{71}{11}$ ~ O
	0183 41 081	Return Spring, Clutch	1	
	0559 41 081	Return Spring, Clutch	1	
13	0118 43 090	Pedal Stopper	1	
14	99922 1000	Lock Nut	1	
15	0118 43 521	Bolt, Pedal	1	
16	99922 1000	Nut, Pedal	1	
	99971 1000	Spring Washer	1	
17	0604 41 131	Push Rod, Clutch	1	
18	0603 43 131	Push Rod, Brake	1	
	0820 43 131	Push Rod, Brake, Tandem Master Cylinder use	1	
19	0259 43 140	Fork End	2	
20	99922 0800	Nut, Push Rod	2	
21	99231 0816	Pin, Fork End	1	Car No. 63173 $\frac{70}{17}$ ~ Quantity
	0223 46 683	Pin, Fork End (Clutch)	1	Car No. 63173 $\frac{70}{17}$ ~ Added Anew
22	99221 2020	Split Pin	1	Car No. 63173 $\frac{70}{17}$ ~ Quantity
23	0822 41 400	Clutch Master Cylinder	1	
24	0329 43 400A	Brake Master Cylinder	1	

41

43

CLUTCH & BRAKE SYSTEM (R.H.D.)

No.	Part Number	Description	(Q'ty)	Remarks	
25	0820 43 400C	Tandem Master Cylinder	1		
26	99901 0800	Nut, Master Cylinder	4		
	99971 0800	Spring Washer	4		
27	0233 66 790	Stop Switch	1		
(N)	0824 41 040	Spring Seat	1	} Car No. 61910 ^{70/6} ~ Added Anv.	
(N)	0824 41 051	Rod	1		
(N)	0824 41 084	Spacer	1		
(N)	0183 41 043	Spring Seat	1		
(N)	0259 41 644	Bush	2		
(N)	0187 46 683	Pin	1		
(N)	99575 0600	Stop Ring	1		
(N)	99575 0500	Stop Ring	1		
(N)	99901 0800	Nut	1		
(N)	99575 0600	Stop Ring	1		
(N)	0727 41 023	Bush	1		} Car No. 63173 ^{70/1} ~ Added Anv.
(N)	99972 0800	Wave Washer	1		



CLUTCH & BRAKE SYSTEM (L.H.D.)

41

43

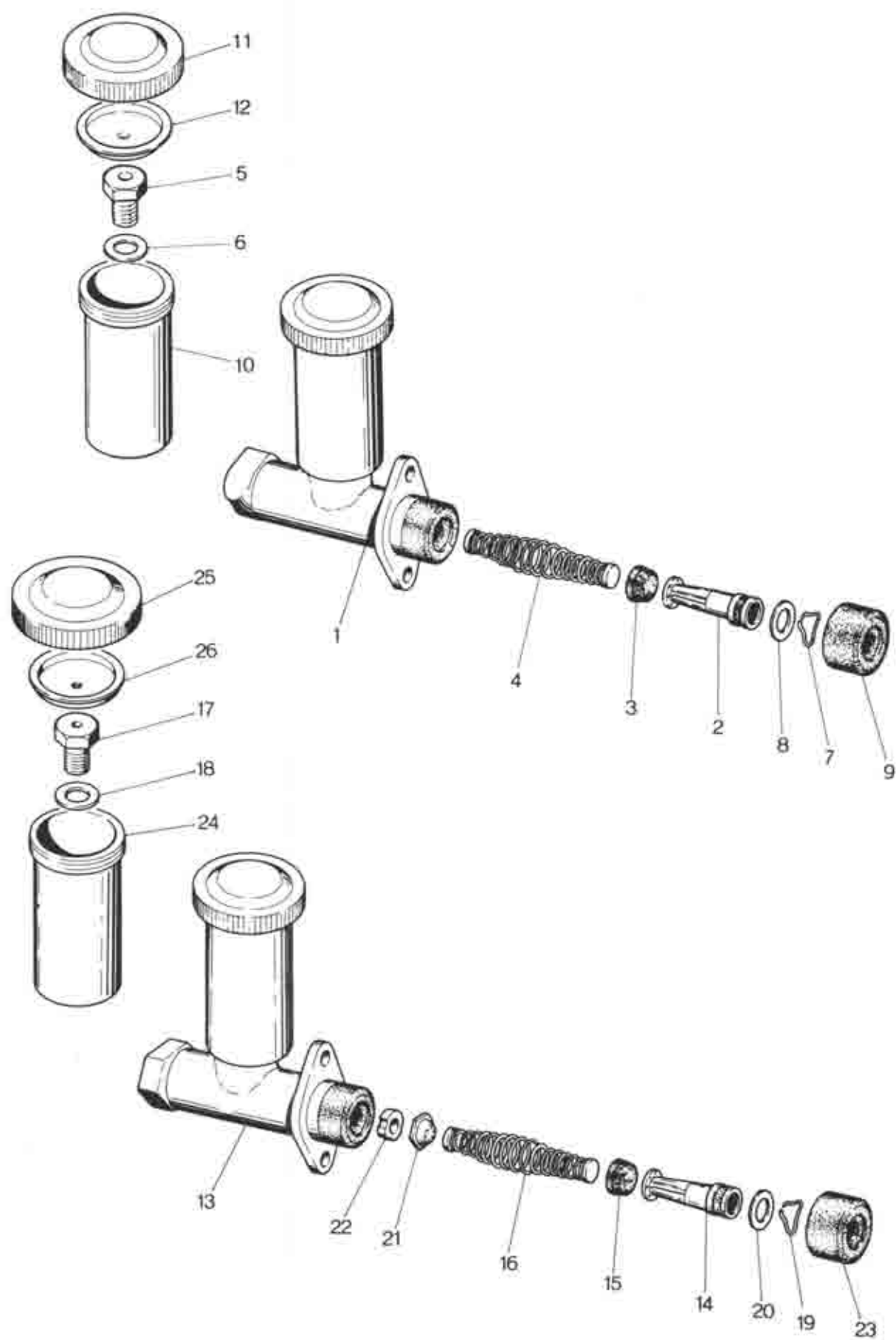
No.	Part Number	Description	Q'ty	Remarks
1	0259 43 022	Bush	4	
2	0118 43 028A	Pedal Pad	2	
3	2158 41 030A	Clutch Pedal	1	
4	2158 43 030A	Brake Pedal	1	
5	0187 43 029	Stopper Rubber	1	
6	0259 43 061	Pipe, Pedal	1	
7	0259 43 065	Pipe, Master Cylinder Bracket	4	
8	0317 40 070	Master Cylinder Bracket, Plain Type Dashboard Model	1	
9	2113 43 070B	Master Cylinder Bracket, "T" Type Dashboard Model	1	
10	0259 43 088	Seat, Master Cylinder Bracket, "T" Type Dashboard Model	2	
11	908016 8 16	Set Bolt, Master Cylinder Bracket	2	
12	908017 8 20	Set Bolt, Master Cylinder Bracket	1	
13	0114 41 081	Return Spring	2	
14	0118 43 090	Pedal Stopper Ass'y, Clutch	1	
15	99922 1000	Lock Nut, Stopper	1	
16	0118 43 521	Bolt, Pedal + Master Cylinder Bracket	1	
17	99922 1000	Nut, Pedal + Master Cylinder Bracket	1	
	99971 1000	Spring Washer	1	
18	0604 41 131	Push Rod, Clutch	1	
19	0820 43 131	Push Rod, Brake	1	
20	0259 43 140	Fork End	2	
21	99922 0800	Lock Nut, Push Rod	2	
22	99231 0816	Pin, Fork End	2	
23	99221 2020	Split Pin, Fork End	2	
24	0822 41 400	Clutch Master Cylinder Ass'y	1	
25	2350 43 400B	"3/4" Tandem Master Cylinder Ass'y Emission Controlled Model	1	

41**43****CLUTCH & BRAKE SYSTEM (L.H.D.)**

No.	Part Number	Description	Qty	Remarks
	2370 43 400B	"3/4" Tandem Master Cylinder	1	
26	99901 0800	Nut, Master Cylinder	4	
	99971 0800	Spring Washer	4	
27	0233 66 790	Stop Switch	1	



[Faint, illegible text, likely bleed-through from the reverse side of the page]



CLUTCH & BRAKE MASTER CYLINDER

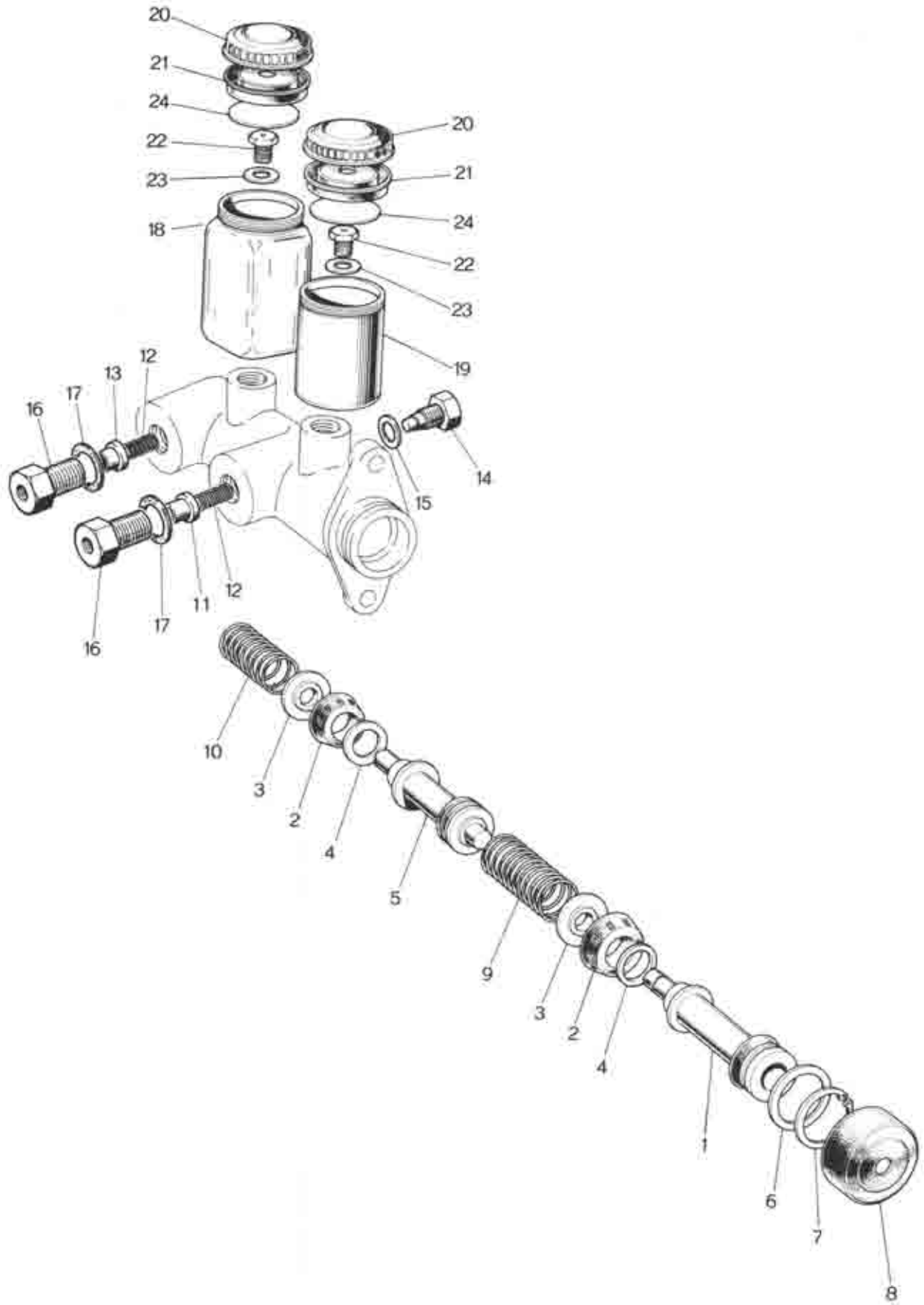
41

43

No.	Part Number	Description	Qty	Remarks
1	0822 41 400	CLUTCH MASTER CYLINDER Ass'y	1	
2	0183 41 440	MASTER CYLINDER PISTON	1	
	0305 41 440	MASTER CYLINDER PISTON	1	Car No. 60429 ⁷⁰ / ₅ ~ X
	0839 41 440	MASTER CYLINDER PISTON	1	Car No. 103748 ⁷¹ / ₁₂ ~ X
	0187 41 451A	Secondary Cup	1	
	0305 41 451	Secondary Cup	1	Car No. 60429 ⁷⁰ / ₅ ~ X
3	0636 41 461	Primary Cup	1	
	0305 41 461	Primary Cup	1	Car No. 60429 ⁷⁰ / ₅ ~ X
	0839 41 461	Primary Cup	1	Car No. 103748 ⁷¹ / ₁₂ ~ X
4	0110 41 470	Piston Return Spring	1	
5	0221 43 421	Plug	1	
	0317 43 421	Plug	1	Car No. 87594 ⁷¹ / ₂ ~ X
	0317 43 428	Spring - Corn	2	Car No. 87594 ⁷¹ / ₂ ~ Added Anew
6	0221 43 431	Washer	1	
7	0111 43 432	Piston Stop Wire	1	
8	0111 43 433	Piston Stop Washer	1	
9	0111 43 511	Boot	1	
10	0317 43 551	Reserve Tank	1	
11	0727 43 552	Cap, Reserve Tank	1	
12	0727 43 553	Baffle	1	
(N)	0727 41 442	Cup Spacer	1	
13	0329 43 400A	BRAKE MASTER CYLINDER (R.H.D.)	1	
14	0259 43 440A	MASTER CYLINDER PISTON	1	
	0187 43 451A	Secondary Cup	1	
15	0187 43 461A	Primary Cup	1	
16	0114 43 470	Piston Return Spring	1	

No.	Part Number	Description	Qty	Remarks
17	0221 43 421	Plug	1	
	0317 43 421	Plug	1	Car No. 87594 ⁷ / ₁₂ ~ X
	0317 43 428	Spring - Corn	2	Car No. 87594 ⁷ / ₁₂ ~ Added Anen
18	0221 43 431	Washer	1	
19	0111 43 432	Piston Stop Wire	1	
20	0111 43 433	Washer		
	0187 43 434	Washer		} Selective use
	0187 43 435	Washer	1	
	0187 43 436	Washer		
21	0221 43 480	Check Valve	1	
22	0114 43 491	Valve Seat	1	
23	0111 43 511	Boot	1	
24	0329 43 551A	Reserve Tank	1	
25	0259 43 552	Cap	1	
26	0259 43 553	Baffle	1	
	0305 99 431	Repair Kit, Clutch Master Cylinder	1	Fig. No. 2~4 & 7~9 Included
•	0839 89 431	Repair Kit, Clutch Master Cylinder	1	Car No. 103748 ⁷ / ₁₂ ~ O
	0329 99 430	Repair Kit, Brake Master Cylinder	1	Fig. No. 14~16 & 19~23 Includ





TANDEM MASTER CYLINDER (R.H.D.)

49

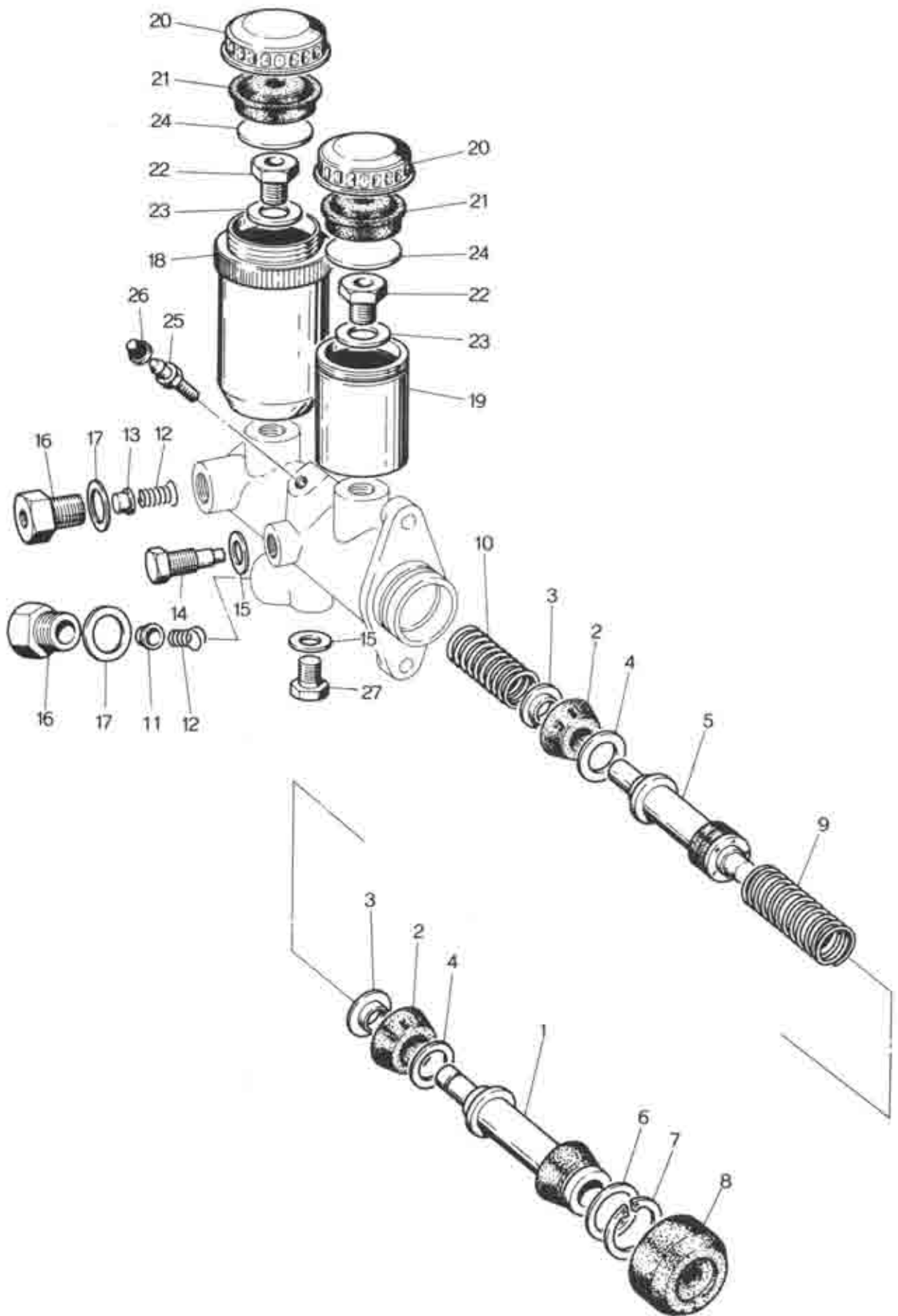
No.	Part Number	Description	Qty	Remarks
	0820 43 400C	TANDEM MASTER CYLINDER Ass'y	1	Used up to Car No. 82290 ⁷ / ₁
1	0223 49 620B	Primary Piston Ass'y	1	
2	0223 49 626A	Primary Cup	2	
3	0223 49 627A	Spring Seat	2	
4	0223 49 629	Spacer	2	
5	2370 49 630A	Floating Piston Ass'y	1	
6	0223 49 666	Piston Washer	Selective use	1
	0223 49 667	Piston Washer		
	0223 49 668	Piston Washer		
	0223 49 669	Piston Washer		
7	0233 49 638	Retaining Ring	1	
8	0233 49 639	Boot	1	
9	0223 49 641	Spring, Primary Piston	1	
10	0223 49 642A	Spring, Floating Piston	1	
11	0233 49 660	Check Valve	1	
12	0233 49 665	Spring, Check Valve	2	
13	0233 49 670	Outlet Valve	1	
14	2046 49 676	Bolt, Stopper	Selective use	1
	2046 49 677	Bolt		
	2046 49 678	Bolt		
	2046 49 679	Bolt		
15	2046 49 696	Gasket	1	
16	0233 49 650	Joint Bolt	2	
17	0233 49 656	Gasket	2	
18	2046 49 681	Reserve Tank "L"	1	
19	0223 49 691	Reserve Tank "S"	1	

TANDEM MASTER CYLINDER (R.H.D.)

No.	Part Number	Description	Qty	Remarks
20	0233 49 683	Cap	2	
21	0233 49 684	Diaphragm	2	
22	0233 49 686	Connector Bolt	2	
23	0222 49 687	Gasket	2	
24	0221 43 554	Float	2	
	0820 99 430A	TANDEM MASTER CYLINDER REPAIR KIT (Fig. No. 1~5, 7~10 included)	1	



TANDEM MASTER CYLINDER (L.H.D.)



TANDEM MASTER CYLINDER (L.H.D.)

49

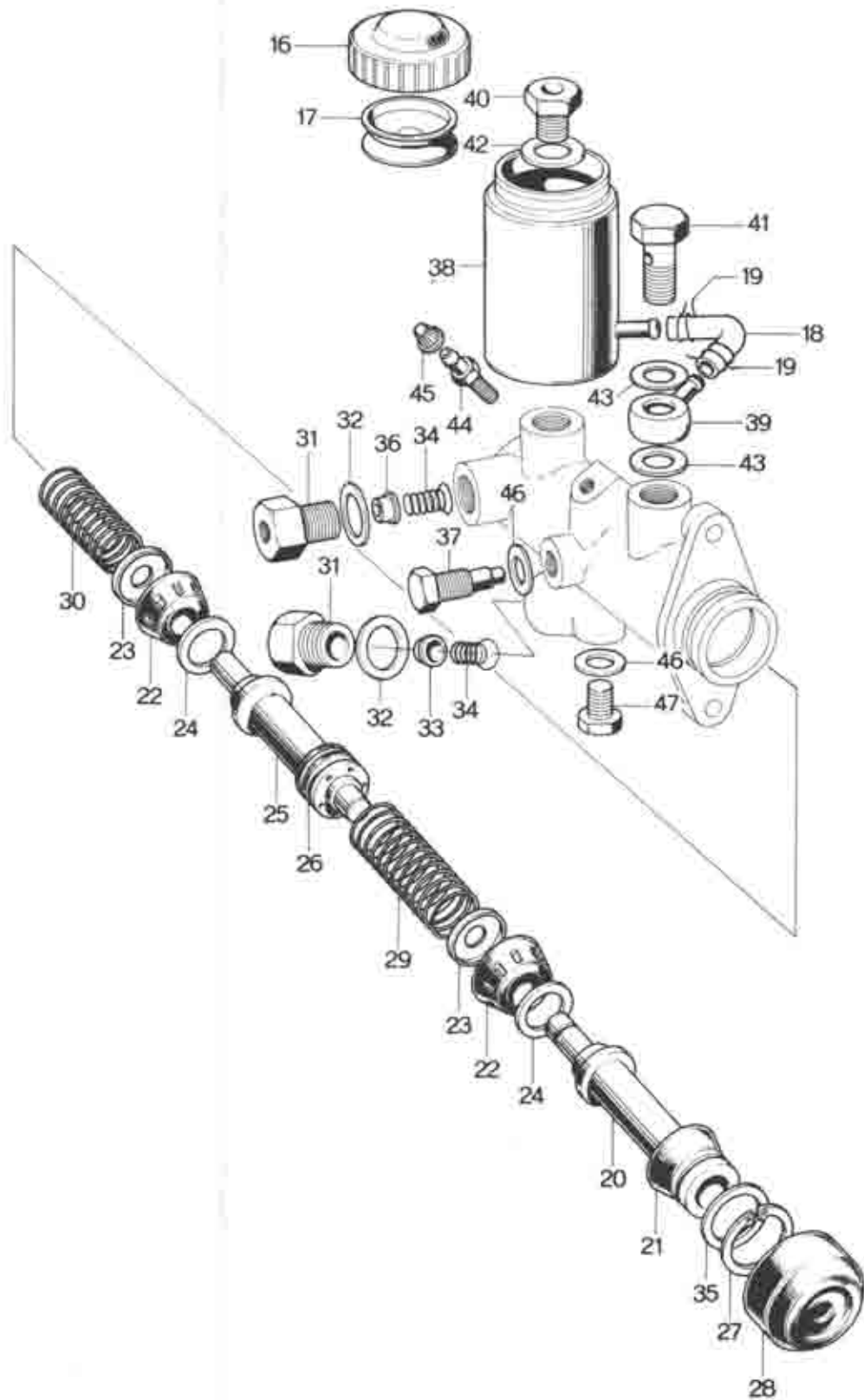
No.	Part Number	Description	Q'ty	Remarks
	2350 43 400B	TANDEM MASTER CYLINDER Ass'y (Emission Controlled Model)	1	Used up to Car No. 82290 ⁷ / ₈
	2370 43 400B	TANDEM MASTER CYLINDER Ass'y (General Export Model)	1	
1	0223 49 620B	Primary Piston Ass'y	1	
2	0223 49 626A	Primary Cup	2	
3	0223 49 627A	Spring Seat	2	
4	0223 49 629	Spacer	2	
5	2370 49 630A	Floating Piston Ass'y	1	
6	0223 49 666	Piston Washer	Selective use	1
	0223 49 667	Piston Washer		
	0223 49 668	Piston Washer		
	0223 49 669	Piston Washer		
7	0233 49 638	Retaining Ring	1	
8	0233 49 639	Boot	1	
9	0223 49 641	Spring, Primary Piston	1	
10	0223 49 642A	Spring, Floating Piston	1	
11	0233 49 660	Check Valve	1	
12	0233 49 665	Spring, Check Valve	2	
13	0233 49 670	Outlet Valve	1	
14	2046 49 676	Bolt, Stopper	Selective use	1
	2046 49 677	Bolt		
	2046 49 678	Bolt		
	2046 49 679	Bolt		
15	2046 49 696	Gasket	2	
16	0233 49 650	Joint Bolt	2	(Emission Controlled Model)
	0813 49 651	Joint Bolt	1	(General Export Model)
17	0233 49 656	Gasket	2	

TANDEM MASTER CYLINDER (L.H.D.)

No.	Part Number	Description	Qty	Remarks
18	2046 49 681	Reserve Tank "L"	1	
19	0223 49 691	Reserve Tank "S"	1	
20	0233 49 683	Cap	2	
21	0233 49 684	Diaphragm	2	
22	0233 49 686	Connector Bolt	2	
23	0222 49 687	Gasket	2	
24	0221 43 554	Float	2	
25	0233 49 693	Bleeder Valve	1	
26	0233 49 694	Cap, Bleeder Valve	1	
27	2370 49 697	Screw Plug	1	
	2350 99 430	TANDEM MASTER CYLINDER REPAIR KIT (Fig No. 1~5, 7~10 included)	1	



CLUTCH MASTER CYL. & TANDEM MASTER CYL.



CLUTCH MASTER CYL. & TANDEM MASTER CYL.

41

49

No.	Part Number	Description	Q'ty	Remarks
•	2350 43 400C	CYLINDER Ass'y, Tandem Master (L.H.D.)	1	Used From Car No. 82291 ⁷⁰ / ₁ ~ Δ
•	0820 43 400D	CYLINDER Ass'y, Tandem Master (R.H.D.)	1	Used From Car No. 82291 ⁷⁰ / ₁ ~ Δ
16	0259 43 552	Cap, Tank	1	
17	0329 43 553	Baffle, Oil	1	
18	2046 49 423	Hose, Reserve	1	
19	2046 49 555	Clip, Wire	2	
20	0223 49 620B	PISTON Ass'y, Primary	1	
21	0223 49 625	Cup, Secondary	1	
22	0223 39 626A	Cup, Primary	2	
23	0223 49 627A	Seat, Spring	2	
24	0223 49 629	Spacer	2	
25	2370 49 630A	PISTON Ass'y, Floating	1	
26	0223 49 635A	Cup, Floating Secondary	2	
27	0233 49 638	Ring, Retaining	1	
28	0233 49 639	Boot	1	
29	0233 49 641	Spring, Primary	1	
30	0233 49 642A	Spring, Floating	1	
31	0233 49 650	Bolt, Joint	2	

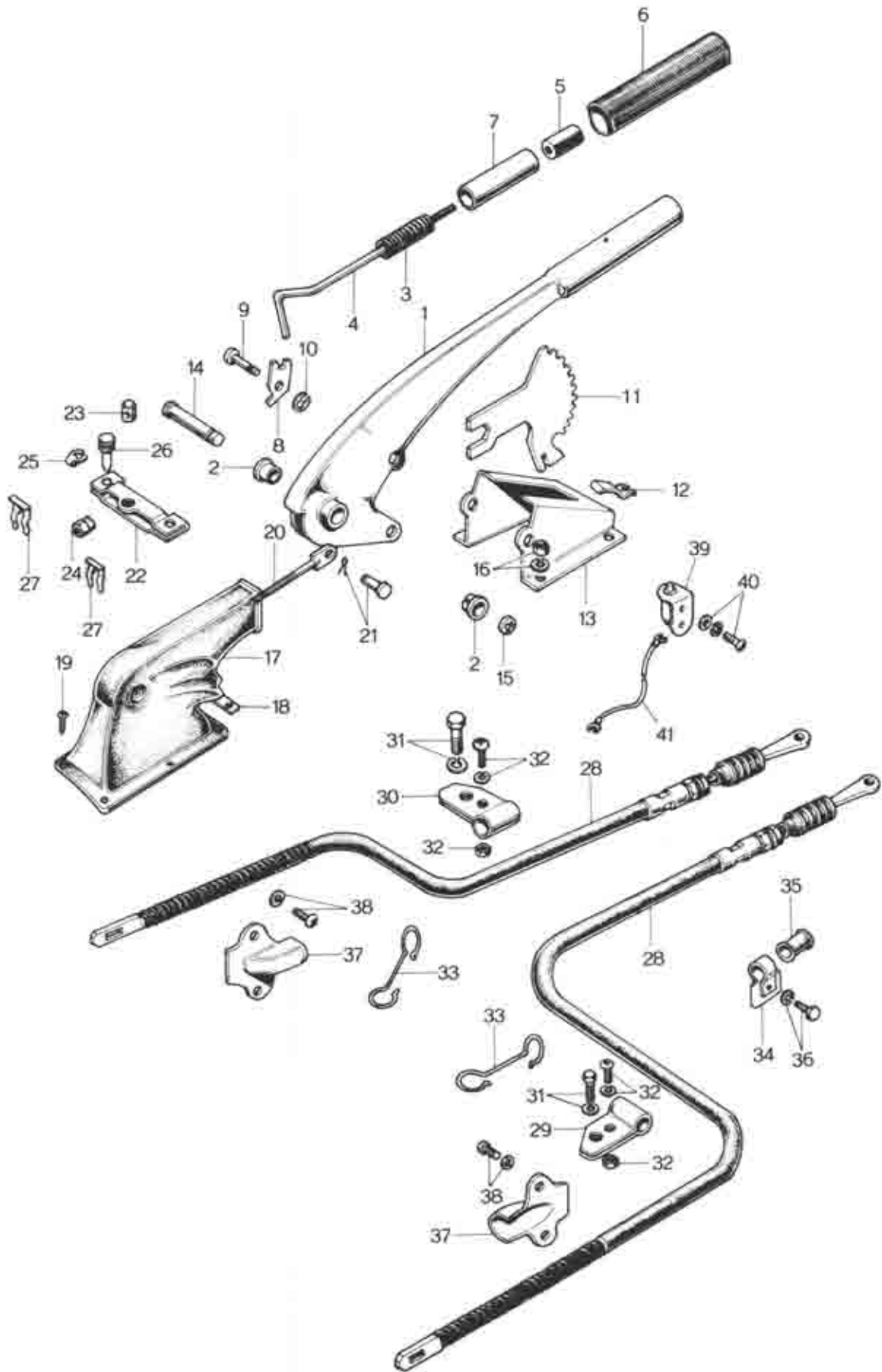


CLUTCH MASTER CYL. & TANDEM MASTER CYL.

No.	Part Number	Description	Q'ty	Remarks
32	0233 49 656	Gasket, Joint Bolt	2	
33	0233 49 660	Valve Cpt., Check	1	
34	0233 49 665	Spring, Check Valve	2	
35	0233 49 666	Washer, (1)-Piston	}	Selective use
	0223 49 667	Washer, (2)-Piston		
	0223 49 668	Washer, (3)-Piston		
	0223 49 669	Washer, (4)-Piston		
36	0233 49 670	Valve Cpt., Outlet	1	
37	2046 49 676	Bolt, (1)-Set	}	Selective use
	2046 49 677	Bolt, (2)-Set		
	2046 49 678	Bolt, (3)-Set		
	2046 49 679	Bolt, (4)-Set		
38	2046 49 681A	Tank, Reserve	1	
39	2046 49 682	Union, Master Cylinder	1	
40	0233 49 686	Connector, Filler	1	
41	2835 49 686A	Bolt, Connector	1	
42	0222 49 687	Washer, Tank	1	
43	2835 49 687	Gasket	2	
44	0233 49 693	Valve, Bleeder (L.H.D.)	1	
45	0233 49 694	Cap, Bleeder Valve (L.H.D.)	1	
46	2046 49 696	Gasket, Set Bolt	2	
47	2370 59 697	Screw, Plug (L.H.D.)	1	



PARKING BRAKE SYSTEM



PARKING BRAKE SYSTEM

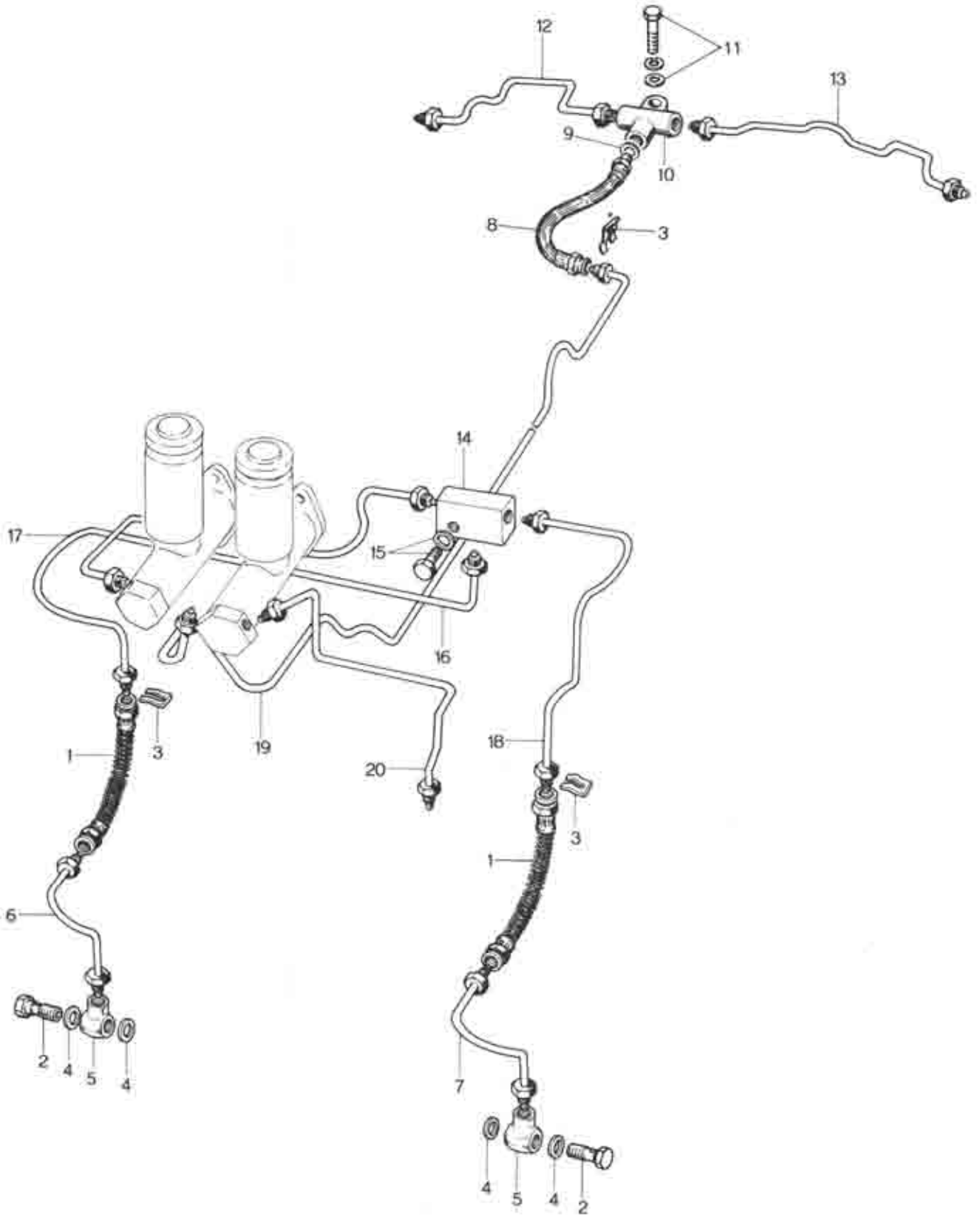
44

No.	Part Number	Description	Q'ty	Remarks
	0820 44 010	HAND BRAKE LEVER Ass'y	1	
1	0820 44 020	Hand Brake Lever	1	
2	0820 44 023	Bush	2	
3	0813 44 031	Spring	1	
4	0820 44 032A	Release Rod	1	
5	0221 44 033	Release Button	1	
6	0813 44 034	Cap	1	
7	0813 44 035	Spacer	1	
8	0221 44 044	Ratchet	1	
9	99230 0813	Pin	1	
10	99575 0500	"U" Type Stop Ring	1	
11	0820 44 051	Sector	1	
12	0820 44 052	Clip	1	
13	0820 44 111	Sector Support	1	
14	99230 1039	Pin	1	
15	99576 0700	"E" Type Stop Ring	1	
16	99906 0600	Nut, Sector Support	4	
	99971 0600	Spring Washer	4	
17	0820 44 131	Boot	1	
18	0820 44 132	Plate	1	
19	908631 4 12	Set Screw	7	
20	0820 44 250	Adjusting Rod	1	
21	99231 0814	Pin	1	
	99221 2012	Split Pin	1	

PARKING BRAKE SYSTEM

No.	Part Number	Description	Qty	Remarks
22	0820 44 341	Equalizer	1	
23	0118 44 371	Connection Pin, Equalizer	1	
24	0118 44 372	Nut, Equalizer	1	
25	0118 44 373	Stop Ring, Equalizer	2	
26	0118 44 374	Pin, Equalizer	2	
27	0118 44 375	Clip, Cable	2	
28	0820 44 410	Rear Cable	2	
•	0820 44 410A	Rear Cable	2	Car No. 103633 ⁷¹ / ₁₀ ~ ○
29	0820 44 431	Clip, Cable (R)	1	
30	0820 44 432	Clip, Cable (L)	1	
31	908012 8 12	Set Bolt, Clip	2	
32	908332 5 12	Set Screw, Clip	2	
	99906 0500	Nut	2	
33	0259 44 433	Set Bar	2	
34	0820 44 434	Clip, Cable	2	
•	35 0187 44 166	Protector, Clip	4	Car No. 103633 ⁷¹ / ₁₀ ~ Discarded
36	908012 8 16	Set Bolt, Clip	2	
37	0118 44 461	Setting Plate	2	
38	99833 0510	Screw, Setting Plate	4	
	99971 0500	Spring Washer	4	
39	0820 66 840	Parking Switch	1	
40	99833 0408	Screw, Parking Switch	2	
	99971 0400	Spring Washer	2	
	99952 0400	Plain Washer	2	
41	0820 66 733	Cord, Parking Lamp, "T" Type Dashboard use	1	
	0813 66 736	Card, Parking Lamp, "T" Type Dashboard use	1	Car No. 94415 ⁷⁰ / ₁₃ ~ ○
	0845 67 551	Cord, Plain Type Dashboard use	1	





CLUTCH & BRAKE PIPING (R.H.D.)

43

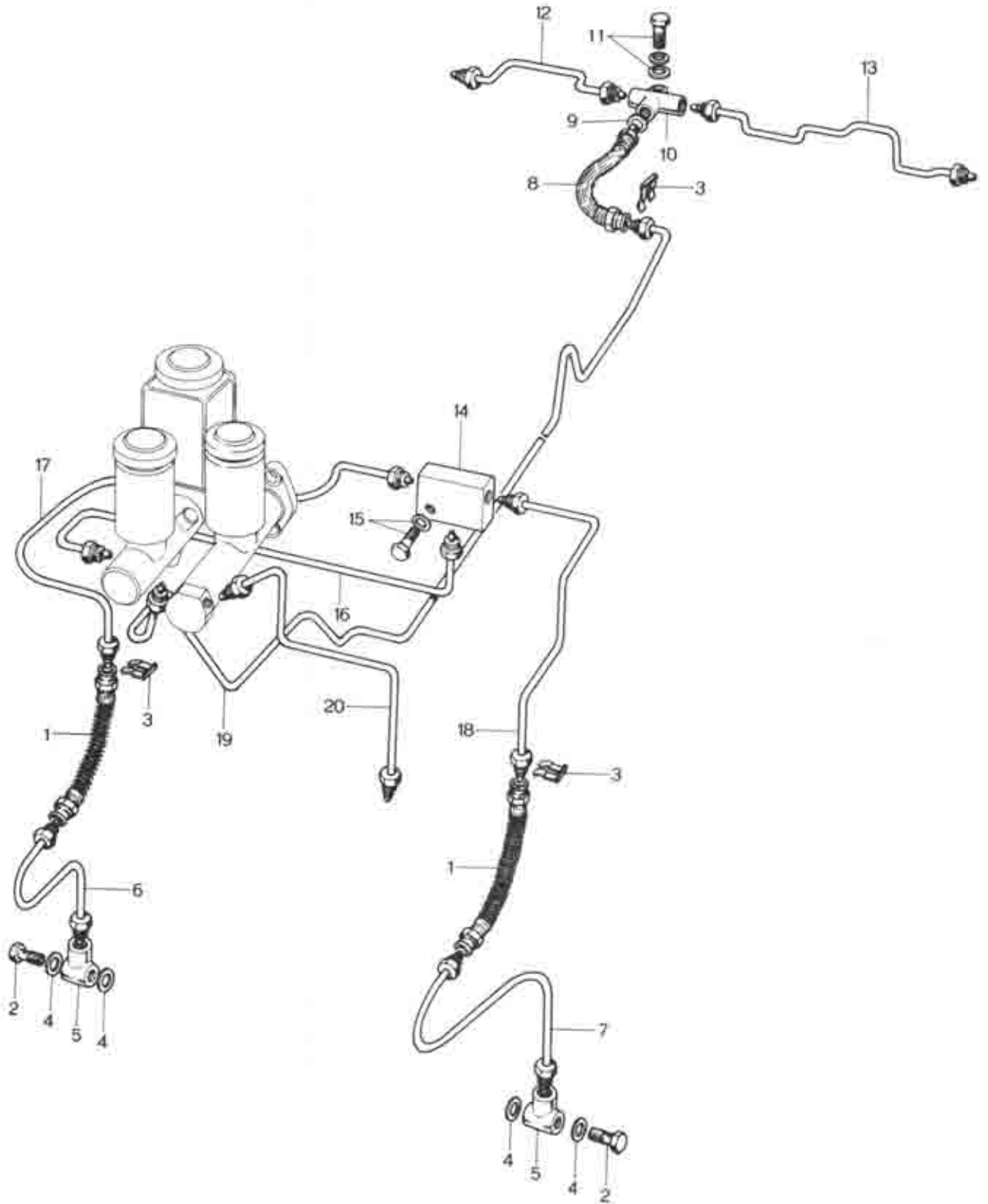
45

No.	Part Number	Description	Qty	Remarks
1	0820 43 810B	Flexible Pipe $\ell = 350$	2	
2	0221 43 694	Connection Bolt	2	
3	0136 43 635	Flexible Pipe Clip	5	
4	99562 1000	Packing	4	
5	0118 41 375	Pipe End	2	
6	0820 43 710A	Brake Pipe, Front Wheel (R)	1	
7	0820 43 720A	Brake Pipe, Front Wheel (L)	1	
8	0187 43 820	Flexible Pipe	1	
9	99562 1000	Packing	1	
10	0187 43 642	Brake Pipe "T" Joint (Rr.)	1	
11	908062 6 25	Set Bolt, Pipe Joint	1	
12	0259 43 650A	Brake Pipe Rear (R)	1	
13	0317 43 660	Brake Pipe Rear (L)	1	
14	0259 45 291	Joint	1	
15	907812 6 25	Set Bolt, Joint	1	
16	0259 45 210A	Main Brake Pipe	1	
17	0259 45 220A	Front Brake Pipe (R)	1	
18	0317 45 230	Front Brake Pipe (L)	1	
19	0822 45 240A	Rear Brake Pipe	1	
20	0820 45 510	Clutch Pipe	1	



43 45

CLUTCH & BRAKE PIPING (R.H.D.) (WITH TANDEM MASTER CYLINDER)



CLUTCH & BRAKE PIPING (R.H.D.)

(WITH TANDEM MASTER CYLINDER)



No.	Part Number	Description	Qty	Remarks
1	0820 43 810B	Flexible Pipe - $\varnothing = 350$	2	
2	0221 43 694	Connection Bolt	2	
3	0136 43 635	Flexible Pipe Clip	5	
4	99562 1000	Packing	4	
5	0118 41 375	Pipe End	2	
6	0820 43 710A	Brake Pipe, Front Wheel (R)	1	
7	0820 43 720A	Brake Pipe, Front Wheel (L)	1	
8	0187 43 820	Flexible Pipe	1	
9	99562 1000	Packing	1	
10	0187 43 642	Brake Pipe "T" Joint (Rr.)	1	
11	908062 6 25	Set Bolt, Pipe Joint	1	
12	0259 43 650A	Brake Pipe Rear (R)	1	
13	0317 43 660	Brake Pipe Rear (L)	1	
14	0259 45 291	Joint	1	
15	907812 6 25	Set Bolt, Joint	1	
16	0820 45 210	Main Brake Pipe	1	
17	0820 45 220	Front Brake Pipe (R)	1	
18	0259 45 230	Front Brake Pipe (L)	1	
19	0820 45 240A	Rear Brake Pipe	1	
20	0820 45 510	Clutch Pipe	1	



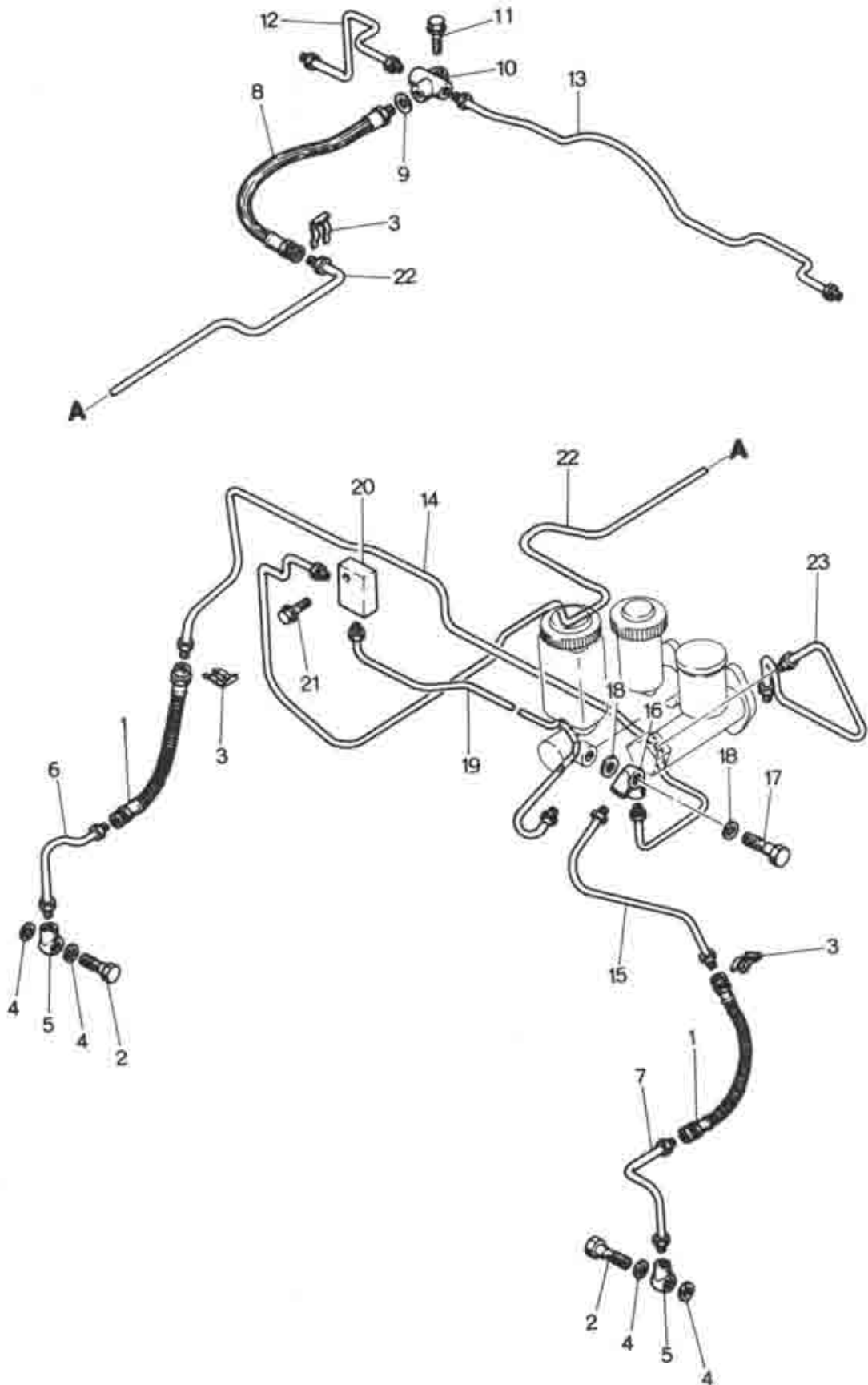


43

45

CLUTCH & BRAKE PIPING (L.H.D.)

(GENERAL EXPORT MODEL)



CLUTCH & BRAKE PIPING (L.H.D.)

(GENERAL EXPORT MODEL)

43 45

No.	Part Number	Description	Q'ty	Remarks
1	0820 43 810B	Flexible Pipe, Front Wheel	2	
	2113 43 810	Flexible Pipe, For Denmark	1	Car No. 65573 ⁷⁰ / ₉ ~ Added Anew
2	0221 43 694	Connection Bolt, Brake Pipe Front	2	
	0221 43 694	Connection Bolt, For Denmark	3	Car No. 65573 ⁷⁰ / ₉ ~ Added Anew
3	0136 43 635	Clip, Flexible Pipe	5	
	0305 43 635	Clip, Flexible Pipe	1	Car No. 65573 ⁷⁰ / ₉ ~ Added Anew
4	99562 1000	Packing, Brake Pipe Front	4	
5	0118 41 375	Pipe End, Brake Pipe Front	2	
	0118 41 375	Pipe End, For Denmark	3	Car No. 65573 ⁷⁰ / ₉ ~ Added Anew
6	0820 43 710A	Brake Pipe (R), Front Wheel	1	
7	0820 43 720A	Brake Pipe (L), Front Wheel	1	
8	0187 43 820	Flexible Pipe, Rear Side	1	
9	99562 1000	Packing, Flexible Pipe	1	
10	0187 43 642	"T" Joint, Brake Pipe Rear	1	
	2113 43 900	Proportioning Valve, For Denmark	1	Car No. 65573 ⁷⁰ / ₉ ~ Added Anew
11	908062 6 25	Set Bolt, "T" Joint	1	
	908062 6 40	Set Bolt, For Denmark	2	Car No. 65573 ⁷⁰ / ₉ ~ Added Anew
12	0259 43 650A	Brake Pipe (Rr.,R)	1	
	2113 43 650	Brake Pipe No. 1 For Denmark	1	Car No. 65573 ⁷⁰ / ₉ ~ Added Anew
13	0317 43 660	Brake Pipe (Rr.,L)	1	
	2113 43 660	Brake Pipe No. 2 For Denmark	1	Car No. 65573 ⁷⁰ / ₉ ~ Added Anew
	2113 43 670	Brake Pipe No. 3 For Denmark	1	Car No. 65573 ⁷⁰ / ₉ ~ Added Anew
14	2113 45 280C	Brake Pipe (Frt.,R)	1	
15	2113 45 320	Brake Pipe (Frt.,L)	1	
16	0187 43 504	Joint Pipe	1	
17	0118 43 505	Connection Bolt, Joint Pipe	1	
18	99562 1000	Packing, Connection Bolt	2	
19	2113 45 350	Brake Pipe No.1	1	
20	2113 45 452	Joint	1	
21	907812 6 25	Set Bolt, Joint Pipe	1	
22	2113 45 360B	Brake Pipe No.2	1	
23	2113 45 510	Clutch Pipe (Without Fail Indicator used)	1	
(N)	2329 43 890	Indicator, Brake Fail	1	Car No. 103315 ⁷¹ / ₇ ~ Added Anew
	9080 62 6 35	Set Bolt	1	
	2350 45 250A	Front Brake Main Pipe	1	
	2350 45 250B	Front Brake Main Pipe	1	Car No. 103748 ⁷¹ / ₁₂ ~ X
	2329 45 280A	Front Brake Pipe (R)	1	
	2350 45 320	Front Brake Pipe (L)	1	
	2350 45 350	Rear Brake Pipe	1	
	2329 45 360B	Rear Brake Pipe No. 1	1	
	2329 45 510A	Clutch Pipe	1	

For Switzerland



CUTCH & BRAKE RIND

1900

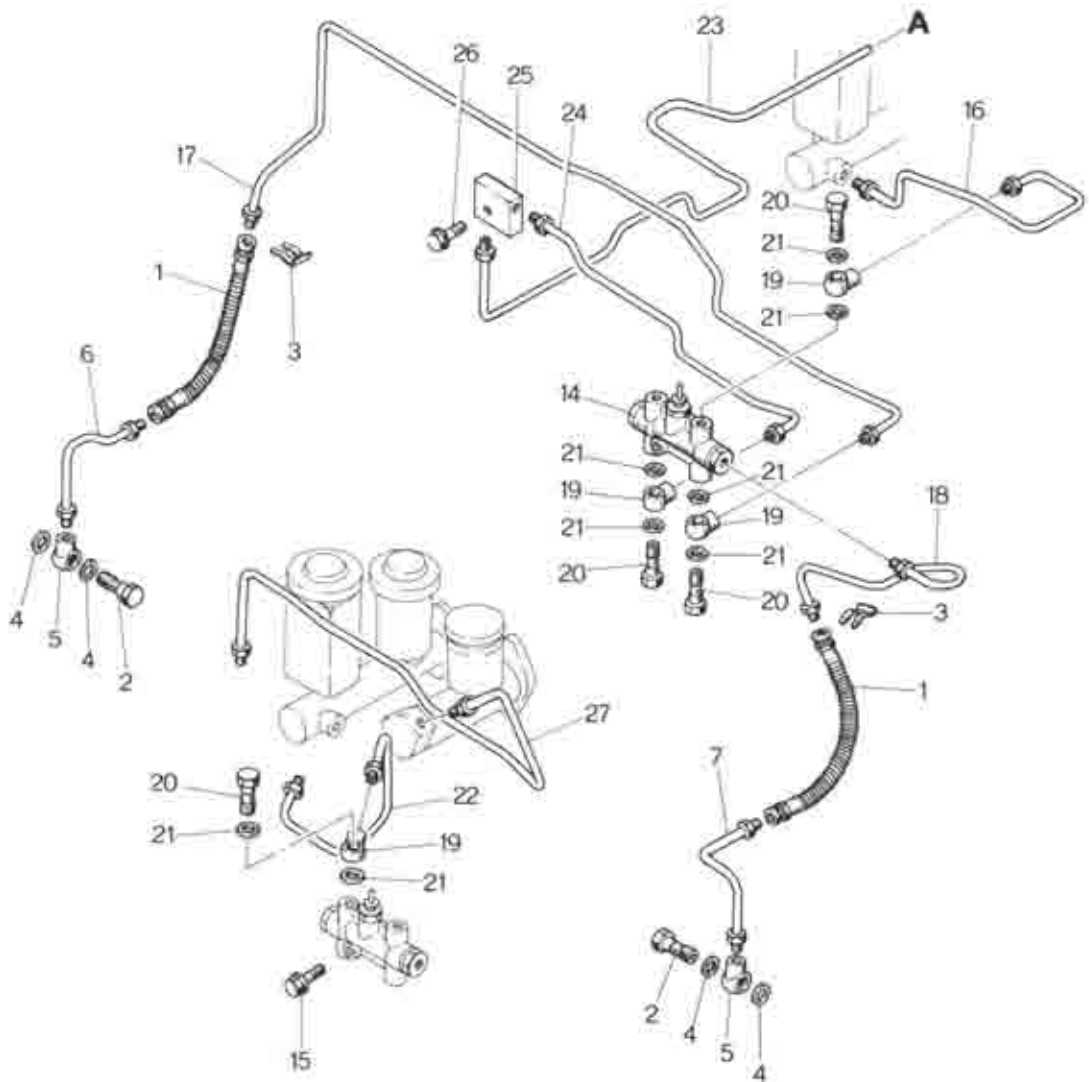
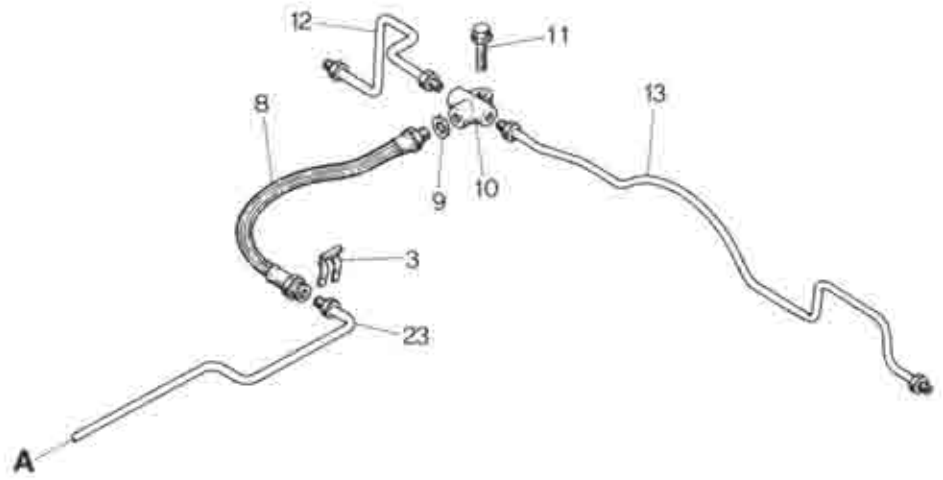
No.	Description	Quantity	Rate	Amount	No.	Description	Quantity	Rate	Amount
1	1
2	2
3	3
4	4
5	5
6	6
7	7
8	8
9	9
10	10
11	11
12	12
13	13
14	14
15	15
16	16
17	17
18	18
19	19
20	20
21	21
22	22
23	23
24	24
25	25
26	26
27	27
28	28
29	29
30	30
31	31
32	32
33	33
34	34
35	35
36	36
37	37
38	38
39	39
40	40
41	41
42	42
43	43
44	44
45	45
46	46
47	47
48	48
49	49
50	50



43

45

CLUTCH & BRAKE PIPING (L.H.D.) (EMISSION CONTROLLED MODEL)



CLUTCH & BRAKE PIPING (L.H.D.)

(EMISSION CONTROLLED MODEL)

43

45

No.	Part Number	Description	Qty	Remarks
1	2350 43 810	Flexible Pipe, Front Wheel	2	
2	0221 43 694	Connection Bolt, Brake Pipe Front	2	
3	0136 43 635	Clip, Flexible Pipe	5	
4	99562 1000	Packing	4	
5	0118 41 375	Pipe End	2	
6	0820 43 710A	Brake Pipe (R), Front Wheel	1	
7	0820 43 720A	Brake Pipe (L), Front Wheel	1	
8	2306 43 820	Flexible Pipe, Rear Side	1	
9	99562 1000	Packing, Flexible Pipe	1	
10	0187 43 642	"T" Joint, Brake Pipe Rear	1	
11	908062 6 25	Set Bolt, "T" Joint	1	
12	0259 43 650A	Brake Pipe (Rr.,R)	1	
13	0317 43 660	Brake Pipe (Rr.,L)	1	
14	2329 43 890	Fail Indicator	1	
15	908062 6 35	Set Bolt, Fail Indicator	1	
16	2350 45 250A	Main Brake Pipe	1	
17	2350 45 280	Brake Pipe (Frt.,R)	1	
	2329 45 280A	Brake Pipe (Frt.,R)	1	Car No. 62138 ^{70%} ~ ○ ※
18	2350 45 320	Brake Pipe (Frt.,L)	1	
19	0604 41 504	Connector Pipe	4	
	0118 41 375	Connector Pipe	4	Car No. 64636 ^{70%} ~ ○
20	0221 43 694	Connector Bolt	4	
21	99562 1000	Packing	8	
22	2350 45 350	Brake Pipe, Rear Main	1	
23	2113 45 360B	Brake Pipe No.2	1	
24	2329 45 360A	Brake Pipe No.1	1	
	2329 45 360B	Brake Pipe No.1	1	Car No. 62138 ^{70%} ~ ○ ※
25	2113 45 452	Joint	1	

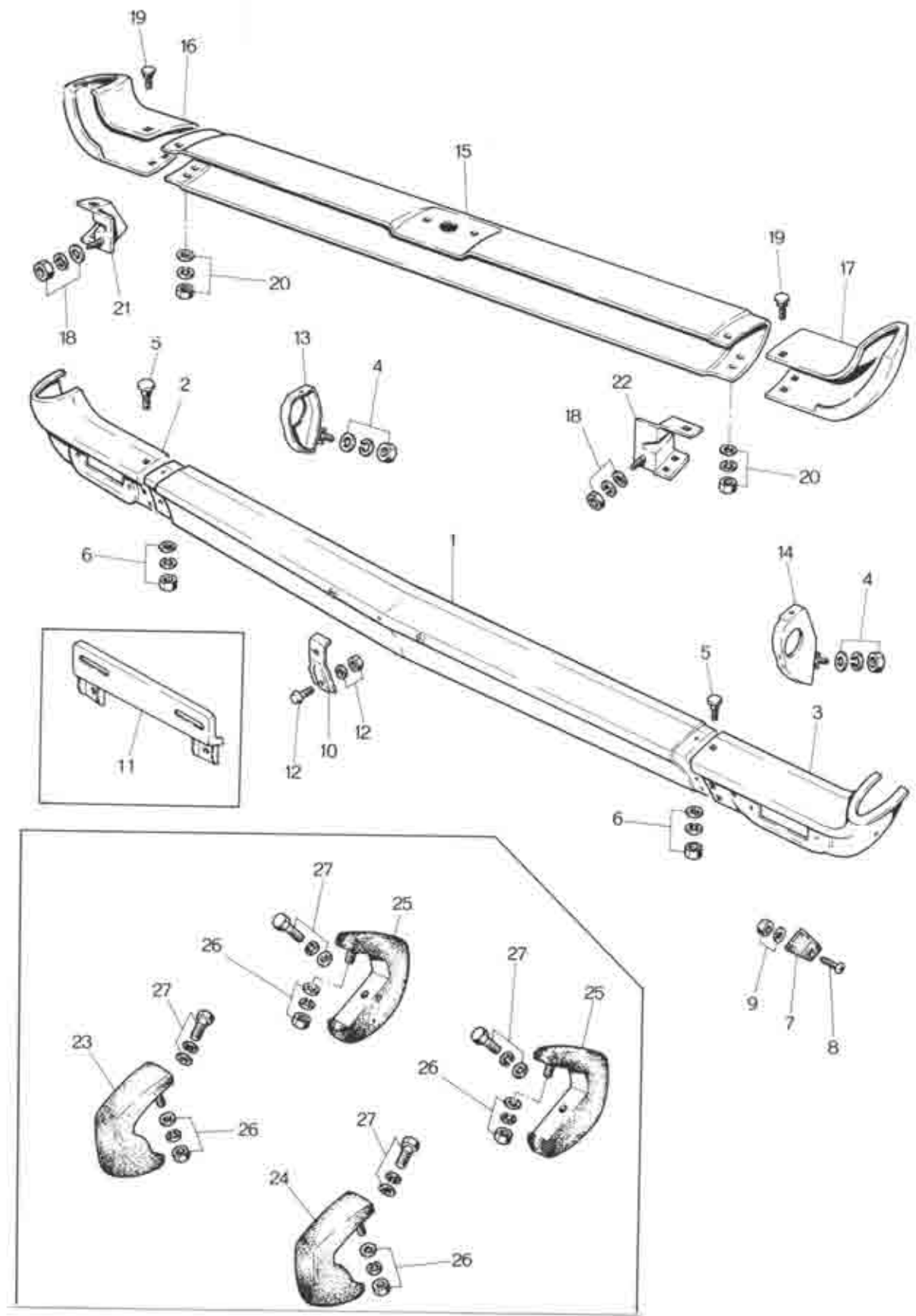
43**45**

CLUTCH & BRAKE PIPING (L.H.D.)

(EMISSION CONTROLLED MODEL)

No.	Part Number	Description	Qty	Remarks
26	907812 6 25	Set Bolt, Joint	1	
27	2329 45 510A	Clutch Pipe	1	

[The text in this section is extremely faint and illegible due to low contrast and blurriness. It appears to be a list of items or a table of contents.]



BUMPER

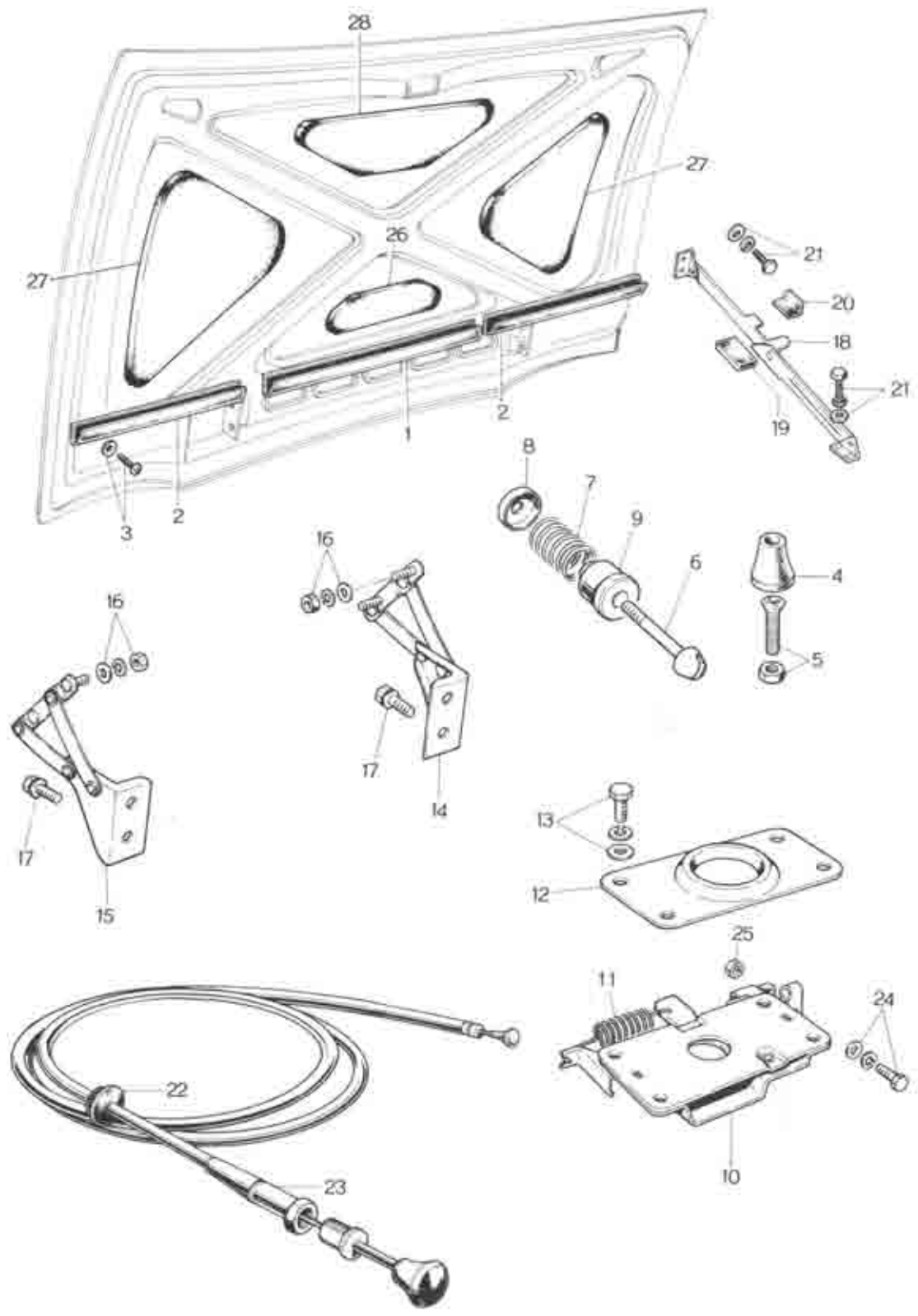
50**78**

No.	Part Number	Description	Q'ty	Remarks
1	0820 50 021	Front Bumper Bar (C)	1	
2	0820 50 031	Bumper Bar (R), Square Type Head Lamp use	1	
	2113 50 031	Bumper Bar (R), Round Type Head Lamp use	1	
3	0820 50 041	Bumper Bar (L), Square Type Head Lamp use	1	
	2113 50 041	Bumper Bar (L), Round Type Head Lamp use	1	
4	99921 1000	Nut, Stay	2	
	99971 1000	Spring Washer	2	
	99951 1022	Plain Washer	2	
5	0223 50 275	Screw, Joint	6	
6	99906 0600	Nut, Joint	6	
	99951 0618	Plain Washer	6	
	99971 0600	Spring Washer	6	
7	0193 65 732A	Stop Rubber	2	
8	0259 50 007	Screw, Stop Rubber	2	
9	99906 0600	Nut, Stop Rubber	2	
	99952 0816	Plain Washer	2	
10	0820 50 050	Number Plate Holder	2	
11	2113 50 051	Number Plate Holder	2	
12	99806 0612	Screw, Holder	2	
	99906 0600	Nut	2	
	99971 0600	Spring Washer	1	
13	0820 50 070	Front Bumper Stay (R)	1	
14	0820 50 080	Front Bumper Stay (L)	1	
15	0259 50 120	Rear Bumper Bar (C)	1	
16	0259 50 131	Rear Bumper Bar Side (R), Sedan Model	1	
	0820 50 131	Rear Bumper Bar Side (R), Coupe Model	1	

50**78****BUMPER**

No.	Part Number	Description	Qty	Remarks
17	0259 50 141	Rear Bumper Bar Side (L), Sedan Model	1	
	0820 50 141	Rear Bumper Bar Side (L), Coupe Model	1	
18	99921 1000	Nut, Stay	2	
	99971 1000	Spring Washer	2	
	99951 1022	Plain Washer	2	
19	0223 50 275	Screw, Joint	6	
20	99906 0600	Nut, Joint	6	
	99951 0618	Plain Washer	6	
	99971 0600	Spring Washer	6	
21	0259 50 170	Rear Bumper Stay (R)	1	
22	0259 50 180	Rear Bumper Stay (L)	1	
• 23	0820 79 910A 00	Front Bumper Guard (R)	1	
• 24	0820 79 940A 00	Front Bumper Guard (L)	1	
• 25	0317 78 760 00	Rear Bumper Guard	2	
26	99906 0600	Nut, Bumper Guard	4	Optional
	99951 0600	Plain Washer	4	
	99971 0600	Spring Washer	4	
27	908067 6 16	Set Bolt, Bumper Guard	4	





BONNET LOCK

52

No.	Part Number	Description	Qty	Remarks
1	0820 52 003	Sealer (C)	1	
2	0820 52 004	Sealer Side	2	
3	99864 0408	Tapping Screw	9	
	99952 0412	Plain Washer	9	
4	0603 52 451A	Cushion Rubber	2	
5	99831 0835	+ Screw, Cushion Rubber	2	
	99902 0800	Lock Nut	2	
6	0187 52 141	Bonnet Hook	1	
7	0305 52 312	Hook Lift Spring	1	
	0305 52 312A	Hook Lift Spring	1	Car No. 61900 ^{70/6} ~ ○
	0305 52 312B	Hook Lift Spring	1	Car No. 82291 ^{77/1} ~ ○
8	0305 52 440	Spring Seat, Upper	1	Car No. 61900 ^{70/6} ~ Discarded
9	0305 52 320	Spring Seat, Lower	1	
	0305 52 320A	Spring Seat, Lower	1	Car No. 61900 ^{70/6} ~ ○
	0305 52 322A	Spring Seat, Lower	1	Car No. 82291 ^{77/1} ~ ○
10	0305 52 330	BONNET LOCK	1	
11	0187 52 145	Lock Return Spring	1	
	0305 52 331	Lock Return Spring	1	Car No. 102200 ^{77/1} ~ ○
12	0305 52 371	Lock Guide Plate	1	
	0305 52 371A	Lock Guide Plate	1	Car No. 61900 ^{70/6} ~ ○
13	908067 6 16	Set Bolt	4	
14	0820 52 400B	Hinge Ass'y (R)	1	
15	0820 52 450B	Hinge Ass'y (L)	1	
16	99906 0600	Nut, Hinge Set	4	
	99971 0600	Spring Washer	4	
	99951 0618	Plain Washer	4	
17	908017 8 16	Set Bolt, Hinge Set	4	
18	0820 52 250	Stop Ass'y	1	
	2359 52 250	Stop Ass'y (L.H.D.)	1	Car No. 87150 ^{77/1} ~ X

No.	Part Number	Description	Qty	Remarks
19	0259 52 257	Pad	1	
20	0259 52 258	Pad	1	
21	908066 6 16	Set Bolt, Open Stopper	4	
22	0259 52 301	Protector	1	
23	0259 52 310	Release Wire Ass'y	1	
24	908066 5 16	Set Bolt, Release Wire Clamp	1	
25	99906 0500	Nut, Release Wire Clamp	1	
26	0820 52 007	Insulation "A"	1	
27	0820 52 008	Insulation "B"	2	
	0820 52 008A	Insulation "B"	2	Car No. 82300 7 ¹ / ₄ ~ ○
28	0820 52 009	Insulation "C"	1	



TRUNK LID LOCK

52

No.	Part Number	Description	Qty	Remarks
1	0820 52 510A	Trunk Lid Ass'y, All Coupe Models	1	
	0259 52 510	Trunk Lid Ass'y, All Sedan Models	1	
2	0259 52 601	Lid Hinge	2	
3	908067 6 18	Set Bolt, Hinge	4	
4	99951 0618	Plain Washer, Hinge	4	
	99906 0600	Nut	4	
5	99906 0600	Nut, Hinge	2	
	99952 0618	Plain Washer	2	
	99971 0600	Spring Washer	2	
6	0259 52 630	Lid Support	1	
7	0208 70 875	Spring	1	
8	0208 70 876	Pin "A"	1	
9	0208 70 879	Stopper	1	
10	99576 0500	Stop Ring, Lid Support	1	
11	99952 0816	Washer	1	
	99953 0800	Washer	1	
12	908336 5 12	Set Screw	3	
13	0259 52 750	Striker Ass'y	1	
14	908066 8 18	Set Bolt, Striker	2	
15	0259 52 850A	Lid Lock Ass'y	1	
16	908062 8 14	Set Bolt, Lid Lock	2	
	99951 0818	Plain Washer	2	
17	0259 52 901	Weather Strip	1	



संस्कृत भाषा

संस्कृत भाषा

संस्कृत भाषा

संस्कृत भाषा

संस्कृत भाषा

संस्कृत भाषा

संस्कृत भाषा

संस्कृत भाषा

संस्कृत भाषा

संस्कृत भाषा

संस्कृत भाषा

संस्कृत भाषा

संस्कृत भाषा

संस्कृत भाषा

संस्कृत भाषा

संस्कृत भाषा

संस्कृत भाषा

संस्कृत भाषा

संस्कृत भाषा

संस्कृत भाषा

संस्कृत भाषा

संस्कृत भाषा

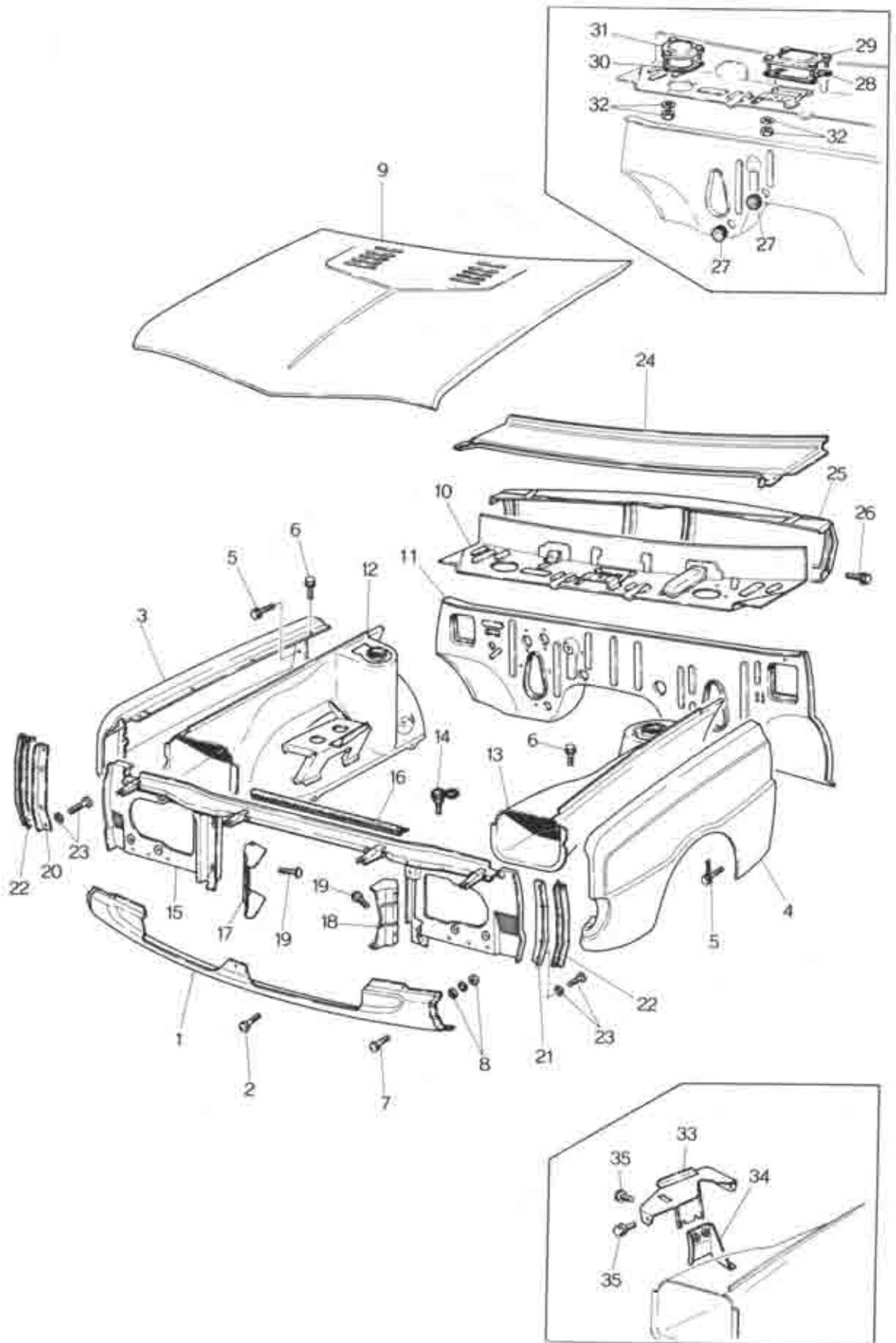
संस्कृत भाषा

संस्कृत भाषा

संस्कृत भाषा

संस्कृत भाषा





BODY PANELS (FRONT)

51 ~ 70

No.	Part Number	Description	Qty	Remarks
1	0317 70 021	Front Skirt Panel	1	
2	908066 6 14	Set Screw, Skirt Panel	3	
3	2113 51 020	Front Fender Panel (R) For use with Round Type Head Lamp	1	
	2124 51 020A	Front Fender Panel (R) For use with Square Type Head Lamp	1	
	2404 51 020	Front Fender Panel (R) For use with Square Type Head Lamp	1	Car No. 84459 ⁷¹ / ₂ ~ 0
4	2350 51 120	Front Fender Panel (L) For use with Square Type Head Lamp	1	- Round Type Head Lamp
	2124 51 120A	Front Fender Panel (L) For use with Square Type Head Lamp	1	
	2370 51 120	Front Fender Panel (L) For use with Square Type Head Lamp	1	Car No. 84459 ⁷¹ / ₂ ~ 0
5	908067 6 14	Set Bolt, Front Pillar + Fender Panel	14	
6	908067 6 20	Set Bolt, Fender Panel	6	
7	908061 5 12	Set Screw, Skirt Panel + Fender Panel	4	
8	99952 0500	Plain Washer, Skirt Panel	4	
	99971 0500	Spring Washer	4	
	99906 0500	Nut	4	
9	0820 52 010C	Bonnet (R.H.D.) For General Spec. Model	1	
	2124 52 010	Bonnet (L.H.D.) For General Spec. Model	1	Car No. 87150 ⁷¹ / ₂ ~ Added Anew
	2113 52 010C	Bonnet, For U.S.A. & Canada	1	
10	0820 53 010B	Dash Panel Upper Ass'y (R.H.D.)	1	"T" Type Dashboard use
	0820 53 010C	Dash Panel Upper Ass'y (R.H.D.)	1	
	0845 53 010B	Dash Panel Upper Ass'y (R.H.D.)	1	
		Plain Type Dashboard use		
	2113 53 010C	Dash Panel Upper Ass'y (L.H.D.)	1	
	2113 53 010D	"T" Type Dashboard use, with Car Heater	1	Car No. 65086 ⁷⁰ / ₈ ~ 0
	2113 53 010E	Dash Panel Upper Ass'y (L.H.D.)	1	Car No. 67812 ⁷⁰ / ₁₀ ~ 0
	2124 53 010A	Dash Panel Upper Ass'y (L.H.D.)	1	
		"T" Type Dashboard use, without Car Heater		
	2329 53 010C	Dash Panel Upper Ass'y (L.H.D.)	±	
	2329 53 010D	"T" Type Dashboard use, Emission Controlled Model	1	Car No. 59444 ⁷⁰ / ₄ ~ 0 ※
	2335 53 010B	Dash Panel Upper Ass'y (L.H.D.)	1	
	2335 53 010C	Plain Type Dashboard use	1	Car No. 65086 ⁷⁰ / ₈ ~ 0
	2339 53 010B	Dash Panel Upper Ass'y (L.H.D.)	1	
		Emission Controlled Model		
11	0820 53 100C	Dash Panel Lower Ass'y (R.H.D.)	1	
		"T" Type Dashboard Coupe use		
	0845 53 100B	Dash Panel Lower Ass'y (R.H.D.)	1	
		Plain Type Dashboard use		

No.	Part Number	Description	Qty	Remarks
	0848 53 100A	Dash Panel Lower Ass'y (R.H.D.) "T" Type Dashboard use	1	
	2113 53 100D	Dash Panel Lower Ass'y (L.H.D.) "T" Type Dashboard Coupe use	1	
	2335 53 100A	Dash Panel Lower Ass'y (L.H.D.) Plain Type Dashboard use	1	
	2339 53 100A	Dash Panel Lower Ass'y (L.H.D.) Emission Controlled Model	1	Plain Type Dashboard
	2329 53 100B	Dash Panel Lower Ass'y (L.H.D.) Emission Control Model	1	"T" Type Dashboard
	2445 53 100 2415 53 100A	Dash Panel Lower Ass'y (L.H.D.) "T" Type Dashboard Sedan use	1	Car No. 63173 ⁷⁰ / ₇ ~ ○ ※
12	0820 53 210B	Wheel Apron Ass'y (R) (R.H.D.)	1	
	0820 53 210C	Wheel Apron Ass'y (R) (R.H.D.)	1	Car No. 94253 ⁷¹ / ₄ ~ Δ
	2113 53 210E	Wheel Apron Ass'y (R)	1	
	2113 53 210F	Wheel Apron Ass'y (R) (L.H.D.)	1	Car No. 87150 ⁷¹ / ₂ ~ X
	2112 53 210	Wheel Apron Ass'y (R)	1	Car No. 94253 ⁷¹ / ₄ ~ ○
	2124 53 210A	Wheel Apron Ass'y (R)	1	
	2124 53 210B	Wheel Apron Ass'y (R) For Okinawa	1	Car No. 87150 ⁷¹ / ₂ ~ X
	2124 53 210C	Wheel Apron Ass'y (R)	1	Car No. 94253 ⁷¹ / ₄ ~ ○
	2329 53 210H	Wheel Apron Ass'y (R) (L.H.D.) Emission Controlled Model	1	
13	0820 54 210B	Wheel Apron Ass'y (L)	1	
	0820 54 210C	Wheel Apron Ass'y (L) (R.H.D.)	1	Car No. 57664 ⁷⁰ / ₄ ~ ○
	0820 54 210D	Wheel Apron Ass'y (L)	1	Car No. 94253 ⁷¹ / ₄ ~ Δ
	2113 54 210E	Wheel Apron Ass'y (L)	1	
	2113 54 210F	Wheel Apron Ass'y (L) (L.H.D.)	1	Car No. 87150 ⁷¹ / ₂ ~ X
	2112 54 210	Wheel Apron Ass'y (L)	1	Car No. 94253 ⁷¹ / ₄ ~ ○
	2124 54 210A	Wheel Apron Ass'y (L)	1	
	2124 54 210B	Wheel Apron Ass'y (L) For Okinawa	1	Car No. 87150 ⁷¹ / ₂ ~ X
	2124 54 210C	Wheel Apron Ass'y (L)	1	Car No. 94253 ⁷¹ / ₄ ~ ○
	2329 54 210B	Wheel Apron Ass'y (L) (L.H.D.) Emission Controlled Model	1	
	2359 54 210A	Wheel Apron Ass'y (L) For Switzerland	1	Car No. 103315 ⁷¹ / ₇ ~ Added A
14	0259 58 931	Drain Valve	8	
15	0820 53 700B	Shroud Panel Ass'y For use with Square Type Head Lamp	1	
	2112 53 700C	Shroud Panel Ass'y, Arctic Spec. Model For use with Square Type Head Lamp	1	
	2113 53 700D	Shroud Panel Ass'y, For Canada & U.S.A. For use with Round Type Head Lamp	1	
16	0820 53 709	Seal Rubber	1	
17	0820 53 711B	Guide Vane (R) For use with Square Type Head Lamp	1	
	2113 53 711A	Guide Vane (R) For use with Round Type Head Lamp	1	
18	0820 54 711A	Guide Vane (L) For use with Square Type Head Lamp	1	
	2113 54 711A	Guide Vane (L) For use with Round Type Head Lamp	1	
19	908681 5 12B	Set Screw, Guide Valve	4	
20	0259 53 725	Shield "A" (R)	1	
21	0259 54 725	Shield "A" (L)	1	
22	0223 53 752	Seal Rubber	2	

BODY PANELS (FRONT)

51

70

No.	Part Number	Description	Q'ty	Remarks
23	99863 0408	Tapping Screw, Shield	8	
	99952 0412	Plain Washer	8	
24	0257 53 970B	Cowl Panel Ass'y (R.H.D.)	1	
	2158 53 970A	Cowl Panel Ass'y (L.H.D.)	1	
	2329 53 970	Cowl Panel Ass'y (Emission Controlled Model) & France	1	
25	0324 70 100B	Instrument Panel (R.H.D.)	1	
	2370 70 100B	Instrument Panel (L.H.D.)	1	
26	908067 6 16	Set Bolt, Instrument Panel	4	
27	0187 53 134	Dust Seal Rubber	2	
28	2158 61 061	Packing	1	
29	2158 61 070	Plate	1	
30	2158 61 081	Packing	1	Without Car Heater
31	2158 61 090	Plate	1	
32	99906 0600	Nut, Plate	7	
	99952 0618	Plain Washer	7	
33	2113 56 960	Battery Bracket	1	
		Large Type Battery use (L.H.D.) For Arctic Spec. Models		
35	908046 8 16	Set Bolt	4	

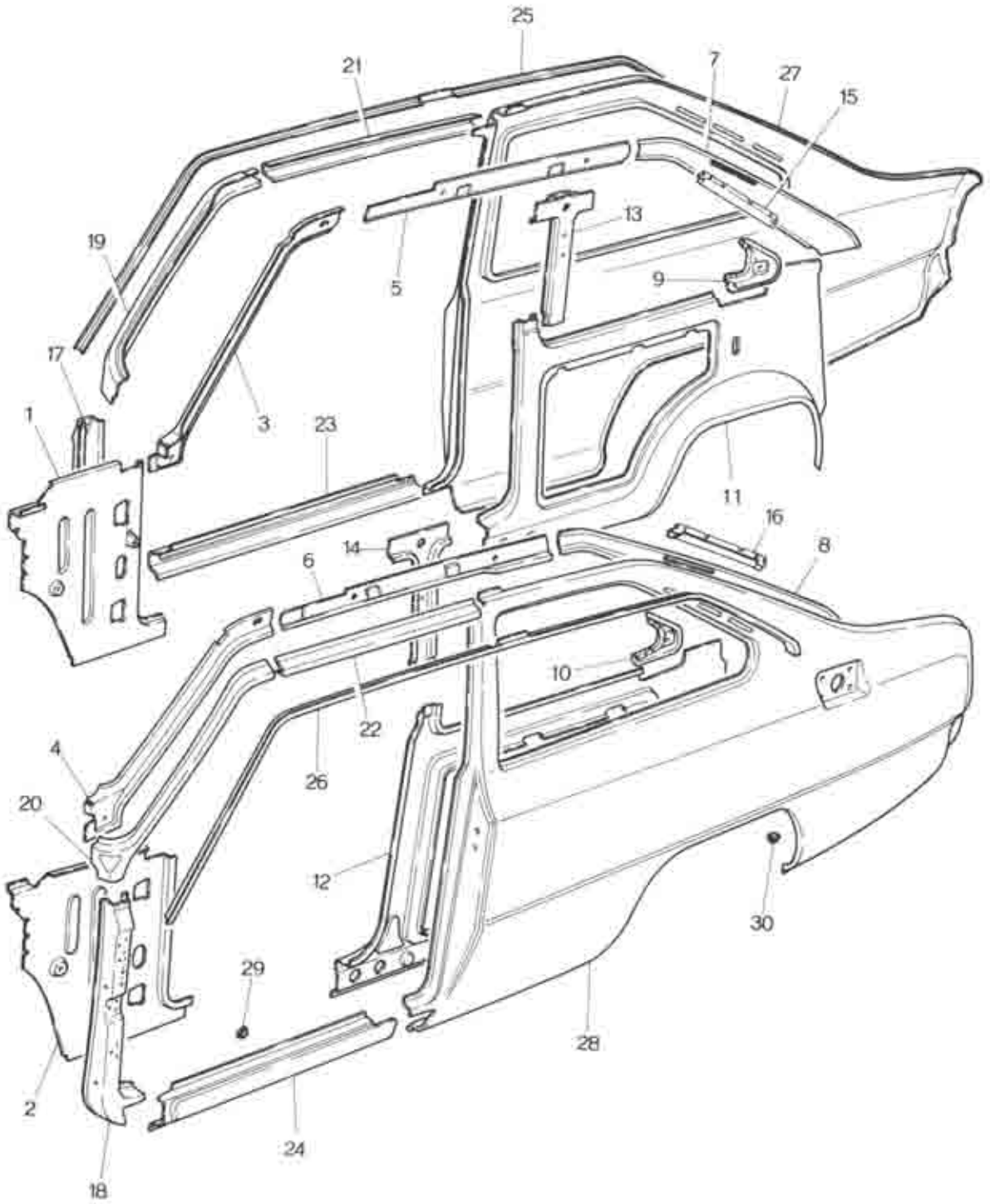


53

54

BODY PANELS (SIDE)

(ALL COUPE MODELS)



BODY PANELS (SIDE)

(ALL COUPE MODELS)




No.	Part Number	Description	Qty	Remarks
	2113 53 300 A	SIDE FRAME Ass'y (R), (L.H.D.) "T" TYPE DASHBOARD USE		
	2123 53 300 B	SIDE FRAME Ass'y (R), (R.H.D.) "T" TYPE DASHBOARD USE WITH 2350 58 582 ANTIBURST BLOCK (R) 1		For Canada & U.S.A.
	2124 53 300 A	SIDE FRAME Ass'y (R), (L.H.D.) "T" TYPE DASHBOARD USE	1	
	2327 53 300 A	SIDE FRAME Ass'y (R), (L.H.D.) "T" TYPE DASHBOARD USE WITH 2350 58 582 ANTIBURST BLOCK (R) 1		For France
	2334 53 300 B	SIDE FRAME Ass'y (R), (R.H.D.) WITH 2350 58 582 ANTIBURST BLOCK (R)	1	
	2335 53 300 A	SIDE FRAME Ass'y (R), (L.H.D.) WITH 2350 58 582 ANTIBURST BLOCK (R)	1	For France
	2339 53 300 A	SIDE FRAME Ass'y (R), (L.H.D.) WITH 2350 58 582 ANTIBURST BLOCK (R) & 2244 66 250A SIDE MARKER LAMP HOLE.	1	For Canada & U.S.A.
	2797 53 300 A	SIDE FRAME Ass'y (R), (R.H.D.) "T" TYPE DASHBOARD USE	1	
	2113 54 300 A	SIDE FRAME Ass'y (L), (L.H.D.) "T" TYPE DASHBOARD USE		For Canada & U.S.A.
	2123 54 300 B	SIDE FRAME Ass'y (L), (R.H.D.) "T" TYPE DASHBOARD USE WITH 2350 59 582 ANTIBURST BLOCK (L) 1		
	2124 54 300 A	SIDE FRAME Ass'y (L), (L.H.D.) "T" TYPE DASHBOARD USE	1	
	2327 54 300 A	SIDE FRAME Ass'y (L), (L.H.D.) "T" TYPE DASHBOARD USE WITH 2350 59 582 ANTIBURST BLOCK (L) 1		For France
	2334 54 300 B	SIDE FRAME Ass'y (L), (R.H.D.) WITH 2350 59 582 ANTIBURST BLOCK (L)	1	
	2335 54 300 A	SIDE FRAME Ass'y (L), (L.H.D.) WITH 2350 59 582 ANTIBURST BLOCK (L)	1	For France
	2339 54 300 A	SIDE FRAME Ass'y (L), (L.H.D.) WITH 2350 59 582 ANTIBURST BLOCK & 2244 66 250A SIDE MARKER LAMP HOLE.	1	For Canada & U.S.A.
	2797 54 300 A	SIDE FRAME Ass'y (L), (R.H.D.) "T" TYPE DASHBOARD USE	1	
1	0259 53 320B	Cowl Side Panel (R) (R.H.D.)	1	
	0820 53 320A	Cowl Side Panel (R) (R.H.D.) "T" Type Dashboard use	1	
	0820 53 320B	Cowl Side Panel (R) (R.H.D.) "T" Type Dashboard use	1	Car No. 67891 ⁷⁰ / ₁₀ ~ X
	2113 53 320A	Cowl Side Panel (R) (L.H.D.) "T" Type Dashboard use	1	
	2113 53 320B	Cowl Side Panel (R) (L.H.D.) "T" Type Dashboard use	1	Car No. 70537 ⁷⁰ / ₁₁ ~ X
	2158 53 320A	Cowl Side Panel (R) (L.H.D.)	1	
	2158 53 320B	Cowl Side Panel (R) (L.H.D.)	1	Car No. 67891 ⁷⁰ / ₁₀ ~ X
2	0820 54 320A	Cowl Side Panel (L) (R.H.D.)	1	
	0820 54 320B	Cowl Side Panel (L) (R.H.D.)	1	Car No. 67891 ⁷⁰ / ₁₀ ~ X
	2113 54 320A	Cowl Side Panel (L) (L.H.D.) "T" Type Dashboard use	1	
	2113 54 320B	Cowl Side Panel (L) (L.H.D.) "T" Type Dashboard use	1	Car No. 70537 ⁷⁰ / ₁₁ ~ X
	2158 54 320A	Cowl Side Panel (L) (L.H.D.)	1	
	2158 54 320B	Cowl Side Panel (L) (L.H.D.)	1	Car No. 67891 ⁷⁰ / ₁₀ ~ X
3	0820 53 331	Front Pillar Inner (R)	1	
4	0820 54 331	Front Pillar Inner (L)	1	
5	0329 53 340	Roof Rail Inner (R)	1	

53

54

BODY PANELS (SIDE)

(ALL COUPE MODELS)

No.	Part Number	Description	Q'ty	Remarks
6	0329 54 340	Roof Rail Inner (L)	1	
7	0820 53 350	Rear Pillar Inner (R)	1	
	2410 53 350	Rear Pillar Inner (R) For France	1	
8	0820 54 350	Rear Pillar Inner (L)	1	
9	0820 53 360	Corner Plate (R)	1	
10	0820 54 360	Corner Plate (L)	1	
11	0820 53 370C	Side Frame Inner Rear (R)	1	
12	0820 54 370C	Side Frame Inner Rear (L) (R.H.D.)	1	
	2113 54 370A	Side Frame Inner Rear (L) (L.H.D.)	1	
13	2113 53 380	Center Pillar Inner (R) (L.H.D.)	1	
	0820 53 381	Center Pillar Inner (R) (L.H.D.) For France	1	
	2316 53 380	Center Pillar Inner (R) (R.H.D.)	1	
14	0820 54 381	Center Pillar Inner (L) (R.H.D.)	1	
	2113 54 380	Center Pillar Inner (L) (L.H.D.)	1	
	2410 54 380	Center Pillar Inner (L) (L.H.D.) For France	1	
15	0820 53 390	Set Plate (R)	1	
16	0820 54 390	Set Plate (L)	1	
17	0329 53 410	Hinge Pillar Outer (R)	1	
18	0329 54 410	Hinge Pillar Outer (L)	1	
19	0820 53 421A	Front Pillar Outer (R)	1	
20	0820 54 421A	Front Pillar Outer (L)	1	
21	0820 53 430	Roof Rail Outer (R)	1	
22	0820 54 430	Roof Rail Outer (L)	1	
23	0254 53 451	Side Sill Outer (R)	1	
24	0254 54 451	Side Sill Outer (L)	1	
25	0820 53 591	Rain Rail (R)	1	
26	0820 54 591	Rain Rail (L)	1	
27	2113 53 600B	Rear Fender (R) (L.H.D.) For Canada & U.S.A. With 2350 58 582 Antiburst Block (R) & 2244 66 250A Side Marker Lamp Hole.	1	
	2124 53 600A	Rear Fender (R) (L.H.D.)	≠	
	2413 53 600	Rear Fender (R) (L.H.D.)	1	Car No. 57990 70/4 ~ O ※

BODY PANELS (SIDE)

(ALL COUPE MODELS)



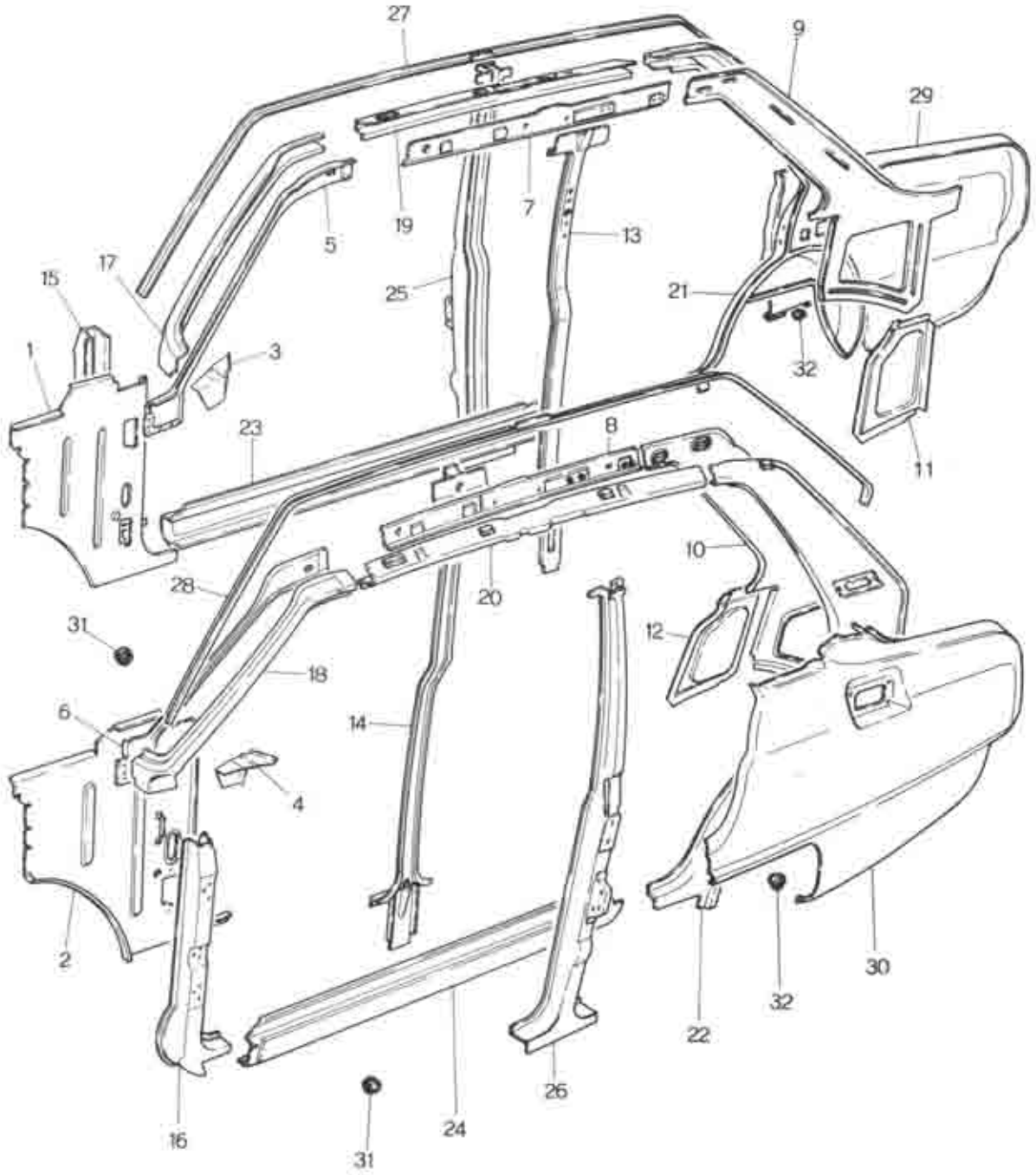

No.	Part Number	Description	Qty	Remarks
	2316 53 600B	Rear Fender (R) (R.H.D.) For Australia With 2350 58 582 Antiburst Block (R)	1	
	2410 53 600A	Rear Fender (R) (L.H.D.) For France With 2350 58 582 Antiburst Block (R)	1	
	2797 53 600A	Rear Fender (R) (R.H.D.)	1	
28	2113 54 600B	Rear Fender (L) (L.H.D.) For Canada & U.S.A. With 2350 59 582 Antiburst Block (L) & 2244 66 250A	1	Side Marker Lamp Hole.
	2124 54 600A	Rear Fender (L) (L.H.D.)	±	
	2413 54 600	Rear Fender (L) (L.H.D.)	1	Car No. 57990 ^{70%} / ₆ ~ ○ ※
	2316 54 600B	Rear Fender (L) (R.H.D.) For Australia With 2350 59 582 Antiburst Block (L)	1	
	2410 54 600A	Rear Fender (L) (L.H.D.) For France With 2350 59 582 Antiburst Block (L)	1	
	2797 54 600A	Rear Fender (L) (R.H.D.)	1	
29	0259 53 455	Drain Plug, Side Sill	6	
30	0118 56 242B	Drain Plug	2	
• N	0259 53 328	Junction Plate (R)	1	Car No. 61649 ^{70%} / ₆ ~ Added Anew
	0259 54 329	Junction Plate (L)	1	Car No. 61649 ^{70%} / ₆ ~ Added Anew

53

54

BODY PANELS (SIDE)

(ALL SEDAN MODELS)



BODY PANELS (SIDE)

(ALL SEDAN MODELS)

▲
53

▲
54

No.	Part Number	Description	Qty	Remarks
	2061 53 300	SIDE FRAME Ass'y (R) (L.H.D.) WITH 2350 58 582 ANTIBURST BLOCK	1	
	2062 53 300	SIDE FRAME Ass'y (R) (L.H.D.)	1	
	2063 53 300	SIDE FRAME Ass'y (R) (R.H.D.) WITH 2350 58 582 ANTIBURST BLOCK	1	
	2064 53 300	SIDE FRAME Ass'y (R) (R.H.D.)	1	
	2415 53 300	SIDE FRAME Ass'y (R) (L.H.D.) "T" TYPE DASHBOARD USE, WITH 2350 58 582 ANTIBURST BLOCK.	1	
	2416 53 300	SIDE FRAME Ass'y (R) (L.H.D.) "T" TYPE DASHBOARD USE	1	
	2418 53 300	SIDE FRAME Ass'y (R) (R.H.D.) "T" TYPE DASHBOARD USE, WITH 2350 58 582 ANTIBURST BLOCK.	1	
	2419 53 300	SIDE FRAME Ass'y (R) (R.H.D.) "T" TYPE DASHBOARD USE	1	
	2061 54 300	SIDE FRAME Ass'y (L) (L.H.D.) WITH 2350 58 582 ANTIBURST BLOCK	1	
	2062 54 300	SIDE FRAME Ass'y (L) (L.H.D.)	1	
	2063 54 300	SIDE FRAME Ass'y (L) (R.H.D.) WITH 2350 58 582 ANTIBURST BLOCK	1	
	2064 54 300	SIDE FRAME Ass'y (L) (R.H.D.)	1	
	2415 54 300	SIDE FRAME Ass'y (L) (L.H.D.) "T" TYPE DASHBOARD USE, WITH 2350 58 582 ANTIBURST BLOCK.	1	
	2416 54 300	SIDE FRAME Ass'y (L) (L.H.D.) "T" TYPE DASHBOARD USE	1	
	2418 54 300	SIDE FRAME Ass'y (L) (R.H.D.) "T" TYPE DASHBOARD USE, WITH 2350 58 582 ANTIBURST BLOCK.	1	
	2419 54 300	SIDE FRAME Ass'y (L) (R.H.D.) "T" TYPE DASHBOARD USE	1	
1	0259 53 321C	Cowl Side Panel (R)	1	
	0820 53 320B	Cowl Side Panel (R) (R.H.D.) "T" Type Dashboard use	1	
	2113 53 320B	Cowl Side Panel (R) (L.H.D.) "T" Type Dashboard use	1	
2	0820 54 320B	Cowl Side Panel (L) (R.H.D.)	1	
	2113 54 320B	Cowl Side Panel (L) (L.H.D.) "T" Type Dashboard use	1	
	2158 54 320B	Cowl Side Panel (L) (L.H.D.)	1	
3	0259 53 328	Junction Plate (R)	1	
4	0259 54 328	Junction Plate (L)	1	
5	0259 53 331A	Side Frame Inner (R)	1	
6	0259 54 331A	Side Frame Inner (L)	1	

53

54

BODY PANELS (SIDE)**(ALL SEDAN MODELS)**

No.	Part Number	Description	Qty	Remarks
7	0317 53 340A	Roof Rail Inner (R)	1	
8	0317 54 340A	Roof Rail Inner (L)	1	
9	0259 53 350	Rear Pillar Inner (R)	1	
	2370 53 350	Rear Pillar Inner (R) With Anchor Plate	1	
10	0259 54 350	Rear Pillar Inner (L)	1	
	2370 54 350	Rear Pillar Inner (L) With Anchor Plate	1	
11	0259 53 371	Side Frame Inner (R)	1	
12	0259 54 371	Side Frame Inner (L)	1	
13	2370 53 380B	Center Pillar Inner (R) (L.H.D.)	1	
	2404 53 380B	Center Pillar Inner (R) (R.H.D.)	1	
14	2370 54 380B	Center Pillar Inner (L) (L.H.D.)	1	
	2404 54 380B	Center Pillar Inner (L) (R.H.D.)	1	
15	0317 53 410	Hinge Pillar Outer (R)	1	
16	0317 54 410	Hinge Pillar Outer (L)	1	
17	0259 53 421B	Front Pillar Outer (R)	1	
18	0259 54 421B	Front Pillar Outer (L)	1	
19	0259 53 430	Roof Rail Outer (R)	1	
20	0259 54 430	Roof Rail Outer (L)	1	
21	0259 53 440	Rear Pillar Outer (R)	1	
	2352 53 440	Rear Pillar Outer (R) With 2350 58 582 Antiburst Block.	1	
22	0259 54 440	Rear Pillar Outer (L)	1	
	2352 54 440	Rear Pillar Outer (L) With 2350 58 582 Antiburst Block.	1	
23	0257 53 451	Side Sill Outer (R)	1	
24	0257 54 451	Side Sill Outer (L)	1	
25	2370 53 500	Center Pillar Outer (R) With 2350 58 582 Antiburst Block.	1	
	2399 53 500	Center Pillar Outer (R)	1	

BODY PANELS (SIDE)

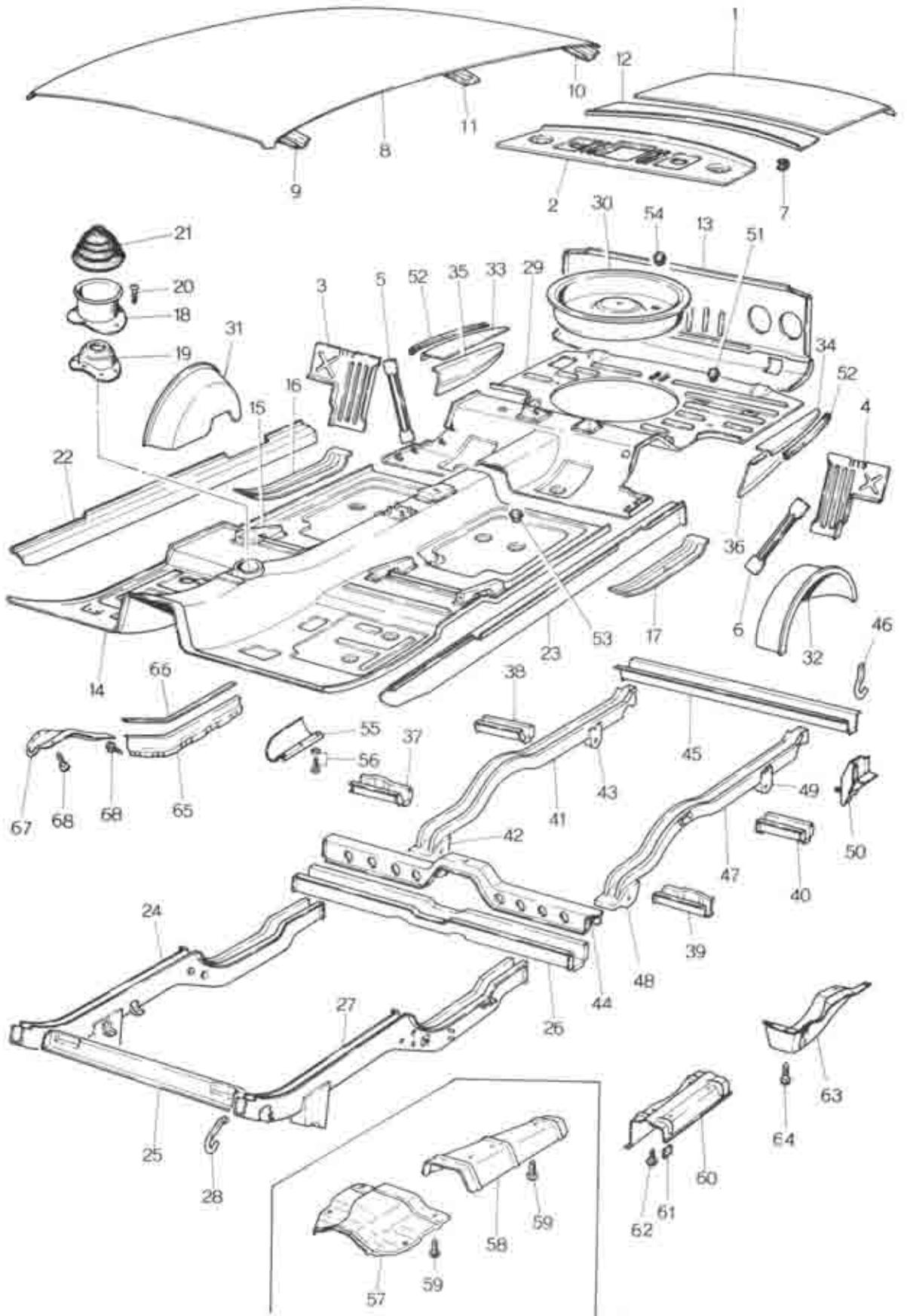
(ALL SEDAN MODELS)

53

54

No.	Part Number	Description	Qty	Remarks
26	2370 54 500	Center Pillar Outer (L) With 2350 58 582 Antiburst Block.	1	
	2399 54 500	Center Pillar Outer (L)	1	
27	0259 53 591	Rain Rail (R)	1	
28	0259 54 591	Rain Rail (L)	1	
29	0259 53 600	Rear Fender (R)	1	
30	0259 54 600	Rear Fender (L)	1	
31	0259 53 455	Drain Plug, Side Sill	6	
32	0118 56 242B	Drain Plug	2	

The first step in the process of identifying and addressing the needs of older adults is to understand the unique challenges and opportunities they face. This involves a comprehensive assessment of their physical, cognitive, and emotional health, as well as their social and financial resources. The second step is to develop a personalized care plan that addresses these needs and promotes their overall well-being. This plan should be flexible and adaptable to changes in their health and circumstances over time. The third step is to implement the care plan and monitor its effectiveness. This requires ongoing communication and collaboration between the older adult, their family, and healthcare providers. The fourth step is to evaluate the outcomes of the care plan and make adjustments as needed. This involves regular assessments and feedback from the older adult and their family. The fifth step is to provide education and support to the older adult and their family. This includes information about available services, resources, and strategies for managing aging. The sixth step is to advocate for the needs of older adults at the community and policy levels. This involves working with local, state, and federal officials to address systemic issues and improve the lives of older adults. The seventh step is to foster a sense of community and belonging among older adults. This can be achieved through social activities, support groups, and volunteer opportunities. The eighth step is to promote the dignity and autonomy of older adults. This involves respecting their choices and preferences and supporting their independence. The ninth step is to ensure that older adults have access to essential services and resources. This includes housing, food, transportation, and healthcare. The tenth step is to celebrate the achievements and contributions of older adults. This helps to recognize their value and potential and encourages a positive outlook on aging.



BODY PANELS (FLOOR, REAR & ROOF)**52****70**

No.	Part Number	Description	Qty	Remarks
1	0259 52 510	Trunk Lid Ass'y, Sedan Model	1	
	0820 52 510A	Trunk Lid Ass'y, Coupe Model	1	
2	0259 53 810	PACKAGE TRAY Ass'y, SEDAN USE	1	
	0820 53 810A	PACKAGE TRAY Ass'y, COUPE USE	1	
3	0259 53 830	Side Brace (R), Sedan use	1	
	0820 53 830A	Side Brace (R), Coupe use	1	
4	0259 54 830	Side Brace (L), Sedan use	1	
	0820 54 830A	Side Brace (L), Coupe use	1	
5	0259 53 835	Diagonal Brace (R), Sedan use	1	
	0820 53 835A	Diagonal Brace (R), Coupe use	1	
6	0259 54 835	Diagonal Brace (L), Sedan use	1	
	0820 54 835A	Diagonal Brace (L), Coupe use	1	
7	0259 53 827	Cushion Rubber, Sedan use	2	
8	0259 53 901	Roof Panel, Sedan use	1	
	0820 53 901	Roof Panel, Coupe use	1	
9	0820 53 920A	Front Header, Coupe use	1	
	2244 53 920	Front Header, Sedan use	1	
10	0259 53 940	Rear Header, Sedan use	1	
	0820 53 940	Rear Header, Coupe use	1	
11	0259 53 951	Roof Stiffener, Sedan use	1	
	0820 53 951	Roof Stiffener, Coupe use	1	
12	0259 53 991	Rear Deck Panel, Sedan use	1	

BODY PANELS (FLOOR, REAR & ROOF)

No	Part Number	Description	Qty	Remarks
	0820 53 991	Rear Deck Panel, Coupe use	1	
	2112 53 991	Rear Deck Panel, Coupe use Without Auto Radio	1	
13	2061 70 050	Rear End Panel ,Sedan use	1	
	2113 70 050	Rear End Panel ,Coupe use For Canada	1	
	2124 70 050	Rear End Panel ,Coupe use Without Number Plate Hook	1	
	2329 70 050	Rear End Panel ,Coupe use Emission Controlled Model	1	
14	0846 56 010A	FRONT FLOOR PAN Ass'y (R.H.D.) Sedan use	1	
	2113 56 010	FRONT FLOOR PAN Ass'y (L.H.D.) "T" Type Dashboard Model	1	
	2329 56 010B	FRONT FLOOR PAN Ass'y (L.H.D.) "T" Type Dashboard Emission Controlled Model	1	
	2334 56 010	FRONT FLOOR PAN Ass'y (R.H.D.) Coupe use	1	
	2335 56 010	FRONT FLOOR PAN Ass'y (L.H.D.) Coupe use	1	
	2329 56 010B	FRONT FLOOR PAN Ass'y (L.H.D.) Emission Controlled Model, Coupe use	1	
	2418 56 010	FRONT FLOOR PAN Ass'y (R.H.D.) "T" Type Dashboard Model	1	
15	0820 56 160	Seat Bracket Coupe & "T" Type Dashboard Model	2	
	0259 56 160	Seat Bracket , Sedan use	4	
	2113 56 170	Seat Bracket Coupe & "T" Type Dashboard Model	1	
	2113 56 190	Seat Bracket (L.H.D.) Coupe & "T" Type Dashboard Model	1	
	2316 56 190	Seat Bracket (R.H.D.) Coupe & "T" Type Dashboard Sedan Model	1	
16	0259 56 230	Reinforcement (R)	1	
17	0259 56 231	Reinforcement (L)	1	

BODY PANELS (FLOOR, REAR & ROOF)



No.	Part Number	Description	Qty	Remarks
18	0845 56 271	Boot Seat	1	
19	0845 56 276	Insulator	1	Plain Type Dashboard-Model
20	99864 0512	Tapping Screw, Boot Seat	4	
21	0247 56 275	Boot	1	
	2981 56 470	Boot, Plain Type Dashboard Model	1	
22	0256 56 201	Side Sill Inner Panel (R), Coupe use	1	
	0317 56 200	Side Sill Inner Panel (R), Sedan use	1	
23	0256 56 211	Side Sill Inner Panel (L), Coupe use	1	
	0317 56 210	Side Sill Inner Panel (L), Sedan use	1	
	2123 56 020A	FRONT FRAME Ass'y (R.H.D.)	1	
	2112 56 020A	FRONT FRAME Ass'y (L.H.D.)	1	
	2112 56 020B		1	Car No. 63173 ⁷⁰ / ₇ ~ O
	2113 56 020A	FRONT FRAME Ass'y (L.H.D.)	1	
	2113 56 020B	For Canada Round Type Head Lamp use	1	Car No. 63173 ⁷⁰ / ₇ ~ O
	2124 56 020A	FRONT FRAME Ass'y (L.H.D.) For Okinawa	1	
	2329 56 020C	FRONT FRAME Ass'y (L.H.D.)	1	
	2329 56 020D	Emission Controlled Model, Round Type Head Lamp use	1	Car No. 63173 ⁷⁰ / ₇ ~ O
24	0820 56 030A	SIDE MEMBER Ass'y (R) (R.H.D.)	1	
	2113 56 030A	SIDE MEMBER Ass'y (R) (L.H.D.)	1	
	2113 56 030B		1	Car No. 63173 ⁷⁰ / ₇ ~ O
	2124 56 030A	SIDE MEMBER Ass'y (R) (L.H.D.) For Okinawa	1	
	2329 56 030C	SIDE MEMBER Ass'y (R) (L.H.D.)	1	
	2329 56 030D	Emission Controlled Model	1	Car No. 63173 ⁷⁰ / ₇ ~ O
	0259 56 036	Jacking Bracket	1	
	0259 56 037	Bolt	2	
25	0820 56 110	Cross Member No. 1 Square Type Head Lamp use	1	
	2113 56 110	Cross Member No. 1 Round Type Head Lamp use	1	

No.	Part Number	Description	Qty	Remarks
26	0820 56 130	Cross Member No. 2	1	
	2329 56 130B	Cross Member No. 2 Emission Controlled Model	1	
27	0820 56 530A	SIDE MEMBER (L), (R.H.D.)	1	
	2113 56 530A	SIDE MEMBER (L), (L.H.D.)	1	
	2124 56 530A	SIDE MEMBER (L), (L.H.D.) With Sub Tank Clip	1	
	2329 56 530B	SIDE MEMBER (L), (L.H.D.) Emission Controlled Model	1	
	0259 56 036	Jacking Bracket	1	
	0259 56 037	Bolt	1	
28	2119 56 539	Hook, Front (For Arctic Spec Model)	1	
29	0820 56 300B	REAR FLOOR PAN Ass'y	1	Coupe Use
	0820 56 300C	REAR FLOOR PAN Ass'y	1	Car No. 62706 ⁷⁰ / ₇ ~ X
	2112 56 300	REAR FLOOR PAN Ass'y	1	Car No. 73747 ⁷⁰ / ₁₂ ~ Added An
	0846 56 300	REAR FLOOR PAN Ass'y	1	Sedan Use
	0846 56 300A	REAR FLOOR PAN Ass'y	1	Car No. 62706 ⁷⁰ / ₇ ~ X
	2417 56 300	REAR FLOOR PAN Ass'y	1	Car No. 73747 ⁷⁰ / ₁₂ ~ Added An
	2329 56 300B	REAR FLOOR PAN Ass'y	1	Emission Controlled Model
	2329 56 300C	REAR FLOOR PAN Ass'y	1	Car No. 62706 ⁷⁰ / ₇ ~ X
	2329 56 300C	Emission Controlled Model	1	
30	0259 56 310A	Spare Tire Pan	1	
31	0820 56 360	Wheel House Panel (R), Coupe use	1	
	0844 56 360	Wheel House Panel (R), Sedan use	1	
32	0259 56 860	Wheel House Panel (L)	1	
33	0259 56 381A	Filler Plate (R), Sedan use	1	
	0820 56 381	Filler Plate (R), Coupe use	1	
34	0259 56 881A	Filler Plate (L), Sedan use	1	
	0820 56 880	Filler Plate (L), Coupe use	1	

BODY PANELS (FLOOR, REAR & ROOF)


 52


 70

No.	Part Number	Description	Qty	Remarks
35	0820 56 390	Floor Side Panel (R)	1	
36	0259 56 891	Floor Side Panel (L)	1	
37	0256 56 332	Stiffener "A" (R), Coupe use	1	
38	0259 56 333	Stiffener "B" (R)	1	
39	0256 56 832	Stiffener "A" (L), Coupe use	1	
40	0256 56 833	Stiffener "B" (L), Coupe use	1	
41	0820 56 330	REAR FRAME Ass'y (R)	1	
	2112 56 330	REAR FRAME Ass'y (R) For Arctic Spec. Model	1	Car No. 73747 ⁷⁰ / ₁₂ ~ Added Anew
42	0259 56 336	Spring Hanger (Frt., R)	1	
43	0259 56 370	Spring Hanger (Rr.)	1	
44	0820 56 400	Cross Member	1	
45	0259 56 451	Cross Member No. 4	1	
	2329 56 451	Cross Member No. 4 Emission Controlled Model	1	
46	2119 56 839	Hook, Rear (For Arctic Spec Model)	1	
47	0820 56 830	REAR FRAME Ass'y (L)	1	
48	0259 56 836	Spring Hanger (Frt., L)	1	
49	0259 56 370	Spring Hanger (Rr., L)	1	
50	0820 56 840	Silencer Hanger (Rr.)	1	
51	0118 56 241	Drain Plug	2	

BODY PANELS (FLOOR, REAR & ROOF)

No	Part Number	Description	Qty	Remarks
52	0259 56 304	Seal Rubber	2	
53	0208 56 615	Drain Plug	11	
54	0810 56 639	Service Hole Cover	2	
55	0820 56 261	Heat Insulator	1	
56	99863 0508	Tapping Screw, Heat Insulator	5	
	99952 0516	Plain Washer	5	
57	2329 56 266B	Insulator No. 2	1	
58	2329 56 267	Insulator No. 3	1	Emission Controlled Model
59	908047 6 14	Set Screw, Insulator	7	
60	2329 56 269	Insulator No. 4	1	
61	0111 40 358	Insulator	1	
62	908047 6 14	Set Screw, Insulator	4	
63	0820 56 791A	Protector	1	
64	908681 5 12	Set Screw, Protector	6	
65	0820 56 911	Pipe Protector No. 2	1	
	2329 56 911	Pipe Protector No. 2 Emission Controlled Model	1	
66	0820 56 912	Spacer	1	
67	0820 56 913	Pipe Protector No. 1	1	
	2329 56 913	Pipe Protector No. 1 Emission Controlled Model	1	
68	908601 5 08	Set Screw, Pipe Protector	7	
	99952 0500	Plain Washer	7	



DASHBOARD (METER & SWITCH, R.H.D.)

("T" TYPE DASHBOARD MODEL)

55

68

No.	Part Number	Description	Qty	Remarks
1	0820 55 021A	Adjust Channel	1	
2	99806 0514	Bolt, Adjust Channel	4	
	99952 0516	Plain Washer	4	
	99971 0500	Spring Washer	4	
3	0820 55 030B	Bracket, Defroster Nozzle	2	
4	0820 55 120C	Loud Speaker Bracket	1	
5	99906 0500	Nut, Loud Speaker Bracket	2	
	99971 0500	Spring Washer	2	
	99952 0500	Plain Washer	2	
6	99805 0514	Bolt, Loud Speaker Bracket	2	
	99952 0516	Plain Washer	2	
	99971 0500	Spring Washer	2	
7	0820 55 230B	Console Plate	1	
8	0820 55 221	Washer, Console Plate	2	
9	99906 0500	Nut, Console Plate	6	
	99952 0516	Plain Washer	6	
	99971 0500	Spring Washer	6	
10	0820 55 225	Hole Cover, Cooler Switch	1	
11	0820 55 240	Bracket, Ash Tray	1	
12	99833 0508	Screw, Bracket	2	
	99952 0500	Plain Washer	2	
	99971 0500	Spring Washer	2	
13	2123 55 260	Meter & Panel Ass'y (Km)	1	
	2123 60 260	Meter & Panel Ass'y (Mile)	1	
14	99906 0500	Nut, Meter & Panel	4	
	99952 0516	Plain Washer	4	

55

68

DASHBOARD (METER & SWITCH, R.H.D.)**("T" TYPE DASHBOARD MODEL)**

No.	Part Number	Description	Qty	Remarks
	99971 0500	Spring Washer	4	
15	0820 55 350	Combination Meter	1	
16	99906 0500	Nut, Combination Meter	2	
	99952 0500	Plain Washer	2	
	99971 0500	Spring Washer	2	
17	0820 55 361	Louver	2	
18	0820 55 362	Plate Spring	2	
19	99575 0400	Snap Ring, Louver	2	
	99952 0600B	Plain Washer	2	
20	0820 55 025B	Duct (R), Ventilator	1	
21	0820 55 026B	Duct (L), Ventilator	1	
22	0820 55 530I	Wire Harness	1	
23	0208 66 949	Protector Pad	2	
24	0820 55 580D	COMBINATION SWITCH Ass'y	1	
•	0820 55 580E	COMBINATION SWITCH Ass'y	1	Car No. 65018 $\frac{7}{8}$ ~ Δ
25	0208 55 581B	Body Upper	1	
26	0271 55 582	Body Lower	1	
27	2113 55 583	Switch Lever	1	
28	0275 75 563	Ratchet	1	
29	2981 75 565	Horn Contact	1	
30	2981 75 568	Support Plate	1	
31	2113 55 610	Switch Cord	1	
32	2113 55 584A	Bracket	1	

DASHBOARD (METER & SWITCH, R.H.D.)

("T" TYPE DASHBOARD MODEL)

55

68

No.	Part Number	Description	Qty	Remarks
33	0223 55 590	Cancel Cam	1	
34	2123 55 641C	Column Cover (R)	1	
35	2123 55 651C	Column Cover (L)	1	
36	99833 0408B	Screw, Column Cover	5	
	99971 0400B	Spring Washer	5	
37	99837 0312B	Screw, Column Cover	1	
38	0820 55 550	SPEEDOMETER CABLE	1	
39	0223 55 554	Grommet	1	
40	0820 55 710B	Light Switch	1	
	2119 55 710A	Light Switch (Side Lamps stay on when Head Lamps are Switched on)	1	
41	0820 79 620	Fog Lamp Switch, Optional	1	
42	0820 55 951	Hole Cover, Fog Lamp Switch Hole	1	
43	0820 55 740	Map Lamp Switch	1	
44	0820 55 750A	Antenna Switch	1	
45	908336 4 12	Set Screw, Antenna Switch	2	
46	0820 55 790A	Auto Clock	1	
47	99906 0500	Nut, Auto Clock	1	
	99952 0500	Plain Washer	1	
	99971 0500	Spring Washer	1	
48	0820 55 830A	Cigar Lighter	1	
49	0257 55 952	Cover, Cigar Lighter Hole	1	

55

68

DASHBOARD (METER & SWITCH, R.H.D.)

('T' TYPE DASHBOARD MODEL)

No.	Part Number	Description	Qty	Remarks
50	0820 55 840A	Heater Switch	1	
51	0820 55 970	Choke Wire	1	
52	0111 41 691	Grommet, Choke Wire	1	
53	0820 55 981B	Defroster Nozzle (R)	1	
•	0820 55 981C	Defroster Nozzle (R)	1	Car No. 73747 ⁷⁰ / ₁₂ ~ ○
54	0820 55 982B	Defroster Nozzle (L)	1	
•	0820 55 982C	Defroster Nozzle (L)	1	Car No. 73747 ⁷⁰ / ₁₂ ~ ○
55	99906 0500	Nut, Nozzle	8	
	99952 0516	Plain Washer	8	
	99971 0500	Spring Washer	8	
56	0820 60 560	Hazard Switch	1	Optional
57	99951 0818	Plain Washer, Hazard Switch	1	
58	0187 53 202	Grommet, Hazard Switch Hole	1	
59	0820 60 870A	Wiper Relay	1	
60	908066 5 12	Set Screw, Wiper Relay	1	
	0820 66 330A	MAP LAMP Ass'y	1	
61	0820 66 331A	Body	1	
62	0820 66 332	Cover	1	
63	0820 66 333	Lens	1	
64	0820 66 334	Bulb	2	
65	908332 3 10	Set Screw, Map Lamp	2	
66	0820 68 180	Ash Tray	1	
• 67	908341 4 16	Set Screw, Ash Tray	2	
68	0820 68 531	Decoration Panel	1	

DASHBOARD (METER & SWITCH, R.H.D.)

("T" TYPE DASHBOARD MODEL)



No.	Part Number	Description	Qty	Remarks
69	99906 0400	Nut, Decoration Panel	2	
	99971 0400	Spring Washer	2	
70	2192 67 130A	Cord, Steering Lock use	1	
71	2113 55 951	Tuner Ornament	1	
72	0222 66 865	Screw, Ornament	2	
73	99913 0600	Nut, Ornament	2	

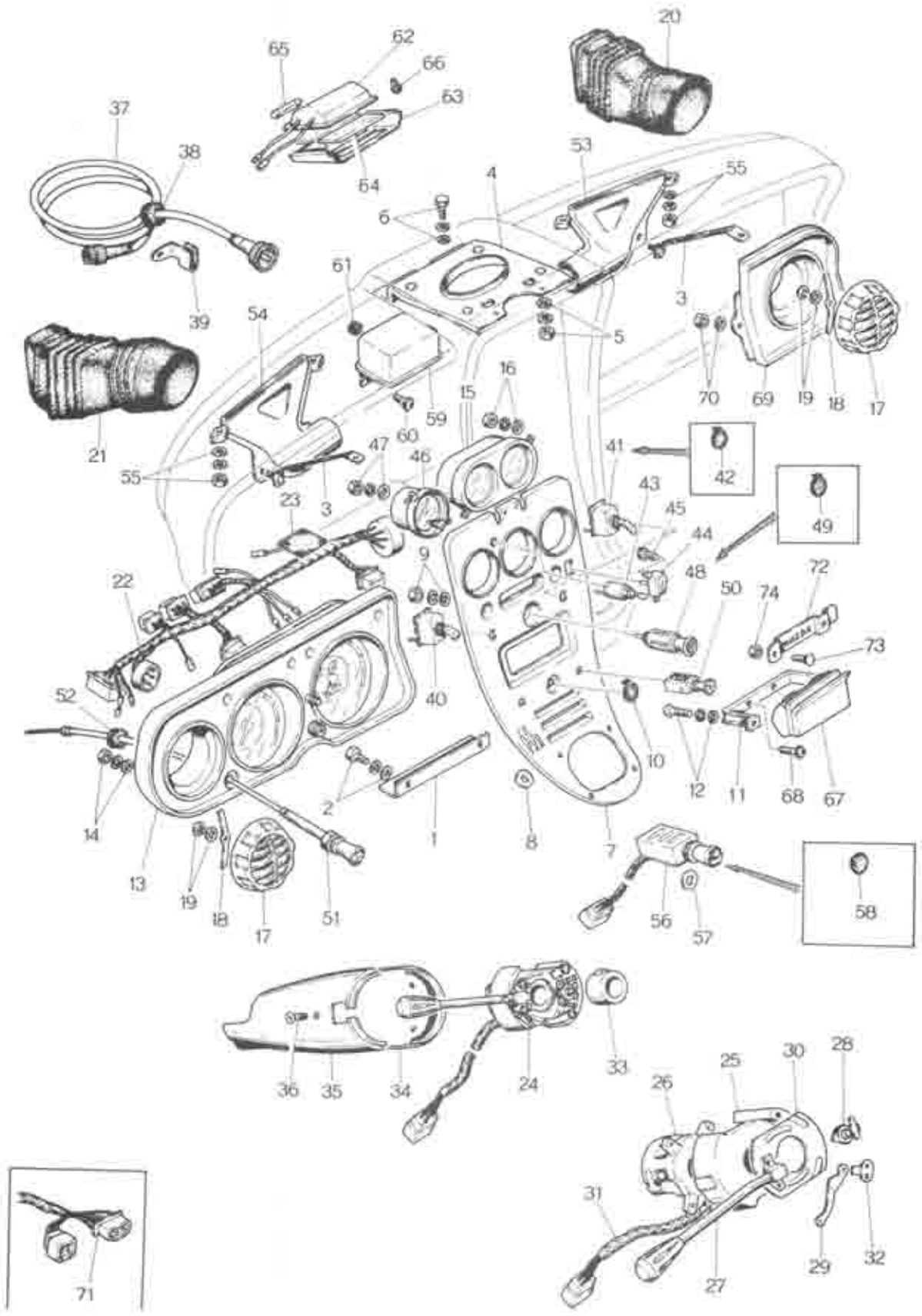


THE UNIVERSITY OF CHICAGO
LIBRARY

1950

DASHBOARD (METER & SWITCH, L.H.D.)

("T" TYPE DASHBOARD MODEL)



DASHBOARD (METER & SWITCH, L.H.D.)

("T" TYPE DASHBOARD MODEL)



No.	Part Number	Description	Qty	Remarks
1	0820 55 021A	Adjust Channel	1	
2	99806 0514	Bolt, Adjust Channel	4	
	99952 0516	Plain Washer	4	
	99971 0500	Spring Washer	4	
3	0820 55 030A	Bracket, Defroster Nozzle	2	
4	0820 55 120C	Loud Speaker Bracket	1	
5	99906 0500	Nut, Loud Speaker Bracket	2	
	99952 0500	Plain Washer	2	
	99971 0500	Spring Washer	2	
6	99805 0514	Bolt, Loud Speaker Bracket	2	
	99952 0516	Plain Washer	2	
	99971 0500	Spring Washer	2	
7	0820 55 230B	Console Plate	1	
8	0820 55 221	Washer	1	
9	99906 0500	Nut, Console Plate	6	
	99952 0516	Plain Washer	6	
	99971 0500	Spring Washer	6	
10	0820 55 225	Hole Cover	1	
11	0820 55 240	Bracket, Ash Tray	1	
12	99833 0508	Screw, Bracket	2	
	99952 0500	Plain Washer	2	
	99971 0500	Spring Washer	2	
13	2112 55 260	Meter & Panel Ass'y (Km)	1	
	2113 55 260	Meter & Panel Ass'y (Mile)	1	
14	99906 0500	Nut, Meter & Panel	4	
	99952 0516	Plain Washer	4	



DASHBOARD (METER & SWITCH, L.H.D.)

("T" TYPE DASHBOARD MODEL)

No.	Part Number	Description	Qty	Remarks
	99971 0500	Spring Washer	4	
15	0820 55 350	Combination Meter	1	
	2113 55 350	Combination Meter, Arctic Spec. Model	1	
16	99906 0500	Nut, Combination Meter	2	
	99952 0500	Plain Washer	2	
	99971 0500	Spring Washer	2	
17	0820 55 361	Louver	2	
18	0820 55 362	Plate Spring	2	
19	99575 0400	Snap Ring	2	
	99952 0600B	Plain Washer	2	
20	0820 55 025B	Duct (R), Ventilator	1	
21	0820 55 026B	Duct (L), Ventilator	1	
22	2113 55 530E	Wire Harness	1	
•	2359 55 530	Wire Harness	1	Car No. 100261 ⁷ / ₆ ~ X
23	0208 66 949	Protector Pad	2	
24	2113 55 580B	COMBINATION SWITCH Ass'y	1	
•	2113 55 580C	COMBINATION SWITCH Ass'y	1	Car No. 64215 ⁷⁰ / ₇ ~ Δ
	1617 55 580	COMBINATION SWITCH Ass'y	1	Car No. 103335 ⁷¹ / ₉ ~ X
25	0208 55 581B	Body Upper	1	
26	0271 55 582	Body Lower	1	
27	2113 55 583	Switch Lever	1	
28	0275 75 563	Ratchet	1	
29	2981 75 565	Horn Contact	1	
30	2981 75 568	Support Plate	1	
31	2113 55 610	Switch Cord	1	
32	2113 55 584A	Bracket	1	

DASHBOARD (METER & SWITCH, L.H.D.)

("T" TYPE DASHBOARD MODEL)

55

68

No.	Part Number	Description	Qty	Remarks
33	0223 55 590	Cancel Cam	1	
34	2113 55 641A	Column Cover (R)	1	
35	2113 55 651A	Column Cover (L)	1	
36	99832 0412B	Screw, Column Cover	3	
37	2113 55 550	Speedometer Cable, Arctic Spec. & U.S.A.	1	
	2124 55 550	Speedometer Cable	1	
38	0111 66 692	Grommet	1	
39	2113 55 556	Clip	1	
40	0820 55 710B	Light Switch Side Lamp goes out when Head Lamp is lighted.	1	
	2119 55 710A	Light Switch Side Lamp stays on when Head Lamp is lighted.	1	
41	0820 79 620	Fog Lamp Switch, Optional	1	
42	0820 55 951	Cover, Fog Lamp Switch Hole	1	
43	0820 55 740	Map Lamp Switch	1	
44	0820 55 750A	Antenna Switch	1	
45	908336 4 12	Set Screw, Antenna Switch	2	
46	0820 55 790A	Auto Clock	1	
	2113 55 790	Auto Clock, Arctic Spec. Model	1	
47	99906 0500	Nut, Auto Clock	2	
	99952 0500	Plain Washer	2	
	99971 0500	Spring Washer	2	
48	0820 55 830A	Cigar Lighter	1	
49	0257 55 952	Cover, Cigar Lighter Hole	1	
50	0820 55 840A	Heater Switch	1	
51	0820 59 970	Choke Wire	1	
	2113 55 970	Choke Wire, Arctic Spec. Model	1	
52	0111 41 692	Grommet	1	



DASHBOARD (METER & SWITCH, L.H.D.)

("T" TYPE DASHBOARD MODEL)

No.	Part Number	Description	Qty	Remarks
53	0820 55 981B	Defroster Nozzle (R)	1	
●	0820 55 981C	Defroster Nozzle (R)	1	Car No. 73747 ⁷⁹ / ₁₂ ~ ○
54	0820 55 982B	Defroster Nozzle (L)	1	
●	0820 55 982C	Defroster Nozzle (L)	1	Car No. 73747 ⁷⁹ / ₁₂ ~ ○
55	99906 0500	Nut, Defroster Nozzle	8	
	99952 0516	Plain Washer	8	
	99971 0500	Spring Washer	8	
56	0820 60 560	Hazard Switch	1	
57	99951 0818	Plain Washer, Hazard Switch	1	
58	0187 53 202	Grommet, Hazard Switch Hole	1	
59	0820 60 870A	Wiper Relay	1	
●	908066 5 12	Set Screw, Wiper Relay	2	
61	99686 0800	Protector	1	
	0820 66 330A	MAP LAMP Ass'y	1	
62	0820 66 331A	Body	1	
63	0820 66 332	Cover	1	
64	0820 66 333	Lens	1	
65	0820 66 334	Bulb	2	
68	908332 3 10	Set Screw, Map Lamp	2	
67	0820 68 180	Ash Tray	1	
68	908340 4 16	Set Screw, Ash Tray	2	
69	2113 68 531	Decoration Panel	1	
70	99906 0400	Nut, Decoration Panel	2	
	99971 0400	Spring Washer	2	

DASHBOARD (METER & SWITCH, L.H.D.)

("T" TYPE DASHBOARD MODEL)

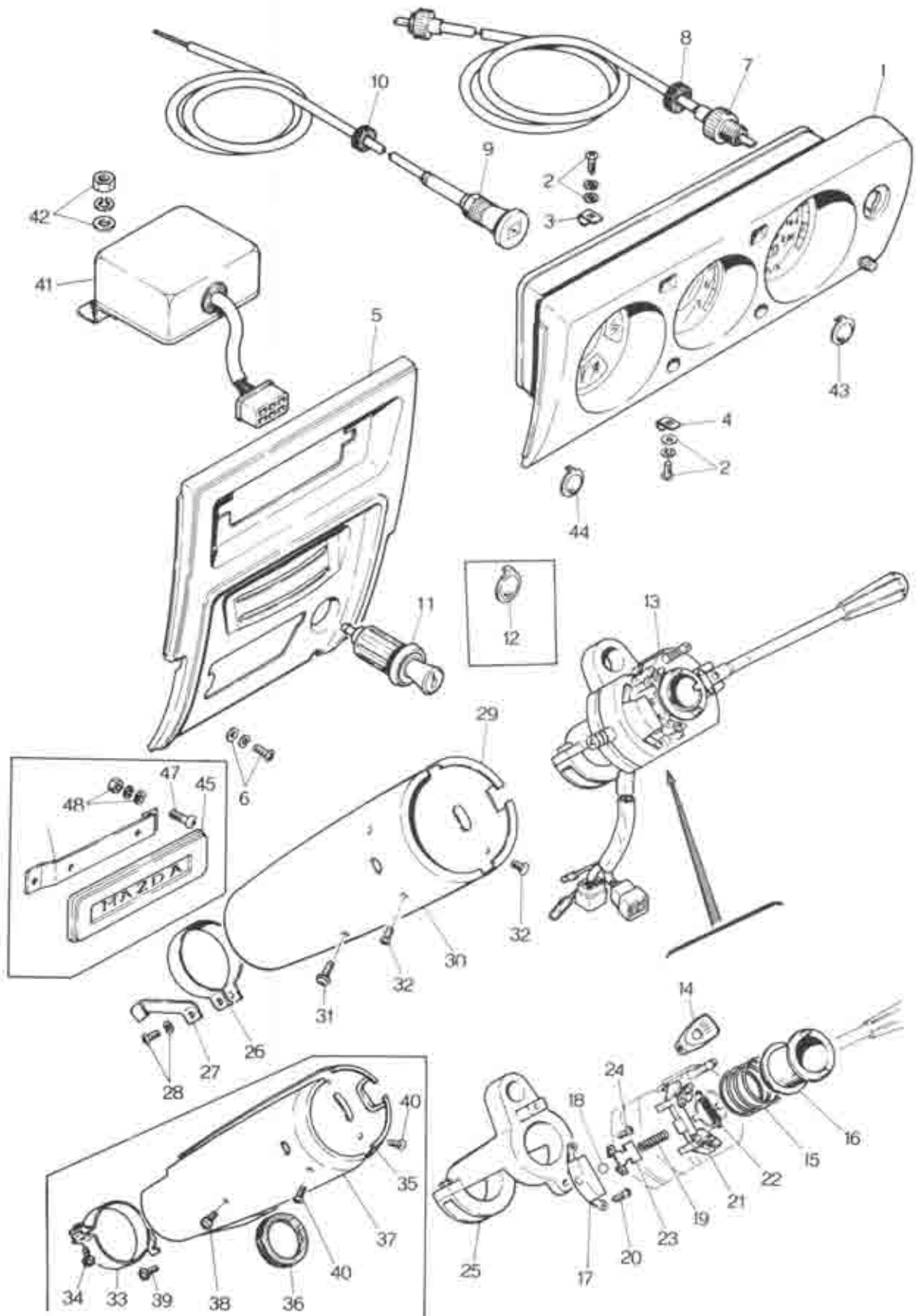


No.	Part Number	Description	Qty	Remarks
71	2192 67 130A	Cord, Steering Lock	1	
72	2113 55 951	Tuner Ornament	1	
73	0222 66 685	Screw, Ornament	2	
74	99913 0600	Nut, Ornament	2	

Main body of handwritten text, consisting of several lines of cursive script.

55 60

DASHBOARD (METER & SWITCH, R.H.D.) (PLAIN TYPE DASHBOARD MODEL)



DASHBOARD (METER & SWITCH, R.H.D.)

(PLAIN TYPE DASHBOARD MODEL)



No.	Part Number	Description	Q'ty	Remarks
1	2334 55 430A	Meter Set (Km)	1	
	2334 60 430	Meter Set (Mile)	1	
2	99864 6514	Screw, Meter	3	Car No. 62138 ⁷⁰ / ₆ ~ Quantity
	99864 0520B	Screw, Meter	2	Car No. 62138 ⁷⁰ / ₆ ~ Added Anew
	99952 0500B	Plain Washer	5	
3	99896 0500	Spring Nut	2	
4	0820 56 905	Spring Nut	3	
5	0317 55 510	Center Panel	1	
6	99839 0516B	Screw, Center Panel	2	
	908396 5 14B	Screw Set	2	Car No. 64624 ⁷⁰ / ₆ ~ ○
	99952 0500B	Plain Washer	2	
	99971 0500	Spring Washer	2	Car No. 64624 ⁷⁰ / ₆ ~ Discarded
7	0822 55 550	SPEEDOMETER CABLE	1	
8	0223 55 554	Grommet	1	
9	0845 60 050	Choke Wire	1	
10	0111 41 692	Grommet	1	
11	0317 60 720	CIGARETTE LIGHTER	1	
	0317 60 725	Protector	1	
12	0257 55 952	Hole Cover, Cigarette Lighter	1	



DASHBOARD (METER & SWITCH, R.H.D.)

(PLAIN TYPE DASHBOARD MODEL)

No.	Part Number	Description	Qty	Remarks
13	0324 60 250	COMBINATION SWITCH	1	
14	0317 60 251	Knob, Light Switch	1	
15	0317 60 252	Spring	1	
16	0317 60 253	Cancel Cam	1	
17	0317 60 254	Bracket, Retainer	1	
18	0317 60 255	Ball	1	
19	0317 60 256	Arm Set Spring	1	
20	0317 60 257	Tapping Screw	2	
21	0317 60 258	Arm	1	
22	0317 60 259	Ratchet Spring	1	
23	0317 60 261	Set Plate	1	
24	0317 60 262	Tapping Screw	2	
25	0324 60 265	Band	1	
• 26	0317 60 321	Support, Column Cover	1	Car No. 76792 ⁷⁰ / ₁₂ ~ Discarded
• 27	0317 60 322	Clip	1	Car No. 76792 ⁷⁰ / ₁₂ ~ Discarded
• 28	908332 4 12	Set Screw, Support	1	Car No. 76792 ⁷⁰ / ₁₂ ~ Discarded
• 29	0324 60 335 00	Column Cover (R)	1	© Black
• 30	0324 60 345 00	Column Cover (L)	1	© Black
31	908332 4 12B	Set Screw, Column Cover	1	
32	99832 0408B	Screw, Column Cover	1	
33	0305 60 320A	Support, Column Cover	1	
34	908332 4 12	Set Screw	1	
• 35	2399 60 335 00	Column Cover (R)	1	Steering Lock use © Black
36	2370 60 336	Grommet	1	

DASHBOARD (METER & SWITCH, R.H.D.)

(PLAIN TYPE DASHBOARD MODEL)



No.	Part Number	Description	Qty.	Remarks
• 37	2399 60 345 00	Column Cover (L)	1	© Black
38	908332 4 12B	Set Screw, Column Cover	3	
39	908336 4 08B	Set Screw, Column Cover	1	
40	99832 0408B	Screw, Column Cover	4	
41	0820 60 870A	Wiper Switch Relay	1	
42	99906 0600	Nut, Wiper Switch Relay	2	
	99952 0600	Plain Washer	2	
	99971 0600	Spring Washer	2	
43	0259 55 951	Hole Cover, Fog Lamp Switch	1	
44	0820 55 551	Hole Cover	1	
45	0316 66 865	Ornament	1	
46	0316 66 890	Bracket	1	
47	908390 5 14B	Set Screw	2	
48	99906 0500	Nut	1	
	99952 0500	Plain Washer	1	
	99971 0500	Spring Washer	1	

ВВЕДЕНИЕ

1. ОБЩИЕ СВЕДЕНИЯ

2. ОСНОВНЫЕ ПОЛОЖЕНИЯ

3. МЕТОДИЧЕСКИЕ УКАЗАНИЯ

4. ПРИЛОЖЕНИЯ

5. СПИСОК ЛИТЕРАТУРЫ

6. ДОПОЛНИТЕЛЬНЫЕ МАТЕРИАЛЫ

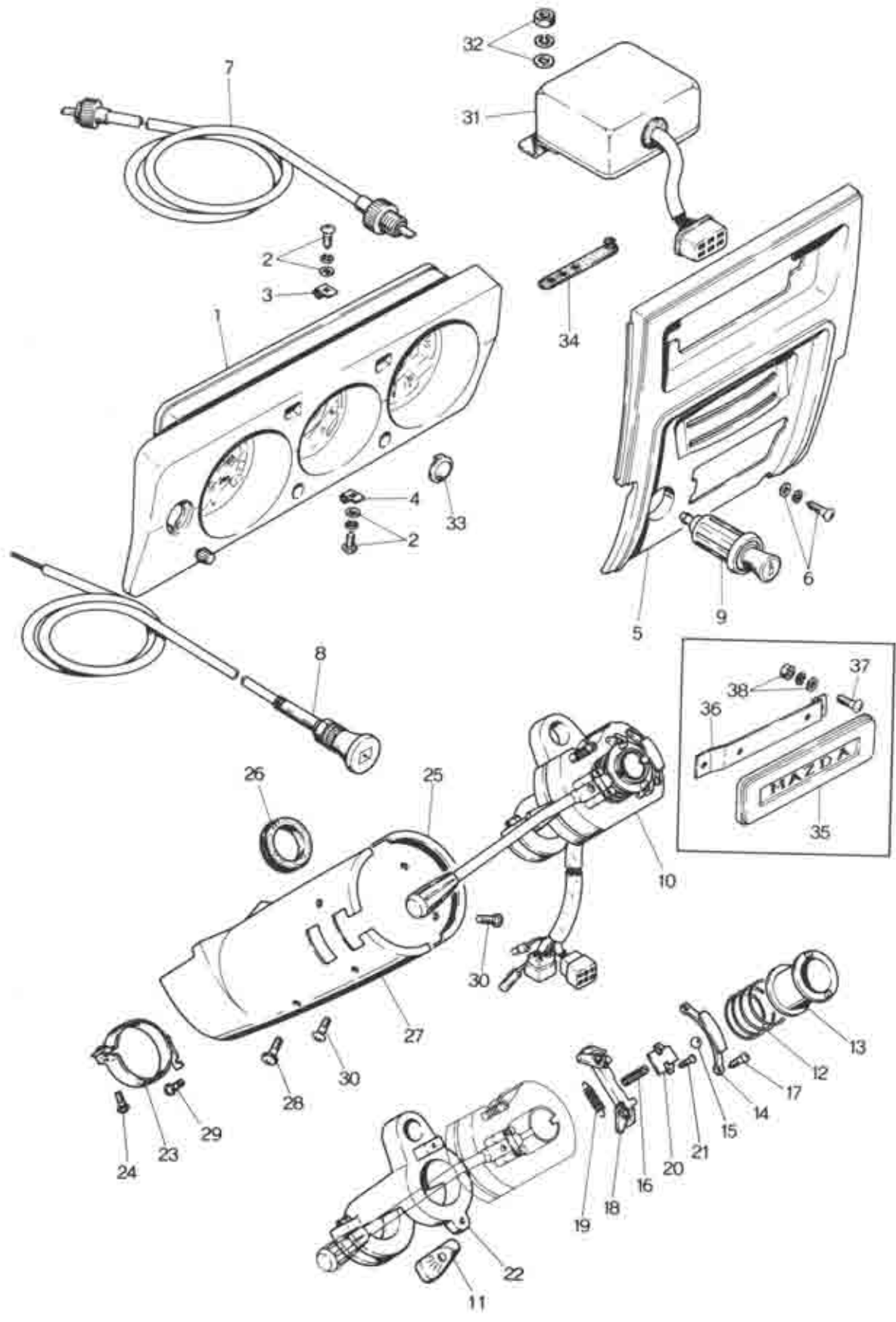
7. ЗАКЛЮЧЕНИЕ

8. ПРИМЕЧАНИЯ

9. СЛОВАРЬ

10. ИНДЕКС

DASHBOARD (METER & SWITCH, L.H.D.) (PLAIN TYPE DASHBOARD MODEL)



DASHBOARD (METER & SWITCH, L.H.D.) (PLAIN TYPE DASHBOARD MODEL)



No.	Part Number	Description	Q'ty	Remarks
1	2335 55 430A	Meter Set (Km)	1	
	2336 60 430	Meter Set (Mile)	1	
	2339 60 430A	Meter Set (Mile)	1	Car No. 65573 ^{70/8} ~ ○
	2280 60 430B	Meter Set (Mile), Emission Controlled Model	1	
2	99864 0516B	Screw, Meter	5	
	99952 0500B	Plain Washer	5	
3	99896 0500	Spring Nut	2	
4	0820 56 905	Spring Nut	3	
5	2370 55 510	Center Panel	1	
6	99839 0516B	Screw, Center Panel	2	
	908396 5 14B	Screw Set	2	Car No. 64624 ^{70/8} ~ ○
	99952 0500B	Plain Washer	2	
	99971 0500	Spring Washer	2	Car No. 64624 ^{70/8} ~ Discarded
7	2045 55 550	Speedometer Cable	1	
8	2113 55 970	Choke Wire	1	
	2124 55 970	Choke Wire	1	
•	2113 55 970	Choke Wire	1	Car No. 73747 ^{70/12} ~ ○
•	0111 41 692	Grommet	1	
9	0317 60 720	CIGARETTE LIGHTER	1	
	0317 60 725	Protector	1	
10	2350 60 250	COMBINATION SWITCH	1	
	2370 60 250	COMBINATION SWITCH With Passing Switch	1	
11	0317 60 251	Knob, Light Switch	1	
12	0317 60 252	Spring	1	



DASHBOARD (METER & SWITCH, L.H.D.)

(PLAIN TYPE DASHBOARD MODEL)

No.	Part Number	Description	Qty	Remarks
13	0317 60 253	Cancel Cam	1	
14	0317 60 254	Bracket Retainer	1	
15	0317 60 255	Ball	1	
16	0317 60 256	Arm Set Spring	1	
17	0317 60 257	Tapping Screw	2	
18	0317 60 258	Arm	1	
19	0317 60 259	Ratchet Spring	1	
20	0317 60 261	Set Plate	1	
21	0317 60 262	Tapping Screw	2	
22	0324 60 265	Band	1	
23	0305 60 320A	Support	1	
24	908332 4 12	Set Screw	1	
25	2370 60 335A-00	Column Cover (R)	1	© Black
	2410 60 335 - 00	Column Cover (R)	1	Car NO. 64624 70/8 ~ 0 © Black
26	2370 60 336	Grommet	1	
27	2370 60 345A-00	Column Cover (L)	1	© Black
	2410 60 345 - 00	Column Cover (L)	1	Car NO. 64624 70/8 ~ 0 © Black
28	908332 4 12B	Set Screw, Column Cover	3	
29	908336 4 08	Set Screw, Column Cover	1	
30	99832 0408B	Screw, Column Cover	4	
31	0820 60 870A	Wiper Switch Relay	1	
32	99906 0600	Nut, Wiper Switch Relay	2	
	99952 0600	Plain Washer	2	
	99971 0600	Spring Washer	2	
33	0259 55 951	Hole Cover, Fog Lamp Switch	1	
34	0187 66 991	Protector	1	

DASHBOARD (METER & SWITCH, L.H.D.)

(PLAIN TYPE DASHBOARD MODEL)

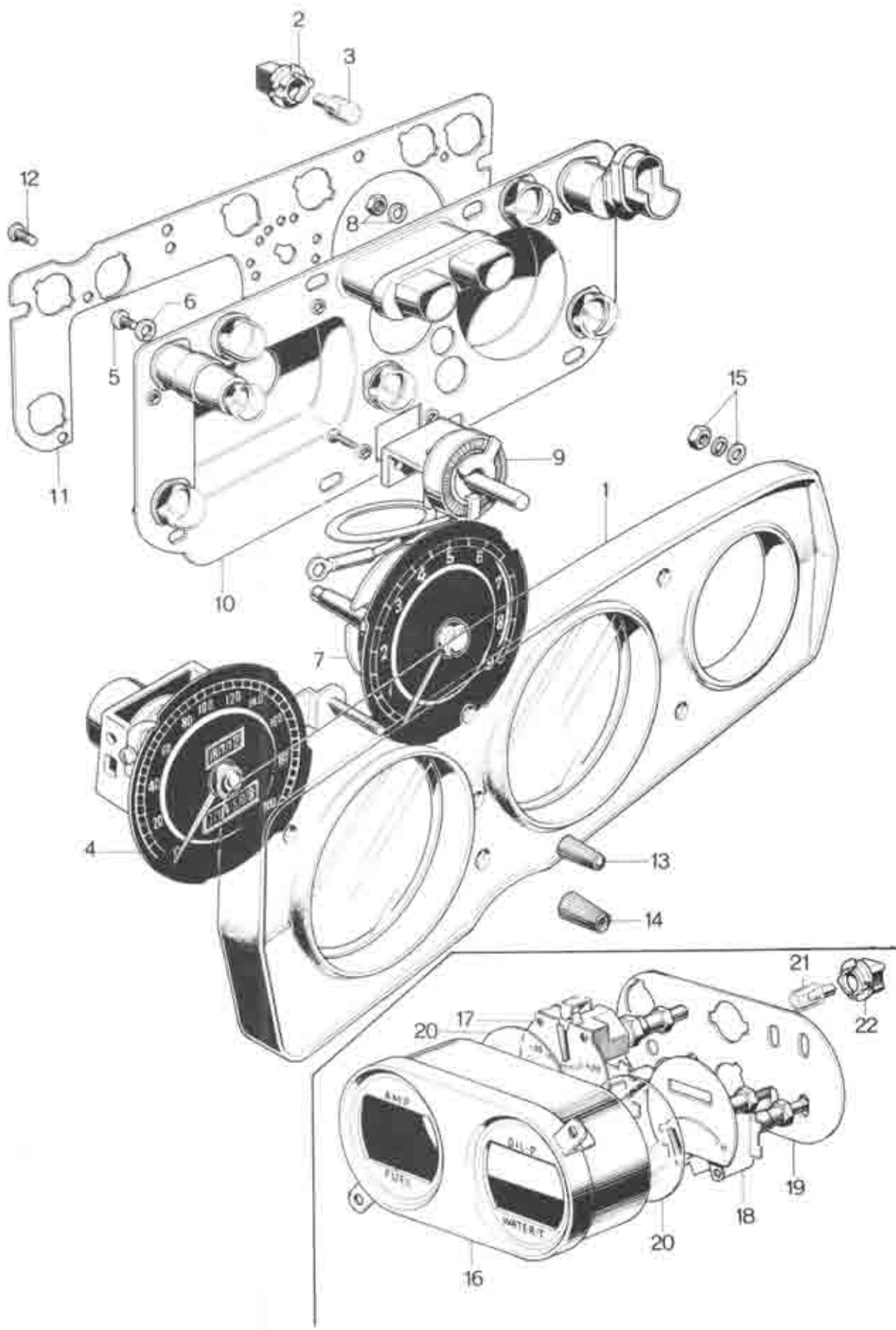
55

60

No.	Part Number	Description	Qty	Remarks
35	0316 66 865	Ornament	1	
36	0316 66 890	Bracket	1	
37	908390 5 14B	Set Screw	2	
38	99906 0500	Nut	1	
	99952 0500	Plain Washer	1	
	99971 0500	Spring Washer	1	



METER (R.H.D.) ("T" TYPE DASHBOARD MODEL)



METER (R.H.D.)

("T" TYPE DASHBOARD MODEL)



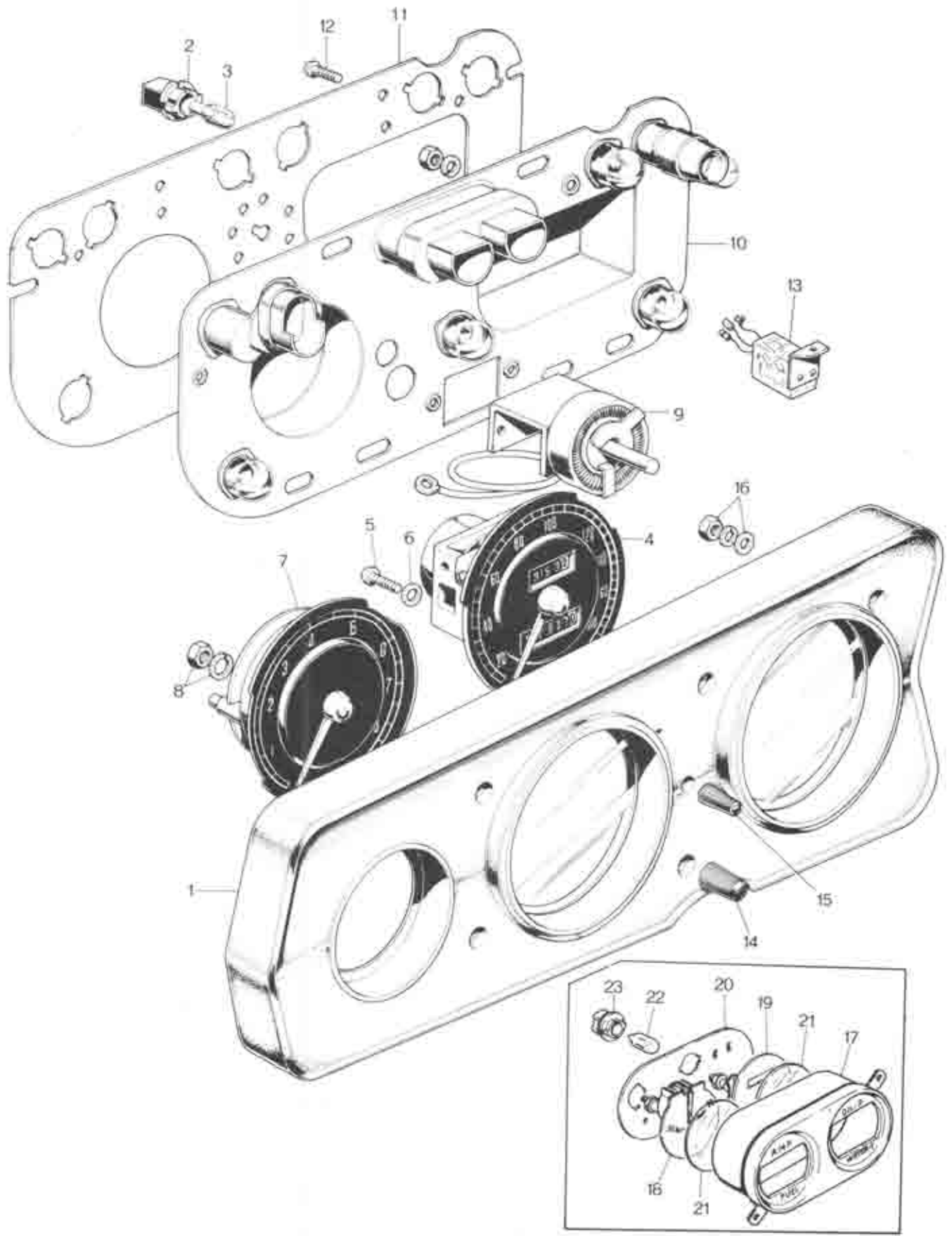
No.	Part Number	Description	Qty	Remarks
	2123 55 260	METER & PANEL (KM)	1	
	2123 60 260	METER & PANEL (MILE)	1	
1	0820 55 280	Case Ass'y	1	
2	0259 55 261	Socket	9	
3	99701 6030	Bulb	9	
4	2123 55 310	Speedometer (Km)	1	
	2123 60 310	Speedometer (Mile)	1	
5	0820 55 311	Screw, Speedometer	2	
6	99971 0400	Spring Washer	2	
7	0820 55 320	Tachometer	1	
8	99907 0500	Nut	2	
	99971 0500	Spring	2	
9	0820 55 770	Panel Light Resistor	1	
10	0820 55 330	Bottom Plate	1	
11	0820 55 344	Print Circuit	1	
12	0820 55 331	Tapping Screw, Print Circuit	13	
13	0820 55 275	Knob, Trip Meter	1	
14	0233 55 522	Knob, Panel Resister	1	
15	99906 0500	Nut, Meter Panel	4	
	99952 0516	Plain Washer	4	
	99971 0500	Spring Washer	4	

55**METER (R.H.D.)**
("T" TYPE DASHBOARD MODEL)

No.	Part Number	Description	Qty	Remarks
	0820 55 350	COMBINATION METER	1	
16	0820 55 370	Case	1	
17	0820 55 351	Fuel Meter & Ammeter	1	
18	0820 55 356	Water Thermometer	1	
19	0820 55 371	Print Circuit	1	
20	0820 55 372	Front Glass	2	
21	99701 6030	Bulb	3	
22	0259 55 261	Socket	3	



METER (L.H.D.)
 ("T" TYPE DASHBOARD MODEL)



METER (L.H.D.)

("T" TYPE DASHBOARD MODEL)



No.	Part Number	Description	Qty	Remarks
	2112 55 260	METER & METER PANEL (KM)	1	
	2113 55 260	METER & METER PANEL (MILE)	1	
1	0820 55 280	Case Ass'y	1	
2	0259 55 261	Socket	9	
3	99701 6030	Bulb	9	
4	2112 55 310	Speedometer (Km)	1	
	2113 55 310	Speedometer (Mile)	1	
5	0820 55 311	Screw, Speedometer	2	
6	99971 0400	Spring Washer	2	
7	0820 55 320	Tachometer	1	
8	99907 0500	Nut	2	
	99971 0500	Spring Washer	2	
9	0820 55 770	Panel Light Resistor	1	
10	2113 55 330	Bottom Plate	1	
11	2113 55 344	Print Circuit	1	
12	0820 55 331	Tapping Screw, Print Circuit	13	
14	0820 55 275	Knob, Trip Meter	1	
15	0233 55 522	Knob, Panel Light Resistor	1	
16	99906 0500	Nut, Meter Panel	4	
	99952 0516	Plain Washer	4	
	99971 0500	Spring Washer	4	



METER (L.H.D.)

("T" TYPE DASHBOARD MODEL)

No.	Part Number	Description	Qty	Remarks
	0820 55 350	COMBINATION METER	1	
	2113 55 350	COMBINATION METER, Arctic Spec. Model	1	
17	0820 55 370	Case	1	
18	0820 55 351	Fuel Meter & Ammeter	1	
19	0820 55 356	Water Thermometer	1	
20	0820 55 371	Print Circuit	1	
21	0820 55 372	Front Glass	2	
22	99701 6030	Bulb	3	
23	0259 55 261	Socket	3	

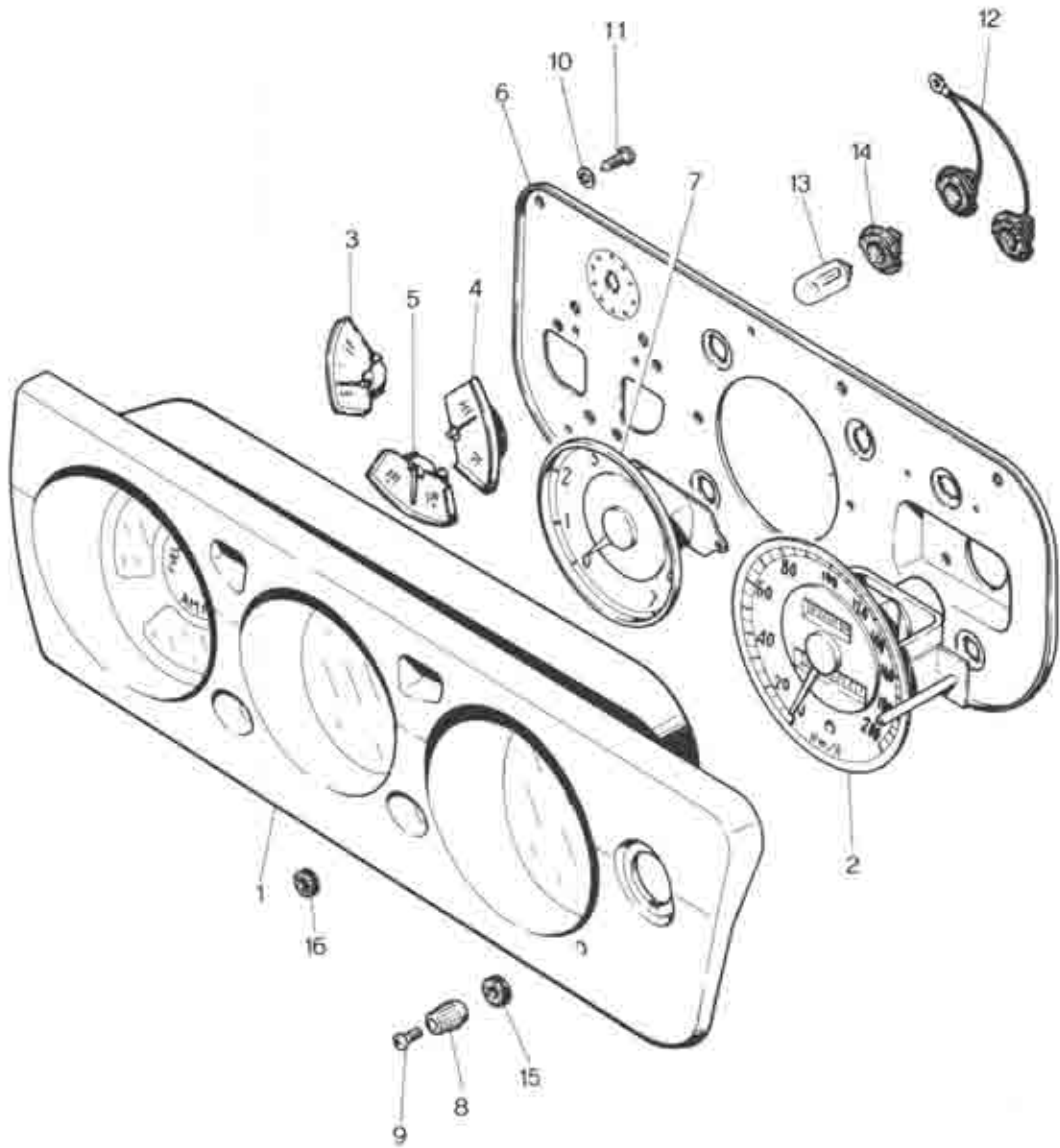


55

75

METER (R.H.D.)

(PLAIN TYPE DASHBOARD MODEL)



METER (R.H.D.)

(PLAIN TYPE DASHBOARD MODEL)

55

75

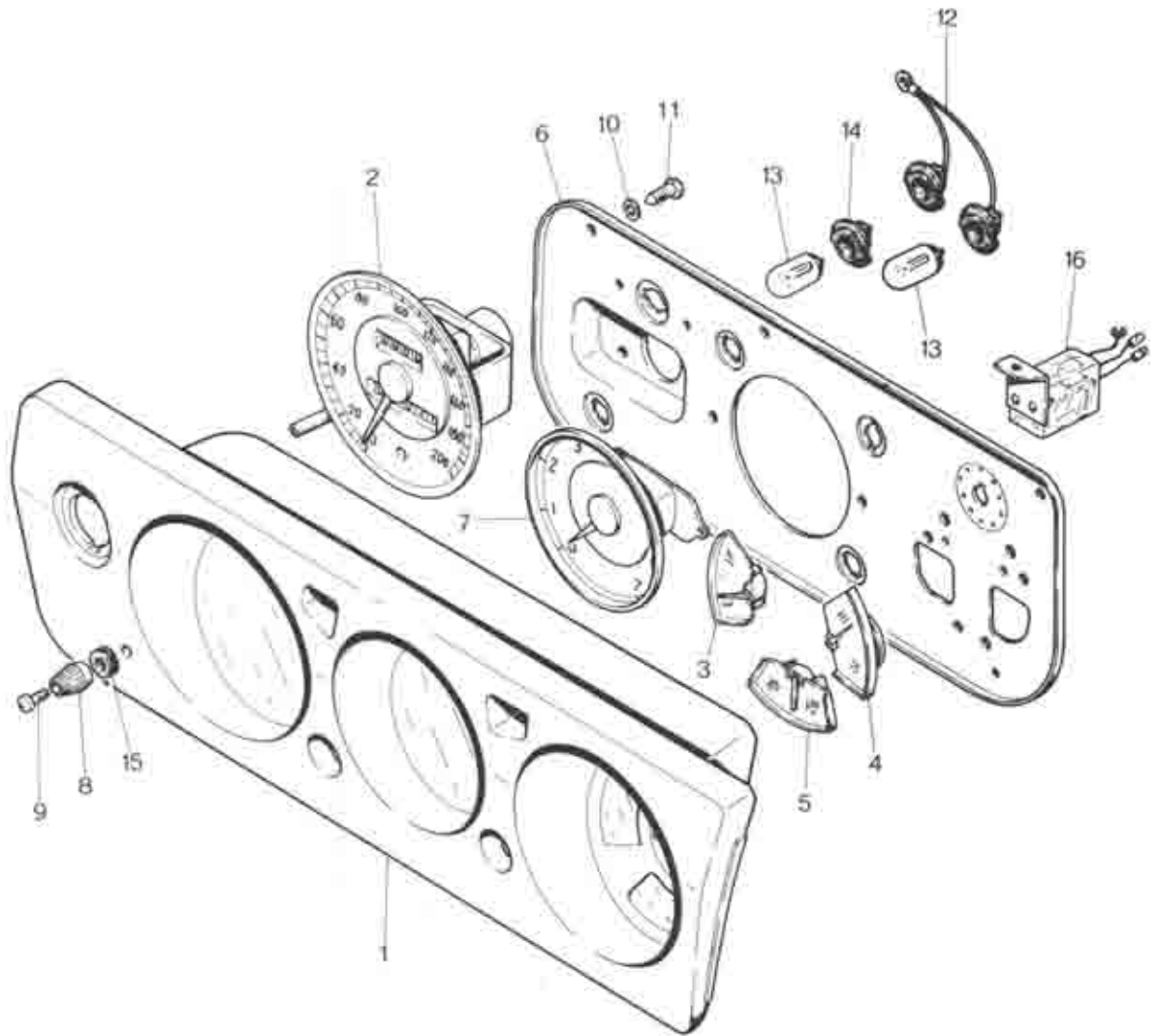
No.	Part Number	Description	Qty	Remarks
	2334 55 430A	METER SET (KM)	1	
	2334 60 430	METER SET (MILE)	1	
1	0845 75 010	Meter Case	1	
2	2334 75 021	Speedometer (Km)	1	
	2334 75 121	Speedometer (Mile)	1	
3	0317 75 022	Fuel Meter	1	
4	0317 75 023	Thermometer	1	
5	0317 75 024	Ammeter	1	
6	0326 75 025	Bottom Plate	1	
7	0845 75 026	Tachometer	1	
8	0824 75 149	Knob, Trip Meter	1	
9	0824 75 150	Screw, Knob	1	
10	0710 75 435	Spring Washer	7	
11	0710 75 436	Tapping Screw	5	
12	0326 75 060	Harness	1	
13	99701 6030	Wedge Base Bulb 3W	11	
14	0259 55 261	Wedge Base Socket	9	
15	0326 75 011	Grommet	1	
16	0326 75 012	Grommet	1	



55

75

METER (L.H.D.) (PLAIN TYPE DASHBOARD MODEL)



METER (L.H.D.)

(PLAIN TYPE DASHBOARD MODEL)

55

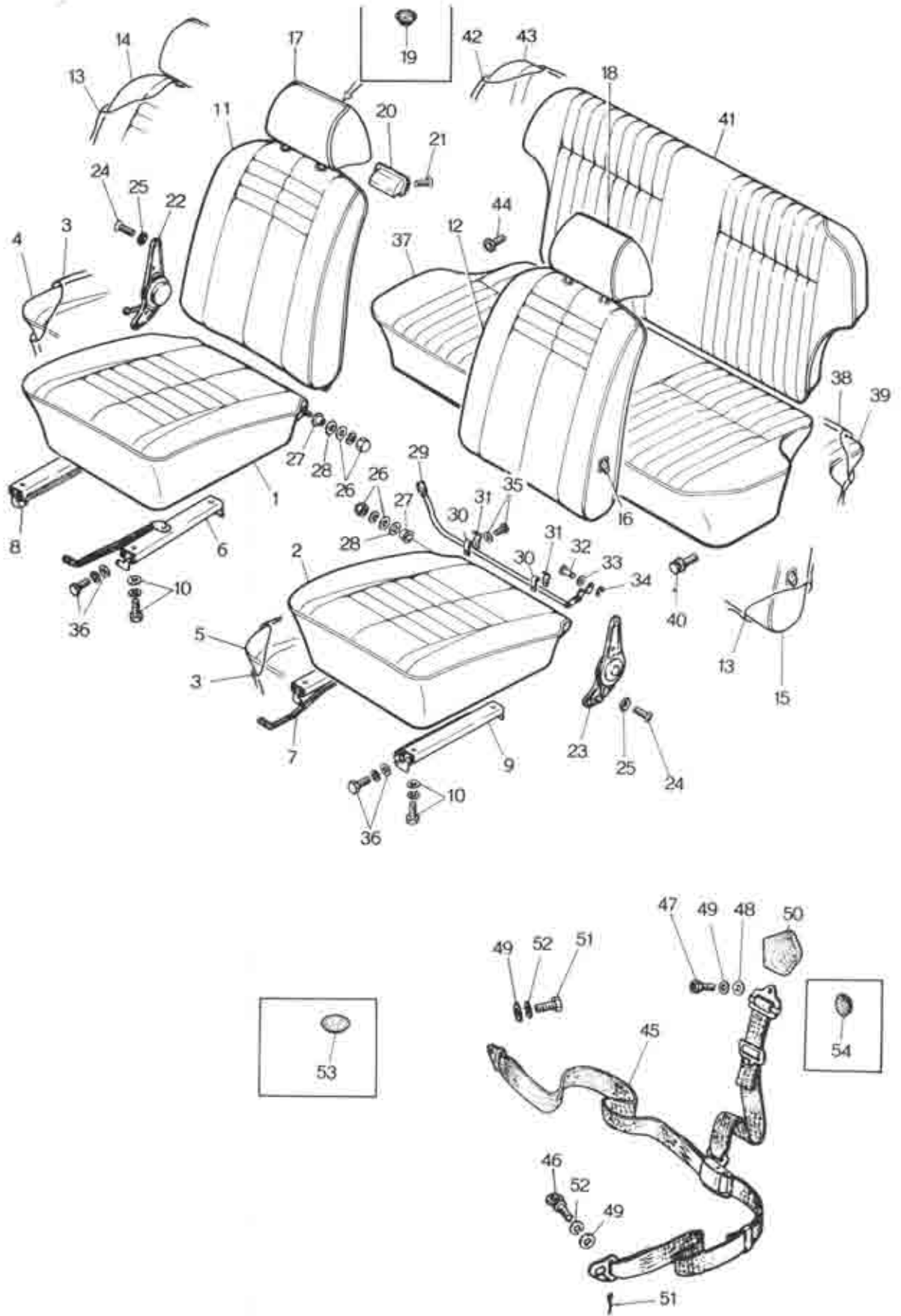
75

No.	Part Number	Description	Qty	Remarks
	2335 55 430A	METER SET (KM)	1	
	2336 60 430	METER SET (MILE)	1	
	2280 60 430B	METER SET (MILE), Emission Controlled Model	1	
1	2335 75 010	Meter Case	1	
2	2335 75 021	Speedometer (Km)	1	
	2334 75 121	Speedometer (Mile)	1	
	2339 75 021	Speedometer (Mile), Emission Controlled Model	1	
3	0317 75 022	Fuel Meter	1	
4	0317 75 023	Thermometer	1	
5	0317 75 024	Ammeter	1	
6	2410 75 025	Bottom Plate	1	
7	0845 75 026	Tachometer	1	
8	0824 75 149	Knob, Trip Meter	1	
9	0824 75 150	Screw, Knob	1	
10	0710 75 435	Spring Washer	5	
11	0710 75 436	Tapping Screw	5	
12	0326 75 060	Harness	1	
13	99701 6030	Wedge Base Bulb	11	
14	0259 55 261	Wedge Base Socket	9	
15	0326 75 011	Grommet	1	
16	2350 75 025	Relay, Emission Controlled Model	1	





SEAT (R.H.D.)
(ALL COUPE MODELS)



No.	Part Number	Description	Q'ty	Remarks
•	0329 57 1000 27	FRONT SEAT (R) Black	1	©
•	0329 57 1000 28	FRONT SEAT (R) Brown		
•	0329 57 1500 27	FRONT SEAT (L) Black	1	©
•	0329 57 1500 28	FRONT SEAT (L) Brown		
•	2409 57 1000 27	FRONT SEAT (R) Black	1	©
•	2409 57 1000 28	FRONT SEAT (R) Brown		
•	2409 57 1500 27	FRONT SEAT (L) Black	1	©
•	2409 57 1500 28	FRONT SEAT (L) Brown		
•	2123 57 5000 23	FRONT SEAT (R) Black	1	©
•	2123 57 5000 30	FRONT SEAT (R) Brown		
•	2123 57 5500 23	FRONT SEAT (L) Black	1	©
•	2123 57 5500 30	FRONT SEAT (L) Brown		
•	0820 57 700A 23	FRONT SEAT (R) Black	1	©
•	0820 57 700A 30	FRONT SEAT (R) Brown		
•	0820 57 750B 23	FRONT SEAT (L) Black	1	©
•	0820 57 750B 30	FRONT SEAT (L) Brown		
1	0329 57 1100 27	FRONT SEAT CUSHION (R) Black	1	©
•	0329 57 1100 28	FRONT SEAT CUSHION (R) Brown		
•	0820 57 310A 23	FRONT SEAT CUSHION (R) "T" Type Dashboard Model Black	1	©
•	0820 57 310A 30	FRONT SEAT CUSHION (R) "T" Type Dashboard Model Brown		
2	0329 57 1600 27	FRONT SEAT CUSHION (L) Black	1	©
•	0329 57 1600 28	FRONT SEAT CUSHION (L) Brown		
•	0820 57 360A 23	FRONT SEAT CUSHION (L) "T" Type Dashboard Model Black	1	©
•	0820 57 360A 30	FRONT SEAT CUSHION (L) "T" Type Dashboard Model Brown		
3	0820 57 114	Top Cover	2	
4	0329 57 1150 27	Trim (R) Black	1	©
•	0329 57 1150 28	Trim (R) Brown		
•	0820 57 315A 23	Trim (R), "T" Type Dashboard Model Black	1	©
•	0820 57 315A 30	Trim (R), "T" Type Dashboard Model Brown		
5	0329 57 1650 27	Trim (L) Black	1	©
•	0329 57 1650 28	Trim (L) Brown		
•	0820 57 365A 23	Trim (L), "T" Type Dashboard Model Black	1	©
•	0820 57 365A 30	Trim (L), "T" Type Dashboard Model Brown		
6	0820 57 125	Adjuster No. 1 (R)	1	
7	0820 57 175	Adjuster No. 1 (L)	1	
8	0820 57 126	Adjuster No. 2 (R)	1	
9	0820 57 176	Adjuster No. 2 (L)	1	
10	99801 0820	Bolt, Adjuster	8	
	0223 57 691	Spring Washer	8	



SEAT (R.H.D.)

(ALL COUPE MODELS)

No.	Part Number	Description	Qty	Remarks
	0223 57 692	Plain Washer	8	
• 11	0329 57 1300 27	FRONT SEAT BACK (R) Black	1	©
•	0329 57 1300 28	Brown		
•	0820 57 730A 23	FRONT SEAT BACK (R) "T" Type Dashboard Model Black	1	©
•	0820 57 730A 20	Brown		
• 12	0329 57 1800 27	FRONT SEAT BACK (L) Black	1	©
•	0329 57 1800 28	Brown		
•	0820 57 780A 23	FRONT SEAT BACK (L) "T" Type Dashboard Model Black	1	©
•	0820 57 780A 30	Brown		
13	0820 57 534	Top Cover	2	
• 14	0329 57 1350 27	Trim (R) Black	1	©
•	0329 57 1350 28	Brown		
•	0820 57 735B 23	Trim (R), "T" Type Dashboard Model Black	1	©
•	0820 57 735B 30	Brown		
• 15	0329 57 1850 27	Trim (L) Black	1	©
•	0329 57 1850 28	Brown		
•	0820 57 785B 23	Trim (L), "T" Type Dashboard Model Black	1	©
•	0820 57 785B 30	Brown		
16	0305 88 009	Knob, Head Restraint	2	
• 17	0275 57 730A 27	Head Restraint (R) Black	1	©
•	0275 57 730A 28	Brown		
•	0275 57 730A 23	Head Restraint (R) "T" Type Dashboard Model Black	1	©
•	0275 57 730A 30	Brown		
• 18	0275 57 7800 27	Head Restraint (L) Black	1	©
•	0275 57 7800 28	Brown		
•	0275 57 7800 23	Head Restraint (L) "T" Type Dashboard Model Black	1	©
•	0275 57 7800 30	Brown		
19	0257 57 109	Cap, Head Restraint	4	
20	0213 69 250	Ash Tray	1	
21	99862 0425	Screw, Ash Tray	2	
22	0263 57 140	Reclining Knuckle (R)	1	
	0820 57 140	Reclining Knuckle (L), "T" Type Dashboard Model	1	
23	0263 57 190	Reclining Knuckle (R)	1	
	0820 57 190	Reclining Knuckle (L), "T" Type Dashboard Model	1	
24	0275 57 107	Screw, Reclining Knuckle, "T" Type Dashboard Model	8	
	2155 57 109	Screw, Reclining Knuckle	8	

SEAT (R.H.D.)

(ALL COUPE MODELS)

57

No.	Part Number	Description	Qty	Remarks
25	0820 57 109	Washer, Reclining Knuckle	4	
26	99945 0800	Cap Nut, Hinge	2	
	99952 0800	Plain Washer	2	
	99971 0800	Spring Washer	2	
27	0824 57 105	Bush, Hinge	2	
28	0824 57 106	Washer, Hinge	2	
29	0820 57 570	Knuckle Lever, Left Side	1	
30	0820 57 571	Bracket No. 1	2	
31	0820 57 572	Bracket No. 2	2	
32	0820 57 573	Pin	1	
33	0820 57 574	Washer	2	
34	99576 0400	"E" Type Stop Ring	1	
35	99833 0512	Screw, Bracket	2	
	99971 0500	Spring Washer	2	
36	908046 8 25	Set Bolt, Front Seat	8	
37		REAR SEAT CUSHION	1	©
	0329 57 200A-27	Black		
	0329 57 200A-28	Brown		
		REAR SEAT CUSHION "T" Type Dashboard Model	1	©
	0820 57 400C-23	Black		
	0820 57 400C-30	Brown		
38	0820 57 204	Top Cover	1	
39		Trim	1	©
	0329 57 210A-27	Black		
	0329 57 210A-28	Brown		
		Trim, "T" Type Dashboard Model	1	©
	0820 57 410C-23	Black		
	0820 57 410C-30	Brown		



SEAT (R.H.D.)

(ALL COUPE MODELS)

No.	Part Number	Description	Qty	Remarks
40	908046 8 25	Set Bolt, Rear Seat Cushion	2	
41		REAR SEAT BACK	1	©
	0329 57 2500-27	Black		
	0329 57 2500-28	Brown		
		REAR SEAT BACK "T" Type Dashboard Model	1	©
	0820 57 450D-23	Black		
	0820 57 450D-30	Brown		
		REAR SEAT BACK "T" Type Dashboard Model	1	Car No. 62706 ⁷⁰ / ₇ ~ X ©
	0820 57 450E-23	Black		
	0820 77 450E-30	Brown		
•	0820 57 450F-23	Black	1	Car No. 103315 ⁷¹ / ₇ ~ ○
•	0820 57 450F-30	Brown	1	Car No. 103315 ⁷¹ / ₇ ~ ○
42	0820 57 254	Top Cover	1	
43		Trim	1	©
	0329 57 260A-27	Black		
	0329 57 260A-28	Brown		
		Trim, "T" Type Dashboard Model	1	©
	0820 57 460D-23	Black		
	0820 57 460D-30	Brown		
44	907996 6 20	Set Screw, Rear Seat Back	2	
45	0820 57 900A-00	FRONT SAFETY BELT	2	
	0820 57 900B-00	FRONT SAFETY BELT	2	Car No. 69544 ⁷⁰ / ₁₁ ~ ○ © Blac
•	0305 57 920A	FRONT SAFETY BELT	2	Car No. 100261 ⁷¹ / ₆ ~ ○ © Blac
•	0305 57 920B	FRONT SAFETY BELT	2	Car No. 103335 ⁷¹ / ₉ ~ ○
• 46	99023 3524	Bolt	4	
• 47	2981 57 976	Screw	2	
• 48	2981 57 978	Spacer	2	
• 49	0223 78 147	Washer	6	Car No. 100261 ⁷¹ / ₆ ~ Discarded
• 50	0223 78 149	Cover	2	
• 52	99201 3500	Spring Washer	4	
53	99301 1100	Cap, Rear Safety Belt Hole	6	
54	99302 1100	Cap, Front Safety Belt	2	



1. Introduction

2. Methodology

3. Results

4. Discussion

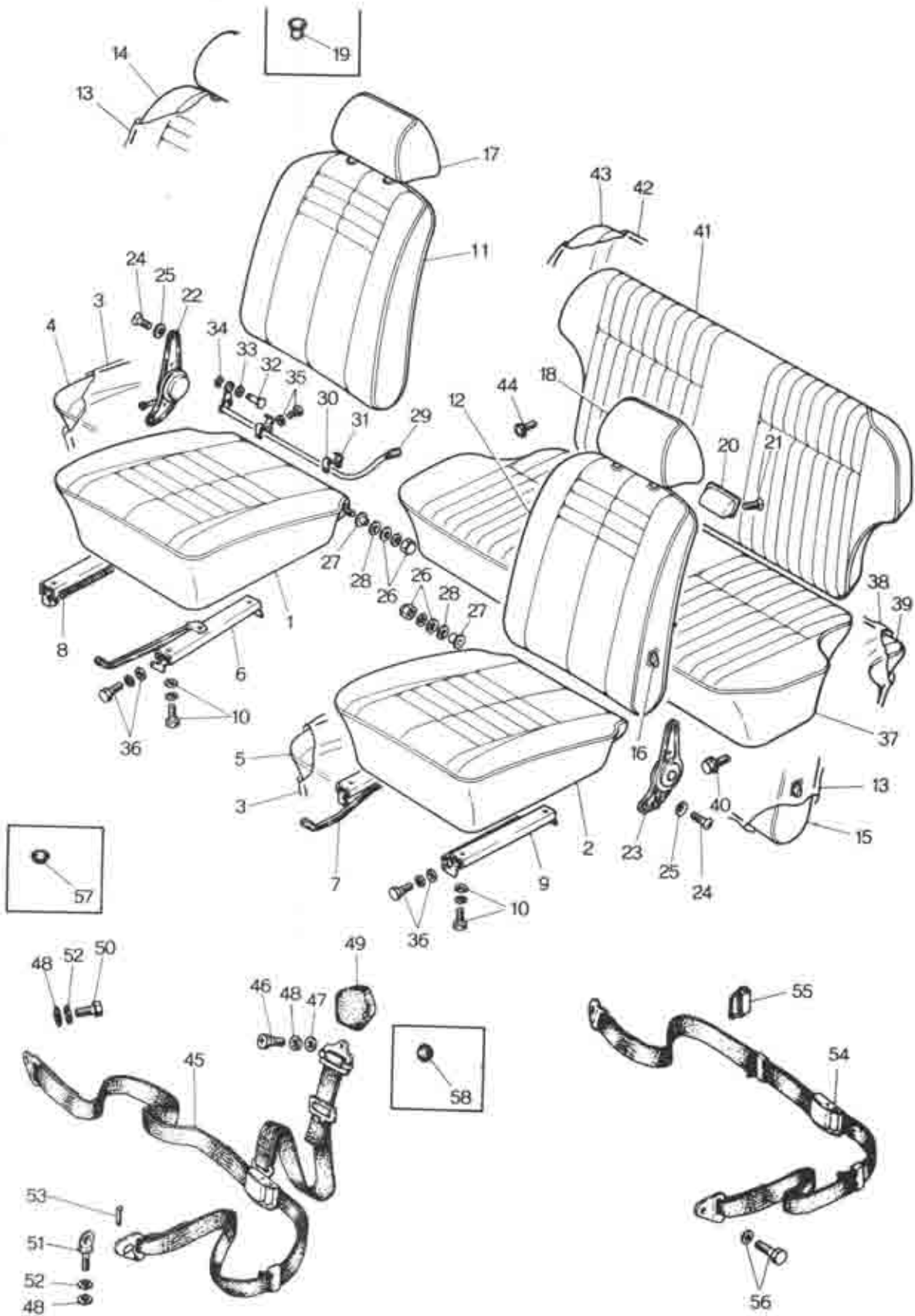
5. Conclusion

6. References

7. Appendix

8. Index

SEAT (L.H.D.)
(ALL COUPE MODELS)



SEAT (L.H.D.)

(ALL COUPE MODELS)

57

No.	Part Number	Description	Qty	Remarks
•	2410 57 1000 27	FRONT SEAT (R) Black	1	©
	2410 57 1000 28	Brown		
•	2410 57 1500 27	FRONT SEAT (L) Black	1	©
	2410 57 1500 28	Brown		
•	2113 57 5000 23	FRONT SEAT (R) Black	1	©
	2113 57 5000 30	Brown		
•	2113 57 5500 23	FRONT SEAT (L) Black	1	©
	2113 58 5500 30	Brown		
•	2124 57 5000 23	FRONT SEAT (R) Black	1	©
	2124 57 5000 30	Brown		
•	2124 57 5500 23	FRONT SEAT (L) Black	1	©
	2124 57 5500 30	Brown		
•	2410 57 5000 27	FRONT SEAT (R) Black	1	©
	2410 57 5000 28	Brown		
•	2410 57 5500 27	FRONT SEAT (L) Black	1	©
	2410 59 5500 28	Brown		
•	2113 57 700A 23	FRONT SEAT (R) Black	1	©
	2113 57 700A 30	Brown		
•	2113 57 750A 23	FRONT SEAT (L) Black	1	©
	2113 57 750A 30	Brown		
•	2124 57 700A 23	FRONT SEAT (R) Black	1	©
	2124 57 750A 30	Brown		
•	2124 57 750A 23	FRONT SEAT (L) Black	1	©
	2124 57 750A 30	Brown		
1	2410 57 1100 27	FRONT SEAT CUSHION (R) Black	1	©
	2410 57 1100 28	Brown		
•	2113 57 310A 23	FRONT SEAT CUSHION (R) Black	1	©
	2113 57 310A 30	Brown		
•	2124 57 310A 23	FRONT SEAT CUSHION (R) Black	1	©
	2124 57 310A 30	Brown		
2	2410 57 1600 27	FRONT SEAT CUSHION (L) Black	1	©
	2410 57 1600 28	Brown		
•	2113 57 360A 23	FRONT SEAT CUSHION (L) Black	1	©
	2113 57 360A 30	Brown		
•	2124 57 360A 23	FRONT SEAT CUSHION (L) Black	1	©
	2124 57 360A 30	Brown		
3	0820 57 114	Top Cover	2	
4	0329 57 1150 27	Trim (R) Black	1	©
	0329 57 1150 28	Brown		
•	0820 57 315A 23	Trim (R) "T" Type Dashboard Model Black	1	©
	0820 57 315A 30	Brown		
•	2113 57 315A 23	Trim (R) "T" Type Dashboard, Arctic Spec. Model Black	1	©
	2113 57 315A 30	Brown		
5	0329 57 1650 27	Trim (L) Black	1	©
	0329 57 1650 28	Brown		
•	0820 57 365A 23	Trim (L) "T" Type Dashboard Model Black	1	©
	0820 57 365A 30	Brown		
•	2113 57 365A 23	Trim (L) "T" Type Dashboard, Arctic Spec. Model Black	1	©
	2113 57 365A 30	Brown		



SEAT (L.H.D.)

(ALL COUPE MODELS)

No.	Part Number	Description	Qty	Remarks
6	2113 57 125	Adjuster No. 1 (R)	1	
7	2113 57 175	Adjuster No. 1 (L)	1	
8	0820 57 126	Adjuster No. 2 (R)	1	
9	0820 57 176	Adjuster No. 2 (L)	1	
10	99801 0820	Bolt, Adjuster	8	
	0223 57 691	Spring Washer	8	
	0223 57 692	Plain Washer	8	
11	0329 57 1300 27	FRONT SEAT BACK (R) Black	1	©
	0329 57 1300 28	Brown		
	2113 57 730A 23	FRONT SEAT BACK (R) "T" Type Dashboard, Arctic Spec. Model Black	1	©
	2114 57 730A 30	Brown		
	2124 57 730A 23	FRONT SEAT BACK (R) "T" Type Dashboard Model Black	1	©
	2124 57 730A 30	Brown		
12	0329 57 1800 27	FRONT SEAT BACK (L) Black	1	©
	0329 57 1800 28	Brown		
	2113 57 780A 23	FRONT SEAT BACK (L) "T" Type Dashboard, Arctic Spec. Model Black	1	©
	2113 77 780A 30	Brown		
	2124 57 780A 23	FRONT SEAT BACK (L) "T" Type Dashboard Model Black	1	©
	2124 57 780A 30	Brown		
13	0820 57 534	Top Cover	2	
14	0329 57 1350 27	Trim (R) Black	1	©
	0329 57 1350 28	Brown		
	0820 57 735B 23	Trim (R) "T" Type Dashboard Model Black	1	©
	0820 57 735B 30	Brown		
	2113 57 735B 23	Trim (R) "T" Type Dashboard, Arctic Spec. Model Black	1	©
	2113 57 735B 30	Brown		
15	0329 57 1850 27	Trim (L) Black	1	©
	0329 57 1850 28	Brown		
	0820 57 785B 23	Trim (L) "T" Type Dashboard Model Black	1	©
	0820 57 785B 30	Brown		
	2113 57 785B 23	Trim (L) "T" Type Dashboard, Arctic Spec. Model Black	1	©
	2113 57 785B 30	Brown		
16	0305 88 009	Knob, Head Restraint	2	©
17	0275 57 730A 27	Head Restraint (R) Black	1	©
	0275 57 730A 28	Brown		
	0275 57 730A 23	Head Restraint (R) "T" Type Dashboard Model Black	1	©
	0275 57 730A 30	Brown		

SEAT (L.H.D.)

(ALL COUPE MODELS)

57

No.	Part Number	Description	Qty	Remarks
18		Head Restraint (L)	1	©
	0275 57 7800 27	Black		
	0275 57 7800 28	Brown		
		Head Restraint (L) "T" Type Dashboard Model	1	©
	0275 57 7800 23	Black		
	0275 57 7800 30	Brown		
19	0257 57 109	Cap, Head Restraint	4	
20	0213 69 250	Ash Tray	1	
21	99862 0425	Screw, Ash Tray	2	
22	2113 57 140	Reclining Knuckle (R) "T" Type Dashboard Model	1	
	2317 57 140	Reclining Knuckle (R)	1	
23	2113 57 190	Reclining Knuckle (L) "T" Type Dashboard Model	1	
	2317 57 190	Reclining Knuckle (L)	1	
24	0275 57 107	Screw, Reclining Knuckle "T" Type Dashboard Model	8	
	2155 57 109	Screw, Reclining Knuckle	8	
25	0820 57 109	Washer, Reclining Knuckle	4	
26	99945 0800	Cap Nut, Hinge	2	
	99952 0800	Plain Washer	2	
	99971 0800	Spring Washer	2	
27	0824 57 105	Bush, Hinge	2	
28	0824 57 106	Washer, Hinge	2	
29	2113 57 570	Knuckle Lever, Right Side	1	
30	0820 57 571	Bracket No. 1	2	
31	0820 57 572	Bracket No. 2	2	
32	0820 57 573	Pin	1	
33	0820 57 574	Washer	2	
34	99576 0400	"E" Type Stop Ring	1	
35	99833 0512	Screw, Bracket	2	
	99971 0500	Spring Washer	2	

57

SEAT (L.H.D.)

(ALL COUPE MODELS)

No.	Part Number	Description	Qty	Remarks
36	908046 8 25	Set Bolt, Front Seat	8	
37	0329 57 200A-27	REAR SEAT CUSHION Black	1	Ⓢ
	0329 57 200A-28	Brown		
	0820 57 400C-23	REAR SEAT CUSHION Black "T" Type Dashboard Model	1	Ⓢ
	0820 57 400C-30	Brown		
	2113 57 400C-23	REAR SEAT CUSHION Black "T" Type Dashboard, Arctic Spec. Model	1	Ⓢ
	2113 57 400C-30	Brown		
38	0820 57 204	Top Cover	1	
39	0329 57 210A-17	Trim Black	1	Ⓢ
	0329 57 210A-18	Brown		
	0820 57 410C-23	Trim Black "T" Type Dashboard Model	1	Ⓢ
	0820 57 410C-30	Brown		
	2113 57 410C	Trim	1	Ⓢ
	2113 57 410C-23	Black "T" Type Dashboard, Arctic Spec. Model		
	2113 57 410C-30	Brown		
40	908046 8 25	Set Bolt, Rear Seat Cushion	2	
41	0329 57 2500-27	REAR SEAT BACK Black	1	Ⓢ
	0329 57 2500-28	Brown		
	0820 57 450D	REAR SEAT BACK "T" Type Dashboard Model	1	Ⓢ
	0820 57 450E-23	REAR SEAT BACK "T" Type Dashboard Model Black	1	Car No. 62706 ⁷ / ₇ ~ X Ⓢ
	0820 57 450E-30	Brown		
	0820 57 450F-23	Black	1	Car No. 103315 ⁷ / ₇ ~ ○
	0820 57 450F-30	Brown	1	
	2113 57 450D	REAR SEAT BACK "T" Type Dashboard Arctic Spec. Model	1	Ⓢ
	2113 57 450E-23	Black	1	Car No. 62706 ⁷ / ₇ ~ X Ⓢ
	2113 57 450E-30	Brown		
	2113 57 450F-23	Black	1	Car No. 103315 ⁷ / ₇ ~ ○
	2113 57 450F-30	Brown	1	
42	0820 57 254	Top Cover	1	Ⓢ
43	0329 57 260A-27	Trim Black	1	Ⓢ
	0329 57 260A-28	Brown		
	0820 57 460D-23	Trim "T" Type Dashboard Model Black	1	Ⓢ
	0820 57 460D-30	Brown		
	2113 57 460D-23	Trim "T" Type Dashboard, Arctic Spec. Model Black	1	Ⓢ
	2113 57 460D-30	Brown		
44	907996 6 20	Set Screw, Rear Seat Back	2	

SEAT (L.H.D.) (ALL COUPE MODELS)



No.	Part Number	Description	Qty	Remarks	
45	2981 57 970B-00	FRONT SAFETY BELT	2	Car No. 100261 ⁷ / ₆ ~ ○ Car No. 103315 ⁷ / ₆ ~ ○	
	0305 57 920A	FRONT SAFETY BELT	2		
	0305 57 920B	FRONT SAFETY BELT	2		
46	2981 57 976	Screw	2	Car No. 100261 ⁷ / ₆ ~ Discarded	
47	2981 57 978	Spacer	2		
48	0223 78 147	Washer	6		
49	0223 78 149	Cover	2		
50	99023 3524	Bolt	2		
51	2952 57 815	Eye Bolt	4		
52	99201 3500	Spring Washer	4		
53	99221 2010	Split Pin	4		
54	0223 78 200B-00	REAR SAFETY BELT	2		Car No. 69544 ⁷⁰ / ₁₁ ~ ○ Car No. 100261 ⁷ / ₆ ~ ○ Car No. 103315 ⁷ / ₆ ~ ○
	0223 78 200C-00	REAR SAFETY BELT	2		
	0702 78 200B	REAR SAFETY BELT	2		
	0702 78 200C	REAR SAFETY BELT	2		
55	0813 57 955A	Belt Roller	2		
56	99023 3524	Bolt	4	Car No. 100261 ⁷ / ₆ ~ Discarded	
	99201 3500	Spring Washer	4		
57	99301 1100	Cap, Rear Safety Belt Hole	6		
58	99302 1100	Cap, Front Safety Belt Hole	2		



1. Introduction

2. Objectives

3. Methodology

4. Results

5. Discussion

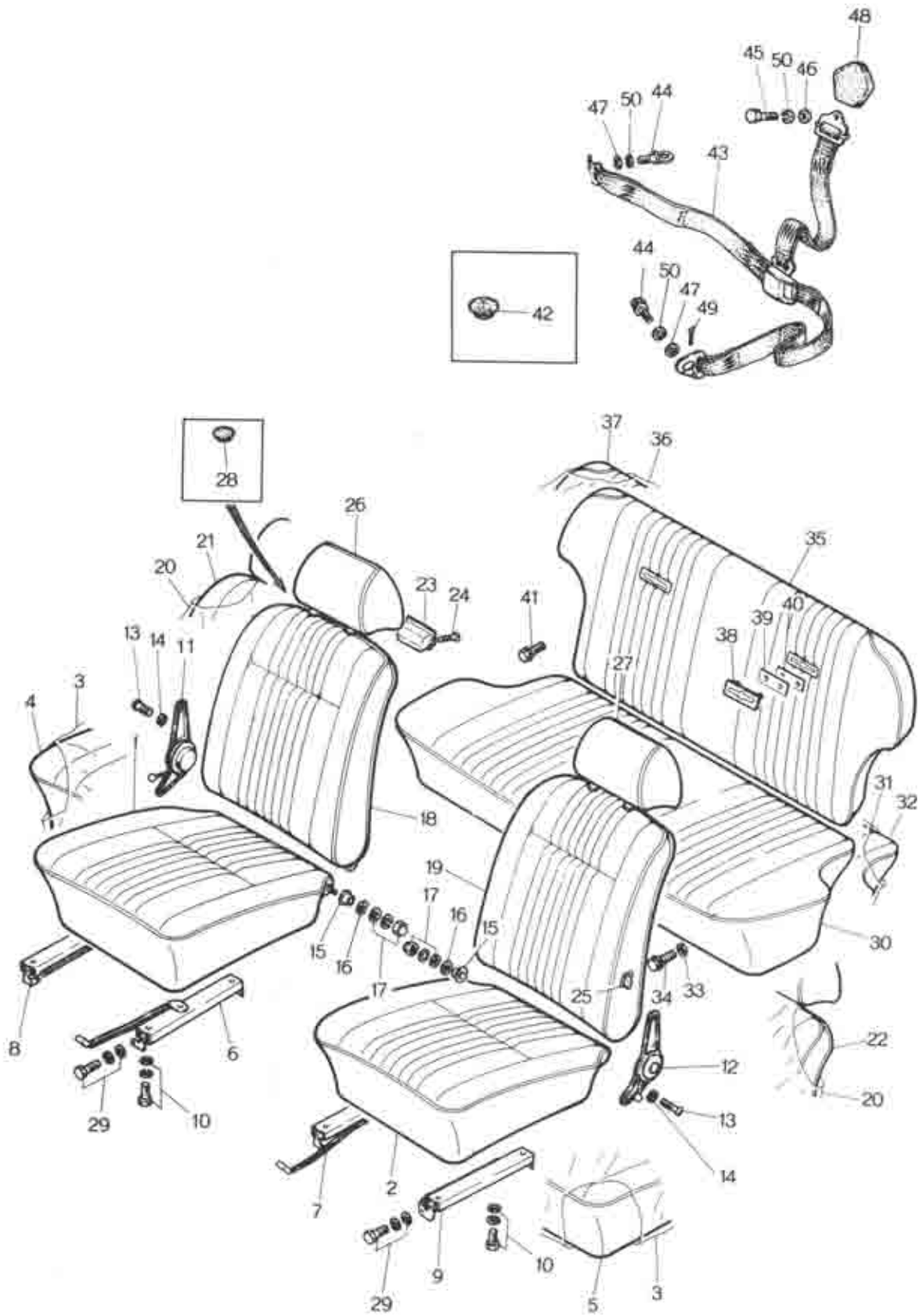
6. Conclusion

7. References



SEAT

("T" TYPE DASHBOARD SEDAN MODEL)



SEAT

("T" TYPE DASHBOARD SEDAN MODEL)

57

No.	Part Number	Description	Q'ty	Remarks
•	0848 57 1000 23	FRONT SEAT (R) Black	1	©
•	0848 57 1000 30	FRONT SEAT (R) Brown	1	With Head Restraint
•	0848 57 1500 23	FRONT SEAT (L) Black	1	©
•	0848 57 1500 30	FRONT SEAT (L) Brown	1	
•	2415 57 5000 23	FRONT SEAT (R) Black	1	©
•	2415 57 5000 30	FRONT SEAT (R) Brown	1	Without Head Restraint
•	2415 57 5500 23	FRONT SEAT (L) Black	1	©
•	2415 57 5500 30	FRONT SEAT (L) Brown	1	
•	2417 57 5000 23	FRONT SEAT (R) Black	1	©
•	2417 57 5000 30	FRONT SEAT (R) Brown	1	Without Head Restraint Arctic Spec. Model
•	2417 57 5500 23	FRONT SEAT (L) Black	1	©
•	2417 57 5500 30	FRONT SEAT (L) Brown	1	
•	2417 57 7000 23	FRONT SEAT (R) Black	1	©
•	2417 57 7000 30	FRONT SEAT (R) Brown	1	With Head Restraint Arctic Spec. Model
•	2417 57 7500 23	FRONT SEAT (L) Black	1	©
•	2417 57 7500 30	FRONT SEAT (L) Brown	1	
1	0848 57 1100 23	FRONT SEAT CUSHION (R) Black	1	©
•	0848 57 1100 30	FRONT SEAT CUSHION (R) Brown	1	
•	2417 57 1100 23	FRONT SEAT CUSHION (R) Arctic Spec. Model Black	1	©
•	2417 57 1100 30	FRONT SEAT CUSHION (R) Arctic Spec. Model Brown	1	
2	0848 57 1600 23	FRONT SEAT CUSHION (L) Black	1	©
•	0848 57 1600 30	FRONT SEAT CUSHION (L) Brown	1	
•	2417 57 1600 23	FRONT SEAT CUSHION (L) Arctic Spec. Model Black	1	©
•	2417 57 1600 30	FRONT SEAT CUSHION (L) Arctic Spec. Model Brown	1	
3	0820 57 114	Top Cover	2	
4	0848 57 1150 23	Trim (R) Black	1	©
•	0848 57 1150 30	Trim (R) Brown	1	
•	2417 57 1150 23	Trim (R) Arctic Spec. Model Black	1	©
•	2417 57 1150 30	Trim (R) Arctic Spec. Model Brown	1	
5	0848 57 1650 23	Trim (L) Black	1	©
•	0848 57 1650 30	Trim (L) Brown	1	
•	2417 57 1650 23	Trim (L) Arctic Spec. Model Black	1	©
•	2417 57 1650 30	Trim (L) Arctic Spec. Model Brown	1	
6	0820 57 125	Adjuster No. 1 (R)	1	
7	0820 57 175	Adjuster No. 1 (L)	1	
8	0820 57 126	Adjuster No. 2 (R)	1	
9	0820 57 176	Adjuster No. 2 (L)	1	

No.	Part Number	Description	Qty	Remarks
10	99801 0820	Bolt, Adjuster	8	
	0223 57 691	Spring Washer	8	
	0223 57 692	Plain Washer	8	
11	0263 57 140	Reclining Knuckle (R)	1	
12	2317 57 190	Reclining Knuckle (L)	1	
13	2155 57 109	Screw, Reclining Knuckle	8	
14	0820 57 109	Washer, Reclining Knuckle	4	
15	0824 57 105	Bush, Hinge	2	
16	0824 57 106	Washer, Hinge	2	
17	99945 0800	Cap Nut, Hinge	2	
	99952 0800	Plain Washer	2	
	99971 0800	Spring Washer	2	
18		FRONT SEAT BACK (R)	1	©
•	0848 57 1300 23	Black		
•	0848 57 1300 30	Brown		
•		FRONT SEAT BACK (R) Arctic Spec. Model	1	©
•	2417 57 1300 23	Black		
•	2417 57 1300 30	Brown		
19		FRONT SEAT BACK (L)	1	©
•	0848 57 1800 23	Black		
•	0848 57 1800 30	Brown		
•		FRONT SEAT BACK (L) Arctic Spec. Model	1	©
•	2417 57 1800 23	Black		
•	2417 57 1800 30	Brown		
20	0820 57 534	Top Cover	2	
21	0848 57 135	Trim (R)	1	©
•		Trim (R)	1	Car No. 57510 ^{70/4} ~ ○ ©
•	0848 57 135A 23	Black		
•	0848 57 135A 30	Brown		
•		Trim (R) Arctic Spec. Model	1	©
•	2417 57 1350 23	Black		
•	2417 57 1350 30	Brown		
22	0848 57 185	Trim (L)	1	©
•		Trim (L)	1	Car No. 57510 ^{70/4} ~ ○ ©
•	0848 57 185A 23	Black		
•	0848 57 185A 30	Brown		
•		Trim (L) Arctic Spec. Model	1	©
•	2417 57 1850 23	Black		
•	2417 57 1850 30	Brown		
23	0213 69 250	Ash Tray	1	
24	99862 0425	Screw, Ash Tray	2	
25	0305 88 009	Knob, Head Restraint	2	

SEAT

("T" TYPE DASHBOARD SEDAN MODEL)

57

No.	Part Number	Description	Qty	Remarks
26	0275 57 730A-23 Black 0275 57 730A-30 Brown	Head Restraint (R)	1	©
27	0275 57 7800-23 Black 0275 57 7800-30 Brown	Head Restraint (L)	1	©
28	0257 57 109	Cap, Head Restraint	4	
29	908046 8 25	Set Bolt, Front Seat	8	
30	0326 57 4000-23 Black 0326 57 4000-30 Brown	REAR SEAT CUSHION	1	©
31	2417 57 4000-23 Black Arctic Spec. Model 2417 57 4000-30 Brown	REAR SEAT CUSHION	1	©
31	0259 88 209	Top Cover	1	
32	0326 88 4000-23 Black 0326 88 4000-30 Brown	Trim	1	©
32	2417 88 4000-23 Black Arctic Spec. Model 2417 88 4000-30 Brown	Trim	1	©
33	0317 57 015	Washer, Rear Seat Cushion	2	
34	908042 8 25	Set Screw, Rear Seat Cushion	2	
35	0326 57 450	REAR SEAT BACK REAR SEAT BACK	1 1	Car No. 62706 ⁷⁹ / ₁ ~ X ©
35	0326 57 450A-23 Black 0326 57 450A-30 Brown	REAR SEAT BACK, Arctic Spec Model	1	©
36	2417 57 4500-23 Black 2417 57 4500-30 Brown	REAR SEAT BACK, Arctic Spec Model	1	
36	0259 57 229	Top Cover	1	
37	0326 88 4500-23 Black 0326 88 4500-30 Brown	Trim	1	©
37	2417 88 4500-23 Black Arctic Spec. Model 2417 88 4500-30 Brown	Trim	1	©
38	0317 88 081	Bottom	2	
39	0317 88 082	Spacer	2	

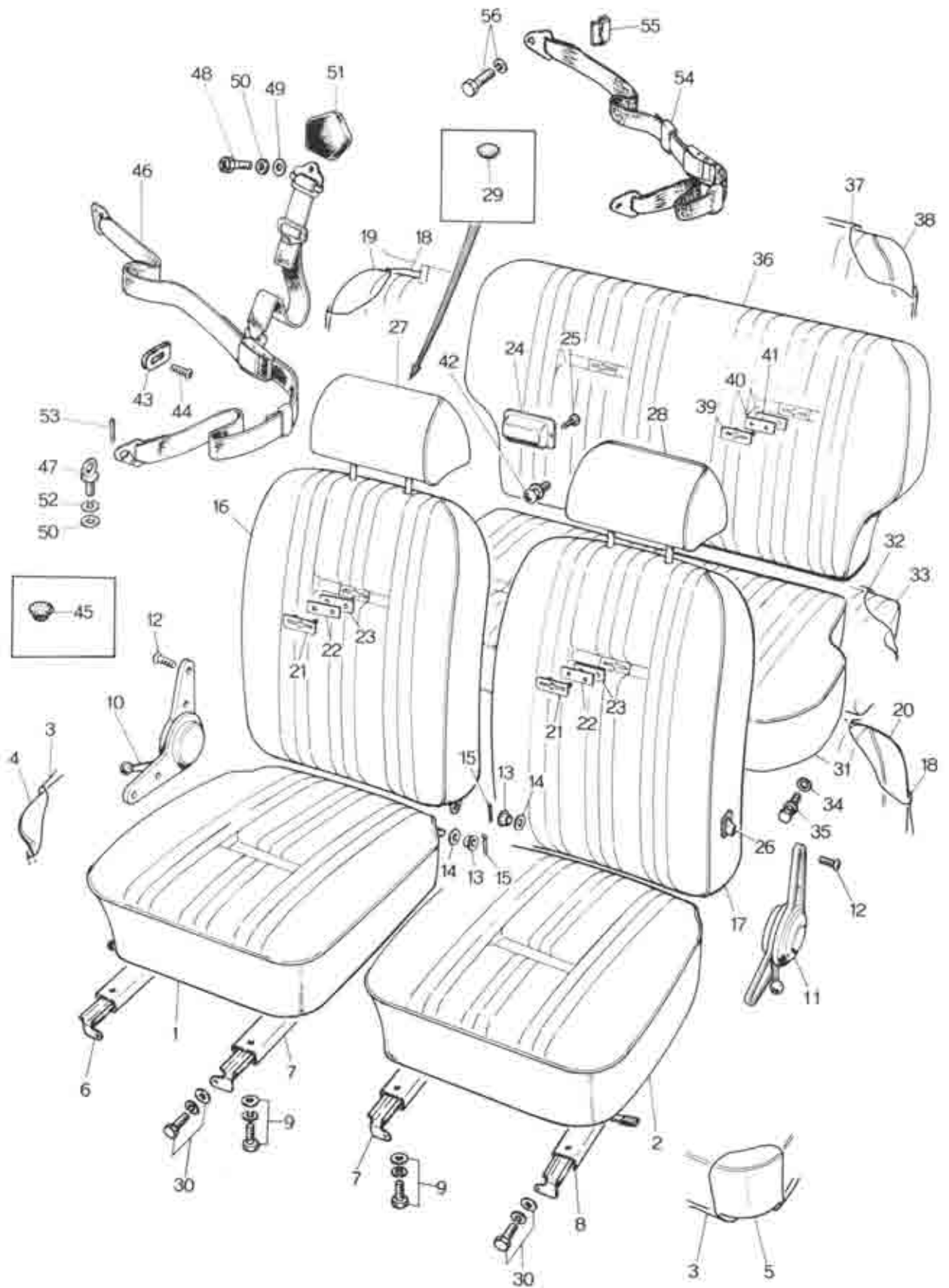
57

SEAT

("T" TYPE DASHBOARD SEDAN MODEL)

No.	Part Number	Description	Qty	Remarks
40	0317 88 083	Stopper	2	
41	907996 6 20	Set Screw, Rear Seat Back	2	
42	99301 1100	Cap, Safety Belt Hole	7	
• 43	2981 57 970B-00	FRONT SAFETY BELT	2	Car No. 100261 ⁷ / ₈ ~ ○ © Blac Car No. 103315 ⁷ / ₈ ~ ○
•	0305 57 920A	FRONT SAFETY BELT	2	
•	0305 57 920B	FRONT SAFETY BELT	2	
• 44	2952 57 815	Eye Bolt	4	
• 45	2981 57 976	Screw	2	
• 46	2981 57 978	Spacer	2	
• 47	0223 78 147	Washer	6	Car No. 100261 ⁷ / ₈ ~ Discarded
• 48	0223 78 149	Cover	2	
• 49	99221 2010	Split Pin	4	
• 50	99201 3500	Spring Washer	4	





SEAT

(PLAIN TYPE DASHBOARD SEDAN MODEL)

57

No.	Part Number	Description	Qty	Remarks
	2370 57 5000 27 2370 57 5000 28	FRONT SEAT (R) Black Brown	1	Without Head Restraint
	2370 57 5500 27 2370 57 5500 28	FRONT SEAT (L) Black Brown	1	
	2452 57 5000 27 2452 57 5000 28	FRONT SEAT (R) Black Brown	1	Without Head Restraint Arctic Spec. Model
	2450 57 5500 27 2450 57 5500 28	FRONT SEAT (L) Black Brown	1	
	2370 57 7000 27 2370 57 7000 28	FRONT SEAT (R) Black Brown	1	With Head Restraint
	2370 57 7500 27 2370 57 7500 28	FRONT SEAT (L) Black Brown	1	
	2452 57 7000 27 2452 57 7000 28	FRONT SEAT (R) Black Brown	1	With Head Restraint Arctic Spec. Model
	2450 57 7500 27 2450 57 7500 28	FRONT SEAT (L) Black Brown	1	
1	0317 57 7100 27 0317 57 7100 28	FRONT SEAT CUSHION (R) Black Brown	1	
	2450 57 5100 27 2450 57 5100 28	FRONT SEAT CUSHION (R) Arctic Spec. Model Black Brown	1	
2	0317 57 7600 27 0317 57 7600 28	FRONT SEAT CUSHION (L) Black Brown	1	
	2450 57 5600 27 2450 57 5600 28	FRONT SEAT CUSHION (L) Arctic Spec. Model Black Brown	1	
3	0259 88 250	Top Cover	2	
4	0317 88 2500 27 0317 88 2500 28	Trim (R) Black Brown	1	
	2450 88 2500 27 2450 88 2500 28	Trim (R) Arctic Spec. Model Black Brown	1	
5	0317 88 3500 27 0317 88 3500 28	Trim (L) Black Brown	1	
	2450 88 3500 27 2450 88 3500 28	Trim (L) Arctic Spec. Model Black Brown	1	
6	2158 88 270	Adjuster (R)	1	
7	2158 88 280	Adjuster	2	
8	2158 88 370	Adjuster (L)	1	
9	99801 0816	Bolt Adjuster	8	
	99971 0800	Spring Washer	8	
	99952 0816	Plain Washer	8	

No.	Part Number	Description	Qty	Remarks
10	0259 57 130	Reclining Knuckle (R)	1	
11	0259 57 180	Reclining Knuckle (L)	1	
12	0259 57 109	Screw, Reclining Knuckle	8	
13	0219 78 104	Bush	2	
14	0259 57 105	Washer	2	
15	99221 3020	Split Pin	2	
• 16	0317 57 7200 27 Black	FRONT SEAT BACK (R)	1	©
•	0317 57 7200 28 Brown			
•	2450 57 5200 27 Black	FRONT SEAT BACK (R) Arctic Spec. Model	1	©
•	2450 57 5200 28 Brown			
• 17	0317 57 7700 27 Black	FRONT SEAT BACK (L)	1	©
•	0317 57 7700 28 Brown			
•	2450 57 5700 27 Black	FRONT SEAT BACK (L) Arctic Spec. Model	1	©
•	2450 57 5700 28 Brown			
18	0259 88 059	Top Cover	2	
• 19	0317 88 5500 27 Black	Trim (R)	1	©
•	0327 88 5500 28 Brown			
•	2450 88 5500 27 Black	Trim (R) Arctic Spce. Model	1	©
•	2560 88 5500 28 Brown			
• 20	0317 88 6500 27 Black	Trim (L)	1	©
•	0317 88 6500 28 Brown			
•	2450 88 6500 27 Black	Trim (L) Arctic Spec. Model	1	©
•	2450 88 6500 28 Brown			
21	0317 88 081	Bottom	2	
22	0317 88 082	Spacer	2	
23	0317 88 083	Stopper	2	
24	0259 68 250	Ash Tray	1	
25	99864 0408	Tapping Screw, Ash Tray	2	
26	0305 88 009	Knob, Head Restraint	2	
• 27	2158 57 7900 27 Black	Head Restraint (R)	1	©
•	2158 57 7900 28 Brown			

No.	Part Number	Description	Qty	Remarks
28	2244 57 7900-27	Black Head Restraint (R)	1	©
	2244 57 7900-28	Brown Arctic Spec. Model		
	2158 57 7400-27	Black Head Restraint (L)		
	2158 74 7400-28	Brown		
29	2244 57 7400-27	Black Head Restraint (L)	1	©
	2244 57 7400-28	Brown Arctic Spec. Model		
	0257 57 109	Cap, Head Restraint		
30	908046 8 25	Set Bolt, Front Seat	8	
31		REAR SEAT CUSHION	1	©
	0317 57 2000-27	Black		
	0317 57 2000-28	Brown		
	2450 57 2000-27	Black Arctic Spec. Model		
32	2450 57 2000-28	Brown	1	©
	0259 88 209	Top Cover	1	
33		Trim	1	©
	0317 88 2000-27	Black		
	0317 88 2000-28	Brown		
	2450 88 2000-27	Black Arctic Spec. Model		
	2450 88 2000-28	Brown	1	©
34	0317 57 015	Washer, Rear Seat Cushion	2	
35	908042 8 25	Set Screw, Rear Seat Cushion	2	
36		REAR SEAT BACK	1	©
	0317 57 2500-27	Black		
	0317 57 2500-28	Brown		
	2450 57 250	REAR SEAT BACK		
37	2450 57 250A-27	Black REAR SEAT BACK	1	©
	2450 57 250A-28	Brown		
	0259 88 229	Top Cover		
38		Trim	1	©
	0317 57 2500-27	Black		
	0317 57 2500-28	Brown		
	2450 88 2200-27	Black Arctic Spec. Model		
39	2450 88 2000-28	Brown	2	
	0317 88 081	Bottom		

SEAT

(PLAIN TYPE DASHBOARD SEDAN MODEL)

7432

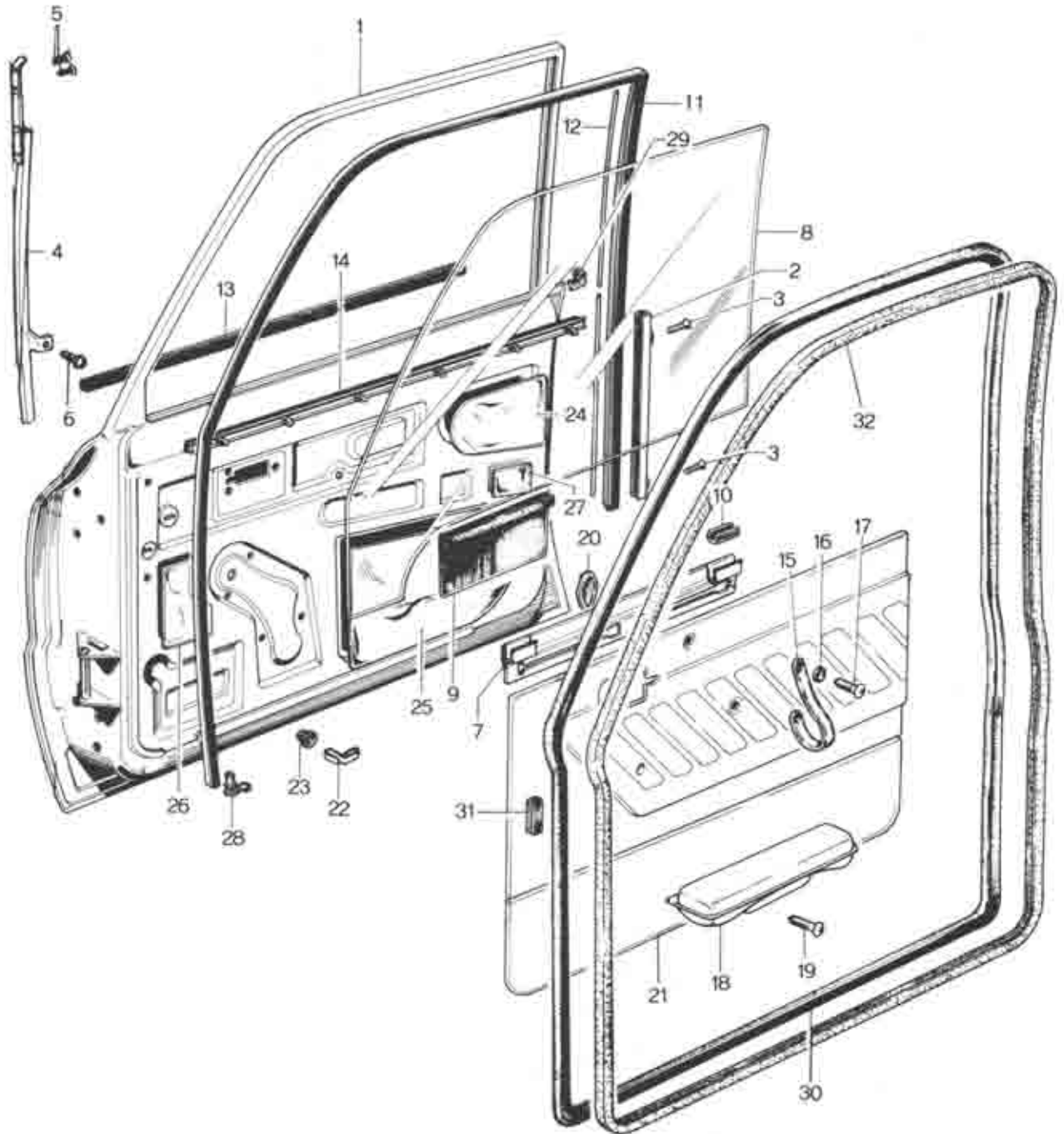
No.	Part Number	Description	Qty	Remarks
40	0317 88 082	Spacer	2	
41	0317 88 083	Stopper	2	
42	907996 6 20	Set Screw, Rear Seat Back	2	
43	0305 57 909	Belt Holder	1	
44	99861 0412	Tapping Screw, Belt Holder	2	
45	99301 1100	Cap	6	
• 46	2981 57 970B-00	FRONT SAFETY BELT	2	Car No. 100261 $\frac{7}{16}$ ~ ○ © Black Car No. 103315 $\frac{7}{16}$ ~ ○ Car No. 100261 $\frac{7}{16}$ ~ Discarded
•	0305 57 920A	FRONT SAFETY BELT	2	
•	0305 57 920B	FRONT SAFETY BELT	2	
• 47	2952 57 815	Eye Bolt	4	
• 48	2981 57 976	Screw	2	
• 49	2981 57 978	Spacer	2	
• 50	0223 57 147	Washer	2	
• 51	0223 78 149	Cover	2	
• 52	99201 3500	Spring Washer	4	
• 53	99221 2010	Split Pin	4	
54	0223 78 200B-00	REAR SAFETY BELT	2	Car No. 69544 $\frac{7}{16}$ ~ ○ © Black Car No. 100261 $\frac{7}{16}$ ~ ○ © Black Car No. 103315 $\frac{7}{16}$ ~ ○ Car No. 100261 $\frac{7}{16}$ ~ Discarded
	0223 78 200C-00	REAR SAFETY BELT	2	
•	0702 78 200B	REAR SAFETY BELT	2	
•	0702 78 200C	REAR SAFETY BELT	2	
• 55	0813 57 955A	Belt Roller	2	
• 56	99023 3524	Bolt	4	
•	99201 3500	Spring Washer	4	



58

59

FRONT SIDE DOOR (GLASS)



FRONT SIDE DOOR (GLASS)

58

59

No.	Part Number	Description	Qty	Remarks
1	0317 58 010A	FRONT DOOR PANEL Ass'y (R) Sedan Model	1	
	0329 58 010A	FRONT DOOR PANEL Ass'y (R) Coupe Model	1	
	0820 58 010D	FRONT DOOR PANEL Ass'y (R) "T" Type Dashboard Coupe Model	1	
	0848 58 010	FRONT DOOR PANEL Ass'y (R) "T" Type Dashboard Sedan Model	1	
	0317 59 010A	FRONT DOOR PANEL Ass'y (L) Sedan Model	1	
	0329 59 010A	FRONT DOOR PANEL Ass'y (L) Coupe Model	1	
	0820 59 010D	FRONT DOOR PANEL Ass'y (L) "T" Type Dashboard Coupe Model	1	
	0848 59 010	FRONT DOOR PANEL Ass'y (L) "T" Type Dashboard Sedan Model	1	
	2329 59 010	FRONT DOOR PANEL Ass'y (L) With Door Mirror "T" Type Dashboard Coupe Model Hole	1	
	2354 59 010C	FRONT DOOR PANEL Ass'y (L) With Door Mirror Coupe Model Hole	1	
	0314 58 020	Outer Panel (R), Coupe Model	1	
	0317 58 020	Outer Panel (R), Sedan Model	1	
	0314 59 020	Outer Panel (L), Coupe Model	1	
	0317 59 020	Outer Panel (L), Sedan Model	1	
	2350 59 020	Outer Panel (L), Coupe Model With Door Mirror Hole	1	
	0259 58 110C	Door Sash (R), Sedan Model	1	
	0820 58 110	Door Sash (R), Coupe Model	1	
	0259 59 110C	Door Sash (L), Sedan Model	1	
	0820 59 110	Door Sash (L), Coupe Model	1	
2	0314 58 120	Door Sash "B" (R), Rear Side, All Coupe Models	1	
	0314 59 120	Door Sash "B" (L), Rear Side, All Coupe Models	1	
3	908339 5 12	Set Screw, Sash "B"	4	
4	0259 58 130B	Door Sash "C" (R), Front Side	1	
	0259 59 130B	Door Sash "C" (L), Front Side	1	

FRONT SIDE DOOR (GLASS)

No.	Part Number	Description	Qty	Remarks
5	99831 0408	Screw, Sash "C"	4	
6	908339 6 12	Set Screw, Sash "C"	2	
7	0259 58 210	Lift Bracket (R)	1	
	0259 59 210	Lift Bracket (L)	1	
8	0257 58 221A	Door Glass (R) Transparent	1	All Sedan Models
	0259 58 221A	Door Glass (R) Blue Pane		
	0820 58 221A	Door Glass (R) Blue Pane	1	All Coupe Models
	2113 58 221A	Door Glass (R) Transparent		
	0257 59 221A	Door Glass (L) Transparent	1	All Sedan Models
	0259 59 221A	Door Glass (L) Blue Pane		
	0820 59 221A	Door Glass (L) Blue Pane	1	All Coupe Models
	2113 59 221A	Door Glass (L) Transparent		
9	0259 58 231A	Rubber Strip (R)	1	
	0259 59 231A	Rubber Strip (L)	1	
10	0259 58 232	Rubber Stop	2	
11	0259 58 241	Run Channel , All Sedan Models	2	
	0820 58 241	Rear Channel , All Coupe Models	2	
12	0259 58 246	Adjuster, Selective use	-	
13	0256 58 280A	Weather Strip "A" , Outer Side (R)	1	All Coupe Models
	0259 58 280A	Weather Strip "A" , Outer Side (R)	2	All Sedan Models
	0256 59 280A	Weather Strip "A" , Outer Side (L)	1	All Coupe Models
14	0259 58 290	Weather Strip "B" , Inner Side (R)	1	All Sedan Models
	0820 58 290	Weather Strip "B" Inner Side (R)	1	All Coupe Models
	0259 59 290	Weather Strip "B" Inner Side (L)	1	All Sedan Models
	0820 59 290	Weather Strip "B" Inner Side (L)	1	All Coupe Models
15	0209 58 861	Pull Handle	2	

FRONT SIDE DOOR (GLASS)

58
59

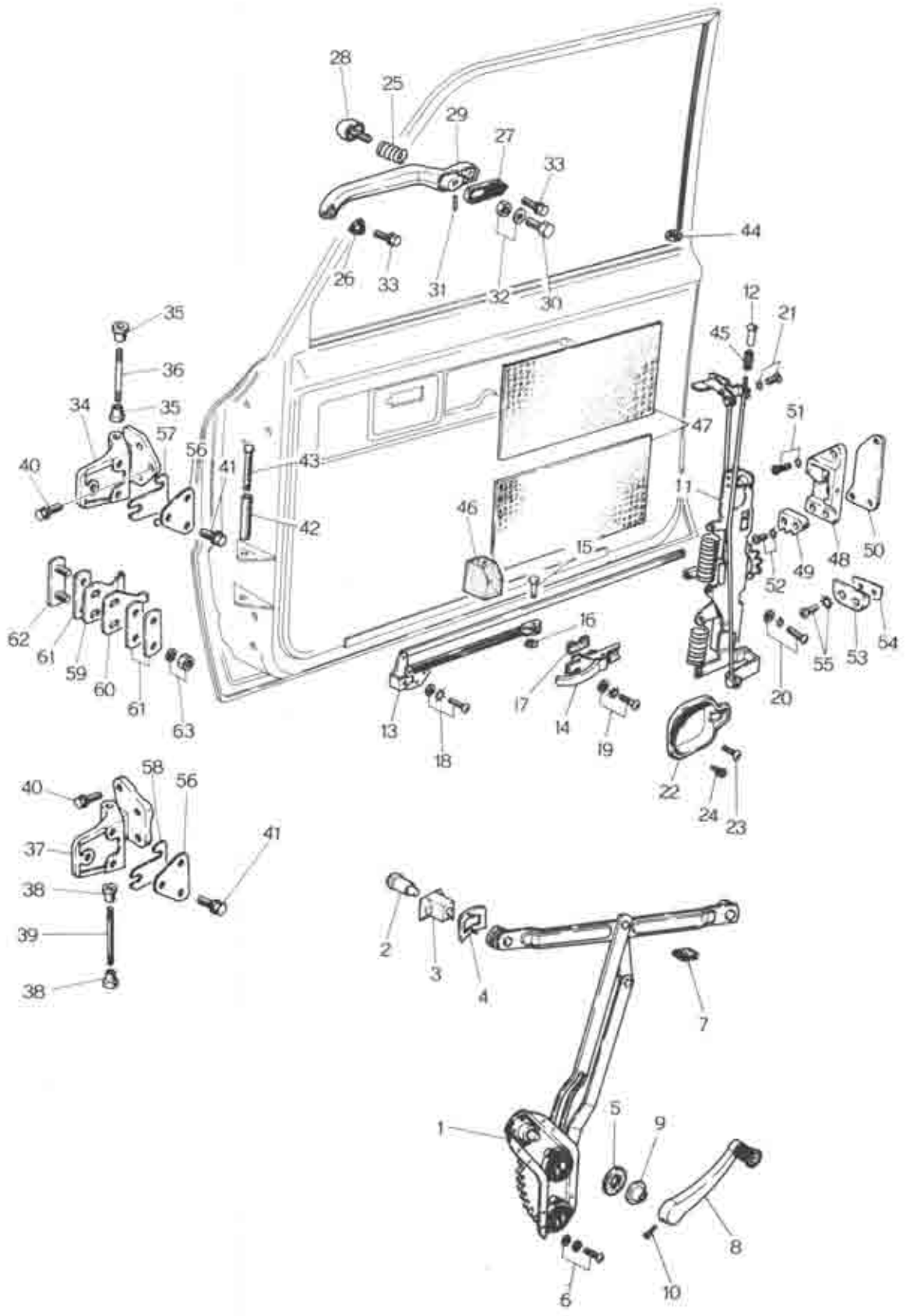
No.	Part Number	Description	Qty	Remarks
16	0209 58 862	Washer	4	
	0317 58 865	Spacer, Pull Handle	4	Car No. 70537 ^{70/11} ~ Added Anew
17	99832 0516C	Screw, Pull Handle	4	
	99832 0520C	Screw, Pull Handle	4	Car No. 94253 ^{73/4} ~ ○
18	0820 58 880B	Arm Rest	2	
19	99833 0512	Tapping Screw, Arm Rest	4	
20	0259 58 906	Cushion, Room Lamp Switch	2	
21	0326 59 9100-08	Door Trim (R), All Sedan Models Black	1	◎
	0326 59 9100-07	Brown		
	0329 58 9100-04	Door Trim (R), Plain Type Coupe Models Black	1	◎
	0329 58 9100-10	Brown		
	0820 58 910E-03	Door Trim (R) Black "T" Type Dashboard Coupe Model	1	◎
	0820 58 910E-06	Brown		
	0848 58 910-04	Door Trim (R) Black "T" Type Dashboard Sedan Model	1	◎
	0848 58 910-10	Brown		
	0326 59 9100-08	Door Trim (L), All Sedan Models Black	1	◎
	0326 59 9100-07	Brown		
	0329 59 9100-04	Door Trim (L), Plain Type Coupe Models Black	1	◎
	0329 59 9100-10	Brown		
	0820 59 910E-03	Door Trim (L) Black "T" Type Dashboard Coupe Model	1	◎
	0820 59 910E-06	Brown		
	0848 59 910-04	Door Trim (L) Black "T" Type Dashboard Sedan Model	1	◎
	0848 59 910-10	Brown		
22	0208 58 921	Fastener, Trim	16	
23	0223 58 925	Cap, Trim	16	
	0187 58 922	Cap, Trim	16	Car No. 63173 ^{70/7} ~ ○
24	0256 58 925A	Door Screen "A" (R)	1	All Coupe Models
	0256 59 925A	Door Screen "A" (L)		
	0259 58 921	Door Screen "A" (R)	1	All Sedan Models
	0259 59 921	Door Screen "A" (L)		
25	0256 58 926	Door Screen "B" (R)	1	All Coupe Models
	0256 59 926	Door Screen "B" (L)		
	0259 58 922	Door Screen "B" (R)	1	All Sedan Models
	0259 59 922	Door Screen "B" (L)		
26	0259 58 923	Door Screen "C" (R)	1	
	0259 59 923	Door Screen "C" (L)	1	
27	0259 58 924	Door Screen "D"	2	

FRONT SIDE DOOR (GLASS)

No.	Part Number	Description	Qty	Remarks
28	0259 58 931	Drain Valve	2	
29	0259 58 952	Pad (R)	1	
	0259 59 952	Pad (L)	1	
30	0259 58 901	Weather Strip (R)	1	All Sedan Models
	0259 59 901	Weather Strip (L)		
	0820 58 901	Weather Strip (R)	1	All Coupe Models
	0820 59 901	Weather Strip (L)		
31	0209 58 902	Pad, Weather Strip	—	Selective use
32	0259 58 097	Seaming Welt, All Sedan Models	2	
	0820 58 907A	Seaming Welt, All Coupe Models	2	



FRONT SIDE DOOR (LOCK)



FRONT SIDE DOOR (LOCK)

58

59

No.	Part Number	Description	Qty.	Remarks
1	0259 58 300C	WINDOW REGULATOR (R)	1	
	0259 59 300C	WINDOW REGULATOR (L)	1	
	2119 58 300	WINDOW REGULATOR (R) Arctic Spec. Model & U.S.A.	1	
	2119 59 300	WINDOW REGULATOR (L) Arctic Spec. Model & U.S.A.	1	
2	0223 58 303A	Pin	4	
3	0223 58 304A	Guide	4	
4	0223 58 311	Guide Spring	4	
5	0259 58 305	Packing, Regulator	2	
6	908339 6 12	Set Screw, Regulator	8	
7	0259 58 306	Cushion Rubber, Regulator	2	
8	0259 58 370C01	Regulator Handle	2	© Black
9	0243 58 391	Escutcheon	2	
10	99862 0412C	Screw, Handle	2	
	99847 0410C	Tapping Screw, Handle	2	Car No. 64624 70%
11	0256 58 510	DOOR LOCK Ass'y (R) (R.H.D.), COUPE USE Locked door opens when inner Handle is pulled.	1	
	0259 58 510	DOOR LOCK Ass'y (R) (R.H.D.), SEDAN USE Locked door opens when inner Handle is pulled.	1	
	2152 58 510	DOOR LOCK Ass'y (R) (L.H.D.), COUPE USE	1	
	2158 58 510	DOOR LOCK Ass'y (R) (L.H.D.), SEDAN USE	1	
	2350 58 510	DOOR LOCK Ass'y (R) (L.H.D.), COUPE USE Arctic Spec. Model, with Antiburst Block.	1	
	2360 58 510	DOOR LOCK Ass'y (R) (R.H.D. & L.H.D.), COUPE USE Locked door does not open by pulling inner handle. with Antiburst Block For France	1	
	2370 58 510	DOOR LOCK Ass'y (R) (R.H.D. & L.H.D.), SEDAN USE Locked door does not open by pulling inner handle. with Antiburst Block.	1	
	0256 59 510	DOOR LOCK Ass'y (L) (R.H.D.), COUPE USE Locked door does not open by pulling inner handle.	1	

No.	Part Number	Description	Q'ty	Remarks
	0259 59 510	DOOR LOCK Ass'y (L) (R.H.D.), SEDAN USE	1	
	2152 59 510	DOOR LOCK Ass'y (L) (L.H.D.), COUPE USE	1	
	2158 59 510	DOOR LOCK Ass'y (L) (L.H.D.), SEDAN USE	1	
	2350 59 510	DOOR LOCK Ass'y (L) (L.H.D.), COUPE USE Arctic Spec. Model, with Antiburst Block	1	
	2360 59 510	DOOR LOCK Ass'y (L) (L.H.D.), COUPE USE with Antiburst Block For France	1	
	2370 59 510	DOOR LOCK Ass'y (L) (L.H.D.), SEDAN USE with Antiburst Block	1	
	2401 59 510	DOOR LOCK Ass'y (L) (R.H.D.), COUPE USE Locked door opens when inner handle is pulled.	1	
	2404 59 510	DOOR LOCK Ass'y (L) (R.H.D.), SEDAN USE Locked door opens when inner handle is pulled.	1	
12	0259 58 691	Knob	2	
13	0256 58 550	REMOTE CONTROL (R) COUPE USE	1	
	0256 59 550	REMOTE CONTROL (L) COUPE USE	1	
	0259 58 550	REMOTE CONTROL (R) SEDAN USE	1	
	0259 59 550	REMOTE CONTROL (L) SEDAN USE	1	
	0223 58 549A	Joint	2	
14	0259 58 600	Inner Handle	2	
15	99230 0512	Joint Pin	2	
16	99576 0300	"E" Type Stop Ring	2	
17	0259 58 601A	Rubber Filler	2	
18	908338 5 10	Set Screw, Control Rod	4	
19	908324 6 14	Set Screw, Inner Handle	6	
20	908339 5 12	Set Screw, Door Lock	6	

FRONT SIDE DOOR (LOCK)

58

59

No.	Part Number	Description	Q'ty	Remarks
21	908338 6 12	Set Screw, Door Lock	4	
22	0259 58 611-00	Cover, Inner Handle	2	© Black
23	99832 0408B	Screw, Cover	2	
24	0259 58 612	Rubber Cushion	2	
	0317 58 670	OUTER HANDLE Ass'y (R)	1	Sedan use Arctic Spec. Models excluded
	0317 59 670	OUTER HANDLE Ass'y (L)		
	2352 58 670	OUTER HANDLE Ass'y (R)	1	Sedan use Arctic Spec. Model
	2352 59 670	OUTER HANDLE Ass'y (L)		
	0317 72 670	OUTER HANDLE Ass'y (R)	1	Coupe use Arctic Spec. Models excluded
	0317 73 670	OUTER HANDLE Ass'y (L)		
	2352 72 670	OUTER HANDLE Ass'y (R)	1	Coupe use Arctic Spec. Model & U.S.A.
	2352 73 670	OUTER HANDLE Ass'y (L)		
25	0259 58 671	Push Spring	2	
26	0317 58 674	Handle Pad "A" (R)	1	
	0317 59 674	Handle Pad "A" (L)	1	
27	0317 58 675	Handle Pad "B" (R)	1	
	0317 59 675	Handle Pad "B" (L)	1	
28	0317 72 676	Push Button	2	
	0317 72 676	Push Button	2	
29	0317 58 680	Outer Handle	2	
	0317 59 680	Outer Handle	2	
30	0110 58 254A	Push Screw	2	
31	99222 0216	Spring Pin	2	
32	99907 0500	Nut	2	

58

59

FRONT SIDE DOOR (LOCK)

No.	Part Number	Description	Qty	Remarks
	99952 0516	Plain Washer	2	
33	908066 5 08	Set Bolt, Outer Handle	4	
34	0317 58 700	UPPER HINGE Ass'y	2	
35	0223 58 721	Bush	4	
36	0187 58 731	Hinge Pin	2	
37	0317 58 750	LOWER HINGE Ass'y (R)	1	
	0317 59 750	LOWER HINGE Ass'y (L)	1	
38	0223 58 721	Bush	4	
39	0187 58 731	Hinge Pin	2	
40	907832 8 22	Set Bolt, Hinge	16	
41	907812 8 18	Set Bolt, Hinge	8	
42	0317 58 831	Roller, Checker	2	
	0317 58 831A	Roller, Checker	2	Car No. 72454 ⁷⁰ / ₁₁ ~ ○
43	0317 58 832	Pin, Checker	2	
44	0200 72 692	Grommet, Knob—Coupe Use	2	
	0223 58 692	Grommet, Knob—Sedan Use	2	
	0223 58 692A	Grommet, Knob—Sedan Use	2	Car No. 100099 ⁷¹ / ₉ ~ ○
45	0820 58 695	Adjuster, Knob	2	
46	0118 58 933	Rod Cushion	2	
47	0820 58 999	Insulation	4	
•	0305 72 852A	Insulation	4	Car No. 103588 ⁷¹ / ₉ ~ ○

FRONT SIDE DOOR (LOCK)

58
59

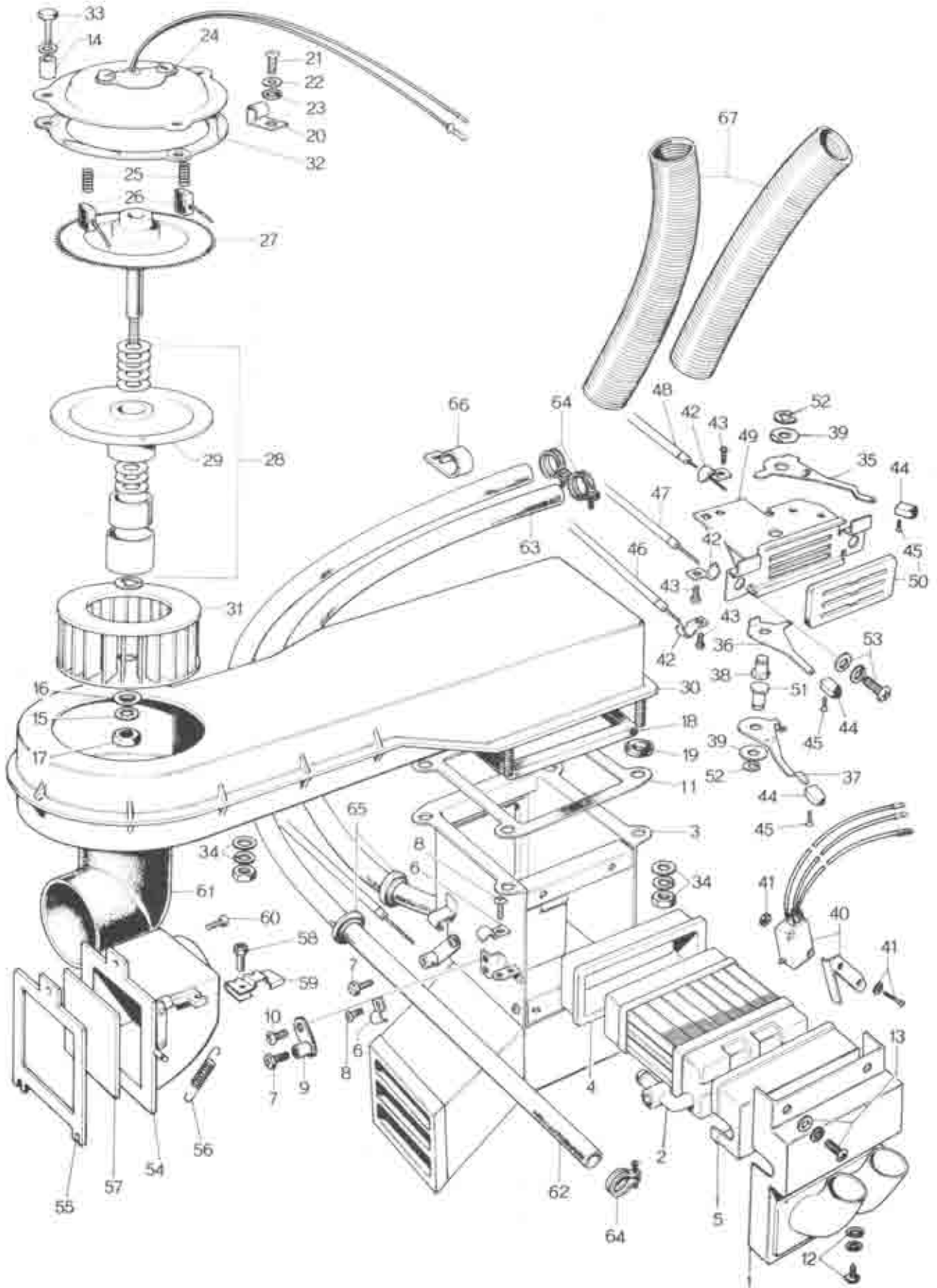
No.	Part Number	Description	Q'ty	Remarks
48	0259 58 570	Striker (R)	1	
	0259 59 570	Striker (L)	1	
49	0259 58 581	Rack (R)	1	
	0259 59 581	Rack (L)	1	
50	0187 58 592A	Striker Seat	2	
51	907614 6 16	Set Screw, Striker	2	
•	907614 6 20	Set Screw, Striker	2	Car No. 62251 ⁷⁰ / ₆ ~ ○
52	907614 6 25	Set Screw, Striker	4	
•	907614 6 30	Set Screw, Striker	4	Car No. 62251 ⁷⁰ / ₆ ~ ○
53	2350 58 582	Antiburst Block	1	
54	2350 58 593	Shim	1	
55	907614 6 25	Set Bolt	4	
56	0317 58 785	Washer, Hinge	4	
57	0259 58 736	Shim, Upper Hinge	-	Selective use
58	0259 58 786	Shim, Lower Hinge	-	Selective use
59	0317 58 811	Check Spring	2	
•	0317 58 850	Check Spring	2	Car No. 72454 ⁷⁰ / ₁₁ ~ Δ
60	0317 58 812	Check Spring	2	
•	0317 58 812A	Check Spring	2	Car No. 72454 ⁷⁰ / ₁₁ ~ Δ
61	0259 58 821	Washer "A", Check Spring	-	Selective use
	0259 58 822	Washer "B"	-	
62	0259 58 840	Set Plate, Check Spring	2	
63	99971 0600	Spring Washer, Set Plate	4	
	99906 0600	Nut	4	



61 76

CAR HEATER (R.H.D.)

("T" TYPE DASHBOARD MODEL)



CAR HEATER (R.H.D.)

("T" TYPE DASHBOARD MODEL)



No.	Part Number	Description	Qty	Remarks
	0820 61 300	HEATER SET	1	
	0820 61 310	HEATER Ass'y	1	
1	0820 76 131	Core Box No. 2	1	
2	0820 61 311	Core	1	
3	0820 61 320	Core Box	1	
4	0259 76 137	Seal	1	
5	0259 76 140	Packing	1	
6	0259 76 147	Clip	2	
7	0820 76 133	Screw	2	
8	0259 76 134	Screw	2	
9	0820 76 132	Lever	1	
10	0820 76 134	Screw	1	
11	0259 76 132	Packing	1	
12	0259 76 138	Screw	2	
	0259 76 144	Plain Washer	2	
	0259 76 145	Spring Washer	2	
13	0259 76 131	Screw	2	
	0259 76 133	Spring Washer	2	
	0259 76 136	Plain Washer	2	
	0259 61 340	BLOWER Ass'y Fig. No. 14 to No. 46 included	1	
14	0259 76 101	Sleeve	3	
15	0259 76 102	Washer	1	

61**76****CAR HEATER (R.H.D.)
("T" TYPE DASHBOARD MODEL)**

No.	Part Number	Description	Qty	Remarks
16	0259 76 103	Plain Washer	1	
17	0259 76 104	Nut	1	
18	0259 76 105	Packing	1	
19	0259 76 106	Packing	7	
20	0259 76 107	Clip	1	
	0259 61 360	MOTOR Ass'y	1	
21	0259 76 121	Screw	2	
22	0259 76 122	Plain Washer	2	
23	0259 76 123	Packing	2	
24	0259 76 124	Motor	1	
25	0259 76 125	Spring	2	
26	0259 76 126	Brush	2	
27	0259 76 127	Rotor	1	
28	0259 76 128	Parts Set	1	
29	0259 76 129	Casing	1	
30	0259 61 341	Blower Case	1	
31	0259 61 351	Fan	1	
32	0259 61 352	Packing	1	
33	99952 0618	Plain Washer	3	
	99806 0612	Bolt	3	

CAR HEATER (R.H.D.)

("T" TYPE DASHBOARD MODEL)



No.	Part Number	Description	Q'ty	Remarks
	0820 61 300	HEATER SET	1	
	0820 61 310	HEATER Ass'y	1	
• 1	0259 76 143	Core Box No. 2	1	
2	0820 61 311	Core	1	
3	0820 61 320	Core Box	1	
4	0259 76 137	Seal	1	
5	0259 76 140	Packing	1	
6	0259 76 147	Clip	2	
7	0820 76 133	Screw	2	
8	0259 76 134	Screw	2	
9	0820 76 132	Lever	1	
10	0820 76 134	Screw	1	
11	0259 76 132	Packing	1	
12	0259 76 138	Screw	2	
	0259 76 144	Plain Washer	2	
	0259 76 145	Spring Washer	2	
13	0259 76 131	Screw	2	
	0259 76 133	Spring Washer	2	
	0259 76 136	Plain Washer	2	
	0259 61 340	BLOWER Ass'y Fig. No. 14 to No. 46 included	1	
14	0259 76 101	Sleeve	3	
15	0259 76 102	Washer	1	

61

76

CAR HEATER (R.H.D.)

("T" TYPE DASHBOARD MODEL)

No.	Part Number	Description	Qty	Remarks
16	0259 76 103	Plain Washer	1	
• 17	0259 76 104	Nut	1	
18	0259 76 105	Packing	1	
19	0259 76 106	Packing	7	
20	0259 76 107	Clip	1	
	0259 61 360	MOTOR Ass'y	1	
21	0259 76 121	Screw	2	
22	0259 76 122	Plain Washer	2	
23	0259 76 123	Packing	2	
24	0259 76 124	Motor	1	
25	0259 76 125	Spring	2	
26	0259 76 126	Brush	2	
27	0259 76 127	Rotor	1	
28	0259 76 128	Parts Set	1	
29	0259 76 129	Casing	1	
30	0259 61 341	Blower Case	1	
31	0259 61 351	Fan	1	
32	0259 61 352	Packing	1	
33	99952 0618	Plain Washer	3	
	99806 0612	Bolt	3	

CAR HEATER (R.H.D.)

("T" TYPE DASHBOARD MODEL)



No.	Part Number	Description	Qty	Remarks
34	99906 0600	Nut, Blower	7	
	99952 0618	Plain Washer	7	
	0820 61 370	HEATER CONTROL Ass'y	1	
35	0820 76 151	Control Lever No. 1	1	
36	0820 76 152	Control Lever No. 2	1	
37	0820 76 153	Control Lever No. 3	1	
38	0820 76 154	Shaft No. 1	1	
39	0820 76 155	Spring	2	
40	0820 76 156	Micro Switch	1	
41	0820 76 157	Screw	2	
	0820 76 159	Spring Washer	2	
	0820 76 158	Nut	2	
42	0259 76 154	Clip	3	
43	0259 76 153	Screw	3	
44	0820 61 374	Knob	3	
45	0820 76 161	Screw, Knob	3	
46	0820 61 371	Control Cable No. 3	1	
47	0820 61 372	Control Cable No. 2	1	
48	0820 61 373	Control Cable No. 1	1	
49	0820 61 375	Control Panel	1	
50	0820 61 376	Bezzel	1	
• 51	0820 76 377	Shaft No. 2	1	
• 52	0259 76 158	Snap Ring	2	



CAR HEATER (R.H.D.)

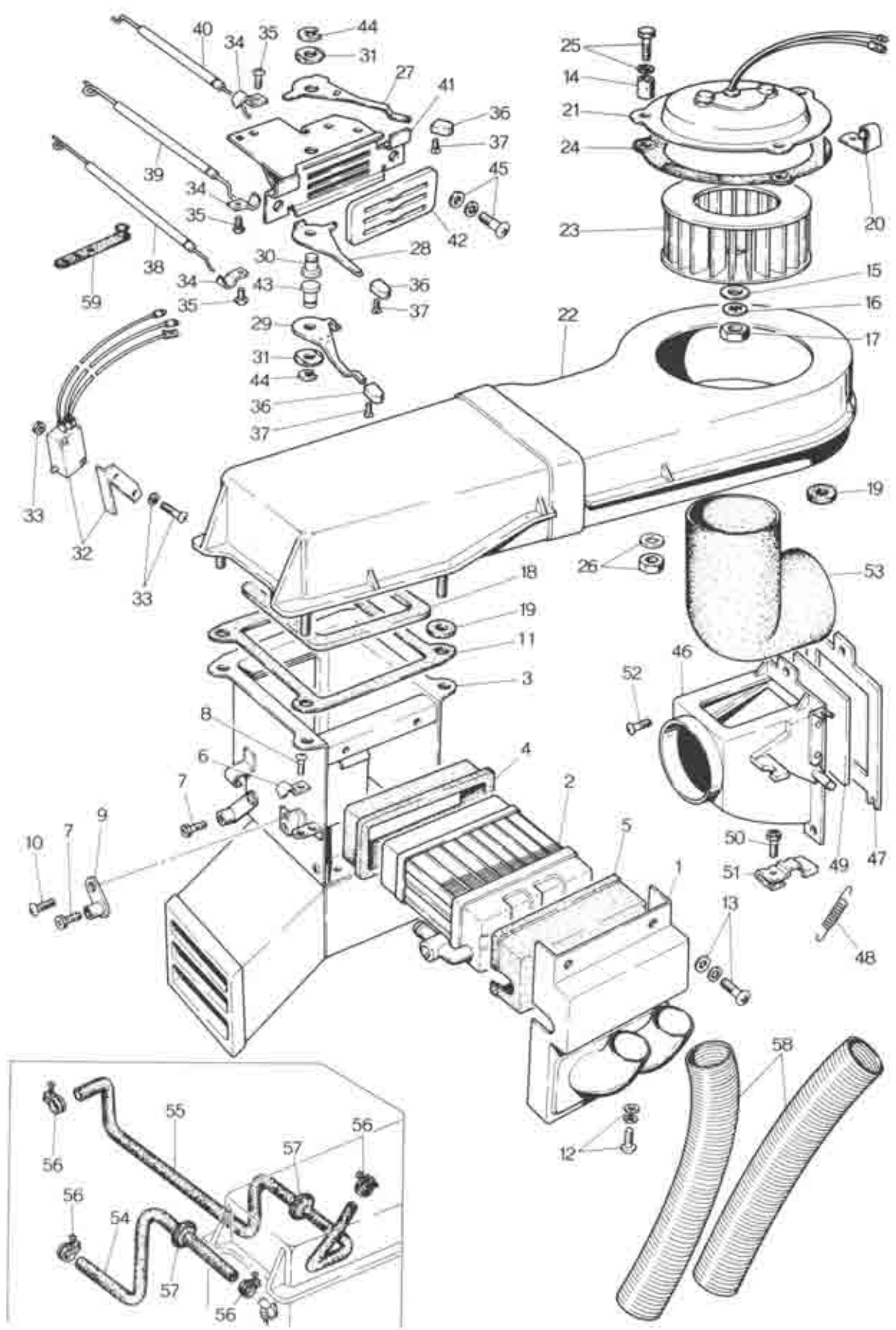
("T" TYPE DASHBOARD MODEL)

No.	Part Number	Description	Qty	Remarks
53	99833 0512	Screw	2	
	99952 0500	Plain Washer	2	
	99971 0500	Spring Washer	2	
	0259 61 380	AIR INTAKE VALVE Ass'y	1	
54	0259 76 161	Air Intake	1	
55	0259 76 162	Seal	1	
56	0259 76 163	Spring	1	
57	0259 76 164	Intake Valve	1	
58	0259 76 165	Screw	1	
59	0259 61 381	Cable Clamp	1	
60	99863 0512	Tapping Screw, Air Intake	3	
61	0259 61 391	Duct	1	
• 62	0820 61 401	Water Hose No. 1	1	
63	0820 61 402	Water Hose No. 2	1	
64	99281 2200	Hose Band	4	
65	0188 61 446	Grommet	2	
66	0820 61 409	Clamp No. 3	1	
67	0820 61 408	Defroster Hose	2	



CAR HEATER (L.H.D.)

("T" TYPE DASHBOARD MODEL)



CAR HEATER (L.H.D.)

("T" TYPE DASHBOARD MODEL)



No	Part Number	Description	Qty	Remarks
	2124 61 300A	HEATER SET	1	
	2415 61 300	HEATER SET For General Spec. Models All parts for the Car Heater are included	1	Car No. 60429 ^{79/5} ~ ○
	0820 61 310	HEATER Ass'y	1	
1	0259 76 143	Core Box No. 2	1	
2	0820 61 311	Core	1	
3	0820 61 320	Core Box	1	
4	0259 76 137	Seal	1	
5	0259 76 140	Packing	1	
6	0259 76 147	Clip	2	
7	0820 76 133	Screw	2	
8	0259 76 134	Screw	2	
9	0820 76 132	Lever	1	
10	0820 76 134	Screw	1	
11	0259 76 132	Packing	1	
12	0259 76 138	Screw	2	
	0259 76 144	Plain Washer	2	
	0259 76 145	Spring Washer	2	
13	0259 76 131	Screw	2	
	0259 76 133	Spring Washer	2	
	0259 76 136	Plain Washer	2	
	2113 61 340	BLOWER Ass'y, Fig. No. 14 to No. 25 Included	1	
14	0259 76 101	Sleeve	3	
15	0259 76 102	Washer	1	
16	0259 76 103	Plain Washer	1	



CAR HEATER (L.H.D.)

(“T” TYPE DASHBOARD MODEL)

No.	Part Number	Description	Qty	Remarks
17	0259 76 104	Nut	1	
18	0259 76 105	Packing	1	
19	0259 76 106	Packing	7	
20	2113 76 169	Clip	1	
21	2113 76 167	Motor Ass'y	1	
22	2113 76 166	Blower Case	1	
23	2113 76 168	Fan	1	
24	0259 61 352	Packing	1	
25	99806 0612	Bolt	3	
	99952 0618	Plain Washer	3	
26	99906 0600	Nut, Blower	7	
	99952 0618	Plain Washer	7	
	0820 61 370	HEATER CONTROL Ass'y	1	
27	0820 76 151	Control Lever No. 1	1	
28	0820 76 152	Control Lever No. 2	1	
29	0820 76 153	Control Lever No. 3	1	
30	0820 76 154	Shaft No. 1	1	
31	0820 76 155	Spring	2	
32	0820 76 156	Micro Switch	1	
33	0820 76 157	Screw	2	
	0820 76 159	Spring Washer	2	
	0820 76 158	Nut	2	

CAR HEATER (L.H.D.)

("T" TYPE DASHBOARD MODEL)



No.	Part Number	Description	Qty	Remarks
34	0259 76 154	Clip	3	
35	0259 76 153	Screw	3	
36	0820 61 374	Knob	3	
37	0820 76 161	Screw, Knob	3	
38	0820 61 371	Control Cable No. 3	1	
39	0820 61 372	Control Cable No. 2	1	
40	0820 61 373	Control Cable No. 1	1	
41	0820 61 375	Control Panel	1	
42	0820 61 376	Bezzel	1	
43	0820 76 377	Shaft No. 2	1	
44	0259 76 158	Snap Ring	2	
45	99833 0512	Screw	2	
	99952 0500	Plain Washer	2	
	99971 0500	Spring Washer	2	
	2113 61 380	AIR INTAKE VALVE Ass'y	1	
46	2113 76 161	Air Intake	1	
47	0259 76 162	Seal	1	
48	0259 76 163	Spring	1	
49	0259 76 164	Air Intake Valve	1	
50	0259 76 165	Screw	1	



CAR HEATER (L.H.D.)

("T" TYPE DASHBOARD MODEL)

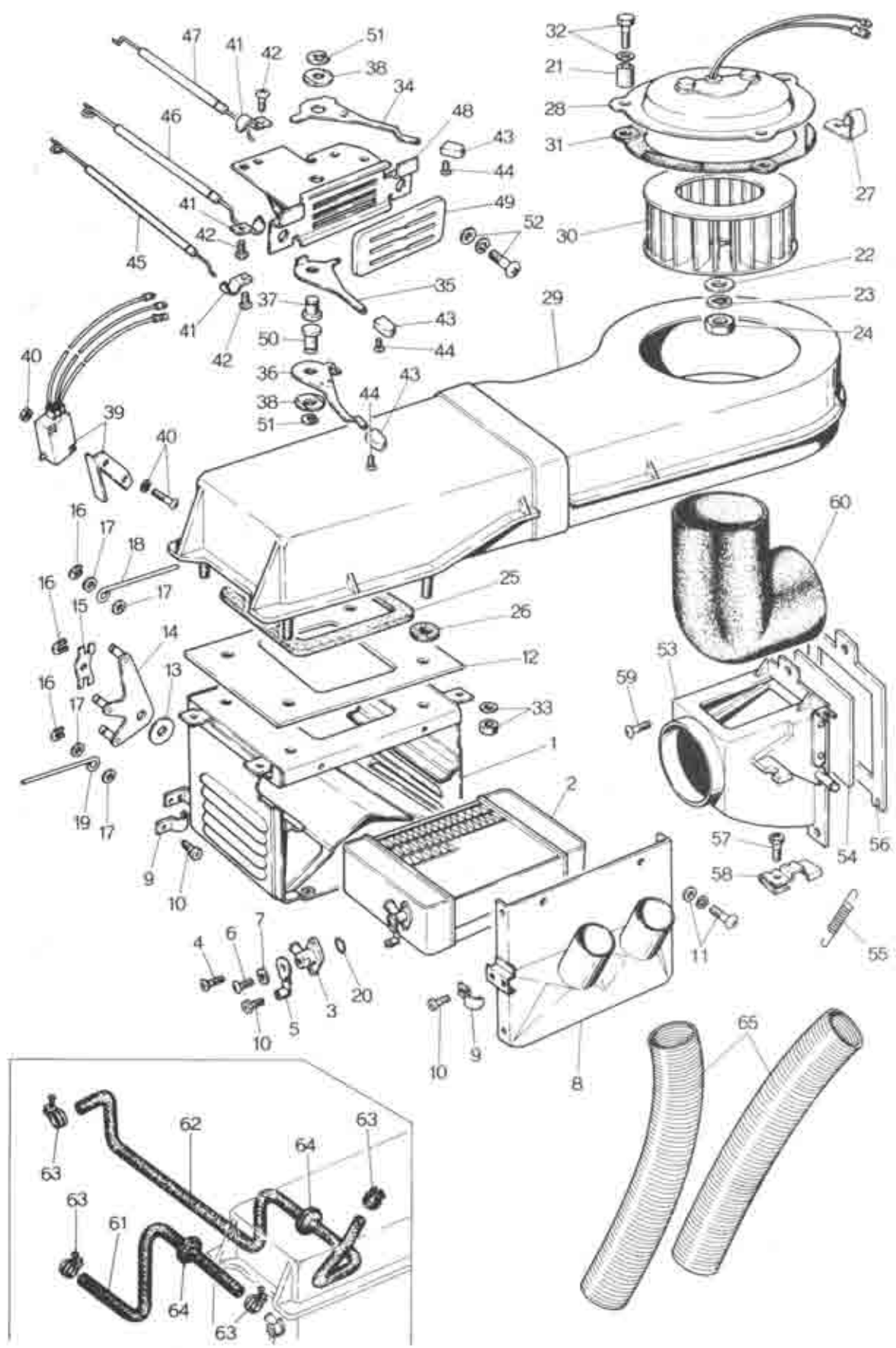
No.	Part Number	Description	Q'ty	Remarks
51	0259 61 381	Cable Clamp	1	
52	99863 0512	Tapping Screw	3	
53	0259 61 391	Duct	1	
54	2124 61 401A	Water Hose No. 1	1	
•	2124 61 401B	Water Hose No. 1	1	Car No. 103335 ⁷¹ / ₆ ~ X
55	2329 61 402B	Water Hose No. 2, Emission Controlled Model	1	
	2415 61 402	Water Hose No. 2, General Spec. Model	1	
56	99281 2200	Hose Band	5	Car No. 60429 ⁷⁰ / ₆ ~ Quantity
57	0188 61 446	Grommet	2	
58	0820 61 408	Defroster Hose	2	
59	0187 66 991	Rubber Clip	1	
N	2329 61 404	Water Hose No. 3, Emission Controlled Model	1	
N	2329 61 403	Water Hose, Emission Controlled Model	1	



THE UNIVERSITY OF CHICAGO PRESS
CHICAGO, ILLINOIS 60607
1997

61 76

CAR HEATER (L.H.D., POWERFUL TYPE) ("T" TYPE DASHBOARD MODEL)



CAR HEATER (L.H.D., POWERFUL TYPE)

("T" TYPE DASHBOARD MODEL)

61

76

No.	Part Number	Description	Qty	Remarks
	2113 61 300A	HEATER SET	1	
	2328 61 300	All parts for the Car Heater are included	1	Car No. 60429 ^{70/5} ~ O
	2113 61 310	HEATER Ass'y	1	
1	2113 76 135	Core Box	1	
2	2113 76 131	Core	1	
3	2113 76 141	Control Cock	1	
4	2113 76 138	Screw	2	
5	2113 76 132	Control Cock Lever	1	
6	2113 76 134	Screw	1	
7	2113 76 133	Spring Washer	1	
8	2113 76 136	Core Box No. 2	1	
9	0259 76 154	Clip	2	
10	0820 76 133	Screw	5	
11	0259 76 153	Screw	8	
	0259 76 133	Spring Washer	8	
	0259 76 136	Plain Washer	8	
12	2113 76 140	Packing	1	
13	2113 76 142	Washer	1	
14	2113 76 143	Valve Control Lever	1	
15	2113 76 146	Spring	1	
16	2113 76 137	Snap Ring	3	
17	2113 76 144	Cushion	4	
18	2113 76 139	Rod No. 2	1	
19	2113 76 148	Rod No. 1	1	
20	2113 76 149	"O" Ring	1	

CAR HEATER (L.H.D., POWERFUL TYPE)

("T" TYPE DASHBOARD MODEL)

61

76

No.	Part Number	Description	Qty	Remarks
	2113 61 340	BLOWER Ass'y, Fig. No. 21 ~ No. 32 Included	1	
21	0259 76 101	Sleeve	3	
22	0259 76 102	Washer	1	
23	0259 76 103	Plain Washer	1	
24	0259 76 104	Nut	1	
25	0259 76 105	Packing	1	
26	0259 76 106	Packing	7	
27	2113 76 169	Clip	1	
28	2113 76 167	Motor Ass'y	1	
29	2113 76 166	Blower Case	1	
30	2113 76 168	Fan	1	
31	0259 61 352	Packing	1	
32	99806 0612	Bolt	3	
	99952 0618	Plain Washer	3	
33	99906 0600	Nut, Blower	7	
	99952 0618	Plain Washer	7	
	2113 61 370	HEATER CONTROL Ass'y	1	
34	0820 76 151	Control Lever No. 1	1	
• 35	2113 76 151	Control Lever No. 2	1	
36	0820 76 153	Control Lever No. 3	1	
37	0820 76 154	Shaft No. 1	1	
38	0820 76 155	Spring	2	

CAR HEATER (L.H.D., POWERFUL TYPE)

(“T” TYPE DASHBOARD MODEL)



No.	Part Number	Description	Qty	Remarks
39	0820 76 156	Micro Switch	1	
40	0820 76 157	Screw	2	
	0820 76 159	Spring Washer	2	
	0820 76 158	Nut	2	
41	0259 76 154	Clip	3	
42	0259 76 153	Screw	3	
43	0820 61 374	Knob	3	
44	0820 76 161	Screw, Knob	3	
45	2113 76 153	Control Cable No. 3	1	
46	2113 76 154	Control Cable No. 2	1	
47	0820 61 373	Control Cable No. 1	1	
48	2113 76 155	Control Panel	1	
49	0820 76 376	Bezzel	1	
50	2113 76 156	Shaft No. 2	1	
51	2113 76 157	Snap Ring	2	
52	99833 0512	Screw	2	
	99952 0500	Plain Washer	2	
	99971 0500	Spring Washer	2	
	2113 61 380	AIR INTAKE VALVE Ass'y	1	
53	2113 76 161	Air Intake	1	
54	0259 76 162	Seal	1	
55	0259 76 163	Spring	1	

61

76

CAR HEATER (L.H.D., POWERFUL TYPE)

('T' TYPE DASHBOARD MODEL)

No.	Part Number	Description	Qty	Remarks
56	0259 76 164	Air Intake Valve	1	
57	0259 76 165	Screw	1	
58	0259 61 381	Cable Clamp	1	
59	99863 0512	Tapping Screw, Air Intake	3	
60	0259 61 391	Duct	1	
61	2113 61 401	Water Hose No. 1	1	
•	2113 61 401A	Water Hose No. 1	1	Car No. 103335 ⁷ / ₈ ~ X
62	2113 61 402A	Water Hose No. 2	1	
	2328 61 403	Water Hose	1	Car No. 60429 ⁷ / ₈ ~ O
63	99281 2200	Hose Band	5	Car No. 60249 ⁷ / ₈ ~ Quantity
64	0188 61 446	Grommet	2	
65	2113 61 408	Defroster Hose	2	



CAR HEATER (R.H.D. NIPPON RADIATOR MAKE)
PLAIN TYPE DASHBOARD MODEL)



No.	Part Number	Description	Q'ty	Remarks
	0845 61 070	HEATER SET (Nippon Radiator Make)	1	
	0845 61 130	HEATER Ass'y	1	
1	0317 76 011	Core	1	
2	0845 76 012	Box Ass'y	1	
3	0317 76 013	Box Rear	1	
4	0845 76 014	Water Valve	1	
5	0317 76 015	Resistor	1	
6	0317 76 016	Water Hose	1	
7	99282 2200	Hose Band	1	
8	0223 61 275	Hose Band	1	
9	0317 76 017	Clamp	2	
10	0317 76 018	Pin	1	
11	0317 76 019	Spring	1	
12	0317 76 020	Spring	1	
13	0317 76 021	Washer	1	
14	0317 76 022	Lever	1	
15	99576 0400	Snap Ring	1	
16	0317 76 023	Knob	1	
17	0317 76 024	Cable	1	
18	0259 76 147	Clip	2	
19	0275 76 128	Screw	2	
20	0259 76 132	Packing	1	
21	0259 76 139	Seal	1	
22	99833 0410	Screw	2	
23	99971 0400	Spring Washer	2	



CAR HEATER (R.H.D. NIPPON RADIATOR MAKE)

(PLAIN TYPE DASHBOARD MODEL)

No.	Part Number	Description	Qty	Remarks
24	99863 0412	Tapping Screw	7	
25	99952 0400	Plain Washer	5	
	0259 61 340	BLOWER Ass'y Fig. No. 26 to No. 46 included	1	
26	0259 76 101	Sleeve	3	
27	0259 76 102	Washer	1	
28	0259 76 103	Plain Washer	1	
29	0259 76 104	Nut	1	
30	0259 76 105	Packing	1	
31	0259 76 106	Packing	7	
32	0259 76 107	Clip	1	
	0259 61 360	MOTOR Ass'y	1	
33	0259 76 121	Screw	2	
34	0259 76 122	Plain Washer	2	
35	0259 76 123	Packing	2	
36	0259 76 124	Motor	1	
37	0259 76 125	Spring	2	
38	0259 76 126	Brush	2	
39	0259 76 127	Rotor	1	
40	0259 76 128	Parts Set	1	
41	0259 76 129	Casing	1	

CAR HEATER (R.H.D. NIPPON RADIATOR MAKE)

(PLAIN TYPE DASHBOARD MODEL)

61

76

No	Part Number	Description	Qty	Remarks
42	0259 61 341	Blower Case	1	
43	0259 61 351	Fan	1	
44	0259 61 352	Packing	1	
45	99952 0618	Plain Washer	3	
	99806 0612	Bolt	3	
46	99906 0600	Nut, Blower	7	
	99952 0618	Plain Washer	10	
	0317 61 190	HEATER CONTROL Ass'y	1	©
47	0317 76 051	Bracket	1	
48	0317 76 052	Switch Ass'y	1	
•	0317 76 052A	Switch Ass'y	1	Car No. 69735 ⁷⁹ / ₁₀ ~ ○
49	0317 76 053	Lever	1	
50	0317 76 054	Spring	1	
•	0317 76 054A	Spring	1	Car No. 69735 ⁷⁹ / ₁₀ ~ ○
51	0317 76 055	Stopper	1	
52	0317 76 056	Cable No. 1	1	
53	0317 76 057	Cable No. 2	1	
54	0317 76 058	Knob No. 1	1	
55	0317 76 059	Knob No. 2	1	
56	0317 76 060	Rubber	1	
57	0259 76 147	Clip	2	
58	0259 76 155	Screw	2	
59	0275 76 128	Screw	2	
60	99906 0500	Nut	2	
	99971 0500	Spring Washer	2	
	99952 0516	Plain Washer	2	

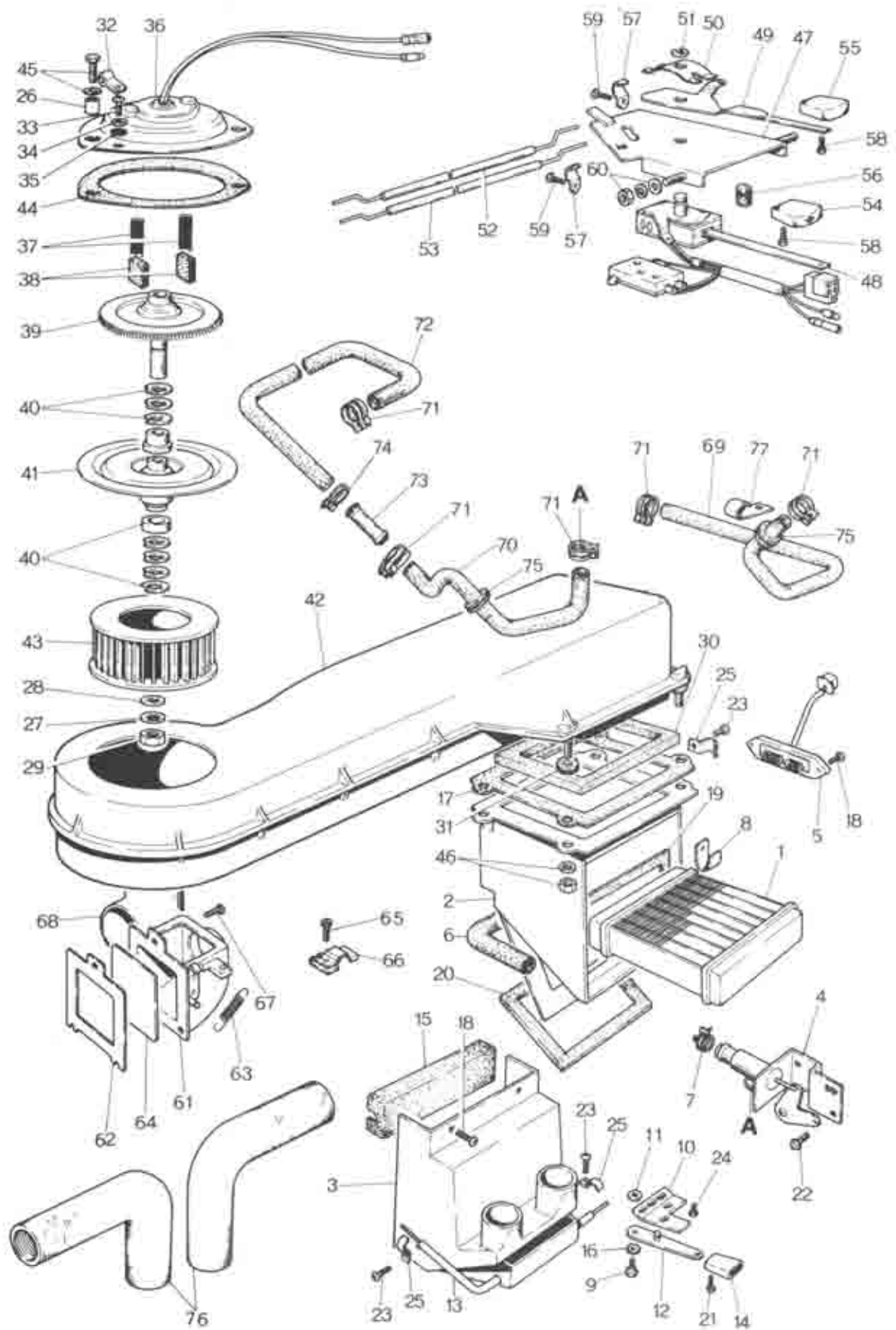


CAR HEATER (R.H.D. NIPPON RADIATOR MAKE) (PLAIN TYPE DASHBOARD MODEL)

No.	Part Number	Description	Qty	Remarks
	0259 61 380	AIR INTAKE VALVE Ass'y	1	
61	0259 76 161	Air Intake	1	
62	0259 76 162	Seal	1	
63	0259 76 163	Spring	1	
64	0259 76 164	Air Intake Valve	1	
65	0259 76 165	Screw	1	
66	0259 61 381	Cable Clamp	1	
67	99863 0512	Tapping Screw	3	
68	0259 61 391	Air Intake Duct	1	
69	0845 61 211A	Water Hose No. 1	1	
70	0845 61 212	Water Hose No. 2	1	
71	99281 2200	Hose Clamp "B" Type	5	
72	0845 61 221	Water Hose No. 3	1	
73	0180 79 556	Hose Nipple	1	
74	99282 2200	Clip	1	
75	0188 61 446	Grommet	2	
76	0317 61 250A	Defroster Hose	2	
77	0820 61 409	Clip	1	

CAR HEATER (R.H.D. DENSO MAKE)

(PLAIN TYPE DASHBOARD MODEL)



CAR HEATER (R.H.D. DENSO MAKE)

(PLAIN TYPE DASHBOARD MODEL)



No.	Part Number	Description	Q'ty	Remarks
	0845 61 080	HEATER SET (Denso Make)	1	
	0845 61 130	HEATER Ass'y	1	
1	0315 76 011	Core	1	
2	0315 76 012	Box No. 1 Ass'y	1	
3	0315 76 013	Box No. 2	1	
4	0315 76 014	Control Cock	1	
5	0315 76 015	Resistor	1	
6	0315 76 016	Water Hose	1	
7	99282 2200	Hose Band	2	
8	0315 76 018	Clip	1	
9	0315 76 019	Pin, Control	1	
10	0315 76 021	Bracket	1	
11	0315 76 022	Washer	1	
12	0315 76 023	Lever	1	
13	0315 76 026	Cable	1	
14	0315 76 025	Knob	1	
15	0315 76 027	Packing	1	
16	0315 76 028	Washer	1	
17	0259 76 132	Packing	1	
18	0259 76 135	Screw	6	
19	0259 76 137	Seal	1	
20	0259 76 139	Seal	1	
21	0259 76 155	Screw	1	
22	908331 4 10	Set Screw	2	
23	99833 0408	Tapping Screw	3	

61 **76**

CAR HEATER (R.H.D. DENSO MAKE)
(PLAIN TYPE DASHBOARD MODEL)

No.	Part Number	Description	Qty	Remarks
24	99863 0512	Screw	3	
25	99259 0606	Clip	3	
	0259 61 340	BLOWER Fig. No. 26 to No. 46 included	1	
26	0259 76 101	Sleeve	3	
27	0259 76 102	Washer	1	
28	0259 76 103	Plain Washer	1	
29	0259 76 104	Nut	1	
30	0259 76 105	Packing	1	
31	0259 76 106	Packing	7	
32	0259 76 107	Clip	1	
	0259 61 360	MOTOR Ass'y	1	
33	0259 76 121	Screw	2	
34	0259 76 122	Plain Washer	2	
35	0259 76 123	Packing	2	
36	0259 76 124	Motor	1	
37	0259 76 125	Spring	2	
38	0259 76 126	Brush	2	
39	0259 76 127	Rotor	1	
40	0259 76 128	Parts Set	1	
41	0259 76 129	Casing	1	

CAR HEATER (R.H.D. DENSO MAKE)

(PLAIN TYPE DASHBOARD MODEL)

61

76

No.	Part Number	Description	Q'ty	Remarks
42	0259 61 341	Blower Case	1	
43	0259 61 351	Fan	1	
44	0259 61 352	Packing	1	
45	99952 0618	Plain Washer	3	
	99806 0612	Bolt	3	
46	99906 0600	Nut, Blower	7	
	99952 0618	Plain Washer	10	
	0317 61 190	HEATER CONTROL Ass'y	1	©
47	0317 76 051	Bracket	1	
48	0317 76 052	Switch Ass'y	1	
•	0317 76 052A	Switch Ass'y	1	Car No. 69735 ⁷⁰ / ₁₀ ~ ○
49	0317 76 053	Lever	1	
50	0317 76 054	Spring	1	
•	0317 76 054A	Spring	1	Car No. 69735 ⁷⁰ / ₁₀ ~ ○
51	0317 76 055	Stopper	1	
52	0317 76 056	Cable No. 1	1	
53	0317 76 057	Cable No. 2	1	
54	0317 76 058	Knob No. 1	1	
55	0317 76 059	Knob No. 2	1	
56	0317 76 060	Rubber	1	
57	0259 76 147	Clip	2	
58	0259 76 155	Screw	2	
59	0275 76 128	Screw	2	
60	99906 0500	Nut	2	
	99971 0500	Spring Washer	2	
	99952 0516	Plain Washer	2	



CAR HEATER (R.H.D. DENSO MAKE)

(PLAIN TYPE DASHBOARD MODEL)

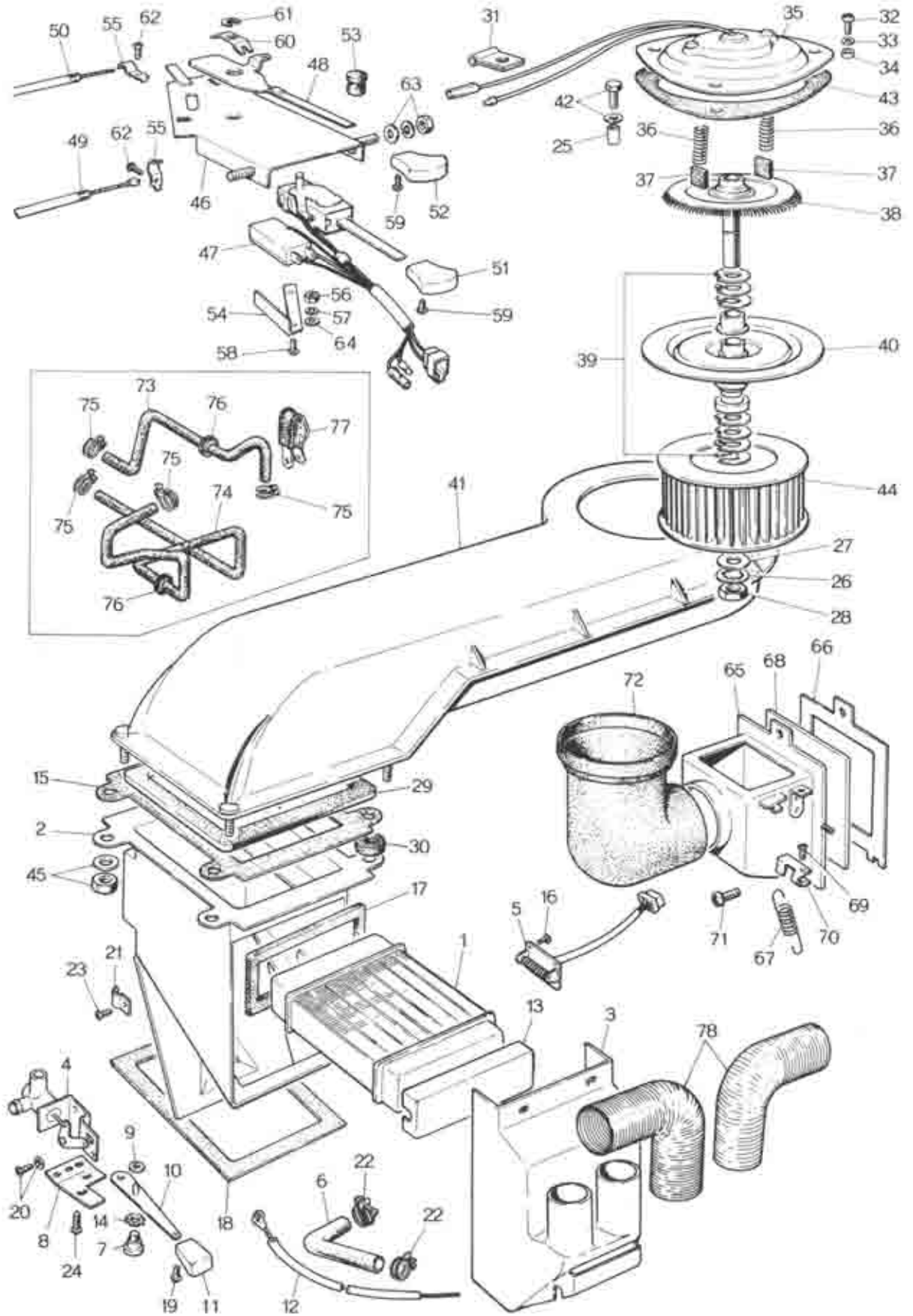
No.	Part Number	Description	Qty	Remarks
	0259 61 380	AIR INTAKE VALVE Ass'y	1	
61	0259 76 161	Air Intake	1	
62	0259 76 162	Seal	1	
63	0259 76 163	Spring	1	
64	0259 76 164	Air Intake Valve	1	
65	0259 76 165	Screw	1	
66	0259 61 381	Cable Clamp	1	
67	99863 0512	Tapping Screw, Air Intake Valve	3	
68	0259 61 391	Air Intake Duct	1	
• 69	0845 61 211A	Water Hose No. 1	1	
70	0845 61 212	Water Hose No. 2	1	
71	99281 2200	Hose Clamp "B" Type	5	
72	0845 61 221	Water Hose No. 3	1	
73	0180 79 556	Hose Nipple	1	
74	99282 2200	Clip	1	
75	0188 61 446	Grommet	2	
76	0317 61 250A	Defroster Hose	2	
77	0820 61 409	Clip	1	



DATE	DESCRIPTION	AMOUNT
1900		
1901		
1902		
1903		
1904		
1905		
1906		
1907		
1908		
1909		
1910		
1911		
1912		
1913		
1914		
1915		
1916		
1917		
1918		
1919		
1920		
1921		
1922		
1923		
1924		
1925		
1926		
1927		
1928		
1929		
1930		
1931		
1932		
1933		
1934		
1935		
1936		
1937		
1938		
1939		
1940		
1941		
1942		
1943		
1944		
1945		
1946		
1947		
1948		
1949		
1950		
1951		
1952		
1953		
1954		
1955		
1956		
1957		
1958		
1959		
1960		
1961		
1962		
1963		
1964		
1965		
1966		
1967		
1968		
1969		
1970		
1971		
1972		
1973		
1974		
1975		
1976		
1977		
1978		
1979		
1980		
1981		
1982		
1983		
1984		
1985		
1986		
1987		
1988		
1989		
1990		
1991		
1992		
1993		
1994		
1995		
1996		
1997		
1998		
1999		
2000		
2001		
2002		
2003		
2004		
2005		
2006		
2007		
2008		
2009		
2010		
2011		
2012		
2013		
2014		
2015		
2016		
2017		
2018		
2019		
2020		
2021		
2022		
2023		
2024		
2025		
2026		
2027		
2028		
2029		
2030		
2031		
2032		
2033		
2034		
2035		
2036		
2037		
2038		
2039		
2040		
2041		
2042		
2043		
2044		
2045		
2046		
2047		
2048		
2049		
2050		
2051		
2052		
2053		
2054		
2055		
2056		
2057		
2058		
2059		
2060		
2061		
2062		
2063		
2064		
2065		
2066		
2067		
2068		
2069		
2070		
2071		
2072		
2073		
2074		
2075		
2076		
2077		
2078		
2079		
2080		
2081		
2082		
2083		
2084		
2085		
2086		
2087		
2088		
2089		
2090		
2091		
2092		
2093		
2094		
2095		
2096		
2097		
2098		
2099		
2100		

CAR HEATER (L.H.D.)

(PLAIN TYPE DASHBOARD MODEL)



CAR HEATER (L.H.D.)

(PLAIN TYPE DASHBOARD MODEL)

▲ 61 ▲

▲ 76 ▲

No.	Part Number	Description	Qty	Remarks
	2335 61 080	HEATER SET All parts for the Car Heater are included	1	
	2335 61 130	HEATER Ass'y	1	
1	0315 76 011	Core	1	
2	2370 76 012	Heater Box No. 1	1	
3	0315 76 013	Heater Box No. 2	1	
4	0315 76 014	Control Cock	1	
5	0315 76 015	Resistor	1	
6	0315 76 016	Water Hose	1	
7	0315 76 019	Pin	1	
8	0315 76 021	Bracket	1	
9	0315 76 022	Washer	1	
10	0315 76 023	Lever	1	
11	0315 76 025	Knob	1	
12	0315 76 026	Cable	1	
13	0315 76 027	Packing	1	
14	0315 76 028	Washer	1	
15	0259 76 132	Packing	1	
16	0259 76 135	Screw	6	
17	0259 76 137	Packing	1	
18	0259 76 139	Packing	1	
19	0259 76 155	Screw	1	
20	908331 4 10	Set Screw	2	
21	99259 0606	Clip	3	
22	99282 2200	Clamp	2	
23	99833 0408	Screw	3	



CAR HEATER (L.H.D.)

(PLAIN TYPE DASHBOARD MODEL)

No.	Part Number	Description	Qty	Remarks
24	99863 0512	Screw	3	
	2158 61 340	BLOWER SET Fig. No. 25 to No. 44 Included.	1	
25	0259 76 101	Sleeve	3	
26	0259 76 102	Washer	1	
27	0259 76 103	Plain Washer	1	
28	0259 76 104	Nut	1	
29	0259 76 105	Packing	1	
30	0259 76 106	Packing	7	
31	0259 76 107	Clip	1	
	0259 61 360	MOTOR SET	1	
32	0259 76 121	Screw	2	
33	0259 76 122	Washer	2	
34	0259 76 123	Packing	2	
35	0259 76 124	Motor	1	
36	0259 76 125	Spring	2	
37	0259 76 126	Brush	2	
38	0259 76 127	Rotor	1	
39	0259 76 128	Parts Set	1	
40	0259 76 129	Casing	1	

CAR HEATER (L.H.D.)

(PLAIN TYPE DASHBOARD MODEL)



No.	Part Number	Description	Qty	Remarks
41	2158 76 101	Blower Case	1	
42	99806 0612	Bolt	3	
	99952 0618	Plain Washer	3	
43	0259 61 352	Packing	1	
44	2158 61 351	Fan	1	
45	99906 0600	Nut	7	
	99952 0618	Plain Washer	7	
	2370 61 190	HEATER CONTROL	1	
46	0315 76 051	Control Panel	1	
47	0315 76 052	Heater Switch	1	
48	0315 76 053	Lever	1	
49	0315 76 056	Control Cable No. 2	1	
50	2370 76 057	Control Cable No. 1	1	
51	0315 76 058	Knob No. 1	1	
52	0315 76 059	Knob No. 2	1	
53	0315 76 060	Rubber	1	
54	0315 76 061	Plate	1	
55	0315 76 062	Clamp	2	
56	0315 76 063	Nut	2	
57	0315 76 064	Spring Washer	2	
58	0315 76 065	Screw	2	
59	0259 76 155	Screw	2	

61 76

CAR HEATER (L.H.D.)

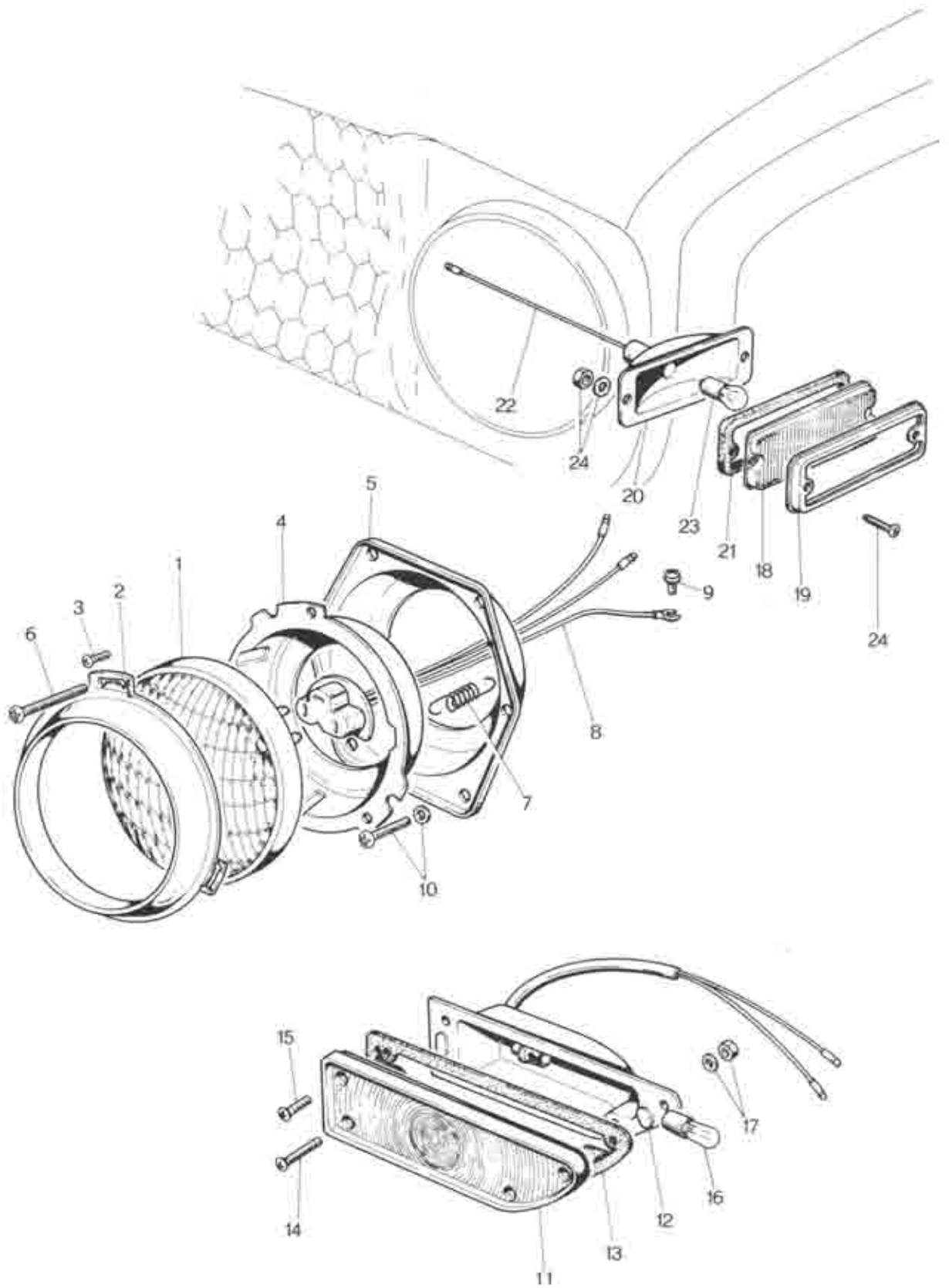
(PLAIN TYPE DASHBOARD MODEL)

No.	Part Number	Description	Qty	Remarks
60	0259 76 157	Washer	1	
61	0259 76 158	Washer	1	
62	99833 0408	Screw	2	
63	99906 0500	Nut	2	
	99971 0500	Spring Washer	2	
	99952 0516	Plain Washer	2	
64	99952 0300	Plain Washer	2	
	0259 61 380	AIR INTAKE VALVE	1	
65	0259 76 161	Air Intake	1	
66	0259 76 162	Seal	1	
67	0259 76 163	Spring	1	
68	0259 76 164	Air Intake Valve	1	
69	0259 76 165	Screw	1	
70	0259 61 381	Cable Clip	1	
71	99863 0512	Tapping Screw, Air Intake Valve	3	
72	0259 61 391	Air Intake Duct	1	
73	2335 61 211	Water Hose	1	
74	2335 61 212A	Water Hose No. 1	1	
75	99282 2200	Clamp	4	
76	0259 61 405	Grommet	2	
77	0259 61 406	Clamp	2	
78	0317 61 250	Defroster Hose	2	



66

LAMPS (FRONT SIDE) (CANADA & U.S.A. MODEL)



LAMPS (FRONT SIDE)

(CANADA & U.S.A. MODEL)



No.	Part Number	Description	Q'ty	Remarks
	2244 66 020A	HEAD LAMP (R), ROUND TYPE LAMP	1	
	2244 66 050A	HEAD LAMP (L), ROUND TYPE LAMP	1	
1	2244 87 011	Sealed Beam Unit	2	
2	2244 87 012	Retaining Ring	2	
3	2244 87 013	Screw	6	
4	2244 87 014	Mounting (R)	1	
	2244 87 015	Mounting (L)	1	
5	2244 87 016	Lamp Housing (R)	1	
	2244 87 017	Lamp Housing (L)	1	
6	2244 87 018	Adjust Screw	4	
7	2244 87 019	Extension Spring	2	
8	0259 66 070	Head Lamp Cord Ass'y	2	
9	908336 5 12	Set Screw, Head Lamp	2	
10	908336 6 20	Set Screw	8	
	2244 66 090	FRONT TURN SIGNAL LAMP (R) Amber	1	
	2244 66 110	FRONT TURN SIGNAL LAMP (L) Amber	1	
11	2244 87 031	Globe (R), Amber	1	
	2244 87 032	Globe (L), Amber	1	
12	0259 66 093A	Lamp Body (R)	1	
	0259 66 113	Lamp Body (L)	1	
13	0259 66 094A	Seal Rubber (R)	1	
	0259 66 114	Seal Rubber (L)	1	

LAMPS (FRONT SIDE)

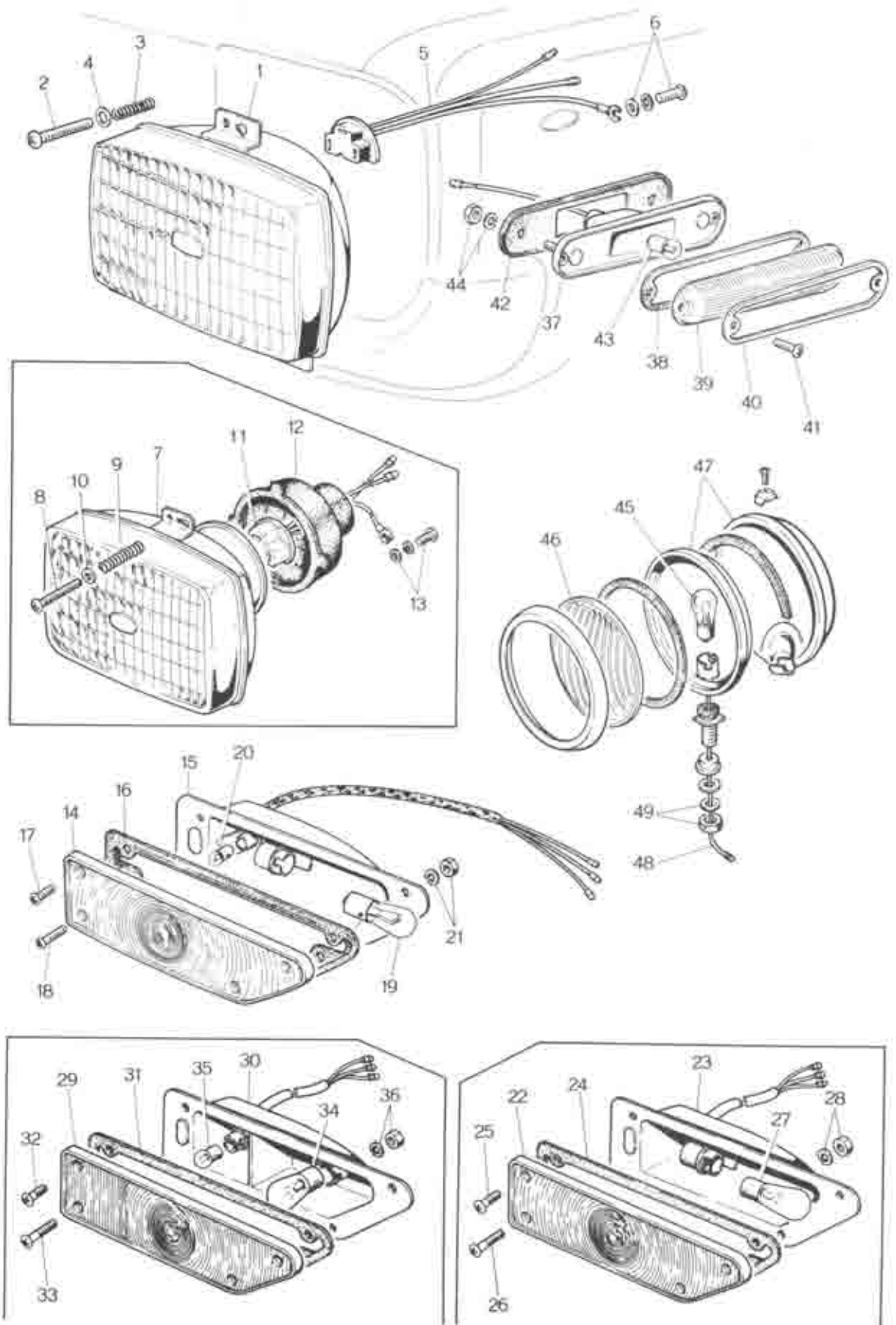
(CANADA & U.S.A. MODEL)

No.	Part Number	Description	Qty	Remarks
14	0259 66 095	Screw, Lamp Globe	4	
15	0259 66 096	Screw	4	
16	99701 4237	Bulb (12V, 23W/7W)	2	
17	99906 0500	Nut, Front Turn Signal Lamp	4	
	99952 0500	Plain Washer	4	
	2244 66 230	SIDE MARKER LAMP (R)	1	
	2244 66 240	SIDE MARKER LAMP (L)	1	
18	2244 87 191	Lamp Globe, Amber Color	2	
19	2244 87 192	Lamp Rim	2	
20	2244 87 193	Body	2	
21	2244 87 194	Seat Rubber (R)	1	
	2244 87 195	Seat Rubber (L)	1	
22	2244 87 196	Cord Ass'y	2	
23	99701 2080	Bulb (12V 8W)	2	
24	99773 0420	Screw, Side Marker Lamp	4	
	99906 0400	Nut	4	
	99952 0400	Plain Washer	4	



[The main body of the page contains extremely faint, illegible text, likely bleed-through from the reverse side of the document. The text is arranged in several paragraphs and is too light to transcribe accurately.]

LAMPS (FRONT SIDE) (GENERAL EXPORT MODEL)



LAMPS (FRONT SIDE)

(GENERAL EXPORT MODEL)



No.	Part Number	Description	Qty	Remarks
	0820 66 020	HEAD LAMP (R), (R.H.D.)	1	
	2124 66 020	HEAD LAMP (R), (L.H.D.)	1	
	0820 66 050	HEAD LAMP (L), (R.H.D.)	1	
	2124 66 050	HEAD LAMP (L), (L.H.D.)	1	
1	0259 66 021	Metal Back Sealed Beam Unit (R), (R.H.D.)	1	
	2158 66 021	Metal Back Sealed Beam Unit (R), (L.H.D.)	1	
	0259 66 051	Metal Back Sealed Beam Unit (L), (R.H.D.)	1	
	2158 66 051	Metal Back Sealed Beam Unit (L), (L.H.D.)	1	
2	0259 66 015	Adjust Screw	6	
3	0259 66 016	Adjust Spring	6	
4	0248 66 028	Spring Holder	6	
5	0259 66 070	Head Lamp Cord	2	
6	99833 0512	Screw, Earth Cord	2	
	99952 0500	Plain Washer	2	
	99971 0500	Spring Washer	2	
	2325 66 020	HEAD LAMP (R) For Semi-Sealed Beam use, Without Lamp Bulb	1	
	2325 66 050	HEAD LAMP (L) For Semi-Sealed Beam use, Without Lamp Bulb	1	
7	2325 66 021	Semi-Sealed Beam (R)	1	
	2325 66 051	Semi-Sealed Beam (L)	1	
8	0259 66 015	Adjust Screw	6	
9	0259 66 016	Adjust Spring	6	
10	0248 66 028	Spring Holder	6	



LAMPS (FRONT SIDE)

(GENERAL EXPORT MODEL)

No.	Part Number	Description	Qty	Remarks
11	0259 66 070	Head Lamp Cord	2	
12	2247 66 071	Cap	2	
13	908330 5 12	Set Screw, Earth Cord	2	
		(For General, White Lens)		
	0268 66 090	FRONT TURN SIGNAL LAMP (R) White	1	
	2158 66 090	FRONT TURN SIGNAL LAMP (R) White With (A) Mark	1	
	0268 66 110	FRONT TURN SIGNAL LAMP (L) White	1	
	2158 66 110	FRONT TURN SIGNAL LAMP (L) White With (A) Mark	1	
14	0259 66 091A	Lamp Globe (R)	1	
	2325 66 091A	Lamp Globe (R) With (A) Mark	1	Car No. 64215 ^{70/7} ~ O
	0259 66 111	Lamp Globe (L)	1	
	2325 66 111A	Lamp Globe (L) With (A) Mark	1	Car No. 64215 ^{70/7} ~ O
15	0268 66 093	Lamp Case (R)	1	
	2158 66 093	Lamp Case (R) With (A) Mark	1	
	0268 66 113	Lamp Case (L)	1	
	2158 66 113	Lamp Case (L) With (A) Mark	1	
16	0259 66 094A	Seal Rubber	4	
	0259 66 114	Seal Rubber (L)	1	
17	0259 66 095	Screw	4	
18	0259 66 096	Screw	4	
	0259 66 095	Screw	4	Car No. 62024 ^{70/6} ~ O
19	99701 4237	Bulb	2	
20	99701 6030	Bulb	2	
21	99906 0500	Nut, Front Turn Signal Lamp	4	
	99952 0500	Plain Washer	4	

LAMPS (FRONT SIDE)

(GENERAL EXPORT MODEL)

66

No.	Part Number	Description	Qty	Remarks
		(For Europe, White Lens)		
	2325 66 090A	FRONT TURN SIGNAL LAMP (R) With (E ₂) Mark	1	
	2325 66 090B	FRONT TURN SIGNAL LAMP (R) With (E ₂), (A) Mark	1	Car No. 64215 70/7 ~ 0
	2325 66 110A	FRONT TURN SIGNAL LAMP (L) With (E ₂) Mark	1	
	2325 66 110G	FRONT TURN SIGNAL LAMP (L) With (E ₂), (A) Mark	1	Car No. 64215 70/7 ~ 0
22	2325 66 091	Lamp Globe (R)	1	
	2325 66 091A	Lamp Globe (R)	1	Car No. 64215 70/7 ~ 0
	2325 66 111	Lamp Globe (L)	1	
	2325 66 111A	Lamp Globe (L)	1	Car No. 64215 70/7 ~ 0
23	2325 66 093	Lamp Case (R)	1	
	2325 66 093A	Lamp Case (R)	1	Car No. 64215 70/7 ~ 0
	2325 66 113	Lamp Case (L)	1	
	2325 66 113A	Lamp Case (L)	1	Car No. 64215 70/7 ~ 0
24	0259 66 094	Seal Rubber (R)	1	
	0259 66 094A	Seal Rubber (R)	1	Car No. 64215 70/7 ~ 0
	0259 66 114	Seal Rubber (L)	1	
25	0259 66 095	Screw	4	
26	0259 66 096	Screw	4	
27	99701 4237	Bulb	2	

28	99906 0500	Nut, Front Turn Signal Lamp	4	
	99952 0500	Plain Washer	4	

For All Models (Italy Excluded) Used From Car No. 82291 71/1

(Amber & White Lens)

	2256 66 090	FRONT TURN SIGNAL LAMP (R)	1	
	2399 66 090	Lamp Globe, Amber & White	1	Car No. 67152 70/7 ~ 0
	2360 66 110A		1	Car No. 82291 71/1 ~ 0
	2256 66 110	FRONT TURN SIGNAL LAMP (L)	1	
	2399 66 110	Lamp Globe, Amber & White	1	Car No. 67152 70/7 ~ 0
	2360 66 130A		1	Car No. 82291 71/1 ~ 0
29	2256 66 091	Lamp Globe (R) Amber & White	1	
	2399 66 091	Lamp Globe (R) Amber & White	1	Car No. 67152 70/7 ~ 0
	2360 87 004A	Lamp Globe (R) Amber & White	1	Car No. 82291 71/1 ~ 0
	2256 66 111	Lamp Globe (L) Amber & White	1	
	2399 66 111	Lamp Globe (L) Amber & White	1	Car No. 67152 70/7 ~ 0
	2360 87 008A	Lamp Globe (L) Amber & White	1	Car No. 82291 71/1 ~ 0
30	2256 66 093	Lamp Body (R)	1	
	2399 66 111	Lamp Body (R)	1	Car No. 67152 70/7 ~ 0
	2360 87 002A	Lamp Body (R)	1	Car No. 82291 71/1 ~ 0
	2256 66 113	Lamp Body (L)	1	
	2399 66 113	Lamp Body (L)	1	Car No. 67152 70/7 ~ 0
	2360 87 006A	Lamp Body (L)	1	Car No. 82291 71/1 ~ 0
31	2256 66 094	Seal Rubber (R)	1	
	0259 66 094A	Seal Rubber (R)	1	Car No. 82291 71/1 ~ 0
	2256 66 114	Seal Rubber (L)	1	
	0259 66 114	Seal Rubber (L)	1	Car No. 82291 71/1 ~ 0



LAMPS (FRONT SIDE)

(GENERAL EXPORT MODEL)

No.	Part Number	Description	Qty	Remarks
32	0259 66 095	Screw	8	Car No. 64368 ⁷⁰ / ₈ ~ Quantity
33	0259 66 096	Screw	4	Car No. 64368 ⁷⁰ / ₈ ~ Discarded
34	99701 3250	Bulb	2	
•	99701 3210	Bulb	2	Car No. 82291 ⁷¹ / ₁ ~ X
35	99701 7050	Bulb	2	
•	99701 2050	Bulb	2	Car No. 62907 ⁷⁰ / ₇ ~ X
36	99906 0500	Nut, Front Turn Signal Lamp	4	
	99952 0500	Plain Washer	4	
	0274 66 480A	SIDE TURN SIGNAL LAMP (R)	1	
	2212 66 480	SIDE TURN SIGNAL LAMP (R), WITH (A) MARK	1	
	0274 66 490A	SIDE TURN SIGNAL LAMP (L)	1	
	2212 66 490	SIDE TURN SIGNAL LAMP (L), WITH (A) MARK	1	
37	0274 87 191	Case	2	
	2212 87 191	Case, With (A) Mark	2	
38	0274 87 192	Gasket	2	
39	0274 87 193	Lens	2	
40	0274 87 194	Frame	2	
41	0274 87 195	Screw	4	
42	0274 87 196	Gasket (R)	1	
	0274 87 206	Gasket (L)	1	
43	99701 1030	Bulb	2	
44	99906 0400	Nut, Side Turn Signal Lamp	4	

LAMPS (FRONT SIDE) (GENERAL EXPORT MODEL)



No.	Part Number	Description	Qty	Remarks
	99952 0400	Plain Washer	4	
	0820 79 610	FOG LAMP	2	
45	0191 79 611	Bulb	2	
46	0191 79 612	Lens	2	
47	0820 79 613	Lamp Body	2	Optional
48	0259 79 614	Cord	2	
49	0191 79 615	Spring Washer	2	
	0191 79 616	Nut	2	
	2360 66 110	FRONT TURN SIGNAL LAMP (R) Lamp Glove White & Amber	1	
	2360 66 140	FRONT TURN SIGNAL LAMP (L) Lamp Glove White & Amber	1	
	2360 87 004	Lamp Lens (R)	1	
	2360 87 008	Lamp Lens (L)	1	
	2360 87 002	Lamp Case (R)	1	
	2360 87 006	Lamp Case (L)	1	
	99701 3210	Bulb	2	



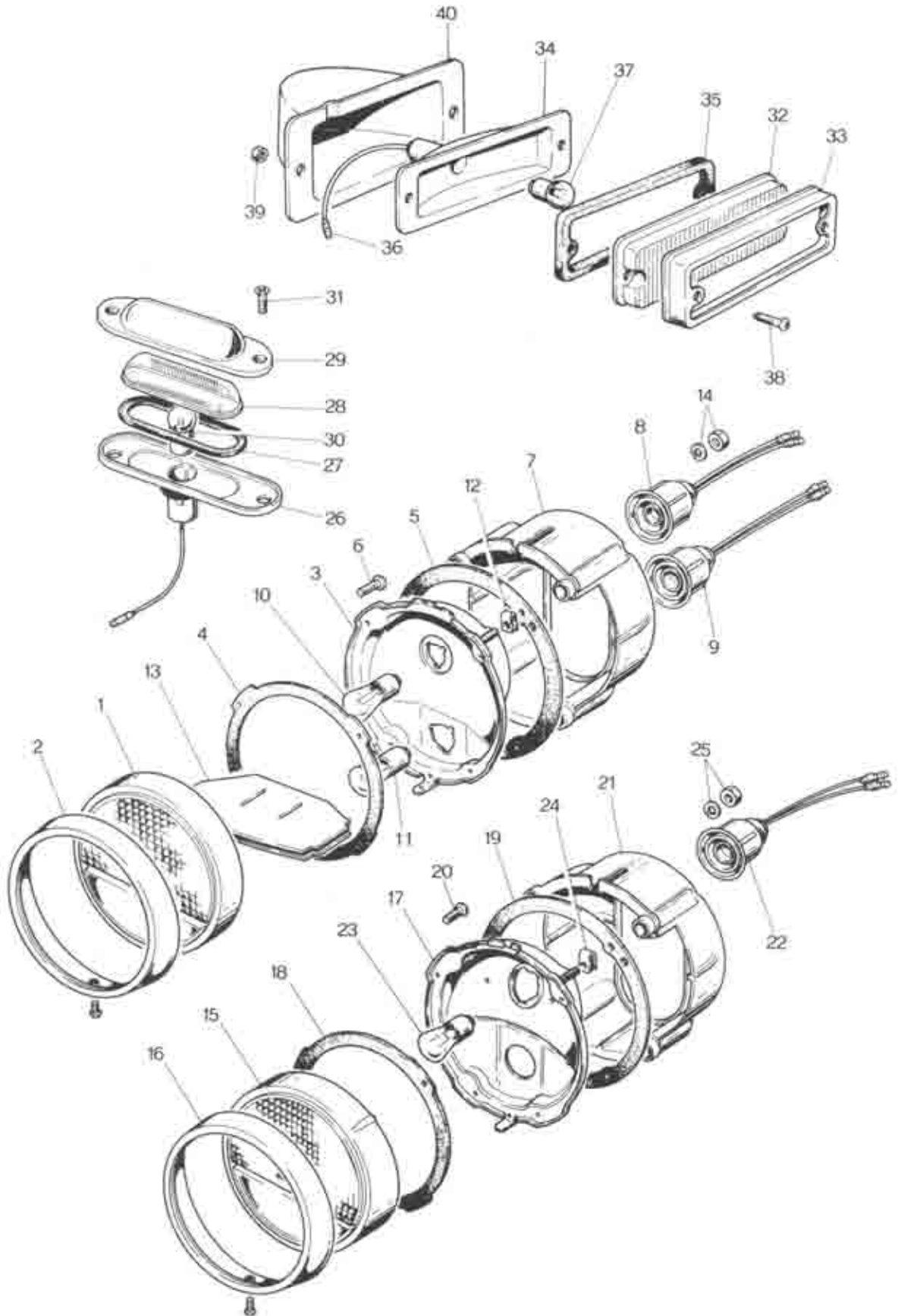
Date	Description of Work	Remarks
1957-01-15	Initial calibration of the instrument.	All readings within 0.1% of nominal.
1957-02-01	Standard test run at 1000 Hz.	Output stable, 1.0000 ± 0.0002.
1957-02-15	Temperature stability test.	No significant drift observed.
1957-03-01	Comparison with NBS standard.	Excellent agreement.
1957-03-15	Long-term stability check.	Drift less than 0.05% over 2 weeks.
1957-04-01	Re-calibration after 6 weeks.	Instrument remains accurate.
1957-04-15	Final test run.	All parameters within specification.



[The main body of the page contains extremely faint and illegible text, likely bleed-through from the reverse side of the paper. The text is too light to transcribe accurately.]

66

LAMPS (REAR SIDE) (CANADA & U.S.A. MODEL)



LAMPS (REAR SIDE)

(CANADA & U.S.A. MODEL)



No.	Part Number	Description	Qty	Remarks
	0820 66 130	REAR COMBINATION LAMP No. 1 (R)	1	
	0820 66 150	REAR COMBINATION LAMP No. 2 (L)	1	
1	0820 66 131A	Globe (R)	1	
	0820 66 151	Globe (L)	1	
2	0820 66 132	Brim (R)	1	
	0820 66 152	Brim (L)	1	
3	0820 66 133	Body (R)	1	
	0820 66 153	Body (L)	1	
4	0820 66 134	Seal Rubber (R)	1	
	0820 66 154	Seal Rubber (L)	1	
5	0820 66 135	Seat Rubber	2	
6	0820 66 136	Screw	8	
7	0820 66 137	Lamp Cover	2	
8	0820 66 138	Socket, Tail Stop	2	
9	0820 66 159	Socket, Reverse Lamp	2	
10	0223 66 037	Bulb, Tail Stop Lamp	2	
11	0223 66 174	Bulb, Reverse Lamp	2	
12	0820 66 139	Earth Clip	2	
13	0820 66 141	Shade	2	
14	99906 0500	Nut, Rear Combination Lamp	6	
	99952 0500	Plain Washer	6	



LAMPS (REAR SIDE)

(CANADA & U.S.A. MODEL)

No.	Part Number	Description	Qty	Remarks
	2113 66 170	REAR COMBINATION LAMP No. 2 (R)	1	
	2113 66 190	REAR COMBINATION LAMP No. 2 (L)	1	
15	0820 66 171	Globe	2	
16	0820 66 172	Brim (R)	1	
	0820 66 192	Brim (L)	1	
17	2113 66 173	Body (R)	1	
	2113 66 193	Body (L)	1	
18	0820 66 174	Seal Rubber	2	
19	0820 66 175	Seat Rubber	2	
20	0820 66 136	Screw	8	
21	0820 66 137	Lamp Cover	2	
22	0820 66 138	Socket	2	
23	99701 4237	Bulb	2	
24	0820 66 139	Earth Clip	2	
25	99906 0500	Nut, Rear Combination Lamp No. 2	6	
	99952 0500	Plain Washer	6	
	0275 66 370	LICENCE LAMP	1	
26	0275 87 121	Body	1	
27	0275 87 123	Gasket	1	
28	0275 87 124	Lens	1	
29	0275 87 125	Cover	1	
30	99701 2080	Bulb	1	

LAMPS (REAR SIDE) (CANADA & U.S.A. MODEL)

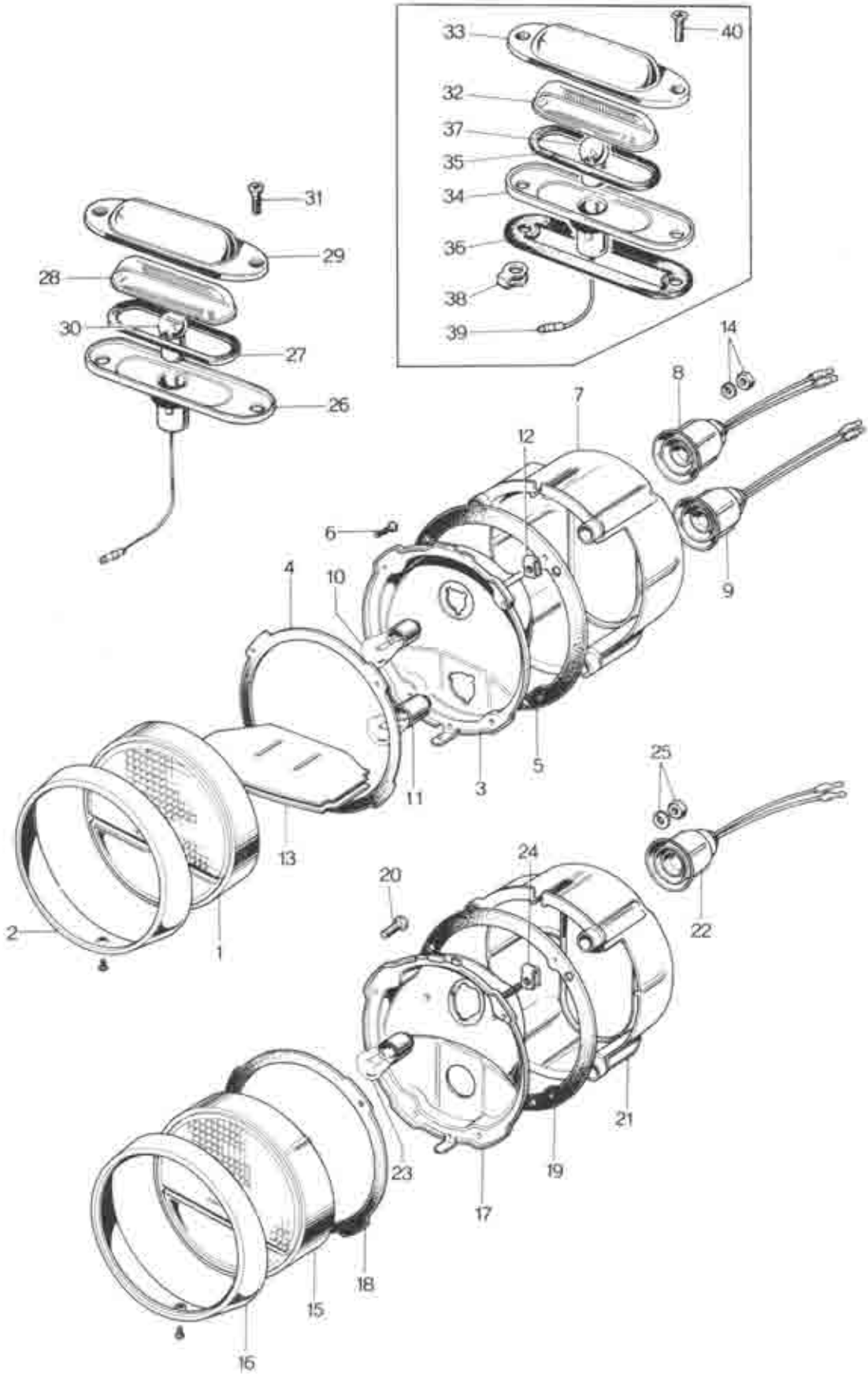


No.	Part Number	Description	Q'ty	Remarks
31	99772 0416	Screw	2	
	2244 66 250A	SIDE MARKER LAMP (R), REAR	1	
	2244 66 260A	SIDE MARKER LAMP (L), REAR	1	
32	2244 87 201	Lamp Globe	2	
33	2244 87 192	Lamp Rim	2	
34	2244 87 203	Lamp Body	2	
35	2244 87 194	Seat Rubber (R)	1	
	2244 87 195	Seat Rubber (L)	1	
36	2244 87 206	Cord	2	
37	99701 2080	Bulb (12V, 8W)	2	
38	99773 0420	Screw, Side Marker Lamp	4	
39	99906 0400	Nut	4	
40	2980 66 471	Cover, Side Marker Lamp	2	



Faint, illegible text, possibly bleed-through from the reverse side of the page.

LAMPS (REAR SIDE) (GENERAL EXPORT MODEL)



LAMPS (REAR SIDE)

(GENERAL EXPORT MODEL)



No.	Part Number	Description	Q'ty	Remarks
	2125 66 130A	REAR COMBINATION LAMP No. 1 (R)	1	
	2080 66 210	Lens Tail & Stop Red, Reverse Amber (For France)	1	Car No. 67812 ⁷⁹ / ₁₀ ~ X
	2325 66 130A	REAR COMBINATION LAMP No. 1 (R)	1	
	2878 66 210	Lens Tail & Stop Red, Reverse White, with (E ₂) Mark	1	Car No. 70537 ⁷⁹ / ₁₁ ~ O
	2125 66 150A	REAR COMBINATION LAMP No. 1 (L)	1	
	2080 66 230	Lens Tail & Stop Red, Reverse Amber (For France)	1	Car No. 67812 ⁷⁹ / ₁₀ ~ X
	2325 66 150A	REAR COMBINATION LAMP No. 1 (L)	1	
	2878 66 230	Lens Tail & Stop Red, Reverse White, with (E ₂) Mark	1	Car No. 70537 ⁷⁹ / ₁₁ ~ O
1	2125 66 131	Globe (R)	1	
		Lens Tail & Stop Red, Reverse Amber		
	2325 66 131A	Globe	2	
		Lens Tail & Stop Red, Reverse White		
	2125 66 151	Globe (L)	1	
		Lens Tail & Stop Red, Reverse White		
2	2325 66 132	Brim (R)	1	
	2113 66 132	Brim (R)	1	Car No. 70537 ⁷⁹ / ₁₁ ~ X
	2325 66 152	Brim (L)	1	
	2113 66 152	Brim (L)	1	Car No. 70537 ⁷⁹ / ₁₁ ~ X
3	0820 66 133	Body	2	
	2878 66 133	Body	2	Car No. 70537 ⁷⁹ / ₁₁ ~ X
4	0820 66 134	Seal Rubber (R)	1	
	0820 66 154	Seal Rubber (L)	1	
	0820 66 174	Seal Rubber For (E ₂) Mark Lamp	2	
5	0820 66 135	Seat Rubber (R)	2	
	0820 66 175	Seat Rubber (R) For (E ₂) Mark Lamp	1	
	0820 66 195	Seat Rubber (L) For (E ₂) Mark Lamp	1	
6	0820 66 136	Screw	8	
7	0820 66 137	Lamp Cover	2	
8	0820 66 138	Socket, Tail & Stop	2	
9	0820 66 159	Socket, Reverse Lamp	2	
10	2325 66 156	Bulb, Tail & Stop	2	
11	2325 66 157	Bulb, Reverse Lamp	2	
12	0820 66 139	Earth Clip	2	
13	0820 66 141	Shade	2	



LAMPS (REAR SIDE)

(GENERAL EXPORT MODEL)

No.	Part Number	Description	Qty	Remarks
14	99906 0500	Nut, Rear Combination Lamp No. 1	8	
	99952 0500	Plain Washer	8	
	2325 66 170A	REAR COMBINATION LAMP No. 2 (R) Lens Red & Red With (E ₂) Mark	1	
	2080 66 240	Lens Amber & Red With (E ₂) Mark	1	Car No. 67812 ⁷⁰ / ₁₀ ~ X
	2334 66 170	REAR COMBINATION LAMP No. 2 (R) Lens Amber & Red With (BS) Mark	1	
	2080 66 240	Lens Amber & Red With (BS) (E ₂) & (A) Mark	1	Car No. 65573 ⁷⁰ / ₉ ~ O
	2325 66 190A	REAR COMBINATION LAMP No. 2 (L) Lens Red & Red With (E ₂) Mark	1	
	2080 66 250	Lens Amber & Red With (E ₂) Mark	1	Car No. 67812 ⁷⁰ / ₁₀ ~ O
	2334 66 190	REAR COMBINATION LAMP No. 2 (L) Lens Amber & Red With (BS) Mark	1	
	2080 66 250	Lens Amber & Red With (BS) (E ₂) & (A) Mark	1	Car No. 65573 ⁷⁰ / ₉ ~ O
15	2325 66 171A	Globe, Red & Red	2	
	2334 66 171A	Globe, Amber & Red	2	
16	2113 66 132	Brim (R)	1	For (BS) Mark Lamp
	2113 66 152	Brim (L)	1	
	2325 66 172	Brim (R)	1	For (E ₂) Mark Lamp
	2325 66 192	Brim (L)	1	
17	2325 66 173	Body, For (E ₂) Mark Lamp	2	
	2334 66 173	Body, For (BS) Mark Lamp	2	
18	0820 66 174	Seal Rubber	2	
19	0820 66 175	Seat Rubber (R)	1	
	0820 66 195	Seat Rubber (L)	1	
20	0820 66 136	Screw	8	
21	0820 66 137	Lamp Cover	2	
22	0820 66 138	Socket, Tail Stop, For (E ₂) Mark Lamp	2	
	2124 66 139	Socket, Tail Stop, For (BS) Mark Lamp	2	
23	2325 66 156	Bulb, For (E ₂) Mark Lamp	2	
	99701 3210	Bulb, For (BS) Mark Lamp	2	
24	0820 66 139	Earth Clip	2	

LAMPS (REAR SIDE)

(GENERAL EXPORT MODEL)



No.	Part Number	Description	(QTY)	Remarks
• 25	99906 0500	Nut, Rear Combination No. 2	8	
•	99952 0500	Plain Washer	8	
	0275 66 370	LICENCE LAMP	1	
26	0275 87 121	Body	1	
27	0275 87 123	Gasket	1	
28	0275 87 124	Lens	1	
29	0275 87 125	Cover	1	
30	99701 2080	Bulb	1	
31	99772 0416	Screw	2	
	2272 66 210	LICENCE LAMP With (A) Mark	1	
32	0223 66 211	Lens	1	
33	0259 66 212	Cover	1	
34	2272 66 213	Body With (A) Mark	1	
35	0223 66 214	Gasket, Lens	1	
36	0223 66 215	Gasket, Body	1	
37	0106 66 063	Bulb	1	
38	0118 13 432	Earth Clip	2	
39	0223 66 218	Cord	1	
40	0259 66 219	Screw	2	

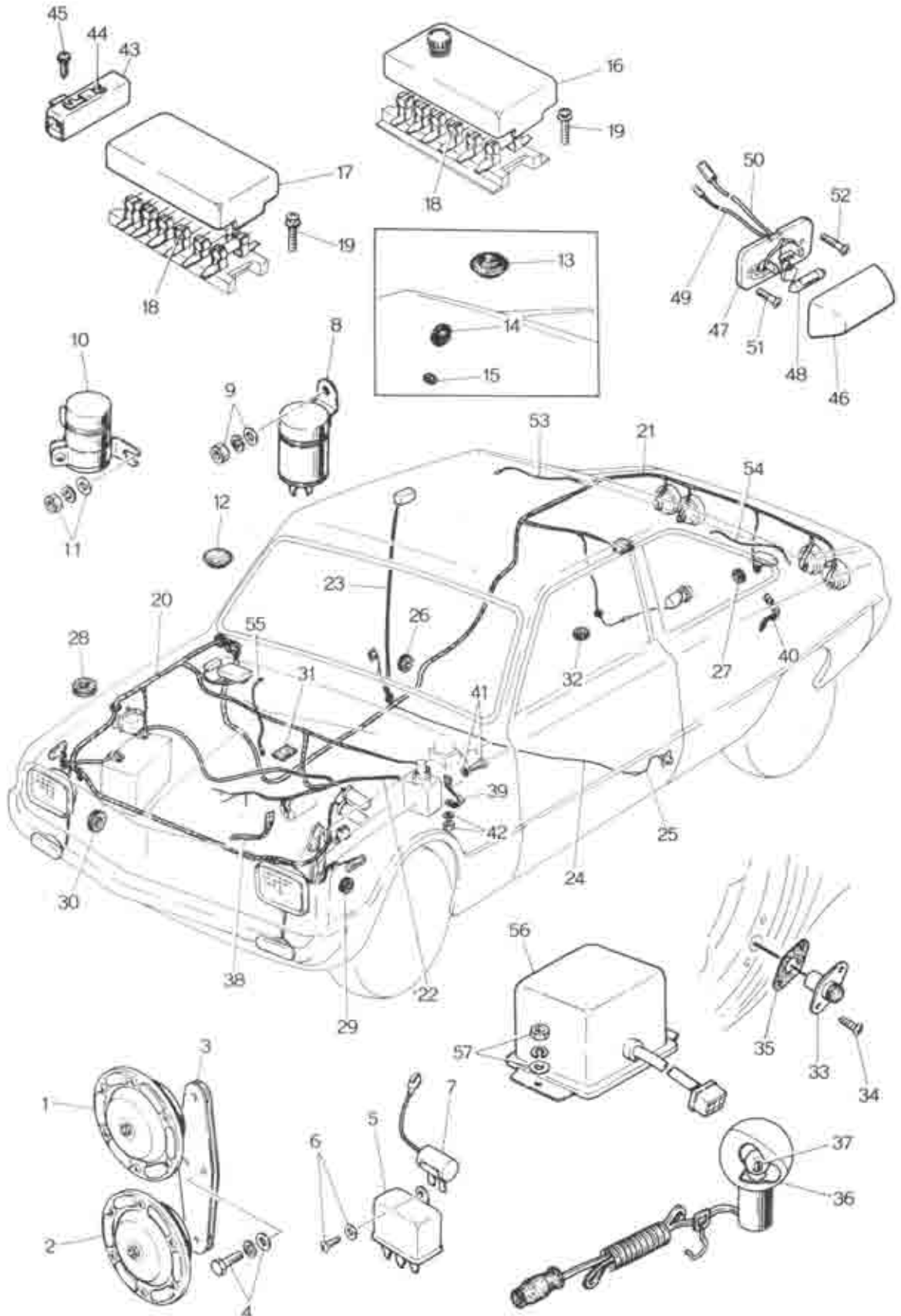


[The main body of the page contains extremely faint and illegible text, likely bleed-through from the reverse side of the page. The text is too light to transcribe accurately.]

66

67

ELECTRIC EQUIPMENT (BODY, R.H.D.) (ALL COUPE MODELS)



ELECTRIC EQUIPMENT (BODY, R.H.D.)

(ALL COUPE MODELS)

66

67

No.	Part Number	Description	Qty	Remarks
	0820 66 420A	ELECTRIC HORN	1	
1	0820 66 425A	Electric Horn, High Tone	1	
2	0820 66 435A	Electric Horn, Low Tone	1	
3	0820 66 421	Bracket, Horn	1	
4	99801 0820	Bolt, Horn	2	
	99952 0800	Plain Washer	2	
	99971 0800	Spring Washer	2	
5	0259 66 438	Horn Relay	1	
6	99863 0512	Tapping Screw	1	
	99952 0500	Plain Washer	1	
7	0820 66 439	Condenser "T" Type Dashboard use	1	
8	0820 66 470A	Flasher Unit	1	
	0848 66 830	Flasher Unit - Hazzard	1	Car No. 87150 ⁷¹ / ₂ ~ X
9	99906 0600	Nut, Flasher Unit	1	
	99906 0500	Nut, Flasher Unit - Hazzard	1	Car No. 87150 ⁷¹ / ₂ ~ O
	99952 0600	Plain Washer	1	
	99952 0500	Plain Washer	1	Car No. 87150 ⁷¹ / ₂ ~ O
	99971 0600	Spring Washer	1	
	99971 0500	Spring Washer	1	Car No. 87150 ⁷¹ / ₂ ~ O
10	0223 66 580	Hazard Flasher Unit	1	
11	99906 0600	Nut, Hazard Flasher Unit	1	Car No. 87150 ⁷¹ / ₂ ~ Discarded
	99952 0600	Plain Washer	1	
	99971 0600	Spring Washer	1	
12	0222 67 465	Hole Cover, Hazard Flasher Unit	1	
13	0222 66 911	Hole Cover, Antenna Hole	1	
14	0222 66 971	Seal Rubber, Antenna Hole	1	Cars without Auto Radio
15	0222 54 265	Cover, Antenna Hole	1	



ELECTRIC EQUIPMENT (BODY, R.H.D.)

(ALL COUPE MODELS)

No.	Part Number	Description	Qty	Remarks
	0317 66 730B	FUSE BLOCK Plain Type Dashboard use	1	
	0820 66 730	FUSE BLOCK "T" Type Dashboard use	1	
16	0317 66 732	Cover Plain Type Dashboard use	1	
17	0820 66 732	Cover "T" Type Dashboard use	1	
18	2981 66 495	Fuse (10A)	1	
	2981 66 496	Fuse (15A)	3	
	0813 66 498	Fuse (20A)	5	
			2	
19	908332 5 16	Set Screw, Fuse Block	1	
• 20	0845 67 010G	Wire Harness (Frnt.)	1	Plain Type Dashboard use
•	0845 67 010I	Wire Harness (Frnt.)	1	
•	0846 67 010	Wire Harness (Frnt.)	1	
•	0848 66 600B	Wire Harness (Frnt.)	1	"T" Type Dashboard use
•	0848 66 600E	Wire Harness (Frnt.)	1	
•	0848 66 600F	Wire Harness (Frnt.)	1	
21	0845 67 030	Wire Harness (Rr.) Plain Type Dashboard use	1	Selective use
	0845 67 030A	Wire Harness (Rr.) Plain Type Dashboard use	1	
	0820 66 660E	Wire Harness (Rr.) "T" Type Dashboard use	1	
22	0820 66 650	Wire Harness, Reverse Lamp	1	
• (N)	2063 67 060	Wiring Ass'y, Oil Level Garge	1	Car No. 100261 ⁷ / ₁₆ ~ Added An
23	0259 66 731	Cord, Room Lamp	1	
24	0256 66 732	Cord, Door Switch	1	
25	0259 66 733	Cord, Door Switch	2	
26	0114 43 625	Cord Protector, Room Lamp	1	
• 27	0111 41 692	Cord Protector, Licence Lamp	1	Car No. 103650 ⁷ / ₁₀ ~ Δ
•	0866 67 156	Cord Protector, Licence Lamp 2123. 2787	1	
28	0259 66 686	Cord Protector, Wire Harness Front	1	
29	0820 67 151	Cord Protector, Side Marker Lamp	2	
30	0259 66 685	Cord Protector, Wire Harness Front	2	
31	0208 66 949	Protector Pad, Reverse Lamp	6	
32	0208 66 683	Cord Protector, Fuel Pump	1	

ELECTRIC EQUIPMENT (BODY, R.H.D.)

(ALL COUPE MODELS)



No.	Part Number	Description	Q'ty	Remarks
33	0209 66 820	Door Switch	2	
34	99864 0412	Tapping Screw, Door Switch	4	
35	0209 66 821	Adjust Washer, Door Switch	2	
36	0259 66 930	INSPECTION LAMP	1	
37	99701 2080	Bulb	1	
38	0820 66 731	Earth Wire	1	
39	0813 66 732A	Earth Wire, Silencer	1	
40	0820 66 734	Earth Wire	1	
41	99743 0616	Screw, Earth Wire	1	
	99971 0600	Spring Washer	1	
42	99906 0600	Nut, Earth Wire	1	
	99971 0600	Spring Washer	1	
43	0222 66 510A	FUSE BLOCK, MAIN	1	
44	0222 66 511	Fuse (40A)	1	
45	908336 5 12	Set Screw, Fuse Block	1	
	0223 66 290	ROOM LAMP	1	
46	0223 66 291	Globe	1	

66

67

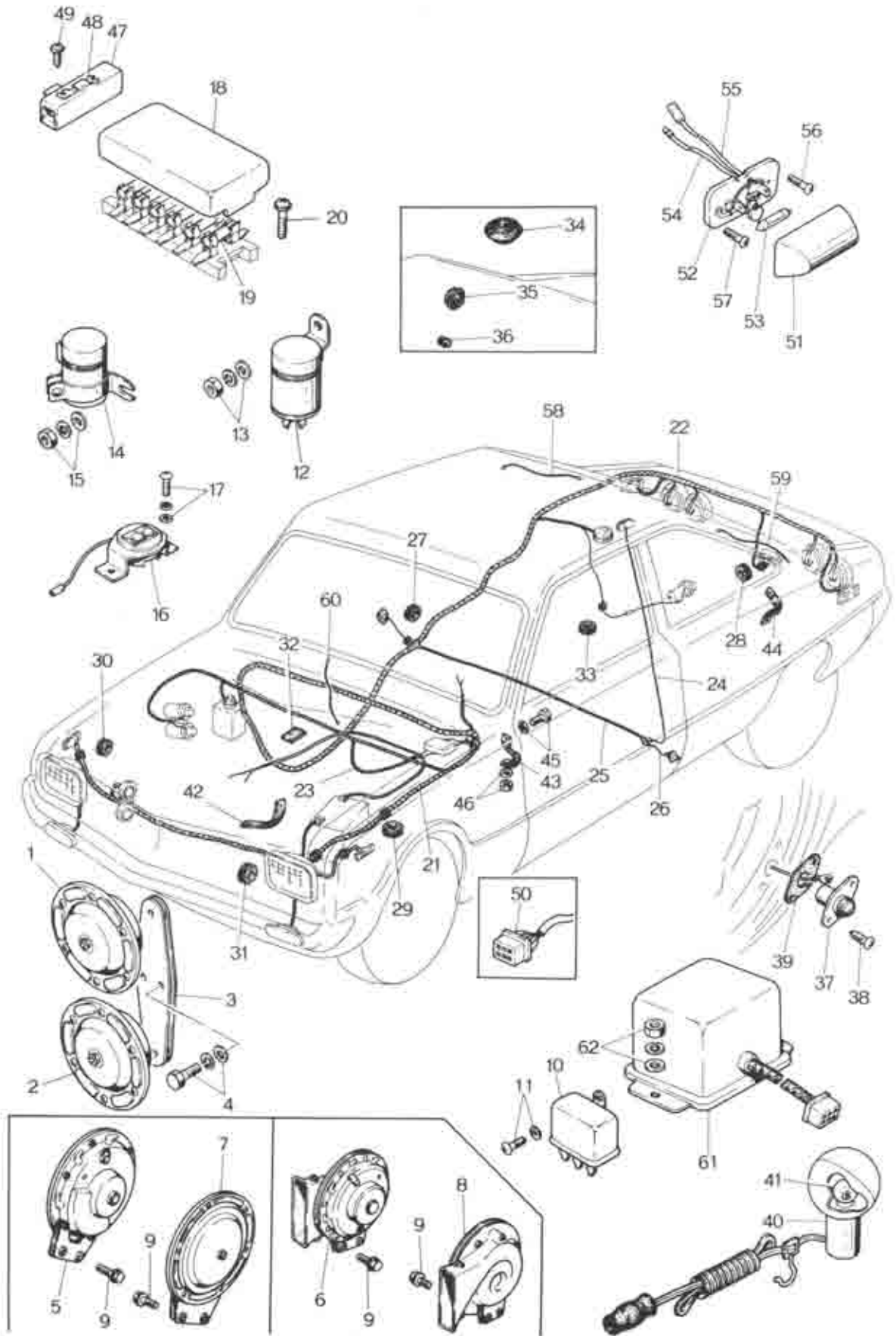
ELECTRIC EQUIPMENT (BODY, R.H.D.)

(ALL COUPE MODELS)

No.	Part Number	Description	Qty	Remarks
47	0223 66 292	Body	1	
48	0114 66 154	Bulb 12V/5W	1	
49	0223 66 295	Cord	1	
50	0223 66 296	Cord	1	
51	99863 0416	Tapping Screw, Room Lamp	1	
52	99863 0412	Tapping Screw, Room Lamp	1	
53	0820 67 131	Cord, Rear Window	1	
54	0820 67 132	Cord, Rear Window	1	
55	0316 67 135	Cord, Stop Switch	1	
56	2113 60 910	Dimmer & Flasher Relay	1	
57	99906 0600	Nut, Relay	2	
	99952 0600	Plain Washer	2	
	99971 0600	Spring Washer	2	



[The main body of the page contains extremely faint and illegible text, likely bleed-through from the reverse side of the document. The text is too light to transcribe accurately.]



ELECTRIC EQUIPMENT (BODY, L.H.D.)

(GENERAL EXPORT COUPE MODEL)



No.	Part Number	Description	Q'ty	Remarks
	0820 66 420A	ELECTRIC HORN Ass'y, FLAT TYPE	1	
1	0820 66 425A	Electric Horn, High Tone use, Flat Type	1	
2	0820 66 435A	Electric Horn, Low Tone use, Flat Type	1	
3	0820 66 421	Bracket, Horn	1	
4	99801 0820	Bolt, Horn	2	
	99952 0800	Plain Washer	2	
	99971 0800	Spring Washer	2	
5	2254 66 420	Electric Horn, High Tone use Flat Type, With (E ₂) Mark	1	
6	2272 66 420	Electric Horn, High Tone use Vartical Type, With (A) Mark	1	
7	2254 66 430	Electric Horn, Low Tone use Flat Type, With (E ₂) Mark	1	
8	2272 66 430	Electric Horn, Low Tone use Vartical Type, With (A) Mark	1	
9	908047 8 25	Set Bolt, Horn	4	
10	0259 66 438	Horn Relay	1	
11	99863 0512	Tapping Screw, Horn Relay	1	
	99952 0500	Plain Washer	1	
12	0820 66 470A	Flasher Unit With (A) Mark	1	
	0824 66 830	Flasher Unit	1	
13	99906 0600	Nut, Flasher Unit	1	
	99952 0600	Plain Washer	1	
	99971 0600	Spring Washer	1	
14	0223 66 580	Hazard Flasher	1	
	0223 66 580A	Hazard Flasher With (A) Mark	1	Car No. 67812 ⁷⁰ / ₁₀ ~ ○
15	99906 0600	Nut, Hazard Flasher	1	
	99952 0600	Plain Washer	1	
	99971 0600	Spring Washer	1	



ELECTRIC EQUIPMENT (BODY, L.H.D.)

(GENERAL EXPORT COUPE MODEL)

No.	Part Number	Description	Qty	Remarks
16	0173 66 460	Socket	1	
17	99833 0512	Screw, Socket	2	
	99952 0500	Plain Washer	2	
	99971 0500	Spring Washer	2	
	0820 66 730	FUSE BLOCK Ass'y	1	
18	0820 66 732	Cover	1	
19	2981 66 495	Fuse (10A)	1	
	2981 66 496	Fuse (15A)	1	
	0813 66 498	Fuse (20A)	1	
20	99833 0516	Screw, Fuse Block	2	
	99971 0500	Spring Washer	2	
21	2124 66 600F	Wire Harness (Frt.)	1	2124 Car No. 61649 ^{70/8} ~ X Car No. 87150 ^{71/4} ~ X Car No. 100261 ^{71/6} ~ Δ 2112, 2125 Car No. 65086 ^{70/8} ~ O Car No. 87150 ^{71/4} ~ X Car No. 100261 ^{71/6} ~ Δ 2335, 2336 Car No. 61649 ^{70/8} ~ X Car No. 65573 ^{70/8} ~ O Car No. 100261 ^{71/6} ~ Δ 2112, 2125 2124, 2125
	2124 66 600G	Wire Harness (Frt.)	1	
	2124 66 600H	Wire Harness (Frt.)	1	
	2124 67 010A	Wire Harness (Frt.)	1	
	2329 66 600D	Wire Harness (Frt.)	1	
	2415 67 010	Wire Harness (Frt.)	1	
	2415 67 010A	Wire Harness (Frt.)	1	
	2415 67 010B	Wire Harness (Frt.)	1	
	2335 67 010A	Wire Harness (Frt.)	1	
	2335 67 010B	Wire Harness (Frt.)	1	
	2061 67 010	Wire Harness (Frt.)	1	
	2061 67 010B	Wire Harness (Frt.)	1	
22	2113 66 660C	Wire Harness (Rr.)	1	
	2124 66 660A	Wire Harness (Rr.)	1	
	2335 67 030	Wire Harness (Rr.)	1	
	2336 67 030	Wire Harness (Rr.)	1	2336
23	0820 66 650	Wire Harness, Reverse Lamp	1	
24	0259 66 731	Cord, Room Lamp	1	
25	2158 66 731	Cord, Door Switch	1	
26	0259 66 733	Cord, Door Switch	2	

ELECTRIC EQUIPMENT (BODY, L.H.D.)

(GENERAL EXPORT COUPE MODEL)



No.	Part Number	Description	Qty	Remarks
27	0114 43 625	Protector, Room Lamp Cord	2	
28	0111 41 692	Protector, Licence Lamp Cord	1	
•	0866 67 156	Protector, Licence Lamp Cord 212.5	1	Car No. 103650 ⁷ / ₁₀ ~ Δ
29	0259 66 686	Protector, Wire Harness Front	1	
30	0820 66 151	Protector, Side Marker Lamp Cord	2	
31	0259 66 685	Protector, Wire Harness Front	2	
32	0208 66 949	Protector Pad, Reverse Lamp Cord	6	
33	0208 66 683	Protector, Fuel Pump Cord	1	
34	0222 66 911	Hole Cover, Antenna Hole	1	
35	0222 66 971	Seal Rubber, Antenna	1	Cars without Auto Radio
36	0200 54 265	Cover, Antenna Cord	1	
37	0209 66 820	Door Switch	2	
38	99864 0412	Tapping Screw, Door Switch	4	
39	0209 66 821	Adjust Washer	2	
(N)	0275 67 910	Relay—ignition coil	1	Car No. 65086 ⁷ / ₈ ~ Added Anew
40	0259 66 930	INSPECTION LAMP	1	
41	99701 2080	Bulb	1	
42	0820 66 731	Earth Wire, Engine	1	
43	0813 66 732A	Earth Wire, Silencer	1	
44	0820 66 734	Earth Wire, Radio	1	
45	99743 0616	Screw, Earth Wire	1	
	99971 0600	Spring Washer	1	
46	99906 0600	Nut, Earth Wire	1	
	99971 0600	Spring Washer	1	

66

67

ELECTRIC EQUIPMENT (BODY, L.H.D.)

(GENERAL EXPORT COUPE MODEL)

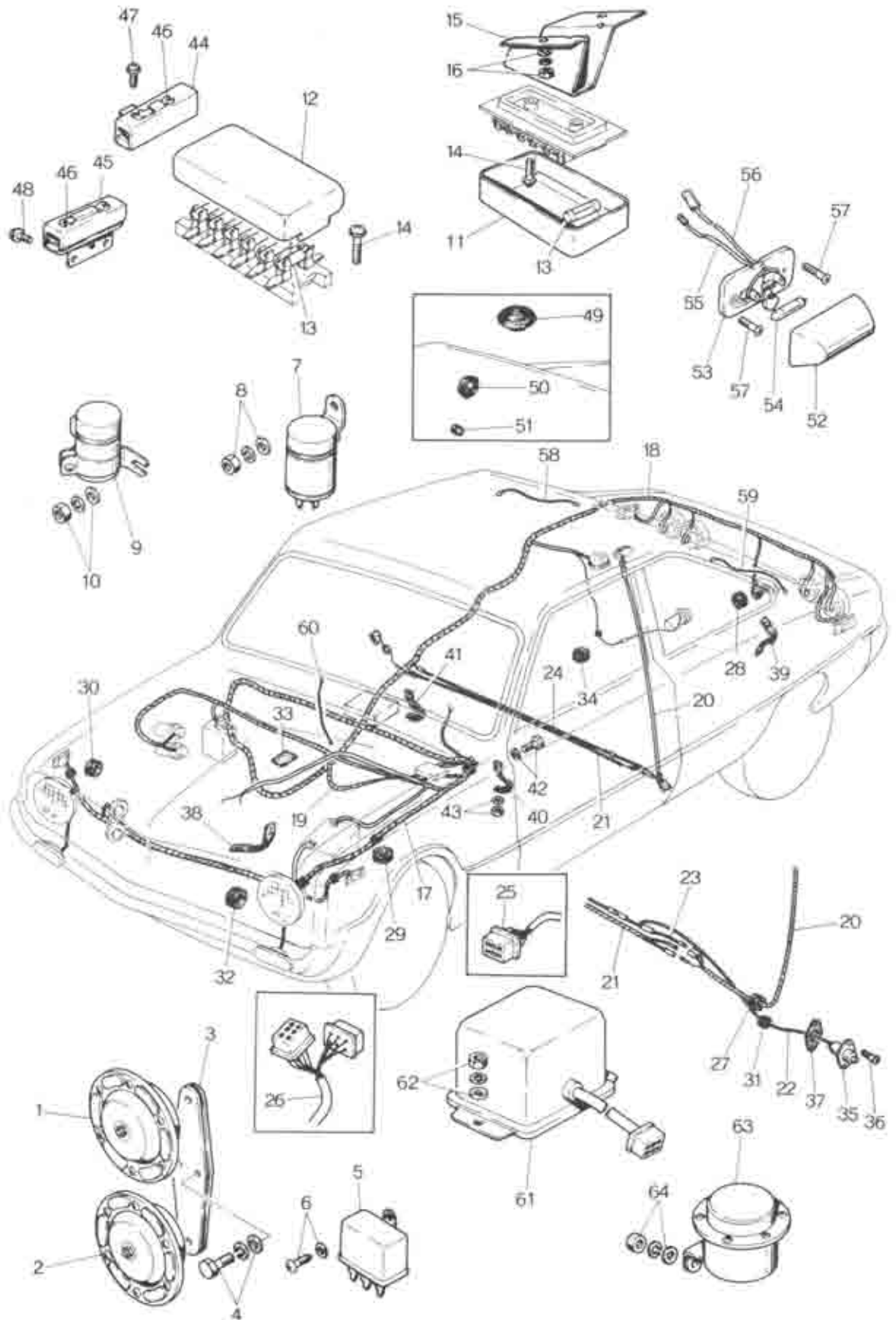
No.	Part Number	Description	Qty.	Remarks
47	0222 66 510A	FUSE BLOCK, MAIN	1	
	0222 66 510B	FUSE BLOCK, MAIN	1	Car No. 62266 ⁷⁰ / ₆ ~ ○
48	0222 66 511	Fuse (40A)	1	
	0222 66 511A	Fuse (40A)	1	Car No. 62266 ⁷⁰ / ₆ ~ ○
49	908336 5 12	Set Screw, Fuse Block	1	
50	2113 67 140	Cord, Ignition	1	
	0223 66 290	ROOM LAMP	1	
51	0223 66 291	Globe	1	
52	0223 66 292	Body	1	
53	0114 66 154	Bulb, 12V/5W	1	
54	0223 66 295	Cord	1	
55	0223 66 296	Cord	1	
56	99863 0416	Tapping Screw, Room Lamp	1	
57	99863 0412	Tapping Screw, Room Lamp	1	
58	0820 67 131	Cord, Rear Window	1	
59	0820 67 132	Cord, Rear Window	1	
60	0316 67 135	Cord, Stop Switch	1	
61	2113 60 910	Flasher & Dimmer Relay	1	
62	99906 0600	Nut, Relay	2	
	99952 0600	Plain Washer	2	
	99971 0600	Spring Washer	2	
(N)	0317 70 985	Waterproof Cover, Ignition Coil	1	
(N)	0317 70 990	Set Plate	1	
(N)	99838 1516	Set Screw	2	



66 67

ELECTRIC EQUIPMENT (BODY, L.H.D.)

(CANADA & U.S.A. COUPE MODEL)



ELECTRIC EQUIPMENT (BODY, L.H.D.)**(CANADA & U.S.A. COUPE MODEL)****66****67**

No.	Part Number	Description	Qty	Remarks
	0820 66 420A	ELECTRIC HORN Ass'y	1	
1	0820 66 425A	Electric Horn, High Tone use	1	
2	0820 66 435A	Electric Horn, Low Tone use	1	
3	0820 66 421	Bracket, Horn	1	
4	99801 0820	Bolt, Horn	2	
	99952 0800	Plain Washer	2	
	99971 0800	Spring Washer	2	
5	0259 66 438	Horn Relay	1	
6	99863 0512	Screw, Horn Relay	1	
	99952 0500	Plain Washer	1	
7	2113 66 470	Flasher Unit	1	
8	99906 0500	Nut, Flasher Unit	1	
	99952 0500	Plain Washer	1	
	99971 0500	Spring Washer	1	
9	0223 66 580	Hazard Unit	1	
10	99906 0500	Nut, Hazard Unit	1	
	99952 0500	Plain Washer	1	
	99971 0500	Spring Washer	1	
	0317 66 730B	FUSE BLOCK Plain Type Dashboard use	1	
	0820 66 730	FUSE BLOCK "T" Type Dashboard use	1	
11	0317 66 732	Cover Plain Type Dashboard use	1	
12	0820 66 732	Cover "T" Type Dashboard use	1	



ELECTRIC EQUIPMENT (BODY, L.H.D.)

(CANADA & U.S.A. COUPE MODEL)

No.	Part Number	Description	Qty	Remarks
13	2981 66 495	Fuse (10A)	1	
	2981 66 496	Fuse (15A)	1	
	0275 87 353	Fuse (20A)	5	
14	908330 5 16	Set Screw, Fuse Block	1	
15	2370 66 740	Bracket, Fuse Block, Plain Type Dashboard use	1	
16	99906 0500	Nut, Bracket, Plain Type Dashboard use	2	
	99952 0500	Plain Washer	2	
	99971 0500	Spring Washer	2	
17	2329 66 600D	Wire Harness (Fr.) "T" Type Dashboard use	1	
	2335 67 010A	Wire Harness (Fr.) Plain Type Dashboard use	1	
18	2113 66 660C	Wire Harness (Rr.) "T" Type Dashboard use	1	
	2335 67 030	Wire Harness (Rr.) Plain Type Dashboard use	1	
19	0820 66 650	Wire Harness, Reverse Lamp	1	
20	0256 66 731	Cord, Room Lamp	1	
21	2158 66 731	Cord, Door Switch,	1	
22	0259 66 733	Cord, Door Switch	2	
23	2280 67 090	Cord, Door Switch, Lock Buzzer use	1	
24	2280 67 131A	Cord, Door Switch, Lock Buzzer use	1	
25	2113 67 130	Cord, Ignition Switch	1	
26	2329 67 130	Cord, Ignition Switch Emission Controlled Model	1	
27	0114 43 625	Protector, Room Lamp	1	
28	0111 41 625	Protector, Licence Lamp Cord	1	
29	0259 66 686	Protector, Wire Harness Front	1	
30	0820 66 151	Protector, Side Marker Lamp Cord	2	
31	0114 66 683	Protector, Switch Cord	2	

ELECTRIC EQUIPMENT (BODY, L.H.D.)

(CANADA & U.S.A. COUPE MODEL)



No.	Part Number	Description	Qty	Remarks
32	0259 66 685	Protector, Wire Harness Front	2	
33	0208 66 949	Protector Pad, Reverse Lamp Cord	6	
34	0208 66 683	Protector, Fuel Pump Cord	1	
35	0209 66 820	Door Switch	2	
36	99864 0412	Tapping Screw, Door Switch	4	
37	0209 66 821	Adjust Washer, Door Switch	2	
38	0820 66 731	Earth Wire, Engine	1	
39	0813 66 732A	Earth Wire, Silencer	1	
40	0820 66 734	Earth Wire, Auto Radio	1	
41	2329 66 734	Earth Wire, T/Mission Case Emission Controlled Model	1	
42	99743 0616	Screw, Earth Wire	1	
	99971 0600	Spring Washer	1	
43	99906 0600	Nut, Earth Wire	1	
	99971 0600	Spring Washer	1	
44	0222 66 510A	FUSE BLOCK, MAIN "T" Type Dashboard use	1	
45	0305 66 760A	FUSE BLOCK, MAIN Plain Type Dashboard use	1	
46	0222 66 511	Fuse (40A)	1	
47	908336 5 12	Set Screw, Fuse Block "T" Type Dashboard use	1	
48	907436 6 16	Set Screw, Fuse Block Plain Type Dashboard use	2	
49	0222 66 911	Hole Cover, Antenna Hole	1	
50	0222 66 971	Seal Rubber, Antenna	1	
51	0200 54 265	Cover, Antenna Cord	1	



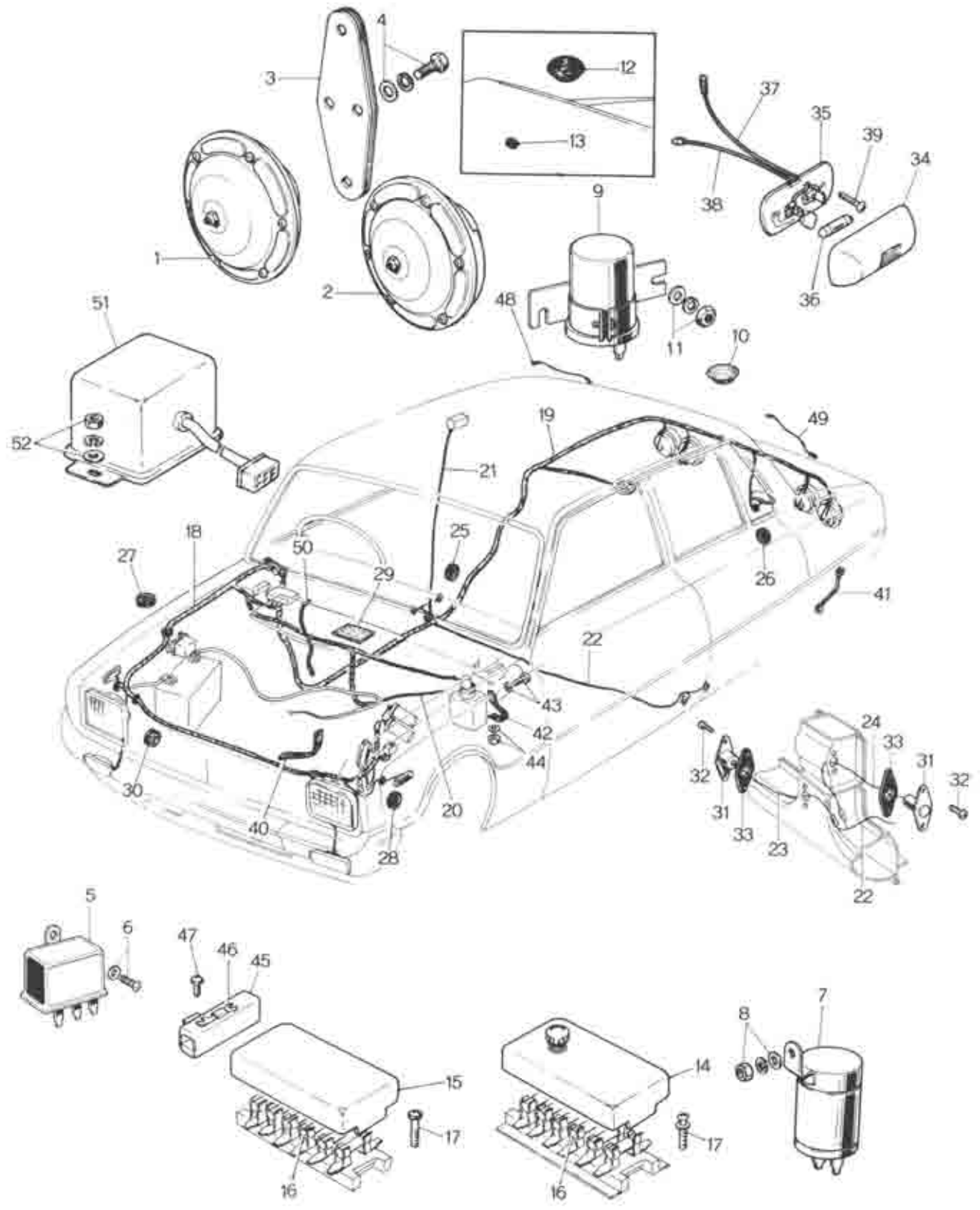
ELECTRIC EQUIPMENT (BODY, L.H.D.)

(CANADA & U.S.A. COUPE MODEL)

No.	Part Number	Description	Qty	Remarks
	0223 66 290	ROOM LAMP Ass'y	1	
52	0223 66 291	Globe	1	
53	0223 66 292	Body	1	
54	0114 66 154	Bulb, 12V/5W	1	
55	0223 66 295	Cord	1	
56	0223 66 296	Cord	1	
57	99863 0412	Tapping Screw, Room Lamp	2	
58	0820 67 131	Cord, Rear Window Wire Heated Glass use	1	
59	0820 67 132	Cord, Rear Window Wire Heated Glass use	1	
60	0316 67 135	Cord, Stop Switch	1	
61	2113 60 910	Dimmer & Flasher Relay	1	
62	99906 0600	Nut, Relay	2	
	99952 0600	Plain Washer	2	
	99971 0600	Spring Washer	2	
63	0750 66 840	Lock Buzzer	1	
64	99906 0600	Nut, Lock Buzzer	1	
	99952 0600	Plain Washer	1	
	99971 0600	Spring Washer	1	

66 67

ELECTRIC EQUIPMENT (BODY, R.H.D.) (ALL SEDAN MODELS)



ELECTRIC EQUIPMENT (BODY, R.H.D.)

(ALL SEDAN MODELS)

66

67

No.	Part Number	Description	Qty	Remarks
	0820 66 420A	ELECTRIC HORN Ass'y	1	
1	0820 66 425A	Electric Horn, High Tone use	1	
2	0820 66 435A	Electric Horn, Low Tone use	1	
3	0820 66 421	Bracket, Horn	1	
4	99801 0820	Bolt, Horn	2	
	99952 0800	Plain Washer	2	
	99971 0800	Spring Washer	2	
5	0259 66 438	Horn Relay	1	
6	99863 0512	Screw, Horn Relay	1	
	99952 0500	Plain Washer	1	
7	0820 66 470A	Flasher Unit, With A Mark	1	
	0824 66 830	Flasher Unit	1	
8	99906 0600	Nut, Flasher Unit	1	
	99952 0600	Plain Washer	1	
	99971 0600	Spring Washer	1	
9	0223 66 580	Hazard Flasher Unit	1	
10	0222 67 465	Cover	1	
11	99906 0600	Nut, Hazard Flasher Unit	1	
	99952 0600	Plain Washer	1	
	99971 0600	Spring Washer	1	
12	0222 66 911	Hole Cover, Antenna Hole	1	
13	0200 54 265	Cover, Antenna Cord	1	



ELECTRIC EQUIPMENT (BODY, R.H.D.)

(ALL SEDAN MODELS)

No.	Part Number	Description	Qty	Remarks
	0317 66 730B	FUSE BLOCK Ass'y Plain Type Dashboard use	1	
	0820 66 730	FUSE BLOCK Ass'y "T" Type Dashboard use	1	
14	0317 66 732	Cover "T" Type Dashboard use	1	
15	0820 66 732	Cover Plain Type Dashboard use	1	
16	0275 87 353	Fuse (20A)	5	
	2981 66 496	Fuse (15A)	3	
	2981 66 495	Fuse (10A)	1	
17	908332 5 16	Set Screw, Fuse Block	2	
18	0848 66 600B	Wire Harness (Fr.)	1	"T" Type Dashboard use
	0848 66 600E	Wire Harness (Fr.)	1	
•	0848 66 600F	Wire Harness (Fr.)	1	Car No. 87150 ⁷ / ₂ ~ X Car No. 100261 ⁷ / ₆ ~ Δ
	0845 67 010G	Wire Harness (Fr.)	1	Plain Type Dashboard use
	0845 67 010I	Wire Harness (Fr.)	1	
•	0846 67 010	Wire Harness (Fr.)	1	Car No. 87150 ⁷ / ₂ ~ X Car No. 100261 ⁷ / ₆ ~ Δ
19	0820 66 660E	Wire Harness (Rr.)	1	"T" Type Dashboard use
	2427 67 030	Wire Harness (Rr.)	1	
	2063 67 030	Wire Harness (Rr.)	1	Plain Type Dashboard use
	2335 67 030	Wire Harness (Rr.)	1	
20	0820 66 650	Wire Harness, Reverse Lamp	1	
(N)	2063 67 060	Wiring Ass'y, Oil level Gauge	1	Car No. 100261 ⁷ / ₆ ~ Added An
21	0259 66 731	Cord, Room Lamp	1	
22	0259 66 732	Cord, Door Switch	1	
23	0188 66 731A	Cord, Door Switch	2	
24	0259 66 733	Cord, Door Switch	2	
25	0114 43 625	Protector, Room Lamp Cord	1	
26	0111 41 692	Protector, Licence Lamp Cord	1	
27	0259 66 686	Protector, Wire Harness Front	1	
28	0820 67 151	Protector, Side Turn Signal Lamp Cord	2	
29	0259 66 949	Protector Pad, Reverse Lamp Cord	6	

ELECTRIC EQUIPMENT (BODY, R.H.D.)

(ALL SEDAN MODELS)

66

67

No.	Part Number	Description	Qty	Remarks
30	0259 66 685	Protector, Wire Harness Front	2	
31	0209 66 020	Door Switch	4	
32	99864 0412	Tapping Screw, Door Switch	8	
33	0209 66 821	Adjust Washer, Door Switch	4	
	0223 66 290	ROOM LAMP	1	
34	0223 87 141	Globe	1	
35	0223 87 142	Body	1	
36	99701 5050	Bulb, 12V/15W	1	
37	0223 66 295	Cord	1	
38	0223 66 296	Cord	1	
• 39	99863 0412	Tapping Screw, Room Lamp	2	Car No. 62907 ⁷⁰ / ₇ ~ Quantity
•	99863 0416	Tapping Screw, Room Lamp	1	Car No. 62907 ⁷⁰ / ₇ ~ Discarded
40	0820 66 731	Earth Wire, Engine	1	
41	0813 66 732A	Earth Wire, Silencer	1	
42	0820 66 734	Earth Wire, Auto Radio	1	
43	99743 0616	Screw, Earth Wire	1	
	99971 0600	Spring Washer	1	
44	99906 0600	Nut, Earth Wire	1	
	99971 0600	Spring Washer	1	
45	0222 66 510A	FUSE BLOCK, MAIN	1	
	0222 66 510B	FUSE BLOCK, MAIN	1	Car No. 62266 ⁷⁰ / ₆ ~ O
46	0222 66 511	Fuse (40A)	1	
	0222 66 511A	Fuse (40A)	1	Car No. 62266 ⁷⁰ / ₆ ~ O



ELECTRIC EQUIPMENT (BODY, R.H.D.) (ALL SEDAN MODELS)

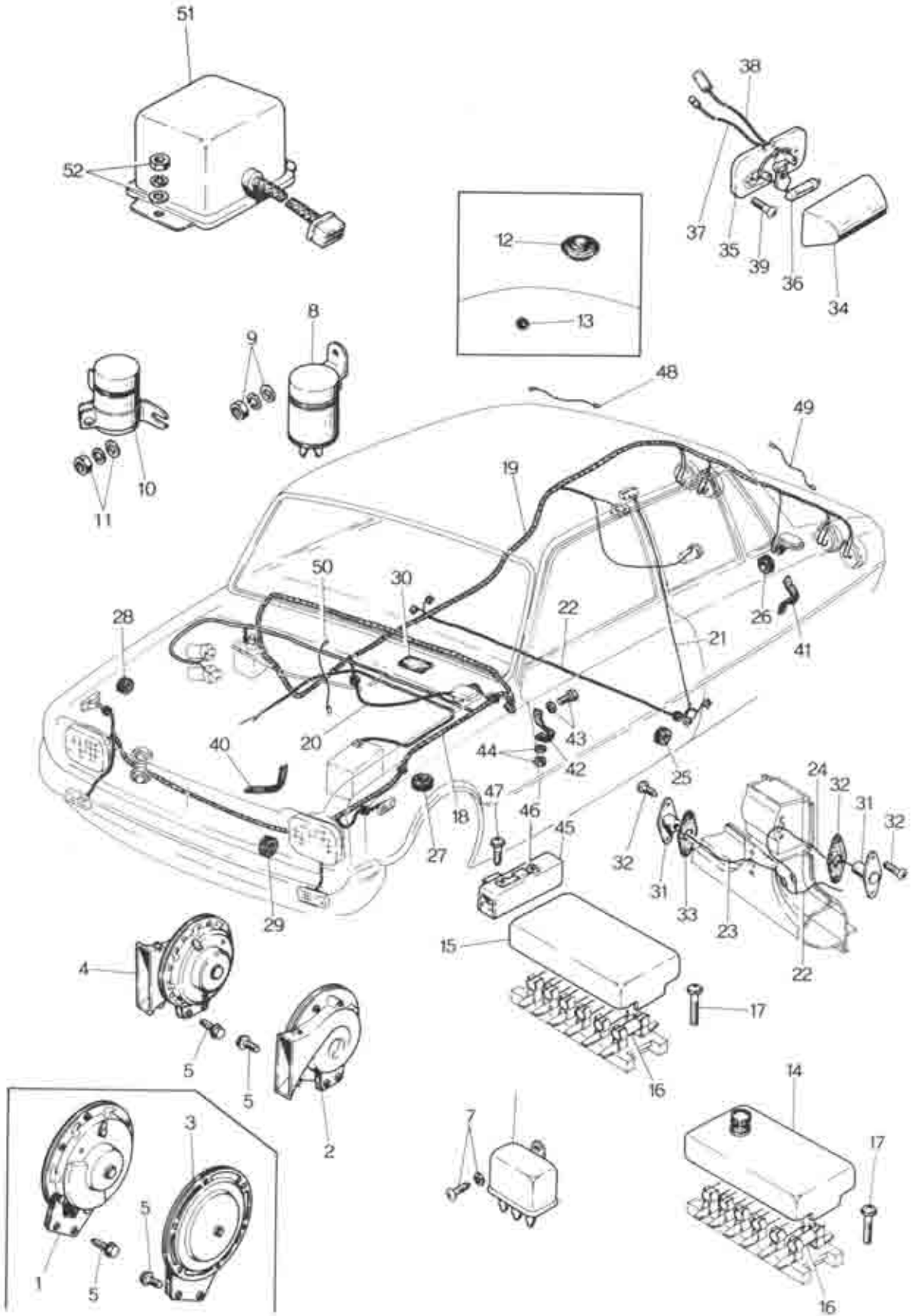
No.	Part Number	Description	Qty	Remarks
47	908336 5 12	Set Screw, Fuse Block	1	
48	0820 67 131	Cord, Rear Window With Heating Wire	1	
49	0820 67 132	Cord, Rear Window With Heating Wire	1	
50	0316 67 135	Cord, Stop Switch	1	
51	2113 60 910	Flasher & Dimmer Relay "T" Type Dashboard Model	1	
52	99906 0600	Nut, Relay	2	
	99952 0600	Plain Washer	2	
	99971 0600	Spring Washer	2	
(N)	0317 70 985	Waterproof Cover, Ignition Coil	1	
(N)	0317 70 990	Set Plate	1	
(N)	998381 5 16	Set Screw	2	

66

67

ELECTRIC EQUIPMENT (BODY, L.H.D.)

(ALL SEDAN MODELS)



ELECTRIC EQUIPMENT (BODY, L.H.D.)

(ALL SEDAN MODELS)



No.	Part Number	Description	Qty	Remarks
1	2254 66 420	Electric Horn, High Tone use Flat Type, With (E ₂) Mark	1	
2	2272 66 420	Electric Horn, High Tone use Vortical Type, with (A) Mark	1	
3	2254 66 430	Electric Horn, Low Tone use Flat Type, with (E ₂) Mark	1	
4	2272 66 430	Electric Horn, Low Tone use Vortical Type, with (A) Mark	1	
5	908047 8 25	Set Bolt, Horn	1	
6	0259 66 438	Horn Relay	1	
7	99863 0512	Screw, Horn Relay	1	
	99952 0500	Plain Washer	1	
8	0820 66 470A	Flasher Unit with (A) Mark	1	
	0824 66 830	Flasher Unit	1	
9	99906 0600	Nut, Flasher Unit	1	
	99952 0600	Nut, Flasher Unit	1	
	99971 0600	Spring Washer	1	
10	0223 66 480	Hazard Flasher Unit	1	
	0223 66 480A	Hazard Flasher Unit With (A) Mark	1	Car No. 67812 TM / ₁₀ ~ ○
11	99906 0600	Nut, Flasher Unit	1	
	99952 0600	Plain Washer	1	
	99971 0600	Spring Washer	1	
12	0222 66 911	Cover, Antenna Hole	1	
13	0200 54 265	Cover, Antenna Cord	1	
	0317 66 730B	FUSE BLOCK Ass'y Plain Type Dashboard Model	1	
	0820 66 730	FUSE BLOCK Ass'y "T" Type Dashboard Model	1	
14	0317 66 732	Cover Plain Type Dashboard Model	1	
15	0820 66 732	Cover, "T" Type Dashboard Model	1	
16	0813 66 498	Fuse (20A)	5	

66

67

ELECTRIC EQUIPMENT (BODY, L.H.D.)

(ALL SEDAN MODELS)

No.	Part Number	Description	Qty	Remarks
	2981 66 495	Fuse (10A)	1	
	2981 66 496	Fuse (15A)	3	
17	908332 5 16	Set Screw, Fuse Block	2	
18	2329 66 600D	Wire Harness (Frt.) "T" Type Dashboard Model	1	
	2335 67 010A	Wire Harness (Frt.) Plain Type Dashboard Model	1	
•	2061 67 010	Wire Harness (Frt.) Plain Type Dashboard Model	1	Car No. 65086 ^{70/8} ~ ○
19	2113 66 660C	Wire Harness (Rr.)	1	"T" Type Dashboard Model
	2124 66 660A	Wire Harness (Rr.)	1	
	2063 67 030	Wire Harness (Rr.)	1	Plain Type Dashboard Model
	2335 67 030	Wire Harness (Rr.)	1	
20	0820 66 650	Wire Harness, Reverse Lamp	1	
21	0259 66 731	Cord, Room Lamp	1	
22	2158 66 731	Cord, Door Switch	1	
23	0188 66 731A	Cord, Door Switch	2	
24	0259 66 733	Cord, Door Switch	2	
25	0114 43 625	Protector, Room Lamp Cord	1	
26	0111 41 692	Protector, Licence Lamp Cord	1	
27	0259 66 686	Protector, Wire Harness Front	1	
28	0820 67 151	Protector, Side Turn Signal Lamp Cord	2	
29	0259 66 685	Protector, Wire Harness Front	2	
30	0209 66 949	Protector Pad, Reverse Lamp Cord	6	
31	0209 66 820	Door Switch	4	
32	99864 0412	Tapping Screw, Door Switch	8	
33	0209 66 821	Adjust Washer, Door Switch	4	
• (N)	0275 67 910	Pelay-ignition coil	1	Car No. 65086 ^{70/8} ~ Added Anew

ELECTRIC EQUIPMENT (BODY, L.H.D.)

(ALL SEDAN MODELS)

66

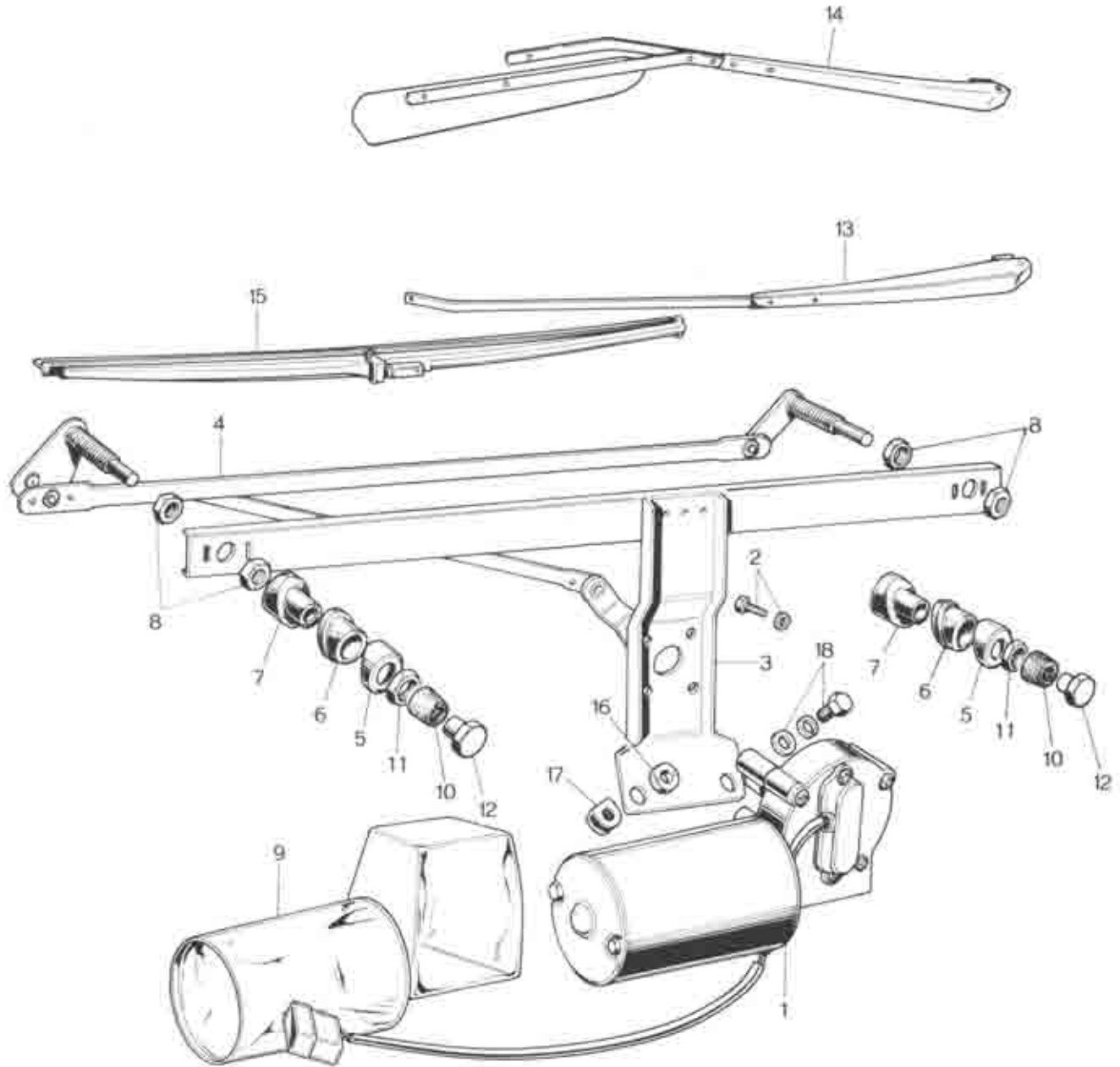
67

No.	Part Number	Description	Qty	Remarks
	0223 66 290	ROOM LAMP Ass'y	1	
34	0223 66 291	Globe	1	
35	0223 66 292	Body	1	
36	0114 66 154	Bulb 12V/5W	1	
37	0223 66 295	Cord	1	
38	0223 66 296	Cord	1	
39	99863 0412	Tapping Screw, Room Lamp	1	
	99863 0416	Tapping Screw	1	
40	0820 66 731	Earth Wire, Engine	1	
41	0813 66 732A	Earth Wire, Silencer	1	
42	0820 66 734	Earth Wire, Auto Radio	1	
43	99743 0616	Screw, Earth Wire	1	
	99971 0600	Spring Washer	1	
44	99906 0600	Nut, Earth Wire	1	
	99971 0600	Spring Washer	1	
45	0222 66 510A	FUSE BLOCK, MAIN	1	
46	0222 66 511	Fuse (40A)	1	
47	908336 5 12	Set Screw, Fuse Block	1	
48	0820 67 131	Cord, Rear Window with Heating Wire	1	
49	0820 67 132	Cord, Rear Window with Heating Wire	1	
50	0316 67 135	Cord, Stop Switch	1	

66**67****ELECTRIC EQUIPMENT** (BODY, L.H.D.)
(ALL SEDAN MODELS)

No.	Part Number	Description	Qty	Remarks
51	2113 60 910	Flasher & Dimmer Relay	1	
52	99906 0600	Nut, Relay	2	
	99952 0600	Plain Washer	2	
	99971 0600	Spring Washer	2	

[The main body of the page contains extremely faint, illegible text, likely bleed-through from the reverse side of the document. The text is too light to transcribe accurately.]



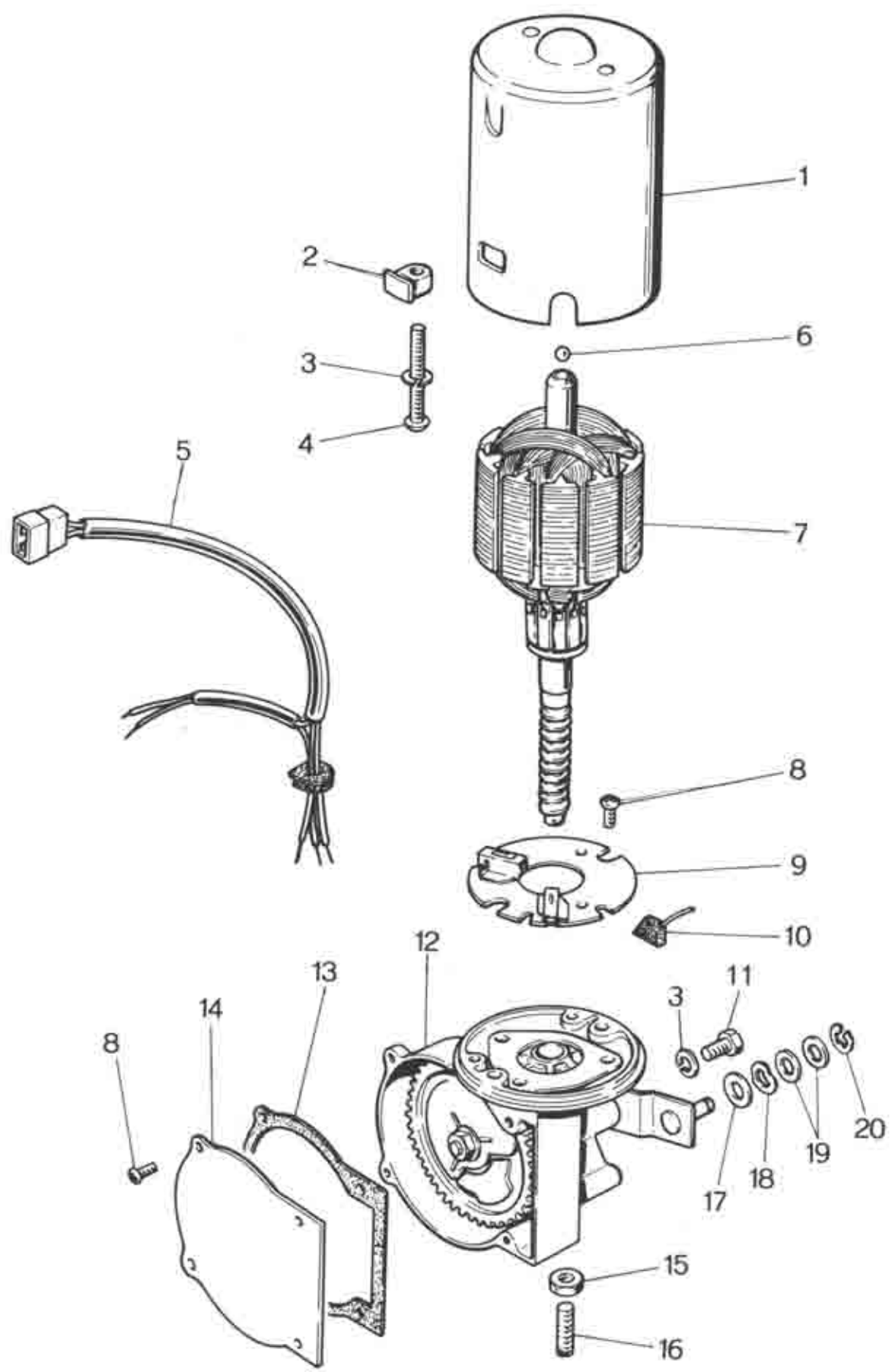
WINDSHIELD WIPER

66
87

No.	Part Number	Description	Qty	Remarks
	0820 66 370	WINDOW WIPER Ass'y (R. H. D.)	1	
	2158 66 370A	WINDOW WIPER Ass'y (L. H. D.)	1	
1	0259 66 380A	Wiper Motor (R. H. D.)	1	
	2158 87 100A	Wiper Motor (L. H. D.)	1	
2	99806 0510	Bolt, Wiper Motor	4	
	99971 0500	Spring Washer	4	
3	0259 66 401	Wiper Frame (R. H. D.)	1	
	2158 87 131	Wiper Frame (L. H. D.)	1	
4	0259 87 138	Wiper Link (R. H. D.)	1	
	2158 87 138	Wiper Link (L. H. D.)	1	
5	0259 87 131	Decoration Cap	2	
6	0259 87 132	Bush, Outer	2	
7	0259 87 133	Bush, Inner	2	
8	0259 87 134	Nut	4	
9	0259 87 139	Motor Cover (R. H. D.)	1	
	2158 87 139	Motor Cover (L. H. D.)	1	
10	0212 66 371	Cap	2	
11	0212 66 372	Nut	2	
12	0820 87 140	Setting Nut	2	
13	0820 66 365	Wiper Arm (L) (R. H. D.)	1	Car No. 70911 ^{70/11} ~ ○
	0820 66 365A	Wiper Arm (L) (R. H. D.)	1	
	0820 66 366	Wiper Arm (R) (R. H. D.) (w/o Fin)	1	
	2158 66 366B	Wiper Arm (R) (L. H. D.)	1	
14	0820 79 366	Wiper Arm (R) (R. H. D.) (with Fin) High Speed Type	1	
	2113 66 366A	Wiper Arm(L) (L. H. D.) (with Fin) High Speed Type	1	

No.	Part Number	Description	Qty	Remarks
15	0259 66 367	Wiper Blade	2	Car No. 10335 ⁷¹ / ₈ ~ O Car No. 10335 ⁷¹ / ₈ ~ O
	0259 66 367A	Wiper Blade (R.H.D.)	2	
	2158 67 367	Wiper Blade (L.H.D.)	2	
	0820 79 367	Wiper Blade, High Speed Type	1	
	2158 66 367	Wiper Blade, Anti-Freeze Type (Optional)	2	
16	0604 66 393	Spacer	2	Car No. 70537 ⁷⁰ / ₁₁ ~ X
	0118 13 431	Seat Packing	2	
17	0118 13 432	Clip, Earth	1	
18	99806 0616	Bolt, Wiper	2	
	99951 0618	Plain Washer	2	
	99971 0600	Spring Washer	2	





WIPER MOTOR

87

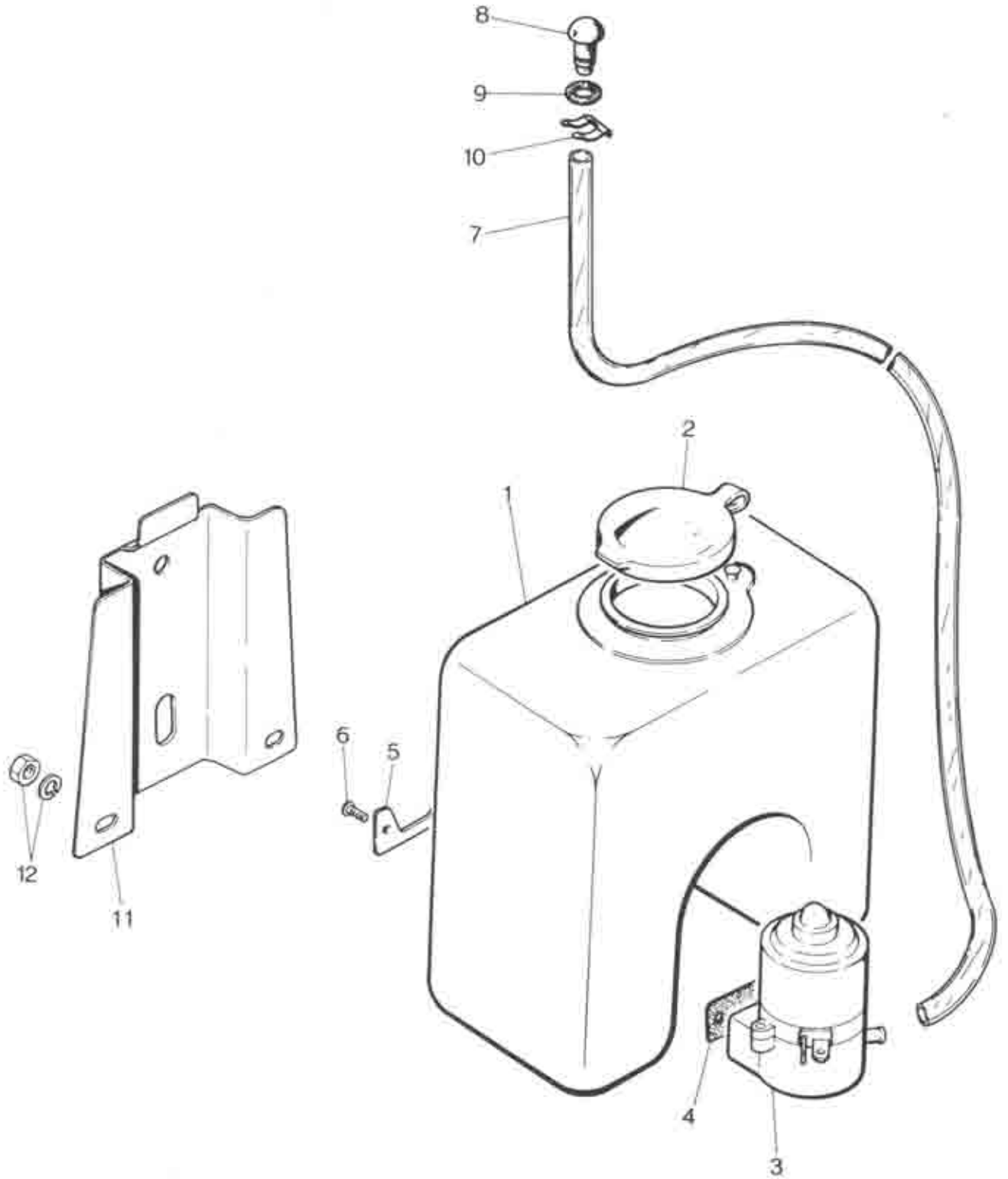
No.	Part Number	Description	Qty	Remarks
	0259 66 380A	WIPER MOTOR Ass'y (R.H.D.)	1	
	2158 87 100A	WIPER MOTOR Ass'y (L.H.D.)	1	
1	0259 87 109A	Stator Yoke	1	
2	0257 87 108	Nut	2	
3	99971 0500	Spring Washer	6	
4	0257 87 107	Bolt	2	
5	0259 87 112A	Wire Harness (R.H.D.)	1	
	2158 87 112A	Wire Harness (L.H.D.)	1	
6	0259 87 107	Ball	2	
7	0259 87 108A	Rotor	1	
8	0259 87 105	Screw	7	
9	0259 87 101A	Plate, Brush Holder	1	
10	0259 87 106	Brush	3	
11	99806 0510	Bolt	4	
12	0259 87 102A	Gear Box (R.H.D.)	1	
	2158 87 102A	Gear Box (L.H.D.)	1	
13	0259 87 103	Packing	1	
14	0259 87 104A	End Plate (R.H.D.)	1	
	2158 87 104	End Plate (L.H.D.)	1	
15	0259 87 119	Nut	1	
16	0259 87 120	Screw	1	
17	0738 87 803	Felt	1	
18	0702 87 135	Wave Washer	1	
19	0738 87 804	Washer	2	
20	0702 87 138	Retaining Ring	1	



66

87

WINDSHIELD WASHER



WINDSHIELD WASHER




No.	Part Number	Description	Qty	Remarks
	0259 66 860A	SCREEN WASHER SET	1	
	2113 66 860	SCREEN WASHER SET Emission Controlled Model	1	Car No. 62247 ⁷⁰ / ₆ ~ Added Anew
	0317 67 480	WASHER TANK	1	
1	0317 67 511	Tank	1	
2	0727 87 992	Cap	1	
3	0305 87 993	Pump	1	
4	0727 87 994	Packing	1	
5	0727 87 995	Plate	1	
6	0727 87 996	Screw	2	
7	99335 04075	Pipe	1	
8	0259 66 900A	Nozzle	1	
9	0259 66 905	Packing	1	
10	0118 41 669	Clip	1	
11	0317 67 521	Bracket	1	
	0866 67 521	Bracket	1	Car No. 103645 ⁷¹ / ₁₀ ~ O
12	99906 0600	Nut, Bracket	2	
	99971 0600	Spring Washer	2	



UNIVERSITY OF TORONTO

Faculty of Education
Department of Curriculum Studies
EDUC 401 - Curriculum Studies
Assignment 1: Curriculum Inquiry

Question	Answer
1. What is the difference between a curriculum and a syllabus?	A syllabus is a list of topics to be covered in a course, while a curriculum is a broader framework of learning experiences and goals.
2. How does a curriculum influence learning?	It provides a structure and direction for learning, determining what is taught and how it is taught.
3. What are the components of a curriculum?	Components include learning objectives, content, methods, and assessment.
4. How do you develop a curriculum?	It involves identifying needs, setting goals, selecting content, and designing learning experiences.
5. What are the challenges of curriculum development?	Challenges include balancing theory and practice, addressing diverse needs, and staying current in a rapidly changing field.

Page 1 of 1



Faint, illegible text or markings on the left side of the page.

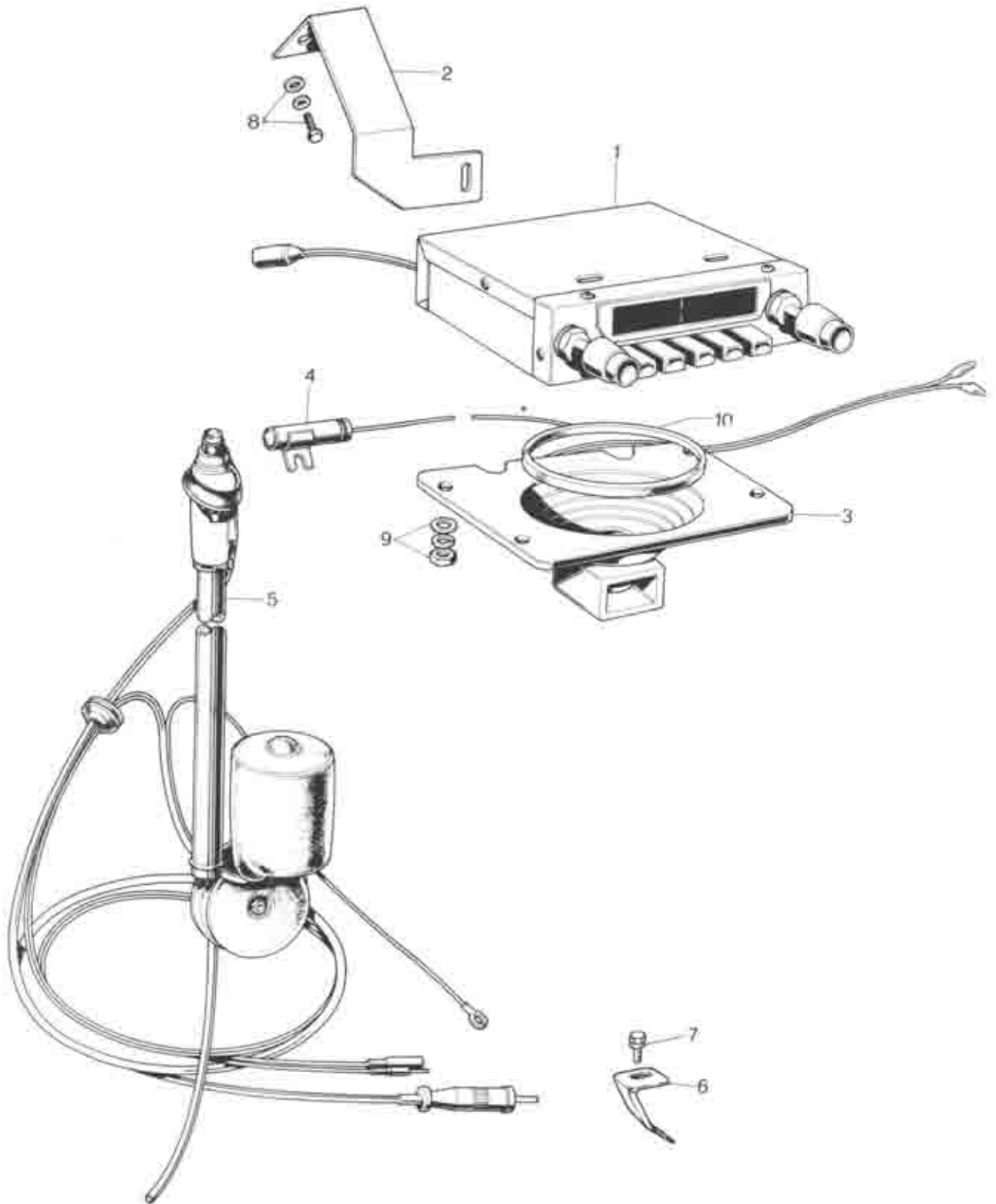
Faint, illegible text or markings on the right side of the page.

Faint, illegible text or markings at the bottom center of the page.

66

AUTO RADIO

(“T” TYPE DASHBOARD MODEL)



AUTO RADIO

("T" TYPE DASHBOARD MODEL)



No.	Part Number	Description	Q'ty	Remarks
	0820 66 530	AUTO RADIO Ass'y Medium Wave	1	
	2124 66 530	AUTO RADIO Ass'y Medium Wave FM	1	Coupe Model
	2329 66 530	AUTO RADIO Ass'y Medium Short Wave	1	
	2327 66 870	AUTO RADIO Ass'y Medium Wave	1	
•	0820 66 530		1	Car No. 65573 70% ~ X
•	2327 66 880	AUTO RADIO Ass'y Medium Short Wave	1	Sedan Model Car No. 65573 70% ~ Discarded
•	2327 66 890	AUTO RADIO Ass'y Medium Wave FM	1	Car No. 65573 70% ~ Discarded
1	0820 66 531A	Tuner Medium Wave	1	
	2124 66 531	Tuner Medium Wave FM	1	
	2325 66 531	Tuner Medium, Short Wave	1	
2	0820 66 532A	Tuner Bracket Medium Wave use	1	
	2124 66 532	Tuner Bracket Medium Wave, FM use	1	
	2325 66 532	Tuner Bracket Medium, Short Wave use	1	
3	0820 66 538	Loud Speaker	1	
4	0209 66 542	Condenser, Coupe Model	1	
•	0317 66 993	Condenser, Sedan Model	2	Car No. 65573 70% ~ Quantity
5	0820 66 525B	Motor Antenna	1	
•	2113 66 525	Motor Antenna (2416, 2418, 2419)	1	Car No. 65573 70% ~ Added Anew
	2113 66 525	Motor Antenna, Arctic Spec. Model	1	
6	0820 66 526B	Bracket, Motor Antenna	1	
7	908066 6 10	Set Bolt, Antenna Arctic Spec. Model	2	
	908336 6 12	Set Screw, Antenna	1	
8	99806 0512	Bolt, Tuner	1	
	99952 0516	Plain Washer	1	
	99971 0500	Spring Washer	1	
9	99906 0400	Nut, Loud Speaker	4	



AUTO RADIO

("T" TYPE DASHBOARD MODEL)

No.	Part Number	Description	Qty	Remarks
	99952 0400	Plain Washer	4	
	99971 0400	Spring Washer	4	
10	0820 66 521A	Partition, Loud Speaker	1	



10

11

12

13

14

15

16

17

18

19

20

21

22

23

24

25

26

27

28

29

30

31

32

33

34

35

36

37

38

39

40

41

42

43

44

45

46

47

48

49

50

51

52

53

54

55

56

57

58

59

60

61

62

63

64

65

66

67

68

69

70

71

72

73

74

75

76

77

78

79

80

81

82

83

84

85

86

87

88

89

90

91

92

93

94

95

96

97

98

99

100

101

102

103

104

105

106

107

108

109

110

111

112

113

114

115

116

117

118

119

120

121

122

123

124

125

126

127

128

129

130

131

132

133

134

135

136

137

138

139

140

141

142

143

144

145

146

147

148

149

150

151

152

153

154

155

156

157

158

159

160

161

162

163

164

165

166

167

168

169

170

171

172

173

174

175

176

177

178

179

180

181

182

183

184

185

186

187

188

189

190

191

192

193

194

195

196

197

198

199

200

201

202

203

204

205

206

207

208

209

210

211

212

213

214

215

216

217

218

219

220

221

222

223

224

225

226

227

228

229

230

231

232

233

234

235

236

237

238

239

240

241

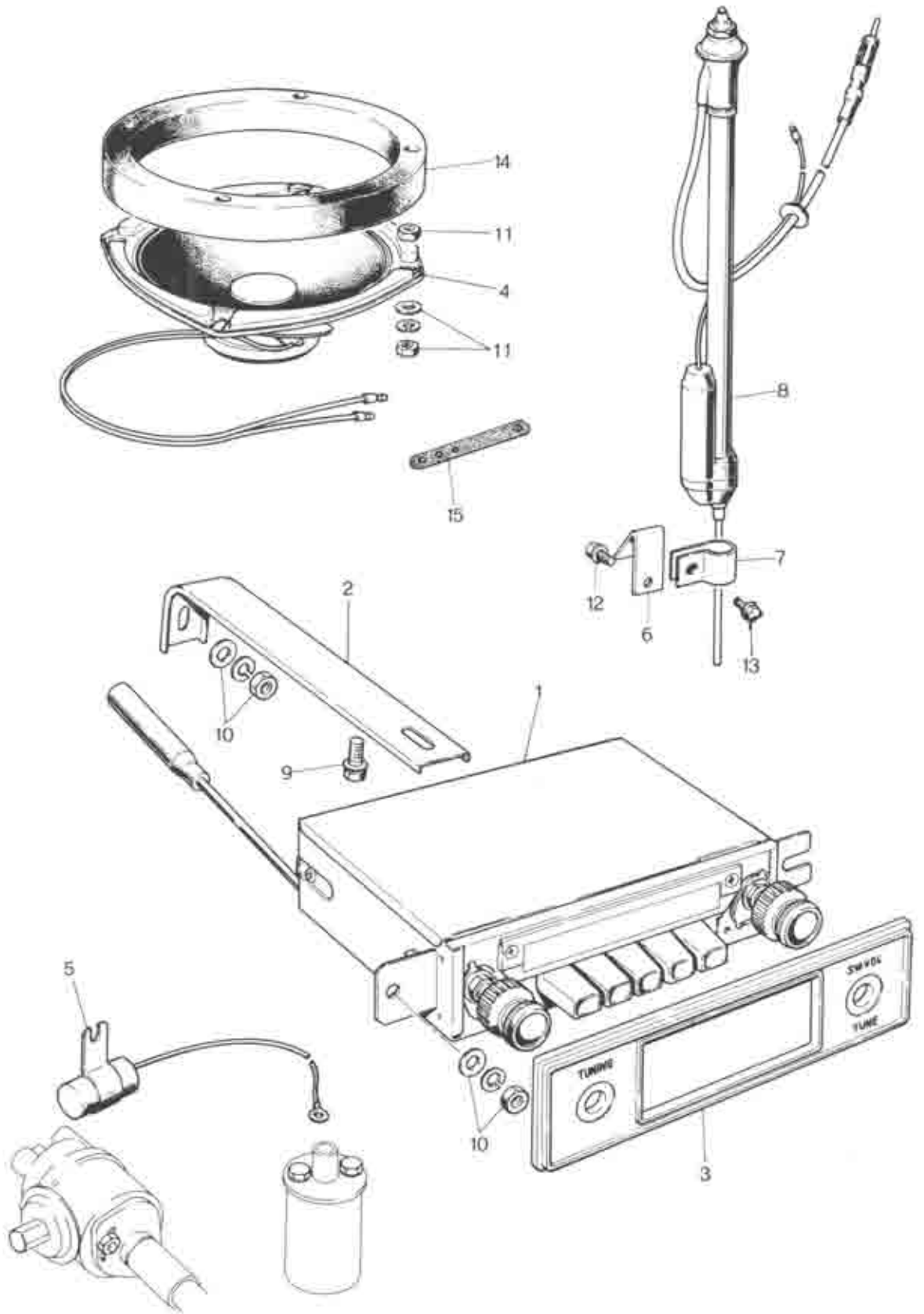
242

243

66

AUTO RADIO

(PLAIN TYPE DASHBOARD MODEL)



AUTO RADIO PARTS LIST (PLAIN TYPE DASHBOARD MODEL)



No.	Part Number	Description	Qty	Remarks
	0845 66 870	AUTO RADIO Ass'y, MEDIUM WAVE	1	
	2061 66 870	AUTO RADIO Ass'y, MEDIUM WAVE FM	1	
	2063 66 870	AUTO RADIO Ass'y, MEDIUM, SHORT WAVE	1	
1	0317 66 900	Tuner, Medium Wave (National Make)	1	Car No. 65573 ^{70%} / ₉ ~ Added Anew
	0326 66 900	Tuner, Medium Wave (CLARION Make)	1	Car No. 65573 ^{70%} / ₉ ~ Added Anew
	0332 66 900	Tuner, Medium Wave (TEN Make)	1	Car No. 65573 ^{70%} / ₉ ~ Added Anew
	2360 66 900	Tuner, Medium Wave FM	1	
	2375 66 900	Tuner, Medium, Short Wave	1	
2	0317 66 903	Bracket, Tuner, Medium Wave use (Use National Make)	1	Car No. 65573 ^{70%} / ₉ ~ Added Anew
	0326 66 903	Bracket, Tuner, Medium Wave use (Use CLARION Make)	1	Car No. 65573 ^{70%} / ₉ ~ Added Anew
	0332 66 903	Bracket, Tuner, Medium Wave use (Use Ten Make)	1	Car No. 65573 ^{70%} / ₉ ~ Added Anew
	2360 66 903	Bracket, Tuner, Medium Wave FM use	1	
	2375 66 903	Bracket, Tuner, Medium, Short Wave	1	
3	0317 66 905	Decoration Panel	1	
4	0317 66 960	Loud Speaker	1	
5	0846 66 992	Condenser	1	
6	0822 66 536	Bracket No. 2	1	
7	0259 66 537	Bracket No. 1	1	
8	0822 66 535	Antenna	1	
	0822 66 538	Feeder	1	
9	908066 5 08	Set Bolt, Bracket Rear	1	
10	99906 0500	Nut, Bracket Rear	1	
	99971 0500	Spring Washer	3	
	99952 0500	Plain Washer	3	
11	99906 0400	Nut, Loud Speaker	8	
	99952 0400	Plain Washer	4	
	99971 0400	Spring Washer	4	
12	908066 5 16	Set Bolt	1	
13	908066 6 10	Set Bolt	1	



AUTO RADIO

(PLAIN TYPE DASHBOARD MODEL)

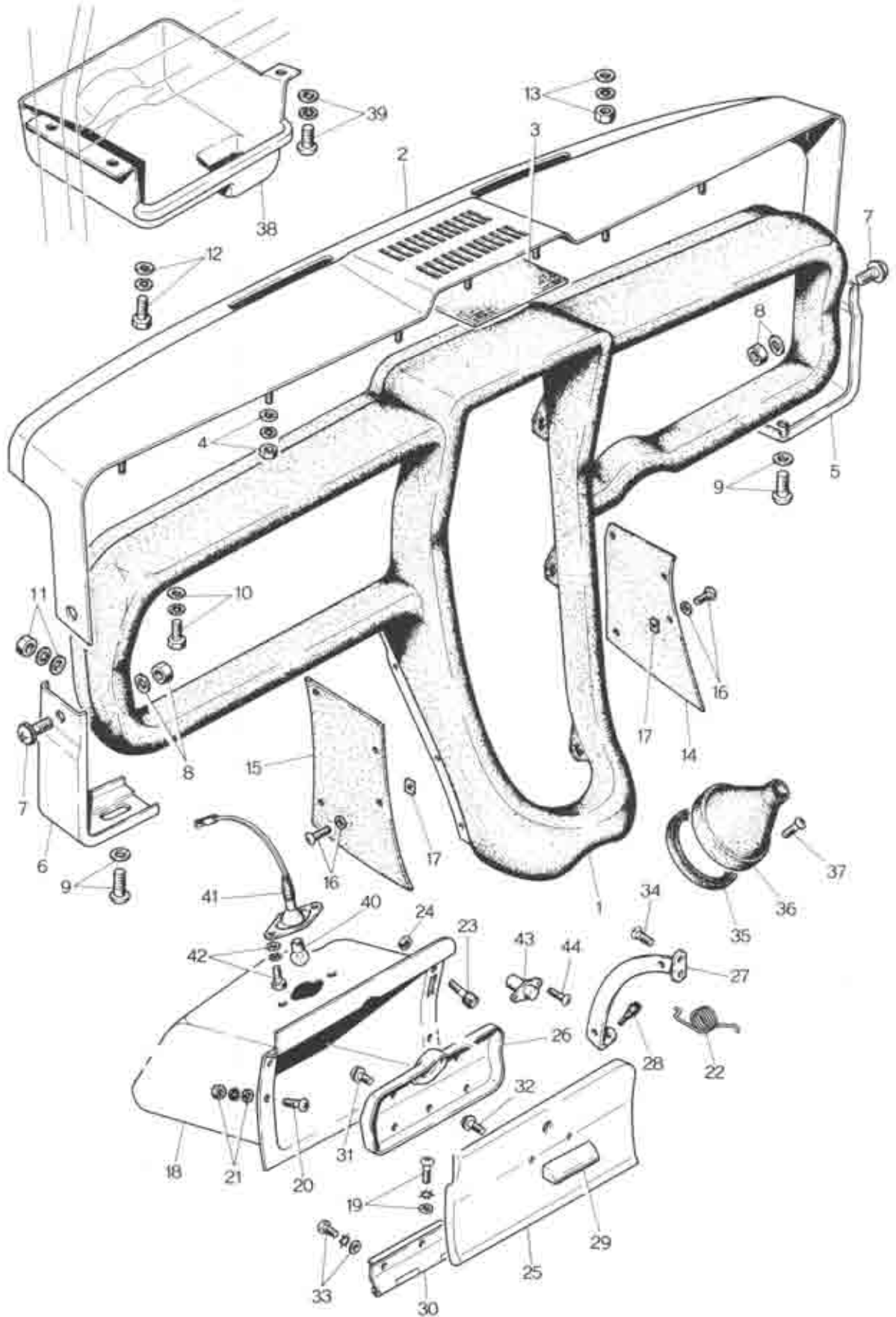
No.	Part Number	Description	Qty	Remarks
14	0317 66 862	Partition, Loud Speaker	1	
15	0187 66 991A	Rubber Clip	1	



66 68

CRUSH PAD & GLOVE BOX (R.H.D.)

("T" TYPE DASHBOARD MODEL)



CRUSH PAD & GLOVE BOX (R.H.D.)

("T" TYPE DASHBOARD MODEL)

66

68

No.	Part Number	Description	Qty	Remarks
• 1	0820 68 020D 03	Crush Pad Black	1	©
• 2	0820 68 080A 00	GARNISH UPPER BLACK	1	©
3	0820 68 085	Cover Cloth	1	
4	99971 0400	Spring Washer, Garnish Upper	8	
	99906 0400	Nut	8	
	99952 0412	Plain Washer	8	
• 5	0820 68 1200 00	Parcel Shelf Bracket Black	1	©
• 6	0820 68 122A 00	Garnish Lower (L) Black	1	©
7	908374 4 16B	Set Screw, Garnish Black	2	
8	99906 0400	Nut	2	
	99952 0412	Plain Washer	2	
9	908641 4 16B	Set Screw, Garnish Lower	2	
10	99806 0818	Bolt, Crush Pad	2	
	99971 0800	Spring Washer	2	
	99952 0822	Plain Washer	2	
11	99906 0800	Nut, Crush Pad	2	
	99971 0800	Spring Washer	2	
	99952 0822	Plain Washer	2	
12	99805 0514	Bolt, Crush Pad	3	
	99952 0516	Plain Washer	3	
	99971 0500	Spring Washer	3	
13	99906 0500	Nut, Crush Pad	4	
	99971 0500	Spring Washer	4	



CRUSH PAD & GLOVE BOX (R.H.D.)

("T" TYPE DASHBOARD MODEL)

No.	Part Number	Description	Qty	Remarks
	99952 0516	Plain Washer	4	
• 14	0820 68 130D 00	Trim Ass'y (R)	1	© Black
• 15	0820 68 140D 00	Trim Ass'y (L)	1	© Black
16	99967 0400B	Washer, Trim	8	
	99862 0416B	Screw	8	
17	99579 0400	Speed Nut	2	
• 18	0820 68 331A 00	Glove Box	1	© Black
19	908399 4 12B	Set Screw, Glove Box	4	
20	99832 0412B	Screw, Glove Box	1	
21	99971 0400	Spring Washer	1	
	99952 0400	Plain Washer	1	
	99906 0400	Nut	1	
22	0820 68 334	Spring	1	
23	0820 68 335	Cushion	2	
24	99907 0500	Lock Nut	1	
	0820 68 340A	LID, GLOVE BOX	1	©
• 25	0820 68 341A 05	Outer Lid	1	© Black
• 26	0820 68 342A 00	Inner Lid	1	© Black
27	0820 68 343A	Stay	1	©
28	0110 52 265	Cushion Rubber	1	
• 29	0820 68 3540 00	Lid Handle	1	© Black
30	0820 68 350	Hinge	1	
31	908644 4 08B	Set Screw, Inner Lid	2	
32	908644 4 12	Set Screw, Handle	2	

CRUSH PAD & GLOVE BOX (R.H.D.)

("T" TYPE DASHBOARD MODEL)



No.	Part Number	Description	Qty	Remarks
33	908644 4 10B	Set Screw, Hinge	3	
34	99831 0408B	Screw, Stay	2	
35	0820 68 551	Boot Ring	1	
• 36	0820 68 560001	Boot	1	© Black
•	0820 68 560A01	Boot	1	Car No. 57664 ^{70/4} ~ ○ © Black
37	99833 0410	Screw, Boot	4	
	99952 0400	Plain Washer	4	Car No. 62917 ^{70/7} ~ Added Anew
38	0820 69 811	Parcel Shelf	1	
39	908637 5 16	Screw, Parcel Shelf	3	
		} Optional		
	0820 66 940A	GLOVE POCKET LAMP	1	
40	0223 55 194	Bulb 12V/5W	1	
41	0820 66 945A	Socket & Cord	1	
•	0820 66 941	Lens	1	Car No. 71769 ^{70/11} ~ Added Anew
42	99806 0410B	Bolt, Glove Pocket Lamp	2	
	99952 0400B	Plain Washer	2	
	99971 0400B	Spring Washer	2	
43	0820 66 950	Lamp Switch, Glove Pocket	1	
44	99864 0408	Tapping Screw, Lamp Switch	2	



1998

THE UNIVERSITY OF CHICAGO PRESS

CHICAGO, ILLINOIS 60607

THE UNIVERSITY OF CHICAGO PRESS
50 EAST LAKE STREET
CHICAGO, ILLINOIS 60607

THE UNIVERSITY OF CHICAGO PRESS
50 EAST LAKE STREET
CHICAGO, ILLINOIS 60607

THE UNIVERSITY OF CHICAGO PRESS

THE UNIVERSITY OF CHICAGO PRESS
50 EAST LAKE STREET
CHICAGO, ILLINOIS 60607

THE UNIVERSITY OF CHICAGO PRESS

THE UNIVERSITY OF CHICAGO PRESS

THE UNIVERSITY OF CHICAGO PRESS

THE UNIVERSITY OF CHICAGO PRESS

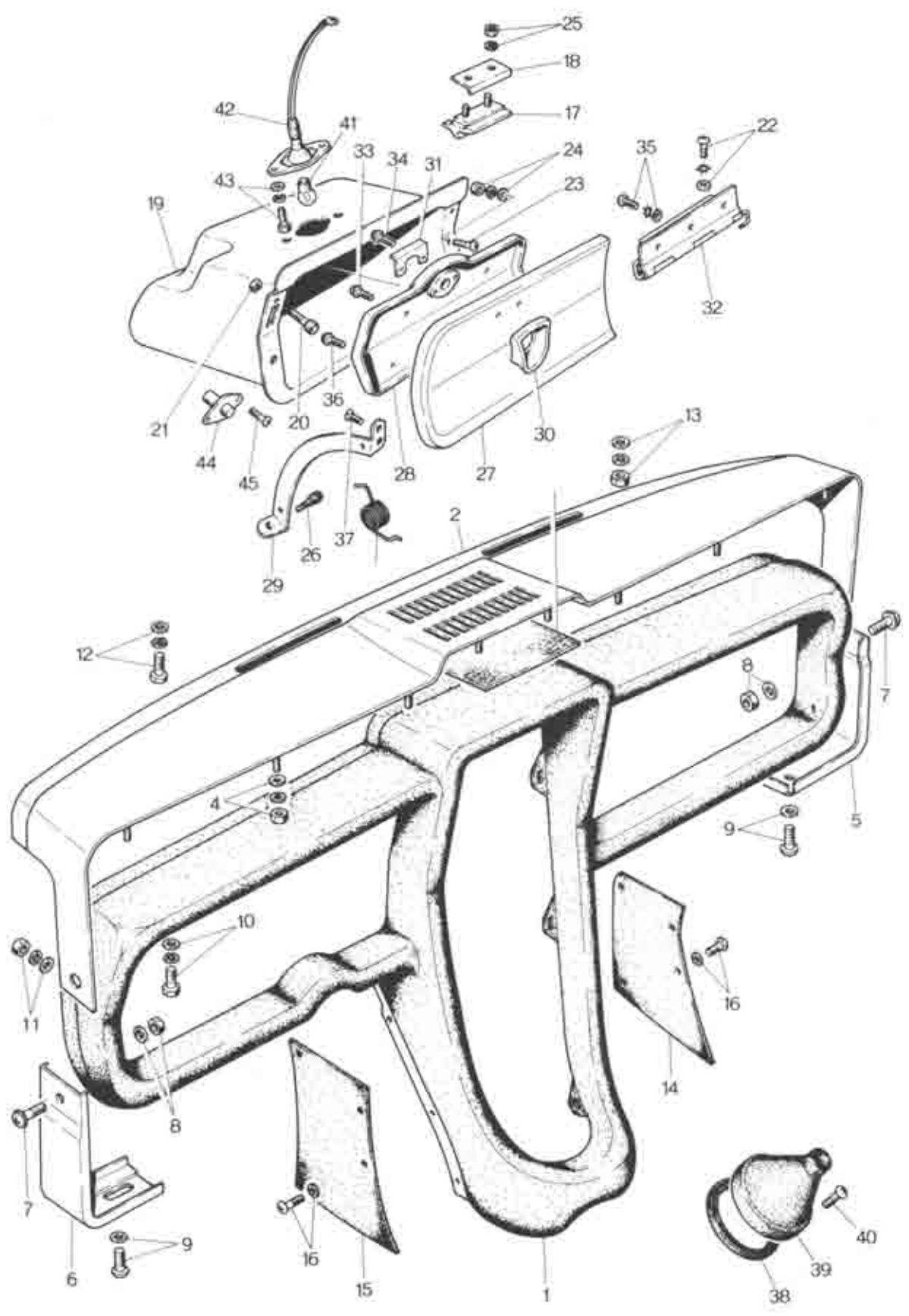


66

68

CRUSH PAD & GLOVE BOX (L.H.D.)

("T" TYPE DASHBOARD MODEL)



CRUSH PAD & GLOVE BOX (L.H.D.)

("T" TYPE DASHBOARD MODEL)



No.	Part Number	Description	Qty	Remarks
1	2113 68 020C-03	Crush Pad	1	© Black Car No. 103332 7 1/2 ~ 0
	2113 68 020D	Crush Pad	1	
2	0820 68 080A 00	GARNISH UPPER	1	© Black
3	0820 68 085	Cover Cloth	1	
4	99971 0400	Spring Washer, Garnish Upper	8	
	99906 0400	Nut	8	
	99952 0412	Plain Washer	8	
5	2113 68 121-00	Garnish Lower (R)	1	© Black
6	0820 68 122A-00	Garnish Lower (L)	1	© Black
7	908374 4 16B	Set Screw	2	
8	99906 0400	Nut, Garnish	2	
	99952 0412	Plain Washer	2	
9	908641 4 16B	Set Screw, Garnish Lower	2	
10	99806 0818	Bolt, Crush Pad	2	
	99971 0800	Spring Washer	2	
	99952 0822	Plain Washer	2	
11	99906 0800	Nut, Crush Pad	2	
	99971 0800	Spring Washer	2	
	99952 0822	Plain Washer	2	
12	99805 0514	Bolt, Crush Pad	3	
	99952 0516	Plain Washer	3	
	99971 0500	Spring Washer	3	
13	99906 0500	Nut, Crush Pad	4	

66

68

CRUSH PAD & GLOVE BOX (L.H.D.)

("T" TYPE DASHBOARD MODEL)

No.	Part Number	Description	Qty	Remarks
	99971 0500	Spring Washer	4	
	99952 0516	Plain Washer	4	
14	0820 68 130D 00	Trim Ass'y (R)	1	© Black
15	0820 68 140D 00	Trim Ass'y (L)	1	© Black
16	99967 0400B	Washer, Trim	8	
	99862 0416B	Screw	8	
17	2113 68 328	Striker, Glove Box	1	
18	2113 68 329	Set Plate, Striker	1	
19	2113 68 331A 00	Glove Box	1	© Black
20	0820 68 335	Cushion	2	
21	99907 0500	Lock Nut, Cushion	2	
22	908399 4 16B	Set Screw, Hinge	4	
23	99832 0412B	Screw, Glove Box	1	
24	99906 0400	Nut, Glove Box	1	
	99971 0400	Spring Washer	1	
	99952 0400	Plain Washer	1	
25	99906 0400	Nut, Striker	2	
	99971 0500	Spring Washer	2	
	2113 68 340A	LID Ass'y, GLOVE BOX	1	©
26	0110 52 265	Cushion	1	
27	2113 68 341A 05	Outer Lid	1	© Black
28	2113 68 342A 00	Inner Lid	1	© Black
29	2113 68 343A	Stay	1	©
30	2113 68 348	Knob	1	©

CRUSH PAD & GLOVE BOX (L.H.D.)

("T" TYPE DASHBOARD MODEL)



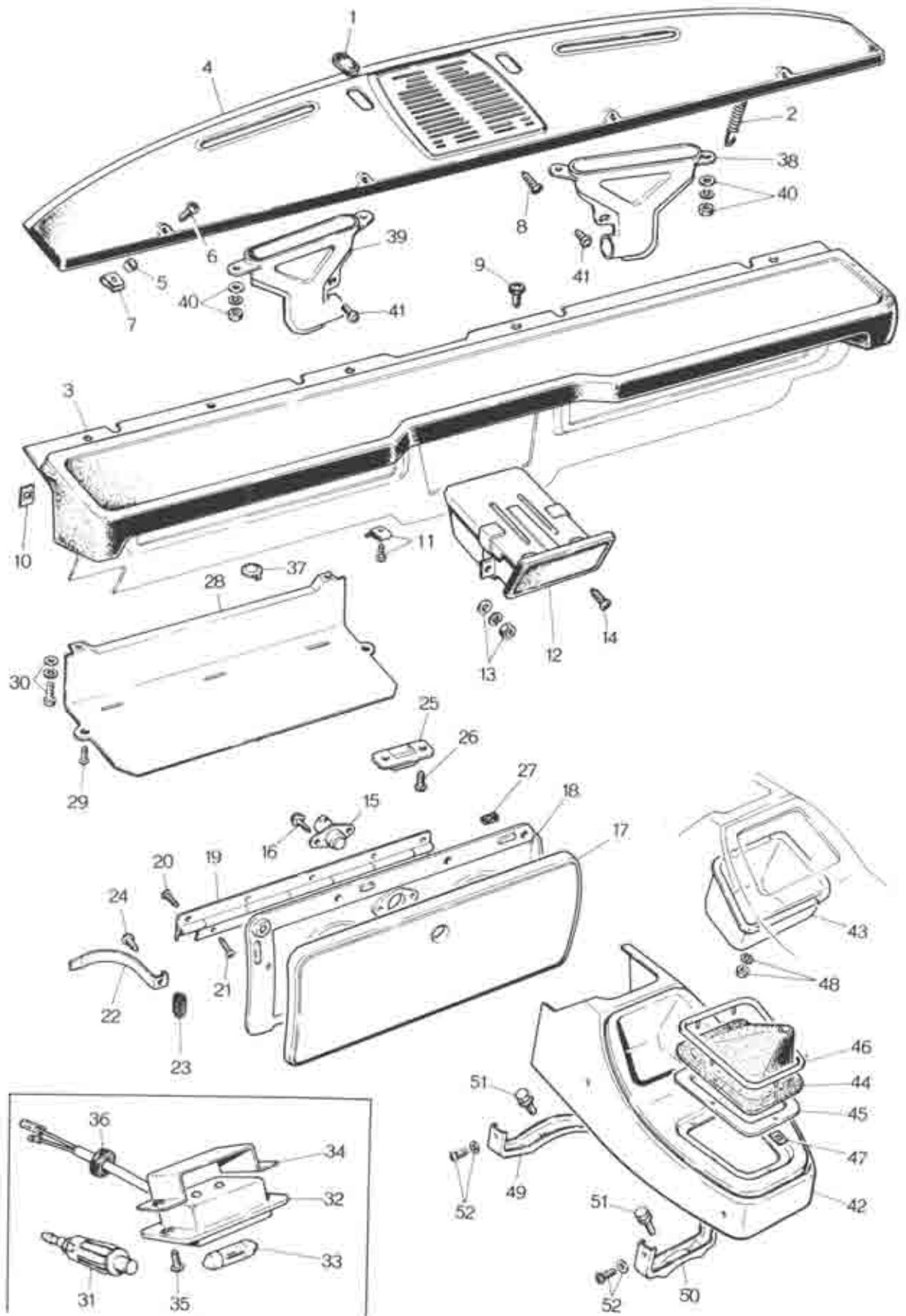
No.	Part Number	Description	Qty	Remarks
31	2113 68 349	Lock Assister	1	
32	2113 68 350A	Hinge	1	
33	908344 4 10B	Set Screw, Inner & Outer Lid	2	
34	908346 4 16B	Set Screw, Assister	2	
35	908349 4 12B	Set Screw, Hinge	3	
36	908644 4 10B	Set Screw, Inner & Outer Lid	3	
37	99831 0408B	Screw, Stay	2	
38	0820 68 551	Boot Ring	1	
39	0820 68 560A	Boot	1	©
40	99833 0410	Screw, Boot Ring	4	
	99952 0400	Plain Washer	4	Car No. 62917 ^{70/7} ~ Added Anew
	0820 66 940A	GLOVE POCKET LAMP	1	
41	0223 55 194	Bulb 12V/5W	1	
42	0820 66 945A	Socket & Cord	1	
	0820 66 941	Lens	1	Car No. 70537 ^{70/11} ~ Added Anew
43	99806 0410B	Bolt, Glove Pocket Lamp	2	
	99952 0400B	Plain Washer	2	
	99971 0400B	Spring Washer	2	
44	0820 66 950	Lamp Switch, Glove Pocket	1	
45	99864 0408	Tapping Screw, Lamp Switch	2	



THE UNIVERSITY OF CHICAGO PRESS
50 EAST LAKE STREET
CHICAGO, ILLINOIS 60607
TEL: 773-707-3000
WWW.CHICAGO.PRESS.EDU

68 70

CRUSH PAD, GLOVE POCKET & CONSOLE BOX (PLAIN TYPE DASHBOARD MOD)



RUSH PAD, GLOVE POCKET & CONSOLE BOX (PLAIN TYPE DASHBOARD MODEL)

68

70

No.	Part Number	Description	Qty	Remarks
1	0317 68 0120 00	Hole Cap	2	© Black
2	0317 68 014	Spring	2	
3	0317 68 0200 00	Instrument Panel Pad	1	© Black
4	0317 68 090B-00	MAIN GARNISH Ass'y	1	©
	0317 68 090C-00	MAIN GARNISH Ass'y	1	Car No. 103645 ⁷ / ₁₀ ~ X
5	0317 68 013A	Spacer	4	
6	99863 0520B	Screw, Main Garnish	4	
7	99896 0500	Spring Nut, Main Garnish	4	
8	99839 0420	Screw, Main Garnish	2	
9	908641 5 12	Set Screw, Instrument Panel Pad	6	
10	99578 3000	Speed Nut, Instrument Panel Pad	2	
11	908641 5 12B	Set Screw, Instrument Panel Pad	4	
	99896 0500	Spring Nut, Instrument Panel Pad	4	
12	0317 68 180	ASH TRAY	1	©
	0317 68 200	Ash Tray, Inner	1	
13	99906 0500	Nut, Ash Tray	2	
	99951 0500	Plain Washer	2	
	99952 0500	Plain Washer	2	Car No. 68789 ⁷⁰ / ₁₀ ~ O
	99971 0500	Spring Washer	2	
14	908396 4 16	Set Screw, Ash Tray	1	

CRUSH PAD, GLOVE POCKET & CONSOLE BOX (PLAIN TYPE DASHBOARD MODE

No.	Part Number	Description	Qty	Remarks
15	0274 55 200	Glove Pocket Lock	1	
16	908336 4 10	Set Screw, Glove Pocket Lock	2	
17	0316 70 220A	Glove Pocket Lid Ass'y (R.H.D.) Outer	1	
	2350 70 220A	Glove Pocket Lid Ass'y (L.H.D.) Outer	1	
18	0317 70 231A	Glove Pocket Lid Ass'y (R.H.D.) Inner	1	
	2370 70 231A	Glove Pocket Lid Ass'y (L.H.D.) Inner	1	
19	0317 70 240	Hinge Ass'y (R.H.D.)	1	
	2370 70 240	Hinge Ass'y (L.H.D.)	1	
20	99861 0410B	Screw, Hinge Ass'y & Glove Pocket Lid	9	
21	99834 0410B	Set Screw, Hinge Ass'y	3	
	99973 0400	Toothed Washer	3	
22	0317 70 261	Stopper (R.H.D.)	1	
	2370 70 261	Stopper (L.H.D.)	1	
23	0603 53 305	Guide Stopper	1	
24	908310 4 08B	Set Screw, Stopper	1	
25	0317 70 262	Striker	1	
26	908386 5 16B	Set Screw, Striker	2	
27	0317 70 269	Cushion	3	
28	0317 70 271A	Glove Tray	1	
29	908630 5 12	Set Screw, Glove Tray	2	
30	908067 6 12	Set Bolt, Glove Tray	2	
31	0326 60 690A	Glove Box Switch	1	
32	0326 60 670	GLOVE BOX LAMP	1	
33	99701 5050	Bulb	1	

CRUSH PAD, GLOVE POCKET & CONSOLE BOX (PLAIN TYPE DASHBOARD MODEL)



No.	Part Number	Description	Qty	Remarks
34	0326 60 675	Bracket	1	
35	908332 4 12	Set Screw, Box Lamp	2	
36	99683 0600	Protector	1	
37	0317 60 951	Hole Cover, Glove Pocket Lamp Hole	1	©
38	0317 60 101	Defroster Nozzle (R)	1	
39	0317 60 102	Defroster Nozzle (L)	1	
40	99906 0500	Nut	4	
	99952 0516	Plain Washer	4	
	99971 0500	Spring Washer	4	
41	99799 0516	Bolt	2	
	99952 0500	Plain Washer	2	
	99971 0500	Spring Washer	2	
42	0845 68 860A	CONSOLE Ass'y	1	©
	2335 68 860	CONSOLE Ass'y, Without Car Heater use	1	
	2335 68 860A	CONSOLE Ass'y, Without Car Heater use	1	Car No. 67812 ⁷⁰ / ₁₀ ~ ○
43	0326 68 862	CONSOLE Ass'y, Without Car Heater use Pocket "A"	1	
44	0845 68 863	Boot	1	
45	0326 68 864	Plate	1	
46	0326 68 865	Mould	1	
	0326 68 867	Mould-pocket A	1	Car No. 67812 ⁷⁰ / ₁₀ ~ Added Anew
47	99579 3000	Speed Nut	5	
48	99906 0500	Nut, Pocket	4	
	99952 0500	Plain Washer	4	
N	2370 68 866	Console Tray, Without Car Heater use	1	
N	99861 0310B	Tapping Screw, Console Tray Fixing	3	
49	0845 68 870	Bracket Ass'y	1	
50	0845 68 880	Bracket Ass'y	1	

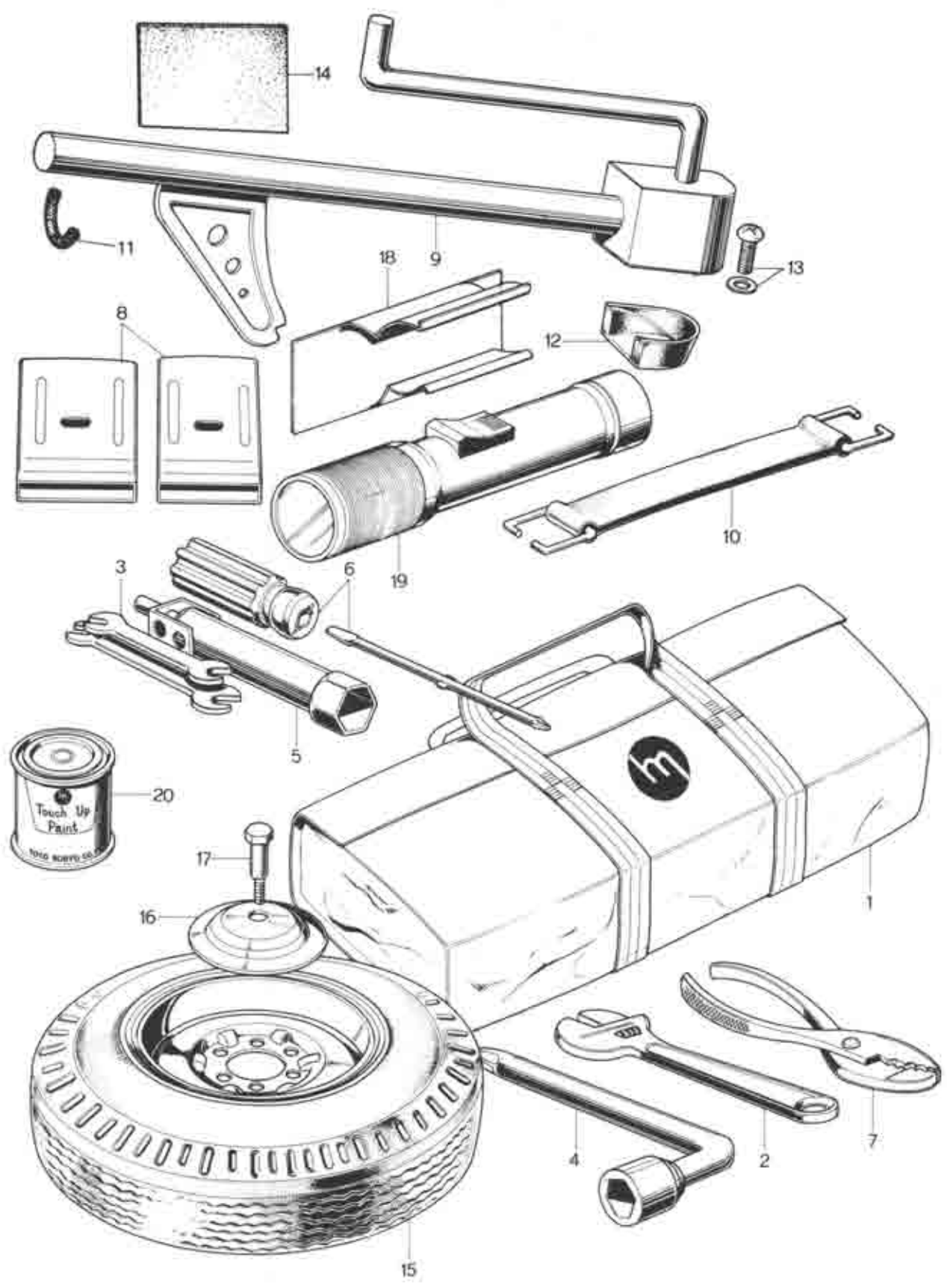
68

70

CRUSH PAD, GLOVE POCKET & CONSOLE BOX (PLAIN TYPE DASHBOARD MODEL)

No.	Part Number	Description	Qty	Remarks
51	908040 6 16	Set Bolt, Bracket	4	
52	99832 0516B	Screw, Console	4	
•	99832 0512B	Screw, Console	4	Car No. 67812 ²⁰ / ₁₀ ~ Δ
	99967 0500B	Washer	4	





SERVICE TOOLS

68

No.	Part Number	Description	Qty	Remarks
	0820 68 660	TOOL Ass'y	1	
1	0820 68 670	Tool Bag	1	
2	0110 68 050	Monkey Wrench	1	
3	0181 68 060	Spanner Set	1	
4	0810 68 070	Box Spanner	1	
5	0813 68 720	Plug Wrench	1	
6	0187 68 110	Driver Set	1	
7	0118 68 180	Plier	1	
8	0208 68 230	Wheel Stopper	2	
9	0259 68 790	Bumper Jack	1	
10	0223 56 950	Jack Clamp	1	
11	0208 56 942	Pad, Jack Holder Front	1	
12	0208 56 944	Jack Holder Rear	1	
13	908641 5 16	Set Screw, Jack Holder Rear	2	
14	0822 56 945	Pad, Jack	1	
15	9962 01 1454	145SR-14 Radial Tire, White Ring	2	Selective use
	9962 02 1454	145SR-14 Radial Tubeless Tire	2	
	9962 03 1454	145SR-14 Radial Tire	2	
	9963 01 1454	145SR-14 Tube	2	
	9963 60 4140	Air Valve TR-414, Tubeless Tire use	2	
	9965 03 4040	4-J x 14 WDC Disc Wheel	2	©
16	0259 56 460	Jack Stand	1	
17	0259 56 463	Bolt	1	
18	0223 68 810	Holder, Signal Light Optional	1	



SERVICE TOOLS

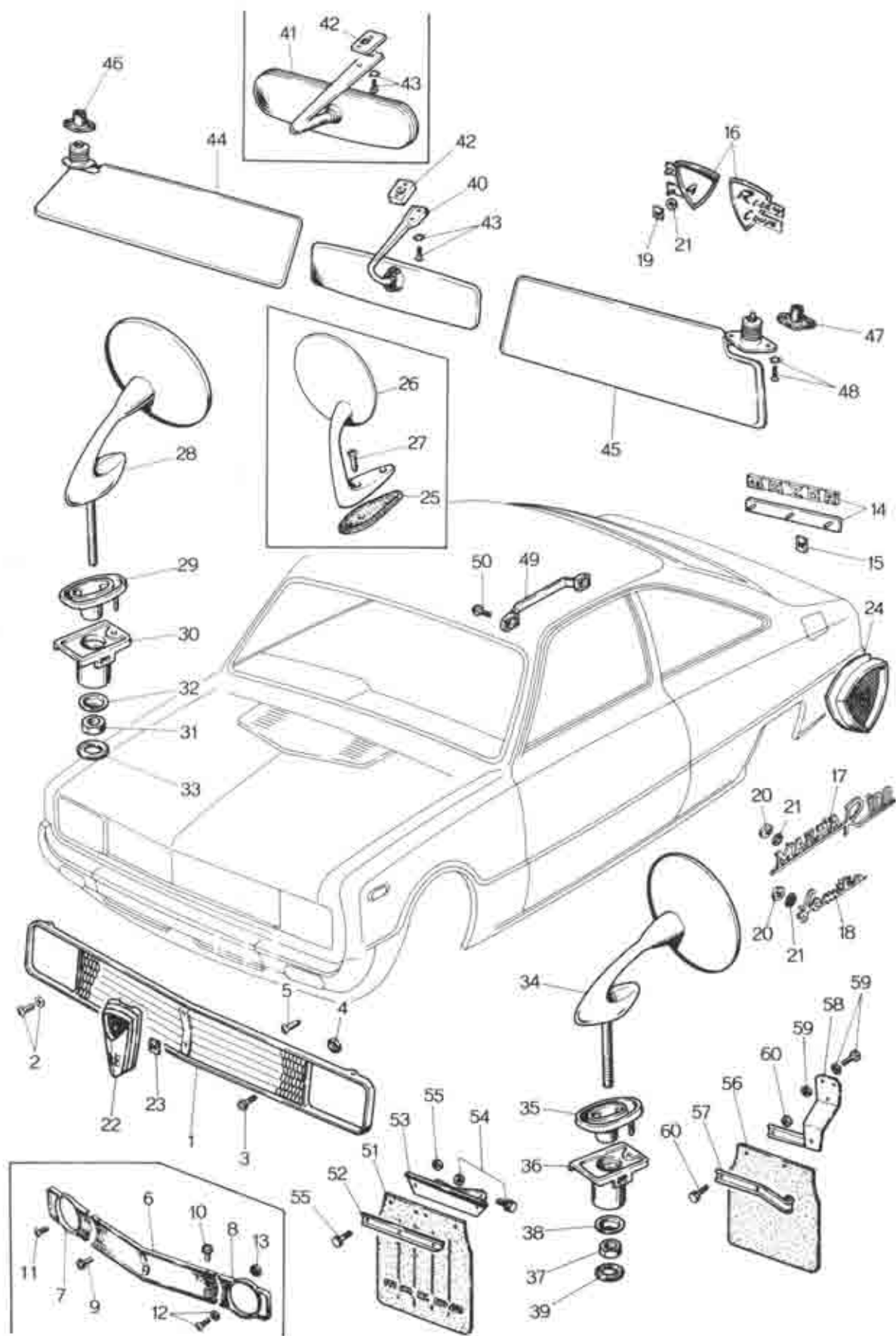
No.	Part Number	Description	Qty	Remarks
19	0223 68 780A	SIGNAL LIGHT		
	0223 68 781	Bulb	Optional 1	
	0223 68 782	Dry Cell		
20	0259 68 881	Repair Paint	Selective use 1	©
	2272 68 881	Repair Paint		©



[The main body of the page contains extremely faint, illegible text, likely bleed-through from the reverse side of the document. The text is too light to transcribe accurately.]

ATTACHMENT

(ALL COUPE MODELS)



ATTACHMENT

(ALL COUPE MODELS)

69

No.	Part Number	Description	Qty	Remarks
1	0820 50 510	Radiator Grille	1	
2	99869 0408	Screw, Grille Upper	4	
	99952 0412	Plain Washer	4	
3	907431 4 12B	Set Screw, Grille Lower	3	Square Type Head Lamp use
4	99896 0400	Spring Nut	9	
5	99767 0412	Tapping Screw, Grille	2	
6	2113 50 510A	Radiator Grille	1	
7	2113 50 531A	Ring (R), Head Lamp	1	
8	2113 50 541A	Ring (L), Head Lamp	1	
9	908631 4 12B	Set Screw, Grille	3	
10	908641 4 08	Set Screw, Grille & Ring	2	Round Type Head Lamp use
11	99767 0412	Screw, Ring	2	
12	99869 0408	Screw, Grille	2	
	99952 0412	Plain Washer	2	
13	99896 0400	Spring Nut, Grille	9	
14	0259 69 062	Rear Ornament	1	
15	0187 69 049A	Speed Nut Ornament	2	
16	0820 69 064B	Rear Ornament, Rotary Coupe	2	
17	2113 69 064	Side Ornament	3	
18	2158 69 064	Side Ornament, Familia	3	
19	99578 3000	Speed Nut	3	
20	99579 3000	Speed Nut	6	
21	0730 69 057A	Packing	9	
22		Front Emblem	1	
	0845 69 071A 00	Gold Brown		
	0845 69 071A 01	Blue		
23	99579 3000	Speed Nut, Emblem	2	
24	0820 69 066A	"RE" Mark	2	

No.	Part Number	Description	Qty	Remarks
	2229 69 090	REAR VIEW MIRROR Ass'y DOOR USE (L) For Canada & U.S.A.	1	
25	2229 69 101	Gasket	1	
26	2229 69 120A	Mirror	1	★
27	99772 0516	Screw	2	
	0820 69 080A	REAR VIEW MIRROR Ass'y (R)	1	
28	0820 69 110B	Rear View Mirror (R)	1	
29	0820 69 115	Gasket	1	
30	0820 69 120	Spring	1	
31	99906 0500	Nut	1	
32	0820 69 101	Washer	1	
33	0820 69 102	Seat	1	
	0820 69 090A	REAR VIEW MIRROR Ass'y (L)	1	
34	0820 69 130B	Rear View Mirror (L)	1	
35	0820 69 125	Gasket	1	
36	0820 69 140	Spring	1	
37	99906 0500	Nut	1	
38	0820 69 101	Washer	1	
39	0820 69 102	Seat	1	
40	0263 69 170	Room Mirror	1	
41	0820 69 170A 2370 69 170	Room Mirror, Day & Night Changing Type Room Mirror, for France	1 1	Car No. 70537 ^{70/11} ~ Added Anew

ATTACHMENT

(ALL COUPE MODELS)

69

No.	Part Number	Description	Qty	Remarks
42	0820 69 161	Base, Room Mirror	1	☆
43	99831 0516	Screw, Room Mirror	2	
	99831 0520	Screw, Room Mirror	2	Car No. 103748 ⁷ / ₁₂ ~ ○
	99975 0500	Toothed Washer	2	
44	0317 68 2100-04	SUN VISOR (R)	1	◎
	0317 69 2100-08	Light Gray Plain Type Dashboard use		
		Black		
		SUN VISOR Ass'y (R)	1	◎
	0820 69 210A-02	Yellowish Gray "T" Type Dashboard use		
	0820 69 210A-03	Black		
45		SUN VISOR (L)	1	◎
	0317 69 2400-04	Light Gray Plain Type Dashboard use		
	0317 69 2400-08	Black		
		SUN VISOR Ass'y (L), (R. H. D.)	1	◎
	0820 69 240A-02	Yellowish Gray "T" Type Dashboard use		
	0820 69 240A-03	Black		
		SUN VISOR Ass'y (L), (L. H. D.)	1	◎
	2113 69 240A-03	Black "T" Type Dashboard use	1	
		SUN VISOR Ass'y (L), (L.H.D.) 2125	1	Car No. 67812 ⁷⁰ / ₁₀ ~ X
	0820 69 240A-02	Yellowish Gray		
	0820 69 240A-03	Black		
46	0223 69 212	Adapter (R)	1	
47	0223 69 242	Adapter (L)	1	"T" Type Dashboard use
48	99837 0516C	Screw, Sun Visor	4	
	99975 0500	Toothed Washer	4	
49	0727 69 910	Asist Handle	1	◎
50	908386 6 16	Set Screw, Asist Handle	2	
	908382 6 16	Set Screw, Asist Handle	2	Car No. 64215 ⁷⁰ / ₇ ~ ○
	0259 99 792	FLAP SET	1	
51	0259 78 611	Flap	2	
52	0259 78 612	Washer "A"	2	

ATTACHMENT

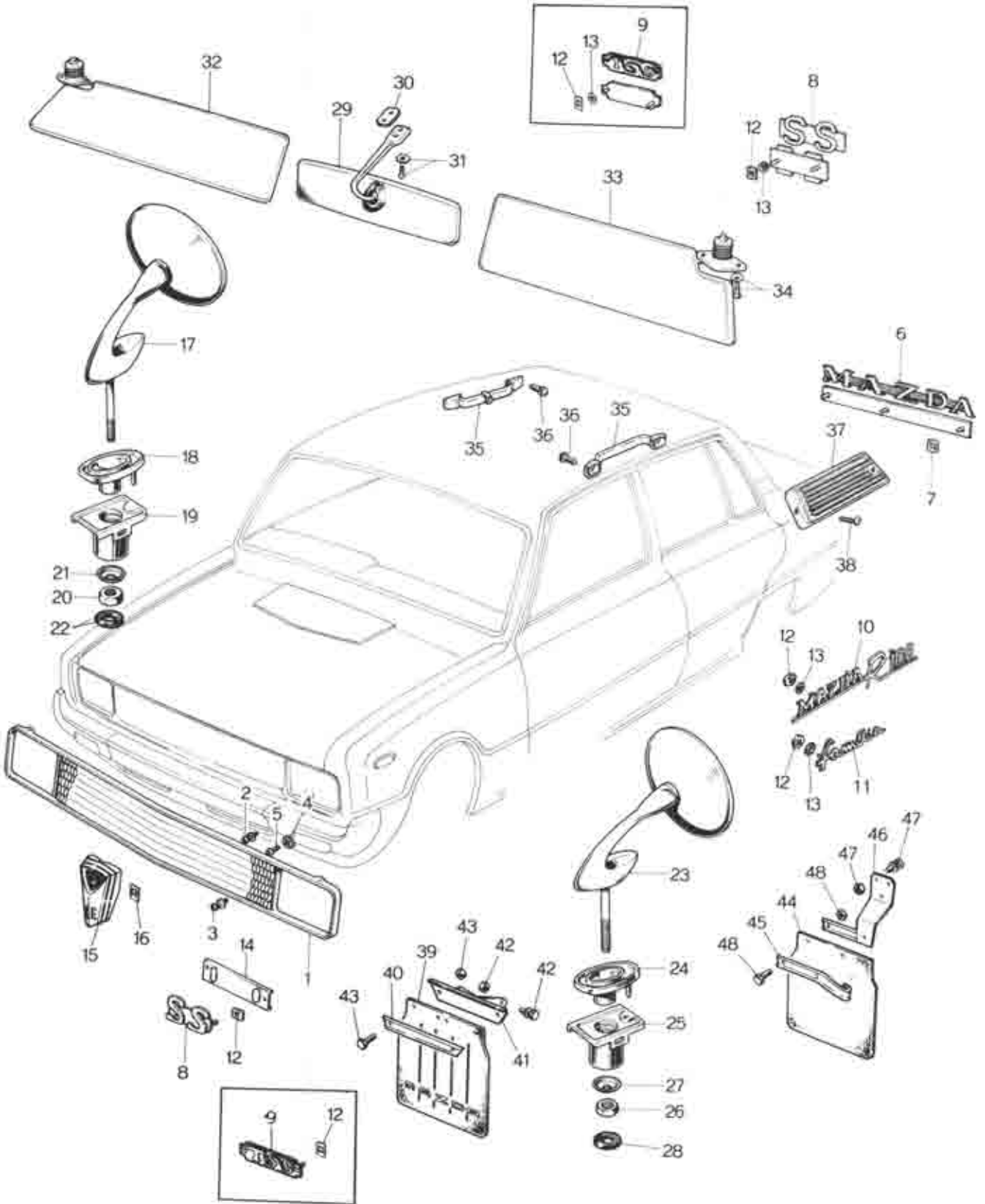
(ALL COUPE MODELS)

No.	Part Number	Description	Qty	Remarks
53	0259 78 620	Washer "B" (R)	1	
	0259 78 640	Washer "B" (L)	1	
54	908066 5 12	Set Bolt	4	
	99906 0500	Nut	4	
55	99806 0512	Bolt	4	
	99906 0500	Nut	4	
56	0259 78 611	Flap	2	
57	0259 78 652	Washer "A"	2	
58	0259 78 660	Rear Bracket (R)	1	
	0259 78 680	Rear Bracket (L)	1	
59	99806 0512	Bolt	4	
	99952 0500	Plain Washer	4	
	99906 0500	Nut	4	
60	99806 0512	Bolt	4	
	99906 0500	Nut	4	



ATTACHMENT

(ALL SEDAN MODELS)



ATTACHMENT

(ALL SEDAN MODELS)



No.	Part Number	Description	Q'ty	Remarks
1	0820 50 510	Radiator Grille	1	
2	99869 0408	Screw, Grille Upper	4	
	99952 0412	Plain Washer	4	
3	907431 4 12B	Set Screw, Grille Lower	3	
4	99896 0400	Spring Nut	9	
5	99767 0412	Tapping Screw, Grille	2	
6	0259 69 062	Rear Ornament	1	
7	0187 69 049A	Speed Nut, Ornament	2	
8	0233 69 064	Ornament, "SS"	2	
9	0848 69 064	Ornament, "TSS"	2	
10	2113 69 064	Side Ornament	2	
11	2158 69 064	Side Ornament, Familia	2	
12	99579 3000	Speed Nut	10	
13	0730 69 057	Packing	6	
14	0844 69 080	Set Plate, Ornament	1	
15		Front Emblem	1	
	0845 69 071A-00	Gold Brown		
	0845 69 071A-01	Blue		
16	99579 3000	Speed Nut, Emblem	2	
(N)	2835 69 059	Ornament (Automobiles) (For France)	3	Car No. 95155 ⁷¹ / ₄ ~ Added Anew
	0820 69 080A	REAR VIEW MIRROR Ass'y (R)	1	
17	0820 69 110B	Rear View Mirror (R)	1	
18	0820 69 115	Gasket (R)	1	
19	0820 69 120	Spring (R)	1	
20	99906 0500	Nut	1	
21	0820 69 101	Washer	1	
22	0820 69 102	Seat	1	

ATTACHMENT

(ALL SEDAN MODELS)

No.	Part Number	Description	Qty	Remarks
	0820 69 090A	REAR VIEW MIRROR Ass'y (L)	1	
23	0820 69 130B	Rear View Mirror (L)	1	
24	0820 69 125	Gasket (L)	1	
25	0820 69 140	Spring (L)	1	
26	99906 0500	Nut	1	
27	0820 69 101	Washer	1	
28	0820 69 102	Seat	1	
29	2244 69 170	Room Mirror	1	
	2370 69 170	Room Mirror (for France)	1	Car No. 70537 ^{70/11} ~ Added An
	2370 69 170A	Room Mirror (for France)	1	Car No. 103335 ^{70/11} ~ O
30	0820 69 161	Base	1	
31	99831 0516	Screw, Room Mirror	1	
	99831 0520	Screw	1	
	99975 0500	Toothed Washer	2	
32	0317 69 2100-04	Sun Visor (R) Light Gray	2	
	0317 69 2100-08	Black		
33	0317 69 2400-04	Sun Visor (L) Light Gray	1	
	0317 69 2400-08	Black		
34	99837 0516	Screw, Sun Visor	4	
	99975 0500	Toothed Washer	4	
35	0727 69 910	Asist Handle	3	
36	908386 6 16	Set Screw, Asist Handle	6	
	908382 6 16	Set Screw, Asist Handle	6	Car No. 64215 ^{70/11} ~ O
37	0844 70 361A	Air Flow Grille (R)	1	
	0844 71 361A	Air Flow Grille (L)	1	
38	99768 0410	Tapping Screw, Air Flow Grille	2	
	99863 0410B	Screw	2	

ATTACHMENT

(ALL SEDAN MODELS)

69

No.	Part Number	Description	Qty	Remarks
	0259 99 792	FLAP SET	1	
	0259 78 610	FRONT FLAP (R)	1	
	0259 78 630	FRONT FLAP (L)	1	
39	0259 78 611	Flap	2	
40	0259 78 612	Washer "A"	2	
41	0259 78 620	Washer "B" (R)	1	
	0259 78 640	Washer "B" (L)	1	
42	908066 5 12	Set Bolt	4	
	99906 0500	Nut	4	
43	99806 0512	Bolt	4	
	99906 0500	Nut	4	
	0259 78 650	REAR FLAP (R)	1	
	0259 78 670	REAR FLAP(L)	1	
44	0259 78 611	Flap	2	
45	0259 78 652	Washer "A"	2	
46	0259 78 660	Rear Bracket (R)	1	
	0259 78 680	Rear Bracket (L)	1	
47	99806 0512	Bolt	4	
	99952 0500	Plain Washer	4	
	99906 0500	Nut	4	
48	99806 0512	Bolt	4	
	99906 0500	Nut	4	

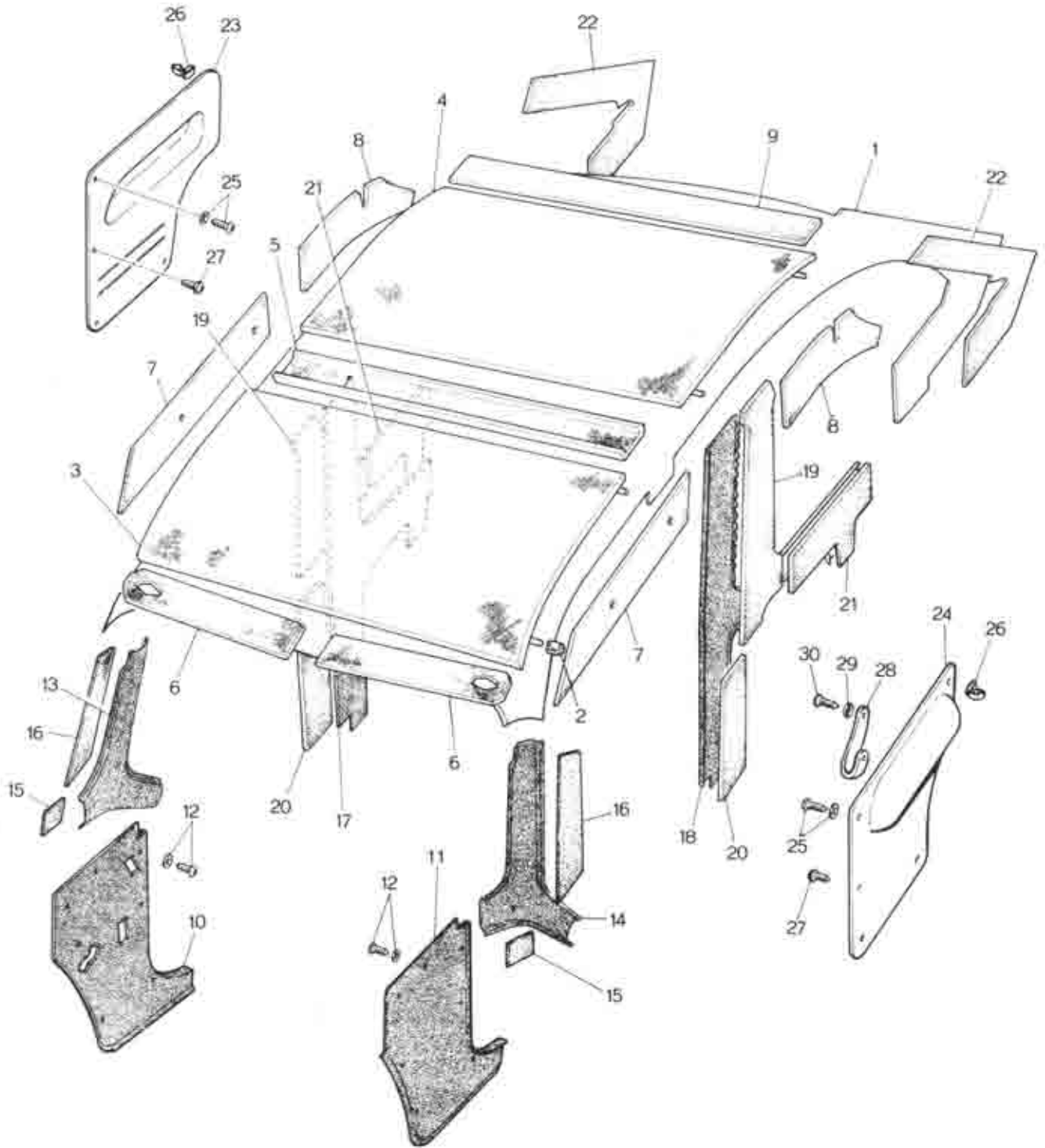


DATE	DESCRIPTION	AMOUNT	CHECK NO.	ACCOUNT
1/15/01	STATE OF TEXAS	100.00	1001	STATE
1/20/01	FEDERAL RESERVE	500.00	1002	RESERVE
2/01/01	AMERICAN SAVINGS	250.00	1003	SAVINGS
2/15/01	WELLS FARGO	750.00	1004	CHECKING
3/01/01	CHASE BANK	300.00	1005	SAVINGS
3/15/01	STATE STREET	150.00	1006	CHECKING
4/01/01	FIRST NATIONAL	400.00	1007	SAVINGS
4/15/01	WELLS FARGO	600.00	1008	CHECKING
5/01/01	AMERICAN SAVINGS	200.00	1009	SAVINGS
5/15/01	CHASE BANK	350.00	1010	CHECKING
6/01/01	FIRST NATIONAL	450.00	1011	SAVINGS
6/15/01	WELLS FARGO	550.00	1012	CHECKING
7/01/01	AMERICAN SAVINGS	250.00	1013	SAVINGS
7/15/01	CHASE BANK	300.00	1014	CHECKING
8/01/01	FIRST NATIONAL	400.00	1015	SAVINGS
8/15/01	WELLS FARGO	500.00	1016	CHECKING
9/01/01	AMERICAN SAVINGS	200.00	1017	SAVINGS
9/15/01	CHASE BANK	300.00	1018	CHECKING
10/01/01	FIRST NATIONAL	400.00	1019	SAVINGS
10/15/01	WELLS FARGO	500.00	1020	CHECKING
11/01/01	AMERICAN SAVINGS	200.00	1021	SAVINGS
11/15/01	CHASE BANK	300.00	1022	CHECKING
12/01/01	FIRST NATIONAL	400.00	1023	SAVINGS
12/15/01	WELLS FARGO	500.00	1024	CHECKING
1/01/02	AMERICAN SAVINGS	200.00	1025	SAVINGS
1/15/02	CHASE BANK	300.00	1026	CHECKING
1/31/02	FIRST NATIONAL	400.00	1027	SAVINGS
2/15/02	WELLS FARGO	500.00	1028	CHECKING
3/01/02	AMERICAN SAVINGS	200.00	1029	SAVINGS
3/15/02	CHASE BANK	300.00	1030	CHECKING
3/31/02	FIRST NATIONAL	400.00	1031	SAVINGS
4/15/02	WELLS FARGO	500.00	1032	CHECKING
5/01/02	AMERICAN SAVINGS	200.00	1033	SAVINGS
5/15/02	CHASE BANK	300.00	1034	CHECKING
5/31/02	FIRST NATIONAL	400.00	1035	SAVINGS
6/15/02	WELLS FARGO	500.00	1036	CHECKING
7/01/02	AMERICAN SAVINGS	200.00	1037	SAVINGS
7/15/02	CHASE BANK	300.00	1038	CHECKING
7/31/02	FIRST NATIONAL	400.00	1039	SAVINGS
8/15/02	WELLS FARGO	500.00	1040	CHECKING
9/01/02	AMERICAN SAVINGS	200.00	1041	SAVINGS
9/15/02	CHASE BANK	300.00	1042	CHECKING
9/30/02	FIRST NATIONAL	400.00	1043	SAVINGS
10/15/02	WELLS FARGO	500.00	1044	CHECKING
11/01/02	AMERICAN SAVINGS	200.00	1045	SAVINGS
11/15/02	CHASE BANK	300.00	1046	CHECKING
11/30/02	FIRST NATIONAL	400.00	1047	SAVINGS
12/15/02	WELLS FARGO	500.00	1048	CHECKING
1/01/03	AMERICAN SAVINGS	200.00	1049	SAVINGS
1/15/03	CHASE BANK	300.00	1050	CHECKING
1/31/03	FIRST NATIONAL	400.00	1051	SAVINGS
2/15/03	WELLS FARGO	500.00	1052	CHECKING
3/01/03	AMERICAN SAVINGS	200.00	1053	SAVINGS
3/15/03	CHASE BANK	300.00	1054	CHECKING
3/31/03	FIRST NATIONAL	400.00	1055	SAVINGS
4/15/03	WELLS FARGO	500.00	1056	CHECKING
5/01/03	AMERICAN SAVINGS	200.00	1057	SAVINGS
5/15/03	CHASE BANK	300.00	1058	CHECKING
5/31/03	FIRST NATIONAL	400.00	1059	SAVINGS
6/15/03	WELLS FARGO	500.00	1060	CHECKING
7/01/03	AMERICAN SAVINGS	200.00	1061	SAVINGS
7/15/03	CHASE BANK	300.00	1062	CHECKING
7/31/03	FIRST NATIONAL	400.00	1063	SAVINGS
8/15/03	WELLS FARGO	500.00	1064	CHECKING
9/01/03	AMERICAN SAVINGS	200.00	1065	SAVINGS
9/15/03	CHASE BANK	300.00	1066	CHECKING
9/30/03	FIRST NATIONAL	400.00	1067	SAVINGS
10/15/03	WELLS FARGO	500.00	1068	CHECKING
11/01/03	AMERICAN SAVINGS	200.00	1069	SAVINGS
11/15/03	CHASE BANK	300.00	1070	CHECKING
11/30/03	FIRST NATIONAL	400.00	1071	SAVINGS
12/15/03	WELLS FARGO	500.00	1072	CHECKING
1/01/04	AMERICAN SAVINGS	200.00	1073	SAVINGS
1/15/04	CHASE BANK	300.00	1074	CHECKING
1/31/04	FIRST NATIONAL	400.00	1075	SAVINGS
2/15/04	WELLS FARGO	500.00	1076	CHECKING
3/01/04	AMERICAN SAVINGS	200.00	1077	SAVINGS
3/15/04	CHASE BANK	300.00	1078	CHECKING
3/31/04	FIRST NATIONAL	400.00	1079	SAVINGS
4/15/04	WELLS FARGO	500.00	1080	CHECKING
5/01/04	AMERICAN SAVINGS	200.00	1081	SAVINGS
5/15/04	CHASE BANK	300.00	1082	CHECKING
5/31/04	FIRST NATIONAL	400.00	1083	SAVINGS
6/15/04	WELLS FARGO	500.00	1084	CHECKING
7/01/04	AMERICAN SAVINGS	200.00	1085	SAVINGS
7/15/04	CHASE BANK	300.00	1086	CHECKING
7/31/04	FIRST NATIONAL	400.00	1087	SAVINGS
8/15/04	WELLS FARGO	500.00	1088	CHECKING
9/01/04	AMERICAN SAVINGS	200.00	1089	SAVINGS
9/15/04	CHASE BANK	300.00	1090	CHECKING
9/30/04	FIRST NATIONAL	400.00	1091	SAVINGS
10/15/04	WELLS FARGO	500.00	1092	CHECKING
11/01/04	AMERICAN SAVINGS	200.00	1093	SAVINGS
11/15/04	CHASE BANK	300.00	1094	CHECKING
11/30/04	FIRST NATIONAL	400.00	1095	SAVINGS
12/15/04	WELLS FARGO	500.00	1096	CHECKING
1/01/05	AMERICAN SAVINGS	200.00	1097	SAVINGS
1/15/05	CHASE BANK	300.00	1098	CHECKING
1/31/05	FIRST NATIONAL	400.00	1099	SAVINGS
2/15/05	WELLS FARGO	500.00	1100	CHECKING



TRIM & TOP CEILING

('T' TYPE DASHBOARD COUPE MODEL)



TRIM & TOP CEILING

('T' TYPE DASHBOARD COUPE MODEL)

69

No.	Part Number	Description	Qty	Remarks
1	0820 69 290A 02	TOP CEILING Yellowish Gray	1	©
2	0820 69 290A 03	Black		
2	0208 69 316	Fixing Rubber	3	
3	0208 69 317	Top Insulation No. 1	1	
4	0208 69 318	Top Insulation No. 2	1	
5	0221 69 319	Top Insulation No. 3	1	
6	0820 69 311	Pad No. 1	2	
7	0820 69 312A	Pad No. 2	2	
8	0820 69 313	Pad No. 3	2	
9	0820 69 314	Pad No. 4	1	
10	0820 69 360C 00	Front Side Trim (R.H.D.) Black	1	
	0820 69 360D 00	Front Side Trim (R.H.D.)	1	Car No. 68789 ⁷⁰ / ₁₀ ~ ○ ©
	2113 69 360A 00	Front Side Trim (L.H.D.) Black	1	
	2113 69 360B 00	Front Side Trim (L.H.D.)	1	Car No. 68789 ⁷⁰ / ₁₀ ~ ○ ©
11	0820 69 380B 00	Front Side Trim (R.H.D.) Black	1	
	0820 69 380C 00	Front Side Trim (R.H.D.)	1	Car No. 68789 ⁷⁰ / ₁₀ ~ ○ ©
	2113 69 380A 00	Front Side Trim (L.H.D.) Black	1	
	2113 69 380B 00	Front Side Trim (L.H.D.)	1	Car No. 68789 ⁷⁰ / ₁₀ ~ ○ ©
12	99862 0416B	Tapping Screw, Side Trim	10	Car No. 68789 ⁷⁰ / ₁₀ ~ Quantity
	99968 0400B	Washer	10	Car No. 68789 ⁷⁰ / ₁₀ ~ Quantity
13	0820 69 411A 05	Front Pillar Trim (R) Black	1	©
14	0820 69 421A 05	Front Pillar Trim (L) Black	1	©
15	0820 69 413	Front Pillar Pad	2	
16	0820 69 414	Front Pillar Pad, Upper	2	
17	0820 69 460B 01	Trim (R), Center Black	1	©
	0820 69 460B 04	Brown		
18	0820 69 480B 01	Trim (L), Center Black	1	©
	0820 69 480B 04	Brown		
19	0820 69 451	Center Pillar Pad No. 1	2	
20	0820 69 452	Pad No. 2	2	
21	0820 69 453A	Pad No. 3	2	

TRIM & TOP CEILING

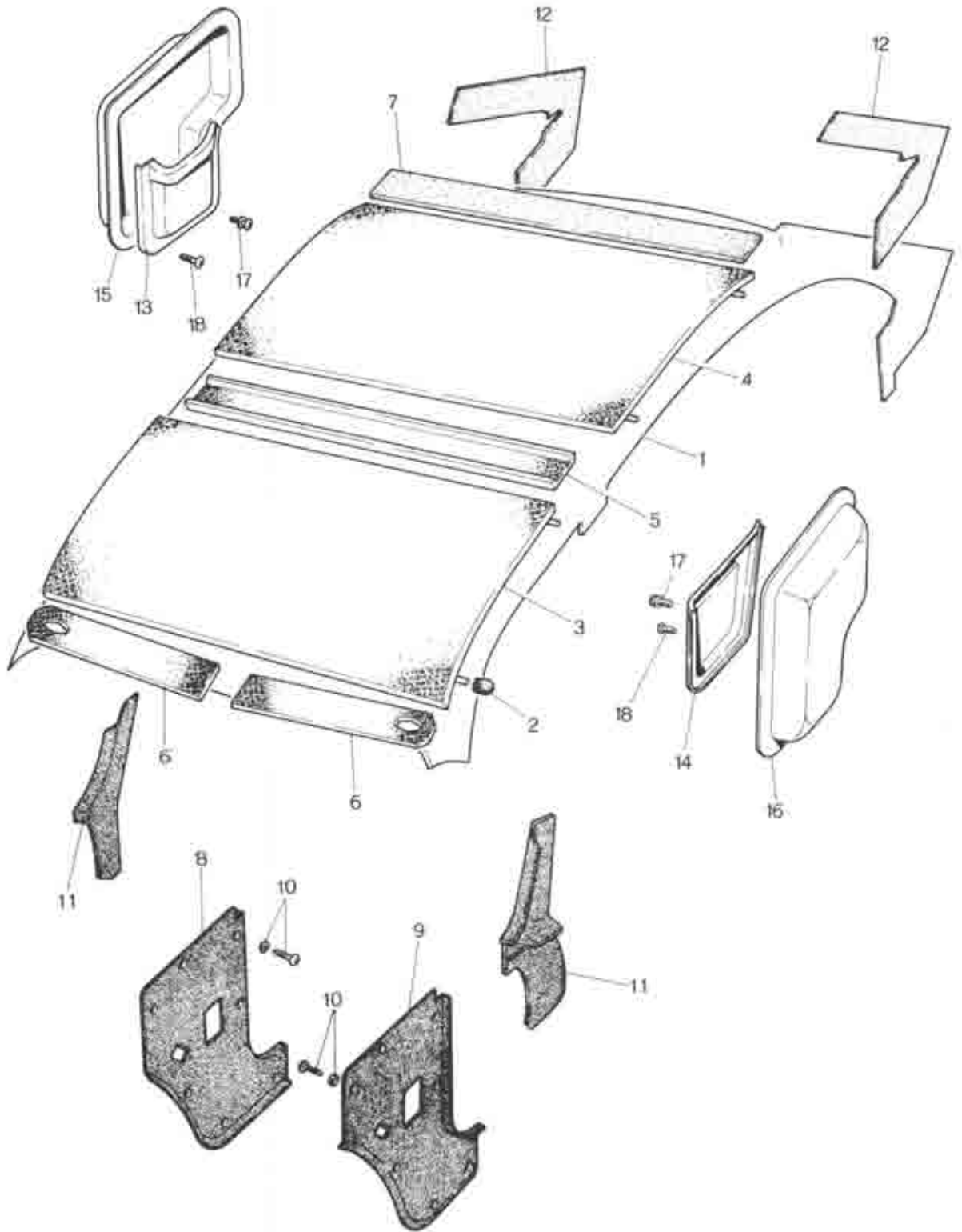
("T" TYPE DASHBOARD COUPE MODEL)

No.	Part Number	Description	Qty	Remarks
22	0820 69 501A	Rear Pillar Pad	2	
• 23	0820 70 900B 03	Trim Board (R) Black	1	©
• 24	0820 70 900B 06	Brown		
• 24	0820 71 900B 03	Trim Board (L) Black	1	©
• 25	0820 71 900B 06	Brown		
	99862 0416B	Tapping Screw	2	
	99967 0400B	Washer	2	
26	0208 58 921	Fastener	8	
27	908641 4 20	Set Screw, Side Trim	4	
28	0209 58 861	Pull Handle	2	
29	0209 58 862	Washer, Pull Handle	2	
30	99837 0525C	Screw, Pull Handle	4	



TRIM & TOP CEILING

(PLAIN TYPE DASHBOARD COUPE MODEL)



TRIM & TOP CEILING

(PLAIN TYPE DASHBOARD COUPE MODEL)



No.	Part Number	Description	Qty	Remarks
1	0329 69 290A 04	TOP CEILING LIGHT GRY	1	©
2	0208 69 316	Fixing Rubber	3	
3	0208 69 311	Roof Insulator	1	
4	0259 69 311	Roof Insulator	1	
5	0317 69 319	Top Insulation No. 3	1	
6	0820 69 311	Pad No. 1	2	
7	0820 69 314	Pad No. 4	1	
8	0259 69 360C 03	Front Side Trim (R.H.D.) Black	1	©
	0259 69 360D 03	Front Side Trim (R.H.D.) Black	1	Car No. 68789 ⁷⁰ / ₁₀ ~ ○
	2158 69 360A 03	Front Side Trim (L.H.D.) Black	1	©
	2158 69 360B 03	Front Side Trim (L.H.D.) Black	1	Car No. 68789 ⁷⁰ / ₁₀ ~ ○
9	0259 69 380C 03	Front Side Trim (R.H.D.) Black	1	©
	0259 69 380D 03	Front Side Trim (R.H.D.) Black	1	Car No. 68789 ⁷⁰ / ₁₀ ~ ○
	2158 69 380A 03	Front Side Trim (L.H.D.) Black	1	©
	2158 69 380B 03	Front Side Trim (L.H.D.) Black	1	Car No. 68789 ⁷⁰ / ₁₀ ~ ○
10	99862 0416B	Tapping Screw	10	Car No. 68789 ⁷⁰ / ₁₀ ~ Quantity
	99968 0400B	Washer	10	Car No. 68789 ⁷⁰ / ₁₀ ~ Quantity
11	0317 69 411A 00	Front Pillar Trim Black	2	©
12	0820 69 501A	Rear Pillar Pad	2	
13	0256 70 9010 03	Side Pocket Inner (R) Black	1	
	0256 70 9010 05	Brown		
14	0256 71 9010 03	Side Pocket Inner (L) Black	1	
	0256 71 9010 05	Brown		
15	0256 70 902A 03	Side Pocket Outer (R) Black	1	
	0256 70 902A 05	Brown		
16	0256 71 902A 03	Side Pocket Outer (L) Black	1	
	0256 71 902A 05	Brown		
17	99862 0420B	Screw	8	
18	908461 4 20B	Set Screw	8	



FIXING & TOP CEILING

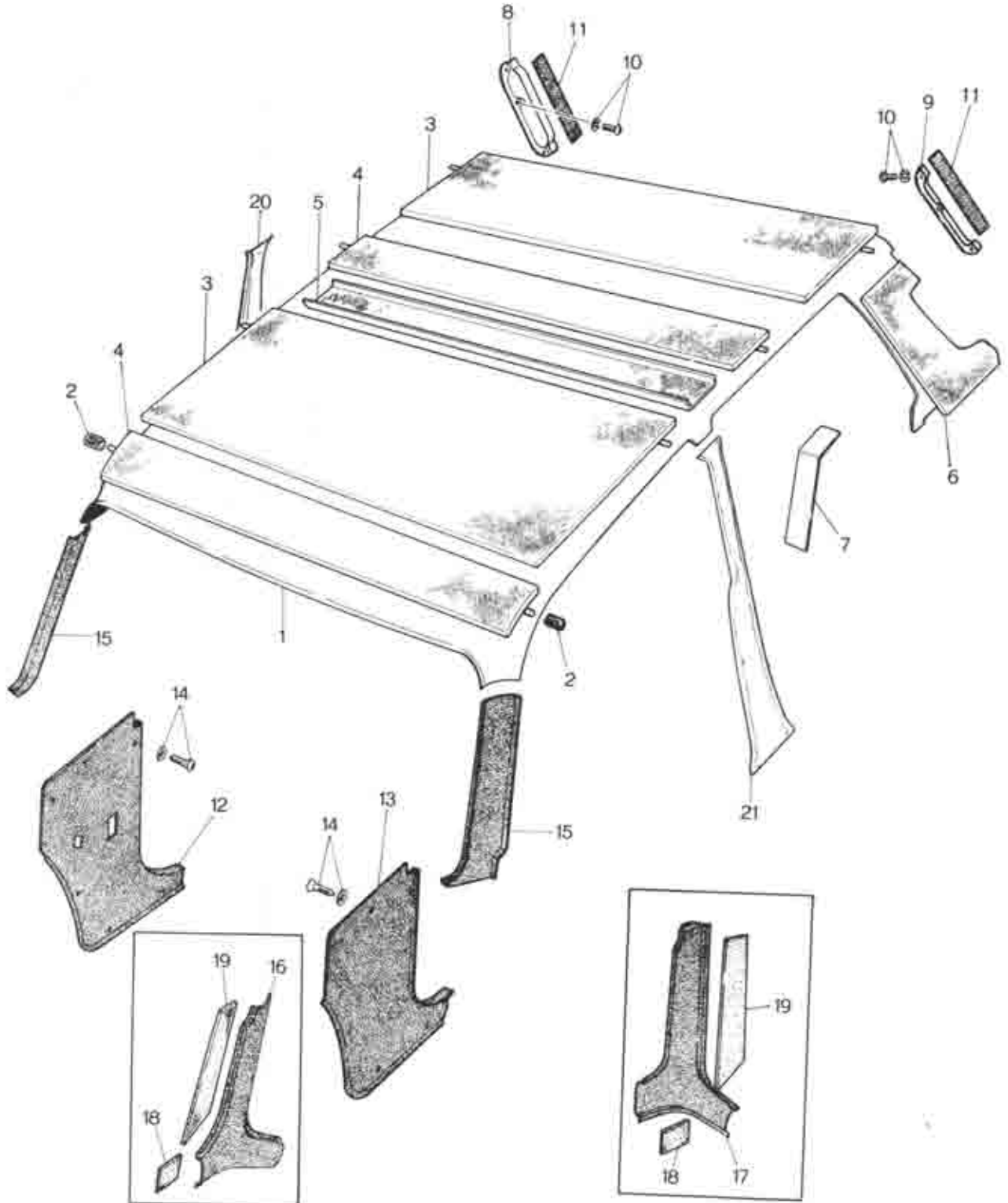
UNITED STATES BUREAU OF STANDARDS

Item No.	Description	Quantity	Unit	Price	Total
1
2
3
4
5
6
7
8
9
10
11
12
13
14
15
16
17
18
19
20
21
22
23
24
25
26
27
28
29
30
31
32
33
34
35
36
37
38
39
40
41
42
43
44
45
46
47
48
49
50
51
52
53
54
55
56
57
58
59
60
61
62
63
64
65
66
67
68
69
70
71
72
73
74
75
76
77
78
79
80
81
82
83
84
85
86
87
88
89
90
91
92
93
94
95
96
97
98
99
100



TRIM & TOP CEILING

(ALL SEDAN MODELS)



TRIM & TOP CEILING

(ALL SEDAN MODELS)

69

No.	Part Number	Description	Qty	Remarks
1	0317 69 2900 04 0317 69 2900 08	TOP CEILING Ass'y Light Gray Black	1	©
2	0208 69 316	Fixing Rubber, Listing Wire	4	
3	0259 69 311	Top Insulation No. 1	2	
4	0187 69 323	Wire Cushion	2	
5	0317 69 319	Top Insulation No. 3	1	
6	0317 69 314	Pad, Rear Pillar	2	
7	0317 69 315	Trim, Back Plate	2	©
8	0259 69 320	Set Plate (R)	1	
9	0259 69 330	Set Plate (L)	1	
10	99863 0412	Tapping Screw, Set Plate	8	
	99971 0400	Spring Washer	8	
11	0259 69 335	Trim	2	©
12	0259 69 360B 03	Front Side Trim (R),(R.H.D.) Black	1	©
	0259 69 360C 03	Plain Type Dashboard use	1	Car No. 68789 ⁷⁰ / ₁₀ ~ ○
	0820 69 360C 00	Front Side Trim (R),(R.H.D.) Black	1	©
	0820 69 360D 00	"T" Type Dashboard Model	1	Car No. 68789 ⁷⁰ / ₁₀ ~ ○
	2113 69 360A 00	Front Side Trim (R),(L.H.D.) Black	1	©
	2113 69 360B 00	"T" Type Dashboard Model	1	Car No. 68789 ⁷⁰ / ₁₀ ~ ○
	2158 69 360A 03	Front Side Trim (R),(L.H.D.) Black	1	©
	2158 69 360B 03	Plain Type Dashboard use	1	Car No. 68789 ⁷⁰ / ₁₀ ~ ○
13	0259 69 380B 03	Front Side Trim (L),(R.H.D.) Black	1	©
	0259 69 360C 03	Plain Type Dashboard use	1	Car No. 68789 ⁷⁰ / ₁₀ ~ ○
	0820 69 380B 00	Front Side Trim (L),(R.H.D.) Black	1	©
	0820 69 380C 00	"T" Type Dashboard Model	1	Car No. 68789 ⁷⁰ / ₁₀ ~ ○
	2113 69 380A 00	Front Side Trim (L),(L.H.D.) Black	1	©
	2113 69 380B 00	"T" Type Dashboard Model	1	Car No. 68789 ⁷⁰ / ₁₀ ~ ○
	2158 69 380A 03	Front Side Trim (L),(L.H.D.) Black	1	©
	2158 69 380B 03	Plain Type Dashboard use	1	Car No. 68789 ⁷⁰ / ₁₀ ~ ○
14	99862 0416B	Tapping Screw, Trim	10	Car No. 68789 ⁷⁰ / ₁₀ ~ Quantity
	99968 0400B	Washer	10	Car No. 68789 ⁷⁰ / ₁₀ ~ Quantity
15	0317 69 411A 00	Front Pillar Trim Black	2	©
16	0820 69 411A 05	Front Pillar Trim (R) Black "T" Type Dashboard Model	1	©

TRIM & TOP CEILING

(ALL SEDAN MODELS)

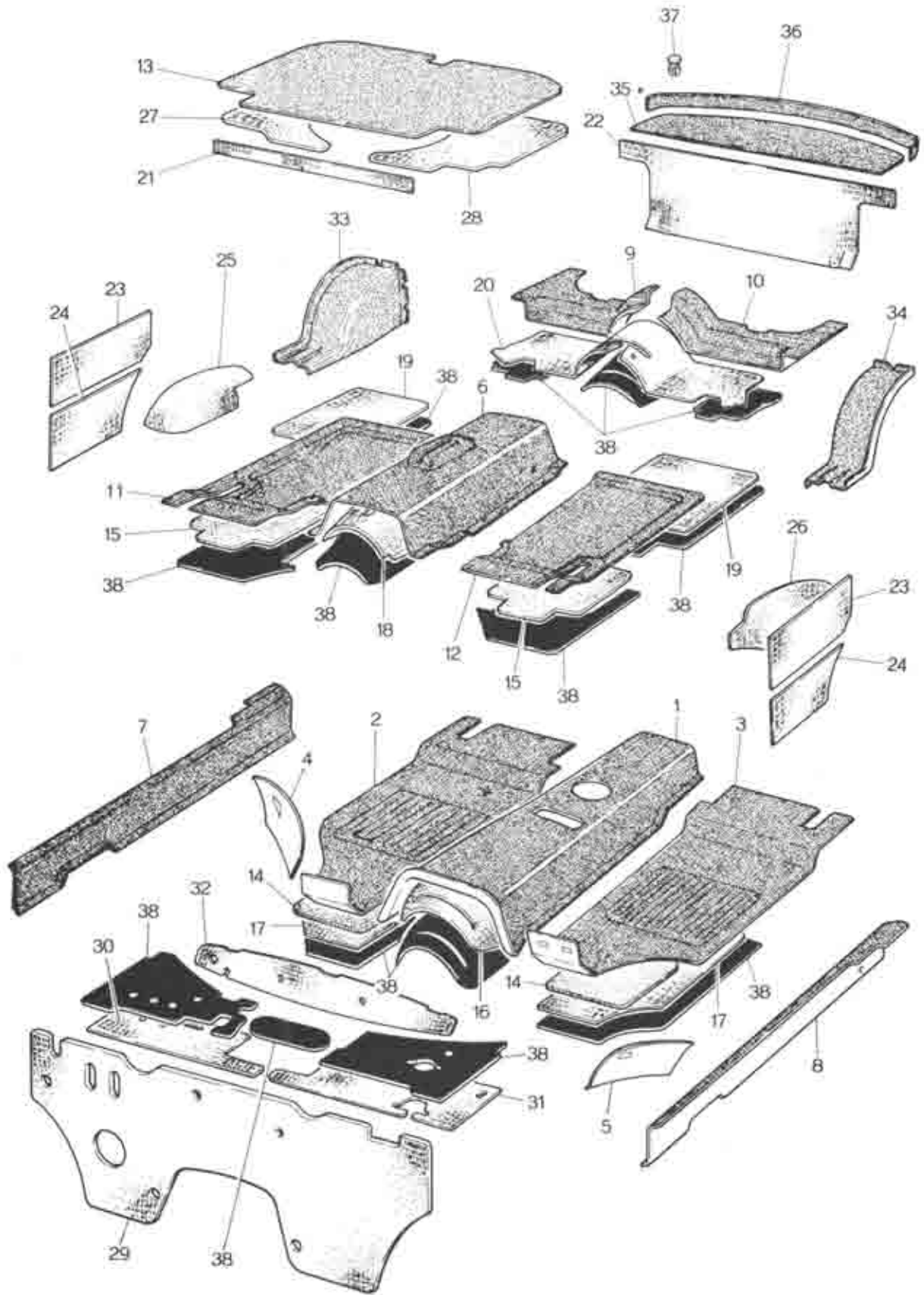
No.	Part Number	Description	Qty	Remarks
• 17	0820 69 421A 05	Front Pillar Trim (L) Black "T" Type Dashboard Model	1	©
18	0820 69 413	Pad	2	
19	0820 69 414	Pad	2	
		} "T" Type Dashboard Model		
• 20		Center Trim (R)	1	©
•	0317 69 460B 00	Light Gray/Black		
•	0317 69 460B 02	Light Gray/Brown		
•	0317 69 460B 04	Black		
• 21		Center Trim (L)	1	©
•	0317 69 480B 00	Light Gray/Black		
•	0317 69 480B 02	Light Gray/Brown		
•	0317 69 480B 04	Black		



[The main body of the page contains extremely faint and illegible text, likely bleed-through from the reverse side of the document. The text is too light to transcribe accurately.]

FLOOR MAT & TRIM (R.H.D.)

("T" TYPE DASHBOARD COUPE MODEL)



FLOOR MAT & TRIM (R.H.D.)

("T" TYPE DASHBOARD COUPE MODEL)

69

No.	Part Number	Description	Qty	Remarks
1	0820 69 6010-12	Mat (Fr., C) Black	1	Car No. 87150 ^{7 1/2} ~ ~ ○
	0820 69 601A-26	Mat (Fr., C) Black	1	Car No. 103748 ^{7 1/12} ~ ~ ○
	0820 69 601B-34	Mat (Fr., C) Black	1	
2	2123 69 6020-12	Mat (Fr., R) Black	1	
	2123 69 602B-12	Mat (Fr., R) Black	1	Car No. 87858 ^{7 1/4} ~ ~ ○
	2123 69 602C-12	Mat (Fr., R) Black	1	Car No. 103335 ^{7 1/8} ~ ~ ○
3	0820 69 603A-12	Mat (Fr., L) Black	1	
	0820 69 603C-26	Mat (Fr., L) Black	1	Car No. 87858 ^{7 1/4} ~ ~ ○
	0820 69 603D-34	Mat (Fr., L) Black	1	Car No. 103748 ^{7 1/12} ~ ~ ○
	0820 69 604B-34	Mat (Fr., L) Black	1	Car No. 103748 ^{7 1/12} ~ ~ ○
4	0820 69 6040-12	Corner Mat (Fr., R) Black	1	
	0820 69 604A-26	Corner Mat (Fr., R) Black	1	Car No. 87150 ^{7 1/2} ~ ~ ○
5	0820 69 6060-12	Corner Mat (Fr., L) Black	1	
	0820 69 606A-12	Corner Mat (Fr., L) Black	1	Car No. 87858 ^{7 1/4} ~ ~ ○
	0820 69 606B-34	Corner Mat (Fr., L) Black	1	Car No. 103748 ^{7 1/12} ~ ~ ○
6	0820 69 605A-12	Mat (Rr.) Black	1	
	0820 69 605B-12	Mat (Rr.) Black	1	Car No. 87858 ^{7 1/4} ~ ~ ○
	0820 69 605C-34	Mat (Rr.) Black	1	Car No. 103748 ^{7 1/12} ~ ~ ○
	2325 69 6050-12	Mat (Rr.) Without Seat Belt Fixing Hole Black	1	
	2325 69 605A-26	Mat (Rr.) Without Seat Belt Fixing Hole Black	1	Car No. 73747 ^{7 1/12} ~ ~ ○
	2325 69 605B-34	Mat (Rr.) Without Seat Belt Fixing Hole Black	1	Car No. 103748 ^{7 1/12} ~ ~ ○
7	0254 69 6070-14	Mat Side (R) Without Seat Belt Fixing Hole Black	1	
	0260 69 6070-14	Mat Side (R) Black	1	
8	0254 69 6080-14	Mat Side (L) Without Seat Belt Fixing Hole Black	1	
	0820 69 6080-14	Mat Side (L) Black	1	
9	0257 69 611A-14	Mat End (R) Black	1	
10	0257 69 612A-14	Mat End (L) Black	1	
11	2123 69 6130-12	Mat (Rr., R) Black	1	
	2123 69 613B-12	Mat (Rr., R) Black	1	Car No. 87858 ^{7 1/2} ~ ~ ○
	2123 69 613C-12	Mat (Rr., R) Black	1	Car No. 103335 ^{7 1/8} ~ ~ ○
12	0820 69 6140-12	Mat (Rr., L) Black	1	
	0820 69 614B-12	Mat (Rr., L) Black	1	Car No. 75049 ^{7 1/12} ~ ~ ○
	0820 69 614C-34	Mat (Rr., L) Black	1	Car No. 103748 ^{7 1/12} ~ ~ ○
13	0259 69 615C-10	Mat, Trunk Room Black	1	
14	0820 69 637	Pad (Fr.), Lower	2	
15	0820 69 638	Pad (Rr.), Lower	2	
16	0820 69 641	Pad (Fr., C)	1	
17	0820 69 642A	Pad (Fr.)	2	
	0652 69 642A	Pad (Fr.)	2	Car No. 67812 ^{7 1/10} ~ Added Anew
18	0820 69 643	Pad (Rr., C)	1	
19	2113 69 644	Pad (Rr.)	2	
20	0820 69 645	Pad End	1	
	0820 69 645A	Pad End	1	Car No. 62708 ^{7 1/8} ~ X
21	0820 69 646	Pad, Back Plate	1	
22	0820 69 647A	Pad, Package Tray	1	
23	0820 69 654	Pad, Fender No. 1 Upper	2	
24	0820 69 655	Pad, Fender No. 2 Lower	2	
25	0820 69 656	Pad, Fender No. 2	1	
26	0820 69 657	Pad, Fender No. 3	1	



FLOOR MAT & TRIM (R.H.D.)

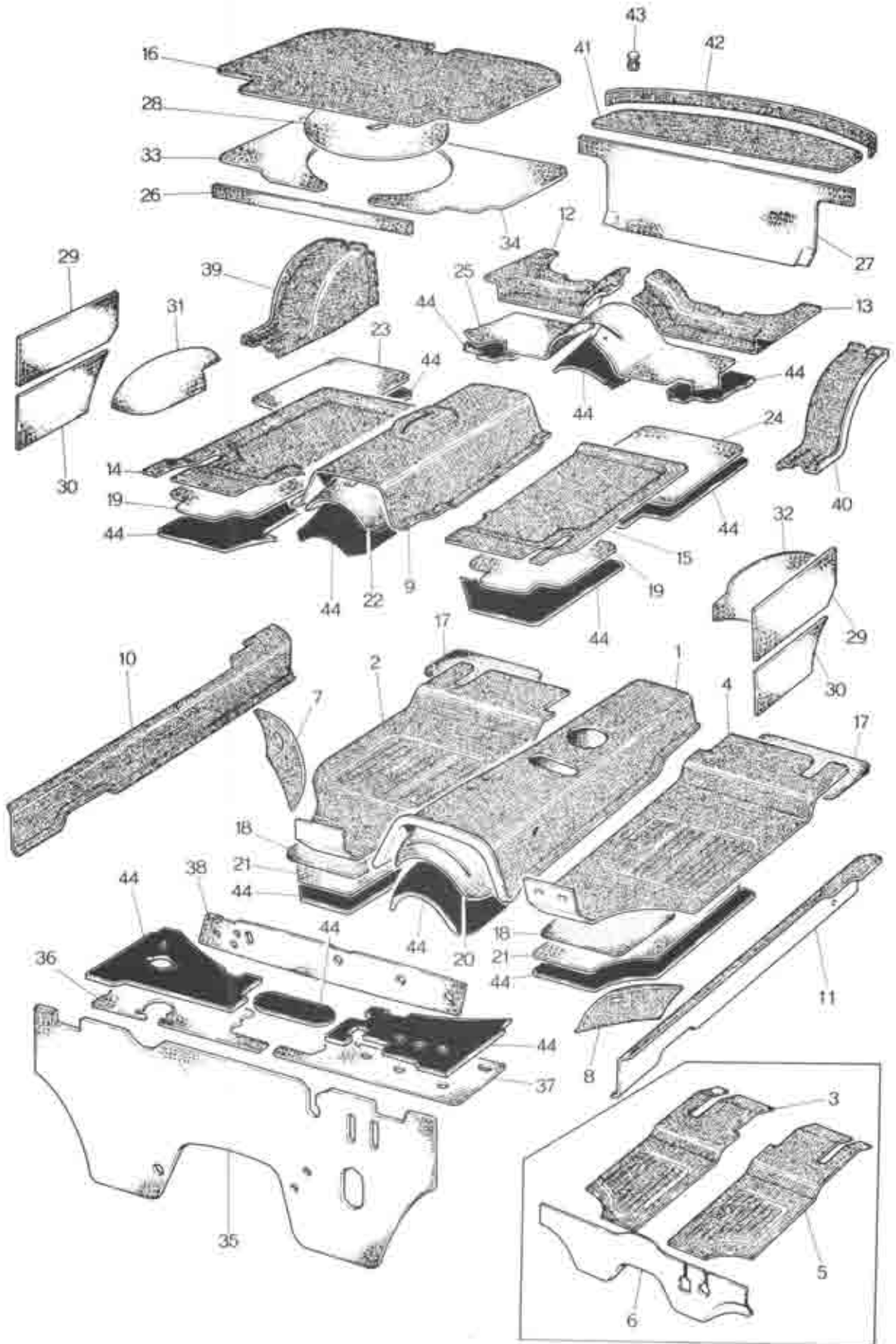
("T" TYPE DASHBOARD COUPE MODEL)

No.	Part Number	Description	Q'ty	Remarks
27	0820 69 658A	Pad (R), Trunk Room	1	
28	0820 69 659A	Pad (L), Trunk Room	1	
29	0820 69 660B 15	Insulator Ass'y Black	1	
30	0820 69 685D	Insulator Top No. 5	1	
31	0820 69 686A	Insulator Top No. 6	1	
32	0820 69 687A	Insulator Top No. 7	1	
33		Trim (R) Tire House	1	©
	0820 69 550A-03	Black		
	0820 69 550A-06	Brown		
34		Trim (L), Tire House	1	©
	0820 69 570A-03	Black		
	0820 69 570A-06	Brown		
35	0820 69 870B-03	Trim, Package Tray Black	1	©
36	0820 69 881A-03	Trim, Upper Black	1	©
37	0259 69 885	Tacker, Trim	6	
38	0208 76 071	Silencer	—	



FLOOR MAT & TRIM (L.H.D.)

("T" TYPE DASHBOARD COUPE MODEL)



FLOOR MAT & TRIM (L.H.D.)

("T" TYPE DASHBOARD COUPE MODEL)



No.	Part Number	Description	Qty	Remarks
1	2113 69 6010-12	Mat (Frt., C) Black	1	Ⓢ
2	2113 69 6020-12	Mat (Frt., R) Black	1	Ⓢ
	2113 69 602B-12	Mat (Frt., R) Black	1	Car No. 72947 ^{79/11} ~ ○
	2329 69 6020-12	Mat (Frt., R), Emission Controlled Model Black	1	Ⓢ
3	2113 69 6220-14	Mat (Frt., R), Arctic Spec. Model Black	1	Ⓢ
4	2113 69 603A-12	Mat (Frt., L) Black	1	Ⓢ
	2113 69 603C-12	Mat (Frt., L) Black	1	Car No. 72947 ^{79/11} ~ ○
	2329 69 6030-12	Mat (Frt., L), Emission Controlled Model Black	1	Ⓢ
5	2113 69 623A-14	Mat (Frt., L), Arctic Spec. Model Black	1	Ⓢ
6	2113 69 6250-14	Mat, Top, Arctic Spec. Model Black	1	Ⓢ
7	2113 69 6040-12	Corner Mat (Frt., R) Black	1	Ⓢ
8	0820 69 6060-12	Corner Mat (Frt., L) Black	1	Ⓢ
9	0820 69 605A-12	Mat (Rr., C) Black	1	Ⓢ
10	0254 69 6070-14	Mat Side (R) Black	1	Ⓢ
	0260 69 6070-14	Mat Side (R) Black With Safety Belt Hole	1	Ⓢ
11	0254 69 6080-14	Mat Side (L) Black	1	Ⓢ
	0820 69 6080-14	Mat Side (L) Black With Safety Belt Hole	1	Ⓢ
12	0257 69 611A-14	Mat End (R) Black	1	Ⓢ
13	0257 69 612A-14	Mat End (L) Black	1	Ⓢ
14	0820 69 6130-12	Mat (Rr., R), Carpet Black	1	Ⓢ
	0820 69 613B-12	Mat (Rr., R), Carpet Black	1	Car No. 72947 ^{79/12} ~ ○
	2113 69 6130-14	Mat (Rr., R), Sponge Rubber Black	1	Ⓢ
	2329 69 6130-12	Mat (Rr., R), Carpet Black Emission Controlled Model	1	Ⓢ
15	2113 69 614A-14	Mat (Rr., L), Sponge Rubber Black	1	Ⓢ
	2329 69 6140-12	Mat (Rr., L), Carpet Black Emission Controlled Model	1	Ⓢ
	2113 69 6190-12	Mat (Rr., L), Carpet Black	1	Ⓢ
	2113 69 619B-12	Mat (Rr., L), Carpet Black	1	Car No. 72947 ^{79/12} ~ ○
16	0259 69 615C-10	Mat, Trunk Room Black	1	Ⓢ
	2119 69 615-10	Mat, Trunk Room Black Arctic Spec. Model	1	Ⓢ

FLOOR MAT & TRIM (L.H.D.)

('T' TYPE DASHBOARD COUPE MODEL)

No.	Part Number	Description	Qty	Remarks
17	2329 69 639	Pad, Seat Lower Emission Controlled Model	1	
18	0820 69 637	Pad (Fr.), Lower } Canada & General Export Model	2	
19	0820 69 638		Pad (Rr.), Lower }	2
20	0820 69 641	Pad (Fr., C), t = 0.6	1	
	2329 69 641	Pad (Fr., C), t = 1.2 Emission Controlled Model	1	
21	0652 69 642A	Pad (Fr.), t = 0.8	2	
	2113 69 642	Pad (Fr.), t = 0.8 Rubber Mat use	2	
	2329 69 642	Pad (Fr.), t = 2.0 Emission Controlled Model	2	
22	0820 69 643	Pad (Rr., C), t = 0.6	1	
	2329 69 643	Pad (Rr., C), t = 1.2 Emission Controlled Model	1	
23	2113 69 644	Pad (Rr.), t = 0.6	2	
	2329 69 644	Pad (Rr., R), t = 1.2 } Emission Controlled Model	1	
24	2329 69 648		Pad (Rr., L), t = 1.2 }	1
25	0820 69 645	Pad End, t = 0.6	1	Car No. 62706 ^{7/7} ~ X
	0820 69 645A	Pad End, t = 0.6	1	
	2329 69 645A	Pad End, t = 1.2 Emission Controlled Model	1	
26	0820 69 646	Pad, Back Plate	1	
27	0820 69 647A	Pad, Package Tray	1	
28	2329 69 653A	Wheel Cover	1	
29	0820 69 654	Pad, Fender No. 1 Upper	2	
30	0820 69 655	Pad, Fender No. 1 Lower	2	
31	0820 69 656	Pad, Fender No. 2 (R)	1	
	2113 69 656	Pad, Fender No. 2 (R)	1	
32	0820 69 657	Pad, Fender No. 2 (L)	1	
	2113 69 657	Pad Fender No. 2 (L)	1	
33	0820 69 658	Pad (R), Trunk Room t = 1.0	1	
	2329 69 658	Pad (R), Trunk Room t = 1.6 Emission Controlled Model	1	

FLOOR MAT & TRIM (L.H.D.)

("T" TYPE DASHBOARD COUPE MODEL)

69

Qty	Part Number	Description	Qty	Remarks
	0820 69 659A	Pad (L), Trunk Room t = 1.4	1	
	2329 69 659	Pad (L), Trunk Room t = 1.6 Emission Controlled Model	1	
	2113 69 650C	Insulation Ass'y	1	
	2113 69 650C	Insulation Ass'y Arctic Spec. Model	1	
	2329 69 650C	Insulation Ass'y Without Car Heater	1	
	2113 69 685A	Insulation Top No. 5	1	
	2113 69 686B	Insulation Top No. 6	1	
	2113 69 687A	Insulation Top No. 7	1	
	0820 69 550A 03	Trim (R), Tire House Black	1	©
	0820 69 550A 06	Brown		
	0820 69 570A 03	Trim (L), Tire House Black	1	©
	0820 69 570A 06	Brown		
	0820 69 870B 03	Trim, Package Tray Black	1	©
	0820 69 881A 03	Trim, Upper Black	1	©
	0259 69 885	Tacker, Trim	6	
	0208 69 071	Silencer	—	



Form No. 101-101

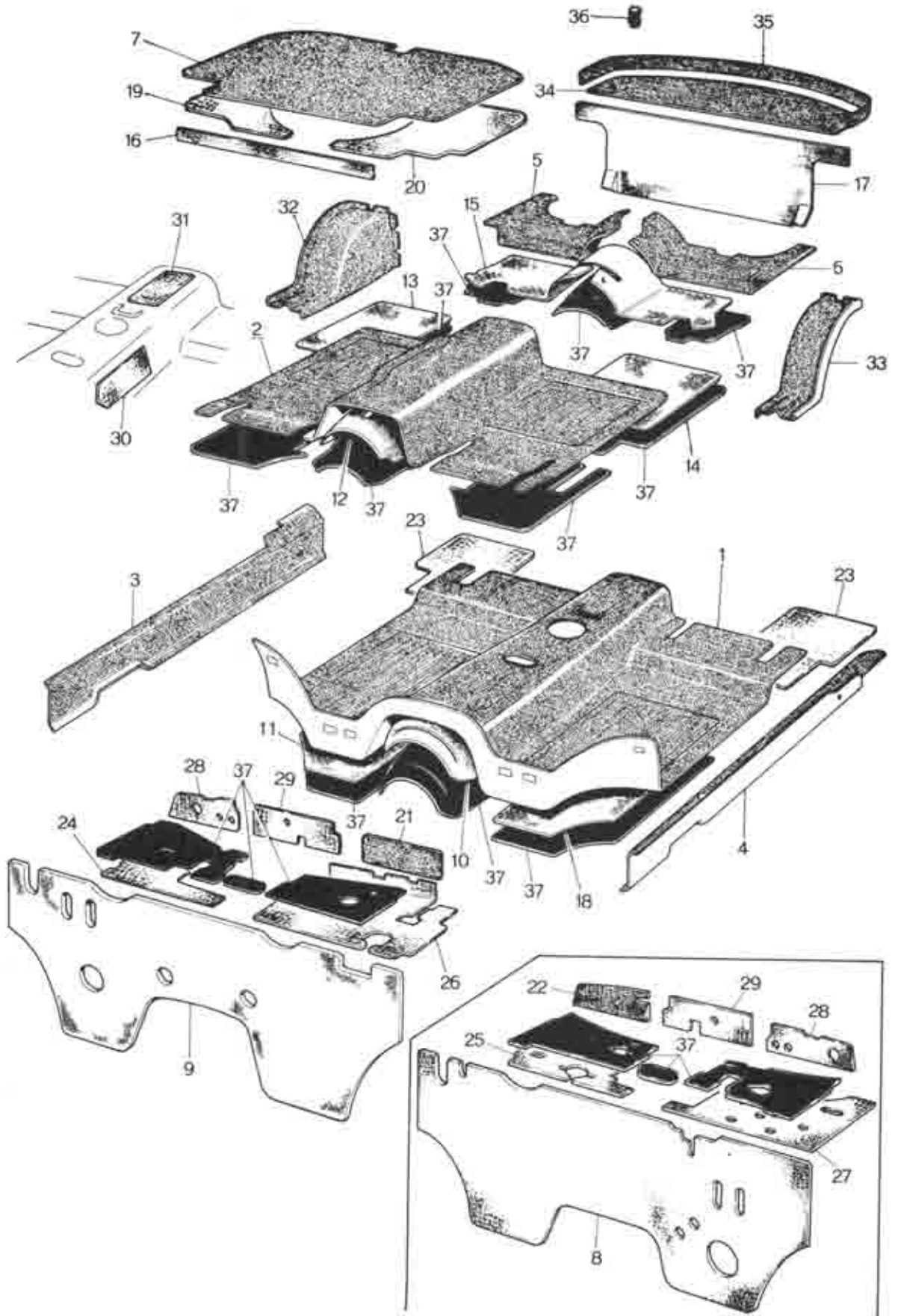
1. Name of the material or substance: _____
2. Name of the manufacturer: _____
3. Name of the supplier: _____
4. Name of the purchaser: _____
5. Name of the analyst: _____
6. Name of the laboratory: _____
7. Date of analysis: _____
8. Name of the analyst: _____
9. Name of the laboratory: _____
10. Date of analysis: _____

Form No. 101-101



FLOOR MAT & TRIM

(PLAIN TYPE DASHBOARD COUPE MODEL)



FLOOR MAT & TRIM

(PLAIN TYPE DASHBOARD COUPE MODEL)



No.	Part Number	Description	Qty	Remarks
• 1	2334 69 6010 14	Mat (Frnt.), (R.H.D.) Black	1	©
•	2335 69 601A 14	Mat (Frnt.), (C) (R.H.D.) Black	1	Car No. 63363 ^{70/7} ~ X
•	2334 69 6230 14	Mat (Frnt.), RH (R.H.D.) Black	1	Car No. 63363 ^{70/7} ~ Added Anew
•	2334 69 624 014	Mat (Frnt.), RH (R.H.D.) Black	1	Car No. 63363 ^{70/7} ~ Added Anew
•	2334 69 6210 14	Mat (Frnt.), (R.H.D.) With Console Box Hole	1	©
•	2335 69 6010 14	Mat (Frnt.), (L.H.D.) Black	1	Car No. 63363 ^{70/7} ~ X
•	2335 69 601A 14	Mat (Frnt.), (C) (L.H.D.) Black	1	Car No. 63363 ^{70/7} ~ Added Anew
•	2335 69 6230 14	Mat (Frnt.), RH Black	1	Car No. 63363 ^{70/7} ~ Added Anew
•	2335 69 6240 14	Mat (Frnt.), LH Black	1	Car No. 63363 ^{70/7} ~ Added Anew
•	2335 69 6210 14	Mat (Frnt.), (L.H.D.) Black With Console Box Hole	1	©
• 2	2334 69 6030 14	Mat (Rr.), (R.H.D.) Black	1	©
•	2335 69 6030 14	Mat (Rr.), (L.H.D.) Black	1	©
• 3	0254 69 6070 14	Mat Side (R) Without Seat Belt Fixing Hole Black	1	©
•	0260 69 6070 14	Mat Side (R) Black	1	©
• 4	0254 69 6080 14	Mat Side (L) Without Seat Belt Fixing Hole Black	1	©
•	0820 69 6080 14	Mat Side (L) Black	1	©
• 5	0257 69 611A 14	Mat End (R) Black	1	©
• 6	0257 69 612A 14	Mat End (L) Black	1	©
• 7	0259 69 615C 10	Mat, Trunk Room Black	1	©
8	2062 69 660	Insulator Ass'y	1	
	2335 69 660A	Insulator Ass'y	1	
9	2063 69 660	Insulator Ass'y	1	
	2334 69 660A	Insulator Ass'y	1	
10	0845 69 641	Pad (Frnt., C)	1	
11	0822 69 642	Pad (Frnt., R)	1	
12	0820 69 643	Pad (Rr., C)	1	
13	0822 69 644	Pad (Rr., R)	1	
14	2335 69 644	Pad (Rr., L)	1	
15	0820 69 645	Pad End	1	
	0820 69 645A	Pad End	1	Car No. 62706 ^{70/2} ~ X
16	0820 69 646	Pad, Back Plate	1	
17	0820 69 647A	Pad, Package Tray	1	
18	0822 69 648	Pad (Frnt., L)	1	



FLOOR MAT & TRIM

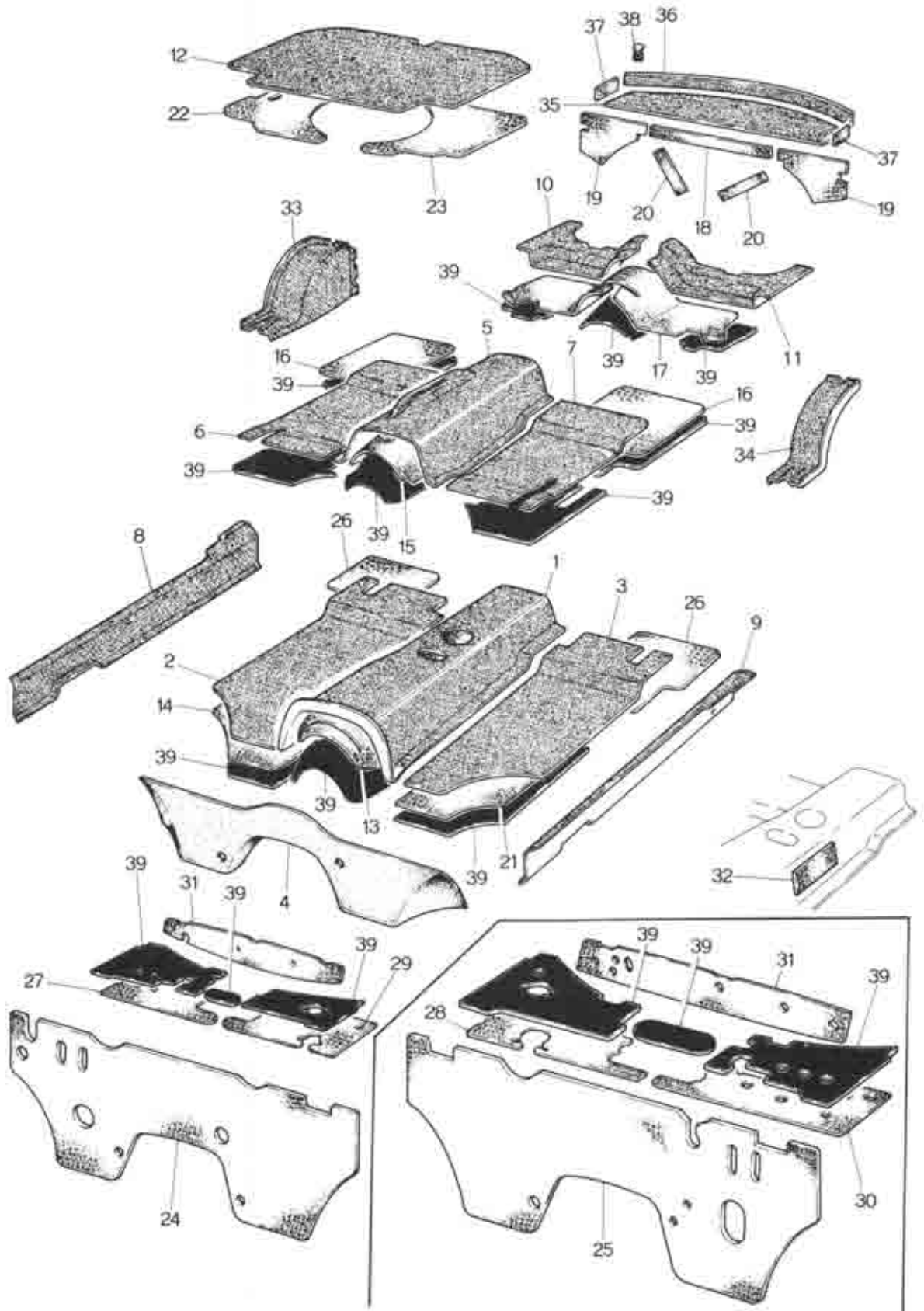
(PLAIN TYPE DASHBOARD COUPE MODEL)

No.	Part Number	Description	Qty	Remarks
19	0820 69 658A	Pad (R), Trunk Room	1	
20	0820 69 659A	Pad (L), Trunk Room	1	
21	0317 69 684A	Trim, Glove Box (R.H.D.)	1	©
22	2370 69 684	Trim, Glove Box (L.H.D.)	1	©
23	0844 69 684A	Pad, Seat Lower	2	
24	0317 69 685A	Pad (R), Top Lower (R.H.D.)	1	
25	2370 69 685A	Pad (R), Top Lower (L.H.D.)	1	
•	2370 69 685B	Pad (R), Top Lower (L.H.D.)	1	Car No. 65086 70/8 ~ 0
26	0317 69 686A	Pad (L), Top Lower (R.H.D.)	1	
27	2370 69 686A	Pad (L), Top Lower (L.H.D.)	1	
28	0317 69 687A	Pad (C)	1	
29	0317 69 688A	Pad (R), Top Upper	1	
30	0822 69 688	Pad, Tunnel Side	1	
31	0822 69 689	Pad (R), Center Lower	1	
•	32	Trim (R), Tire House	1	©
•	0820 60 550A 03	Black		
•	0820 69 550A 06	Brown		
•	33	Trim (L), Tire House	1	©
•	0820 69 570A 03	Black		
•	0820 69 570A 06	Brown		
•	34	0820 69 870B 03 Trim, Package Tray Black	1	©
•	35	0820 69 881A 03 Trim, Upper Black	1	©
36	0259 69 885	Tacker	6	
37	0208 76 071	Silencer	—	



FLOOR MAT & TRIM

("T" TYPE DASHBOARD SEDAN MODEL)



FLOOR MAT & TRIM

("T" TYPE DASHBOARD SEDAN MODEL)



No.	Part Number	Description	Qty	Remarks
• 1	2415 69 6010 26	Mat (Frt., C), (L.H.D.) Black	1	Ⓢ
•	2418 69 601 26	Mat (Frt., C), (R.H.D.) Black	1	Ⓢ
•	2418 69 601A 26	Mat (Frt., C), (R.H.D.) Black	1	Car No. 631737 ^{70/7} ~ ○
• 2	2113 69 6220 14	Mat (Frt., R), (L.H.D.) Black	1	Ⓢ
•	2418 69 6220 14	Mat (Frt., R), (R.H.D.) Black	1	Ⓢ
•	2418 69 622A 14	Mat (Frt., R), (R.H.D.) Black	1	Car No. 61563 ^{70/5} ~ ○
• 3	2113 69 623A 14	Mat (Frt., L), (L.H.D.) Black	1	Ⓢ
•	2418 69 6230 14	Mat (Frt., L), (R.H.D.) Black	1	Ⓢ
•	2418 69 623A 14	Mat (Frt., L), (R.H.D.) Black	1	Car No. 61563 ^{70/5} ~ ○
• 4	2415 69 6250 14	Mat, Top (L.H.D.) Black	1	Ⓢ
•	2418 69 6250 14	Mat, Top (R.H.D.) Black	1	Ⓢ
• 5	2415 69 6050 26	Mat (Rr., C) Black	1	Ⓢ
• 6	2113 69 613 14	Mat (Rr., R) Black	1	Ⓢ
• 7	2113 69 614A 14	Mat (Rr., L) Black	1	Ⓢ
• 8	0254 69 6070 14	Mat Side (R) Black	Selective use 1	Ⓢ
•	0260 69 6070 14	Mat Side (R) Black With Safety Belt Hole Black		Ⓢ
• 9	0254 69 6080 14	Mat Side (L) Black	Selective use 1	Ⓢ
•	0820 69 6080 14	Mat Side (L) Black With Safety Belt Hole Black		Ⓢ
• 10	0257 69 611A 14	Mat End (R) Black	1	Ⓢ
• 11	0257 69 612A 14	Mat End (L) Black	1	Ⓢ
• 12	0259 69 615C 10	Mat, Trunk Room Black	1	Ⓢ
	2119 69 615 10	Mat, Trunk Room Black Arctic Spec. Model	1	Ⓢ
13	0820 69 641	Pad (Frt., C)	1	
14	0822 69 642	Pad (Frt., R)	1	
15	0820 69 643	Pad (Rr., C)	1	
• 16	0822 69 644	Pad (Rr., R)	1	Car No. 70537 ^{70/11} ~ Quantity
•	2335 69 648	Pad (Rr., L)	1	Car No. 70537 ^{70/11} ~ Added Anew
• 17	0820 69 645	Pad End	1	
	0820 69 645A	Pad End	1	Car No. 62706 ^{70/7} ~ X
• 18	0259 69 646	Pad End No. 1	1	
• 19	0259 69 647	Pad End No. 2	2	



FLOOR MAT & TRIM

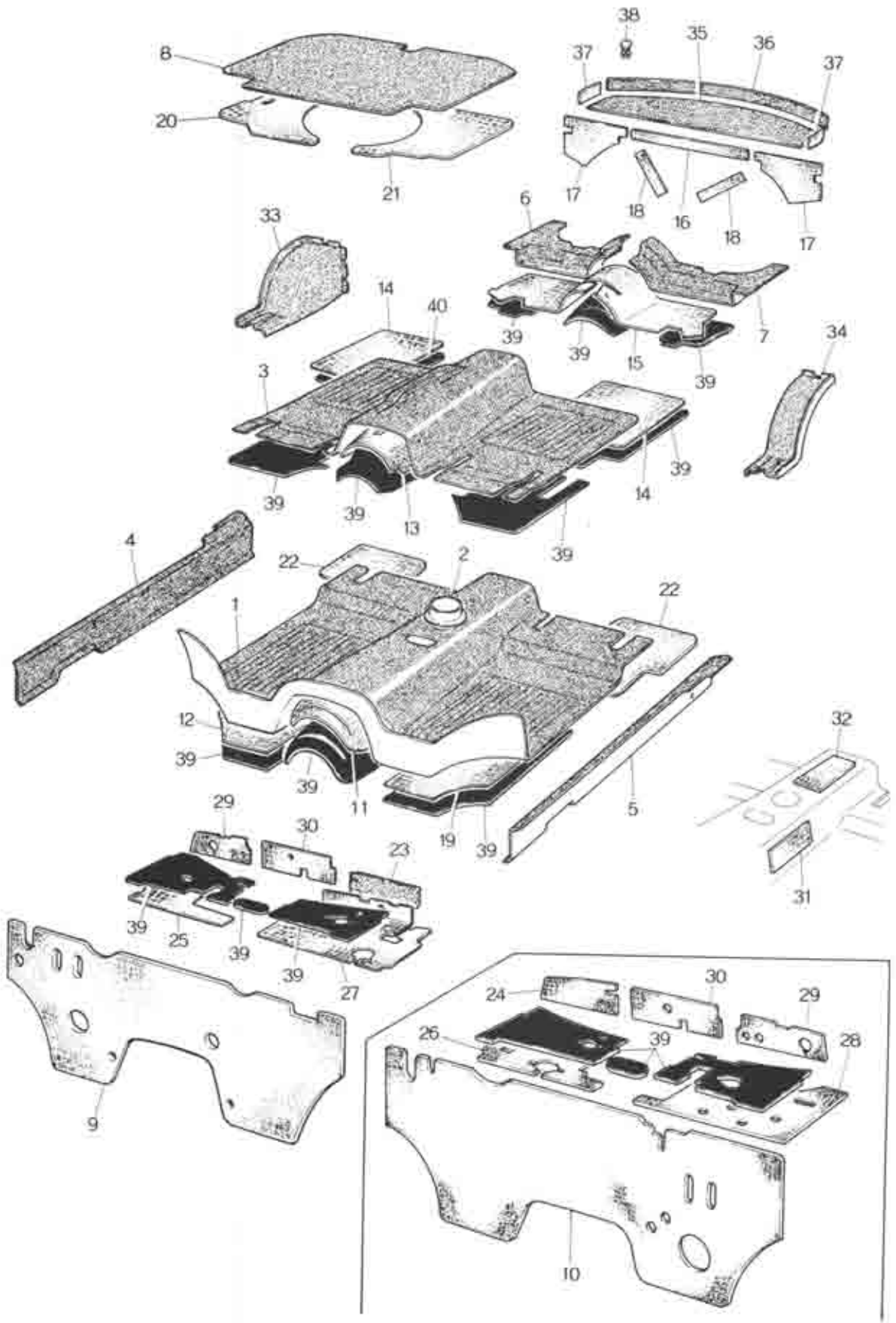
(“T” TYPE DASHBOARD SEDAN MODEL)

No.	Part Number	Description	Qty	Remarks
20	0259 69 648	Pad End No. 3	2	
21	0822 69 648	Pad (Frt., L)	1	
22	0820 69 658A	Pad (R), Trunk Room	1	
23	0820 69 659A	Pad (L), Trunk Room	1	
24	2418 69 660	Insulator Ass'y , (R.H.D.)	1	
25	2113 69 660B	Insulator Ass'y , (L.H.D.)	1	
26	0844 69 684A	Pad, Seat Lower	2	
27	0820 69 685D	Insulation Top No. 5 , (R.H.D.)	1	
28	2113 69 685A	Insulation Top No. 5 , (L.H.D.)	1	
29	0820 69 686A	Insulation Top No. 6 , (R.H.D.)	1	
30	2113 69 686B	Insulation Top No. 6 , (L.H.D.)	1	
31	0820 69 687A	Insulation Top No. 7	1	
32	0822 69 688	Pad, Tunnel Side	1	
• 33	0317 69 5500 00	Trim (R), Tire House Black	1	©
• 34	0317 69 5500 02	Brown		
• 34	0317 69 5700 00	Trim (L), Tire House Black	1	©
• 35	0317 69 5700 02	Brown		
• 35	0259 69 870	Trim Package	1	©
36	0317 69 881	Trim Upper	1	©
37	0317 69 883	Pad, Trim Upper	2	
38	0259 69 885	Tacker	6	
39	0208 76 071	Silencer	—	



FLOOR MAT & TRIM

(PLAIN TYPE DASHBOARD SEDAN MODEL)



FLOOR MAT & TRIM

(PLAIN TYPE DASHBOARD SEDAN MODEL)



No.	Part Number	Description	Q'ty	Remarks
• 1	2061 69 6010 14	Mat (Frnt.), (L.H.D.) Black	1	©
•	2335 69 601A 14	Mat (Frnt.), (C) (L.H.D.) Black	1	Car No. 63363 ^{70/7} ~ X
•	2061 69 6230 14	Mat (Frnt.), RH (L.H.D.) Black	1	Car No. 63363 ^{70/7} ~ Added Anew
•	2061 69 6240 14	Mat (Frnt.), LH (L.H.D.) Black	1	Car No. 63363 ^{70/7} ~ Added Anew
•	2061 69 6210 14	Mat (Frnt.), (L.H.D.) Black	1	©
•	2063 69 6010 14	Mat (Frnt.), (R.H.D.) Black	1	©
•	2335 69 601A 14	Mat (Frnt.), (C) (R.H.D.) Black	1	Car No. 63363 ^{70/7} ~ X
•	2063 69 6230 14	Mat (Frnt.), RH (R.H.D.) Black	1	Car No. 63363 ^{70/7} ~ Added Anew
•	2063 69 6240 14	Mat (Frnt.), LH (R.H.D.) Black	1	Car No. 63363 ^{70/7} ~ Added Anew
•	2063 69 6210 14	Mat (Frnt.), (R.H.D.) Black	1	©
• 2	0846 69 6020 14	Change Hole Cover Black	1	
• 3	2061 69 6030 14	Mat (Rr.) Black	1	©
• 4	0317 69 6070 14	Mat Side (R) Black	} Selective use 1	©
•	2370 69 6070 14	Mat Side (R) Black With Safety Belt Hole		©
• 5	0317 69 6080 14	Mat Side (L) Black	} Selective use 1	©
•	2370 69 6080 14	Mat Side (L) Black With Safety Belt Hole		©
• 6	0257 69 611A 04	Mat End (R) Black	1	©
• 7	0257 69 612A 14	Mat End (L) Black	1	©
• 8	0259 69 615C 10	Mat, Trunk Room Black	1	©
9	2063 69 660	Insulator Ass'y, (R.H.D.)	1	
	2334 69 660	Insulator Ass'y, (R.H.D.)	1	
10	2062 69 660A	Insulator Ass'y, (L.H.D.)	1	
	2335 69 660	Insulator Ass'y, (L.H.D.)	1	
11	0845 69 641A	Pad (Frnt., C)	1	
12	0822 69 642	Pad (Frnt., R)	1	
13	0844 69 643	Pad (Rr., C)	1	
• 14	0822 69 644	Pad (Rr. R)	1	Car No. 70537 ^{70/11} ~ Quantity
•	2335 69 648	Pad (Rr. L)	1	Car No. 70537 ^{70/11} ~ Added Anew
15	0820 69 645A	Pad End	1	
	0820 69 645A	Pad End	1	Car No. 62706 ^{70/7} ~ X
16	0259 69 646	Pad End No. 1	1	
17	0259 69 647	Pad End No. 2	2	
18	0259 69 648	Pad End No. 3	2	

FLOOR MAT & TRIM

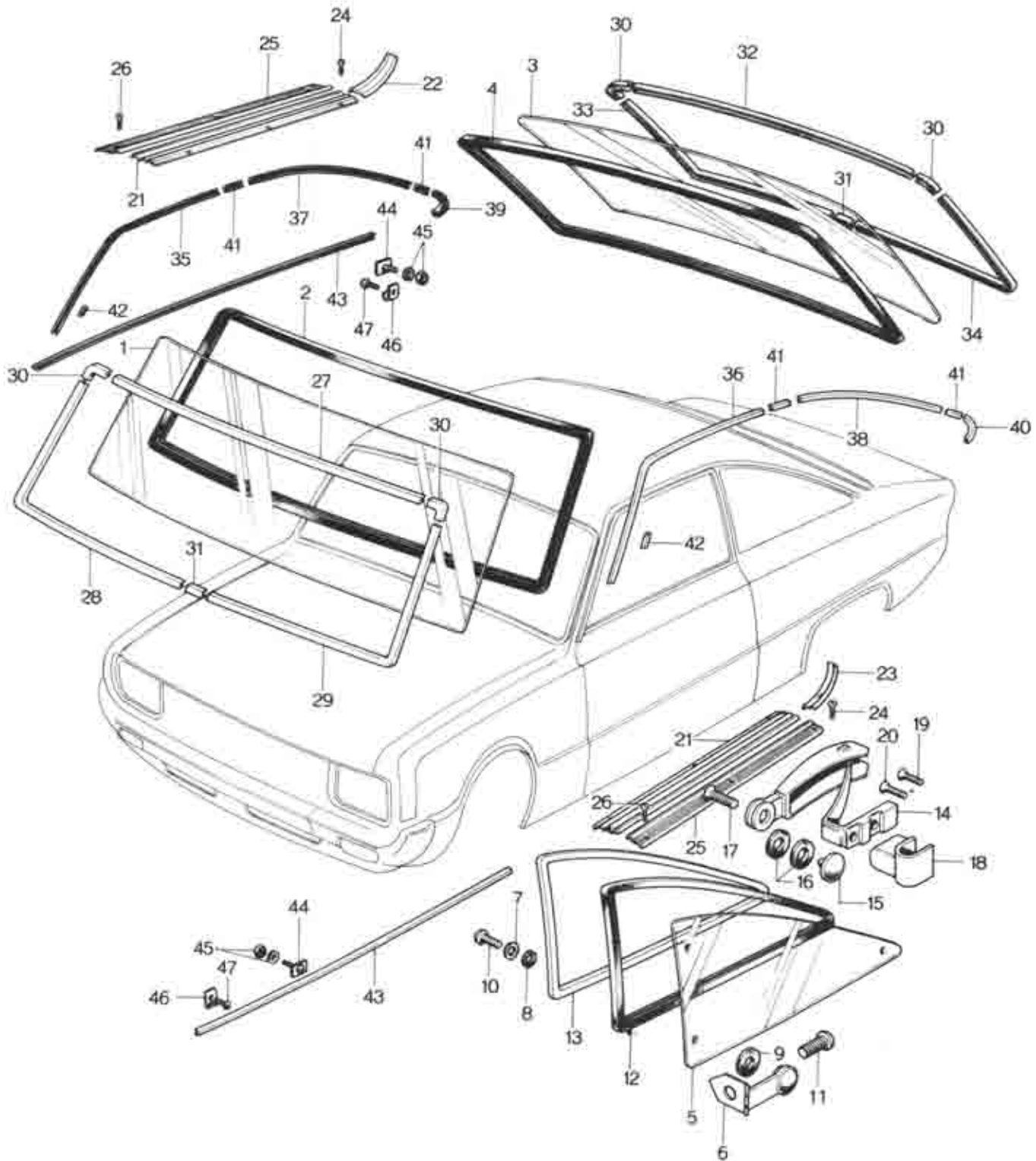
(PLAIN TYPE DASHBOARD SEDAN MODEL)

No.	Part Number	Description	Qty	Remarks
19	0822 69 648	Pad (Frt., L)	1	
20	0820 69 658A	Pad (R), Trunk Room	1	
21	0820 69 659A	Pad (L), Trunk Room	1	
22	0844 69 684A	Pad, Seat Lower	2	
23	0317 69 684A	Trim, Glove Box (R.H.D.)	1	©
24	2370 69 684	Trim, Glove Box (L.H.D.)	1	©
25	0317 69 685A	Pad (R), Top Lower (R.H.D.)	1	
26	2370 69 685A	Pad (R), Top Lower (L.H.D.)	1	
	2370 69 685B	Pad (R), Top Lower (L.H.D.)	1	Car No. 65086 7/8 ~ 0
27	0317 69 686A	Pad (L), Top Lower (R.H.D.)	1	
28	2370 69 686A	Pad (L), Top Lower (L.H.D.)	1	
29	0317 69 687A	Pad (C), Top Upper	1	
30	0317 69 688A	Pad (R)	1	
31	0822 69 688	Pad, Tunnel Side	1	
32	0822 69 689	Pad, Center Lower	1	
33	0317 69 5500 00	Trim (R), Tire House Black	1	©
	0317 69 5500 02	Brown		
34	0317 69 5700 00	Trim (L), Tire House Black	1	©
	0317 69 5700 02	Brown		
35	0259 69 870	Trim, Package Tray	1	©
36	0317 69 881	Trim, Upper	1	©
37	0317 69 883	Pad, Trim Upper	2	
38	0259 69 885	Tacker	6	
39	0208 76 071	Silencer	-	



WINDOW GLASS & MOULDING

(ALL COUPE MODELS)



WINDOW GLASS & MOULDING

(ALL COUPE MODELS)

70

71

No.	Part Number	Description	Q'ty	Remarks
1	0272 70 401	Front Window Glass, Transparent Laminated Glass (6.3 mm)	1	
	0820 70 401	Front Window Glass, Blue Pane Laminated Glass (6.3 mm)	1	
	2113 70 401	Front Window Glass, Transparent (H.P.R.) Laminated Glass (6.6 mm)	1	
	2410 70 401	Front Window Glass, Blue Pane, Laminated (H.P.R.) For France	1	
	2329 70 401	Front Window Glass, Blue Pane, Laminated (H.P.R.) For France	1	Car No. 65573 ⁷⁰ / ₉ ~ O
	2329 70 401	Front Window Glass, Blue Pane, Laminated (H.P.R.) For U.S.A. & CANADA	1	
2	0820 70 402	Weather Strip	1	
3	0820 70 451A	Rear Window Glass, With Heating Wire Tempered, Blue Pane (4.0 mm)	Optional 1	
	2113 70 451A	Rear Window Glass, With Heating Wire Tempered, Transparent (5.0 mm)		
	0328 70 451	Rear Window Glass, Transparent Tempered (4.0 mm)	1	
	0329 70 451	Rear Window Glass, Blue Pane Tempered (4.0 mm)	1	
4	0820 70 452	Weather Strip	1	
5	0820 70 511	Quarter Window Glass (R), Blue Pane	1	
	0820 71 511	Quarter Window Glass (L), Blue Pane	1	
	2113 70 511	Quarter Window Glass (R), Transparent	1	
	2113 71 511	Quarter Window Glass (L), Transparent	1	
6	0256 70 520A	Hinge Ass'y (R)	1	Dull Black Finish
	0256 71 520A	Hinge Ass'y (L)		
	2247 70 520	Hinge Ass'y (R)	1	Chrome Plated
	2247 71 520	Hinge Ass'y (L)		
7	0256 70 525A	Washer Strip, Quarter Window	4	
8	0256 70 526A	Seat "A", Hinge	4	
9	0256 70 528A	Seat "B", Hinge	4	
10	99832 0410B	Screw, Hinge	4	
11	99831 0412	Screw, Hinge	4	
12	0820 70 541	Weather Strip (R)	1	
	0820 71 541	Weather Strip (L)	1	

70

71

WINDOW GLASS & MOULDING

(ALL COUPE MODELS)

No.	Part Number	Description	Qty	Remarks
• 13	0820 70 546A 05	Seaming Welt Black	2	
14	0256 70 550	Quarter Window Lock Ass'y	2	
15	0212 70 361A	Nut, Glass Clamp	2	
16	0118 58 442	Seat, Glass Set	4	
17	99832 0412B	Screw	2	
18	0820 70 571	Spacer	2	
19	99832 0412B	Screw, Lock	2	
20	99837 0416B	Screw, Lock	2	
21	0256 70 712	Scarf Plate (Frt.)	2	
22	0256 70 713	Scarf Plate (C., R)	1	
23	0256 71 713	Scarf Plate (C., L)	1	
24	99862 0412	Tapping Screw	8	
25	0820 70 751	Step Garnish	2	
26	99862 0412	Tapping Screw, Step Garnish	6	
27	0820 70 801	Front Mould Upper	1	
28	0820 70 802	Front Mould Lower (R)	1	
29	0820 71 802	Front Mould Lower (L)	1	
30	0820 70 803	Joint	4	
31	0119 70 952	Mould Joint	2	
32	0820 70 811	Rear Mould Upper	1	
33	0820 70 812	Rear Mould Lower (R)	1	
34	0820 71 812	Rear Mould Lower (L)	1	
35	0820 70 821	Drip Mould (Frt., R)	1	
36	0820 71 821	Drip Mould (Frt., L)	1	
37	0820 70 822A	Drip Mould (Rr., R)	1	
38	0820 71 822A	Drip Mould (Rr., L)	1	

WINDOW GLASS & MOULDING

(ALL COUPE MODELS)



No.	Part Number	Description	Qty	Remarks
39	0820 70 823A	Drip Mould (Rr., R)	1	
40	0820 71 823A	Drip Mould (Rr., L)	1	
41	0223 70 826	Joint	4	
42	0223 70 827	Clip	24	
43	0259 70 851A	Step Mould	2	
44	0223 70 870	Set Plate, Step Mould	2	
45	99906 0400	Nut, Step Mould	2	
	99971 0400	Spring Washer	2	
46	0223 70 861	Clip, Step Mould	8	
47	908632 5 12	Set Screw, Step Mould	8	



1. The first part of the report is a review of the literature on the subject of the measurement of the dielectric constant of liquids. It is found that there is a general lack of agreement between the various investigators, and that the results are often inconsistent. This is due to a number of factors, including the use of different methods of measurement, the use of different liquids, and the use of different temperatures.

2. The second part of the report is a description of the apparatus used in the measurements. It consists of a glass cell containing the liquid to be measured, and a pair of parallel plates. The dielectric constant is measured by the ratio of the capacitance of the cell with the liquid to the capacitance of the cell with air.

3. The third part of the report is a description of the results of the measurements. It is found that the dielectric constant of liquids increases with temperature, and that the increase is more rapid at higher temperatures. This is due to the fact that the dielectric constant is a measure of the ability of the liquid to polarize in an electric field, and this ability increases with temperature.

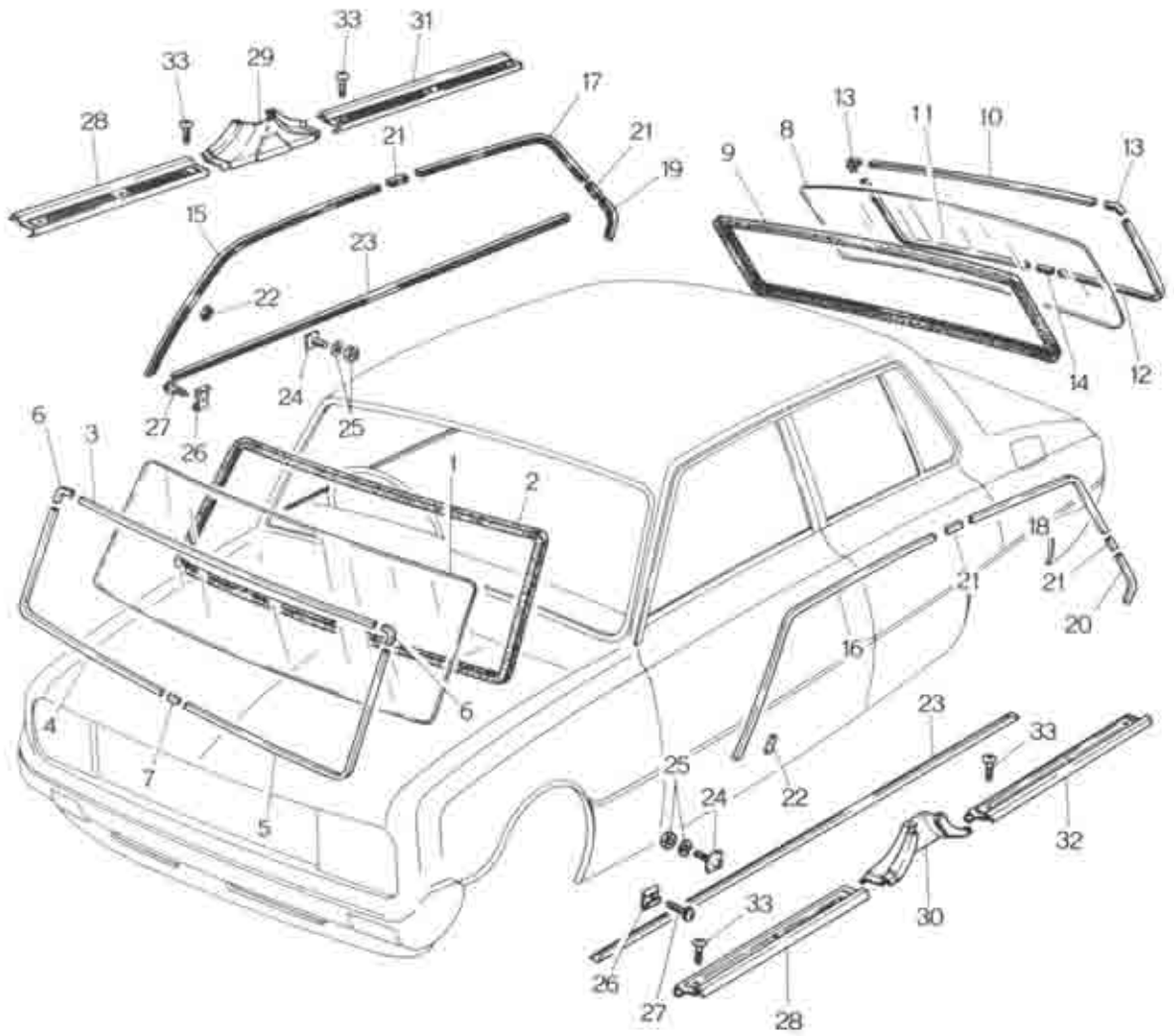
4. The fourth part of the report is a discussion of the factors which affect the dielectric constant of liquids. It is found that the dielectric constant is affected by the nature of the liquid, the temperature, and the frequency of the electric field. It is also found that the dielectric constant is affected by the presence of impurities in the liquid.

Table with multiple columns and rows, containing numerical data and possibly labels. The text is too faint to transcribe accurately.



WINDOW GLASS & MOULDING

(ALL SEDAN MODELS)



WINDOW GLASS & MOULDING

(ALL SEDAN MODELS)



No.	Part Number	Description	Qty.	Remarks
1	0257 70 401	Front Window Glass, Transparent Laminated (6.3 mm)	1	
	0259 70 401	Front Window Glass, Blue Pane Laminated (6.3 mm)	1	
	2244 70 401	Front Window Glass, Transparent (H.P.R.) Laminated (6.6 mm) (For Canada)	1	
	2370 70 401	Front Window Glass, Blue Pane (H.P.R.) Laminated (6.6 mm)	1	
2	0259 70 402	Weather Strip	1	
3	0259 70 801	Mould Upper (Frt.)	1	
4	0259 70 802	Mould Lower (Frt., R)	1	
5	0259 71 802	Mould Lower (Frt., L)	1	
6	0820 70 803	Joint	2	
7	0119 70 952	Mould Joint, Front Window	1	
8	2418 70 451	Back Window Glass (With Heating Wire) Tempered, Blue Pane (4.0 mm)	1	Optional
	2419 70 451	Back Window Glass (With Heating Wire) Tempered, Transparent (4.0 mm)	1	
	2350 70 451	Back Window Glass Semi-Tempered, Transparent (4.0 mm)	1	
	2370 70 451	Back Window Glass Semi-Tempered, Blue Pane (4.0 mm)	1	
9	0259 70 452	Weather Strip	1	
10	0259 70 811	Mould Upper (Rr.)	1	
11	0259 70 812	Mould Lower (Rr., R)	1	
12	0259 71 812	Mould Lower (Rr., L)	1	
13	0259 70 813	Joint	2	
14	0119 70 952	Mould Joint, Rear Window	1	
15	0259 70 821	Drip Mould (Frt., R)	1	
16	0259 71 821	Drip Mould (Frt., L)	1	
17	0259 70 822	Drip Mould (Rr., R)	1	
18	0259 71 822	Drip Mould (Rr., L)	1	
19	0259 70 823	Drip Mould, End (R)	1	
20	0259 71 823	Drip Mould, End (L)	1	



WINDOW GLASS & MOULDING

(ALL SEDAN MODELS)

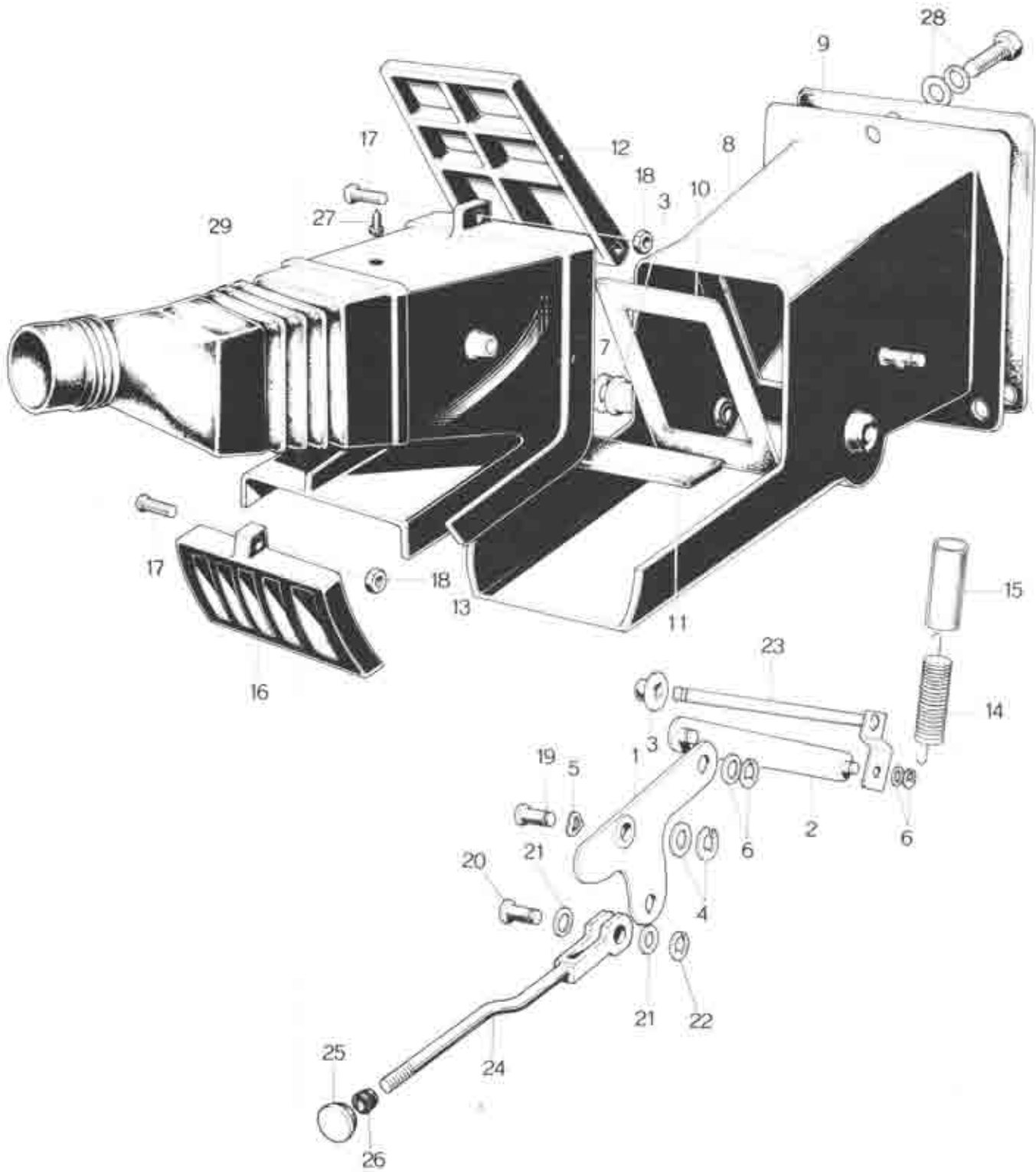
No.	Part Number	Description	Qty	Remarks
21	0223 70 826	Joint	4	
22	0223 70 827	Clip	26	
23	0259 70 851A	Step Mould	2	
24	0223 70 870	Set Plate	2	
25	99906 0400	Nut, Step Mould	2	
	99971 0400	Spring Washer	2	
26	0223 70 861	Clip, Step Mould	8	
27	908632 5 12	Set Screw	8	
28	0259 70 712	Scarf Plate (Frt.)	2	
29	0259 70 713	Scarf Plate, Center (R)	1	
30	0259 71 713	Scarf Plate, Center (L)	1	
31	0259 70 714	Scarf Plate (Rr., R)	1	
32	0259 71 714	Scarf Plate (Rr., L)	1	
33	99862 0412	Tapping Screw, Scarf Plate	12	



70 71

VENTILATOR

("T" TYPE DASHBOARD MODEL)



VENTILATOR

("T" TYPE DASHBOARD MODEL)



No.	Part Number	Description	Q'ty	Remarks
•	0820 70 300D	VENTILATOR Ass'y (R)	1	
	0820 70 300E	VENTILATOR Ass'y (R)	1	R.H.D. Cars use 2113 70 300C When without Car Heater
	0820 71 300D	VENTILATOR Ass'y (L)	1	
•	0820 71 300E	VENTILATOR Ass'y (L)	1	Car No. 57510 ⁷⁰ / ₄ ~ O
	2113 70 300D	VENTILATOR Ass'y (R)	1	
•	2113 70 300E	VENTILATOR Ass'y (R)	1	L.H.D. Cars use 0820 71 300C When without Car Heater
	2113 71 300D	VENTILATOR Ass'y (L)	1	
•	2113 71 300E	VENTILATOR Ass'y (L)	1	Car No. 57510 ⁷⁰ / ₄ ~ O
1	0820 70 303	Link (R)	1	
	0820 71 303	Link (L)	1	
2	0820 70 305	Rod "B"	2	
3	0259 70 307	Bush	4	
4	99953 0800	Plain Washer	2	
	99576 0500	"E" Type Stop Ring	2	
5	99972 0800	Wave Washer	2	
6	99952 0600	Plain Washer, Rod	4	
	99576 0400	"E" Type Stop Ring	4	
7	99576 0400	"E" Type Stop Ring	2	
8	0259 70 311A	Ventilator Duct (R)	1	R.H.D.
	0259 71 311A	Ventilator Duct (L)	1	
	2158 70 311	Ventilator Duct (R)	1	L.H.D.
	0257 71 311	Ventilator Duct (L)	1	
9	0259 70 313	Gasket "A"	2	
10	0259 70 314	Gasket "B"	2	
11	0259 70 315	Cushion	2	
12	0259 70 321A	Flap	2	
13	0820 70 331A	Ventilator Duct (Rr., R)	1	
	0820 71 331A	Ventilator Duct (Rr., L)	1	
14	0820 70 342	Return Spring	1	
15	99335 10005	Vinyl Pipe	2	



VENTILATOR

("T" TYPE DASHBOARD MODEL)

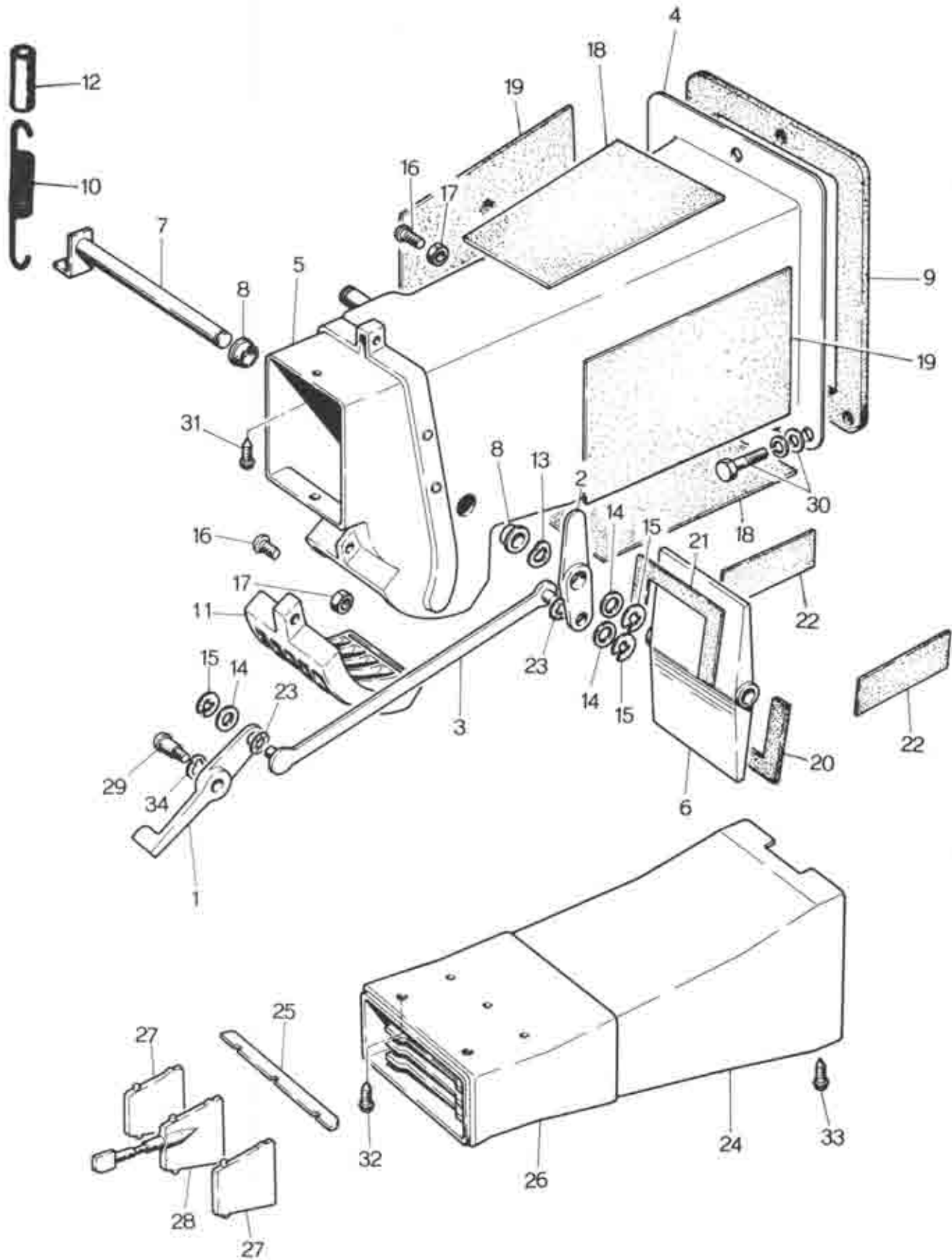
No.	Part Number	Description	Qty	Remarks
16	0259 70 345	Second Louver (R)	1	©
	0259 71 345	Second Louver (L)	1	©
17	99833 0312B	Screw, Louver & Duct	4	
18	99906 0300B	Nut, Louver & Duct	4	
19	99230 0823	Joint Pin, Link	2	
20	99230 0814	Joint Pin, Lever	2	
21	0633 52 148	Washer	4	
22	99576 0500	"E" Type Stop Ring	2	
23	0259 70 350	Lever Ass'y	2	
24	0820 70 350B	Rod Ass'y (R)	1	
	0820 71 350A	Rod Ass'y (L)	1	
25	0118 70 722A	Knob	2	
26	0820 70 355	Grommet	2	
• 27	908381 5 16	Set Screw, Duct	2	
28	908046 5 20	Set Screw, Ventilator Duct	2	
29	0820 55 025B	Duct, Ventilator (R)	1	
	0820 55 026B	Duct, Ventilator (L)	1	



70 71

VENTILATOR

(PLAIN TYPE DASHBOARD MODEL)



VENTILATOR

(PLAIN TYPE DASHBOARD MODEL)

70

71

No.	Part Number	Description	Q'ty	Remarks
•	0317 70 300B	VENTILATOR Ass'y (R)	1	Car No. 57510 7/4 ~ O
	0317 70 300C	VENTILATOR Ass'y (R) Without Car Heater	1	
•	0317 71 300B	VENTILATOR Ass'y (L)	1	Car No. 57510 7/4 ~ O
	0317 71 300C	VENTILATOR Ass'y (L) Without Car Heater	1	
•	2370 70 300A	VENTILATOR Ass'y (R)	1	Car No. 57510 7/4 ~ O
	2370 70 300C	VENTILATOR Ass'y (R) With Car Heater	1	
•	0316 71 300B	VENTILATOR Ass'y (L)	1	Car No. 57510 7/4 ~ O
	0316 71 300C	VENTILATOR Ass'y (L) Without Car Heater	1	
1	0317 70 301	Lever	2	
2	0317 70 303	Link (R)	1	
	0317 71 303	Link (L)	1	
3	0317 70 304	Rod "A"	2	
4	0317 70 311	Ventilator Duct Front (R),(R.H.D. & L.H.D.) Used for L.H.D. cars when without Car Heater	1	
	0317 71 311	Ventilator Duct Front (L),(R.H.D.)	1	
	2370 70 311	Ventilator Duct Front (R),(L.H.D.) With Car Heater	1	
	0316 71 311	Ventilator Duct Front (L),(R.H.D.) Without Car Heater	1	
5	0317 70 312	Ventilator Duct Center (R)	1	
	0317 71 312	Ventilator Duct Center (L)	1	
6	0317 70 321	Flap	2	
7	0317 70 352	Lever	2	
8	0317 70 307	Bush	4	
9	0259 70 313	Packing "A"	2	
10	0317 70 342	Spring	2	
11	0259 70 345	Second Louver (R)	1	©
	0259 71 345	Second Louver (L)	1	©
12	99335 08002	Vinyl Pipe	2	
13	99972 0800	Wave Washer	2	
14	99952 0600	Plain Washer	8	
15	99576 0400	Retaining Ring	6	
16	99833 0312B	+ Screw	4	



VENTILATOR

(PLAIN TYPE DASHBOARD MODEL)

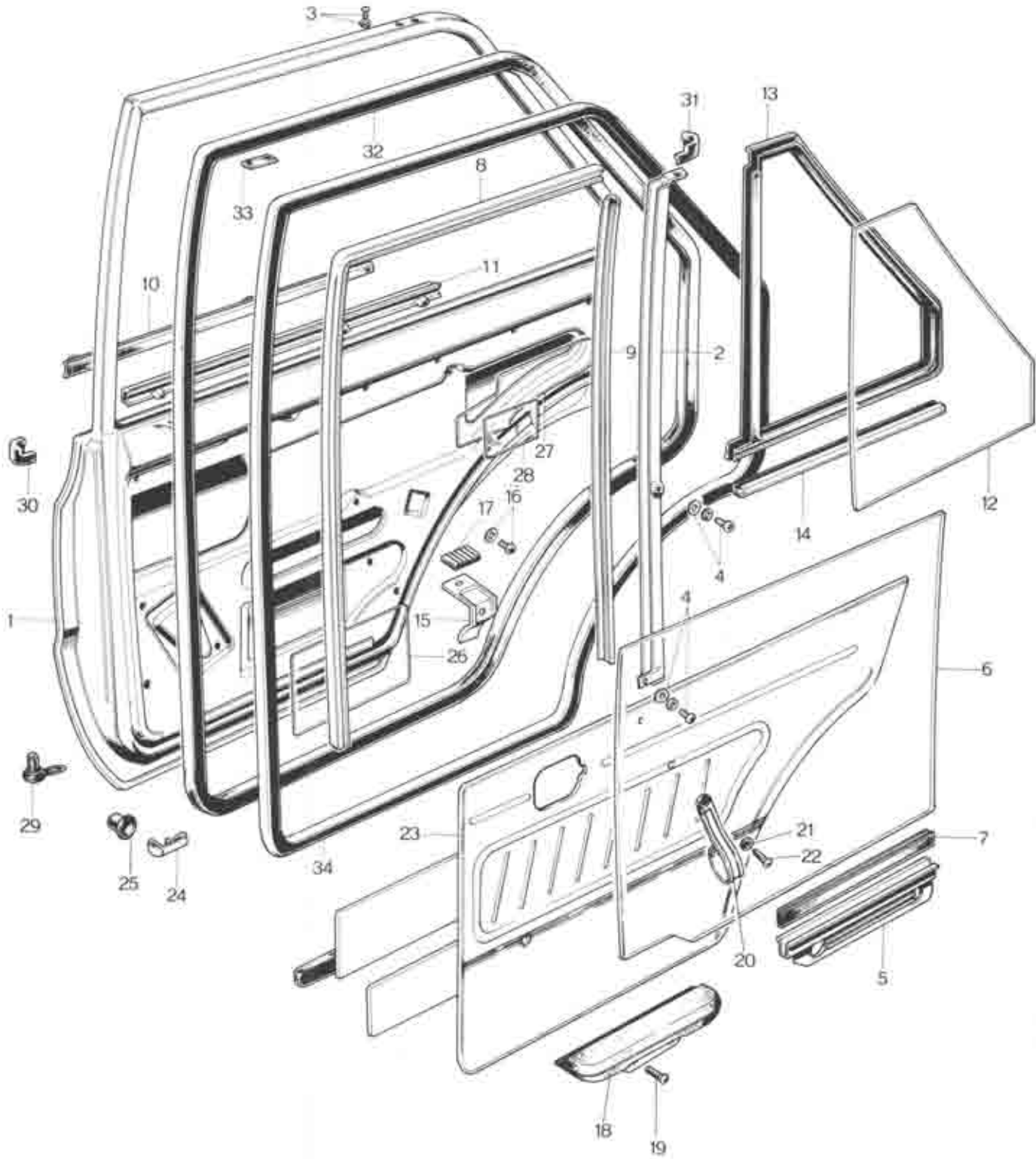
No.	Part Number	Description	Qty	Remarks
17	99906 0300B	Nut	4	
18	0317 70 315	Silencer	4	
19	0317 70 316	Silencer "B"	3	
20	0317 70 322	Packing "A"	2	
21	0317 70 323	Packing "B"	2	
22	0317 70 324	Packing "C"	2	
23	99972 0600	Wave Washer	2	
	0317 70 330A	LOUVER Ass'y (R)	1	
	0317 71 330A	LOUVER Ass'y (L)	1	
24	0317 70 331	Ventilator Duct Rear (R)	1	
	0317 71 331	Ventilator Duct Rear (L)	1	
• 25	0223 70 339	Link	2	
26	0317 70 341	Louver (R)	1	
	0317 71 341	Louver (L)	1	
27	0317 70 343	Louver Blade "B"	4	
28	0317 70 360	Louver Blade "A"	2	
29	0259 70 302A	Pin	2	
30	908046 5 20	Set Bolt	6	
31	908381 5 16	Set Screw	2	
32	99838 0516B	Screw	4	
33	99863 0508B	Screw	2	
34	99972 0800	Wave Washer	2	



72 73

REAR SIDE DOOR (GLASS)

(ALL SEDAN MODELS)



REAR SIDE DOOR (GLASS)

(ALL SEDAN MODELS)

72

73

No.	Part Number	Description	Q'ty	Remarks
1	0317 72 010	REAR DOOR PANEL Ass'y (R)	1	
	0317 73 010	REAR DOOR PANEL Ass'y (L)	1	
	0848 72 010	REAR DOOR PANEL Ass'y (R) "T" Type Dashboard Model	1	
	0848 73 010	REAR DOOR PANEL Ass'y (L) "T" Type Dashboard Model	1	
	0317 72 020	Outer Panel (R)	1	
	0317 73 020	Outer Panel (L)	1	
	0259 72 110	Door Sash (R)	1	
	0259 73 110	Door Sash (L)	1	
2	0259 72 120A	Center Channel Ass'y (R)	1	
	0259 73 120A	Center Channel Ass'y (L)	1	
3	99831 0412	Screw, Center Channel Upper	4	
4	908334 6 08	Set Screw, Center Channel	4	
5	0259 72 210	Lift Bracket	2	
6	0257 72 221	Door Glass (R), Transparent	1	
	0257 73 221	Door Glass (L), Transparent	1	
	0259 72 221	Door Glass (R), Blue Pane	1	
	0259 73 221	Door Glass (L), Blue Pane	1	
7	0259 72 231	Rubber Strip	2	
8	0259 72 241	Glass Run Channel "A"	2	
9	0259 72 242	Glass Run Channel "B"	2	
10	0259 72 280A	Weather Strip "A"	2	
11	0259 72 290	Weather Strip "B"	2	
12	0257 72 411	Quarter Window Glass (R)	1	
	0257 73 411	Quarter Window Glass (L)	1	



REAR SIDE DOOR (GLASS)

(ALL SEDAN MODELS)

No.	Part Number	Description	Qty	Remarks
	0259 72 411	Quarter Window Glass (R)	1	
	0259 73 411	Quarter Window Glass (L)	1	
13	0317 72 412	Weather Strip, Quarter Window Glass	2	Car No. 60429 ^{70/8} ~ ○ Car No. 60429 ^{70/8} ~ ○
	0259 72 412	Weather Strip, Quarter Window Glass	2	
14	0848 72 412	Weather Strip, Quarter Window Glass "T" Type Dashboard Model	2	
	0259 72 036	Lower Channel	2	
15	0259 72 080	Glass Stop	2	
16	908339 6 12	Set Screw, Glass	2	
17	0187 56 235	Support Rubber	2	
18	0820 58 880B	Arm Rest	2	©
19	99833 0512	Screw, Arm Rest	4	
20	0209 58 861	Pull Handle	2	©
21	0209 58 862	Washer, Pull Handle	4	
22	99832 0516C	Screw, Pull Handle	4	
23	0326 72 910	Rear Door Trim (R)	1	©
•	0326 72 9100 08	Black		
•	0326 72 9100 07	Brown		
•	0326 73 910	Rear Door Trim (L)	1	©
•	0326 73 9100 08	Black		
•	0326 73 9100 07	Brown		
•	0848 72 910	Rear Door Trim (R) "T" Type Dashboard Model	1	Car No. 60429 ^{70/8} ~ ○
•	0848 72 910A 04	Black	1	
•	0848 72 910A 10	Brown		
•	0848 73 910	Rear Door Trim (L) "T" Type Dashboard Model	1	Car No. 60429 ^{70/8} ~ ○
•	0848 73 910A 04	Brown	1	
•	0848 73 910A 10	Black		
24	0208 58 921	Fastener, Door Trim	20	
25	0223 58 925	Fastner Cap	20	
26	0259 72 921	Door Screen "A"	2	
27	0259 72 923	Door Screen "C"	2	
28	0259 72 924	Door Screen "D"	2	
29	0259 58 931	Drain Valve	2	
30	0259 72 951	Pad "A" (R)	1	
	0259 73 951	Pad "A" (L)	1	
31	0259 72 952	Pad "B" (R)	1	
	0259 73 952	Pad "B" (L)	1	

REAR SIDE DOOR (GLASS) (ALL SEDAN MODELS)



No.	Part Number	Description	Qty	Remarks
32	0259 72 901	Weather Strip (R)	1	
	0259 73 901	Weather Strip (L)	1	
33	0209 58 902	Pad Selective use	-	
• 34	0259 72 9070 05	Seaming Welt Black	2	©



REAR HIDE DOOR

REAR HIDE DOOR

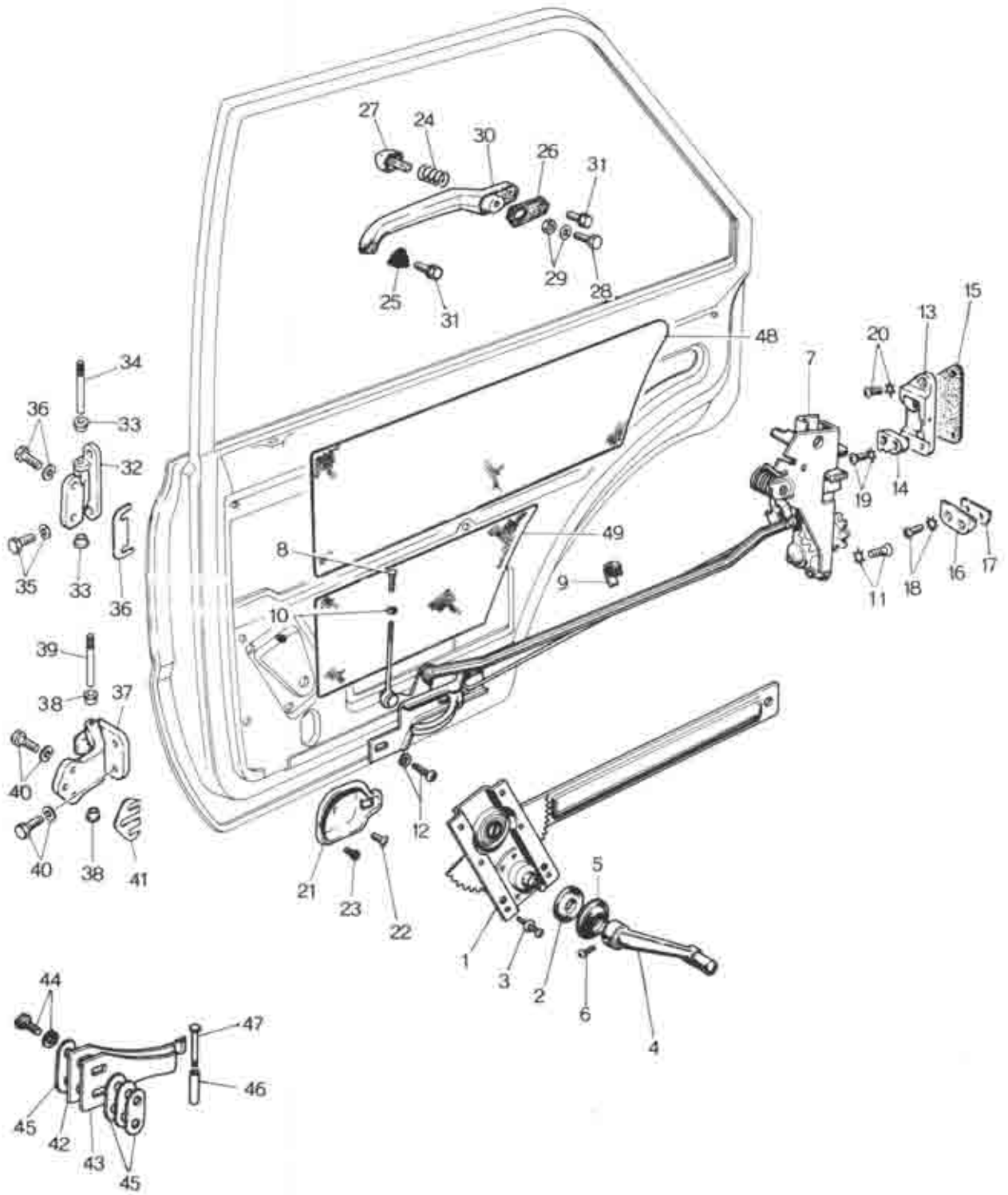
Item	Description	Quantity	Unit
1	REAR HIDE DOOR	1	EA
2	REAR HIDE DOOR	1	EA
3	REAR HIDE DOOR	1	EA
4	REAR HIDE DOOR	1	EA
5	REAR HIDE DOOR	1	EA
6	REAR HIDE DOOR	1	EA
7	REAR HIDE DOOR	1	EA
8	REAR HIDE DOOR	1	EA
9	REAR HIDE DOOR	1	EA
10	REAR HIDE DOOR	1	EA
11	REAR HIDE DOOR	1	EA
12	REAR HIDE DOOR	1	EA
13	REAR HIDE DOOR	1	EA
14	REAR HIDE DOOR	1	EA
15	REAR HIDE DOOR	1	EA
16	REAR HIDE DOOR	1	EA
17	REAR HIDE DOOR	1	EA
18	REAR HIDE DOOR	1	EA
19	REAR HIDE DOOR	1	EA
20	REAR HIDE DOOR	1	EA
21	REAR HIDE DOOR	1	EA
22	REAR HIDE DOOR	1	EA
23	REAR HIDE DOOR	1	EA
24	REAR HIDE DOOR	1	EA
25	REAR HIDE DOOR	1	EA
26	REAR HIDE DOOR	1	EA
27	REAR HIDE DOOR	1	EA
28	REAR HIDE DOOR	1	EA
29	REAR HIDE DOOR	1	EA
30	REAR HIDE DOOR	1	EA
31	REAR HIDE DOOR	1	EA
32	REAR HIDE DOOR	1	EA
33	REAR HIDE DOOR	1	EA
34	REAR HIDE DOOR	1	EA
35	REAR HIDE DOOR	1	EA
36	REAR HIDE DOOR	1	EA
37	REAR HIDE DOOR	1	EA
38	REAR HIDE DOOR	1	EA
39	REAR HIDE DOOR	1	EA
40	REAR HIDE DOOR	1	EA
41	REAR HIDE DOOR	1	EA
42	REAR HIDE DOOR	1	EA
43	REAR HIDE DOOR	1	EA
44	REAR HIDE DOOR	1	EA
45	REAR HIDE DOOR	1	EA
46	REAR HIDE DOOR	1	EA
47	REAR HIDE DOOR	1	EA
48	REAR HIDE DOOR	1	EA
49	REAR HIDE DOOR	1	EA
50	REAR HIDE DOOR	1	EA
51	REAR HIDE DOOR	1	EA
52	REAR HIDE DOOR	1	EA
53	REAR HIDE DOOR	1	EA
54	REAR HIDE DOOR	1	EA
55	REAR HIDE DOOR	1	EA
56	REAR HIDE DOOR	1	EA
57	REAR HIDE DOOR	1	EA
58	REAR HIDE DOOR	1	EA
59	REAR HIDE DOOR	1	EA
60	REAR HIDE DOOR	1	EA
61	REAR HIDE DOOR	1	EA
62	REAR HIDE DOOR	1	EA
63	REAR HIDE DOOR	1	EA
64	REAR HIDE DOOR	1	EA
65	REAR HIDE DOOR	1	EA
66	REAR HIDE DOOR	1	EA
67	REAR HIDE DOOR	1	EA
68	REAR HIDE DOOR	1	EA
69	REAR HIDE DOOR	1	EA
70	REAR HIDE DOOR	1	EA
71	REAR HIDE DOOR	1	EA
72	REAR HIDE DOOR	1	EA
73	REAR HIDE DOOR	1	EA
74	REAR HIDE DOOR	1	EA
75	REAR HIDE DOOR	1	EA
76	REAR HIDE DOOR	1	EA
77	REAR HIDE DOOR	1	EA
78	REAR HIDE DOOR	1	EA
79	REAR HIDE DOOR	1	EA
80	REAR HIDE DOOR	1	EA
81	REAR HIDE DOOR	1	EA
82	REAR HIDE DOOR	1	EA
83	REAR HIDE DOOR	1	EA
84	REAR HIDE DOOR	1	EA
85	REAR HIDE DOOR	1	EA
86	REAR HIDE DOOR	1	EA
87	REAR HIDE DOOR	1	EA
88	REAR HIDE DOOR	1	EA
89	REAR HIDE DOOR	1	EA
90	REAR HIDE DOOR	1	EA
91	REAR HIDE DOOR	1	EA
92	REAR HIDE DOOR	1	EA
93	REAR HIDE DOOR	1	EA
94	REAR HIDE DOOR	1	EA
95	REAR HIDE DOOR	1	EA
96	REAR HIDE DOOR	1	EA
97	REAR HIDE DOOR	1	EA
98	REAR HIDE DOOR	1	EA
99	REAR HIDE DOOR	1	EA
100	REAR HIDE DOOR	1	EA



72 73

REAR SIDE DOOR (LOCK)

(ALL SEDAN MODELS)



REAR SIDE DOOR (LOCK)

(ALL SEDAN MODELS)



No.	Part Number	Description	Qty	Remarks
1	0259 72 300C	Window Regulator (R)	1	
	0259 73 300C	Window Regulator (L)	1	
	2119 72 300	Window Regulator (R), Arctic Spec. Model	1	
	2119 73 300	Window Regulator (L), Arctic Spec. Model	1	
2	0223 58 305	Seal Rubber, Regulator Shaft	2	
3	908334 6 12	Set Screw, Regulator	8	
4	0259 58 370C	Regulator Handle	2	
5	0243 58 391	Door Escutcheon	2	
6	99862 0412C	Tapping Screw, Regulator Handle	2	
	99847 0410C	Tapping Screw, Regulator Handle	2	Car No. 64624 ⁷⁰ / ₈ ~
7	0259 72 500	REAR DOOR LOCK Ass'y (R)	1	
	0259 73 500	REAR DOOR LOCK Ass'y (L)	1	
	2119 72 500	REAR DOOR LOCK Ass'y (R) Arctic Spec. Model	1	
	2119 73 500	REAR DOOR LOCK Ass'y (L) Arctic Spec. Model	1	
8	0259 58 691	Knob	2	
9	0259 72 509	Pad	2	
10	0200 58 692	Grommet, Plain Type Dashboard use	2	
	0223 58 692	Grommet, "T" Type Dashboard use	2	
11	908324 6 14	Set Screw, Door Lock	6	
12	908339 5 12	Set Screw, Remote Control	4	
13	0259 58 570	Striker Ass'y (R)	1	
	0259 59 570	Striker Ass'y (L)	1	
14	0259 58 581	Rack (R)	1	



REAR SIDE DOOR (LOCK)

(ALL SEDAN MODELS)

No.	Part Number	Description	Qty	Remarks
	0259 59 581	Rack (L)	1	
15	0187 58 592A	Striker Seal Selective use	—	
16	2350 58 582	Antiburst Block	2	
17	2350 58 593	Shim	2	
18	907614 6 25	Set Screw, Antiburst Block	4	
•	907614 6 30	Set Screw, Antiburst Block	4	Car No. 62251 ⁷⁰ / ₆ ~○
19	907614 6 16	Set Screw, Striker	2	
•	907614 6 20	Set Screw, Striker	2	Car No. 62251 ⁷⁰ / ₆ ~○
20	907614 6 25	Set Screw, Striker	4	
•	907614 6 30	Set Screw, Striker	4	Car No. 62251 ⁷⁰ / ₆ ~○
21	0259 58 611	Cover	2	
22	99832 0408B	Screw, Cover	2	
23	0259 58 612	Rubber Cushion	2	
	0317 72 670	OUTER HANDLE Ass'y (Rr., R)	1	
	0317 73 670	OUTER HANDLE Ass'y (Rr., L)	1	
	2352 72 670	OUTER HANDLE Ass'y (Rr., R) Arctic Spec. Model	1	
	2352 73 670	OUTER HANDLE Ass'y (Rr., L) Arctic Spec. Model	1	
24	0259 58 671	Spring	2	
25	0317 58 674	Handle Pad "A" (R)	1	
	0317 59 674	Handle Pad "A" (L)	1	
26	0317 58 675	Handle Pad "B" (R)	1	
	0317 59 675	Handle Pad "B" (L)	1	
27	0317 72 676	Push Button	2	
28	0110 58 254A	Push Screw	2	
29	99907 0500	Nut	2	
	99952 0516	Plain Washer	2	
30	0317 58 680	Door Outer Handle (R)	2	

REAR SIDE DOOR (LOCK)

(ALL SEDAN MODELS)



No	Part Number	Description	Q'ty	Remarks
	0317 59 680	Door Outer Handle (L)	2	
31	908066 5 10	Set Bolt, Outer Handle	4	
32	0317 72 700	UPPER HINGE Ass'y (R)	1	
	0317 73 700	UPPER HINGE Ass'y (L)	1	
33	0223 58 721	Bush	4	
34	0187 58 731	Hinge Pin	2	
35	907832 8 25	Set Bolt, Hinge Upper	10	
36	0259 72 736	Shim, Hinge Upper	—	Selective use
37	0317 72 750	LOWER HINGE	2	
	0317 72 750A	LOWER HINGE	2	Car No. 61563 ^{70's} ~○
38	0223 58 721	Bush	4	
39	0259 72 731	Hinge Pin	2	
40	907832 8 25	Set Bolt, Lower Hinge	10	
41	0259 72 786	Shim, Lower Hinge	—	Selective use
42	0259 72 811	Check Spring	2	
43	0259 72 812	Check Sub Spring	2	
44	908062 6 25	Set Bolt, Check Spring	4	

72

73

REAR SIDE DOOR (LOCK)

(ALL SEDAN MODELS)

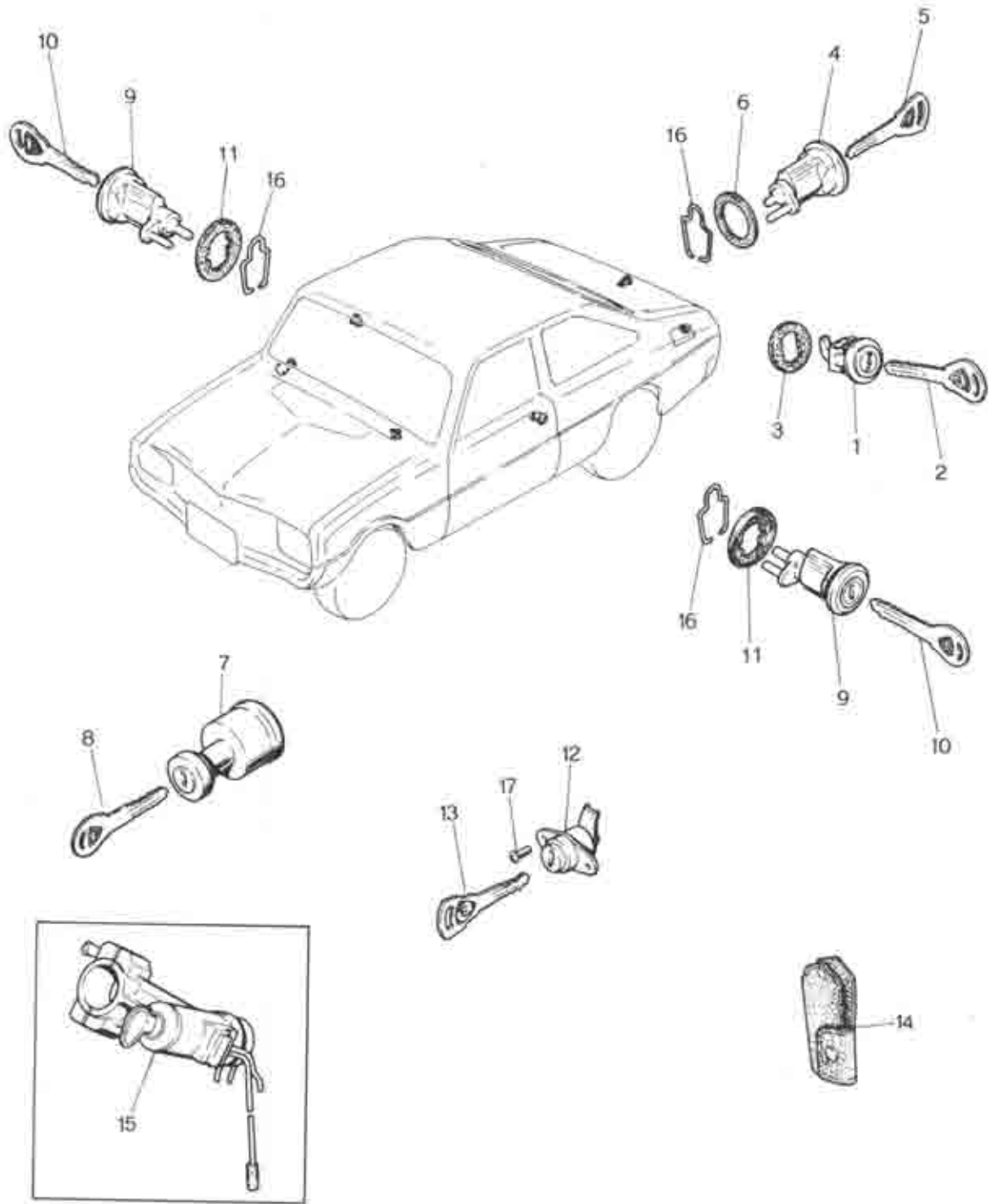
No.	Part Number	Description	Qty	Remarks
45	0208 72 821	Adjust Washer No. 1, Door Checker	—	
	0208 72 822	Adjust Washer No. 2, Door Checker	—	
46	0317 58 831	Roller, Door Checker	2	
47	0317 58 832	Pin, Roller	2	
48	0259 72 998	Insulation "A"	2	
•	0376 58 851	Insulation "A"	2	Car No. 103588 ^{71/8} ~ ○
49	0259 72 999	Insulation "B"	1	Car No. 103673 ^{71/10} ~ Q'ty
•	0305 72 852A	Insulation "B"	2	Car No. 103588 ^{71/8} ~ ○
			1	Car No. 103673 ^{71/10} ~ Q'ty



Faint, illegible text scattered across the page, possibly bleed-through from the reverse side or extremely faded print.

09

KEY SET (ALL COUPE MODELS)



KEY SET

(ALL COUPE MODELS)

09

No.	Part Number	Description	Q'ty	Remarks
	0820 09 010C	KEY SET (R.H.D.) "T" Type Dashboard use	1	
	0820 09 010D	KEY SET	1	Car No. 61276 70/5 ~ O
	2123 09 010A	KEY SET	1	Car No. 62706 70/5 ~ O
	2113 09 010B	KEY SET (L.H.D.) "T" Type Dashboard use	1	
	2113 09 010C	KEY SET	1	Car No. 61276 70/5 ~ O
	2329 09 010B	KEY SET, STEERING LOCK USE (L.H.D.) "T" Type Dashboard use	1	
	2329 09 010C	KEY SET	1	Car No. 61276 70/5 ~ O
	2334 09 010A	KEY SET	1	
	2339 09 010	KEY SET STEERING LOCK USE	1	
	2339 09 010A	KEY SET	1	Car No. 61276 70/5 ~ O
1	0820 74 940	FILLER KEY SUB SET	1	
2	2113 58 669	Secondary Key	1	
3	0621 42 455	Packing	1	
4	0820 74 930	TRUNK KEY SUB SET	1	
5	2113 58 668	Primary Key	1	
6	0223 58 962	Packing	1	
7	2113 60 430	IGNITION SWITCH "T" Type Dashboard use	1	
	2450 60 430	IGNITION SWITCH	1	
8	2113 58 669	Secondary Key	1	
9	0820 74 910	DOOR KEY SUB SET	2	
10	2113 58 669	Secondary Key	2	
11	0259 58 662	Gasket	2	



KEY SET

(ALL COUPE MODELS)

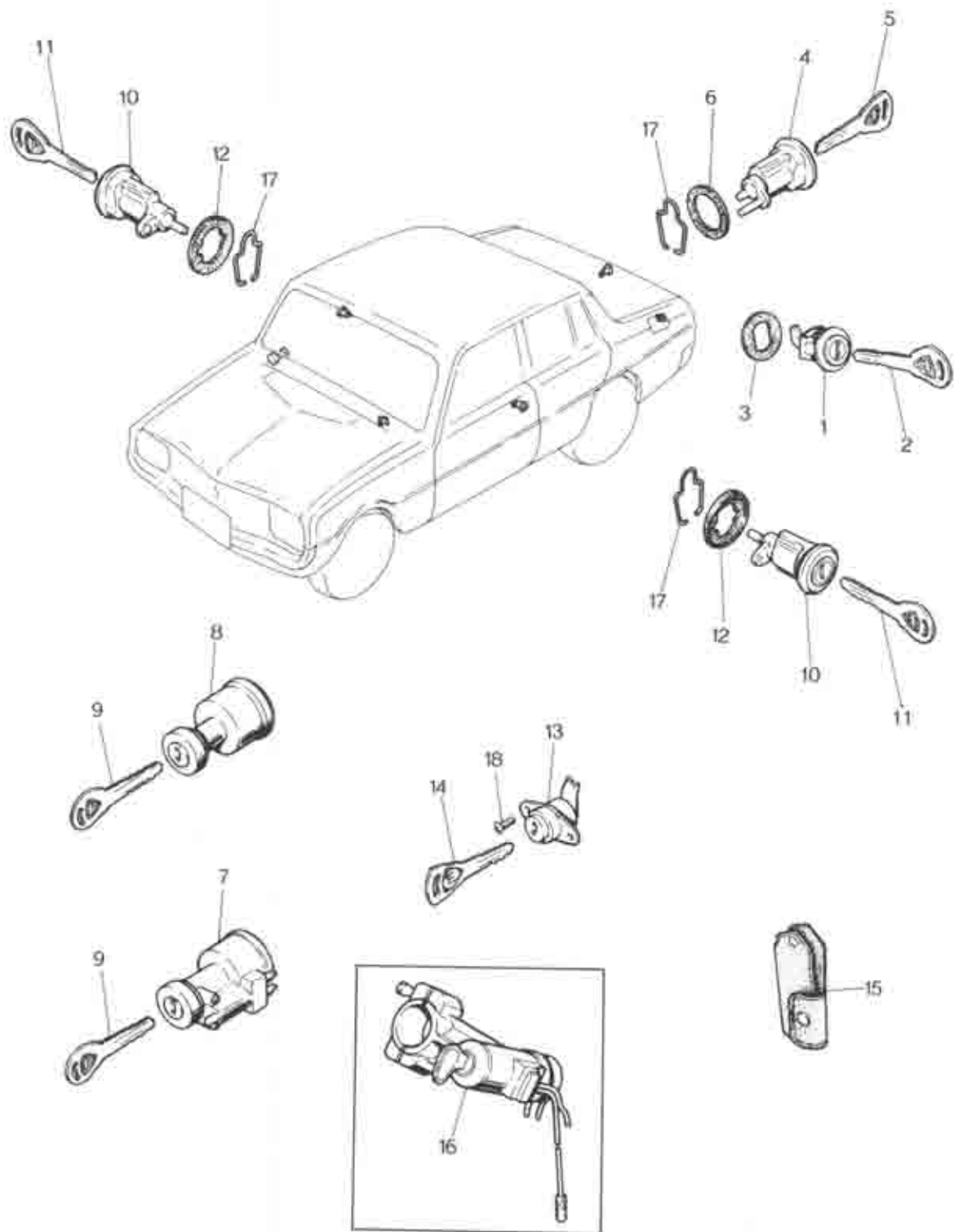
No.	Part Number	Description	Qty	Remarks
12	0275 55 200	KEY CYLINDER (L.H.D.), GLOVE POCKET	1	
	0820 68 370	KEY CYLINDER (R.H.D.), GLOVE POCKET	1	"T" Type Dashboard use
13	2113 58 668	Primary Key	1	
14	0317 58 480	Key Holder	1	
15	2280 60 430B	Steering Lock, with Key	1	
	2370 60 430	Steering Lock, with Key (For France)	1	
	2835 60 430	Steering Lock, with Key (For France)	1	
• 16	0223 58 961	Fastener, Key Cylinder	3	Car No. 65573 ⁷⁰ / ₈ ~ O
17	99832 0410B	Screw, Key Cylinder	2	
	2113 74 168	Key Blank, Primary Key	1	
	2113 74 169	Key Blank, Secondary Key	1	



THE NEW YORK PUBLIC LIBRARY
ASTOR LENOX TILDEN FOUNDATION
1892

KEY SET

(ALL SEDAN MODELS)



KEY SET

(ALL SEDAN MODELS)



No.	Part Number	Description	Qty	Remarks
	0846 09 010B	KEY SET (R.H.D.)	1	
	2061 09 010	KEY SET, STEERING LOCK USE Without Ignition Switch	1	
	2062 09 010	KEY SET (L.H.D.)	1	
	2062 09 010A		1	Car No. 61276 ⁷⁰ / ₅ ~ ○
	2418 09 010	KEY SET, "T" TYPE DASHBOARD USE	1	
	2418 09 010A		1	Car No. 61649 ⁷⁰ / ₆ ~ ○
	2415 09 010	KEY SET, STEERING LOCK USE Without Ignition Switch, "T" Type Dashboard use	1	
1	0820 74 940	FILLER KEY SUB SET	1	
2	2113 58 669	Secondary Key	1	
3	0621 42 455	Packing	1	
4	0820 74 930	TRUNK KEY SUB SET	1	
5	2113 58 668	Primary Key	1	
6	0223 58 962	Packing	1	
7	0317 60 430B	IGNITION SWITCH (R.H.D.)	1	
8	2113 60 430	IGNITION SWITCH "T" Type Dashboard use	1	
	2450 60 430	IGNITION SWITCH (L.H.D.)	1	
9	2113 55 669	Secondary Key	1	
10	0844 74 910	DOOR KEY SUB SET	1	
11	2113 58 669	Secondary Key	1	
12	0259 58 662	Gasket	1	

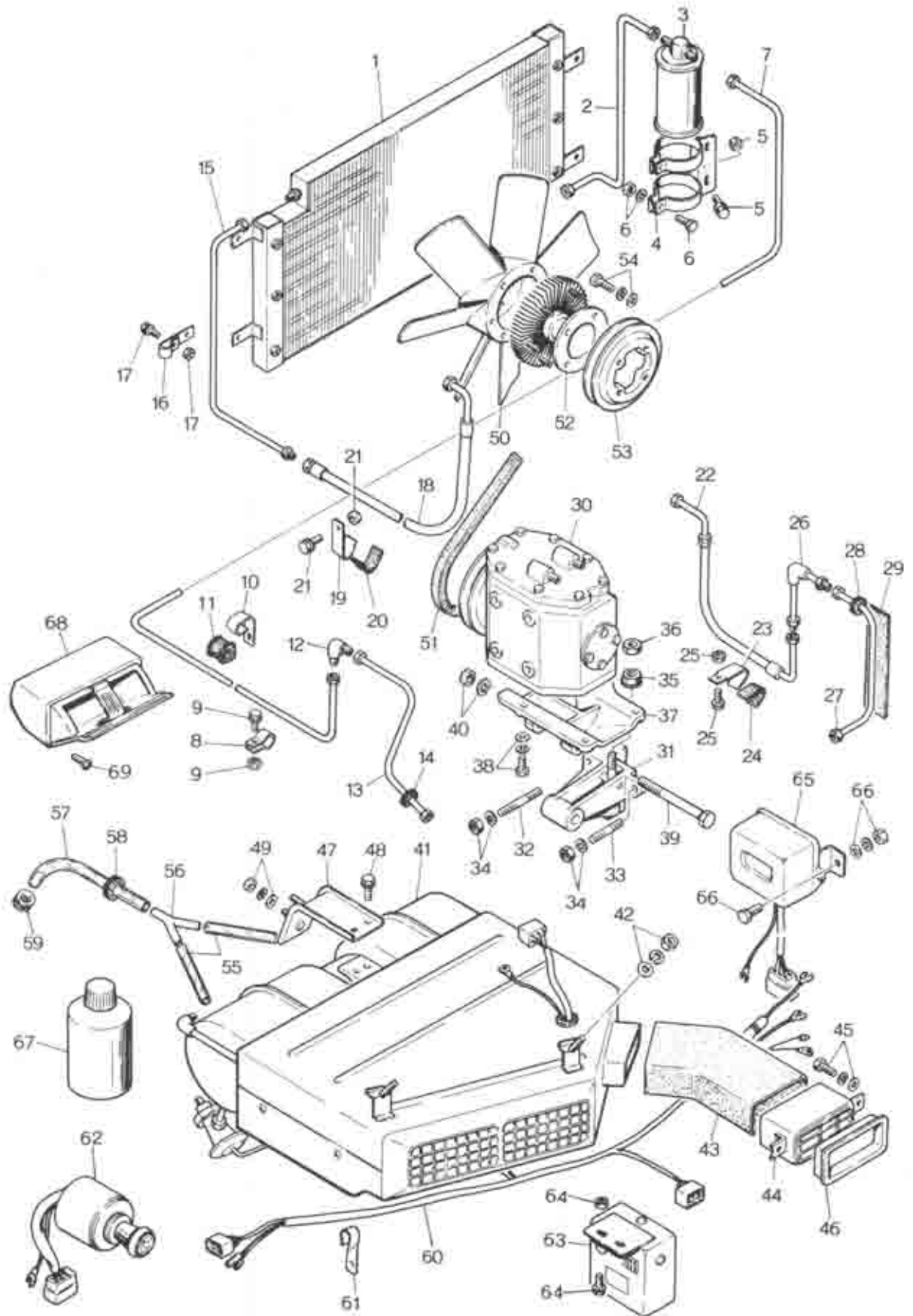
KEY SET

(ALL SEDAN MODELS)

No.	Part Number	Description	Qty	Remarks
13	0275 55 200	KEY CYLINDER (L.H.D.), GLOVE POCKET	1	
	0820 68 370	KEY CYLINDER (R.H.D.), GLOVE POCKET	1	
14	2113 68 668	Primary Key	1	
15	0317 58 480	Key Holder	1	
16	2280 60 430B	Steering Lock, with key	1	
	2370 60 430	Steering Lock, with Key (For France)	1	
17	0223 58 961	Fastener, Key Cylinder	3	
18	99832 0410B	Screw, Key Cylinder	2	
•	2113 74 158	Key Blank, Primary Key (Key No. 1500 ~ 1999)	1	
	2113 74 168	Key Blank, Primary Key (Key No. 2000 ~ 2499)	1	
•	2113 74 159	Key Blank, Secondary Key (Key No. 1500 ~ 1999)	1	
	2113 74 169	Key Blank, Secondary Key (Key No. 2000 ~ 2499)	1	

CAR COOLER (R.H.D.)

("T" TYPE DASHBOARD MODEL)



CAR COOLER (R.H.D.)

("T" TYPE DASHBOARD MODEL)

78

No.	Part Number	Description	Q'ty	Remarks
	0820 78 710B	CAR COOLER Ass'y	1	
1	0820 78 820A	Condenser	1	
2	0820 78 862A	Pipe No. 2	1	
3	0259 78 831	Receiver Tank	1	
4	0820 78 832	Support Band	1	
5	907816 8 16	Set Bolt, Receiver Tank	2	
	99906 0800	Nut	2	
6	908062 6 20	Set Bolt, Support Band	2	
	99906 0600	Nut	2	
7	0259 78 862	Pipe	1	
8	0259 78 868	Clip, Pipe	1	
9	907816 6 16	Set Bolt, Clip	1	
	99906 0600	Nut	1	
10	0820 14 735A	Clip, Pipe	1	
11	0813 14 716	Protector	1	
12	0259 78 867	Elbow	1	
13	0820 78 864	Pipe	1	
14	0208 78 875	Grommet	1	
15	0820 78 861B	Pipe	1	
16	0820 78 871	Clip, Pipe	1	
17	907816 6 16	Set Bolt, Clip	1	
18	0820 78 851	Flexible Hose No. 1	1	
19	0259 78 857	Clip, Flexible Hose	1	
20	0259 78 858	Rubber Seat	1	
21	907816 6 16	Set Bolt	1	
	99906 0600	Nut	1	
22	0259 78 852A	Flexible Hose No. 2	1	

CAR COOLER (R.H.D.)

('T' TYPE DASHBOARD MODEL)

No.	Part Number	Description	Qty	Remarks
23	0259 78 857	Clip	1	
24	0259 78 858	Rubber Seat	1	
25	907816 6 16	Set Bolt	1	
	99906 0600	Nut	1	
26	0820 78 866A	Suction Pipe	1	
27	0259 78 865A	Suction Pipe	1	
28	0208 78 874	Grommet	1	
29	0208 78 857	Insulation	1	
30	0259 78 840A	Compressor	1	
31	0820 78 750B	Compressor Bracket No. 1	1	
•	0820 78 750C	Compressor Bracket No. 1	1	Car No. 60623 ⁷⁰ / ₅ ~ X
32	99859 1025	Stud	1	
33	99859 1055	Stud	2	
•	99859 1050	Stud	2	Car No. 60623 ⁷⁰ / ₅ ~ Δ
34	99921 1000	Nut	3	
	99971 1000	Spring Washer	3	
35	0820 78 756A	Adjust Screw	1	
36	0820 78 757	Lock Nut	1	
37	0820 78 755A	Compressor Bracket No. 2	1	
•	0820 78 755B	Compressor Bracket No. 2	1	Car No. 60623 ⁷⁰ / ₅ ~ X
38	99807 0840	Bolt, Compressor Bracket No. 2	4	
	99952 0800	Plain Washer	4	
	99971 0800	Spring Washer	4	
39	0820 78 758	Bolt, Compressor Bracket	1	
•	0820 78 758A	Bolt, Compressor Bracket	1	Car No. 60623 ⁷⁰ / ₅ ~ X
40	99921 1400	Nut, Compressor Bracket	1	
	99971 1400	Spring Washer	1	
41	0820 78 890A	Cooler Ass'y	1	
42	99906 0800	Nut, Cooler	2	
	99952 0800	Plain Washer	2	

CAR COOLER (R.H.D.)

("T" TYPE DASHBOARD MODEL)

78

No.	Part Number	Description	Qty	Remarks
	99971 0800	Spring Washer	2	
43	0820 78 906	Duct	1	
44	0820 78 900	Louver	1	
45	99806 0512	Bolt, Louver	2	
	99952 0500	Plain Washer	2	
	99971 0500	Spring Washer	2	
46	0820 78 904	Ornament	1	
47	0820 78 893A	Support Bracket, Cooler	1	
48	907816 6 16	Set Bolt, Support Bracket	2	
49	99906 0600	Nut, Support Bracket	2	
	99952 0600	Plain Washer	2	
	99971 0600	Spring Washer	2	
50	0813 15 200B	Cooling Fan	1	
51	0820 78 742	"V" Belt	1	
•	0820 78 742A	"V" Belt	1	Car No. 60623 ⁷⁰ / ₅ ~ X
52	0820 78 746C	Fan Drive	1	
53	0820 78 745B	Pulley	1	
•	0820 78 745C	Pulley	1	Car No. 60623 ⁷⁰ / ₅ ~ X
54	908062 6 30	Set Bolt, Pulley	4	
•	908062 6 32	Set Bolt, Pulley	4	Car No. 60623 ⁷⁰ / ₅ ~ Δ
55	0259 78 874	Drain Hose	1	
56	0259 78 876	Hose Connector	1	
57	0820 78 880	Drain Hose	1	
58	0820 78 883	Grommet	1	
59	0820 78 884	Fastener	1	
60	0820 78 911A	Wire Harness	1	
61	0820 78 842	Clip, Wire Harness	1	
62	0820 78 870	Switch, Cooler	1	
63	0259 78 891	Stabilizer Amplifier	1	



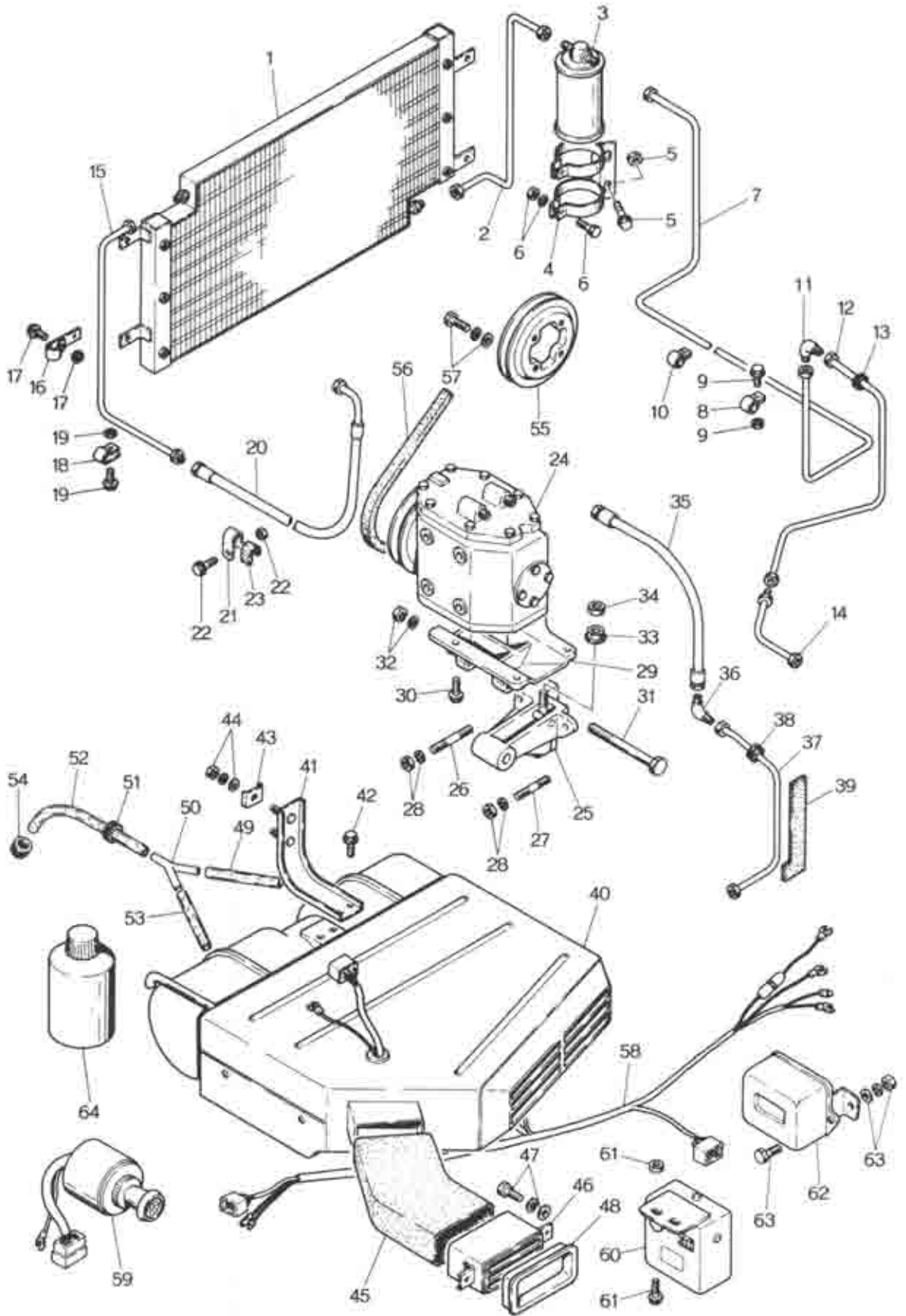
CAR COOLER (R.H.D.)

("T" TYPE DASHBOARD MODEL)

No.	Part Number	Description	Qty	Remarks
64	908062 6 30	Set Screw, Stabilizer Amplifier	2	
65	0259 78 892	Relay, Stabilizer	1	
66	907816 6 20	Set Bolt, Relay	2	
67	0208 78 834A	Freon	1	
68	0820 78 830	Ash Tray	1	
69	99766 0416	Screw, Ash Tray	2	



CAR COOLER (L.H.D.) ("T" TYPE DASHBOARD MODEL)



CAR COOLER (L.H.D.)

("T" TYPE DASHBOARD MODEL)



No.	Part Number	Description	Qty	Remarks
	2113 78 710	CAR COOLER Ass'y	1	
1	0820 78 820A	Condenser	1	
2	0820 78 862	Pipe	1	
3	0259 78 831	Receiver Tank	1	
4	0820 78 832	Support Band	1	
5	908066 8 20	Set Bolt, Support Band	2	
	99906 0800	Nut	2	
6	99906 0616	Bolt, Receiver Tank	2	
	99971 0600	Spring Washer	2	
	99901 0600	Nut	2	
7	2113 78 863	Pipe	1	
8	0259 78 868	Clip	1	
9	908066 6 16	Set Bolt, Clip	1	
	99901 0600	Nut	1	
10	2158 78 855	Clip	1	
11	0259 78 867	Elbow	1	
12	2113 78 864	Pipe No. 4	1	
13	0208 78 875	Grommet	1	
14	2113 78 853A	Pipe	1	
15	0820 78 861B	Pipe	1	
16	0820 78 871	Clip, Pipe	1	
17	908066 6 16	Set Bolt, Clip	1	
	99901 0600	Nut	1	
18	0259 78 868	Clip, Pipe	1	
19	908066 6 16	Set Bolt, Clip	1	
	99901 0600	Nut	1	

78**CAR COOLER (L.H.D.)
(“T” TYPE DASHBOARD MODEL)**

No.	Part Number	Description	Q'ty	Remarks
20	0259 78 851A	Pipe No. 1	1	
21	0259 78 857	Clip	1	
22	908066 6 16	Set Bolt, Clip	1	
	99901 0600	Nut	1	
23	0259 78 858	Rubber Seat	1	
24	0259 78 840A	Compressor	1	
25	0820 78 750A	Compressor Bracket No. 1	1	
26	99859 1025	Stud	1	
27	99859 1055	Stud	2	
28	99921 1000	Nut, Compressor Bracket	3	
	99971 1000	Spring Washer	3	
29	0820 78 755A	Compressor Bracket No. 2	1	
30	907812 8 40	Set Bolt, Compressor Bracket	4	
31	0820 78 765	Bolt, Compressor Bracket	1	
32	99901 1200	Nut	1	
	99971 1200	Spring Washer	1	
33	0820 78 763	Adjust Screw, Compressor	1	
34	0820 78 764	Lock Nut	1	
35	2113 78 852A	Pipe	1	
36	2158 78 866	Elbow	1	
37	2113 78 865	Pipe	1	
38	0208 78 874	Grommet	1	
39	0208 78 857	Insulation	1	
40	2113 78 890	Cooler Ass'y	1	
41	2113 78 893	Bracket, Cooler	1	
42	908066 6 16	Set Bolt	2	

CAR COOLER (L.H.D.)

("T" TYPE DASHBOARD MODEL)



No.	Part Number	Description	Qty	Remarks
43	2158 78 904	Plate	2	
44	99901 0800	Nut, Bracket	2	
	99952 0800	Plain Washer	2	
	99971 0800	Spring Washer	2	
45	2113 78 906	Duct	1	
46	0820 78 900	Louver	1	
47	99806 0512	Bolt, Louver	2	
	99952 0500	Plain Washer	2	
	99971 0500	Spring Washer	2	
48	0820 78 904	Ornament	1	
49	0259 78 874	Drain Hose	1	
50	0259 78 876	Hose Connector	1	
51	0820 78 883	Grommet	1	
52	0208 78 873	Drain Hose	1	
53	0820 78 882	Drain Hose	1	
54	0820 78 884	Fastener	1	
55	0820 78 746	Pulley	1	
56	0820 78 742	"V" Belt	1	
57	99806 0630	Bolt, Pulley	4	
	99952 0600	Plain Washer	4	
	99971 0600	Spring Washer	4	
58	2113 78 911A	Wire Harness	1	
59	0820 78 870	Cooler Switch	1	
60	0259 78 891	Stabilizer Amplifier	1	
61	908066 6 16	Set Bolt, Stabilizer Amplifier	2	
	99901 0600	Nut	2	



CAR COOLER (L.H.D.) ("T" TYPE DASHBOARD MODEL)

No.	Part Number	Description	Qty	Remarks
62	0259 78 892	Stabilizer Relay	1	
63	99806 0635	Bolt, Stabilizer Relay	2	
	99952 0600	Plain Washer	2	
	99971 0600	Spring Washer	2	
	99901 0600	Nut	2	
64	0208 78 834A	Freon	1	

0014 13 389 ~ 0118 41 682 INDEX.

Parts Number	Fig. Page	Parts Composition List Page	Fig. No.
0014 13 389	178	179	2
0014 17 411	77	78	13
0103 17 244A	73	74	11
0103 17 411	77	78	12
	79	80	22
	79	81	27
0106 66 063	344	347	37
0107 16 108	65	66	4
0107 18 201	82	84	19
0107 18 208	90	91	6
	92	93	12
0107 18 212	90	91	9
	92	93	16
0107 18 216A	90	91	22
	92	94	28
0107 18 221A	90	91	19
	92	94	25
0107 18 224	90	91	18
	92	94	24
0107 18 225	90	91	17
	92	94	23
0107 18 226A	90	91	16
	92	93	22
0107 18 227	92	93	13
0107 18 231	92	93	7
0107 18 253	90	91	21
	92	94	27
0107 18 266	90	91	15
	92	93	21
0107 18 274	45	46	14
0107 18 423A	98	100	30
0110 26 354	107	108	11
0110 41 470	191	192	4
0110 52 265	386	388	28
	390	392	26
0110 58 254A	295	298	30
	452	454	28
0110 68 050	399	400	2
0111 17 323	79	80	7
0111 17 354	69	71	33
0111 32 173	141	142	12
0111 40 358	232	238	61
0111 41 625	358	360	28
0111 41 691	239	243	52
0111 41 652	245	248	52
	251	252	10
	348	350	27
	353	356	28
	363	365	26
	368	370	26
0111 43 432	191	192	7
	191	193	19
0111 43 433	191	192	8
	191	193	20
0111 43 511	191	192	9
	191	193	23
0111 66 692	245	248	38
0114 13 715	33	37	51

Parts Number	Fig. Page	Parts Composition List Page	Fig. No.
0114 13 757	33	37	57
0114 13 759	33	37	56
0114 13 788A	33	37	66
0114 13 795	34	38	80
0114 17 351	77	78	9
0114 27 262	111	113	18
0114 33 673	107	109	26
0114 41 081	185	186	12
	188	189	13
0114 42 046A	168	169	2
0114 43 470	191	192	16
0114 43 491	191	193	22
0114 43 625	348	350	26
	353	356	27
	358	360	27
	363	365	25
	368	370	25
0114 66 154	348	352	48
	353	357	53
	358	362	54
	363	366	36
	368	371	36
0114 66 683	358	360	31
0114 66 905	86	88	25
0118 10 320	51	53	13
	55	57	14
0118 13 432	344	347	38
	373	375	17
0118 15 114	59	60	5
	62	63	5
0118 15 118	59	60	9
	62	63	9
0118 15 121	59	60	4
	62	63	4
0118 17 313	77	78	4
0118 17 316	77	78	7
0118 18 510	59	60	13
	62	63	13
0118 23 342	33	36	45
0118 23 369	34	37	53
0118 23 398	33	36	44
0118 23 689	98	101	42
0118 23 691	98	101	41
0118 26 342	107	108	14
0118 26 672	107	109	25
0118 26 834	107	108	6
0118 26 897	107	108	9
0118 33 331	107	108	12
0118 33 513	107	108	19
0118 41 342	65	67	33
0118 41 375	203	204	5
	205	206	5
	207	208	5
	209	210	5
0118 41 669	378	379	10
0118 41 681	181	182	12
	183	184	15
0118 41 682	181	182	13

INDEX. 0118 41 682 ~ 0187 43 029

0118 41 682	183	184	16	0180 79 556	316	320	73
0118 43 028A	188	189	2		321	325	73
0118 43 090	185	186	13	0181 68 060	399	400	3
	188	189	14	0183 17 491	79	81	28
0118 43 505	207	208	17	0183 17 493	77	78	17
0118 43 521	185	186	15	0183 34 731	153	154	13
	188	189	16	0183 40 356	163	164	7
0118 44 371	200	202	23		166	167	6
0118 44 372	200	202	24	0183 55 555	172	174	24
0118 44 373	200	202	25		175	177	21
0118 44 374	200	202	26		175	177	29
0118 44 375	200	202	27	0187 17 232	73	74	7
0118 44 461	200	202	37	0187 17 242	73	74	9
0118 56 241	232	237	51	0187 17 243	73	74	10
0118 56 242B	224	227	30		73	74	18
	228	231	32	0187 17 272	73	74	15
0118 58 442	435	437	16		73	75	23
0118 58 933	295	299	46	0187 17 275A	73	75	24
0118 66 712	86	88	25	0187 17 216	73	75	21
0118 66 722	86	89	28		73	75	25
0118 68 180	399	400	7	0187 17 283	73	75	29
0118 70 722A	442	444	25	0187 17 284	73	75	30
0119 70 952	435	437	31	0187 11 323	73	76	40
	439	440	7	0187 17 333	69	71	23
	439	440	14	0187 17 346B	69	71	28
0136 13 717A	34	37	52	0187 17 351A	69	71	30
0136 43 635	65	68	37	0187 17 352	69	71	32
	203	204	3	0187 17 404	77	78	2
	205	206	3	0187 17 441A	77	78	15
	207	208	3	0187 17 492	79	80	5
	209	210	3	0187 23 356	33	37	62
0137 13 351B	178	179	12	0187 24 566	95	96	13
0137 13 355A	178	179	8		95	97	27
0137 13 356A	178	179	7		98	99	4
0137 13 357A	178	179	9	0187 24 577	95	97	23
0137 13 361A	178	179	11	0187 24 579A	95	97	24
0137 13 368A	178	179	6	0187 26 154	104	105	15
0137 13 369B	178	179	5	0187 26 341	107	108	13
0137 13 394A	178	180	18	0187 26 501	107	108	15
0137 16 114	65	66	3	0187 26 511	107	108	16
0155 16 104	65	66	7	0187 26 800	107	108	5
0164 17 277	73	75	35	0187 26 810	107	108	5
0173 66 460	353	355	16	0187 26 821	107	108	8
0180 13 459	24	26	28	0187 26 921	107	108	8
0180 16 215	65	66	19	0187 32 235	118	123	57
0180 32 165A	118	122	40		124	129	58
	124	128	41		130	133	41
	130	132	27	0187 32 279A	150	152	19
0180 32 171A	118	122	42	0187 32 850A	118	120	27
	124	128	43		124	126	28
	130	132	28	0187 32 860	118	121	31
0180 32 172A	118	122	42		124	127	32
	124	128	43	0187 32 886B	118	120	28
	130	132	28		124	126	29
0180 32 173A	118	122	42	0187 33 065A	144	145	11
	124	128	43	0187 33 391	107	108	10
	130	132	28	0187 34 776	115	117	18
0180 32 174A	118	122	42	0187 34 777	115	117	19
	124	128	43	0187 41 644	115	117	20
	130	132	28	0187 42 311	168	169	10
0180 32 184	118	122	45	0187 43 029	185	186	5
	124	128	46		188	189	5

0187 43 434 ~ 0208 78 834A INDEX.

0187 43 434	191	193	20	0200 72 692	295	299	44
0187 43 435	191	193	20	0208 13 458	163	164	6
0187 43 436	191	193	20		163	164	21
0187 43 451A	191	192	14		166	167	5
0187 43 461A	191	192	15	0208 24 514	95	97	18
0187 43 504	207	208	16	0208 24 563A	95	96	7
0187 43 642	203	204	10	0208 26 651	107	109	23
	205	206	10	2008 26 671	107	109	24
	207	208	10	0208 32 059	118	119	17
	209	210	10		124	126	18
0187 43 820	203	204	8		130	131	17
	205	206	8	0208 32 188	118	122	47
	207	208	8		124	128	48
0187 44 166	200	202	35		130	133	42
0187 52 141	215	216	6	0208 32 278	118	122	52
0187 52 145	215	216	11		124	128	53
0187 53 134	220	223	27		130	133	34
0187 53 202	239	243	58		135	136	4
	245	249	58		135	136	11
0187 55 554	172	173	19		135	137	17
	175	177	33		138	139	4
0187 56 235	448	450	17		138	139	11
0187 58 592A	295	300	50		138	140	17
	452	454	15		141	142	4
0187 58 731	295	299	36		141	142	11
	295	299	39		141	143	17
	452	455	34		150	152	18
0187 66 721	86	89	26	0208 55 581B	239	241	25
0187 66 991A	255	257	34		245	247	25
	306	310	59	0208 56 615	232	238	53
	383	385	15	0208 56 942	399	400	11
0187 68 110	399	400	6	0208 56 944	399	400	12
0187 69 049A	402	403	15	0208 58 921	290	293	22
	407	408	7		411	413	26
0187 69 323	416	417	4		448	450	24
0187 70 491	168	170	39	0208 66 683	348	350	32
0188 61 446	301	305	65		353	356	33
	306	310	57		358	361	34
	311	315	64	0208 66 949	172	174	28
	316	320	75		239	241	23
	321	325	75		245	247	23
0188 66 731A	363	365	23		348	350	31
	368	370	23		353	356	32
0191 17 491	79	81	24		358	361	33
0191 41 331	65	67	31	0208 68 230	399	400	8
0191 79 611	334	339	45	0208 69 071	422	425	44
0191 79 612	334	339	46	0208 69 316	411	412	2
0191 79 615	334	339	49		414	415	2
0191 79 616	334	339	49		416	417	2
0193 28 161	115	117	9	0208 69 317	411	412	3
0193 65 732A	212	213	7	0208 69 318	411	412	4
0200 23 519	98	99	5	0208 70 875	218	219	7
0200 23 531	95	96	14	0208 70 876	218	219	8
	95	97	21	0208 70 879	218	219	9
	95	97	26	0208 72 821	452	456	45
	95	97	30	0208 72 822	452	456	45
	98	99	3	0208 76 071	419	421	38
0200 54 265	353	356	36		426	428	37
	358	361	51		429	431	39
	363	364	13		432	434	39
	368	369	13	0208 78 834A	463	467	67
0200 58 692	452	453	10		468	472	64

INDEX. 0208 78 857 ~ 0222 15 255

0208 78 857	463	465	29	0221 23 314	33	37	61
	468	470	39	0221 23 366	33	37	50
0208 78 873	468	471	52	0221 23 368	34	38	81
0208 78 874	463	465	28	0221 23 375	34	37	68
	468	470	38	0221 23 395	33	37	64
0208 78 875	463	464	14	0221 27 123	111	112	8
	468	469	13	0221 27 141	111	112	6
0209 58 861	290	292	15	0221 27 245	111	113	13
	411	413	28	0221 27 255	111	113	16
	448	450	20	0221 27 261	111	113	17
0209 58 862	290	293	16	0221 27 305	111	113	23
	411	413	29	0221 33 617	144	146	22
	448	450	21	0221 33 618	144	146	22
0209 58 902	290	294	31	0221 33 619	144	146	22
	4/3	451	33	0221 33 693	147	149	16
0209 66 542	380	381	4	0221 33 698	144	145	10
0209 66 820	348	351	33	0221 43 421	191	192	5
	353	356	37		191	193	17
	358	361	35	0221 43 431	191	192	6
	363	366	31		191	193	18
	368	370	31	0221 43 480	191	193	21
0209 66 821	348	351	35	0221 43 554	194	196	24
	353	356	39		197	199	24
	358	361	37	0221 43 694	203	204	2
	363	366	33		205	206	2
	368	370	33		207	208	2
0209 66 949	368	370	30		209	210	2
0212 66 371	373	374	10		209	210	20
0212 66 372	373	374	11	0221 44 033	200	201	5
0212 70 361A	435	437	15	0221 44 044	200	201	8
0213 69 250	269	271	20	0221 69 319	411	412	5
	274	277	20		414	415	5
	280	282	23		416	417	5
0219 78 104	285	287	13	0222 13 355	172	173	1
0221 10 309	9	10	14		175	176	1
	13	14	14	0222 13 356	172	173	2
0221 14 115	45	48	28		175	176	2
0221 14 116	45	48	29	0222 13 357	172	173	3
0221 14 117	45	48	30		175	176	3
0221 17 441	77	78	14	0222 13 358	172	173	4
0221 17 461A	79	80	2		175	176	4
0221 17 462	79	80	3	0222 13 360	172	173	6
0221 17 463	79	80	4		175	176	6
0221 17 471A	69	71	37	0222 13 362	172	173	7
0221 17 472	79	80	8		175	176	7
0221 17 473	79	80	9	0222 13 363	51	54	37
0221 17 474	79	80	10		55	58	40
0221 17 478	69	71	38		172	173	8
0221 17 541	79	80	18		175	176	8
0221 17 551A	79	80	20	0222 13 470A	172	173	14
0221 17 552	79	80	21		175	176	13
0221 23 201	39	40	10	0222 13 481	172	173	15
0221 23 215	178	179	3		175	176	14
0221 23 225	178	179	17	0222 13 493	9	12	47
0221 23 226	178	179	16		172	174	23
0221 23 227	178	180	21		172	174	27
0221 23 228	178	180	21		172	174	30
0221 23 229	178	179	14		175	176	20
0221 23 231	178	179	14		175	177	25
0221 23 232	178	179	14		175	177	28
0221 23 233	178	180	25		175	177	30
0221 23 234	178	180	24	0222 15 255	51	53	19

0222 15 255 ~ 0223 58 961 INDEX.

0222 15 255	55	57	21	0223 49 620B	194	195	1
0222 16 180	65	66	18		197	198	1
0222 16 220A	65	67	21	0223 49 626A	194	195	2
0222 17 250A	73	74	14		197	198	2
0222 17 270A	73	75	22	0223 49 627A	194	195	3
0222 17 301A	73	75	31		197	198	3
0222 18 391	86	87	10	0223 49 629	194	195	4
0222 23 201	41	42	10		197	198	4
	43	44	10	0223 49 641	194	195	9
					197	198	9
0222 23 630	178	180	23	0223 49 642A	194	195	10
0222 24 517	95	96	10		197	198	10
0222 24 568	95	96	15	0223 49 650	194	195	16
0222 49 687	194	196	23		197	198	16
	197	199	23	0223 49 666	194	195	6
0222 54 265	348	349	15		197	198	6
0222 66 510A	348	351	43	0223 49 667	194	195	6
	353	357	47		197	198	6
	358	361	44	0223 49 668	194	195	6
	363	366	45		197	198	6
	368	371	45	0223 49 669	194	195	6
0222 66 511	348	351	44		197	198	6
	353	357	48	0223 49 691	194	195	19
	358	361	46		197	199	19
	363	366	46	0223 50 275	212	213	5
	368	371	46		212	214	19
0222 66 685	245	250	73	0223 52 007	156	158	18
0222 66 865	239	244	72	0223 53 752	220	222	22
0222 66 911	348	349	13	0223 54 225	86	88	21
	353	356	34	0223 55 294	386	389	40
	358	361	49		390	393	41
	363	364	12	0223 55 554	239	242	39
	368	369	12		251	252	8
0222 66 971	348	349	14	0223 55 590	239	242	33
	353	356	35		245	248	33
	358	361	50	0223 56 521	172	174	31
0222 67 465	348	349	12		175	177	34
	363	364	10	0223 56 522	172	174	32
0223 25 024	102	103	6		175	177	35
0223 27 012	111	112	2	0223 56 950	399	400	10
0223 27 018	111	112	4	0223 57 147	285	289	50
0223 27 020B	111	112	3	0223 57 691	269	270	10
0223 27 030	111	112	1		274	276	10
0223 27 112	111	112	7		280	282	10
0223 27 113	111	112	7	0223 57 692	269	271	-
0223 27 114	111	112	7		274	276	10
0223 27 115	111	112	7		280	282	10
0223 27 401	111	113	24	0223 58 303A	295	296	2
0223 27 402	111	113	24	0223 58 304A	295	296	3
0223 27 403	111	113	24	0223 58 305	452	453	2
0223 27 404	111	113	24	0223 58 311	295	296	4
0223 27 405	111	113	24	0223 58 549	295	297	13
0223 27 406	111	113	24	0223 58 692	295	299	44
0223 27 407	111	113	24		452	453	10
0223 27 408	111	113	24	0223 58 721	295	299	35
0223 27 409	111	113	24		295	299	38
0223 27 411	111	113	24		452	455	33
0223 27 412	111	114	24		452	455	38
0223 27 413	111	114	24	0223 58 925	290	293	23
0223 27 414	111	114	24		448	450	25
0223 27 415	111	114	24	0223 58 961	457	459	16
0223 42 426	168	170	29		460	462	17
0223 42 427	168	170	31				

INDEX. 0223 58 962 ~ 0256 58 925A

0223 58 962	457	458	6	0223 78 200B	285	289	54
	460	461	6	0233 49 638	194	195	7
0223 61 275	316	317	8		197	198	7
0223 66 037	340	341	10	0233 49 639	194	195	8
0223 66 174	340	341	11		197	198	8
0223 66 211	344	347	32	0233 49 656	194	195	17
0223 66 214	344	347	35		197	198	17
0223 66 215	344	347	36	0233 49 660	194	195	11
0223 66 218	344	347	39		197	198	11
0223 66 290	348	351	-	0233 49 665	194	195	12
	353	357	-		197	198	12
	358	362	-	0233 49 670	194	195	13
	363	366	-		197	198	13
	368	371	-	0233 49 683	194	196	20
0223 66 291	348	351	46		197	199	20
	353	357	51	0233 49 684	194	196	21
	358	362	52		197	199	21
	363	366	34	0233 49 686	194	196	22
	368	371	34		197	199	22
0223 66 292	348	352	47	0233 49 693	197	199	25
	353	357	52	0233 49 694	197	199	26
	358	262	53	0233 55 522	259	260	14
	363	366	35		262	263	15
	368	371	35	0233 66 790	185	187	27
0223 66 295	348	352	49		188	190	27
	353	357	54	0233 69 064	407	408	8
	358	362	55	0240 95 715	269	270	-
	363	366	37	0243 10 250B	9	11	30
	368	371	37		13	15	40
0223 66 296	348	352	50	0243 58 391	295	296	9
	353	357	55		452	453	5
	358	362	56	0243 66 773	168	171	44
	363	366	38	0247 56 275	232	235	21
	368	371	38	0248 66 028	334	335	4
0223 66 480	368	369	10		334	335	10
0223 66 580	348	349	10	0249 24 367	90	91	5
	353	354	14		92	93	11
	358	359	9	0249 24 731	98	99	8
	363	364	9		98	100	25
0223 68 780A	399	401	19		98	100	32
0223 68 781	399	401	19	0249 41 671	181	182	8
0223 68 782	399	401	19		183	184	11
0223 68 810	399	400	18	0249 41 719	183	184	20
0223 69 212	402	405	46	0254 53 451	224	226	23
0223 69 242	402	405	47	0254 54 451	224	226	24
0223 70 339	445	447	25	0254 69 607	419	420	7
0223 70 826	435	438	41		422	423	10
	439	441	21		426	427	3
0223 70 827	435	438	42		429	430	8
	439	441	22	0254 69 608	419	420	8
0223 70 861	435	438	46		422	423	11
	439	441	26		426	427	4
0223 70 870	435	438	44		429	430	9
	439	441	24	0256 56 201	232	235	22
0223 78 147	269	273	49	0256 56 211	232	235	23
	274	279	48	0256 56 332	232	237	37
	280	284	47	0256 56 832	232	237	39
0223 78 149	269	273	50	0256 56 833	232	237	40
	274	279	49	0256 58 280A	290	292	13
	280	284	48	0256 58 510	295	296	11
	285	289	51	0256 58 550	295	297	13
0223 78 200B	274	279	54	0256 58 925A	290	293	24

0256 58 926 ~ 0259 32 289 INDEX.

0256 58 926	290	293	25	0259 25 078A	102	103	4
0256 59 280A	290	292	13	0259 25 079A	102	103	4
0256 59 510	295	296	11	0259 26 041	104	105	8
0256 59 550	295	297	13	0259 26 051	104	105	9
0256 59 925A	290	293	24	0259 26 060A	104	105	—
0256 59 926	290	293	25	0259 26 062A	104	105	4
0256 66 731	358	360	20	0259 26 063	104	105	5
0256 66 732	348	350	24	0259 26 064	104	105	6
0256 70 520A	435	436	6	0259 26 065A	104	105	7
0256 70 525A	435	436	7	0259 26 121	104	105	14
0256 70 526A	435	436	8	0259 26 129	104	105	16
0256 70 528A	435	436	9	0259 26 132	104	105	19
0256 70 550	435	437	14	0259 26 141	104	105	17
0256 70 712	435	437	21	0259 26 142	104	105	17
0256 70 713	435	437	22	0259 26 152	104	105	13
0256 70 901	414	415	13	0259 26 155	104	105	12
0256 70 902A	414	415	15	0259 26 280	107	108	3
0256 71 520A	435	436	6	0259 26 290	107	108	3
0256 71 713	435	437	23	0259 28 110	115	116	2
0256 71 901	414	415	14	0259 28 140	115	116	5
0256 71 902A	414	415	16	0259 28 143	115	116	6
0257 53 451	228	230	23	0259 28 151	115	117	8
0257 53 970B	220	223	24	0259 28 171	115	117	8
0247 54 451	228	230	24	0259 28 182	115	117	11
0257 55 952	239	242	49	0259 28 320	115	117	13
	245	248	49	0259 28 333	115	117	14
	251	252	12	0259 28 343	115	117	15
0257 57 109	269	271	19	0259 32 071	118	119	18
	274	277	19		124	126	19
	280	283	28		130	131	18
	285	288	29	0259 32 141	130	132	23
0257 58 221A	290	292	8	0259 32 154	118	121	37
0257 59 221A	290	292	8		124	127	38
0257 69 611A	419	420	9		130	132	24
	422	423	12	0259 32 155	118	121	37
	426	427	5		124	127	38
	429	430	10		130	132	24
	432	433	6	0259 32 156	118	121	37
0257 69 612A	419	420	10		124	127	38
	422	423	13		130	132	24
	426	427	6	0259 32 157	118	121	37
	429	430	11		124	127	38
	432	433	7		130	132	24
0257 70 401	439	440	1	0259 32 160	118	121	38
0257 71 311	442	443	8		124	127	39
0257 72 221	448	449	6		130	132	25
0257 72 411	448	449	12	0259 32 163	118	122	39
0257 73 221	448	449	6		124	127	40
0257 73 411	448	449	12		130	132	26
0257 87 107	376	377	4	0259 32 182	118	121	34
0257 87 108	376	377	2		124	127	35
0259 18 510	59	60	13		130	132	22
	62	63	13	0259 32 250A	135	136	1
0259 25 021B	102	103	2	0259 32 279	118	122	50
0259 25 060	102	103	3		124	128	51
0259 25 071A	102	103	4		130	133	35
0259 25 072A	102	103	4		135	136	5
0259 25 073A	102	103	4		138	139	5
0259 25 074A	102	103	4		141	142	5
0259 25 075A	102	103	4	0259 32 289	118	122	51
0259 25 076A	102	103	4		124	128	52
0259 25 077A	102	103	4		130	133	36

INDEX. 0259 32 289 ~ 0259 53 810

0259 32 289	135	136	6	0259 42 395	168	170	24
	138	139	6	0259 42 425	168	170	28
	141	142	6	0259 42 455A	168	170	34
	150	152	20	0259 42 459	168	170	40
0259 32 329	135	136	12	0259 42 791	168	170	18
	135	137	18	0259 42 792	168	170	19
	138	139	12	0259 43 022	185	186	1
	138	140	18		188	189	1
0259 32 341	135	136	13	0259 43 028	185	186	2
	135	137	19	0259 43 061	185	186	6
	138	139	13		188	189	6
	138	140	19	0259 43 065	185	186	7
	141	143	19		188	189	7
0259 32 352	135	136	15	0259 43 088	188	189	10
	138	139	15	0259 43 140	185	186	19
0259 32 423	130	133	47		188	189	20
0259 32 425	130	133	48	0259 43 440A	191	192	14
0259 32 426	130	134	49	0259 43 552	191	193	25
0259 33 047	144	145	2	0259 43 553	191	193	26
0259 33 071	144	145	12	0259 43 650A	203	204	12
0259 33 165	104	105	18		205	206	12
	144	145	13		207	208	12
0259 33 691	65	67	28		209	210	12
	107	109	29	0259 44 433	200	202	33
0259 33 693	65	67	29	0259 45 201A	203	204	16
	107	109	30	0259 45 220A	203	204	17
0259 34 012	150	151	2	0259 45 230	205	206	18
0259 34 013	150	151	3	0259 45 291	203	204	14
0259 34 015	150	151	5		205	206	14
0259 34 016	150	151	6	0259 50 007	212	213	8
0259 34 019	150	151	7	0259 50 120	212	213	15
0259 34 021	150	151	8	0259 50 131	212	213	16
0259 34 153	156	157	2	0259 50 141	212	214	17
0259 34 155	156	157	3	0259 50 170	212	214	21
0259 34 157	156	157	6	0259 50 180	212	214	22
0259 34 158	156	157	7	0259 52 257	215	217	19
0259 34 705	153	154	3	0259 52 258	215	217	20
0259 34 708	153	154	5	0259 52 301	215	217	22
0259 34 710A	153	154	6	0259 52 310	215	217	23
0259 34 712	153	154	7	0259 52 510	218	219	11
0259 34 719A	153	154	11		232	233	1
0259 34 730	153	154	12	0259 52 601	218	219	2
0259 34 735A	153	154	15	0259 52 630	218	219	6
0259 34 767	153	154	16	0259 52 750	218	219	13
0259 34 768	153	154	17	0259 52 850A	218	219	15
0259 34 769B	153	154	18	0259 52 901	218	219	17
0259 34 896	156	157	12	0259 53 103	183	184	8
0259 34 897	156	157	13	0259 53 320B	224	225	1
0259 34 898	156	157	14	0259 53 321	228	229	1
0259 39 340	159	160	6	0259 53 328	228	229	3
	161	162	5	0259 53 331A	228	229	5
0259 41 030	185	186	3	0259 53 350	228	230	9
0259 41 610B	181	182	1	0259 53 371	228	230	11
0259 41 613	181	182	5	0259 53 421B	228	230	17
	183	184	2	0259 53 430	228	230	19
0259 41 619	181	182	2	0259 53 440	228	230	21
0259 41 644	181	182	3	0259 53 455	224	227	29
	183	184	6		228	231	31
0259 42 360A	168	169	4	0259 53 591	228	231	27
0259 42 364	168	168	6	0259 53 600	228	231	29
0259 42 366	168	169	8	0259 53 725	220	222	20
0259 42 390	168	170	21	0259 53 810	232	233	2

0259 53 827 ~ 0259 61 340 INDEX.

0259 53 827	232	233	7	0259 58 246	292	292	12
0259 53 830	232	233	3	0259 58 280A	292	292	13
0259 53 835	232	233	5	0259 58 290	290	292	14
0259 53 901	232	233	8	0259 58 300C	295	296	1
0259 53 940	232	233	10	0259 58 305	295	296	5
0259 53 951	232	233	11	0259 58 306	295	296	7
0259 53 991	232	233	12	0259 58 370C	295	296	8
0259 54 292	86	88	21		452	453	4
0259 54 328	228	229	4	0259 58 510	295	296	11
0259 54 331A	228	229	6	0259 58 550	295	297	13
0259 54 350	228	230	10	0259 58 570	295	300	48
0259 54 371	228	230	12		452	453	13
0259 54 421B	228	230	18	0259 58 581	295	300	49
0259 54 430	228	230	20		452	453	14
0259 54 440	228	230	22	0259 58 600	295	297	14
0259 54 591	228	231	28	0259 58 601A	295	297	17
0259 54 600	228	231	30	0259 58 611	295	298	22
0259 54 725	220	222	21		452	454	21
0259 54 830	232	233	4	0259 58 612	295	298	24
0259 54 835	232	233	6		452	454	23
0259 55 261	259	260	2	0259 58 662	457	458	11
	259	261	22		460	461	12
	262	263	2	0259 58 671	295	298	25
	262	264	23		452	454	24
	265	266	14	0259 58 691	295	297	12
	267	268	14		452	453	8
0259 55 951	251	254	43	0259 58 736	295	300	57
	255	257	33	0259 58 786	295	300	58
0259 56 036	232	235	24	0259 58 821	295	300	61
	232	236	27	0259 58 822	295	300	61
0259 56 037	232	235	24	0259 58 840	295	300	62
	232	236	27	0259 58 901	290	294	30
0259 56 160	232	234	15	0259 58 906	290	293	20
0259 56 230	232	234	16	0259 58 921	290	293	24
0259 56 231	232	234	17	0259 58 922	290	293	25
0259 56 304	232	238	52	0259 58 923	290	293	26
0259 56 310A	232	236	30	0259 58 924	290	293	27
0259 56 333	232	237	38	0259 58 931	220	222	14
0259 56 336	232	237	42		290	294	28
0259 56 370	232	237	43		448	450	29
	232	237	49	0259 58 952	290	294	29
0259 56 381A	232	236	33	0259 59 110C	290	291	1
0259 56 451	232	237	45	0259 59 130B	290	291	4
0259 56 460	399	400	16	0259 59 210	290	292	7
0259 56 463	399	400	17	0259 59 221A	290	292	8
0259 56 836	232	237	48	0259 59 231A	290	292	9
0259 56 860	232	236	32	0259 59 290	290	292	14
0259 56 881A	232	236	34	0259 59 300C	295	296	1
0259 56 891	232	237	36	0259 59 510	295	297	11
0259 57 105	285	287	14	0259 59 550	295	297	13
0259 57 109	285	287	12	0259 59 570	295	300	48
0259 57 130	285	287	10		452	453	13
0259 57 180	285	287	11	0259 59 581	295	300	49
0259 57 229	280	283	36		452	454	14
0259 58 097	290	294	32	0259 59 901	290	294	30
0259 58 110C	290	291	1	0259 59 921	290	293	24
0259 58 130B	290	291	4	0259 59 922	290	293	25
0259 58 210	290	292	7	0259 59 923	290	293	26
0259 58 221A	290	292	8	0259 59 952	290	294	29
0259 58 231A	290	292	9	0259 61 340	301	302	-
0259 58 232	290	292	10		316	318	-
0259 58 241	290	292	11		321	323	-

INDEX. 0259 61 341~0259 69 870

0259 61 341	301	303	30	0259 66 219	344	347	40
	316	319	42	0259 66 367	373	375	15
	321	324	42	0259 66 380A	373	374	1
0259 61 351	301	303	31		376	377	-
	316	319	43	0259 66 401	373	374	3
	321	324	43	0259 66 438	348	349	5
0259 61 352	301	303	32		353	354	10
	306	308	24		358	359	5
	311	313	31		363	364	5
	316	319	44		368	369	6
	321	324	44	0259 66 537	383	384	7
	326	329	43	0259 66 685	348	350	30
0259 61 360	301	303	-		353	356	31
	316	318	-		358	361	32
	321	323	-		363	366	30
	326	328	-		368	370	29
0259 61 380	301	305	-	0259 66 686	348	350	28
	316	320	-		353	356	29
	321	325	-		358	360	29
	326	330	-		363	345	27
0259 61 381	301	305	59		368	370	27
	306	310	51	0259 66 731	348	350	23
	311	315	58		353	355	24
	316	320	66		363	365	21
	321	325	66		368	370	21
	326	330	70	0259 66 732	363	365	22
0259 61 391	301	305	61	0259 66 733	348	350	25
	306	310	53		353	355	26
	311	315	60		358	360	22
	316	320	68		363	365	24
	321	325	68		368	370	24
	326	330	72	0259 66 735	168	171	46
0259 61 405	326	330	76	0259 66 860A	378	379	-
0259 61 406	326	330	77	0259 66 900	378	379	8
0259 66 015	334	335	2	0259 66 905	378	379	9
	334	335	8	0259 66 930	348	351	36
0259 66 016	334	335	3		353	356	40
	334	335	9	0259 66 949	363	365	29
0259 66 021	334	335	1	0259 68 250	285	287	24
0259 66 051	334	335	1	0259 68 790	399	400	9
0259 66 070	331	332	8	0259 68 881	399	401	20
	334	335	5	0259 69 062	402	403	14
	334	336	11		407	408	6
0259 66 091A	334	336	14	0259 69 320	416	417	8
0259 66 093A	331	332	12	0259 69 330	416	417	9
0259 66 094A	331	332	13	0259 69 335	416	417	11
	334	336	16	0259 69 360C	414	415	8
	334	337	24		416	417	12
0259 66 095	331	333	14	0259 69 380C	414	415	9
	334	336	17		416	417	13
	334	337	25	0259 69 615C	419	420	13
	334	338	32		422	423	16
0259 66 096	331	333	15		426	427	7
	334	336	18		429	430	12
	334	337	26		432	433	8
	334	338	33	0259 69 646	429	430	18
0259 66 111	334	336	14		432	433	16
0259 66 113	331	332	12	0259 69 647	429	430	19
0259 66 114	331	332	13		432	433	17
	334	336	16	0259 69 648	429	431	20
	334	337	24		432	433	18
0259 66 212	344	347	33	0259 69 870	429	431	35

0259 69 870 ~ 0259 76 121 INDEX.

0259 69 870	432	434	35	0259 72 812	452	455	43
0259 69 885	419	421	37	0259 72 901	448	451	32
	422	425	43	0259 72 907	448	451	34
	426	428	36	0259 72 921	448	450	26
	429	431	38	0259 72 923	448	450	27
	432	434	38	0259 72 924	448	450	28
0259 70 302A	445	447	29	0259 72 951	448	450	30
0259 70 307	442	443	3	0259 72 952	448	450	31
0259 70 311A	442	443	8	0259 72 998	452	456	48
0259 70 313	442	443	9	0259 72 999	452	456	49
	445	446	9	0259 73 110	448	449	1
0259 70 314	442	443	10	0259 73 120A	448	449	2
0259 70 315	442	443	11	0259 73 221	448	449	6
0259 70 321A	442	443	12	0259 73 300C	452	453	1
0259 70 345	442	444	16	0259 73 411	448	450	12
	445	446	11	0259 73 500	452	453	7
0259 70 350	442	444	23	0259 73 901	448	451	32
0259 70 401	439	440	1	0259 73 951	448	450	30
0259 70 402	439	440	2	0259 73 952	448	450	31
0259 70 452	439	440	9	0259 76 101	301	302	14
0259 70 712	439	441	28		306	307	14
0259 70 713	439	441	29		311	313	21
0259 70 714	439	441	31		316	318	26
0259 70 801	439	440	3		321	323	26
0259 70 802	439	440	4		326	328	25
0259 70 811	439	440	10	0259 76 102	301	302	15
0259 70 812	439	440	11		306	307	15
0259 70 813	439	440	13		311	313	22
0259 70 821	439	440	15		316	318	27
0259 70 822	439	440	17		321	323	27
0259 70 823	439	440	19		326	328	26
0259 70 851A	435	438	43	0259 76 103	301	303	16
	439	441	23		306	307	16
0259 71 311A	442	443	8		311	313	23
0259 71 345	442	444	16		316	318	28
	445	446	11		321	323	28
0259 71 713	439	441	30		326	328	27
0259 71 714	439	441	32	0259 76 104	301	303	17
0259 71 802	439	440	5		306	308	17
0259 71 812	439	440	12		311	313	24
0259 71 821	439	440	16		316	318	29
0259 71 822	439	440	18		321	323	29
0259 71 823	439	440	20		326	328	28
0259 72 036	448	450	14	0259 76 105	301	303	18
0259 72 080	448	450	15		306	308	18
0259 72 110	448	449	1		311	313	25
0259 72 120A	448	449	2		316	318	30
0259 72 210	448	449	5		321	323	30
0259 72 221	448	449	6		326	328	29
0259 72 231	448	449	7	0259 76 106	301	303	19
0259 72 241	448	449	8		306	308	19
0259 72 242	448	449	9		311	313	26
0259 72 280A	448	449	10		316	319	31
0259 72 290	448	449	11		321	323	31
0259 72 300C	452	453	1		326	328	30
0259 72 411	448	450	12	0259 76 107	301	303	20
0259 72 500	452	453	7		316	318	32
0259 72 509	452	453	9		321	323	32
0259 72 731	452	455	39		326	328	31
0259 72 736	452	455	36	0259 76 121	301	303	21
0259 72 786	452	455	41		316	318	33
0259 72 811	452	455	42		321	323	33

INDEX. 0259 76 121~0259 78 630

0259 76 121	326	328	32	0259 76 144	306	307	12
0259 76 122	301	303	22	0259 76 145	301	302	12
	316	318	34		306	307	12
	321	323	34	0259 76 147	301	302	6
	326	328	33		306	307	6
0259 76 123	301	303	23		316	317	18
	316	318	35		316	319	57
	321	323	35		321	324	57
	326	328	34	0259 76 153	301	304	43
0259 76 124	301	303	24		306	309	35
	316	318	36		311	312	11
	321	323	36		311	314	42
	326	328	35	0259 76 154	301	304	42
0259 76 125	301	303	25		306	309	34
	316	318	37		311	312	9
	321	323	37		311	314	41
	326	328	36	0259 76 155	316	319	58
0259 76 126	301	303	26		321	322	21
	316	318	38		321	324	58
	321	323	38		326	327	19
	326	328	37		326	329	59
0259 76 127	301	303	27	0259 76 157	326	330	60
	316	318	39	0259 76 158	326	330	61
	321	323	39	0259 76 161	301	305	54
	326	328	38		316	320	61
0259 76 128	301	303	28		321	325	61
	316	318	40		326	330	65
	321	323	40	0259 76 162	301	305	55
	326	328	39		306	309	47
0259 76 129	301	303	29		311	314	54
	316	318	41		316	320	62
	321	323	41		321	325	62
	326	328	40		326	330	66
0259 76 131	301	302	13	0259 76 163	301	303	56
	306	307	13		306	309	48
0259 76 132	301	302	11		311	314	55
	306	307	11		316	320	63
	316	317	20		321	325	63
	321	322	17		326	330	67
	326	327	15	0259 76 164	301	305	57
0259 76 133	301	302	13		306	309	49
	306	307	13		311	315	56
	311	312	11		316	320	64
0259 76 134	301	302	8		321	325	64
	306	307	8		326	330	68
0259 76 135	321	322	18	0259 76 165	301	305	58
	326	327	16		306	309	50
0259 76 136	301	302	13		311	315	57
	306	307	13		316	320	65
	311	312	11		321	325	65
0259 76 137	301	302	4		326	330	69
	306	307	4	0259 76 610	402	405	-
	321	322	19		407	410	-
	326	327	17	0259 78 611	402	405	51
0259 76 138	301	302	12		402	406	56
	306	307	12		407	410	39
0259 76 139	316	317	21		407	410	44
	321	322	20	0259 78 612	402	405	52
	326	327	18		407	410	40
0259 76 140	301	302	5	0259 78 620	402	406	53
	306	307	5		407	410	41
0259 76 144	301	302	12	0259 78 630	402	405	

0259 78 630 ~ 0290 17 402 INDEX.

0259 78 630	407	410	—	0259 88 229	285	288	37
0259 78 640	402	406	53	0259 88 250	285	286	3
	407	410	41	0259 99 356	150	152	17
0259 78 650	402	406	—	0259 99 792	402	405	—
	407	410	—		407	410	—
0259 78 652	402	406	57	0260 69 607	422	423	10
	407	410	45		426	427	3
0259 78 660	402	406	58		429	430	8
	407	410	46	0263 57 140	269	271	22
0259 78 670	402	406	—		280	282	11
	407	410	—	0263 57 190	269	271	23
0259 78 680	402	406	58	0263 69 170	402	404	40
	407	410	46	0268 23 317	34	36	43
0259 78 831	463	464	3	0268 23 372	33	37	72
	468	469	3	0268 66 090	334	336	—
0259 78 840A	463	465	30	0268 66 093	334	336	15
	468	470	24	0268 66 110	334	336	—
0259 78 851A	468	470	20	0268 66 113	334	336	15
0259 78 852A	463	464	22	0271 55 582	239	241	26
0259 78 857	463	464	19		245	247	26
	463	465	23	0272 70 401	435	436	1
	468	470	21	0274 55 200	394	396	15
0259 78 858	463	464	20	0274 66 480A	334	338	—
	463	465	24	0274 66 490A	334	338	—
	468	470	23	0274 87 191	334	338	37
0259 78 862	463	464	7	0274 87 192	334	338	38
0259 78 865A	463	465	27	0274 87 193	334	338	39
0259 78 867	463	464	12	0274 87 194	334	338	40
	468	469	11	0274 87 195	334	338	41
0259 78 868	463	464	8	0274 87 196	334	338	42
	468	469	8	0274 87 206	334	338	42
	468	469	18	0275 55 200	457	459	12
0259 78 874	463	466	55		460	462	13
	468	471	49	0275 57 107	269	271	24
0259 78 876	463	466	56		274	277	24
	468	471	50	0275 57 730A	269	271	17
0259 78 891	463	466	63		274	276	17
	468	471	60		280	283	26
0259 78 892	463	467	65	0275 57 780	269	271	18
	468	472	62		274	277	18
0259 79 614	334	339	48		280	283	27
0259 87 101A	376	377	9	0275 66 370	340	342	—
0259 87 102A	376	377	12		344	347	—
0259 87 103	376	377	13	0275 75 563	239	241	28
0259 87 104A	376	377	14		245	247	28
0259 87 105	376	377	8	0275 76 128	316	317	19
0259 87 106	376	377	10		316	319	59
0259 87 107	376	377	6		321	324	59
0259 87 108A	376	377	7	0275 87 121	340	342	26
0259 87 109A	376	377	1		344	347	26
0259 87 112A	376	377	5	0275 87 123	340	342	27
0259 87 119	376	377	15		344	347	27
0259 87 120	376	377	16	0275 87 124	340	342	28
0259 87 131	373	374	5		344	347	28
0259 87 132	373	374	6	0275 87 125	340	342	29
0259 87 133	373	374	7		344	347	29
0259 87 134	373	374	8	0275 87 353	348	350	18
0259 87 138	373	374	4		353	355	19
0259 87 139	373	374	9		358	360	13
0259 88 059	285	287	18		363	365	15
0259 88 209	280	283	31		368	369	16
	285	288	32	0290 17 402	77	78	1

INDEX. 0290 24 581 ~ 0317 34 662

0290 24 581	95	97	28	0315 76 014	326	327	4
0290 27 231	111	112	11	0315 76 015	321	322	5
0290 27 252	111	113	15		326	327	5
0290 27 253	111	113	15	0315 76 016	321	322	6
0290 27 254	111	113	15		326	327	6
0290 27 301	111	113	19	0315 76 018	321	322	8
0290 27 302	111	113	21	0315 76 019	321	322	9
0290 27 341	111	113	20		326	327	7
0290 41 710	181	182	15	0315 76 021	321	322	10
	183	184	18		326	327	8
0305 26 251	107	108	1	0315 76 022	321	322	11
0305 26 255	107	108	2		326	327	9
0305 32 089A	118	120	20	0315 76 023	321	322	12
	124	126	22		326	327	10
0305 32 301A	150	151	15	0315 76 025	321	322	14
0305 32 311A	150	151	15		326	327	11
0305 32 351	135	136	14	0315 76 026	321	322	13
0305 32 365	135	136	8		326	327	12
	138	139	8	0315 76 027	321	322	15
0305 34 311	150	151	14		326	327	13
0305 34 701	153	154	2	0315 76 028	321	322	16
0305 34 707	153	154	4		326	327	14
0305 34 712	153	154	8	0315 76 051	326	329	46
	153	154	8	0315 76 052	326	329	47
0305 34 713	153	154	9	0315 76 053	326	329	48
0305 34 714	153	154	10	0315 76 056	326	329	49
0305 34 721A	153	155	20	0315 76 058	326	329	51
0305 34 722A	153	155	21	0315 76 059	326	329	52
0305 34 723	153	155	22	0315 76 060	326	329	53
0305 34 724	153	155	23	0315 76 061	326	329	54
0305 34 726A	153	155	24	0315 76 062	326	329	55
0305 34 729A	153	155	25	0315 76 063	326	329	56
0305 34 732A	153	154	14	0315 76 064	326	329	57
0305 34 760A	153	154	15	0315 76 065	326	329	58
0305 41 440	191	192	2	0316 66 865	251	254	45
0305 41 451	191	192	2		255	258	35
0305 41 461	191	192	3	0316 66 890	251	254	46
0305 52 312A	215	216	7		255	258	36
0305 52 320A	215	216	9	0316 67 135	352	352	55
0305 52 330	215	216	10		353	357	60
0305 52 371A	215	216	12		358	362	60
0305 52 440	215	216	8		363	367	50
0305 57 909	285	289	43		368	371	50
0305 60 320A	251	253	33	0316 70 220A	394	396	17
	255	257	23	0316 71 300B	445	446	-
0305 66 760A	358	361	45	0316 71 311	445	446	4
0305 87 993	378	379	3	0317 17 335	69	71	24
0305 88 009	269	271	16	0317 26 151	104	105	11
	274	276	16	0317 32 080	130	132	19
	280	282	25	0317 32 129	118	122	44
	285	287	26		124	128	45
0305 99 431	191	193	-		130	132	30
0314 58 020	290	291	1	0317 32 130	130	132	21
0314 58 120	290	291	2	0317 32 141	124	127	36
0314 59 020	290	291	1	0317 32 320	135	136	-
0314 59 120	290	291	2	0317 33 043	144	145	5
0315 76 011	321	322	1	0317 33 049	144	145	3
	326	327	1	0317 33 075	144	145	6
0315 76 012	321	322	2	0317 34 310A	150	151	-
0315 76 013	321	322	3	0317 34 320A	150	151	-
	326	327	3	0317 34 460	150	151	16
0315 76 014	321	322	4	0317 34 662	150	152	22

0317 34 663 ~ 0317 69 311 INDEX.

0317 34 663	150	152	23	0317 60 253	251	253	16
0317 34 810	156	157	9		255	257	13
0317 34 820	156	157	9	0317 60 254	251	253	17
0317 40 070	188	189	8		255	257	14
0317 43 070	185	186	8	0317 60 255	251	253	18
0317 43 551	191	192	10		255	257	15
0317 43 660	203	204	13	0317 60 256	251	253	19
	205	206	13		255	257	16
	207	208	13	0317 60 257	251	253	20
	209	210	13		255	257	17
0317 45 230	203	204	18	0317 60 258	251	253	21
0317 53 340A	228	230	7		255	257	18
0317 53 410	228	230	15	0317 60 259	251	253	22
0317 54 340A	228	230	8		255	257	19
0317 54 410	228	230	16	0317 60 261	251	253	23
0317 55 510	251	252	5		255	257	20
0317 56 200	232	235	22	0317 60 262	251	253	24
0317 56 210	232	235	23		255	257	21
0317 57 015	280	283	33	0317 60 321	251	253	26
	285	288	34	0317 60 322	251	253	27
0317 57 200	285	288	31	0317 60 430B	460	461	70
0317 57 250A	285	288	36	0317 60 720	251	252	11
0317 57 710	285	286	1		255	256	9
0317 57 720	285	287	16	0317 60 725	251	252	11
0317 57 760	285	286	2		255	256	9
0317 57 770	285	287	17	0317 60 951	394	397	37
0317 58 010A	290	291	1	0317 61 190	316	319	-
0317 58 020	290	291	1		321	324	-
0317 58 480	457	459	14	0317 61 250A	316	330	78
	460	462	15		316	320	76
0317 58 670	295	298			321	325	76
0317 58 674	295	298	26	0317 66 480	378	379	-
	452	454	25	0317 66 730B	348	350	-
0317 58 675	295	298	27		358	359	-
	452	454	26		363	365	-
0317 58 680	295	298	29	0317 66 732	368	369	-
	452	454	30		348	350	16
0317 58 700	295	299	34		358	359	11
0317 58 750	295	299	37		363	365	14
0317 58 785	295	300	56		368	369	14
0317 58 811	295	300	59	0317 66 862	383	385	14
0317 58 812	295	300	60	0317 66 900	383	384	1
0317 58 831	295	299	42	0317 66 903	383	384	2
	452	456	46	0317 66 905	383	384	3
0317 58 832	295	299	43	0317 66 960	383	384	4
	452	456	47	0317 66 993	380	381	4
0317 59 010A	290	291	1	0317 67 511	378	379	1
0317 59 020	290	291	1	0317 67 521	378	379	11
0317 59 670	295	298	-	0317 68 012	394	395	1
0317 59 674	295	298	26	0317 68 013A	394	395	5
	452	454	25	0317 68 014	394	395	2
0317 59 675	295	298	27	0317 68 020	394	395	3
	452	454	26	0317 68 090B	394	395	4
0317 59 680	295	298	29	0317 68 180	394	395	12
	452	455	30	0317 68 200	394	395	12
0317 59 750	295	299	37	0317 69 210	402	405	44
0317 60 101	394	397	38		407	409	32
0317 60 102	394	397	39	0317 69 240	402	405	45
0317 60 251	251	253	14		407	409	33
	255	256	11	0317 69 290	416	417	1
0317 60 252	251	253	15	0317 69 311	414	415	4
	255	256	12		416	417	3

INDEX. 0317 69 314 ~ 0317 88 220

0317 69 314	416	417	6	0317 72 670	295	298	-
0317 69 315	416	417	7		452	454	-
0317 69 411A	414	415	11	0317 72 676	295	298	28
	416	417	15		295	298	28
0317 69 460B	416	418	20		452	454	27
0317 69 480B	416	418	21	0317 72 700	452	455	32
0317 69 550	429	431	33	0317 72 750	452	455	37
	432	434	33	0317 73 010	448	449	1
0317 69 570	429	431	34	0317 73 020	448	449	1
	432	434	34	0317 73 670	295	298	-
0317 69 607	432	433	4		452	454	-
0317 69 608	432	433	5	0317 73 700	452	455	32
0317 69 684A	426	428	21	0317 75 022	265	266	3
	432	434	23		267	268	3
0317 69 685A	426	428	24	0317 75 023	265	266	4
	432	434	25		267	268	4
0317 69 686A	426	428	26	0317 75 024	265	266	5
	432	434	27		267	268	5
0317 69 687A	426	428	28	0317 76 011	316	317	1
	432	434	29	0317 76 013	316	317	3
0317 69 688A	426	428	29	0317 76 015	316	317	5
	432	434	30	0317 76 016	316	317	6
0317 69 881	429	431	36	0317 76 017	316	317	9
	432	434	36	0317 76 018	316	317	10
0317 69 883	429	431	37	0317 76 019	316	317	11
	432	434	37	0317 76 020	316	317	12
0317 70 021	220	221	1	0317 76 021	316	317	13
0317 70 231A	394	396	18	0317 76 022	316	317	14
0317 70 240	394	396	19	0317 76 023	316	317	16
0317 70 261	394	396	22	0317 76 024	316	317	17
0317 70 262	394	396	25	0317 76 051	316	319	47
0317 70 296	394	396	27		321	324	47
0317 70 271A	394	396	28	0317 76 052	316	319	48
0317 70 300	445	446	-		321	324	48
0317 70 301	445	446	1	0317 76 053	316	319	49
0317 70 303	445	446	2		321	324	49
0317 70 304	445	446	3	0317 76 054	316	319	50
0317 70 307	445	446	8		321	324	50
0317 70 311	445	446	4	0317 76 055	316	319	51
0317 70 312	445	446	5		321	324	51
0317 70 315	445	447	18	0317 76 056	316	319	52
0317 70 316	445	447	19		321	324	52
0317 70 321	445	446	6	0317 76 057	316	319	53
0317 70 322	445	447	20		321	324	53
0317 70 323	445	447	21	0317 76 058	316	319	54
0317 70 324	445	447	22		321	324	54
0317 70 330A	445	447	-	0317 76 059	316	319	55
0317 70 331	445	447	24		321	324	55
0317 70 341	445	447	26	0317 76 060	316	319	56
0317 70 342	445	446	10		321	324	56
0317 70 343	445	447	27	0317 78 760	212	214	25
0317 70 360	445	447	28	0317 88 081	280	283	38
0317 71 300B	445	446	-		285	287	21
0317 71 303	445	446	2		285	288	39
0317 71 311	445	446	4	0317 88 082	280	283	39
0317 71 312	445	446	5		285	287	22
0317 71 330A	445	447	-		285	289	40
0317 71 331	445	447	24	0317 88 083	280	284	40
0317 71 341	445	447	26		285	287	23
0317 72 010	448	449	1		285	289	41
0317 72 020	448	449	1	0317 88 200	285	288	33
0317 72 412	448	450	13	0317 88 220	285	288	38

0317 88 250 ~ 0329 99 430 INDEX.

0317 88 250	285	286	4	0329 32 016	118	119	8
0317 88 350	285	286	5		124	125	8
0317 88 550	285	287	19		130	131	8
0317 88 650	285	287	20	0329 32 019	118	119	9
0324 25 130	102	103	5		124	125	9
0324 32 110A	130	131	—		130	131	9
0324 32 121A	118	121	32	0329 32 031	118	119	10
	124	127	33		124	125	10
	130	132	20		130	131	10
0324 32 410	130	133	44	0329 32 033	118	119	11
0324 32 411	130	133	45		124	125	11
0324 60 250	251	253	13		130	131	11
0324 60 265	251	253	25	0329 32 034	118	119	12
	255	257	22		124	125	12
0324 60 335	251	253	29		130	131	12
0324 60 345	251	253	30	0329 32 049	118	119	13
0324 70 100B	220	223	25		124	125	13
0326 24 510	95	97	—		130	131	13
0326 24 512	95	97	17	0329 32 110A	118	121	—
0326 24 518	95	97	19		124	127	—
0326 24 520	95	96	—	0329 32 980	118	119	4
0326 24 522	95	96	4		124	125	4
0326 24 541	95	96	5		130	131	4
0326 24 542	95	96	6	0329 43 400A	185	186	24
0326 24 556	95	96	12		191	192	13
0326 24 574	95	97	25	0329 43 551A	191	193	24
0326 32 110A	124	127	—	0329 53 340	224	225	5
0326 32 130	124	127	34	0329 53 410	224	226	17
0326 32 411	118	120	21	0329 54 340	224	226	6
	124	126	21	0329 54 410	224	226	18
0326 57 400	280	283	30	0329 57 100	269	270	—
0326 57 450A	280	283	35	0329 57 110	269	270	1
0326 58 910	290	293	21	0329 57 115	269	270	4
0326 59 910	290	293	21		274	275	4
0326 60 670	394	396	32	0329 57 130	269	271	11
0326 60 675	394	397	34		274	276	11
0326 60 690A	394	396	31	0329 57 135	269	271	14
0326 68 862	394	397	43		274	276	14
0326 68 864	394	397	45	0329 57 150	269	270	—
0326 68 865	394	397	46	0329 57 160	269	270	2
0326 72 910	448	450	23	0329 57 165	269	270	5
0326 73 910	448	450	23		274	275	5
0326 75 011	265	266	15	0329 57 180	269	271	12
	267	268	15		274	276	12
0326 75 012	265	266	16	0329 57 185	269	271	15
0326 75 025	265	266	6		274	276	15
0326 75 060	265	266	12	0329 57 200A	269	272	37
	267	268	12		274	278	37
0326 88 400	280	283	32	0329 57 210A	269	272	39
0326 88 450	280	283	37		274	278	39
0328 70 451	435	436	3	0329 57 250A	269	273	41
0329 17 520	79	80	16		274	278	41
0329 26 111	104	105	10	0329 57 260A	269	273	43
0329 32 013	118	119	5		274	278	43
	124	125	5	0329 58 010A	290	291	1
	130	131	5	0329 58 910	290	293	21
0329 32 014	118	119	6	0329 59 010A	290	291	1
	124	125	6	0329 59 910	290	293	21
	130	131	6	0329 69 290A	414	415	1
0329 32 015	118	119	7	0329 69 311	414	415	3
	124	125	7	0329 70 451	435	436	3
	130	131	7	0329 99 430	191	193	—

INDEX. 0600 11 502 ~ 0813 10 173

0600 11 502	21	23	29	0702 87 138	376	377	20
0600 17 121	69	70	19	0710 45 191	24	26	25
0600 17 324	73	75	19		27	28	19
0603 16 102B	65	66	2	0710 75 435	265	266	10
0603 16 103	65	66	6		267	268	10
0603 16 224A	65	67	22	0710 75 436	265	266	11
0603 17 104	69	70	3		267	268	11
0603 17 105	69	70	15	0727 43 552	191	192	11
0603 17 131	69	70	20	0727 43 553	191	192	12
0603 17 210	73	74	4	0727 69 910	402	405	49
0603 17 230A	73	74	6		407	409	35
0603 17 262	73	74	17	0727 87 992	378	379	2
0603 17 281	73	75	27	0727 87 994	378	379	4
0603 17 302	73	75	32	0727 87 995	378	379	5
0603 17 303	73	75	33	0727 87 996	378	379	6
0603 17 305	73	75	36	0730 23 837	49	50	1
0603 17 310	73	75	37	0730 23 839	49	50	2
0603 17 312	73	75	38	0730 23 842	49	50	3
0603 17 321	73	76	39	0730 23 843	49	50	4
0603 17 361	69	71	35	0730 23 845	49	50	6
0603 23 617	98	100	29	0730 23 846	49	50	7
0603 27 121	111	112	8	0730 23 848	49	50	8
0603 27 122	111	112	8	0730 23 852	49	50	9
0603 27 123	111	112	8	0730 23 854	49	50	10
0603 32 315	118	122	53	0730 69 057	402	403	21
	124	128	54		407	408	13
	130	133	37	0738 87 803	376	377	17
0603 34 153	115	117	17	0738 87 804	376	377	19
0603 41 320	65	67	25	0750 66 840	358	362	63
0603 41 322A	65	67	26	0755 27 141	111	112	5
0603 41 323	65	67	27	0810 10 171	1	2	8
0603 43 131	185	186	18		5	6	10
0603 52 451A	215	216	4		9	10	7
0603 53 305	394	396	23		13	14	9
0604 41 131	185	186	17	0810 11 403	21	23	24
	188	189	18	0810 11 404	21	23	25
0604 41 341	65	67	32	0810 11 711	21	23	32
0604 41 504	209	210	19	0810 14 113	45	46	6
0604 66 393	373	375	16	0810 14 114	45	46	7
0613 26 610A	107	109	21	0810 14 171	45	47	19
0613 26 922	107	109	31	0810 14 204	45	46	16
0613 33 681	107	109	27	0810 14 611	45	48	34
0620 13 433	172	173	11	0810 15 119	59	60	10
	175	176	11	0810 17 512	79	80	15
0621 42 455	457	458	3	0810 18 276	45	48	40
	460	461	3	0810 18 277	45	48	40
0633 52 148	442	444	21	0810 41 308	65	67	35
0636 24 524A	95	97	29	0810 56 639	232	238	54
0636 24 561A	95	96	9	0810 56 863A	86	88	22
0636 24 568B	95	97	20	0810 68 070	399	400	4
0647 45 041	172	174	29	0813 10 111	1	2	7
	175	177	24		5	6	9
0652 28 161	115	117	9		9	10	6
0652 28 183	115	117	12		13	14	8
0652 69 642A	422	424	21	0813 10 172	1	2	9
0662 28 700	115	117	16		5	6	11
0662 33 042	144	145	1		9	10	8
0662 39 040	159	160	3		13	14	10
0672 45 051	175	177	27	0813 10 173	1	2	10
0680 45 023	172	174	25		5	6	12
	175	177	22		9	10	9
0702 87 135	376	377	18		13	14	11

0813 10 174 ~ 0820 10 721 INDEX.

0813 10 174	1	2	11	0813 23 803	45	47	24
	1	3	24	0813 24 303	90	91	3
	5	6	13		92	93	3
	5	7	43	0813 24 306	92	93	6
	9	10	10	0813 24 308	92	93	8
	13	14	12	0813 24 309	92	93	9
0813 10 204	1	2	14	0813 24 316	90	91	8
0813 10 405	1	2	6		92	93	15
	5	6	4	0813 24 329	90	91	20
0813 10 502A	17	19	18		92	94	26
	21	22	18	0813 24 703	98	99	15
0813 10 503	17	19	19	0813 24 704	98	99	14
0813 10 554	21	22	19	0813 24 723A	98	99	19
0813 10 555	21	23	21	0813 24 724	98	99	20
0813 10 605	1	3	32	0813 24 726	98	99	6
	5	7	26	0813 33 175	107	109	34
0813 10 611	1	3	35		144	145	15
	5	7	27	0813 33 176A	107	109	35
0813 10 612	1	3	36		144	145	16
	5	7	28	0813 33 177	107	109	36
0813 10 613	1	3	37		144	145	17
	5	7	29	0813 44 031	200	201	3
0813 11 405	21	23	26	0813 44 034	200	201	6
0813 11 503	17	19	23	0813 44 035	200	201	7
0813 11 505B	17	19	25	0813 45 021	172	173	18
0813 11 541	17	19	32		175	176	18
0813 13 611B	24	26	29	0813 45 023	172	174	22
0813 13 613	24	26	30	0813 49 651	197	198	16
0813 14 623	45	48	38	0813 57 955A	274	279	55
0813 14 641	45	48	43		285	289	55
0813 14 716	51	54	36	0813 61 389	118	123	58
	55	58	38	0813 66 732A	348	351	39
	463	464	11		353	356	43
0813 15 111	59	60	2		358	361	39
	62	63	2		363	366	41
0813 15 117	59	60	8		368	371	41
	62	63	8	0813 68 720	399	400	5
0813 15 173	59	61	19	0820 09 010C	457	458	-
	62	64	18	0820 10 203	1	2	13
0813 15 200B	463	466	50		5	6	15
0813 17 245	73	75	20		9	10	12
0813 18 100A	82	83	1		13	14	20
0813 18 288	82	85	25	0820 10 305	9	11	23
0813 18 501	9	10	15		13	15	25
	13	14	15	0820 10 410B	9	11	27
0813 23 323	33	36	36	0820 10 500A	17	19	17
0813 23 325	33	36	37	0820 10 504	17	19	20
0813 23 326	33	36	38	0820 10 550	21	22	17
0813 23 328	33	35	19	0820 10 556	21	23	20
0813 23 333	33	36	39	0820 10 600E	1	3	25
0813 23 347	34	36	40	0820 10 614	1	3	38
0813 23 361	33	36	48		5	7	30
0813 23 383	34	37	54	0820 10 631A	1	3	31
0813 23 392	34	37	63		5	7	31
0813 23 395	33	37	65	0820 10 641C	1	3	41
0813 23 401	33	37	69		5	7	42
0813 23 403	34	37	70	0820 10 700B	9	11	34
0813 23 411	34	38	78		13	16	44
0813 23 415	34	38	79	0820 10 711	9	12	37
0813 23 424	33	38	85		13	16	47
0813 23 679	39	40	11	0820 10 721	9	12	38
0813 23 802A	45	47	23		13	16	48

INDEX. 0820 10 722 ~ 0820 15 250D

0820 10 722	9	12	39	0820 13 237	24	26	24
	13	16	49	0820 13 301B	33	35	1
0820 10 723	9	12	40	0820 13 304A	33	35	3
	13	16	50	0820 13 311D	24	26	20
0820 10 830B	9	12	42	0820 13 330A	24	25	8
	13	16	52	0820 13 341A	24	25	10
0820 10 861	1	4	46	0820 13 400	172	173	10
0820 10 862A	9	12	43		175	176	10
	13	16	53		178	179	-
0820 10 871A	9	12	45	0820 13 440B	172	173	13
0820 10 872A	9	12	46	0820 13 602A	33	35	2
0820 11 111A	21	22	2	0820 14 100C	45	46	1
	17	18	2	0820 14 112C	45	46	5
0820 11 304A	17	18	5	0820 14 117A	45	46	8
	21	22	5	0820 14 118	45	46	10
0820 11 317	17	18	8	0820 14 119	45	46	11
	21	22	8	0820 14 151C	45	46	13
0820 11 321A	17	18	9	0820 14 160A	45	47	18
	21	22	9	0820 14 204	45	47	17
0820 11 323	17	18	10	0820 14 205	45	47	17
	21	22	10	0820 14 206	45	47	17
0820 11 331	17	18	11	0820 14 250	45	47	-
	21	22	11	0820 14 251	45	47	27
0820 11 333	17	18	12	0820 14 260	45	48	31
	21	22	12	0820 14 300	45	47	-
0820 11 341	17	18	13	0820 14 600D	45	48	33
	21	22	13		49	50	-
0820 11 343	17	18	14	0820 14 620	45	48	36
	21	22	14	0820 14 625	45	48	37
0820 11 351	17	18	15	0820 14 630A	45	48	41
	21	22	15	0820 14 640	45	48	42
0820 11 353	17	18	16	0820 14 642	1	4	47
	21	22	16		5	8	50
0820 11 400	21	23	23	0820 14 643	45	48	44
0820 11 501A	17	19	21	0820 14 647	45	48	45
0820 11 504	17	19	24	0820 14 700C	51	53	28
0820 11 506	17	19	26		55	57	30
0820 11 507	17	19	27	0820 14 720B	51	54	31
0820 11 508	17	19	26		55	57	33
0820 11 509	17	19	26	0820 14 730A	51	54	32
0820 11 511E	17	19	28		55	58	34
0820 11 512A	17	19	29	0820 14 735A	51	54	35
0820 11 521B	17	19	30		463	464	10
	45	46	12	0820 15 010E	51	52	1
0820 11 531	17	19	31		59	60	-
0820 11 542	17	19	33	0820 15 100E	59	60	12
0820 11 601	17	19	34	0820 15 106	51	52	3
0820 11 611A	17	19	37		55	56	3
0820 11 700F	21	23	28	0820 15 112	59	60	3
0820 11 703	21	23	30		62	63	3
0820 11 705	21	23	31	0820 15 115	59	60	6
0820 11 712	21	23	33		62	63	6
0820 13 100E	24	25	1	0820 15 120	59	60	11
0820 13 201A	24	25	13		62	63	10
	27	28	12	0820 15 130A	59	60	-
0820 13 202B	24	25	14	0820 15 131A	59	60	1
	27	28	13	0820 15 132A	59	60	14
0820 13 221	24	26	16	0820 15 151	51	52	5
0820 13 222	24	26	17	0820 15 152	59	60	15
0820 13 230F	24	25	15	0820 15 171	59	61	17
0820 13 235	24	26	22	0820 15 200C	51	52	7
	27	28	18	0820 15 250D	51	52	-

0820 15 310G ~ 0820 23 432B INDEX.

0820 15 310G	51	52	11	0820 18 400C	86	87	12
0820 15 312	51	53	16		98	99	-
	55	57	18	0820 18 520A	86	88	19
0820 15 330	9	10	16	0820 18 700B	82	84	18
	13	14	18		92	93	-
	51	53	14	0820 23 103A	17	18	1
0820 15 350C	51	53	18	0820 23 113A	21	22	1
0820 15 351E	51	53	22	0820 23 131A	17	18	4
0820 15 401G	51	53	23		21	22	4
0820 15 511B	51	53	25	0820 23 175	17	18	9
0820 15 521C	51	53	26		21	22	9
0820 16 100A	65	66	1	0820 23 303A	33	35	4
0820 16 150B	65	66	17	0820 23 305	33	35	6
0820 16 230	65	67	23	0820 23 306	33	35	5
0820 17 100	69	70	1	0820 23 307	33	36	35
0820 17 201	73	74	1	0820 23 308	33	36	33
0820 17 221B	73	74	5	0820 23 309	33	35	8
0820 17 241	73	74	8	0820 23 311	33	35	9
0820 17 261	73	74	16	0820 23 321C	34	35	10
0820 17 330A	69	71	22	0820 23 322B	34	36	42
0820 17 341	73	76	41	0820 23 327	33	35	15
0820 17 345	69	71	27	0820 23 329A	33	35	16
0820 17 450A	79	80	1	0820 23 330	33	35	17
0820 17 505	79	81	30	0820 23 332	34	36	32
0820 17 510B	79	80	14	0820 23 334A	34	35	14
0820 17 520	69	72	40	0820 23 337A	33	35	20
0820 17 524	69	72	41	0820 23 338	33	35	18
0820 17 540A	69	71	25	0820 23 339	33	35	21
0820 18 106	82	83	2	0820 23 341C	34	36	23
0820 18 110C	82	83	2	0820 23 342B	34	36	24
0820 18 111B	82	83	4	0820 23 343B	34	36	25
	82	83	4	0820 23 344	34	36	26
0820 18 113	82	83	6	0820 23 345A	34	36	28
0820 18 114	82	83	7	0820 23 346A	34	36	29
	82	84	7	0820 23 349	34	36	30
0820 18 115A	82	83	9	0820 23 351	34	36	41
0820 18 120B	82	83	10	0820 23 353	34	36	31
0820 18 130	82	83	11	0820 23 358	34	38	93
	82	84	11	0820 23 359	34	38	94
0820 18 140	82	83	12	0820 23 362	33	36	47
	82	84	12	0820 23 371A	34	35	11
0820 18 155	82	83	13	0820 23 372	34	35	12
0820 18 160	82	83	14	0820 23 373	34	35	13
0820 18 170	82	83	15	0820 23 387A	34	37	58
	82	84	15	0820 23 388	33	37	59
0820 18 180	82	83	16	0820 23 389	34	37	60
	82	84	16	0820 23 396	33	37	67
0820 18 200D	82	84	17	0820 23 397B	34	36	34
	90	91	-	0820 23 399	34	37	73
0820 18 270D	82	85	-	0820 23 404	34	37	49
0820 18 271C	82	85	20	0820 23 405	34	37	71
0820 18 272A	82	85	21	0820 23 411	34	37	74
0820 18 273	82	85	22	0820 23 412	34	38	75
0820 18 279A	82	85	26	0820 23 413	34	38	77
0820 18 296	82	85	30	0820 23 416	33	35	22
0820 18 300C	86	87	1	0820 23 422A	33	38	83
	95	96	-	0820 23 425	33	38	86
0820 18 311	1	3	23	0820 23 426B	33	38	87
	5	7	24	0820 23 427	33	38	88
	86	87	5	0820 23 428	33	38	89
0820 18 361	86	87	6	0820 23 431A	33	38	90
0820 18 381	86	87	9	0820 23 432B	33	38	91

INDEX. 0820 23 433 ~ 0820 33 691A

0820 23 433	33	38	92	0820 24 710B	98	99	7
0820 23 471	33	37	55	0820 24 712	98	99	11
0820 23 498	34	38	95	0820 24 713	98	99	10
0820 23 601	178	179	—	0820 24 714	98	99	9
0820 23 602	178	179	1	0820 24 716	98	99	17
0820 23 603	178	179	4	0820 24 717	98	100	26
0820 23 604	178	179	10	0820 24 720	98	100	24
0820 23 611	178	179	13	0820 24 721	98	99	18
0820 23 615	178	179	15	0820 24 736	98	100	38
0820 23 616	178	180	19	0820 24 741	98	100	40
0820 23 621	178	180	20	0820 24 747	98	100	27
0820 23 622	178	180	29	0820 24 748	98	100	28
0820 23 623	178	180	28	0820 24 749	98	100	35
0820 23 624	178	180	30	0820 34 751	98	100	34
0820 23 625	178	180	22	0820 24 752	98	100	36
0820 23 626	178	180	27	0820 24 754	98	100	23
0820 23 628	178	180	26	0820 24 755	98	100	22
0820 23 671B	39	40	5	0820 24 756	98	100	21
0820 23 672	39	40	1	0820 24 757	98	99	1
0820 23 674	39	40	3	0820 24 759	98	99	2
0820 23 675	39	40	4		98	100	37
	39	40	6	0820 25 950D	102	103	1
	41	42	9	0820 26 010D	104	105	1
0820 23 676A	39	40	7	0820 27 000D	111	112	—
0820 23 677	39	40	8	0820 27 150A	111	112	9
0820 23 678	39	40	9	0820 27 251	111	113	14
	43	44	9	0820 27 950C	111	114	25
0820 23 801	45	47	22	0820 28 010B	115	116	1
0820 23 881	45	46	—	0820 28 011	115	116	1
0820 23 882	45	46	4	0820 28 012	115	116	1
0820 23 921A	51	52	12	0820 28 013	115	116	1
	55	56	13	0820 28 014	115	116	1
0820 24 301	90	91	1	0820 28 015	115	116	1
	92	93	1	0820 28 185	115	117	22
0820 24 304A	90	91	4	0820 32 049A	118	119	13
0820 24 315	90	91	7	0820 32 130A	118	121	33
	92	93	14		124	127	34
0820 24 318	90	91	10	0820 32 141A	118	121	35
	92	93	17		124	127	36
0820 24 319	90	91	11		130	132	23
	92	93	18	0820 32 151	118	121	36
0820 24 321	90	91	12		124	127	37
0820 24 322	90	91	13	0820 32 190	118	122	46
	92	93	19		124	128	47
0820 24 323	90	91	14	0820 32 800A	118	119	1
0820 24 404A	92	93	4		124	125	1
0820 24 405	92	93	5		130	131	1
0820 24 411	92	93	10	0820 32 811A	118	119	2
0820 24 423	92	93	20		124	125	2
0820 24 501A	95	96	1		130	131	2
0820 24 502B	95	96	2	0820 32 980C	118	119	4
0820 24 503	95	96	3	0820 33 421	147	148	7
0820 24 513	95	96	16	0820 33 621A	147	148	6
0820 24 519	95	96	8	0820 33 623	147	149	14
0820 24 526	95	96	11	0820 33 626	147	148	2
0820 24 530C	95	97	22	0820 33 636A	147	148	3
0820 24 701A	98	99	12	0820 33 651	147	148	10
0820 24 702	98	99	16	0820 33 671	147	149	11
0820 24 705	98	100	39		147	149	11
0820 24 706A	98	100	31	0820 33 681	147	149	12
0820 24 707	98	100	33	0820 33 682	147	149	13
0820 24 709	98	99	13	0820 33 691A	147	149	15

0820 33 695 ~ 0820 53 430 INDEX.

0820 33 695	147	148	4	0820 44 051	200	201	11
0820 33 696	144	146	23	0820 44 052	200	201	12
0820 33 697	147	148	8	0820 44 111	200	201	13
0820 33 698	147	148	5	0820 44 131	200	201	17
0820 33 699	147	148	9	0820 44 132	200	201	18
0820 33 721A	147	148	6	0820 44 250	200	201	20
0820 33 726A	147	148	2	0820 44 341	200	202	22
0820 34 011	150	151	1	0820 44 410	200	202	28
0820 34 110	156	157	10	0820 44 431	200	202	29
0820 34 156	156	157	4	0820 44 432	200	202	30
0820 34 161	156	157	1	0820 44 434	200	202	34
0820 34 800A	156	157	9	0820 45 020	172	173	
0820 39 021	159	160	1	0820 45 021	172	173	20
0820 39 031	159	160	2	0820 45 022	172	174	21
0820 39 380	159	160	8		175	176	19
	161	162	7	0820 45 040E	172	174	
0820 40 010D	163	164	2	0820 45 041D	172	174	26
0820 40 161	163	164	9	0820 45 210	205	206	16
	166	167	8	0820 45 220	205	206	17
0820 40 165	163	164	10	0820 45 240A	205	206	19
	166	167	9	0820 45 510	203	204	20
0820 40 166	163	164	11		205	206	20
	166	167	10	0820 49 210	147	148	-
0820 40 170	163	164	19	0820 49 220	147	148	-
	166	167	15	0820 49 240	147	148	-
0820 40 180	163	164	18	0820 49 250	147	149	-
0820 40 300C	163	164	3	0820 49 251	147	149	-
0820 40 351A	163	164	20		147	149	-
	166	167	16	0820 50 021	212	213	1
0820 40 357	163	164	5	0820 50 031	212	213	2
0820 40 401	163	164	12	0820 50 041	212	213	3
0820 41 300	65	67	24	0820 50 050	212	213	10
0820 41 380	65	67	36	0820 50 070	212	213	13
0820 41 660	181	182	7	0820 50 080	212	213	14
0820 42 310C	168	169	1	0820 50 131	212	213	16
0820 42 370A	168	169	11	0820 50 141	212	214	17
0820 42 375	168	170	36	0820 50 510	402	403	1
0820 42 376	168	170	37		407	408	1
0820 42 380B	168	169	15	0820 52 003	215	216	1
0820 42 382	168	169	16	0320 52 004	215	216	2
0820 42 410	168	170	26	0320 52 007	215	217	26
0820 43 030	185	186	4	0320 52 008	215	217	27
0820 43 070B	185	186	9	0320 52 009	215	217	28
0820 43 131	185	186	18	0820 52 010C	220	221	9
	188	189	19	0820 52 250	215	216	18
0820 43 400C	185	187	25	0820 52 400B	215	216	14
	194	195	-	0820 52 450B	215	216	15
0820 43 710A	203	204	6	0820 52 510A	218	219	1
	205	206	6		232	233	1
	207	208	6	0820 53 010B	220	221	10
	209	210	6	0820 53 100C	220	221	11
0820 43 720A	203	204	7	0820 53 210B	220	222	12
	205	206	7	0820 53 291	86	88	20
	207	208	7	0820 53 320B	224	225	1
	209	210	7		228	229	1
0820 43 810B	203	204	1	0820 53 331	224	225	3
	205	206	1	0820 53 350	224	226	7
	207	208	1	0820 53 360	224	226	9
0820 44 010	200	201	-	0820 53 370C	224	226	11
0820 44 020	200	201	1	0820 53 390	224	226	15
0820 44 023	200	201	2	0820 53 421A	224	226	19
0820 44 032A	200	201	4	0820 53 430	224	226	21

INDEX. 0820 53 591~0820 56 912

0820 53 591	224	226	25	0820 55 351	262	264	18
0820 53 700B	220	222	15	0820 55 356	259	261	18
0820 53 709	220	222	16		262	264	19
0820 53 711B	220	222	17	0820 55 361	239	241	17
0820 53 810A	232	233	2		245	247	17
0820 53 830A	232	233	3	0820 55 362	239	241	18
0820 53 835A	232	233	5		245	247	18
0820 53 901	232	233	8	0820 55 370	259	261	16
0820 53 920A	232	233	9		262	264	17
0820 53 940	232	233	10	0820 55 371	259	261	19
0820 53 951	232	233	11		262	264	20
0820 53 991	232	234	12	0820 55 372	259	261	20
0820 54 210C	220	222	13		262	264	21
0820 54 320B	224	225	2	0820 55 5301	239	241	22
	228	229	2	0820 55 550	239	242	38
0820 54 331	224	225	4	0820 55 580D	239	241	24
0820 54 350	224	226	8	0820 55 670	457	458	7
0820 54 360	224	226	10	0820 55 710B	239	242	40
0820 54 370C	224	226	12		245	248	40
0820 54 381	224	226	14	0820 55 740	239	242	43
0820 54 390	224	226	16		245	248	43
0820 54 421A	224	226	20	0820 55 750A	239	242	44
0820 54 430	224	226	22		245	248	44
0820 54 591	224	226	26	0820 55 770	259	260	9
0820 54 711A	220	222	18		262	263	9
0820 54 830A	232	233	4	0820 55 790A	239	242	46
0820 54 835A	232	233	6		245	248	46
0820 55 021A	239	240	1	0820 55 830A	239	242	48
	245	246	1		245	248	48
0820 55 025B	239	241	20	0820 55 840A	239	243	50
	245	247	20		245	248	50
	442	444	29	0820 55 951	239	242	42
0820 55 026B	239	241	21		245	248	42
	245	247	21		251	254	44
	442	444	29	0820 55 970	239	243	51
0820 55 030A	239	240	3		245	248	51
0820 55 120C	239	240	4	0820 55 981B	239	243	53
	245	246	4		245	249	53
0820 55 221	239	240	8	0820 55 982B	239	243	54
	245	246	8		245	249	54
0820 55 225	239	240	10	0820 56 030A	232	235	24
	245	246	10	0820 56 110	232	235	25
0820 55 230B	239	240	7	0820 56 130	232	236	26
	245	246	7	0820 56 160	232	234	15
0820 55 240	239	240	11	0820 56 261	232	238	55
	245	246	11	0820 56 300C	232	236	29
0820 55 275	259	260	13	0820 56 330	232	237	41
	262	263	14	0820 56 360	232	236	31
0820 55 280	259	260	1	0820 56 381	232	236	33
	262	263	1	0820 56 390	232	237	35
0820 55 311	259	260	5	0820 56 400	232	237	44
0820 55 320	259	260	7	0820 56 530A	232	236	27
	262	263	7	0820 56 791A	232	238	63
0820 55 330	259	260	10	0820 56 830	232	237	47
0820 55 331	259	260	12	0820 56 840	232	237	50
	262	263	12	0820 56 881A	232	236	34
0820 55 344	259	260	11	0820 56 905	156	158	19
0820 55 350	239	241	15		251	252	4
	245	247	15		255	256	4
	259	261	-	0820 56 906	156	158	21
	262	264	-	0820 56 911	232	238	65
0820 55 351	259	261	17	0820 56 912	232	238	66

0820 56 913 ~ 0820 66 136 INDEX.

0820 56 913	232	238	67	0820 58 695	295	299	45
0820 57 109	269	272	25	0820 58 880B	290	293	18
	274	277	25		448	450	18
	280	282	14	0820 58 901	290	294	30
0820 57 114	269	270	3	0820 58 907A	290	294	32
	274	275	3	0820 58 910E	290	293	21
	280	281	3	0820 58 999	295	299	47
0820 57 125	269	270	6	0820 59 010D	290	291	1
	280	281	6	0820 59 110	290	291	1
0820 57 126	269	270	8	0820 59 221A	290	292	8
	274	276	8	0820 59 290	290	292	14
	280	281	8	0820 59 901	290	294	30
0820 57 140	269	271	22	0820 59 910E	290	293	21
0820 57 175	269	270	7	0820 60 311	262	263	5
	280	281	7	0820 60 560	239	243	56
0820 57 176	269	270	9		245	249	56
	274	276	9	0820 60 870A	239	243	59
	280	281	9		245	249	59
0820 57 190	269	271	23		251	254	41
0820 57 204	269	272	38		255	257	31
	274	278	38	0820 61 300	301	302	-
0820 57 254	269	273	42	0820 61 310	301	302	-
	274	278	42		306	307	-
0820 57 310A	269	270	1	0820 61 311	301	302	2
0820 57 315A	269	270	4		306	307	2
	274	275	4	0820 61 320	301	302	3
0820 57 360A	269	270	2		306	307	3
0820 57 365A	269	270	5	0820 61 370	301	304	-
	274	275	5		306	308	-
0820 57 400C	269	272	37	0820 61 371	301	304	46
	274	278	37		306	309	38
0820 57 410C	269	272	39	0820 61 372	301	304	47
	274	278	39		306	309	39
0820 57 450E	269	273	41	0820 61 373	301	304	48
	274	278	41		306	309	40
0820 57 460D	269	273	43		311	314	47
	274	278	43	0820 61 374	301	304	44
0820 57 534	269	271	13		306	309	36
	274	276	13		311	314	43
	280	282	20	0820 61 375	301	304	49
0820 57 570	269	272	29		306	309	41
0820 57 571	269	272	30	0820 61 376	301	304	50
	274	277	30		306	309	42
0820 57 572	269	272	31	0820 61 402	301	305	63
	274	277	31	0820 61 408	301	305	67
0820 57 573	269	272	32		306	310	58
	274	277	32	0820 61 409	301	305	66
0820 57 574	269	272	33		316	320	77
	274	277	33		321	325	77
0820 57 700A	269	270	-	0820 61 461	301	305	62
0820 57 730A	269	271	11	0820 66 020	334	335	-
0820 57 735B	269	271	14	0820 66 050	334	335	-
	274	276	14	0820 66 130	340	341	-
0820 57 750B	269	270	-	0820 66 131A	340	341	1
0820 57 780A	269	271	12	0820 66 132	340	341	2
0820 57 785B	269	271	15	0820 66 133	340	341	3
	274	276	15	0820 66 134	340	341	4
0820 58 010D	290	291	1		344	345	4
0820 58 110	290	291	1	0820 66 135	340	341	5
0820 58 221A	290	292	8		344	345	5
0820 58 241	290	292	11	0820 66 136	340	341	6
0820 58 290	290	292	14		340	342	20

INDEX. 0820 66 136 ~ 0820 67 132

0820 66 136	344	345	6	0820 66 435A	348	349	2
	344	346	20		353	354	2
0820 66 137	340	341	7		358	359	2
	340	342	21		363	364	2
	344	345	7	0826 66 439	348	349	7
	344	346	21	0820 66 470A	348	349	8
0820 66 138	340	341	8		353	354	12
	340	342	22		363	364	7
	344	345	8		368	369	8
	344	346	22	0820 66 521A	380	382	10
0820 66 139	340	341	12	0820 66 525B	380	381	5
	340	342	24	0820 66 526B	380	381	6
	344	345	12	0820 66 530	380	381	-
	344	346	24	0820 66 531A	380	381	1
0820 66 141	340	341	13	0820 66 532A	380	381	2
	344	345	13	0820 66 538	380	381	3
0820 66 150	340	341	-	0820 66 650	348	350	22
0820 66 151	340	341	1		353	355	23
	353	356	30		358	360	19
	358	360	30		363	365	20
0820 66 152	340	341	2		368	370	20
0820 66 153	340	341	3	0820 66 660E	348	350	21
0820 66 154	340	341	4		363	365	19
	344	345	4	0820 66 710B	86	88	24
0820 66 159	340	341	9	0820 66 730	348	350	-
	344	345	9		353	355	-
0820 66 171	340	342	15		358	359	-
0820 66 172	340	342	16		363	365	-
0820 66 174	340	342	18		368	369	-
	344	345	4	0820 66 731	348	351	38
	344	346	18		353	356	42
0820 66 175	340	342	19		358	361	38
	344	345	5		363	366	40
	344	346	19		368	371	40
0820 66 192	340	342	16	0820 66 732	348	350	17
0820 66 195	344	345	5		353	355	18
	344	346	19		358	359	12
0820 66 330A	239	243	-		363	365	15
	245	249	-		368	369	15
0820 66 331A	239	243	61	0820 66 733	200	202	41
	245	249	62	0820 66 734	348	351	40
0820 66 332	239	243	62		353	356	44
	245	249	63		358	361	40
0820 66 333	239	243	63		363	366	42
	245	249	64		368	371	42
0820 66 334	239	243	64	0820 66 770	168	170	41
	245	249	65	0820 66 773	168	171	43
0820 66 365	373	374	13	0820 66 840	200	202	39
0820 66 366	373	374	13	0820 66 940A	386	389	-
0820 66 370	373	374	-		390	393	-
0820 66 420A	348	349	-	0820 66 945A	386	389	41
	353	354	-		390	393	42
	358	359	-	0820 66 950	386	389	43
	363	364	-		390	393	44
0820 66 421	348	349	3	0820 67 131	348	352	53
	353	354	3		353	357	58
	358	359	3		358	362	58
	363	364	3		363	367	48
0820 66 425A	348	349	1		368	371	48
	353	354	1	0820 67 132	348	352	54
	358	359	1		353	357	59
	363	364	1		358	362	59

0820 67 132 ~ 0820 69 643 INDEX.

0820 67 132	363	367	49
	368	371	49
0820 67 151	348	350	29
	363	365	28
	368	370	28
0820 68 020D	386	387	1
0820 68 080A	386	387	2
	390	391	2
0820 68 085	386	387	3
	390	391	3
0820 68 120	386	387	5
0820 68 122A	386	387	6
	390	391	6
0820 68 130D	386	388	14
	390	392	14
0820 68 140D	386	388	15
	390	392	15
0820 68 180	239	243	66
	245	249	67
0820 68 331A	386	388	18
0820 68 334	386	388	22
0820 68 335	386	388	23
	390	392	20
0820 68 340A	386	388	
0820 68 341A	386	388	25
0820 68 342A	386	388	26
0820 68 343A	386	388	27
0820 68 350	386	388	30
0820 68 354	386	388	29
0820 68 380	457	459	12
	460	462	13
0820 68 411A	411	412	13
0820 68 531	239	243	68
0820 68 551	386	389	35
	390	393	38
0820 68 560A	386	389	36
	390	393	39
0820 68 660	399	400	-
0820 68 670	399	400	1
0820 69 064B	402	403	16
0820 69 066A	402	403	24
0820 69 080A	402	404	-
	407	408	-
0820 69 090A	402	404	-
	407	409	-
0820 69 101	402	404	32
	402	404	38
	407	408	21
	407	409	27
0820 69 102	402	404	33
	402	404	39
	407	408	22
	407	409	28
0820 69 110B	402	404	28
	407	408	17
0820 69 115	402	404	29
	407	408	18
0820 69 120	402	404	30
	407	408	19
0820 69 125	402	404	35
	407	409	24
0820 69 130B	402	404	34

0820 69 130B	407	409	23
0820 69 140	402	404	36
	407	409	25
0820 69 161	402	405	42
	407	409	30
0820 69 170A	402	404	41
0820 69 210A	402	405	44
0820 69 240A	402	405	45
0820 69 290A	411	412	1
0820 69 311	411	412	6
	414	415	6
0820 69 312A	411	412	7
0820 69 313	411	412	8
0820 69 314	411	412	9
	414	415	7
0820 69 360D	411	412	10
	416	417	12
0820 69 380C	411	412	11
	416	417	13
0820 69 411A	416	417	16
0820 69 413	411	412	15
	416	418	18
0820 69 414	411	412	16
	416	418	19
0820 69 421A	411	412	14
	416	418	17
0820 69 451	411	412	19
0820 69 452	411	412	20
0820 69 453A	411	412	21
0820 69 460B	411	412	17
0820 69 480B	411	412	18
0820 69 501A	411	413	22
	414	415	12
0820 69 550A	419	421	33
	422	425	39
	426	428	32
0820 69 570A	419	421	34
	422	425	40
	426	428	33
0820 69 601	419	420	1
0820 69 603A	419	420	3
0820 69 604	419	420	4
0820 69 605A	419	420	6
	422	423	9
0820 69 606	419	420	5
	422	423	8
0820 69 608	422	423	11
	426	427	4
	429	430	9
0820 69 613	422	423	14
0820 69 614	419	420	12
0820 69 637	419	420	14
	422	424	18
0820 69 638	419	420	15
	422	424	19
0820 69 641	419	420	16
	422	424	20
	429	430	13
0820 69 642A	419	420	17
0820 69 643	419	420	18
	422	424	22
	426	427	12

INDEX. 0820 69 645A ~ 0820 76 163

0820 69 645A	419	420	20	0820 70 811	435	437	32
	422	424	25	0820 70 812	435	437	33
	426	427	15	0820 70 821	435	437	35
	429	430	17	0820 70 822A	435	437	37
	432	433	15	0820 70 823A	435	438	39
0820 69 646	419	420	21	0820 70 900B	411	413	23
	422	424	26	0820 71 300C	442	443	—
	426	427	16	0820 71 303	442	443	1
0820 69 647A	419	420	22	0820 71 331A	442	443	13
	422	424	27	0820 71 350A	442	444	24
	426	427	17	0820 71 511	435	436	5
0820 69 654	419	420	23	0820 71 541	435	436	12
	422	424	29	0820 71 802	435	437	29
0820 69 655	419	420	24	0820 71 812	435	437	34
	422	424	30	0820 71 821	435	437	36
0820 69 656	419	420	25	0820 71 822A	435	437	38
	422	424	31	0820 71 823A	435	438	40
0820 69 657	419	420	26	0820 71 900B	411	413	24
	422	424	32	0820 74 910	457	458	9
0820 69 658A	422	424	33	0820 74 930	457	458	4
	419	421	27		460	461	4
	426	428	19	0820 74 940	457	458	1
	429	431	22		460	461	1
	432	434	20	0820 76 131	301	302	1
0820 69 659A	419	421	28		306	307	1
	422	425	34	0820 76 132	301	302	9
	426	428	20		306	307	9
	429	431	23	0820 76 133	301	302	7
	432	434	21		306	307	7
0820 69 685D	419	421	30		311	312	10
	429	431	27	0820 76 134	301	302	10
0820 69 686A	419	421	31		306	307	10
	429	431	29	0820 76 151	301	304	35
0820 69 687A	419	421	32		306	308	27
	429	431	31		311	313	34
0820 69 811	386	389	38	0820 76 152	301	304	36
0820 69 870B	419	421	35		306	308	28
	422	425	41	0820 76 153	301	304	37
	426	428	34		306	308	29
0820 69 881A	419	421	36		311	313	36
	422	425	42	0820 76 154	301	304	38
	426	428	35		306	308	30
0820 70 300C	442	443	—		311	313	37
0820 70 303	442	443	1	0820 76 155	301	304	39
0820 70 305	442	443	2		306	308	31
0820 70 331A	442	443	13		311	313	38
0820 70 342	442	443	14	0820 76 156	301	304	40
0820 70 350B	442	444	24		306	308	32
0820 70 355	442	444	26		311	314	39
0820 70 401	435	436	1	0820 76 157	301	304	41
0820 70 402	435	436	2		306	308	33
0820 70 451A	435	436	3		311	314	40
0820 70 452	435	436	4	0820 76 158	301	304	41
0820 70 511	435	436	5		306	308	33
0820 70 541	435	436	12		311	314	40
0820 70 546A	435	437	13	0820 76 159	301	304	41
0820 70 571	435	437	18		306	308	33
0820 70 751	435	437	25		311	314	40
0820 70 801	435	437	27	0820 76 161	301	304	45
0820 70 802	435	437	28		306	309	37
0820 70 803	435	437	30		311	314	44
	439	440	6	0820 76 163	301	304	51

0820 76 163 ~ 0824 75 150 INDEX.

0820 76 163	306	309	43	0822 10 300B	9	10	11
0820 76 164	301	304	52	0822 10 400A	9	11	25
	306	309	44	0822 10 451A	9	11	31
0820 76 376	311	314	49		13	16	41
0820 78 710B	463	464	—	0822 10 452A	9	11	32
0820 78 742	463	466	51		13	16	42
	468	471	56	0822 15 010B	51	52	1
0820 78 745B	463	466	53		59	60	—
0820 78 746C	468	471	55	0822 15 100B	59	60	12
	463	466	52	0822 15 105	51	52	2
0820 78 750B	468	470	25		55	56	2
	463	465	31	0822 15 172	59	61	18
0820 78 755A	463	465	37	0822 41 400	185	186	23
	468	470	29		188	189	24
0820 78 756A	463	465	35		191	192	1
0820 78 757	463	465	36	0822 45 240A	203	204	19
0820 78 758	463	465	39	0822 55 550	251	252	7
0820 78 763	468	470	33	0822 56 945	399	400	14
0820 78 764	468	470	34	0822 66 535	383	384	8
0820 78 765	468	470	31	0822 66 536	383	384	6
0820 78 820A	463	464	1	0822 66 770	168	171	42
	468	469	1	0822 69 642	426	427	11
0820 78 830	463	467	68		429	430	14
0820 78 832	463	464	4		432	433	12
	468	469	4	0822 69 643	429	430	15
0820 78 842	463	466	61	0822 69 644	426	427	13
0820 78 851	463	464	18		429	430	16
0820 78 861B	463	464	15		432	433	14
	468	469	15	0822 69 648	426	427	18
0820 78 862A	468	469	2		429	431	21
	463	464	2		432	434	19
0820 78 864	463	464	13	0822 69 688	426	428	30
0820 78 866A	463	465	26		429	431	32
0820 78 870	463	466	62		432	434	31
	468	471	59	0822 69 689	426	428	31
0820 78 871	463	464	16		432	434	32
	468	469	16	0823 10 455	9	11	33
0820 78 882	468	471	53		13	16	43
0820 78 883	463	466	58	0823 11 612	17	20	39
	468	471	51	0823 15 171	59	61	17
0820 78 884	463	466	59		62	64	16
	468	471	54	0823 18 111	82	83	5
0820 78 888	463	466	57		82	83	5
0820 78 890A	463	465	41		82	84	5
0820 78 893A	463	466	47	0823 18 114	82	83	8
0820 78 900	463	466	44	0823 18 291	82	85	29
	468	471	46	0823 18 600	82	85	31
0820 78 904	463	466	46	0824 17 524	79	80	17
	468	471	48	0824 40 401	166	167	11
0820 78 906	463	466	43	0824 57 105	269	272	27
0820 78 911A	463	466	60		274	277	27
0820 79 366	373	374	14		280	282	15
0820 79 367	373	375	15	0824 57 106	269	272	28
0820 79 510	334	339	—		274	277	28
0820 79 613	334	339	47		280	282	16
0820 79 620	239	242	41	0824 66 830	353	354	12
	245	248	41		363	364	7
0820 79 910A	212	214	23		368	369	8
0820 79 940A	212	214	24	0824 75 149	265	266	8
0820 87 140	373	374	12		267	268	8
0822 10 100C	1	2	1	0824 75 150	265	266	9
0822 10 150C	9	10	1		267	268	9

INDEX. 0839 10 200B ~ 2112 55 310

0839 10 200B	1	2	12	0848 57 160	280	281	2
0839 15 172	62	64	17	0848 57 165	280	281	5
0839 15 210	51	52	8	0848 57 180	280	282	19
0844 13 112	24	25	6	0848 57 185	280	282	22
0844 13 600	24	26	26	0848 58 010A	290	291	1
0844 13 621	24	26	31	0848 58 910A	290	293	21
	163	164	1	0848 59 010A	290	291	1
0844 42 380	168	169	15	0848 59 910A	290	293	21
0844 56 360	232	236	31	0848 66 600B	348	350	20
0844 69 080	407	408	14		363	365	18
0844 69 643	432	433	13	0848 69 064	407	408	9
0844 69 684A	426	428	23	0848 72 010	448	449	1
	429	431	26	0848 72 910	448	450	23
	432	434	22	0848 73 010	448	449	1
0844 70 361A	407	409	37	0848 73 910	448	450	23
0844 71 361A	407	409	37	2033 17 475	79	80	12
0844 74 910	460	461	10	2045 55 550	255	256	7
0845 53 010B	220	221	10	2046 49 676	194	195	14
0845 53 100B	220	221	11		197	198	14
0845 56 271	232	235	18	2046 49 677	194	195	14
0845 56 276	232	235	19		197	198	14
0845 60 050	251	252	9	2046 49 678	194	195	14
0845 61 070	316	317	-		197	198	14
0845 61 080	321	322	-	2046 49 679	194	195	14
0845 61 130	316	317	-		197	198	14
	321	322	-	2046 49 681	194	195	18
0845 61 211	316	320	69		197	199	18
	321	325	69	2046 49 696	194	195	15
0845 61 212	316	320	70		197	198	15
	321	325	70	2061 09 010	460	461	-
0845 61 221	316	320	72	2061 53 300	228	229	-
	321	325	72	2061 54 300	228	229	-
0845 66 870	383	384	-	2061 66 870	383	384	-
0845 67 010G	348	350	20	2061 69 601	432	433	1
	363	365	18	2061 69 603	432	433	3
0845 67 030	348	350	21	2061 69 621	432	433	1
0845 67 551	200	202	41	2061 70 050	232	234	13
0845 68 860A	394	397	42	2062 09 010	460	461	-
0845 68 863	394	397	44	2062 53 300	228	229	-
0845 68 870	394	397	49	2062 54 300	228	229	-
0845 68 880	394	397	50	2062 69 660A	426	427	8
0845 69 071A	402	403	22		432	433	10
	407	408	15	2063 53 300	228	229	-
0845 69 641	426	427	10	2063 54 300	228	229	-
	432	433	11	2063 66 870	383	384	-
0845 75 010	265	266	1	2063 67 030	363	365	19
0845 75 026	265	266	7		368	370	19
	267	268	7	2063 69 601	432	433	1
0845 76 012	316	317	2	2063 69 603	432	433	3
0845 76 014	316	317	4	2063 69 621	432	433	1
0846 09 010B	460	461	-	2063 69 660	426	427	9
0846 56 010A	232	234	14		432	433	9
0846 56 300A	232	236	29	2064 53 300	228	229	-
0846 66 992	383	384	5	2064 54 300	228	229	-
0846 69 602	432	433	2	2112 10 300E	9	10	11
0848 53 100A	220	222	11	2112 27 000D	111	112	-
0848 57 100	280	281	-	2112 27 018	111	112	4
0848 57 110	280	281	1	2112 53 700C	220	222	15
0848 57 115	280	281	4	2112 53 991	232	234	12
0848 57 130	280	282	18	2112 55 260	245	246	13
0848 57 135	280	282	21		262	263	-
0848 57 150	280	281	-	2112 55 310	262	263	4

2112 55 710 ~ 2113 55 580B INDEX.

2112 55 710	239	242	40	2113 33 170A	144	145	14
2112 56 020A	232	235	-	2113 33 251	144	145	9
2113 09 010B	457	458	-	2113 33 261B	144	146	19
2113 13 200B	24	25	11	2113 33 271B	144	146	19
	33	35	-	2113 33 610	144	146	21
2113 13 300E	24	26	18		147	148	-
	41	42	-	2113 33 625	147	148	1
2113 13 311	24	26	20	2113 33 710	144	146	21
	27	29	24		147	148	-
	43	44	14	2113 34 910C	153	154	1
2113 13 330	24	25	8	2113 34 960C	153	154	1
2113 13 341	24	25	10	2113 41 660A	183	184	10
2113 15 310A	51	52	11	2113 42 410A	168	170	27
2113 15 330	51	53	14	2113 43 070B	188	189	9
	55	57	15	2113 45 280C	207	208	14
2113 15 350A	51	53	18	2113 45 320	207	208	15
	55	57	20	2113 45 350	207	208	19
2113 18 110	82	83	-	2113 45 360B	207	208	22
2113 18 115	82	83	9		209	210	23
2113 18 120	82	84	10	2113 45 452	207	208	20
2113 18 150	82	84	-		209	210	25
2113 18 155	82	84	13	2113 45 510	207	208	23
2113 18 160	82	84	14	2113 49 230	147	148	-
2113 23 431	33	38	90	2113 50 031	212	213	2
2113 23 671	41	42	5	2113 50 041	212	213	3
2113 23 672	41	42	1	2113 50 051	212	213	11
	43	44	1	2113 50 510A	402	403	6
2113 23 673	41	42	2	2113 50 531A	402	403	7
2113 23 674	41	42	3	2113 50 541A	402	403	8
	43	44	3	2113 51 020	220	221	3
2113 23 675	41	42	4	2113 52 010B	220	221	9
	41	42	6	2113 53 010C	220	221	10
	43	44	4	2113 53 100D	220	222	11
	43	44	6	2113 53 210D	220	222	12
2113 23 676	41	42	7	2113 53 300A	224	225	-
2113 23 677	41	42	8	2113 53 320B	224	225	1
2113 23 679	41	42	11		228	229	1
	43	44	11	2113 53 380	224	226	13
2113 23 681	41	42	12	2113 53 600B	224	226	27
	43	44	12	2113 53 700D	220	222	15
2113 23 682	41	42	13	2113 53 711A	220	222	17
	43	44	13	2113 54 210D	220	222	13
2113 26 310	107	108	4	2113 54 295	86	88	22
2113 32 261	141	142	1	2113 54 300A	224	225	-
2113 32 320B	141	142	-	2113 54 320B	224	225	2
2113 32 329	141	143	18		228	229	2
2113 32 330	141	142	13	2113 54 370A	224	226	12
2113 32 350B	141	142	14	2113 54 380	224	226	14
2113 32 354	141	142	15	2113 54 600B	224	227	28
2113 32 356	141	143	16	2113 54 711A	220	222	18
2113 32 359	141	143	21	2113 55 030A	245	246	3
2113 32 365	141	142	8	2113 55 260	245	246	13
2113 32 425A	118	120	24		262	263	-
2113 32 426A	118	120	25	2113 55 310	262	263	4
2113 32 800A	118	119	1	2113 55 330	262	263	10
	124	125	1	2113 55 344	262	263	11
2113 32 811A	118	119	2	2113 55 350	245	247	15
	124	125	2		262	264	-
2113 33 035	144	145	8	2113 55 530E	245	247	22
2113 33 060A	144	145	-	2113 55 550	245	248	37
2113 33 061A	144	145	7	2113 55 556	245	248	39
2113 33 170A	107	109	33	2113 55 580B	245	247	24

INDEX. 2113 55 583 ~ 2113 69 656

2113 55 583	239	241	27	2113 61 300A	311	312	—
	245	247	27	2113 61 310	311	312	—
2113 55 584A	239	241	32	2113 61 340	306	307	—
	245	247	32		311	313	—
2113 55 610	239	241	31	2113 61 370	311	313	—
	245	247	31	2113 61 380	306	309	—
2113 55 641A	245	248	34		311	314	—
2113 55 651A	245	248	35	2113 61 401	311	315	61
2113 55 669	460	461	9	2113 61 402A	311	315	62
2113 55 790	245	248	46	2113 61 408	311	315	65
2113 55 951	239	244	71	2113 66 132	344	346	16
	245	250	72	2113 66 152	344	346	16
2113 55 970	245	248	51	2113 66 170	340	342	
	255	256	8	2113 66 173	340	342	17
2113 56 010	232	234	14	2113 66 190	340	342	
2113 56 020A	232	235	—	2113 66 193	340	342	17
2113 56 030A	232	235	24	2113 66 366A	373	374	14
2113 56 110	232	235	25	2113 66 470	358	359	7
2113 56 170	232	234	15	2113 66 525	380	381	5
2113 56 190	232	234	15	2113 66 600C	353	355	22
2113 56 530A	232	236	27		368	370	19
2113 56 901A	156	158	16	2113 66 660C	358	360	18
2113 56 960	220	223	33	2113 66 710D	86	88	24
2113 56 970	220	223	34	2113 66 721	86	89	26
2113 57 125	274	276	6	2113 67 130	353	357	50
2113 57 140	274	277	22		358	360	25
2113 57 175	274	276	7	2113 68 020C	390	391	1
2113 57 190	274	277	23	2113 68 121	390	391	5
2113 57 310A	274	275	1	2113 68 328	390	392	17
2113 57 315A	274	275	4	2113 68 329	390	392	18
2113 57 360A	274	275	2	2113 68 331A	390	392	19
2113 57 365A	274	275	5	2113 68 340A	390	392	—
2113 57 400C	274	278	37	2113 68 341A	390	392	27
2113 57 410C	274	278	39	2113 68 342A	390	392	28
2113 57 450E	274	278	41	2113 68 343A	390	392	29
2113 57 460D	274	278	43	2113 68 348	390	392	30
2113 57 500	274	275	—	2113 68 349	390	393	31
2113 57 550	274	275	—	2113 68 350A	390	393	32
2113 57 570	274	277	29	2113 68 531	245	249	69
2113 57 700A	274	275		2113 68 668	460	462	14
2113 57 730A	274	276	11	2113 69 064	402	403	17
2113 57 735B	274	276	14		407	408	10
2113 57 750A	274	275		2113 69 240A	402	405	45
2113 57 780A	274	276	12	2113 69 360B	411	412	10
2113 57 785B	274	276	15		416	417	12
2113 58 221A	290	292	8	2113 69 380B	411	412	11
2113 58 668	457	458	5		416	417	13
	457	459	13	2113 69 601	422	423	1
	460	461	5	2113 69 602	422	423	2
2113 58 669	457	458	2	2113 69 603A	422	423	4
	457	458	8	2113 69 604	422	423	7
	457	458	10	2113 69 613	422	423	14
	460	461	2	2113 69 614A	422	423	15
	460	461	11	2113 69 619	422	423	15
2113 59 221A	290	292	8	2113 69 622	422	423	3
2113 60 430	457	458	7	2113 69 623A	422	423	5
	460	461	8	2113 69 625	422	423	6
2113 60 910	348	352	56	2113 69 642	422	424	21
	353	357	61	2113 69 644	419	420	19
	358	362	61		422	424	23
	363	367	51	2113 69 650C	422	425	35
	318	372	51	2113 69 656	422	424	31

2113 69 657 ~ 2124 66 530 INDEX.

2113 69 657	422	424	32	2113 99 322	141	142	2
2113 69 660C	429	431	25	2119 56 539	232	236	28
	422	425	35	2119 56 839	232	237	46
2113 69 685A	422	425	36	2119 58 300	295	296	1
	429	431	28	2119 59 300	295	296	1
2113 69 686B	422	425	37	2119 69 615	422	423	16
	429	431	30		429	430	11
2113 69 687A	422	425	38	2119 72 300	452	453	1
2113 70 050	232	234	13	2119 72 500	452	453	7
2113 70 300C	442	443	—	2119 73 300	452	453	1
2113 70 401	435	436	1	2119 73 500	452	453	7
2113 70 451A	435	436	3	2122 55 710	245	248	40
2113 70 511	435	436	5	2123 13 200B	24	25	11
2113 71 300C	442	443	—		33	35	—
2113 71 511	435	436	5	2123 23 683	41	42	14
2113 74 168	457	459	—	2123 32 100	118	120	19
	460	462	—	2123 53 300B	224	225	—
2113 74 169	457	459	—	2123 54 300B	224	225	—
	460	462	—	2123 55 260	239	240	13
					259	260	—
2113 76 131	311	312	2	2123 55 310	259	260	4
2113 76 132	311	312	5	2123 55 641C	239	242	34
2113 76 133	311	312	7	2123 55 651C	239	242	35
2113 76 134	311	312	6	2123 56 020A	232	235	—
2113 76 135	311	312	1	2123 57 500	269	270	—
2113 76 136	311	312	8	2123 57 550	269	270	—
2113 76 137	311	312	16	2123 60 260	239	240	13
2113 76 138	311	312	4		259	260	—
2113 76 139	311	312	18	2123 60 310	259	260	4
2113 76 140	311	312	12	2123 69 602	419	420	2
2113 76 141	311	312	3	2123 69 613	419	420	11
2113 76 142	311	312	13	2123 69 650A	419	421	29
2113 76 143	311	312	14	2124 13 200	24	25	11
2113 76 144	311	312	17		33	35	—
2113 76 146	311	312	15	2124 51 020A	220	221	3
2113 76 148	311	312	19	2124 51 120A	220	221	4
2113 76 149	311	312	20	2124 53 010	220	221	10
2113 76 152	311	313	35	2124 53 210A	220	222	12
2113 76 153	311	314	45	2124 53 300A	224	225	—
2113 76 154	311	314	46	2124 53 600A	224	226	27
2113 76 155	311	314	48	2124 54 210A	220	222	13
2113 76 156	311	314	50	2124 54 300A	224	225	—
2113 76 157	311	314	51	2124 54 600A	224	227	28
2113 76 161	306	309	46	2124 55 550	245	248	37
	311	314	53	2124 55 970	255	256	8
2113 76 166	306	308	22	2124 56 020A	232	235	—
	311	313	29	2124 56 030A	232	235	24
2113 76 167	306	308	21	2124 56 530A	232	236	27
	311	313	28	2124 57 310A	274	275	1
2113 76 168	306	308	23	2124 57 360A	274	275	2
	311	313	30	2124 57 500	274	275	—
2113 76 169	306	308	20	2124 57 550	274	275	—
	311	313	27	2124 57 700A	274	275	—
2113 78 710	468	469	—	2124 57 730A	274	276	11
2113 78 852A	468	470	35	2124 57 750A	274	275	—
2113 78 853A	468	469	14	2124 57 780A	274	276	12
2113 78 863	468	469	7	2124 61 300A	306	307	—
2113 78 864	468	469	12	2124 61 401A	306	310	54
2113 78 865	468	470	37	2124 66 020	334	335	—
2113 78 890	468	470	40	2124 66 050	334	335	—
2113 78 893	468	470	41	2124 66 139	344	346	22
2113 78 906	468	471	45	2124 66 530	380	381	—
2113 78 911A	468	471	58				

INDEX. 2124 66 531~2244 57 790

2124 66 531	380	381	1	2158 66 090	334	336	-
2124 66 532	380	381	2	2158 66 093	334	336	15
2124 66 600F	353	355	21	2158 66 110	334	336	-
2124 66 660A	353	355	22	2158 66 113	334	336	15
	368	370	19	2158 66 366B	373	374	13
2124 66 710	86	88	24	2158 66 367	373	375	15
2124 70 050	232	234	13	2158 66 370A	373	374	-
2125 10 300B	9	10	11	2158 66 731	353	355	25
2125 13 300G	24	26	18		358	360	21
	39	40	-		368	370	22
2125 14 300A	45	47	-	2158 69 064	402	403	18
2125 18 600	82	85	31		407	408	11
2125 23 151	17	18	6	2158 69 360B	414	415	8
2125 23 152	17	18	7		416	417	12
2125 23 154	21	22	6	2158 69 380	414	415	9
2125 23 155	21	22	7	2158 69 380B	416	417	13
2125 23 303	33	35	4	2158 70 311	442	443	8
2125 23 305	33	35	7	2158 76 101	326	329	41
2125 23 344	33	36	27	2158 78 855	468	469	10
2125 23 363	33	38	96	2158 78 866	468	470	36
2125 23 414	33	38	76	2158 78 904	468	471	43
2125 23 421	33	38	82	2158 87 100A	373	374	1
2125 23 423	33	38	84		376	377	-
2125 23 801A	45	47	22	2158 87 102A	376	377	12
2125 66 130A	344	345	-	2158 87 104	376	377	14
2125 66 131	344	345	1	2158 87 112A	376	377	5
2125 66 150A	344	345	-	2158 87 131	373	374	3
2125 66 151	344	345	1	2158 87 138	373	374	4
2152 58 510	295	296	11	2158 87 139	373	374	9
2152 59 510	295	297	11	2158 88 270	285	286	6
2155 23 673A	39	40	2	2158 88 280	285	286	7
2155 57 109	269	271	24	2158 88 370	285	286	8
	274	277	24	2160 28 010	115	116	1
	280	282	13	2160 28 011	115	116	1
2158 32 250A	138	139	1	2160 28 012	115	116	1
2158 34 014	150	151	4	2160 28 013	115	116	1
2158 34 340	150	151	9	2160 28 014	115	116	1
2158 34 381	150	151	10	2192 67 130A	239	244	70
2158 34 390	150	151	11		245	250	71
2158 40 355	27	29	34	2212 66 480	334	338	-
	163	164	4	2212 66 490	334	338	-
	166	167	4	2212 87 191	334	338	37
2158 41 030A	188	189	3	2228 10 300C	13	14	13
2158 41 610A	183	184	1	2229 69 090	402	404	-
2158 41 619	183	184	5	2229 69 101	402	404	25
2158 43 030A	188	189	4	2229 69 120A	402	404	26
2158 53 320B	224	225	1	2234 66 173	344	346	17
2158 53 970A	220	223	24	2244 18 520	86	88	19
2156 54 320B	224	225	2	2244 32 130A	118	121	33
	228	229	2		124	127	34
2158 57 740	285	288	28	2244 32 423	118	120	23
2158 57 790	285	287	27		124	126	24
2158 58 510	295	296	11	2244 32 425	118	120	24
2158 59 510	295	297	11		124	126	25
2158 61 061	220	223	28	2244 32 426	118	120	25
2158 61 070	220	223	29		124	126	26
2158 61 081	220	223	30	2244 42 360A	168	169	5
2158 61 090	220	223	31	2244 42 455	168	170	35
2158 61 340	326	328	-	2244 53 920	232	233	9
2158 61 351	326	329	44	2244 54 291	86	88	20
2158 66 021	334	335	1	2244 57 740	285	288	28
2158 66 051	334	335	1	2244 57 790	285	288	27

2244 66 020A ~ 2329 13 111A INDEX.

2244 66 020A	331	332	-	2306 43 820	209	210	8
2244 66 050A	331	332	-	2316 53 380	224	226	13
2244 66 090	331	332	-	2316 53 600B	224	227	27
2244 66 110	331	332	-	2316 54 600B	224	227	28
2244 66 230	331	333	-	2316 56 190	232	234	15
2244 66 240	331	333	-	2317 57 140	274	277	22
2244 66 250A	340	343	-	2317 57 190	274	277	23
2244 66 260A	340	343	-		280	282	12
2244 69 170	407	409	29	2320 32 425	118	120	24
2244 70 401	439	440	1		124	126	25
2244 87 011	331	332	1	2320 32 426	118	120	25
2244 87 012	331	332	2		124	126	26
2244 87 013	331	332	3	2325 66 020	334	335	-
2244 87 014	331	332	4	2325 66 021	334	335	7
2244 87 015	331	332	4	2325 66 050	334	335	-
2244 87 016	331	332	5	2325 66 051	334	335	7
2244 87 017	331	332	5	2325 66 090A	334	337	-
2244 87 018	331	332	6	2325 66 091	334	337	22
2244 87 019	331	332	7	2325 66 093	334	337	23
2244 87 031	331	332	11	2325 66 110A	334	337	-
2244 87 032	331	332	11	2325 66 111	334	337	22
2244 87 191	331	333	18	2325 66 113	334	337	23
2244 87 192	331	333	19	2325 66 130A	344	345	-
	340	343	33	2325 66 131A	344	345	1
2244 87 193	331	333	20	2325 66 132	344	345	2
2244 87 194	331	333	21	2325 66 133	344	345	3
	340	343	35	2325 66 150A	344	345	-
2244 87 195	331	333	21	2325 66 152	344	345	2
	340	343	35	2325 66 156	344	345	10
2244 87 196	331	333	22		344	346	23
2244 87 201	340	343	32	2325 66 157	344	345	11
2244 87 203	340	343	34	2325 66 170A	344	346	
2244 87 206	340	343	36	2325 66 171A	344	346	15
2247 66 071	334	336	12	2325 66 172	344	346	16
2247 70 520	435	436	6	2325 66 173	344	346	17
2247 71 520	435	436	6	2325 66 190A	344	346	-
2254 66 420	353	354	5	2325 66 192	344	346	16
	368	369	1	2325 66 531	380	381	1
2254 66 430	353	354	7	2325 66 532	380	381	2
	368	369	3	2327 53 300A	224	225	-
2256 66 090	334	337	-	2327 54 300A	224	225	-
2256 66 091	334	337	29	2327 66 870	380	381	-
2256 66 093	334	337	30	2327 66 880	380	381	-
2256 66 094	334	337	31	2327 66 890	380	381	-
2256 66 110	334	337	-	2328 13 804A	27	29	32
2256 66 111	334	337	29	2329 09 010B	457	458	
2256 66 113	334	337	30	2329 10 100E	5	6	1
2256 66 114	334	337	31	2329 10 103A	5	6	2
2272 66 210	344	347	-		13	14	2
2272 66 213	344	347	34	2329 10 150B	13	14	1
2272 66 420	353	354	6	2329 10 200C	5	6	14
	368	369	2	2329 10 204	5	6	16
2272 66 430	353	354	8	2329 10 410	13	15	28
	368	369	4	2329 10 417	13	15	29
2272 68 881	399	401	20	2329 10 600A	5	7	25
2280 42 460	168	170	30	2329 10 864	5	8	48
2280 60 430B	255	256	1	2329 10 870	5	8	49
	267	268	-	2329 11 400	21	23	23
	457	459	15	2329 11 601A	17	19	35
	460	462	16	2329 11 613	17	20	40
2280 67 090	358	360	23	2329 13 100D	27	28	1
2280 67 131A	358	360	24	2329 13 111A	27	28	9

INDEX. 2329 13 200C ~ 2329 69 602

2329 13 200C	27	28	11	2329 18 200	82	84	17
2329 13 221	27	28	15	2329 18 300A	86	87	1
2329 13 222	27	28	16	2329 18 361	86	87	6
2329 13 230C	27	28	17	2329 18 381	86	87	9
2329 13 300	27	29	22	2329 18 400	86	87	12
	43	44	-	2329 18 520	86	88	19
2329 13 330B	27	29	26	2329 18 600	82	85	31
2329 13 341	27	29	28	2329 18 700	82	84	18
2329 13 710B	30	31	1	2329 18 920	13	15	34
2329 13 714A	30	31	3	2329 18 921	13	15	35
2329 13 715	30	31	5	2329 18 922	13	15	36
2329 13 721A	30	31	6	2329 18 923	13	15	37
2329 13 725B	30	31	7	2329 18 924	13	15	38
2329 13 726	30	31	8	2329 23 050	13	15	27
2329 13 731A	30	31	9	2329 23 103	17	18	1
2329 13 732A	30	31	10	2329 23 113	21	22	1
2329 13 735A	30	31	11	2329 23 671	43	44	5
2329 13 740A	30	31	12	2329 23 673	43	44	2
2329 13 744	30	31	13	2329 23 676	43	44	7
2329 13 745B	30	31	15	2329 23 677	43	44	8
2329 13 750B	30	31	16	2329 32 100	118	120	19
2329 13 752B	30	31	17	2329 32 800A	156	157	9
2329 13 754A	30	31	18	2329 39 021	161	162	1
2329 13 756	30	31	19	2329 39 040	161	162	2
2329 13 760D	30	31	20	2329 40 010	166	167	2
2329 13 761	30	31	22	2329 40 300	166	167	3
2329 13 762	30	32	23	2329 43 890	209	210	14
2329 13 763A	30	32	24	2329 45 020	175	176	-
2329 13 780	30	32	25	2329 45 021	175	176	17
2329 13 781A	30	32	27	2329 45 040A	175	177	-
2329 13 783	30	32	28	2329 45 041B	175	177	23
2329 13 785A	30	32	29	2329 45 060	175	177	-
2329 13 786B	30	32	30	2329 45 061	175	177	26
2329 13 787	30	32	31	2329 45 360A	209	210	24
2329 13 800D	27	29	29	2329 45 510A	290	211	27
2329 13 810A	27	29	30	2329 52 010B	220	221	9
2329 13 879	27	29	33	2329 53 010C	220	221	10
	166	167	1	2329 53 210G	220	222	12
2329 14 651	45	48	46	2329 54 210B	220	222	13
2329 14 735	55	58	37	2329 56 010B	232	234	14
2329 15 010C	55	56	1		232	234	14
	62	63	-	2329 56 020B	232	235	-
2329 15 100B	62	63	12	2329 56 030B	232	235	24
2329 15 130A	62	63	-	2329 56 130A	232	236	26
2329 15 131A	62	63	1	2329 56 266B	232	238	57
2329 15 132A	62	63	14	2329 56 267	232	238	58
2329 15 151A	55	56	5	2329 56 269	232	238	60
2329 15 152	62	63	11	2329 56 300C	232	236	29
2329 15 200A	55	56	8	2329 56 451	232	237	45
2329 15 210	55	56	9	2329 56 530B	232	236	27
2329 15 250B	55	56	-	2329 56 901B	156	158	16
2329 15 310C	55	56	12	2329 56 911	232	238	65
2329 15 351	51	53	22	2329 56 913	232	238	67
	55	57	22	2329 59 010	290	291	1
2329 15 401A	55	57	25	2329 61 402A	306	310	55
2329 15 511	55	57	27	2329 66 530	380	381	-
2329 15 521	55	57	28	2329 66 600D	353	355	21
2329 18 130	82	84	11		358	360	17
2329 18 140	82	84	12		368	370	18
2329 18 150	82	84	-	2329 66 734	358	361	41
2329 18 170	82	84	15	2329 67 130	358	360	26
2329 18 180	82	84	16	2329 69 602	422	423	2

2329 69 603 ~ 2370 43 400B INDEX.

2329 69 603	422	423	4	2335 69 660	432	433	10
2329 69 613	422	423	14	2335 69 660A	426	427	8
2329 69 614	422	423	15	2335 75 010	267	268	1
2329 69 639	422	424	17	2335 75 021	267	268	2
2329 69 641	422	424	20	2336 32 050	124	125	17
2329 69 642	422	424	21	2336 60 430	255	256	1
2329 69 643	422	424	22		267	268	-
2329 69 644	422	424	23	2336 67 030	353	355	22
2329 69 645A	422	424	25	2339 09 010	457	458	-
2329 69 648	422	424	24	2339 15 010A	55	56	1
2329 69 650C	422	425	35		62	63	-
2329 69 653	422	424	28	2339 15 100B	62	63	12
2329 69 658	422	424	33	2339 53 010B	220	221	10
2329 69 659	422	425	34	2339 53 100	220	222	11
2329 70 050	232	234	13	2339 53 300A	224	225	-
2329 70 401	435	436	1	2339 54 300A	224	225	-
2334 09 010A	457	458	-	2339 75 021	267	268	2
2334 32 050	124	125	17	2350 32 110	118	121	-
2334 32 080	124	126	20		124	127	-
2334 32 220	118	122	49	2350 32 121	118	121	32
	124	128	50		124	127	33
	130	133	33		130	132	-
2334 53 300B	224	225	-	2350 32 220	118	122	49
2334 54 300B	224	225	-		124	128	50
2334 55 430A	251	252	1		130	133	33
	265	266	-	2350 43 400B	188	189	25
2334 56 010	232	234	14		197	198	-
2334 60 430	251	252	1	2350 43 810	209	210	1
	265	266	-	2350 45 250	209	210	16
2334 66 170	344	346	-	2350 45 280	209	210	17
2334 66 171A	344	346	15	2350 45 320	209	210	18
2334 66 190	344	346	-	2350 45 350	209	210	22
2334 69 601	426	427	1	2350 51 120	220	221	4
2334 69 603	426	427	2	2350 58 510	295	296	11
2334 69 621	426	427	1	2350 58 582	295	300	53
2334 69 660	432	433	9		452	454	16
2334 69 660A	426	427	9	2350 58 593	295	300	54
2334 75 021	265	266	2		452	454	17
2334 75 121	265	266	2	2350 59 020A	290	291	1
	267	268	2	2350 59 510	295	297	11
2335 53 010B	220	221	10	2350 60 250	255	256	10
2335 53 100A	220	222	11	2350 70 451	439	440	8
2335 53 300A	224	225	-	2350 75 025	267	268	16
2335 54 300A	224	225	-	2352 53 440	228	230	21
2335 55 430A	225	256	1	2352 54 440	228	230	22
	267	268	-	2352 58 670	295	298	-
2335 56 010	232	234	14	2352 59 670	295	298	-
2335 61 080	326	327	-	2352 72 670	295	298	-
2335 61 130	326	327	-		452	454	-
2335 61 211	326	330	73	2352 73 670	295	298	-
2335 61 212A	326	330	74		452	454	-
2335 67 010	353	355	21	2354 59 010C	290	291	1
2335 67 010A	358	360	17	2358 55 315	262	263	13
	368	370	18	2360 58 510	295	296	11
2335 67 030	353	355	22	2360 59 510	295	297	11
	358	360	18	2360 66 900	383	384	1
	363	365	19	2360 66 903	383	384	2
	368	370	19	2370 32 100	118	120	19
2335 69 601	426	427	1	2370 32 320	138	139	-
2335 69 603	426	427	2	2370 32 351	138	139	14
2335 69 621	426	427	1	2370 43 400B	188	190	25
2335 69 644	426	427	14		197	198	-

INDEX. 2370 49 630A ~ 2450 57 520

2370 49 630A	194	195	5	2410 32 100	118	120	19
	197	198	5	2410 53 600A	224	227	27
2370 49 697	197	199	27	2410 54 600A	224	227	28
2370 53 350	228	230	9	2410 57 100	274	275	—
2370 53 380B	228	230	13	2410 57 110	274	275	1
2370 53 500	228	230	25	2410 57 150	274	275	—
2370 54 350	228	230	10	2410 57 160	274	275	2
2370 54 380B	228	230	14	2410 57 500	274	275	—
2370 54 500	228	231	26	2410 57 550	274	275	—
2370 55 510	255	256	5	2410 70 401	435	436	1
2370 57 500	285	286	—	2410 75 025	267	268	6
2370 57 550	285	286	—	2415 53 100	220	222	11
2370 57 700	285	286	—	2415 53 300	228	229	—
2370 57 750	285	286	—	2415 54 300	228	229	—
2370 58 510	295	296	11	2415 57 500	280	281	—
2370 59 510	295	297	11	2415 57 550	280	281	—
2370 60 250	255	256	10	2415 69 601	429	430	1
2370 60 336	251	253	36	2415 69 605	429	430	5
	255	257	26	2415 69 613	429	430	6
2370 61 190	326	329	—	2415 69 614	429	430	7
2370 66 740	358	360	15	2415 69 622	429	430	2
2370 69 607	432	433	4	2415 69 623	429	430	3
2370 69 608	432	433	5	2415 69 625	429	430	4
2370 69 684	426	428	22	2416 53 300	228	229	—
	432	434	24	2416 54 300	228	229	—
2370 69 685A	426	428	25	2417 57 110	280	281	1
	432	434	26	2417 57 115	280	281	4
2370 69 686A	426	428	27	2417 57 130	280	282	18
	432	434	28	2417 57 135	280	282	21
2370 70 100	220	223	25	2417 57 160	280	281	2
2370 70 220A	394	396	17	2417 57 165	280	281	5
2370 70 231A	394	396	18	2417 57 180	280	282	19
2370 70 240	394	396	19	2417 57 185	280	282	22
2370 70 261	394	396	22	2417 57 400	280	283	30
2370 70 300A	445	446	—	2417 57 450	280	283	35
2370 70 311	445	446	4	2417 57 500	280	281	—
2370 70 401	439	440	1	2417 57 550	280	281	—
2370 70 451	439	440	8	2417 57 700	280	281	—
2370 76 012	326	327	2	2417 57 750	280	281	—
2370 76 057	326	329	50	2417 88 400	280	283	32
2370 99 322	135	136	2	2417 88 450	280	283	37
	138	139	2	2418 09 010	460	461	—
2370 99 324	135	136	3	2418 53 300	228	229	—
	138	139	3	2418 54 300	228	229	—
	141	142	3	2418 56 010	232	234	14
2371 32 110	130	131	—	2418 69 601	429	430	1
2372 32 050A	124	125	17	2418 69 622	429	430	2
2375 66 900	383	384	1	2418 69 623	429	430	3
2375 66 903	383	384	2	2418 69 625	429	430	4
2399 32 050A	124	125	17	2418 69 660	429	431	24
2399 32 080	124	126	20	2418 70 451	439	440	8
2399 53 500	228	230	25	2419 09 010	460	461	—
2399 54 500	228	231	26	2419 53 300	228	229	—
2399 60 335	251	253	35	2419 54 300	228	229	—
	255	257	25	2419 70 451	439	440	8
2399 60 345	251	254	37	2427 32 100	118	120	19
	255	257	27	2427 67 030	348	350	21
	295	297	11		363	365	19
2401 59 510	295	297	11	2450 57 200	285	288	31
2404 53 380B	228	230	13	2450 57 250A	285	288	36
2404 54 380B	228	230	14	2450 57 510	285	286	1
2404 59 510	295	297	11	2450 57 520	285	287	16
2409 57 100	269	270	—				

2450 57 550 ~ 908033 2 816 INDEX.

2450 57 550	285	286	-	907614 6 16	452	454	19
2450 57 560	285	286	2	907614 6 25	295	300	52
2450 57 570	285	287	17		295	300	55
2450 57 750	285	286	-		452	454	18
2450 60 430	457	458	7		452	454	20
	460	461	8	907812 6 25	203	204	15
2450 88 200	285	288	33		205	206	15
2450 88 220	285	288	38		207	208	21
2450 88 250	285	286	4		209	211	26
2450 88 350	285	286	5	907812 8 18	295	299	41
2450 88 550	285	287	19	907812 8 40	468	470	30
2450 88 650	285	287	20	907816 6 16	463	464	9
2452 57 500	285	286	-		463	464	17
2452 57 700	285	286	-		463	464	21
2545 23 496	90	91	2		463	465	25
	92	93	2		463	466	48
2780 17 561	79	81	26	907816 6 20	463	467	66
2797 53 300A	224	225	-	907816 8 16	463	464	5
2797 53 600A	224	227	27	907832 8 22	295	299	40
2797 54 300A	224	225	-	907832 8 25	452	455	35
2797 54 600A	224	227	28		452	455	40
2952 57 815	269	273	46	907996 6 20	269	273	44
	274	279	51		274	278	44
	280	284	44		280	284	41
	285	289	47		285	289	42
2980 66 471	340	343	39	908010 8 16	86	89	29
2981 17 406	77	78	3	908012 8 12	200	202	31
2981 17 410	77	78	5	908012 8 16	86	87	8
2981 17 420	77	78	6		118	122	43
2981 17 431	77	78	8		124	128	44
2981 57 970A	269	273	45		130	132	29
	274	279	45		200	202	36
	280	284	43	908012 8 18	9	12	44
	285	289	46		21	23	22
2981 57 976	269	273	47		159	160	7
	274	279	46		161	162	6
	280	284	45	908012 8 25	13	15	39
	285	289	48	908012 8 30	55	56	7
2981 57 978	269	273	48	908016 8 12	51	53	22
	274	279	47		55	57	24
	280	284	46		55	57	26
	285	289	49	908016 8 16	51	53	24
2981 66 495	348	350	18		185	186	10
	353	355	19		188	189	11
	358	360	13	908016 8 18	13	16	54
	363	365	15	908016 8 22	59	60	16
	368	370	16	908016 8 25	62	64	15
2981 66 496	348	350	18	908016 8 28	65	68	39
	353	355	19	908016 8 35	1	3	42
	358	360	13		5	7	44
	363	365	15		59	61	20
	368	370	16	908016 8 40	62	64	19
2981 75 565	239	241	29	908016 8 45	5	8	45
	245	247	29	908016 8 65	1	3	43
2981 75 568	239	241	30		1	3	44
	245	247	30		5	8	46
4069 17 245	73	74	12	908016 8 75	1	4	45
4825 23 362	33	36	48		5	8	47
907431 4 12B	402	403	3	908017 8 16	215	216	17
	407	408	3	908017 8 20	185	186	11
907436 6 16	358	361	48		188	189	12
907614 6 16	295	300	51	908033 2 816	86	89	27

INDEX. 908040 6 16 ~ 908339 6 12

908040 6 16	394	398	51	908066 6 16	468	470	22
908041 6 30	156	158	17		468	470	42
908042 8 25	280	283	34		468	471	61
	285	288	35	908066 6 18	51	52	10
908046 5 20	442	444	28	908066 8 18	218	219	14
	445	447	30	908066 8 20	468	469	5
908046 8 16	220	223	35	908067 6 14	220	221	5
908046 8 25	269	272	36	908067 6 16	212	214	27
	269	273	40		215	216	13
	274	278	36		220	223	26
	274	278	40	908067 6 18	218	219	3
	280	283	29	908067 6 20	181	182	9
	285	288	30		183	184	12
908047 6 14	232	238	59	908310 4 08B	394	396	24
	232	238	62	908324 6 14	295	297	19
908047 6 20	172	174	33		452	453	11
	175	177	36	908330 5 12	334	336	13
908047 8 25	353	354	9	908330 5 16	358	360	14
	368	369	5	908331 4 10	321	322	22
908051 5 16	442	444	27		326	327	20
908051 8 25	118	120	26	908332 3 06	107	109	37
908051 8 25B	118	120	26		144	145	18
	124	126	27	908332 3 10	239	243	65
	130	134	50		245	249	66
908056 8 35	168	169	12	908332 4 08	49	50	5
908057 6 20	220	221	6	908332 4 12	251	253	28
908061 5 12	220	221	7		251	253	34
908062 6 10	9	11	24		255	257	24
	13	15	26		394	397	35
	51	52	6	908332 4 12B	251	253	31
	69	72	42		251	254	38
908062 6 14	55	56	6		255	257	28
908062 6 16	55	56	11	908332 5 10	69	71	26
908062 6 20	463	464	6	908332 5 12	200	202	32
908062 6 25	203	204	11	908332 5 16	348	350	19
	205	206	11		363	365	17
	207	208	11		368	370	17
	209	210	11	908332 6 12	183	184	9
	452	455	44	908334 6 08	448	449	4
908062 6 30	463	466	54	908334 6 12	452	453	3
	463	467	64	908336 4 08	255	257	29
908062 6 35	209	210	15	908336 4 08B	251	254	39
908062 8 14	218	219	16	908336 4 10	394	396	16
908065 5 12	245	249	60	908336 4 12	168	170	33
908066 4 12	168	170	38		239	242	45
908066 5 08	295	299	33		245	248	45
	383	384	9	908336 5 12	218	219	12
908066 5 10	452	455	31		331	332	9
908066 5 12	239	243	60		348	351	45
	402	406	54		353	357	49
	407	410	42		358	361	47
908066 5 16	215	217	24		363	367	47
	383	384	12		368	371	47
908066 6 10	45	47	21	908336 6 12	380	381	7
	380	381	7	908336 6 20	331	332	10
	383	384	13	908337 5 12	168	169	9
908066 6 12	394	396	30	908338 5 10	295	297	18
908066 6 14	220	221	2	908338 6 12	295	298	21
908066 6 16	215	217	21	908339 5 12	290	291	3
	468	469	9		295	297	20
	468	469	17		452	453	12
	468	469	19	908339 6 12	290	292	6

908339 6 12 ~ 99305 2800 INDEX.

908339 6 12	295	296	6	99221 2026	135	136	7
	448	450	16		138	139	7
908340 4 16	239	243	67		141	142	7
	245	249	68		185	186	22
908344 4 10B	390	393	33		188	189	23
908346 4 16B	390	393	34	99221 3020	135	136	16
908349 4 12B	390	393	35		135	137	20
908374 4 16B	386	387	7		138	139	16
	390	391	7		138	140	20
908380 5 16B	394	396	26		141	143	20
908381 5 16	445	447	31		285	287	15
908386 6 16	402	405	50	99221 4030	144	145	4
	407	409	36	99222 0216	295	298	31
908390 5 14B	251	254	47	99222 0320	82	85	23
	255	258	37	99230 0511	181	182	10
908396 4 16	394	395	14		183	184	13
908399 4 12B	386	388	19	99230 0512	295	297	15
908399 4 16B	390	392	22	99230 0813	200	201	9
908461 4 20	414	415	18	99230 0814	442	444	20
908601 5 08	232	238	68	99230 0823	442	444	19
908631 4 12	200	201	19	99230 1039	200	201	14
908631 4 12B	402	403	9	99231 0636	168	169	13
908631 5 12	394	396	29	99231 0814	200	201	21
908631 5 16	156	158	20	99231 0816	185	186	21
908632 5 12	435	438	47		188	189	22
	439	441	27	99233 0816	69	70	2
908641 4 08	402	403	10	99234 1208	9	10	13
908641 4 16B	386	387	9		13	14	16
	390	391	9	99236 0525	17	19	36
908641 4 20	411	413	27	99236 0725	73	75	28
908641 5 12	394	395	9	99259 0606	321	323	25
908641 5 12B	394	395	11		326	327	21
908641 5 16	399	400	13	99281 2200	301	305	64
908644 4 08B	386	388	31		306	310	56
908644 4 10B	386	389	33		311	315	63
	390	393	36		316	320	71
908644 4 12	386	388	32		321	325	71
908681 5 12	232	238	64	99282 2200	316	317	7
908681 5 12B	220	222	19		316	320	74
99023 3524	274	279	50		321	322	7
	274	279	56		321	325	74
	285	289	56		326	327	22
99201 3500	269	273	52		326	330	75
	274	279	52	99282 4900	51	53	27
	274	279	56		55	57	29
	280	284	50	99282 5500	168	169	7
	285	289	52	99285 0600	168	170	25
	285	289	56	99285 0800	51	53	21
99221 1012	172	173	5		55	57	23
	175	176	5	99295 0608	69	70	12
99221 1212	45	48	47	99295 1006	27	28	20
99221 1610	168	169	14	99295 1508	24	26	23
99221 2010	269	273	51		27	29	35
	274	279	53	99295 1510	65	66	10
	280	284	49	99295 2008	86	88	16
	285	289	53	99301 1100	269	273	53
99221 2012	181	182	6		274	279	57
	183	184	4		280	284	42
	200	201	21		285	289	45
99221 2020	118	123	55	99302 1100	269	273	54
	124	129	56		274	279	58
	130	133	39	99305 2800	9	11	28

INDEX. 99305 2800 ~ 99579 3000

99305 2800	13	15	30	99562 1400	79	81	25
99306 3000	1	2	17		79	81	29
	5	7	23	99562 1600	1	3	40
	9	10	19		51	54	30
	13	14	17		55	57	32
99307 0600	1	3	26	99562 1800	51	54	34
	5	7	32		55	58	36
99307 0800	1	2	15	99564 0800	9	11	29
	5	6	18		13	15	32
	27	28	3		24	25	4
99307 1000	1	2	16		27	28	5
	5	6	22		73	76	40
99307 1200	1	3	27		79	80	19
	5	7	33	99564 1000	65	68	38
	9	10	18		77	78	10
	13	15	21	99564 1200	5	6	3
99307 1400	1	3	28		13	14	3
	5	7	34		172	173	12
99307 1800	24	25	2		175	176	12
	27	28	2	99564 1600	5	7	36
99335 04075	378	379	7		9	10	17
99335 08002	445	446	12		13	14	19
99335 10005	442	443	15		30	32	26
99336 06092	168	170	23		51	53	15
99336 06096	168	170	22		55	57	17
99336 10034	168	170	20	99564 2200	45	48	32
99340 0630	175	177	31	99573 1200	45	46	15
99381 1400	51	54	33		107	108	20
99384 1200	1	3	39	99573 2200	73	75	34
	5	7	35	99573 2500	73	76	42
	51	54	29	99573 3000	73	74	3
	55	57	31	99573 3200	73	74	13
99502 2000	130	132	32	99574 3500	59	60	7
99502 4000	69	71	21		62	63	7
99510 0800	9	11	29	99575 0300	181	182	11
	13	15	31		183	184	14
	24	25	3	99575 0400	239	241	19
	27	28	4		245	247	19
99510 1000	77	78	10	99575 0500	168	170	32
99511 1400	9	11	35		200	201	10
	13	16	45	99575 0600	107	108	7
99511 1600	9	10	17		181	182	4
	13	14	19		183	184	7
	51	53	15	99576 0300	295	297	16
	55	57	16	99576 0400	269	272	34
99541 01101	21	23	27		274	277	34
99541 01601	45	47	25		316	317	15
99541 02101	69	71	31		442	443	6
99560 1200	168	169	3		442	443	7
99562 1000	203	204	4		445	446	15
	203	204	9	99576 0500	218	219	10
	205	206	4		442	443	4
	205	206	9		442	444	22
	207	208	4	99576 0700	200	201	15
	207	208	9	99576 0800	45	48	39
	207	208	18	99578 3000	402	403	19
	209	210	4	99579 0400	386	388	17
	209	210	9	99579 3000	118	119	3
	209	210	21		124	125	3
99562 1400	9	11	36		130	131	3
	13	16	46		394	395	10
	77	78	16		394	397	47

99579 3000 ~ 99803 0810 INDEX.

99579 3000	402	403	20	99701 6030	267	268	13
	402	403	23		334	336	20
	407	408	12	99701 7050	334	338	35
	407	408	16	99743 0520	181	182	16
99586 10207	69	71	29		183	184	19
99606 3306	73	75	26	99743 0616	348	351	41
99606 6306	73	74	2		353	356	45
99611 1500	65	67	30		358	361	42
	73	76	43		363	366	43
	107	109	28		368	371	43
99611 2500	77	78	11	99753 41022	111	113	12
	79	81	23	99753 81022	111	113	12
9962 01 1454	107	109	38	99766 0416	463	467	69
	144	146	24	99767 0412	402	403	5
	399	400	15		402	403	11
9962 02 1454	107	110	38		407	408	5
	144	146	24	99768 0410	407	409	38
	399	400	15	99772 0416	340	343	31
9962 03 1454	107	109	38		344	347	31
	144	146	24	99772 0516	402	404	27
	399	400	15	99773 0420	331	333	24
9963 01 1454	107	110	38		340	343	38
	144	146	24	99781 0825	118	121	30
	399	400	15		124	126	31
9963 60 414	107	110	38	99781 0835	118	120	29
	144	146	24		124	126	30
	399	400	15	99781 1022	156	157	5
9965 03 404	107	110	38	99781 1090	135	137	21
	144	146	24		138	140	21
	399	400	15	99781 1092	118	122	48
99655 3001	107	110	39		124	128	49
99655 3002	107	110	39		130	133	43
99655 3003	107	110	39	99781 1225	150	152	24
99655 3004	107	110	39	99781 1240	150	152	24
99655 3005	107	110	39	99799 0516	394	397	41
99655 3006	107	110	39	99801 0812	144	146	20
99681 1001	27	29	21	99801 0814	172	173	16
99683 0600	394	397	36		175	176	15
99686 0308	118	119	15	99801 0816	27	29	27
	124	125	15		285	286	9
99686 0800	245	249	61	99801 0820	269	270	10
99686 1000	86	89	30		274	276	10
99686 1400	175	177	32		280	282	10
99701 1030	334	338	43		348	349	4
99701 2080	331	333	23		353	354	4
	340	342	30		358	359	4
	340	343	37		363	364	4
	344	347	30	99801 0822	17	19	22
	348	351	37		86	87	7
	353	356	41		159	160	4
99701 3210	344	346	23	99801 0825	69	72	39
99701 3250	334	338	34	99801 0828	30	31	4
99701 4237	331	333	16		86	87	13
	334	336	19		163	164	8
	334	337	27		163	164	13
	340	342	23		166	167	7
99701 5050	394	396	33		166	167	12
99701 6030	259	260	3	99801 0832	163	164	15
	259	261	21		163	165	22
	262	263	3		166	167	17
	262	264	22	99801 0845	69	70	9
	265	266	13	99803 0810	30	31	2

INDEX. 99803 0812 ~ 99851 0622

99803 0812	86	87	2	99832 0408B	251	254	40
99805 0514	239	240	6		255	257	30
	245	246	6		295	298	23
	386	387	12		452	454	22
	390	391	12	99832 0410B	435	436	10
99806 0410B	386	389	42		457	459	17
	390	393	43		460	462	18
99806 0510	373	374	2	99832 0412B	245	248	36
	376	377	11		386	388	20
99806 0512	380	381	8		390	392	23
	402	406	55		435	437	17
	402	406	59		435	437	19
	402	406	60	99832 0516B	394	398	52
	407	410	43	99832 0516C	290	293	17
	407	410	47		448	450	22
	407	410	48	99833 0312B	442	444	17
	463	466	45		445	446	16
	468	471	47	99833 0408	168	171	45
99806 0514	239	240	2		200	202	40
	245	246	2		321	322	23
99806 0612	65	66	5		326	327	23
	212	213	12		326	330	62
	301	303	33	99833 0408B	239	242	36
	306	308	25	99833 0410	168	171	45
	311	313	32		316	317	22
	316	319	45		386	389	37
	321	324	45		390	393	40
	326	329	42	99833 0508	239	240	12
99806 0614	69	71	34		245	246	12
	79	80	13	99833 0510	200	202	38
99806 0616	373	375	18	99833 0512	269	272	35
99806 0618	45	48	35		274	277	35
	156	157	11		290	293	19
99806 0630	45	48	35		301	305	53
	468	471	57		306	309	45
99806 0635	468	472	63		311	314	52
99806 0818	386	387	10		334	335	6
	390	391	10		353	355	17
99807 0840	463	465	38		448	450	19
99811 0812	111	113	22	99833 0516	353	355	20
99811 0820	65	67	20	99833 0810	9	10	2
	115	116	3		13	14	4
99811 1032	65	66	15	99834 0410B	394	396	21
99811 1045	65	66	12	99834 0616	86	87	11
99811 1048	65	66	11	99837 0312B	239	242	37
99811 1050	65	66	9	99837 0416B	435	437	20
	111	112	10	99837 0516	407	409	34
99811 1055	65	66	13	99837 0516C	402	405	48
99811 1075	65	66	14	99837 0525C	411	413	30
99811 1216	55	58	39	99838 0516B	445	447	32
99816 1640	17	20	38	99839 0420	394	395	8
99831 0408	290	292	5	99839 0516B	251	252	6
99831 0408B	386	389	34		255	256	6
	390	393	37	99851 0614	1	2	5
99831 0412	435	436	11		1	3	30
	448	449	3		5	6	5
99831 0516	402	405	43		5	7	37
	407	409	31		9	10	5
99831 0520	407	409	31		13	14	5
99831 0835	215	216	5		27	28	7
99831 1400	55	58	35	99851 0618	82	85	24
99832 0408B	251	253	32	99851 0622	27	28	8

99851 0645 ~ 99869 0408 INDEX.

99851 0645	1	3	33	99862 0412	435	437	26
	5	7	38		439	441	33
99851 0814	1	2	2	99862 0412C	295	296	10
	86	87	14		452	453	6
99851 0816	5	6	6	99862 0416	168	169	17
99851 0818	1	3	29	99862 0416B	386	388	16
	5	7	39		390	392	16
99851 0822	5	6	7		411	412	12
	13	14	6		411	413	25
99851 0826	24	25	5		414	415	10
99851 0838	27	28	6		416	417	14
99851 0860	69	70	8	99862 0420	414	415	17
99851 0870	1	2	3	99862 0425	269	271	21
	9	10	3		274	277	21
99851 1020	5	7	40		280	282	24
99851 1025	24	26	27	99863 0408	220	223	23
99851 1028	1	2	4	99863 0410B	407	409	38
	5	6	8	99863 0412	316	318	24
	9	10	4		348	352	52
	13	14	7		353	357	57
99852 0612	107	109	22		358	362	57
99852 0614	1	2	21		363	366	39
	5	6	17		368	371	39
	9	11	21		416	417	10
	9	11	26	99863 0416	348	352	51
	13	15	22		353	357	56
	13	15	33		363	366	39
	45	46	2		368	371	39
99852 0645	1	3	34	99863 0508	232	238	56
	5	7	41	99863 0508B	445	447	33
99852 0820	104	105	2	99863 0512	301	305	60
99852 0822	1	2	20		306	310	52
	5	6	19		311	315	59
	9	11	20		316	320	67
	13	15	23		321	323	24
99852 0830	9	11	22		321	325	67
	13	15	24		326	328	24
99852 0850	1	2	18		326	330	71
99852 0865	5	6	20		348	349	6
99852 0878	1	2	19		353	354	11
	5	6	21		358	359	6
99852 0880	104	105	3		363	364	6
99852 1032	27	29	31		368	369	7
99855 0406	17	18	3	99863 0516	386	389	39
	21	22	3	99863 0520B	394	395	6
99855 1025	69	70	14	99864 0408	215	216	3
99855 1028	69	70	17		285	287	25
99855 1035	69	70	16		386	389	44
99855 1038	69	70	18		390	393	45
99855 1040	69	70	7	99864 0412	348	351	34
99855 1055	69	70	6		353	356	38
99855 1078	69	70	5		358	361	36
99855 1085	69	70	4		363	366	32
99855 1232	69	70	13		368	370	32
99859 1025	463	465	32	99864 0512	232	235	20
	468	470	26	99864 0516B	251	252	2
99859 1055	463	465	33		255	256	2
	468	470	27	99866 0420	118	119	14
99859 1220	1	2	22		124	125	14
99861 0410B	394	396	20		130	131	14
99861 0412	285	289	44	99868 0308	130	131	15
99862 0412	435	437	24	99869 0408	402	403	2

INDEX. 99869 0408 ~ 99906 0500

99869 0408	402	403	12	99906 0400	239	244	69
	407	408	2		245	249	70
99896 0400	402	403	4		331	333	24
	402	403	13		334	338	44
	407	408	4		340	343	38
99896 0500	251	252	3		380	381	9
	255	256	3		383	384	11
	394	395	7		386	387	4
	394	395	11		386	387	8
99901 0600	51	54	38		386	388	21
	55	58	41		390	391	4
	468	469	6		390	391	8
	468	469	9		390	392	24
	468	469	17		390	392	25
	468	469	19		435	438	45
	468	470	22		439	441	25
	468	471	61	99906 0500	86	88	18
	468	472	63		200	202	32
99901 0800	1	4	48		215	217	25
	5	8	51		220	221	8
	24	25	7		239	240	5
	24	25	12		239	240	9
	24	26	21		239	240	14
	27	28	10		239	241	16
	27	28	14		239	242	47
	27	29	25		239	243	55
	45	47	26		245	246	5
	51	52	4		245	246	9
	51	53	17		245	246	14
	55	56	4		245	247	16
	55	57	19		245	248	47
	69	70	11		245	249	55
	82	85	27		251	254	48
	86	87	3		255	258	38
	86	87	15		259	260	15
	86	88	17		262	263	16
	104	105	20		316	319	60
	104	106	21		321	324	60
	118	120	22		326	330	63
	124	126	23		331	333	17
	130	133	46		334	336	21
	150	151	12		334	337	28
	159	160	4		334	338	36
	163	164	8		340	341	14
	163	164	14		340	342	25
	163	164	17		344	346	14
	163	165	22		344	347	25
	166	167	7		348	349	11
	166	167	13		353	354	15
	166	167	17		358	359	8
	185	187	26		358	359	10
	188	190	26		358	360	16
	468	471	44		383	384	10
99901 1200	468	470	32		386	387	13
99902 0800	163	164	8		390	391	13
	163	164	17		394	395	13
	163	165	22		394	397	40
	166	167	7		394	397	48
	166	167	17		402	404	31
	215	216	5		402	404	37
99906 0300B	442	444	18		402	406	54
	445	447	17		402	406	55

99906 0500 ~ 99922 1000 INDEX.

99906 0500	402	406	59	99906 0600	463	464	21
	402	406	60		463	465	25
	407	408	20		463	466	49
	407	409	26	99906 0616	468	469	6
	407	410	42	99906 0800	386	387	11
	407	410	43		390	391	11
	407	410	47		463	464	5
	407	410	48		463	465	42
99906 0600	9	12	41		468	469	5
	13	16	51	99907 0500	259	260	8
	24	25	9		262	263	8
	30	31	14		295	298	32
	30	31	21		386	388	24
	45	46	3		390	392	21
	45	47	20		452	454	29
	51	52	9	99907 0600	49	50	11
	55	56	10		181	182	14
	82	83	3		183	184	17
	82	85	28	99911 0800	172	173	17
	107	109	32		175	176	16
	156	157	11	99913 0600	239	244	73
	172	173	9		245	250	74
	175	176	9	99921 0800	115	116	3
	200	201	16	99921 1000	65	66	16
	212	213	6		69	70	10
	212	213	9		69	71	36
	212	213	12		115	116	4
	212	214	20		115	116	7
	212	214	26		115	117	10
	215	216	16		115	117	21
	218	219	4		124	128	49
	218	219	5		138	140	21
	220	223	32		141	143	22
	251	254	42		159	160	9
	255	257	32		161	162	3
	295	300	63		161	162	8
	301	304	34		212	213	4
	306	308	26		212	214	18
	311	313	33		463	465	34
	316	319	46		468	470	28
	321	324	46	99921 1200	65	66	8
	326	329	45		107	108	17
	348	349	9		153	154	19
	348	351	42		159	160	5
	348	352	57		161	162	4
	353	354	13	99921 1400	150	151	13
	353	356	46		463	465	40
	353	357	62	99921 1800	118	123	56
	358	361	43		124	129	57
	358	362	62		130	133	40
	358	362	64	99922 0800	65	67	34
	363	364	8		185	186	20
	363	364	11		188	189	21
	363	366	44	99922 1000	115	117	21
	363	367	52		118	122	41
	368	369	9		118	122	54
	368	369	11		118	123	57
	368	371	44		124	128	42
	318	372	52		124	128	55
	378	379	12		124	129	58
	463	464	6		130	132	31
	463	464	9		130	133	38

INDEX. 99922 1000 ~ 99952 0500

99922 1000	130	133	41	99951 1030	161	162	8
	185	186	14	99951 1430	150	151	13
	185	186	16	99952 0300	326	330	64
	188	189	15	99952 0400	200	202	40
	188	189	17		316	318	25
99922 1400	135	136	9		331	333	24
	138	139	9		334	339	44
	141	142	9		380	382	9
99924 1000	118	123	55		383	384	11
	124	129	56		386	388	21
	130	133	39		390	392	24
	130	133	43	99952 0400B	386	389	42
	135	136	7		390	393	43
	138	139	7	99952 0412	215	216	3
	141	142	7		220	223	23
99924 1200	135	136	16		386	387	4
	135	137	20		386	387	8
	138	139	16		390	391	4
	138	140	20		390	391	8
	141	143	20		402	403	2
99941 0600	86	88	23		402	403	12
99941 0800	27	29	23		407	408	2
99941 0801	24	26	19	99952 0500	86	88	18
99942 1000	118	122	48		220	221	8
	135	137	21		232	238	68
	156	157	15		239	240	5
99942 1200	150	152	21		239	240	12
99943 1200	107	108	18		239	241	16
99944 1400	135	136	10		239	242	47
	138	139	10		245	246	5
	141	142	10		245	246	12
99945 0800	269	272	26		245	247	16
	274	277	26		245	248	47
	280	282	17		251	254	48
99947 1200	118	119	16		255	258	38
	124	125	16		301	305	53
	130	131	16		306	309	45
99947 1400	150	152	23		311	314	52
	156	157	8		331	333	17
99949 0800	163	164	16		334	335	6
	166	167	14		334	336	21
99951 0500	394	395	13		334	337	28
99951 0600	212	214	26		334	338	36
99951 0618	212	213	6		340	341	14
	212	214	20		340	342	25
	215	216	16		344	346	14
	218	219	4		344	347	25
	373	375	18		348	349	6
99951 0818	27	29	25		348	349	11
	86	87	7		353	354	11
	218	219	16		353	354	15
	239	243	57		353	355	17
	245	249	57		358	359	6
99951 0822	51	53	17		358	359	8
	55	57	19		358	359	10
	159	160	4		358	360	16
99951 1022	118	122	48		363	364	6
	124	128	49		368	369	7
	130	133	43		383	384	10
	212	213	4		394	397	41
	212	214	18		394	397	48
99951 1030	159	160	9		402	406	59

99952 0500 ~ 99953 0800 INDEX.

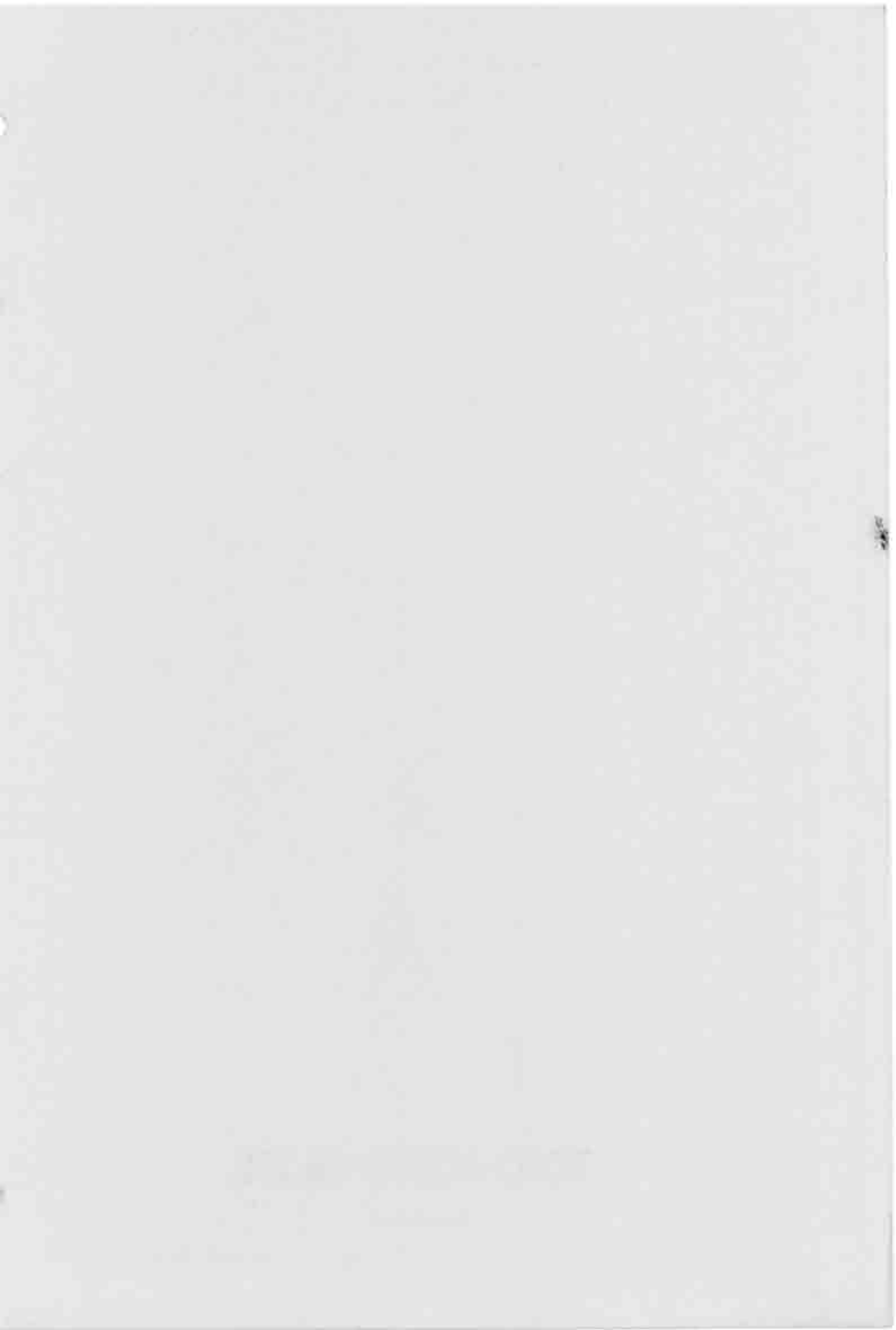
99952 0500	407	410	47
99952 0500B	468	471	47
99952 0516	251	252	6
	255	256	2
	255	256	6
	232	238	56
	239	240	2
	239	240	6
	239	240	9
	239	240	14
	245	246	14
	245	246	9
	245	246	6
	245	246	6
	245	246	2
	239	243	55
	240	240	14
	240	240	9
	240	240	6
	240	240	6
	239	240	2
	239	240	2
	262	263	16
	295	299	32
	316	319	60
	321	324	60
	326	330	63
	380	381	8
	386	387	12
	386	388	13
	386	389	13
	390	391	12
	390	392	13
	394	397	40
	452	454	29
99952 0600	51	54	38
	55	58	41
	82	83	3
	82	85	28
	251	254	42
	255	257	32
	348	349	9
	348	352	57
	353	354	13
	353	357	62
	358	362	62
	358	362	64
	363	364	8
	363	364	11
	363	367	52
	368	369	9
	368	369	9
	368	369	11
	318	372	52
	442	443	6
	445	446	14
	463	466	49
	468	471	57
	468	472	63
99952 0600B	239	241	19
	245	247	19
	86	88	23
99952 0618	218	219	5
	220	223	32
	301	303	33
	301	304	34
	306	308	25
99952 0800	306	308	26
	311	311	32
	313	313	33
	319	319	45
	319	319	46
	324	324	45
	324	324	46
	329	329	42
	329	329	45
	27	27	27
99952 0800B	118	118	22
	120	120	22
	126	126	23
	133	133	46
	151	151	12
	164	164	16
	173	173	16
	176	176	15
	272	272	26
	277	277	26
	282	282	17
	349	349	4
	354	354	4
	359	359	4
	364	364	4
	465	465	38
	465	465	42
	471	471	44
	120	120	26
	126	126	27
	134	134	50
	26	26	21
	213	213	9
	219	219	11
	286	286	9
	387	387	10
	387	387	10
99952 0822	386	386	10
	390	390	10
	390	390	10
	391	391	11
	29	29	34
	116	116	4
	48	48	48
	46	46	3
	46	46	9
	48	48	35
	87	87	11
	25	25	7
	25	25	9
	28	28	10
	28	28	10
	28	28	14
	2	2	2
	47	47	26
	52	52	26
	56	56	4
	70	70	11
	71	71	39
	85	85	27
	87	87	13
	167	167	14
	182	182	6
99953 0400	45	45	48
	45	45	48
	45	45	3
	46	46	3
	46	46	9
	48	48	35
	87	87	11
	24	24	7
	24	24	9
	27	27	10
	27	27	10
	30	30	14
	31	31	2
	45	45	26
	51	51	4
	51	51	4
	55	55	4
	69	69	11
	69	69	11
	86	86	13
	86	86	13
	166	166	14
	181	181	6

99971 0600 ~ 99971 1200 INDEX.

99971 0600	212	214	26	99971 0800	104	106	20		
	215	216	16		104	106	21		
	218	219	5		111	113	22		
	251	254	42		115	116	3		
	255	257	32		118	120	22		
	295	300	63		118	120	29		
	348	349	9		118	121	30		
	348	351	41		124	126	23		
	348	351	42		124	126	30		
	348	352	57		124	126	31		
	353	354	13		130	133	46		
	353	356	45		144	146	20		
	353	356	46		150	151	12		
	353	357	62		159	160	4		
	358	361	42		163	164	14		
	358	361	43		166	167	13		
	358	362	62		172	173	16		
	358	362	64		175	176	15		
	363	364	8		185	187	26		
	363	364	11		188	190	26		
	363	366	43		269	272	26		
	363	366	44		274	277	26		
	363	367	52		280	282	17		
	368	369	9		285	286	9		
	368	369	11		348	349	4		
	368	371	43		353	354	4		
	368	371	44		358	359	4		
	318	372	52		363	364	4		
	373	375	18		386	387	10		
	378	379	12		386	387	11		
	463	466	49		390	391	10		
	468	469	6		390	391	11		
	468	471	57		463	465	38		
	468	472	63		463	466	42		
	99971 0800	1	4		48	468	471	44	
		5	8		51	99971 1000	24	26	30
		24	25		7	27	29	34	
		24	25		12	65	66	16	
		24	26		21	69	70	10	
		27	28		10	69	71	36	
		27	28		14	111	112	10	
		27	29		25	115	116	4	
		27	29		27	115	116	7	
		30	31		2	115	117	10	
		30	31		4	138	140	21	
		45	47		26	141	143	22	
		51	52		4	144	145	10	
51		53	17	144	146	23			
55		56	4	156	157	5			
55		57	19	159	160	9			
65		67	19	161	162	3			
65		67	20	161	162	8			
69		70	11	166	167	4			
69		72	39	185	186	16			
79		80	6	188	189	17			
82		85	27	212	213	4			
86		87	3	212	214	18			
86		87	7	463	465	34			
86		87	13	468	470	28			
86		88	15	99971 1200	55	58	39		
86		88	17	65	66	8			
102		103	7	107	108	17			

INDEX. 99971 1200 ~ 99975 0500

99971 1200	150	152	24				
	159	160	5				
	161	162	4				
	468	470	32				
99971 1400	150	151	13				
	463	465	40				
99971 1800	118	123	56				
	124	129	57				
	130	133	40				
99972 0600	445	447	23				
99972 0800	442	443	5				
	445	446	13				
	445	447	34				
99973 0400	394	396	21				
99975 0500	402	405	43				
	402	405	48				
	407	409	31				



TOYO KOGYO CO., LTD.

Printed in Japan