

# ***ROTARY PICKUP***

## ***PARTS CATALOG***



© 1973 by

**TOYO KOGYO CO., LTD.**

ROTARY ENGINE: LICENSED BY NSU/WANKEL

DECEMBER, 1973





## HOW TO USE THIS PARTS CATALOGUE

This Parts Catalogue is compiled for the following models

**Model : Rotary Pickup (1974 Models Manuf. from DEC. 1973)**

1854	PA136	Rotary Pickup, U. S. A. Spec.
1856	PA136 - T	Rotary Pickup with Auto. Trans., U. S. A. Spec.
1858	PA136	Rotary Pickup, Canadian Spec.
1859	PA136 - T	Rotary Pickup with Auto. Trans., Canadian Spec.

### (I) Layout of Parts Catalog

The spares relevant to each assembly are printed inset to the right, and parts that constitute a sub-assembly are indicated by illustrations and classified according to each assembly.

Therefore, if a spare part is not printed inset to the right, this shows that the part does not constitute a part of the assembly.

Moreover, to aid identification of spares, "exploded" illustrations are incorporated in this catalog.

### (II) How to locate parts

#### 1) When part number is not known

A. Refer to index of groups and locate the group to which the part belongs.

↓

B. Open to group illustration page and locate part wanted.

↓

C. See the number given for the part in the illustration and find corresponding number in the parts composition lists.

D. Then, you will find the name and the part number of the part on the right side of this number.

#### 2) When part number is known but shape and name of part is unknown.

A. See index given at back of the parts catalog and find pages where illustration, part number and figure number is listed.

↓



B. Open to page indicated and locate the part number in the parts composition list, and after this locate the part in the illustration by referring to figure number given at front of the part number.

↓

C. The corresponding figure number in the illustration is for the part required.

#### 3) Moreover as an alphabetical index is incorporated after the index of groups, utilize for locating principal parts.

**(III) On Groups**

- 1) The figure enclosed by a triangle at the top of each page (Example ) indicates group number.
- 2) Group numbers are determined according to structure and function of parts.
- 3) The group number given in the index of groups coincide with the numerals (Example ) of the illustration and parts composition pages.

**(IV) Explanation of Parts Composition Lists**

- 1) Indication of composition of assembly.
  - (a) Only the description of the parts that comprise the assembly and are available as spares are inset to the right and given after the assembly part number and description. In this instance a wide space is taken in between for other spare parts.
  - (b) For parts of sub-assemblies that are included in an assembly and are available as spares, designation is made in the "Remarks" column, (Example : Fig. No. 9 included).
  - (c) When a part's description is not inset to the right, this signifies that the part is not included in any assembly or sub-assembly.

Example :

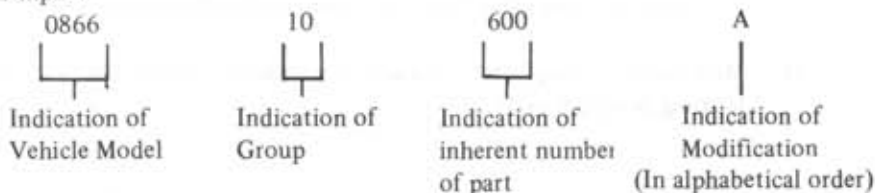
No.	Part Number	Description	Q'ty	Remarks
(a) — 1	<b>0866 18 300</b>	<b>Alternator</b>	1	
(b) — 2	<b>0866 24 533</b>	<b>Nut Set</b>	1	
	⋮	⋮	⋮	
(b) — 8	<b>0866 24 540</b>	<b>Rotor</b>	1	<b>Fig. No. 9 included</b>
(c) — 9	<b>0820 24 503</b>	<b>Bearing, Ball</b>	1	
(d) — 19	<b>99906 0500</b>	<b>Nut, Alternator</b>	1	

- (a) ..... Includes (b) to (c)  
 (b) ..... Includes (c)  
 (d) ..... Is not included in any ass'y nor sub ass'y

2) On parts number

A. Exclusive parts

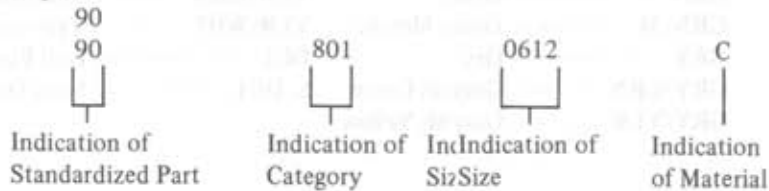
Example :





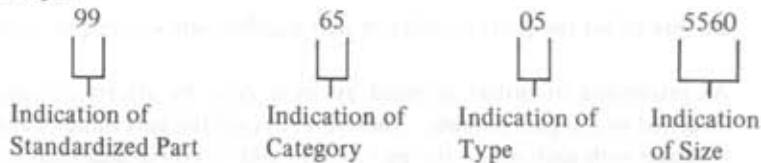
B. Standardized parts (General parts)

Example :



C. Standardized parts (Tires, Tubes, Disc Wheels, etc.)

Example :



3) On Quantity

The quantity given in the parts composition list shows number of parts used per vehicle and does not indicate selling unit.

4) Other Precautions

☆ Mark ..... Parts marked thus are not available as replacement parts, therefore, when these parts are required, order in the form of assemblies (or sets) including these parts or in the form of parts interchangeable with these parts.

5) Abbreviations

<p>(R) ..... Right                  (L) ..... Left                  (C) ..... Center                  (Fr.) ..... Front                  (Rr.) ..... Rear                  Cpt. .... Complete                  Ass'y ..... Assembly                  Std. .... Standard                  O. S. .... Over Size                  U. S. .... Under Size</p>	<p>EX. .... Exhaust                  IN. .... Inlet                  T/mission ..... Transmission                  © ..... Parts with Different Colours                  (Indicate colour when ordering)                  ▲10 ..... Indication of Group                  Manual ..... Manual Transmission                  Automatic ..... Automatic Transmission                  Air-Con ..... Air-Conditioner                  P. S. .... Power Steering</p>
<p>BEIG ..... Beige                  BLK ..... Black                  BLU ..... Blue                  BLU. M ..... Blue Metallic                  BLU/GRY ..... Bluish Gray                  BRN ..... Brown                  D. BLU ..... Dark Blue                  D. BRN ..... Dark Brown                  D. GRN ..... Dark Green                  D. GRY ..... Dark Grey</p>	<p>IVRY ..... Ivory                  L. BLU ..... Light Blue                  L. GRN ..... Light Green                  L. GRY ..... Light Gray                  MRN ..... Maroon                  PRPL/BLU ..... Purplish Blue                  PRPL/WHT ..... Purplish White                  RED ..... Red                  SILV. M ..... Silver Metallic                  WHT ..... White</p>

D. YLW .....	Dark Yellow	YLW .....	Yellow
GLD. M .....	Gold Metallic	YLW/D. GRN .....	Yellowish Dark Green
GRN .....	Green	YLW/GRN .....	Yellowish Green
GRN. M .....	Green Metallic	YLW/WHT .....	Yellowish White
GRY .....	Gry	DUL .....	Dull Finish
GRY/GRN .....	Grayish Green	S. DUL .....	Semi Dull Finish
GRY/YLW .....	Grayish Yellow		

(V) Precautions to be taken when placing orders for parts

- 1) Always specify part numbers, names of parts and quantity required.
- 2) Be sure to list the parts in order of part number, when filling in order sheet.
- 3) As processing of orders received by us is done by electronic computers, importance is attached to the part number. Therefore, in case the part number and name of part do not coincide with each other, the part will be sent to you in accordance with the part number.
- 4) Distinction of colour of spare parts by code number is done with figures number 11 and 12 of the parts number. Therefore add to the end of the applying part number and order.

Example :

Part Number	Code No.	Description
1011 60 720A	00	
← 10 Figures →		← 2 Figures →
1011 60 720A	05	
← 10 Figures →		← 2 Figure →

(VI) Replacement pages and purport

Page replacements are supplied once every 6 months as a rule, listing parts modified or newly added and month and year date will be printed in lower corner of each replacement page. Therefore it is essential that care be taken to check on these dates to confirm if the parts listed conforms to the car imported, before ordering.

- 1) Explanation on designation given in remarks column
  - a. Car No. .... Chassis no. of car that modification becomes effective from.
  - b.  $73/12$  ..... 73 designates year of modification and numerals 1 ~ 12 shows month of year.
  - c. O mark ..... Indicates that modified part and former part are interchangeable.
  - d. X mark ..... Indicates that modified part and old part are not interchangeable.
  - e. Δ mark ..... Indicates that new part is interchangeable with old part but that old part is not interchangeable as a replacement for cars utilizing the new part.

- 2) • mark ..... This dot at front of figure number of replacement pages show the parts that have been subject to modification.

**(VII) Colour Code Nos.**

- 1) Whenever there is a part with only one colour, and there is an increase to two or more colours, colour codes will be established only for the colours added. Therefore, there will be parts with and without colour codes. (However, the colour will be described in the "Description Column").  
Therefore, care must be taken to attach the colour code after the part number if it is a colour code established afterwards, otherwise the part supplied will be the coloured part without the colour code.

Example :

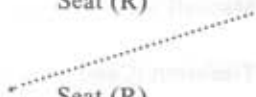
1003 64 610	Tray (Black) .....	Part without colour code
1003 64 610-05	Tray (Brown) .....	Part with colour code

- 2) Location of © mark

As a precaution against dropping of the "Colour code No.", the "©" mark is located right after the part number.  
Always attach the colour code when there is this "©" mark, moreover, be careful not to confuse it with the suffixes for part modifications.

Example :

Formerly .....	1011 57 100A	Seat (R)	©
Newly .....	1011 57 100A ©	Seat (R)	



# INDEX

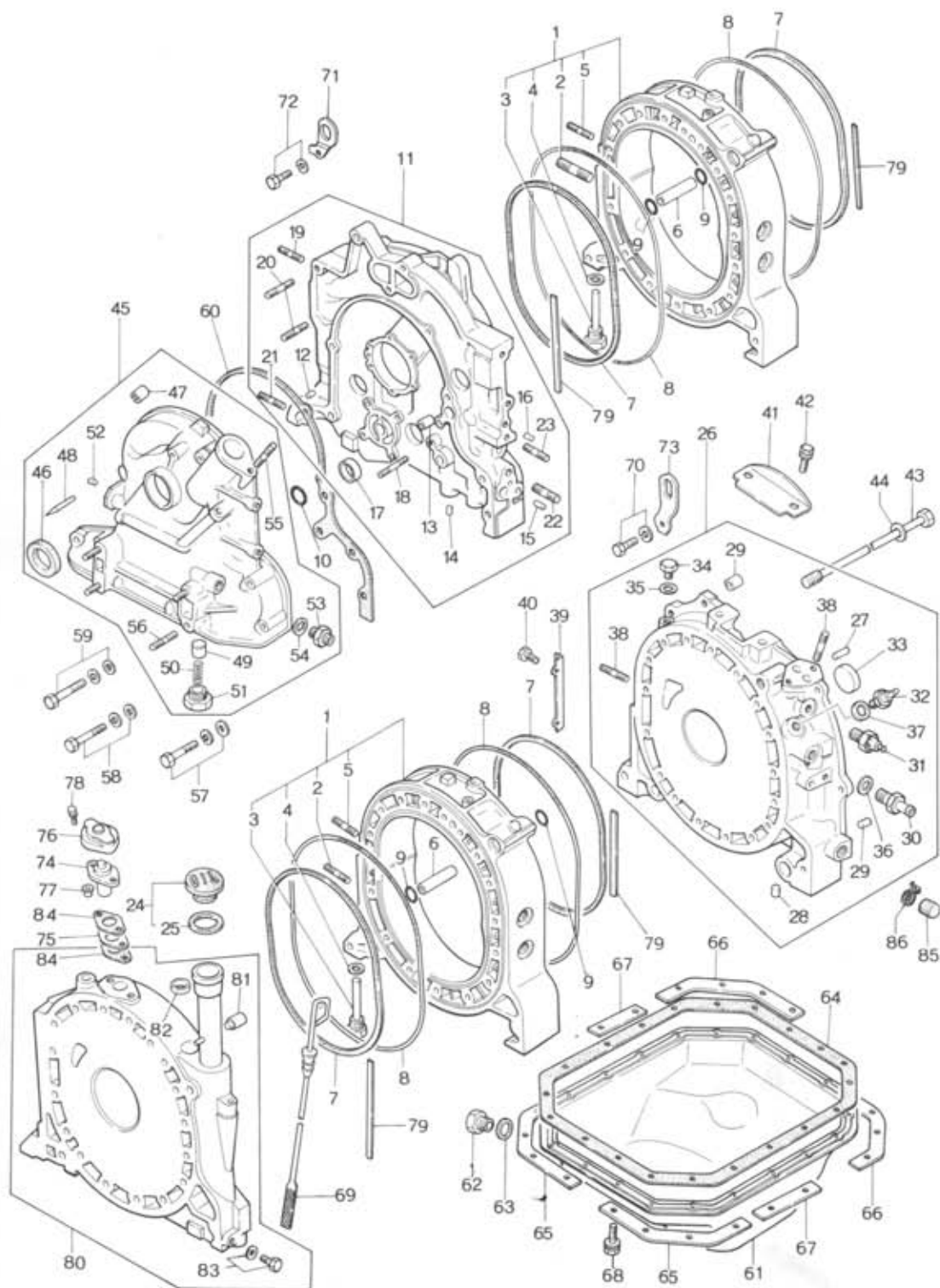
Group No.	Description	Fig. Page	Part No.
<b>Engine Parts</b>			
10	Rotor Housing .....	1	2 ~ 8
10 . 11	Rotor .....	9	10 ~ 13
13	IN. Manifold & Thermal Reactor .....	14	15 ~ 16
13 . 23	Carburettor .....	17	18
13 . 23	Air Cleaner .....	19	20
13	Starting Assist System .....	21	22
13	Emission Control System .....	23	24 ~ 26
14	Oil Pump .....	27	28 ~ 32
14 . 15	Cooling System .....	33	34 ~ 38
16	Clutch (Manual) .....	39	40 ~ 41
17	Manual T/mission (Case) .....	42	43 ~ 45
17	Manual T/mission (Gear) .....	46	47 ~ 49
17	Manual T/mission (Change Controls) .....	50	51 ~ 53
18 . 24	Distributor .....	54	55 ~ 57
18 . 24	Alternator .....	58	59 ~ 60
18 . 24	Starter & Battery .....	61	62 ~ 64
19	Automatic T/mission (Converter, Oil Pump & Piping) .....	65	66 ~ 68
19	Automatic T/mission (Case & Main Control) .....	69	70 ~ 73
19	Automatic T/mission (Clutch & Planetary Gear) .....	74	75 ~ 79
19	Automatic T/mission (Low, Reverse & Governor) .....	80	81 ~ 83
19	Automatic T/mission (Manual Linkage) .....	84	85

Group No.	Description	Fig. Page	Part No.
<b>Chassis Parts</b>			
25	Propeller Shaft .....	86	87 ~ 88
26	Rear Axle .....	89	90 ~ 91
26	Rear Brake .....	92	93 ~ 95
27	Driving .....	96	97 ~ 99
28	Rear Suspension .....	100	101 ~ 102
32	Steering System (Wheel & Gear) .....	103	104 ~ 107
32	Steering System (Rod) .....	108	109 ~ 110
33	Front Axle .....	111	112 ~ 114
34	Front Suspension .....	115	116 ~ 119
34	Front Suspension (Stabilizer) .....	120	121
38	Main Frame .....	122	123
39	Engine & T/mission Support .....	124	125
40	Exhaust System .....	126	127 ~ 128
41	Accelerator Control System .....	129	130
13 . 42	Fuel Tank & Piping .....	131	132 ~ 135
41 . 43	Clutch & Brake Pedal .....	136	137 ~ 138
41	Clutch Release & Master Cylinder (Manual) .....	139	140 ~ 141
43 . 49	Tandem Master Cylinder & Vacuum Power Assist .....	142	143 ~ 144
43 . 45	Brake Piping .....	145	146 ~ 148
44	Parking Brake System .....	149	150 ~ 152
46	Change Control (Automatic) .....	153	154 ~ 155

# INDEX

Group No.	Description	Fig.	Page	Part No.
<b>Body Parts</b>				
50	Bumper & Grille .....	156	157 ~ 159	
52	Bonnet .....	160	161 ~ 163	
51 ~ 56	Body Panels (Front) .....	164	165 ~ 166	
53 ~ 56	Body Panels (Side, Floor & Roof) .....	167	168 ~ 171	
53 . 54	Ventilator, Glass & Moulding .....	172	173 ~ 174	
55 ~ 70	Dashboard .....	175	176 ~ 182	
57	Seat .....	183	184 ~ 185	
58 . 59	Front Side Door (Glass) .....	186	187 ~ 189	
58 . 59	Front Side Door (Lock) .....	190	191 ~ 194	
61 . 76	Car Heater .....	195	196 ~ 198	
65	Box .....	199	200 ~ 204	
66 . 87	Lamps (Front Side) .....	205	206 ~ 207	
66 . 87	Lamps (Rear Side) .....	208	209 ~ 211	
66 . 67	Electric Equipment (Body) .....	212	213 ~ 217	
66 . 68	Windshield Wiper .....	218	219 ~ 220	
66 . 87	Screen Washer .....	221	222	
66	Auto Radio .....	223	224 ~ 225	
68	Service Tools .....	226	227 ~ 229	
69	Attachment .....	230	231	
69	Top Ceiling & Mat .....	232	233 ~ 234	
09	Key Set .....	235	236	
	INDEX .....		237 ~ 274	







# ROTOR HOUSING

10

No.	Part Number	Description	Q'ty	Remarks
1	1757 10 100A	Housing, Rotor	2	
2	0839 10 105	Stud	4	
3	1757 10 120	Nozzle, Air	4	
4	99564 1400	Gasket	4	
5	99851 0822A	Stud	2	
6	1757 10 111	Dowel, Tubular	4	
7	1757 10 171A	Ring, Square	4	
8	0813 10 172	Ring, "O" - Outer	4	
9	0813 10 173	Ring, "O" - Tubular Dowel	4	
10	0813 10 174	Ring, "O" - Front Cover	1	
11	1757 10 200C	Housing, Front	1	
12	0839 10 203	Pin, Dowel	1	
13	2329 10 204	Dowel, Tubular	2	
14	0839 10 205	Plug, Blind	3	
15	1757 10 206A	Plug, Blind	1	
16	1757 10 207	Plug, Blind	1	
17	99306 3000	Plug, Blind - Water	3	
18	99852 0660	Stud	2	

No.	Part Number	Description	Q'ty	Remarks
19	99852 0822A	Stud, IN. Manifold	2	
20	1757 10 208	Stud, Water Pump	4	
21	99852 1016	Stud	1	
22	99859 1220A	Stud, Mounting	1	
23	99859 1225A	Stud	1	
24	0324 10 250	Cap, Oil Filler	1	
25	0324 10 252	Gasket	1	
26	1757 10 300A	Housing, Rear	1	
27	0839 10 203	Pin, Knock - Gear	1	
28	0839 10 205	Plug, Blind	1	
29	1757 10 309	Pin, Tubular	2	
30	0866 10 320A	Joint, Hose	1	
31	0866 18 501A	Switch, Oil Pressure	1	
32	1757 18 510	Gauge Unit, Heat	1	
33	99306 3000	Plug, Blind - Water	5	
34	99511 1200	Plug	1	
35	99562 1200	Gasket, Plug	1	
36	99562 1600	Gasket, Hose Joint	1	

# ROTOR HOUSING

10

No.	Part Number	Description	Q'ty	Remarks
37	99564 0800	Gasket, Heat Gauge Unit	1	
38	99852 0822A	Stud, IN. Manifold & Oil Filler	4	
39	1757 10 305	Cover, Dust	1	(Manual)
40	99796 0610	Bolt, Dust Cover	2	
41	1757 10 351	Cover, Dust	1	
42	99796 0816	Bolt, Dust Cover	2	
43	1757 10 451	Bolt, Tension	18	
	1757 10 452	Bolt, Tension	1	
44	0839 10 455	Washer, Seal	19	
45	1757 10 600B	Cover, Front	1	
46	0820 10 605	Oil Seal	1	
47	1757 10 609	Pin, Spring	1	
48	0820 10 631B	Pin, Top Indicator	1	
49	0839 14 115	Plunger, Press	1	
50	0839 14 273A	Spring, Press Plunger	1	
51	0839 14 274	Plug, Press Plunger	1	
52	99307 0600	Plug, Blind	2	
53	99384 1200	Joint, Union	1	

No.	Part Number	Description	Q'ty	Remarks
54	99562 1600	Gasket, Union Joint	1	
55	99851 0612A	Stud, Distributor	1	
56	99855 1020	Stud, Mounting	4	
57	99801 0840	Bolt, Front Cover	3	
	99952 0800	Washer, Plain	3	
	99971 0800	Washer, Spring	3	
58	99801 0865	Bolt, Front Cover	2	
	99952 0800	Washer, Plain	2	
	99971 0800	Washer, Spring	2	
59	99801 0875	Bolt, Front Cover	1	
	99952 0800	Washer, Plain	1	
	99971 0800	Washer, Spring	1	
60	1757 10 641	Gasket, Front Cover	1	
61	1757 10 700B	Pan, Oil	1	
62	99511 1400	Plug, Drain	1	
63	99562 1400	Gasket	1	
64	1757 10 711	Gasket, Oil Pan	1	

# ROTOR HOUSING

10

No.	Part Number	Description	Q'ty	Remarks
65	0839 10 721	Stiffener	2	
66	1757 10 722	Stiffener	2	
67	1757 10 723	Stiffener	2	
68	99806 0616	Bolt, Oil Pan	22	
	99971 0600	Washer, Spring	22	
69	0866 10 830	Gauge, Oil Level	1	
70	1757 10 845	Bolt, Rear Housing + Engine Hanger	1	
	99971 1000	Washer, Spring	1	
71	1757 10 861	Hanger, Engine	1	
72	99801 0816	Bolt, Engine Hanger	1	
	99952 0800	Washer, Plain	1	
73	1757 10 862	Hanger, Engine	1	
74	1663 18 920	Senser, Thermo	1	
75	2329 18 922	Insulator, Thermo Sensor	1	
76	2329 18 923	Cover, Thermo Sensor	1	
77	2329 18 924	Washer, Insulator	2	
78	99801 0825	Bolt, Thermo Sensor	2	
	99952 0800	Washer, Plain	2	
	99971 0800	Washer, Spring	2	
79	0866 23 025	Protector, "O" Ring	4	

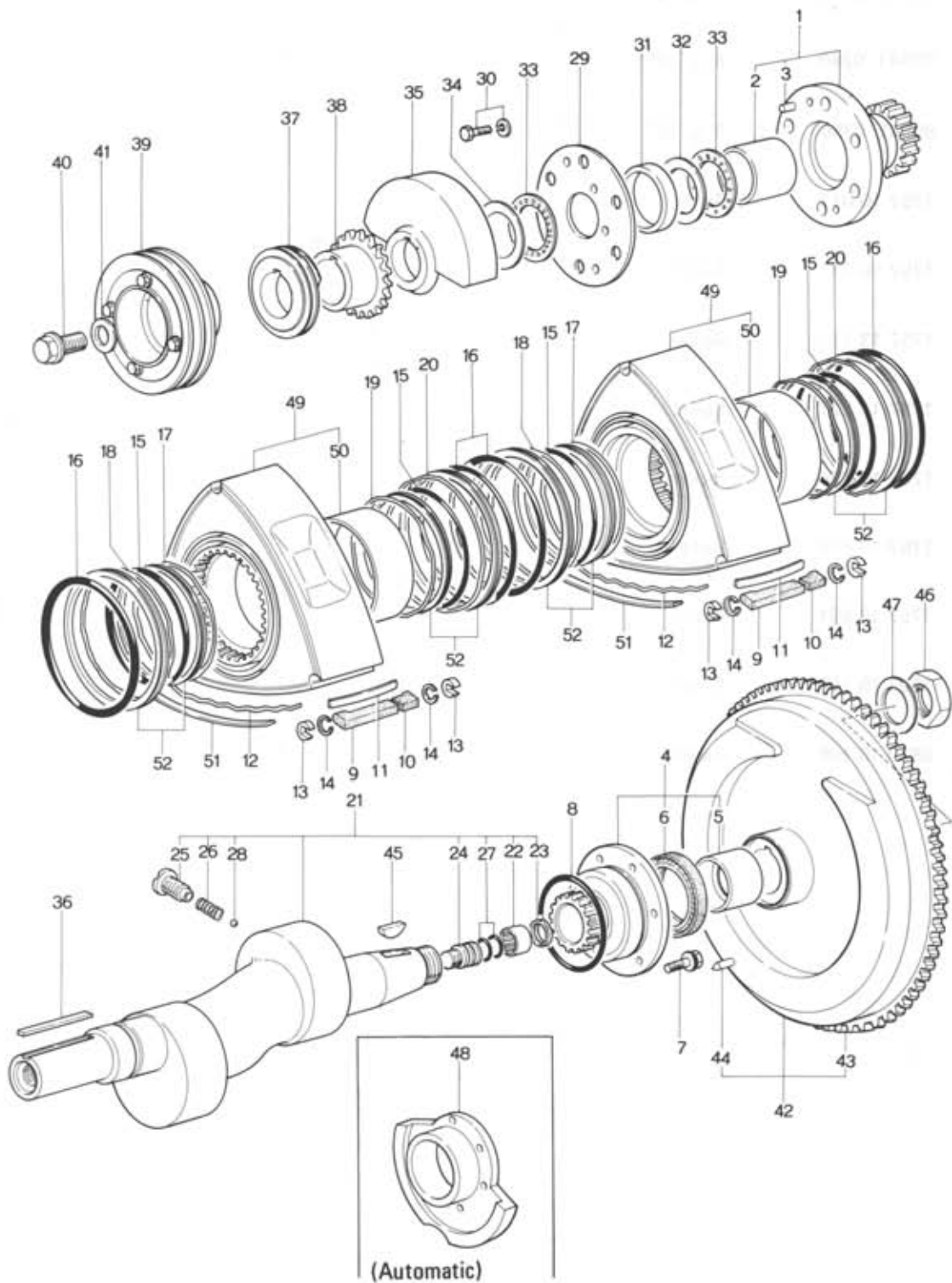
# ROTOR HOUSING

No.	Part Number	Description	Q'ty	Remarks
80	1757 99 105	Housing, Intermediate	1	
81	2329 10 417	Joint, Pipe	1	
82	99305 2800	Plug, Expansion	1	
83	99510 1000	Plug	1	
	99564 1000	Gasket	1	
84	2329 18 921	Gasket	2	
85	0864 61 061A	Cover	1	Without Car Heater
86	99282 2600	Band, Hose	1	
	1757 23 200	Short Engine (Manual)	1	
	1758 23 200	Short Engine (Automatic)	1	
	1758 99 100	Engine Gasket Set	1	
	1757 23 040	Ring Set	1	
	1757 10 171A	Ring, "O" - Inner	4	Included in 1757 23 040
	0813 10 172	Ring, "O" - Outer	4	
	0813 10 173	Ring, "O"	4	
	0813 10 174	Ring, "O"	1	
	0839 10 455	Ring, "O"	19	
	0813 10 555	Ring, "O"	1	

# ROTOR HOUSING 10

No.	Part Number	Description	Q'ty	Remarks
	99541 01601	Ring, "0"	2	
	99541 0240	Ring, "0"	2	
	99541 0350	Ring, "0"	1	
	1757 10 641	Gasket	1	
	1757 10 711	Gasket	1	
	1757 13 111	Gasket	1	
	1757 13 221	Gasket	1	
	1757 13 724	Packing	1	
	1757 13 889	Gasket	2	
	1757 13 891	Gasket	1	
	1757 15 105	Gasket	1	
	0820 15 106	Gasket	1	







No.	Part Number	Description	Q'ty	Remarks
1	1757 10 500	Gear (Frt.), Stationary	1	
2	0820 10 502B	Bearing, Main	1	
3	0839 10 504	Pin, Knock	1	
4	1757 10 550	Gear (Rr.), Stationary	1	
5	0820 10 502B	Bearing, Main	1	
6	1668 10 556	Oil Seal	1	
7	99801 0818	Bolt, Stationary Gear	6	
	99971 0800	Washer, Spring	6	
8	0813 10 555	Ring, "O" - Stationary Gear	1	
9	1757 11 301B	Seal, Apex	6	
10	1011 11 302C	Piece, Side	6	
11	1757 11 304	Spring, Apex Seal	6	
12	0820 11 317	Spring, Side Seal	12	
13	1011 11 321	Seal, Corner (Std.)	12	
	1011 23 176	Seal, Corner (O.S. 0.03)	12	
14	0839 11 323A	Spring, Corner Seal	12	
15	0820 11 341	Ring, "O" - Inner	4	
16	0820 11 343	Ring, "O" - Outer	4	



# ROTOR

No.	Part Number	Description	Q'ty	Remarks
17	1011 11 351	Spring, Oil Seal Inner (Frt.)	2	
18	1011 11 353	Spring, Oil Seal Outer (Frt.)	2	
19	1011 11 361	Spring, Oil Seal Inner (Rr.)	2	
20	1011 11 363	Spring, Oil Seal Outer (Rr.)	2	
21	1757 11 400	Shaft, Eccentric (Manual)	1	
	1758 11 400	Shaft, Eccentric (Automatic)	1	
22	1881 11 403	Bearing, Needle	1	(Manual)
23	1881 11 404	Oil Seal		
24	0813 11 405	Plug, Blind	1	
25	0839 11 411A	Plug, Oil Jet	2	
26	0839 11 412	Spring	2	
27	99541 01101	Ring, "O"	2	
28	99611 2000	Ball, Steel	2	
29	1011 11 501	Plate	1	
30	99801 0822	Bolt, Plate & Stationary Gear	6	
	99971 0800	Washer, Spring	6	
31	0839 11 502	Spacer (L = 8.02)	1	Selective use
	0839 11 506	Spacer (L = 8.08)		

# ROTOR

10

11

No.	Part Number	Description	Q'ty	Remarks
	0839 11 508	Spacer (L = 8.04)	1	
	0839 11 509	Spacer (L = 8.00)	1	
32	1011 11 504	Plate, Thrust	1	
33	0813 11 505B	Bearing, Needle	2	
34	1011 11 507	Washer, Thrust	1	
35	1757 11 511	Weight, Balance (Automatic)	1	
	1854 11 511	Weight, Balance (Manual)	1	
36	1757 11 512	Key	1	
37	0839 11 531	Gear, Drive - Distributor	1	
38	1757 11 551	Gear, Drive - Oil Pump	1	
39	1757 11 600D	Pulley	1	
40	0820 11 611B	Bolt, Pulley	1	
41	99564 2800	Gasket, Bolt	1	
42	1854 11 700	Wheel, Fly	1	
43	0866 11 702	Gear, Ring	1	(Manual)
44	99222 0610	Pin	1	
45	0820 11 705	Key, Fly Wheel	1	
46	0810 11 711	Nut, Lock	1	

10

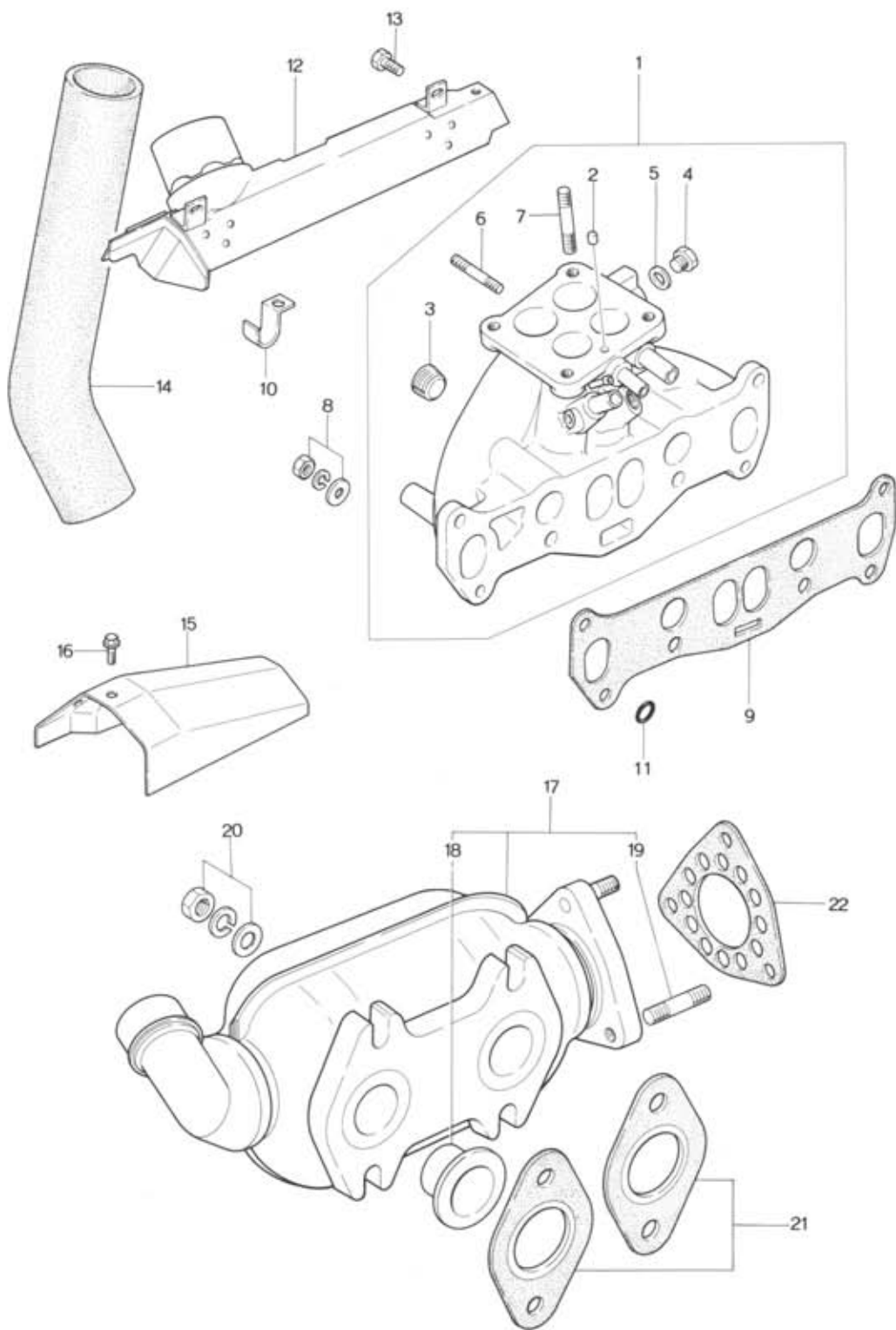
11

## ROTOR

No.	Part Number	Description	Q'ty	Remarks
47	0820 11 712	Washer, Lock	1	
48	1029 11 750	Weight, Counter (Automatic)	1	
49	1757 23 103	Rotor "C"	2	
50	1011 11 111	Bearing, Rotor	2	
51	1011 23 151A	Seal, Side	12	
52	0820 23 180C	Oil Seal Set	4	



# 13 IN. MANIFOLD & THERMAL REACTOR



# IN. MANIFOLD & THERMAL REACTOR

13

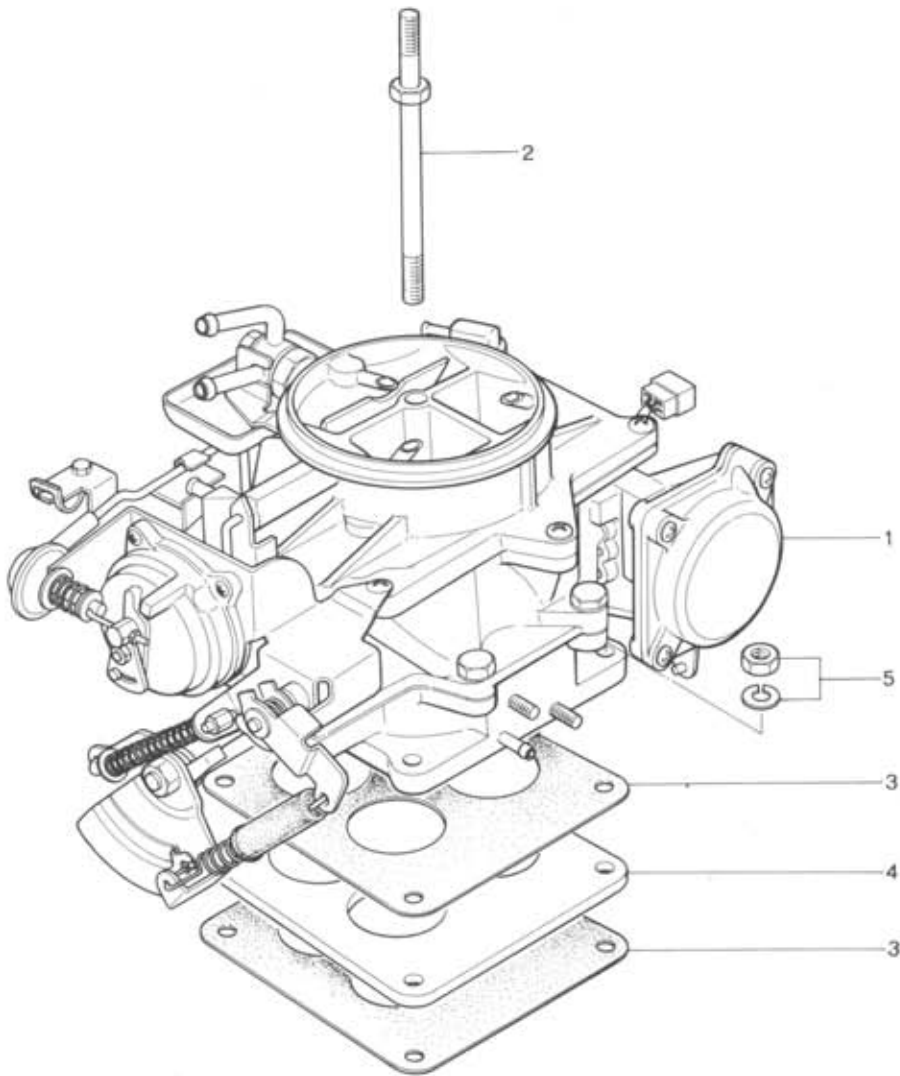
No.	Part Number	Description	Q'ty	Remarks
1	1757 13 100A	Manifold, IN.	1	
2	99307 0600	Plug, Blind	2	
3	99503 3000	Plug	3	
4	99511 1000	Plug	1	
5	99564 1000	Gasket	1	
6	99851 0622A	Stud, Control Valve	3	
7	99851 0830A	Stud, Carburettor	4	
8	99901 0800	Nut, IN. Manifold	6	
	99952 0800	Washer, Plain	6	
	99971 0800	Washer, Spring	6	
9	1757 13 111	Gasket, IN. Manifold	1	
10	1757 13 251A	Clip, Valve Wiring	2	
11	99541 0240	Ring, "O" - IN. Manifold	2	
12	1757 13 330A	Duct, Hot Air	1	
13	99796 0812	Bolt, Hot Air Duct	2	
14	1757 13 341A	Hose, Hot Air	1	
15	1757 13 371A	Insulator, Heat	1	
16	99786 0612	Bolt, Heat Insulator	2	
	99952 0618	Washer, Plain	2	

# IN. MANIFOLD & THERMAL REACTOR

No.	Part Number	Description	Q'ty	Remarks
17	1757 13 800	Reactor, Thermal	1	
18	2090 13 742A	Insert	1	
19	2329 13 876	Stud	3	
20	2158 40 355	Nut, Thermal Reactor	4	
	0839 13 614	Washer, Plain	4	
	2329 13 882	Washer, Spring	4	
21	1757 13 889	Gasket, Thermal Reactor	2	
22	1757 13 891	Gasket, Thermal Reactor	1	







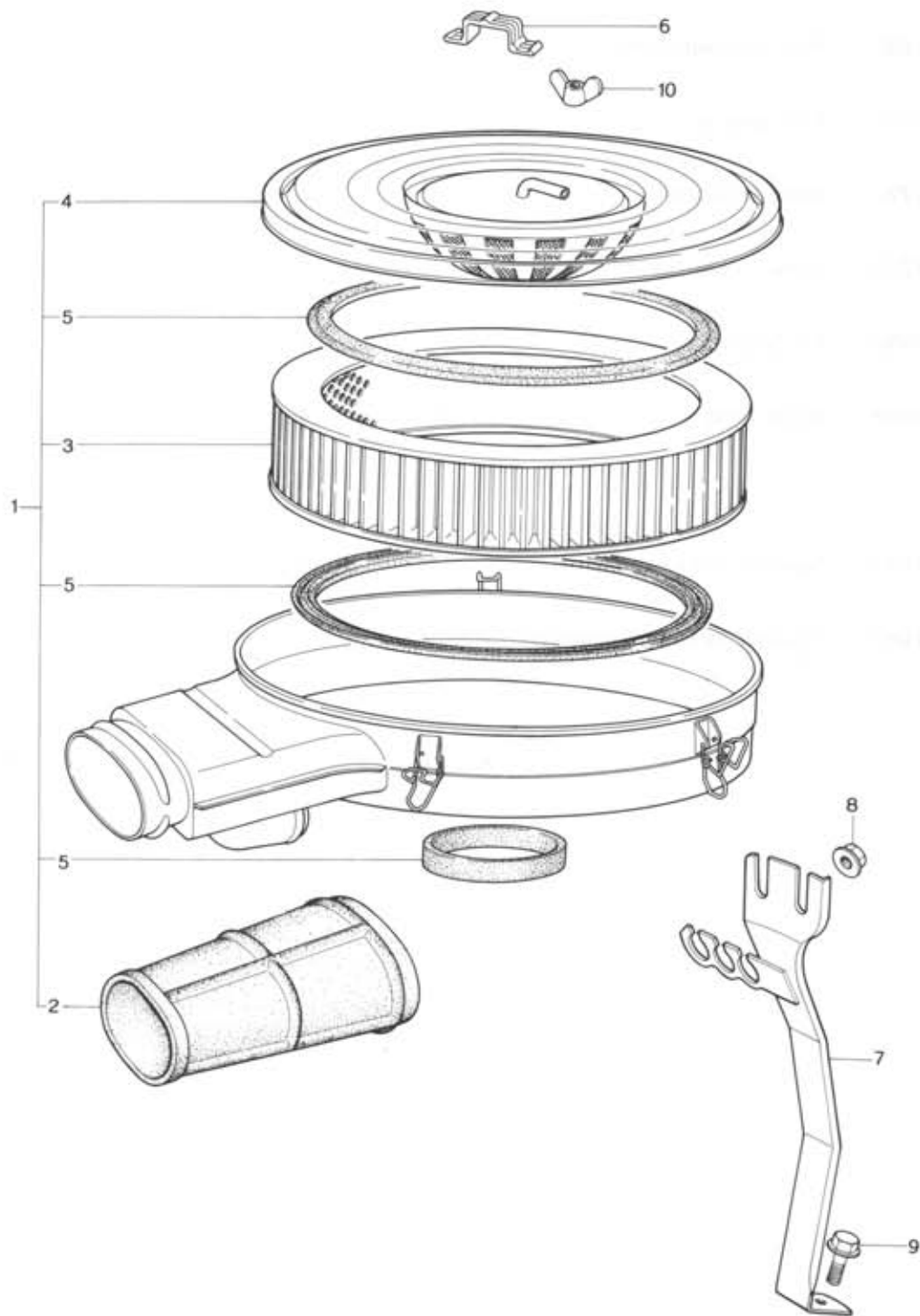
# CARBURETTOR

13

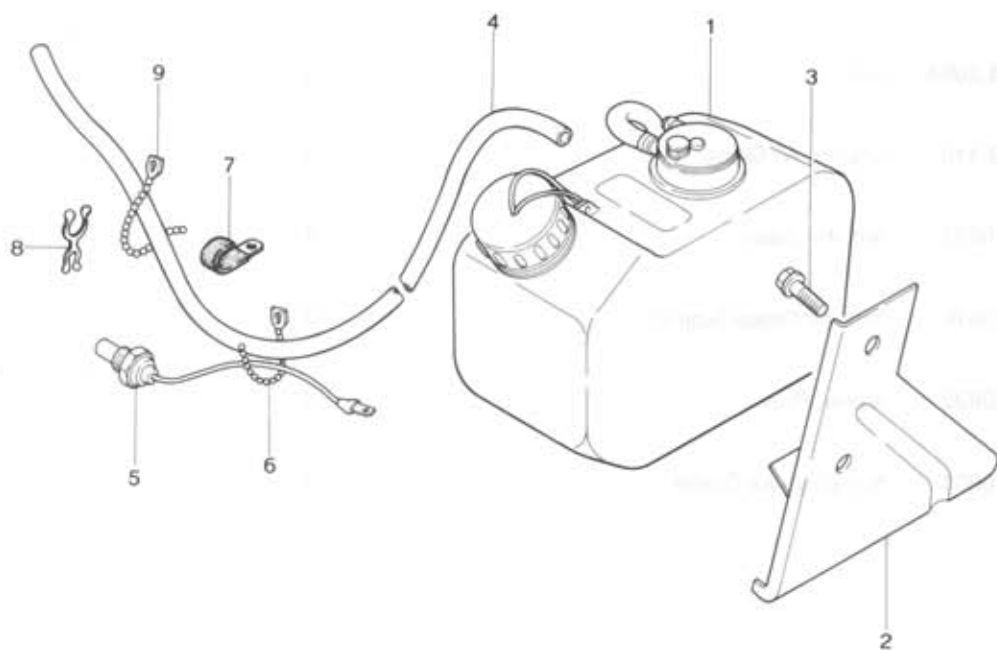
23

No.	Part Number	Description	Q'ty	Remarks
1	1854 13 200	Carburettor (Manual)	1	
	1856 13 200	Carburettor (Automatic)	1	
2	1757 13 201	Bolt, Cleaner Set	1	
3	1757 13 221	Gasket, Carburettor	2	
4	1757 13 222	Insulator, Carburettor	1	
5	99901 0800	Nut, Carburettor	4	
	99971 0800	Washer, Spring	4	
	1757 23 540	Repair Kit, Carburettor (Manual)	1	
	1758 23 540	Repair Kit, Carburettor (Automatic)	1	

# 13 23 AIR CLEANER



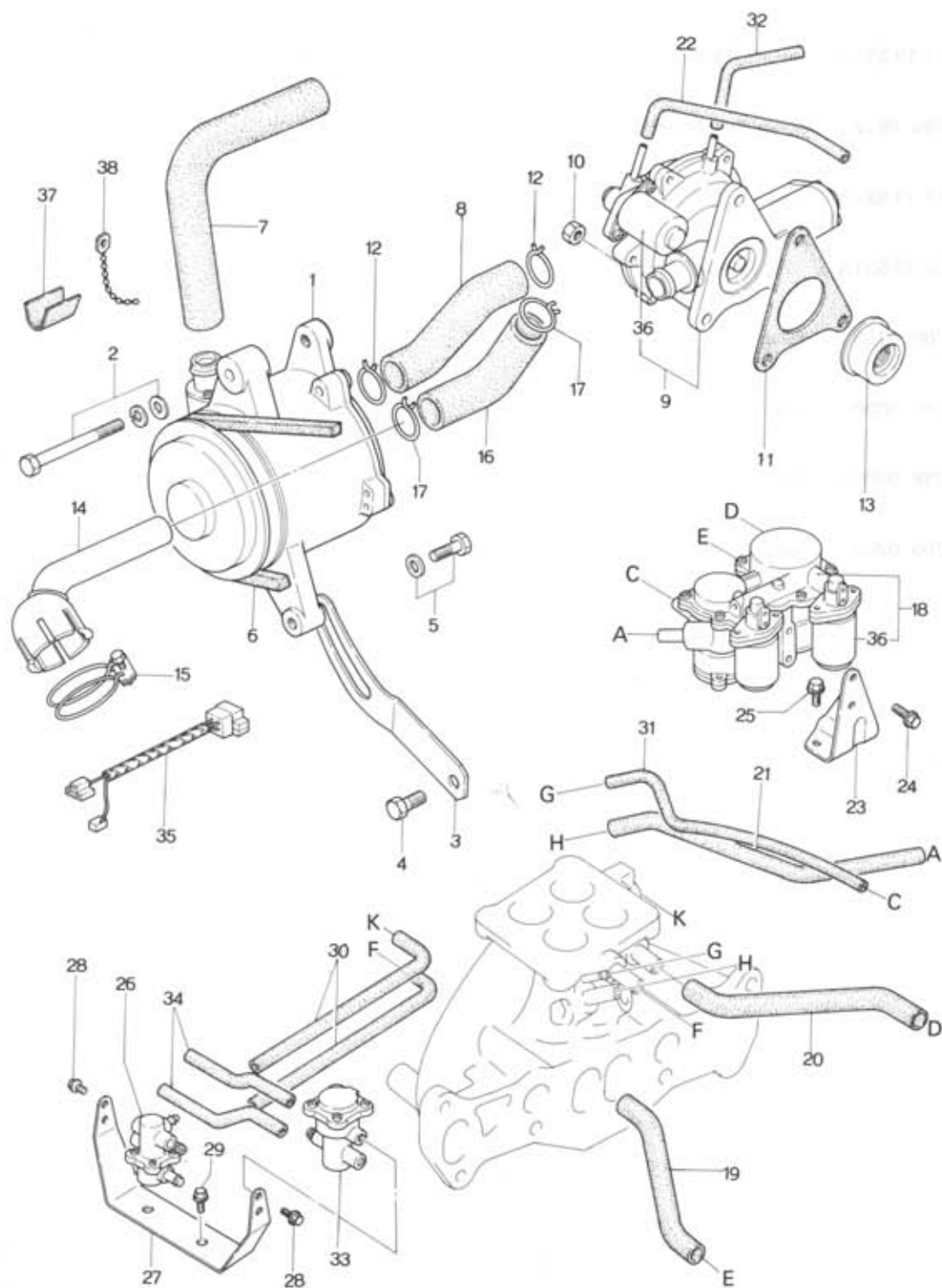
No.	Part Number	Description	Q'ty	Remarks
1	1757 13 300	Cleaner, Air	1	
2	1757 13 351	Hose, Air	1	
3	1757 23 672	Element	1	
4	1113 23 673	Cover, with Charcoal Filter (BLU.)	1	
5	1757 23 680	Gasket Set	1	
6	1617 13 305A	Clip	1	
7	1757 13 310	Support, Air Cleaner	1	
8	99940 0802	Nut, Air Cleaner	2	
9	99786 0816	Bolt, Air Cleaner Support	1	
	99952 0822	Washer, Plain	1	
10	99941 0801	Nut, Wing - Air Cleaner	1	



# STARTING ASSIST SYSTEM

13

No.	Part Number	Description	Q'ty	Remarks
1	1757 13 510A	Tank, Starting Fluid	1	
2	1881 13 515A	Bracket, Tank	1	
3	99786 0612	Screw, Tank Bracket	2	
4	1757 13 527B	Hose	1	
5	1668 13 531A	Unit, Thermo	1	
6	99709 0108	Band	1	
7	99276 1008	Clip	1	
8	99288 0808B	Clip	1	
9	99709 0255	Band	1	





# EMISSION CONTROL SYSTEM

13

No.	Part Number	Description	Q'ty	Remarks
1	1757 13 710	Pump, Air	1	
2	99803 08100	Bolt, Air Pump	1	
	99952 0800	Washer, Plain	1	
	99971 0800	Washer, Spring	1	
3	1757 13 714	Strap, Air Pump	1	
4	99796 0814	Bolt, Strap	1	
5	99796 0820	Bolt, Strap	1	
	99952 0822	Washer, Plain	1	
6	1757 13 715	Belt, "V" - Air Pump	1	
7	1757 13 717	Hose, Air - Air Pump ~ Air Cleaner	1	
8	1757 13 718	Hose, Air - A. C. Valve ~ Air Pump	1	
9	1757 13 720	Valve, Air Control ( Fig. No. 36 included ) (Manual)	1	
	1758 13 720	Valve, Air Control ( Fig. No. 36 Included ) (Automatic)	1	
10	99940 0601	Nut, Air Control Valve	3	
11	1757 13 724	Gasket, Air Control Valve	1	
12	2329 13 726	Clip, Air Hose	2	
13	1758 13 730	Valve, Check	1	
14	1757 13 740	Pipe, Air - Reactor Side	1	
15	99282 4309	Band, Hose - Air Pipe	1	
16	1757 13 744	Hose, Air - Reactor ~ A. C. Valve	1	

## EMISSION CONTROL SYSTEM

No.	Part Number	Description	Q'ty	Remarks
17	2090 13 746	Clip, Air Hose	2	
18	1757 13 750	Valve, Deceleration Control (Fig. No. 36 Included)	1	
19	1757 13 752	Hose, Air - D. C. Valve ~ Air Cleaner	1	
20	1757 13 753	Hose, Air - D. C. Valve ~ IN. Manifold	1	
21	1757 13 754A	Hose, Air - D. C. Valve ~ IN. Manifold	1	
22	2329 13 754A	Tube, Balance - A. C. Valve ~ Carburettor	1	
23	1757 13 757	Supporter, D. C. Valve	1	
24	99796 0610	Bolt, Supporter + D. C. Valve	2	
25	99796 0812	Bolt, D. C. Valve Supporter	2	
26	1757 13 770A	Compensator, Altitude	1	
27	1757 13 772A	Bracket, Alt. Compensator & E. C. Valve	1	
28	99796 0610	Bolt, Alt. Compensator & E. C. Valve	4	
29	99796 0812	Bolt, Bracket	2	
30	99346 08190	Hose, Air - Alt. Compensator ~ Carburettor & IN. Manifold	2	Order Under No. 99343 08150 (15 m)
31	1757 13 778	Tube, Vacuum - D. C. Valve ~ IN. Manifold	1	
32	99340 04200	Hose, Air - A. C. Valve ~ Air Cleaner	1	Order Under No. 99344 06150 (15 m)
33	1757 13 910	Valve, E. C.	1	
34	1757 13 912	Hose, Air - Alt. Compensator ~ E. C. Valve	2	
35	1757 18 860	Wiring, Valve	1	
36	1757 23 725	Valve, Solenoid	3	

# EMISSION CONTROL SYSTEM

13

No.	Part Number	Description	Q'ty	Remarks
-----	-------------	-------------	------	---------

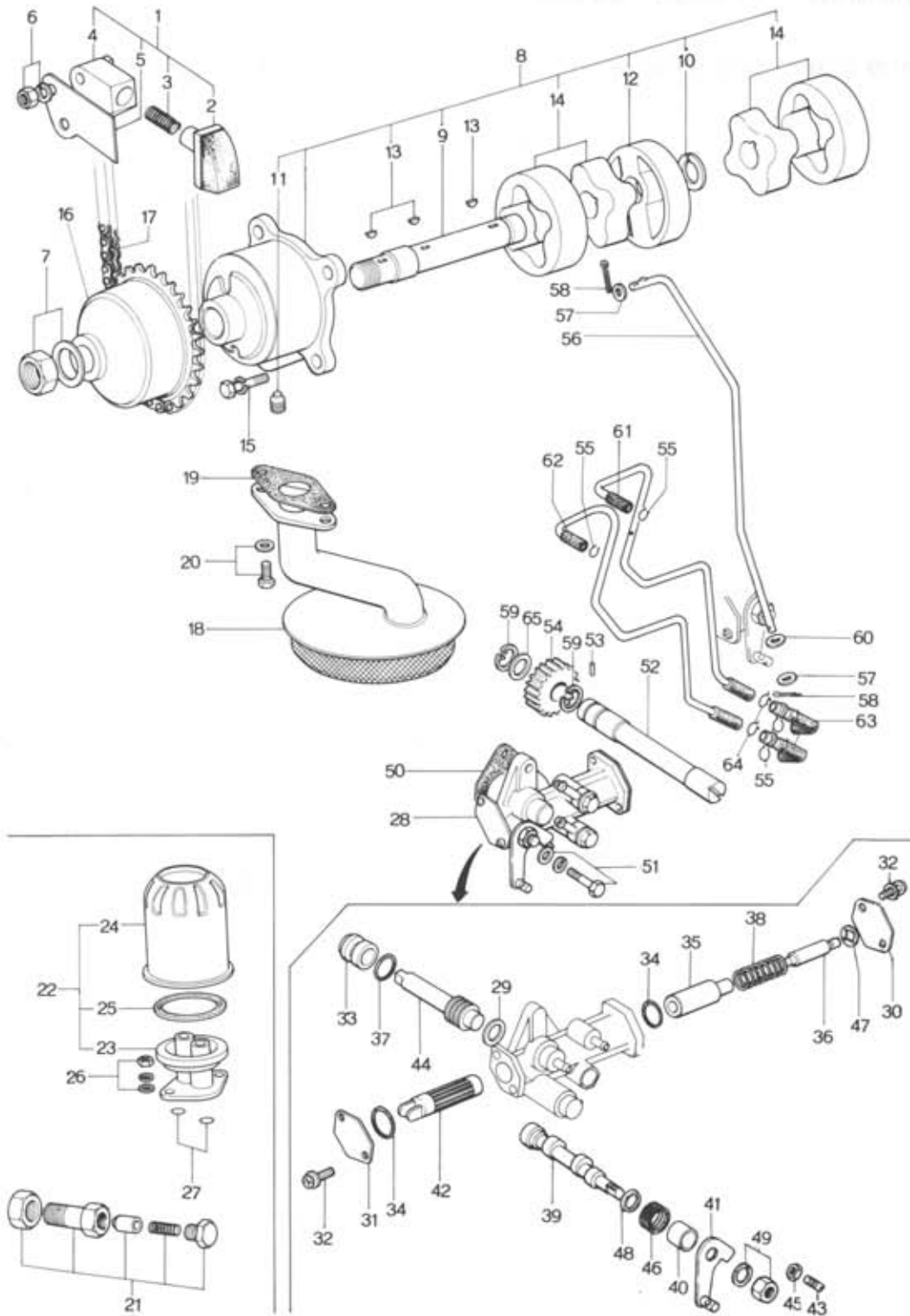
37 0208 66 949 Pad, Protector - Valve Wiring

1

38 99709 0108 Band, Valve Wiring

1





No.	Part Number	Description	Q'ty	Remarks
1	1757 14 020	Adjuster, Chain	1	
2	0823 14 130	Adjuster	1	
3	0823 14 131	Spring	1	
4	1757 14 132	Body	1	
5	0839 14 133	Plate, Guide	1	
6	99906 0600	Nut, Chain Adjuster	2	
	99971 0600	Washer, Spring	2	
7	99922 1200	Nut, Oil Pump Drive Gear	1	
	99979 1200	Washer, Tab	1	
8	1757 14 100	Pump, Oil	1	
9	1757 14 112	Shaft, Oil Pump	1	
10	0810 14 113	Ring, Snap	1	
11	0839 14 117	Bolt, Lock	1	
12	0820 14 118C	Plate, Middle - Oil Pump	1	
13	0839 14 119B	Key	3	
14	0820 23 882A	Rotor Set, Oil Pump	2	
15	99806 0618	Bolt, Oil Pump	4	

No.	Part Number	Description	Q'ty	Remarks
	99952 0600	Washer, Plain	4	
	99971 0600	Washer, Spring	4	
16	0839 14 141A	Gear, Drive - Oil Pump	1	
17	0839 14 142	Chain	1	
18	0866 14 160E	Strainer, Oil	1	
19	0810 14 171	Gasket, Oil Strainer	1	
20	99806 0614	Bolt, Oil Strainer	2	
	99971 0600	Washer, Spring	2	
21	0820 14 250D	Regulator, Pressure	1	
22	0839 14 300	Filter, Oil	1	
23	0839 23 801	Cover	1	
24	0813 23 802B	Cartridge, Oil Filter	1	
25	0813 23 803	Gasket	1	
26	99901 0800	Nut, Oil Filter	2	
	99953 0800	Washer, Plain	2	
	99971 0800	Washer, Spring	2	
27	99541 01601	Ring, "O" - Oil Filter	2	

No.	Part Number	Description	Q'ty	Remarks
28	1757 14 600	Pump, Metering Oil	1	
29	0820 23 832B	Washer, Thrust	1	
30	0820 23 833B	Plate, Cam Casing	1	
31	0820 23 834B	Plate, Cam Casing	1	
32	99833 0408	Screw, Cam Casing Plate	4	
	99971 0400	Washer, Plain	4	
33	0820 23 835A	Bearing, Worm	1	
34	0730 23 837	Ring, "O"	2	
35	1011 23 837	Plunger, Sub	1	
36	1011 23 838	Plunger, Differential	1	
37	0730 23 839	Ring, "O"	1	
38	0820 23 840	Spring, Plunger	1	
39	1011 23 841	Pin, Control	1	
40	0820 23 842	Cap	1	
41	1757 23 844	Lever, Control	1	
42	0730 23 845	Plunger	1	
43	0820 23 845A	Screw, Adjust	1	
44	0730 23 846	Bearing, Worm	1	
45	0820 23 847A	Nut, Adjust Screw	1	
46	0820 23 848A	Spring, Return	1	

No.	Part Number	Description	Q'ty	Remarks
47	2090 23 853	Nut, Push	1	
48	0730 23 854	Ring, "V"	1	
49	99907 0600	Nut, Control Lever	1	
	99971 0600	Washer, Spring	1	
50	1757 14 611	Gasket, Metering Oil Pump	1	
51	99806 0618	Bolt	2	
	99953 0600	Washer, Plain	2	
	99971 0600	Washer, Spring	2	
52	0820 14 620A	Shaft, Driven Gear	1	
53	0813 14 623	Pin, Driven Gear	1	
54	0820 14 625A	Gear, Driven	1	
55	0813 14 641	Clip, Metering Oil Tube	4	
56	1757 14 651	Rod, Connecting	1	
57	99953 0400	Washer, Plain	1	
58	99221 1212	Pin, Split	2	
59	99576 0800	Ring, Snap - Driven Gear Shaft	2	
60	1757 14 652	Shim, Metering Adjust (t = 1.0)	1	
	1757 14 653	Shim, Metering Adjust (t = 2.0)	1	Selective use
	1757 14 654	Shim, Metering Adjust (t = 3.0)	1	

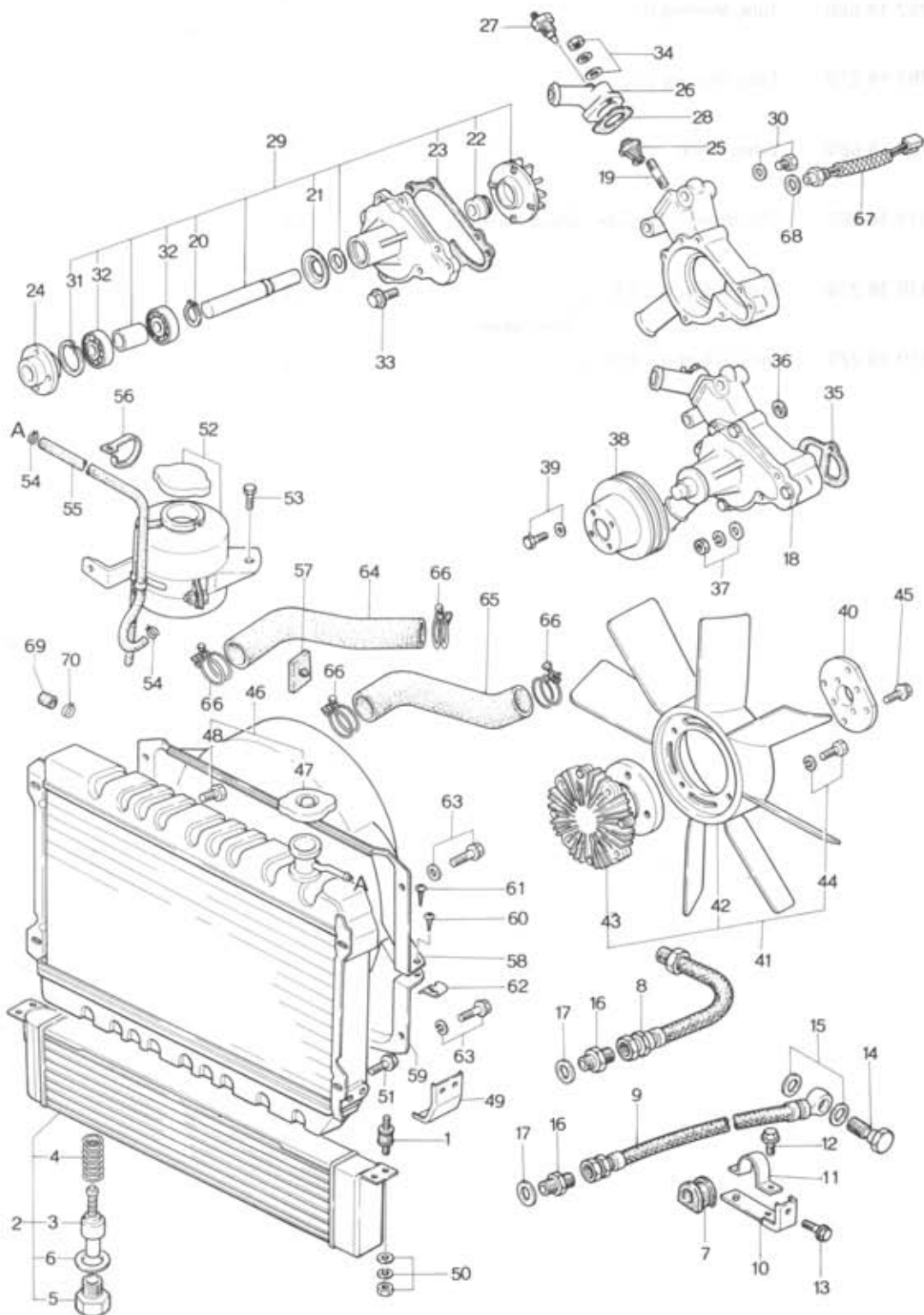


No.	Part Number	Description	Q'ty	Remarks
61	1757 14 660	Tube, Metering Oil	1	
62	1757 14 670	Tube, Metering Oil	1	
63	1757 14 680	Valve, Check	2	
64	1011 14 683	Clip, Metering Oil Tube + Check Valve	2	
65	0810 18 276	Shim, Adjust (t = 0.6)	2	} Selective use
	0810 18 277	Shim, Adjust (t = 0.3)	2	

14

15

## COOLING SYSTEM



# COOLING SYSTEM



No.	Part Number	Description	Q'ty	Remarks
1	0222 13 363	Rubber, Insulation	4	
2	1854 14 700	Cooler, Oil	1	
3	1757 14 810	Pellet, Thermo	1	
4	1757 14 821	Spring, Pellet	1	
5	1757 14 822	Nut, Stopper	1	
6	1757 14 823	Gasket	1	
7	0813 14 716	Protector, Oil Hose	1	
8	0865 14 720	Hose, Oil	1	
9	1570 14 730A	Hose, Oil	1	
10	1757 14 740	Bracket, Oil Hose	1	
11	0839 14 745	Clip, Oil Hose	1	
12	99806 0616	Bolt, Clip	1	
	99971 0600	Washer, Spring	1	
13	99796 0810	Bolt, Bracket	1	
14	99381 1400	Bolt, Connector - Oil Hose	1	
15	99562 1800	Gasket	2	
16	99384 1200F	Joint, Union	2	
17	99564 1600	Gasket	2	

## COOLING SYSTEM

No.	Part Number	Description	Q'ty	Remarks
18	1757 15 010B	Pump, Water	1	
19	2090 15 104	Stud	2	
20	1757 15 114	Ring, Snap	1	
21	1757 15 118	Plate, Dust Seal	1	
22	1757 15 120	Seal, Water	1	
23	1757 15 132	Gasket, Pump Cover	1	
24	1757 15 152A	Boss, Pulley	1	
25	0823 15 171	Thermostat	1	
26	1907 15 170	Cover, Thermostat (Fig. No. 27 included)	1	
27	1114 61 581	Switch, Water Thermo	1	
28	0813 15 173	Gasket, Thermostat	1	
29	1757 99 150	Repair Kit, Water Pump	1	
30	99511 1200	Plug	1	
	99562 1200	Gasket	1	
31	99574 4000	Ring, Retaining	1	
32	99606 72030	Bearing, Ball	2	
33	99796 0820	Bolt, Pump Cover	2	
	99971 0800	Washer, Spring	2	
34	99901 0800	Nut, Thermostat Cover	2	
	99953 0800	Washer, Plain	2	

# COOLING SYSTEM

No.	Part Number	Description	Q'ty	Remarks
	99971 0800	Washer, Spring	2	
35	1757 15 105	Gasket, Water Pump	1	
36	0820 15 106	Gasket	2	
37	99901 0800	Nut, Water Pump	4	
	99971 0800	Washer, Spring	4	
38	1757 15 151A	Pulley, Water Pump	1	
39	99796 0620	Bolt	4	
40	1907 15 211	Spacer, Fan Drive	1	
41	1907 15 250A	Fan & Fan Drive	1	
42	1097 15 200	Fan, Cooling	1	
43	1907 15 210	Fan Drive	1	
44	99806 0620	Bolt, Fan & Fan Drive	4	
	99971 0600	Washer, Spring	4	
45	99796 0620	Bolt, Fan Drive	4	
46	1854 15 310A	Radiator (Manual)	1	
	1856 15 310A	Radiator (Automatic)	1	

14

15

## COOLING SYSTEM

No.	Part Number	Description	Q'ty	Remarks
47	0223 15 205	Cap	1	
48	1011 15 317	Cock, Water Drain	1	
49	1854 15 312	Bracket, Radiator & Oil Cooler	2	
50	99901 0600	Nut, Bracket	8	
	99952 0600	Washer, Plain	8	
	99971 0600	Washer, Spring	8	
51	99786 0816	Bolt, Radiator	4	
	99952 0800	Washer, Plain	4	
52	1854 15 350A	Tank, Sub	1	
53	99786 0814	Bolt, Sub Tank	1	
	99952 0822	Washer, Plain	1	
54	99285 0800	Clip, Water Hose	2	
55	1854 15 351A	Hose, Water - Sub Tank	1	
56	99289 0701	Clip, Water Hose	2	
57	0187 56 235	Supporter, Sub Tank	1	
58	1854 15 411A	Shroud, Radiator - Upper	1	
59	1854 15 421	Shroud, Radiator - Lower	1	
60	99863 0516	Bolt	4	
	99952 0500	Washer, Plain	4	

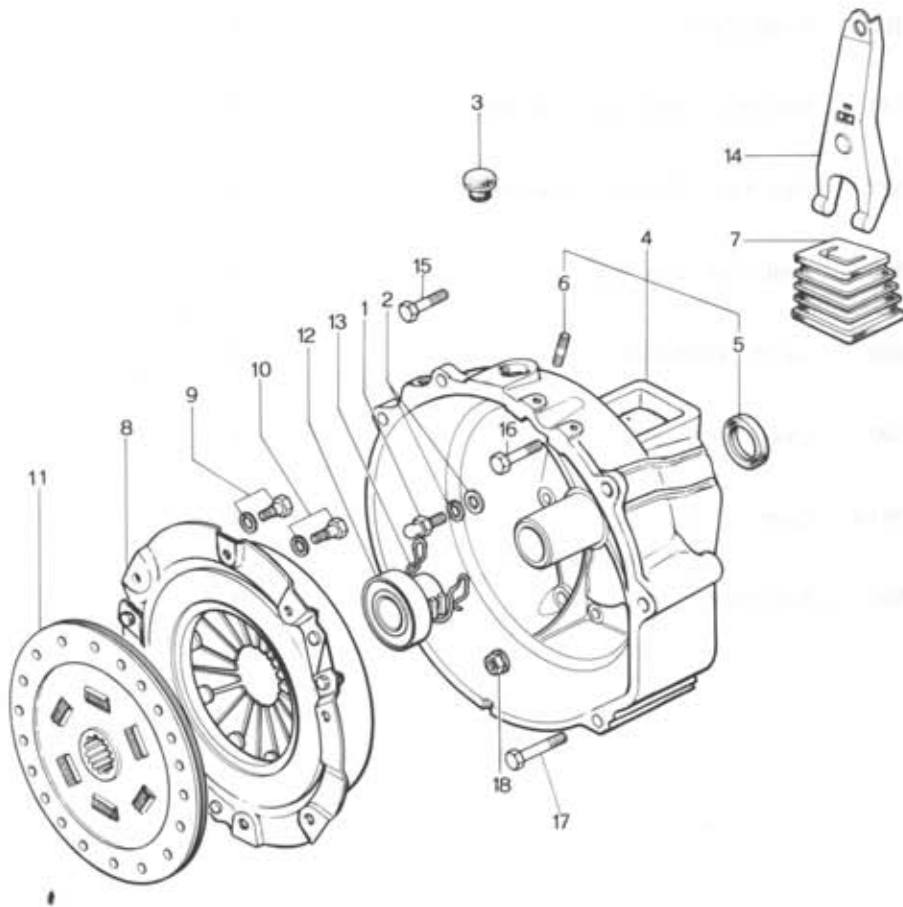
# COOLING SYSTEM

14

15

No.	Part Number	Description	Q'ty	Remarks
61	99860 0514	Bolt	1	
	99952 0500	Washer, Plain	1	
62	0820 56 905	Nut, Spring	5	
63	99796 0812	Bolt, Radiator Shroud	4	
	99952 0800	Washer, Plain	4	
64	1854 15 511	Hose, Water - Thermostat ~ Radiator	1	
65	1854 15 521	Hose, Water - Radiator ~ Water Pump	1	
66	99282 4900	Band, Hose - Water Hose	4	
67	1757 18 880	Switch, Temperature	1	
68	99564 1600	Gasket	1	
69	0864 61 061A	Cover	1	Without Car Heater
70	99282 2600	Band, Hose	1	





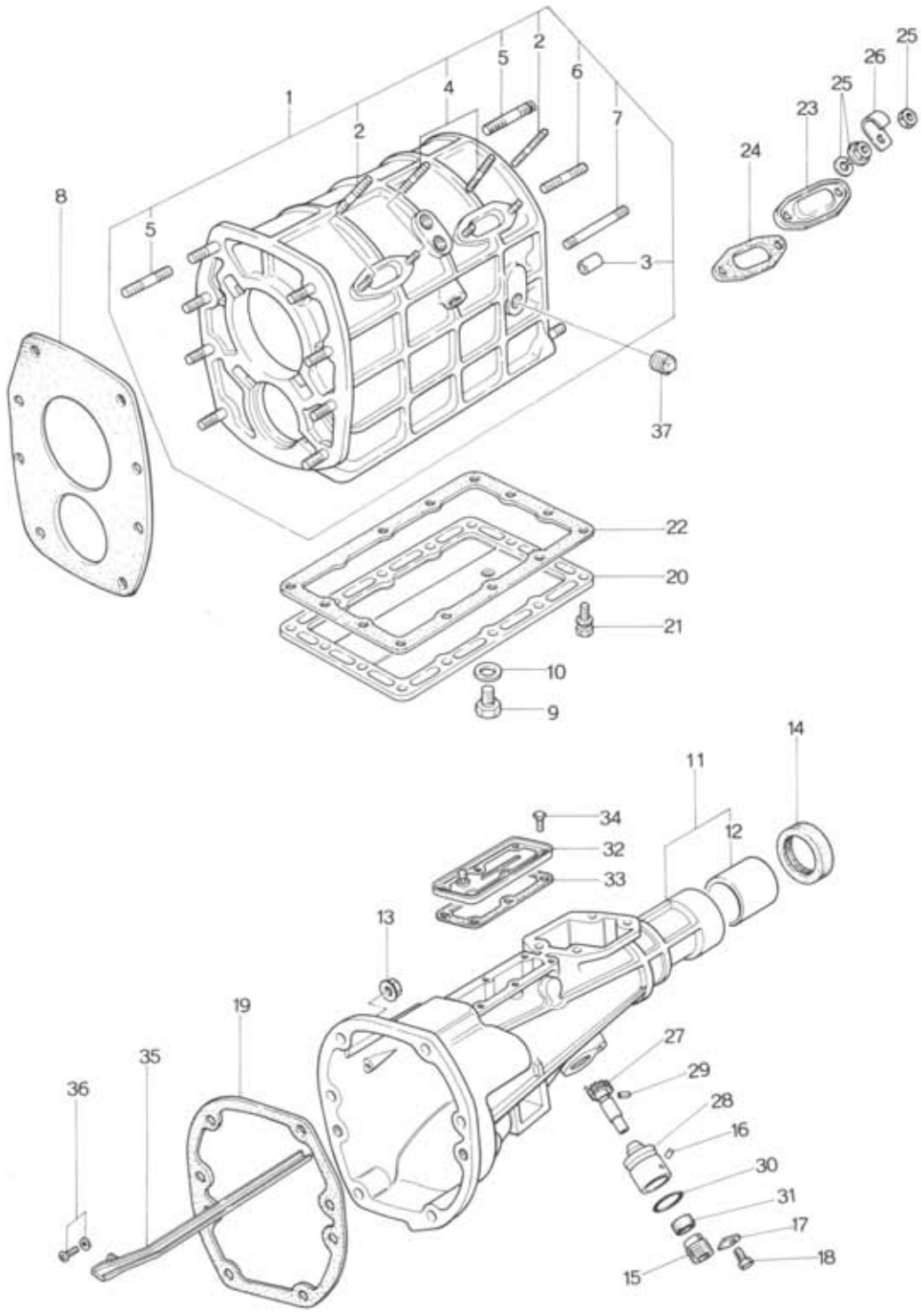


No.	Part Number	Description	Q'ty	Remarks
1	0603 16 102B	Pin, Pivot	1	
2	99953 1000	Washer, Plain	1	
	99971 1000	Washer, Spring	1	
3	0813 16 112	Cover, Top Hole	1	
4	1881 16 210A	Housing, Clutch	1	
5	0603 16 103	Oil Seal	1	
6	0222 16 105	Stud	2	
7	0866 16 214A	Cover, Dust	1	
8	0895 16 410	Cover, Clutch	1	
9	0839 16 432	Bolt, Reamer - Clutch Cover	2	
	99971 0800	Washer, Spring	2	
10	99753 78118	Bolt, Clutch Cover	4	
	99971 0800	Washer, Spring	4	
11	0895 16 460	Disc, Clutch	1	
12	0820 16 510	Collar, Clutch Release	1	
13	0820 16 515	Spring, Clutch Release Collar	1	
14	0454 16 520	Fork, Clutch Release	1	
15	99796 1045	Bolt, Clutch Housing	1	

**CLUTCH (MANUAL)**

No.	Part Number	Description	Q'ty	Remarks
16	99796 1035	Bolt, Clutch Housing	2	
17	99796 1090	Bolt, Clutch Housing	1	
18	99940 1001	Nut, Clutch Housing	8	

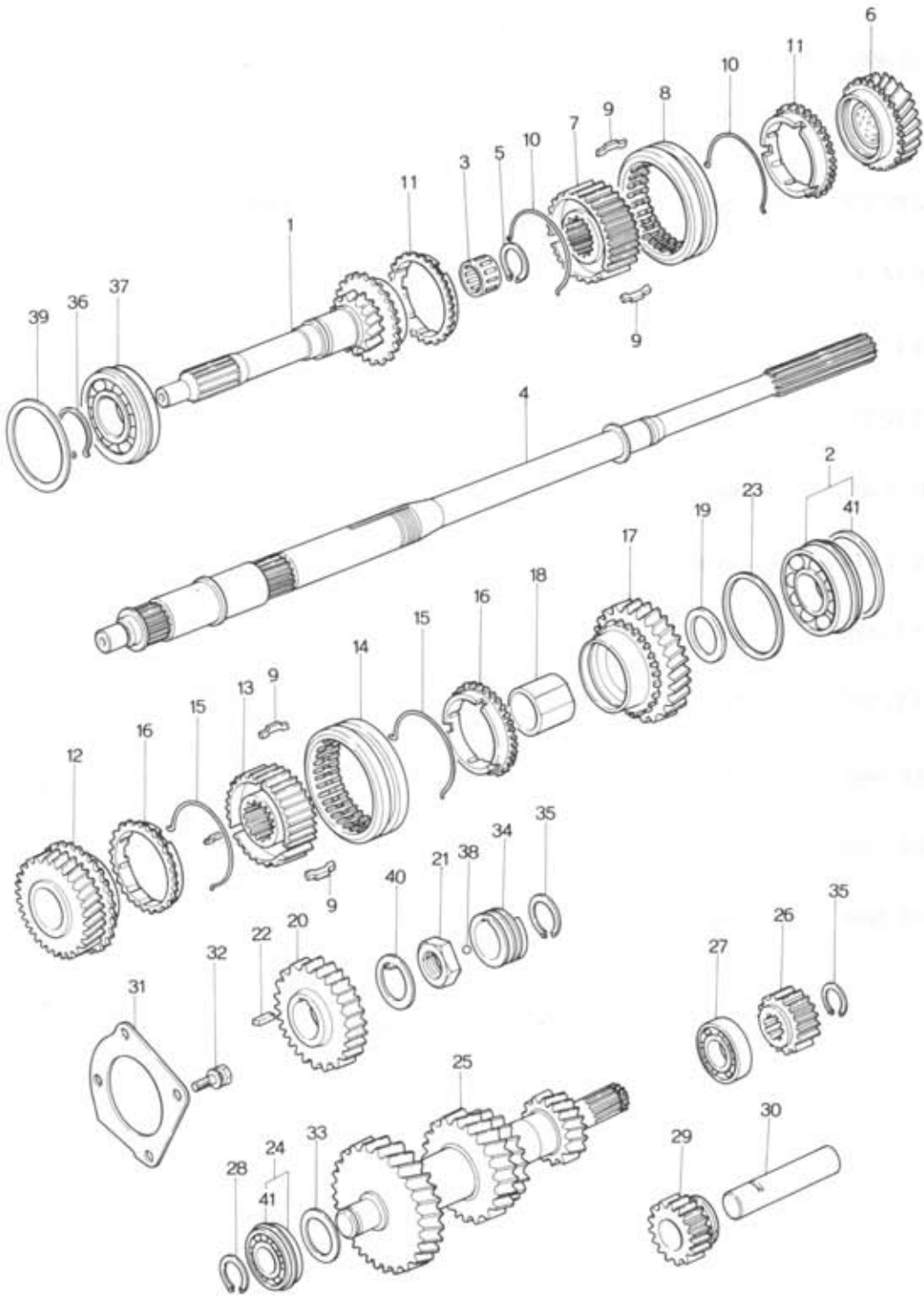




No.	Part Number	Description	Q'ty	Remarks
1	1853 17 100A	Case, T/mission	1	
2	0839 17 105	Stud, Blind Cover	2	
3	99233 1225	Pin, Knock	2	
4	99852 0610	Stud, Blind Cover	2	
5	99855 1025	Stud	11	
6	99855 1025	Stud	2	
7	99855 1085	Stud	1	
8	0839 17 111	Gasket, T/mission Case Front	1	
9	0810 17 121	Plug, Magnet	1	
10	99564 1800	Gasket, Magnet Plug	1	
11	1853 17 330A	Housing, Extension	1	
12	0398 22 333	Bush, Extension Housing	1	
13	99940 1001	Nut, Extension Housing + T/mission Case	6	
14	0376 17 335	Oil Seal, Extension Housing	1	
15	1011 17 351	Joint, Cable - Speedometer	1	
16	0187 17 352	Pin, Dowel - Speedometer Driven Gear	1	
17	0111 17 354	Plate, Lock - Cable Joint	1	

No.	Part Number	Description	Q'ty	Remarks
18	99796 0614	Bolt, Lock Plate	1	
19	1853 17 361	Gasket, Extension Housing	1	
20	0862 17 371	Cover, Under	1	
21	99796 0620	Bolt, Under Cover	14	
22	0862 17 375	Gasket, Under Cover	1	
23	0810 17 381	Cover, Blind	2	
24	0810 17 385	Gasket, Blind Cover	2	
25	99906 0600	Nut, Blind Cover & Clip	6	
	99971 0600	Washer	4	
26	99276 0506	Clip, Wire Harness	2	
27	1011 17 441	Gear, Driven - Speedometer	1	
28	0862 17 442	Sleeve, Driven Gear	1	
29	99222 0216	Pin, Spring - Driven Gear	1	
30	99541 02211	Ring, "O" - Driven Gear	1	
31	99586 10207	Oil Seal, Driven Gear	1	
32	1011 17 530	Cover, Blind	1	
33	1011 17 535	Gasket, Blind Cover	1	
34	99796 0608	Bolt, Blind Cover	6	
35	1011 17 540A	Pass, Oil	1	
36	99806 0614	Bolt, Oil Pass	1	

No.	Part Number	Description	Q'ty	Remarks
	99971 0600	Washer, Spring	1	
37	99502 4000	Plug	1	
	1853 89 175	Gasket Set, T/mission	1 Set	
	0839 17 111	Gasket	1	
	1853 17 361	Gasket	1	
	0862 17 375	Gasket	1	
	0810 17 385	Gasket	2	
	0303 17 474	Gasket	1	
	0271 17 478	Gasket	1	
	1011 17 535	Gasket	1	
	99562 1400	Gasket	3	
	99564 1000	Gasket	2	
	99564 1800	Gasket	1	

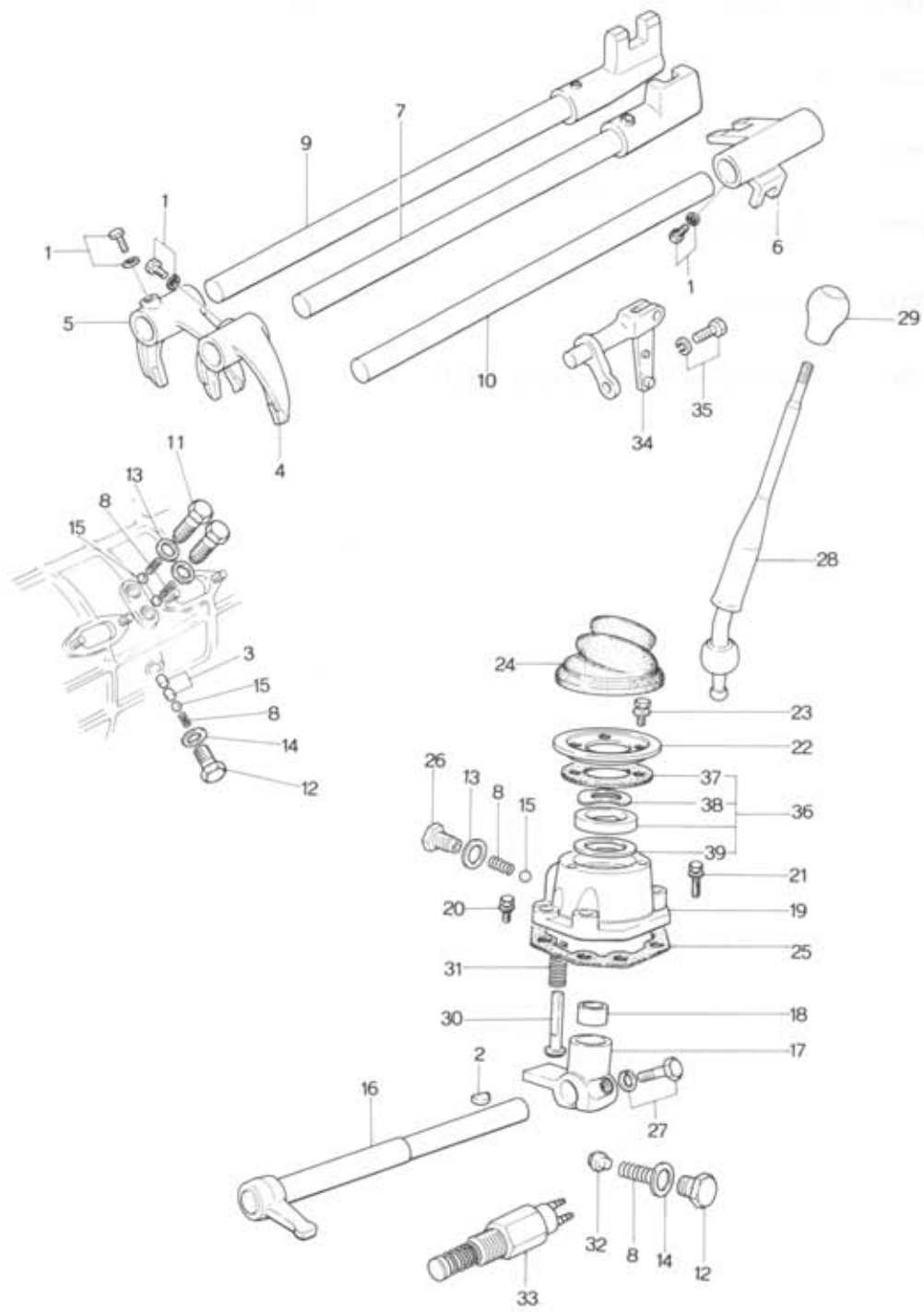




No.	Part Number	Description	Q'ty	Remarks
1	1853 17 201	Gear, Main Drive	1	
2	0810 17 204	Bearing, Ball (Fig. No. 41 Included)	1	
3	0810 17 205	Bearing, Needle Roller	1	
4	1011 17 221A	Shaft, Main	1	
5	0317 17 225	Ring, Snap	1	
6	1853 17 230	Gear, (3rd)	1	
7	1853 17 241	Hub, Clutch (3rd & 4th)	1	
8	1853 17 242	Sleeve, Clutch Hub (3rd & 4th)	1	
9	1853 17 243	Key, Synchronizer	6	
10	1853 17 244	Spring, Synchronizer	2	
11	1853 17 245	Ring, Synchronizer	2	
12	1853 17 250	Gear, (2nd)	1	
13	1853 17 261A	Hub, Clutch (1st & 2nd)	1	
14	1853 17 262	Sleeve, Clutch Hub (1st & 2nd)	1	
15	1853 17 264	Spring, Synchronizer	2	
16	1853 17 265	Ring, Synchronizer	2	
17	1853 17 270	Gear, (1st)	1	
18	0839 17 275	Sleeve, Gear	1	
19	0839 17 276	Washer, Thrust ( $\ell = 2.5$ )	Selective Use 1	
	0839 17 277	Washer, Thrust ( $\ell = 3.0$ )		

No.	Part Number	Description	Q'ty	Remarks
	0839 17 278	Washer, Thrust ( $\ell = 3.5$ )		
20	0839 17 281	Gear, Reverse	1	
21	0839 17 284	Nut, Lock	1	
22	0839 17 285	Key	1	
23	0839 17 287	Shim, Adjust ( $t = 0.1$ )	2	Selective use
	0839 17 288	Shim, Adjust ( $t = 0.3$ )	1	
24	0821 17 297	Bearing, Ball (Fig. No. 41 included)	1	
25	1853 17 301	Gear, Counter Shaft	1	
26	1853 17 302	Gear, Reverse - Counter	1	
27	0821 17 303	Bearing, Needle	1	
28	0839 17 305	Ring, Snap	1	
29	1853 17 310	Gear, Idle - Reverse	1	
30	1853 17 313	Shaft, Reverse Idle Gear	1	
31	0839 17 321A	Stopper, Bearing	1	
32	99801 0820	Bolt, Bearing Stopper	4	
	99971 0800	Washer, Spring	4	
33	0305 17 327	Shim, Adjust ( $t = 0.1$ )	2	Selective use
	0305 17328	Shim, Adjust ( $t = 0.3$ )	1	
34	0862 17 341	Gear, Drive - Speedometer	1	
35	99573 2500	Ring, Snap	2	

No.	Part Number	Description	Q'ty	Remarks
36	99573 3500	Ring, Snap	1	
37	99606 33070	Bearing, Ball	1	
38	99611 1500	Ball, Steel	1	
39	99963 6910	Shim, Adjust (t = 0.1)	2	} Selective use
	99963 6930	Shim, Adjust (t = 0.3)	1	
40	99978 3200	Washer, Lock	1	
41	0881 22 297	Clip, Ball Bearing (Included in Fig. No. 2 & 24)	1	



# MANUAL T/MISSION (CHANGE CONTROLS)

17

No.	Part Number	Description	Q'ty	Remarks
1	0118 17 313	Screw, Shift Fork & Rod	3	
	99971 0601	Washer, Spring	3	
2	0111 17 323	Key, Control Lever	1	
3	0114 17 351	Pin, Interlock	2	
4	1853 17 402	Fork, Shift (1st & 2nd)	1	
5	1853 17 404	Fork, Shift (3rd & 4th)	1	
6	1853 17 406	Fork, Shift (Reverse)	1	
7	1853 17 410	Rod, Shift (1st & 2nd)	1	
8	0103 17 411	Spring, Cap	5	
9	1853 17 420	Rod, Shift (3rd & 4th)	1	
10	1853 17 431	Rod, Shift (Reverse)	1	
11	0221 17 441	Plug, Cap - Spring	2	
12	0259 17 441	Plug, Cap - Spring	2	
13	99562 1400	Gasket, Cap Plug	3	
14	99564 1000	Gasket, Cap Plug	2	
15	99611 2500	Ball, Steel	4	
16	1853 17 450	Lever, Control	1	
17	0398 17 461A	End, Control	1	
18	0398 17 462A	Seat, Spring	1	
19	0303 17 470	Case, Change Control	1	

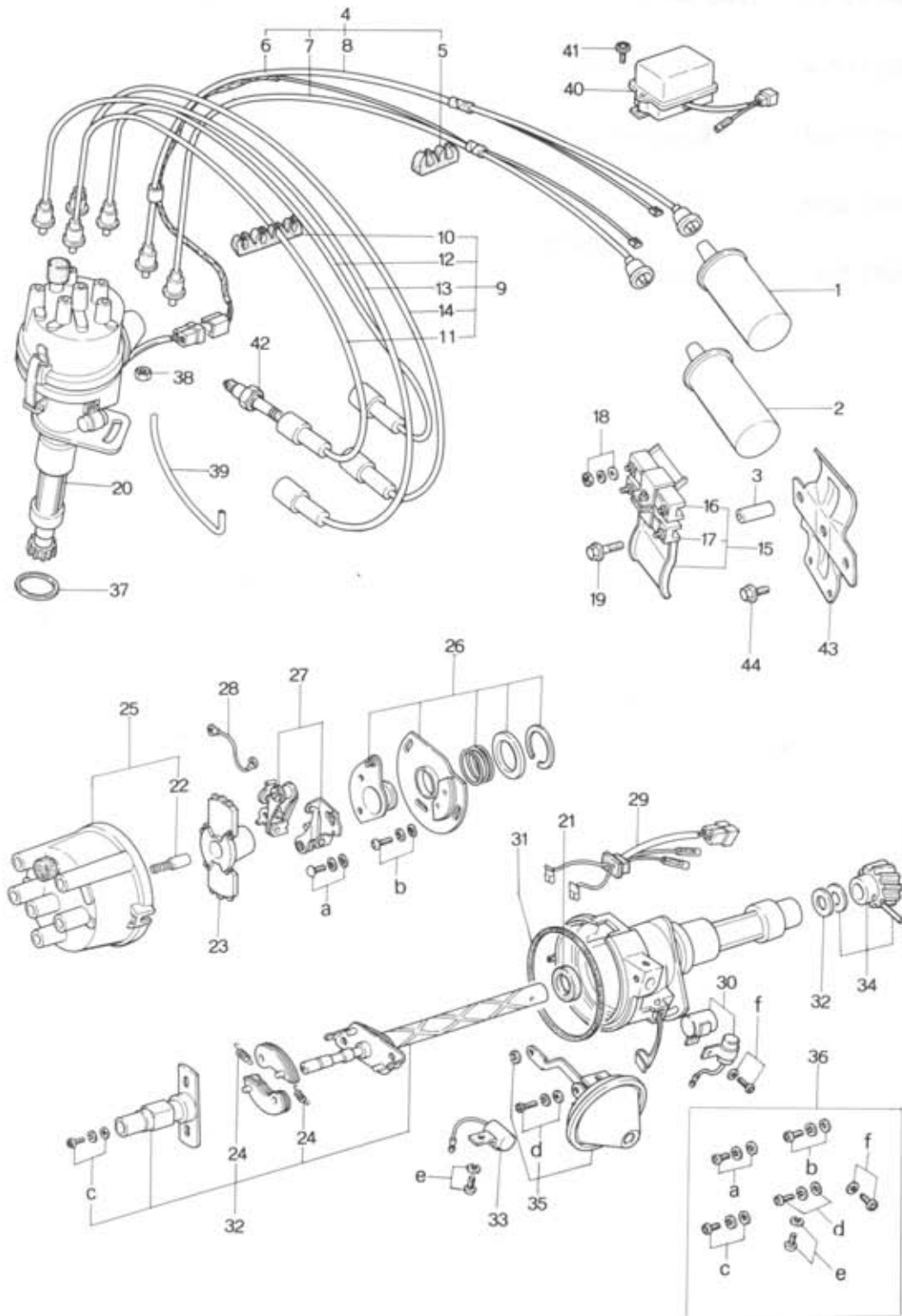
# MANUAL T/MISSION (CHANGE CONTROLS)

No.	Part Number	Description	Q'ty	Remarks
20	99796 0822	Bolt, Change Control Case	2	
21	99796 0832	Bolt, Change Control Case	2	
22	0221 17 473	Plate, Cover	1	
23	99806 0614	Bolt, Cover Plate	3	
	99971 0600	Washer, Spring	3	
24	0221 17 475B	Boot, Dust	1	
25	0271 17 478	Gasket, Change Control Case	1	
26	0183 17 491	Plug, Cap - Spring	1	
27	0187 17 492	Bolt, Reamer - Control Rod End	1	
	99971 0800	Washer, Spring	1	
28	1853 17 510	Lever, Change	1	
29	1853 17 520	Knob, Change Lever	1	
30	0221 17 551A	Spindle, Select Lock	1	
31	0221 17 552	Spring, Select Lock Spindle	1	
32	0303 17 561	Piece, Friction	1	
33	0376 17 640A	Switch, Reverse Lamp	1	
34	1853 17 800	Lever, Shift	1	
35	99801 0820	Bolt, Shift Lever	1	
	99971 0800	Washer, Spring	1	

# MANUAL T/MISSION (CHANGE CONTROLS)

17

No.	Part Number	Description	Q'ty	Remarks
36	0305 99 178	Change Bush Set	1	
37	0303 17 474	Gasket, Cover Plate	1	
38	0303 17 482	Washer, Wave	1	
39	99963 3310	Shim	3	Selective use
	99963 3330	Shim	1	





No.	Part Number	Description	Q'ty	Remarks
1	1562 18 100	Coil, Ignition (HP 5 - 13E)	1	
2	1672 18 100	Coil, Ignition (HP 5 - 13J)	1	
3	0823 18 107	Pipe	1	
4	1854 18 110A	Cord, High Tension	1	
5	0820 18 111B	Supporter, High Tension	1	
6	1854 18 115	Cord	1	
7	1854 18 120	Cord, High Tension (Trailing)	1	
8	1854 18 160	Cord, High Tension (Leading)	1	
9	1757 18 150C	Cord, High Tension	1	
10	0820 18 114	Supporter, High Tension	1	
11	1757 18 130A	Cord, High Tension (T - 1)	1	
12	1757 18 140A	Cord, High Tension (T - 2)	1	
13	1757 18 170A	Cord, High Tension (L - 1)	1	
14	1757 18 180A	Cord, High Tension (L - 2)	1	
15	1011 18 190	Bracket, Ignition Coil	1	
16	0845 18 101	Resistor	1	
17	0866 18 101	Resistor	1	

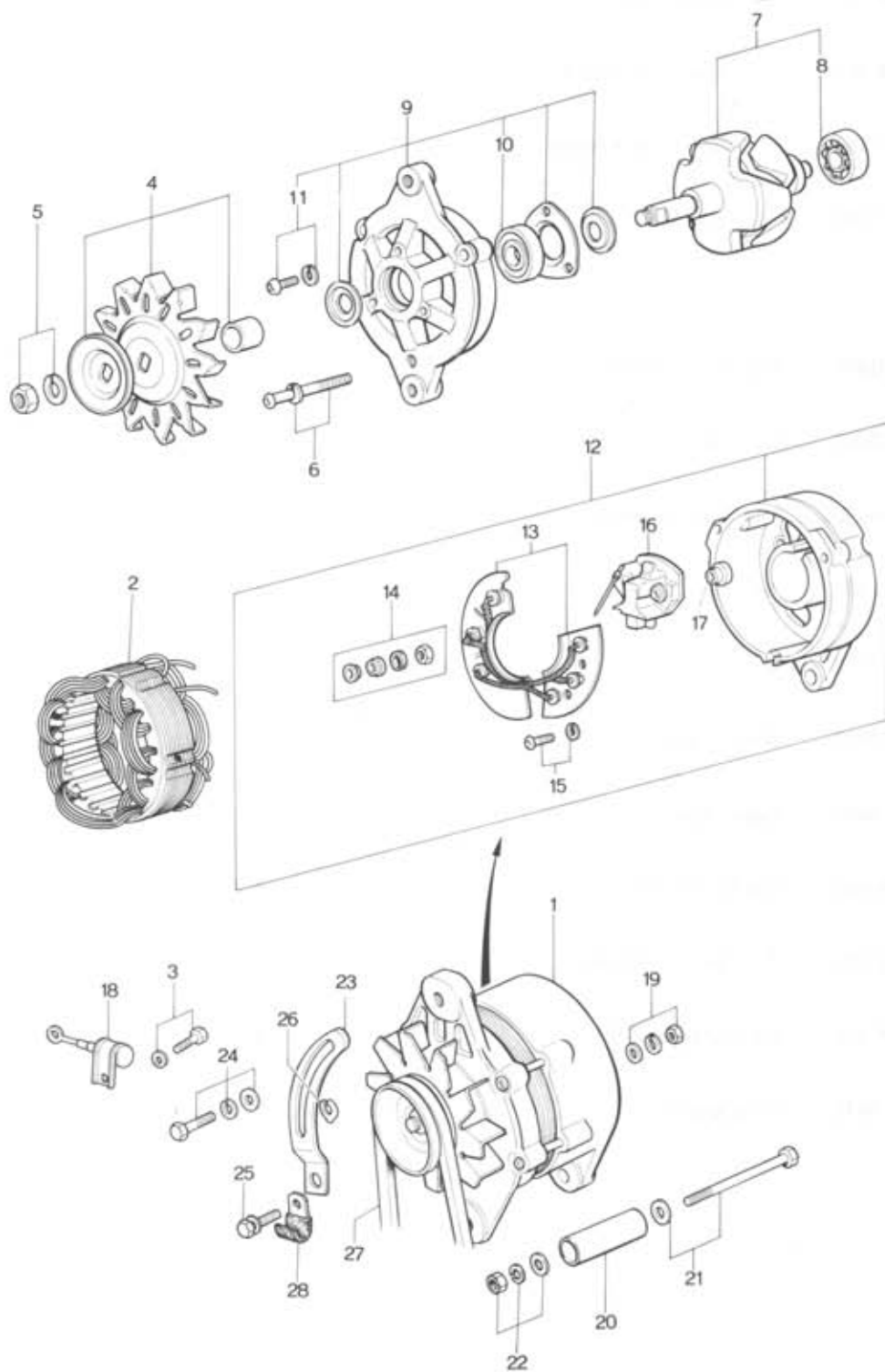
18

24

## DISTRIBUTOR

No.	Part Number	Description	Q'ty	Remarks
18	99906 0500	Nut, Ignition Coil & Resistor Terminal	6	
	99952 0500	Washer, Plain	6	
	99971 0500	Washer, Spring	6	
19	99786 0850	Bolt, Ignition Coil Bracket	1	
20	1757 18 200A	Distributor (Manual)	1	
	1758 18 200	Distributor (Automatic)	1	
21	0107 18 216A	Oil Seal	1	
22	1757 24 302	Contact	1	
23	1757 24 303	Rotor	1	
24	1757 24 308	Spring Set	1	
25	1757 24 310	Cap	1	
26	1757 24 313	Base, Breaker	1	
27	1757 24 314	Support, Arm	2	
28	1757 24 317	Wire (E), Lead	1	
29	1757 24 319	Wire, Lead	1	
30	1757 24 322	Condenser	2	
31	1757 24 328	Gasket	1	
32	1757 24 330	Governor Set	1	
33	1757 24 334	Condenser	1	

No.	Part Number	Description	Q'ty	Remarks
34	1757 24 340	Coupling Set	1	
35	1757 24 350	Vacuum Set (Manual)	1	
	1758 24 350	Vacuum Set (Automatic)	1	
36	1757 24 360	Screw Set	1	
37	99541 0350	Ring, "O" - Distributor	1	
38	99940 0603	Nut, Distributor	1	
39	99340 06350	Tube, Vacuum Control	1	
40	0453 18 391	Regulator	1	
41	99797 0612	Bolt	2	
	99952 0600	Washer, Plain	2	
	99971 0600	Washer, Spring	2	
42	1757 18 600	Plug, Spark (STD)	4	
	1758 18 600	Plug, Spark (Cold Type)	4	
43	1011 18 810	Bracket, Ignition Coil	1	
44	99786 0612	Screw, Bracket	2	



# ALTERNATOR

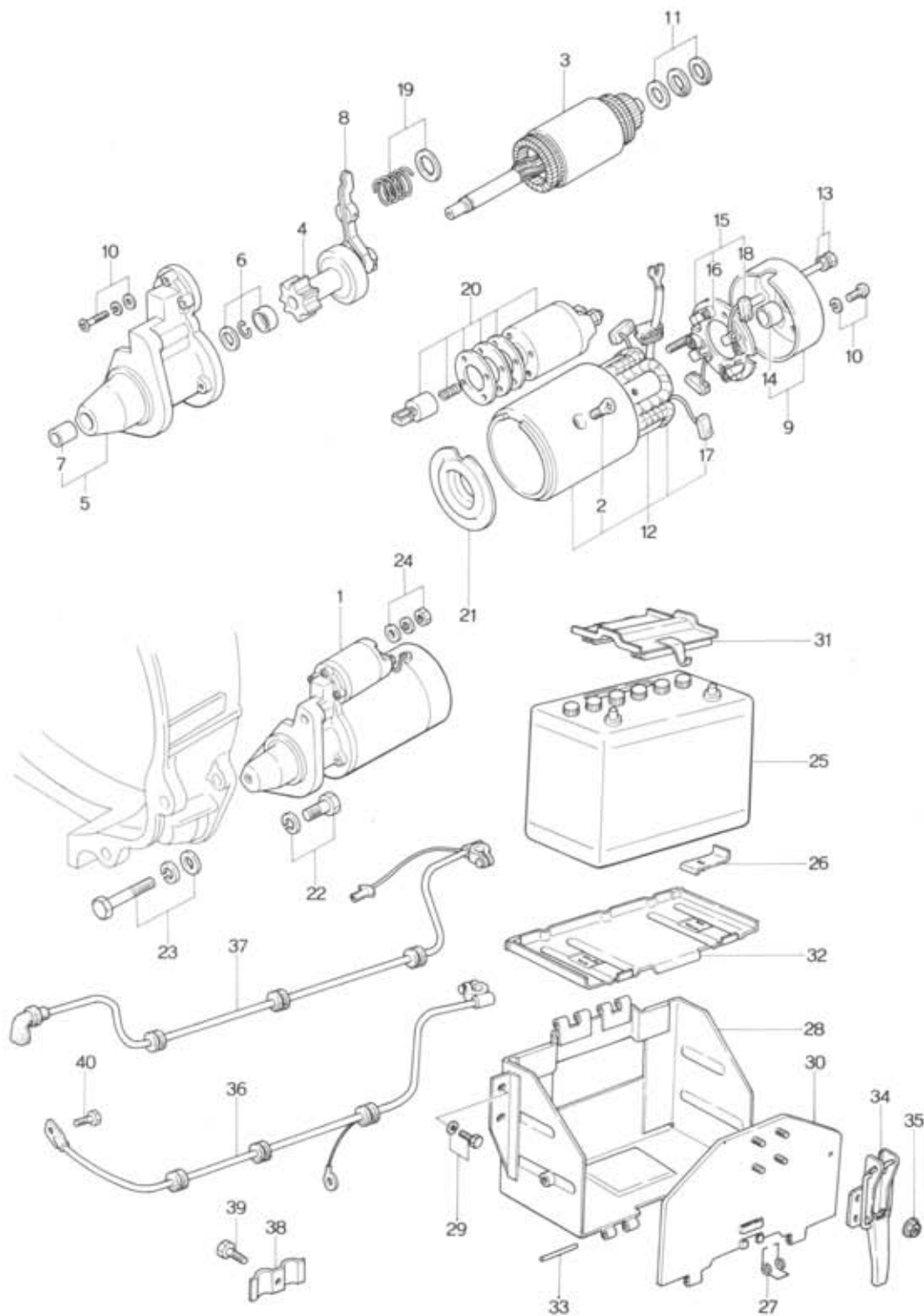
18

24

No.	Part Number	Description	Q'ty	Remarks
1	1011 18 300	Alternator	1	
2	1011 24 501	Stator	1	
3	1011 24 527	Screw	1	
4	0866 24 530	Pulley	1	
5	0866 24 533	Nut Set	1	
6	0866 24 535	Screw Set	1	
7	0866 24 540	Rotor (Fig. No. 8 included)	1	
8	0820 24 503	Bearing	1	
9	0866 24 550	Bracket, Front (Fig. No. 10 & 11 included)	1	
10	0208 24 514	Bearing	1	
11	0866 24 526	Screw	3	
12	1011 24 560	Bracket, Rear (Fig. No. 13 ~ 17 included)	1	
13	1011 24 510	Rectifier Ass'y	1	
14	1011 24 533	Nut Set	1	
15	1011 24 534	Screw	1	
16	1011 24 541	Holder, Brush	1	
17	1011 24 563	Mould	1	
18	0290 24 581	Condenser	1	
19	99906 0500	Nut, Alternator Terminal	1	

No.	Part Number	Description	Q'ty	Remarks
	99952 0500	Washer, Plain	1	
	99971 0500	Washer, Spring	1	
20	1757 18 311	Bracket, Alternator	1	
21	99800 10115	Bolt, Alternator	1	
22	99940 1001	Nut, Alternator	1	
23	1881 18 361	Strap, Alternator	1	
24	99796 0825	Bolt, Strap	1	
25	99796 0820	Bolt, Strap	1	
	99952 0822	Washer, Plain	1	
26	0222 18 375	Shim (t = 0.3)	1	Selective use
	0222 18 376	Shim (t = 0.5)		
	0222 18 377	Shim (t = 0.7)		
27	1672 18 381A	Belt, "V"	1	
28	99276 2008	Clip, Wire Harness	1	







# STARTER & BATTERY

18

24

No.	Part Number	Description	Q'ty	Remarks
1	1757 18 400A	Starter (Manual)	1	
	1758 18 400	Starter (Automatic)	1	
2	0866 24 704	Screw	4	
3	1757 24 705	Armature (Manual)	1	
	1758 24 705	Armature (Automatic)	1	
4	1757 24 709	Clutch, Over Running	1	
5	1757 24 710	Bracket, Front (Manual)	1	
	1758 24 710	Bracket, Front (Automatic)	1	
6	0426 24 712	Stopper Set, Piston	1	
7	0426 24 715	Sleeve	1	
8	0866 24 716	Lever	1	
9	0845 24 720	Bracket, Rear	1	
10	0426 24 725	Screw Set	1	
11	0426 24 726	Washer Set (Manual)	1	
	1758 24 726	Washer Set (Automatic)	1	
12	1757 24 730	Yoke (Manual)	1	
	1758 24 730	Yoke (Automatic)	1	
13	0426 24 731	Bolt Set (Manual)	1	
	1758 24 731	Bolt Set (Automatic)	1	
14	0222 24 741	Sleeve	1	

## STARTER &amp; BATTERY

No.	Part Number	Description	Q'ty	Remarks
15	0222 24 750	Holder (Manual)	1	
	1758 24 750	Holder (Automatic)	1	
16	0222 24 752A	Spring, Brush	4	
17	0222 24 753	Brush	2	
18	0426 24 753	Brush	2	
19	0426 24 754	Spring Set	1	
20	0324 24 760	Switch, Starter (Manual)	1	
	1758 24 736	Switch, Starter (Automatic)	1	
21	1758 24 706	Bracket, Center (Automatic)	1	
22	99801 1035	Bolt, Starter	1	
	99971 1000	Washer, Spring	1	
23	99803 10120	Bolt, Starter	1	
	99953 1000	Washer, Plain	1	
	99971 1000	Washer, Spring	1	
24	99901 0800	Nut, Starter Terminal	1	
	99952 0800	Washer, Plain	1	
	99971 0800	Washer, Spring	1	
25	1620 18 520	Battery (N70Z) (G.S. Make)	1	Selective use (Manual & Automatic, U.S.A.)
	1672 18 520	Battery (N70Z) (National Make)	1	

# STARTER & BATTERY

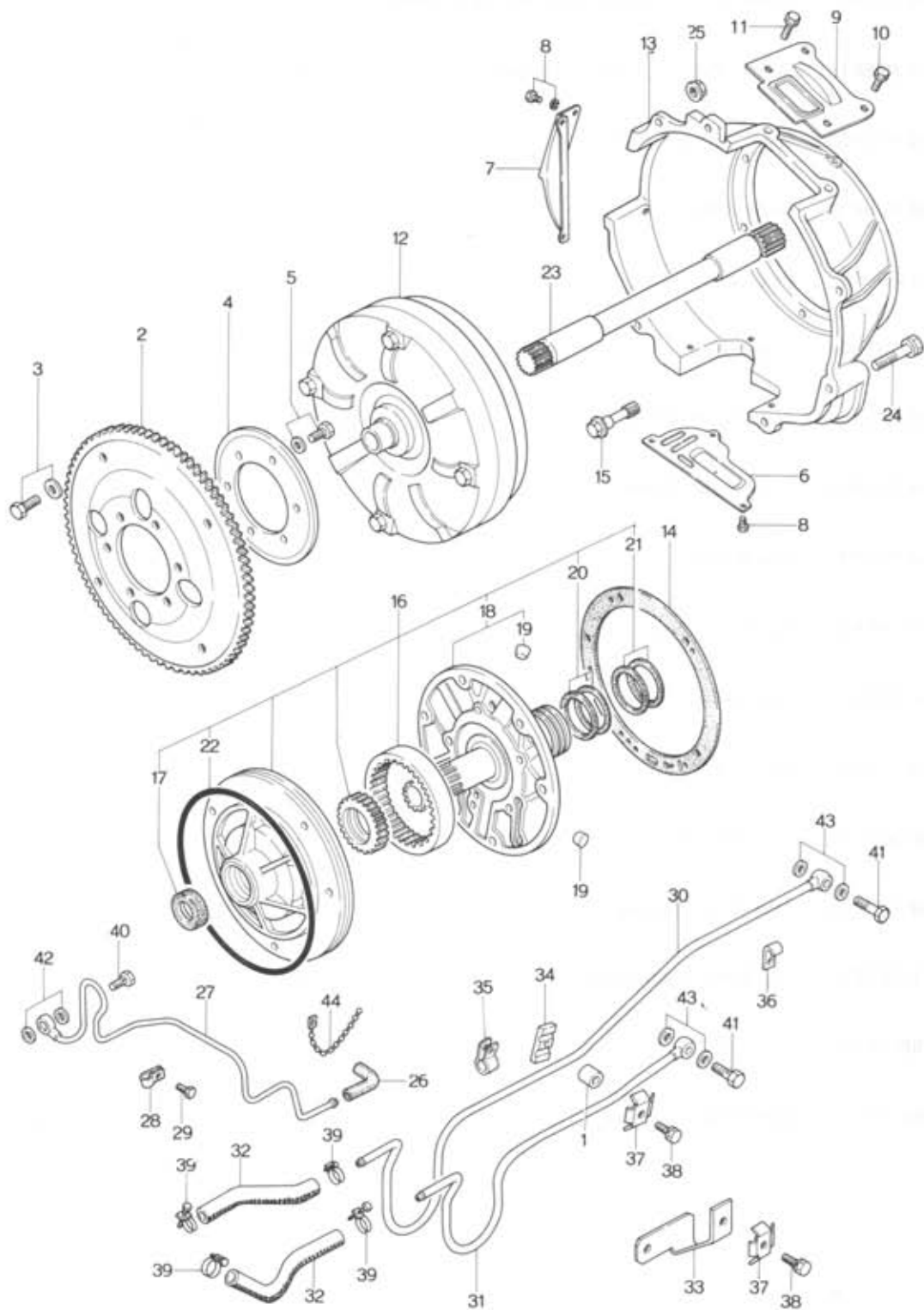
18

24

No.	Part Number	Description	Q'ty	Remarks
	1689 18 520	Battery (Y110-5) (Uwasa Make) (Automatic, Canada)	1	
26	1859 38 551	Stopper, Battery (Automatic, Canada)	2	
27	1854 38 555A	Spring, Battery Carrier	1	
28	1854 38 560B	Carrier, Battery	1	
29	99784 1016	Bolt, Battery Carrier	4	
	99952 1000	Washer, Plain	4	
30	1854 38 570A	Cover, Front - Battery	1	
31	1854 38 580A	Cover, Upper - Battery	1	
32	1854 38 590	Tray, Battery	1	
33	99225 0563	Pin, Battery Carrier	4	
34	1854 38 880	Lock, Battery Carrier	1	
35	99940 0803	Nut, Lock	4	
36	0605 66 721	Wire, Battery Earth	1	
37	1854 67 100A	Cable, Battery Positive	1	
38	1011 67 293	Clip, Battery Positive Cable	1	
39	99786 0612	Bolt, Clip	1	
40	99786 0616	Bolt, Battery Earth Wire	1	

# AUTOMATIC T/MISSION

(CONVERTER, OIL PUMP & PIPING)



# AUTOMATIC T/MISSION

## (CONVERTER, OIL PUMP & PIPING)

19

No.	Part Number	Description	Q'ty	Remarks
1	2850 13 331	Spacer, Oil Pipe	1	
2	1758 19 020	Plate, Drive	1	
3	99781 1012	Bolt, Drive Plate	4	
	99971 1000	Washer, Spring	4	
4	0842 19 025	Plate, Backing	1	
5	99781 1018	Bolt, Backing Plate	6	
	99971 1000	Washer, Spring	6	
6	1908 19 027	Cover, Under	1	
7	0454 19 028	Cover, Side	1	
8	99796 0610	Bolt, Under & Side Cover	7	
9	1758 19 028	Cover, Top	1	
10	99796 0610	Bolt, Top Cover	1	
11	99796 0816	Bolt, Top Cover	2	
12	0338 19 100A	Converter, Torque	1	
13	1758 19 211	Housing, Converter	1	
14	1758 19 215	Gasket, Oil Pump	1	
15	0338 19 216	Bolt, Housing	6	
16	1758 19 220	Pump, Oil	1	
17	0338 19 223	Oil Seal	1	

# AUTOMATIC T/MISSION

(CONVERTER, OIL PUMP & PIPING)

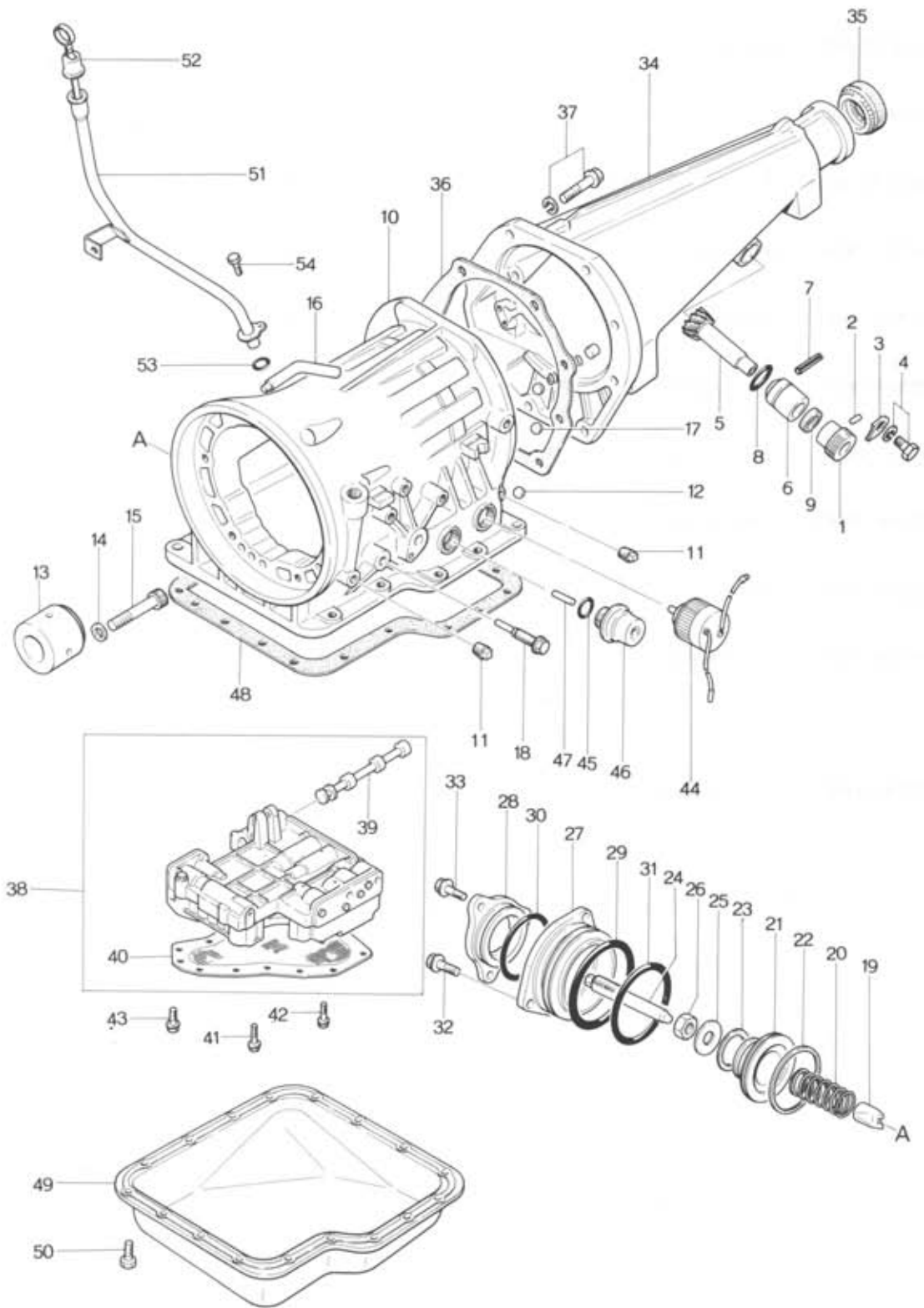
No.	Part Number	Description	Q'ty	Remarks
18	1758 19 240	Cover	1	
19	0338 19 245A	Ball	2	
20	0338 19 256	Ring, Seal	2	
21	0338 19 257	Ring, Seal	2	
22	0338 19 258	Seal, Lathe Cut Ring	1	
23	0338 19 678	Shaft, Input	1	
24	99796 1035	Bolt, Housing	2	
	99796 1040	Bolt	1	
	99796 1045	Bolt	1	
25	99940 1001	Nut, Housing	1	
26	0338 19 904A	Hose, Vacuum (Rr.)	1	
27	0808 19 910	Pipe, Vacuum	1	
28	0842 19 915A	Clip, Vacuum Pipe	1	
29	99796 0610	Bolt, Clip	3	
30	1053 19 920	Pipe, Oil	1	
31	1053 19 930	Pipe, Oil	1	
32	1015 19 934B	Hose, Oil	2	
33	1758 19 940	Bracket, Pipe	1	
34	1015 19 945A	Plate, Spacer	1	

# AUTOMATIC T/MISSION

(CONVERTER, OIL PUMP & PIPING)

19

No.	Part Number	Description	Q'ty	Remarks
35	2579 19 989	Clip, Pipe	1	
36	99276 1006	Clip, Pipe	1	
37	0866 45 903A	Clip, Pipe	2	
38	99796 0620	Bolt, Clip	2	
39	99282 1700	Band, Hose	4	
40	99381 0600	Bolt, Connector - Vacuum Pipe	1	
41	99381 0800	Bolt, Connector - Oil Pipe	2	
42	99564 1000	Gasket, Connector Bolt	2	
43	99564 1200	Gasket, Connector Bolt	4	
44	99709 0108	Band, Oil Pipe	1	
	1758 19 090	Shipping T/mission	1	





# AUTOMATIC T/MISSION

## (CASE & MAIN CONTROL)

**19**

No.	Part Number	Description	Q'ty	Remarks
1	1011 17 351	Joint, Cable - Speedometer	1	
2	0187 17 352	Pin, Dowel - Driven Gear	1	
3	0111 17 354	Plate, Lock - Cable Joint	1	
4	99806 0614	Bolt, Lock Plate	1	
	99971 0600	Washer, Spring	1	
5	1011 17 441	Gear, Driven - Speedometer	1	
6	0862 17 442	Sleeve, Speedometer Driven Gear	1	
7	99222 0216	Pin, Spring	1	
8	99541 02211	Ring, "O" - Driven Gear	1	
9	99586 10207	Oil Seal, Driven Gear	1	
10	1758 19 310	Case, T/mission	1	
11	0338 19 331A	Plug, Square Head	3	
12	99611 1750	Ball, Steel	3	
13	0338 19 336	Race, Inner	1	
14	0338 19 337	Washer, Plain	8	
15	0338 19 338	Bolt	8	
16	0378 19 344	Breather, Air	1	
17	99611 2000	Ball, Steel	2	

No.	Part Number	Description	Q'ty	Remarks
18	1758 19 341	Bolt, Anchor End	1	
19	0338 19 361	Strut, Band	1	
20	0338 19 363	Spring, Return - Piston	1	
21	0842 19 381	Piston, Band Servo	1	
22	0338 19 384	Seal, Piston	1	
23	0842 19 385	Seal, Piston	1	
24	1758 19 386	Stem, Piston	1	
25	0338 19 388A	Washer, Plain	1	
26	0338 19 389	Nut, Band Adjust	1	
27	1758 19 391	Retainer, Servo	1	
28	1758 19 392	Cover, Servo	1	
29	0842 19 394	Seal, Lathe Cut Ring	1	
30	1758 19 394	Ring, "O"	1	
31	0338 19 395	Seal, "O" Ring	1	
32	0338 19 397	Bolt	3	
33	1758 19 397	Bolt, Servo	3	
34	1840 19 710	Housing, Extension	1	
35	0376 17 335	Oil Seal	1	

# AUTOMATIC T/MISSION

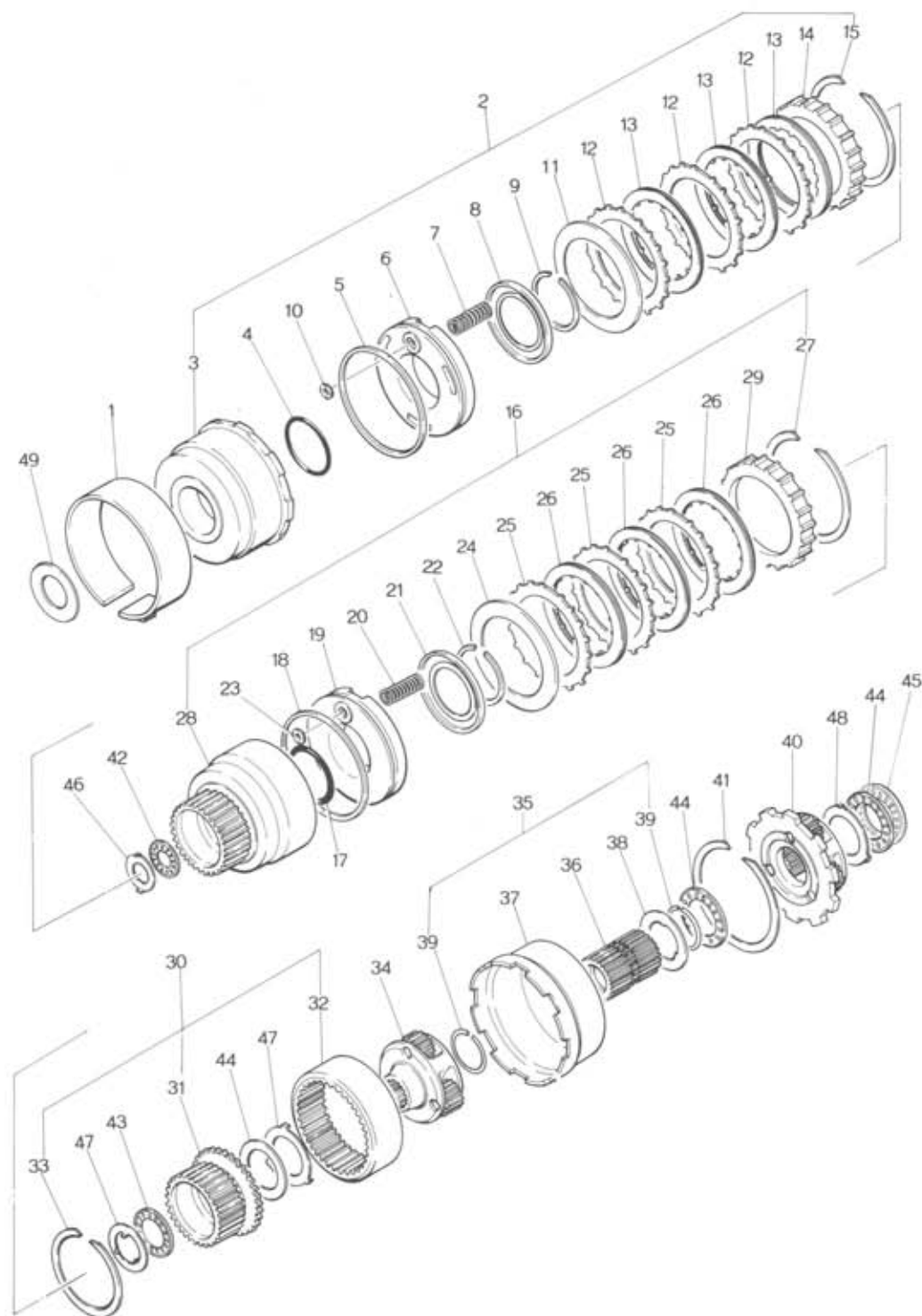
(CASE & MAIN CONTROL)

No.	Part Number	Description	Q'ty	Remarks
36	0338 19 735	Gasket, Extension Housing	1	
37	0338 19 737	Bolt, Extension Housing	8	
	0338 19 739	Washer, Plain	8	
38	1758 19 750	Valve, Control	1	
39	0338 19 768	Valve, Manual	1	
40	1758 19 815	Strainer, Oil	1	
41	0338 19 831	Bolt, Control Valve	3	
42	0338 19 832	Bolt, Control Valve	2	
43	0338 19 833	Bolt, Control Valve	2	
44	1675 19 821	Solenoid, Down Shift	1	
45	0338 19 822	Seal, "O" Ring	2	
46	0338 19 823	Diaphragm, Vacuum	1	
47	0338 19 825	Rod, Diaphragm ( $\ell = 30.0$ )	} Selective use	
	0338 19 826	Rod ( $\ell = 31.0$ )		
	0338 19 827	Rod ( $\ell = 30.5$ )		
	0338 19 828	Rod ( $\ell = 29.0$ )		
	0338 19 829	Rod ( $\ell = 29.5$ )		

**AUTOMATIC T/MISSION****(CASE & MAIN CONTROL)**

No.	Part Number	Description	Q'ty	Remarks
48	1758 19 835	Gasket, Oil Pan	1	
49	1758 19 836	Pan, Oil	1	
50	0338 19 837	Bolt, Oil Pan	17	
51	1758 19 870	Tube, Oil Level	1	
52	1758 19 880	Gauge, Oil Level	1	
53	99541 01601	Ring, "O" - Oil Level Tube	1	
54	99796 0610	Bolt, Oil Level Tube	1	



**AUTOMATIC T/MISSION****(CLUTCH & PLANETARY GEAR)**

# AUTOMATIC T/MISSION (CLUTCH & PLANETARY GEAR)

No.	Part Number	Description	Q'ty	Remarks
1	0338 19 360	Band, Brake	1	
2	1758 19 460	Clutch, Front	1	
3	0338 19 470	Drum, Clutch	1	
4	0338 19 475	Seal, "O" Ring	1	
5	0338 19 476	Seal, Lathe Cut	1	
6	0338 19 480	Piston, Clutch	1	
7	0338 19 486	Spring, Piston Return	10	
8	0338 19 487	Retainer, Spring	1	
9	0338 19 488	Ring, Snap	1	
10	0338 19 493	Retainer, Ball	1	
11	0338 19 498	Plate, Dished	1	
12	0338 19 499	Plate, Driven	4	
13	0338 19 500	Plate, Drive	4	
14	1758 19 503	Plate, Retaining	<div style="display: flex; align-items: center;"> <div style="font-size: 3em; margin-right: 5px;">}</div> <div> <p style="margin: 0;">Selective use</p> <p style="margin: 0; text-align: center;">1</p> </div> </div>	
	1758 19 504	Plate, Retaining		
	1758 19 505	Plate, Retaining		
	1758 19 506	Plate, Retaining		
	1758 19 507	Plate, Retaining		
	1758 19 508	Plate, Retaining		

# AUTOMATIC T/MISSION

## (CLUTCH & PLANETARY GEAR)

No.	Part Number	Description	Q'ty	Remarks
15	0338 19 509	Ring, Snap	1	
16	1758 19 510	Clutch, Rear	1	
17	0338 19 475	Seal, "O" Ring	1	
18	0338 19 476	Seal, Lathe Cut	1	
19	0338 19 480	Piston, Clutch	1	
20	0338 19 486	Spring, Piston Return	10	
21	0338 19 487	Retainer, Spring	1	
22	0338 19 488	Ring, Snap	1	
23	0338 19 493	Retainer, Ball	1	
24	0338 19 498	Plate, Dished	1	
25	0338 19 499	Plate, Driven	5	
26	0338 19 500	Plate, Drive	5	
27	0338 19 509	Ring, Snap	1	
28	1758 19 511	Drum, Rear Clutch	1	
29	0378 19 515	Plate, Retaining	1	
30	0338 19 530	Hub, Rear Clutch	1	
31	0338 19 531	Hub, Rear Clutch	1	
32	0338 19 533	Gear, Internal	1	



# AUTOMATIC T/MISSION (CLUTCH & PLANETARY GEAR)

No.	Part Number	Description	Q'ty	Remarks
33	0338 19 534	Ring, Snap	1	
34	0338 19 540	Carrier, Front	1	
35	0338 19 550	Shell & Sun Gear	1	
36	0338 19 560	Gear, Sun	1	
37	0338 19 565	Shell, Connecting	1	
38	0338 19 566	Race, Bearing - Shell	1	
39	0338 19 567	Ring, Snap	2	
40	0338 19 570	Carrier, Rear	1	
41	0338 19 598	Ring, Snap	1	
42	0338 19 621	Bearing, Needle	1	
43	0338 19 622	Bearing, Needle	1	
44	0338 19 623	Bearing, Needle	3	
45	0338 19 624	Bearing, Needle	1	
46	0338 19 631	Race, Bearing (t = 1.2)	<div style="border-left: 1px solid black; padding-left: 5px;">                     Selective use                      1                 </div>	
	0338 19 632	Race, Bearing (t = 1.4)		
	0338 19 633	Race, Bearing (t = 1.6)		
	0338 19 634	Race, Bearing (t = 1.8)		

# AUTOMATIC T/MISSION

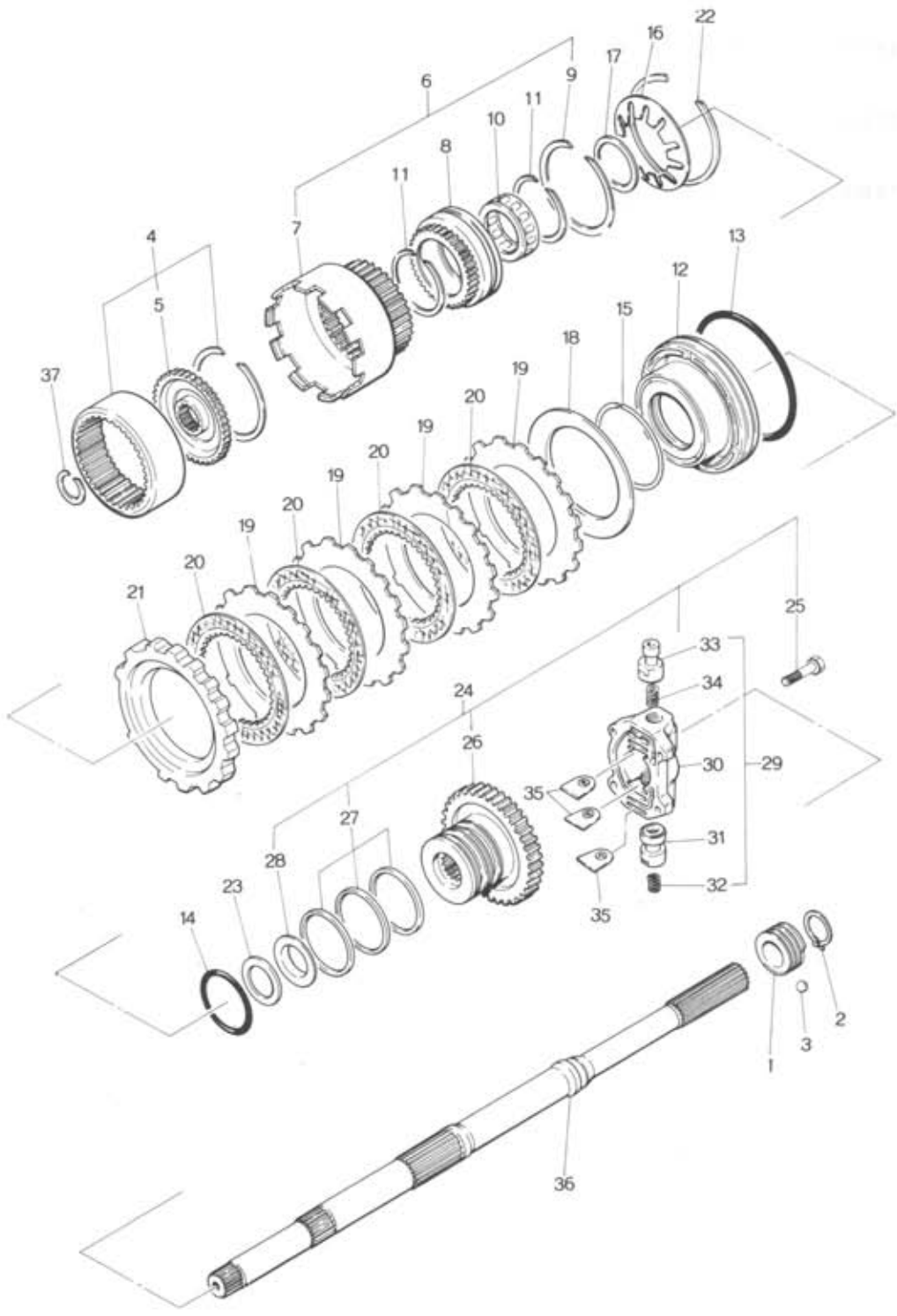
## (CLUTCH & PLANETARY GEAR)

No.	Part Number	Description	Q'ty	Remarks
	0338 19 635	Race, Bearing (t = 2.0)		
	0338 19 636	Race, Bearing (t = 2.2)		
47	0338 19 638	Race, Bearing - Rear Clutch	1	
48	0338 19 639	Race, Bearing	2	
49	0338 19 641	Washer, Front Clutch (t = 1.90)		
	0338 19 642	Washer (t = 2.10)		
	0338 19 643	Washer (t = 2.30)		
	0338 19 644	Washer (t = 2.50)	1	Selective use
	0338 19 645	Washer (t = 2.70)		
	0338 19 646	Washer (t = 1.50)		
	0338 19 647	Washer (t = 1.70)		
	0397 22 200	Clutch Repair Kit	1 Set	
	0338 19 475	Seal, "O" Ring	2	
	0338 19 476	Seal, Lathe Cut	2	
	0338 19 486	Spring, Piston Return	20	
	0338 19 487	Retainer, Spring	2	
	0338 19 488	Ring, Snap	2	
	0338 19 498	Plate, Dished	2	
	0338 19 499	Plate, Driven	7	

# AUTOMATIC T/MISSION (CLUTCH & PLANETARY GEAR)

19

No.	Part Number	Description	Q'ty	Remarks
	0338 19 500	Plate, Drive	7	
	0338 19 509	Ring, Snap	2	
	0338 19 621	Bearing, Needle	1	
	0338 19 638	Race, Bearing - Rear Clutch	1	



# AUTOMATIC T/MISSION

## (LOW, REVERSE & GOVERNOR)

19

No.	Part Number	Description	Q'ty	Remarks
1	0862 17 341	Gear, Drive - Speedometer	1	
2	99573 2500	Ring, Snap - Drive Gear	1	
3	99611 1500	Ball, Steel	1	
4	0338 19 580	Flange	1	
5	0338 19 581	Flange, Drive	1	
6	0338 19 590	Drum, Connecting	1	
7	0338 19 591	Drum, Connecting	1	
8	0338 19 593	Race, Outer	1	
9	0338 19 594	Ring, Snap	1	
10	0338 19 595	Clutch, One Way	1	
11	0338 19 596	Ring, Snap	2	
12	0338 19 601	Piston, Low & Reverse	1	
13	0338 19 603	Seal, Piston	1	
14	0338 19 604	Seal, "O" Ring	1	
15	0338 19 605	Ring, Thrust Spring	1	
16	0338 19 606	Spring, Piston	1	
17	0338 19 607	Ring, Snap	1	

# AUTOMATIC T/MISSION

(LOW, REVERSE & GOVERNOR)

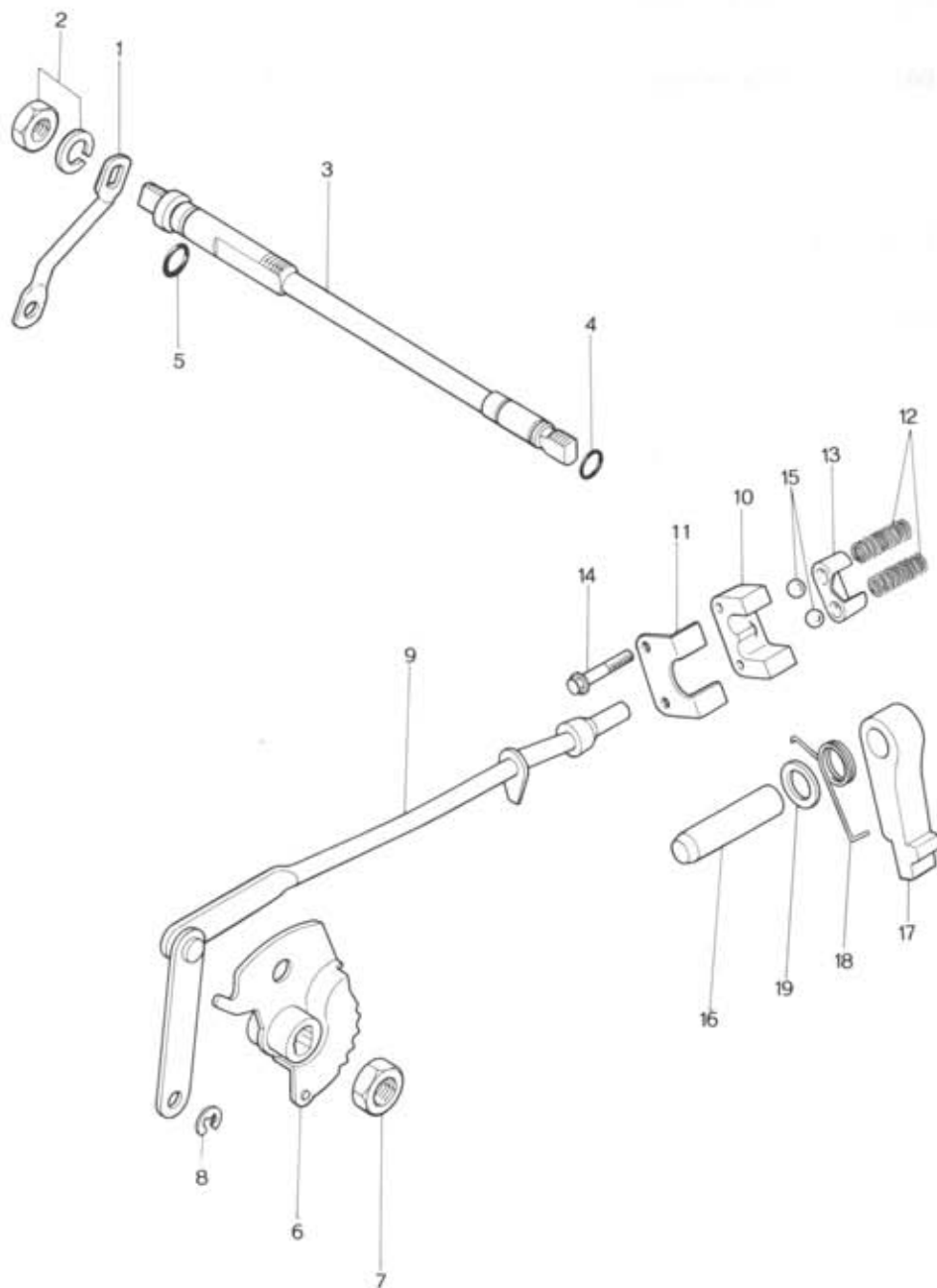
No.	Part Number	Description	Q'ty	Remarks
18	0338 19 608	Plate, Dished	1	
19	0338 19 609	Plate, Driven	4	
20	0338 19 610	Plate, Drive	4	
21	0338 19 613A	Plate, Retaining (t = 15.8)	} Selective use 1	
	0338 19 614A	Plate (t = 16.0)		
	0338 19 615A	Plate (t = 16.2)		
	0338 19 616A	Plate (t = 16.4)		
	0338 19 617A	Plate (t = 16.6)		
	0338 19 618A	Plate (t = 16.8)		
22	0338 19 619	Ring, Snap	1	
23	0338 19 622	Bearing, Needle	1	
24	0842 19 650	Distributor, Oil	1	
25	0338 19 397	Bolt	4	
26	0338 19 651	Distributor	1	
27	0338 19 655	Ring, Seal	3	
28	0338 19 656	Race, Bearing	1	
29	0842 19 660	Governor, Fig. No. 30 ~ 33 included	1	
30	0338 19 661	Body	1	
31	0338 19 663	Valve	1	

# AUTOMATIC T/MISSION

(LOW, REVERSE & GOVERNOR)

19

No.	Part Number	Description	Q'ty	Remarks
32	0338 19 664	Spring	1	
33	0842 19 665	Valve	1	
34	0338 19 666	Spring, Governor	1	
35	0338 19 667	Plate, Retainer	3	
36	0338 19 670A	Shaft	1	
37	0338 19 676	Ring	1	

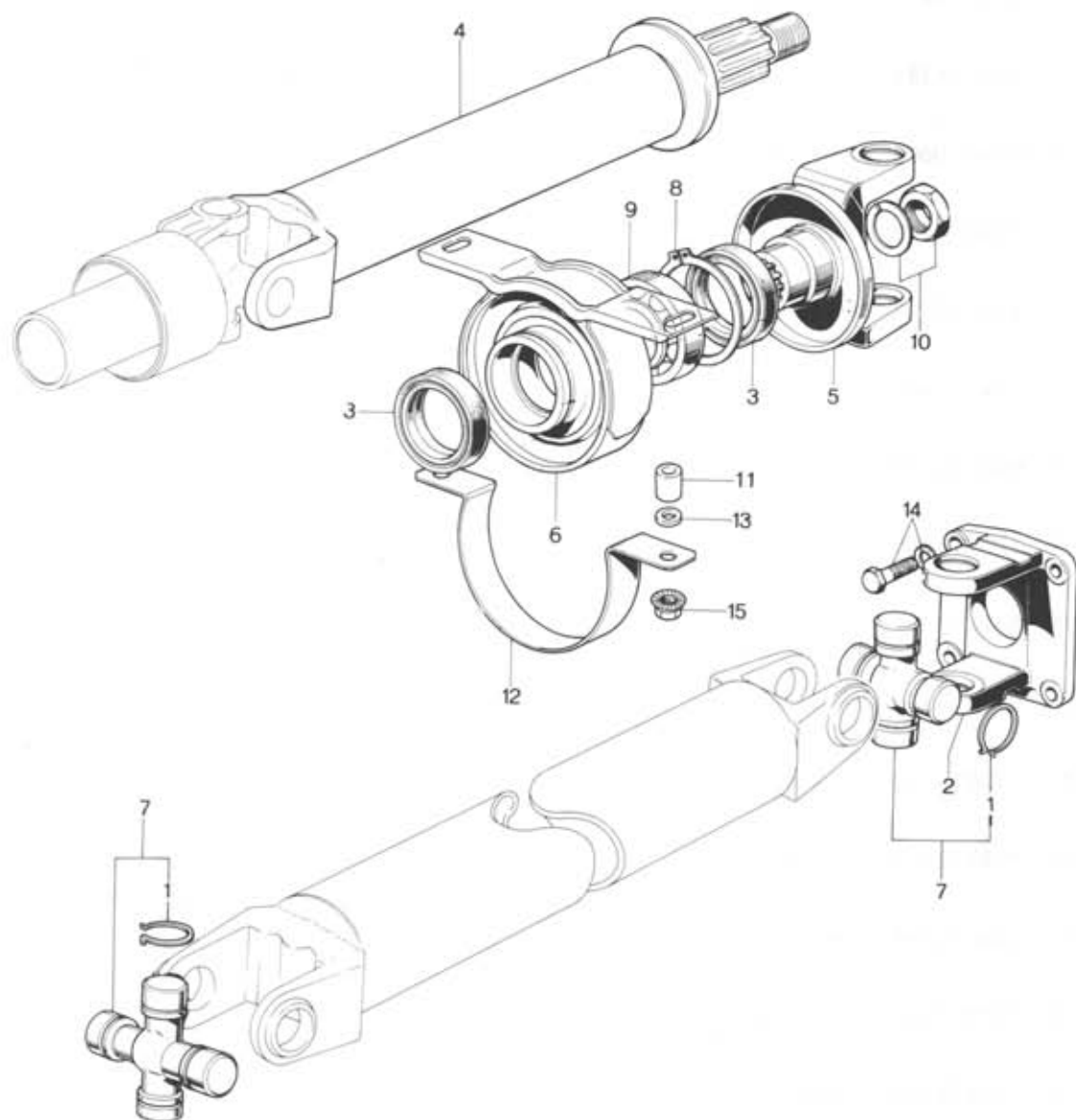




# AUTOMATIC T/MISSION

(MANUAL LINKAGE)

No.	Part Number	Description	Q'ty	Remarks
1	1015 19 031	Lever, Select	1	
2	99922 1400	Nut, Select Lever	1	
	99971 1400	Washer, Spring	1	
3	1758 19 431	Shaft, Manual	1	
4	99541 00901	Ring, "O"	1	
5	99541 01201	Ring, "O"	1	
6	1758 19 440	Plate, Manual	1	
7	1758 19 443	Nut, Shaft	1	
8	0338 19 449	Ring, Snap	2	
9	1758 19 450	Rod, Parking	1	
10	0338 19 701	Support, Actuator	1	
11	0338 19 702	Plate, Retaining	1	
12	0338 19 703	Spring, Ball Park	2	
13	0338 19 704	Retainer	1	
14	0338 19 706	Bolt	2	
15	99611 2750	Ball, Steel	2	
16	0338 19 731	Shaft, Parking Pawl	1	
17	0338 19 732	Pawl, Parking	1	
18	0338 19 733C	Spring, Pawl Return	1	
19	0338 19 734A	Spacer, Dowel	1	



# PROPELLER SHAFT

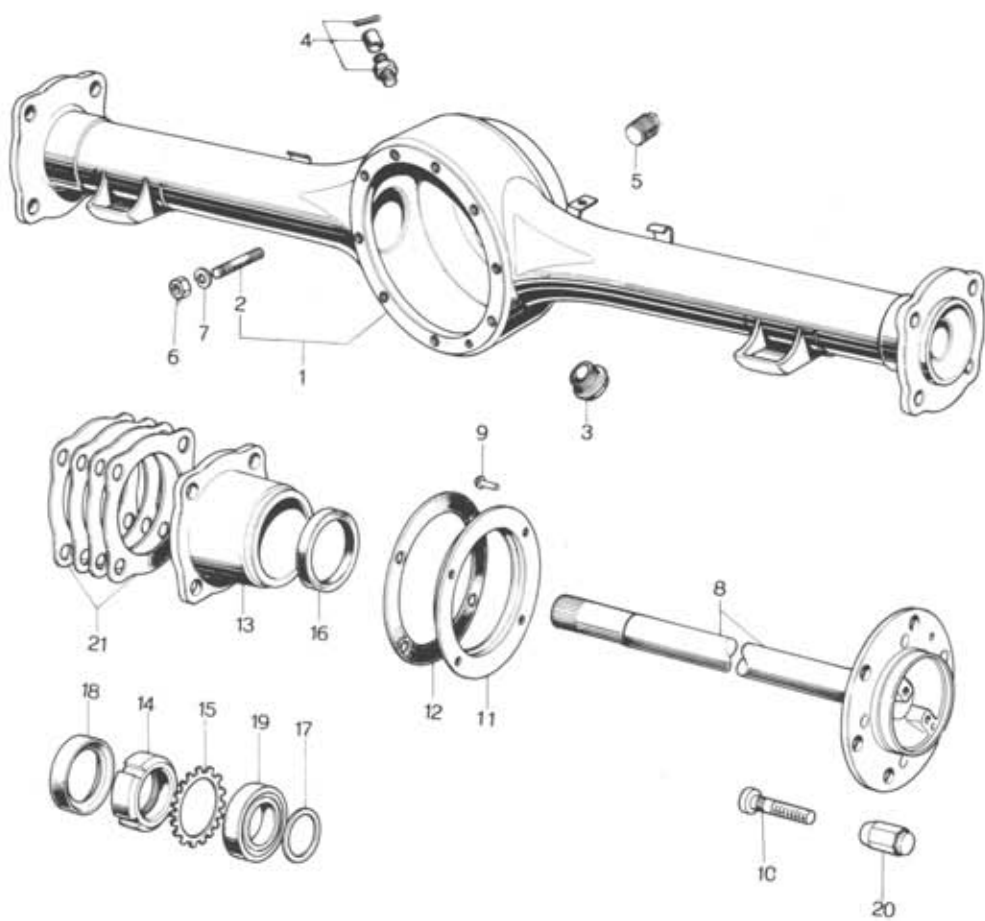
25

No.	Part Number	Description	Q'ty	Remarks
	1856 25 100A	Shaft, Propeller	1	
1	2677 25 071	Ring, Snap	8	Selective use
	2677 25 072	Ring, Snap		
	2677 25 073	Ring, Snap		
	2677 25 074	Ring, Snap		
	2677 25 075	Ring, Snap		
	2677 25 076	Ring, Snap		
	2677 25 077	Ring, Snap		
2	0578 25 121	Yoke, Universal	1	
3	0290 25 151	Oil Seal, Center Bearing	2	
4	1856 25 210	Shaft, Propeller	1	
5	2677 25 220	Yoke	1	
6	1856 25 300A	Support, Center Bearing	1	
7	0706 89 251	Joint Set, Universal	2	
8	99574 5200	Ring, Snap - Ball Bearing	1	
9	99606 62050	Bearing, Ball	1	
10	99922 1800	Nut, Yoke	1	
	99971 1800	Washer, Spring	1	
11	2783 18 368	Spacer, Protector	2	

**PROPELLER SHAFT**

No.	Part Number	Description	Q'ty	Remarks
12	1856 25 314	Protector	1	
13	0884 39 387	Washer, Protector	2	
14	99750 11020	Bolt, Yoke Universal Joint	4	
	99971 1000	Washer, Spring	4	
15	99940 1001	Nut, Protector	2	





# REAR AXLE

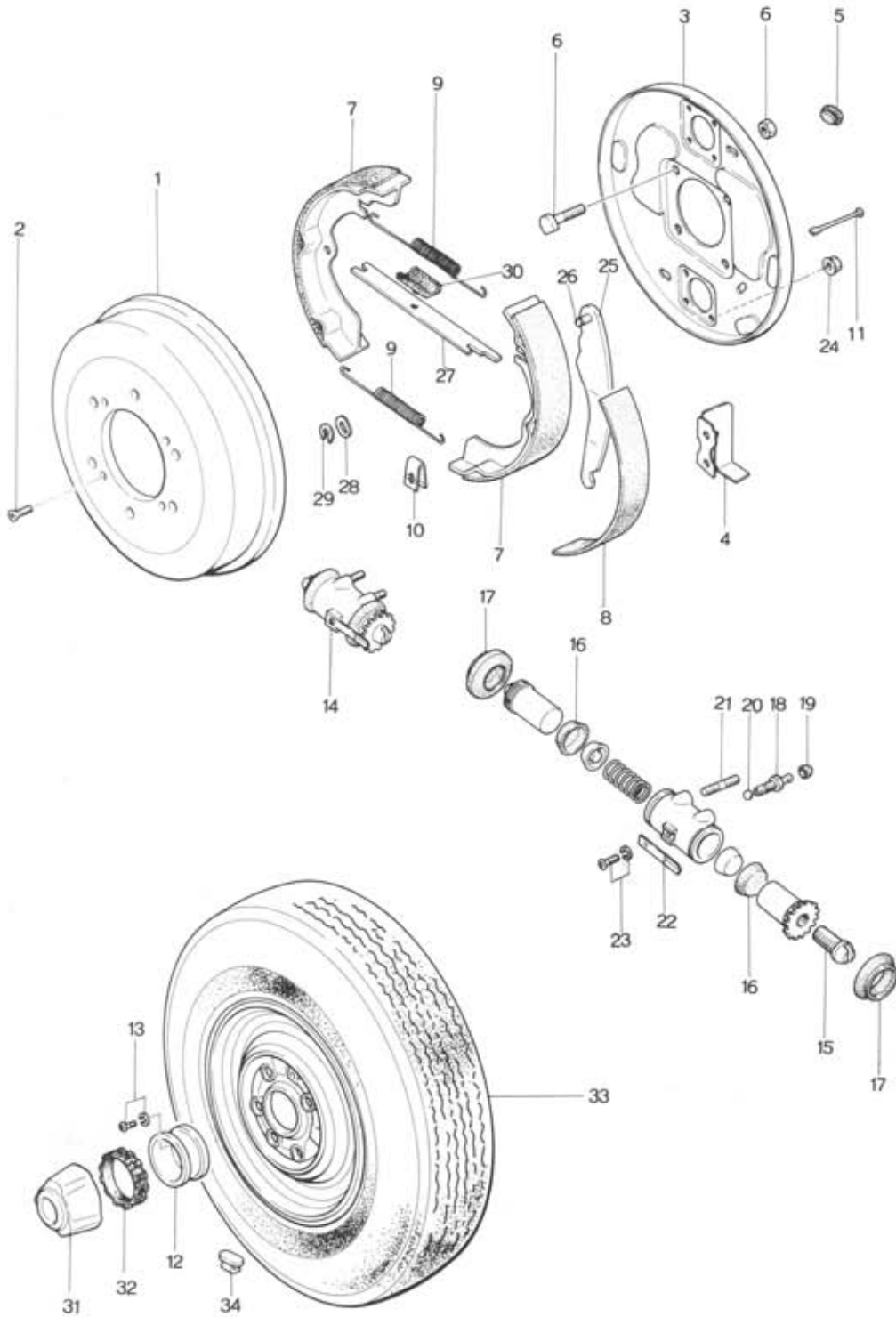
26

No.	Part Number	Description	Q'ty	Remarks
1	1854 26 010A	Casing, Rear Axle	1	
2	99852 0820F	Stud, Rear Axle Casing	10	
3	0259 26 051	Plug, Drain - Magnet	1	
4	0419 26 060	Breather, Axle Casing	1	
5	99502 4000	Plug, Oil Level	1	
6	99901 0800	Nut, Rear Axle Casing	10	
7	99971 0800	Washer, Spring	10	
8	1854 26 111	Shaft (R), Rear Axle	1	
	1854 26 115	Shaft (L), Rear Axle	1	
9	99254 4014	Rivet, Rear Axle Shaft	8	
10	1854 26 113A	Bolt (R), Hub	6	
	1854 26 117A	Bolt (L), Hub	6	
11	0604 26 125B	Baffle, Oil	2	
12	0604 26 129	Packing, Oil Baffle	2	
13	0603 26 131A	Housing, Bearing	2	
14	0603 26 152	Nut (R), Lock	1	
	0603 26 156	Nut (L), Lock	1	
15	0603 26 153	Washer, Lock	2	
16	0603 26 154	Oil Seal, Inner	2	

No.	Part Number	Description	Q'ty	Remarks
17	0603 26 155	Spacer, Bearing	2	
18	0603 26 157	Oil Seal, Outer	2	
19	99603 02080	Bearing, Rear Wheel	2	
20	1854 26 161A	Nut (R), Hub	6	
	1854 26 163A	Nut (L), Hub	6	
21	0603 26 165	Shim, Adjust (t = 0.1)	4	Selective use
	0603 26 166	Shim, Adjust (t = 0.15)		
	0603 26 167	Shim, Adjust (t = 0.5)		
	0603 26 168	Shim, Adjust (t = 0.75)		





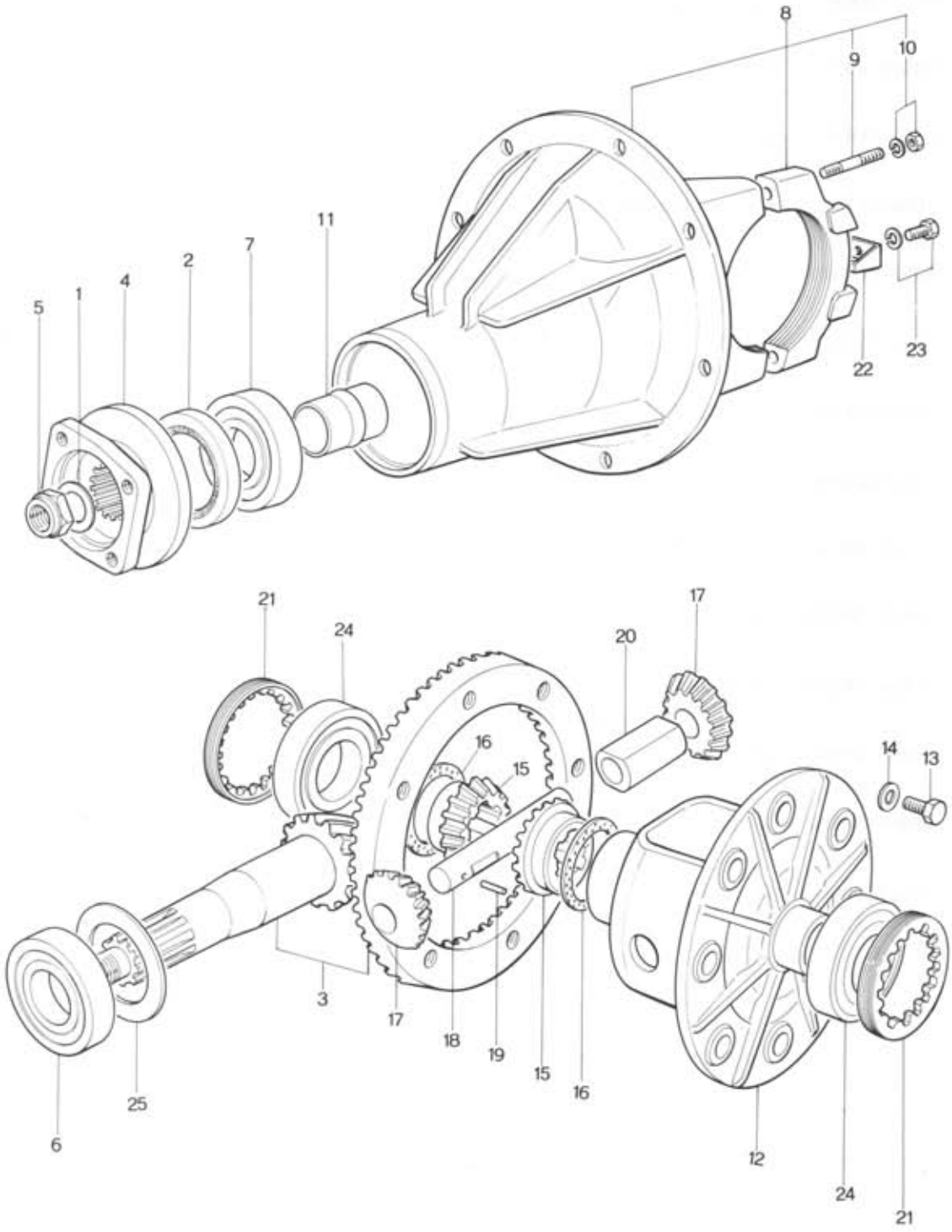


No.	Part Number	Description	Q'ty	Remarks
1	0603 26 251A	Drum, Brake	2	
2	99831 0616	Screw, Brake Drum	1	
3	0603 26 280A	Cover (R), Brake Drum	1	
	0603 26 290A	Cover (L), Brake Drum	1	
4	0589 26 287A	Guard (R), Brake Pipe	1	
	0589 26 297A	Guard (L), Brake Pipe	1	
5	0603 26 288	Plug, Drum Cover	4	
6	0603 26 301	Bolt, Brake Drum Cover	8	
	99942 1000	Nut, Self Lock	8	
7	1823 26 310A	Shoe, Brake	4	
8	1823 26 312A	Lining, Brake	4	
9	0603 26 341	Spring, Return	4	
10	0223 26 345A	Spring, Clip	4	
11	0223 26 391	Pin, Brake Shoe Guide	4	
12	1854 26 570	Adapter, Center Emblem	2	
13	99833 0812	Screw, Adapter	4	
	99971 0800	Washer, Spring	4	

## REAR BRAKE

No.	Part Number	Description	Q'ty	Remarks
14	0647 26 610	Cylinder, Wheel (R)	2	
	0647 26 710	Cylinder, Wheel (L)	2	
15	0604 26 465	Screw, Adjusting	4	
16	0208 26 671	Cup, Piston	8	
17	0603 33 681A	Cover, Dust	8	
18	0259 33 691	Screw, Bleeder	4	
19	0259 33 693	Cap, Bleeder Screw	4	
20	99611 1500	Ball, Steel	4	
21	99852 0614	Stud	16	
22	0304 33 352A	Spring	4	
23	99833 0406	Screw, Spring	4	
	99971 0400	Washer, Spring	4	
24	99940 0600	Nut, Flange Wheel Cylinder	16	
25	0603 26 800A	Lever, Operating (R)	1	
	0603 26 810A	Lever, Operating (L)	1	
26	0604 26 832	Pin	2	
27	0603 26 821A	Strut, Operating	2	

No.	Part Number	Description	Q'ty	Remarks
28	0118 26 834	Washer, Wave	2	
29	99575 0600	Ring, "U" Stop	2	
30	0603 26 898	Holder, Strut	2	
31	1854 33 191	Emblem, Center Cap	2	
32	1854 33 192	Rubber Set, Center Cap	2	
33	9962 03 7314	Tire, - 7.35 - 14 - 6PR	2	
	9963 60 4130	Valve, Air - TR - 413	2	
	9965 05 5540	Wheel, Disc - 5½ - J x 14 WDC	2	
34	99655 30010	Weight, Balance	-	Selective use
	99655 30020	Weight, Balance		
	99655 30030	Weight, Balance		
	99655 30040	Weight, Balance		
	99655 30050	Weight, Balance		
	99655 30060	Weight, Balance		

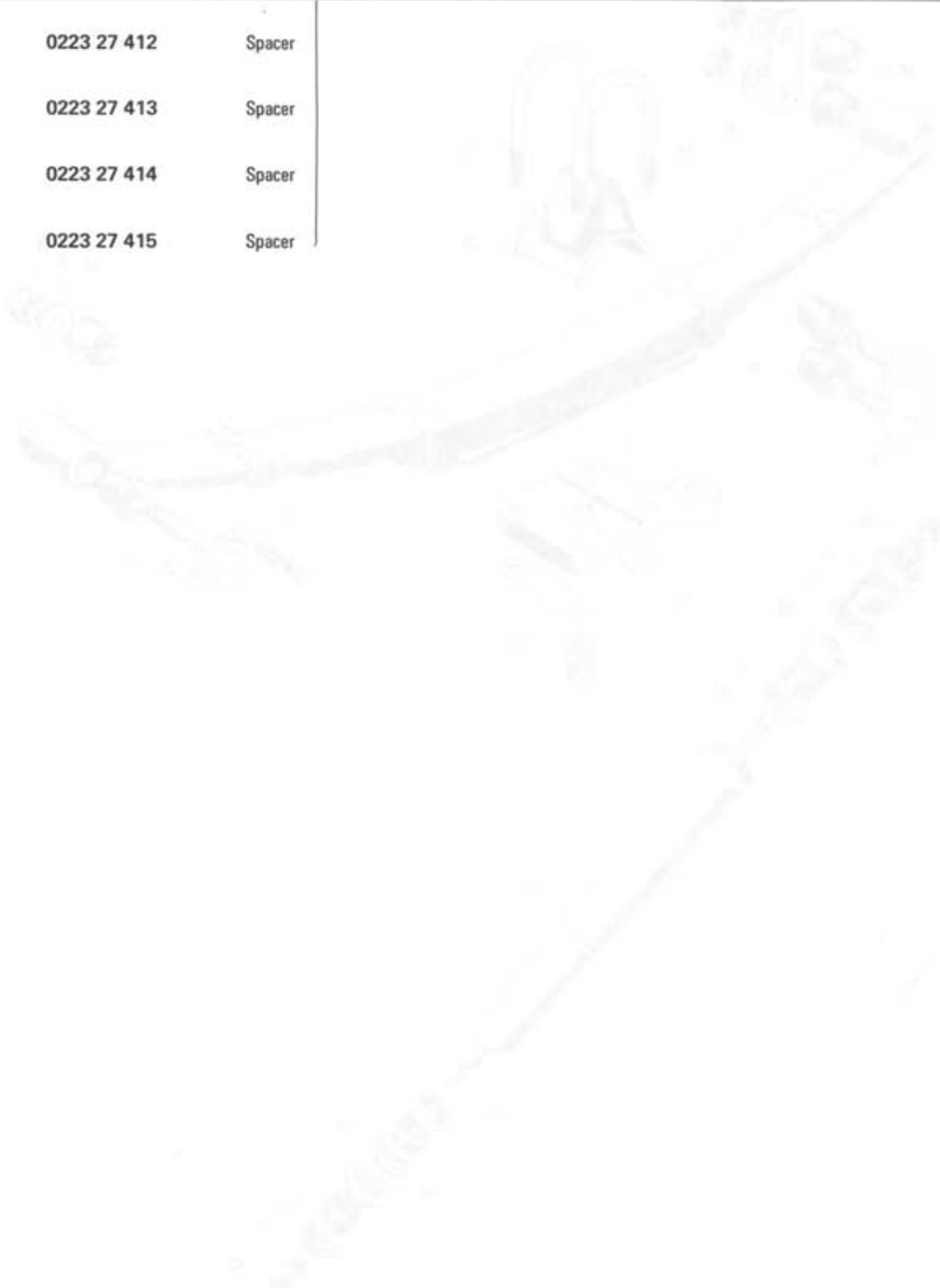


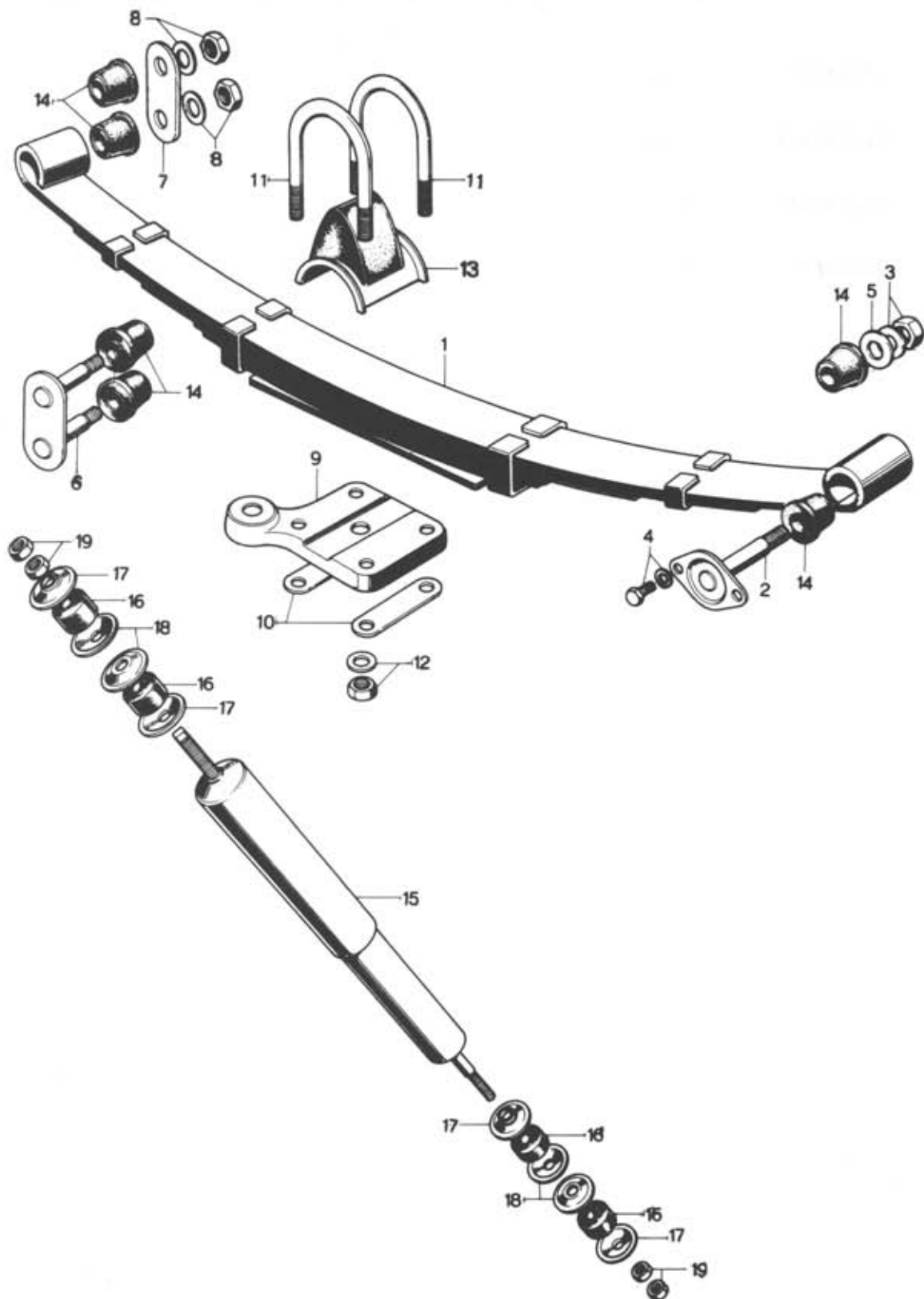
No.	Part Number	Description	Q'ty	Remarks
	<b>1854 27 100</b>	<b>Driving &amp; Differential</b>	<b>1</b>	
1	0012 27 012	Washer	1	
2	0604 27 018	Oil Seal	1	
3	1854 27 110	Gear Set, Final	1	
4	0579 27 120	Flange, Companion	1	
5	0578 27 130A	Nut, Lock	1	
6	0540 27 141	Bearing, Rear - Drive Pinion	1	
7	0604 27 142	Bearing, Front - Drive Pinion	1	
8	1854 27 150	Carrier, Differential	1	
9	99859 1248	Stud, Carrier	4	
10	99921 1200	Nut, Carrier	4	
	99971 1200	Washer, Spring	4	
11	1854 27 171	Piece, Distance	1	
12	1854 27 231	Case, Gear - Differential	1	
13	99751 21225	Bolt, Gear Case	10	Selective use
	99751 61225	Bolt, Gear Case		
14	99958 1220	Washer, Lock	10	
15	1854 27 251	Gear, Side	2	
16	0578 27 252	Washer, Thrust - Side Gear	2	
	0578 27 253	Washer, Thrust - Side Gear	2	Selective use

No.	Part Number	Description	Q'ty	Remarks
	0578 27 254	Washer, Thrust - Side Gear	2	
17	0604 27 255A	Pinion, Differential	2	
18	1854 27 261	Shaft, Differential Pinion	1	
19	0114 27 262	Pin, Pinion Shaft	1	
20	1854 27 263	Block, Thrust Pinion Shaft	1	
21	0110 27 301	Screw, Adjust	2	
22	0578 27 302	Plate, Lock Carrier	2	
23	99811 0812	Bolt, Lock Plate	2	
	99971 0800	Washer, Spring	2	
24	0118 27 305	Bearing, Differential Gear	2	
25	0223 27 401	Spacer		
	0223 27 402	Spacer		
	0223 27 403	Spacer		
	0223 27 404	Spacer		
	0223 27 405	Spacer		
	0223 27 406	Spacer		
	0223 27 407	Spacer		
	0223 27 408	Spacer		
	0223 27 409	Spacer		
	0223 27 411	Spacer		
		Selective use	1	



No.	Part Number	Description	Q'ty	Remarks
0223 27 412	Spacer			
0223 27 413	Spacer			
0223 27 414	Spacer			
0223 27 415	Spacer			





# REAR SUSPENSION

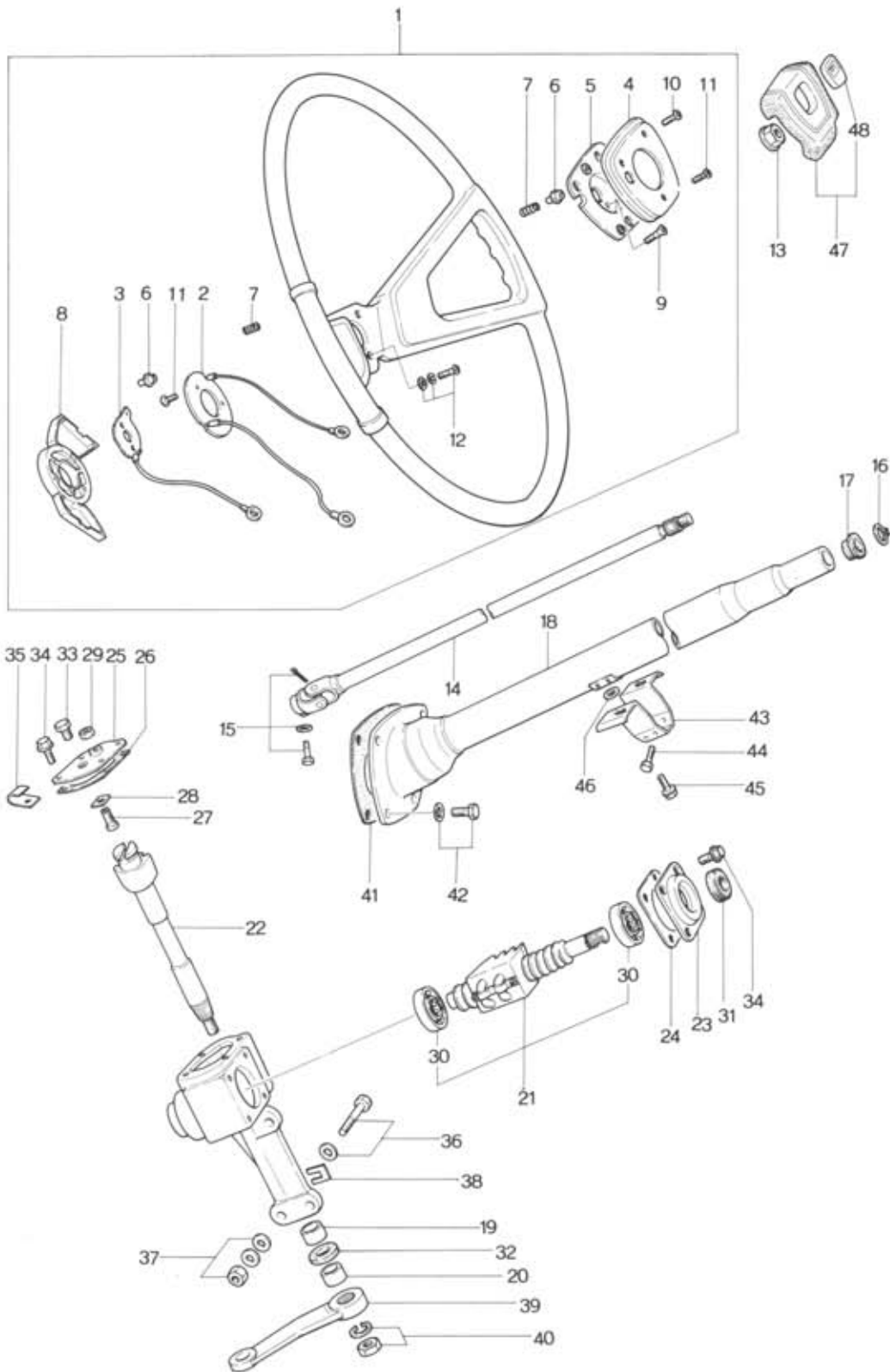
28

No.	Part Number	Description	Q'ty	Remarks
1	1854 28 010	Spring, Rear	2	
	1854 28 011	Leaf No. 1	2	
	1854 28 012	Leaf No. 2	2	
	1854 28 013	Leaf No. 3	2	
	1854 28 014	Leaf No. 4	2	
	1854 28 015	Leaf No. 5	2	
	1854 28 016	Leaf No. 6	2	
2	0603 28 110	Pin, Spring	2	
3	99921 1400	Nut, Spring Pin	2	
	99971 1400	Washer, Spring	2	
4	99811 1020	Bolt, Spring Pin	4	
	99971 1000	Washer, Spring	4	
5	0603 28 114	Spacer	2	
6	0603 28 140	Plate, Shackle	2	
7	0603 28 142	Plate, Shackle	2	
8	99921 1400	Nut, Shackle Plate	4	
	99971 1400	Washer, Spring	4	
9	0603 28 151	Clamp (R), Spring	1	
	0603 28 171	Clamp (L), Spring	1	

## REAR SUSPENSION

No.	Part Number	Description	Q'ty	Remarks
10	0603 28 152	Patch, Spring Clamp	4	
11	0603 28 161	Bolt, Lock	4	
12	99928 1200	Nut, Lock Bolt	8	
	99971 1200	Washer, Spring	8	
13	0603 28 320	Rubber, Stopper	2	
14	0191 28 330	Bush, Rubber	12	
15	0603 28 700X	Damper, Rear	2	
16	0110 34 775A	Bush, Rubber	8	
17	0110 34 776A	Retainer	8	
18	0110 34 777A	Washer, Centering	8	
19	99922 1000	Nut, Rear Damper	4	
	99921 1000	Nut	4	





# STEERING SYSTEM (WHEEL & GEAR)

32

No.	Part Number	Description	Q'ty	Remarks
1	1854 32 980	Boss, Steering Wheel	1	
2	1854 32 018	Terminal	1	
3	1175 32 030	Plate, Earth "C"	1	
4	1175 32 041	Plate, Set	1	
5	1175 32 042	Cap	1	
6	1175 32 043	Insulator	3	
7	1175 32 044	Spring	3	
8	1854 32 049	Cover, Wheel Core	1	
9	99831 0310	Screw	2	
10	99833 0306	Screw	1	
11	99863 0308	Screw	6	
12	99863 0312	Screw	3	
	99953 0300	Washer, Plain	3	
	99971 0300	Washer, Spring	3	
13	99948 1200	Nut, Steering Wheel	1	
14	1854 32 050	Shaft, Column	1	
15	1854 32 888	Bolt, Column Shaft	1	
	99971 0800	Washer, Spring	1	
	99221 2012	Pin, Split	1	

# STEERING SYSTEM (WHEEL & GEAR)

No.	Part Number	Description	Q'ty	Remarks
16	0208 32 059	Ring, Stop	1	
17	0259 32 071	Bush, Shaft Support	1	
18	1854 32 080	Jacket, Column Shaft	1	
	1854 32 110	Gear, Steering	1	
19	0603 32 122	Bush	1	
20	0603 32 123	Bush	1	
21	1854 32 130	Ball Nut, Worm	1	
22	1854 32 141	Shaft, Sector	1	
23	1854 32 151	Cover, End	1	
24	1854 32 154	Shim, End Cover (t = 0.05)	Selective use	1
	1854 32 155	Shim (t = 0.06)		
	1854 32 156	Shim (t = 0.07)		
	1854 32 157	Shim (t = 0.08)		
	1854 32 158	Shim (t = 0.10)		
	1854 32 159	Shim (t = 0.20)		
25	1854 32 161	Cover, Side - Steering Gear	1	
26	1854 32 163	Gasket, Side Cover	1	
27	0180 32 165A	Screw, Adjust - Sector	1	
28	0180 32 171A	Shim, Adjust (t = 1.95)		



# STEERING SYSTEM (WHEEL & GEAR)

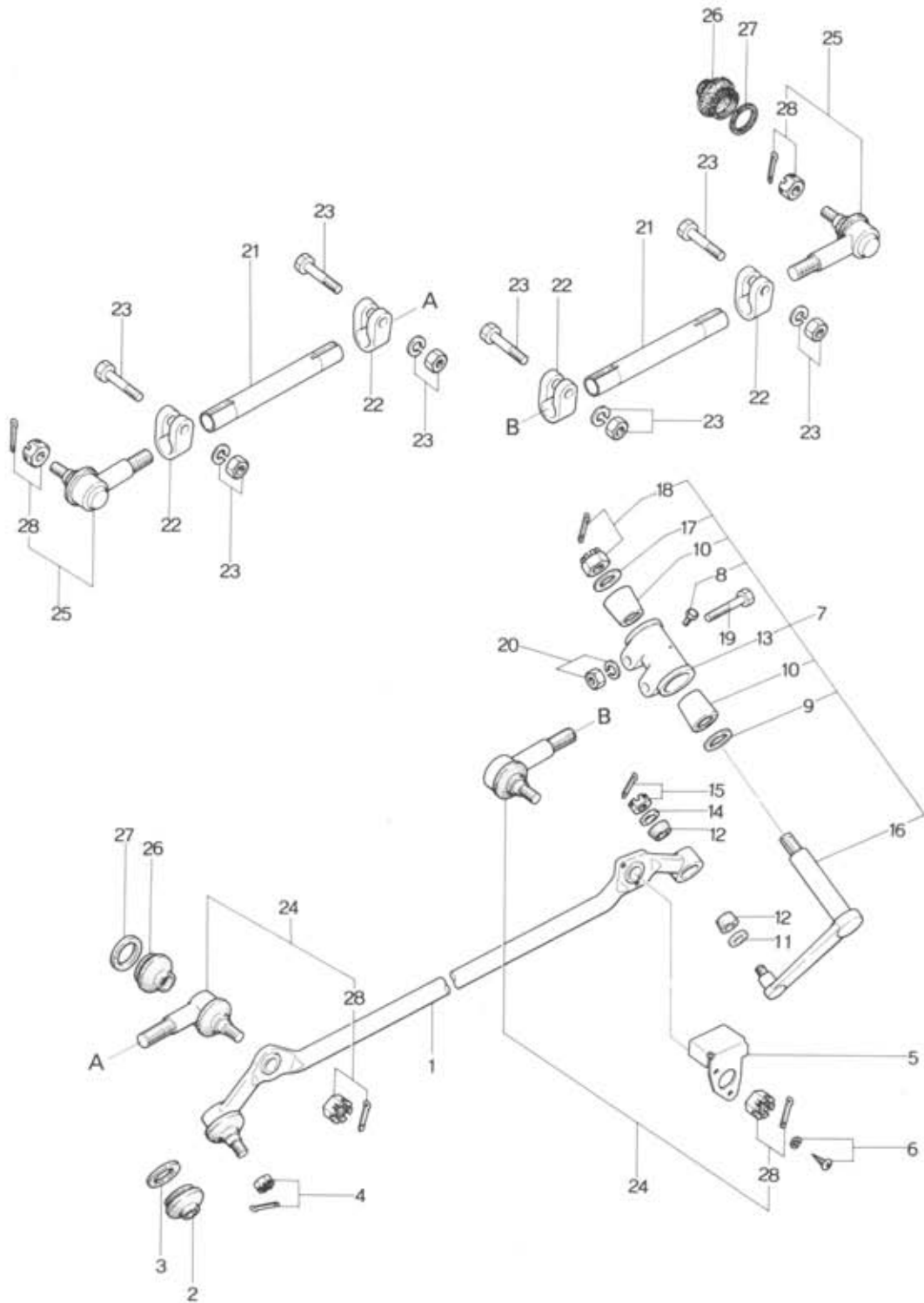
32

No.	Part Number	Description	Q'ty	Remarks
	0180 32 172A	Shim (t = 2.00)	1	Selective use
	0180 32 173A	Shim (t = 2.05)		
	0180 32 174A	Shim (t = 2.10)		
29	99922 1000	Nut, Lock - Adjust Screw	1	
30	0183 32 182	Bearing, Worm Ball Nut	2	
31	0180 32 184	Oil Seal, Worm	1	
32	99583 28388	Oil Seal, Sector Shaft	1	
33	0820 32 190	Plug, Oil	1	
34	99781 0822	Bolt, End + Side Cover	8	
	99971 0800	Washer, Spring	8	
35	99276 1008	Clip, Side Cover	1	
36	0603 32 186	Bolt, Gear Housing	3	
37	99921 1000	Nut, Gear Housing	3	
	99971 1000	Washer, Spring	3	
	99951 1022	Washer, Plain	2	
38	0208 32 188	Shim, Adjust - Selective use	3	
39	1854 32 226	Arm, Pitman	1	
40	99921 2000	Nut, Pitman Arm	1	
	99971 2000	Washer, Spring	1	

**STEERING SYSTEM (WHEEL & GEAR)**

No.	Part Number	Description	Q'ty	Remarks
41	1757 32 411A	Cover, Dust	1	
42	99786 0620	Screw, Tapping - Dust Cover	4	
	99952 0618	Washer, Plain	4	
43	1854 32 421	Bracket, Column Fixing	1	
44	99801 0810	Bolt, Bracket + Jacket	4	
	99971 0800	Washer, Spring	4	
45	99805 0832	Bolt, Bracket + Body	2	
	99951 0822	Washer, Plain	2	
	99971 0800	Wahser, Spring	2	
46	99951 1030B	Washer, Plain - Bracket	2	
47	1793 32 800	Cap, Center - Steering Wheel	1	
48	1727 32 811	Emblem	1	





# STEERING SYSTEM (ROD)

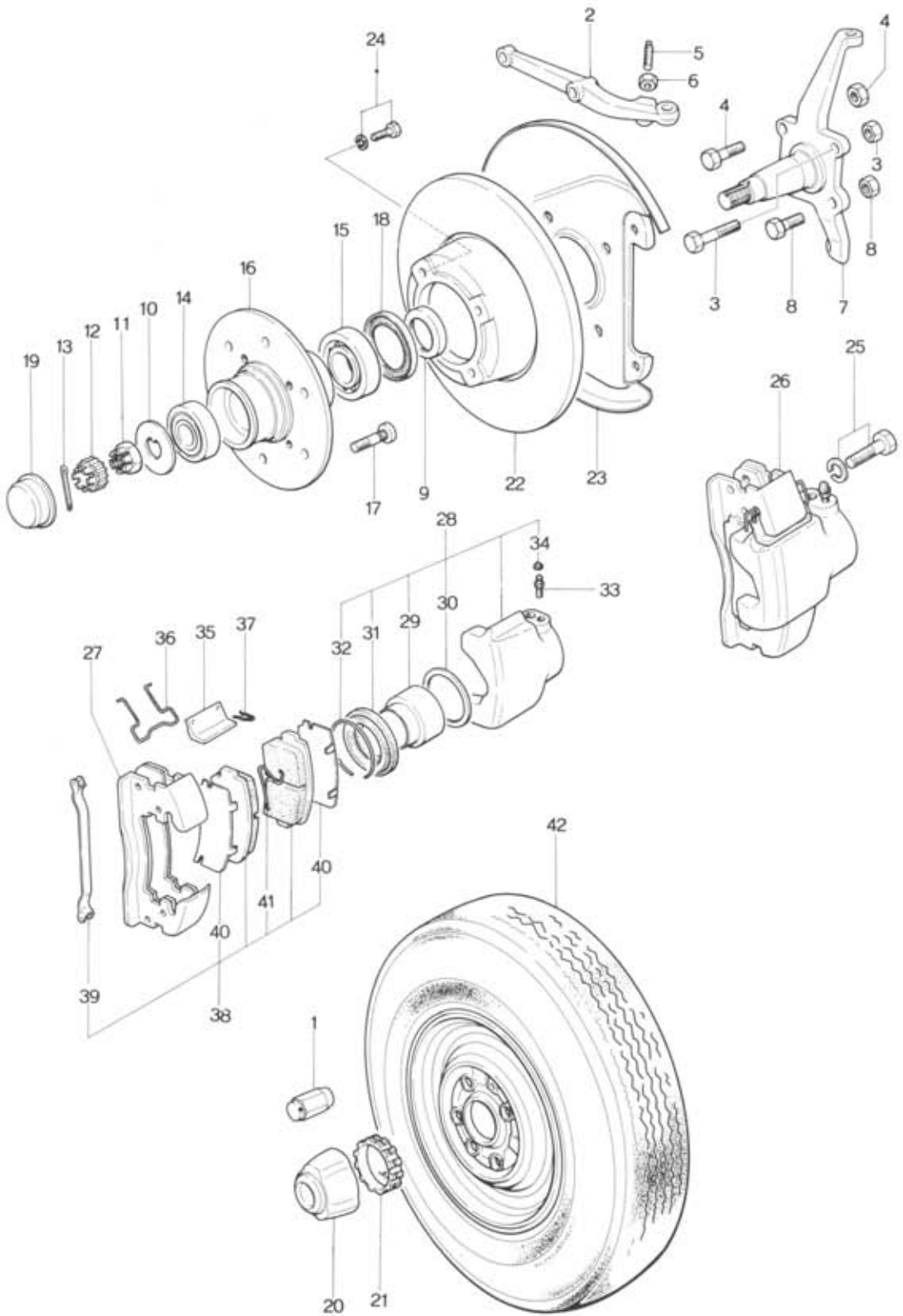
32

No.	Part Number	Description	Q'ty	Remarks
1	1854 32 250	Link, Center	1	
2	1823 32 279	Seal, Dust	1	
3	1823 32 289	Ring, Dust Seal	1	
4	99924 1200	Nut, Center Link	1	
	99221 3020	Pin, Split	1	
5	1854 32 267	Insulator	1	
6	99833 0610	Screw, Insulator	2	
	99971 0600	Washer, Spring	2	
7	2541 32 320	Idler	1	
8	0208 32 278	Plug	2	
9	0208 32 324A	Seal, Dust	1	
10	0208 32 326	Bush, Tapered	2	
11	0208 32 328A	Seal, Dust	1	
12	0208 32 329	Bush, Tapered	2	
13	0208 32 331A	Bracket, Idler	1	
14	0208 32 340A	Seal, Dust	1	
15	99924 1200	Nut	1	
	99221 3020	Pin, Split	1	

# STEERING SYSTEM (ROD)

No.	Part Number	Description	Q'ty	Remarks
16	2541 32 351	Arm, Idler	1	
17	0208 32 360A	Seal, Dust	1	
18	99924 1400	Nut	1	
	99221 3025	Pin, Split	1	
19	0603 32 355	Bolt, Idler	2	
20	99921 1000	Nut, Idler	2	
	99971 100 <sup>o</sup>	Washer, Spring	2	
21	0603 32 365A	Rod, Tie	2	
22	0180 32 366	Clamp, Tie Rod	4	
23	99781 1035	Bolt, Clamp	4	
	99921 1000	Nut	4	
	99971 1000	Washer, Spring	4	
24	2541 99 322A	Socket Set	2	
25	2541 99 324A	Socket Set	2	
26	1823 32 279	Seal, Dust	4	
27	1823 32 289	Ring, Dust Seal	4	
28	99924 1200	Nut	4	
	99221 3020	Pin, Split	4	







# FRONT AXLE

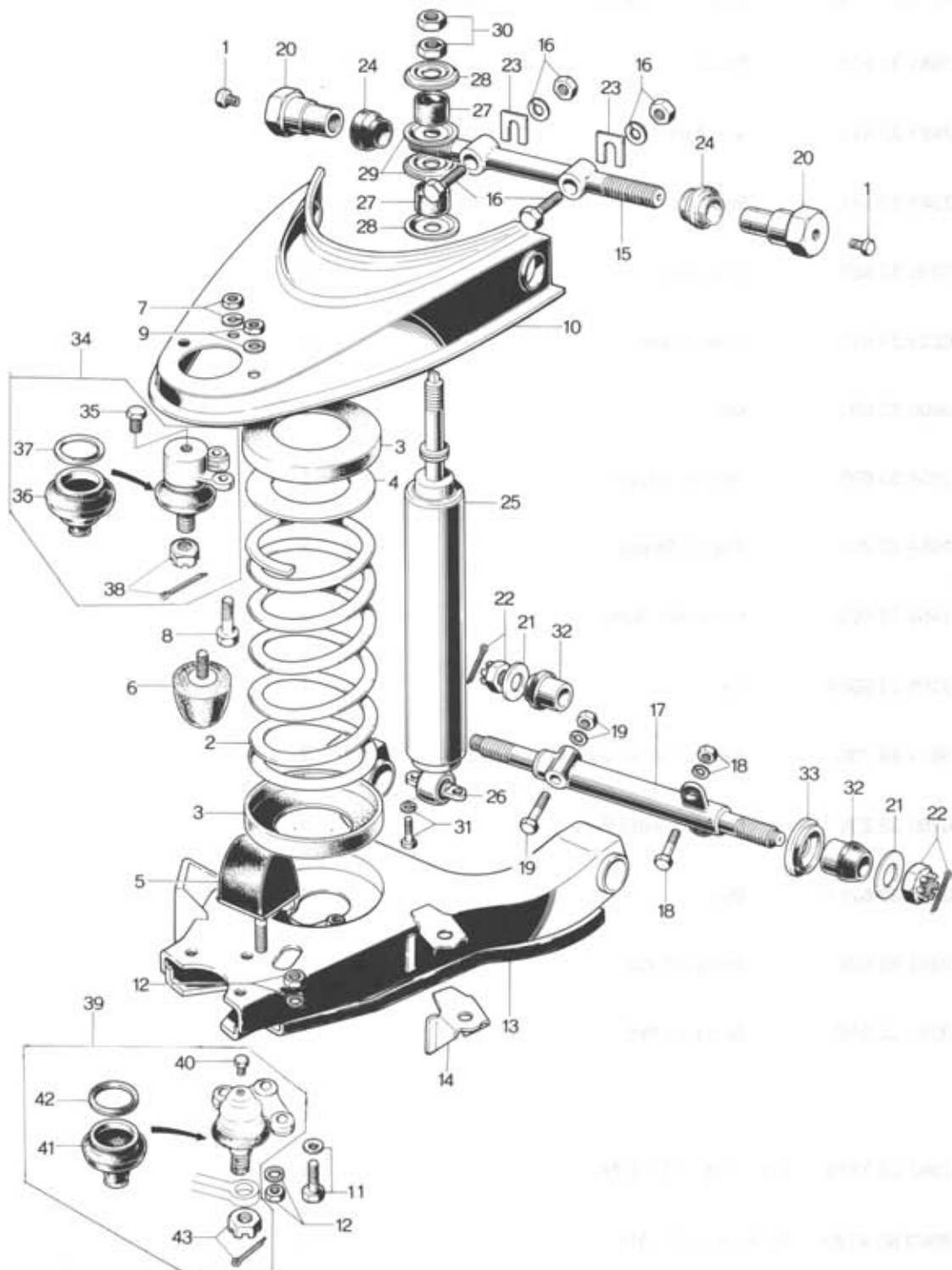
33

No.	Part Number	Description	Q'ty	Remarks
1	1854 26 161A	Nut (R), Hub	6	
	1854 26 163A	Nut (L), Hub	6	
2	1854 32 301A	Arm (R), Knuckle	1	
	1854 32 311A	Arm (L), Knuckle	1	
3	99750 11260	Bolt, Steering Knuckle	2	
	99942 1200	Nut, Self Lock	2	
4	99750 11270	Bolt, Steering Knuckle	2	
	99942 1200	Nut, Self Lock	2	
5	0603 32 315	Bolt, Stopper	2	
6	99922 1000	Nut, Stopper	2	
7	1854 33 021	Knuckle (R), Steering	1	
	1854 33 031	Knuckle (L), Steering	1	
8	99811 1028	Bolt, Steering Knuckle	4	
	99942 1000	Nut, Self Lock	4	
9	0110 33 041	Spacer, Steering Knuckle	2	
10	99977 1845	Washer, Front Wheel	2	
11	0662 33 042	Nut, Front Wheel	2	
12	0662 33 049	Cover, Set	2	
13	99221 4030	Pin, Split - Front Wheel	2	
14	99603 0204	Bearing, Front Wheel Outer	2	

No.	Part Number	Description	Q'ty	Remarks
15	99603 0206	Bearing, Front Wheel Inner	2	
16	1854 33 061	Hub, Front Wheel	2	
17	1854 33 062A	Bolt (R), Hub	6	
	1854 33 092A	Bolt (L), Hub	6	
18	0603 33 065	Oil Seal, Front Wheel	2	
19	1854 33 071	Cap, Hub	2	
20	1854 33 191	Emblem, Center Cap	2	
21	1854 33 192	Rubber, Set	2	
22	1854 33 251	Plate, Disk	2	
23	1854 33 260	Adapter (R), Mounting	1	
	1854 33 270	Adapter (L), Mounting	1	
24	0221 33 698	Bolt, Disk Plate	8	
	99971 1000	Washer, Spring	8	
25	0305 33 699	Bolt, Disk Brake	4	
	99971 1200	Washer, Spring	4	
26	1854 33 980A	Brake (R), Disk	1	
	1854 33 990A	Brake (L), Disk	1	
27	1854 33 281	Support, Mounting	2	
28	0305 33 610D	Caliper (R) (Fig. No. 29 ~ 34 Included)	1	

No.	Part Number	Description	Q'ty	Remarks
	0305 33 710D	Caliper (L) (Fig. No. 29 ~ 34 Included)	1	
29	2981 33 651	Piston	2	
30	2981 33 671	Seal, Piston	2	
31	2981 33 681	Boot	2	
32	0305 33 685	Ring, Boot	2	
33	0233 33 691	Screw, Bleeder	2	
34	0600 33 693	Cap	2	
35	1854 33 695	Plug (R), Stopper	2	
	1854 33 795	Plug (L), Stopper	2	
36	1854 33 696	Spring, Anti Rattle	4	
37	0305 33 698A	Pin	4	
38	0841 49 230	Pad Set (Fig. No. 39 ~ 41 Included)	2	
39	0305 33 235	Clip, Anti Rattle Pad	4	
40	0305 33 626A	Shim	4	
41	0296 33 636	Spring (R), Pad	1	
	0296 33 646	Spring (L), Pad	1	
42	9962 03 7314	Tire - 7.35 - 14 - 6 PR	2	
	9963 60 4130	Air Valve - TR - 413	2	
	9965 05 5540	Wheel, Disk - 5½ - J x 14 WDC	2	

# 34 FRONT SUSPENSION (SPRING)



# FRONT SUSPENSION (SPRING)

34

No.	Part Number	Description	Q'ty	Remarks
1	0208 32 278	Plug, Hex – Head	4	
2	1845 34 011A	Spring, Coil	2	
3	0603 34 012	Seat, Rubber – Coil Spring	4	
4	0603 34 013	Plate, Adjusting	2	
5	0603 34 110C	Stopper, Bumper	2	
6	0603 34 130B	Stopper, Rebound	2	
7	99928 0800	Nut, Rebound Stopper	2	
	99971 0800	Washer, Spring	2	
8	99750 10825	Bolt, Upper Ball Joint	4	
9	99928 0800	Nut	4	
	99971 0800	Washer, Spring	4	
10	0223 34 211	Arm (R), Upper	1	
	0223 34 261	Arm (L), Upper	1	
11	0603 34 305	Bolt, Lower Ball Joint	4	
12	0603 34 307	Nut, Lower Ball Joint & Bumper Stopper	6	
	99958 1022	Washer, Plain - Lower Ball Joint	4	
	99971 1000	Washer, Spring	6	
13	1854 34 310	Arm (R), Lower	1	
	1854 34 360	Arm (L), Lower	1	

## FRONT SUSPENSION (SPRING)

No.	Part Number	Description	Q'ty	Remarks
14	0603 34 160	Bracket	2	
15	0223 34 411	Shaft, Upper Arm	2	
16	0603 34 416	Bolt, Upper Arm Shaft	4	
	99921 1200	Nut	4	
	99971 1200	Washer, Spring	4	
17	0603 34 431	Spindle, Lower Arm	2	
18	99781 1240	Bolt, Lower Spindle	4	
	99921 1200	Nut	4	
	99971 1200	Washer, Spring	4	
19	99781 1250	Bolt, Lower Spindle	2	
	99921 1200	Nut	2	
	99971 1200	Washer, Spring	2	
20	0662 34 471A	Bush, Thread - Upper Arm Shaft	4	
21	0193 34 662	Washer, Lower Arm Spindle	4	
22	99924 1400	Nut, Lower Arm Spindle	4	
	99221 3025	Pin, Split	4	
23	0187 34 665	Shim, Adjust (No. 1)	} Selective use 8	
	0187 34 666	Shim (No. 2)		
	0187 34 667	Shim (No. 3)		

# FRONT SUSPENSION (SPRING)

34

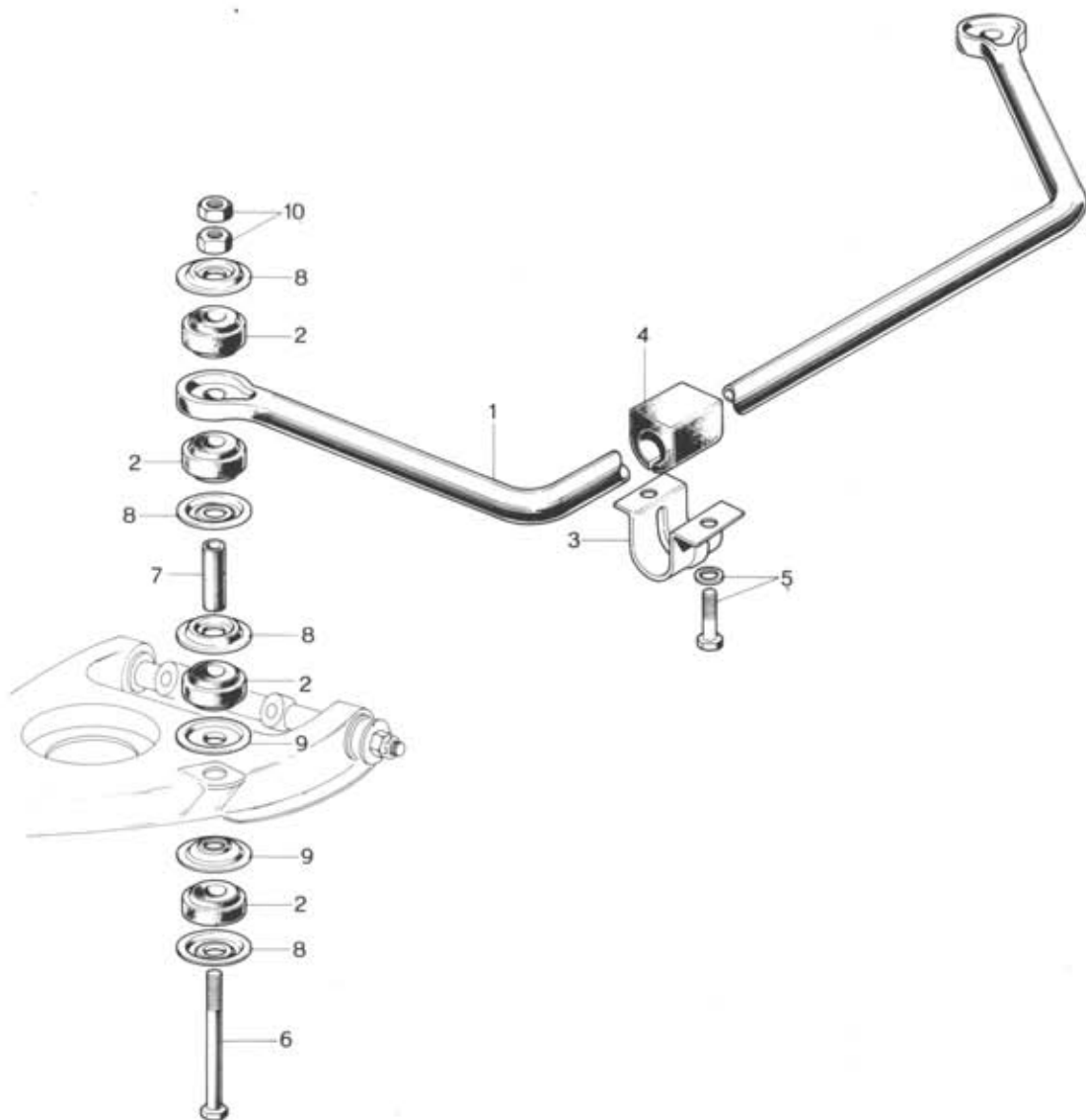
No.	Part Number	Description	Q'ty	Remarks
	0187 34 668	Shim, Adjust (No. 4)	4	
24	0633 34 673	Seal, Dust - Upper Arm shaft	4	
25	0603 34 700A	Damper, Front	2	
26	0603 34 780	Bush, Rubber	2	
27	0187 34 797	Bush, Rubber	4	
28	0187 34 798	Retainer	4	
29	0187 34 799	Washer, Centering	4	
30	99921 1000	Nut	2	
	99922 1000	Nut	2	
31	99801 0822	Bolt, Front Damper Bush	4	
	99971 0800	Washer, Spring	4	
32	0193 34 820	Bush, Rubber - Lower Spindle	4	
33	0193 34 940	Stopper, Side - Lower Spindle	2	
34	0603 99 354A	Joint Set, Upper Ball	2	
35	0208 34 278	Plug	2	
36	0187 32 279A	Seal, Dust	2	
37	0187 32 289	Ring Set, Dust Seal	2	

## FRONT SUSPENSION (SPRING)

No.	Part Number	Description	Q'ty	Remarks
38	99924 1200	Nut	2	
	99221 3020	Pin, Split	2	
39	0603 99 356	Joint Set, Lower Ball	2	
40	0208 32 278	Plug	2	
41	0603 34 515	Seal, Dust	2	
42	0187 34 536	Ring Set, Dust Seal	2	
43	99923 1400	Nut	2	
	99221 3025	Pin, Split	2	



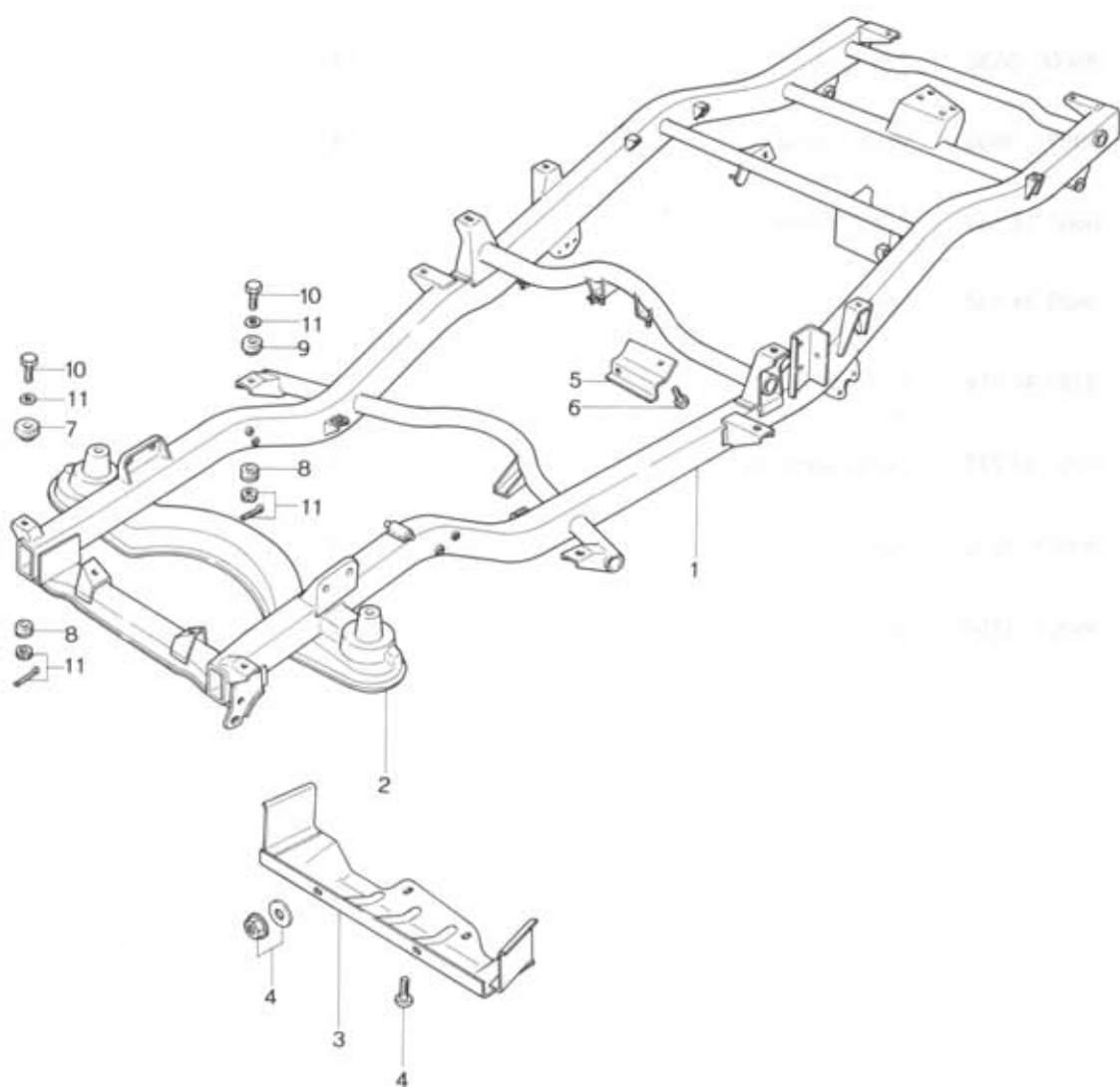




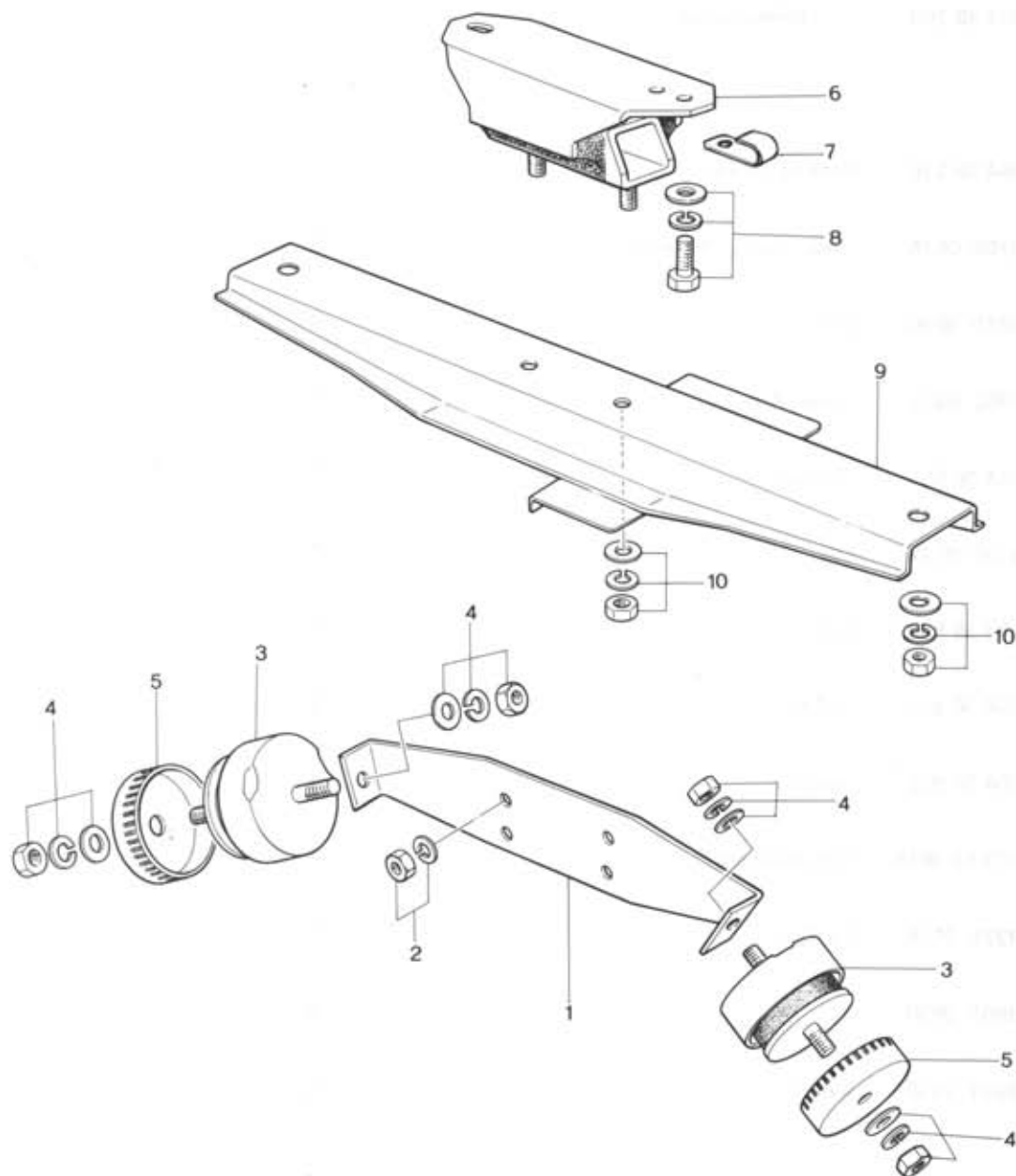
# FRONT SUSPENSION (STABILIZER)

34

No.	Part Number	Description	Q'ty	Remarks
1	1854 34 151	Bar, Stabilizer	1	
2	0603 34 153	Bush, Rubber	8	
3	0603 34 155	Plate, Stabilizer	2	
4	0603 34 156	Rubber, Stabilizer	2	
5	99805 0830	Bolt, Plate	4	
	99971 0800	Washer, Spring	4	
6	0603 34 157	Bolt, Stabilizer	2	
7	0603 34 158	Spacer	2	
8	0187 34 776	Retainer	8	
9	0187 34 777	Washer, Centering	4	
10	99921 1000	Nut	2	
	99922 1000	Nut	2	



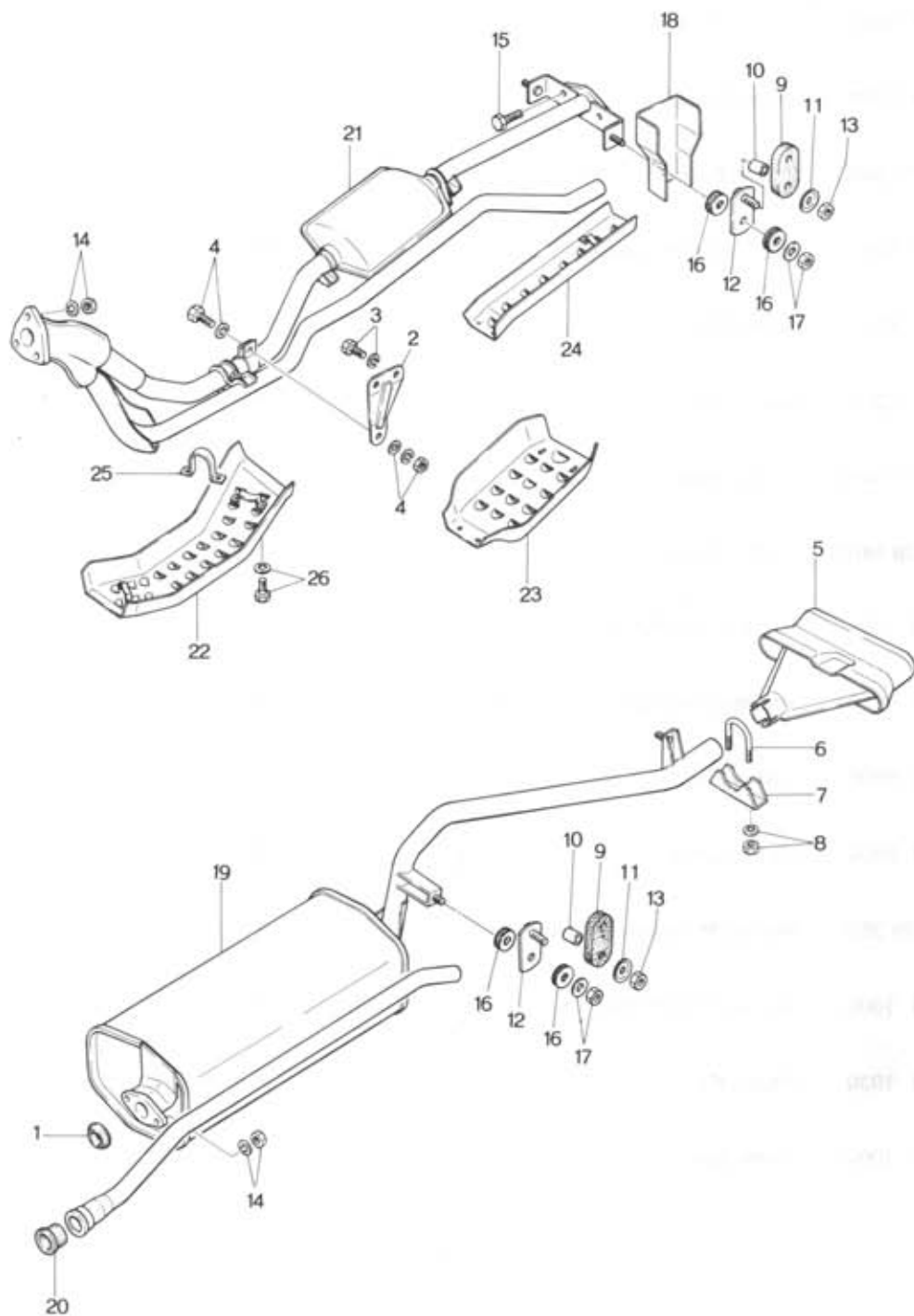
No.	Part Number	Description	Q'ty	Remarks
1	1854 38 010F	Frame, Main	1	
2	1854 38 200	Member, Cross	1	
3	1854 38 810	Protector, Oil Pan	1	
4	99786 0816	Screw, Tapping - Protector	2	
	99940 0800	Nut	2	
	99952 0822	Washer, Plain	2	
5	1854 38 851	Insulator	1	
6	99796 0612	Bolt	2	
7	1854 38 910	Cushion	2	
8	1854 38 920	Insulator	6	
9	1854 38 930	Cushion	4	
10	0603 53 981B	Bolt, Mount Set	6	
11	99221 2015	Pin, Split	6	
	99903 0800	Nut	6	
	99951 1030	Washer	6	



# ENGINE & T/MISSION SUPPORT

39

No.	Part Number	Description	Q'ty	Remarks
1	1011 39 021B	Bracket, Engine	1	
2	99921 1000	Nut, Engine Bracket	4	
	99971 1000	Washer, Spring	4	
3	1668 39 040C	Rubber, Engine Mounting	2	
4	99921 1000	Nut, Engine Mounting Rubber	4	
	99951 1030	Washer, Plain	4	
	99971 1000	Washer, Spring	4	
5	1668 39 045A	Casing, Stopper	2	
6	1011 39 340A	Rubber, Mounting	1	
7	99276 1208	Clip, Mounting Rubber	1	
8	99801 0820	Bolt, Mounting Rubber	2	
	99952 0800	Washer, Plain	2	
	99971 0800	Washer, Spring	2	
9	1854 39 380	Member, Mounting - T/Mission	1	
10	99921 1000	Nut, Mounting Member	4	
	99951 1030	Washer, Plain	4	
	99971 1000	Washer, Spring	4	





# EXHAUST SYSTEM

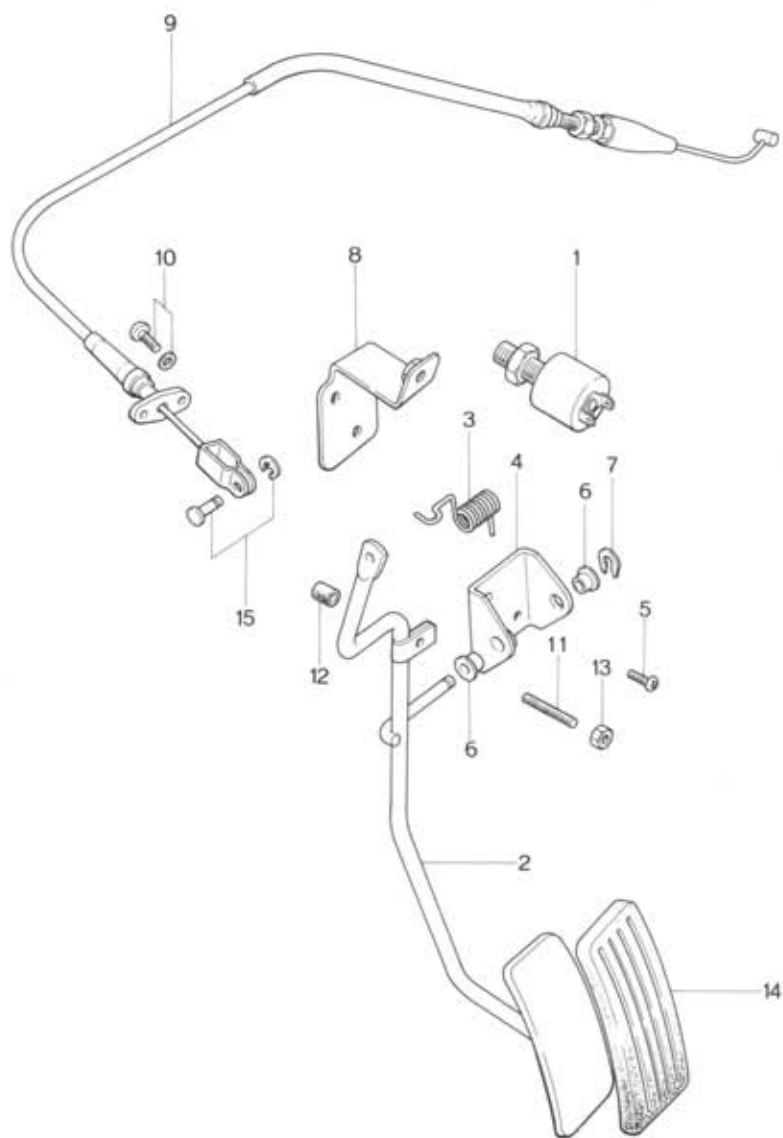
40

No.	Part Number	Description	Q'ty	Remarks
1	0810 40 356	Gasket, EX. Pipe	1	
2	1854 40 081	Bracket, EX. Pipe	1	
3	99801 0818	Bolt, EX. Pipe Bracket	2	
	99971 0800	Washer, Spring	2	
4	99951 0822	Washer, Plain - EX. Pipe Bracket	2	
	99971 0800	Washer, Spring	1	
	99801 0832	Bolt	1	
	99901 0800	Nut	1	
5	1854 40 090	Diffuser, Main Silencer	1	
6	1854 40 096	Bolt, "U" Diffuser	1	
7	1854 40 097	Clamp, "U" Bolt	1	
8	99971 0800	Washer, Spring - "U" Bolt	2	
	99901 0800	Nut	2	
9	1114 40 161	Hanger, Silencer	4	
10	0820 40 165	Pipe, Silencer Hanger	8	
11	0820 40 166	Washer, Silencer Hanger	8	
12	1114 40 170	Plate, Silencer Hanger	4	
13	99940 0800	Nut, Silencer Hanger	8	
14	2158 40 355	Nut, Silencer & EX. Manifold	5	
	99971 1000	Washer, Spring	5	

No.	Part Number	Description	Q'ty	Remarks
15	99801 1045	Bolt, Silencer	2	
16	0824 40 401	Insulator, Silencer Hanger Plate	8	
17	99951 0822	Washer, Plain - Silencer Hanger	4	
	99949 0800	Nut	4	
18	1854 40 405	Insulator	2	
19	1854 40 500E	Silencer, Main	1	
20	2090 40 508A	Joint, Rubber Silencer	1	
21	1854 40 600A	Silencer, Pre	1	
22	1854 40 810A	Protector No. 1	1	
23	1854 40 821	Protector No. 2	1	
24	1854 40 830	Protector No. 3	1	
25	1114 40 850B	Band, Protector	3	
26	99796 0616	Bolt, Protector Band	14	
	99952 0618	Washer, Plain	14	



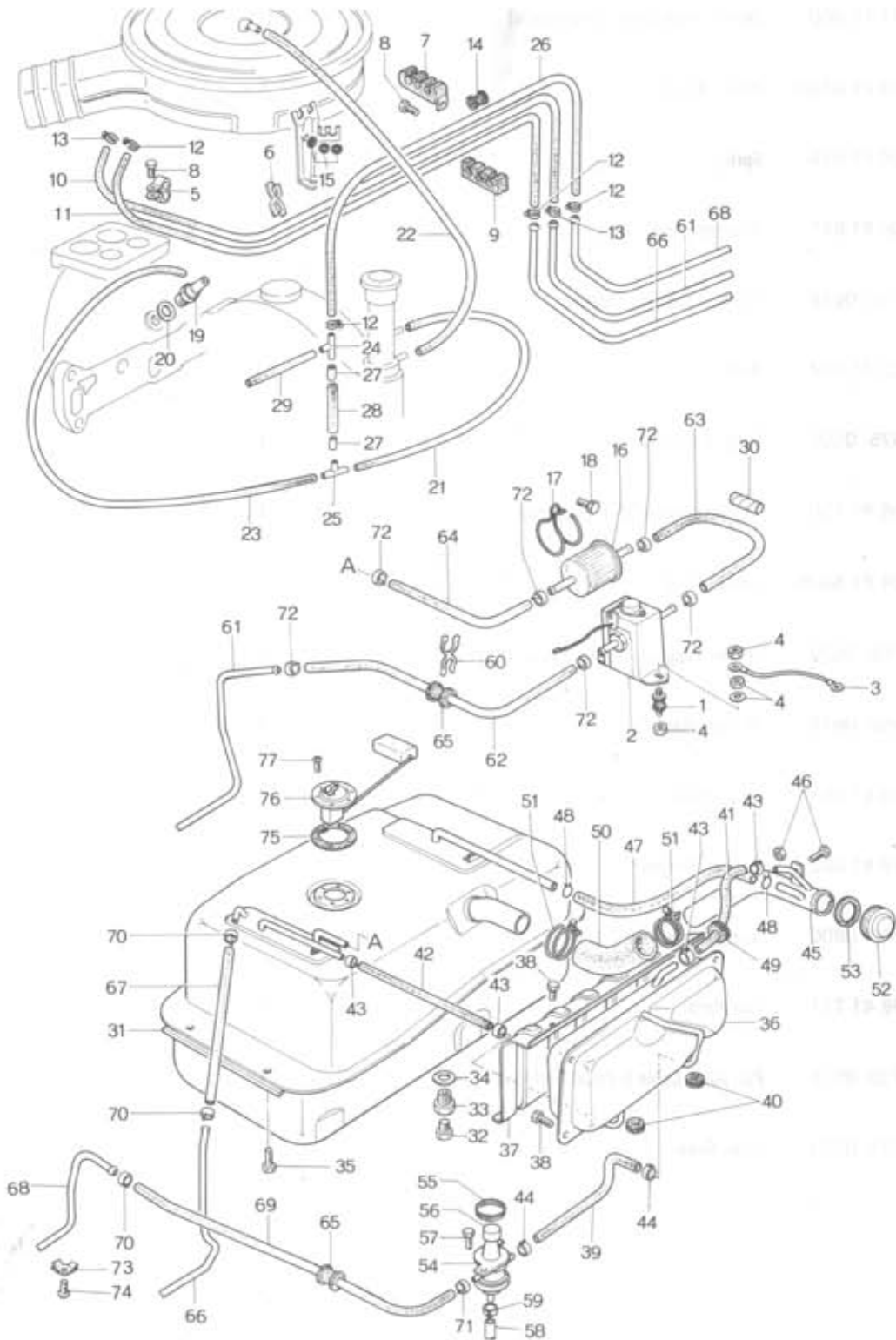
# 41 ACCELERATOR CONTROL SYSTEM



# ACCELERATOR CONTROL SYSTEM

41

No.	Part Number	Description	Q'ty	Remarks
1	2691 18 660	Switch, Kick Down (Automatic)	1	
2	1854 41 610A	Pedal, Accel.	1	
3	2158 41 619	Spring	1	
4	0305 41 641	Retainer, Accel. Rod	1	
5	99786 0616	Screw, Tapping - Retainer	2	
6	0259 41 644	Bush	2	
7	99575 0600	Ring, Retaining	1	
8	1856 41 650	Retainer, Accel. Rod (Automatic)	1	
9	1854 41 660B	Cable, Accel.	1	
10	99786 0620	Screw, Tapping - Accel. Cable	2	
	99952 0618	Washer, Plain	2	
11	0118 41 681	Stop, Pedal	1	
12	0118 41 682	Rubber, Stopper	1	
13	99940 0600	Nut, Stopper	1	
14	1708 41 711	Pad, Pedal	1	
15	99230 0511	Pin, Joint Cable & Pedal Rod	1	
	99575 0300	Ring, Snap	1	



# FUEL TANK & PIPING

13

42

No.	Part Number	Description	Q'ty	Remarks
1	0223 13 363	Rubber, Insulation – Fuel Pump	2	
2	1854 13 400A	Pump, Fuel	1	
3	0866 13 402A	Wire, Earth – Fuel Pump	1	
4	99940 0600	Nut, Fuel Pump	4	
	99952 0600	Washer, Plain	2	
5	1757 13 446	Clip, Fuel Pipe	1	
6	1570 13 447	Clip, Fuel Pipe	1	
7	1757 13 447	Clip, Fuel Pipe	1	
8	99786 0612	Bolt, Clip	2	
9	1757 13 449	Protector, Pipe	1	
10	99348 08930	Pipe, Fuel Main	1	Order Under No. 99343 08150 (15 m)
11	99348 06930	Pipe, Fuel Return	1	Order Under No. 99343 06150 (15 m)
12	99283 1000	Clip, Fuel Pipe & Evaporation Pipe	4	
13	99283 1200	Clip, Fuel Pipe	2	
14	99681 1203	Protector, Pipe	1	
15	99681 1503	Protector, Pipe	3	
16	0222 13 470B	Filter, Fuel	1	
17	0381 13 481	Clamp, Fuel Filter	1	
18	99786 0612	Bolt, Fuel Filter	1	
19	1757 13 780	Valve, Ventilation – IN. Manifold	1	

## FUEL TANK &amp; PIPING

No.	Part Number	Description	Q'ty	Remarks
20	99564 1600	Gasket, Ventilation Valve	1	
21	1757 13 785A	Hose, Ventilation – "T" Joint ~ Oil Filler Pipe	1	
22	1757 13 786A	Hose, Ventilation – Air Cleaner ~ Intermediate Housing	1	
23	1757 13 788A	Hose, Ventilation – "T" Joint ~ Ventilation Valve	1	
24	1029 13 790	Joint, "T"	1	
25	1757 13 790	Joint, "T"	1	
26	99346 06450	Hose, Evaporation – "T" Joint ~ Evaporation Pipe	1	Order Under No. 99343 06150 (15 m)
27	1757 13 795	Insert, "T" Joint	2	
28	99346 06055	Hose, Evaporation – "T" Joint ~ "T" Joint	1	Order Under No. 99343 06150 (15 m)
29	99340 04090	Tube, EVC Valve ~ "T" Joint	1	
30	0823 18 111	Supporter, Fuel Pipe	1	
31	1854 42 310	Tank, Fuel	1	
32	0647 42 044	Cock, Drain	1	
33	0647 42 046	Plug, Drain	1	
34	99560 1800	Gasket, Drain Plug	1	
35	99786 0820	Bolt, Fuel Tank	4	
36	1854 42 330	Tank, Condense	1	
37	1854 42 338A	Protector, Condense Tank	1	



# FUEL TANK & PIPING

13

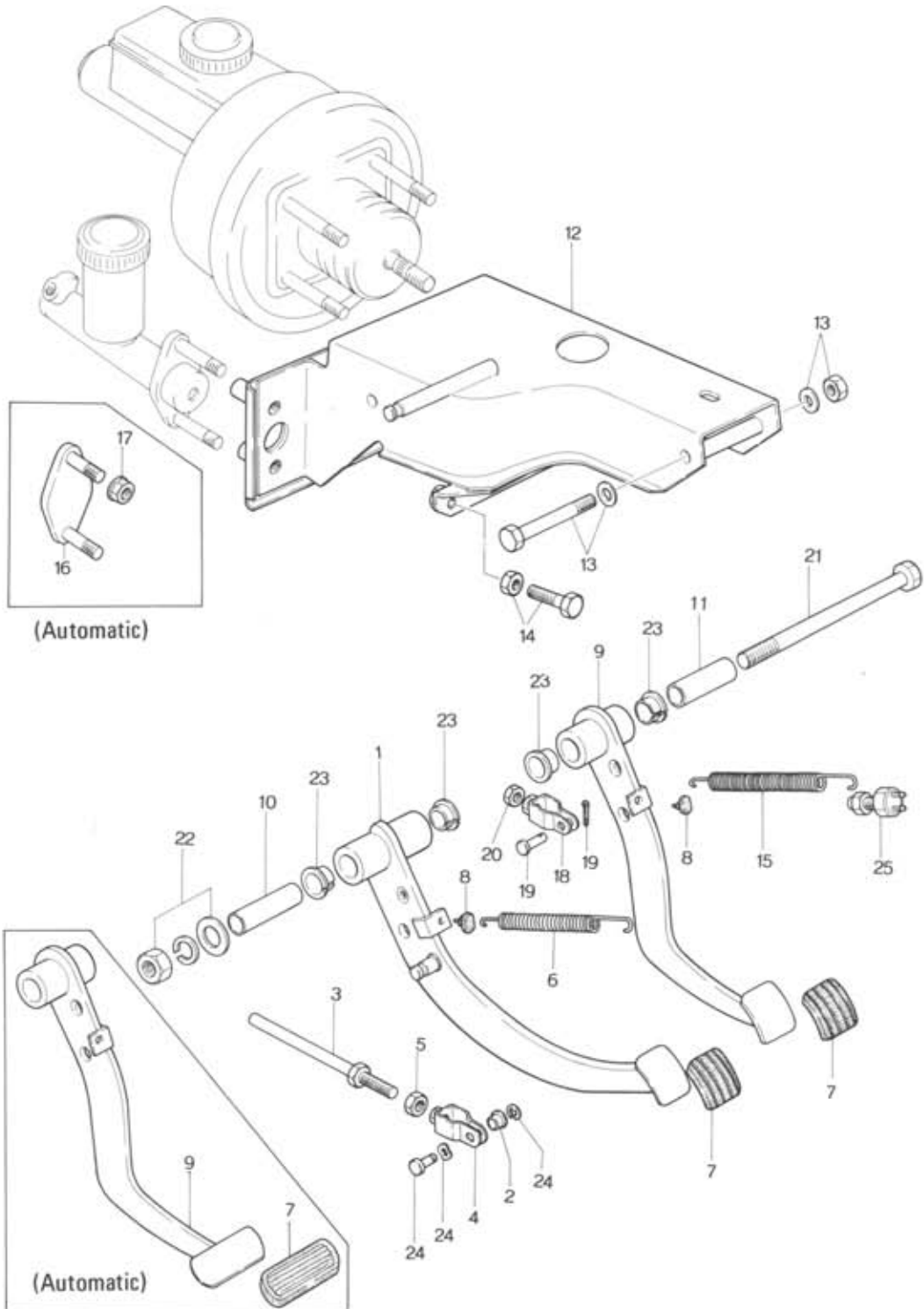
42

No.	Part Number	Description	Q'ty	Remarks
38	99786 0612	Bolt, Condense Tank & Protector	11	
39	1854 42 339	Tube, Vent – Condense Tank ~ Check Valve	1	
40	99681 1001	Protector, Condense Tank Pipe	2	
41	99340 06200	Tube, Vent – Condense Tank ~ Filler Pipe	1	Order Under No. 99344 06150 (15 m)
42	99348 06340	Tube, Vent – Condense Tank ~ Fuel Tank	1	Order Under No. 99343 06150 (15 m)
43	99283 1000	Clip, Tube	4	
44	99283 1100	Clip, Tube	2	
45	1854 42 350	Pipe, Filler	1	
46	99796 0820	Bolt, Filler Pipe	1	
	99940 0800	Nut	1	
47	99348 12350	Tube, Vent – Filler Pipe ~ Fuel Tank	1	Order Under No. 99340 12150 (15 m)
48	99282 1801	Clip, Vent Tube	2	
49	99681 1501	Protector, Vent Tube	1	
50	2677 42 441	Hose, Filler	1	
51	99282 5800	Clamp, Filler Hose	2	
52	1823 42 430	Cap, Filler	1	
53	0136 42 449	Supporter, Filler Pipe	1	
54	2691 42 710A	Valve, Check	1	
55	2677 42 716	Element, Check Valve	1	
56	2677 42 717	Cap, Check Valve	1	

## FUEL TANK &amp; PIPING

No.	Part Number	Description	Q'ty	Remarks
57	99786 0514	Bolt, Check Valve	1	
58	99346 06090	Tube, Vent - Check Valve ~ Floor	1	Order Under No. 99343 06150 (15 m)
59	99283 1100	Clip, Vent Tube	1	
60	0707 43 390	Clip, Fuel Pipe	1	
61	1854 45 061	Pipe, Fuel Main	1	
62	99348 08310	Pipe, Fuel - Fuel Pump ~ Fuel Pipe	1	Order Under No. 99343 08150 (15 m)
63	1854 45 071	Pipe, Fuel - Fuel Filter ~ Fuel Pump	1	
64	1854 45 072A	Pipe, Fuel - Fuel Tank ~ Fuel Filter	1	
65	99684 1400	Protector, Fuel Pipe & Evaporation Pipe	2	
66	1854 45 631	Pipe, Fuel Return	1	
67	99348 06250	Pipe, Fuel Return - Fuel Tank Side	1	Order Under No. 99343 06150 (15 m)
68	1854 45 731	Pipe, Evaporation	1	
69	99348 06150	Pipe, Evaporation - Check Valve Side	1	Order Under No. 99343 06150 (15 m)
70	99283 1000	Clip, Pipe - Fuel Return & Evaporation Pipe	3	
71	99283 1100	Clip, Pipe - Evaporation Pipe	1	
72	99283 1200	Clip, Pipe - Fuel Pipe	6	
73	0866 45 903A	Clip, Fuel Pipe	6	
74	99786 0612	Bolt, Clip	6	
75	0243 66 773	Gasket, Fuel Tank Gauge	1	
76	1854 67 180	Gauge, Fuel Tank	1	
77	99833 0408	Screw, Fuel Tank Gauge	6	





# CLUTCH & BRAKE PEDAL

41

43

No.	Part Number	Description	Q'ty	Remarks
1	1854 41 030	Pedal, Clutch	1	
2	0727 41 023	Bush, Push Rod Fork	1	
3	0824 41 131	Rod, Push	1	
4	1872 41 140	Fork, Clutch	1	
5	1872 41 142	Nut, Push Rod & Fork	1	
6	0180 41 308	Spring, Clutch Pedal	1	
7	0118 43 028A	Pad, Pedal (Manual)	2	
	0225 43 028A	Pad, Pedal (Automatic)	1	
8	0187 43 029	Stopper (Manual)	2	
		(Automatic)	1	
9	1854 43 030A	Pedal, Brake (Manual)	1	
	1856 43 030	Pedal, Brake (Automatic)	1	
10	0866 43 061	Pipe (Manual)	1	
11	0866 43 062	Pipe	1	
12	1854 43 070	Bracket, Master Cylinder	1	
13	99801 0890	Bolt, Bracket	1	
	99952 0822	Washer, Plain	2	
	99940 0800	Nut	1	
14	99795 1032	Bolt, Pedal Stopper (Manual)	1	
	99922 1000	Nut	1	
15	0603 43 081	Spring, Pedal	1	

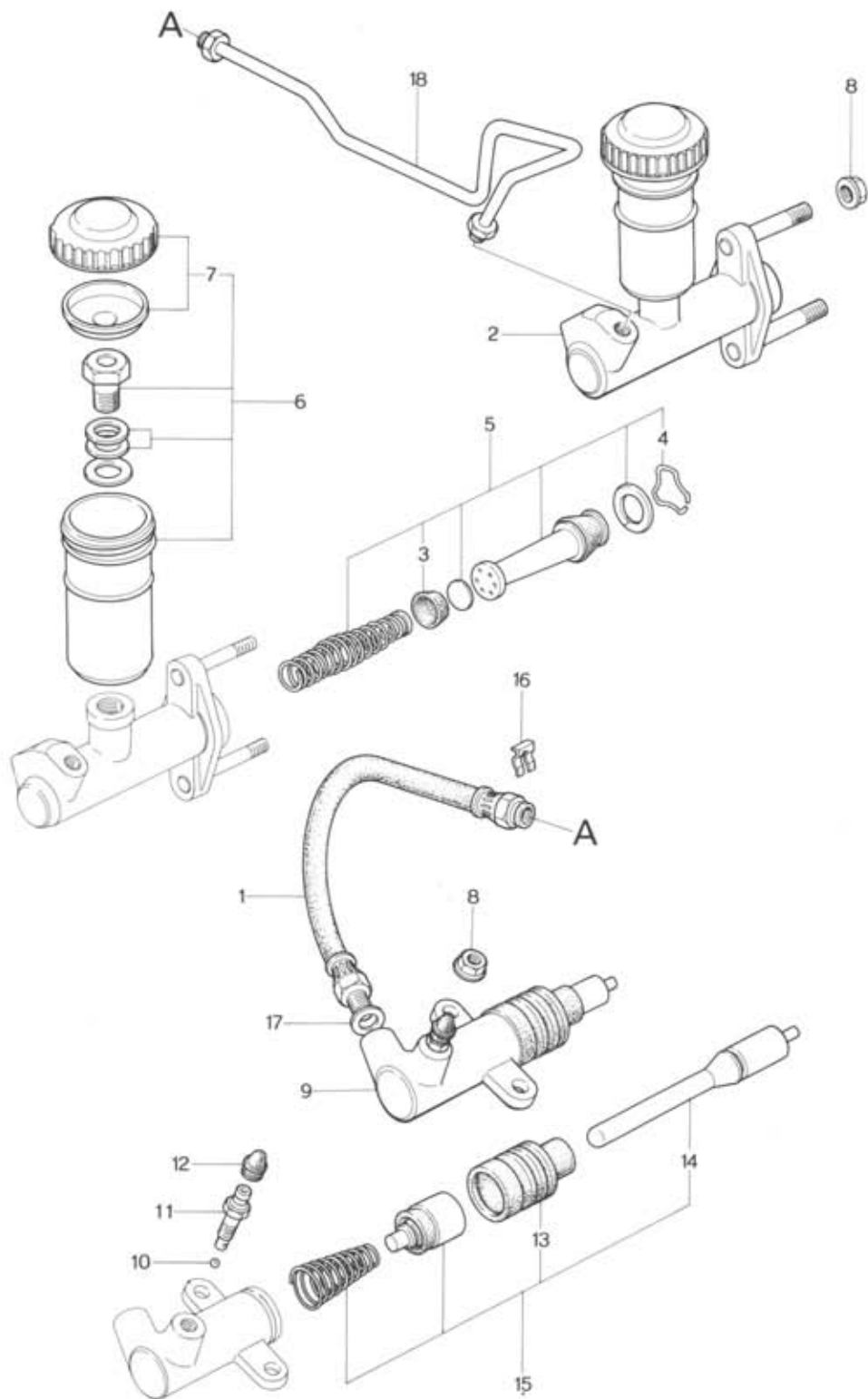
41

43

## CLUTCH &amp; BRAKE PEDAL

No.	Part Number	Description	Q'ty	Remarks
16	1015 43 090	Plate (Automatic)	1	
17	99940 0800	Nut, Plate	2	
18	1854 43 140	Fork, Brake	1	
19	99231 0822	Pin, Joint - Brake Pedal & Fork	1	
	99221 2020	Pin, Split	1	
20	99940 1000	Nut, Brake Fork	1	
21	99813 10180	Bolt, Pedal (Manual)	1	
	99813 10140	Bolt, Pedal (Automatic)	1	
22	99921 1000	Nut, Pedal Bolt	1	
	99952 1000	Washer, Plain	2	
	99971 1000	Washer, Spring	1	
23	1015 46 085	Bush, Pedal (Manual) (Automatic)	4 2	
24	0223 46 683	Pin, Joint - Pedal & Fork	1	
	99575 0600	Ring, Joint Pin (Manual)	1	
	99972 0800	Washer, Wave	1	
25	0233 66 790	Switch, Stop	1	







# CLUTCH RELEASE & MASTER CYLINDER (MANUAL)

41

No.	Part Number	Description	Q'ty	Remarks
1	0118 41 380A	Hose, Flexible	1	
2	1011 41 400A	Cylinder, Clutch Master	1	
3	0839 41 461	Cup, Primary	1	
4	0111 43 432	Wire, Piston Stop	1	
5	0839 89 431A	Repair Kit	1	
6	0317 89 435A	Tank Set, Reserve	1	
7	0317 89 436	Cap Set, Reserve Tank	1	
8	99940 0800	Nut, Cylinder	4	
9	1881 41 920A	Cylinder, Clutch Release	1	
10	99611 1500	Ball, Steel	1	
11	0259 33 691	Valve, Bleeder	1	
12	0259 33 693	Cap, Bleeder	1	
13	0603 41 331	Boot	1	
14	1881 41 341	Rod, Push	1	
15	1881 89 411	Repair Kit	1	
16	0136 43 635	Clip, Flexible Hose	1	

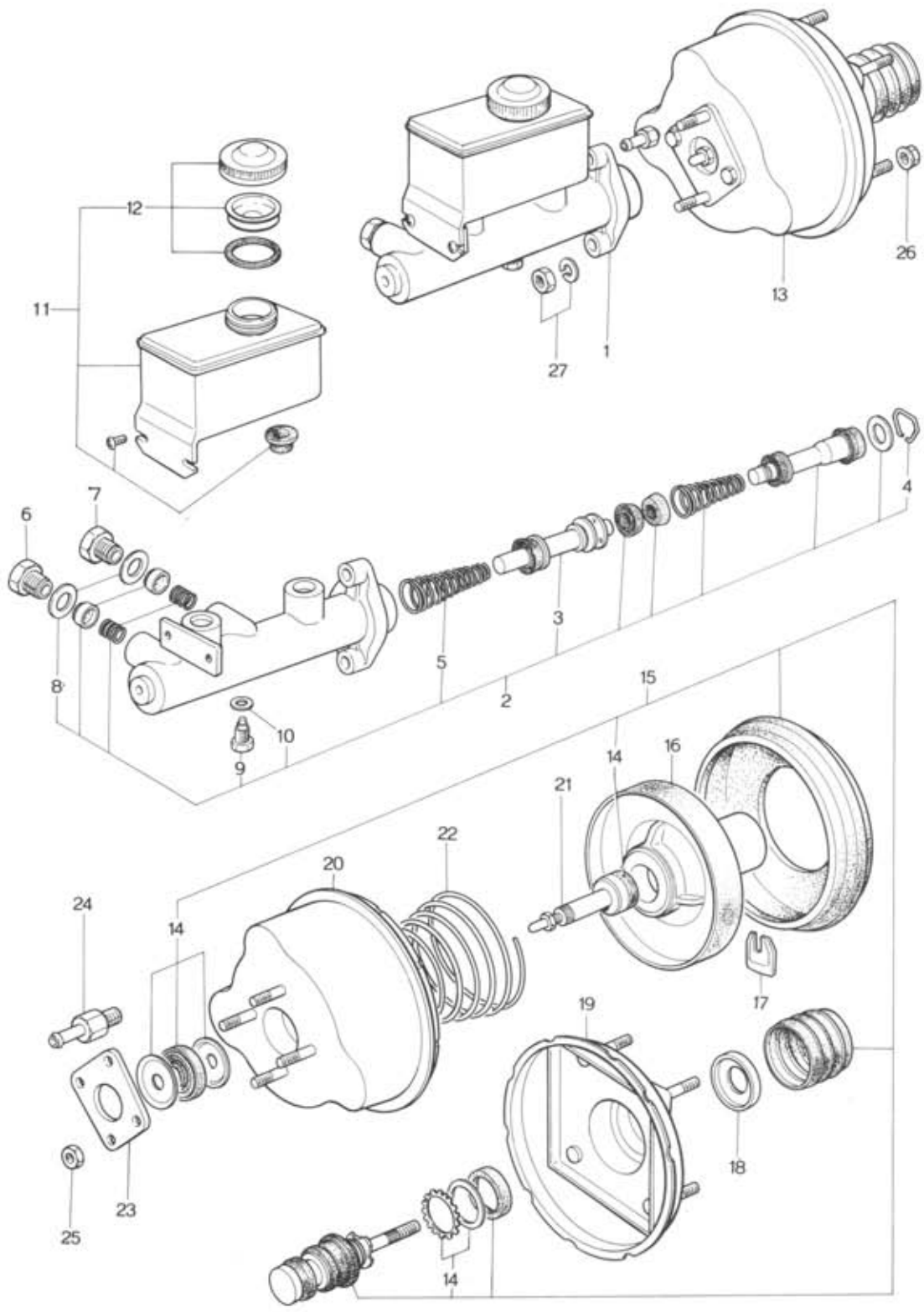


# CLUTCH RELEASE & MASTER CYLINDER (MANUAL)

No.	Part Number	Description	Q'ty	Remarks
17	99564 1000	Packing, Flexible Hose	1	
18	1854 45 550	Pipe, Clutch	1	



# TANDEM MASTER CYLINDER & VACUUM POWER ASSIST



# TANDEM MASTER CYLINDER & VACUUM POWER ASSIST

43

49

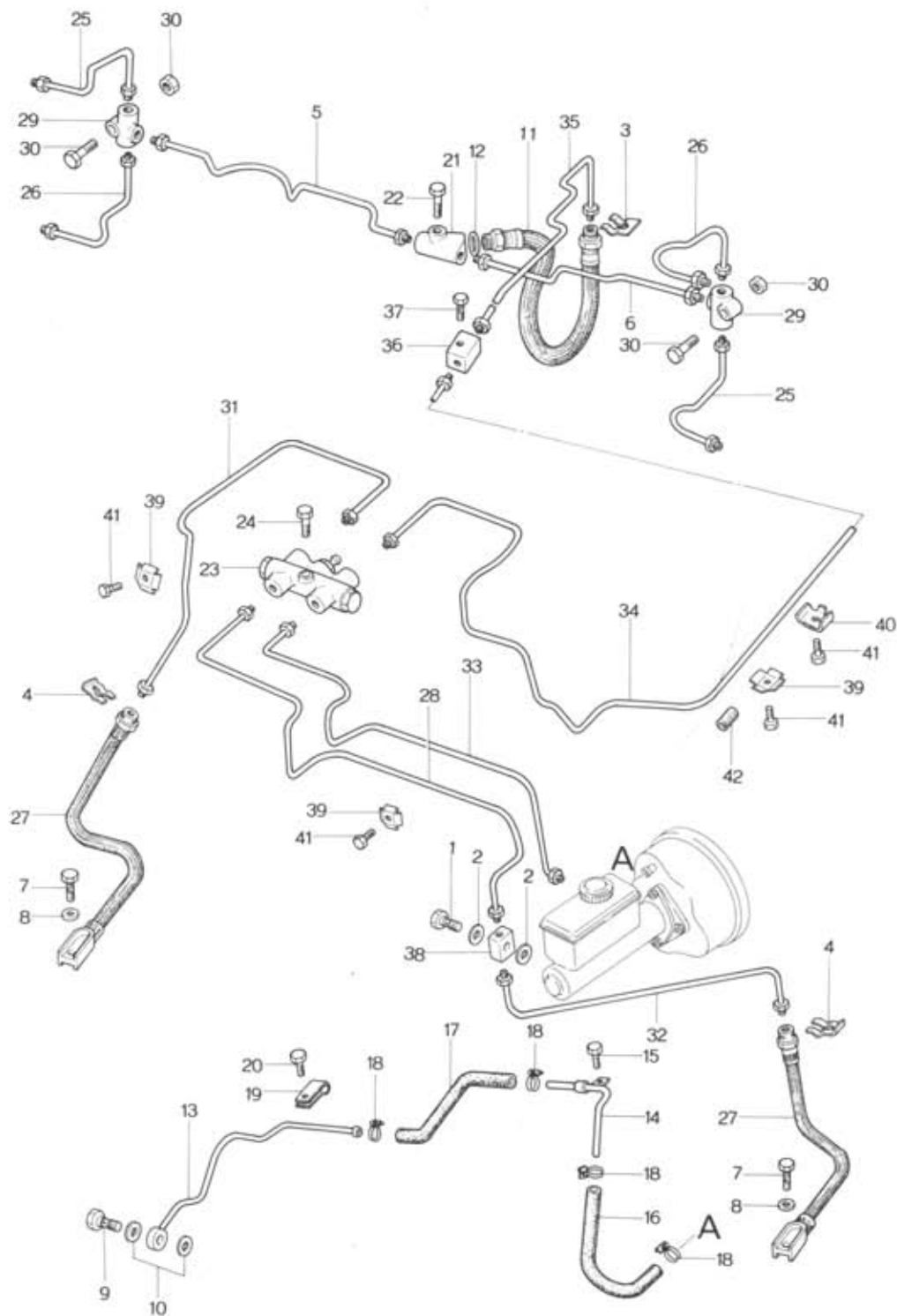
No.	Part Number	Description	Q'ty	Remarks
1	1854 43 400	Cylinder, Tandem Master	1	
2	1708 49 610	Parts Kit, Inner (Fig. No. 3 ~ 5, 8 ~ 10 Included)	1	
3	1708 49 630	Piston, Floating (Fig. No. 5 Included)	1	
4	0305 49 638	Wire, Piston Stop	1	
5	1708 49 642	Spring, Floating	1	
6	0512 49 651	Bolt, Joint	1	
7	0512 49 652	Bolt, Joint	1	
8	0305 49 656	Gasket, Joint Bolt	2	
9	0512 49 676	Bolt Set (A)	1	Selective use
	0512 49 677	Bolt Set (B)		
	0512 49 678	Bolt Set (C)		
10	0512 49 696	Gasket, Set Bolt	1	
11	0391 89 435	Tank Set	1	
12	0317 89 436	Cap Set, Tank	1	
13	1854 43 800	Vacuum Power Assist	1	
14	0824 49 710	Repair Kit (A)	1	
15	0824 49 720A	Repair Kit (B)	1	
16	0824 49 745	Plate, Diaphragm	1	
17	2046 49 746	Key, Plunger Stop	1	



# TANDEM MASTER CYLINDER & VACUUM POWER ASSIST

No.	Part Number	Description	Q'ty	Remarks
18	2046 49 747	Retainer, Silencer	1	
19	0824 49 750	Shell, Stud. (Rr.)	1	
20	1854 49 760	Shell, Stud. (Frt.)	1	
21	0824 49 770	Rod, Push	1	
22	0824 49 781	Spring	1	
23	0824 49 782	Flange	1	
24	0870 49 785	Valve, Check	1	
25	99940 0801	Nut, Flange	2	
26	99940 0801	Nut, Vacuum Power Assist	4	
27	99901 0800	Nut, Tandem Master Cylinder	2	
	99971 0800	Washer, Spring	2	







# BRAKE PIPING

43

45

No.	Part Number	Description	Q'ty	Remarks
1	0118 43 505A	Bolt, Connector	1	
2	99562 1000	Gasket, Connector Bolt	2	
3	0136 43 635	Clip, Flexible Hose	1	
4	0305 43 635	Clip, Flexible Hose	2	
5	1854 43 650A	Pipe, Brake Oil (R) - Rear	1	
6	1854 43 660	Pipe, Brake Oil (L) - Rear	1	
7	0221 43 694	Bolt, Connector - Front Flexible Hose	2	
8	99562 1000	Gasket	4	
9	1570 43 694A	Bolt, Connector	1	
10	99562 1200	Gasket, Connector Bolt	2	
11	1854 43 810	Hose, Flexible Rear	1	
12	99562 1000	Gasket, Flexible Rear Hose	1	
13	1757 43 830A	Pipe, Vacuum	1	
14	1854 43 830	Pipe, Vacuum	1	
15	99796 0610	Bolt, Vacuum Pipe	1	
16	1854 43 836	Hose, Vacuum	1	
17	1854 43 842	Hose, Vacuum	1	
18	99282 1901	Band, Hose Vacuum Hose	4	
19	1757 43 848	Holder, Pipe	1	
20	99796 0812	Bolt, Pipe Holder	1	

43

45

**BRAKE PIPING**

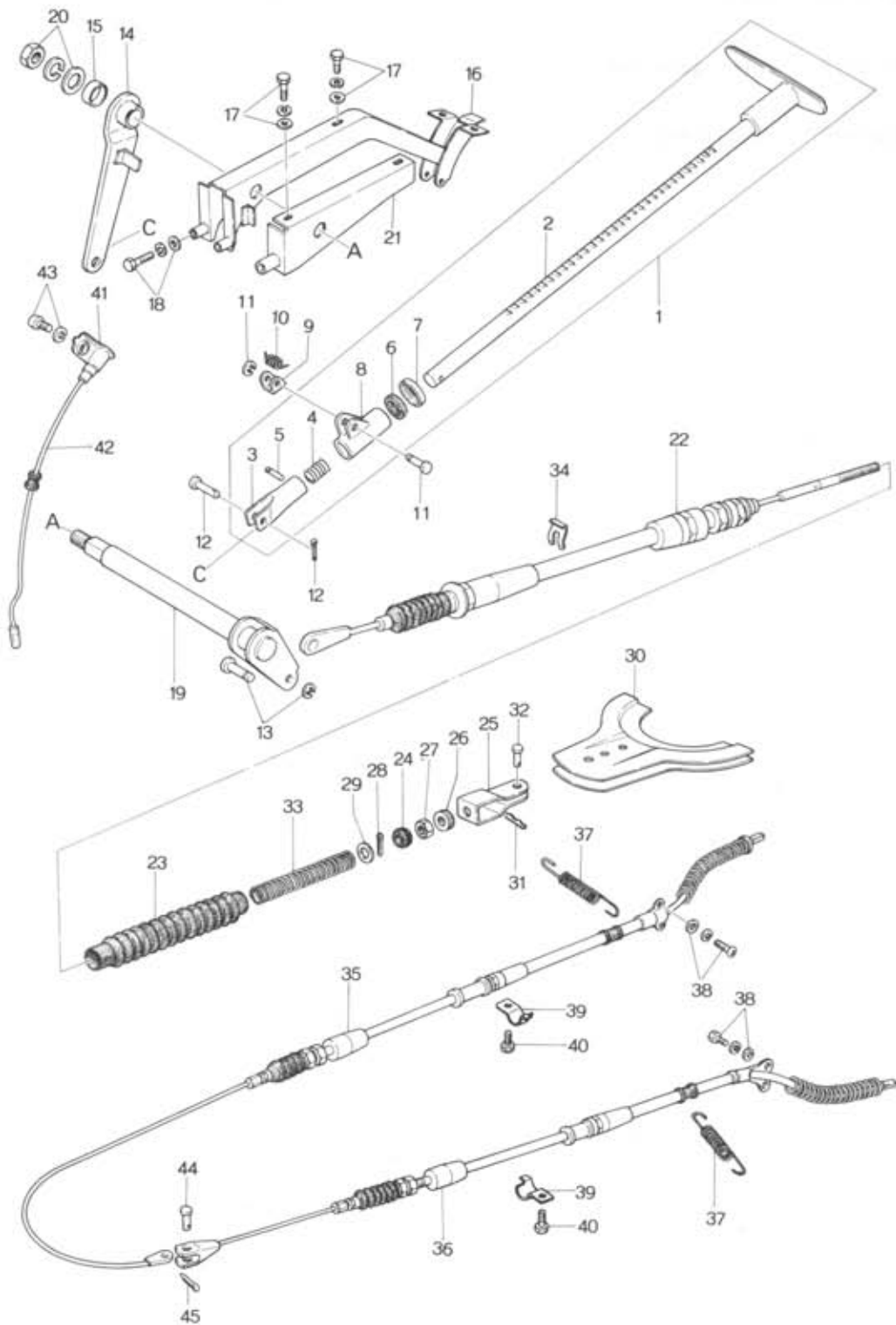
No.	Part Number	Description	Q'ty	Remarks
21	0118 43 853	Joint, Pipe - Rear	1	
22	99796 0625	Bolt, Pipe Joint	1	
23	1011 43 890A	Indicator, Brake Fail	1	
24	99786 0635	Bolt, Indicator	1	
25	2677 43 950A	Pipe, Rear Brake Oil	2	
26	2677 43 960A	Pipe, Rear Brake Oil	2	
27	1854 43 970	Hose, Flexible	2	
28	1854 45 210	Pipe, Front Main Brake	1	
29	0187 45 221	Joint, Pipe - Rear	2	
30	99806 0625	Bolt, Pipe Joint	2	
	99940 0600	Nut	2	
31	1854 45 280	Pipe, Front Brake (R)	1	
32	1854 45 320	Pipe, Front Brake (L)	1	
33	1854 45 340	Pipe, Rear Main Brake	1	
34	1854 45 350	Pipe, Rear Brake No. 1	1	
35	1854 45 360	Pipe, Rear Brake No. 2	1	
36	0571 45 451	Joint, Pipe	1	
37	99786 0630	Bolt, Pipe Joint	1	
38	0866 45 452	Joint, Pipe	1	
39	0866 45 903A	Clip, Brake Pipe	6	

# SYSTEM BRAKE PIPING

43

45

No.	Part Number	Description	Q'ty	Remarks
40	1304 45 903	Clip, Pipe	6	
41	99786 0612	Screw, Tapping - Clip	12	
42	1854 45 995	Protector, Pipe	2	



# PARKING BRAKE SYSTEM

44

No.	Part Number	Description	Q'ty	Remarks
1	1845 44 010	Rod, Parking Brake	1	
2	1845 44 020	Rod, Parking Brake	1	
3	2781 44 041	Joint, Fork	1	
4	2781 44 042	Spring	1	
5	0114 44 043	Pin, Knock	1	
6	0183 44 045	Stopper	1	
7	0114 44 046	Seat, Stop	1	
8	0114 44 051	Guide, Rack	1	
9	0114 44 052	Ratchet	1	
10	0114 44 053	Spring, Ratchet	1	
11	99230 0523	Pin, Ratchet	1	
	99575 0300	Ring, Snap	1	
12	0114 44 056	Pin, Parking Brake Rod	1	
	99221 2015	Pin, Split	1	
13	99230 0615	Pin, Wire End	1	
	99575 0400	Ring, Snap	1	
14	1845 44 060	Lever, Parking Brake	1	
15	2541 44 063	Spacer	1	
16	1854 44 080	Bracket, Parking Brake	1	

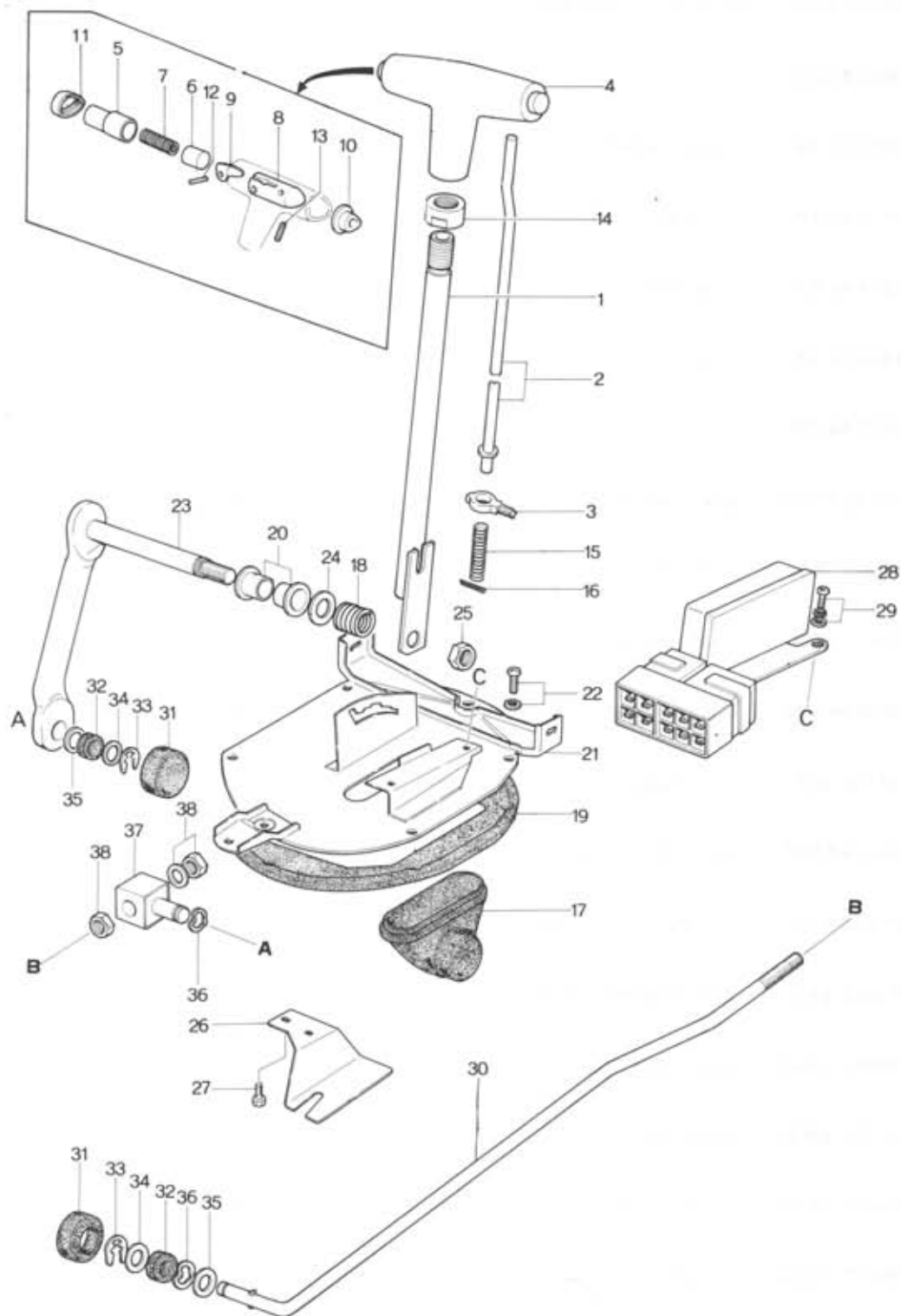
# PARKING BRAKE SYSTEM

No.	Part Number	Description	Q'ty	Remarks
17	99833 0614	Screw, Bracket	5	
	99951 0618	Washer, Plain	5	
	99971 0600	Washer, Spring	5	
18	99785 0645	Screw, Bracket	2	
	99951 0618	Washer, Plain	2	
	99971 0600	Washer, Spring	2	
19	1845 44 090	Lever, Spindle	1	
20	99922 1000	Nut, Spindle Lever	1	
	99952 1000	Washer, Plain	1	
	99971 1000	Washer, Spring	1	
21	1845 44 110	Bracket, Parking Brake	1	
22	1845 44 150	Cable, Front	1	
23	0603 44 158A	Boot	1	
24	0603 44 167	Ring, Guide	1	
25	0603 44 261	Joint, Fork	1	
26	0603 44 262	Nut, Adjust	1	
27	99906 0600	Nut	1	
28	99221 1610	Pin, Split	1	
29	99203 2000	Washer, Plain	1	
30	0603 44 270	Plate, Equalizer	1	

# PARKING BRAKE SYSTEM

44

No.	Part Number	Description	Q'ty	Remarks
31	99231 0822	Pin, Joint - Equalizer Plate	1	
32	0603 44 272	Pin	1	
33	0603 44 357	Spring, Joint Fork	1	
34	0118 44 375	Clip, Cable	1	
35	1854 44 410	Cable (R), Rear	1	
36	1854 44 420	Cable (L), Rear	1	
37	0578 44 431	Spring, Cable	2	
38	99833 0510	Screw, Setting Plate	4	
	99952 0500	Washer, Plain	4	
	99971 0500	Washer, Spring	4	
39	0866 44 439	Clip, Rear Cable	2	
40	99786 0616	Screw, Tapping - Clip	2	
41	0820 66 950	Switch, Parking Lamp	1	
42	0188 66 731A	Cord, Parking Lamp Switch	1	
43	99863 0410	Screw, Parking Lamp Switch	2	
	99952 0400	Washer, Plain	2	
	99971 0400	Washer, Spring	2	
44	99231 0620	Pin, Joint - Rear Cable	1	
45	99221 1610	Pin, Split - Joint Pin	1	





# CHANGE CONTROL (AUTOMATIC)

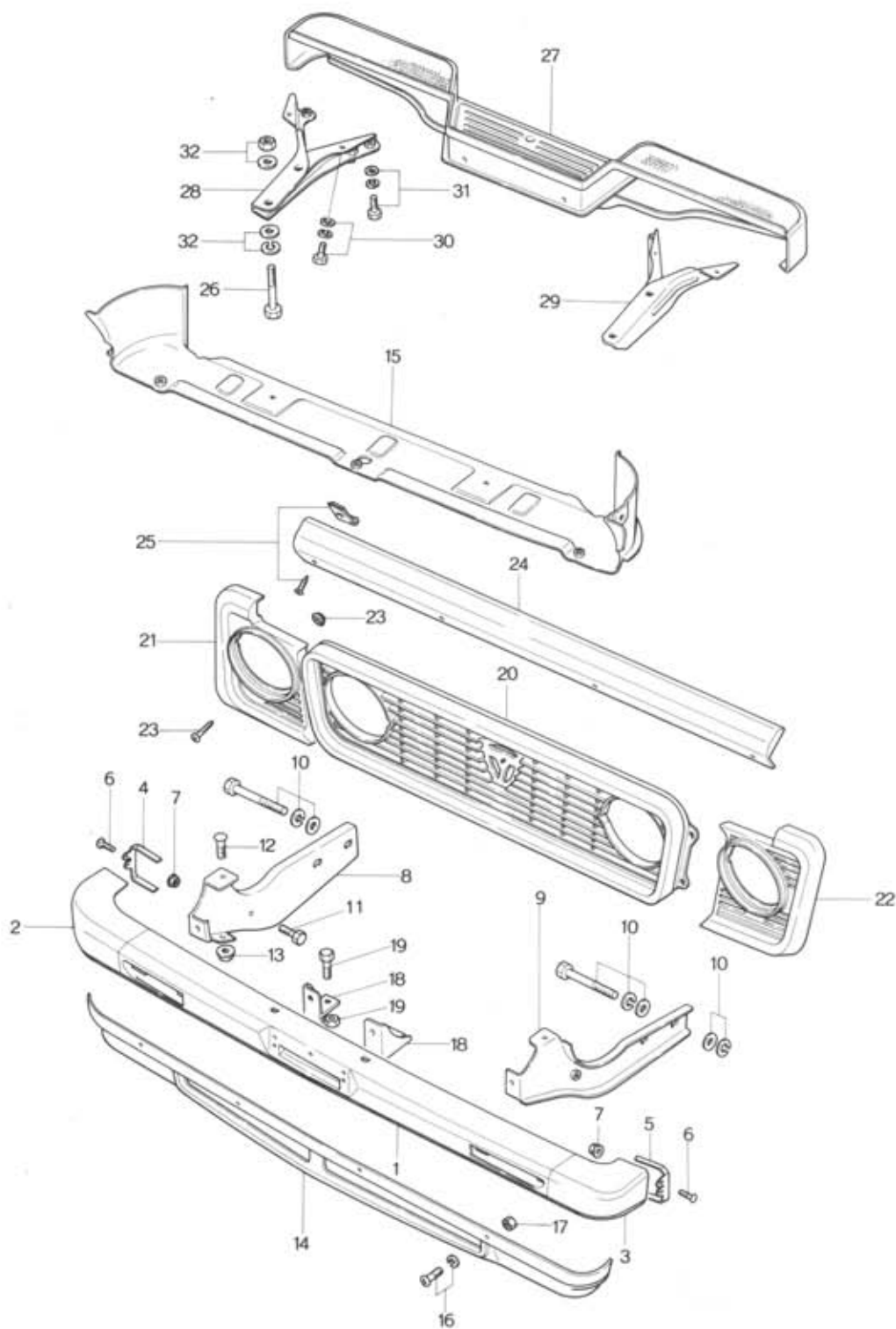
46

No.	Part Number	Description	Q'ty	Remarks
1	1015 46 010A	Lever, Selector	1	
2	1840 46 021	Rod	1	
3	1840 46 022	Pin, Guide	1	
4	1736 46 030	Knob, Change Lever	1	
5	2375 46 051A	Knob	1	
6	2375 46 052	Piston	1	
7	2375 46 053	Spring	1	
8	2375 46 054	Supporter	1	
9	2375 46 055	Lever	1	
10	2375 46 056A	Plug	1	
11	0308 46 057A	Cap	1	
12	99225 0320	Pin	1	
13	99887 0412	Screw	1	
14	2375 46 061	Nut	1	
15	2375 46 062	Spring	1	
16	99221 2020	Pin, Split	1	
17	1015 46 081	Boot	1	
18	1015 46 082	Spring	1	

## CHANGE CONTROL (AUTOMATIC)

No.	Part Number	Description	Q'ty	Remarks
19	1015 46 083A	Rubber, Seal	1	
20	1015 46 085	Bush, Lever	2	
21	1856 46 110	Bracket, Selector Lever	1	
22	99865 0516	Screw, Lever Bracket	6	
23	1015 46 150A	Lever	1	
24	99953 1400	Washer, Plain	1	
25	99940 1000	Nut, Lever	1	
26	1856 46 201	Insulator, Heat	1	
27	99796 1016	Bolt, Heat Insulator	2	
28	1015 66 520A	Switch, Inhibitor <i>26P</i>	1	
29	99763 0610	Screw, Inhibitor Switch	2	
30	1856 46 571	Rod	1	
31	1015 46 648	Cover, Dust	2	
32	1015 46 684	Bush	2	
33	99575 0600	Ring, Retaining	2	
34	99952 0816	Washer, Plain	2	
35	99953 0800	Washer, Plain	2	
36	99972 0800	Washer, Wave	2	
37	1015 46 691	Joint, "T"	1	
38	99902 0800	Nut, "T" Joint	2	
	99971 0800	Washer, Spring	1	





# BUMPER & GRILLE

50

No.	Part Number	Description	Q'ty	Remarks
1	1854 50 031	Bumper (C), Front	1	
2	1854 50 060	Bumper (R), Front	1	
3	1854 50 070	Bumper (L), Front	1	
4	1854 50 062	Extension (R)	1	
5	1854 50 072	Extension (L)	1	
6	0223 50 275	Screw, Extension	4	
7	99940 0602	Nut, Extension	4	
8	1854 50 110	Stay (R), Bumper	1	
9	1854 50 120	Stay (L), Bumper	1	
10	99811 1245	Bolt, Stay + Body	4	
	99951 1226	Washer, Plain	4	
	99971 1200	Washer, Spring	4	
11	99786 0825	Bolt, Stay + Bumper	2	
12	0223 50 275	Screw, Bumper	12	
13	99940 0602	Nut, Bumper	12	
14	1854 50 091	Panel, Front Skirt	1	
15	1854 50 130	Intake, Air	1	
16	99834 0512	Screw, Skirt Panel & Air Intake	13	

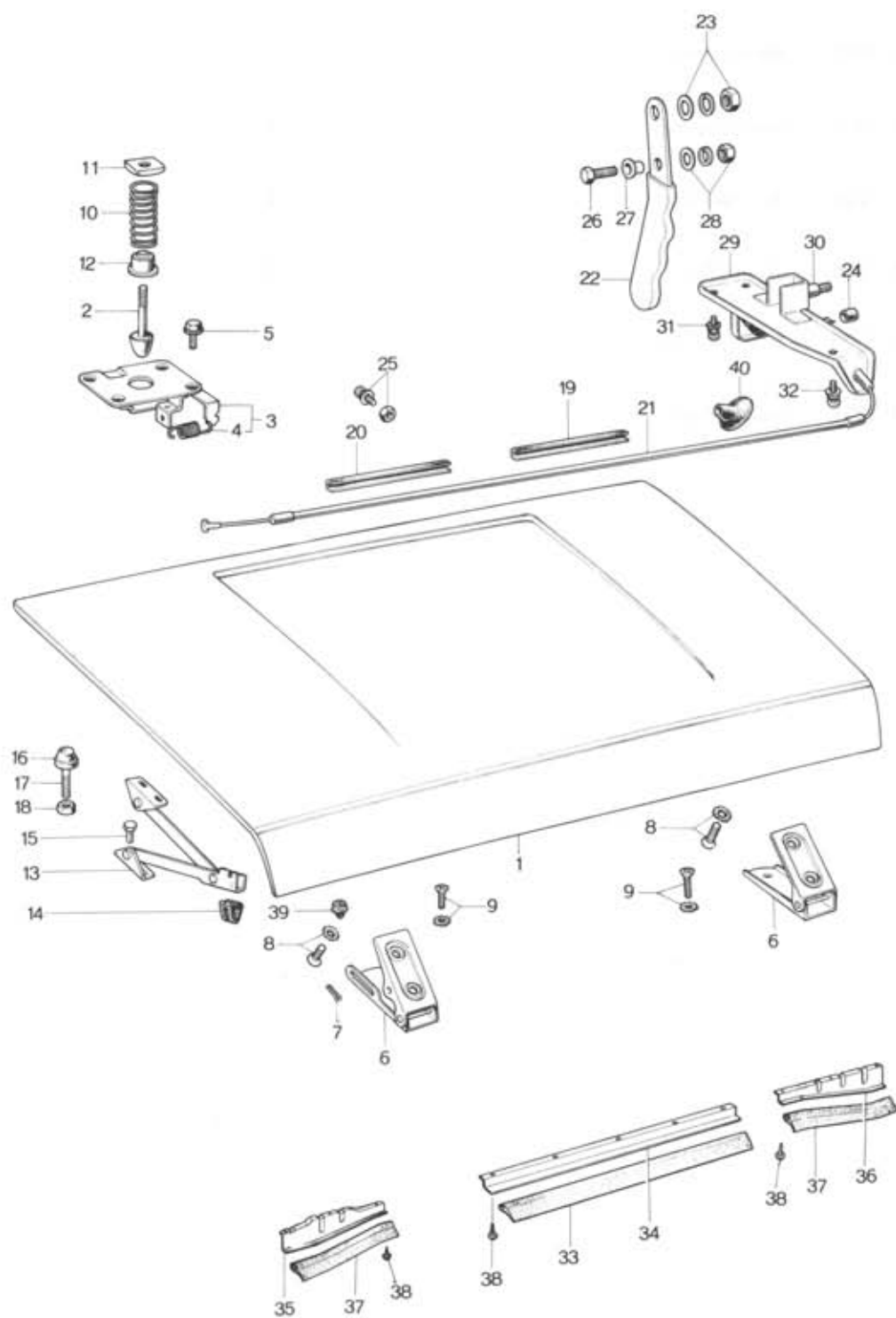
## BUMPER &amp; GRILLE

No.	Part Number	Description	Q'ty	Remarks
	99951 0618	Washer, Plain	13	
17	99940 0502	Nut, Skirt Panel & Air Intake	8	
18	1823 50 098	Holder, Number Plate	2	
19	99806 0614	Bolt, Number Plate Holder	2	
	99940 0602	Nut	2	
20	1854 50 511	Grille, Radiator	1	
21	1854 50 521	Bezel (R), Head Lamp (BLK.)	1	
22	1854 50 531	Bezel (L), Head Lamp (BLK.)	1	
23	99769 0425B	Screw, Grille & Bezel	12	
	99910 0403	Grommet, Screw	12	
24	1854 50 551	Garnish, Upper	1	
25	99769 0414	Screw, Garnish	4	
	99896 0400	Nut, Spring	4	
26	1854 78 615	Bolt, Rear Bumper	4	
27	1823 78 620B	Bumper, Rear	1	
28	1854 78 640	Stay (R), Rear Bumper	1	
29	1854 78 650	Stay (L), Rear Bumper	1	
30	99781 1025	Bolt	6	
	99951 1022	Washer, Plain	6	
	99971 1000	Washer, Spring	6	

# BUMPER & GRILLE

50

No.	Part Number	Description	Q'ty	Remarks
31	99781 1040	Bolt, Rear Bumper	4	
	99951 1022	Washer, Plain	4	
	99971 1000	Washer, Spring	4	
32	99921 1200	Nut, Rear Bumper	4	
	99951 1226	Washer, Plain	4	
	99971 1200	Washer, Spring	4	
	99951 1236	Washer, Plain	6	

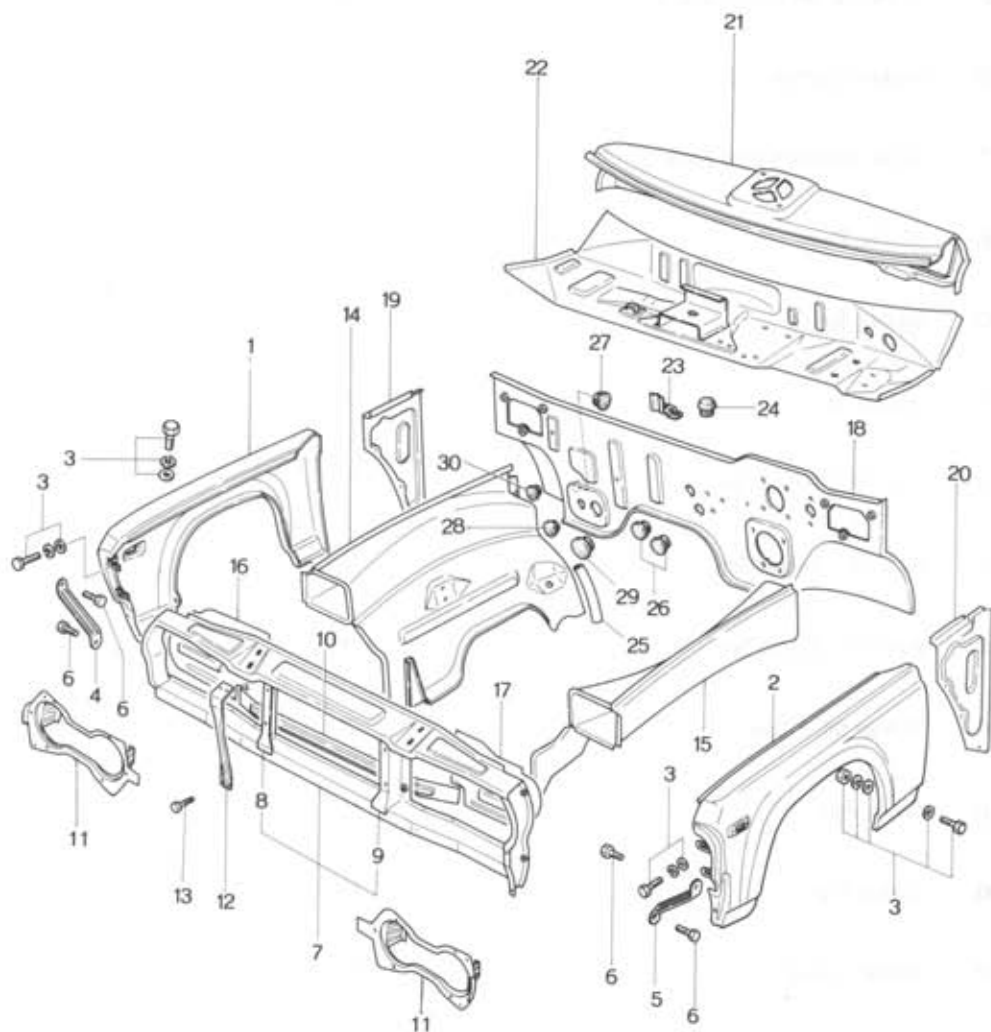




No.	Part Number	Description	Q'ty	Remarks
1	1854 52 010A	Bonnet	1	
2	0187 52 141	Hook, Bonnet	1	
3	0603 52 160A	Lock, Bonnet	1	
4	0305 52 331	Spring, Return - Lock	1	
5	99796 0614	Bolt, Bonnet Lock	4	
6	0603 52 260	Hinge, Bonnet	2	
7	99221 1610	Pin, Split - Bonnet Hinge	1	
8	99831 0820	Screw, Hinge Upper	4	
	99975 0800	Washer, Toothed	4	
9	99836 0825	Screw, Hinge Lower	4	
	99975 0800	Washer, Toothed	4	
10	0305 52 312B	Spring, Lift	1	
11	0305 52 313	Seat, Upper - Spring	1	
12	0305 52 322A	Seat, Lower - Spring	1	
13	2370 52 390	Stopper, Bonnet	1	
14	0866 52 397A	Rubber, Cushion - Stopper	1	
15	99796 0614	Bolt, Bonnet Stopper	4	
16	0603 52 451A	Rubber, Cushion - Bonnet	2	

No.	Part Number	Description	Q'ty	Remarks
17	99831 0830	Screw, Cushion Rubber	2	
18	99902 0800	Nut, Cushion Rubber	2	
19	0603 52 471	Rubber, Seal - Bonnet	1	
20	0603 52 472	Rubber, Seal - Bonnet	1	
21	0603 52 510	Wire, Release - Bonnet	1	
22	0208 52 520	Handle, Release Wire	1	
23	99906 0600	Nut, Release Handle	1	
	99952 0600	Washer, Plain	1	
	99971 0600	Washer, Spring	1	
24	0187 52 523	Rubber, Stopper - Release Handle	1	
25	99806 0516	Bolt, Release Wire	1	
	99952 0500	Washer, Plain	1	
	99971 0500	Washer, Spring	1	
	99906 0500	Nut	1	
26	0187 52 531	Bolt, Release Wire Handle	1	
27	0187 52 532	Spacer, Release Wire Stop	1	
28	99906 0600	Nut, Release Wire Handle	1	
	99952 0600	Washer, Plain	1	
	99971 0600	Washer, Spring	1	

No.	Part Number	Description	Q'ty	Remarks
29	2677 52 540A	Bracket, Release Handle	1	
30	0603 52 543	Pin, Handle Set	1	
31	99834 0512	Screw, Release Handle Bracket	2	
	99975 0500	Washer, Toothed	2	
32	99834 0512	Screw, Release Handle Bracket	1	
	99952 0516	Washer, Plain	1	
	99971 0500	Washer, Spring	1	
33	1854 52 611	Rubber, Seal	1	
34	1854 52 612	Plate "A", Rubber Set	1	
35	1854 52 613	Plate "B", Rubber Set	1	
36	1854 52 614	Plate "C", Rubber Set	1	
37	1854 52 615	Rubber No. 2, Seal	2	
38	99863 0510	Screw, Plate	11	
	99952 0500	Washer, Plain	11	
	99971 0500	Washer, Spring	11	
39	0118 58 931	Rubber, Stop - Bonnet Hinge	1	
40	0118 70 531	Protector, Bonnet Release Wire	1	



# BODY PANELS (FRONT)

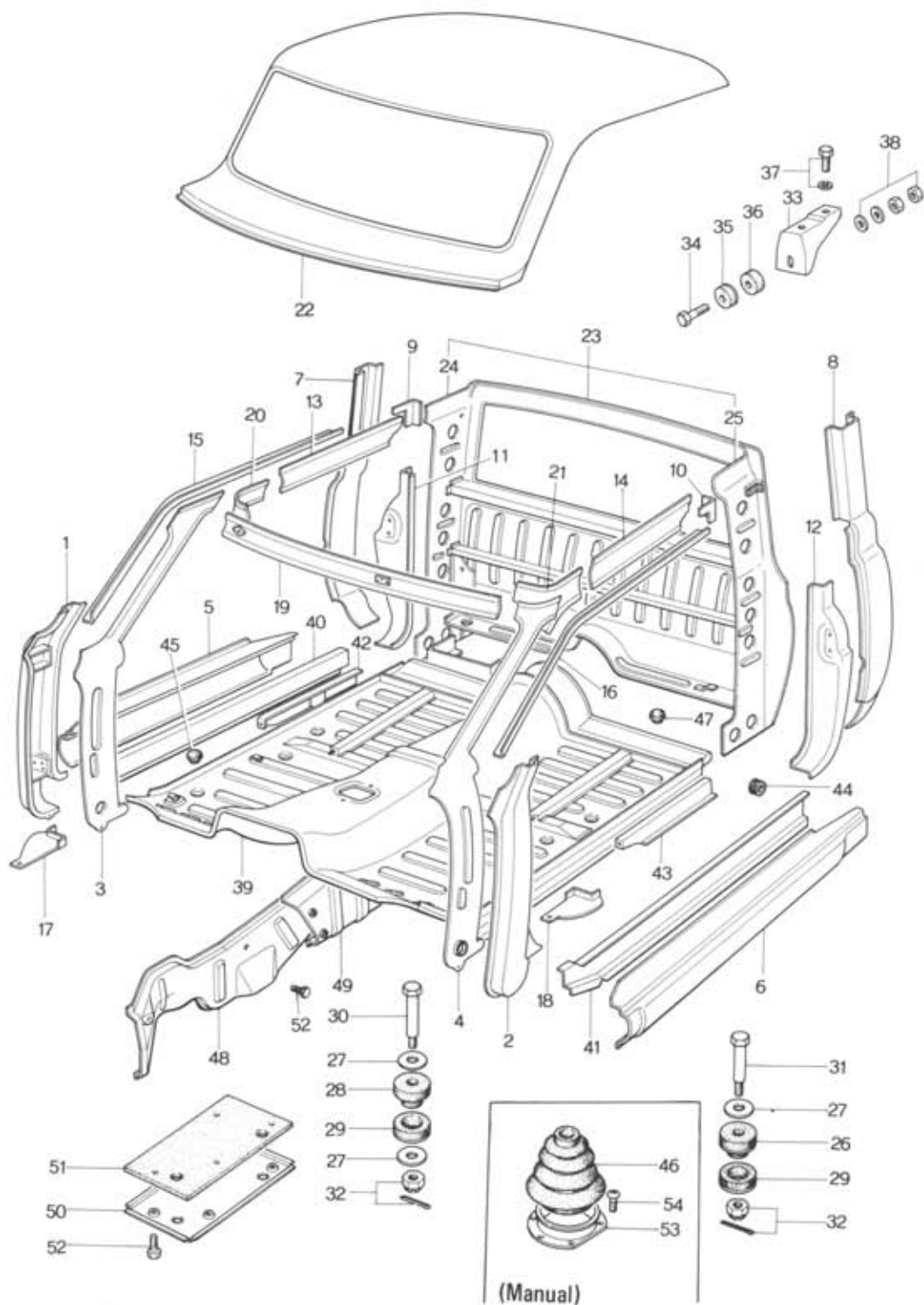
51

~ 56

No.	Part Number	Description	Q'ty	Remarks
	1857 07 010	Cabin Cpt.	1	
1	1854 51 020A	Panel (R), Fender	1	
2	1854 51 520A	Panel (L), Fender	1	
3	99806 0614	Bolt, Fender Panel	20	
	99952 0618	Washer, Plain	20	
	99951 0618	Washer, Plain	2	
	99971 0600	Washer, Spring	20	
	99906 0600	Nut	2	
4	1823 51 050	Plate (R), Junction	1	
5	1823 51 550	Plate (L), Junction	1	
6	99786 0510	Bolt, Junction	4	
7	1854 53 030	Panel, Shroud - Radiator (Fig. No. 8, 9 Included)	1	
8	1854 53 050	Member (R), Radiator	1	
9	1854 54 050	Member (L), Radiator	1	
10	1854 53 036	Member No. 2, Cross	1	
11	1854 53 070	Bracket, Head Lamp	2	
12	1854 53 091A	Member, Grille Set	4	
13	99796 0612	Bolt, Grille Set Member	8	
14	1854 53 110	Panel (R), Tire Apron - Front	1	
15	1854 54 110A	Panel (L), Tire Apron - Front	1	

No.	Part Number	Description	Q'ty	Remarks
16	1854 53 160	Panel (R), Shroud	1	
17	1854 54 160	Panel (L), Shroud	1	
18	1854 53 200A	Panel, Dash - Lower	1	
19	2541 53 220A	Panel (R), Cowl Side	1	
20	1854 54 220	Panel (L), Cowl Side	1	
21	1854 53 230	Panel, Instrument	1	
22	1854 53 380	Panel, Dash - Upper	1	
23	1823 53 410A	Bracket, Tuner Set	1	
24	0187 53 134	Rubber, Dust Seal	1	
25	99336 08038	Pipe, Drain	2	
26	0208 56 615	Plug, Drain (Without Heater)	2	
27	0613 53 105A	Cover, Service Hole	1	} (Without Cooler)
28	0187 53 134	Rubber, Dust Seal	1	
29	1708 61 031	Plug, Hole	1	
30	2511 69 115	Cover, Hole	2	







# BODY PANELS (SIDE, FLOOR & ROOF)

53

56

No.	Part Number	Description	Q'ty	Remarks
1	0603 53 510A	Pillar (R), Front - Lower	1	
2	0603 54 510A	Pillar (L), Front - Lower	1	
3	0603 53 520A	Pillar (R), Front - Inside	1	
4	0603 54 520A	Pillar (L), Front - Inside	1	
5	0603 53 531	Panel (R), Side Sill - Outer	1	
6	0603 54 531	Panel (L), Side Sill - Outer	1	
7	1854 53 551	Pillar (R), Rear - Outer	1	
8	1854 54 551	Pillar (R), Rear - Outer	1	
9	0603 53 552	Plate (R), Rear Pillar Corner	1	
10	0603 54 552	Plate (L), Rear Pillar Corner	1	
11	1854 53 560A	Pillar (R), Rear - Front Side	1	
12	1854 54 560A	Pillar (L), Rear - Front Side	1	
13	0603 53 571	Member (R), Roof Side	1	
14	0603 54 571	Member (L), Roof Side	1	
15	0603 53 572B	Rail (R), Rain	1	
16	0603 54 572B	Rail (L), Rain	1	
17	0603 53 573	Plate (R), Cowl Set	1	
18	0603 54 573	Plate (L), Cowl Set	1	
19	0603 53 600C	Member, Roof Cross	1	
20	0603 53 611	Plate (R), Junction	1	

**BODY PANELS (SIDE, FLOOR & ROOF)**

No.	Part Number	Description	Q'ty	Remarks
21	0603 54 611	Plate (L), Junction	1	
22	2651 53 680D	Panel, Roof	1	
23	1854 53 700A	Plate, Back	1	
24	1854 53 710A	Pillar (R), Rear Inner	1	
25	1854 54 710B	Pillar (L), Rear Inner	1	
26	0603 53 920	Rubber, Mounting Lower	2	
27	0603 53 937	Washer, Plain - Mounting Rubber	6	
28	0603 53 950A	Rubber No. 3, Mounting Upper	4	
29	0603 53 970	Rubber, Mounting Lower	6	
30	0603 53 984A	Bolt No. 1, Mounting	4	
31	0614 56 575A	Bolt, Mounting	2	
32	99903 0800	Nut, Grooved	6	
	99221 2015	Pin, Split	6	
33	1854 53 960	Bracket, Mounting	2	
34	1854 53 962	Bolt, Mounting Bracket	2	
35	1854 53 965	Rubber, Mounting	2	
36	1854 53 966	Rubber, Mounting	2	
37	99805 0828	Bolt, Mounting Bracket	4	

# BODY PANELS (SIDE, FLOOR & ROOF)

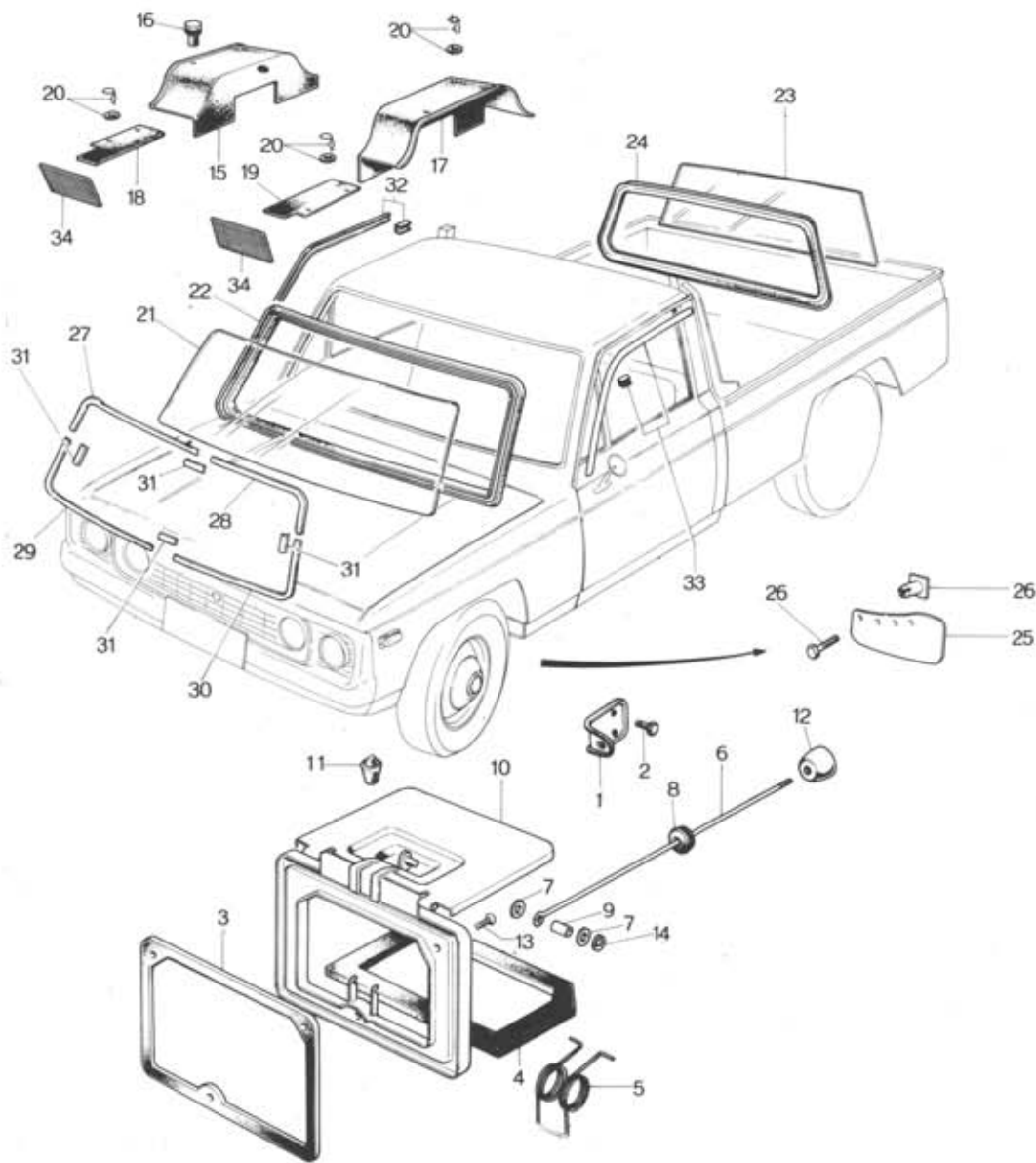
53 ~ 56

No.	Part Number	Description	Q'ty	Remarks
	99971 0800	Washer, Spring	4	
38	99906 1000	Nut, Mounting Bracket	2	
	99907 1000	Nut	2	
	99952 1030	Washer, Plain	2	
	99952 1236	Washer, Plain	2	
	99953 1030	Washer, Plain	4	
39	1854 56 010A	Board, Floor	1	
40	0603 56 031	Panel (R), Side Sill - Inner	1	
41	0603 56 531	Panel (L), Side Sill - Inner	1	
42	0603 56 200	Bracket (R), Seat	1	
43	0603 56 700	Bracket (L), Seat	1	
44	0111 41 692	Protector, Cord	4	
45	0118 56 241	Plug, Drain	10	
46	0247 56 274A	Boot, Change Lever (Manual)	1	
47	0208 56 615	Plug, Drain	6	
48	1854 56 811	Insulator, Heat	1	
49	1854 56 840A	Insulator No. 2, Heat	1	
50	1854 56 851	Insulator No. 3, Heat	1	

# BODY PANELS (SIDE, FLOOR & ROOF)

No.	Part Number	Description	Q'ty	Remarks
51	1854 56 852	Pad, Heat Insulator	1	
52	99796 0610	Bolt, Heat Insulator	11	
53	1011 64 491	Seat, Boot	1	} (Manual)
54	99865 0512	Screw, Boot Seat	6	





# VENTILATOR, GLASS & MOULDING

53

54

No.	Part Number	Description	Q'ty	Remarks
1	1854 54 234	Holder, Rod - (R) Side	1	
2	99796 0612	Bolt, Rod Holder	2	
3	0603 53 431C	Gasket, Ventilator	2	
4	0603 53 432A	Rubber, Seal	2	
5	0603 53 433A	Spring, Ventilator	2	
6	0603 53 434B	Rod (R), Ventilator	1	
	0617 54 434	Rod (L), Ventilator	1	
7	0603 53 435	Washer, Rod	4	
8	0603 53 436	Grommet, Rod	2	
9	0603 53 438	Bush, Ventilator Rod	2	
10	0603 53 440B	Ventilator	2	
11	0208 70 713	Rubber, Stopper - Ventilator	2	
12	0118 70 722A	Knob, Ventilator Rod	2	
13	99833 0512	Screw, Ventilator	6	
14	99576 0400	Ring, Stop - Rod	2	
15	2677 53 811	Cover (R), Dust	1	
16	99804 0514	Screw, Dust Cover	3	
	99952 0500	Washer, Plain	3	
17	0603 53 811B	Cover (L), Dust	1	
18	0603 53 821	Cover No. 2 (R), Dust	1	

53

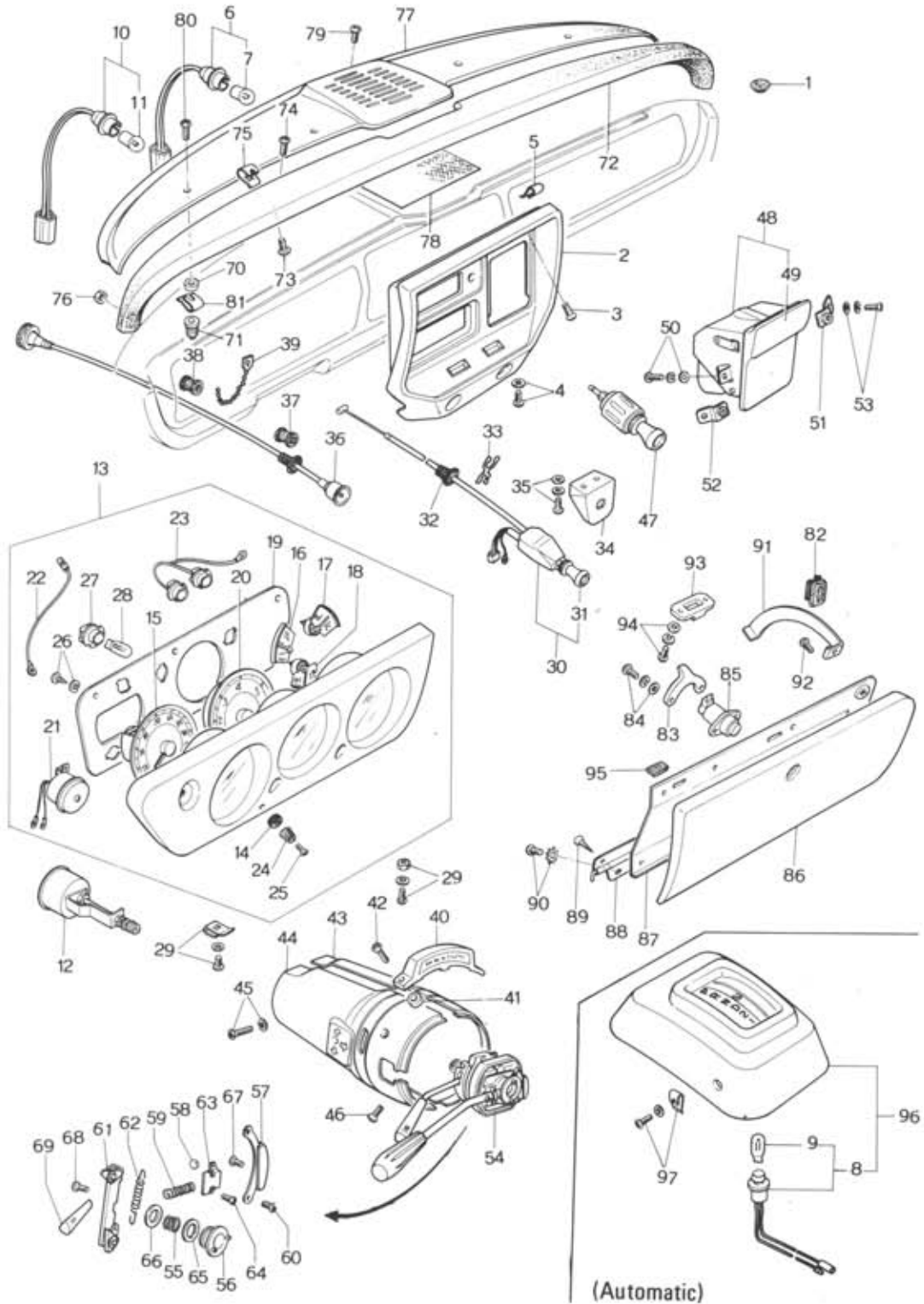
54

## VENTILATOR, GLASS &amp; MOULDING

No.	Part Number	Description	Q'ty	Remarks
19	2677 54 821	Cover No. 2 (L), Dust	1	
20	0193 53 462	Fastener, Dust Cover	10	
	99953 0800	Washer, Plain	10	
21	1823 53 901	Glass, Front Window (Blue Pane)	1	Selective use
	2651 53 901	Glass, Front Window (Transparent)	1	
22	2541 53 902	Weatherstrip, Front Window Glass	1	
23	1823 53 911	Glass, Back Window (Blue Pane)	1	Selective use
	2545 53 911	Glass, Back Window (Transparent)	1	
24	0603 53 912	Weatherstrip, Back Window Glass	1	
25	1854 53 891A	Flap, Front	2	
26	99769 0616B	Bolt, Front Flap	8	
	99910 0601	Grommet, Screw	8	
27	2541 53 991	Mould (R), Upper - Front Window	1	
28	2541 54 991	Mould (L), Upper - Front Window	1	
29	2541 53 992	Mould (R), Lower - Front Window	1	
30	2541 54 992	Mould (L), Lower - Front Window	1	
31	0735 70 425A	Junction, Front Window Mould	4	
32	0589 99 731	Mould Set (R), Drip	1	
33	0589 99 736	Mould Set (L), Drip	1	
34	0208 58 925	Screen, Side Seal	2	







(Automatic)

No.	Part Number	Description	Q'ty	Remarks
1	0613 53 105A	Cover, Service Hole	1	
2	1854 55 220	Panel, Center	1	
3	99862 0516B	Screw, Center Panel	2	
4	99860 0512	Screw, Center Panel	1	
	99952 0500	Washer, Plain	1	
5	99896 0500	Nut, Spring	3	
6	1011 55 240	Bulb & Socket	1	
7	99701 1030	Bulb	1	
8	1840 55 240	Bulb & Socket, Indicator	1	} (Automatic)
9	99701 6030	Bulb	1	
10	1011 55 280	Lamp	1	
11	99701 6030	Bulb	1	
12	1854 55 490	Resistor	1	
13	1854 55 530A	Meter Set (GRY./BLK.)	1	
14	0326 75 011	Grommet	1	
15	1854 75 021	Speedometer	1	

No.	Part Number	Description	Q'ty	Remarks
16	0483 75 022	Meter, Fuel	1	
17	0317 75 023	Meter, Temp.	1	
18	0483 75 024	Meter, Amp.	1	
19	1854 75 025	Plate, Bottom	1	
20	1854 75 026	Tachometer	1	
21	1568 75 029	Buzzer	1	
22	1854 75 030	Cord	1	
23	0492 75 060	Harness, Wiring	1	
24	0824 75 149	Knob, Trip Meter	1	
25	0824 75 150	Screw, Knob	1	
26	0710 75 435	Washer, Spring	5	
	0710 75 436	Screw, Tapping	5	
27	0259 55 261	Socket	9	
28	99701 6030	Bulb	11	
29	99864 0520B	Screw, Meter	4	
	99952 0500B	Washer, Plain	4	
	0820 56 905	Nut, Spring	2	
	99896 0500	Nut, Spring	2	
30	1854 60 050	Wire, Choke (Manual)	1	

No.	Part Number	Description	Q'ty	Remarks
	1856 60 050	Wire, Choke (Automatic)	1	
31	1757 60 053	Knob, Choke Wire	1	
32	0259 52 301	Grommet, Choke Wire	1	
	99288 0808	Clip, Choke Wire	1	
34	1854 55 161	Bracket, Choke Wire	1	
35	99833 0510	Screw, Bracket	2	
	99952 0500	Washer, Plain	2	
	99971 0500	Washer, Spring	2	
36	1011 60 070A	Cable, Speedometer	1	
37	99682 0801	Grommet, Speedometer Cable	1	
38	99686 0800	Grommet, Speedometer Cable	3	
39	99709 0108	Band, Speedometer Cable	1	
40	1907 60 311	Plate, Name - Column Cover	1	
41	1611 60 312	Spacer, Name Plate	2	
42	99832 0414B	Screw, Name Plate	2	
43	1854 60 331	Cover (R), Column (BLK.)	1	
44	1854 60 341	Cover (L), Column (BLK.)	1	
45	90833 0412B	Screw, Column Cover	1	
	99971 0400B	Washer, Spring	1	

No.	Part Number	Description	Q'ty	Remarks
46	99832 0412B	Screw, Column Cover	2	
47	0317 60 720	Lighter, Cigar	1	
48	1854 64 620A	Tray, Ash	1	
49	1854 64 640A	Case, Inner	1	
50	99833 0510	Screw, Ash Tray	2	
	99952 0500	Washer, Plain	2	
	99971 0500	Washer, Spring	2	
51	1854 64 650	Bracket, Ash Tray	1	
52	1854 64 660	Bracket, Ash Tray	1	
53	99833 0510	Screw, Bracket	2	
	99952 0500	Washer, Plain	2	
	99971 0500	Washer, Spring	2	
54	3514 66 120	Switch, Combination	1	
55	0317 60 252	Spring, Cancel Cam	1	
56	0317 60 253	Cam, Cancel	1	
57	1634 60 254	Bracket, Fixing	1	
58	0317 60 255	Ball, Steel	1	

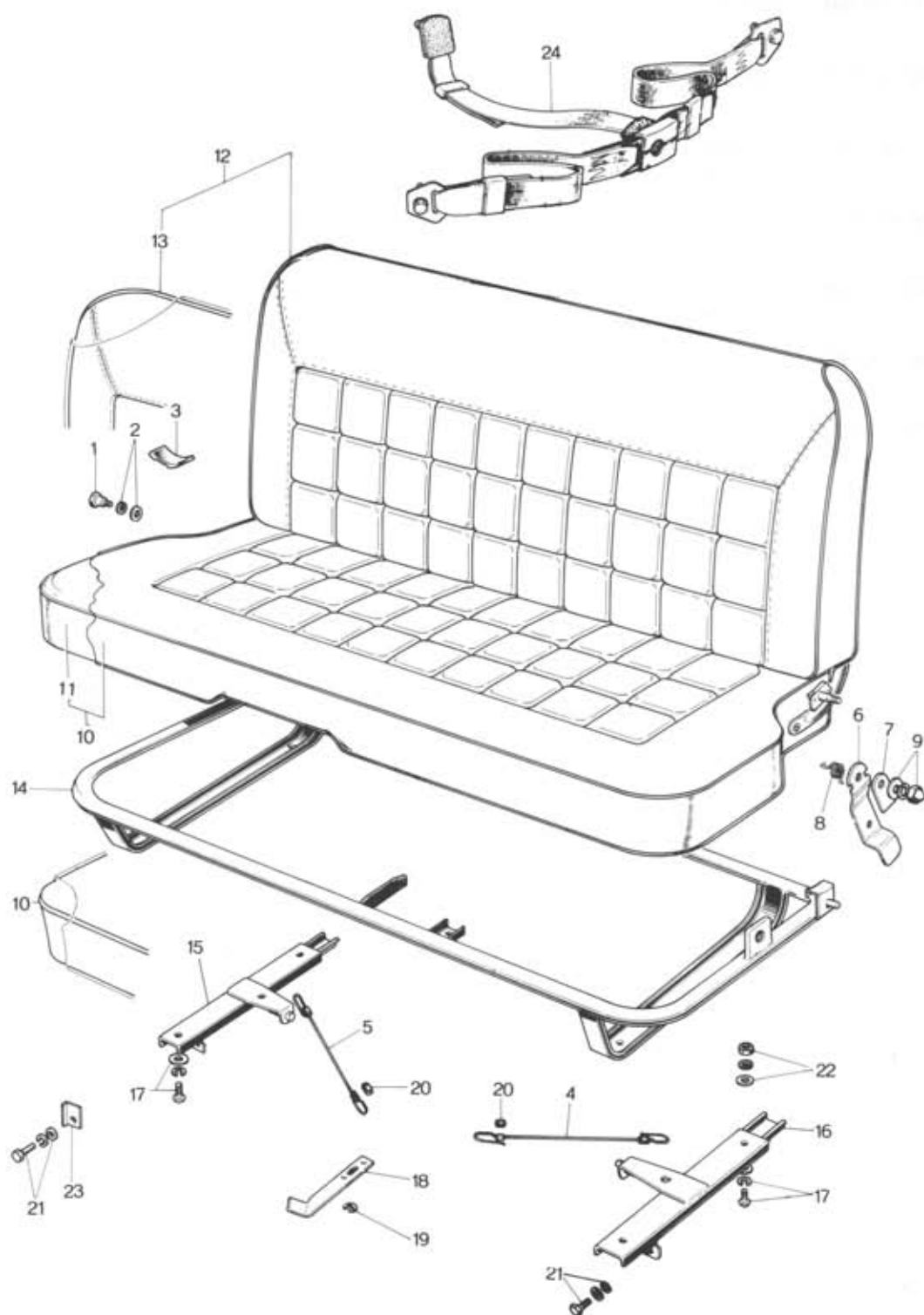
No.	Part Number	Description	Q'ty	Remarks
59	0317 60 256	Spring, Arm Set	1	
60	0317 60 257	Screw, Bracket	2	
61	0317 60 258	Arm	1	
62	0317 60 259	Spring, Ratchet	1	
63	0317 60 261	Plate, Set	1	
64	0317 60 262	Screw, Set Plate	2	
65	0866 60 263	Washer "A"	1	
66	0866 60 264	Washer "B"	1	
67	0866 60 266	Screw	2	
68	0866 60 267	Screw, Light Switch Knob	2	
69	1011 66 121	Knob, Light Switch	1	
70	0317 68 013A	Spacer, Garnish	4	
71	0317 68 018	Cap, Crush Pad & Garnish	4	
72	1854 68 020	Pad, Crush (BLK.)	1	
73	99862 0516B	Screw, Crush Pad	4	
74	99864 0512	Screw, Crush Pad	6	
75	99896 0500	Nut, Spring - Crush Pad	4	
76	99940 0502	Nut, Crush Pad	2	
77	1854 68 091	Garnish	1	

No.	Part Number	Description	Q'ty	Remarks
78	0866 68 095	Cover, Cloth	1	
79	99863 0508B	Screw, Garnish	5	
80	99863 0520B	Screw, Garnish	4	
81	99869 0500	Nut, Spring - Garnish	4	
82	0603 53 305	Guide, Glove Box	1	
83	2280 55 182	Guide, Glove Box	1	
84	99833 0416	Screw, Guide	2	
	99952 0400	Washer, Plain	2	
	99971 0400	Washer, Spring	2	
85	0274 55 200	Lock, Glove Box	1	
86	1879 70 220A	Lid, Outer - Glove Box	1	
87	2370 70 231A	Lid, Inner - Glove Box	1	
88	1854 70 240	Hinge, Glove Box	1	
89	99861 0410B	Screw, Glove Box Lid & Hinge	9	
90	99834 0410B	Screw, Hinge + Body	3	
	99973 0400	Washer, Toothed	3	
91	2370 70 261	Stopper, Glove Box Lid	1	
92	99831 0408B	Screw, Stopper	1	
93	0317 70 262A	Striker, Glove Box Lid	1	
94	99838 0516B	Screw, Striker	2	



No.	Part Number	Description	Q'ty	Remarks
	99952 0500B	Washer, Plain	2	
	99971 0500B	Washer, Spring	2	
95	0317 70 269	Cushion, Glove Box Lid	3	
96	1856 68 860	Indicator	1	
97	99862 0516B	Screw, Indicator	3	
	99967 0500B	Washer	3	
	99896 0500B	Nut, Spring	3	

(Automatic)



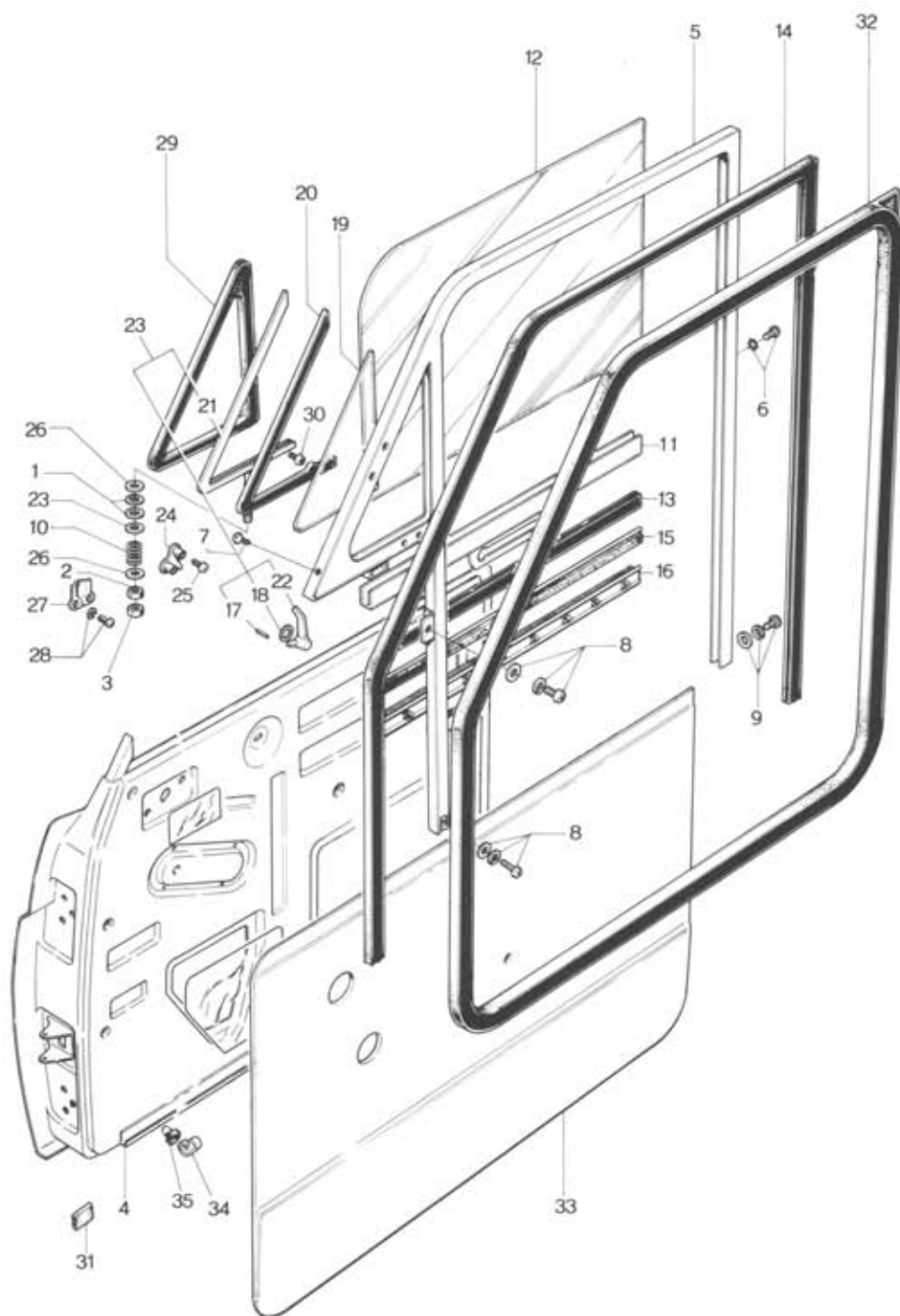
No.	Part Number	Description	Q'ty	Remarks
When ordering the following Seat & Trim				
Note : 1 Add				
- 00 (BLK) - 06 (GRY./YLW.)				
After the parts number as the colour code nos.				
	1825 57 100B ©	Seat	1	
1	0603 57 102	Pin, Hinge	2	
2	99951 0822	Washer, Plain - Hinge Pin	2	
	99952 1030	Washer, Plain	2	
3	0603 57 109	Rubber, Stop	2	
4	0603 57 111	Wire No. 1, Adjuster	1	
5	0603 57 112	Wire No. 2, Adjuster	1	
6	2541 57 121	Plate, Lock	2	
7	2541 57 122	Plate, Stopper	2	
8	2541 57 123	Spring (R), Return	1	
	2541 57 124	Spring (L), Return	1	
9	99945 0600	Nut, Cap	2	
	99952 0816	Washer, Plain	4	
	99971 0600	Washer, Spring	2	
10	1825 57 200 ©	Cushion, Seat	1	
11	2496 57 220A ©	Trim	1	
12	1825 57 300A ©	Seat, Back	1	



# SEAT

No.	Part Number	Description	Q'ty	Remarks
13	1825 57 320A ©	Trim	1	
14	2541 57 400B	Frame	1	
15	2495 57 650	Slide (R)	1	
16	2495 57 680	Slide (L)	1	
17	99801 0816	Bolt, Slide	4	
	99952 0800	Washer, Plain	4	
	99971 0800	Washer, Spring	4	
18	0662 88 024	Lever, Adjuster	1	
19	99576 0700	Ring, Retaining - Adjuster Lever	1	
20	0259 88 025	Clip, Adjuster Wire	4	
21	99806 0820	Bolt, Seat	2	
	99952 0800	Washer, Plain	2	
	99971 0800	Washer, Spring	2	
22	99901 0800	Nut, Seat	2	
	99971 0800	Washer, Spring	2	
23	2469 57 016	Stopper	2	
24	0305 57 920B-00	Belt, Front Seat (BLK.)	2	





# FRONT SIDE DOOR (GLASS)

58

59

No.	Part Number	Description	Q'ty	Remarks
1	0820 52 403	Washer	4	
2	99906 0600	Nut	2	
3	99907 0600	Nut	2	
4	1819 58 010	Body (R), Door	1	
	1819 59 010	Body (L), Door	1	
5	0603 58 110A	Frame (R), Sash	1	
	0603 59 110A	Frame (L), Sash	1	
6	99834 0506	Screw, Sash Frame	4	
	99974 0500	Washer, Toothed	4	
7	99831 0612	Screw, Ventilator	4	
8	99833 0612	Screw, Sash Frame	4	
	99951 0618	Washer, Plain	4	
	99971 0600	Washer, Spring	4	
9	99834 0612	Screw, Sash Frame Lower	2	
	99952 0618	Washer, Plain	2	
	99974 0600	Washer, Toothed	2	
10	0115 58 171	Spring, Ventilator	2	
11	0603 58 210	Holder, Door Glass	2	
12	0588 58 221A	Glass, Door (Transparent)	2	} Selective use
	1823 58 221A	Glass, Door (Blue Pane)	2	

58

59

## FRONT SIDE DOOR (GLASS)

No.	Part Number	Description	Q'ty	Remarks
13	0588 58 231	Rubber, Holding - Door Glass	2	
14	0588 58 241	Run Channel, Glass	2	
15	0603 58 280A	Weatherstrip, Outer	2	
16	0603 58 290A	Weatherstrip, Inner	2	
	0603 58 410B	Ventilator (R), Door (Transparent)	1	} Selective use } Fig. No. 17 ~ 23 Included
	1823 58 410	Ventilator (R), Door (Blue Pane)	1	
	0603 59 410B	Ventilator (L), Door (Transparent)	1	
	1823 59 410	Ventilator (L), Door (Blue Pane)	1	
17	0115 58 214	Pin, Spring	2	
18	99972 1000	Washer, Wave	2	
19	0603 58 411A	Glass, Ventilator (Transparent)	2	
	1823 58 411	Glass, Ventilator (Blue Pane)	2	
20	0603 58 412A	Rubber (R), Holding - Glass	1	
	0603 59 412A	Rubber (L), Holding - Glass	1	
21	0603 58 420B	Sash (R), Ventilator	1	
	0603 59 420B	Sash (L), Ventilator	1	
22	0183 58 451	Handle (R), Ventilator Lock	1	
	0183 59 451	Handle (L), Ventilator Lock	1	
23	0603 58 460A	Sash (R), Ventilator	1	} Fig. No. 17, 18, 21, 22 Included

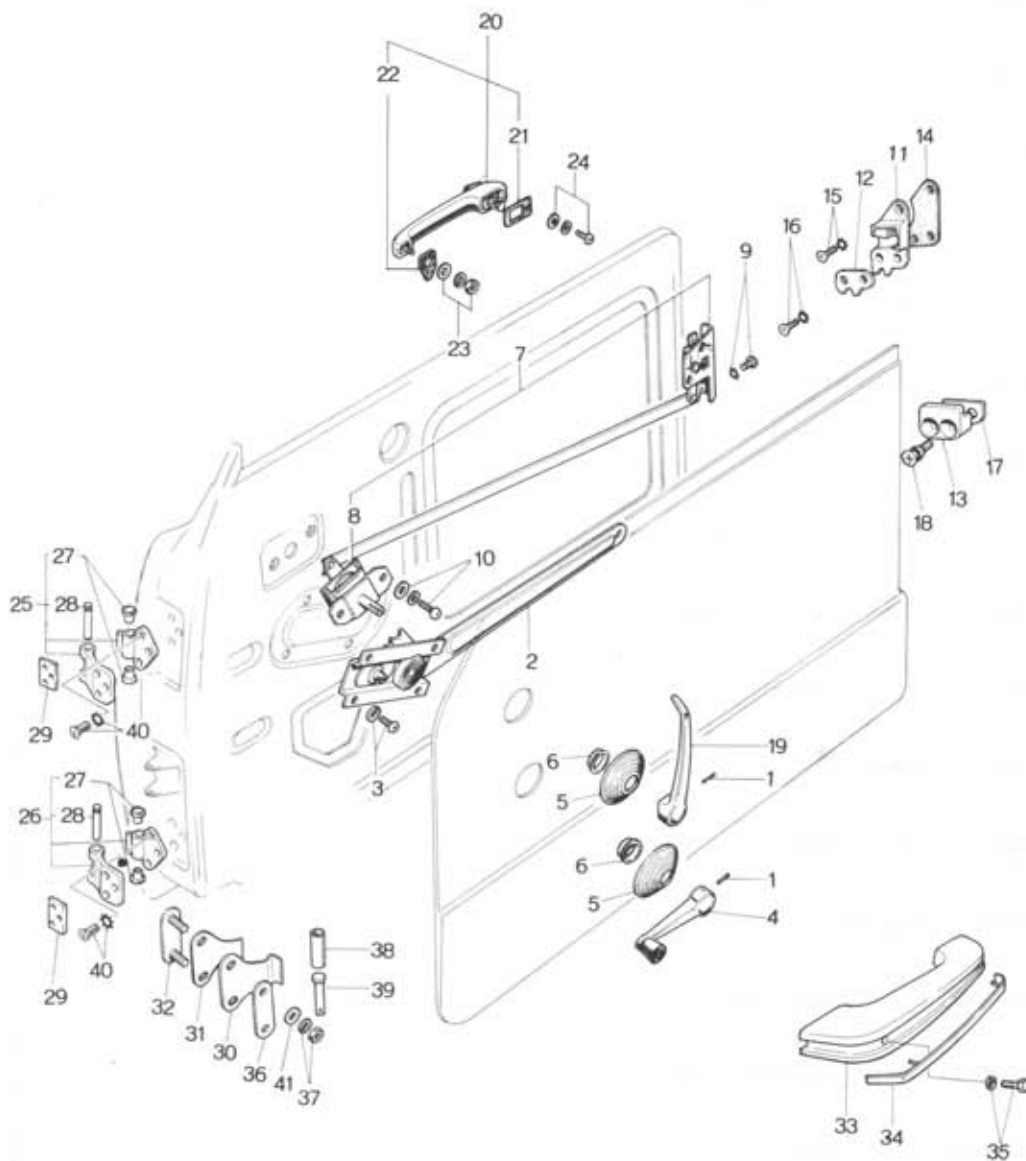


# FRONT SIDE DOOR (GLASS)

58

59

No.	Part Number	Description	Q'ty	Remarks
	0603 59 460A	Sash (L), Ventilator	1	
24	0603 58 430A	Hinge (R), Ventilator	1	
	0603 59 430A	Hinge (L), Ventilator	1	
25	99711 0410	Screw, Ventilator Hinge	4	
26	0187 58 471	Washer	8	
27	0193 58 481	Plate, Lock	2	
28	99833 0408	Screw, Lock Plate	4	
	99971 0400	Washer, Spring	4	
29	0603 58 491C	Rubber (R), Sash - Ventilator	1	
	0603 59 491C	Rubber (L), Sash - Ventilator	1	
30	99772 0514	Screw, Ventilator	2	
31	0208 58 497	Cushion	2	
32	0603 58 901B	Weatherstrip (R)	1	
	0603 59 901B	Weatherstrip (L)	1	
33	1823 58 910A00	Trim (R), Door (BLK.)	1	
	1823 58 910A06	Trim (R), Door (GRY./YLW.)	1	
	1823 59 910A00	Trim (L), Door (BLK.)	1	
	1823 59 910A06	Trim (L), Door (GRY./YLW.)	1	
34	0208 58 921	Fastener, Door Trim	16	
35	0187 58 922	Rubber, Seal - Fastener	16	



# FRONT SIDE DOOR (LOCK)

58

59

No.	Part Number	Description	Q'ty	Remarks
1	0100 58 272A	Pin, Tapered	4	
2	0603 58 300A	Regulator (R), Window	1	
	0603 59 300A	Regulator (L), Window	1	
3	99833 0612	Screw, Regulator	8	
	99971 0600	Washer, Spring	8	
4	0118 58 370A01	Handle (R), Regulator (BLK.)	1	
	0118 59 370A01	Handle (L), Regulator (BLK.)	1	
5	0118 58 931-01	Escutcheon, Regulator Handle (BLK.)	4	
6	0118 58 392	Crown, Escutcheon	4	
7	2651 58 500B	Lock (R), Door	1	
	2651 59 500B	Lock (L), Door	1	
8	2651 58 600	Lock, Inner	2	
9	99832 0612	Screw, Door Lock	6	
	99974 0600	Washer, Toothed	6	
10	99833 0616	Screw, Inner Lock	4	
	99952 0600	Washer, Plain	4	
	99971 0600	Washer, Spring	4	
11	0259 58 570	Striker (R), Door Lock	1	

58

59

## FRONT SIDE DOOR (LOCK)

No.	Part Number	Description	Q'ty	Remarks
	0259 59 570	Striker (L), Door Lock	1	
12	0259 58 581	Rack (R), Door Striker	1	
	0259 59 581	Rack (L), Door Striker	1	
13	2350 58 582	Block, Antiburst	2	
14	0187 58 592A	Seat, Striker	2	
15	99761 0620	Screw, Door Striker	2	
	99974 0600	Washer, Toothed	2	
16	99761 0630	Screw, Door Striker	4	
	99974 0600	Washer, Toothed	4	
17	2350 58 593	Shim, Antiburst Block	2	
18	99761 0630	Screw, Antiburst Block	4	
	99974 0600	Washer, Toothed	4	
19	0115 58 651B	Handle (R), Inner	1	
	0115 59 651B	Handle (L), Inner	1	
20	2651 58 670	Handle, Outer	2	
21	0603 58 674	Seat No. 1	2	
22	0603 58 675	Seat No.2	2	
23	99906 0600	Nut, Outer Handle	2	

# FRONT SIDE DOOR (LOCK)

58

59

No.	Part Number	Description	Q'ty	Remarks
	99952 0600	Washer, Plain	2	
	99971 0600	Washer, Spring	2	
24	99833 0612	Screw, Outer Handle	2	
	99952 0600	Washer, Plain	2	
	99971 0600	Washer, Spring	2	
25	0588 58 710	Hinge "A", Upper	2	
26	0588 58 760	Hinge "B", Lower	2	
27	0223 58 721	Bush	8	
28	0187 58 731	Pin, Hinge	4	
29	0603 58 741A	Spacer	4	
30	0603 58 811	Spring, Check - Door	2	
31	0603 58 812	Spring, Check Sub - Door	2	
32	0603 58 820A	Plate, Set - Door Checker	2	
33	0398 58 821A-00	Rest, Arm (BLK.)	2	
	0398 58 821A-01	Rest, Arm (BEIG.)	2	
34	0398 58 822A-00	Garnish (BLK.)	2	
	0398 58 822A-01	Garnish (BEIG.)	2	
35	99833 0520	Screw, Arm Rest	4	

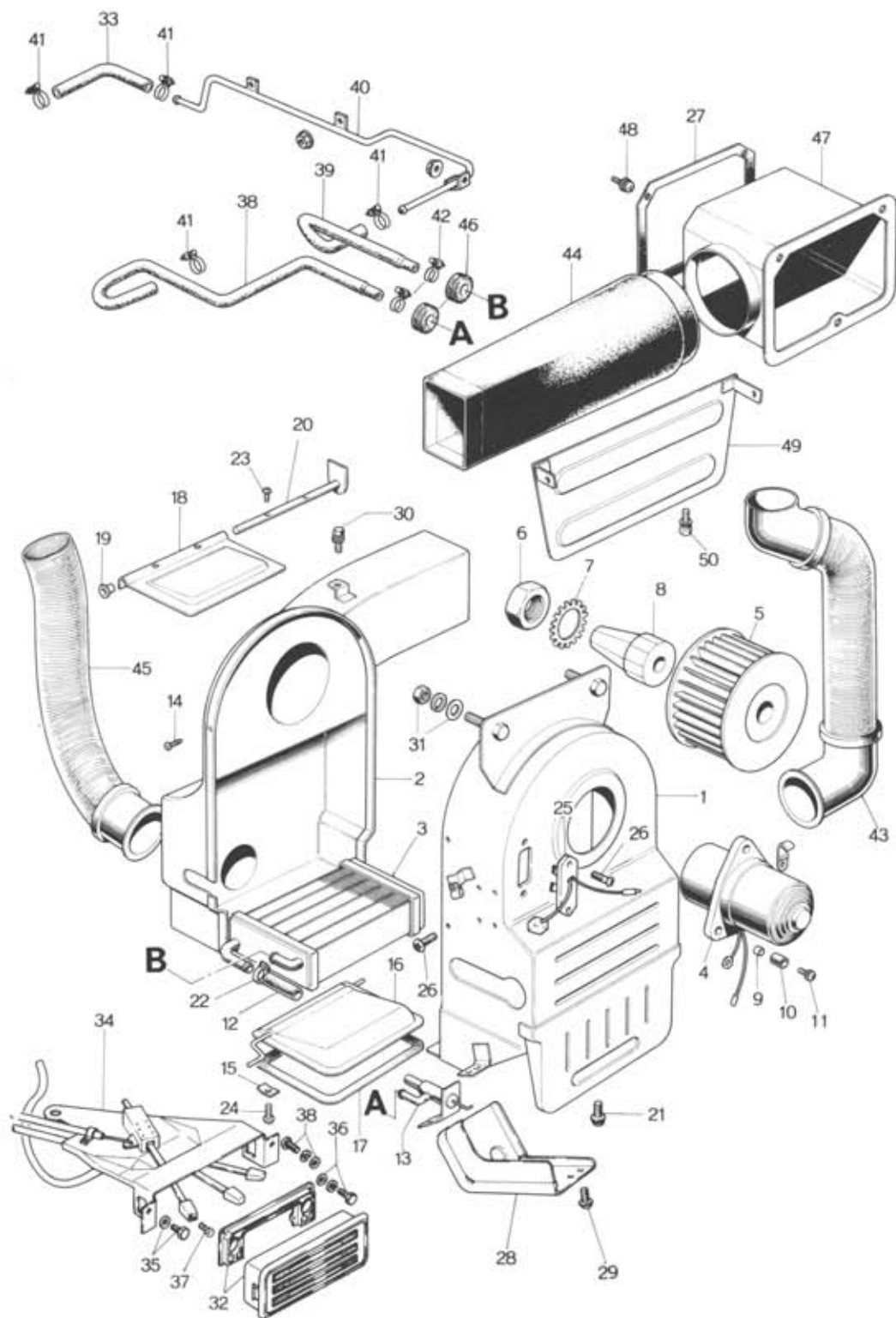
58

59

## FRONT SIDE DOOR (LOCK)

No.	Part Number	Description	Q'ty	Remarks
	99952 0500	Washer, Plain	4	
36	0603 58 823A	Washer, Door Checker	2	
37	99906 0600	Nut, Door Checker	4	
	99971 0600	Washer, Spring	4	
38	0317 58 831A	Roller, Door Checker	2	
39	0317 58 832	Pin, Door Checker	2	
40	99761 0825	Screw, Door Hinge	24	
	99975 0800	Washer, Toothed	24	
41	0208 72 821	Washer No. 1, Adjuster	—	} Selective use
	0208 72 822	Washer No. 2, Adjuster	—	







# CAR HEATER

61

76

No.	Part Number	Description	Q'ty	Remarks
	1854 61 080B	Heater Set	1	
	2677 61 140B	Unit, Heater (Fig. No. 1 ~ 25 Included)	1	
1	2677 76 121A	Case	1	
2	2677 76 122	Plate	1	
3	2677 76 123	Core	1	
4	2677 76 124A	Motor	1	
5	2677 76 125	Fan	1	
6	2677 76 126	Nut	1	
7	2677 76 127	Washer, Toothed	1	
8	2677 76 128	Adapter	1	
9	2677 76 129	Bush	3	
10	2677 76 130	Ring, Rubber	3	
11	2677 76 131	Screw Set	3	
12	2677 76 133	Hose, Water	1	
13	2677 76 134A	Valve, Water	1	
14	0259 76 135	Screw	9	
15	2677 76 135	Spring	2	
16	2677 76 136A	Valve, Air	1	
17	2677 76 143	Gasket	1	
18	2677 76 145	Valve, Air	1	

61

76

## CAR HEATER

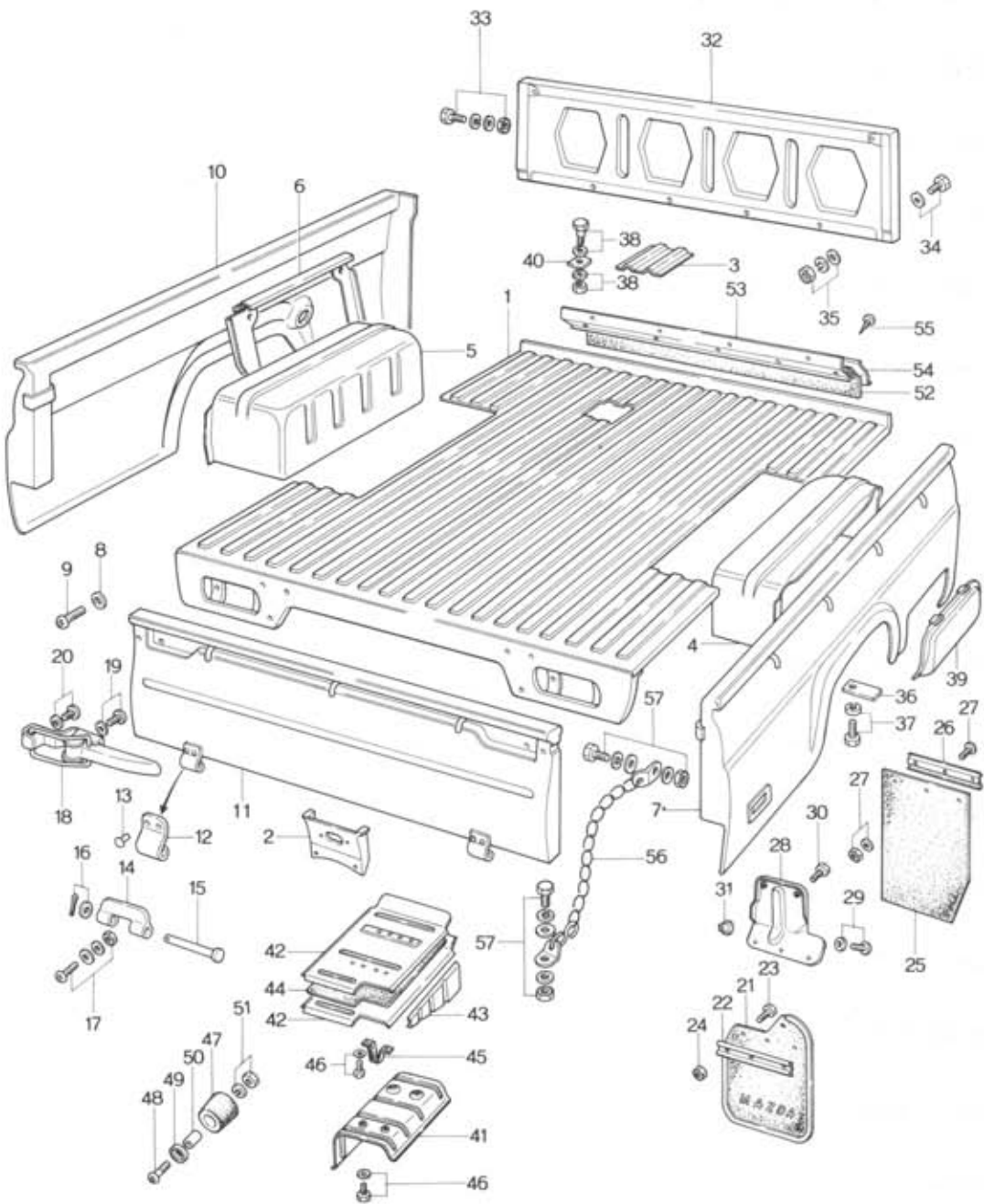
No.	Part Number	Description	Q'ty	Remarks
19	2677 76 146	Bush	2	
20	2677 76 147	Shaft	1	
21	99833 0412	Screw	2	
	99971 0400	Washer, Spring	2	
22	99282 2200	Band, Hose	2	
23	99833 0306	Screw	2	
24	99833 0410	Screw	2	
25	2677 76 150	Resistance	1	
26	99833 0510	Screw	3	
27	0617 61 135	Gasket	1	
28	2677 61 145	Cover	1	
29	99830 0412	Screw, Cover	3	
30	99786 0814	Bolt, Heater Unit & Body	1	
31	99940 0800	Nut, Heater Unit	2	
32	1823 61 170B-00	Panel, Decoration (BLK.)	1	
33	0824 61 183B	Hose, Water	1	
34	1854 61 190B	Control, Heater	1	
35	99797 0510	Bolt, Heater Control	1	
	99952 0512	Washer, Plain	1	

# CAR HEATER

61

76

No.	Part Number	Description	Q'ty	Remarks
	99971 0500	Washer, Spring	1	
36	99797 0510	Bolt, Heater Control	1	
	99952 0516	Washer, Plain	1	
	99971 0500	Washer, Spring	1	
37	99701 1030	Bulb, Illumination	2	
38	1854 61 211	Hose No. 1, Water	1	
39	1854 61 212	Hose No. 2, Water	1	
40	1854 61 220	Pipe, Water	1	
41	99282 2600	Band, Hose	4	
42	99282 2200	Band, Hose	2	
43	2677 61 240A	Hose (R), Defroster	1	
44	2677 61 250	Duct, Air	1	
45	2677 61 260A	Hose (L), Defroster	1	
46	0233 61 479	Grommet	2	
47	2541 61 573	Junction, Air Duct	1	
48	99740 0512	Screw, Air Duct Junction	3	
49	2651 61 650	Cover, Duct	1	
50	99830 0412	Screw	2	



No.	Part Number	Description	Q'ty	Remarks
	1854 65 010C	Box	1	
1	1854 65 020B	Board, Floor	1	
2	2651 65 140	Bracket, Rear Number Plate Holder	1	
3	0603 65 150	Cover, Hole - Service	1	
4	1854 65 201A	House (R), Tire	1	
5	1854 65 210A	House (L), Tire	1	
6	1854 65 310	Bracket, Condence Tank	1	
7	1854 65 430	Plate (R), Side	1	
8	1823 65 431A	Protector	2	
9	99864 0406	Screw, Tapping - Protector	2	
10	1854 65 460	Plate (L), Side	1	
11	0603 65 490B	Door, Rear	1	
12	0183 65 551	Hinge	2	
13	99251 0818	Rivet	4	
14	0183 65 552	Hinge, Box Rear Door	2	
15	0183 65 553	Pin, Hinge	2	
16	0024 65 554	Washer, Hinge	2	
	99221 3032	Pin, Split	2	
17	99833 0820	Screw, Door Hinge	4	
	99901 0800	Nut	4	

No.	Part Number	Description	Q'ty	Remarks
	99952 0800	Washer, Plain	4	
	99971 0800	Washer, Spring	4	
18	0603 65 560A	Shutter, Door	2	
19	99834 0820	Screw, Shutter	2	
	99971 0800	Washer, Spring	2	
20	99834 0835	Screw, Shutter	2	
	99971 0800	Washer, Spring	2	
21	1854 65 851A	Flap (R), Mud Guard	1	
	1854 65 951A	Flap (L), Mud Guard	1	
22	1854 65 853	Washer, Flap Set	2	
23	99796 0614	Screw, Flap	6	
24	99940 0600	Nut, Flap	6	
25	1854 65 855B	Flap	1	
26	1854 65 856	Washer	1	
27	99833 0618	Screw, Flap	3	
	99906 0600	Nut	3	
	99971 0600	Washer, Spring	3	
28	1854 65 870	Bracket (R), Flap	1	
	1854 65 970	Bracket (L), Flap	1	
29	99796 0614B	Bolt, Bracket	2	

No.	Part Number	Description	Q'ty	Remarks
	99952 0618B	Washer, Plain	2	
30	99796 0614	Bolt, Bracket	4	
31	99910 0601	Grommet, Screw	2	
32	1823 65 900	Plate, Front	1	
33	99806 0820	Bolt, Front Plate	6	
	99906 0800	Nut	6	
	99952 0800	Washer, Plain	12	
	99971 0800	Washer, Spring	6	
34	99806 0816	Bolt, Front Plate	4	
	99952 0800	Washer, Plain	4	
35	99906 0800	Nut	4	
	99952 0800	Washer, Plain	4	
	99971 0800	Washer, Spring	4	
36	0603 65 011A	Shim, Box Set	4	
37	99806 0620	Bolt, Box Set	8	
	99951 0618	Washer, Plain	8	
38	1823 65 012A	Bolt, Box Set	8	
	99940 1002	Nut	8	
	99952 1400	Washer, Plain	8	

No.	Part Number	Description	Q'ty	Remarks
	99952 1426	Washer, Plain	2	
	99951 1030	Washer, Plain	8	
39	1854 65 500	Cover, Service	1	
40	1823 65 625A	Shim, Box Set	8	
41	1854 65 711A	Insulator, Lower	1	
42	1854 65 721	Insulator No. 1 - Upper	2	
43	1854 65 722	Insulator No. 2 - Upper	1	
44	1854 65 725	Pad, Insulator	1	
45	1854 65 730	Bracket, Insulator	1	
46	99796 0616	Bolt, Insulator	12	
	99952 0618	Washer, Plain	12	
47	0604 65 731	Rubber, Stop - Door	2	
48	99833 0835	Screw, Stop Rubber	2	
49	0014 65 734	Seat, Screw - Door Stop Rubber	2	
50	0604 65 735	Spacer, Door Stop Rubber	2	
51	99901 0800	Nut, Door Stop Rubber	2	
	99971 0800	Washer, Spring	2	
52	1854 65 751	Rubber, Seal	1	
53	1854 65 752	Plate, Seal No. 1	1	
54	1854 65 753	Plate, Seal No. 2	1	

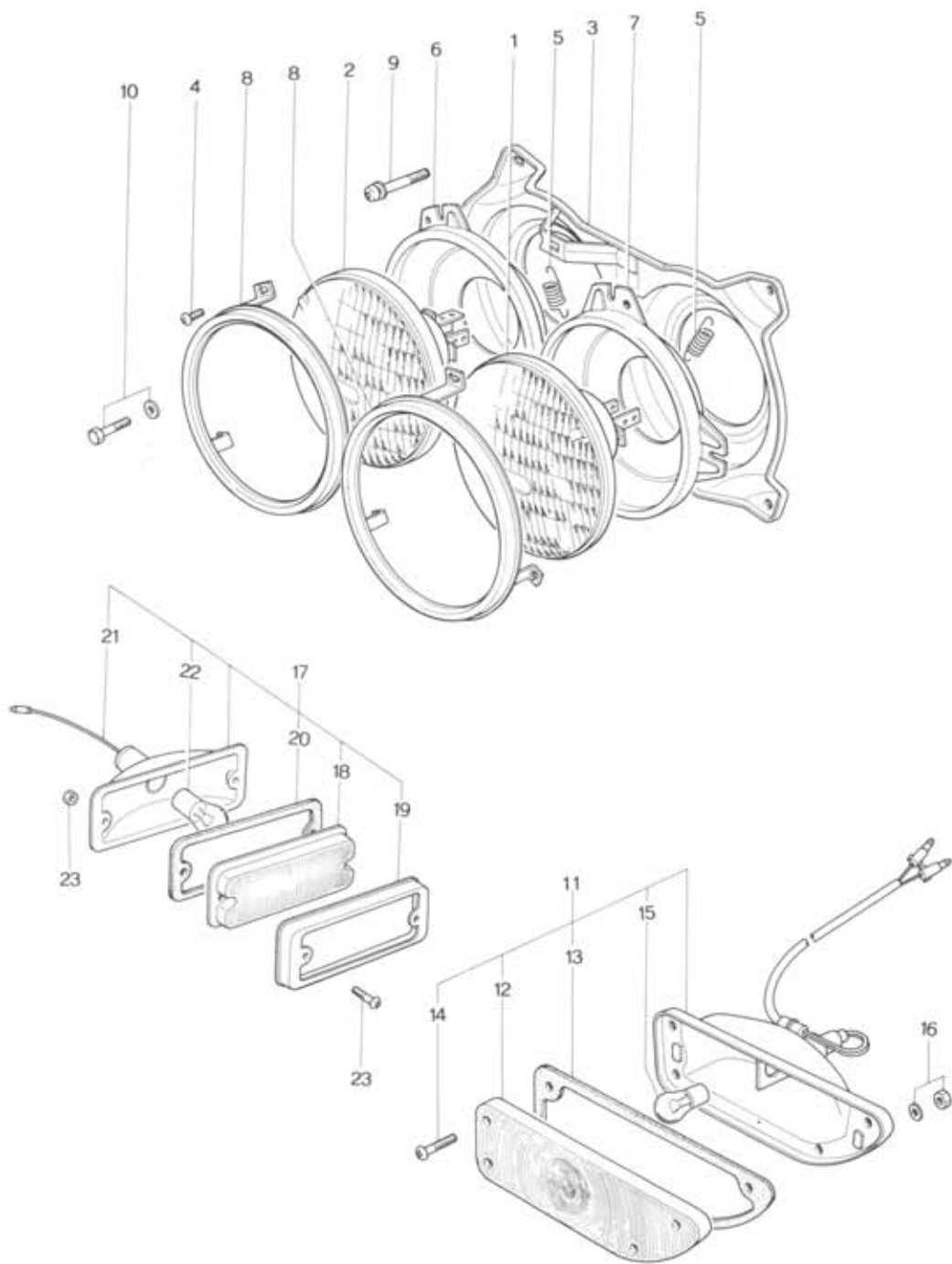


No.	Part Number	Description	Q'ty	Remarks
55	99864 0512	Screw, Tapping	6	
56	1823 65 810C	Chain	2	
57	99811 1025	Bolt	4	
	99921 1000	Nut	4	
	99951 1030	Washer, Plain	4	
	99952 1000	Washer, Plain	4	
	99971 1000	Washer, Spring	4	

66

87

# LAMPS (FRONT SIDE)



# LAMPS (FRONT SIDE)

66

87

No.	Part Number	Description	Q'ty	Remarks
1	G.E. No. 4001	Beam, Sealed (Upper Beam 12V, 37.5W) (G.E. Make)	2	Order from G.E. Agent
2	G.E. No. 4000	Beam, Sealed ("Plus 25" Lower & Upper Beam, 12V, 60/37.5W) (G.E. Make)	2	
3	1854 66 031	Housing (R)	1	
	1854 66 041	Housing (L)	1	
4	0275 87 007	Screw	12	
5	2850 87 012	Spring	4	
6	0727 87 012	Holder (R), Lamp	1	
	0727 87 022	Holder (L), Lamp	1	
7	0727 87 013	Holder (R), Lamp	1	
	0727 87 023	Holder (L), Lamp	1	
8	0727 87 014	Holder, Lamp - Front	4	
9	0727 87 016	Screw, Adjuster	8	
10	99786 0612B	Screw	8	
	99952 0618B	Washer, Plain	8	
11	1854 89 662	Lamp (R), Front Turn Signal	1	
	1854 89 667	Lamp (L), Front Turn Signal	1	
12	2244 66 091	Globe (R)	1	
	2244 66 111	Globe (L)	1	
13	0259 66 094A	Rubber (R), Seal	1	

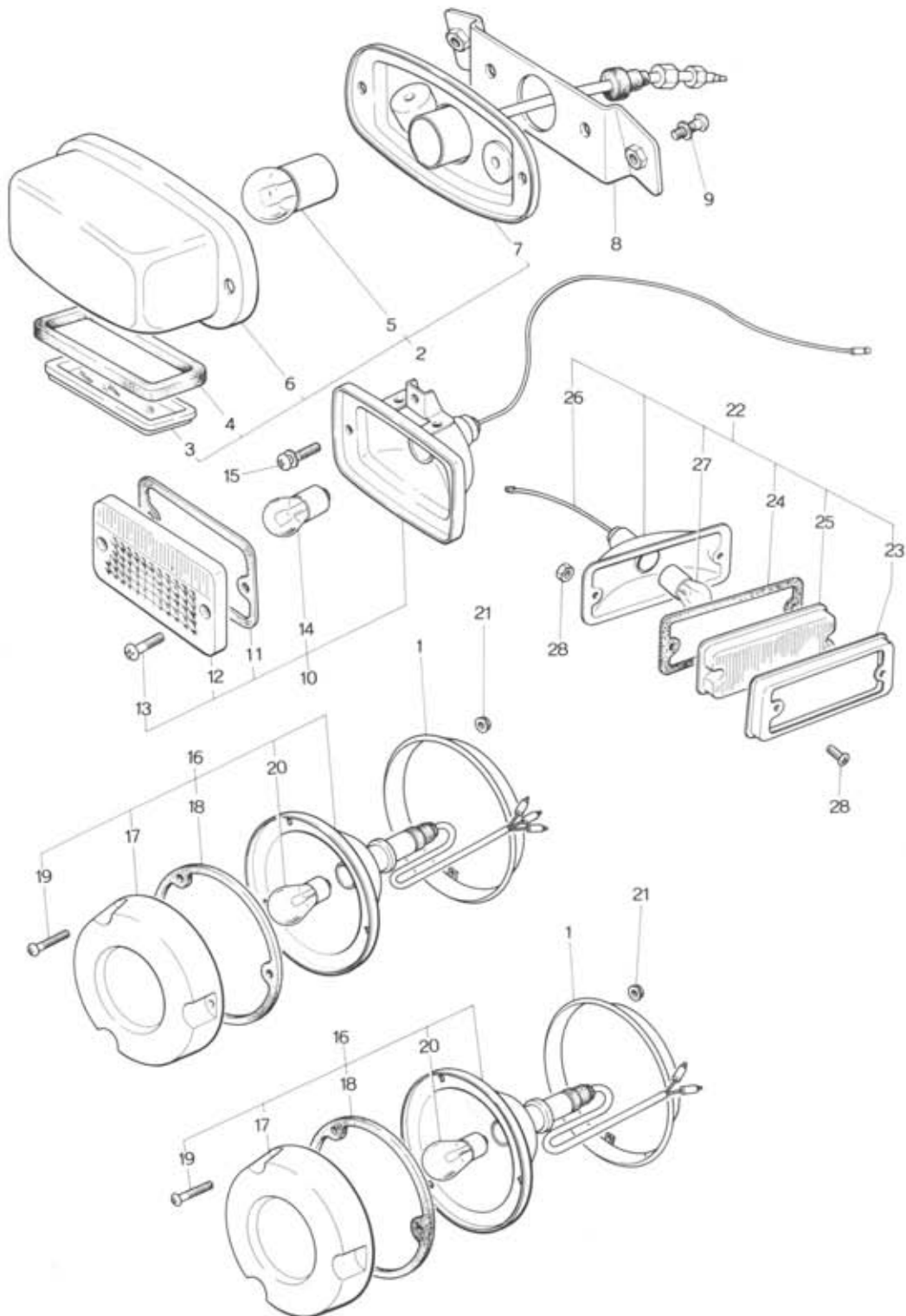
66

87

## LAMPS (FRONT SIDE)

No.	Part Number	Description	Q'ty	Remarks
	0259 66 114	Rubber (L), Seal	1	
14	0259 66 095	Screw, Lamp Globe	8	
15	99701 4278	Bulb	2	
16	99906 0500	Nut, Front Turn Signal Lamp	4	
	99952 0500	Washer, Spring	4	
17	2244 89 663	Lamp (R), Side Marker	1	
	2244 89 668	Lamp (L), Side Marker	1	
18	2244 87 191	Globe	2	
19	2244 87 192	Rim	2	
20	2244 87 194	Rubber (R), Seal	1	
	2244 87 195	Rubber (L), Seal	1	
21	2244 87 196	Cord	2	
22	99701 2080	Bulb	2	
23	99773 0420	Screw, Side Marker Lamp	4	
	99906 0400	Nut	4	





# LAMPS (REAR SIDE)

66

87

No.	Part Number	Description	Q'ty	Remarks
1	2627 66 201A	Ring, Rear Combination Lamp	4	
2	2651 66 210	Lamp, Licence	1	
3	0136 66 091A	Lens	1	
4	0136 66 092	Gasket	1	
5	99701 2080	Bulb	1	
6	0136 66 094A	Cover	1	
7	0136 66 097	Cord & Bottom Plate	1	
8	2651 66 220A	Holder, Licence Lamp	1	
9	99833 0620	Screw, Holder	2	
	99971 0600	Washer, Spring	2	
	99906 0600	Nut	2	
10	1823 66 330	Lamp, Reverse	1	
11	0710 87 102	Gasket	1	
12	0710 87 103	Lens	1	
13	0710 87 104	Screw	2	
14	99700 8120	Bulb	1	

66

87

## LAMPS (REAR SIDE)

No.	Part Number	Description	Q'ty	Remarks
15	99797 0512	Bolt, Reverse Lamp	1	
	99952 0516	Washer, Plain	1	
16	1854 89 664	Lamp, Rear Combination	4	
17	2627 66 222A	Lens	4	
18	0738 87 063	Gasket	4	
19	0710 87 126	Screw	12	
20	99701 4237	Bulb	4	
21	99940 0500	Nut, Rear Combination Lamp	12	
22	2244 89 673	Lamp (R), Side Marker	1	
	2244 89 678	Lamp (L), Side Marker	1	
23	2244 87 192	Rim	2	
24	2244 87 194	Rubber (R), Seal	1	
	2244 87 195	Rubber (L), Seal	1	
25	2244 87 201	Globe	2	
26	2244 87 206	Cord	2	
27	99701 2080	Bulb	1	

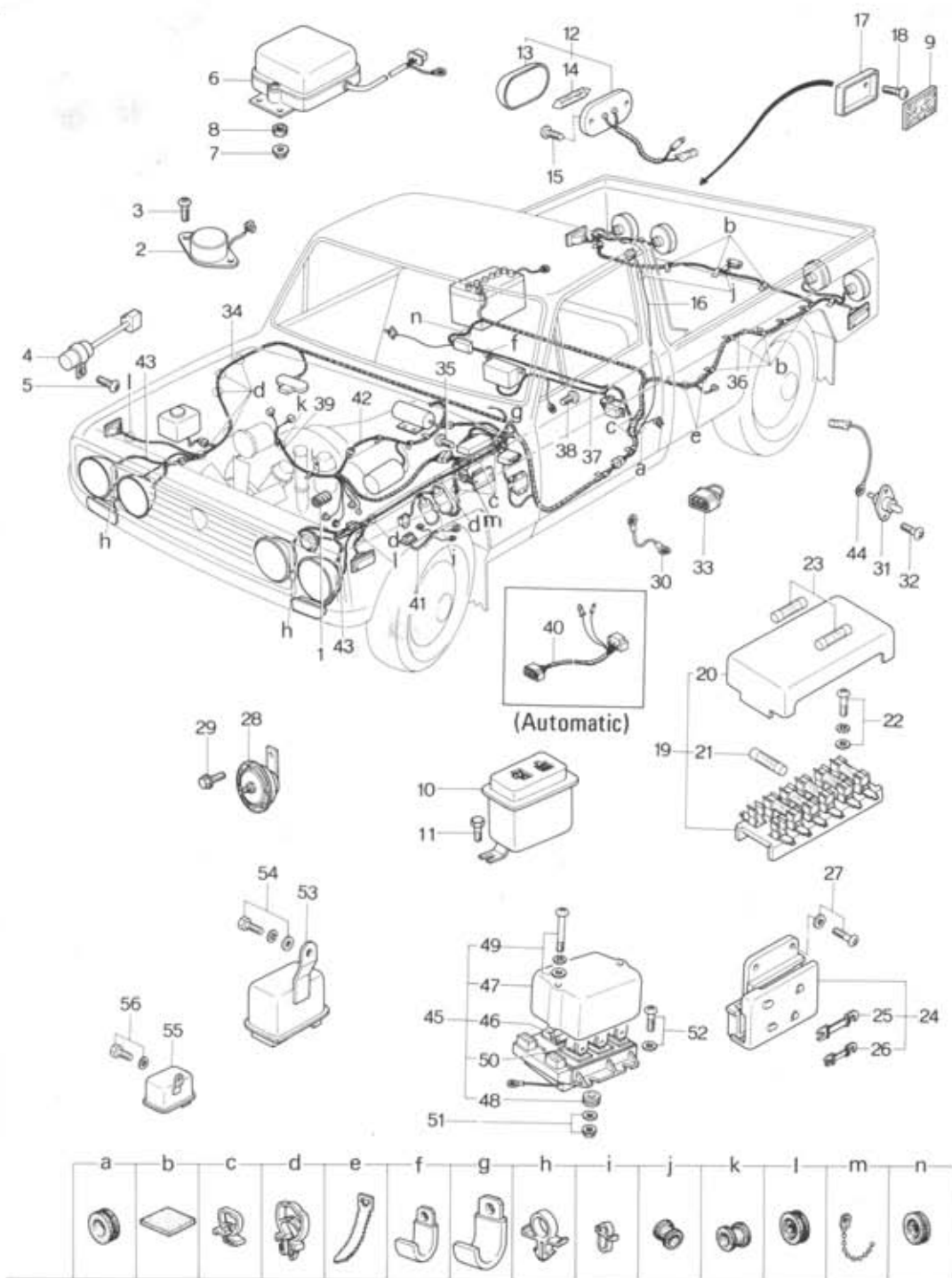


# LAMPS (REAR SIDE)

66

87

No.	Part Number	Description	Q'ty	Remarks
28	99773 0420	Screw. Side Marker Lamp	4	
	99906 0400	Nut	4	



# ELECTRIC EQUIPMENT (BODY)

66

67

No.	Part Number	Description	Q'ty	Remarks
1	0823 18 111A	Supporter, Engine Wire Harness	4	
2	1114 18 890A	Switch, Thermo	1	
3	99868 0510	Screw, Thermo Switch	2	
	99971 0500	Washer, Plain	2	
4	2329 18 930B	Detector, Thermo	1	
5	99865 0508	Screw, Thermo Detector	1	
6	1757 18 940A	Unit, Control (Manual)	1	
	1758 18 940A	Unit, Control (Automatic)	1	
7	99940 0600	Nut, Control Unit	2	
8	1011 72 616	Spring, Rubber - Control Unit	2	
9	0419 51 571A	Reflector, Reflex	2	
10	1540 60 930	Relay, Turn Signal	1	
11	99796 0612	Bolt, Turn Signal Relay	2	
12	0702 66 290	Lamp, Interior	1	
13	0243 66 152	Globe	1	
14	99701 5050	Bulb	1	
15	99863 0412	Screw, Interior Lamp	2	
16	1854 66 295	Cord, Interior Lamp	1	

66

67

**ELECTRIC EQUIPMENT (BODY)**

No.	Part Number	Description	Q'ty	Remarks
17	2627 66 601	Base, Reflex Reflector	2	
18	99869 0412	Screw, Reflex Reflector	4	
19	1820 66 730	Block, Fuse	1	
20	1820 66 732	Cover	1	
21	99706 0120	Fuse (20A)	1	
	99706 0115	Fuse (15A)	4	
	99706 0110	Fuse (10A)	1	
22	99833 0516	Screw, Fuse Block	4	
	99952 0500	Washer, Plain	2	
	99971 0500	Washer, Spring	4	
23	1011 66 130	Spare Fuse Set	1	
24	1708 66 760	Block, Main Fuse	1	
25	2852 66 763	Fuse (50A)	2	
26	1708 66 765	Fuse (5A)	1	
27	99833 0516	Screw, Main Fuse Block	2	
	99971 0500	Washer, Spring	2	

# ELECTRIC EQUIPMENT (BODY)

66

67

No.	Part Number	Description	Q'ty	Remarks
28	1011 66 790A	Horn, Electric	1	
29	99786 0812	Bolt, Electric Horn	1	
30	0223 66 722	Wire, Earth	1	
31	0209 66 820	Switch, Door	2	
32	99863 0510	Screw, Door Switch	4	
	99952 0500	Washer, Plain	4	
	99971 0500	Washer, Spring	4	
33	1010 66 980	Cord, Short (Manual)	1	
34	1854 67 010	Harness (Frt.), Wiring	1	
35	99864 0625	Screw, Wire Harness (Frt.)	1	
36	1854 67 030A	Harness (Rr.), Wiring	1	
37	1854 67 040	Harness, Wiring - Emission	1	
38	99831 0540	Screw, Emission Wire Harness	1	
39	1854 67 060	Harness, Wire - Engine	1	
40	1854 67 070	Harness, Wire - Inhibitor (Automatic)	1	
41	1854 67 080	Harness, Wire - IG. Coil	1	
42	1011 67 090	Harness, Wire - T/mission	1	
43	1854 67 130	Harness, Wire - Head Lamp	2	
44	0317 67 551	Cord, Door Switch	2	

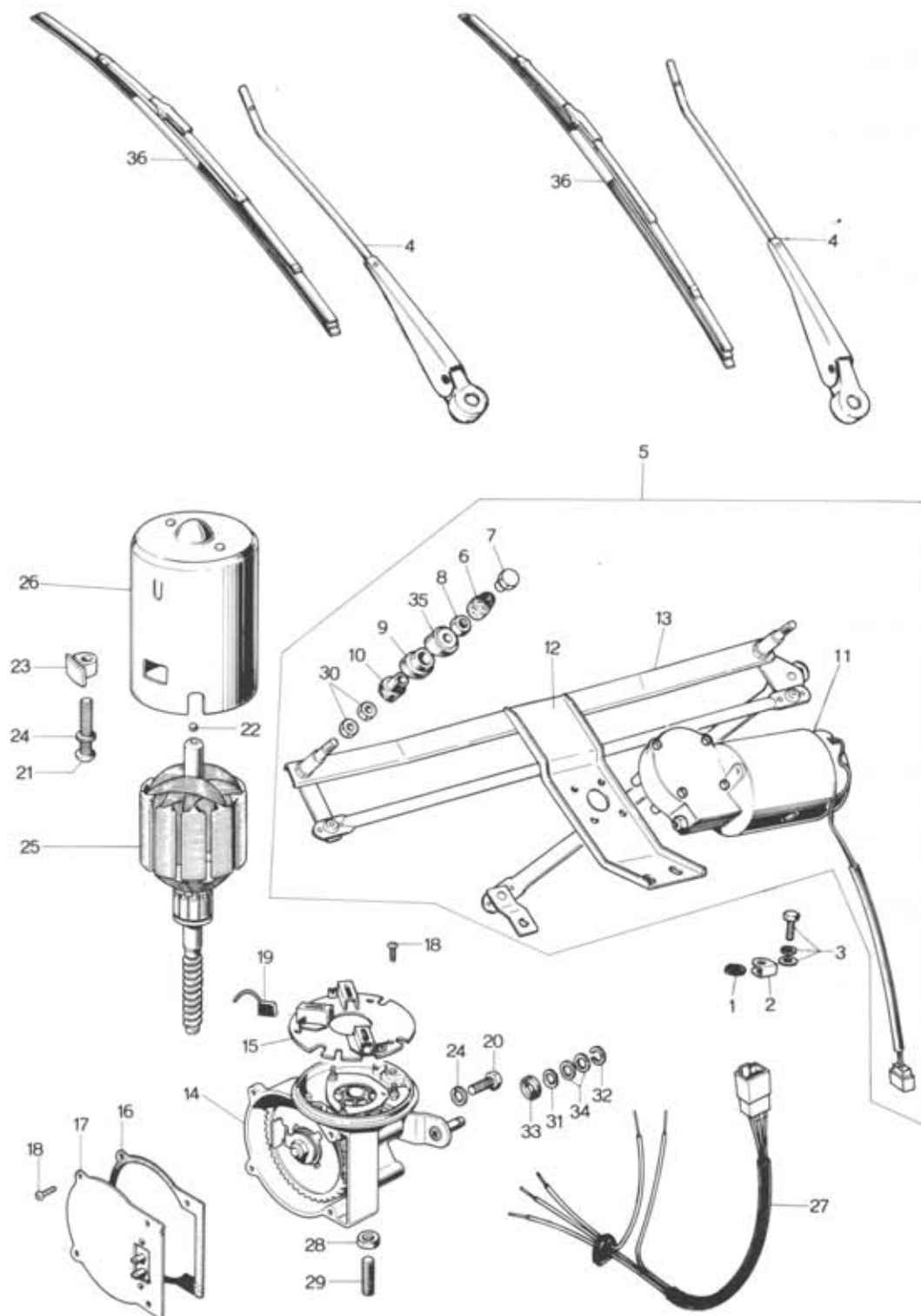


# ELECTRIC EQUIPMENT (BODY)

No.	Part Number	Description	Q'ty	Remarks
45	1011 67 560A	Unit, Central Control	1	
46	1011 67 562	Unit, Flasher	1	
47	0866 67 716	Cover	1	
48	0866 67 717	Bush	4	
49	0866 67 718	Screw	2	
	99952 0500	Washer, Plain	2	
	99971 0500	Washer, Spring	2	
50	0866 67 619	Relay	4	
51	99940 0600	Nut, Central Control Unit	3	
	99952 0618	Washer, Plain	3	
52	99794 0530	Screw, Central Control Unit	3	
	99952 0500	Washer, Plain	3	
53	1078 67 800	Relay, Choke	1	
54	99849 0512	Screw, Choke Relay	1	
	99952 0500	Washer, Plain	1	
	99971 0500	Washer, Spring	1	
55	0862 67 880	Relay, Ignition Coil	1	4 Term.
56	99849 0512	Screw, Ignition Coil Relay	1	
	99952 0500	Washer, Plain	1	

**ELECTRIC EQUIPMENT (BODY)****66****67**

No.	Part Number	Description	Q'ty	Remarks
	99971 0500	Washer, Spring	1	
a	0208 66 683	Protector, Cord	1	
b	0208 66 949	Pad, Protector	20	
c	1011 67 911	Clip, Wire Harness	5	
d	1011 67 912	Clip, Wire Harness	9	
e	0305 67 994	Supporter, Wire Harness	2	
f	99276 1006	Clip, Wire Harness	1	
g	99276 1206	Clip, Wire Harness	1	
h	99279 0833	Clip, Wire Harness	2	
i	99279 1105	Clip, Wire Harness	1	
j	99682 1001	Protector, Cord	2	
k	99682 2001	Protector, Cord	2	
l	99684 1000	Protector, Cord	2	
m	99709 0108	Band	7	
n	99681 1501	Protector	1	





# WINDSHIELD WIPER

66

87

No.	Part Number	Description	Q'ty	Remarks
1	0118 13 431	Washer, Rubber	2	
2	0118 13 432	Clip, Earth	1	
3	99794 0616	Bolt, Wiper	2	
	99952 0618	Washer, Plain	2	
	99971 0600	Washer, Spring	2	
4	2158 66 366B	Arm, Wiper	2	
5	1823 67 350	Motor & Link	1	
6	0212 66 371	Cap, Rubber	2	
7	0223 66 371	Nut	2	
8	0212 66 372	Nut, Decoration	2	
9	1823 67 351	Bush	2	
10	1823 67 352	Bush	2	
11	1823 67 370	Motor, Wiper	1	
12	1823 67 380	Frame	1	
13	1823 67 390	Link, Wiper	1	
14	1823 76 602	Box, Gear	1	
15	0259 87 101A	Plate, Holder	1	
16	0259 87 103	Gasket	1	
17	2158 87 104	Plate, End	1	

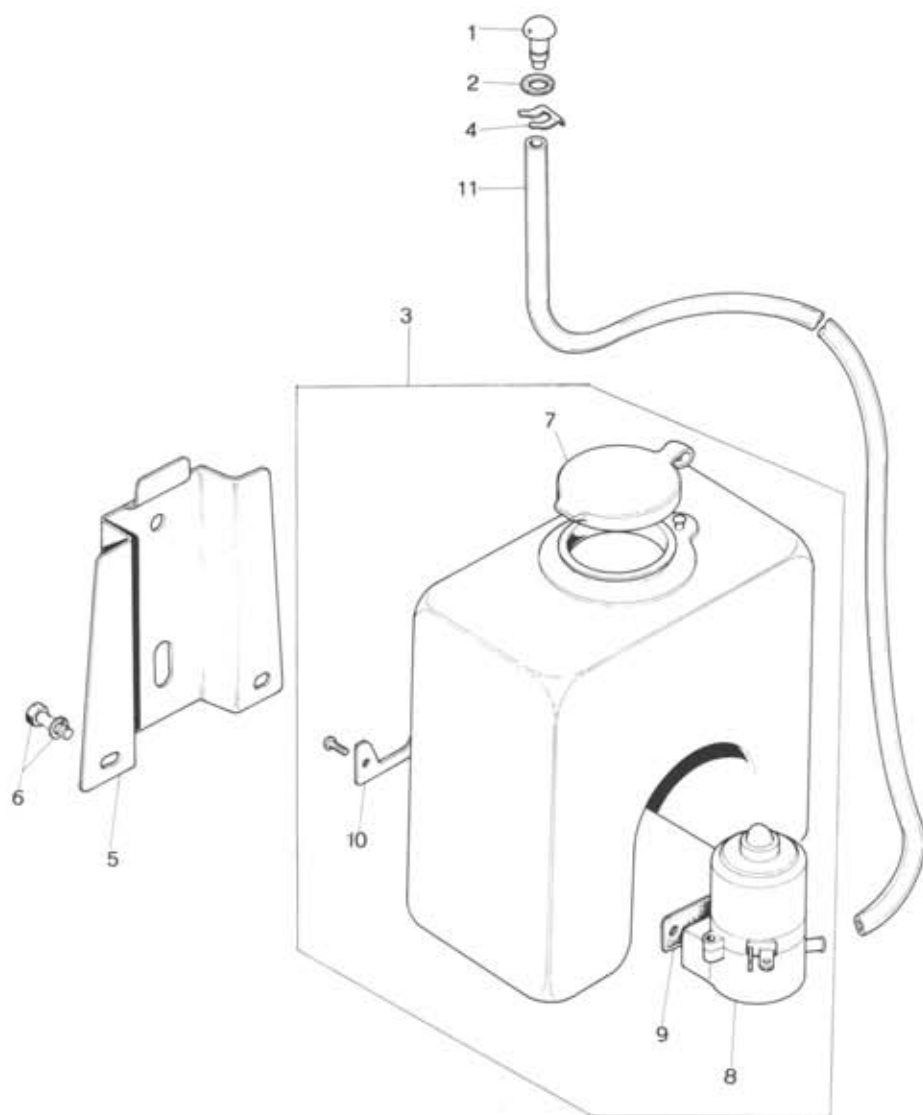
66

87

## WINDSHIELD WIPER

No.	Part Number	Description	Q'ty	Remarks
18	0259 87 105	Screw	7	
19	0259 87 106	Brush	3	
20	99806 0510	Bolt		
21	0257 87 107	Screw	2	
22	0259 87 107	Ball	2	
23	0257 87 108	Nut	2	
24	99971 0500	Washer	6	
25	0259 87 108A	Rotor	1	
26	0259 87 109A	Stator	1	
27	2158 87 112A	Wire, Harness	1	
28	0259 87 119	Nut	1	
29	0259 87 120	Screw	1	
30	0259 87 134	Nut	4	
31	0702 87 135	Washer, Wave	1	
32	0702 87 138	Ring, Retaining	1	
33	0738 87 803	Felt	1	
34	0738 87 804	Washer	2	
35	0305 87 906	Washer, Cap	2	
36	2158 67 367	Blade, Wiper	2	



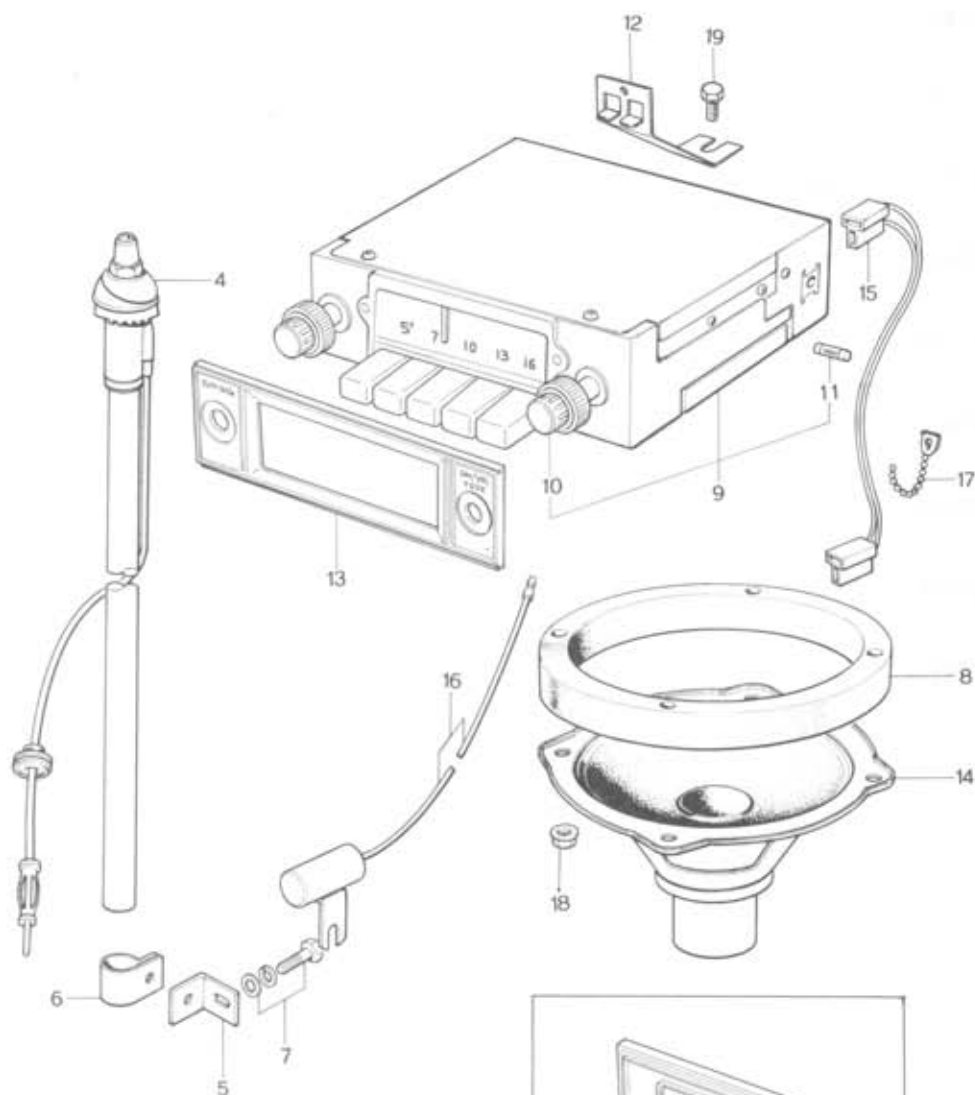


# SCREEN WASHER

66

87

No.	Part Number	Description	Q'ty	Remarks
1	0259 66 900A	Nozzle, Washer	1	
2	0259 66 905	Gasket	1	
3	0317 67 480	Tank	1	
4	1011 67 515	Clip	1	
5	0866 67 521	Bracket	1	
6	99786 0612	Bolt, Bracket	2	
7	0727 87 992	Cap	1	
8	0305 87 993	Pump	1	
9	0727 87 994	Gasket	1	
10	0727 87 995	Plate	1	
11	99335 04185	Pipe	1	



Without Auto Radio

No.	Part Number	Description	Q'ty	Remarks
1	0118 56 242B	Plug, Hole	1	
2	0222 66 911	Cover, Antenna	1	
3	0398 68 875	Ornament	1	
		Without Auto Radio		
	1854 66 870	Auto Radio (AM)	1	
	1857 66 870	Auto Radio (AM/FM)	1	
4	0617 66 534	Antenna	1	
5	0617 66 535	Bracket No. 1, Antenna	1	
6	0617 66 536	Bracket No. 2, Antenna	1	
7	99833 0512	Screw, Bracket	1	
	99952 0516	Washer, Plain	1	
	99971 0500	Washer, Spring	1	
8	0317 66 862	Partition, Speaker	1	
9	1854 66 900	Tuner (AM)	1	
	1857 66 900	Tuner (AM/FM)	1	
10	0305 87 084	Knob	2	
11	0398 66 965	Fuse	1	
12	1854 66 903	Bracket, Tuner	1	
13	1854 66 905	Panel, Decoration	1	
14	0866 66 960	Loud Speaker	1	



# AUTO RADIO

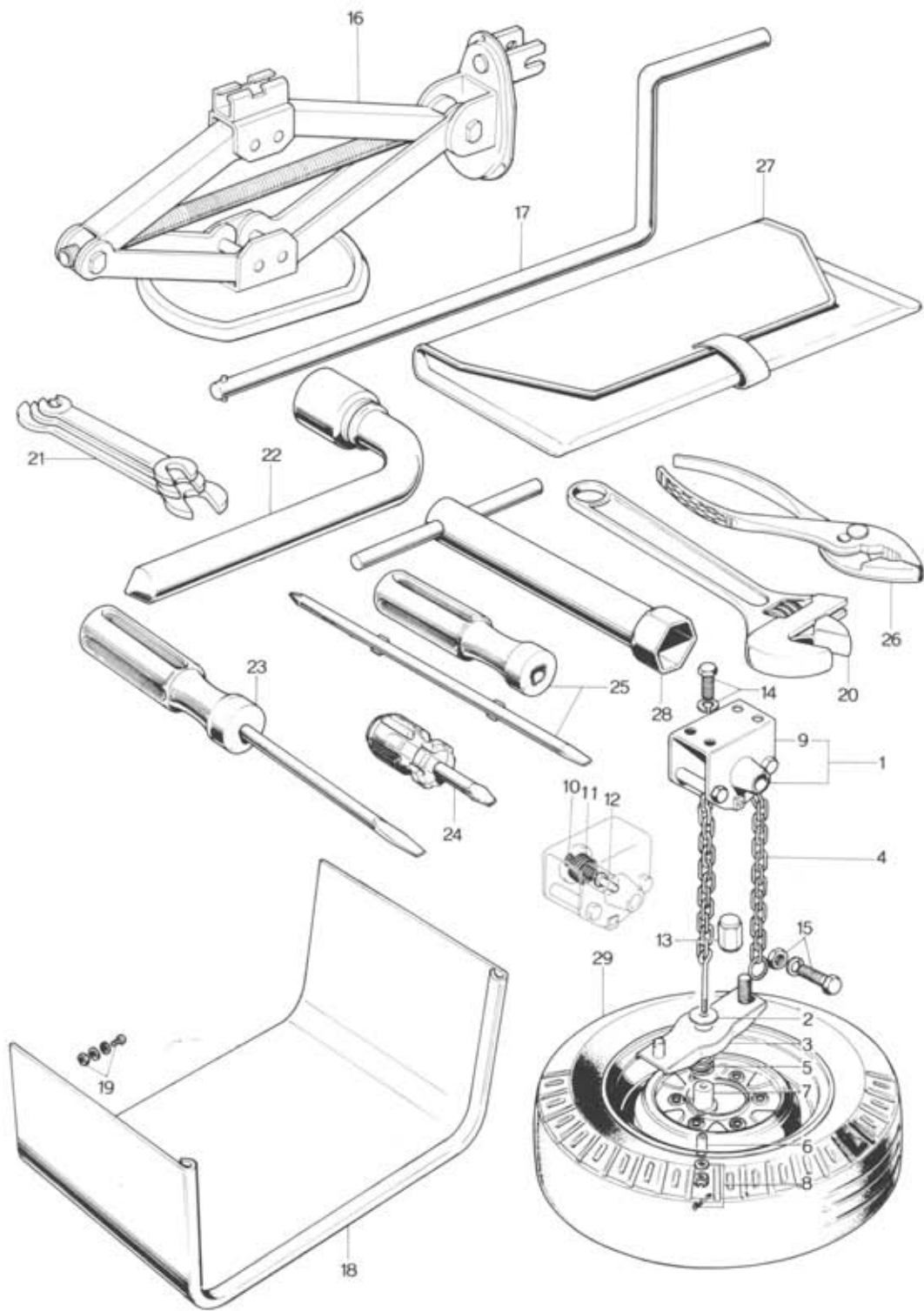
No.	Part Number	Description	Q'ty	Remarks
15	0866 66 965	Cord, Loud Speaker	1	
16	0820 66 992	Condenser	2	
17	99709 0108	Band	1	
18	99940 0500	Nut	3	
19	99786 0510	Bolt, Bracket	2	





*[Faint, illegible handwriting on a grid background]*

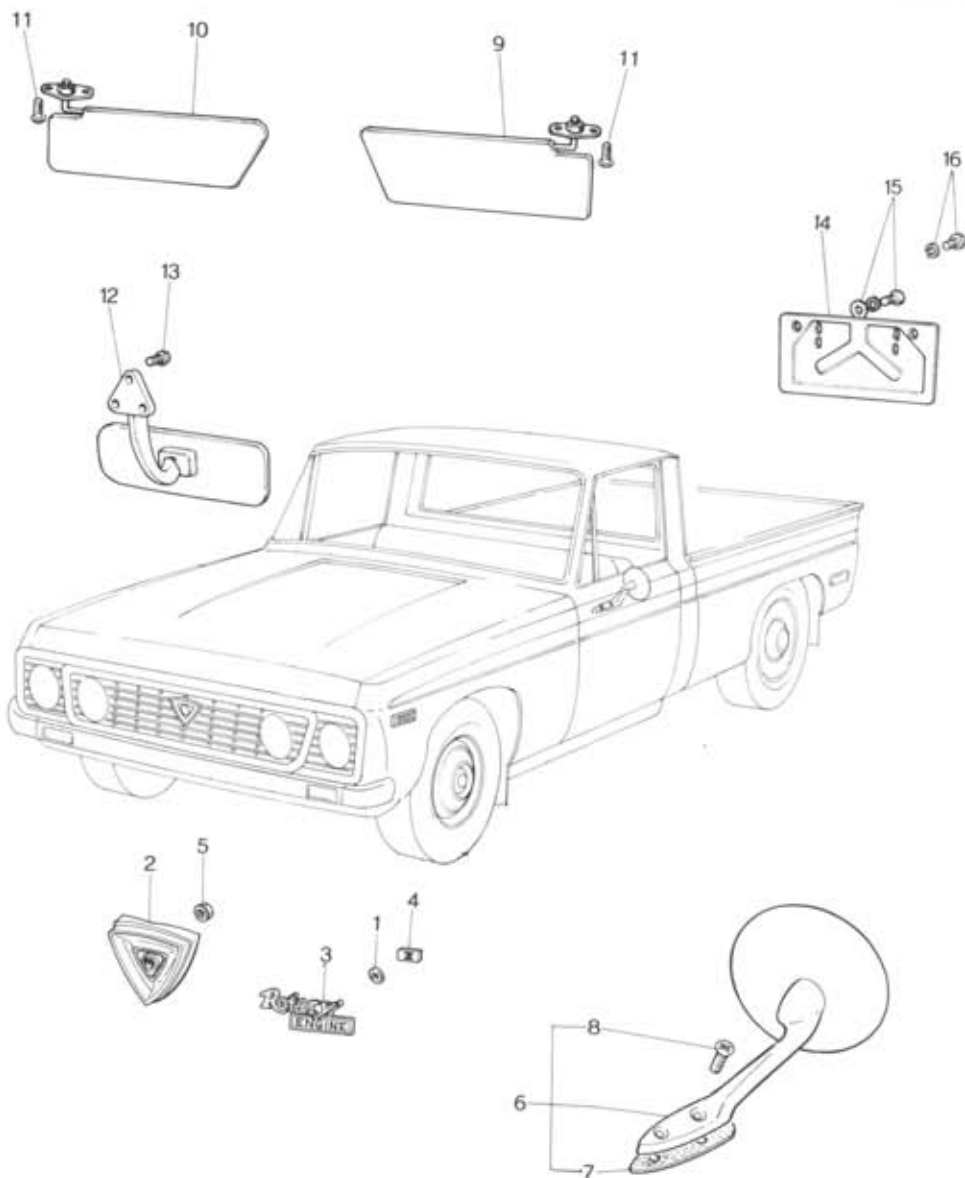
# 68 SERVICE TOOLS



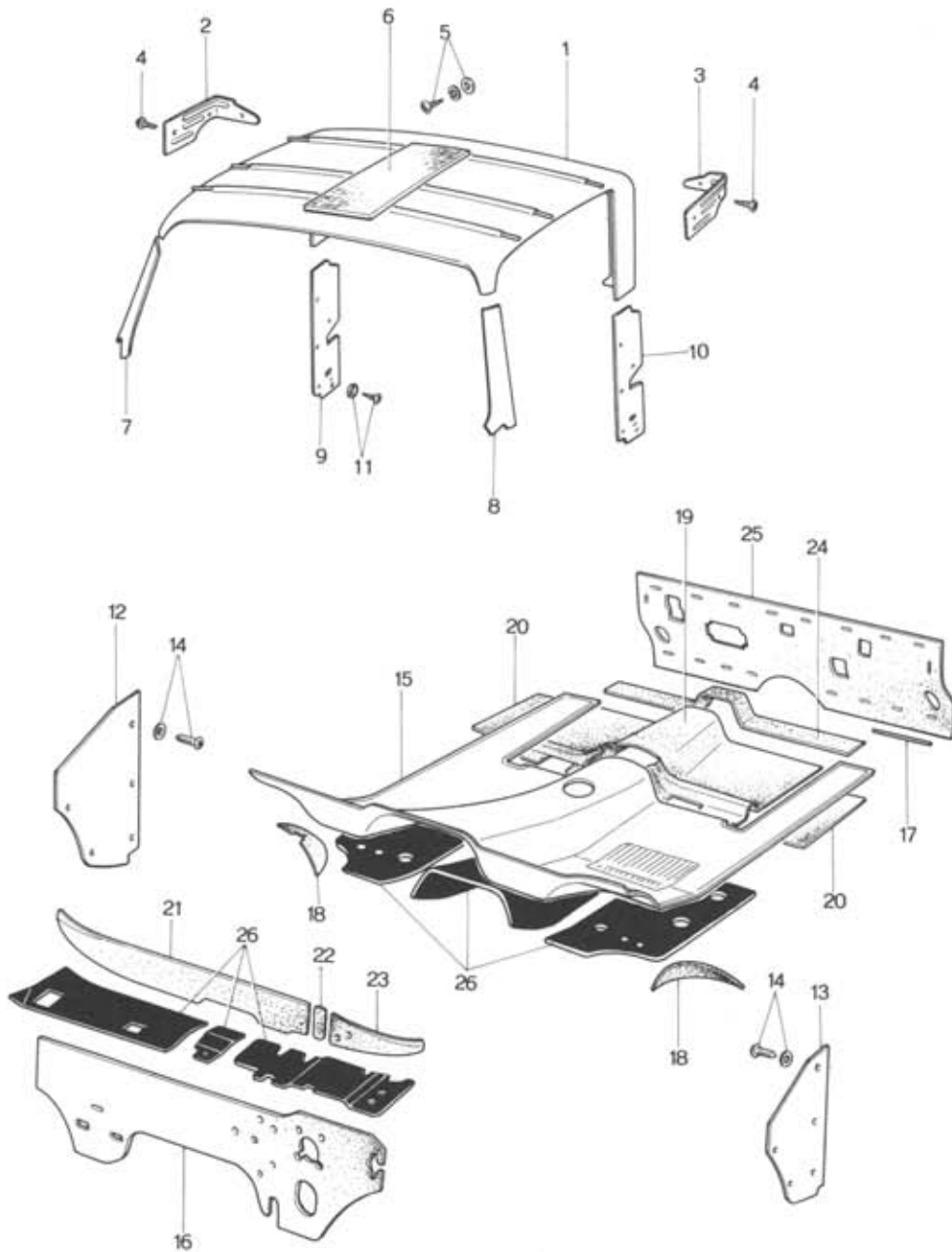
No.	Part Number	Description	Q'ty	Remarks
1	1854 38 610B	Carrier, Tire	1	
2	0559 38 640	Washer	1	
3	1854 38 650A	Plate, Anchor	1	
4	1854 38 660	Chain	1	
5	0559 38 661	Spring	1	
6	0559 38 665	Spacer	1	
7	0559 38 670	Sheet, Spring	1	
8	99924 1000	Nut	1	
	99952 1000	Washer, Plain	1	
	99221 2020	Pin, Split	1	
9	0193 69 770A	Bracket, Hanger	1	
10	0600 69 784	Spring, Return	1	
11	0727 69 785	Spring, Release	1	
12	0193 69 786	Pin, Release	1	
13	1854 26 161A	Nut, Tire Carrier	1	
14	99801 0816	Bolt, Tire Carrier	4	
	99971 0800	Washer, Spring	4	
15	99806 0630	Bolt, Tire Carrier	1	
	99906 0800	Nut	1	

No.	Part Number	Description	Q'ty	Remarks
	99971 0600	Washer, Spring	1	
16	1854 37 790	Jack, Pantograph	1	
17	0603 68 240	Lever, Jack Crank	1	
18	2541 68 610-00	Shelf, Parcel (BLK.) (Without Car Heater)	1	} Selective use
	2651 68 610-00	Shelf, Parcel (BLK.)	1	
19	99834 0512	Screw, Parcel Shelf	5	
	99971 0500	Washer, Spring	5	
	99952 0500	Washer, Plain	10	
	99906 0500	Nut	5	
	1854 68 660	Tools	1	
20	0110 68 050A	Wrench, Monkey	1	
21	0672 68 060A	Spanner Set	1	
22	0603 68 070A	Wrench, Hub Nut	1	
23	0187 68 110A	Screw Driver Set	1	
24	2677 68 110	Screw Driver Set	1	
25	0672 68 120A	Screw Driver Set	1	
26	0118 68 180A	Plier	1	
27	1854 68 670	Bag, Tool	1	
28	0839 68 720	Wrench, Spark Plug	1	

No.	Part Number	Description	Q'ty	Remarks
29	9962 03 7314	Tire - 7.35 - 14 - 6PR	1	
	9963 60 4130	Valve, Air - TR - 413	1	
	9965 05 5540	Wheel, Disc - 5½ - J x 14 WDC	1	



No.	Part Number	Description	Q'ty	Remarks
1	0730 69 057A	Gasket	2	
2	1128 69 071A02	Emblem, Front (SILV. M)	1	
3	1881 69 076	Mark, Rotary Engine	1	
4	99578 3000	Nut, Speed	2	
5	99940 0500	Nut, Front Emblem	1	
6	2229 69 130	Mirror, Rear View	1	
7	2229 69 101	Gasket	1	
8	99772 0516	Screw	2	
9	1823 69 150A-07	Visor (R), Sun (L. GRY.)	1	
10	1823 69 170A-07	Visor (L), Sun (L. GRY.)	1	
11	99764 0416	Screw, Tapping - Sun Visor	4	
12	0617 69 190	Mirror, Interior	1	
13	99862 0416B	Screw Set, Interior Mirror	3	
14	2651 69 810	Holder, Number Plate	1	
15	99806 0616	Bolt, Number Plate Holder	2	
	99971 0600	Washer, Spring	2	
16	99806 0612	Bolt, Number Plate Holder	2	
	99971 0600	Washer, Spring	2	





# TOP CEILING & MAT

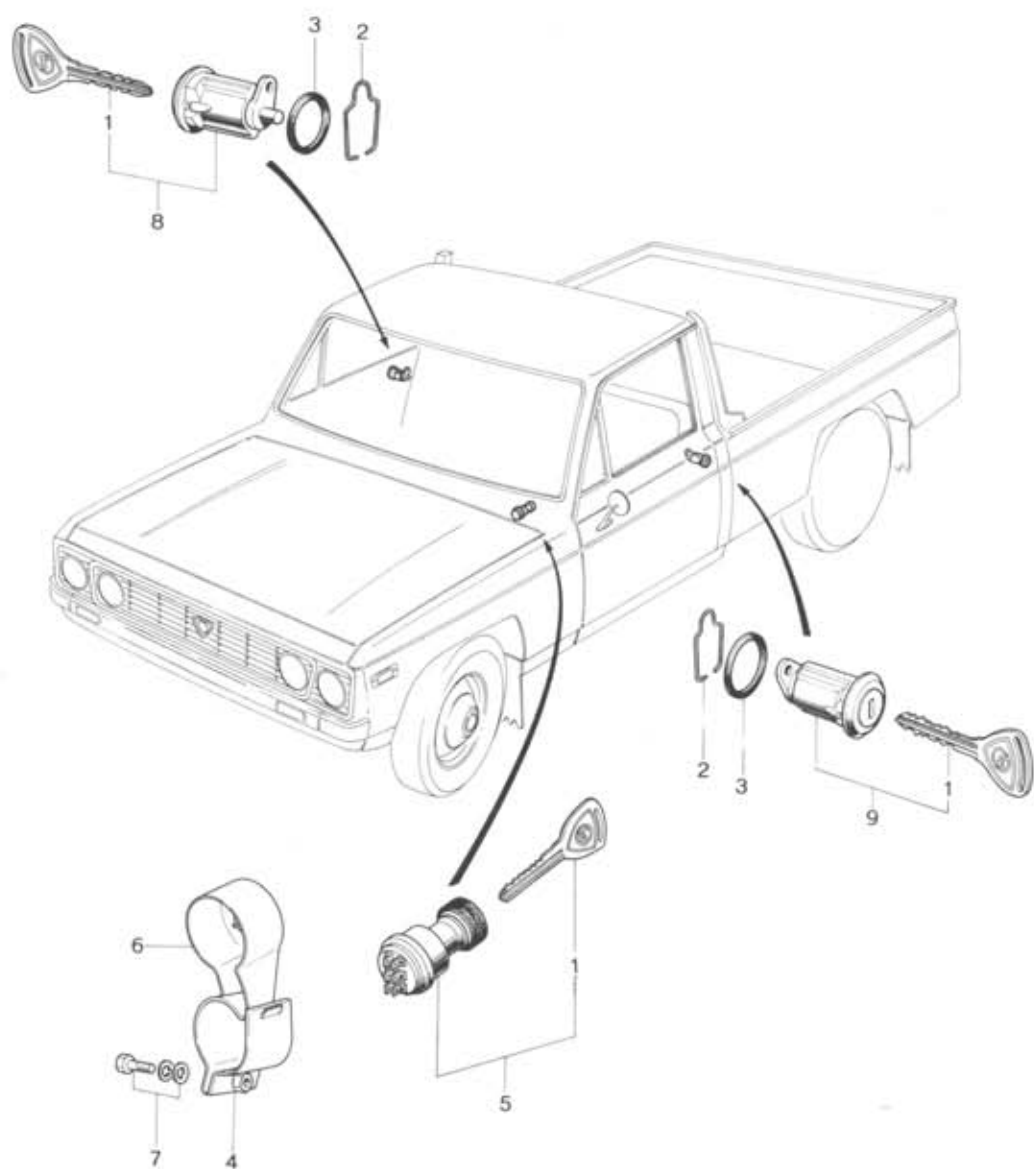
69

No.	Part Number	Description	Q'ty	Remarks
1	1823 69 310-07	Ceiling, Top (L. GRY.)	1	
2	0603 69 321	Plate (R), Fixing - Top Trim	1	
3	0603 69 322	Plate (L), Fixing - Top Trim	1	
4	99862 0408	Screw, Tapping - Fixing Plate	6	
5	99863 0512	Screw, Tapping	3	
	99952 0500	Washer, Plain	3	
	99971 0500	Washer, Spring	3	
6	0603 69 323A	Cushion, Listing	1	
7	1854 69 411	Trim (R), Pillar (L. GRY.)	1	
8	1854 69 412	Trim (L), Pillar (L. GRY.)	1	
9	1854 69 461A	Trim (R), Rear Pillar (L. GRY.)	1	
10	1854 69 471A	Trim (L), Rear Pillar (L. GRY.)	1	
11	99867 0514B	Screw	8	
	99967 0500B	Washer	8	
12	0617 69 510B-00	Trim (R), Cowl Side (BLK.)	1	
13	0617 69 520B-00	Trim (L), Cowl Side (BLK.)	1	
14	99862 0412	Screw, Tapping - Cowl Side Trim	10	
	99968 0400	Washer	10	
15	1854 69 611A	Mat, Floor (Manual)	1	
	1856 69 611A	Mat, Floor (Automatic)	1	

No.	Part Number	Description	Q'ty	Remarks
16	1854 69 660	Insulation	1	
17	0727 69 662	Wire, No. 2	4	
18	1854 69 683	Pad, Tire House	2	
19	1854 69 684A	Pad, Seat Lower	1	
20	1854 69 685	Pad, Floor Seat Side	2	
21	1854 69 686	Pad, Dashborad No. 1	1	
22	1854 69 688	Pad, Dashboard No. 3	1	
23	1854 69 689	Pad, Dashboard No. 4	1	
24	1854 69 691A	Pad, Seat Lower Rear	1	
25	1854 69 692	Pad, Back Plate	1	
26	0208 76 071	Silencer Revised Piece	-	

Order Under No. 0208 76 071 (Floor Silencer)  
Dimensions (300 mm x 300 mm x 2 m)





No.	Part Number	Description	Q'ty	Remarks
	1854 09 010	Key Set	1	
1	2113 58 668A	Key	2	
2	0223 58 961	Fastener Key Cylinder	2	
3	0223 58 962	Gasket, Key Cylinder Door	2	
4	0370 60 425A	Bracket, Ignition Switch	1	
5	1854 75 980	Key Sub Set, Ignition Switch	1	
6	0370 60 500B	Bracket, Ignition Switch	1	
7	99806 0620	Bolt, Bracket	1	
	99952 0600	Washer, Plain	1	
	99971 0600	Washer, Spring	1	
8	1854 75 910	Key Sub Set (R), Door	1	
9	1854 75 920	Key Sub Set (L), Door	1	
	2113 74 158	Blank Key (No. 1500 ~ 1999)	1	
	2113 74 168	Blank Key (No. 2000 ~ 2499)	1	

# INDEX. 1857 07 010~0839 11 323A

Parts Number	Parts Composition List Page	Fig. No.	Parts Number	Parts Composition List Page	Fig. No.	Parts Number	Parts Composition List Page	Fig. No.
1857 07 010	165	—	1757 10 208	3	20	0820 10 605	4	46
1854 09 010	236	—	0324 10 250	3	24	1757 10 609	4	47
1757 10 100A	2	1	0324 10 252	3	25	0820 10 631B	4	48
0839 10 105	2	2	1757 10 300A	3	26	1757 10 641	5	60
1757 10 111	2	6	1757 10 305	4	39		8	—
1757 10 120	2	3	1757 10 309	3	29	1757 10 700B	5	61
1757 10 171A	2	7	0866 10 320A	3	30	1757 10 711	5	64
	7	—	1757 10 351	4	41		8	—
0813 10 172	2	8	2329 10 417	7	81	0839 10 721	6	65
	7	—	1757 10 451	4	43	1757 10 722	6	66
0813 10 173	2	9	1757 10 452	4	43	1757 10 723	6	67
	7	—	0839 10 455	4	44	0866 10 830	6	69
0813 10 174	2	10		7	—	1757 10 845	6	70
	7	—	1757 10 500	10	1	1757 10 861	6	71
1757 10 200C	2	11	0820 10 502B	10	2	1757 10 862	6	73
0839 10 203	2	12		10	5	1011 11 111	13	50
	3	27	0839 10 504	10	3	1757 11 301B	10	9
2329 10 204	2	13	1757 10 550	10	4	1011 11 302C	10	10
0839 10 205	2	14	0813 10 555	7	—	1757 11 304	10	11
	3	28		10	8	0820 11 317	10	12
1757 10 206A	2	15	1668 10 556	10	6	1011 11 321	10	13
1757 10 207	2	16	1757 10 600B	4	45	0839 11 323A	10	14

## 0820 11 341~1757 13 720 INDEX.

0820 11 341	10	15	1757 11 551	12	38	0222 13 363	34	1
0820 11 343	10	16	1757 11 600D	12	39	0223 13 363	132	1
1011 11 351	11	17	0820 11 611B	12	40	1757 13 371A	15	15
1011 11 353	11	18	1854 11 700	12	42	1854 13 400A	132	2
1011 11 361	11	19	0866 11 702	12	43	0866 13 402A	132	3
1011 11 363	11	20	0820 11 705	12	45	0118 13 431	219	1
1757 11 400	11	21	0810 11 711	12	46	0118 13 432	219	2
1758 11 400	11	21	0820 11 712	13	47	1757 13 446	132	5
1881 11 403	11	22	1029 11 750	13	48	1570 13 447	132	6
1881 11 404	11	23	1757 13 100A	15	1	1757 13 447	132	7
0813 11 405	11	24	1757 13 111	8	—	1757 13 449	132	9
0839 11 411A	11	25		15	9	0222 13 470B	132	16
0839 11 412	11	26	1854 13 200	18	1	0381 13 481	132	17
1011 11 501	11	29	1856 13 200	18	1	1757 13 510A	22	1
0839 11 502	11	31	1757 13 201	18	2	1881 13 515A	22	2
1011 11 504	12	32	1757 13 221	8	—	1757 13 527B	22	4
0813 11 505B	12	33		18	3	1668 13 531A	22	5
0839 11 506	11	31	1757 13 222	18	4	0839 13 614	16	20
1011 11 507	12	34	1757 13 251A	15	10	1617 13 305A	20	6
0839 11 508	12	31	1757 13 300	20	1	1757 13 710	24	1
0839 11 509	12	31	1757 13 310	20	7	1757 13 714	24	3
1757 11 511	12	35	1757 13 330A	15	12	1757 13 715	24	6
1854 11 511	12	35	2850 13 331	66	1	1757 13 717	24	7
1757 11 512	12	36	1757 13 341A	15	14	1757 13 718	24	8
0839 11 531	12	37	1757 13 351	20	2	1757 13 720	24	9

# INDEX. 1758 13 720~1757 14 810

1758 13 720	24	9	1757 13 800	16	17	0820 14 250D	29	21
1757 13 724	8	-	2329 13 876	16	19	0839 14 273A	4	50
	24	11	2329 13 882	16	20	0839 14 274	4	51
2329 13 726	24	12	1757 13 889	8	-	0839 14 300	29	22
1758 13 730	24	13		16	21	1757 14 600	30	28
1757 13 740	24	14	1757 13 891	8	-	1757 14 611	31	50
2090 13 742A	16	18		16	22	0820 14 620A	31	52
1757 13 744	24	16	1757 13 910	25	33	0813 14 623	31	53
2090 13 746	25	17	1757 13 912	25	34	0820 14 625A	31	54
1757 13 750	25	18	1757 14 020	28	1	0813 14 641	31	55
1757 13 752	25	19	1757 14 100	28	8	1757 14 651	31	56
1757 13 753	25	20	1757 14 112	28	9	1757 14 652	31	60
1757 13 754A	25	21	0810 14 113	28	10	1757 14 653	31	60
2329 13 754A	25	22	0839 14 115	4	49	1757 14 654	31	60
1757 13 757	25	23	0839 14 117	28	11	1757 14 660	32	61
1757 13 770A	25	26	0820 14 118C	28	12	1757 14 670	32	62
1757 13 772A	25	27	0839 14 119B	28	13	1757 14 680	32	63
1757 13 778	25	31	0823 14 130	28	2	1011 14 683	32	64
1757 13 780	132	19	0823 14 131	28	3	1854 14 700	34	2
1757 13 785A	133	21	1757 14 132	28	4	0813 14 716	34	7
1757 13 786A	133	22	0839 14 133	28	5	0865 14 720	34	8
1757 13 788A	133	23	0839 14 141A	29	16	1570 14 730A	34	9
1029 13 790	133	24	0839 14 142	29	17	1757 14 740	34	10
1757 13 790	133	25	0866 14 160E	29	18	0839 14 745	34	11
1757 13 795	133	27	0810 14 171	29	19	1757 14 810	34	3



## 1757 14 821~0839 17 287 INDEX.

1757 14 821	34	4	1854 15 312	37	49	1853 17 201	47	1
1757 14 822	34	5	1011 15 317	37	48	0810 17 204	47	2
1757 14 823	34	6	1854 15 350A	37	52	0810 17 205	47	3
1757 15 010B	35	18	1854 15 351A	37	55	1011 17 221A	47	4
2090 15 104	35	19	1854 15 411A	37	58	0317 17 225	47	5
1757 15 105	8	—	1854 15 421	37	59	1853 17 230	47	6
	36	35	1854 15 511	38	64	1853 17 241	47	7
0820 15 106	8	—	1854 15 521	38	65	1853 17 242	47	8
	36	36	0603 16 102B	40	1	1853 17 243	47	9
1757 15 114	35	20	0603 16 103	40	5	1853 17 244	47	10
1757 15 118	35	21	0222 16 105	40	6	1853 17 245	47	11
1757 15 120	35	22	0813 16 112	40	3	1853 17 250	47	12
1757 15 132	35	23	1881 16 210A	40	4	1853 17 261A	47	13
1757 15 151A	36	38	0866 16 214A	40	7	1853 17 262	47	14
1757 15 152A	35	24	0895 16 410	40	8	1853 17 264	47	15
1907 15 170	35	26	0839 16 432	40	9	1853 17 265	47	16
0823 15 171	35	25	0895 16 460	40	11	1853 17 270	47	17
0813 15 173	35	28	0820 16 510	40	12	0839 17 275	47	18
1097 15 200	36	42	0820 16 515	40	13	0839 17 276	47	19
0223 15 205	37	47	0454 16 520	40	14	0839 17 277	47	19
1907 15 210	36	43	1853 17 100A	43	1	0839 17 278	48	19
1907 15 211	36	40	0839 17 105	43	2	0839 17 281	48	20
1907 15 250A	36	41	0839 17 111	43	8	0839 17 284	48	21
1854 15 310A	36	46		45	—	0839 17 285	48	22
1856 15 310A	36	46	0810 17 121	43	9	0839 17 287	48	23

**INDEX. 0839 17 288~0823 18 107**

0839 17 288	48	23	1853 17 361	44	19	0221 17 473	52	22
0821 17 297	48	24		45	—	0303 17 474	45	—
1853 17 301	48	25	0862 17 371	44	20		53	37
1853 17 302	48	26	0862 17 375	44	22	0221 17 475B	52	24
0821 17 303	48	27		45	—	0271 17 478	45	—
0839 17 305	48	28	0810 17 381	44	23		52	25
1853 17 310	48	29	0810 17 385	44	24	0303 17 482	53	38
0118 17 313	51	1		45	—	0183 17 491	52	26
1853 17 313	48	30	1853 17 402	51	4	0187 17 492	52	27
0839 17 321A	48	31	1853 17 404	51	5	1853 17 510	52	28
0111 17 323	51	2	1853 17 406	51	6	1853 17 520	52	29
0305 17 327	48	33	1853 17 410	51	7	1011 17 530	44	32
0305 17 328	48	33	0103 17 411	51	8	1011 17 535	44	33
1853 17 330A	43	11	1853 17 420	51	9		45	—
0376 17 335	43	14	1853 17 431	51	10	1011 17 540A	44	35
	71	35	0221 17 441	51	11	0221 17 551A	52	30
0862 17 341	48	34	0259 17 441	51	12	0221 17 552	52	31
	81	1	1011 17 441	44	27	0303 17 561	52	32
0114 17 351	51	3		70	5	0376 17 640A	52	33
1011 17 351	43	15	0862 17 442	44	28	1853 17 800	52	34
	70	1	0862 17 442	70	6	1562 18 100	55	1
0187 17 352	43	16	1853 17 450	51	16	1672 18 100	55	2
	70	2	0398 17 461A	51	17	0845 18 101	55	16
0111 17 354	43	17	0398 17 462A	51	18	0866 18 101	55	17
0111 17 354	70	3	0303 17 470	51	19	0823 18 107	55	3

## 1854 18 110A~0378 19 344 INDEX.

1854 18 110A	55	4	0222 18 377	60	26	1758 19 020	66	2
0820 18 111B	55	5	1672 18 381A	60	27	0842 19 025	66	4
0823 18 111	133	30	0453 18 391	57	40	1908 19 027	66	6
	213	1	1757 18 400A	62	1	0454 19 028	66	7
0820 18 114	55	10	1758 18 400	62	1	1758 19 028	66	9
1854 18 115	55	6	0866 18 501A	3	31	1015 19 031	85	1
1854 18 120	55	7	1757 18 510	3	32	1758 19 090	68	-
1757 18 130A	55	11	1620 18 520	63	25	0338 19 100A	66	12
1757 18 140A	55	12	1672 18 520	63	25	1758 19 211	66	13
1757 18 150C	55	9	1689 18 520	64	25	1758 19 215	66	14
1854 18 160	55	8	1757 18 600	57	42	0338 19 216	66	15
1757 18 170A	55	13	1758 18 600	57	42	1758 19 220	66	16
1757 18 180A	55	14	2691 18 660	130	1	0338 19 223	66	17
1011 18 190	55	15	1011 18 810	57	43	1758 19 240	67	18
1757 18 200A	56	20	1757 18 860	25	35	0338 19 245A	67	19
1758 18 200	56	20	1757 18 880	38	67	0338 19 256	67	20
0107 18 216A	56	21	1114 18 890A	213	2	0338 19 257	67	22
0810 18 276	32	65	1663 18 920	6	74	0338 19 258	67	22
0810 18 277	32	65	2329 18 921	7	84	1758 19 310	70	10
1011 18 300	59	1	2329 18 922	6	75	0338 19 331A	70	11
1757 18 311	60	20	2329 18 923	6	76	0338 19 336	70	13
1881 18 361	60	23	2329 18 924	6	77	0338 19 337	70	14
2783 18 368	87	11	2329 18 930B	213	4	0338 19 338	70	15
0222 18 375	60	26	1757 18 940A	213	6	1758 19 341	71	18
0222 18 376	60	26	1758 18 940A	213	6	0378 19 344	70	16

# INDEX. 0338 19 360~0338 19 570

0338 19 360	75	1	0338 19 475	76	17	0338 19 500	76	26
0338 19 361	71	19		78	—		79	—
0338 19 363	71	20	0338 19 476	75	5	1758 19 503	75	14
0842 19 381	71	21		76	18	1758 19 504	75	14
0338 19 384	71	22		78	—	1758 19 505	75	14
0842 19 385	71	23	0338 19 480	75	6	1758 19 506	75	14
1758 19 386	71	24		76	19	1758 19 507	75	14
0338 19 388A	71	25	0338 19 486	75	7	1758 19 508	75	14
0338 19 389	71	26		76	20	0338 19 509	76	15
1758 19 391	71	27		78	—		76	27
1758 19 392	71	28	0338 19 487	75	8		79	—
0842 19 394	71	29		76	21	1758 19 510	76	16
1758 19 394	71	30		78	—	1758 19 511	76	28
0338 19 395	71	31	0338 19 488	75	9	0378 19 515	76	29
0338 19 397	71	32		76	22	0338 19 530	76	30
	82	25		78	—	0338 19 531	76	31
1758 19 397	71	33	0338 19 493	75	10	0338 19 533	76	32
1758 19 431	85	3	0338 19 493	76	23	0338 19 534	77	33
1758 19 440	85	6	0338 19 498	75	11	0338 19 540	77	34
1758 19 443	85	7		76	24	0338 19 550	77	35
0338 19 449	85	8		78	—	0338 19 560	77	36
1758 19 450	85	9	0338 19 499	75	12	0338 19 565	77	37
1758 19 460	75	2		76	25	0338 19 566	77	38
0338 19 470	75	3		78	—	0338 19 567	77	39
0338 19 475	75	4	0338 19 500	75	13	0338 19 570	77	40

## 0338 19 580~1758 19 750 INDEX.

0338 19 580	81	4	0338 19 621	77	42	0338 19 656	82	28
0338 19 581	81	5		79	—	0842 19 660	82	29
0338 19 590	81	6	0338 19 622	77	43	0338 19 661	82	30
0338 19 591	81	7		82	23	0338 19 663	82	31
0338 19 593	81	8	0338 19 623	77	44	0338 19 664	83	32
0338 19 594	81	9	0338 19 624	77	45	0842 19 665	83	33
0338 19 595	81	10	0338 19 631	77	46	0338 19 666	83	34
0338 19 596	81	11	0338 19 632	77	46	0338 19 667	83	35
0338 19 598	77	41	0338 19 633	77	46	0338 19 670A	83	36
0338 19 601	81	12	0338 19 634	77	46	0338 19 676	83	37
0338 19 603	81	13	0338 19 635	78	46	0338 19 678	67	23
0338 19 604	81	14	0338 19 636	78	46	0338 19 701	85	10
0338 19 605	81	15	0338 19 638	78	47	0338 19 702	85	11
0338 19 606	81	16		79	—	0338 19 703	85	12
0338 19 607	81	17	0338 19 639	78	48	0338 19 704	85	13
0338 19 608	82	18	0338 19 641	78	49	0338 19 706	85	14
0338 19 609	82	19	0338 19 642	78	49	1840 19 710	71	34
0338 19 610	82	20	0338 19 643	78	49	0338 19 731	85	16
0338 19 613A	82	21	0338 19 644	78	49	0338 19 732	85	17
0338 19 614A	82	21	0338 19 645	78	49	0338 19 733C	85	18
0338 19 615A	82	21	0338 19 646	78	49	0338 19 734A	85	19
0338 19 616A	82	21	0338 19 647	78	49	0338 19 735	72	36
0338 19 617A	82	21	0842 19 650	82	24	0338 19 737	72	37
0338 19 618A	82	21	0338 19 651	82	26	0338 19 739	72	37
0338 19 619	82	22	0338 19 655	82	27	1758 19 750	72	38

# INDEX. 0338 19 768~1757 24 319

0338 19 768	72	39	1015 19 945A	67	34	0820 23 835A	30	33
1758 19 815	72	40	2579 19 989	68	35	0730 23 837	30	34
1675 19 821	72	44	0397 22 200	78	—	1011 23 837	30	35
0338 19 822	72	45	0881 22 297	49	41	1011 23 838	30	36
0338 19 823	72	46	0398 22 333	43	12	0730 23 839	30	37
0338 19 825	72	47	0866 23 025	6	79	0820 23 840	30	38
0338 19 826	72	47	1757 23 040	7	—	1011 23 841	30	39
0338 19 827	72	47	1757 23 103	13	49	0820 23 842	30	40
0338 19 828	72	47	1011 23 151A	13	51	1757 23 844	30	41
0338 19 829	72	47	1011 23 176	10	13	0730 23 845	30	42
0338 19 831	72	41	0820 23 180C	13	52	0820 23 845A	30	43
0338 19 832	72	42	1757 23 200	7	—	0730 23 846	30	44
0338 19 833	72	43	1758 23 200	7	—	0820 23 847A	30	45
1758 19 835	73	48	1757 23 540	18	—	0820 23 848A	30	46
1758 19 836	73	49	1758 23 540	18	—	2090 23 853	31	47
0338 19 837	73	50	1757 23 672	20	3	0730 23 854	31	48
1758 19 870	73	51	1113 23 673	20	4	0820 23 882A	28	14
1758 19 880	73	52	1757 23 680	20	5	1757 24 302	56	22
0338 19 904A	67	26	1757 23 725	25	36	1757 24 303	56	23
0808 19 910	67	27	0839 23 801	29	23	1757 24 308	56	24
0842 19 915A	67	28	0813 23 802B	29	24	1757 24 310	56	25
1053 19 920	67	30	0813 23 803	29	25	1757 24 313	56	26
1053 19 930	67	31	0820 23 832B	30	29	1757 24 314	56	27
1015 19 934B	67	32	0820 23 833B	30	30	1757 24 317	56	28
1758 19 940	67	33	0820 23 834B	30	31	1757 24 319	56	29

## 1757 24 322~0604 26 129 INDEX.

1757 24 322	56	30	0866 24 704	62	2	0426 24 754	63	19
1757 24 328	56	31	1757 24 705	62	3	0324 24 760	63	20
1757 24 330	56	32	1758 24 705	62	3	2677 25 071	87	1
1757 24 334	56	33	1758 24 706	63	21	2677 25 072	87	1
1757 24 340	57	34	1757 24 709	62	4	2677 25 073	87	1
1757 24 350	57	35	1757 24 710	62	5	2677 25 074	87	1
1758 24 350	57	35	1758 24 710	62	5	2677 25 075	87	1
1757 24 360	57	36	0426 24 712	62	6	2677 25 076	87	1
1011 24 501	59	2	0426 24 715	62	7	2677 25 077	87	1
0820 24 503	59	8	0866 24 716	62	8	1856 25 100A	87	—
1011 24 510	59	13	0845 24 720	62	9	0578 25 121	87	2
0208 24 514	59	10	0426 24 725	62	10	0290 25 151	87	3
0866 24 526	59	11	0426 24 726	62	11	1856 25 210	87	4
1011 24 527	59	3	1758 24 726	62	11	2677 25 220	87	5
0866 24 530	59	4	1757 24 730	62	12	1856 25 300A	87	6
0866 24 533	59	5	1758 24 730	62	12	1856 25 314	88	12
1011 24 533	59	14	0426 24 731	62	13	1854 26 010A	90	1
1011 24 534	59	15	1758 24 731	62	13	0259 26 051	90	3
0866 24 535	59	6	1758 24 736	63	20	0419 26 060	90	4
0866 24 540	59	7	0222 24 741	62	14	1854 26 111	90	8
1011 24 541	59	16	0222 24 750	63	15	1854 26 113A	90	10
0866 24 550	59	9	1758 24 750	63	15	1854 26 115	90	8
1011 24 560	59	12	0222 24 752A	63	16	1854 26 117A	90	10
1011 24 563	59	17	0222 24 753	63	17	0604 26 125B	90	11
0290 24 581	59	18	0426 24 753	63	18	0604 26 129	90	12

**INDEX. 0603 26 131A~0223 27 415**

0603 26 131A	90	13	0603 26 341	93	9	1854 27 251	97	15
0603 26 152	90	14	0223 26 345A	93	10	0578 27 252	97	16
0603 26 153	90	15	0223 26 391	93	11	0578 27 253	97	16
0603 26 154	90	16	0604 26 465	94	15	0578 27 254	98	16
0603 26 155	91	17	1854 26 570	93	12	0604 27 255A	98	17
0603 26 156	90	14	0647 26 610	94	14	1854 27 261	98	18
0603 26 157	91	18	0208 26 671	94	16	0114 27 262	98	19
1854 26 161A	91	20	0647 26 710	94	14	1854 27 263	98	20
	112	1	0603 26 800A	94	25	0110 27 301	98	21
	227	13	0603 26 810A	94	25	0578 27 302	98	22
1854 26 163A	91	20	0603 26 821A	94	27	0118 27 305	98	24
	112	1	0604 26 832	94	26	0223 27 401	98	25
0603 26 165	91	21	0118 26 834	95	28	0223 27 402	98	25
0603 26 166	91	21	0603 26 898	95	30	0223 27 403	98	25
0603 26 167	91	21	0012 27 012	97	1	0223 27 404	98	25
0603 26 168	91	21	0604 27 018	97	2	0223 27 405	98	25
0603 26 251A	93	1	1854 27 100	97	-	0223 27 406	98	25
0603 26 280A	93	3	1854 27 110	97	3	0223 27 407	98	25
0589 26 287A	93	4	0579 27 120	97	4	0223 27 408	98	25
0603 26 288	93	5	0578 27 130A	97	5	0223 27 409	98	25
0603 26 290A	93	3	0540 27 141	97	6	0223 27 411	98	25
0589 26 297A	93	4	0604 27 142	97	7	0223 27 412	99	25
0603 26 301	93	6	1854 27 150	97	8	0223 27 413	99	25
1823 26 310A	93	7	1854 27 171	97	11	0223 27 414	99	25
1823 26 312A	93	8	1854 27 231	97	12	0223 27 415	99	25



## 1854 28 010~0208 32 340A INDEX.

1854 28 010	101	1	1854 32 050	104	14	0603 32 186	106	36
1854 28 011	101	1	0208 32 059	105	16	0208 32 188	106	38
1854 28 012	101	1	0259 32 071	105	17	0820 32 190	106	33
1854 28 013	101	1	1854 32 080	105	18	1854 32 226	106	39
1854 28 014	101	1	1854 32 110	105	—	1854 32 250	109	1
1854 28 015	101	1	0603 32 122	105	19	1854 32 267	109	5
1854 28 016	101	1	0603 32 123	105	20	0208 32 278	109	8
0603 28 110	101	2	1854 32 130	105	21		116	1
0603 28 114	101	5	1854 32 141	105	22		119	40
0603 28 140	101	6	1854 32 151	105	23	0187 32 279A	118	36
0603 28 142	101	7	1854 32 154	105	24	1823 32 279	109	2
0603 28 151	101	9	1854 32 155	105	24		110	26
0603 28 152	102	10	1854 32 156	105	24	0187 32 289	118	37
0603 28 161	102	11	1854 32 157	105	24	1823 32 289	109	3
0603 28 171	101	9	1854 32 158	105	24		110	27
0603 28 320	102	13	1854 32 159	105	24	1854 32 301A	112	2
0191 28 330	102	14	1854 32 161	105	25	1854 32 311A	112	2
0603 28 700X	102	15	1854 32 163	105	26	0603 32 315	112	5
1854 32 018	104	2	0180 32 165A	105	27	2541 32 320	109	7
1175 32 030	104	3	0180 32 171A	105	28	0208 32 324A	109	9
1175 32 041	104	4	0180 32 172A	106	28	0208 32 326	109	10
1175 32 042	104	5	0180 32 173A	106	28	0208 32 328A	109	11
1175 32 043	104	6	0180 32 174A	106	28	0208 32 329	109	12
1175 32 044	104	7	0183 32 182	106	30	0208 32 331A	109	13
1854 32 049	104	8	0180 32 184	106	31	0208 32 340A	109	14

**INDEX. 2541 32 351~0223 34 411**

2541 32 351	110	16	0305 33 235	114	39	0305 33 699	113	25
0603 32 355	110	19	1854 33 251	113	22	0305 33 710D	114	28
0208 32 360A	110	17	1854 33 260	113	23	1854 33 795	114	35
0603 32 365A	110	21	1854 33 270	113	23	1854 33 980A	113	26
0180 32 366	110	22	1854 33 281	113	27	1854 33 990A	113	26
1757 32 411A	107	41	0304 33 352A	94	22	1845 34 011A	116	2
1854 32 421	107	43	0305 33 610D	113	28	0603 34 012	116	3
1793 32 800	107	47	0305 33 626A	114	40	0603 34 013	116	4
1727 32 811	107	48	0296 33 636	114	41	0603 34 110C	116	5
1854 32 888	104	15	0296 33 646	114	41	0603 34 130B	116	6
1854 32 980	104	1	2981 33 651	114	29	1854 34 151	121	1
1854 33 021	112	7	2981 33 671	114	30	0603 34 153	121	2
1854 33 031	112	7	0603 33 681A	94	17	0603 34 155	121	3
0110 33 041	112	9	2981 33 681	114	31	0603 34 156	121	4
0662 33 042	112	11	0305 33 685	114	32	0603 34 157	121	6
0662 33 049	112	12	0233 33 691	114	33	0603 34 158	121	7
1854 33 061	113	16	0259 33 691	94	18	0603 34 160	117	14
1854 33 062A	113	17		140	11	0223 34 211	116	10
0603 33 065	113	18	0259 33 693	94	19	0223 34 261	116	10
1854 33 071	113	19		140	12	0208 34 278	118	35
1854 33 092A	113	17	0600 33 693	114	34	0603 34 305	116	11
1854 33 191	95	31	1854 33 695	114	35	0603 34 307	116	12
	113	20	1854 33 696	114	36	1854 34 310	116	13
1854 33 192	95	32	0221 33 698	113	24	1854 34 360	116	13
	113	21	0305 33 698A	114	37	0223 34 411	117	15

## 0603 34 416~1872 41 140 INDEX.

0603 34 416	117	16	1854 38 200	123	2	0884 39 387	88	13
0603 34 431	117	17	1859 38 551	64	26	1854 40 081	127	2
0662 34 471A	117	20	1854 38 555A	64	27	1854 40 090	127	5
0603 34 515	119	41	1854 38 560B	64	28	1854 40 096	127	6
0187 34 536	119	42	1854 38 570A	64	30	1854 40 097	127	7
0193 34 662	117	21	1854 38 580A	64	31	1114 40 161	127	9
0187 34 665	117	23	1854 38 590	64	32	0820 40 165	127	10
0187 34 666	117	23	1854 38 610B	227	1	0820 40 166	127	11
0187 34 667	117	23	0559 38 640	227	2	1114 40 170	127	12
0187 34 668	118	24	1854 38 650A	227	3	2158 40 355	16	20
0633 34 673	118	24	1854 38 660	227	4		127	14
0603 34 700A	118	25	0559 38 661	227	5	0810 40 356	127	1
0110 34 775A	102	16	0559 38 665	227	6	0824 40 401	128	16
0110 34 776A	102	17	0559 38 670	227	7	1854 40 405	128	18
0187 34 776	121	8	1854 38 810	123	3	1854 40 500B	128	19
0110 34 777A	102	18	1854 38 851	123	5	2090 40 508A	128	20
0187 34 777	121	9	1854 38 880	64	34	1854 40 600A	128	21
0603 34 780	118	26	1854 38 910	123	7	1854 40 810A	128	22
0187 34 797	118	27	1854 38 920	123	8	1854 40 821	128	23
0187 34 798	118	28	1854 38 930	123	9	1854 40 830	128	24
0187 34 799	118	29	1011 39 021B	125	1	1114 40 850B	128	25
0193 34 820	118	32	1668 39 040C	125	3	0727 41 023	137	2
0193 34 940	118	33	1668 39 045A	125	5	1854 41 030	137	1
1854 37 790	228	16	1011 39 340A	125	6	0824 41 131	137	3
1854 38 010F	123	1	1854 39 380	125	9	1872 41 140	137	4

# INDEX. 1872 41 142~0114 44 053

1872 41 142	137	5	1823 42 430	134	52	1854 43 660	146	6
0180 41 308	137	6	2677 42 441	134	50	0221 43 694	146	7
0603 41 331	140	13	0136 42 449	134	53	1570 43 694A	146	9
1881 41 341	140	14	2691 42 710A	134	54	1854 43 800	143	13
0118 41 380A	140	1	2677 42 716	134	55	1854 43 810	146	11
1011 41 400A	140	2	2677 42 717	134	56	1757 43 830A	146	13
0839 41 461	140	3	0118 43 028A	137	7	1854 43 830	146	14
1854 41 610A	130	2	0225 43 028A	137	7	1854 43 836	146	16
2158 41 619	130	3	0187 43 029	137	8	1854 43 842	146	17
0305 41 641	130	4	1854 43 030A	137	9	1757 43 848	146	19
0259 41 644	130	6	1856 43 030	137	9	0118 43 853	147	21
1856 41 650	130	8	0866 43 061	137	10	1011 43 890A	147	23
1854 41 660B	130	9	0866 43 062	137	11	2677 43 950A	147	25
0118 41 681	130	11	1854 43 070	137	12	2677 43 960A	147	26
0118 41 682	130	12	0603 43 081	137	15	1854 43 970	147	27
0111 41 692	170	44	1015 43 090	138	16	1845 44 010	150	1
1708 41 711	130	14	1854 43 140	138	18	1845 44 020	150	2
1881 41 920A	140	9	0707 43 390	135	60	2781 44 041	150	3
0647 42 044	133	32	1854 43 400	143	1	2781 44 042	150	4
0647 42 046	133	33	0111 43 432	140	4	0114 44 043	150	5
1854 42 310	133	31	0118 43 505A	146	1	0183 44 045	150	6
1854 42 330	133	36	0136 43 635	140	16	0114 44 046	150	7
1854 42 338A	133	37		146	3	0114 44 051	150	8
1854 42 339	134	39	0305 43 635	146	4	0114 44 052	150	9
1854 42 350	134	45	1854 43 650A	146	5	0114 44 053	150	10

## 0114 44 056 ~ 0512 49 677 INDEX.

0114 44 056	150	12	1854 45 320	147	32	2375 46 061	154	14
1845 44 060	150	14	1854 45 340	147	33	2375 46 062	154	15
2541 44 063	150	15	1854 45 350	147	34	1015 46 081	154	17
1854 44 080	150	16	1854 45 360	147	35	1015 46 082	154	18
1845 44 090	151	19	0571 45 451	147	36	1015 46 083A	155	19
1845 44 110	151	21	0866 45 452	147	38	1015 46 085	138	23
1845 44 150	151	22	1854 45 550	141	18		155	20
0603 44 158A	151	23	1854 45 631	135	66	1856 46 110	155	21
0603 44 167	151	24	1854 45 731	135	68	1015 46 150A	155	23
0603 44 261	151	25	0866 45 903A	68	37	1856 46 201	155	26
0603 44 262	151	26		135	73	1856 46 571	155	30
0603 44 270	151	30		147	39	1015 46 648	155	31
0603 44 272	152	32	1304 45 903	148	40	0223 46 683	138	24
0603 44 357	152	33	1854 45 995	148	42	1015 46 684	155	32
0118 44 375	152	34	1015 46 010A	154	1	1015 46 691	155	37
1854 44 410	152	35	1840 46 021	154	2	0841 49 230	114	38
1854 44 420	152	36	1840 46 022	154	3	1708 49 610	143	2
0578 44 431	152	37	1736 46 030	154	4	1708 49 630	143	3
0866 44 439	152	39	2375 46 051A	154	5	0305 49 638	143	4
1854 45 061	135	61	2375 46 052	154	6	1708 49 642	143	5
1854 45 071	135	63	2375 46 053	154	7	0512 49 651	143	6
1854 45 072A	135	64	2375 46 054	154	8	0512 49 652	143	7
1854 45 210	147	28	2375 46 055	154	9	0305 49 656	143	8
0187 45 221	147	29	2375 46 056A	154	10	0512 49 676	143	9
1854 45 280	147	31	0308 46 057A	154	11	0512 49 677	143	9

# INDEX. 0512 49 678~1854 53 230

0512 49 678	143	9	1854 50 511	158	20	0208 52 520	162	22
0512 49 696	143	10	1854 50 521	158	21	0187 52 523	162	24
0824 49 710	143	14	1854 50 531	158	22	0187 52 531	162	26
0824 49 720A	143	15	1854 50 551	158	24	0187 52 532	162	27
0824 49 745	143	16	1854 51 020A	165	1	2677 52 540A	163	29
2046 49 746	143	17	1823 51 050	165	4	0603 52 543	163	30
2046 49 747	144	18	1854 51 520A	165	2	1854 52 611	163	33
0824 49 750	144	19	1823 51 550	165	5	1854 52 612	163	34
1854 49 760	144	20	0419 51 571A	213	9	1854 52 613	163	35
0824 49 770	144	21	1854 52 010A	161	1	1854 52 614	163	36
0824 49 781	144	22	0187 52 141	161	2	1854 52 615	163	37
0824 49 782	144	23	0603 52 160A	161	3	1854 53 030	165	7
0870 49 785	144	24	0603 52 260	161	6	1854 53 036	165	10
1854 50 031	157	1	0259 52 301	178	32	1854 53 050	165	8
1854 50 060	157	2	0305 52 312B	161	10	1854 53 070	165	11
1854 50 062	157	4	0305 52 313	161	11	1854 53 091A	165	12
1854 50 070	157	3	0305 52 322A	161	12	0613 53 105A	166	27
1854 50 072	157	5	0305 52 331	161	4	0613 53 105A	176	1
1854 50 091	157	14	2370 52 390	161	13	1854 53 110	165	14
1823 50 098	158	18	0866 52 397A	161	14	0187 53 134	166	24
1854 50 110	157	8	0820 52 403	187	1		166	28
1854 50 120	157	9	0603 52 451A	161	16	1854 53 160	166	16
1854 50 130	157	15	0603 52 471	162	19	1854 53 200A	166	18
0223 50 275	157	6	0603 52 472	162	20	2541 53 220A	166	19
	157	12	0603 52 510	162	21	1854 53 230	166	21

## 0603 53 305~1011 55 280 INDEX.

0603 53 305	181	82	1854 53 710A	169	24	1854 54 160	166	17
1854 53 380	166	22	0603 53 811B	173	17	1854 54 220	166	20
1823 53 410A	166	23	2677 53 811	173	15	1854 54 234	173	1
0603 53 431C	173	3	0603 53 821	173	18	0617 54 434	173	6
0603 53 432A	173	4	1854 53 891A	174	25	0603 54 510A	168	2
0603 53 433A	173	5	1823 53 901	174	21	0603 54 520A	168	4
0603 53 434B	173	6	2651 53 901	174	21	0603 54 531	168	6
0603 53 435	173	7	2541 53 902	174	22	1854 54 551	168	8
0603 53 436	173	8	1823 53 911	174	23	0603 54 552	168	10
0603 53 438	173	9	2545 53 911	174	23	1854 54 560A	168	12
0603 53 440B	173	10	0603 53 912	174	24	0603 54 571	168	14
0193 53 462	174	20	0603 53 920	169	26	0603 54 572B	168	16
0603 53 510A	168	1	0603 53 937	169	27	0603 54 573	168	18
0603 53 520A	168	3	0603 53 950A	169	28	0603 54 611	169	21
0603 53 531	168	5	1854 53 960	169	33	1854 54 710B	169	25
1854 53 551	168	7	1854 53 962	169	34	2677 54 821	174	19
0603 53 552	168	9	1854 53 965	169	35	2541 54 991	174	28
1854 53 560A	168	11	1854 53 966	169	36	2541 54 992	174	30
0603 53 571	168	13	0603 53 970	169	29	1854 55 161	178	34
0603 53 572B	168	15	0603 53 981B	123	10	2280 55 182	181	83
0603 53 573	168	17	0603 53 984A	169	30	0274 55 200	181	85
0603 53 600C	168	19	2541 53 991	174	27	1854 55 220	176	2
0603 53 611	168	20	2541 53 992	174	29	1011 55 240	176	6
2651 53 680D	169	22	1854 54 050	165	9	1840 55 240	176	8
1854 53 700A	169	23	1854 54 110A	165	15	0259 55 261	177	27
						1011 55 280	176	10

# INDEX. 1854 55 490~2113 58 668A

1854 55 490	176	12	0603 57 112	184	5	0603 58 300A	191	2
1854 55 530A	176	13	2541 57 121	184	6	0118 58 370A01	191	4
1854 56 010A	170	39	2541 57 122	184	7	0118 58 392	191	6
0603 56 031	170	40	2541 57 123	184	8	0603 58 410B	188	—
0603 56 200	170	42	2541 57 124	184	8	1823 58 410	188	—
0187 56 235	37	57	1825 57 200	184	10	0603 58 411A	188	19
0118 56 241	170	45	2496 57 220A	184	11	1823 58 411	188	19
0118 56 242B	224	1	1825 57 300A	184	12	0603 58 412A	188	20
0247 56 274A	170	46	1825 57 320A	185	13	0603 58 420B	188	21
0603 56 531	170	41	2541 57 400B	185	14	0603 58 430A	189	24
0614 56 575A	169	31	2495 57 650	185	15	0183 58 451	188	22
0208 56 615	166	26	2495 57 680	185	16	0603 58 460A	188	23
	170	47	0305 57 920B00	185	24	0187 58 471	189	26
0603 56 700	170	43	1819 58 010	187	4	0193 58 481	189	27
1854 56 811	170	48	0603 58 110A	187	5	0603 58 491C	189	29
1854 56 840A	170	49	0115 58 171	187	10	0208 58 497	189	31
1854 56 851	170	50	0603 58 210	187	11	2651 58 500B	191	7
1854 56 852	171	51	0115 58 214	188	17	0259 58 570	191	11
0820 56 905	38	62	0588 58 221A	187	12	0259 58 581	192	12
	177	29	1823 58 221A	187	12	2350 58 582	192	13
2469 57 016	185	23	0588 58 231	188	13	0187 58 592A	192	14
1825 57 100B	184	—	0588 58 241	188	14	2350 58 593	192	17
0603 57 102	184	1	0100 58 272A	191	1	2651 58 600	191	8
0603 57 109	184	3	0603 58 280A	188	15	0115 58 651B	192	19
0603 57 111	184	4	0603 58 290A	188	16	2113 58 668A	236	1



## 2651 58 670~0864 61 061A INDEX.

2651 58 670	192	20	0118 58 931 01	191	5	1011 60 070A	178	36
0603 58 674	192	21	0223 58 961	236	2	0317 60 252	179	55
0603 58 675	192	22	0223 58 962	236	3	0317 60 253	179	56
0588 58 710	193	25	1819 59 010	187	4	1634 60 254	179	57
0223 58 721	193	27	0603 59 110A	187	5	0317 60 255	179	58
0187 58 731	193	28	0603 59 300A	191	2	0317 60 256	180	59
0603 58 741A	193	29	0118 59 370A01	191	4	0317 60 257	180	60
0588 58 760	193	26	0603 59 410B	188	-	0317 60 258	180	61
0603 58 811	193	30	1823 59 410	188	-	0317 60 259	180	62
0603 58 812	193	31	0603 59 412A	188	20	0317 60 261	180	63
0603 58 820A	193	32	0603 59 420B	188	21	0317 60 262	180	64
0398 58 821A00	193	33	0603 59 430A	189	24	0866 60 263	180	65
0398 58 821A01	193	33	0183 59 451	188	22	0866 60 264	180	66
0398 58 822A00	193	34	0603 59 460A	189	23	0866 60 266	180	67
0398 58 822A01	193	34	0603 59 491C	189	29	0866 60 267	180	68
0603 58 823A	194	36	2651 59 500B	191	7	1907 60 311	178	40
0317 58 831A	194	38	0259 59 570	192	11	1611 60 312	178	41
0317 58 832	194	39	0259 59 581	192	12	1854 60 331	178	43
0603 58 901B	189	32	0115 59 651B	192	19	1854 60 341	178	44
1823 58 910A00	189	33	0603 59 901B	189	32	0370 60 425A	236	4
1823 58 910A06	189	33	1823 59 910A06	189	33	0370 60 500B	236	6
0208 58 921	189	34	1823 59 910A00	189	33	0317 60 720	179	47
0187 58 922	189	35	1854 60 050	177	30	1540 60 930	213	10
0208 58 925	174	34	1856 60 050	178	30	1708 61 031	166	29
0118 58 931 01	163	39	1757 60 053	178	31	0864 61 061A	7	85

# INDEX. 0864 61 061A ~3514 66 120

0864 61 061A	38	69	1823 65 012A	202	38	0604 65 735	203	50
1854 61 080B	196	—	1854 65 020B	200	1	1854 65 751	203	52
0617 61 135	197	27	2651 65 140	200	2	1854 65 752	203	53
2677 61 140B	196	—	0603 65 150	200	3	1854 65 753	203	54
2677 61 145	197	28	1854 65 201A	200	4	1823 65 810C	204	56
1823 61 170B00	197	32	1854 65 210A	200	5	1854 65 851A	201	21
0824 61 183B	197	33	1854 65 310	200	6	1854 65 853	201	22
1854 61 190B	197	34	1854 65 430	200	7	1854 65 855B	201	25
1854 61 211	198	38	1823 65 431A	200	8	1854 65 856	201	26
1854 61 212	198	39	1854 65 460	200	10	1854 65 870	201	28
1854 61 220	198	40	0603 65 490B	200	11	1823 65 900	202	32
2677 61 240A	198	43	1854 65 500	203	39	1854 65 951A	201	21
2677 61 250	198	44	0183 65 551	200	12	1854 65 970	201	28
2677 61 260A	198	45	0183 65 552	200	14	1854 66 031	206	3
0233 61 479	198	46	0183 65 553	200	15	1854 66 041	206	3
2541 61 573	198	47	0024 65 554	200	16	0136 66 091A	209	3
1114 61 581	35	27	0603 65 560A	201	18	2244 66 091	206	12
2651 61 650	198	49	1823 65 625A	203	40	0136 66 092	209	4
1011 64 491	171	53	1854 65 711A	203	41	0136 66 094A	209	6
1854 64 620A	179	48	1854 65 721	203	42	0259 66 094A	206	13
1854 64 640A	179	49	1854 65 722	203	43	0259 66 095	207	14
1854 64 650	179	51	1854 65 725	203	44	0136 66 097	209	7
1854 64 660	179	52	1854 65 730	203	45	2244 66 111	206	12
1854 65 010C	200	—	0604 65 731	203	47	0259 66 114	207	13
0603 65 011A	202	36	0014 65 734	203	49	3514 66 120	179	54

1011 66 121~0866 67 619 INDEX.

1011 66 121	180	69	1708 66 760	214	24	1854 67 010	215	34
1011 66 130	214	23	2852 66 763	214	25	1854 67 030A	215	36
0243 66 152	213	13	1708 66 765	214	26	1854 67 040	215	37
2627 66 201A	209	1	0243 66 773	135	75	1854 67 060	215	39
2651 66 210	209	2	0233 66 790	138	25	1854 67 070	215	40
2651 66 220A	209	8	1011 66 790A	215	28	1854 67 080	215	41
2627 66 222A	210	17	0209 66 820	215	31	1011 67 090	215	42
0702 66 290	213	12	0317 66 862	224	8	1854 67 100A	64	37
1854 66 295	213	16	1854 66 870	224	—	1854 67 130	215	43
1823 66 330	209	10	1857 66 870	224	—	1854 67 180	135	76
2158 66 366B	219	4	0259 66 900A	222	1	1011 67 293	64	38
0212 66 371	219	6	1854 66 900	224	9	1823 67 350	219	5
0223 66 371	219	7	1857 66 900	224	9	1823 67 351	219	9
0212 66 372	219	8	1854 66 903	224	12	1823 67 352	219	10
1015 66 520A	155	28	0259 66 905	222	2	2158 67 367	220	36
0617 66 534	224	4	1854 66 905	224	13	1823 67 370	219	11
0617 66 535	224	5	0222 66 911	224	2	1823 67 380	219	12
0617 66 536	224	6	0208 66 949	26	37	1823 67 390	219	13
2627 66 601	214	17		217	B	0317 67 480	222	3
0208 66 683	217	A	0820 66 950	152	41	1011 67 515	222	4
0605 66 721	64	36	0866 66 960	224	14	0866 67 521	222	5
0223 66 722	215	30	0398 66 965	224	11	0317 67 551	215	44
1820 66 730	214	19	0866 66 965	225	15	1011 67 560A	216	45
0188 66 731A	152	42	1010 66 980	215	33	1011 67 562	216	46
1820 66 732	214	20	0820 66 992	225	16	0866 67 619	216	50

# INDEX. 0866 67 716~0208 72 821

0866 67 716	216	47	0839 68 720	228	28	1854 69 683	234	18
0866 67 717	216	48	1856 68 860	182	96	1854 69 684A	234	19
0866 67 718	216	49	0398 68 875	224	3	1854 69 685	234	20
1078 67 800	216	53	0730 69 057A	231	1	1854 69 686	234	21
0862 67 880	216	55	1128 69 071A02	231	2	1854 69 688	234	22
1011 67 911	217	C	1881 69 076	231	3	1854 69 689	234	23
1011 67 912	217	D	2229 69 101	231	7	1854 69 691A	234	24
0305 67 994	217	E	2511 69 115	166	30	1854 69 692	234	25
0317 68 013A	180	70	2229 69 130	231	6	0193 69 770A	227	9
0317 68 018	180	71	1823 69 150A07	231	9	0600 69 784	227	10
1854 68 020	180	72	1823 69 170A07	231	10	0727 69 785	227	11
0110 68 050A	228	20	0617 69 190	231	12	0193 69 786	227	12
0672 68 060A	228	21	1823 69 310 07	233	1	2651 69 810	231	14
0603 68 070A	228	22	0603 69 321	233	2	1879 70 220A	181	86
1854 68 091	180	77	0603 69 322	233	3	2370 70 231A	181	87
0866 68 095	181	78	0603 69 323A	233	6	1854 70 240	181	88
0187 68 110A	228	23	1854 69 411	233	7	2370 70 261	181	91
2677 68 110	228	24	1854 69 412	233	8	0317 70 262A	181	93
0672 68 120A	228	25	1854 69 461A	233	9	0317 70 269	182	95
0118 68 180A	228	26	1854 69 471A	233	10	0735 70 425A	174	31
0603 68 240	228	17	0617 69 510B00	233	12	0118 70 531	163	40
2541 68 610 00	228	18	0617 69 520B00	233	13	0208 70 713	173	11
2651 68 610 00	228	18	1854 69 611A	233	15	0118 70 722A	173	12
1854 68 660	228	-	1854 69 660	234	16	1011 72 616	213	8
1854 68 670	228	27	0727 69 662	234	17	0208 72 821	194	41

## 0208 72 822 ~ 0710 87 126 INDEX.

0208 72 822	194	41	2677 76 125	196	5	2850 87 012	206	5
2113 74 158	236	—	2677 76 126	196	6	0727 87 013	206	7
2113 74 168	236		2677 76 127	196	7	0727 87 014	206	8
0326 75 011	176	14	2677 76 128	196	8	0727 87 016	206	9
1854 75 021	176	15	2677 76 129	196	9	0727 87 022	206	6
0483 75 022	177	16	2677 76 130	196	10	0727 87 023	206	7
0317 75 023	177	17	2677 76 131	196	11	0738 87 063	210	18
0483 75 024	177	18	2677 76 133	196	12	0305 87 084	224	10
1854 75 025	177	19	2677 76 134A	196	13	0259 87 101A	219	15
1854 75 026	177	20	0259 76 135	196	14	0710 87 102	209	11
1568 75 029	177	21	2677 76 135	196	15	0259 87 103	219	16
1854 75 030	177	22	2677 76 136A	196	16	0710 87 103	209	12
0492 75 060	177	23	2677 76 143	196	17	0710 87 104	209	13
0824 75 149	177	24	2677 76 145	196	18	2158 87 104	219	17
0824 75 150	177	25	2677 76 146	197	19	0259 87 105	220	18
0710 75 435	177	26	2677 76 147	197	20	0259 87 106	220	19
0710 75 436	177	26	2677 76 150	197	25	0257 87 107	220	21
1854 75 910	236	8	1823 76 602	219	14		220	22
1854 75 920	236	9	1854 78 615	158	26	0257 87 108	220	23
1854 75 980	236	5	1823 78 620B	158	27		220	25
0208 76 071	234	26	1854 78 640	158	28	0259 87 109A	220	26
2677 76 121A	196	1	1854 78 650	158	29	2158 87 112A	220	27
2677 76 122	196	2				0259 87 119	220	28
2677 76 123	196	3	0275 87 007	206	4	0259 87 120	220	29
2677 76 124A	196	4	0727 87 012	206	6	0710 87 126	210	19

**INDEX. 0259 87 134 ~ 99230 0511**

0259 87 134	220	30	0839 89 431A	140	5	99221 1610	151	28
0702 87 135	220	31	0317 89 435A	140	6		152	45
0702 87 138	220	32	0391 89 435	143	11		161	7
2244 87 191	207	18	0317 89 436	140	7	99221 2012	104	15
2244 87 192	207	19		143	12	99221 2015	123	11
	210	23	1854 89 662	206	11		150	12
2244 87 194	207	20	2244 89 663	207	17		169	32
	210	24	1854 89 664	210	16	99221 2020	138	19
2244 87 195	207	20	1854 89 667	206	11		154	16
	210	24	2244 89 668	207	17		227	8
2244 87 196	207	21	2244 89 673	210	22	99221 3020	109	4
2244 87 201	210	25	2244 89 678	210	22		109	15
2244 87 206	210	26	1758 99 100	7	—		110	28
0738 87 803	220	33	1757 99 105	7	80		119	38
0738 87 804	220	34	1757 99 150	35	29	99221 3025	110	18
0305 87 906	220	35	0305 99 178	53	36		117	22
0727 87 992	222	7	2541 99 322A	110	24		119	44
0305 87 993	222	8	2541 99 324A	110	25	99221 3032	200	16
0727 87 994	222	9	0603 99 354A	118	34	99221 4030	112	13
0727 87 995	222	10	0603 99 356	119	39	99222 0216	44	29
0662 88 024	185	18	0589 99 731	174	32		70	7
0259 88 025	185	20	0589 99 736	174	33	99222 0610	12	44
1853 89 175	45	—	90833 0412B	178	45	99225 0320	154	12
0706 89 251	87	7	99203 2000	151	29	99225 0563	64	33
1881 89 411	140	15	99221 1212	31	58	99230 0511	130	15

99230 0523~99511 1200 INDEX.

99230 0523	150	11		198	41	99340 06200	134	41
99230 0615	150	13	99282 4309	24	15	99340 06350	57	39
99231 0620	152	44	99282 4900	38	66	99346 06055	133	28
99231 0822	138	19	99282 5800	134	51	99346 06090	135	58
	152	31	99283 1000	132	12	99346 06450	133	26
99233 1225	43	3		134	43	99346 08190	25	30
99251 0818	200	13		135	70	99348 06150	135	69
99254 4014	90	9	99283 1100	134	44	99348 06250	135	67
99276 0506	44	26		135	59	99348 06340	134	42
99276 1006	68	36		135	71	99348 06930	132	11
	217	F	99283 1200	132	13	99348 08310	135	62
99276 1008	22	7		135	72	99348 08930	132	10
	106	35	99285 0800	37	54	99348 12350	134	47
99276 1206	217	G	99288 0808	178	33	99381 0600	68	40
99276 1208	125	7	99288 0808B	22	8	99381 0800	68	41
99276 2008	60	28	99289 0701	37	56	99381 1400	34	14
99279 0833	217	H	99305 2800	7	82	99384 1200	4	53
99279 1105	217	I	99306 3000	2	17	99384 1200F	34	16
99282 1700	68	39		3	33	99502 4000	45	37
99282 1801	134	48	99307 0600	4	52		90	5
99282 1901	146	18		15	2	99503 3000	15	3
99282 2200	197	22	99335 04185	222	11	99510 1000	7	83
	198	42	99336 08038	166	25	99511 1000	15	4
99282 2600	7	86	99340 04090	133	29	99511 1200	3	34
	38	70	99340 04200	25	32		35	30

# INDEX. 99511 1400~99611 2750

99511 1400	5	62	99562 1800	34	15		130	7
99541 00901	85	4	99564 0800	4	37		138	24
99541 01101	11	27	99564 1000	7	83		155	33
99541 01201	85	5		15	5	99576 0400	173	14
99541 01601	8	—		45	—	99576 0700	185	19
	29	27		51	14	99576 0800	31	59
	73	53		68	42	99578 3000	231	4
99541 02211	44	30	99562 1000	141	17	99583 28388	106	32
	70	8	99564 1200	68	43	99586 10207	44	31
99541 0240	8	—	99564 1400	2	4		70	9
	15	11	99564 1600	34	17	99603 02040	112	14
99541 0350	8	—		38	68	99603 02060	113	15
	57	37		133	20	99603 02080	91	19
99560 1800	133	34	99564 1800	43	10	99606 33070	49	37
99562 1000	146	2		45	—	99606 62050	87	9
	146	8	99564 2800	12	41	99606 72030	35	32
	146	12	99573 2500	48	35	99611 1500	49	38
99562 1200	3	35		81	2		81	3
	35	30	99573 3500	49	36		94	20
	146	10	99574 4000	35	31		140	10
99562 1400	5	63	99574 5200	87	8	99611 1750	70	12
	45	—	99575 0300	130	15	99611 2000	11	28
	51	13		150	11		70	17
99562 1600	3	36	99575 0400	150	13	99611 2500	51	15
	5	54	99575 0600	95	29	99611 2750	85	15



9962 03 7314~99781 1035 INDEX.

9962 03 7314	95	33	99686 0800	178	38	99750 10825	116	8
	114	42	99700 8120	209	14	99750 11020	88	14
	229	29	99701 1030	176	7	99750 11260	112	3
9963 60 4130	95	33		198	37	99750 11270	112	4
	114	42	99701 2080	207	22	99751 21225	97	13
	229	29		209	5	99751 61225	97	13
9965 05 5540	95	33		210	27	99753 78118	40	10
	114	42	99701 4237	210	20	99671 0620	192	15
	229	29	99701 4278	207	15	99671 0630	192	16
99655 30010	95	34	99701 5050	213	14		192	18
99655 30020	95	34	99701 6030	176	9	99671 0825	194	40
99655 30030	95	34		176	11	99763 0610	155	29
99655 30040	95	34		177	28	99764 0416	231	11
99655 30050	95	34	99706 0110	214	21	99769 0414	158	25
99655 30060	95	34	99706 0115	214	21	99769 0425B	158	23
99681 1001	134	40	99706 0120	214	21	99769 0616B	174	26
99681 1203	132	14	99709 0108	22	6	99772 0514	189	30
99681 1501	134	49		26	38	99772 0516	231	8
	217	N		68	44	99773 0420	207	23
99681 1503	132	15		178	39		211	28
99682 0801	178	37		217	M	99781 0822	106	34
99682 1001	217	J		225	17	99781 1012	66	3
99682 2001	217	K	99709 0255	22	9	99781 1018	66	5
99684 1000	217	L	99711 0410	189	25	99781 1025	158	30
99684 1400	135	65	99740 0512	198	48	99781 1035	110	23

# INDEX. 99781 1040 ~ 99796 0820

99781 1040	159	31	99786 0635	147	24	99796 0612	173	2
99781 1240	117	18	99786 0812	215	29		213	11
99781 1250	117	19	99786 0814	37	53	99796 0614	44	18
99784 1016	64	29		197	30		161	5
99785 0645	151	18	99786 0816	20	9		161	15
99786 0510	165	6		37	51		201	23
	225	19		123	4		202	30
99786 0514	135	57	99786 0820	133	35	99796 0614B	201	29
99786 0612	15	16	99786 0825	157	11	99796 0616	128	26
	22	3	99786 0850	56	19		203	46
	57	44	99794 0530	216	52	99796 0620	36	39
	64	39	99794 0616	219	3		36	45
	132	8	99795 1032	137	14		44	21
	132	18	99796 0608	44	34		68	38
	134	38	99796 0610	4	40	99796 0625	147	22
	135	74		25	24	99796 0810	34	13
	148	41		25	28	99796 0812	15	13
	222	6		66	8		25	25
99786 0612B	206	10		66	10		25	29
99786 0616	64	40		67	29		38	63
	130	5		73	54		146	20
	152	40		146	15	99796 0814	24	4
99786 0620	107	42		171	52	99796 0816	4	42
	130	10	99796 0612	123	6		66	11
99786 0630	147	37		165	13	99796 0820	24	5

99796 0820 ~ 99831 0310 INDEX.

99796 0820	35	33	99801 0820	52	35	99806 0614	158	19
	60	25		125	8		165	3
	134	46	99801 0822	11	30	99806 0616	6	68
99796 0822	52	20		118	31		34	12
99796 0825	60	24	99801 0825	6	78		231	15
99796 0832	52	21	99801 0832	127	4	99806 0618	28	15
99796 1016	155	27	99801 0840	5	57		31	51
99796 1035	41	16	99801 0865	5	58	99806 0620	36	44
	67	24	99801 0875	5	59		202	37
99796 1040	67	24	99801 0890	137	13		236	7
99796 1045	40	15	99801 1035	63	22	99806 0625	147	30
	67	24	99801 1045	128	15	99806 0630	227	15
99796 1090	41	17	99803 08100	24	2	99806 0816	202	34
99797 0510	197	35	99803 10120	63	23	99806 0820	185	21
	198	36	99804 0514	173	16		202	33
99797 0512	210	15	99805 0828	169	37	99811 0812	98	23
99797 0612	57	41	99805 0830	121	5	99811 1020	101	4
99800 10115	60	21	99805 0832	107	45	99811 1025	204	57
99801 0810	107	44	99806 0510	220	20	99811 1028	112	8
99801 0816	6	72	99806 0516	162	25	99811 1245	157	10
	185	17	99806 0612	231	16	99813 10140	138	21
	227	14	99806 0614	29	20	99813 10180	138	21
99801 0818	10	7		44	36	99830 0412	197	29
	127	3		52	23		198	50
99801 0820	48	32		70	4	99831 0310	104	9

**INDEX. 99831 0408B~99862 0412**

99831 0408B	181	92	99833 0516	214	22	99849 0512	216	54
99831 0540	215	38		214	27		216	56
99831 0612	187	7	99833 0520	193	35	99851 0612A	5	55
99831 0616	93	2	99833 0610	109	6	99851 0622A	15	6
99831 0820	161	8	99833 0612	187	8	99851 0822A	2	5
99831 0830	162	17		191	3	99851 0830A	15	7
99832 0412B	179	46		193	24	99852 0610	43	4
99832 0414B	178	42	99833 0614	151	17	99852 0614	94	21
99832 0612	191	9	99833 0616	191	10	99852 0660	2	18
99833 0306	104	10	99833 0618	201	27	99852 0820F	90	2
	197	23	99833 0620	209	9	99852 0822A	3	19
99833 0406	94	23	99833 0812	93	13		4	38
99833 0408	30	32	99833 0820	200	17	99852 1016	3	21
	135	77	99833 0835	203	48	99855 1020	5	56
	189	28	99834 0410B	181	90	99855 1025	43	5
99833 0410	197	24	99834 0506	187	6		43	6
99833 0412	197	21	99834 0512	157	16	99855 1085	43	7
99833 0416	181	84		163	31	99859 1220A	3	22
99833 0510	152	38		163	32	99859 1225A	3	23
	178	35		228	19	99859 1248	97	9
	179	50	99834 0612	187	9	99860 0512	176	4
	179	53	99834 0820	201	19	99860 0514	38	61
	197	26	99834 0835	201	20	99861 0410B	181	89
99833 0512	173	13	99836 0825	161	9	99862 0408	233	4
	224	7	99838 0516B	181	94	99862 0412	233	14

## 99862 0416B~99907 1000 INDEX.

99862 0416B	231	13	99869 0500	181	81	99906 0400	207	23
99862 0516B	176	3	99887 0412	154	13		211	28
	180	73	99896 0400	158	25	99906 0500	56	18
	182	97	99896 0500	176	5		59	19
99863 0308	104	11		177	29		162	25
99863 0312	104	12		180	75		207	16
99863 0410	152	43	99896 0500B	182	97		228	19
99863 0412	213	15	99901 0600	37	50	99906 0600	28	6
99863 0508B	181	79	99901 0800	15	8		44	25
99863 0510	163	38		18	5		151	27
	215	32		29	26		162	23
99863 0512	233	5		35	34		162	28
99863 0516	37	60		36	37		165	3
99863 0520B	181	80		63	24		187	2
99864 0406	200	9		90	6		192	23
99864 0512	180	74		127	4		194	37
	204	55		127	8		201	27
99864 0520B	177	29		144	27		209	9
99864 0625	215	35		185	22	99906 0800	202	33
99865 0508	213	5		200	17		202	35
99865 0512	171	54		203	51		227	15
99865 0516	155	22	99902 0800	155	38	99906 1000	170	38
99867 0514B	233	11		162	18	99907 0600	31	49
99868 0510	213	3	99903 0800	123	11		187	3
99869 0412	214	18		169	32	99907 1000	170	38

**INDEX. 99910 0403~99940 1001**

99910 0403	158	23	99922 1000	118	30	99940 0600	132	4
99910 0601	174	26		121	10		147	30
	202	31		137	14		201	24
99921 1000	102	19		151	20		213	7
	106	37	99922 1200	28	7		216	51
	110	20	99922 1400	85	2	99940 0601	24	10
	110	23	99922 1800	87	10	99940 0602	157	7
	118	30	99923 1400	119	43		157	13
	121	10	99924 1000	227	8		158	19
	125	2	99924 1200	109	4	99940 0603	57	38
	125	4		109	15	99940 0800	123	4
	125	10		110	28		127	13
	138	22		119	38		134	46
	204	57	99924 1400	110	18		137	13
99921 1200	97	10		117	22		138	17
	117	16	99928 0800	116	7		140	8
	117	18		116	9		197	31
	117	19	99928 1200	102	12	99940 0801	144	25
	159	32	99940 0500	210	21		144	26
99921 1400	101	3		225	18	99940 0802	20	8
	101	8		231	5	99940 0803	64	35
99921 2000	106	40	99940 0502	158	17	99940 1000	138	20
99922 1000	102	19		180	76		155	25
	106	29	99940 0600	94	24	99940 1001	41	18
	112	6		130	13		43	13

## 99940 1001~99952 0600 INDEX.

99940 1001	60	22	99951 1030	123	11	99952 0500	214	22
	67	25		125	4		215	32
	88	15		125	10		216	49
99940 1002	202	38		203	38		216	52
99941 0801	20	10		204	57		216	54
99942 1000	93	6	99951 1030B	107	46		216	56
	112	8	99951 1226	157	10		228	19
99942 1200	112	3		159	32		233	5
	112	4	99951 1236	159	32	99952 0500B	177	29
99945 0600	184	9	99952 0400	152	43		182	94
99948 1200	104	13		181	84	99952 0512	197	35
99949 0800	128	17	99952 0500	37	60	99952 0516	163	32
99951 0618	151	17		38	61		198	36
	151	18		56	18		210	15
	158	16		60	19		224	7
	165	3		152	38	99952 0600	29	15
	187	8		162	25		37	50
	202	37		163	38		57	41
99951 0822	107	45		173	16		132	4
	127	4		176	4		162	23
	128	17		178	35		162	28
	184	2		179	50		191	10
99951 1022	106	37		179	53		193	23
	158	30		194	35		193	24
	159	31		207	16		236	7

# INDEX. 99952 0618 ~ 99971 0500

99952 0618	15	16	99952 0800	202	33	99953 0800	35	34
	107	42		202	34		155	35
	128	26		202	35		174	20
	130	10	99952 0816	155	34	99953 1000	40	2
	165	3		184	9		63	23
	187	9	99952 0822	20	9	99953 1030	170	38
	203	46		24	5	99953 1400	155	24
	216	51		37	53	99958 1022	116	12
	219	3		60	25	99958 1220	97	14
99952 0618B	202	29		123	4	99963 3310	53	39
	206	10		137	13	99963 3330	53	39
99952 0800	5	57	99952 1000	64	29	99963 6910	49	39
	5	58		138	22	99963 6930	49	39
	5	59		151	20	99967 0500B	182	97
	6	72		204	57		233	11
	6	78		227	8	99968 0400	233	14
	15	8	99952 1030	170	38	99971 0300	104	12
	24	2		184	2	99971 0400	30	32
	37	51	99952 1236	170	38		94	23
	38	63	99952 1400	202	38		152	43
	63	24	99952 1426	203	38		181	84
	125	8	99953 0300	104	12		189	28
	185	17	99953 0400	31	57		197	21
	185	21	99953 0600	31	51	99971 0400B	178	45
	201	17	99953 0800	29	26	99971 0500	56	18



99971 0500~99971 0800 INDEX.

99971 0500	60	19	99971 0600	29	20	99971 0600	209	9
	152	38		31	49		219	3
	162	25		31	51		228	15
	163	32		34	12		231	15
	163	38		36	44		231	16
	178	35		37	50		236	7
	179	50		44	25	99971 0601	51	1
	179	53		45	36		5	57
	198	35		52	23		5	58
	198	36		57	41		5	59
	213	3		70	4		6	78
	214	22		109	6		10	7
	214	27		151	17		11	30
	215	32		151	18		15	8
	216	49		162	23		18	5
	216	54		162	28		24	2
	217	56		165	3		29	26
	220	24		184	9		35	33
	224	7		187	8		36	34
	228	19		191	3		36	37
	233	5		191	10		40	9
99971 0500B	182	94		193	23	99971 0800	40	10
99971 0600	6	68		193	24		48	32
	28	6		194	37		52	27
	29	15		201	27		52	35

**INDEX. 99971 0800~99975 0500**

99971 0800	63	24	99971 0800	202	33	99971 1000	204	57
	90	7		202	35	99971 1200	97	10
	93	13		203	51		102	12
	98	23		227	14		113	25
	104	15	99971 1000	6	70		117	16
	106	34		40	2		117	18
	107	44		63	22		117	19
	107	45		63	23		157	10
	116	7		66	3		159	32
	116	9		66	5	99971 1400	85	2
	118	31		88	14		101	3
	121	5		101	4		101	8
	125	8		106	37	99971 1800	87	10
	127	3		110	20	99971 2000	106	40
	127	4		110	23	99972 0800	138	24
	127	8		113	24		155	36
	144	27		116	12	99972 1000	188	18
	155	38		125	2	99973 0400	181	90
	170	37		125	4	99974 0500	187	6
	185	17		125	10	99974 0600	187	9
	185	21		127	14		191	9
	185	22		138	22		192	15
	201	17		151	20		192	16
	201	19		158	30		192	18
	201	20		159	31	99975 0500	163	31

99975 0800 ~ 99979 1200 INDEX.

99975 0800	161	8						
	161	9						
	194	40						
99977 1845	112	10						
99978 3200	49	40						
99979 1200	28	7						





**TOYO KOGYO CO., LTD.**

Printed in Japan