

RX-2
SEDAN & COUPE
PARTS CATALOG



© 1973 by

TOYO KOGYO CO., LTD.

Rotary Engine-Licence NSU. Wankel

JULY, 1973





HOW TO USE THIS PARTS CATALOGUE

This Parts Catalogue is compiled for the following models:

Model : RX-2 Sedan & Coupe (U.S.A. & Canada Rotary Engine 1974 Model)

From file # 211808

Model No.	Model / Type	Description
1905	S122A-N	RX-2 Sedan, U.S.A. Spec., 1974 Model Manuf. from Sept. 1973
1906	S122A-NT	RX-2 Sedan With Automatic T/mission, U.S.A. Spec., 1974 Model Manuf. from Sept. 1973
1907	S122A-NCA	RX-2 Coupe, U.S.A. Spec., 1974 Model Manuf. from Sept. 1973
1908	S122A-NCAT	RX-2 Coupe With Automatic T/mission, U.S.A. Spec., 1974 Model Manuf. from Sept. 1973
1909	S122A-N	RX-2 Sedan, Canadian Spec., 1974 Model Manuf. from Sept. 1973
1910	S122A-NT	RX-2 Sedan With Automatic T/mission, Canadian Spec., 1974 Model Manuf. from Sept. 1973
1911	S122A-NCA	RX-2 Coupe, Canadian Spec., 1974 Model Manuf. from Sept. 1973
1912	S122A-NCAT	RX-2 Coupe With Automatic T/mission, Canadian Spec., 1974 Model Manuf. from Sept. 1973
1972	S122A-N	RX-2 Sedan With Cooler, U.S.A. Spec., 1974 Model Manuf. from Sept. 1973
1973	S122A-NT	RX-2 Sedan With Automatic T/mission & Cooler, U.S.A. Spec., 1974 Model Manuf. from Sept. 1973
1974	S122A-NCA	RX-2 Coupe With Cooler, U.S.A. Spec., 1974 Model Manuf. from Sept. 1973
1975	S122A-NCAT	RX-2 Coupe With Automatic T/mission & Cooler, U.S.A. Spec., 1974 Model Manuf. from Sept. 1973
1976	S122A-N	RX-2 Sedan With Cooler, Canadian Spec., 1974 Model Manuf. from Sept. 1973
1977	S122A-NT	RX-2 Sedan With Automatic T/mission & Cooler, Canadian Spec., 1974 Model Manuf. from Sept. 1973
1978	S122A-NCA	RX-2 Coupe With Cooler, Canadian Spec., 1974 Model Manuf. from Sept. 1973
1979	S122A-NCAT	RX-2 Coupe With Automatic T/mission & Cooler, Canadian Spec., 1974 Model Manuf. from Sept. 1973

(I) Layout of Parts Catalog

The spares relevant to each assembly are printed inset to the right, and parts that constitute a sub-assembly are indicated by illustrations and classified according to each assembly.

Therefore, if a spare part is not printed inset to the right, this shows that the part does not constitute a part of the assembly.

Moreover, to aid identification of spares, "exploded" illustrations are incorporated in this catalog.

(II) How to locate parts

1.) When part number is not known

A. Refer to index of groups and locate the group to which the part belongs.



B. Open to group illustration page and located part wanted.

- δ
- C. See the number given for the part in the illustration and find corresponding number in the parts composition lists.
 - D. Then, you will find the name and the part number of the part on the right side of this number.

2.) When part number is known but shape and name of part is unknown.

A. See index given at back of the parts catalog and find pages where illustration, part number and figure number is listed.

δ



B. Open to page indicated and locate the part number in the parts composition list, and after this locate the part in the illustration by referring to figure number given at front of the part number.

δ

C. The corresponding figure number in the illustration is for the part required.

3.) Moreover as an alphabetical index is incorporated after the index of groups, utilize for locating principal parts.

(III) On Groups

- 1.) The figure enclosed by a triangle at the top of each page (Example ) indicates group number.
- 2.) Group numbers are determined according to structure and function of parts.
- 3.) The group number given in the index of groups coincide with the numerals (Example ) of the illustration and parts composition pages.

(IV) Explanation of Parts Composition Lists

- 1.) Indication of composition of assembly.
 - (a) Only the description of the parts that comprise the assembly and are available as spares are inset to the right and given after the assembly part number and description. In this instance a wide space is taken in between for other spare parts.
 - (b) For parts of sub-assemblies that are included in an assembly and are available as spares, designation is made in the "Remarks" column, (Example: Fig. No. 3 included).
 - (c) When a parts description is not inset to the right, this signifies that the part is not included in any assembly or sub-assembly.

Example:

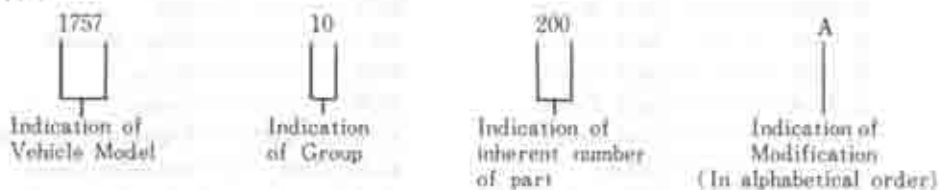
No.	Part Number	Description	Qty	Remarks
(a) ——— 1	1757 18 300	Alternator	1	
(b) ——— 2	1757 24 501	Stator	1	
(c) ——— 3	0820 24 503	Bearing, Ball	1	
(b) ——— 13	1757 24 540	Rotor	1	Fig No. 3 included
(d) ——— 19	98906 0600	Nut, Alternator, Terminal	1	

- (a) Includes (b) to (c)
- (b) Includes (c)
- (d) Is not included in any ass'y nor sub ass'y

2) On parts number

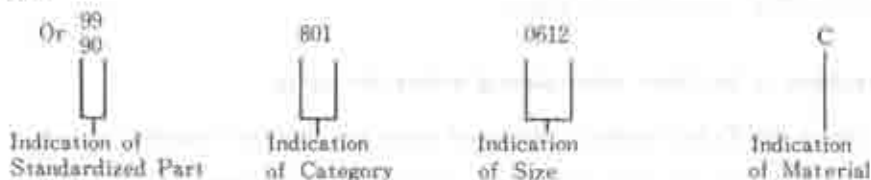
A. Exclusive parts

Example:



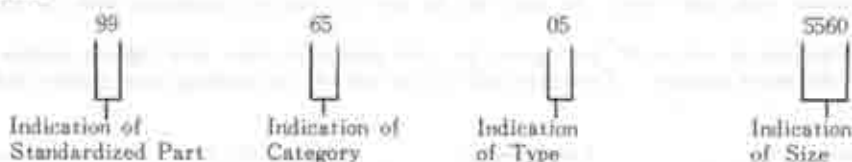
B. Standardized parts (General parts)

Example:



C. Standardized parts (Tires, Tubes, Disc Wheels, etc.)

Example:



3) On Quantity

The quantity given in the parts composition list shows number of parts used per vehicle and does not indicate selling unit.

4) Other Precautions

☆ Mark..... Parts marked thus are not available as replacement parts, therefore, when these parts are required, order in the form of assemblies (or sets) including these parts or in the form of parts interchangeable with these parts.

5) Abbreviations

- | | |
|----------------------|---|
| (R) Right | EX. Exhaust |
| (L) Left | IN. Inlet |
| (C) Center | T/mission Transmission |
| (Frt.) Front | © Parts with Different Colours
(Indicate Colour when Ordering) |
| (Rr.) Rear | ▲
10 Indication of Group |
| Cpl. Complete | Manual Manual Transmission |
| Ass'y Assembly | Automatic Automatic Transmission |
| Std. Standard | |
| O.S. Over Size | |
| U.S. Under Size | |

BEIG Beige
 BLK Black
 BLU Blue
 BLU. M Blue Metallic
 BLU / GRY Bluish Gray
 BRN Brown
 D. BLU Dark Blue
 D. BRN Dark Brown
 D. GRN Dark Green
 D. GRY Dark Gray
 D. YLW Dark Yellow
 GLD. M Gold Metallic
 GRN Green
 GRN. M Green Metallic
 GRY Gray
 GRY / GRN Grayish Green
 GRY / YLW Grayish Yellow

IVRY Ivory
 L. BLU Light Blue
 L. GRN Light Green
 L. GRY Light Gray
 MRN Maroon
 PRPL / BLU Purplish Blue
 PRPL / WHT Purplish White
 RED Red
 SILV. M Silver Metallic
 WHT White
 YLW Yellow
 YLW / D. GRN Yellowish Dark Green
 YLW / GRN Yellowish Green
 YLW / WHT Yellowish White
 DUL Dull Finish
 S. DUL Semi Dull Finish

(V) Precautions to be taken when placing orders for parts

- 1) Always specify part numbers, names of parts and quantity required.
- 2) Be sure to list the parts in order of part number, when filling in order sheet.
- 3) As processing of orders received by us is done by electronic computers, importance is attached to the part number. Therefore, in case the part number and name of part do not coincide with each other, the part will be sent to you in accordance with the part number.
- 4) Distinction of colour of spare parts by code number is done with figures number 11 and 12 of the parts number. Therefore, add to the end of the applying part number and order.

Example:	Part Number	Colour Code No.	Description
	1 6 6 8 6 9 2 1 0 A	0 5	
	← 10 Figures →	← 2 Figures →	
	1 6 6 8 6 9 2 1 0 A	2 0	
	← 10 Figures →	← 2 Figures →	

(VI) Replacement pages and purport

Page replacements are supplied every six months as a rule, listing parts modified or newly added and month and year date will be printed in lower corner of each replacement page. Therefore it is essential that care be taken to check on these dates to confirm if the parts listed conform to the car imported, before ordering.

- 1) Explanation on designation given in remarks column.
 - a. Car No. Chassis no. of car that modification becomes effective from.
 - b. $\frac{73}{1}$ 73 designates year of modification and numerals 1-12 shows month of year.
 - c. O mark Indicates that modified part and former part are interchangeable.
 - d. X mark Indicates that modified part and old part are not interchangeable.
 - e. Δ mark Indicates that new part is interchangeable with old part but that old part is not interchangeable as a replacement for cars utilizing the new part.

- 2) ● mark This dot at front of figure number of replacement pages show the parts that have been subject to modification.

List of chassis number

Month Model	SEP. %	OCT. %	NOV. %	DEC. %	JAN. %	FEB. %	MAR. %	APR. %	MAY %	JUN. %	JUL. %	AUG. %
RX-2	211723	213984	218504	218642	218767	219092	219200	219337				

(VII) Colour Code Nos.

- 1) Whenever there is a part with only one colour, and there is an increase to two or more colours, colour codes will be established only for the colours added. Therefore, there will be parts with and without colour codes. (However, the colour will be described in the "Description" Column).
Therefore, care must be taken to attach the colour code after the part number if it is a colour code established afterwards, otherwise the part supplied will be the coloured part without the colour code.

Example:

1 0 0 3 6 4 6 1 0 0 5 Tray (Black) Part without colour code
1 0 0 3 6 4 6 1 0 0 5 Tray (Brown) Part with colour code

2) Location of © mark.

As a precaution against dropping of the "Colour code No.", the "©" mark is located right after the part number.
Always attach the colour code when there is this "©" mark, moreover, be careful not to confuse it with the suffixes for part modifications.

Example:

Formerly 1 9 0 5 5 7 1 0 0 A Seat (R) ©
Newly 1 9 0 5 5 7 1 0 0 A © Seat (R)

INDEX

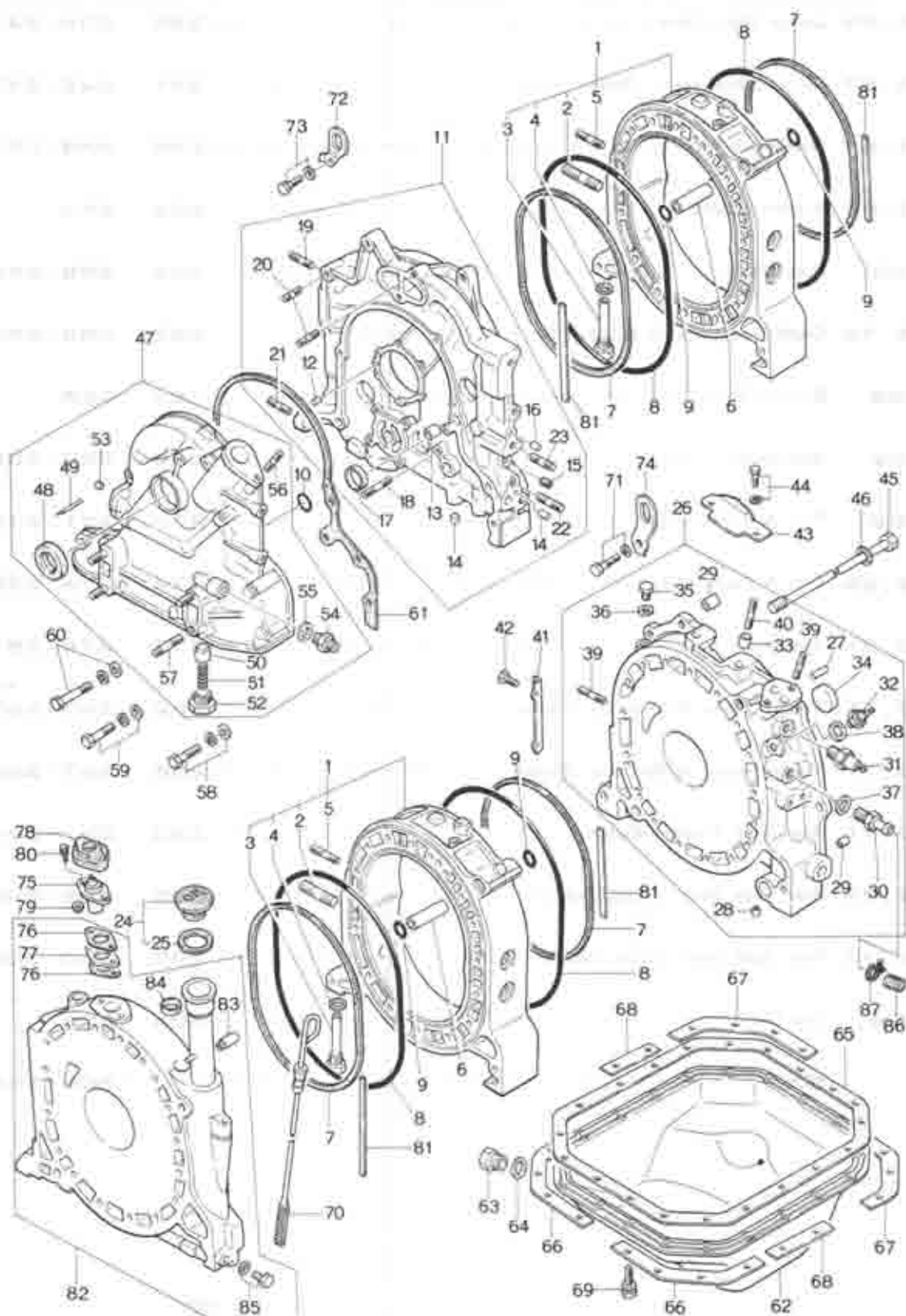
Group No.	Description	Fig. Page	Part No.
Engine Parts			
10	Rotor Housing	1	2-7
10, 11	Rotor	8	9-12
13	IN Manifold & Thermal Reactor	13	14-15
• 13, 23	Carburettor	16	17-17-3
13, 23	Air Cleaner	18	19
13	Starting Assist System	20	21
• 13	Emission Control System	22	23-25-2
14	Oil Pump	26	27-31
14, 15	Cooling System	32	33-37
16	Clutch (Manual)	38	39-40
17	Manual T/mission (Case)	41	42-43
17	Manual T/mission (Gear)	44	45-47
17	Manual T/mission (Change Controls)	48	49-51
18, 24	Distributor	52	53-55
18, 24	Alternator	56	57-58
18, 24	Starter & Battery (Manual)	59	60-61
• 18, 24	Starter & Battery (Automatic) (Used Up to 1/2)	62	63-65
• 18, 24	Starter & Battery (Automatic) (Used From 1/2)	65-A	65-B-65-D
19	Automatic T/mission (Converter, Oil Pump & Piping)	66	67-69
• 19	Automatic T/mission (Case & Main Control) (Used Up to 1/2)	70	71-74
• 19	Automatic T/mission (Case & Main Control) (Used From 1/2)	74-A	74-B-74-E
19	Automatic T/mission (Clutch & Planetary Gear)	75	76-80

Group No.	Description	Fig. Page	Part No.
19	Automatic T/mission (Low, Reverse & Governor)	81	82-84
• 19	Automatic T/mission (Manual Linkage) (Used Up to $\frac{3}{4}$)	85	86-87
• 19	Automatic T/mission (Manual Linkage) (Used From $\frac{3}{4}$)	87-A	87-B-87-C
Chassis Parts			
25	Propeller Shaft	88	89-90
26	Rear Axle	91	92
26	Rear Brake	93	94-97
27	Driving	98	99-101
28	Rear Suspension	102	103-104
32	Steering System (Wheel & Gear)	105	106-110
32	Steering System (Rod)	111	112-113
33	Front Axle	114	115-117
34	Front Suspension	118	119-122
39	Engine & T/mission Bracket	123	124
40	EX Pipe & Silencer	125	126-127
• 13, 42	Fuel Tank & Piping	128	129-135-3
41	Accelerator Control System	136	137
41, 43	Clutch & Brake Pedal	138	139-141
41	Clutch Release & Master Cylinder (Manual)	142	143-144
43, 49	Tandem Master Cylinder & Vacuum Power Assist	145	146-147
44	Parking Brake System	148	149-150
43, 45	Brake Piping	151	152-153

INDEX

Group No.	Description	Fig. Page	Part No.
46	Change Controls (Automatic)	154	155-156
Body Parts			
50	Bumper & Grille	157	158-160
52	Bonnet	161	162-163
52	Trunk Lid	164	165-166
51-74	Body Panels (Front)	167	168-170
53-74	Body Panels (Side & Rear, Coupe)	171	172-174
53-74	Body Panels (Side & Rear, Sedan)	175	176-178
56	Body Panels (Floor)	179	180-182
55-68	Dashboard	183	184-189
55, 75	Meter	190	191
57	Seat	192	193-196
58, 59	Front Side Door (Glass)	197	198-201
58, 59	Front Side Door (Lock)	202	203-207
61	Car Heater	208	209-210
• 61, 76	Heater Unit & Control (Heater & Cooler)	210-A	210-B-210-E
61, 76	Blower (Heater)	211	212-214
61	Car Cooler	215	216-222
61, 76	Blower (Cooler)	223	224-226
61, 76	Compressor (Cooler)	227	228-230
61, 76	Cooling Unit	231	232-234
66, 89	Lamps (Front Side)	235	236-237

Group No.	Description	Fig. Page	Part No.
66 . 89	Lamps (Rear Side)	238	239-240
66 . 67	Electric Equipment (Body)	241	242-247
67 . 87	Windshield Wiper	248	249-251
67 . 87	Screen Washer	252	253
66	Auto Radio	254	255-256
55-70	Crush Pad, Console & Glove Box	257	258-263
68	Service Tools	264	265
69	Attachment	266	267-269
69	Trim & Top Ceiling	270	271-273
68 . 69	Trim & Floor Mat	274	275-276
70 . 71	Ventilator	277	278-281
70 . 71	Window Glass & Moulding (Coupe)	282	283-285
70 . 71	Window Glass & Moulding (Sedan)	286	287-289
70 . 71	Rear Side Window (Coupe)	290	291-294
72 . 73	Rear Side Door (Glass, Sedan)	295	296-298
72 . 73	Rear Side Door (Lock, Sedan)	299	300-303
09	Key Set	304	305
	INDEX		306-355



ROTOR HOUSING

10

No.	Part Number	Description	Q'ty	Remarks
1	1881 10 100	Housing, Rotor	2	
2	2328 10 105	Stud	4	
3	1817 10 120	Nozzle, Air	4	
4	88562 1200	Gasket	4	
5	88851 8822A	Stud	2	
6	8838 10 111B	Dowel, Tubular	4	
7	1757 10 171	Ring, Square	4	
8	8813 10 172	Ring, "O" - Outer	4	
9	8813 10 173	Ring, "O" - Tubular Dowel	8	
10	8813 10 174	Ring, "O" - Front Cover	1	
11	1757 10 200A	Housing, Front	1	
12	8838 10 203	Pin, Dowel	1	
13	2328 10 204	Dowel, Tubular	2	
14	8839 10 205	Plug, Blind	3	
15	1757 10 206	Plug, Blind	1	
16	1757 10 207	Plug, Blind	1	
17	88308 3000	Plug, Blind - Water	3	
18	88852 8860	Stud	2	

No.	Part Number	Description	Qty	Remarks
19	88852 0822A	Stud, IN, Manifold	2	
20	88852-0808A 1757-10-208	Stud, Water Pump	4	
21	88852 1018	Stud	1	
22	88859 1220A	Stud, Mounting	1	
23	88859 1225A	Stud	1	
24	0324 10 250	Cap, Oil Filler	1	
25	0324 10 252	Gasket	1	
26	1907 10 300A	Housing, Rear (Manual)	1	
	1908 10 300A	Housing, Rear (Automatic)	1	
27	0820 10 203	Pin, Knock - Gear	1	
28	0839 10 205	Plug, Blind	1	
29	1757 10 309	Pin, Tubular	2	
30	0839 10 320	Joint, Hose	1	
31	0860 18 501A	Switch, Oil Pressure	1	
32	1757 18 510	Gauge Unit, Heat	1	
33	98234 1200	Pin, Tubular - Starter (Automatic)	2	
34	98308 3900	Plug, Blind - Water	5	
35	99511 1200	Plug	1	

ROTOR HOUSING

10

No.	Part Number	Description	Q'ty	Remarks
36	99562 1200	Gasket, Plug	1	
37	99562 1800	Gasket, Hose Joint	1	
38	99564-0800	Gasket, Heat Gauge Unit	1	
39	99552 0822A	Stud, IN, Manifold & Oil Filter	4	
40	99552 0830A	Stud, Starter (Automatic)	2	
41	1757 10 305	Cover, Dust	1	(Manual)
42	99796 0810	Bolt, Dust Cover	2	
43	1757 10 351	Cover, Dust	1	(Manual)
44	99796 0818	Bolt, Dust Cover	2	
45	1015 10 451	Bolt, Tension	18	
	1015 10 452	Bolt, Tension	1	
46	9939 10 455	Washer, Seal	19	
47	1757 10 600	Cover, Front	1	
48	9920 10 695	Oil Seal	1	
49	9920 10 631B	Pin, Top Indicator	1	
50	9939 14 115	Plunger, Press	1	
51	9939 14 273A	Spring, Press Plunger	1	
52	9939 14 274	Plug, Press Plunger	1	

No.	Part Number	Description	Qty	Remarks
53	98307 0600	Plug, Blind	3	
54	98394 1200	Joint, Union	1	
55	98562 1600	Gasket, Union, Joint	1	
56	98951 0612A	Stud, Distributor	1	
57	98955 1020	Stud, Mounting	4	
58	99801 0840	Bolt, Front Cover	3	
	99952 0800	Washer, Plain	3	
	99971 0800	Washer, Spring	3	
59	99801 0885	Bolt, Front Cover	2	
	99952 0800	Washer, Plain	2	
	99971 0800	Washer, Spring	2	
60	99801 0875	Bolt, Front Cover	1	
	99952 0800	Washer, Plain	1	
	99971 0800	Washer, Spring	1	
61	1757 10 841	Gasket, Front Cover	1	
62	1907 10 700	Pan, Oil	1	
63	99511 1400	Plug, Drain	1	
64	98562 1400	Gasket	1	

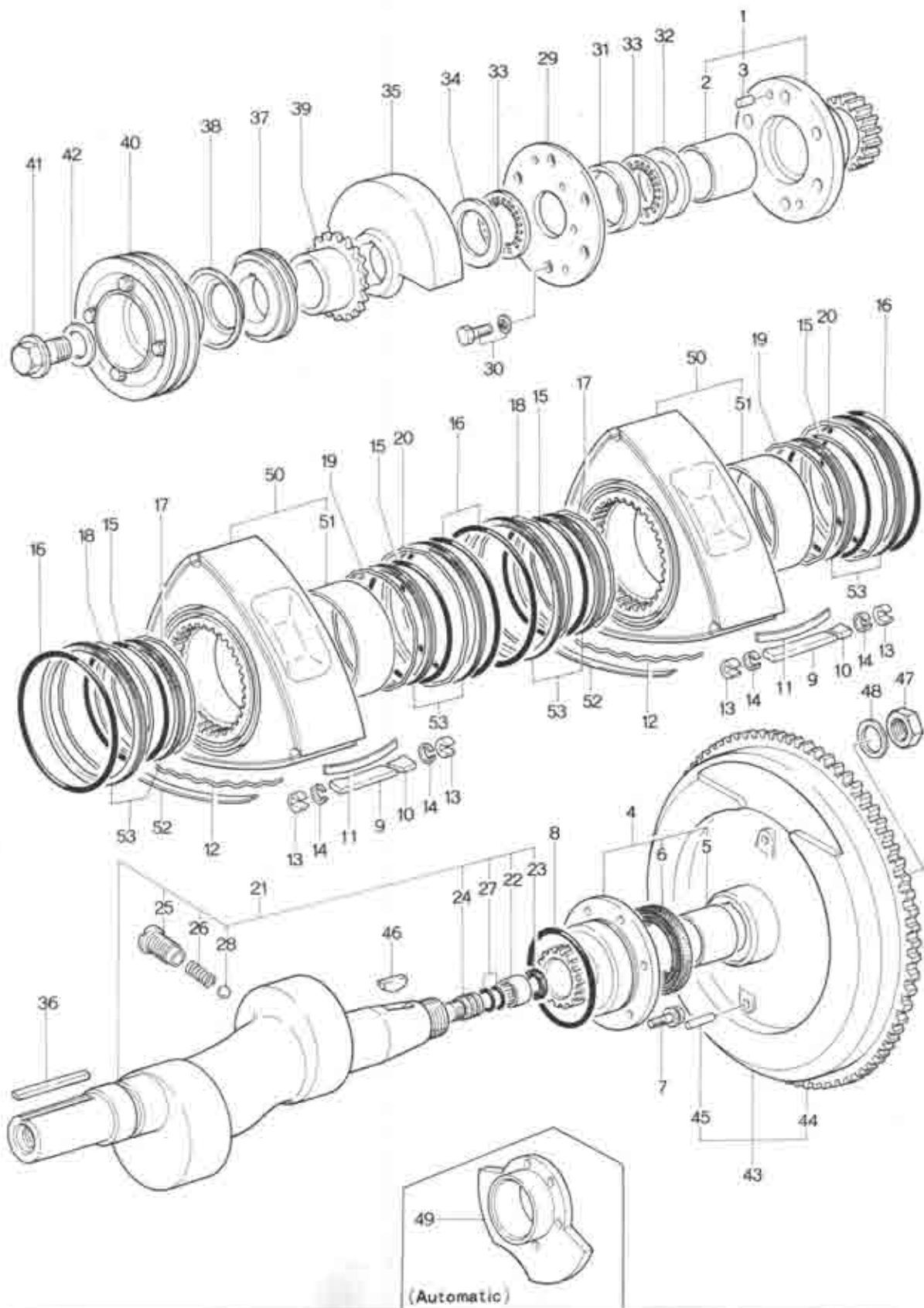
ROTOR HOUSING

10

No.	Part Number	Description	Q'ty	Remarks
65	0839 10 711	Gasket, Oil Pan	1	
66	0839 10 721	Plate, Seat-Oil Pan	2	
67	0839 10 722	Plate, Seat-Oil Pan	2	
68	0839 10 723	Plate, Seat-Oil Pan	2	
69	99808 0816	Bolt, Oil Pan	22	
	99971 0800	Washer, Spring	22	
70	0839 10 830	Gauge, Oil Level	1	
71	1757 10 845	Bolt, Rear Housing+Engine Hanger	1	
	99971 1000	Washer, Spring	1	
72	1757 10 861	Hanger, Engine	1	
73	99801 0818	Bolt, Engine Hanger	1	
	99971 0800	Washer, Spring	1	
74	1757 10 882	Hanger, Engine	1	
75	1863 18 920	Senser, Thermo	1	
76	2328 18 921	Gasket, Thermo Senser	2	
77	2328 18 922	Insulator, Thermo Senser (Included in Fig. No. 82)	1	
78	2328 18 923	Cover, Thermo Senser	1	
79	2328 18 924	Washer, Insulator	2	
80	99801 0825	Bolt, Thermo Senser	2	
	99852 0800	Washer, Plain	2	

No.	Part Number	Description	Qty	Remarks
	98971 0800	Washer, Spring	2	
81	0866 23 025	Protector, "O" Ring	4	
82	1883 23 080	Housing, Intermediate (Fig No. 77 Included)	1	
83	2328 10 417	Joint, Pipe	1	
84	98395 2800	Plug, Expansion	1	
85	99510 1000	Plug	1	
	98564 1000	Gasket	1	
86	0864 61 061A	Cover, Without Heater	1	
87	99282 2800	Clamp, Hose-Cover	1	
	1757 23 040	"O" Ring Set	1	
	1757 98 100	Engine Gasket Set	1	
		All gaskets and all "O" rings relative to Engine included		
	1907 23 200	Short Engine (Manual)	1	
	1908 23 200	Short Engine (Automatic)	1	





(Automatic)

No.	Part Number	Description	Q'ty	Remarks
1	0838 10 5008	Gear (Fr.), Stationary	1	
2	0820 10 5028	Bearing, Main	1	
3	0838 10 504	Pin, Knock	1	
4	1888 10 550	Gear (Rr.), Stationary	1	
5	0820 10 5028	Bearing, Main	1	
6	1888 10 558	Oil Seal	1	
7	89801 0818	Bolt, Stationary Gear	6	
	89971 0800	Washer, Spring	6	
8	0813 10 555	Ring, "O" - Stationary Gear	1	
9	1011 11 3018 1531 301A	Seal, Apex	6	
10	1011 11 3028	Piece, Side	6	
11	1011 11 304A	Spring, Apex Seal	6	
12	0820 11 317	Spring, Side Seal	12	
13	1011 11 321	Seal, Corner	12	
	1811 23 175	Seal, Corner (O.S. 0.2)	12	
	1011 23 178	Seal, Corner (O.S. 0.03)	12	
14	0839 11 323A	Spring, Corner Seal	12	
15	0820 11 341	Ring, "O" - Inner	4	

No.	Part Number	Description	Q'ty	Remarks
16	0820 11 343	Ring, "O" - Outer	4	
17	1011 11 351	Spring, Oil Seal Inner (Frt.)	2	
18	1011 11 353	Spring, Oil Seal Outer (Frt.)	2	
19	1011 11 381	Spring, Oil Seal Inner (Rr.)	2	
20	1011 11 383	Spring, Oil Seal Outer (Rr.)	2	
21	1881 11 400	Shaft, Eccentric (Manual)	1	
	1883 11 400	Shaft, Eccentric (Automatic)	1	
22	1881 11 403	Bearing, Needle (Manual)	1	
23	1881 11 404	Oil Seal	2	
24	0813 11 405	Plug, Blind	1	
25	0839 11 411A	Plug, Oil Jet	2	
26	0838 11 412	Spring	2	
27	99541 01101	Ring, "O"	2	
28	99611 2000	Ball, Steel	2	
29	1011 11 501	Plate	1	
30	99901 0822	Bolt, Plate & Stationary Gear	6	
	99971 0800	Washer, Spring	6	
31	0838 11 502	Spacer (L=8.02)	1	

No.	Part Number	Description	Qty	Remarks
	0839 11 506	Spacer (L=8.08)		
		Selective use	1	
	0839 11 508	Spacer (L=8.04)		
	0839 11 509	Spacer (L=8.00)		
32	1011 11 504	Plate, Thrust	1	
33	0813 11 505B	Bearing, Needle	2	
34	1011 11 507	Washer, Thrust	1	
35	1881 11 511	Weight, Balance	1	
36	1757 11 512	Key	1	
37	0839 11 531	Gear, Drive-Distributor	1	
38	1757 11 541	Plate, Oil Baffle	1	
39	1757 11 551	Gear, Drive-Oil Pump	1	
40	1757 11 600	Pulley	1	
41	0820 11 6118	Bolt, Pulley	1	
42	99564 2800	Gasket, Bolt	1	
43	1881 11 700	Wheel, Fly	1	
44	0886 11 702	Gear, Ring (Manual)	1	
45	0820 11 703	Pin	1	
46	0820 11 705	Key, Fly Wheel	1	

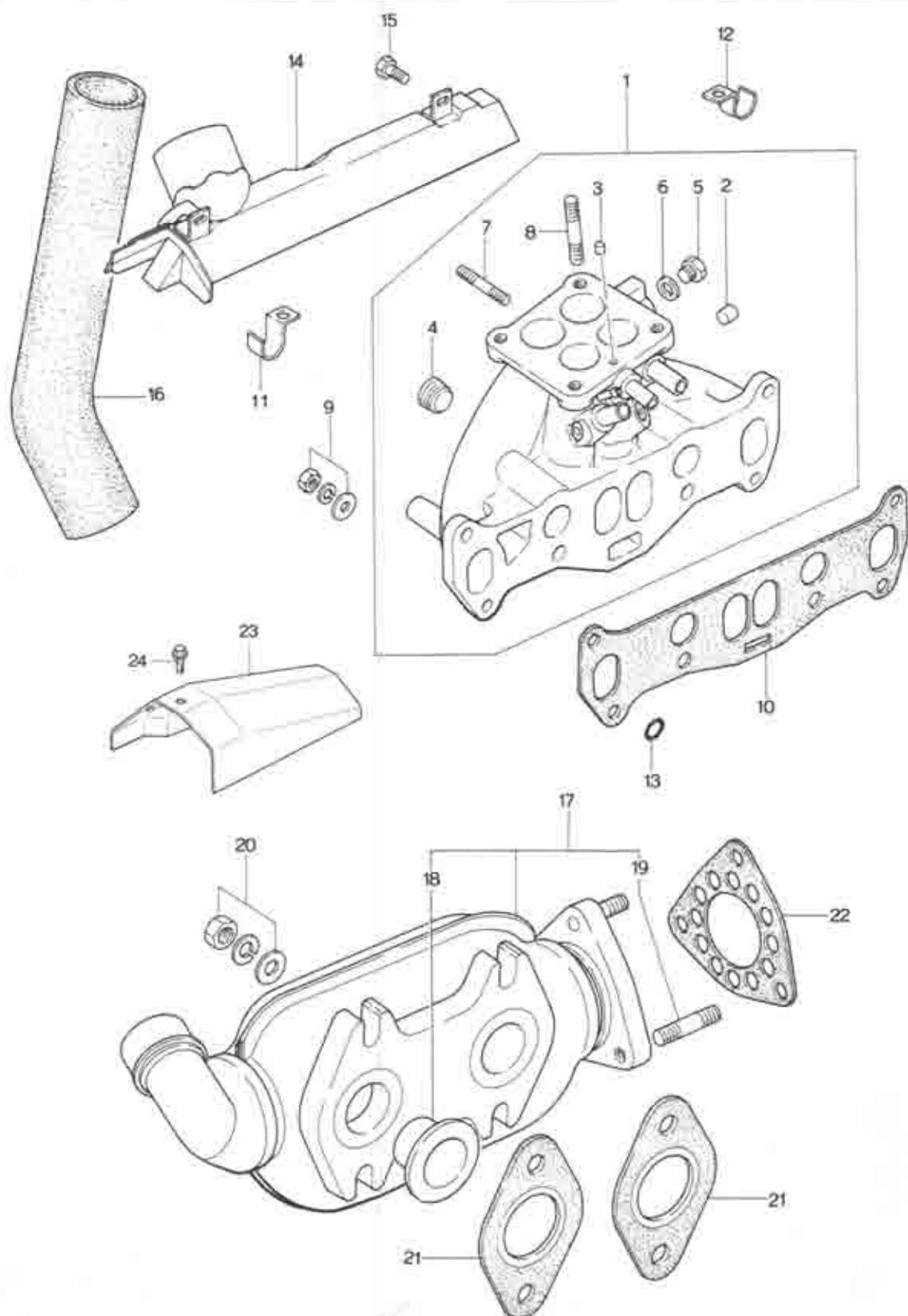
10

11

ROTOR

No.	Part Number	Description	Qty	Remarks
47	0810 11 711	Nut, Lock	1	
48	0820 11 712	Washer, Lock	1	
49	1883 11 750	Weight, Control (Automatic)	1	
50	1011 23 1038	Rotor "C"	2	
51	1011 11 111	Bearing, Rotor	2	
52	1011 23 151A	Seal, Side	12	
53	1011 23 180	Oil Seal Set	4	Order Under No. 0820 23 180C



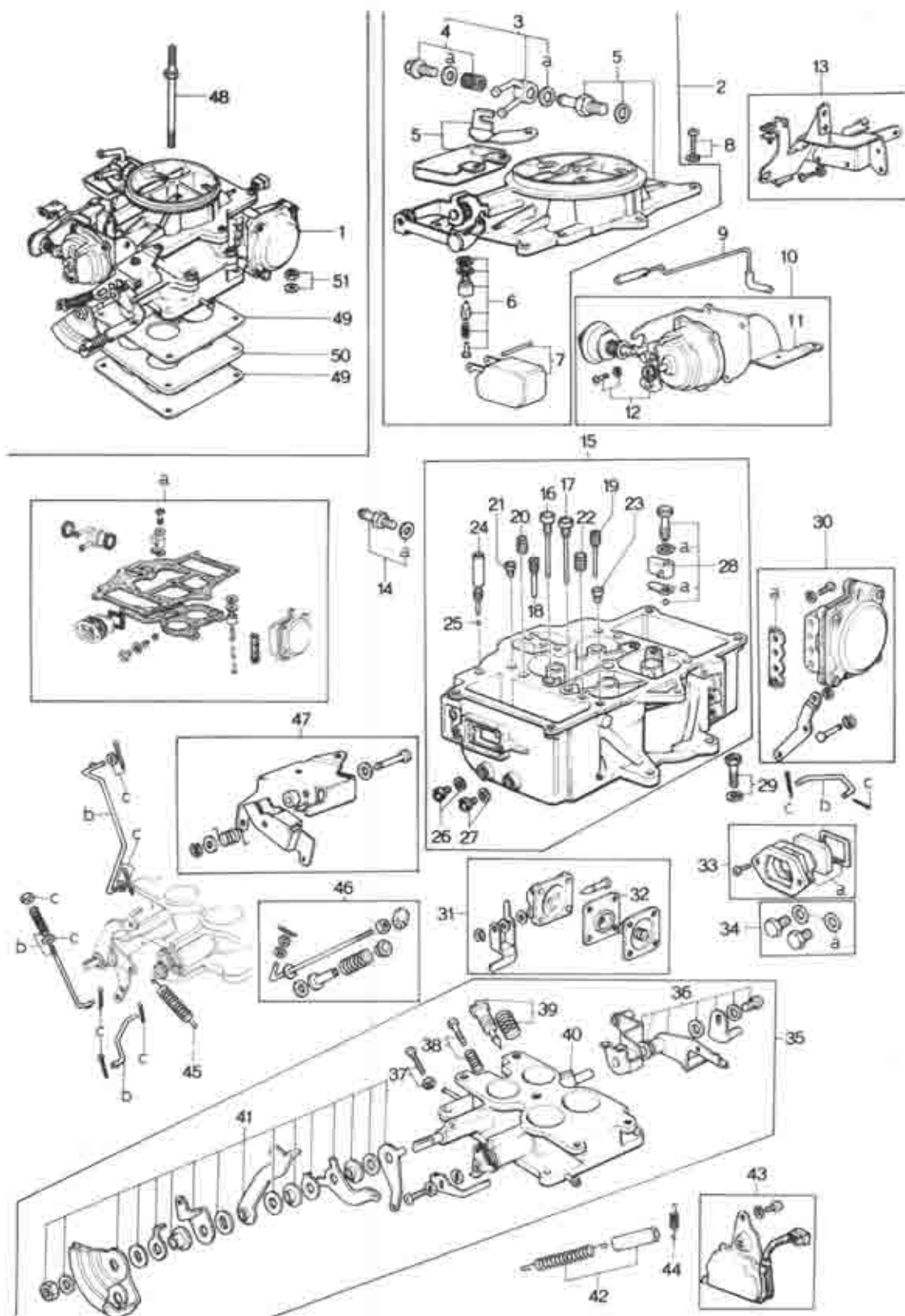


IN. MANIFOLD & THERMAL REACTOR

13

No.	Part Number	Description	Q'ty	Remarks
1	1881 13 100	Manifold, IN	1	
2	99307 0800	Plug, Blind	1	
3	99307 1200	Plug, Blind	1	
4	99503 3000	Plug	3	
5	99511 1000	Plug	1	
6	99564 1000	Gasket	1	
7	99851 0622 A	Stud	3	
8	99851 0828 A	Stud	4	
9	99901 0800	Nut, IN. Manifold	6	
	99953 0800	Washer, Plain	6	
	99971 0800	Washer, Spring	6	
10	1881 13 111	Gasket, IN. Manifold	1	
11	1757 13 251	Clip, Valve Wiring	2	
●	1757 13 251 A	Clip, Valve Wiring	2	$\frac{3}{8}$ - X
12	1883 13 255	Clip, Air Hose (Automatic)	2	
●	1883 13 255 A	Clip, Air Hose (Automatic)	2	$\frac{3}{8}$ - X $\frac{3}{4}$ - Discarded
●	13 99541 02401	Ring, "O" - IN. Manifold	2	
14	1881 13 330	Duct, Hot Air	1	
●	1881 13 330 A	Duct, Hot Air	1	From Car No. 1
●	1881 13 330 B	Duct, Hot Air	1	$\frac{3}{8}$ - X
15	99796 0812	Bolt, Hot Air Duct	2	
16	0866 13 341 B	Hose, Hot Air	1	
●	1052 13 341 A	Hose, Hot Air	1	$\frac{3}{8}$ - X

No.	Part Number	Description	Qty	Remarks
17	1881 13 800	Reactor, Thermal	1	
● 18	2090 13 742A	Insert	1	☆
19	2329 13 876	Stud	3	
20	2158 40 355	Nut, Thermal Reactor	4	
	0839 13 614	Washer, Plain	4	
	2329 13 882	Washer, Spring	4	
21	1757 13 889	Gasket, Thermal Reactor	2	
22	1757 13 891	Gasket, Thermal Reactor	1	
● 23	1757 13 371	Insulator, Heat	1	From Car No. 1
●	1757 13 371A	Insulator, Heat	1	$\frac{3}{8}$ - ○
●	1757 13 371B	Insulator, Heat	1	$\frac{1}{2}$ - X
● 24	99786 0612	Bolt, Heat Insulator	2	From Car No. 1
●	99952 0618	Washer, Plain	2	From Car No. 1



CARBURETTOR

13
23

No.	Part Number	Description	Q'ty	Remarks
1	1881 13 200	Carburettor	1	
		(Manual)		
	1881 13 200A	Carburettor	1	※~×
		(Automatic)		
	1883 13 200	Carburettor	1	
		(Automatic)		
	1883 13 200A	Carburettor	1	※~×
2	1881 23 310	Horn Set, Air (Manual) (Fig. No. 3-7 included)	1	
	1883 23 310	Horn Set, Air (Automatic) (Fig. No. 3-7 included)	1	
3	1881 23 319	Connector, Fuel Return	1	
4	1663 23 409	Strainer Set	1	
5	1881 23 520	Horn Sub Set, Air (Manual)	1	
	1883 23 520	Horn Sub Set, Air (Automatic)	1	
6	1663 23 390	Seat Set, Float Valve	1	
7	1663 23 326B	Float Set	1	
8	0750 23 652	Screw Set, Air Horn	1	
9	1027 23 509	Pipe, Vacuum	1	
10	1881 23 500	Semi Auto Choke Set (Manual) (Fig. No. 11,12 included)	1	
	1883 23 500	Semi Auto Choke Set (Automatic) (Fig. No. 11,12 included)	1	
11	1881 23 501	Holder Set, Bimetal (Manual)	1	
	1883 23 501	Holder Set, Bimetal (Automatic)	1	
12	1881 23 502	Case Set, Bimetal	1	
13	1881 23 370	Bracket Set	1	

CARBURETTOR

No.	Part Number	Description	Q'ty	Remarks
14	1570 23 507	Valve Set, Check	1	
15	1881 23 320	Body Set (Manual) (Fig. No. 16-28 included)	1	
	1883 23 320	Body Set (Automatic) (Fig. No. 16-28 included)	1	
16	1669 23 423A	Jet, Main Air Bleed- 1st	2	
17	1669 23 424A	Jet, Main Air Bleed- 2nd	2	
18	1881 23 431	Jet, Slow (Manual)	2	
	1883 23 431	Jet, Slow (Automatic)	2	
19	1881 23 432	Jet, Step (Manual)	2	
	1883 23 432	Jet, Step (Automatic)	2	
20	1881 23 427	Jet, Slow Air Bleed- 1st (Manual)	2	
	1883 23 427	Jet, Slow Air Bleed- 1st (Automatic)	2	
21	1881 23 433	Jet, Slow Air Bleed- 2nd	2	
22	2090 23 428	Jet, Step Air Bleed- 1st	2	
23	1881 23 434	Jet, Step Air Bleed- 2nd (Manual)	2	
	1883 23 434	Jet, Step Air Bleed- 2nd (Automatic)	2	
24	0823 23 338	Plug, Inlet Check Valve	1	
25	0107 13 781	Ball, Steel	1	
26	0222 23 353B	Jet, Main- 1st (Manual)	2	
	1881 23 421	Jet, Main- 1st (Automatic)	2	
27	0603 23 355B	Jet, Main- 2nd (Manual)	2	

CARBURETTOR

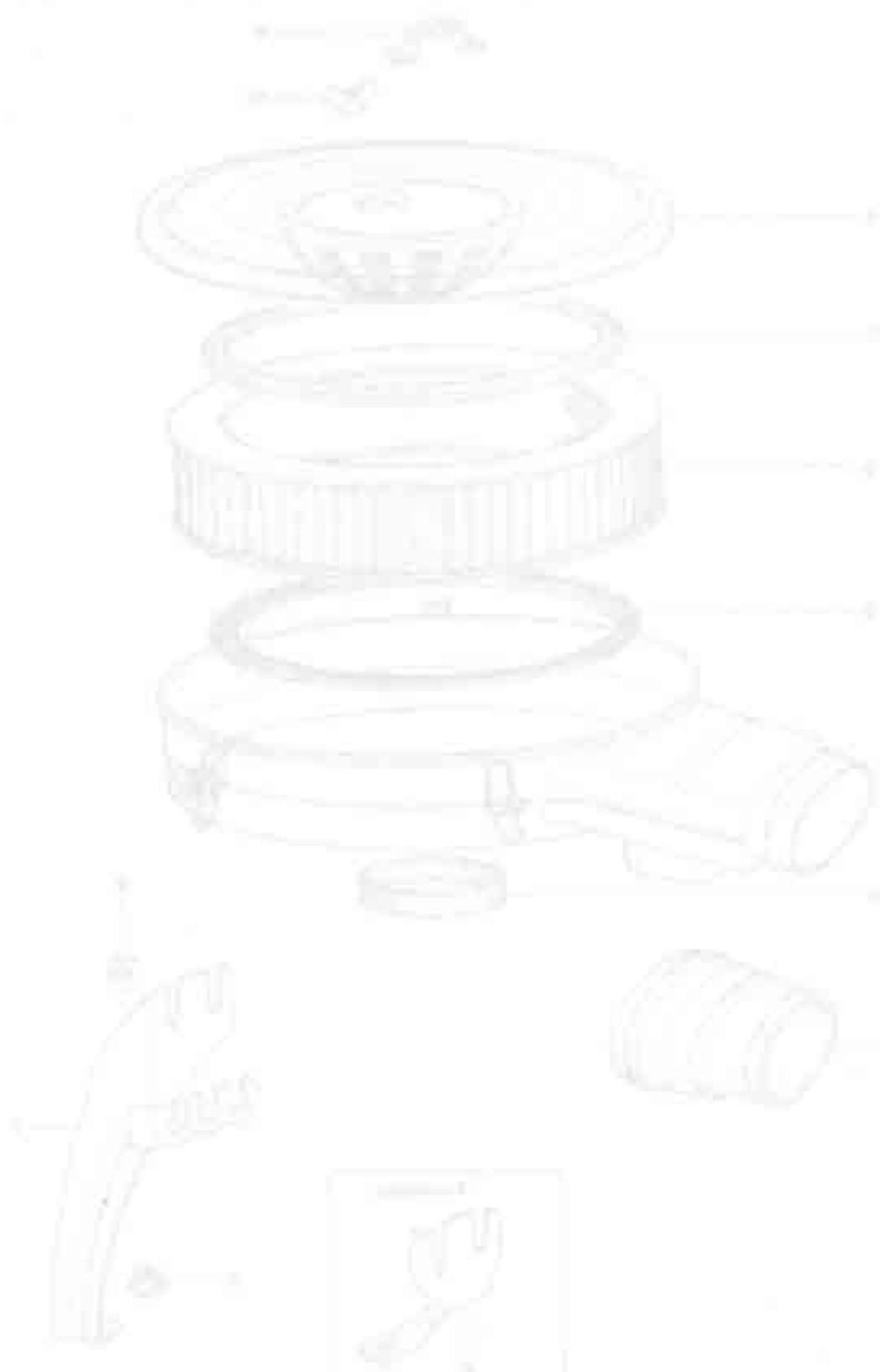
13

23

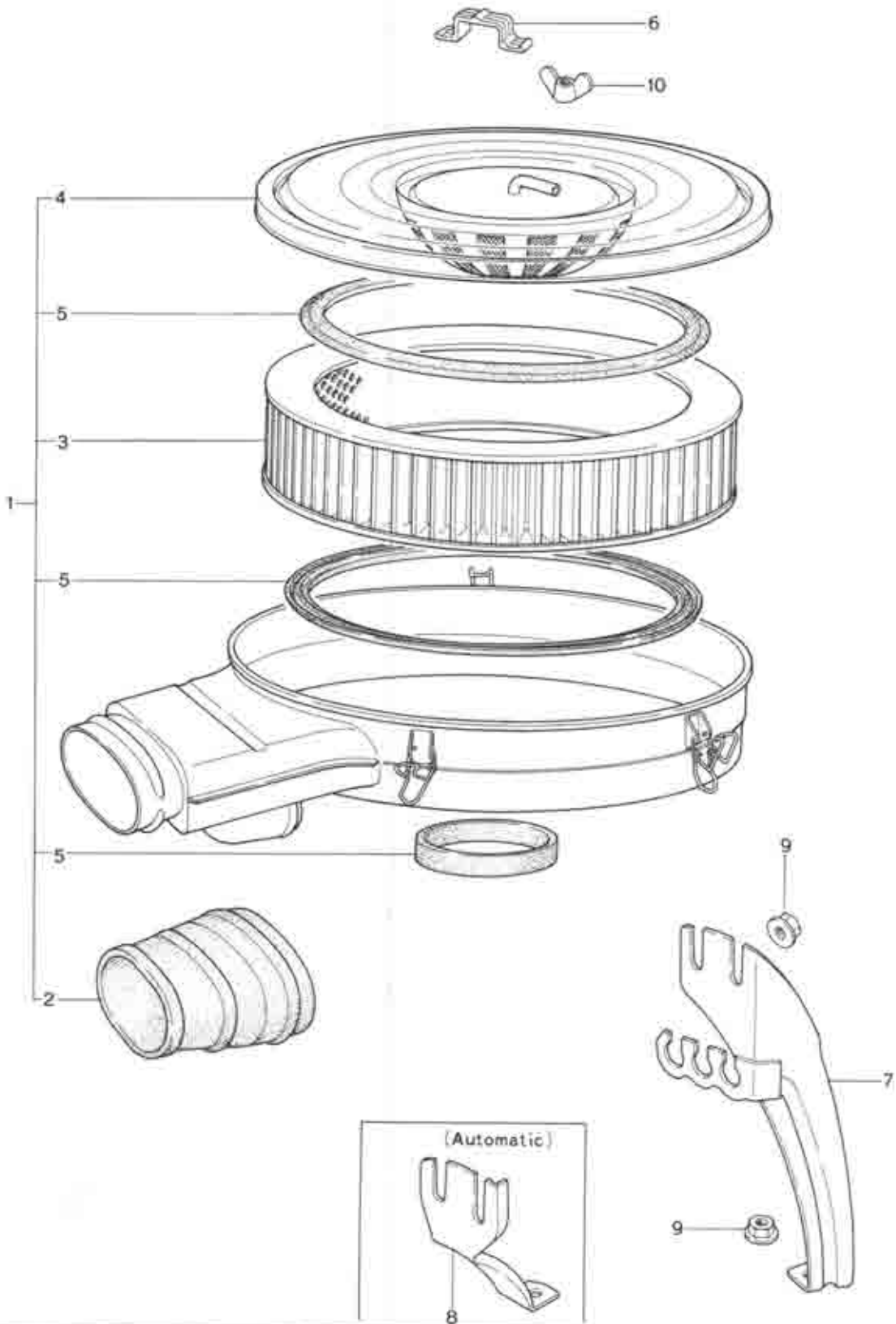
No.	Part Number	Description	Q'ty	Remarks
	0453 23 402	Jet, Main- 2nd (Automatic)	2	
28	1881 23 490	Nozzle Set, Accel.	1	
29	0839 23 484A	Bolt, Flange Set	4	
30	1881 23 350	Chamber Set, Diaphragm	1	
31	1663 23 360C	Pump Set, Accel. (Fig. No. 32 included)	1	
32	1663 23 361A	Diaphragm, Accel. Pump	1	
33	1663 23 340A	Cover Set, Level Gauge	1	
34	1668 23 354	Plug Set, Main Passage	1	
35	1881 23 330	Flange Set (Manual) (Fig. No. 36-41 included)	1	
	1883 23 330	Flange Set (Automatic) (Fig. No. 36-41 included)	1	
36	1881 23 420	Lever Set, Front	1	
37	1668 23 440	Screw Set, Throttle Lever Adjust	1	
38	1668 23 460	Screw Set, Idle Adjust	1	
39	1668 23 470	Screw Set, Air Adjust	1	
40	1881 23 410	Flange Sub Set (Manual)	1	
	1883 23 410	Flange Sub Set (Automatic)	1	
41	1881 23 430	Lever Set, Rear (Manual)	1	
	1883 23 430	Lever Set, Rear (Automatic)	1	
42	1881 23 380	Spring Set, Throttle Return	1	
43	1668 23 450	Switch Set, Idle	1	

CARBURETTOR

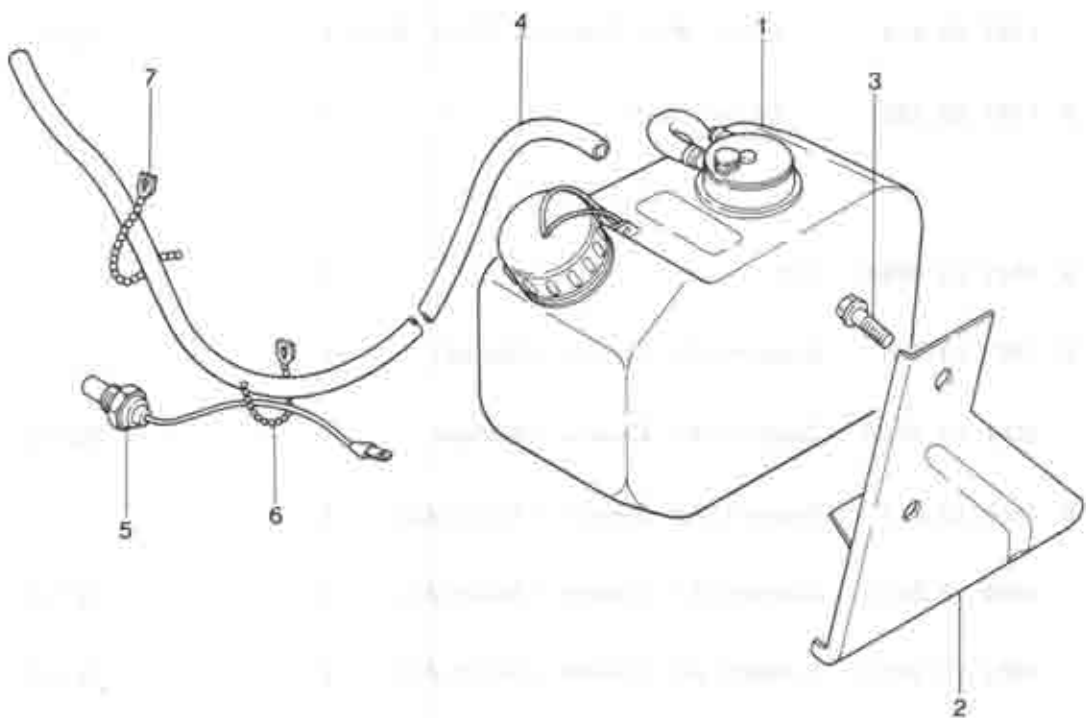
No.	Part Number	Description	Qty	Remarks
44	1663 23 455	Spring, Idle Switch Lever	1	
45	1668 23 439	Spring, Choke Sub Return (Manual)	1	
	1121 23 439	Spring, Choke Sub Return (Automatic)	1	
46	1881 23 371	Holder Set, Return (Fig No: 47 included)	1	
47	1881 23 372	Holder Set, Sub Return	1	
a	1668 23 510	Gasket Set	1	
b	1881 23 480	Rod & Link Set (Manual)	1	
	1883 23 480	Rod & Link Set (Automatic)	1	
c	1668 23 530	Pin & Washer Set	1	
48	0839 13 201	Bolt, Cleaner Set	1	
49	0823 13 221A	Gasket, Carburettor	2	
50	0823 13 222A	Insulator, Carburettor	1	
51	99901 0800	Nut, Carburettor	4	
	99971 0800	Washer, Spring	4	
	1881 23 540	Repair Kit, Carburettor (Manual)	1	
	1883 23 540	Repair Kit, Carburettor (Automatic)	1	
	1881 23 540	Repair Kit, Carburettor (Automatic)	1	3/4-0



AIR CLEANER



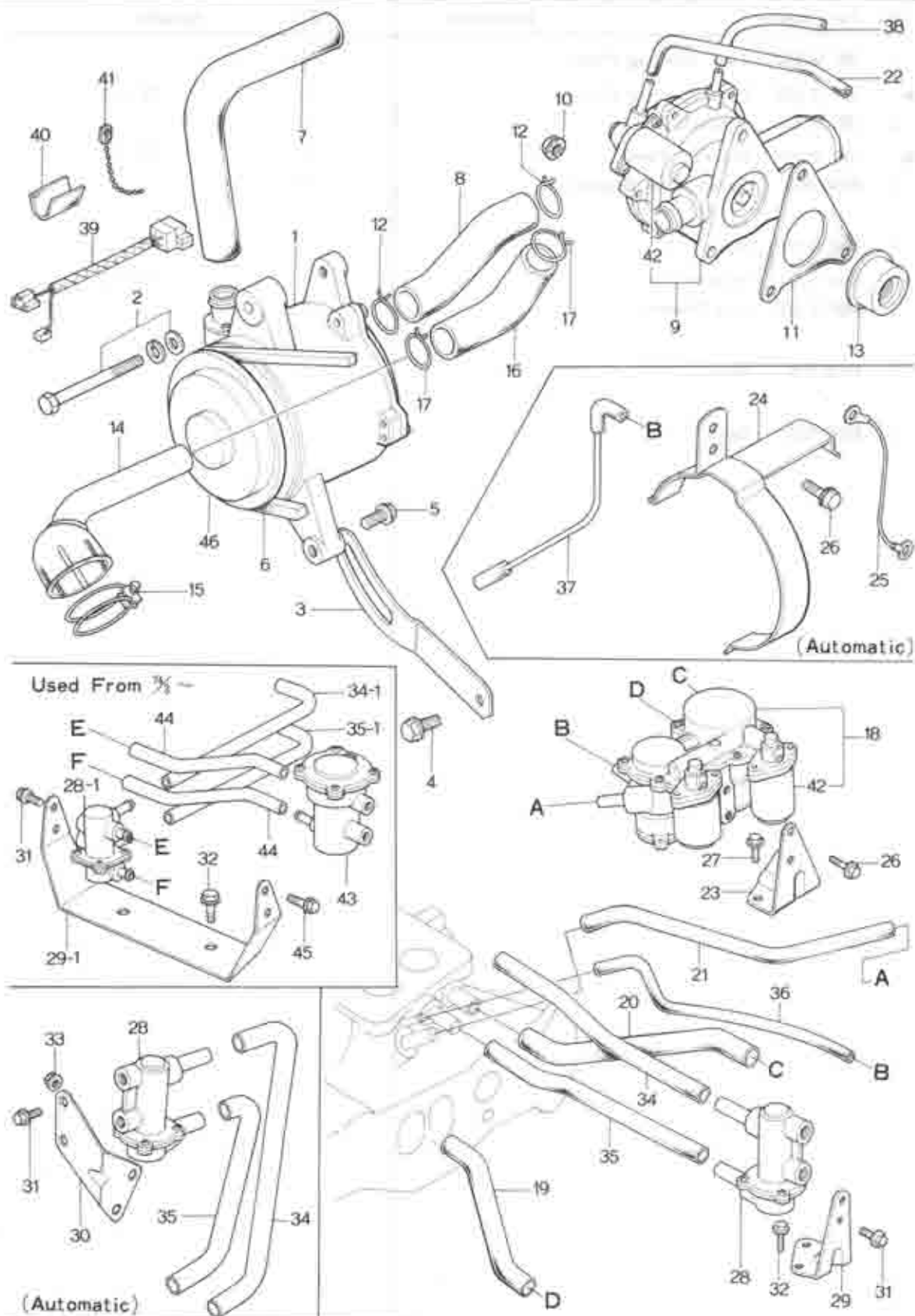
No.	Part Number	Description	Q'ty	Remarks
1	1881 13 300	Cleaner, Air	1	
●	1881 13 300A	Cleaner, Air	1	From Car No. 1
●	1881 13 300B	Cleaner, Air	1	3/8-X
2	1881 13 351	Hose, Air	1	
3	1757 23 672	Element	1	
4	1113 23 673	Cover, With Charcoal Filter (BLU)	1	
●	1757 23 673	Cover, With Charcoal Filter (BLU)	1	3/8-O
5	1757 23 680	Gasket Set	1	
6	1617 13 305A	Clip	1	
7	1907 13 310	Support, Air Cleaner (Manual)	1	
●	1881 13 311A	Support, Air Cleaner (Manual)	1	3/8-Δ
8	1908 13 311	Support, Air Cleaner (Automatic)	1	
●	1883 13 311A	Support, Air Cleaner (Automatic)	1	3/8-Δ
●	1881 13 311A	Support, Air Cleaner (Automatic)	1	3/8-X
9	99940 0802	Nut, Air Cleaner	(Manual) 2 (Automatic) 3	
10	99941 0801	Nut, Wing-Air Cleaner	1	



STARTING ASSIST SYSTEM

13

No.	Part Number	Description	Q'ty	Remarks
1	1881 13 510A	Tank, Starting Fluid	1	
●	1881 13 510E	Tank, Starting Fluid	1	$\frac{1}{8}$ - \odot
2	1881 13 515	Bracket, Tank	1	
●	1881 13 515A	Bracket, Tank	1	$\frac{1}{8}$ - \odot
3	88788 0812	Screw, Tank Bracket	2	
4	1868 13 527	Hose	1	
●	1854 13 527	Hose	1	$\frac{1}{8}$ - \odot
5	1888 13 531A	Unit, Thermo	1	
6	88709 0108	Band	1	
7	88709 0225	Band	1	



EMISSION CONTROL SYSTEM

13

No.	Part Number	Description	Qty	Remarks
1	1757 13 710	Pump, Air (Fig. No. 46 included)	1	
2	99803 08100	Bolt, Air Pump	1	
	99951 0818	Washer, Plain	1	
●	99952 0800	Washer, Plain	1	$\frac{3}{8}$ - \odot
	99971 0800	Washer, Spring	1	
3	1757 13 714	Strap, Air Pump	1	
4	99796 0814	Bolt, Strap	1	
5	99801 0822	Bolt, Strap	1	
●	99796 0820	Bolt, Strap	1	$\frac{3}{8}$ - \odot
	99952 0800	Washer, Plain	1	
●	99952 0818	Washer, Plain	1	$\frac{3}{8}$ - \odot
●	99971 0800	Washer, Spring	1	$\frac{3}{8}$ - Discarded
6	1757 13 715	Belt, "V" - Air Pump	1	
7	1757 13 717	Hose, Air - Air Pump - Air Cleaner	1	
8	1757 13 718	Hose, Air - A.C. Valve - Air Pump	1	
9	1757 13 720	Valve, Air Control (Manual) (Fig. No. 42 included)	1	
●	1881 13 720	Valve, Air Control (Manual) (Fig. No. 42 included)	1	$\frac{3}{8}$ - Δ
	1758 13 720	Valve, Air Control (Automatic) (Fig. No. 42 included)	1	
●	1883 13 720	Valve, Air Control (Automatic) (Fig. No. 42 included)	1	$\frac{3}{8}$ - Δ
10	99906 0600	Nut, Air Control Valve	3	

No.	Part Number	Description	Qty	Remarks
●	99940 0601	Nut, Air Control Valve	3	$\frac{3}{8}$ - O
●	99953 0600	Washer, Plain	3	$\frac{3}{8}$ - Discarded
●	99971 0600	Washer, Spring	3	$\frac{3}{8}$ - Discarded
11	1757 13 724	Gasket, Air Control Valve	1	
12	2329 13 726	Clip, Air Hose	2	
13	1758 13 730	Valve, Check	1	
●	1881 13 730	Valve, Check	1	$\frac{3}{8}$ - O
14	1757 13 740	Pipe, Air-Reactor Side	1	
15	99282 4309	Band, Hose-Air Pipe	1	
16	1757 13 744	Hose, Air-Reactor~A.C. Valve	1	
17	2090 13 746	Clip, Air Hose	2	
18	1757 13 750	Valve, Deceleration Control (Fig No. 42 included)	1	
19	1757 13 752	Hose, Air-D.C. Valve~Air Cleaner (Manual)	1	
	1883 13 752	Hose, Air-D.C. Valve~Air Cleaner (Automatic)	1	
●	1757 13 752	Hose, Air-D.C. Valve~Air Cleaner (Automatic)	1	$\frac{3}{8}$ - X
20	1757 13 753	Hose, Air-D.C. Valve~IN. Manifold (Manual)	1	
	1883 13 753	Hose, Air-D.C. Valve~IN. Manifold (Automatic)	1	
●	1883 13 753 A	Hose, Air-D.C. Valve~IN. Manifold (Automatic)	1	$\frac{3}{8}$ - X
●	1757 13 753	Hose, Air-D.C. Valve~IN. Manifold (Automatic)	1	$\frac{3}{8}$ - X
21	1757 13 754	Hose, Air-D.C. Valve~IN. Manifold (Manual)	1	

EMISSION CONTROL SYSTEM

13

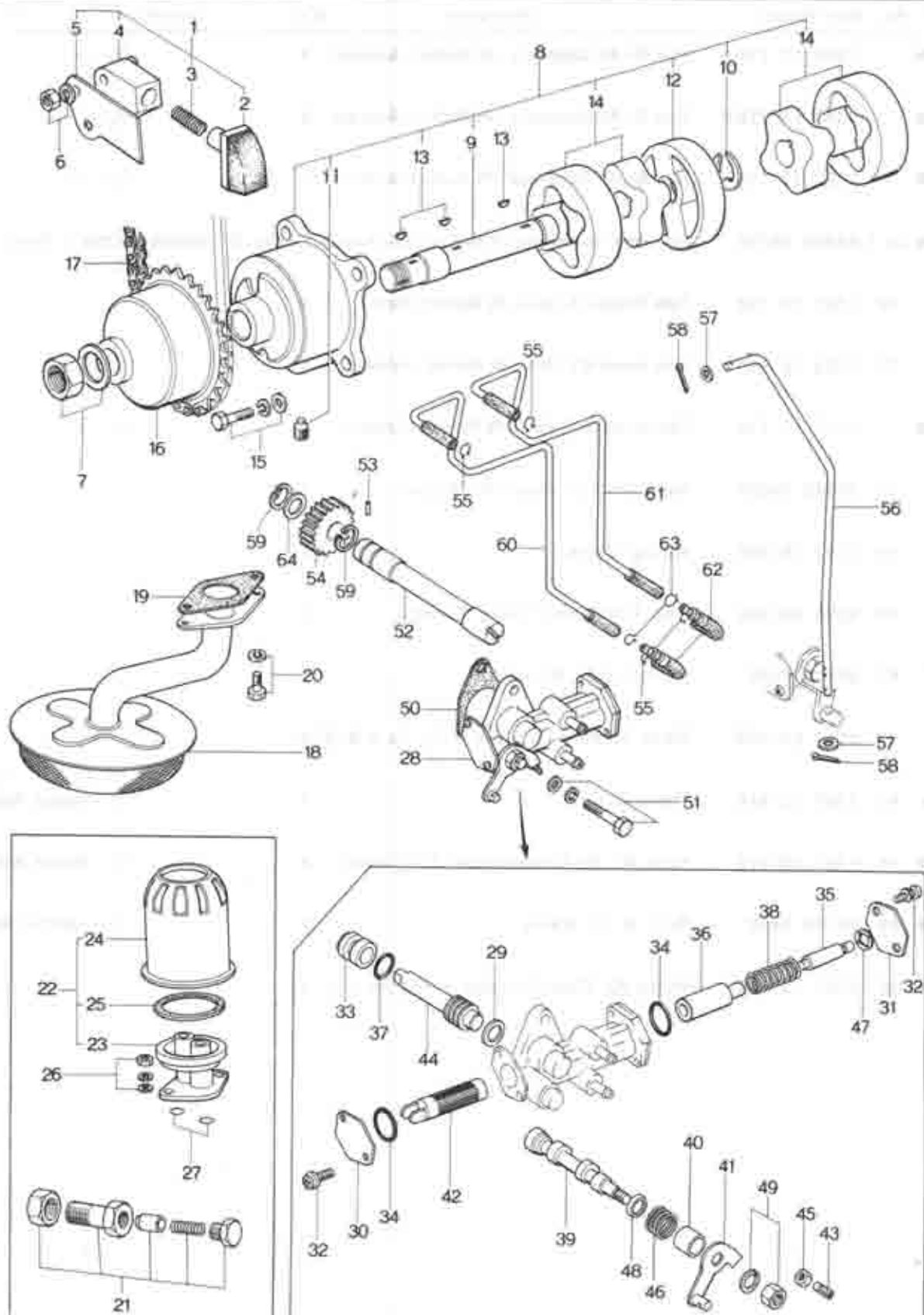
No.	Part Number	Description	Qty	Remarks
●	1757 13 754 A	Hose, Air-D.C. Valve-IN Manifold (Manual)	1	From Car No. 1
●	1757 13 754 B	Hose, Air-D.C. Valve-IN Manifold (Manual)	1	$\frac{3}{8}$ ~△
	1883 13 754	Hose, Air-D.C. Valve-IN Manifold (Automatic)	1	
●	1883 13 754 B	Hose, Air-D.C. Valve-IN Manifold (Automatic)	1	From Car No. 1
●	1757 13 754 A	Hose, Air-D.C. Valve-IN Manifold (Automatic)	1	$\frac{3}{8}$ ~X
●	1757 13 754 B	Hose, Air-D.C. Valve-IN Manifold (Automatic)	1	$\frac{3}{8}$ ~△
	22 2329 13 754 A	Tube, Balance-A.C. Valve-Carburettor	1	
	23 1757 13 757	Supporter, D.C. Valve (Manual)	1	
	24 1883 13 930	Supporter, D.C. Valve (Automatic)	1	
●	1883 13 930 B	Supporter, D.C. Valve (Automatic)	1	$\frac{3}{8}$ ~X
●	1883 13 930 C	Supporter, D.C. Valve (Automatic)	1	$\frac{3}{8}$ ~○
●	1757 13 757	Supporter, D.C. Valve (Automatic)	1	$\frac{3}{8}$ ~X
●	25 1883 13 936	Wire, Earth-D.C. Valve Supporter (Automatic)	1	$\frac{3}{8}$ ~Discarded
	26 99796 0610	Bolt, Supporter + D.C. Valve	2	
●	27 99796 0812	Bolt, D.C. Valve Supporter (Manual)	2	
	28 1757 13 770	Compensator, Altitude	1	
●	1757 13 770 A	Compensator, Altitude	1	From Car No. 1
28-1	1757 13 770 B	Compensator, Altitude	1	$\frac{3}{8}$ ~○
	29 1757 13 772	Bracket, Alt. Compensator (Manual)	1	
●	1757 13 772 A	Bracket, Alt. Compensator (Manual)	1	From Car No. 1

No.	Part Number	Description	Q'ty	Remarks
● 29-1	1757 13 772 B	Bracket, Alt. Compensator (Manual)	1	$\frac{3}{4}$ →X
	30 1883 13 772	Bracket, Alt. Compensator (Automatic)	1	
●	1883 13 772 B	Bracket, Alt. Compensator (Automatic)	1	$\frac{3}{4}$ →△
● 29-1	1757 13 772 B	Bracket, Alt. Compensator (Automatic)	1	$\frac{3}{4}$ →X
	31 99796 0610	Bolt, Alt. Compensator	2	
	32 99786 0812	Bolt, Alt. Compensator (Manual)	2	
	33 99940 0800	Nut, Alt. Compensator (Automatic)	2	
●	99786 0812	Bolt, Alt. Compensator (Automatic)	2	$\frac{3}{4}$ →X
	34 1883 13 775	Hose, Air-Alt. Compensator~Carburettor (Automatic)	1	
●	1883 13 775 A	Hose, Air-Alt. Compensator~Carburettor (Automatic)	1	$\frac{3}{4}$ →○
●	1757 13 775	Hose, Air-Alt. Compensator~Carburettor (Automatic)	1	$\frac{3}{4}$ →X
● 34-1	99346 08190	Hose, Air-Alt. Compensator~Carburettor (190%) (Automatic)	1	$\frac{3}{4}$ →△
	34 99340 06190	Hose, Air-Alt. Compensator~Carburettor (190%) (Manual)	1	Ord. By 99344 06150 (15m)
●	99340 06200	Hose, Air-Alt. Compensator~Carburettor (200%) (Manual)	1	From Car No. 1 Ord. By 99344 06150 (15m)
●	1757 13 775	Hose, Air-Alt. Compensator~Carburettor (Manual)	1	$\frac{3}{4}$ →△
●	99346 08200	Hose, Air-Alt. Compensator~Carburettor (200%) (Manual)	1	Ord. By 99349 08750 (1.75m) $\frac{3}{4}$ →△
● 34-1	99346 08190	Hose, Air-Alt. Compensator~Carburettor (190%) (Manual)	1	Ord. By 99349 08750 (1.75m) $\frac{3}{4}$ →○
	35 1757 13 776	Hose, Air-Alt. Compensator~IN. Manifold (Manual)	1	
● 35-1	99346 08190	Hose, Air-Alt. Compensator~IN. Manifold (190%) (Manual)	1	Ord. By 99349 08750 (1.75m) $\frac{3}{4}$ →△
	35 1883 13 776	Hose, Air-Alt. Compensator~IN. Manifold (Automatic)	1	

EMISSION CONTROL SYSTEM

13

No.	Part Number	Description	Q'ty	Remarks
●	1883 13 776 A	Hose, Air-Alt. Compensator-IN Manifold (Automatic)	1	$\frac{3}{8}$ "-X
●	1883 13 776 B	Hose, Air-Alt. Compensator-IN Manifold (Automatic)	1	$\frac{3}{8}$ "-O
●	1757 13 776	Hose, Air-Alt. Compensator-IN Manifold (Automatic)	1	$\frac{3}{8}$ "-X
●	35-1 99346 08190	Hose, Air-Alt. Compensator-IN Manifold (90%) (Automatic)	1	Ord. By 99349 08750 (1.75m) $\frac{3}{4}$ "-△
	36 1757 13 778	Tube, Vacuum-D.C. Valve-IN Manifold (Manual)	1	
	37 1883 13 910	Tube, Vacuum-D.C. Valve-IN Manifold (Automatic)	1	
●	1757 13 778	Tube, Vacuum-D.C. Valve-IN Manifold (Automatic)	1	$\frac{3}{8}$ "-X
	38 99340 04200	Hose, Air-A.C. Valve-Air Cleaner	1	
	39 1757 18 860	Wiring, Valve	1	
	40 0208 66 949	Pad, Protector-Valve Wiring	1	
	41 99709 0109	Band, Valve Wiring	1	
	42 1757 23 725	Valve, Solenoid (Included in Fig. No. 9 & 18)	3	
●	43 1757 13 910	Valve, E.C.	1	$\frac{3}{4}$ "-Added Anew
●	44 1757 13 912	Hose, Air-Alt. Compensator-E. C. Valve	2	$\frac{3}{4}$ "-Added Anew
●	45 99796 0610	Bolt, E. C. Valve	2	$\frac{3}{4}$ "-Added Anew
●	46 1757 23 713	Pulley, Air Pump (Included in Fig. No. 1)	1	



OIL PUMP

14

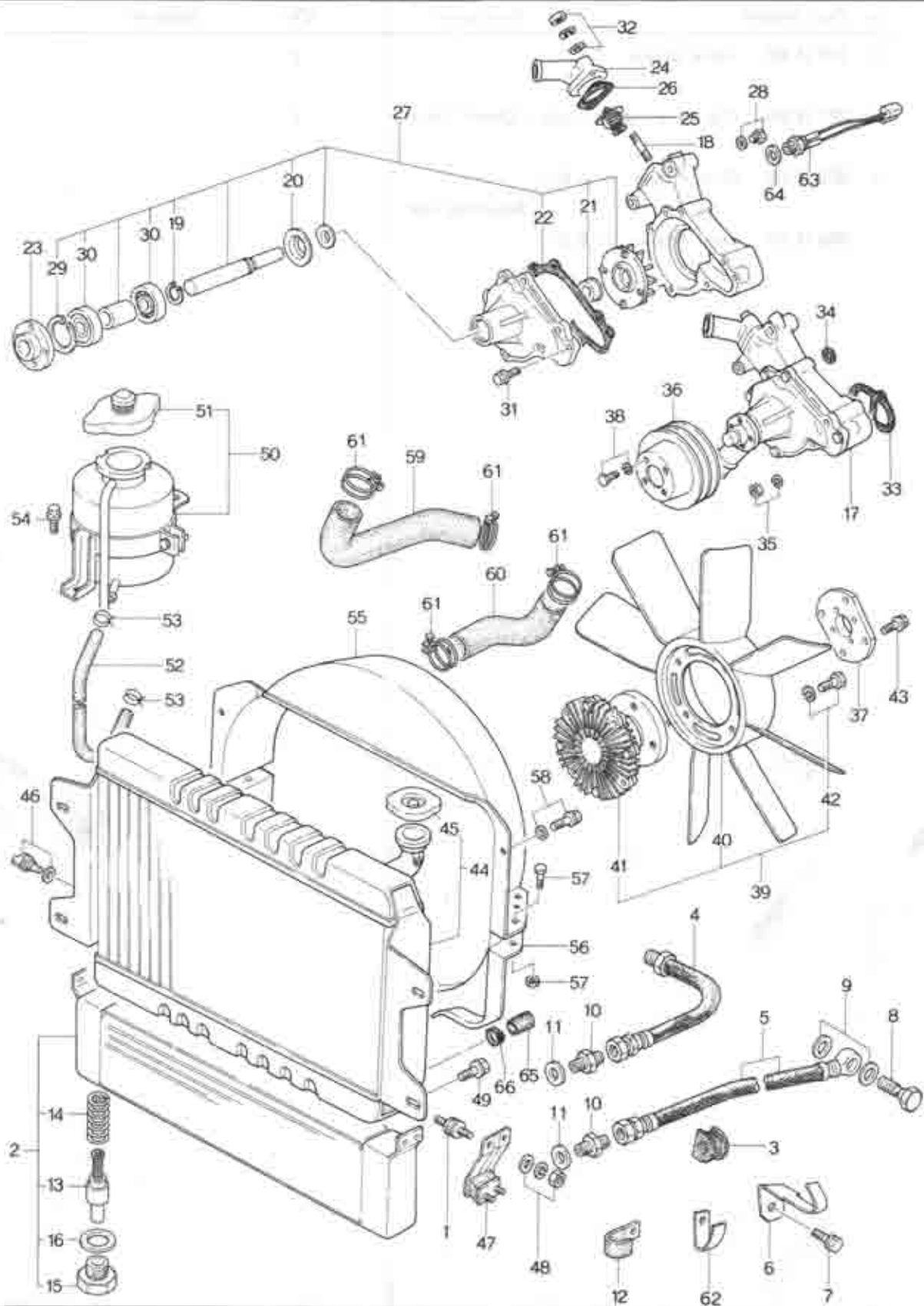
No.	Part Number	Description	Q'ty	Remarks
1	1757 14 020	Adjuster, Chain	1	
2	0823 14 130	Adjuster	1	
3	0823 14 131	Spring	1	
4	1757 14 132	Body	1	
5	0838 14 133	Plate, Guide	1	
6	99908 0800	Nut, Chain Adjuster	2	
	99971 0800	Washer, Spring	2	
7	99922 1200	Nut, Oil Pump Drive Gear	1	
	99979 1200	Washer, Tab	1	
8	1757 14 100	Pump, Oil	1	
9	1757 14 112	Shaft, Oil Pump	1	
10	0810 14 113	Ring, Snap	1	
11	0838 14 117	Bolt, Lock	1	
12	0820 14 118C	Plate, Middle-Oil Pump	1	
13	0838 14 119B	Key	3	
14	0820 23 882A	Rotor Set, Oil Pump	2	
15	99806 0818	Bolt, Oil Pump	4	

No.	Part Number	Description	Q'ty	Remarks
	99952 0800	Washer, Plain	4	
	99971 0800	Washer, Spring	4	
16	0838 14 141A	Gear, Drive-Oil Pump	1	
17	0839 14 142	Chain	1	
18	0820 14 1806	Strainer, Oil	1	
19	0810 14 171	Gasket, Oil Strainer	1	
20	99806 0814	Bolt, Oil Strainer	2	
	99971 0800	Washer, Spring	2	
21	0820 14 2500	Regulator, Pressure	1	
22	0838 14 300	Filter, Oil	1	
23	0838 23 801	Cover	1	
24	0813 23 802B	Cartridge, Oil Filter	1	
25	0813 23 803	Gasket	1	
26	99901 0800	Nut, Oil Filter	2	
	99953 0800	Washer, Plain	2	
	99971 0800	Washer, Spring	2	
27	99541 01601	Ring, "O" - Oil Filter	2	

No.	Part Number	Description	Q'ty	Remarks
28	1757 14 800	Pump, Metering Oil	1	
29	0820 23 832B	Washer, Thrust	1	
30	0820 23 833B	Plate, Cam Casing	1	
31	0820 23 834B	Plate, Cam Casing	1	
32	98833 040B	Screw, Cam Casing Plate	4	
	99971 0400	Washer, Plain	4	
33	0820 23 835A	Bearing, Worm	1	
34	0730 23 837	Ring, "O"	2	
35	1011 23 837	Plunger, Sub	1	
36	1011 23 838	Plunger, Differential	1	
37	0730 23 839	Ring, "O"	1	
38	0820 23 840	Spring, Plunger	1	
39	1011 23 841	Pin, Control	1	
40	0820 23 842	Cap	1	
41	1757 23 844	Lever, Control	1	
42	0730 23 845	Plunger	1	
43	0820 23 845A	Screw, Adjust	1	
44	0730 23 848	Worm, Bearing	1	
45	0820 23 847A	Nut, Adjust Screw	1	
46	0820 23 848A	Spring, Return	1	

No.	Part Number	Description	Qty	Remarks
47	2090 23 853	Nut, Push	1	
48	0730 23 854	Ring, "V"	1	
49	99807 0600	Nut, Control Lever	1	
	99871 0600	Washer, Spring	1	
50	1757 14 811	Gasket, Metering Oil Pump	1	
51	99806 0630	Bolt, Metering Oil Pump	1	
	99806 0618	Bolt	1	
	99853 0600	Washer, Plain	2	
	99871 0600	Washer, Spring	2	
52	0820 14 820	Shaft, Driven Gear	1	
53	0813 14 823	Pin, Driven Gear	1	
54	0820 14 825A	Gear, Driven	1	
55	0813 14 841	Clip, Metering Oil Tube	4	
56	1757 14 851	Rod, Connecting	1	
57	08853 0400	Washer, Plain	2	
58	89221 1212	Pin, Split	2	
59	89578 0800	Ring, Snap-Driven Gear Shaft	2	
60	1757 14 860	Tube, Metering Oil	1	
61	1757 14 870	Tube, Metering Oil	1	

No.	Part Number	Description	Q'ty	Remarks
62	1757 14 880	Valve, Check	2	
63	1011 14 883	Clip, Metering Oil Tube + Check Valve	2	
64	0010 18 276	Shim, Adjust: (t=0.6)	2	Selective use
	0010 18 277	Shim, Adjust: (t=0.3)	2	



COOLING SYSTEM

14
15

No.	Part Number	Description	Q'ty	Remarks
1	0222 13 363	Rubber, Insulation-Oil Cooler + Radiator	4	
2	1907 14 700	Cooler, Oil (Fig. No. 13-16. Included)	1	
3	0813 14 718	Protector, Oil Hose	1	
4	0885 14 720	Hose, Oil	1	
5	0881 14 730	Hose, Oil	1	
6	1907 14 735	Clip, Oil Hose	1	
7	99798 0810	Bolt, Clip	1	
8	99381 1400	Bolt, Connector-Oil Hose	1	
9	88562 1800	Gasket, Connector Bolt	2	
10	99384 1200F	Joint, Union-Oil Hose	2	
11	99564 1600	Gasket, Union Joint	2	
12	99276 2000	Clip, Wire Harness	1	
13	1757 14 810	Pallet, Thermo	1	(Included in Fig. No. 2)
14	1757 14 821	Spring, Pallet	4	
15	1757 14 822	Nut, Stopper	1	
16	99564 2200	Gasket	1	
17	1807 15 010	Pump, Water	1	
18	2080 15 104	Stud, Thermostat Cover	2	
19	1757 15 114	Ring, Snap	1	

COOLING SYSTEM

No.	Part Number	Description	Q'ty	Remarks
20	1757 15 118	Plate, Dust Seal	1	
21	0820 15 120	Seal, Water	1	
22	1757 15 132	Gasket, Pump Cover	1	
23	1757 15 152	Boss, Pulley	1	
24	1757 15 170	Cover, Thermostat	1	
25	0823 15 171	Thermostat	1	
26	0813 15 173	Gasket, Thermostat	1	
27	1807 89 150	Repair Kit, Water Pump (Fig. No. 19-22, 25, 26 Included)	1 Set	
28	89511 1200	Plug	1	
	89562 1200	Gasket	1	
29	89574 4000	Ring, Retaining	1	
30	89608 72030	Bearing, Ball	2	
31	89801 0822	Bolt, Pump Cover	2	
	89971 0800	Washer, Spring	2	
32	89901 0800	Nut, Thermostat Cover	2	
	89953 0800	Washer, Plain	2	
	89971 0800	Washer, Spring	2	
33	1757 15 195	Gasket, Water Pump	1	
34	0820 15 198	Gasket, Water Pump	2	

COOLING SYSTEM

14
15

No.	Part Number	Description	Q'ty	Remarks
35	89901 0800	Nut, Water Pump	4	
	89971 0800	Washer, Spring	4	
36	1757 15 151	Pulley, Water Pump	1	
37	1757 15 211	Spacer, Water Pump Pulley	1	
38	89796 0820	Bolt, Water Pump Pulley	4	
39	1907 15 250	Fan & Fan Drive	1	
40	1097 15 200	Fan, Cooling	1	
41	1907 15 210	Fan, Drive	1	
42	89808 0820	Bolt, Fan & Fan Drive	4	
	89971 0800	Washer, Spring	4	
43	89796 0820	Bolt, Fan & Fan Drive	4	
44	1907 15 310	Radiator (Manual)	1	
	1808 15 310	Radiator (Automatic)	1	
45	0223 15 205	Cap.	1	
46	0842 15 316	Cock, Water Drain	1	
	0710 15 204	Gasket, Cock	1	

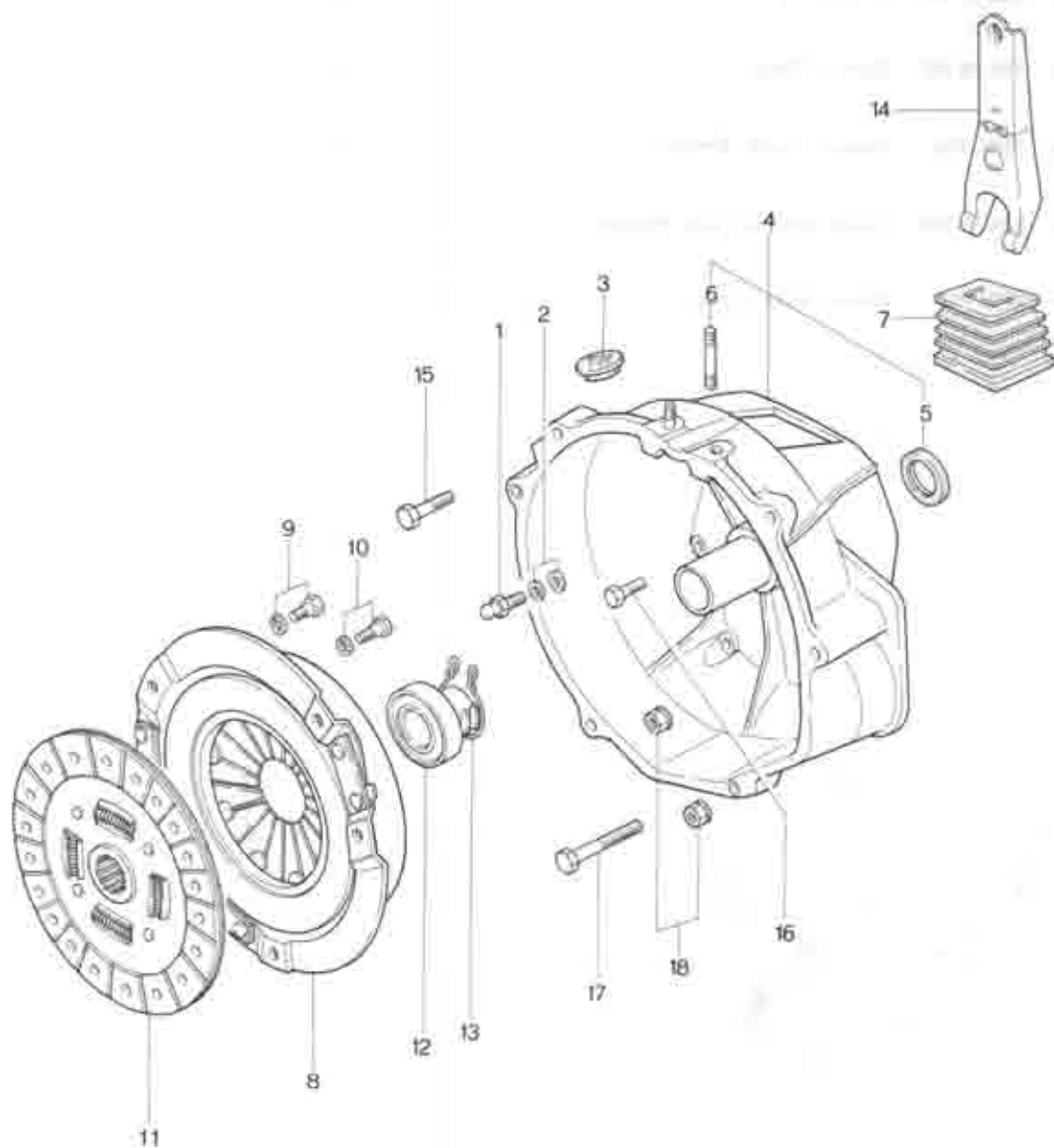
COOLING SYSTEM

No.	Part Number	Description	Q'ty	Remarks
47	1097 15 312	Rubber, Insulation - Radiator + Oil Cooler	2	
48	99901 0600	Nut, Radiator + Oil Cooler	8	
	99852 0600	Washer, Plain	8	
	99971 0600	Washer, Spring	8	
49	99796 0818	Bolt, Radiator	4	
	99852 0822	Washer, Plain	4	
50	0839 15 350A	Tank, Sub	1	
51	0222 15 255	Cap	1	
52	0839 15 351B	Hose, Water - Sub Tank - Radiator	1	
53	99285 0800	Clip, Water Hose	2	
54	99786 0818	Bolt, Sub Tank	2	
55	1907 15 411	Shroud, Radiator - Upper	1	
56	1907 15 421	Shroud, Radiator - Lower	1	
57	99796 0814	Bolt, Radiator Shroud	4	
	99949 0802	Nut	4	
58	99796 0812	Bolt, Radiator Shroud	4	
	99852 0822	Washer, Plain	4	
59	1907 15 511	Hose, Water - Thermostat - Radiator	1	

COOLING SYSTEM

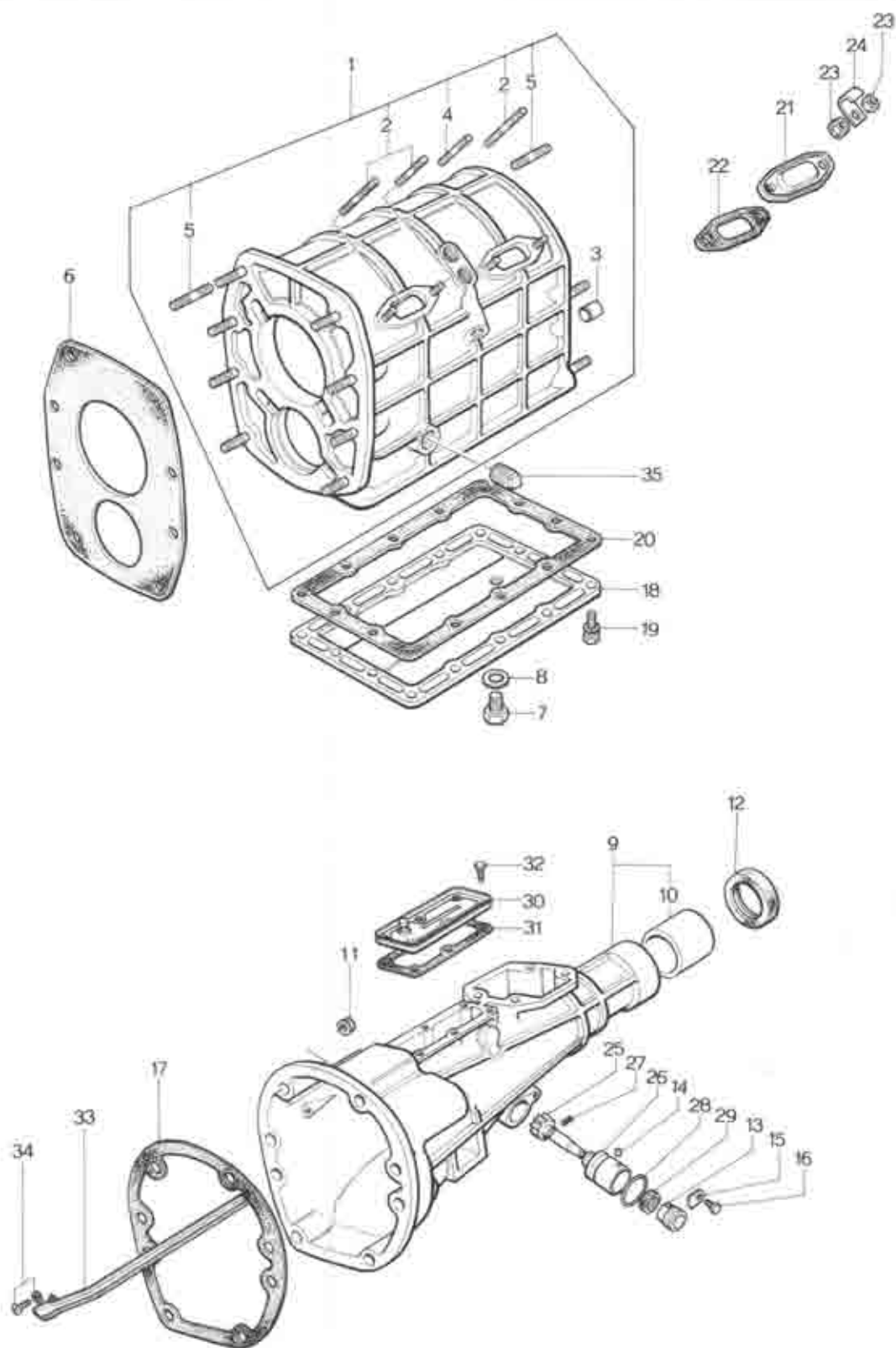
14
15

No.	Part Number	Description	Qty	Remarks
60	1907 15 521	Hose, Water - Radiator ~ Water Pump	1	
61	99282 4900	Band, Hose - Water Hose	4	
62	0886 18 498	Clip, Cable	1	
63	1681 18 880	Switch, Temp.	1	
64	89584 1800	Gasket, Temp. Switch	1	
65	0884 81 081A	Cover, Without Car Heater	1	
66	99282 2600	Clamp, Hose - Cover	1	



No.	Part Number	Description	Q'ty	Remarks
1	0603 16 1020	Pin, Pivot	1	
2	99953 1000	Washer, Plain	1	
	88871 1000	Washer, Spring	1	
3	0813 18 112	Cover, Top Hole	1	
4	1881 16 210A	Housing, Clutch	1	
5	0603 16 103	Oil Seal	1	
6	0222 18 105	Stud	2	
7	0808 18 214A	Cover, Dust	1	
8	0839 18 410B	Cover, Clutch	1	
9	0838 18 432	Bolt, Reamer-Clutch Cover	2	
	88971 0800	Washer, Spring	2	
10	08673 78118 9415	Bolt, Clutch Cover	4	
	88971 0800	Washer, Spring	4	
11	0862 18 460	Disc, Clutch	1	
12	0820 18 510	Collar, Clutch Release	1	
13	0820 18 515	Spring, Clutch Release Collar	1	
14	0454 18 520	Fork, Clutch Release	1	
15	99796 1045	Bolt, Clutch Housing	1	

No.	Part Number	Description	Q'ty	Remarks
16	99788 1035	Bolt, Clutch Housing	2	
17	99788 1090	Bolt, Clutch Housing	1	
18	99940 1001	Nut, Clutch Housing	9	

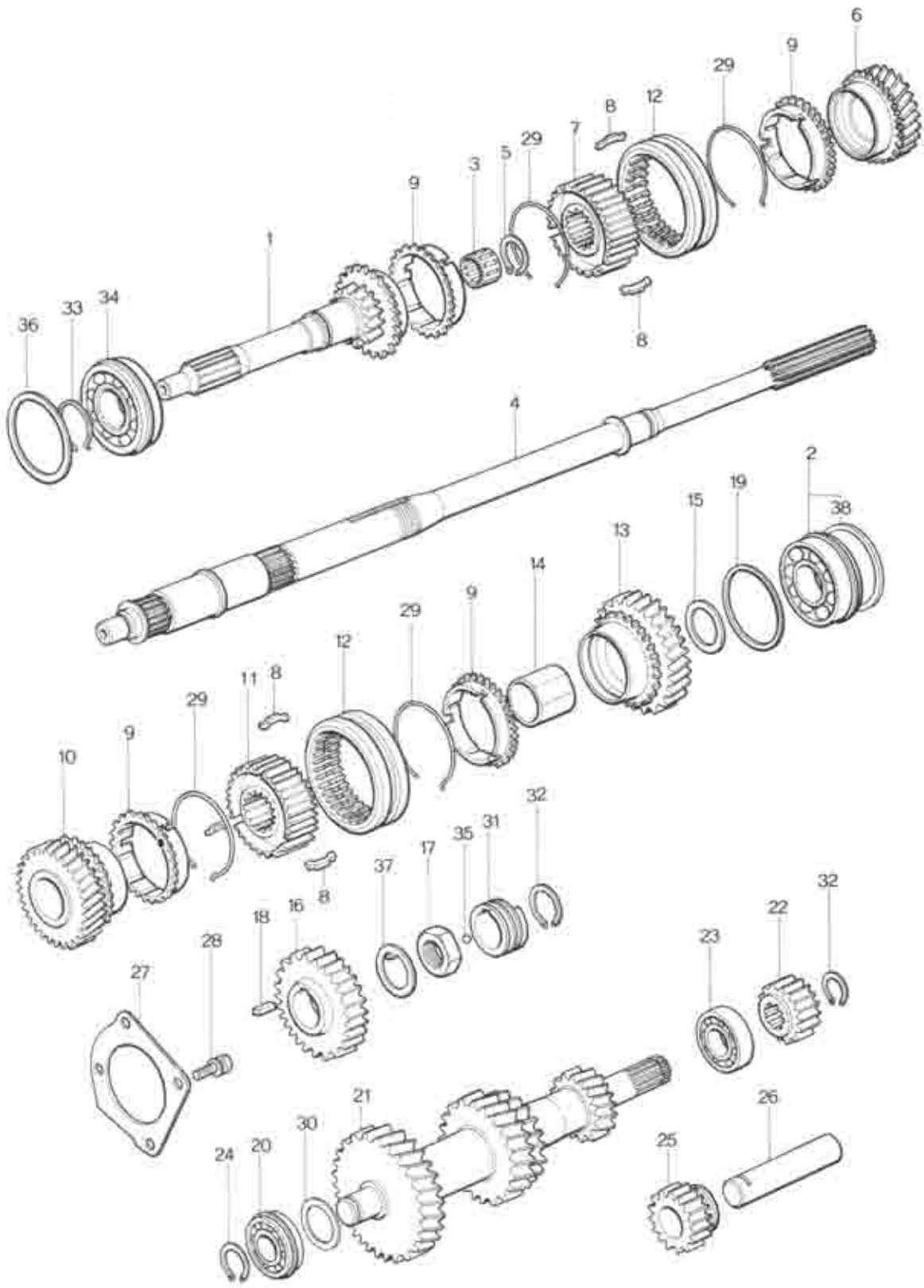


No.	Part Number	Description	Q'ty	Remarks
1	1011 17 1000	Case, T/mission	1	
2	0830 17 105	Stud, Blind Cover	3	
3	89233 1225	Pin, Knock	2	
4	88852 0610	Stud, Blind Cover	1	
5	88855 1025	Stud, Front & Rear	14	
6	0839 17 111	Gasket, T/mission Case Front	1	
7	0810 17 121	Plug, Magnet	1	
8	89584 1800	Gasket, Magnet Plug	1	
9	1620 17 330A	Housing, Extension	1	
10	0398 22 333	Bush, Extension Housing	1	
11	89940 1001	Nut, Extension Housing-T/mission Case	6	
12	0378 17 335	Oil Seal, Extension Housing	1	
13	0862 17 351	Joint, Cable-Speedometer	1	
14	0187 17 352	Pin, Dowel-Speedometer Driven Gear	1	
15	0111 17 354	Plate, Lock-Cable Joint	1	
16	89796 0614	Bolt, Lock Plate	1	
17	0838 17 381	Gasket, Extension Housing & T/mission Case	1	

17 MANUAL T / MISSION (CASE)

No.	Part Number	Description	Q'ty	Remarks
18.	0862 17 371	Cover, Under	1	
19	99796 0620	Bolt, Under Cover	14	
20	0862 17 375	Gasket, Under Cover	1	
21	0810 17 381	Cover, Blind	2	
22	0810 17 385	Gasket, Blind Cover	2	
23	98906 0600	Nut, Blind Cover & Clip	6	
	99971 0600	Washer	4	
24	98278 0508	Clip, Wire Harness	2	
25	1888 17 441	Gear, Driven-Speedometer	1	
26	0862 17 442	Sleeve, Driven Gear	1	
27	98222 0216	Pin, Spring-Driven Gear	1	
28	98541 02211	Ring, "O" - Driven Gear	1	
29	98586 10207	Oil Seal, Driven Gear	1	
30	1011 17 530	Cover, Blind	1	
31	1011 17 535	Gasket, Blind Cover	1	
32	99796 0608	Bolt, Blind Cover	6	
33	1011 17 540A	Pass, Oil	1	
34	98806 0614	Bolt, Oil Pass	1	
	99971 0600	Washer, Spring	1	
35	99502 4000	Plug	1	
	1011 89 175	Gasket Set, T/mission All Gaskets Relative to T/mission Included	1 Set	

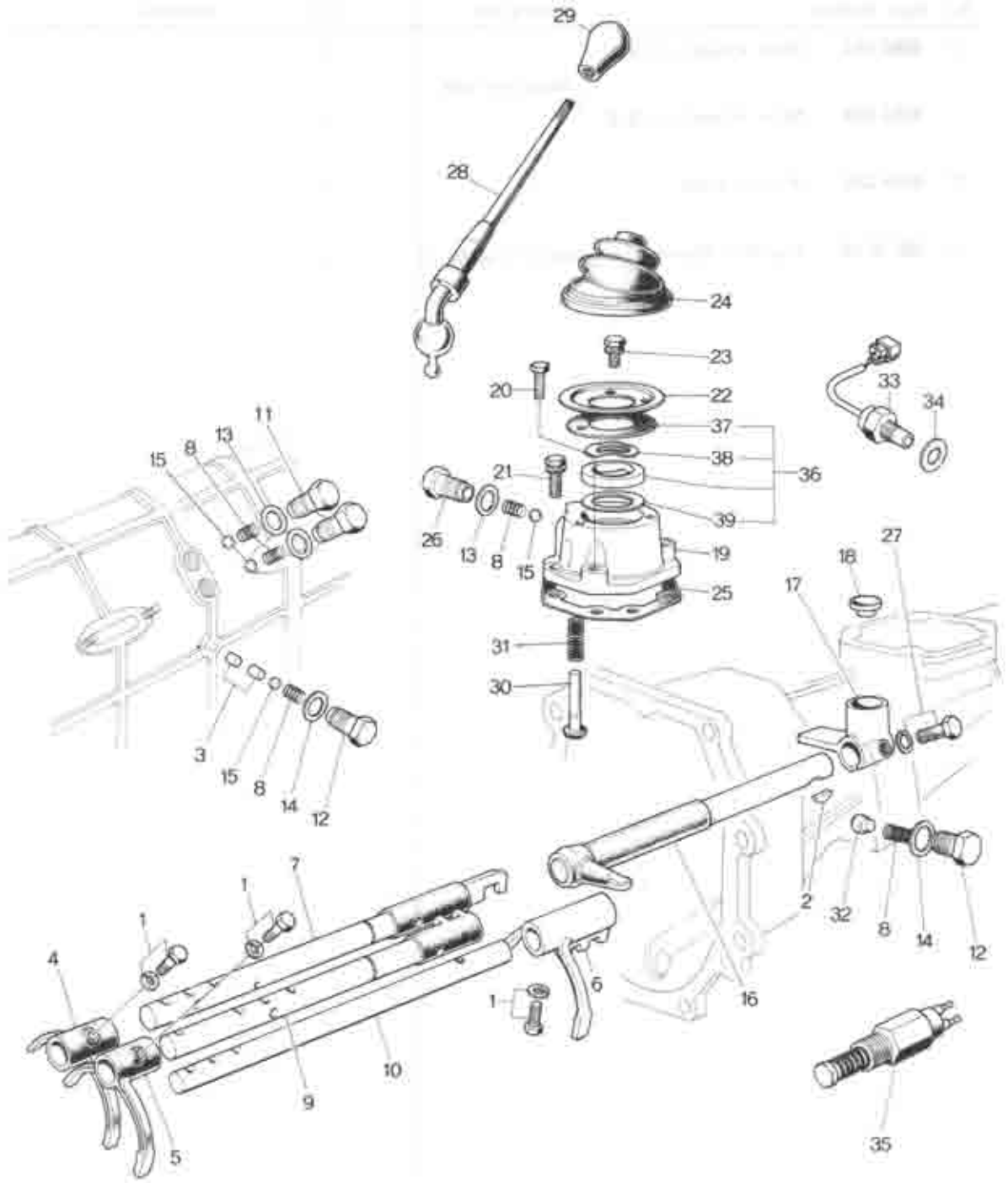




No.	Part Number	Description	Qty	Remarks
1	0862 17 201	Gear, Main Drive	1	
2	0810 17 204	Bearing, Ball (Fig. No. 38 Included)	1	
3	0810 17 205	Bearing, Needle Roller	1	
4	1011 17 221A	Shaft, Main	1	
5	0317 17 225	Ring, Snap	1	
6	0862 17 230	Gear (3rd)	1	
7	0862 17 241	Hub, Clutch (3rd & 4th)	1	
8	0167 17 243	Key, Synchronizer	6	
9	0881 17 245B	Ring, Synchronizer	4	
10	0862 17 250	Gear (2nd)	1	
11	0862 17 261	Hub, Clutch (1st & 2nd)	1	
12	0862 17 262A	Sleeve, Clutch Hub	2	
13	1011 17 270	Gear (1st)	1	
14	0839 17 275	Sleeve, Gear	1	
15	0839 17 276	Washer, Thrust (2=2.5)	Selective use 1	
	0839 17 277	Washer, Thrust (2=3.0)		
	0839 17 278	Washer, Thrust (2=3.5)		
16	0839 17 281	Gear, Reverse	1	
17	0839 17 284	Nut, Lock	1	
18	0839 17 285	Key	1	

No.	Part Number	Description	Q'ty	Remarks
19	0839 17 287	Shim, Adjust. (t=0.1)	2	
	0839 17 288	Shim, Adjust. (t=0.3)	1	
		Selective use		
20	0821 17 297	Bearing, Ball	1	
21	1011 17 301	Gear, Counter Shaft	1	
22	0838 17 302	Gear, Reverse-Counter	1	
23	0821 17 303	Bearing, Needle	1	
24	0839 17 305	Ring, Snap	1	
25	0839 17 310	Gear, Idle-Reverse	1	
26	0838 17 313	Shaft, Reverse Idle Gear	1	
27	0839 17 321A	Stopper, Bearing	1	
28	99801 0820	Bolt, Bearing Stopper	4	
	99971 0800	Washer, Spring	4	
29	0890 17 324	Spring, Synchronizer	4	
30	0305 17 327	Shim, Adjust. (t=0.1)	2	
	0305 17 328	Shim, Adjust. (t=0.3)	1	
		Selective use		
31	0882 17 341	Gear, Drive-Speedometer	1	
32	99573 2500	Ring, Snap	2	
33	99573 3500	Ring, Snap	1	
34	99606 33070	Bearing, Ball	1	
35	99811 1500	Ball, Steel	1	

No.	Part Number	Description	Q'ty	Remarks
36	99863 8910	Shim, Adjust (t=0.1)	2	Selective use
	99863 8930	Shim, Adjust (t=0.3)	1	
37	99878 3200	Washer, Lock	1	
38	99861 22 297	Clip, Ball Bearing (Included in Fig. No. 2)	1	



MANUAL T / MISSION (CHANGE CONTROLS)

17

No.	Part Number	Description	Q'ty	Remarks
1	0116 17 313	Screw, Shift Fork & Rod	3	
	99971 0601	Washer, Spring	3	
2	0111 17 323	Key, Control Lever	1	
3	0114 17 351	Pin, Interlock	2	
4	0810 17 402	Fork, Shift (1st & 2nd)	1	
5	1010 17 404	Fork, Shift (3rd & 4th)	1	
6	1011 17 406	Fork, Shift (Reverse)	1	
7	1011 17 410	Rod, Shift (1st & 2nd)	1	
8	0103 17 411	Spring, Cap	1	
9	1010 17 420	Rod, Shift (3rd & 4th)	1	
10	0839 17 431	Rod, Shift (Reverse)	1	
11	0221 17 441	Plug, Cap, Spring	2	
12	0259 17 441	Plug, Cap, Spring	2	
13	99562 1400	Gasket, Cap Plug	2	
14	99564 1000	Gasket, Cap Plug	2	
15	99811 2500	Ball, Steel	4	
16	1626 17 459	Lever, Control	1	
17	0386 17 461A	End, Control Rod	1	
18	0388 17 462A	Seat, Spring	1	
19	0303 17 470	Case, Change Control	1	

No.	Part Number	Description	Q'ty	Remarks
20	99796 0822	Bolt, Change Control Case	2	
21	99796 0832	Bolt, Change Control Case	2	
22	0221 17 473	Plate, Cover	1	
23	99806 0814	Bolt, Cover Plate	3	
	99971 0800	Washer, Spring	3	
24	0221 17 475B	Boot, Dust	1	
25	0271 17 478	Gasket, Change Control Case	1	
26	0183 17 481	Plug, Cap- Spring	1	
27	0187 17 482	Bolt, Reamer- Control Rod End	1	
	99971 0800	Washer, Spring	1	
28	1907 17 510A	Lever, Change	1	
29	0881 17 520	Knob, Change Lever	1	
30	0221 17 551A	Spindle, Select Lock	1	
31	0221 17 552	Spring, Select Lock Spindle	1	
32	0303 17 581	Piece, Friction	1	
33	1114 17 630	Switch, Neutral	1	
34	99584 1800	Gasket, Neutral Switch	1	
35	0376 17 640A	Switch, Reverse Lamp	1	
36	0305 88 178	Change Bush Set	1	
37	0303 17 474	Gasket, Cover Plate	1	

No.	Part Number	Description	Q'ty	Remarks
38	0303 17 402	Washer, Wave	1	
39	99903 3310	Shim	3	Selective use
	99903 3330	Shim	1	

No.	Part Number	Description	Q'ty	Remarks
1	1562 18 100	Coil, Ignition (HP 5-13E)	1	
2	1672 18 100	Coil, Ignition (HP 5-13J)	1	
3	0823 18 107	Pipe, Ignition Coil Bracket	1	
4	1907 18 110	Cord, High Tension	1	
5	0820 18 111B	Supporter, High Tension Cord	1	
6	1907 18 115	Cord	1	
7	1907 18 120	Cord, High Tension (Trailing)	1	
8	1907 18 160	Cord, High Tension (Leading)	1	
9	1757 18 150	Cord, High Tension	1	
10	0820 18 114	Supporter, High Tension Cord	1	
11	1757 18 130	Cord, High Tension (T-1)	1	
12	1757 18 140	Cord, High Tension (T-2)	1	
13	1757 18 170	Cord, High Tension (L-1)	1	
14	1757 18 180	Cord, High Tension (L-2)	1	
15	1011 18 180	Bracket, Ignition Coil	1	
16	0845 18 101	Resistor	1	
17	0856 18 101	Resistor	1	

DISTRIBUTOR

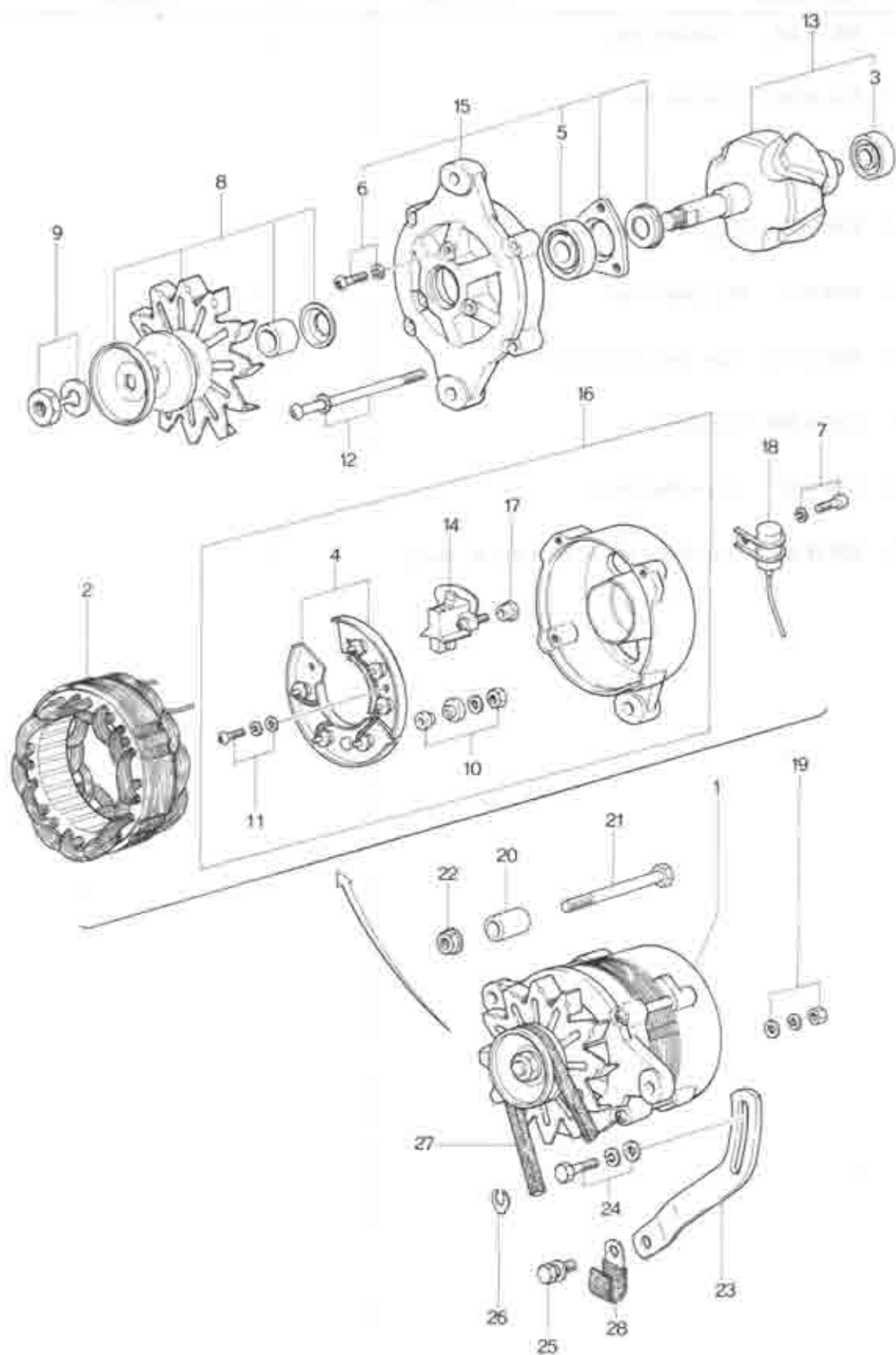
No.	Part Number	Description	Q'ty	Remarks
18	89906 0500	Nut, Ignition Coil & Resistor Terminal	6	
	89952 0500	Washer, Plain	6	
	89971 0500	Washer, Spring	6	
19	99788 0850	Bolt, Ignition Coil Bracket	1	
20	1801 18 200	Distributor	1	
21	0107 18 210A	Oil Seal	1	
22	1757 24 302	Carbon, Contact	1	
23	1757 24 303	Rotor	1	
24	1881 24 308	Spring Set, Governor	1	
25	1757 24 310	Cap	1	
26	1757 24 313	Base, Breaker	1	
27	1757 24 314	Support, Arm	2	
28	1757 24 317	Wire, Lead	1	
29	1757 24 318	Wire, Lead	1	
30	1757 24 322	Condenser	2	
31	1757 24 328	Gasket, Housing	1	
32	1801 24 330	Governor Set	1	
33	1757 24 334	Condenser	1	
34	1757 24 340	Coupling	1	

DISTRIBUTOR

18

24

No.	Part Number	Description	Q'ty	Remarks
35	1881 24 350	Vacuum Set	1	
36	1757 24 380	Screw Set	1	
37	99541 0350	Ring, "O" - Distributor	1	
38	99840 0601	Nut, Distributor	1	
39	0820 18 2918	Tube, Vacuum Control	1	
40	0258-18 3018	Regulator	1	
41	99780 0612	Screw, Regulator	2	
42	2328 18 600	Plug, Sparking (B 7EM N.G.K. Make)	4	



ALTERNATOR

18

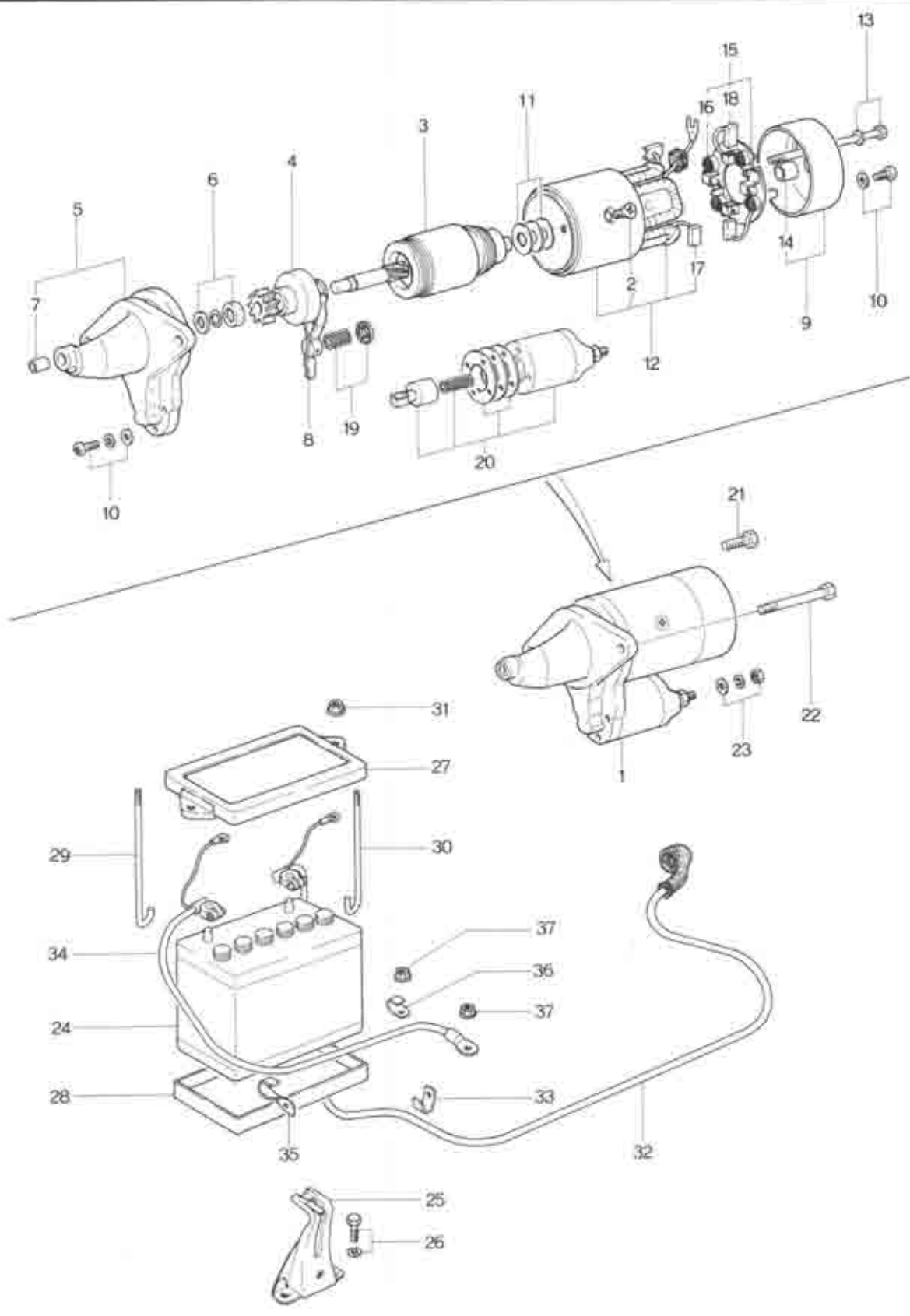
24

No.	Part Number	Description	Q'ty	Remarks
1	1757 18 300	Alternator	1	
2	1757 24 301	Stator	1	
3	0820 24 303	Bearing	1	
4	1757 24 310	Rectifier	1	
5	0208 24 314	Bearing	1	
6	1757 24 326	Screw Set	1	
7	1757 24 327	Screw, Condenser	1	
8	1757 24 330	Pulley	1	
9	0888 24 333	Nut Set	1	
10	1757 24 333	Nut Set	1	
11	1757 24 334	Screw	1	
12	1757 24 335	Screw Set	1	
13	1757 24 340	Rotor	1	
14	1011 24 341	Holder, Brush	1	
15	1757 24 350	Bracket, Front	1	
16	1757 24 360	Bracket, Rear	1	
17	1011 24 360	Mould	1	
18	1757 24 361	Condenser	1	
19	99808 0800	Nut, Alternator Terminal	1	

ALTERNATOR

No.	Part Number	Description	Q'ty	Remarks
	99952 0600	Washer, Plain	1	
	99971 0600	Washer, Spring	1	
20	1757 18 311	Bracket, Alternator	1	
21	99800 10115	Bolt, Alternator	1	
22	99940 1001	Nut, Alternator	1	
23	1757 18 361	Strap, Alternator	1	
24	88798 0825	Bolt, Strap	1	
25	99798 0818	Bolt, Alternator	1	
26	0222 18 375	Shim (t=0.3)	1	Selective use
	0222 18 376	Shim (t=0.5)		
	0222 18 377	Shim (t=0.7)		
27	1757 18 361	Belt, "V"	1	
28	99276 1608	Clip, Wire Harness	1	





STARTER & BATTERY (MANUAL)

18

24

No.	Part Number	Description	Q'ty	Remarks
1	1907 18 400A	Starter	1	
2	0888 24 704	Screw	1	
3	1907 24 705	Armature	1	
4	1907 24 708	Clutch, Over Running	1	
5	1907 24 710	Bracket, Front	1	
6	0428 24 712	Stopper Set	1	
7	0428 24 715	Bearing, Sleeve Front Bracket	1	
8	0888 24 718	Lever	1	
9	1907 24 720	Bracket, Rear	1	
10	0428 24 725	Screw Set	1	
11	0428 24 726	Washer Set	1	
12	1907 24 730	Yoke	1	
13	0428 24 731	Bolt Set, Through	1	
14	0222 24 741	Bearing, Sleeve	1	
15	0222 24 750	Brush Holder	1	
16	0222 24 752A	Spring, Brush	4	
17	0222 24 753	Brush, Yoke	2	
18	0428 24 753	Brush, Brush Holder	2	
19	0428 24 754	Spring Set	1	
20	0222 24 760A	Switch	1	

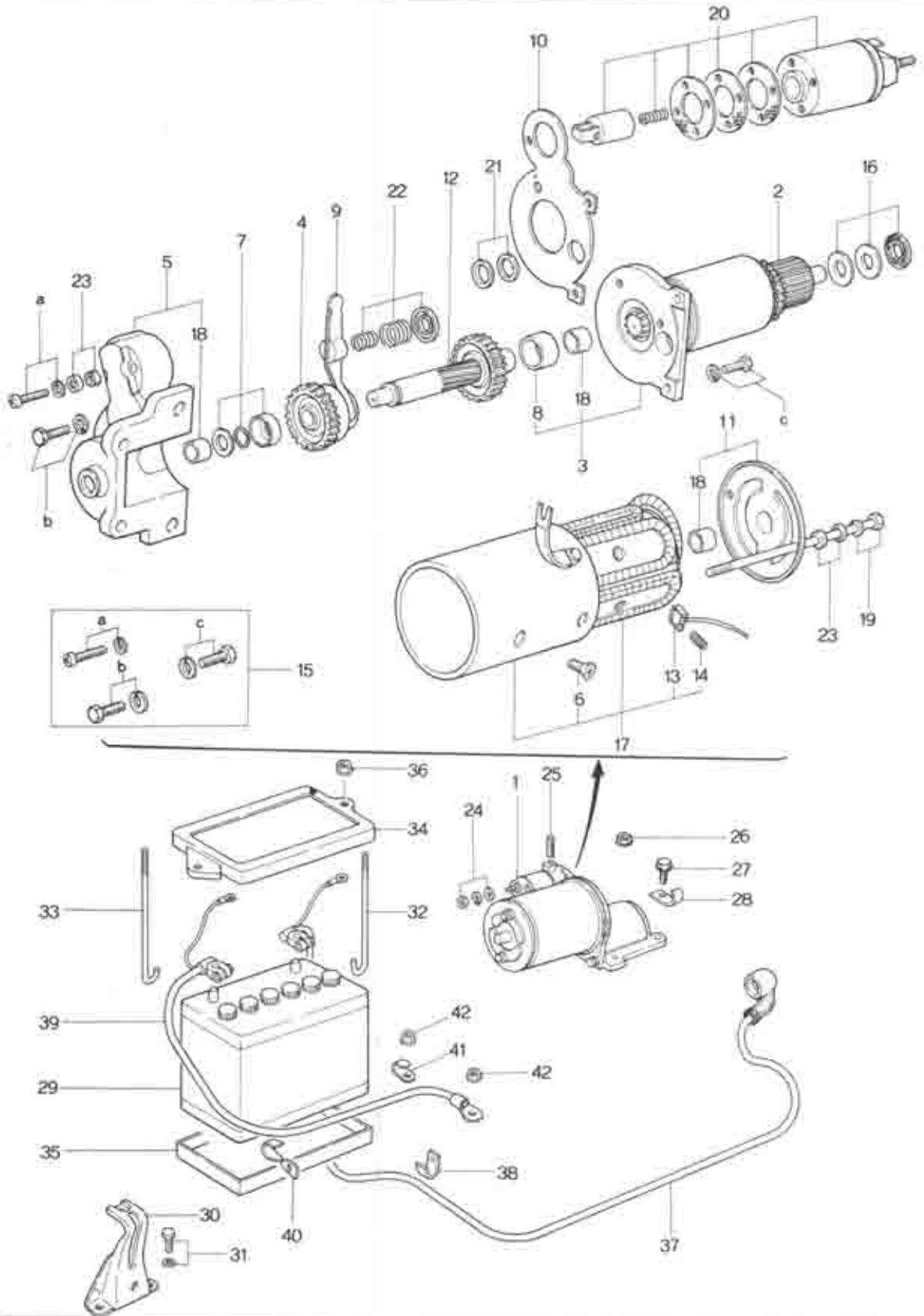
No.	Part Number	Description	Qty	Remarks
21	88796 1030	Bolt, Starter	1	
22	88805 10120	Bolt, Starter	1	
23	88901 0800	Nut, Starter "B" Terminal	1	
	88852 0800	Washer, Plain	1	
	88871 0800	Washer, Spring	1	
24	1672 18 520	Battery (N70Z) (National Make)	1	
25	2826 53 270	Carrier, Battery	1	
26	88804 0816	Bolt, Battery Carrier	3	
	88852 0822	Washer, Plain	3	
27	2889 53 280A	Clamp, Battery	1	
28	2981 54 222	Tray, Battery	1	
29	0223 54 225	Bolt, Clamp-Battery	1	
30	0614 70 445	Bolt, Clamp-Battery	1	
31	88840 0802	Nut, Clamp Bolt	2	
32	1907 87 101	Cable, Battery Positive	1	
33	0381 18 997	Clip, Battery Positive Cable	2	
34	1088 87 111	Wire, Earth-Battery	1	
35	0248 13 585	Clip, Earth Wire	1	
36	88278 1208	Clip, Earth Wire	1	
37	88840 0800	Nut, Earth Wire	3	



12V
75

STARTER & BATTERY (AUTOMATIC)

(USED UP TO 1/2)



STARTER & BATTERY (AUTOMATIC)

(USED UP TO 1/2)

18

24

No.	Part Number	Description	Q'ty	Remarks
1	2869 18 400A	Starter	1	
2	0838 24 705	Armature	1	
3	0838 24 708	Bracket, Inner	1	
4	0838 24 709	Clutch, Over Running	1	
5	2869 24 710	Bracket, Front	1	
6	0727 24 712	Screw	4	
7	2869 24 712	Stopper Set	1	
8	0838 24 715	Metal	1	
9	0838 24 718	Lever	1	
10	0838 24 719	Plate, Water Proof	1	
11	2869 24 720	Bracket, Rear	1	
12	0838 24 721	Shaft, Pinion	1	
13	0838 24 723	Brush	4	
14	0838 24 724	Spring, Brush	4	
15	2869 24 725	Screw Set	1	
16	2869 24 728	Washer Set	1	
17	2869 24 730	Yoke	1	
18	0249 24 731	Metal, Bracket	3	
19	0559 24 731	Bolt, Set, Through	2	
20	2869 24 738	Switch	1	

No.	Part Number	Description	Qty	Remarks
21	2869 24 748	Washer Set	1	
22	2869 24 754	Spring Set, Lever	1	
23	0559 24 760	Gasket Set	1	
24	99901 0800	Nut, Starter "B" Terminal	1	
	99952 0800	Washer, Plain	1	
	99971 0800	Washer, Spring	1	
25	99851 0814 A	Stud, Starter	1	
26	99940 0800	Nut, Starter	2	
27	99796 0825	Bolt, Starter	2	
28	99276 0808	Clip	1	
29	1689 18 520	Battery (Y110-5) (Yuasa Make)	1	
●	1672 18 520	Battery (N70Z) (National Make)	1	㊦-○
30	2826 53 270	Carrier, Battery	1	
●	2826 53 270 A	Carrier, Battery	1	㊦-△
31	99804 0816	Bolt, Battery Carrier	3	
	99952 0822	Washer, Plain	3	
32	2826 53 299 B	Bolt, Clamp-Battery	1	
●	0614 70 445	Bolt, Clamp-Battery	1	㊦-X
33	0223 54 225	Bolt, Clamp-Battery	1	
34	2467 54 290 A	Clamp, Battery	1	
●	2869 53 290 A	Clamp, Battery	1	㊦-X
35	2113 54 295	Tray, Battery	1	
●	2981 54 ¹¹² 422	Tray, Battery	1	㊦-X
36	99940 0600	Nut, Clamp Bolt	2	

STARTER & BATTERY (AUTOMATIC)

(USED UP TO $\frac{7\frac{1}{2}}$)

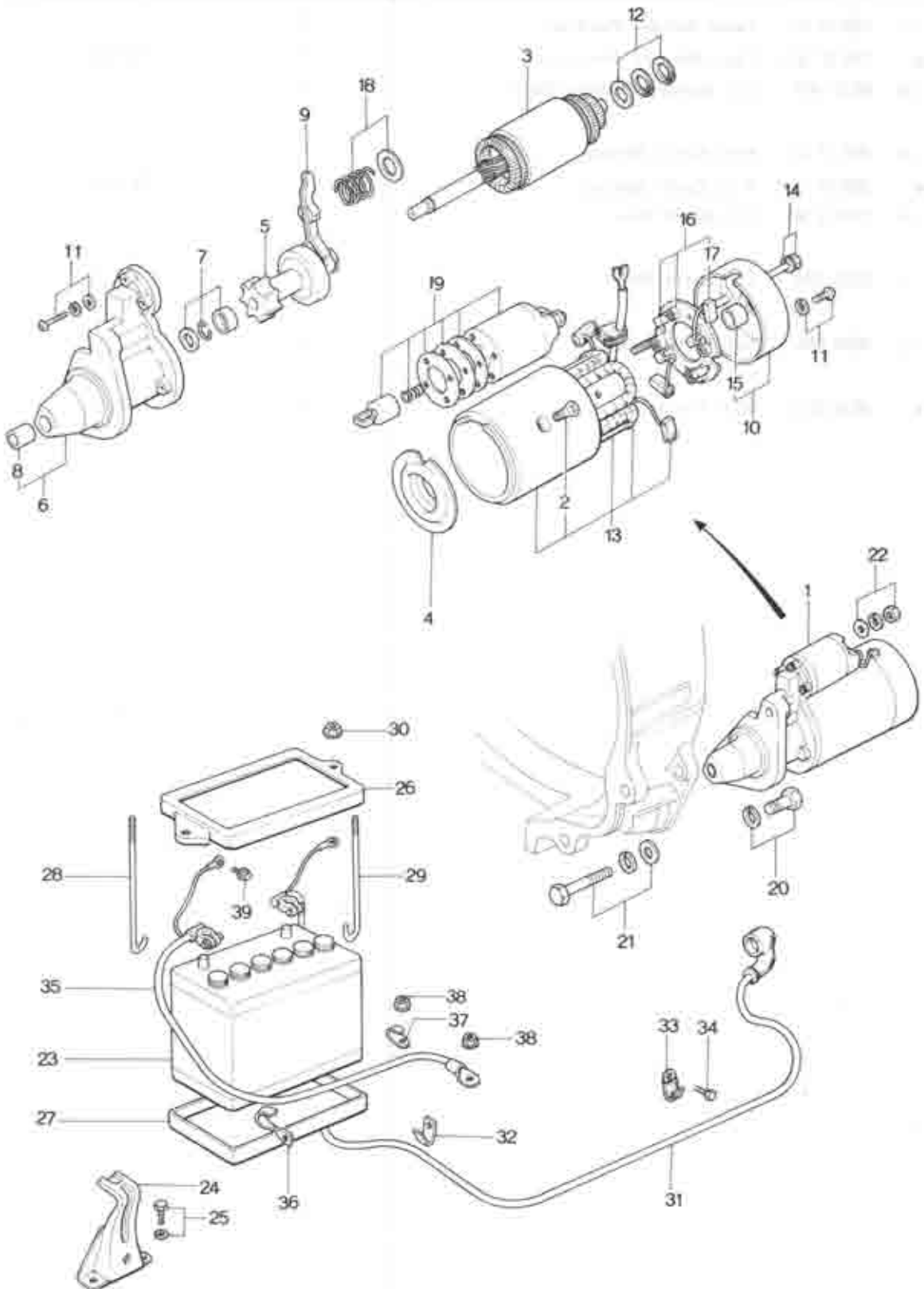
18

24

No.	Part Number	Description	Q'ty	Remarks
37	1088 67 101	Cable, Battery Positive	1	
●	1088 67 101A	Cable, Battery Positive	1	⊗-△
38	89278 1410	Clip, Battery Positive Cable	1	
39	1088 67 111	Wire, Earth-Battery	1	
●	1088 67 111A	Wire, Earth-Battery	1	⊗-△
40	0248 13 595	Clip, Earth Wire	1	
41	89278 1208	Clip, Earth Wire	1	
42	88940 0800	Nut, Earth Wire	2	
●	88798 0812	Bolt, Flange	2	⊗-X

STARTER & BATTERY

(AUTOMATIC USED FROM 7/3)



STARTER & BATTERY

(AUTOMATIC USED FROM 7/5) (1 YEAR)

18

24

No.	Part Number	Description	Q'ty	Remarks
1	1758 18 400 A	Starter	1	
	1758 18 400 B	Starter	1	1/2-△
2	0866 24 704	Screw	4	
3	1758 24 705	Armature	1	
4	1758 24 706	Bracket, Center	1	
5	1757 24 709	Clutch, Over Running	1	
6	1758 24 710	Bracket, Front	1	
7	0426 24 712	Stopper Set	1	
8	0426 24 715	Bearing, Sleeve-Front Bracket	1	
9	0866 24 716	Lever	1	
10	0845 24 720	Bracket, Rear	1	
11	0426 24 725	Screw Set	1	
12	1758 24 726	Washer Set	1	
13	1758 24 730	Yoke	1	
	1758 24 730 A	Yoke	1	1/2-△
14	1758 24 731	Bolt Set	1	
15	0222 24 741	Bearing, Sleeve-Rear Bracket	1	
16	1758 24 750	Brush Holder	1	
17	0426 24 753	Brush	2	
18	0426 24 754	Spring Set	1	
19	1758 24 736	Switch	1	

STARTER & BATTERY

(AUTOMATIC USED FROM $\frac{7}{8}$)

No.	Part Number	Description	Q'ty	Remarks
20	99801 1032	Bolt, Starter	1	
	99971 1000	Washer, Spring	1	
21	99801 1075	Bolt, Starter	1	
	99953 1000	Washer, Plain	1	
	99971 1000	Washer, Spring	1	
22	99901 0800	Nut, Starter "B" Terminal	1	
	99952 0800	Washer, Plain	1	
	99971 0800	Washer, Spring	1	
23	1620 18 520	Battery (N70Z) (GS Make)	1	Selective use
	1672 18 520	Battery (N70Z) (National Make)	1	
24	2826 53 270 A	Carrier, Battery	1	
25	99804 0816	Bolt, Battery Carrier	3	
	99952 0822	Washer, Plain	3	
26	2869 53 290 A	Clamp, Battery	1	
27	2981 54 222	Tray, Battery	1	
28	0223 54 225	Bolt, Clamp-Battery	1	
29	0614 70 445	Bolt, Clamp-Battery	1	
30	99940 0602	Nut, Clamp Bolt	2	
31	1907 67 101 A	Cable, Battery Positive	1	
32	0381 18 997	Clip, Battery Positive Cable	2	

STARTER & BATTERY

(AUTOMATIC USED FROM 7/3)

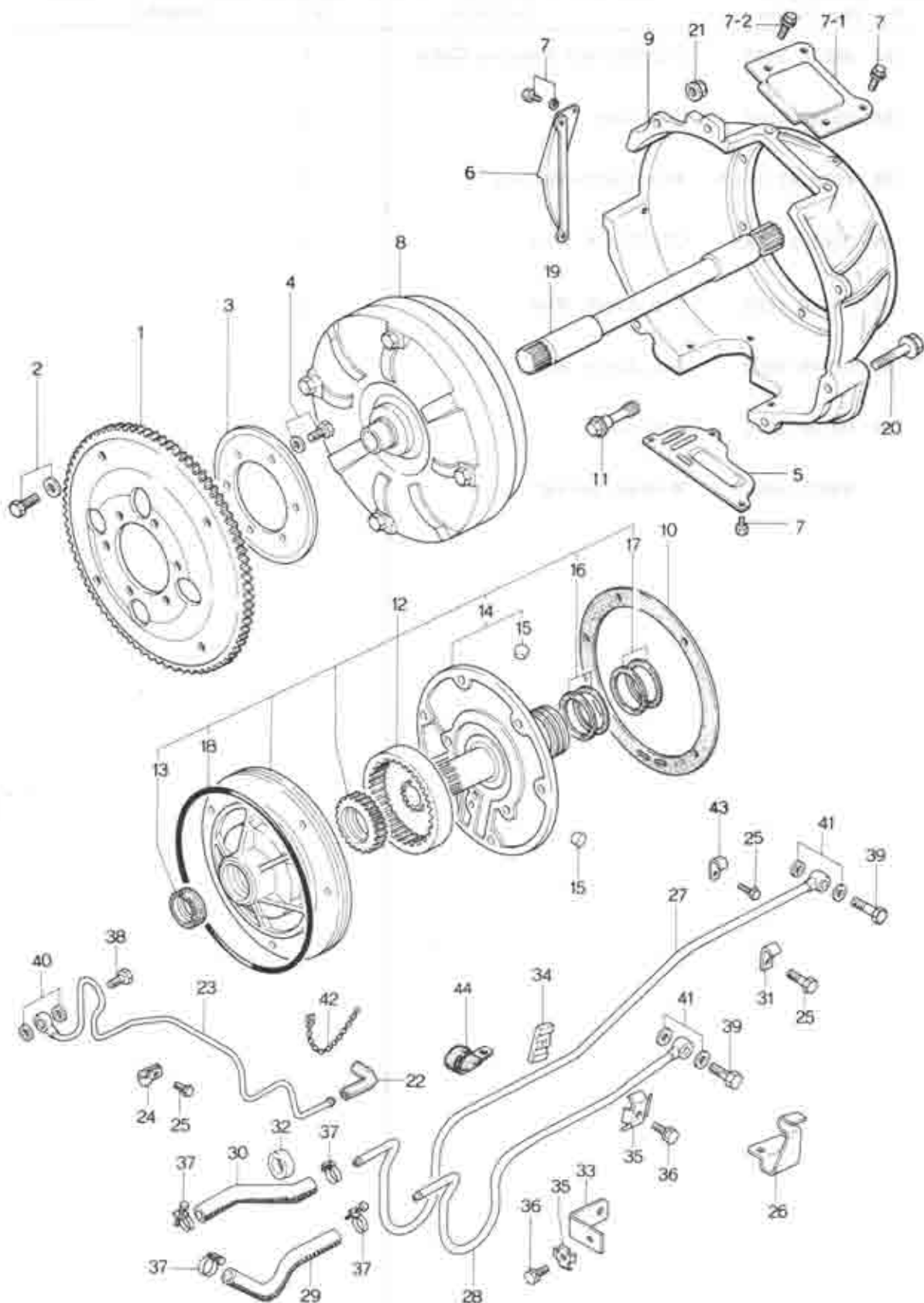
18

24

No.	Part Number	Description	Q'ty	Remarks
33	99276 1406	Clip, Battery Positive Cable	1	
34	99796 0510	Bolt, Clip	1	
35	1098 67 111 A	Wire, Earth-Battery	1	
36	0249 13 595	Clip, Earth Wire	1	
37	99276 1208	Clip, Earth Wire	1	
38	99940 0800	Nut, Earth Wire	2	
39	99785 0616	Bolt, Clip	1	
	99971 0600	Washer, Spring	1	

AUTOMATIC T/MISSION

(CONVERTER, OIL PUMP & PIPING)



AUTOMATIC T / MISSION

(CONVERTER, OIL PUMP & PIPING)

19

No.	Part Number	Description	Qty	Remarks
1	2070 19 020	Plate, Drive	1	
●	1758 19 020	Plate, Drive	1	1/2 - X
2	99781 1012	Bolt, Drive Plate	4	
	99971 1000	Washer, Spring	4	
3	0842 19 025	Plate, Backing	1	
4	99781 1018	Bolt, Backing Plate	6	
	99971 1000	Washer, Spring	6	
5	1908 19 027	Cover, Under	1	
6	0454 19 028	Cover, Side	1	
7	99806 0610	Bolt, Under Cover & Side Cover	7	
●	99796 0610	Bolt, Under Cover & Side Cover	8	1/2 - O
	99971 0600	Washer, Spring	7	1/2 - Discarded
●	7-1 1758 19 028	Cover, Top	1	1/2 - Added Anew
●	7-2 99796 0816	Bolt, Top Cover	2	1/2 - Added Anew
8	0338 19 100 A	Converter, Torque	1	
9	1908 19 211	Housing, Converter	1	
●	1758 19 211 A	Housing, Converter	1	1/2 - X
10	0338 19 215	Gasket, Oil Pump	1	
●	1758 19 215	Gasket, Oil Pump	1	1/2 - X
11	0338 19 216	Bolt, Housing	6	
12	0338 19 220	Pump, Oil	1	
●	1758 19 220	Pump, Oil	1	1/2 - X
13	0338 19 223	Oil Seal	1	
14	0338 19 240	Cover	1	
15	0338 19 245	Plug, Tapered	2	
●	0338 19 245 A	Plug, Tapered	2	1/2 - O
16	0338 19 256	Ring, Seal	2	

AUTOMATIC T / MISSION

(CONVERTER, OIL PUMP & PIPING)

No.	Part Number	Description	Qty	Remarks
17	0338 19 257	Ring, Seal	2	
18	0338 19 258	Seal, Lathe Cut Ring	1	
19	0338 19 678	Shaft, Input	1	
20	99796 1035	Bolt, Housing	2	
	99796 1040	Bolt	1	
	99796 1045	Bolt	2	
21	99940 1001	Nut, Housing	2	
22	0338 19 904	Hose, Vacuum (Rr.)	1	
●	0338 19 904A	Hose, Vacuum (Rr.)	1	㊦~△
23	1908 19 910	Pipe, Vacuum	1	
●	0808 19 910	Pipe, Vacuum	1	㊦~×
24	0842 19 915A	Clip, Vacuum Pipe	1	
25	99796 0610	Bolt, Clip	3	
●	99796 0610	Bolt, Clip	4	㊦~○
26	0436 19 917	Clip	1	
27	1098 19 920A	Pipe, Oil	1	
●	0808 19 920A	Pipe, Oil	1	㊦~×
28	1098 19 930A	Pipe, Oil	1	
●	0808 19 930A	Pipe, Oil	1	㊦~×
29	1098 19 933	Hose, Oil	1	
●	1098 19 933A	Hose, Oil	1	㊦~△
30	1015 19 934B	Hose, Oil	1	
●	1098 19 933A	Hose, Oil	1	㊦~△
31	1633 19 938	Clip, Pipe	1	㊦~Discarded
32	1098 19 939	Guide, Oil Hose	1	
33	1908 19 940	Bracket, Pipe	1	
●	1908 19 940A	Bracket, Pipe	1	From Car No. 1

AUTOMATIC T / MISSION

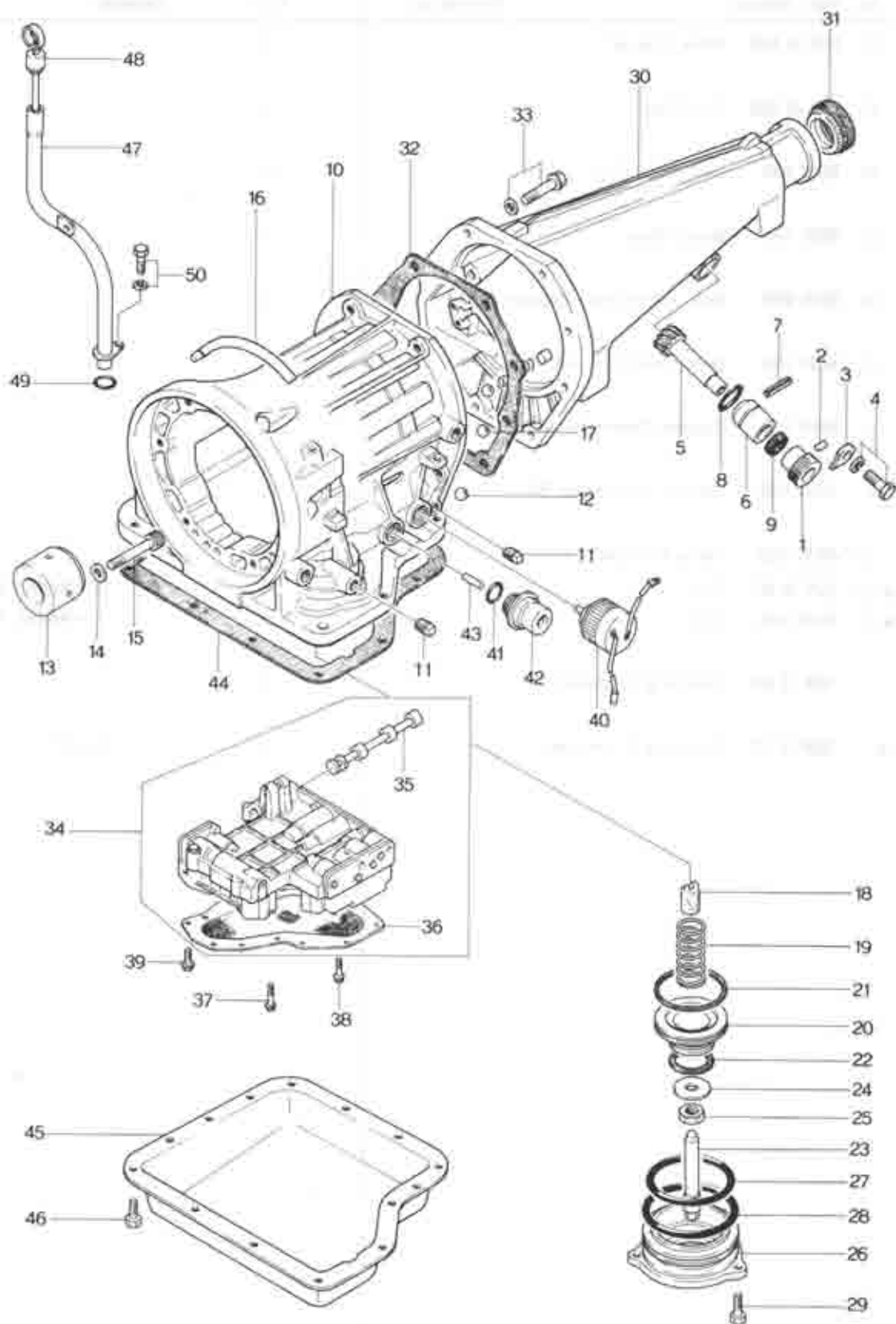
(CONVERTER, OIL PUMP & PIPING)

19

No.	Part Number	Description	Q'ty	Remarks
34	1015 19 945A	Plate, Spacer	1	
35	9988 45 803A	Clip, Pipe	2	
36	89786 0620	Bolt, Pipe Clip	2	
37	99282 1700	Band, Hose	4	
38	99381 0600	Bolt, Connector - Vacuum Pipe	1	
39	99381 1000	Bolt, Connector - Oil Pipe	2	
40	99584 1000	Gasket, Connector Bolt	2	
41	99584 1400	Gasket, Connector Bolt	4	
42	99708 0108	Band, Oil Pipe	1	
● 43	2578 19 989	Clip	1	X - Added Anew
● 44	99276 1006	Clip	1	X - Added Anew
	1908 19 090	Shipping, T /mission	1	
●	0888 19 090	Shipping, T /mission	1	X - X

AUTOMATIC T/MISSION

(CASE & MAIN CONTROL) (USED UP TO 7/2)



AUTOMATIC T / MISSION

(CASE & MAIN CONTROL) (USED UP TO 3 1/2)

19

No.	Part Number	Description	Q'ty	Remarks
1	0862 17 351	Joint, Cable-Speedometer	1	
2	0187 17 352	Pin, Dowel-Driven Gear	1	
3	0111 17 354	Plate, Lock-Cable Joint	1	
4	99808 0614	Bolt, Lock Plate	1	
	99971 0600	Washer, Spring	1	
5	1889 17 441	Gear, Driven-Speedometer	1	
6	0862 17 442	Sleeve, Speedometer Driven Gear	1	
7	99222 0218	Pin, Spring-Driven Gear	1	
8	99541 02211	Ring, "O"-Driven Gear	1	
9	99588 10207	Oil Seal, Driven Gear	1	
10	0338 19 310	Case, T / mission	1	
11	0338 19 331A	Plug, Square Head	3	
12	99611 1750	Ball, Steel	3	
13	0338 19 336	Race, Inner	1	
14	0338 19 337	Washer, Plain	8	
15	0338 19 338	Bolt	8	
16	0397 19 340	Breather, Air	1	
17	99611 2000	Ball, Steel	2	

AUTOMATIC T / MISSION

(CASE & MAIN CONTROL) (USED UP TO 7/2)

No.	Part Number	Description	Q'ty	Remarks
18	0338 18 381	Strut, Band	1	
19	0338 18 383	Spring, Return-Piston	1	
20	0842 18 381	Piston, Band Servo	1	
21	0338 18 384	Seal, Piston	1	
22	0842 18 385	Seal, Piston	1	
23	0338 18 386A	Stem, Piston	1	
24	0338 18 388A	Washer, Plain	1	
25	0338 18 389	Nut, Band Adjust	1	
26	0842 18 391	Retainer, Servo	1	
27	0842 18 394	Seal, Lathe Cut Ring	1	
28	0338 18 395	Seal, "O" Ring	1	
29	0338 18 397	Bolt	3	
30	1840 18 710	Housing, Extension	1	
31	0378 17 335	Oil Seal	1	
32	0338 18 735	Gasket, Extension Housing	1	
33	0338 18 737	Bolt, Extension Housing	8	
	0338 18 738	Washer, Plain	8	

AUTOMATIC T / MISSION

(CASE & MAIN CONTROL) (USED UP TO 7½)

19

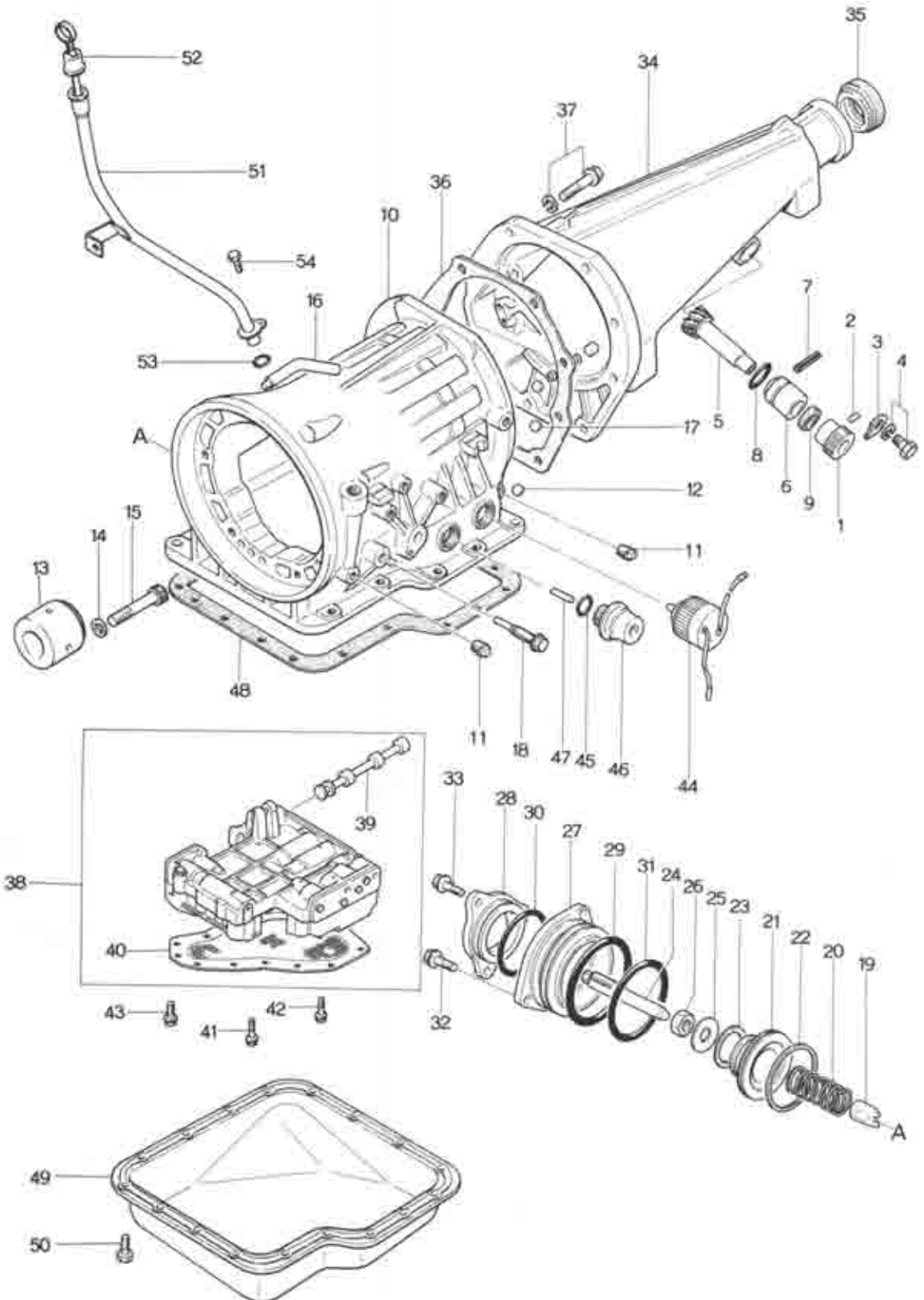
No.	Part Number	Description	Q'ty	Remarks
34	0397 18 750	Valve, Control	1	
35	0338 18 788	Valve, Manual	1	
36	0338 18 815	Strainer, Oil	1	
37	0338 18 831	Bolt, Control Valve	3	
38	0338 18 832	Bolt, Control Valve	2	
39	0338 18 833	Bolt, Control Valve	2	
40	1875 18 821	Solenoid, Down Shift	1	
41	0338 18 822	Seal, "O" Ring	2	
42	0338 18 825 813	Diaphragm, Vacuum	1	
43	0338 18 825	Rod, Diaphragm (ℓ = 30.0)	Selective use	
	0338 18 826	Rod (ℓ = 31.0)		
	0338 18 827	Rod (ℓ = 30.5)		
	0338 18 828	Rod (ℓ = 29.0)		
	0338 18 828	Rod (ℓ = 29.5)		
44	0338 18 835A	Gasket, Oil Pan	1	
45	0338 18 836	Pan, Oil	1	
46	0338 18 837	Bolt, Oil Pan	14	
47	2070 18 870	Tube, Oil Level	1	

No.	Part Number	Description	Q'ty	Remarks
48	0338 19 880	Gauge, Oil Level	1	
49	89541 01601	Ring, "O" - Oil Level Tube	1	
50	99800 0814	Bolt, Oil Level Tube	1	
	99971 0800	Washer, Spring	1	
	0397 22 100	Gasket & Seal Kit	1 Set	
	0376 17 335	Oil Seal	1	
	0338 19 215	Gasket, Oil Pump	1	
	0338 19 223	Seal, Oil Pump Housing	1	
	0338 19 258	Seal, Lathe Cut Ring	1	
	0338 19 432	Seal, "O" Ring	1	
	0338 19 446	Seal, "O" Ring	1	
	0338 19 603	Seal, Piston	1	
	0338 19 604	Seal, "O" Ring	1	
	0338 19 735	Gasket, Extension Housing	1	
	0338 19 822	Seal, "O" Ring	2	
	0338 19 835A	Gasket, Oil Pan	1	



AUTOMATIC T / MISSION

(CASE & MAIN CONTROL USED FROM 7/3)



AUTOMATIC T / MISSION TJA

(CASE & MAIN CONTROL USED FROM 7/3)

19

No.	Part Number	Description	Q'ty	Remarks
1	0862 17 351	Joint, Cable-Speed	1	
2	0187 17 352	Pin, Dowel-Driven Gear	1	
3	0111 17 354	Plate, Lock-Cable Joint	1	
4	99806 0614	Bolt, Lock Plate	1	
	99971 0600	Washer, Spring	1	
5	1669 17 441	Gear, Driven-Speedometer	1	
6	0862 17 442	Sleeve, Speedometer Driven Gear	1	
7	99222 0216	Pin, Spring-Driven Gear	1	
8	99541 02211	Ring, "O"-Driven Gear	1	
9	99586 10207	Oil Seal, Driven Gear	1	
10	1758 19 310	Case, T/mission	1	
11	0338 19 331A	Plug, Square Head	3	
12	99611 1750	Ball, Steel	1	
13	0338 19 336	Race, Inner	1	
14	0338 19 337	Washer, Plain	8	
15	0338 19 338	Bolt	8	
16	0378 19 344	Breather, Air	1	
17	99611 2000	Ball, Steel	3	

AUTOMATIC T / MISSION TUA

(CASE & MAIN CONTROL USED FROM 3/2)

No.	Part Number	Description	Q'ty	Remarks
18	1758 19 341	Bolt, Anchor End	1	
19	0338 19 361	Strut, Band	1	
20	0338 19 363	Spring, Return-Piston	1	
21	0842 19 381	Piston, Band Servo	1	
22	0338 19 384	Seal, Piston	1	
23	0842 19 385	Seal, Piston	1	
24	1758 19 386	Stem, Piston	1	
25	0338 19 388A	Washer, Plain	1	
26	0338 19 389	Nut, Band Adjust.	1	
27	1758 19 391	Retainer, Servo	1	
28	1758 19 392	Cover, Servo	1	
29	0842 19 394	Seal, Ring-Leather Cut	1	
30	1758 19 394	Ring, "O"	1	
31	0338 19 395	Seal, "O" Ring	1	
32	0338 19 397	Bolt, Servo Retainer	3	
33	1758 19 397	Bolt, Servo Cover	3	
34	1840 19 710	Housing, Extension	1	
35	0376 17 335	Oil Seal	1	

AUTOMATIC T / MISSION TJA

(CASE & MAIN CONTROL USED FROM 7 $\frac{3}{8}$)

19

No.	Part Number	Description	Q'ty	Remarks
36	0338 19 735	Gasket, Extension Housing	1	
37	0338 19 737	Bolt, Extension Housing	8	
	0338 19 739	Washer, Plain	8	
38	1758 19 750	Valve, Control	1	
39	0338 19 768	Valve, Manual	1	
40	1758 19 815	Strainer, Oil	1	
41	0338 19 831	Bolt, Control Valve	3	
42	0338 19 832	Bolt, Control Valve	2	
43	0338 19 833	Bolt, Control Valve	2	
44	1675 19 821	Solenoid, Down Shift	1	
45	0338 19 822	Seal, "O" Ring	2	
46	1758 19 823	Diaphragm, Vacuum	1	
47	0338 19 825	Rod, Diaphragm (L=30.0)	Selective use 1	
	0338 19 826	Rod (L=31.0)		
	0338 19 827	Rod (L=30.5)		
	0338 19 828	Rod (L=29.0)		
	0338 19 829	Rod (L=29.5)		

AUTOMATIC T / MISSION TUA

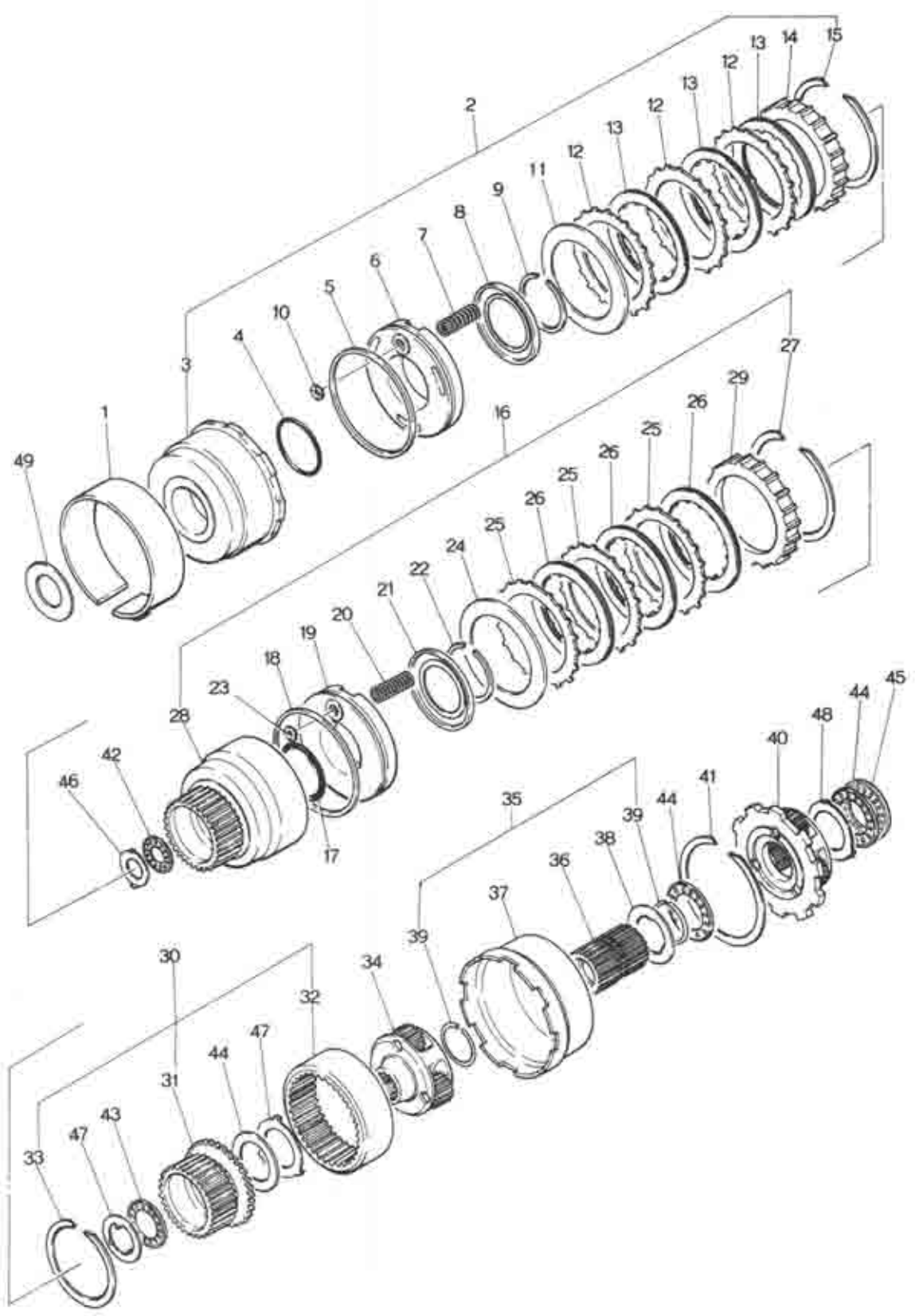
(CASE & MAIN CONTROL USED FROM 7/3)

No.	Part Number	Description	Qty	Remarks
48	1758 19 835	Gasket, Oil Pan	1	
49	1758 19 836	Pan, Oil	1	
50	0338 19 837	Bolt, Oil Pan	17	
51	0808 19 870	Tube, Oil Level Gauge	1	
52	1758 19 880	Gauge, Oil Level	1	
53	99541 01601	Ring, "O" - Oil Level	1	
54	99796 0610	Bolt, Oil Level Tube	1	



AUTOMATIC T/MISSION

(CLUTCH & PLANETARY GEAR)



AUTOMATIC T/MISSION

(CLUTCH & PLANETARY GEAR)

19

No.	Part Number	Description	Qty	Remarks
1	0338 19 360	Band, Brake	1	
2	0338 19 460	Clutch, Front	1	
3	0338 19 470	Drum, Clutch	1	
4	0338 19 475	Seal, "O" Ring	1	
5	0338 19 478	Seal, Lathe Cut	1	
6	0338 19 480	Piston, Clutch	1	
7	0338 19 486	Spring, Piston Return	10	
8	0338 19 487	Retainer, Spring	1	
9	0338 19 488	Ring, Snap	1	
10	0338 19 483	Retainer, Ball	1	
11	0338 19 498	Plate, Dished	1	
12	0338 19 499	Plate, Driven	3	
13	0338 19 500	Plate, Drive	3	
14	0338 19 503	Plate, Retaining	10.6	
	0338 19 504	Plate, Retaining	10.8	
	0338 19 505	Plate, Retaining	11.0	
	0338 19 506	Plate, Retaining	11.2	Selective use
	0338 19 507	Plate, Retaining	11.4	
	0338 19 508	Plate, Retaining	11.6	

AUTOMATIC T/MISSION

(CLUTCH & PLANETARY GEAR)

No.	Part Number	Description	Qty	Remarks
15	0338 19 509	Ring, Snap	1	
16	0338 19 510	Clutch, Rear	1	
17	0338 19 475	Seal, "O" Ring	1	
18	0338 19 476	Seal, Lathe Cut	1	
19	0338 19 400	Piston, Clutch	1	
20	0338 19 486	Spring, Piston Return	10	
21	0338 19 487	Retainer, Spring	1	
22	0338 19 489	Ring, Snap	1	
23	0338 19 493	Retainer, Ball	1	
24	0338 19 498	Plate, Dished	1	
25	0338 19 499	Plate, Driven	4	
26	0338 19 500	Plate, Drive	4	
27	0338 19 508	Ring, Snap	1	
28	0338 19 511	Drum, Rear Clutch	1	
29	0338 19 515	Plate, Retaining	1	
30	0338 19 530	Hub, Rear Clutch	1	
31	0338 19 531	Hub, Rear Clutch	1	
32	0338 19 533	Gear, Internal	1	

AUTOMATIC T/MISSION (CLUTCH & PLANETARY GEAR)

19

No.	Part Number	Description	Q'ty	Remarks
33	0338 18 534	Ring, Snap	1	
34	0338 18 540	Carrier, Front	1	
35	0338 18 550	Shell & Sun Gear	1	
36	0338 18 560	Gear, Sun	1	
37	0338 18 563	Shell, Connecting	1	
38	0338 18 566	Race, Bearing-Shell	4	
39	0338 18 567	Ring, Snap	2	
40	0338 18 570	Carrier, Rear	1	
41	0338 18 580	Ring, Snap	1	
42	0338 18 621	Bearing, Needle	4	
43	0338 18 622	Bearing, Needle	1	
44	0338 18 623	Bearing, Needle	3	
45	0338 18 624	Bearing, Needle	1	
46	0338 18 631	Race, Bearing (t-1.2)	1	
	0338 18 632	Race, Bearing (t-1.4)	1	
	0338 18 633	Race, Bearing (t-1.6)	1	
	0338 18 634	Race, Bearing (t-1.8)	1	
		Selective use	1	

AUTOMATIC T/MISSION

(CLUTCH & PLANETARY GEAR)

No.	Part Number	Description	Q'ty	Remarks
	0338 19 835	Race, Bearing (t-2.0)		
	0338 19 836	Race, Bearing (t-2.2)		
47	0338 19 838	Race, Bearing-Rear Clutch	1	
48	0338 19 839	Race, Bearing	2	
49	0338 19 841	Washer, Front Clutch (t-1.90)		
	0338 19 842	Washer (t-2.10)		
	0338 19 843	Washer (t-2.30)		
	0338 19 844	Washer (t-2.50)	Selective use 1	
	0338 19 845	Washer (t-2.70)		
	0338 19 846	Washer (t-1.50)		
	0338 19 847	Washer (t-1.70)		
	0397 22 200	Clutch, Repair Kit	1 Set	
	0338 19 475	Seal, "O" Ring	2	
	0338 19 476	Seal, Lathe Cut	2	
	0338 19 486	Spring, Piston Return	20	
	0338 19 487	Retainer, Spring	2	
	0338 19 488	Ring, Snap	2	
	0338 19 498	Plate, Dished	2	
	0338 19 489	Plate, Driven	7	

AUTOMATIC T / MISSION

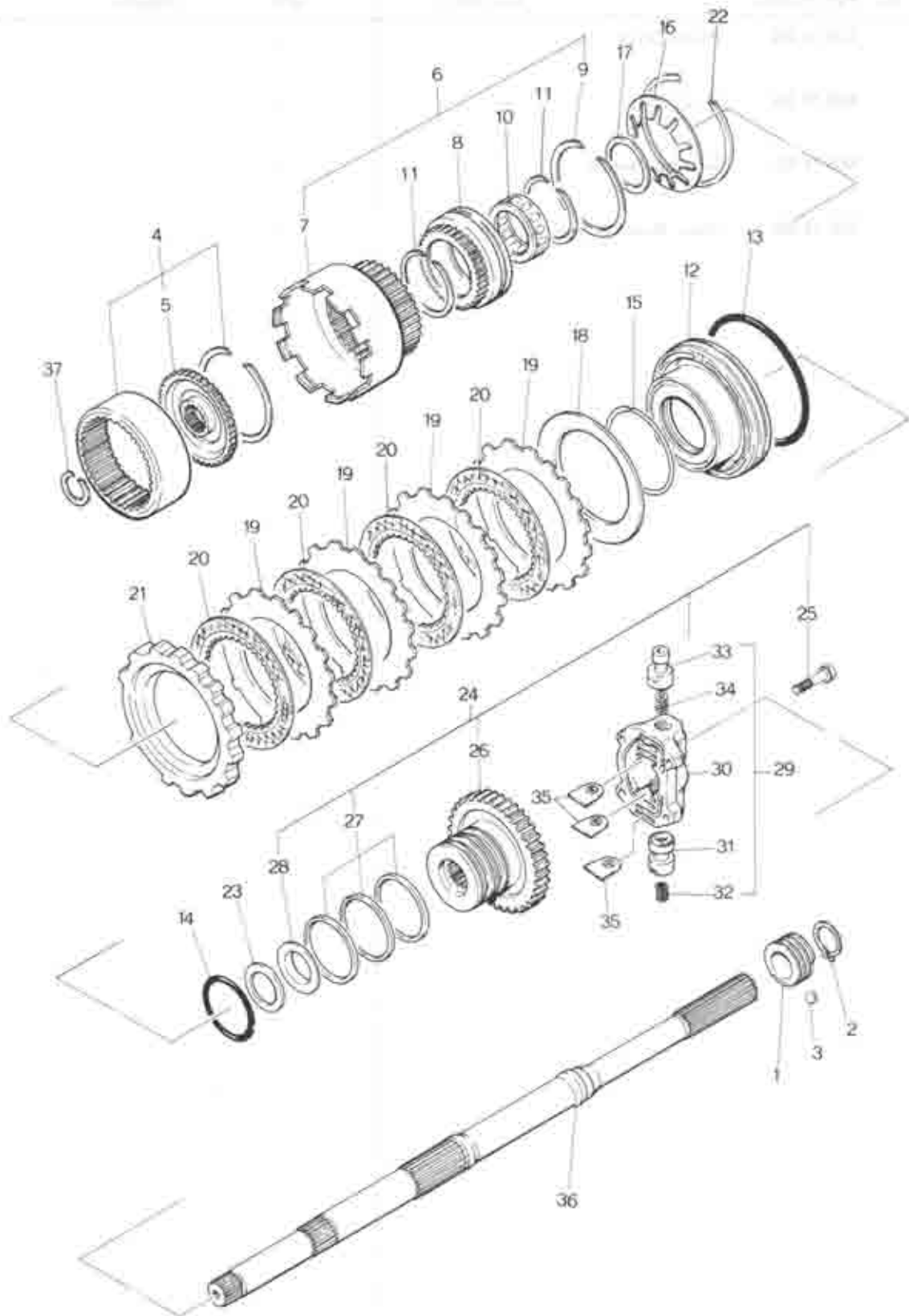
(CLUTCH & PLANETARY GEAR)

19

No.	Part Number	Description	Q'ty	Remarks
	0338 19 500	Plate, Drive	7	
	0338 19 509	Ring, Snap	2	
	0338 19 621	Bearing, Needle	1	
	0338 19 638	Race, Bearing-Rear Clutch	1	

AUTOMATIC T/MISSION

(LOW, REVERSE & GOVERNOR)



AUTOMATIC T/MISSION

(LOW, REVERSE & GOVERNOR)

19

No.	Part Number	Description	Q'ty	Remarks
1	0882 17 341	Gear, Drive-Speedometer	1	
2	98573 2500	Ring, Snap-Drive Gear	1	
3	98611 1500	Ball, Steel	1	
4	0338 19 580	Flange	1	
5	0338 19 581	Flange, Drive	1	
6	0338 19 590	Drum, Connecting	1	
7	0338 19 591	Drum, Connecting	1	
8	0338 19 593	Race, Outer	1	
9	0338 19 584	Ring, Snap	1	
10	0338 19 585	Clutch, One Way	1	
11	0338 19 586	Ring, Snap	2	
12	0338 19 601	Piston, Low & Reverse	1	
13	0338 19 603	Seal, Piston	1	
14	0338 19 604	Seal, "O" Ring	1	
15	0338 19 605	Ring, Thrust Spring	1	
16	0338 19 606	Spring, Piston	1	
17	0338 19 607	Ring, Snap	1	

AUTOMATIC T / MISSION

(LOW, REVERSE & GOVERNOR)

No.	Part Number	Description	Q'ty	Remarks
18	0338 19 608	Plate, Dished	1	
19	0338 19 609	Plate, Driven	4	
20	0338 19 610	Plate, Drive	4	
21	0338 19 613A	Plate, Retaining (t=15.8)		
	0338 19 614A	Plate (t=16.0)		
	0338 19 615A	Plate (t=16.2)		
	0338 19 616A	Plate (t=16.4)	1	Selective use
	0338 19 617A	Plate (t=16.6)		
	0338 19 618A	Plate (t=16.8)		
22	0338 19 619	Ring, Snap	1	
23	0338 19 622	Bearing, Needle	1	
24	0842 19 650	Distributor, Oil	1	
25	0338 19 397	Bolt	4	
26	0338 19 651	Distributor	1	
27	0338 19 655	Ring, Seal	3	
28	0338 19 656	Race, Bearing	1	
29	0842 19 660	Governor, Fig. No 30-33 included	1	
30	0338 19 661	Body	1	
31	0338 19 663	Valve	1	

AUTOMATIC T / MISSION

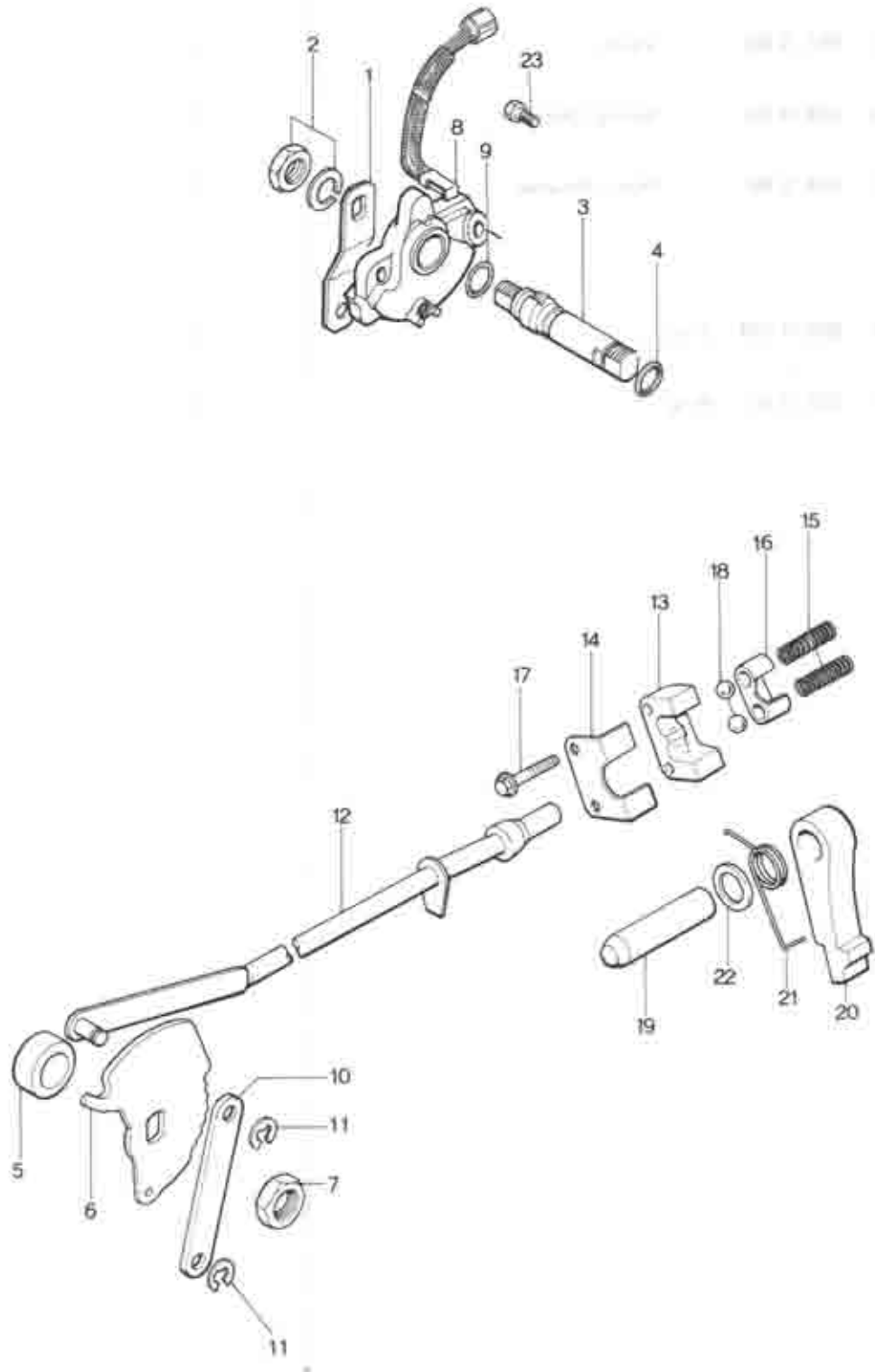
(LOW, REVERSE & GOVERNOR)

19

No.	Part Number	Description	Q'ty	Remarks
32	0338 19 884	Spring	1	
33	0842 19 885	Valve	1	
34	0338 19 886	Spring, Governor	1	
35	0338 19 887	Plate, Retainer	3	
36	0338 18 870A	Shaft	1	
37	0338 19 878	Ring	1	

AUTOMATIC T / MISSION (MANUAL LINKAGE)

(USED UP TO 7/2)



AUTOMATIC T / MISSION (MANUAL LINKAGE)(USED UP TO $\frac{3}{2}$)

19

No.	Part Number	Description	Q'ty	Remarks
1	8842 18 031	Lever, Select	1	
2	88822 1400	Nut, Select Lever	1	
	88871 1400	Washer, Spring	1	
3	0338 18 431	Shaft, Manual	1	
4	0338 18 432	Seal, "O" Ring	1	
5	0338 18 433	Washer, Manual	1	
6	0338 18 440	Plate, Manual	1	
7	0338 18 443	Nut, Shaft	1	
8	1675 18 444A	Switch, Inhibitor	1	
9	0338 18 448	Ring, "O"	1	
10	0338 18 448	Lever, Parking	1	
11	0338 18 449	Ring, Snap	2	
12	0338 18 450	Rod, Parking	1	
13	0338 18 701	Support, Actuator	1	
14	0338 18 702	Plate, Retaining	1	
15	0338 18 703	Spring, Ball Park	2	
16	0338 18 704	Retainer	1	
17	0338 18 708	Bolt	2	
18	88811 2750	Ball, Steel	2	
19	0338 18 731	Shaft, Parking Pawl	1	

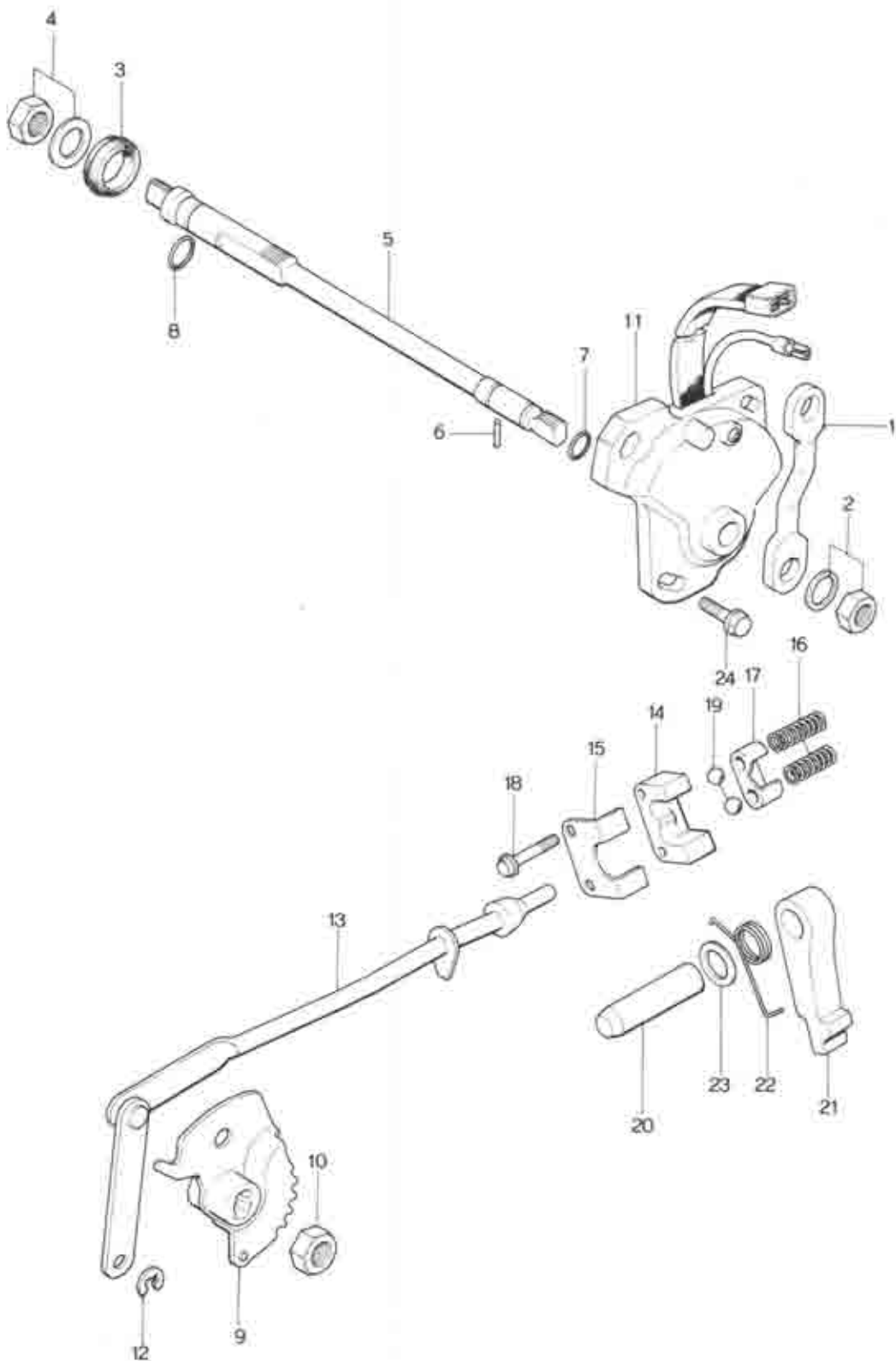
AUTOMATIC T / MISSION (MANUAL LINKAGE)

(USED UP TO $\frac{7}{8}$)

No.	Part Number	Description	Q'ty	Remarks
20	0338 18 732	Pawl, Parking	1	
21	0338 18 733C	Spring, Pawl Return	1	
22	0338 18 734A	Spacer, Dowel	1	
23	0397 18 838	Bolt, Inhibitor Switch	2	



AUTOMATIC T / MISSION
 (MANUAL LINKAGE USED FROM 3/3)



AUTOMATIC T / MISSION

(MANUAL LINKAGE USED FROM 7/8)

19

No.	Part Number	Description	Q'ty	Remarks
1	0808 19 031	Lever, Select	1	
2	99922 1200	Nut, Select Lever	1	
	99971 1200	Washer, Spring	1	
3	1758 19 036	Seal, Dust - Select Lever	1	
4	99922 1400	Nut, Select Lever	1	
	99953 1400	Washer, Plain	1	
5	1758 19 431	Shaft, Manual	1	
6	1758 19 434	Pin	1	
7	99541 00901	Ring, "O"	1	
8	99541 01201	Ring, "O"	1	
9	1758 19 440	Plate, Manual	1	
10	1758 19 443	Nut, Shaft	1	
11	1758 19 444	Switch, Inhibitor	1	
12	0338 19 449	Ring, Snap	2	
13	1758 19 450	Rod, Parking	1	
14	0338 19 701	Support, Actuator	1	
15	0338 19 702	Plate, Retaining	1	
16	0338 19 703	Spring, Ball Park	2	
17	0338 19 704	Retainer	1	
18	0338 19 706	Bolt	2	

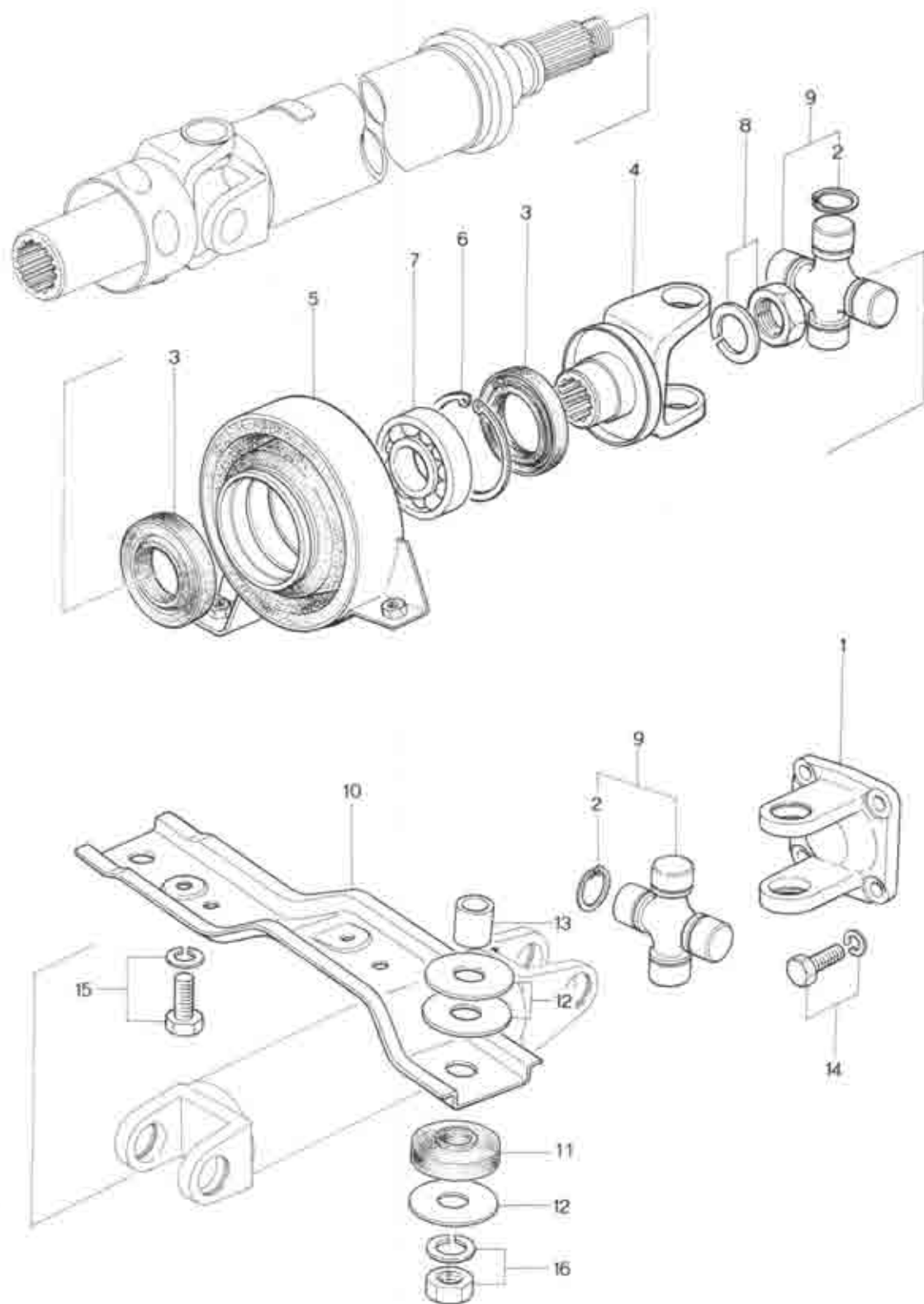


AUTOMATIC T / MISSION

(MANUAL LINKAGE USED FROM 7/3)

No.	Part Number	Description	Q'ty	Remarks
19	99611 2750	Ball, Steel	2	
20	0338 19 731	Shaft, Parking Pawl	1	
21	0338 19 732	Pawl, Parking	1	
22	0338 19 733C	Spring, Pawl Return	1	
23	0338 19 734A	Spacer, Dowel	1	
24	0397 19 838	Bolt, Inhibitor Switch	3	





PROPELLER SHAFT

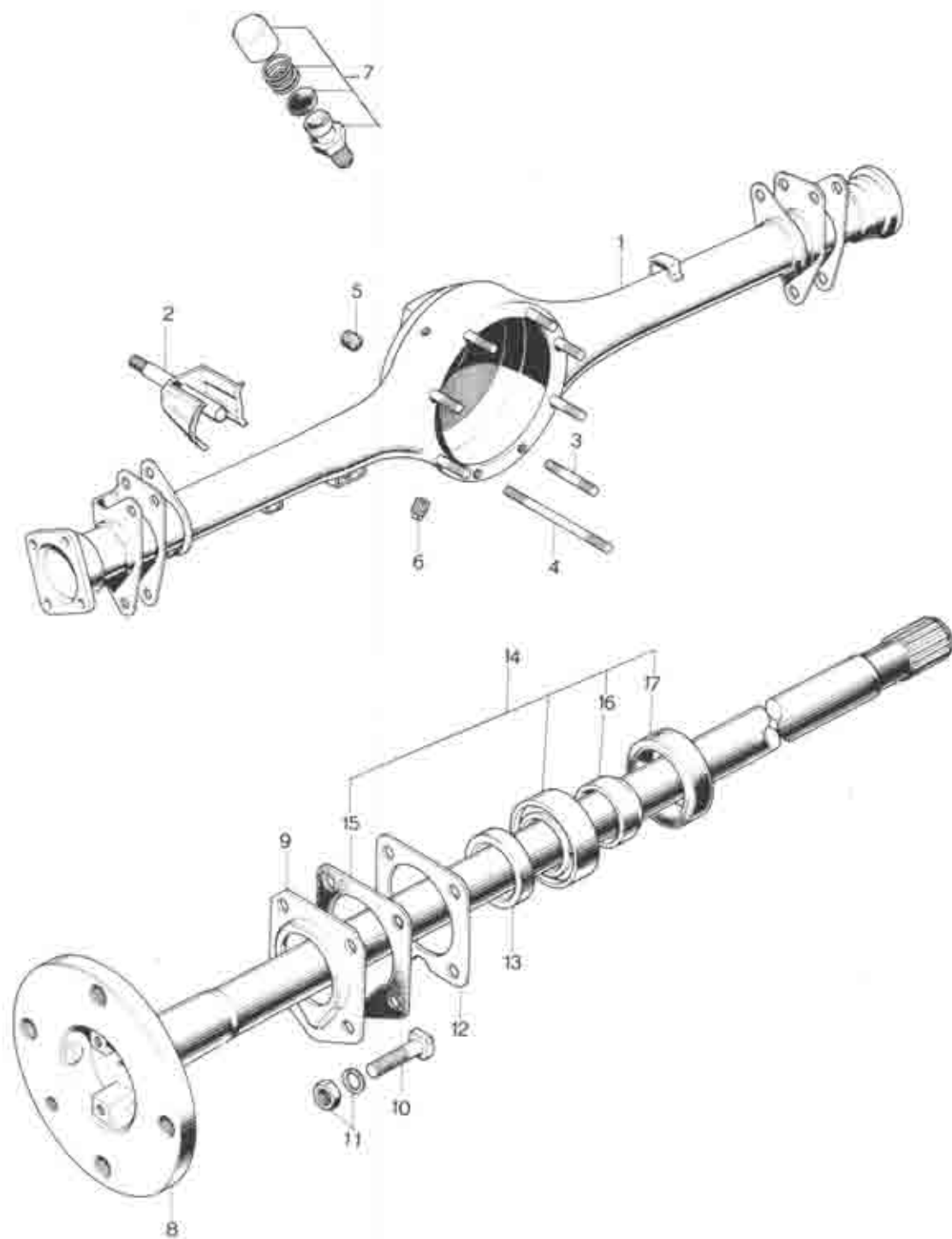
25

No.	Part Number	Description	Qty	Remarks
	1098 25 100	Shaft, Propeller	1	
1	0259 25 0219	Yoke, Universal Joint	1	
2	0259 25 071A	Ring, Snap (t=1.22)		Selective use
	0259 25 072A	Ring, Snap (t=1.24)		
	0259 25 073A	Ring, Snap (t=1.26)		
	0259 25 074A	Ring, Snap (t=1.28)		
	0259 25 075A	Ring, Snap (t=1.30)		
	0259 25 076A	Ring, Snap (t=1.32)		
	0259 25 077A	Ring, Snap (t=1.34)		
	0259 25 078A	Ring, Snap (t=1.36)		
	0259 25 079A	Ring, Snap (t=1.38)		
3	0290 25 151	Oil Seal	3	
4	0223 25 2200	Yoke	1	
5	1097 25 300	Support, Center Bearing	1	
6	89574 5200	Ring, Snap	1	
7	99808 62050	Bearing, Ball	1	
8	99922 1000	Nut	1	
	99971 1000	Washer, Spring	1	
9	0259 89 251	Joint Set, Universal	2	

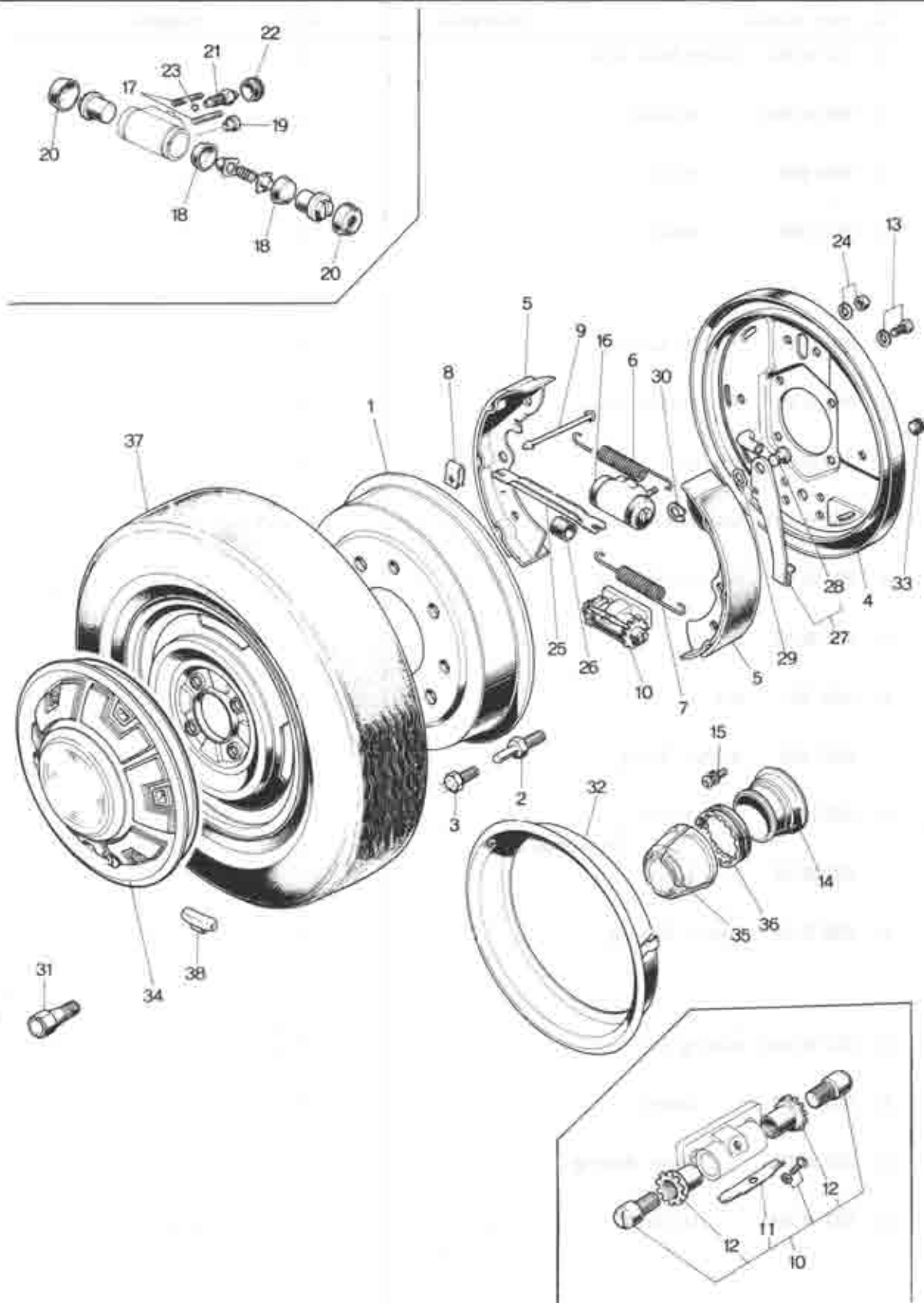
PROPELLER SHAFT

No.	Part Number	Description	Q'ty	Remarks
10	1897 25 318	Member, Bearing Support	1	
11	1114 25 331	Bush	2	
12	0868 32 341	Washer, Idler	6	
13	0838 58 126A	Spacer	2	
14	99752 30018	Bolt, Propeller Shaft	4	
	99971 0800	Washer, Spring	4	
15	99804 1022	Bolt, Center Bearing Support	2	
	99971 1000	Washer, Spring	2	
16	89821 1000	Nut	2	
	99971 1000	Washer	2	





No.	Part Number	Description	Q'ty	Remarks
1	1087 26 010	Casing, Rear Axle	1	
2	0305 26 080H	Bracket	1	
3	98852 0820	Stud	5	
4	98852 0880	Stud	1	
5	0258 26 041	Plug, Oil Level	1	
6	0258 26 051	Plug, Magnet Drain	1	
7	0730 26 060	Breather	1	
8	0838 26 111A	Shaft, Rear Axle	2	
9	0317 26 121	Retainer, Bearing	3	
10	0258 26 132	Bolt	8	
11	98901 0800	Nut	8	
	98971 0800	Washer, Spring	8	
12	0258 26 141	Shim, Adjust	4	Selective use
	0258 26 142	Shim, Adjust		
13	0258 26 155	Spacer, Bearing	2	
14	0317 99 2858	Bearing Set	2	
15	0258 26 129	Gasket	2	
16	0258 26 152	Collar, Bearing	2	
17	0187 26 154	Oil Seal	2	



REAR BRAKE

26

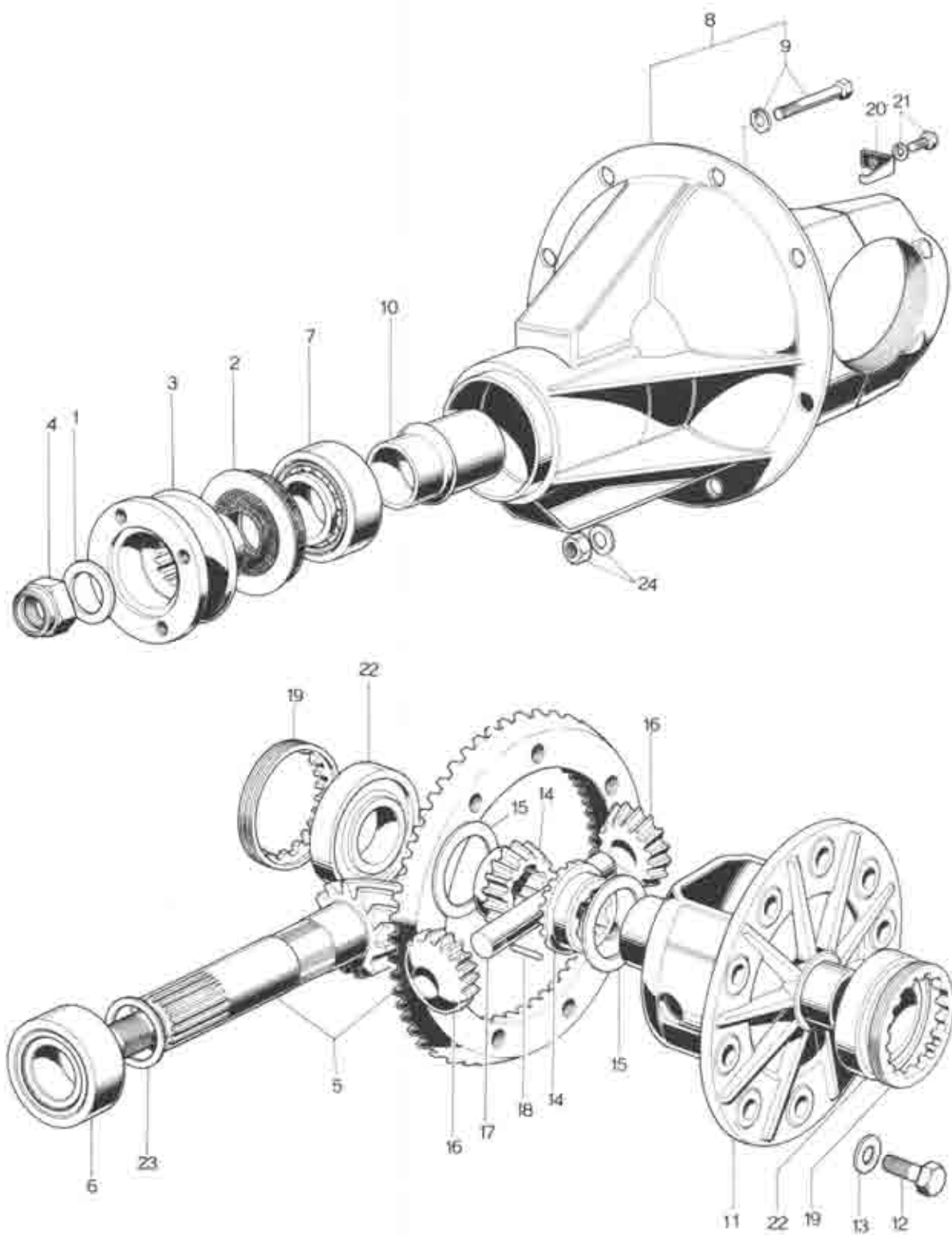
No.	Part Number	Description	Qty	Remarks
1	0305 28 251A	Drum, Brake	2	
2	0305 28 255	Bolt (Wheel Cap use)	4	
3	99833 0812	Screw (Center Cap use)	4	
4	0308 28 280	Cover, Brake Drum (R)	1	
	0308 28 290	Cover, Brake Drum (L)	1	
5	0305 28 310B	Shoe, Brake	4	
6	0187 28 341	Spring, Return	2	
7	0118 28 342	Spring, Return	2	
8	0223 28 345A	Spring, Clip	4	
9	0886 28 391	Pin, Guide-Brake Shoe	4	
10	0305 28 500A	Block, Anchor	2	
11	0710 28 352	Spring	2	
12	0710 28 481	Adjuster	4	
13	99801 0814	Bolt, Anchor Block	4	
	99871 0800	Washer, Spring	4	
14	0820 28 570A	Adapter (Center Cap use)	2	
15	99833 0812	Screw	2	
	99871 0800	Washer, Spring	2	

No.	Part Number	Description	Q'ty	Remarks
16	0010 26 810A	Cylinder, Wheel	2	
17	99852 0012	Stud	4	
18	0010 26 671	Cup, Piston	4	
19	0013 26 822	Seat, Tube	2	
20	0013 33 881	Cover, Dust	4	
21	0250 33 691	Screw, Bleeder	2	
22	0250 33 693	Cap, Bleeder	2	
23	99611 1500	Ball, Steel	2	
24	99908 0800	Nut, Wheel Cylinder	4	
	99971 0800	Washer, Spring	4	
25	0187 26 821	Strut, Operation (R)	1	
	0187 26 821	Strut, Operation (L)	1	
26	0118 26 897	Holder	2	
27	0305 26 800A	Lever (R)	1	
	0305 26 810A	Lever (L)	1	
28	0118 26 832	Pin	2	
29	0118 26 834	Washer, Wave	2	

No.	Part Number	Description	Qty	Remarks
30	99575 0600	Ring, Retaining	2	
31	0259 33 185	Bolt, Wheel Set (Wheel Cap use)	8	
	0820 33 165A	Bolt, Wheel Set (Center Cap use)	8	
32	0820 33 180A	Ring, Wheel (Center Cap use)	2	
33	0710 33 289	Plug, Back Plate	4	
34	1905 37 170	Cap, Wheel	2	
35	0861 37 181	Cap, Center	2	
36	1011 37 182	Rubber, Set	2	
37	8982 04 1653	Tire, Radial-165 SR-13 (Canada)	2	
	8982 07 1653	Tire, Radial-165 SR-13 (U.S.A.)	2	
	9983 80 4130	Air Valve, TR413 (Canada)	2	
	9983 80 4140	Air Valve, TR414 (U.S.A.)	2	
	9965 05 4530 00	Wheel, Disc-4 1/2 x 13 WDC (SIL. M) (Wheel Cap use)	2	
	9965 06 4530 06	Wheel, Disc-4 1/2 x 13 WDC (D. GRY) (Center Cap use)	2	
38	99655 00010	Weight, Balancing (10 g)	Selective use	—
	99655 00015	Weight, Balancing (15 g)		
	99655 00020	Weight, Balancing (20 g)		
	99655 00025	Weight, Balancing (25 g)		
	99655 00030	Weight, Balancing (30 g)		
	99655 00035	Weight, Balancing (35 g)		

No.	Part Number	Description	Q'ty	Remarks
99855	30040	Weight, Balancing (40 g)		
99855	30045	Weight, Balancing (45 g)		
		Selective use	—	
99855	30050	Weight, Balancing (50 g)		
99855	30060	Weight, Balancing (60 g)		

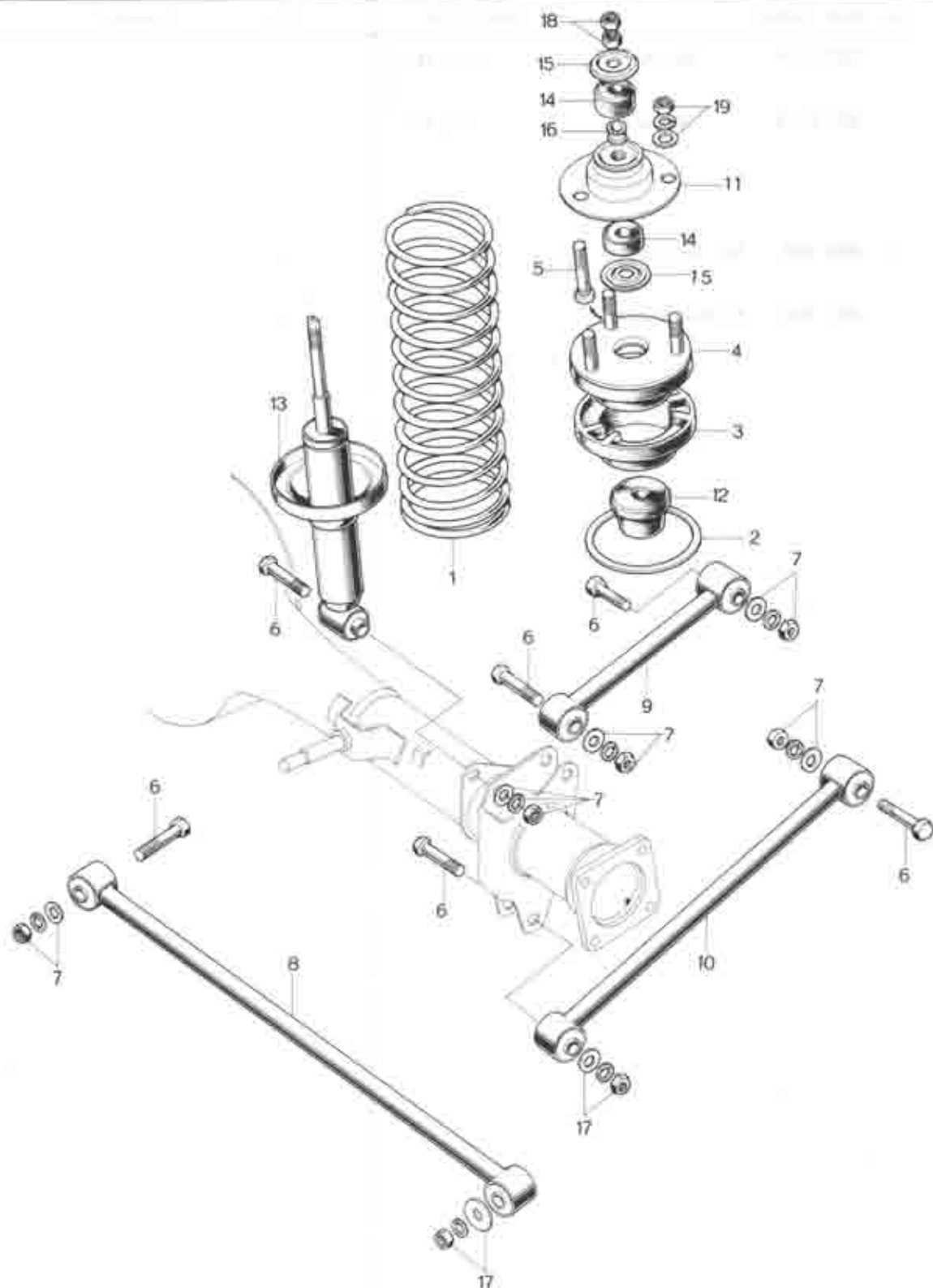




No.	Part Number	Description	Q'ty	Remarks
	2080 27 100	Driving & Differential	1	
1	0223 27 012	Washer	1	
2	2112 27 018	Oil Seal	1	
3	0223 27 0200	Flange, Companion	1	
4	0223 27 030	Nut, Drive Pinion	1	
5	2080 27 110	Gear Set, Final	1	
6	0221 27 141	Bearing, Drive Pinion (Rr.)	1	
7	0755 27 141	Bearing, Drive Pinion (Frt.)	1	
8	0820 27 1508	Carrier, Differential (Fig. No. 9 included)	1	
9	99811 1050	Bolt, Bearing Cap	4	
	99971 1000	Washer, Spring	4	
10	0305 27 171	Piece, Distance	1	
11	0290 27 231	Case, Differential Gear	1	
12	897538 1022	Bolt, Ring Gear	10	
	807534 1022	Bolt	10	Selective use
13	99958 1018	Washer, Plain	10	
14	0620 27 251	Gear, Differential Side	2	
15	0290 27 252	Washer, Thrust	1	
	0290 27 253	Washer, Thrust	1	Selective use
	0290 27 254	Washer, Thrust	1	

No.	Part Number	Description	Q'ty	Remarks
16	0221 27 255	Pinion, Differential	2	
17	0305 27 261	Shaft, Pinion	1	
18	0114 27 262	Pin, Shaft - Differential	1	
19	0290 27 301	Screw, Adjust	2	
20	0290 27 302	Plate, Lock	2	
21	99811 0812	Bolt, Lock Plate	2	
	88871 0800	Washer, Spring	2	
22	0221 27 305	Bearing, Differential	2	
23	0223 27 401	Spacer, Pinion Height (t=3.08)		
	0223 27 402	Spacer (t=3.11)		
	0223 27 403	Spacer (t=3.14)		
	0223 27 404	Spacer (t=3.17)		
	0223 27 405	Spacer (t=3.20)		
	0223 27 406	Spacer (t=3.23)		
	0223 27 407	Spacer (t=3.26)		Selective use
	0223 27 408	Spacer (t=3.29)		
	0223 27 409	Spacer (t=3.32)		
	0223 27 411	Spacer (t=3.35)		
	0223 27 412	Spacer (t=0.38)		
	0223 27 413	Spacer (t=3.41)		

No.	Part Number	Description	Q'ty	Remarks
	0223 27 414	Spacer (t=3.44)		
	0223 27 415	Spacer (t=3.47)		
24	88801 0800	Nut, Differential	8	
	99971 0800	Washer, Spring	8	



REAR SUSPENSION

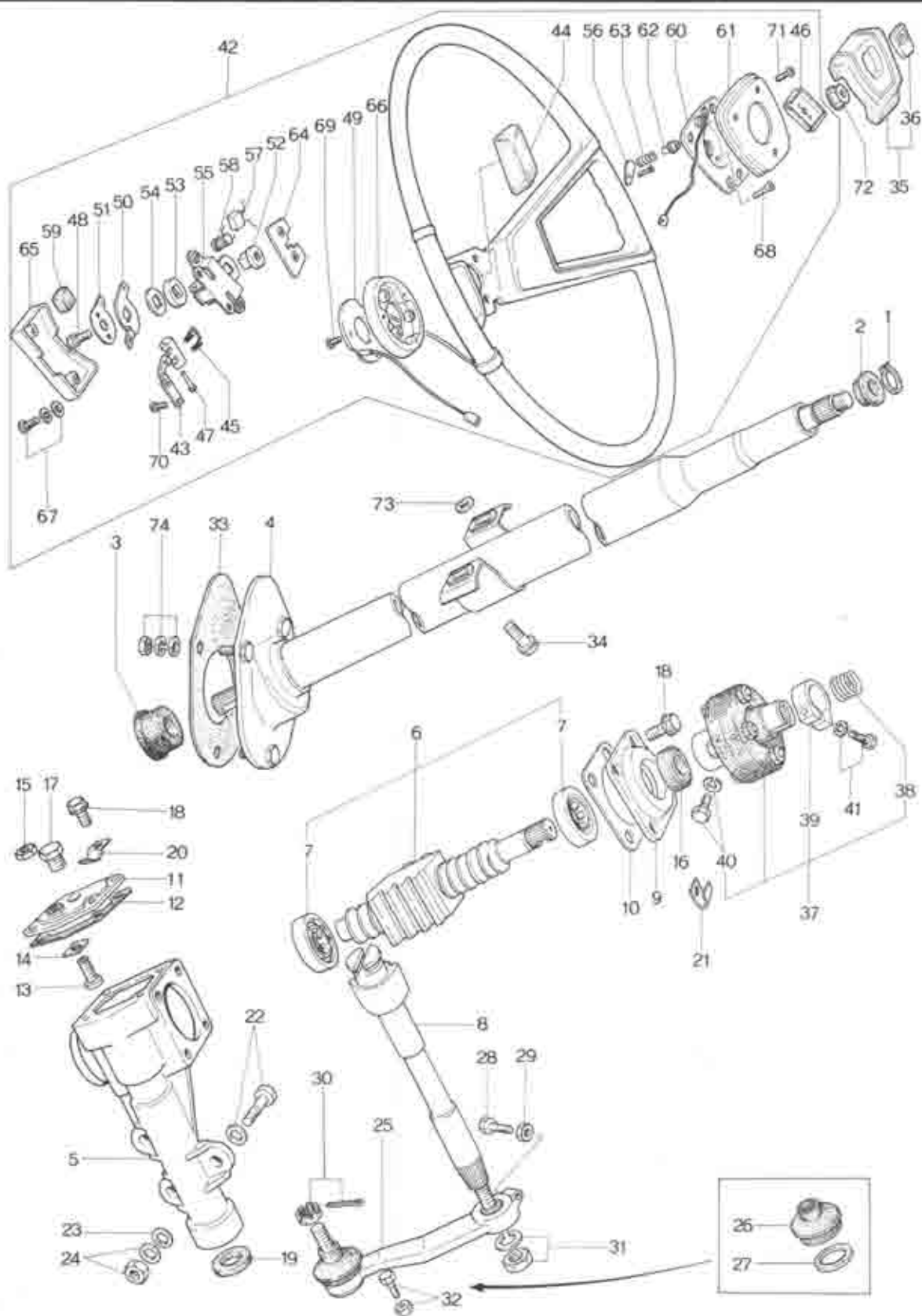
28

No.	Part Number	Description	Qty	Remarks
1	1907 28 011	Spring, Coil	2	
2	0824 28 012	Shim, Adjust	2	
3	0305 28 013A	Seat, Rubber	2	
4	0305 28 040A	Seat, Spring-Upper	2	
5	0824 28 484A	Bolt	6	
6	0305 28 111B	Bolt	11	
7	89821 1400	Nut, Lateral Rod	11	
	89871 1400	Washer, Spring	11	
	89852 1428	Washer, Plain	2	
	89853 1400	Washer, Plain	6	
8	0305 28 150C	Rod, Lateral	1	
9	0305 28 200E	Link, Upper	2	
10	0305 28 3000	Link, Lower	2	
11	0305 28 470	Set Plate	2	
12	0305 28 591B	Stopper, Bound	2	
13	0305 28 700B	Damper, Rear	2	
14	0223 28 775	Bush, Rubber	4	
15	0223 28 776	Retainer	4	

REAR SUSPENSION

No.	Part Number	Description	Q'ty	Remarks
16	0824 28 778A	Grommet	2	
17	0193 34 882	Washer, Lateral Rod	1	
	99921 1400	Nut	1	
	99971 1400	Washer, Spring	1	
18	99921 1000	Nut, Damper	2	
	99922 1000	Nut	2	
19	99901 0800	Nut, Set Plate	6	
	99952 0800	Washer, Plain	6	
	99971 0800	Washer, Spring	6	





STEERING SYSTEM (WHEEL & GEAR)

32

No.	Part Number	Description	Q'ty	Remarks
1	0208 32 058	Ring, Stop	1	
2	0258 32 071	Bush, Shaft Support	1	
3	0820 32 089	Bush, Centering	1	
4	1907 32 100	Shaft, Energy Absorbing	1	
5	2113 32 120	Housing, Gear	1	
6	2113 32 130	Ball Nut, Worm (Fig. No. 7 included)	1	
7	0258 32 182	Bearing, Ball	2	
8	0305 32 141	Shaft, Sector	1	
9	0820 32 151	Cover, End	1	
10	0258 32 154	Shim, End Cover (t=0.05)	Selective use	
	0258 32 155	Shim (t=0.075)		1
	0258 32 156	Shim (t=0.1)		
	0258 32 157	Shim (t=0.2)		
11	0258 32 160	Cover, Side	1	
12	0258 32 161	Gasket, Side Cover	1	
13	0180 32 185A	Screw, Adjust	1	
14	0180 32 171A	Shim, Adjust (t=1.95)	Selective use	
	0180 32 172A	Shim, Adjust (t=2.00)		1
	0180 32 173A	Shim, Adjust (t=2.05)		
	0180 32 174A	Shim, Adjust (t=2.10)		

STEERING SYSTEM (WHEEL & GEAR)

No.	Part Number	Description	Qty	Remarks
15	99922 1000	Nut, Lock	1	
16	0180 32 184	Seal, Oil	1	
17	9928 32 190	Plug, Oil	1	
18	99801 0816	Bolt	8	
	99871 0800	Washer, Spring	8	
19	99583 29389	Seal, Oil	1	
20	99276 1008	Clip	1	
21	99285 1509	Clip	1	
22	99781 1090	Bolt, Gear Housing	3	
	99971 1000	Washer, Spring	3	
23	0305 32 119	Washer, Plain	3	
24	99921 1000	Nut, Gear Housing	3	
	99951 1022	Washer, Plain	2	
25	2835 32 220A	Arm, Pitman	1	
26	0258 32 279	Seal, Dust	1	
27	0187 32 289	Ring, Set	1	
28	0187 32 235	Bolt	1	
29	99922 1000	Nut, Lock	1	

STEERING SYSTEM (WHEEL & GEAR)

32

No.	Part Number	Description	Q'ty	Remarks
30	99924 1000	Nut	1	
	99221 2020	Pin, Split	1	
31	99921 1990	Nut, Pitman Arm	1	
	99971 1900	Washer, Spring	1	
32	0187 32 235	Bolt, Turning Radius Adjust	1	
	99922 1000	Nut, Lock	1	
33	0328 32 411	Cover, Dust	1	
34	99786 0830	Bolt, Bracket	2	
35	1793 32 890	Cap, Horn	1	
36	1727 32 811	Emblem	1	
37	0187 32 850A	Joint, Steering	1	
38	0187 32 860	Spring	1	
39	0187 32 886B	Clamp	1	
40	99791 0825	Bolt	1	
	99971 0800	Washer, Spring	1	
41	99791 0835	Bolt, Clamp	1	
	99971 0800	Washer, Spring	1	

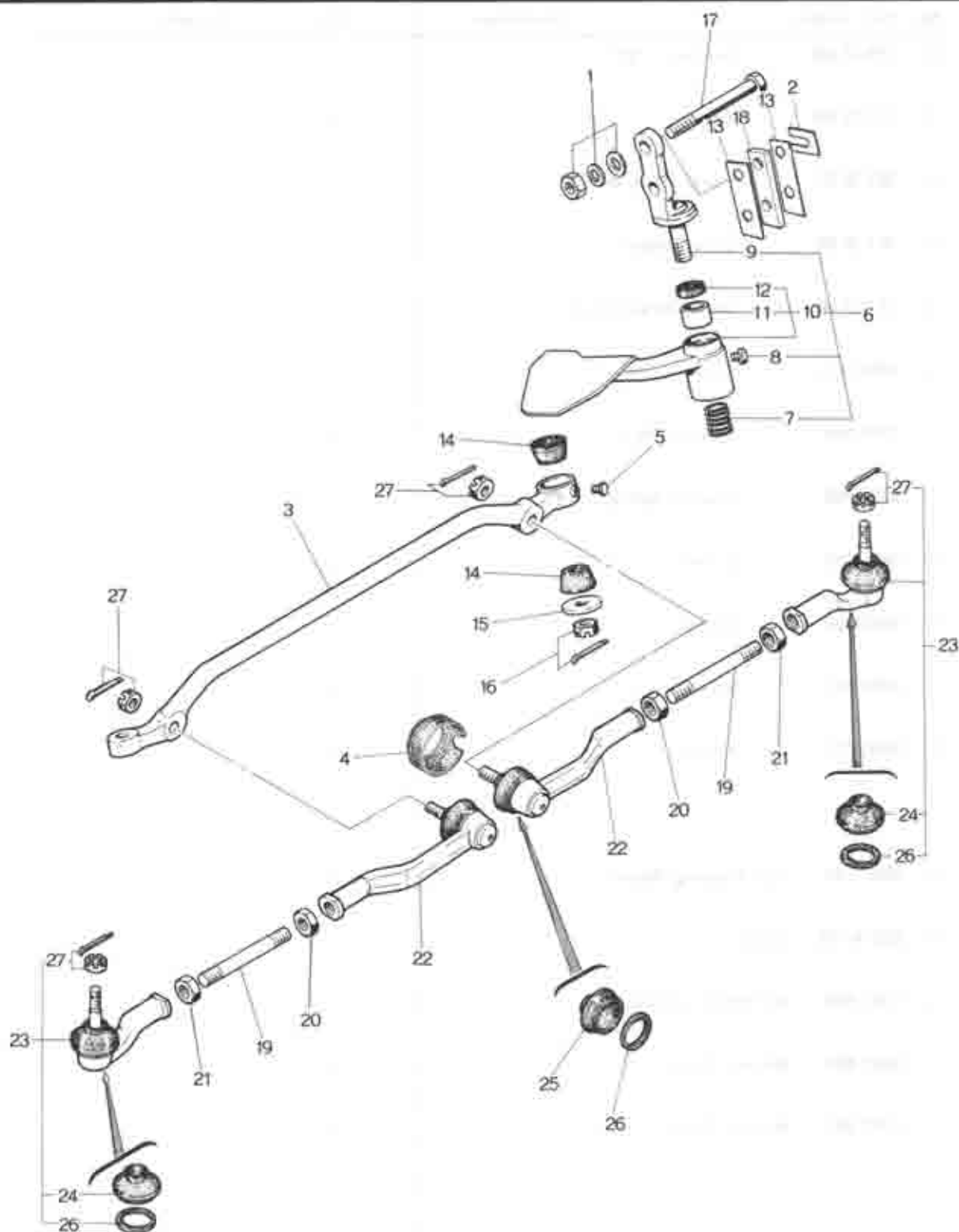
STEERING SYSTEM (WHEEL & GEAR)

No.	Part Number	Description	Qty	Remarks
42	1175 32 980	Boss, Steering Wheel	1	
43	1011 32 011A	Lever, Horn	2	
44	1011 32 012	Button, Horn	2	
45	1011 32 013A	Spring	2	
46	1011 32 014	Spring, Cap	1	
47	1011 32 015	Shaft, Horn Lever	2	
48	1011 32 016	Bolt, Contact	2	
49	1011 32 018	Terminal	1	
50	1011 32 023A	Plate, Earth "A"	2	
51	1011 32 024	Plate, Earth "B"	1	
52	1011 32 026A	Insulator "A"	2	
53	1011 32 027A	Insulator "B"	2	
54	1011 32 029	Insulator "C"	2	
55	1011 32 029A	Support, Lever	2	
56	1175 32 030	Plate, Earth "C"	1	
57	1011 32 031	Condenser	2	
58	1011 32 032	Coil-Choke	2	
59	1011 32 033	Supporter	2	
60	1175 32 041	Plate Set	1	
61	1175 32 042	Cap Set	1	

STEERING SYSTEM (WHEEL & GEAR)

32

No.	Part Number	Description	Qty	Remarks
62	1175 32 043	Insulator "D"	3	
63	1175 32 044	Spring	3	
64	1011 32 047	Cover, Horn Button	2	
65	1011 32 048	Cover, Under	2	
66	1011 32 049	Cover, Wheel Core	1	
67	99830 0410	Screw, Cover	4	
	99952 0400	Washer, Plain	4	
	99971 0400	Washer, Spring	4	
68	99831 0308	Screw	6	
69	99863 0308	Screw	2	
70	99863 0310	Screw	4	
71	99863 0312	Screw	6	
72	99948 1200	Nut, Steering Wheel	1	
73	0250 43 088	Spacer	2	
74	99901 0800	Nut, Shaft Jacket	3	
	99952 0800	Washer, Plain	2	
	99952 0822	Washer, Plain	1	



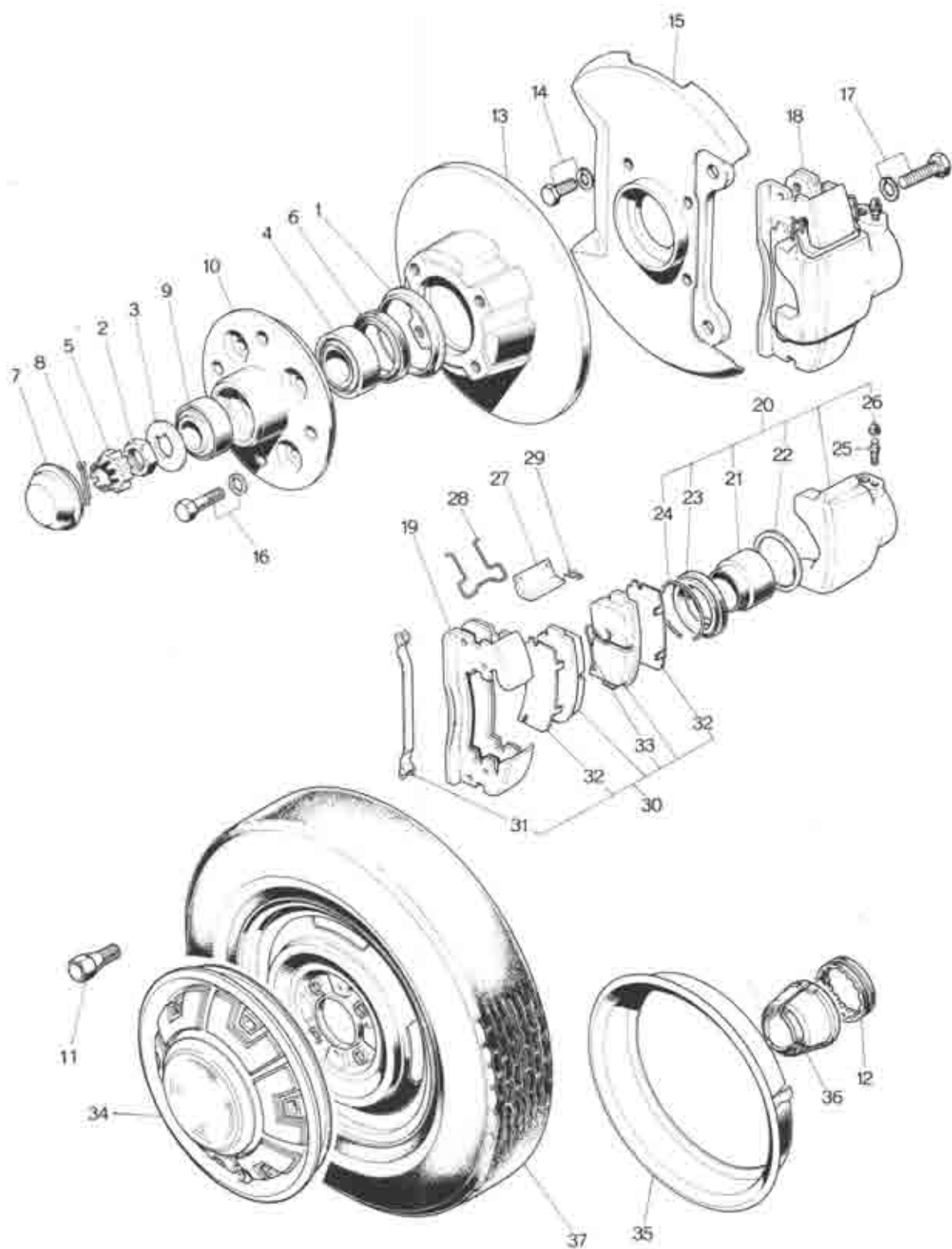
STEERING SYSTEM (ROD)

32

No.	Part Number	Description	Q'ty	Remarks
1	0305 32 118	Washer, Plain	2	
	89822 1000	Nut	2	
	89871 1000	Washer, Spring	2	
2	0208 32 188	Shim, Adjust	1	
3	2080 32 261	Link, Center	1	
4	1582 32 269	Protector	1	
5	0208 32 278	Plug, Idler	1	
6	2080 32 320B	Link, Steering	1	
7	0111 32 173	Spring	1	
8	0208 32 278	Plug	1	
9	2080 32 330A	Spindle	1	
10	2080 32 358A	Arm, Idler	1	
11	2113 32 354	Bush	1	
12	2113 32 358	Oil Seal	1	
13	0305 32 321	Shim	2	
14	2113 32 329	Bush, Tapered	2	
15	0258 32 341	Washer	1	
16	98924 1200	Nut, Idler	1	
	98221 3020	Pin, Split	1	

No.	Part Number	Description	Q'ty	Remarks
17	99783 1090	Bolt, Idler	2	
18	2080 32 358	Spacer	1	
19	2113 32 365	Rod, Tie	2	
20	99822 1400	Nut, Lock - Tie Rod	2	
21	99844 1400	Nut, Lock - Tie Rod	2	
22	0868 99 322	Socket Set	2	
23	1907 99 324	Socket Set	2	
24	0730 32 279	Seal, Dust	2	
25	1027 32 279	Seal, Dust	2	
26	0187 32 289	Ring Set	4	
27	99824 1000	Nut, Socket	4	
	99221 2020	Pin, Split - Outer Side	2	
	99221 2015	Pin, Split - Inner Side	2	





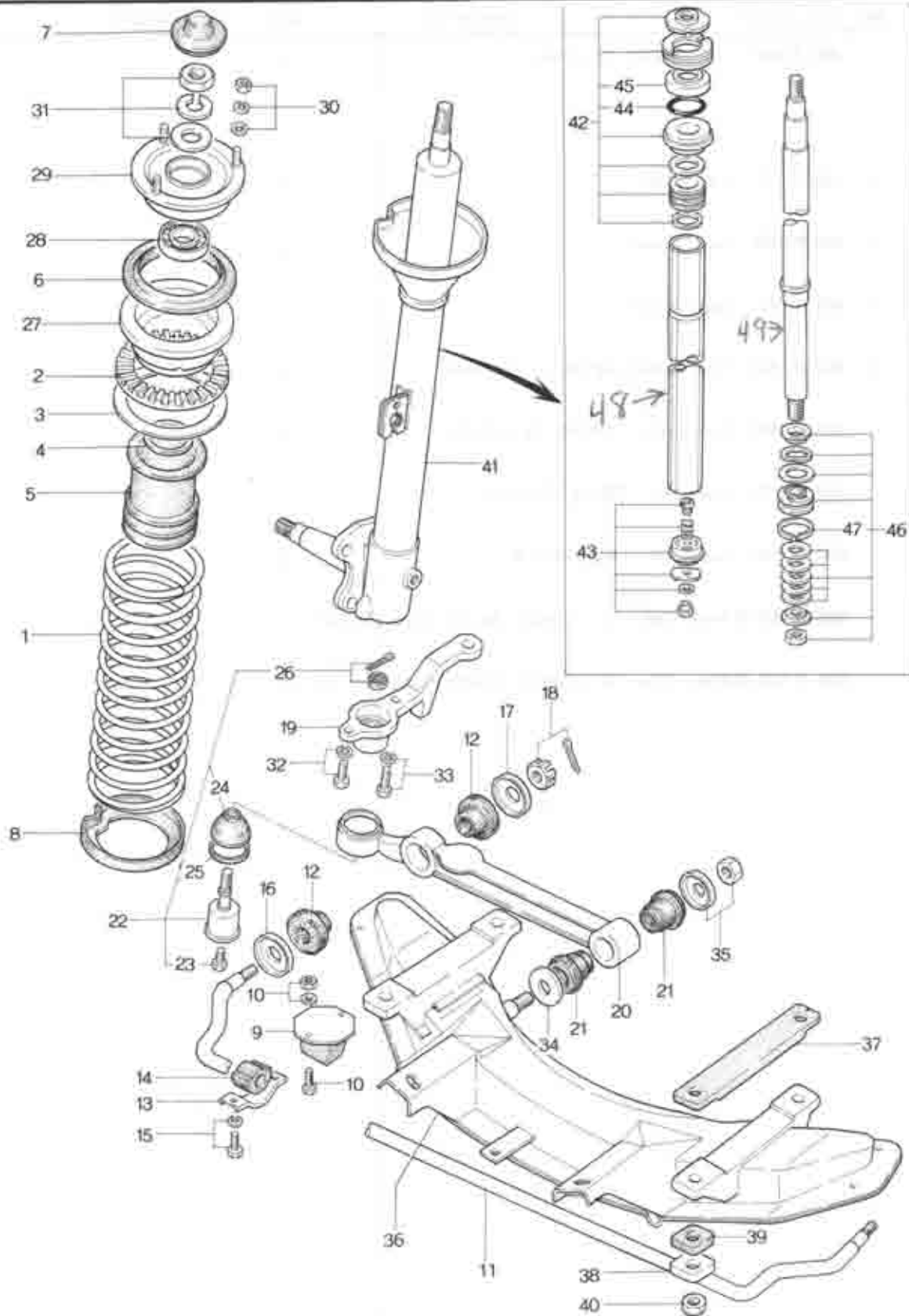
FRONT AXLE

33

No.	Part Number	Description	Q'ty	Remarks
1	0221 33 035	Cover, Dust	2	
2	0662 33 042	Nut	2	
3	1011 33 043	Washer, Tab	2	
4	0259 33 047	Bearing, Front Wheel Inner	2	
5	0317 33 048	Cover Set	2	
6	0398 33 065	Oil Seal	2	
7	0259 33 071	Cap, Hub	2	
8	99221 4030	Pin, Split	2	
9	0317 33 075	Bearing, Front Wheel Outer	2	
10	0820 33 091A	Hub, Wheel	2	
11	0259 33 185	Bolt, Wheel Set (Wheel Cap use)	8	
	0820 33 165A	Bolt, Wheel Set (Center Cap use)	8	
12	0820 33 182A	Rubber Set	2	
13	0305 33 251B	Plate, Disc	2	
14	99811 1020	Bolt, Mounting Adapter	8	
	99871 1000	Washer, Spring	8	
15	0305 33 280	Adapter, Mounting	2	
16	0221 33 899	Bolt, Disc Plate	8	
	99871 1000	Washer, Spring	8	
17	0305 33 899	Bolt, Disc Brake	4	

No.	Part Number	Description	Qty	Remarks
	99971 1200	Washer, Spring	4	
18	0305 33 9900	Brake (R), Disc	1	
	0305 33 9900	Brake (L), Disc	1	
19	0305 33 290	Support, Mounting	2	
20	0305 33 8100	Body & Piston (R)	1	Fig. No. 21-26 Included
	0305 33 7100	Body & Piston (L)	1	
21	2981 33 651	Piston	2	
22	2981 33 671	Seal, Piston	2	
23	2981 33 681	Boot	2	
24	0305 33 685	Ring, Boot	2	
25	0233 33 891	Screw, Bleeder	2	
26	0600 33 893	Cap, Rubber	3	
27	0305 33 695	Plug, Support	4	
28	0305 33 696	Spring	4	
29	0305 33 698A	Pin	6	
30	0841 48 230	Pad Set (Fig. No. 31-33 Included)	1	
31	0305 33 235	Clip, Anti-Rattle Pad	4	
32	0305 33 626A	Shim	4	
33	0286 33 636	Spring (R), Pad	1	

No.	Part Number	Description	Q'ty	Remarks
	0296 33 646	Spring (L), Pad	1	
34	1905 37 170	Cap, Wheel	2	
35	²³ 0820 97 180A	Ring, Wheel	2	
36	0881 37 191	Cap, Center	2	
37	9982 04 1653	Tire, Radial - 165SR-13 (Canada)	2	
	9982 07 1653	Tire, Radial - 165SR-13 (U.S.A.)	2	
	9983 80 4130	Valve, Air - TR413 (Canada)	2	
	9983 80 4140	Valve, Air - TR414 (U.S.A.)	2	
	8865 05 4530 00	Wheel, Disc - 4 1/2 13WDC (SIL. M) (Wheel Cap use)	2	
	8865 08 4530 06	Wheel, Disc - 4 1/2 13WDC (D. GRY) (Center Cap use)	2	



FRONT SUSPENSION

34

No.	Part Number	Description	Q'ty	Remarks
1	1907 34 011	Spring, Coil	2	
2	1907 34 012	Seat, Rubber-Upper	2	
3	0259 34 013	Plate, Adjust (t=4,5)	2	
4	2158 34 014	Ring, Dust Seal	2	
5	0259 34 015	Boot	2	
6	0259 34 016A	Seal	2	
7	0259 34 018	Cap	2	
8	0259 34 021	Seat, Rubber-Lower	2	
9	0259 34 110	Stopper, Bound	2	
10	99806 0618	Bolt, Bound Stopper	4	
	99971 0690	Washer, Spring	4	
	99906 0600	Nut	4	
11	1907 34 151	Stabilizer	1	
12	0259 34 153	Bush, Rubber-Stabilizer	4	
13	0259 34 155	Plate, Stabilizer Support	2	
14	0305 34 158	Bush, Rubber	2	
15	99791 1025	Bolt, Stabilizer Support	4	
	99971 1000	Washer, Spring	4	
16	0259 34 157	Washer, Stabilizer (Frt.)	2	
17	0259 34 158	Washer, Stabilizer (Rr.)	2	

No.	Part Number	Description	Qty	Remarks
18	99947 1400	Nut	2	
	99221 3030	Pin	2	
	1987 34 310	Arm (R)	1	
	1987 34 320	Arm (L)	1	
19	1907 32 301	Arm, Knuckle (R)	1	
	1907 32 311	Arm, Knuckle (L)	1	
20	0305 34 311	Arm	2	
21	0317 34 460	Bush, Rubber	4	
22	0305 98 356A	Ball Joint Set (Fig. No. 23--26 included)	2	
23	0208 32 278	Plug	2	
24	0187 32 279A	Seal, Dust	2	
25	0259 32 289	Ring, Set	2	
26	99924 1200	Nut, Ball Joint	2	
	99221 3016	Pin, Split	2	
27	1907 34 340	Seal, Spring-Upper	2	
28	2159 34 381	Bearing	2	
29	2158 34 380A	Rubber, Mounting	2	
30	99901 0800	Nut, Mounting-Rubber	6	

FRONT SUSPENSION

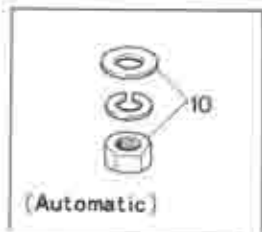
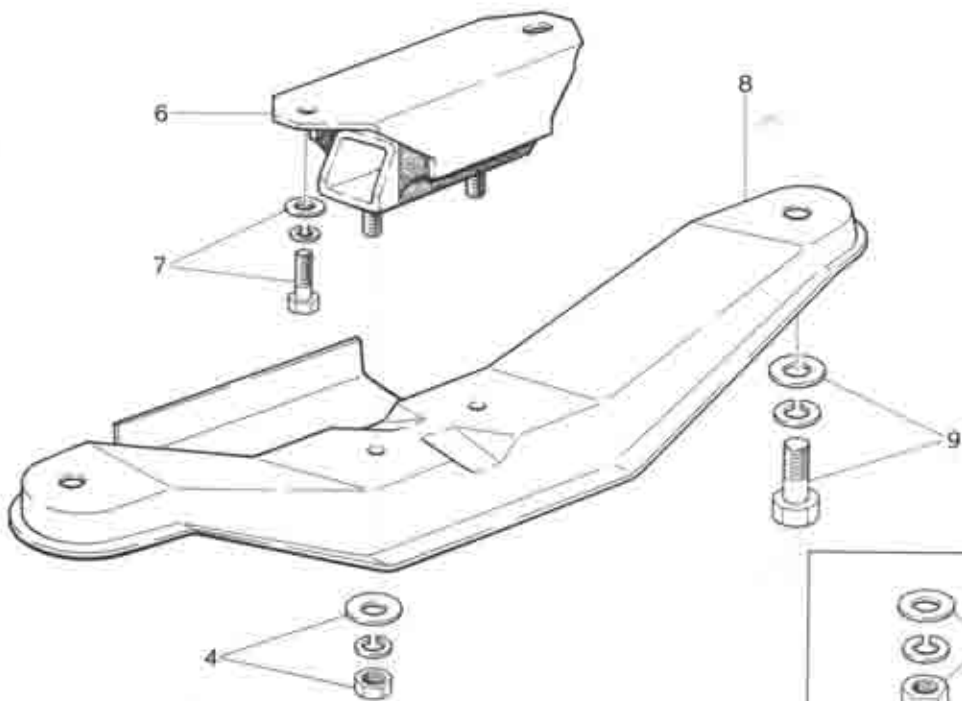
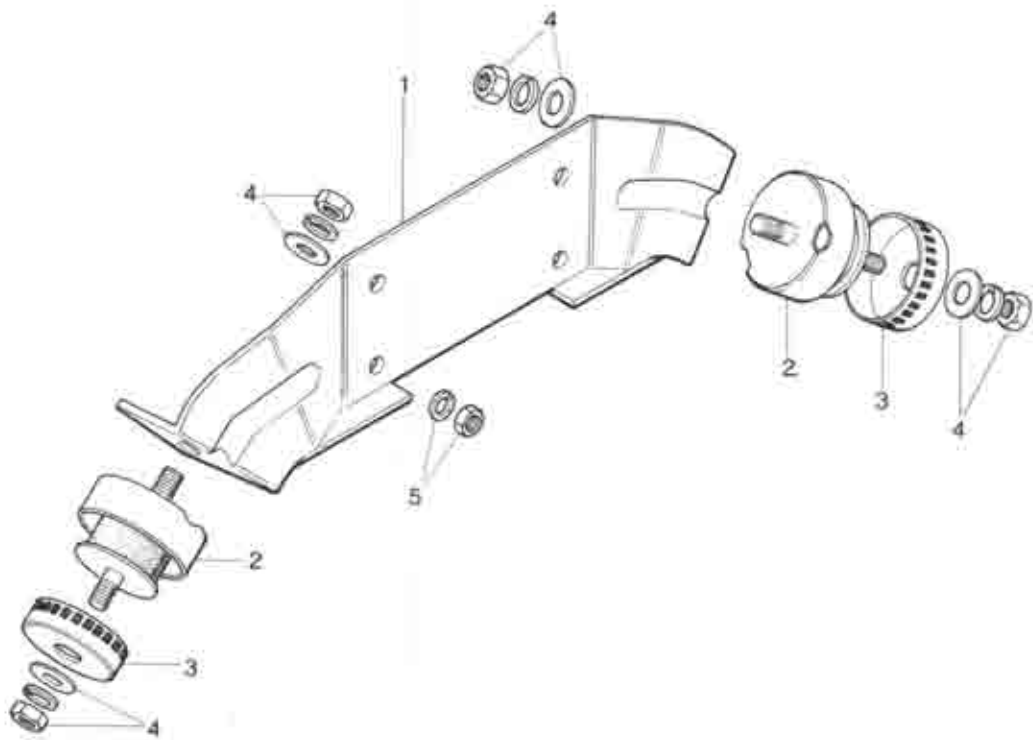
34

No.	Part Number	Description	Qty	Remarks
	89852 0800	Washer, Plain	6	
	89971 0800	Washer, Spring	6	
31	89821 1400	Nut, Damper Upper Side	2	
	89851 1430	Washer, Plain	2	
	89971 1400	Washer, Spring	2	
32	89781 1225	Bolt, Socket	2	
	89971 1200	Washer, Spring	2	
33	89781 1240	Bolt, Socket	2	
	89971 1200	Washer, Spring	2	
34	0317 34 882	Washer No. 1	2	
35	0317 34 883	Washer No. 2	2	
	89847 1400	Nut	2	
36	1087 34 800A	Member, Cross-Front Suspension	1	
37	0258 34 896	Cushion, Upper	2	
38	0258 34 897	Washer	4	
39	0258 34 898	Cushion, Lower	4	
40	89842 1000	Nut, Self Lock	4	
41	0305 34 8106	Damper, Front	2	
42	0258 89 381	Damper Seal Set (Fig No. 44, 45 included)	2	

FRONT SUSPENSION

No.	Part Number	Description	Q'ty	Remarks
43	0305 34 720	Valve, Base	2	
44	0183 34 731	Ring, "O"	2	
45	0868 34 760	Oil Seal	2	
46	0317 88 382	Piston Set (Fig. No. 47 included)	2	
47	0259 34 719A	Ring, Piston	2	
48	0866-34-732	TUBE, Pressure		
49	0866-34-710	ROD, Piston		

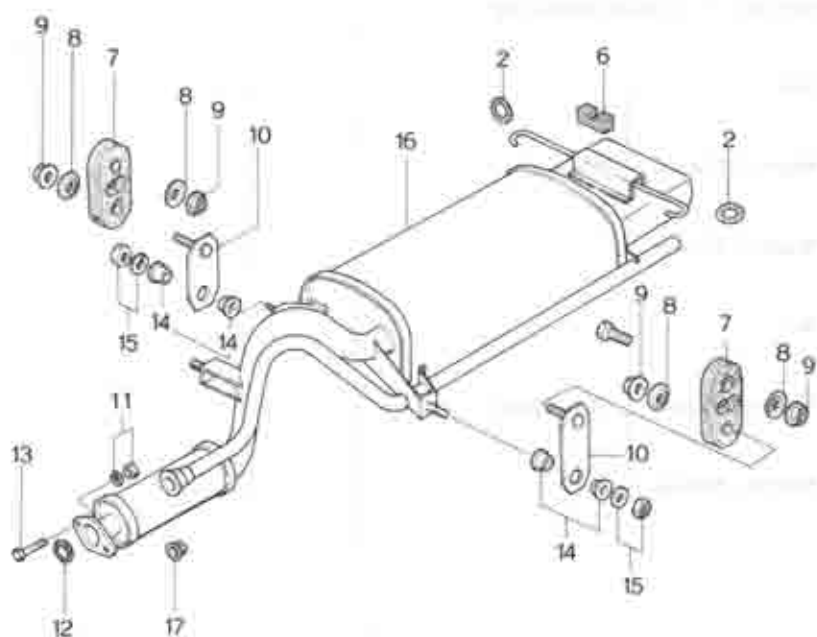
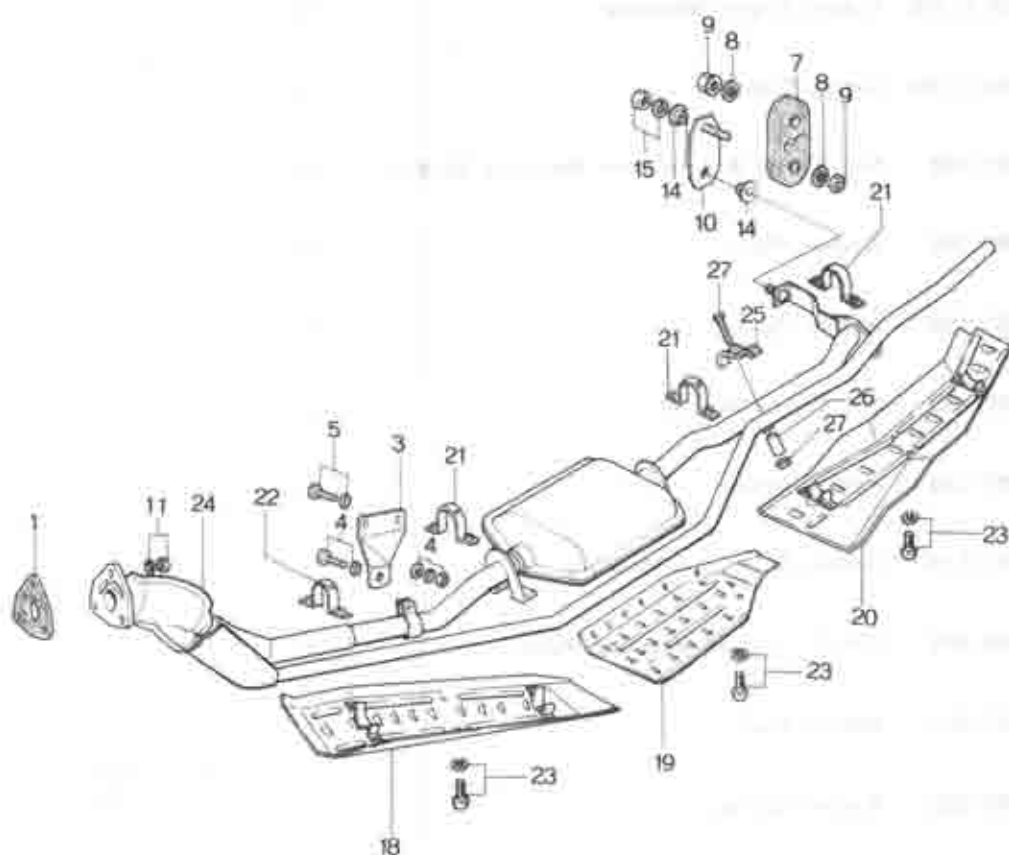




ENGINE & T / MISSION BRACKET

39

No.	Part Number	Description	Q'ty	Remarks
1	1668 39 0208	Bracket, Engine	1	
2	1668 39 0400	Rubber, Engine Mounting	2	
3	1668 39 0454	Casing, Stopper	2	
4	99921 1000	Nut, Engine & T / mission Mounting Member	6	
	99951 1030	Washer, Plain	6	
	99971 1000	Washer, Spring	6	
5	99921 1000	Nut, Engine Bracket	4	
	99971 1000	Washer, Spring	4	
6	1011 39 340	Rubber, T / mission Mounting	1	
7	99801 0820	Bolt, T / mission Mounting Rubber	2	
	99952 0800	Washer, Plain	2	
	99971 0800	Washer, Spring	2	
8	1011 39 380A	Member, T / mission Mounting	1	
9	99793 1028	Bolt	2	
	99951 1030	Washer, Plain	2	(Manual)
	99971 1000	Washer, Spring	2	
10	99921 1000	Nut	2	
	99951 1030	Washer, Plain	2	(Automatic)
	99971 1000	Washer, Spring	2	



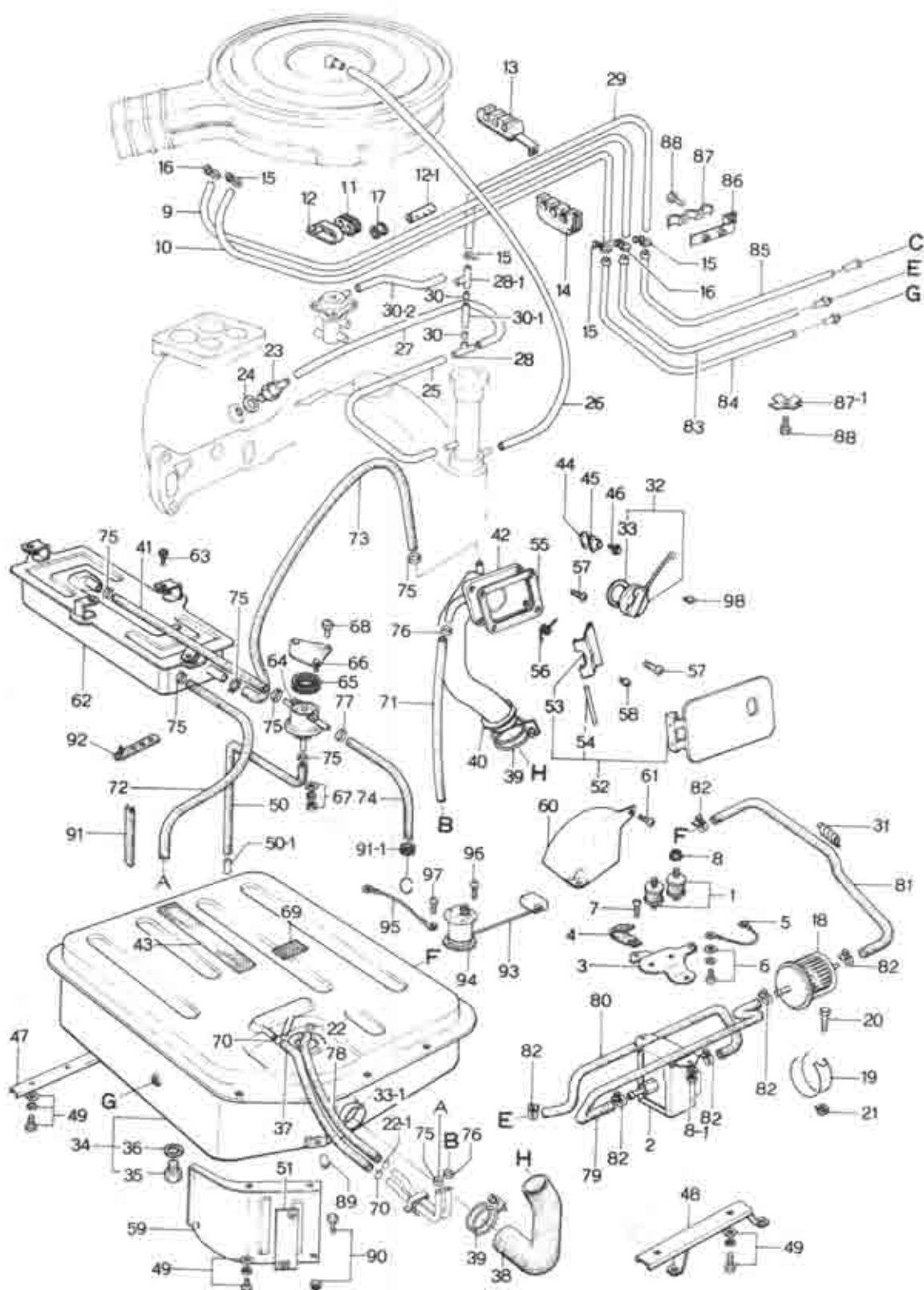
EX. PIPE & SILENCER

40

No.	Part Number	Description	Q'ty	Remarks
1	1757 13 891	Gasket	1	
2	1114 40 061	Hanger, Silencer	2	
3	1097 40 081	Bracket, Pre-Silencer	1	
4	99801 0832	Bolt, Bracket	1	
	99951 0822	Washer, Plain	2	
	99971 0900	Washer, Spring	1	
	99901 0900	Nut	1	
5	99801 0818	Bolt, Bracket	2	
	99971 0900	Washer, Spring	2	
6	1114 40 1088	Rubber, Stopper	1	
7	1114 40 180	Hanger, Silencer	3	
8	0820 40 186	Washer, Silencer Hanger	6	
9	99940 0800	Nut, Silencer Hanger	6	
10	1114 40 170	Plate, Silencer Hanger	3	
11	2158 40 355	Nut, Silencer	5	
	99971 1000	Washer, Spring	5	
12	0810 40 356	Gasket, Flange	1	
13	99801 1045	Bolt, Silencer	2	
14	0824 40 401	Insulator	6	
15	99949 0800	Nut, Silencer Hanger	3	

No.	Part Number	Description	Q'ty	Remarks
	89851 0822	Washer, Plain	3	
16	1807 40 500	Silencer, Main	1	
17	2080 40 508A	Rubber, Joint	1	
18	1097 40 810A	Protector (Fr.)	1	
19	1114 40 821A	Protector (C)	1	
20	1097 40 830A	Protector (Rr.)	1	
21	1114 40 850B	Band, Protector	3	
22	1128 40 850A	Band, Protector	1	
23	89798 0816	Bolt, Protector	16	
	89852 0818	Washer, Plain	16	
24	1807 40 800	Pipe, EX. -Front	1	
25	2080 40 307	Clamp	1	
26	1570 40 388	Pipe	1	
27	89806 0840	Bolt, Clamp	1	
	89906 0600	Nut	1	
	89971 0600	Washer, Spring	1	





FUEL TANK & PIPING

13

42

No.	Part Number	Description	Q'ty	Remarks
1	0223 13 363	Rubber, Insulation-Fuel Pump	2	
2	1907 13 400	Pump, Fuel	1	
3	1663 13 411	Bracket, Fuel Pump	1	
4	1663 13 412	Clip, Fuel Pump	1	
5	1663 13 413	Wire, Earth-Fuel Pump	1	
6	99833 0618	Screw, Earth Wire	1	
●	99833 0608	Screw, Earth Wire	1	From Car No. 1
	99952 0600	Washer, Plain	1	
	99971 0600	Washer, Spring	1	
7	99833 0612	Screw, Fuel Pump Bracket	2	
8	99940 0600	Nut, Fuel Pump	2	
● 8-1	99906 0600	Nut, Fuel Pump	4	
●	99953 0600	Washer, Plain	2	From Car No. 1
●	99971 0600	Washer, Spring	4	
9	99340 06650	Pipe, Fuel Main (Manual) (650%)	1	Ord. By 99344 06150 (15m)
●	99348 08640	Pipe, Fuel Main (Manual) (640%)	1	Ord. By 99349 08750 (1.75m) 3/4~X
	99340 06600	Pipe, Fuel Main (Automatic) (600%)	1	Ord. By 99344 06150 (15m)
●	99348 08640	Pipe, Fuel Main (Automatic) (640%)	1	Ord. By 99349 08750 (1.75m) 3/4~X
10	99340 60650	Pipe, Fuel Return (Manual) (650%)	1	Ord. By 99344 06150 (15m)
●	99346 08640	Pipe, Fuel Return (Manual) (640%)	1	Ord. By 99349 08750 (1.75m) 3/4~X

FUEL TANK & PIPING

No.	Part Number	Description	Qty	Remarks
	99340 60600	Pipe, Fuel Return (Automatic) (600%)	1	Ord. By 99344 06150 (1.15m)
●	99346 08640	Pipe, Fuel Return (Automatic) (640%)	1	Ord. By 99349 06750 (1.75m) 7/11-X
● 11	0823 13 445 A	Protector, Fuel Pipe	1	7/8-Discarded
		(Automatic)		
● 12	0839 13 448 B	Clip, Fuel Pipe	1	
● 12-1	1883 13 448	Protector, Fuel Pipe (Automatic)	1	7/11-Added Anew
	13 2090 13 447	Clip, Fuel Pipe	1	
	14 1907 13 449	Clip, Fuel Pipe	1	
	15 99283 1100	Clip, Fuel Pipe-Return Pipe	2	
●	99283 1000	Clip, Fuel Pipe-Fuel Return & Evaporation Pipe	4	7/11-X
	16 99283 1300	Clip, Fuel Pipe-Main Pipe & Evaporation Pipe	4	
●	99283 1200	Clip, Fuel Pipe-Fuel Main	2	7/11-X
● 17	99681 1503	Protector, Fuel Pipe	3	
			1	7/11-Q'ty
●	99681 1203	Protector, Fuel Pipe	2	7/11-X
●	99681 1503	Protector, Fuel Pipe	2	7/11-X
	18 0222 13 470 B	Filter, Fuel	1	
	19 0381 13 481	Clamp, Fuel Filter	1	
	20 99801 0814	Bolt, Fuel Filter Clamp	1	
●	99786 0816	Bolt, Fuel Filter Clamp	1	7/11-O
●	99952 0800	Washer, Plain	1	7/11-Discarded
●	99971 0800	Washer, Spring	1	7/11-Discarded

FUEL TANK & PIPING

13

42

No.	Part Number	Description	Qty	Remarks
21	99911 0800	Nut, Square-Fuel Filter	1	
22	0222 13 493	Clip, Wire-Fuel Pipe	2	
●	99283 1200	Clip, Fuel Pipe	2	死-X
● 22-1	99283 1100	Clip, Fuel Pipe	1	死-Added Anew
23	1757 13 780	Valve, Ventilation	1	
24	99564 1600	Gasket, Ventilation Valve	1	
25	1757 13 785	Hose, Ventilation-Oil Filler Pipe-"T" Joint	1	
●	1757 13 785 A	Hose, Ventilation-Oil Filler Pipe-"T" Joint	1	死-O
26	1757 13 786	Hose, Ventilation-Air Cleaner-Intermediate Housing (Manual)	1	
●	1757 13 786 A	Hose, Ventilation-Air Cleaner-Intermediate Housing (Manual)	1	死-O
	1883 13 786	Hose, Ventilation-Air Cleaner-Intermediate Housing (Automatic)	1	
●	1883 13 786 A	Hose, Ventilation-Air Cleaner-Intermediate Housing (Automatic)	1	死-O
●	1757 13 786 A	Hose, Ventilation-Air Cleaner-Intermediate Housing (Automatic)	1	死-X
27	1757 13 788	Hose, Ventilation-Ventilation Valve-"T" Joint	1	
●	1757 13 788 A	Hose, Ventilation-Ventilation Valve-"T" Joint	1	死-O
28	0862 13 790	Joint, "T"	1	
●	1757 13 790	Joint, "T"	1	死-X
● 28-1	1029 13 790	Joint, "T"	1	死-Added Anew
29	1907 13 792	Hose, Evaporation-Condense Tank-"T" Joint	1	
●	1907 13 792 A	Hose, Evaporation-Condense Tank-"T" Joint	1	死-O

FUEL TANK & PIPING

No.	Part Number	Description	Q'ty	Remarks
●	1907 13 792 B	Hose, Evaporation-Condense Tank ~ "T" Joint	1	$\frac{3}{8}$ ~ \bigcirc
●	99346 06640	Hose, Evaporation-Condense Tank ~ "T" Joint (640 %)	1	Ord. By 99349 06750 (1.75m) $\frac{3}{8}$ ~ \bigcirc
30	1624 13 795	Insert, Evaporation Hose	1	
1029	13 795 A	Insert, Evaporation Hose	2	$\frac{3}{8}$ ~ X
● 30-1	99346 06055	Hose, Evaporation- "T" Joint ~ "T" Joint (55%)	1	Ord. By 99349 06750 (1.75m) $\frac{3}{8}$ ~ Added. Anew
● 30-2	99340 04090	Tube, E.V.C. Valve ~ "T" Joint	1	$\frac{3}{8}$ ~ Added. Anew
31	0823 18 111	Supporter, Fuel Pipe	1	
32	1011 42 250	Cap, Filler	1	
33	2280 42 462 A	Gasket	1	
●	2280 42 462 B	Gasket	1	$\frac{3}{8}$ ~ \bigcirc
33-1	1624 42 280	Valve, Non Return	1	From Car No. 1
34	0839 42 310 A	Tank, Fuel	1	
●	0839 42 310 B	Tank, Fuel	1	From Car No. 1
35	0114 42 046 A	Plug	1	
36	99564 1200	Gasket	1	
37	0305 42 345 B	Tube, Fuel Tank ~ Condense Tank	1	

FUEL TANK & PIPING

13

42

No.	Part Number	Description	Q'ty	Remarks
●	99346 06120	Pipe, Fuel Tank~Condense Tank (120%)	1	Ord. By 99349 06750 (1.75m) 3/8"~O
38	2090 42 347	Hose, Joint-Filler Pipe	1	
●	1907 42 347	Hose, Joint-Filler Pipe	1	3/8"~O
39	99282 5500	Clamp, Hose	2	
40	0305 42 348	Grommet, Filler Pipe	1	
41	2090 42 348	Tube, Vent-Condense Tank~Check Valve	1	
●	99346 06480	Pipe, Condense Tank~Check Valve (480%)	1	Ord. By 99349 06750 (1.75m) 3/8"~O
42	2850 42 350	Pipe, Filler	1	
43	0621 42 371	Spacer, Upper Pan	1	
44	0223 42 375	Plate, Back-Filler Lid	1	
45	0223 42 376	Plate, Lock-Filler Lid	1	
46	99806 0412	Bolt, Plate	2	
●	99830 0412	Bolt, Plate	2	3/8"~O
●	99952 0400	Washer, Plain	2	} Discarded
●	99971 0400	Washer, Spring	2	
47	0839 42 381	Washer, "A"-Fuel Tank	1	
●	0839 42 381 A	Washer, "A"-Fuel Tank	1	3/8"~O
48	0305 42 390	Washer, Fuel Tank	1	
49	99804 0625	Bolt, Fuel Tank Washer	7	
●	99785 0625	Bolt, Fuel Tank Washer	7	3/8"~O

FUEL TANK & PIPING

No.	Part Number	Description	Q'ty	Remarks
	99952 0600	Washer, Plain	7	
	99971 0600	Washer, Spring	7	
50	2432 42 395	Tube, Vent-Check Valve-Floor	1	
●	99346 06580	Pipe, Check Valve-Floor (580 $\frac{3}{8}$)	1	Ord. By 99349 06750 (1.75m) $\frac{3}{8}$ ~ \bigcirc
●	50-1 0866 42 544	Elbow	1	From Car No. 1
51	0824 42 403	Pad, "C"-Fuel Tank	1	
52	1907 42 410	Lid, Fuel Filler	1	
53	0305 42 432	Hinge	1	
54	0305 42 433	Pin, Hinge	1	
55	0305 42 441	Gasket, Filler Lid	1	
56	2244 42 455	Spring, Filler Lid	1	
57	99804 0516	Screw, Hinge & Filler Pipe	6	
●	99786 0512	Screw, Hinge & Filler Pipe	6	$\frac{3}{8}$ ~ \triangle
●	99952 0500	Washer, Plain	6	$\frac{3}{8}$ ~Discarded
●	99971 0500	Washer, Spring	6	
58	0259 42 459	Rubber, Cushion-Filler Lid	1	
59	0305 42 461	Protector, Fuel Tank	1	
60	0305 42 465	Protector	1	

FUEL TANK & PIPING

13

42

No.	Part Number	Description	Q'ty	Remarks
61	99863 0510B	Screw, Protector	2	
●	99865 0516B	Screw, Protector	2	$\frac{3}{8}$ - \odot
62	2090 42 610A	Tank, Condense	1	
63	99833 0516	Screw, Condense Tank	4	
●	99830 0512	Screw, Condense Tank	4	$\frac{3}{8}$ - Δ
●	99952 0516	Washer, Plain	4	$\frac{3}{8}$ - Discarded
●	99971 0500	Washer, Spring	4	
64	2691 42 710A	Valve, Check	1	
●	1114 42 710A	Valve, Check	1	$\frac{3}{8}$ - Δ
●	65 2691 42 716	Element	1	$\frac{3}{8}$ - Discarded
66	2691 42 750	Bracket, Check Valve	1	
67	99906 0500	Nut, Bracket	2	
●	99940 0501	Nut, Bracket	2	$\frac{3}{8}$ - \odot
●	99952 0500	Washer, Plain	2	$\frac{3}{8}$ - Discarded
●	99971 0500	Washer, Spring	2	
68	99833 0512	Screw, Check Valve	1	
●	99830 0512	Screw, Check Valve	1	$\frac{3}{8}$ - \odot
●	99952 0500	Washer, Plain	1	$\frac{3}{8}$ - Discarded
●	99971 0500	Washer, Spring	1	
69	0259 42 792	Pad, Fuel Tank	1	

No.	Part Number	Description	Q'ty	Remarks
70	2046 43 839	Clip, Vent Tube	2	
71	99336 12029	Pipe, Vinyl-Filler Pipe~Fuel Tank	1	
●	99346 12290	Pipe, Filler Pipe~Fuel Tank (290%)	1	Ord. By 99349 12750 (1.75m) ㉞~○
72	0183 45 021	Pipe, Fuel-Condense Tank~Fuel Tank	1	
●	99346 06820	Pipe, Condense Tank~Fuel Tank (820%)	1	Ord. By 99349 06750 (1.75m) ㉞~○
73	0603 45 071	Pipe, Condense Tank~Filler Pipe	1	
●	99346 06540	Pipe, Condense Tank~Filler Pipe (540%)	1	Ord. By 99349 06750 (1.75m) ㉞~○
74	99340 60930	Pipe, Check Valve~Evaporation Pipe (930%)	1	Ord. By 99344 06150 (15m)
●	99346 06930	Pipe, Check Valve~Evaporation Pipe (930%)	1	Ord. By 99349 06750 (1.75m) ㉞~○
75	99282 1201	Clip, Wire-Pipe	7	
●	99283 1100	Clip, Pipe	6	㉞~×
●	99283 1200	Clip, Pipe	1	
76	99282 2001	Clip, Wire-Pipe	2	
77	99282 1401	Clip, Wire-Pipe	2	
●	99283 1000	Clip, Pipe	1	㉞~×
●	99283 1100	Clip, Pipe-Check Valve Side	1	
78	99340 06120	Pipe, Vinyl-Fuel Tank~Filler Pipe (120%)	1	Ord. By 99344 06150 (15m)
●	99346 12140	Pipe, Fuel Tank~Filler Pipe (140%)	1	Ord. By 99349 06750 (1.75m) ㉞~×
79	1663 45 041	Pipe, Fuel-Fuel Filter~Fuel Pump	1	
●	1907 45 021	Pipe, Fuel-Fuel Filter~Fuel Pump	1	㉞~○

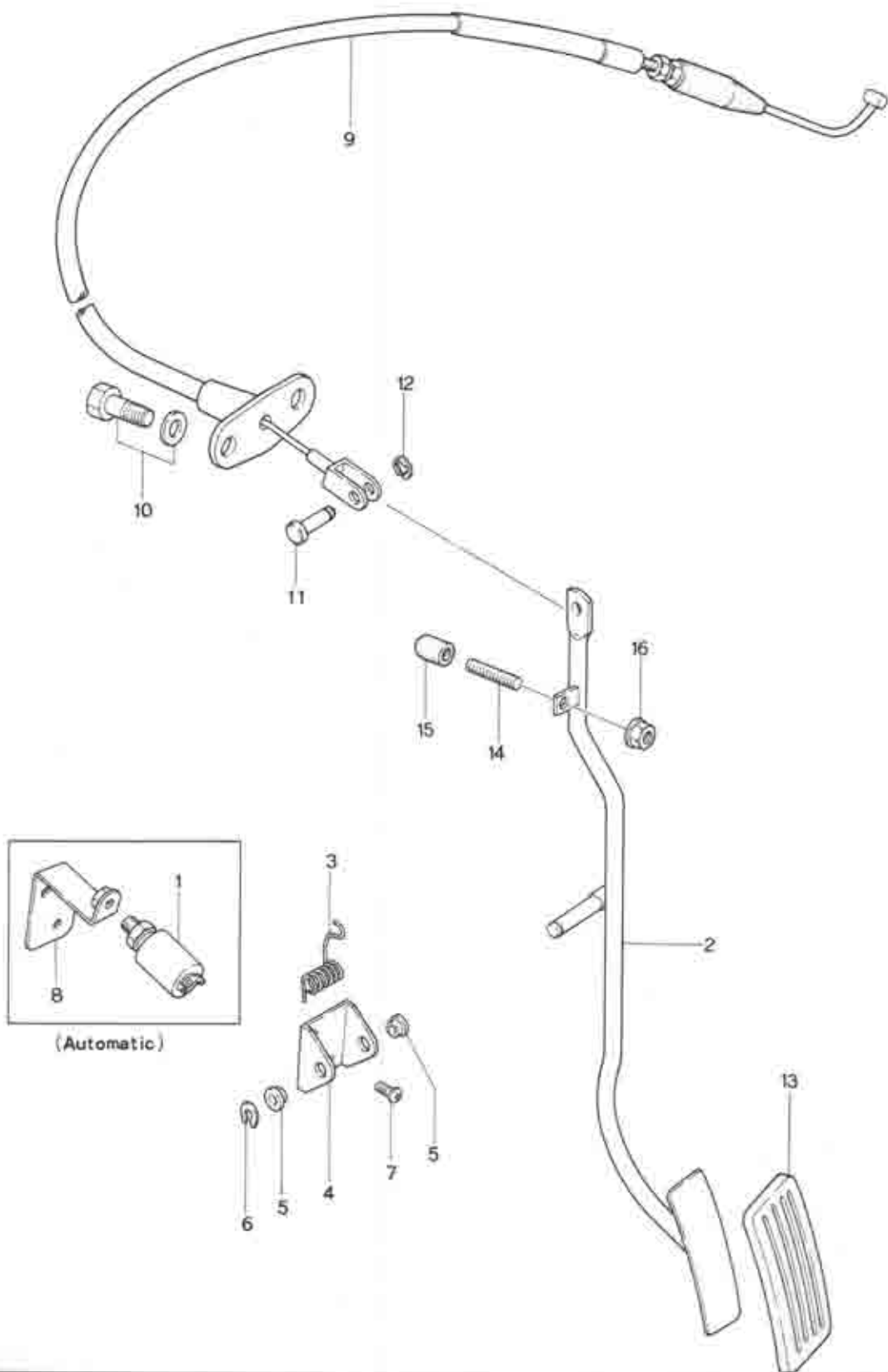
FUEL TANK & PIPING

13
42

No.	Part Number	Description	Q'ty	Remarks
80	1663 45 042	Pipe, Fuel-Fuel Pump~Fuel Main Pipe	1	
●	1907 45 022	Pipe, Fuel-Fuel Pump~Fuel Main Pipe	1	$\frac{3}{8}$ "- \odot
81	99340 06280	Pipe, Fuel-Fuel Filter~Fuel Tank (280%)	1	Ord. By 99344 06150 (15m)
●	99348 08280	Pipe, Fuel-Fuel Filter~Fuel Tank (280%)	1	Ord. By 99349 08750 (1.75m) $\frac{3}{8}$ "- \times
82	99282 1401	Clip, Fuel Pipe	5	
●	99283 1200	Clip, Fuel Pipe	6	$\frac{3}{8}$ "- \odot
83	1907 45 071	Pipe, Fuel Main	1	
●	1907 45 071A	Pipe, Fuel Main	1	$\frac{3}{8}$ "- \odot
84	1097 45 610	Pipe, Fuel Return	1	
●	1907 45 610	Pipe, Fuel Return	1	From Car No. 1
●	1907 45 610A	Pipe, Fuel Return	1	$\frac{3}{8}$ "- \odot
85	1097 45 711	Pipe, Evaporation	1	
●	1907 45 711	Pipe, Evaporation	1	From Car No. 1
86	1850 45 910A	Clip, Fuel Pipe	1	
87	1850 45 921	Clip, Fuel Pipe	1	
●	87-1 0866 45 903A	Clip, Pipe	7	From Car No. 1
88	99786 0612	Bolt, Clip	10	
89	0223 50 049	Spacer, Fuel Tank	2	
90	99806 0622	Bolt, Protector-Fuel Tank	2	
●	99796 0622	Bolt, Protector-Fuel Tank	2	$\frac{3}{8}$ "- \odot

No.	Part Number	Description	Q'ty	Remarks
	99906 0600	Nut, Protector	2	
●	99940 0602	Nut, Protector	2	$\frac{3}{16}$ "-Q'ty
●	99952 0618	Washer, Plain	2	$\frac{3}{16}$ "-Q'ty
91	0223 56 942	Pad, Fuel Tank	1	
●	91-1 0317 61 931A	Protector, Pipe	1	$\frac{3}{16}$ "- Added Anew
92	0187 66 991	Clip, Rubber	1	
93	0839 67 170	Gauge, Fuel Tank	1	
94	0243 66 773	Gasket	1	
95	0275 67 175	Cord, Earth	1	
96	99833 0408	Screw, Fuel Tank Gauge	5	
97	99833 0410	Screw, Fuel Tank Gauge+Earth Cord	1	
98	0187 70 491	Stopper, Filler Lid	1	

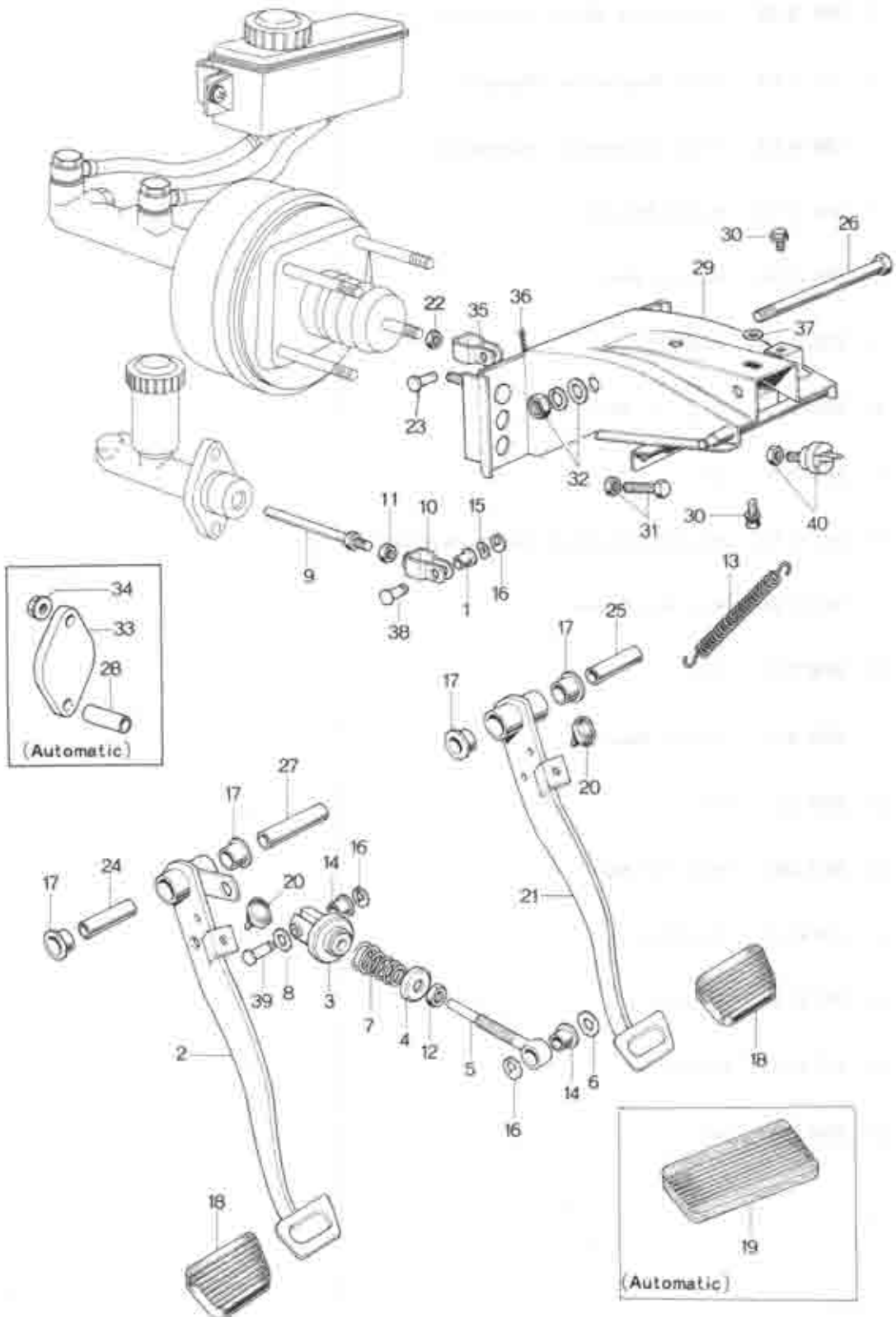




ACCELERATOR CONTROL SYSTEM

41

No.	Part Number	Description	Qty	Remarks
1	2691 18 880	Switch, Kick Down (Automatic)	1	
2	1907 41 810	Pedal, Accelerator (Manual)	1	
	1808 41 810	Pedal, Accelerator (Automatic)	1	
3	0824 41 819	Spring, Return	1	
4	0305 41 841	Bracket, Arm	1	
5	0259 41 844	Bush	2	
6	99575 0800	Ring, "U" Stop	1	
7	88788 0818	Bolt	2	
8	0842 41 850	Bracket, Kick Down Switch (Automatic)	1	
9	1907 41 880	Wire, Accelerator	1	
10	88788 0820	Bolt	2	
	89952 0818	Washer, Plain	2	
11	88230 0511	Pin	1	
12	99575 0380	Ring, "U" Stop	1	
13	1708 41 711	Pad, Pedal	1	
14	0118 41 881	Stopper	1	
15	0118 41 882	Rubber	1	
16	89940 0800	Nut	1	



CLUTCH & BRAKE PEDAL

41

43

No.	Part Number	Description	Q'ty	Remarks
1	0727 41 023	Bush	1	
2	1907 41 030	Pedal, Clutch	1	
3	0559 41 040C	Seat, Spring	1	
4	0183 41 043	Seat, Spring	1	
5	0824 41 051A	Rod	1	
6	99952 0816	Washer, Plain	1	
7	0559 41 081A	Spring	1	
8	0824 41 084	Spacer	1	
9	0824 41 131	Rod, Push-Clutch	1	
10	1872 41 140	Fork, Clutch	1	
11	1872 41 142	Nut, Push, Rod	1	
12	99922 0800	Nut, Push, Rod	1	
13	0810 41 308	Spring, Return-Brake	1	
14	0259 41 844	Bush	2	
15	99972 0800	Washer, Wave	1	
16	99576 0800	Ring, Retaining	3	
17	0223 43 022	Bush, Pedal	(Manual) 4 (Automatic) 2	
18	0259 43 028	Pad, Pedal (Manual)	2	
19	0259 43 028	Pad, Pedal (Automatic)	1	
20	0187 43 029	Rubber, Stopper	(Manual) 2 (Automatic) 1	

(Manual)

(Manual)

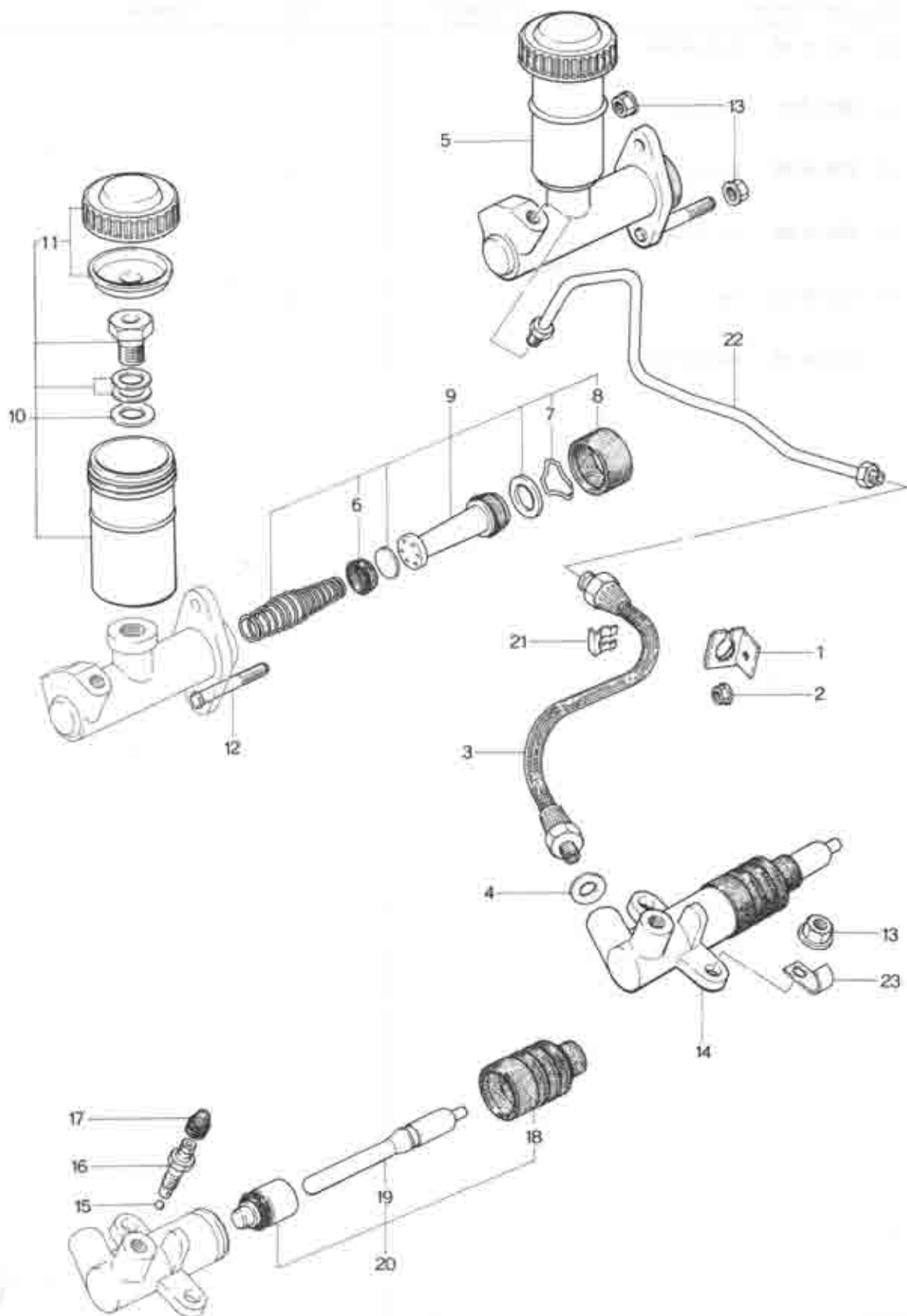
No.	Part Number	Description	Qty	Remarks
21	1097 43 030 1405 1099	Pedal, Brake (Manual)	1	
		Pedal, Brake (Automatic)	1	
22	99940 1000	Nut, Brake Fork	1	
23	99231 081E	Pin, Joint-Brake	1	
24	0187 43 061	Pin, Clutch (Manual)	1	
25	2301 43 061	Pipe, Brake Pedal	1	
26	99813 12180	Bolt, Pedal (Manual)	1	
	99813 12135	Bolt, Pedal (Automatic)	1	
27	0223 43 084	Spacer	1	
28	0259 43 085	Pipe (Automatic)	2	
29	2835 43 070A	Bracket, Master Cylinder (Manual)	1	
	0305 43 070B	Bracket, Master Cylinder (Automatic)	1	
30	99796 0820	Bolt	2	
	99952 0822	Washer, Plain	2	
31	99795 1032	Bolt, Pedal Stopper	1	(Manual)
	99922 1000	Nut	1	
32	99921 1200	Nut, Pedal	1	
	99971 1200	Washer, Spring	1	
	99952 1200	Washer, Plain (Manual)	1	
33	0225 43 082	Plate	1	(Automatic)
34	99940 0800	Nut, Plate	2	

CLUTCH & BRAKE PEDAL

41

43

No.	Part Number	Description	Q'ty	Remarks
35	1972 48 140	Fork, Brake	1	
36	99221 2020	Pin, Split	1	
37	9136 44 043	Spacer	1	
38	0223 48 880	Pin, Clutch Fork	1	
39	0604 48 785	Pin	1	(Manual)
40	0233 68 790	Switch, Stop	1	



CLUTCH RELEASE & MASTER CYLINDER (MANUAL)

41

No.	Part Number	Description	Q'ty	Remarks
1	8888 41 370	Holder, Flexible Hose	1	
2	89940 0600	Nut, Holder	1	
3	1807 41 380	Hose, Flexible	1	
4	89584 1000	Gasket	1	
5	2835 41 400A	Cylinder, Clutch Master	1	
6	0839 41 461	Cap, Primary	1	
7	0111 43 432	Wire, Piston Stop	1	
8	0111 43 511	Boot	1	
9	0839 89 431A	Repair Kit, Clutch Master Cylinder	1	
10	0317 89 435	Tank Set, Reserve	1	
11	0317 89 436A	Cap Set, Reserve Tank	1	
12	99852 0848	Stud	1	
13	89940 0800	Nut, Cylinder	1	
14	1861 41 820	Cylinder, Clutch Release	1	
15	89611 1500	Ball, Steel	1	
16	0259 33 691	Valve, Bleeder	1	
17	0259 33 693	Cap, Bleeder	1	

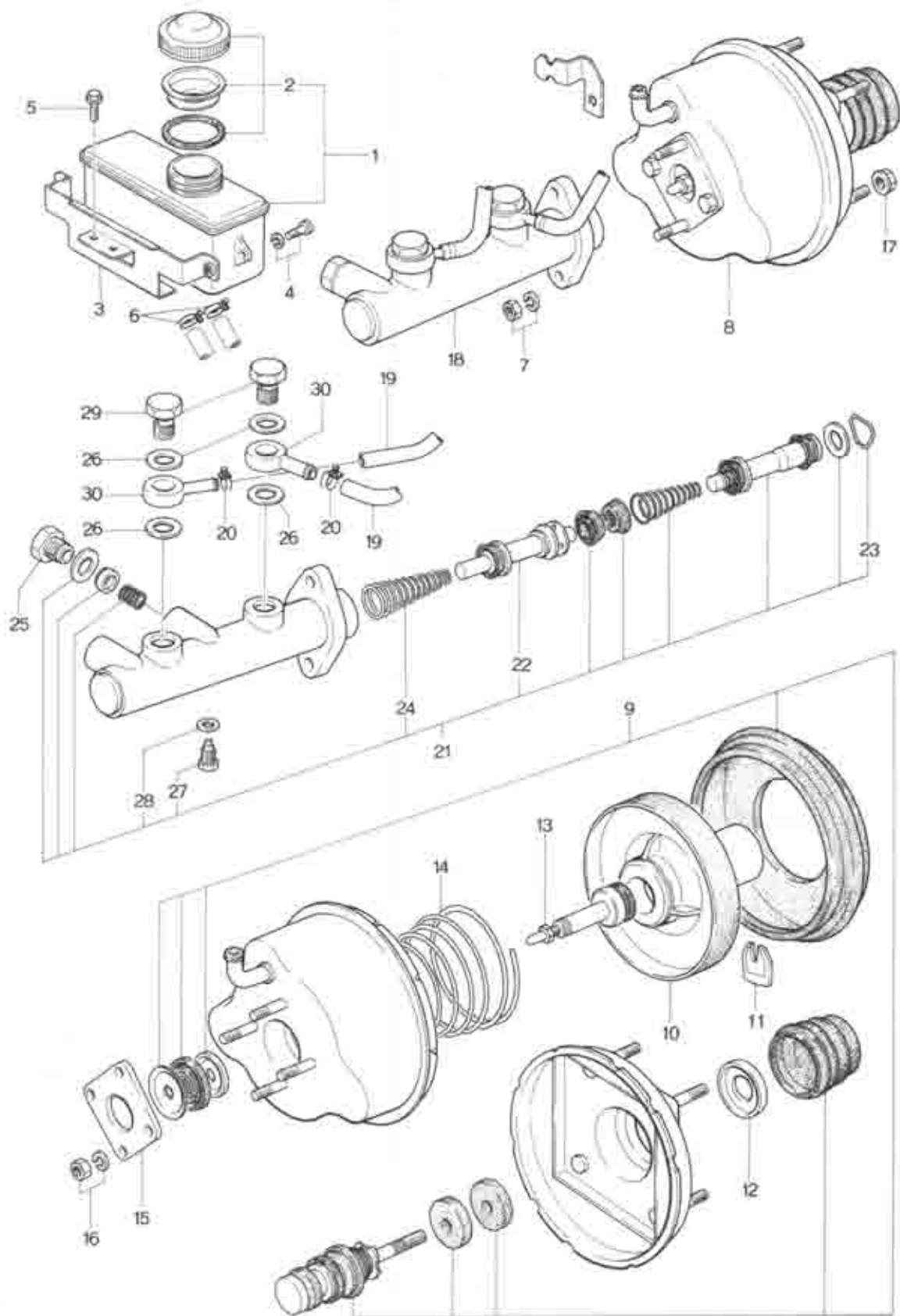
No.	Part Number	Description	Q'ty	Remarks
18	0803 41 331	Boot	1	
19	1881 41 341	Rod, Push	1	
20	1029 88 411	Repair Kit	1	
21	0138 43 835	Clip, Flexible Hose	1	
22	1807 45 510	Pipe, Clutch	1	
23	89276 0808	Clip	1	



TANDEM MASTER CYLINDER & VACUUM POWER ASSIST

43

49



TANDEM MASTER CYLINDER & VACUUM POWER ASSIST


 43

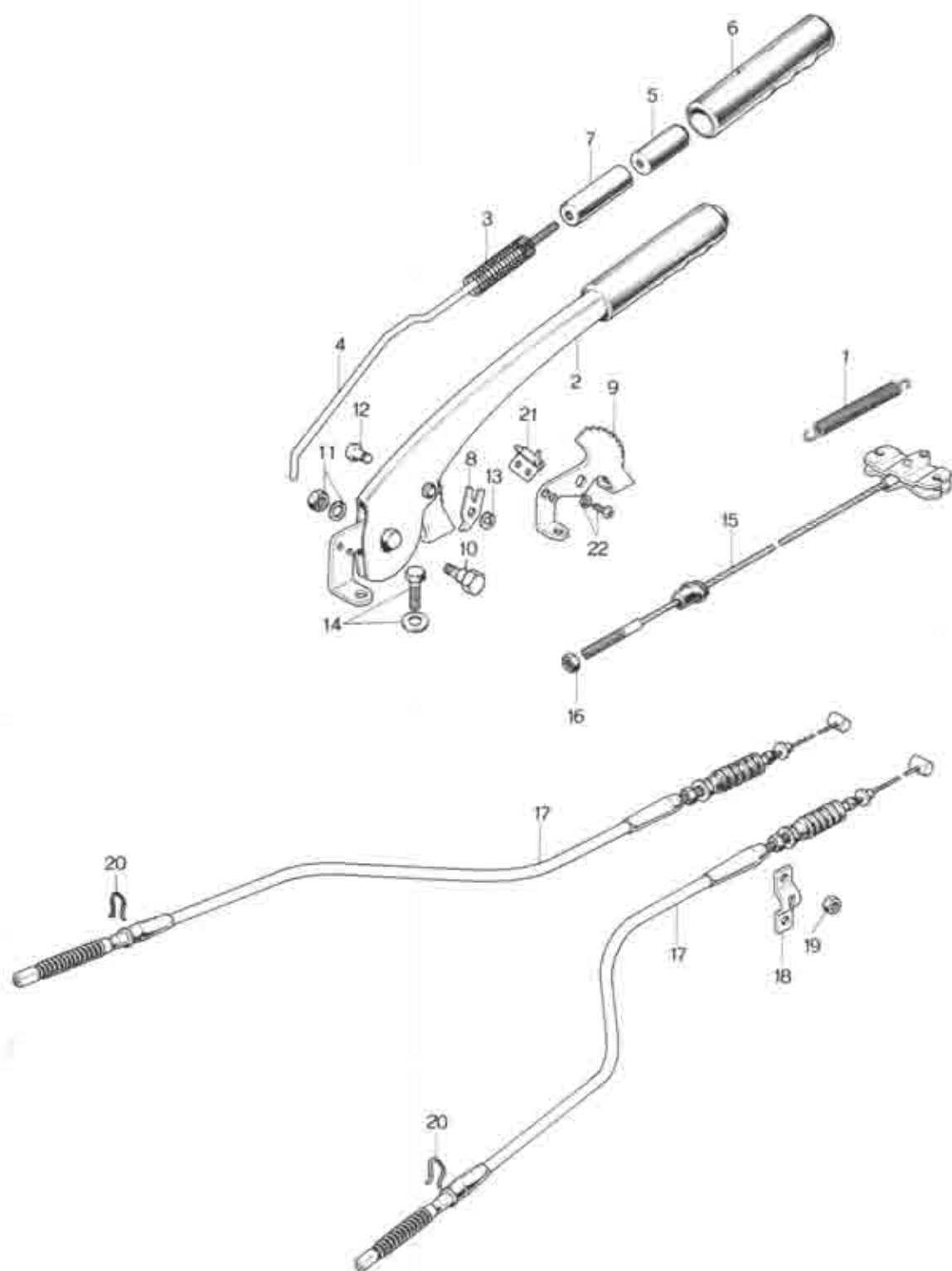

 49

No.	Part Number	Description	Q'ty	Remarks
1	0839 43 550	Tank, Reserve	1	
2	0317 89 436A	Cap Set, Tank	1	
3	0839 43 570	Holder, Reserve Tank	1	
4	99833 0512	Screw, Tank Holder	2	
	99971 0500	Washer, Spring	2	
5	99788 0612	Bolt, Tank Holder	2	
6	99285 0800	Clamp, Hose	2	
7	99901 0800	Nut, Tandem Master Cylinder	2	
	99971 0800	Washer, Spring	2	
8	2835 43 800	Vacuum Power Assist	1	
9	0824 49 720A	Repair Kit	1	
10	0824 49 745	Plate, Diaphragm	1	
11	2048 49 748	Key	1	
12	2048 49 747	Retainer, Silencer	1	
13	0824 49 770	Rod, Push	1	
14	0824 49 781	Spring	1	
15	0824 49 782	Flange	1	
16	2048 49 784	Nut	2	

TANDEM MASTER CYLINDER & VACUUM POWER ASSIST

No.	Part Number	Description	Qty	Remarks
	2048 48 783	Washer, Spring	2	
17	99940 0800	Nut, Vacuum Power Assist	4	
18	1942 43 980	Cylinder, Tandem Master	1	
19	2835 43 422	Hose, Reserve	2	
20	88282 1401	Clamp, Hose	2	
21	1708 48 810	Repair Kit	1	
22	1708 48 830	Piston, Floating	1	
23	0305 48 838	Wire, Piston Stop	1	
24	1708 48 842	Spring, Floating Piston	1	
25	0512 48 851	Bolt, Joint	2	
26	0305 48 856	Gasket	2	
27	0512 48 876	Bolt "A"	1	Selective-use
	0512 48 877	Bolt "B"		
28	0512 48 886	Gasket	1	
29	0512 48 888	Bolt, Connector	2	
30	0512 48 882	Joint, Union	2	





PARKING BRAKE SYSTEM

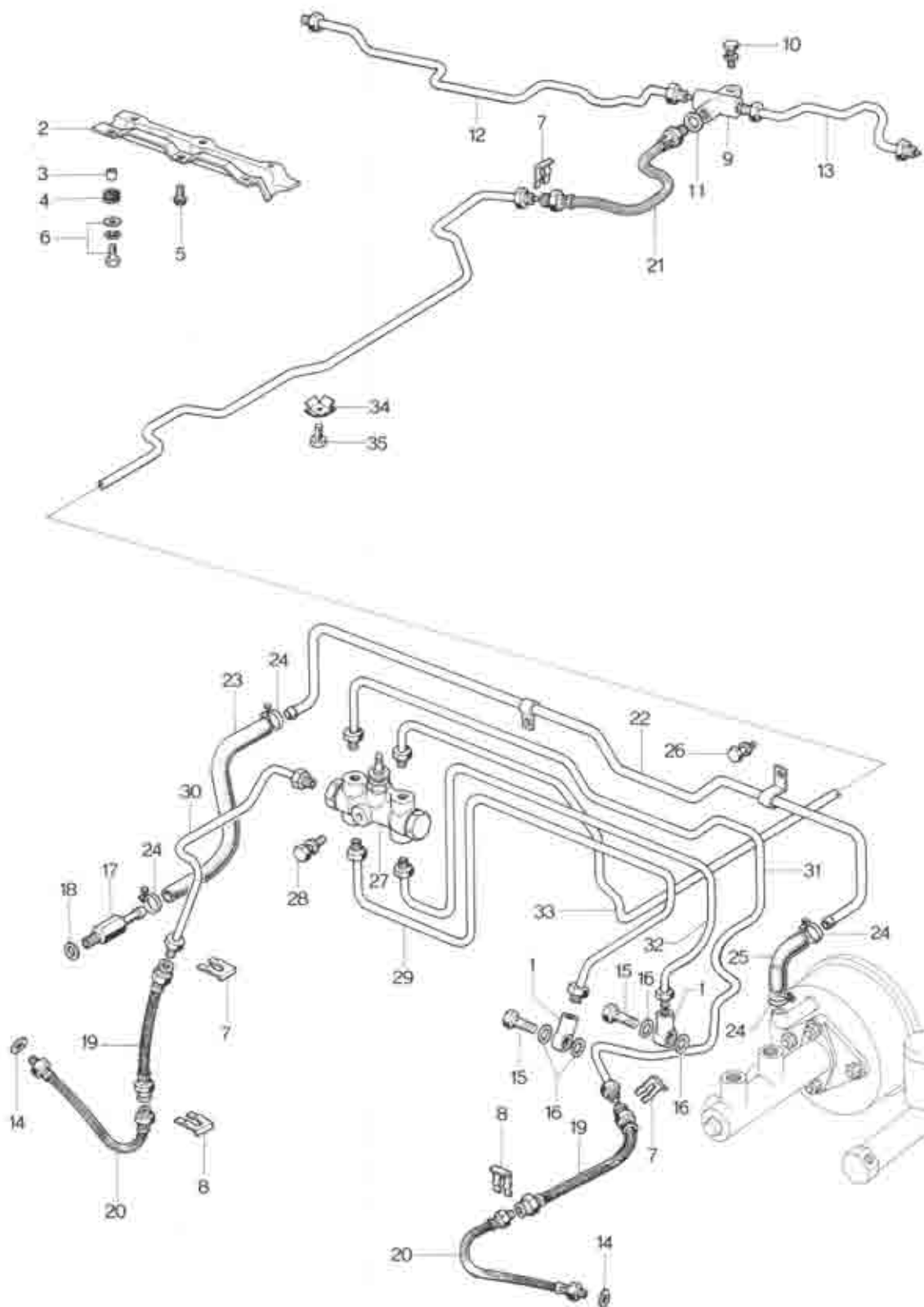
44

No.	Part Number	Description	Q'ty	Remarks
1	0183 41 308	Spring, Return	1	
2	0302 44 010A	Lever, Parking Brake	1	
3	0813 44 031	Spring	1	
4	0303 44 032	Rod, Release	1	
5	0221 44 033	Button, Release	1	
6	0813 44 034	Cap	1	
7	0813 44 035	Spacer	1	
8	0221 44 044	Ratchet	1	
9	0303 44 051	Sector	1	
10	0303 44 053	Bolt	1	
11	99901 0800	Nut	1	
	99971 0800	Washer, Spring	1	
12	99230 0815	Pin	1	
13	99575 0500	Ring, Snap	1	
14	88788 0818	Bolt Set, Plate	4	
15	0303 44 150A	Cable, Front	1	
16	99947 0600	Nut, Front Cable	1	
17	0303 44 410F	Cable, Rear	2	

PARKING BRAKE SYSTEM

No.	Part Number	Description	Q'ty	Remarks
18	0303 44 438	Plate	2	
19	99940 0800	Nut, Plate	4	
20	0305 44 471	Clip	2	
21	0820 66 840	Switch, Parking Lamp	1	
22	99833 0412	Screw, Parking Lamp Switch	2	
	99952 0400	Washer, Plain	2	
	99971 0400	Washer, Spring	2	





BRAKE PIPING

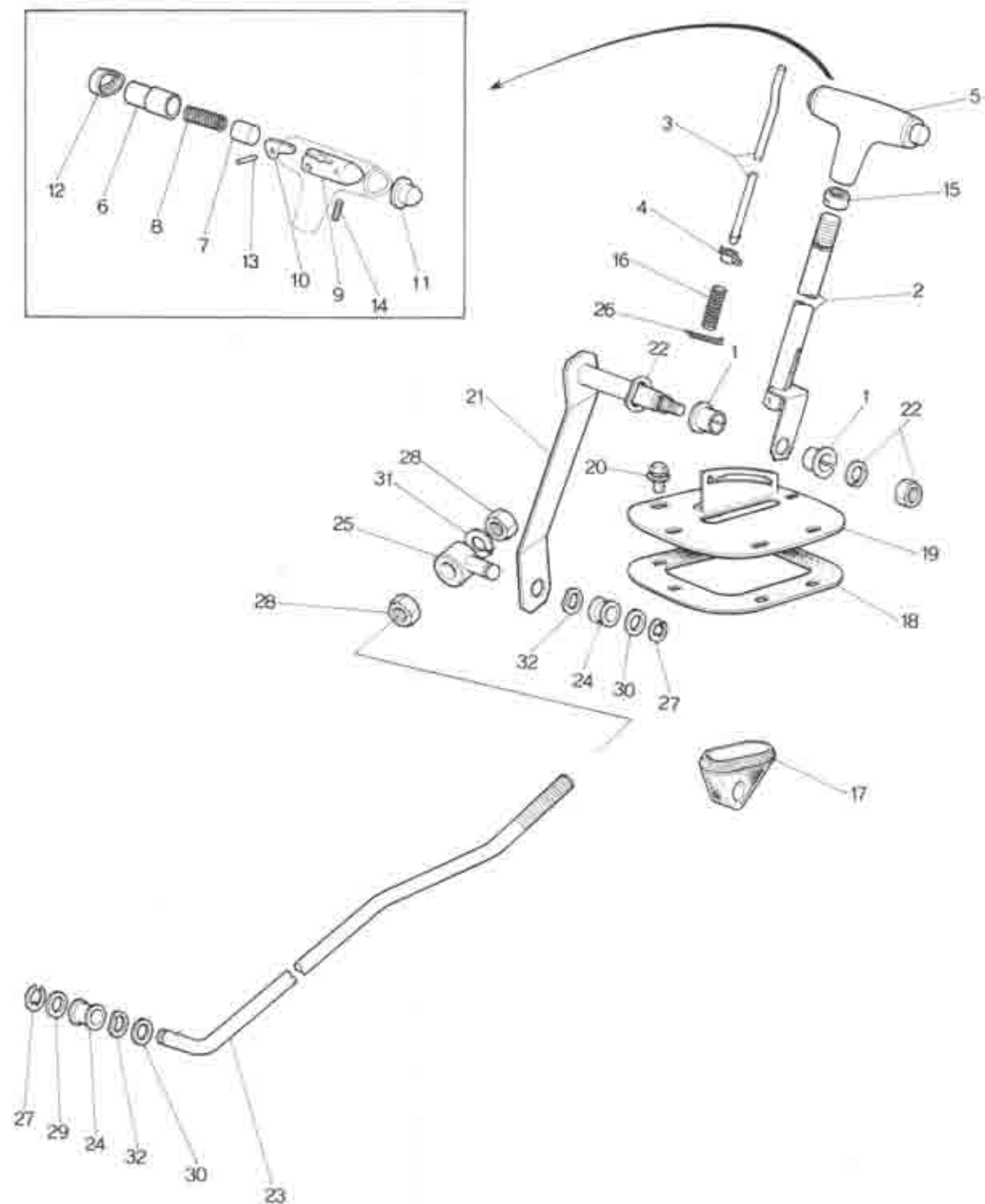
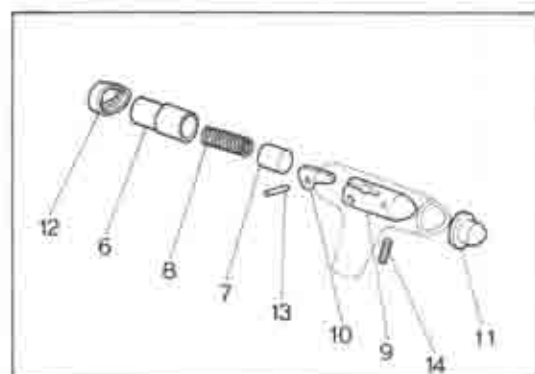
43

45

No.	Part Number	Description	Q'ty	Remarks
1	0118 41 375	Connector, Pipe	2	
2	1114 43 805C	Protector-Brake Pipe	1	
3	1114 43 808B	Spacer	4	
4	1114 43 808A	Rubber, Cushion	4	
5	99791 0818	Bolt, Protector	2	
	99952 0800	Washer, Plain	2	
	99971 0800	Washer, Spring	2	
6	96791 0822	Bolt, Protector	4	
	99951 0822	Washer, Plain	4	
	99971 0800	Washer, Spring	4	
7	0136 43 835	Clip, Flexible Hose	3	
8	0005 43 835	Clip, Flexible Hose	2	
9	0187 43 842	Joint, Pipe-Rear	1	
10	99998 0825	Bolt, Joint Pipe	1	
	99971 0800	Washer, Spring	1	
11	99562 1000	Gasket, Flexible Hose Rear	1	
12	1097 43 650	Pipe, Brake (Rr., R)	1	
13	0305 43 660A	Pipe, Brake (Rr., L)	1	
14	99562 1000	Gasket, Flexible Hose Front	2	
15	0221 43 894	Bolt, Connector	2	

No.	Part Number	Description	Q'ty	Remarks
16	89562 1000	Gasket, Connector, Bolt	4	
17	0838 43 770A	Valve, Check	1	
18	89564 1200	Gasket, Check Valve	1	
19	1541 43 820	Hose, Flexible - Front	2	
20	2850 43 820B	Hose, Flexible - Front	2	
21	2853 43 820	Hose, Flexible - Rear	1	
22	2081 43 830A	Pipe, Vacuum	1	
23	1907 43 838	Hose, Vacuum	1	
24	99282 1907 ^{not}	Clamp, Hose	4	
25	2067 43 842B	Hose, Vacuum	1	
26	89808 0618	Bolt, Vacuum Hose	1	
	99971 0800	Washer, Spring	1	
27	2228 43 890A	Indicator	1	
28	89808 0835	Bolt, Indicator	1	
	99971 0800	Washer, Spring	1	
29	1907 45 280	Pipe, Main Brake (Frt.)	1	
30	0305 45 280B	Pipe, Brake (Frt., R)	1	
31	1907 45 310	Pipe, Brake (Frt., L)	1	
32	1907 45 320	Pipe, Brake (Rr.)	1	
33	1907 45 330	Pipe, Brake (Rr.) (No. 2)	1	
34	0868 45 903A	Clip, Pipe	15	
35	99786 0612	Bolt, Clip	15	





CHANGE CONTROLS (AUTOMATIC)

46

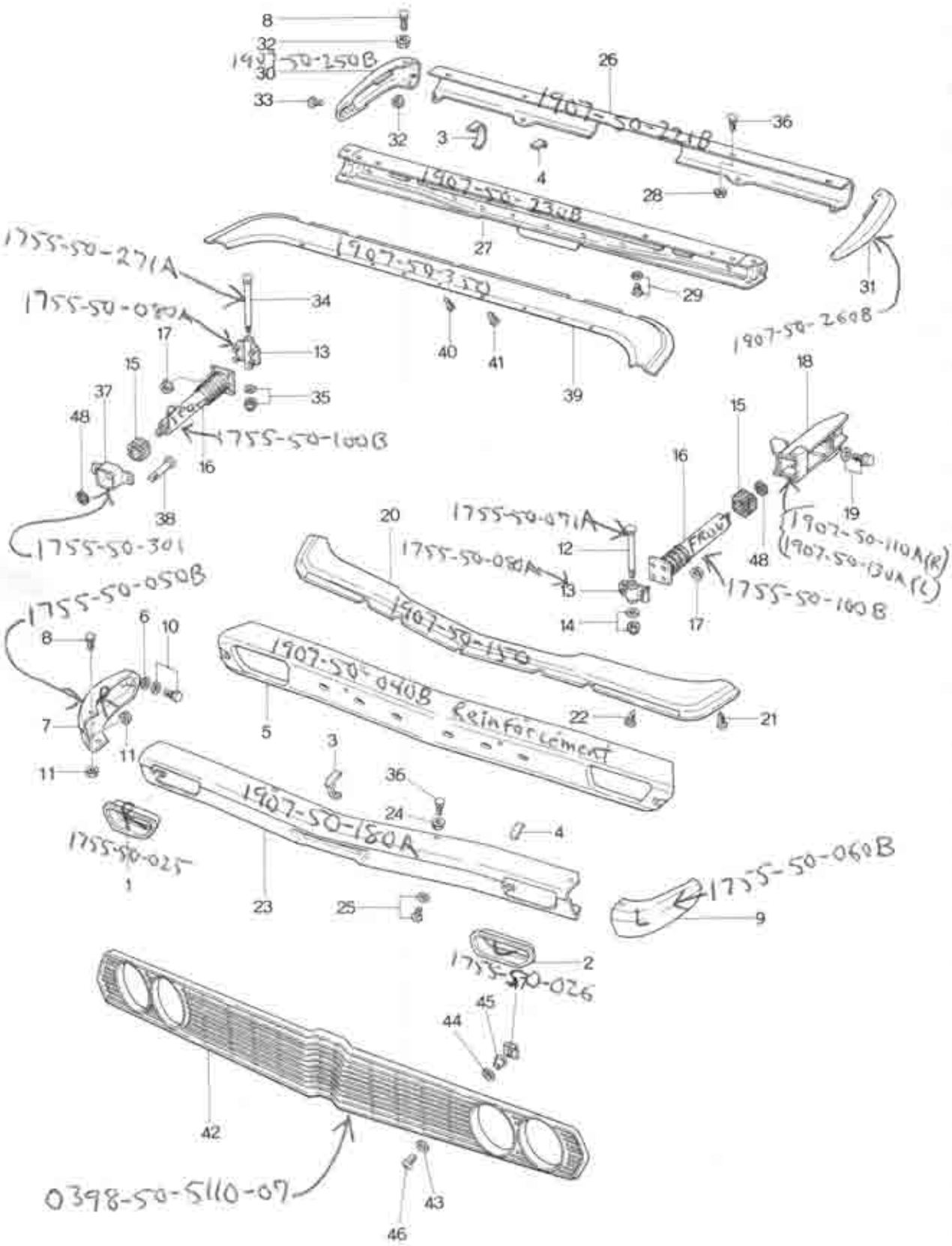
No.	Part Number	Description	Qty	Remarks
1	0259 43 022	Bush	2	
2	2375 46 010	Lever, Selector	1	
3	1640 46 021	Rod	1	
4	1640 46 022	Guide	1	
5	2375 46 030R	Knob	1	
6	2375 46 051A	Knob	1	
7	2375 46 052	Piston	1	
8	2375 46 053	Spring	1	
9	2375 46 054	Supporter	1	
10	2375 46 055	Lever	1	
11	2375 46 056A	Plug	1	
12	0308 46 057A	Cap	1	
13	99225 0320	Pin	1	
14	99887 0412	Screw	1	
15	2375 46 061	Nut	1	
16	2375 46 062	Spring	1	
17	0042 46 001	Boot	1	
18	0308 46 083	Seal	1	

CHANGE CONTROLS (AUTOMATIC)

No.	Part Number	Description	Q'ty	Remarks
19	2070 46 110A	Bracket	1	
20	99786 0616	Bolt, Bracket	6	
	99952 0618	Washer, Plain	6	
21	0842 46 150	Lever	1	
22	99822 1000	Nut	1	
	99971 1000	Washer, Spring	1	
	99972 1400	Washer, Wave	2	
23	0842 46 571A	Rod	4	
24	1015 46 884	Bush	2	
25	0259 46 891	Joint, "T"	1	
26	99221 2020	Pin, Split	1	
27	99575 0600	Ring, Retaining	2	
28	99902 0800	Nut	2	
29	99952 0618	Washer, Plain	1	
30	99953 0800	Washer, Plain	2	
31	99971 0800	Washer, Spring	1	
32	99972 0800	Washer, Wave	2	



BUMPER & GRILLE



BUMPER & GRILLE

50

No.	Part Number	Description	Q'ty	Remarks
1	1755 50 025	Ring (R), Front Turn Signal Lamp	1	
2	1755 50 026	Ring (L), Front Turn Signal Lamp	1	
3	1755 50 036	Spacer "A", Bumper	13	
4	1755 50 037	Spacer "B", Bumper	5	Order Under No. 1755 50 036
5	1907 50 040	Bumper (Frt., C)	1	
6	0223 50 049	Spacer, Bumper Side	2	
7	1755 50 050	Bumper (R), Front Side	1	
8	1755 50 055	Bolt, Side Bumper (Front ---4, Rear---4)	8	
9	1755 50 080	Bumper (L), Front Side	1	
10	89786 0825	Bolt, Side Bumper	2	
	89852 0822	Washer, Plain	2	
11	89940 0802	Nut, Side Bumper	6	
12	1755 50 071	Bolt, Hinge Plate	2	
13	1755 50 080	Plate, Hinge	4	
14	89945 0800	Nut, Hinge Plate	2	
	89971 0800	Washer, Spring	2	
15	1755 50 091	Rubber, Mounting	4	
16	1755 50 100	Absorber, Shock	4	
17	89940 0802	Nut, Shock Absorber	16	
18	1907 50 110	Bracket (Frt., R), Shock Absorber	1	

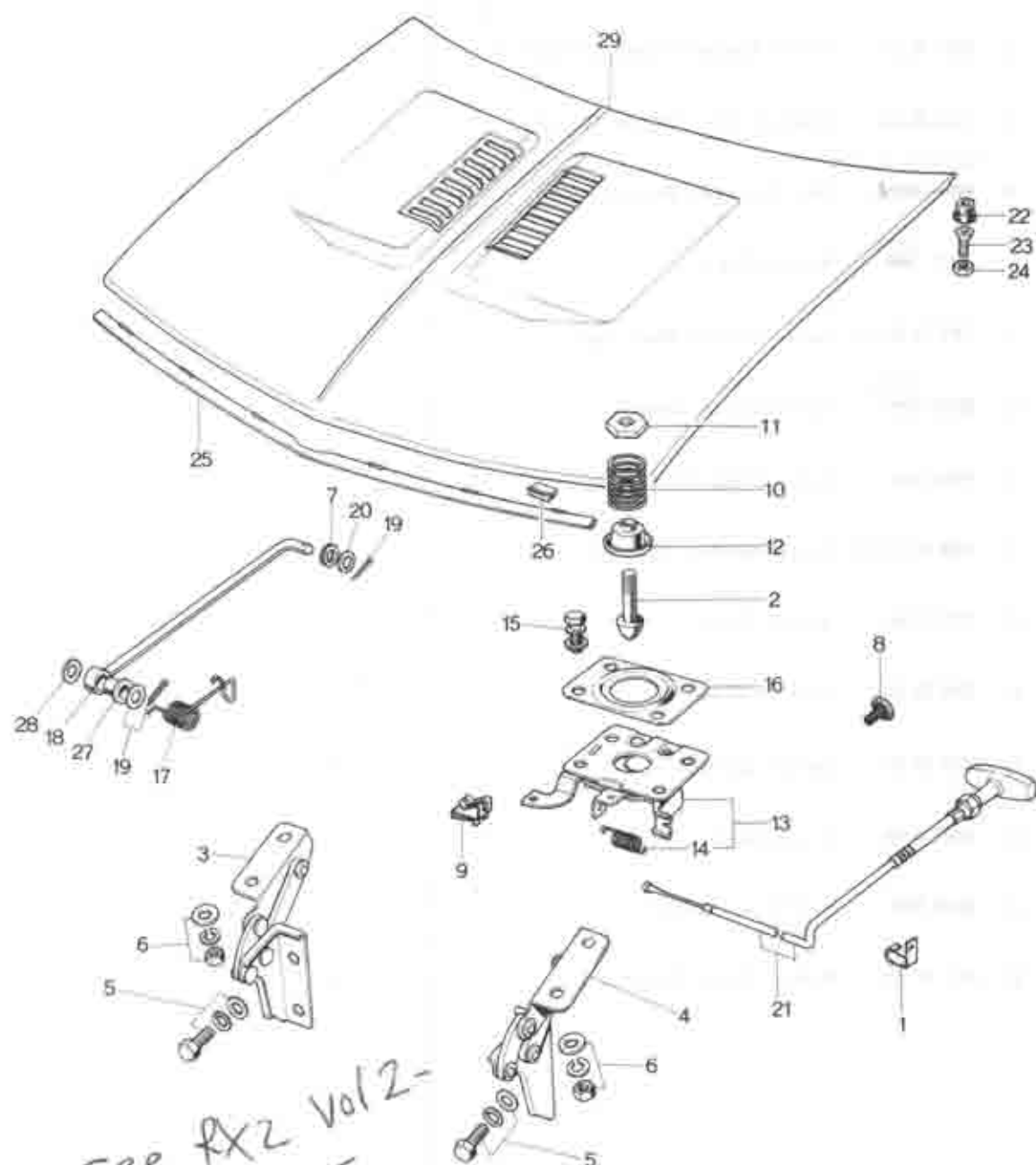
BUMPER & GRILLE

No.	Part Number	Description	Q'ty	Remarks
	1907 50 100	Bracket (Frt., L.), Shock Absorber	1	
19	99796 0825	Bolt, Absorber Bracket	9	
	99852 0822	Washer, Plain	9	
20	1907 50 150-00	Cover, Bumper Front (GRY)	1	
21	99246 ⁷⁵² 0226	Rivet, Bumper Cover	5	
22	99869 0414	Screw, Bumper Cover	4	
23	1907 50 180	Bumper (Frt., C), Outer	1	
24	99940 0802	Nut, Bumper (Frt., C)	2	
25	99774 0816	Screw, Bumper (Frt., C)	2	
	99971 0600	Washer, Spring	2	
26	1907 50 221	Bumper (Rr., C), Outer	1	
27	1907 50 230	Bumper (Rr., C)	1	
28	99940 0802	Nut, Bumper (Rr., C)	2	
29	99774 0816	Screw, Bumper (Rr., C)	2	
	99971 0600	Washer, Spring	2	
30	1907 50 250	Bumper (R), Rear Side	1	
31	1907 50 260	Bumper (L), Rear Side	1	
32	99940 0802	Nut, Rear Side Bumper	6	
33	99834 08168	Screw, Rear Side Bumper	2	
34	1755 50 271	Bolt, Hinge Plate-Rear	2	

BUMPER & GRILLE

50

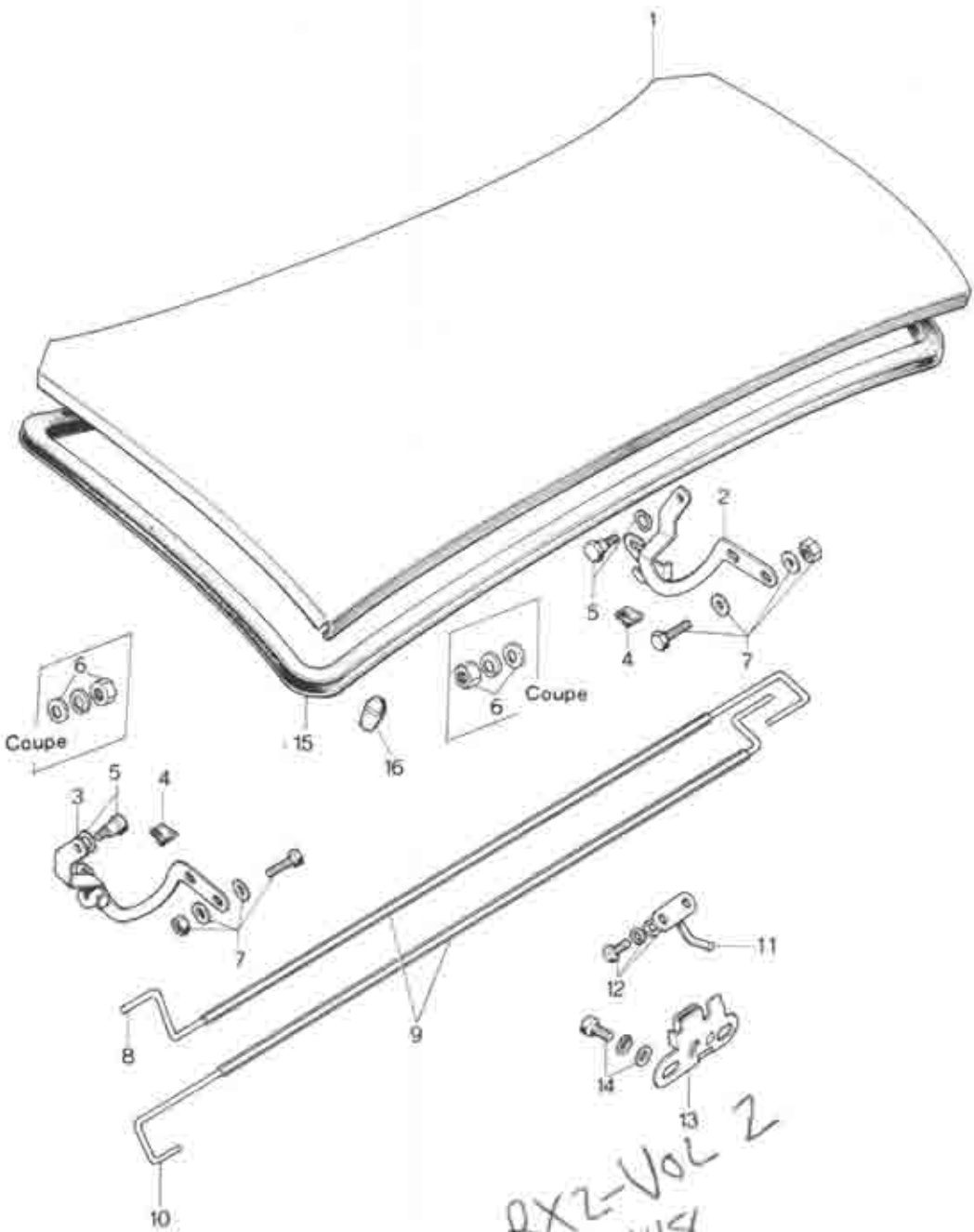
No.	Part Number	Description	Qty	Remarks
35	99945 1000	Nut, Hinge Plate - Rear	2	
	99971 1000	Washer, Spring	2	
36	0223 50 275	Screw, Bumper - Front ... 2, Rear ... 2	4	
37	1755 50 301	Bracket, (Rr.), Shock Absorber	2	
38	⁷⁵⁷⁴⁻⁴¹⁻⁰²⁵⁹ 99794-10259	Bolt, Absorber Bracket	4	
	⁰⁰⁰ 99952 1999	Washer, Plain	4	
39	1907 50 350-00	Cover, Bumper Rear (GRY.)	1	
40	⁷⁵² 99294 0725	Rivet, Bumper Cover	6	
41	99889 0414	Screw, Bumper Cover	4	
42	0388 50 511-08	Grille, Radiator (SIL M)	1	
43	0305 50 541	Washer, Grille	8	
44	0305 50 542	Cushion, Grille	8	
45	0305 50 543	Spacer, Grille	8	
46	99894 04208	Screw, Grille	8	
47	99898 0400	Nut, Spring - Grille	8	
48	0111 57 111	Rubber, Shock Absorber	4	



No.	Part Number	Description	Q'ty	Remarks
1	0820 10 872A	Clip, Release Wire	1	
2	0167 52 141	Hook, Bonnet	1	
3	0881 52 210A	Hinge (R), Bonnet	1	
4	0881 52 280A	Hinge (L), Bonnet	1	
5	99801 0816	Bolt, Bonnet Hinge	4	
	99852 0822	Washer, Plain	4	
	99871 0800	Washer, Spring	4	
6	99908 0800	Nut, Bonnet Hinge	4	
	99852 0822	Washer, Plain	4	
	99871 0800	Washer, Spring	4	
7	0824 52 271	Roller, Bonnet Stay	1	
8	0258 52 301	Grommet, Bonnet Release Wire	1	
9	0223 52 302	Clamp, Bonnet Release Wire	1	
10	0305 52 312B	Spring, Lift-Bonnet	1	
11	0305 52 313	Seat, Spring-Upper-Bonnet	1	
12	0305 52 322A	Seat, Spring-Lower-Bonnet	1	
13	2835 52 330	Lock, Bonnet	1	
14	0305 52 331	Spring, Lock Return	1	

No.	Part Number	Description	Q'ty	Remarks
15	89806 0616	Bolt, Bonnet Lock	4	
	89952 0618	Washer, Plain	4	
	89971 0800	Washer, Spring	4	
16	0305 52 371A	Plate, Lock Guide	1	
17	2835 52 381	Spring, Bonnet Stay	1	
18	0305 52 390	Stay, Bonnet	1	
19	89221 2015	Pin, Split-Bonnet Stay	2	
	89952 0800	Washer, Plain	1	
20	89952 0822	Washer, Plain-Bonnet Stay	1	
21	2835 52 410	Wire, Bonnet Release	1	
22	0624 52 451	Cushion, Bonnet	2	
23	99831 0825	Bolt, Bonnet Cushion	2	
24	89902 0800	Nut, Bonnet Cushion	2	
25	⁰³⁰⁵⁻⁹⁹⁻⁷¹¹ 0005-52-471	Mould, Bonnet	1	
26	0305 52 472	Clip, Bonnet Mould	6	
27	0223 58 721	Bush, Bonnet Stay	1	
28	0136 65 752	Gasket, Bonnet Stay	1	
29	0881 74 800	Bonnet	1	

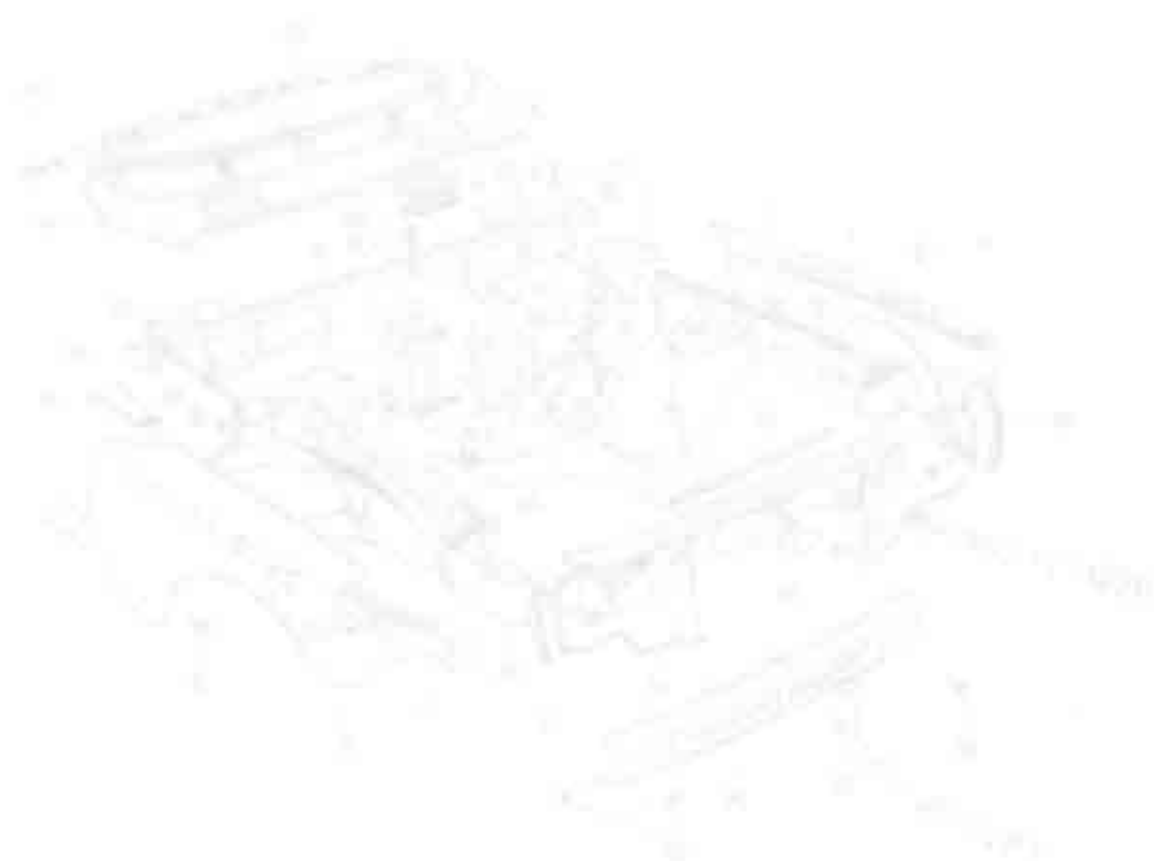


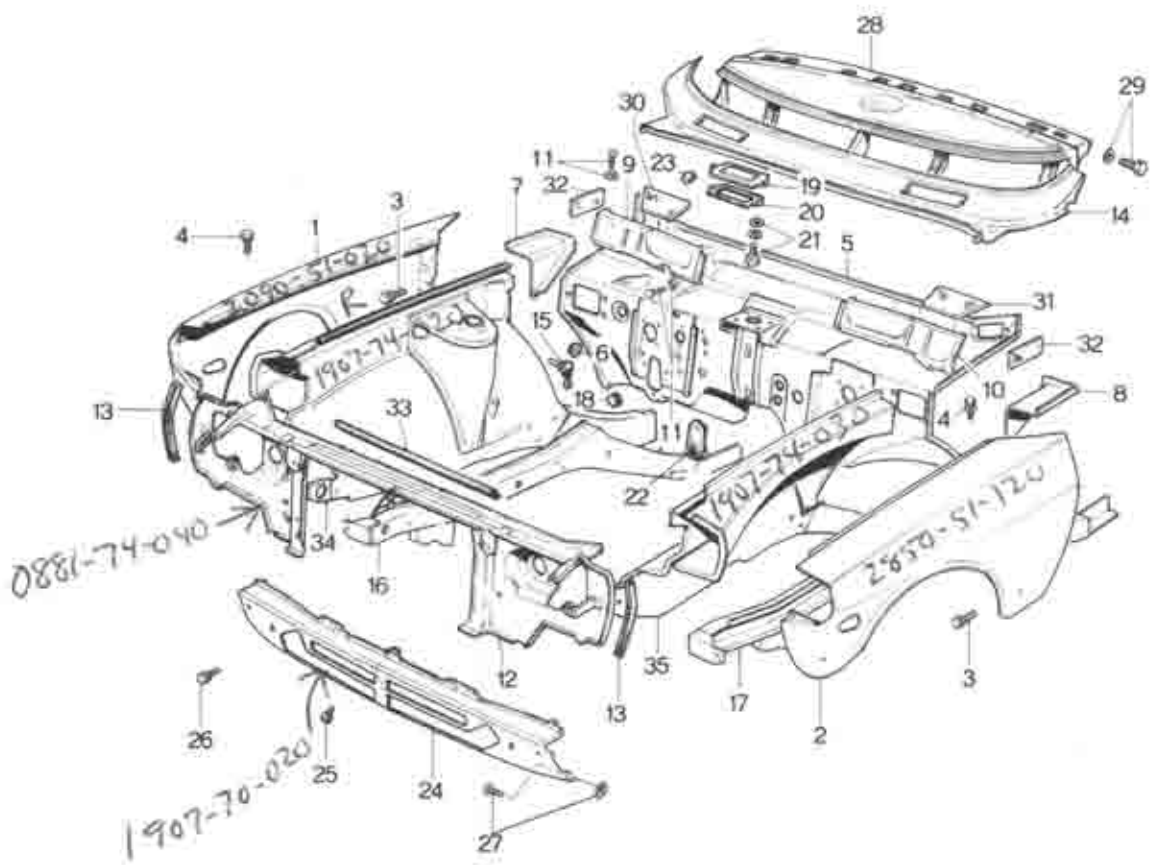


See RX2-Vol 2
p. 148

No.	Part Number	Description	Qty	Remarks
1	0305 52 510C	Lid, Trunk (Sedan)	1	
	0881 52 510	Lid, Trunk (Coupe)	1	
2	0305 52 010B	Hinge (R), Trunk Lid (Sedan)	1	
	0839 52 010A	Hinge (R), Trunk Lid (Coupe)	1	
3	0305 52 020B	Hinge (L), Trunk Lid (Sedan)	1	
	0839 52 020A	Hinge (L), Trunk Lid (Coupe)	1	
4	0305 52 028	Rubber, Cushion-Trunk Lid Hinge	2	
5	0305 52 028	Bolt, Trunk Lid Hinge	2	
	99872 1000	Washer, Wave	2	
		(Sedan)		
6	99806 0600	Nut, Trunk Lid Hinge	2	
	99852 0618	Washer, Plain	2	
	99871 0600	Washer, Spring	2	
		(Coupe)		
7	99806 0618	Bolt, Trunk Lid Hinge	4	
	99852 0618	Washer, Plain	8	
	99806 0000	Nut	4	
8	0305 52 001	Spring (R), Balance-Trunk Lid (Sedan)	1	
	0839 52 001A	Spring (R), Balance-Trunk Lid (Coupe)	1	
9	0223 52 062	Protector, Balance Spring	2	
10	0305 52 071	Spring (L), Balance-Trunk Lid (Sedan)	1	
	0839 52 071A	Spring (L), Balance-Trunk Lid (Coupe)	1	

No.	Part Number	Description	Q'ty	Remarks
11	0305 52 750	Striker, Trunk Lid Lock	1	
12	99806 0818	Bolt, Striker	2	
	99952 0800	Washer, Plain	2	
	99971 0800	Washer, Spring	2	
13	0305 52 850A	Lock, Trunk Lid	1	
14	99806 0814	Bolt, Trunk Lid Lock	2	
	99971 0800	Washer, Spring	2	
	99951 0818	Washer, Plain	2	
15	0305 52 901A	Weatherstrip, Trunk Lid (Sedan)	1	
	0888 52 901A	Weatherstrip, Trunk Lid (Coupe)	1	
16	0111 53 771	Rubber, Cushion-Trunk Lid	2	





BODY PANELS (FRONT)

51

74

No.	Part Number	Description	Qty	Remarks
1	2850 51 020 2090	Panel (R), Front Fender	1	
2	2850 51 120	Panel (L), Front Fender	1	
3	89805 0620	Bolt, Front Fender Panel	8	
	89852 0610	Washer, Plain	8	
	89871 0600	Washer, Spring	8	
4	89806 0614	Bolt, Front Fender Panel	10	
	89852 0616	Washer, Plain	10	
	89871 0600	Washer, Spring	10	
5	1807 53 010	Panel, Dash (Manual)	1	
	1808 53 010	Panel, Dash (Automatic)	1	
6	0187 53 134	Rubber, Dust Seal-Cooler Drain Hose use	1	
7	0305 53 180	Plate (R), Cover	1	
8	0305 54 180	Plate (L), Corner	1	
9	2835 53 1000	Panel (R), Cowl Lower	1	
10	2835 54 1008	Panel (L), Cowl Lower	1	
11	89790 0514	Screw, Cowl Lower Panel	14	
	89852 0516	Washer, Plain	14	
12	0881 53 700A	Panel, Shroud-Radiator	1	
13	0305 53 708	Rubber, Seal-Radiator Shroud Panel	2	
14	2836 53 970	Panel, Cowl	1	

BODY PANELS (FRONT)

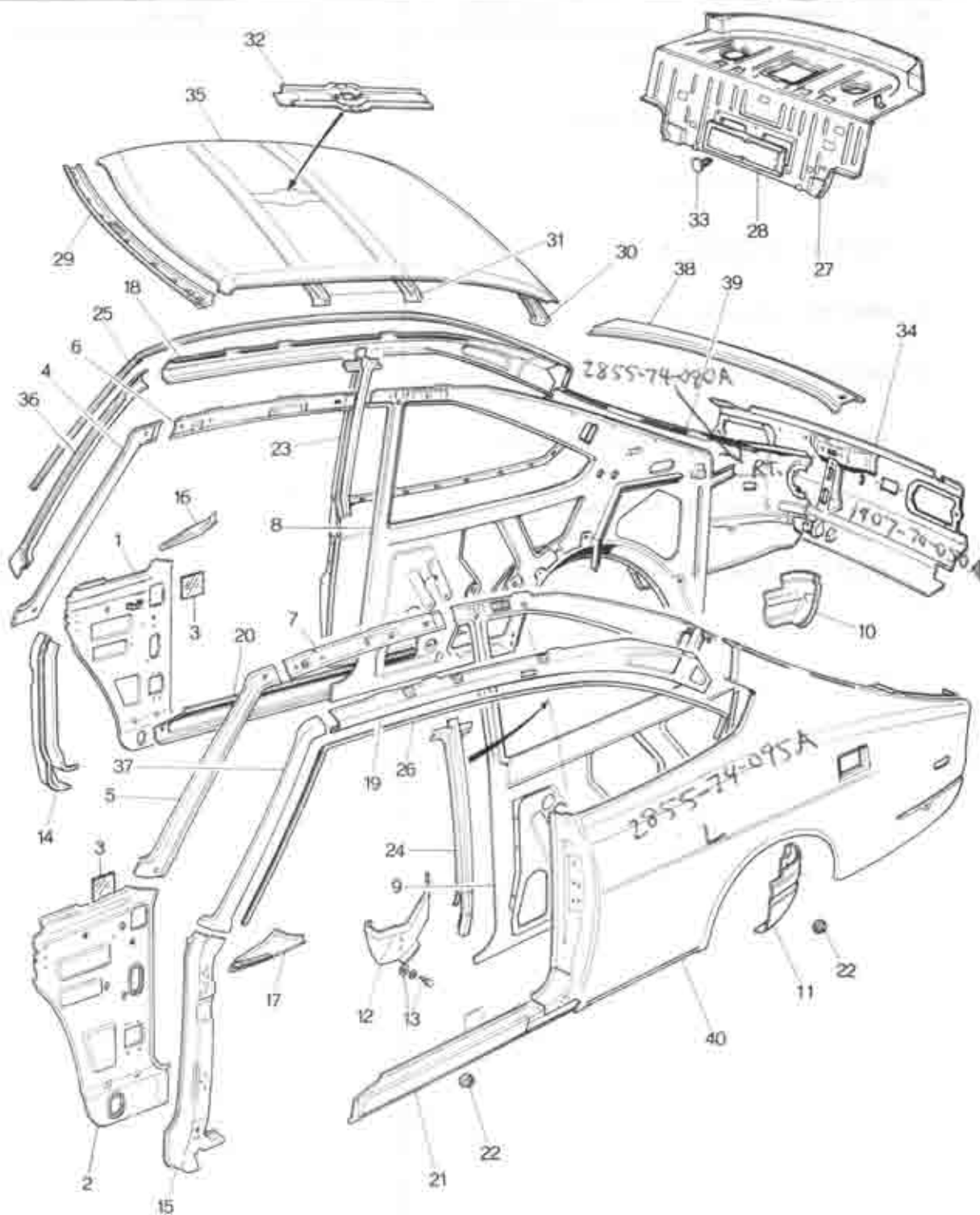
No.	Part Number	Description	Q'ty	Remarks
15	0258 58 931	Valve, Drain-Wheel Apron	2	
16	1907 56 040	Frame (R), Front Side	1	
17	1907 56 540	Frame (L), Front Side	1	
18	1708 81 031	Grommet, Without Cooler Hose	2	
19	0301 81 051A	Plate	1	
20	0301 81 052A	Gasket, Plate	1	
21	99799 0635	Bolt, Plate	2	
	99952 0618	Washer, Plain	2	
	99971 0600	Washer, Spring	2	
22	0301 81 055	Grommet	2	
23	0222 86 971	Rubber, Seal	1	
24	1907 70 020	Panel, Skirt-Front	1	
25	99806 0512	Bolt, Skirt Panel	2	
	99952 0560	Washer, Plain	2	
	99971 0500	Washer, Spring	2	
26	99806 0614	Bolt, Skirt Panel	4	
	99952 0618	Washer, Plain	4	
	99971 0600	Washer, Spring	4	
27	99860 0612	Screw, Skirt Panel	1	
	99898 0600	Nut, Spring	4	

BODY PANELS (FRONT)

51

74

No.	Part Number	Description	Q'ty	Remarks
28	1907 70 100	Panel, Instrument	1	
29	99808 0612	Bolt, Instrument Panel	4	
	99852 0600	Washer, Plain	4	
30	0305 70 431	Insulator "A" (R)	1	
31	0305 71 431	Insulator "A" (L)	1	
32	0305 70 432	Insulator "B"	2	
33	2080 70 882A	Rubber, Seal-Radiator Shroud	1	
34	1907 74 020	Panel (R), Wheel Apron	1	
35	1907 74 030	Panel (L), Wheel Apron	1	



BODY PANELS (SIDE & REAR, COUPE)

53

74

No.	Part Number	Description	Qty	Remarks
1	1907 53 320	Panel (R), Cowl Side	1	
2	2835 54 320	Panel (L), Cowl Side	1	
3	9305 53 320A	Seat, Cowl Side Panel	2	
4	0839 53 330B	Pillar (R), Inner-Front	1	
5	0839 54 330B	Pillar (L), Inner-Front	1	
6	0839 53 340A	Rail (R), Roof-Inner	1	
7	0839 54 340	Rail (L), Roof-Inner	1	
8	2080 53 350E	Panel (R), Quarter	1	
9	1907 54 350	Panel (L), Quarter	1	
10	0839 53 352A	Plate (R), End	1	
11	0839 54 352A	Plate (L), End	1	
12	1807 54 370A	Plate, End	1	
13	99808 0512	Bolt, End Plate	2	
	99952 0500	Washer, Plain	2	
	99971 0500	Washer, Spring	2	
14	0305 53 410A	Pillar (R), Hinge-Outer	1	
15	0305 54 410B	Pillar (L), Hinge-Outer	1	
16	0305 53 415	Bracket (R), Cowl	1	
17	0305 54 415	Bracket (L), Cowl	1	
18	0839 53 430	Rail (R), Roof-Outer	1	

BODY PANELS (SIDE & REAR, COUPE)

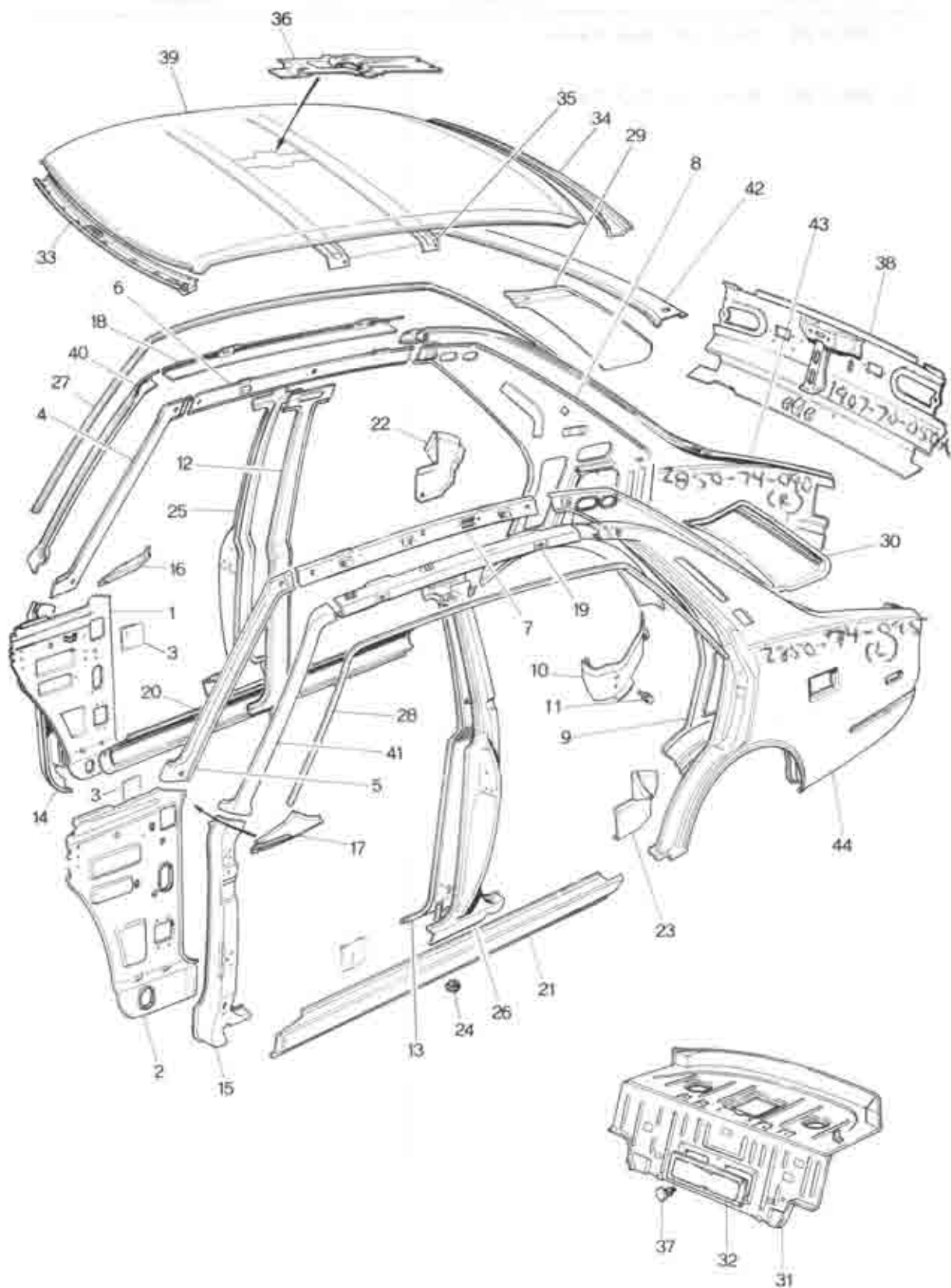
No.	Part Number	Description	Qty	Remarks
19	0839 54 430	Rail (L), Roof-Outer	1	
20	0839 53 451C	Panel (R), Side Sill-Outer	1	
21	0839 54 451C	Panel (L), Side Sill-Outer	1	
22	0259 53 455	Plug, Drain-Side Sill Panel	4	
23	0839 53 500	Pillar (R), Center-Outer	1	
24	0839 54 500	Pillar (L), Center-Outer	1	
25	0839 53 591	Rail (R), Rain	1	
26	0839 54 591	Rail (L), Rain	1	
27	1863 53 800	Tray, Package	1	
28	0305 53 861	Cover, Package Tray	1	
29	0839 53 920	Header, Front-Roof	1	
30	0839 53 941A	Header, Rear-Roof	1	
31	0881 53 951	Reinforcement, Roof	2	
32	0881 53 980	Bracket, Room Lamp	1	
33	0888 89 885	Fastener, Package Tray Cover (BLK.)	6	
34	1907 70 050	Panel, Rear End	1	
35	0839 74 050	Panel, Roof	1	
36	0839 74 070	Pillar (R), Front-Outer	1	
37	0839 74 075	Pillar (L), Front-Outer	1	
38	0839 74 080	Panel, Rear Deck	1	

BODY PANELS (SIDE & REAR, COUPE)

53

74

No.	Part Number	Description	Qty.	Remarks
39	2855 74 090	Panel (R), Rear Fender	1	
40	2855 74 085	Panel (L), Rear Fender	1	



BODY PANELS (SIDE & REAR, SEDAN)

53

74

No.	Part Number	Description	Q'ty	Remarks
1	1907 53 320	Panel (R), Cowl Side	1	
2	2835 54 320	Panel (L), Cowl Side	1	
3	0305 53 329A	Seat, Cowl Side Panel	2	
4	0305 53 330A	Pillar (R), Front-Inner	1	
5	0305 54 330A	Pillar (L), Front-Inner	1	
6	0305 53 3400	Rail (R), Roof-Inner	1	
7	0305 54 3400	Rail (L), Roof-Inner	1	
8	2835 53 350B	Pillar (R), Rear-Inner	1	
9	1905 54 350	Pillar (L), Rear-Inner	1	
10	1907 54 370A	Plate, End	1	
11	99808 0512	Bolt, End Plate	2	
	99952 0500	Washer, Plain	2	
	89971 0500	Washer, Spring	2	
12	1905 53 380	Pillar (R), Center-Inner	1	
13	1905 54 380	Pillar (L), Center-Inner	1	
14	0305 53 410A	Pillar (R), Hinge-Outer	1	
15	0305 54 410B	Pillar (L), Hinge-Outer	1	
16	0305 53 415	Bracket (R), Cowl	1	
17	0305 54 415	Bracket (L), Cowl	1	
18	0305 53 430B	Rail (R), Roof-Outer	1	

BODY PANELS (SIDE & REAR, SEDAN)

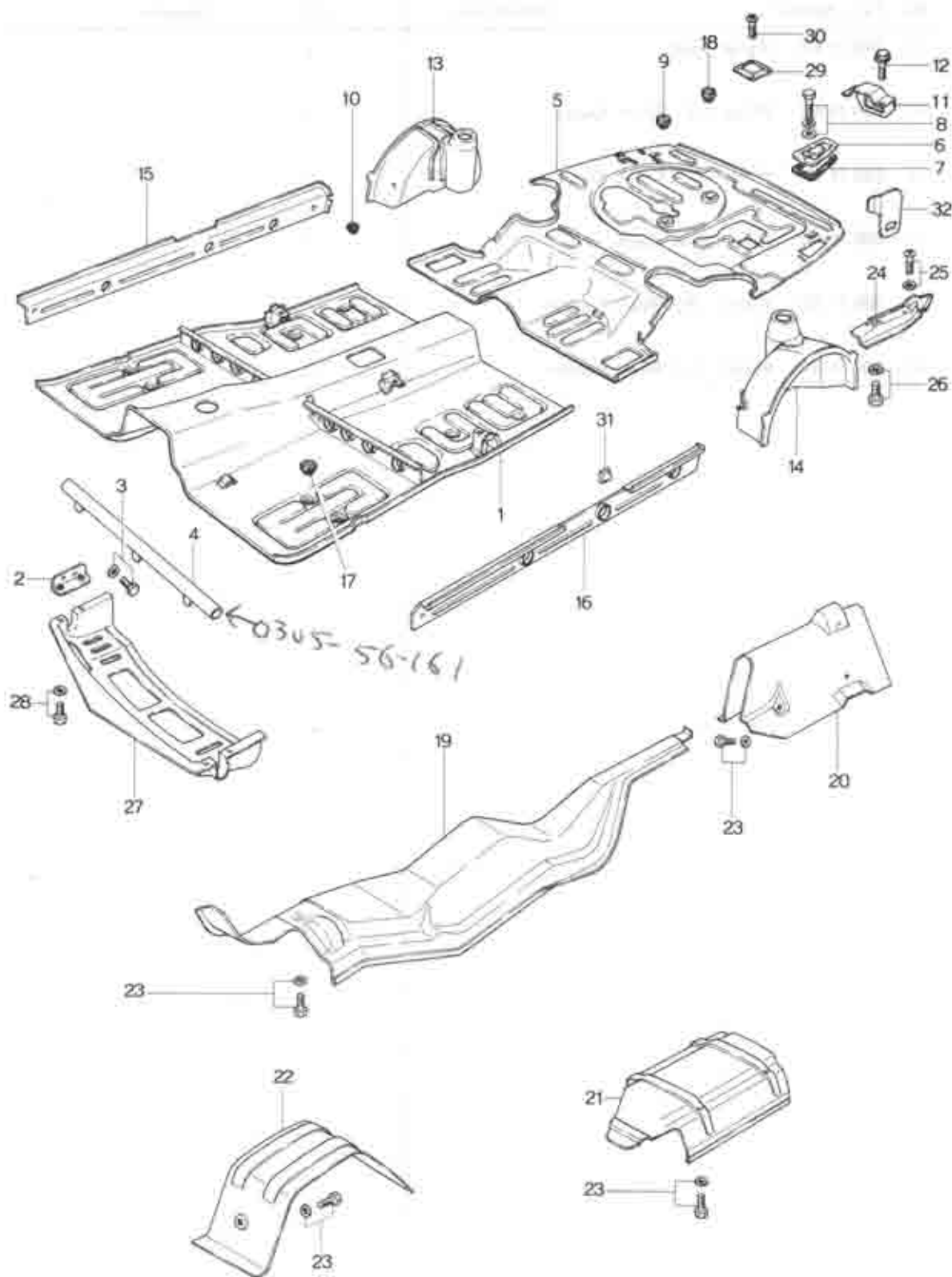
No.	Part Number	Description	Qty	Remarks
19	0305 54 4308	Rail (L), Roof-Outer	1	
20	⁰³⁰¹ 0306 53 450A	Panel (R), Side Sill-Outer	1	
21	⁰³⁰¹ 0306 54 4508	Panel (L), Side Sill-Outer	1	
22	0305 53 452	Plate (R), Filler	1	
23	0305 54 452	Plate (L), Filler	1	
24	0259 53 455	Plug, Drain-Side Sill Panel	6	
25	2850 53 500A	Pillar (R), Center-Outer	1	
26	2850 54 500A	Pillar (L), Center-Outer	1	
27	0305 53 591	Rail (R), Rain	1	
28	0305 54 591	Rail (L), Rain	1	
29	0305 53 670	Chamber (R), Air Flow	1	
30	0305 54 670	Chamber (L), Air Flow	1	
31	1662 53 880	Tray, Package	1	
32	0305 53 861	Cover, Package Tray	1	
33	0305 53 920	Header, Front-Roof	1	
34	0305 53 941A	Header, Rear-Roof	1	
35	0386 53 951	Reinforcement, Roof	2	
36	0388 53 980	Bracket, Room Lamp	1	
37	0866 69 885	Fastener, Package Tray Cover (BLK.)	6	
38	1907 70 050	Panel, Rear End	1	

BODY PANELS (SIDE & REAR, SEDAN)

53

74

No.	Part Number	Description	Q'ty	Remarks
39	0305 74 050	Panel, Roof	1	
40	0305 74 070	Pillar (R), Front-Outer	1	
41	0305 74 075	Pillar (L), Front-Outer	1	
42	0305 74 080	Panel, Rear Deck	1	
43	2850 74 090	Panel (R), Rear Fender	1	
44	2850 74 095	Panel (L), Rear Fender	1	



BODY PANELS (FLOOR)

56

No.	Part Number	Description	Q'ty	Remarks
1	1007 56 010	Pan, Floor-Front (Manual)	1	
	1008 56 010	Pan, Floor-Front (Automatic)	1	
2	1007 56 090	Bracket, Under Cover	2	
3	89880 0514	Screw, Bracket	4	
	89952 0500	Washer, Plain	4	
4	0305 56 180A	Member No. 1, Cross	1	
5	1007 56 200	Pan, Floor-Rear	1	
6	0305 56 231	Cover, Service Hole-Fuel Filter	1	
7	0305 56 232	Gasket, Service Hole Cover	1	
8	99804 0820	Bolt, Service Hole Cover	2	
	89952 0818	Washer, Plain	2	
	89971 0800	Washer, Spring	2	
9	0118 56 241	Plug, Drain	2	
10	0118 56 242B	Plug, Drain	3	
11	1007 56 340	Bracket, Absorber "C"	2	
12	⁹¹⁴ 89786 0816	Bolt, Absorber Bracket	4	
13	1083 56 350	Panel (R), Wheel House (Sedan)	1	
	1097 56 350	Panel (R), Wheel House (Coupe)	1	
14	1005 56 850A	Panel (L), Wheel House (Sedan)	1	
	1007 56 850A	Panel (L), Wheel House (Coupe)	1	

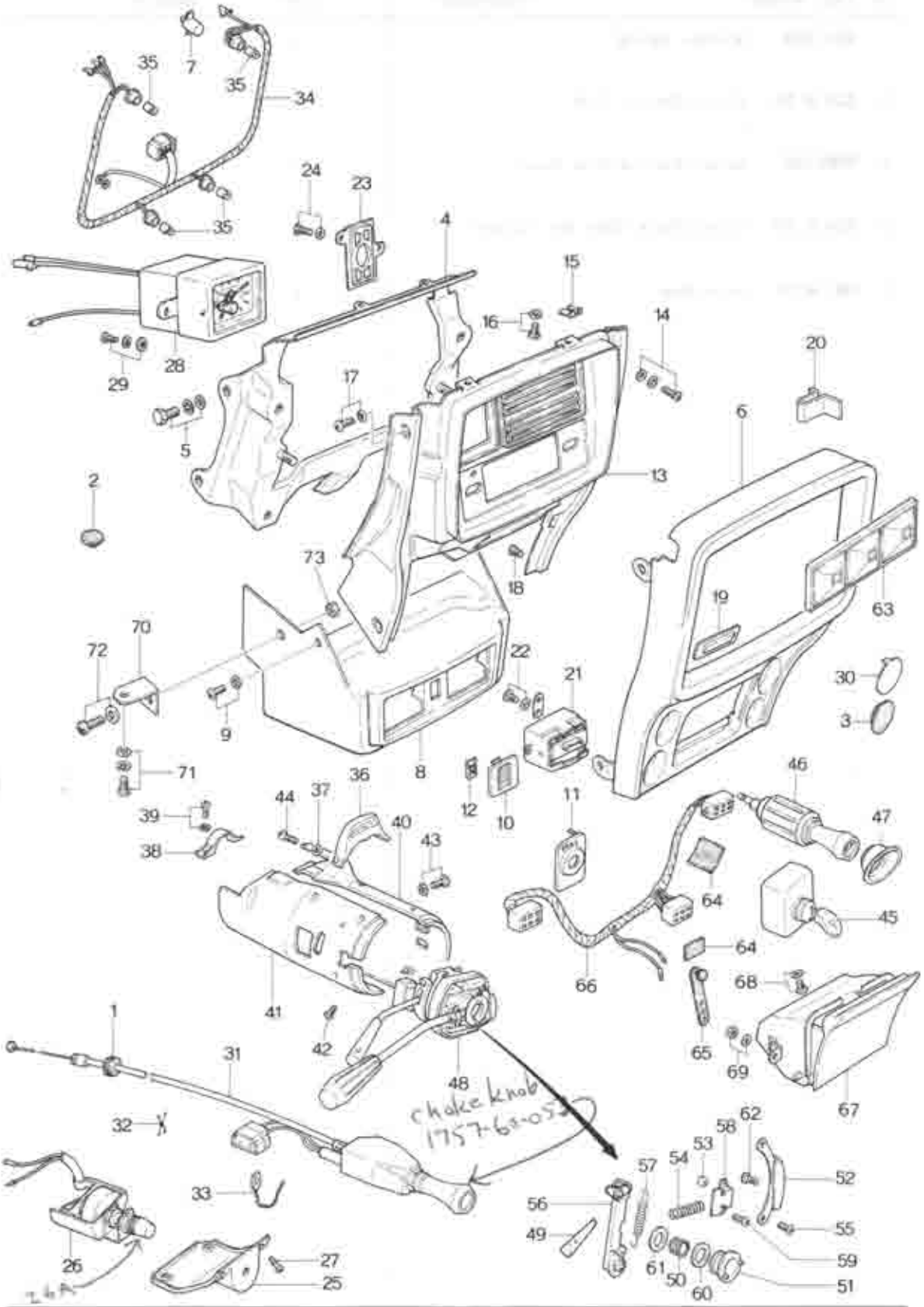
BODY PANELS (FLOOR)

No.	Part Number	Description	Qty	Remarks
15	0305 56 400A	Panel (R), Side Sill-Inner (Sedan)	1	
	0839 56 400B	Panel (R), Side Sill-Inner (Coupe)	1	
16	0305 56 900B	Panel (L), Side Sill-Inner (Sedan)	1	
	0839 56 900B	Panel (L), Side Sill-Inner (Coupe)	1	
17	0208 56 815	Plug, Drain	10	
18	0810 56 839	Cover, Service Hole	2	
19	1097 56 700	Insulator No. 1, Heat	1	
20	2080 56 704C	Insulator No. 4, Heat	1	
21	1097 56 705A	Insulator No. 5, Heat	1	
22	2080 56 705A	Insulator No. 5, Heat	1	
23	89788 0812	Bolt, Heat Insulator	14	
	89952 0818	Washer, Plain	14	
24	0305 56 981B	Protector	1	
25	89860 0510	Screw, Protector	2	
	89952 0518	Washer, Plain	2	
26	89797 0510	Bolt, Protector	3	
	89952 0518	Washer, Plain	3	
27	0839 56 981C	Cover, Under	1	
28	89808 0820	Bolt, Under Cover	4	
	89952 0818	Washer, Plain	4	

BODY PANELS (FLOOR)

56

No.	Part Number	Description	Q'ty	Remarks
	89971 0000	Washer, Spring	4	
29	8305 58 891	Cover, Service Hole	1	
30	89863 0408	Screw, Service Hole Cover	4	
31	0824 58 898	Valve, Check-Side Sill (Coupe)	2	
32	1907 58 761	Hook, Rear	1	



No.	Part Number	Description	Q'ty	Remarks
1	0258 52 301	Grommet, Choke Wire	1	
2	0813 53 155	Grommet, Service Hole	1	
3	0187 53 202	Grommet, Switch	1	
4	1907 55 100	Bracket, Center Panel	1	
5	99598 0516	Bolt, Bracket	4	
	99552 0500	Washer, Plain	4	
	99971 0500	Washer, Spring	4	
6	1905 55 120	Pad, Center Panel (BRN.)	1	Selective use:
	1907 55 120	Pad, Center Panel (BLK.)	1	
7	0301 55 323	Cover, Hole-Without Heater	1	
8	1905 55 381	Panel, Center-Lower (BRN.)	1	Selective use
	1907 55 381	Panel, Center-Lower (BLK.)	1	
9	88882 04188	Screw, Center Panel Lower	4	
	99997 04008	Washer	4	
10	1907 55 385	Cover, Hole-Without Cooler	1	
11	1974 55 385	Panel, Cooler Control-With Cooler	1	
12	99578 3000	Nut, Speed-Hole Cover & Control Panel	2	
13	1905 55 390	Panel, Center-Upper (BRN.)	1	Selective use Without Cooler.
	1907 55 390	Panel, Center-Upper (BLK.)	1	
	1972 55 390	Panel, Center-Upper (BRN.)	1	Selective use-With Cooler

No.	Part Number	Description	Q'ty	Remarks
	1974 55 390	Panel, Center - Upper (BLK.), Selective use-With Cooler	1	
14	99833 0518	Screw, Center Panel Upper	4	
	99852 0518	Washer, Plain	4	
	99971 0500	Washer, Spring	4	
15	99898 0500	Nut, Speed-Center Panel Upper	2	
16	99862 0518B	Screw, Center Panel Upper	2	
	99867 0500B	Washer	2	
17	99832 0520B	Screw, Center Panel Upper	4	
	99867 0500B	Washer	4	
18	99888 0312	Screw, Center Panel	4	
19	0398 55 401	Lens, Illumination	2	
20	0398 55 402A	Clip, Center Panel Cord	6	
21	1807 55 410	Grille, Ventilator	2	
22	99868 0412	Screw, Ventilator Grille	4	
	99852 0400	Washer, Plain	4	
23	0398 55 417A	Cover, Bulb Socket	2	
24	99868 0412	Screw, Cover	3	
	99852 0400	Washer, Plain	3	
	99971 0400	Washer, Spring	3	
25	1807 55 485	Bracket, Panel Light Resistor	1	

DASHBOARD

55

68

No.	Part Number	Description	Q'ty	Remarks
26	1907 55 490	Resistor, Panel Light	4	
26A	1011-60-240A	Rheostat Knob		
27	99867 05128	Screw, Panel Light Resistor	4	
28	0398 55 700	Clock, Auto	1	
29	99888 0412	Screw, Auto Clock	2	
	99952 0400	Washer, Plain	2	
	99971 0400	Washer, Spring	2	
30	9820 55 951	Cover, Hole - Switch	1	
31	1907 80 050A	Wire, Choke (Manual)	1	
	1908 80 050A	Wire, Choke (Automatic)	1	
32	99288 1808	Clip, Choke Wire	1	
33	99709 0100	Band, Choke Wire	1	
34	1907 80 130	Wiring, Center Panel	1	
35	99701 1030	Bulb, Illumination	4	
36	1907 80 311	Plate, Name	1	
37	1811 60 312	Spacer, Name Plate	2	
38	1907 80 321	Supporter, Column Cover	1	
39	99833 0408	Screw, Column Cover Supporter	2	
	99952 0400	Washer, Plain	2	
40	1905 80 330	Cover (R), Column (BRN.)	1	Selective use
	1907 80 330	Cover (R), Column (BLK.)	1	

No.	Part Number	Description	Q'ty	Remarks
41	1905 60 341	Cover (L), Column (BRN.)	1	Selective use
	1907 60 341	Cover (L), Column (BLK.)	1	
42	99832 04128	Screw, Column Cover	2	
43	99832 04128	Screw, Column Cover	2	
	99971 0400	Washer, Spring	2	
44	99832 04188	Screw, Column Cover & Name Plate	2	
45	0305 60 540A	Switch, Antenna	1	
46	0305 60 720	Lighter, Cigar	1	
47	0398 60 7210-40 0398-60-7210-05	Plate, Fire Black BROWN	1	
48	1706 66 110	Switch, Combination	1	
49	1011 66 121	Knob, Light	1	
50	0317 60 252	Spring, Cancel Cam	1	
51	0317 60 253	Cam, Cancel	1	
52	0317 60 254	Bracket, Fixing	1	
53	0317 60 255	Ball	1	
54	0317 60 256	Spring, Arm Set	1	
55	0317 60 257	Screw, Bracket	2	
56	0317 60 258	Arm	1	
57	0317 60 258	Spring, Ratchet	1	

DASHBOARD

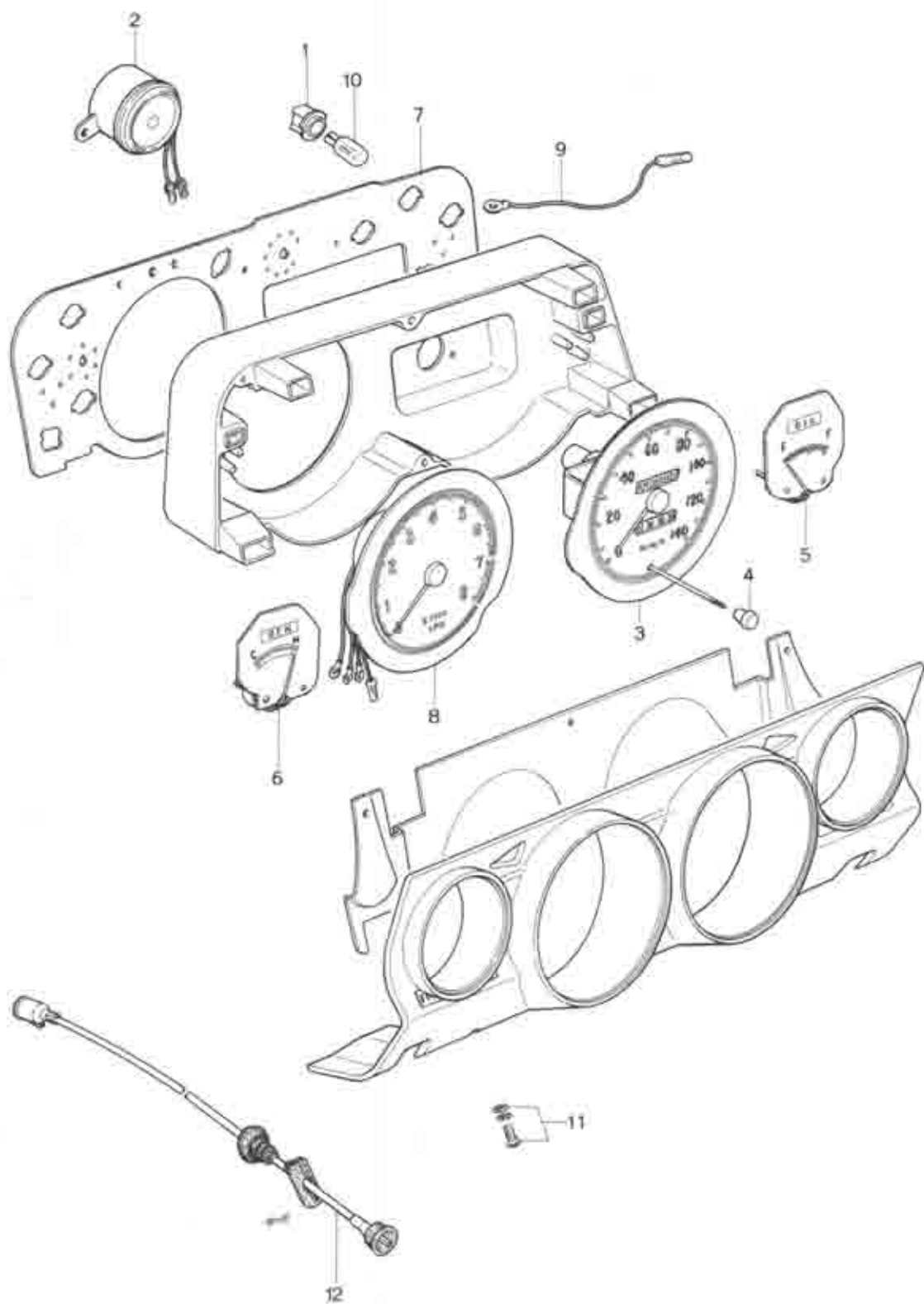
55

68

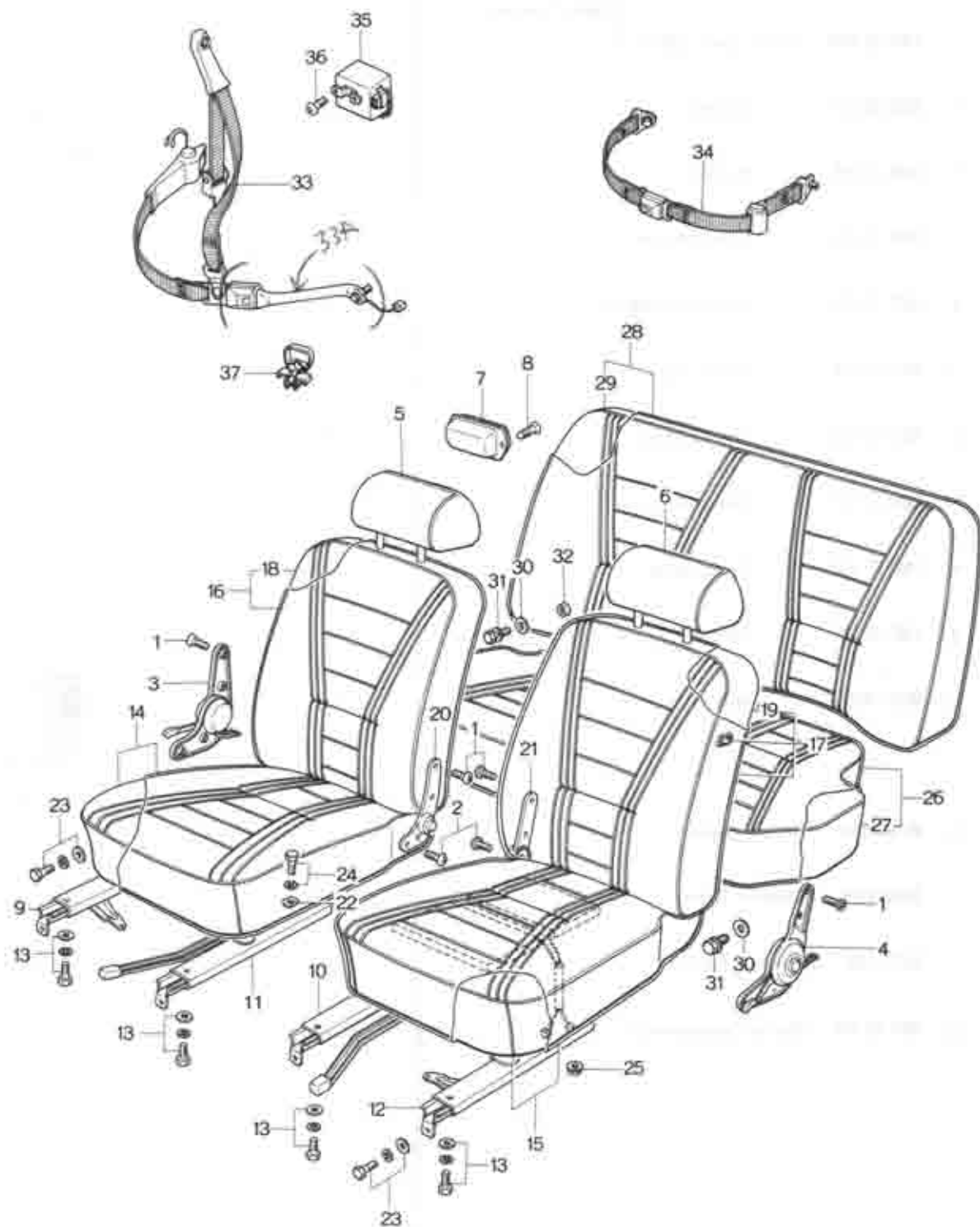
No.	Part Number	Description	Q'ty	Remarks
58	0317 80 261	Plate Set	1	
59	0317 80 262	Screw, Set Plate	2	
60	0888 80 263	Washer, "A"	1	
61	0886 80 264	Washer, "B"	1	
62	0317 80 268	Screw, Tapping	2	
63	0301 88 905A	Cover, Tuner Hole-Without Auto Radio	1	
64	0208 88 949	Pad, Protector-Wire Harness	1	
65	0187 88 991	Clip, Rubber Clip-Wire Harness	1	
66	0399 67 050C	Wiring, Center Panel Lower	1	
67	0399 68 180A00	Tray, Ash [BLK.]	1	Selective use
	0404 68 180-05	Tray, Ash [BRN.]	1	
68	88838 0518	Screw, Ash Tray	1	
	88952 0500	Washer, Plain	1	
	88971 0500	Washer, Spring	1	
69	88908 0500	Nut, Ash Tray	2	
	88952 0500	Washer, Plain	2	
70	0839 68 936A	Bracket, Center Panel Lower	2	
71	99743 05188	Screw, Bracket	2	
	88952 05000	Washer, Plain	2	

No.	Part Number	Description	Q'ty	Remarks
	89971 05008	Washer, Spring	2	
72	99832 05188	Screw, Bracket	2	
	99867 05008	Washer	2	
73	99840 0502	Nut, Bracket	2	





No.	Part Number	Description	Q'ty	Remarks
	1907 55 530A	Meter Set (BLK.)	1	Selective use
	1907 55 550A	Meter Set (BRN.)	1	
1	0259 55 261	Socket	13	
2	1566 75 028	Buzzer	1	
3	1907 75 101	Speedometer	1	
4	1907 75 102	Knob, Trip Meter	1	
5	1907 75 104	Meter, Fuel	1	
6	1907 75 105	Thermometer	1	
7	1907 75 106	Plate, Print	1	
8	1907 75 108	Tachometer	1	
9	1907 75 109	Cord	1	
10	88701 6830	Bulb	13	
11	99799 0520	Screw, Meter	4	
	99852 0500	Washer, Plain	4	
	99871 0300	Washer, Spring	1	
12	1907 80 070	Cable, Speedometer	1	

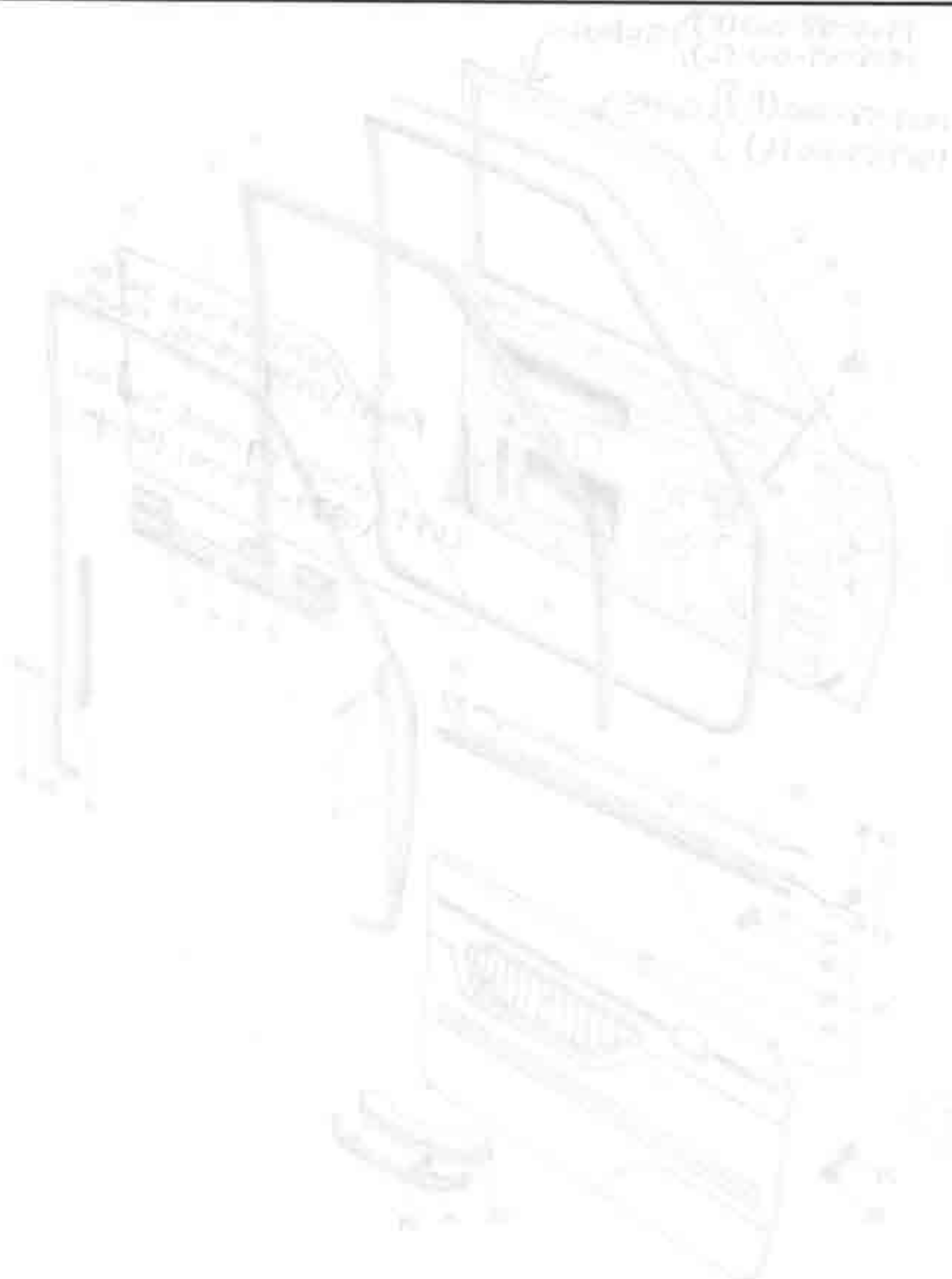


No.	Part Number	Description	Q'ty	Remarks
		When ordering the following Seat & Trim		
		Add Colour Code nos. given below after parts number		
		-00 (BLK.) -16 (GRY. / YLW.) -20 (BRN.)		
	1905 57 100 ©	Seat (R), Front (Sedan)	1	
	1907 57 100 ©	Seat (R), Front (Coupe)	1	
	1905 57 150 ©	Seat (L), Front (Sedan)	1	
	1907 57 150 ©	Seat (L), Front (Coupe)	1	
1.	0259 57 109	Screw, Knuckle & Hinge Plate	12	
2.	2155 57 108	Screw, Knuckle	4	
3.	0305 57 130	Knuckle (R), Reclining (Sedan)	1	
	2075 57 130	Knuckle (R), Reclining (Coupe)	1	
4.	0305 57 180A	Knuckle (L), Reclining	1	
5.	0305 57 140 ©	Restraint (R), Head	1	
6.	0305 57 190 ©	Restraint (L), Head	1	
7.	0259 88 250	Tray, Ash-(R) Seat	1	
8.	99864 0409	Screw, Ash Tray	2	
9.	0305 88 060A	Adjuster No. 1 (R)	1	
10.	1905 88 103	Adjuster No. 2 (R) (Sedan)	1	
	1907 88 103	Adjuster No. 2 (R) (Coupe)	1	
11.	1907 88 152	Adjuster No. 3 (L)	1	
12.	0305 88 260A	Adjuster No. 4 (L)	1	

No.	Part Number	Description	Q'ty	Remarks
13	88801 0820	Bolt, Adjuster	8	
	88952 0818	Washer, Plain	4	
	88971 0800	Washer, Spring	8	
14	1905 88 110 ©	Cushion (R), Front Seat (Sedan)	1	
	1907 88 110 ©	Cushion (R), Front Seat (Coupe)	1	
15	1905 88 160 ©	Cushion (L), Front Seat (Sedan)	1	
	1907 88 160 ©	Cushion (L), Front Seat (Coupe)	1	
16	1887 88 130 ©	Seat (R), Back-Front	1	
17	1887 88 180 ©	Seat (L), Back-Front	1	
18	1887 88 131 ©	Trim (R), Front Back Seat	1	
19	1887 88 181 ©	Trim (L), Front Back Seat	1	
20	0305 88 150	Plate (R), Hinge	1	
21	0305 88 180	Plate (L), Hinge	1	
22	0305 57 011	Washer, Front Seat	1	
23	89786 08258	Bolt, Front Seat	4	
	88952 0822	Washer, Plain	4	
24	89785 08258	Bolt, Front Seat	4	
	88952 0822	Washer, Plain	4	
	88971 0800	Washer, Plain	4	

No.	Part Number	Description	Q'ty	Remarks
25	99940 0800	Nut, Front Seat	3	
26	1887 57 200A ©	Seat, Cushion-Rear (Coupe)	1	
	1805 57 200 ©	Seat, Cushion-Rear (Sedan)	1	
27	1887 88 201 ©	Trim, Rear Seat Cushion (Coupe)	1	
	1805 88 201 ©	Trim, Rear Seat Cushion (Coupe) (Sedan)	1	
28	1887 57 250A ©	Seat, Back-Rear (Coupe)	1	
	1805 57 250 ©	Seat, Back-Rear (Sedan)	1	
29	1887 88 251 ©	Trim, Rear Back Seat (Coupe)	1	
	1805 88 251 ©	Trim, Rear Back Seat (Sedan)	1	
30	0317 57 015	Washer, Rear Seat	4	
31	99798 08208	Bolt, Rear Seat	4	
	89952 0822	Washer, Plain	4	
32	99940 0800	Nut, Rear Seat	2	
33	1905 57 900	Belt, Safety-Front Seat (Takata Make) (Sedan) 2		
	1807 57 900	Belt, Safety-Front Seat (Takata Make) (Coupe) 2		
33A	1907-88-901	(Sedan & Coupe)		
34	1881 57 940	Belt, Safety-Rear Seat (Takata Make)	2	
35	1757 57 998	Sensor "G", Belt	1	

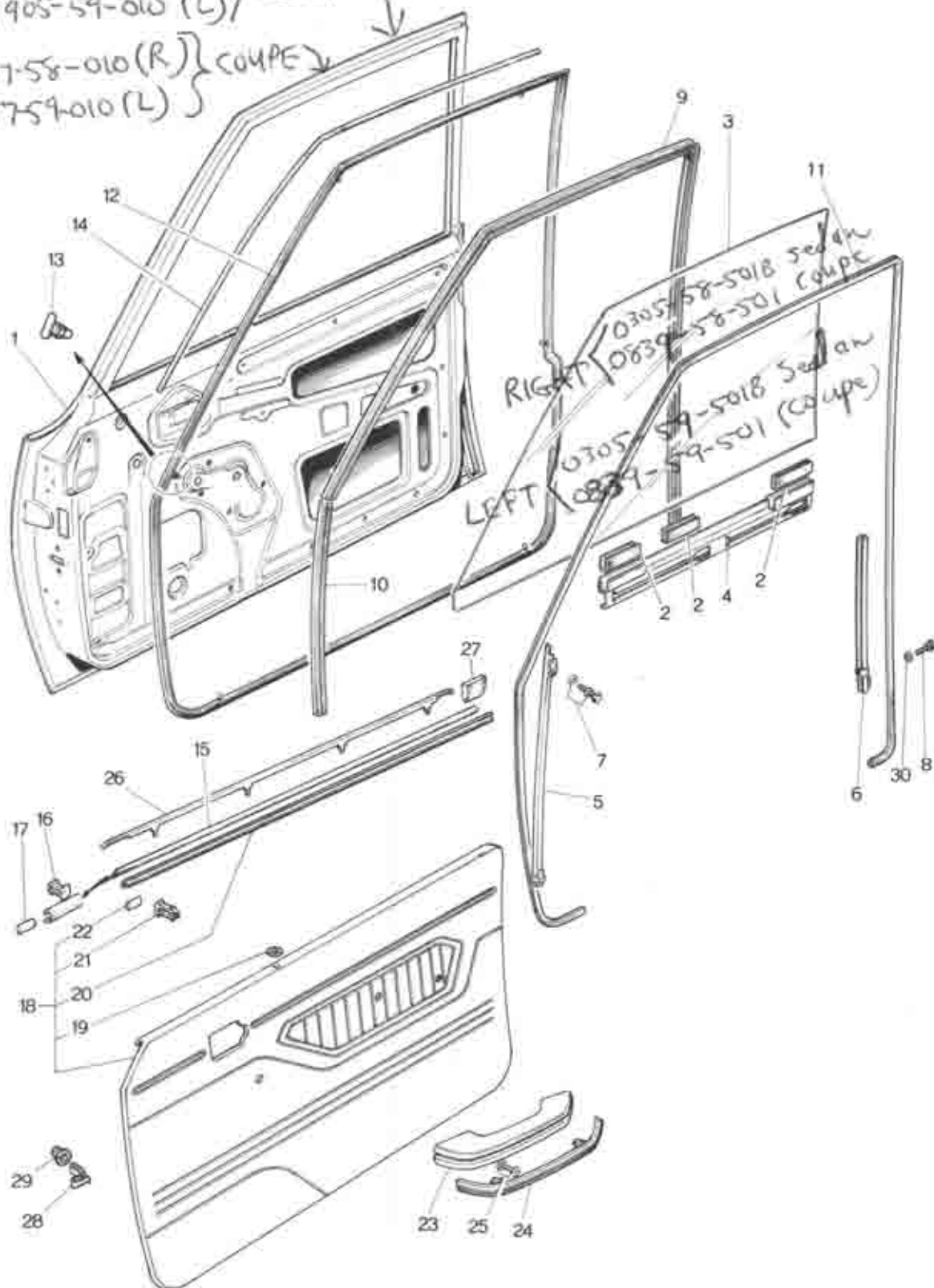
No.	Part Number	Description	Q'ty	Remarks
36	99704 0812	Screw, Sensor "G"	2	
37	1011 87 812	Clip, Seat Switch Cord	2	



FRONT SIDE DOOR (GLASS)

1905-58-010 (R) } SEDAN
 1905-59-010 (L) }

1907-58-010 (R) } COUPE
 1907-59-010 (L) }



FRONT SIDE DOOR (GLASS)

58
59

No.	Part Number	Description	Q'ty	Remarks
1	1905 58 010	Body (R), Door	1	
		(Sedan)		
	1905 58 010	Body (L), Door	1	
1907 58 010	Body (R), Door	(Coupe)	1	
	1907 58 010		Body (L), Door	1
0305 58 021C	Panel (R), Outer	(Sedan)	1	
	1668 58 020		Panel (L), Outer	1
0881 58 021	Panel (R), Outer	(Coupe)	1	
	1668 58 020		Panel (L), Outer	1
2	0259 58 232	Strip, Rubber-Glass (Coupe)	6	
	2292 58 232	Strip, Rubber-Glass (Sedan)	6	
3	0305 58 501B	Glass (R), Door	1	
		(Sedan)		
	0305 58 501B	Glass (L), Door	1	
0839 58 501	Glass (R), Door	(Coupe)	1	
	0839 58 501		Glass (L), Door	1
4	0305 58 505	Bracket (R), Lift	1	
	0305 58 505	Bracket (L), Lift	1	
5	0305 58 603A	Guide "A" (R), Glass	1	
	0305 58 603A	Guide "A" (L), Glass	1	
6	0305 58 604	Guide "B" (R), Glass	1	

FRONT SIDE DOOR (GLASS)

No.	Part Number	Description	Q'ty	Remarks
	0305 58 804	Guide "B" (L), Glass	1	
7	89806 0610	Bolt, Glass Guide	2	
	89971 0600	Washer, Spring	2	
8	89806 0612	Bolt, Glass Guide	4	
	89951 0618	Washer, Plain	4	
	89971 0600	Washer, Spring	4	
9	0305 58 805D	Run Channel, Glass (Sedan)	1	
	0839 58 805D	Run Channel, Glass (Coupe)	1	
10	0305 58 806	Run Channel, Glass (Sedan)	1	
	0839 58 806	Run Channel, Glass (Coupe)	1	
11	0388 58 755-00	Welt, Seaming (BLK.)	2	
12	0305 58 760D	Weatherstrip (R) (Sedan)	1	
	0305 58 760D	Weatherstrip (L) (Sedan)	1	
	0839 58 760C	Weatherstrip (R) (Coupe)	1	
	0839 58 760C	Weatherstrip (L) (Coupe)	1	
13	0305 58 762	Fastener, Weatherstrip	2	
14	0305 58 768	Spacer, Weatherstrip	2	
15	0305 58 788F	Weatherstrip (R), Outer (Sedan)	1	
	0305 58 788F	Weatherstrip (L), Outer (Sedan)	1	

FRONT SIDE DOOR (GLASS)

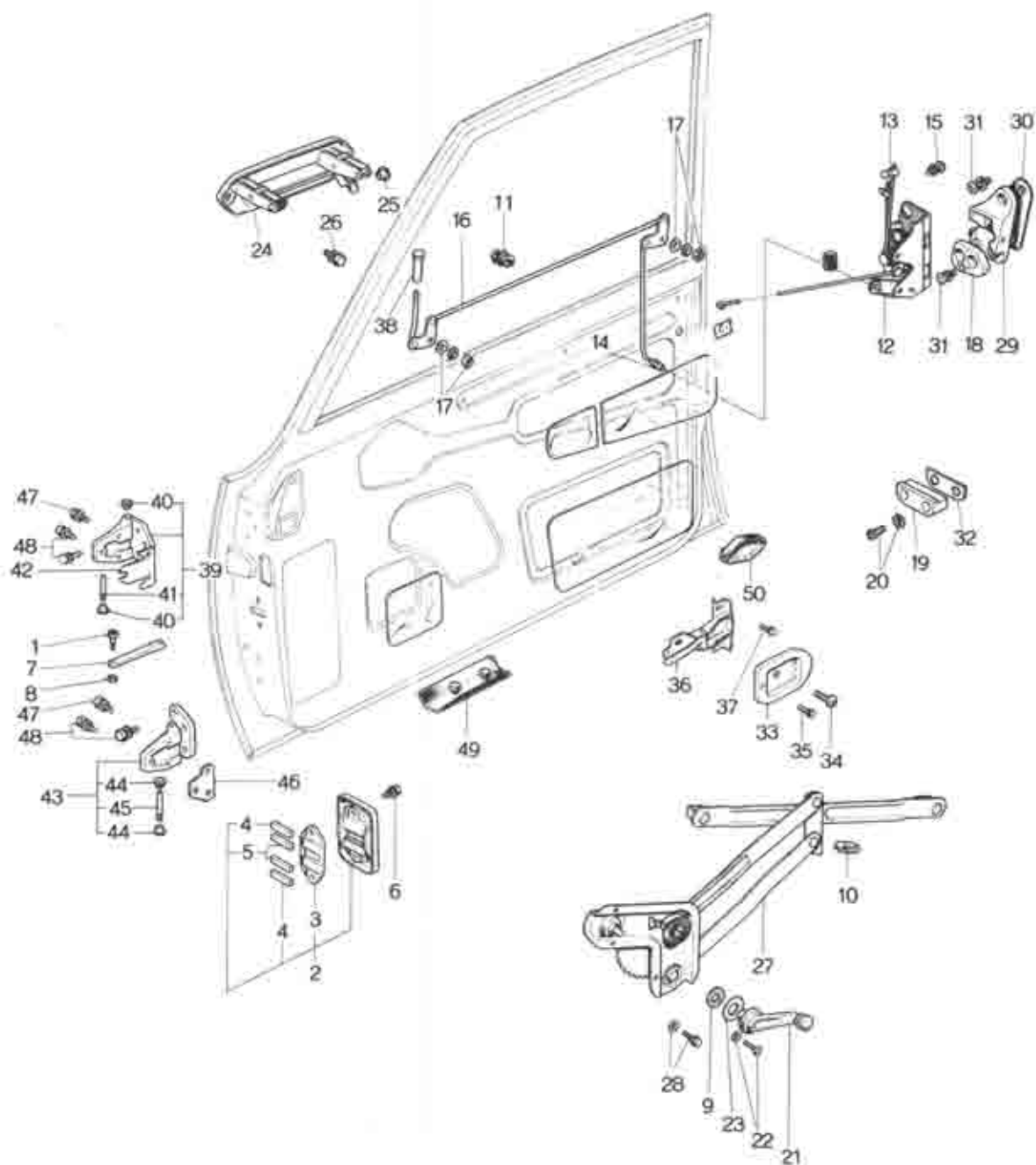
58
59

No.	Part Number	Description	Q'ty	Remarks
	0838 58 780E	Weatherstrip (R), Outer	1	
	0838 58 780E	Weatherstrip (L), Outer	1	
		(Coupe)		
16	0838 58 783B	Fastener	18	
17	0838 58 789	Spacer	2	
When ordering the following Trims Add Colour Code nos. given below after parts number -13 (BLK.) -15 (GRY./YLW.) -20 (BRN.)				
18	1888 58 810 ©	Trim (R), Door	1	
	1888 58 810 ©	Trim (L), Door	1	
		(Sedan)		
	1807 58 810 ©	Trim (R), Door	1	
	1807 58 810 ©	Trim (L), Door	1	
		(Coupe)		
19	0223 58 802A	Grommet	2	
20	0305 58 790A	Weatherstrip (R), Inner	1	
	0305 58 790A	Weatherstrip (L), Inner	1	
		(Sedan)		
	0838 58 7900	Weatherstrip (R), Inner	1	
	0838 58 7900	Weatherstrip (L), Inner	2	
		(Coupe)		
21	0838 58 783B	Fastener	18	
22	0838 58 789	Spacer	2	
23	0388 58 821A00	Rest, Arm (BLK.)	2	
	0388 58 821A01	Rest, Arm (GRY./YLW.)	2	
		Selective use		

FRONT SIDE DOOR (GLASS)

No.	Part Number	Description	Q'ty	Remarks
	0388 58 821A20	Rest, Arm (BRN.)	2	
24	0388 58 822A00	Garnish, Arm Rest (BLK.)	2	
	0388 58 822A01	Garnish, Arm Rest (GRY / YLW.)	2	Selective use
	0388 58 822A20	Garnish, Arm Rest (BRN.)	2	
25	89833 0520	Screw, Arm Rest	4	
	89852 0500	Washer, Plain	4	
26	0305 58 831B	Mould (R), Beltline	1	(Sedan)
	0305 58 831B	Mould (L), Beltline	1	
	0881 58 831	Mould (R), Beltline	1	(Coupe)
	0881 58 831	Mould (L), Beltline	1	
27	0881 58 838	Spacer, Beltline Mould (Coupe)	8	
28	0208 58 821	Fastener, Door Trim	22	
29	0187 58 822	Cap, Fastener Seal-Door Trim	22	
30	0727 70 843	Washer, Glass Guide	2	





FRONT SIDE DOOR (LOCK)

58

59

No.	Part Number	Description	Qty	Remarks
1	0305 58 269	Bolt, Door Checker	2	
2	0305 58 270A	Checker, Door	2	
3	0305 58 272	Case	2	
4	0305 58 273	Spring, Rubber	4	
5	0305 58 274	Block, Slide	4	
6	88808 0814	Bolt, Door Checker	4	
	88952 0800	Washer, Plain	4	
	88971 0800	Washer, Spring	4	
7	0305 58 281A	Lever, Checker	2	
8	88947 0800	Nut, Checker Lever	2	
9	0259 58 305A	Gasket, Regulator Handle	2	
10	0259 58 306	Cushion, Window Regulator	2	
11	0305 58 309	Holder, Rod-Door Lock	2	
12	2850 58 3108	Lock (R), Door	1	(Sedan)
	2850 59 3108	Lock (L), Door	1	
	2855 58 3108	Lock (R), Door	1	(Coupe)
	2855 59 3108	Lock (L), Door	1	

FRONT SIDE DOOR (LOCK)

No.	Part Number	Description	Q'ty	Remarks
13	0305 58 314B	Bush	2	
14	0388 58 319A	Bush	2	
15	99832 0612	Screw, Door Lock	6	
	99974 0600	Washer, Toothed	6	
16	0388 58 3300	Rod (R), Door Lock	1	(Sedan)
	0388 58 3300	Rod (L), Door Lock	1	
	0881 58 3300	Rod (R), Door Lock	1	(Coupe)
	0881 58 3300	Rod (L), Door Lock	1	
17	99907 0600	Nut, Rod	4	
	99952 0600	Washer, Plain	4	
	99971 0600	Washer, Spring	4	
18	0305 58 361	Rack (R), Door Striker	1	
	0305 58 361	Rack (L), Door Striker	1	
19	1866 58 365	Block (R), Anti-Burst	1	
	1866 58 365	Block (L), Anti-Burst	1	
20	2828 58 371A	Screw, Anti-Burst Block (Sedan)	4	
	99781 0630	Screw, Anti-Burst Block (Coupe)	4	
	99975 0600	Washer, Toothed	4	
21	0223 58 3700	Handle, Regulator (BLK.)	2	

FRONT SIDE DOOR (LOCK)

58

59

No.	Part Number	Description	Q'ty	Remarks
22	99886 0518	Bolt, Regulator Handle	2	
	99971 0500	Washer, Spring	2	
23	0223 58 375A	Escutcheon, Regulator Handle (BLK.)	2	
24	0305 58 410C	Handle (R), Outer	1	
	0305 59 410C	Handle (L), Outer	1	
25	0305 58 411A	Bush	4	
26	99797 0508	Bolt, Outer Handle	4	
	99852 0500	Washer, Spring	4	
	99871 0500	Washer, Plain	4	
27	0305 58 560A	Regulator (R), Window	1	
	0305 58 560A	Regulator (L), Window	1	
28	99608 0812	Bolt, Regulator	8	
	99971 0600	Washer, Spring	8	
	99951 0818	Washer, Plain	8	
29	0258 58 570	Striker (R), Door	1	
	0258 58 570	Striker (L), Door	1	
30	0187 58 592A	Seat, Door Striker	2	
31	99781 0820	Screw, Door Striker	2	

58

59

FRONT SIDE DOOR (LOCK)

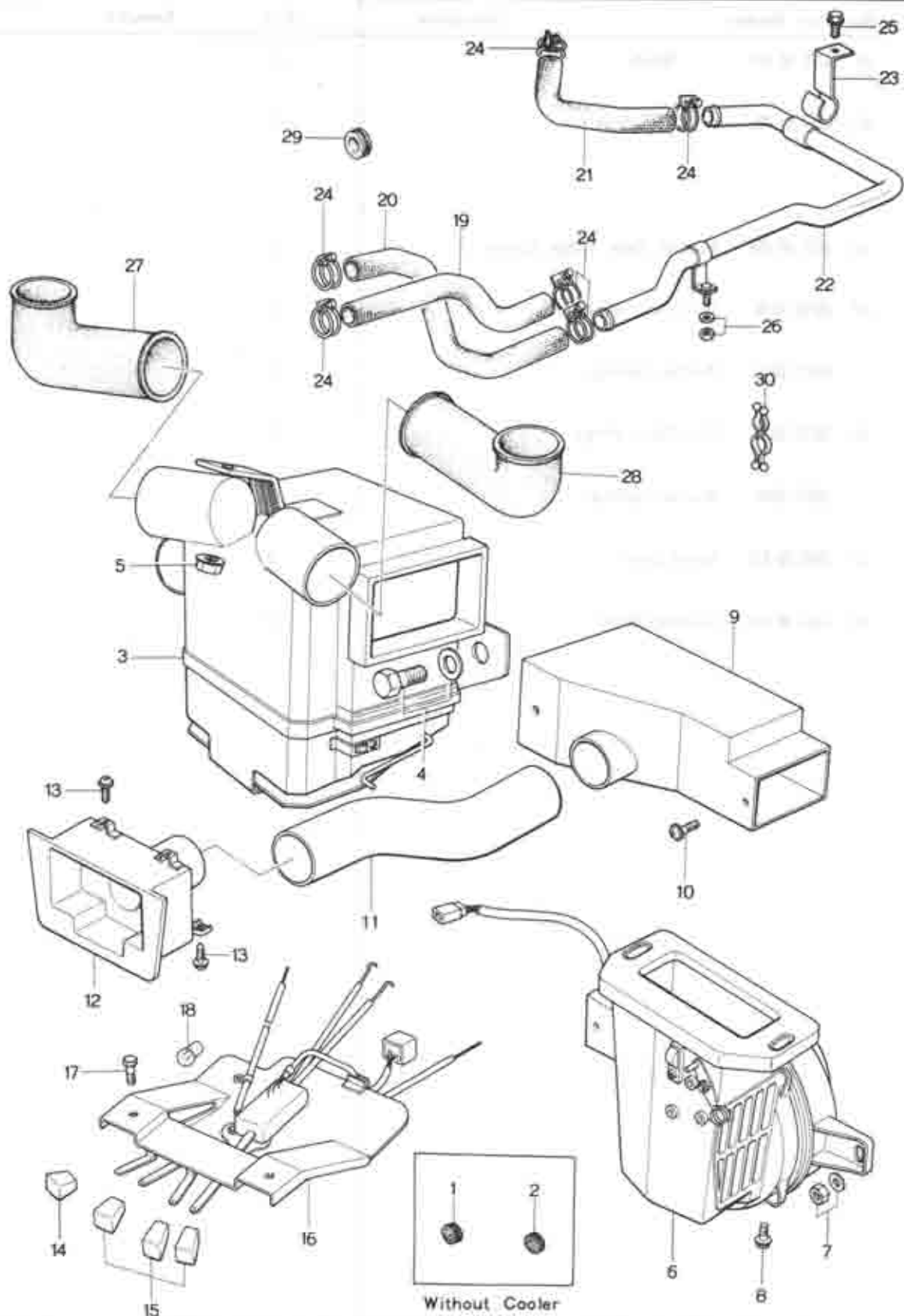
No.	Part Number	Description	Q'ty	Remarks
	99761 0630	Screw, Door Striker	4	
	99975 0600	Washer, Toothed	6	
32	2350 58 593	Shim, Anti-Burst Block	2	
33	0223 58 611C01	Cover, Inner Handle (BLK.)	2	
34	99832 04088	Screw, Cover	2	
35	0258 58 812	Rubber, Cushion-Inner Handle Cover	2	
36	0223 58 680A	Handle, Inner	2	
37	99808 0510	Bolt, Inner Handle	8	
	99952 0500	Washer, Plain	8	
	99971 0500	Washer, Spring	8	
38	0258 58 681-00	Knob, Door Lock (BLK.)	2	
39	0317 58 700	Hinge, Door-Upper	2	
40	0223 58 721	Bush	4	
41	0187 58 731	Pin	2	
42	0317 58 736	Shim, Door Hinge Upper	4	
43	0317 58 750	Hinge (R), Door-Lower	1	
	0317 58 750	Hinge (L), Door-Lower	1	

FRONT SIDE DOOR (LOCK)

58

59

No.	Part Number	Description	Q'ty	Remarks
44	0223 58 721	Bush	4	
45	0187 58 731	Pin	2	
46	0317 58 785	Washer, Door Hinge Lower	2	
47	98781 0818	Bolt, Door Hinge	8	
	98971 0800	Washer, Spring	8	
48	98783 0829	Bolt, Door Hinge	8	
	98871 0800	Washer, Spring	8	
49	0305 58 872	Valve, Drain	2	
50	0305 58 874	Cushion, Door	2	



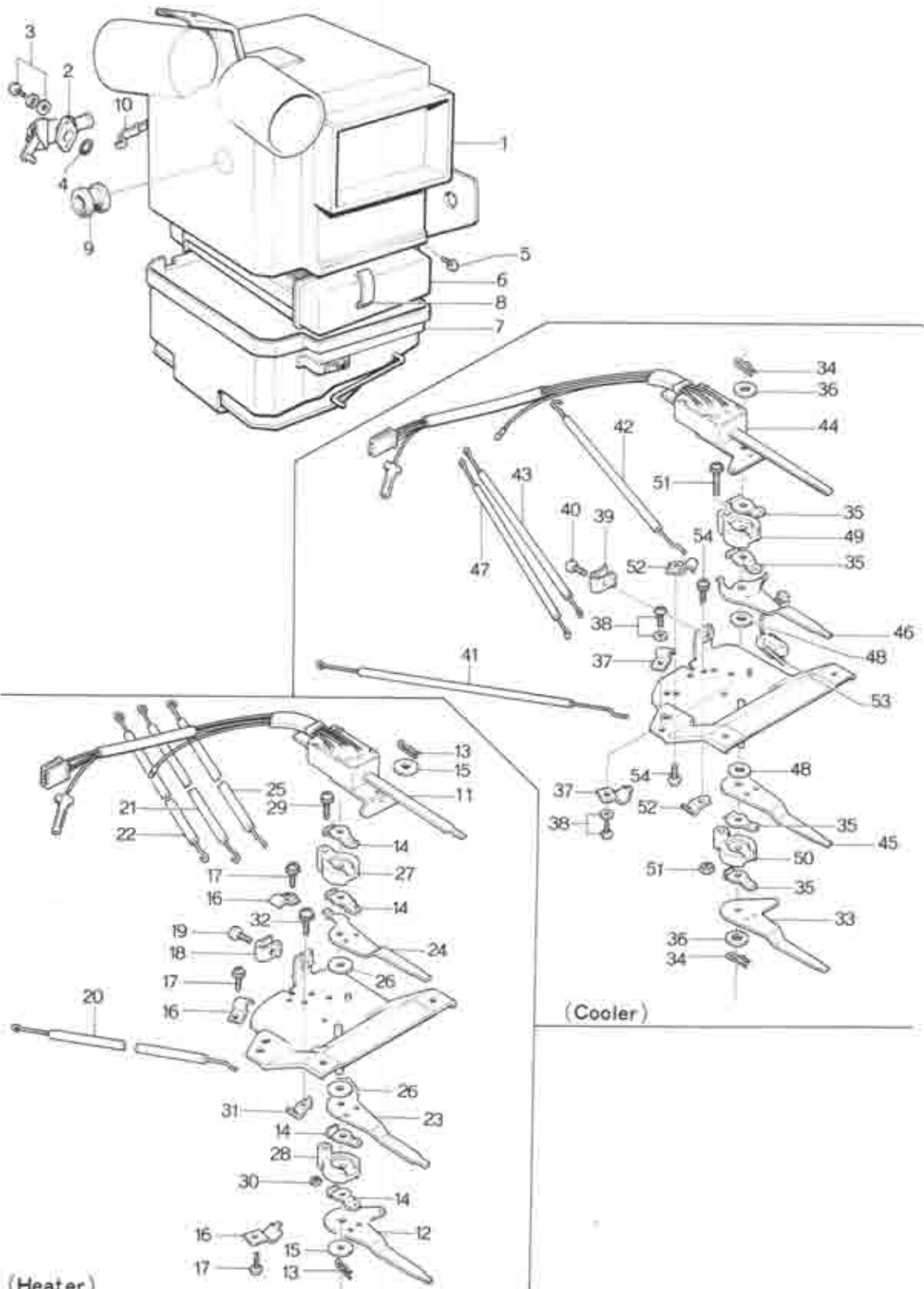
No.	Part Number	Description	Q'ty	Remarks
	1907 61 090	Heater Set	1	
●	1907 61 090A	Heater Set	1	$\frac{3}{8}$ - Δ
1	0187 53 134	Rubber Seal	1	(Without Cooler)
2	1708 61 031	Plug	1	
3	1907 61 130	Core, Heater	1	
4	99794 0635	Bolt, Heater Core	1	
	99952 0618	Washer, Plain	1	
5	99940 0600	Nut, Heater Core	2	
6	2835 61 140	Blower	1	
7	99940 0600	Nut, Blower	2	
	99952 0618	Washer, Plain	2	
8	99794 0635	Bolt, Blower	2	
9	1907 61 150	Duct	1	
10	99868 0416B	Screw, Duct	2	
●	99865 0416B	Screw, Duct	2	$\frac{3}{8}$ - \bigcirc
	99952 0412B	Washer, Plain	2	
	99971 0400B	Washer, Spring	2	
11	1907 61 151	Hose, Ventilator	1	
12	1907 61 152	Box, Ventilator	1	
13	99865 0516	Screw, Ventilator Box	4	
●	99833 0610	Screw, Ventilator Box	4	From Car No. 1
●	99952 0600	Washer, Plain	4	
●	99971 0600	Washer, Spring	4	
14	0398 61 170A	Knob No. 1	1	
15	0398 61 180A	Knob No. 2	3	

No.	Part Number	Description	Qty	Remarks
16	1907 61 190	Control, Heater	1	
●	1907 61 190A	Control, Heater	1	From Car No. 1
17	99796 0510	Bolt, Heater Control	2	
18	99701 1030	Bulb, Control Panel	2	
19	1097 61 211	Hose No. 1, Water	1	
20	1097 61 212	Hose No. 2, Water	1	
●	1907 61 212	Hose No. 2, Water	1	From Car No. 1
21	1907 61 213	Hose No. 3, Water	1	
●	1907 61 213A	Hose No. 3, Water	1	$\frac{3}{8}$ ~ Δ
22	2090 62 214A	Pipe, Heater	1	
●	2090 61 214A	Pipe, Heater	1	From Car No. 1
23	0839 61 216	Clip, Heater Pipe	1	
24	99282 2600	Band, Hose	6	
25	99794 0516	Bolt, Clip	1	
	99952 0516	Washer, Plain	1	
26	99940 0500	Nut, Heater Pipe	1	
	99952 0516	Washer, Plain	1	
27	1687 61 250	Hose (R), Defroster	1	
●	1907 61 251	Hose (R), Defroster	1	From Car No. 1
28	1907 61 252	Hose (L), Defroster	1	
●	0305 61 827	Insulator	2	From Car No. 1
●	99288 2308	Clip	2	$\frac{3}{16}$ ~Added Anew



HEATER UNIT & CONTROL

(HEATER & COOLER)



HEATER UNIT & CONTROL

(HEATER & COOLER)

61

76

No.	Part Number	Description	Qty	Remarks
	1907 61 130	Unit, Heater	1	
1	1907 76 081	Case, Heater	1	
2	1907 76 083	Valve, Water	1	
3	99835 0408	Screw, Water Valve	2	
	99952 0400	Washer, Plain	2	
	99971 0400	Washer, Spring	2	
4	0305 76 084A	Ring, "O"	1	
5	1907 76 085	Screw, Tapping	2	
	99952 0400	Washer, Plain	2	
6	1907 76 086	Core Heater	1	
7	1907 76 087	Duct	1	
8	0305 76 088	Clip	2	
9	0305 76 089	Grommet	2	
10	1011 76 419	Clip, Cable	2	
	1907 61 190A	Control, Heater	1	
11	0398 76 156	Switch (COLD-HOT)	1	
12	0398 76 159	Lever, Control (DEF-HEAT)	1	
13	0305 76 162A	Ring, Snap	2	
14	0398 76 162	Spring	4	



HEATER UNIT & CONTROL

(HEATER & COOLER)

No.	Part Number	Description	Qty	Remarks
15	0398 76 164	Washer	2	
16	0305 76 168	Clip	3	
17	99833 0512	Screw, Clip	3	
	99971 0500	Washer, Spring	3	
18	0305 76 170	Clip	1	
19	99833 0408	Screw, Clip	1	
	99952 0400	Washer, Plain	1	
	99971 0400	Washer, Spring	1	
20	1907 76 501	Cable, Wire (COLD-HOT)	1	
21	1907 76 502	Cable, Wire (DEF-HEAT)	1	
22	1907 76 503	Cable, Wire (REC-FRESH)	1	
23	1907 76 506	Lever, Control (REC-FRESH)	1	
24	1907 76 507	Lever, Control (OFF-VENT)	2	
25	1907 76 509	Cable, Wire (OFF-VENT)	1	
26	1907 76 511	Washer	2	
27	1907 76 512	Spacer	1	
28	1907 76 513	Spacer	1	
29	99833 0420	Screw, Spacer	1	
	99971 0400	Washer, Spring	1	
30	99906 0400	Nut, Spacer	1	

HEATER UNIT & CONTROL

(HEATER & COOLER) REPLACEMENT PARTS

61

76

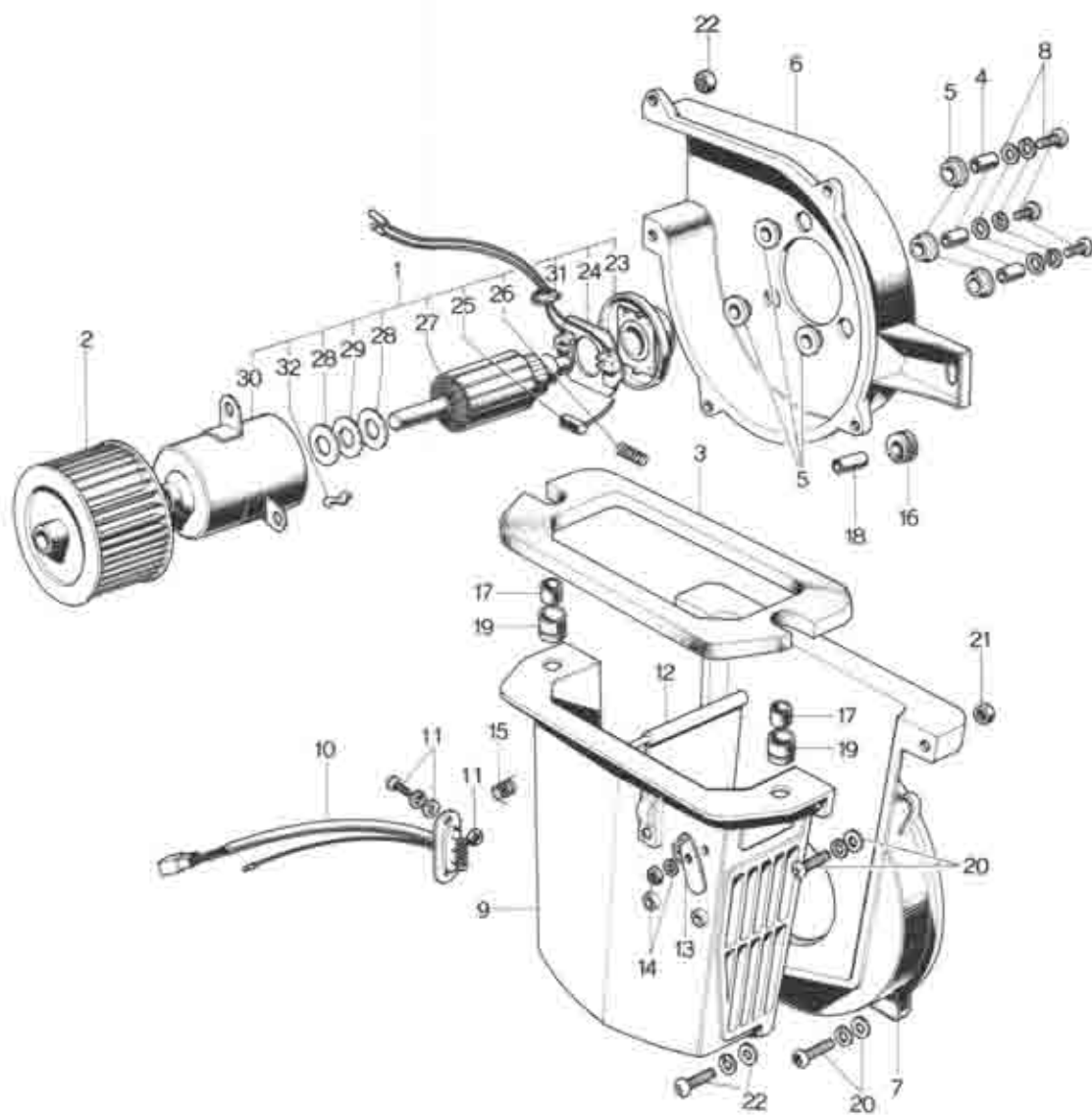
No.	Part Number	Description	Q'ty	Remarks
31	1907 76 514	Clip, Cable	1	
32	99833 0512	Screw, Clip	1	
	99952 0500	Washer, Plain	1	
	99971 0500	Washer, Spring	1	
	1972 61 190A	Control, Cooler (Without Heater)	1	
	1974 61 190A	Control, Cooler (With Heater)	1	
33	0398 76 159	Lever, Control (With Heater)	1	
34	0305 76 162A	Ring, Snap	2	
35	0398 76 162	Spring	4	
36	0398 76 164	Washer	2	
37	0305 76 168	Clip	2	
38	99833 0512	Screw, Clip (With Heater)	2	
	99971 0500	Washer, Spring	2	
39	0305 76 170	Clip	1	
40	99833 0408	Screw, Clip	1	
	99952 0400	Washer, Plain	1	
	99971 0400	Washer, Spring	1	
41	1974 76 501	Cable, Wire (COLD-HOT) (With Heater)	1	
42	1974 76 502	Cable, Wire (DEF-HEAT) (With Heater)	1	

HEATER UNIT & CONTROL

(HEATER & COOLER)

No.	Part Number	Description	Q'ty	Remarks
43	1974 76 503	Cable, Wire	1	
44	1974 76 505	Switch	1	
45	1907 76 506	Lever, Control	1	
46	1974 76 507	Lever, Control (With Heater)	1	
47	1974 76 509	Cable, Wire (OFF-VENT) (With Heater)	1	
48	1907 76 511	Washer	2	
49	1907 76 512	Spacer	1	
50	1907 76 513	Spacer	1	
51	99833 0420	Screw	1	
	99971 0400	Washer, Spring	1	
	99906 0400	Nut	2	
52	1907 76 514	Clip, Cable	2	
53	1915 76 776	Switch, Micro (With Heater)	1	
54	99833 0512	Screw	2	
	99952 0500	Washer, Plain	2	
	99971 0500	Washer, Spring	2	





BLOWER (HEATER)

61

76

No.	Part Number	Description	Q'ty	Remarks
	2835 81 140	Blower	1	
1	2835 78 110	Motor, Fan (Fig. No. 23~32 included)	1	
2	2835 78 116	Fan, Sirocco	1	
3	0305 78 117	Lining No. 1	1	
4	0305 78 123	Collar	3	
5	0305 78 124	Damper	6	
6	2835 78 125	Case, Fan	1	
7	2835 78 126	Case, Fan	1	
8	89835 0518	Screw	3	
	89952 0580	Washer, Plain	3	
	99971 0590	Washer, Spring	3	
9	2835 78 127	Duct	1	
●	2835 78 127A	Duct	1	From Car No. 1
10	0305 78 129	Resistor	1	
11	89835 0414	Screw, Resistor	2	
	89908 0400	Nut	2	
	89952 0400	Washer, Plain	2	
	99971 0400	Washer, Spring	2	
12	2835 78 131	Shutter	1	
13	2835 78 132	Lever	1	
14	99908 0800	Nut, Shutter + Lever	1	

BLOWER (HEATER)

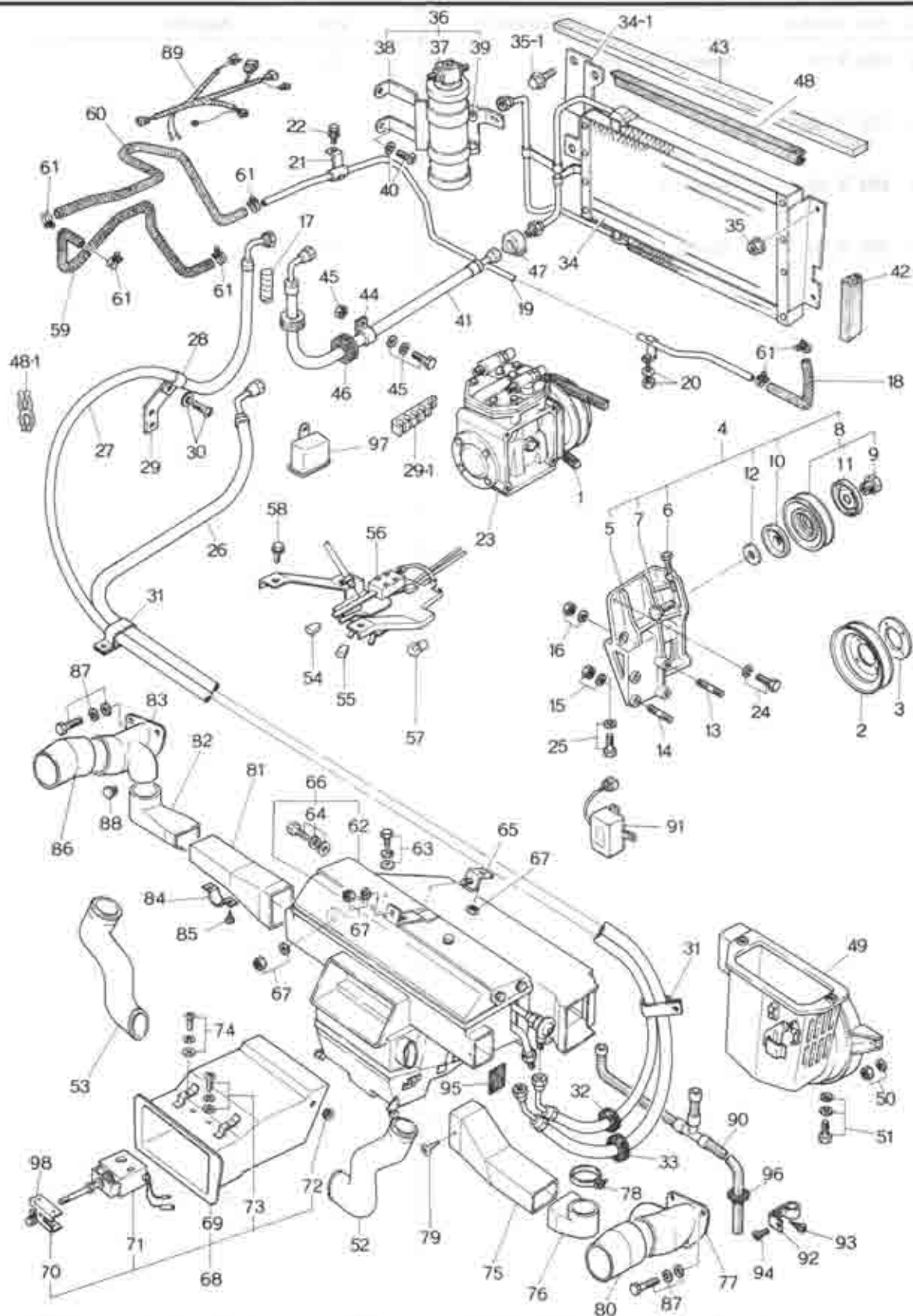
No.	Part Number	Description	Qty	Remarks
	99871 0600	Washer, Spring	1	
15	2835 78 135	Spring	1	
16	0305 78 136	Grommet	2	
17	0305 78 137	Grommet	2	
18	0305 78 138	Collar	2	
19	0305 78 139	Collar	2	
20	99835 0420	Screw	7	
	99852 0400	Washer, Plain	7	
	99871 0400	Washer, Spring	7	
21	99808 0400	Nut	7	
22	99835 0416	Screw	1	
	99852 0400	Washer, Plain	1	
	99871 0400	Washer, Spring	1	
	99808 0400	Nut	1	
23	0305 78 141	Cover	1	
24	0305 78 142	Holder, Brush	1	
25	0305 78 143	Brush	2	
26	0305 78 144	Spring	2	
27	2835 78 145	Armature	1	
28	0305 78 148	Washer, Thrust	8	

BLOWER (HEATER)

61

76

No.	Part Number	Description	Q'ty	Remarks
29	0305 78 147	Washer, Bakelite	2	
30	0305 78 149	Yoke	1	
31	0305 78 150	Grommet	1	
32	0305 78 151	Spring, Lock	2	



No.	Part Number	Description	Q'ty	Remarks
Ⓧ Mark indicates Diesel Kiki Make				
1	1757 15 906	Belt, "V"	1	Ⓧ
2	1757 15 911	Pulley, "V" Belt	1	Ⓧ
●	1757 15 911A	Pulley, "V" Belt	1	From Car No. 1 Ⓧ
●	1757 15 911B	Pulley, "V" Belt	1	Ⓧ-△ Ⓧ
			1	Ⓧ-Discarded Ⓧ
3	1757 15 912	Stiffener, Pulley	1	
4	1757 15 920	Bracket, Compressor	1	Ⓧ
5	1757 15 921	Bracket, Compressor	1	Ⓧ
6	1757 15 966	Bolt, Adjust-Pulley	1	Ⓧ
7	1757 15 967	Shaft, Pulley	1	Ⓧ
8	1757 15 970	Pulley (Fig. No. 9, 11 Included)	1	Ⓧ
9	0839 61 963D	Shaft, Pulley	2	Ⓧ
10	0839 61 964	Cover, Pulley	2	Ⓧ
11	0839 61 965	Cover, Pulley	2	Ⓧ
12	0839 61 968	Spacer, Pulley	2	Ⓧ
●	99811 1022	Bolt, Compressor Bracket	1	From Car No. 1
13	99859 1025A	Stud, Compressor Bracket	2	
●	99859 1025A	Stud, Compressor Bracket	1	From Car No. 1
14	99859 1050A	Stud, Compressor Bracket	2	
●	99859 1035A	Stud, Compressor Bracket	2	From Car No. 1
15	99921 1000	Nut, Compressor Bracket	4	
	99971 1000	Washer, Spring	4	
16	99921 1200	Nut, Compressor Bracket	1	
	99971 1200	Washer, Spring	1	

No.	Part Number	Description	Q'ty	Remarks
	1872 81 430	Engine Room Kit (Without Heater) (Fig. No. 23, 26-29, 31-34, 36-38, 41-44, 46, 47 Included)	1	ⓓ Non servicable part
	1974 81 430	Engine Room Kit (With Heater) (Fig. No. 18, 19, 21, 23, 25-29, 31-34, 36-38, 41-44, 46, 47, Included)	1	ⓓ
17	0823 18 111	Supporter	2	
18	1907 81 213	Hose, Heater	1	ⓓ
●	1907 81 213A	Hose, Heater	1	$\frac{3}{8}$ " Δ ⓓ
19	2090 81 214A	Pipe, Heater	1	ⓓ
20	88940 0500	Nut, Heater Pipe With Heater	1	
●	89852 0516	Washer, Plain	1	$\frac{3}{8}$ " \circ
21	0838 81 216	Clip, Heater Pipe	1	ⓓ
22	89784 0516	Bolt, Clip	1	
	89852 0516	Washer, Plain	1	
23	1815 81 450	Compressor	1	ⓓ
24	88801 0825	Bolt, Compressor	2	
	88853 0800	Washer, Plain	2	
	88871 0800	Washer, Spring	2	
25	88801 0835	Bolt, Compressor	2	
	88853 0800	Washer, Plain	2	
	88871 0800	Washer, Spring	2	
26	1815 81 460	Hose, Flexible-High $\frac{3}{4}$ "	1	ⓓ
27	1815 81 470	Hose, Flexible-Low $\frac{3}{4}$ "	1	ⓓ
28	1815 81 471	Clip, Flexible Hose	1	ⓓ
29	1815 81 472	Stay, Clip	1	ⓓ
●	1815 81 472A	Stay, Clip	1	$\frac{3}{8}$ " \circ ⓓ
● 29-1	0886 81 472	Clip	1	From Car No. 1 ⓓ

No.	Part Number	Description	Q'ty	Remarks
30	99833 0616	Screw, Clip	1	
	99952 0600	Washer, Plain	1	
	99971 0600	Washer, Spring	1	
31	1915 61 473	Clip, Flexible Hose	2	ⓓ
32	1915 61 475	Grommet, Flexible Hose	1	ⓓ
33	1915 61 478	Grommet, Flexible Hose	1	ⓓ
34	1097 61 480	Condenser	1	ⓓ
●	1974 61 480	Condenser	1	3/8" - ⓓ
● 34-1	1974 61 485	Bracket, Condenser	1	3/8" - Added Anew ⓓ
35	99796 0610	Bolt, Condenser	4	
●	99940 0600	Nut, Condenser	4	3/8" - X
● 35-1	99794 0610	Bolt, Condenser Bracket	2	3/8" - Added Anew
36	0305 61 800	Tank & Bracket, Liquid (Fig. No. 37-39 Included)	1	ⓓ
37	0305 61 801	Tank, Liquid	1	ⓓ
38	0305 61 802	Bracket, Liquid Tank	1	ⓓ
39	99796 0616	Bolt, Bracket + Liquid Tank	2	
	99952 0600	Washer, Plain	2	
	99971 0600	Washer, Spring	2	
40	99864 0516	Screw, Tapping-Liquid Tank	1	
	99952 0500	Washer, Plain	1	
41	0839 61 812A	Hose, Flexible-Height "1/2"	1	ⓓ
42	1097 61 814	Seal No. 1, Air	2	ⓓ
43	0881 61 816	Seal No. 3, Air	1	ⓓ
44	0305 61 825	Clip, Flexible Hose	1	ⓓ

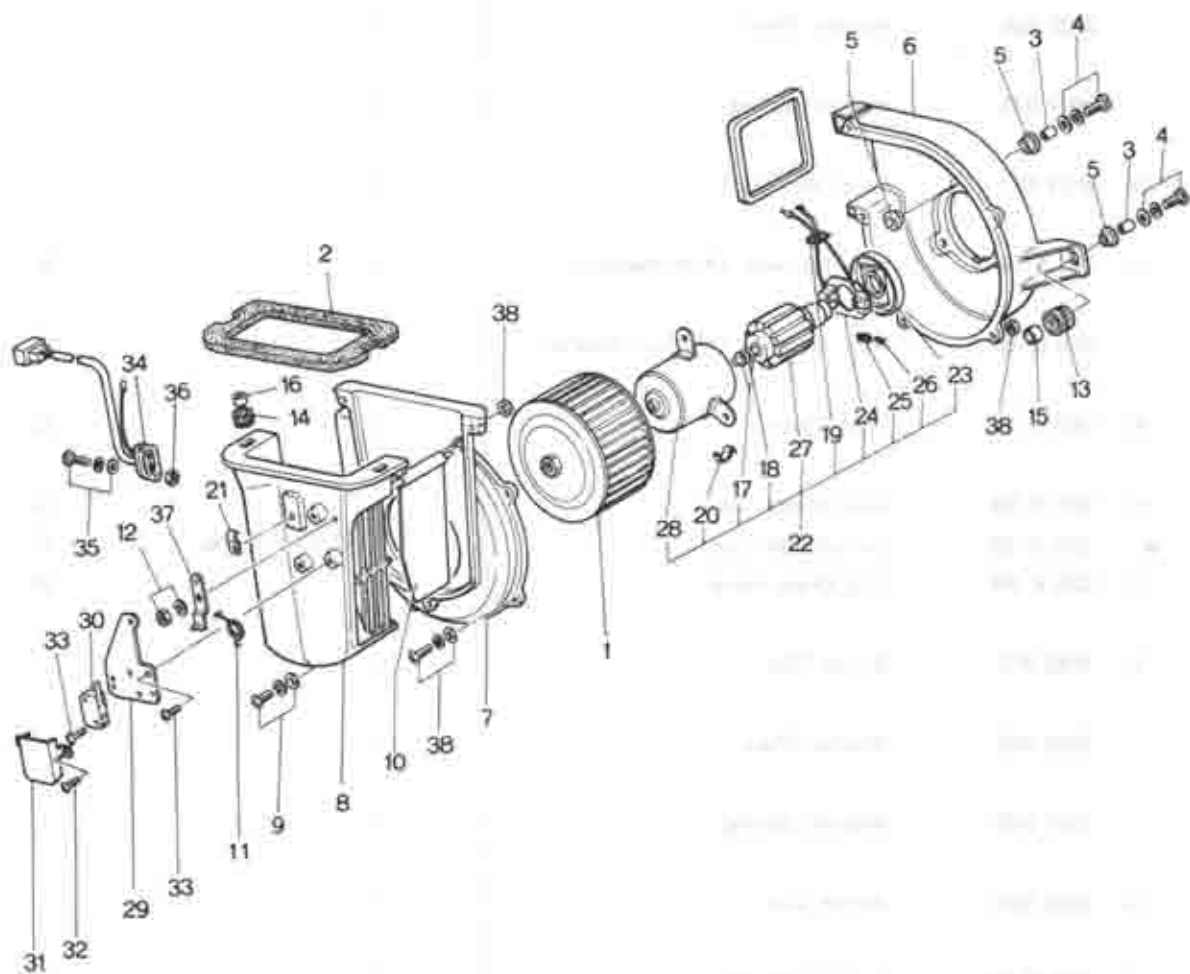
No.	Part Number	Description	Q'ty	Remarks
45	89794 0518	Bolt, Clip	1	
	89952 0518	Washer, Plain	1	
	89940 0500	Nut	1	
● 46	0305 61 827	Insulation, Flexible Hose	4	ⓓ
47	2090 61 827	Protector	1	ⓓ
48	2090 70 882A	Rubber, Seal	1	
● 48-1	89288 2308	Clip, Heater Hose + Meter Cable	1	From Car No. 1
	1972 61 440	Cabin Room Kit (Without Heater) (Fig. No. 49, 54-56, 62, 65, 66, 68-72, 75-78, 80-84, 89-92, 95-97 Included)	1	ⓓ
	1974 61 440	Cabin Room Kit (With Heater) (Fig. No. 49, 52-56, 59, 60, 62, 65, 66, 68-72, 75-78, 80-84, 89-92, 95-97 Included)	1	ⓓ
49	1815 61 140	Blower	1	ⓓ
50	89940 0800	Nut, Blower	2	
	99952 0618	Washer, Plain	2	
51	99794 0635	Bolt, Blower	2	
	99952 0618	Washer, Plain	2	
	99971 0608	Washer, Spring	2	
52	1815 61 151	Hose (R), Air	1	ⓓ
		(With Heater)		
53	1874 61 181	Hose (L), Air	1	ⓓ
54	0398 61 170A	Knob No. 1, Control	1	ⓓ
55	0398 61 180A	Knob No. 2, Control	3 (With Heater) 1 (Without Heater)	ⓓ
56	1872 61 190	Control, Cooler (Without Heater)	1	ⓓ
●	1972 61 190A	Control, Cooler (Without Heater)	1	From Car No. 1

No.	Part Number	Description	Q'ty	Remarks
	1974 81 190	Control, Cooler (With Heater)	1	Ⓚ
●	1974 81 180A	Control, Cooler (With Heater)	1	From Car No. 1 Ⓚ
57	99701 1030	Bulb, Cooler Control	2	
58	99796 0510	Bolt, Cooler Control	2	
59	1974 81 211	Hose No. 1, Heater	1	Ⓚ
60	1974 81 212	Hose No. 2, Heater (With Heater)	1	Ⓚ
61	99292 2800	Clamp, Hose	6	
●	99292 2800	Clamp, Hose (Without Heater)	2	
62	1915 81 521	Bracket, Air Con. Unit	1	Ⓚ
63	99806 0612	Bolt, Bracket + Air Con. Unit	2	
	99952 0800	Washer, Plain	2	
	99971 0600	Washer, Spring	2	
64	99808 0618	Bolt, Bracket + Air Con. Unit	4	
	99952 0800	Washer, Plain	4	
	99971 0600	Washer, Spring	4	
65	1915 81 522	Bracket, Air Con. Unit	1	Ⓚ
66	1972 81 525	Unit, Air Con. (Without Heater)	1	Ⓚ
	1974 81 525	Unit, Air Con. (With Heater)	1	Ⓚ
67	99940 0800	Nut, Air Con. Unit	3	
	99952 0618	Washer, Plain	1	
	2850 13 332	Washer	4	
68	1974 81 540	Control, Thermo (Fig. No. 69--73 Included)	1	Ⓚ

No.	Part Number	Description	Q'ty	Remarks
69	1974 76 741	Duct, Thermo Control	1	Ⓧ
70	1974 76 742	Bracket, Thermo Switch	1	Ⓧ
71	1974 76 743	Switch, Thermo	1	Ⓧ
72	1974 76 747	Grommet	1	Ⓧ
● 73	99833 0510	Screw	4	
●	99952 0500	Washer, Plain	4	
●	99971 0500	Washer, Spring	4	
74	99833 0810	Screw, Thermo Control	4	
	99952 0800	Washer, Plain	4	
	99971 0800	Washer, Spring	4	
75	1915 81 581	Duct (R), Air	1	Ⓧ
76	1915 81 582	Duct (R), Air	1	Ⓧ
77	1915 81 583	Duct (R), Air	1	Ⓧ
78	1915 81 586	Band	1	Ⓧ
79	88885 04188	Screw, Air Duct (R)	1	
80	1915 81 584	Duct (R), Air	1	Ⓧ
●	1974 81 584	Duct (R), Air	1	From Car No. 1
81	1915 81 571	Duct (L), Air	1	Ⓧ
82	1915 81 572	Duct (L), Air	1	Ⓧ
83	1974 81 573	Duct (L), Air	1	Ⓧ
84	1915 81 574	Clip, Air Duct	1	Ⓧ

No.	Part Number	Description	Q'ty	Remarks
85	88865 0518	Bolt, Clip	2	
86	1874 81 574	Duct, (L), Air	1	ⓐ
87	89785 0518	Bolt, Air Duct	4	
	88852 0500	Washer, Plain	4	
	88871 0500	Washer, Spring	4	
88	99274 0821	Rivet, Air Duct	2	
89	1815 81 661	Wire Harness (With Heater)	1	ⓐ
	1816 81 661	Wire Harness (Without Heater)	1	ⓐ
90	1815 81 711	Hose, Drain	1	ⓐ
91	1915 81 850	Switch, Idle Cut	1	ⓐ
●	1874 81 850	Switch, Idle Cut	1	From Car No. 1 ⓐ
92	0305 81 890	Clip, Drain Hose	1	ⓐ
93	89863 0412	Screw, Clip	1	
	88852 0400	Washer, Plain	1	
	88871 0400	Washer, Spring	1	
94	89865 0518	Screw, Clip	1	
95	0305 81 901	Tape, Coal-tar	2	ⓐ
96	0223 78 865	Grommet, Drain Hose	1	ⓐ
97	0235 78 380	Relay, Cooler	1	ⓐ
●	1831 81 540	Relay, Cooler	1	ⓐ
●	1011 78 738	Knob	1	ⓐ

BLOWER (COOLER)



BLOWER (COOLER)

61
76

No.	Part Number	Description	Q'ty	Remarks
All parts are of Diesel Kiki Make				
	1915 81 140	Blower	1	
1	2835 78 110	Fan, Sirocco	1	
2	0305 78 117	Lining	1	
3	0305 78 123	Collar	3	
4	99935 0518	Screw, Fan Case	3	
	99952 0500	Washer, Plain	3	
	99971 0500	Washer, Spring	3	
5	0305 78 124	Damper	6	
6	2835 78 125	Case, Fan	1	
7	2835 78 126	Case, Fan	1	
8	2835 78 127A	Duct	1	
9	99935 0410	Screw, Duct	4	
	99952 0400	Washer, Plain	1	
	99971 0400	Washer, Spring	1	
10	2835 78 132	Shutter	1	
11	2835 78 135	Spring, Control Lever	1	
12	99908 0600	Nut, Control Lever	1	
	99971 0600	Washer, Spring	1	
13	0305 78 136	Grommet	2	

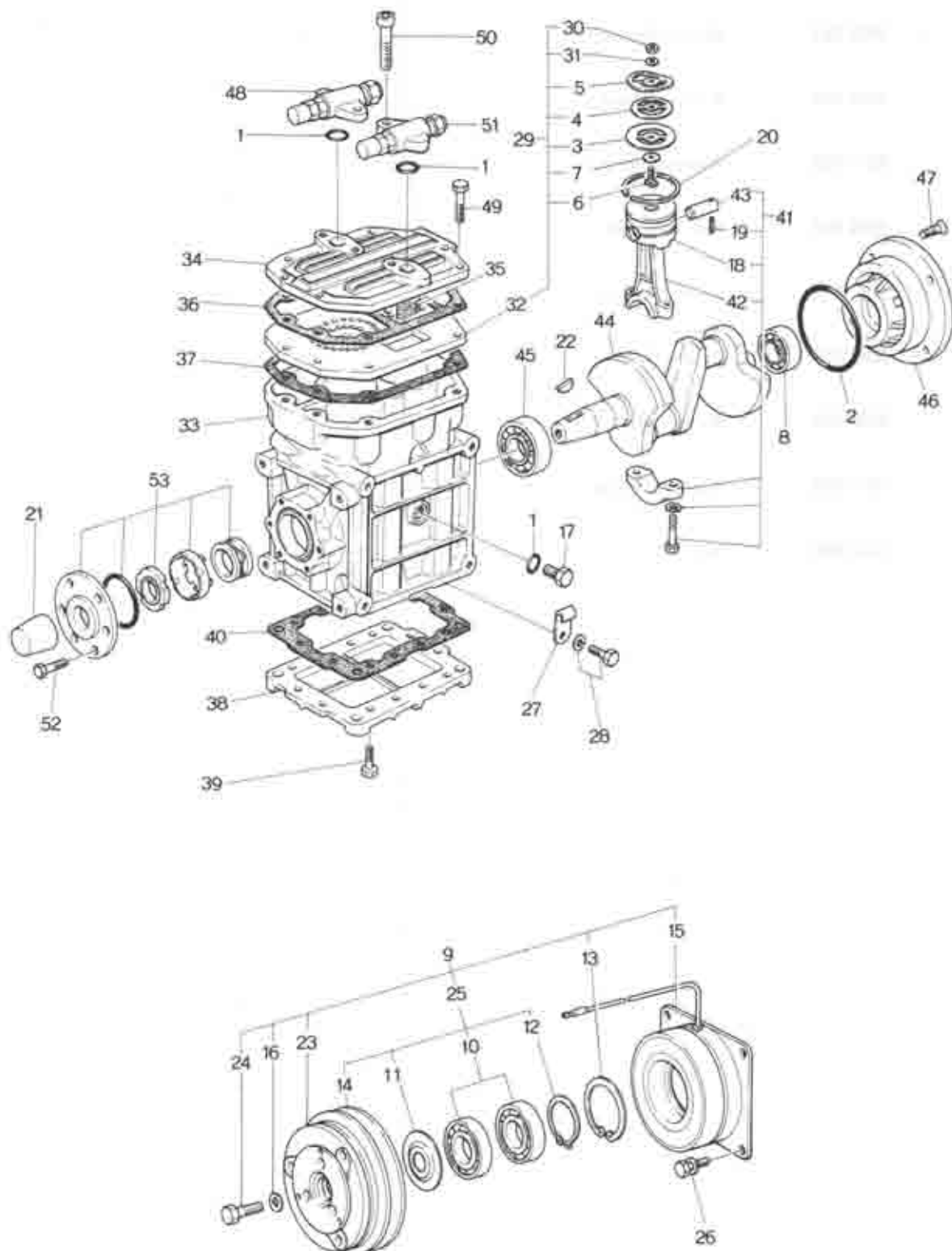
BLOWER (COOLER)

No.	Part Number	Description	Q'ty	Remarks
14	0305 76 137	Grommet	2	
15	0305 76 138	Collar	2	
16	0305 76 139	Collar	2	
17	0305 76 146	Washer, Thrust	4	
18	0305 76 147	Washer, Wave	1	
19	0305 76 150	Grommet	1	
20	0305 76 151	Spring, Lock	2	
21	1011 76 419	Clip, Cable	1	
22	1815 76 750	Motor, Fan (Fig. No. 17-20, 23-28 included)	1	
23	1815 76 751	Cover	1	
24	1815 76 752	Holder, Brush	1	
25	1815 76 753	Brush	2	
26	1815 76 754	Spring, Brush	2	
27	1815 76 755	Armature	1	
28	1815 76 756	Yoke	1	
29	1815 76 757	Bracket, Micro Switch	1	
30	1815 76 758	Switch, Micro	1	
31	1815 76 759	Cover, Micro Switch	1	
32	1815 76 761	Screw, Cover	2	
33	1815 76 763	Screw, Micro Switch & Bracket	3	

BLOWER (COOLER)

61
76

No.	Part Number	Description	Qty.	Remarks
34	1915 76 754	Resistor	1	
35	99835 0414	Screw, Resistor	2	
	99952 0400	Washer, Plain	2	
	99971 0400	Washer, Spring	2	
36	99906 0400	Nut, Resistor	3	
37	1915 76 785	Lever, Control	1	
38	99835 0429	Screw, Duct	7	
	99952 0400	Washer, Plain	7	
	99971 0400	Washer, Spring	7	
	99906 0400	Nut	8	



COMPRESSOR (COOLER)

61
76

No.	Part Number	Description	Qty	Remarks
All Parts are of Diesel Kiki Make				
	1815 81 450	Compressor	1	
1	0235 76 321	Ring, "O"	4	
2	0235 76 322	Ring, "O"	1	
3	0235 76 333	Valve, Suction	3	
4	0235 76 334	Valve, Delivery	2	
5	0235 76 335	Stopper, Valve	2	
6	0235 76 338	Bolt	2	
7	0235 76 338	Washer	2	
8	0235 76 345	Bearing, Ball	1	
9	0881 76 370	Switch, Magnet (Fig. No.10—16,23—26 included)	1	
10	0235 76 373	Bearing, Ball	1	
11	0235 76 374	Cover	1	
12	0235 76 375	Ring, Snap	1	
13	0235 76 377	Ring, Snap	1	
14	0881 76 712	Pulley, "V"	1	
15	0881 76 713	Magnet	1	
16	0881 76 714	Washer, Fixing	1	
17	0881 76 717	Plug	2	
18	0881 76 723	Piston	2	

COMPRESSOR (COOLER)

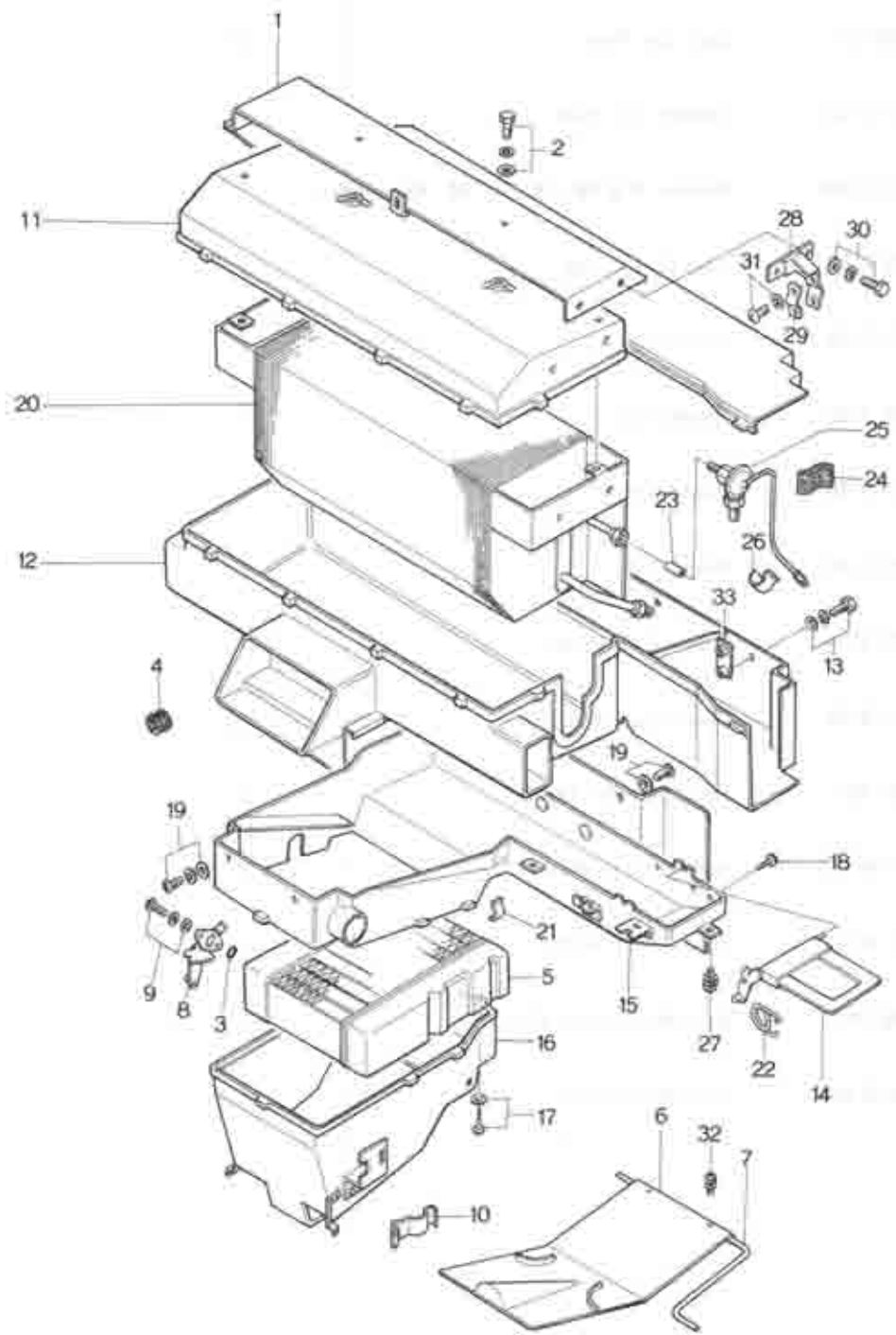
No.	Part Number	Description	Qty	Remarks
19	0881 78 726	Pin, Roll	2	
20	0881 78 727	Ring, Piston	2	
21	0881 78 735	Cap	1	
22	0881 78 734	Key	1	
23	0881 78 738	Plate, Clutch	1	
24	0881 78 739	Bolt	1	
25	0881 78 740	Pulley, "V" (Fig. No. 10~12, 14 included)	1	
26	0881 78 741	Bolt, Magnet	4	
27	0881 78 742	Clip	1	
28	99901 0816	Bolt, Clip	1	
	99971 0800	Washer, Spring	1	
29	1915 78 810	Liner, Valve (Fig. No. 3~7, 30 included)	1	
30	99908 0500	Nut	2	
31	99971 0500	Washer, Spring	2	
32	1915 76 811	Liner, Valve	1	
	1915 76 812	Compressor (Fig. No. 1~8, 17~22, 27~32 included)	1	
33	1915 78 813	Housing, Compressor	1	
34	1915 78 814	Head, Cylinder	1	
35	1915 76 815	Filter, Suction	1	
36	1915 76 818	Gasket	1	

COMPRESSOR (COOLER)

61

76

No.	Part Number	Description	Qty	Remarks
37	1915 76 817	Gasket	1	
38	1915 76 818	Pan, Oil	1	
39	88808 0814	Bolt, Oil Pan	12	
40	1915 76 819	Gasket, Oil Pan	1	
41	1915 76 820	Piston (Fig. No. 18, 19, 42, 43 included)	2	
42	1915 76 821	Rod, Connecting	2	
43	1915 76 822	Pin, Piston	2	
44	1915 76 823	Crankshaft	1	
45	1915 76 824	Bearing, Ball	1	
46	1915 76 825	Plate, End	1	
47	89741 06168	Screw, End Plate	4	
48	1915 76 826	Connector (DISCHA)	1	
49	88801 0835	Bolt, Cylinder Head	8	
50	1915 76 827	Bolt, Socket Head	2	
51	1915 76 828	Connector (SUC.)	1	
52	89806 0810	Bolt, Mechanical Seal	6	
53	1915 76 830	Seal, Mechanical	1	



COOLING UNIT

61
76

No.	Part Number	Description	Qty	Remarks
All Parts are of Diesel Kiki Make				
	1872 81 525	Unit, Cooling (Without Heater)	1	
	1874 81 525	Unit, Cooling (With Heater)	1	
1	1815 81 521	Bracket	1	
2	89806 0812	Bolt, Bracket	2	
	89952 0600	Washer, Plain	2	
	89971 0600	Washer, Spring	2	
3	8305 78 084A	Ring, "O"	1	
4	8305 78 089	Grommet	1	
5	1874 76 401	Core, Heater	1	
6	1815 76 403	Shutter	1	
7	1815 76 404	Shaft, Shutter (With Heater)	1	
8	1874 76 408	Cock, Water	1	
9	89835 0408	Screw, Water Cock	2	
	89952 0400	Washer, Plain	2	
	89971 0400	Washer, Spring	2	
10	1011 76 419	Clip, Cable	3	
11	1815 76 701	Case No. 1, Cooling	1	
12	1815 76 702	Case No. 2, Cooling (With Heater)	1	
	1816 76 702	Case No. 2, Cooling (Without Heater)	1	

COOLING UNIT

No.	Part Number	Description	Qty	Remarks
13	99834 0410	Screw, Cooling Case	8	
	99953 0400	Washer, Plain	8	
	99971 0400	Washer, Spring	8	
14	1974 76 702	Shutter (With Heater)	1	
15	1972 78 703	Case No. 3, Cooling (Without Heater)	1	
	1974 78 703	Case No. 3, Cooling (With Heater)	1	
16	1972 78 704	Case No. 4, Cooling (Without Heater)	1	
	1974 76 704	Case No. 5, Cooling (With Heater)	1	
17	99868 0420	Screw, Cooling Case	2	
	99852 0400	Washer, Plain	2	
18	99868 0410	Screw, Cooling Case	3	
19	99834 0514	Screw, Cooling Case	5	
	99852 0500	Washer, Plain	5	
	99871 0500	Washer, Spring	5	
20	1915 78 705	Evaporator	1	
21	1915 78 707	Clip	15	
22	1915 78 709	Spring (With Heater)	1	
23	1915 78 711	Orifice	1	
24	1915 78 712	Tape, Coal-Tar	3	
25	1915 78 713	Valve, Expansion	1	

COOLING UNIT

61
76

No.	Part Number	Description	Q'ty	Remarks
26	1915 78 715	Clip	1	
27	1915 78 716	Screw, Cooling Case	10	
28	1915 78 717	Stay	1	
29	1915 78 718	Clip	4	
30	99808 0810	Bolt, Clip & Bracket	6	
	99808 0810	Bolt	2	
	99952 0800	Washer, Plain	4	
	99971 0800	Washer, Spring	4	
31	99835 0510	Screw, Clip	2	
	99971 0500	Washer, Spring	2	
32	1915 78 721	Screw, Shutter (With Heater)	2	
33	0305 78 809	Nut, Plate	1	

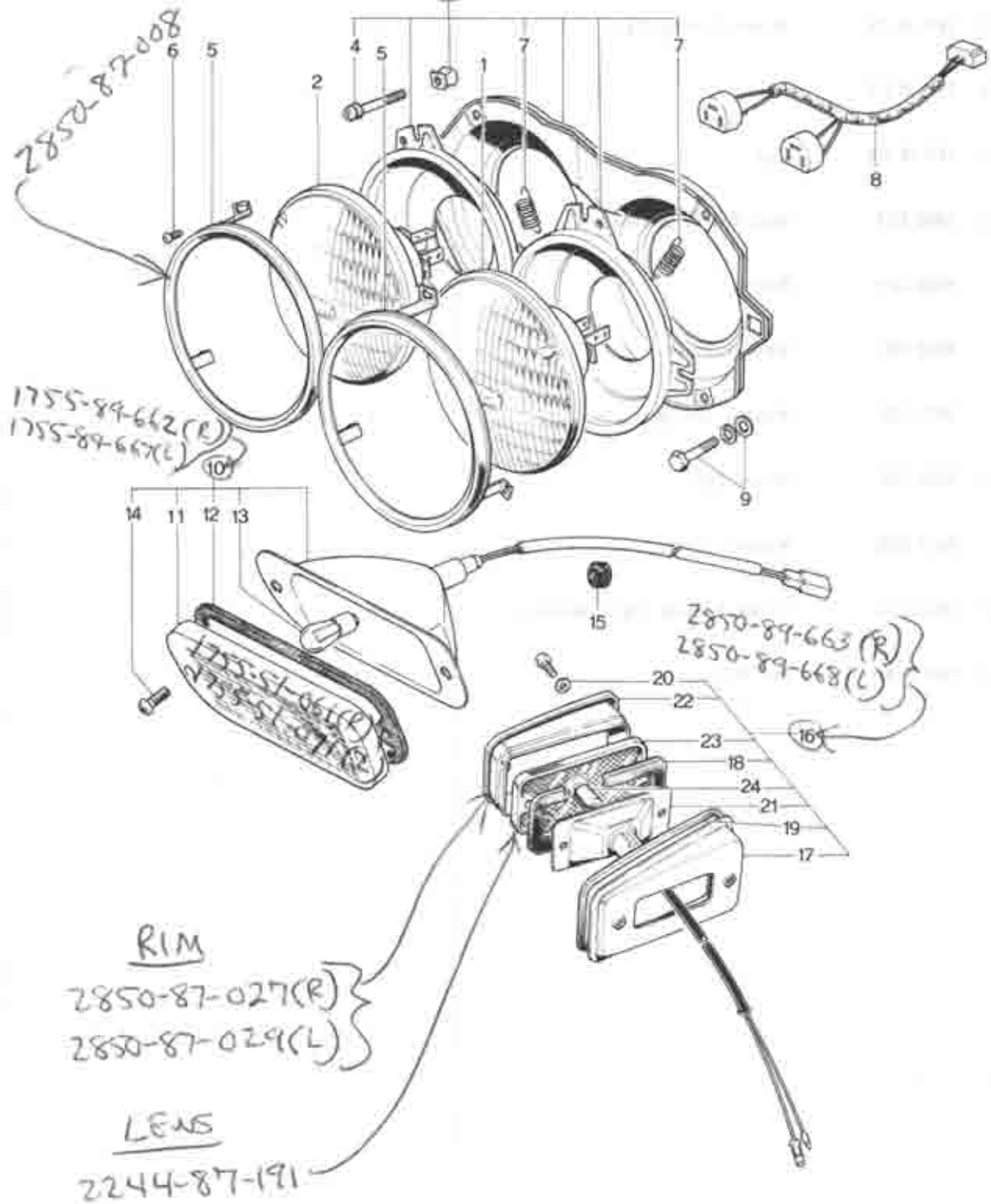
66

89

LAMPS (FRONT SIDE)

RIGHT 2850-89-661

LEFT 2850-89-666



LAMPS (FRONT SIDE)

66

89

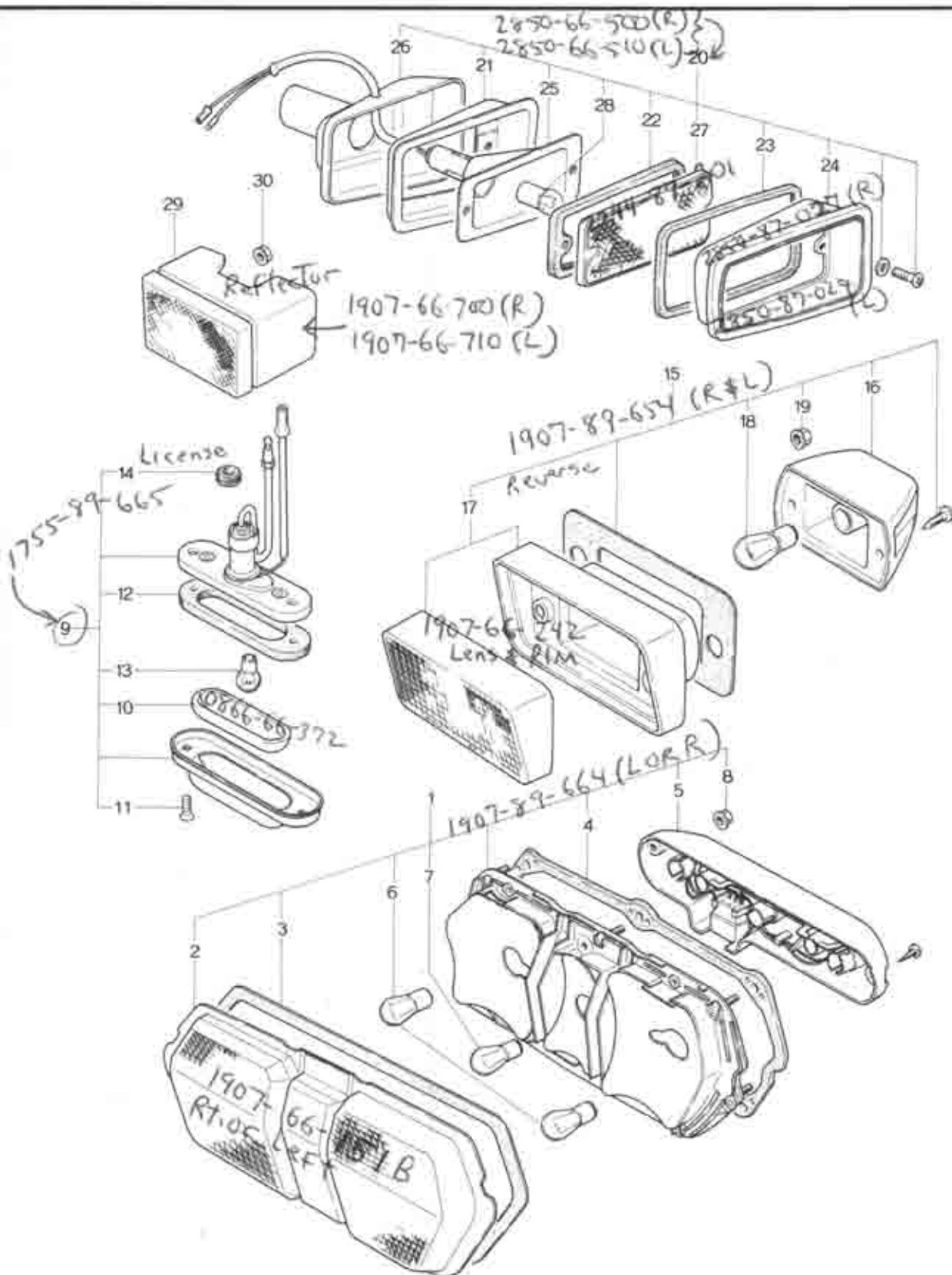
No.	Part Number	Description	Q'ty	Remarks
1	G.E. No. 4001	Beam, Sealed (Upper Beam 12V . 37.5W) (G.E. Make)		2 } Order from G.E. Agents
2	G.E. No. 4000	Beam, Sealed ("Plus 25" Lower & Upper Beam 12V . 60 / 37.5 W) (G.E. Make)		
3	1688-88-040	Housing (R) NOT AVAILABLE	1	
	1688-88-070	Housing (L) "		
	2850-89-666	HEADLAMP ASS'Y (L)	1	
4	2850 87 004	Screw, Adjust	8	
5	2850 87 008	Ring, Retaining	4	
6	2850 87 011	Screw	12	
7	2850 87 012	Spring	4	
8	2850 87 160	Adapter, Wiring	2	
9	89790 0016A	Bolt, Head Lamp	8	
	99852 06008	Washer, Plain	8	
	99871 0800	Washer, Spring	8	
10	1755 89 882	Lamp Set (R), Front Turn Signal	1	
	1755 89 867	Lamp Set (L), Front Turn Signal	1	
11	1755 51 061	Lens (R)	1	
	1755 51 071	Lens (L)	1	
12	1755 51 063	Gasket (R)	1	
	1755 51 073	Gasket (L)	1	
13	89701 4278	Bulb	2	

LAMPS (FRONT SIDE)

No.	Part Number	Description	Q'ty	Remarks
14	99835 0625C	Screw	4	
15	0866 87 152	Protector, Cord-Front Turn-Signal Lamp	2	
16	2950 88 863	Lamp (R), Front Side Marker	1	
	2950 88 868	Lamp (L), Front Side Marker	1	
17	0305 88 874	Plate (R), Mounting	1	
	0305 88 884	Plate (L), Mounting	1	
18	0305 88 875	Gasket	2	
19	0305 88 878	Gasket, Sheet	2	
20	0305 88 878	Washer	4	
21	2850 87 026	Body (R)	1	
	2850 87 028	Body (L)	1	
22	2850 87 027	Rim (R)	1	
	2850 87 029	Rim (L)	1	
23	2244 87 191	Lens	2	
24	98701 2050	Bulb	2	



LAMPS (REAR SIDE)



LAMPS (REAR SIDE)

66

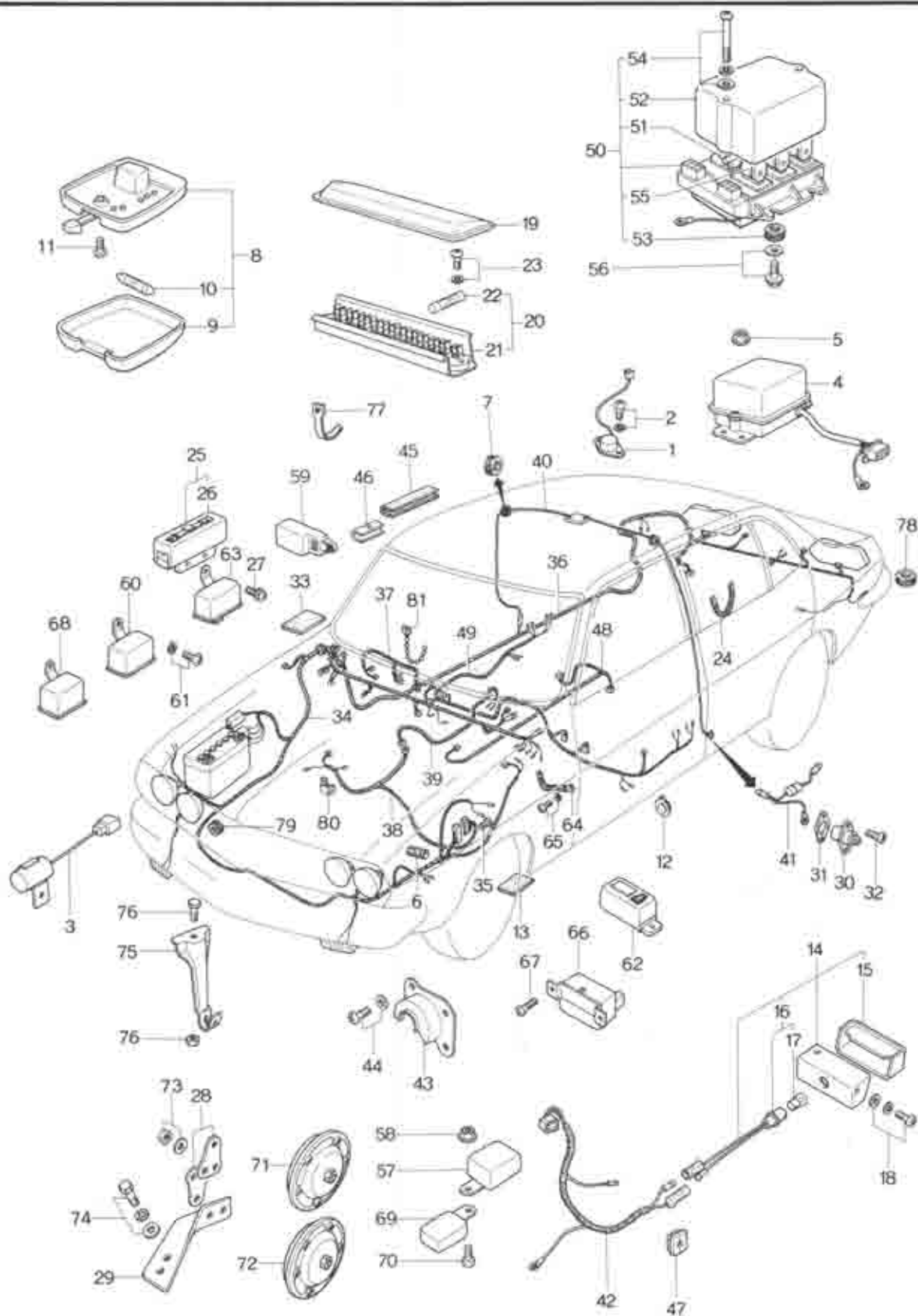
89

No.	Part Number	Description	Q'ty	Remarks
1	1807 88 884	Lamp Set, Rear Combination	2	
2	1807 88 151A	Lens	2	
3	1807 88 152	Gasket	2	
4	1807 88 154	Gasket	2	
5	1807 88 158	Cover	2	
6	89701 4278	Bulb	4	
7	89701 3270	Bulb	3	
8	89940 8582	Nut	6	
9	1755 88 885	Lamp Set, Licence	1	
10	8886 88 372	Lens	1	
11	0395 87 832	Screw	2	
12	0275 87 123	Gasket	1	
13	88701 2070	Bulb	1	
14	88884 0600	Protector	1	
15	1807 88 854	Lamp Set, Back-Up	2	
16	1807 88 241	Cover	2	
17	1807 88 242	Lens & Body	2	
18	89700 8120	Bulb	2	

LAMPS (REAR SIDE)

No.	Part Number	Description	Q'ty	Remarks
19	98940 0502	Nut, Back-Up Lamp	4	
20	2850 88 673	Lamp (R), Rear Side Marker	1	
	2850 88 678	Lamp (L), Rear Side Marker	1	
21	0305 88 674	Plate (R), Mounting	1	
	0305 88 684	Plate (L), Mounting	1	
22	0305 88 675	Gasket	2	
23	0306 88 676	Gasket, Sheet	2	
24	2850 87 027	Rim (R)	1	
	2850 87 029	Rim (L)	1	
25	2850 87 031	Body	2	
26	2850 87 032	Cover	2	
27	2244 87 201	Lens	2	
28	88701 2050	Bulb	2	
29	1907 88 700	Reflector (R), Reflex	1	
	1907 88 710	Reflector (L), Reflex	1	
30	98940 0500	Nut, Reflex Reflector	4	





ELECTRIC EQUIPMENT (BODY)

66
67

No.	Part Number	Description	Q'ty	Remarks
1	1114 16 890A	Switch, Thermo-Silencer	1	
2	98868 6510	Screw, Thermo Switch	2	
	98971 6500	Washer, Spring	2	
3	2328 18 830B	Detector, Thermo	1	
4	1757 18 940A	Unit, Control (Manual)	1	
	1758 18 940A	Unit, Control (Automatic)	1	
5	99940 6800	Nut, Control Unit	4	
6	0823 18 111	Support, Engine Harness	2	
7	0114 43 825	Protector, Room Lamp Cord	2	
8	1004 51 310	Lamp, Room	1	
9	1004 51 311	Lens	1	
10	99701 5050	Bulb	1	
11	99838 6514B	Screw, Room Lamp	2	
12	0828 55 951	Cover, Hole-Front Side Trim (L)	3	
13	0223 56 842	Pad, Cabin Side Frame Inner	1	
14	0305 66 570A	Lamp, Step	1	
15	0305 66 572	Lens	1	

66

67

ELECTRIC EQUIPMENT (BODY)

No.	Part Number	Description	Q'ty	Remarks
16	0305 88 580A	Bulb & Socket	1	
17	99701 8030	Bulb	1	
18	99888 0412B	Screw, Step Lamp	2	
	99952 0400B	Washer, Plain	2	
	99971 0400B	Washer, Spring	2	
19	0397 88 721A	Cover, Fuse Block	1	
20	0397 88 730A	Block, Fuse	1	
21	0305 87 081	Protector	1	
22	99708 0110	Fuse (10A)	7	
	99708 0115	Fuse (15A)	1	
	99708 0120	Fuse (20A)	5	
23	99833 0516	Screw, Fuse Block	2	
	99971 0500	Washer, Spring	2	
24	0813 88 732A	Wire, Earth-Radio	1	
25	2852 88 760	Block, Main Fuse	1	
26	2852 88 763	Fuse (50A)	2	

ELECTRIC EQUIPMENT (BODY)

66
67

No.	Part Number	Description	Qty	Remarks
27	99743 0616	Screw, Main Fuse Block	2	
	99952 0600	Washer, Plain	2	
	99971 0000	Washer, Spring	2	
28	0939 66 781A	Bracket No. 1, Horn	2	
29	0939 66 782A	Bracket No. 2, Horn	1	
30	0269 66 820	Switch, Door	2 (Coupe) 4 (Sedan)	
31	0269 66 821	Washer, Adjust	2 (Coupe) 4 (Sedan)	
32	99964 0412	Screw, Door Switch	4 (Coupe) 8 (Sedan)	
33	0208 66 949	Pad, Protector	12	
34	1907 67 010A	Harness (Fr.), Wiring	1	
35	99796 0825	Screw, Wiring Harness	1	
36	1907 67 030A	Harness (Rr.), Wiring	1	
37	0398 67 040C	Harness, Wiring-Dash Panel	1	
38	1907 67 060A	Harness, Wiring-Engine	1	
39	1881 67 065	Harness, Wiring-T/Mission	1	
40	1907 67 080	Harness, Interior Lamp	1	
41	2650 67 090	Diode	1	
42	0308 67 090B	Harness, Wiring-Step Lamp	1	
43	2081 67 151	Cover, Protector	1	
44	99960 0516	Bolt, Cover	1	

ELECTRIC EQUIPMENT (BODY)

No.	Part Number	Description	Q'ty	Remarks
	99952 0500	Washer, Plain	1	
45	0303 67 155	Protector, Cord	1	
46	0303 67 156	Protector, Cord	1	
47	0305 67 158A	Protector, Side Sill	1	
48	1757 67 220	Harness No. 1, E.I.S.	1	
49	1757 67 230	Harness No. 2, E.I.S.	1	
50	1755 67 560	Unit, Central Control	1	
51	1755 67 562	Unit, Flasher	1	
52	1755 67 566	Cover	1	
53	0866 67 717	Bush	4	
54	0866 67 718	Screw	2	
	99952 0500	Washer, Plain	2	
	99971 0500	Washer, Spring	2	
55	0866 67 719	Relay	4	
56	99766 0835	Bolt, Central Control Unit	3	
	99952 0618	Washer, Plain	3	
57	1011 67 860A	Relay, Lamp Checker	1	
58	99940 0800	Nut, Lamp Checker Relay	1	

ELECTRIC EQUIPMENT (BODY)

66

67

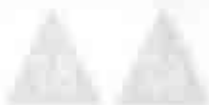
No.	Part Number	Description	Qty	Remarks
59	1757 87 700	Timmer, Seat Belt	1	
60	1701 87 710	Relay, Neutral	1	
61	88880 0512	Screw, Neutral Relay (Automatic)	1	
	99952 0500		1	
62	1757 87 720	Buzzer, Seat Belt	1	
63	1884 87 740	Relay, Choke	1	
64	2081 87 881	Wire, Earth-Radio-T/mission Case	1	
65	88880 0510	Screw, Earth Wire	1	
	99952 0500		1	
66	1757 87 870	Unit, E.I.S.	1	
67	99794 0812	Screw, E.I.S. Unit	2	
68	0882 87 880	Relay, Ignition	1	
69	1757 87 980	Relay, Starter-Seat Belt	1	
70	99794 0812	Screw, Starter Relay	2	
71	0839 87 910	Horn, High Tone	1	
72	0839 87 920	Horn, Low Tone	1	
73	88808 0800	Nut, Horn	2	
	88871 0800		2	
74	99799 0820	Bolt, Horn	2	
	99952 0800		1	

66

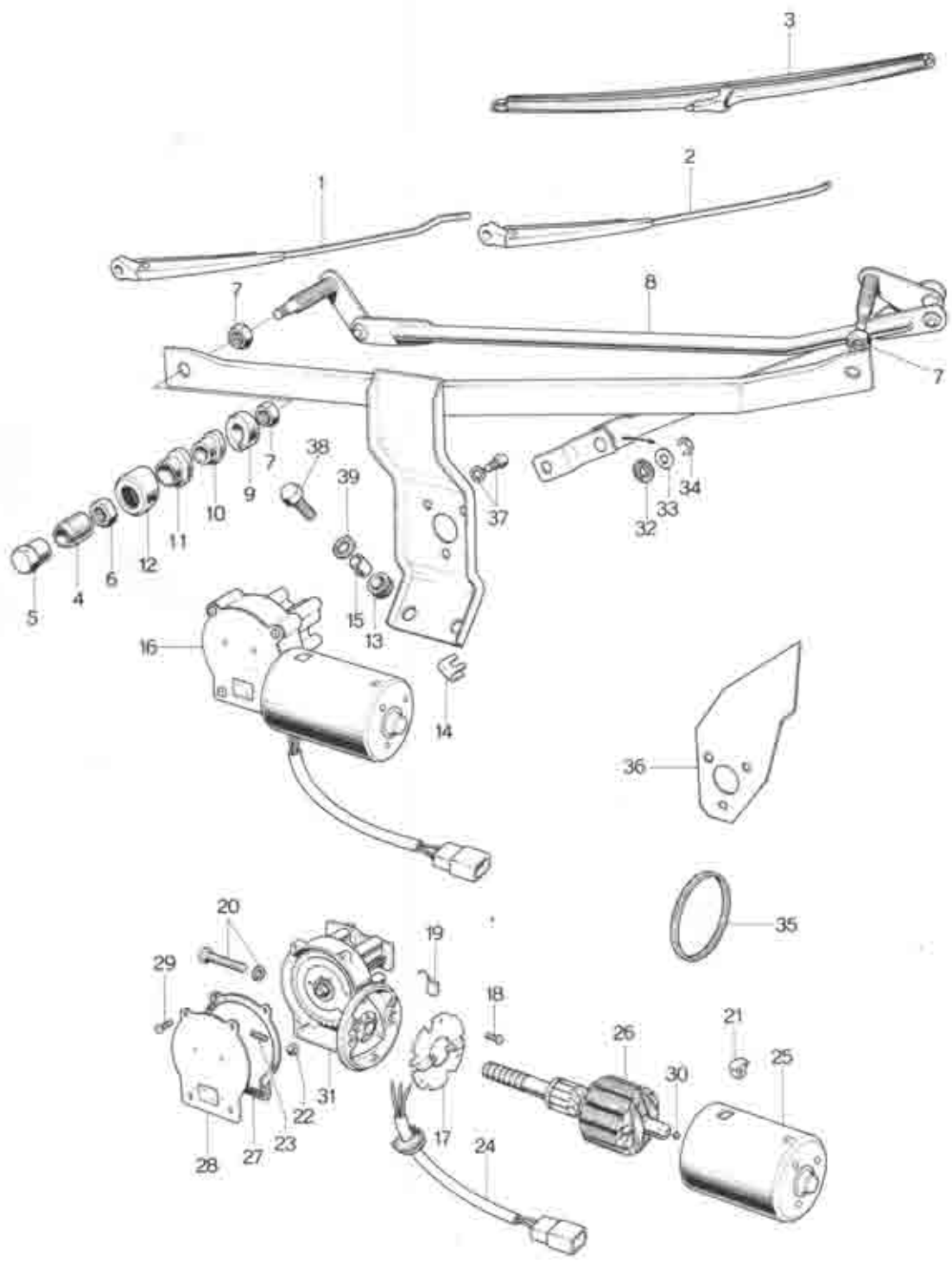
67

ELECTRIC EQUIPMENT (BODY)

No.	Part Number	Description	Qty.	Remarks
	99952 0822	Washer, Plain	1	
	99971 0800	Washer, Spring	2	
75	0305 87 992	Clip, Battery Positive Cable	1	
76	99798 0614	Bolt, Clip	1	
	99840 0600	Nut	1	
77	0305 87 994	Clip, Cord	2	
78	99884 0600	Grommet	1	
79	99884 1500	Grommet, Side Turn Signal Lamp Cord	2	
80	99278 1410	Clip, Oil Pressure Switch Cord	1	
81	99708 1156	Band, Instrument Panel Wire Harness	1	



WINDSHIELD WIPER



WINDSHIELD WIPER

67
87

No.	Part Number	Description	Qty	Remarks
1	2835 87 321A	Arm (R), Wiper	1	
2	2835 87 325A	Arm (L), Wiper	1	
3	2835 87 338	Blade, Wiper	2	
	2835 87 340	Motor & Link	1	
4	0212 86 371	Cap	3	
5	0223 86 371	Nut	2	
6	0212 86 372	Nut	2	
7	0258 87 134	Nut	4	
8	2835 87 881 ^{70C}	Link	1	
9	0305 87 903	Bush, Inner	2	
10	0305 87 904	Gasket	2	
11	0305 87 905	Bush, Outer	2	
12	0305 87 906	Washer, Cap	2	
13	0305 87 907	Grommet	2	
14	0305 87 908	Plate, Earth	1	
15	0305 87 909	Collar	2	
16	2835 87 370	Motor, Wiper (Fig. No 17-31 Included)	1	
17	0258 87 101A	Plate, Brush Holder	1	
18	0258 87 105	Screw	3	

67

87

WINDSHIELD WIPER

No.	Part Number	Description	Q'ty	Remarks
19	0259 87 106	Brush	3	
20	0257 87 107	Bolt	2	
	99971 0500	Washer, Spring	2	
21	0257 87 108	Nut	2	
22	0259 87 119	Nut	1	
23	0259 87 120	Screw	1	
24	0305 87 921	Harness, Wire	1	
25	2835 87 922	Yoke	1	
26	2835 87 923	Rotor	1	
27	2835 87 924	Gasket	1	
28	2835 87 925	Plate, End	1	
29	2835 87 926	Screw	4	
30	2835 87 928	Ball	2	
31	2835 87 951	Box, Gear	1	
32	0738 87 803	Felt	1	
33	0738 87 804	Washer, Plain	1	
34	2835 87 927	Ring, Retaining	1	
35	0305 87 956	Band	1	
36	2835 87 957	Cover, Seal	1	
37	99806 0510	Bolt	3	

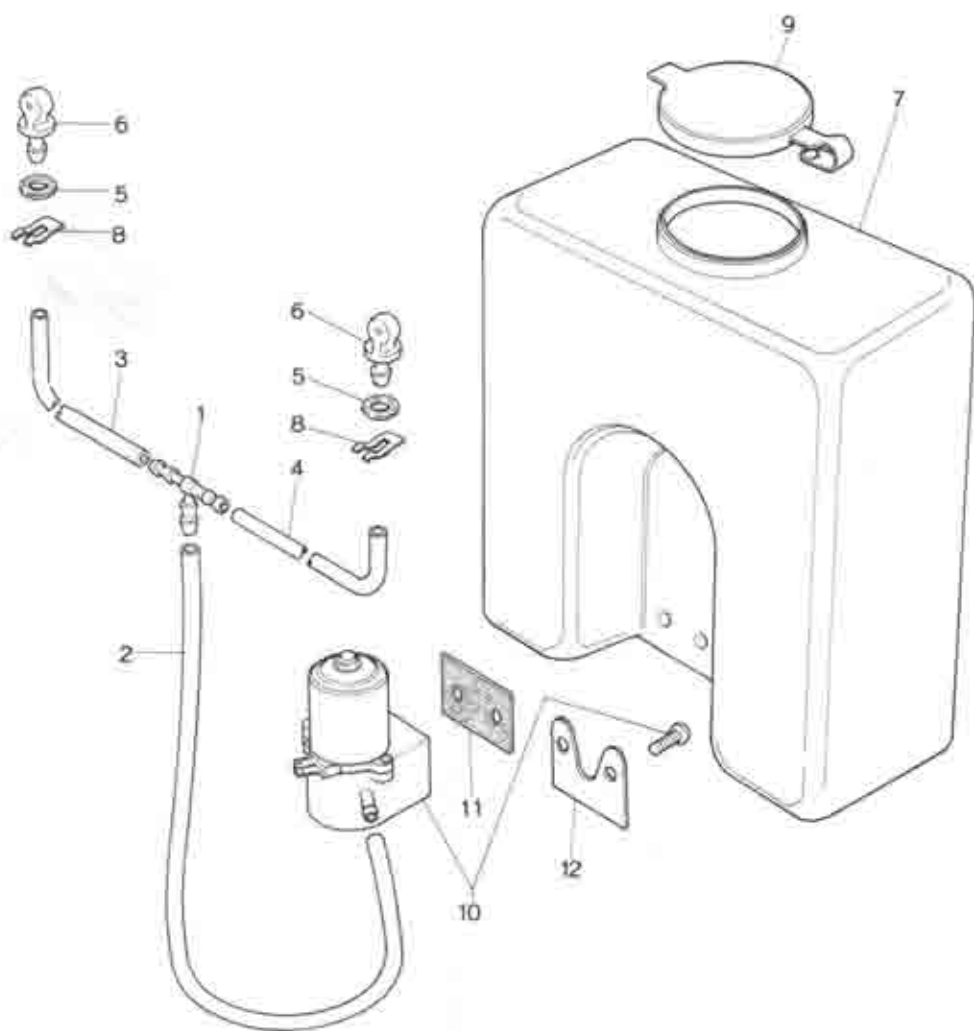
WINDSHIELD WIPER

67

87

No.	Part Number	Description	Qty	Remarks
	88971 0500	Washer, Spring	3	
38	98788 0625	Bolt, Wiper	2	
39	2850 13 322	Washer	2	



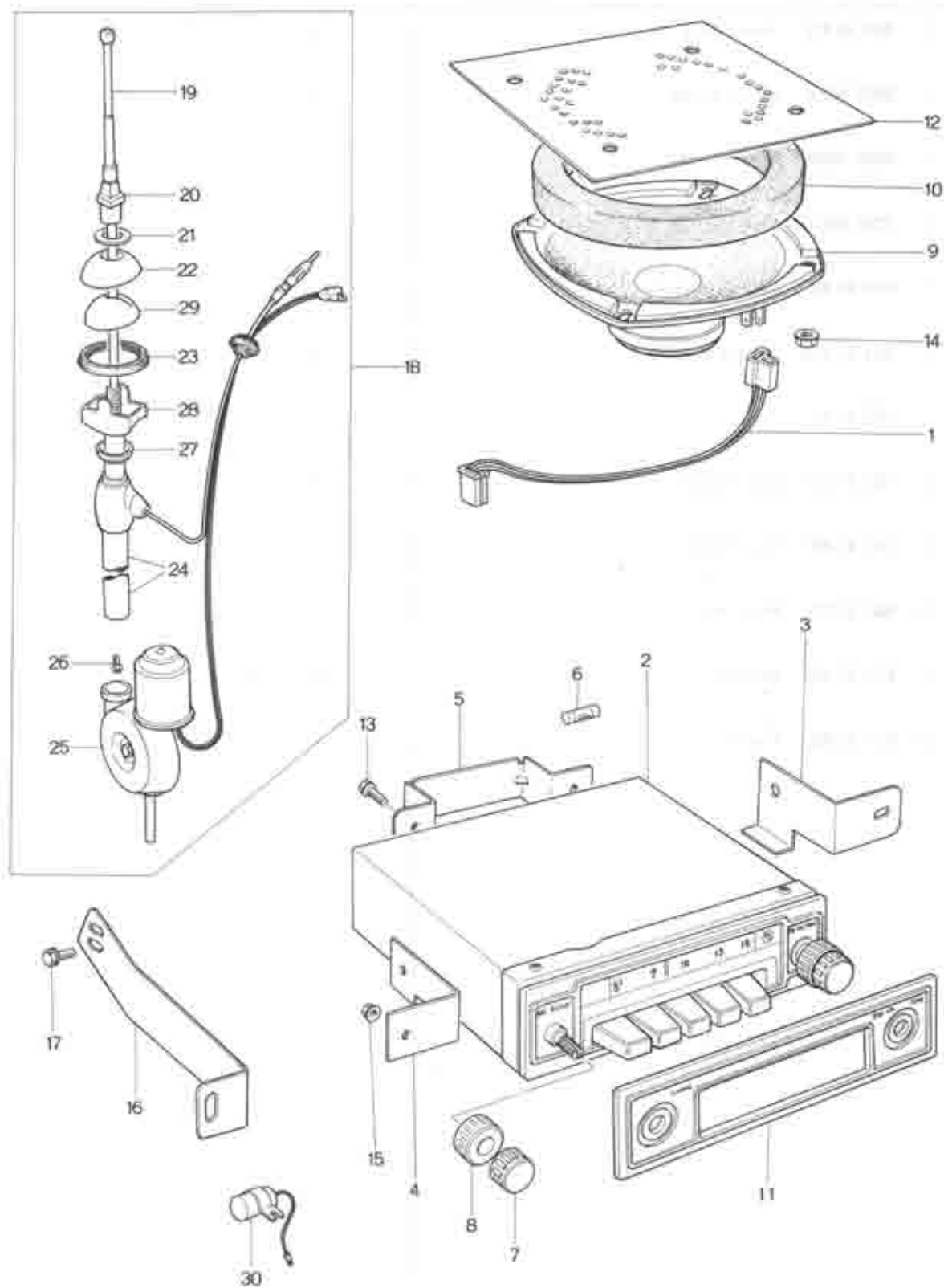


SCREEN WASHER

67

87

No.	Part Number	Description	Q'ty	Remarks
1	0013 86 879	Joint, Pipe	1	
2	99335 04010	Pipe (ϕ -100)	1	
3	99335 04063	Pipe (ϕ -650)	1	
4	99335 04075	Pipe (ϕ -750)	1	
5	0259 86 905	Gasket, Nozzle	2	
6	0275 67 510A	Nozzle, Washer	2	
7	0317 67 511	Tank	1	
8	1011 67 515	Clip, Nozzle	2	
9	0727 87 892	Cap, Tank	1	
10	0305 87 893	Pump Kit	1	
11	0727 87 894	Gasket	1	
12	0727 87 895	Plate	1	

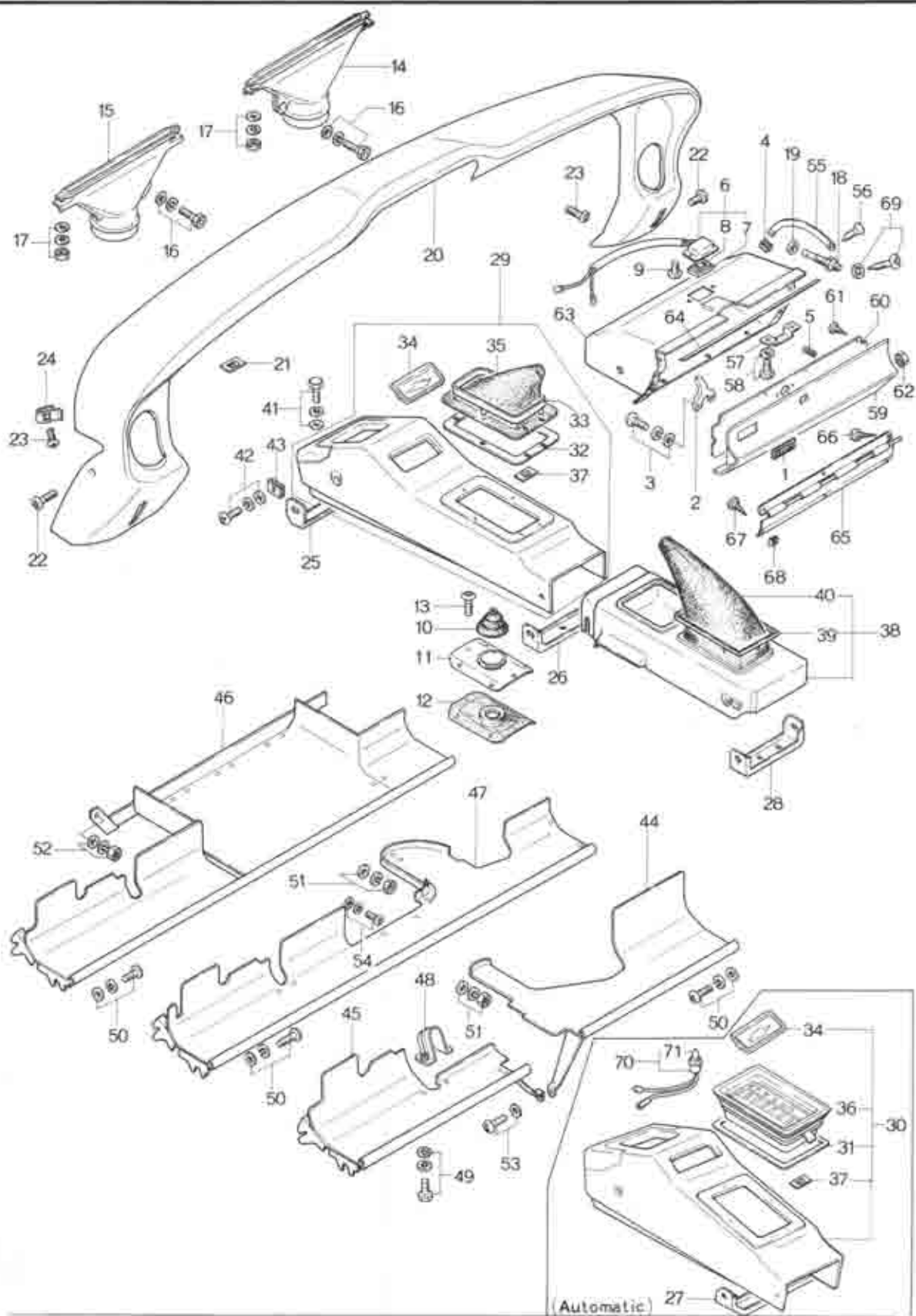


No.	Part Number	Description	Q'ty	Remarks
	0398 88 870	Radio, Auto (AM)	1	
	2070 88 870	Radio, Auto (AM / FM)	1	
	2840 88 870	Radio, Auto (AM / SW)	1	
1	0398 88 872	Cord, Loud Speaker (AM)	1	
	2845 88 872	Cord, Loud Speaker (AM / FM) (AM / SW)	1	
2	0897 88 900	Tuner (AM) (Ten Make) <i>NOT AVAILABLE</i>	1	
	0398 88 900	Tuner (AM) (Clarion Make)	1	
	2070 88 900	Tuner (AM / FM)	1	
	2840 88 900	Tuner (AM / SW)	1	
3	0398 88 901	Bracket No. 1, Tuner	1	
4	0398 88 902	Bracket No. 2, Tuner	1	
5	0398 88 903	Bracket No. 3, Tuner	1	
6	0398 88 906	Fuse (2 A)	1	
7	0305 87 994	Knob, Small	2	
8	0305 87 997	Knob, Large	2	
9	0666 88 960	Loud Speaker	1	
10	0317 88 982	Partition-Loud Speaker	1	
11	0898 88 995	Plate, Decoration	1	
12	0305 88 956	Net, Loud Speaker	1	

No.	Part Number	Description	Qty	Remarks
13	88788 0510	Screw, Tuner	2	
14	89940 0400	Nut, Loud Speaker	2	
15	89940 0500	Nut, Tuner	2	
16	2848 88 931A	Bracket, Antenna	1	
17	99806 0510	Bolt, Antenna Bracket	2	
	99852 0500	Washer, Plain	2	
	99871 0500	Washer, Spring	2	
18	0305 86 940	Antenna, Motor	1	
19	0305 86 945	Cable No. 1, Rod	1	
20	0305 87 085	Nut	1	
21	0305 87 096	Washer	1	
22	0305 87 097	Cover	1	
23	0305 87 088	Washer, Rubber	1	
24	0305 87 102	Pole	1	
25	0305 87 107	Drum	1	
26	0223 91 529	Screw	2	
27	0223 91 530	Washer	1	
28	0223 91 531	Base	1	
29	0223 91 533	Insulator	1	
30	0820 66 992	Condenser	1	



CRUSH PAD, CONSOLE & GLOVE BOX



CRUSH PAD, CONSOLE & GLOVE BOX

BOX



No.	Part Number	Description	Qty	Remarks
1	1727 51 731	Ornament, Glove Box	1	
2	2280 55 182	Guide, Lock-Glove Box	1	
3	88833 04188	Screw, Lock Guide	2	
	99932 04008	Washer, Plain	3	
	99971 04008	Washer, Spring	2	
4	0275 55 185A	Rubber, Cushion-Glove Box Lid	1	
5	0275 55 216	Cushion, Glove Box Lid	2	
6	0305 55 890	Lamp, Glove Box	1	
7	0305 75 585	Lens	1	
8	99701 5050	Bulb	1	
9	88869 04108	Screw, Glove Box Lamp	2	
10	0247 58 275	Boot, Change Lever	1	(Manual)
11	1097 58 811	Seat, Boot	1	
12	1097 58 812	Insulator, Boot	1	
13	09884 0512	Screw, Boot Seat	6	
14	0305 80 101	Nozzle (R), Defroster	1	
15	0305 80 102	Nozzle (L), Defroster	1	
16	99799 0516	Bolt, Defroster Nozzle	2	



CRUSH PAD, CONSOLE & GLOVE BOX

No.	Part Number	Description	Q'ty	Remarks
	88952 0518	Washer, Plain	2	
	88971 0500	Washer, Spring	2	
17	88968 0500	Nut, Defroster Nozzle	4	
	88952 0518	Washer, Plain	4	
	88971 0500	Washer, Spring	4	
18	0305 60 690	Switch, Glove Box Lamp	1	
19	88952 0800	Washer, Plain-Lamp Switch	1	
20	1805 88 020	Pad, Crush (BRN.)	1	
	1807 88 020	Pad, Crush (BLK.)	1	
21	99579 3000	Nut, Speed-Crush Pad	2	
22	99837 05148	Screw, Crush Pad	2	
23	99862 05168	Screw, Crush Pad	5	
24	88888 0500	Nut, Spring-Crush Pad	9	
25	1088 88 851	Bracket No. 1, Console (Without Cooler)	1	
26	1097 88 852	Bracket No. 2, Console (Manual)	1	
27	1088 88 852	Bracket No. 2, Console (Automatic)	1	
28	0303 88 853	Bracket No. 3, Console	1	
29	1805 88 880	Console (Frt.) (BRN.)	1	Selective use (U.S.A.) (Without Cooler)
	1807 88 880	Console (Frt.) (BLK.)	1	

CRUSH PAD, CONSOLE & GLOVE BOX

BOX



No.	Part Number	Description	Q'ty	Remarks
	1909 88 880	Console (Frt.) (BRN.)	1	
	1911 88 880	Console (Frt.) (BLK.)	1	
	1972 88 880	Console (Frt.) (BRN.)	1	
	1974 88 880	Console (Frt.) (BLK.)	1	
	1976 88 880	Console (Frt.) (BRN.)	1	
	1978 88 880	Console (Frt.) (BLK.)	1	
30	1906 88 880	Console (Frt.) (BRN.)	1	
	1908 88 880	Console (Frt.) (BLK.)	1	
	1973 88 880	Console (Frt.) (BRN.)	1	
	1975 88 880	Console (Frt.) (BLK.)	1	
31	9387 88 862	Plate, Indicator (Automatic)	1	
32	9398 88 862	Plate, Change Boot (Manual)	1	
33	9399 88 872	Mould, Console	1	
34	9398 88 876	Ornament, Tuner	1	
35	9388 88 880A	Boot, Change (Manual, U.S.A.)	1	
	2980 88 881	Boot, Change (Manual, Canada)	1	
36	1908 88 880	Indicator (Automatic)	1	
37	89578 3000	Nut, Speed-Change Boot & Indicator	6	
38	1097 88 880	Console (Rr.) (BLK.), Selective use	1	



CRUSH PAD, CONSOLE & GLOVE BOX

No.	Part Number	Description	Qty	Remarks
	1099 88 898	Console (Rr.) (BRN.), Selective use	1	
39	0303 88 893	Mould	1	
40	0303 88 910A	Boot, Parking Brake Lever	1	
41	88806 0812	Bolt, Console	6	
	88952 0800	Washer, Plain	6	
	88971 0800	Washer, Spring	6	
42	88863 0418B	Screw, Console	6	
	88952 0400B	Washer, Plain	6	
	88971 0400B	Washer, Spring	6	
43	88886 0400	Nut, Spring-Console	6	
44	1915 89 810	Shelf (R), Parcel (With Cooler)	1	
45	1915 89 820	Shelf (L), Parcel (With Cooler)	1	
46	2845 89 810A	Shelf, Parcel (Without Heater)	1	
47	2857 89 810A	Shelf, Parcel (With Heater)	1	
48	0305 88 820A	Bracket, Parcel Shelf	1	
49	88833 0512	Screw, Parcel Shelf	2	
	88953 0500	Washer, Plain	2	
	88971 0500	Washer, Spring	2	
50	88797 0525B	Bolt, Parcel Shelf	1	

CRUSH PAD, CONSOLE & GLOVE BOX

BOX

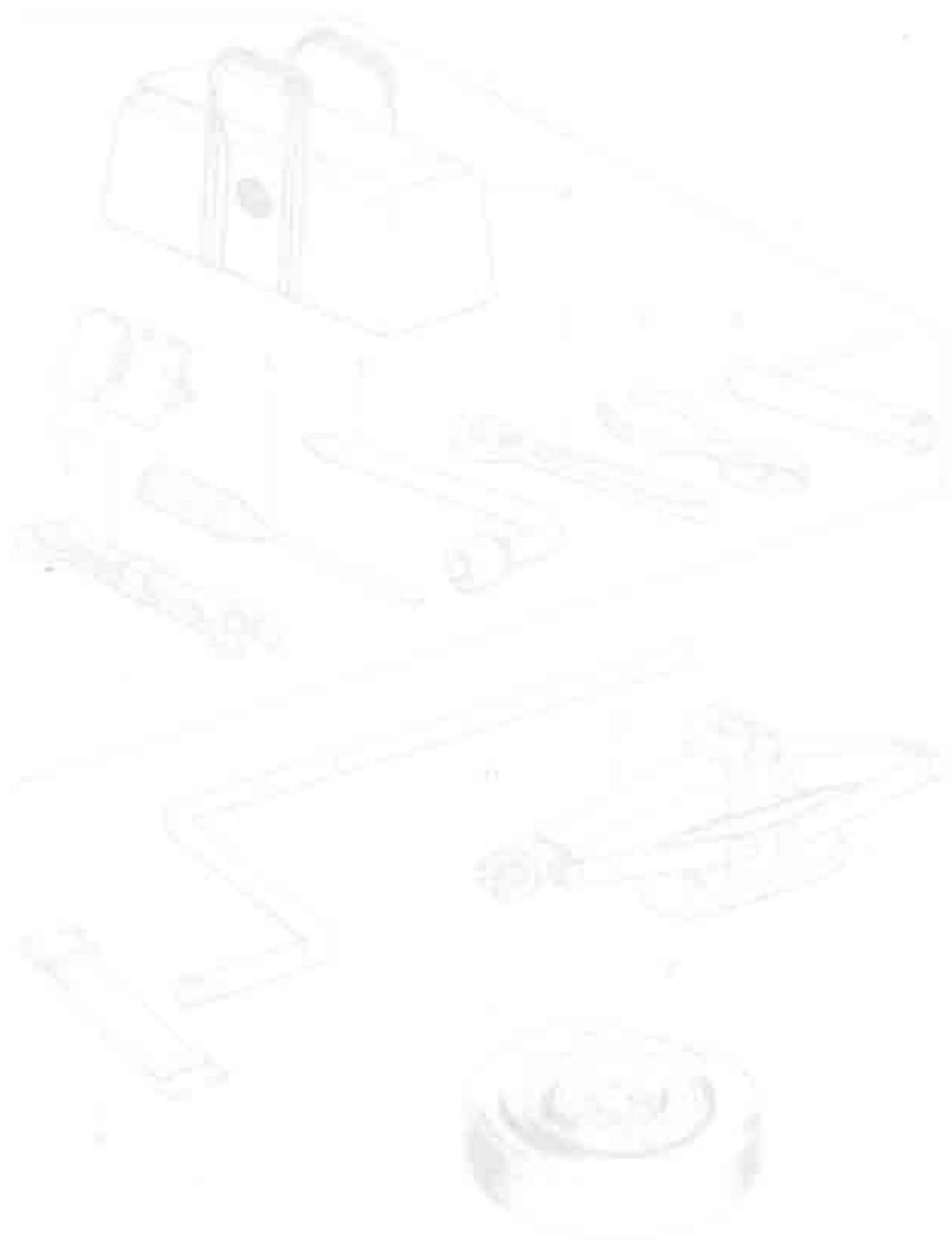


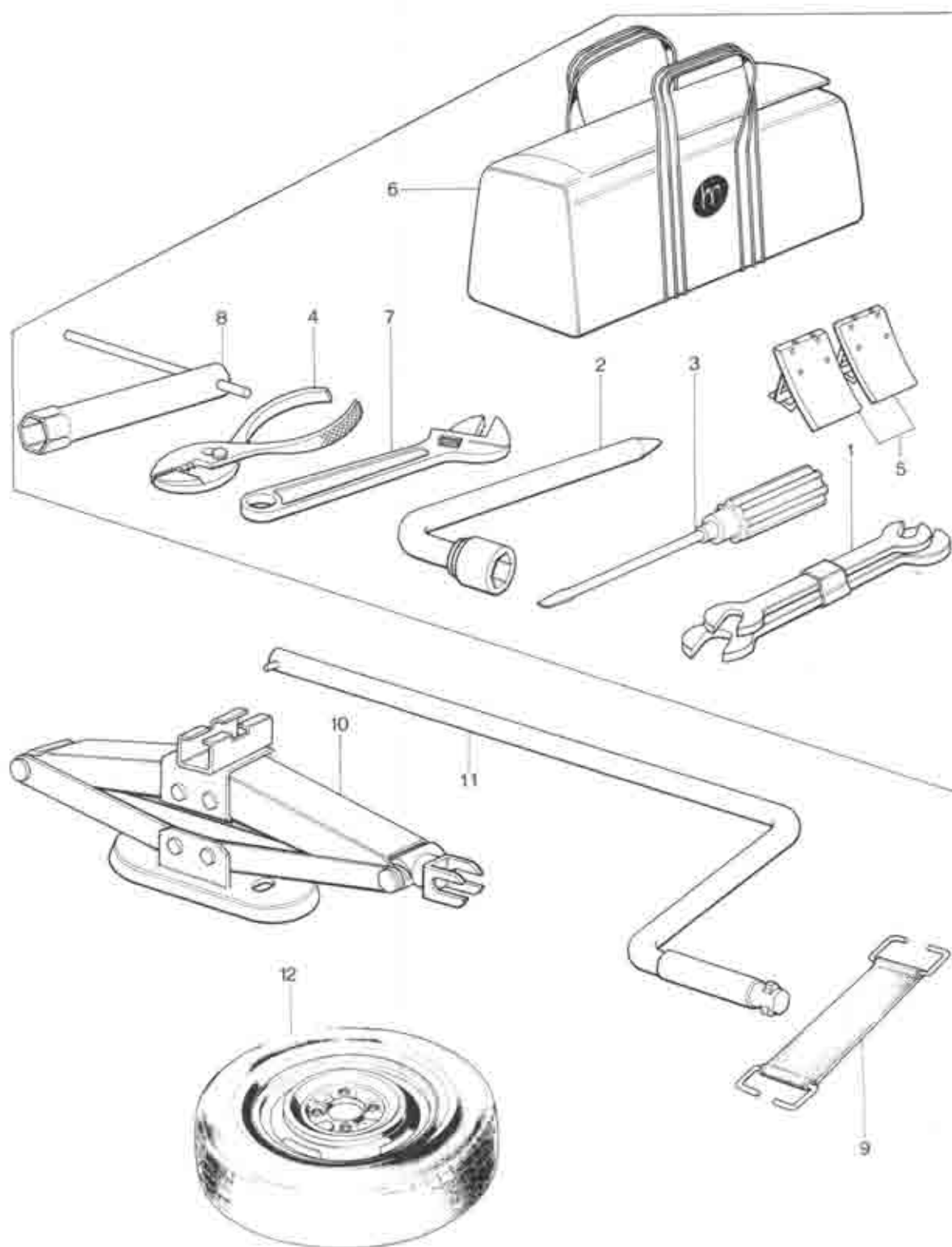
No.	Part Number	Description	Q'ty	Remarks
	99952 05188	Washer, Plain	4	
	99971 05008	Washer, Spring	4	
51	99908 0600	Nut, Parcel Shelf (With Cooler & Heater)	1	
	99952 0618	Washer, Plain	1	
	99971 0600	Washer, Spring	1	
52	99908 06008	Nut, Parcel Shelf (Without Heater)	3	
	99952 06188	Washer, Plain	3	
	99971 06008	Washer, Spring	3	
53	99983 0518	Screw, Parcel Shelf (With Cooler)	2	
	99952 0500	Washer, Plain	2	
54	99933 05088	Screw, Parcel Shelf (With Heater)	2	
	99953 05008	Washer, Plain	2	
	99971 05008	Washer, Spring	2	
55	2835 70 201	Stopper, Glove Box	1	
56	99761 04188	Screw, Stopper	1	
57	0365 70 202	Striker, Glove Box	1	
58	99833 04188	Screw, Striker	2	
	99952 04008	Washer, Plain	2	
59	1905 70 211	Lid, Outer-Glove Box (BRN.)	1	
	1907 70 211	Lid, Outer-Glove Box (BLK.)	1	



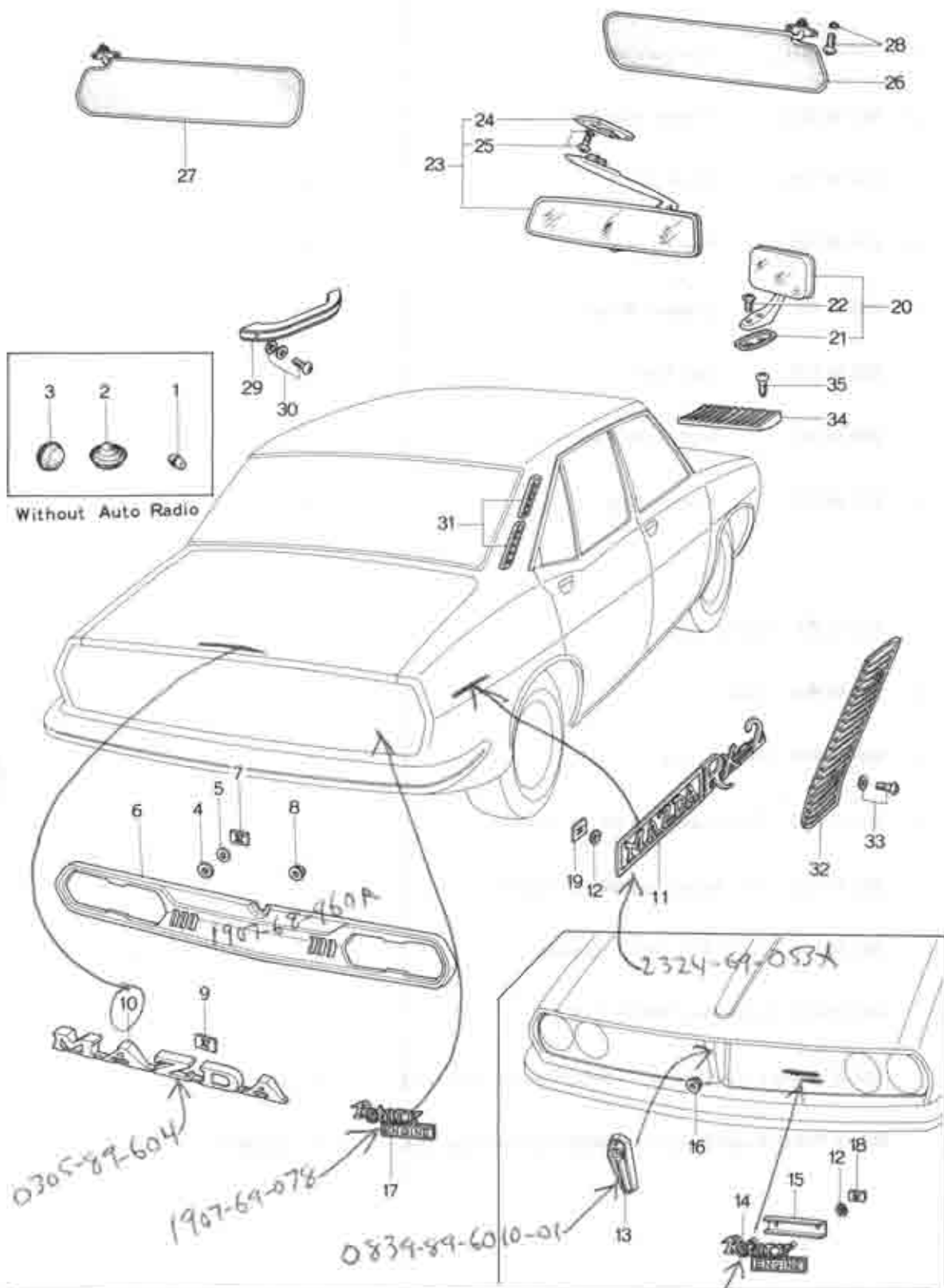
CRUSH PAD, CONSOLE & GLOVE BOX

No.	Part Number	Description	Q'ty	Remarks
60	0305 70 212	Lid, Inner - Glove Box	1	
61	99881 03088	Screw, Glove Lid Inner	4	
62	99811 0400	Nut, Glove Lid Inner	2	
63	1907 70 221	Box, Glove	1	
64	1907 70 225	Mould, Glove Box	1	
65	0305 70 230A	Hinge, Glove Box	1	
66	99881 04108	Screw, Hinge	5	
67	99888 04128	Screw, Hinge	3	
68	99886 0400	Nut, Spring-Hinge	3	
69	99833 05148	Screw, Glove Box	4	
	99852 05188	Washer, Plain	4	
70	0305 68 580A	Bulb & Socket, Console	1	} (Automatic)
71	99701 6030	Bulb	1	





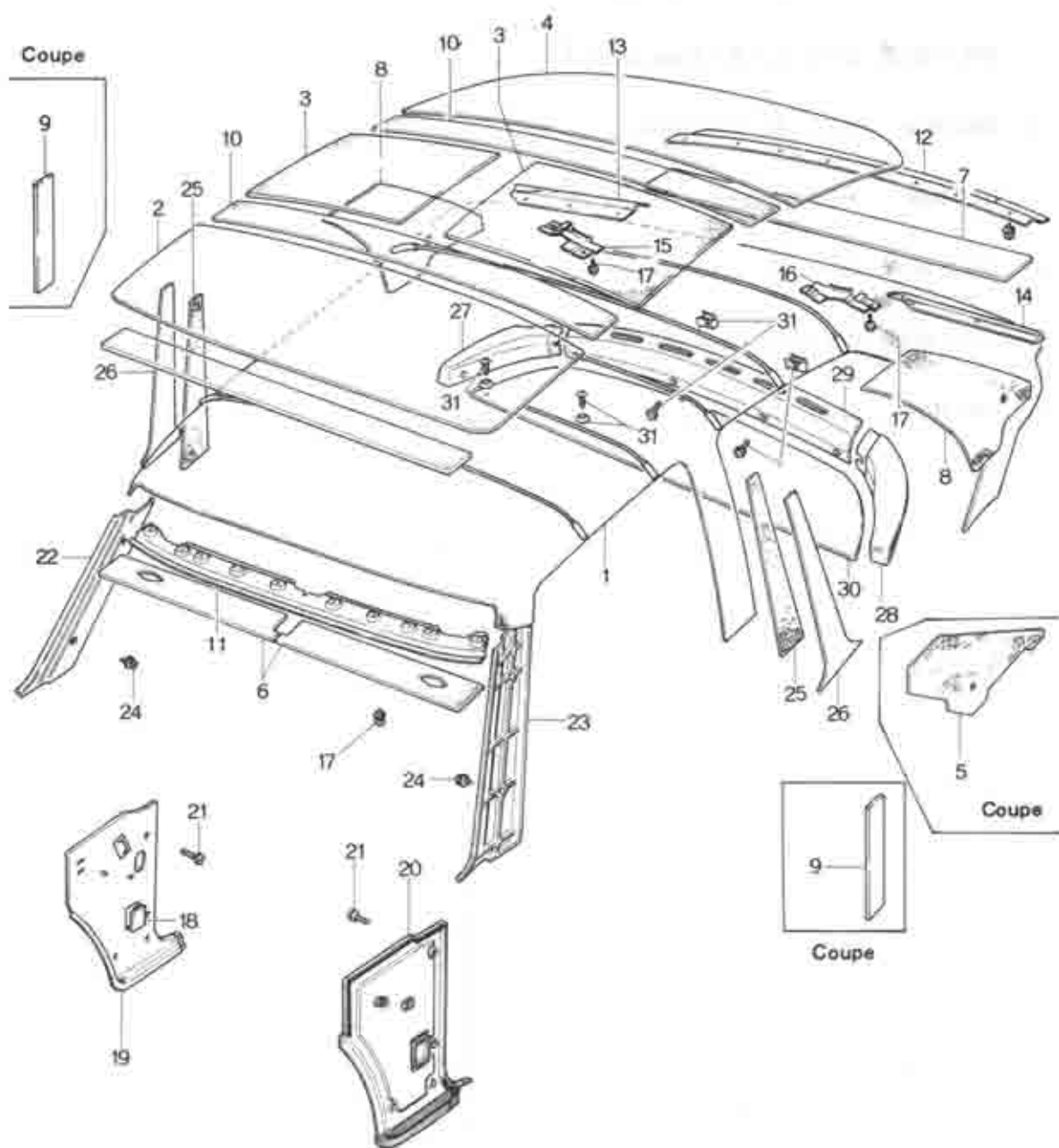
No.	Part Number	Description	Qty	Remarks
	0839 88 860	Tool Set	1	
1	0249 88 080A ⁵⁵	Spanner Set	1	
2	0810 88 070A	Wrench, Hub Nut	1	
3	0187 88 110A	Driver Set	1	
4	0118 88 180A	Plier, 6 inch	1	
5	0208 88 230	Stopper, Wheel	2	
6	0830 88 070B	Bag, Tool	1	
7	0888 88 880	Wrench, Monkey	1	
8	0839 88 720	Wrench, Plug	1	
9	0223 58 850	Clamp, Jack	1	
10	0305 88 800F	Jack	1	
11	0305 88 810A	Handle, Jack	1	
12	9962 04 1853	Tire, Radial-165 SR-13 (Canada)	1	
	9962 07 1853	Tire, Radial-165 SR-13 (U.S.A.)	1	
	9962 80 4130	Valve, Air-TR413 (Canada)	1	
	9963 80 4140	Valve, Air-TR414 (U.S.A.)	1	
	9965 05 4530-00	Wheel, Disc-4 1/2 13WDC (Wheel Cap use)	1	(SILM)
	9965 06 4530-08	Wheel, Disc-4 1/2 13WDC (Center Cap use)	1	(D GRY.)



No.	Part Number	Description	Q'ty	Remarks
1	0200 84 265	Rubber, Hole Cover	1	
2	0222 88 811	Cover, Hole - Antenna	1	Without Auto Radio
3	0222 88 971	Cover, Hole - Antenna Cord	1	
4	0305 88 951	Gasket, Rear Finisher	2	
5	0305 88 952	Washer, Rear Finisher	2	
6	1007 88 980A	Finisher, Rear	1	
7	99579 4000	Nut, Speed-Rear Finisher	2	
8	99940 0502	Nut, Rear Finisher	12	
9	0187 89 049A	Nut, Speed-Ornament	3	
10	0305 89 052A	Ornament, MAZDA-Trunk Lid	1	
11	2324 89 053A	Ornament, MAZDA RX - 2	2	
12	0730 88 057A	Gasket, Ornament	10	
13	0839 88 071-01	Emblem, Front (BLU.)	1	
14	1881 89 078	Mark, "RE" - Front	1	
15	1907 89 077	Plate, Front Emblem	1	
16	99940 0400	Nut, Front Emblem	2	
17	1907 88 078	Mark, "RE" - Rear	1	
18	99578 3000	Nut, Speed-Emblem	2	
19	99579 3080	Nut, Speed-Emblem	8	

No.	Part Number	Description	Q'ty	Remarks
20	2650 89 090	Mirror (L), Rear View	1	
21	2650 89 101	Gasket	1	
22	99772 0516	Screw, Rear View Mirror	2	
23	0639 89 170	Mirror, Interior	1	
24	0639 89 171	Base	1	
25	99831 0516	Screw, Interior Mirror	2	
	99975 0500	Washer, Toothed	2	
26	1688 89 210A05	Visor (R), Sun (Coupe) (GRY.)	1	
	1688 89 210A20	Visor (R), Sun (Coupe) (BRN.)	1	
	1905 89 210	Visor (R), Sun (Sedan) (GRY.)	1	
27	1688 89 240A05	Visor (L), Sun (Coupe) (GRY.)	1	
	1688 89 240A20	Visor (L), Sun (Coupe) (BRN.)	1	
	1905 89 240	Visor (L), Sun (Sedan) (GRY.)	1	
28	99837 0516C	Screw, Sun Visor	4	
	99975 0500C	Washer, Toothed	4	
29	0305 89 ¹¹⁰ 920-01	Handle, Assist (BLK.)	2	
30	99838 0620	Screw, Assist Handle	4	

No.	Part Number	Description	Q'ty	Remarks
	98852 0600	Washer, Plain	4	
	98971 0600	Washer, Spring	4	
31	0933 70 9415	Garnish, Air Flow (Coupe) (BLK.)	4	
32	0305 70 851-#	Grille (R), Air Flow (GRY.)	1	} (Sedan)
	0305 71 851-#	Grille (L), Air Flow (GRY.)	1	
33	98884 04128	Screw, Air Flow Grille	4	
	98852 04008	Washer, Toothed	4	
34	0305 70 991A	Grille (R), Cowl (GRY.)	1	
	0305 71 991A	Grille (L), Cowl (GRY.)	1	
35	98883 04128	Screw, Cowl Grille	4	



TRIM & TOP CEILING

69

No.	Part Number	Description	Q'ty	Remarks
1	1668 69 290-13	Ceiling, Top (Coupe) (GRY. / YLW.)	1	
	1668 69 290-20	Ceiling, Top (Coupe) (BRN.)	1	
	1668-49-290-49	" " (BLK.)	1	
	1674 69 290-05	Ceiling, Top (Sedan) (GRY. / BLK.)	1	
2	0839 69 311B	Insulator No. 1, Roof	1	
3	0398 69 312	Insulator No. 2, Roof (Sedan)	2	
	0081 69 312	Insulator No. 2, Roof (Coupe)	2	
4	0305 69 313A	Insulator No. 3, Roof (Sedan)	1	
	0839 69 313A	Insulator No. 3, Roof (Coupe)	1	
5	0839 69 314B	Pad, Rear Pillar (Coupe)	2	
6	0305 69 315	Pad, Front Header	2	
7	0305 69 316	Pad, Rear Header	1	
8	0305 69 317B	Pad (R), Rear Pillar	1	(Sedan)
	0305 69 318B	Pad (L), Rear Pillar	1	
9	0839 69 318A	Pad, Center Pillar (Coupe)	2	
10	0317 69 319	Insulator, Roof	2	
11	0305 69 321A	Plate (Frnt.), Fixing (Sedan)	1	
	0839 69 321A	Plate (Frnt.), Fixing (Coupe)	1	
12	0305 69 341B	Plate No. 1 (Rr.), Fixing (Sedan)	1	
	0839 69 341C	Plate No. 1 (Rr.), Fixing (Coupe)	1	
13	0305 69 342C	Plate No. 2 (Rr.), Fixing (Sedan)	1	

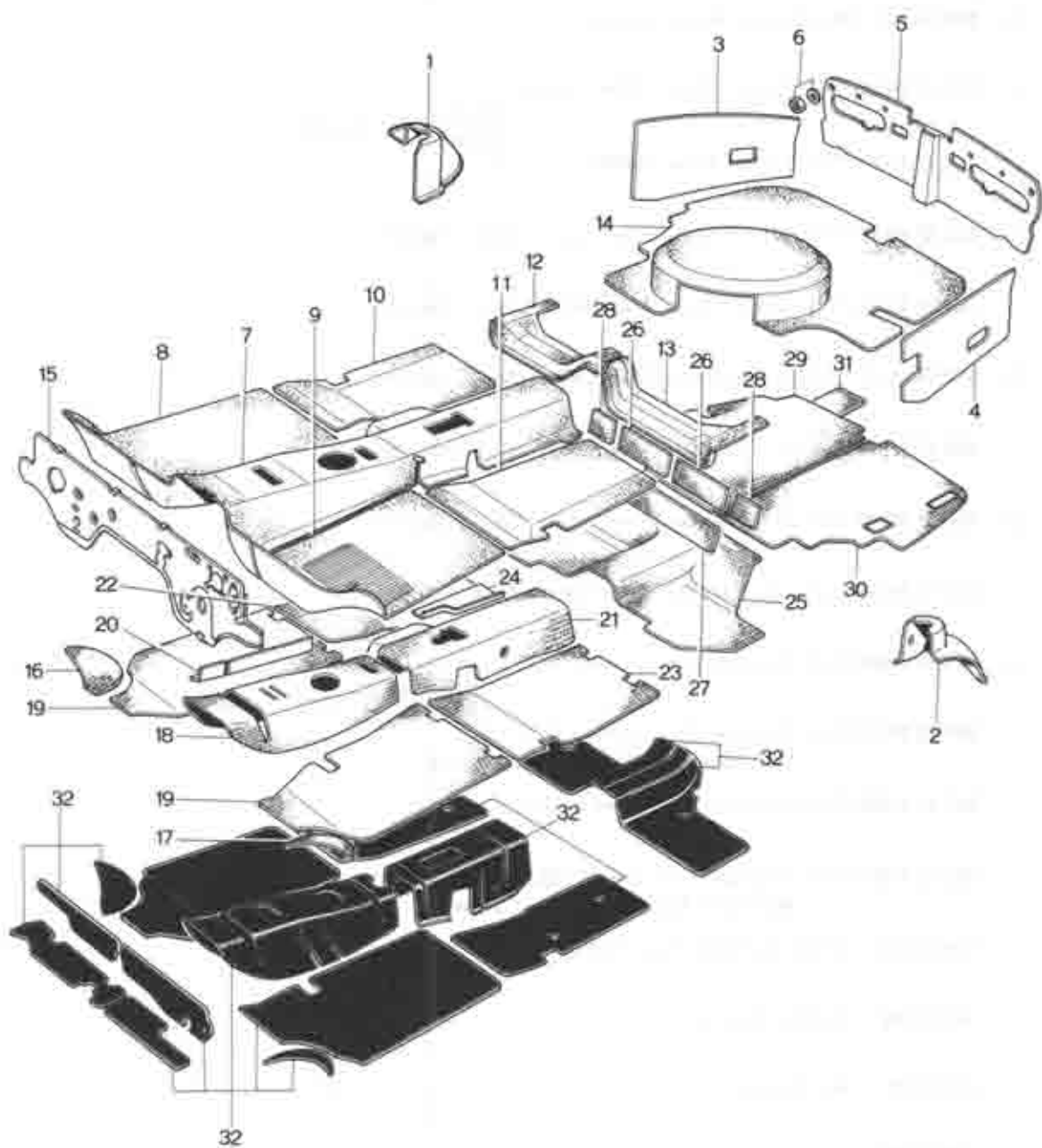
TRIM & TOP CEILING

No.	Part Number	Description	Q'ty	Remarks
	0839 89 342E	Plate No. 2 (Rr.), Fixing (Coupe)	1	
14	0305 89 343C	Plate No. 3 (Rr.), Fixing (Sedan)	1	
	0839 89 343E	Plate No. 3 (Rr.), Fixing (Coupe)	1	
15	0839 89 344A	Plate No. 4 (Rr.), Fixing	1	} (Coupe)
16	0839 89 345A	Plate No. 4 (Rr.), Fixing	1	
17	99864 0412	Screw, Fixing Plate	24	
	99853 0400	Washer, Plain	24	
	99871 0400	Washer, Spring	24	
18	0305 89 351-00	Cover, Hole-Side Trim (BLK.)	2	
19	2835 89 360C	Trim (R), Front Side (BLK.)	1	
20	2835 89 360B	Trim (L), Front Side (BLK.)	1	
21	99862 0420B	Screw, Front Side Trim	8	
	99875 0400	Washer, Toothed	8	
22	0305 89 411B00	Trim (R), Front Pillar (BLK.)	1	} Selective use (Sedan)
	1905 89 411	Trim (R), Front Pillar (BRN.)	1	
	0839 89 411B00	Trim (R), Front Pillar (BLK.)	1	} Selective use (Coupe)
	1907 89 411	Trim (R), Front Pillar (BRN.)	1	
23	0305 89 431B00	Trim (L), Front Pillar (BLK.)	1	} Selective use (Sedan)
	1905 89 431	Trim (L), Front Pillar (BRN.)	1	
	0839 89 431B00	Trim (L), Front Pillar (BLK.)	1	Selective use (Coupe)

TRIM & TOP CEILING

69

No.	Part Number	Description	Q'ty	Remarks
	1807 69 431	Trim (L), Front Pillar (BRN) Selective use (Coupe)	1	
24	99862 04128	Screw, Front Pillar Trim	4	
25	0305 69 451A	Pad, Center Pillar (Sedan)	2	
26	0305 69 481808	Trim, Center Pillar (GRY, /YLW)	2	} Selective use (Sedan)
	0305 69 481820	Trim, Center Pillar (BRN)	2	
27	0305 69 881-00	Trim (R), Package Tray Upper (BLK) (Sedan)	1	
	0839 69 881A00	Trim (R), Package Tray Upper (BLK) (Coupe)	1	
28	0305 69 882-00	Trim (L), Package Tray Upper (BLK) (Sedan)	1	
	0839 69 882A00	Trim (L), Package Tray Upper (BLK) (Coupe)	1	
29	0305 69 883-00	Trim (C), Package Tray Upper (BLK) (Sedan)	1	
	0839 69 883-00	Trim (C), Package Tray Upper (BLK) (Coupe)	1	
30	0305 69 870A00	Trim, Package Tray Lower (BLK)	1	} Selective use (Sedan)
	0841 69 870-00	Trim, Package Tray Lower (BLK) With Hole For Stereo Loud Speaker	1	
	0310 69 870A00	Trim, Package Tray Lower (BLK)	1	} Selective use (Coupe)
	0839 69 870800	Trim, Package Tray Lower (BLK) With Hole For Stereo Loud Speaker	1	
31	99862 05208	Screw, Package Tray Trim	9	
	99975 05008	Washer, Toothed	9	
	99899 05000	Nut, Spring	6	
	99967 05008	Washer	3	



TRIM & FLOOR MAT

68

69

No.	Part Number	Description	Q'ty	Remarks
1	8305 88 580A00	Trim (R), Trunk Room (BLK.)	1	
2	0838 88 590A00	Trim (L), Trunk Room (BLK.)	1	
3	8305 88 810C00	Trim (R), Trunk Room (BLK.)	1	
4	8305 88 820C00	Trim (L), Trunk Room (BLK.)	1	
5	1807 88 630	Trim, Trunk Room End (BLK.)	1	
6	89945 05008	Nut, Trunk Room Trim	4	
	89952 05168	Washer, Plain	8	
<p>When ordering the following Mats Add Colour Code nos given below after parts number -35 (BLK.) -36 (BRN.)</p>				
7	1807 88 611	⊙ Mat (Frt., C), Floor (Manual)	1	
	1808 88 611	⊙ Mat (Frt., C), Floor (Automatic)	1	
8	1807 88 612	⊙ Mat (Frt., R), Floor (Manual)	1	
	1808 88 612	⊙ Mat (Frt., R), Floor (Automatic)	1	
9	1807 88 613	⊙ Mat (Frt., L), Floor (Manual)	1	
	1808 88 613	⊙ Mat (Frt., L), Floor (Automatic)	1	
10	1807 88 617	⊙ Mat (Rr., R), Floor	1	Use 1907-69-617 ⊙ (one piece)
11	1807 88 618	⊙ Mat (Rr., L), Floor	1	
12	2090 88 625-08	Cover (R), Member (BLK.)	1	
13	2090 88 626-08	Cover (L), Member (BLK.)	1	
14	8881 88 627-05	Mat, Trunk Room (BLK.)	1	

TRIM & FLOOR MAT

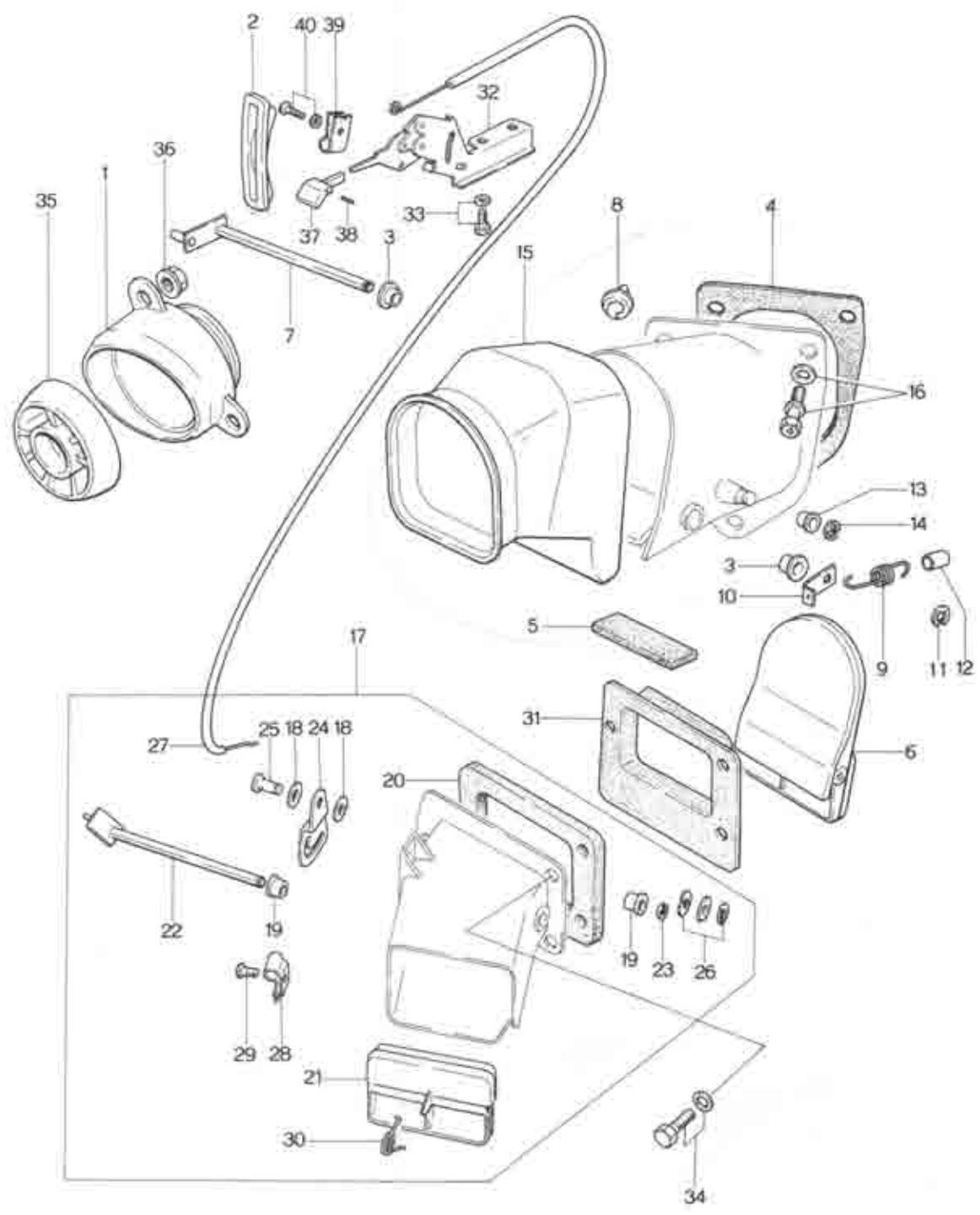
No.	Part Number	Description	Q'ty	Remarks
15	1807 88 880	Insulator	1	
16	0305 89 881	Pad (R), Tire House	1	
17	0305 89 882	Pad (L), Tire House	1	
18	1097 89 883	Pad (C), Front	1	
19	1097 89 884	Pad, Front	2	
20	1570 89 888	Pad, Front-Tunnel Side	1	
21	0839 89 8878	Pad (C), Rear	1	
22	0839 89 888	Pad (R), Rear	1	
23	0839 89 889	Pad (L), Rear	1	
24	1570 89 891	Pad, Rear-Tunnel Side	1	
25	0305 89 892	Pad, End	1	
26	0305 89 893	Pad No. 1, Package Tray	2	
27	0305 89 894	Pad No. 2, Package Tray	1	
28	0305 89 895	Pad No. 3, Package Tray	2	
29	0838 88 8960	Pad (R), Trunk Room	1	
30	0838 88 8970	Pad (L), Trunk Room	1	
31	1883 89 8998	Pad, Heat Insulator-Trunk Room	1	
32	0208 76 071	Silencer		

A 30 cm square object in sheet form is supplied
under part no. 0208 76 071

(Floor Silencer, Revised Piece)



VENTILATOR



VENTILATOR

70
71

No.	Part Number	Description	Q'ty	Remarks
1	1805 88 050	Guide (R), Ventilator (BRN)	1	Selective use
	1807 88 050	Guide (R), Ventilator (BLK)	1	
	1805 88 060	Guide (L), Ventilator (BRN)	1	Selective use
	1807 88 060	Guide (L), Ventilator (BLK)	1	
2	1807 88 071	Guide, Ventilator Lever	2	
	1907 70 310	Ventilator (R), First	1	
	1907 71 310	Ventilator (L), First	1	
3	0317 70 307	Bush	4	
4	0305 70 312	Gasket	2	
5	0259 70 315	Cushion	2	
6	1907 70 320	Flap	2	
7	0305 70 330A	Lever	2	
8	0305 70 335	Pipe, Clip	2	
9	0305 70 342	Spring	2	
10	0305 70 343	Lever (R)	1	
	0305 71 343	Lever (L)	1	
11	89578 0400	Ring, Stop	2	
12	89335 06001	Pipe, Vinyl- Spring	2	(Without Cooler)
13	1907 70 365	Bush	2	

70

71

VENTILATOR

No.	Part Number	Description	Qty	Remarks
14	99576 0300	Ring, Stop	2	
15	1907 70 345	Duct (R), Ventilator	1	
	1907 71 345	Duct (L), Ventilator	1	
16	99785 0516	Bolt, Ventilator	4	
	99852 0500	Washer, Spring	4	
	99871 0500	Washer, Spring	4	
17	1907 70 350	Ventilator (R), Second	1	
	1907 71 350	Ventilator (L), Second	1	
18	0835 52 148	Washer	4	
19	0317 70 307	Bush	4	
20	0305 70 353	Gasket	2	
21	0305 70 360	Flap	2	
22	0305 70 370	Lever	2	
23	99576 0400	Ring, Stop	2	
24	1907 70 375	Clamp (R)	1	
	1907 71 375	Clamp (L)	1	
25	99230 0811	Pin	2	
26	99972 0800	Washer, Wave-Clamp	2	

VENTILATOR

70

71

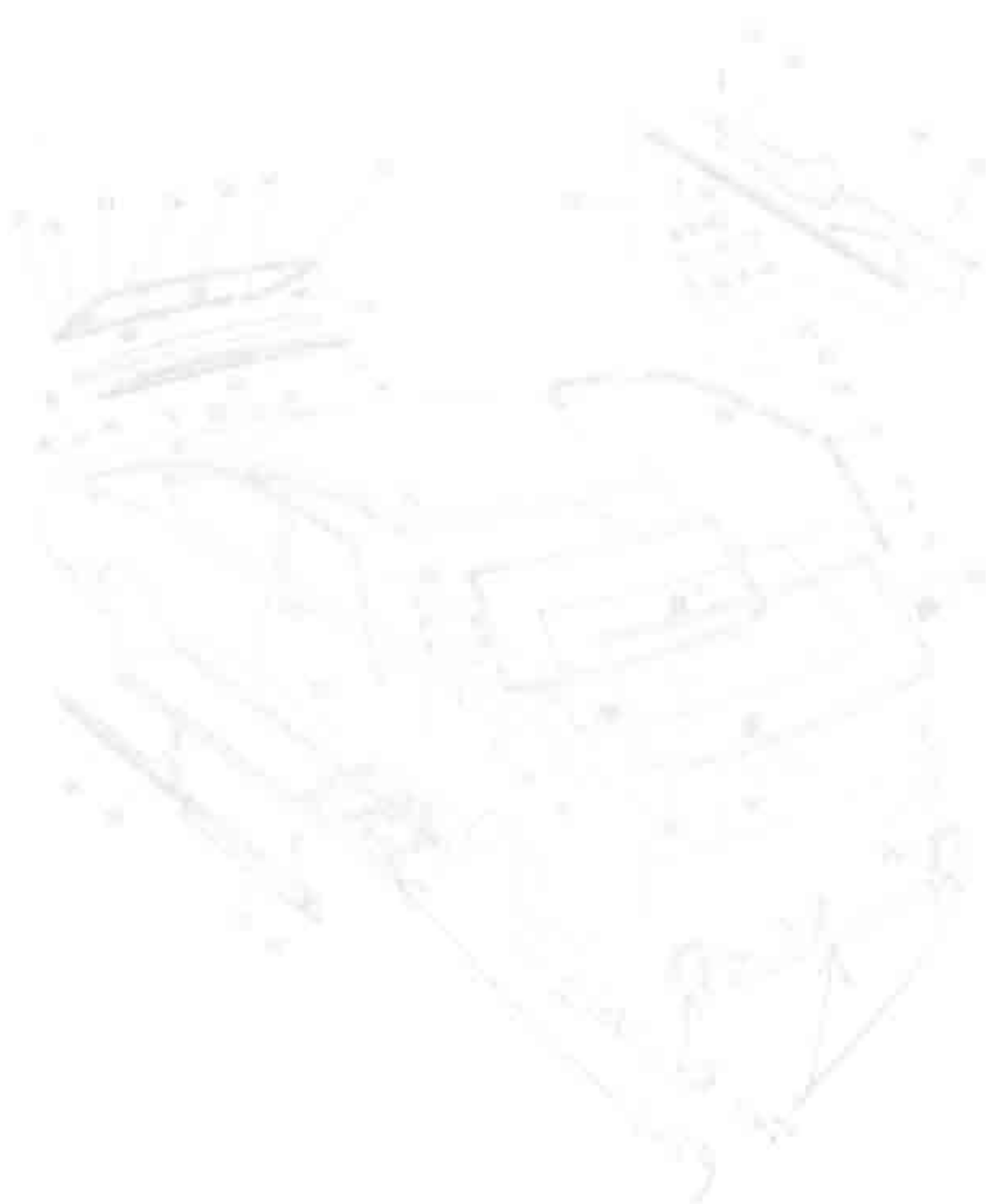
No.	Part Number	Description	Q'ty	Remarks
	99953 0800	Washer, Plain	2	
	99576 0500	Ring, Stop	2	
27	0305 70 390	Wire	1	
28	0305 70 396	Clamp (R), Wire	1	
	0305 71 396	Clamp (L), Wire	1	
29	99860 0410	Screw, Wire Clamp	2	
	99952 0400	Washer, Plain	2	
30	0305 70 397	Spring	2	
31	0305 70 352A	Gasket (R), Ventilator	1	
	0305 71 352A	Gasket (L), Ventilator	1	
32	1907 70 360	Link (R), Ventilator	1	
	1907 71 360	Link (L), Ventilator	1	
33	99804 0518	Screw, Ventilator Link	4	
	99952 0518	Washer, Plain	4	
	99971 0500	Washer, Spring	4	
34	99785 0520	Bolt, Ventilator	6	
	99952 0500	Washer, Plain	6	
	99971 0500	Washer, Spring	6	
35	0868 70 371	Louver, Ventilator	2	

70

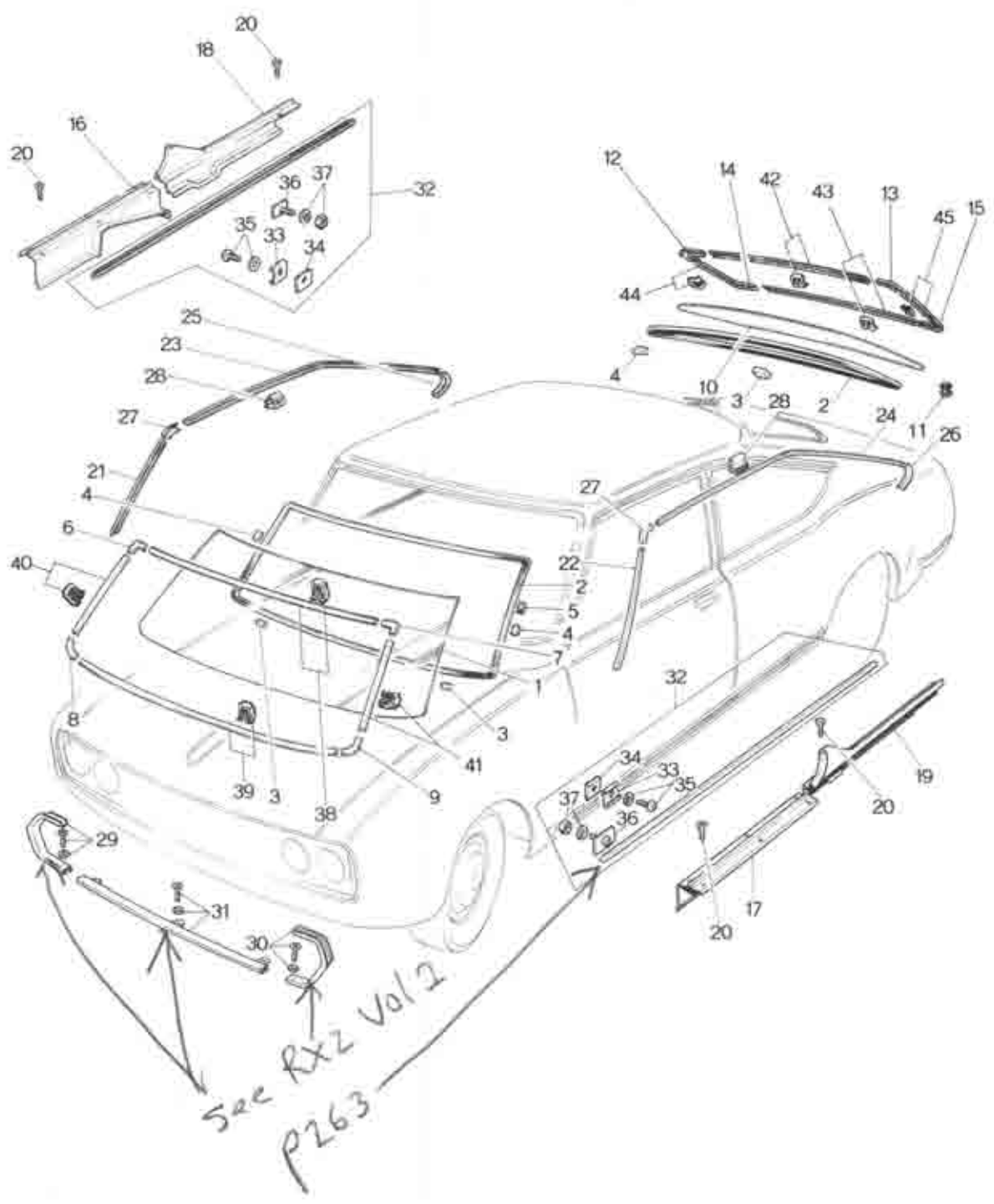
71

VENTILATOR

No.	Part Number	Description	Q'ty	Remarks
36	89840 0501	Nut, Ventilator Louver	6	
37	0305 70 392C	Knob (R), Ventilator	1	
	0305 71 392C	Knob (L), Ventilator	1	
38	99836 0312B	Screw, Knob	2	
39	0305 70 395B	Clamp, Wire	2	
40	99833 0410	Screw, Wire Clamp	2	
	99852 0400	Washer, Plain	2	
	99871 0400	Washer, Spring	2	



WINDOW GLASS & MOULDING (COUPE)



WINDOW GLASS & MOULDING

(COUPE)

70

71

No.	Part Number	Description	Q'ty	Remarks
1	2080 70 441	Glass, Front Windshield	1	
2	0305 70 443B	Dam, Windshield Glass	2	
3	0305 70 447B	Spacer "A", Windshield Glass	4	
4	0305 70 448A	Spacer "B", Windshield Glass	4	
5	0839 70 449	Spacer "C", Windshield Glass	4	
6	0839 70 454A	Joint (R), Mould-Upper	1	
7	0839 71 454A	Joint (L), Mould-Upper	1	
8	0839 70 455	Joint (R), Mould-Lower	1	
9	0839 71 455	Joint (L), Mould-Lower	1	
10	0833 70 471	Glass, Back Window	1	
	0839 70 471C	Glass, Back Window -With Heating Wire	1	
11	0839 70 479	Grommet, Heating Wire	1	
12	0839 70 484A	Joint (R), Mould-Upper	1	
13	0839 71 484A	Joint (L), Mould-Upper	1	
14	0839 70 485A	Joint (R), Mould-Lower	1	
15	0839 71 485A	Joint (L), Mould-Lower	1	
16	0839 70 802A00	Plate (Frt., R), Scarf (BLK.)	1	
17	0839 71 802A00	Plate (Frt., L), Scarf (BLK.)	1	
18	1907 70 803	Plate (Rr., R), Scarf (BLK.)	1	
19	1907 71 803	Plate (Rr., L), Scarf (BLK.)	1	

70

71

WINDOW GLASS & MOULDING

(COUPE)

No.	Part Number	Description	Q'ty	Remarks
20	99882 04148	Screw, Scarf Plate	20	
21	0839 70 821A	Mould (Frt., R), Drip	1	
22	0839 71 821A	Mould (Frt., L), Drip	1	
23	0839 70 822	Mould (C., R), Drip	1	
24	0839 71 822	Mould (C., L), Drip	1	
25	0881 70 823B	Mould (R), Drip End	1	
26	0881 71 823B	Mould (L), Drip End	1	
27	0305 70 825	Mould (Frt.), Corner	2	
28	0305 70 827A	Clip, Drip Mould	18	
29	0305 99 712	Mould Set (R), Front	1	
30	0305 99 713	Mould Set (L), Front	1	
31	0305 99 715	Mould Set No. 1, Front	1	
32	0305 99 721	Mould Set, Step	2	
33	0305 70 861C	Clip, Step Mould	10	
34	0839 70 865	Spacer, Step Mould	4	
35	99863 0512	Screw, Step Mould	10	
	99971 0500	Washer, Spring	10	
36	0223 70 870	Plate Set, Step Mould	2	
37	99906 0400	Nut, Step Mould	2	

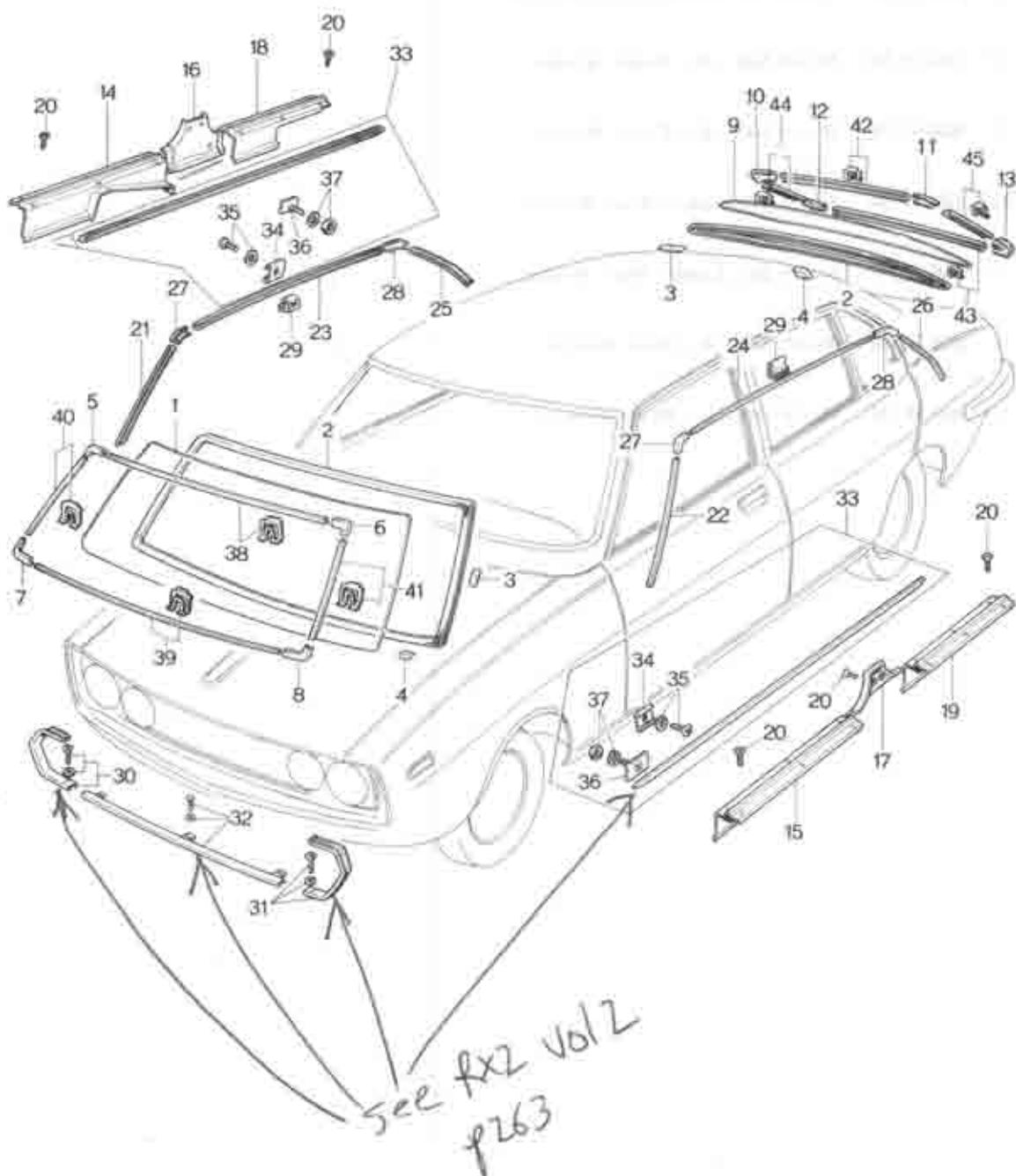
WINDOW GLASS & MOULDING

(COUPE)

70

71

No.	Part Number	Description	Q'ty	Remarks
	99971 0400	Washer, Spring	2	
38	0839 99 741	Mould Set, Upper-Front Window	1	
39	0305 99 742	Mould Set, Lower-Front Window	1	
40	0839 99 743	Mould Set (R), Front Window	1	
41	0839 99 744	Mould Set (L), Front Window	1	
42	0839 99 746	Mould Set, Upper-Rear Window	1	
43	0839 99 747	Mould Set, Lower-Rear Window	1	
44	0839 99 748	Mould Set (R), Rear Window	1	
45	0839 99 749	Mould Set (L), Rear Window	1	



WINDOW GLASS & MOULDING

(SEDAN)

70

71

No.	Part Number	Description	Q'ty	Remarks
1	0305 70 441	Glass, Front Windshield	1	
2	0305 70 443B	Dam, Windshield Glass	2	
3	0305 70 447B	Spacer "A" , Windshield Glass	4	
4	0305 70 448A	Spacer "B" , Windshield Glass	4	
5	0305 70 454A	Joint (R) , Mould-Upper	1	
6	0305 71 454A	Joint (L) , Mould-Upper	1	
7	0305 70 455A	Joint (R) , Mould-Lower	1	
8	0305 71 455A	Joint (L) , Mould-Lower	1	
9	0304 70 471	Glass, Back Window	1	
	0305 70 471D	Glass, Back Window -With Heating Wire	1	
10	0305 70 484B	Joint (R) , Mould-Upper	1	
11	0305 71 484	Joint (L) , Mould-Upper	1	
12	0305 70 485A	Joint (R) , Mould-Lower	1	
13	0305 71 485A	Joint (L) , Mould-Lower	1	
14	0307 70 802-00	Plate (Frt., R) , Scarf (BLK.)	1	
15	0305 71 802-00	Plate (Frt., L) , Scarf (BLK.)	1	
16	1905 70 803	Plate (C., R) , Scarf (BLK.)	1	
17	1905 71 803	Plate (C., L) , Scarf (BLK.)	1	
18	0305 70 804A00	Plate (Rr., R) , Scarf (BLK.)	1	
19	0305 71 804A00	Plate (Rr., L) , Scarf (BLK.)	1	

70

71

WINDOW GLASS & MOULDING

(SEDAN)

No.	Part Number	Description	Q'ty	Remarks
20	89862 04148	Screw, Scarf Plate	26	
21	0305 70 821A	Mould (Frt., R), Drip	1	
22	0305 71 821A	Mould (Frt., L), Drip	1	
23	0305 70 822	Mould (C., R), Drip	1	
24	0305 71 822	Mould (C., L), Drip	1	
25	0305 70 823A	Mould (Rr., R), Drip	1	
26	0305 71 823A	Mould (Rr., L), Drip	1	
27	0305 70 825	Mould (Frt.), Corner	2	
28	0305 70 826	Mould (Rr.), Corner	2	
29	0305 70 827A	Clip, Drip Mould	22	
30	0305 89 712	Mould Set (R), Front	1	
31	0305 89 713	Mould Set (L), Front	1	
32	0305 89 715	Mould Set No. 1, Front	1	
33	0305 89 721	Mould Set, Step	2	
34	0305 70 801C	Clip, Step Mould	10	
35	89863 0512	Screw, Step Mould Clip	10	
	89871 0500	Washer, Spring	10	
36	0223 70 870	Plate Set, Step Mould	2	
37	89808 0490	Nut, Step Mould	2	

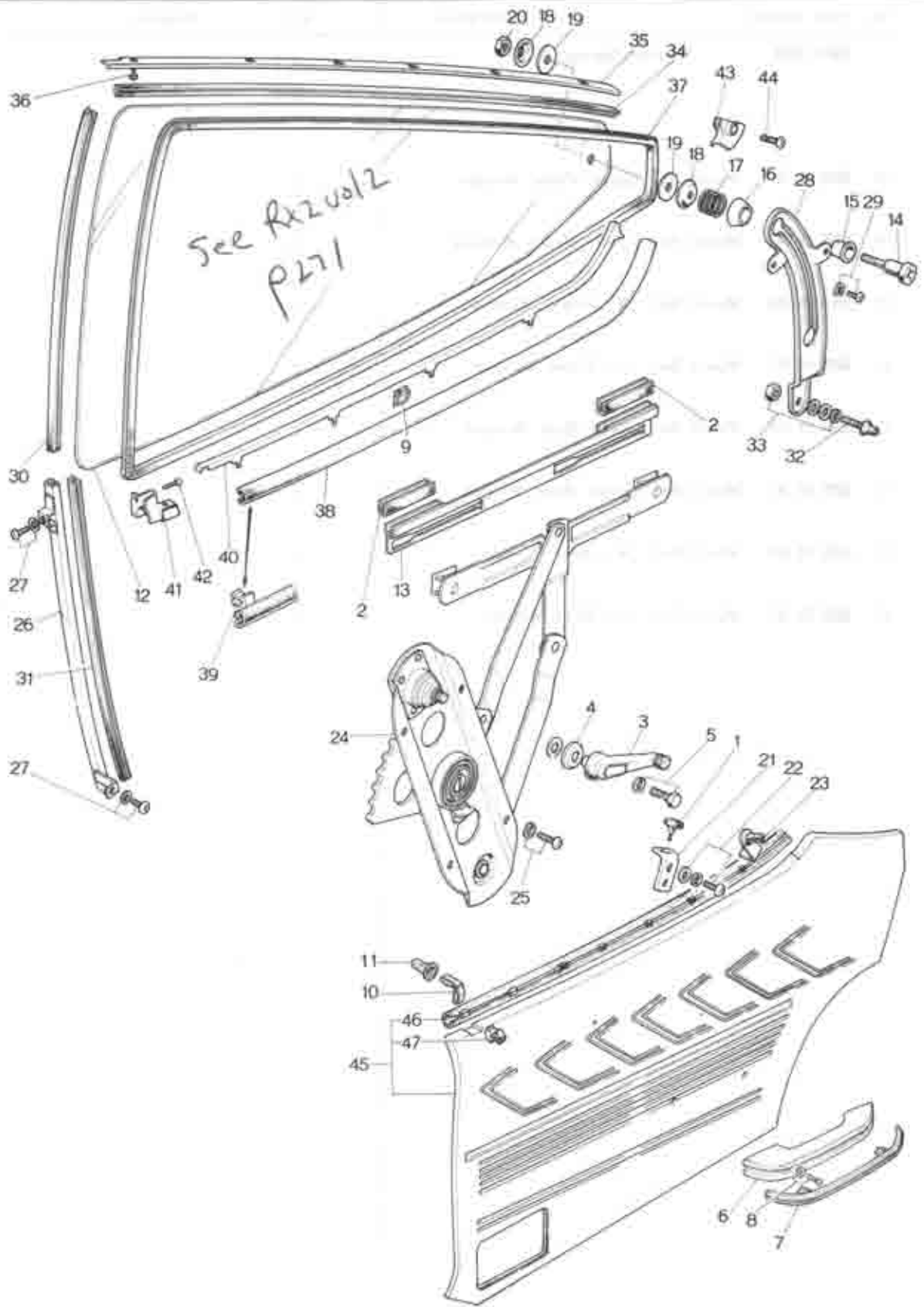
WINDOW GLASS & MOULDING (SEDAN)

70

71

No.	Part Number	Description	Q'ty	Remarks
	99971 0400	Washer, Spring	2	
38	0305 99 741	Mould Set, Upper-Front Window	1	
39	0305 99 742	Mould Set, Lower-Front Window	1	
40	0305 99 743	Mould Set (R), Front Window	1	
41	0305 99 744	Mould Set (L), Front Window	1	
42	0305 99 746	Mould Set, Upper-Rear Window	1	
43	0305 99 747	Mould Set, Lower-Rear Window	1	
44	0305 99 748	Mould Set (R), Rear Window	1	
45	0305 99 749	Mould Set (L), Rear Window	1	

REAR SIDE WINDOW (COUPE)



REAR SIDE WINDOW (COUPE)

70
71

No.	Part Number	Description	Q'ty	Remarks
1	0824 58 155	Stopper, Glass Down	2	
2	2292 58 232	Strip, Rubber - Glass	4	
3	0223 58 3700	Handle, Regulator (BLK.)	2	
4	0223 58 375A	Escutcheon, Regulator Handle (BLK.)	2	
5	99800 0510	Bolt, Regulator Handle	2	
	99871 0500	Washer, Spring	2	
6	0398 58 821A00	Rest, Arm (BLK.)	2	
	0398 58 821A01	Rest, Arm (GRY. / YLW.)	2	Selective use
	0398 58 821A20	Rest, Arm (BRN.)	2	
7	0398 58 822A00	Garnish, Arm Rest (BLK.)	2	
	0398 58 822A01	Garnish, Arm Rest (GRY. / YLW.)	2	Selective use
	0398 58 822A20	Garnish, Arm Rest (BRN.)	2	
8	99833 0520	Screw, Arm Rest	4	
	99852 0500	Washer, Plain	4	
9	0881 58 839	Spacer, Beltline Mould	6	
10	0208 58 821	Fastener, Quarter Trim	4	
11	0187 58 822	Cap, Fastener Seal-Quarter Trim	4	
12	0839 70 511A	Glass (R), Quarter Window	1	
	0839 71 511A	Glass (L), Quarter Window	1	
13	0830 70 515	Bracket, (R), Lift	1	

70

71

REAR SIDE WINDOW (COUPE)

No.	Part Number	Description	Qty.	Remarks
	0839 71 515	Bracket (L), Lift	1	
14	0839 70 521	Pin, Glass Guide	2	
15	0839 70 522	Roller, Glass Guide	2	
16	0839 70 523A	Seat, Spring-Glass Guide	2	
17	0839 70 524	Spring, Glass Guide	2	
18	0839 70 525	Washer, Glass Guide	4	
19	0839 70 528	Seat, Glass Guide	4	
20	99806 0500	Nut, Glass Guide	2	
21	0839 70 550A	Bracket, Glass Down	2	
22	99806 0612	Bolt, Bracket	4	
	99871 0800	Washer, Spring	4	
	99951 0618	Washer, Plain	4	
23	0839 70 555	Cushion, Glass Down	2	
24	0839 70 570	Regulator (R), Window	1	
	0839 71 570	Regulator (L), Window	1	
25	99806 0612	Bolt, Window Regulator	8	
	99871 0800	Washer, Spring	8	
	99952 0618	Washer, Plain	8	
26	0839 70 603	Guide "A" (R), Glass	1	
	0839 71 603	Guide "A" (L), Glass	1	

REAR SIDE WINDOW (COUPE)

70

71

No.	Part Number	Description	Qty	Remarks
27	99806 0612	Bolt, Glass Guide "A"	4	
	99971 0800	Washer, Spring	4	
	99952 0618	Washer, Plain	4	
28	0839 70 804	Guide "B" (R), Glass	1	
	0839 71 804	Guide "B" (L), Glass	1	
29	99808 0612	Bolt, Glass Guide "B"	8	
	99971 0800	Washer, Spring	8	
	99952 0618	Washer, Plain	8	
30	0839 70 8050	Run Channel "A", Glass	2	
31	0839 70 8080	Run Channel "B", Glass	2	
32	0824 70 821	Stud, Glass Guide "B"	2	
33	99806 0800	Nut, Glass Guide "B"	2	
	99851 0822	Washer, Plain	2	
	99971 0800	Washer, Spring	2	
34	0839 70 851A	Weatherstrip (R)	1	
	0839 71 851A	Weatherstrip (L)	1	
35	0839 70 852	Retainer (R)	1	
	0839 71 852	Retainer (L)	1	
36	99864 0408	Screw, Retainer	12	
37	0881 70 855-00	Welt, Seaming (BLK)	2	

70

71

REAR SIDE WINDOW (COUPE)

No.	Part Number	Description	Q'ty	Remarks
38	0838 70 680C	Weatherstrip (R), Outer	1	
	0838 71 680C	Weatherstrip (L), Outer	1	
39	0838 58 783B	Fastener	16	
40	0881 70 721	Mould (R), Beltline	1	
	0881 71 721	Mould (L), Beltline	1	
41	0838 70 751C	Cover "A" (Frt., R), Corner (BLK.)	1	
	0838 71 751C	Cover "A" (Frt., L), Corner (BLK.)	1	
42	99864 0410B	Screw, Corner Cover	2	
43	0838 70 752A	Cover (Rr., R), Corner (BLK.)	1	
	0838 71 752A	Cover (Rr., L), Corner (BLK.)	1	
44	99862 0418B	Screw, Corner Cover	2	
<p>When ordering the following Trims Add Colour Code nos. given below after parts number -13 (BLK.) -15 (GRY. / YLW.) -20 (BRN.)</p>				
45	1907 70 780	Trim (R), Quarter	1	
	1907 71 780	Trim (L), Quarter	1	
46	0838 70 690	Weatherstrip (R), Inner	1	
	0838 71 690	Weatherstrip (L), Inner	1	
47	0838 58 783B	Fastener	16	



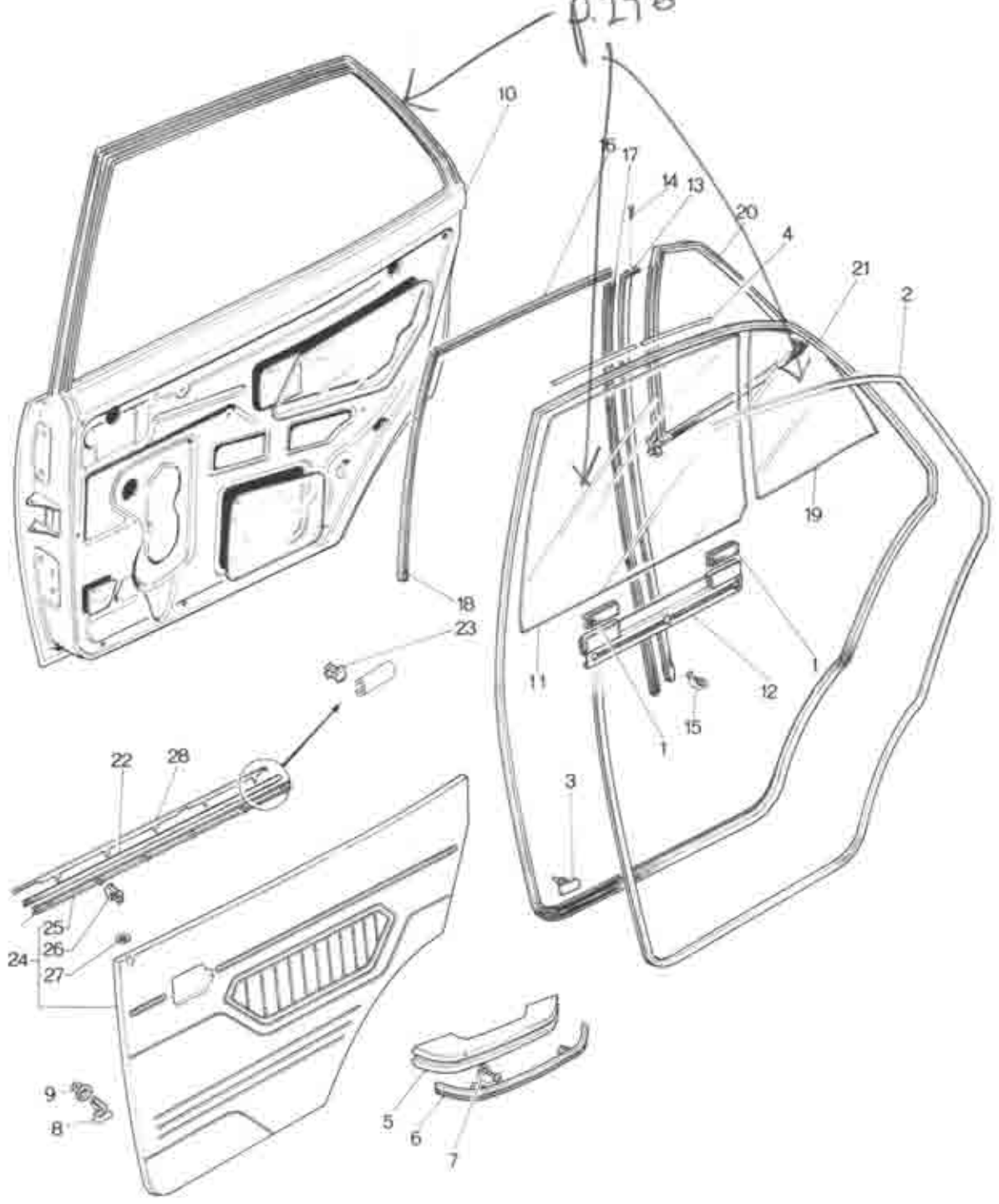
2004-2005

Wiring



See RX2 Vol 2

p. 276



REAR SIDE DOOR (GLASS, SEDAN)

72

73

No.	Part Number	Description	Q'ty	Remarks
1	2287 58 232	Strip, Rubber - Glass	1	
2	0388 58 755-00	Welt, Seaming (BLK.)	2	
3	0305 58 762	Fastener, Weatherstrip	2	
4	0305 58 768	Spacer, Weatherstrip	2	
5	0388 58 821A00	Rest, Arm (BLK.)	2	
	0388 58 821A01	Rest, Arm (GRY. / YLW.)	2	Selective use
	0388 58 821A20	Rest, Arm (BRN.)	2	
6	0388 58 822A00	Garnish, Arm Rest (BLK.)	2	
	0388 58 822A01	Garnish, Arm Rest (GRY. / YLW.)	2	Selective use
	0388 58 822A20	Garnish, Arm Rest (BRN.)	2	
7	99833 0520	Screw, Arm Rest	4	
	99952 0500	Washer, Plain	4	
8	0208 58 821	Fastener, Door Trim	20	
9	0187 58 822	Cap, Fastener Seal-Door Trim	20	
10	1666 72 010A	Body (R), Rear Door	1	
	1666 73 010A	Body (L), Rear Door	1	
	0305 72 021B	Panel (R), Outer	1	
	0305 73 021B	Panel (L), Outer	1	

72

73

REAR SIDE DOOR (GLASS, SEDAN)

No.	Part Number	Description	Qty	Remarks
11	0305 72 501A	Glass (R), Door	1	
	0305 73 501A	Glass (L), Door	1	
12	0305 72 505	Bracket (R), Lift-Door Glass	1	
	0305 73 505	Bracket (L), Lift-Door Glass	1	
13	0398 72 602	Channel (R), Glass-Center	1	
	0398 73 602	Channel (L), Glass-Center	1	
14	99831 0408	Screw, Center Channel	4	
15	99806 0610	Bolt, Center Channel	2	
	99851 0618	Washer, Plain	2	
	99871 0600	Washer, Spring	2	
16	0305 72 805D	Run Channel "A"	2	
17	0305 72 806C	Run Channel "B", Glass	2	
18	0305 72 807	Run Channel "C", Glass	2	
19	0305 72 861A	Glass (R), Quarter Window	1	
	0305 73 861A	Glass (L), Quarter Window	1	
20	0305 72 802A	Weatherstrip, Quarter Window Glass	2	
21	0305 72 760C	Weatherstrip (R)	1	
	0305 73 760C	Weatherstrip (L)	1	
22	0305 72 780E	Weatherstrip (R), Outer	1	

REAR SIDE DOOR (GLASS, SEDAN)

72

73

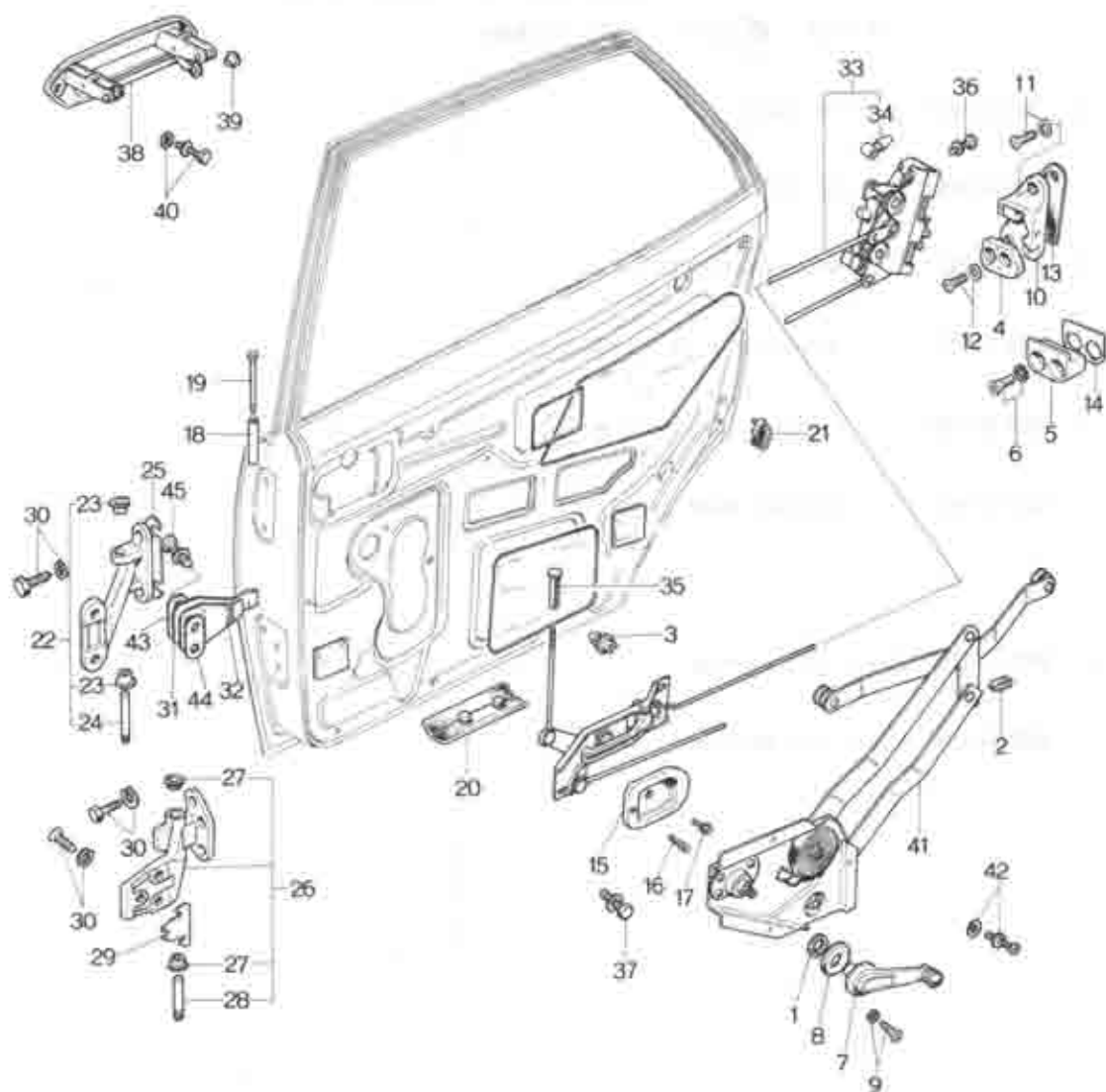
No.	Part Number	Description	Q'ty	Remarks
	0300 73 780E	Weatherstrip (L), Outer	1	
23	0839 58 7838	Fastener	6	

When ordering the following Trims

Add Colour Code nos. given below after parts number

-13 (BLK.) -¹⁵ (GRY. / YLW.) -20 (BRN.)

24	1666 72 810 ©	Trim (R), Door	1	
	1666 73 810 ©	Trim (L), Door	1	
25	0305 72 790	Weatherstrip (R), Inner	1	
	0305 73 790	Weatherstrip (L), Inner	1	
26	0838 58 7838	Fastener, Weatherstrip	6	
27	0223 58 882A	Grommet, Door Lock	3	
28	0305 72 831A	Mould (R), Beltline	1	
	0305 73 831A	Mould (L), Beltline	1	



REAR SIDE DOOR (LOCK, SEDAN)

72

73

No.	Part Number	Description	Qty	Remarks
1	0223 58 305A	Gasket, Regulator Handle	2	
2	0259 58 306	Cushion, Window Regulator	2	
3	0305 58 308	Holder, Rod-Door Lock	4	
4	0305 58 381	Rack (R), Door Striker	1	
	0305 58 361	Rack (L), Door Striker	1	
5	1666 58 365	Block (R), Anti-Burst	1	
	1666 58 365	Block (L), Anti-Burst	1	
6	99761 0630	Screw, Anti-Burst Block	4	
	99875 0600	Washer, Toothed	4	
7	0223 58 3700	Handle, Regulator (BLK.)	2	
8	0223 58 375A	Escutcheon, Regulator Handle (BLK.)	2	
9	99808 0518	Bolt, Regulator Handle	2	
	99871 0500	Washer, Spring	2	
10	0259 58 570	Striker (R), Door	1	
	0259 58 570	Striker (L), Door	1	
11	99761 0620	Screw, Door Striker	2	
	99875 0600	Washer, Toothed	2	
12	99761 0630	Screw, Door Striker	4	
	99875 0600	Washer, Toothed	4	
13	0187 58 582A	Seat, Door Striker	2	

REAR SIDE DOOR (LOCK, SEDAN)

No.	Part Number	Description	Q'ty	Remarks
14	2350 58 503	Shim, Anti-Burst Block	2	
15	0223 58 811C01	Cover, Inner Handle (BLK.)	2	
16	0259 58 812	Rubber, Cushion - Inner Handle Cover	2	
17	99832 04088	Screw, Inner Handle Cover	2	
18	0317 58 831A	Roller, Door Check	2	
19	0317 58 832	Pin, Door Check Roller	2	
20	0305 58 872	Valve, Drain	4	
21	0305 58 874	Cushion, Door	2	
22	0305 72 210	Hinge, Door - Upper	2	
23	0223 58 721	Bush	4	
24	0187 58 731	Pin, Hinge	2	
25	0305 72 201	Shim, Door Hinge Upper	2	Selective use
	0305 72 203	Shim, Door Hinge Upper	2	
26	0305 72 240A	Hinge (R), Door - Lower	1	
	0305 73 240A	Hinge (L), Door - Lower	1	
27	0223 58 721	Bush	4	
28	0187 58 731	Pin, Hinge	2	

REAR SIDE DOOR (LOCK, SEDAN)

72

73

No.	Part Number	Description	Qty	Remarks
29	0305 72 231	Shim, Door Hinge Lower.	2	
30	89783 0828	Bolt, Door Hinge	20	
	89971 0800	Washer, Spring	20	
31	0305 72 281	Spring, Check	2	
32	0305 72 282	Spring, Check Sub	2	
33	2850 72 3008	Lock (R), Door	1	
	2850 73 3008	Lock (L), Door	1	
34	0305 58 3148	Bush	2	
35	0258 58 891-00	Knob, Door Lock (BLK.)	2	
36	88832 0812	Screw, Door Lock	6	
	99974 0800	Washer, Toothed	6	
37	89808 0510	Bolt, Inner Handle	4	
	88952 0500	Washer, Plain	4	
	88871 0500	Washer, Spring	4	
38	0305 72 4100	Handle (R), Outer	1	
	0305 73 4100	Handle (L), Outer	1	
39	0305 58 411A	Bush	2	

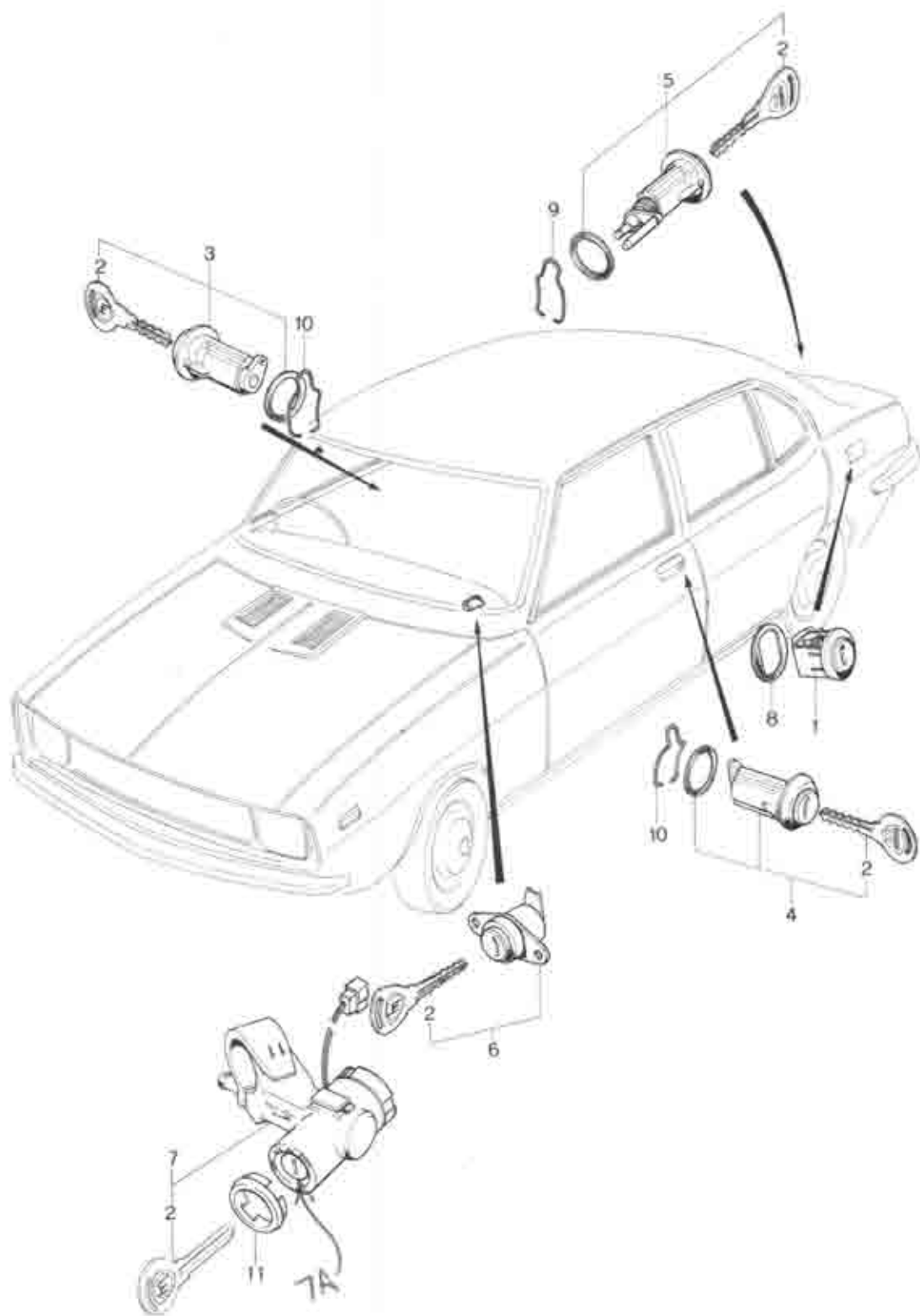
72

73

REAR SIDE DOOR (LOCK, SEDAN)

No.	Part Number	Description	Q'ty	Remarks
40	88797 0510	Bolt, Outer Handle	4	
	88952 0500	Washer, Plain	4	
	88871 0500	Washer, Spring	4	
	88952 0822	Washer, Plain	4	
41	0305 72 580	Regulator (R), Window	1	
	0305 73 580	Regulator (L), Window	1	
42	98806 0608	Bolt, Window Regulator	2	
	98806 0612	Bolt	4	
	88871 0800	Washer, Spring	6	
	88951 0618	Washer, Plain	6	
43	0208 72 821	Washer No. 1, Adjust-Door Check	4	
44	0208 72 822	Washer No. 2, Adjust-Door Check	2	
45	98806 0825	Bolt, Check Spring	4	
	88871 0800	Washer, Spring	4	





No.	Part Number	Description	Qty	Remarks
	1907 00 010	Key Set	1	
1	0868 74 430	Lock, Filler Lid	1	Key No. 2500-2999
	0866 74 440	Lock, Filler Lid	1	Key No. 3000-3499
2	0839 58 492A	Key	2	
3	0839 74 810A	Key Sub Set (R), Door	1	
4	0839 74 820A	Key Sub Set (L), Door	1	
5	0839 74 930	Key Sub Set, Trunk Lid	1	
6	0839 74 950	Key Sub Set, Glove Box	1	
7	1757 75 980	Key Sub Set, Steering Lock	1	
7A	1175-66-755	SWITCH	1	
8	0821 42 455	Seat, Filler Lid Lock	1	
9	0305 52 802	Retainer, Trunk Lid Lock	1	
10	0223 58 961	Fastener, Door Lock	2	
11	2835 80 421	Ring, Steering Lock	1	
	0839 74 158	Key, Blank-Key Assortment No. 2500-2999	1	
	0839 74 159	Key, Blank-Key Assortment No. 3000-3499	1	

INDEX. 1907 09 010~1881 11 403

Parts Number	Parts Composition List Page	Fig. No.	Parts Number	Parts Composition List Page	Fig. No.	Parts Number	Parts Composition List Page	Fig. No.
1907 09 010	305	—	1757 10 309	3	29	0839 10 723	6	68
1881 10 100	2	1	0839 10 320	3	30	0839 10 830	6	70
2329 10 105	2	2	1757 10 351	4	43	1757 10 845	6	71
0839 10 111 B	2	6	2329 10 417	7	83	1757 10 861	6	72
1617 10 120	2	3	1015 10 451	4	45	1757 10 862	6	74
1757 10 171	2	7	1015 10 452	4	45	0820 10 872 A	162	1
0813 10 172	2	8	0839 10 455	4	46	1011 11 111	12	51
0813 10 173	2	9	0839 10 500 B	9	1	1011 11 301 B	9	9
0813 10 174	2	10	0820 10 502 B	9	2	1011 11 302 B	9	10
1757 10 200 A	2	11		9	5	1011 11 304 A	9	11
0820 10 203	3	27	0839 10 504	9	3	0820 11 317	9	12
0839 10 203	2	12	1668 10 550	9	4	1011 11 321	9	13
2329 10 204	2	13	0813 10 555	9	8	0839 11 323 A	9	14
0839 10 205	2	14	1668 10 556	9	6	0820 11 341	9	15
	3	28	1757 10 600	4	47	0820 11 343	10	16
1757 10 206	2	15	0820 10 605	4	48	1011 11 351	10	17
1757 10 207	2	16	0820 10 631 B	4	49	1011 11 353	10	18
0324 10 250	3	24	1757 10 641	5	61	1011 11 361	10	19
0324 10 252	3	25	1907 10 700	5	62	1011 11 363	10	20
1907 10 300 A	3	26	0839 10 711	6	65	1881 11 400	10	21
1908 10 300 A	3	26	0839 10 721	6	66	1883 11 400	10	21
1757 10 305	4	41	0839 10 722	6	67	1881 11 403	10	22

1881 11 404~1758 13 730 INDEX.

1881 11 404	10	23	1883 11 750	12	49	0823 13 445 A	129	11
0813 11 405	10	24	1881 13 100	14	1	2090 13 447	129	13
0839 11 411 A	10	25	1881 13 111	14	10	0839 13 448 B	129	12
0839 11 412	10	26	1881 13 200	17	1	1907 13 449	129	14
1011 11 501	10	29	1883 13 200	17	1	0222 13 470 B	130	18
0839 11 502	10	31	0839 13 201	17	2	0381 13 481	130	19
1011 11 504	11	32	0823 13 221 A	17	3	0222 13 493	130	22
0813 11 505 B	11	33	0823 13 222 A	17	4	1881 13 510 A	21	1
0839 11 506	11	31	1757 13 251	14	11	1881 13 515	21	2
1011 11 507	11	34	1883 13 255	14	12	1668 13 527	21	4
0839 11 508	11	31	1881 13 300	19	1	1668 13 531 A	21	5
0839 11 509	11	31	1617 13 305 A	19	6	0249 13 595	61	35
1881 11 511	11	35	1907 13 310	19	7		65	40
1757 11 512	11	36	1908 13 311	19	8	0839 13 614	15	20
0839 11 531	11	37	1881 13 330	14	14	1757 13 710	23	1
1757 11 541	11	38	2850 13 332	220	67	1758 13 710	23	1
1757 11 551	11	39		251	39	1757 13 714	23	3
1757 11 600	11	40	0866 13 341 B	14	16	1757 13 715	23	6
0820 11 611 B	11	41	1881 13 351	19	2	1757 13 717	23	7
1881 11 700	11	43	0222 13 363	33	1	1757 13 718	23	8
0866 11 702	11	44	0223 13 363	129	1	1757 13 720	23	9
0820 11 703	11	45	1907 13 400	129	2	1758 13 720	23	9
0820 11 705	11	46	1663 13 411	129	3	1757 13 724	23	11
0810 11 711	12	47	1663 13 412	129	4	2329 13 726	23	12
0820 11 712	12	48	1663 13 413	129	5	1758 13 730	24	13

INDEX. 1757 13 740~1757 14 821

1757 13 740	24	14	0862 13 790	130	28	0839 14 142	28	17
2090 13 742 A	15	18	1907 13 792	130	29	0820 14 160 G	28	18
1757 13 744	24	16	1624 13 795	130	30	0810 14 171	28	19
2090 13 746	24	17	1881 13 800	15	17	0820 14 250 D	28	21
1757 13 750	24	18	2329 13 876	15	19	0839 14 273 A	4	51
1757 13 752	24	19	2329 13 882	15	20	0839 14 274	4	52
1883 13 752	24	19	1757 13 889	15	21	0839 14 300	28	22
1757 13 753	24	20	1757 13 891	15	22	1757 14 600	29	28
1883 13 753	24	20		126	1	1757 14 611	30	50
1757 13 754	24	21	1883 13 910	25	37	0820 14 620	30	52
1883 13 754	24	21	1883 13 930	24	24	0813 14 623	30	53
2329 13 754 A	24	22	1883 13 936	24	25	0820 14 625 A	30	54
1757 13 757	24	23	1757 14 020	27	1	0813 14 641	30	55
1757 13 770	24	28	1757 14 100	27	8	1757 14 651	30	56
1757 13 772	24	29	1757 14 112	27	9	1757 14 660	30	60
1883 13 772	25	30	0810 14 113	27	10	1757 14 670	30	61
1883 13 775	25	34	0839 14 115	4	50	1757 14 680	31	62
1757 13 776	25	35	0839 14 117	27	11	1011 14 683	31	63
1883 13 776	25	35	0820 14 118 C	27	12	1907 14 700	33	2
1757 13 778	25	36	0839 14 119 B	27	13	0813 14 716	33	3
1757 13 780	130	23	0823 14 130	27	2	0865 14 720	33	4
1757 13 785	130	25	0823 14 131	27	3	0881 14 730	33	5
1757 13 786	130	26	1757 14 132	27	4	1907 14 735	33	6
1883 13 786	130	26	0839 14 133	27	5	1757 14 810	33	13
1757 13 788	130	27	0839 14 141 A	28	16	1757 14 821	33	14

1757 14 822~0839 17 285 INDEX.

1757 14 822	33	15	0839 15 350 A	36	50	0454 16 520	39	14
1907 15 010	33	17	0839 15 351 B	36	52	1011 17 100 B	42	1
2090 15 104	33	18	1907 15 411	36	55	0839 17 105	42	2
1757 15 105	34	33	1907 15 421	36	56	0839 17 111	42	6
0820 15 106	34	34	1907 15 511	36	59	0810 17 121	42	7
1757 15 114	33	19	1907 15 521	37	60	0862 17 201	45	1
1757 15 118	34	20	1757 15 906	216	1	0810 17 204	45	2
0820 15 120	34	21	1757 15 911	216	2	0810 17 205	45	3
1757 15 132	34	22	1757 15 912	216	3	1011 17 221 A	45	4
1757 15 151	35	36	1757 15 920	216	4	0317 17 225	45	5
1757 15 152	34	23	1757 15 921	216	5	0862 17 230	45	6
1757 15 170	34	24	1757 15 966	216	6	0862 17 241	45	7
0823 15 171	34	25	1757 15 967	216	7	0187 17 243	45	8
0813 15 173	34	26	1757 15 970	216	8	0881 17 245 B	45	9
1097 15 200	35	40	0603 16 102 B	39	1	0862 17 250	45	10
0710 15 204	35	46	0603 16 103	39	5	0862 17 261	45	11
0223 15 205	35	45	0222 16 105	39	6	0862 17 262 A	45	12
1097 15 210	35	41	0813 16 112	39	3	1011 17 270	45	13
1757 15 211	35	37	1881 16 210 A	39	4	0839 17 275	45	14
1907 15 250	35	39	0866 16 214 A	39	7	0839 17 276	45	15
0222 15 255	36	51	0839 16 410 B	39	8	0839 17 277	45	15
1907 15 310	35	44	0839 16 432	39	9	0839 17 278	45	15
1908 15 310	35	44	0862 16 460	39	11	0839 17 281	45	16
1097 15 312	36	47	0820 16 510	39	12	0839 17 284	45	17
0842 15 316	35	46	0820 16 515	39	13	0839 17 285	45	18

INDEX. 0839 17 287~0823 18 111

0839 17 287	46	19	0187 17 352	71	2	0221 17 473	50	22
0839 17 288	46	19	0111 17 354	42	15	0303 17 474	50	37
0821 17 297	46	20		71	3	0221 17 475B	50	24
1011 17 301	46	21	0839 17 361	42	17	0271 17 478	50	25
0839 17 302	46	22	0862 17 371	43	18	0303 17 482	51	38
0821 17 303	46	23	0862 17 375	43	20	0183 17 491	50	26
0839 17 305	46	24	0810 17 381	43	21	0187 17 492	50	27
0839 17 310	46	25	0810 17 385	43	22	1907 17 510A	50	28
0118 17 313	49	1	0810 17 402	49	4	0881 17 520	50	29
0839 17 313	46	26	1010 17 404	49	5	1011 17 530	43	30
0839 17 321A	46	27	1011 17 406	49	6	1011 17 535	43	31
0111 17 323	49	2	1011 17 410	49	7	1011 17 540A	43	33
0600 17 324	46	29	0103 17 411	49	8	0221 17 551A	50	30
0305 17 327	46	30	1010 17 420	49	9	0221 17 552	50	31
0305 17 328	46	30	0839 17 431	49	10	0303 17 561	50	32
1620 17 330A	42	9	0221 17 441	49	11	1114 17 630	50	33
0376 17 335	42	12	0259 17 441	49	12	0376 17 640A	50	35
	72	31	1669 17 441	43	25	1562 18 100	53	1
	74	—		71	5	1672 18 100	53	2
0862 17 341	46	31	0862 17 442	43	26	0845 18 101	53	16
	82	1		71	6	0866 18 101	53	17
0114 17 351	49	3	1620 17 450	49	16	0823 18 107	53	3
0862 17 351	42	13	0398 17 461A	49	17	1907 18 110	53	4
	71	1	0398 17 462A	49	18	0820 18 111B	53	5
0187 17 352	42	14	0303 17 470	49	19	0823 18 111	130	31

0823 18 111~0338 19 363 INDEX.

0823 18 111	217	17	1907 18 400A	60	1	0842 19 031	86	1
	242	6	2869 18 400A	63	1	1908 19 090	69	—
0820 18 114	53	10	0866 18 496	37	62	0338 19 100A	67	8
1907 18 115	53	6	0866 18 501A	3	31	1908 19 211	67	9
1907 18 120	53	7	1757 18 510	3	32	0338 19 215	67	10
1757 18 130	53	11	1672 18 520	61	24		74	—
1757 18 140	53	12	1689 18 520	64	29	0338 19 216	67	11
1757 18 150	53	9	2328 18 600	55	42	0338 19 220	67	12
1907 18 160	53	8	2691 18 660	137	1	0338 19 223	67	13
1757 18 170	53	13	1757 18 860	25	39		74	—
1757 18 180	53	14	1881 18 880	37	63	0338 19 240	67	14
1011 18 190	53	15	1114 18 890A	242	1	0338 19 245	67	15
1881 18 200	54	20	1663 18 920	6	75	0338 19 256	67	16
0107 18 216A	54	21	2329 18 921	6	76	0338 19 257	68	17
0810 18 276	31	64	2329 18 922	6	77	0338 19 258	68	18
0810 18 277	31	64	2329 18 923	6	78		74	—
0820 18 291B	55	39	2329 18 924	6	79	0338 19 310	71	10
1757 18 300	57	1	2329 18 930B	242	3	0338 19 331A	71	11
1757 18 311	58	20	1757 18 940A	242	4	0338 19 336	71	13
1757 18 361	58	23	1758 18 940A	242	4	0338 19 337	71	14
0222 18 375	58	26	0381 18 997	61	33	0338 19 338	71	15
0222 18 376	58	26	2070 19 020	67	1	0397 19 340	71	16
0222 18 377	58	26	0842 19 025	67	3	0338 19 360	76	1
1757 18 381	58	27	1908 19 027	67	5	0338 19 361	72	18
0259 18 391B	55	40	0454 19 028	67	6	0338 19 363	72	19

INDEX. 0842 19 381~0338 19 567

0842 19 381	72	20	0338 19 475	76	4	0338 19 500	76	13
0338 19 384	72	21		77	17		77	26
0842 19 385	72	22		79	—		80	—
0338 19 386 A	72	23	0338 19 476	76	5	0338 19 503	76	14
0338 19 388 A	72	24		77	18	0338 19 504	76	14
0338 19 389	72	25		79	—	0338 19 505	76	14
0842 19 391	72	26	0338 19 480	76	6	0338 19 506	76	14
0842 19 394	72	27		77	19	0338 19 507	76	14
0338 19 395	72	28	0338 19 486	76	7	0338 19 508	76	14
0338 19 397	72	29		77	20	0338 19 509	77	15
	83	25		79	—		77	27
0338 19 431	86	3	0338 19 487	76	8		80	—
0338 19 432	74	—		77	21	0338 19 510	77	16
	86	4		79	—	0338 19 511	77	28
0338 19 433	86	5	0338 19 488	76	9	0338 19 515	77	29
0338 19 440	86	6		77	22	0338 19 530	77	30
0338 19 443	86	7		79	—	0338 19 531	77	31
1675 19 444 A	86	8	0338 19 493	76	10	0338 19 533	77	32
0338 19 446	74	—		77	23	0338 19 534	78	33
	86	9	0338 19 498	76	11	0338 19 540	78	34
0338 19 448	86	10		77	24	0338 19 550	78	35
0338 19 449	86	11		79	—	0338 19 560	78	36
0338 19 450	86	12	0338 19 499	76	12	0338 19 565	78	37
0338 19 460	76	2		77	25	0338 19 566	78	38
0338 19 470	76	3		79	—	0338 19 567	78	39

0338 19 570~0338 19 735 INDEX.

0338 19 570	78	40	0338 19 616A	83	21	0842 19 650	83	24
0338 19 580	82	4	0338 19 617A	83	21	0338 19 651	83	26
0338 19 581	82	5	0338 19 618A	83	21	0338 19 655	83	27
0338 19 590	82	6	0338 19 619	83	22	0338 19 656	83	28
0338 19 591	82	7	0338 19 621	78	42	0842 19 660	83	29
0338 19 593	82	8		80	—	0338 19 661	83	30
0338 19 594	82	9	0338 19 622	78	43	0338 19 663	83	31
0338 19 595	82	10		83	23	0338 19 664	84	32
0338 19 596	82	11	0338 19 623	78	44	0842 19 665	84	33
0338 19 598	78	41	0338 19 624	78	45	0338 19 666	84	34
0338 19 601	82	12	0338 19 631	78	46	0338 19 667	84	35
0338 19 603	74	—	0338 19 632	78	46	0338 19 670A	84	36
	82	13	0338 19 633	78	46	0338 19 676	84	37
0338 19 604	74	—	0338 19 634	78	46	0338 19 678	88	19
	82	14	0338 19 635	79	46	0338 19 701	86	13
0338 19 605	82	15	0338 19 636	79	46	0338 19 702	86	14
0338 19 606	82	16	0338 19 638	79	47	0338 19 703	86	15
0338 19 607	82	17		80	—	0338 19 704	86	16
0338 19 608	83	18	0338 19 639	79	48	0338 19 706	86	17
0338 19 609	83	19	0338 19 641	79	49	1840 19 710	72	30
0338 19 610	83	20	0338 19 642	79	49	0338 19 731	86	19
0338 19 613A	83	21	0338 19 643	79	49	0338 19 732	87	20
0338 19 614	79	49	0338 19 645	79	49	0338 19 733C	87	21
0338 19 614A	83	21	0338 19 646	79	49	0338 19 734A	87	22
0338 19 615A	83	21	0338 19 647	79	49	0338 19 735	72	32

INDEX. 0338 19 735~0730 23 846

0338 19 735	74	—	0338 19 904	68	22	1908 23 200	7	—
0338 19 737	72	33	1908 19 910	68	23	1881 23 540	17	—
0338 19 739	72	33	0842 19 915 A	68	24	1883 23 540	17	—
0397 19 750	73	34	0436 19 917	68	26	1757 23 672	19	3
0338 19 768	73	35	1098 19 920 A	68	27	1113 23 673	19	4
0338 19 815	73	36	1098 19 930 A	68	28	1757 23 680	19	5
1675 19 821	73	40	1098 19 933	68	29	1757 23 725	25	42
0338 19 822	73	41	1015 19 934 B	68	30	0839 23 801	28	23
	74	—	1633 19 938	68	31	0813 23 802 B	28	24
0338 19 825	73	43	1098 19 939	68	32	0813 23 803	28	25
0338 19 826	73	43	1908 19 940	68	33	0820 23 832 B	29	29
0338 19 827	73	43	1015 19 945 A	69	34	0820 23 833 B	29	30
0338 19 828	73	43	0397 22 100	74	—	0820 23 834 B	29	31
0338 19 829	73	43	0397 22 200	79	—	0820 23 835 A	29	33
0338 19 831	73	37	0881 22 297	47	38	0730 23 837	29	34
0338 19 832	73	38	0398 22 333	42	10	1011 23 837	29	35
0338 19 833	73	39	0866 23 025	7	81	1011 23 838	29	36
	73	42	1757 23 040	7	—	0730 23 839	29	37
0338 19 835 A	73	44	1883 23 080	7	82	0820 23 840	29	38
	74	—	1011 23 103 B	12	50	1011 23 841	29	39
0338 19 836	73	45	1011 23 151 A	12	52	0820 23 842	29	40
0338 19 837	73	46	1011 23 175	9	13	1757 23 844	29	41
0397 19 838	87	23	1011 23 176	9	13	0730 23 845	29	42
2070 19 870	73	47	1011 23 180	12	53	0820 23 845 A	29	43
0338 19 880	74	48	1907 23 200	7	—	0730 23 846	29	44

0820 23 847A~0426 24 754 INDEX.

0820 23 847 A	29	45	1757 24 527	57	7	0839 24 716	63	9
0820 23 848 A	29	46	1757 24 530	57	8	0866 24 716	60	8
2090 23 853	30	47	0866 24 533	57	9	0839 24 719	63	10
0730 23 854	30	48	1757 24 533	57	10	1907 24 720	60	9
0820 23 882 A	27	14	1757 24 534	57	11	2869 24 720	63	11
1757 24 302	54	22	1757 24 535	57	12	0839 24 721	63	12
1757 24 303	54	23	1757 24 540	57	13	0839 24 723	63	13
1881 24 308	54	24	1011 24 541	57	14	0839 24 724	63	14
1757 24 310	54	25	1757 24 550	57	15	0426 24 725	60	10
1757 24 313	54	26	1757 24 560	57	16	2869 24 725	63	15
1757 24 314	54	27	1011 24 563	57	17	0426 24 726	60	11
1757 24 317	54	28	1757 24 581	57	18	2869 24 726	63	16
1757 24 319	54	29	0866 24 704	60	2	1907 24 730	60	12
1757 24 322	54	30	0839 24 705	63	2	2869 24 730	63	17
1757 24 328	54	31	1907 24 705	60	3	0249 24 731	63	18
1881 24 330	54	32	0839 24 706	63	3	0426 24 731	60	13
1757 24 334	54	33	0839 24 709	63	4	0559 24 731	63	19
1757 24 340	54	34	1907 24 709	60	4	2869 24 736	63	20
1881 24 350	55	35	1907 24 710	60	5	0222 24 741	60	14
1757 24 360	55	36	2869 24 710	63	5	2869 24 748	64	21
1757 24 501	57	2	0426 24 712	60	6	0222 24 750	60	15
0820 24 503	57	3	0727 24 712	63	6	0222 24 752 A	60	16
1757 24 510	57	4	2869 24 712	63	7	0222 24 753	60	17
0208 24 514	57	5	0426 24 715	60	7	0426 24 753	60	18
1757 24 526	57	6	0839 24 715	63	8	0426 24 754	60	19

INDEX. 2869 24 754~0290 27 301

2869 24 754	64	22	0317 26 121	92	9	0187 26 821	95	25
0222 24 760 A	60	20	0259 26 129	92	15	0118 26 832	95	28
0559 24 760	64	23	0259 26 132	92	10	0118 26 834	95	29
0259 25 021 B	89	1	0259 26 141	92	12	0118 26 897	95	26
0259 25 071 A	89	2	0259 26 142	92	12	0187 26 921	95	25
0259 25 072 A	89	2	0259 26 152	92	16	0613 26 922	95	19
0259 25 073 A	89	2	0187 26 154	92	17	0223 27 012	99	1
0259 25 074 A	89	2	0259 26 155	92	13	2112 27 018	99	2
0259 25 075 A	89	2	0305 26 251 A	94	1	0223 27 020 B	99	3
0259 25 076 A	89	2	0305 26 255	94	2	0223 27 030	99	4
0259 25 077 A	89	2	0398 26 280	94	4	2080 27 100	99	—
0259 25 078 A	89	2	0398 26 290	94	4	2080 27 110	99	5
0259 25 079 A	89	2	0305 26 310 B	94	5	0221 27 141	99	6
1098 25 100	89	—	0187 26 341	94	6	0755 27 141	99	7
0290 25 151	89	3	0118 26 342	94	7	0820 27 150 B	99	8
0223 25 220 D	89	4	0223 26 345 A	94	8	0305 27 171	99	10
1097 25 300	89	5	0710 26 352	94	11	0290 27 231	99	11
1097 25 319	90	10	0866 26 391	94	9	0820 27 251	99	14
1114 25 331	90	11	0710 26 461	94	12	0290 27 252	99	15
1097 26 010	92	1	0305 26 500 A	94	10	0290 27 253	99	15
0259 26 041	92	5	0820 26 570 A	94	14	0290 27 254	99	15
0259 26 051	92	6	0813 26 610 A	95	16	0221 27 255	100	16
0730 26 060	92	7	0810 26 671	95	18	0305 27 261	100	17
0305 26 080 B	92	2	0305 26 800 A	95	27	0114 27 262	100	18
0839 26 111 A	92	8	0305 26 810 A	95	27	0290 27 301	100	19

0290 27 302~0111 32 173 INDEX.

0290 27 302	100	20	0305 28 470	103	11	1175 32 043	110	62
0221 27 305	100	22	0305 28 591 B	103	12	1175 32 044	110	63
0223 27 401	100	23	0305 28 700 D	103	13	1011 32 047	110	64
0223 27 402	100	23	0223 28 775	103	14	1011 32 048	110	65
0223 27 403	100	23	0223 28 776	103	15	1011 32 049	110	66
0223 27 404	100	23	0824 28 778 A	104	16	0208 32 059	106	1
0223 27 405	100	23	1011 32 011 A	109	43	0259 32 071	106	2
0223 27 406	100	23	1011 32 012	109	44	0820 32 089	106	3
0223 27 407	100	23	1011 32 013 A	109	45	1907 32 100	106	4
0223 27 408	100	23	1011 32 014	109	46	0305 32 119	107	23
0223 27 409	100	23	1011 32 015	109	47		112	1
0223 27 411	100	23	1011 32 016	109	48	2113 32 120	106	5
0223 27 412	100	23	1011 32 018	109	49	2113 32 130	106	6
0223 27 413	100	23	1011 32 023 A	109	50	0305 32 141	106	8
0223 27 414	101	23	1011 32 024	109	51	0820 32 151	106	9
0223 27 415	101	23	1011 32 026 A	109	52	0259 32 154	106	10
1907 28 011	103	1	1011 32 027 A	109	53	0259 32 155	106	10
0824 28 012	103	2	1011 32 028	109	54	0259 32 156	106	10
0305 28 013 A	103	3	1011 32 029 A	109	55	0259 32 157	106	10
0305 28 040 A	103	4	1175 32 030	109	56	0259 32 160	106	11
0305 28 111 B	103	6	1011 32 031	109	57	0259 32 163	106	12
0305 28 150 C	103	8	1011 32 032	109	58	0180 32 165 A	106	13
0305 28 200 E	103	9	1011 32 033	109	59	0180 32 171 A	106	14
0305 28 300 D	103	10	1175 32 041	109	60	0180 32 172 A	106	14
0824 28 464 A	103	5	1175 32 042	109	61	0111 32 173	112	7

INDEX. 0180 32 173A~0259 33 693

0180 32 173A	106	14	2113 32 329	112	14	0259 33 165	96	31
0180 32 174A	106	14	2080 32 330A	112	9		115	11
0259 32 182	106	7	0259 32 341	112	15	0820 33 165A	96	31
0180 32 184	107	16	0866 32 341	90	12		115	11
0208 32 188	112	2	2080 32 350A	112	10	0820 33 180A	96	32
0820 32 190	107	17	2113 32 354	112	11	0820 33 192A	115	12
2835 32 220A	107	25	2113 32 356	112	12	0305 33 235	116	31
0187 32 235	107	28	2080 32 358	113	18	0305 33 251B	115	13
	108	32	2113 32 365	113	19	0305 33 260	115	15
2080 32 261	112	3	0326 32 411	108	33	0305 33 280	116	19
1562 32 269	112	4	1793 32 800	108	35	0710 33 288	96	33
0208 32 278	112	5	1727 32 811	108	36	0305 33 610D	116	20
	112	8	0187 32 850A	108	37	0305 33 626A	116	32
	120	23	0187 32 860	108	38	0296 33 636	116	33
0187 32 279A	120	24	0187 32 886B	108	39	0296 33 646	117	33
0259 32 279	107	26	1175 32 980	109	42	2981 33 651	116	21
0730 32 279	113	24	0221 33 035	115	1	2981 33 671	116	22
1027 32 279	113	25	0662 33 042	115	2	0613 33 681	95	20
0187 32 289	107	27	1011 33 043	115	3	2981 33 681	116	23
	113	26	0259 33 047	115	4	0305 33 685	116	24
0259 32 289	120	25	0317 33 049	115	5	0233 33 691	116	25
1907 32 301	120	19	0398 33 065	115	6	0259 33 691	95	21
1907 32 311	120	19	0259 33 071	115	7		143	16
2080 32 320B	112	6	0317 33 075	115	9	0259 33 693	95	22
0305 32 321	112	13	0820 33 091A	115	10		143	17

0600 33 693-0727 41 023 INDEX.

0600 33 693	116	26	0305 34 311	120	20	1668 39 040C	124	2
0305 33 695	116	27	1907 34 320	120	—	1668 39 045A	124	3
0305 33 696	116	28	1907 34 340	120	27	1011 39 340	124	6
0221 33 698	115	16	2158 34 381	120	28	1011 39 380A	124	8
0305 33 698A	116	29	2158 34 390A	120	29	1114 40 061	126	2
0305 33 699	115	17	0317 34 460	120	21	1097 40 081	126	3
0305 33 710D	116	20	0193 34 662	104	17	1114 40 108B	126	6
0305 33 980D	116	18	0317 34 662	121	34	1114 40 160	126	7
0305 33 990D	116	18	0317 34 663	121	35	0820 40 166	126	8
1907 34 011	119	1	0259 34 719A	122	47	1114 40 170	126	10
1907 34 012	119	2	0305 34 720	122	43	2090 40 307	127	25
0259 34 013	119	3	0183 34 731	122	44	1570 40 308	127	26
2158 34 014	119	4	0866 34 760	122	45	2158 40 355	15	20
0259 34 015	119	5	1097 34 800A	121	36		126	11
0259 34 016A	119	6	0259 34 896	121	37	0810 40 356	126	12
0259 34 019	119	7	0259 34 897	121	38	0824 40 401	126	14
0259 34 021	119	8	0259 34 898	121	39	1907 40 500	127	16
0259 34 110	119	9	0305 34 910G	121	41	2090 40 508A	127	17
1907 34 151	119	11	1905 37 170	96	34	1907 40 600	127	24
0259 34 153	119	12		117	34	1097 40 810A	127	18
0259 34 155	119	13	0820 37 180A	117	35	1114 40 821A	127	19
0305 34 156	119	14	0881 37 191	96	35	1097 40 830A	127	20
0259 34 157	119	16		117	36	1114 40 850B	127	21
0259 34 158	119	17	1011 37 192	96	36	1128 40 850A	127	22
1907 34 310	120	—	1668 39 020B	124	1	0727 41 023	139	1

INDEX. 1907 41 030-0225 43 092

1907 41 030	139	2	1907 41 660	137	9	2244 42 455	132	56
0559 41 040C	139	3	0118 41 681	137	14	0259 42 459	132	58
0183 41 043	139	4	0118 41 682	137	15	0305 42 461	132	59
0824 41 051 A	139	5	1708 41 711	137	13	2280 42 462 A	131	33
0559 41 081 A	139	7	1881 41 920	143	14	0305 42 465	132	60
0824 41 084	139	8	0114 42 046 A	131	35	2090 42 610 A	132	62
0824 41 131	139	9	1011 42 250	130	32	2691 42 710 A	133	64
1872 41 140	139	10	0839 42 310 A	131	34	2691 42 716	133	65
1872 41 142	139	11	0305 42 345 B	131	37	2691 42 750	133	66
0183 41 308	149	1	2090 42 347	131	38	0259 42 792	133	69
0810 41 308	139	13	0305 42 348	131	40	0223 43 022	139	17
0603 41 331	144	18	2090 42 348	131	41	0259 43 022	155	1
1881 41 341	144	19	2850 42 350	131	42	0259 43 028	139	18
0866 41 370	143	1	0621 42 371	131	43	0268 43 028	139	19
0118 41 375	152	1	0223 42 375	131	44	0187 43 029	139	20
1907 41 380	143	3	0223 42 376	131	45	1097 43 030	140	21
2835 41 400 A	143	5	0839 42 381	131	47	1098 43 030	140	21
0839 41 461	143	6	0305 42 390	131	48	0187 43 061	140	24
1907 41 610	137	2	2432 42 395	132	50	2301 43 061	140	25
1908 41 610	137	2	0824 42 403	132	51	0223 43 064	140	27
0824 41 619	137	3	1907 42 410	132	52	0259 43 065	140	28
0305 41 641	137	4	0305 42 432	132	53	0305 43 070 B	140	29
0259 41 644	137	5	0305 42 433	132	54	2835 43 070 A	140	29
	139	14	0305 42 441	132	55	0259 43 088	110	73
0842 41 650	137	8	0621 42 455	305	8	0225 43 092	140	33

1872 43 140—2070 46 110A INDEX.

1872 43 140	141	35	2067 43 842A	153	25	1907 45 320	153	32
2835 43 422	147	19	2229 43 890A	153	27	1907 45 330	153	33
0111 43 432	143	7	1942 43 990	147	18	1907 45 510	144	22
0111 43 511	143	8	0302 44 010A	149	2	1097 45 610	134	84
0839 43 550	146	1	0813 44 031	149	3	1097 45 711	134	85
0839 43 570	146	3	0303 44 032	149	4	0866 45 903A	69	35
1114 43 605C	152	2	0221 44 033	149	5		153	34
1114 43 608B	152	3	0813 44 034	149	6	1650 45 910A	134	86
1114 43 609A	152	4	0813 44 035	149	7	1650 45 921	134	87
0114 43 625	242	7	0136 44 043	141	37	2375 46 010	155	2
0136 43 635	144	21	0221 44 044	149	8	1840 46 021	155	3
	152	7	0303 44 051	149	9	1840 46 022	155	4
0305 43 635	152	8	0303 44 053	149	10	2375 46 030B	155	5
0187 43 642	152	9	0303 44 150A	149	15	2375 46 051A	155	6
1097 43 650	152	12	0303 44 410F	149	17	2375 46 052	155	7
0305 43 660A	152	13	0303 44 439	150	18	2375 46 053	155	8
0221 43 694	152	15	0305 44 471	150	20	2375 46 054	155	9
0839 43 770A	153	17	0183 45 021	133	72	2375 46 055	155	10
2835 43 800	146	8	1663 45 041	134	79	2375 46 056A	155	11
1541 43 820	153	19	1663 45 042	134	80	0308 46 057A	155	12
2850 43 820B	153	20	0603 45 071	133	73	2375 46 061	155	15
2853 43 820	153	21	1907 45 071	134	83	2375 46 062	155	16
2081 43 830A	153	22	1907 45 260	153	29	0842 46 081	155	17
1907 43 836	153	23	0305 45 280B	153	30	0308 46 083	155	18
2046 43 839	133	70	1907 45 310	153	31	2070 46 110A	156	19

INDEX. 0842 46 150~0305 52 312B

0842 46 150	156	21	2046 49 783	147	16	0223 50 275	160	36
0842 46 571A	156	23	2046 49 784	146	16	1755 50 301	160	37
0223 46 683	141	38	1755 50 025	158	1	1907 50 350 00	160	39
1015 46 684	156	24	1755 50 026	158	2	0398 50 511 06	160	42
0259 46 691	156	25	1755 50 036	158	3	0305 50 541	160	43
0604 46 785	141	39	1755 50 037	158	4	0305 50 542	160	44
0841 49 230	116	30	1907 50 040	158	5	0305 50 543	160	45
1708 49 610	147	21	0223 50 049	134	89	2850 51 020	168	1
1708 49 630	147	22		158	6	1755 51 061	236	11
0305 49 638	147	23	1755 50 050	158	7	1755 51 063	236	12
1708 49 642	147	24	1755 50 055	158	8	1755 51 071	236	11
0512 49 651	147	25	1755 50 060	158	9	1755 51 073	236	12
0305 49 656	147	26	1755 50 071	158	12	2850 51 120	168	2
0512 49 676	147	27	1755 50 080	158	13	1004 51 310	242	8
0512 49 677	147	27	1755 50 091	158	15	1004 51 311	242	9
0512 49 682	147	30	1755 50 100	158	16	1727 51 731	258	1
0512 49 686	147	29	1907 50 110	158	18	0187 52 141	162	2
0512 49 696	147	28	1907 50 130	159	18	0633 52 148	279	18
0824 49 720A	146	9	1907 50 150 00	159	20	0881 52 210A	162	3
0824 49 745	146	10	1907 50 180	159	23	0881 52 260A	162	4
2046 49 746	146	11	1907 50 221	159	26	0824 52 271	162	7
2046 49 747	146	12	1907 50 230	159	27	0259 52 301	162	8
0824 49 770	146	13	1907 50 250	159	30		184	1
0824 49 781	146	14	1907 50 260	159	31	0223 52 302	162	9
0824 49 782	146	15	1755 50 271	159	34	0305 52 312B	162	10

0305 52 313~0305 53 861 INDEX.

0305 52 313	162	11	0305 52 802	305	9	2835 53 350B	176	8
0305 52 322 A	162	12	0305 52 850 A	166	13	0839 53 352 A	172	10
2835 52 330	162	13	0305 52 901 A	166	15	1905 53 380	176	12
0305 52 331	162	14	0866 52 901 A	166	15	0305 53 410 A	172	14
0305 52 371 A	163	16	1907 53 010	168	5		176	14
2835 52 381	163	17	1908 53 010	168	5	0305 53 415	172	16
0305 52 390	163	18	0613 53 105	184	2		176	16
2835 52 410	163	21	0187 53 134	168	6	0305 53 430B	176	18
0824 52 451	163	22		209	1	0839 53 430	172	18
0305 52 471	163	25	0305 53 180	168	7	0305 53 450 A	177	20
0305 52 472	163	26	2835 53 190D	168	9	0839 53 451 C	173	20
0305 52 510 C	165	1	0187 53 202	184	3	0305 53 452	177	22
0881 52 510	165	1	2826 53 270	61	25	0259 53 455	173	22
0305 52 610B	165	2		64	30		177	24
0839 52 610 A	165	2	2869 53 290 A	61	27	0839 53 500	173	23
0305 52 620B	165	3	2826 53 299B	64	32	2850 53 500 A	177	25
0839 52 620 A	165	3	1907 53 320	172	1	0305 53 591	177	27
0305 52 628	165	4		176	1	0839 53 591	173	25
0305 52 629	165	5	0305 53 329 A	172	3	0305 53 670	177	29
0305 52 661	165	8		176	3	0881 53 700 A	168	12
0839 52 661 A	165	8	0305 53 330 A	176	4	0305 53 708	168	13
0223 52 662	165	9	0839 53 330B	172	4	0111 53 771	166	16
0305 52 671	165	10	0305 53 340D	176	6	1662 53 800	177	31
0839 52 671 A	165	10	0839 53 340 A	172	6	1663 53 800	173	27
0305 52 750	166	11	2080 53 350 E	172	8	0305 53 861	173	28

INDEX. 0305 53 861~1907 56 040

0305 53 861	177	32	1907 54 350	172	9	0259 55 261	191	1
0305 53 920	177	33	0839 54 352 A	172	11	0301 55 323	184	7
0839 53 920	173	29	1907 54 370 A	172	12	1905 55 381	184	8
0305 53 941 A	177	34		176	10	1907 55 381	184	8
0839 53 941 A	173	30	1905 54 380	176	13	1907 55 385	184	10
0398 53 951	177	35	0305 54 410 B	172	15	1974 55 385	184	11
0881 53 951	173	31		176	15	1905 55 390	184	13
2835 53 970	168	14	0305 54 415	176	17	1972 55 390	184	13
0398 53 980	177	36		172	17	1974 55 390	185	14
0881 53 980	173	32	0305 54 430 B	177	19	0398 55 401	185	19
0305 54 180	168	8	0839 54 430	173	19	0398 55 402 A	185	20
2835 54 190 B	168	10	0305 54 450 B	177	21	1907 55 410	185	21
2981 54 222	61	28	0839 54 451 C	173	21	0398 55 417 A	185	23
0223 54 225	61	29	0305 54 452	177	23	1907 55 485	185	25
	64	33	0839 54 500	173	24	1907 55 490	186	26
0200 54 265	267	1	2850 54 500 A	177	26	1907 55 530 A	191	—
2467 54 290 A	64	34	0305 54 591	177	28	1907 55 550 A	191	—
2113 54 295	64	35	0839 54 591	173	26	0305 55 585	258	7
2835 54 320	172	2	0305 54 670	177	30	0398 55 700	186	28
	176	2	1907 55 100	184	4	0305 55 890	258	6
0305 54 330 A	176	5	1905 55 120	184	6	0820 55 951	186	30
0839 54 330 B	172	5	1907 55 120	184	6		242	12
0305 54 340 D	176	7	2280 55 182	258	2	1907 56 010	180	1
0839 54 340	172	7	0275 55 195 A	258	4	1908 56 010	180	1
1905 54 350	176	9	0275 55 215	258	5	1907 56 040	169	16

1097 56 090-0259 58 306 INDEX.

1097 56 090	180	2	1907 58 850A	180	14	1905 57 200	195	26
0839 56 126A	90	13	0305 58 900B	181	16	1687 57 250A	195	28
0305 56 160A	180	4	0839 58 900B	181	16	1905 57 250	195	28
1907 56 200	180	5	0223 56 942	134	91	1905 57 900	195	33
0305 56 231	180	6		242	13	1907 57 900	195	33
0305 56 232	180	7	0223 56 950	265	9	1881 57 940	195	34
0118 56 241	180	9	0305 56 961B	181	24	1755 57 999	195	35
0118 56 242B	180	10	0839 56 981C	181	27	1905 58 010	198	1
0247 56 275	258	10	0305 56 991	182	29	1907 58 010	198	1
1907 56 340	180	11	0824 56 999	182	31	0305 58 021C	198	1
1093 56 350	180	13	0305 57 011	194	22	0881 58 021	198	1
1097 56 350	180	13	0317 57 015	195	30	0824 58 155	291	1
0305 56 400A	181	15	1905 57 100	193	-	0259 58 232	198	2
0839 56 400B	181	15	1907 57 100	193	-	2292 58 232	198	2
1907 56 540	169	17	0259 57 109	193	1		291	2
1097 56 611	258	11	2155 57 109	193	2		296	1
1097 56 612	258	12	0111 57 111	160	48	0305 58 269	203	1
0208 56 615	181	17	0305 57 130	193	3	0305 58 270A	203	2
0810 56 639	181	18	2075 57 130	193	3	0305 58 272	203	3
1097 56 700	181	19	0305 57 140	193	5	0305 58 273	203	4
2090 56 704C	181	20	1905 57 150	193	-	0305 58 274	203	5
1097 56 705A	181	21	1907 57 150	193	-	0305 58 281A	203	7
2090 56 705A	181	22	0305 57 180A	193	4	0223 58 305A	300	1
1907 56 761	182	32	0305 57 190	193	6	0259 58 305A	203	9
1905 56 850A	180	14	1687 57 200A	195	26	0259 58 306	203	10

INDEX. 0259 58 306~0839 58 783B

0259 58 306	300	2	0305 58 501B	198	3	0317 58 700	206	39
0305 58 309	203	11	0839 58 501	198	3	0223 58 721	163	27
	300	3	0305 58 505	198	4		206	40
2850 58 310G	203	12	0305 58 560A	205	27		207	44
2855 58 310G	203	12	0259 58 570	205	29		301	23
0305 58 314B	204	13		300	10		301	27
	302	34	0187 58 592A	205	30	0187 58 731	206	41
0398 58 319A	204	14		300	13		207	45
0398 58 330D	204	16	2350 58 593	206	32		301	24
0881 58 330D	204	16		301	14		301	28
0305 58 361	204	18	0305 58 603A	198	5	0317 58 736	206	42
	300	4	0305 58 604	198	6	0317 58 750	206	43
1666 58 365	204	19	0305 58 605D	199	9	0398 58 755 00	199	11
	300	5	0839 58 605D	199	9		296	2
0223 58 370D	204	21	0305 58 606	199	10	0305 58 760D	199	12
	291	3	0839 58 606	199	10	0839 58 760C	199	12
	300	7	0223 58 611C 01	206	33	0305 58 762	199	13
2828 58 371A	204	20		301	15		296	3
0223 58 375A	205	23	0259 58 612	206	35	0305 58 768	199	14
	291	4		301	16		296	4
	300	8	0223 58 660A	206	36	0305 58 780F	199	15
0305 58 410C	205	24	0259 58 691 00	206	38	0839 58 780E	200	15
0305 58 411A	205	25		302	35	0839 58 783B	200	16
	302	39	0223 58 692A	200	19		200	21
0839 58 492A	305	2		298	27		294	39

0839 58 783B~1666 59 810 INDEX.

0839 58 783B	294	47	0398 58 822 A20	201	24	2850 59 310 G	203	12
	298	23		291	7	2855 59 310 G	203	12
	298	26		296	6	0398 59 330 D	204	16
0317 58 785	207	46	0305 58 831 B	201	26	0881 59 330 D	204	16
0839 58 789	200	17	0317 58 831 A	301	18	0305 59 361	204	18
	200	22	0881 58 831	201	26		300	4
0305 58 790 A	200	20	0317 58 832	301	19	1666 59 365	304	19
0839 58 790 D	200	20	0881 58 839	201	27		300	5
1666 58 810	200	18		291	9	0305 59 410 C	205	24
1907 58 810	200	18	0305 58 872	207	49	0305 59 501 B	198	3
0398 58 821 A00	200	23		301	20	0839 59 501	198	3
	291	6	0305 58 874	207	50	0305 59 505	198	4
	296	5		301	21	0305 59 560 A	205	27
0398 58 821 A01	200	23	0208 58 921	201	28	0259 59 570	205	29
	291	6		291	10		300	10
	296	5		296	8	0305 59 603 A	198	5
0398 58 821 A20	201	23	0187 58 922	201	29	0305 59 604	199	6
	291	6		291	11	0317 59 750	206	43
	296	5		296	9	0305 59 760 D	199	12
0398 58 822 A00	201	24	0259 58 931	169	15	0839 59 760 C	199	12
	291	7	0223 58 961	305	10	0305 59 780 F	199	15
	296	6	1905 59 010	198	1	0839 59 780 E	200	15
0398 58 822 A01	201	24	1907 59 010	198	1	0305 59 790 A	200	20
	291	7	1666 59 020	198	1	0839 59 790 D	200	20
	296	6	1668 59 020	198	1	1666 59 810	200	18

INDEX. 1907 59 810~1915 61 450

1907 59 810	200	18	1905 60 330	186	40	1907 61 152	209	12
0305 59 831 B	201	26	1907 60 330	186	40	1974 61 161	219	53
0881 59 831	201	26	1905 60 341	187	41	0398 61 170 A	209	14
1907 60 050 A	186	31	1907 60 341	187	41		219	54
1908 60 050 A	186	31	2835 60 421	305	11	0398 61 180 A	209	15
1907 60 070	191	12	0305 60 540 A	187	45		219	55
0305 60 101	258	14	0305 60 690	259	18	1907 61 190	210	16
0305 60 102	258	15	0305 60 720	187	46	1972 61 190	219	56
1907 60 130	186	34	0398 60 721	187	47	1974 61 190	220	56
0317 60 252	187	50	1708 61 031	169	18	1097 61 211	210	19
0317 60 253	187	51		209	2	1974 61 211	220	59
0317 60 254	187	52	0301 61 051 A	169	19	1097 61 212	210	20
0317 60 255	187	53	0301 61 052 A	169	20	1974 61 212	220	60
0317 60 256	187	54	0301 61 055	169	22	1097 61 213	210	21
0317 60 257	187	55	0864 61 061 A	7	86	1907 61 213	217	18
0317 60 258	187	56		37	65	2090 61 214 A	217	19
0317 60 259	187	57	1907 61 090	209	—	0839 61 216	210	23
0317 60 261	188	58	1907 61 130	209	3		217	21
0317 60 262	188	59	1915 61 140	219	49	1687 61 250	210	27
0866 60 263	188	60		224	—	1907 61 252	210	28
0866 60 264	188	61	2835 61 140	209	6	1972 61 430	217	—
0317 60 266	188	62		212	—	1974 61 430	217	—
1907 60 311	186	36	1907 61 150	209	9	1972 61 440	219	—
1611 60 312	186	37	1907 61 151	209	11	1974 61 440	219	—
1907 60 321	186	38	1915 61 151	219	52	1915 61 450	217	23

1915 61 450~0305 66 694 INDEX.

1915 61 450	228	—	1915 61 574	221	84	1668 66 070	236	3
1915 61 460	217	26	1974 61 574	222	86	1708 66 110	187	48
1915 61 470	217	27	1915 61 661	222	89	1011 66 121	187	49
1915 61 471	217	28	1916 61 661	222	89	1907 66 151 A	239	2
1915 61 472	217	29	1915 61 711	222	90	1907 66 152	239	3
1915 61 473	218	31	0305 61 800	218	36	1907 66 154	239	4
1915 61 475	218	32	0305 61 801	218	37	1907 66 156	239	5
1915 61 478	218	33	0305 61 802	218	38	1907 66 241	239	16
1097 61 480	218	34	0839 61 812 A	218	41	1907 66 242	239	17
1915 61 521	220	62	1097 61 814	218	42	0212 66 371	249	4
	232	1	0881 61 816	218	43	0223 66 371	249	5
1915 61 522	220	65	0305 61 825	218	44	0212 66 372	249	6
1972 61 525	220	66	0305 61 827	219	46	0868 66 372	239	10
	232	—	2090 61 827	219	47	0305 66 570 A	242	14
1974 61 525	220	66	1915 61 850	222	91	0305 66 572	242	15
	232	—	0305 61 890	222	92	0305 66 580 A	243	16
1974 61 540	220	68	0305 61 901	222	95		263	70
1915 61 561	221	75	0839 61 963 D	216	9	0305 66 674	237	17
1915 61 562	221	76	0839 61 964	216	10		240	21
1915 61 563	221	77	0839 61 965	216	11	0305 66 675	237	18
1915 61 564	221	80	0839 61 968	216	12		240	22
1915 61 566	221	78	2090 62 214 A	210	22	0305 66 676	237	19
1915 61 571	221	81	0249 63 060 A	265	1		240	23
1915 61 572	221	82	0136 65 752	163	28	0305 66 678	237	20
1974 61 573	221	83	1668 66 040	236	3	0305 66 694	240	21

INDEX. 0305 66 694—2835 67 370

0305 66 694	237	17	2840 66 900	255	2	0398 67 050C	188	66
1907 66 700	240	29	0398 66 901	255	3	1907 67 060A	244	38
1907 66 710	240	29	0398 66 902	255	4	1881 67 065	244	39
0397 66 721A	243	19	0398 66 903	255	5	1907 67 080	244	40
0397 66 730A	243	20	0259 66 905	253	5	0308 67 090B	244	42
0813 66 732A	243	24	0301 66 905A	188	63	2850 67 090	244	41
2852 66 760	243	25	0866 66 905	255	11	1098 67 101	65	37
2852 66 763	243	26	0398 66 906	255	6	1907 67 101	61	32
0243 66 773	135	94	0222 66 911	267	2	1098 67 111	61	34
0233 66 790	141	40	2846 66 931A	256	16		65	39
0839 66 791A	244	28	0305 66 940	256	18	2081 67 151	244	43
0839 66 792A	244	29	0305 66 945	256	19	0866 67 152	237	15
0209 66 820	244	30	0208 66 949	25	40	0303 67 155	245	45
0209 66 821	244	31		188	64	0303 67 156	245	46
0820 66 840	150	21		244	33	0305 67 159A	245	47
0317 66 862	255	10	0866 66 960	255	9	2850 67 160	236	8
0398 66 870	255	—	0305 66 966	255	12	0839 67 170	134	93
2070 66 870	255	—	0222 66 971	169	23	0275 67 175	135	95
2840 66 870	255	—		267	3	1757 67 220	245	48
0398 66 872	255	1	0187 66 991	134	92	1757 67 230	245	49
2845 66 872	255	1		188	65	2835 67 321A	249	1
0813 66 879	253	1	0820 66 992	256	30	2835 67 325A	249	2
0397 66 900	255	2	1907 67 010A	244	34	2835 67 330	249	3
0398 66 900	255	2	1907 67 030A	244	36	2835 67 340	249	—
2070 66 900	255	2	0398 67 040C	244	37	2835 67 370	249	16

0275 67 510A~0303 68 893 INDEX.

0275 67 510A	253	6	1907 68 020	259	20	1097 68 852	259	26
0317 67 511	253	7	1905 68 050	278	1	1098 68 852	259	27
1011 67 515	253	8	1907 68 050	278	1	0303 68 853	259	28
1755 67 560	245	50	1905 68 060	278	1	1905 68 860	259	29
1755 67 562	245	51	1907 68 060	278	1	1906 68 860	260	30
1755 67 566	245	52	0810 68 070A	265	2	1907 68 860	259	29
1011 67 660A	245	57	1907 68 071	278	2	1908 68 860	260	30
1757 67 700	246	59	0187 68 110A	265	3	1909 68 860	260	29
1701 67 710	246	60	0118 68 180A	265	4	1911 68 860	260	29
0866 67 717	245	53	0398 68 180A00	188	67	1972 68 860	260	29
0866 67 718	245	54	0404 68 180 05	188	67	1973 68 860	260	30
0866 67 719	245	55	0208 68 230	265	5	1974 68 860	260	29
1757 67 720	246	62	0259 68 250	193	7	1975 68 860	260	30
1664 67 740	246	63	0305 68 580A00	275	1	1976 68 860	260	29
2835 67 801	249	8	0839 68 590A00	275	2	1978 68 860	260	29
2081 67 861	246	64	0305 68 610C00	275	3	0397 68 862	260	31
1757 67 870	246	66	0305 68 620C00	275	4	0398 68 862	260	32
0862 67 880	246	68	1907 68 630	275	5	0398 68 872	260	33
1757 67 880	246	69	0839 68 660	265	—	0398 68 875	260	34
0839 67 910	246	71	0839 68 670B	265	6	0398 68 880A	260	35
1011 67 912	196	37	0866 68 680	265	7	1908 68 880	260	36
0839 67 920	246	72	0839 68 720	265	8	2860 68 881	260	35
0305 67 992	247	75	0305 68 800F	265	10	1097 68 890	260	38
0305 67 994	247	77	0305 68 810A	265	11	1099 68 890	261	38
1905 68 020	259	20	1098 68 851	259	25	0303 68 893	261	39

INDEX. 0303 68 910A~0305 69 681

0303 68 910 A	261	40	1674 69 290 05	271	1	2835 69 380B00	272	20
0839 68 936 A	188	70	0839 69 311 B	271	2	0305 69 411B00	272	22
0305 68 951	267	4	0398 69 312	271	3	0839 69 411B00	272	22
0305 68 952	267	5	0881 69 312	271	3	1905 69 411	272	22
1907 68 960 A	267	6	0305 69 313 A	271	4	1907 69 411	272	22
0187 69 049 A	267	9	0839 69 313 A	271	4	0305 69 431B00	272	23
0305 69 052 A	267	10	0839 69 314 B	271	5	0839 69 431B00	272	23
2324 69 053 A	267	11	0305 69 315	271	6	1905 69 431	272	23
0730 69 057 A	267	12	0305 69 316	271	7	1907 69 431	273	23
0839 69 071 01	267	13	0305 69 317 B	271	8	0305 69 451 A	273	25
1881 69 076	267	14	0305 69 318 B	271	8	0305 69 461B06	273	26
1907 69 077	267	15	0839 69 318 A	271	9	0305 69 461B20	273	26
1907 69 078	267	17	0317 69 319	271	10	1907 69 611	275	7
2850 69 090	268	20	0305 69 321 A	271	11	1908 69 611	275	7
2850 69 101	268	21	0839 69 321 A	271	11	1907 69 612	275	8
0839 69 170	268	23	0305 69 341 B	271	12	1908 69 612	275	8
0839 69 171	268	24	0839 69 341 C	271	12	1907 69 613	275	9
1668 69 210 A05	268	26	0305 69 342 C	271	13	1908 69 613	275	9
1668 69 210 A20	268	26	0839 69 342 E	272	13	1907 69 617	275	10
1905 69 210	268	26	0305 69 343 C	272	14	1907 69 618	275	11
1668 69 240 A05	268	27	0839 69 343 E	272	14	2090 69 625 08	275	12
1668 69 240 A20	268	27	0839 69 344 A	272	15	2090 69 626 08	275	13
1905 69 240	268	27	0839 69 345 A	272	16	0881 69 627 05	275	14
1668 69 290 13	271	1	0305 69 351 00	272	18	1907 69 660	276	15
1668 69 290 20	271	1	2835 69 360 C00	272	19	0305 69 681	276	16

0305 69 682~0305 70 443B INDEX.

0305 69 682	276	17	0839 69 863 00	273	29	1907 70 320	278	6
1097 69 683	276	18	0305 69 870 A00	273	30	0305 70 330 A	278	7
1097 69 684	276	19	0310 69 870 A00	273	30	0305 70 335	278	8
1570 69 686	276	20	0839 69 870 B00	273	30	0305 70 342	278	9
0839 69 687 B	276	21	0841 69 870 00	273	30	0305 70 343	278	10
0839 69 688	276	22	0866 69 885	173	33	1907 70 345	279	15
0839 69 689	276	23		177	37	1907 70 350	279	17
1570 69 691	276	24	0305 69 920 01	268	29	0305 70 352 A	280	31
0305 69 692	276	25	1907 70 020	169	24	0305 70 353	279	20
0305 69 693	276	26	1907 70 050	173	34	0305 70 360	279	21
0305 69 694	276	27		177	38	1907 70 360	280	32
0305 69 695	276	28	1907 70 100	170	28	1907 70 365	278	13
0839 69 696 D	276	29	2835 70 201	262	55	0305 70 370	279	22
0839 69 697 D	276	30	0305 70 202	262	57	0866 70 371	280	35
1663 69 699 B	276	31	1905 70 211	262	59	1907 70 375	279	24
1915 69 810	261	44	1907 70 211	262	59	0305 70 390	280	27
2845 69 810 A	261	46	0305 70 212	263	60	0305 70 392 C	281	37
2857 69 810 A	261	47	1907 70 221	263	63	0305 70 395 B	281	39
0305 69 820 A	261	48	1907 70 225	263	64	0305 70 396	280	28
1915 69 820	261	45	0305 70 230 A	263	65	0305 70 397	280	30
0305 69 861 00	273	27	0317 70 307	278	3	0305 70 431	170	30
0839 69 861 A00	273	27		279	19	0305 70 432	170	32
0305 69 862 00	273	28	1907 70 310	278	-	2080 70 441	283	1
0839 69 862 A00	273	28	0305 70 312	278	4	2835 70 441	287	1
0305 69 863 00	273	29	0259 70 315	278	5	0305 70 443 B	283	2

INDEX. 0305 70 443B~0305 71 343

0305 70 443B	287	2	0839 70 523 A	292	16	0305 70 804 A00	287	18
0614 70 445	61	30	0839 70 524	292	17	0305 70 821 A	288	21
0305 70 447B	283	3	0839 70 525	292	18	0839 70 821 A	284	21
	287	3	0839 70 526	292	19	0305 70 822	288	23
0305 70 448 A	283	4	0839 70 550 A	292	21	0839 70 822	284	23
	287	4	0839 70 555	292	23	0305 70 823 A	288	25
0839 70 449	283	5	0839 70 570	292	24	0881 70 823 B	284	25
0305 70 454 A	287	5	0839 70 603	292	26	0305 70 825	284	27
0839 70 454 A	283	6	0839 70 604	293	28		288	27
0305 70 455 A	287	7	0839 70 605 D	293	30	0305 70 826	288	28
0839 70 455	283	8	0839 70 606 C	293	31	0305 70 827 A	284	28
0304 70 471	287	9	0824 70 621	293	32		288	29
0305 70 471 D	287	9	0839 70 651 A	293	34	0305 70 861 C	284	33
0833 70 471	283	10	0839 70 652	293	35		288	34
0839 70 471 C	283	10	0881 70 655 00	293	37	0839 70 865	284	34
0839 70 479	283	11	0839 70 680 C	294	38	0223 70 870	284	36
0305 70 484 B	287	10	0839 70 690	294	46		288	36
0839 70 484 A	283	12	0881 70 721	294	40	0833 70 941 B00	269	31
0305 70 485 A	287	12	0839 70 751 C00	294	41	0727 70 943	201	30
0839 70 485 A	283	14	0839 70 752 A00	294	43	0305 70 951 01	269	32
0187 70 491	135	98	1907 70 760	294	45	2090 70 982 A	170	33
0839 70 511 A	291	12	0307 70 802 00	287	14		219	48
0839 70 515	291	13	0839 70 802 A00	283	16	0305 70 991 A02	269	34
0839 70 521	292	14	1905 70 803	287	16	1907 71 310	278	—
0839 70 522	292	15	1907 70 803	283	18	0305 71 343	278	10

1907 71 345~ 0305 73 501A INDEX.

1907 71 345	279	15	0881 71 721	294	40	0305 72 262	302	32
1907 71 350	279	17	0839 71 751 C00	294	41	2850 72 300 B	302	33
0305 71 352 A	280	31	0839 71 752 A00	294	43	0305 72 410 D	302	38
1907 71 360	280	32	1907 71 760	294	45	0305 72 501 A	297	11
1907 71 375	279	24	0307 71 802 00	287	15	0305 72 505	297	12
0305 71 392 C	281	37	0839 71 802 A00	283	17	0305 72 560	303	41
0305 71 396	280	28	1905 71 803	287	17	0398 72 602	297	13
0305 71 431	170	31	1907 71 803	283	19	0305 72 605 D	297	16
0305 71 454 A	287	6	0305 71 804 A00	287	19	0305 72 606 C	297	17
0839 71 454 A	283	7	0305 71 821 A	288	22	0305 72 607	297	18
0305 71 455 A	287	8	0839 71 821 A	284	22	0305 72 661 A	297	19
0839 71 455	283	9	0305 71 822	288	24	0305 72 662 A	297	20
0305 71 484	287	11	0839 71 822	284	24	0305 72 760 C	297	21
0839 71 484 A	283	13	0305 71 823 A	288	26	0305 72 780 E	297	22
0305 71 485 A	287	13	0881 71 823 B	284	26	0305 72 790	298	25
0839 71 485 A	283	15	0305 71 951 01	269	32	1666 72 810	298	24
0839 71 511 A	291	12	0305 71 991 A02	269	34	0208 72 821	303	43
0839 71 515	292	13	1666 72 010 A	296	10	0208 72 822	303	44
0839 71 570	292	24	0305 72 021 B	296	10	0305 72 831 A	298	28
0839 71 603	292	26	0305 72 201	301	25	1666 73 010 A	296	10
0839 71 604	293	28	0305 72 203	301	25	0305 73 021 B	296	10
0839 71 651 A	293	34	0305 72 210	301	22	0305 73 240 A	301	26
0839 71 652	293	35	0305 72 231	302	29	2850 73 300 B	302	33
0839 71 680 C	294	38	0305 72 240 A	301	26	0305 73 410 D	302	38
0839 71 690	294	46	0305 72 261	302	31	0305 73 501 A	297	11

INDEX. 0305 73 505~0305 76 142

0305 73 505	297	12	0866 74 430	305	1	0305 76 123	224	3
0305 73 560	303	41	0866 74 440	305	1	0305 76 124	212	5
0398 73 602	297	13	0881 74 600	163	29		224	5
0305 73 661 A	297	19	0839 74 910 A	305	3	2835 76 125	212	6
0305 73 760 C	297	21	0839 74 920 A	305	4		224	6
0305 73 780 E	298	22	0839 74 930	305	5	2835 76 126	212	7
0305 73 790	298	25	0839 74 950	305	6		224	7
1666 73 810	298	24	1568 75 029	191	2	2835 76 127	212	9
0305 73 831 A	298	28	1907 75 101	191	3	2835 76 127 A	224	8
1907 74 020	170	34	1907 75 102	191	4	0305 76 129	212	10
1907 74 030	170	35	1907 75 104	191	5	2835 76 131	212	12
0305 74 050	178	39	1907 75 105	191	6	2835 76 132	212	13
0839 74 050	173	35	1907 75 106	191	7		224	10
0305 74 070	178	40	1907 75 108	191	8	2835 76 135	213	15
0839 74 070	173	36	1907 75 109	191	9		224	11
0305 74 075	178	41	1757 75 990	305	7	0305 76 136	213	16
0839 74 075	173	37	0208 76 071	276	32		224	13
0305 74 080	178	42	0305 76 084 A	232	3	0305 76 137	213	17
0839 74 080	173	38	0305 76 089	232	4		225	11
2850 74 090	178	43	2835 76 110	212	1	0305 76 138	213	18
2855 74 090	174	39		224	1		225	15
2850 74 095	178	44	2835 76 116	212	2	0305 76 139	213	19
2855 74 095	174	40	0305 76 117	212	3		225	16
0839 74 158	305	—		224	2	0305 76 141	213	23
0839 74 159	305	—	0305 76 123	212	4	0305 76 142	213	24

0305 76 143~1915 76 756 INDEX.

0305 76 143	213	25	1974 76 401	232	5	0881 76 717	228	17
0305 76 144	213	26	1915 76 403	232	6	1915 76 717	234	28
2835 76 145	213	27	1915 76 404	232	7	1915 76 718	234	29
0305 76 146	213	28	1974 76 406	232	8	1915 76 721	234	32
	225	17	1011 76 419	225	21	0881 76 723	228	18
0305 76 147	214	29		232	10	0881 76 726	229	19
	225	18	1915 76 701	232	11	0881 76 727	229	20
0305 76 149	214	30	1915 76 702	232	12	0881 76 734	229	22
0305 76 150	214	31	1916 76 702	232	12	0881 76 735	229	21
	225	19	1974 76 702	233	14	0881 76 738	229	23
0305 76 151	214	32	1972 76 703	233	15	0881 76 739	229	24
	225	20	1974 76 703	233	15	0881 76 740	229	25
0235 76 321	228	1	1972 76 704	233	16	0881 76 741	229	26
0235 76 322	228	2	1974 76 704	233	16	1974 76 741	221	69
0235 76 333	228	3	1915 76 705	233	20	0881 76 742	229	27
0235 76 334	228	4	1915 76 707	233	21	1974 76 742	221	70
0235 76 335	228	5	1915 76 709	233	22	1974 76 743	221	71
0235 76 336	228	6	1915 76 711	233	23	1974 76 747	221	72
0235 76 338	228	7	0881 76 712	228	14	1915 76 750	225	22
0235 76 345	228	8	1915 76 712	233	24	1915 76 751	225	23
0881 76 370	228	9	0881 76 713	228	15	1915 76 752	225	24
0235 76 373	228	10	1915 76 713	233	25	1915 76 753	225	25
0235 76 374	228	11	0881 76 714	228	16	1915 76 754	225	26
0235 76 375	228	12	1915 76 715	234	26	1915 76 755	225	27
0235 76 377	228	13	1915 76 716	234	27	1915 76 756	225	28

INDEX. 1915 76 757~2835 87 923

1915 76 757	225	29	1915 76 827	230	50	0259 87 101 A	249	17
1915 76 758	225	30	1915 76 828	230	51	0305 87 102	256	24
1915 76 759	225	31	1915 76 830	230	53	0259 87 105	249	18
1915 76 761	225	32	0223 78 865	222	96	0259 87 106	250	19
1915 76 763	225	33	0235 79 380	222	97	0257 87 107	250	20
1915 76 764	226	34	2850 87 004	236	4	0305 87 107	256	25
1915 76 765	226	37	2850 87 008	236	5	0257 87 108	250	21
0305 76 809	234	33	2850 87 011	236	6	0259 87 119	250	22
1915 76 810	229	29	2850 87 012	236	7	0259 87 120	250	23
1915 76 811	229	32	2850 87 026	237	21	0275 87 123	239	12
1915 76 812	229	32	2850 87 027	237	22	0259 87 134	249	7
1915 76 813	229	33	2850 87 027 A	240	24	2244 87 191	237	23
1915 76 814	229	34	2850 87 028	237	21	2244 87 201	240	27
1915 76 815	229	35	2850 87 029	237	22	0738 87 803	250	32
1915 76 816	229	36	2850 87 029 A	240	24	0738 87 804	250	33
1915 76 817	230	37	2850 87 031	240	25	0305 87 903	249	9
1915 76 818	230	38	0305 87 032	239	11	0305 87 904	249	10
1915 76 819	230	40	2850 87 032	240	26	0305 87 905	249	11
1915 76 820	230	41	0305 87 081	243	21	0305 87 906	249	12
1915 76 821	230	42	0305 87 084	255	7	0305 87 907	249	13
1915 76 822	230	43	0305 87 087	255	8	0305 87 908	249	14
1915 76 823	230	44	0305 87 095	256	20	0305 87 909	249	15
1915 76 824	230	45	0305 87 096	256	21	0305 87 921	250	24
1915 76 825	230	46	0305 87 097	256	22	2835 87 922	250	25
1915 76 826	230	48	0305 87 098	256	23	2835 87 923	250	26

2835 87 924~0305 99 744 INDEX.

2835 87 924	250	27	1687 88 181	194	19	0223 91 533	256	29
2835 87 925	250	28	1687 88 201	195	27	1757 99 100	7	—
2835 87 926	250	29	1905 88 201	195	27	1907 99 150	34	27
2835 87 927	250	34	1687 88 251	195	29	0305 99 178	50	36
2835 87 928	250	30	1905 88 251	195	29	0317 99 265 B	92	14
2835 87 951	250	31	0305 88 260 A	193	12	0868 99 322	113	22
0305 87 956	250	35	1011 89 175	45	—	1907 99 324	115	23
2835 87 957	250	36	0259 89 251	89	9	0305 99 356 A	120	22
0727 87 992	253	9	1029 89 411	144	20	0259 99 361	121	42
0305 87 993	253	10	0839 89 431 A	143	9	0317 99 362	122	46
0727 87 994	253	11	0317 89 435	143	10	0305 99 712	284	29
0727 87 995	253	12	0317 89 436 A	143	11		288	30
0305 88 060 A	193	9		146	2	0305 99 713	284	30
1905 88 103	193	10	1907 89 654	239	15		288	31
1907 88 103	193	10	1755 89 662	236	10	0305 99 715	284	31
1905 88 110	194	14	2850 89 663	237	16		288	32
1907 88 110	194	14	1907 89 664	239	1	0305 99 721	284	32
1687 88 130	194	16	1755 89 665	239	9		288	33
1687 88 131	194	18	1755 89 667	236	10	0305 99 741	289	38
0305 88 150	194	20	2850 89 668	237	16	0839 99 741	285	38
1907 88 152	193	11	2850 89 673	240	20	0305 99 742	285	39
0305 88 160	194	21	2850 89 678	240	20		289	39
1905 88 160	194	15	0223 91 529	256	26	0305 99 743	289	40
1907 88 160	194	15	0223 91 530	256	27	0839 99 743	285	40
1687 88 180	194	17	0223 91 531	256	28	0305 99 744	289	41

INDEX. 0839 99 744—99340 0612

0839 99 744	285	41	99230 0815	149	12	99282 2600	37	66
0305 99 746	289	42	99231 0818	140	23		210	24
0839 99 746	285	42	99233 1225	42	3		220	61
0305 99 747	289	43	99234 1208	3	33	99282 4309	24	15
0839 99 747	285	43	99246 0725	159	21	99282 4900	37	61
0305 99 748	289	44	99264 0725	160	40	99282 5500	131	39
0839 99 748	285	44	99274 0821	222	88	99283 1100	129	15
0305 99 749	289	45	99276 0506	43	24	99283 1300	129	16
0839 99 749	285	45	99276 0808	64	28	99285 0800	36	53
99221 1212	30	58		144	23		146	6
99221 2015	113	27	99276 1008	107	20	99288 1608	186	32
	163	19	99276 1208	61	36	99295 1508	107	21
99221 2020	108	30		65	41	99305 2800	7	84
	113	27	99276 1410	65	38	99306 3000	2	17
	141	36		247	80		3	34
	156	26	99276 1608	58	28	99307 0600	5	53
99221 3015	120	26	99276 2008	33	12	99307 0800	14	2
99221 3020	112	16	99282 1201	133	75	99307 1200	14	3
99221 3030	120	18	99282 1401	134	77	99335 0401	253	2
99221 4030	115	8		147	20	99335 04065	253	3
99222 0216	43	27		134	82	99335 04075	253	4
	71	7	99282 1700	69	37	99335 06001	278	12
99225 0320	155	13	99282 1907	153	24	99336 12029	133	71
99230 0511	137	11	99282 2001	133	76	99340 0420	25	38
99230 0811	279	25	99282 2600	7	87	99340 0612	134	78

99340 0619~99579 3000 INDEX.

99340 0619	25	34	99541 0350	55	37	99564 1800	50	34
99340 0628	134	81	99562 1000	152	11	99564 2200	33	16
99340 0660	129	9		152	14	99564 2800	11	42
99340 0665	129	9		153	16	99573 2500	46	32
99340 8060	129	10	99562 1200	2	4		82	2
99340 8065	129	10		4	36	99573 3500	46	33
99340 6093	133	74		34	—	99573 78118	39	10
99381 0600	69	38	99582 1400	5	64	99574 4000	34	29
99381 1000	69	39		49	13	99574 5200	89	6
99381 1400	33	8	99562 1600	4	37	99575 0300	137	12
99384 1200	5	54		5	55	99575 0500	149	13
99384 1200F	33	10	99562 1800	33	9	99575 0600	96	30
99502 4000	43	35	99564 0800	4	38		137	6
99503 3000	14	4	99564 1000	7	85		139	16
99511 1000	7	85		14	6		156	27
	14	5		49	14	99576 0300	279	14
99511 1200	3	35		69	40	99576 0400	278	11
	34	28		143	4		279	23
99511 1400	5	63	99564 1200	131	36	99576 0500	280	26
99541 01101	10	27		153	18	99576 0800	30	59
99541 01601	28	27	99564 1400	69	41	99578 3000	184	12
	74	49	99564 1600	33	11		267	18
99541 02211	43	28		37	64	99579 3000	259	21
	71	8		130	24		260	37
99541 0240	14	13	99564 1800	42	8		267	19

INDEX. 99579 4000~99743 0616

99579 4000	267	7	9963 60 4140	96	37	99701 1030	210	18
99583 26388	107	19		117	37		220	57
99586 10207	43	29		265	12	99701 2050	237	24
	71	9	9965 05 4530 00	96	37		240	28
99606 3307	46	34		117	37	99701 2070	239	13
99606 6205	89	7		265	12	99701 3270	239	7
99606 7203	34	30	9965 06 4530 06	96	37	99701 4278	236	13
99611 1500	46	35		117	37		239	6
	82	3		265	12	99701 5050	242	10
	95	23	99655 30010	96	38		258	8
	143	15	99655 30015	96	38	99701 6030	191	10
99611 1750	71	12	99655 30020	96	38		243	17
99611 2000	10	28	99655 30025	96	38		263	71
	71	17	99655 30030	96	38	99706 0110	243	22
99611 2500	49	15	99655 30035	96	38	99706 0115	243	22
99611 2750	86	18	99655 30040	97	38	99706 0120	243	22
9962 04 1653	117	37	99655 30045	97	38	99709 0108	21	6
	96	37	99655 30050	97	38		25	41
	265	12	99655 30060	97	38		69	42
9962 07 1653	96	37	99681 1503	130	17		186	33
	117	37	99684 0600	239	14	99709 0225	21	7
	265	12		247	78	99709 1156	247	81
9963 60 4130	96	37	99684 1500	247	79	99741 0616B	230	47
	117	37	99700 8120	239	18	99743 0516B	188	71
	265	12	99701 1030	186	35	99743 0616	244	27

99752 30818~99796 0614 INDEX.

99752 30818	90	14	99783 0828	302	30	99786 0825	159	19
99753 41022	99	12	99783 1028	124	9	99786 0825 B	194	23
99753 81022	99	12	99783 1090	113	17	99786 0830	108	34
99761 0416 B	262	56	99785 0516	222	67	99786 0850	54	19
99761 0620	205	31		279	16	99794 0516	210	25
	300	11	99785 0520	280	34		217	22
99761 0630	204	20	99785 0825 B	194	24		219	45
	206	31	99786 0510	256	13	99794 0612	196	36
	300	6	99786 0612	21	3		246	67
	300	12		55	41		246	70
99772 0516	268	22		134	88	99794 0635	209	4
99774 0616	159	25		146	5		209	8
	159	29		153	35		219	51
99781 0818	152	5		181	23	99794 10259	160	38
	207	47	99786 0616	137	7	99795 1032	140	31
99781 0822	152	6		149	14	99796 0510	210	17
99781 0825	108	40		156	20		220	58
99781 0835	108	41	99786 0620	137	10	99796 0608	43	32
99781 1012	67	2	99786 0625	244	35	99796 0610	4	42
99781 1018	67	4		251	38		24	26
99781 1025	119	15	99786 0635	245	56		25	31
99781 1090	107	22	99786 0816	36	54		68	25
99781 1225	121	32	99786 0820	140	30		218	35
99781 1240	121	33	99786 0820 B	195	31	99796 0614	36	57
99783 0828	207	48	99786 0825	158	10		42	16

INDEX. 99796 0614~99806 0510

99796 0614	247	76	99796 1045	39	15	99801 0822	10	30
99796 0616	127	23		68	20		23	5
	218	39	99796 1090	40	17		34	31
99796 0620	35	38	99797 0508	205	26	99801 0825	6	80
	35	43	99797 0510	181	26		217	24
	43	19		303	40	99801 0832	126	4
	69	36	99797 0525 B	261	50	99801 0835	217	25
99796 0810	33	7	99799 0514	168	11		230	49
99796 0812	14	15	99799 0516	258	16	99801 0840	5	58
	24	27	99799 0520	191	11	99801 0865	5	59
	25	32	99799 0616 A	236	9	99801 0875	5	60
	36	58	99799 0635	169	21	99801 1045	126	13
99796 0814	23	4	99799 0820	246	74	99803 0810	23	2
99796 0815	180	12	99800 10115	58	21	99803 1012	61	22
99796 0816	4	44	99801 0814	94	13	99804 0516	132	57
	36	49		130	20		280	33
	58	25	99801 0816	107	18	99804 0620	180	8
99796 0822	50	20		162	5	99804 0625	132	49
99796 0825	58	24		229	28	99804 0816	61	26
	64	27	99801 0818	6	73		64	31
99796 0832	50	21		9	7	99804 1022	90	15
99796 1030	61	21		126	5	99805 0620	168	3
99796 1035	40	16	99801 0820	46	28	99806 0412	131	46
	68	20		124	7	99806 0510	206	37
99796 1040	68	20		194	13		250	37

99806 0510~99833 0408 INDEX.

99806 0510	256	17	99806 0614	28	20	99806 0635	153	28
	302	37		43	34	99806 0640	127	27
99806 0512	169	25		50	23	99806 0814	166	14
	172	13		71	4	99806 0818	166	12
	176	11		74	50	99811 0812	100	21
99806 0518	184	5		168	4	99811 1020	115	14
	205	22		169	26	99811 1050	99	9
	291	5		203	6	99813 12135	140	26
	300	9		230	39	99813 1218	140	26
99806 0608	303	42	99806 0616	6	69	99831 0308	110	68
99806 0610	67	7		153	26	99831 0408	297	14
	199	7		163	15	99831 0516	268	25
	230	52		220	64	99831 0825	163	23
	297	15		234	30	99832 0408B	206	34
99806 0612	170	29	99806 0618	27	15		301	17
	199	8		30	51	99832 0412B	187	42
	205	28		119	10		187	43
	220	63		165	7	99832 0416B	187	44
	232	2		234	30	99832 0516B	189	72
	261	41	99806 0620	35	42	99832 0520B	185	17
	292	22		181	28	99832 0612	204	15
	292	25	99806 0622	134	90		302	36
	293	27	99806 0625	152	10	99833 0408	29	32
	293	29		303	45		135	96
	303	42	99806 0630	30	51		186	39

INDEX. 99833 0410~99861 0410B

99833 0410	110	67	99834 0514	233	19	99852 0612	95	17
	135	97	99834 0616B	159	33	99852 0660	2	18
	281	40	99835 0408	232	9	99852 0820	92	3
99833 0412	150	22	99835 0414	212	11	99852 0822A	3	19
99833 0416B	258	3		226	35		4	39
	262	58	99835 0416	213	22	99852 0830A	4	40
99833 0508B	262	54		224	9	99852 0848	143	12
99833 0510	221	73	99835 0420	213	20	99852 0880	92	4
99833 0512	133	68		226	38	99852 0880A	3	20
	146	4	99835 0510	234	31	99852 1016	3	21
	261	49	99835 0516	212	8	99855 1020	5	57
99833 0514B	263	69		224	4	99855 1025	42	5
99833 0516	133	63	99835 0625C	237	14	99859 1025A	216	13
	185	14	99836 0312B	281	38	99859 1050A	216	14
	243	23	99837 0514B	259	22	99859 1220A	3	22
99833 0520	201	25	99837 0516C	268	28	99859 1225A	3	23
	291	8	99838 0514B	242	11	99860 0410	280	29
	296	7	99838 0516	188	68	99860 0512	246	61
99833 0610	221	74	99838 0620	268	30	99860 0514	180	3
99833 0612	129	7	99851 0612A	5	56	99860 0516	181	25
99833 0616	218	30	99851 0622A	14	7		244	44
99833 0618	129	6	99851 0814A	64	25		246	65
99833 0812	94	3	99851 0822A	2	5	99860 0612	169	27
	94	15	99851 0828A	14	8	99861 0308B	263	61
99834 0410	233	13	99852 0610	42	4	99861 0410B	263	66

99862 0412B-99906 0400 INDEX.

99862 0412B	273	24	99864 0412B	269	33	99896 0400	263	68
99862 0414B	284	20	99864 0420B	160	46	99896 0500	185	15
	288	20	99864 0512	258	13		259	24
99862 0416B	184	9	99864 0516	218	40	99896 0600	169	27
99862 0418B	294	44	99865 0416B	221	79	99898 0500	273	31
99862 0420B	272	21	99865 0516	209	13	99901 0600	36	48
99862 0516B	185	16		222	85	99901 0800	14	9
	259	23		222	94		17	5
99862 0520B	273	31	99866 0412B	263	67		28	26
99863 0308	110	69	99867 0512B	186	27		34	32
99863 0310	110	70	99868 0312	185	18		35	35
99863 0312	110	71	99868 0410	233	18		61	23
99863 0408	182	30	99868 0412	185	22		64	24
99863 0412	222	93		185	24		92	11
99863 0412B	269	35		186	29		101	24
99863 0416B	261	42	99868 0412B	243	18		104	19
99863 0510B	132	61	99868 0416B	209	10		110	74
99863 0512	284	35	99868 0420	233	17		120	30
	288	35	99868 0510	242	2		126	4
99863 0516	262	53	99869 0410B	258	9		146	7
99864 0406	193	8	99869 0414	159	22		149	11
99864 0408	293	36		160	41	99902 0800	156	28
99864 0410B	294	42	99887 0412	155	14		163	24
99864 0412	244	32	99896 0400	160	47	99906 0400	212	11
	272	17		261	43		213	21

INDEX. 99906 0400~99940 0600

99906 0400	213	22	99906 0800	162	6	99922 1000	112	1
	226	36		246	73		140	31
	226	38		293	33		156	22
	284	37	99907 0600	30	49	99922 1200	27	7
	288	37		204	17	99922 1400	86	2
99906 0500	54	18	99911 0400	263	62		113	20
	133	67	99911 0800	130	21	99922 1800	89	8
	188	69	99921 1000	90	16	99924 1000	108	30
	229	30		104	18		113	27
	259	17		107	24	99924 1200	112	16
	292	20		124	4		120	26
99906 0600	23	10		124	5	99940 0400	256	14
	27	6		124	10		267	16
	43	23		216	15	99940 0500	210	26
	57	19	99921 1200	140	32		217	20
	95	24		216	16		219	45
	127	27	99921 1400	103	7		240	30
	134	90		104	17		256	15
	165	6		121	31	99940 0501	281	36
	165	7	99921 1800	108	31	99940 0502	189	73
	119	10	99922 0800	139	12		239	8
	212	14	99922 1000	104	18		240	19
	224	12		107	15		267	8
	262	51		107	29	99940 0600	64	36
99906 0600B	262	52		108	32		129	8

99940 0600~99952 0400 INDEX.

99940 0600	137	16	99940 0800	195	25	99951 0618	303	42
	143	2		195	32	99951 0818	23	2
	150	19	99940 0802	19	9		166	14
	209	5		158	17	99951 0822	126	4
	209	7	99940 1000	140	22		127	15
	219	50	99940 1001	40	18	99951 1022	107	24
	220	67		42	11	99951 1030	124	4
	242	5		58	22		124	9
	245	58		68	21		124	10
	247	76	99941 0801	19	10	99951 1430	121	31
99940 0601	55	38	99942 1000	121	40	99952 0400	110	67
99940 0602	36	57	99944 1400	113	21		131	46
	61	31	99945 0500B	275	6		150	22
	158	11	99945 0800	158	14		185	22
	159	28	99945 1000	160	35		185	24
	159	32	99947 0600	149	16		186	29
	159	24		203	8		186	39
99940 0800	25	33	99947 1400	120	18		212	11
	61	37		121	35		213	20
	64	26	99948 1200	110	72		213	22
	65	42	99949 0800	126	15		222	93
	126	9	99951 0618	199	8		224	9
	140	34		205	28		226	35
	143	13		292	22		226	38
	147	17		297	15		232	9

INDEX. 99952 0400~99952 0600

99952 0400	233	17	99952 0500	218	40	99952 0516	217	22
	280	29		221	73		219	45
	281	40		222	87		259	16
99952 0400 B	243	18		224	4		259	17
	258	3		233	19		280	33
	261	42		245	44	99952 0516 B	262	50
	262	58		245	54		263	69
	269	33		246	61		275	6
99952 0412 B	209	10		246	65	99952 0600	28	15
99952 0500	54	18		256	17		36	48
	132	57		262	53		58	19
	133	67		279	16		129	6
	133	68		280	34		132	49
	169	25		291	8		170	29
	172	13		296	7		203	6
	176	11		302	37		204	17
	180	3		303	40		218	30
	188	68	99952 0500 B	188	71		218	39
	188	69	99952 0516	133	63		220	63
	184	5		168	11		220	64
	191	11		181	25		221	74
	201	25		181	26		232	2
	205	26		185	14		234	30
	206	37		210	25		244	27
	212	8		210	26		261	41

99952 0600~99953 0800 INDEX.

99952 0600	269	30	99952 0618	293	29	99952 0822	110	74
99952 0600B	236	9	99952 0618B	262	52		140	30
99952 0618	127	23	99952 0800	5	58		158	10
	134	90		5	59		159	19
	137	10		5	60		162	5
	156	20		6	80		162	6
	163	15		61	23		163	20
	165	6		64	24		194	23
	165	7		104	19		194	24
	168	3		110	74		195	31
	168	4		121	30		247	74
	169	21		124	7		303	40
	169	26		130	20	99952 1022	160	38
	180	8		152	5	99952 1200	140	32
	181	23		163	19	99952 1426	103	7
	181	28		166	12	99953 0400	30	57
	209	4		246	74		233	13
	209	7		259	19		272	17
	219	50	99952 0816	139	6	99953 0500	261	49
	219	51		156	29	99953 0500B	262	54
	220	67		194	13	99953 0600	23	10
	245	56	99952 0822	36	49		30	51
	262	51		36	58	99953 0800	14	9
	292	25		61	26		23	5
	293	27		64	31		28	26

INDEX. 99953 0800—99971 0500

99953 0800	34	32	99971 0400	213	20	99971 0500	184	5
	156	30		213	22		185	14
	217	24		222	93		188	68
	217	25		224	9		191	11
	280	26		226	35		205	22
99953 1000	39	2		226	38		205	26
99953 1400	103	7		232	9		206	37
99958 1018	99	13		233	13		212	8
99963 3310	51	39		272	17		221	73
99963 3330	51	39		281	40		222	87
99963 6910	47	36		285	37		224	4
99963 6930	47	36		289	37		229	31
99967 0400B	184	9	99971 0400B	209	10		233	19
99967 0500B	185	16		243	18		234	31
	185	17		258	3		242	2
	189	72		261	42		243	23
	273	31	99971 0500	54	18		245	54
99971 0400	29	32		132	57		250	20
	110	67		133	63		251	37
	131	46		133	67		256	17
	150	22		133	68		259	16
	185	24		146	4		259	17
	186	29		169	25		261	49
	187	43		172	13		279	16
	212	11		176	11		280	33

99971 0500~99971 0800 INDEX.

99971 0500	280	34	99971 0600	74	50	99971 0600	218	39
	284	35		95	24		219	51
	288	35		119	10		220	63
	291	5		127	27		220	64
	300	9		129	6		221	74
	302	37		132	49		224	12
	303	40		152	10		232	2
99971 0500B	189	71		153	26		234	30
	262	50		153	28		236	9
	262	54		159	25		244	27
99971 0600	6	69		159	29		261	41
	23	10		165	6		262	51
	27	6		168	3		269	30
	28	15		168	4		292	22
	28	20		169	21		292	25
	30	49		169	26		293	27
	30	51		180	8		293	29
	35	42		182	28		297	15
	36	48		199	7		303	42
	43	23		199	8		303	45
	43	34		203	6	99971 0600B	262	52
	50	23		204	17	99971 0601	49	1
	58	19		205	28	99971 0800	5	58
	67	7		213	14		5	59
	71	4		218	30		5	60

INDEX. 99971 0800~99971 1000

99971 0800	6	73	99971 0800	107	18	99971 0800	229	28
	7	80		108	40		246	73
	9	7		108	41		247	74
	10	30		121	30		293	33
	14	9		124	7		302	30
	17	5		126	4	99971 1000	6	71
	23	2		126	5		39	2
	23	5		130	20		67	2
	28	26		146	7		67	4
	34	31		149	11		90	15
	34	32		152	5		90	16
	35	35		152	6		99	9
	39	9		156	31		107	22
	39	10		158	14		112	1
	46	28		162	5		115	14
	50	27		162	6		115	16
	61	23		163	15		119	15
	64	24		166	12		124	4
	90	14		166	14		124	5
	92	11		194	13		124	9
	94	13		194	24		124	10
	94	15		207	47		126	11
	100	21		207	48		156	22
	101	24		217	24		160	35
	104	19		217	25		216	15

99971 1200~99979 1200 INDEX.

99971 1200	116	17	99975 0600	300	11	
	121	32		300	12	
	121	33	99978 3200	47	37	
	140	32	99979 1200	27	7	
	216	16				
99971 1400	86	2				
	103	7				
	104	17				
	121	31				
99971 1800	89	8				
	108	31				
99972 0800	139	15				
	156	32				
	279	26				
99972 1000	165	5				
99972 1400	156	22				
99974 0600	204	15				
	302	36				
99975 0400	272	21				
99975 0500	268	25				
99975 0500B	273	31				
99975 0500C	268	28				
99975 0600	204	20				
	206	31				
	300	6				

Year	Month	Day	Event	Location	Notes
1991	Jan	1
1991	Jan	2
1991	Jan	3
1991	Jan	4
1991	Jan	5
1991	Jan	6
1991	Jan	7
1991	Jan	8
1991	Jan	9
1991	Jan	10
1991	Jan	11
1991	Jan	12
1991	Jan	13
1991	Jan	14
1991	Jan	15
1991	Jan	16
1991	Jan	17
1991	Jan	18
1991	Jan	19
1991	Jan	20
1991	Jan	21
1991	Jan	22
1991	Jan	23
1991	Jan	24
1991	Jan	25
1991	Jan	26
1991	Jan	27
1991	Jan	28
1991	Jan	29
1991	Jan	30
1991	Jan	31



TOYO KOGYO CO., LTD.

Printed in Japan