

***RX-3***

***SEDAN & COUPE***

***PARTS CATALOG***



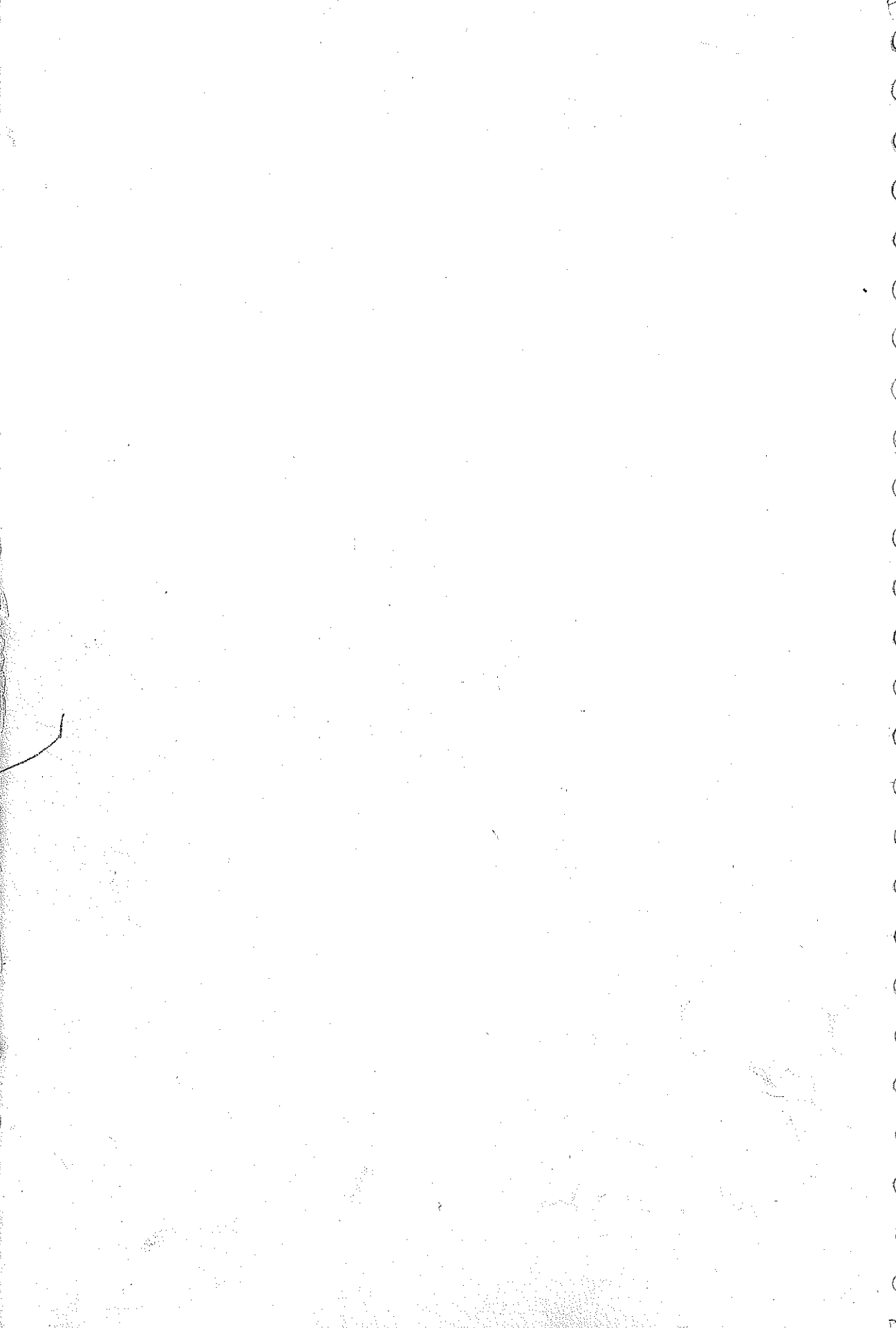
Issued by

**TOYO KOGYO CO., LTD.**

Rotary Engine-Licence NSU. Wankel

August, 1971





# HOW TO USE THIS PARTS CATALOG

This parts catalog is compiled for the following models (From Car No. 120642  $\frac{7}{11}$  ~)

Model : RX-3 Sedan, Coupe & Rotary Wagon

- : RX-3 Sedan Deluxe with Automatic T/mission, Manuf. From April, 1974

Model No.	Model /Type	Description	
1550	S102A	RX-3 Sedan Standard Australian Spec. Model	(R.H.D.)
1551	S102A-DX	RX-3 Sedan Deluxe Australian Spec. Model	(R.H.D.)
1552	S102A-DXT	RX-3 Sedan Deluxe With Automatic T/mission Australian Spec. Model	(R.H.D.)
1553	S102A-DCA	RX-3 Coupé Deluxe Australian Spec. Model	(R.H.D.)
1554	S102A-SCA	RX-3 Coupé Super Deluxe Australian Spec. Model	(R.H.D.)
1555	S102A-DX	RX-3 Sedan Deluxe General Export Model	(R.H.D.)
1556	S102A-DCA	RX-3 Coupé Deluxe General Export Model	(R.H.D.)
1557	S102A-SCA	RX-3 Coupé Super Deluxe General Export Model	Obsolete from Sept. 1973 Car No. 179250 (R.H.D.)
1558	S102A-DX	RX-3 Sedan Deluxe ECE Cold Proof Spec. Model	(L.H.D.)
1559	S102A-DCA	RX-3 Coupé Deluxe ECE Cold Proof Spec. Model	(L.H.D.)
1565	S102A-DX	RX-3 Sedan Deluxe General Export Model	(L.H.D.)
1566	S102A-SCA	RX-3 Coupé Super Deluxe General Export Model	(L.H.D.)
1567	S102A-DX	RX-3 Sedan Deluxe ECE Spec. Model	(L.H.D.)
1568	S102A-DCA	RX-3 Coupé Deluxe ECE Spec. Model	(L.H.D.)
1569	S102W-DX	RX-3 Rotary Wagon Deluxe, British Spec. Model Manuf. From Feb. 13, 1973	(R.H.D.)
3501	S124A-DX	RX-3 Sedan Deluxe General Export Model, Manuf. From Car No. 160623 $\frac{7}{10}$	(R.H.D.)
3502	S124A-DXT	RX-3 Sedan Deluxe with Automatic T/mission General Export Model, Manuf. From April, 1974	(R.H.D.)
3503	S124A-SCA	RX-3 Coupé Super Deluxe General Export Model, Manuf. From Car No. 160623 $\frac{7}{10}$	(R.H.D.)
3516	S124A-DX	RX-3 Sedan Deluxe General Export Model, Manuf. From Car No. 160623 $\frac{7}{10}$	(L.H.D.)
3517	S124A-SCA	RX-3 Coupé Super Deluxe General Export Model, Manuf. From Car No. 160623 $\frac{7}{10}$	(L.H.D.)

Caution:

DO NOT ATTEMPT TO REPAIR THIS UNIT

There is a repetition of car number for obsolete and new models from car no.160623 to car no.179250, caused from a new car numbering system adopted from Oct.1973.

Model	Year	Car No.	Notes
160623	1973	160623	
160624	1973	160624	
160625	1973	160625	
160626	1973	160626	
160627	1973	160627	
160628	1973	160628	
160629	1973	160629	
160630	1973	160630	
160631	1973	160631	
160632	1973	160632	
160633	1973	160633	
160634	1973	160634	
160635	1973	160635	
160636	1973	160636	
160637	1973	160637	
160638	1973	160638	
160639	1973	160639	
160640	1973	160640	
160641	1973	160641	
160642	1973	160642	
160643	1973	160643	
160644	1973	160644	
160645	1973	160645	
160646	1973	160646	
160647	1973	160647	
160648	1973	160648	
160649	1973	160649	
160650	1973	160650	
160651	1973	160651	
160652	1973	160652	
160653	1973	160653	
160654	1973	160654	
160655	1973	160655	
160656	1973	160656	
160657	1973	160657	
160658	1973	160658	
160659	1973	160659	
160660	1973	160660	
160661	1973	160661	
160662	1973	160662	
160663	1973	160663	
160664	1973	160664	
160665	1973	160665	
160666	1973	160666	
160667	1973	160667	
160668	1973	160668	
160669	1973	160669	
160670	1973	160670	
160671	1973	160671	
160672	1973	160672	
160673	1973	160673	
160674	1973	160674	
160675	1973	160675	
160676	1973	160676	
160677	1973	160677	
160678	1973	160678	
160679	1973	160679	
160680	1973	160680	
160681	1973	160681	
160682	1973	160682	
160683	1973	160683	
160684	1973	160684	
160685	1973	160685	
160686	1973	160686	
160687	1973	160687	
160688	1973	160688	
160689	1973	160689	
160690	1973	160690	
160691	1973	160691	
160692	1973	160692	
160693	1973	160693	
160694	1973	160694	
160695	1973	160695	
160696	1973	160696	
160697	1973	160697	
160698	1973	160698	
160699	1973	160699	
160700	1973	160700	
160701	1973	160701	
160702	1973	160702	
160703	1973	160703	
160704	1973	160704	
160705	1973	160705	
160706	1973	160706	
160707	1973	160707	
160708	1973	160708	
160709	1973	160709	
160710	1973	160710	
160711	1973	160711	
160712	1973	160712	
160713	1973	160713	
160714	1973	160714	
160715	1973	160715	
160716	1973	160716	
160717	1973	160717	
160718	1973	160718	
160719	1973	160719	
160720	1973	160720	
160721	1973	160721	
160722	1973	160722	
160723	1973	160723	
160724	1973	160724	
160725	1973	160725	
160726	1973	160726	
160727	1973	160727	
160728	1973	160728	
160729	1973	160729	
160730	1973	160730	
160731	1973	160731	
160732	1973	160732	
160733	1973	160733	
160734	1973	160734	
160735	1973	160735	
160736	1973	160736	
160737	1973	160737	
160738	1973	160738	
160739	1973	160739	
160740	1973	160740	
160741	1973	160741	
160742	1973	160742	
160743	1973	160743	
160744	1973	160744	
160745	1973	160745	
160746	1973	160746	
160747	1973	160747	
160748	1973	160748	
160749	1973	160749	
160750	1973	160750	
160751	1973	160751	
160752	1973	160752	
160753	1973	160753	
160754	1973	160754	
160755	1973	160755	
160756	1973	160756	
160757	1973	160757	
160758	1973	160758	
160759	1973	160759	
160760	1973	160760	
160761	1973	160761	
160762	1973	160762	
160763	1973	160763	
160764	1973	160764	
160765	1973	160765	
160766	1973	160766	
160767	1973	160767	
160768	1973	160768	
160769	1973	160769	
160770	1973	160770	
160771	1973	160771	
160772	1973	160772	
160773	1973	160773	
160774	1973	160774	
160775	1973	160775	
160776	1973	160776	
160777	1973	160777	
160778	1973	160778	
160779	1973	160779	
160780	1973	160780	
160781	1973	160781	
160782	1973	160782	
160783	1973	160783	
160784	1973	160784	
160785	1973	160785	
160786	1973	160786	
160787	1973	160787	
160788	1973	160788	
160789	1973	160789	
160790	1973	160790	
160791	1973	160791	
160792	1973	160792	
160793	1973	160793	
160794	1973	160794	
160795	1973	160795	
160796	1973	160796	
160797	1973	160797	
160798	1973	160798	
160799	1973	160799	
160800	1973	160800	
160801	1973	160801	
160802	1973	160802	
160803	1973	160803	
160804	1973	160804	
160805	1973	160805	
160806	1973	160806	
160807	1973	160807	
160808	1973	160808	
160809	1973	160809	
160810	1973	160810	
160811	1973	160811	
160812	1973	160812	
160813	1973	160813	
160814	1973	160814	
160815	1973	160815	
160816	1973	160816	
160817	1973	160817	
160818	1973	160818	
160819	1973	160819	
160820	1973	160820	
160821	1973	160821	
160822	1973	160822	
160823	1973	160823	
160824	1973	160824	
160825	1973	160825	
160826	1973	160826	
160827	1973	160827	
160828	1973	160828	
160829	1973	160829	
160830	1973	160830	
160831	1973	160831	
160832	1973	160832	
160833	1973	160833	
160834	1973	160834	
160835	1973	160835	
160836	1973	160836	
160837	1973	160837	
160838	1973	160838	
160839	1973	160839	
160840	1973	160840	
160841	1973	160841	
160842	1973	160842	
160843	1973	160843	
160844	1973	160844	
160845	1973	160845	
160846	1973	160846	
160847	1973	160847	
160848	1973	160848	
160849	1973	160849	
160850	1973	160850	
160851	1973	160851	
160852	1973	160852	
160853	1973	160853	
160854	1973	160854	
160855	1973	160855	
160856	1973	160856	
160857	1973	160857	
160858	1973	160858	
160859	1973	160859	
160860	1973	160860	
160861	1973	160861	
160862	1973	160862	
160863	1973	160863	
160864	1973	160864	
160865	1973	160865	
160866	1973	160866	
160867	1973	160867	
160868	1973	160868	
160869	1973	160869	
160870	1973	160870	
160871	1973	160871	
160872	1973	160872	
160873	1973	160873	
160874	1973	160874	
160875	1973	160875	
160876	1973	160876	
160877	1973	160877	
160878	1973	160878	
160879	1973	160879	
160880	1973	160880	
160881	1973	160881	
160882	1973	160882	
160883	1973	160883	
160884	1973	160884	
160885	1973	160885	
160886	1973	160886	
160887	1973	160887	
160888	1973	160888	
160889	1973	160889	
160890	1973	160890	
160891	1973	160891	
160892	1973	160892	
160893	1973	160893	
160894	1973	160894	
160895	1973	160895	
160896	1973	160896	
160897	1973	160897	
160898	1973	160898	
160899	1973	160899	
160900	1973	160900	
160901	1973	160901	
160902	1973	160902	
160903	1973	160903	
160904	1973	160904	
160905	1973	160905	
160906	1973	160906	
160907	1973	160907	
160908	1973	160908	
160909	1973	160909	
160910	1973	160910	
160911	1973	160911	
160912	1973	160912	
160913	1973	160913	
160914	1973	160914	
160915	1973	160915	
160916	1973	160916	
160917	1973	160917	
160918	1973	160918	
160919	1973	160919	
160920	1973	160920	
160921	1973	160921	
160922	1973	160922	
160923	1973	160923	
160924	1973	160924	
160925	1973	160925	
160926	1973		

## HOW TO USE THIS PARTS CATALOG

This parts catalog is compiled for the following models (From Car No. 120642 <sup>7</sup>/<sub>11</sub> ~ )

Model : RX-3 Sedan & Coupe

Model No.	Model /Type	Description
1550	S102A	RX-3 Sedan Standard Australian Spec. Model (R. H. D.)
1551	S102A-DX	RX-3 Sedan Deluxe Australian Spec. Model (R. H. D.)
1552	S102A-DXT	RX-3 Sedan Deluxe with Automatic T/mission Australian Spec. Model (R. H. D.)
1553	S102A-DCA	RX-3 Coupé Deluxe Australian Spec. Model (R. H. D.)
1554	S102A-SCA	RX-3 Coupé Super Deluxe Australian Spec. Model (R. H. D.)
1555	S102A-DX	RX-3 Sedan Deluxe General Export Model (R. H. D.)
1556	S102A-DCA	RX-3 Coupé Deluxe General Export Model (R. H. D.)
1557	S102A-SCA	RX-3 Coupé Super Deluxe General Export Model (R. H. D.)
1558	S102A-DX	RX-3 Sedan Deluxe ECE Cold Proof Spec. Model (L. H. D.)
1559	S102A-DCA	RX-3 Coupé Deluxe ECE Cold Proof Spec. Model (L. H. D.)
1565	S102A-DX	RX-3 Sedan Deluxe General Export Model (L. H. D.)
1566	S102A-SCA	RX-3 Coupé Super Deluxe General Export Model (L. H. D.)
1567	S102A-DX	RX-3 Sedan Deluxe ECE Spec. Model (L. H. D.)
1568	S102A-DCA	RX-3 Coupé Deluxe ECE Spec. Model (L. H. D.)
1569	S102W -DX	RX-3 Rotary Wagon Deluxe British Spec. Model (R. H. D.)

### INSTRUCTIONS FOR USE OF THIS PARTS CATALOG

#### (I) Layout of Parts Catalog

The spares relevant to each assembly are printed inset to the right, and parts that constitute a sub-assembly are indicated by illustrations and classified according to each assembly.



Therefore, if a spare part is not printed inset to the right, this shows that the part does not constitute a part of the assembly.

Moreover, to aid identification of spares, "exploded" illustrations are incorporated in this catalog.

(II) How to locate parts

- 1) When part number is not known.
  - A. Refer to index of groups and locate the group to which the part belongs.
  - ↓
  - B. Open to group illustration page and locate part wanted.
  - ↓
  - C. See the number given for the part in the illustration and find corresponding number in the parts composition lists.
  - ↓
  - D. Then, you will find the name and the part number of the part on the right side of this number.
  
- 2) When part number is known but shape and name of part is unknown.
  - A. See index given at back of the parts catalog and find pages where illustration, part number and figure number is listed.
  - ↓
  - B. Open to page indicated and locate the part number in the part composition list, and after this locate the part in the illustration by referring to figure number given at front of the part number.
  - ↓
  - C. The corresponding figure number in the illustration is for the part required.
  
- 3) Moreover as an alphabetical index is incorporated after the index of groups, utilize for locating principal parts.

(III) On Groups

- 1) The figure enclosed by a triangle at the top of each page (Example ) indicates group number.
- 2) Group numbers are determined according to structure and function of parts.
- 3) The group number given in the index of groups coincide with the numerals (Example ) of the illustration and parts composition pages.

(IV) Explanation of Parts Composition Lists

- 1) Indication of composition of assembly.
  - (a) The spares relevant to each assembly are printed inset to the right.
  - (b) Spares not printed inset to the right are parts that do not constitute a part of any assembly.
  - (c) The space between the parts that constitute an assembly or sub assembly is widened, to clearly indicate the parts of each assembly or sub assembly.

Example :

No.	Part Number	Description	Q'ty	Remarks
(a) — 1	0839 14 300	Filter, Oil	1	
(b) — 2	0839 23 801	Cover	1	
⋮	⋮	⋮	⋮	
⋮	⋮	⋮	⋮	
(b) — 3	0823 23 802A	Guide (EX.), Valve	1	Fig. No. 4 included
(c) — 4	0813 23 803	Clip, Valve Guide	1	
(d) — 5	99541 01601	Ring, "O"-Oil Filter	2	
6	99901 0800	Nut, Oil Filter	2	



## ( I ) Layout of Parts Catalog

The spares relevant to each assembly are printed inset to the right, and parts that constitute a sub-assembly are indicated by illustrations and classified according to each assembly. Therefore, if a spare part is not printed inset to the right, this shows that the part does not constitute a part of the assembly. moreover, to aid identification of spares, "exploded" illustrations are incorporated in this catalog.

## ( II ) How to locate parts

- 1) When part number is not known.
  - A. Refer to index of groups and locate the group to which the part belongs.  
↓
  - B. Open to group illustration page and located part wanted.  
↓
  - C. See the number given for the part in the illustration and find corresponding number in the parts composition lists.
  - D. Then, you will find the name and the part number of the part on the right side of this number.
- 2) When part number is known but shape and name of part is unknown.
  - A. See index given at back of the parts catalog and find pages where illustration, part number and figure number is listed.  
↓
  - B. Open to page indicated and locate the part number in the parts composition list, and after this locate the part in the illustration by referring to figure number given at front of the part number.  
↓
  - C. The corresponding figure number in the illustration is for the part required.
- 3) Moreover as an alphabetical index is incorporated after the index of groups, utilize for locating principal parts.

## ( III ) On Groups

- 1) The figure enclosed by a triangle at the top of each page (Example  ) indicates group number.
- 2) Group numbers are determined according to structure and function of parts.
- 3) The group number given in the index of groups coincide with the numerals (Example  ) of the illustration and parts composition pages.

## ( IV ) Explanation of Parts Composition Lists

- 1) Indication of composition of assembly.
  - (a) The spares relevant to each assembly are printed inset to the right.
  - (b) Spares not printed inset to the right are parts that do not constitute a part of any assembly.
  - (c) The space between the parts that constitute an assembly or sub assembly is widened, to clearly indicate the parts of each assembly or sub assembly.

Example:

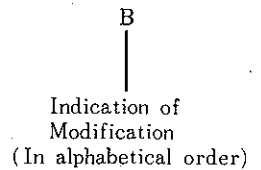
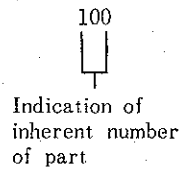
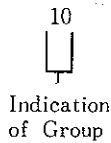
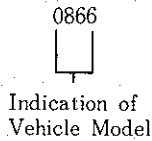
No.	Part Number	Description	Q'ty	Remarks
(a) — 1	0839 14 300	Filter, Oil	1	
(b) — 2	0839 23 801	Cover	1	
3	0823 23 802A	Guide (EX.), Valve	1	Fig. No. 4 included
(b) — (c) — 4	0813 23 803	Clip, Valve Guide	1	
(d) — 5	99541 01601	Ring, "O" - Oil Filter	2	
6	99901 0800	Nut, Oil Filter	2	

- (a) ..... Includes (b) to (c)
- (b) ..... Includes (c)
- (d) ..... Is not included in any ass'y nor sub ass'y

2) On parts number

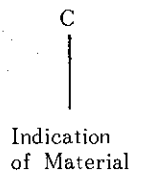
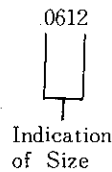
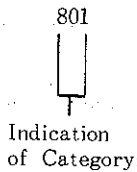
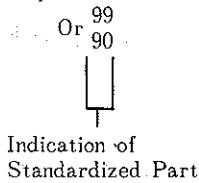
A. Exclusive parts

Example:



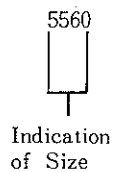
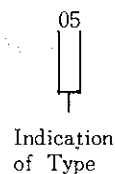
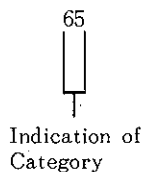
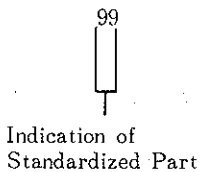
B. Standardized parts (General parts)

Example:



C. Standardized parts (Tires, Tubes, Disc Wheels, etc.)

Example:



3) On Quantity

The quantity given in the parts composition list shows number of parts used per vehicle and does not indicate selling unit.



4) Other Precautions

☆ Mark.....Parts marked thus are not available as replacement parts, therefore, when these parts are required, order in the form of assemblies (or sets) including these parts or in the form of parts interchangeable with these parts.

5) Abbreviations

(R) .....	Right	EX. ....	Exhaust
(L) .....	Left	IN. ....	Inlet
(C) .....	Center	T / mission .....	Transmission
(Frnt.).....	Front	© .....	Parts with Different Colours (Indicate Colour when Ordering)
(Rr.) .....	Rear	▲ 10 .....	Indication of Group
Cpt. ....	Complete	Manual .....	Manual Transmission
Ass'y .....	Assembly	Automatic .....	Automatic Transmission
Std. ....	Standard		
O.S. ....	Over Size		
U.S. ....	Under Size		

(V) Precautions to be taken when placing orders for parts

- 1) Always specify part numbers, names of parts and quantity required.
- 2) Be sure to list the parts in order of part number, when filling in order sheet.
- 3) As processing of orders received by us is done by electronic computers, importance is attached to the part number. Therefore, in case the part number and name of part do not coincide with each other, the part will be sent to you in accordance with the part number.
- 4) Distinction of colour of spare parts by code number is done with figures number 11 and 12 of the parts number. Therefore, add to the end of the applying part number and order.

Example :	Part Number	Colour Code No.	Description
	0 3 0 1 5 8 8 1 0 0	- 0 1	Door Trim (R)(Black)
	← 10 Figures →	← 2 Figures →	
	0 3 0 1 5 8 8 1 0 0	- 0 4	Door Trim (R)(Brown)
	← 10 Figures →	← 2 Figures →	

(VI) Replacement pages and purport

Page replacements are supplied every six months as a rule, listing parts modified or newly added and month and year date will be printed in lower corner of each replacement page. Therefore, it is essential that care be taken to check on these dates to confirm if the parts listed conform to the car imported, before ordering.

1) Explanation on designation given in remarks column.

- a. Car No. .... Chassis no. of car that modification becomes effective from.  
However, for cars produced from January, 1974, refer to "List of chassis numbers" given below. (for car numbers)
- b. %/ ..... 69 designates year of modification and numerals 1 ~ 12 shows month of year.
- c. O mark ..... Indicates that modified part and former part are interchangeable.
- d. X mark ..... Indicates that modified part and old part are not interchangeable.

e.  $\Delta$  mark..... Indicates that new part is interchangeable with old part but that old part is not interchangeable as a replacement for cars utilizing the new part.

2)  $\bullet$  mark..... This dot at front of figure number of replacement pages show the parts that have been subject to modification.

List of chassis numbers

Year Month Model	1974											
	JAN.	FEB.	MAR.	APR.	MAY	JUN.	JUL.	AUG.	SEP.	OCT.	NOV.	DEC.
RX-3 Sedan & Coupe	165673	166888	169214	171719	173262	173659	174171	174521	174610	174665	174762	174775

1975

Year Month Model	JAN	FEB	MAR	APR	MAY	Jun	Jul	Aug	Sep	Oct	Nov	Dec
RX3 SEDAN & COUPE	174808	174864										
RX3 WAGON												

1973 - 1974

Year Month	73/10	73/11	73/12	74/1	74/2	74/3	74/4	74/5	74/6	74/7	74/8	74/9
	OCT	NOV	DEC	JAN	FEB	MAY	APR	MAY	JUNE	JUL	AUG	SEPT
RX3 WAGON	152758	156397	158480	159642	160488	161716	163045	165738	165457	166252	166428	166504

1974 ~ 1975

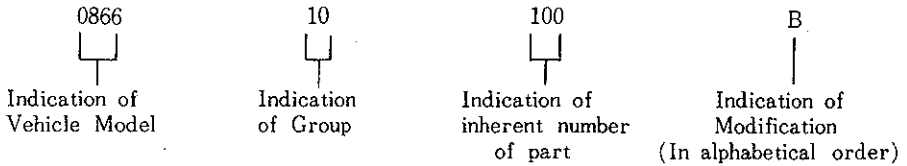
Year Month	74/10	74/11	74/12	75/1	75/2	75/3	75/4	75/5	75/6	75/7	75/8	75/9
	OCT	NOV	DEC	JAN	FEB	MAR	APR	MAY	JUNE	JULY	AUG	SEPT
RX3 WAGON	166504	166504	166504	166504	166504							

- (a) ..... Includes (b) to (c)
- (b) ..... Includes (c)
- (d) ..... Is not included in any ass'y nor sub ass'y

2) On parts Number

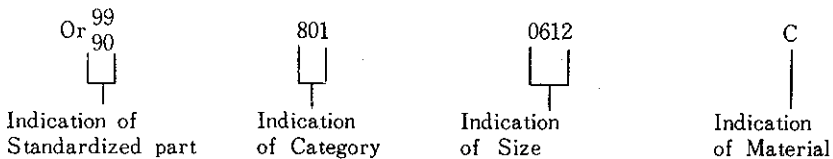
A. Exclusive parts

Example :



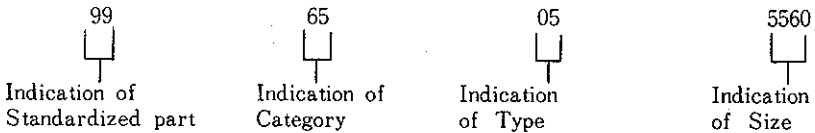
B. Standardized parts (General parts)

Example :



C. Standardized parts (Tires, Tubes, Disc Wheels, etc.)

Example :



3) On Quantity

The quantity given in the parts composition list shows number of parts used per vehicle and does not indicate selling unit.

4) Other Precautions

☆ Mark ..... Parts marked thus are not available as replacement parts, therefore, when these parts are required, order in the form of assemblies (or sets) including these parts or in the form of parts interchangeable with these parts.

5) Abbreviations

- |                      |   |
|----------------------|---|
| (R) ..... Right      | O.S. .... Over Size   |
| (L) ..... Left       | U.S. .... Under Size  |
| (C) ..... Center     | EX. .... Exhaust  |
| (Frnt.) ..... Front  | IN. .... Inlet  |
| (Rr.) ..... Rear     | T/mission ..... Transmission  |
| Cpt. .... Complete   | © ..... Parts with Different Colours<br>(Indicate Colour when Ordering) |
| Ass'y ..... Assembly | ▲<br>10 ..... Indication of Group                                       |
| Std. .... Standard   | Manual ..... Manual Transmission  |
|                      | Automatic ..... Automatic Transmission                                  |

(V) Precautions to be taken when placing orders for parts

- 1) Always specify part numbers, names of parts and quantity required.
- 2) Be sure to list the parts in order of part number, when filling in order sheet.
- 3) As processing of orders received by us is done by electronic computers, importance is attached to the part number. Therefore, in case the part number and name of part do not coincide with each other, the part will be sent to you in accordance with the part number.
- 4) Distinction of colour of spare parts by code number is done by figures number 11 and 12 of the part number. Therefore add to the end of the applying part number and order.

Example:	Part Number	Code No.	Description
	0301 58 8100	-01	Door Trim (R) (Black)
	← 10 Figures →	← 2 Fig. →	
	0301 58 8100	-04	Door Trim (R) (Brown)
	← 10 Figures →	← 2 Fig. →	

(VI) Replacement pages and purport

Page replacements are supplied in monthly frequency as a rule, listing parts modified or newly added and month and year date will be printed in lower corner of each replacement page. Therefore it is essential that care be taken to check on these dates to confirm if the parts listed conform to the car imported, before ordering.

- 1) Explanation on designation given in remarks column
  - a. Car No. .... Chassis no. of car that modification becomes effective from.
  - b. <sup>69</sup>/<sub>h</sub> ..... 69 designates year of modification and numerals 1 ~ 12 shows month of year.
  - c. ○ mark ..... Indicates that modified part and former part are interchangeable.
  - d. ※ mark ..... Indicates that former part has been superseded by new part and is no longer available.
  - e. × mark ..... Indicates that modified part and old part are not interchangeable.
  - f. △ mark ..... Indicates that new part is interchangeable with old part but that old part is not interchangeable as a replacement for cars utilizing the new part.
- 2) ● mark ..... This dot at front of figure number of replacement pages show the parts that have been subject to modification.

Group No.	Description	Fig. Page	Part No.
<b>Engine Parts</b>			
10	Rotor Housing (Front) (Used up to Car No. 179250 $\frac{3}{10}$ )	1	2~4-1
10	Rotor Housing (Rear) (Used up to Car No. 179250 $\frac{3}{10}$ )	5	6~8-2
10	Rotor Housing (Used from Car No. 160623 $\frac{3}{10}$ )	8-A	8-B~8-G
10.11	Rotor (Used up to Car No. 179250 $\frac{3}{10}$ )	9	10~13-2
10.11	Rotor (Used from Car No. 160623 $\frac{3}{10}$ )	13-A	13-B~13-E
13	IN. & EX. Manifold	14	15~16-1
13	Starting Assist System (Model No. 1558,1559) (Used up to Car No. 152815)	16-A	16-B
13	Starting Assist System (Model No. 1558,1559) (Used from Car No. 152816~)	16-C	16-D
13.23	Air Cleaner (Used up to Car No. 179250 $\frac{3}{10}$ )	17	18~18-1
13.23	Air Cleaner (Used from Car No. 160623 $\frac{3}{10}$ )	18-A	18-B
13.23	Carburettor	19	20
13.23	Carburettor (Manual) (Used up to Car No. 179250 $\frac{3}{10}$ )	20-A	20-B~20-F
● 13.23	Carburettor (Automatic) (Used up to $\frac{3}{10}$ )	20-G	20-H~20-I
● 13.23	Carburettor (Automatic Used from $\frac{3}{4}$ Manual Used from $\frac{3}{10}$ )	20-J	20-K~20-N
14	Oil Pump	21	22~23-2
23	Metering Oil Pump	24	25~26
14.15	Cooling System (Used up to Car No. 179250 $\frac{3}{10}$ )	27	28~31-4
14.15	Cooling System (Used from Car No. 160623 $\frac{3}{10}$ )	31-A	31-B~31-F
16	Clutch (Manual)	32	33~34-1
17	Manual T/mission. (Case) (Used up to Car No. 179250 $\frac{3}{10}$ )	35	36~37

# INDEX.

Group No.	Description	Fig. Page	Part No.
17	Manual T/mission (Case) (Used from Car No. 160623 $\frac{7}{10}$ )	37-A	37-B~37-D
17	Manual T/mission (Gear) (Used up to Car No. 179250 $\frac{7}{10}$ )	38	39~41
17	Manual T/mission (Gear) (Used from Car No. 160623 $\frac{7}{10}$ )	41-A	41-B~41-D
17	Manual T/mission (Change Control)	42	43~44-2
18.24	Distributor (Used up to Car No. 179250 $\frac{7}{10}$ )	45	46~49
18.24	Distributor (Used from Car No. 160623 $\frac{7}{10}$ )	49-A	49-B~49-D
18.24	Alternator	50	51~52-1
24	Alternator (Used up to Car No. 179250 $\frac{7}{10}$ )	52-A	52-B
18.24	Alternator (Used from Car No. 160623 $\frac{7}{10}$ )	52-C	52-D~52-E
18.24	Starter & Battery (Manual) (Used up to Car No. 179250 $\frac{7}{10}$ )	53	54~56-3
18.24	Starter & Battery (Manual Used from Car No. 160623 $\frac{7}{10}$ Automatic Used from $\frac{7}{4}$ )	56-A	56-B~56-C
18.24	Starter & Battery (Automatic) (Used up to $\frac{7}{10}$ )	57	58~60-2
19	Automatic T/mission (Converter, Oil Pump & Piping) (Used up to $\frac{7}{10}$ )	61	62~64
19	Automatic T/mission (Converter, Oil Pump & Piping) (Used from $\frac{7}{4}$ )	64-A	64-B~64-D
19	Automatic T/mission (Case) (Used up to $\frac{7}{10}$ )	65	66~67
19	Automatic T/mission (Case & Main Control) (Used from $\frac{7}{4}$ )	67-A	67-B~67-E
19	Automatic T/mission (Clutch & Planetary Gear)	68	69~71
19	Automatic T/mission (Low, Reverse & Governor)	72	73~74-1
19	Automatic T/mission (Manual Linkage) (Used up to $\frac{7}{10}$ )	75	76
19	Automatic T/mission (Manual Linkage) (Used from $\frac{7}{4}$ )	76-A	76-B~76-C
19	Automatic T/mission (Main Control) (Used up to $\frac{7}{10}$ )	77	78~79

## Chassis Parts

25	Propeller Shaft	80	81
----	-----------------	----	----

# INDEX.

Group No.	Description	Fig. Page	Part No.
26	Rear Axle	82	83~84
26	Rear Brake	85	86~88-2
27	Driving	89	90~91-1
● 28	Rear Suspension (Sedan & Coupe)	92	93~94-2
28	Rear Suspension (Station Wagon)	94-A	94-B~94-C
32	Steering System (Wheel & Gear, R.H.D.)	95	96~99-2
32	Steering System (Wheel & Gear, L.H.D.)	100	101~103
32	Steering System (Rod)	104	105~106
33	Front Axle	107	108~109-1
33, 49	Disc Brake	109-A	109-B
34	Front Suspension	110	111~113-2
39	Engine & T/mission Bracket (Used up to Car No. 179250 $\frac{7}{8}$ )	114	115
39	Engine & T/mission Bracket (Used from Car No. 160623 $\frac{7}{8}$ )	115-A	115-B
40	Exhaust System	116	117
42	Fuel Tank (Sedan & Coupe)	118	119~121-2
42	Fuel Tank (Station Wagon)	121-A	121-B~121-D
● 13, 45	Fuel Piping (Sedan & Coupe) (Used up to $\frac{7}{8}$ )	122	123~124-1
● 13, 45	Fuel Piping (Sedan & Coupe) (Used from $\frac{7}{8}$ )	124-1-A	124-1-B~124-1-D
13, 45	Fuel Piping (Station Wagon)	124-A	124-B~124-C
41	Accelerator Control System (R.H.D.)	125	126
41	Accelerator Control System (L.H.D.) (Used up to Car No. 179250 $\frac{7}{8}$ )	127	128

# INDEX.

Group No.	Description	Fig. Page	Part No.
41	Accelerator Control System (L.H.D.) (Used from Car No. 160623 $\frac{7}{10}$ )	128	A 128-B
41, 43	Clutch & Brake System	129	130~132-1
41	Clutch Release & Master Cylinder	133	134~135-1
43, 49	Tandem Master Cylinder & Vacuum Power Assist (Used up to Car No. 179250 $\frac{7}{10}$ )	136	137~139
43, 49	Tandem Master Cylinder & Vacuum Power Assist (Used from Car No. 160623 $\frac{7}{10}$ )	139	A 139-B~139-D
44	Parking Brake System	140	141~142
43, 45	Piping (Clutch & Brake)	143	144~145-2
43, 45	Piping (Clutch & Brake) (Arctic Spec. Model & Switzerland)	145	A 145-B~145-C
46	Change Controls (Automatic, R.H.D.)	146	147~148
<b>Body Parts</b>			
50	Bumper & Grille (Used up to Car No. 179250 $\frac{7}{10}$ )	149	150~151-2
50	Bumper & Grille (Used from Car No. 160623 $\frac{7}{10}$ )	151	A 151-B~151-C
52	Bonnet & Trunk Lid	152	153~155
53, 54	Body Panels (Front) (Used up to Car No. 179250 $\frac{7}{10}$ )	156	157~158-3
53, 54	Body Panels (Front) (Used from Car No. 160623 $\frac{7}{10}$ )	158	A 158-B~158-C
53, 54	Body Panels (Side, Coupe)	159	160~161-1
53, 54	Body Panels (Side, Sedan)	162	163~164-1
53, 54	Body Panels (Side, Station Wagon)	164	A 164-B~164-D
56	Body Panels (Floor, Sedan & Coupe)	165	166~168-2
56	Body Panels (Floor) (Station Wagon)	168	A 168-B~168-D



Group No.	Description	Fig. Page	Part No.
● 55.60	Dashboard	169	170~175-3
● 55.75	Meter	176	177~178-3
● 57	Seat (Coupe)	179	180~183-2
● 57	Seat (Sedan)	184	185~189-2
● 57	Seat (Station Wagon)	189-A	189-B~189-E
● 58.59	Front Side Door (Glass)	190	191~194-3
● 58.59	Front Side Door (Lock)	195	196~199-5
● 61	Car Heater	200	201~203-b
● 61.76	Heater Unit & Blower (R.H.D.)	203-1	203-2~203-3
● 61.76	Heater Unit & Blower (L.H.D.)	203-4	203-5~203-6
● 61.79	Car Cooler (R.H.D.)	203-A	203-B~203-F-3
● 61.79	Car Cooler (L.H.D.) (Used up to Car No. 179250 $\frac{7}{10}$ )	203-G	203-H~203-L
● 61.79	Car Cooler (L.H.D.) (Used From Car No. 160623 $\frac{7}{10}$ )	203-L-1	203-L-2~203-L-8
● 61.76	Cooler Unit	203-M	203-N~203-N-1
● 61.76	Cooler Unit & Control Panel (L.H.D.) (Used from Car No. 160623 $\frac{7}{10}$ )	203-N-2	203-N-3
● 61.76	Compressor (Car Cooler)	203-O	203-P~203-Q-1
● 62.63	Back Door (Station Wagon)	203-R	203-S~203-V
● 66	Lamps (Front Side)	204	205~206-4
● 66	Lamps (Rear Side)	207	208~209-2
● 66	Lamps (Rear Side)	209-A	209-B~209-C

# INDEX.

Group No.	Description	Fig. Page	Part No.
● 66, 67	Electric Equipment (Body) .....	210	211~215-6
● 66, 87	Windshield Wiper .....	216	217~219
● 67, 87	Screen Washer .....	220	221
● 66	Auto Radio .....	222	223~225-1
● 68	Crush Pad, Glove Pocket & Console Box .....	226	227~231-1
● 68	Service Tools .....	232	233~233-1
● 69~71	Attachment (Sedan & Coupe) .....	234	235~238-4
● 69~71	Attachment (Station Wagon) .....	238-A	238-B~238-D
● 69	Top Ceiling & Trim (Sedan & Coupe) .....	239	240~241
● 69	Top Ceiling & Trim (Station Wagon) .....	241-A	241-B~241-D
● 69	Floor Mat & Trim .....	242	243~244-2
● 70, 71	Ventilator .....	245	246
● 70, 71	Window Glass & Moulding (Sedan & Coupe) .....	247	248~250-5
● 70, 71	Window Glass & Moulding (Station Wagon) .....	250-A	250-B~250-D
● 72, 73	Rear Side Window (Coupe) .....	251	252~255-1
● 72, 73	Rear Side Door (Glass) (Sedan & Station Wagon) .....	256	257~259-3
● 72, 73	Rear Side Door (Lock) (Sedan & Station Wagon) .....	260	261~264-2
● 09	Key Set .....	265	266~267
● 000	INDEX .....	268	268~301

# ALPHABETICAL INDEX

Description	Page	Description	Page
<b>ENGINE</b>			
Bolt, Tension .....	7	Shaft, Eccentric .....	11
Bracket, Engine Mounting .....	115	Spring, Apex Seal .....	10
Cap, Limiter - Carburettor .....	20	Spring, Corner Seal .....	10
Cap, Oil Filler .....	7	Spring, Oil Seal - Inner .....	10
Carburettor .....	20	Spring, Side Seal .....	10
Cleaner, Air .....	18	Sprocket, Drive .....	12
Cord, Earth-Fuel Pump .....	123	Support, Air Cleaner .....	18
Cover, Dust .....	7	Tray, Carburettor .....	20
Cover, Front-Rotor .....	3	Tube, Vacuum .....	18
Duct, Hot Air .....	15	Weight, Balance (Manual) .....	12
Engine Packing Set .....	4	Weight, Counter (Automatic) .....	13
Gauge, Oil Level .....	8	Wheel, Fly .....	12
Gear, Drive-Distributor .....	12	<b>EXHAUST SYSTEM</b>	
Gear, Stationary (Front) .....	11	Hanger, Silencer .....	117
Gear, Stationary (Rear) .....	11	Joint, Main & Pre-Silencer .....	117
Hanger, Engine .....	4, 8	Manifold, EX. ....	15
Hose, Air .....	18	Pre-Silencer .....	117
Hose, Hot Air .....	18	Silencer, Main .....	117
Hose, Ventilation .....	8	<b>LUBRICATION</b>	
Housing, Front-Rotor .....	2	Adjuster, Chain .....	22
Housing, Intermediate .....	7	Body, Oil Pump .....	22
Housing, Gear-Rotor .....	6	Cartridge, Oil Filter .....	23
Housing, Rotor-Front .....	2	Chain, Timing .....	22
Housing, Rotor-Rear .....	6	Filter, Oil .....	23
Joint, Hose .....	6	Gear, Driven .....	23
Manifold, IN. ....	15	Plate, Middle-Oil Pump .....	22
Member, Engine Mounting .....	115	Plunger, Pressure Control .....	3
Oil Seal Set-Rotor .....	10	Pump, Metering Oil .....	25
"O" Ring Set .....	2, 6	Regulator, Pressure .....	23
Pan, Oil .....	8	Rod, Connecting .....	23
Plate, Oil Baffle .....	12	Rotor, Set .....	22
Plate, Thrust .....	11	Shaft, Driven-Gear .....	23
Pulley .....	12	Sprocket, Driven .....	22
Rotor, Front .....	10	Strainer, Oil .....	22
Rotor, Rear .....	10	Tube, Metering Oil .....	23
Rubber, Engine Mounting .....	115	<b>COOLING</b>	
Seal, Apex .....	10	Boss, Pulley .....	28
Seal, Corner .....	10	Cock, Water Drain .....	30
Seal, Side-Outer .....	10	Cooler, Oil .....	31
		Fan & Fan Drive .....	29

# ALPHABETICAL INDEX

Description	Page	Description	Page
Hose, Oil .....	31	Cover, Blind.....	37
Hose, Water .....	31	Cover, Under- Automatic .....	62
Joint, Union.....	31	Diaphragm, Vacuum- Automatic .....	67
Pulley, Water Pump.....	29	Distributor, Oil- Automatic .....	74
Pump, Water .....	28	Drum, Connecting- Automatic.....	73
Radiator .....	30	End, Control Lever .....	43
Repair Kit, Water Pump .....	28	Flange, Automatic .....	73
Shroud, Radiator.....	30	Fork, Shift- 1 st & 2 nd .....	43
Tank, Sub.....	30	Fork, Shift- 3 rd & 4 th.....	43
Thermostat, Water .....	28	Fork, Shift-Reverse.....	43
Water Seal .....	28	Gear, Countershaft .....	40
<b>CLUTCH</b>			
Cylinder, Clutch Master .....	134	Gear, Countershaft-Reverse.....	40
Cylinder, Clutch Release .....	134	Gear, Drive- Automatic.....	74
Collar, Release .....	33	Gear, Driven- Automatic .....	67
Cover, Clutch .....	33	Gear, Low.....	40
Cover, Dust .....	33	Gear, Main Drive .....	39
Disc, Clutch.....	33	Gear, Reverse.....	40
Fork End, Push Rod .....	131	Gear, Reverse Idle .....	40
Fork, Release .....	33	Gear, Second .....	39
Holder, Flexible Hose .....	135	Gear, Speedometer Drive .....	41
Hose, Flexible.....	135	Gear, Speedometer Driven .....	37
Housing, Clutch.....	33	Gear, Third .....	39
Pedal, Clutch .....	130	Governor- Automatic.....	74
Pin, Pivot .....	33	Hose, Oil- Automatic .....	64
Pipe, Clutch.....	145	Hose, Vacuum (Rr) . - Automatic .....	63
Repair Kit, Clutch Master Cylinder	134	Housing, Automatic .....	62
Rod, Push-Clutch .....	131	Housing, Extension .....	37
<b>TRANSMISSION</b>			
Band, Brake Automatic .....	69	Housing, Extension- Automatic .....	66
Boot, Automatic .....	147	Hub, Clutch .....	39
Boot, Dust .....	44	Hub, Rear Clutch- Automatic.....	70
Carrier, Front- Automatic .....	70	Joint, "T"- Automatic .....	148
Carrier, Rear- Automatic .....	71	Joint, Speedometer Cable.....	37
Case, Change Control .....	43	Key, Synchronizer .....	39
Case, T/mission-Manual .....	36	Knob .....	44
Case, T/mission- Automatic .....	66	Knob, Automatic .....	147
Clutch, Front- Automatic.....	69	Lever, Automatic .....	148
Clutch, Rear- Automatic .....	69	Lever, Change .....	44
Converter, Torque- Automatic .....	62	Lever, Control .....	43
		Lever, Select- Automatic .....	76
		Lever, Selecter- Automatic .....	147

# ALPHABETICAL INDEX

Description	Page	Description	Page
Member, T/mission Mount .....	115	Piece, Distance .....	90
Pan, Oil - Automatic .....	67	Pinion, Differential.....	90
Pass, Oil .....	37	Shaft, Propeller.....	81
Pawl, Parking - Automatic .....	76	Spacer .....	91
Pipe, Oil - Automatic .....	64	Yoke .....	81
Pipe, Vacuum - Automatic .....	63	Yoke, Sliding .....	81
Piston, Low & Reverse - Automatic ..	73	<b>FRT. &amp; RR. AXLE</b>	
Plate, Backing - Automatic .....	62	Adapter.....	86
Plate, Drive - Automatic .....	62	Adapter, Mounting .....	108
Plate, Manual - Automatic .....	76	Anchor Block.....	86
Plug, Magnet .....	36	Brake, Disc .....	108
Pump, Ass'y - Automatic .....	62	Breather .....	83
Retainer, Servo - Automatic .....	66	Cap, Center .....	88, 109
Ring, Synchronizer (3.4) .....	39	Cap, Hub .....	108
Rod, Automatic .....	148	Cap, Wheel .....	88, 109
Rod, Diaphragm - Automatic .....	67	Casing, Rear Axle .....	83
Rod, Shift .....	43	Cylinder, Wheel .....	87
Rubber, T/mission Mounting .....	115	Drum, Rear Brake.....	86
Shaft, Input - Automatic .....	63	Hub, Front .....	108
Shaft, Main.....	39	Lever, Operating .....	87
Shaft, Manual - Automatic .....	76	Plate, Brake Back .....	86
Shaft, Parking Pawl - Automatic .....	76	Plate, Disc .....	108
Shaft, Reverse Idle Gear .....	41	Plug, Magnet Drain .....	83
Shell, Sun Gear - Automatic .....	70	Plug, Oil Level .....	83
Sleeve, Clutch Hub (3.4) .....	39	Ring, Dust .....	108
Solenoid, Down Shift - Automatic .....	67	Ring, Wheel .....	88, 109
Spindle, Select Lock .....	44	Rubber, Set .....	88, 109
Spring, Synchronizer .....	39	Shaft, Rear Axle .....	83
Strut, Band - Automatic .....	66	Shoe, Brake .....	86
Support, Actuator - Automatic .....	76	Strut, Operating .....	87
Tube, Oil - Automatic.....	67	Tire, 155 SR-13 Radial .....	88, 109
Valve, Control - Automatic .....	78	<b>SUSPENSION</b>	
<b>PROPELLER SHAFT &amp; DRIVING</b>			
Carrier, Differential .....	90	Arm.....	112
Case, Differential Gear .....	90	Arm, Knuckle .....	112
Driving & Differential .....	90	Bracket, Shackle .....	93
Flange, Companion .....	90	Bumper, Bound .....	94, 111
Gear Set, Final .....	90	Casing, Stopper .....	94
Gear, Differential Side .....	90	Clamp, Spring .....	93
Joint, Universal .....	81	Damper, Front .....	113
		Damper, Rear .....	94

## ALPHABETICAL INDEX

Description	Page	Description	Page
Holder, Rubber Pad .....	94	<b>FOOT BRAKE</b>	
Member, Cross .....	111	Bracket, Master Cylinder .....	131
Pad, Rubber .....	94	Connector, Brake Pipe .....	144
Pin, Spring .....	93	Cylinder, Tandem Master .....	137
Plate No. 1, Shackle .....	93	Fork End, Brake .....	131
Rubber, Mounting .....	111	Holder, Reserve Tank .....	138
Rubber, Stopper .....	94	Hose, Flexible .....	144
Spring, Coil .....	111	Hose, Vacuum .....	144
Spring, Rear .....	93	Joint, Pipe-Brake Pipe .....	144
Stabilizer .....	111	Pad, Pedal .....	130
<b>STEERING</b>		Pedal, Brake .....	130
Arm, Pitman .....	99, 103	Pipe No. 1, Rear Brake .....	144
Boss, Steering Wheel .....	96, 97, 101	Pipe, Connector-Vacuum Hose .....	144
Bracket, Lower-Shaft Jacket .....	99, 101	Pipe, Vacuum .....	145
Bush, Tapered .....	105	Repair Kit "A" .....	139
Button, Horn .....	96	Repair Kit "B" .....	139
Cap, Horn .....	96, 101	Tank, Reserve .....	138
Cover, Column .....	175	Vac, Master .....	139
Cover, Dust .....	99, 103	Valve, W. P. ....	144
Cover, Side .....	98, 102	<b>PARKING BRAKE</b>	
Gear, Steering .....	97, 102	Boot .....	142
Housing, Gear .....	98, 103	Cable, Front .....	141
Idler .....	105	Cable, Rear .....	141
Insulator .....	99	Lever, Hand Brake .....	141
Jacket, Shaft (Without Energy Absorbing) .....	97, 102	Ratchet .....	141
Link, Center .....	105	Rod, Release .....	141
Nut, Worm Ball (Without Energy Absorbing) .....	97	Sector .....	141
Plate, Set .....	103	<b>FUEL SYSTEM</b>	
Plug, Oil .....	98, 102	Board, Partition-Fuel Tank .....	119
Rod, Tie .....	105	Cap, Filler .....	120
Rubber, Fixing-Shaft Jacket .....	101	Elbow .....	120
Shaft, Energy Absorbing .....	97, 102	Filter, Fuel .....	123
Shaft, Sector .....	98, 103	Hose, Joint .....	119
Socket Set .....	105	Lid, Filler .....	120
<b>ACCELERATION CONTROLS</b>		Pipe, Filler .....	119
Cable, Choke .....	173	Pipe, Fuel-Carburettor Side .....	123
Pedal, Accelerator .....	126, 128	Pipe, Fuel-Fuel Pump .....	123
Retainer, Accelerator Rod .....	128	Pipe, Soft Vinyl .....	119
Rod, Accelerator Control .....	126, 128	Plate, Back Up .....	120
Wire, Accel. ....	126, 128	Pump, Fuel .....	123

# ALPHABETICAL INDEX

Description	Page	Description	Page
Tank, Fuel .....	119	Harness, Wire-Reverse Lamp .....	213
Tube, Vent .....	120	Horn, Electric .....	212
<b>ELECTRICAL EQUIPMENT</b>		Lamp, Front Turn Signal .....	206
Alternator .....	51	Lamp, Head .....	205
Antenna, Auto Radio .....	223	Lamp, Licence .....	208, 209
Arm, Wiper .....	217	Lamp, Rear Combination .....	208
Auto Radio & Stereo .....	223	Lamp, Room .....	211
Auto Radio Cpt. ....	223	Lamp, Side Turn Signal .....	206
Battery .....	55, 59, 60	Lens, Illumination .....	171
Beam Unit, Sealed No. 1 .....	205	Lighter, Cigar .....	175
Belt, "V" .....	52	Loud Speaker .....	224
Blade, Wiper .....	217	Meter Set .....	177
Block, Fuse .....	211	Meter, Combination .....	178
Block, Main Fuse .....	211	Motor, Wiper .....	217
Bracket, Alternator .....	52	Motor & Link-Wiper .....	217
Bracket, Ignition Coil .....	46	Ornament, Without Auto Clock .....	172
Bracket, Relay .....	215	Plug, Sparking .....	47
Bulb & Socket .....	231	Reflector, Reflex-Rear .....	209
Cable, Battery Positive .....	56, 60	Regulator .....	49
Cable, Speedometer .....	173	Relay, Horn .....	212
Clamp, Battery .....	55, 59, 60	Relay, Ignition Cord .....	214
Clock, Auto .....	171	Relay, Wiper Switch .....	214, 215
Coil, Ignition .....	46	Socket, Distributor .....	49
Condenser .....	224	Starter .....	54, 58
Control Unit, Center .....	214	Strap, Alternator .....	52
Cord, Back Window-Heating Wire use .....	215	Switch, Combination .....	174
Cord, Earth .....	121	Switch, Door .....	215
Cord, High Tension .....	47	Switch, Ignition & Steering Lock .....	266
Cord, High Tension-Coil-Distributor .....	46	Switch, Kick Down .....	126
Cord, Parking Lamp Switch .....	142	Switch, Oil Level Warning .....	8
Distributor .....	47	Switch, Oil Pressure .....	6
Flasher & Hazard Unit .....	214, 215	Switch, Parking Lamp .....	142
Flasher Unit, For France .....	215	Switch, Reverse Lamp .....	44
Gauge, Fuel Tank .....	120	Switch, Stop Lamp .....	132
Gauge Unit, Water Heat .....	28	Switch, Vacuum .....	18
Harness, Wire-Front .....	212	Tray, Battery .....	55, 59, 60
Harness, Wire-Rear .....	213	Tube, Vacuum Control .....	49
Harness, Wire-Engine .....	213	Washer Set, Screen .....	221
Harness, Wire-Ignition Coil Relay-Coil .....	213	Wire, Earth .....	60
Harness, Wire-Meter .....	213	Wire, Earth-Battery .....	56

## ALPHABETICAL INDEX

Description	Page	Description	Page
<b>BODY &amp; FITTINGS</b>			
Adjuster No. 1, Seat .....	181, 187	Grille, Extractor .....	238
Bar, Front Bumper .....	150	Grille, Radiator .....	151
Bar, Rear Bumper .....	150	Guard Set, Bumper .....	151
Belt, Front Safety .....	183, 189	Guide "A", Glass .....	191, 253
Belt, Rear Safety .....	189	Handle, Outer Side .....	197, 262
Bezel, Lamp .....	151	Handle, Inner .....	197, 261
Blank Key, Primary Key .....	266	Handle, Regulator .....	198, 253, 262
Body, Door-Front .....	191	Hinge, Bonnet .....	153
Body, Door-Rear .....	257	Hinge, Door .....	198, 262, 263
Bonnet .....	153	Hinge, Trunk Lid .....	154
Brace, Diagonal .....	161, 164	Holder, Belt .....	183, 189
Bracket, Lift-Front .....	191	Holder, Number Plate .....	150
Bracket, Lift-Rear (Coupe) .....	252	Hook, Bonnet .....	153
Bracket, Lift-Rear (Sedan) .....	257	Hook, Front & Rear Frame .....	166
Carrier, Battery .....	158	Insulator No. 1 .....	167
Chamber .....	237	Knuckle, Seat .....	181, 187
Channel, Center .....	257	Lid, Trunk .....	154
Channel, Glass Run-Front .....	192	Lock, Bonnet .....	153
Channel, Glass Run-Rear .....	253	Lock, Door .....	196, 261
Clamp, Release Wire-Bonnet .....	154	Lock, Lid .....	155
Cover, Inner Handle .....	197, 261	Louver .....	246
Cover, Service Hole .....	168	Member No. 1, Cross .....	166
Cover, Under .....	167	Member No. 3, Cross .....	167
Cushion, Seat-Rear .....	182, 187	Mould "A", Sash .....	193
Cushion, Seat .....	180, 185	Mould, Beltline .....	193, 254, 259
Dam, Window Glass .....	248, 249	Mould, Drip .....	250
Duct, Ventilator .....	246	Mould, Front .....	151
Extractor .....	237	Mould, Rear .....	249
Frame, Extractor .....	237	Mould, Lower-Front .....	248
Frame, Front-Floor .....	166	Mould, Quarter Line .....	254
Frame, Rear-Floor .....	166	Mould, Sash .....	259
Garnish .....	254	Mould, Step .....	250
Garnish, Arm Rest .....	192, 254, 258	Mould, Upper-Front .....	248
Glass, Back Window .....	248	Panel, Rear End .....	161
Glass, Front Side Door .....	191	Panel, Quarter Inner .....	160
Glass, Front Window .....	248	Panel, Rear Deck .....	164
Glass, Quarter Window .....	258	Panel, Rear End .....	164
Glass, Rear Side Door .....	257	Panel, Roof .....	164
Glass, Side Window .....	252	Panel, Cowl Side .....	163



# ALPHABETICAL INDEX

Description	Page	Description	Page
Panel, Cowl .....	157	Stripe, Front Fender .....	238
Panel, Cowl Side .....	160	Stripe, Front Side Door .....	238
Panel, Dashboard - Lower .....	157	Tray, Ash .....	181, 187
Panel, Dashboard - Upper .....	157	Tray, Package .....	161, 164
Panel, Floor Side .....	167	Trim, Back Seat .....	181, 186
Panel, Front Fender .....	157	Trim, Cushion .....	180, 185, 188
Panel, Front Skirt .....	158	Trim, Door .....	192, 258
Panel, Nose .....	158	Trim, Quarter .....	254
Panel, Rear Deck .....	161	Trim, Rear Seat .....	182
Panel, Rear Fender .....	160, 164	Trim, Seat Back .....	182, 188
Panel, Roof .....	161	Valve, Check - Side Sill .....	161
Panel, Shroud .....	157	Ventilator .....	246
Panel, Shroud - Upper .....	158	Weatherstrip .....	155, 193, 257, 258
Panel, Wheel Apron .....	157	Weatherstrip, Inner .....	192
Panel, Wheel House .....	166	Weatherstrip, Outer .....	192, 258
Pan, Front Floor .....	166	Weatherstrip Outer "A" .....	253
Pan, Rear Floor .....	166	Weatherstrip, Outer "B" .....	253
Pan, Spare Tire .....	167	Welt, Seaming .....	193, 254, 259
Pillar, Center - Outer .....	160, 163	Wire, Release .....	154
Pillar, Front Inner .....	160, 163	Wire, Ventilator Control .....	246
Pillar, Hinge Outer .....	160, 163	<b>KITS, ACCESSORIES &amp; OPTIONAL PARTS</b>	
Pillar, Rear Inner .....	163	Blower .....	201
Plate, Guide .....	158	Box, Hood Center .....	171
Plate, Scarf - Front .....	249	Box, Glove - Outer .....	229
Rack .....	199, 263	Bracket, Center Panel .....	170
Regulator, Window .....	197, 252, 262	Bracket, Choke .....	173
Rest, Arm .....	192, 254, 258	Ceiling, Top .....	240
Rod, Door Lock .....	196, 261	Cloth, Cover .....	227
Scoop, Air .....	154	Console, End .....	230
Seat, Back .....	180, 182, 186, 188	Console, Front .....	230
Seat, Front .....	180, 185	Cosole, Rear .....	230
Sill, Side - Inner .....	166	Control .....	201
Sill, Side - Outer .....	160, 163	Duct .....	201
Spring, Balance .....	155	Emblem, Front .....	235
Spring, Lift .....	153	Garnish .....	227
Stay, Front Bumper .....	150	Grille .....	237
Stay, Rear Bumper .....	150	Guide, Ventilator .....	174
Stopper, Bonnet .....	153	Handle, Assist .....	237
Stoneguard .....	250	Hanger, Coat .....	237
Striker .....	155	Heater Set .....	201

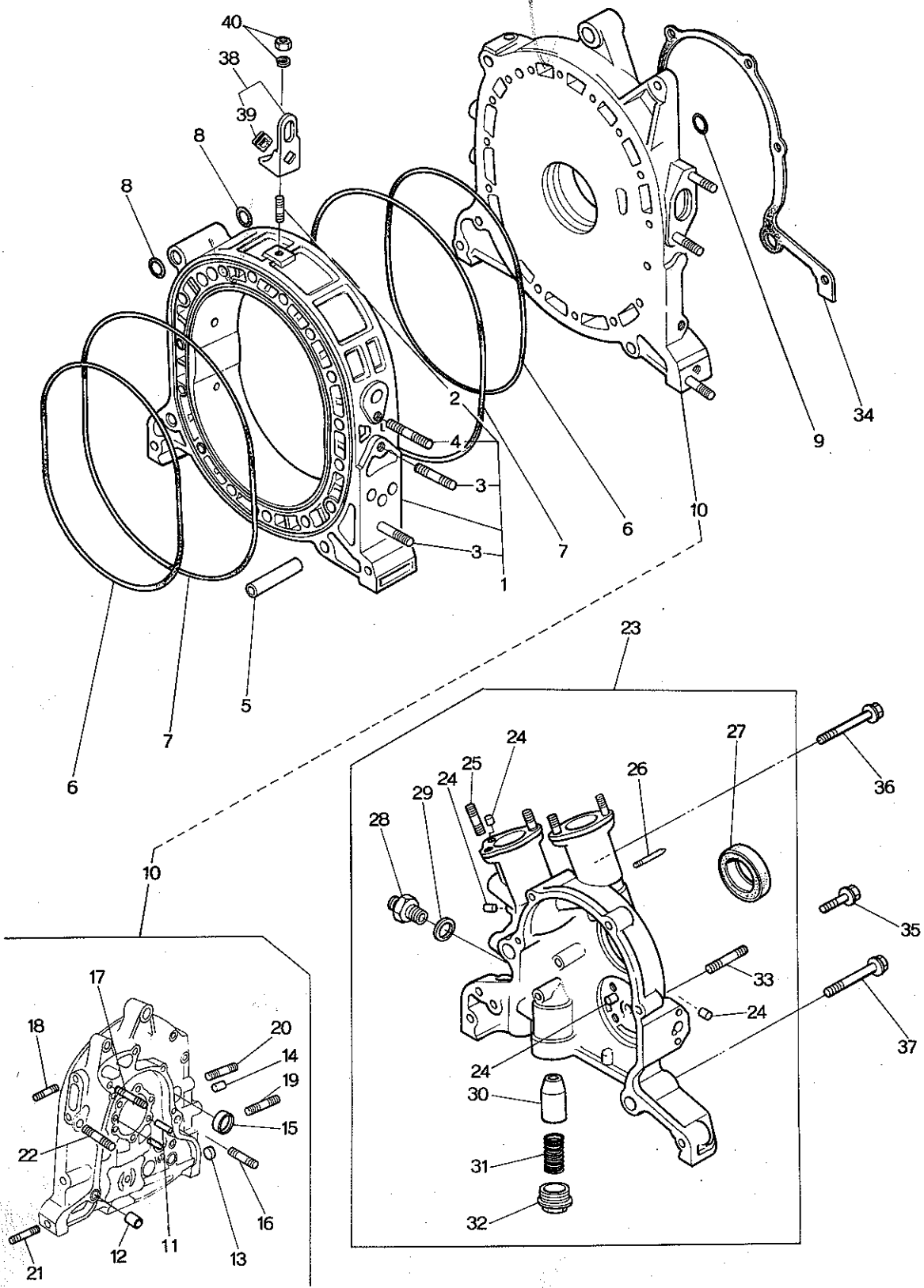
## ALPHABETICAL INDEX

Description	Page	Description	Page
Heater Unit .....	201	Sun Visor .....	237
Holder, Grille .....	170	Tools .....	233
Hood No. 1 .....	170	Tray, Ash (Frt.) .....	228
Hood No. 2 .....	171	Tray, Ash-Rear .....	231
Hose No. 1 .....	202	Trim, Center Pillar .....	241
Hose, Defroster .....	201	Trim, Front Pillar .....	240
Insulator .....	243	Trim, Front Side .....	240
Jack .....	233	Trim, Package Tray .....	241
Key Primary .....	266	Trim, Rear Pillar .....	241
Key Set .....	266	Trim, Tire House .....	243
Key Sub Set .....	266	Wire, Jack .....	233
Key Sub Set, Filler Lid .....	266		
Key Sub Set, Steering Lock .....	266		
Key Sub Set, Trunk Lid .....	266		
Key, Secondary .....	266		
Lid, Glove Box .....	228		
Mat (Frt., C) .....	243		
Mat (Frt., L) .....	243		
Mat (Frt., R) .....	243		
Mat (Rr., C) .....	243		
Mat (Rr., L) .....	243		
Mat (Rr., R) .....	243		
Mat, End .....	243		
Mat, Trunk Room .....	243		
Member, Lower .....	172		
Mirror, Door .....	236		
Mirror, Rear View .....	235		
Mirror, Room .....	236		
Name, Plate .....	235		
Nozzle, Defroster .....	174		
Ornament .....	235		
Pad, Lower .....	227		
Pad, Crush .....	227		
Panel, Control .....	201		
Pipe, Heater .....	202		
Plate No. 2, Fixing-Rear .....	240		
Plate, Center .....	171		
Plate, Fixing-Front .....	240		
Rest, Center Arm .....	230		
Shelf, Parcel .....	229		



# ROTOR HOUSING (FRONT)

(USED UP TO CAR NO. 179250 <sup>73</sup>/<sub>9</sub>)



# ROTOR HOUSING (FRONT)

(USED UP TO CAR NO. 179250 <sup>73</sup>/<sub>9</sub>)



No.	Part Number	Description	Q'ty	Remarks
1	0866 10 100 B	Housing, Rotor	1	
	0866 10 100 C	Housing, Rotor	1	Car No. 144175 <sup>74</sup> / <sub>9</sub> ~○
	0866 10 100 D	Housing, Rotor	1	Car No. 151984 <sup>78</sup> / <sub>9</sub> ~○
✓ 2	99851 0814 A	Stud, Engine Hanger	1	
	0866 10 105	Stud, Engine Hanger	1	Car No. 146346 <sup>75</sup> / <sub>9</sub> ~○
3	0839 10 105	Stud, EX. Manifold	2	
4	99851 0850 A ✓	Stud, IN. Manifold	1	
5	0813 10 111	Dowel, Tubular	2	
6	0810 10 171	Ring, "O" - Inner	2	
	1668 10 171	Ring, "O" - Inner	2	Car No. 155593 <sup>710</sup> / <sub>9</sub> ~○
⑦	0866 10 172 A	Ring, "O" - Outer	2	
⑧	0813 10 173	Ring, "O" - Tubular Dowel	4	
9	0813 10 174	Ring, "O" - Tension Bolt	1	
	0866 23 040	"O" Ring Set (Fig. No. 6~9 included)	1	Set
	0866 23 040 A	"O" Ring Set (Fig. No. 6~9 included)	1	Car No. 155593 <sup>710</sup> / <sub>9</sub> ~○
	(1665 10 200 A)	and { 1665 10 200 C 99852 0865 A }	}	are interchangeable when exchanged as a set
	(0866 10 200 E)	and { 0866 10 200 A 99852 0865 A }		



# ROTOR HOUSING (FRONT)

(USED UP TO CAR NO. 179250 <sup>73</sup>/<sub>9</sub>)

No.	Part Number	Description	Q'ty	Remarks
• 10	<u>0866 10 200E</u>	Housing, Front	1	
•	<u>0866 10 200H</u>	Housing, Front	1	General Spec. without Block Heater Car No. 152816 <sup>73</sup> / <sub>9</sub> ~X
•	<u>0870 10 200C</u>	Housing, Front	1	Hole Car No. 152816 <sup>73</sup> / <sub>9</sub> ~○
•	2359 10 200D	Housing, Front	1	
•	1665 10 200A	Housing, Front	1	ECE Cold Spec. (1558,1559) Car No. 140779 <sup>72</sup> / <sub>2</sub> ~△
•	1665 10 200C	Housing, Front	1	with Block Heater Hole Car No. 152816 <sup>73</sup> / <sub>9</sub> ~X
•	1665 10 200D	Housing, Front	1	Car No. 152816 <sup>73</sup> / <sub>9</sub> ~○
11	0839 10 203	Pin, Dowel	1	
12	2329 10 204	Dowel, Tubular	2	
13	0839 10 206	Plug, Blind	1	
14	0839 10 205	Plug, Blind	3	
15	99306 3000	Plug, Blind- Water	4	
16	99852 0655	Stud	2	
17	99852 0878 A	Stud, Water Pump	2	
18	99852 0822 A	Stud, IN. Manifold	2	
19	99859 1220 A	Stud, Mounting	2	
20	99859 1225 A	Stud	1	
21	99852 1016	Stud	1	
22	99852 0865 A	Stud	1	
	99852 0878 A	Stud	1	Car No. 150526 <sup>73</sup> / <sub>8</sub> ~X

# ROTOR HOUSING (FRONT)

(USED UP TO CAR NO. 179250<sup>73/9</sup>)



No.	Part Number	Description	Q'ty	Remarks
23	0866 10 600	Cover, Front	1	
	0866 10 600A	Cover, Front	1	Car No. 159447 <sup>73/11</sup> ~△
√24	99307 0600	Plug, Blind	5	
√25	99851 0818A	Stud, Distributor	4	
26	0820 10 631A	Pin, Indicator	1	
27	0820 10 605	Oil Seal	1	
√28	89384 1200	Joint, Union	1	
√●	99384 1200F	Joint, Union	1	Car No. 175279 <sup>73/11</sup> ~○
√●	99384 1200	Joint, Union	1	Car No. 163569 <sup>73/11</sup> ~○
√29	99562 1600	Gasket	1	
30	0839 14 115	Plunger, Pressure Control	1	
31	0839 14 273	Spring	1	
	0839 14 273A	Spring	1	Car No. 159447 <sup>73/11</sup> ~△
32	0221 14 117	Plug	1	
	0839 14 274	Plug	1	Car No. 159447 <sup>73/11</sup> ~△
√33	99855 1020A	Stud	4	
34	0839 10 641	Gasket, Front Cover	1	
35	99801 0840	Bolt, Front Cover	4	
	99952 0800	Washer, Plain	4	

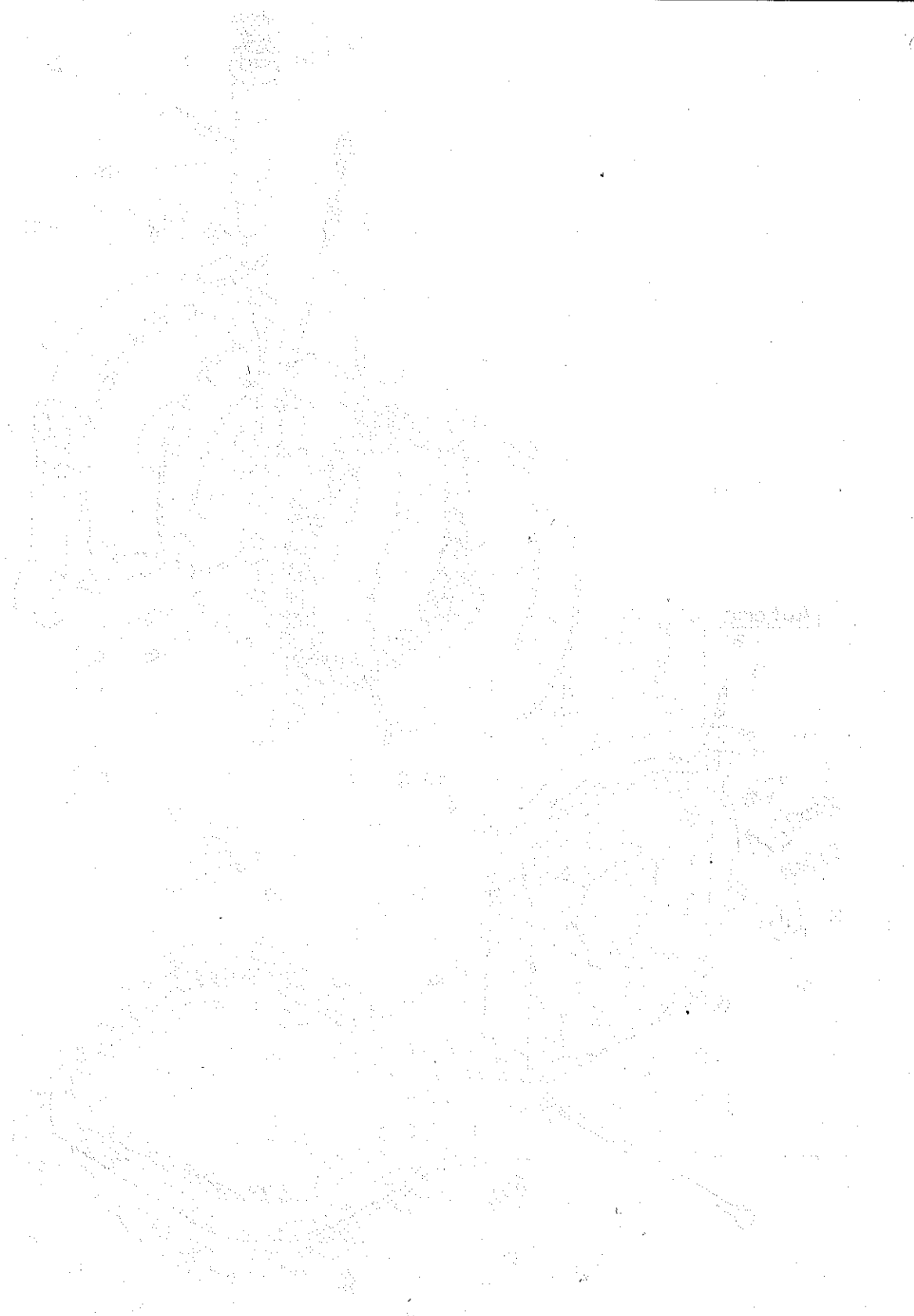


# ROTOR HOUSING (FRONT)

(USED UP TO CAR NO. 179250 <sup>73/9</sup>)

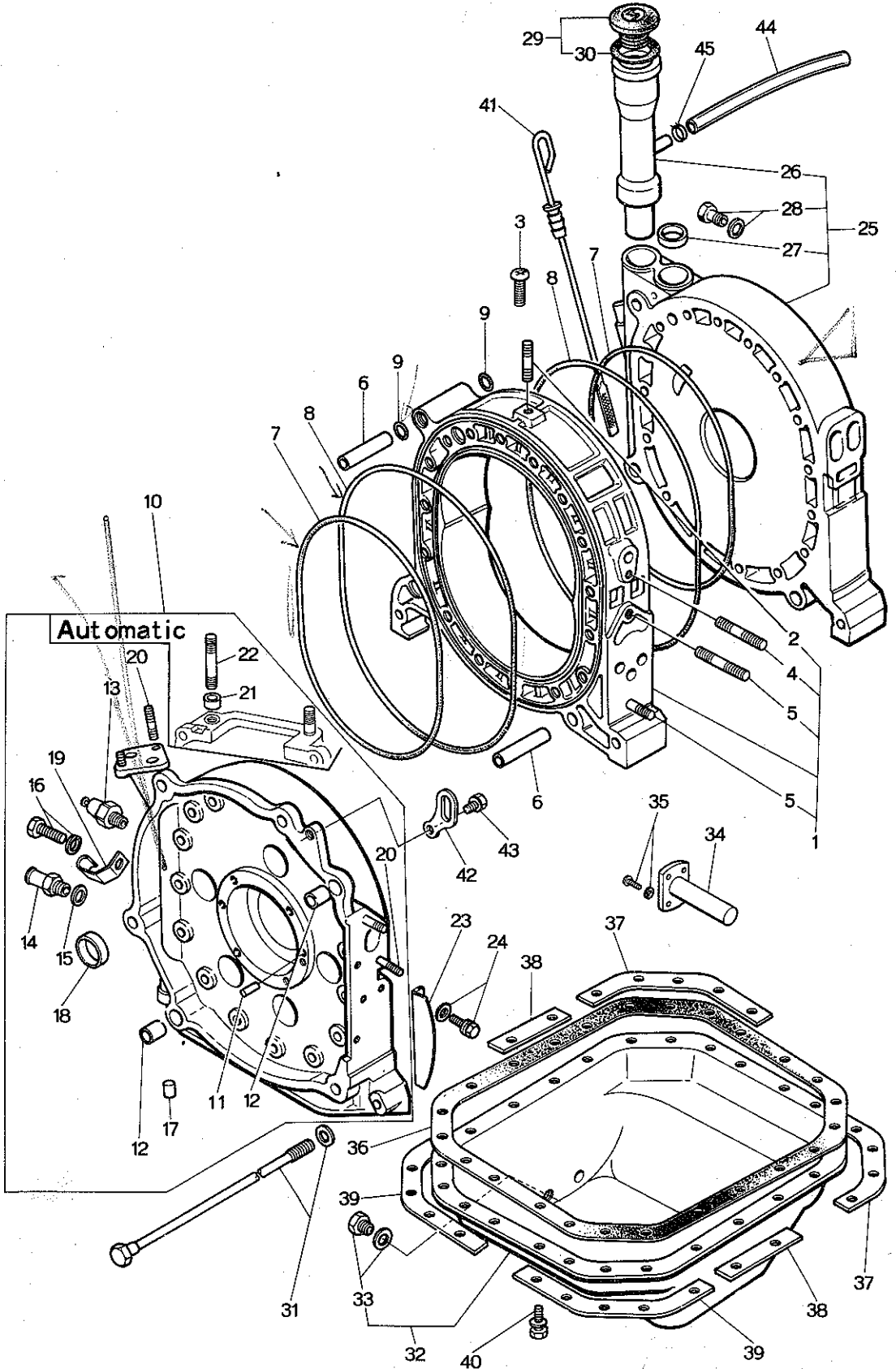
No.	Part Number	Description	Q'ty	Remarks
	99971 0800	Washer, Spring	4	
36	99801 0865	Bolt, Front Cover	1	
	99952 0800	Washer, Plain	1	
	99971 0800	Washer, Spring	1	
37	99801 0875	Bolt, Front Cover	2	
	99952 0800	Washer, Plain	2	
	99971 0800	Washer, Spring	2	
38	2869 10 860	Hanger, Engine	1	
•	0871 10 862A	Hanger, Engine	1	Car No. 171556 <sup>73</sup> / <sub>9</sub> ~ X
•	1011 18 319	Clip	1	Car No. 171556 <sup>73</sup> / <sub>9</sub> ~ Added Anew
39	2329 10 864	Protector, Hanger	1	
40	99901 0800	Nut, Engine Hanger	1	} Car No. 171556 <sup>73</sup> / <sub>9</sub> ~ Discarded
	99971 0800	Washer, Spring	1	
	0866 99 100C	Engine Parking Set	1	Set
Ⓝ	1665 14 200D	Pellet Oil	1	
Ⓝ	99564 1000	Packing	1	} Car No. 135808 <sup>73</sup> / <sub>2</sub> ~ Added Anew
Ⓝ	99503 1000	Plug, Blaind	1	





# ROTOR HOUSING (REAR)

(USED UP TO CAR NO. 179250 <sup>73</sup>/<sub>9</sub>)



# ROTOR HOUSING (REAR)

(USED UP TO CAR NO. 179250 <sup>73</sup>/<sub>9</sub>)



No.	Part Number	Description	Q'ty	Remarks
1	0866 10 100B	Housing, Rotor (Manual)	1	
	0866 10 100C	Housing, Rotor (Manual)	1	Car No. 144175 <sup>74</sup> / <sub>4</sub> ~ ○
	<u>0866 10 100D</u>	Housing, Rotor (Manual)	1	Car No. 151984 <sup>78</sup> / <sub>8</sub> ~ ○
	0871 10 150A	Housing, Rotor (Automatic)	1	
	0871 10 150B	Housing, Rotor (Automatic)	1	Car No. 144175 <sup>74</sup> / <sub>4</sub> ~ ○
	0871 10 150C	Housing, Rotor (Automatic)	1	Car No. 151984 <sup>78</sup> / <sub>8</sub> ~ ○
2	99851 0816A	Stud, Engine Hanger (Manual)	1	
	0866 10 105	Stud, Engine Hanger (Manual)	1	Car No. 146346 <sup>75</sup> / <sub>5</sub> ~ ○
✓3	99833 0810	Screw (Automatic)	1	
● ✓	99801 0812	Screw (Automatic)	1	Car No. 159447 <sup>71</sup> / <sub>11</sub> ~ ○
4	99851 0850A	Stud, IN. Manifold	1	
5	0839 10 105	Stud, EX. Manifold	2	
6	0813 10 111	Dowel, Tubular	2	
7	0810 10 171	Ring, "O"-Inner	2	
	1668 10 171	Ring, "O"-Inner	2	Car No. 155593 <sup>72</sup> / <sub>10</sub> ~ ○
8	0866 10 172A	Ring, "O"-Outer	2	
9	0813 10 173	Ring, "O"-Tubular Dowel	4	
	0866 23 040	"O" Ring Set (Fig. No. 7 ~ 9 included)	1	Set
	0866 23 040A	"O" Ring Set (Fig. No. 7 ~ 9 included)	1	Set Car No. 155593 <sup>72</sup> / <sub>10</sub> ~ ○
● (N)	0866 23 025	Protector	4	Car No. 167747 <sup>75</sup> / <sub>5</sub> ~ Added Anew

**ROTOR HOUSING (REAR)**  
 (USED UP TO CAR NO. 179250 <sup>73</sup>/<sub>9</sub>)

No.	Part Number	Description	Q'ty	Remarks
10	0866 10 300E	Housing, Rear (Manual)	1	
	0866 10 300G	Housing, Rear (Manual)	1	Car No. 152816 <sup>73</sup> / <sub>9</sub> ~ ○
	0870 10 300B	Housing, Rear (Manual)	1	Car No. 152816 <sup>73</sup> / <sub>9</sub> ~ ○
	0871 10 300D	Housing, Rear (Automatic)	1	
	0871 10 300E	Housing, Rear (Automatic)	1	Car No. 152816 <sup>73</sup> / <sub>9</sub> ~ ○
	0872 10 300B	Housing, Rear (Automatic)	1	Car No. 152816 <sup>73</sup> / <sub>9</sub> ~ ○
11	0820 10 203	Pin, Dowel	1	
12	0221 10 309	Pin, Tubular	2	
13	0866 18 501A	Switch, Oil Pressure	1	
14	0866 10 320A	Joint, Hose	1	
15	99562 1600	Gasket	1	
16	99811 1010	Bolt	1	} (Manual)
	99971 1000	Washer, Spring	1	
17	0839 10 205	Plug, Blind	1	
18	99306 3000	Plug, Blind	5	
19	0866 18 496	Clip (Manual)	1	
20	99852 0822A	Stud	3	
21	99234 1208	Pin, Tubular	2	} (Automatic)
22	99852 0830A	Stud	2	

# ROTOR HOUSING (REAR)

(USED UP TO CAR NO. 179250 <sup>73/9</sup>)



No.	Part Number	Description	Q'ty	Remarks
23	0820 10 305	Cover, Dust	1	
24	99806 0610	Bolt	2	
	99971 0600	Washer, Spring	2	
25	0866 10 400B	Housing, Intermediate	1	
	0870 10 400A	Housing, Intermediate	1	Car No. 152816 <sup>73/9</sup> ~ (○)
26	0866 10 411	Pipe, Oil Filler	1	
27	99305 2800	Plug, Expansion	1	
28	99510 1000	Plug	1	
	99564 1000	Gasket	1	
29	0324 10 250	Cap, Oil Filler	1	
30	0324 10 252	Gasket	1	
31	0822 10 451C	Bolt, Tension	18	
	0822 10 452D	Bolt, Tension	1	
	0839 10 455	Washer, Plain	19	
32	1562 10 700A	Pan, Oil	1	
	0866 10 700B	Pan, Oil	1	Car No. 152816 <sup>73/9</sup> ~ X



# ROTOR HOUSING (REAR)

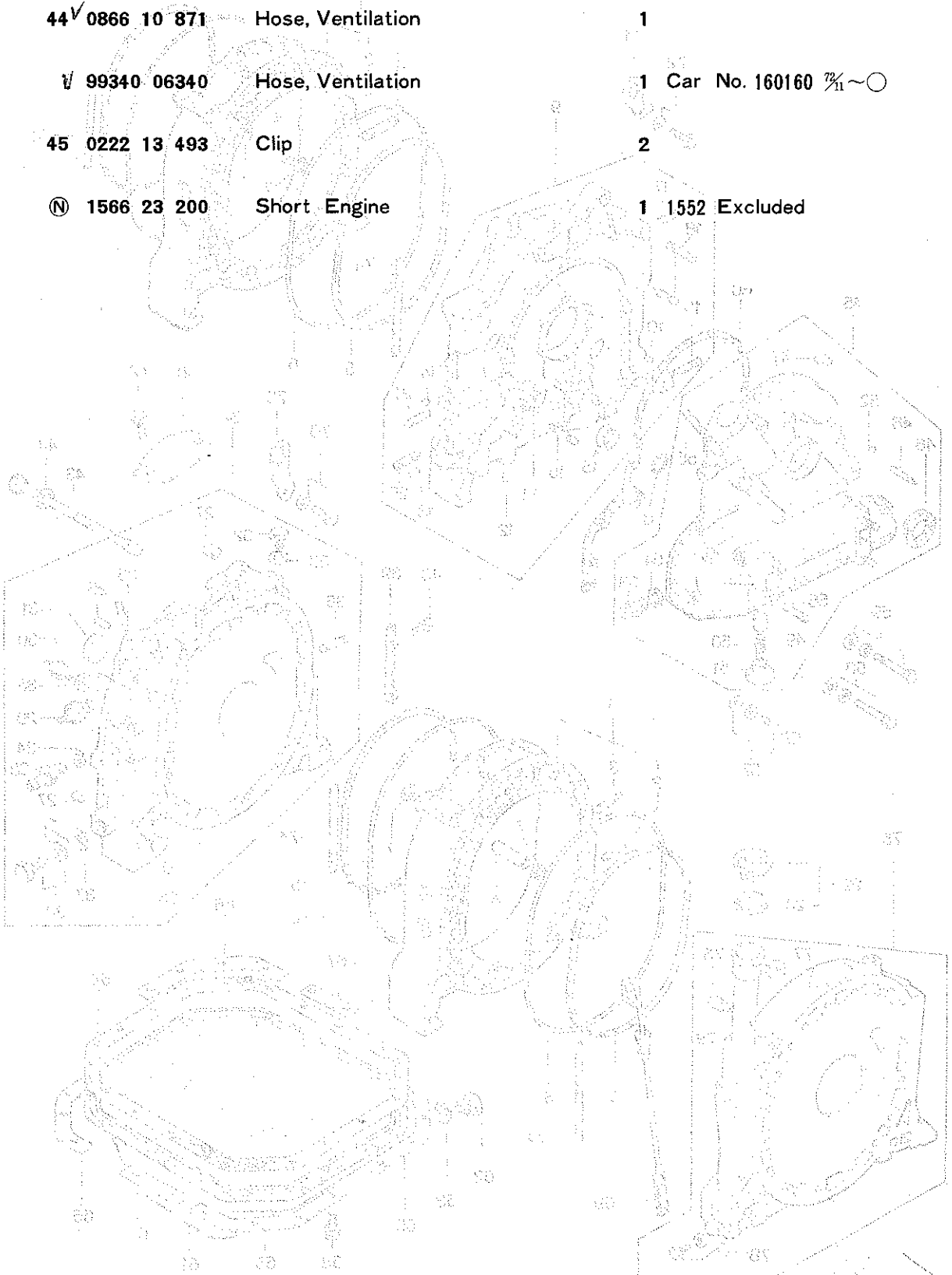
(USED UP TO CAR NO. 179250  $\frac{73}{9}$ )

No.	Part Number	Description	Qty	Remarks
	1562 10 700B	Pan, Oil	1	Car No. 152816 $\frac{79}{9}$ ~ X
33	99511 1400	Plug, Drain	1	
	99562 1400	Gasket	1	
34	2090 10 730B	Switch, Oil Level Warning	1	Car No. 150526 $\frac{78}{8}$ ~ Discarded
35	99833 0418	Screw, Oil Level Warning Switch	4	Car No. 150526 $\frac{78}{8}$ ~ Discarded
	99971 0400	Washer, Spring	4	Car No. 150526 $\frac{78}{8}$ ~ Discarded
36	0820 10 711	Gasket, Oil Pan	1	
37	0820 10 721	Stiffener	2	
38	0820 10 722	Stiffener	2	
39	0820 10 723	Stiffener	2	
40	99806 0616	Bolt, Oil Pan	22	
	99971 0600	Washer, Spring	22	
41	0866 10 830	Gauge, Oil Level	1	
42	2090 10 862A	Hanger, Engine	1	
	0871 10 862A	Hanger-Engine (Automatic)	1	Car No. 144175 $\frac{74}{4}$ ~ O
	2090 10 862A	Hanger-Engine (Automatic)	1	Car No. 155593 $\frac{70}{10}$ ~ Δ
43	99801 0818	Bolt, Engine Hanger	1	
	99801 0820	Bolt, Engine Hanger (Automatic)	1	Car No. 144175 $\frac{74}{4}$ ~ O
	99971 0800	Washer, Spring	1	

# ROTOR HOUSING (REAR)

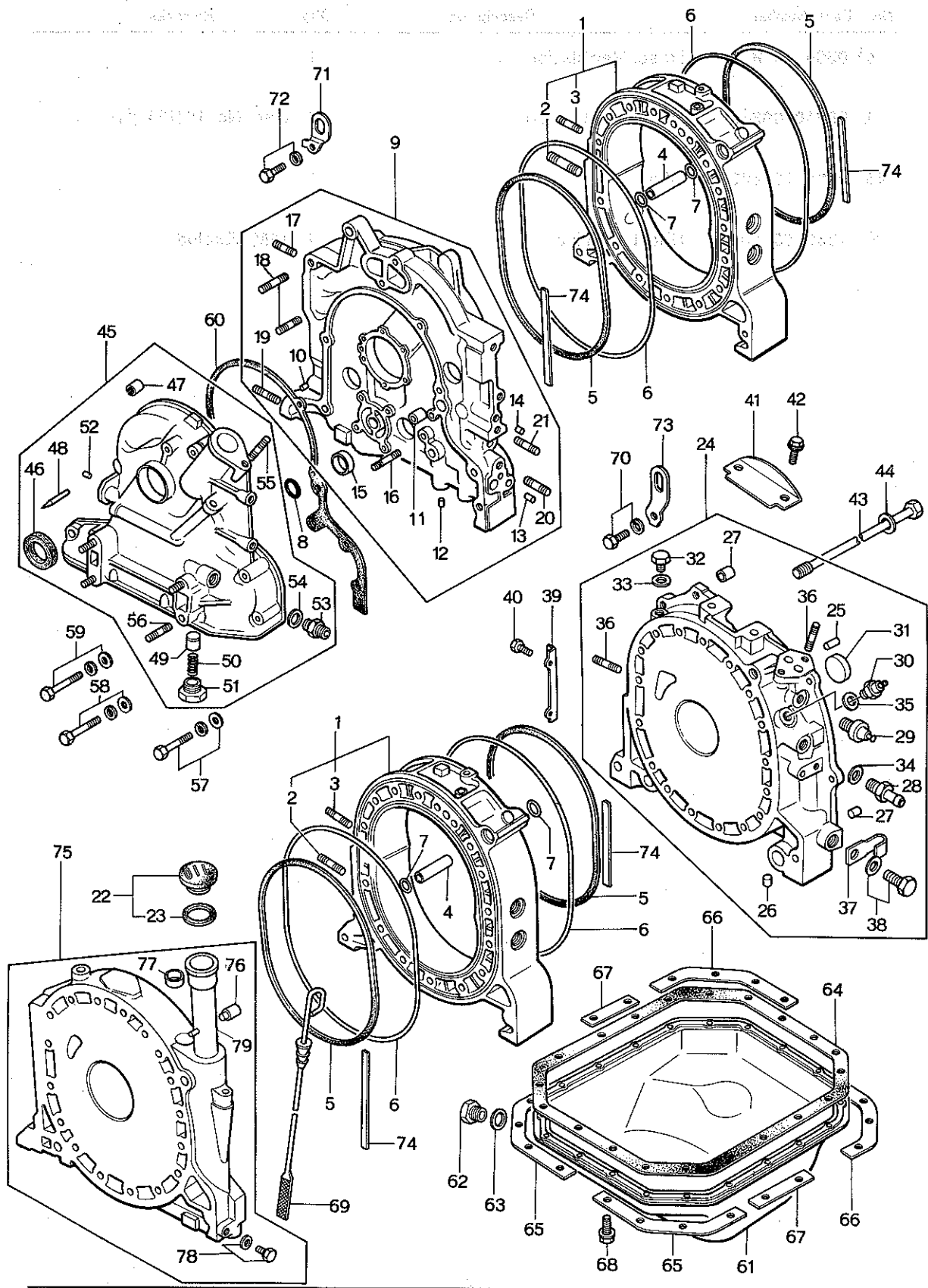
(USED UP TO CAR NO. 179250  $\frac{73}{9}$ )

No.	Part Number	Description	Q'ty	Remarks
44	✓ 0866 10 871	Hose, Ventilation	1	
	✓ 99340 06340	Hose, Ventilation	1	Car No. 160160 $\frac{71}{11}$ ~ ○
45	0222 13 493	Clip	2	
	Ⓝ 1566 23 200	Short Engine	1	1552 Excluded



# ROTOR HOUSING

(USED FROM CAR NO. 160623 <sup>73/10</sup>)





# ROTOR HOUSING

(USED FROM CAR NO. 160623 <sup>73/10</sup>)



No.	Part Number	Description	Q'ty	Remarks
1	1708 10 100B	Housing, Rotor	2	
2	0839 10 105	Stud	4	
3	99851 0822A	Stud	2	
4	0839 10 111B	Dowel, Tubular	4	
5	1757 10 171A	Ring, Square	4	
6	0813 10 172	Ring, "O" Outer	4	
7	0813 10 173	Ring, "O" - Tubular Dowel	4	
8	0813 10 174	Ring, "O" - Front Cover	1	
9	1757 10 200C	Housing, Front	1	
10	0839 10 203	Pin, Dowel	1	
11	2329 10 204	Dowel, Tubular	2	
12	0839 10 205	Plug, Blind	3	
13	1757 10 206	Plug, Blind	1	
	1757 10 206A	Plug, Blind	1	Car No. 163274 <sup>73/10</sup> - Δ
14	1757 10 207	Plug, Blind	1	
15	99306 3000	Plug, Blind Water	3	
16	99852 0660	Stud	2	
17	99852 0822A	Stud, IN. Manifold	2	

No.	Part Number	Description	Q'ty	Remarks
18	1757 10 208	Stud, Water Pump	4	
19	99852 1016	Stud	1	
20	99859 1220A	Stud, Mounting	1	
21	<del>99852 1225A</del>	<del>Stud</del>	<del>1</del>	
●	99859 1225 A	Stud	1	From Car No. 1
22	0324 10 250	Cap, Oil Filler	1	
23	0324 10 252	Gasket	1	
24	1881 10 300A	Housing, Rear	1	
25	0820 10 203	Pin, Knock - Gear	1	
26	0839 10 205	Plug, Blind	1	
27	1757 10 309	Pin, Tubular	1	
28	0866 10 320A	Joint, House	1	
29	0866 18 501A	Switch, Oil Pressure	1	
30	1757 18 510	Gauge Unit, Heat	1	
●	1757 18 510 A	Gauge Unit, Heat	1	3/8 ~ Δ
31	99306/3000	Plug, Blind - Water	5	
32	99511 1200	Plug	1	
33	99562 1200	Gasket, Plug	1	
34	99562 1600	Gasket, Hose Joint	1	
35	99564 0800	Gasket, Heat Gauge Unit	1	

# ROTOR HOUSING

(USED FROM CAR NO. 160623<sup>73/10</sup>)



No.	Part Number	Description	Q'ty	Remarks
36	99852 0822A	Stud, IN. Manifold & Oil Filter	4	
37	99276 1210	Clip	1	
38	99811 1010	Bolt, Clip	1	
	99971 1000	Washer, Spring	1	
✓ ● 39	1757 10 305	Cover, Dust	1	
● 40	99796 0610	Bolt, Dust Cover	2	(Manual)
✓ ● 41	1757 10 351	Cover, Dust	1	
● 42	99796 0816	Bolt, Dust Cover	2	
43	1015 10 451	Bolt, Tension	18	
	1015 10 452	Bolt, Tension	1	
44	0839 10 455	Washer, Seal	19	
45	1757 10 600B	Cover, Front	1	
46	0820 10 605	Oil Seal	1	
47	1757 10 609	Pin, Spring	1	
48	0820 10 631B	Pin, Top Indicator	1	
49	0839 14 115	Plunger, Press	1	
50	0839 14 273A	Spring, Press Plunger	1	
51	0839 14 274	Plug, Press Plunger	1	

# ROTOR HOUSING TOP

(USED FROM CAR NO. 160623 <sup>73/10</sup>)

No.	Part Number	Description	Q'ty	Remarks
52	99307 0600	Plug, Blind	2	
53	<del>99834 1200</del>	<del>Joint, Union</del>	<del>1</del>	
●	99384 1200	Joint, Union	1	From Car No. 1
54	99562 1600	Gasket, Union Joint	1	
55	99851 0612A	Stud	1	
56	99855 1020	Stud	4	
57	99801 0840	Bolt, Front Cover	3	
	99952 0800	Washer, Plain	3	
	99971 0800	Washer, Spring	3	
58	99801 0865	Bolt, Front Cover	2	
	99952 0800	Washer, Plain	2	
	99971 0800	Washer, Spring	2	
59	99801 0875	Bolt, Front Cover	1	
	99952 0800	Washer, Plain	1	
	99971 0800	Washer, Spring	1	
60	1757 10 641	Gasket, Front Cover	1	
61	0862 10 700	Pan, Oil	1	
62	99511 1400	Plug, Drain	1	
63	99562 1400	Gasket	1	

# ROTOR HOUSING

(USED FROM CAR NO. 160623 <sup>73/10</sup>)

10

No.	Part Number	Description	Q'ty	Remarks
64	0839 10 711	Gasket, Oil Pan	1	
65	0839 10 721	Plate, Seat	2	
66	0839 10 722	Plate, Seat	2	
67	0839 10 723	Plate, Seat	2	
68	99806 0616	Bolt, Oil Pan	22	
	99971 0600	Washer, Spring	22	
69	0866 10 830	Gauge, Oil Level	1	
70	1757 10 845	Bolt, Rear Housing+Engine Hanger	1	
	99971 1000	Washer, Spring	1	
71	1757 10 861 <i>3868 10 860</i>	Hanger, Engine	1	Δ 74/09 (4m 7-2-75)
72	99801 0816	Bolt, Engine Hanger	1	
	99971 0800	Washer, Spring	1	
73	1757 10 862	Hanger, Engine	1	
74	0866 23 025	Protector, "O" Ring	4	
<del>75</del>	<del>1708 99 105</del>	<del>Housing, Intermediate</del>	<del>1</del>	
●	1708 23 070	Housing, Intermediate	1	From Car No. 1
76	2329 10 417	Joint, Pipe	1	
77	99305 2800	Plug, Expansion	1	
78	99510 1000	Plug	1	
	99564 1000	Gasket	1	
●	79 1011 10 410 <i>3568 10 410</i>	Pipe, Oil Filler	1	From Car No. 1 74/9 (4m 7-2-75)

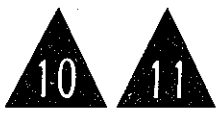


# ROTOR HOUSING

(USED FROM CAR NO. 160623 <sup>73</sup>/<sub>10</sub>)

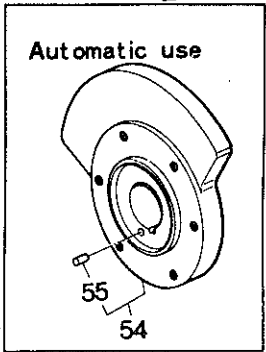
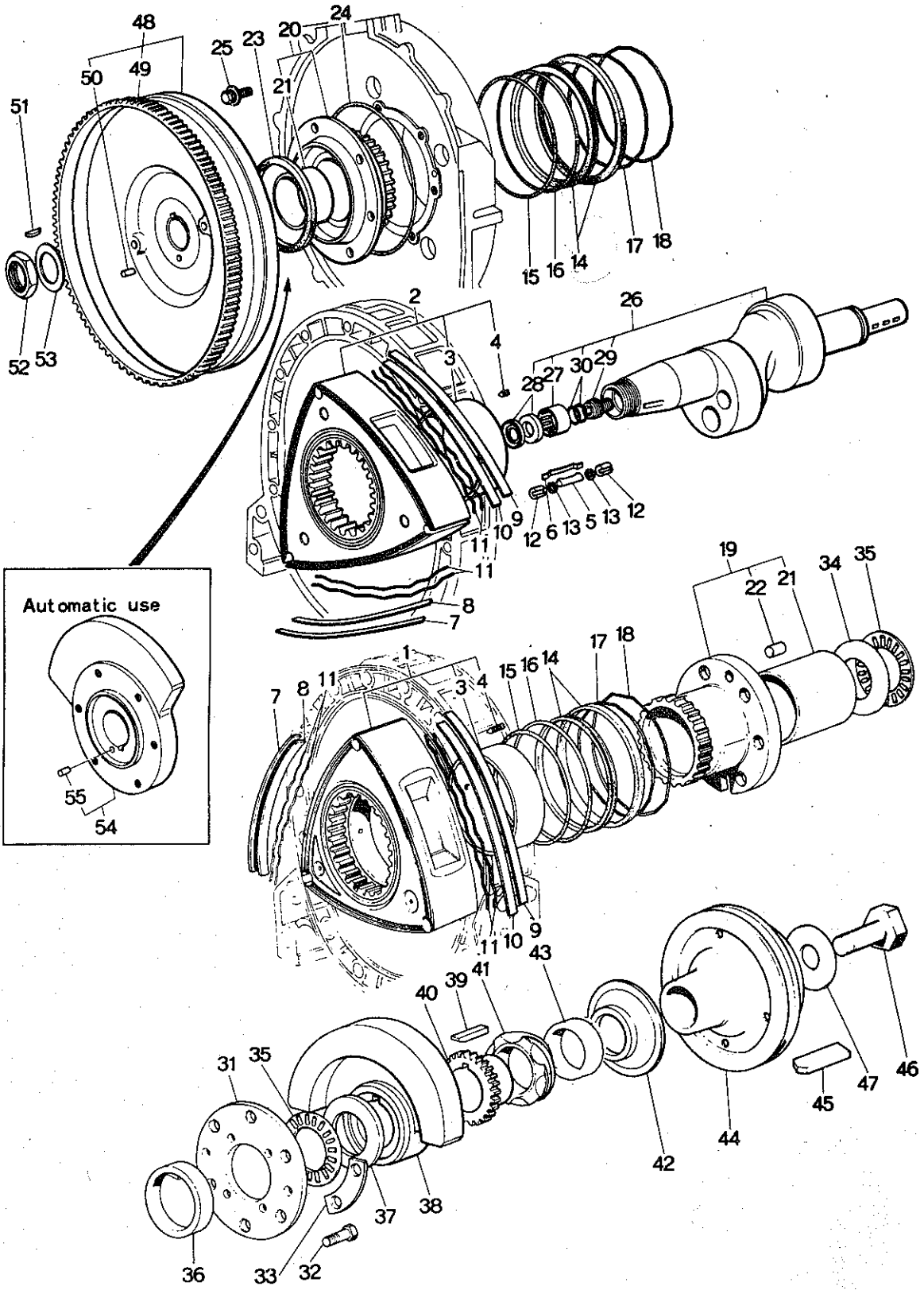
No.	Part Number	Description	Q'ty	Remarks
	1757 23 040	"O" Ring Set	1	
	1757 10 171 A	Ring, "O" - Inner	4	
	0813 10 172	Ring, "O" - Outer	4	
	0813 10 173	Ring, "O"	4	
	0813 10 174	Ring, "O"	1	
	0813 10 455	Ring, "O"	19	
	0813 10 555	Ring, "O"	1	
	99541 01601	Ring, "O"	2	
	99541 0240	Ring, "O"	2	
	99541 0350	Ring, "O"	1	
• ✓	1029 10 308	Ring, "O"	1	Added Anew
	1708 23 200	Short Engine	1	
	1708 99 100	Engine Gasket Set	1	
•	1708 99 100A	Engine Gasket Set	1	<sup>73</sup> / <sub>12</sub> ~ Δ
•	1708 99 100B	Engine Gasket Set	1	<sup>74</sup> / <sub>1</sub> ~ Δ
All gaskets and all "O" rings relative to engine included.				





# ROTOR

(USED UP TO CAR NO. 179250 <sup>73/9</sup>)





# ROTOR

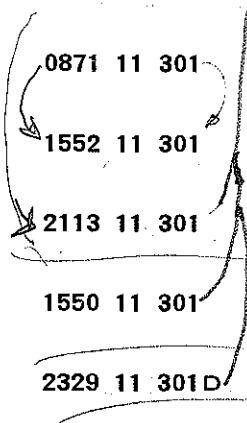
(USED UP TO CAR NO. 179250  $\frac{73}{9}$ )

10

11

No.	Part Number	Description	Q'ty	Remarks
1	0820 23 103A	Rotor, Front	1	
	0866 23 103	Rotor, Front	1	Car No. 120503 $\frac{72}{2}$ ~ Δ
●	0866 23 103A	Rotor, Front	1	Car No. 161998 $\frac{73}{1}$ ~ Δ
●	0866 23 103B	Rotor, Front	1	Car No. 171556 $\frac{73}{6}$ ~ Δ
2	0820 23 113A	Rotor, Rear	1	
	0866 23 113	Rotor, Rear	1	Car No. 120503 $\frac{72}{2}$ ~ Δ
●	0866 23 113A	Rotor, Rear	1	Car No. 161998 $\frac{73}{1}$ ~ Δ
●	0866 23 113B	Rotor, Rear	1	Car No. 171556 $\frac{73}{6}$ ~ Δ
3	0820 11 111F	Bearing	2	
4	99885 0406	Screw	6	
5	0820 11 301C	Seal, Apex (TR230)	6	Car No. 167747 $\frac{73}{5}$ ~ Discarded
	0871 11 301	Seal, Apex (TMC15T) (Automatic)	6	Car No. 142922 $\frac{73}{3}$ ~ ○
●	1552 11 301	Seal, Apex (TMC15T) (Automatic)	6	Car No. 175279 $\frac{73}{1}$ ~ Δ
	2113 11 301	Seal, Apex (TMC15B)	6	
●	1550 11 301	Seal, Apex (TMC15B)	6	Car No. 175279 $\frac{73}{1}$ ~ Δ
	2329 11 301D	Seal, Apex (TMC115)	6	Car No. 175279 $\frac{73}{1}$ ~ Discarded
	2112 11 301	Seal, Apex-Arctic Spec. Model	6	Car No. 167747 $\frac{73}{5}$ ~ Discarded
Ⓝ	0871 11 302	Piece Side (Automatic)	6	Car No. 142922 $\frac{73}{3}$ ~ Added Anew
6	0820 11 304A	Spring, Apex Seal	6	

0820 23 113A




Selective use



# ROTOR

(USED UP TO CAR NO. 179250 <sup>73</sup>/<sub>9</sub>)

No.	Part Number	Description	Q'ty	Remarks
	0871 11 304	Spring, Apex Seal (Automatic)	6	Car No. 142922 <sup>73</sup> / <sub>4</sub> ~ 
7	2125 23 151	Seal, Side-Outer	6	
●	1011 23 151	Seal, Side-Outer	6	Car No. 161998 <sup>73</sup> / <sub>1</sub> ~ ○
●	1011 23 151A	Seal, Side-Outer	6	Car No. 167748 <sup>73</sup> / <sub>4</sub> ~ ○
		Front Side of Rotor		
8	2125 23 152	Seal, Side-Inner	6	
●	1011 23 151	Seal, Side-Inner	6	Car No. 161998 <sup>73</sup> / <sub>1</sub> ~ ○
●	1011 23 151A	Seal, Side-Inner	6	Car No. 167748 <sup>73</sup> / <sub>4</sub> ~ ○
9	2125 23 154	Seal, Side-Outer	6	
●	2125 23 151	Seal, Side-Outer	6	Car No. 149622 <sup>73</sup> / <sub>4</sub> ~ ○
●	1011 23 151	Seal, Side-Outer	6	Car No. 161998 <sup>73</sup> / <sub>1</sub> ~ ○
		Rear Side of Rotor		
10	2125 23 155	Seal, Side-Inner	6	
●	2125 23 152	Seal, Side-Inner	6	Car No. 149622 <sup>73</sup> / <sub>4</sub> ~ ○
●	1011 23 151	Seal, Side-Inner	6	Car No. 161998 <sup>73</sup> / <sub>1</sub> ~ ○
11	0820 11 317	Spring, Side Seal	24	
12	0820 11 321B	Seal, Corner-Front & Rear	12	
	0820 11 321C	Seal, Corner-Front & Rear	12	Car No. 145050 <sup>73</sup> / <sub>4</sub> ~ ○
	0820 23 175A	Seal, Corner (O.S. 0.2)	12	
	0820 23 175B	Seal, Corner (O.S. 0.2)	12	Car No. 146342 <sup>73</sup> / <sub>5</sub> ~ ○
	0820 23 176	Seal, Corner (O.S. 0.03)	12	
	0820 23 176A	Seal, Corner (O.S. 0.03)	12	Car No. 141928 <sup>73</sup> / <sub>3</sub> ~ ○
	0820 23 176B	Seal, Corner (O.S. 0.03)	12	Car No. 146342 <sup>73</sup> / <sub>5</sub> ~ ○

Selective use

# ROTOR

(USED UP TO CAR NO. 179250  $\frac{73}{9}$ )



No.	Part Number	Description	Q'ty	Remarks
13	0839 11 323	Spring, Corner Seal	12	
	0839 11 323A	Spring, Corner Seal	12	Car No. 139865 $\frac{72}{2}$ ~ ○
14	0820 23 180	Oil Seal Set	4	
	0820 23 180A	Oil Seal Set	4	Car No. 140448 $\frac{72}{2}$ ~ △
	0820 23 180C	Oil Seal Set	4	Car No. 149232 $\frac{72}{6}$ ~ △
15	0820 11 341	Ring, "O"-Inner	4	
16	0820 11 343	Ring, "O"-Outer	4	
17	0839 11 351	Spring, Oil Seal-Inner	4	
	0839 11 351A	Spring, Oil Seal-Inner (F)	2	Car No. 140024 $\frac{72}{2}$ ~ X
	0839 11 351B	Spring, Oil Seal-Inner (F)	2	Car No. 140448 $\frac{72}{5}$ ~ ○
●	1011 11 351	Spring, Oil Seal-Inner (F)	2	Car No. $\frac{73}{4}$ ~ ○
	0839 11 361	Spring, Oil Seal-Inner (R)	2	Car No. 140024 $\frac{72}{2}$ ~ Added Anew
	0839 11 361A	Spring, Oil Seal-Inner (R)	2	Car No. 140448 $\frac{72}{5}$ ~ ○
●	1011 11 361	Spring, Oil Seal-Inner (R)	2	Car No. 166139 $\frac{73}{4}$ ~ ○
18	0839 11 353	Spring, Oil Seal-Outer	4	
	0839 11 353A	Spring, Oil Seal-Outer (F)	2	Car No. 149232 $\frac{72}{6}$ ~ X
●	1011 11 353	Spring, Oil Seal-Outer (F)	2	Car No. 166139 $\frac{73}{4}$ ~ ○
	0839 11 363	Spring, Oil Seal-Outer (R)	2	Car No. 149232 $\frac{72}{6}$ ~ Added Anew
●	1011 11 363	Spring, Oil Seal-Outer (R)	2	Car No. 166139 $\frac{73}{4}$ ~ ○
19	0839 10 500B	Gear, Stationary (Front)	1	



# ROTOR

(USED UP TO CAR NO. 179250  $\frac{73}{9}$ )

No.	Part Number	Description	Qty	Remarks
● 20	0820 10 550B	Gear, Stationary (Rear) (Fig. No. 23included)	1	
●	1668 10 550	Gear, Stationary (Rear) (Fig. No. 23included)	1	Car No. 165314 $\frac{73}{9}$ ~ Δ
21	0820 10 502B	Bearing, Main (Front & Rear)	2	
22	0839 10 504	Pin, Knock (Front)	1	
● 23	0820 10 556A	Oil Seal, Stationary Gear (Rear)	1	
●	1668 10 556	Oil Seal, Stationary Gear (Rear)	1	Car No. 165314 $\frac{73}{9}$ ~ Δ
24	0813 10 555	Ring, "O"-Stationary Gear (Rear)	1	
25	99801 0818	Bolt, Stationary Gear (Rear)	6	
	99971 0800	Washer, Spring	6	
26	0820 11 400G	Shaft, Eccentric (Manual)	1	
	0820 11 400H	Shaft, Eccentric (Manual)	1	Car No. 160378 $\frac{73}{12}$ ~ Δ
	0871 11 400	Shaft, Eccentric (Automatic)	1	
	0871 11 400A	Shaft, Eccentric (Automatic)	1	Car No. 160378 $\frac{73}{12}$ ~ Δ
27	0810 11 403	Bearing, Needle	1	} (Manual)
28	0810 11 404	Oil Seal	2	
29	0813 11 405	Plug, Blind	1	
30	99541 01101	Ring, "O"	2	

# ROTOR

(USED UP TO CAR NO. 179250  $\frac{7}{8}$ )



No.	Part Number	Description	Qty	Remarks
31	0839 11 501	Plate	1	
32	0839 11 515	Bolt, Stationary Gear	6	
33	0820 11 503	Washer, Lock	3	
34	0839 11 504B	Plate, Thrust	1	
35	0813 11 505B	Bearing, Needle	2	
36	0839 11 502	Spacer (L=8.02)	} Selective use 1	
	0839 11 506	Spacer (L=8.08)		
	0839 11 508	Spacer (L=8.04)		
	0839 11 509	Spacer (L=8.00)		
37	0820 11 507	Washer, Thrust	1	
38	0866 11 511A	Weight, Balance (Manual)	1	
	0871 11 511	Weight, Balance (Automatic)	1	
39	0820 11 512A	Key	1	
40	0839 11 551	Sprocket, Drive	1	
●	0839 11 551A	Sprocket, Drive	1	Car No. 161155 $\frac{7}{8}$ ~ ○
41	0839 11 531	Gear, Drive-Distributor	1	
42	0813 11 541	Plate, Oil Baffle	1	
43	0820 11 542	Spacer	1	
44	0839 11 601B	Pulley	1	
●	0839 11 601C	Pulley	1	Car No. 163843 $\frac{7}{8}$ ~ ○

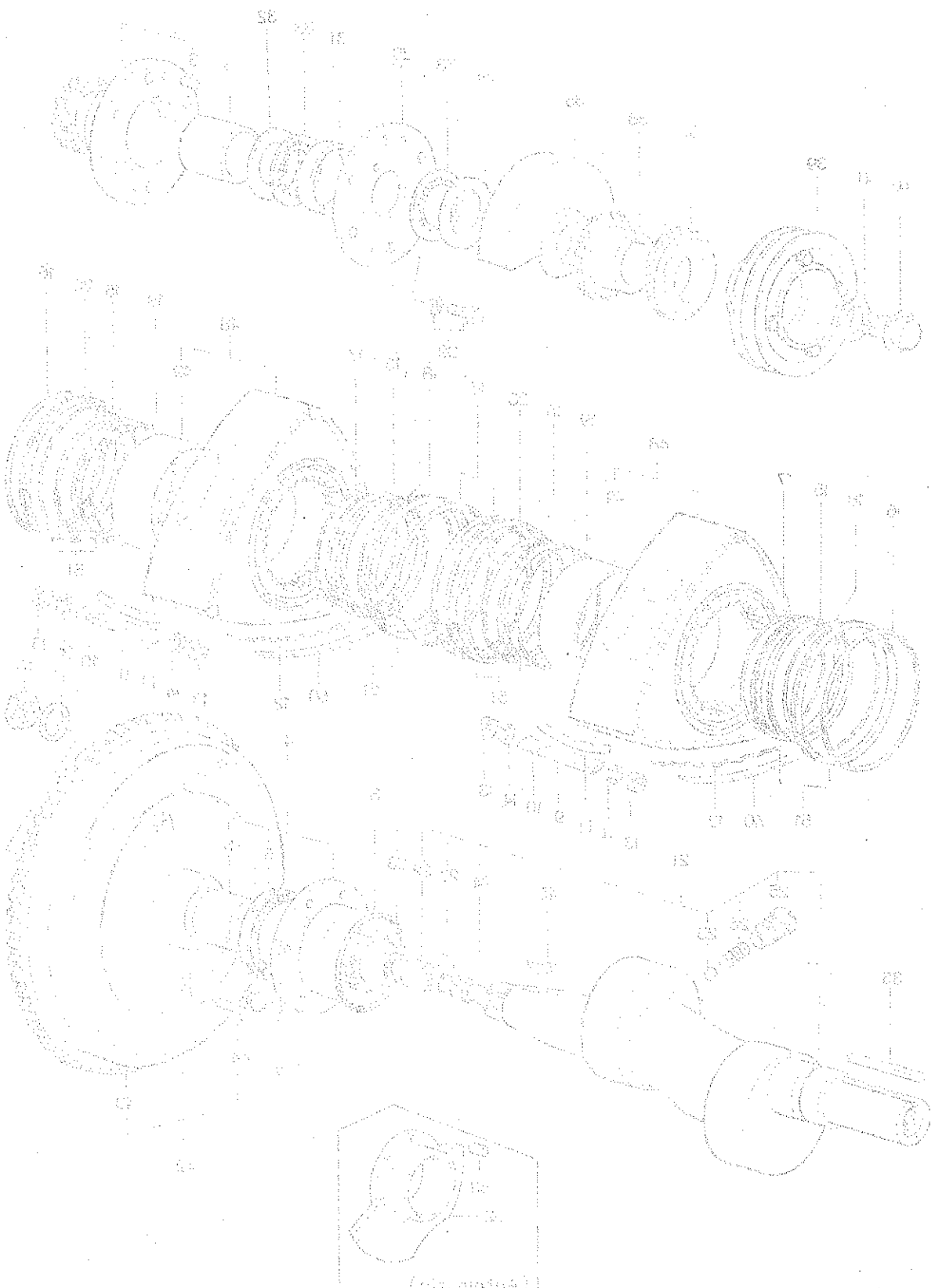


# ROTOR

(USED UP TO CAR NO. 179250  $\frac{73}{9}$ )

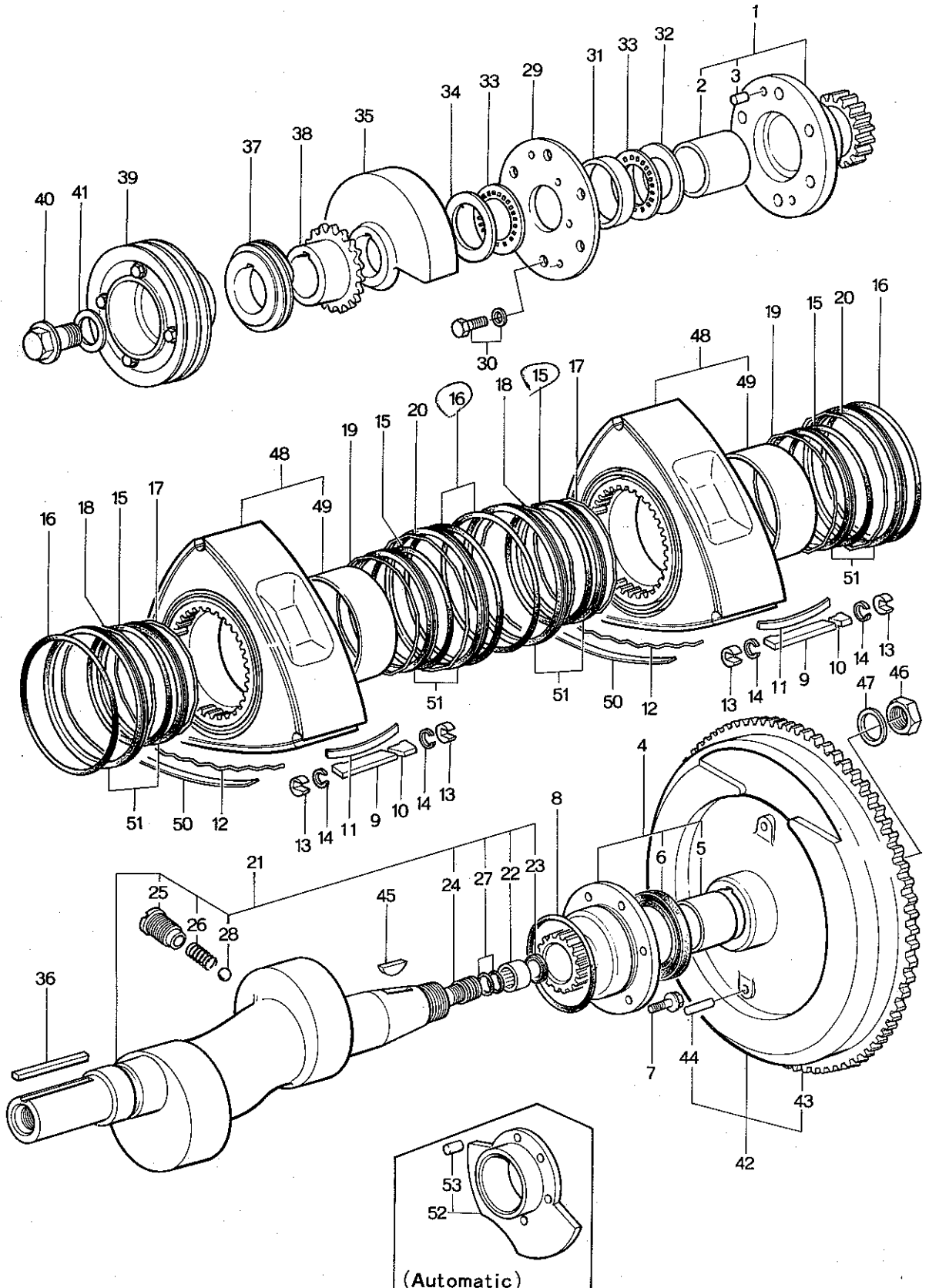
No.	Part Number	Description	Q'ty	Remarks	
45	99236 0525	Key, Pulley	1		
46	0820 11 611B	Bolt, Pulley	1		
47	99564 2800	Gasket	1		
48	0866 11 700A	Wheel, Fly	1		
49	0866 11 702	Gear, Ring	1	} (Manual)	
50	0820 11 703	Pin	1		
51	0820 11 705	Key, Fly Wheel	1		
52	0810 11 711	Nut, Fly Wheel	1		
53	0620 11 712	Washer, Lock	1		
54	0871 11 750A	Weight, Counter	1	} (Automatic)	
	0871 11 750B	Weight, Counter	1		Car No. 127380 $\frac{71}{11}$ ~ ○
✓ ●	0871 11 750C	Weight, Counter	1		Car No. 167747 $\frac{73}{5}$ ~ ○
55	0820 11 703	Pin	1		

ROTOR  
(USED FROM CAR NO. 10023)



# ROTOR

(USED FROM CAR NO. 160623 <sup>73</sup>/<sub>10</sub>)





# ROTOR

(USED FROM CAR NO. 160623 <sup>73</sup>/<sub>10</sub>)



No.	Part Number	Description	Q'ty	Remarks
1	0839 10 500B	Gear (Frt.), Stationary	1	
2	0820 10 502B	Bearing, Main	1	
3	0839 10 504	Pin, Knock	1	
4	1668 10 550	Gear (Rr.), Stationary	1	
5	0820 10 502B	Bearing, Main	1	
6	1668 10 556	Oil Seal	1	
7	99801 0818	Bolt, Stationary Gear	6	
	99971 0800	Washer, Spring	6	
8	0813 10 555	Ring, "O" - Stationary Gear	1	
9	1881 11 301A	Seal, Apex	6	
10	1011 11 302C	Piece, Side	6	
11	1011 11 304A	Spring, Apex Seal	6	
12	0820 11 317	Spring, Side Seal	12	
13	1011 11 321	Seal, Corner (Std.)	12	Selective use
	1011 23 176	Seal, Corner (O.S. 0.03)	12	
14	0839 11 323A	Spring, Corner Seal	12	
15	0820 11 341	Ring, "O" - Inner	4	
16	0820 11 343	Ring, "O" - Outer	4	



# ROTOR

(USED FROM CAR NO. 160623<sup>73/10</sup>)

No.	Part Number	Description	Q'ty	Remarks
17	1011 11 351	Spring, Oil Seal Inner (Frt.)	2	
18	1011 11 353	Spring, Oil Seal Outer (Frt.)	2	
19	1011 11 361	Spring, Oil Seal Inner (Rr.)	2	
20	1011 11 363	Spring, Oil Seal Outer (Rr.)	2	
✓ ● 21	1881 11 400A	Shaft, Eccentric (Manual)	1	
✓ ●	1883 11 400A	Shaft, Eccentric (Automatic)	1	
✓ ● 22	1881 11 403	Bearing, Needle	1	} (Manual)
			1	
✓ ● 23	1881 11 404	Oil, Seal	1	
24	0813 11 405	Plug, Blind	1	
25	0839 11 411A	Plug, Oil Jet	2	
26	0839 11 412	Spring	2	
27	99541 01101	Ring, "O"	2	
28	99611 2000	Ball, Steel	2	
29	1011 11 501	Plate	1	
30	99801 0822	Bolt, Plate & Stationary Gear	6	
	99701 0800	Washer, Spring	6	
31	0839 11 502	Spacer (L=8.02)	} Selective use 1	
	0839 11 506	Spacer (L=8.08)		
	0839 11 508	Spacer (L=8.04)		

# ROTOR

(USED FROM CAR NO. 160623  $\frac{73}{10}$ )



No.	Part Number	Description	Q'ty	Remarks
	0839 11 509	Spacers (L=8.00)	1	
32	1011 11 504	Plate, Thrust	1	
33	0813 11 505B	Bearing, Needle	2	
34	1011 11 507	Washer, Thrust	1	
35	1881 11 511	Weight, Balance	1	
36	1757 11 512	Key	1	
37	0839 11 531	Gear, Drive-Distributor	1	
38	1757 11 551	Gear, Drive-Oil Pump	1	
39	1757 11 600 C	Pulley	1	
●	1757 11 600 D	Pulley	1	$\frac{73}{11} \sim \bigcirc$
●	1881 11 600	Pulley	1	$\frac{74}{8} \sim \times$
40	0820 11 611B	Bolt, Pulley	1	
41	99564 2800	Gasket, Bolt	1	
√ ●	42 1881 11 700	Wheel, Fly	1	
	43 0866 11 702	Gear, Ring	1	} (Manual)
	44 99222 0610	Pin	1	
45	0820 11 705	Key, Fly Wheel	1	
46	0810 11 711	Not, Lock	1	
47	0820 11 712	Washer, Lock	1	

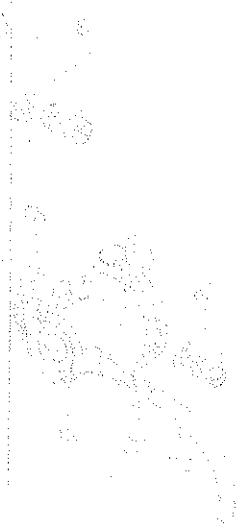


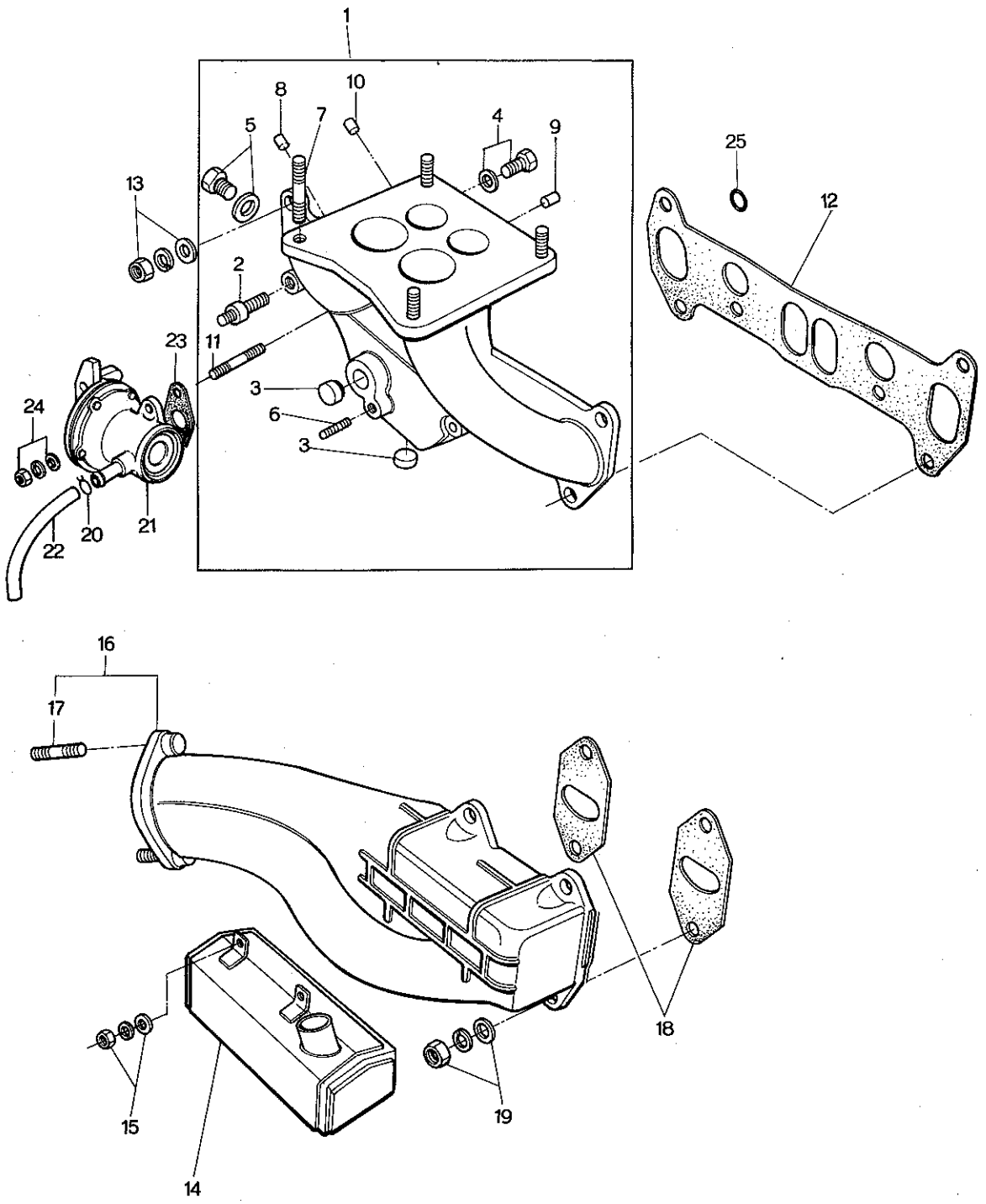
# ROTOR

(USED FROM CAR NO. 160623 <sup>73</sup>/<sub>10</sub>)

ROTOR

No.	Part Number	Description	Q'ty	Remarks
48	1011 23 103B	Rotor "C"	2	
49	1011 11 111	Bearing, Rotor	2	
50	1011 23 151A	Seal, Side	12	
51	0820 23 180C	Oil Seal Set	4	
✓ ● 52	1883 11 750	Weight, Counter	1	}
● 53	99222 0610	Pin	1	





# IN. & EX. MANIFOLD

13

No.	Part Number	Description	Q'ty	Remarks
1	<del>0866 13 100F</del>	<del>Manifold, IN. (Manual)</del>	<del>1</del>	<del>(1) (1) 0866 13</del>
	0866 13 100E	Manifold, IN. (Manual)	1	From Car No. 1
	1559 13 100	Manifold, IN. (Manual)	1	1558,1559 Car No. 140779 $\frac{7}{2} \sim X$
	1708 13 100	Manifold, IN. (Manual)	1	Car No. 160623 $\frac{7}{10} \sim X$
	0871 13 100C	Manifold, IN. (Automatic)	1	
	0871 13 100D	Manifold, IN. (Automatic)	1	Car No. 152816 $\frac{7}{9} \sim X$
✓	1708 13 100	Manifold, IN. (Automatic)	1	Car No. 160623 $\frac{7}{10} \sim X$
2	0839 13 338	Stud, Hot Air Duct	1	Car No. 160623 $\frac{7}{10} \sim$ Discarded
3	99307 1800	Plug, Blind	2	
	99503 3000	Plug, Blind	2	Car No. 146346 $\frac{7}{5} \sim X$
4	99510 0800	Plug, Blind	2	Car No. 160623 $\frac{7}{10} \sim$ Discarded
	99564 0800	Gasket	2	Car No. 160623 $\frac{7}{10} \sim$ Discarded
5	99511 1000	Plug, Blind	2	
	99564 1000	Gasket	2	
6	99851 0812A	Stud	1	
7	99851 0826A	Stud, Carburettor	4	
	99851 0828A	Stud, Carburettor	4	Car No. 160623 $\frac{7}{10} \sim \Delta$
8	99307 0600	Plug, Blind	1	
9	99307 0800	Plug, Blind	2	
10	99307 1200	Plug, Blind	1	
11	99851 0624A	Stud	2	

(Automatic)

No.	Part Number	Description	Q'ty	Remarks
12	0866 13 111	Gasket, IN. Manifold	1	
	0866 13 111A	Gasket, IN. Manifold	1	Car No. 146346 $\frac{7}{8}$ ~ O
	1881 13 111	Gasket, IN. Manifold	1	Car No. 160623 $\frac{7}{10}$ ~ X
13	99901 0800	Nut, IN. Manifold	6	
	<del>99953 0800</del>	<del>Washer, Plain</del>	<del>6</del>	
	99952 0800	Washer, Plain	6	From Car No. 1
	99971 0800	Washer, Spring	6	
14	0866 13 330B	Duct, Hot Air	1	
	0862 13 330	Duct, Hot Air	1	Car No. 160623 $\frac{7}{10}$ ~ X
15	99901 0800	Nut, Hot Air Duct	2	
	99940 0802	Nut	2	Car No. 142383 $\frac{7}{8}$ ~ O
	99953 0800	Washer, Plain	2	} Car No. 142382 $\frac{7}{8}$ ~ Discarded
	99971 0800	Washer, Spring	2	
	99796 0812	Bolt	2	Car No. 160623 $\frac{7}{10}$ ~ Added Anew
16	0866 13 600A	Manifold, EX.	1	
	0866 13 600B	Manifold, EX.	1	Car No. 127396 $\frac{7}{12}$ ~ O
	0866 13 600C	Manifold, EX.	1	Car No. 140448 $\frac{7}{8}$ ~ O
	1708 13 600B	Manifold, EX.	1	Car No. 160623 $\frac{7}{10}$ ~ X
17	0866 13 603	Stud	2	
	0823 13 603	Stud	2	Car No. 160623 $\frac{7}{10}$ ~ X
	<del>2329 13 105</del>	<del>Stud</del>	<del>2</del>	<del>Car No. 127396 <math>\frac{7}{12}</math> ~ X</del>
	2329 10 105	Stud	2	Car No. 127396 $\frac{7}{12}$ ~ X



# IN. & EX. MANIFOLD

13

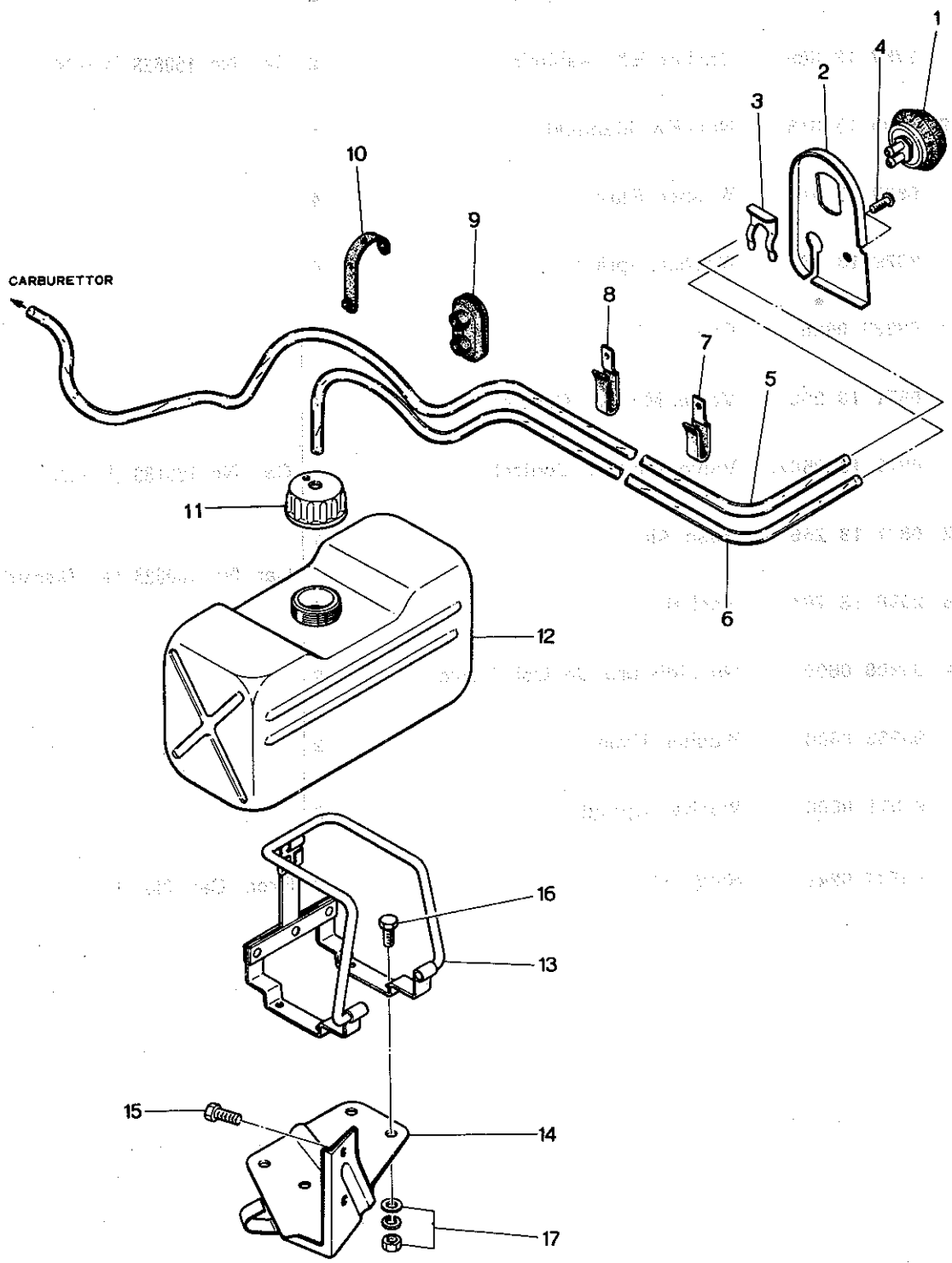
No.	Part Number	Description	Q'ty	Remarks
18	0839 13 611E	Gasket, EX. Manifold	2	
	<u>1757 13 889</u> <sup>B</sup>	Gasket, EX. Manifold	2	Car No. 160623 $\frac{7}{10}$ ~X
19	0839 13 613	Nut, EX. Manifold	4	
	0839 13 614	Washer, Plain	4	
	2329 13 882	Washer, Spring	4	
20	99285 0608	Clip	1	
21	0871 13 250	Valve, Mixture Control	1	
	0871 13.250A	Valve, Mixture Control	1	Car No. 166139 $\frac{7}{4}$ ~△
22	0871 13 256	Hose, Air	1	
			1	Car No. 160623 $\frac{7}{10}$ ~Discarded
23	2090 13 764	Gasket	1	
24	99906 0600	Nut, Mixture Control Valve	2	
	99953 0600	Washer, Plain	2	
	99971 0600	Washer, Spring	2	
● 25	99541 0240	Ring, "O"	2	From Car No. 1

# STARTING ASSIST SYSTEM

(USED UP TO CAR NO. 152815 7/8)

3 GMFDOM

00001-1-00001-1



# STARTING ASSIST SYSTEM

(USED UP TO CAR NO. 152815  $\frac{7}{8}$ )

13

No.	Part Number	Description	Q'ty	Remarks
1	1665 13 520	Pump, Starting Fluid	1	
2	1559 13 525	Bracket, Pump	1	
3	0136 43 635	Clip, Flexible Hose	1	
4	99765 0610	Screw, Tapping	1	
5	1559 13 527	Hose	1	
6	99336 06100	Pipe, Vinyl	1	
7	99276 1408	Clip	1	
8	99276 2208	Clip	1	
9	1559 13 528	Grommet	1	
10	0187 66 991	Clip, Rubber	1	
11	1665 13 512	Cap, Tank	1	
12	1665 13 511A	Tank, Starting Fluid	1	
13	0119 66 870	Holder, Tank	1	
14	1559 13 510	Bracket, Tank	1	
15	99786 0612	Screw, Tapping	2	
16	99834 0408	Screw	4	
17	99906 0400	Nut	4	
	99952 0400	Washer, Plain	4	
	99971 0400	Washer, Spring	4	

MODEL NO.

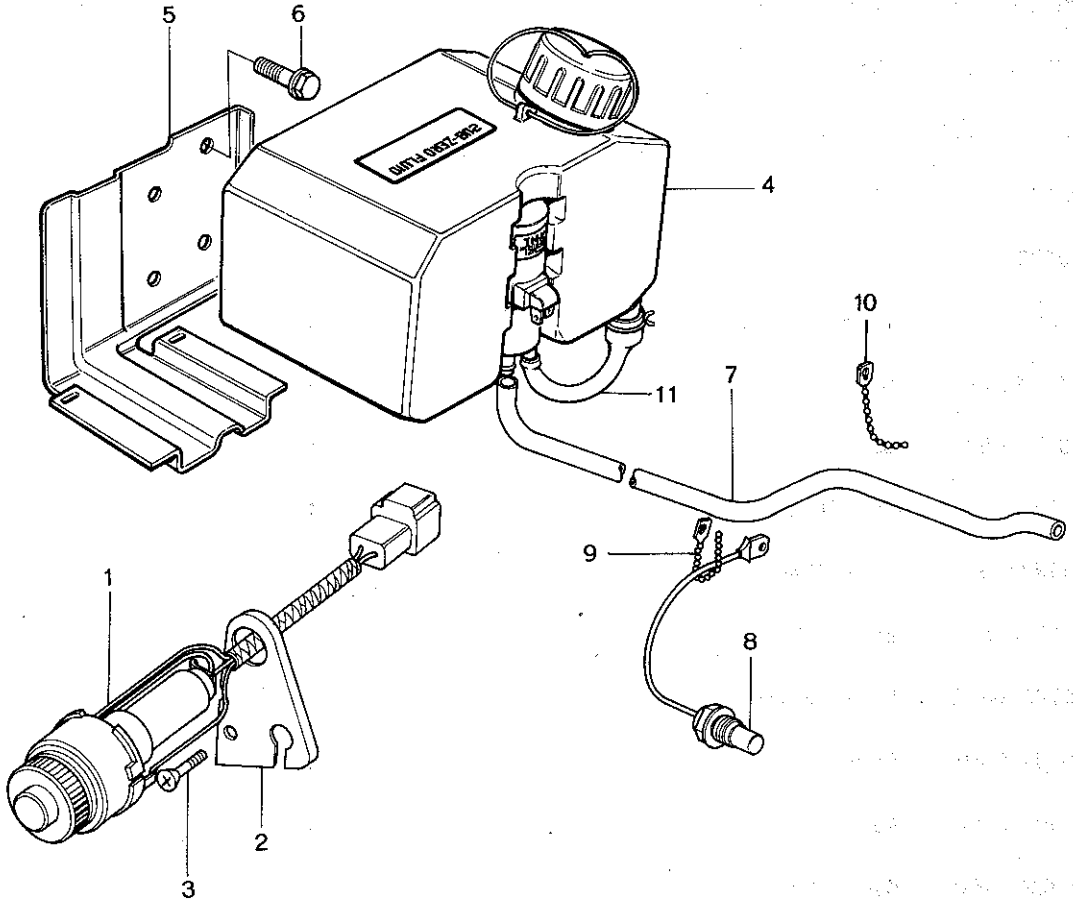
1559-1-855-1

# STARTING ASSIST SYSTEM

(USED FROM CAR NO. 152816  $\frac{72}{8}$  ~)

30444

1-00001-00001



# STARTING ASSIST SYSTEM

(USED FROM CAR NO. 152816  $\frac{72}{8}$  ~)

13

No.	Part Number	Description	Q'ty	Remarks
1	1668 13 520A	Switch, Starting Assist	1	
2	1620 13 525A	Bracket, Switch	1	
3	99765 0610B	Screw, Bracket	1	
4	1668 13 510	Tank, Starting Fluid	1	
5	1668 13 515A	Bracket, Tank	1	
6	99786 0612	Screw	2	
7	1668 13 527	Hose	1	
8	1668 13 531A	Unit, Thermo	1	
9	99709 0108	Band	1	
10	99709 0225	Band	1	
11	1668 13 513	Hose- Saction	1	Car No. 167748 $\frac{73}{4}$ ~Added Anew

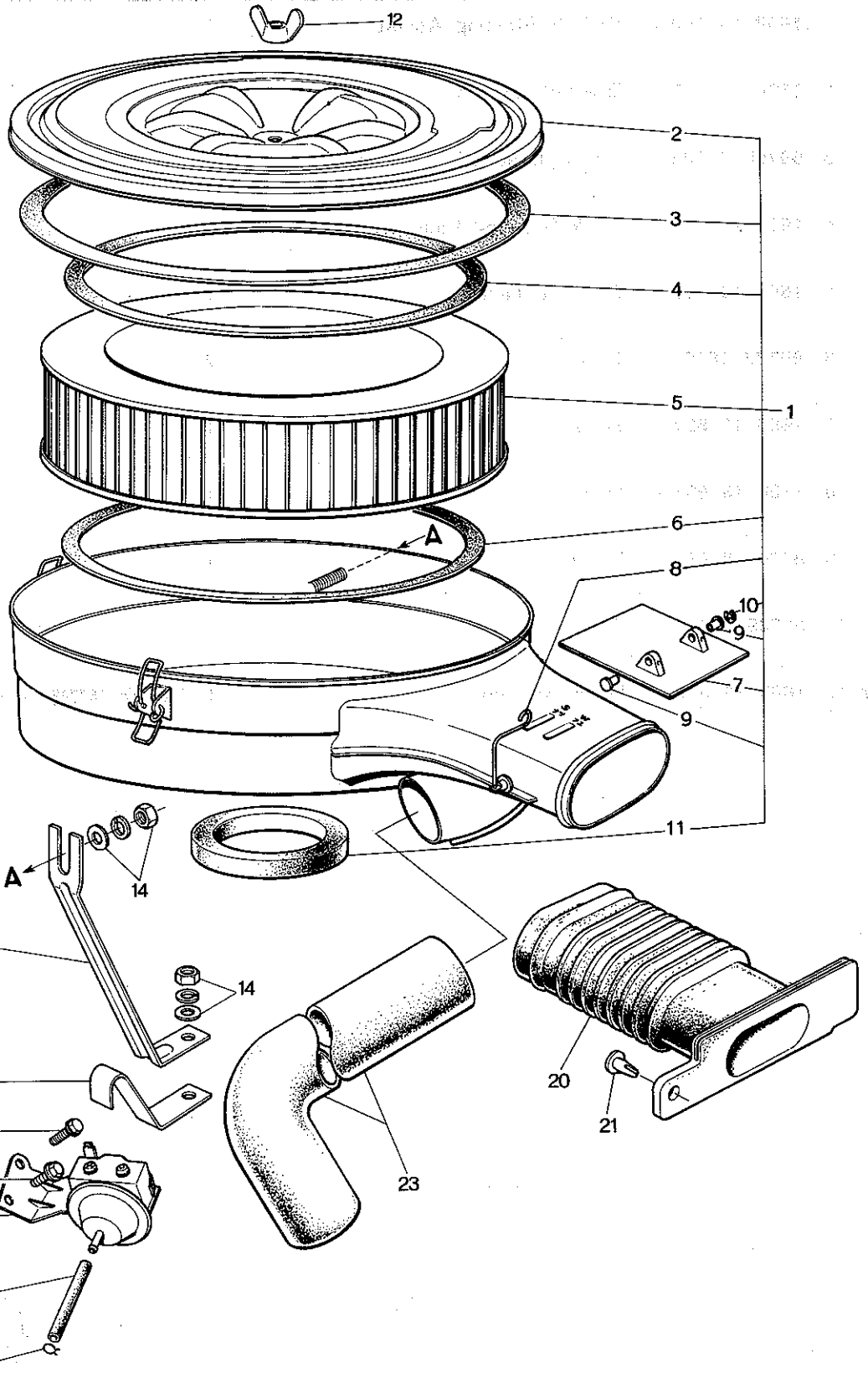
MODEL NO. 1 0 0 5 5 5 1 1 0 5 5 5

13

23

# AIR CLEANER

(USED UP TO CAR NO. 179250 <sup>7</sup>/<sub>9</sub>)



# AIR CLEANER

(USED UP TO CAR NO. 179250  $\frac{7}{9}$ )



No.	Part Number	Description	Q'ty	Remarks
1	0866 13 300C	Cleaner, Air (Manual)	1	
	0871 13 300	Cleaner, Air	1	(Automatic)
	0871 13 300A	Cleaner, Air	1	
2	2090 23 673	Cover	1	
3	2113 23 674	Gasket, Cover	1	Order Under No. 0866 23 680
4	2113 23 675	Gasket, Element	1	
5	0839 23 672	Element	1	
<del>6</del>	<del>1655 23 672</del>	<del>Element</del>	<del>1</del>	<del>Car No. 159525 <math>\frac{7}{11}</math> ~ ○</del>
<del>7</del>	<del>1665 23 672</del>	<del>Element</del>	<del>1</del>	<del>Car No. 159525 <math>\frac{7}{11}</math> ~ ○</del>
8	0839 23 675	Gasket, Element	1	Order Under No. 0866 23 680
7	0866 23 676	Shutter	1	
8	0866 23 694	Shaft, Shutter	1	
9	0839 23 686	Bush	2	
10	0839 23 684	Ring, Stop	1	
11	2113 23 679	Gasket	1	Order Under No. 0866 23 680
	0866 23 680	Gasket Set (Fig. No. 3,4,6,11 included)	1	Car No. 159525 $\frac{7}{11}$ ~ Added Anew
12	99941 0801	Nut, Wing-Air Cleaner	1	
13	0866 13 311	Support, Air Cleaner	1	
14	99901 0800	Nut, Supporter	2	

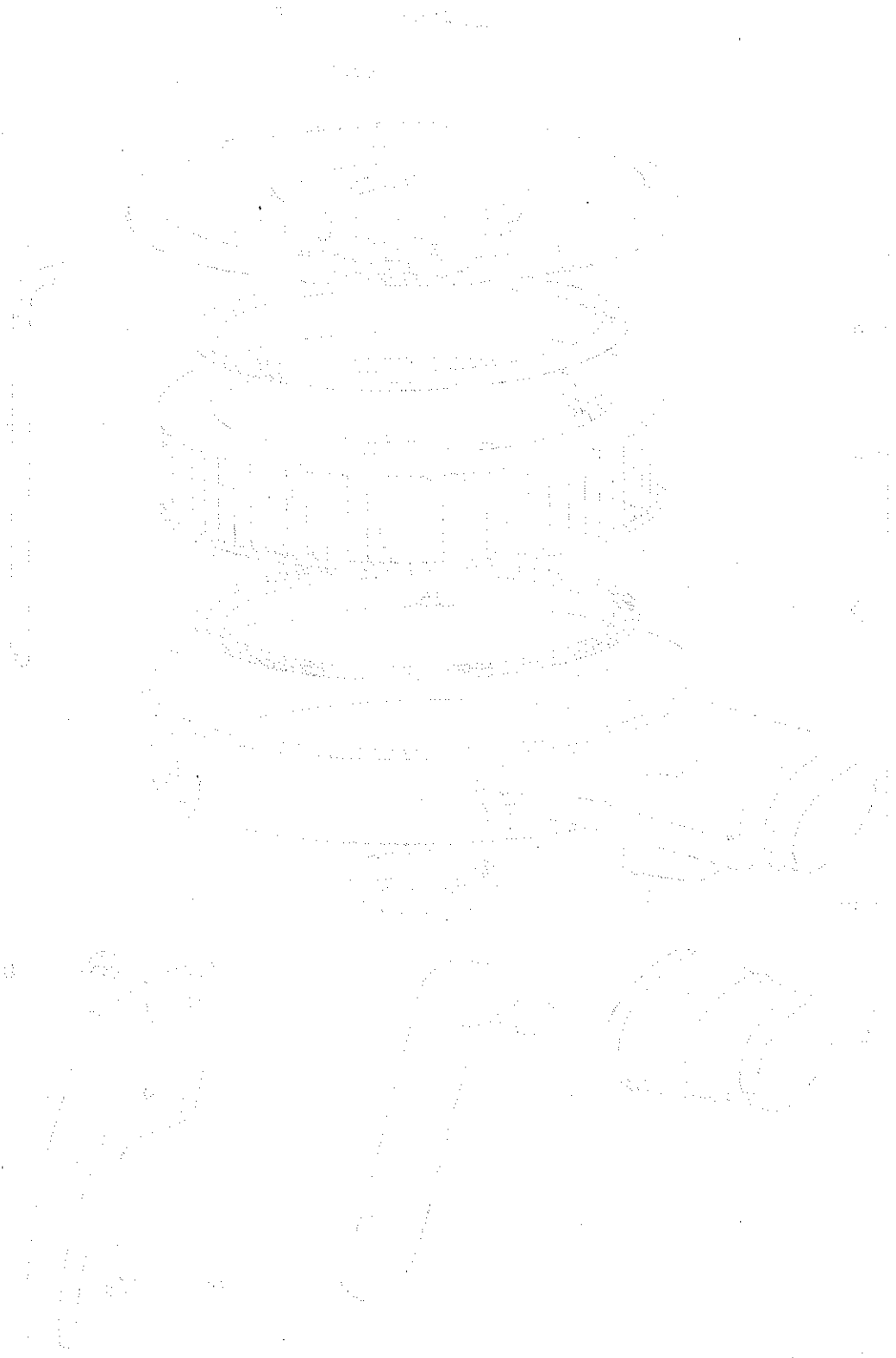


# AIR CLEANER

(USED UP TO CAR NO. 179250  $\frac{73}{9}$ )

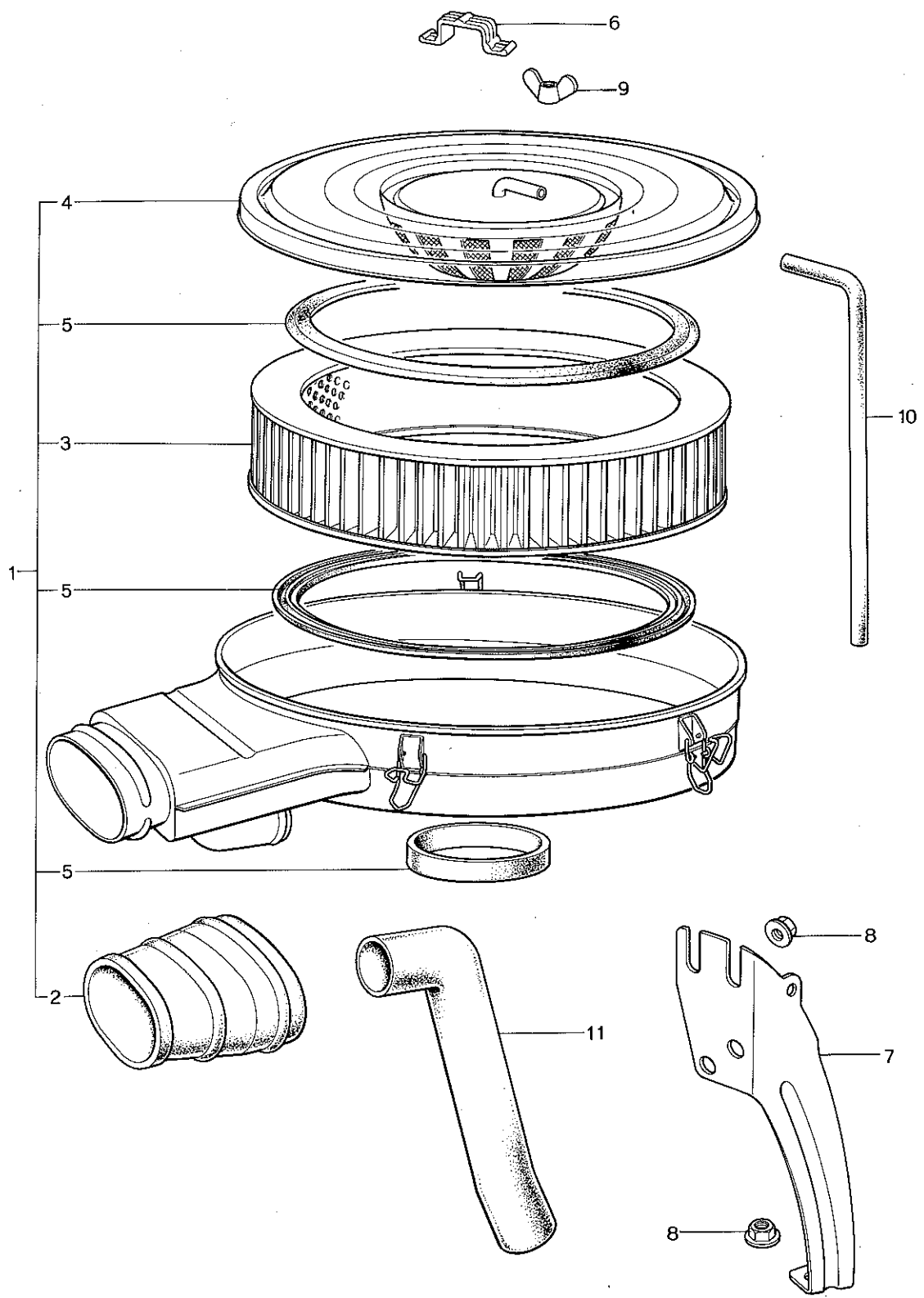
No.	Part Number	Description	Q'ty	Remarks
	99940 0802	Nut	2	Car No. 142383 $\frac{73}{3}$ ~ ○
	99951 0822	Washer, Plain	2	} Car No. 142383 Discarded
	99971 0800	Washer, Spring	2	
✓ ● 15	0866 13 240F	Switch, Vacuum	1	} For L.H.D. Car No. 140779 $\frac{73}{2}$ ~ Discarded For R.H.D. Car No. 155593 $\frac{73}{10}$ ~ ○
✓ ●	0866 13 240G	Switch, Vacuum	1	
16	99811 0812	Bolt, Vacuum Switch	1	} For L.H.D. Car No. 140779 $\frac{73}{2}$ ~ Discarded
	99971 0800	Washer, Spring	1	
17	99806 0510	Bolt, Vacuum Switch	1	
	99971 0500	Washer, Spring	1	} For L.H.D. Car No. 140779 $\frac{73}{2}$ ~ Discarded
18	0866 13 241E	Tube, Vacuum	1	
19	99295 0408	Clip	1	
20	0866 13 351A	Hose, Air	1	
21	99264 0702B	Rivet, Air Hose	1	
22	0866 18 999A	Clip	1	
✓ ●	0370 13 441	Clip	1	Car No. 175279 $\frac{73}{4}$ ~ △
23	0866 13 341B	Hose, Hot Air	1	





# AIR CLEANER

(USED FROM CAR NO. 160623 <sup>73/10</sup>)



# AIR CLEANER

(USED FROM CAR NO. 160623 <sup>73</sup>/<sub>10</sub>)

13

23

No.	Part Number	Description	Q'ty	Remarks
1	3511 13 300A	Cleaner, Air	1	
2	1881 13 351	Hose, Air	1	
3	1757 23 672	Element	1	
4	1790 23 673	Cover	1	
5	1757 23 680	Gasket Set	1	
6	1617 13 305A	Clip	1	
7	1881 13 311A	Support, Air Cleaner	1	
8	99940 0802	Nut	2	
9	99941 0801	Nut, Wing-Air Cleaner	1	
10	1757 13 786A	Hose, Ventilation	1	
11	1052 13 341A	Hose, Hot Air	1	

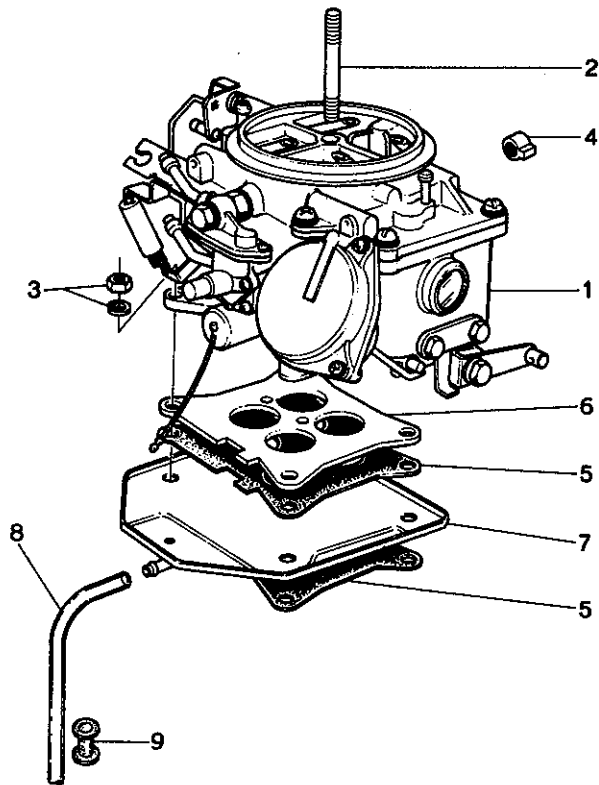


**REMAINDER**  
 (ON 858001 ON 850 1/2 1/2 1/2)

Item No.	Description	Quantity	Unit Price	Total Price
1	...	...	...	...
2	...	...	...	...
3	...	...	...	...
4	...	...	...	...
5	...	...	...	...
6	...	...	...	...
7	...	...	...	...
8	...	...	...	...
9	...	...	...	...
10	...	...	...	...
11	...	...	...	...
12	...	...	...	...
13	...	...	...	...
14	...	...	...	...
15	...	...	...	...
16	...	...	...	...
17	...	...	...	...
18	...	...	...	...
19	...	...	...	...
20	...	...	...	...
21	...	...	...	...
22	...	...	...	...
23	...	...	...	...
24	...	...	...	...
25	...	...	...	...
26	...	...	...	...
27	...	...	...	...
28	...	...	...	...
29	...	...	...	...
30	...	...	...	...
31	...	...	...	...
32	...	...	...	...
33	...	...	...	...
34	...	...	...	...
35	...	...	...	...
36	...	...	...	...
37	...	...	...	...
38	...	...	...	...
39	...	...	...	...
40	...	...	...	...
41	...	...	...	...
42	...	...	...	...
43	...	...	...	...
44	...	...	...	...
45	...	...	...	...
46	...	...	...	...
47	...	...	...	...
48	...	...	...	...
49	...	...	...	...
50	...	...	...	...

[The body of the document contains extremely faint and illegible text, likely bleed-through from the reverse side of the page. The text is too light to transcribe accurately.]

## CARBURETTOR



# CARBURETTOR

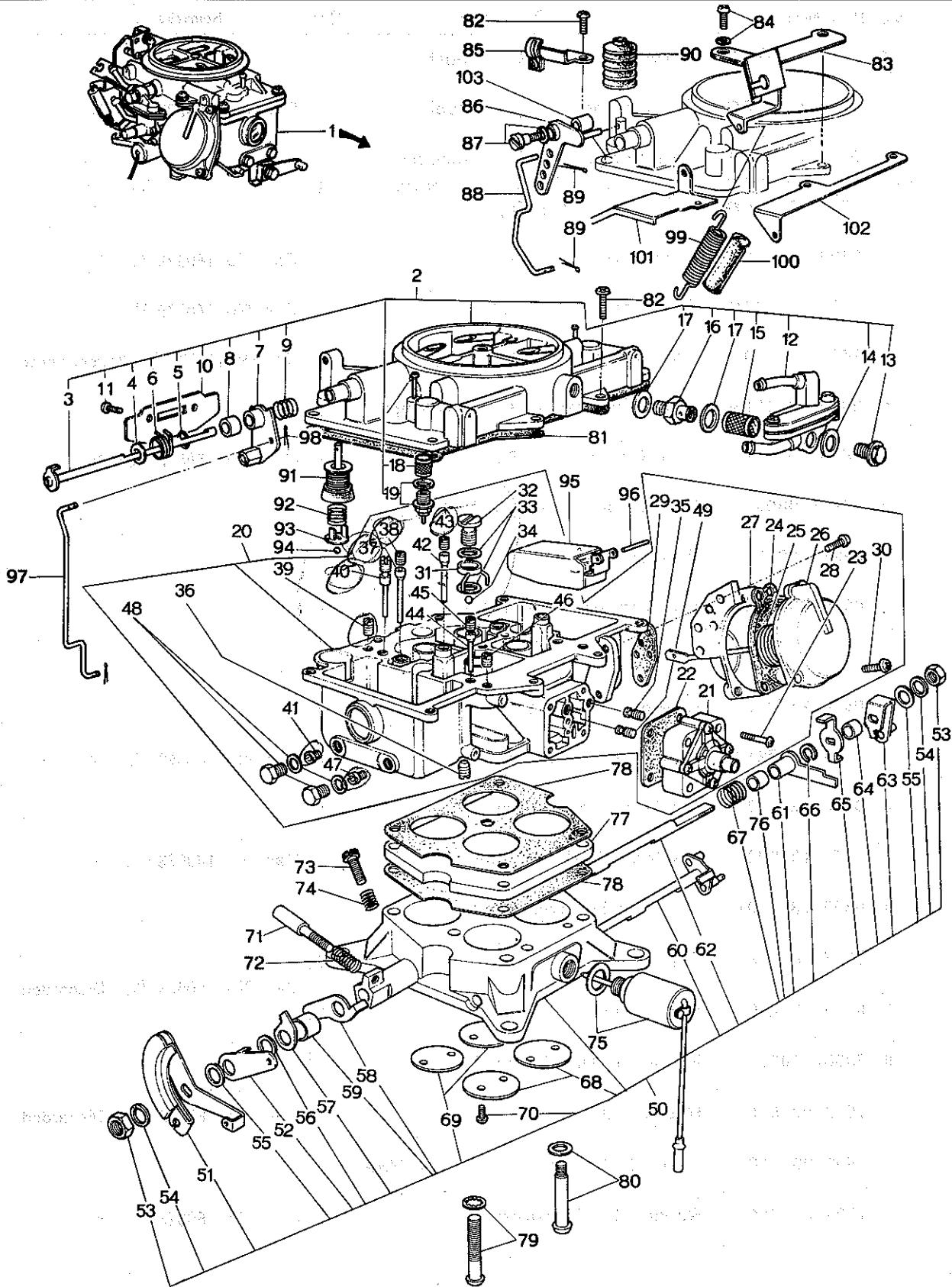
13

23

No.	Part Number	Description	Q'ty	Remarks
1	0866 13 200E	Carburettor (R.H.D. Manual)	1	
	3503 13 200C	Carburettor (R.H.D. Manual)	1	Car No. 160623 $\frac{7}{10}$ ~ X
	0871 13 200A	Carburettor (R.H.D. Automatic)	1	
● ✓	1955 13 200C	Carburettor (R.H.D. Automatic)	1	$\frac{7}{4}$ ~ X
	1562 13 200B	Carburettor (L.H.D.)	1	
	1708 13 200C	Carburettor (L.H.D.)	1	Car No. 160623 $\frac{7}{10}$ ~ X
	1562 13 200C	Carburettor (1558,1559)	1	Car No. 140779 $\frac{7}{2}$ ~ X
	1566 13 200	Carburettor (1565,1566,1567,1568)	1	Car No. 140779 $\frac{7}{2}$ ~ Added Anew
2	0820 13 201A	Stub, Carburettor & Air Cleaner	1	
	0839 13 201	Bolt, Carburettor Set	1	Car No. 160623 $\frac{7}{10}$ ~ X
3	99901 0800	Nut, Carburettor	4	
	99971 0800	Washer, Spring	4	
4	0820 23 436A	Cap, Limiter- Carburettor	1	
5	0820 13 221	Gasket, Carburettor	3	
	0823 13 221A	Gasket, Carburettor	2	Car No. 160623 $\frac{7}{10}$ ~ X
6	0820 13 222	Insulator, Carburettor	1	
	1570 13 222	Insulator, Carburettor	1	Car No. 160623 $\frac{7}{10}$ ~ X
7	0866 13 230B	Tray, Carburettor	1	Car No. 160623 $\frac{7}{10}$ ~ Discarded
	1617 13 233	Clip	2	
8	0866 13 235	Pipe, Drain	1	
9	99681 1001	Protector, Drain Pipe	1	
	1562 23 540	Repair Kit, Carburettor	1	Car No. 160623 $\frac{7}{10}$ ~ Discarded
	1552 23 540	Repair Kit, Carburettor (ECE Spec. Model)	1	
	1708 23 540	Repair Kit, Carburettor	1	Car No. 160623 $\frac{7}{10}$ ~ X

# CARBURETTOR (MANUAL)

(USED UP TO CAR NO. 179250 <sup>73/9</sup>)





# CARBURETTOR (MANUAL)

(USED UP TO CAR NO. 179250 <sup>73</sup>/<sub>9</sub>)



No.	Part Number	Description	Q'ty	Remarks
1	0866 13 200E	Carburettor (R.H.D.)	1	
	1562 13 200B	Carburettor (L.H.D.)	1	
●	1562 13 200C	Carburettor (1558,1559)	1	Car. No. 140779 <sup>72</sup> / <sub>2</sub> ~X
	1566 13 200	Carburettor (1565,1566,1567,1568)	1	Car. No. 140779 <sup>72</sup> / <sub>2</sub> ~Added Anew
2	0866 23 300	Chamber	1	
3	0820 23 304A	Shaft, Choke	1	
4	0114 13 759	Sleeve	1	
5	0114 13 757	Clip	1	
6	0866 23 309	Spring, Choke Valve	1	
7	0820 23 302A	Lever, Choke	1	
8	0820 23 311	Sleeve	1	
9	0813 23 361	Spring, Choke	1	
10	0820 23 306	Valve, Choke	1	
11	0820 23 388	Screw ( 3 φ )	2	
12	0866 23 314	Valve, Fuel Return	1	
13	0118 23 398	Screw Set, Filter	1	
14	0813 23 395	Washer ( 8 φ )	1	
15	0813 23 401	Filter, Fuel Return Valve	1	
16	0813 23 307B	Connector	1	
17	0114 13 788A	Washer (12φ)	2	
18	0820 23 499	Filter	2	
19	0820 23 398B	Valve, Needle	2	
	0221 23 314	Washer (10φ)	2	
20	0866 23 320	Float Chamber	1	
	1562 23 320	Float Chamber Ass'y	1	Car. No. 150526 <sup>72</sup> / <sub>8</sub> ~○
21	0866 23 324	Diaphragm	1	
22	0866 23 331	Gasket, Valve Body	1	
23	0866 23 335	Screw ( 4 φ )	4	

13

23

**CARBURETTOR (MANUAL)**(USED UP TO CAR NO. 179250 <sup>73</sup>/<sub>9</sub>)

No.	Part Number	Description	Q'ty	Remarks
24	0866 23 372	Diaphragm	1	
25	0866 23 384	Spring, Diaphragm	1	
26	0820 23 322C	Cover, Diaphragm Chamber	1	
27	0820 23 371A	Chamber, Diaphragm	1	
28	1617 23 388	Screw (4 φ)	3	
29	0820 23 373	Gasket, Diaphragm Chamber	1	
30	1617 23 384	Screw (5 φ)	3	
31	0820 23 338	Injector, Pump	1	
	0820 23 338A	Injector, Pump	1	Car No. 138734 <sup>72</sup> / <sub>9</sub> ~ O
32	0813 23 328	Screw Set, Weight	1	
33	0187 23 356	Washer (7 φ)	2	
34	0866 23 339	Ball (4.2 φ)	1	
35	0268 23 393A	Slow Jet (#120)	1	
36	0118 23 329A	Air Bleed, Slow (#80)	1	
37	0866 23 329	Tube, Emulsion (P)	2	
38	0268 23 395	Air Bleed, Slow (#100)	2	
39	0268 23 394A	Air Bleed, Slow (#200)	2	
40	0866 23 425	Slow Jet (#42)	2	
41	0866 23 421	Main Jet (#92)	2	
42	0820 23 330	Tube, Emulsion (S)	2	
43	0114 13 662	Air Bleed, Slow (#140)	2	
44	0866 23 428	Air Bleed (#180)	2	
45	0820 23 426B	Slow Jet (#60)	2	
46	0820 23 433	Air Bleed, Slow (#0)	2	
47	0820 23 422	Main Jet (#140)	2	
48	0221 23 395	Plug, Drain	4	
	0221 23 366	Washer (9 φ)	4	

# CARBURETTOR (MANUAL)

(USED UP TO CAR NO. 179250  $\frac{73}{9}$ )



No.	Part Number	Description	Q'ty	Remarks
49	2113 23 431	Slow Jet (#190)	1	
50	0866 23 340	Chamber, Throttle (R.H.D.)	1	
	1562 23 340	Chamber, Throttle (L.H.D.)	1	
	1562 23 340A	Chamber, Throttle (L.H.D.)	1	Car No. 150526 $\frac{73}{9}$ ~ O
	1566 23 340	Chamber, Throttle (L.H.D.)	1	Car No. 150526 $\frac{73}{9}$ ~ O
51	0866 23 344	Lever, Throttle (R.H.D.)	1	
	1562 23 344	Lever, Throttle (L.H.D.)	1	
52	0813 23 347	Lever, Starting	1	
53	0118 23 369	Nut (8 φ)	2	
54	0221 23 368	Washer, Spring (8 φ)	2	
55	0813 13 392	Washer (8 φ)	2	
56	0866 23 406	Piece, Distance	1	
57	0866 23 357	Lever, Adjust	1	
58	0866 23 346	Lever, Adjust	1	
59	0180 23 316	Collar, Shaft	1	
60	0820 23 343C	Shaft, Throttle (S)	1	
61	0866 23 345	Lever, Control	1	
62	0820 23 342B	Shaft, Throttle (P)	1	
63	0820 23 498	Lever, Metering	1	
64	0820 23 359	Spacer	1	
65	0820 23 358	Lever, Adjust	1	
66	0813 23 403	Clip	1	
67	0820 23 353	Spring, Control Lever	1	
68	0820 23 351	Valve, Throttle (S)	2	
69	0268 23 317	Valve, Throttle (P)	2	
70	0820 23 389	Screw (3 φ)	8	
71	0820 23 397B	Screw, Adjust- Throttle	1	
72	0820 23 387A	Spring, Adjust- Throttle	1	



# CARBURETTOR (MANUAL)

(USED UP TO CAR NO. 179250 <sup>73/9</sup>)

No.	Part Number	Description	Q'ty	Remarks
73	0820 23 405A	Screw, Adjust-Idle	1	
74	0813 23 383	Spring, Adjust Screw-Idle	1	
75	0866 23 352	Valve, Solenoid	1	1565, 1566, 1567, 1568
	0118 23 348	Washer ( 8 φ )	1	1565, 1566, 1567, 1568
76	0866 23 355	Spacer	1	
77	0866 23 354	Insulator	1	
78	0866 23 349	Gasket, Throttle Chamber	2	
79	0866 23 413	Screw ( 5 φ )	1	
	0820 23 399	Washer ( 5 φ )	1	
80	0866 23 411	Screw ( 6 φ )	4	
	0221 23 375	Washer ( 6 φ )	4	
81	0820 23 327	Gasket, Float Chamber	1	
82	1617 23 394	Screw ( 5 φ )	7	
83	0866 23 305	Arm, Wire (R.H.D.)	1	
84	1617 23 392	Screw ( 5 φ )	1	
85	0820 23 303A	Arm, Choke Wire	1	
86	0813 23 325	Lever, Pump	1	
87	0820 23 362	Shaft, Pump Lever (R.H.D.)	1	
	2125 23 362	Screw ( 5 φ )	1	} Pump Lever (L.H.D.)
	0114 13 795	Washer, Spring ( 5 φ )	1	
88	0866 23 332	Rod, Connecting - Pump	1	
89	0136 13 717A	Pin, Cotter ( 1 φ )	3	
90	0118 23 342	Cover, Pump	1	
91	0866 23 323	Piston	1	
92	0813 23 333	Spring, Return-Piston	1	
93	0820 23 337A	Piece, Distance	1	

# CARBURETTOR (MANUAL)

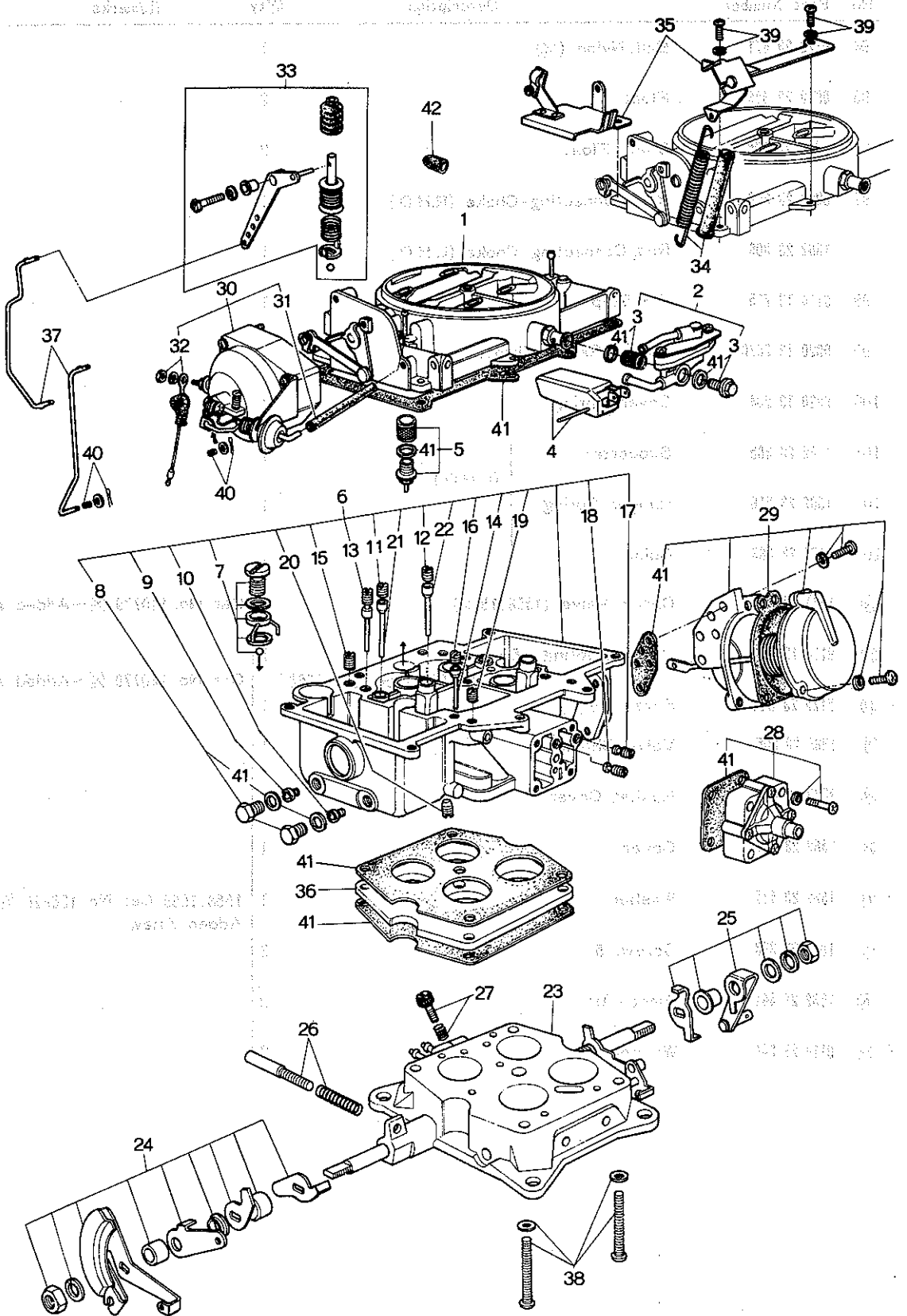
(USED UP TO CAR NO. 179250 <sup>73/9</sup>)

13      23

No.	Part Number	Description	Q'ty	Remarks
94	0820 23 471	Ball, Nylon (5/16)	1	
95	0813 23 326	Float	2	
96	0820 23 396	Shaft, Float	2	
97	0866 23 308	Rod, Connecting-Choke (R.H.D.)	1	
	1562 23 308	Rod, Connecting-Choke (L.H.D.)	1	
98	0114 13 715	Pin, Stop	1	
99	0820 13 202C	Spring, Return-Throttle	1	
100	0820 13 204	Cover, Spring	1	
101	1562 23 305	Supporter	1	} (L.H.D.)
102	1562 23 318	Hanger, Spring	1	
103	2125 23 363	Guide	1	
✓ (N)	1865 23 506	Check Valve (1558,1559)	1	Car No. 140779 7/8 ~ Added Anew
(N)	0114 13 785	Washer, Spring (5 φ)	1	} (1565,1566,1567,1568) Car No. 140779 7/8 ~ Added Anew
✓ (N)	2125 23 362	Screw (5 φ)	1	
✓ (N)	1665 23 506	Valve Check	1	} 1558,1559 Car No. 136920 7/8 ~ Added Anew
✓ (N)	2329 23 443	Gasket Cover	1	
✓ (N)	1562 23 442	Cover	1	
✓ (N)	1562 23 445	Washer	1	
✓ (N)	1617 23 393	Screw, 5	3	
✓ (N)	1562 23 444	Bleed - Air	2	
✓ (N)	0118 23 348	Washer	2	

# CARBURETTOR (AUTOMATIC)

(USED UP TO 7/8)



# CARBURETTOR (AUTOMATIC)

(USED UP TO  $\frac{74}{3}$ )



No.	Part Number	Description	Q'ty	Remarks
	0871 13 200C	Carburettor (R.H.D.)	1	
●	0871 13 200E	Carburettor (R.H.D.)	1	Car. No. 167343 $\frac{74}{3}$ ~△
1	0871 23 310	Chamber, Choke	1	
2	0871 23 380	Valve Set, Fuel Return	1	Fig. No. 3 included
3	0871 23 381	Strainer Set	1	
4	0871 23 385	Float Set	1	
5	0871 23 390	Valve, Needle	1	
6	0871 23 320	Chamber, Float	1	Fig. No. 7~22 included
●	0871 23 320B	Chamber, Float	1	
7	0871 23 490	Injector, Pump	1	
8	0871 23 495	Plug, Drain	1	
9	0866 23 421	# 92 Jet, Main (P)	2	
10	0820 23 422	# 140 Jet, Main (S)	2	
11	0268 23 395	# 100 Bleed, Main Air (P)	2	
12	0114 23 662	# 140 Bleed, Main Air (S)	2	
13	0866 23 425	# 42 Jet, Slow (P)	2	
14	0820 23 426B	# 60 Jet, Slow (S)	2	
15	0268 23 394A	# 200 Bleed, Slow Air (P)	2	
16	0866 23 428	# 180 Bleed, Slow Air (P)	2	
17	2113 23 431	# 180 Jet, Vacuum (P)	1	
18	0268 23 393A	# 120 Jet, Vacuum (S)	1	
19	0820 23 433	# 0 Bleed, Slow Air	2	
20	0871 23 434	# 180 Jet, Richer	1	
21	0866 23 329	Tube (P), Emulsion	2	
22	0820 23 330	Tube (S), Emulsion	2	
23	0871 23 330	Chamber, Throttle	1	
●	0872 23 330	Chamber, Throttle	1	$\frac{74}{3}$ ~○
24	0871 23 360	Lever Set (Rr.)	1	
25	0871 23 365	Lever Set (Frnt.)	1	



# CARBURETTOR (AUTOMATIC)

(USED UP TO  $\frac{7}{8}$ )

No.	Part Number	Description	Q'ty	Remarks
26	0871 23 370	Screw, Throttle Adjust	1	
27	0871 23 375	Screw, Idle Adjust	1	
28	0871 23 355	Valve, Vacuum	1	
29	0871 23 350	Chamber, Diaphragm	1	
30	0871 23 340	Thermostat	1	Fig. No. 31, 32 included
31	0871 23 346	Tube	1	
32	0871 23 345	Wire Set, Lead	1	
33	0871 23 410	Pump, Accelerator	1	
34	0871 23 420	Spring, Throttle Return	1	
35	0871 23 430	Bracket Set	1	
36	0868 23 354	Insulator	1	
37	0871 23 440	Rod Set	1	
38	0871 23 510	Screw Set, Throttle Chamber	1	
39	0871 23 520	Screw Set, Choke Chamber	1	
40	0871 23 540	Pin & Washer Set	1	
●	0871 23 540A	Pin & Washer Set	1	Car No. 167343 $\frac{7}{8}$ ~△
41	0871 23 530	Gasket Set	1	
✓ ●	0559 13 104	Cap, Blind	1	Car No. 160623 $\frac{7}{8}$ ~Added Anew

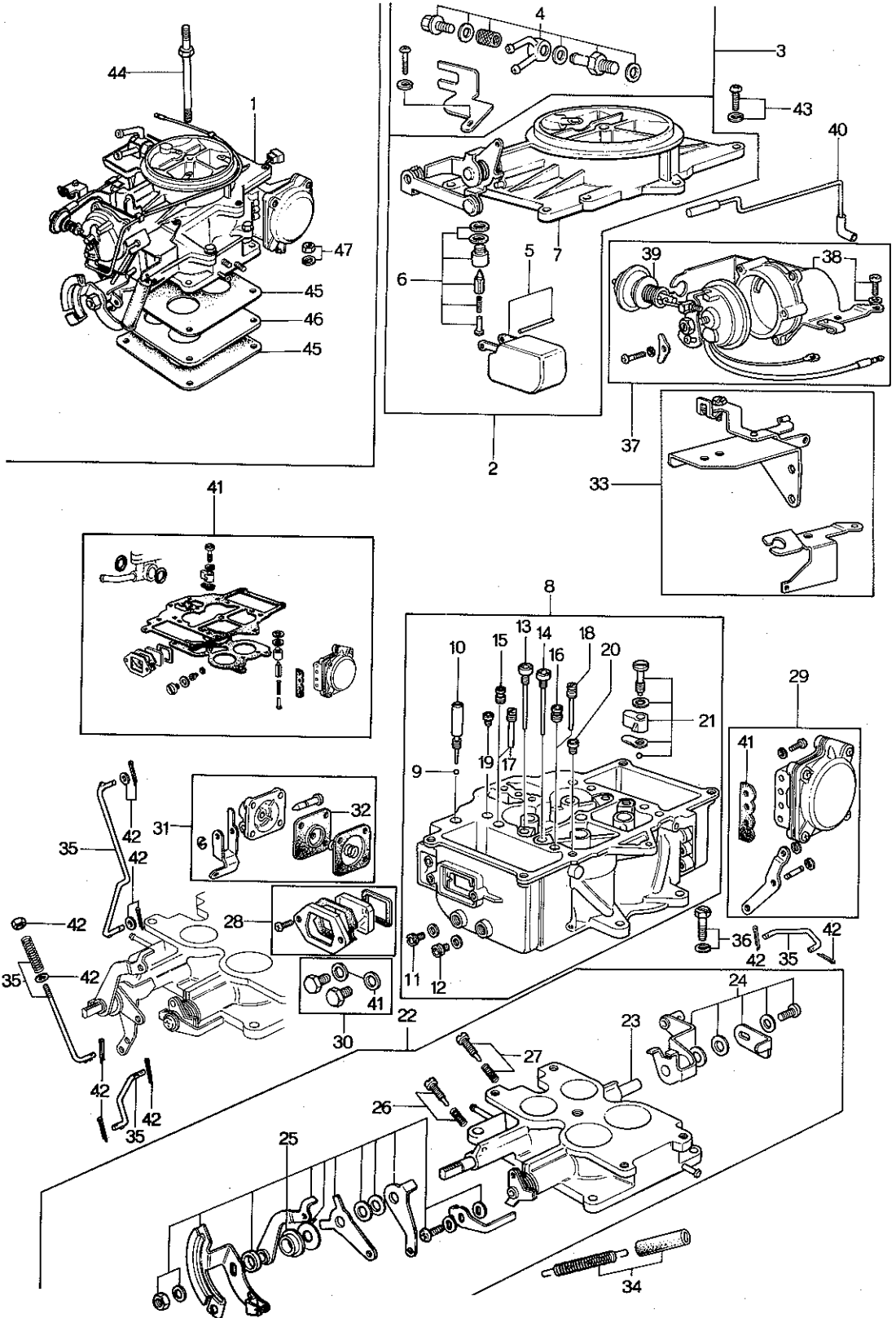


NOT REPLICATED  
FOR THE PURPOSES OF  
A MORE OPEN MARKET



# CARBURETTOR

(AUTOMATIC USED FROM  $\frac{7}{4}$ )  
(MANUAL USED FROM  $\frac{7}{10}$ )



# CARBURETTOR

(AUTOMATIC USED FROM  $\frac{7}{4}$ )  
 (MANUAL USED FROM  $\frac{73}{10}$ )



No.	Part Number	Description	Q'ty	Remarks
√ 1	1708 13 200 C	Carburettor (Manual) (L.H.D.)	1	
√	1955 13 200 C	Carburettor (Automatic)	1	}
√	3503 13 200 C	Carburettor (Manual) (R.H.D.)	1	
2	1955 23 310	Horn Set, Air-Fig. No. 3,5,6,7, included (Automatic)	1	
	3503 23 310	Horn Set, Air-Fig. No. 3,5,6,7 included (Manual)	1	
3	1881 23 319	Connector Set, Fuel-Fig. No. 4 included	1	
4	1663 23 409	Strainer Set	1	
5	1663 23 326 B	Float Set	1	
6	1663 23 390	Seat Set, Float Valve	1	
7	1955 23 520	Horn Sub Set, Air (Automatic)	1	
	3503 23 520	Horn Sub Set, Air (Manual)	1	
8	1955 23 320	Body Set-Fig. No.9~21 included	1	
√ 9	0107 13 781	Ball, Steel	1	
10	0823 23 338	Plug, Check Ball	1	
11	1955 23 421	Jet Set, Main (P)	2	
12	1955 23 422	Jet Set, Main (S)	2	
13	1955 23 423	Jet, Main Air Bleed (P)	2	
14	0839 23 424	Jet, Main Air Bleed (S)	2	
15	1881 23 427	Jet, Slow Air Bleed	2	
16	1955 23 428	Jet, Step Air Bleed (S)	2	



# CARBURETTOR

(AUTOMATIC USED FROM  $\frac{7}{8}$ )  
 (MANUAL USED FROM  $\frac{7}{10}$ )

No.	Part Number	Description	Q'ty	Remarks
17	1955 23 431	Jet, Slow	2	
18	1883 23 432	Jet, Step	2	
19	1955 23 433	Jet, Slow Air Bleed	2	
20	1955 23 434	Jet, Step Air Bleed	2	
21	1955 23 490	Nozzle Set, Accel.	1	
22	1708 23 330	Flange Set-Fig. No. 23~27 included (Manual) (L.H.D.)	1	
	1955 23 330	Flange Set-Fig. No. 23~27 included (Automatic) (R.H.D.)	1	
	3503 23 330	Flange Set-Fig. No. 23~27 included (Manual) (R.H.D.)	1	
23	1955 23 410	Flange Sub Set (Automatic)	1	
	3503 23 410	Flange Sub Set (Manual)	1	
24	1955 23 420	Lever Set, Front	1	
25	1708 23 430	Lever Set, Rear (Manual) (L.H.D.)	1	
	1955 23 430	Lever Set, Rear (Automatic) (R.H.D.)	1	
	3503 23 430	Lever Set, Rear (Manual) (R.H.D.)	1	
26	0842 23 440	Screw Set, Throttle Lever Adjust	1	
27	0842 23 460	Screw Set, Idle Adjust	1	
28	1668 23 340 A	Cover Set, Level Gauge	1	
29	1955 23 350	Chamber Set, Diaphragm	1	
30	1668 23 354	Plug Set, Main Passage	1	
31	1663 23 360 C	Pump Set, Accel. -Fig. No. 32 included	1	

# CARBURETTOR

(AUTOMATIC USED FROM  $\frac{74}{4}$ )  
(MANUAL USED FROM  $\frac{73}{10}$ )

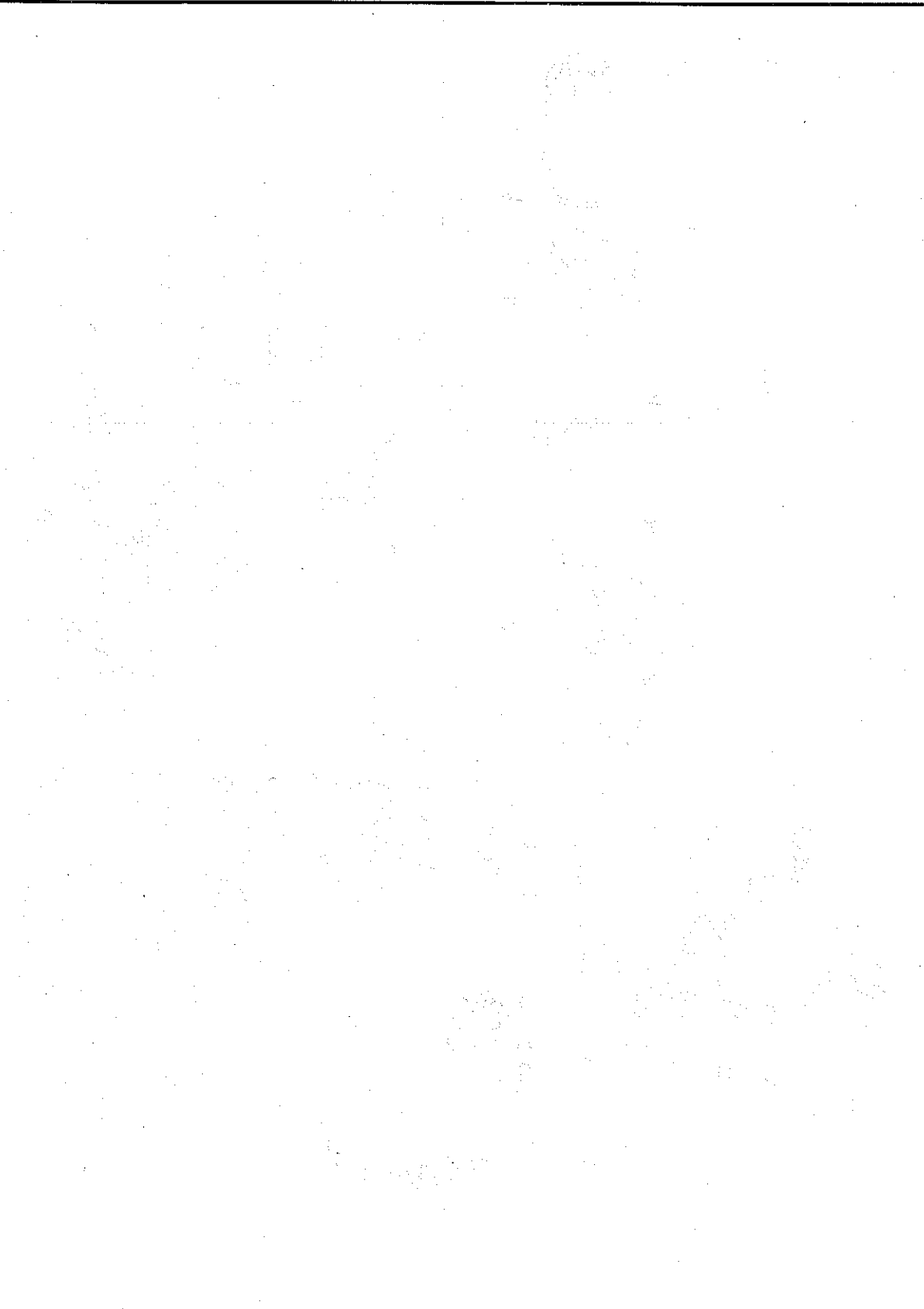


No.	Part Number	Description	Q'ty	Remarks
32	1663 23 361 A	Diaphragm, Accel. Pump	1	
33	1708 23 370	Bracket Set (Manual) (L.H.D.)	1	
	1951 23 370	Bracket Set (Automatic)	1	(R.H.D.)
	3503 23 370	Bracket Set (Manual)	1	
34	1663 23 380	Spring Set, Return	1	
35	1955 23 480	Rod & Link Set (Automatic)	1	
	3503 23 480	Rod & Link Set (Manual)	1	
36	0839 23 484 A	Screw, Flange Set	4	
37	1955 23 500	Choke Set, Semi Auto Fig. No. 38, 39 included	1	
38	1955 23 501	Holder Set, Bimetal	1	(Automatic)
39	1955 23 502	Bimetal Set	2	
40	1027 23 509	Pipe, Vacuum	1	
41	0862 23 510	Gasket Set	1	
42	1668 23 530	Pin & Washer Set	1	
43	0750 23 652	Screw & Washer Set	7	
	1708 23 540	Repair Kit, Carburettor	1	
✓ 44	0839 13 201	Bolt, Cleaner Set	1	
✓ 45	0823 13 221 A	Gasket, Carburettor	2	
✓ 46	1570 13 222	Insulator, Carburettor	1	

13 23

**CARBURETTOR**  
 (AUTOMATIC USED FROM 7/4)  
 (MANUAL USED FROM 7/10)

No.	Part Number	Description	Q'ty	Remarks
47	99901 0800	Nut, Carburettor	4	
	99971 0800	Washer, Spring	4	







No.	Part Number	Description	Qty	Remarks
1	0839 14 101B	Body, Oil Pump	1	
2	99806 0618	Bolt, Oil Pump Body	4	
	99952 0600	Washer, Plain	4	
	99971 0600	Washer, Spring	4	
3	0820 23 882A	Rotor Set	2	
4	0839 14 112B	Shaft	1	
●	1757 14 112	Shaft	1	Car No. 160623 $\frac{7}{10}$ ~X
5	0810 14 113	Ring, Snap	1	
6	0839 14 117	Screw, Lock-Oil Pump	1	
7	0820 14 118C	Plate, Middle-Oil Pump	1	
8	0839 14 119B	Key	3	
9	99922 1200	Nut	1	
	99979 1200	Washer, Tab	1	
10	0839 14 141A	Sprocket, Driven	1	
11	0823 14 130	Adjuster, Chain	1	
12	0823 14 131	Spring	1	
13	0839 14 132	Body	1	
●	1757 14 132	Body	1	Car No. 160623 $\frac{7}{10}$ ~X
14	0839 14 133	Plate, Guide	1	
15	0839 14 142	Chain	1	
16	0866 14 160C	Strainer, Oil	1	

No.	Part Number	Description	Q'ty	Remarks
	0866 14 160D	Strainer, Oil	1	Car No. 149072 $\frac{3}{8}$ ~△
	0866 14 160E	Strainer, Oil	1	Car No. 150285 $\frac{3}{4}$ ~○
17	0810 14 171	Gasket, Oil Strainer	1	
18	99906 0600	Nut, Chain Adjuster & Oil Strainer	2	
	99971 0600	Washer, Spring	2	
19	99806 0614	Bolt	2	
	99971 0600	Washer, Spring	2	
20	0839 14 300	Filter, Oil	1	
21	0839 23 801	Cover	1	
22	0813 23 802A	Cartridge, Oil Filter (Fig. No. 23 included)	1	
●	0813 23 802B	Cartridge, Oil Filter (Fig. No. 23 included)	1	Car No. 161187 $\frac{3}{4}$ ~○
23	0813 23 803	Gasket	1	
24	99541 01601	Ring, "O"-Oil Filter	2	
25	99901 0800	Nut, Oil Filter	2	
	99971 0800	Washer, Spring	2	
	99953 0800	Washer, Plain	1	
26	0820 14 250C	Regulator, Pressure	1	
●	0820 14 250D	Regulator, Pressure	1	Car No. 167714 $\frac{3}{4}$ ~△
27	0820 14 620	Shaft, Driven Gear	1	

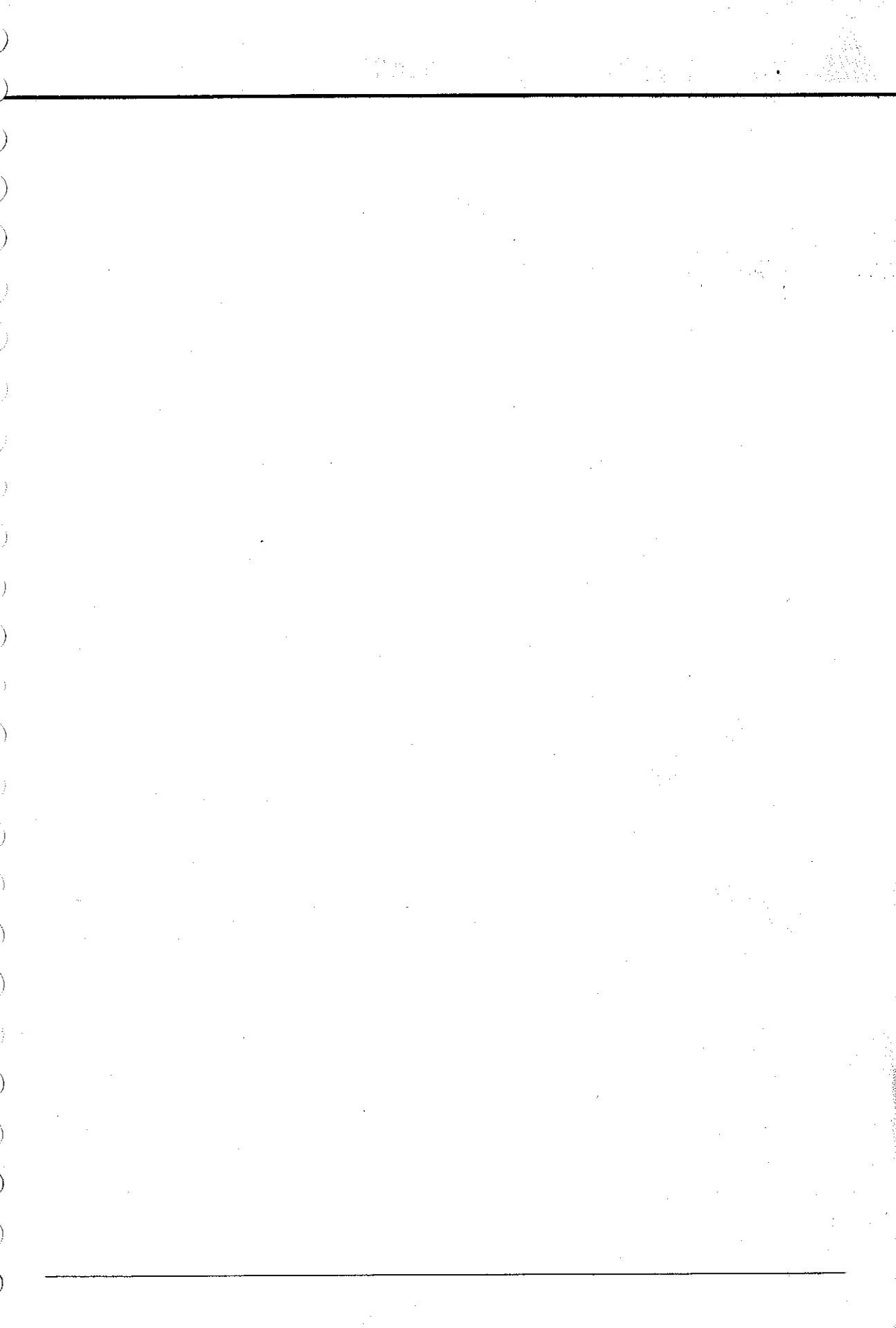
# OIL PUMP

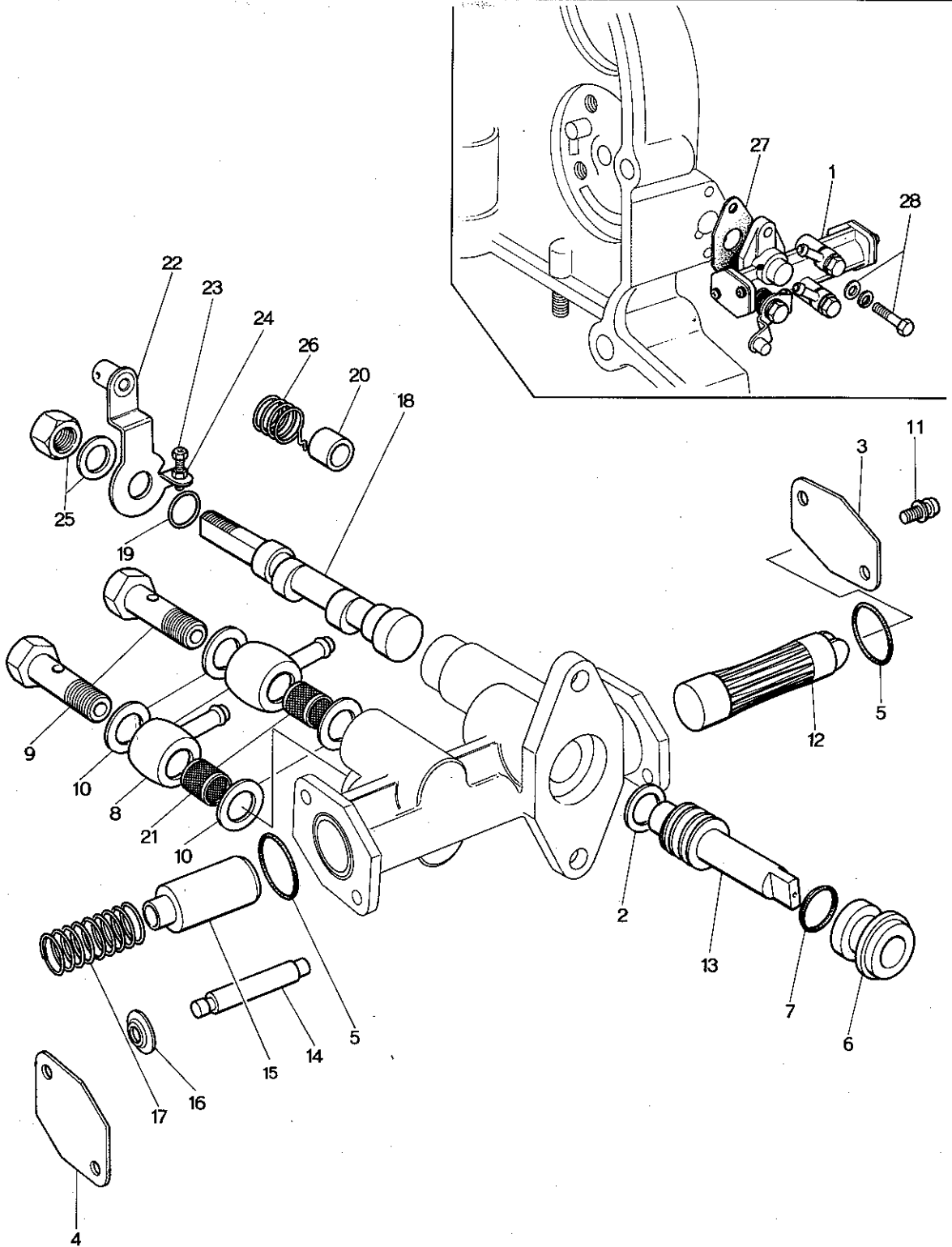
14

No.	Part Number	Description	Q'ty	Remarks
●	0820 14 620A	Shaft, Driven Gear	1	Car. No. 160623 $\frac{73}{10}$ ~△
28	0820 14 625	Gear, Driven	1	
●	0820 14 625A	Gear, Driven	1	Car. No. 166139 $\frac{73}{4}$ ~○
29	0813 14 623	Pin	1	
30	99576 0800	Ring, Snap	2	
31	0810 18 276	Shim, Adjust (t=0.6)	2	} Selective use
	0810 18 277	Shim, Adjust (t=0.3)		
32	0866 14 630	Tube, Metering Oil	1	
●	1757 14 660	Tube, Metering Oil	1	Car. No. 160623 $\frac{73}{10}$ ~X
33	0866 14 640A	Tube, Metering Oil	1	
●	1757 14 670	Tube, Metering Oil	1	Car. No. 160623 $\frac{73}{10}$ ~X
34	0813 14 641	Clip	4	
●	35 0820 14 643	Clip	1	Car. No. 160623 $\frac{73}{10}$ ~Discarded
●	36 0820 14 647	Clip	1	Car. No. 160623 $\frac{73}{10}$ ~Discarded
37	0866 14 651A	Rod, Connecting	1	
●	1757 14 651	Rod, Connecting	1	Car. No. 160623 $\frac{73}{10}$ ~X
38	99221 1212	Pin, Split	2	
●	39 99953 0400	Washer, Plain	1	Car. No. 162719 $\frac{73}{11}$ ~Q'ty
40	99295 1508	Clip, Battery Cable (Manual)	1	
	99275 2008	Clip, Batter Cable (Automatic)	1	
	992762003	clip	1	
	3565 10 865	~	1	~
	3568 10 865 A	~	1	~

X 74/9 (4m 7.2.75)  
 Δ Hx 12.3.75.

No.	Part Number	Description	Q'ty	Remarks
✓ ● 41	1757 14 680	Check, Valve	2	Car No. 160623 $\frac{7}{10}$ ~ Added Anew
✓ ● 42	1011 14 683	Clip, Metering Oil Tube + Check Valve	2	Car No. 160623 $\frac{7}{10}$ ~ Added Anew
✓ ●	1757 14 652	Shim-HET. Adjust	1	
✓ ●	1757 14 653	Shim-HET. Adjust	1	Car No. 162719 $\frac{7}{11}$ ~ Added Anew
✓ ●	1757 14 654	Shim-HET. Adjust	1	





# METERING OIL PUMP

23

No.	Part Number	Description	Q'ty	Remarks
1	2090 14 600	Pump, Metering Oil	1	
	2090 14 600 A	Pump, Metering Oil	1	Car No. $\frac{7}{10}$ ~○
●	1757 14 600	Pump, Metering Oil	1	Car No. 160623 $\frac{7}{10}$ ~X
2	0820 23 832 B	Washer, Thrust	1	
3	0820 23 833 B	Plate	1	
4	0820 23 834 B	Plate	1	
5	0730 23 837	Ring, "O"	2	
6	0820 23 835 A	Bearing, Worm	1	
7	0730 23 839	Ring, "O"	1	
8	0820 23 836	Connector	2	
●	1757 23 836	Pipe	2	Car No. 160623 $\frac{7}{10}$ ~X
●	9 0730 23 842	Bolt, Connector	2	Car No. 160623 $\frac{7}{10}$ ~Discarded
●	10 0730 23 843	Washer, Connector	4	Car No. 160623 $\frac{7}{10}$ ~Discarded
11	99833 0408	Screw, Plate	4	
	99971 0400	Washer, Spring	4	
12	0730 23 845	Plunger	1	
13	0730 23 846	Worm, Driving	1	
14	2090 23 837	Plunger, Sub	1	
●	1011 23 837	Plunger, Sub	1	Car No. 160623 $\frac{7}{10}$ ~X
15	2090 23 838	Plunger, Differential	1	

# METERING OIL PUMP

No.	Part Number	Description	Q'ty	Remarks
•	1011 23 838	Plunger, Differential	1	Car No. 160623 $\frac{73}{10}$ ~ ×
	16 2090 23 853	Nut, Push	1	
	17 0820 23 840	Spring, Plunger	1	
	18 2090 23 841	Pin, Control	1	
•	1011 23 841	Pin, Control	1	Car No. 160623 $\frac{73}{10}$ ~ ×
	19 0730 23 854	Ring, "V"	1	
	20 0820 23 842	Cap	1	
•	21 0820 23 843	Strainer	2	Car No. 160623 $\frac{73}{10}$ ~ Discarded
	22 2090 23 844	Lever, Control	1	
•	1757 23 844	Lever, Control	1	Car No. 160623 $\frac{73}{10}$ ~ ×
	23 0820 23 845 A	Screw, Adjust	1	
	24 0820 23 847 A	Nut, Adjust Screw	1	
	25 99907 0600	Nut, Control Lever	1	
	99971 0600	Washer, Spring	1	
	26 0820 23 848 A	Spring, Return	1	
	27 0810 14 611	Gasket, Metering Oil Pump	1	
•	1757 14 611	Gasket, Metering Oil Pump	1	Car No. 160623 $\frac{73}{10}$ ~ ×
	28 99806 0630	Bolt, Metering Oil Pump	1	
•	✓ 9080 66630	Bolt Set	1	Car No. 160730 $\frac{72}{12}$ ~ ○
•	✓ 9080 66630	Bolt Set	1	Car No. 160623 $\frac{73}{10}$ ~ Discarded
	99806 0618	Bolt	1	
•	✓ 90806 6618	Bolt Set	1	Car No. 160730 $\frac{72}{12}$ ~ ○
•	✓ 99806 0618	Bolt	2	Car No. 160623 $\frac{73}{10}$ ~ Added Anew
•	✓ 99953 0600	Washer, Plain	2	Car No. 160730 $\frac{72}{12}$ ~ Discarded
•	99971 0600	Washer, Spring	2	Car No. 160730 $\frac{72}{12}$ ~ Discarded

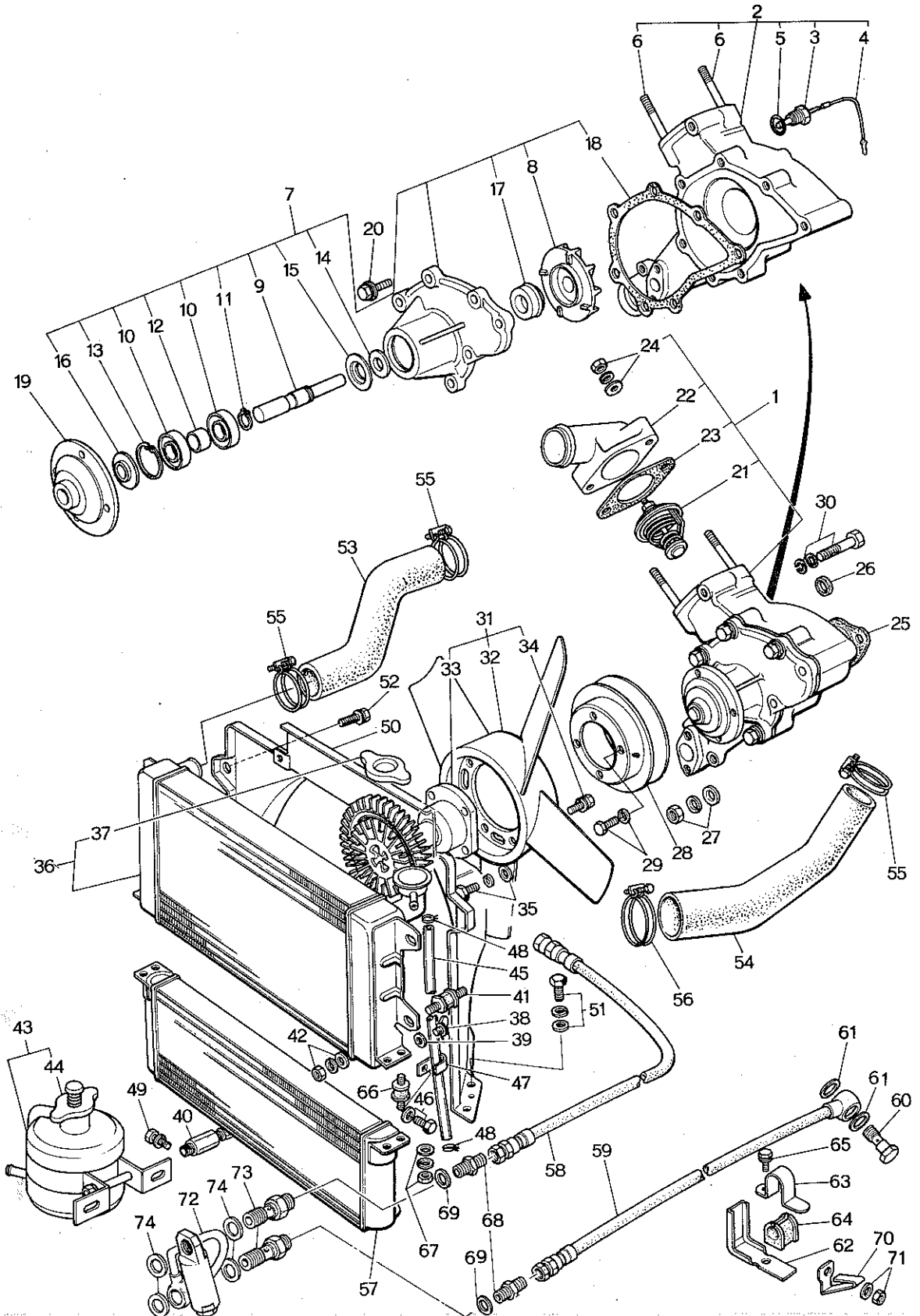




[The main body of the page contains extremely faint and illegible text, likely bleed-through from the reverse side of the document.]

# COOLING SYSTEM

(USED UP TO CAR NO. 179250 <sup>73</sup>/<sub>9</sub>)



# COOLING SYSTEM

(USED UP TO CAR NO. 179250 <sup>73</sup>/<sub>9</sub>)

14

15

No.	Part Number	Description	Q'ty	Remarks
1	0866 15 010B	Pump, Water	1	
	0866 15 010C	Pump, Water	1	Car No. 128078 <sup>71</sup> / <sub>12</sub> ~○
	0866 15 010D	Pump, Water	1	Car No. 146346 <sup>72</sup> / <sub>5</sub> ~○
	0862 15 010	Pump, Water	1	Car No. 152816 <sup>72</sup> / <sub>9</sub> ~×
	0862 15 010A	Pump, Water	1	Car No. <sup>73</sup> / <sub>2</sub> ~○
●	0862 15 010B	Pump, Water	1	Car No. 171556 <sup>73</sup> / <sub>6</sub> ~○
2	<del>0866 15 100D</del>	<del>Casing</del>	<del>1</del>	☆
	<del>0866 15 100C</del>	<del>Casing</del>	<del>1</del>	Car No. 128078 <sup>71</sup> / <sub>12</sub> ~○ ☆
	<del>0866 15 100D</del>	<del>Casing</del>	<del>1</del>	Car No. 146346 <sup>72</sup> / <sub>5</sub> ~○ ☆
	<del>0862 15 100</del>	<del>Casing</del>	<del>1</del>	Car No. 152816 <sup>72</sup> / <sub>9</sub> ~×
3	0259 18 510	Gauge Unit, Water Heat	1	
4	0866 18 511	Cord, Heat Gauge Unit	1	
5	0110 18 515	Ring, "O"-Heat Gauge Unit	1	
6	2090 15 104	Stud, Thermostat Cover	2	
7	<del>0866 15 130</del>	<del>Cover, Pump</del>	<del>1</del>	☆
	<del>1620 15 130</del>	<del>Cover, Pump</del>	<del>1</del>	Car No. 152816 <sup>72</sup> / <sub>9</sub> ~×
	0820 99 150	Repair Kit, Water Pump (Fig. No. 8,9,10,11,15,16,17 included)	1	
	0862 99 150	Repair Kit, Water Pump (Fig. No. 8,9,10,11,12,14,15,17,18 included)	1	Car No. 152816 <sup>72</sup> / <sub>9</sub> ~×
	0862 99 150A	Repair Kit, Water Pump (Fig. No. 8,9,10,11,12,14,15,17,18 included)	1	Car No. <sup>73</sup> / <sub>2</sub> ~○
8	0813 15 111	Impeller	1	
	1620 15 111	Impeller	1	Car No. 152816 <sup>72</sup> / <sub>9</sub> ~×



# COOLING SYSTEM

(USED UP TO CAR NO. 179250  $\frac{7}{8}$ )

No.	Part Number	Description	Q'ty	Remarks
9	0820 15 112	Shaft	1	
10	0118 15 121	Bearing, Ball	2	
11	0118 15 114	Ring, Snap	1	
12	0820 15 115	Spacer	1	
13	99574 3500	Ring, Snap	1	
14	0813 15 117	Plate, Baffle	1	
	0118 15 125	Plate, Baffle	1	Car No. 152816 $\frac{7}{8}$ ~X
15	0118 15 118	Plate, Dust Seal	1	
16	0810 15 119	Plate, Dust Seal	1	Car No. 152815 $\frac{7}{8}$ ~Discarded
17	0820 15 120	Water Seal	1	
18	2329 15 132A	Gasket	1	
	1620 15 132	Gasket	1	Car No. 152816 $\frac{7}{8}$ ~X
	1620 15 132A	Gasket	1	Car No. $\frac{7}{8}$ ~X
19	0820 15 152	Boss, Pulley	1	
	1011 15 152	Boss, Pulley	1	Car No. 152816 $\frac{7}{8}$ ~X
20	99801 0825	Bolt, Water Pump	5	
	99801 0825	Bolt	3	Car No. 152816 $\frac{7}{8}$ ~Q'ty
	99952 0800	Washer, Plain	5	
	99952 0800	Washer, Plain	3	Car No. 152816 $\frac{7}{8}$ ~Q'ty
	99971 0800	Washer, Spring	5	

# COOLING SYSTEM

(USED UP TO CAR NO. 179250  $\frac{7}{9}$ )



No.	Part Number	Description	Q'ty	Remarks
	99971 0800	Washer, Spring	3	Car No. 152816 $\frac{7}{9}$ ~ Q'ty
21	0823 15 171	Thermostat, Water	1	
	<del>0838 15 171A</del>	<del>Thermostat, Water</del>	<del>1</del>	
22	0839 15 172	Cover, Thermostat	1	
✓ ●	1114 15 170	Cover, Thermostat	1	Car No. 171556 $\frac{7}{6}$ ~ △
23	0813 15 173	Gasket, Cover	1	
24	99907 0800	Nut, Cover	2	
○	99901 0800	Nut, Cover	2	Car No. 143210 $\frac{7}{3}$ ~ ○
	99971 0800	Washer, Spring	2	
25	0822 15 105	Gasket, Water Pump	1	
26	0820 15 106	Gasket, Water Pump	2	
27	99901 0800	Nut, Water Pump	3	
	99953 0800	Washer, Plain	3	
	99971 0800	Washer, Spring	3	
28	0820 15 151	Pulley, Water Pump	1	
	1011 15 151	Pulley, Water Pump	1	Car No. 152816 $\frac{7}{9}$ ~ X
29	99806 0610	Bolt, Pulley	4	
	99971 0600	Washer, Spring	4	
30	99801 0832	Bolt, Water Pump	1	



# COOLING SYSTEM

(USED UP TO CAR NO. 179250  $\frac{7}{9}$ )

No.	Part Number	Description	Q'ty	Remarks
	98953 0800	Washer, Plain	1	
	98971 0800	Washer, Spring	1	
31	0839 15 2500	Fan & Fan Drive (Manual)	1	
	0842 15 2500	Fan & Fan Drive (Automatic)	1	
32	0839 15 200	Fan, Cooling	1	
33	0839 15 2108	Fan Drive	1	
34	98806 0612	Bolt, Fan & Fan Drive	6	
	98971 0600	Washer, Spring	6	
35	98806 6 18	Bolt Set, Fan & Fan Drive	4	
36	0866 15 310C	Radiator (Manual)	1	
	0866 15 310D	Radiator (Manual)	1	Car No. 131046 $\frac{7}{2}$ ~△
	0866 15 310E	Radiator (Manual)	1	Car No. 153087 $\frac{7}{9}$ ~○
	0872 15 310	Radiator (Automatic)	1	
37	0222 15 205	Cap (Automatic)	1	

# COOLING SYSTEM

(USED UP TO CAR NO. 179250  $\frac{7}{8}$ %)



No.	Part Number	Description	Q'ty	Remarks
	0866 15 316	Cap (Manual)	1	
	0866 15 316A	Cap (Manual)	1	Car No. 146710 $\frac{7}{8}$ % ~△
38	0866 15 317	Cock, Drain (Manual)	1	
	2228 15 207	Cock, Drain (Automatic)	1	
39	0866 15 318	Gasket (Manual)	1	
	2228 15 208	Gasket (Automatic)	1	
40	0118 10 320	Cock, Water Drain (Manual)	1	Car No. 131046 $\frac{7}{12}$ % ~Discarded
41	0820 15 312	Rubber, Insulation	4	
	0820 15 312A	Rubber, Insulation	4	Car No. 133210 $\frac{7}{11}$ % ~△
42	99901 0800	Nut, Radiator	4	
	99940 0800	Nut	4	Car No. 142383 $\frac{7}{3}$ % ~○
	99952 0822	Washer, Plain	4	} Car No. 142383 $\frac{7}{3}$ % ~Discarded
	99971 0800	Washer, Spring	4	
43	0866 15 350A	Tank, Sub	1	
	0866 15 350B	Tank, Sub	1	Car No. 127380 $\frac{7}{11}$ % ~○
●	0866 15 350C	Tank, Sub	1	Car No. 161190 $\frac{7}{12}$ % ~○
44	0222 15 255	Cap	1	



# COOLING SYSTEM

(USED UP TO CAR NO. 179250 <sup>73</sup>/<sub>9</sub>)

No.	Part Number	Description	Q'ty	Remarks
45	0866 15 351	Hose, Water-Reserve Tank	1	
	0866 15 351A	Hose, Water-Reserve Tank	1	Car No. 124708 <sup>74</sup> / <sub>11</sub> ~○
46	<del>88889 0812</del>	<del>Screw</del>	<del>2</del>	From Car No. 1
	<del>88952 0800</del>	<del>Washer, Plain</del>	<del>2</del>	
47	<del>88285 0800</del>	<del>Clip, Water Hose</del>	<del>2</del>	
	88289 0701	Clip, Water Hose	2	From Car No. 1
48	88285 0800	Clip, Water Hose	2	
49	88804 0620	Bolt	2	
	99786 0620	Bolt	2	Car No. 142383 <sup>73</sup> / <sub>9</sub> ~○
	99852 0600	Washer, Plain	2	Car No. 142383 <sup>73</sup> / <sub>9</sub> ~Discarded
	99971 0600	Washer, Spring	2	
50	0866 15 401	Shroud, Radiator	1	
	0866 15 401A	Shroud, Radiator	1	Car No. 149767 <sup>73</sup> / <sub>9</sub> ~○
51	88806 0618	Bolt, Radiator Shroud	4	
	99971 0600	Washer, Spring	4	
	99852 0800	Washer, Plain	4	
52	88801 0812	Bolt	2	
	99796 0812	Bolt	2	Car No. 142383 <sup>73</sup> / <sub>9</sub> ~○
	99852 0800	Washer, Plain	2	Car No. 142383 <sup>73</sup> / <sub>9</sub> ~Discarded
	99971 0800	Washer, Spring	2	



# COOLING SYSTEM

(USED UP TO CAR NO. 179250  $\frac{73}{9}$ )



No.	Part Number	Description	Q'ty	Remarks
53	0866 15 511	Hose, Water-Thermostat~Radiator	1	
54	0866 15 521A	Hose, Water-Radiator~Water Pump	1	
	1620 15 521	Hose, Water-Radiator~Water Pump	1	Car No. 152816 $\frac{72}{9}$ ~X
55	99282 4900	Band	3	Car No. 152816 $\frac{72}{9}$ ~Q'ty
56	99282 5300	Band	1	Car No. 152816 $\frac{72}{9}$ ~Added Anew
57	0866 14 700B	Cooler, Oil (Manual)	1	
	0866 14 700C	Cooler, Oil (Manual)	1	Car No. 150306 $\frac{74}{9}$ ~X
	0865 14 700	Cooler, Oil (Automatic)	1	
	0865 14 700A	Cooler, Oil (Automatic)	1	Car No. 150306 $\frac{74}{9}$ ~X
58	0866 14 720	Hose, Oil	1	
	0866 14 720A	Hose, Oil	1	Car No. 127396 $\frac{71}{12}$ ~○
	0865 14 720	Hose, Oil	1	Car No. 132360 Added Anew
		} Selective use		
59	0839 14 730A	Hose, Oil	1	
	0866 14 730	Hose, Oil	1	Car No. 127396 $\frac{71}{12}$ ~○
	0865 14 730	Hose, Oil	1	Car No. 132360 Added Anew
		} Selective use		
60	99381 1400	Bolt, Connector~Oil Hose	1	
61	99562 1800	Gasket	2	
62	0866 14 740	Bracket, Oil Hose	1	
	0866 14 740A	Bracket, Oil Hose	1	Car No. 127396 $\frac{71}{12}$ ~○
63	0839 14 745	Clip, Oil Hose	1	



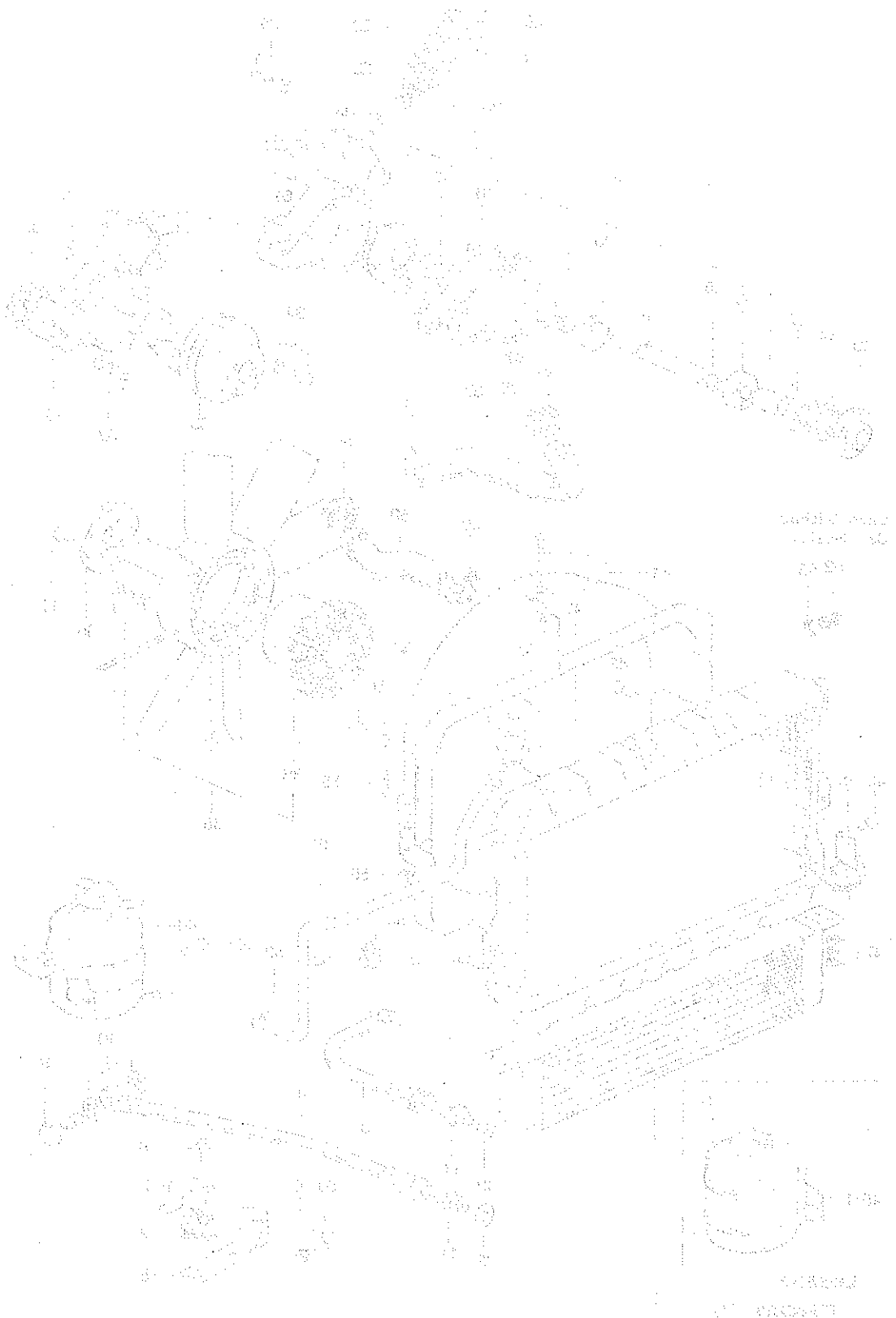
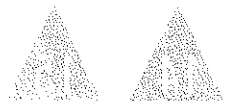
# COOLING SYSTEM

(USED UP TO CAR NO. 179250  $\frac{73}{8}$ )

No.	Part Number	Description	Q'ty	Remarks
64	0813 14 716	Protector	1	
65	99806 0610	Bolt	1	
	99806 0616	Bolt	1	Car No. 127396 $\frac{7}{8}$ ~O
	99971 0600	Washer, Spring	1	
66	0222-13 363	Rubber, Insulation	4	
67	99908 0600	Nut	8	
	99952 0600	Washer, Plain	8	
	99971 0600	Washer, Spring	8	
68	99834 1200	Joint, Union	2	(1558) (1559) Car No. 143809 $\frac{7}{8}$ ~Discarded
69	99584 1600	Gasket	2	
70	0866 18 496	Clip	1	
71	99921 1200	Nut	1	
	99971 1200	Washer, Plain	1	
72	1562 14 780	Valve Ass'y - By Pass	1	
73	1685 14 771	Bolt, Connector	2	1558, 1559 Car No. 143809 $\frac{7}{8}$ ~Added Anew
74	99562 1600	Packing	4	
<del>ⓐ</del>	<del>0889 01 011</del>	<del>Packing</del>	<del>1</del>	
<del>ⓑ</del>	<del>0889 01 012</del>	<del>Packing</del>	<del>1</del>	Car No. 137813 $\frac{7}{8}$ ~Added Anew
<del>ⓒ</del>	<del>0889 01 013</del>	<del>Packing</del>	<del>1</del>	
<del>ⓓ</del>	<del>0889 01 014</del>	<del>Packing</del>	<del>1</del>	

# COOLING SYSTEM

(SEE FRONT COVER FOR PARTS LIST)

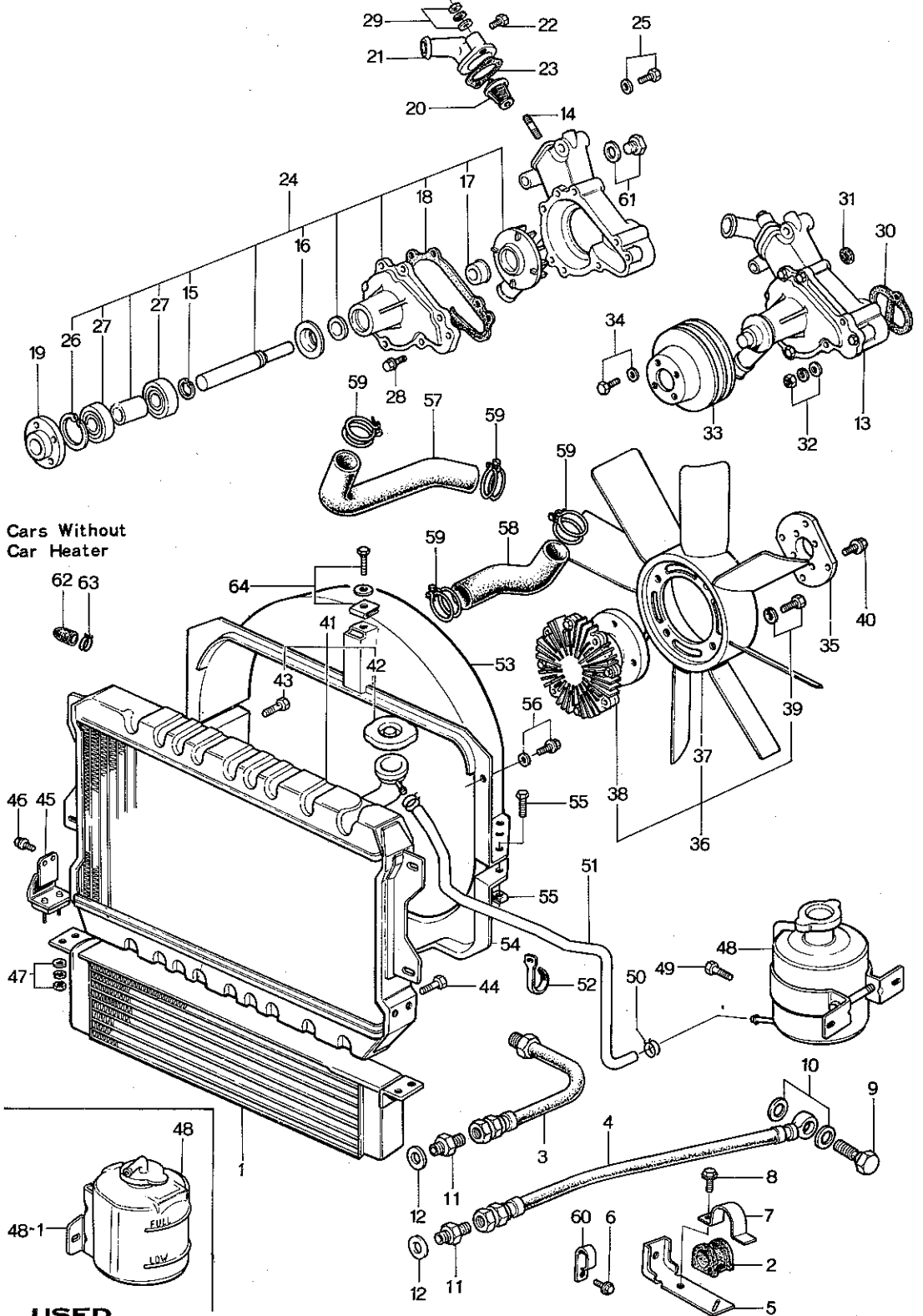


Water Pump  
Thermostat  
Radiator  
Fan  
Hoses

Part No. 12345  
Rev. 1/77

# COOLING SYSTEM

(USED FROM CAR NO. 160623 <sup>73</sup>/<sub>10</sub>)



# COOLING SYSTEM

(USED FROM CAR NO. 160623 <sup>73/10</sup>)

14

15

No.	Part Number	Description	Q'ty	Remarks
1	1128 14 700	Cooler, Oil	1	
2	0813 14 716	Protector, Oil Hose	1	
3	0865 14 720	Hose, Oil	1	
4	0881 14 730	Hose, Oil	1	
5	1757 14 740	Bracket, Oil Hose	1	
6	99796 0810	Bolt	1	
7	0839 14 745	Clip, Oil Hose	1	
8	99806 0616	Bolt, Clip	1	
	99971 0600	Washer, Spring	1	
9	99381 1400	Bolt, Connector - Oil Hose	1	
10	99562 1800	Gasket	2	
11	99384 1200F	Joint, Union	2	
12	99564 1600	Gasket	2	
13	1907 15 010C	Pump, Water	1	
✓	1052 15 010	Pump, Water	1	$\frac{74}{3}$ ~ ○
14	2090 15 104	Stud	2	
15	1757 15 114	Ring, Snap	1	
16	1757 15 118	Plate, Dust Seal	1	
17	1757 15 120	Seal, Water	1	
18	1757 15 132	Gasket, Pump Cover	1	



# COOLING SYSTEM

(USED FROM CAR NO. 160623 <sup>73</sup>/<sub>10</sub>)

No.	Part Number	Description	Q'ty	Remarks
19	1757 15 152A	Boss, Pulley	1	
20	0823 15 171	Thermostat	1	
21	1757 15 170	Cover, Thermostat	1	
● /	1052 15 170	Cover, Thermostat	1	$\frac{7}{8}$ ~○
22	99502 3000	Plug, Thermostat Cover	1	
23	0813 15 173	Gasket, Thermostat	1	
● /	1757 15 173	Gasket, Thermostat	1	$\frac{7}{8}$ ~○
24	1907 99 150A ✓	Repair Kit, Water Pump	1	
●	1907 99 150B ✓	Repair Kit, Water Pump	1	$\frac{7}{8}$ ~△
25	99511 1200	Plug	1	$\frac{7}{8}$ ~ Discarded
	99562 1200	Gasket	1	$\frac{7}{8}$ ~ Discarded
26	99574 4000	Ring, Retaining	1	
27	99606 72030	Bearing, Ball	2	
28	99796 0820	Bolt, Pump Cover	2	
29	99901 0800	Nut, Thermostat Cover	2	
	99953 0800	Washer, Plain	2	
	99971 0800	Washer, Spring	2	
30	1757 15 105	Gasket, Water Pump	1	
● /	1757 15 105A	Gasket, Water Pump	1	$\frac{7}{8}$ ~△
31	0820 15 106	Gasket, Water Pump	2	
● /	1757 15 106	Shim, Water Pump	2	$\frac{7}{8}$ ~△
32	99901 0800	Nut, Water Pump	4	
	99971 0800	Washer, Spring	4	
33	1757 15 151A	Pulley, Water Pump	1	
	1757 15 190	Switch - W. THERMO CL. (H.D.)	1	$\frac{7}{8}$ ~ Added anew (4/1 - APR '74)

# COOLING SYSTEM

(USED FROM CAR NO. 160623 <sup>73</sup>/<sub>10</sub>)

14

15

No.	Part Number	Description	Q'ty	Remarks
34	99796 0620	Bolt	4	
35	1907 15 211	Spacer, Fan Drive	1	
36	1907 15 250	Fan & Fan Drive	1	
37	1097 15 200	Fan, Cooling	1	
38	1907 15 210	Fan, Drive	1	
39	99806 0620	Bolt, Fan & Fan Drive	4	
	99971 0600	Washer, Spring	4	
40	99796 0620	Bolt, Fan Drive	4	
41	1128 15 310B	Radiator	1	
●	√ 1128 15 310D	Radiator (Manual)	1	¾~X
●	√ 1129 15 310D	Radiator (Automatic)	1	
42	0222 15 205	Cap	1	
●	√ 0488 15 205	Cap	1	¾~X
43	1128 15 317	Cock, Water Drain	1	
44	99786 0816	Bolt, Radiator	4	
●	99952 0822	Washer, Plain	4	
45	1128 15 312A	Rubber, Insulation	2	
46	99786 0610	Bolt, Radiator	4	
47	99906 0600	Nut, Radiator & Oil Cooler	4	
	99952 0600	Washer, Plain	4	

14 15

# COOLING SYSTEM

(USED FROM CAR NO. 160623<sup>73/10</sup>)

No.	Part Number	Description	Q'ty	Remarks
	99971 0600	Washer, Spring	4	
48	0866 15 350 C	Tank, Sub	1	
●	✓ 0806 15 350	Tank, Sub	1	<sup>74</sup> / <sub>4</sub> ~ X
	2981 15 205	Cap	1	<sup>74</sup> / <sub>4</sub> ~ Discarded
✓	● 48-1 0494 15 251	Bracket, Sub Tank	1	<sup>74</sup> / <sub>4</sub> ~ Added Anew
	49 99786 0620	Bolt, Sub Tank	2	
	50 99285 0800	Clip, Water Hose	2	
●	99283 1300	Clip, Water Hose	2	<sup>74</sup> / <sub>4</sub> ~ X
	51 0866 15 351 A	Hose, Water - Sub Tank	1	
●	✓ 1881 15 351 A	Hose, Water - Sub Tank	1	<sup>74</sup> / <sub>4</sub> ~ X
	52 99289 0701	Clip	2	
	53 1881 15 411 C	Shroud, Radiator - Upper	1	
	54 1881 15 421 B	Shroud, Radiator - Lower	1	
	55 99863 0516	Screw, Tapping	4	
	99952 0500	Washer, Plain	4	
	0820 56 905	Nut, Spring	4	
	56 99796 0812	Bolt, Radiator Shroud	4	
●	99952 0816	Washer, Plain	4	
	57 1881 15 511	Hose, Water - Thermostat ~ Radiator	1	
	58 1881 15 521	Hose, Water - Radiator ~ Water Pump	1	
	59 99282 4900	Band, Hose - Water Hose	4	
	60 0866 18 496	Clip	1	
●	✓ 2090 18 999	Clip	1	<sup>73</sup> / <sub>3</sub> ~ X
	61 99511 1600	Plug, HEX.-Head (Cars Without Car Heater)	1	

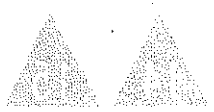


# COOLING SYSTEM

(USED FROM CAR NO. 160623 <sup>73</sup>/<sub>10</sub>)



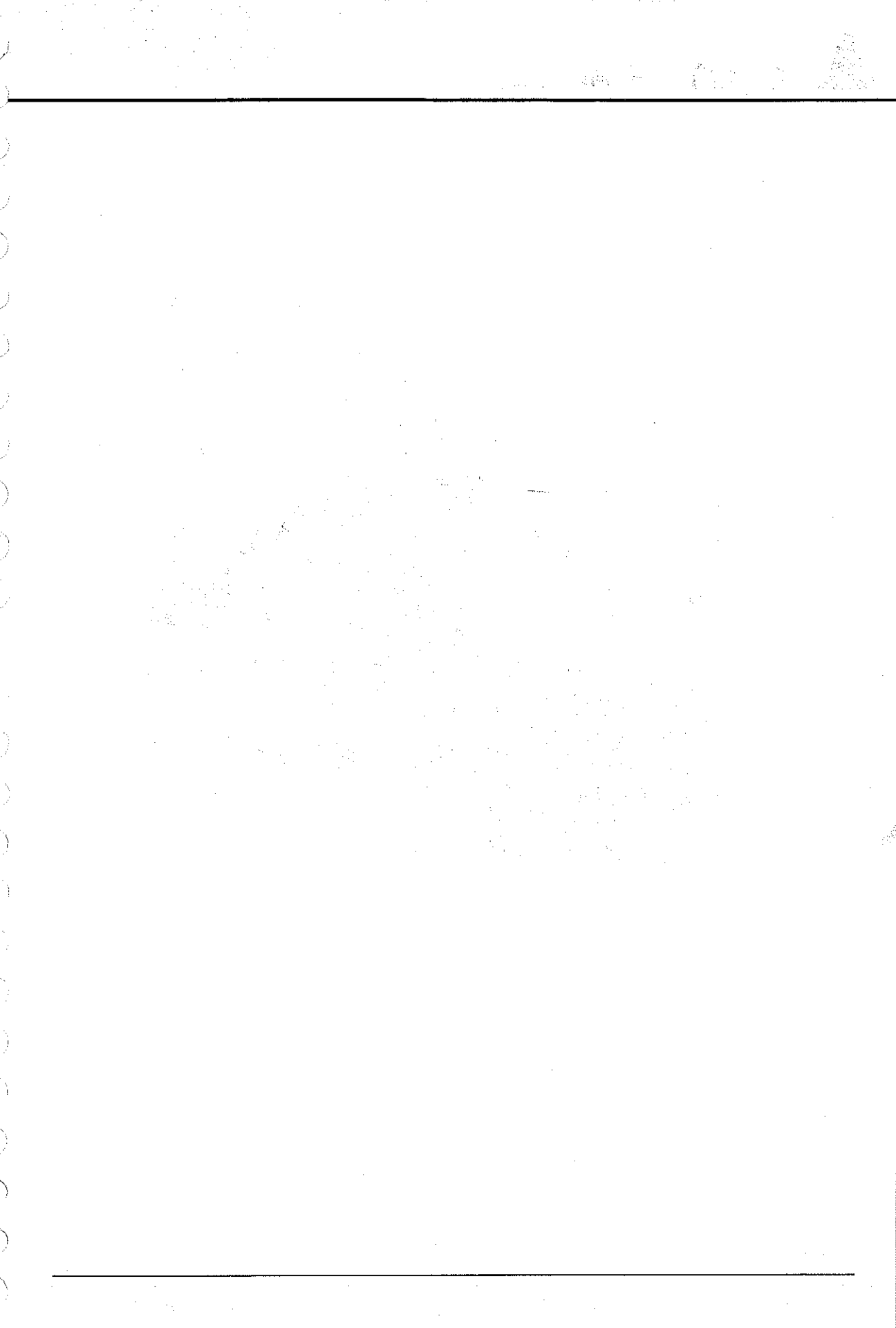
No.	Part Number	Description	Q'ty	Remarks
	99564 1600	Gasket	1	
62	0864 61 061A	Cover	2	} (Cars Without Car Heater)
63	99282 2600	Band Hose	2	
64	99860 0514	Screw, Radiator Shroud	1	
	99952 0500	Washer, Plain	1	
	0820 56 906	Nut, Spring	1	

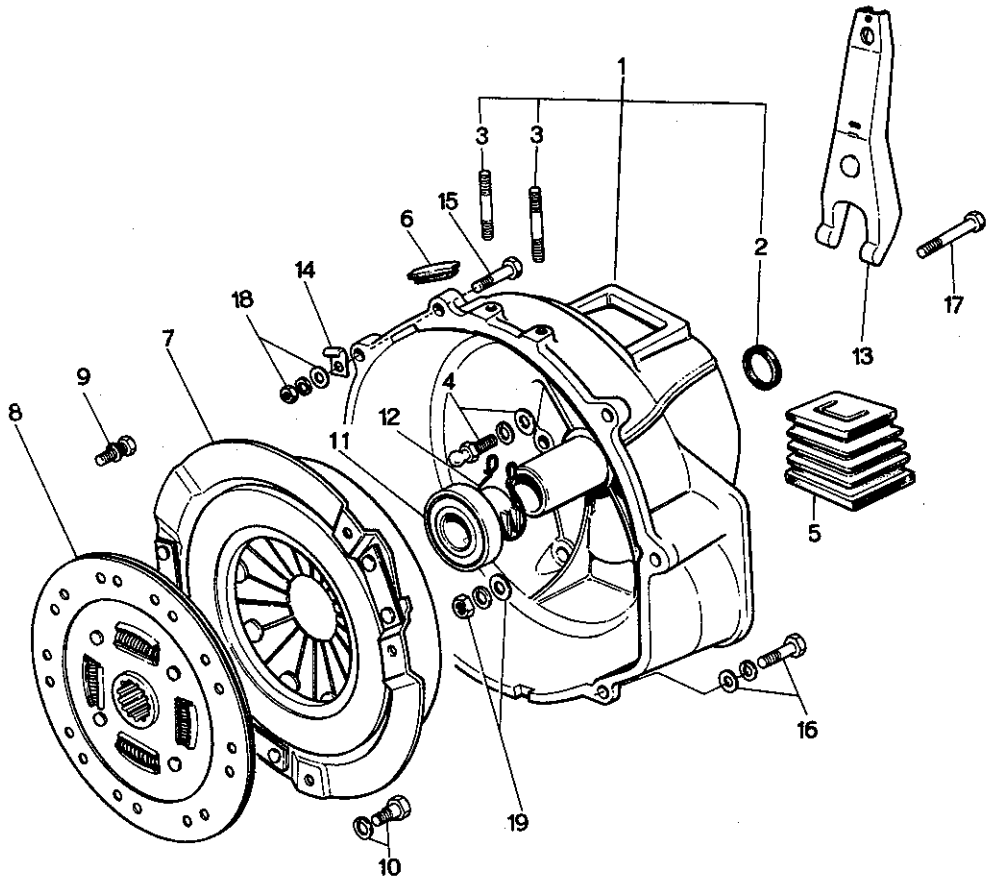


# COOLING SYSTEM

(LISTED FROM CAR NO. 123456)

Item No.	Description	Quantity	Unit Price	Total Price
1	Compressor	1	1000.00	1000.00
2	Condenser (incl. fan)	1	500.00	500.00
3	Evaporator	1	300.00	300.00
4	Expansion Valve	1	150.00	150.00
5	Refrigerant Oil	1	100.00	100.00
6	Washer	1	50.00	50.00
7	Washer	1	50.00	50.00

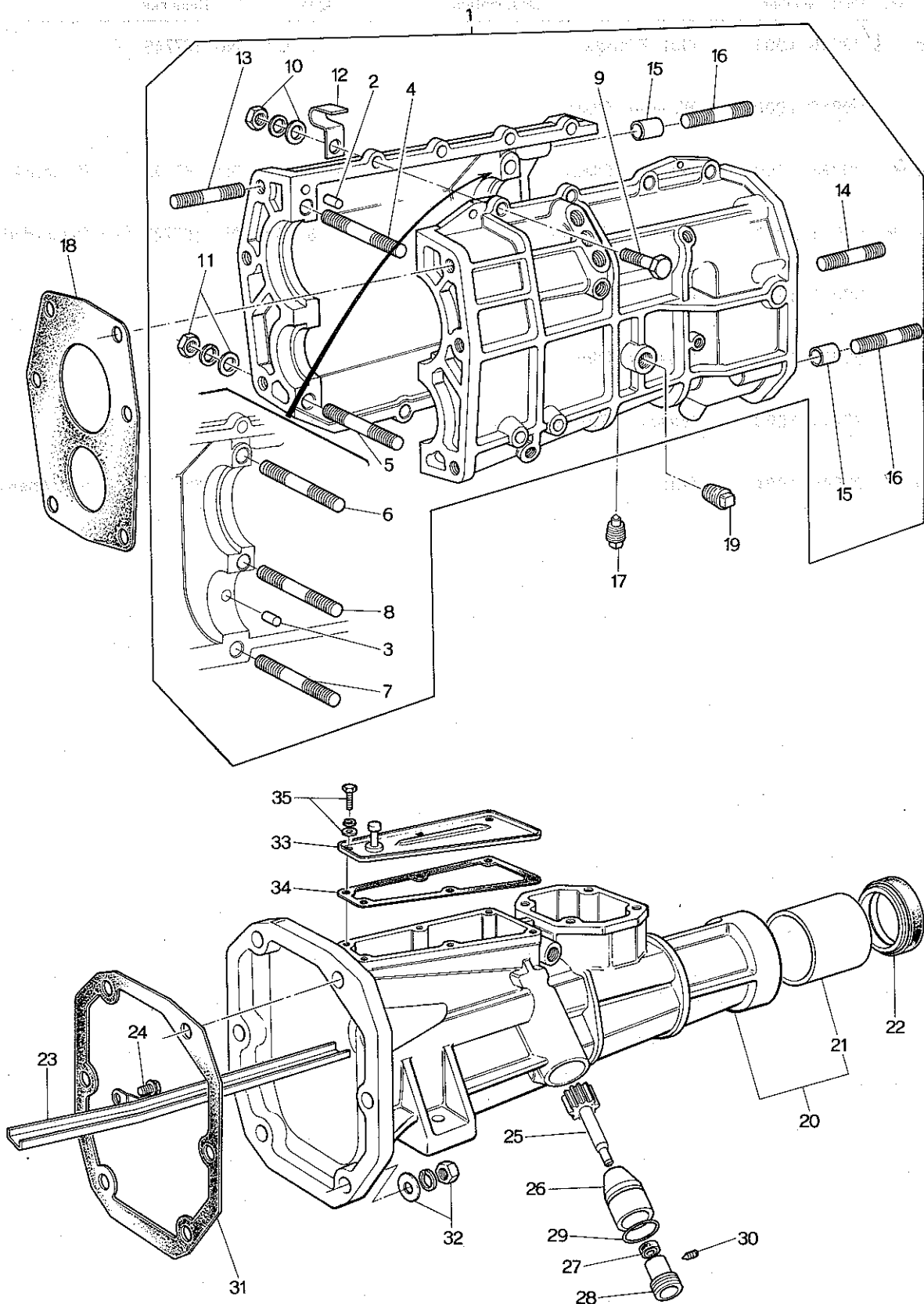




No.	Part Number	Description	Q'ty	Remarks
1	0866 16 210	Housing, Clutch	1	
●	1881 16 210A	Housing, Clutch	1	Car No. 160623 $\frac{73}{10}$ ~ X
2	0603 16 103	Oil Seal	1	
3	99851 0820	Stud	2	
✓ ●	0222 16 105	Stud	2	Car No. 160623 $\frac{73}{10}$ ~ X
4	0603 16 102B	Pin, Pivot	1	
	99953 1000	Washer, Plain	1	
	99971 1000	Washer, Spring	1	
5	0866 16 214	Cover, Dust	1	
	0866 16 214A	Cover, Dust	1	Car No. 153087 $\frac{72}{9}$ ~ ○
6	0813 16 112	Cover, Top Hole	1	
7	4077 16 410	Cover, Clutch	1	
	0866 16 410	Cover, Clutch	1	Car No. 142765 $\frac{73}{3}$ ~ Δ
✓ ●	0839 16 410B	Cover, Clutch	1	Car No. 160623 $\frac{73}{10}$ ~ X
8	4077 16 460C	Disc, Clutch	1	
	0866 16 460	Disc, Clutch	1	Car No. 135808 $\frac{72}{2}$ ~ Δ
	0866 16 460A	Disc, Clutch	1	Car No. 157510 $\frac{72}{10}$ ~ ○
✓ ●	0862 16 460 <i>0862 16 460A</i>	Disc, Clutch "	1	Car No. 160623 $\frac{73}{10}$ ~ X $\frac{73}{12}$ ~ Δ (7/1 JAN. 14, '75)
9	0839 16 432	Bolt, Reamer	2	

No.	Part Number	Description	Q'ty	Remarks
	99971 0800	Washer, Spring	2	
10	99753 78118	Bolt	4	
	99971 0800	Washer, Spring	4	
11	0820 16 510	Collar, Release	1	
12	0820 16 515	Spring, Collar	1	
13	0820 16 230	Fork, Release	1	
✓ ●	0454 16 520	Fork, Release	1	Car No. 160623 $\frac{7}{10}$ ~ X
14	<del>99295 1510</del>	<del>Clip</del>	<del>1</del>	
15	99811 1032	Bolt	1	
● ✓	99761 0309	Bolt	1	Car No. 167748 $\frac{7}{8}$ ~ ○
● ✓	99971 1000	Washer, Spring	1	Car No. 167748 $\frac{7}{8}$ ~ Discarded
● ✓	99953 0300	Washer, Plain	1	Car No. 167748 $\frac{7}{8}$ ~ Added Anew
● ✓	99971 0300	Washer, Spring	1	Car No. 167748 $\frac{7}{8}$ ~ Added Anew
16	99811 1050	Bolt, Clutch Housing	2	
● ✓	99796 1050	Bolt, Clutch Housing	2	Car No. 167748 $\frac{7}{8}$ ~ ○
	99953 1000	Washer, Plain	2	Car No. 167748 $\frac{7}{8}$ ~ Discarded
	99971 1000	Washer, Spring	2	Car No. 167748 $\frac{7}{8}$ ~ Discarded
17	99811 1055	Bolt, Clutch Housing	1	
● ✓	99796 1045	Bolt, Clutch Housing	1	Car No. 167748 $\frac{7}{8}$ ~ X
18	99921 1000	Nut	3	

No.	Part Number	Description	Q'ty	Remarks
●	✓ 99940 1001	Nut-Flange	3	Car No. 167748 $\frac{7}{8}$ ~ ○
	99952 1000	Washer, Plain	1	
●	✓ 99953 1000	Washer, Plain	2	Car No. 167748 $\frac{7}{8}$ ~ Discarded
●	✓ 99971 1000	Washer, Spring	3	Car No. 167748 $\frac{7}{8}$ ~ Discarded
19	99921 1200	Nut	6	
	99953 1200	Washer, Plain	6	
	99971 1200	Washer, Spring	6	
●	✓ 99940 1001	Nut	8	Car No. 160623 $\frac{7}{10}$ ~ Added Anew





# MANUAL T / MISSION (CASE)

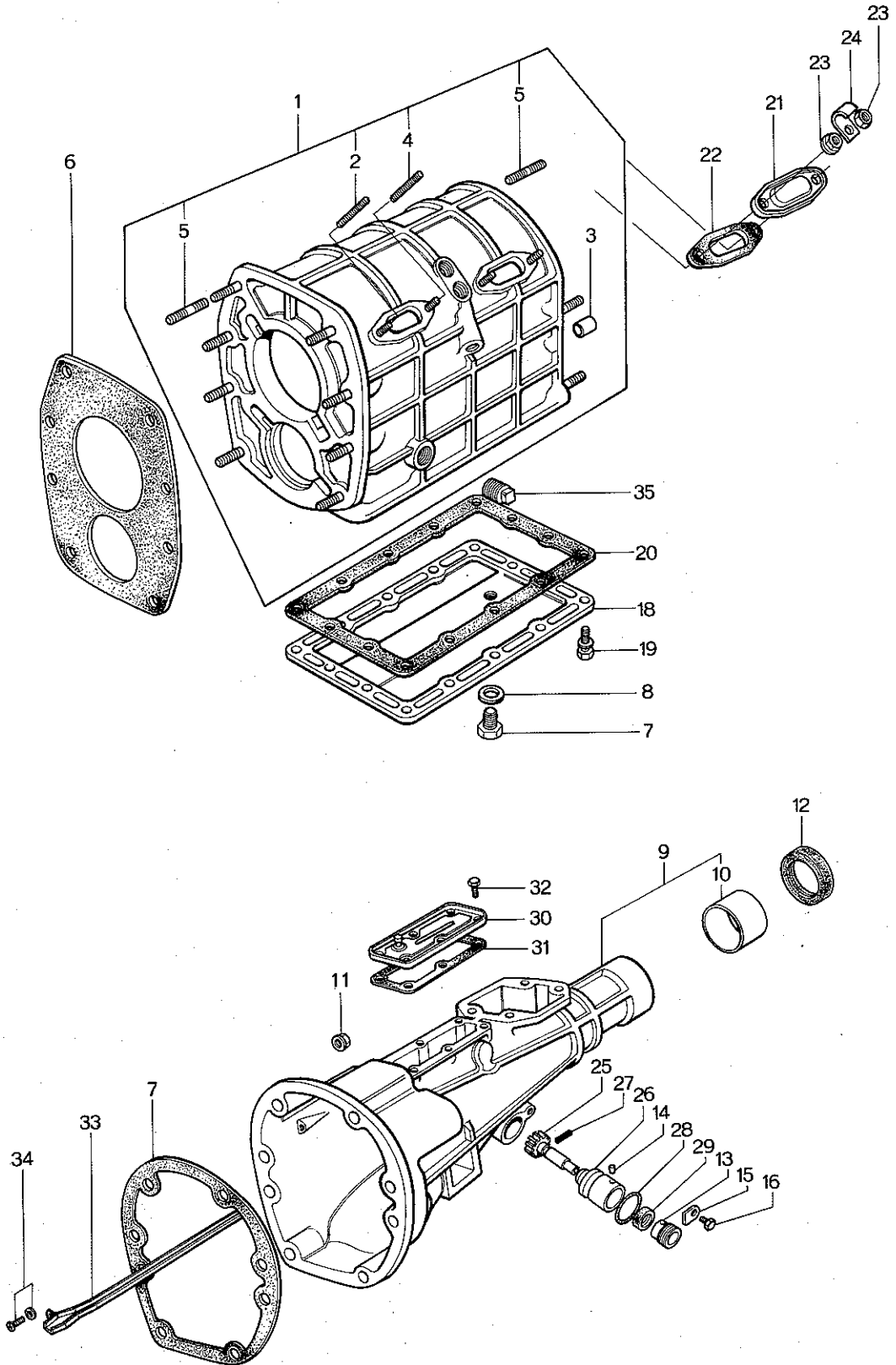
(USED UP TO CAR NO. 179250 <sup>73</sup>/<sub>100</sub>)



No.	Part Number	Description	Q'ty	Remarks
1	0886 17 100A	Case, T / mission	1	
2	99233 0816	Pin, Knock	1	
3	0803 17 104	Pin, Knock	1	
4	99855 1085	Stud	1	
5	99855 1078	Stud	1	
6	99855 1055	Stud	1	
7	99855 1040	Stud	1	
8	99851 0860	Stud	1	
9	99801 0845	Bolt	7	
10	99821 1000	Nut	4	
	99871 1000	Washer, Spring	4	
	99953 1000	Washer, Plain	4	
11	99801 0800	Nut	8	
	99871 0800	Washer, Spring	8	
	99953 0800	Washer, Plain	8	
12	0886 17 107	Clip	2	
13	99855 1232	Stud	6	
14	99855 1025	Stud	4	
15	0603 17 105	Pin, Tabular	2	
16	99855 1035	Stud	2	
17	0107 17 121	Plug, Magnet	1	
18	0803 17 131	Gasket, T / mission Case Front	1	
19	99502 4000	Plug, Tapered	1	

No.	Part Number	Description	Q'ty	Remarks
20	0886 17 330A	Housing, Extension	1	
21	0187 17 333	Bush	1	
	1820 22 333	Bush	1	Car No. 133210 $\frac{7}{9}$ ~O
22	0317 17 335	Seal, Oil	1	
	0376 17 335	Seal, Oil	1	Car No. 159447 $\frac{7}{9}$ ~O
23	0886 17 540	Pass, Oil	1	
24	99833 0510	Screw, Oil Pass	1	
	99871 0500	Washer, Spring	1	
25	0820 17 345	Gear, Speedometer Driven	1	
26	0183 17 346	Sleeve, Speedometer	1	
27	99586 10207	Seal, Oil	1	
28	0183 17 351	Joint, Speedometer Cable	1	
29	99541 02101	Ring, "O"	1	
30	0180 17 353	Screw, Set	1	
31	0603 17 381	Gasket	1	
32	99821 1000	Nut	6	
	99853 1000	Washer, Plain	6	
	99871 1000	Washer, Spring	6	
33	0886 17 530	Cover, Blind	1	
34	0886 17 524	Gasket	1	
35	99806 0610	Bolt, Blind Cover	6	
	99871 0800	Washer, Spring	6	





# MANUAL T/MISSION (CASE)

(USED FROM CAR NO. 160623 <sup>73/10</sup>)



No.	Part Number	Description	Q'ty	Remarks
1	1011 17 100B	Case, T/mission	1	
2	0839 17 105	Stud, Blind Cover	2	
3	99233 1225	Pin, Knock	2	
4	99852 0610F	Stud, Blind Cover	2	
5	99855 1025	Stud, Front & Rear	12	
	99855 1025F	Stud, Front & Rear	2	
6	0839 17 111	Gasket, T/mission Case Front	1	
7	0810 17 121	Plug, Magnet	1	
8	99564 1800	Gasket, Magnet Plug	1	
9	1011 17 330A	Housing, Extension Housing	1	
10	0398 22 333	Bush, Extension Housing	1	
11	99940 1001	Not, Extension Housing+T/mission Case	6	
12	0376 17 335	Oil Seal, Extension Housing	1	
13	0862 17 351	Joint, Cable - Speedometer	1	
14	0187 17 352	Pin, Dowel	1	
15	0111 17 354	Plate, Lock - Cable Joint	1	
16	99796 0614	Bolt, Lock Plate	1	

No.	Part Number	Description	Q'ty	Remarks
17	0839 17 361	Gasket, Extension Housing+T/mission Case	1	
18	0862 17 371	Cover, Under	1	
19	99796 0620	Bolt, Under Cover	14	
20	0862 17 375	Gasket, Under Cover	1	
21	0810 17 381	Cover, Blind	2	
22	0810 17 385	Gasket, Blind Cover	2	
23	99906 0600	Nut, Blind Cover & Clip	6	
	99971 0600	Washer	4	
24	99276 0506	Clip, Wire Harness	2	
25	0862 17 441	Gear, Drive-Speedometer	1	
26	0862 17 442	Sleeve, Driven Gear	1	
27	99222 0216	Pin, Spring-Driven Gear	1	
28	99541 02211	Ring, "O"-Driven Gear	1	
29	99586 10207	Oil Seal, Driven Gear	1	
30	1011 17 530	Cover, Blind	1	
31	1011 17 535	Gasket, Blind Cover	1	
32	99796 0608	Bolt, Blind Cover	6	
33	1011 17 540A	Pass, Oil	1	
34	99806 0614	Bolt, Oil Pass	1	
	99971 0600	Washer, Spring	1	

# MANUAL T / MISSION (CASE)

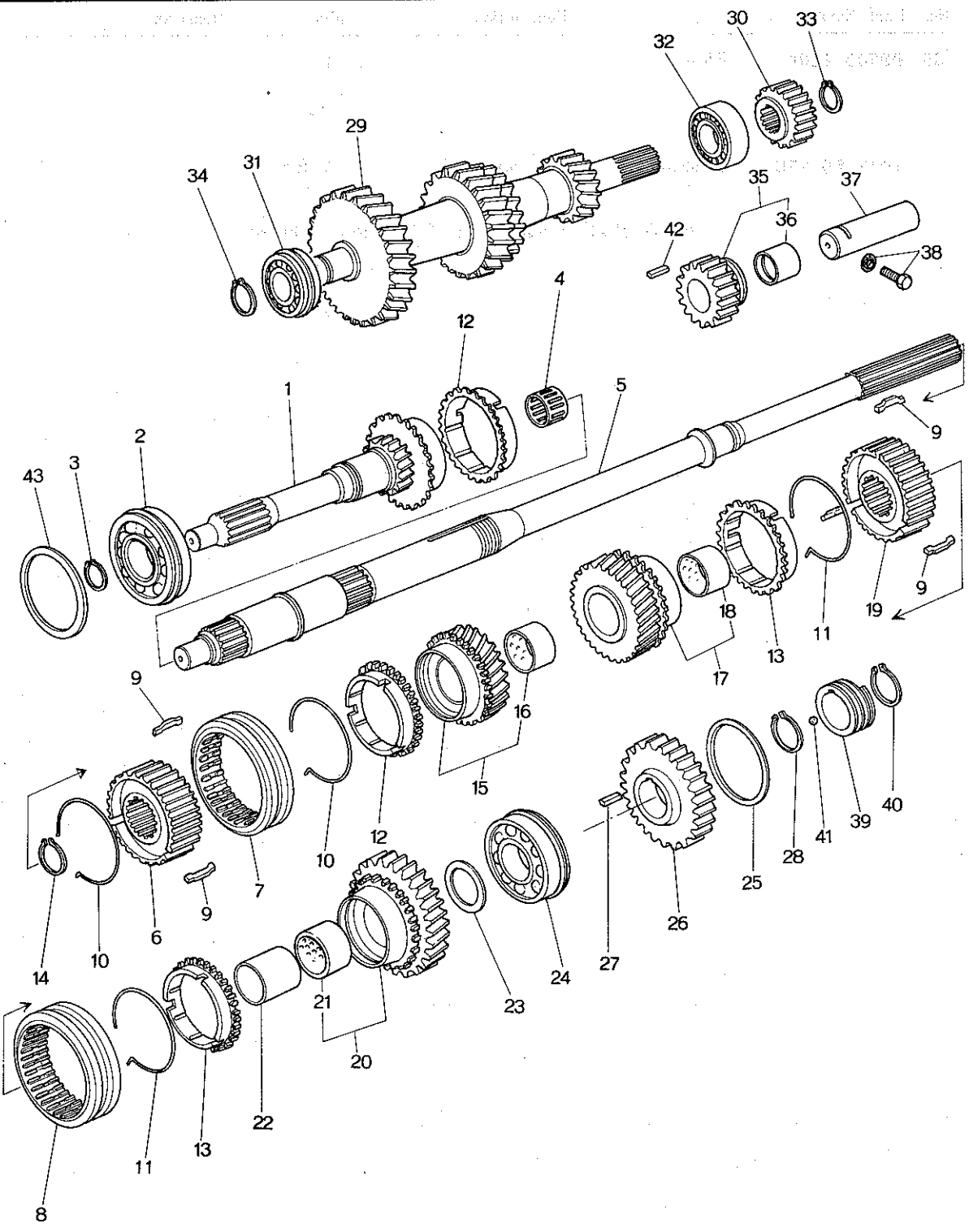
(USED FROM CAR NO. 160623 <sup>73</sup>/<sub>10</sub>)

No.	Part Number	Description	Q'ty	Remarks
35	99502 4000	Plug	1	
1011	89 175	Gasket Set, T/mission	1 Set	

All Gaskets Relative to T/mission Included

# MANUAL T / MISSION (GEAR)

(USED UP TO CAR NO. 179250 <sup>73</sup>/<sub>9</sub>)





# MANUAL T / MISSION (GEAR)

(USED UP TO CAR NO. 179250  $\frac{7}{8}$ )



No.	Part Number	Description	Q'ty	Remarks
1	0866 17 201	Gear, Main Drive	1	
	0866 17 201B	Gear, Main Drive	1	Car No. 127396 $\frac{7}{8}$ ~X
2	99606 63060	Bearing, Ball	1	
3	99573 3000	Ring, Snap	1	
4	0603 17 210	Bearing, Needle	1	
5	0866 17 221	Shaft, Main	1	
	0866 17 221A	Shaft, Main	1	Car No. 127396 $\frac{7}{8}$ ~X
6	0820 17 241B	Hub, (3.4) - Clutch	1	
	0290 17 241B	Hub, (3.4) - Clutch	1	Car No. 127396 $\frac{7}{8}$ ~X
7	0187 17 242	Sleeve, Clutch Hub (3.4)	1	
	0603 17 282	Sleeve, Clutch	1	Car No. 127396 $\frac{7}{8}$ ~X
8	0603 17 282	Sleeve (1.2)	1	
9	0187 17 243	Key, Synchronizer	6	
10	0103 17 244A	Spring, Synchronizer	2	
	0600 17 324	Spring, Synchronizer	2	Car No. 127396 $\frac{7}{8}$ ~O
11	0600 17 324	Spring, Synchronizer (1.2)	2	
12	4069 17 245	Ring, Synchronizer (3.4)	2	
	0839 17 245	Ring, Synchronizer (3.4)	2	Car No. 127396 $\frac{7}{8}$ ~X
	0881 17 245A	Ring, Synchronizer (3.4)	2	Car No. 152816 $\frac{7}{8}$ ~O
13	0839 17 245	Ring, Synchronizer (1.2)	2	Car No. 127396 $\frac{7}{8}$ ~Q'ty
	0881 17 245A	Ring, Synchronizer (1.2)	2	Car No. 152816 $\frac{7}{8}$ ~O
14	0317 17 225	Ring, Snap	1	
	<del>0866 17 270</del>	<del>Washer, Thrust</del>	<del>±</del>	<del>Car No. 127396 <math>\frac{7}{8}</math> - Added Answ</del>
	<del>0866 17 280A</del>	<del>Washer, Thrust</del>	<del>±</del>	
	<del>0866 17 277</del>	<del>Washer, Thrust</del>	<del>±</del>	
	<del>0866 17 285</del>	<del>Washer, Thrust</del>	<del>±</del>	
		<del>Selective use</del>		
		<del>Selective use</del>		
15	0603 17 230A	Gear, Third	1	
	0290 17 230A	Gear, Third	1	Car No. 127396 $\frac{7}{8}$ ~X
16	0187 17 232	Bush, Third Gear	1	
17	0866 17 250	Gear, Second	1	
18	0187 17 272	Bush, Second Gear	1	
19	0290 17 261B	Hub, (1.2) - Clutch	1	

No.	Part Number	Description	Q'ty	Remarks
20	0866 17 270	Gear, Low	1	
21	0187 17 272	Bush, Low Gear	1	
22	0866 17 275	Sleeve, Gear	1	
23	0866 17 276	Washer, Thrust (t=3.0)	1	} Selective use Car No. 127395 <sup>7/12</sup> ~Added Anew
	0866 17 277	Washer, Thrust (t=3.5)	1	
24	99606 33060	Bearing, Ball	1	
25	0866 17 285	Washer, Adjust (t=2.00)	1	} Selective use Car No. 127395 <sup>7/12</sup> ~Added Anew
	0866 17 286A	Washer, Adjust (t=2.50)	1	
26	0866 17 281	Gear, Reverse	1	
27	0866 17 279	Key	1	
28	0866 17 288	Ring, Snap	} Selective use	
	0866 17 289	Ring, Snap		1
	0866 17 291	Ring, Snap		1
	0866 17 292	Ring, Snap		1
29	0222 17 3018	Gear, Countershaft	1	
30	0603 17 302	Gear, Countershaft Reverse	1	
31	99606 63440	Bearing, Ball	1	
32	0603 17 303	Bearing, Needle Roller	1	
33	0603 17 305	Ring, Snap	1	
34	99573 2200	Ring, Snap	1	
35	0603 17 310	Gear, Reverse Idle	1	
36	0603 17 312	Bush	1	

# MANUAL T / MISSION (GEAR)

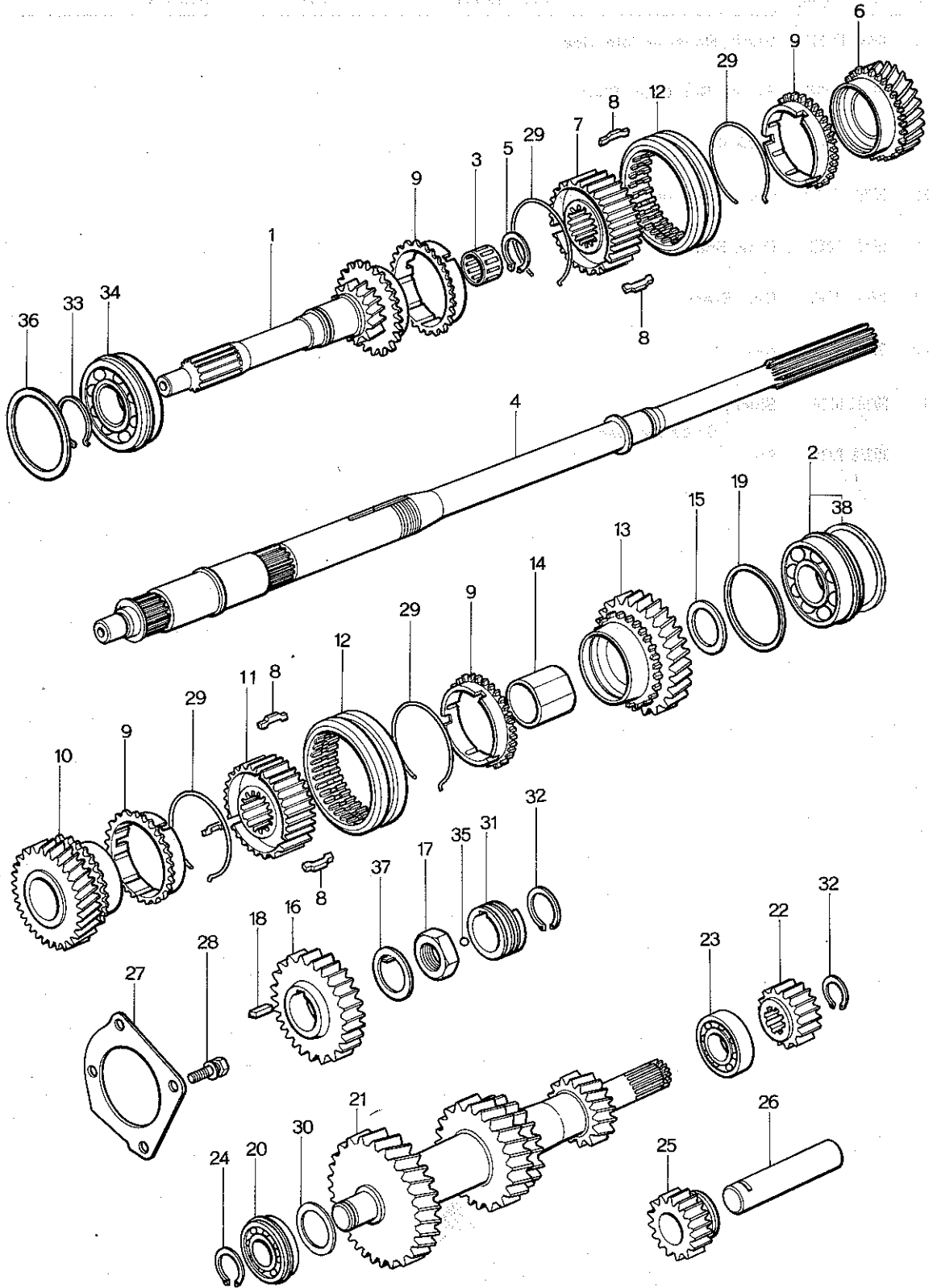
(USED UP TO CAR NO. 179250 <sup>73</sup>/<sub>9</sub>)



No.	Part Number	Description	Q'ty	Remarks
37	0603 17 321	Shaft, Reverse Idle Gear	1	
38	0187 17 323	Screw Set, Gear Shaft	1	
	99564 0800	Gasket	1	
39	0820 17 341	Gear, Speedometer Drive	1	
40	99573 2500	Ring, Snap	1	
41	99611 1500	Ball, Steel	1	
42	0839 17 285	Key	1	
43	99963 6310	Shim	1	} Selective use
	99963 6330	Shim		

# MANUAL T / MISSION (GEAR)

(USED FROM CAR NO. 160623 <sup>73</sup>/<sub>10</sub>)



# MANUAL T / MISSION (GEAR)

(USED FROM CAR NO. 160623 <sup>73/10</sup>)



No.	Part Number	Description	Q'ty	Remarks
1	0862 17 201	Gear, Main Drive	1	
2	0810 17 204	Bearing, Ball	1	
3	0810 17 205	Bearing, Needle Roller	1	
4	1011 17 221A	Shaft, Main	1	
5	0317 17 225	Ring, Snap	1	
6	0862 17 230	Gear ( 3rd)	1	
7	0862 17 241	Hub, Clutch ( 3rd & 4th)	1	
8	0187 17 243	Key, Synchronizer	6	
9	0881 17 245B	Ring, Synchronizer	4	
10	0862 17 250	Gear ( 2nd)	1	
11	0867 17 261	Hub, Clutch ( 1st & 2nd)	1	
12	0862 17 262A	Sleeve, Clutch Hub	2	
13	1011 17 270	Gear ( 1st)	1	
14	0839 17 275	Sleeve, Gear	1	
15	0839 17 276	Washer, Thrust (ℓ = 2.5)	} Selective use 1	
	0839 17 277	Washer, Thrust (ℓ = 3.0)		
	0839 17 278	Washer, Thrust (ℓ = 3.5)		
16	0839 17 281	Gear, Reverse	1	
17	0839 17 284	Nut, Lock	1	
18	0839 17 285	Key	1	

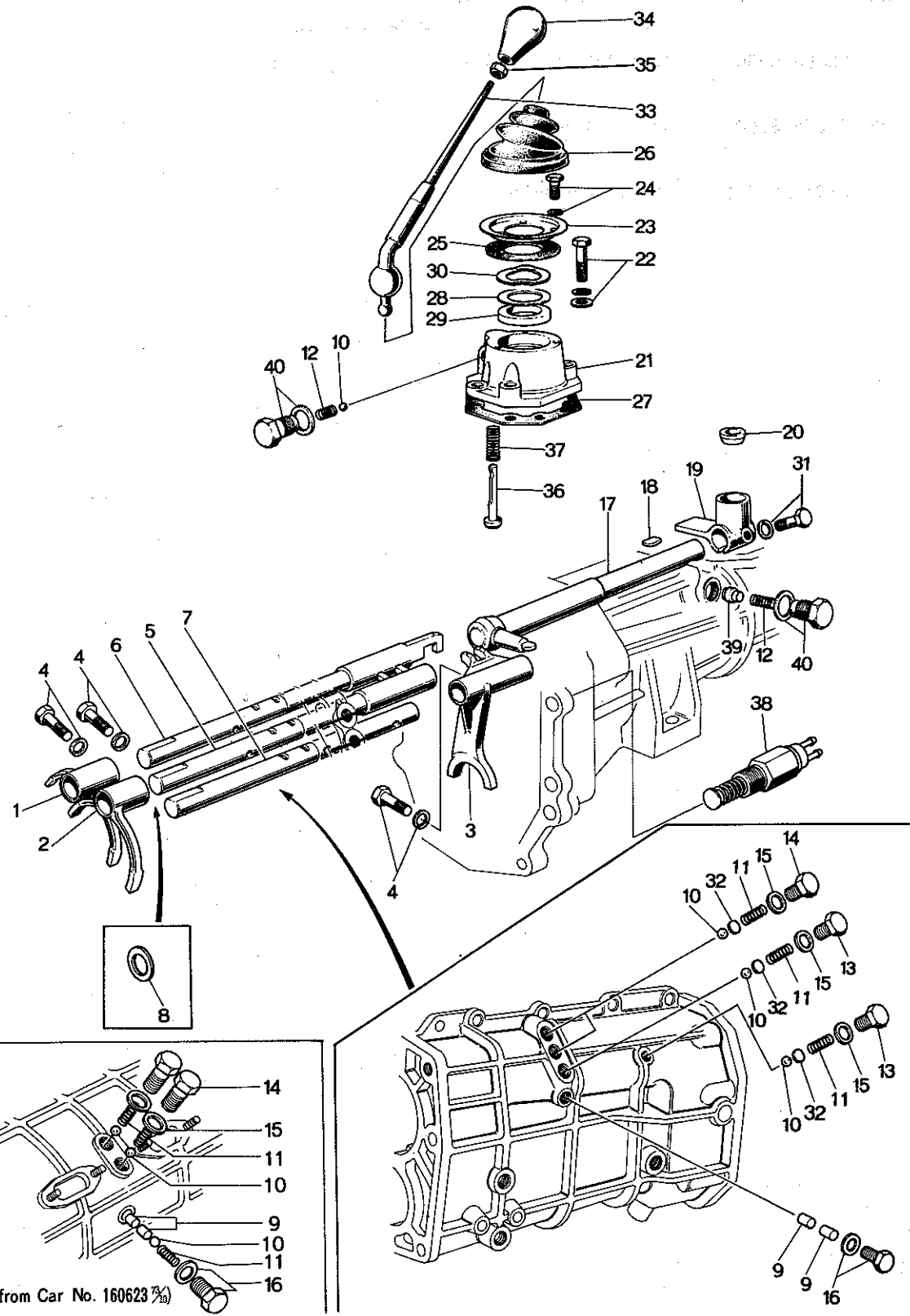
No.	Part Number	Description	Q'ty	Remarks
19	0839 17 287	Shim, Adjust (t=0.1)	2	} Selective use
	0839 17 288	Shim, Adjust (t=0.3)	1	
20	0821 17 297	Bearing, Ball	1	
21	1011 17 301	Gear, Counter Shaft	1	
22	0839 17 302	Gear, Reverse-Counter	1	
23	0821 17 303	Bearing, Needle	1	
24	0839 17 305	Ring, Snap	1	
25	0839 17 310	Gear, Idle-Reverse	1	
26	0839 17 313	Shaft, Reverse Gear	1	
27	0839 17 321A	Stopper, Bearing	1	
28	99801 0820	Bolt, Bearing Stopper	4	
	99971 0800	Washer, Spring	4	
29	0600 17 324	Spring Synchronizer	4	
30	0305 17 327	Shim, Adjust (t=0.1)	2	} Selective use
	0305 17 328	Shim, Adjust (t=0.3)	1	
31	0862 17 341	Gear, Drive-Speedometer	1	
32	99573 2500	Ring, Snap	2	
33	99573 3500	Ring, Snap	1	
34	99606 33070	Bearing, Ball	1	
35	99611 1500	Ball, Steel	1	

# MANUAL T / MISSION (GEAR)

(USED FROM CAR NO. 160623  $\frac{73}{10}$ )

17

No.	Part Number	Description	Q'ty	Remarks
36	99963 6910	Shim, Adjust (t=0.1)	2	} Selective use
	99963 6930	Shim, Adjust (t=0.3)		
37	99978 3200	Washer, Lock	1	
38	0881 22 297	Clip, Ball Bearing	1	





# MANUAL T / MISSION (CHANGE CONTROLS)

17

No.	Part Number	Description	Q'ty	Remarks
1	0290 17 402	Fork, Shift- 1st & 2nd	1	
●	0810 17 402	Fork, Shift- 1st & 2nd	1	Car. No. 160623 $\frac{73}{10}$ ~ X
2	0187 17 404	Fork, Shift- 3rd & 4th	1	
	0290 17 404	Fork, Shift- 3rd & 4th	1	Car. No. 127396 $\frac{71}{12}$ ~ X
●	0810 17 404	Fork, Shift- 3rd & 4th	1	Car. No. 160623 $\frac{73}{10}$ ~ X
3	2981 17 406	Fork, Shift-Reverse	1	
●	1011 17 406	Fork, Shift-Reverse	1	Car. No. 160623 $\frac{73}{10}$ ~ X
4	0118 17 313	Bolt	3	
✓	99971 0600	Washer, Spring	3	
● ✓	99971 0601	Washer, Spring	3	Car. No. 160623 $\frac{73}{10}$ ~ Δ
5	2981 17 410	Rod, Shift- 1st & 2nd	1	
●	1011 17 410	Rod, Shift- 1st & 2nd	1	Car. No. 160623 $\frac{73}{10}$ ~ X
●	1011 17 410A	Rod, Shift- 1st & 2nd	1	Car. No. 164070 $\frac{73}{11}$ ~ Δ
6	2981 17 420	Rod, Shift- 3rd & 4th	1	
	0292 17 420	Rod, Shift- 3rd & 4th	1	Car. No. 127396 $\frac{71}{12}$ ~ X
●	1011 17 420	Rod, Shift- 3rd & 4th	1	Car. No. 160623 $\frac{73}{10}$ ~ X
7	2981 17 431	Rod, Shift-Reverse	1	
●	0839 17 431	Rod, Shift-Reverse	1	Car. No. 160623 $\frac{73}{10}$ ~ X
8	0118 17 316	Spacer, Adjust	2	
9	0114 17 351	Pin, Interlock	2	

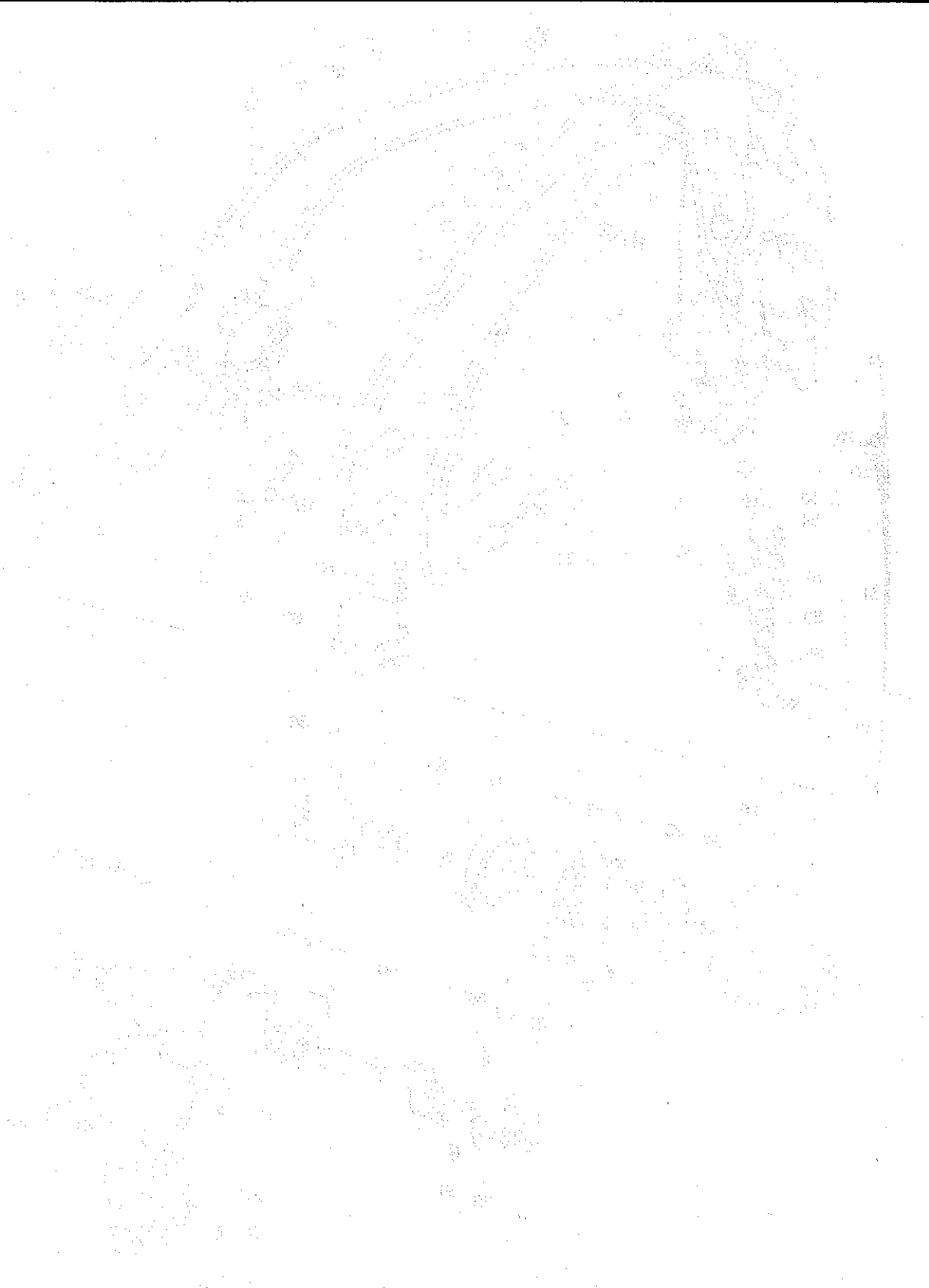
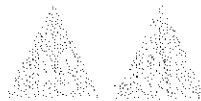
No.	Part Number	Description	Q'ty	Remarks
10	99611 2500	Ball, Steel	5	
●	✓ 99611 2500	Ball, Steel	4	Car No. 160623 $\frac{7}{10}$ ~Q'ty
11	0103 17 411	Spring	4	
●	12 0014 17 411	Spring	2	Car No. 160623 $\frac{7}{10}$ ~Discarded
●	13 0187 17 441 A	Cap, Spring	2	Car No. 160623 $\frac{7}{10}$ ~Discarded
14	0221 17 441	Cap, Spring	2	
15	99562 1400	Gasket	4	
●	99562 1400	Gasket	3	Car No. 160623 $\frac{7}{10}$ ~Q'ty
●	16 99510 1000	Plug	1	Car No. 160623 $\frac{7}{10}$ ~Discarded
	0259 17 441	Plug, Spring Set	1	Car No. 151014 $\frac{7}{8}$ ~○
●	0259 17 441	Plug Spring Set	2	Car No. 160623 $\frac{7}{10}$ ~Q'ty
	99564 1000	Gasket	1	
●	✓ 99564 1000	Gasket	2	Car No. 160623 $\frac{7}{10}$ ~Q'ty
17	0866 17 450	Lever, Control	1	
●	1011 17 450	Lever, Control	1	Car No. 160623 $\frac{7}{10}$ ~X
18	0111 17 323	Key	1	
19	0398 17 461 A	End, Control Lever	1	
20	0398 17 462 A	Seat, Spring	1	
21	0303 17 470	Case, Change Control	1	
22	99801 0825	Bolt, Change Control Case	2	

# MANUAL T / MISSION (CHANGE CONTROLS)

No.	Part Number	Description	Q'ty	Remarks
●	99796 0822	Bolt, Change Control Case	2	Car No. 160623 $\frac{73}{10}$ ~ X
	99801 0835	Bolt	2	
●	✓ 99796 0832	Bolt, Change Control Case	2	Car No. 160623 $\frac{73}{10}$ ~ X
●	✓ 99953 0800	Washer, Plain	4	From Car No. 1 4 Car No. 160623 $\frac{73}{10}$ ~ Discarded
●	✓ 99971 0800	Washer, Spring	4	Car No. 160623 $\frac{73}{10}$ ~ Discarded
23	0221 17 473	Plate, Cover	1	
24	99806 0614	Bolt, Cover Plate	3	
	99971 0601	Washer, Spring	3	From Car No. 1
●	✓ 99971 0600	Washer, Spring	3	Car No. 160479 $\frac{73}{10}$ ~ △
25	0303 17 474	Gasket, Cover Plate	1	
26	0221 17 475B	Boot, Dust	1	
27	0271 17 478	Gasket, Change Control	1	
28	99963 3310	Shim, Adjust	1	} Selective use
	99963 3330	Shim, Adjust		
29	0303 17 481	Bush	1	
30	0303 17 482	Washer, Wave	1	
31	0187 17 492	Bolt, Reamer	1	
	99971 0800	Washer, Spring	1	
32	0183 17 493	Plate, Adjust-Selective use	2	
33	0866 17 510	Lever, Change	1	

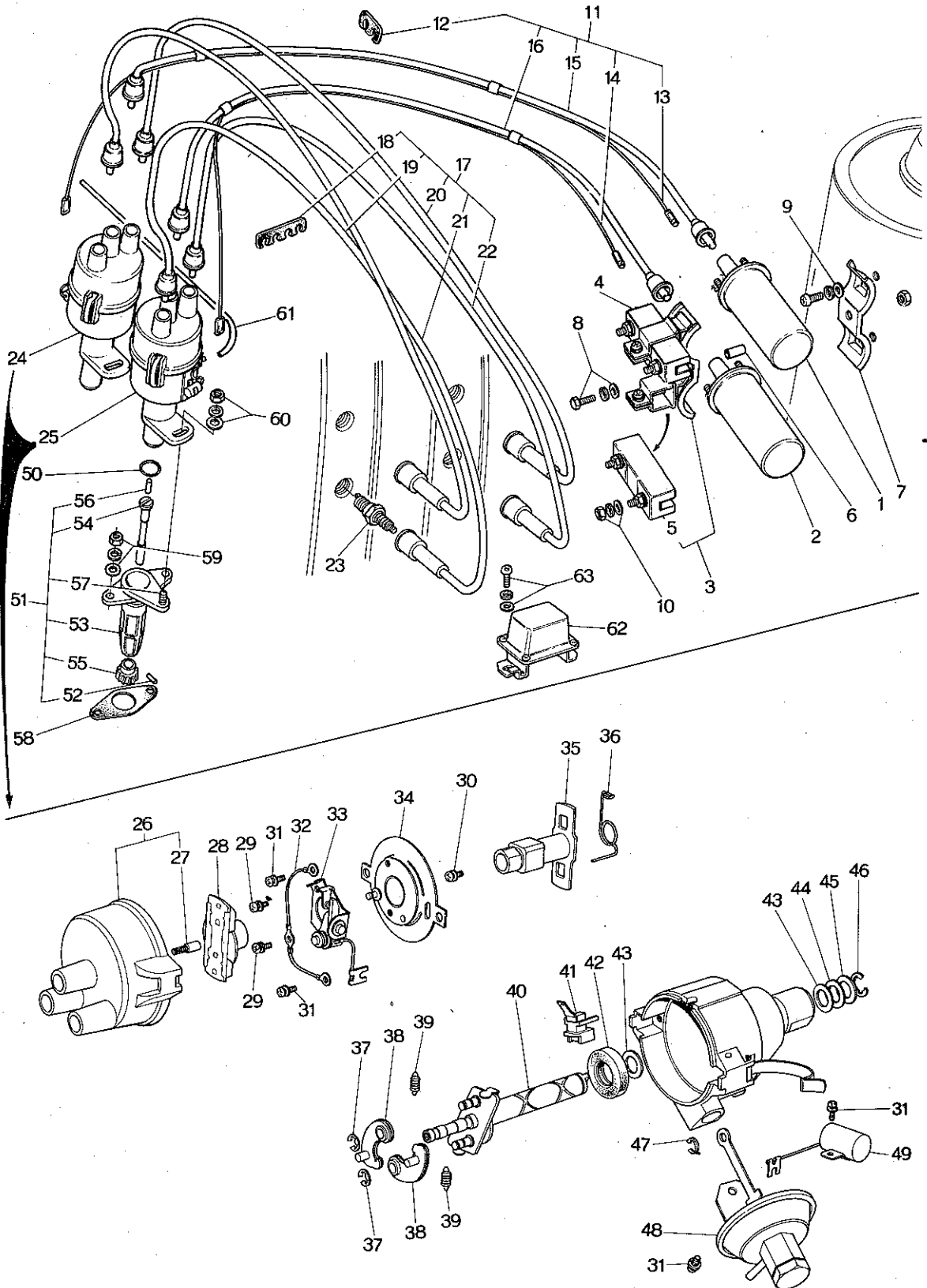
# 17 MANUAL T / MISSION (CHANGE CONTROLS)

No.	Part Number	Description	Q'ty	Remarks
●	1011 17 510 B	Lever, Change	1	Car No. 162719 $\frac{7}{11}$ ~ X
34	0329 17 520	Knob	1	
✓ ●	<sup>0881 2</sup> 0831 17 520	Knob	1	Car No. 170670 $\frac{7}{8}$ ~ ○
✓ ●	1882 17 520	Knob	1	Car No. 162719 $\frac{7}{11}$ ~ X
35	0824 17 524	Nut, Change Lever Knob	1	
✓ ●	0824 17 524	Nut, Change Lever Knob	1	Car No. 162719 $\frac{7}{11}$ ~ Discarded
36	0221 17 551 A	Spindle, Select Lock	1	
37	0221 17 552	Spring	1	
38	0376 17 640	Switch, Reverse Lamp	1	
✓ ●	0376 17 640 A	Switch, Reverse Lamp	1	Car No. 167748 $\frac{7}{4}$ ~ ○
39	0303 17 561	Piece, Friction	1	
40	0183 17 491	Cap, Spring	2	
	99562 1400	Gasket	2	



18

24

**DISTRIBUTOR**(USED UP TO CAR NO. 179250 <sup>73/9</sup>)

# DISTRIBUTOR

(USED UP TO CAR NO. 179250 <sup>73%</sup>)



No.	Part Number	Description	Q'ty	Remarks
1	0823 18 100	Coil, Ignition	1	
	1562 18 100	Coil, Ignition (Arctic Spec.)	1	Car No. 152816 <sup>73%</sup> ~○
	1562 18 100	Coil, Ignition (General)	1	Optional
2	0866 18 100A	Coil, Ignition	1	
	1672 18 100	Coil, Ignition (Arctic Spec.)	1	Car No. 152816 <sup>73%</sup> ~○
	1672 18 100	Coil, Ignition (General)	1	Optional
3	0866 18 190A	Bracket, Ignition Coil	1	
✓ ●	1011 18 190	Bracket, Ignition Coil	1	Car No. 177588 <sup>73%</sup> ~△
4	0845 18 101	Resistor	1	
5	0866 18 101	Resistor	1	
6	0823 18 107	Pipe, Ignition Coil Bracket	1	
	0866 18 107	Pipe, Ignition Coil Bracket	1	Car No. 127396 <sup>712</sup> ~△
7	0866 18 810	Bracket, Ignition Coil	1	
8	99801 0850	Bolt, Ignition Coil Bracket	1	
	<del>99001 0005</del>	<del>Bolt, Ignition Coil Bracket</del>	<del>1</del>	<del>Car No. 127396 <sup>712</sup>~△</del>
	99794 0845	Bolt, Ignition Coil Bracket	1	Car No. 142383 <sup>73%</sup> ~△
	99952 0800	Washer, Plain	1	
	99971 0800	Washer, Spring	1	
9	99797 0616	Bolt, Ignition Coil Bracket	2	
	99952 0600	Washer, Plain	2	
	99971 0600	Washer, Spring	2	
10	99907 0500	Nut, Ignition Coil Resistor	5	
	99952 0500	Washer, Plain	7	Car No. 127396 <sup>712</sup> ~Q'ty
	99971 0500	Washer, Spring	5	
	99906 0500	Nut, Ignition Coil	1	
	99952 0500	Washer, Plain	1	Car No. 127396 <sup>712</sup> ~Added Anew
	99971 0500	Washer, Spring	1	
11	0866 18 110A	Cord, High Tension-Coil~Distributor	1	
12	0820 18 111B	Supporter, High Tension Cord	1	
13	0866 18 115	Cord, Trailing-Coil~Distributor	1	
14	0866 18 155	Cord, Leading-Coil~Distributor	1	

No.	Part Number	Description	Q'ty	Remarks
15	0866 18 120	Cord, High Tension - Trailing	1	
16	0866 18 160A	Cord, High Tension - Leading	1	
17	0866 18 150	Cord, High Tension	1	
18	0820 18 114	Supporter, Cord	1	
19	0866 18 130	Cord (T-1) - High Tension	1	
20	0866 18 140	Cord (T-2) - High Tension	1	
21	0866 18 170	Cord (L-1) - High Tension	1	
22	0866 18 180	Cord (L-2) - High Tension	1	
23	0866 18 600	Plug, Sparking (NGK B-7EJ )	Standard 4	
		(DENSO W22EG 2 )		
	2182 18 600	Plug, Sparking (NGK BR-7EM )	Standard 4	For Europe Car No. <sup>73/10</sup> ~X
		(DENSO W22EG 2 )		
	0840 18 600	Plug, Sparking (NGK B-8EJ )	High Speed 4	
		(DENSO W25EG 2 )		
	<del>0840 18 600</del>	<del>Plug, Sparking (NGK B-6EJ )</del>	<del>Low Speed 4</del>	
		<del>(DENSO W20EG 2 )</del>		
	<del>0885 18 600</del>	<del>Plug, Sparking (NGK B-6EM )</del>	<del>Low Speed 4</del>	
		<del>(DENSO W20EA )</del>		
	0867 18 600	Plug, Sparking (NGK B-8EM )	High Speed 4	
		(DENSO W25EA )		
	2183 18 600	Plug, Sparking (NGK BR-8EH )	High Speed 4	For Europe Car No. <sup>73/10</sup> ~X
		(DENSO W25EAR )		
●	<del>1503 18 600</del>	<del>Plug, Sparking (CHAMPION RN-80B)</del>	<del>High Speed 4</del>	<del>Car No. 155593 <sup>73/10</sup>~ Added Anew</del>
●	24	0866 18 200	Distributor, Trailing	1
	25	0866 18 700	Distributor, Leading	1
	26	0820 24 301	Cap	1
	27	2545 23 496	Carbon, Contact	1
	28	0813 24 303	Rotor	1
	29	0820 24 312	Screw Set	2
	30	0839 24 312	Screw Set	1
	31	0813 24 312	Screw Set	5
	32	0107 18 212	Wire, Earth	1



# DISTRIBUTOR

(USED UP TO CAR NO. 179250 <sup>73</sup>/<sub>9</sub>)

18

24

No.	Part Number	Description	Q'ty	Remarks
33	0813 24 316	Support, Arm	1	
34	0820 24 315	Base, Breaker	1	
35	0823 24 311	Cam (Trailing)	1	
	0866 24 411	Cam (Leading)	1	
36	2587 24 336	Spring, Hair Pin (Trailing)	1	
	0813 24 308	Spring, Hair Pin (Leading)	1	
37	0107 18 231	Ring, Snap	2	
38	2587 24 335	Weight, Governor (Trailing)	2	
	0813 24 306	Weight, Governor (Leading)	2	
39	0866 24 308	Spring, Governor (Trailing)	2	
	0866 24 408	Spring, Governor (Leading)	2	
40	0823 24 395	Shaft (Trailing)	1	
	0820 24 405	Shaft (Leading)	1	
41	0820 24 319	Terminal	1	
42	0107 18 216A	Oil Seal	1	
43	0107 18 226A	Washer (12.7×20×1)	1	
44	0107 18 224	Washer (12.7×20×0.2)	1	
45	0107 18 225	Washer (12.7×20×0.1)	1	
46	0107 18 221A	Ring, Snap	1	
47	0107 18 266	Ring, Snap	1	
48	0866 24 323	Control, Vacuum (Trailing)	1	
	0866 24 423	Control, Vacuum (Leading)	1	
49	0820 24 322	Condenser	1	
50	0107 18 201	Ring, "O" - Distributor	2	



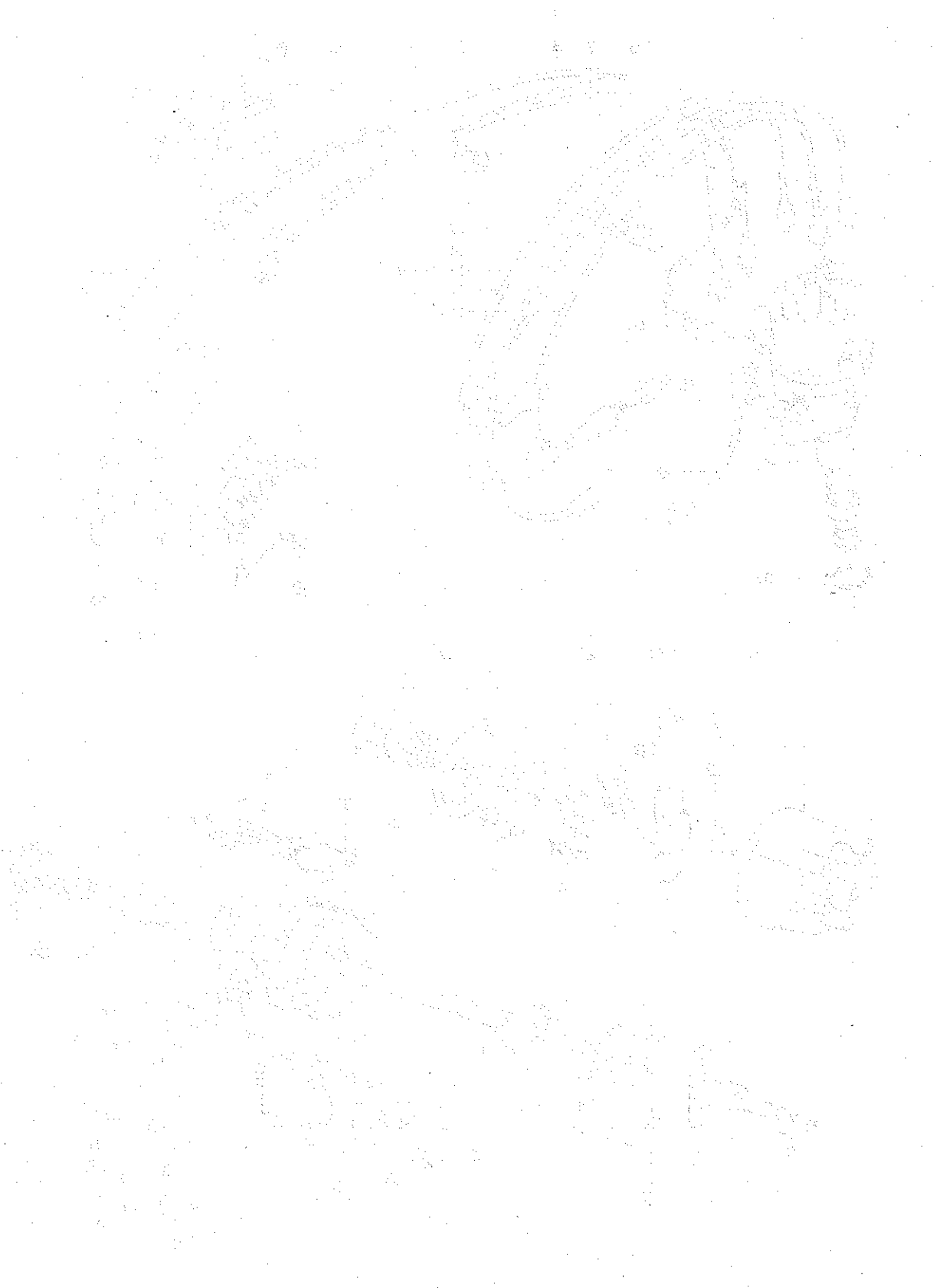
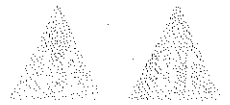
# DISTRIBUTOR

(USED UP TO CAR NO. 179250 <sup>73/9</sup>)

No.	Part Number	Description	Q'ty	Remarks
51	0820 18 270F	Socket, Distributor	2	
52	0820 11 105	Pin, Spring	2	
53	0820 18 2710	Socket	2	
54	0838 18 272A	Shaft	2	
55	0820 18 273A	Gear	2	
56	0813 18 288	Insert	2	
57	99851 0618A	Stud	2	
58	0820 18 279A	Gasket, Distributor Socket	2	
59	99901 0800	Nut, Distributor Socket	4	
	99953 0800	Washer, Plain	4	
	99971 0800	Washer, Spring	4	
60	99906 0600	Nut, Distributor & Socket	2	
	99952 0600	Washer, Plain	2	
	99971 0600	Washer, Spring	2	
61	0823 18 291	Tube, Vacuum Control	2	
62	0222 18 391C	Regulator	1	
	0259 18 391B	Regulator	1	Car No. 150526 <sup>73/9</sup> ~X
63	99833 0812	Screw, Regulator	2	
	99952 0600	Washer, Plain	2	
	99971 0600	Washer, Spring	2	
	(N) 1620 18 390	Bracket Ass'y - Regulator	1	} Car No. 150526 <sup>73/9</sup> ~Added Anew
	(N) 99796 0810	Bolt	1	

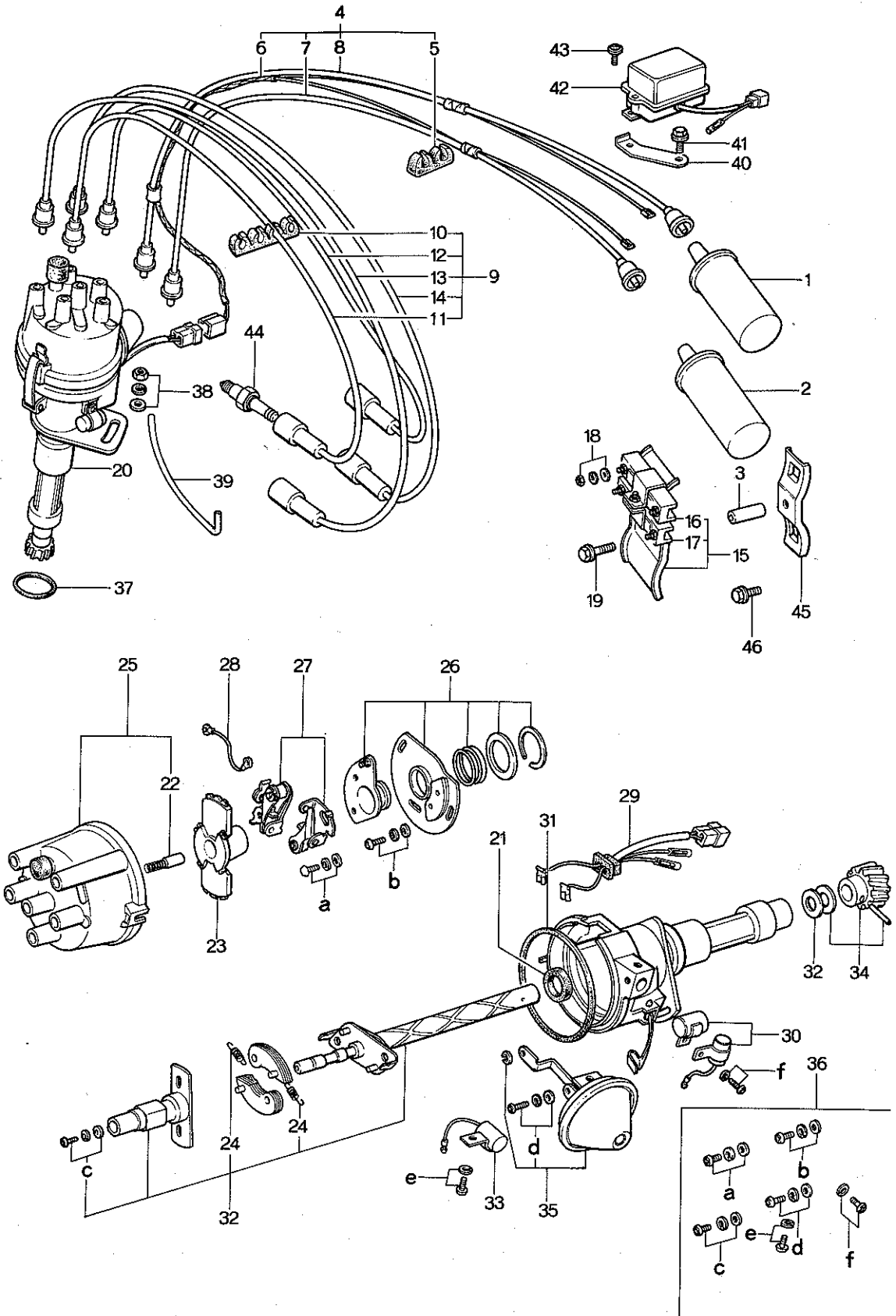
DISTRIBUTION

FROM THE OFFICE OF THE DIRECTOR



# DISTRIBUTOR

(USED FROM CAR NO. 160623 <sup>73</sup>/<sub>10</sub>)



# DISTRIBUTOR

(USED FROM CAR NO. 160623 <sup>73/10</sup>)



No.	Part Number	Description	Q'ty	Remarks
1	0823 18 100	Coil, Ignition (HP 5-13E)	1	
2	0866 18 100A	Coil, Ignition (HP 5-13J)	1	
3	0866 18 107	Pipe	1	
4	1757 18 110	Cord, High Tension	1	
	1757 18 110A	Cord, High Tension	1	Car No. 7/1~△
5	0820 18 111B	Supporter, High Tension	1	
6	1757 18 115	Cord	1	
	1757 18 115A	Cord	1	Car No. 7/1~△
7	1757 18 120	Cord, High Tension (Trailing)	1	
8	1757 18 160	Cord, High Tension (Leading)	1	
9	1757 18 150B	Cord, High Tension	1	
	1757 18 150C	Cord, High Tension	1	Car No. 7/2~○
10	0820 18 114	Supporter, High Tension	1	
11	1757 18 130	Cord, High Tension (T-1)	1	
	1757 18 130A	Cord, High Tension (T-1)	1	Car No. 7/2~○
12	1757 18 140	Cord, High Tension (T-2)	1	
	1757 18 140A	Cord, High Tension (T-2)	1	Car No. 7/2~○
13	1757 18 170	Cord, High Tension (L-1)	1	

No.	Part Number	Description	Q'ty	Remarks
	1757 18 170A	Cord, High Tension (L- 1)	1	Car No. 7/2~O
14	1757 18 180	Cord, High Tension (L- 2)	1	
	1757 18 180A	Cord, High Tension (L- 2)	1	Car No. 7/2~O
15	1011 18 190	Bracket, Ignition Coil	1	
16	0845 18 101	Resistor	1	
17	0866 18 101	Resistor	1	
18	99906 0500	Nut, Ignition Coil & Resistor Terminal	6	
	99952 0500	Washer, Plain	6	
	99971 0500	Washer, Spring	6	
19	99786 0845	Bolt, Ignition Coil Bracket	1	
20	1757 18 200A	Distributor	1	
21	0107 18 216A	Oil Seal	1	
22	1757 24 302	Contact	1	
23	1757 24 303	Rotor	1	
24	1757 24 308	Spring Set	1	
25	1757 24 310	Cap	1	
26	1757 24 313	Base, Breaker	1	

# DISTRIBUTOR

(USED FROM CAR NO. 160623 <sup>73</sup>/<sub>10</sub>)

18

24

No.	Part Number	Description	Q'ty	Remarks
27	1757 24 314	Support, Arm	2	
28	1757 24 317	Wire (E), Lead	1	
29	1757 24 319	Wire, Lead	1	
30	1757 24 322	Condenser	2	
31	1757 24 328	Gasket	1	
32	1757 24 330	Governor Set	1	
33	1757 24 334	Condenser	1	
34	1757 24 340	Coupling Set	1	
35	1757 24 350	Vacuum Set	1	
36	1757 24 360	Screw Set	1	
37	99541 0350	Ring, "O"-Distributor	1	
38	99940 0603	Nut, Distributor	1	
39	99340 04350	Tube, Vacuum Control	1	
40	1620 18 390	Bracket, Regulator	1	
41	99796 0610	Bolt, Regulator Bracket	1	
42	0453 18 391	Regulator	1	
43	99786 0612	Screw, Regulator	2	
44	0866 18 600	Plug, Spark (B 7 EM) (N.G.K. Make)	4	
45	0866 18 810	Bracket	1	
46	99786 0612	Screw	2	

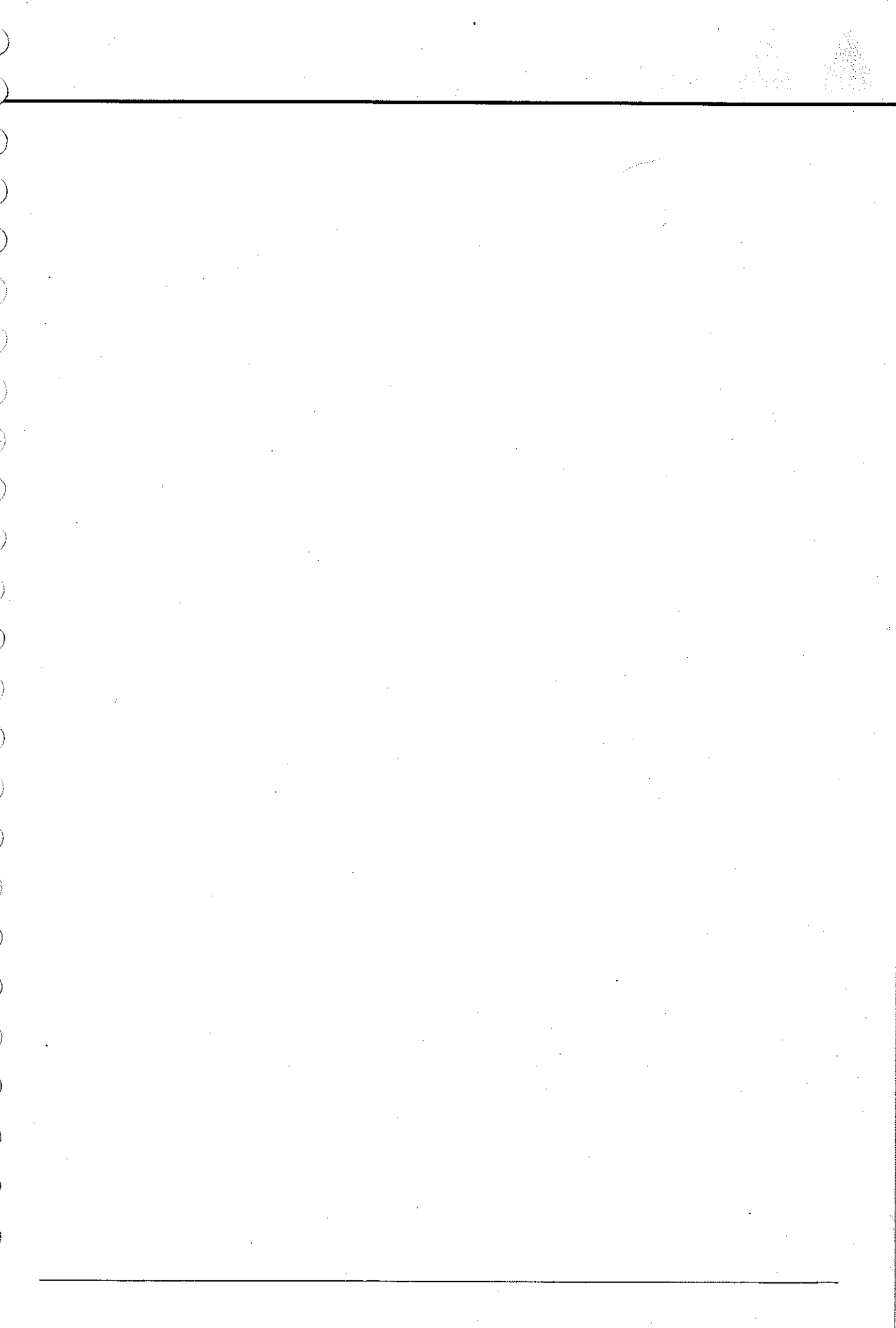
# DISTRIBUTOR

RIGHT FROM OAK HILL ROAD, WYOMING

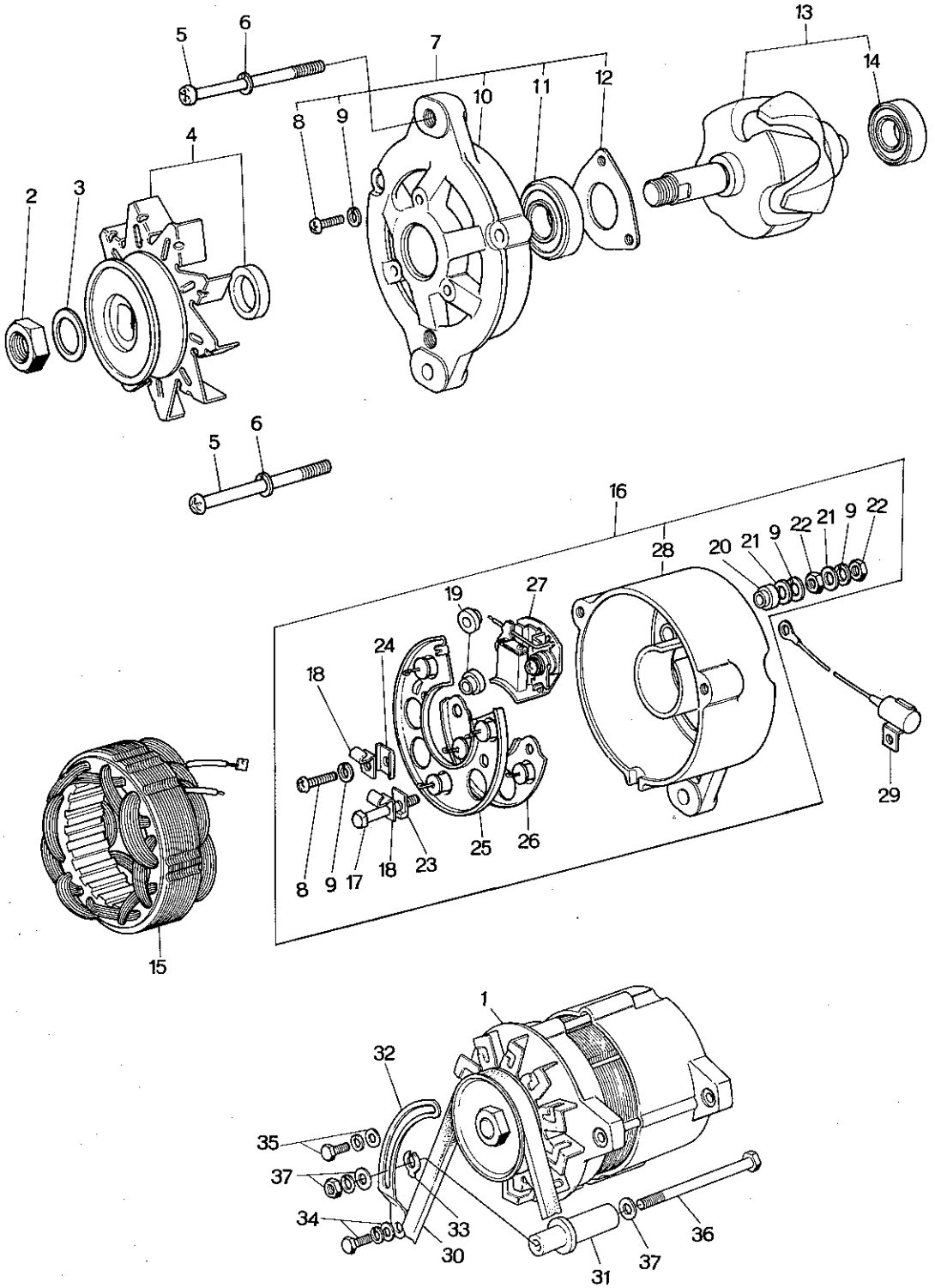


Item No.	Description	Price
1	...	...
2	...	...
3	...	...
4	...	...
5	...	...
6	...	...
7	...	...
8	...	...
9	...	...
10	...	...
11	...	...
12	...	...
13	...	...
14	...	...
15	...	...
16	...	...
17	...	...
18	...	...
19	...	...
20	...	...
21	...	...
22	...	...
23	...	...
24	...	...
25	...	...
26	...	...
27	...	...
28	...	...
29	...	...
30	...	...
31	...	...
32	...	...
33	...	...
34	...	...
35	...	...
36	...	...
37	...	...
38	...	...
39	...	...
40	...	...
41	...	...
42	...	...
43	...	...
44	...	...
45	...	...
46	...	...
47	...	...
48	...	...
49	...	...
50	...	...





## ALTERNATOR



# ALTERNATOR

18

24

No.	Part Number	Description	Q'ty	Remarks
1	0839 18 300	Alternator	1	
2	0187 24 579A	Nut (12×23B×7 H)	1	
3	0187 24 577A	Washer, Spring (12.2×21.5×3 t)	1	
4	0839 24 530	Pulley	1	
5	0290 24 517	Screw (6×71)	3	
6	0107 18 424	Washer, Spring (6.1×12.2×1.5 t)	3	
7	0290 24 510A	Bracket, Front	1	
8	0636 24 568B	Screw (5×18)	4	
9	0200 23 531	Washer, Spring (5.1×9.2×1.3 t)	8	
10	0290 24 511A	Bracket, Front	1	
11	0290 24 524	Bearing, Ball	1	Used up to Car No. 1
12	0290 24 515	Plate, Bearing Press	1	
13	0290 24 505A	Rotor	1	
14	0208 24 523	Bearing, Ball	1	
15	0290 24 501A	Stator	1	
16	0290 24 520A	Bracket, Rear	1	
17	0820 24 511	Bolt, Square (5×36)	2	
18	0820 24 519	Clamp	3	
19	0290 24 563	Plate, Insulation (5)	3	
20	0208 24 563A	Plate, Insulation (5)	1	

18

24

## ALTERNATOR

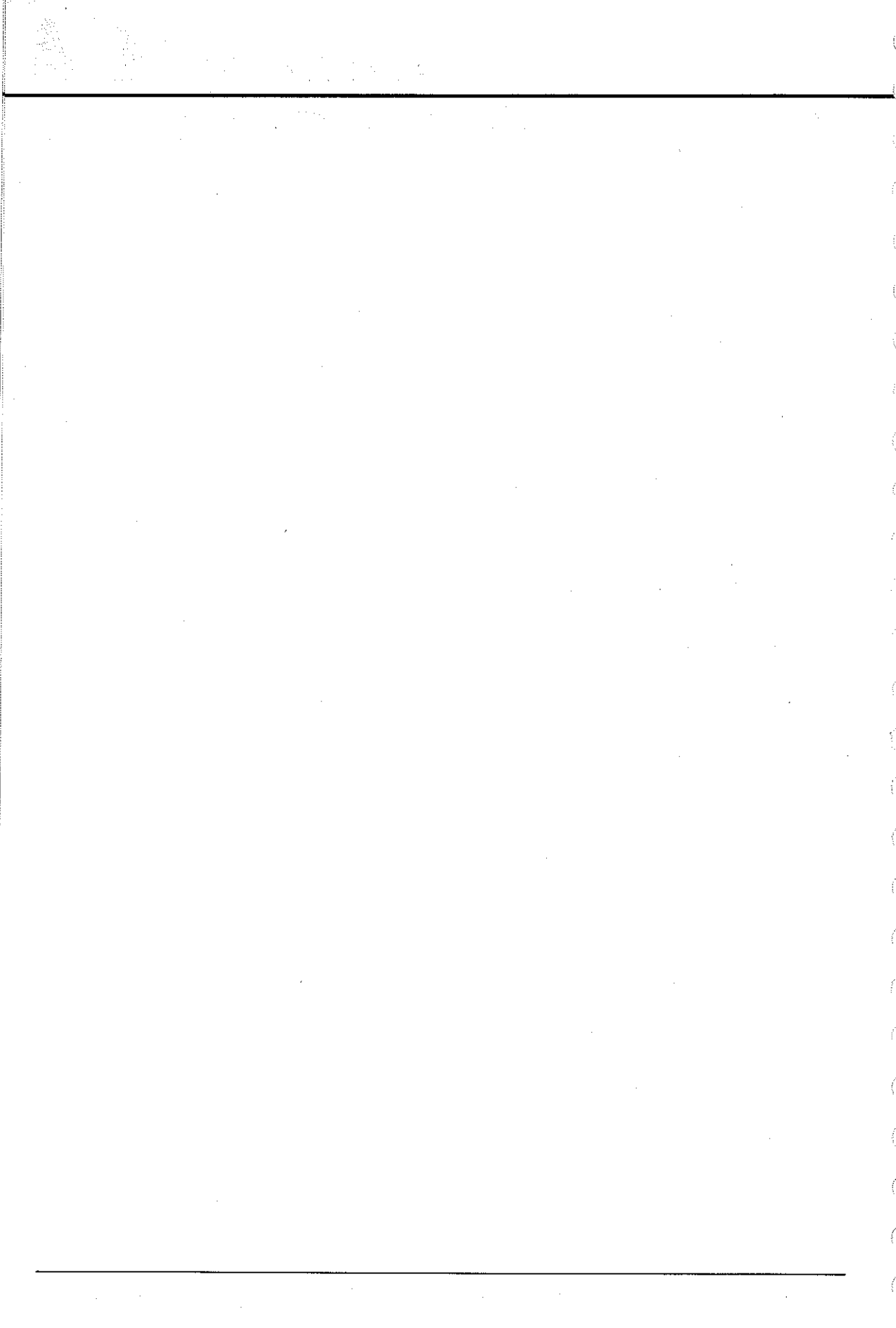
No.	Part Number	Description	Q'ty	Remarks
21	0187 24 566	Washer (5.5 × 10 × 0.8 t)	4	
22	0222 24 568	Nut (5 × 8 B × 4 H)	4	
23	0636 24 562A	Insulation, "L" Type (5)	1	
24	0290 24 513	Insulation, "U" Type	1	
25	0290 24 541A	Heat Sink ⊕	1	Used up to Car
26	0290 24 542A	Heat Sink ⊖	1	
27	0290 24 556	Holder, Brush	1	
28	0290 24 521A	Bracket, Rear	1	
29	0290 24 581	Condenser	1	
✓ 30	<del>0020 18 381</del>	<del>Belt, "V"</del>	<del>1</del>	
✓ ●	2329 13 715	Belt, "V"	1	From Car No. 1
✓ ●	1562 18 381	Belt, "V" (ECE COLD PROOF)	1	Car No. 152816 7/8
✓ ●	2329 13 715	Belt, "V" (Station Wagon)	1	
31	0839 18 311B	Bracket, Alternator	1	
32	2090 18 361	Strap, Alternator	1	
33	0222 18 375	Shim, Alternator (t=0.3)	} Selective use	1
	0222 18 376	Shim, Alternator (t=0.5)		
	0222 18 377	Shim, Alternator (t=0.15)		
34	99801 0820	Bolt, Strap	1	



# ALTERNATOR

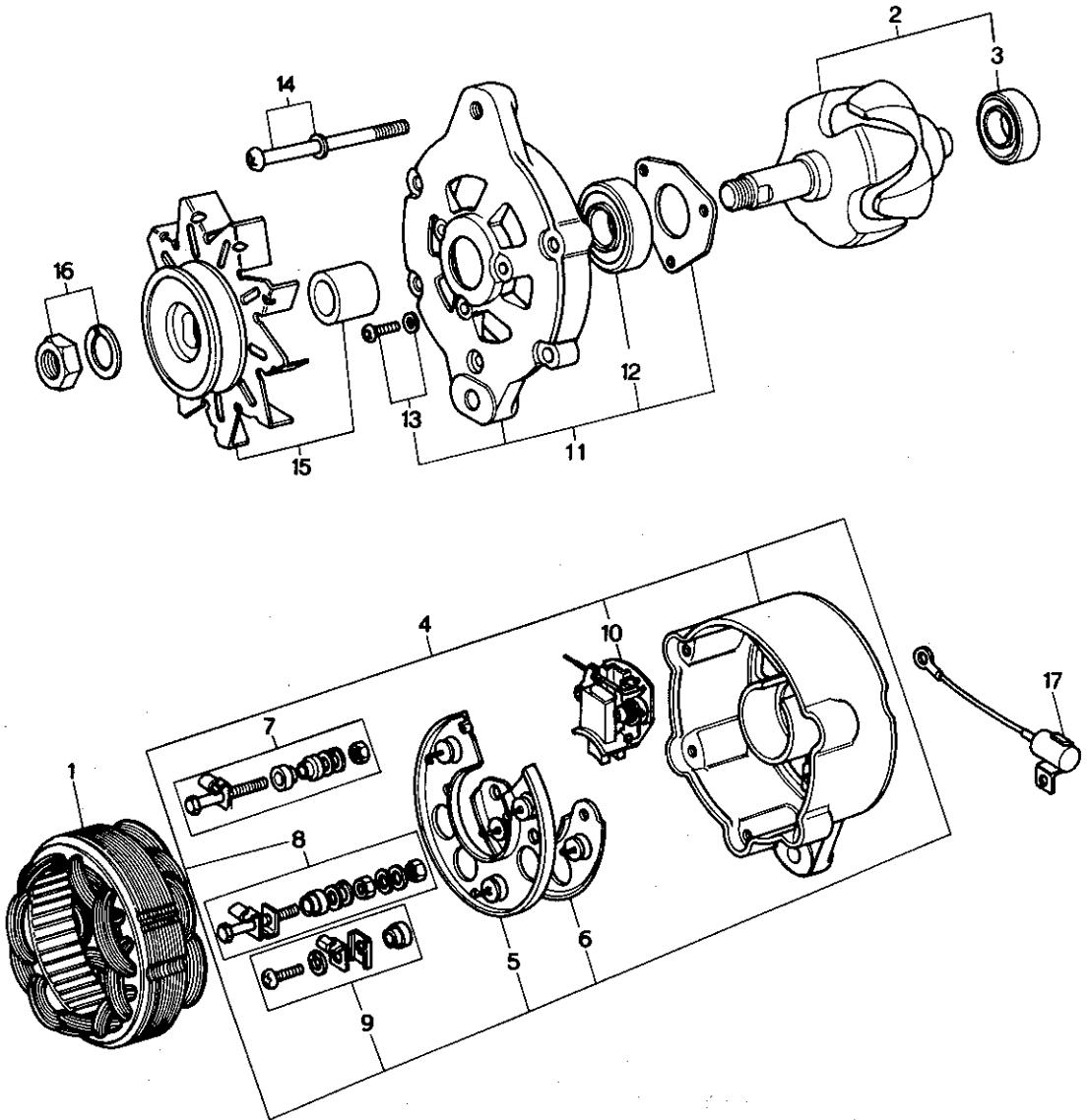
18

24

No.	Part Number	Description	Q'ty	Remarks
	99971 0800	Washer, Spring	1	
35	99801 0822	Bolt, Strap	1	
	99951 0818	Washer, Plain	1	
	99971 0800	Washer, Spring	1	
36	99813 10125	Bolt, Alternator	1	
37	99952 1000	Washer, Plain	2	
	99971 1000	Washer, Spring	1	
	99921 1000	Nut	1	
✓ ●	99276 1808	Clip, Wire Harness	1	
✓ ●	99908 0500	Nut, Alternator Terminal	1	
✓ ●	99952 0500	Washer, Plain	1	
✓ ●	99971 0500	Washer, Spring	1	



	177	3/10/84	24/06/84	11-06-84
	Jack			LPR

**ALTERNATOR**(USED UP TO CAR NO. 167747 <sup>73</sup>/<sub>5</sub>)



# ALTERNATOR

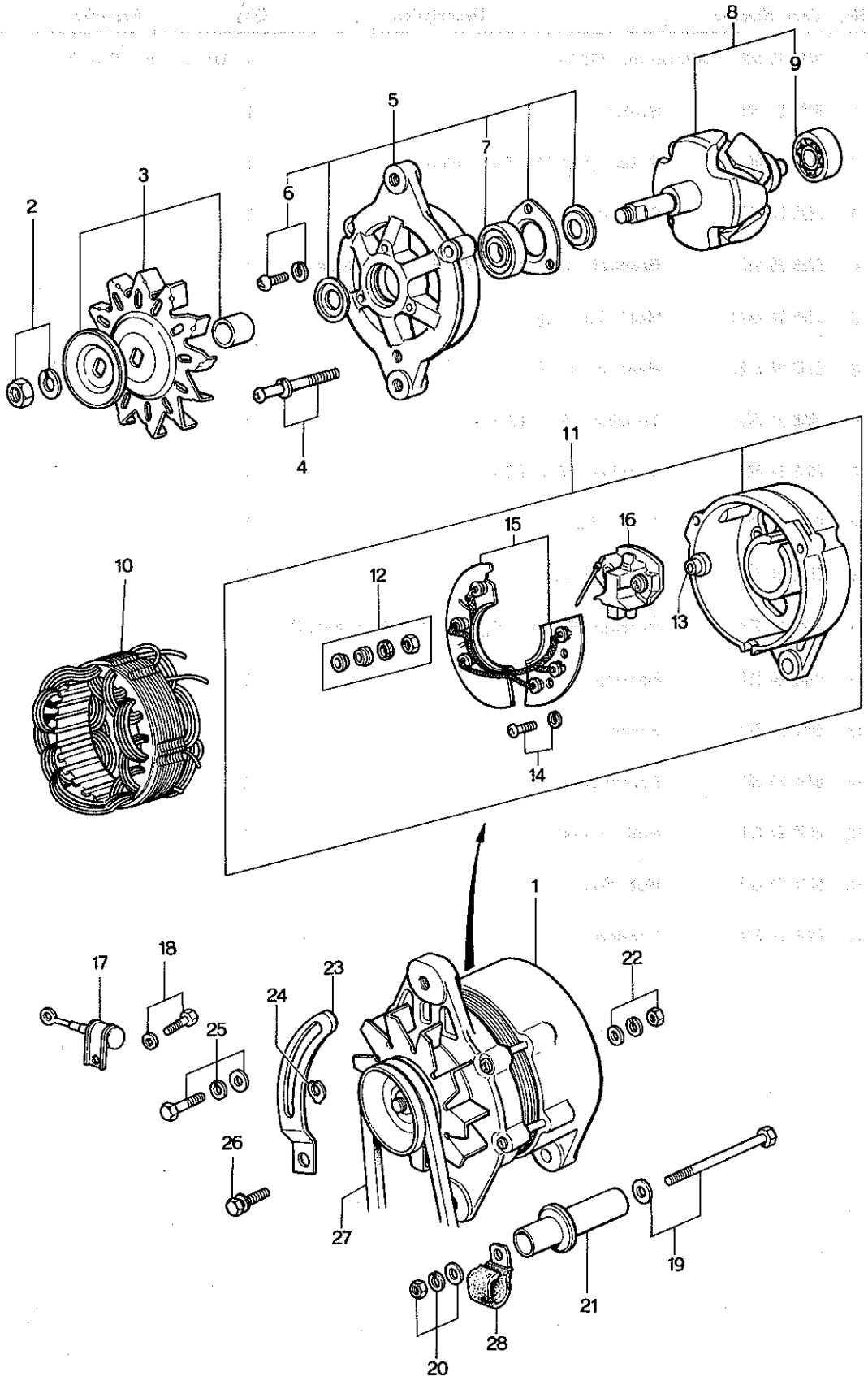
(USED UP TO CAR NO. 167747 <sup>73</sup>/<sub>5</sub>)

24

No.	Part Number	Description	Q'ty	Remarks
✓	0888 18 300	Alternator (50A)	1	Used from Car No. 1
1	0888 24 501	Stator	1	
2	0888 24 540	Rotor (Fig. No. 3 included)	1	
3	0820 24 503	Bearing	1	
4	0888 24 580	Bracket, Rear (Fig. No. 5~10 included)	1	
5	0290 24 541A	Heat Sink ⊕	1	
6	0290 24 542A	Heat Sink ⊖	1	
7	0888 24 548	Terminal Set (A)	1	
8	0888 24 549	Terminal Set (E)	1	
9	0888 24 534	Screw Set	1	
10	0888 24 541	Holder, Brush	1	
11	0888 24 550	Bracket, Front (Fig. No. 12~13 included)	1	
12	0208 24 514	Bearing	1	
13	0888 24 526	Screw	3	
14	0888 24 535	Screw Set	1	
15	0888 24 530	Pulley Ass'y	1	
16	0888 24 533	Nut Set	1	
17	0290 24 581	Condenser	1	

# ALTERNATOR

(USED FROM CAR NO. 167748 <sup>73</sup>/<sub>5</sub> TO CAR NO. 179250 <sup>73</sup>/<sub>9</sub>)



# ALTERNATOR

ALTERNATOR

18

24

(USED FROM CAR NO. 167748 <sup>7</sup>/<sub>5</sub> TO CAR NO. 179250 <sup>7</sup>/<sub>6</sub>)

No.	Part Number	Description	Q'ty	Remarks
✓ 1	1011 18 300	Alternator	1	
2	0866 24 533	Nut Set	1	
3	0866 24 530	Pulley	1	
4	0866 24 535	Screw Set	1	
5	0866 24 550	Bracket, Front	1	
6	0866 24 526	Screw Set	3	
7	0208 24 514	Bearing, Ball	1	
8	0866 24 540	Rotor	1	
9	0820 24 503	Bearing, Ball	1	
10	1011 24 501	Starter	1	
11	1011 24 560	Bracket, Rear	1	
12	1011 24 533	Nut Set	1	
13	1011 24 563	Mould	1	
14	1011 24 534	Screw Set	1	
15	1011 24 510	Rectifier	1	
16	1011 24 541	Brush & Holder	1	
17	0290 24 581	Condenser	1	
18	1011 24 527	Screw, Condenser	1	
19	99813 10125	Bolt, Alternator	1	

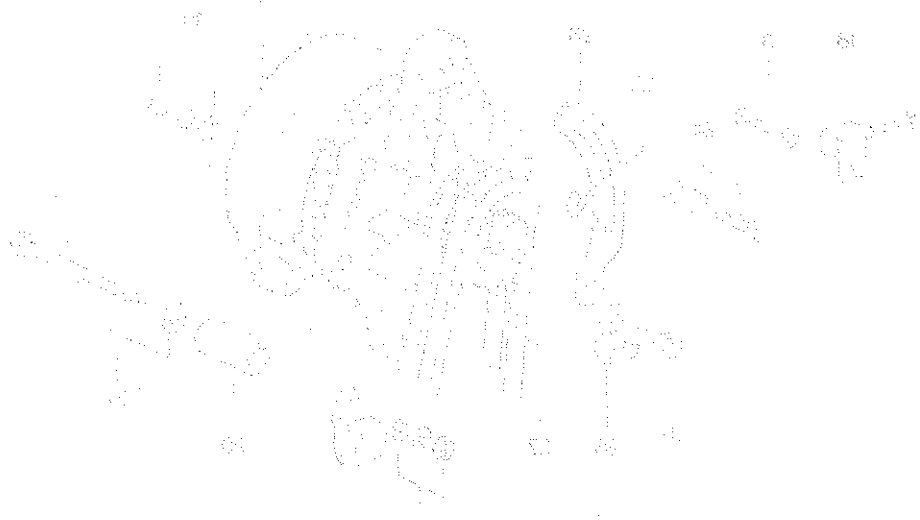
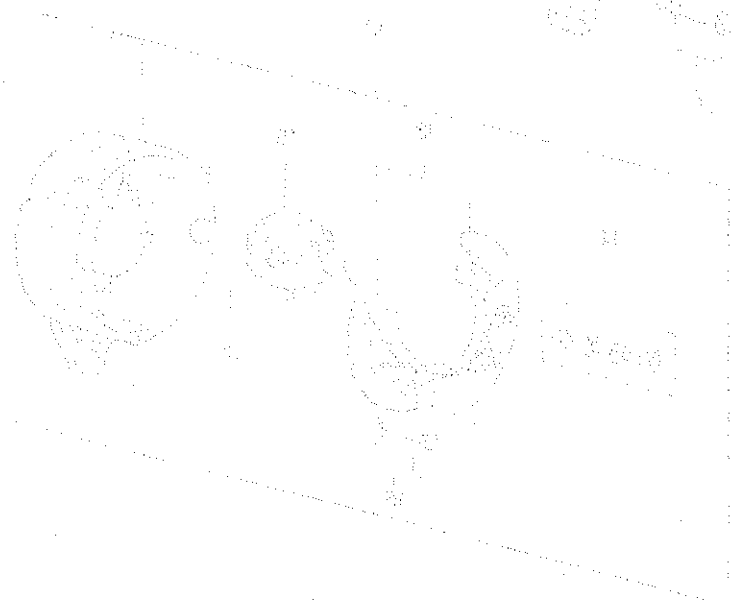
# ALTERNATOR

ROTAMET, IA

(USED FROM CAR NO. 167748 <sup>73/8</sup> TO CAR NO. 179250 <sup>73/9</sup>)

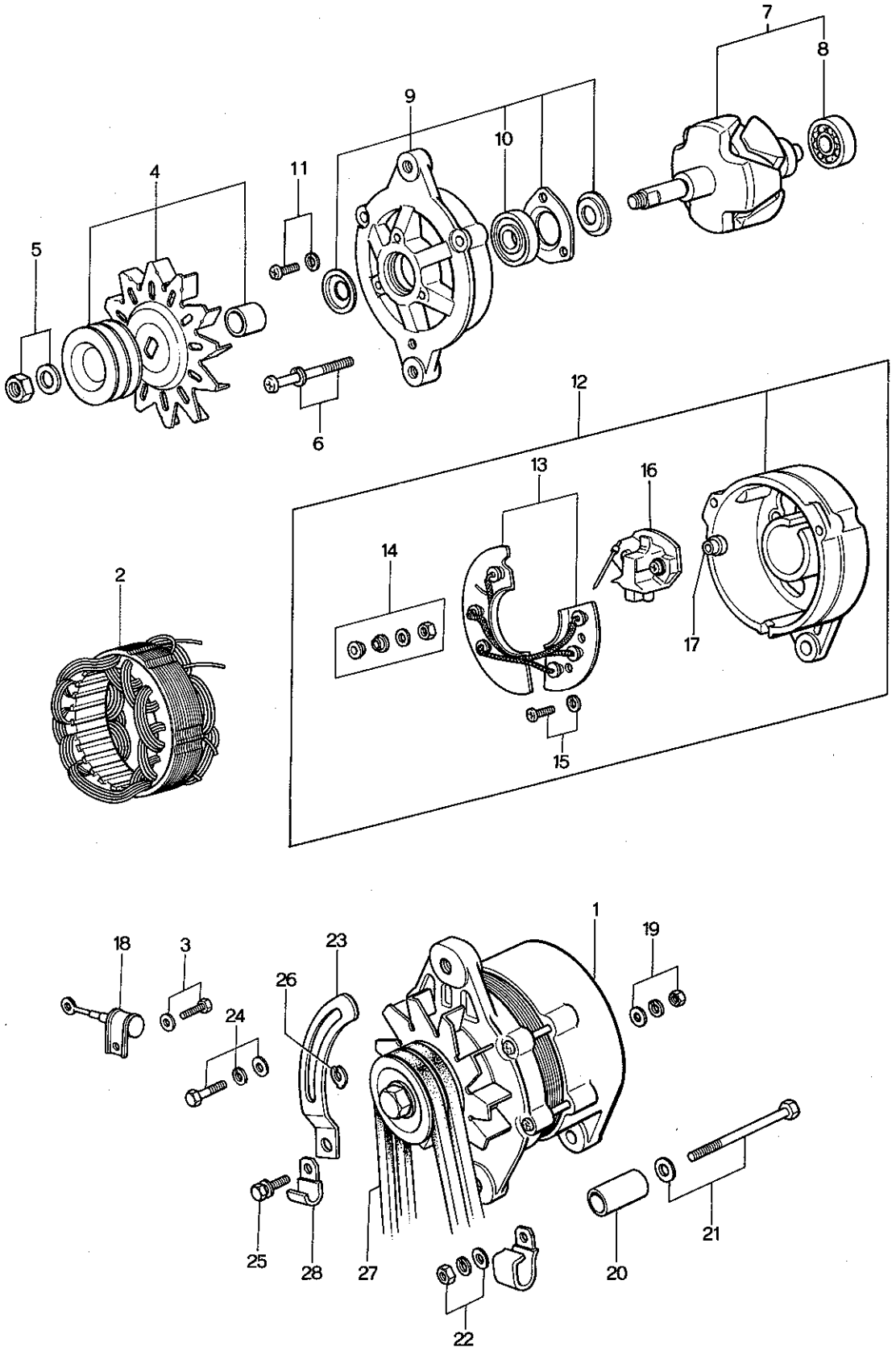
No.	Part Number	Description	Q'ty	Remarks
	99952 1000	Washer, Plain	1	
20	99921 1000	Nut, Alternator	1	
	99952 1000	Washer, Plain	1	
	99971 1000	Washer, Spring	1	
√ 21	0839 18 311 B	Bracket, Alternator	1	
22	99906 0600	Nut, Alternator Terminal "B"	1	
	99952 0500	Washer, Plain	1	
	99971 0500	Washer, Spring	1	
√ 23	2090 18 361	Strap, Alternator	1	
√ 24	0222 18 375	Shim (t=0.3)	} Selective use	1
√	0222 18 376	Shim (t=0.5)		
√	0222 18 377	Shim (t=0.15)		
25	99801 0822	Bolt, Strap	1	
	99951 0818	Washer, Plain	1	
	99971 0800	Washer, Spring	1	
26	908012 8 16	Bolt Set, Strap	1	
√ 27	2329 13 715	Belt, "V" (Except E.C.E. Cold Spec.)	1	
√	1562 18 381	Belt, "V" (E.C.E. Cold Spec.)	1	
√ 28	1011 18 319	Clip	1	

ALTERNATOR  
(USED FROM CAR NO. 1870)



# ALTERNATOR

(USED FROM CAR NO. 160623 <sup>73</sup>/<sub>10</sub>)



# ALTERNATOR

(USED FROM CAR NO. 160623 <sup>73</sup>/<sub>10</sub>)



No.	Part Number	Description	Q'ty	Remarks
1	3511 18 300	Alternator	1	
2	1011 24 501	Starter	1	
3	1011 24 527	Screw	1	
4	3511 24 530	Pulley	1	
5	1708 24 533	Nut Set	1	
6	0866 24 535	Screw Set	1	
7	0866 24 540	Rotor (Fig. No. 8 included)	1	
8	0820 24 503	Bearing	1	
9	3511 24 550	Bracket, Front (Fig. No. 10 included)	1	
10	4028 24 514	Bearing	1	
11	0866 24 526	Screw	3	
12	1011 24 560	Bracket, Rear (Fig. No. 13~17 included)	1	
13	1011 24 510	Rectifier Ass'y	1	
14	1011 24 533	Nut Set	1	
15	1011 24 534	Screw	1	
16	1011 24 541	Holder, Brush	1	
17	1011 24 563	Mould	1	
18	0290 24 581	Condenser	1	
19	99906 0500	Nut, Alternator Terminal	1	



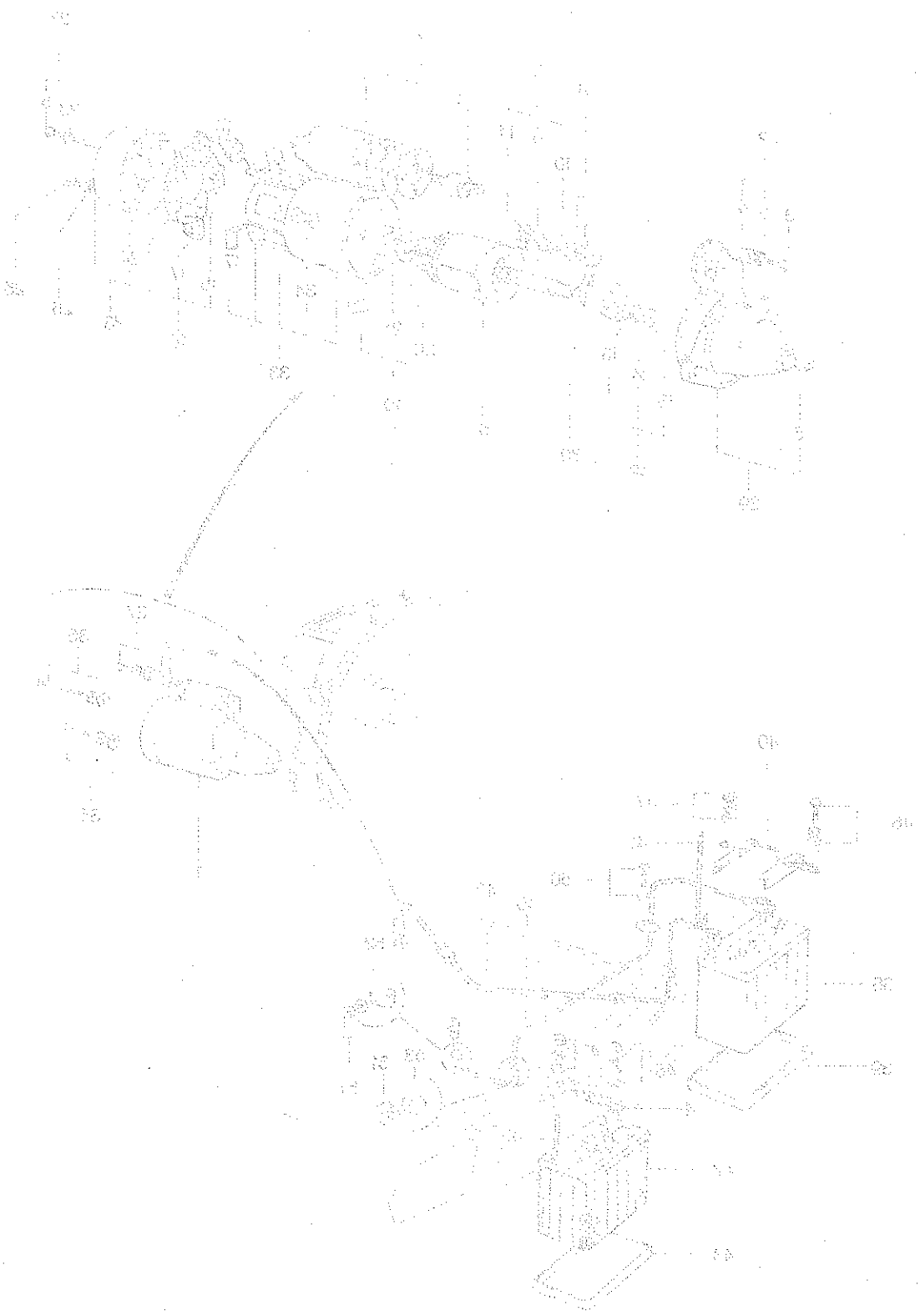
# ALTERNATOR

(USED FROM CAR NO. 160623 <sup>73</sup>/<sub>10</sub>)

No.	Part Number	Description	Q'ty	Remarks
	99952 0500	Washer, Plain	1	
	99971 0500	Washer, Spring	1	
20	1757 18 311	Spacer, Alternator	1	
21	99800 10115	Bolt, Alternator	1	
22	99940 1001	Nut, Alternator	1	
23	1881 18 361	Strap, Alternator	1	
24	99796 0825	Bolt, Strap	1	
25	90796 0820	Bolt, Alternator	1	
26	0222 18 375	Shim (t=0.3)	} Selective use 1	
	0222 18 376	Shim (t=0.5)		
	0222 18 377	Shim (t=0.7)		
27	1672 18 381A	Belt, "V"	2	
28	99276 2008	Clip, Wire Harness	2	

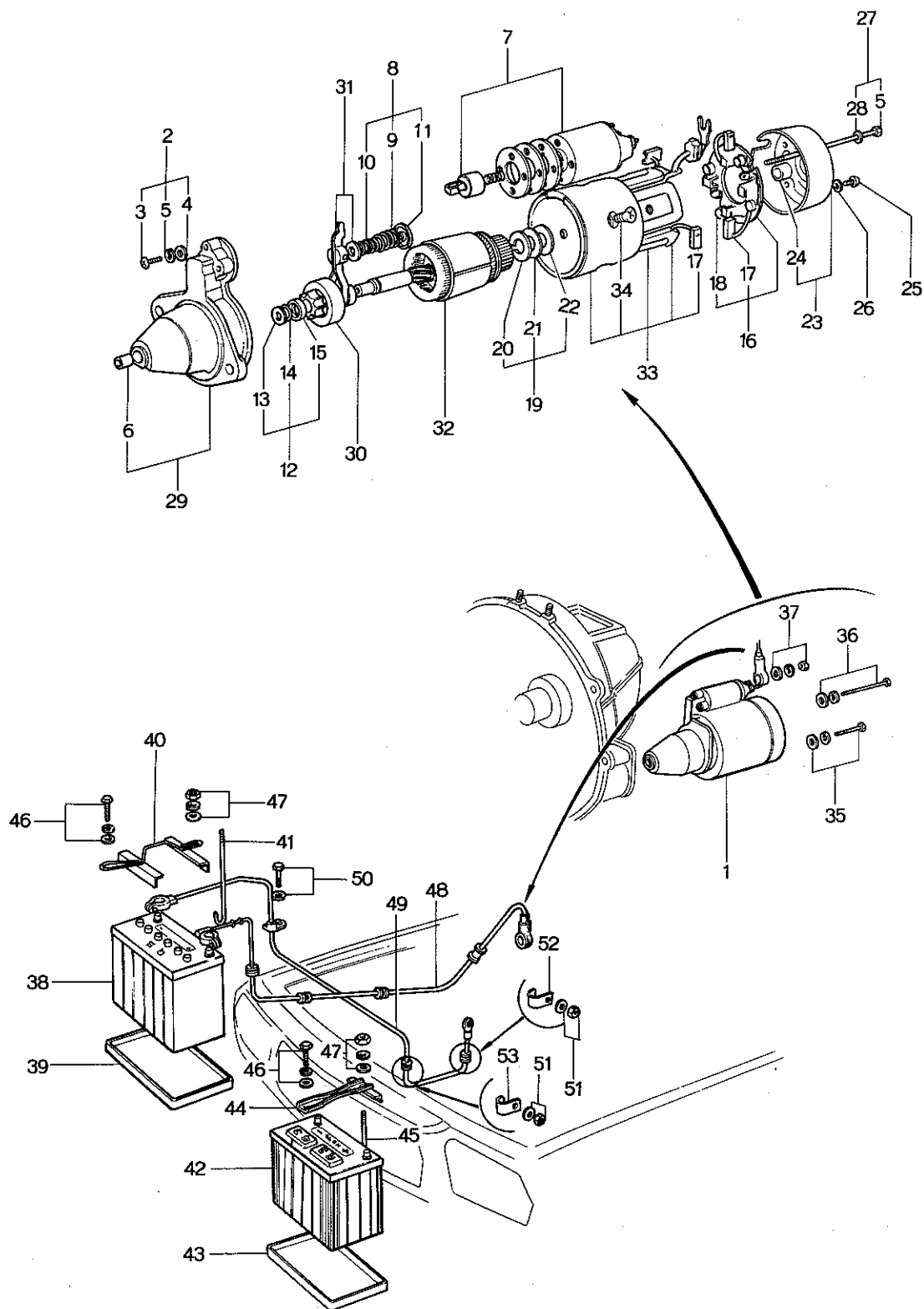


STARTER & BATTERY (MANUAL)  
(SEE UP TO CAR NO. 123456)



# STARTER & BATTERY (MANUAL)

(USED UP TO CAR NO. 179250  $\frac{7}{8}$ )



# STARTER & BATTERY (MANUAL)

(USED UP TO CAR NO. 179250  $\frac{73}{9}$ )

18

24

No.	Part Number	Description	Q'ty	Remarks
1	0866 18 400A	Starter	1	
	1562 18 400	Starter (Arctic Spec. Model)	1	
	0866 18 400A	Starter (All Models)	1	Car No. 144308 $\frac{74}{9}$ ~○
	1562 18 400	Starter (Optional)	1	Car No. 144308 $\frac{74}{9}$ ~ Added Anew
2	0426 24 725	Screw Set (Fig. No. 3~5,25,26 included) (0866 18 400A use)	1	Car No. 170670 $\frac{74}{9}$ ~○
3	0164 23 664	Screw (0866 18 400A use)	3	Order Under No. 0426 24 725
	1562 24 758	Screw (6×39) (1562 18 400 use)	2	
4	0222 24 714	Washer (6.1X12X1) (0866 18 400A use)	3	Order Under No. 0426 24 725
5	<del>0170 18 424</del>	<del>Washer, Spring (6)</del>	<del>5</del>	
	0107 18 424	Washer, Spring (6)	5	From Car No. 1
6	0114 18 422A	Sleeve, Bearing	1	
	0426 24 715	Sleeve, Bearing (0866 18 400A use)	1	Car No. 170670 $\frac{74}{9}$ ~○
7	0222 24 760A	Switch (0866 18 400A use)	1	
	0839 24 736B	Switch (1562 18 400 use)	1	
8	0426 24 754	Spring Set (Fig. No. 9~11 included) (0866 18 400A use)	1	Car No. 170670 $\frac{74}{9}$ ~○
9	0118 23 637	Spring, Lever (0866 18 400A use)	1	Order Under No. 0426 24 754
	0820 24 755	Spring, Lever (1562 18 400 use)	1	
10	0118 23 636	Spring, Lever (0866 18 400A use)	1	Order Under No. 0426 24 754
	0820 24 754	Spring, Lever (1562 18 400 use)	1	
11	0813 24 717	Holder, Spring (0866 18 400A use)	1	Order Under No. 0426 24 754



# STARTER & BATTERY (MANUAL)

(USED UP TO CAR NO. 179250 <sup>73</sup>/<sub>9</sub>)

No.	Part Number	Description	Q'ty	Remarks
	1562 24 719	Packing ( 1562 18 400 use)	1	
12	0426 24 712	Stopper Set (Fig. No. 13~15 included) ( 0866 18 400A use)	1	Car. No. 170670 <sup>74</sup> / <sub>~</sub> ○
13	0222 24 725	Washer ( 0866 18 400A use)	1	Order Under No. 0426 24 712
	1562 24 714	Washer (12.5×20×2.3) ( 1562 18 400 use)	1	
14	0107 18 417A	Ring ( 0866 18 400A use)	1	Order Under No. 0426 24 712
	0636 24 753	Ring ( 1562 18 400 use)	1	
15	<del>0720 24 732</del>	<del>Stopper</del>	<del>1</del>	
				From Car No. 1
	0730 24 732	Stopper ( 0866 18 400A use)	1	Order Under No. 0426 24 712
	1562 24 712	Stopper ( 1562 18 400 use)	1	
16	0222 24 750	Holder, Brush ( 0866 18 400A use)	1	
17	0222 24 753	Brush	2	
	0426 24 753	Brush ( 0866 18 400A use)	2	Car. No. 170670 <sup>74</sup> / <sub>~</sub> ○
	0839 24 723	Brush ( 1562 18 400 use)	4	
18	0222 24 752A	Spring, Brush ( 0866 18 400A use)	4	
	0839 24 724	Spring, Brush ( 1562 18 400 use)	4	
19	0426 24 726	Washer Set (Fig. No. 20~22 included) ( 0866 18 400A use)	1	Car. No. 170670 <sup>74</sup> / <sub>~</sub> ○
20	0107 18 406B	Washer (14.4×30×1.6)	1	Order Under No. 0426 24 726
21	0118 23 689	Washer (14.5×30×0.25)		
	1562 24 741	Washer (14.5×30×0.1) ( 1562 18 400 use)	1	
22	0118 23 691	Washer, Insulation (14.4×30×0.8)	1	Order Under No. 0426 24 726

# STARTER & BATTERY (MANUAL)

(USED UP TO CAR NO. 179250  $\frac{7}{9}$ )



No.	Part Number	Description	Q'ty	Remarks
23	0845 24 720	Bracket, Rear (0866 18 400A use)	1	
	2869 24 720	Bracket, Rear (1562 18 400 use)	1	
24	0222 24 741	Sleeve, Bearing (0866 18 400A use)	1	
	0249 24 731	Sleeve, Bearing (1562 18 400 use)	1	
25	0222 24 517	Screw (0866 18 400A use)	2	Order Under No. 0426 24 725
	1562 24 731	Screw (6×139) (1562 18 400 use)	2	
26	0200 23 531	Washer, Spring (0866 18 400A use)	2	Order Under No. 0426 24 725
	0107 18 424	Washer, Spring	2	}
	0839 24 761	Cap	2	
	0839 24 762	Packing	1	
27	0426 24 731	Bolt Set (Fig. No. 5, 28 included) (0866 18 400A use)	1	Car. No. 170670 $\frac{7}{4}$ - (C)
28	0222 24 756	Bolt, Through (0866 18 400A use)	2	Order Under No. 0426 24 731
29	0866 24 710	Bracket, Front (0866 18 400A use)	1	
	1562 24 710	Bracket, Front (1562 18 400 use)	1	
30	0866 24 709	Clutch, Over Running (0866 18 400A use)	1	
	1562 24 709	Clutch, Over Running (1562 18 400 use)	1	
31	0866 24 716	Lever (0866 18 400A use)	1	
	1562 24 716	Lever (1562 18 400 use)	1	
32	0866 24 705	Armature (0866 18 400A use)	1	
	1562 24 705	Armature (1562 18 400 use)	1	

**STARTER & BATTERY (MANUAL)**

(USED UP TO CAR NO. 179250 7/8)

No.	Part Number	Description	Q'ty	Remarks
33	0866 24 701	Yoke ( 0866 18 400A use)	1	
	1562 24 701	Yoke ( 1562 18 400 use)	1	
34	0866 24 704	Screw ( 0866 18 400A use)	4	
	0727 24 712	Screw ( 8×17) ( 1562 18 400 use)	4	
	1562 24 706	Bracket, Center	1	
	1562 24 725	Screw ( 6×10)	1	
	0839 24 762	Packing	1	
	0118 23 689	Washer	1	
35	99801 1035	Bolt, Starter	1	
	99971 1000	Washer, Spring	1	
	99953 1000	Washer, Plain	1	
36	99803 10110	Bolt, Starter	1	
	99952 1000	Washer, Plain	1	
	99971 1000	Washer, Spring	1	
37	99905 0500	Nut, Starter	1	
	99952 0500	Washer, Plain	1	
	99971 0500	Washer, Spring	1	
38	0820 18 520A	Battery, NS60	1	
39	0810 56 863A	Tray, Battery-NS60 Battery use	1	

# STARTER & BATTERY (MANUAL)

(USED UP TO CAR NO. 179250  $\frac{7}{9}$ )

18

24

No.	Part Number	Description	Q'ty	Remarks
40	0370 70 980	Clamp, Battery	1	NS60 Battery use
41	0370 70 985A	Bolt, Battery	1	
42	0504 18 520A	Battery, N50Z	1	NS70 Battery use
	0877 18 520	Battery, NS70	1	
	1672 18 520	Battery, NS70	1	
43	2113 54 295	Tray, Battery	1	N50Z & NS70 Battery use
	2981 54 222	Tray, Battery	1	
44	1524 70 980	Clamp, Battery	1	
45	0243 56 231	Bolt, Battery	1	
46	99806 0620	Bolt, Clamp	1	
	907860 6 16	Bolt Set	1	Car No. 142383 $\frac{7}{3}$ ~ ○
	99952 0618	Washer, Plain	1	Car No. 142382 $\frac{7}{3}$ ~ Discarded
	99971 0600	Washer, Spring	1	
47	99906 0600	Nut, Clamp Bolt	1	
	99940 0602	Nut, Clamp Bolt	1	Car No. 142383 $\frac{7}{3}$ ~ ○
	99952 0618	Washer, Plain	1	Car No. 142382 $\frac{7}{3}$ ~ Discarded
	99971 0600	Washer, Spring	1	
48	0866 67 100A	Cable, Battery Positive	1	
	0866 67 100B	Cable, Battery Positive	1	Car No. 176736 $\frac{7}{9}$ ~ △
	1562 67 100A	Cable, Battery Positive (1562 18 400 use)	1	
49	0866 67 110A	Wire, Earth-Battery	1	



# STARTER & BATTERY (MANUAL)

(USED UP TO CAR NO. 179250 <sup>73%</sup>)

No.	Part Number	Description	Q'ty	Remarks
	0872 67 110	Wire, Earth-Battery (1562 18 400 use)	1	
50	99804 0820	Bolt, Earth Wire	1	
	99971 0800	Washer, Spring	1	
51	99907 0800	Nut	2	
	99971 0800	Washer, Spring	2	
52	99276 1608	Clip, Earth Wire	1	
53	99295 2008	Clip, Earth Wire	1	
(N)	99685 1000	Protector, Positive Cable	6	
(N)	99685 1400	Protector, Positive Cable	1	
(N)	0866 67 105	Cap, Positive Cable	1	



# YHTYÄG & RETRATG

(D. 1900: JON. AAG. MONT. GERT. JALPMAN)  
D. 1900: GERT. GERT. SITAMOTUA

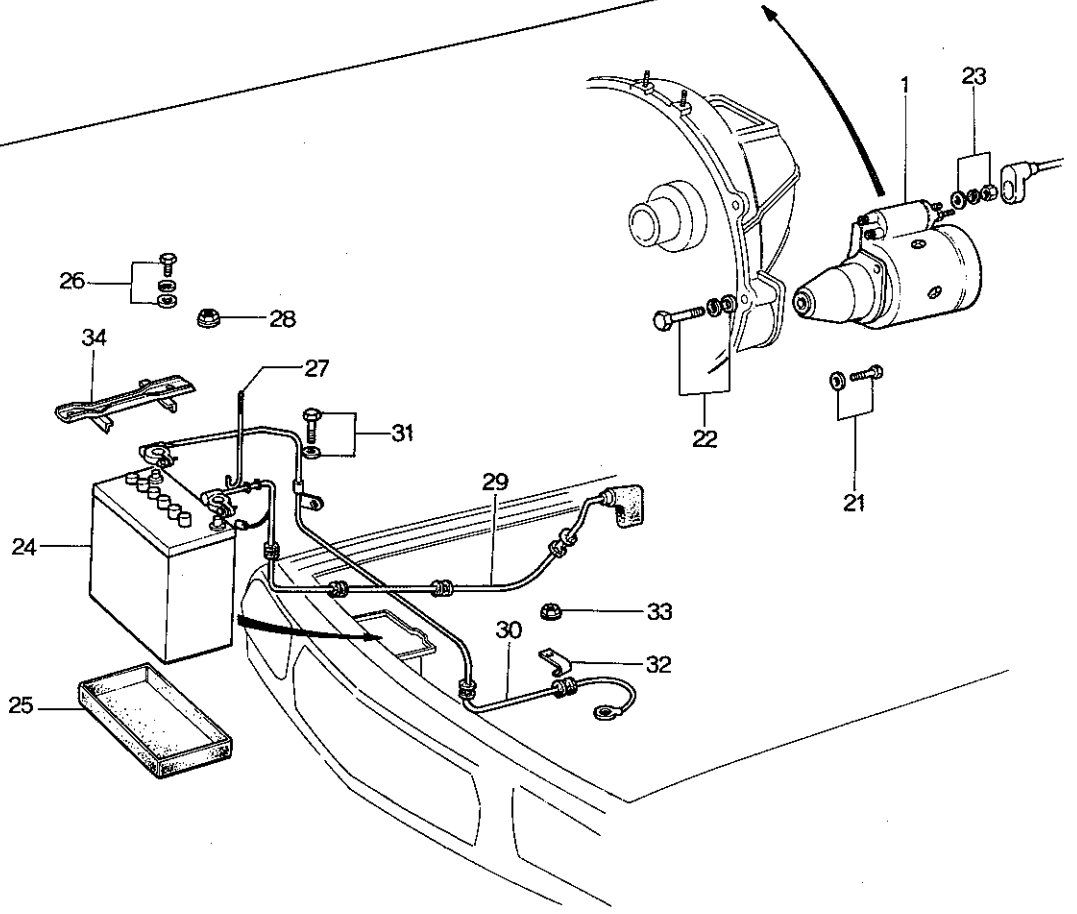
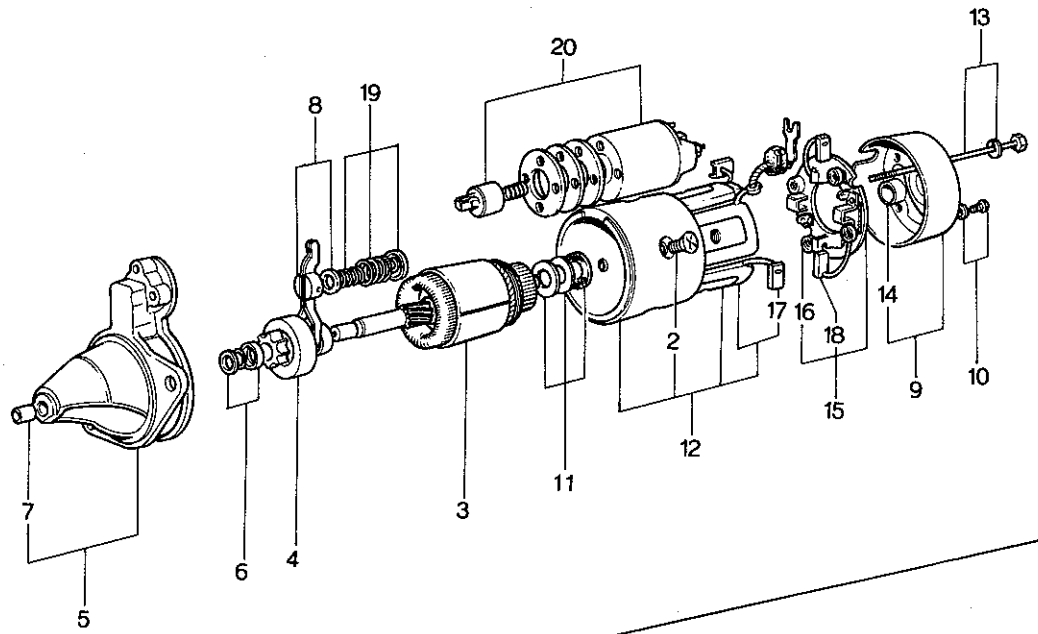


18

24

# STARTER & BATTERY

(MANUAL USED FROM CAR NO. 160623 <sup>73</sup>/<sub>10</sub>)  
(AUTOMATIC USED FROM <sup>74</sup>/<sub>4</sub>)



# STARTER & BATTERY

(MANUAL USED FROM CAR NO. 160623 <sup>73/10</sup>)  
 (AUTOMATIC USED FROM <sup>74/4</sup>)



No.	Part Number	Description	Q'ty	Remarks
1	1757 18 400A	Starter (Manual)	1	
• ✓	1030 18 400A	Starter (Automatic)	1	
2	0866 24 704	Screw	4	
3	1757 24 705	Armature	1	
4	1757 24 709	Clutch, Over Running	1	
5	1757 24 710	Bracket, Front (Manual)	1	
•	1030 24 710	Bracket, Front (Automatic)	1	
6	0426 24 712	Stopper Set, Piston	1	
7	0426 24 715	Sleeve	1	
8	0866 24 716	Lever	1	
9	0845 24 720	Bracket, Rear	1	
10	0426 24 725	Screw Set	1	
11	0426 24 726	Washer Set	1	
12	1757 24 730	Yoke	1	
•	0426 24 731	Bolt Set (Manual)	1	
•	1030 24 731	Bolt Set (Automatic)	1	
14	0222 24 741	Sleeve	1	
15	0222 24 750	Holder	1	
16	0222 24 752A	Spring, Brush	4	
17	0222 24 753	Brush	2	
18	0426 24 753	Brush	2	
19	0426 24 754	Spring Set	1	
•	0324 24 760	Switch, Starter (Manual)	1	
•	0222 24 760A	Switch, Starter (Automatic)	1	



# STARTER & BATTERY

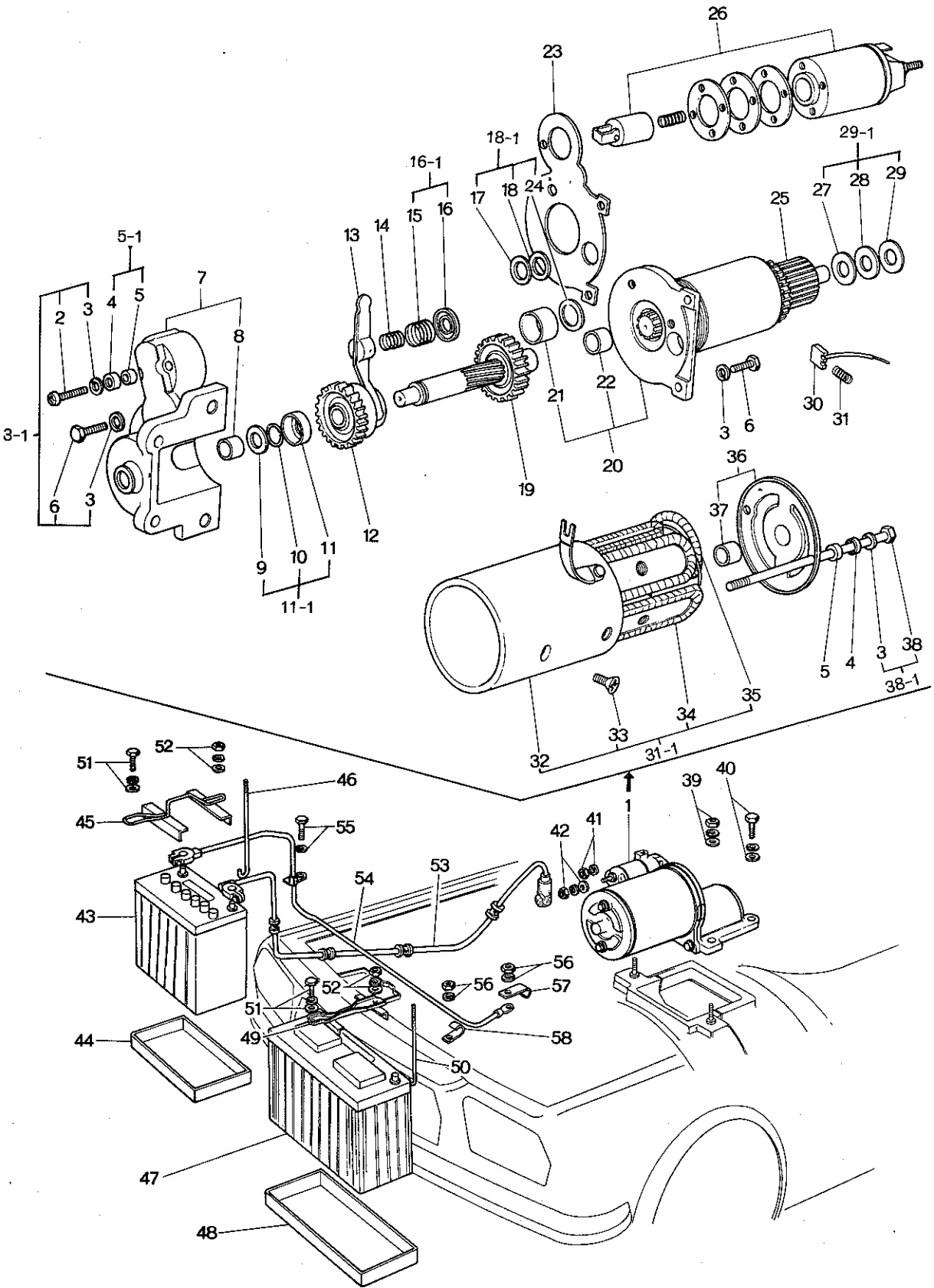
(MANUAL USED FROM CAR NO. 160623 <sup>73/6</sup>)  
 (AUTOMATIC USED FROM <sup>74/4</sup>)

No.	Part Number	Description	Q'ty	Remarks
21	99801 1035	Bolt, Starter	1	
	99971 1000	Washer, Spring	1	
● 22	99803 10120	Bolt, Starter (Manual)	1	
●	99801 1075	Bolt, Starter (Automatic)	1	
	99953 1000	Washer, Plain	1	
	99971 1000	Washer, Spring	1	
23	99901 0800	Nut, Starter Terminal	1	
	99952 0800	Washer, Plain	1	
	99971 0800	Washer, Spring	1	
24	0504 18 520A	Battery (N50Z)	1	
25	2113 54 295	Tray, Battery	1	
26	90786 0616	Bolt, Battery Clamp	1	
27	0243 56 231	Bolt, Clamp	1	
28	99940 0602	Nut	1	
29	1881 67 100	Cable, Battery Positive	1	
● 1	1881 67 100 A	Cable, Battery Positive	1	<sup>72</sup> / <sub>2</sub> ~ Δ
30	0872 67 110	Wire, Battery Earth	1	
31	99804 0820	Bolt, Earth Wire	1	
	99971 0800	Washer, Spring	1	
32	99276 1208	Clip	1	
33	99940 0800	Nut, Earth Wire	1 2	
34	1524 70 980	Clamp, Battery	1	



# STARTER & BATTERY (AUTOMATIC)

(USED UP TO 7 2/3)



# STARTER & BATTERY (AUTOMATIC)

(USED UP TO 7/3)

(USED UP TO 1/2)



No.	Part Number	Description	Q'ty	Remarks
1	2869 18 400	Starter (Mitsubishi Make)	1	
	2869 18 400A	Starter (Mitsubishi Make)	1	Car No. 155593 7/10 ~ Δ
2	0839 24 758	Screw (6×44)	12	} Car No. 155592 7/10 ~ Discarded
3	0107 18 424	Washer, Spring (6.1×12.2×1.5)	8	
3-1	2869 24 725	Screw Set	1	Car No. 155593 7/10 ~ ○
4	0839 24 761	Cover, Gasket	4	} Car No. 155592 7/10 ~ Discarded
5	0839 24 762	Gasket	4	
5-1	0559 24 760	Gasket Set	1	Car No. 155593 7/10 ~ ○
6	0839 24 763	Bolt (6×20)	1	Car No. 155592 7/10 ~ Discarded
7	0839 24 710	Bracket, Front	1	
	2869 24 710	Bracket, Front	1	Car No. 155593 7/10 ~ ○
8	0249 24 731	Metal	1	
9	0820 24 714	Washer (14.4×26×1.6)	1	} Car No. 155592 7/10 ~ Discarded
10	0820 24 713	Ring	1	
11	0820 24 712	Stopper, Pinion	1	
11-1	2869 24 712	Stopper Set	1	Car No. 155593 7/10 ~ ○
12	0839 24 709	Clutch, Over Running	1	
13	0839 24 716	Lever	1	
14	0820 24 754	Spring, Lever (A)	1	Car No. 155592 7/10 ~ Discarded
15	0820 24 755	Spring, Lever (B)	1	Car No. 155592 7/10 ~ Discarded



# STARTER & BATTERY (AUTOMATIC)

(USED UP TO 7/3)

No.	Part Number	Description	Q'ty	Remarks
16	0820 24 717	Seat, Spring	1	Car. No. 155592 3/10~Discarded
16-1	2889 24 754	Spring Set	1	Car. No. 155593 3/10~○
17	0820 24 747	Washer (14.4×26×0.8)	1	Car. No. 155592 3/10~Discarded
18	0820 24 748	Washer (14.4×26×0.2)	1	
18-1	2889 24 748	Washer Set (Fig. No. 24 included)	1	Car. No. 155593 3/10~○
19	0839 24 721	Shaft, Pinion	1	
20	0839 24 706	Bracket, Center	1	
21	0839 24 715	Metal	1	
22	0249 24 731	Metal	1	
23	0839 24 719	Plate, Water Proof	1	
24	2889 24 749	Washer	1	Car. No. 155592 3/10~Discarded
25	0839 24 705	Armature	1	
26	0839 24 736B	Switch	1	
26-1	2889 24 736	Switch	1	Car. No. 155593 3/10~X
27	0118 23 889	Washer (14.5×30×0.25)	2	Car. No. 155592 3/10~Discarded
28	0820 24 741	Washer (14.5×30×0.8)	1	
29	0118 23 881	Washer, Insulation (14.4×30×0.6)	1	
29-1	2889 24 726	Washer Set	1	Car. No. 155593 3/10~○
30	0839 24 723	Brush	4	
31	0839 24 724	Spring, Brush	4	



# STARTER & BATTERY (AUTOMATIC)

(USED UP TO 74/3)



No.	Part Number	Description	Q'ty	Remarks
31-1	2869 24 730	Yoke (Fig. No. 30,31 included)	1	Car No. 155593 7/10 ~ O
32	2869 24 701	Yoke	1	Car No. 155592 7/10 ~ Discarded
33	0727 24 712	Screw (8 X 17)	4	
34	0839 24 703	Piece, Pole	4	Car No. 155592 7/10 ~ Discarded
35	2869 24 702	Coil, Field	1	
36	2869 24 720	Bracket, Rear	1	
37	0249 24 731	Metal	1	
38	0839 24 764	Bolt, Through (6 X 155)	2	Car No. 155592 7/10 ~ Discarded
38-1	0559 24 731	Bolt Set (Fig. No. 3 included)	1	Car No. 155593 7/10 ~ O
39	99901 0800	Nut	2	
	99971 0800	Washer, Spring	2	
	99953 0800	Washer, Plain	2	
40	99801 0828	Bolt	2	
	99871 0800	Washer, Spring	2	
	99953 0800	Washer, Plain	2	
41	99901 0800	Nut	1	
	99971 0800	Washer, Spring	1	
42	99907 0500	Nut	1	



# STARTER & BATTERY (AUTOMATIC)

(USED UP TO 74/3)

No.	Part Number	Description	Q'ty	Remarks
	99952 0500	Washer, Plain	1	
	99971 0500	Washer, Spring	1	
43	0820 18 520A	Battery (NS 60)	1	
44	0810 56 863A	Tray, Battery	1	} (NS 60 use)
45	0370 70 980	Clamp, Battery	1	
46	0370 70 985A	Bolt, Battery Clamp	1	
47	0877 18 520	Battery (NS 70)	1	
48	2113 54 295	Tray, Battery	1	} (NS 70 use)
49	1524 70 980	Clamp, Battery	1	
50	0243 56 231	Bolt, Battery Clamp	1	
51	99806 0620	Bolt, Battery Clamp	1	
	99952 0618	Washer, Plain	1	
	99971 0600	Washer, Spring	1	
52	99906 0600	Nut	1	
	99952 0618	Washer, Plain	1	
	99971 0600	Washer, Spring	1	
53	0871 67 100A	Cable, Battery Positive (NS 60 Battery)	1	
J	0871 67 100B	Cable, Battery Positive (NS 60 Battery)	1	Car No. 126396 3/2~○
●	0871 67 100C	Cable, Battery Positive (NS 60 Battery)	1	Car No. 176736 3/4~△
	0872 67 100	Cable, Battery Positive (NS 70 Battery)	1	
J	0872 67 100A	Cable, Battery Positive (NS 70 Battery)	1	Car No. 126396 3/2~○
●	0872 67 100B	Cable, Battery Positive (NS 70 Battery)	1	Car No. 176736 3/4~△

# STARTER & BATTERY (AUTOMATIC)

(USED UP TO 7/3)

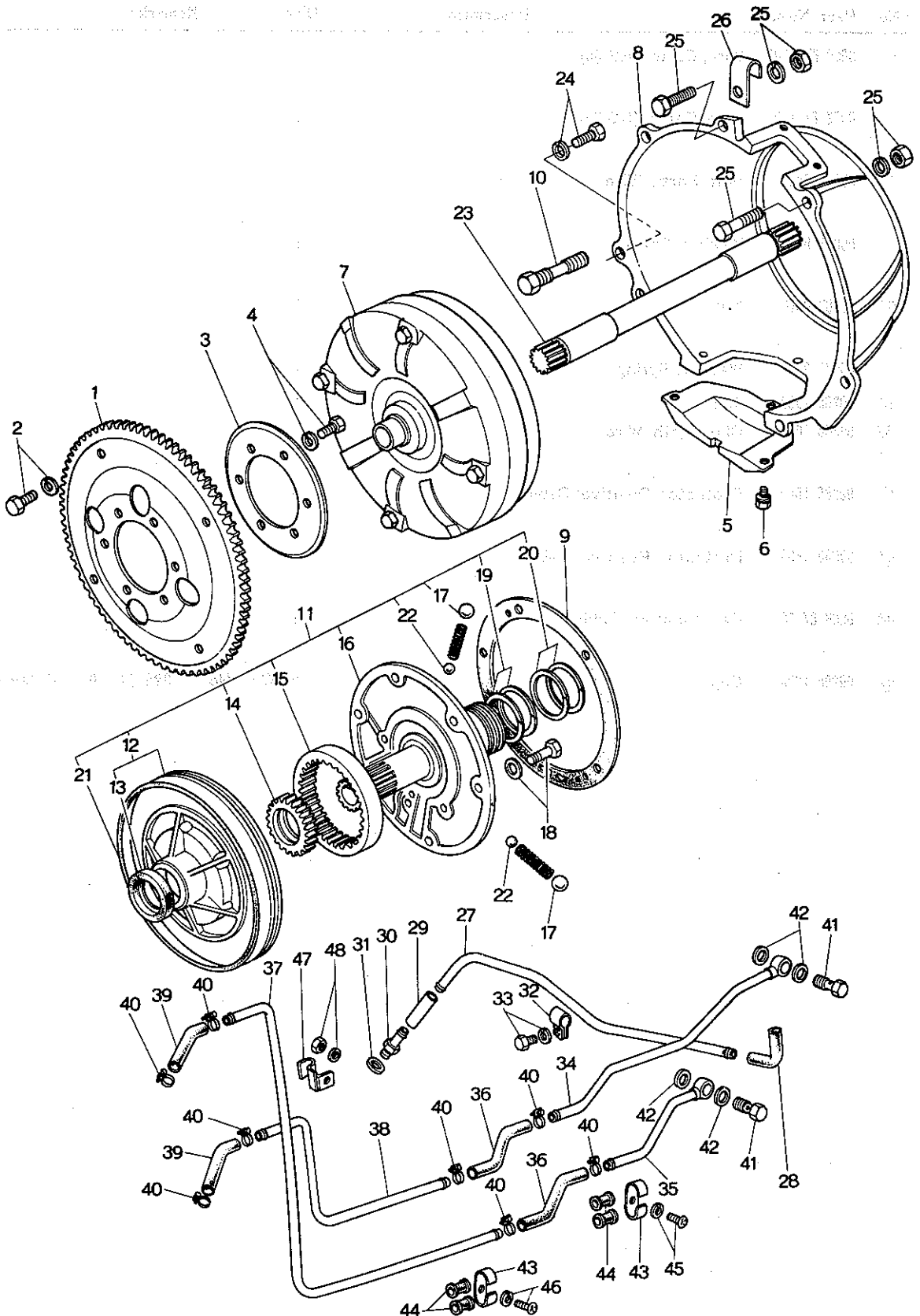
18

24

No.	Part Number	Description	Q'ty	Remarks
54	0866 67 110A	Wire, Earth (NS 60)	1	
	0872 67 110	Wire, Earth (NS 70)	1	
55	99804 0820	Bolt, Earth Wire	1	
	99971 0800	Washer, Spring	1	
56	99907 0800	Nut	2	
	99971 0800	Washer, Spring	2	
57	99295 1508	Clip	1	
58	99295 2008	Clip, Earth Wire	1	
Ⓝ	99685 1000	Protector, Positive Cable	6	
Ⓝ	99685 1400	Protector, Positive Cable	1	
Ⓝ	0866 67 105	Cap, Positive Cable	1	
Ⓝ	99295 1008	Clip	2	Car No. 127396 7/2~Added Anew

# AUTOMATIC T/MISSION

(CONVERTER, OIL PUMP & PIPING) (USED UP TO 74<sup>3</sup>/<sub>3</sub>)



# AUTOMATIC T / MISSION MOTUA

(CONVERTER, OIL PUMP & PIPING) (USED UP TO 7/3)



No.	Part Number	Description	Q'ty	Remarks
1	2070 19 020	Plate, Drive	1	
2	99781 1012	Bolt, Drive Plate	4	
	99971 1000	Washer, Spring	4	
3	0842 19 025	Plate, Backing	1	
4	99781 1018	Bolt, Backing	6	
	99971 1000	Washer, Spring	6	
5	0842 19 027A	Cover, Under	1	
6	99906 0610	Screw, Under Cover	3	
	99971 0600	Washer, Spring	3	
7	0338 19 100A	Converter, Torque	1	
8	0842 19 211B	Housing	1	
9	0338 19 215	Gasket, Oil Pump	1	
10	0338 19 216	Bolt, Housing	6	
11	0338 19 220	Pump, Ass'y-Oil	1	
12	0338 19 230	Housing	1	
13	0338 19 223	Oil Seal	1	
14	0338 19 234	Gear, Inner	1	
	0338 19 235	Gear	1	Selective use
	0338 19 236	Gear	1	
15	0338 19 237	Gear, Outer	1	
	0338 19 238	Gear	1	Selective use
	0338 19 239	Gear	1	
16	0338 19 240	Cover	1	
17	0338 19 245	Ball, Steel	2	
	<del>0397 19 705</del>	<del>Ball, Steel</del>	<del>2</del>	<del>Car. No. 128982 7/4</del>

# AUTOMATIC T / MISSION

(CONVERTER, OIL PUMP & PIPING) (USED UP TO 7/3)

No.	Part Number	Description	Q'ty	Remarks
18	0338 19 255	Bolt	5	
19	0338 19 256	Ring, Seal	2	
20	0338 19 257	Ring, Seal	2	
21	0338 19 258	Seal, Lathe Cut Ring	1	
22	99611 2000	Ball, Steel	2	
23	0338 19 678	Shaft, Input	1	
24	99811 1032	Bolt, Housing	1	
● ✓	99796 10309	Bolt, Housing	1	7/5 ~ ○
● ✓	99952 1030	Washer, Plain	1	7/5 ~ Added Anew
	99811 1050	Bolt	1	
● ✓	99796 1050	Bolt	1	Car No. 170670 7/5 ~ X
	99971 1000	Washer, Spring	2	
25	99811 1045	Bolt, Housing	1	
● ✓	99796 1045	Bolt, Housing	1	7/5 ~ ○
	99811 1050	Bolt	1	
● ✓	99796 1050	Bolt	1	Car No. 170670 7/5 ~ X
	99811 1055	Bolt	1	
● ✓	99796 1045	Bolt	1	7/5 ~ ○
	99811 1075	Bolt	1	
● ✓	99796 1080	Bolt	1	7/5 ~ ○
	99971 1000	Washer, Spring	4	Car No. 170670 7/5 ~ Discarded
	99921 1000	Nut	4	
● ✓	99940 1001	Nut	4	7/5 ~ ○
26	99295 1510	Clip	1	
27	0871 19 910	Pipe, Vacuum	1	
28	0338 19 904	Hose, Vacuum (Rr.)	1	
29	99340 05063	Hose, Vacuum (Fr.)	1	
30	0842 19 910	Union Joint, Vacuum Hose	1	
31	99564 0800	Gasket, Union Joint	1	
32	0842 19 915A	Clip, Vacuum Pipe	1	
33	99806 0614	Bolt, Clip	1	
	99971 0600	Washer, Spring	1	

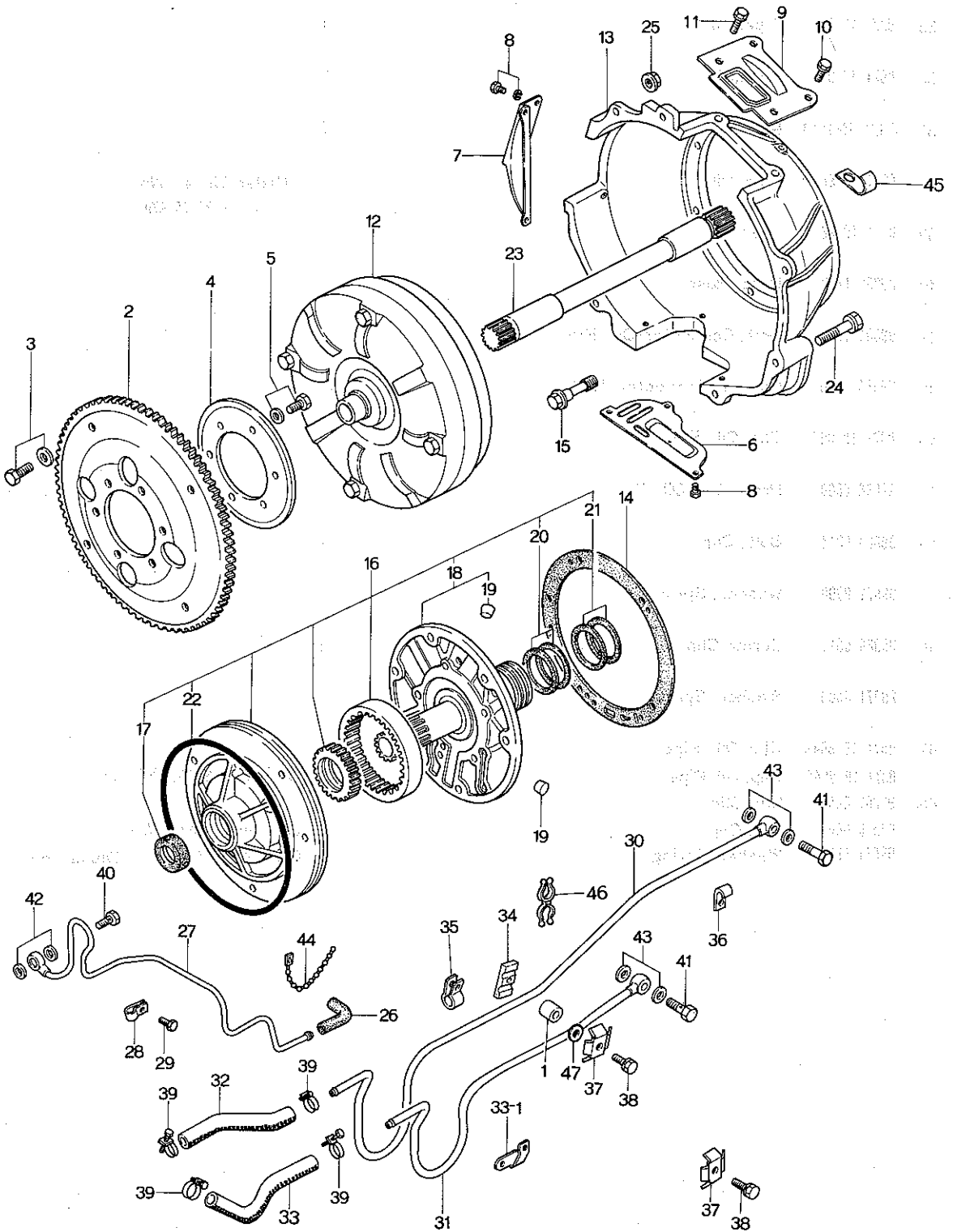
# AUTOMATIC T / MISSION MOTUA

(CONVERTER, OIL PUMP & PIPING) (USED UP TO  $\frac{74}{3}$ )

No.	Part Number	Description	Q'ty	Remarks
34	0871 19 920	Pipe, Oil	1	
35	0871 19 930	Pipe, Oil	1	
36	0871 19 981	Hose, Oil	2	
37	0871 19 970	Pipe, Oil	1	
38	0871 19 951A	Pipe, Oil	1	Order Under No. ☆ 0871 19 970
39	0871 19 982	Hose, Oil	2	
40	99282 1700	Band, Hose	8	
41	99381 1000	Bolt, Connector-Oil Pipe	2	
42	99564 1400	Gasket, Connector Bolt	4	
43	0871 19 963	Clip, Oil Pipe	1	
44	99686 0800	Protector, Oil Pipe	2	
45	99806 0614	Bolt, Clip	1	
	99971 0800	Washer, Spring	1	
46	99868 0512	Screw, Clip	2	
	99971 0500	Washer, Spring	2	
47	0871 19 964A	Clip, Oil Pipe	1	
	0871 19 964B	Clip, Oil Pipe	1	Car No. 159789 $\frac{7}{11}$ ~ O
48	99902 0800	Nut, Clip	1	
	99940 0800	Nut, Clip	1	Car No. 150526 $\frac{7}{8}$ ~ O
	99971 0800	Washer, Spring	1	Car No. 150526 $\frac{7}{8}$ ~ Discarded

# AUTOMATIC TV/MISSION MOTOR

(CONVERTER, OIL PUMP & PIPING) (USED FROM 7/4)





# AUTOMATIC / MISSION MOTORM

(CONVERTER, OIL PUMP & PIPING) (USED FROM 74)

No.	Part Number	Description	Q'ty	Remarks
√ 1	2850 13 331	Spacer, Oil Pipe	1	
√ 2	1758 19 020	Plate, Drive	1	
3	99781 1012	Bolt, Drive Plate	4	
	99971 1000	Washer, Spring	4	
√ 4	0842 19 025	Plate, Backing	1	
5	99781 1018	Bolt, Backing Plate	6	
	99971 1000	Washer, Spring	6	
√ 6	1908 19 027	Cover, Under	1	
√ 7	0454 19 028	Cover, Side	1	
8	99796 0610	Bolt, Under & Side Cover	7	
√ 9	1758 19 028	Cover, Top	1	
10	99796 0610	Bolt, Top Cover	1	
11	99796 0816	Bolt, Top Cover	2	
√ 12	0338 19 100A	Converter, Torque	1	
√ 13	1758 19 211A 1758 19 211 B	Housing, Converter	1	2 5/16" x 1/2" - 7/8"
√ 14	1758 19 215	Gasket, Oil Pump	1	
√ 15	0338 19 216	Bolt, Housing	6	
√ 16	1758 19 220	Pump, Oil	1	
√ 17	0338 19 223	Oil Seal	1	

# AUTOMATIC T / MISSION MOTION

(CONVERTER, OIL PUMP & PIPING) (USED FROM 7/4)

No.	Part Number	Description	Q'ty	Remarks
✓ 18	1758 19 240	Cover	1	
✓ 19	0338 19 245A	Ball	2	
✓ 20	0338 19 256	Ring, Seal	2	
✓ 21	0338 19 257	Ring, Seal	2	
✓ 22	0338 19 258	Seal, Lathe Cut Ring	1	
✓ 23	0338 19 678	Shaft, Input	1	
24	99796 1035	Bolt, Housing	2	
	99796 1040	Bolt	1	
	99796 1045	Bolt	1	
25	99940 1001	Nut, Housing	1	
✓ 26	0338 19 904A	Hose, Vacuum (Rr.)	1	
✓ 27	0808 19 910	Pipe, Vacuum	1	
✓ 28	0842 19 915A	Clip, Vacuum Pipe	1	
29	99796 0610	Bolt, Clip	3	
✓ 30	1053 19 920A	Pipe, Oil	1	
✓ 31	1053 19 930A	Pipe, Oil	1	
✓ 32	1129 19 933	Hose, Oil	1	
✓ 33	1129 19 934	Hose, Oil	1	
✓ 33-1	1758 19 940	Bracket, Pipe	1	3/4 ~ Discarded
✓ 34	1015 19 945A	Plate, Spacer	1	

# AUTOMATIC T / MISSION

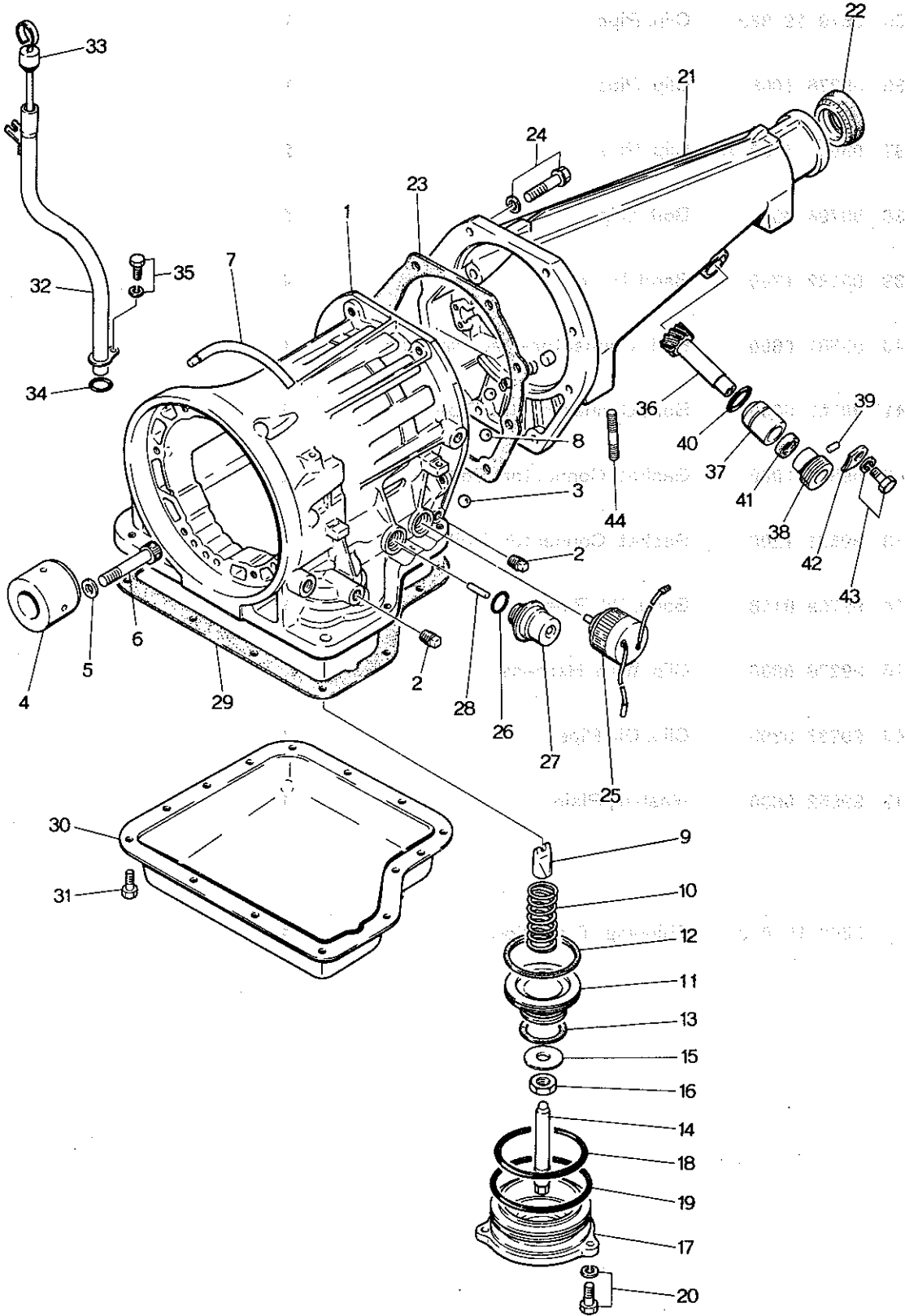
(CONVERTER, OIL PUMP & PIPING) (USED FROM 74/4)



No.	Part Number	Description	Q'ty	Remarks
✓ 35	2579 19 989	Clip, Pipe	1	
36	99276 1006	Clip, Pipe	1	
37	0866 45 903A	Clip, Pipe	2	
38	99796 0620	Bolt, Clip	2	
39	99282 1700	Band, Hose	4	
40	99381 0600	Bolt, Connector - Vacuum Pipe	1	
41	99381 0800	Bolt, Connector - Oil Pipe	2	
42	99564 1000	Gasket, Connector Bolt	2	
43	99564 1200	Gasket, Connector Bolt	4	
44	99709 0108	Band, Oil Pipe	1	
45	99276 0806	Clip, Wire Harness	1	
46	99288 0808	Clip, Oil Pipe	1	
47	99952 0600	Washer, Plain	1	
✓	0808 19 090	Shipping T/mission	1	

# AUTOMATIC T / MISSION (CASE)

(USED UP TO 74/3)



# AUTOMATIC T/MISSION (CASE)

(USED UP TO 7/3)

No.	Part Number	Description	Q'ty	Remarks
1	0338 19 310	Case, T/mission	1	
✓ 2	0338 19 331	Plug, Square Head	3	
	0338 19 331A	Plug, Square Head	3	Car. No. 159711 7/11 ~ ○
3	0338 19 335	Ball, Steel	3	
• ✓ 9961 11 750		Ball, Steel	3	7/11 ~ ○
4	0338 19 336	Race, Inner	1	
5	0338 19 337	Washer, Plain	8	
6	0338 19 338	Bolt	8	
7	0397 19 340	Breather Ass'y, Air	1	
8	99611 2000	Ball, Steel	2	
9	0338 19 361	Strut, Band	1	
10	0338 19 363	Return Spring, Piston	1	
11	0338 19 381A	Piston, Band Servo	1	
12	0338 19 384	Seal, Piston	1	
13	0338 19 385A	Seal, Piston	1	
14	0338 19 386	Stem, Piston	1	
	0338 19 386A	Stem, Piston	1	Car No. 133210 7/1 ~ X
15	0338 19 388	Washer	1	
	0338 19 388A	Washer	1	Car No. 133210 7/1 ~ X
16	0338 19 389	Nut, Band Adjust	1	
17	0338 19 391A	Retainer, Servo	1	
18	0338 19 393	Seal, Lathe Cut Ring	1	
19	0338 19 395	Seal, "O" Ring	1	
20	0338 19 397	Bolt	5	
	0397 19 838	Bolt	3	Car. No. 143349 7/3 ~ Q'ty
			2	Car. No. 143349 7/3 ~ Added Anew
21	0338 19 710A	Housing, Extension	1	
	1675 19 710	Housing, Extension	1	7/3 ~ X
✓ 1840 19 710		Housing, Extension	1	7/2 ~ ○
22	0317 17 335	Oil Seal	1	

# AUTOMATIC T / MISSION (CASE)

(USED UP TO 7/3)

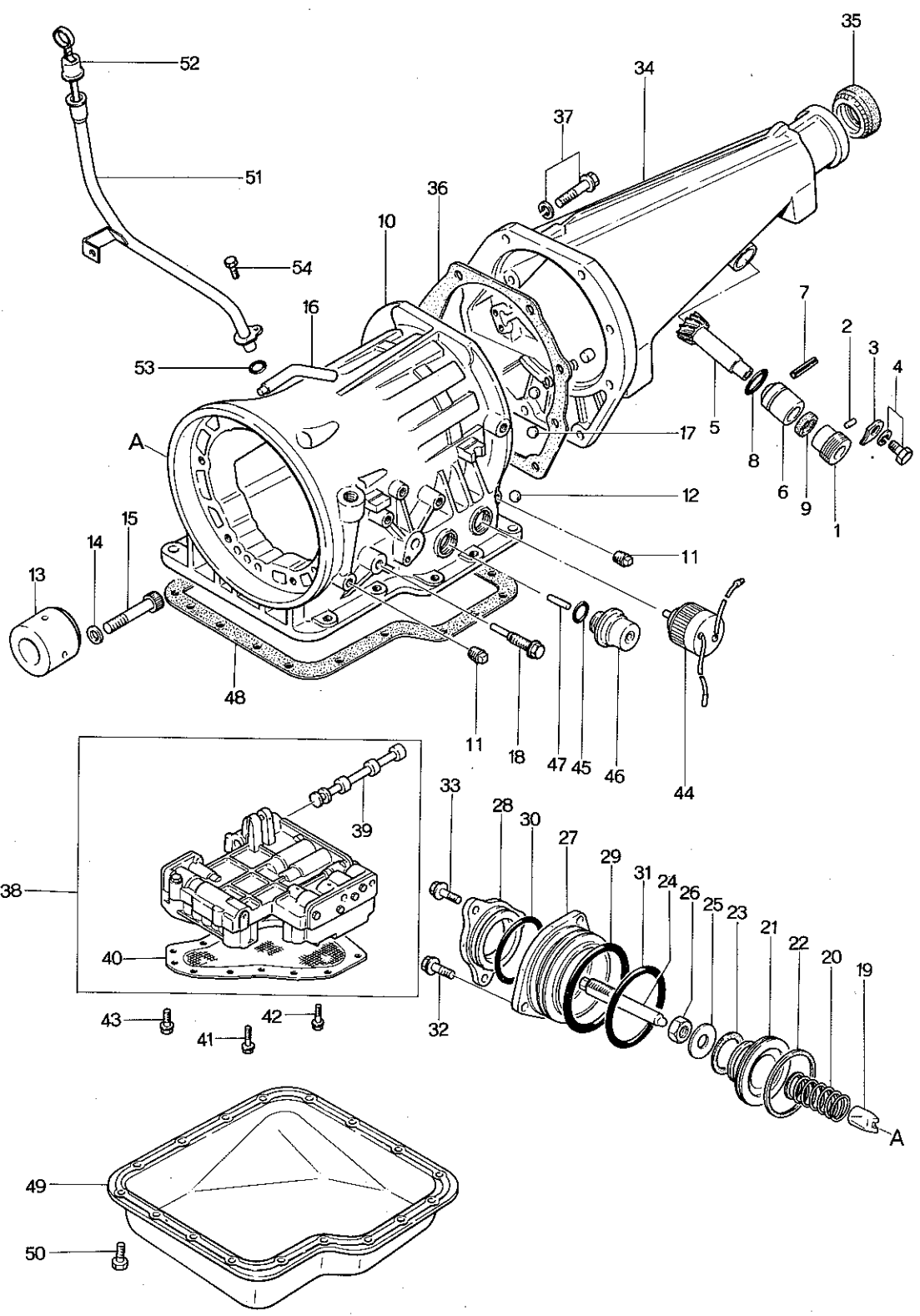
(PART NO. 150526)

No.	Part Number	Description	Q'ty	Remarks
23	0338 19 735	Gasket, Extension	1	
24	0338 19 737	Bolt	8	
	0338 19 739	Washer, Plain	8	
25	0338 19 821	Solenoid, Down Shift	1	
	1675 19 821	Solenoid, Down Shift	1	Car No. 150526 7/3 ~ X
26	0338 19 822	Seal, "O" Ring	2	
27	0338 19 823	Diaphragm, Vacuum	1	
28	0338 19 825	Rod, Diaphragm (ℓ = 30.0)	1	Selective use
	0338 19 826	Rod (ℓ = 31.0)	1	
	0338 19 827	Rod (ℓ = 30.5)	1	
	0338 19 828	Rod (ℓ = 29.0)	1	
	0338 19 829	Rod (ℓ = 29.5)	1	
29	0338 19 835	Gasket, Oil Pan	1	
●	0338 19 835A	Gasket, Oil Pan	1	7/3 ~ O
30	0338 19 836	Pan, Oil	1	
31	0338 19 837	Bolt	14	
32	2070 19 870	Tube, Oil	1	
33	0338 19 880	Gauge	1	
34	99541 01801	Ring, "O"	1	
35	908062 6 14	Bolt, Set	1	
36	0305 17 345	Gear, Driven	1	
	0862 17 441	Gear, Driven	1	Car No. 7/1 ~ X
37	0187 17 346B	Sleeve	1	
	0862 17 442	Sleeve	1	Car No. 7/1 ~ X
38	0187 17 351A	Joint	1	
	0862 17 351	Joint	1	Car No. 7/1 ~ X
39	0187 17 352	Pin, Dowel	1	
40	99541 02101	Ring, "O"	1	
	99541 02211	Ring, "O"	1	Car No. 7/1 ~ X
41	99588 10207	Seal, Oil	1	
42	0111 17 354	Plate, Lock	1	
43	908062 6 14	Bolt, Set - Lock Plate	1	
44	99851 0814	Stud, T/mission Support	2	



# AUTOMATIC T/MISSION

(CASE & MAIN CONTROL) (USED FROM 74/)





# AUTOMATIC T/MISSION

(CASE & MAIN CONTROL) (USED FROM 7 3/4)

No.	Part Number	Description	Q'ty	Remarks
1	0862 17 351	Joint, Cable - Speedometer	1	
2	0187 17 352	Pin, Dowel - Driven Gear	1	
3	0111 17 354	Plate, Lock - Cable Joint	1	
4	99806 0614	Bolt, Lock Plate	1	
	99971 0600	Washer, Spring	1	
5	0862 17 441	Gear, Driven - Speedometer	1	
6	0862 17 442	Sleeve, Speedometer Driven Gear	1	
7	99222 0216	Pin, Spring	1	
8	99541 02211	Ring, "O" - Driven Gear	1	
9	99586 10207	Oil Seal, Driven Gear	1	
10	1758 19 310	Case, T/mission	1	
11	0338 19 331A	Plug, Square Head	3	
12	99611 1750	Ball, Steel	3	
13	0338 19 336	Race, Inner	1	
14	0338 19 337	Washer, Plain	8	
15	0338 19 338	Bolt	8	
16	0378 19 344	Breather, Air	1	
17	99611 2000	Ball, Steel	2	

# AUTOMATIC T / MISSION

(CASE & MAIN CONTROL) (USED FROM 7/4)

No.	Part Number	Description	Q'ty	Remarks
18	1758 19 341	Bolt, Anchor End	1	
19	0338 19 361	Strut, Band	1	
20	0338 19 363	Spring, Return - Piston	1	
21	0842 19 381	Piston, Band Servo	1	
22	0338 19 384	Seal, Piston	1	
23	0842 19 385	Seal, Piston	1	
24	1758 19 386	Stem, Piston	1	
25	0338 19 388A	Washer, Plain	1	
26	0338 19 389	Nut, Band Adjust	1	
27	1758 19 391	Retainer, Servo	1	
28	1758 19 392	Cover, Servo	1	
29	0842 19 394	Seal, Lathe Cut Ring	1	
30	1758 19 394	Ring, "O"	1	
31	0338 19 395	Seal, "O" Ring	1	
32	0338 19 397	Bolt	3	
33	1758 19 397	Bolt, Servo	3	
34	1840 19 710	Housing, Extension	1	
35	0376 17 335	Oil Seal	1	

# AUTOMATIC T / MISSION

(CASE & MAIN CONTROL) (USED FROM 74/4)

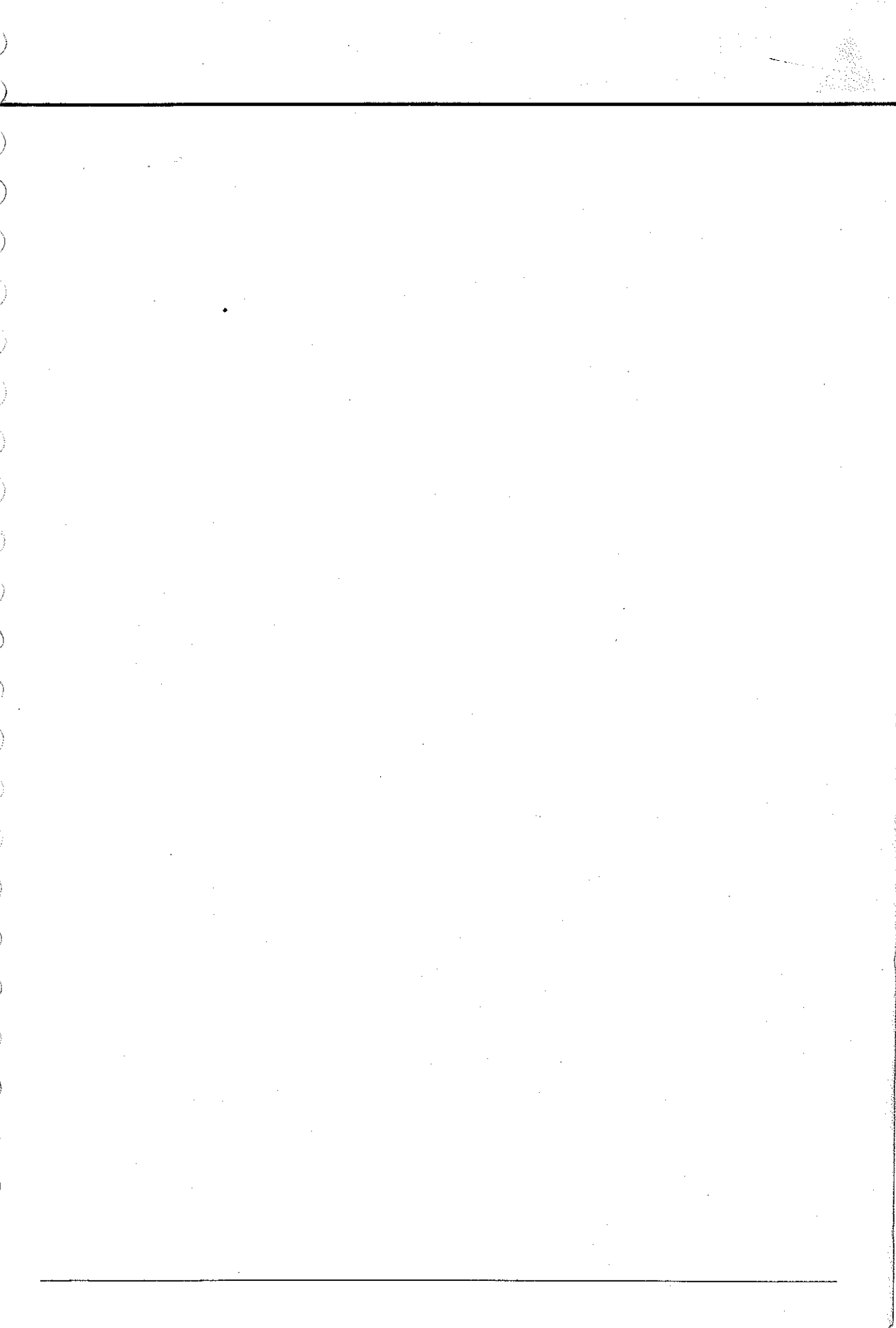
19

No.	Part Number	Description	Q'ty	Remarks
36	0338 19 735	Gasket, Extension Housing	1	
37	0338 19 737	Bolt, Extension Housing	8	
	0338 19 739	Washer, Plain	8	
38	1758 19 750	Valve, Control	1	
39	0338 19 768	Valve, Manual	1	
40	1758 19 815	Strainer, Oil	1	
41	0338 19 831	Bolt, Control Valve	3	
42	0338 19 832	Bolt, Control Valve	2	
43	0338 19 833	Bolt, Control Valve	2	
44	1675 19 821	Solenoid, Down Shift	1	
45	0338 19 822	Seal, "O" Ring	2	
46	1758 19 823	Diaphragm, Vacuum	1	
47	0338 19 825	Rod, Diaphragm (ℓ = 30.0)	} Selective use	
	0338 19 826	Rod (ℓ = 31.0)		
	0338 19 827	Rod (ℓ = 30.5)		
	0338 19 828	Rod (ℓ = 29.0)		
	0338 19 829	Rod (ℓ = 29.5)		

# AUTOMATIC T / MISSION

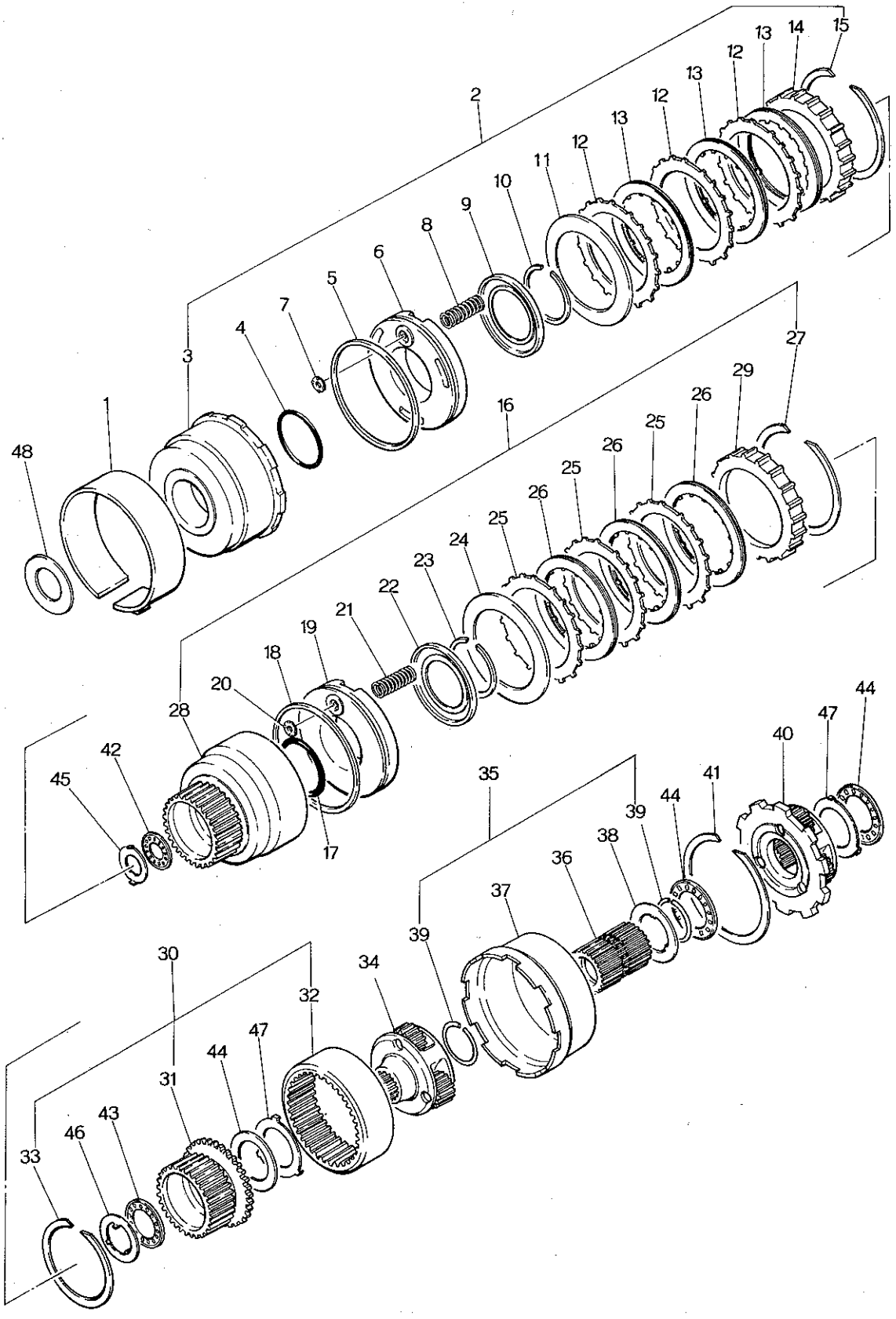
(CASE & MAIN CONTROL) (USED FROM 7/4)

No.	Part Number	Description	Q'ty	Remarks
48	1758 19 835	Gasket, Oil Pan	1	
49	1758 19 836	Pan, Oil	1	
50	0338 19 837	Bolt, Oil Pan	17	
51	0808 19 870	Tube, Oil Level	1	
52	1758 19 880	Gauge, Oil Level	1	
53	99541 01601	Ring, "O" - Oil Level Tube	1	
54	99796 0610	Bolt, Oil Level Tube	1	



# AUTOMATIC T/MISSION

(CLUTCH & PLANETARY GEAR)



# AUTOMATIC T / MISSION

## (CLUTCH & PLANETARY GEAR)

19

No.	Part Number	Description	Q'ty	Remarks
1	0338 19 360	Band, Brake	1	
2	0338 19 460	Clutch, Front	1	
3	0338 19 470	Drum, Clutch	1	
4	0338 19 475	Seal, "O" Ring	1	
5	0338 19 476	Seal, Lathe Cut	1	
6	0338 19 480	Piston, Clutch	1	
7	0338 19 493	Retainer, Ball	1	
8	0338 19 486	Spring, Piston Return	10	
9	0338 19 487	Retainer, Spring	1	
10	0338 19 488	Ring, Snap	1	
11	0338 19 498	Plate, Dished	1	
12	0338 19 499	Plate, Driven	3	
13	0338 19 500	Plate, Drive	3	
14	0338 19 503	Plate, Retaining	} Selective use	
	0338 19 504	Plate, Retaining		
	0338 19 505	Plate, Retaining		
	0338 19 506	Plate, Retaining		
	0338 19 507	Plate, Retaining		
	0338 19 508	Plate, Retaining		
15	0338 19 509	Ring, Snap	1	
16	0338 19 510	Clutch, Rear	1	
17	0338 19 475	Seal, "O" Ring	1	

# AUTOMATIC T / MISSION

(CLUTCH & PLANETARY GEAR)

No.	Part Number	Description	Q'ty	Remarks
18	0338 19 476	Seal, Lathe Cut	1	
19	0338 19 480	Piston, Clutch	1	
20	0338 19 493	Retainer, Ball	1	
21	0338 19 486	Spring, Piston Return	10	
22	0338 19 487	Retainer, Spring	1	
23	0338 19 488	Ring, Snap	1	
24	0338 19 498	Plate, Dished	1	
25	0338 19 499	Plate, Driven	4	
26	0338 19 500	Plate, Drive	4	
27	0338 19 509	Ring, Snap	1	
28	0338 19 511	Drum, Rear Clutch	1	
29	0338 19 515	Plate, Retaining	1	
30	0338 19 530	Hub, Rear Clutch	1	
31	0338 19 531	Hub, Rear Clutch	1	
32	0338 19 533	Gear, Internal	1	
33	0338 19 534	Ring, Snap	1	
34	0338 19 540	Carrier, Front	1	
35	0338 19 550	Shell, Sun Gear	1	
36	0338 19 560	Gear, Sun	1	
37	0338 19 565	Shell, Connecting	1	



# AUTOMATIC T / MISSION

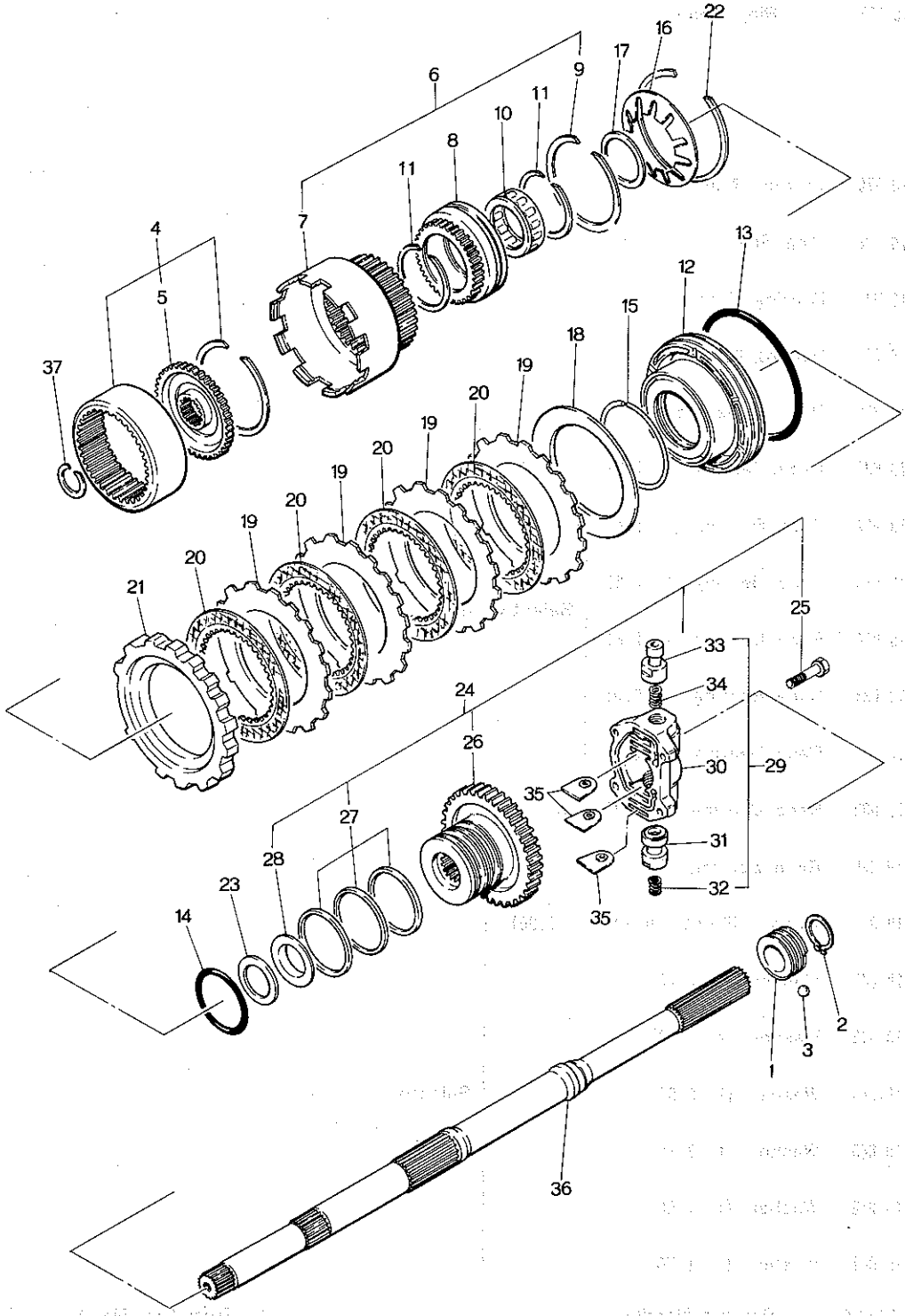
## (CLUTCH & PLANETARY GEAR)

19

No.	Part Number	Description	Q'ty	Remarks
38	0338 19 566	Race, Bearing Seal	1	
39	0338 19 567	Ring, Snap	2	
40	0338 19 570	Carrier, Rear	1	
41	0338 19 598	Ring, Snap	1	
42	0338 19 621	Bearing, Needle	1	
43	0338 19 622	Beering, Needle	1	
44	0338 19 623	Beering, Needle	3	
45	0338 19 631	Race, Bearing (t=1.2)	} Selective use 1	
	0338 19 632	Race, Bearing (t=1.4)		
	0338 19 633	Race, Bearing (t=1.6)		
	0338 19 634	Race, Bearing (t=1.8)		
	0338 19 635	Race, Bearing (t=2.0)		
	0338 19 636	Race, Bearing (t=2.2)		
46	0338 19 638	Race, Bearing Rear Clutch	1	
47	0338 19 639	Race, Bearing	2	
48	0338 19 641	Washer, Front Clutch (t=1.90)	} Selective use 1	
	0338 19 642	Washer (t=2.10)		
	0338 19 643	Washer (t=2.30)		
	0338 19 644	Washer (t=2.50)		
	0338 19 645	Washer (t=2.70)		
	0338 19 646	Washer (t=1.50)		
	0338 19 647	Washer (t=1.70)		
49	0338 19 624	Bearing, Needle	1	From Car No. 1

# AUTOMATIC T/MISSION

(LOW, REVERSE & GOVERNOR)



# AUTOMATIC T/MISSION

(LOW, REVERSE & GOVERNOR)



No.	Part Number	Description	Q'ty	Remarks
1	0305 17 341	Gear, Drive - Speedometer	1	
✓ ●	0862 17 341	Gear, Drive - Speedometer	1	Car No. 162203 <del>1/2</del> ~ X
2	99573 2500	Ring, Snap - Drive Gear	1	
3	99611 1500	Ball, Steel	1	
4	0338 19 580	Flange	1	
5	0338 19 581	Flange, Drive	1	
6	0338 19 590	Drum, Connecting	1	
7	0338 19 591	Drum, Connecting	1	
8	0338 19 593	Race, Outer	1	
9	0338 19 594	Ring, Snap	1	
10	0338 19 595	Clutch, One Way	1	
11	0338 19 596	Ring, Snap	2	
12	0338 19 601	Piston, Low & Reverse	1	
13	0338 19 603	Seal, Piston	1	
14	0338 19 604	Seal, "O" Ring	1	
15	0338 19 605	Ring, Thrust Spring	1	
16	0338 19 606	Spring, Piston	1	
17	0338 19 607	Ring, Snap	1	

# AUTOMATIC T / MISSION

(LOW, REVERSE & GOVERNOR) (W.O.D.)

No.	Part Number	Description	Q'ty	Remarks
18	0338 19 608	Plate, Dished	1	
19	0338 19 609	Plate, Driven	4	
20	0338 19 610	Plate, Driven	4	
21	0378 19 613	Plate, Retaining (t=15.8)	1	
✓ ●	0338 19 613A	Plate (t=15.8)	} Selective use 1	
	0378 19 614	Plate (t=16.0)		
/ ●	0338 19 614A	Plate (t=16.0)		
	0378 19 615	Plate (t=16.2)		
✓ ●	0338 19 615A	Plate (t=16.2)		
	0378 19 616	Plate (t=16.4)		
✓ ●	0338 19 616A	Plate (t=16.4)		
	0378 19 617	Plate (t=16.6)		
✓ ●	0338 19 617A	Plate (t=16.6)		
	0378 19 618	Plate (t=16.8)		
✓ ●	0338 19 618A	Plate (t=16.8)		
✓ ●	22 0338 19 619	Ring, Snap	1	
	23 0338 19 622	Bearing, Needle	1	
	24 0842 19 650	Distributor, Oil	1	
	25 0338 19 397	Bolt	4	
	26 0338 19 651	Distributor	1	
	27 0338 19 655	Ring, Seal	3	
	28 0338 19 656	Race, Bearing	1	
	29 0842 19 660	Governor, Fig. No. 30~33 included	1	
	30 0338 19 661	Body	1	
	31 0338 19 663	Valve	1	

# AUTOMATIC T/MISSION

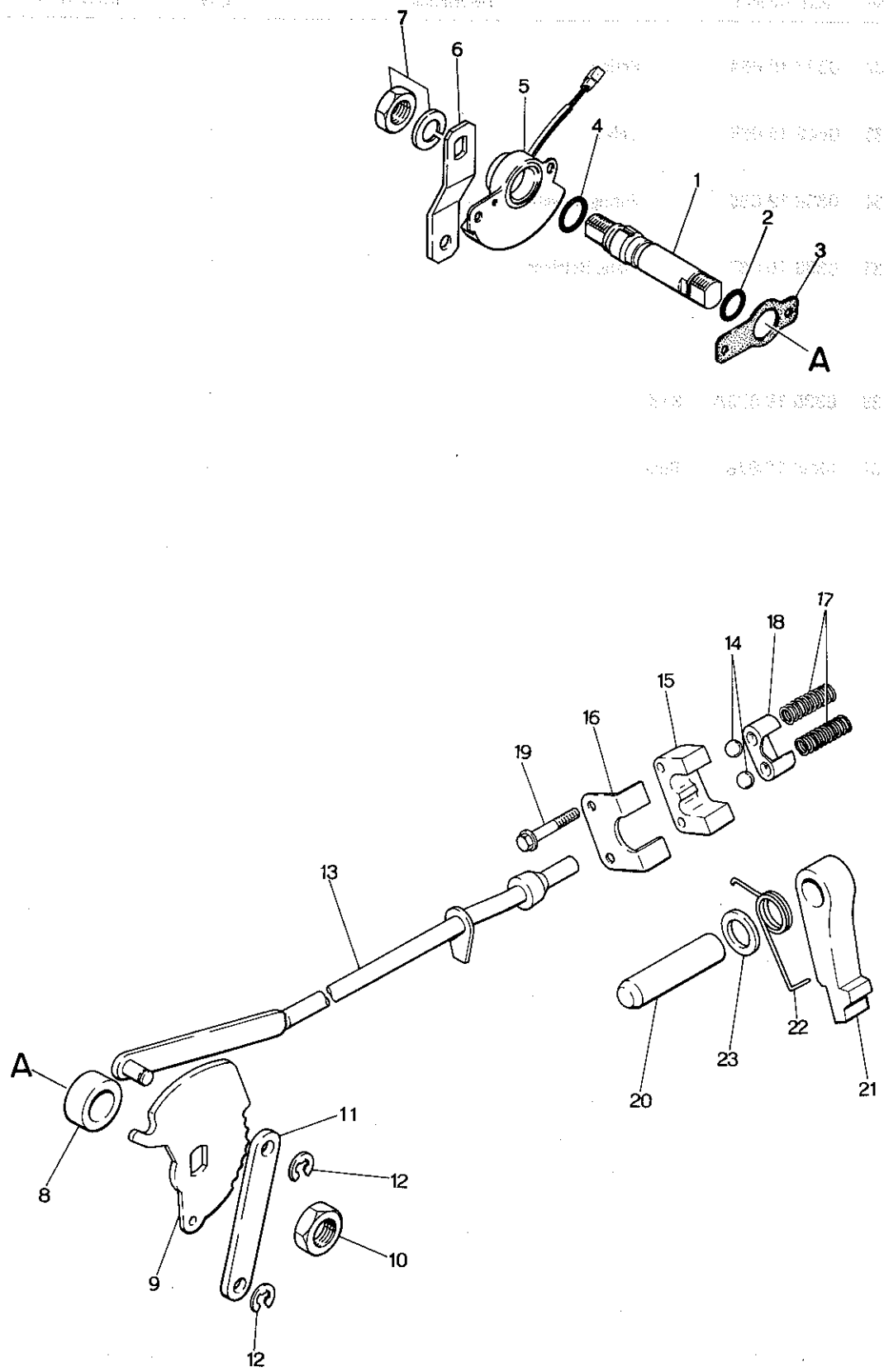
(LOW, REVERSE & GOVERNOR)

19

No.	Part Number	Description	Q'ty	Remarks
32	0338 19 664	Spring	1	
33	0842 19 665	Valve	1	
34	0338 19 666	Spring, Governor	1	
35	0338 19 667	Plate, Retainer	3	
36	0338 19 670A	Shaft	1	
37	0338 19 676	Ring	1	

# AUTOMATIC T/MISSION

(MANUAL LINKAGE) (USED UP TO 7 $\frac{2}{3}$ )



# AUTOMATIC T / MISSION

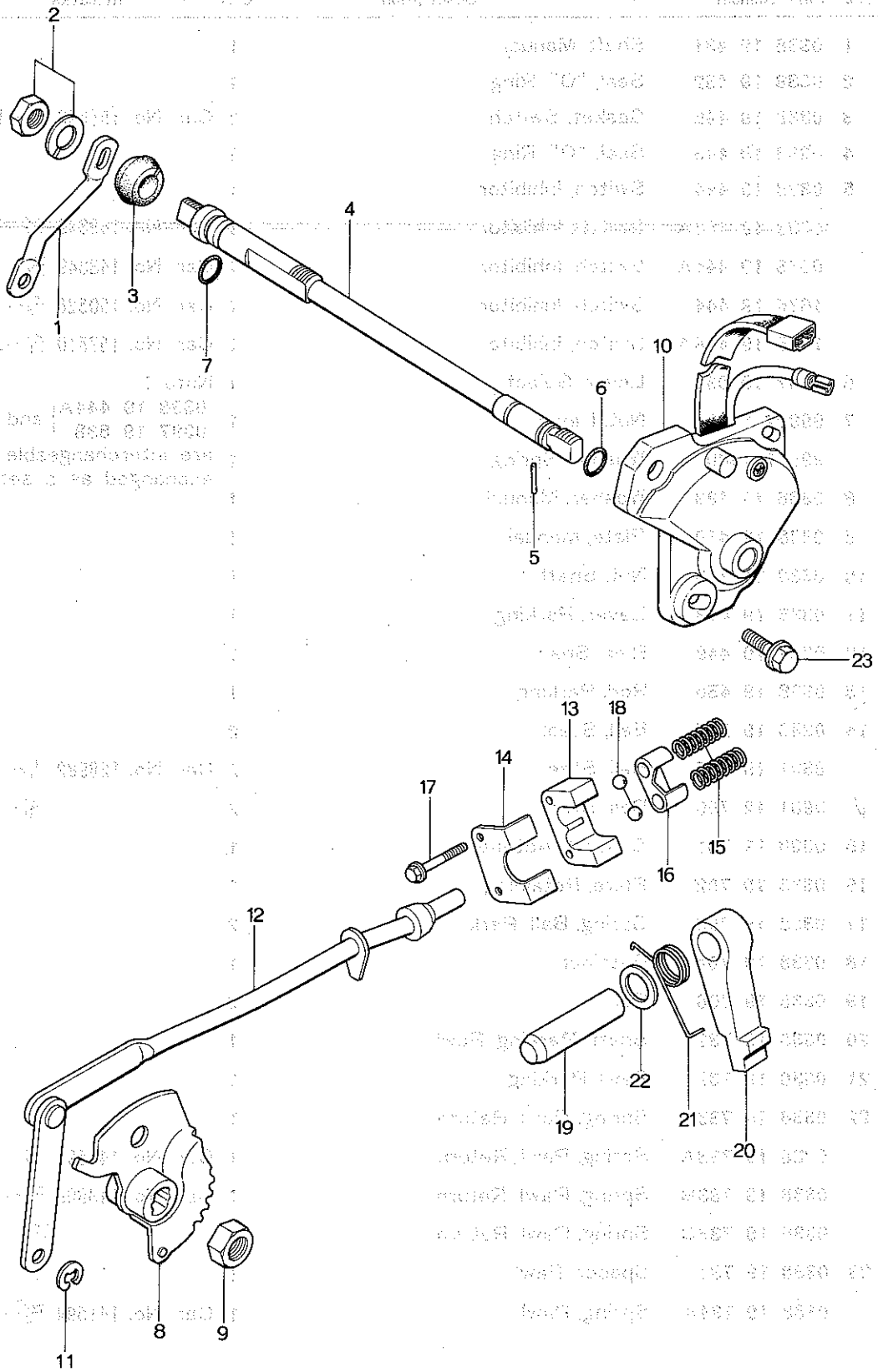
(MANUAL LINKAGE) (USED UP TO  $\frac{74}{3}$ )

19

No.	Part Number	Description	Q'ty	Remarks
1	0338 19 431	Shaft, Manual	1	
2	0338 19 432	Seal, "O" Ring	1	
3	0338 19 445	Gasket, Switch	1	Car No. 155593 $\frac{72}{10}$ ~ Discarded
4	0338 19 446	Seal, "O" Ring	1	
5	0338 19 444	Switch, Inhibitor	1	
	<del>0338 19 444A</del>	<del>Switch, Inhibitor</del>	<del>1</del>	<del>Car No. 143349 <math>\frac{72}{3}</math> ~ X</del>
	0338 19 444A	Switch, Inhibitor	1	Car No. 143349 $\frac{72}{3}$ ~ X
	1675 19 444	Switch, Inhibitor	1	Car No. 150526 $\frac{72}{8}$ ~ $\Delta$
	1675 19 444A	Switch, Inhibitor	1	Car No. 157510 $\frac{72}{10}$ ~ $\Delta$
6	0842 19 031	Lever, Select	1	Noto :
7	99922 1400	Nut, Lever	1	0338 19 444A } and (0338 19 444A) 0397 19 838 } are interchangeable when exchanged as a set
	99971 1400	Washer, Spring	1	
8	0338 19 433	Washer, Manual	1	
9	0338 19 440	Plate, Manual	1	
10	0338 19 443	Nut, Shaft	1	
11	0338 19 448	Lever, Parking	1	
12	0338 19 449	Ring, Snap	1	
13	0338 19 450	Rod, Parking	1	
14	0338 19 245	Ball, Steel	2	
	0397 19 705	Ball, Steel	2	Car No. 128982 $\frac{72}{12}$ ~ $\bigcirc$
● ✓	9961 12 750	Ball, Steel	2	$\frac{72}{11}$ ~ $\bigcirc$
15	0338 19 701	Support, Actuator	1	
16	0338 19 702	Plate, Retaining	1	
17	0338 19 703	Spring, Ball Park	2	
18	0338 19 704	Retainer	1	
19	0338 19 706	Bolt	2	
20	0338 19 731	Shaft, Parking Pawl	1	
21	0338 19 732	Pawl, Parking	1	
22	0338 19 733	Spring, Pawl Return	1	
	0338 19 733A	Spring, Pawl Return	1	Car No. 141594 $\frac{72}{2}$ ~ $\Delta$
✓ ●	0338 19 733B	Spring, Pawl Return	1	Car No. 143809 $\frac{72}{4}$ ~ $\Delta$
✓ ●	0338 19 733C	Spring, Pawl Return	1	$\frac{72}{8}$ ~ $\bigcirc$
23	0338 19 734	Spacer, Pawl	1	
	0338 19 734A	Spring, Pawl	1	Car No. 141594 $\frac{72}{2}$ ~ $\Delta$

# AUTOMATIC T/MISSION

(MANUAL LINKAGE) (USED FROM 7/4)





# AUTOMATIC T/MISSION

(MANUAL LINKAGE) (USED FROM 7/4)



No.	Part Number	Description	Q'ty	Remarks
1	1015 19 031	Lever, Select	1	
2	99922 1400	Nut, Select Lever	1	
	99971 1400	Washer, Spring	1	
3	1758 19 036	Seal, Dust	1	
4	1758 19 431	Shaft, Manual	1	
5	1758 19 434	Pin, Manual Shaft	1	
6	99541 00901	Ring, "O"-Manual Shaft	1	
7	99541 01201	Ring, "O"	1	
8	1758 19 440	Plate, Manual	1	
9	1758 19 443	Nut, Manual Shaft	1	
10	1758 19 444	Switch, Inhibitor	1	
11	0338 19 449	Ring, Snap	2	
12	1758 19 450	Rod, Parking	1	
13	0338 19 701	Support, Actuator	1	
14	0338 19 702	Plate, Retaining	1	
15	0338 19 703	Spring, Ball Park	2	
16	0338 19 704	Retainer, Actuator Support	1	
17	0338 19 706	Bolt, Actuator Support	2	
18	99611 2750	Ball, Steel	2	
19	0338 19 731	Shaft, Parking Pawl	1	

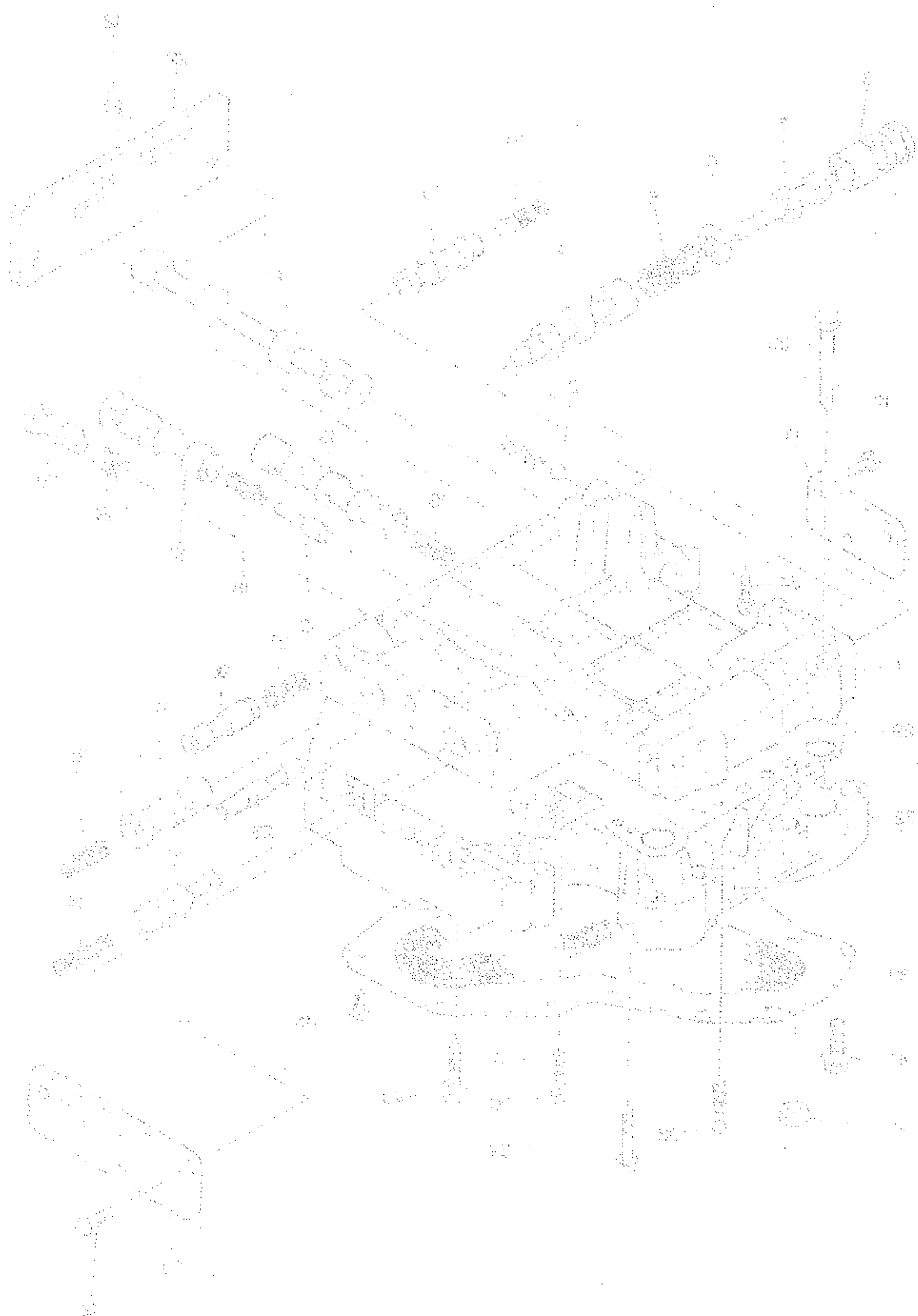
# AUTOMATIC T / MISSION

(MANUAL LINKAGE) (USED FROM 7/4)

No.	Part Number	Description	Q'ty	Remarks
20	0338 19 732	Pawl, Parking	1	
21	0338 19 733 C	Spring, Pawl Return	1	
22	0338 19 734 A	Spacer, Dowel	1	
23	0397 19 838	Bolt, Inhibitor Switch	3	

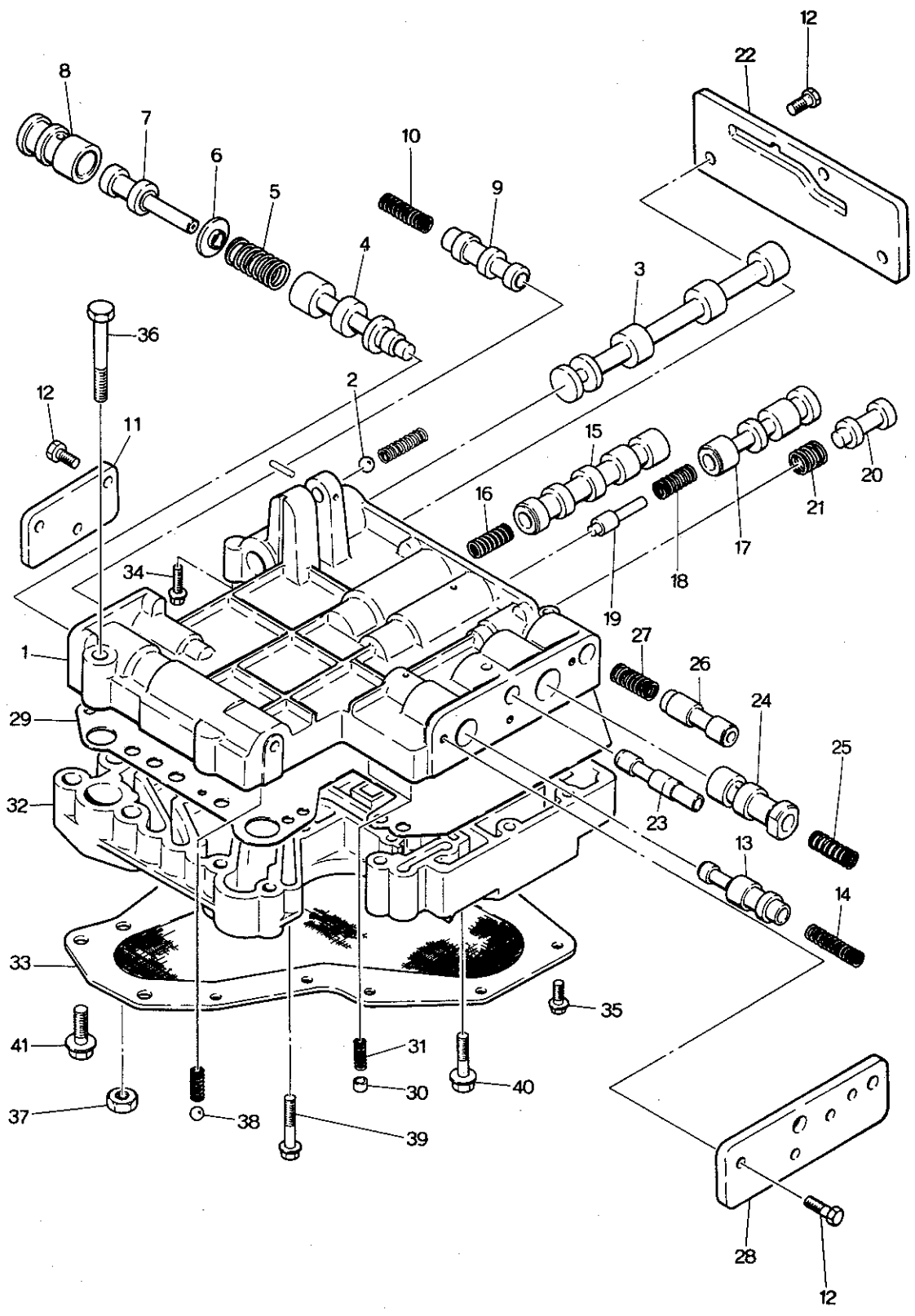
# MOBBIM T OITAMOTUA

(# OF SU ORBI) (JONTWOC MIAM)



# AUTOMATIC T/MISSION

(MAIN CONTROL) (USED UP TO 7 1/2)



# AUTOMATIC T/MISSION

(MAIN CONTROL)(USED UP TO 7/3)

19

No.	Part Number	Description	Q'ty	Remarks
	0397 19 750	Valve, Control	1	
1	0338 19 760	Body	1	Order Under No. 0397 19 750
2	99611 2500	Ball, Steel	1	
3	0338 19 768	Valve, Manual	1	
4	0338 19 771	Valve, Regulator Pressure	1	
5	0338 19 772	Spring, Regulator Pressure	1	
6	0338 19 773	Seat, Spring	1	
7	0397 19 774	Plug, Regulator Pressure	1	
8	0397 19 775	Sleeve, Plug	1	
9	0338 19 777	Valve, Second Lock	1	
10	0338 19 778	Spring, Second Lock	1	
11	0338 19 781	Plate, Side "D"	1	
12	0338 19 782	Screw	9	
13	0338 19 783	Valve, 2 ~ 3 Timing	1	
14	0338 19 784	Spring	1	
15	0338 19 785	Valve, 1 ~ 2 Shift	1	
16	0338 19 786	Spring	1	
17	0338 19 787	Valve, 2 ~ 3 Shift	1	
18	0338 19 788	Spring	1	
19	0338 19 789	Plug, 2 ~ 3 Shift	1	
20	0338 19 791	Valve, Modifier	1	
21	0338 19 792	Spring, Modifier	1	
22	0338 19 793	Plate, Side "A"	1	
23	0338 19 795	Valve, Vacuum Throttle	1	
24	0338 19 797	Valve, Throttle Back Up	1	
25	0338 19 798	Spring, Throttle Back Up	1	

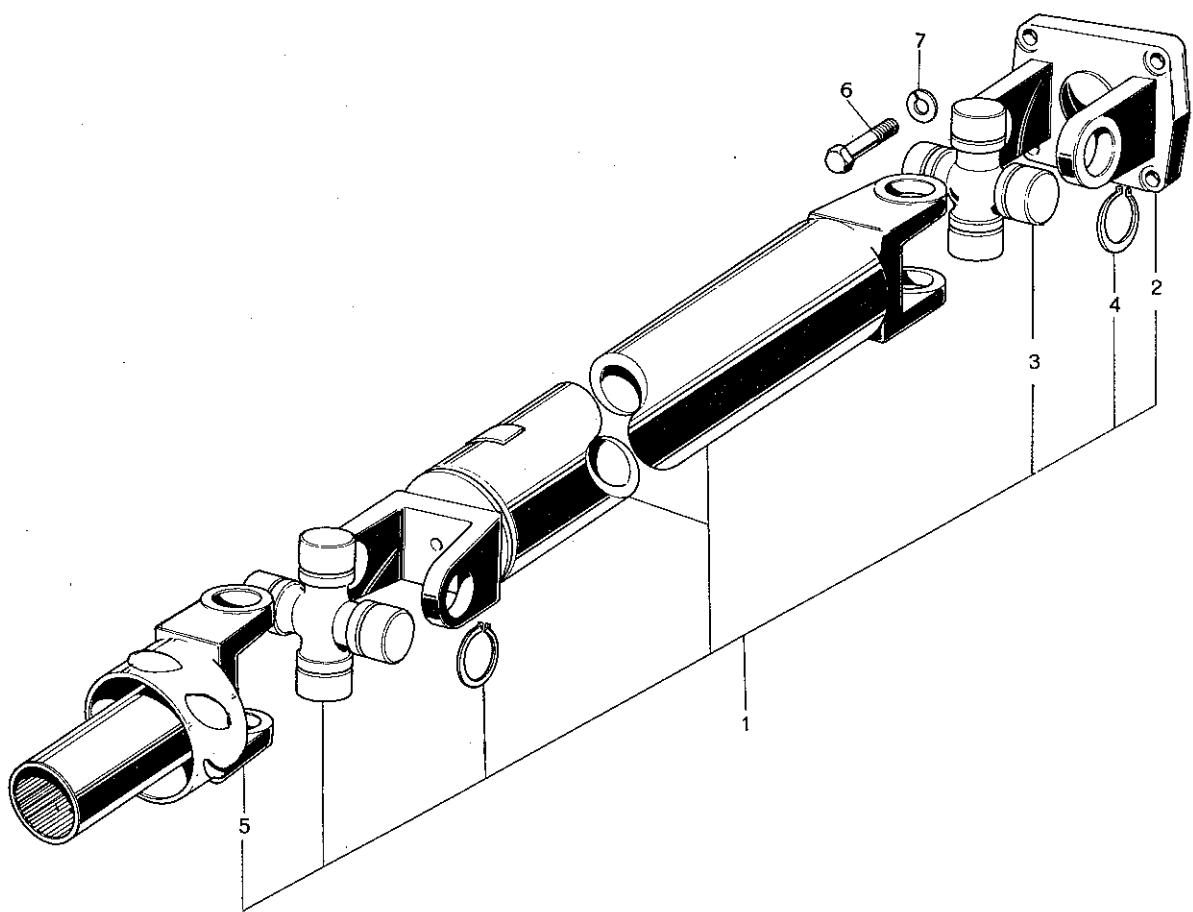
# AUTOMATIC T / MISSION

(MAIN CONTROL) (USED UP TO 74/3)

No.	Part Number	Description	Q'ty	Remarks
26	0338 19 801	Valve, Down Shift	1	
27	0338 19 802	Spring, Down Shift	1	
28	0338 19 803	Plate, Side "B"	1	
29	0338 19 805	Plate, Separator	1	Order Under No. 0397 19 750
30	0338 19 807	Valve, Orifice Check	2	
31	0338 19 808	Spring, Orifice Check	2	
32	0338 19 811	Body, Lower	1	
33	0338 19 815	Strainer, Oil	1	
34	0338 19 816	Screw	87	
35	0338 19 817	Screw	10	
36	0338 19 818	Bolt	2	Order Under No. 0397 19 750
37	0338 19 819	Nut	2	
38	99811 2000	Ball, Steel	1	
39	0338 19 831	Bolt	3	
40	0338 19 832	Bolt	2	
41	0338 19 833	Bolt	2	



# PROPELLER SHAFT

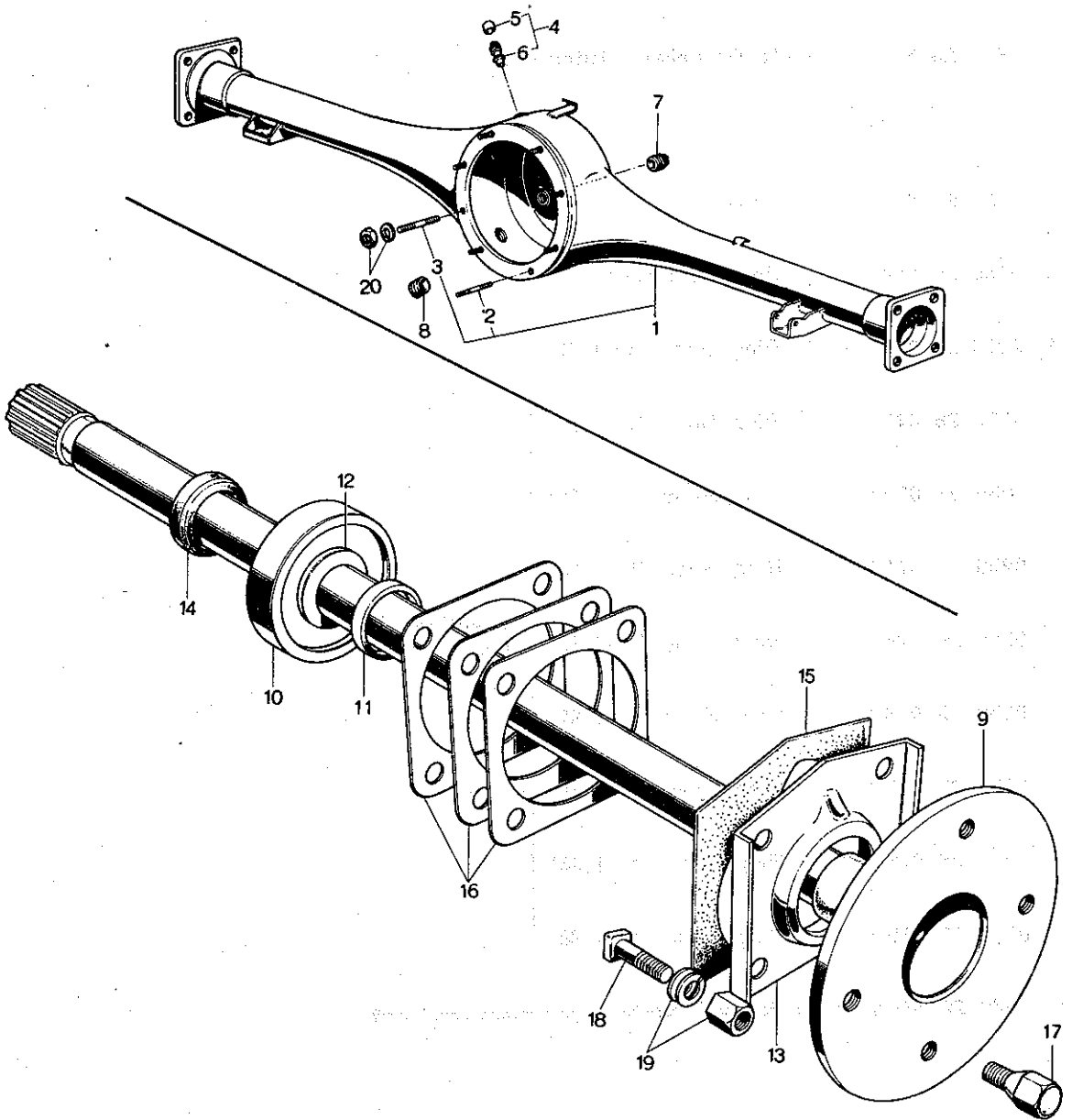




# PROPELLER SHAFT

25

No.	Part Number	Description	Q'ty	Remarks
1	0866 25 100	Shaft, Propeller (Manual)	1	
	0866 25 100 A	Shaft, Propeller (Manual)	1	Car No. 149635 $\frac{7}{16}$ ~○
	0862 25 100 A	Shaft, Propeller (Manual)	1	Car No. 160623 $\frac{7}{16}$ ~X
	0871 25 100	Shaft, Propeller (Automatic)	1	
2	0259 25 021 B	Yoke	1	
3	0259 25 060	Joint, Universal	1	
4	0259 25 071 A	Ring, Snap (t=1.22)	1	Selective use
	0259 25 072 A	Ring, Snap (t=1.24)		
	0259 25 073 A	Ring, Snap (t=1.26)		
	0259 25 074 A	Ring, Snap (t=1.28)		
	0259 25 075 A	Ring, Snap (t=1.30)		
	0259 25 076 A	Ring, Snap (t=1.32)		
	0259 25 077 A	Ring, Snap (t=1.34)		
	0259 25 078 A	Ring, Snap (t=1.36)		
	0259 25 079 A	Ring, Snap (t=1.38)		
<del>5</del>	<del>0866 25 130</del>	<del>Yoke, Sliding</del>	<del>1</del>	
6	0223 25 024	Bolt	4	
	997523 0818	Bolt	4	Car No. 157735 $\frac{7}{16}$ ~○
7	99971 0800	Washer, Spring	4	



# REAR AXLE

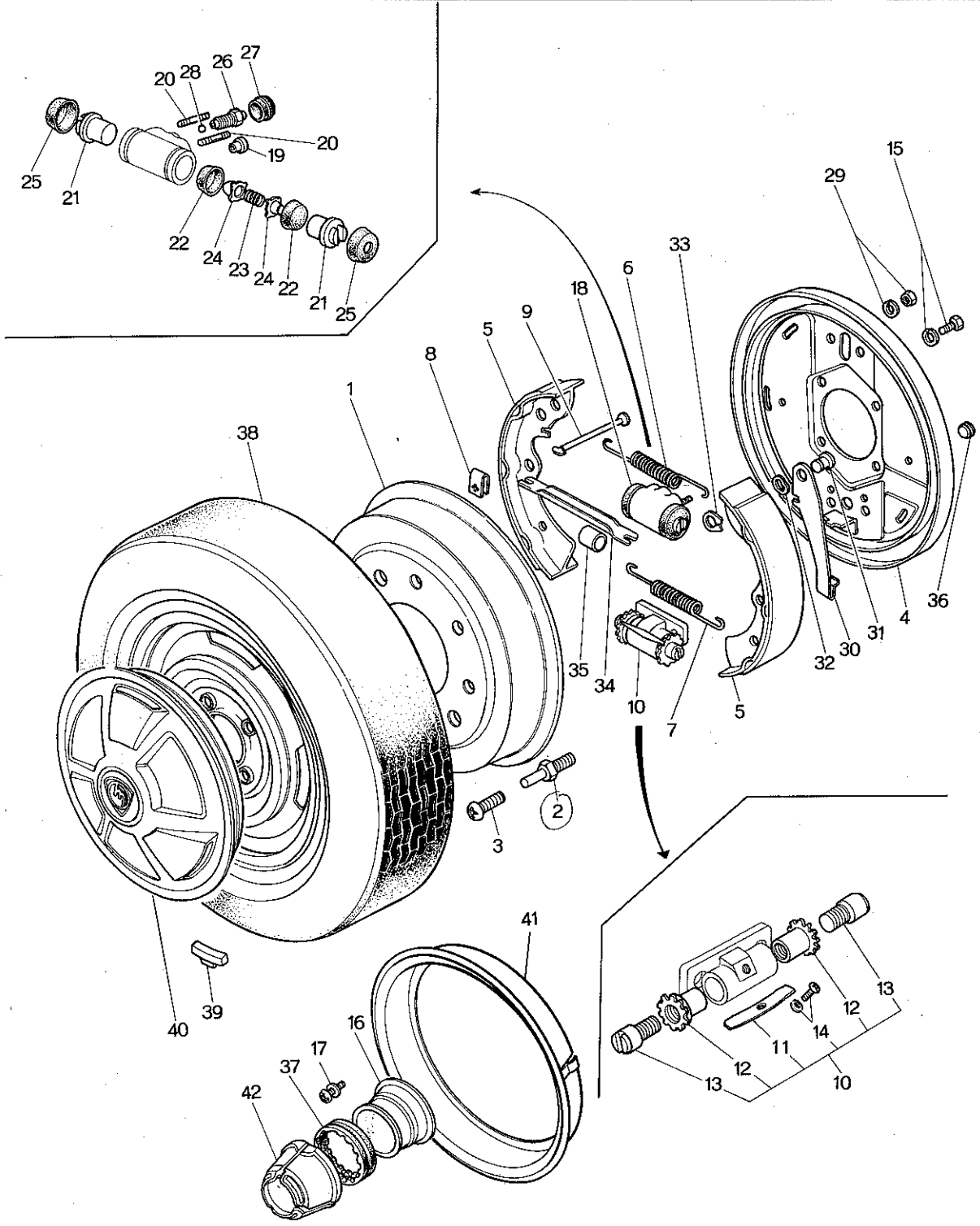
26

No.	Part Number	Description	Q'ty	Remarks
1	0866 26 010B	Casing, Rear Axle	1	
2	99852 0820	Stud	7	
•	✓ 99852 0820F	Stud	7	$\frac{7}{10}$ ~ ○
•	✓ 99789 0820F	Stud	7	$\frac{7}{2}$ ~ ○
3	✓ 99852 0880	Stud	1	
•	✓ 99852 0880F	Stud	1	$\frac{7}{10}$ ~ ○
•	✓ 99789 0880F	Stud	1	$\frac{7}{2}$ ~ ○
4	0866 26 060	Breather	1	
5	<del>0866 26 062</del>	<del>Cap, Breather</del>	<del>1</del>	
6	<del>0866 26 063</del>	<del>Body, Breather</del>	<del>1</del>	
7	0259 26 041	Plug, Oil Level	1	
8	0259 26 051	Plug, Magnet Drain	1	
9	0870 26 111A	Shaft (R), Rear Axle	1	
	0870 26 115A	Shaft (L), Rear Axle	1	
10	0317 26 151A	Bearing, Rear Wheel	2	
11	0259 26 155	Spacer, Bearing	2	
12	0259 26 152	Collar, Bearing	2	
13	0317 26 121	Retainer, Bearing	2	
14	0187 26 154	Oil Seal	2	
15	0259 26 129	Gasket	2	

No.	Part Number	Description	Q'ty	Remarks
16	0259 26 141	Shim, Adjust (t=0.1)	2	Selective use
	0259 26 142	Shim, Adjust (t=0.4)		
17	0259 33 165	Bolt, Wheel Set	8	
	0820 33 165	Bolt, Wheel Set (With Center Cap)	8	
	0820 33 165A	Bolt, Wheel Set (With Center Cap)	8	Car No. 151154 $\frac{7}{8}$ ~ $\Delta$
18	0259 26 132	Bolt, Retainer	8	
19	99901 0800	Nut, Retainer	8	
	99971 0800	Washer, Spring	8	
20	99901 0800	Nut, Differential	8	
	99971 0800	Washer, Spring	8	



# REAR BRAKE



# REAR BRAKE

26

No.	Part Number	Description	Q'ty	Remarks
1	0866 26 251	Drum, Rear Brake	2	
	0305 26 251	Drum, Rear Brake	2	Car No. 152816 $\frac{7}{9}$ ~○
	0305 26 251 A	Drum, Rear Brake	2	Car No. 155593 $\frac{7}{10}$ ~○
	<del>1504 26 251 A</del>	<del>Drum, Rear Brake</del>	<del>2</del>	<del>1558, 1559</del>
	1504 26 251 B	Drum, Rear Brake	2	$\frac{7}{12}$ ~○
	1504 26 251 A	Drum, Rear Brake	2	1558, 1559 From Car No. 1
2	0305 26 255	Bolt	4	
3	99833 0812	Bolt, Center Cap	4	
4	0866 26 280 B	Plate (R), Brake Back	1	
	0866 26 290 B	Plate (L), Brake Back	1	
5	0866 26 310	Shoe, Brake (Front Disc Brake use)	4	
	0866 26 310 A	Shoe, Brake (Front Disc Brake use)	4	Car No. 155593 $\frac{7}{10}$ ~○
6	0187 26 341	Spring, Return-Wheel Cylinder Side	2	
7	0118 26 342	Spring, Return-Wheel Cylinder Side	2	
8	0223 26 345 A	Spring, Shoe Hold	4	
	0110 26 345	Spring, Shoe Hold	4	Car No. 162808 $\frac{7}{11}$ ~X
9	0866 26 391	Pin, Shoe Hold Down	4	
	0187 33 391 A	Pin, Shoe Hold Down	4	Car No. 162808 $\frac{7}{11}$ ~X
10	0305 26 500 A	Anchor Block	2	

No.	Part Number	Description	Q'ty	Remarks
11	0710 26 352	Spring	2	
12	0710 26 461	Adjuster	4	
13	0305 26 465	Screw, Adjust	4	
14	99833 0408	Screw	2	
	99971 0400	Washer, Spring	2	
15	99801 0814	Bolt, Anchor Block	4	
	99971 0800	Washer, Spring	4	
16	0820 26 570A	Adapter	2	
●	1004 26 571	Adapter	2	Car No. 160623 $\frac{73}{10}$ ~ X
17	99833 0812	Screw, Adapter	2	
	99971 0800	Washer, Spring	4	
18	0613 26 610A	Cylinder, Wheel	2	
	0223 26 610A	Cylinder, Wheel	2	1558, 1559
	0813 26 610A	Cylinder, Wheel (Station Wagon)	2	1569
19	0613 26 922	Tube Seat	2	
20	99852 0612	Stud	4	
21	0208 26 651	Piston	4	
	0221 26 651	Piston	4	1558, 1559



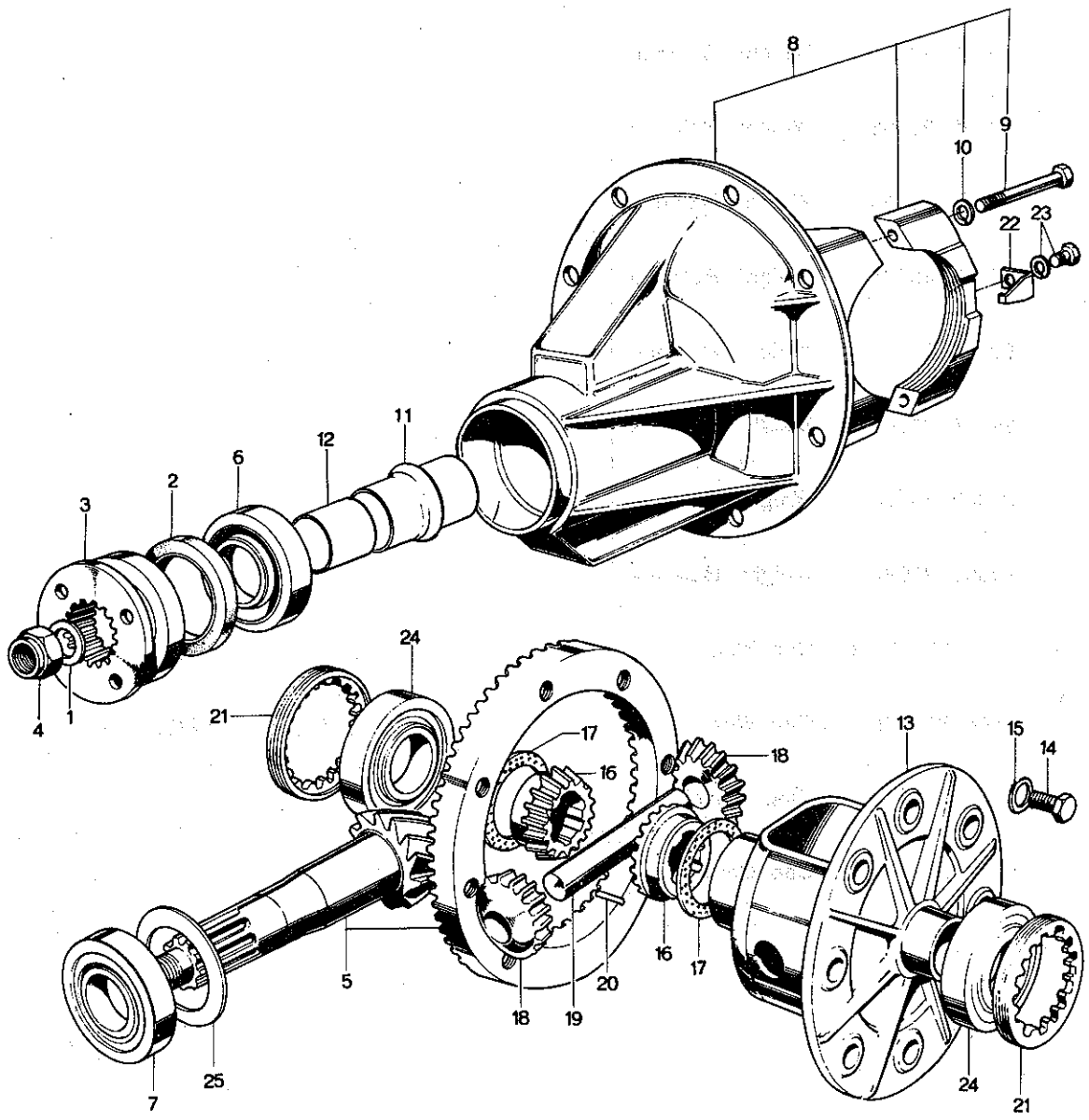
No.	Part Number	Description	Q'ty	Remarks
	0810 26 651	Piston (Station Wagon)	4 1569	
22	0208 26 671	Cup, Piston	4	
	0221 26 671	Cup, Piston	4 1558,1559	
	0810 26 671	Cup, Piston (Station Wagon)	4 1569	
23	0118 26 672	Spring	2	
	0221 26 672	Spring	2 1558,1559,1569	
24	0317 33 673	Block, Filling	4	
	0221 26 673	Block, Filling	4 1558,1559,1569	
25	0613 33 681	Cover, Dust	4	
26	0259 33 691	Screw, Bleeder	2	
27	0259 33 693	Cap	2	
28	99611 1500	Ball, Steel	2	
29	99906 0600	Nut, Wheel Cylinder	4	
	99971 0600	Washer, Spring	4	
30	0305 26 800 A	Lever (R), Operating	1	
	0305 26 810 A	Lever (L), Operating	1	
31	0118 26 832	Pin	2	

## REAR BRAKE

No.	Part Number	Description	Q'ty	Remarks
32	0118 26 834	Washer, Wave	2	
33	99575 0600	Ring, Retaining	2	
34	0187 26 821	Strut (R), Operating	1	
	0187 26 921	Strut (L), Operating	1	
35	0118 26 897	Holder	2	
36	0710 33 288	Plug	4	
●	37 0820 33 192 A	Rubber, Set	2	} (Center Cap use)
●	1011 37 192	Rubber, Set	2	
38	9962 04 1553	Tire, 155 SR - 13 Radial	2	
●	9962 10 1553	Tire, 155 SR - 13 Radial	2	1550~1554 Car No. $\frac{73}{10}$ ~ Added Anew
●	9962 13 1553	Tire, 155 SR - 13 Radial	2	$\frac{73}{10}$ ~ $\bigcirc$
	9962 07 1553	Tire, 155 HR - 13 Radial (High Speed Type)	2	} Selective use
●	9962 11 1553	Tire, 155 HR - 13 Radial (High Speed Type)	2	
●	9962 14 1553	Tire, 155 HR - 13 Radial (High Speed Type)	2	$\frac{73}{10}$ ~ $\bigcirc$
	9963 01 1553	Tube, 155 HR - 13	2	
	9965 05 4530	Wheel, 4 $\frac{1}{2}$ - J $\times$ 13 WDC Disc	2	
●	9965 18 4530	Wheel, 4 $\frac{1}{2}$ - J $\times$ 13 WDC Disc	2	$\frac{73}{10}$ ~ $\bigcirc$
	9965 06 4530	Wheel, 4 $\frac{1}{2}$ - J $\times$ 13 WDC Disc (Center Cap use)	2	
●	9965 19 4530	Wheel, 4 $\frac{1}{2}$ - J $\times$ 13 WDC Disc (Center Cap use)	2	$\frac{73}{10}$ ~ $\bigcirc$

# REAR BRAKE

No.	Part Number	Description	Q'ty	Remarks
39	99655 30010	Weight, Balance		
	99655 30015	Weight, Balance		
	99655 30020	Weight, Balance		
	99655 30025	Weight, Balance		
	99655 30030	Weight, Balance		
	99655 30035	Weight, Balance	2	Selective use
	99655 30040	Weight, Balance		
	99655 30045	Weight, Balance		
	99655 30050	Weight, Balance		
	99655 30060	Weight, Balance		
40	0866 37 170B	Cap, Wheel	2	
	0866 37 170C	Cap, Wheel	2	Car No. 163339 $\frac{3}{2}$ ~ $\Delta$
41	0820 33 180A	Ring, Wheel	2	
	1011 37 180A	~ ~	2	} (Center Cap use) ~ $\Delta$ - 7 $\frac{1}{2}$ /12 (4 $\frac{1}{2}$ 7-2.75)
	1011 37 180B	~ ~	2	
42	0881 37 191	Cap, Center	2	



No.	Part Number	Description	Q'ty	Remarks
	<del>0800 27 100</del>	<del>Driving &amp; Differential</del>	<del>1</del>	
	1562 27 100	Driving & Differential	1	<del>1558,1559</del>
	<del>0866 27 100</del>	<del>Driving &amp; Differential (Station Wagon)</del>	<del>1</del>	
	1562 27 100	Driving & Differential- (Station Wagon)	1	From Car No. 1
1	0223 27 012	Washer, Drive Pinion	1	
2	<del>0229 27 018</del>	<del>Oil Seal</del>	<del>1</del>	
	2112 27 018	Oil Seal	1	1558,1559
	<del>0223 27 018</del>	<del>Oil Seal (Station Wagon)</del>	<del>1</del>	
	2122 27 018	Oil Seal (Station Wagon)	1	From Car No. 1
3	0223 27 020 B	Flange, Companion	1	
4	0223 27 030	Nut, Lock	1	
5	0866 27 110	Gear Set, Final	1	
6	0755 27 141	Bearing	1	
7	0221 27 141	Bearing	1	
8	0866 27 150	Carrier, Differential	1	
9	99811 1050	Bolt	4	
10	99971 1000	Washer, Spring	4	
11	0305 27 171	Piece, Distance	1	
12	0866 27 172	Collar, Long	1	
13	0290 27 231	Case, Differential Gear	1	

No.	Part Number	Description	Q'ty	Remarks
●	0290 27 231 A	Case, Differential Gear	1	Car No. $\frac{7}{2} \sim \Delta$
14	99753 41022	Bolt, Ring Gear	} Selective use 10	
	99753 81022	Bolt, Ring Gear		
15	99958 1018	Washer	10	
16	0820 27 251	Gear, Differential Side	2	
●	0820 27 251 A	Gear, Differential Side	2	Car No. $\frac{7}{2} \sim \Delta$
17	0290 27 252	Washer, Thrust (t=1.6)	} Selective use 2	
	0290 27 253	Washer, Thrust (t=1.7)		
	0290 27 254	Washer, Thrust (t=1.8)		
18	0221 27 255	Pinion, Differential	2	
19	0305 27 261	Shaft, Pinion	1	
20	0114 27 262	Pin, Pinion Shaft	1	
21	0290 27 301	Screw, Adjust	2	
22	0290 27 302	Plate, Lock	2	
23	99811 0812	Bolt, Lock Plate	2	
	99971 0800	Washer, Spring	2	
24	0221 27 305	Bearing	2	
25	0223 27 401	Spacer (t=3.08)	}	
	0223 27 402	Spacer (t=3.11)		
	0223 27 403	Spacer (t=3.14)		

No.	Part Number	Description	Q'ty	Remarks
	0223 27 404	Spacer (t=3.17)		
	0223 27 405	Spacer (t=3.20)		
	0223 27 406	Spacer (t=3.23)		
	0223 27 407	Spacer (t=3.26)		
	0223 27 408	Spacer (t=3.29)		Selective use 1
	0223 27 409	Spacer (t=3.32)		
	0223 27 411	Spacer (t=3.35)		
	0223 27 412	Spacer (t=3.38)		
	0223 27 413	Spacer (t=3.41)		
	0223 27 414	Spacer (t=3.44)		
	0223 27 415	Spacer (t=3.47)		



1950-1951

1950-1951

1950-1951

1950-1951

1950-1951

1950-1951

1950-1951

1950-1951

1950-1951

1950-1951

1950-1951

1950-1951

1950-1951

1950-1951

1950-1951

1950-1951

1950-1951

1950-1951

1950-1951

1950-1951

1950-1951

1950-1951

1950-1951

1950-1951

1950-1951

1950-1951

1950-1951

1950-1951

1950-1951

1950-1951

1950-1951

1950-1951

1950-1951

1950-1951

1950-1951

1950-1951

1950-1951

1950-1951

1950-1951

1950-1951

1950-1951

1950-1951

1950-1951

1950-1951

1950-1951

1950-1951

1950-1951

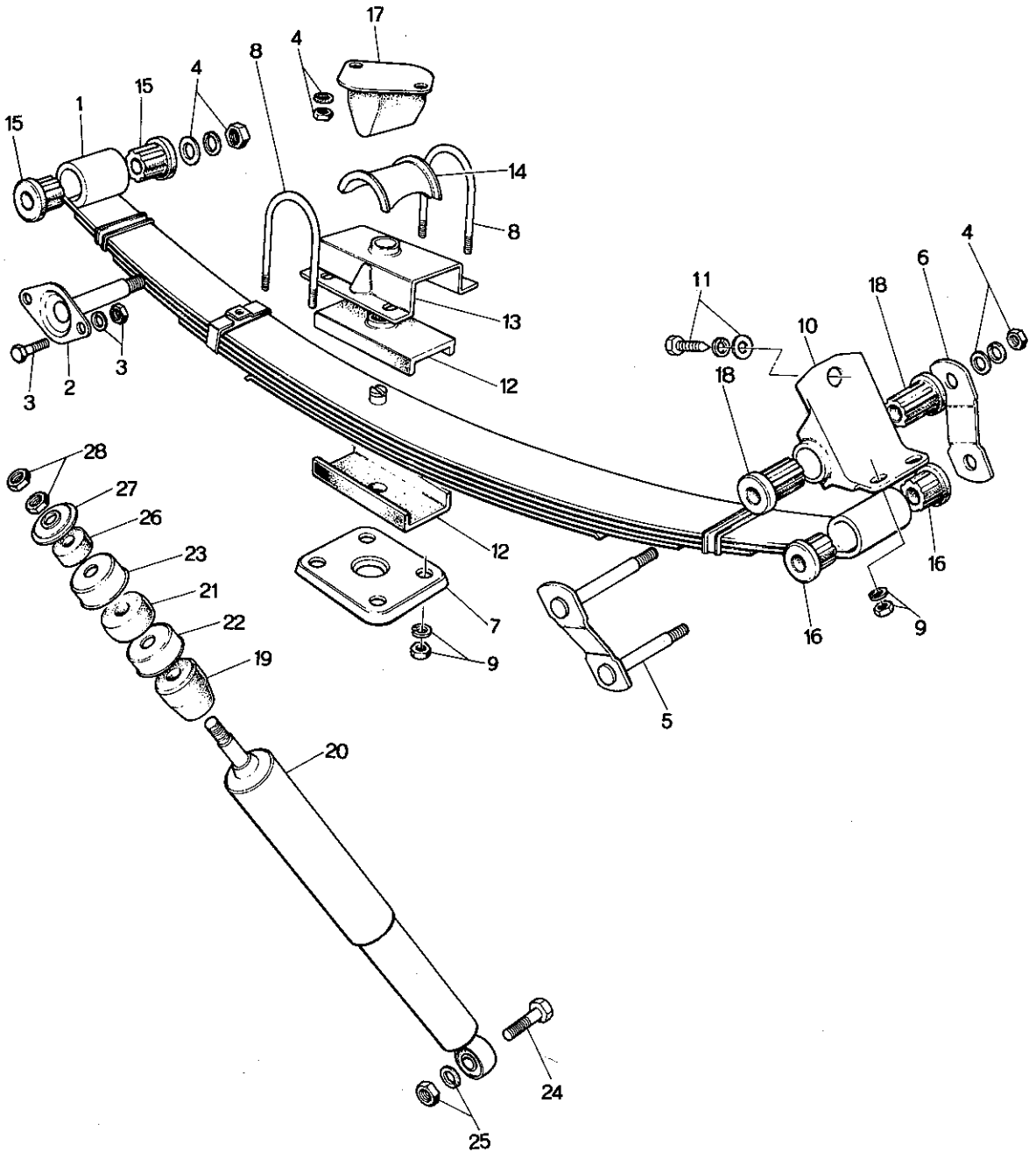
1950-1951

1950-1951

1950-1951







# REAR SUSPENSION (SEDAN & COUPE)

28

No.	Part Number	Description	Q'ty	Remarks
1	0376 28 010	Spring, Rear	2	
●	0376 28 010A	Spring, Rear	2	Car No. 178812 $\frac{73}{8}$ ~X
	0376 28 011	Spring No. 1, Leaf	2	
●	0376 28 011A	Spring No. 1, Leaf	2	Car No. 178812 $\frac{73}{8}$ ~X
	0376 28 012	Spring No. 2, Leaf	2	
●	0376 28 012A	Spring No. 2, Leaf	2	Car No. 178812 $\frac{73}{8}$ ~X
	0376 28 013	Spring No. 3, Leaf	2	
●	0376 28 013A	Spring No. 3, Leaf	2	Car No. 178812 $\frac{73}{8}$ ~X
	0376 28 014	Spring No. 4, Leaf	2	
●	0376 28 014A	Spring No. 4, Leaf	2	Car No. 178812 $\frac{73}{8}$ ~X
Coupe use				
	0866 28 010	Spring, Rear	2	
●	0866 28 010A	Spring, Rear	2	Car No. 178812 $\frac{73}{8}$ ~X
	0866 28 011	Spring No. 1, Leaf	2	
●	0866 28 011A	Spring No. 1, Leaf	2	Car No. 178812 $\frac{73}{8}$ ~X
	0866 28 012	Spring No. 2, Leaf	2	
●	0866 28 012A	Spring No. 2, Leaf	2	Car No. 178812 $\frac{73}{8}$ ~X
	0866 28 013	Spring No. 3, Leaf	2	
●	0866 28 013A	Spring No. 3, Leaf	2	Car No. 178812 $\frac{73}{8}$ ~X
	0866 28 014	Spring No. 4, Leaf	2	
Sedan use				

# REAR SUSPENSION (SEDAN & COUPE)

No.	Part Number	Description	Q'ty	Remarks
●	0866 28 014A	Spring No. 4, Leaf	2	Car No. 178812 $\frac{73}{8}$ ~ X
●	0866 28 019	Spring, Inter Leaf	2	Car No. 178812 $\frac{73}{8}$ ~ Added Anew
2	0866 28 110	Pin, Spring	2	
	0866 28 110A	Pin, Spring	2	Car No. 157735 $\frac{73}{10}$ ~ Δ
●	1881 28 110	Pin, Spring	2	Car No. 178812 $\frac{73}{8}$ ~ X
3	99801 0820	Bolt, Spring Pin	4	
●	99801 0822	Bolt, Spring Pin	4	$\frac{73}{8}$ ~ ○
	99901 0800	Nut, Spring Pin	4	
	99971 0800	Washer, Spring	4	
●	4 99901 0800	Nut, Shackle	<del>12</del> 6	From Car No. 1
●	99971 0800	Washer, Spring	<del>12</del> 6	From Car No. 1 ~ O
●	99940 0800	Nut, Rubber Stopper	2	$\frac{73}{8}$ ~ ○
5	0866 28 140	Plate No. 1, Shackle	2	
	0866 28 140A	Plate No. 1, Shackle	2	Car No. 133210 $\frac{73}{1}$ ~ ○
	0866 28 140B	Plate No. 1, Shackle	2	Car No. 157735 $\frac{73}{10}$ ~ Δ
6	0866 28 143	Plate No. 2, Shackle	2	
7	0866 28 151	Clamp, Spring	2	
8	0652 28 161	Bolt, Lock	4	
9	99921 1000	Nut	8	

# REAR SUSPENSION (SEDAN & COUPE)

28

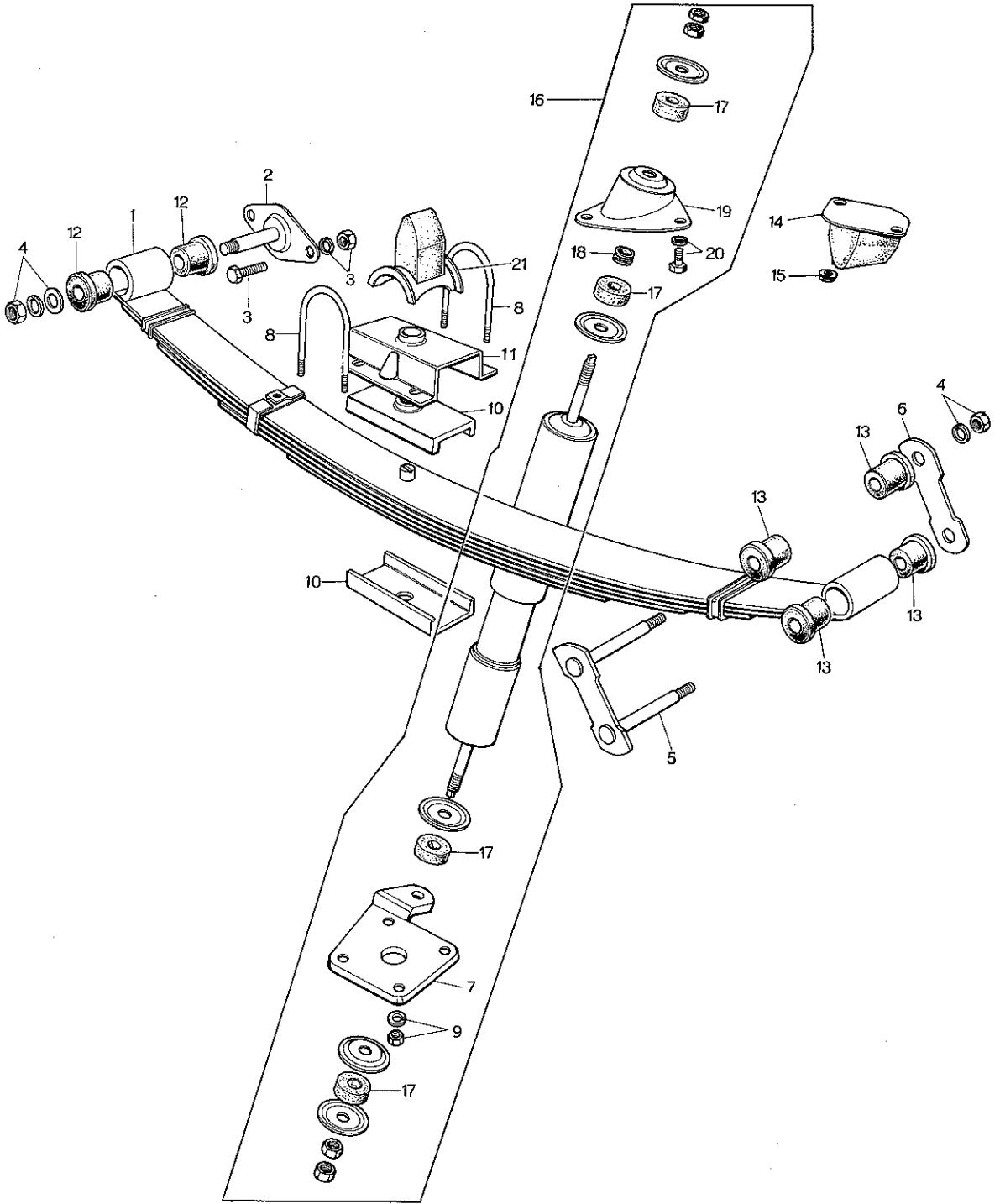
No.	Part Number	Description	Q'ty	Remarks
	99971 1000	Washer, Spring	8	
10	0866 28 180A	Bracket, Shackle	2	
11	99783 1028	Bolt, Shackle Bracket	2	
	99952 1000	Washer, Plain	2	
	99971 1000	Washer, Spring	2	
12	0259 28 182	Pad, Rubber	4	
13	0866 28 183A	Holder, Rubber Pad	2	
14	0866 28 322	Seat, Lock Bolt	2	
15	0866 28 333B	Bush (Frnt.)	4	
	0866 28 333C	Bush (Frnt.)	4	Car No. 178812 $\frac{73}{8}$ ~ X
16	0866 28 343B	Bush No. 1 (Rr.)	4	
17	0866 28 350	Rubber, Stopper	1	
18	0866 28 353B	Bush No. 2 (Rr.)	4	
19	0866 28 591	Bumper, Bound	2	
20	0866 28 700	Damper, Rear	2	
	0866 28 700A	Damper, Rear	2	Car No. 150816 $\frac{73}{8}$ ~ O
	0866 28 700B	Damper, Rear	2	Order Under No. 0866 99 281B
	0866 99 281B	—	2	Car No. 179250 $\frac{73}{8}$ ~ Δ
	0866 99 281C	—	2	
21	0866 28 774	Bush, Rubber	2	$74/10 \sim \Delta \cdot \frac{7}{2} \frac{7}{2}$
22	0866 28 778A	Casing, Stopper	2	
23	0866 28 779	Holder	2	

# 28 REAR SUSPENSION (SEDAN & COUPE)

No.	Part Number	Description	Q'ty	Remarks
24	0866 28 799	Bolt, Rear Damper	2	
25	99921 1200	Nut, Rear Damper	2	
	99971 1200	Washer, Spring	2	
26	0603 34 153	Bush, Rubber	2	
27	0187 34 776	Retainer	2	
28	99921 1000	Nut, Rear Damper	2	
	99922 1000	Nut	2	



# 28 REAR SUSPENSION (STATION WAGON)



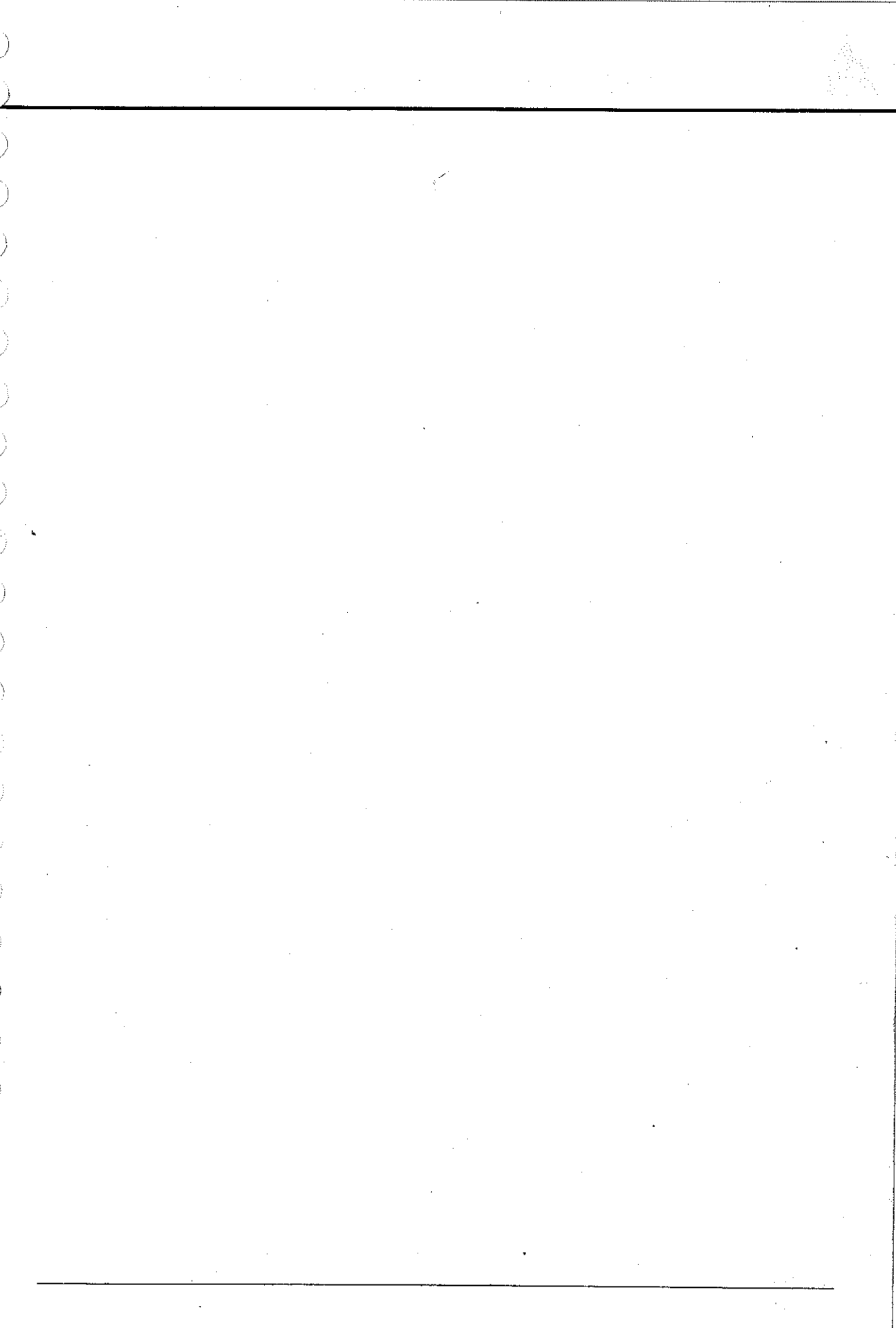


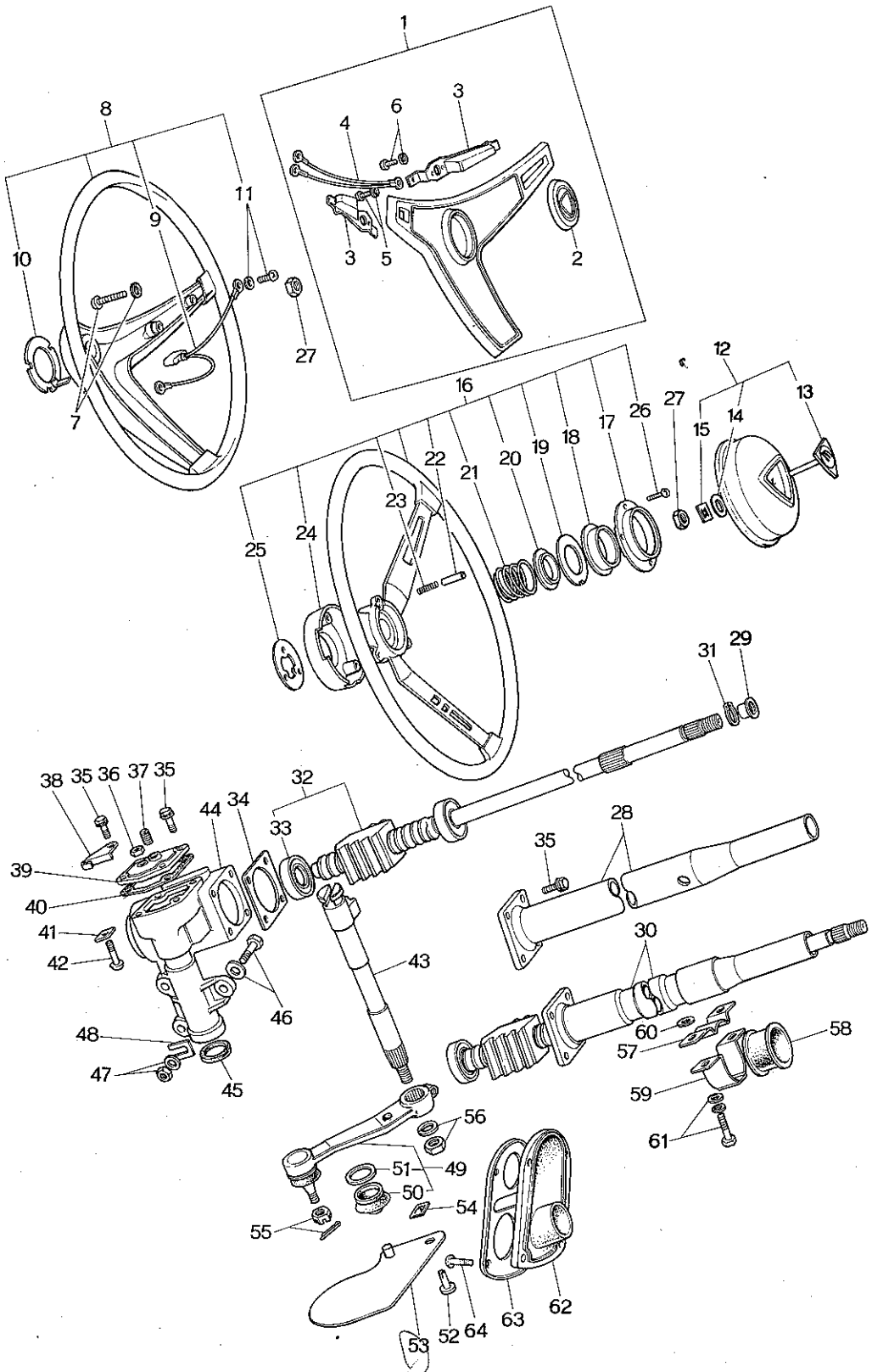
# REAR SUSPENSION (STATION WAGON)

No.	Part Number	Description	Q'ty	Remarks
✓ 1	2190 28 010	Spring, Rear	2	
✓	2160 28 011	Spring No. 1, Leaf	2	
✓	2160 28 012	Spring No. 2, Leaf	2	
✓	2160 28 013	Spring No. 3, Leaf	2	
✓	2160 28 014	Spring No. 4, Leaf	2	
✓ 2	0259 28 110	Pin, Spring	2	
✓ 3	99901 0822	Bolt	4	
✓	99901 0800	Nut	4	
✓	99971 0800	Washer, Spring	4	
✓ 4	99921 1000	Nut	6	
✓	99952 1000	Washer, Plain	2	
✓	99971 1000	Washer, Spring	6	
✓ 5	0259 28 140	Plate No. 1, Shackle	2	
✓ 6	0259 28 143	Plate No. 2, Shackle	2	
✓ 7	0899 28 150A	Clamp (R), Spring	1	
✓	0899 28 170A	Clamp (L), Spring	1	
✓ 8	0193 28 161	Bolt, Lock	4	
✓ 9	99921 1000	Nut, Lock Bolt	8	
✓	99971 1000	Washer, Spring	8	

## REAR SUSPENSION (STATION WAGON)

No.	Part Number	Description	Q'ty	Remarks
√ 10	0259 28 182	Pad, Rubber	4	
√ 11	0259 28 183	Holder, Rubber Pad	2	
√ 12	0259 28 333	Bush (Fr.)	4	
√ 13	0259 28 343	Bush (Rr.)	8	
√ 14	0866 28 350	Rubber, Stopper	1	
√ 15	99940 0800	Nut, Flange	2	
√ 16	0585 99 281	Damper, Rear	2	
√ 17	0223 28 775	Bush, Rubber	8	
√ 18	0259 28 778	Grommet	2	
√ 19	0585 28 180A	Bracket (R), Damper	1	
√	0585 28 190A	Bracket (L), Damper	1	
√ 20	99785 0825	Bolt, Damper Bracket	6	
√	99971 0800	Washer, Spring	6	
√ 21	0899 28 320	Bumper, Bound	2	





# STEERING SYSTEM

## (WHEEL & GEAR, R. H. D.)

32

No.	Part Number	Description	Q'ty	Remarks
1	0865 32 800-00	Cap Set, Horn	1-1550	©
2	0866 32 811	Emblem	1	
	1570 32 811	Emblem	1	Car No. 140779 $\frac{3}{2}$ ~ ○
	0370 32 030	Button, Horn	2	
	0370 32 030A	Button, Horn (L)	1	Car No. 144308 $\frac{3}{4}$ ~ X
	0370 32 090	Button, Horn (R)	1	Car No. 144308 $\frac{3}{4}$ ~ Added Anew
4	0370 32 037	Cord	1	
5	99833 0408	Screw, Cap Retainer & Return Spring	2	
	99971 0400	Washer, Spring	2	
6	99868 0410	Screw, Cap Retainer & Return Spring	2	
	99971 0400	Washer, Spring	2	
7	99868 0420	Screw, Horn Cap & Steering Wheel Boss	3	
	99971 0400	Washer, Spring	3	
8	0370 32 980	Boss, Steering Wheel	1-1550	
9	0370 32 039	Cord	1	
<del>10</del>	<del>0370 32 820</del>	<del>Terminal</del>	<del>1</del>	
11	99868 0308	Screw, Cord	1	
	99971 0300	Washer, Spring	1	

# STEERING SYSTEM

(WHEEL & GEAR, R.H.D.)

No.	Part Number	Description	Q'ty	Remarks
12	1562 32 800	Cap, Horn	1	©
13	1562 32 811	Emblem	1	1551~1557, 1569, 3501, 3503, 3502
14	0223 58 472	Washer, Emblem	1	
15	99579 3000	Nut, Speed-Emblem	1	
16	1562 32 980	Boss, Steering Wheel (1551~1557)	1	
	1562 32 980 A	Boss, Steering Wheel (1551~1557, 1569, 3501, 3502 & 3503)	1	Car No. 160822 $\frac{7}{12}$ ~ Ⓞ
17	0329 32 031 A	Retainer, Sub	1	
18	0329 32 013 A	Retainer, Cap	1	
19	0329 32 016	Plate, Contact	1	
20	0329 32 015	Insulator	1	
21	0329 32 014	Spring	1	
22	0329 32 033	Pipe	1	
23	0329 32 019	Spring	1	
24	1562 32 049	Cover, Wheel Core	1	
25	0329 32 034	Terminal	1	
26	99866 0420	Screw	3	
27	99948 1200	Nut, Self Lock-Wheel & Shaft	1	
Ⓝ	0820 32 058	Washer, Stop-Selective use	2	
	0820 32 058 A	Washer, Stop-Selective use	2	$\frac{7}{16}$ ~ Δ

# STEERING SYSTEM

(WHEEL & GEAR, R. H. D.)



No.	Part Number	Description	Q'ty	Remarks
	0376 32 110 A	Gear, Steering	1	
	0376 32 110 B	Gear, Steering	1	Car No. 127396 $\frac{7}{12}$ ~ ○
	0376 32 110 C	Gear, Steering	1	Car No. 171555 $\frac{7}{5}$ ~ △
	0866 32 110 A	Gear, Steering-Energy Absorbing	1	
	0866 32 110 B	Gear, Steering-Energy Absorbing	1	Car No. 127396 $\frac{7}{12}$ ~ ○
	0866 32 110 C	Gear, Steering-Energy Absorbing	1	Car No. 171555 $\frac{7}{5}$ ~ △
28	0370 32 080	Jacket, Shaft (Without Energy Absorbing)	1	
	0370 32 080 A	Jacket, Shaft (Without Energy Absorbing)	1	Car No. 127396 $\frac{7}{12}$ ~ ○
	1524 32 080	Jacket, Shaft (Without Energy Absorbing)	1	Car No. 171555 $\frac{7}{5}$ ~ △
29	0259 32 071	Bush, Support	1	
30	0866 32 100	Shaft, Energy Absorbing	1	
	0866 32 100 A	Shaft, Energy Absorbing	1	Car No. 127396 $\frac{7}{12}$ ~ ○
31	0208 32 059	Ring, Stop	1	
32	0370 32 130	Nut, Worm Ball (Without Energy Absorbing)	1	
	0370 32 130 A	Nut, Worm Ball (Without Energy Absorbing)	1	Car No. 127396 $\frac{7}{12}$ ~ ○
33	0259 32 182	Bearing, Worm Ball Nut	1	
34	0259 32 154	Shim, End Cover (t=0.05)	} Selective 1 use	
	0259 32 155	Shim (t=0.075)		
	0259 32 156	Shim (t=0.1)		
	0259 32 157	Shim (t=0.2)		

# STEERING SYSTEM

(WHEEL & GEAR, R. H. D.)

No.	Part Number	Description	Qty	Remarks
35	99801 0816	Bolt, End Cover & Side Cover	8	
	99971 0800	Washer, Spring	8	
36	99922 1000	Nut, Sector Adjust Screw	1	
37	99502 2000	Plug, Oil	1	
38	0259 55 556	Clip	1	
39	0259 32 160	Cover, Side	1	
40	0259 32 163	Gasket, Side Cover	1	
41	0180 32 171 A	Shim, Adjust (t=1.95)	} Selective use 1	
	0180 32 172 A	Shim, Adjust (t=2.00)		
	0180 32 173 A	Shim, Adjust (t=2.05)		
	0180 32 174 A	Shim, Adjust (t=2.10)		
42	0180 32 165 A	Screw, Sector Adjust	1	
43	0866 32 141	Shaft, Sector	1	
44	0866 32 121 A	Housing, Gear	1	
45	0317 32 129	Oil Seal, Sector	1	
●	1128 32 129	Oil Seal, Sector	1	Car No. 172856 3/4 ~ X
46	99781 1085	Bolt, Gear Housing	3	
	0305 32 119	Washer, Plain	3	
47	99942 1000	Nut, Steering Gear	3	



# STEERING SYSTEM


(WHEEL & GEAR, R.H.D.)

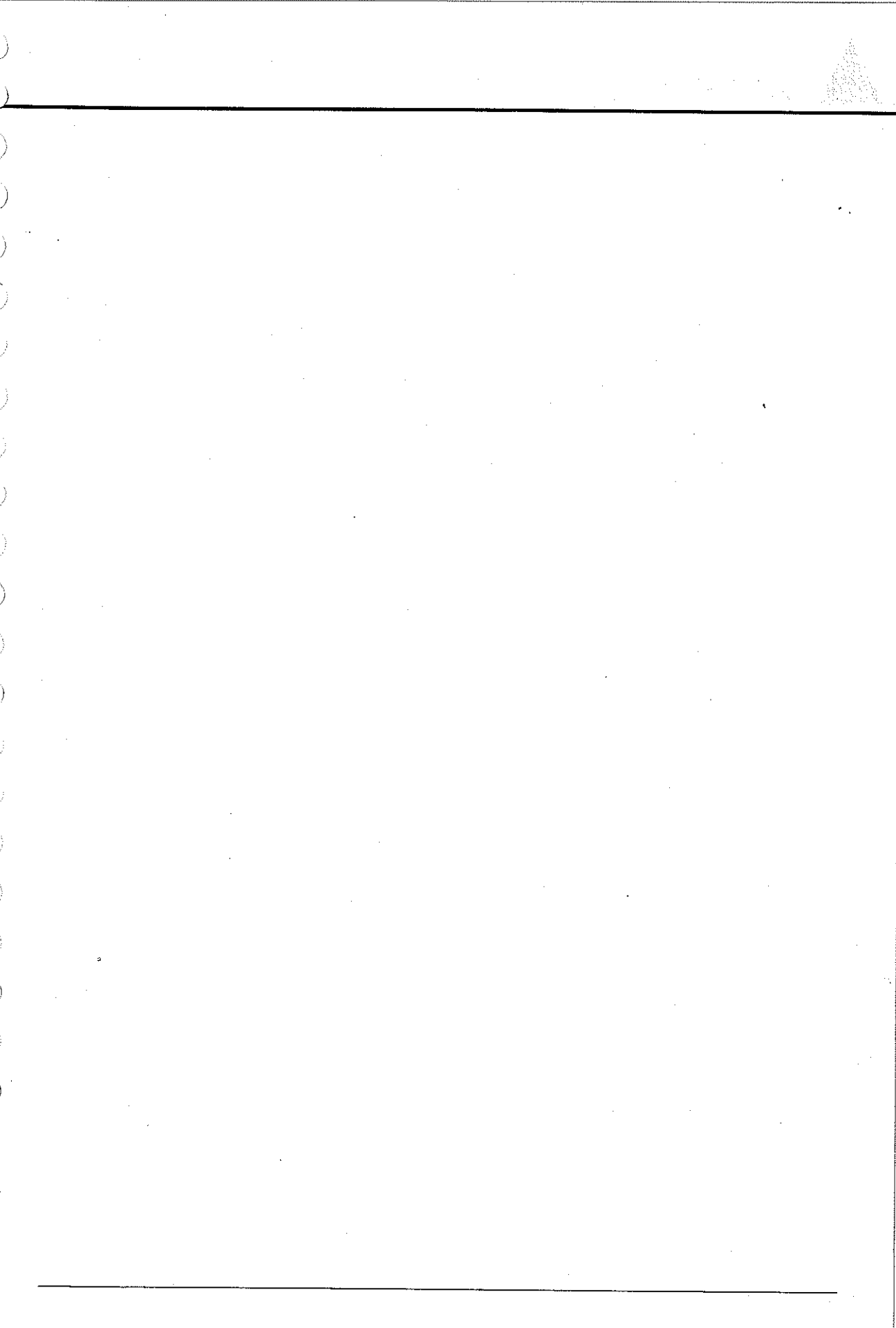


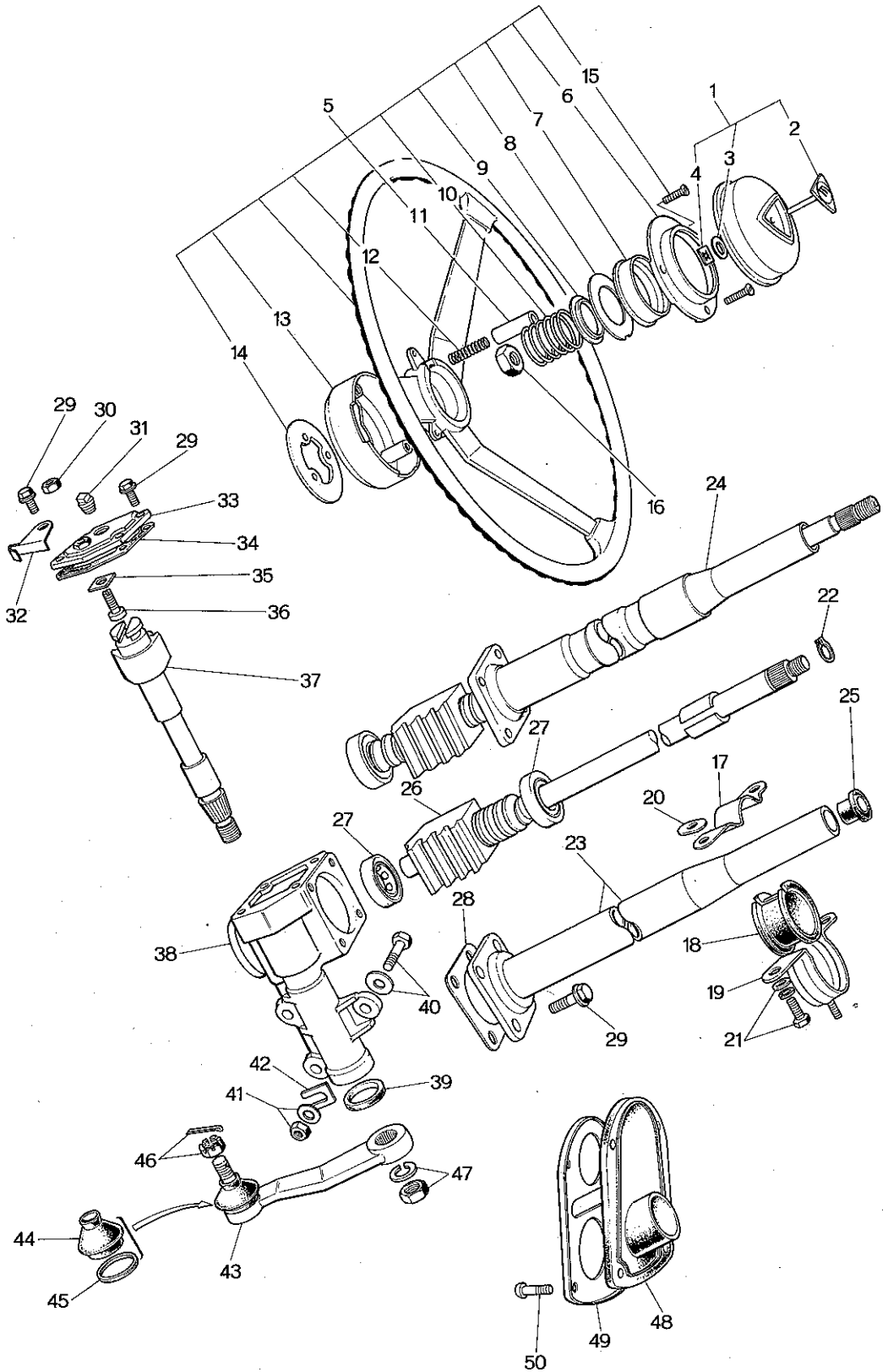
No.	Part Number	Description	Q'ty	Remarks
✓	99942 1001	Nut, Steering Gear	2	Car No. 146203 $\frac{7}{4}$ ~○
	99951 1022	Washer, Plain	2	
48	0208 32 188	Shim, Adjust-Steering Gear Housing	2	
49	0866 32 220A	Arm, Pitman	1	
●	0866 32 220C	Arm, Pitman	1	Car No. 160623 $\frac{7}{10}$ ~△
50	0730 32 279	Seal, Dust	1	
	1027 32 279	Seal, Dust	1	Car No. 165313 $\frac{7}{3}$ ~△
51	0259 32 289	Ring, Set	1	
	0187 32 289	Ring, Set	1	Car No. 160822 $\frac{7}{12}$ ~○
	1823 32 289	Ring, Set	1	Car No. 165313 $\frac{7}{3}$ ~△
52	<del>0866 32 228</del>	<del>Pin, Insulator</del>	<del>1</del>	<del>From Car No. 1</del>
53	0866 32 230	Insulator	1	
●	1128 32 227C	Insulator	1	Car No. 160623 $\frac{7}{10}$ ~×
●	1128 32 227D	Insulator	1	$\frac{7}{11}$ ~○
54	<del>99579 3000</del>	<del>Nut, Speed</del>	<del>1</del>	
●	90833 2408	Washer and Screw	1 2	From Car No. 1 $\frac{7}{3}$ ~Q'ty
●	55 99924 1000	Nut, Pitman Arm & Center Link	1 3	$\frac{7}{3}$ ~Q'ty
●	99221 2020	Pin, Split	1 3	$\frac{7}{3}$ ~Q'ty
56	99921 1000	Nut, Pitman Arm & Sector Shaft	1	
●	99921 1800	Nut, Pitman Arm & Sector Shaft	1	From Car No. 1
	99971 1800	Washer, Spring	1	
57	0866 32 425	Bracket, Upper-Shaft Jacket	1	

# STEERING SYSTEM

(WHEEL & GEAR, R.H.D.)

No.	Part Number	Description	Q'ty	Remarks
58	2244 32 423	Rubber, Fixing-Shaft Jacket	1	
59	0866 32 420	Bracket, Lower-Shaft Jacket	1	
60	0259 43 088	Sheet, Fixing Bracket	2	
61	99799 0832	Bolt, Fixing Bracket	2	
	99786 0825	Bolt, Fixing Bracket	2	Car No. 142383 $\frac{7}{8}$ " 
	99952 0800	Washer, Plain	2	
	99971 0800	Washer, Spring	1	
62	0866 32 411	Cover, Dust	1	
63	0370 32 412	Plate, Set	4	
64	99869 0512	Screw, Set Plate	4	





# STEERING SYSTEM (WHEEL & GEAR, L. H. D.)

32

No.	Part Number	Description	Q'ty	Remarks	
1	1582 32 800	Cap, Horn	1	©	
2	1582 32 811	Emblem	1		
3	0223 58 472	Washer, Emblem	1		
4	99579 3000	Nut, Speed-Emblem	1		
↓	5	1582 32 980	Boss, Steering Wheel	1	
●	1582 32 980A	Boss, Steering Wheel	1	Car No. 160822 $\frac{3}{16}$ ~○	
6	0329 32 031A	Retainer, Sub	1		
7	0329 32 013A	Retainer, Cap	1		
8	0329 32 018	Plate, Contact	1		
9	0329 32 015	Insulator	1		
↓	10	<del>0329 32 014</del>	<del>Spring</del>	<del>1</del>	
●	0329 32 014	Spring	1	From Car No. 1	
11	0329 32 033	Pipe	1		
12	0329 32 019	Spring	1		
13	1582 32 049	Cover, Wheel Core	1		
14	0329 32 034	Terminal	1		
15	99888 0420	Screw	3		
⑨	0820 32 058	Washer, Stop (Selective use)	2		
16	99848 1200	Nut, Self Lock-Wheel & Shaft	1		
17	0886 32 425	Bracket, Upper-Shaft Jacket	1		
18	2244 32 423	Rubber, Fixing-Shaft Jacket	1		
19	0886 32 420	Bracket, Lower-Shaft Jacket	1		
20	0259 43 088	Sheet, Shaft Jacket	2		
21	99798 0832	Bolt, Shaft Jacket & Fixing Bracket	2		
	99852 0800	Washer, Plain	2		

## STEERING SYSTEM (WHEEL &amp; GEAR, L.H.D.)

No.	Part Number	Description	Q'ty	Remarks
	99971 0800	Washer, Spring	6	
	1524 32 110	Gear, Steering	1	
	1524 32 110A	Gear, Steering	1	Car No. 127396 $\frac{7}{12}$ ~○
✓ ●	1524 32 110B	Gear, Steering	1	Car No. 159447 $\frac{7}{10}$ ~△
	1562 32 110	Gear, Steering-Energy Absorbing	1	
	1562 32 110A	Gear, Steering-Energy Absorbing	1	Car No. 127396 $\frac{7}{12}$ ~○
✓ ●	1562 32 110B	Gear, Steering-Energy Absorbing	1	Car No. 159447 $\frac{7}{10}$ ~△
22	0208 32 059	Ring, Stop	1	
23	0370 32 080	Jacket, Shaft	1	
	0370 32 080A	Jacket, Shaft	1	Car No. 127396 $\frac{7}{12}$ ~○
24	1562 32 100	Jacket, Shaft-Energy Absorbing	1	
	1562 32 100A	Jacket, Shaft-Energy Absorbing	1	Car No. 127396 $\frac{7}{12}$ ~○
25	0259 32 071	Bush, Support	1	
26	1524 32 130	Nut, Worm Ball (Without Energy Absorbing)	1	
	1524 32 130A	Nut, Worm Ball (Without Energy Absorbing)	1	Car No. 127396 $\frac{7}{12}$ ~○
27	0259 32 182	Bearing, Worm Ball Nut	2	
28	0259 32 154	Shim, End Cover (t=0.05)	} Selective use 1	
	0259 32 155	Shim (t=0.075)		
	0259 32 156	Shim (t=0.1)		
	0259 32 157	Shim (t=0.2)		
29	99801 0816	Bolt, End Cover & Side Cover	8	
	99971 0800	Washer, Spring	8	
30	99922 1000	Nut, Lock-Sector Adjust Screw	1	
31	99502 2000	Plug, Oil	1	
32	0259 55 556	Clip	1	
33	0259 32 160	Cover, Side	1	
34	0259 32 163	Gasket, Side Cover	1	
35	0180 32 171A	Shim, Adjust (t=1.95)	} Selective use 1	
	0180 32 172A	Shim, Adjust (t=2.00)		
	0180 32 173A	Shim, Adjust (t=2.05)		
	0180 32 174A	Shim, Adjust (t=2.10)		

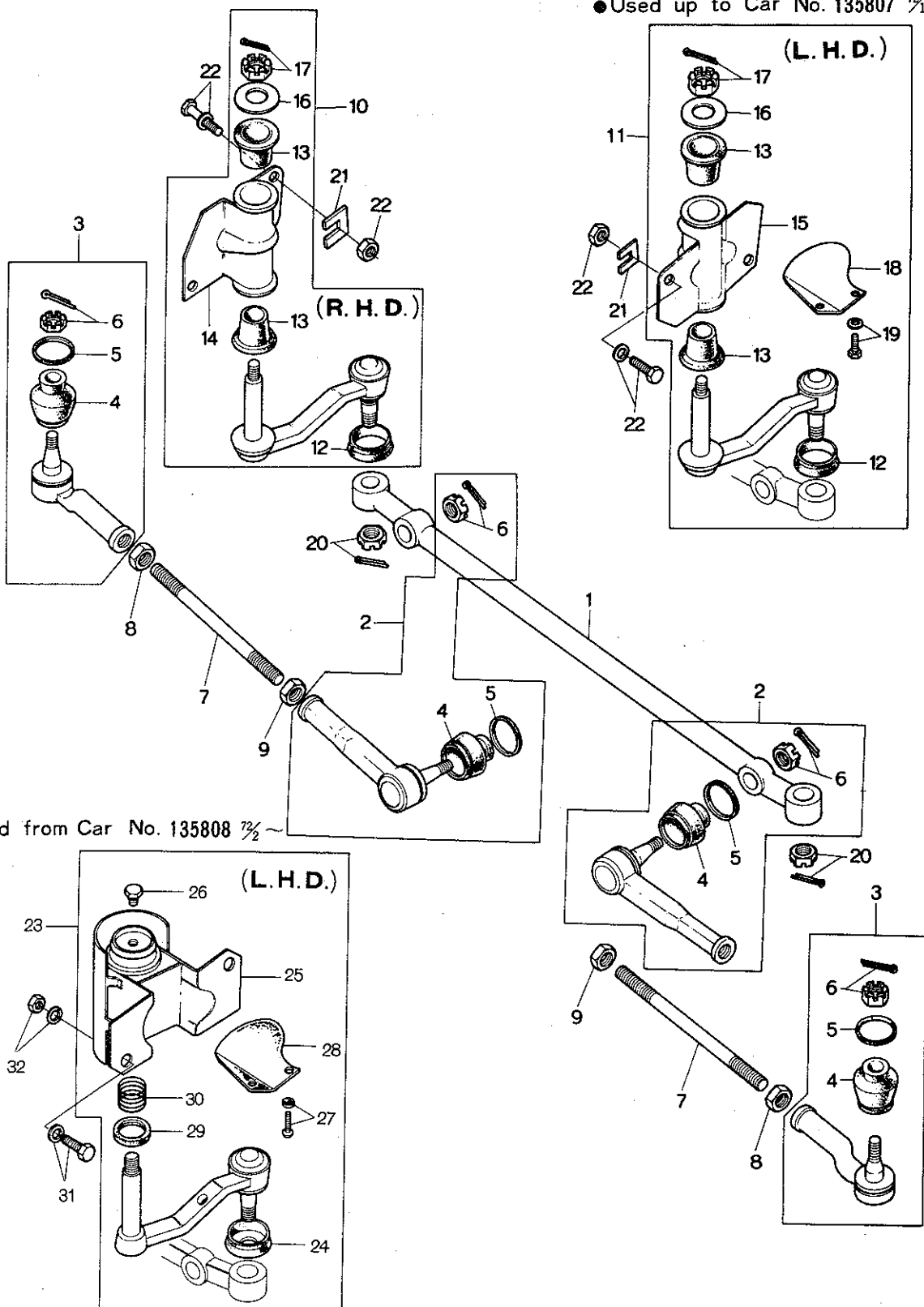
# STEERING SYSTEM (WHEEL & GEAR, L.H.D.)

32

No.	Part Number	Description	Q'ty	Remarks
36	0180 32 165A	Screw, Sector Adjust	1	
37	0868 32 141	Shaft, Sector	1	
38	<del>1584 32 121A</del>	<del>Housing, Gear</del>	<del>1</del>	
39	0317 32 129	Oil Seal, Sector	1	
40	99781 1085	Bolt, Gear Housing	3	
	0305 32 119	Washer, Plain	3	
✓ ● 41	99942 1000	Nut, Gear Housing	3	Car No. 146203 $\frac{3}{4}$ ~○
	99942 1001	Nut, Gear Housing	3	
	99951 1022	Washer, Plain	3	
42	0208 32 188	Shim, Adjust-Gear Housing	2	
43	1524 32 220	Arm, Pitman	1	
44	0730 32 279	Seal, Dust	1	
45	0259 32 289	Ring, Set	1	
✓ ● 45	0187 32 289	Ring, Set	1	Car No. 160822 $\frac{7}{12}$ ~○
46	99924 1000	Nut, Pitman Arm & Center Link	1	
	99221 2020	Pin, Split	1	
47	99921 1800	Nut, Pitman Arm & Sector Shaft	1	
	99971 1800	Washer, Spring	1	
48	0868 32 411	Cover, Dust	1	
49	0370 32 412	Plate, Set	1	
50	99889 0512	Screw, Set Plate	4	
Ⓝ	0820 32 058	Washer Stop, Selective use		Car No. 146346 $\frac{7}{8}$ ~Added Anew

# 32 STEERING SYSTEM (ROD)

● Used up to Car No. 135807  $\frac{7}{8}$ ~



Used from Car No. 135808  $\frac{7}{8}$ ~



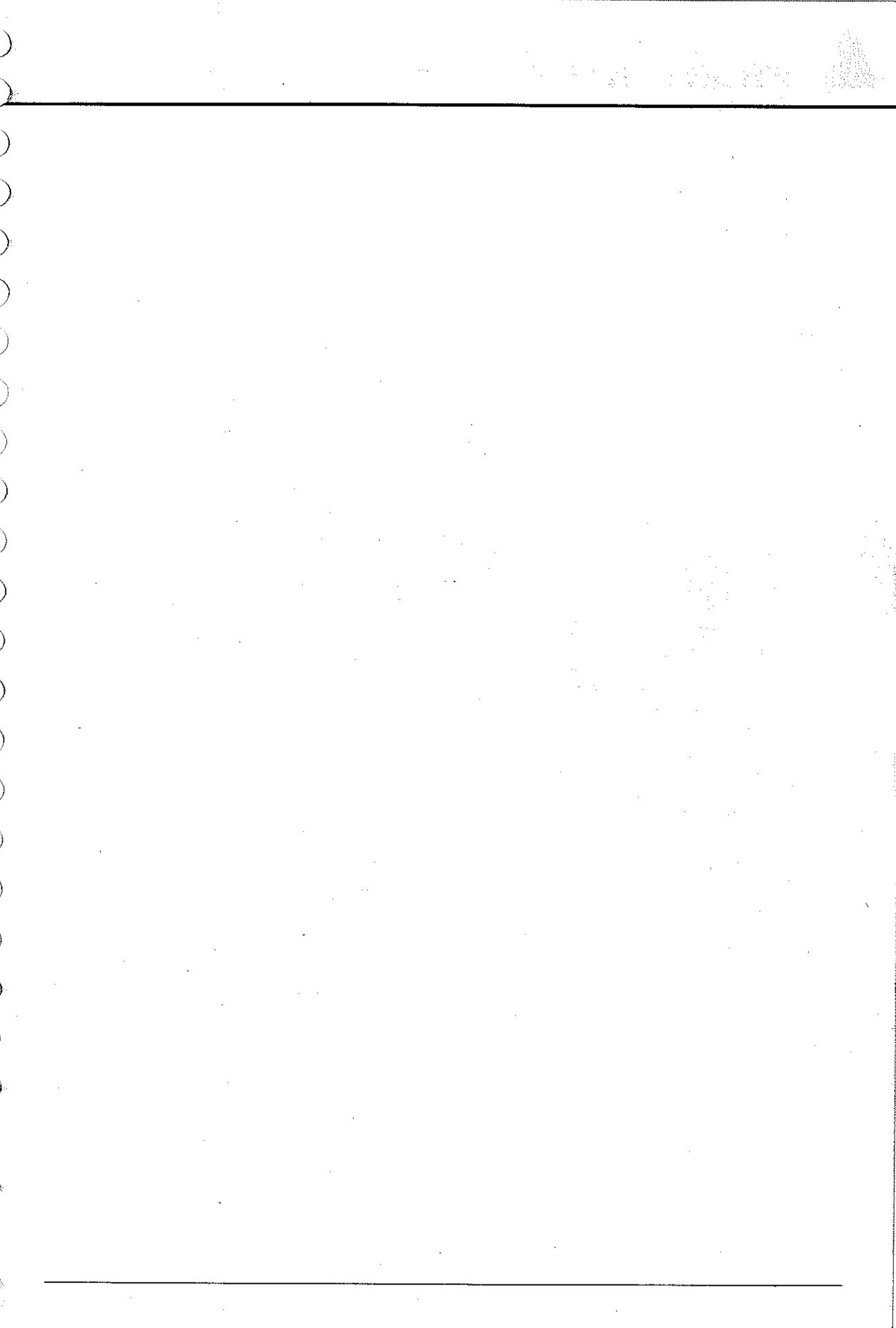
# STEERING SYSTEM (ROD)

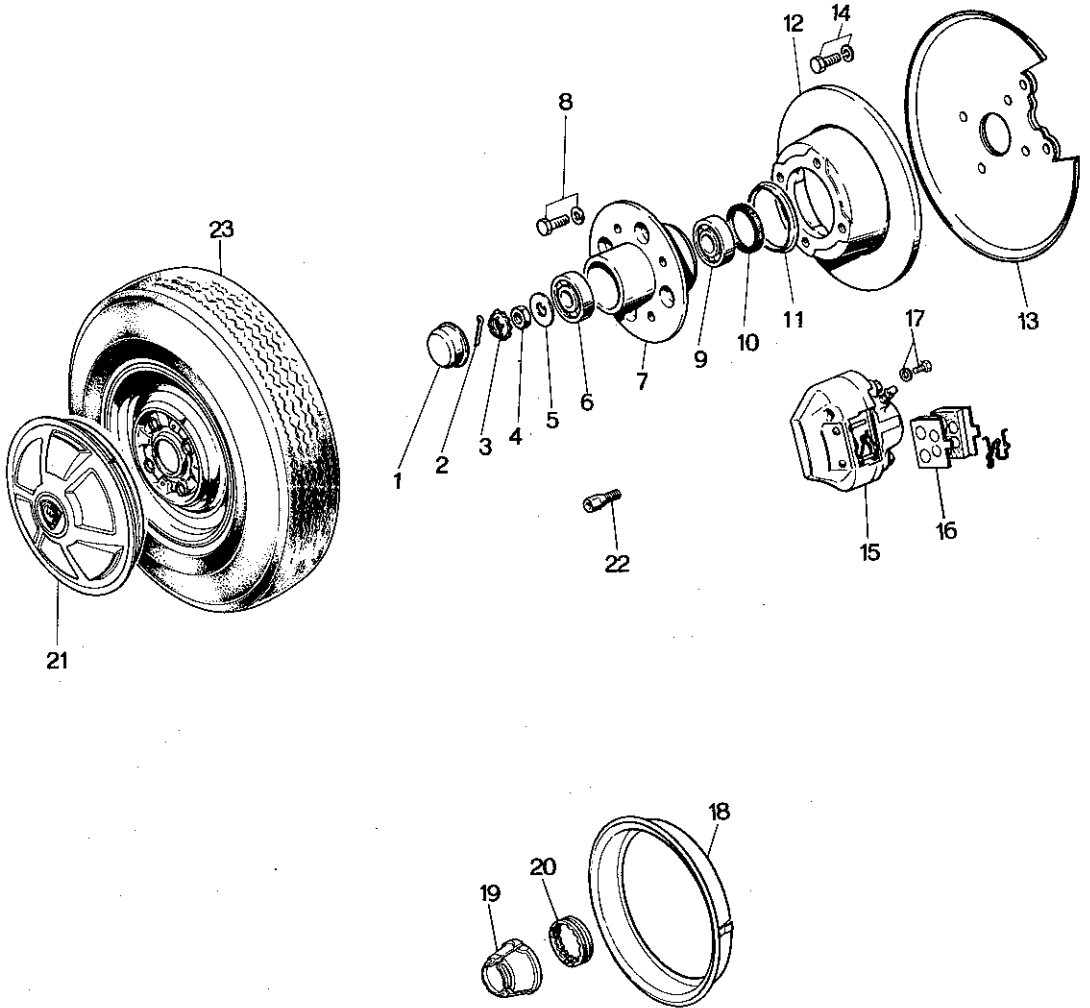
32

No.	Part Number	Description	Q'ty	Remarks
1	0866 32 261	Link, Center (R.H.D.)	1	
	1524 32 261	Link, Center (L.H.D.)	1	
2	1524 99 322	Socket Set	2	
	0866 99 322	Socket Set	2	Car No. 150259 $\frac{7}{8}$ " ~ O
3	1524 99 324	Socket Set	2	
	0866 99 324	Socket Set	2	Car No. 150259 $\frac{7}{8}$ " ~ O
4	0730 32 279	Seal, Dust	4	
5	0259 32 289	Ring, Set	4	
	0187 32 289	Ring, Set	4	Car No. 160822 $\frac{7}{8}$ " ~ O
6	99924 1000	Nut	4	
	99221 2020	Pin, Split	2	
	99221 2015	Pin, Split	2	
7	0305 32 365	Rod, Tie	2	
8	99922 1400	Nut	2	
9	99944 1400	Nut	2	
10	0866 32 320	Idler (R.H.D.)	1	
●	0866 32 320 A	Idler (R.H.D.)	1	Car No. 161186 $\frac{7}{8}$ " ~ Δ
●	0866 32 320 B	Idler (R.H.D.)	1	Car No. 176736 $\frac{7}{8}$ " ~ Δ
11	1562 32 320 A	Idler (L.H.D.)	1	Used up to Car No. 135807 $\frac{7}{8}$ "
●	1562 32 320 B	Idler (L.H.D.)	1	Car No. 136920 $\frac{7}{8}$ " ~ X
●	1562 32 320 C	Idler (L.H.D.)	1	Car No. 161186 $\frac{7}{8}$ " ~ O
●	1562 32 320 D	Idler (L.H.D.)	1	Car No. 165313 $\frac{7}{8}$ " ~ Δ
●	1562 32 320 E	Idler (L.H.D.)	1	Car No. 176736 $\frac{7}{8}$ " ~ Δ
●	1562 32 320 F	Idler (L.H.D.)	1	Car No. 176736 $\frac{7}{8}$ " ~ Δ
12	0866 32 279	Seal, Dust	1	
13	0866 32 329 A	Bush, Tapered	2	
14	0866 32 330 A	Bracket (R.H.D.)	1	
15	1562 32 330 A	Bracket (L.H.D.)	1	Used up to Car No. 135807 $\frac{7}{8}$ "
16	0866 32 341	Washer	1	
17	99221 3020	Pin, Split <del>(L.H.D.)</del>	1	

## STEERING SYSTEM (ROD)

No.	Part Number	Description	Q'ty	Remarks
	99924 1200	Nut	1	
18	0866 32 227 A	Insulator	1	
●	0866 32 230	Insulator	1	From Car No. 1
●	1128 32 227 C	Insulator	1	Car No. 160623 $\frac{3}{11}$ ~ ○
●	1128 32 227 D	Insulator	1	Used up to Car No. 135807 $\frac{3}{4}$
19	0866 32 228	Pin	1	
	99579 3000	Nut, Speed	1	
(N)	99242 0308	Pin	1	
20	99924 1000	Nut, Idler & Center Link	1 3	
	99221 2015	Pin, Split	1 3	
21	0208 32 188	Shim, Adjust - Idler	1	
22	99781 1080	Bolt, Idler	2	
	0305 32 119	Washer, Plain	4	
✓	99942 1000	Nut	3	
✓	99942 1001	Nut	3	Car No. 146203 $\frac{3}{4}$ ~ ○
23	1562 32 320 B	Idler	1	
	1562 32 320 C	Idler	1	$\frac{3}{4}$ ~ ○
24	0866 32 279	Seal, Dust	1	
25	1562 32 330 C	Bracket	1	
26	0208 32 278	Plug	1	
27	99833 0408	Screw	2	
	99971 0400	Washer, Spring	2	
28	0866 32 230	Insulator	1	Used from Car No. 135808 $\frac{3}{2}$ ~
29	2113 32 356	Oil Seal	1	
30	0111 32 173	Spring	1	
31	99781 1080	Bolt, Idler	1	
	0305 32 119	Washer, Plain	1	
32	99921 1000	Nut	2	
	99971 1000	Washer, Spring	2	





# FRONT AXLE

33

No.	Part Number	Description	Q'ty	Remarks
1	0259 33 071	Cap, Hub	2	
2	99221 4030	Pin, Split	2	
3	0317 33 049	Cover, Set	2	
4	0662 33 042	Nut	2	
5	0317 33 043	Washer	2	
	1011 33 043	Washer	2	7/2 ~ O
6	0317 33 075	Bearing, Wheel Outer	2	
7	0820 33 091 A	Hub, Front	2	
	0820 33 091 B	Hub, Front	2	7/11 ~ O
8	0221 33 698	Bolt, Hub	8	
	99971 1000	Washer, Spring	8	
9	0259 33 047	Bearing, Wheel Inner	2	
10	0398 33 065	Oil Seal	2	
11	0221 33 035	Ring, Dust	2	
12	0866 33 251	Plate, Disc	2	
	0866 33 251 A	Plate, Disc	2	7/3 ~ O
13	0866 33 260	Adapter (R), Mounting	1	
	0866 33 260 A	Adapter (R), Mounting	1	7/1 ~ O
	0866 33 270	Adapter (L), Mounting	1	
	0866 33 270 A	Adapter (L), Mounting	1	7/1 ~ O
14	99811 1018	Bolt, Mounting Adapter	8	
	99811 1020	Bolt, Mounting Adapter	8	Car. No. 152249 7/8 ~ O
	99971 1000	Washer, Spring	8	

No.	Part Number	Description	Q'ty	Remarks
15	0870 33 980 A	Brake (R), Disc	1	
●	0870 33 980 B	Brake (R), Disc	1	$\frac{7}{8}$ ~○
	0870 33 990 A	Brake (L), Disc	1	
●	0870 33 990 B	Brake (L), Disc	1	$\frac{7}{8}$ ~○
16	0870 49 230 A	Pad, Set	1	
	0870 49 230 B	Pad, Set	1	$\frac{7}{8}$ ~○
17	997501 1018	Bolt, Disc Brake	4	
	99971 1000	Washer, Spring	4	
●	18 0820 33 180 A	Ring, Wheel-Center Cap use	1	
			2	From Car No. 1
●	19 0881 37 191	Cap, Center	1	
			2	From Car No. 1
20	0820 33 192 A	Rubber, Set-Center Cap	2	
	1011 37 192	Rubber, Set-Center Cap	2	Car No. 160623 $\frac{7}{10}$ ~○
21	0866 37 170 B	Cap, Wheel	2	
	0866 37 170 C	Cap, Wheel	2	Car No. 163322 $\frac{7}{2}$ ~△
22	0259 33 165	Bolt, Wheel Set	8	
	0820 33 165	Bolt, Wheel Set-Center Cap use	8	
	0820 33 165 A	Bolt, Wheel Set-Center Cap use	8	Car No. 151154 $\frac{7}{8}$ ~△
23	9962 04 1553	Tire, 155 SR — 13 Radial	2	
	9962 10 1553	Tire, 155 SR — 13 Radial	2	1550~1554 Car No. $\frac{7}{2}$ ~Added Anew
	9962 13 1553	Tire, 155 SR — 13 Radial	2	$\frac{7}{10}$ ~○
	9962 07 1553	Tire, 155 HR — 13 Radial	2	

# FRONT AXLE

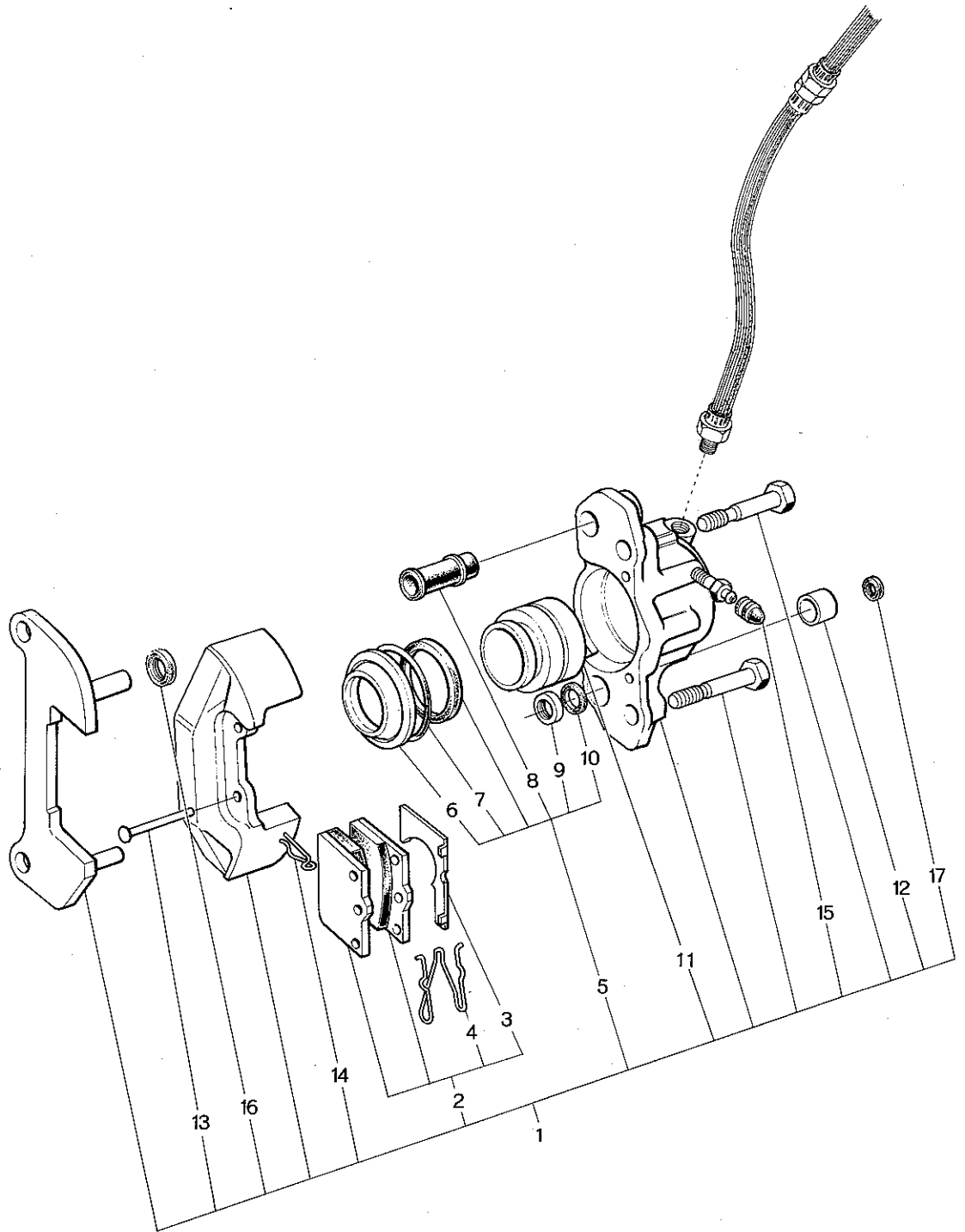
33

No.	Part Number	Description	Q'ty	Remarks
●	9962 11 1553	Tire, 155 HR — 13 Radial	2	1550~1554 Car No. $\frac{73}{2}$ ~Added Anew
●	9962 14 1553	Tire, 155 HR — 13 Radial	2	$\frac{73}{10}$ ~○
	9963 01 1553	Tube, 155 R — 13	3	
	9965 05 4530	Wheel, 4 $\frac{1}{2}$ — J × 13 WDC Disc	2	
● ✓	9965 18 4530	Wheel, 4 $\frac{1}{2}$ — J × 13 WDC Disc	2	$\frac{73}{10}$ ~○
	9965 06 4530	Wheel, 4 $\frac{1}{2}$ — J × 13 WDC Disc (Center Cap)	2	









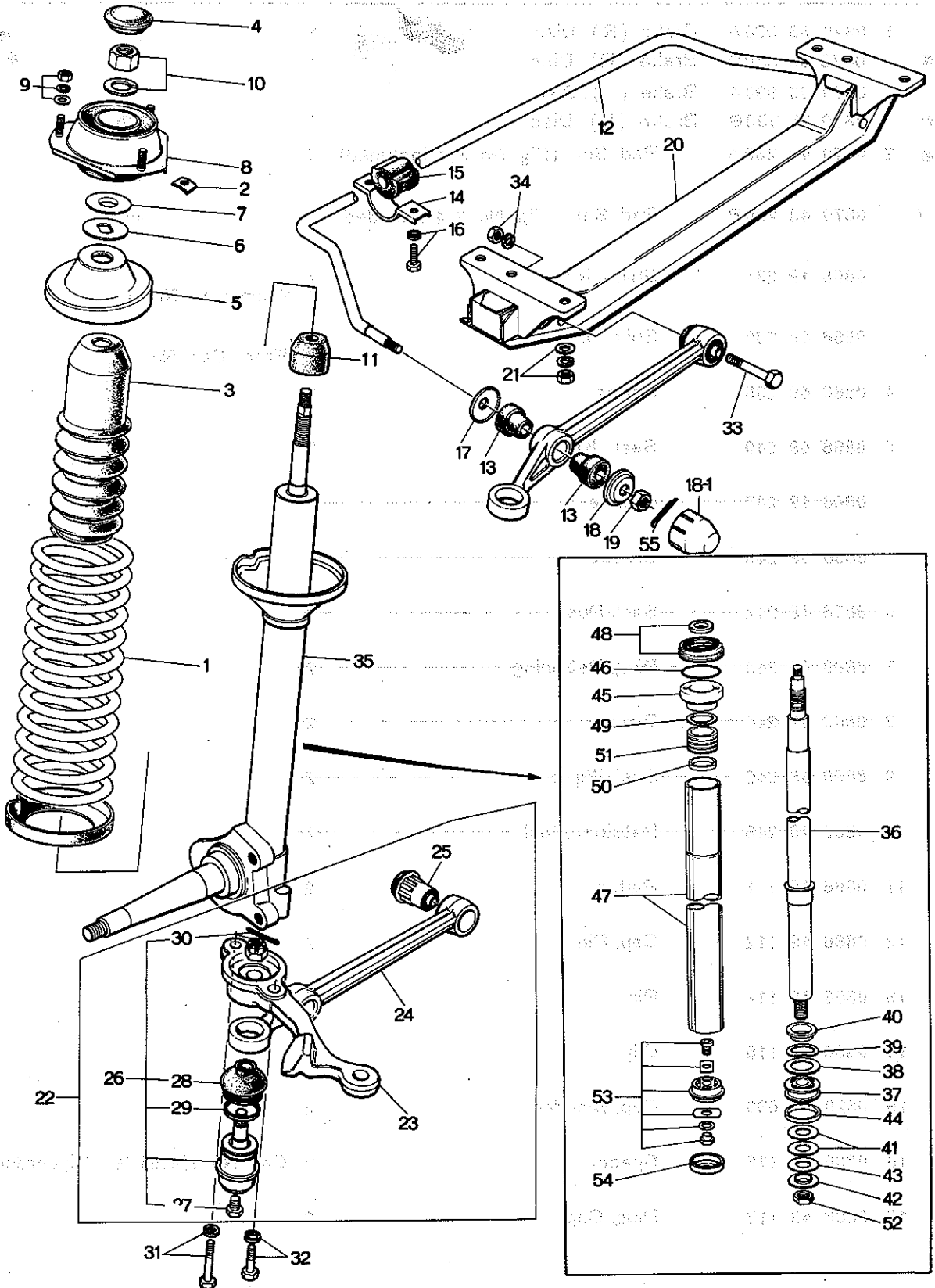
# DISC BRAKE

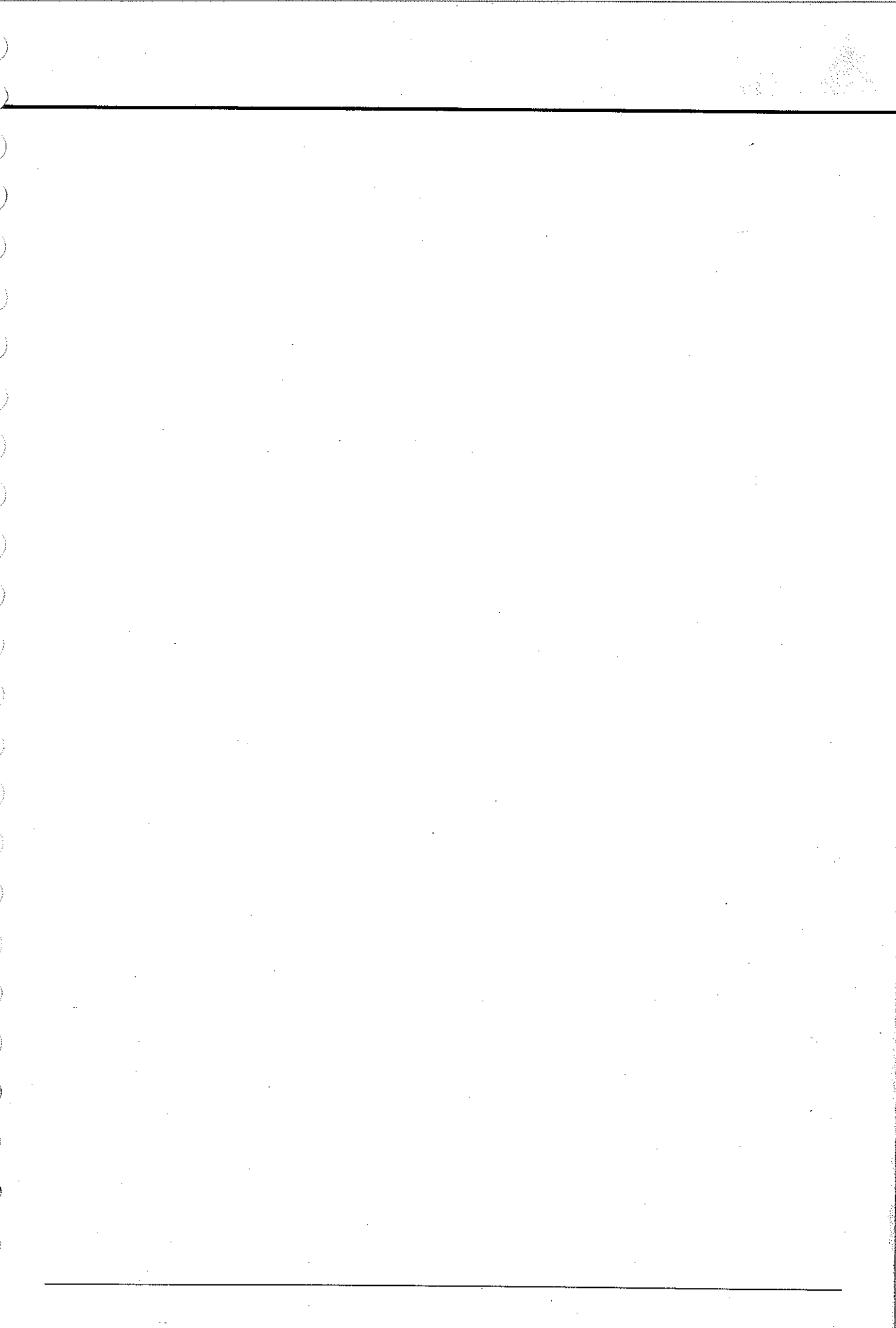
33

49

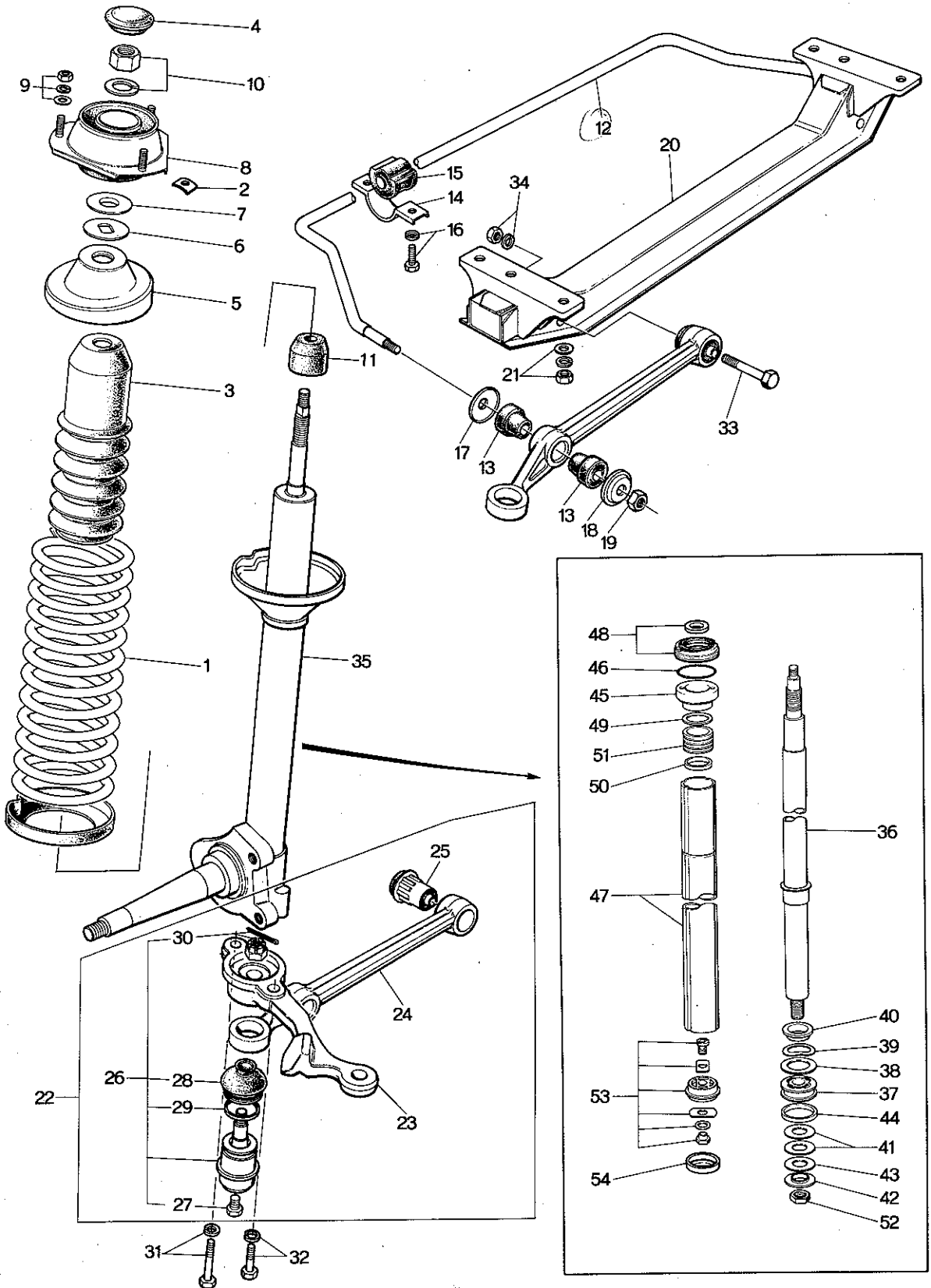
No.	Part Number	Description	Q'ty	Remarks
1	0870 33 980 A	Brake (R), Disc	1	
●	0870 33 980 B	Brake (R), Disc	1	$\frac{7}{16}$ ~○
	0870 33 990 A	Brake (L), Disc	1	
●	0870 33 990 B	Brake (L), Disc	1	$\frac{7}{16}$ ~○
●	2 0870 49 230 A	Pad Set (Fig. No. 3,4 included)	2	
●	0870 49 230 B	Pad Set (Fig. No. 3,4 included)	2	$\frac{7}{9}$ ~○
3	0866 49 231	Shim (R)	1	
			2	From Car No. 1
	0866 49 232	Shim (L)	1	
			2	From Car No. 1
4	0866 49 235	Spring	2	
5	0866 49 240	Seal Kit	2	
	<del>0866 49 247</del>	<del>Grease</del>	<del>1</del>	
	<del>0866 49 248</del>	<del>Grease</del>	<del>1</del>	
6	<del>0866 49 242</del>	<del>Seal, Dust</del>	<del>2</del>	
7	<del>0866 49 243</del>	<del>Ring, Retaining</del>	<del>2</del>	
8	<del>0866 49 244</del>	<del>Bush</del>	<del>2</del>	
9	<del>0866 49 245</del>	<del>Seal, Wiper</del>	<del>2</del>	
10	<del>0866 49 246</del>	<del>Retainer, Seal</del>	<del>2</del>	
11	0866 49 111	Piston	2	
12	0866 49 112	Cap, Pin	2	
13	0866 49 114	Pin	4	
14	0866 49 115	Clip	4	
15	0820 33 693	Cap, Bleeder	2	
16	0866 49 116	Spacer	2	Car No. 164105 $\frac{7}{12}$ ~ Discarded
17	0866 49 117	Plug, Cap	2	

# FRONT SUSPENSION





# FRONT SUSPENSION



# FRONT SUSPENSION

**34**

No.	Part Number	Description	Q'ty	Remarks
1	0866 34 011	Spring, Coil	2	
	1570 34 011	Spring, Coil	2	Car No. 160623 $\frac{7}{10}$ X
2	0866 34 013 A	Plate, Adjusting	6	
3	0866 34 015	Cover, Dust	2	
4	0866 34 019	Cap	2	
	1011 34 019	Cap	2	$\frac{7}{8}$ ~ O
5	0866 34 340	Seat, Spring	2	
6	0866 34 381	Bearing	2	
7	0866 34 382	Seat, Bearing	2	
8	0866 34 390	Rubber, Mounting	2	
9	99901 0800	Nut	6	
	99940 0802	Nut	6	Car No. 141928 $\frac{7}{8}$ ~ O
	99952 0800	Washer, Plain	6	Car No. 141928 $\frac{7}{8}$ ~ Discarded
	99971 0800	Washer, Spring	2	
10	99942 1400	Nut	2	
	99952 1400	Washer, Spring	2	
	99951 1430	Washer, Spring	2	$\frac{7}{10}$ ~ O
11	0866 34 111	Bumper, Bound	2	
12	0866 34 151 A	Stabilizer	1	
	0866 34 151 B	Stabilizer	1	$\frac{7}{8}$ ~ O
	0866 34 151 C	Stabilizer	1	$\frac{7}{8}$ ~ X

No.	Part Number	Description	Q'ty	Remarks
13	0866 34 153 A	Bush, Rubber - Stabilizer	4	
●	1004 34 153	Bush, Rubber - Stabilizer	4	Car No. 160623 $\frac{3}{8}$ ~△
14	0259 34 155	Plate	2	
15	0259 34 156	Bush, Rubber	2	
16	99783 1035	Bolt, Stabilizer & Frame	4	
	99971 1000	Washer, Spring	4	
17	0866 34 157	Washer, Stabilizer	2	
18	0866 34 158	Washer	2	
18-11011	34 159	Stopper, Steering	2	Car No. 159630 $\frac{7}{16}$ ~ Added. Anew
●	1011 34 159 A	Stopper, Steering	2	$\frac{7}{4}$ ~△
19	99947 1400	Nut	2	
	99923 1400	Nut	2	$\frac{7}{8}$ ~○
20	0866 34 800 B	Member, Cross	1	
<del>21</del>	<del>99921 1000</del>	<del>Nut, Cross Member &amp; Frame</del>	<del>4</del>	
	99942 1000	Nut, Cross Member & Frame	4	From Car No. 1
	99951 1030	Washer, Plain	4	
	99971 1000	Washer, Spring	4	
22	0866 34 310	Arm (R)	1	
	0866 34 310 A	Arm (R)	1	Car No. 155593 $\frac{7}{16}$ ~△
	0866 34 320	Arm (L)	1	



# FRONT SUSPENSION

34

No.	Part Number	Description	Q'ty	Remarks
	0866 34 320 A	Arm (L)	1	Car No. 155593 $\frac{7}{10}$ ~△
23	0866 32 301	Arm (R), Knuckle	1	
	0866 32 301 A	Arm (R), Knuckle	1	Car No. 142765 $\frac{7}{3}$ ~○
	0866 32 311	Arm (L), Knuckle	1	
	0866 32 311 A	Arm (L), Knuckle	1	Car No. 142765 $\frac{7}{3}$ ~○
24	0866 34 311	Arm	2	
	1011 34 311	Arm	2	Car No. 159584 $\frac{7}{11}$ ~○
25	0866 34 460	Bush	2	
26	0866 99 356	Joint, Ball	2	
	0866 99 356 A	Joint, Ball	2	Car No. 163339 $\frac{7}{2}$ ~△
27	0208 32 278	Plug	2	
28	0243 34 565	Seal, Dust	2	
	0866 34 565	Seal, Dust	2	Car No. 155593 $\frac{7}{10}$ ~△
29	0187 34 536	Ring, Dust Seal	2	
30	99221 3020	Pin, Split	2	
	99924 1200	Nut	2	
31	99781 1225	Bolt, Arm & Damper	2	
	99971 1200	Washer, Spring	2	
32	99781 1235	Bolt, Arm & Damper	2	

## FRONT SUSPENSION

No.	Part Number	Description	Q'ty	Remarks
	99971 1200	Washer, Spring	2	
33	0866 34 313A	Bolt, Arm & Cross Member	2	
34	99921 1000	Nut, Arm	2	
	99971 1000	Washer, Spring	2	
35	0866 34 910A	Damper, Front (R)	1	
	0866 34 910C	Damper (R)	1	Car No. 159447 $\frac{7}{11} \sim \bigcirc$
●	0866 34 910D	Damper (R)	1	$\frac{7}{12} \sim \triangle$
	0866 34 960A	Damper (L)	1	
	0866 34 960C	Damper (L)	2	Car No. 159447 $\frac{7}{11} \sim \bigcirc$
●	0866 34 960D	Damper (L)	1	$\frac{7}{12} \sim \triangle$
36	0866 34 710	Rod, Piston	2	
37	0305 34 701A	Piston	2	
●	0305 34 701B	Piston	2	$\frac{7}{12} \sim \triangle$
38	0259 34 705	Valve, Check	2	
39	0305 34 707	Spring, Check Valve	2	
●	40 0259 34 708	Washer	<del>12</del> 2	From Car No. 1
●	41 0259 34 712	Valve	<del>12</del> 12	From Car No. 1
42	0305 34 713	Washer	2	
43	0305 34 714	Valve	2	
44	0259 34 719A	Ring, Piston	2	
45	0866 34 730	Guide, Piston Rod	2	
46	0183 34 731	Ring, "O"	2	

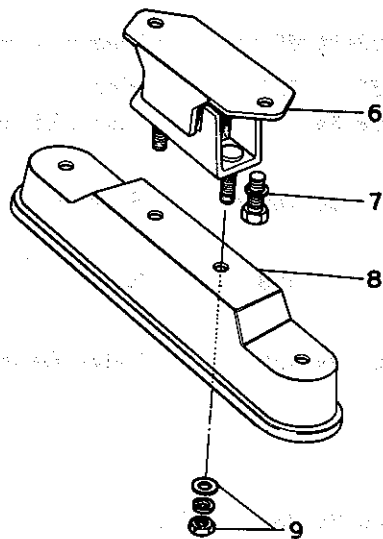
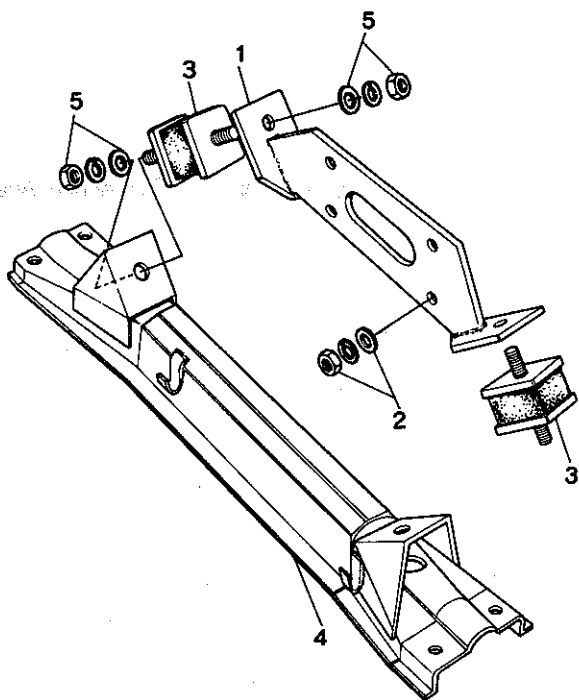
# FRONT SUSPENSION

34

No.	Part Number	Description	Q'ty	Remarks
47	0866 34 732	Tube, Pressure	2	
48	0866 34 760	Oil Seal	2	
	0866 34 735	Oil Seal	2	
49	<del>0258 34 767</del>	<del>Ring</del>	<del>2</del>	
●	0259 34 767	Ring	2	From Car No. 1
50	0259 34 768	Guide, Stopper	2	
51	0259 34 769B	Stopper	2	
52	0305 34 709	Nut	2	
53	0305 34 720	Valve Base	2	
54	0866 34 738	Cap	2	
55	99221 3035	Pin, Split	2	Car No. <sup>73</sup> / <sub>10</sub> ~ Added Anew

# ENGINE & T / MISSION BRACKET

(USED UP TO CAR NO. 179250 <sup>7/9</sup>)



# ENGINE & T/MISSION BRACKET

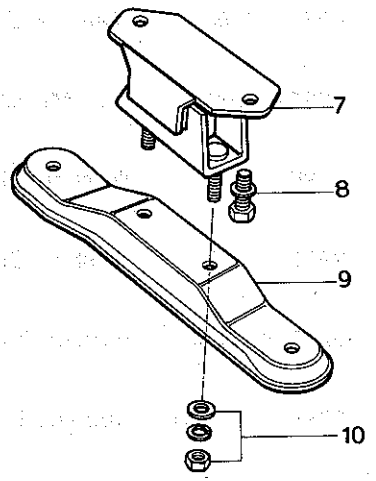
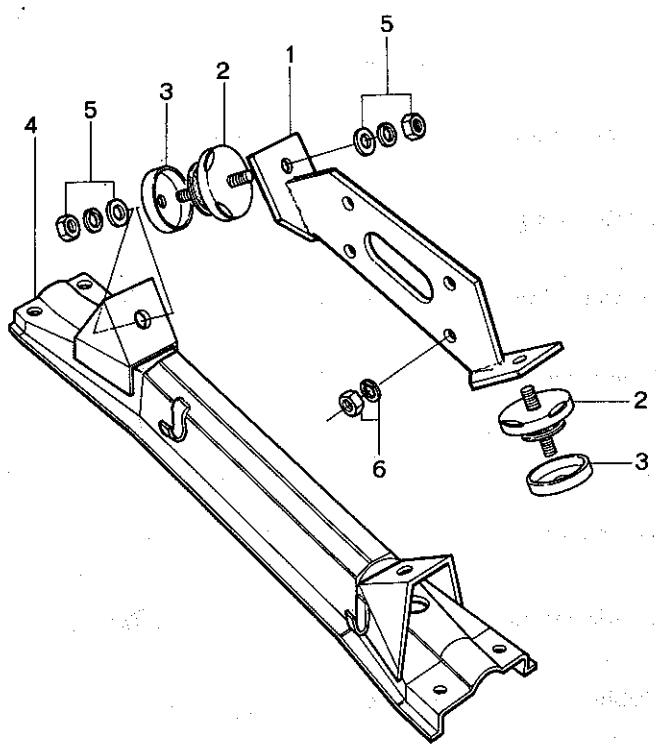
(USED UP TO CAR NO. 179250  $\frac{73}{9}$ )

39

No.	Part Number	Description	Q'ty	Remarks
1	0866 39 020	Bracket, Engine Mounting	1	
2	99921 1000	Nut, Bracket & Engine	4	
	99971 1000	Washer, Spring	4	
3	0866 39 040A	Rubber, Engine Mounting	2	
	0866 39 040B	Rubber, Engine Mounting	2	Car No. 145214 $\frac{74}{4}$ ~△
4	0866 39 060B	Member, Engine Mounting	1	
5	99921 1000	Nut, Member & Rubber	4	
	99951 1030	Washer, Plain	4	
	99971 1000	Washer, Spring	4	
6	0259 39 340	Rubber, T/mission Mounting	1	
●	1011 39 340A	Rubber, T/mission Mounting	1	$\frac{73}{4}$ ~○
●	0259 39 340	Rubber, T/mission Mounting	1	$\frac{73}{4}$ ~○
7	99801 0818	Bolt, Rubber & T/mission	2	
	99971 0800	Washer, Spring	2	
8	0866 39 381A	Member, T/mission Mount	1	
●	1570 39 380	Member, T/mission Mounting	1	$\frac{73}{6}$ ~○
9	99921 1000	Nut, Member & Rubber	4	
	99951 1030	Washer, Plain	4	
	99971 1000	Washer, Spring	4	

# ENGINE & T / MISSION BRACKET

(USED FROM CAR NO. 160623 <sup>73</sup>/<sub>10</sub>)



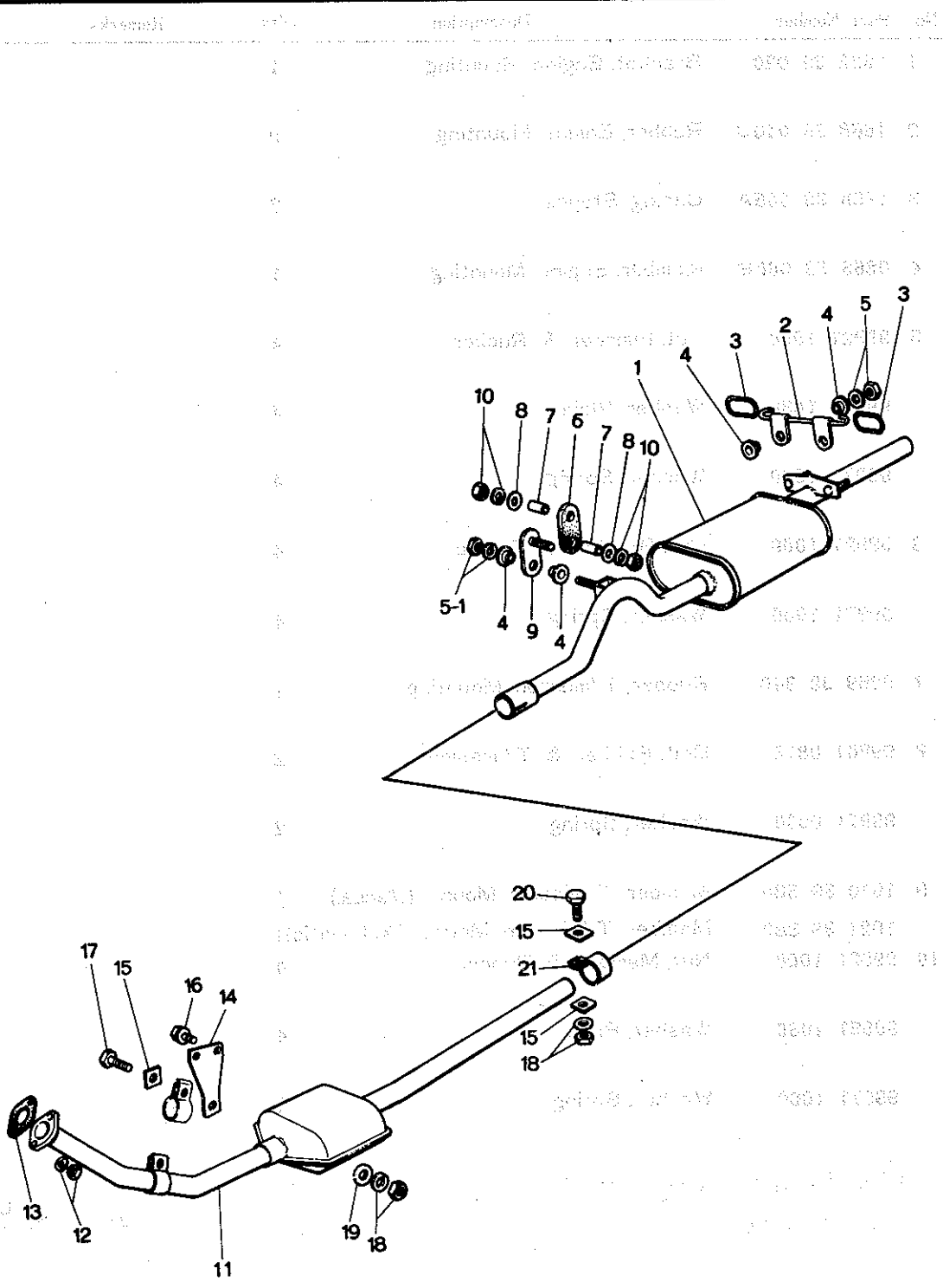
# ENGINE & T /MISSION BRACKET

(USED FROM CAR NO. 160623 <sup>73/10</sup>)

39

No.	Part Number	Description	Q'ty	Remarks
1	1622 39 020	Bracket, Engine Mounting	1	
2	1668 39 040C	Rubber, Engine Mounting	2	
3	1668 39 045A	Casing, Stopper	2	
4	0866 39 060B	Member, Engine Mounting	1	
5	99921 1000	Nut, Member & Rubber	4	
	99951 1030	Washer, Plain	4	
	99971 1000	Washer, Spring	4	
6	99921 1000	Nut, Bracket & Engine	4	
	99971 1000	Washer, Spring	4	
7	0259 39 340	Rubber, T/mission Mounting	1	
8	99801 0818	Bolt, Rubber & T/mission	2	
	99971 0800	Washer, Spring	2	
9	1570 39 380	Member, T/mission Mount (Manual)	1	
	1621 39 380	Member, T/mission Mount (Automatic)	1	
10	99921 1000	Nut, Member & Rubber	4	
	99951 1030	Washer, Plain	4	
	99971 1000	Washer, Spring	4	
	1175 39 040	Eng. mtg. RUBBER	1	
	1668 39 040C	- - -	1	75/3 ~ X. 4/m 7/3/78.

# EXHAUST SYSTEM

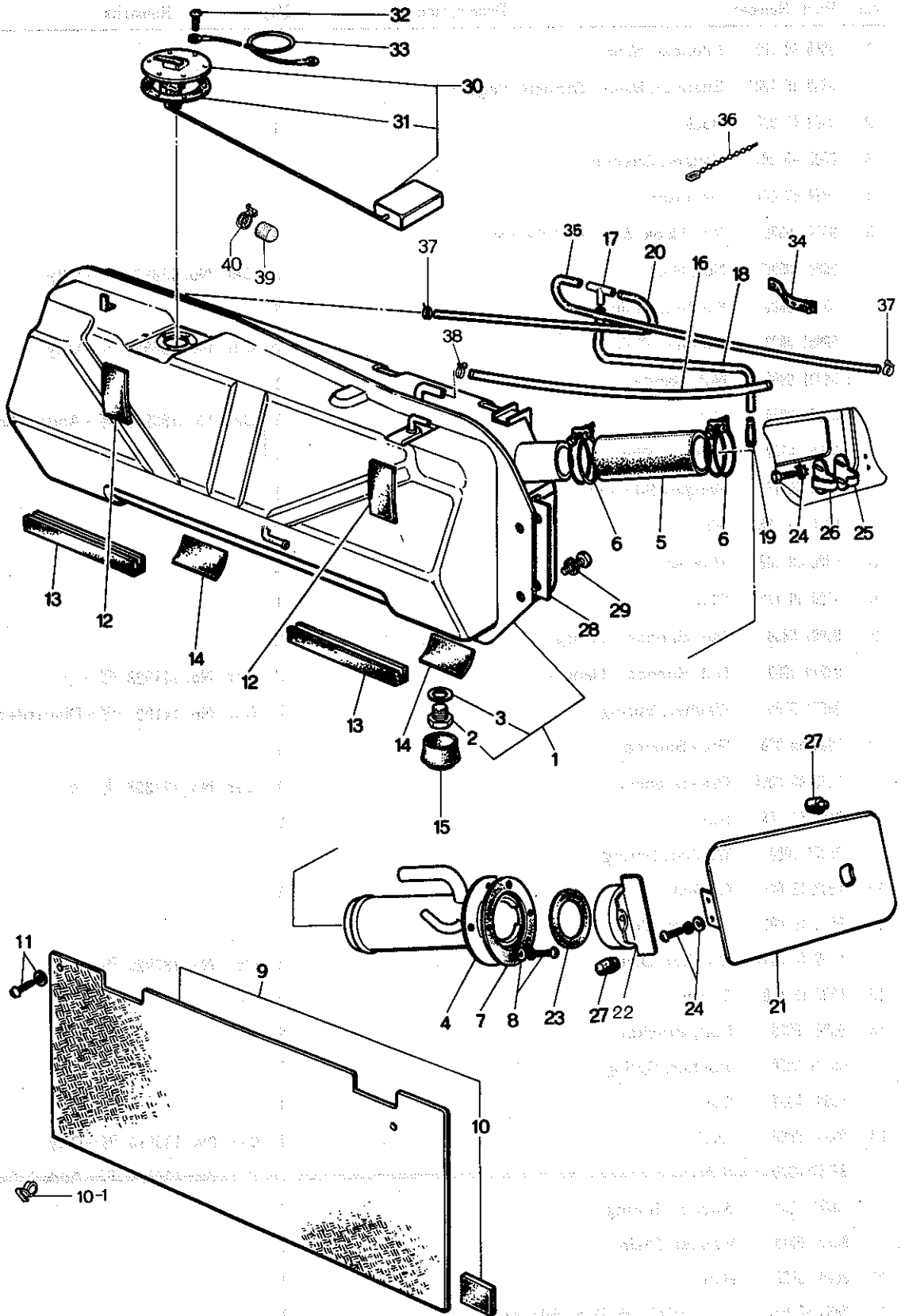




# EXHAUST SYSTEM

40

No.	Part Number	Description	Q'ty	Remarks
1	0866 40 100	Silencer, Main	1	
	0899 40 100A	Silencer, Main (Station Wagon)	1	
2	0866 40 060	Hook	1	
3	0305 40 061	Hanger, Silencer	2	
4	0824 40 401	Insulator	6	
5	99949 0800	Nut, Hook & Main Silencer	3	
	99949 0800	Nut, Hook	2	Car No. 136920 $\frac{1}{2}$ ~Q'ty
	99951 0800	Washer, Plain	3	
	99951 0822	Washer, Plain	3	Car No. 136920 $\frac{1}{2}$ ~Q'ty
5-1	99901 0800	Nut, Hanger	1	} Car No. 136920 $\frac{1}{2}$ ~Added Anew
	99902 0800	Nut	1	
	99952 0822	Washer, Plain	1	
6	0820 40 161	Hanger, Silencer	1	
7	0820 40 165	Pipe	2	
8	0820 40 166	Washer	2	
9	0820 40 170	Plate	1	
10	99901 0800	Nut, Silencer Hanger	2	
	99940 0800	Nut, Silencer Hanger	3	Car No. 141928 $\frac{2}{3}$ ~O
	99971 0800	Washer, Spring	3	Car No. 141927 $\frac{2}{3}$ ~Discarded
11	0866 40 300	Pre-Silencer	1	
	0866 40 300A	Pre-Silencer	1	Car No. 127396 $\frac{1}{2}$ ~ $\Delta$
12	2158 40 355	Nut	2	
	99971 1000	Washer, Spring	2	
13	0866 13 621	Gasket	1	
14	0866 40 081	Bracket, Joint	1	
	0866 40 081A	Bracket, Joint	1	Car No. 136920 $\frac{1}{2}$ ~O
15	0208 13 458	Clamp	3	
16	99801 0820	Bolt, Bracket	2	
	99971 0800	Washer, Spring	1	
17	99801 0832	Bolt	1	
18	99901 0800	Nut	1	Car No. 136920 $\frac{1}{2}$ ~Q'ty
	<del>99902 0800</del>	<del>Nut</del>	<del>1</del>	<del>Car No. 136920 <math>\frac{1}{2}</math>~Added Anew</del>
	99971 0800	Washer, Spring	2	
19	99951 0818	Washer, Plain	1	
20	99801 0828	Bolt	1	
21	0866 40 091	Joint, Main & Pre-Silencer	1	



# FUEL TANK (SEDAN & COUPE)

42

No.	Part Number	Description	Q'ty	Remarks
1	0866 42 310C	Tank, Fuel	1	
	0866 42 310D	Tank, Fuel	1	Car No. 141928 $\frac{7}{8}$ ~○
	0866 42 310E	Tank, Fuel	1	Car No. 161186 $\frac{7}{8}$ ~△
●	0866 42 310G	Tank, Fuel	1	$\frac{7}{16}$ ~○
2	0114 42 046A	Plug, Drain	1	
●	99796 1012	Bolt	1	
3	99564 1200	Packing	1	
●	99564 1000	Gasket	1	
4	0866 42 350	Pipe, Filler	1	
	0866 42 350A	Pipe, Filler	1	Car No. 141928 $\frac{7}{8}$ ~○
	0866 42 350B	Pipe, Filler	1	Car No. 161186 $\frac{7}{8}$ ~△
5	0259 42 364	Hose, Joint	1	
●	0259 42 364B	Hose, Joint	1	$\frac{7}{16}$ ~○
6	99282 5500	Clamp	2	
7	0866 42 366	Gasket, Inlet Pipe	1	
8	99804 0516	Screw	4	
●	99786 0516	Screw, Filler Pipe	4	$\frac{7}{16}$ ~○
	99971 0500		4	
9	0866 42 530	Board, Partition	1	

No.	Part Number	Description	Q'ty	Remarks
	0866 42 380	Board, Partition	1	
✓	1570 42 381A	Board, Partition	1	Car No. 178812 3/8 ~ Δ
✓	10 0866 42 382	Spacer	4	Car No. 178812 3/8 ~ Discarded
✓	10-1 1011 69 885	Fastener	2	Car No. 178813 3/8 ~ Added Anew
	11 99863 0412	Screw, Tapping	2	
	99952 0412	Washer, Plain	2	
	12 0866 42 523	Pad, Fuel Tank "C"	2	
	13 0866 42 521	Pad, Fuel Tank "A"	2	
	14 0866 42 522	Pad, Fuel Tank "B"	2	
	15 0187 42 371	Rubber, Dust Seal	1	
	16 99336 12040	Pipe, Soft Vinyl-Body Side	1	
				Order Under No.
✓	99346 12400	Pipe, Soft Vinyl-Body Side (400%)	1	99349 12750 (1.75m)
	1504 42 543	Pipe, Soft Vinyl-Body Side (1558, 1559)	1	
	17 0259 42 390	Joint, "T"	1	
	18 0866 42 542A	Tube, Vent-"T" Joint ~ Flow	1	
				Order Under No.
✓	99346 06850	Tube, Vent-"T" Joint ~ Flow (850%)	1	99343 06035 (3.5 m) 3/12 ~ ○
	1504 42 542	Tube, Vent (1558, 1559)	1	
				Order Under No.
✓	99346 06850	Tube, Vent (ECE Cold) (850%)	1	99343 06035 (3.5 m) 3/12 ~ ○
	19 0866 42 544	Elbow	1	
	20 0866 42 542A	Tube, Vent-"T" Joint-Fuel Tank	1	

# FUEL TANK (SEDAN & COUPE)

42

No.	Part Number	Description	Q'ty	Remarks
● ✓	99346 06880	Tube, Vent-"T" Joint~Fuel Tank (880 <sup>mm</sup> )	1	Order Under No. 99343 06035 (3.5 m) $\frac{7}{12}$ ~○
	1504 42 542	Tube, Vent-"T" Joint~Fuel Tank (1558, 1559)	1	
● ✓	99346 06850	Tube, Vent-"T" Joint~Fuel Tank (ECE Cold)(850 <sup>mm</sup> )	1	Order Under No. 99343 06035 (3.5 m) $\frac{7}{12}$ ~○
	21 0376 42 410	Lid, Filler (Coupe)	1	
	0866 42 410	Lid, Filler (Sedan)	1	
	22 2280 42 460	Cap, Filler	1	
●	1011 42 250	Cap, Filler	1	
	23 2280 42 462	Gasket	1	
	2280 42 462 A	Gasket	1	Car No. 159447 $\frac{7}{11}$ ~○
●	2280 42 462 B	Gasket	1	$\frac{7}{12}$ ~○
	24 99804 0516	Bolt, Filler Lid	4	
● ✓	99786 0512	Bolt, Filler Lid Plate	2	$\frac{7}{4}$ ~○
● ✓	99786 0516	Bolt, Filler Lid	2	$\frac{7}{4}$ ~○
	99952 0500	Washer, Plain	4	
	99971 0500	Washer, Spring	4	
	25 0866 42 552	Plate, Back Up	1	
	26 0866 42 551	Plate, Lock	1	
	27 0110 52 265	Rubber, Cushion	2	

**FUEL TANK (SEDAN & COUPE)**

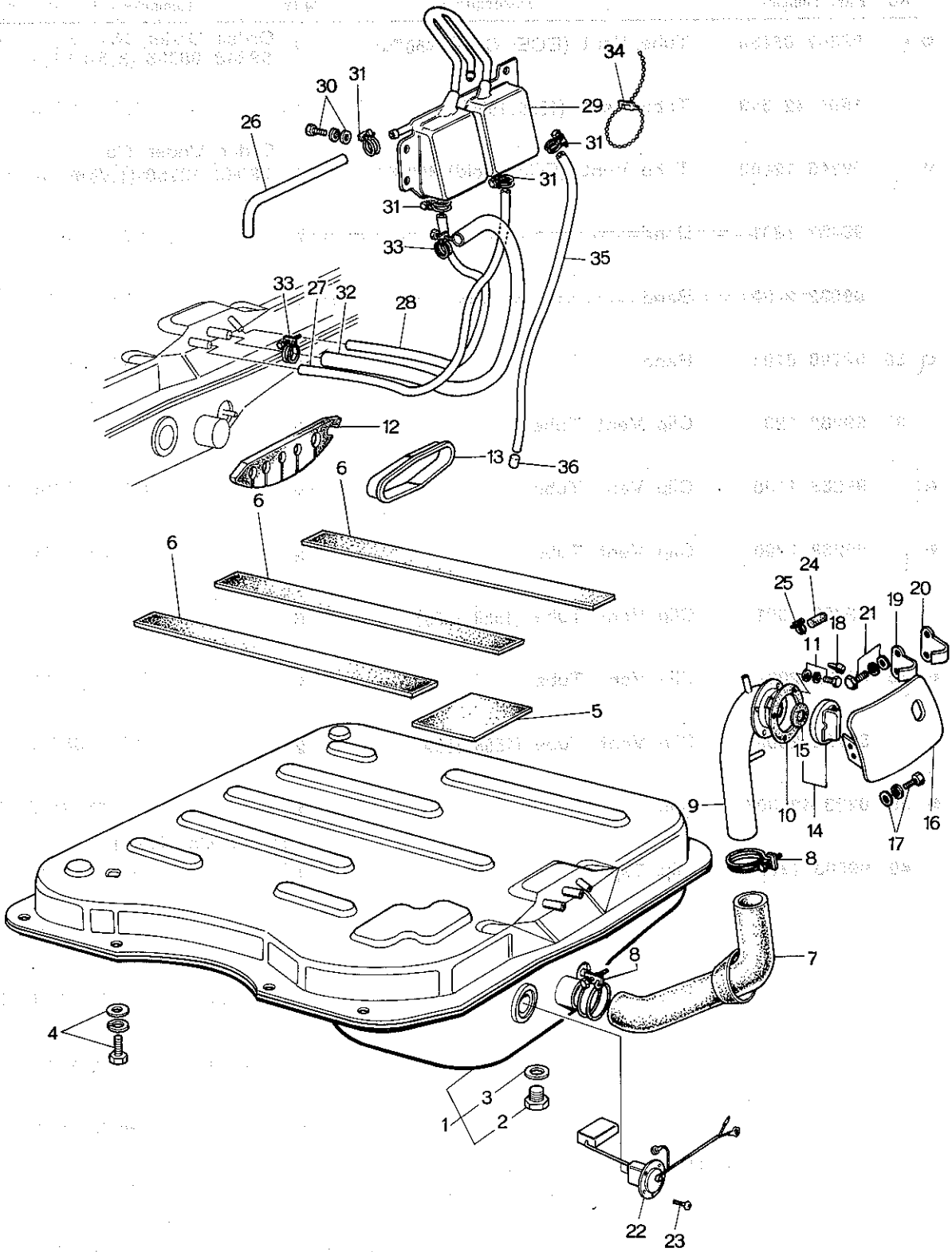
No.	Part Number	Description	Q'ty	Remarks
28	0866 42 561	Washer	2	
29	99804 0825	Bolt, Fuel Tank	4	
●	✓ 99786 0820	Bolt, Fuel Tank	4	
	99952 0800	Washer, Plain	4	
●	✓ 99952 0818	Washer, Plain	4	
	99971 0800	Washer, Spring	4	
30	0866 67 170	Gauge, Fuel Tank	1	
31	0243 66 773	Gasket	1	
32	99833 0410	Screw, Fuel Tank Gauge	6	
	99833 0408	Screw, Fuel Tank Gauge	6	
33	<del>0866 67 175</del>	<del>Cord, Earth</del>	<del>1</del>	
	0866 67 176	Cord, Earth	1	From Car No
	0866 67 175	Cord, Earth	1	
34	0187 66 991	Clip, Rubber	1	
	<del>99709 0108</del>	<del>Band</del>	<del>1</del>	
35	0866 42 541	Tube, Vent	1	
●	✓ 99347 06450	Tube, Vent-"T" Joint~Filler Pipe (450%)	1	Order Under 99343 06035
	1504 42 541	Tube, Vent (1558,1559)	1	

# FUEL TANK (SEDAN & COUPE)



No.	Part Number	Description	Q'ty	Remarks
●	99347 06450	Tube, Vent (ECE. Cold) (450 <sup>m</sup> )	1	Order Under No. 99343 06035 (3.5 m) $\frac{7}{12}$ ~○
	1504 42 543	Tube, Vent (1558,1559)	1	
●	99346 12400	Tube, Vent (ECE. Cold) (400 <sup>m</sup> )	1	Order Under No. 99349 12750 (1.75 m) $\frac{7}{12}$ ~○
	<del>99282 1301</del>	<del>Band</del>	<del>5</del>	
	<del>99282 2000</del>	<del>Band</del>	<del>2</del>	
●	36 99709 0108	Band	1	
	37 99282 1201	Clip, Vent Tube	5	
●	99283 1100	Clip, Vent Tube	2	
●	99283 1200	Clip, Vent Tube	3	
	99282 1301	Clip, Vent Tube (1558,1559)	5	
●	38 99282 2001	Clip, Vent Tube	2	
	99282 2000	Clip, Vent Tube (1558,1559)	2	
●	39 0223 42 307	Cap	1	} From Car No. 1
	40 99283 1300	Clip, Cap	1	

FUEL TANK (STATION WAGON)





# FUEL TANK (STATION WAGON)

42

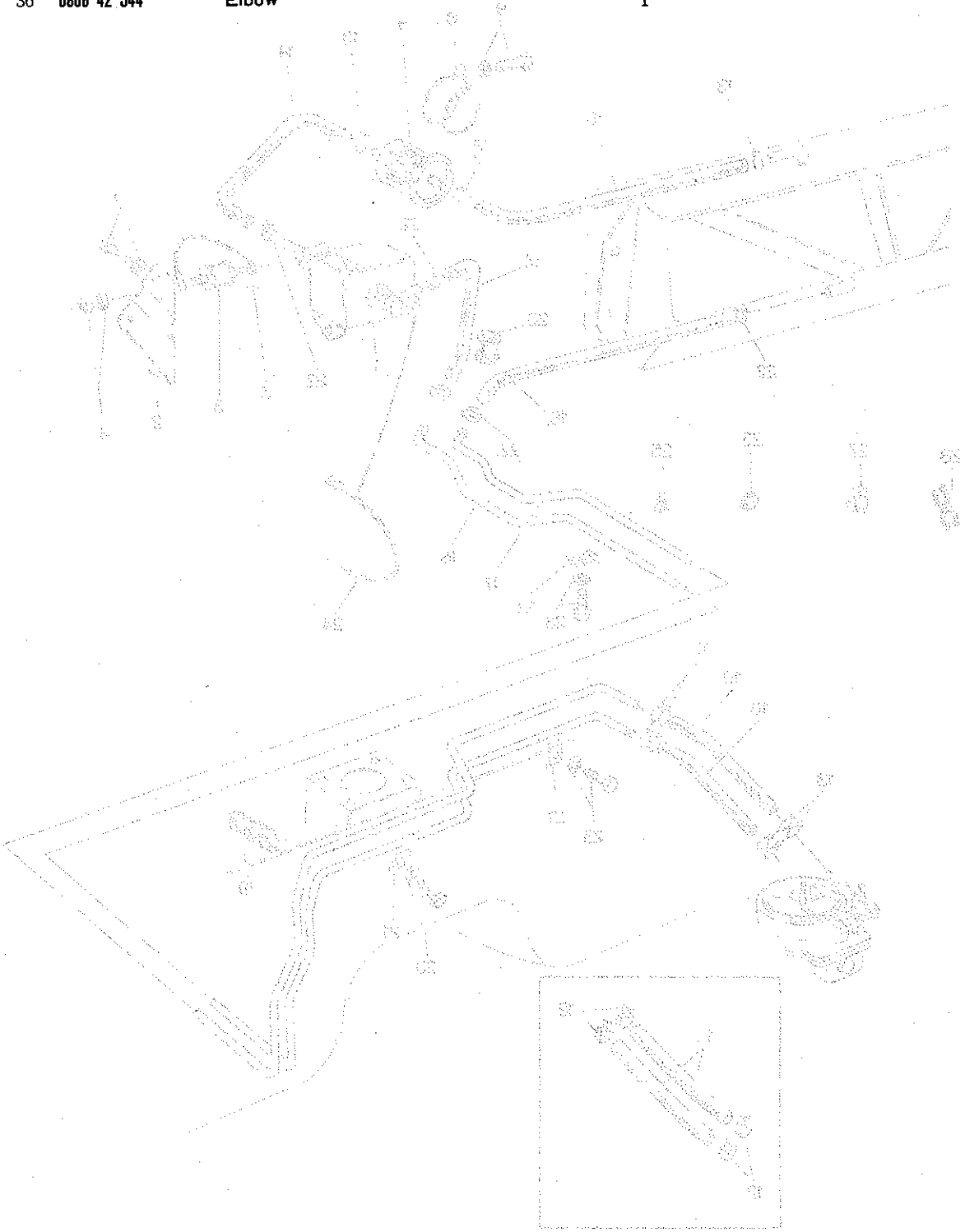
No.	Part Number	Description	Q'ty	Remarks
✓ 1	0899 42 310D	Tank, Fuel	1	
✓ 2	0114 42 046A	Plug, Drain	1	
3	99564 1200	Packing	1	
4	99796 1020	Bolt, Fuel Tank	8	
	99952 1030	Washer, Plain	8	
✓ 5	0652 42 304	Pad	4	
✓ 6	0585 42 305	Pad	3	
✓ 7	0585 42 307	Hose, Joint	1	
8	99282 6000	Clamp, Hose	2	
✓ 9	0585 42 350	Pipe, Filler	1	
✓ 10	0866 42 366	Packing	1	
11	99786 0516	Screw, Tapping	4	
✓ 12	0899 42 302	Protector	1	
✓ 13	0585 42 306	Protector	1	
✓ 14	1011 42 250	Cap, Filler	1	
✓ 15	2280 42 462A	Gasket, Filler Pipe	1	
✓ 16	0585 42 410	Lid, Filler	1	

# 42 FUEL TANK (STATION WAGON)

No.	Part Number	Description	Q'ty	Remarks
17	99786 0516	Screw, Tapping-Filler Lid	2	
J 18	0110 52 265	Rubber, Cushion	2	
J 19	0866 42 551	Plate, Lock	1	
J 20	0866 42 552	Plate, Back Up	1	
21	99786 0512	Screw, Tapping-Plate	2	
22	0898 67 170B	Gauge, Fuel Tank	1	
23	99833 0408	Screw, Fuel Tank	6	
J 24	0223 42 307	Cap	2	
25	99282 1401	Clip, Wire-Cap	2	
J 26	2432 42 391A	Tube, Vent-Condense Tank~Filler Pipe	1	
J 27	1544 42 613	Tube, Vent-Condense Tank~Fuel Tank	1	
J 28	1544 42 614	Tube, Vent-Condense Tank~Fuel Tank	1	
J 29	1544 42 610B	Tank, Condense	1	
30	99786 0616	Bolt, Condense Tank	2	
	99952 0618	Washer, Plain	2	
31	99282 1201	Band, Hose-Vent Tube	7	
32	99336 10070	Tube, Fuel Tank~Filler Pipe	1	
33	99282 1801	Clamp, Tube	2	
34	99709 0255	Band, Vent Tube	2	

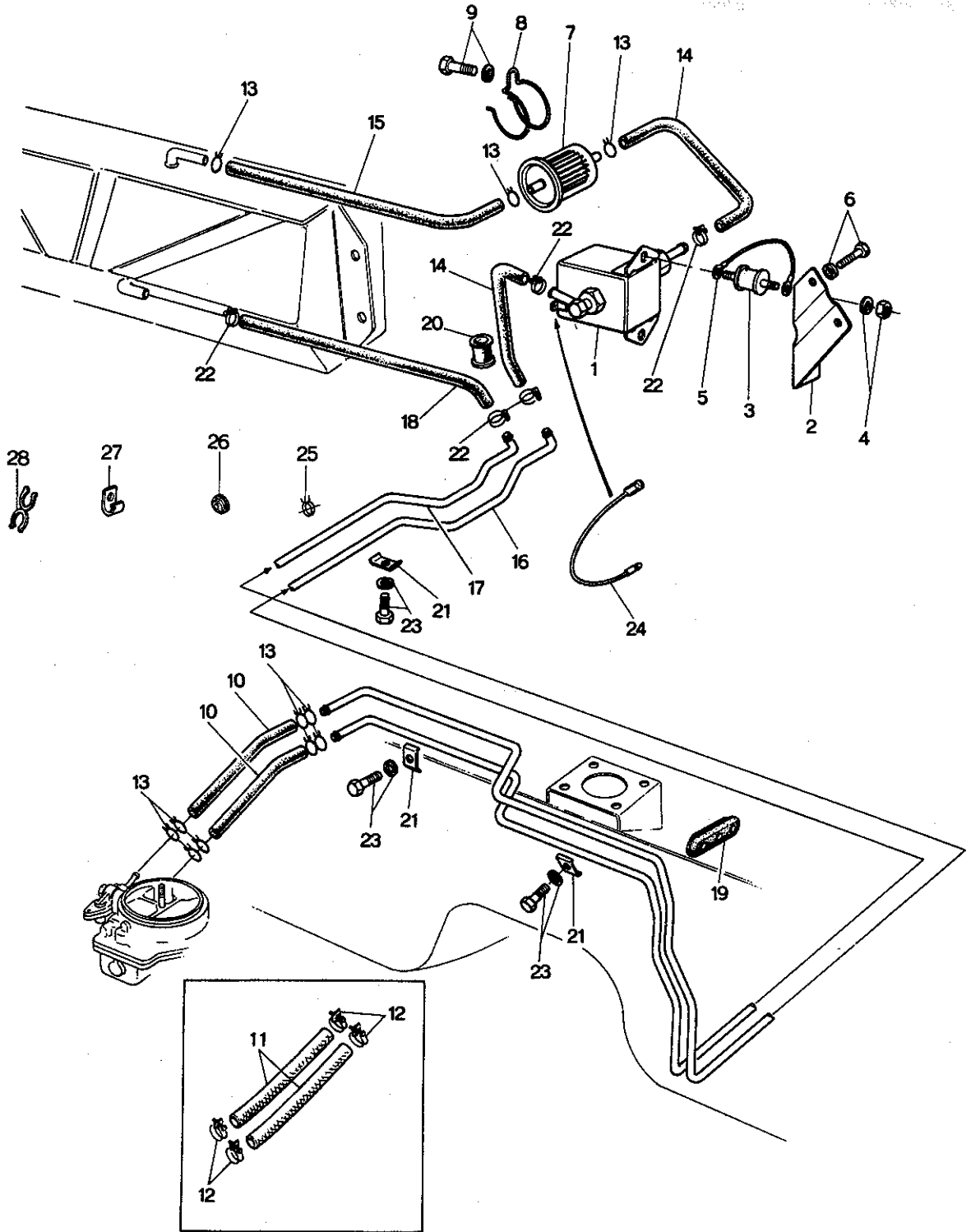
# FUEL TANK (STATION WAGON)

No.	Part Number	Description	Q'ty	Remarks
35	0585 42 570A	Tube, Vent	1	
36	0888 42 544	Elbow	1	



# FUEL PIPING (SEDAN & COUPE)

(USED UP TO 7/4)



# FUEL PIPING (SEDAN & COUPE)

(USED UP TO 7/4)

13 45

No.	Part Number	Description	Q'ty	Remarks
1	0866 13 400D	Pump, Fuel	1	
	0866 13 400F	Pump, Fuel	1	Car No. 120642 7/11~○
	1881 13 400	Pump, Fuel	1	Car No. 160623 7/10~×
2	0886 13 401A	Bracket, Fuel Pump	1	
3	0222 13 363	Rubber, Insulation-Fuel Pump	2	
	0223 13 363	Rubber, Insulation-Fuel Pump	2	Car No. 160623 7/10~×
4	99906 0800	Nut, Insulation Rubber+Fuel Pump	4	
	99971 0600	Washer, Spring	4	
	99940 0600	Nut	4	7/10~○
5	0866 13 402A	Cord, Earth-Fuel Pump	1	
6	99806 0612	Bolt, Fuel Pump Bracket	2	
	99952 0616	Washer, Plain	2	
	99971 0600	Washer, Spring	2	
	99786 0616	Screw, Tapping	2	7/10~○
7	0222 13 470A	Filter, Fuel	1	
	0222 13 470B	Filter, Fuel	1	7/2~○
8	0381 13 481	Clamp, Fuel Filter	1	
9	99806 0612	Bolt, Fuel Filter	1	
	99796 0612	Bolt, Fuel Filter	1	7/10~○
	99952 0616	Washer, Plain	1	

# FUEL PIPING (SEDAN & COUPE)

(USED UP TO 7/4)

No.	Part Number	Description	Q'ty	Remarks
	99952 0612	Washer, Plain	1	73/10 ~ ○
	99971 0800	Washer, Spring	1	
10	99340 06340	Pipe, Fuel-Carburettor Side	1	Car No. 134786 73/1 ~ Q'ty
	0866 13 442	Pipe, Fuel	1	Car No. 134786 73/1 ~ Added Anew
11	1568 13 440	Pipe, Fuel-Carburettor Side	2	1567, 1568
	1594 13 421	Pipe, Fuel-Carburettor Side	2	1558, 1559 (Only for Norway)
	0866 13 442	Pipe, Fuel-Carburettor Side	2	1558, 1559 (Only for Norway) Car No. 73/3 ~ X
12	99282 1600	Band, Fuel Pipe	4	1567, 1568
	99282 1601	Band, Fuel Pipe (1558, 1559)	4	1558, 1559 (Only for Norway)
13	0222 13 493	Clip, Fuel Pipe	18	
	99283 1300	Clip, Fuel Pipe	18	Car No. 73/2 ~ ○
	99283 1100	Clip, Fuel Pipe	2	Car No. 160623 73/10 ~ X
14	99340 06180	Pipe, Fuel-Fuel Pump	2	
	99348 08180	Pipe, Fuel-Fuel Pump	2	(Order Under No. 99343 08150 M=15) Car No. 160623 73/10 ~ X
15	99340 06670	Pipe, Fuel Tank~Filter	1	
	99348 08680	Pipe, Fuel Tank~Filter	1	(Order Under No. M=15 99343 08150) Car No. 160623 73/10 ~ X
16	0866 45 061A	Pipe, Fuel Main	1	
	1881 45 061	Pipe, Fuel Main	1	Car No. 160623 73/10 ~ △
17	0886 45 611B	Pipe, Fuel Return	1	
	1881 45 611	Pipe, Fuel Return	1	Car No. 160623 73/10 ~ △

# FUEL PIPING (SEDAN & COUPE)

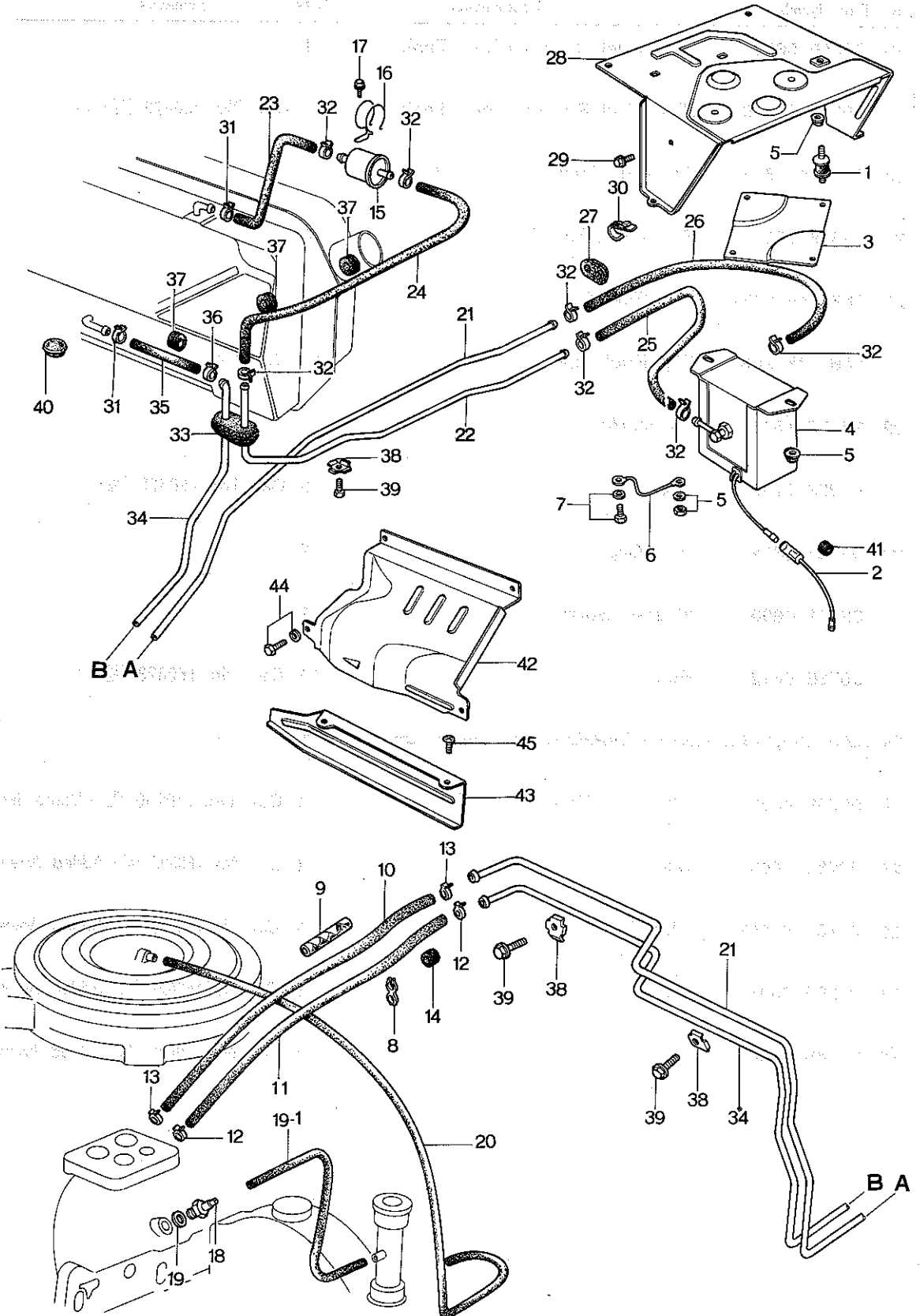
(USED UP TO 7/4)

13

45

No.	Part Number	Description	Q'ty	Remarks
18	98340 06320	Pipe, Fuel Return Pipe~Tank	1	
	99348 06330	Pipe, Fuel Return Pipe~Tank	1	Car No. 160623 7/10~△
19	0866 45 806A	Grommet, Fuel Pipe ( 99343 06150	1	
20	99868 1200	Protector, Fuel Pipe	3	
21	0866 45 803A	Clip, Fuel Pipe	9	
	0866 45 903A	Clip, Fuel Pipe	16	Car No.
22	99282 1301	Clamp, Hose	4	
	99283 1200	Clip	5	Car No. 160623 7/10~×
23	99785 0614	Bolt, Clip	9	
	99971 0600	Washer, Spring	9	
	99786 0612	Bolt	17	Car No. 160623 7/10~×
24	<del>0866 87 102</del>	<del>Cord, Fuel Pump</del>	<del>1</del>	
Ⓝ	99289 0851	Clip, Fuel Pipe	1	Car No. 179250 7/10~ Discarded
25	99283 1000	Clip	1	Car No. 160623 7/10~ Added Anew
26	0118 56 241	Plug, Drain	1	Car No. 160623 7/10~ Added Anew
27	99295 0606	Clip	1	Car No. 160623 7/10~ Added Anew
28	99288 0808B	Clip	1	Car No. 160623 7/10~ Added Anew

# FUEL PIPING (USED FROM 7<sup>4</sup>/<sub>5</sub>)





# FUEL PIPING (USED FROM 7/5)

13

45

No.	Part Number	Description	Q'ty	Remarks
✓ 1	0223 13 363	Rubber, Insulation-Fuel Pump	4	
✓ 2	1690 13 359	Cord, Fuel Pump	1	
✓ 3	1690 13 361	Bracket, Fuel Pump	1	
✓ 4	1173 13 400 A	Pump, Fuel	1	
5	99940 0600	Nut, Fuel Pump	8	
	99952 0600	Washer, Plain	1	
✓ 6	0866 13 402 A	Wire, Earth-Fuel Pump	1	
7	99796 0610	Bolt, Earth Wire	1	
	99952 0600	Washer, Plain	1	
✓ 8	1570 13 447	Clip, Fuel Hose	2	
✓ 9	1883 13 448	Protector, Fuel Hose (Automatic)	2	
10	99348 08430	Hose, Fuel Main (430 <sup>m</sup> m)	1	Order Under No. 99343 08035 (3.5m)
11	99348 06430	Hose, Fuel Return (430 <sup>m</sup> m)	1	Order Under No. 99343 06035 (3.5m)
12	99283 1000	Clip, Fuel Hose-Fuel Return Hose	2	
13	99283 1200	Clip, Fuel Hose-Fuel Main Hose	2	
14	99681 1503	Protector, Fuel Hose	2	
✓ 15	0222 13 470 B	Filter, Fuel	1	
✓ 16	0381 13 481	Clamp, Fuel Filter	1	
17	99786 0612	Bolt, Filter Clamp	1	
	99952 0618	Washer, Plain	1	

**FUEL PIPING (USED FROM 7/5)**

No.	Part Number	Description	Q'ty	Remarks
✓ 18	1757 13 780	Valve, Ventilation	1	
19	99564 1600	Gasket, Ventilation Valve	1	
✓ 19-1	99346 08300 1790 13 785 B	Hose Ventilator - Valve ~ Pipe (300%)	1	Order Under No. <b>99343 08035 (3.5 m)</b> 1 7/12 ~ (4/11 JAN. 14, '75)
✓ 20	1757 13 786 A	Hose, Ventilation - Air Cleaner ~ Housing	1	
✓ 21	1881 45 061 A	Pipe, Fuel Main - Carburettor Side	1	
✓ 22	0866 45 062	Pipe, Fuel Main - Fuel Tank Side	1	
✓ 23	99348 08180	Hose, Fuel - Tank ~ Filter (180%)	1	Order Under No. <b>99343 08035 (3.5 m)</b>
✓ 24	99348 08640	Hose, Fuel - Filter ~ Fuel Pipe (640%)	1	Order Under No. <b>99343 08035 (3.5 m)</b>
✓ 25	0866 45 801	Hose, Fuel - Filter ~ Pump, Tank Side	1	
✓ 26	0866 45 802	Hose, Fuel - Pump ~ Fuel Pipe	1	
✓ 27	0866 45 807	Protector, Pipe	1	
✓ 28	0866 45 810 A	Cover, Fuel Pump	1	
✓ 29	99786 0612	Bolt, Fuel Pump Cover	2	
30	99278 1201	Clip, Fuel Hose	2	
31	99283 1100	Clip, Fuel Hose	2	
32	99283 1200	Clip, Fuel Hose	7	
✓ 33	0866 45 806 A	Grommet, Fuel Pipe	1	
✓ 34	1881 45 611	Pipe, Fuel Return	1	
35	99348 06330	Hose, Fuel Return (330%)	1	Order Under No. <b>99343 06035 (3.5 m)</b>
36	99283 1000	Clip, Fuel Hose	1	

# FUEL PIPING (USED FROM $\frac{74}{5}$ )

1345

No.	Part Number	Description	Q'ty	Remarks
37	99686 1200	Protector, Fuel Hose	3	
38	0866 45 903 A	Clip, Pipe	10	
39	99786 0612	Bolt, Clip	10	
40	0118 56 241	Plug, Drain	1	
41	0208 66 683	Protector, Pump Cord	1	
42	0866 56 781	Cover, Fuel Pump	1	
43	0866 56 782	Protector, Fuel Pump Cover	1	
44	99786 0616	Screw, Fuel Pump Cover	4	
	99952 0618	Washer, Plain	4	
45	99786 0612	Screw, Fuel Pump Cover	2	

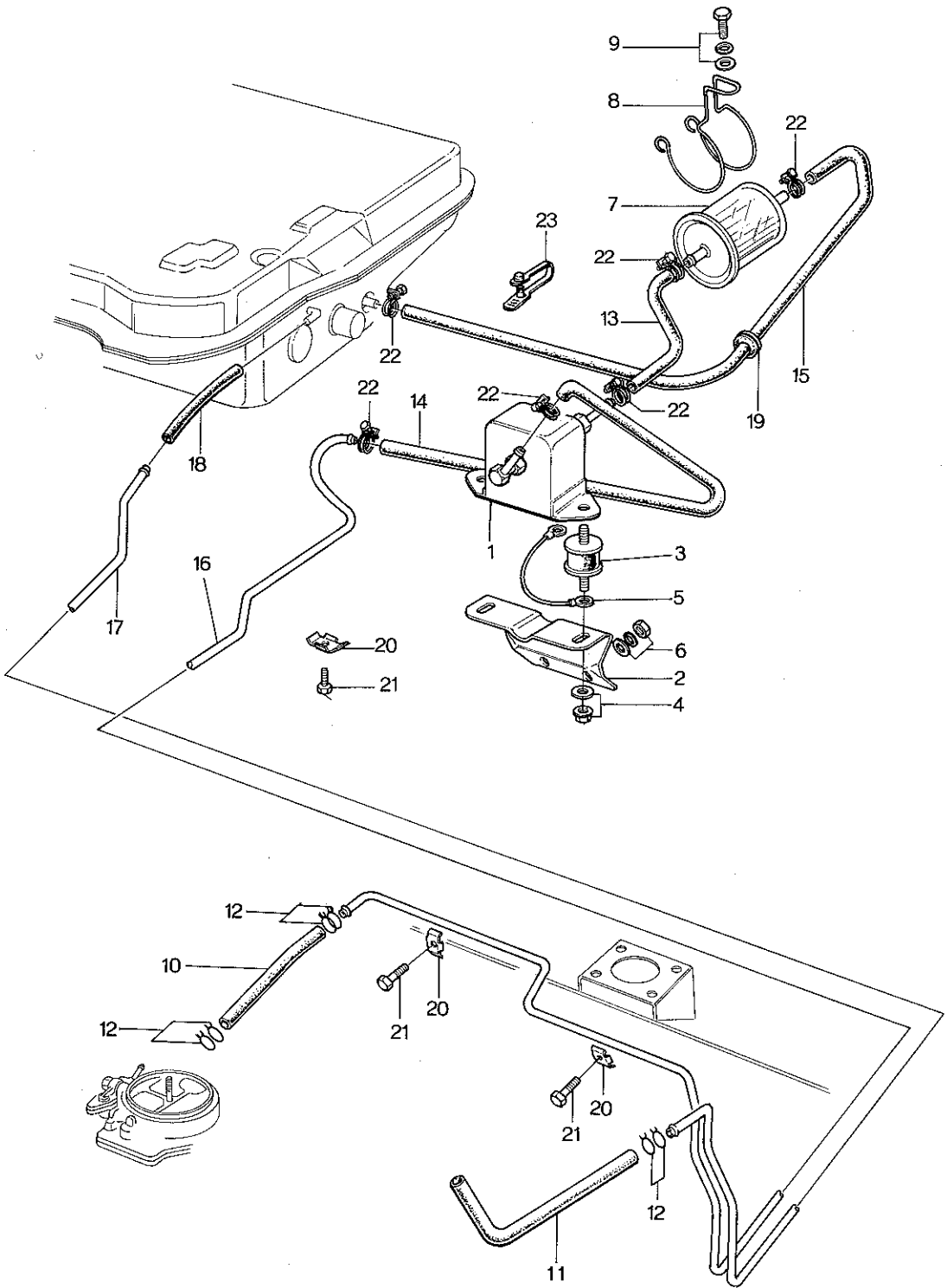


# FUEL PIPING (USED FROM 2)

Item Number	Description	Quantity	Remarks
1	1/2" Galv. Pipe	2	
2	3/4" Galv. Pipe	10	
3	1" Galv. Pipe	10	
4	1 1/2" Galv. Pipe	1	
5	2" Galv. Pipe	1	
6	2 1/2" Galv. Pipe	1	
7	3" Galv. Pipe	1	
8	3 1/2" Galv. Pipe	1	
9	4" Galv. Pipe	1	
10	4 1/2" Galv. Pipe	1	



# FUEL PIPING (STATION WAGON)



# FUEL PIPING (STATION WAGON)

13

45

No.	Part Number	Description	Q'ty	Remarks
1	0866 13 400F	Pump, Fuel	1	
2	0899 13 401	Bracket, Fuel Pump	1	
3	0223 13 363	Rubber, Insulation-Fuel Pump	2	
4	99940 0600	Nut, Insulation Rubber	4	
	99971 0600	Washer, Spring	4	
5	0866 13 402A	Cord, Earth-Fuel Pump	1	
6	99940 0600	Nut, Fuel Pump Bracket	2	
	99952 0600	Washer, Plain	2	
	99971 0600	Washer, Spring	2	
7	0222 13 470B	Filter, Fuel	1	
8	0381 13 481	Clamp, Fuel Filter	1	
9	99806 0612	Bolt, Fuel Filter	1	
	99952 0600	Washer, Spring	1	
	99971 0600	Washer, Spring	1	
10	99340 06460	Pipe, Fuel-Carburettor Side	2	Order Under No. 99344 06150
11	0866 13 442	Pipe	1	
12	0222 13 493	Clip, Wire-Pipe	8	
13	99340 06224	Pipe, Fuel-Filter~Pump	1	Order Under No. 99344 06150
14	0899 45 091	Pipe, Pump~Main Pipe	1	
15	99340 06500	Pipe, Tank~Filter	1	Order Under No. 99344 06150

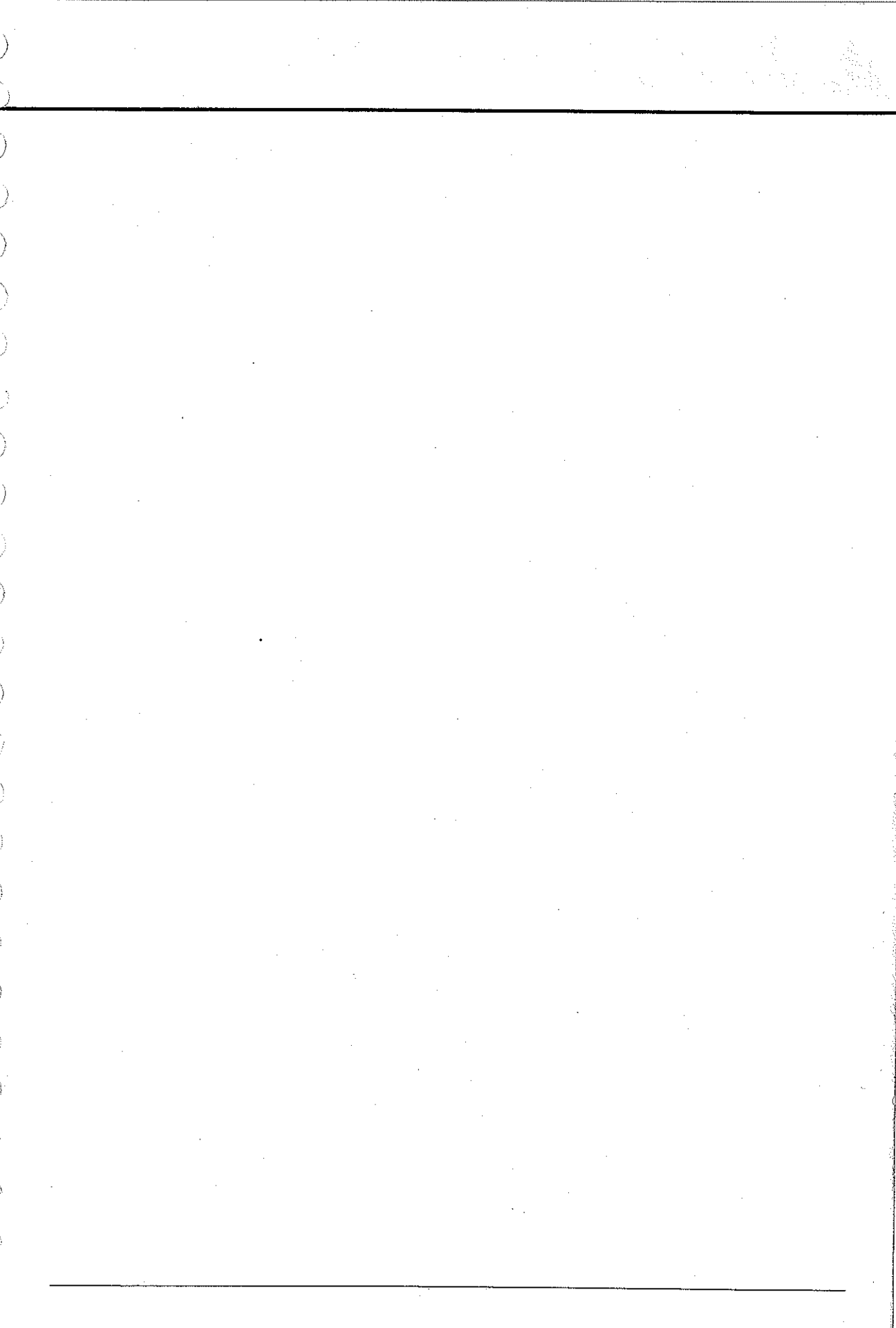
13

45

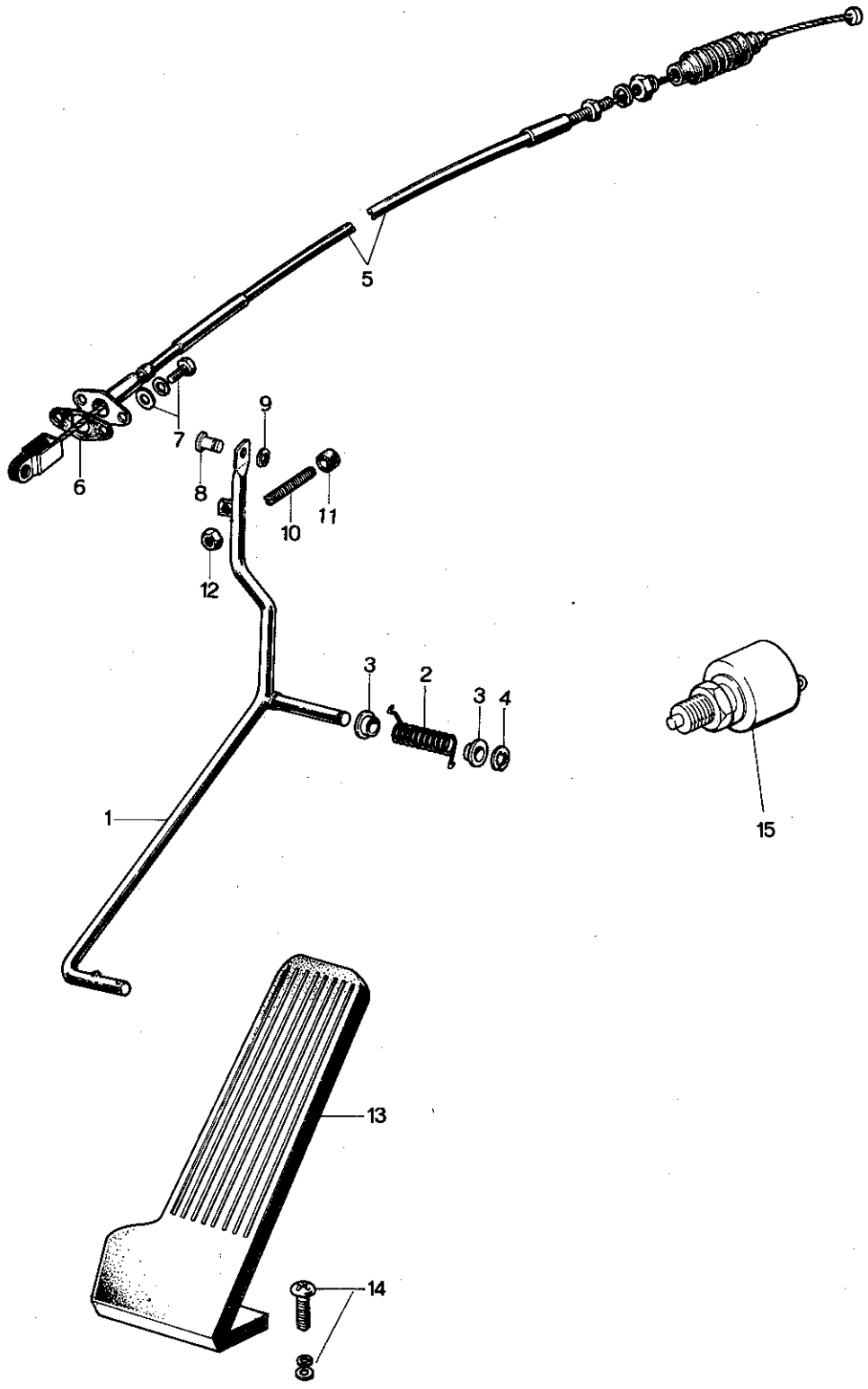
**FUEL PIPING (STATION WAGON)**

No.	Part Number	Description	Q'ty	Remarks
16	0899 45 071C	Pipe, Fuel Main	1	
17	0899 45 611B	Pipe, Fuel Return	1	
18	99340 08140	Pipe, Fuel Return Pipe~Tank	1	Order Under No. 99344 06150
19	0866 45 805	Protector	1	
20	0866 45 903A	Clip, Fuel Pipe	9	
21	99786 0612	Screw, Tapping	9	
22	99282 1401	Clamp, Hose	6	
23	99289 0851	Clip, Fuel Pipe	1	





# ACCELERATOR CONTROL SYSTEM (R. H. D.)

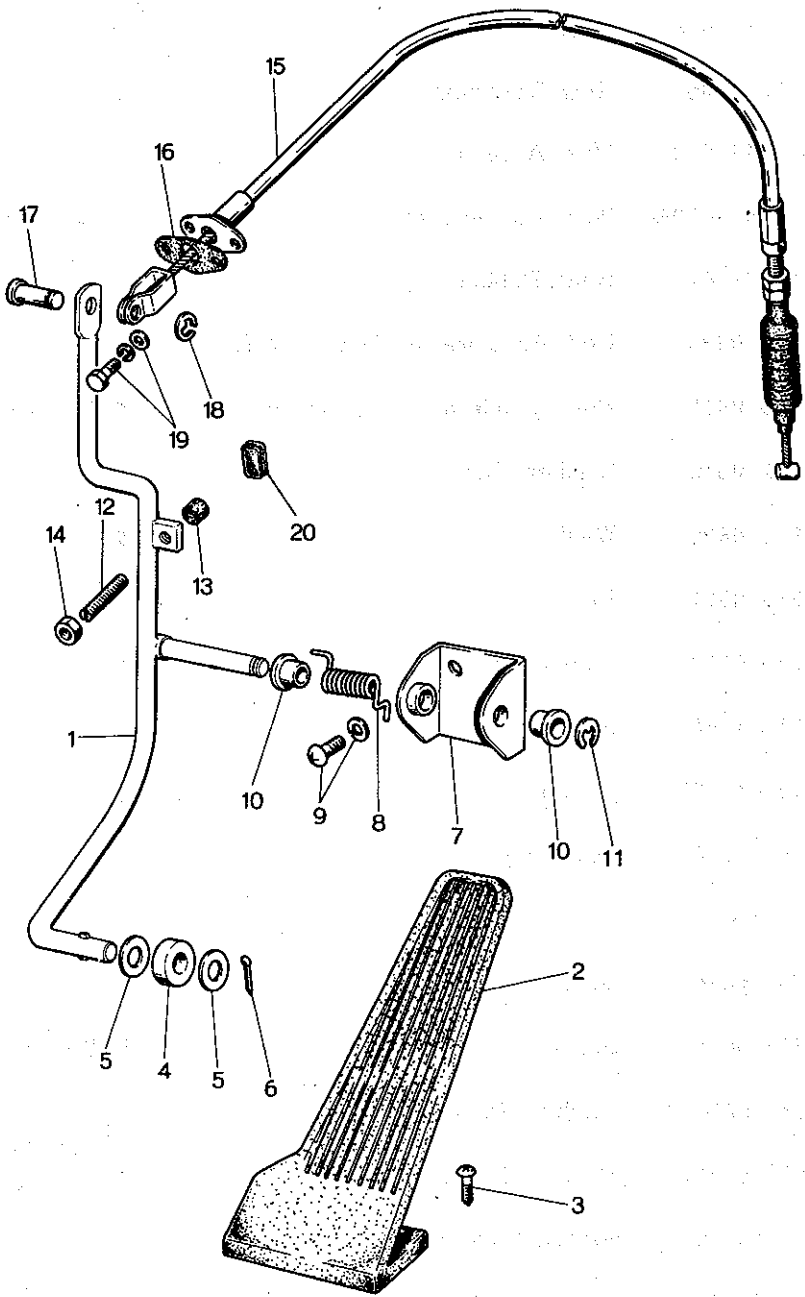


# ACCELERATOR CONTROL SYSTEM (R.H.D.)



No.	Part Number	Description	Q'ty	Remarks
1	0378 41 610	Rod, Accelerator Control (Automatic)	1	
	0866 41 610	Rod, Accelerator Control (Manual)	1	
2	0370 41 619	Spring, Return	1	
3	0259 41 644	Bush	2	
4	99575 0600	Ring, Retaining	1	
5	0866 41 660	Wire, Accelerator	1	
●	0862 41 660B	Wire, Accelerator	1	Car No. 160623 $\frac{7}{10}$ ~X
6	0249 41 671	Seat, Rubber	1	
7	99785 0620	Bolt, Accelerator Control Wire	2	
	99786 0620	Bolt, Accelerator Control Wire	2	Car No. 141928 $\frac{7}{3}$ ~○
	99952 0618	Washer, Plain	2	
	99971 0600	Washer, Spring	2	
8	99230 0511	Pin	1	
9	99575 0300	Ring, Stop	1	
10	0118 41 681	Stopper	1	
11	0118 41 682	Rubber	1	
12	99907 0600	Nut, Lock	1	
13	0559 41 710B	Pedal, Accelerator	1	
14	99765 0616	Screw	2	
	99786 0616	Screw	2	Car No. 141928 $\frac{7}{3}$ ~○
	99952 0600	Washer, Plain	2	} Car No. 141927 $\frac{7}{3}$ ~Discarded
	99971 0600	Washer, Spring	2	
15	2691 18 660	Switch, Kick Down (Automatic)	1	
Ⓝ	0866 41 617	Protector, Accelerator Pedal	1	From Car No. 1
Ⓝ	99576 0600	Ring, Stop-Protector	1	From Car No. 1

# ACCELERATOR CONTROL SYSTEM (L.H.D.) (USED UP TO CAR NO. 179250 <sup>73/9</sup>)

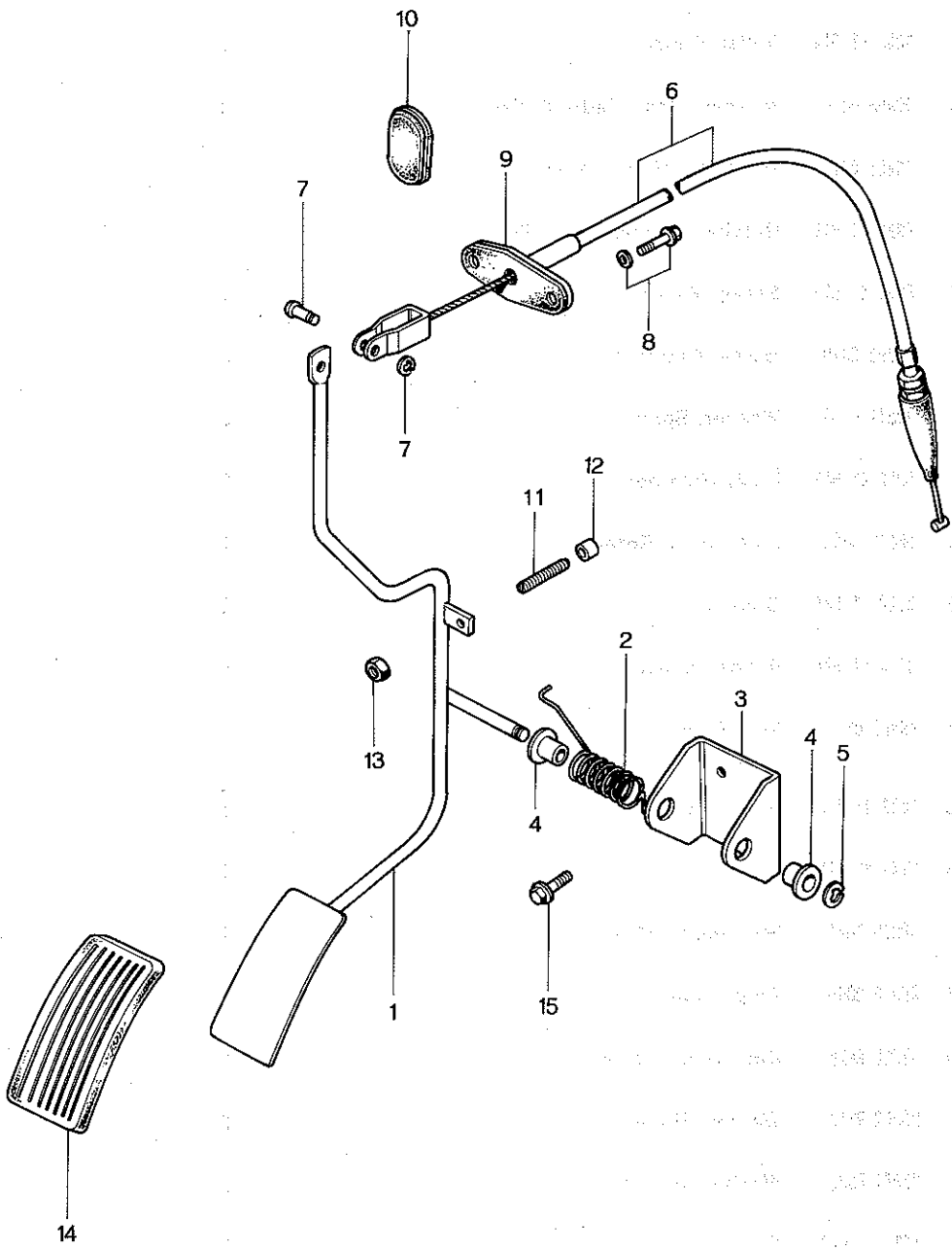


# ACCELERATOR CONTROL SYSTEM (L.H.D.) (USED UP TO CAR NO. 179250 $\frac{7}{8}$ )

41

No.	Part Number	Description	Q'ty	Remarks
1	1524 41 820	Rod, Accelerator Control	1	
✓ ●	1524 41 820A	Rod, Accelerator Control	1	Car No. 148407 $\frac{7}{8}$ ~ ○
2	0290 41 710	Pedal, Accelerator	1	
3	99785 0518	Screw, Accelerator Pedal	2	
4	0259 41 813	Roller, Pedal	1	
5	99953 0800	Washer, Plain-Pedal Roller	2	
6	99221 2012	Pin, Split-Pedal Roller	1	
7	0305 41 841	Retainer, Accelerator Rod	1	
8	0259 41 819	Spring, Return	1	
9	99785 0818	Screw, Retainer	2	
	99971 0600	Washer, Spring	2	
10	0259 41 844	Bush, Retainer	2	
11	99575 0600	Ring, Snap-Retainer	1	
12	0118 41 881	Stopper	1	
13	0118 41 882	Rubber, Stopper	1	
14	99907 9800	Nut, Stopper	1	
15	1582 41 880	Wire Accel.	1	
16	0249 41 871	Seat	1	
17	99230 0511	Pin, Accel. Wire	1	
18	99575 0300	Ring, Stop	1	
19	99785 0820	Bolt, Accel. Wire	2	
	99952 0818	Washer, Plain	2	
	99971 0800	Washer, Spring	2	
✓ ● 20	1524 41 878	Seal	1	

# ACCELERATOR CONTROL SYSTEM (L.H.D.) (USED FROM CAR NO. 160623 <sup>73</sup>/<sub>10</sub>)

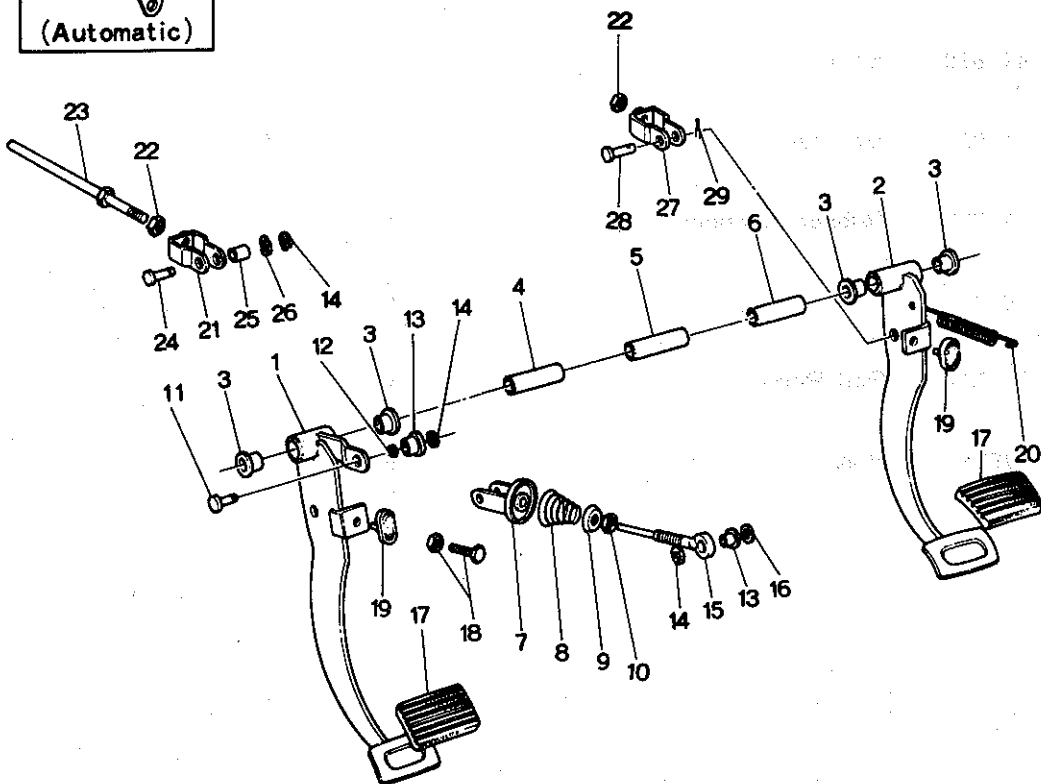
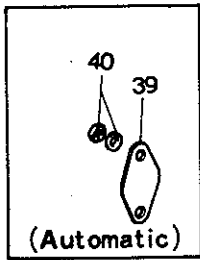
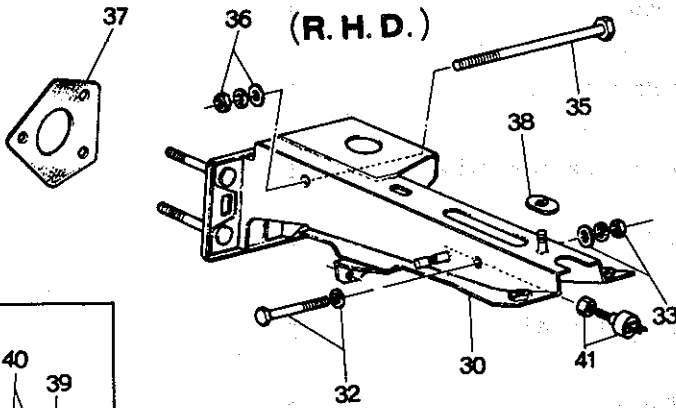
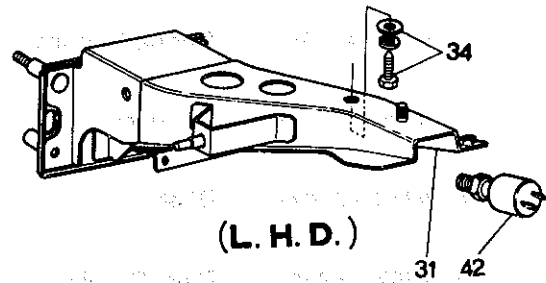


# ACCELERATOR CONTROL SYSTEM

(L.H.D.) (USED FROM CAR NO. 160623 <sup>73/10</sup>)



No.	Part Number	Description	Q'ty	Remarks
✓ 1	1881 41 610 A	Pedal, Accelerator	1	
✓ 2	0370 41 619	Spring, Return	1	
✓ 3	0305 41 641	Retainer	1	
✓ 4	0259 41 644	Bush	2	
5	99575 0600	Ring, Retaining	1	
✓ 6	1881 41 660 B	Wire, Accelerator	1	
7	99230 0511	Pin, Joint - Accelerator Wire	1	
	99575 0300	Ring, Snap	1	
8	99786 0620	Bolt, Accelerator Wire	2	
	99952 0618	Washer, Plain	2	
✓ 9	0249 41 671	Seat	1	
✓ 10	1524 41 678	Seal	1	
✓ 11	0118 41 681	Stopper	1	
✓ 12	0118 41 682	Rubber, Stopper	1	
13	99940 0600	Nut	1	
✓ 14	1708 41 711	Pad, Pedal	1	
15	99786 0616	Bolt	2	





# CLUTCH & BRAKE SYSTEM

41

43

No.	Part Number	Description	Q'ty	Remarks
1	0866 41 030 A	Pedal, Clutch (R.H.D.)	1	
	0866 41 030 B	Pedal, Clutch (R.H.D.)	1	Car. No. 133210 $\frac{7}{8}$ ~○
	1562 41 030 A	Pedal, Clutch (L.H.D.)	1	
2	0866 43 030	Pedal, Brake (R.H.D.)	1	
	1524 43 030	Pedal, Brake (L.H.D.)	1	
	0378 43 030	Pedal, Brake (R.H.D.) (Automatic)	1	
3	0259 43 022	Bush, Pedal	4	
●	1015 46 085	Bush, Pedal (Automatic)	4	Car. No. 178812 $\frac{7}{8}$ ~△
4	0866 43 061	Pipe, Pedal	1	
5	0866 43 083	Pipe, Pedal	1	
6	0866 43 062	Pipe, Pedal	1	
7	0824 41 040	Seat, Spring-Clutch	1	
	0559 41 040 C	Seat, Spring-Clutch	1	Car. No. 149635 $\frac{7}{8}$ ~X
8	0559 41 081	Spring, Return	1	
	0559 41 081 A	Spring, Return	1	Car. No. 149635 $\frac{7}{8}$ ~○
9	0183 41 043	Seat, Spring	1	
10	99801 0800	Nut, Spring	1	
	99922 0800	Nut, Spring	1	Car. No. 149635 $\frac{7}{8}$ ~X
11	0187 46 683	Pin, Spring Seat	1	
	0604 46 785	Pin, Spring Seat	1	Car. No. 149635 $\frac{7}{8}$ ~○

41

43

## CLUTCH &amp; BRAKE SYSTEM

No.	Part Number	Description	Q'ty	Remarks
12	0824 41 084	Spacer	1	
13	0259 41 644	Bush	2	
14	99575 0800	Ring, Snap	3	
●	99575 0600	Ring, Snap	3	From Car No. 1
15	0824 41 051	Rod	1	
	0824 41 051 A	Rod	1	Car No. 149635 $\frac{7}{16}$ ~X
16	99952 0816	Washer, Plain	1	
17	0118 43 028 A	Pad, Pedal (L.H.D.)	2	(Manual)
	0259 43 028	Pad, Pedal (R.H.D.)	2	
	0268 43 028	Pad, Pedal (R.H.D.) (Automatic)	1	
18	99795 1032	Bolt, Stopper-Clutch	1	
	99922 1000	Nut, Stopper & Push Rod	2	
19	0187 43 028	Rubber, Stopper	(Manual) 2 (Automatic) 1	
20	0813 41 308	Spring, Return-Brake	1	
21	0259 43 140	Fork End, Clutch	1	
●	1872 41 140	Fork End, Clutch	1	Car No. 160623 $\frac{7}{10}$ ~X
22	99922 0800	Nut, Fork End-Clutch	1	
	1872 41 142	Nut, Fork End	1	$\frac{7}{10}$ ~ Added Anew
	99922 1000	Nut, Fork End-Brake	1	
23	0223 41 131 A	Rod, Push-Clutch	1	

# CLUTCH & BRAKE SYSTEM

41

43

No.	Part Number	Description	Q'ty	Remarks
24	0223 46 683	Pin, Fork End-Clutch	1	
25	0727 41 023	Bush, Fork End-Clutch	1	
26	99972 0800	Washer, Wave-Fork End-Clutch	1	
27	0305 43 140	Fork End, Brake (R.H.D.)	1	
	1524 43 140	Fork End, Brake (L.H.D.)	1	
28	99231 0818	Pin, Joint-Fork End (R.H.D.)	1	
	99231 0820	Pin, Joint-Fork End (L.H.D.)	1	
29	99221 2020	Pin, Split-Fork End	1	
30	0866 43 070 A	Bracket, Master Cylinder (R.H.D.)	1	
●	0866 43 070 B	Bracket, Master Cylinder (R.H.D.)	1	$\frac{7}{10}$ - O
31	1524 43 070 B	Bracket, Master Cylinder (L.H.D.)	1	
	1504 43 070 A	Bracket, Master Cylinder (L.H.D.)	1	(1558,1559)
32	99805 0865	Bolt, Master Cylinder Bracket	1	
●	99801 0860	Bolt, Master Cylinder Bracket	1	Car. No. 160623 $\frac{73}{10}$ - X
	99952 0822	Washer, Plain	1	(R.H.D.)
33	99901 0800	Nut, Master Cylinder Bracket	1	
	99971 0800	Washer, Spring	1	
	99952 0822	Washer, Plain	1	
● 34	99805 0825	Bolt, Master Cylinder Bracket	1	
●	99952 0816	Washer, Plain	(L.H.D.) 1	Car. No. 179250 $\frac{73}{10}$ - Discarded

41

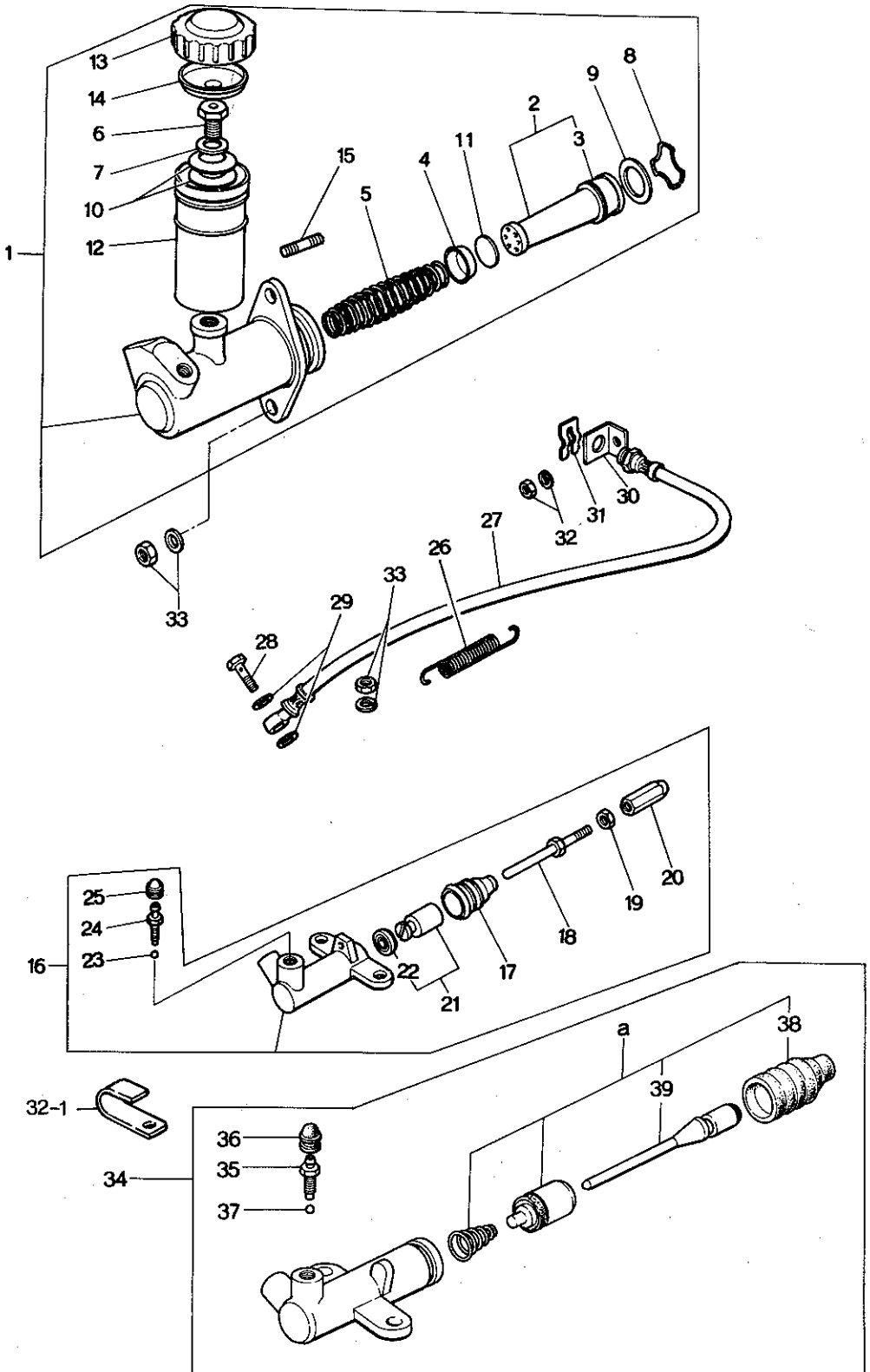
43

## CLUTCH &amp; BRAKE SYSTEM

No.	Part Number	Description	Q'ty	Remarks
● ✓	99971 0800	Washer, Spring	1	
35	99813 10155	Bolt, Master Cylinder Bracket (Manual)	1	
	99813 10110	Bolt, Master Cylinder Bracket (Automatic)	1	
36	99921 1000	Nut, Master Cylinder Bracket	1	
	99952 1000	Washer, Plain	1	
	99971 1000	Washer, Spring	1	
37	0866 43 093	Gasket, Master Cylinder	1	
38	0259 43 088	Seat, Master Cylinder Bracket	2	
39	0225 43 092	Plate	1	
40	99901 0800	Nut, Plate	2	(Automatic)
	99971 0800	Washer, Spring	2	
41	0233 66 790	Switch, Stop Lamp	1	
● 42	<del>2305 60 490</del>	<del>Switch, Brake Lining</del>	<del>1</del>	<del>(1558, 1559)</del>
	1504 60 490	Switch, Brake Lining	1	(1558, 1559)
✓ ● 43	99940 0800	Nut	1	Car No. 150623 <sup>73</sup> / <sub>10</sub> Added Anew



# CLUTCH RELEASE & MASTER CYLINDER



# CLUTCH RELEASE & MASTER CYLINDER

41

No.	Part Number	Description	Q'ty	Remarks
1	0866 41 400	Cylinder, Clutch Master (R.H.D.)	1	
✓ ●	0866 41 400A	Cylinder, Clutch Master (R.H.D.)	1	$\frac{73}{11} \sim \bigcirc$
	1524 41 400	Cylinder, Clutch Master (L.H.D.)	1	
✓ ●	1524 41 400A	Cylinder, Clutch Master (L.H.D.)	1	$\frac{73}{11} \sim \bigcirc$
2	0305 41 440	Piston	1	(Fig. No. 3 included)
	0839 41 440	Piston	1	Car No. 127396 $\frac{71}{12} \sim \times$
3	0305 41 451	Cup, Secondary	1	
4	0305 41 461	Cup, Primary	1	
	0839 41 461	Cup, Primary	1	Car No. 127396 $\frac{71}{12} \sim \times$
5	0110 41 470	Spring, Return	1	
	0110 41 470A	Spring, Return	1	Car No. 149635 $\frac{71}{11} \sim \bigcirc$
6	0317 43 421	Plug	1	
●	0317 43 421A	Plug	1	$\frac{73}{11} \sim \bigcirc$
7	0221 43 431	Washer	1	
●	0221 43 431A	Washer	1	$\frac{73}{11} \sim \bigcirc$
8	0111 43 432	Wire, Stop	1	
9	0111 43 433	Washer, Stop	1	
10	0317 43 428	Spring, Cone	2	
11	0727 41 442	Spacer	1	
12	0317 43 551	Tank, Reserve	1	

# CLUTCH RELEASE & MASTER CYLINDER

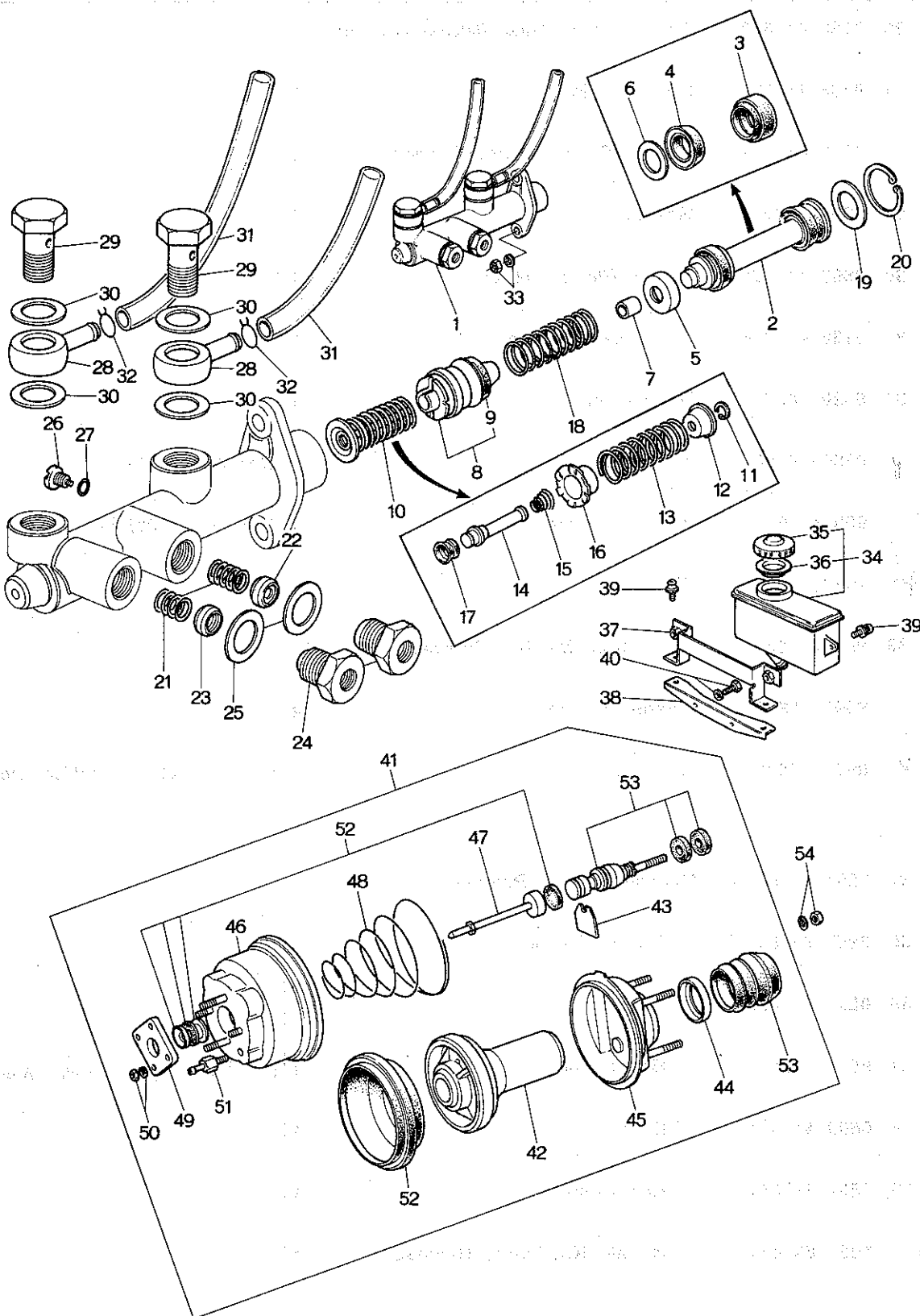
No.	Part Number	Description	Q'ty	Remarks
13	0727 43 552	Cap, Reserve Tank	1	
14	0839 43 553A	Baffle	1	
√ 15	99852 0848	Stud (L.H.D.)	1	
	0305 99 431	Repair Kit, Clutch Cylinder	1	(Fig. No. 2~5,8,9,11 included)
	0839 89 431	Repair Kit, Clutch Cylinder	1	Car No. 127396 $\frac{7}{12}$ ~○
	0839 89 431A	Repair Kit, Clutch Cylinder	1	Car No. 149635 $\frac{7}{7}$ ~○
√	<del>0839 89 431B</del>	Repair Kit, Clutch Cylinder		ERROR (HPM-813) $\frac{7}{7}$ ~○ + LMP. 5-11-74 2/10
16	0866 41 920	Cylinder, Clutch Release	1	
17	0191 41 331	Boot	1	
18	0187 41 341	Rod	1	
19	99922 0800	Nut	1	
20	0118 41 342	Screw, Adjust	1	
21	0866 41 320	Piston	1	Car No. 179250 $\frac{7}{9}$ ~ Discarded (Fig. No. 22 included)
22	0603 41 322B	Cup, Piston	1	
23	99611 1500	Ball, Steel	1	
24	0259 33 691	Screw, Bleeder	1	
25	0259 33 693	Cap	1	

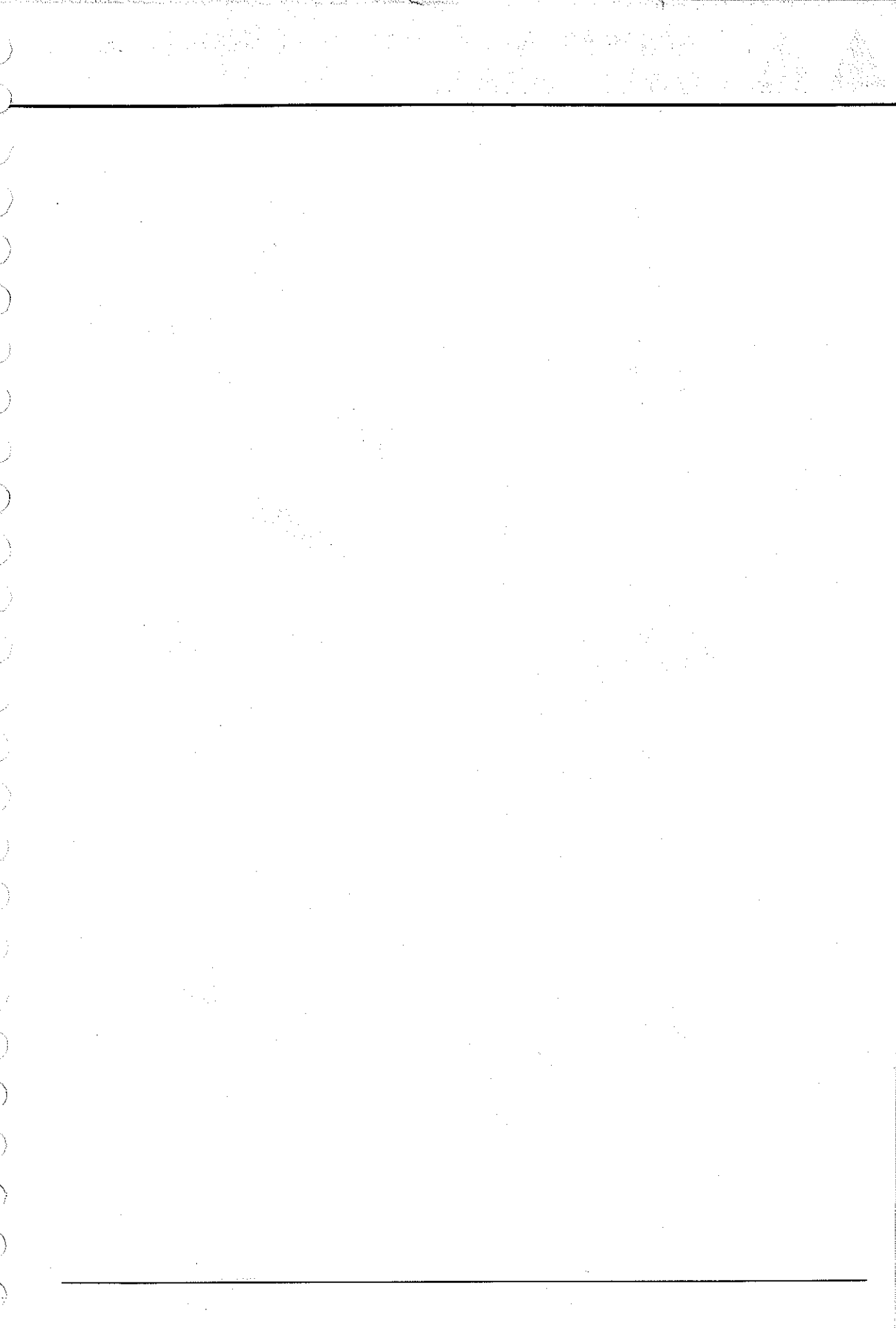


# CLUTCH RELEASE & MASTER CYLINDER

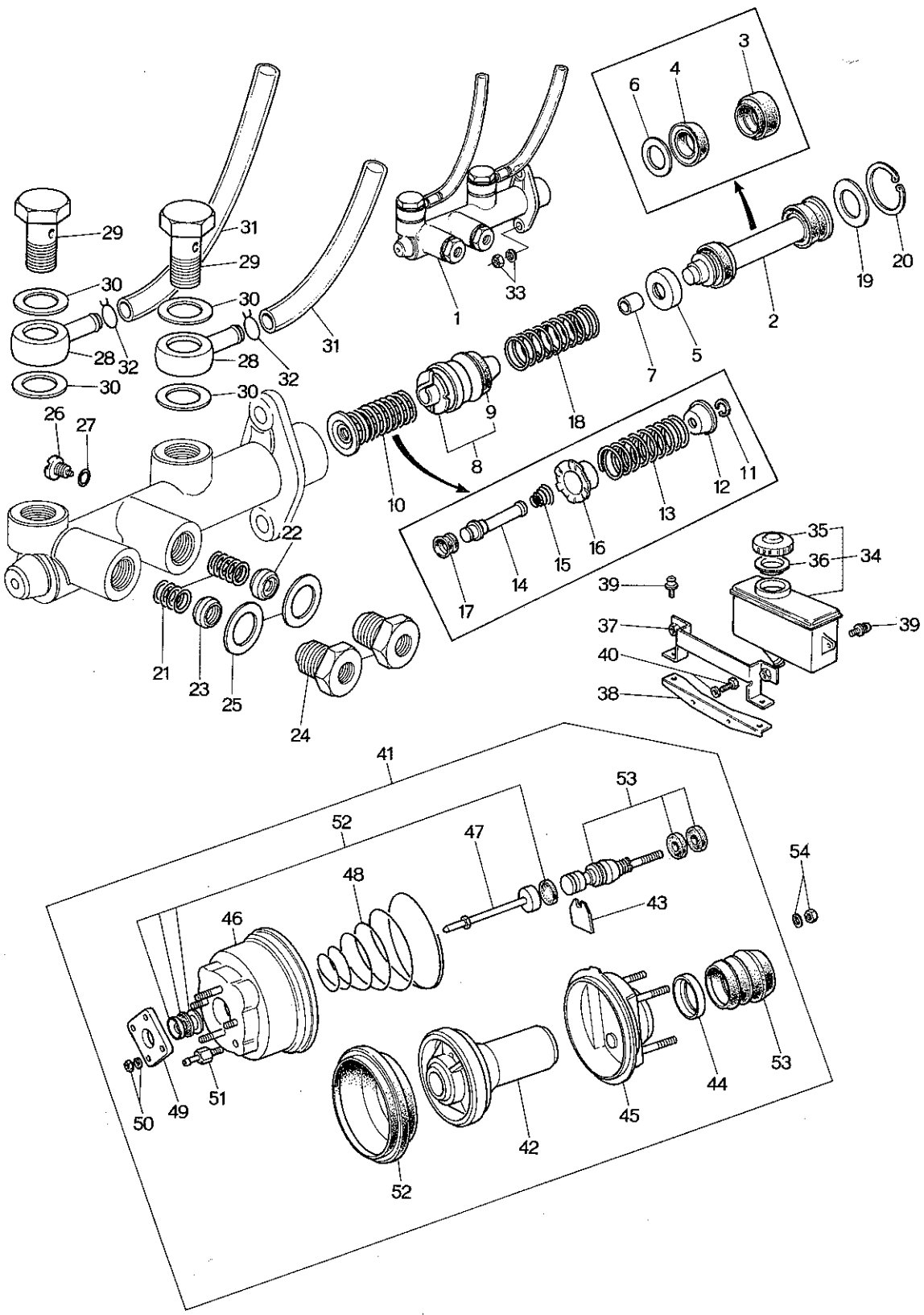
41

No.	Part Number	Description	Q'ty	Remarks
26	0183 41 308	Spring, Return-Clutch Release Cylinder	1	
27	0866 41 380	Hose, Flexible	1	
28	0221 43 694	Bolt, HoSe & Release Cylinder	1	
29	99562 1000	Gasket	2	
30	0866 41 370	Holder, Flexible Hose	1	
31	0136 43 635	Clip, Flexible Hose	1	
✓ 32	99906 0600	Nut, Holder	1	
✓	99940 0600	Nut, Holder	1	Car No. 141928 $\frac{7}{8}$ "~○
✓	99971 0600	Washer, Spring	1	Car No. 141927 $\frac{7}{8}$ "~Discarded
● 32/1	99276 0808	Clip	1	
33	99901 0800	Nut, Clutch Master Cylinder	4	
	99971 0800	Washer, Spring	4	
● ✓	99940 0800	Nut	4	Car No. 160623 $\frac{7}{10}$ "~Added Anew
✓	34 1881 41 920A	Cylinder, Clutch Release	1	
●	35 0259 36 691	Screw, Bleeder	1	
●	36 0259 33 693	Cap	1	
✓	37 99611 1500	Ball, Steel	1	Car No. 160623 $\frac{7}{10}$ "~Added Anew
✓	38 0603 41 331	Boot	1	
✓	39 1881 41 341	Rod, Push	1	
✓ a	1029 89 411	Repair Kit, Clutch Release	1	





# TANDEM MASTER CYLINDER & POWER BRAKE



# TANDEM MASTER CYLINDER & VACUUM POWER ASSIST (USED UP TO CAR NO. 179250 <sup>73</sup>/<sub>9</sub>)



No.	Part Number	Description	Q'ty	Remarks
1	0870 43 990	Cylinder, Tandem Master (R.H.D.)	1	
	1562 43 990 A	Cylinder, Tandem Master (L.H.D.)	1	
2	2046 49 620 C	Piston, Primary	1	
3	2046 49 625 A	Cup, Secondary	1	
4	2046 48 626 A	Cup, Primary	1	
5	2046 49 627 B	Seat, Spring	1	
6	2046 48 629 A	Spacer, Piston Cup	1	
7	2046 48 622	Ring, Stop	1	
8	2835 48 630 A	Piston, Floating	1	
9	2046 48 635 A	Cup, Secondary	2	
10	2835 49 640	Valve, Floating	1	
11	2835 49 623	Stopper	1	☆
12	2835 49 628 A	Seat, Spring	1	☆
13	2835 49 642 A	Spring, Floating Piston	1	☆
14	2835 49 645 A	Rod, Valve	1	Order Under No. 2835 49 640 ☆
15	2835 49 646 A	Spring, Valve	1	☆
16	2835 49 647 A	Case, Valve	1	☆
17	2835 49 648	Valve, Tipping	1	☆
18	2835 49 641 A	Spring, Primary Piston	1	
19	2046 49 666	Washer(1), Piston	Selective use 1	
	2046 49 667	Washer(2), Piston		
	2046 49 668	Washer(3), Piston		
	2046 49 669	Washer(4), Piston		
20	2046 49 638	Ring, Retaining	1	
21	0233 49 665	Spring, Check Valve	2	
22	0233 49 660	Valve, Check	1	



# TANDEM MASTER CYLINDER & VACUUM POWER ASSIST (USED UP TO CAR NO. 179250 <sup>73</sup>/<sub>9</sub>)

No.	Part Number	Description	Q'ty	Remarks
23	0233 49 670	Valve, Check	1	
24	2835 49 652	Bolt, Joint	2	
25	0233 49 656	Gasket, Joint Bolt	2	
26	2046 49 676	Bolt, Set	1	
27	2046 49 696	Gasket, Joint Bolt	1	
28	2835 49 682A	Union	2	
29	2835 49 686A	Bolt, Connector	2	
30	2835 49 687	Gasket	4	
31	0870 43 422A	Pipe, Oil	2 (R.H.D.)	
			1 (L.H.D.)	
	1562 43 422	Pipe, Oil	1 (L.H.D.)	
32	2835 49 685	Clip	2	
	2835 89 439	Repair Kit-Tandem Master Cylinder (Fig. No. 2~10,18 & 20 included)	1 Set	
33	99906 0800	Nut, Tandem Master Cylinder	2	
	99971 0800	Washer, Spring	2	
(N)	99285 0800	Clip, Wire	2	
34	0839 43 550	Tank, Reserve	1	
	1559 43 550	Tank, Reserve	1	1558,1559
35	0727 43 552	Cap	1	
36	0839 43 553A	Baffle, Oil	1	
(N)	0391 49 684	Packing	1	Car No. 170670 <sup>73</sup> / <sub>5</sub> ~Added Anew
37	0870 43 570	Holder, Reserve Tank	1	
38	0870 43 580	Holder, Reserve Tank	1	
39	99833 0512	Screw, Holder	4	
	99971 0500	Washer, Spring	4	
40	99785 0612	Screw, Holder	2	

# TANDEM MASTER CYLINDER & VACUUM POWER ASSIST (USED UP TO CAR NO. 179250 <sup>739</sup>)

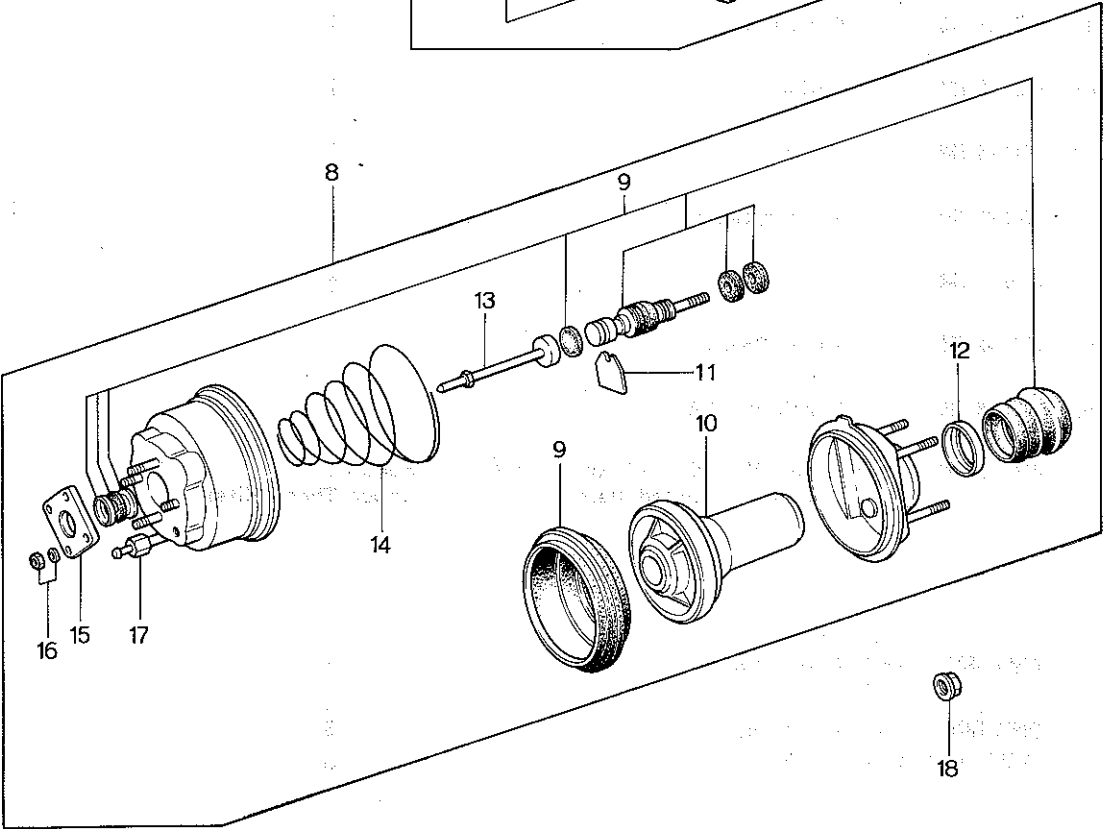
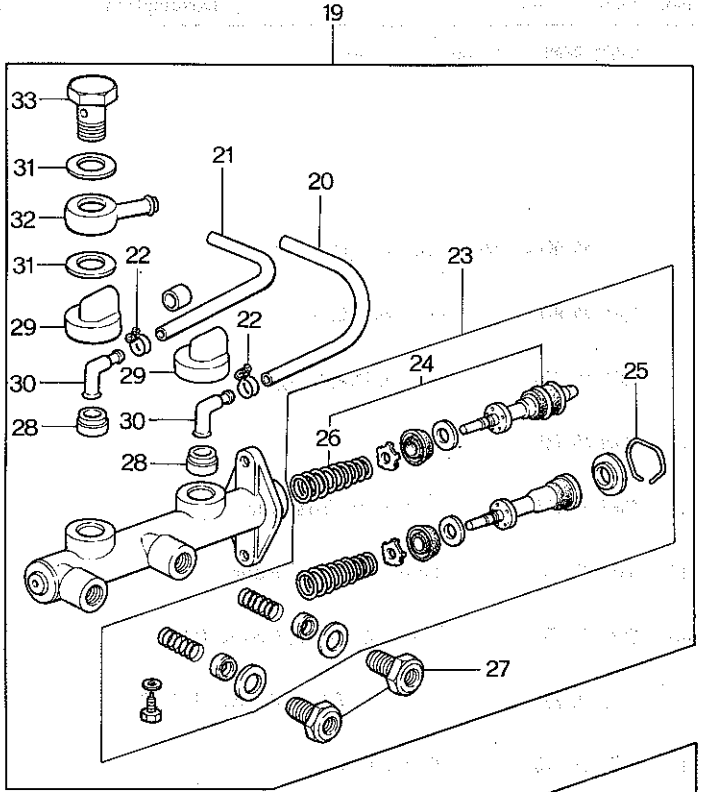
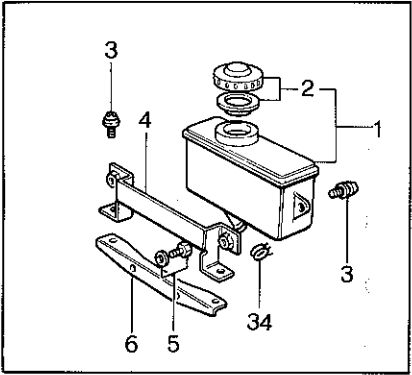
43

49

No.	Part Number	Description	Q'ty	Remarks
	99971 0600	Washer, Spring	2	
41	0870 43 8008	Vac, Master (R.H.D.)	1	
	1582 43 800	Vac, Master (L.H.D.)	1	
42	0870 49 745	Plate, Diaphragm	1	
43	2046 49 746	Key	1	
44	2046 49 747	Retainer, Silencer	1	
45	0870 49 750	Shell & Stud, Rear	1	
46	0870 49 760	Shell & Stud, Front (R.H.D.)	1	
	1582 49 760	Shell & Stud, Front (L.H.D.)	1	
47	0870 49 770	Push Rod	1	
48	0824 49 781	Spring	1	
49	2046 49 782	Flange	1	
50	2046 49 783	Washer, Spring	1	
	2046 49 784	Nut	1	
51	0870 49 785	Valve, Check	1	
52	0870 49 710	Repair Kit "A"	1	
53	0870 49 720	Repair Kit "B" ("A" Kit & Fig. No. 51 included) (Parts Not Listed here are supplied under These Kits)	1	
54	99901 0800	Nut, Master Vac	3	
	99971 0800	Washer, Spring	3	
	99952 0816	Washer, Plain	3	

# TANDEM MASTER CYLINDER & VACUUM POWER ASSIST (USED FROM CAR NO. 160623 7/0)

43 49





# TANDEM MASTER CYLINDER & VACUUM POWER ASSIST (USED FROM CAR NO. 160623 7/6)



No.	Part Number	Description	Q'ty	Remarks
J 1	0839 43 550	Tank, Reserve	1	
2	0317 89 436 A	Cap, Set	1	
3	99833 0512	Bolt, Holder & Reserve Tank	4	
	99971 0500	Washer, Spring	4	
J 4	0870 43 570	Holder, Reserve Tank	1	
5	99785 0612	Bolt, Holder	2	
	99971 0600	Washer, Spring	2	
J 6	0870 43 580	Holder, Reserve Tank	1	
7	99940 0800	Nut, Master Cylinder	2	
J 8	0870 43 800 B	Assist, Vacuum Power (R.H.D.)	1	
J	1562 43 800	Assist, Vacuum Power (L.H.D.)	1	
J 9	0870 49 720	Kit, Repair	1	
J 10	0870 49 745	Plate, Diaphragm	1	
J 11	2046 49 746	Key	1	
J 12	2046 49 747	Retainer, Silencer	1	
J 13	0870 49 770	Rod, Push	1	
J 14	0824 49 781	Spring	1	
J 15	2046 49 782	Flange	1	



# TANDEM MASTER CYLINDER & VACUUM POWER ASSIST (USED FROM CAR NO. 160623 %)

No.	Part Number	Description	Q'ty	Remarks
✓ 16	2046 49 783	Washer, Spring	2	
	2046 49 784	Nut	2	
✓ 17	0870 49 785	Valve, Check	1	
	99940 0800	Nut, Flange	3	
✓ 19	1128 43 990 A	Cylinder, Tandem Master (R.H.D.)	1	
✓	1620 43 990 A	Cylinder, Tandem Master (L.H.D.)	1	
✓ 20	0870 43 422 A	Hose, Reserve (R.H.D.)	1	
✓ 21	1562 43 422	Hose, Reserve (R.H.D.)	1	
✓	1881 43 422	Hose, Reserve (L.H.D.)	2	
	99282 1401	Clamp, Hose	2	
✓ 23	1128 49 610	Kit, Inner Parts	1	
✓ 24	1128 49 630	Piston, Floating	1	
✓ 25	0305 49 638	Wire, Piston Stop	1	
✓ 26	0512 49 642	Spring, Floating	1	
✓ 27	0512 49 651	Bolt, Joint	2 (R.H.D.) 1 (L.H.D.)	
✓	1620 49 651	Bolt, Joint (L.H.D.)	1	
✓ 28	0839 49 686 A	Bush, Elbow Joint (R.H.D.)	2	
✓ 29	0839 49 698	Cover, Elbow Joint (R.H.D.)	2	

# TANDEM MASTER CYLINDER & VACUUM POWER ASSIST

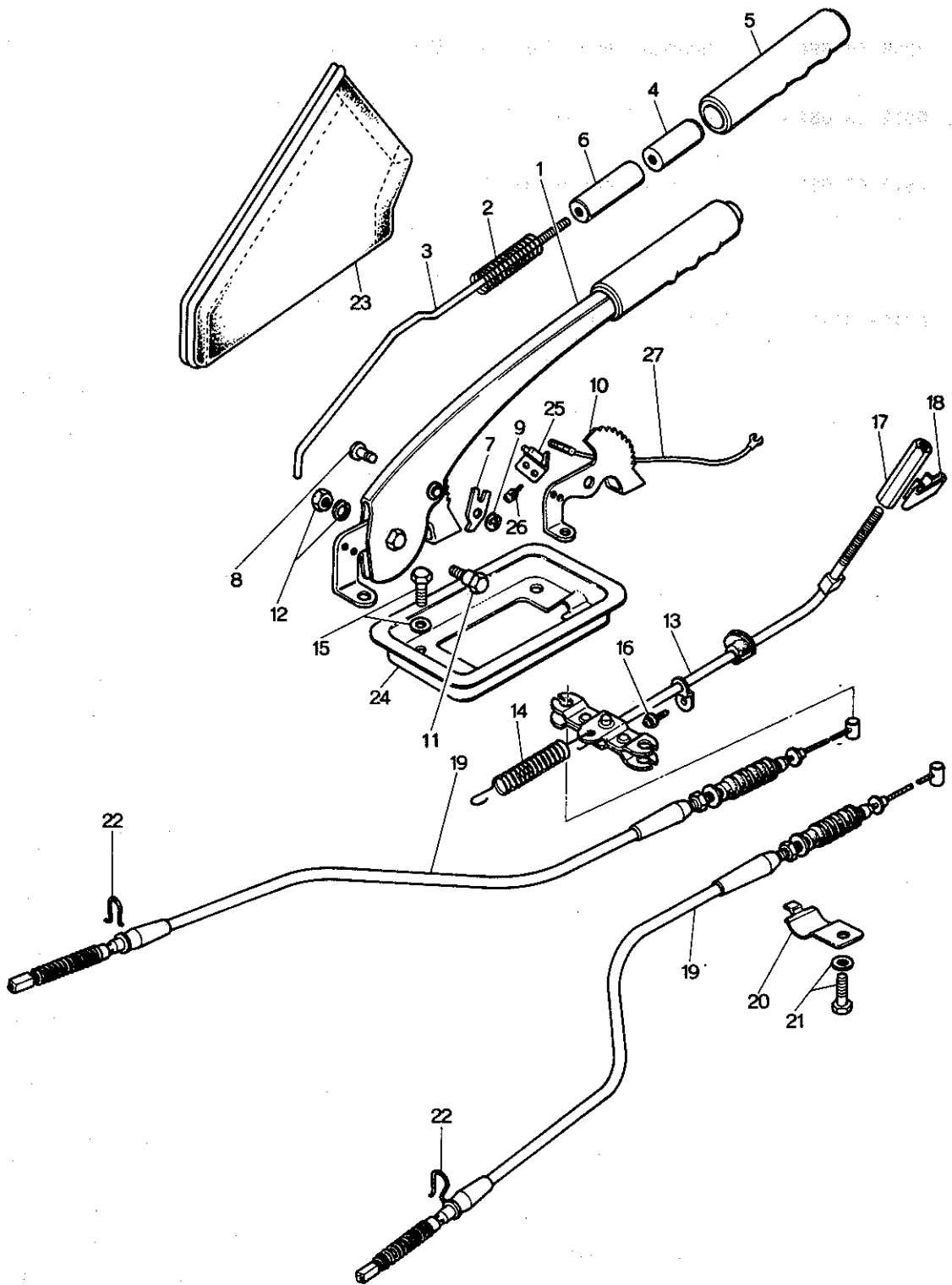
(USED FROM CAR NO. 160623 7/10)

43

49

No.	Part Number	Description	Q'ty	Remarks
✓ 30	0839 49 699 A	Joint, Elbow. (R.H.D.)	2	
✓ 31	0305 49 656	Gasket, Joint Bolt (L.H.D.)	4	
✓ 32	0512 49 682 A	Joint, Union (L.H.D.)	2	
✓ 33	0512 49 686	Bolt, Connector (L.H.D.)	2	
34	99285 0800	Clip, Wire-Oil Pipe	2	

# PARKING BRAKE SYSTEM



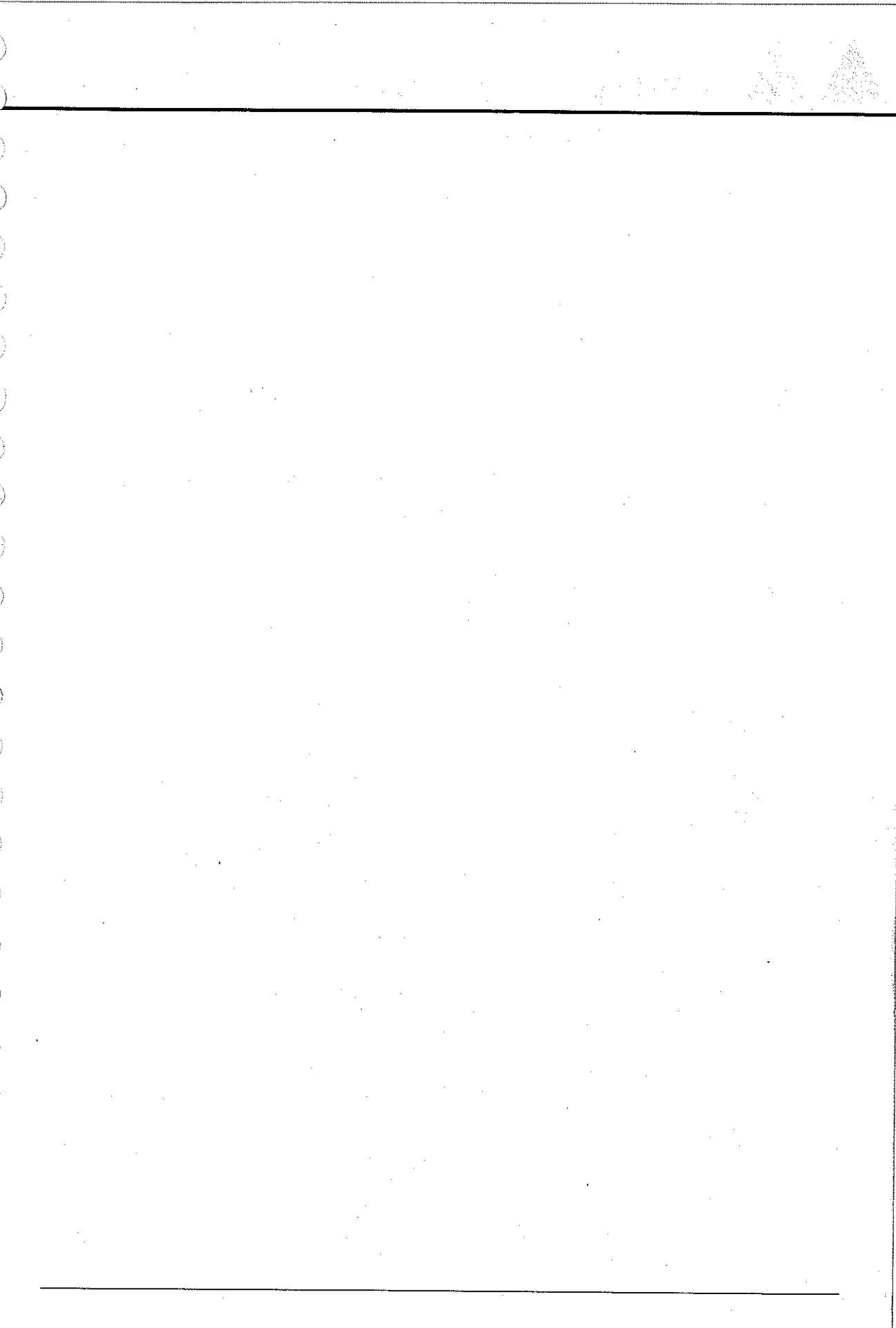
# PARKING BRAKE SYSTEM

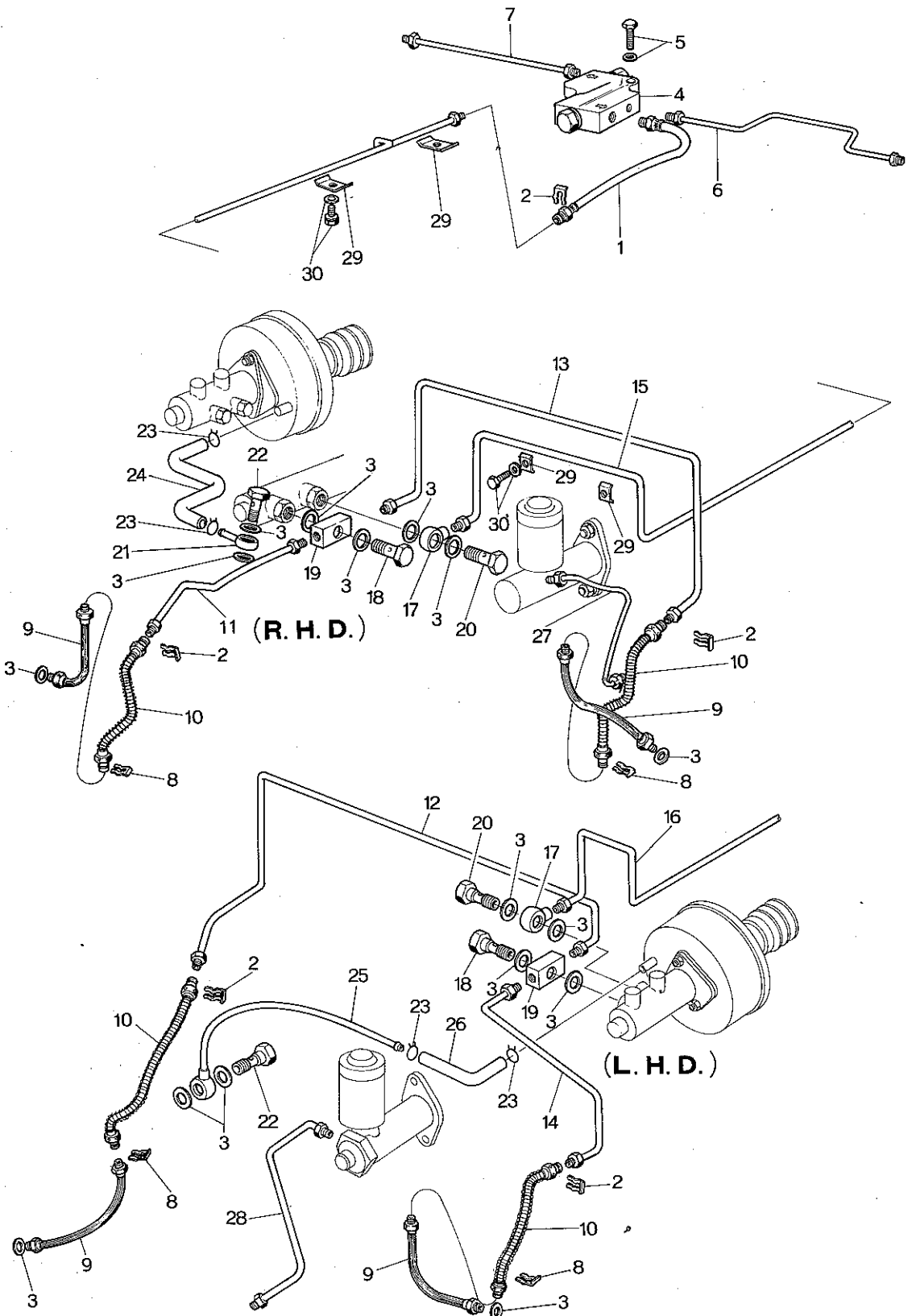
44

No.	Part Number	Description	Q'ty	Remarks
1	0866 44 010	Lever, Hand Brake	1	
2	0813 44 031	Spring	1	
3	0303 44 032	Rod, Release	1	
4	0221 44 033	Button	1	
5	0813 44 034	Cap	1	
6	0813 44 035	Spacer	1	
7	0221 44 044	Ratchet	1	
8	99230 0815	Pin	1	
	√ 99230 0815 B	Pin	1	Car No. 133210 7/8 ~ ○
9	99575 0500	Ring, Stop	1	
10	0866 44 051	Sector	1	
11	0303 44 053	Bolt, Hand Brake Lever	1	
12	99901 0800	Nut	1	
	√ 99901 0800 B	Nut	1	Car No. 133210 7/8 ~ ○
	99971 0800	Washer, Spring	1	
13	0866 44 150	Cable, Front	1	
	0866 44 150 A	Cable, Front	1	Car No. 133210 7/8 ~ ○
14	0183 41 308	Spring, Return	1	
15	99785 0618	Bolt, Front Cable	4	
	√ 99786 0616	Screw, Tapping-Front Cable	4	Car No. 143809 7/8 ~ ○
	99971 0600	Washer, Spring	4	
16	99868 0508	Screw, Tapping	1	
	99971 0500	Washer, Spring	1	
17	0866 44 187	Screw, Adjust	1	
	0866 44 187 A	Screw, Adjust	1	Car No. 155593 7/10 ~ ○
18	0866 44 189	Clip	1	
19	0866 44 410	Cable, Rear	2	
	0866 44 410 A	Cable, Rear	2	Car No. 155593 7/10 ~ ○
●	0866 44 410 B	Cable, Rear	2	7/8 ~ △
●	0866 44 410 B	Cable (L), Rear	1	7/10 ~ ○
●	1570 44 410 C	Cable (R), Rear	1	Car No. 160623 7/10 ~ ×
	1504 44 410	Cable, Rear	2	1558, 1559
20	0866 44 439	Clip, Cable	2	
21	99971 0600	Washer, Spring	2	Car No. 143809 7/8 ~ Discarded

# PARKING BRAKE SYSTEM

No.	Part Number	Description	Q'ty	Remarks
	99705 0820	Bolt	2	
	99788 0616	Screw, Tapping	2	Car No. 143809 7/8" O.D.
22	0305 44 471	Clip	2	
23	0824 44 140	Boot	1	
24	0302 44 132	Plate	1	Without Console Box
25	0820 66 840	Switch, Parking Lamp	1	
26	98833 0412	Screw, Switch	2	
	<del>98971 0400</del>	<del>Washer, Spring</del>	<del>2</del>	
	99952 0400	Washer, Plain	2	From Car No. 1
27	0866 87 131	Cord, Parking Lamp Switch	1	







# PIPING (CLUTCH & BRAKE)

43
45

No.	Part Number	Description	Q'ty	Remarks
1	0866 43 820	Hose, Flexible (Sedan & Coupe)	1	
	0370 43 820	Hose, Flexible (Station Wagon)	1	
2	0136 43 635	Clip, Flexible Hose	3	
● 3	99562 1000	Gasket } (Sedan & Coupe)	8	
●	99562 1000	Gasket }	6	Car No. 160623 $\frac{7}{16}$ ~Q'ty
●	99562 1200	Gasket, Vacuum Pipe Connector Bolt	2	Car No. 160623 $\frac{7}{16}$ ~X
	99562 1000	Gasket (Station Wagon)	9	From Car No. 1
4	0866 43 900	Valve, Double Proportioning (Sedan & Coupe)	1	
	0118 43 853	Joint, Pipe (Station Wagon)	1	
5	99805 0640	Bolt, D.P. Valve (Sedan & Coupe)	2	
	99806 0625	Bolt, Pipe Joint (Station Wagon)	1	
	99971 0600	Washer, Spring	2	
6	0866 43 650 B	Pipe No. 1, Rear Brake (Sedan & Coupe)	1	
	0585 43 650 A	Pipe No. 1, Rear Brake (Station Wagon)	1	
7	0866 43 660 B	Pipe No. 2, Rear Brake (Sedan & Coupe)	1	
	0899 43 660	Pipe No. 2, Rear Brake (Station Wagon)	1	
8	0305 43 635	Clip, Flexible Hose	2	
9	0866 43 810	Hose, Flexible	2	
10	0613 43 820 A	Hose, Flexible	2	
11	0870 45 280 B	Pipe (Frt., R), Brake (R.H.D.)	1	
●	1128 45 280	Pipe (Frt., R), Brake (R.H.D.)	1	Car No. $\frac{7}{16}$ ~X

No.	Part Number	Description	Q'ty	Remarks
●	1128 45 280 A	Pipe (Frt., R), Brake (R.H.D.)	1	$\frac{7}{8}$ ~ ○
	0866 45 280 A	Pipe (Frt., R), Brake (1552)	1	
12	<del>1562 45 280 C</del>	<del>Pipe (Frt., R), Brake (L.H.D.) General</del>	<del>1</del>	
	1568 45 280 B	Pipe (Frt., R), Brake (L.H.D.)	1	
	1562 45 280 C	Pipe (Frt., R), Brake (L.H.D.)	1	Car No. 155593 $\frac{7}{10}$ ~ ○
●	1597 45 280	Pipe (Frt., R), Brake (L.H.D.)	1	Car No. 176731 $\frac{7}{8}$ ~ ×
13	0870 45 320 B	Pipe (Frt., L), Brake (R.H.D.)	1	
	0866 45 320 B	Pipe (Frt., L), Brake (1552)	1	
14	<del>1562 45 320 B</del>	<del>Pipe (Frt., L), Brake (L.H.D.) General</del>	<del>1</del>	
	1568 45 320 A	Pipe (Frt., L), Brake (L.H.D.)	1	
	1562 45 320 B	Pipe (Frt., L), Brake (L.H.D.)	1	Car No. 155593 $\frac{7}{10}$ ~ ○
●	1597 45 320	Pipe (Frt., L), Brake (L.H.D.)	1	Car No. 176736 $\frac{7}{8}$ ~ ×
15	0870 45 350 B	Pipe (Rr.), Brake (R.H.D.) (Sedan & Coupe)	1	
	1137 45 350	Pipe (Rr.), Brake (R.H.D.) (Station Wagon)	1	
	0866 45 350 B	Pipe (Rr.), Brake (1552)	1	
16	<del>1562 45 350 C</del>	<del>Connection, Brake Pipe (Rr.) General</del>	<del>1</del>	
	1568 45 350 B	Connection, Brake Pipe (Rr.) (L.H.D.)	1	
	1562 45 350 C	Connection, Brake Pipe (Rr.) (L.H.D.)	1	Car No. 155593 $\frac{7}{10}$ ~ ○
17	0118 41 375	Connection, Brake Pipe (Rr.)	1	
18	0221 43 694	Bolt, Connector - Brake Pipe Rear	1	

# PIPING (CLUTCH & BRAKE)

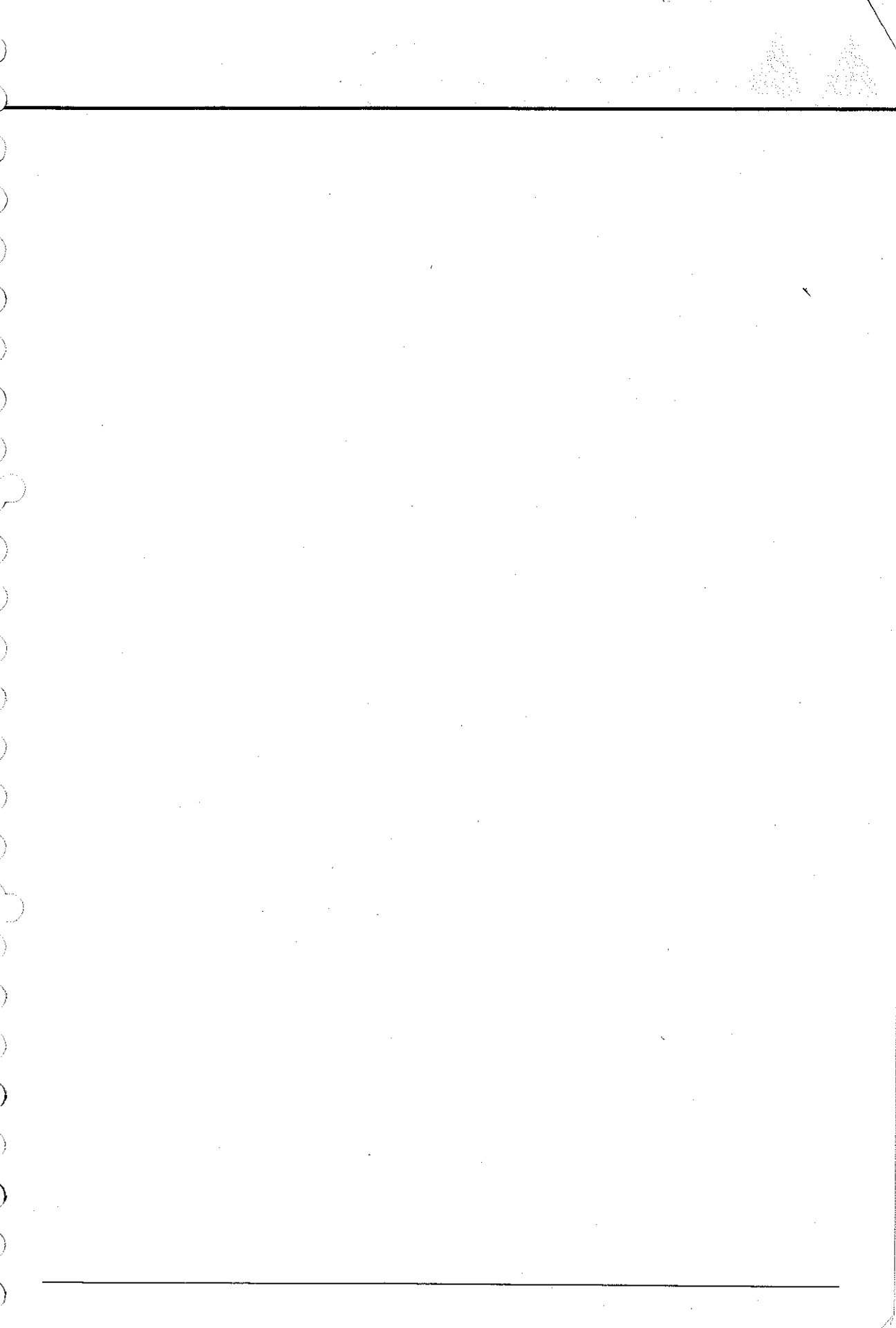
43

45

No.	Part Number	Description	Q'ty	Remarks
19	0866 45 452	Joint, Pipe-Brake Pipe (Frt.)	1	
	1128 45 452	Joint, Pipe-Brake Pipe (Frt.)	1	Car. No. 160623 $\frac{7}{10}$ ~ X
20	0118 43 505	Bolt, Connector-Brake Pipe (Frt.)	1	
	0118 43 505A	Bolt, Connector-Brake Pipe (Frt.)	1	Car. No. 144175 $\frac{7}{4}$ ~ O
21	0870 43 830	Pipe, Connector-Vacuum Hose (R.H.D.)	1	
	0862 43 830	Pipe, Connector-Vacuum Hose (R.H.D.)	1	Car. No. 160623 $\frac{7}{10}$ ~ X
22	2046 43 694	Bolt, Connector-Vacuum Pipe	1	
	1570 43 694	Bolt, Connector-Vacuum Pipe	1	Car. No. 160623 $\frac{7}{10}$ ~ X
23	2046 43 839	Clamp, Hose	2	
	99282 2001	Clamp, Hose	2	Car. No. 160378 $\frac{7}{12}$ ~ O
	99282 1901	Clamp, Hose	2	$\frac{7}{4}$ ~ O
24	0870 43 842A	Hose, Vacuum (R.H.D.)	1	
	0870 43 842B	Hose, Vacuum (R.H.D.)	1	Car. No. 129763 $\frac{7}{12}$ ~ O
25	1562 43 830A	Pipe, Vacuum	1	
	1562 43 830B	Pipe, Vacuum	1	Car. No. 137394 $\frac{7}{2}$ ~ O
	1881 43 830	Pipe, Vacuum (L.H.D.)	1	Car. No. 160623 $\frac{7}{10}$ ~ X
26	1570 43 842	Hose, Vacuum	1	
	1570 43 842A	Hose, Vacuum	1	Car. No. 140779 $\frac{7}{2}$ ~ O
	1570 43 842B	Hose, Vacuum	1	Car. No. 152377 $\frac{7}{8}$ ~ Δ
	<del>1550 43 930A</del>	<del>Hose, Vacuum</del>	<del>1</del>	<del>1550, 1559</del>

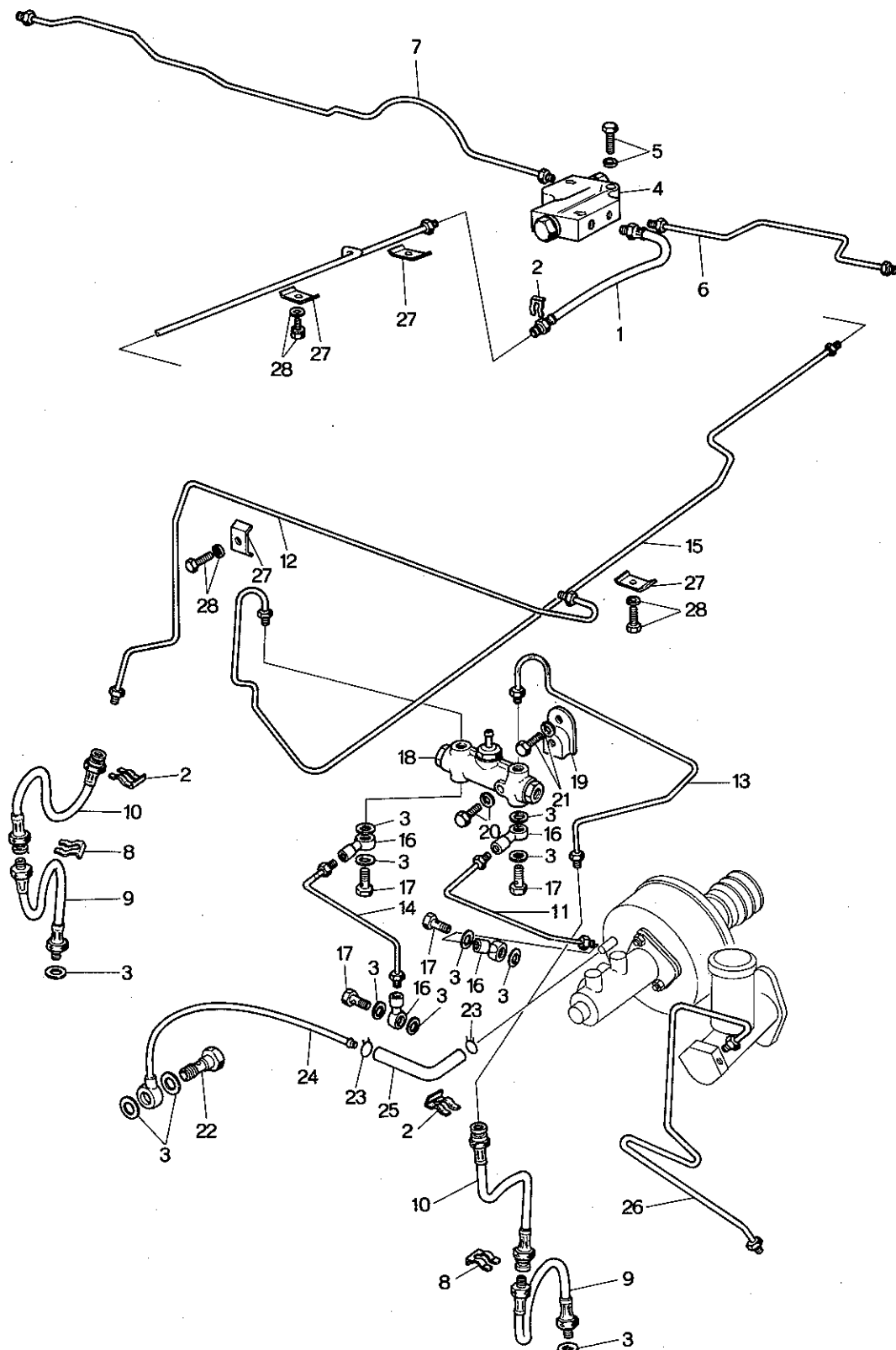
## PIPING (CLUTCH &amp; BRAKE)

No.	Part Number	Description	Q'ty	Remarks
	1559 43 836C	Hose, Vacuum	1	Car No. 160623 $\frac{73}{10}$ ~ Added Anew
● 27	0866 45 510	Pipe, Clutch (R.H.D.) (Manual)	1	
	<del>0866 45 611B</del>	<del>Pipe, Clutch (1552)</del>	<del>1</del>	
	<del>99340 06205</del>	<del>Pipe, Clutch (1552)</del>	<del>1</del>	
28	1562 45 510A	Pipe, Clutch (L.H.D.)	1	
	1562 45 510B	Pipe, Clutch (L.H.D.)	1	Car No. 149635 $\frac{74}{1}$ ~ $\Delta$
29	0866 45 903A	Clip	9	Car No. 141928 $\frac{73}{3}$ ~ Q'ty
30	99785 0614	Bolt, Clip	8	
	99786 0612	Screw, Tapping	9	Car No. 141928 $\frac{73}{3}$ ~ $\bigcirc$
	99971 0600	Washer, Spring	8	Car No. 141927 $\frac{73}{3}$ ~ Discarded



# PIPING (CLUTCH & BRAKE)

(ARCTIC SPEC. MODEL & SWITZERLAND)



# PIPING (CLUTCH & BRAKE)

## (ARCTIC SPEC. MODEL & SWITZERLAND)

▲ 43 ▲

▲ 45 ▲

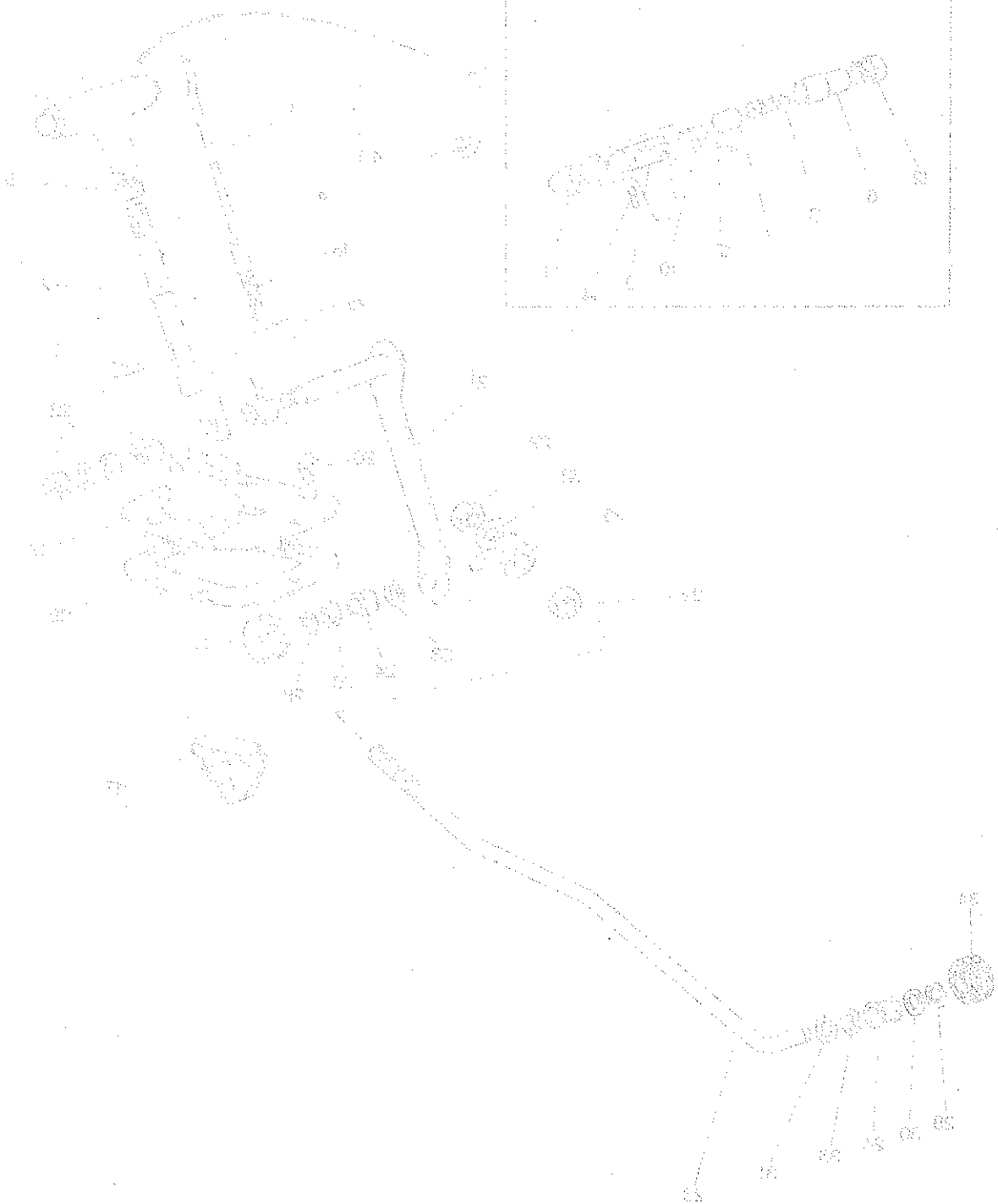
No.	Part Number	Description	Q'ty	Remarks
1	0868 43 820	Hose, Flexible	1	
2	0138 43 835	Clip, Flexible Hose	3	
3	99582 1000	Gasket	12	
4	0868 43 900	Valve, W. P. (For Sweden & Denmark)	1	
	1559 43 900	Joint, Pipe	1	
5	99805 0840	Bolt, W. P. Valve	2	
	99971 0600	Washer, Spring	2	
● 6	<del>1562 43 850B</del>	<del>Pipe, No. 1, Rear Brake</del>	<del>1</del>	
● ✓	1562 43 850	Pipe No. 1, Rear Brake	1	From Car No. 1
● ✓	0866 43 850B	Pipe No. 1, Rear Brake	1	Car No. 159525 $\frac{3}{11}$ ~○
7	1562 43 660	Pipe No. 2, Rear Brake	1	
	1562 43 660A	Pipe No. 2, Rear Brake	1	Car No. 148407 $\frac{3}{6}$ ~△
	0866 43 660B	Pipe No. 2, Rear Brake	1	Car No. 159525 $\frac{3}{11}$ ~○
8	0305 43 635	Clip, Flexible Hose	2	
9	0868 43 810	Hose, Flexible	2	
10	0813 43 820A	Hose, Flexible	2	
11	1559 45 250	Pipe (Frt.), Brake-Main	1	
12	1540 45 280A	Pipe (Frt., R), Brake	1	
13	1540 45 320	Pipe (Frt., L), Brake	1	
14	1559 45 350	Pipe (Rr.), Brake-Main	1	
15	1504 45 360	Pipe (Rr.), Brake	1	
16	0118 41 375	Connector, Brake Pipe	4	
17	0221 43 694	Bolt, Brake Pipe Connector	4	
18	1540 45 890	Indicator, Fail	1	
19	1540 45 920A	Bracket, Fail Indicator	1	
20	99806 0635	Bolt, Fail Indicator	1	
	99971 0600	Washer, Spring	1	
21	908066 6 16	Bolt Set, Bracket	1	
22	2048 43 694	Bolt, Connector-Vacuum Pipe	1	
23	99282 1900	Clamp, Hose	2	



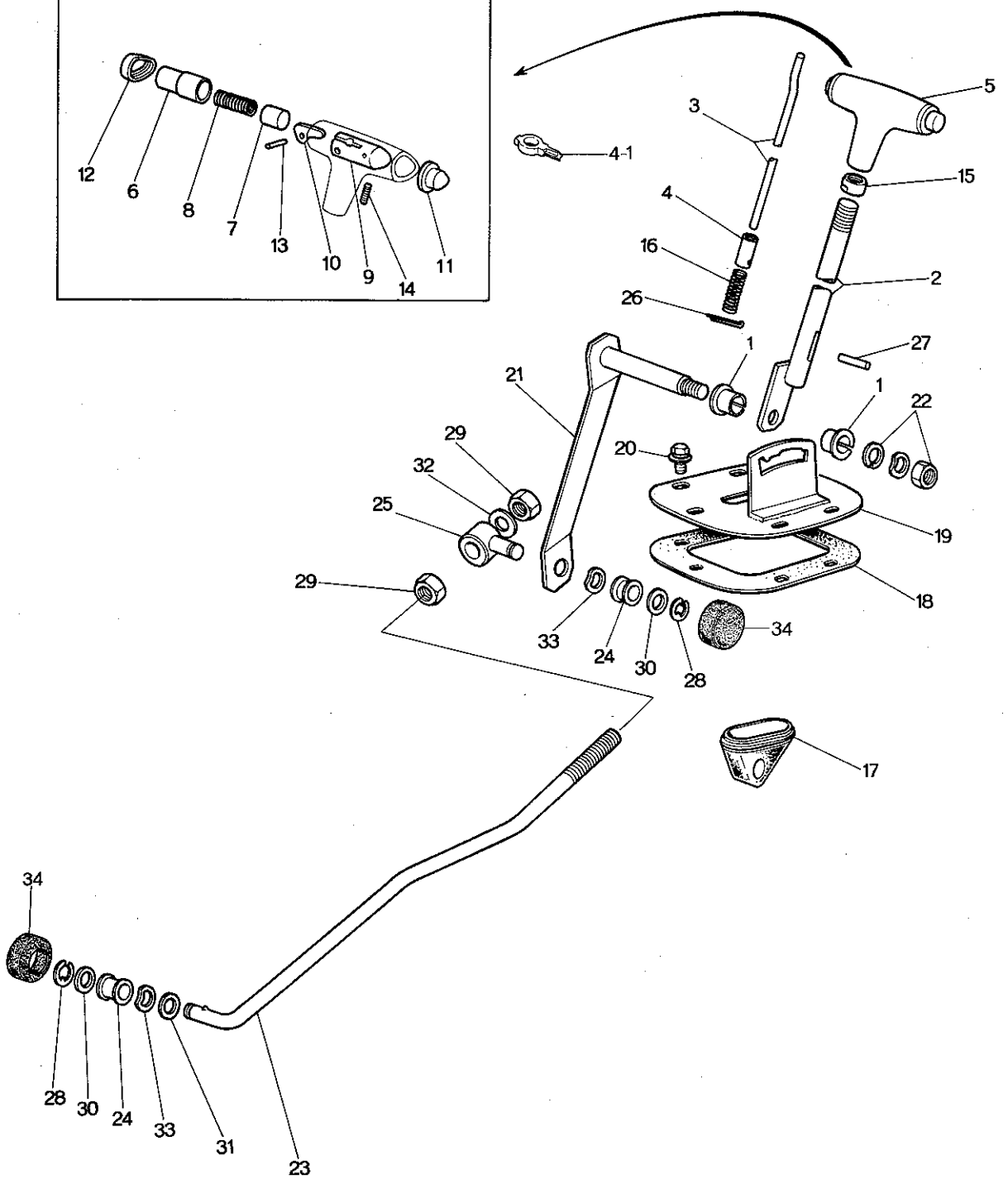
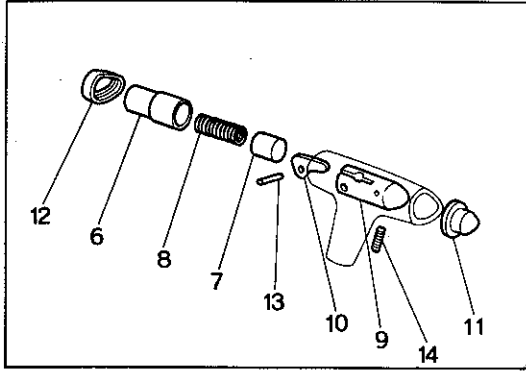
# PIPING (CLUTCH & BRAKE) (ARCTIC SPEC. MODEL & SWITZERLAND)

No.	Part Number	Description	Q'ty	Remarks
24	1562 43 830A	Pipe, Vacuum	1	
	1562 43 830B	Pipe, Vacuum	1	Car No. 137394 $\frac{7}{8}$ "~○
25	1559 43 836A	Hose, Vacuum	1	
	1559 43 836B	Hose, Vacuum	1	Car No. 140779 $\frac{7}{8}$ "~△
	1559 43 836C	Hose, Vacuum	1	Car No. 152377 $\frac{7}{8}$ "~△
26	1562 45 510A	Pipe, Clutch	1	
27	0866 45 903A	Clip	8	
28	99785 0814	Bolt, Clip	8	
	99971 0800	Washer, Spring	8	





CHANGE CONTROLS (AUTOMATIC, R. H. D.)



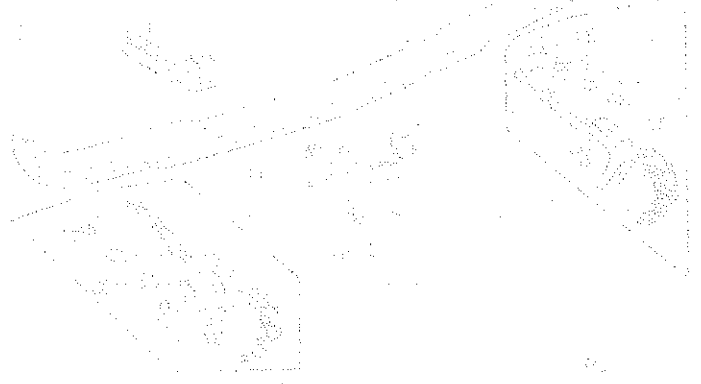
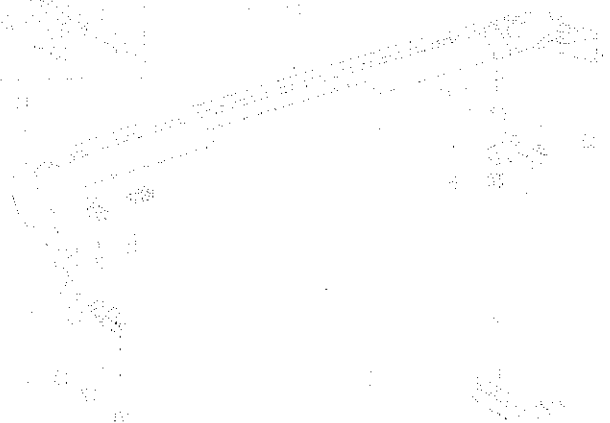
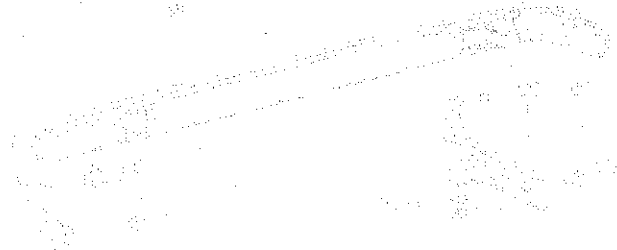
# CHANGE CONTROLS (AUTOMATIC, R.H.D.)



No.	Part Number	Description	Q'ty	Remarks
1	<del>0259 42 022</del>	<del>Bush</del>	<del>2</del>	
	0259 43 022	Bush	2	From Car No. 1
●	1015 46 085	Bush (3502)	1	
2	2840 46 010	Lever, Selector	1	
●	1932 46 010	Lever, Selector (3502)	1	
3	2375 46 021	Rod	1	
●	1840 46 021	Rod (3502)	1	
4	2375 46 022	Guide	1	
●	4-1 1840 46 022	Guide (3502)	1	
5	0308 46 030A	Knob	1	
	0308 46 030B	Knob	1	Car No. 159525 $\frac{7}{8}$ "~○
●	0308 46 030C	Knob	1	Car No. 178812 $\frac{7}{8}$ "~△
6	2375 46 051	Knob	1	
●	0308 46 051	Knob (3502)	1	
7	2375 46 052	Piston	1	
8	2375 46 053	Spring	1	
9	0308 46 054	Supporter	1	
10	2375 46 055	Lever	1	
11	0308 46 056	Plug	1	
12	0308 46 057	Cap	1	
13	99225 0320	Pin	1	
14	99887 0412	Screw	1	
15	2375 46 061	Nut	1	
16	2375 46 062	Spring	1	
17	0842 46 081	Boot	1	
18	0308 46 083	Seal	1	
19	0842 46 110A	Bracket	1	
20	99785 0616	Bolt	6	
●	99786 0616	Bolt	6	
	99952 0618	Washer, Plain	6	
	99971 0600	Washer, Spring	6	

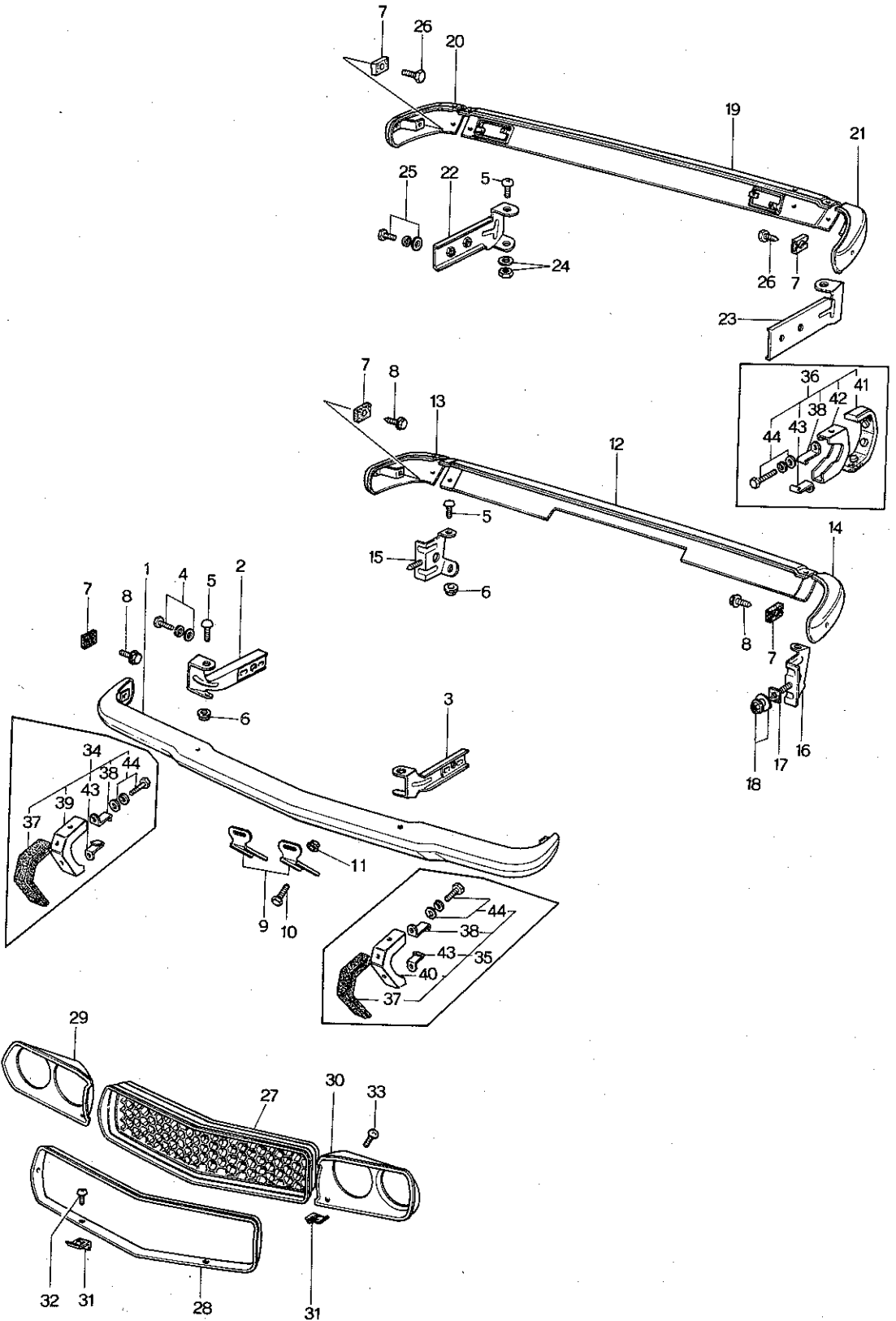
## CHANGE CONTROLS (AUTOMATIC, R.H.D.)

No.	Part Number	Description	Q'ty	Remarks
21	0378 46 150	Lever	1	
J●	1053 46 150	Lever (3502)	1	
22	99922 1000	Nut	1	
	99971 1000	Washer, Spring	1	
	99972 1400	Washer, Wave	2	
23	0871 46 571	Rod	1	
J●	1856 46 571	Rod (3502)	1	
24	0604 46 684	Bush	2	
J●	1015 46 684	Bush	2	$\frac{7}{8}$ ~O
25	0259 46 691	Joint, "T"	1	
J●	1015 46 691	Joint, "T" (3502)	1	
26	99221 2020	Pin, Split	1	
27	99222 0520	Pin	1	
	99222 0522	Pin	1	Car No. 150526 $\frac{7}{8}$ ~O
28	99575 0600	Ring, Retaining	1	
29	99902 0800	Nut	2	
30	99952 0816	Washer, Plain	1	
31	99953 0800	Washer, Plain	2	
32	99971 0800	Washer, Spring	1	
33	99972 0800	Washer, Wave	2	
● 34	1015 46 648	Cover, Dust (3502)	2	



# BUMPER & GRILLE

(USED UP TO CAR NO. 179250 <sup>73</sup>/<sub>9</sub>)



# BUMPER & GRILLE

(USED UP TO CAR NO. 179250 <sup>73</sup>/<sub>9</sub>)



No.	Part Number	Description	Q'ty	Remarks
1	0866 50 110A	Bar, Front Bumper	1	
2	0866 50 141	Stay (R), Front Bumper	1	
3	0866 50 151	Stay (L), Front Bumper	1	
4	✓ 99785 0820	Screw, Stay & Front Frame	4	
	✓ 99781 1028	Screw, Stay & Front Frame	4	Car No. 144308 <sup>3</sup> / <sub>4</sub> ~○
	99794 10259	Bolt, Stay & Front Frame	4	Car No. 160378 <sup>3</sup> / <sub>2</sub> ~X
	✓ 99951 0818	Washer, Plain	4	
	✓ 99951 1022	Washer, Plain	4	Car No. 144308 <sup>3</sup> / <sub>4</sub> ~○
	✓ 99971 0800	Washer, Spring	4	
	✓ 99971 1000	Washer, Spring	4	Car No. 144308 <sup>3</sup> / <sub>4</sub> ~○
5	0223 50 275	Screw, Bumper & Stay	12	
6	99906 0600	Nut, Bumper & Stay	12	
	99940 0602	Nut, Bumper & Stay	12	Car No. 152377 <sup>7</sup> / <sub>8</sub> ~△
	99951 0818	Washer, Plain	12	} Car No. 152377 <sup>7</sup> / <sub>8</sub> ~Discarded
	99971 0600	Washer, Spring	12	
7	0866 50 102A	Spacer, Bumper	4	
8	99805 0622	Bolt, Bumper & Bracket	2	
	99786 0622	Bolt, Bumper & Bracket	2	Car No. 141928 <sup>7</sup> / <sub>8</sub> ~
	99951 0618	Washer, Plain	2	
9	0866 50 181A	Holder, Number Plate	2	

# BUMPER & GRILLE

(USED UP TO CAR NO. 179250  $\frac{7}{9}$ )

No.	Part Number	Description	Q'ty	Remarks
10	98808 0812	Bolt, Holder	2	
11	98808 0800	Nut, Holder	2	
	98840 0802	Nut, Holder	2	Car No. 152377 $\frac{7}{8}$ ~△
	98871 0800	Washer, Spring	2	Car No. 152377 $\frac{7}{8}$ ~Discarded
12	1582 50 311	Bar (C), Rear Bumper	1	
13	0888 50 320B	Bar (R), Rear Bumper	1	
14	0888 50 330B	Bar (L), Rear Bumper	1	
15	0888 50 340	Stay (R), Rear Bumper	1	
16	0888 50 350	Stay (L), Rear Bumper	1	(Sedan & Coupe)
17	0111 57 111	Set Rubber	2	
18	98821 1000	Nut, Stay & Rear Bumper	2	
	98851 1030	Washer, Plain	2	
	98871 1000	Washer, Spring	2	
19	0585 50 310A	Bar (C), Rear Bumper	1	
20	0585 50 320D	Bar (R), Rear Bumper	1	
21	0585 50 330D	Bar (L), Rear Bumper	1	
22	0585 50 360	Stay (R), Rear Bumper	1	
23	0585 50 370	Stay (L), Rear Bumper	1	(Station Wagon)
24	98840 0802	Nut	8	
25	98794 10259	Bolt, Stay & Frame	4	



# BUMPER & GRILLE

(USED UP TO CAR NO. 179250 <sup>73/9</sup>)

50

No.	Part Number	Description	Q'ty	Remarks
	99951 1022	Washer, Plain	4	
		(Station Wagon)		
26	99786 0620	Bolt, Spacer	2	
27	0866 50 511A02	Grille, Radiator (GRY. Semi-Dull-Finish)	1	
	<del>0866 50 511 06</del>	<del>Grille, Radiator</del>	<del>1</del>	<del>Car No. 165313 <sup>73/9</sup> ~ X</del>
●	0866 50 511A06	Grille, Radiator (GRY. Semi-Dull-Finish)	1	Car No. 165313 <sup>73/9</sup> ~ X
28	0866 50 521A	Mould, Front	1	
29	0866 50 531	Bezel (R), Lamp	1	
●	0866 50 531-01	Bezel (R), Lamp (GRY. Dull-Finish)	1	
●	0866 50 531-02	Bezel (R), Lamp (GRY. Semi-Dull-Finish)	1	Car No. 165313 <sup>73/9</sup> ~ X
30	0866 50 541	Bezel (L), Lamp	1	
●	0866 50 541 00	Bezel (L), Lamp (GRY. Dull-Finish)	1	
●	0866 50 541 02	Bezel (L), Lamp (GRY. Semi-Dull-Finish)	1	Car No. 165313 <sup>73/9</sup> ~ X
31	0866 50 501	Nut, Spring-Grille	8	
✓	99896 0500	Nut, Spring-Grille	14	Car No. 127396 <sup>73/2</sup> ~ O
32	99737 0514	Screw, Tapping	8	
33	99862 0516B	Screw, Tapping	6	
34	0866 99 801	Guard (R), Front Bumper	1	
35	0866 99 802	Guard (L), Front Bumper	1	
36	0866 99 806	Guard Set, Rear Bumper (Sedan & Coupe)	2	

**50**

# BUMPER & GRILLE

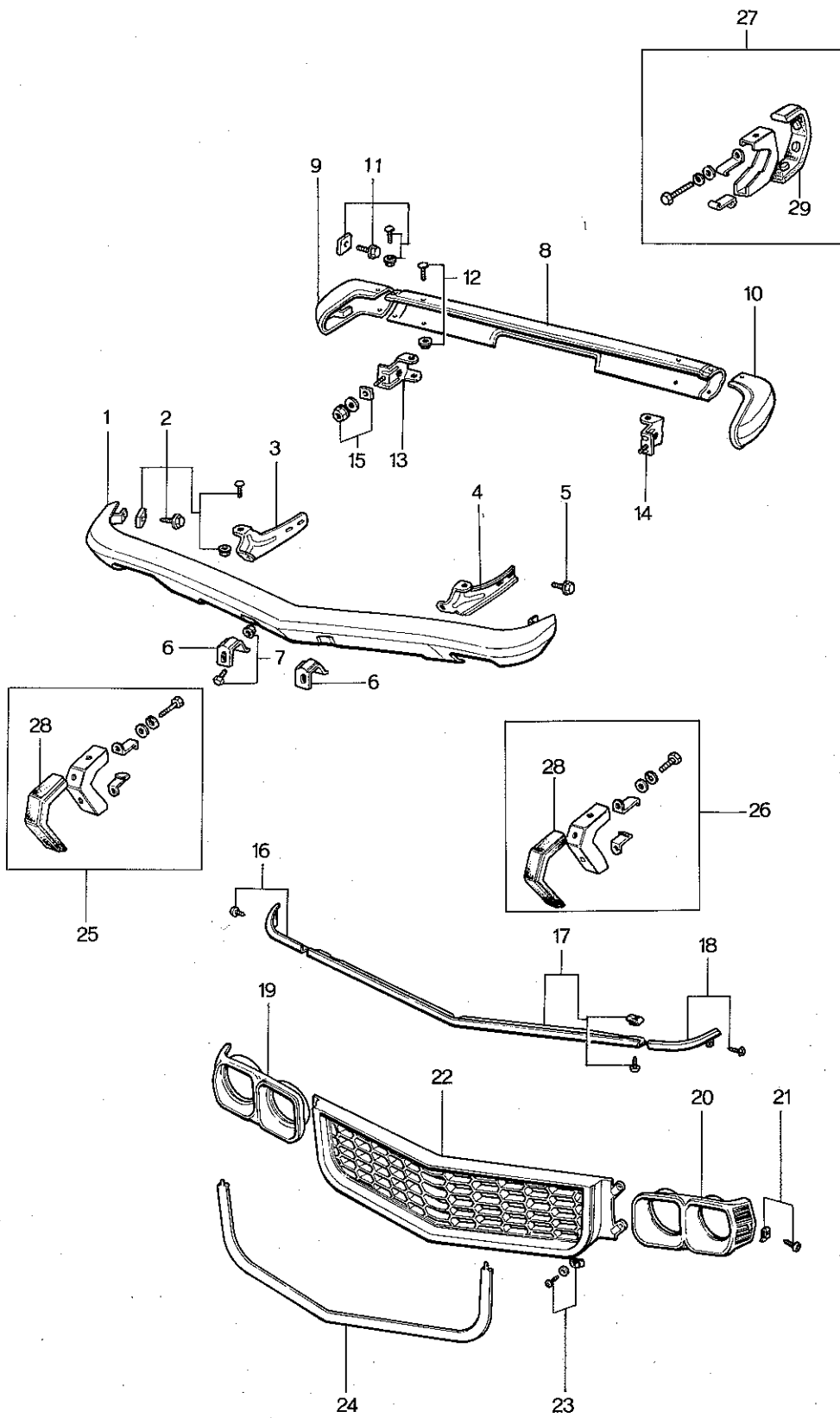
(USED UP TO CAR NO. 179250 <sup>73/9</sup>)

No.	Part Number	Description	Q'ty	Remarks
37	0866 78 701A	Rubber, Cushion (Front)	2	
38	0866 78 702	Plate, Clamp	4 (Sedan & Coupe) 2 (Station Wagon)	
✓ 39	0866 78 710	Guard (R), Front Bumper	1	
✓ 40	0866 78 750	Guard (L), Front Bumper	1	
✓ 41	0866 78 801A	Rubber, Cushion (Rr.) (Sedan & Coupe)	2	
✓ 42	0866 78 810	Guard, Rear Bumper (Sedan & Coupe)	2	
43	0305 50 231	Plate	4	
✓ 44	99797 0620	Bolt, Bumper Guard	8	
✓	99952 0600	Washer, Plain	8	
✓	99971 0600	Washer, Spring	8	



# BUMPER & GRILLE

(USED FROM CAR NO. 160623 <sup>73</sup>/<sub>10</sub>)



# BUMPER & GRILLE

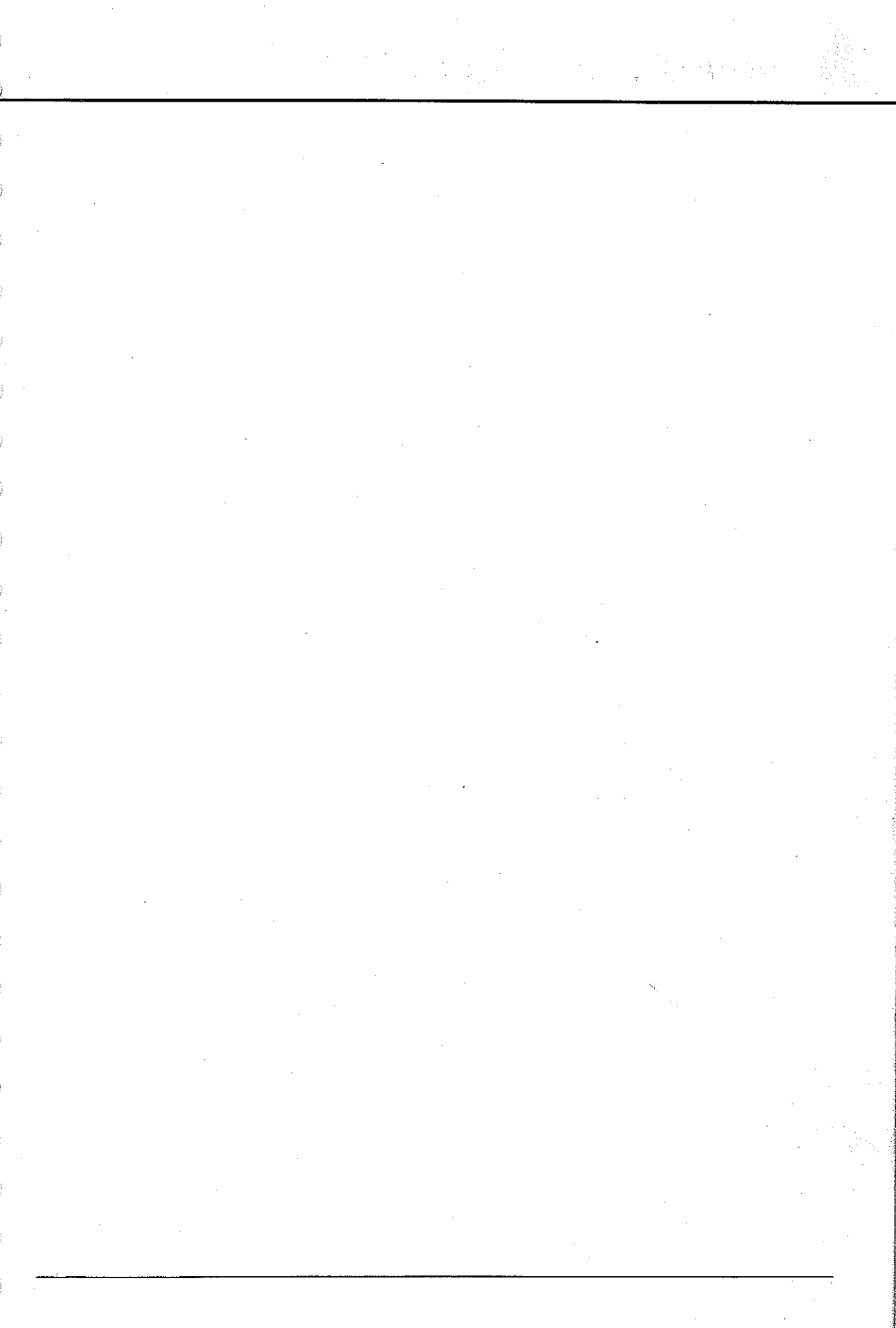
(USED FROM CAR NO. 160623 <sup>73</sup>/<sub>10</sub>)

50

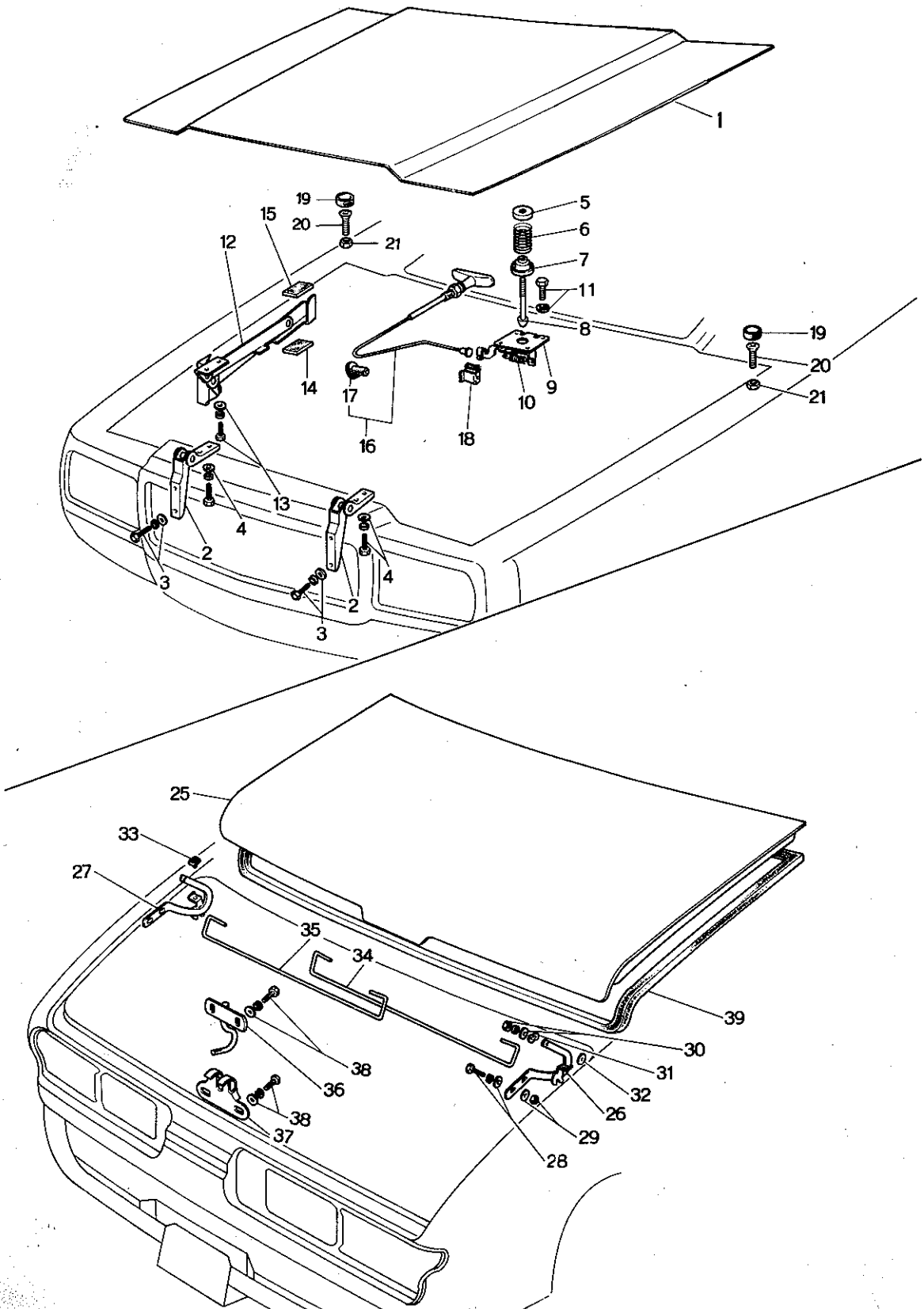
No.	Part Number	Description	Q'ty	Remarks
✓ 1	1128 50 110B	Bar, Front Bumper	1	
✓ 2	0370 99 916	Fixing Set, Bumper-Front	2	
✓ 3	1128 50 141	Stay (R), Front Bumper	1	
✓ 4	1128 50 151	Stay (L), Front Bumper	1	
✓ 5	90794 10259	Bolt, Stay	4	
✓ 6	1128 50 181	Holder, Number Plate	2	
✓ 7	99806 0612	Bolt, Number Plate Holder	2	
	99940 0602	Nut	2	
✓ 8	1562 50 311	Bar (C), Rear Bumper	1	
✓ 9	0866 50 320B	Bar (R), Rear Bumper	1	
✓ 10	0866 50 330B	Bar (L), Rear Bumper	1	
✓ 11	0370 99 916	Fixing Set, Rear Bumper (R) & (L)	2	LMP. 10.79
✓ 12	0243 99 916	Fixing Set, Rear Bumper (C)	2	
✓ 13	0866 50 340	Stay (R), Rear Bumper	1	
✓ 14	0866 50 350	Stay (L), Rear Bumper	1	
	99940 1002	Nut, Stay	2	
✓	99951 1030	Washer, Plain	2	
✓	0111 57 111	Rubber, Set	2	
✓ 16	1128 99 712	Mould Set (R), Nose	1	
✓ 17	1128 99 711	Mould Set (C), Nose	1	

**BUMPER & GRILLE**  
 (USED FROM CAR NO. 160623 <sup>73</sup>/<sub>10</sub>)

No.	Part Number	Description	Q'ty	Remarks
✓ 18	1128 99 713	Mould Set (L), Nose	1	
✓ 19	1128 50 531A	Bezel (R), Lamp	1	
✓ 20	1128 50 541A	Bezel (L), Lamp	1	
	21 99769 0420B	Screw, Tapping	6	
	99869 0400	Nut, Spring	6	
✓ 22	1128 50 511A01	Grille, Radiator (D. GRY. M)	1	
	23 99769 0420B	Screw, Tapping	6	
	99952 0512	Washer, Plain	6	
	99896 0400	Washer, Spring	6	
✓ 24	1128 50 521	Mould, Grille	1	
✓ 25	1128 99 801	Guard Set (R), Front Bumper	1	
✓ 26	1128 99 802	Guard Set (L), Front Bumper	1	
✓ 27	0866 99 806	Guard Set, Rear Bumper	2	
✓ 28	0866 78 701A	Rubber, Cushion (Frt.)	2	
✓ 29	0866 78 801A	Rubber, Cushion (Rr.)	2	



# BONNET & TRUNK LID





# BONNET & TRUNK LID

52

No.	Part Number	Description	Q'ty	Remarks
1	0370 52 110	Bonnet (R. H. D.)	1	
	1524 52 110	Bonnet (L. H. D.)	1	
	0886 74 250	Bonnet (All Models)	1	Used from Car No. 135808 7/2~○
2	0886 52 210	Hinge, Bonnet	2	
3	88783 0825	Bolt, Hinge & Shroud Panel	4	
	88952 0818	Washer, Plain	4	
	88871 0800	Washer, Spring	4	Order Under No. 0886 98 522
4	88801 0818	Bolt, Bonnet & Hinge	4	
	88805 0818	Bolt, Bonnet & Hinge	4	Car No. 129763 7/2~○
	88952 0818	Washer, Plain	4	
	88871 0800	Washer, Spring	4	
5	0305 52 313	Seat, Spring-Upper	1	
6	0305 52 312B	Spring, Lift	1	Order Under No. 0305 99 521
7	0305 52 322A	Seat, Spring-Lower	1	
8	0187 52 141	Hook, Bonnet	1	
9	0305 52 330A	Lock, Bonnet (R. H. D.)	1	
	<del>2835 52 330A</del>	<del>Lock, Bonnet (L. H. D.)</del>	<del>1</del>	
	2835 52 330	Lock, Bonnet (L.H.D.)	1	From Car No. 1
10	0305 52 331	Spring, Lock	1	
11	99806 0818	Bolt, Bonnet Lock	4	
	88952 0818	Washer, Plain	4	
	88871 0800	Washer, Spring	4	
12	0886 52 390	Stopper, Bonnet (R.H.D.)	1	
	1524 52 390	Stopper, Bonnet (L.H.D.)	1	
13	99806 0818	Bolt, Stopper	4	
	88952 0800	Washer, Plain	4	
	88871 0800	Washer, Spring	4	
14	<del>0258 52 257</del>	<del>Pad, Stopper</del>	<del>1</del>	
	0223 52 306	Pad, Stopper	1	From Car No. 1
15	0886 52 397	Pad, Stopper (R.H.D.)	(R.H.D.) 2	
			(L.H.D.) 1	
	0886 52 397A	Pad, Stopper	(R.H.D.) 2	Car No. 135808 7/2~△
			(L.H.D.) 1	

## BONNET &amp; TRUNK LID

No.	Part Number	Description	Q'ty	Remarks
	0183 53 074	Pad, Stopper (L. H. D.)	1	
16	0886 52 410	Wire, Release (R. H. D.)	1	
	1524 52 410	Wire, Release (L. H. D.)	1	
17	0259 52 301	Grommet, Release Wire	1	
18	0223 52 302	Clamp, Release Wire (L. H. D.)	1	
	0223 52 302	Clamp, Release Wire (R.H.D.)	1	From Car No. 1
19	0866 52 451	Cushion, Bonnet	2	
20	99031 0640	Bolt, Cushion	2	
21	99007 0600	Nut	2	
	0111 53 771	Cushion, Bonnet	2	
<del>22</del>	<del>0888 52 480</del>	<del>Scoop (R), Air</del>	<del>1</del>	
<del>23</del>	<del>0888 52 480</del>	<del>Scoop (L), Air</del>	<del>1</del>	
<del>24</del>	<del>0187 02 873</del>	<del>Washer, Air Scoop</del>	<del>4</del>	
	<del>99940 0400</del>	<del>Nut</del>	<del>4</del>	
25	0378 52 510	Lid, Trunk (Coupe)	1	
	0866 52 510	Lid, Trunk (Sedan)	1	
26	0866 52 610	Hinge (R), Trunk Lid	1	
27	0866 52 620	Hinge (L), Trunk Lid	1	
28	99806 0618	Bolt, Bonnet & Hinge	4	
	99852 0618	Washer, Plain	4	
	99871 0600	Washer, Spring	4	
29	99806 0600	Nut, Trunk Lid & Hinge	4	(Sedan & Coupe)
	99851 0618	Washer, Plain	4	
30	99806 0600	Nut, Hinge	2	
	99852 0600	Washer, Plain	2	
	99871 0600	Washer, Spring	2	
31	0866 52 631	Washer, Wave-Hinge	2	
32	99852 0822	Washer, Plain-Hinge	2	

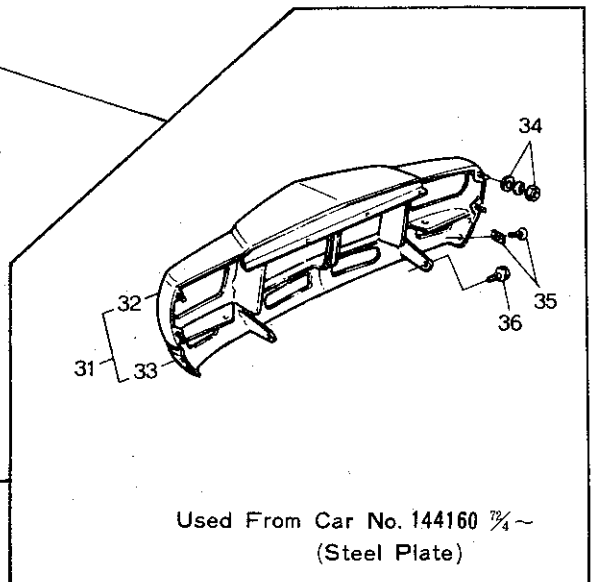
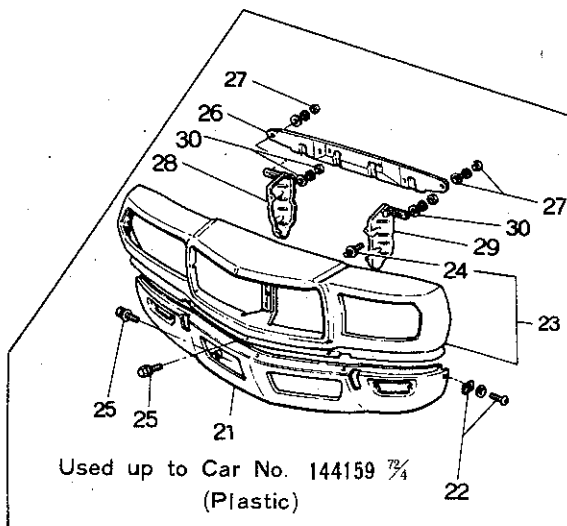
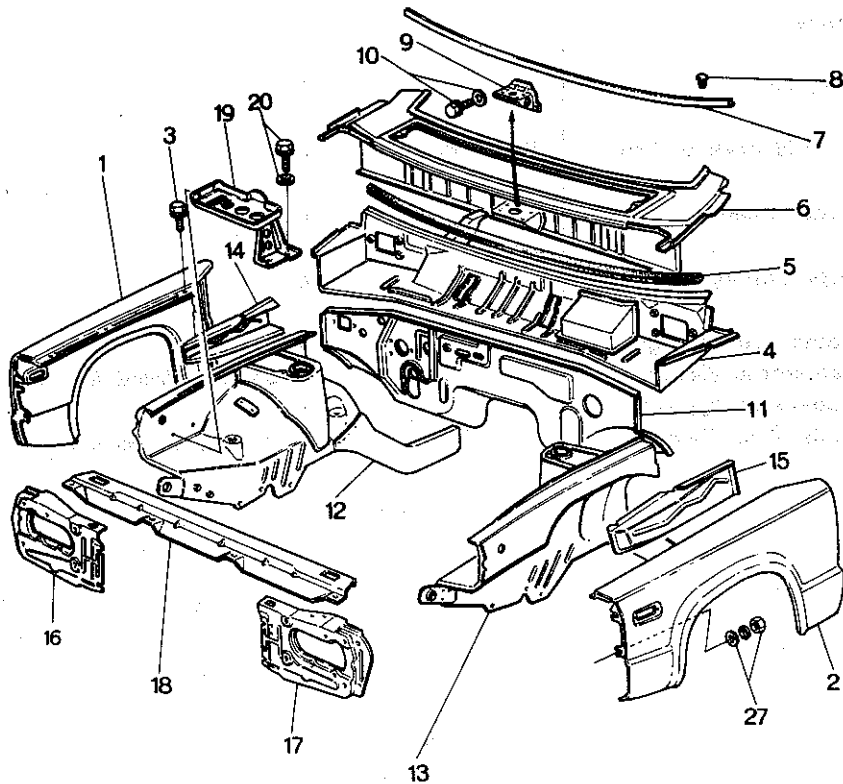
# BONNET & TRUNK LID

52

No.	Part Number	Description	Q'ty	Remarks
33	0305 52 828	Rubber, Cushion	2	
34	0888 52 861 A	Spring (R), Balance	1	
35	0888 52 871 A	Spring (L), Balance	1	
36	0888 52 750 A	Striker	1	
37	0305 52 850A	Lock, Lid	1	
38	98808 0816	Bolt, Lid Lock & Striker	4	(Sedan & Coupe)
	98951 0818	Washer, Plain	4	
	98971 0800	Washer, Spring	4	
39	0376 52 801	Weatherstrip (Coupe)	1	
	0376 52 901A	Weatherstrip (Coupe)	1	Car No. 155593 $\frac{7}{16}$ ~○
	0888 52 801	Weatherstrip (Sedan)	1	
	0888 52 901A	Weatherstrip (Sedan)	1	Car No. 155593 $\frac{7}{16}$ ~○

# BODY PANELS (FRONT)

(USED UP TO CAR NO. 179250 <sup>73</sup>/<sub>9</sub>)



# BODY PANELS (FRONT)

(USED UP TO CAR NO. 179250 <sup>73</sup>/<sub>9</sub>)

53

54

No.	Part Number	Description	Q'ty	Remarks
1	1524 51 020A	Panel (R), Front Fender	1	
2	1524 51 120A	Panel (L), Front Fender	1	
3	99806 0614	Bolt, Front Fender	12	
	99971 0600	Washer, Spring	12	
	99952 0600	Washer, Plain	12	
4	0866 53 020F	Panel, Dashboard-Upper (R.H.D.)	1	
✓	0866 53 020G	Panel, Dashboard-Upper (R.H.D.)	1	<sup>73</sup> / <sub>9</sub> ~○
	1524 53 020D	Panel, Dashboard-Upper (L.H.D.)	1	
	1524 53 020E	Panel, Dashboard-Upper (L.H.D.)	1	Car No. 150526 <sup>73</sup> / <sub>9</sub> ~○
✓	1524 53 020G	Panel, Dashboard-Upper (L.H.D.)	1	<sup>73</sup> / <sub>9</sub> ~○
5	0866 53 029A	Rubber, Edge-Dashboard & Cowl Panel	1	
6	0866 53 970A	Panel, Cowl (R.H.D.)	1	
	0866 74 040	Panel, Cowl (R.H.D.)	1	From Car No. 1
	1524 53 970B	Panel, Cowl (L.H.D.)	1	
	1524 74 040	Panel, Cowl (L.H.D.)	1	From Car No. 1
7	0866 53 979A	Rubber, Seal-Cowl Panel	1	
8	99264 0531B	Fastener, Cowl Panel & Seal Rubber	8	
9	0866 53 981	Bracket, Lock-Bonnet	1	
10	99806 0616	Bolt, Lock Bracket & Cowl Panel	4	
	99971 0600	Washer, Spring	4	

53

54

# BODY PANELS (FRONT)

(USED UP TO CAR NO. 179250 <sup>73</sup>/<sub>9</sub>)

No.	Part Number	Description	Q'ty	Remarks
	99952 0600	Washer, Plain	4	
11	0866 53 100C	Panel, Dashboard-Lower (Manual) (R.H.D.)	1	
	0866 53 100D	Panel, Dashboard-Lower (Manual) (R.H.D.)	1	Car No. 133676 <sup>73</sup> / <sub>1</sub> ~○
	0866 53 100E	Panel, Dashboard-Lower (Manual) (R.H.D.)	1	Car No. 148513 <sup>73</sup> / <sub>6</sub> ~○
	0866 53 100F	Panel, Dashboard-Lower (Manual) (R.H.D.)	1	Car No. 149635 <sup>73</sup> / <sub>7</sub> ~○
	0866 53 100G	Panel, Dashboard-Lower (Manual) (R.H.D.)	1	Car No. 152816 <sup>73</sup> / <sub>9</sub> ~○
	0378 53 100C	Panel, Dashboard-Lower (Automatic) (R.H.D.)	1	
	0378 53 100D	Panel, Dashboard-Lower (Automatic) (R.H.D.)	1	Car No. 127396 <sup>73</sup> / <sub>12</sub> ~○
	0378 53 100E	Panel, Dashboard-Lower (Automatic) (R.H.D.)	1	Car No. 133676 <sup>73</sup> / <sub>1</sub> ~○
	0378 53 100F	Panel, Dashboard-Lower (Automatic) (R.H.D.)	1	Car No. 148513 <sup>73</sup> / <sub>6</sub> ~○
	0378 53 100G	Panel, Dashboard-Lower (Automatic) (R.H.D.)	1	Car No. 149635 <sup>73</sup> / <sub>7</sub> ~○
	0378 53 100H	Panel, Dashboard-Lower (Automatic R.H.D.) (1552)	1	Car No. 152816 <sup>73</sup> / <sub>9</sub> ~○
	1524 53 100C	Panel, Dashboard-Lower (L.H.D.)	1	
	1524 53 100D	Panel, Dashboard-Lower (L.H.D.)	1	Car No. 148513 <sup>73</sup> / <sub>6</sub> ~○
	1524 53 100E	Panel, Dashboard-Lower (L.H.D.)	1	Car No. 152816 <sup>73</sup> / <sub>9</sub> ~○
12	0866 53 220E	Panel (R), Wheel Apron (R.H.D.)	1	
	0866 53 220F	Panel (R), Wheel Apron (R.H.D.)	1	Car No. 148513 <sup>73</sup> / <sub>6</sub> ~○
	1524 53 220D	Panel (R), Wheel Apron (L.H.D.)	1	
	1524 53 220E	Panel (R), Wheel Apron (L.H.D.)	1	Car No. 148513 <sup>73</sup> / <sub>6</sub> ~○
	1524 53 220F	Panel (R), Wheel Apron (L.H.D.)	1	Car No. 152816 <sup>73</sup> / <sub>9</sub> ~○

# BODY PANELS (FRONT)

(USED UP TO CAR NO. 179250 <sup>73/9</sup>)



No.	Part Number	Description	Q'ty	Remarks
13	0866 54 220B	Panel (L), Wheel Apron (R.H.D.)	1	
	0866 54 220C	Panel (L), Wheel Apron (R.H.D.)	1	Car No. 148513 <sup>72/6</sup> ~○
●	0866 54 220E	Panel (L), Wheel Apron (R.H.D.)	1	<sup>73/3</sup> ~○
●	0866 54 220F	Panel (L), Wheel Apron (R.H.D.)	1	<sup>73/3</sup> ~○
	1524 54 220B	Panel (L), Wheel Apron (L.H.D.)	1	
	1524 54 220C	Panel (L), Wheel Apron (1558,1559 Excluded)	1	Car No. 140779 <sup>72/2</sup> ~○
	1524 54 220C	Panel (L), Wheel Apron (1558,1559)	1	Car No. 140779 <sup>72/2</sup> ~△
	1524 54 220D	Panel (L), Wheel Apron (L.H.D.)	1	Car No. 148513 <sup>72/6</sup> ~○
	1524 54 220E	Panel (L), Wheel Apron (L.H.D.)	1	Car No. 152816 <sup>72/9</sup> ~○
●	1524 54 220F	Panel (L), Wheel Apron (L.H.D.)	1	<sup>73/7</sup> ~○
●	1524 54 220G	Panel (L), Wheel Apron (L.H.D.)	1	<sup>73/8</sup> ~○
14	0866 53 281A	Reinforcement (R), Wheel Apron Panel	1	
15	0866 54 281A	Reinforcement (L), Wheel Apron Panel	1	
16	0866 53 720	Panel (R), Shroud	1	
	0866 53 720A	Panel (R), Shroud	1	Car No. 152377 <sup>72/8</sup> ~○
17	0866 54 720	Panel (L), Shroud	1	
18	0866 53 750	Panel, Shroud-Upper	1	
19	0866 53 780A	Carrier, Battery	1	
20	99801 0816	Bolt, Battery Carrier & Wheel Apron Panel	4	
	99952 0800	Washer, Plain	4	



# BODY PANELS (FRONT)

(USED UP TO CAR NO. 179250 <sup>73</sup>/<sub>9</sub>)

No.	Part Number	Description	Q'ty	Remarks
21	0866 70 160B	Panel, Front Skirt	1	
	0866 70 160C	Panel, Front Skirt	1	Car No. 133676 <sup>71</sup> / <sub>12</sub> ~○
22	99864 0616	Screw, Skirt & Fender	2	
	99952 0618	Washer, Plain	2	Used up to Car No. 144159 <sup>74</sup> / <sub>1</sub>
	99896 0600	Nut, Spring	2	
23	0866 70 120	Panel, Nose	1	
24	0866 70 122	Stud, Nose Panel	12	
25	99806 0614	Bolt, Nose & Skirt	11	
	99952 0600	Washer, Plain	11	Used up till Car No. 144159 <sup>74</sup> / <sub>1</sub>
	99971 0600	Washer, Spring	11	
26	0866 70 131A	Bracket, Nose Panel	1	
27	99906 0600	Nut, Nose Panel & Bracket	4	
	99952 0600	Washer, Plain	4	
	99971 0600	Washer, Spring	4	
28	0866 70 180	Plate (R), Guide	1	
29	0866 71 180	Plate (L), Guide	1	
30	99906 0600	Nut, Guide Plate & Nose Panel	8	Used up till Car No. 144159 <sup>74</sup> / <sub>1</sub>
	99952 0618	Washer, Plain	8	
	99971 0600	Washer, Spring	8	
31	0866 70 120A	Panel Cpt., Nose	1	Used from Car No. 144160 <sup>74</sup> / <sub>1</sub> ~ Car No. 148513 <sup>76</sup> / <sub>6</sub> ~○



# BODY PANELS (FRONT)

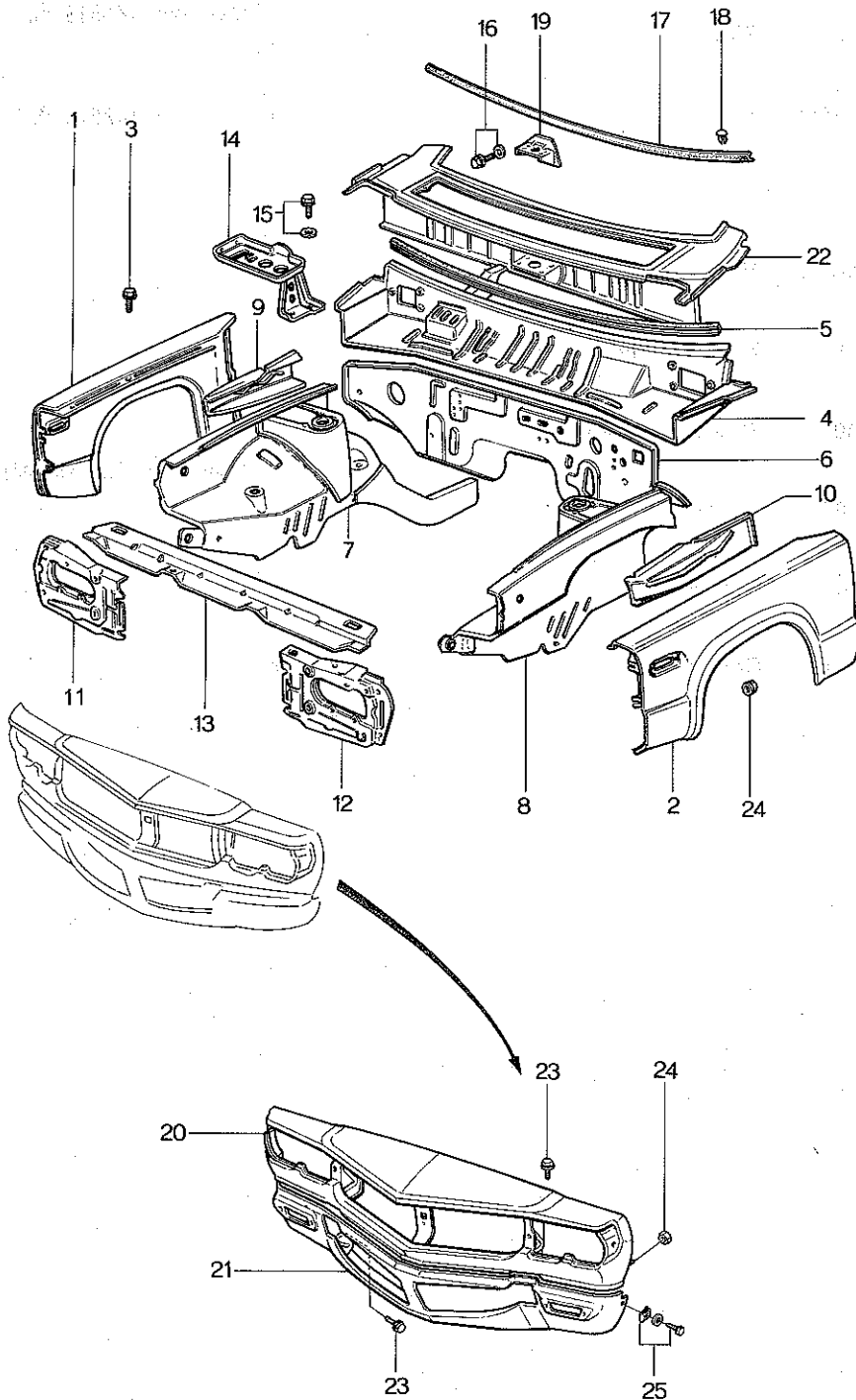
(USED UP TO CAR NO. 179250 <sup>73</sup>/<sub>9</sub>)



No.	Part Number	Description	Q'ty.	Remarks
32	0866 74 200	Panel, Nose	1	} Used from Car No. 144160 <sup>74</sup> / <sub>4</sub> ~ Car No. 148513 <sup>76</sup> / <sub>6</sub> ~○
	0866 74 200A	Panel, Nose	1	
33	0866 70 160C	Skirt	1	
	0866 70 160D	Skirt	1	
34	99906 0600	Nut	4	} Used from Car No. 144160 <sup>74</sup> / <sub>4</sub> ~
	99952 0618	Washer, Plain	4	
	99971 0600	Washer, Spring	4	
35	99864 0616	Screw	2	
	99896 0600	Nut, Spring	2	
36	908067 6 14	Bolt Set	6	

53

54

**BODY PANELS (FRONT)**(USED FROM CAR NO. 160623 <sup>73</sup>/<sub>10</sub>)

# BODY PANELS (FRONT)

(USED FROM CAR NO: 160623 <sup>73</sup>/<sub>10</sub>)



No.	Part Number	Description	Q'ty	Remarks
✓ 1	1524 51 020 A	Panel (R), Front Fender	1	
✓ 2	1524 51 120 A	Panel (L), Front Fender	1	
3	99806 0614	Bolt, Fender	12	
	99952 0600	Washer, Plain	12	
	99971 0600	Washer, Spring	12	
✓ 4	0866 53 020 G	Panel, Dashboard Upper (R.H.D.)	1	
✓	1524 53 020 G	Panel, Dashboard Upper (L.H.D.)	1	
✓ 5	0866 53 029 A	Rubber, Edge	1	
✓ 6	0866 53 100 I	Panel, Dashboard-Lower (R.H.D.)	1	
✓	1524 53 100 G	Panel, Dashboard-Lower(L.H.D.) W / O Cooler	1	
✓	1620 53 100 B	Panel, Dashboard-Lower(L.H.D.) With Cooler	1	
✓ 7	0866 53 220 F	Panel (R), Wheel Apron (R.H.D.)	1	
✓	1524 53 220 G	Panel (R), Wheel Apron (L.H.D.)	1	
✓ 8	0866 54 220 F	Panel (L), Wheel Apron (R.H.D.)	1	
✓	1524 54 220 G	Panel (L), Wheel Apron (L.H.D.)	1	
✓ 9	0866 53 281 A	Reinforcement (R)	1	
✓ 10	0866 54 281 A	Reinforcement (L)	1	
✓ 11	0866 53 720 A	Panel (R), Shroud	1	
✓	0866 53 720 B	Panel (R), Shroud	1	
✓ 12	0866 54 720	Panel (L), Shroud	1	
✓ 13	0866 53 750	Panel, Shroud-Upper	1	
✓ 14	0866 53 780 A	Carrier, Battery	1	
✓	0866 53 780 B	Carrier, Battery	1	<sup>73</sup> / <sub>11</sub> ~ O

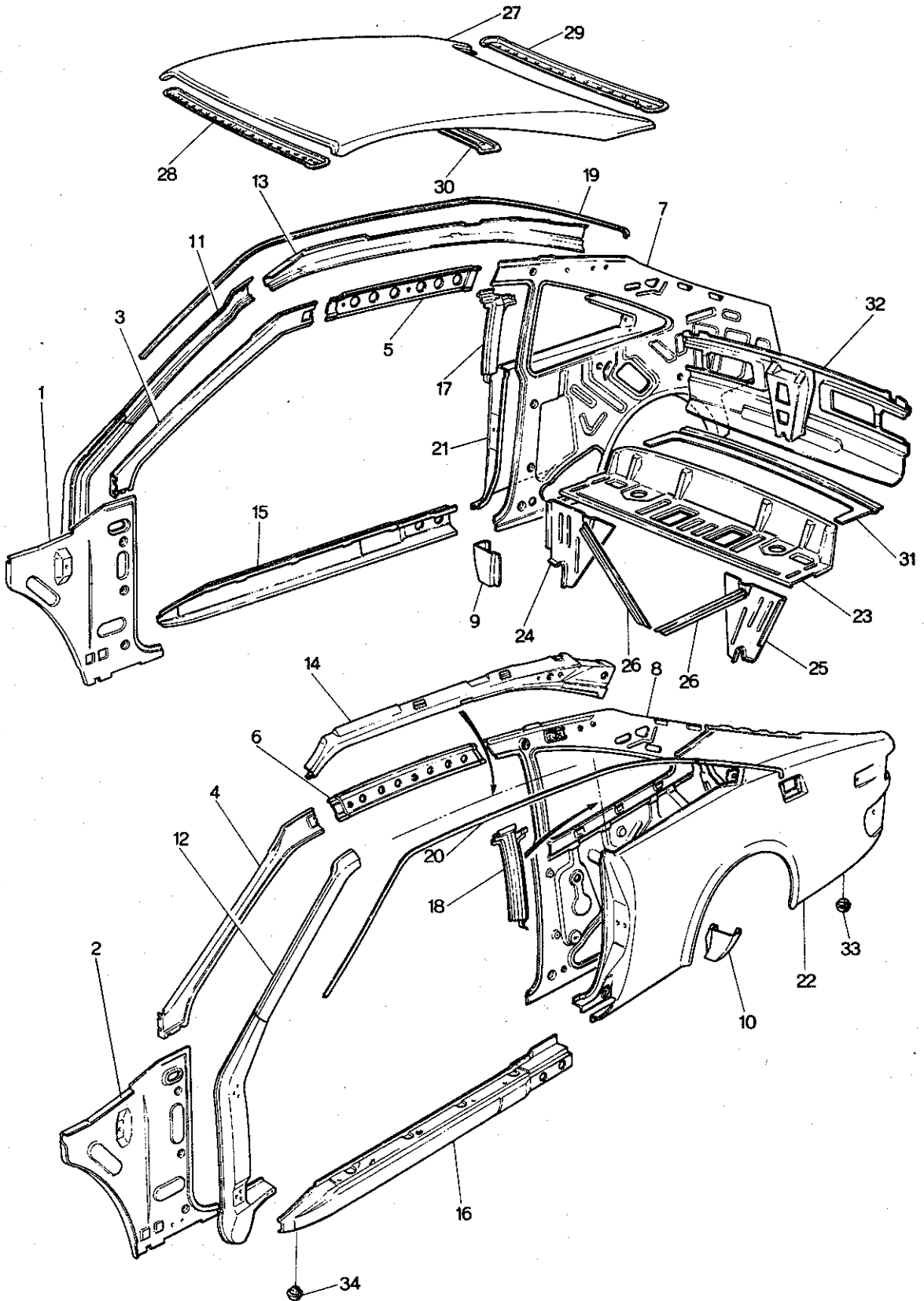


# BODY PANELS (FRONT)

(USED FROM CAR NO. 160623 <sup>73</sup>/<sub>10</sub>)

No.	Part Number	Description	Q'ty	Remarks
15	99801 0816	Bolt, Battery Carrier	4	
	99952 0822	Washer, Plain	4	
	99971 0800	Washer, Spring	4	
16	99806 0616	Bolt, Lock Bracket	4	
	99952 0600	Washer, Plain	4	
	99971 0600	Washer, Spring	4	
J 17	0866 53 979 A	Rubber, Seal	1	
18	99264 0531 B	Clip, Seal Rubber	8	
J 19	0866 53 980	Bracket, Lock	1	
20	1128 70 120	Panel Ass'y, Nose	1	
21	1128 70 160	Skirt, Front	1	
22	0866 74 040	Panel, Cowl (R.H.D.)	1	
	1524 74 040	Panel, Cowl (L.H.D.)	1	
23	99796 0614	Bolt (Nose & Shroud -4, Skirt & Frame-2)	6	
	99952 0618	Washer, Plain	6	
24	99940 0602	Nut, Nose & Skirt	4	
25	99864 0616	Screw, Skirt & Fender	2	
	99952 0618	Washer, Plain	2	
	99896 0600	Nut, Spring	2	





# BODY PANELS (SIDE, COUPE)

53

54

No.	Part Number	Description	Q'ty	Remarks
✓ 1	0866 53 320	Panel (R), Cowl Side (R.H.D.)	1	
✓	1524 53 320 A	Panel (R), Cowl Side (L.H.D.)	1	
✓ 2	0866 54 320	Panel (L), Cowl Side (R.H.D.)	1	
✓	1524 54 320 A	Panel (L), Cowl Side (L.H.D.)	1	
✓	1524 54 320 B	Panel (L), Cowl Side (L.H.D.)	1	Car No. 140779 $\frac{7}{8}$ ~○
✓ 3	0376 53 330	Pillar (R), Front Inner	1	
✓ 4	0376 54 330	Pillar (L), Front Inner	1	
✓ 5	0376 53 340	Rail (R), Roof Inner	1	
✓ 6	0376 54 340	Rail (L), Roof Inner	1	
7	0376 53 350 B	Panel (R), Quarter Inner	1	1559 Excluded
●	0376 53 350 C	Panel (R), Quarter Inner	1	(1559 Excluded) Car No. 166069 $\frac{7}{8}$ ~△
	1559 53 350 A	Panel (R), Quarter Inner	1	1559
✓ ●	1559 53 350 B	Panel (R), Quarter Inner	1	1559 Car No. 166069 $\frac{7}{8}$ ~△
8	0376 54 350 C	Panel (L), Quarter Inner	1	1559 Excluded
✓ ●	0376 54 350 D	Panel (L), Quarter Inner	1	(1559 Excluded) Car No. 166069 $\frac{7}{8}$ ~△
✓ ●	0376 54 350 E	Panel (L), Quarter Inner	1	1559 Excluded $\frac{7}{8}$ ~○
✓ ●	1559 54 350 C	Panel (L), Quarter Inner	1	(1559 Excluded) Car No. 160623 $\frac{7}{8}$ ~△
	1559 54 350 A	Panel (L), Quarter Inner	1	1559
✓ ●	1559 54 350 B	Panel (L), Quarter Inner	1	1559 Car No. 166069 $\frac{7}{8}$ ~△
9	0376 53 391	Plate (R), End-Inner	1	
✓ ●	0376 53 391 A	Plate (R), End-Inner	1	Car No. 166069 $\frac{7}{8}$ ~△

No.	Part Number	Description	Q'ty	Remarks
10	0376 54 391	Plate (L), End-Inner	1	
	0376 54 391 A	Plate (L), End-Inner	1	Car. No. 166069 $\frac{7}{8}$ ~△
11	0376 53 410	Pillar (R), Hinge Outer (R.H.D.)	1	
✓	0376 74 090	Pillar (R), Hinge Outer (R.H.D.)	1	From Car No. 1 $\frac{7}{11}$ ~○
	1562 53 410	Pillar (R), Hinge Outer (L.H.D.)	1	
✓	1562 74 090	Pillar (R), Hinge Outer (L.H.D.)	1	From Car No. 1 $\frac{7}{11}$ ~○
12	0376 54 410	Pillar (L), Hinge Outer (R.H.D.)	1	
✓	0376 74 120	Pillar (L), Hinge Outer (R.H.D.)	1	From Car No. 1 $\frac{7}{11}$ ~○
	1562 54 410	Pillar (L), Hinge Outer (L.H.D.)	1	
✓	1562 74 120	Pillar (L), Hinge Outer (L.H.D.)	1	From Car No. 1 $\frac{7}{11}$ ~○
13	0376 53 430	Rail (R), Roof Outer	1	
14	0376 54 430	Rail (L), Roof Outer	1	
15	0380 53 451	Sill (R), Side Outer	1	
✓ ●	0376 53 451	Sill (R), Side Outer	1	Car No. 160623 $\frac{7}{10}$ ~×
16	0380 54 451	Sill (L), Side Outer	1	
✓ ●	0376 54 451	Sill (L), Side Outer	1	Car No. 160623 $\frac{7}{10}$ ~×
17	0376 53 500 A	Pillar (R), Center-Outer	1	
18	0376 54 500 A	Pillar (L), Center-Outer	1	
19	0376 53 591	Rail (R), Rain	1	
20	0376 54 591	Rail (L), Rain	1	



# BODY PANELS (SIDE, COUPE)

53

54

No.	Part Number	Description	Q'ty	Remarks
21	0376 53 600 C	Panel (R), Rear Fender	1	
✓	0376 74 100	Panel (R), Rear Fender	1	From Car No. 1 7/11~○
22	0376 54 600 B	Panel (L), Rear Fender	1	
✓	0376 74 130	Panel (L), Rear Fender	1	From Car No. 1 7/11~○
23	0376 53 810 B	Tray, Package	1	
24	0866 53 830 A	Brace (R), Side	1	
25	0866 54 830 A	Brace (L), Side	1	
26	0866 53 845	Brace, Diagonal	2	
27	0376 53 901	Panel, Roof	1	
✓	0376 74 030	Panel, Roof	1	From Car No. 1 7/11~○
28	0376 53 920	Header, Front	1	
29	0376 53 941	Header, Rear	1	
30	0376 53 950	Reinforcement, Roof	1	
31	0376 53 991	Panel, Rear Deck	1	
✓	0376 74 050	Panel, Rear Deck	1	From Car No. 1 7/11~○
✓	1527 70 050	Panel, Rear End	1	
33	0259 53 455	Plug, Drain	6	
34	0824 56 999	Valve, Check-Side Sill	2	



# BOUY PANELS SIDE COURSE

1. Name

2. Age

3. Address

4. Date

1. Name of the boat

2. Name of the skipper

3. Name of the crew

4. Name of the boat

5. Name of the skipper

6. Name of the crew

7. Name of the boat

8. Name of the skipper

9. Name of the crew

10. Name of the boat

11. Name of the skipper

12. Name of the crew

13. Name of the boat

14. Name of the skipper

15. Name of the crew

16. Name of the boat

17. Name of the skipper

18. Name of the crew

19. Name of the boat

20. Name of the skipper

21. Name of the crew

22. Name of the boat

23. Name of the skipper

24. Name of the crew

25. Name of the boat

26. Name of the skipper

27. Name of the crew

28. Name of the boat

29. Name of the skipper

30. Name of the crew

29. Name of the boat

30. Name of the skipper

31. Name of the crew

30. Name of the boat

31. Name of the skipper

32. Name of the crew

31. Name of the boat

32. Name of the skipper

33. Name of the crew

32. Name of the boat

33. Name of the skipper

34. Name of the crew

33. Name of the boat

34. Name of the skipper

35. Name of the crew

34. Name of the boat

35. Name of the skipper

36. Name of the crew

35. Name of the boat

36. Name of the skipper

37. Name of the crew

36. Name of the boat

37. Name of the skipper

38. Name of the crew

37. Name of the boat

38. Name of the skipper

39. Name of the crew

38. Name of the boat

39. Name of the skipper

40. Name of the crew

39. Name of the boat

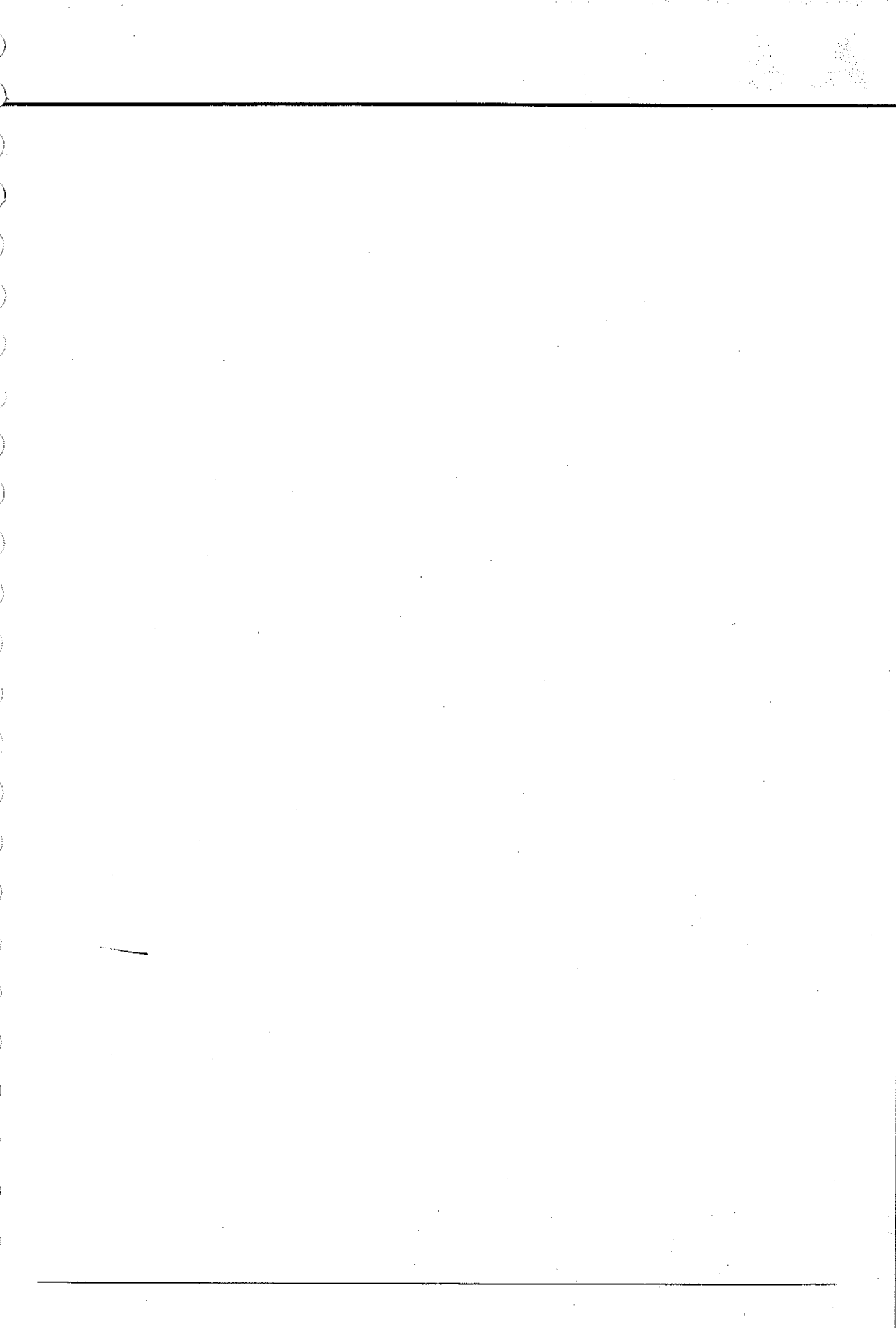
40. Name of the skipper

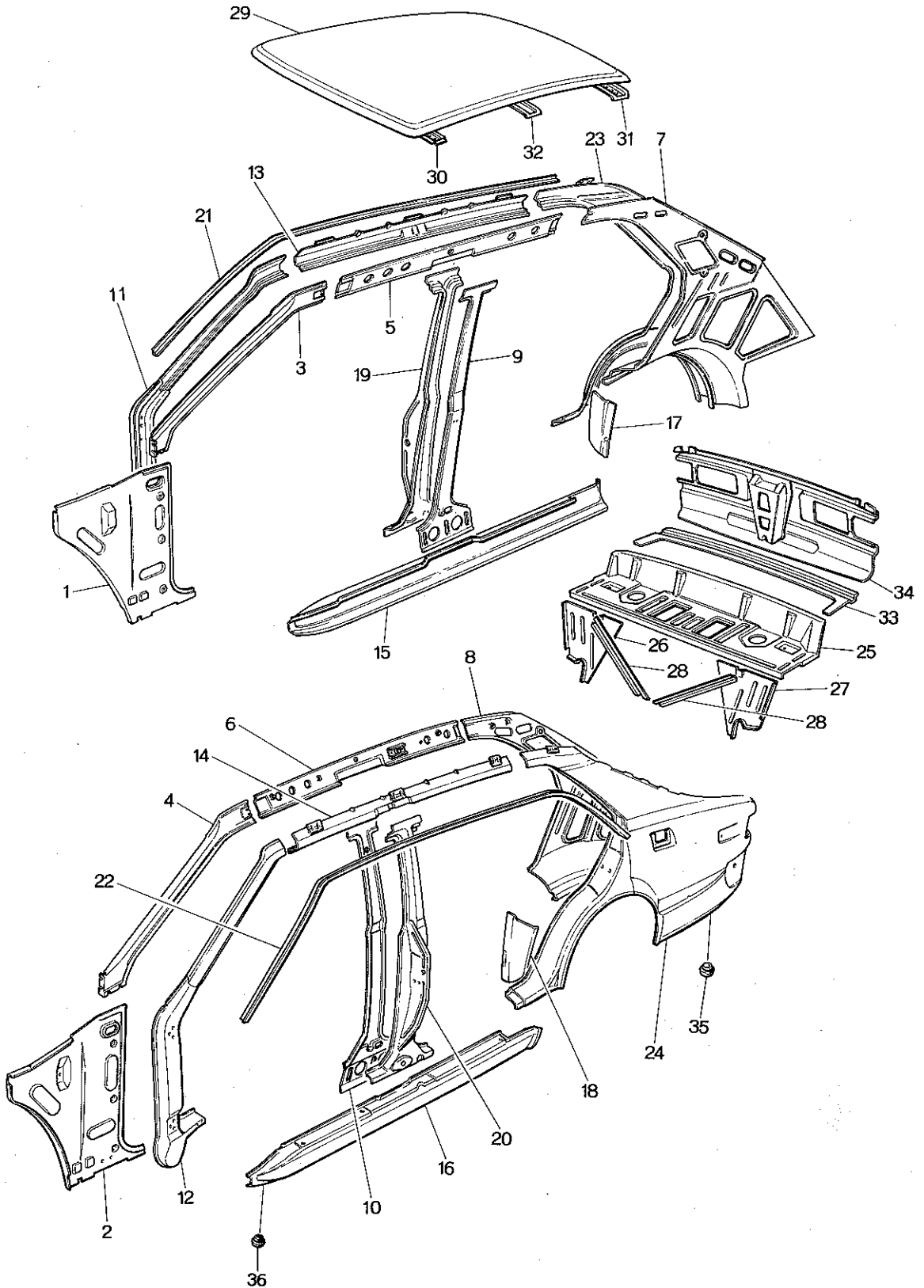
41. Name of the crew

40. Name of the boat

41. Name of the skipper

42. Name of the crew





# BODY PANELS (SIDE, SEDAN)

53

54

No.	Part Number	Description	Q'ty	Remarks
1	0866 53 320	Panel (R), Cowl Side (R.H.D.)	1	
	1524 53 320A	Panel (R), Cowl Side (L.H.D.)	1	
2	0866 54 320	Panel (L), Cowl Side (R.H.D.)	1	
	1524 54 320A	Panel (L), Cowl Side (L.H.D.)	1	
	1524 54 320B	Panel (L), Cowl Side (L.H.D.)	1	Car No. 140779 7/2 ~ ○
3	0866 53 330	Pillar (R), Front Inner	1	
4	0866 54 330	Pillar (L), Front Inner	1	
5	0866 53 340A	Rail (R), Roof Inner	1	1558 Excluded
●	0866 53 340B	Rail (R), Roof-Inner	1	7/1 ~ ○
	1504 53 340B	Rail (R), Roof Inner	1	1558
6	0866 54 340	Rail (L), Roof Inner	1	1558 Excluded
●	0866 54 340A	Rail (L), Roof Inner	1	7/1 ~ ○
	1504 54 340A	Rail (L), Roof Inner	1	1558
<del>7</del>	<del>0866 53 350A</del>	<del>Pillar (R), Rear Inner</del>	<del>1</del>	
	1531 53 350C	Pillar (R), Rear Inner <del>(For E.C.E.)</del>	1	
<del>8</del>	<del>0866 54 350A</del>	<del>Pillar (L), Rear Inner</del>	<del>1</del>	
	1531 54 350C	Pillar (L), Rear Inner <del>(For E.C.E.)</del>	1	
9	0866 53 381	Pillar (R), Center-Inner	1	
●	0866 53 381A	Pillar (R), Center-Inner	1	7/11 ~ ○
10	0866 54 381	Pillar (L), Center-Inner	1	

53

54

## BODY PANELS (SIDE, SEDAN)

No.	Part Number	Description	Q'ty	Remarks
●	0866 54 381A	Pillar (L), Center-Inner	1	$\frac{73}{11} \sim \bigcirc$
11	<del>0370 53 410</del>	<del>Pillar (R), Hinge Outer</del>	<del>1</del>	
	0866 53 410	Pillar (R), Hinge Outer	1	From Car No. 1
12	0866 54 410	Pillar (L), Hinge Outer (R.H.D.)	1	
	1524 54 410	Pillar (L), Hinge Outer (L.H.D.)	1	
13	0866 53 430	Rail (R), Roof Outer	1	
14	0866 54 430	Rail (L), Roof Outer	1	
●	15 0866 53 451	Sill (R), Side Outer	1	
●	16 0866 54 451	Sill (L), Side Outer	1	
17	0866 53 452	Plate (R), Filler	1	
18	<del>0866 54 452</del>	<del>Plate (L), Filler</del>	<del>1</del>	
19	0866 53 500	Pillar (R), Center-Outer	1	
	0866 53 500A	Pillar (R), Center-Outer	1	Car No. 157735 $\frac{72}{10} \sim \triangle$
20	0866 54 500	Pillar (L), Center-Outer	1	
	0866 54 500A	Pillar (L), Center-Outer	1	Car No. 157735 $\frac{72}{10} \sim \triangle$
21	0866 53 591	Rail (R), Rain	1	
22	0866 54 591	Rail (L), Rain	1	
23	<del>0866 53 600</del>	<del>Panel (R), Rear Fender (R.H.D.)</del>	<del>1</del>	
	0866 53 600B	Panel (R), Rear Fender <del>(L.H.D.)</del>	1	
√	0866 74 100	Panel (R), Rear Fender	1	From Car No. 1

# BODY PANELS (SIDE, SEDAN)

53

54

No.	Part Number	Description	Q'ty	Remarks
24	<del>0866 54 600</del>	<del>Panel (L), Rear Fender (R.H.D.)</del>	<del>1</del>	
	0866 54 600A	Panel (L), Rear Fender <del>(L.H.D.)</del>	1	
✓	0866 74 130	Panel (L), Rear Fender	1	From Car No. 1
25	0866 53 810B	Tray, Package	1	
●	0866 53 810C	Tray, Package	1	Car No. 160378 $\frac{7}{12}$ ~△
26	0866 53 830A	Brace (R), Side	1	
27	0866 54 830A	Brace (L), Side	1	
28	0866 53 845	Brace, Diagonal	2	
⚡	0866 53 901	Panel, Roof	1	
✓	0866 74 030	Panel, Roof	1	From Car No. 1 $\frac{7}{11}$ ~○
30	0866 53 920	Header, Front	1	
31	0866 53 941	Header, Rear	1	
32	0866 53 950	Reinforcement, Roof	1	
⚡	0866 53 991	Panel, Rear Deck	1	
✓	0866 74 050	Panel, Rear Deck	1	From Car No. 1 $\frac{7}{11}$ ~○
34	1524 70 050	Panel, Rear End	1	
35	0259 53 455	Plug, Drain (Side Seal Outer...6, Rear Fender...2)	8	
36	0118 56 242B	Plug, Drain	2	



# BOY SCOUTS OF AMERICA

Unit No.	Name	Age	Grade	Scoutmaster	Notes
101	John Smith	11	5	Mr. Jones	
102	Robert Brown	12	6	Mr. Jones	
103	William Green	13	7	Mr. Jones	
104	Richard White	14	8	Mr. Jones	
105	Thomas Black	15	9	Mr. Jones	
106	Charles Gray	16	10	Mr. Jones	
107	James Hall	17	11	Mr. Jones	
108	Henry King	18	12	Mr. Jones	
109	Samuel Lee	19	13	Mr. Jones	
110	Benjamin Clark	20	14	Mr. Jones	
111	Joseph Adams	21	15	Mr. Jones	
112	Samuel Baker	22	16	Mr. Jones	
113	David Miller	23	17	Mr. Jones	
114	John Wilson	24	18	Mr. Jones	
115	Richard Moore	25	19	Mr. Jones	
116	Thomas Taylor	26	20	Mr. Jones	
117	Charles Evans	27	21	Mr. Jones	
118	James Walker	28	22	Mr. Jones	
119	Henry Young	29	23	Mr. Jones	
120	Samuel King	30	24	Mr. Jones	

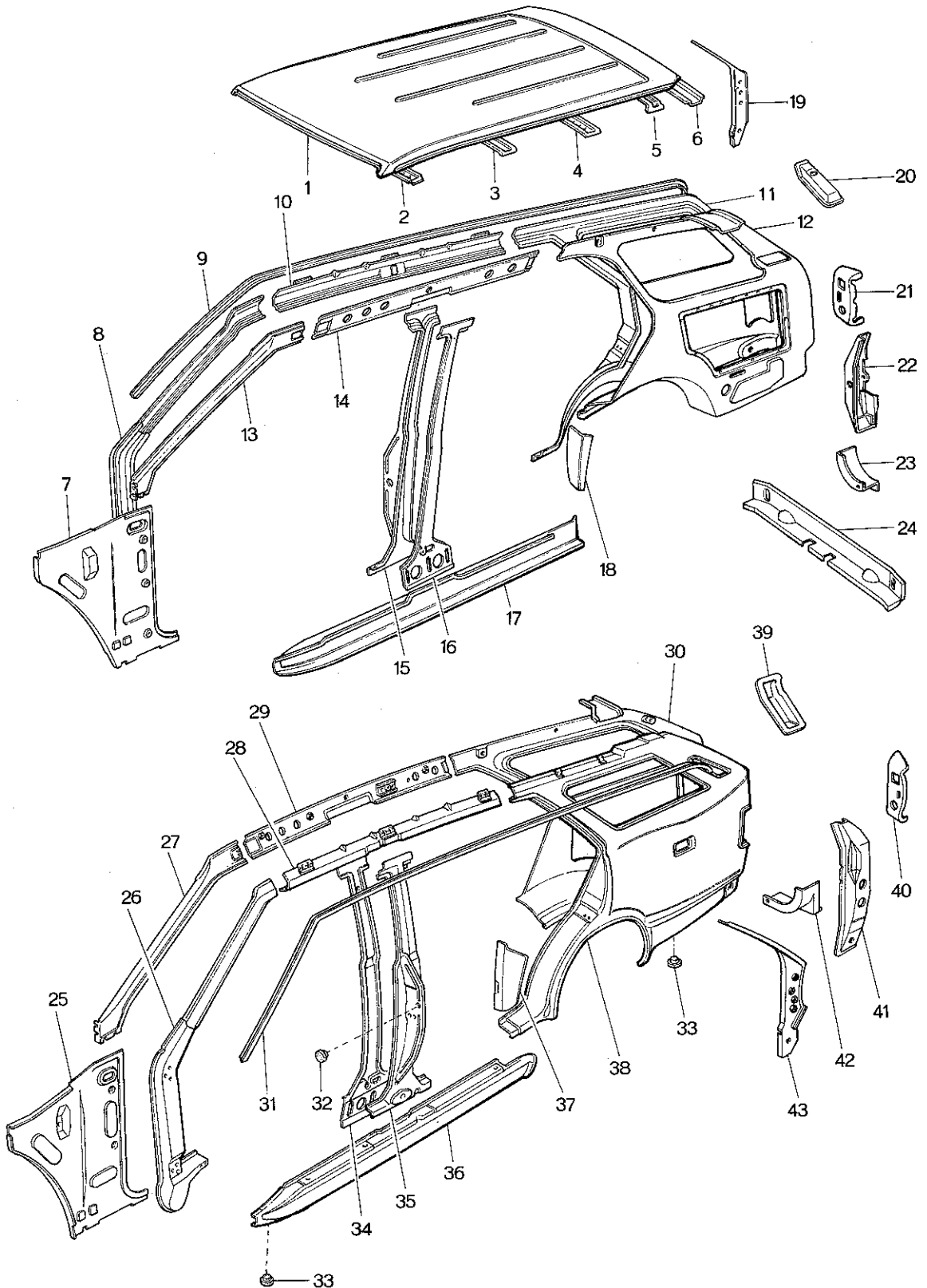




---

[The main body of the page contains extremely faint and illegible text, likely bleed-through from the reverse side of the paper. The text is too light to be transcribed accurately.]

---



# BODY PANELS (SIDE, STATION WAGON)

53

54

No.	Part Number	Description	Q'ty	Remarks
✓1	0585 74 030	Panel, Roof	1	
✓2	0886 53 920	Header, Rear	1	
✓3	0886 53 950	Reinforcement, Roof	1	
✓4	0886 53 951	Reinforcement, Roof	1	
✓5	0585 53 970A	Reinforcement, Roof	1	
✓6	0585 53 941	Header, Rear	1	
✓7	0886 53 320	Panel (R), Cowl Side	1	
✓8	0886 74 090	Pillar (R), Hinge Outer	1	
✓9	0585 53 581	Rail (R), Rain	1	
✓10	0585 53 430	Rail (R), Roof Outer	1	
✓11	1529 53 800A	Panel (R), Rear Fender	1	
✓12	0585 53 310	Panel (R), Inside	1	
✓13	0886 53 330	Pillar (R), Front Inner	1	
✓14	0585 53 340	Rail (R), Roof Inner	1	
✓15	0886 53 500A	Pillar (R), Center-Outer	1	
✓16	0886 53 381	Pillar (R), Center-Inner	1	
✓17	0886 53 451	Sill (R), Side Outer	1	
✓18	0886 53 452	Plate (R), Filler	1	
✓19	0585 53 670A	Pillar (R), Rear Outer	1	
✓20	0585 53 480B	Chamber (R)	1	

53

54

# BODY PANELS (SIDE, STATION WAGON)

No.	Part Number	Description	Q'ty	Remarks
✓ 21	0585 53 851	Housing (R), Lamp	1	
✓ 22	0585 53 880A	Reinforcement (R)	1	
✓ 23	0585 53 891	Junction (R), Corner	1	
✓ 24	0585 53 701A	Crossmember, Rear Outer	1	
✓ 25	0886 54 320	Panel (L), Cowl Side	1	
✓ 26	0886 74 120	Pillar (L), Hinge Outer	1	
✓ 27	0886 54 330	Pillar (L), Front Inner	1	
✓ 28	0585 54 430	Rail (L), Roof Outer	1	
✓ 29	0585 54 340	Rail (L), Roof Inner	1	
✓ 30	0585 54 310A	Panel (L), Inside	1	
✓ 31	0585 54 591	Rail (L), Rain	1	
✓ 32	0118 56 242B	Plug, Drain-Center Pillar	2	
✓ 33	0259 53 455	Plug, Drain (Side Sill ...6, Rear Fender ... 2)	8	
✓ 34	0886 54 381	Pillar (L), Center-Inner	1	
✓ 35	0886 54 500A	Pillar (L), Center-Outer	1	
✓ 36	0886 54 451	Sill (L), Side Outer	1	
✓ 37	0886 54 452	Plate (L), Filler	1	
✓ 38	1529 54 600A	Panel (L), Rear Fender	1	
✓ 39	0585 54 480B	Chamber (L)	1	
✓ 40	0585 54 851	Housing (L), Lamp	1	

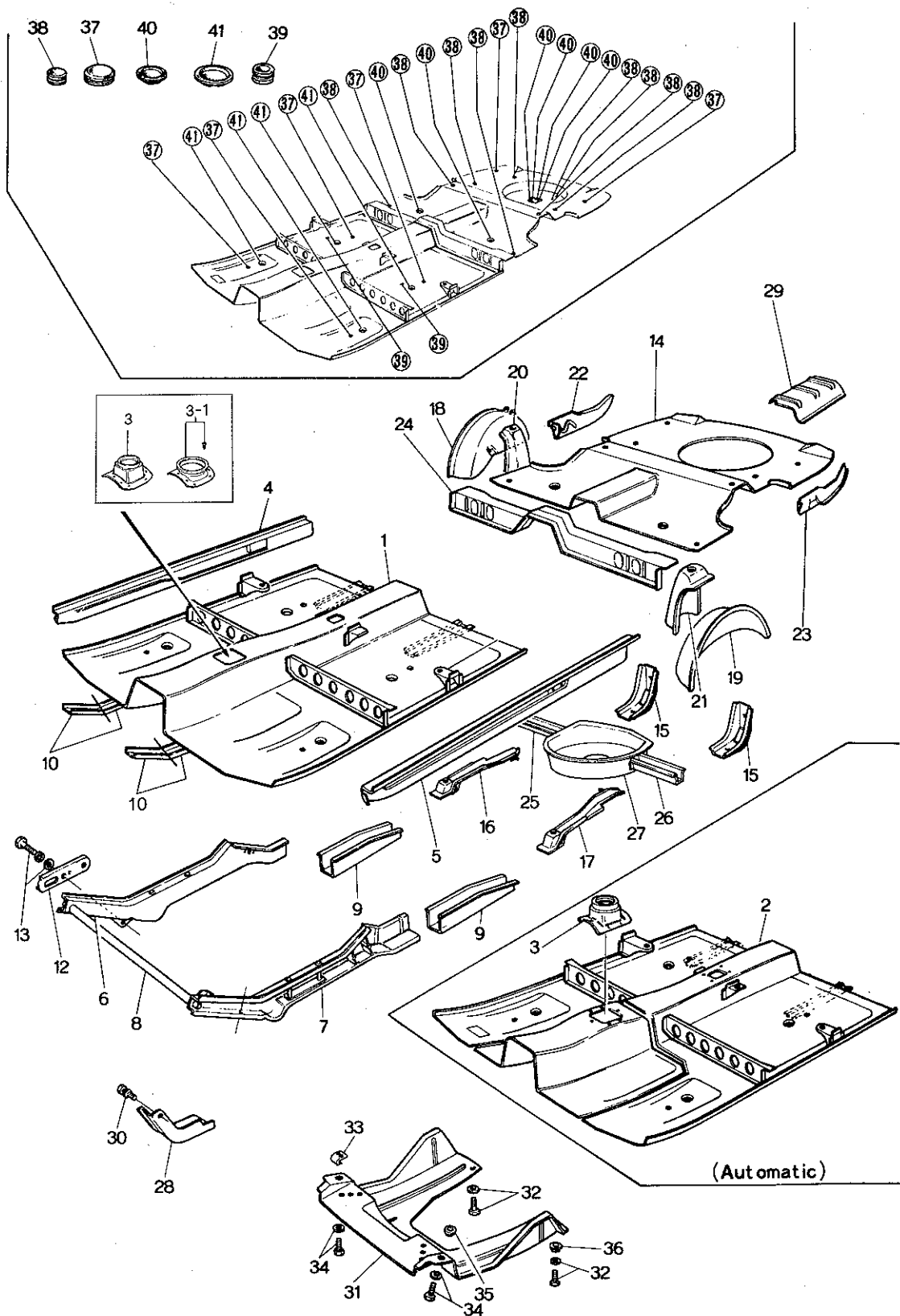
# BODY PANELS (SIDE, STATION WAGON)

53

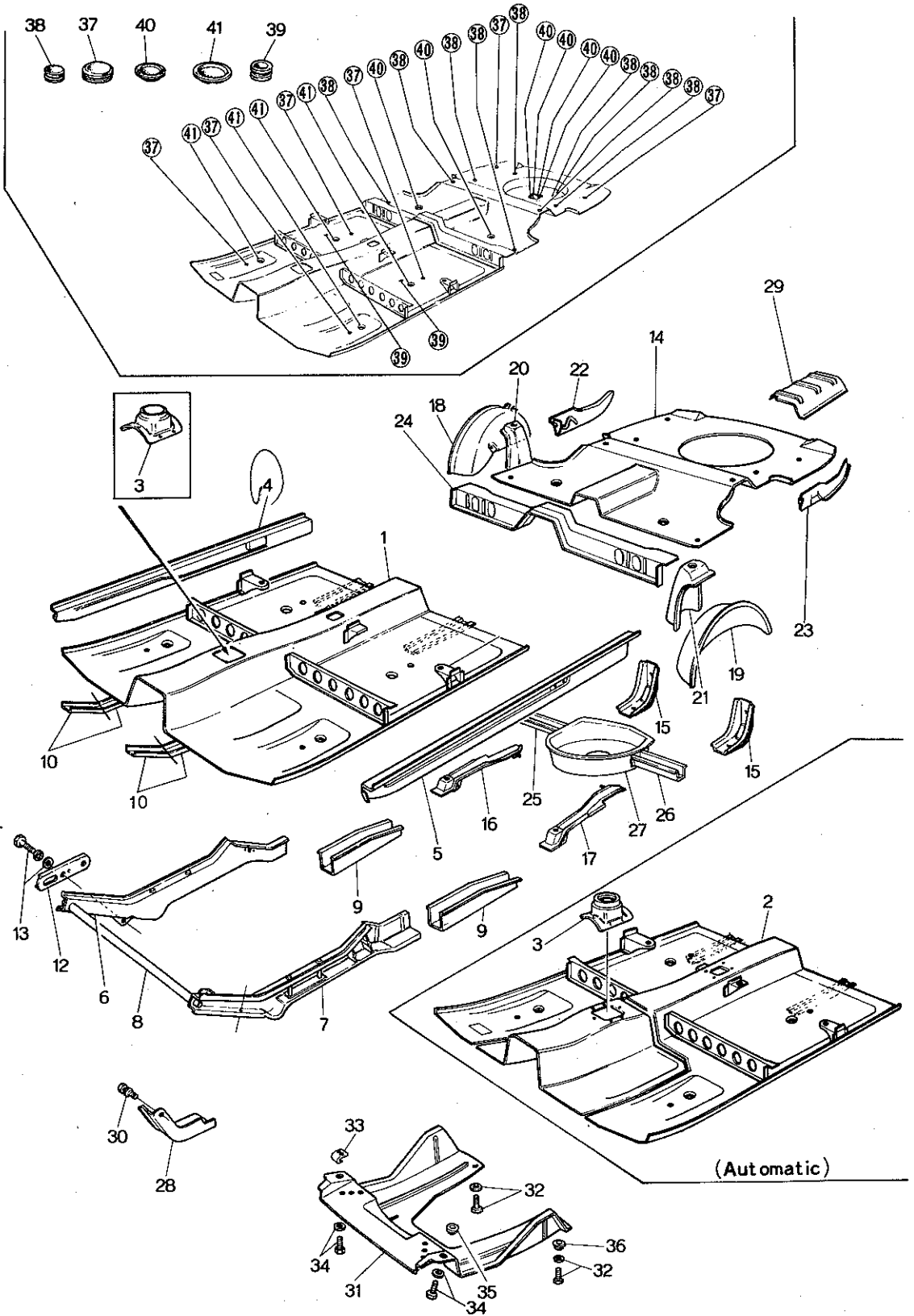
54

No.	Part Number	Description	Q'ty	Remarks
✓ 41	0585 54 660A	Reinforcement (L)	1	
✓ 42	0585 54 691	Junction (L), Corner	1	
✓ 43	0585 54 670A	Pillar (L), Rear Outer	1	

# BODY PANELS (FLOOR)(SEDAN & COUPE)









# BODY PANELS (FLOOR) (SEDAN & COUPE)

56

No.	Part Number	Description	Q'ty	Remarks
1	0866 56 010G	Pan, Front Floor, Manual (R.H.D.)	1	
	0866 56 010I	Pan, Front Floor, Manual (R.H.D.)	1	Car No. 150526 $\frac{7}{8}$ ~○
	0870 56 010	Pan, Front Floor, Manual (R.H.D.)	1	Car No. 152816 $\frac{7}{9}$ ~○
	1128 56 010A	Pan, Front Floor, Manual (R.H.D.)	1	Car No. 160623 $\frac{7}{10}$ ~×
	1562 56 010D	Pan, Front Floor (L.H.D.)	1	
	1562 56 010E	Pan, Front Floor (L.H.D.)	1	Car No. 150526 $\frac{7}{8}$ ~○
	1562 56 010F	Pan, Front Floor (L.H.D.)	1	Car No. 152816 $\frac{7}{9}$ ~○
	1128 56 010A	Pan, Front Floor (L.H.D.)	1	Car No. 160623 $\frac{7}{10}$ ~×
2	0871 56 010G	Pan, Front Floor (Automatic)	1	
●	0871 56 010H	Pan, Front Floor (Automatic)	1	$\frac{7}{8}$ ~○
3	0866 56 981	Insulator	1	
3-1	<del>0376 68 832A</del>	<del>Set, Boot</del>		
●	0367 68 832A	Seat, Set-Boot	1	From Car No. 1
	99864 0512	Screw, Tapping	6	
		(Manual)		
4	0376 56 080B	Sill (R), Side-Inner (Coupe)	1	
	0376 56 080C	Sill (R), Side-Inner (Coupe)	1	Car No. 133210 $\frac{7}{11}$ ~○
	0866 56 080B	Sill (R), Side-Inner (Sedan)	1	
	0866 56 080C	Sill (R), Side-Inner (Sedan)	1	Car No. 133210 $\frac{7}{11}$ ~○
	0866 56 080D	Sill (R), Side-Inner (Sedan)	1	$\frac{7}{10}$ ~○
5	0376 56 580A	Sill (L), Side-Inner (Coupe)	1	
	0866 56 580A	Sill (L), Side-Inner (Sedan)	1	
	0866 56 580B	Sill (L), Side-Inner (Sedan)	1	$\frac{7}{10}$ ~○

# BODY PANELS (FLOOR) (SEDAN & COUPE)

No.	Part Number	Description	Q'ty	Remarks
6	1511 56 110D	Frame (R), Front (R.H.D.)	1	
	1511 56 110E	Frame (R), Front (R.H.D.)	1	Car No. 135808 $\frac{7}{2}$ ~○
	1511 56 110F	Frame (R), Front (R.H.D.)	1	Car No. 148513 $\frac{7}{6}$ ~○
	0866 56 110H	Frame (R), Front (R.H.D.)	1	$\frac{7}{10}$ ~○
	1524 56 110F	Frame (R), Front (L.H.D.)	1	
	1524 56 110G	Frame (R), Front (L.H.D.)	1	Car No. 135808 $\frac{7}{2}$ ~○
	1524 56 110H	Frame (R), Front (L.H.D.)	1	Car No. 148513 $\frac{7}{6}$ ~○
7	1511 56 610	Frame (L), Front (R.H.D.)	1	
	1511 56 610A	Frame (L), Front (R.H.D.)	1	Car No. 135808 $\frac{7}{2}$ ~○
	1511 56 610B	Frame (L), Front (R.H.D.)	1	Car No. 148513 $\frac{7}{6}$ ~○
	0866 56 610D	Frame (L), Front (R.H.D.)	1	$\frac{7}{10}$ ~○
	1524 56 610C	Frame (L), Front (L.H.D.)	1	
	1524 56 610D	Frame (L), Front (L.H.D.)	1	Car No. 135808 $\frac{7}{2}$ ~○
	1524 56 610E	Frame (L), Front (L.H.D.)	1	Car No. 148513 $\frac{7}{6}$ ~○
8	0866 56 171	Member No. 1, Cross	1	
	0866 56 171A	Member No. 1, Cross	1	$\frac{7}{6}$ ~○
9	0866 56 181A	Frame "B", Front (L)	1	
	0866 56 180	Frame "B", Front (R)	1	
10	1524 56 117	Reinforcement "A" (L.H.D.)	2	
	1524 56 118	Reinforcement "B" (L.H.D.)	2	

# BODY PANELS (FLOOR) (SEDAN & COUPE)

56

No.	Part Number	Description	Q'ty	Remarks
12	0866 78 541	Hook, Front & Rear Frame	2	
13	99781 1028	Bolt, Hook	2	
	99951 1022	Washer, Plain	2	
	99971 1000	Washer, Spring	2	
14	0866 56 210C	Pan, Rear Floor	1	
	0866 56 200C	Pan, Rear Floor	1	$\frac{7}{8}$ ~○
15	0866 58 215	Bracket, Bumper	2	
16	0866 56 310A	Frame (R), Rear	1	
	0866 56 310B	Frame (R), Rear	1	Car. No. 164105 $\frac{7}{8}$ ~△
17	0866 56 810A	Frame (L), Rear	1	
	0866 56 810B	Frame (L), Rear	1	Car. No. 164105 $\frac{7}{8}$ ~△
18	0866 56 330	Panel (R), Wheel House	1	
19	0866 56 830	Panel (L), Wheel House	1	
20	0866 56 350	Bracket (R), Damper	1	
21	0866 56 850	Bracket (L), Damper	1	
22	0866 56 381	Panel (R), Floor Side (Sedan)	1	
	0866 56 381A	Panel (R), Floor Side (Sedan)	1	$\frac{7}{8}$ ~○
	0378 56 381	Panel (R), Floor Side (Coupe)	1	
	0376 56 381A	Panel (R), Floor Side (Coupe)	1	$\frac{7}{8}$ ~○

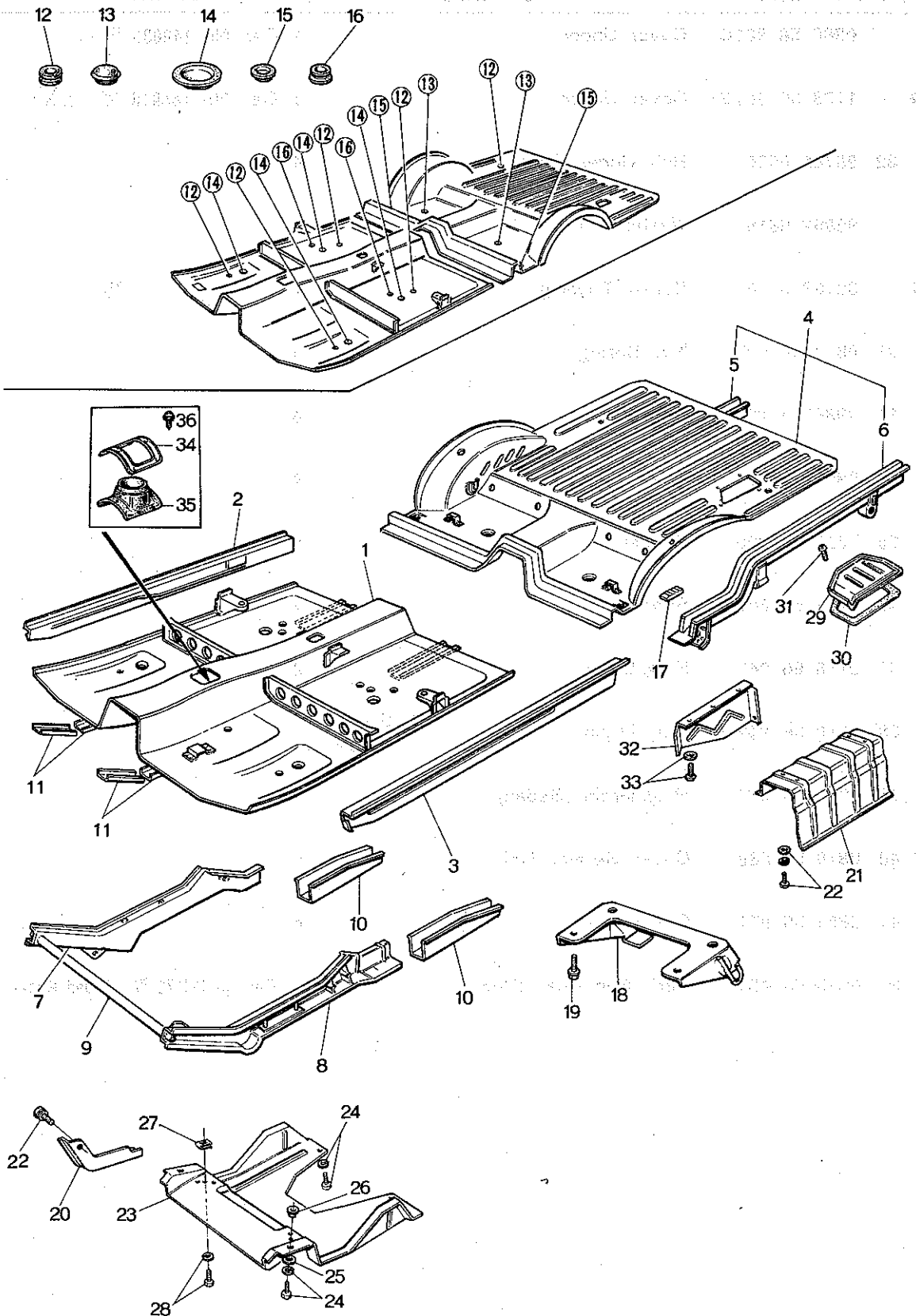
# BODY PANELS (FLOOR) (SEDAN & COUPE)

No.	Part Number	Description	Q'ty	Remarks
23	0866 56 881	Panel (L), Floor Side (Sedan)	1	
	0866 56 881A	Panel (L), Floor Side (Sedan)	1	$\frac{73}{6}$ ~○
	0376 56 881	Panel (L), Floor Side (Coupe)	1	
	0376 56 881A	Panel (L), Floor Side (Coupe)	1	$\frac{73}{6}$ ~○
24	0866 56 400	Member No. 3, Cross	1	
25	0866 56 450A	Member No. 4 (R), Cross	1	
26	0866 56 470A	Member No. 4 (L), Cross	1	
27	0866 56 481A	Pan, Spare Tire	1	
28	0866 56 701	Insulator No. 1 (Manual)	1	
	0866 56 701A	Insulator No. 1 (Manual)	1	Car No. 150526 $\frac{73}{8}$ ~○
	0866 56 701B	Insulator No. 1 (Manual)	1	$\frac{73}{10}$ ~○
	0871 56 701	Insulator No. 1 (Automatic)	1	
	0871 56 701A	Insulator No. 1 (Automatic)	1	Car No. 127396 $\frac{71}{12}$ ~○
	0871 56 701B	Insulator No. 1 (Automatic)	1	$\frac{73}{8}$ ~○
29	0866 56 702	Insulator No. 2	1	
30	99804 0614	Bolt, Insulator	7	
	99952 0600	Washer, Plain	7	
	99971 0600	Washer, Spring	7	
	90786 0612	Screw, Tapping	7	$\frac{73}{10}$ ~○
31	0866 56 901B	Cover, Under	1	

# BODY PANELS (FLOOR) (SEDAN & COUPE)

56

No.	Part Number	Description	Q'ty	Remarks
	0866 56 901C	Cover, Under	1	Car No. 149635 $\frac{7}{8}$ "~○
●	1128 56 901B	Cover, Under	1	Car No. 164916 $\frac{7}{8}$ "~ <del>1/2</del> X HPD256 (8-04-76)
32	99785 0620	Bolt, Under Cover	4	}
	99952 0618	Washer, Plain	4	
●	90786 0616	Screw, Tapping	4	$\frac{7}{8}$ "~○
33	0820 56 905	Nut, Spring	4	
34	99863 0516	Screw	4	
	99952 0500	Washer, Plain	4	
35	0820 56 906	Spacer	2	
36	0223 52 007	Spacer	2	
37	0118 56 241	Plug, Drain	6	
38	0118 56 242B	Plug, Drain	(Sedan) 10 (Coupe) 11	
39	0208 56 615	Plug, Drain (Sedan)	2	
40	0810 56 639	Cover, Service Hole	6	
41	0866 56 971	Cover, Hole	4	
Ⓝ	0866 56 489	Pad (Pan, Rear Floor)	4	Car No. 131172 $\frac{7}{8}$ "~Added Anew



# BODY PANELS (FLOOR) (STATION WAGON)

56

No.	Part Number	Description	Q'ty	Remarks
✓ 1	0870 56 010A	Pan, Front Floor	1	180
✓ 2	0866 56 080C	Sill (R), Side-Inner	1	
✓ 3	0866 56 580A	Sill (L), Side-Inner	1	
✓ 4	0899 56 300E	Floor, Rear	1	
✓ 5	0585 56 330B	Member (R), Rear	1	
✓ 6	0585 56 830D	Member (L), Rear	1	
✓ 7	1511 56 110F	Frame (R), Front	1	
✓ 8	1511 56 610B	Frame (L), Front	1	
✓ 9	0866 56 171	Member No. 1	1	
✓ 10	0866 56 180A	Frame "B", Front (R)	1	ML 08-10-72
✓	0866 56 181A	Frame "B", Front (L)	1	
✓ 11	1524 56 117	Reinforcement "A"	2	
✓	1524 56 118	Reinforcement "B"	2	
✓ 12	0118 56 241	Plug, Drain	5	
✓ 13	0810 56 639	Cover, Hole	2	
✓ 14	0866 56 971	Cover, Hole	4	
✓ 15	0118 56 242B	Plug, Drain	3	
✓ 16	0208 56 615	Plug, Drain	2	

## BODY PANELS (FLOOR) (STATION WAGON)

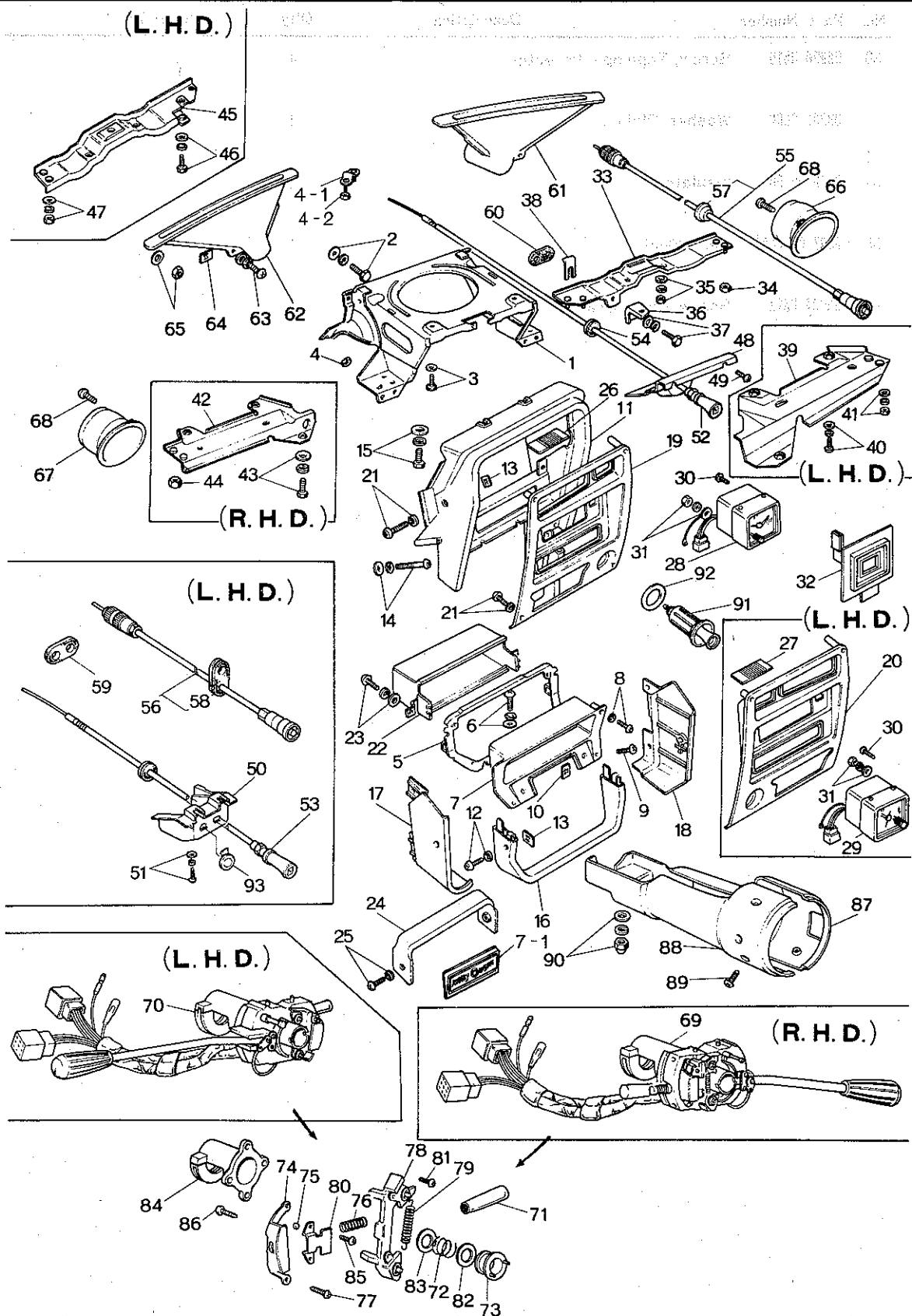
No.	Part Number	Description	Q'ty	Remarks
✓17	0187 56 235	Supporter, Seat	2	
✓18	0585 56 540A	Hanger, Silencer	1	
✓19	99786 0820	Bolt, Silencer Hanger	4	
✓	99952 0822	Washer, Plain	4	
✓20	0866 56 701A	Insulator No. 1	1	
✓21	0899 56 921B	Insulator No. 2	1	
✓22	99786 0612	Bolt, Insulator	7	
✓	99952 0618	Washer, Plain	7	
✓23	0866 56 901C	Cover, Under	1	
✓24	99786 0616	Bolt, Under Cover	4	
✓	99952 0618	Washer, Plain	4	
✓25	0223 52 007	Spacer	2	
✓26	0820 56 906	Spacer	2	
✓27	0820 56 905	Nut, Spring	4	
✓28	99863 0516	Screw, Under Cover	4	
✓	99952 0500	Washer, Plain	4	
✓29	0585 56 901A	Cover, Service Hole	1	
✓30	0585 56 902	Tape	1	
✓31	99868 0408	Screw, Tapping - Service Hole Cover	4	
✓32	0585 56 911A	Protector	1	



# BODY PANELS (FLOOR) (STATION WAGON)

56

No.	Part Number	Description	Q'ty	Remarks
33	98880 0510	Screw, Tapping-Protector	4	
	98952 0800	Washer, Plain	4	
34	0868 58 981	Insulator	1	
35	0367 88 832A	Seat, Boot	1	
36	98884 0512	Screw, Boot Seat	4	



No.	Part Number	Description	Q'ty	Remarks
1	0866 55 100F	Bracket, Center Panel	1	
✓ 2	99806 0818	Bolt, Center Panel Bracket	2	
✓	99786 0820	Bolt, Center Panel Bracket	2	Car No. 141928 7/8 ~
	99952 0822	Washer, Plain	2	
	99971 0800	Washer, Spring	2	Car No. 141928 7/8 ~ Discarded
3	99805 0816	Bolt, Center Panel Bracket	2	
	99786 0816	Bolt, Center Panel Bracket	2	
✓	99952 0800	Washer, Plain	2	Car No. 141928 7/8 ~
	99971 0800	Washer, Spring	2	
4	99940 0802	Nut, Self Lock-Center Panel Bracket	2	Car No. 141928 7/8 ~ Discarded
● 4-1	0370 55 150	Bracket, Cooler	1	
● 4-2	99940 0602	Nut	2	From Car No. 141928
5	0866 55 360C	Holder, Grille	1	From Car No. 141928
6	99838 0616	Screw	1	
	99952 0618	Washer, Plain	1	
	99971 0600	Washer, Spring	1	
7	0866 55 365B	Body, Grille	1	
	0866 55 365C	Body, Grille	1	
● 7-1	0866 55 368	Ornament, Tuner	1	Car No. 142300 7/8 ~
8	99838 0412	Screw, Grille Body	2	Car No. 142300 7/8 ~ Added Anew

No.	Part Number	Description	Q'ty	Remarks
✓	99971 0400	Washer, Spring	2	
✓ 9	99861 0414 B	Screw, Grille Body	2	
✓ 10	99869 0400	Nut, Spring-Grille Body	2	
11	0865 55 401 D	Hood No. 1 ( <del>L.H.D.</del> )	1	©
<del>11</del>	<del>0865 55 401 D</del>	<del>Hood No. 1 (R.H.D.)</del>	<del>1</del>	<del>©</del>
12/	99862 0525 B	Screw, Hood No. 1	4	
	99967 0500 B	Washer	4	
13	0820 56 905	Nut, Spring-Hood No. 1 & No. 2	4	
14	99743 0650	Screw, Hood No. 1	2	
	99952 0600	Washer, Plain	2	
	99971 0600	Washer, Spring	2	
15	99797 0618	Bolt, Hood No. 1	2	
	99952 0618	Washer, Plain	2	
	99971 0600	Washer, Spring	2	
16	0865 55 402 B	Hood No. 2	1	©
<del>16</del>	<del>0866 55 402 A</del>	<del>Hood No. 2</del>	<del>1</del>	<del>©</del>
17	0865 55 403 B	Hood No. 3 (R)	1	©
<del>17</del>	<del>0866 55 403 A</del>	<del>Hood No. 3 (R)</del>	<del>1</del>	<del>©</del>
18	<del>0865 55 404 A</del>	<del>Hood No. 3 (L)</del>	<del>1</del>	<del>©</del>
● ✓	0865 55 404 B00	Hood No. 4 (L)	1	From Car No. 1 ©

# DASHBOARD

55

60

No.	Part Number	Description	Q'ty	Remarks
	<del>0866 55 404 A</del>	<del>Hood No. 2 (L)</del>	<del>1</del>	<del>©</del>
19	0866 55 405 C	Plate, Center (R.H.D.)	1	
20	1562 55 405	Plate, Center (L.H.D.)	1	
21	99863 0510	Screw, Center Plate	4	
	99952 060C	Washer, Plain	6	
22	0866 55 406 B	Box, Hood Center	1	©
23	99838 0412	Screw, Hood Box	2	
	99952 0400	Washer, Plain	2	
	99971 0400	Washer, Spring	2	
24	0866 55 590	Stiffener	1	
25	99837 0525 B	Screw	2	
	99967 0500	Washer	2	
26	0866 55 412 A	Lens, Illumination <del>(R.H.D.)</del>	1	
27	<del>1562 55 412</del>	<del>Lens Illumination (L.H.D.)</del>	<del>1</del>	
28	0866 55 710	Clock, Auto (R.H.D.)	1	
29	1562 55 710	Clock, Auto (L.H.D.)	1	
30	99831 0416 B	Screw, Auto Clock	4	
31	99906 0500	Nut, Auto Clock	1	
	99952 0516	Washer, Plain	1	

No.	Part Number	Description	Q'ty	Remarks
	99971 0500	Washer, Spring	1	
32	0866 55 720 A	Ornament, Without Auto Clock (R.H.D.)	1	
	1561 55 720 A	Ornament, Without Auto Clock (L.H.D.)	1	
33	0866 55 210 B	Member (R), Lower	1	
34	99940 0602	Nut, Member	4	
35	99906 0800	Nut, Member	1	
	99952 0800	Washer, Plain	1	
	99971 0800	Washer, Spring (R.H.D.)	1	
36	0866 55 215 A	Bracket, Meter	1	
37	99833 0616	Bolt, Meter Bracket	2	
	99952 0618	Washer, Plain	2	
	99971 0600	Washer, Spring	2	
38	0866 55 216	Shim (t=1.0)	} Selective use	1
	0866 55 217	Shim (t=2.0)		
	0866 55 218	Shim (t=3.2)		
39	1524 55 230 B	Member (R), Lower	1	
40	99797 0614	Bolt, Member	1	
	99952 0600	Washer, Plain	1	
	99971 0600	Washer, Spring (L.H.D.)	1	
41	99906 0600	Nut, Member	2	

No.	Part Number	Description	Q'ty	Remarks
	99952 0600	Washer, Plain	2	
	99971 0600	Washer, Spring	2	
42	0866 55 230 D	Member, (L), Lower	1	
43	99806 0614	Bolt, Member	2	
● ✓	99786 0616	Bolt, Member	2	Car. No. 141928 $\frac{7}{8}$ ~○
	99952 0618	Washer, Plain	2	
● ✓	99971 0600	Washer, Spring	2	Car. No. 141928 $\frac{7}{8}$ ~Discarded
44	99940 0602	Nut, Member	2	
45	1524 56 210 B	Member, (L), Lower	1	
✓ 46	99797 0616	Bolt, Member	1	$\frac{7}{8}$ ~○
	99951 0618	Washer, Plain	1	
	99971 0600	Washer, Spring	1	(L.H.D.)
47	99906 0600	Nut, Member	4	
	99951 0618	Washer, Plain	4	
	99971 0600	Washer, Spring	4	
48	0370 55 331 A	Bracket, Choke (R.H.D.)	1	
● ✓	1128 55 331	Bracket, Choke (R.H.D.)	1	$\frac{7}{8}$ ~○
49	99834 0535	Screw, Choke Bracket (R.H.D.)	2	
50	1524 55 330 A	Bracket, Choke	1	
● ✓	1524 55 330 B	Bracket, Choke	1	Car. No. 152370 $\frac{7}{8}$ ~X○

No.	Part Number	Description	Q'ty	Remarks
51	99839 0520 B	Screw, Choke Bracket	2	
		(L.H.D.)		
	99952 0500 B	Washer, Plain	2	
	99971 0500	Washer, Spring	2	
52	0866 60 050	Cable, Choke (R.H.D.)	1	
●	3503 60 050	Cable, Choke (R.H.D.)	1	Car No. 160623 $\frac{73}{10}$ ~ X
	0871 60 050 B	Cable, Choke (R.H.D. Automatic T/mission)	1	
53	1562 60 050	Cable, Choke (L.H.D.)	1	
●	3511 60 050	Cable, Choke (L.H.D.)	1	Car No. 160623 $\frac{73}{10}$ ~ X
54	0305 60 053	Protector, Choke Cable (R.H.D.)	1	
55	0866 60 070	Cable, Speedometer (R.H.D.)	1	
	0866 60 070 A	Cable, Speedometer (R.H.D.)	1	Car No. 152249 $\frac{78}{8}$ ~ ○
56	1562 60 070	Cable, Speedometer (L.H.D.)	1	
57	0866 60 071	Grommet (R.H.D.)	1	
58	0370 60 071	Grommet (L.H.D.)	1	
Ⓝ	9968 60800	Protector, Speedometer Cable	1	
59	0370 60 073 A	Grommet (L.H.D.)	1	
	0370 60 073 B	Grommet (L.H.D.)	1	Car No. 132360 $\frac{71}{12}$ ~ △
60	0866 60 073	Grommet (R.H.D.)	1	



No.	Part Number	Description	Q'ty	Remarks
61	0866 60 101	Nozzle (R), Defroster	1	
62	0866 60 102	Nozzle (L), Defroster	1	
63	99863 0516	Bolt, Defroster Nozzle	2	
	99952 0518	Washer, Plain	2	
	99971 0500	Washer, Spring	2	
64	99896 0500	Nut, Spring-Defroster Nozzle	2	
65	99940 0501	Nut, Defroster Nozzle	4	
	99952 0516	Washer	4	
66	0866 60 120	Guide (R), Ventilator	1	
67	0866 60 130	Guide (L), Ventilator	1	
68	99869 0412	Screw, Ventilator Guide	4	
69	0866 60 250B00	Switch, Combination (R.H.D.) (BLK.)	1	
	1511 60 250	Switch, Combination (R.H.D.)	1	Car No. 133210 $\frac{7}{11}$ ~ $\Delta$
70	1524 60 250A00	Switch, Combination (L.H.D.) (BLK.)	1	
	1524 60 250B00	Switch, Combination (L.H.D.) (BLK.)	1	Car No. 159525 $\frac{7}{11}$ ~ $\circ$ (C)
●	3514 66 120	Switch, Combination (L.H.D.) (BLK.)	1	Car No. 163273 $\frac{7}{11}$ ~ X
	1531 60 250A00	Switch, Combination (L.H.D.) (BLK.) Without Hazard Switch For France	1	
71	0866 60 251	Knob	1	
	1011 66 121	Knob (L.H.D.)	1	Car No. 164070 $\frac{7}{11}$ ~ X

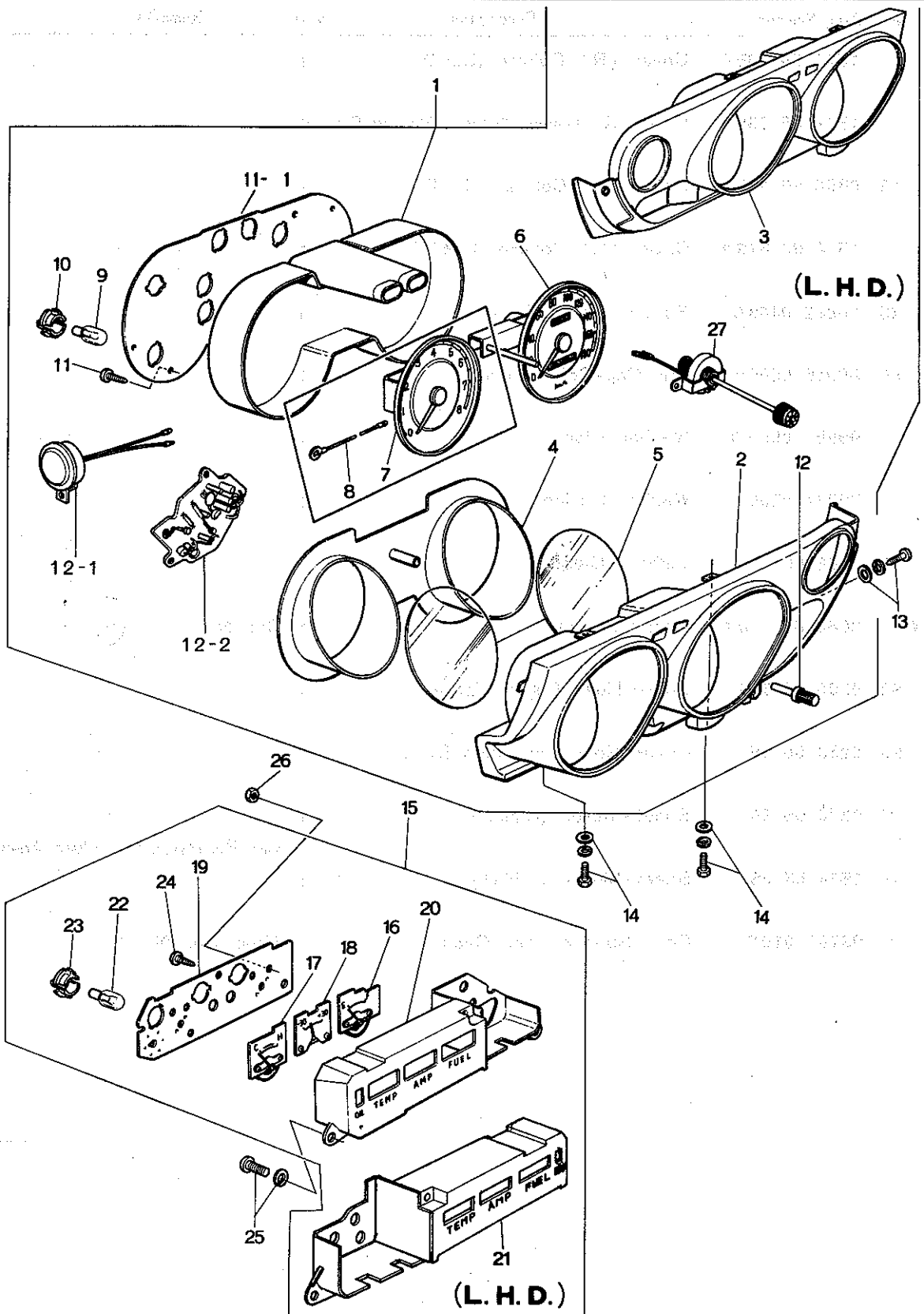
No.	Part Number	Description	Q'ty	Remarks
72	0317 60 252	Spring, Cancel Cam	1	
73	0317 60 253	Cam, Cancel	1	
74	0317 60 254	Bracket, Fixing	1	
●	1634 60 254	Bracket, Fixing (L.H.D.)	1	Car No. 164070 $\frac{7}{11}$ ~ X
75	0317 60 255	Ball	1	
76	0317 60 256	Spring, Arm Set	1	
77	0317 60 257	Screw, Bracket	2	
78	0317 60 258	Arm	1	
79	0317 60 259	Spring, Ratchet	1	
80	0317 60 261	Plate, Set	1	
81	0317 60 262	Screw, Set Plate	2	
82	0866 60 263	Washer "A"	1	
83	0866 60 264	Washer "B"	1	
84	0866 60 265 A	Band	1	
Ⓞ	1011 60 125	Band (L.H.D.)	1	Car No. 164070 $\frac{7}{11}$ ~ X
85	0317 60 266	Screw	2	
86	0866 60 267	Screw, Light Switch	2	
Ⓝ	99709 0255	Clip	1	Car No. 164070 ~ Added Anew
87	0866 60 335 A	Cover (R), Coulmn(R.H.D.)	1	

# DASHBOARD

55

60

No.	Part Number	Description	Q'ty	Remarks
	1524 60 335 A	Cover (R), Column (L.H.D.)	1	
	1531 60 335	Cover (R), Column, Without Hazard Switch	1	
88	0866 60 345 A	Cover (L), Column (R.H.D.)	1	
	1524 60 345 A	Cover (L), Column (L.H.D.)	1	
89	99832 0408 B	Screw, Column Cover	4	
90	99945 0500 B	Nut, Cap-Column Cover	1	
	99952 0500 B	Washer, Plain	1	
	99971 0500	Washer, Spring	1	
91	0866 60 720	Lighter, Cigar	1	
●	0866 60 720 A	Lighter, Cigar	1	Car No. <span style="border: 1px solid black; border-radius: 50%; padding: 2px;">7/11</span> △
92	0305 60 715	Shield, Heat-Cigar Lighter	1	
93	0259 55 951	Cover, Hole-Fog Lamp Switch	1	
Ⓝ	0370 55 351	Sheet-Meter (R.H.D.)	1	} Car No. 141928 $\frac{2}{3}$ ~ Added Anew
Ⓝ	1524 55 351	Sheet-Meter (L.H.D.)	1	
Ⓝ	99709 010 B	Band, Speedometer Cable	1	From Car No. 1



No.	Part Number	Description	Q'ty	Remarks
1	0865 55 430D	Meter Set (Km)	1	1555~1557 Car No. 152816 $\frac{7}{9}$ ~○ ©
	0865 55 430E	Meter Set (Km)	1	1555~1557 Car No. 152816 $\frac{7}{9}$ ~○ ©
	3502 55 430	Meter Set (Km) (Automatic)	1	1555~1557 Car No. $\frac{7}{4}$ ~△
	1553 60 530	Meter Set (Km & Mile)	1	1555~1557 Car No. 167748 $\frac{7}{5}$ ~△
	1553 60 530A	Meter Set (Km & Mile)	1	1550~1554 Car No. 152816 $\frac{7}{9}$ ~△ ©
	3502 60 530	Meter Set (Km & Mile) (Automatic)	1	1550~1554, 3501, 3503 Car No. 166140 $\frac{7}{4}$ ~△
	1553 55 430	Meter Set (Km)	1	(R.H.D.)
	1553 60 530	Meter Set (Km & Mile)	1	1555~1557 Car No. 152816 $\frac{7}{9}$ ~○ ©
	1554 55 530B	Meter Set (Mile)	1	1555~1557 Car No. 167748 $\frac{7}{5}$ ~△
	1554 55 530C	Meter Set (Mile)	1	1550~1554 Car No. 152816 $\frac{7}{9}$ ~△ ©
	1554 55 530D	Meter Set (Mile)	1	1550~1554, 1569 Car No. 160378 $\frac{7}{12}$ ~△ ©
	1553 55 530	Meter Set (Mile)	1	1550~1554, 1569, 3501, 3503 Car No. 167748 $\frac{7}{5}$ ~△
	1553 60 530	Meter Set (Mile & Km)	1	
	1553 60 530A	Meter Set (Mile & Km)	1	
	1562 55 430C	Meter Set (Km) (Arctic Spec. Model)	1	(L.H.D.) 1 ©
	1562 55 430E	Meter Set (Km) (Arctic Spec. Model)	1	Car No. 167748 $\frac{7}{5}$ ~△
	1562 55 430F	Meter Set (Km) (Arctic Spec. Model)	1	Car No. 178812 $\frac{7}{8}$ ~△
	1568 55 530C	Meter Set (Mile)	1	Car No. 160378 $\frac{7}{12}$ ~△ ©
	1568 55 530D	Meter Set (Mile)	1	Car No. 165313 $\frac{7}{3}$ ~×
	1568 55 530E	Meter Set (Mile)	1	Car No. 160623 $\frac{7}{10}$ ~△
	1568 55 530F	Meter Set (Mile)	1	

# 55 75 METER

No.	Part Number	Description	Q'ty	Remarks
2	0370 75 010	Hood (R.H.D.)	1	QWB 24 3000. ©
	0370 75 010A	Hood (R.H.D.)	1	Car No. 152816 $\frac{7}{8}$ ~ Δ ©
	1510 75 010	Hood (R.H.D.) (Km & Mile)	1	Car No. 160623 $\frac{7}{10}$ ~ X ©
●	0370 75 010A	Hood (R.H.D.) (Km) } (Automatic)	1	©
●	1510 75 010	Hood (R.H.D.) (Km & Mile)	1	©
3	1524 75 010	Hood (L.H.D.)	1	©
	1524 75 010A	Hood (L.H.D.)	1	Car No. 178812 $\frac{7}{8}$ ~ X ©
4	0866 75 011	Plate, Window	1	
5	0866 75 013	Glass, Window	2	
6	0866 75 021	Speedometer (Km)	1	
	1513 75 021	Speedometer (Km) } (R.H.D.)	1	Car No. 164116 $\frac{7}{8}$ ~ Δ
	1514 75 021	Speedometer (Mile)	1	
	1513 75 021	Speedometer (Mile & Km)	1	Car No. 160378 $\frac{7}{12}$ ~ Δ
	1562 75 021	Speedometer (Km) } (L.H.D.)	1	
	1514 75 021	Speedometer (Mile)	1	
7	0866 75 026	Tachometer	1	
	1568 75 026	Tachometer	1	1565 ~ 1568 Car No. 160378 $\frac{7}{12}$ ~ Δ
	0866 75 026A	Tachometer	1	Car No. 167748 $\frac{7}{5}$ ~ Δ
●	1053 75 026	Tachometer (Automatic)	1	$\frac{7}{4}$ ~ Δ
8	0866 75 028	Wire, Lead-Tachometer	1	
9	99701 6030	Bulb	9	
10	0259 55 261	Socket	9	
11	0710 75 436	Screw, Tapping	3	

No.	Part Number	Description	Q'ty	Remarks
11-1	0866 75 025	Circuit, Print	1	From Car. No. 1
	1128 75 025A	Circuit, Print	1	Car No. 167748 $\frac{7}{5}$ ~△
	1562 75 025	Plate, Print	1	Car No. 160623 $\frac{7}{10}$ ~X
●	1881 75 025	Plate, Print (Automatic)	1	
12	0370 75 018	Knob, Trip	1	©
Ⓝ	0866 75 025	Plate, Print	1	
●	12-1 1568 75 029	Buzzer	1	Car No. 167748 $\frac{7}{5}$ ~Added Anew
●	12-2 1114 55 465	Relay	1	Car No. 167748 $\frac{7}{5}$ ~Added Anew
		(Manual)		
13	99833 0612	Screw, Meter	3	
	99952 0618	Washer, Plain	3	
	99971 0600	Washer, Spring	3	
14	99797 0630	Bolt, Meter	2	
	99952 0618	Washer, Plain	2	
	99971 0600	Washer, Spring	2	
15	0866 55 460C	Meter, Combination (R.H.D.)	1	
	3507 55 460	Meter, Combination (R.H.D.)	1	Car No. 160623 $\frac{7}{10}$ ~X
	1562 55 460B	Meter, Combination (L.H.D.)	1	
	1881 55 460	Meter, Combination (L.H.D.)	1	Car No. 160623 $\frac{7}{10}$ ~X
16	0866 75 122A	Meter, Fuel (R.H.D.)	1	
	1562 75 122A	Meter, Fuel (L.H.D.)	1	

55

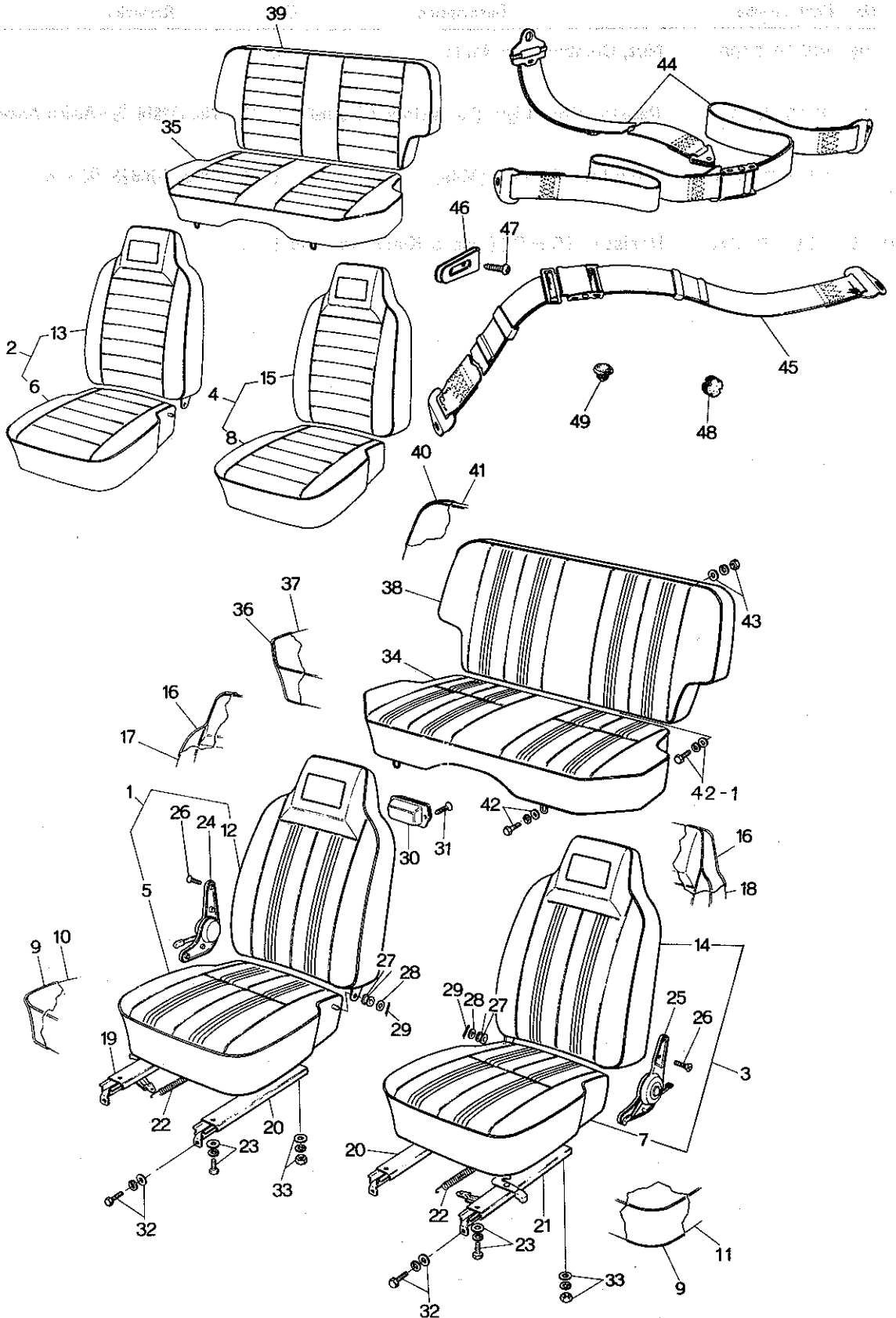
75

## METER

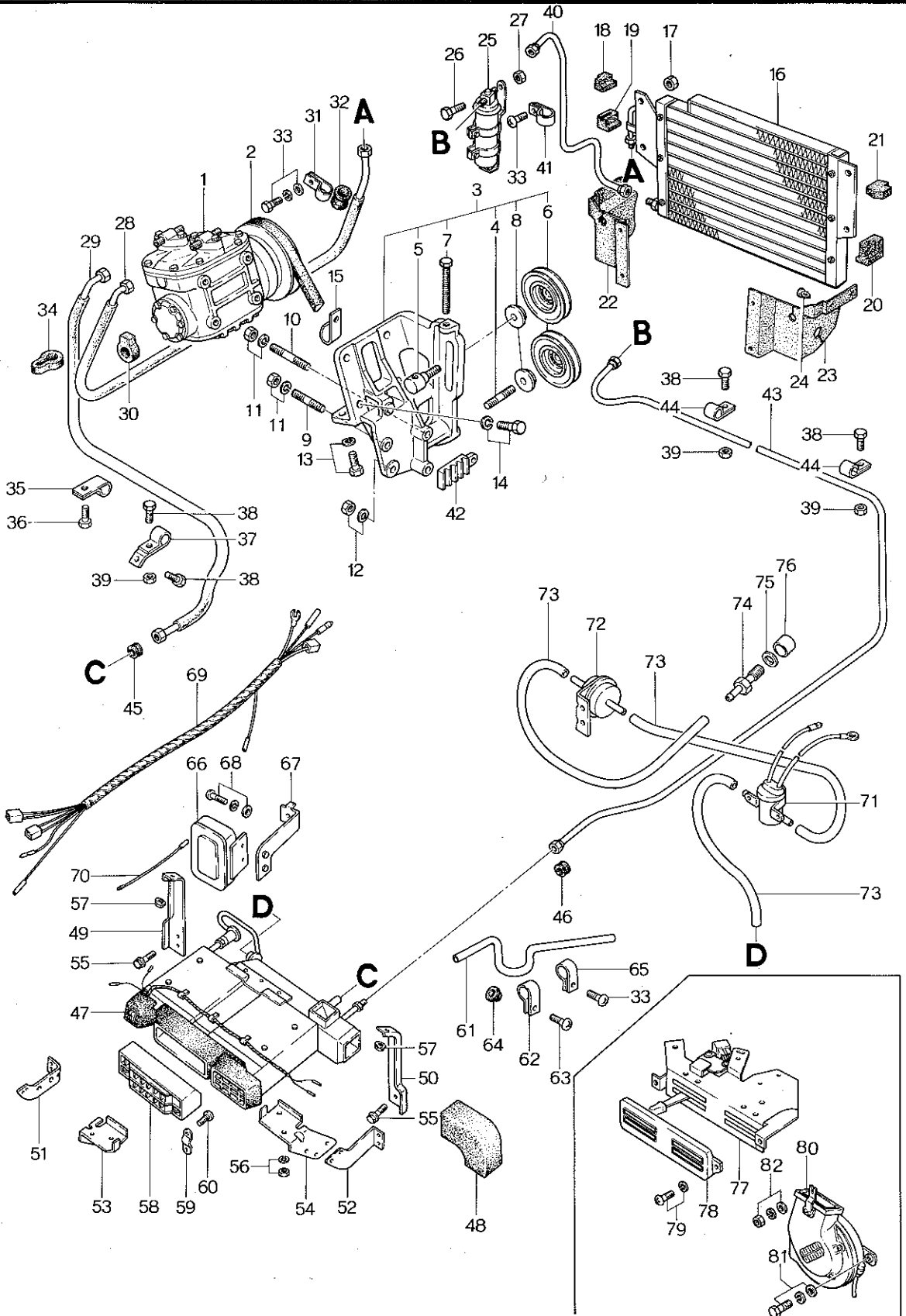
No.	Part Number	Description	Q'ty	Remarks
17	0866 75 123A	Thermometer (R.H.D.)	1	
	1562 75 123A	Thermometer (L.H.D.)	1	
18	0866 75 124A	Ammeter (R.H.D.)	1	
	3507 75 124	Ammeter (R.H.D.)	1	Car No. 160623 $\frac{73}{10}$ ~X
	1562 75 124A	Ammeter (L.H.D.)	1	
	1881 75 124	Ammeter (L.H.D.)	1	Car No. 160623 $\frac{73}{10}$ ~X
19	0866 75 125	Plate, Print (R.H.D.)	1	
	3507 75 125	Plate, Print (R.H.D.)	1	Car No. 160623 $\frac{73}{10}$ ~X
	1562 75 125	Plate, Print (L.H.D.)	1	
	1881 75 125	Plate, Print (L.H.D.)	1	Car No. 160623 $\frac{73}{10}$ ~X
20	0866 75 200A	Case (R.H.D.)	1	
21	1562 75 200A	Case (L.H.D.)	1	
22	99701 6030	Bulb	3	
23	0259 55 261	Socket	3	
24	0275 75 140	Screw, Tapping	4	
25	99863 0512	Screw, Tapping-Combination Meter	3	
	<del>99952 0500</del>	<del>Washer, Plain</del>	<del>3</del>	



No.	Part Number	Description	Q'ty	Remarks
26	99940 0400	Nut, Combination Meter	3	
27	1510 75 040	Resistor - Panel Light (For Australia & England)	1	Car No. 152816 $\frac{7}{9}$ ~Added Anew
	1511 75 040	Resistor (R.H.D.) (Mile)	1	Car No. 160623 $\frac{7}{10}$ ~X
● ✓	1511 75 040	Resistor (R.H.D.) (Mile & Km) Automatic	1	







# CAR COOLER

61

No.	Part Number	Description	Q'ty	Remarks
	1620 61 400	Cooler, Car (With Car Heater)	1	
	1620 61 390	Cooler, Car (Without Car Heater)	1	
1	0866 61 450	Compressor	1	
2	0866 15 906	Belt, "V"	1	
3	0866 15 920B	Bracket, Compressor (Fig. No. 4 ~ 8 Included)	1	
4	0866 15 923A	Shaft	1	
5	0866 15 932	Bolt, Idle Pulley	1	
6	0866 15 940A	Pulley, Idle	2	
7	0839 61 966A	Bolt, Adjust	1	
8	0317 78 034	Collar	2	
9	99859 1025	Stud, Compressor Bracket	2	
10	99859 1050	Stud, Compressor Bracket	2	
11	99921 1000	Nut, Compressor Bracket	4	
	99971 1000	Washer, Spring	4	
12	99921 1200	Nut, Compressor Bracket	1	
	99971 1200	Washer, Spring	1	
13	99801 0840	Bolt, Compressor Bracket	2	
	99971 0800	Washer, Spring	2	
14	99801 0825	Bolt, Compressor	4	
	99971 0800	Washer, Spring	4	

No.	Part Number	Description	Q'ty	Remarks
15	99295 1508	Clip	1	
16	1562 61 490	Condenser	1	
17	99940 0602B	Nut, Condenser	4	
18	0866 61 911	Packing No. 1	1	
19	0866 61 912	Packing No. 2	1	
20	0866 61 913	Packing No. 3	1	
21	0866 61 914	Packing No. 4	1	
22	1620 61 925	Rubber (R), Seal	1	
23	1620 61 926	Rubber (L), Seal	1	
24	99264 0531B	Rivet	4	
25	0866 61 500	Tank, Receiver	1	
26	99794 0612	Bolt, Receiver Tank	3	
27	99940 0602	Nut	2	
28	0866 61 461	Hose, Flexible	1	
29	1562 61 462A	Hose, Flexible	1	
30	0317 61 612	Cushion, Flexible Hose	1	
31	0820 78 857	Clip, Flexible Hose	2	
32	0259 78 858	Protector, Flexible Hose	2	
33	99865 0512	Screw, Clip	12	
34	0866 61 476	Protector, Flexible Hose	1	

# CAR COOLER

61

No.	Part Number	Description	Q'ty	Remarks
35	1562 61 474	Clip, Flexible Hose	1	
36	99794 0630	Bolt, Clip	1	
37	1562 61 469	Clip, Flexible Hose	1	
38	99794 0616	Bolt, Clip	5	
39	99940 0602	Nut	3	
40	0866 61 463	Pipe No. 1	1	
41	0259 78 868	Clip, Pipe No. 1	2	
42	0866 61 472	Clip	1	
43	1562 61 464	Pipe No. 2	1	
44	1562 61 473	Clip	3	
45	0866 61 475	Grommet	1	
46	0208 78 875	Grommet	1	
47	1568 61 520	Unit, Cooler	1	
48	1524 61 526	Duct, Rubber	1	
49	0866 61 531	Bracket No. 1, Cooler Unit	1	
50	0866 61 532	Bracket No. 2, Cooler Unit	1	
51	0866 61 533	Bracket No. 3, Cooler Unit	1	
52	0866 61 534	Bracket No. 4, Cooler Unit	1	
53	0866 61 535	Bracket No. 5, Cooler Unit	1	
54	0866 61 536	Bracket No. 5, Cooler Unit	1	

No.	Part Number	Description	Q'ty	Remarks
55	99794 0616	Bolt, Bracket	14	
56	99940 0602	Nut, Bracket	2	
57	99940 0800	Nut, Bracket	2	
58	0866 61 551	Grille	1	
59	0866 61 552	Holder, Grille	2	
60	99868 0308	Screw, Grille Holder	4	
61	0866 61 525A	Hose, Drain	2	
62	0866 61 527	Clip	1	
63	99868 0512	Screw, Clip	1	
	99952 0500	Washer, Plain	1	
	99971 0500	Washer, Spring	1	
64	0820 78 883	Grommet, Drain Hose	2	
65	0370 61 467	Clip, Drain Hose	4	
66	0866 61 545	Stabilizer, Amplifier	1	
67	1524 61 548A	Bracket, Stabilizer	1	
68	99740 0512	Screw, Bracket	2	
69	1562 61 546	Harness	1	
70	1524 61 547	Cord	1	
71	0824 61 236A	Valve, Magnet	1	
72	0866 61 541	Valve, Check	1	

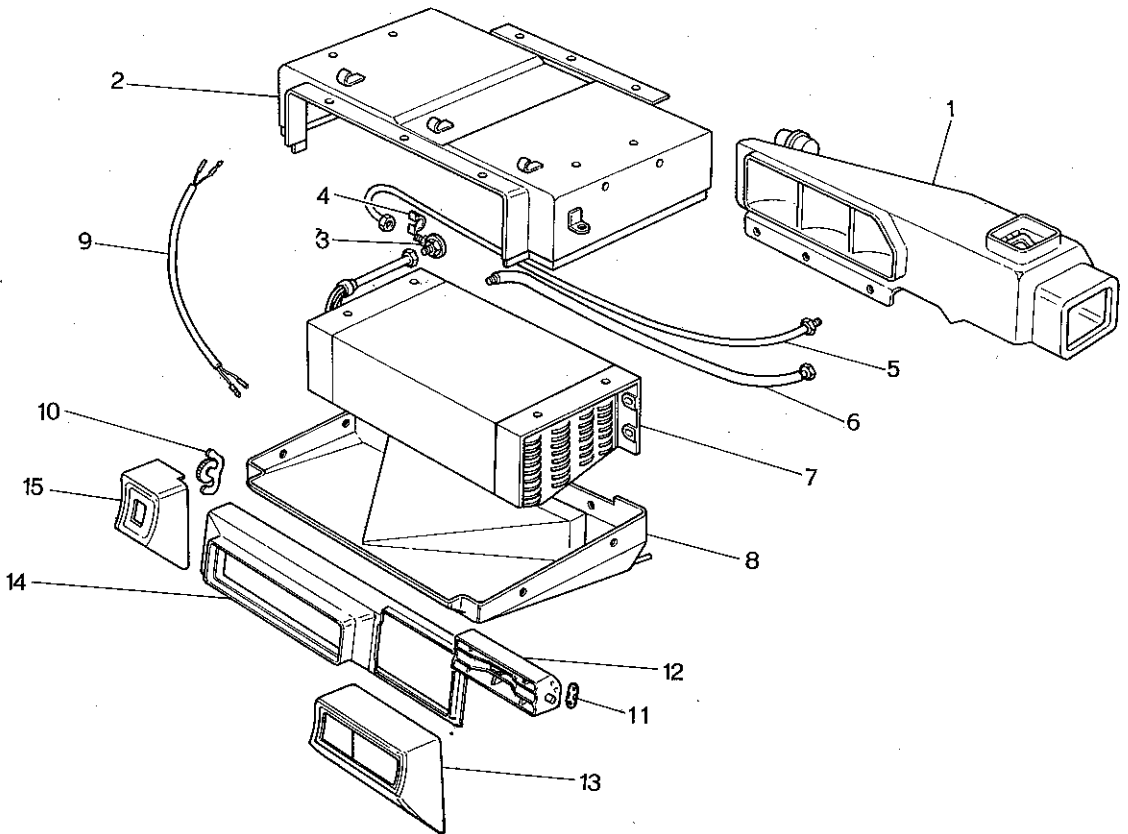


No.	Part Number	Description	Q'ty	Remarks
73	0866 61 543A	Hose, Vacuum	1	
74	0866 61 542	Connector	1	
75	99564 1000	Gasket, Connector	1	
76	0866 61 549	Spacer	1	
77	1568 61 190C	Control	1	
78	0866 61 195B	Panel, Control	1	
79	99833 0512	Screw, Control Panel	3	
	99971 0500	Washer, Spring	3	
80	1531 61 140	Blower	1	
81	99805 0830	Bolt, Blower	2	Without Car Heater
	99952 0800	Washer, Plain	2	
	99971 0800	Washer, Spring	2	
82	99906 0800	Nut, Blower	1	
	99952 0822	Washer, Plain	1	
	99971 0800	Washer, Spring	1	

61

76

## COOLER UNIT

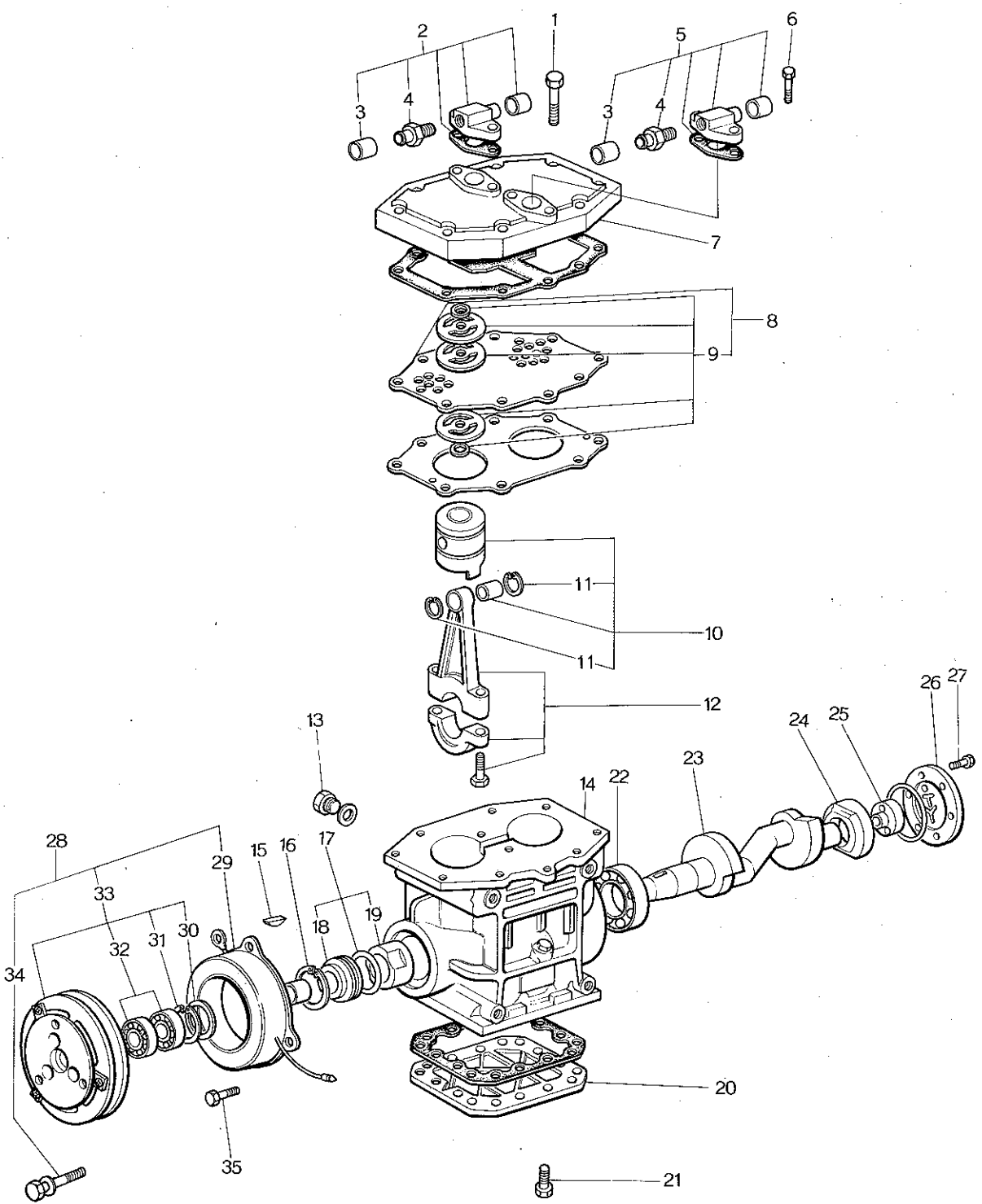


# COOLER UNIT

**61****76**

No.	Part Number	Description	Q'ty	Remarks
	1568 61 520	Unit, Cooler	1	
1	1531 76 701	Duct, Air	1	
2	1524 76 702	Case, Main — Upper	1	
3	0370 76 703	Valve, Expansion	1	
4	0370 76 704	Holder, Valve	1	
5	1524 76 705	Pipe No. 1	1	
6	1524 76 706	Pipe No. 2	1	
7	1524 76 708	Evaporator	1	
8	1524 76 709	Case, Main — Lower	1	
9	0370 76 707	Thermister	1	
10	0866 76 711	Resister	1	
11	0866 61 552	Holder, Grille	2	
12	0866 76 715	Grille	1	
13	1562 76 716	Body, Grille	1	
14	1562 76 717	Duct, Air	1	
15	1562 76 718	Base, Grille	1	

# COMPRESSOR (CAR COOLER)



# COMPRESSOR (CAR COOLER)

61

76

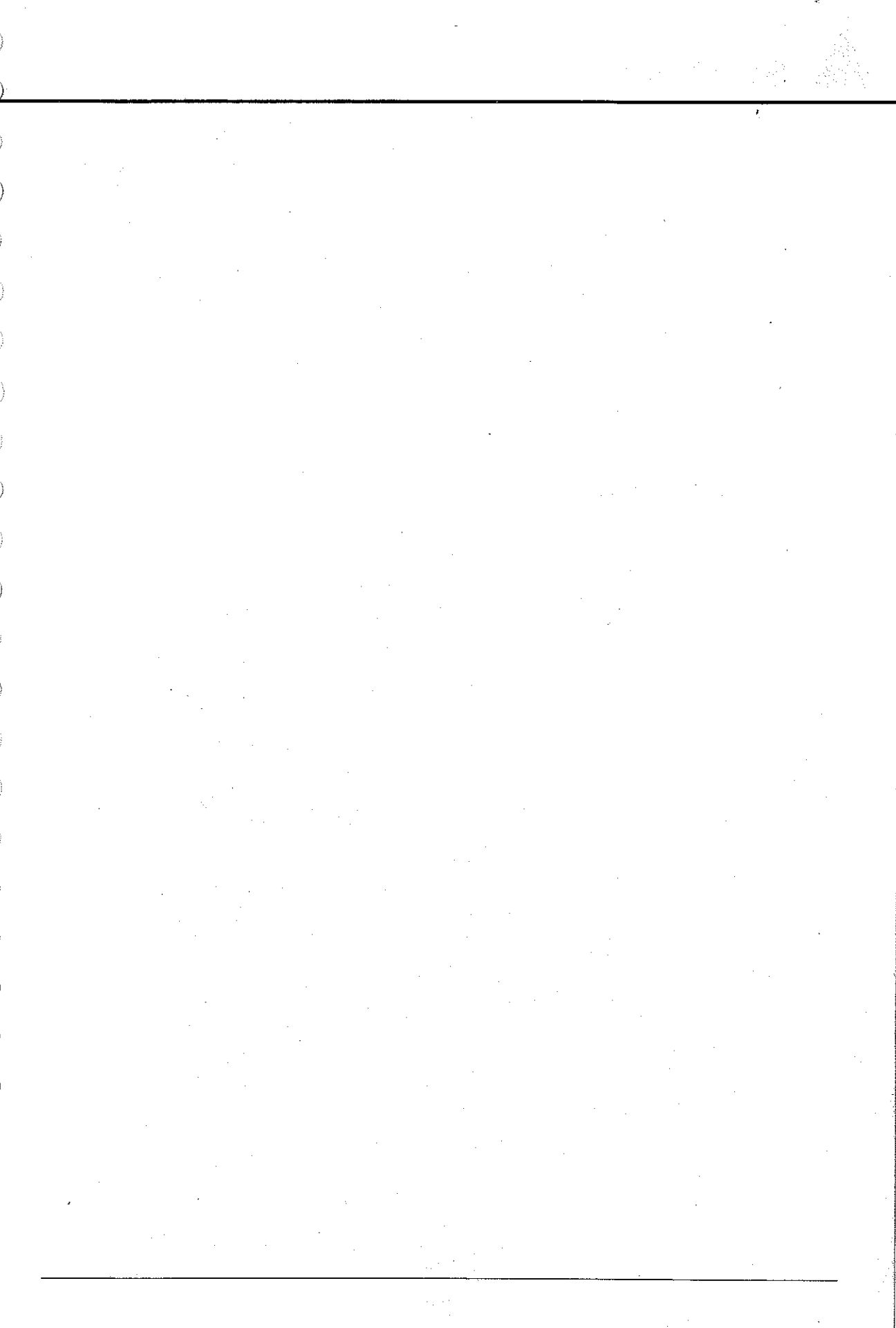
No.	Part Number	Description	Q'ty	Remarks
	0866 61 450	Compressor	1	
	0866 76 710	Compressor (Fig. No. 1 ~ 27 Included)	1	
1	0866 76 701	Bolt	4	
2	0866 76 810	Valve Kit, Service (Fig. No. 3, 4 included)	1	
3	0866 76 755	Cap, Service Valve	2	
4	0866 76 754	Valve, Service	2	
5	0866 76 820	Valve Kit, Fig. No. 3, 4 Included	1	
6	0866 76 702	Bolt, Cylinder Head	8	
7	0866 76 752	Head, Cylinder	1	
8	0866 76 760	Valve Set, Fig. No. 9 Included	1	
9	0866 76 703	Valve Kit, Lead	2	
10	0866 76 830	Piston Set, Fig. No. 11 Included	2	
11	0866 76 739	Ring, Snap	4	
12	0866 76 750	Rod, Connecting	2	
13	0866 76 704	Plug, Oil	1	
14	0866 76 721A	Block, Cylinder	1	
15	0866 76 723	Key, Woodruff	1	
16	0866 76 734	Clip	1	
17	0866 76 730	Seal Set, Shaft	1	
18	0866 76 733	Plate, Seal	1	

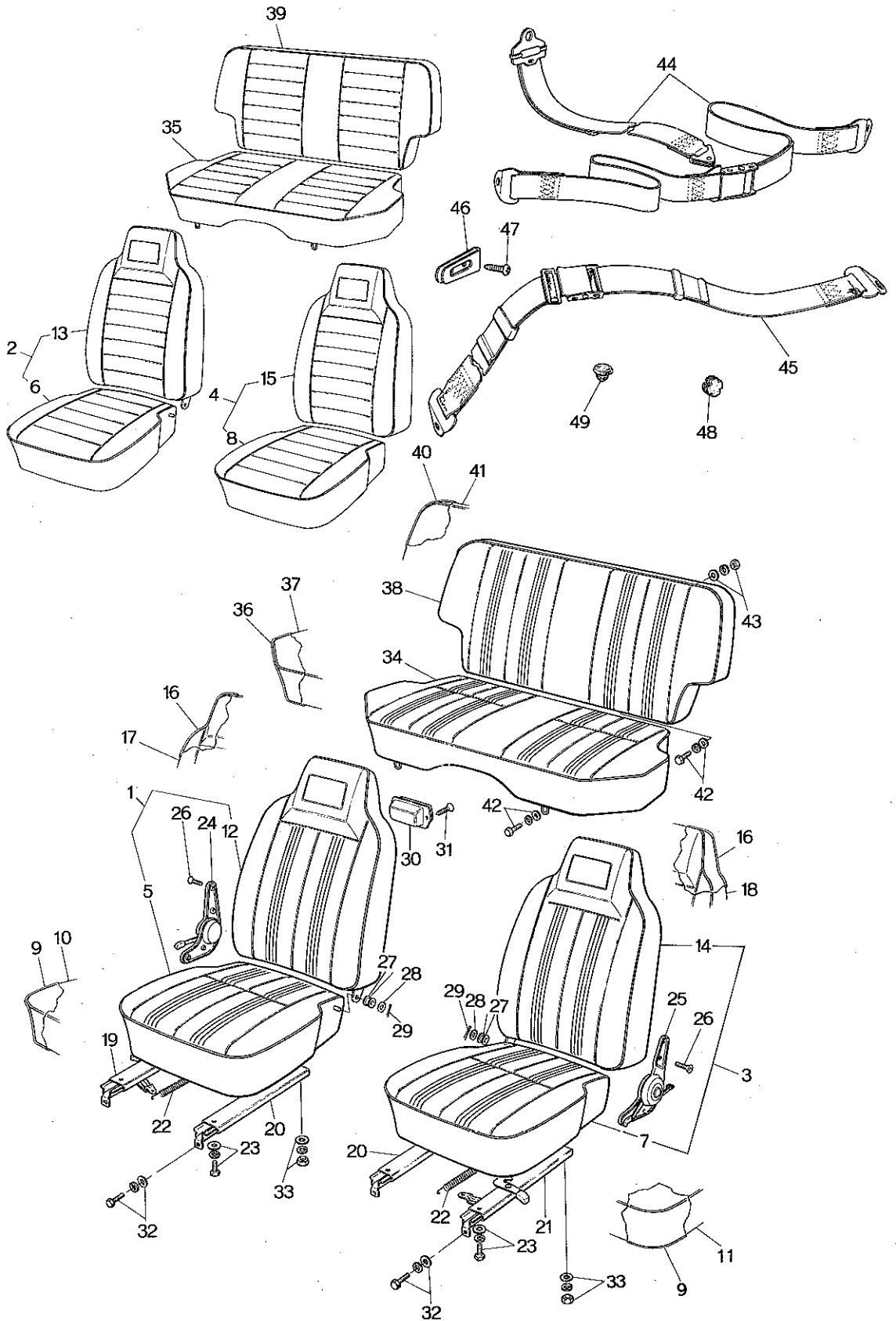
61

76

**COMPRESSOR (CAR COOLER)**

No.	Part Number	Description	Q'ty	Remarks
19	0866 76 731	Seal	1	
20	0866 76 743A	Plate, Bottom	1	
21	0866 76 705	Bolt	16	
22	0866 76 722	Bearing	1	
23	0866 76 724	Shaft, Crank	1	
24	0866 76 725	Bearing	1	
25	0866 76 726	Pump	1	
26	0866 76 729	Plate, Cover	1	
27	0866 76 706	Bolt	6	
28	0866 76 720	Clutch, Fig. No. 29 ~ 34 Included	1	
29	0866 76 763	Stator	1	
30	0866 76 764	Cover, Dust	1	
31	0866 76 765	Ring, "E" Stop	1	
32	0866 76 766	Bearing, Ball	2	
33	0866 76 790	Clutch, Magnet	1	
34	0866 76 707	Bolt	1	
35	0866 76 708	Screw	3	
	0866 76 709A	Gasket Set	1	







No.	Part Number	Description	Q'ty	Remarks
	When ordering the following Seat & Trim			
	Note : 1, Add			
		- 03 (BLK.) - 12 (BRN.) - 13 (GRY. / YLW.)		
		after the parts number as color code nos.		
1	<del>1553 57 100</del>	<del>Seat (Frt., R) (R.H.D.), With Ash Tray</del>	<del>1</del>	<del>①</del>
2	1554 57 100	Seat (Frt., R) (R.H.D.)	1	①
J●	1554 57 100 A	Seat (Frt., R) (R.H.D.)	1	① 7/9 ~ ①
	1562 57 100	Seat (Frt., R) (L.H.D.) - Arctic Spec.	1	①
	1562 57 100 A	Seat (Frt., R) (L.H.D.) - Arctic Spec.	1	Car No. 152816 7/9 ~ ① ①
	1568 57 100	Seat (Frt., R) (L.H.D.)	1	①
J●	1568 57 100 A	Seat (Frt., R) (L.H.D.) 1566, 1568	1	① 7/9 ~ ① ①
U●	1568 57 100 B	Seat (Frt., R) (L.H.D.)	1	Car No. 160623 7/10 ~ Δ ①
3	<del>1553 57 150</del>	<del>Seat (Frt., L) (R.H.D.)</del>	<del>1</del>	<del>①</del>
4	1554 57 150	Seat (Frt., L) (R.H.D.)	1	①
J●	1554 57 150 A	Seat (Frt., L) (R.H.D.)	1	① 7/9 ~ ① ①
J●	1554 57 150 B	Seat (Frt., L) (R.H.D.)	1	Car No. 160623 7/10 ~ Δ ①
	1562 57 150	Seat (Frt., L) (L.H.D.) - Arctic Spec.	1	①
	1562 57 150 A	Seat (Frt., L) (L.H.D.) - Arctic Spec.	1	Car No. 152816 7/9 ~ ① ①
	1568 57 150	Seat (Frt., L) (L.H.D.)	1	①
J●	1568 57 150 A	Seat (Frt., L) (L.H.D.) 1566, 1568	1	① 7/9 ~ ① ①

No.	Part Number	Description	Q'ty	Remarks
5	<del>1532 88 110</del>	<del>Cushion (R), Seat</del>	<del>1</del>	©
6	1562 88 110	Cushion (R), Seat-Arctic Spec.	1	©
	1568 88 110	Cushion (R), Seat	1	©
7	<del>1532 88 160</del>	<del>Cushion (L), Seat</del>	<del>1</del>	©
8	1562 88 160	Cushion (L), Seat-Arctic Spec.	1	©
	1568 88 160	Cushion (L), Seat	1	©
9	0259 88 259	Cover, Top	1	©
10	<del>0368 88 111</del>	<del>Trim (R), Cushion</del>	<del>1</del>	©
	1562 88 111	Trim (R), Cushion-Arctic Spec.	1	©
	0866 88 111	Trim (R), Cushion	1	©
11	<del>0368 88 161</del>	<del>Trim (L), Cushion</del>	<del>1</del>	©
	1562 88 161	Trim (L), Cushion-Arctic Spec.	1	©
	0866 88 161	Trim (L), Cushion	1	©
12	<del>0368 88 130</del>	<del>Seat (R), Back</del>	<del>1</del>	©
13	1562 88 130	Seat (R), Back-Arctic Spec.	1	©
●	✓ 1562 88 130A	Seat (R), Back-Arctic Spec.	1	Car No. 7%~X ©
	0866 88 130	Seat (R), Back	1	©
14	<del>0368 88 180</del>	<del>Seat (L), Back</del>	<del>1</del>	©
15	1562 88 180	Seat (L), Back-Arctic Spec.	1	©
●	✓ 1562 88 180A	Seat (L), Back-Arctic Spec.	1	Car No. 7%~X ©

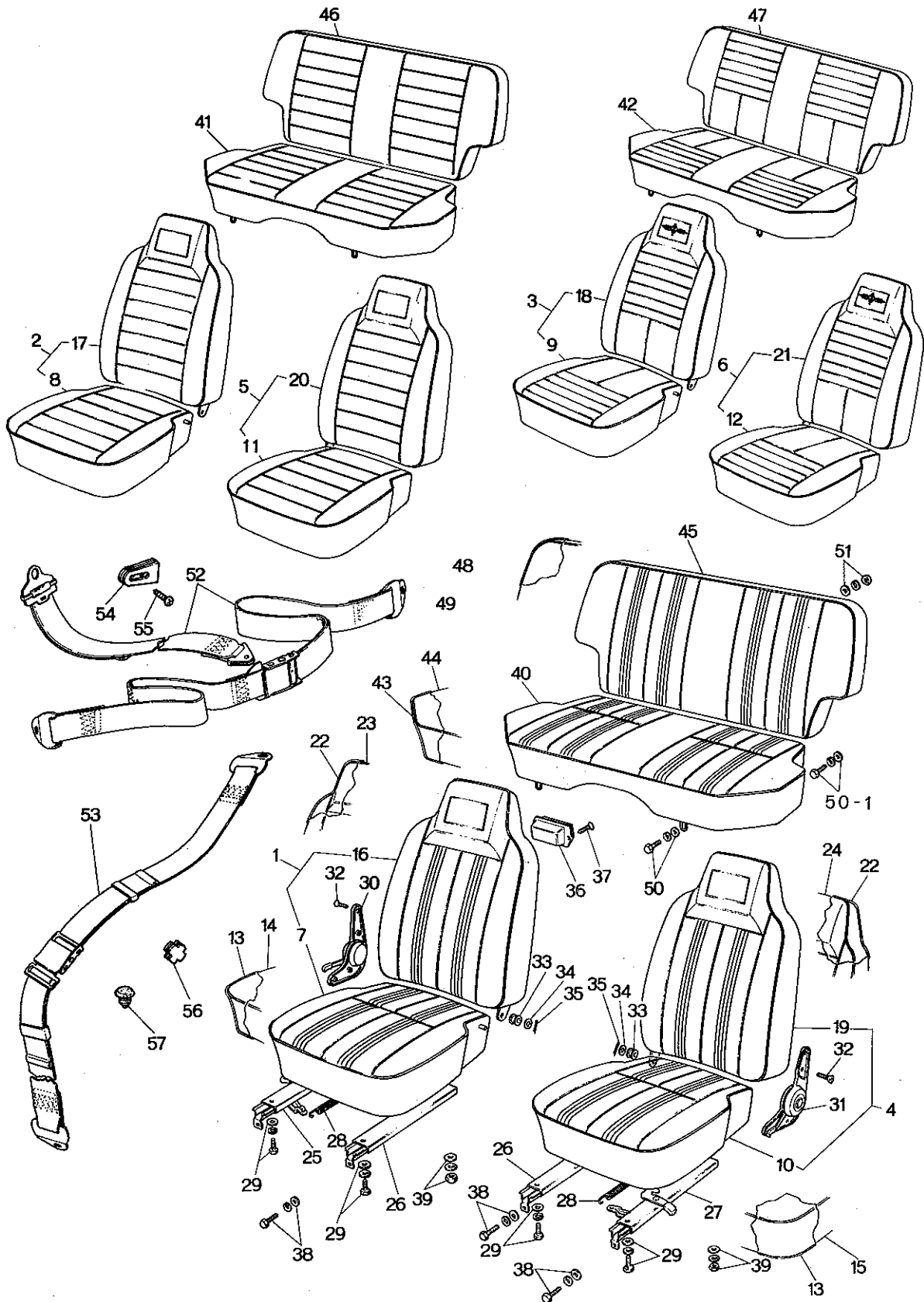
No.	Part Number	Description	Q'ty	Remarks
	0866 88 180	Seat (L), Back	1	©
16	<del>0866 88 105</del>	<del>Cover, Top</del>	<del>2</del>	
	0866 88 135	Cover, Top	2	From Car No. 1
17	<del>0866 88 131</del>	<del>Trim (R), Back Seat</del>	<del>1</del>	
	1562 88 131	Trim (R), Back Seat-Arctic Spec.	1	
	0866 88 131	Trim (R), Back Seat	1	
18	<del>0866 88 181</del>	<del>Trim (L), Back Seat</del>	<del>1</del>	
	1562 88 181	Trim (L), Back Seat-Arctic Spec.	1	
	0866 88 181	Trim (L), Back Seat	1	
19	0866 88 102	Adjuster No. 1	1	
✓●	1882 88 102	Adjuster No. 1 (L.H.D.)	1	Car No. 160623 $\frac{73}{10}$ ~ X
20	0866 88 103	Adjuster No. 2	2	
21	0866 88 152	Adjuster No. 3	1	
✓●	1554 88 153	Adjuster No. 4 (R.H.D.)	1	Car No. 160623 $\frac{73}{10}$ ~ X
22	0866 88 123	Spring, Return	2	
23	99801 0816	Bolt, Adjuster	8	
	99952 0816	Washer, Plain	8	
	99971 0800	Washer, Spring	8	
24	0866 88 101	Knuckle (R) (R.H.D.)	1	
	1562 88 101	Knuckle (R) (L.H.D.), With Foot Pedal	1	

No.	Part Number	Description	Q'ty	Remarks
✓ ●	1882 88 101	Knuckle (R) (L.H.D.), With Foot Pedal	1	Car No. 160623 $\frac{73}{10}$ ~ X
25	0376 88 151	Knuckle (L) (R.H.D.), With Foot Pedal	1	
● ✓	1554 88 151	Knuckle (L) (R.H.D.), With Foot Pedal	1	Car No. 160623 $\frac{73}{10}$ ~ X
	0866 88 151	Knuckle (L) (L.H.D.)	1	
26	2155 57 109	Screw, Knuckle	8	
27	<del>0866 57 105</del>	<del>Bush</del>	<del>2</del>	
	0866 88 105	Bush	2	From Car No. 1
28	0259 57 105	Washer	2	
29	99221 3015	Pin, Split	2	
30	0259 68 250	Tray, Ash	1	
31	99864 0406	Screw, Ash Tray	2	
32	99785 0825	Bolt, Front Seat	4	
●	99786 0820B	Bolt, Front Seat	4	$\frac{73}{10}$ ~ O
	99952 0822	Washer, Plain	4	
	99971 0800	Washer, Spring	4	
33	99901 0800	Nut, Front Seat	4	
●	99901 0800	Nut, Front Seat	4	$\frac{73}{10}$ ~ O
	99952 0822	Washer, Plain	4	
	99971 0800	Washer, Spring	4	

No.	Part Number	Description	Q'ty	Remarks
34	0375 57 200	Cushion (Rr.), Seat	1	©
35	0376 57 200	Cushion (Rr.), Seat	1	©
	1562 57 200	Cushion (Rr.), Seat-Arctic Spec.	1	©
36	0866 88 375	Cover, Top	1	
37	<del>0375 88 201</del>	<del>Trim</del>	<del>1</del>	<del>©</del>
● ✓	0376 88 201	Trim	1	1553, 1554, 1556, 1557, 1568, 3503, 3517 ©
	1562 88 201	Trim, Arctic Spec.	1	©
	0866 88 201	Trim	1	1556 ©
38	0370 57 250	Seat (Rr.), Back	1	©
39	0866 57 250	Seat (Rr.), Back	1	©
	1562 57 250	Seat (Rr.), Back	1	©
40	0259 88 229	Cover, Top	1	
41	<del>0370 88 251</del>	<del>Trim</del>	<del>1</del>	<del>©</del>
	0866 88 251	Trim	1	©
	1562 88 251	Trim, Arctic Spec.	1	©
42	99785 0825	Bolt, Rear Seat Cushion	2	
●	99786 0825B	Bolt, Rear Seat	2	$\frac{7}{8}$ ~ ○
	99971 0800	Washer, Spring	2	

No.	Part Number	Description	Q'ty	Remarks
	0317 57 015	Washer	2	
● 42-1	907860 8 20B	Bolt, Rear Seat Back	2	From Car No. 1
●	99952 0822	Washer, Plain	2	From Car No. 1
43	99901 0800	Nut, Rear Seat Back	2	
●	99940 0800	Nut, Rear Seat Back	2	$\frac{7}{8}$ ~ O
	99952 0822	Washer, Plain	2	
	99971 0800	Washer, Spring	2	
44	0820 57 900B	Belt, Front Safety	2	
	0305 57 920B	Belt, Front Safety	2	Car No. 160623 $\frac{7}{16}$ ~ X
45	0702 78 200C	Belt, Rear Safety	2	
46	0305 57 909	Holder, Belt	2	
47	99861 0412	Screw, Belt Holder	4	
48	2981 69 623	Cap, Trim	2	
49	99301 1100	Cap	6	Without Safety Belt
	99302 1100C	Cap	1	







No.	Part Number	Description	Q'ty	Remarks
When ordering the following Seat & Trim				
Note : 1, Add				
- 03 (BLK.) - 12 (BRN.) - 13 (GRY. / YLW.)				
after the parts number as colour code nos.				
1	0370 57 100 A	Seat (Frt., R), Vinyl	1	1550 ©
•	0370 57 100 B	Seat (Frt., R), Vinyl	1	1550 Car No. $\frac{72}{9} \sim X$ ©
	<del>1524 57 100 A</del>	<del>Seat (Frt., R), Arctic Spec., Vinyl</del>	<del>1</del>	<del>©</del>
2	0866 57 100 A	Seat (Frt., R), Vinyl	1	©
	0866 57 100 B	Seat (Frt., R), Vinyl	1	Car No. 152816 $\frac{72}{9} \sim X$ ©
	1560 57 100	Seat (Frt., R), Arctic Spec., Vinyl	1	©
	1560 57 100 A	Seat (Frt., R), Arctic Spec., Vinyl	1	Car No. 152816 $\frac{72}{9} \sim X$ ©
3	<del>0866 57 300 A</del>	<del>Seat (Frt., R), Cloth</del>	<del>1</del>	<del>©</del>
4	0370 57 150 A	Seat (Frt., L), Vinyl	1	©
•	0370 57 150 B	Seat (Frt., L), Vinyl	1	Car No. $\frac{72}{9} \sim X$ ©
	1524 57 150	Seat (Frt., L), Arctic Spec., Vinyl	1	©
5	0866 57 150 A	Seat (Frt., L), Vinyl	1	©
•	0866 57 150 B	Seat (Frt., L), Vinyl	1	Car No. 152816 $\frac{72}{9} \sim X$ ©
•	1560 57 150	Seat (Frt., L), Arctic Spec., Vinyl	1	©
•	1560 57 150 A	Seat (Frt., L), Arctic Spec., Vinyl	1	Car No. 152816 $\frac{72}{9} \sim X$ ©
6	<del>0866 57 350 A</del>	<del>Seat (Frt., L), Cloth</del>	<del>1</del>	<del>©</del>

No.	Part Number	Description	Q'ty	Remarks
7	0370 88 110	Cushion (R), Seat-Vinyl	1 1550	©
	<del>1524 57 110</del>	<del>Cushion (R), Seat-Arctic Spec., Vinyl</del>	<del>1</del>	<del>©</del>
8	0866 88 110	Cushion (R), Seat-Vinyl	1	©
	1560 88 110	Cushion (R), Seat-Arctic Spec., Vinyl	1	©
9	<del>0866 57 310A</del>	<del>Cushion (R), Seat-Cloth</del>	<del>1</del>	<del>©</del>
10	0370 88 160	Cushion (L), Vinyl	1 1550	©
	<del>1524 57 160</del>	<del>Cushion (L), Arctic Spec., Vinyl</del>	<del>1</del>	<del>©</del>
11	0866 88 160	Cushion (L), Vinyl	1	©
	1560 88 160	Cushion (L), Arctic Spec., Vinyl	1	©
12	<del>0866 57 360A</del>	<del>Cushion (L), Cloth</del>	<del>1</del>	<del>©</del>
13	0259 88 259	Cover, Top	2	
14	0370 88 111	Trim (R), Cushion-Vinyl	1 1550	©
	<del>1524 88 111</del>	<del>Trim (R), Cushion-Arctic Spec., Vinyl</del>	<del>1</del>	<del>©</del>
	0866 88 111	Trim (R), Cushion-Vinyl	1	©
	1562 88 111	Trim (R), Cushion-Arctic Spec., Vinyl	1	©
	<del>0866 88 490</del>	<del>Trim (R), Cushion-Cloth</del>	<del>1</del>	<del>©</del>
15	0370 88 161	Trim (L), Cushion-Vinyl	1 1550	©
	<del>1524 88 200</del>	<del>Trim (L), Cushion-Arctic Spec., Vinyl</del>	<del>1</del>	<del>©</del>
	0866 88 161	Trim (L), Cushion-Vinyl	1	©
	1562 88 161	Trim (L), Cushion-Arctic Spec., Vinyl	1	©

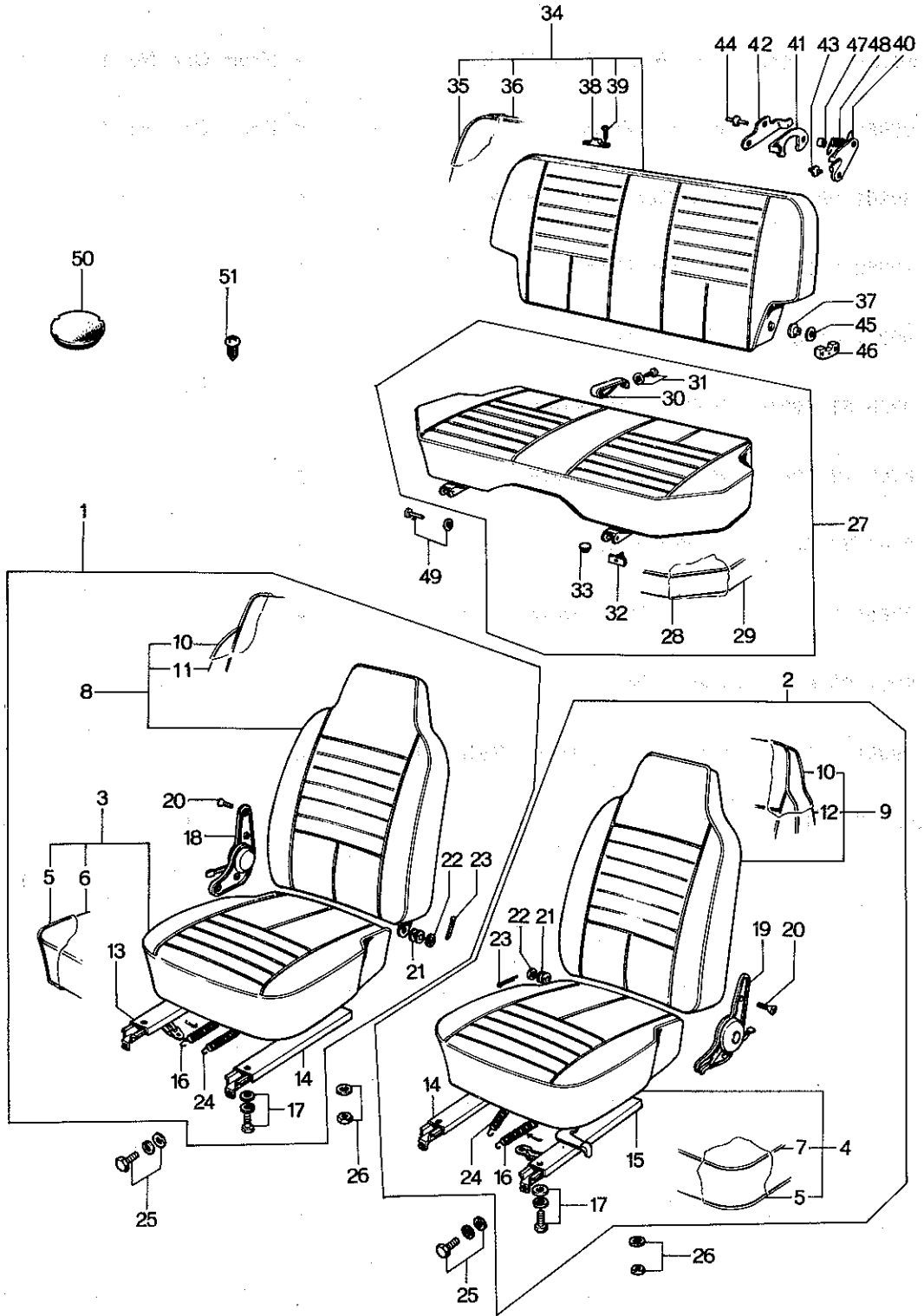
No.	Part Number	Description	Q'ty	Remarks
	<del>0866 88 530</del>	<del>Trim (L), Cushion-Cloth</del>	<del>1</del>	<del>Ⓢ</del>
16	0370 88 130	Seat (R), Back-Vinyl	1 1550	Ⓢ
●	✓ 0370 88 130 A	Seat (R), Back-Vinyl	1 1550 Car No. 152816 $\frac{7}{8}$ ~ X	
	1524 88 130	Seat (R), Back-Arctic Spec., Vinyl	1	Ⓢ
17	0866 88 130	Seat (R), Back-Vinyl	1	Ⓢ
●	✓ 0866 88 130 A	Seat (R), Back-Vinyl	1 Car No. 152816 $\frac{7}{8}$ ~ X	
	1562 88 130	Seat (R), Back-Arctic Spec., Vinyl	1	Ⓢ
18	<del>0866 57 320</del>	<del>Seat (R), Back-Cloth</del>	<del>1</del>	<del>Ⓢ</del>
19	0370 88 180	Seat (L), Back-Vinyl	1 1550	Ⓢ
●	✓ 0370 88 180 A	Seat (L), Back-Vinyl	1 1550 Car No. 152816 $\frac{7}{8}$ ~ X	
	<del>1524 57 170</del>	<del>Seat (L), Back-Arctic Spec., Vinyl</del>	<del>1</del>	<del>Ⓢ</del>
20	0866 88 180	Seat (L), Back-Vinyl	1	Ⓢ
●	✓ 0866 88 180 A	Seat (L), Back-Vinyl	1 Car No. 152816 $\frac{7}{8}$ ~ X	
	1562 88 180	Seat (L), Back-Arctic Spec., Vinyl	1	Ⓢ
21	<del>0866 57 370</del>	<del>Seat (L), Back-Cloth</del>	<del>1</del>	<del>Ⓢ</del>
22	<del>0866 88 105</del>	<del>Cover, Top</del>	<del>2</del>	
	0866 88 135	Cover, Top	2 From Car No. 1	
23	0370 88 131	Trim (R), Back Seat-Vinyl	1 1550	Ⓢ
	<del>1524 88 100</del>	<del>Trim (R), Back Seat-Arctic Spec., Vinyl</del>	<del>1</del>	<del>Ⓢ</del>
	0866 88 131	Trim (R), Back Seat-Vinyl	1	Ⓢ

No.	Part Number	Description	Q'ty	Remarks
	1562 88 131	Trim (R), Back Seat - Arctic Spec., Vinyl	1	©
	<del>0866 88 500</del>	<del>Trim (R), Back Seat, Cloth</del>	<del>1</del>	<del>©</del>
24	0370 88 181	Trim (L), Back Seat - Vinyl	1 1550	©
	<del>1524 88 280</del>	<del>Trim (L), Back Seat - Arctic Spec., Vinyl</del>	<del>1</del>	<del>©</del>
	0866 88 181	Trim (L), Back Seat - Vinyl	1	©
	1562 88 181	Trim (L), Back Seat - Arctic Spec., Vinyl	1	©
	<del>0866 88 540</del>	<del>Trim (L), Back Seat - Cloth</del>	<del>1</del>	<del>©</del>
25	0866 88 102	Adjuster No. 1	1	
26	0866 88 103	Adjuster No. 2	2	
27	0866 88 152	Adjuster No. 3	1	
28	0259 88 123	Spring, Return	2	
29	99801 0816	Bolt, Adjuster	8	
	99952 0816	Washer, Plain	8	
	99971 0800	Washer, Spring	8	
30	0866 88 101	Knuckle (R)	1	
31	0866 88 151	Knuckle (L)	1	
32	2155 57 109	Screw, Knuckle	8	
33	<del>0866 57 105</del>	<del>Bush</del>	<del>2</del>	
	0866 88 105	Bush	2	From Car No. 1
34	0259 57 105	Washer	2	

No.	Part Number	Description	Q'ty	Remarks
35	99221 3015	Pin, Split	2	
36	0259 68 250	Tray, Ash	1	
37	99864 0406	Screw, Ash Tray	1	
38	99785 0825	Bolt, Front Seat	4	
●	✓ 99786 0825 B	Bolt, Front Seat	4	$\frac{7}{8}$ ~ ○
	99952 0822	Washer, Plain	4	
	99971 0800	Washer, Spring	4	
39	99901 0800	Nut, Front Seat	4	
●	✓ 99940 0800	Nut, Front Seat	4	$\frac{7}{8}$ ~ ○
	99952 0822	Washer, Plain	4	
	99971 0800	Washer, Spring	4	
40	0370 57 200 A	Cushion (Rr.), Seat-Vinyl	1 1550	©
	<del>1524 57 200</del>	<del>Cushion (Rr.), Seat - Arctic Spec, Vinyl</del>	<del>1</del>	<del>©</del>
41	0866 57 200 A	Cushion (Rr.), Seat-Vinyl	1	©
	1560 57 200	Cushion (Rr.), Seat-Arctic Spec., Vinyl	1	©
42	<del>0866 57 400</del>	<del>Cushion (Rr.), Seat-Clutch</del>	<del>1</del>	<del>©</del>
43	0866 88 375	Cover, Top	1	
44	0370 88 201	Trim, Vinyl	1 1550	©

No.	Part Number	Description	Q'ty	Remarks
<del>1524</del>	<del>88 370</del>	<del>Trim, Arctic Spec., Vinyl</del>	<del>1</del>	<del>Ⓢ</del>
0866	88 201	Trim, Vinyl	1	Ⓢ
1560	88 201	Trim, Arctic Spec., Vinyl	1	Ⓢ
<del>0866</del>	<del>88 570</del>	<del>Trim, Cloth</del>	<del>1</del>	<del>Ⓢ</del>
45	0370 57 250	Seat (Rr.), Back-Vinyl	1 1550	Ⓢ
<del>1524</del>	<del>57 250</del>	<del>Seat (Rr.), Back-Arctic Spec., Vinyl</del>	<del>1</del>	<del>Ⓢ</del>
46	0866 57 250	Seat (Rr.), Back-Vinyl	1	Ⓢ
	1562 57 250	Seat (Rr.), Back-Arctic Spec., Vinyl	1	Ⓢ
47	<del>0866 57 450</del>	<del>Seat (Rr.), Back-Cloth</del>	<del>1</del>	<del>Ⓢ</del>
48	0259 88 229	Cover, Top	1	
49	0370 88 251	Trim, Vinyl	1	Ⓢ
<del>1524</del>	<del>88 420</del>	<del>Trim, Arctic Spec.</del>	<del>1</del>	<del>Ⓢ</del>
0866	88 251	Trim, Vinyl	1	Ⓢ
1562	88 251	Trim, Arctic Spec., Vinyl	1	Ⓢ
<del>0866</del>	<del>88 580</del>	<del>Trim, Cloth</del>	<del>1</del>	<del>Ⓢ</del>
50	99785 0825	Bolt, Rear Seat	2	
●	99786 0825B	Bolt, Rear Seat Cushion	2	$\frac{7}{8}$ ~ ○
	99971 0800	Washer, Spring	2	

No.	Part Number	Description	Q'ty	Remarks
	0317 57 015	Washer	2	
50-1	907860 8 20B	Bolt, Rear Seat Back	2	From Car No. 1
●	99952 0822	Washer, Plain	2	From Car No. 1
51	99901 0800	Nut, Rear Seat Back	2	
	99952 0800	Washer, Plain	2	
	99971 0800	Washer, Spring	2	
52	0305 57 920B	Belt, Front Safety	2	
53	0702 78 200C	Belt, Rear Safety	2	
54	0305 57 909	Holder, Belt	2	
55	99861 0412	Screw, Belt Holder	4	
56	2981 69 623	Cap, Trim	2	
57	99301 1100	Cap	6	Without Safety Belt
	99302 1100	Cap	1	





No.	Part Number	Description	Q'ty	Remarks
When ordering the following Seat & Trim				
Note : 1 Add				
-03 (Black) -12 (Brown) -13 (Grayish Yellow)				
after the parts number as colour code nos.				
✓ 1	0886 57 100B	Seat (R), Front	1	©
✓ 2	0886 57 150B	Seat (L), Front	1	©
3	0888 88 110	Cushion (R), Seat	1	©
4	0888 88 160	Cushion (L), Seat	1	©
✓ 5	0820 57 114	Cover, Top-Seat Cushion	2	
6	0888 88 111	Trim (R)	1	©
7	0888 88 161	Trim (L)	1	©
8	0888 88 130A	Seat (R), Back-Front	1	©
9	0888 88 180A	Seat (L), Back-Front	1	©
10	0888 88 135	Cover, Top-Seat Back	2	©
11	0888 88 131A	Trim (R), Back Seat	1	©
12	0888 88 181A	Trim (L), Back Seat	1	©
13	0866 88 102	Adjuster No. 1	1	
14	0888 88 103	Adjuster No. 2	2	
15	0866 88 152	Adjuster No. 3	1	
16	0259 88 123	Spring, Return- Adjuster	2	
17	98801 0820	Bolt, Adjuster	8	

## SEAT (STATION WAGON)

No.	Part Number	Description	Q'ty	Remarks
	99952 0816	Washer, Plain	8	
	99971 0800	Washer, Spring	8	
18	0866 88 101	Knuckle (R)	1	
19	0866 88 151	Knuckle (L)	1	
J 20	2155 57 109	Screw, Knuckle	8	
21	0866 88 105	Bush, Hinge	2	
22	0866 88 106	Washer, Hinge	2	
23	99221 3020	Pin, Split	2	
24	3450 88 107	Spring, Return	2	
25	99786 08208	Bolt, Front Seat	4	
	99952 0822	Washer, Plain	4	
26	99940 0800	Nut, Front Seat	4	
	99952 0822	Washer, Plain	4	
J 27	0899 57 200A	Cushion, Rear Seat	1	©
28	0652 88 209	Cover, Top	1	
29	0899 88 201	Trim	1	©
30	0652 88 219	Band	1	
31	0760 88 218	Rivet, Band	1	

## SEAT (STATION WAGON)

57

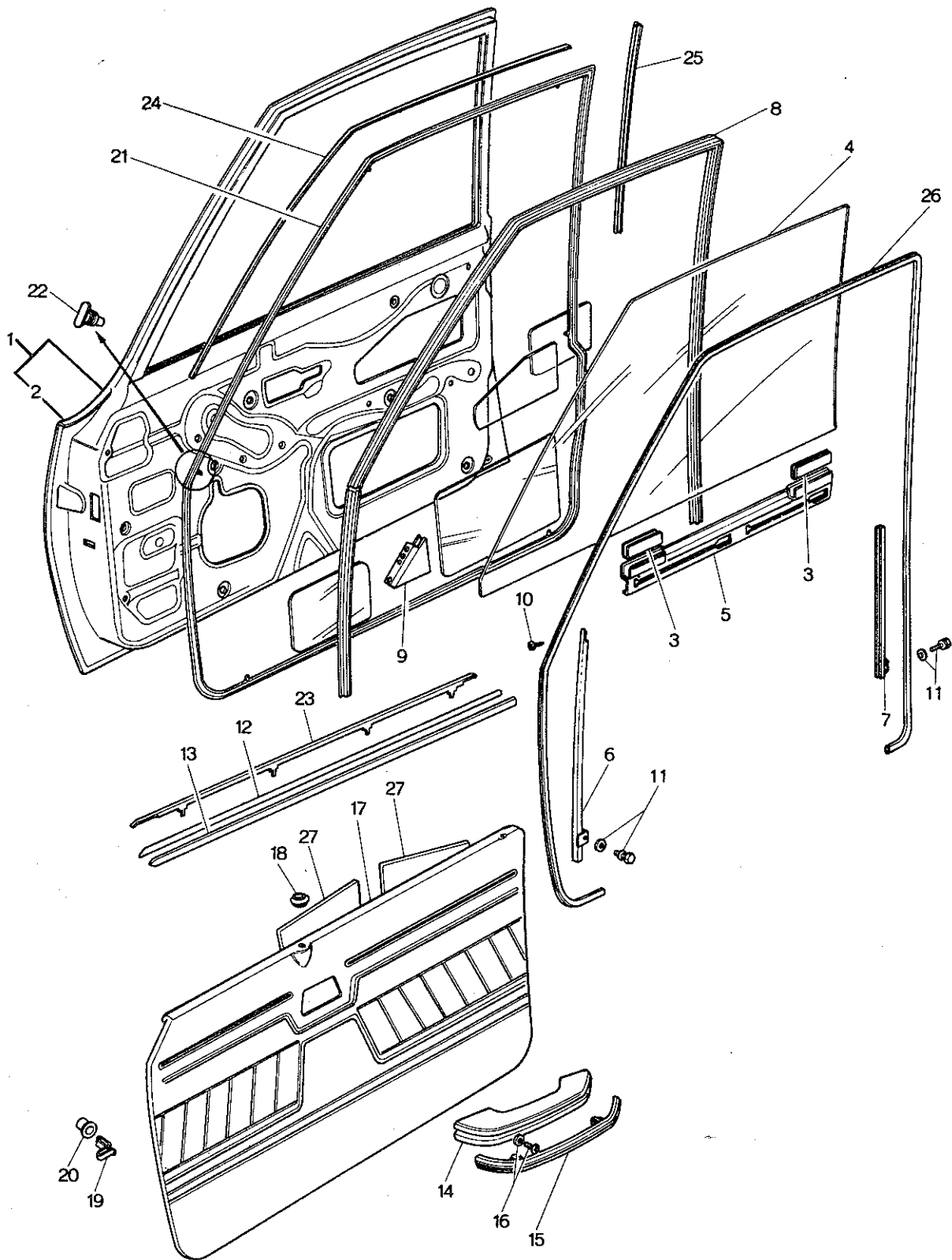
No.	Part Number	Description	Q'ty	Remarks
	99953 0400	Washer, Plain	1	
✓ 32	0621 57 701A	Stopper	2	
✓ 33	0603 53 436	Grommet	1	
✓ 34	0899 57 250	Seat, Rear Back	1	©
	35 0652 88 229	Cover, Top	1	
	36 0899 88 251	Trim	1	©
✓ 37	0187 57 751	Tube	2	
✓ 38	0621 57 753	Stopper	2	
	39 99032 06250	Screw, Stopper	4	
✓ 40	0585 57 012	Stopper (R)	1	
✓	0585 57 013	Stopper (L)	1	
✓ 41	0585 57 015	Plate, Lock	1	
✓ 42	0585 57 016	Washer (R), Stopper	1	
✓	0585 57 017	Washer (L), Stopper	1	
✓ 43	0710 57 022	Rivet, Stopper	3	
✓ 44	0710 57 023	Rivet, Stopper	3	
✓ 45	0187 57 052	Washer, Adjust	2	
✓ 46	0621 57 054	Retainer	2	

## SEAT (STATION WAGON)

No.	Part Number	Description	Q'ty	Remarks
47	0585 57 019	Bush	1	
48	0585 57 018	Spring, Return	1	
49	99230 0852	Pin, Rear Seat Cushion	2	
	99576 0500	Ring, Snap	2	
50	2881 68 623	Cap, Trim	2	
51	99301 1100	Cap	6	



## FRONT SIDE DOOR (GLASS)



# FRONT SIDE DOOR (GLASS)

58

59

No.	Part Number	Description	Q'ty	Remarks
1	0376 58 010B	Body (R), Door	1	
	0376 58 010C	Body (R), Door	1	Car No. 134345 $\frac{7}{1}$ ~ ○
	0376 58 010D	Body (R), Door	1	Car No. 152249 $\frac{7}{8}$ ~ ○
	0376 58 010E	Body (R), Door	1	Car No. 160378 $\frac{7}{12}$ ~ ○
	1554 58 010	Body (R), Door	1	
	1554 58 010A	Body (R), Door	1	Car No. 134345 $\frac{7}{1}$ ~ ○
	1554 58 010B	Body (R), Door	1	Car No. 152249 $\frac{7}{8}$ ~ ○
	1554 58 010C	Body (R), Door	1	Car No. 160378 $\frac{7}{12}$ ~ ○
	0376 59 010B	Body (L), Door	1	
	0376 59 010C	Body (L), Door	1	Car No. 134345 $\frac{7}{1}$ ~ ○
	0376 59 010D	Body (L), Door	1	Car No. 152249 $\frac{7}{8}$ ~ ○
	0376 59 010E	Body (L), Door	1	Car No. 160378 $\frac{7}{12}$ ~ ○
	0866 58 010C	Body (R), Door	1	
	0866 58 010D	Body (R), Door	1	Car No. 134345 $\frac{7}{1}$ ~ ○
	0866 58 010E	Body (R), Door	1	Car No. 157510 $\frac{7}{10}$ ~ ○
	0866 58 010F	Body (R), Door	1	Car No. 160378 $\frac{7}{12}$ ~ ○
	1511 58 010A	Body (R), Door	1	
	1511 58 010B	Body (R), Door	1	Car No. 134345 $\frac{7}{1}$ ~ ○
	1511 58 010C	Body (R), Door	1	Car No. 157510 $\frac{7}{10}$ ~ ○
	1511 58 010D	Body (R), Door	1	Car No. 160378 $\frac{7}{12}$ ~ ○

(For Australia & England) (Coupe)

(For Australia & England) (Sedan & Station Wagon)

# FRONT SIDE DOOR (GLASS)

No.	Part Number	Description	Q'ty	Remarks
	0866 59 010C	Body (L), Door	1	
	0866 59 010D	Body (L), Door	1	Car No. 134345 $\frac{7}{1}$ ~ ○ ✓
	0866 59 010E	Body (L), Door	1	Car No. 157510 $\frac{7}{10}$ ~ ○ ✓
	0866 59 010F	Body (L), Door	1	Car No. 160378 $\frac{7}{12}$ ~ ○ ✓
	(Sedan & Station Wagon)			
2	0376 58 020A	Panel (R)	1	
	1554 58 020	Panel (R) (For Australia & England)	1	(Coupe)
	0376 59 020A	Panel (L)	1	
	0866 58 020A	Panel (R)	1	
	1511 58 020	Panel (R) (For Australia & England)	1	(Sedan & Station Wagon)
	0866 59 020A	Panel (L)	1	
3	2292 58 232	Rubber, Strip-Door Glass	4	
4	0368 58 501	Glass (R)	1	
●	0368 58 501A	Glass (R)	1	$\frac{7}{10}$ ~ ○ ✓
	0368 59 501	Glass (L)	1	
●	0368 59 501A	Glass (L)	1	$\frac{7}{10}$ ~ ○ ✓
	0866 58 501	Glass (R)	1	
●	0866 58 501A	Glass (R)	1	$\frac{7}{10}$ ~ ○ ✓
	0866 59 501	Glass (L)	1	
●	0866 59 501A	Glass (L)	1	$\frac{7}{10}$ ~ ○ ✓
	(Sedan & Station Wagon)			



# FRONT SIDE DOOR (GLASS)

58

59

No.	Part Number	Description	Q'ty	Remarks
	0374 58 501	Glass (R)	1	
	0374 58 501A	Glass (R)	1	
	0374 59 501	Glass (L)	1	
	0374 59 501A	Glass (L)	1	
	0376 58 501	Glass (R)	1	
	0376 58 501A	Glass (R)	1	
	0376 59 501	Glass (L)	1	
	0376 59 501A	Glass (L)	1	
5	0305 58 505	Bracket (R), Lift	1	
	0305 59 505	Bracket (L), Lift	1	
6	0866 58 603	Guide "A" (R), Glass	1	
	0866 59 603	Guide "A" (L), Glass	1	
7	0376 58 604	Guide "B" (R), Glass	1	
	0376 59 604	Guide "B" (L), Glass	1	
	0866 58 604	Guide "B" (R), Glass	1	
	0866 59 604	Guide "B" (L), Glass	1	
8	0376 58 605	Channel, Glass Run (Coupe)	2	
	0866 58 605	Channel, Glass Run (Sedan & Station Wagon)	2	
9	0866 58 620	Bracket, Corner	2	
10	99831 0408	Screw, Glass Guide	4	

Transparent

(Coupe)

Blue Pane

(Sedan & Station Wagon)

## FRONT SIDE DOOR (GLASS)

No.	Part Number	Description	Q'ty	Remarks
11	99806 0612	Bolt, Glass Guide	4	
	99971 0600	Washer, Spring	4	
	99951 0618	Washer, Plain	2	
	0727 70 943	Washer, Plain	2	
●	2850 13 332	Washer, Plain	2	$\frac{7}{16}$ ~○
12	0376 58 781D	Weatherstrip, Outer	2	} (Coupe)
	<del>0376 59 781A</del>	<del>Weatherstrip, Outer</del>	<del>±</del>	
	0866 58 781D	Weatherstrip, Outer	2	} (Sedan & Station Wagon)
	<del>0866 59 781A</del>	<del>Weatherstrip, Outer</del>	<del>±</del>	
13	0376 58 791	Weatherstrip, Inner (R)	1	} (Coupe)
	0376 59 791	Weatherstrip, Inner (L)	1	
	0866 58 791	Weatherstrip, Inner (R)	1	} (Sedan & Station Wagon)
	0866 59 791	Weatherstrip, Inner (L)	1	
14	0398 58 821A	Rest, Arm	2	
15	0398 58 822	Garnish, Arm Rest	2	
	0398 58 822A	Garnish, Arm Rest	2	Car No. 130590 $\frac{7}{12}$ ~○
16	99833 0512	Screw, Tapping-Arm Rest	4	
● ✓	99833 0520	Screw, Tapping-Arm Rest	4	Car No. 160623 $\frac{7}{10}$ ~△
	99952 0500	Washer, Plain	4	Car No. 160623 $\frac{7}{10}$ ~△

# FRONT SIDE DOOR (GLASS)



No.	Part Number	Description	Q'ty	Remarks
-----	-------------	-------------	------	---------

When ordering the following trims  
 Add color code nos. given below after parts number  
 -03 (BLK.) -12 (BRN.) -13 (GRY./YLW.)

17	0370 58 811A	Trim (R), Door	1	
•	0370 58 811B	Trim (R), Door	1	$\frac{7}{12}$ ○ (C)
		(1550)		
	0370 59 811A	Trim (L), Door	1	
•	0370 59 811B	Trim (L), Door	1	$\frac{7}{12}$ ○ (C)
	1560 58 810A	Trim (R), Door	1	(C)
	1560 58 810B	Trim (R), Door	1	Car No. 160378 $\frac{7}{12}$ ○ (C)
	<del>0866 59 810C</del>	<del>Trim (L), Door</del>	<del>≠</del>	(Sedan & Station Wagon) (1550 Excluded)
	0866 59 810B	Trim (L), Door	1	From Car No. 1 (C)
•	0866 59 810C	Trim (L), Door	1	$\frac{7}{12}$ ○
	<del>1581 58 810</del>	<del>Trim (R), Door</del>	<del>≠</del>	
	1561 58 810D	Trim (R), Door	1	From Car No. 1 (C)
	1561 58 810E	Trim (R), Door	1	Car No. 160378 $\frac{7}{12}$ ○ (C)
	0376 59 810D	Trim (L), Door	1	(C)
•	0376 59 810F	Trim (L), Door	1	$\frac{7}{12}$ ○

When ordering the following trims

26 { GRY./YLW. (Upper)  
 BLK. (Lower)

Add color code, given below after parts number

-14 (BLK.) -17 { BRN. (Upper) -25 { BRN. (Upper) -18 { GRY./YLW. (Upper)  
 OLIV. (Lower) OLIV. (Lower) OLIV. (Lower)

## FRONT SIDE DOOR (GLASS)

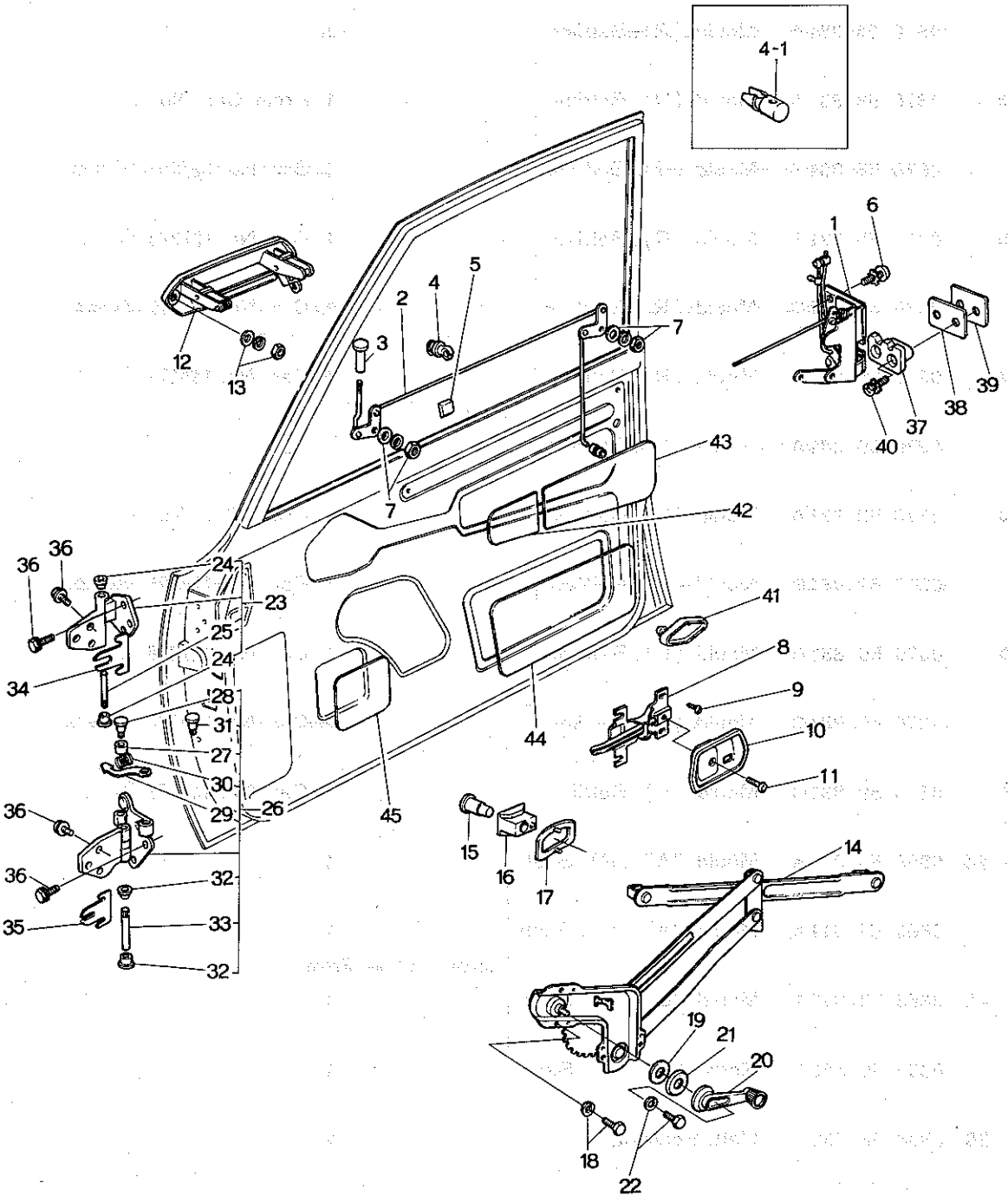
No.	Part Number	Description	Q'ty	Remarks
	1562 58 810D	Trim (R), Door	1	©
	1562 58 810E	Trim (R), Door	1	Car No. 160378 $\frac{7}{12}$ ~○ ©
	<del>0870 59 810F</del>	<del>Trim (L), Door</del>	<del>±</del>	
	0870 59 810E	Trim (L), Door	1	From Car No. 1 ©
	0870 59 810F	Trim (L), Door	1	Car No. 160378 $\frac{7}{12}$ ~○ ©
	18 0223 58 692A	Grommet	2	
●	19 0208 58 921	Fastener, Door Trim	14 (Sedan) 18 (Coupe)	
●	20 0187 58 922	Seal, Fastener-Door Trim	14 (Sedan) 18 (Coupe)	
	21 0376 58 760A	Weatherstrip (R)	1	} (Coupe)
	0376 59 760A	Weatherstrip (L)	1	
	0866 58 760A	Weatherstrip (R)	1	} (Sedan & Station Wagon)
	0866 59 760A	Weatherstrip (L)	1	
	22 0305 58 762	Fastener	54	
	23 0866 58 831A	Mould (R), Beltline	1	
	0866 58 831B	Mould (R), Beltline	1	Car No. 127396 $\frac{7}{12}$ ~△
	0866 58 831C	Mould (R), Beltline	1	(Sedan & Station Wagon) Car No. 144578 $\frac{7}{4}$ ~△
	0866 59 831A	Mould (L), Beltline	1	
	0866 59 831B	Mould (L), Beltline	1	Car No. 127396 $\frac{7}{12}$ ~△

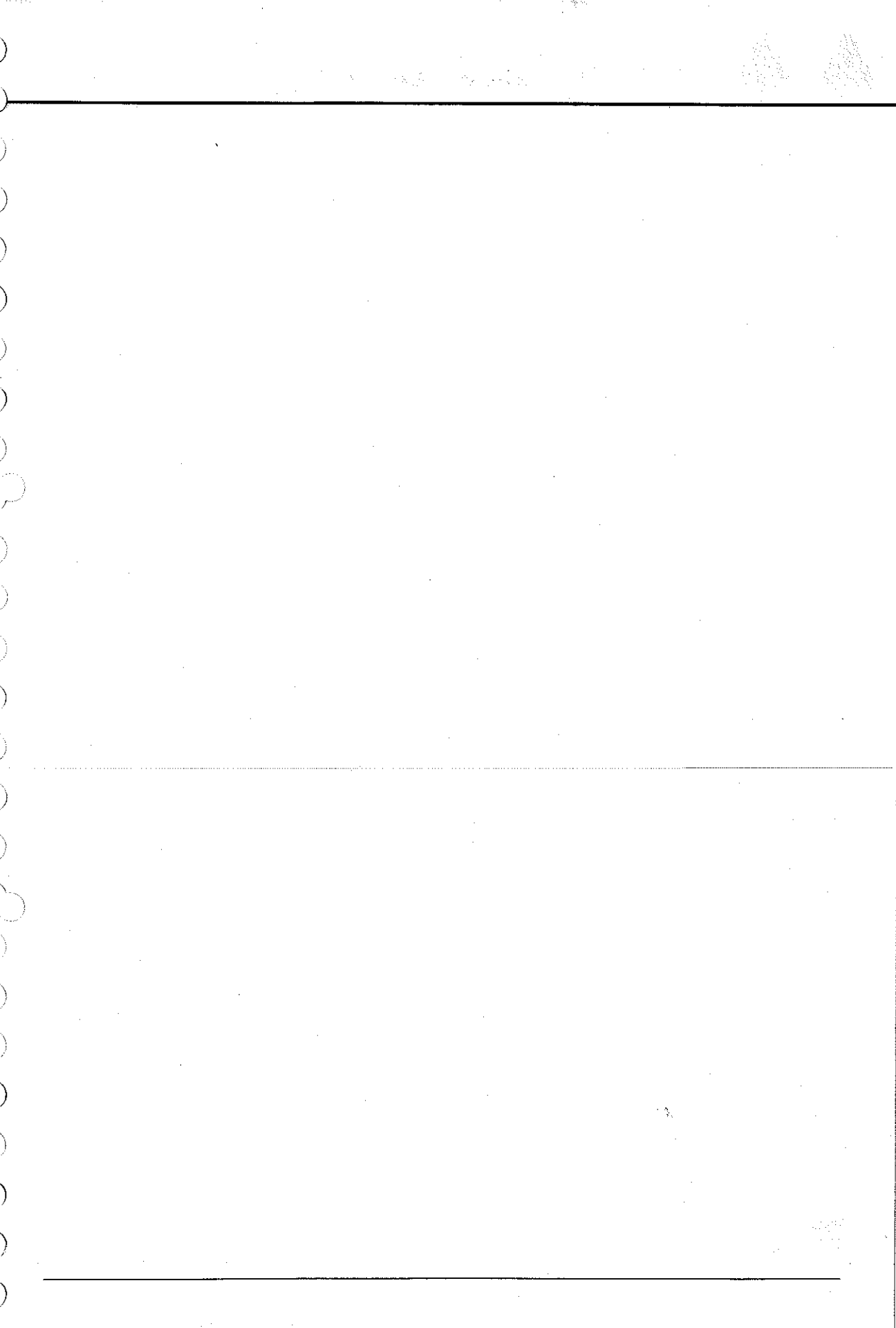
# FRONT SIDE DOOR (GLASS)

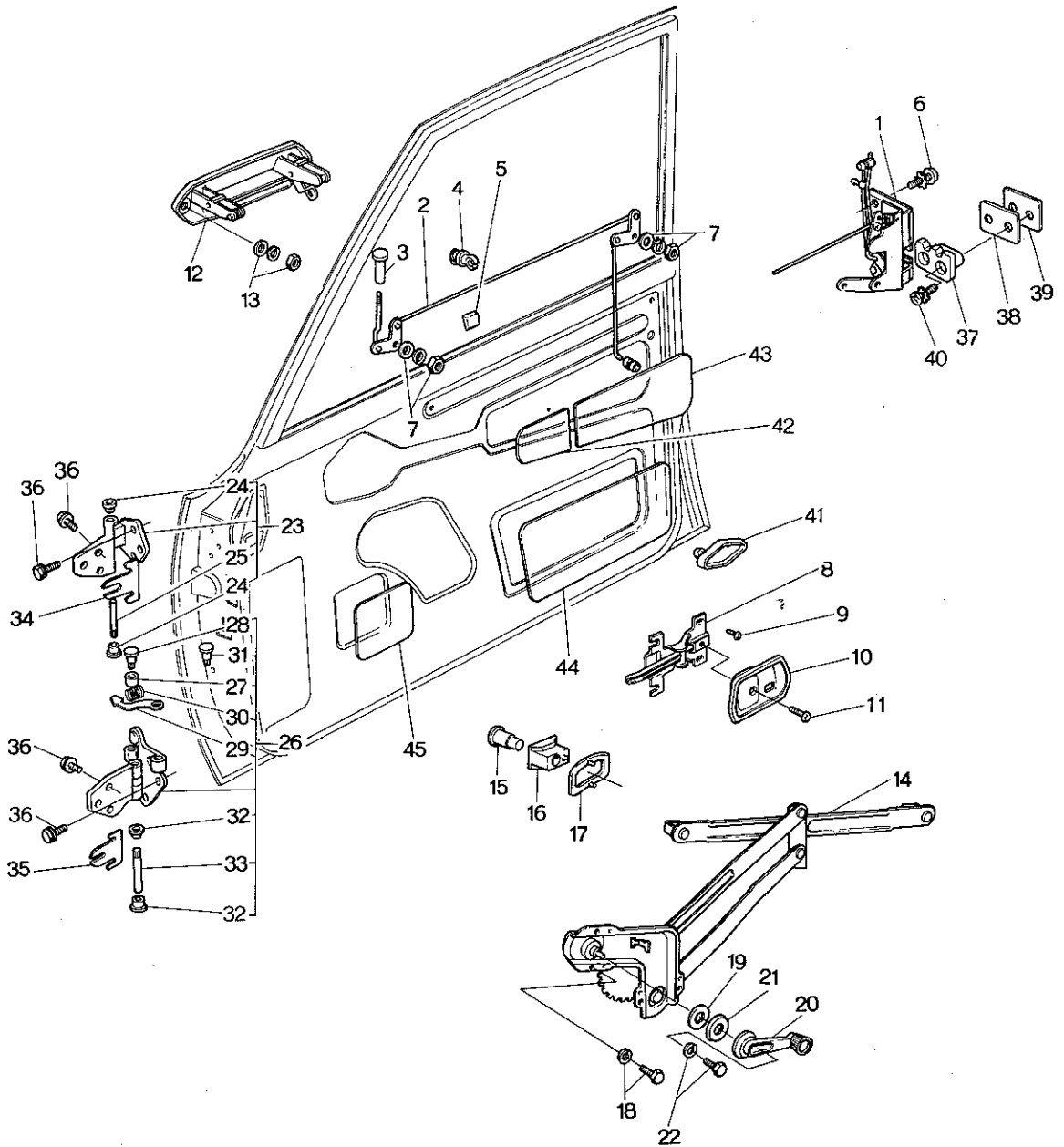
58
59

No.	Part Number	Description	Q'ty	Remarks
	0866 59 831C	Mould (L), Beltline (Sedan & Station Wagon)	1	Car No. 144578 $\frac{7}{4}$ ~△
	<del>0376 58 381A</del>	<del>Mould (R), Beltline</del>	<del>±</del>	
●	0376 58 831A	Mould (R), Beltline	1	From Car No. 1
	<del>0376 58 381B</del>	<del>Mould (R), Beltline</del>	<del>1</del>	<del>Car No. 127396 <math>\frac{7}{12}</math>~△</del>
●	0376 58 831B	Mould (R), Beltline	1	Car No. 127396 $\frac{7}{12}$ ~△
	<del>0376 58 381C</del>	<del>Mould (R), Beltline</del>	<del>1</del>	<del>Car No. 144578 <math>\frac{7}{4}</math>~△</del>
●	0376 58 831C	Mould (R), Beltline	1	Car No. 144578 $\frac{7}{4}$ ~△
		(Coupe)		
	<del>0376 59 381A</del>	<del>Mould (L), Beltline</del>	<del>±</del>	
●	0376 59 831A	Mould (L), Beltline	1	From Car No. 1
	<del>0376 59 381B</del>	<del>Mould (L), Beltline</del>	<del>1</del>	<del>Car No. 127396 <math>\frac{7}{12}</math>~△</del>
●	0376 59 831B	Mould (L), Beltline	1	Car No. 127396 $\frac{7}{12}$ ~△
	<del>0376 59 381C</del>	<del>Mould (L), Beltline</del>	<del>1</del>	<del>Car No. 144578 <math>\frac{7}{4}</math>~△</del>
●	0376 59 831C	Mould (L), Beltline	1	Car No. 144578 $\frac{7}{4}$ ~△
24	0866 58 841A	Mould "A" (R), Sash	1	
	0866 59 841A	Mould "A" (L), Sash	1	
		(Sedan & Station Wagon)		
25	0866 58 842A	Mould "B" (R), Sash	1	
	0866 59 842A	Mould "B" (L), Sash	1	
26	0398 58 755	Welt, Seaming	2	
27	0866 58 851	Insulation (Sedan & Station Wagon)	4	
	0376 58 851	Insulation (Coupe)	4	

## FRONT SIDE DOOR (LOCK)









# FRONT SIDE DOOR (LOCK)

58

59

No.	Part Number	Description	Q'ty	Remarks
1	0376 58 310A	Lock (R), Door	1	
	0376 58 310D	Lock (R), Door	1	Car. No. 134345 $\frac{7}{8}$ ~ ○
	0376 58 310F	Lock (R), Door	1	Car. No. 150526 $\frac{7}{8}$ ~ X
	0376 58 310G	Lock (R), Door	1	Car. No. 153515 $\frac{7}{9}$ ~ ○
	0376 58 310H	Lock (R), Door	1	Car. No. 167748 $\frac{7}{5}$ ~ △
		(R.H.D. Coupe)		
	0376 59 310A	Lock (L), Door	1	
	0376 59 310D	Lock (L), Door	1	Car. No. 134345 $\frac{7}{8}$ ~ ○
	0376 59 310F	Lock (L), Door	1	Car. No. 150526 $\frac{7}{8}$ ~ X
	0376 59 310G	Lock (L), Door	1	Car. No. 153515 $\frac{7}{9}$ ~ ○
	0376 59 310H	Lock (L), Door	1	Car. No. 167748 $\frac{7}{5}$ ~ △
	1562 58 310A	Lock (R), Door	1	
	1562 58 310D	Lock (R), Door	1	Arctic Spec. Car. No. 134345 $\frac{7}{8}$ ~ ○
	1562 58 310F	Lock (R), Door	1	Car. No. 150526 $\frac{7}{8}$ ~ X
	1562 58 310G	Lock (R), Door	1	(All Models) Car. No. 153515 $\frac{7}{9}$ ~ ○
	1562 58 310H	Lock (R), Door	1	Car. No. 167748 $\frac{7}{5}$ ~ △
		(L.H.D. Coupe)		
	1562 59 310A	Lock (L), Door	1	
	1562 59 310D	Lock (L), Door	1	Arctic Spec. Car. No. 134345 $\frac{7}{8}$ ~ ○
	1562 59 310F	Lock (L), Door	1	Car. No. 150526 $\frac{7}{8}$ ~ X
	1562 59 310G	Lock (L), Door	1	(All Models) Car. No. 153515 $\frac{7}{9}$ ~ ○
	1562 59 310H	Lock (L), Door	1	Car. No. 167748 $\frac{7}{5}$ ~ △

58

59

## FRONT SIDE DOOR (LOCK)

No.	Part Number	Description	Q'ty	Remarks
	1566 58 310A	Lock (R), Door	1	
	1566 58 310D	Lock (R), Door	1	Car No. 134345 $\frac{72}{8}$ ~○
	1566 58 310F	Lock (R), Door	1	Car No. 150526 $\frac{72}{8}$ ~X
	1566 58 310H	Lock (R), Door	1	Car No. 167748 $\frac{73}{5}$ ~△
	1566 59 310A	Lock (L), Door	1	
	1566 59 310D	Lock (L), Door	1	Car No. 134345 $\frac{72}{8}$ ~○
	1566 59 310F	Lock (L), Door	1	Car No. 150526 $\frac{72}{8}$ ~X
	1566 59 310H	Lock (L), Door	1	Car No. 167748 $\frac{73}{5}$ ~△
	0866 58 310A	Lock (R), Door	1	
	0866 58 310D	Lock (R), Door	1	Car No. 134345 $\frac{72}{8}$ ~○
	0866 58 310F	Lock (R), Door	1	Car No. 150526 $\frac{72}{8}$ ~X
	0866 58 310G	Lock (R), Door	1	Car No. 153515 $\frac{72}{9}$ ~○
	0866 58 310H	Lock (R), Door	1	Car No. 167748 $\frac{73}{5}$ ~△
	0866 59 310A	Lock (L), Door	1	
	0866 59 310D	Lock (L), Door	1	Car No. 134345 $\frac{72}{8}$ ~○
	0866 59 310F	Lock (L), Door	1	Car No. 150526 $\frac{72}{8}$ ~X
	0866 59 310G	Lock (L), Door	1	Car No. 153515 $\frac{72}{9}$ ~○
	0866 59 310H	Lock (L), Door	1	Car No. 167748 $\frac{73}{5}$ ~△
	1524 58 310A	Lock (R), Door	1	
	1524 58 310D	Lock (R), Door	1	Car No. 134345 $\frac{72}{8}$ ~○

(L.H.D. Coupe)

(R.H.D. Sedan &amp; Station Wagon)

Arctic Spec. (L.H.D. Sedan)

# FRONT SIDE DOOR (LOCK)

58

59

No.	Part Number	Description	Q'ty	Remarks
	1524 58 310F	Lock (R), Door Arctic Spec.	1	Car. No. 150526 $\frac{7}{8}$ ~ X
	1524 58 310G	Lock (R), Door (All Models)	1	Car. No. 153515 $\frac{7}{8}$ ~ $\odot$
●	1524 58 310H	Lock (R), Door	1	Car. No. 167748 $\frac{7}{8}$ ~ $\Delta$
	1524 59 310A	Lock (L), Door	1	
	1524 59 310D	Lock (L), Door Arctic Spec.	1	Car. No. 134345 $\frac{7}{8}$ ~ $\odot$
	1524 59 310F	Lock (L), Door	1	Car. No. 150526 $\frac{7}{8}$ ~ X
	1524 59 310G	Lock (L), Door (All Models)	1	Car. No. 153515 $\frac{7}{8}$ ~ $\odot$
●	1524 59 310H	Lock (L), Door	1	Car. No. 167748 $\frac{7}{8}$ ~ $\Delta$
	1534 58 310A	Lock (R), Door	1	
	1534 58 310D	Lock (R), Door	1	Car. No. 134345 $\frac{7}{8}$ ~ $\odot$
	1534 58 310F	Lock (R), Door	1	Car. No. 150526 $\frac{7}{8}$ ~ X
●	1534 58 310G	Lock (R), Door	1	$\frac{7}{8}$ ~ $\odot$
	1534 59 310A	Lock (L), Door	1	
	1534 59 310D	Lock (L), Door	1	Car. No. 134345 $\frac{7}{8}$ ~ $\odot$
	1534 59 310F	Lock (L), Door	1	Car. No. 150526 $\frac{7}{8}$ ~ X
●	1534 59 310G	Lock (L), Door	1	$\frac{7}{8}$ ~ $\odot$
	2 0376 58 330A	Rod (R)	1	
	0376 58 330B	Rod (R) (Coupe)	1	Car. No. 134345 $\frac{7}{8}$ ~ $\odot$
	0376 58 330C	Rod (R)	1	Car. No. 153515 $\frac{7}{8}$ ~ $\odot$

(L.H.D. Sedan)

## FRONT SIDE DOOR (LOCK)

No.	Part Number	Description	Q'ty	Remarks
	0376 59 330A	Rod (L)	1	
	0376 59 330B	Rod (L) (Coupe)	1	Car No. 134345 $\frac{7}{8}$ ~ ⊙
	0376 59 330C	Rod (L)	1	Car No. 153515 $\frac{7}{8}$ ~ ⊙
	0866 58 330A	Rod (R)	1	
	0866 58 330B	Rod (R)	1	Car No. 134345 $\frac{7}{8}$ ~ ⊙
	0866 58 330C	Rod (R)	1	Car No. 153515 $\frac{7}{8}$ ~ ⊙
	0866 59 330A	Rod (L) (Sedan & Station Wagon)	1	
	0866 59 330B	Rod (L)	1	Car No. 134345 $\frac{7}{8}$ ~ ⊙
	0866 59 330C	Rod (L)	1	Car No. 153515 $\frac{7}{8}$ ~ ⊙
3	<del>0259 58 681</del>	<del>Knob</del>	<del>2</del>	
●	0259 58 691	Knob	2	From Car No. 1
4	0305 58 309	Holder, Rod	4	
●	4-1 0866 58 313	Joint-Key Cylinder	2	Car No. 167748 $\frac{7}{8}$ ~ Added Anew
5	0259 72 509	Pad, Door Lock	4	
6	99832 0630	Screw, Door Lock	6	
	99974 0600	Washer, Toothed	6	
	99975 0600	Washer, Toothed	6	
7	99907 0600	Nut, Door Lock	4	
	99952 0600	Washer, Plain	4	

# FRONT SIDE DOOR (LOCK)



No.	Part Number	Description	Q'ty	Remarks
	99971 0600	Washer, Spring	4	
●	✓ 99940 0600	Nut, Door Lock	4	$\frac{7}{16}$ ~ ○
8	0866 58 321B	Handle, Inner	2	
9	99806 0510	Bolt, Inner Handle	6	
	99952 0518	Washer, Plain	6	
	99971 0500	Washer, Spring	6	
●	✓ 99796 0508	Bolt, Inner Handle	6	$\frac{7}{16}$ ~ ○
10	0368 58 303	Cover (R), Inner Handle	1	} (Std.)
	0368 59 303	Cover (L)	1	
	<del>0866 58 303B00</del>	<del>Cover (R)</del>	<del>1</del>	<del>From Car No. 1</del> ⊕
●	<del>0866 58 303 01</del>	<del>Cover (R)</del>	<del>1</del>	<del>From Car No. 1</del> ⊕
●	0866 58 303B01	Cover (R) (Std. Excluded)	1	From Car No. 1
●	<del>0866 59 303B00</del>	<del>Cover (L)</del>	<del>1</del>	<del>From Car No. 1</del> ⊕
	0866 59 303B01	Cover (L)	1	From Car No. 1
11	99832 0408B	Screw, Cover	2	
12	0866 58 410	Handle (R), Outer Side	1	
	0866 58 410A	Handle (R), Outer Side	1	Car. No. 153515 $\frac{7}{8}$ ~ ○
	0866 59 410	Handle (L), Outer Side	1	
	0866 59 410A	Handle (L), Outer Side	1	Car. No. 153515 $\frac{7}{8}$ ~ ○
13	99906 0500	Nut, Outer	4	

58

59

## FRONT SIDE DOOR (LOCK)

No.	Part Number	Description	Q'ty	Remarks
	99951 0618	Washer, Plain	4	
	99971 0500	Washer, Spring	4	
14	0866 58 560	Regulator (R)	1	
	0866 59 560	Regulator (L)	1	
15	0223 58 303A	Pin	4	
16	0223 58 304A	Guide	4	
17	0223 58 311	Spring	4	
18	99806 0612	Bolt, Window Regulator	8	
	99971 0600	Washer, Spring	8	
	99951 0818	Washer, Plain	8	
●	V 99951 0618	Washer, Plain	8	Car No. 160623 $\frac{7}{10}$ ~ Added Anew
19	0259 58 305	Gasket, Window Regulator	2	
	0259 58 305A	Gasket, Window Regulator	2	Car No. 152816 $\frac{7}{9}$ ~ ○
●	0259 58 305B	Gasket, Window Regulator	2	Car No. $\frac{7}{1}$ ~ △
20	0824 58 370A	Handle, Regulator	2	
	0824 58 370B	Handle, Regulator	2	Car No. 157510 $\frac{7}{10}$ ~ △
●	0223 58 370D	Handle, Regulator	2	Car No. 160623 $\frac{7}{10}$ ~ X
21	0223 58 375A	Escutcheon	2	

# FRONT SIDE DOOR (LOCK)

58

59

No.	Part Number	Description	Q'ty	Remarks
22	99808 0516	Bolt, Regulator Handle	2	
	99971 0500	Washer, Spring	2	
23	0866 58 210	Hinge "A"	2	
24	0223 58 721	Bush	4	
25	0187 58 731	Pin, Hinge	2	
26	0866 58 240A	Hinge "B" (R)	1	
	0866 58 240C	Hinge "B" (R)	1	Car No. 160822 $\frac{7}{12}$ ~ ○
	0866 59 240A	Hinge "B" (L)	1	
	0866 59 240C	Hinge "B" (L)	1	Car No. 160822 $\frac{7}{12}$ ~ ○
27	0866 58 281	Roller	2	
	0866 58 281A	Roller	2	Car No. 159789 $\frac{7}{11}$ ~ ○
	0866 58 281B	Roller	2	Car No. 160822 $\frac{7}{12}$ ~ △
28	0866 58 282	Pin "A"	2	
	0866 58 282A	Pin "A"	2	Car No. 160822 $\frac{7}{12}$ ~ △
29	0866 58 291A	Lever, Check	2	
30	0866 58 292A	Spring, Check	2	
31	0866 58 293	Pin "B"	2	
32	0223 58 721	Bush	4	

58

59

## FRONT SIDE DOOR (LOCK)

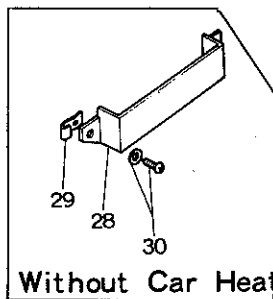
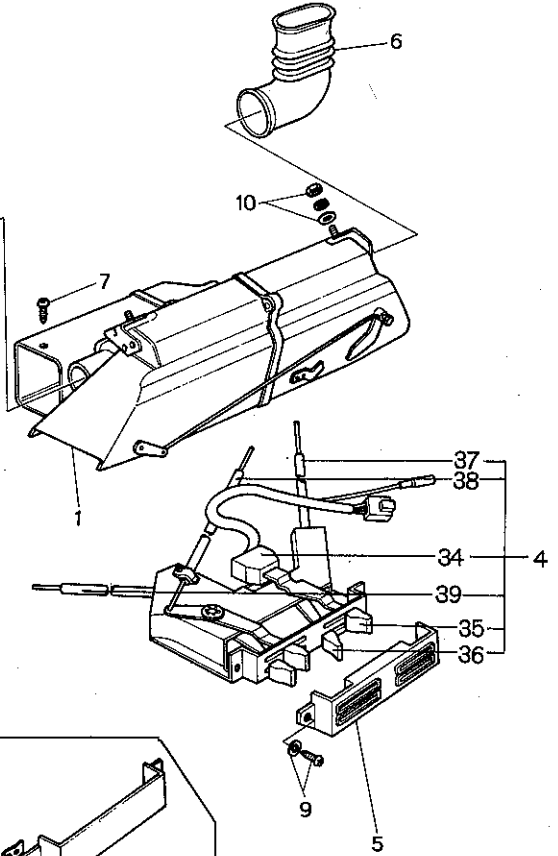
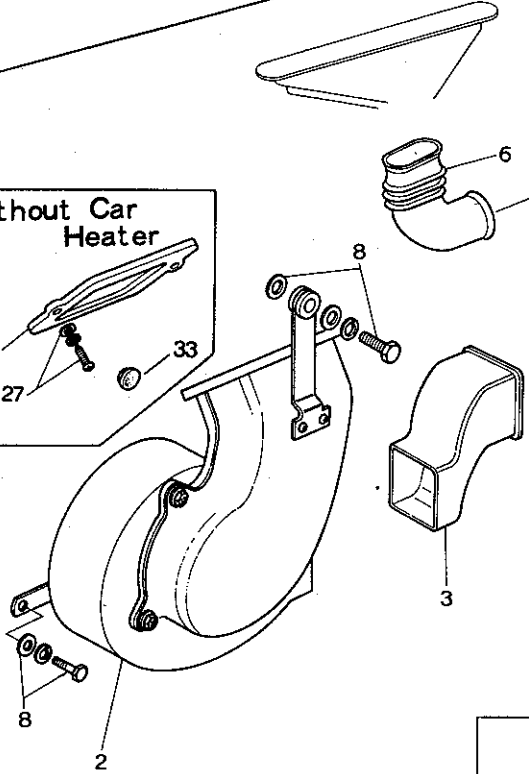
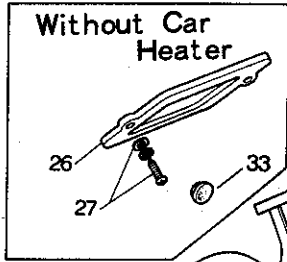
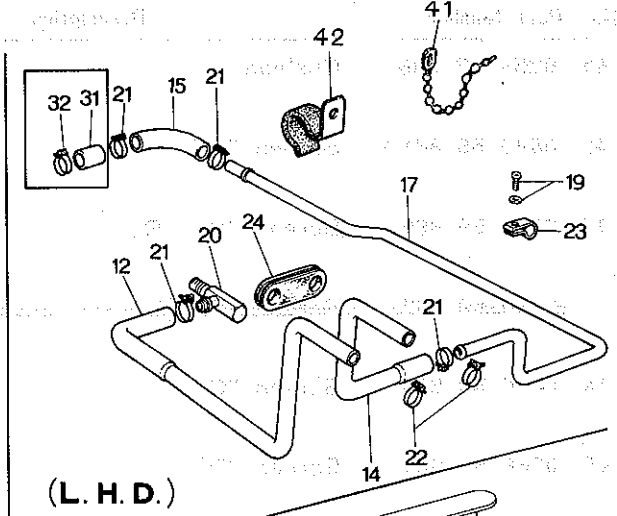
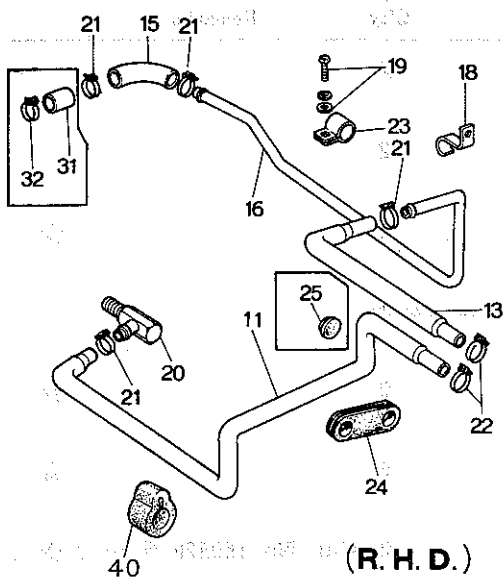
No.	Part Number	Description	Q'ty	Remarks
33	0187 58 731	Pin, Hinge	2	
34	0866 58 201	Shim, Hinge "A"	4	
35	0866 58 231	Shim, Hinge "B"	4	Selective use
	1011 58 231	Shim, Hinge "B"	4	Car No. 152816 $\frac{7}{9}$ ~ ○
36	907832 8 28	Bolt Set, Hinge	24	
37	0866 58 361	Rack (R)	1	
	1540 58 361	Rack (R)	1	Car No. 134345 $\frac{7}{1}$ ~ ○
	0866 58 361B	Rack (R)	1	Car No. 150526 $\frac{7}{8}$ ~ X
	0866 58 361C	Rack (R)	1	Car No. 167748 $\frac{13}{5}$ ~ △
	0866 59 361	Rack (L)	1	
	1540 59 361	Rack (L)	1	Car No. 134345 $\frac{7}{1}$ ~ ○
	0866 59 361B	Rack (L)	1	Car No. 150526 $\frac{7}{8}$ ~ X
	0866 59 361C	Rack (L)	1	Car No. 166140 $\frac{7}{4}$ ~ △
38	0866 58 363	Seat, Striker	2	Used up to Car No. 150526 $\frac{7}{8}$
39	0866 58 364A	Plate, Base	2	
	0866 58 364B	Plate, Base	2	Car No. 150526 $\frac{7}{8}$ ~ X
40	907614 6 40	Screw Set, Rack	4	Car No. 134344 $\frac{7}{1}$ ~ Discarded
	1540 58 371	Screw	4	Car No. 134345 $\frac{7}{1}$ ~ Added Anew
	99975 0600	Washer	4	



# FRONT SIDE DOOR (LOCK)

58
59

No.	Part Number	Description	Q'ty	Remarks
	41 0259 58 906	Cushion	2	
	42 0866 58 861A	Screen "A"	2	
●	43 0866 59 862A	Screen "B" (R)	2	☆
	<del>0866 59 862</del>	<del>Screen "B" (L)</del>	<del>1</del>	
●	44 0866 58 863	Screen "C"	2	☆
●	45 0866 58 864	Screen "D"	2	☆
●	0305 58 864	Screen "D"	2	Car No. 150526 $\frac{7}{8}$ ~○ ☆



No.	Part Number	Description	Q'ty	Remarks
	<del>0866 61 070</del>	<del>Heater Set (Nichira Make)</del>	<del>±</del>	
		(R.H.D.)		
	0866 61 080	Heater Set (Denso Make)	1	
	1562 61 080	Heater Set (L.H.D.)	1	
1	<del>0605 61 130 A</del>	<del>Heater Unit (Nichira Make)</del>	<del>±</del>	
		(R.H.D.)		
	0866 61 130 B	Heater Unit (Denso Make)	1	
	0862 61 130	Heater Unit	1	Car No. 155593 $\frac{7}{10}$ ~ ○
	1524 61 130 A	Heater Unit (L.H.D.)	1	
	1524 61 130 B	Heater Unit (L.H.D.)	1	Car No. 141928 $\frac{7}{3}$ ~ X
2	<del>0605 61 140 A</del>	<del>Blower (Nichira Make)</del>	<del>±</del>	
		(R.H.D.)		
	0866 61 140 C	Blower (Denso Make)	1	
	1524 61 140 B	Blower (L.H.D.)	1	
3	<del>0605 61 151 A</del>	<del>Duct (Nichira Make)</del>	<del>±</del>	
		(R.H.D.)		
	0866 61 151 A	Duct (Denso Make)	1	
	1524 61 151 A	Duct (L.H.D.)	1	
4	<del>0865 61 190 B</del>	<del>Control (Nichira Make)</del>	<del>±</del>	
		(R.H.D.)		
	0866 61 190 B	Control (Denso Make)	1	Fig. No. 5 Included
	0866 61 190 D	Control (R.H.D.)	1	Car No. 139297 $\frac{7}{2}$ ~ X
	1562 61 190 A	Control (L.H.D.)	1	
	1562 61 190 C	Control (L.H.D.)	1	Car No. 141184 $\frac{7}{2}$ ~ X
5	0866 61 195	Panel, Control (R.H.D.)	1	

No.	Part Number	Description	Q'ty	Remarks
	0866 61 195B	Panel, Control (R.H.D.)	1	Car No. 141184 $\frac{7}{8}$ ~X
	99863 0516	Screw, Tapping	2	
	99952 0500	Washer, Plain	2	
	0820 56 905	Clip	2	
6	0866 61 251	Hose, Defroster	2	
7	99971 0500	Washer, Spring	2	Duct & Heater Unit
	99952 0500	Washer, Plain	2	
	99863 0512	Bolt	2	
8	99805 0830	Bolt, Blower	3	
	99952 0818	Washer, Plain	3	
	99971 0800	Washer, Spring	3	
	99952 0822	Washer, Plain	1	
9	99833 0512	Screw, Control	3	
	99952 0500	Washer, Plain	3	
	99971 0500	Washer, Spring	3	
10	99906 0800	Nut, Heater Unit	3	
	99940 0800	Nut, Heater Unit	3	Car No. 141928 $\frac{7}{8}$ ~△
	99952 0800	Washer, Plain	3	Car No. 141928 $\frac{7}{8}$ ~Discarded
	99971 0800	Washer, Spring	3	

# CAR HEATER

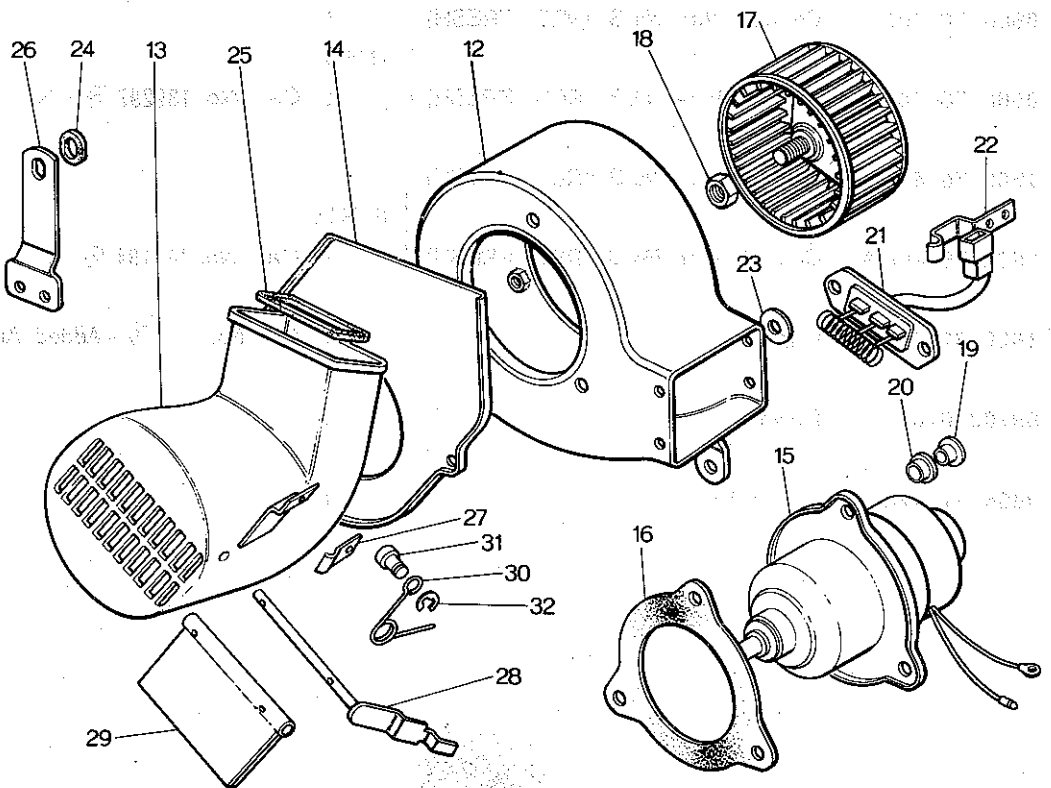
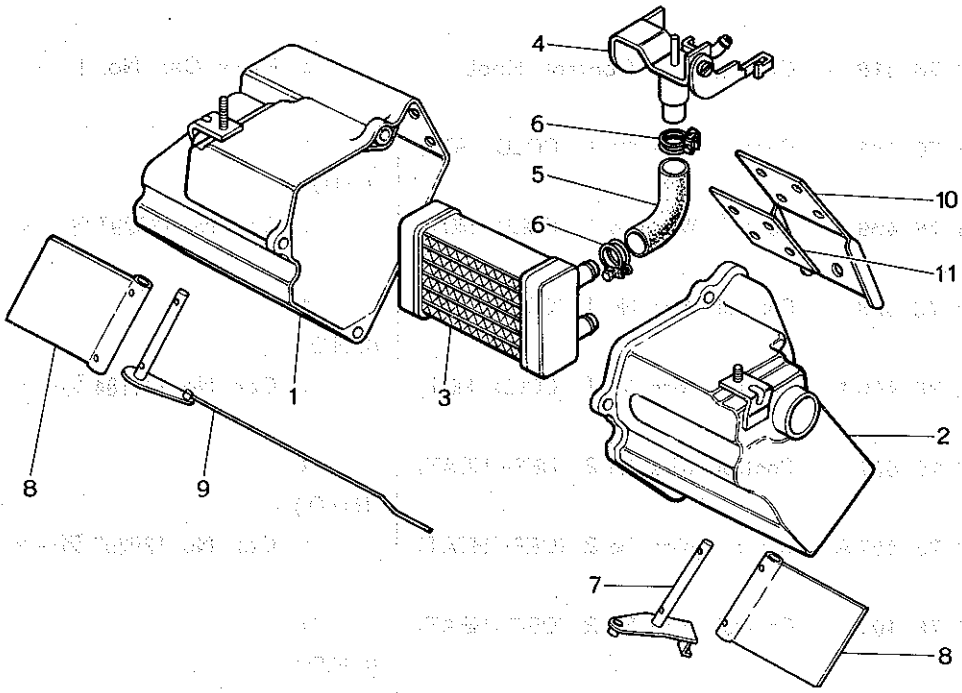
61

No.	Part Number	Description	Q'ty	Remarks
11	0866 61 211 C	Hose No. 1 (R.H.D.)	1	
12	1562 61 211 B	Hose No. 1 (L.H.D.)	1	
	1562 61 211 C	Hose No. 1 (L.H.D.)	1	Car No. 141928 $\frac{7}{3}$ ~X
13	0866 61 212 B	Hose No. 2 (R.H.D.)	1	
14	1562 61 212 A	Hose No. 2 (L.H.D.)	1	
	1562 61 212 B	Hose No. 2 (L.H.D.)	1	Car No. 141928 $\frac{7}{3}$ ~X
	1620 61 212	Hose No. 2	1	Car No. 160627 $\frac{7}{10}$ ~X
15	0866 61 213	Hose No. 3	1	
16	0866 61 214 A	Pipe, Heater (R.H.D.)	1	
17	1562 61 214 A	Pipe, Heater (L.H.D.)	1	
	1881 61 214 A	Pipe, Heater (L.H.D.)	1	Car No. 160623 $\frac{7}{10}$ ~X
18	0866 61 217	Clip, Pipe (R.H.D.)	1	
19	99868 0512	Screw, Pipe	2	
	99952 0516	Washer, Plain	2	
	99971 0500	Washer, Spring	2	
20	0820 15 330	Joint, Hose	1	
21	99282 2600	Band, Hose	4	
22	99282 2200	Band, Hose	2	
	99282 2600	Band, Hose (L.H.D.)	2	Car No. 141928 $\frac{7}{3}$ ~Added Anew
23	0824 61 192	Clip, Heater Pipe	1	

No.	Part Number	Description	Q'ty	Remarks
24	0866 61 235	Grommet	1	
25	0257 61 051	Grommet	1	
26	<del>0366 01 070 A</del>	<del>Cover, Dash Panel Upper</del>	<del>1</del>	
	0366 61 071	Cover, Dash Panel Upper	1	From Car No. 1
	0366 61 072	Packing, Cover	1	
27	99863 0516	Screw, Cover	2	
	99952 0500	Washer, Plain	2	Without Car Heater
	99971 0500	Washer, Spring	2	
28	0868 61 195	Panel, Control	1	
	0866 61 195 B	Panel, Control	1	
29	0820 56 905	Clip	2	
30	99863 0516	Screw, Control Panel	2	
	99952 0500	Washer, Plain	2	
31	0864 61 061 A	Cover	1	Without Car Heater
32	99282 2600	Band, Hose	2	
33	0118 56 242 B	Plug, Hole	2	
34	0370 76 403	Switch, Control (OFF~FAN)	1	
35	0370 76 409	Knob (Upper)	2	
●	✓ 0862 76 409	Knob (Upper)	2	③ 7/8
36	0370 76 411	Knob (Lower)	2	

No.	Part Number	Description	Q'ty	Remarks
● ✓	0862 76 411	Knob (Lower)	2	$\frac{7}{8}$ ~○
● ✓	0370 76 416	Clip, Lower Control Knob	4	From Car No. 1
37	0866 76 406	Control Wire No. 1 (COLD~HOT)	1	(R.H.D.)
	0866 76 406 A	Control Wire No. 1 (COLD~HOT)	1	
	1562 76 406	Control Wire No. 1 (COLD~HOT)	1	(L.H.D.)
	1562 76 406 A	Control Wire No. 1 (COLD~HOT)	1	
38	0866 76 407	Control Wire No. 2 (DEF~HEAT)	1	(R.H.D.)
	0866 76 407 A	Control Wire No. 2 (DEF~HEAT)	1	
	1562 76 407	Control Wire No. 2 (DEF~HEAT)	1	(L.H.D.)
	1562 76 407 A	Control Wire No. 2 (DEF~HEAT)	1	
39	0866 76 408	Control Wire No. 3 (REC~FRESH)	1	(R.H.D.)
	0866 76 408 A	Control Wire No. 3 (REC~FRESH)	1	
	1562 76 408	Control Wire No. 3 (REC~FRESH)	1	(L.H.D.)
	1562 76 408 A	Control Wire No. 3 (REC~FRESH)	1	
●	40 1620 61 225	Clip	1	Car No. $\frac{7}{8}$ ~ Added Anew
●	41 99709 0108	Band	1	
●	42 0866 61 476	Protector	1	

**61 76 HEATER UNIT & BLOWER (R.H.D.)**





# HEATER UNIT & BLOWER (R.H.D.)

61

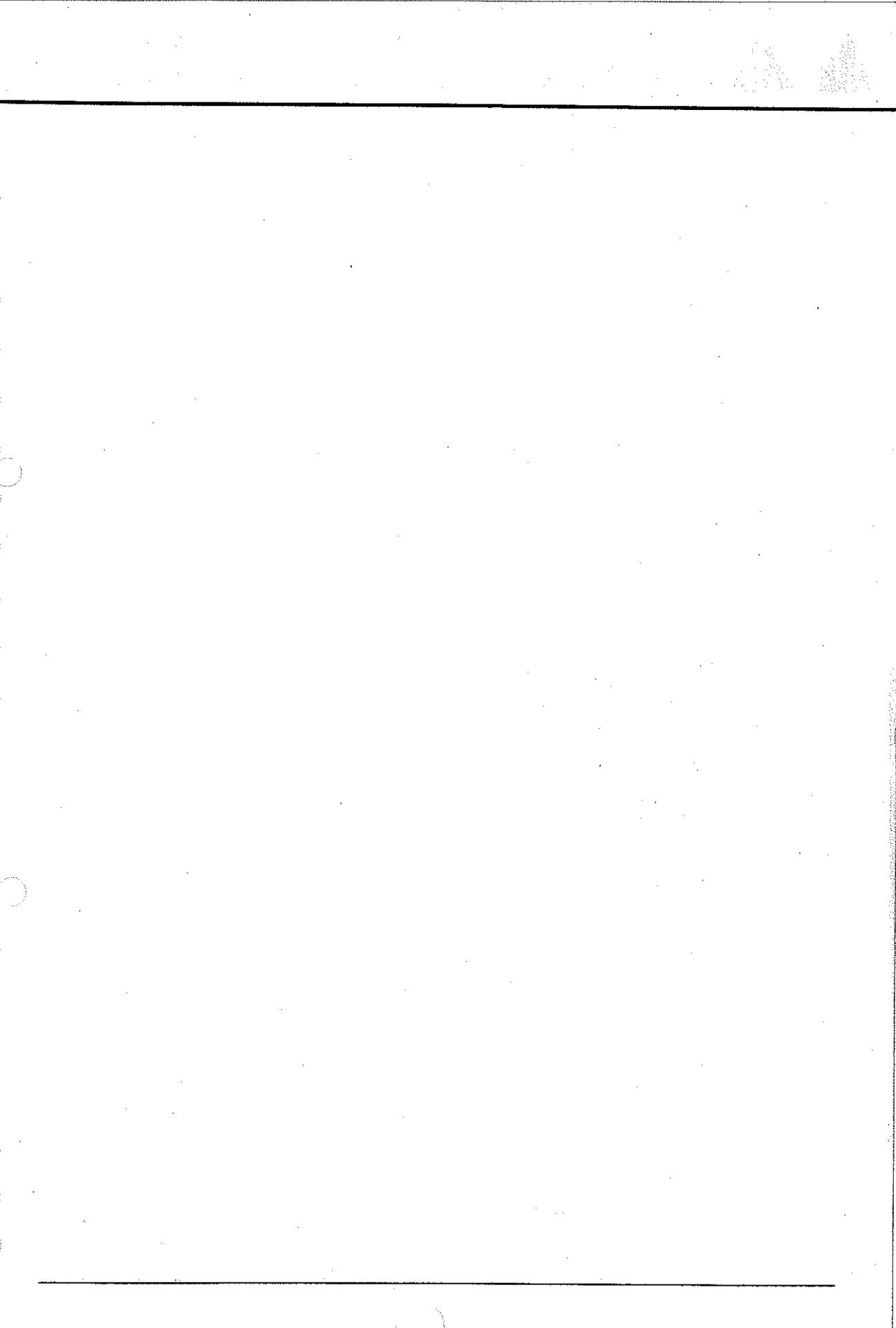
76

No.	Part Number	Description	Q'ty	Remarks
	<del>0866 61 130</del>	<del>Unit, Heater</del>	<del>1</del>	
	0866 61 130B	Unit, Heater	1	From Car No. 1
	0862 61 130	Unit, Heater	1	Car No. 155593 3/4~O
1	0866 76 501	Case, Unit	1	
2	0866 76 502	Case, Unit	1	
3	0866 76 503	Radiator, Unit	1	
4	0866 76 504	Valve, Water	1	
5	0866 76 505	Hose, Water	1	
6	98282 2200	Band, Hose	2	
7	0866 76 506	Shaft	1	
8	0866 76 507	Damper	2	
9	0866 76 508	Shaft	1	
10	0866 76 509	Bracket	1	
11	0866 76 511	Plate	1	
	0866 61 140C	Blower, Heater	1	
12	0866 76 451	Case, Blower	1	
13	0866 76 452	Duct, Air	1	
14	0866 76 453	Flange	1	
15	0866 76 454	Motor	1	
16	0866 76 455	Gasket	1	
17	0866 76 456	Blower	1	
18	0866 76 472	Nut	1	
19	0866 76 457	Insert	3	
20	0866 76 458	Gasket	3	
21	0866 76 459	Resistance	1	
22	0866 76 461	Clamp "B"	1	

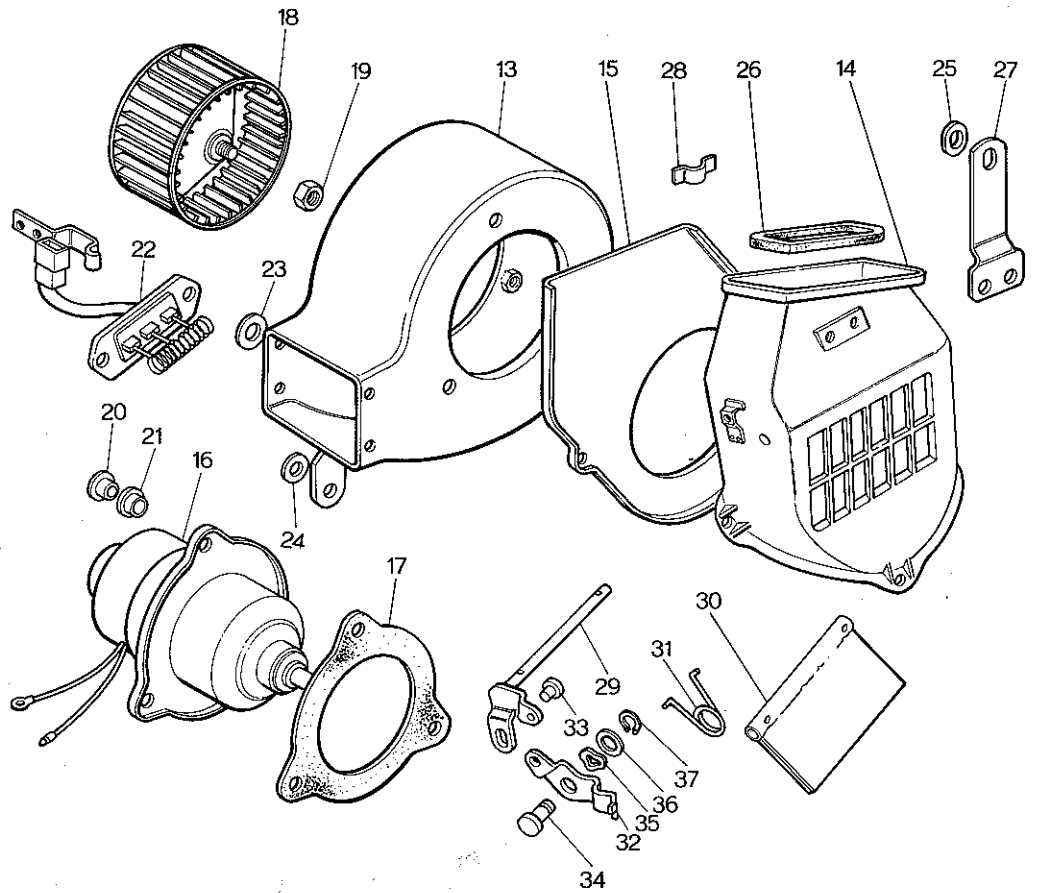
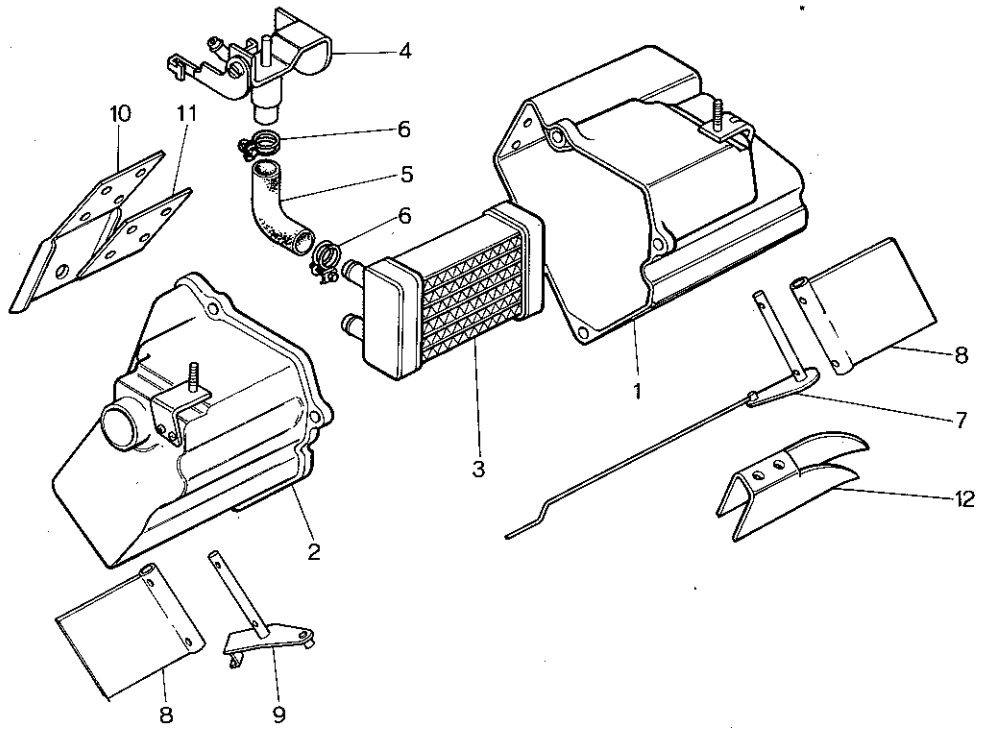


# HEATER UNIT & BLOWER (R.H.D.)

No.	Part Number	Description	Q'ty	Remarks
23	0866 76 462	Gasket "A"	1	
24	0866 76 463	Gasket	1	
25	0866 76 464	Gasket "B"	1	
26	0866 76 465	Bracket	1	
27	0866 76 466	Bracket "C"	1	
● ✓	0862 76 572	Bracket "C"	1	Car No. 166140 $\frac{3}{4}$ ~ X
✓	28 0866 76 467	Shaft	1	
✓	29 0866 76 468	Damper	1	
30	✓ 0866 76 469	Spring	1	
31	✓ 0866 76 471	Piece Set	1	
32	99576 0400	Ring, Retaining	1	
● (N) ✓	0866 76 473	Packing	1	Car No. 166140 $\frac{3}{4}$ ~ Added Anew



# HEATER UNIT & BLOWER (L. H. D.)



# HEATER UNIT & BLOWER (L.H.D.)

61

76

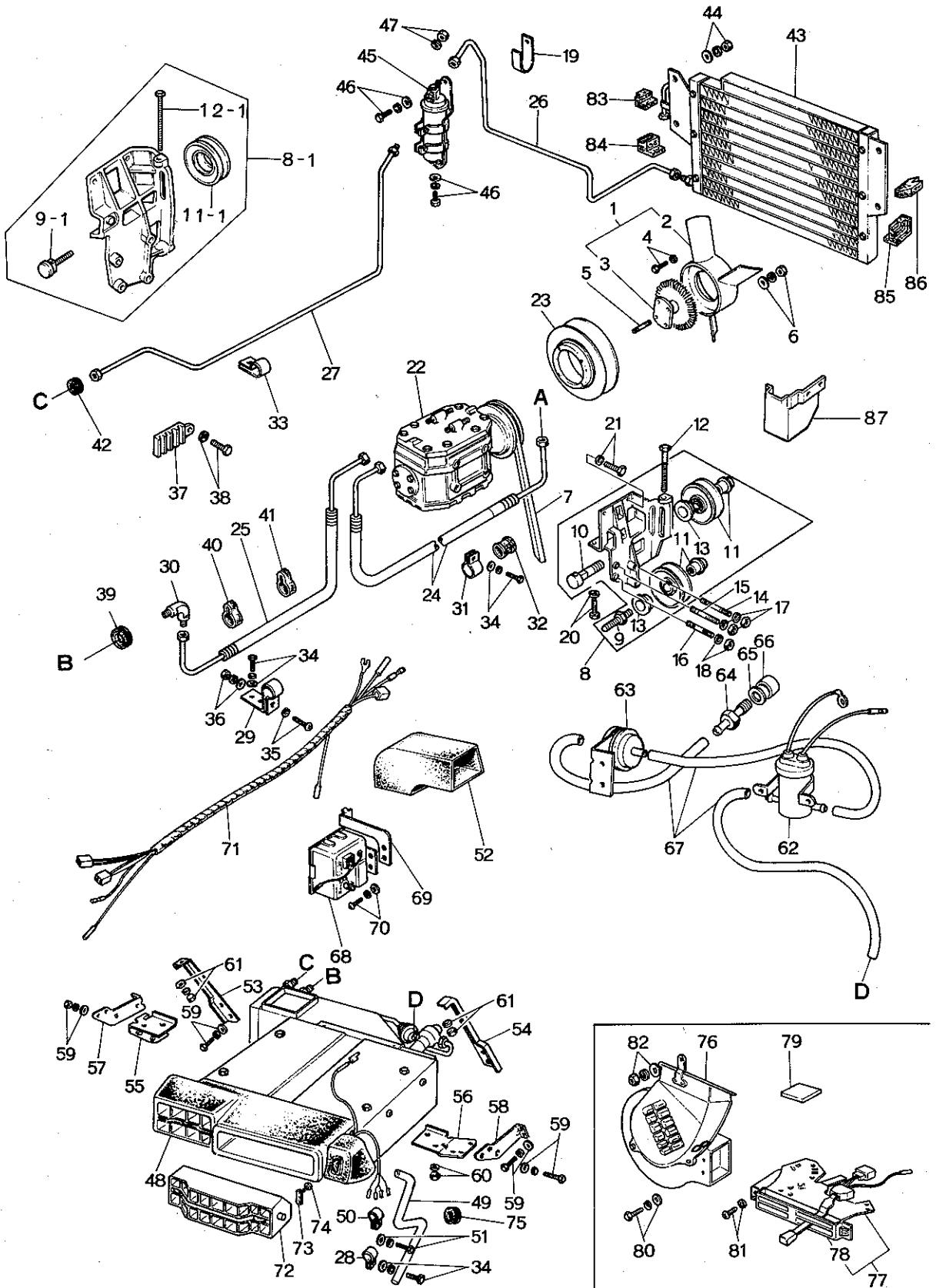
No.	Part Number	Description	Q'ty	Remarks
	1524 61 130A	Unit, Heater	1	
	1524 61 130B	Unit, Heater	1	Car No. 141928 7/8~X
1	1524 76 501	Case, Unit	1	
	1524 76 501A	Case, Unit	1	Car No. 141928 7/8~X
2	1524 76 502	Case, Unit	1	
	1524 76 502A	Case, Unit	1	Car No. 141928 7/8~X
3	1524 76 503	Radiator, Unit	1	
	1524 76 503A	Radiator, Unit	1	Car No. 141928 7/8~X
4	1524 76 504	Valve, Water	1	
	1524 76 504A	Valve, Water	1	Car No. 141928 7/8~X
5	1524 76 505	Hose, Water	1	
	1524 76 505A	Hose, Water	1	Car No. 141928 7/8~X
6	99282 2600	Band, Hose	2	
7	0866 76 506	Shaft	1	
8	0866 76 507	Damper	2	
9	0866 76 508	Shaft	1	
10	0866 76 509	Bracket	1	
11	0866 76 511	Plate	1	
12	1524 76 512	Guide, Air	1	
	<del>1524 67 1408</del>	<del>Blower</del>	<del>1</del>	
●	1524 61 140B	Blower	1	From Car No. 1
13	1524 76 451	Case, Blower	1	
14	1524 76 452	Duct, Air	1	
15	1524 76 453	Flange	1	
16	1524 76 454	Motor	1	
17	0866 76 455	Gasket	1	
18	1524 76 456	Blower	1	
19	0866 76 472	Nut	1	
20	0866 76 457	Insert	3	
21	0866 76 458	Gasket	1	
22	0866 76 459	Resistance	1	

**HEATER UNIT & BLOWER (L. H. D.)**

No.	Part Number	Description	Q'ty	Remarks
23	0866 76 461	Clamp "B"	1	
24	0866 76 462	Gasket "A"	1	
25	0866 76 463	Gasket	1	
26	0866 76 464	Gasket "B"	1	
27	1524 76 465	Bracket	1	
28	0866 76 466	Bracket "C"	1	
29	1524 76 467	Shaft	1	
30	0866 76 468	Damper	1	
31	1524 76 469	Spring	1	
32	1524 76 471	Lever, Control	1	
33	1524 76 472	Cooler	1	
34	1524 76 473	Pin	1	
35	99972 0500	Washer, Wave	1	
36	0315 76 022	Washer	1	
37	99576 0300	Ring, Retaining	1	



# CAR COOLER (R.H.D.)





# CAR COOLER (R.H.D)

61
79

No.	Part Number	Description	Qty	Remarks
	<del>0866 79 310</del>	<del>Cooler, Car</del>	<del>1</del>	<del>Discarded</del>
●	✓ 0866 79 320	Cooler, Car	1	From Car No. 1
●	3507 61 410	Cooler, Car (With Heater)	1	Car No. 160623 $\frac{7}{10}$ X
✓	1557 61 390	Cooler, Car-Heater Less	1	Discarded
●	3503 61 410	Cooler, Car	1	Car No. 160623 $\frac{7}{10}$ X
1	0877 15 250	Fan & Fan Drive (Fig. No. 2~4 Included)	1	Discarded
✓	0871 15 250	Fan & Fan Drive (Fig. No. 2~4 Included)	1	Car No. 149072 $\frac{7}{10}$ ~△
✓	2 0877 15 200	Fan, Cooling	1	Discarded
✓	0871 15 200	Fan, Cooling	1	Car No. 149072 $\frac{7}{10}$ ~△
3	2090 15 210	Fan Drive	1	Discarded
	0871 15 210	Fan Drive	1	Car No. 149072 $\frac{7}{10}$ ~△
4	99806 0612	Bolt, Fan & Fan Drive	6	Discarded
	99971 0600	Washer, Spring	6	Car No. 160623 $\frac{7}{10}$ ~Discarded
5	99852 0635	Stud, Fan & Fan Drive	4	Discarded
6	99907 0600	Nut, Fan & Fan Drive	4	Discarded
	99952 0600	Washer, Plain	4	Discarded
	99971 0600	Washer, Spring	4	Discarded
✓	7 0866 15 906	Belt, "V"	1	Discarded
✓	1881 15 906	Belt, "V"	1	Car No. 160623 $\frac{7}{10}$ X
●	1881 15 906A	Belt, "V"	1	Car No. $\frac{7}{2}$ X

## CAR COOLER (R.H.D.)

No.	Part Number	Description	Q'ty	Remarks
8	0866 15 920 B	Bracket, Compressor (Fig. No. 9 ~ 13 Included)	1	
● 8-1	1881 15 920	Bracket	1	Car No. 160623 $\frac{73}{10}$ ~ X
9	0866 15 923 A	Shaft	1	
● 9-1	1881 15 967	Shaft	1	Car No. 160623 $\frac{73}{10}$ ~ Added Anew
10	0866 15 932	Bolt, Idle Pulley	1	
11	0866 15 940 A	Pulley, Idle	2	
● 11-1	1881 15 940	Pulley, Idle	1	Car No. 160623 $\frac{73}{10}$ ~ X
12	0839 61 966 A	Bolt, Adjust	1	
● 12-1	1757 15 966	Bolt, Adjust	1	Car No. 160623 $\frac{73}{10}$ ~ X
13	0317 78 034	Collar	2	
14	99859 1025	Stud, Compressor Bracket	2	
15	99859 1050	Stud, Compressor Bracket	2	
●	99859 1032 A	Stud, Compressor Bracket	2	Car No. 160623 $\frac{73}{10}$ ~ X
16	99859 1225	Stud, Compressor Bracket	1	
17	99921 1000	Nut, Compressor Bracket	4	
	99971 1000	Washer, Spring	4	
18	99921 1200	Nut, Compressor Bracket	1	
	99971 1200	Washer, Spring	1	
19	99295 1508	Clip	1	
20	99801 0840	Bolt, Compressor Bracket	2	

# CAR COOLER (R.H.D.)

61
79

No.	Part Number	Description	Q'ty	Remarks
	99971 0800	Washer, Spring	2	
21	99801 0825	Bolt, Compressor Bracket	4	
	99971 0800	Washer, Spring	4	
22	0866 61 450	Compressor	1	
23	0839 61 975 C	Pulley, "V" Belt	1	
●	1881 15 911 B	Pulley, "V" Belt	1	Car No. 160623 $\frac{7}{10}$ X
●	1757 15 911 B	Pulley, "V" Belt	1	Car No. $\frac{7}{12}$ X
●	1757 15 912	Stiffener, Pulley	1	Car No. 160623 $\frac{7}{10}$ Added Anew
24	0866 61 461	Hose, Flexible	1	
25	0866 61 462	Hose, Flexible	1	
26	0866 61 463	Pipe No. 1	1	
27	0866 61 464 A	Pipe No. 2	1	$\frac{7}{12}$ ○
●	0866 61 466	Pipe No. 2	4	
28	0370 61 467	Clip	1	
29	0866 61 467	Clip	1	
30	0866 61 474	Elbow	2	
31	0259 76 857	Clip	2	
32	0259 78 858	Packing, Rubber	1	
33	0259 78 868	Clip	13	
34	99868 0512	Screw, Clip	13	

61

79

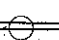
## CAR COOLER (R.H.D.)

No.	Part Number	Description	Q'ty	Remarks
	99952 0500	Washer, Plain	13	
	99971 0500	Washer, Spring	13	
35	99797 0512	Screw	1	
	99952 0500	Washer, Plain	1	
36	99906 0500	Nut	1	
	99952 0500	Washer, Plain	1	
	99971 0500	Washer, Spring	1	
37	0866 61 472	Clip	1	
38	99806 0814	Bolt, Clip	1	
	99971 0800	Washer, Spring	1	
39	0866 61 475	Grommet	1	
40	0866 61 476	Protector	1	
41	0317, 61 612	Cushion	1	
42	0208 78 875	Grommet	1	
43	0866 61 480	Condenser	1	
	0866 61 490	Condenser	1	Car No. 146346 $\frac{7}{5}$ ~△
44	99906 0600	Nut, Condenser	4	
	99952 0618	Washer, Plain	4	
	99971 0600	Washer, Spring	4	
45	0866 61 500	Tank, Receiver	1	

# CAR COOLER (R.H.D.)

61

79

No.	Part Number	Description	Q'ty	Remarks
46	99801 0612	Bolt, Receiver Tank	3	
	99952 0618	Washer, Plain	3	
	99971 0600	Washer, Spring	3	
47	99906 0600	Nut, Receiver Tank	1	
	99952 0600	Washer, Plain	1	
48	0866 61 520	Cooler Unit (With Heater)	1	
	1557 61 520	Cooler Unit (W/O Heater)	1	<del>Car No. 152816</del> 
49	0866 61 525 A	Hose, Drain	1	
50	0866 61 527	Clip, Drain Hose	1	
51	99868 0512	Screw, Clip	1	
	99952 0500	Washer, Plain	1	
	99971 0500	Washer, Spring	1	
52	0866 61 526 A	Duct, Rubber	1	Car No. 152816 $\frac{7}{8}$ Discarded
53	0866 61 531	Bracket No. 1, Cooler Unit	1	
54	0866 61 532	Bracket No. 2, Cooler Unit	1	
55	0866 61 533	Bracket No. 3, Cooler Unit	1	
56	0866 61 534	Bracket No. 4, Cooler Unit	1	
57	0866 61 535	Bracket No. 5, Cooler Unit	1	
58	0866 61 536	Bracket No. 6, Cooler Unit	1	
59	99797 0616	Bolt, Bracket	14	

**CAR COOLER (R.H.D.)**

No.	Part Number	Description	Q'ty	Remarks
	99952 0600	Washer, Plain	12	
	99952 0618	Washer, Plain	2	
	99971 0600	Washer, Spring	14	
60	99906 0600	Nut, Bracket	2	
	99952 0618	Washer, Plain	2	
61	99906 0800	Nut, Bracket	2	
	99952 0800	Washer, Plain	2	
	99971 0800	Washer, Spring	2	
● 62	0824 61 236 A	Valve, Magnet	1	Car No. 152816 7/8~Discarded (W/O Heater)
● 63	0866 61 541	Valve, Check	1	
● 64	0866 61 542	Connector, Vacuum Hose	1	
● 65	99564 1000	Gasket, Connector	1	
● 66	0866 61 549	Spacer	1	
● 67	0866 61 543 A	Hose, Vacuum	1	
68	0866 61 545	Stabilizer, Amplifier	1	
●	1622 61 545	Stabilizer, Amplifier	1	7/8~○
69	0866 61 548	Bracket, Stabilizer	1	
↓	0866 61 548 A	Bracket, Stabilizer	1	Car No. 152377 7/8~△
●	1622 61 548	Bracket, Stabilizer	1	7/8~○
70	99833 0512	Screw, Bracket	2	

# CAR COOLER (R.H.D.)

61
79

No.	Part Number	Description	Qty	Remarks
	99952 0500	Washer, Plain	2	
	99971 0500	Washer, Spring	2	
71	0866 61 546	Harness	1	
72	0866 61 551	Grille	1	
73	0866 61 552	Holder, Grille	2	
74	99968 0308	Screw	4	
75	0820 78 883	Grommet	2	
76	1518 61 140	Blower	1	
77	1566 61 190 A	Control	1	
●	<del>1588 61 190 B</del>	<del>Control</del>		<del>1 Car No. 141928 <math>\frac{2}{3}</math> X</del>
●	1568 61 190 C	Control		1 Car No. 141928 $\frac{2}{3}$ ~ X
●	<del>0868 61 195 A</del>	<del>Panel, Control</del>		<del>±</del>
●	0866 61 195 B	Panel, Control		1 Car No. 141928 $\frac{2}{3}$ ~ Δ
79	1531 61 411	Cover, Cooler		1 Car No. 152816 $\frac{2}{9}$ ~ Discarded
80	99905 0830	Bolt, Blower	2	(W/O Heater)
	99952 0800	Washer, Plain	2	
	99971 0800	Washer, Spring	2	
81	99833 0512	Screw, Control	3	
	99971 0500	Washer, Spring	3	
82	99906 0800	Nut, Blower	1	



# CAR COOLER (R.H.D.)

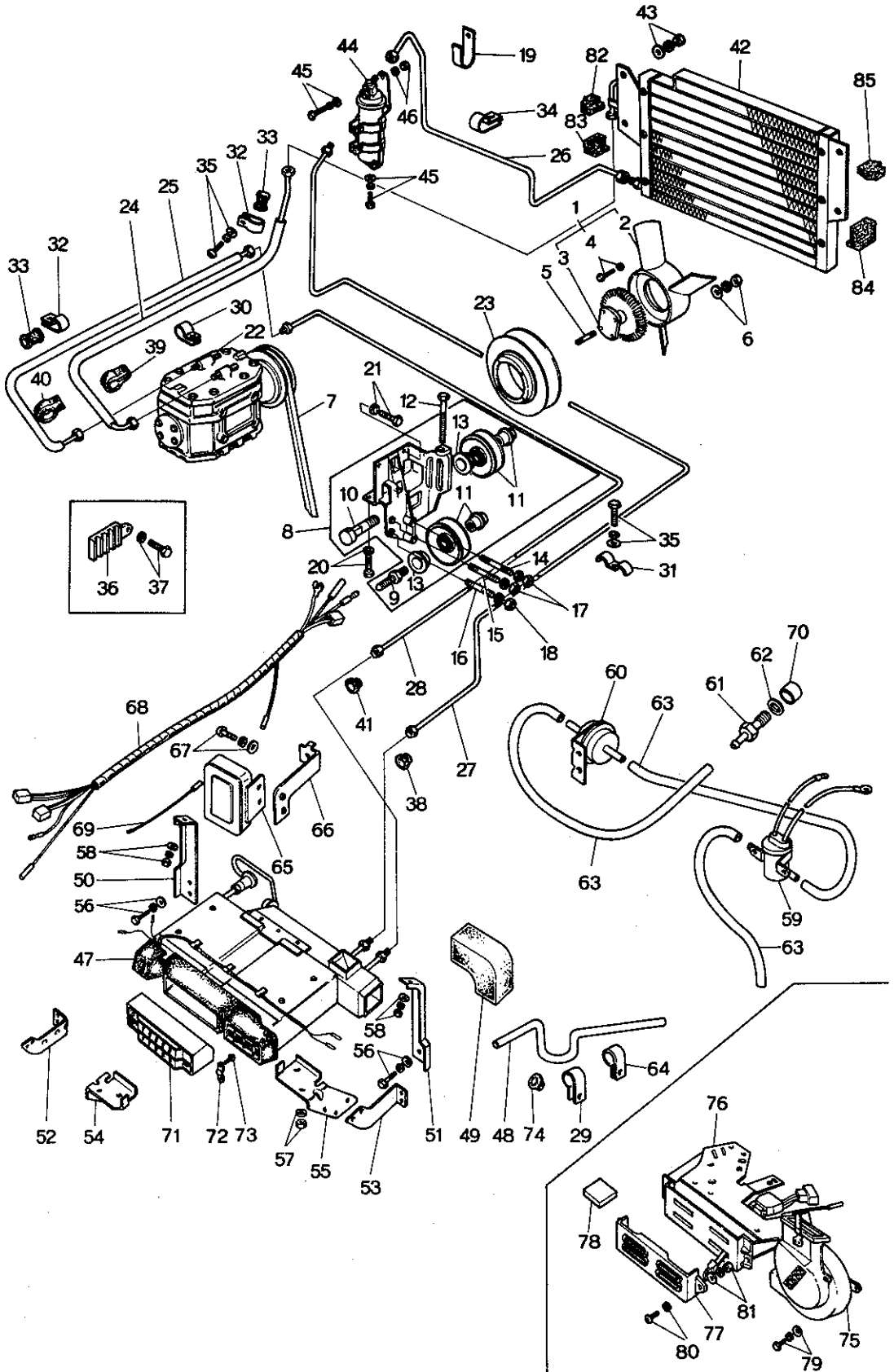
No.	Part Number	Description	Q'ty	Remarks
	99952 0822	Washer, Plain	1	
	99971 0800	Washer, Spring	1	
83	0866 61 911	Packing No. 1	1	
●	1128 61 911	Packing No. 1	1	Car No. 160623 <sup>73</sup> / <sub>10</sub> X
84	0866 61 912	Packing No. 2	1	
●	1128 61 912	Packing No. 2	1	Car No. 160623 <sup>73</sup> / <sub>10</sub> X
85	0866 61 913	Packing No. 3	1	
●	1128 61 913	Packing No. 3	1	Car No. 160623 <sup>73</sup> / <sub>10</sub> X
86	0866 61 914	Packing No. 4	1	
● 87	1620 61 920	Sealer	1	Car No. 160623 <sup>73</sup> / <sub>10</sub>





# CAR COOLER (L.H.D.)

(USED UP TO CAR NO. 167747 <sup>73</sup>/<sub>4</sub>)



# CAR COOLER (L.H.D.)

(USED UP TO CAR NO. 167747 <sup>3/4</sup>)



No.	Part Number	Description	Qty	Remarks
	1562 61 400	Cooler, Car	1	
	1568 61 390	Cooler, Car-W/O Heater	1	
✓ 1	0877 15 250	Fan & Fan Drive (Fig. No. 2~4 included)	1	
✓	0871 15 250	Fan & Fan Drive (Fig. No. 2~4 included)	1	Car No. 149702 $\frac{7}{8}$ ~ Δ
✓ 2	0877 15 200	Fan	1	
✓	0871 15 200	Fan	1	Car No. 149702 $\frac{7}{8}$ ~ Δ
✓ 3	2090 15 210	Fan Drive	1	
✓	0871 15 210	Fan Drive	1	Car No. 149702 $\frac{7}{8}$ ~ Δ
4	99806 0612	Bolt	6	
	99971 0600	Washer, Spring	6	
5	99852 0635	Stud, Fan & Fan Drive	4	
6	99907 0600	Nut, Fan & Fan Drive	4	
	99952 0600	Washer, Spring	4	
	99971 0600	Washer, Plain	4	
✓ 7	0866 15 906	Belt, "V"	1	
✓ 8	0866 15 920 B	Bracket, Compressor (Fig. No. 9~13 included)	1	
✓ 9	0866 15 923 A	Shaft	1	
✓ 10	0866 15 932	Bolt, Idle Pulley	1	
✓ 11	0866 15 940 A	Pulley, Idle	2	
	12 0839 61 966 A	Bolt, Adjust	1	
	13 0317 78 034 V	Collar	2	
	14 99859 1025	Stud, Compressor Bracket	2	
	15 99859 1050	Stud, Compressor Bracket	2	
	99859 1032 A	Stud, Compressor Bracket	2	Car No. 160623 $\frac{7}{10}$ ~ X
	16 99859 1225	Stud, Compressor Bracket	1	
	17 99921 1000	Nut, Compressor Bracket	4	
	99971 1000	Washer, Spring	4	
	18 99921 1200	Nut, Compressor Bracket	1	
	99971 1200	Washer, Spring	1	
	19 99295 1508	Clip	1	

No.	Part Number	Description	Q'ty	Remarks
20	99801 0840	Bolt, Compressor Bracket	2	
	99971 0800	Washer, Spring	2	
21	99801 0825	Bolt, Compressor Bracket	4	
	99971 0800	Washer, Spring	4	
22	0866 61 450	Compressor	1	
23	0839 61 975C	Pulley, "V" Belt	1	
24	1562 61 481	Hose, Flexible	1	
25	1562 61 482	Hose, Flexible	1	
26	0866 61 483	Pipe, No. 1	1	
27	1524 61 484A	Pipe, No. 2	1	
28	1562 61 465	Pipe, No. 3	1	
29	0370 61 487	Clip	4	
30	1562 61 487	Clip	1	
31	0370 61 471	Clip	4	
32	0259 78 857 ✓	Clip	2	
33	0259 78 858 ✓	Packing, Rubber	2	
34	0259 78 868 ✓	Clip	1	
35	99868 0512	Screw, Clip	16	
	99952 0500	Washer, Plain	16	
	99971 0500	Washer, Spring	16	
36	0866 61 472	Clip	1	
37	99806 0814	Bolt, Clip	1	
	99971 0800	Washer, Spring	1	
38	0866 61 475	Grommet	1	
39	0866 61 476	Protector	1	
40	0317 61 612	Cushion	1	

# CAR COOLER (L.H.D.)

(USED UP TO CAR NO. 167747 <sup>73</sup>/<sub>4</sub>)

61

No.	Part Number	Description	Q'ty	Remarks
41	<del>0200 78 788</del>	<del>Grommet</del>	<del>1</del>	
	0208 78 875 V	Grommet	1	From Car No. 1
42	0888 81 480	Condenser	1	
	1582 81 490	Condenser	1	Cor No. 146346 <sup>75</sup> / <sub>5</sub> ~△
43	99808 0800	Nut, Condenser	4	
	99852 0818	Washer, Plain	4	
	99871 0800	Washer, Spring	4	
44	0888 81 500	Tank, Receiver	1	
45	99801 0812	Bolt, Receiver Tank	3	
	99852 0818	Washer, Plain	3	
	99871 0800	Washer, Spring	3	
46	99808 0800	Nut	1	
	99852 0800	Washer, Plain	1	
47	1582 81 520	Cooler Unit	1	
	1588 81 520	Cooler Unit	1	Car No. 152816 <sup>75</sup> / <sub>3</sub> ~○
48	0888 81 525A	Hose, Drain	2	
49	1524 81 528	Duct, Rubber	1	Car No. 152816 <sup>75</sup> / <sub>3</sub> ~Discarded
50	0888 81 531	Bracket No. 1, Cooler Unit	1	
51	0888 81 532	Bracket No. 2, Cooler Unit	1	
52	0888 81 533	Bracket No. 3, Cooler Unit	1	
53	0888 81 534	Bracket No. 4, Cooler Unit	1	
54	0888 81 535	Bracket No. 5, Cooler Unit	1	
55	0888 81 538	Bracket No. 6, Cooler	1	
56	99797 0818	Bolt, Bracket	14	
	99852 0800	Washer, Plain	12	
	99871 0800	Washer, Spring	14	
57	99808 0800	Nut	2	
	99851 0818	Washer, Plain	4	
58	99808 0800	Nut, Bracket	2	



# CAR COOLER (L.H.D.)

(USED UP TO CAR NO. 167747 <sup>3</sup>/<sub>4</sub>)

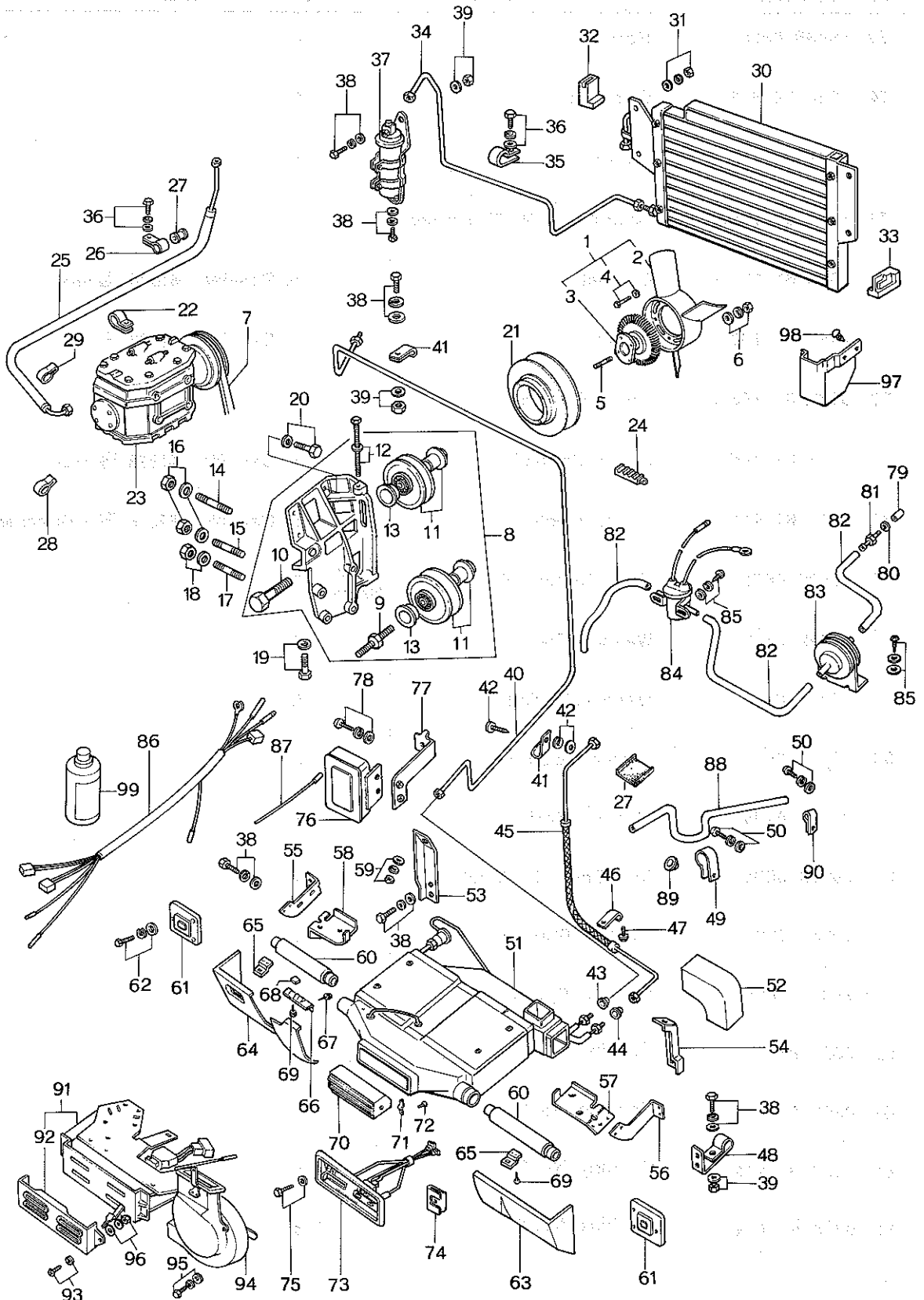
No.	Part Number	Description	Q'ty	Remarks
	99952 0800	Washer, Plain	2	
	99971 0800	Washer, Spring	2	
59	0824 61 236A	Valve, Magnet	1	
60	0866 61 541	Valve, Check	1	
61	0866 61 542	Connector	1	Car No. 152816 <sup>3</sup> / <sub>4</sub> ~ Discarded (W/O Heater)
62	99564 1000	Gasket	1	
63	0866 61 543A	Hose No. 1, Vacuum	1	
64	0866 61 527	Clip	1	
65	0866 61 545	Stabilizer, Amplifier	1	
	1622 61 545	Stabilizer, Amplifier	1	Car No. <sup>3</sup> / <sub>6</sub> ~ ○
66	1524 61 548	Bracket, Stabilizer	1	
	1622 61 545	Bracket, Stabilizer	1	Car No. <sup>3</sup> / <sub>6</sub> ~ ○
67	99833 0512	Screw, Bracket	2	
	99952 0500	Washer, Plain	2	
	99971 0500	Washer, Spring	2	
68	1562 61 546	Harness	1	
69	1524 61 547	Wire	1	
70	0866 61 549	Spacer	1	Car No. 152816 <sup>3</sup> / <sub>4</sub> ~ Discarded (W/O Heater)
71	0866 61 551	Grille	1	
72	0866 61 552	Holder, Grille	2	

# CAR COOLER (L.H.D.)

(USED UP TO CAR NO. 167747 <sup>73</sup>/<sub>4</sub>)



No.	Part Number	Description	Q'ty	Remarks
73	99868 0308	Screw	4	
74	0820 78 883 ✓	Grommet	2	
75	1531 61 140	Blower	1	
76	1568 61 190A	Control (Fig. No. 77 included)	1	
	<del>1568 61 190B</del>	<del>Control</del>	<del>1</del>	<del>Car No. 141928 <sup>73</sup>/<sub>3</sub> ~ X</del>
	1568 61 190C	Control	1	Car No. 141928 <sup>73</sup> / <sub>3</sub> ~ X
77	0866 61 195A	Panel, Control	1	
	0866 61 195B	Panel, Control	1	Car No. 141928 <sup>73</sup> / <sub>3</sub> ~ Δ
78	1531 61 411	Cover, Cooler	1	Car No. 152816 <sup>73</sup> / <sub>3</sub> ~ Discarded
79	99805 0830	Bolt, Control Panel	2	W/O Heater
	99952 0800	Washer, Plain	2	
	99971 0800	Washer, Spring	2	
80	99833 0512	Screw, Control	3	
	99971 0500	Washer, Spring	3	
81	99906 0800	Nut, Control Panel	1	
	99952 0822	Washer, Plain	1	
	99971 0800	Washer, Spring	1	
82	0866 61 911	Packing No. 1	1	
83	0866 61 912	Packing No. 2	1	
84	0866 61 913	Packing No. 3	1	
85	0866 61 914	Packing No. 4	1	

**CAR COOLER (L.H.D.)**(USED FROM CAR NO. 167748 <sup>73</sup>/<sub>4</sub> TO CAR NO. 179250 <sup>73</sup>/<sub>9</sub>)



# CAR COOLER (L.H.D.)

(USED FROM CAR NO. 167748 <sup>73</sup>/<sub>4</sub> TO CAR NO. 179250 <sup>73</sup>/<sub>9</sub>)



No.	Part Number	Description	Qty	Remarks
	1565 61 390	Cooler, Car-Heater Less	1	
	1566 61 400	Cooler, Car	1	
✓ 1	0871 15 250	Fan & Fan Drive (7 Blade Fan)	1	(Selective use) (Fig. No. 2~4 included)
✓	0872 15 250	Fan & Fan Drive (5 Blade Fan)	1	
✓ 2	0871 15 200	Fan ( 0871 15 250 use)	1	
✓	0872 15 200	Fan ( 0872 15 250 use)	1	
✓ 3	0871 15 210	Fan Drive ( 0871 15 250 use)	1	
✓	2090 15 210	Fan Drive ( 0872 15 250 use)	1	
4	99906 0600	Nut	4	( 0871 15 250 use)
	99971 0600	Washer, Spring	4	
	99806 0612	Bolt	6	( 0872 15 250 use)
	99971 0600	Washer, Spring	6	
5	99852 0635	Stud, Fan & Fan Drive	4	
6	99907 0600	Nut, Fan & Fan Drive	4	
	99952 0600	Washer, Plain	4	
	99971 0600	Washer, Spring	4	
✓ 7	0866 15 906	Belt, "V"	1	
✓ 8	0866 15 920B	Bracket, Compressor (Fig. No. 9~13 included)	1	
✓ 9	0866 15 923A	Shaft	1	
✓ 10	0866 15 932	Bolt, Idle Pulley	1	

61

# CAR COOLER (L.H.D.)

(USED FROM CAR NO. 167748 <sup>73/4</sup> TO CAR NO. 179250 <sup>73/6</sup>)

No.	Part Number	Description	Q'ty	Remarks
✓ 11	0866 15 940A	Pulley, Idle	2	
12	0839 61 966A ✓	Bolt, Adjuster	1	
13	0317 78 034 ✓	Collar "A"	2	
14	99859 1025	Stud, Compressor Bracket	2	
15	99859 1050	Stud, Compressor Bracket	2	
16	99921 1000	Nut, Compressor Bracket	4	
	99971 1000	Washer, Spring	4	
17	99859 1225	Stud, Compressor Bracket	1	
18	99921 1200	Nut, Compressor Bracket	1	
	99971 1200	Washer, Spring	1	
19	99801 0840	Bolt, Compressor Bracket	2	
	99971 0800	Washer, Spring	2	
20	99801 0825	Bolt, Compressor Bracket	4	
	99971 0800	Washer, Spring	4	
21	0839 61 975C	Pulley, "V" Belt	1	
22	99295 1508	Clip	1	
23	0866 61 450 ✓	Compressor	1	
24	0866 61 472 ✓	Clamp	1	
25	1562 61 461 ✓	Hose, Flexible	1	
26	0820 78 857 ✓	Clip	1	

# CAR COOLER (L.H.D.)

(USED FROM CAR NO. 167748 <sup>73</sup>/<sub>4</sub> TO CAR NO. 179250 <sup>73</sup>/<sub>9</sub>)



No.	Part Number	Description	Q'ty	Remarks
27	0259 78 858 ✓	Packing, Rubber	1	
28	0317 61 612 ✓	Protector, Rubber	1	
29	0866 61 476 ✓	Protector, Rubber	1	
30	1562 61 490 ✓	Condenser	1	
31	99906 0600	Nut, Condenser	4	
	99952 0618	Washer, Plain	4	
	99971 0600	Washer, Spring	4	
32	0866 61 912 ✓	Packing No. 2	1	
33	0866 61 913 ✓	Packing No. 3	1	
34	0866 61 463 ✓	Pipe, No. 1	1	
35	0259 78 868 ✓	Clip	2	
36	99868 0520	Screw, Tapping	3	
	99952 0500	Washer, Plain	3	
	99971 0500	Washer, Spring	3	
37	0866 61 500 ✓	Tank, Receiver	1	
38	99806 0612	Bolt, Receiver Tank	19	
	99952 0600	Washer, Plain	19	
	99971 0600	Washer, Spring	19	
39	99906 0600	Nut, Receiver Tank	4	
	99952 0600	Washer, Plain	4	

61

# CAR COOLER (L.H.D.)

(USED FROM CAR NO. 167748 <sup>73</sup>/<sub>4</sub> TO CAR NO. 179250 <sup>73</sup>/<sub>9</sub>)

No.	Part Number	Description	Q'ty	Remarks
40	1562 61 464A ✓	Pipe No. 2	1	
41	1562 61 473 ✓	Clip	3	
42	99868 0520	Screw, Tapping	1	
	99952 0618	Washer, Plain	1	
	99971 0500	Washer, Spring	1	
43	0208 78 875 ✓	Grommet	1	
44	0866 61 475 ✓	Protector, Rubber	1	
45	1562 61 462A ✓	Hose, Flexible	1	
46	1562 61 474 ✓	Clip	1	
47	99806 0628	Bolt, Flexible Hose	1	
	99952 0600	Washer, Plain	1	
	99971 0600	Washer, Spring	1	
48	1562 61 469 ✓	Clip	1	
49	0370 61 467 ✓	Clip	4	
50	99868 0520	Screw, Tapping	5	
	99952 0500	Washer, Plain	5	
	99971 0500	Washer, Spring	5	
51	1608 61 520 ✓	Unit, Cooler ( 1565 61 390 use)	1	
	1622 61 520 ✓	Unit, Cooler ( 1566 61 400 use)	1	
52	1524 61 526 ✓	Duct ( 1566 61 400 use)	1	

# CAR COOLER (L.H.D.)

(USED FROM CAR NO. 167748 <sup>73</sup>/<sub>4</sub> TO CAR NO. 179250 <sup>73</sup>/<sub>9</sub>)



No.	Part Number	Description	Q'ty	Remarks
53	0866 61 531	Bracket No. 1	1	
54	0866 61 532	Bracket No. 2	1	
55	0866 61 533	Bracket No. 3	1	
56	0866 61 534	Bracket No. 4	1	
57	0866 61 535	Bracket No. 5	1	
58	0866 61 536	Bracket No. 6	1	
59	99906 0800	Nut, Bracket	2	
	99952 0800	Washer, Plain	2	
	99971 0800	Washer, Spring	2	
60	1622 61 561	Duct, Air	2	
61	1622 61 568	Cover (R), Ventilator	1	
	1622 61 578	Cover (L), Ventilator	1	
62	99806 0620	Bolt, Ventilator Cover	6	
	99952 0618	Washer, Plain	6	
	99971 0600	Washer, Spring	6	
63	1622 61 575	Cover, Duct	1	
64	1622 61 565	Cover, Duct	1	
65	1622 61 566	Bracket, Cover	4	
66	1622 61 567	Bracket	1	
67	99868 0410	Screw, Tapping-Bracket	10	



# CAR COOLER (L.H.D.)

(USED FROM CAR NO. 167748 <sup>73</sup>/<sub>4</sub> TO CAR NO. 179250 <sup>73</sup>/<sub>9</sub>)

No.	Part Number	Description	Q'ty	Remarks
68	1622 61 569 ✓	Spacer	2	
69	99833 0525	Screw, Spacer	2	
	99952 0500	Washer, Plain	2	
	99971 0500	Washer, Spring	2	
70	0866 61 551 ✓	Grille	1	
71	0866 61 552 ✓	Holder, Grille	2	
72	99868 0408	Screw, Tapping	4	
73	1622 61 580 ✓	Panel, Control	1	
74	1622 61 572 ✓	Bracket, Control Panel	2	
75	1622 61 571 ✓	Screw, Control Panel	2	
76	0866 61 545 ✓	Amp., Stabilizer	1	
77	1524 61 548A ✓	Bracket, Amp.	1	
78	99833 0512B	Screw, Amp.	2	
	99952 0500	Washer, Plain	2	
	99971 0500	Washer, Spring	2	
79	0866 61 549 ✓	Spacer	1	
80	99564 1000	Gasket	1	
81	0866 61 542 ✓	Connector	1	
82	0866 61 543A ✓	Hose, Vacuum	1	
83	0866 61 541 ✓	Valve, Check	1	

# CAR COOLER (L.H.D.)

(USED FROM CAR NO. 167748 <sup>73/4</sup> TO CAR NO. 179250 <sup>73/9</sup>)



No.	Part Number	Description	Q'ty	Remarks
84	0824 61 236A ✓	Valve, Magnet	1	
85	99863 0620	Screw, Tapping-Valve	4	
	99952 0600	Washer, Plain	4	
	99971 0600	Washer, Spring	4	
86	1622 61 546 ✓	Harness, Wire	1	
87	1524 61 547 ✓	Wire	1	
88	0866 61 525A	Hose, Drain	2	
89	0820 78 883V	Grommet	2	
90	0866 61 527 ✓	Clip	1	
91	1568 61 190C ✓	Control (Heater Less)	1	
92	0866 61 195B	Panel, Control (Heater Less)	1	
93	99833 0512	Screw	3	
	99971 0500	Washer, Spring	3	
94	1531 61 140 ✓	Blower (Heater Less)	1	
95	99805 0830	Bolt	2	
	99952 0822	Washer, Plain	2	
	99971 0800	Washer, Spring	2	
96	99906 0800	Nut	1	
	99952 0822	Washer, Plain	1	
	99971 0800	Washer, Spring	1	



# CAR COOLER (L.H.D.)

# RELIABLE RAD

(USED FROM CAR NO. 167748 <sup>73</sup>/<sub>4</sub> TO CAR NO. 179250 <sup>73</sup>/<sub>9</sub>)

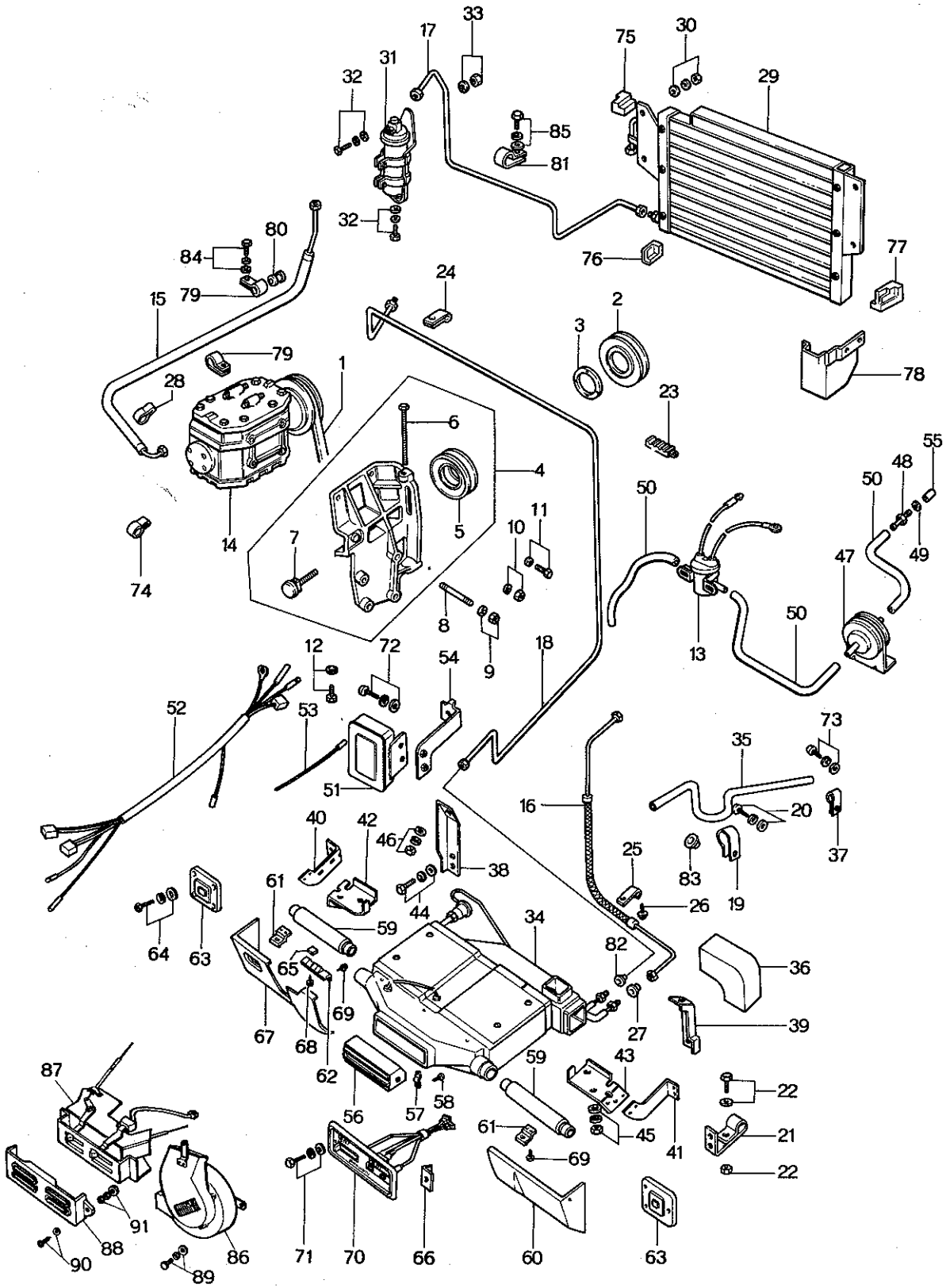
No.	Part Number	Description	Q'ty	Remarks
97	1620 61 925	Sealer (R)	1	
	1620 61 926	Sealer (L)	1	
98	99264 0531B	Rivet	4	
99	0208 78 834A	Gas, Freon	3	





# CAR COOLER (L.H.D.)

(USED FROM CAR NO. 160623 <sup>73</sup>/<sub>10</sub>)



# CAR COOLER (L.H.D.)

(USED FROM CAR NO. 160623 <sup>73</sup>/<sub>10</sub>)

**61**

No.	Part Number	Description	Q'ty	Remarks
	1883 61 410	Air - Conditioner, Heater Less	1	
	1881 61 410	Air - Conditioner	1	
1	1881 15 906	Belt, "V"	1	
2	1881 15 911 A	Pulley, "V" Belt	1	
3	1757 15 912	Stiffener, Pulley	1	
4	1881 15 920	Bracket, Compressor (Fig. No. 5 ~ 7 included)	1	
5	1881 15 940	Pulley, Idle	1	
6	1757 15 966	Bolt, Adjust	1	
7	1757 15 967	Shaft, Adjust	1	
8	99859 1028	Stud	2	
	99859 1050	Stud	2	
9	99921 1000	Nut, Compressor Bracket	4	
	99971 1000	Washer, Spring	4	
10	99921 1200	Nut, Compressor Bracket	1	
	99971 1200	Washer, Spring	1	
11	99801 0825	Bolt, Compressor	4	
	99971 0800	Washer, Spring	4	
12	99801 0840	Bolt, Compressor	2	
	99971 0800	Washer, Spring	2	
13	0824 61 236 A	Valve, Magnet	2	

**CAR COOLER (L.H.D.)**  
 (USED FROM CAR NO. 160623-73/10)

No.	Part Number	Description	Q'ty	Remarks
14	1881 61 450	Compressor	1	
15	1562 61 461	Hose, Flexible	1	
16	1562 61 462 A	Hose, Flexible	1	
17	1128 61 463	Pipe No. 1	1	
18	1562 61 464 A	Pipe No. 2	1	
19	0370 61 467	Clip	4	
20	99868 0520	Bolt	4	
	99952 0500	Washer, Plain	4	
	99971 0500	Washer, Spring	4	
21	1562 61 469	Clip	1	
22	99806 0612	Bolt	7	
	99906 0600	Nut	7	
	99952 0600	Washer, Plain	7	
	99971 0600	Washer, Spring	7	
23	0866 61 472	Clip	1	
24	1562 61 473	Clip	4	
25	1562 61 474	Clip	1	
•	1622 61 474	Clip	1	
26	99806 0628	Bolt	1	
	99952 0600	Washer, Plain	1	

# CAR COOLER (L.H.D.)

(USED FROM CAR NO. 160623 <sup>73/10</sup>)



No.	Part Number	Description	Q'ty	Remarks
	99871 0600	Washer, Spring	1	
27	0866 81 475	Grommet	1	
28	0866 81 476	Protector	1	
29	1562 81 490	Condenser	1	
30	99806 0600	Nut	4	
	99852 0618	Washer, Plain	4	
	99871 0800	Washer, Spring	4	
31	0866 81 500	Tank, Receiver	1	
32	99806 0612	Bolt, Receiver Tank	3	
	99852 0600	Washer, Plain	3	
	99871 0600	Washer, Spring	3	
33	99806 0600	Nut	1	
	99852 0600	Washer, Plain	1	
34	1622 81 520	Cooler Unit	1	
35	0866 81 525A	Hose, Drain	2	
36	1524 81 526	Duct, Rubber	1	
37	0866 81 527	Clip	1	
38	0866 81 531	Bracket No. 1	1	
39	0866 81 532	Bracket No. 2	1	
40	0866 81 533	Bracket No. 3	1	

61

# CAR COOLER (L.H.D.)

(USED FROM CAR NO. 160623 <sup>73</sup>/<sub>10</sub>)

No.	Part Number	Description	Q'ty	Remarks
41	0866 61 534	Bracket No. 4	1	
42	0866 61 535	Bracket No. 5	1	
43	0866 61 536	Bracket No. 6	1	
44	99806 0612	Bolt	12	
	99952 0800	Washer, Plain	12	
	99971 0600	Washer, Spring	12	
45	99906 0600	Nut	2	
	99951 0618	Washer, Plain	2	
	99971 0600	Washer, Spring	2	
46	99906 0800	Nut	2	
	99952 0800	Washer, Plain	2	
	99971 0800	Washer, Spring	2	
47	0866 61 541	Valve, Check	1	
48	0866 61 542	Connector	1	
49	99564 1000	Gasket	1	
50	0866 61 543A	Hose No. 1, Vacuum	1	
51	1622 61 545	Stabilizer Amplifier	1	
52	1622 61 546	Harness	1	
53	1524 61 547	Wire	1	
54	1622 61 548	Bracket	1	

# CAR COOLER (L.H.D.)

(USED UP TO CAR NO. 160623 <sup>73</sup>/<sub>10</sub>)



No.	Part Number	Description	Q'ty	Remarks
55	0886 81 549	Spacer	1	
56	0886 81 551	Grille	1	
57	0886 81 552	Holder	2	
58	99868 0408	Screw, Tapping	4	
59	1822 81 581	Duct, Air	2	
60	1822 81 585	Cover (R), Duct	1	
61	1822 81 586	Bracket, Cover	4	
62	1822 81 587	Bracket	1	
63	1822 81 588	Cover (R), Ventilator	1	
	1822 81 578	Cover (L), Ventilator	1	
64	99806 0620	Bolt, Cover	6	
	99952 0600	Washer, Plain	6	
	99971 0600	Washer, Spring	6	
65	1822 81 589	Spacer	2	
66	1822 81 572	Bracket	2	
67	1822 81 575	Cover (L), Duct	1	
68	99833 0525	Screw, Cover	2	
	99952 0500	Washer, Plain	2	
	99971 0500	Washer, Spring	2	
69	99868 0410	Screw, Cover	10	

61

# CAR COOLER (L.H.D.)

(USED FROM CAR NO. 160623 <sup>73</sup>/<sub>10</sub>)

No.	Part Number	Description	Q'ty	Remarks
70	1622 61 580	Panel, Control	1	
71	99833 0310B	Screw	2	
	99952 0300	Washer, Plain	2	
	99971 0300	Washer, Spring	2	
72	99833 0512B	Screw	2	
	99952 0500	Washer, Plain	2	
	99971 0500	Washer, Spring	2	
73	99868 0520	Bolt	5	
	99952 0500	Washer, Plain	5	
	99971 0500	Washer, Spring	5	
74	0317 61 612	Cushion	1	
75	1128 61 911	Packing No. 1	1	
76	1128 61 912	Packing No. 2	1	
77	1128 61 913	Packing No. 3	1	
78	1620 61 920	Seal	1	
79	0820 78 857	Clip	2	
	√ 0259 78 857	Clip	2	<sup>73</sup> / <sub>11</sub> ~ ○
80	0259 78 858	Packing	3	
81	0259 78 868	Clip	1	
82	0208 78 875	Grommet	1	
83	0820 78 883	Grommet	2	



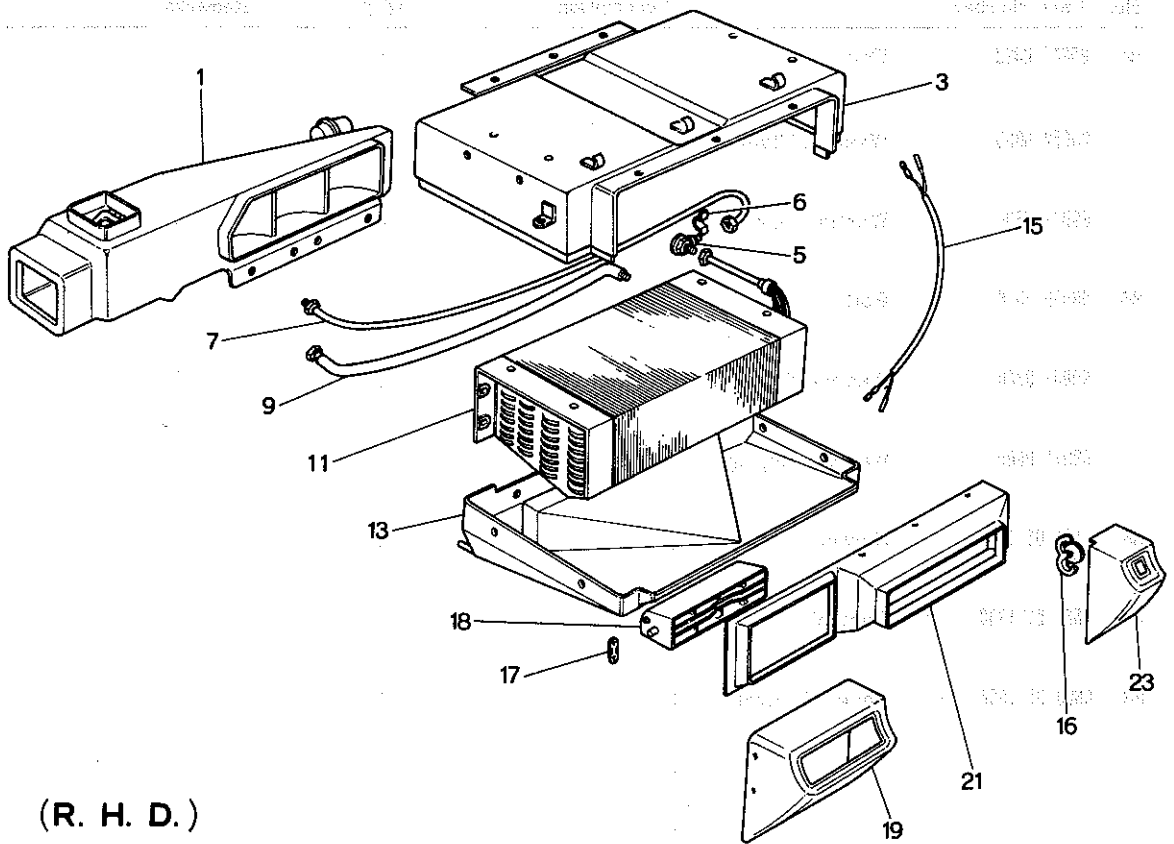
# CAR COOLER (L.H.D.)

(USED FROM CAR NO. 160623 <sup>7</sup>/<sub>10</sub>)

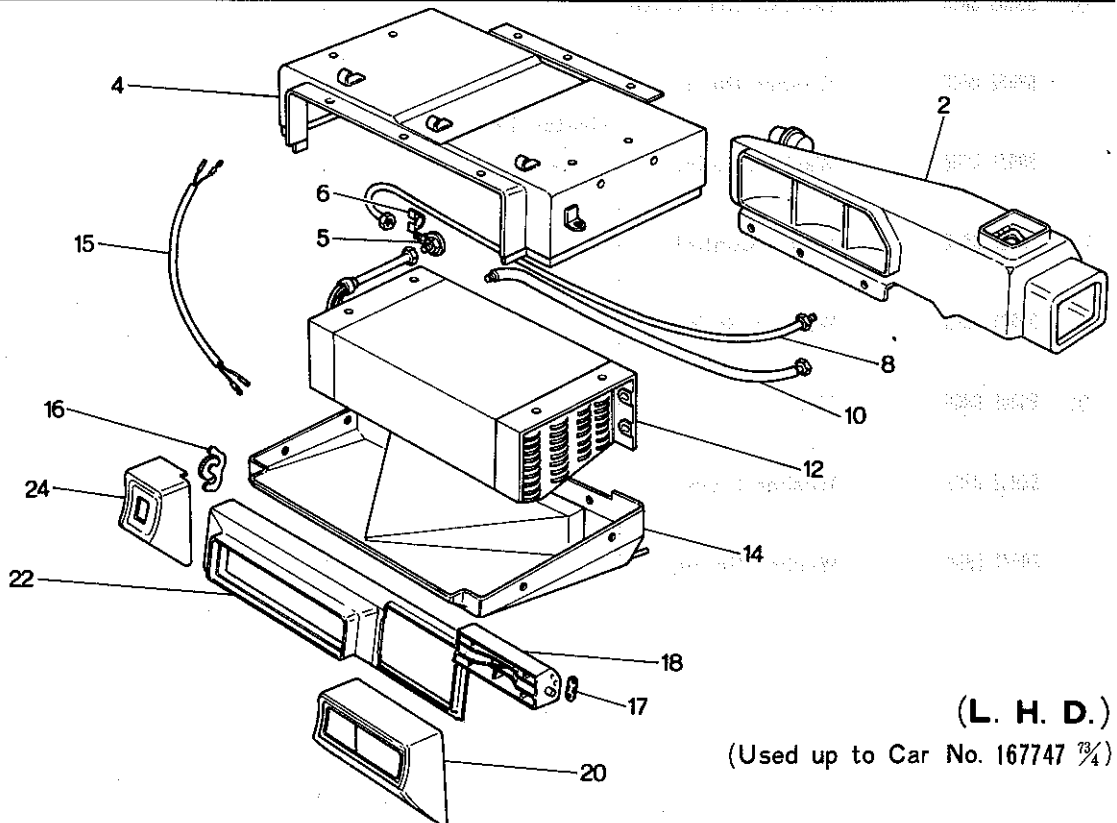
61

No.	Part Number	Description	Q'ty	Remarks
84	99863 0820	Bolt	4	
	99952 0800	Washer, Plain	4	
	99971 0800	Washer, Spring	4	
85	99808 0818	Bolt	1	
	99952 0800	Washer, Plain	1	
	99971 0800	Washer, Spring	1	
86	1531 61 140	Blower	1	
87	1588 61 190C	Control	1	
88	0886 61 195B	Panel, Control	1	
89	99805 0830	Bolt, Control Case	4	
	99952 0800	Washer, Plain	4	
	99971 0800	Washer, Spring	4	
90	99833 0512	Screw, Control	3	
	99971 0500	Washer, Spring	3	
91	99908 0800	Nut	1	
	99952 0822	Washer, Plain	1	
	99971 0800	Washer, Spring	1	

Heater Less



(R. H. D.)



(L. H. D.)

(Used up to Car No. 167747 <sup>3</sup>/<sub>4</sub>)

# COOLER UNIT

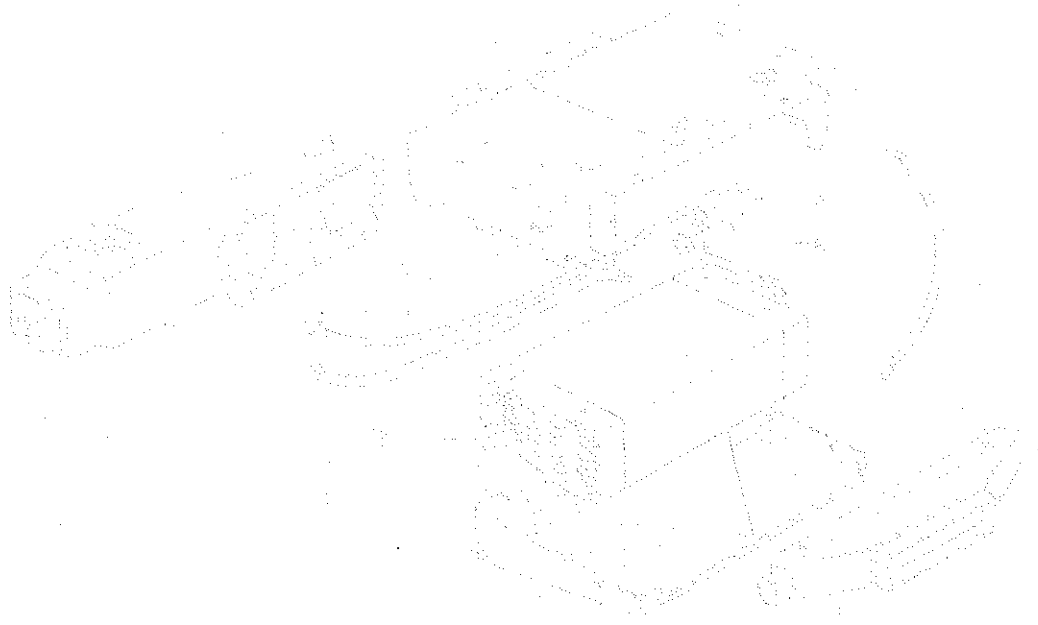
61

76

No.	Part Number	Description	Q'ty	Remarks
<p>● Caution : Parts for L.H.D. models listed in this page with "※" mark at front of part no. apply up to car no. 167747 7/4, for parts from car no. 167748 7/4 refer to page (203-N-2~203-N-3)</p>				
	0866 61 520	✓ Unit, Cooler (R.H.D.) With Heater	1	
	1557 61 520	✓ Unit, Cooler (R.H.D.) W/ O Heater	1	Car No. 152816 7/9~X
※	1562 61 520	✓ Unit, Cooler (L.H.D.) With Heater	1	
※	1568 61 520	✓ Unit, Cooler (L.H.D.) W/ O Heater	1	Car No. 152816 7/9~X
1	√0370 76 701	Duct, Air (R.H.D.) With Heater	1	
	√1518 76 701	Duct, Air (R.H.D.) W/ O Heater	1	Car No. 152816 7/9~X
※	√2 1524 76 701	Duct, Air (L.H.D.) With Heater	1	
※	√1531 76 701	Duct, Air (L.H.D.) W/ O Heater	1	Car No. 152816 7/9~X
3	√0370 76 702	Case, Main (R.H.D.)	1	
※	4 1524 76 702	Case, Main (L.H.D.)	1	
5	√0370 76 703	Valve, Expansion	1	
6	√0370 76 704	Holder, Valve	1	
7	√0370 76 705	Pipe No. 1 (R.H.D.)	1	
※	8 1524 76 705	Pipe No. 1 (L.H.D.)	1	
9	√0370 76 706	Pipe No. 2 (R.H.D.)	1	
※	10 1524 76 706	Pipe No. 2 (L.H.D.)	1	
11	√0370 76 708	Evaporator (R.H.D.)	1	

# COOLER UNIT

No.	Part Number	Description	Q'ty	Remarks
※ 12	1524 76 708 ✓	Evaporator (L.H.D.)	1	
※	1622 76 708 ✓	Evaporator (L.H.D.)	1	Car. No. 73~○
13	0370 76 709 ✓	Case, Main (R.H.D.)	1	
※ 14	1524 76 709 ✓	Case, Main (L.H.D.)	1	
15	0370 76 707 ✓	Thermistor	1	
16	0866 76 711 ✓	Resistor	1	
17	0866 61 552 ✓	Holder, Grille	2	
18	0866 76 715 ✓	Grille	1	
19	0866 76 716 ✓	Body, Grille (R.H.D.)	1	
※ 20	1562 76 716 ✓	Body, Grille (L.H.D.)	1	
21	0866 76 717 ✓	Duct, Air (R.H.D.)	1	
※ 22	1562 76 717 ✓	Duct, Air (L.H.D.)	1	
23	0866 76 718 ✓	Base, Grille (R.H.D.)	1	
※ 24	1562 76 718 ✓	Base, Grille (L.H.D.)	1	

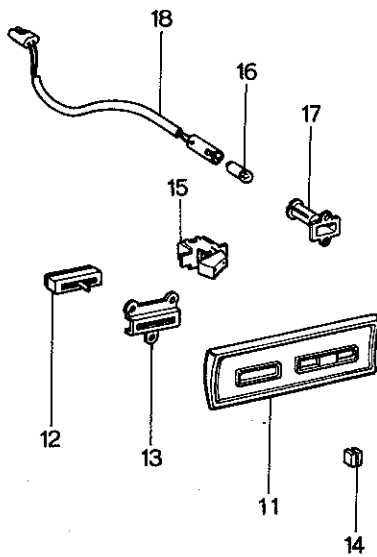
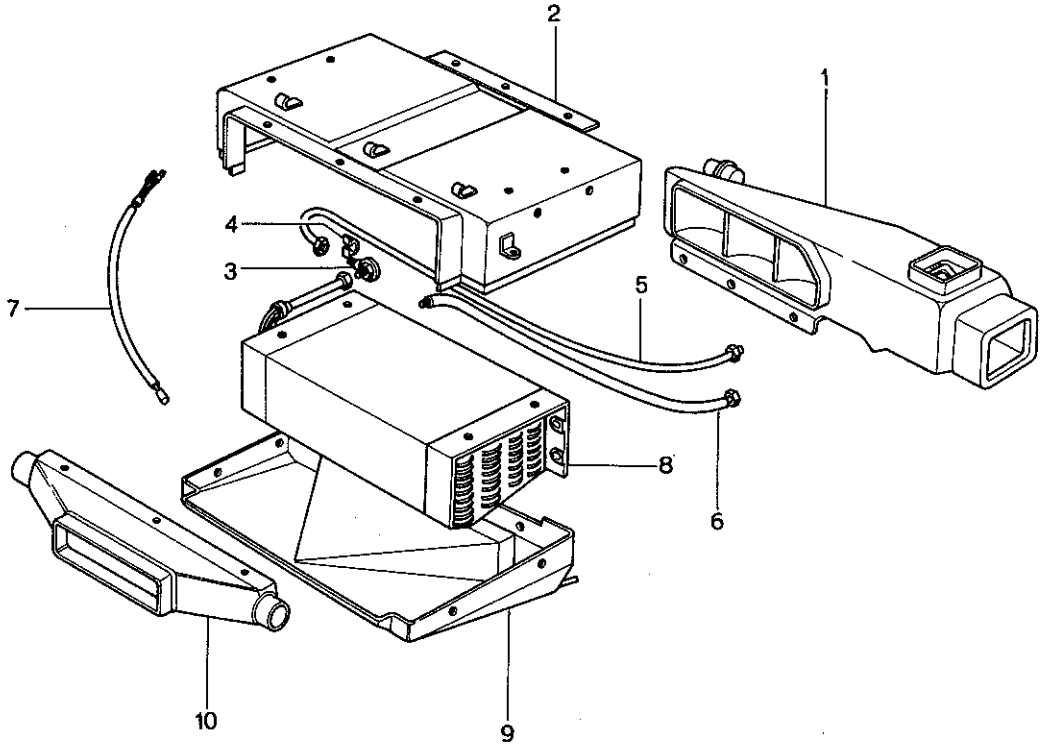


61

76

# COOLER UNIT & CONTROL PANEL

(L.H.D.) (USED FROM CAR NO. 167748 <sup>73</sup>/<sub>4</sub>)



# COOLER UNIT & CONTROL PANEL

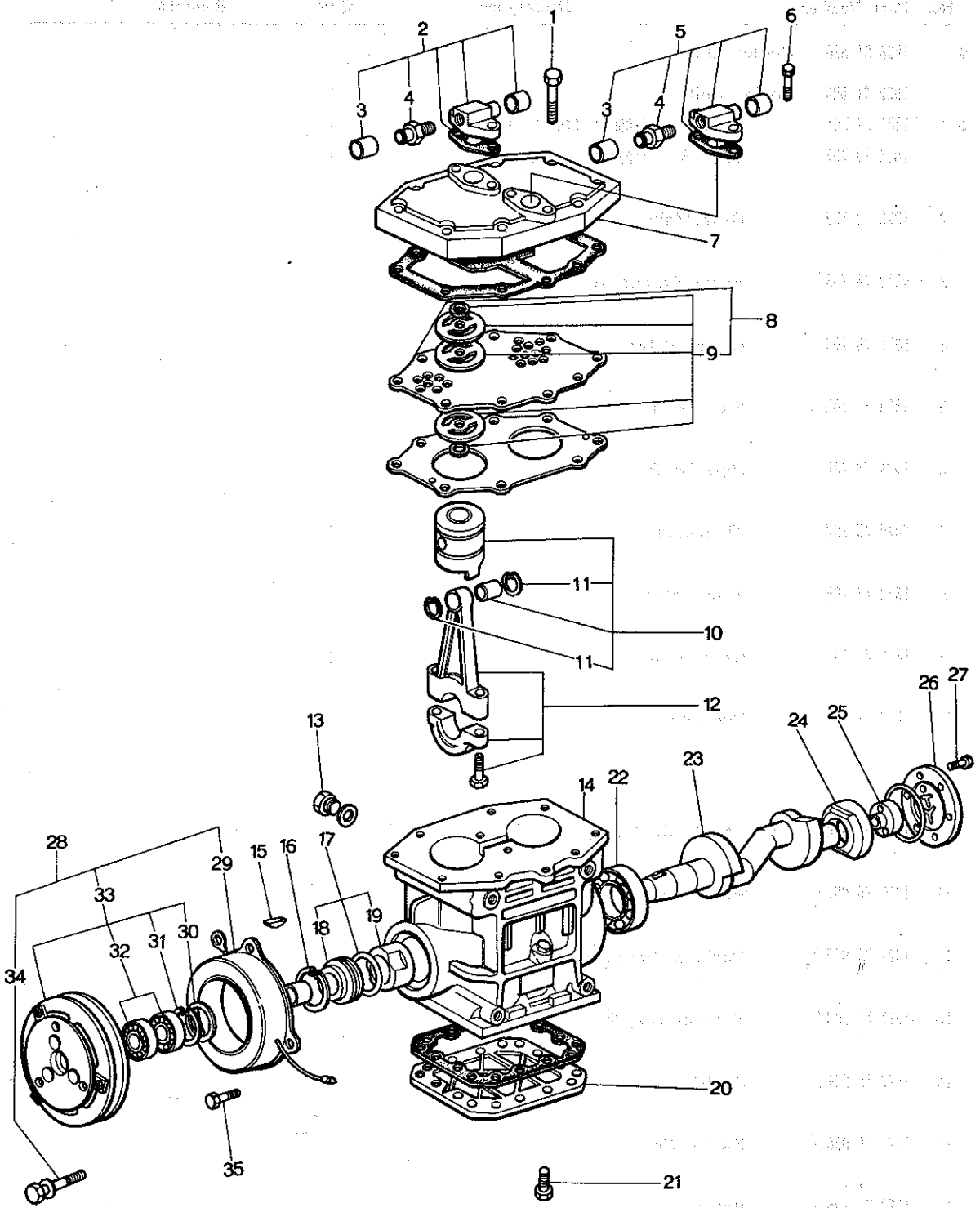
(L.H.D.) (USED FROM CAR NO. 167748 <sup>73/4</sup>)

61

76

No.	Part Number	Description	Q'ty	Remarks
●	1608 61 520	Cooler Unit	1	
	1622 61 520	Cooler Unit	1	
● 1	√ 1531 76 701	Duct, Air (1608 61 520 Use)	1	
	1524 76 701	√ Duct, Air (1622 61 520 Use)	1	
2	1622 76 702	√ Case, Main	1	
3	0370 76 703	√ Valve, Expansion	1	
4	0370 76 704	√ Holder, Valve	1	
5	1524 76 705	√ Pipe No. 1	1	
6	1524 76 706	√ Pipe No. 2	1	
7	0370 76 707	√ Thermister	1	
8	1622 76 708	√ Evaporator	1	
9	1622 76 709	√ Case, Main	1	
10	1622 76 717	√ Duct, Air	1	
	1622 61 580	Panel Ass'y, Control	1	
11	√ 1622 76 901	Panel, Control	1	
12	√ 1622 76 902	Resistor, Variable	1	
13	√ 1622 76 903	Bracket, Switch	1	
14	√ 1622 76 904	Knob, Control	1	
15	√ 1622 76 905	Switch, Snap	1	
16	√ 1622 76 906	Valve	1	
17	√ 1622 76 907	Socket, Valve	1	
18	√ 1622 76 908	Holder, Valve	1	

COOLER UNIT & CONTROL PANEL  
**COMPRESSOR (CAR COOLER)**





# COMPRESSOR (CAR COOLER)

61

76

No.	Part Number	Description	Q'ty	Remarks
	0866 61 450	Compressor	1	
●	1881 61 450	Compressor (L.H.D.)	1	Car No. 160623 $\frac{7}{10}$ ~X
	0866 76 710	Compressor Cpt., Fig. No. 1~27 Included	1	
1	0866 76 701	Bolt	4	
2	0866 76 810	Valve Kit, Service	1	
3	0866 76 755	Cap, Service Valve	2	
4	0866 76 754	Valve, Service	2	
5	0866 76 820	Valve Kit	1	
6	0866 76 702	Bolt	8	
7	0866 76 752	Head, Cylinder	1	
8	0866 76 760	Valve Ass'y	1	
9	0866 76 703	Valve Kit, Lead	2	
10	0866 76 830	Piston Ass'y	2	
11	0866 76 739	Ring, Snap	4	
12	0866 76 750	Connecting Rod Ass'y	2	
13	0866 76 704	Plug, Oil	1	
14	0866 76 721	Block, Cylinder	1	
	0866 76 721A	Block, Cylinder	1	Car No. 161019 $\frac{7}{12}$ ~X
15	0866 76 723	Key, Woodruff	1	
16	0866 76 734	Clip	1	

**COMPRESSOR (CAR COOLER)**

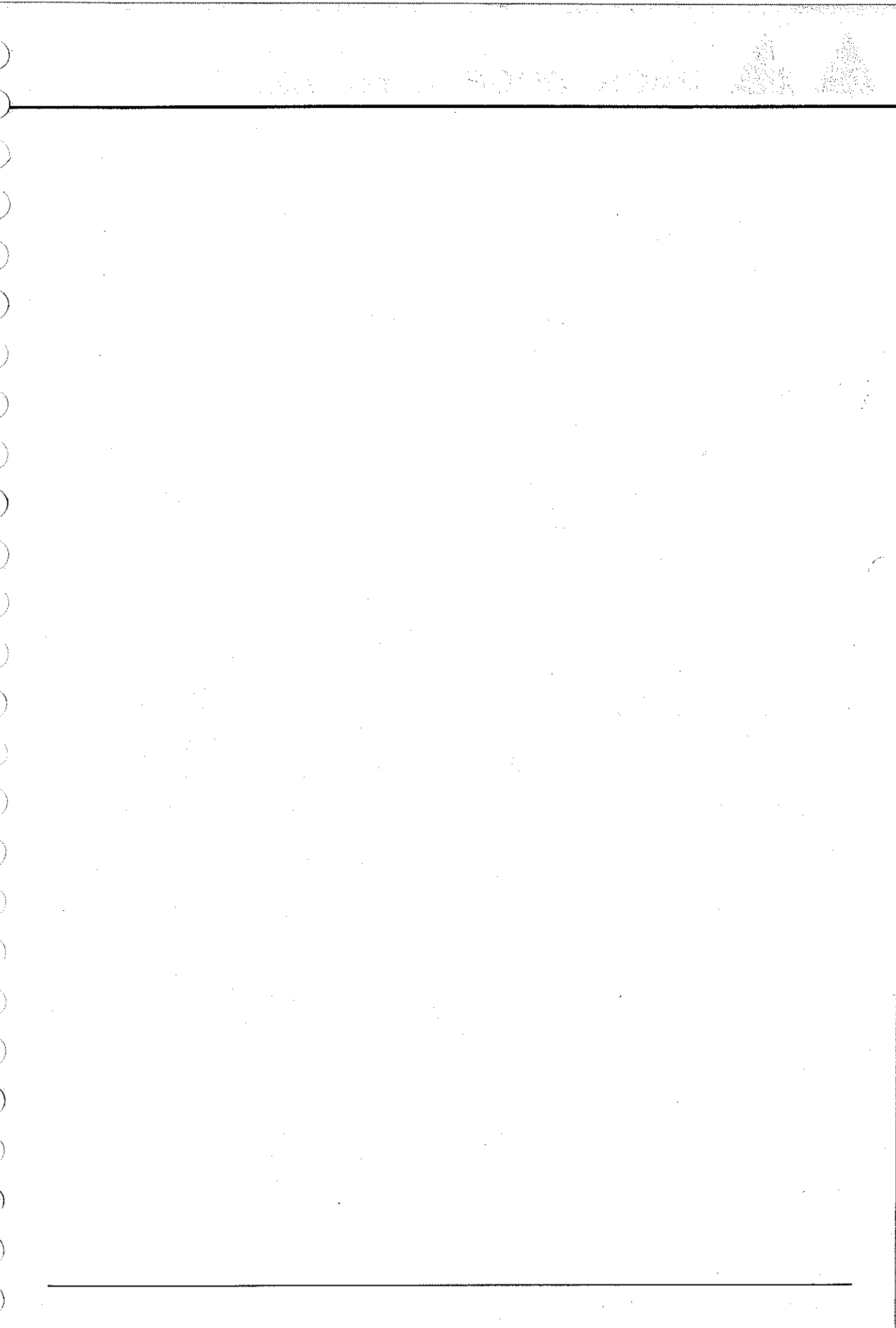
No.	Part Number	Description	Q'ty	Remarks
17	0866 76 730	Seal Cpt., Shaft	1	
18	0866 76 733	Plate, Seal	1	
19	0866 76 731	Seal Cpt.	1	
20	0866 76 743	Plate, Bottom	1	
	0866 76 743A	Plate, Bottom	1	Car No. 161019 $\frac{7}{12}$ ~X
21	0866 76 705	Bolt	16	
22	0866 76 722	Bearing	1	
23	0866 76 724	Shaft, Crank	1	
24	0866 76 725	Bearing	1	
25	0866 76 726	Pump Ass'y	1	
26	0866 76 729	Plate, Cover	1	
27	0866 76 706	Bolt	6	
28	0866 76 720	Clutch Ass'y, Fig. No. 29~34 Included	1	
●	1881 76 720	Clutch Ass'y, Fig. No. 29~34 Included (L.H.D.)	1	Car No. 160623 $\frac{7}{10}$ ~X
29	0866 76 763	Stator	1	
●	1881 76 763	Stator (L.H.D.)	1	Car No. 160623 $\frac{7}{10}$ ~X
30	0866 76 764	Cover, Dust	1	
31	0866 76 765	Ring "E"	1	
●	1881 76 765	Ring "E" (L.H.D.)	1	Car No. 160623 $\frac{7}{10}$ ~X
32	0866 76 766	Bearing, Ball	2	

# COMPRESSOR (CAR COOLER)

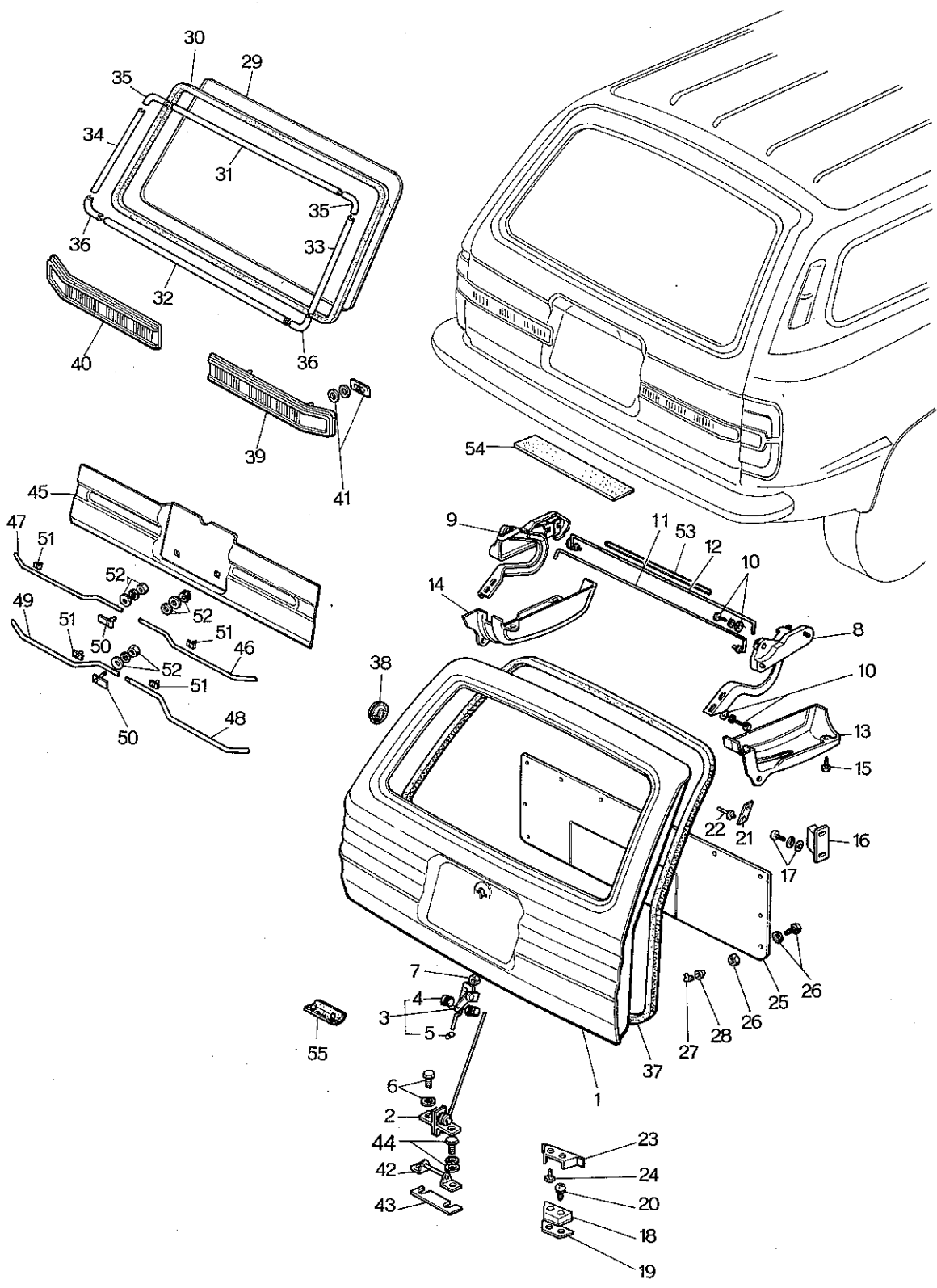
6176

No.	Part Number	Description	Q'ty	Remarks
33	0866 76 790	Magnet Clutch	1	
●	1881 76 790	Magnet Clutch (L.H.D.)	1	Car No. 160623 $\frac{73}{10}$ ~×
34	0866 76 707	Bolt	1	
●	1881 76 707	Bolt (L.H.D.)	1	Car No. 160623 $\frac{73}{10}$ ~×
35	0866 76 708	Screw	3	
	0866 76 709	Gasket Kit	1	
	0866 76 709A	Gasket Kit	1	Car No. 161019 $\frac{73}{12}$ ~×





# BACK DOOR (STATION WAGON)



# BACK DOOR (STATION WAGON)

62

63

No.	Part Number	Description	Q'ty	Remarks
1	1571 62 510A	Door, Back	1	
2	0585 62 710B	Lock, Back Door	1	
3	0585 62 720D	Control, Remote	1	
4	0824 58 546A	Bush	1	
5	0866 58 313	Joint	1	
✓6	99806 0818	Bolt, Back Door Lock	2	
✓	99971 0800	Washer, Spring	2	
✓	99952 0818	Washer, Plain	2	
✓7	99940 0802	Nut, Flange	2	
8	0585 62 610	Hinge (R)	1	
9	0585 63 610	Hinge (L)	1	
✓10	99781 0820	Bolt, Hinge	8	
✓	99951 0818	Washer, Plain	8	
✓	99971 0800	Washer, Spring	8	
11	0585 62 650C	Spring (R), Balance	1	
12	0585 63 650C	Spring (L), Balance	1	
✓13	0585 62 871C	Cover (R), Hinge	1	
14	0585 63 871C	Cover (L), Hinge	1	

62

63

## BACK DOOR (STATION WAGON)

No.	Part Number	Description	Q'ty	Remarks
√15	99864 0516C	Screw, Hinge Cover	6	
16	0585 62 671A	Wedge, Upper	2	
√17	99765 0616	Screw	4	
√	99952 0600	Washer, Plain	4	
√	99971 0600	Washer, Spring	4	
18	0621 62 840A	Wedge	2	
19	0621 62 641	Shim, Adjust - Wedge	—	} Selective use
	0621 62 642	Shim, Adjust - Wedge		
20	√ 99836 0620	Screw, Wedge	4	
	√ 99974 0600	Washer, Toothed	4	
	√ 99975 0600	Washer, Toothed	4	
21	0585 62 672A	Protector	2	
22	0223 69 032	Rivet, Blind - Protector	4	✓
√	23 0585 62 695	Wedge	2	
24	√ 99833 0614	Screw, Wedge	4	
	√ 99974 0600	Washer, Toothed	4	
	√ 99975 0600	Washer, Toothed	4	
25	0899 62 851C	Trim, Back Door	1	↙
26	√ 99862 0416B	Screw, Back Door Trim	6	} Selective use
	√ 99862 0416C	Screw, Back Door Trim	6	



# BACK DOOR (STATION WAGON)

62

63

No.	Part Number	Description	Q'ty	Remarks
✓	99967 0400A	Washer, Plain	6	} Selective use
✓	99967 0400B	Washer, Plain	6	
✓	99910 0401	Nut	6	
27	0208 58 921	Fastener	2	
28	0187 58 922	Fastener, Seal	2	
29	1528 62 801	Glass, Back Window	1	} Transparent
	1529 62 801	Glass, Back Window	1	
30	0585 62 802	Weatherstrip	1	
31	0585 62 821A	Mould, Upper	1	
32	0585 62 822A	Mould, Lower	1	
33	0585 62 823A	Mould (R)	1	
34	0585 63 823A	Mould (L)	1	
35	0585 62 824B	Mould, Corner - Upper	2	
36	0585 62 825B	Mould, Corner - Lower	2	
37	0585 62 831A	Weatherstrip	1	
✓	0136 56 112	Hole Cover, Switch	2	
39	0585 62 940A	Finisher (R), Tail	1	
40	0585 63 940A	Finisher (L), Tail	1	
41	0305 68 951	Gasket	4	
	0305 68 952	Washer	4	

62

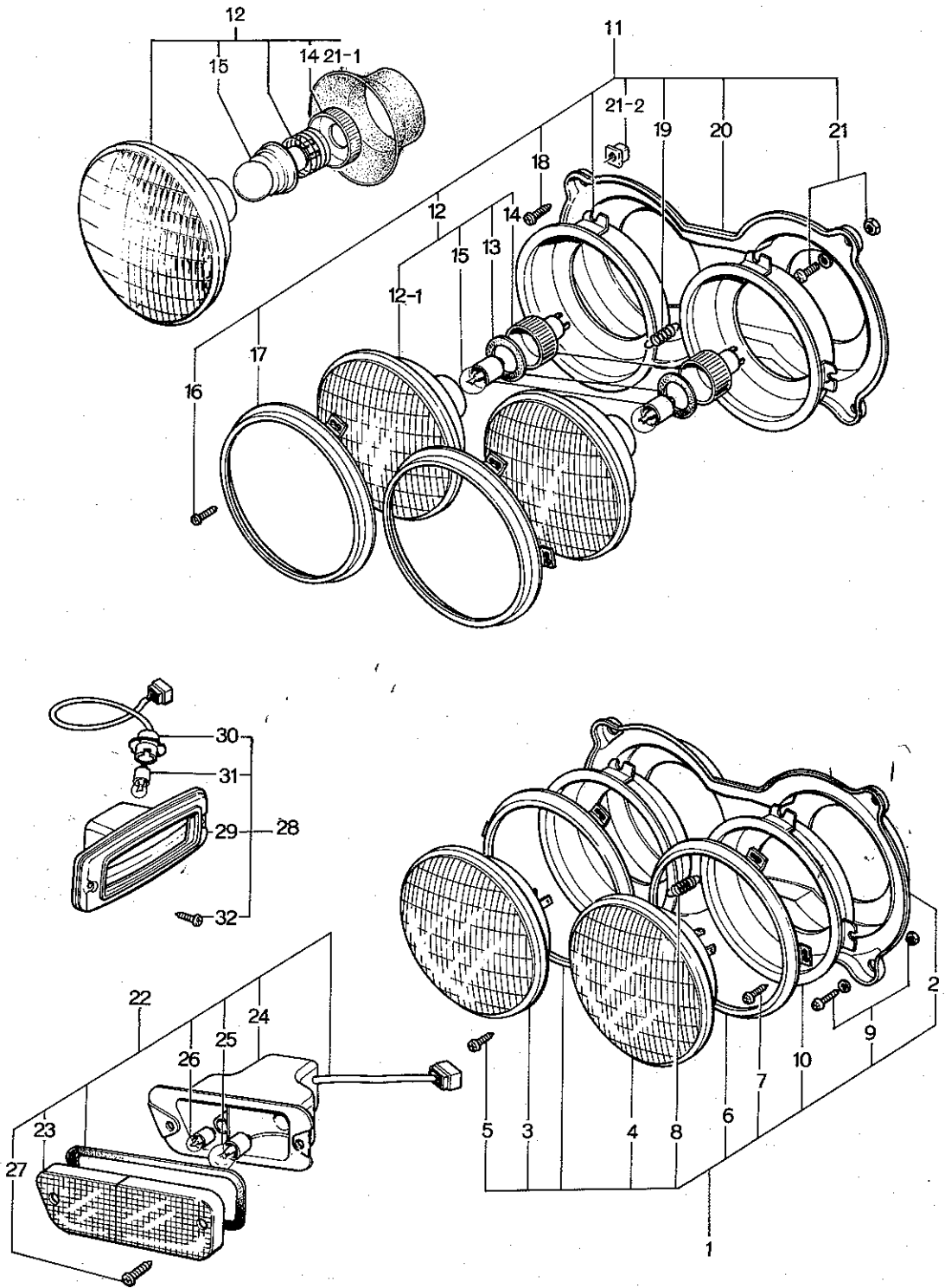
63

## BACK DOOR (STATION WAGON)

No.	Part Number	Description	Q'ty	Remarks
✓	99579 4000	Nut, Speed	4	
42	0585 62 750	Striker ✓	1	
43	0585 62 741	Plate "A", Adjust (t=2.0)	1	} Selective use
	0585 62 742	Plate "B", Adjust (t=1.0)	1	
44 ✓	99806 0618	Bolt, Striker	2	
✓	99951 0618	Washer, Plain	2	
✓	99971 0800	Washer, Spring	2	
45	0899 62 955A	Film, Decoration	1	
46	0899 62 961	Moulding (R), Upper ✓	1	
47	0899 62 962A	Moulding (L), Upper ✓	1	
48	0899 62 963	Moulding (R), Lower ✓	1	
49	0899 62 964	Moulding (L), Lower ✓	1	
50	0899 62 970	Bolt, Moulding ✓	3	
51	0899 62 975A	Clip	10	
52 ✓	99906 0300	Nut, Decoration Film	3	
✓	99952 0300	Washer, Plain	3	
✓	99971 0300	Washer, Spring	1	
4 53	0621 62 792	Pipe	1	
54	0803 69 323A	Cushion ✓	1	
55	0305 58 872	Valve, Drain ✓	2	



# LAMPS (FRONT SIDE)



# LAMPS (FRONT SIDE)

66

No.	Part Number	Description	Q'ty	Remarks
1	<del>0865 88 661</del>	Lamp (R), Head	<del>1</del>	<del>Used</del>
		(Toshiba Make)		
	<del>0865 89 666</del>	Lamp (L), Head	<del>1</del>	<del>Used</del>
	0866 89 661	Lamp (R), Head	1	(R.H.D.)
	0866 89 666	Lamp (L), Head	1	
	1128 89 661	Lamp (R), Head	1	Car. No. 160623 $\frac{73}{10}$ X
	1128 89 666	Lamp (L), Head	1	Car. No. 160623 $\frac{73}{10}$ X
	1540 89 661	Lamp (R), Head	1	
	1540 89 666	Lamp (L), Head	1	
		(L.H.D.) Sealed Beam Type		
	3517 89 661	Lamp (R), Head	1	Car. No. 160623 $\frac{73}{10}$ X
	3517 89 666	Lamp (L), Head	1	Car. No. 160623 $\frac{73}{10}$ X
2	<del>0865 66 001</del>	Housing (R)	<del>1</del>	<del>Used</del>
		(Toshiba Make)		
	<del>0865 66 011</del>	Housing (L)	<del>1</del>	<del>Used</del>
	0866 66 031	Housing (R)	1	Car. No. 160623 $\frac{73}{10}$ Discarded
	0866 66 061	Housing (L)	1	Car. No. 160623 $\frac{73}{10}$ Discarded
3	<del>0865 87 008</del>	Beam Unit, Sealed No. 1 (Toshiba Make)	<del>2</del>	
	0183 66 021	Beam Unit, Sealed No. 1 (Koito Make)	2	
	0865 87 008	Beam Unit, Sealed No. 1 (Toshiba Make)	2	Car. No. 160623 $\frac{73}{10}$ X
4	<del>0865 07 009</del>	Beam Unit, Sealed No. 2 (Toshiba Make)	<del>2</del>	
	0183 66 022	Beam Unit, Sealed No. 2 (L.H.D.) (Koito Make)	2	
	0865 87 009	Beam Unit, Sealed No. 2 (R.H.D.) (Toshiba Make)	2	Car. No. 160623 $\frac{73}{10}$ X

LAMPS (FRONT SIDE)

No.	Part Number	Description	Q'ty	Remarks	
	2801 66 022	Beam Unit, Sealed No.2 (L.H.D.) (Koito Make)	2		
5	0275 87 007	Screw	12		
6	0727 87 014	Holder, Lamp	4		
7	0727 87 016	Screw	8		
8	2850 87 012	Spring	4		
9	99860 0616	Screw, Tapping	8		
	99910 0616	Nut	8		
●	99910 0601	Nut	8	$\frac{73}{10}$ ○	
	99952 0601	Washer, Plain	8		
●	99952 0816	Washer, Plain	8	Car No. 160623 $\frac{73}{10}$ ~ △	
10	0727 87 012	Holder (R)	1	(R) Side	
	0727 87 013	Holder (L)	1		
	0727 87 022	Holder (R)	1	(L) Side	
	0727 87 023	Holder (L)	1		
11	1562 89 661	Lamp (R), Head	1	White Bulb	
●	1562 89 661 A	Lamp (R), Head	1		$\frac{72}{11}$ ○
	1562 89 666	Lamp (L), Head	1		
●	1562 89 666 A	Lamp (L), Head	1		$\frac{72}{11}$ ○
●	3513 89 661	Lamp (R), Head	1		Car No. 160623 $\frac{72}{10}$ ~ X (L.H.D.) Semi Sealed Beam

# LAMPS (FRONT SIDE)



No.	Part Number	Description	Q'ty	Remarks
●	3513 89 666	Lamp (L), Head	1	Car No. 160623 $\frac{73}{10}$ ~ X
	1568 89 661	Lamp (R), Head	1	
●	1568 89 661 A	Lamp (R), Head	1	$\frac{72}{11}$ ~ O
	1568 89 666	Lamp (L), Head	1	
●	1568 89 666 A	Lamp (L), Head	1	$\frac{72}{11}$ ~ O
●	3514 89 661	Lamp (R), Head	1	Car No. 160623 $\frac{73}{10}$ ~ X
●	3514 89 666	Lamp (L), Head	1	Car No. 160623 $\frac{73}{10}$ ~ X
12	2288 66 040	Lamp Unit Type E 1	2	
●	1562 66 041	Lamp Unit Type E 1	2	$\frac{72}{11}$ ~ X (pas homologué)
●	1562 66 040 A	Beam, Semi-Sealed	2	$\frac{73}{10}$ ~ X
	2288 66 070	Lamp Unit Type E 2	2	
●	1562 66 071	Lamp Unit Type E 2	2	$\frac{72}{11}$ ~ X (pas homologué)
●	1562 66 070 A	Beam, Semi-Sealed	2	$\frac{73}{10}$ ~ X
	2212 66 040	Lamp Unit Type E 1	2	
●	1562 66 041	Lamp Unit Type E 1	2	$\frac{72}{11}$ ~ O
●	1568 66 040 A	Beam, Semi-Sealed	2	Car No. 160623 $\frac{73}{10}$ ~ X (Yellow Bulb)
	2212 66 070	Lamp Unit Type E 2	2	
●	1562 66 071	Lamp Unit Type E 2	2	$\frac{72}{11}$ ~ O
●	1568 66 070 A	Beam, Semi-Sealed	2	Car No. 160623 $\frac{73}{10}$ ~ X
12-1	2288 87 041	Lens & Body E 1	2	

## LAMPS (FRONT SIDE)

No.	Part Number	Description	Q'ty	Remarks
	2288 87 071	Lens & Body E 2	2	
13	2276 66 042	Gasket	4	Car No. 160623 $\frac{73}{10}$ Discarded
14	2276 66 044	Ring Set	4	
●	2369 66 075	Holder, Bulb	4	Car No. 160623 $\frac{73}{10}$ X
15	2288 66 045	Bulb-White Color	4	
	2360 66 045	Bulb- Yellow Color	4	
16	0275 87 007	Screw	12	
17	0727 87 014	Holder, Lamp	4	
18	0727 87 016	Screw	8	
19	2850 87 012	Spring	4	
20	0727 87 012	Holder (R)	1	(R) Side
	0727 87 013	Holder (L)	1	
	0727 87 022	Holder (R)	1	(L) Side
	0727 87 023	Holder (L)	1	
21	99860 0616	Screw, Tapping	8	
	99910 0601	Nut	8	
	99952 0816	Washer, Plain	8	
● 21-1	2369 66 071	Cover	4	Car No. 160623 $\frac{73}{10}$ ~ Added Anew
● 21-2	2850 87 003	Nut, Self Lock	8	Car No. 160623 $\frac{73}{10}$ ~ Added Anew



# LAMPS (FRONT SIDE)

66

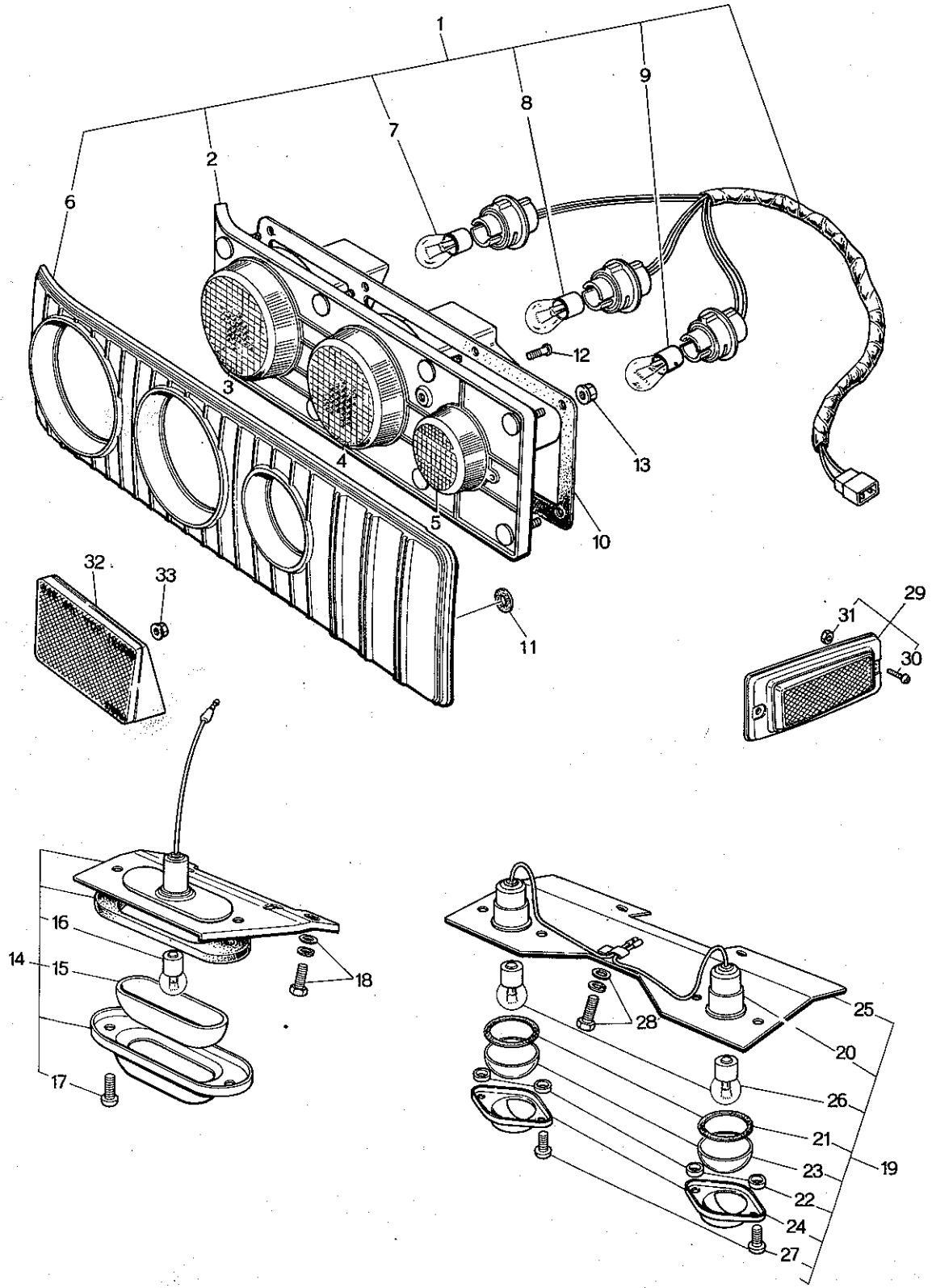
No.	Part Number	Description	Q'ty	Remarks
22	1524 89 662 A	Lamp (R), Front Turn Signal	1	
●	1524 89 662 B	Lamp (R), Front Turn Signal	1	Car No. 160623 $\frac{7}{10}$ ~ $\Delta$
	1524 89 667 A	Lamp (L), Front Turn Signal	1	
●	1524 89 667 B	Lamp (L), Front Turn Signal	1	Car No. 160623 $\frac{7}{10}$ ~ $\Delta$
23	1524 66 112 A	Lens (R)	1	
	1524 66 142 A	Lens (L)	1	
●	24 1524 66 111	Housing (R)	1	Car No. 160623 $\frac{7}{10}$ ~ Discarded
●	1524 66 141	Housing (L)	1	Car No. 160623 $\frac{7}{10}$ ~ Discarded
25	99701 2050	Bulb	2	
26	99701 3210	Bulb	2	
27	99835 0625 C	Screw	4	
28	0866 89 663	Lamp (R), Side Turn Signal	1	(For General & England)
	0866 89 668	Lamp (L), Side Turn Signal	1	
	0866 89 663	Lamp (R), Side Turn Signal	1	
	1531 89 663 A	Lamp (R), Side Turn Signal	1	(For Denmark) Car No. 133210 $\frac{7}{10}$ ~ X
	1531 89 663 A	Lamp (R), Side Turn Signal	1	(Except Denmark) Car No. 141928 $\frac{7}{10}$ ~ X (For Europe)
	0866 89 668	Lamp (L), Side Turn Signal	1	
	1531 89 668 A	Lamp (L), Side Turn Signal	1	(For Denmark) Car No. 133210 $\frac{7}{10}$ ~ X
	1531 89 668 A	Lamp (L), Side Turn Signal	1	(Except Denmark) Car No. 141928 $\frac{7}{10}$ ~ X

# LAMPS (FRONT SIDE)

No.	Part Number	Description	Q'ty	Remarks
29	0866 66 481 A	Lens & Body (R)	1	(For General & England) (For Europe) Car No. 133210 $\frac{7}{16}$ ~X (For Denmark) Car No. 141828 $\frac{7}{32}$ ~X (Except Denmark)
	0866 66 491 A	Lens & Body (L)	1	
	0866 66 481 A	Lens & Body (R)	1	
	1531 66 481	Lens & Body (R)	1	
	0866 66 491 A	Lens & Body (L)	1	
	1531 66 491	Lens & Body (L)	1	
30	0865 66 482	Socket	2	
31	99701 6030	Bulb (For General & England)	2	
	99701 6030	Bulb (For Europe)	2	
	99701 2050	Bulb (For Europe)	2	Car No. 133210 $\frac{7}{16}$ ~X
32	99864 0416 B	Screw, Lamp (For General & England)	4	
●	99796 0414	Screw, Lamp (For General & England)	4	Car No. 160623 $\frac{7}{10}$ ~X
	99864 0416 B	Screw, Lamp	4	(For Europe)
	99769 0416	Screw, Lamp	4	
●	99769 0414	Screw, Lamp	4	Car No. 160623 $\frac{7}{10}$ ~X



# LAMPS (REAR SIDE, SEDAN & COUPE)



# LAMPS (REAR SIDE, SEDAN & COUPE)

66

No.	Part Number	Description	Q'ty	Remarks
1	1554 89 664	Lamp (R), Rear Combination	1	
●	1554 89 664 - 15	Lamp (R), Rear Combination	1	Car No. 167343 3/4~X
				(For Australia)
	1554 89 669	Lamp (L), Rear Combination RED & GRAY	1	
●	1554 89 669 - 15	Lamp (L), Rear Combination (BLK)	1	Car No. 167343 3/4~X
	1562 89 664A	Lamp (R), Rear Combination	1	
●	1562 89 664A 15	Lamp (R), Rear Combination	1	Car No. 167343 3/4~X
				(For General)
	1562 89 669A	Lamp (L), Rear Combination	1	
●	1562 89 669A 15	Lamp (L), Rear Combination	1	Car No. 167343 3/4~X
	1568 89 664A	Lamp (R), Rear Combination (RED & GRAY)	1	
●	1568 89 664A 15	Lamp (R), Rear Combination (BLK)	1	Car No. 167343 3/4~X
				(For France)
	1568 89 669A	Lamp (L), Rear Combination	1	
●	1568 89 669A 15	Lamp (L), Rear Combination	1	Car No. 167343 3/4~X
2	1562 66 211A	Unit (R)	1	
		(For Australia & General)		
	1562 66 231A	Unit (L)	1	
				Fig. No. 3~5 included
	1568 66 211A	Unit (R)	1	
		(For France)		
	1568 66 231A	Unit (L)	1	
3	1562 66 219	Lens (R), Turn Signal Lamp	1	
	1562 66 239	Lens (L), Turn Signal Lamp	1	
4	0865 66 218	Lens (R), Tail & Stop Lamp	1	
		(For Australia)		
	0865 66 238	Lens (L), Tail & Stop Lamp	1	

## LAMPS (REAR SIDE, SEDAN &amp; COUPE)

No.	Part Number	Description	Q'ty	Remarks
5	0865 66 217	Lens, Back Up Lamp (For Australia & General)	2	
	1568 66 217	Lens, Back Up Lamp (For France)	2	
6	0866 66 212	Rim (R)	1	
●	0866 66 212 - 15	Rim (R)	1	Car No. 167343 7/4~X
	0866 66 232	Rim (L)	1	
●	0866 66 232 - 15	Rim (L)	1	Car No. 167343 7/4~X
7	99701 3210	Bulb, Turn Signal Lamp	2	
8	99701 4215	Bulb, Tail & Stop Lamp	2	
9	99701 8100	Bulb, Back Up Lamp	2	
	99701 3230	Bulb, Back Up Lamp (For Australia)	2	
10	0866 66 213	Packing	2	
11	0866 66 214	Packing	2	
12	99868 0414	Screw	6	
13	99906 0500	Nut, Rear Combination Lamp	18	
	99952 0516	Washer, Plain	18	
14	0866 89 665	Lamp, Licence (For General)	1	
	1524 89 665	Lamp, Licence (For All ECE Spec. Models, Except France & Italy)	1	
15	0866 66 372	Lens	1	

# LAMPS (REAR SIDE, SEDAN & COUPE)

66

No.	Part Number	Description	Q'ty	Remarks
16	99701 2050	Bulb (12V, 5W) (For All ECE Territory, Except France & Italy)	1	CT2 08 1121 93
	99701 2080	Bulb (12V, 8W) (For General)	1	013 05 1101
17	0305 87 032	Screw	2	012 08 0321
18	99797 0612	Bolt, Licence Lamp	2	010 02 0121
	99952 0600	Washer, Plain	2	0100 01000 05
	99971 0600	Washer, Spring	2	0050 00500 12
19	1531 89 665	Lamp, Licence (For France & Italy)	2	0020 00200 22
20	1531 66 371	Body	2	
21	1531 66 372	Gasket	2	
22	1531 66 373	Spacer	4	
23	1531 66 374	Lens	2	
24	1531 66 375A	Rim	2	
25	1531 66 376	Bracket	1	
26	99701 2050	Bulb	2	
27	99773 0412	Screw	4	
28	99797 0612	Bolt, Licence Lamp	2	
	99952 0600	Washer, Plain	2	
	99971 0600	Washer, Spring	2	

**LAMPS (REAR SIDE, SEDAN & COUPE)**

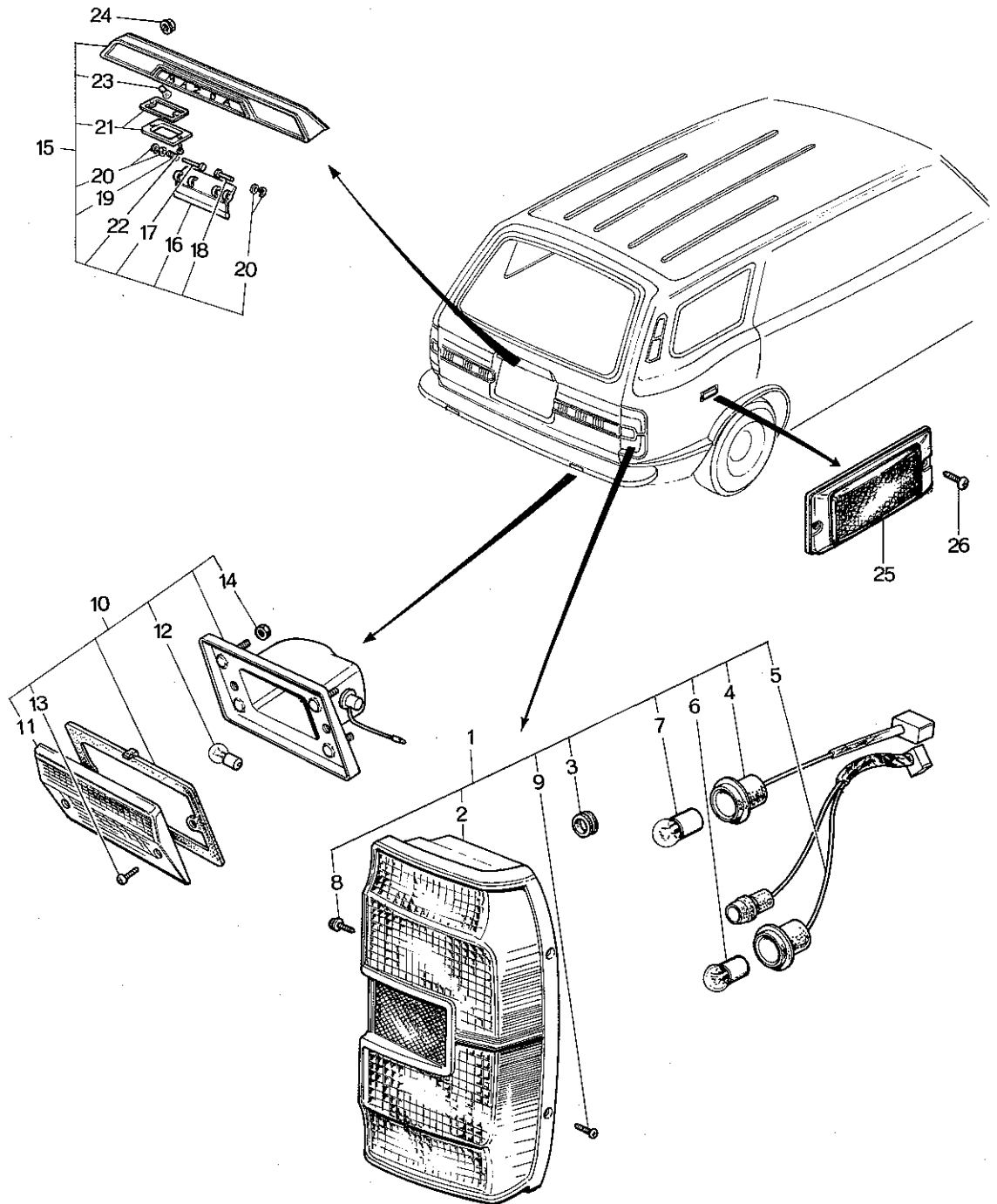
No.	Part Number	Description	Q'ty	Remarks
29	1511 89 673	Ornament-Side (R)	1	For Australia
	1511 89 678	Ornament-Side (L)	1	
	1524 89 673	Ornament-Side (R)	1	For General (England included)
	1524 89 678	Ornament-Side (L)	1	
30	99974 0416	Screw, Ornament	4	
31	99940 0400	Nut	4	
32	0866 66 700A	Reflector, Reflex-Rear	2	
33	99940 0500	Nut	2	





[The main body of the page contains extremely faint and illegible text, likely bleed-through from the reverse side of the paper. The text is too light to be transcribed accurately.]

## LAMPS (REAR SIDE, STATION WAGON)



# LAMPS (REAR SIDE, STATION WAGON)

66

No.	Part Number	Description	Q'ty	Remarks
1	✓ 1529 89 884E	Lamp (R), Rear Combination	1	
	✓ 1529 89 889E	Lamp (L), Rear Combination	1	
2	1529 66 211A	Lens & Body (R)	1	
	1529 66 219	Lens (Amber & Red)	1	
	1529 66 231A	Lens & Body (L)	1	
	1529 66 239	Lens (Amber & Red)	1	
3	1529 66 212	Grommet	2	
4	1529 66 213	Cord & Socket No. 1	2	
5	1529 66 214	Cord & Socket No. 2	2	
6	✓ 99701 3210	Bulb (12 V 21 W)	2	
7	✓ 99701 4215	Bulb (12 V 21 / 5 W)	2	
8	✓ 99833 0616	Screw, Rear Combination Lamp	4	
	✓ 99971 0600	Washer, Spring	4	
	✓ 99952 0600	Washer, Plain	4	
9	✓ 99767 0525	Screw, Tapping-Rear Combination Lamp	4	
10	✓ 1529 89 854	Lamp, Reverse	2	
11	0585 66 333	Lens	2	
12	✓ 99701 8100	Bulb (12 V 10 W)	2	
13	✓ 99773 0416	Screw	4	

## LAMPS (REAR SIDE, STATION WAGON)

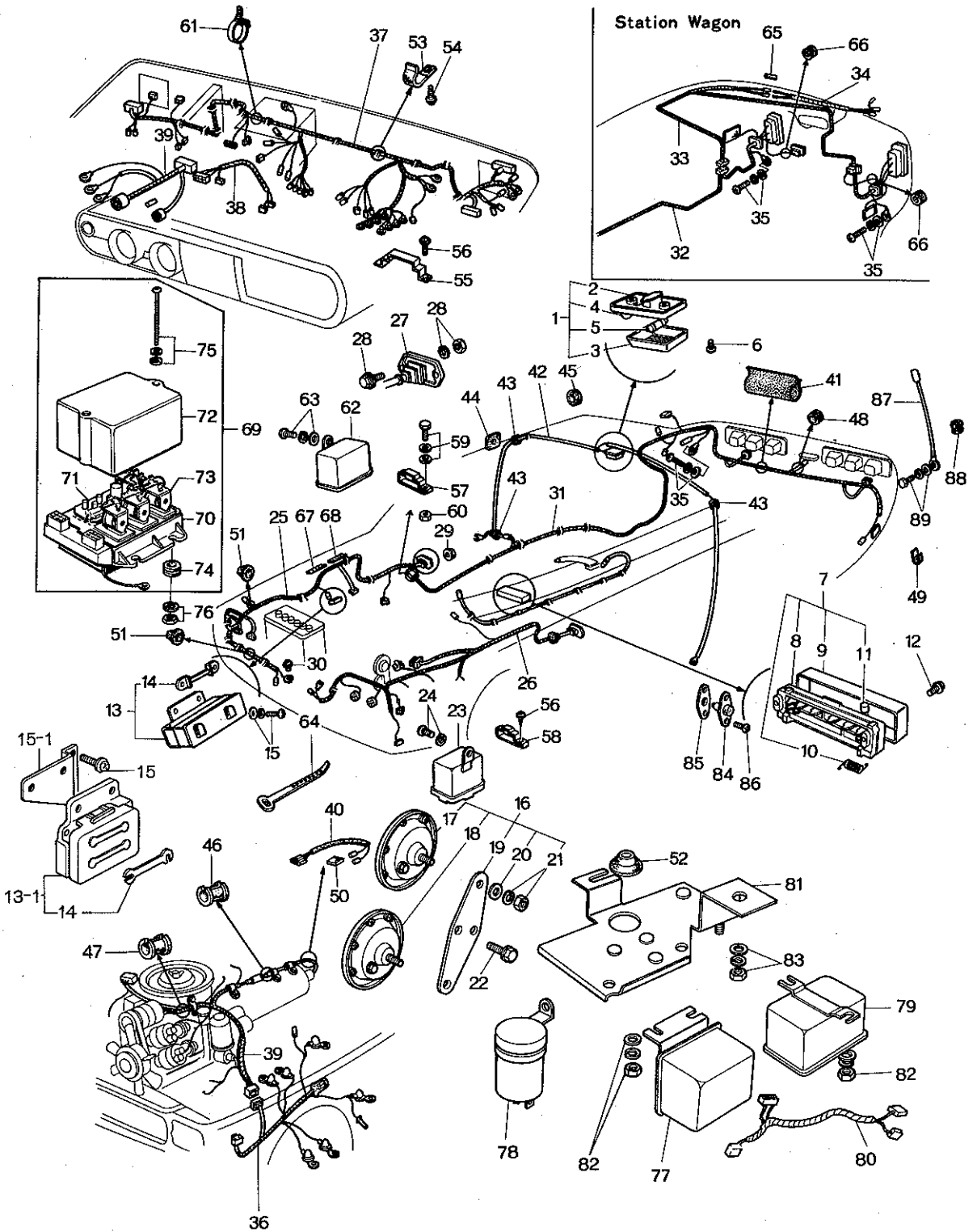
No.	Part Number	Description	Q'ty	Remarks
14	✓ 99940 0502	Nut	4	
15	✓ 1529 89 6658	Lamp & Handle	1	
16	0585 66 373	Handle	1	
17	0585 66 374	Pin No. 1, Hinge	1	
18	0585 66 375	Pin No. 2, Hinge	1	
19	0585 66 376	Spring, Return	1	
20	0111 58 443	Washer	2	
	✓ 99575 0400	Ring, Snap	2	
21	0585 66 377	Lens	2	
	0585 66 378	Packing	2	
22	✓ 99773 0410	Screw	4	
23	✓ 99701 2050	Bulb (12 V, 5 W)	2	
24	✓ 99940 0602	Nut, Lamp & Handle	4	
25	✓ 1524 89 673	Ornament (R), Rear Side	1	
	✓ 1524 89 678	Ornament (L), Rear Side	1	
26	✓ 99769 0416	Screw, Rear Side Ornament	4	



1000000000

10





# ELECTRIC EQUIPMENT (BODY)

66

67

No.	Part Number	Description	Q'ty	Remarks
1	0390 66 410	Lamp, Interior	1	
2	0390 66 411	Body	1	
3	0398 66 412	Lens	1	
4	0398 66 413	Knob	1	
5	99701 5050	Bulb	1	
6	99838 0514	Screw, Interior Lamp	2	
7	0866 66 730B	Block, Fuse	1	
	0862 66 730	Block, Fuse	1	Car No. 150526 $\frac{7}{8}$ ~ X
	<del>0862 66 730B</del>	Block, Fuse	1	Car No. 150526 $\frac{7}{8}$ ~ X
	1175 66 730	Block, Fuse	1	Car No. 160623 $\frac{7}{10}$ ~ X
8	0866 66 731	Body	1	
	0862 66 731	Body	1	Car No. 150526 $\frac{7}{8}$ ~ O
9	0866 66 732	Cover	1	
	0862 66 732	Cover	1	Car No. 150526 $\frac{7}{8}$ ~ X
	1175 66 732	Cover	1	Car No. 160623 $\frac{7}{10}$ ~ X
10	0866 66 733	Spring, Return	1	
11	99706 0105	Fuse, 5 A	1	Car No. 150526 $\frac{7}{8}$ ~ Discarded
	99706 0115	Fuse, 15 A	1	Car No. 150526 $\frac{7}{8}$ ~ Added Anew
	99706 0110	Fuse, 10A- Spare Fuse Included	7	

# ELECTRIC EQUIPMENT (BODY)

No.	Part Number	Description	Qty	Remarks
	99706 0115	Fuse, 15A	2	
	99706 0120	Fuse, 20A-Spare Fuse Included	3	
12	99863 0625	Screw, Fuse Block	2	
	99971 0600	Washer, Spring	2	
13	0865 66 760	Block, Main Fuse	1	
● 13-1	1708 66 760	Block, Main Fuse	1	Car No. 160623 $\frac{7}{10}$ ~X
14	2852 66 763	Fuse, 50A	2	
●	1708 66 765	Fuse, 5 A	1	Car No. 160623 $\frac{7}{10}$ ~Added Anew
15	99743 0620	Screw, Main Fuse Block	2	
●	99786 0612	Screw, Main Fuse Block	2	Car No. 160623 $\frac{7}{10}$ ~X
	99786 0620	Bolt	2	Car No. 141928 $\frac{7}{3}$ ~○
	99952 0600	Washer, Plain	2	Car No. 141928 $\frac{7}{3}$ ~Discarded
	99971 0600	Washer, Spring	2	
● 15-1	1128 66 750	Bracket, Main Fuse	1	Car No. 160623 $\frac{7}{10}$ ~Added Anew
16	0865 66 780	Horn, Electric	1	
	1531 66 780	Horn, Electric (For Europe) (England-Excluded)	1	



# ELECTRIC EQUIPMENT (BODY)

66
67

No.	Part Number	Description	Qty	Remarks
17	0865 66 790	Horn (High Tone)	1	
	1531 66 790	Horn (High Tone) (For Europe) (England Excluded)	1	
18	0865 66 800	Horn (Low Tone)	1	
	1531 66 800	Horn (Low Tone) (For Europe) (England Excluded)	1	
19	0865 66 805	Holder	1	
20	0865 66 809	Washer, Holder	2	
21	99906 0600	Nut	2	
	99971 0600	Washer, Spring	2	
<del>22</del>	<del>99801 0816</del>	<del>Bolt, Electric Horn</del>	<del>2</del>	
	99801 0820	Bolt	2	From Car No. 1
	99971 0800	Washer, Spring	2	
<del>23</del>	<del>1524 68 810</del>	<del>Relay, Horn</del>	<del>1</del>	
	1524 66 810	Relay, Horn	1	
24	99806 0612	Bolt, Horn Relay	1	(Station Wagon Excluded)
	99952 0600	Washer, Plain	1	
	99971 0600	Washer, Spring	1	
25	0866 67 010A	Harness, Wire (Frt., R)	1	
	0866 67 010C	Harness, Wire (Frt., R)	1	Car No. 140779 $\frac{1}{2}$ ~ $\odot$
	0862 67 010A	Harness, Wire (Frt., R)	1	Car No. 150461 $\frac{1}{4}$ ~ $\times$
	0862 67 010B	Harness, Wire (Frt., R)	1	Car No. 161189 $\frac{1}{12}$ ~ $\triangle$

No.	Part Number	Description	Q'ty	Remarks
●	3511 67 010	Harness, Wire (Frnt., R)	1	Car No. 160623 $\frac{7}{10}$ ~X
	1504 67 010	Harness, Wire (Frnt., R)	1	
	1504 67 010B	Harness, Wire (Frnt., R)	1558, 1559	1 Car No. 140779 $\frac{7}{2}$ ~○
	1504 67 010D	Harness, Wire (Frnt., R)	1	Car No. 150526 $\frac{7}{8}$ ~X
26	0866 67 020B	Harness, Wire (Frnt., L)	1	
	0866 67 020C	Harness, Wire (Frnt., L)	1	Car No. 136920 $\frac{7}{2}$ ~○
	0866 67 020E	Harness, Wire (Frnt., L)	1	Car No. 140779 $\frac{7}{2}$ ~○
	0862 67 020C	Harness, Wire (Frnt., L)	1	Car No. 150526 $\frac{7}{8}$ ~X
		(R.H.D.)		
●	3503 67 020	Harness, Wire (Frnt., L)	1	Car No. 160623 $\frac{7}{10}$ ~X
	1524 67 020B	Harness, Wire (Frnt., L)	1	
	1524 67 020C	Harness, Wire (Frnt., L)	1	Car No. 130590 $\frac{7}{12}$ ~○
	1524 67 020F	Harness, Wire (Frnt., L)	1	Car No. 140779 $\frac{7}{2}$ ~○
	1524 67 020I	Harness, Wire (Frnt., L)	1	Car No. 150526 $\frac{7}{8}$ ~X
		(L.H.D.)		
●	3511 67 020	Harness, Wire (Frnt., L)	1	Car No. 160623 $\frac{7}{10}$ ~X
	1504 67 020	Harness, Wire (Frnt., L)	1	
	1504 67 020F	Harness, Wire (Frnt., L)	1558, 1559	1 Car No. 142350 $\frac{7}{3}$ ~○
	1524 67 020I	Harness, Wire (Frnt., L)	1	Car No. 150526 $\frac{7}{8}$ ~X
27	0866 67 151	Protector, Wire Harness Front	1	Car No. 150461 $\frac{7}{3}$ ~ Discarded
28	99806 0625	Bolt	4	
	99952 0600	Washer, Plain	4	Car No. 152815 Discarded

# ELECTRIC EQUIPMENT (BODY)

66

67

No.	Part Number	Description	Q'ty	Remarks
	99906 0600	Nut	4	Car No. 152815 Discarded
	99971 0600	Washer, Spring	4	
29	99940 0600	Nut	4	Car No. 152816 $\frac{7}{8}$ ~ Added Anew.
30	99833 0812	Screw, Wire Harness Front Earth	1	
	99952 0800	Washer, Plain	1	
	99971 0800	Washer, Spring	1	
31	0866 67 030	Harness, Wire (Rr.)	1	
	0866 67 030B	Harness, Wire (Rr.)	1	Car No. 142383 $\frac{7}{8}$ ~ $\Delta$
		(Sedan & Coupe)		
	0866 67 030C	Harness, Wire (Rr.)	1	Car No. 177587 $\frac{7}{8}$ ~ $\Delta$
	0866 67 030D	Harness, Wire (Rr.)	1	Car No. 160623 $\frac{7}{10}$ ~X
32	0585 67 030A	Harness, Wire (Rr.) No. 1	1	
	0585 67 030C	Harness, Wire (Rr.) No. 1	1	Car No. 177587 $\frac{7}{8}$ ~ $\Delta$
33	0585 67 035D	Harness, Wire (Rr.) No. 2	1	
	0585 67 035E	Harness, Wire (Rr.) No. 2	1	Car No. 177587 $\frac{7}{8}$ ~ $\Delta$
		(Station & Wagon)		
	0585 67 035F	Harness, Wire (Rr.) No. 2	1	Car No. $\frac{7}{8}$ ~ $\Delta$
34	0585 67 036	Wire, Licence Lamp	1	
	0585 67 036A	Wire, Licence Lamp	1	Car No. 177587 $\frac{7}{8}$ ~ $\Delta$
35	99833 0612	Screw	2	
	99952 0600	Washer, Plain	2	(Station Wagon)
	99971 0600	Washer, Spring	2	

No.	Part Number	Description	Q'ty	Remarks
36	0866 67 040E	Harness, Wire-Ignition Coil Relay~Coil	1	
	0862 67 040	Harness, Wire	1	Car No. 150526 $\frac{7}{8}$ ~X
●	0862 67 040A	Harness, Wire	1	Car No. 160623 $\frac{7}{10}$ ~X
37	0866 67 050H	Harness, Wire-Meter Panel	1	
	0866 67 050 I	Harness, Wire-Meter Panel	1	Car No. 133210 $\frac{7}{8}$ ~○
	0865 67 050	Harness, Wire-Meter Panel	(R.H.D.) 1	Car No. 136920 $\frac{7}{2}$ ~○
	1511 67 050	Harness, Wire-Meter Panel	1	Car No. 150526 $\frac{7}{8}$ ~X
●	3503 67 050	Harness, Wire-Meter Panel	1	Car No. 160623 $\frac{7}{10}$ ~X
	1524 67 050C	Harness, Wire-Meter Panel	1	
	1524 67 050F	Harness, Wire-Meter Panel	1	Car No. 150526 $\frac{7}{8}$ ~X
	1524 67 050G	Harness, Wire-Meter Panel	1	Car No. 152880 $\frac{7}{9}$ ~△
●	3511 67 050	Harness, Wire-Meter Panel	1	Car No. 160623 $\frac{7}{10}$ ~X
	1504 67 050B	Harness, Wire-Meter Panel (L.H.D.) (1558,1559)	1	
	<del>1504 67 050D</del>	<del>Harness, Wire-Meter Panel (L.H.D.) (1558,1559)</del>	<del>1</del>	
	1504 67 050E	Harness, Wire-Meter Panel (L.H.D.) (1558,1559)	1	Car No. 150526 $\frac{7}{8}$ ~X
38	0866 67 070B	Harness, Wire-Meter	1	
	0866 67 070C	Harness, Wire-Meter	1	Car No. 150306 $\frac{7}{8}$ ~△
●	1881 67 070	Harness, Wire-Meter	1	Car No. 160623 $\frac{7}{10}$ ~X
	1558 67 070	Harness, Wire-Meter (1558,1559)	1	
	1558 67 070A	Harness, Wire-Meter (1558,1559)	1	Car No. 150526 $\frac{7}{8}$ ~X

# ELECTRIC EQUIPMENT (BODY)

66

67

No.	Part Number	Description	Q'ty	Remarks
39	0866 67 060C	Harness, Wire-Engine (Manual)	1	Car No. 130590 $\frac{7}{12}$ ~○
	0866 67 060E	Harness, Wire-Engine	1	Car No. 130590 $\frac{7}{12}$ ~○
	0866 67 060F	Harness, Wire-Engine	1	Car No. 133822 $\frac{7}{11}$ ~○
	0862 67 060A	Harness, Wire-Engine (Manual)	1	Car No. 150526 $\frac{7}{8}$ ~X
	0862 67 060B	Harness, Wire-Engine	1	Car No. 177587 $\frac{7}{11}$ ~△
	3511 67 060A	Harness, Wire-Engine	1	Car No. 160623 $\frac{7}{10}$ ~X
	0871 67 060C	Harness, Wire-Engine	1	Car No. 130590 $\frac{7}{12}$ ~○
	0871 67 060F	Harness, Wire-Engine	1	Car No. 133210 $\frac{7}{11}$ ~△
	0871 67 060G	Harness, Wire-Engine	1	Car No. 136920 $\frac{7}{2}$ ~○
	0871 67 060H	Harness, Wire-Engine (Automatic)	1	Car No. 141184 $\frac{7}{2}$ ~○
	0872 67 060A	Harness, Wire-Engine	1	Car No. 150526 $\frac{7}{8}$ ~X
	0872 67 060B	Harness, Wire-Engine	1	Car No. 166139 $\frac{7}{3}$ ~○
	0872 67 060C	Harness, Wire-Engine	1	Car No. 177587 $\frac{7}{11}$ ~△
	3511 67 060A	Harness, Wire-Engine	1	$\frac{7}{4}$ ~X
	1560 67 060	Harness, Wire-Engine (1558,1559)	1	Car No. 150526 $\frac{7}{8}$ ~X
40	0866 67 065	Harness, Wire-Reverse Lamp	1	Car No. 160623 $\frac{7}{10}$ ~X
	0862 67 065A	Harness, Wire-Reverse Lamp (Manual)	1	Car No. 150526 $\frac{7}{8}$ ~X
	3514 67 065A	Harness, Wire-Reverse Lamp	1	Car No. 160623 $\frac{7}{10}$ ~X
41	0866 67 155	Protector, Wire Harness (Sedan & Coupe)	1	Car No. 130590 $\frac{7}{12}$ ~○
42	0866 67 080	Cord, Room Lamp	1	Car No. 130590 $\frac{7}{12}$ ~○
43	0114 43 625	Protector, Room Lamp Cord	2	Car No. 130590 $\frac{7}{12}$ ~○

66

67

**ELECTRIC EQUIPMENT (BODY)**

No.	Part Number	Description	Q'ty	Remarks
44	0866 67 153A	Pad, Protector	1	
45	0820 67 151	Protector (Coupe)	1	
46	99686 1000	Protector	5	
47	99686 1600	Protector, Cord	1	(Sedan & Coupe)
48	0866 67 156	Protector, Cord	1	
49	99295 0406	Clip, Rear Combination Lamp	1	
50	0208 66 949	Pad, Protector	5 (Sedan & Coupe) 16 (Station Wagon)	
51	0866 67 152	Protector, Cord-Side Turn Signal Lamp	6	
52	1524 67 155	Protector, Cord-Relay (L.H.D. & Station Wagon)	2	
53	0866 67 059	Clip, Wiring Harness (Panel)	4	
54	99863 0512	Screw, Clip	4	
	99952 0500	Washer, Plain	4	
55	0866 67 905A	Clip, Wiring Harness (Meter)	1	
56	99869 0512	Screw, Clip	3	
	99952 0500	Washer, Plain	3	
57	0866 67 906	Clip, Dash Panel Upper	3	
58	0866 67 908	Clip, Ignition Coil Harness	1	
59	99833 0612	Screw, Clip	1	
	99952 0600	Washer, Plain	1	
	99971 0600	Washer, Spring	1	

# ELECTRIC EQUIPMENT (BODY)

66

67

No.	Part Number	Description	Q'ty	Remarks
60	99940 0600	Nut, Clip	1	
61	0305 67 993A	Clip	1	
62	0839 67 880	Relay, Ignition Coil	1	
	0862 67 880	Relay, Ignition Coil	1	Car No. 150526 $\frac{7}{8}$ ~X
63	99806 0612	Bolt	2	
	99952 0600	Washer, Plain	2	
	99971 0600	Washer, Spring	2	
64	99709 2185	Band, Wiring Harness Panel	3	
65	0585 67 151	Protector, Licence Lamp	1	(Station Wagon)
66	0585 67 154	Protector, Licence & Reverse Lamp	1	
67	0823 18 111	Supporter, Wiring Harness Engine	3	
68	0305 67 994	Supporter, Wiring Harness Engine	1	
69	0866 67 710D	Control Unit, Center	1	
	0866 67 710E	Control Unit, Center	1	Car No. 160378 $\frac{7}{12}$ ~△
70	0866 67 711	Socket	1	
71	0866 67 712C	Flasher & Hazard Unit (R.H.D.)	1	
72	0866 67 716	Cover	1	
73	0866 67 719	Relay, Wiper Switch	1	
74	0866 67 717	Bush	4	

# ELECTRIC EQUIPMENT (BODY)

No.	Part Number	Description	Q'ty	Remarks
75	0866 67 718	Screw	2	
	99952 0500	Washer, Plain	2	(R.H.D.)
	99971 0500	Washer, Spring	2	
76	99906 0600	Nut, Center Control Unit	3	
	99952 0618	Washer, Plain	3	
77	0820 60 870A	Relay, Wiper Switch	1	
78	0820 66 470A	Flasher Unit (For France)	1	
79	0848 66 830	Flasher & Hazard Unit	1	
80	1524 67 715	Cord, Relay Unit	1	
81	1524 67 720B	Bracket, Relay (L.H.D.)	1	
82	99906 0600	Nut	4	
	99952 0600	Washer, Plain	4	
	99971 0600	Washer, Spring	4	
	99952 0618	Washer, Plain	1	
83	99906 0600	Nut	2	
	99952 0600	Washer, Plain	2	(L.H.D.)
	99971 0600	Washer, Spring	2	
84	0209 66 820	Switch, Door	4	
85	0209 66 821	Washer, Adjust-Door Switch	8	



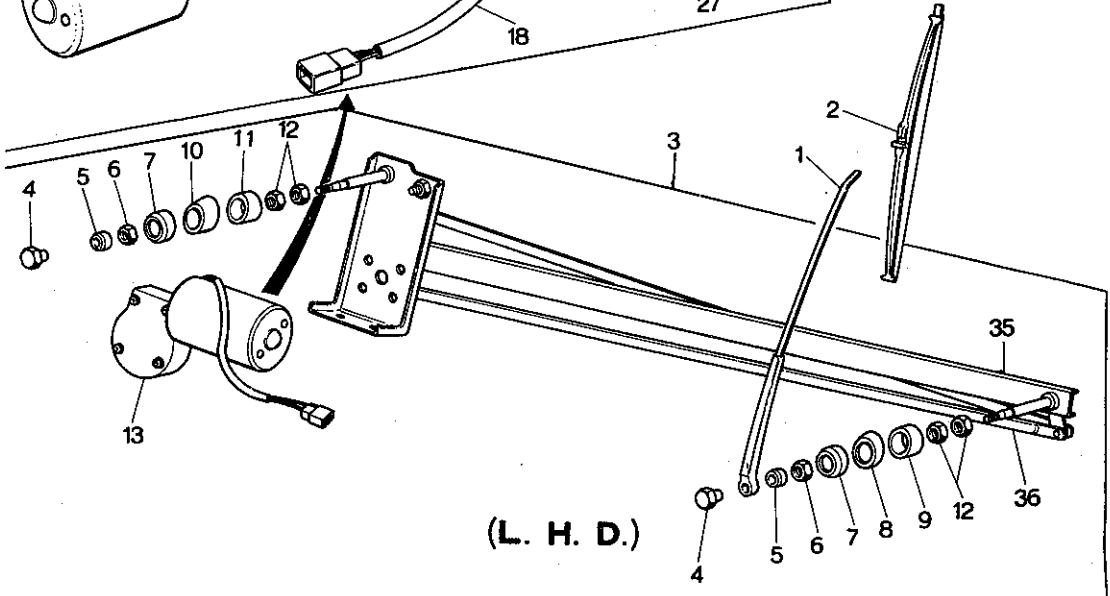
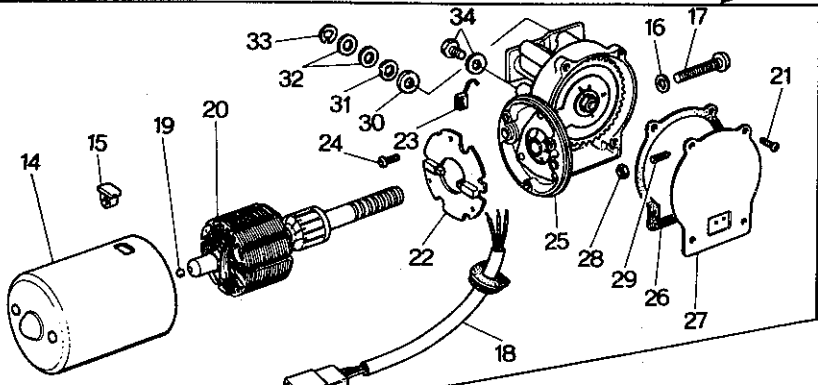
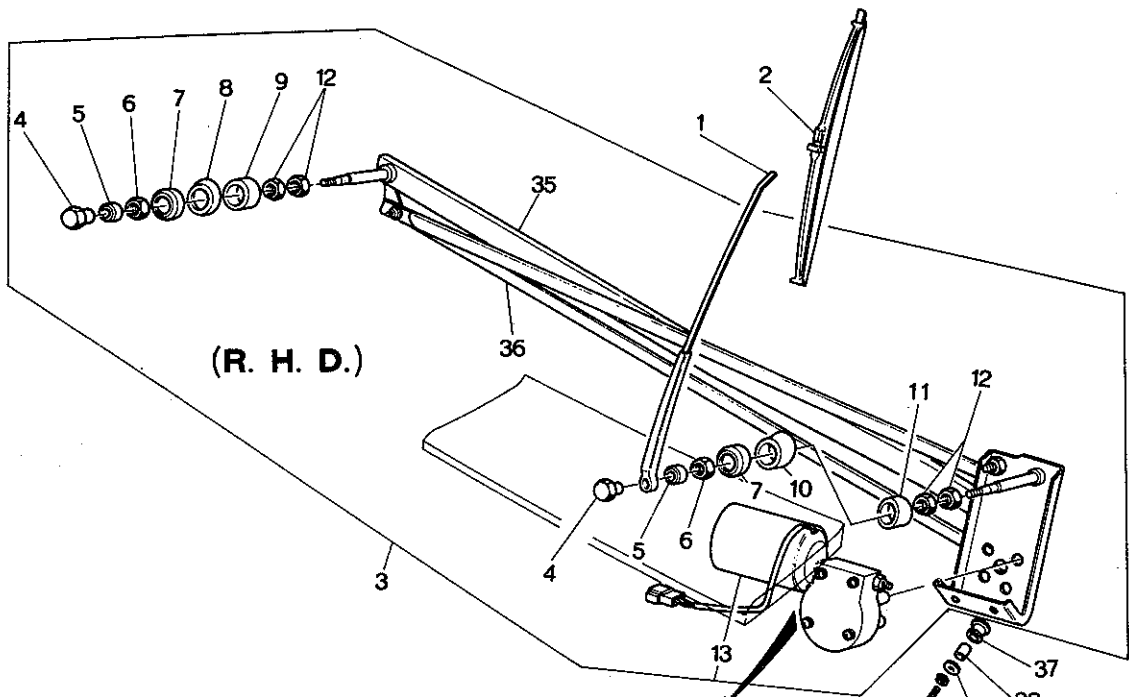
# ELECTRIC EQUIPMENT (BODY)

6667

No.	Part Number	Description	Q'ty	Remarks
86	99864 0412	Screw, Door Switch	8	
87	0866 67 133	Cord, Back Window-Heating Wire use 1	1	(Sedan & Coupe)
	0899 67 133	Cord, Back Window-Heating Wire use 1	1	(Station Wagon)
88	99684 0600	Protector	1	} (Sedan & Coupe)
89	99806 0616	Bolt, Back Window Cord	1	
	99952 0600	Washer, Plain	1	
	99971 0600	Washer, Spring	1	







# WINDSHIELD WIPER

66
87

No.	Part Number	Description	Q'ty	Remarks
1	0866 67 321	Arm, Wiper (R.H.D.)	2	
	0866 67 321 A	Arm, Wiper (R.H.D.)	2	Car No. 159525 $\frac{7}{11}$ ~△
	1524 67 321	Arm, Wiper (L.H.D.)	2	
	1524 67 321 A	Arm, Wiper (L.H.D.)	2	Car No. 159525 $\frac{7}{11}$ ~△
2	0305 67 330 A	Blade, Wiper (R.H.D.)	2	
	2835 67 330	Blade, Wiper (L.H.D.)	2	
3	0866 67 340 C	Motor & Link (R.H.D.)	1	
●	0866 67 340 D	Motor & Link (R.H.D.)	1	Car No. 160623 $\frac{73}{10}$ ~△
	1524 67 340 B	Motor & Link (L.H.D.)	1	
●	1524 67 340 C	Motor & Link (L.H.D.)	1	Car No. 160623 $\frac{73}{10}$ ~△
4	0223 66 371	Nut, Cap	2	
5	0212 66 371	Cap, Seal	2	
6	0212 66 372	Nut	2	
7	0305 87 906	Washer	2	
8	0866 76 604	Bush, Outer (R.H.D.)	1	
	1524 76 604	Bush, Outer (L.H.D.)	1	
9	0866 76 603	Bush, Inner (R.H.D.)	1	
	1524 76 603	Bush, Inner (L.H.D.)	1	
10	1823 67 352	Bush, Outer	1	

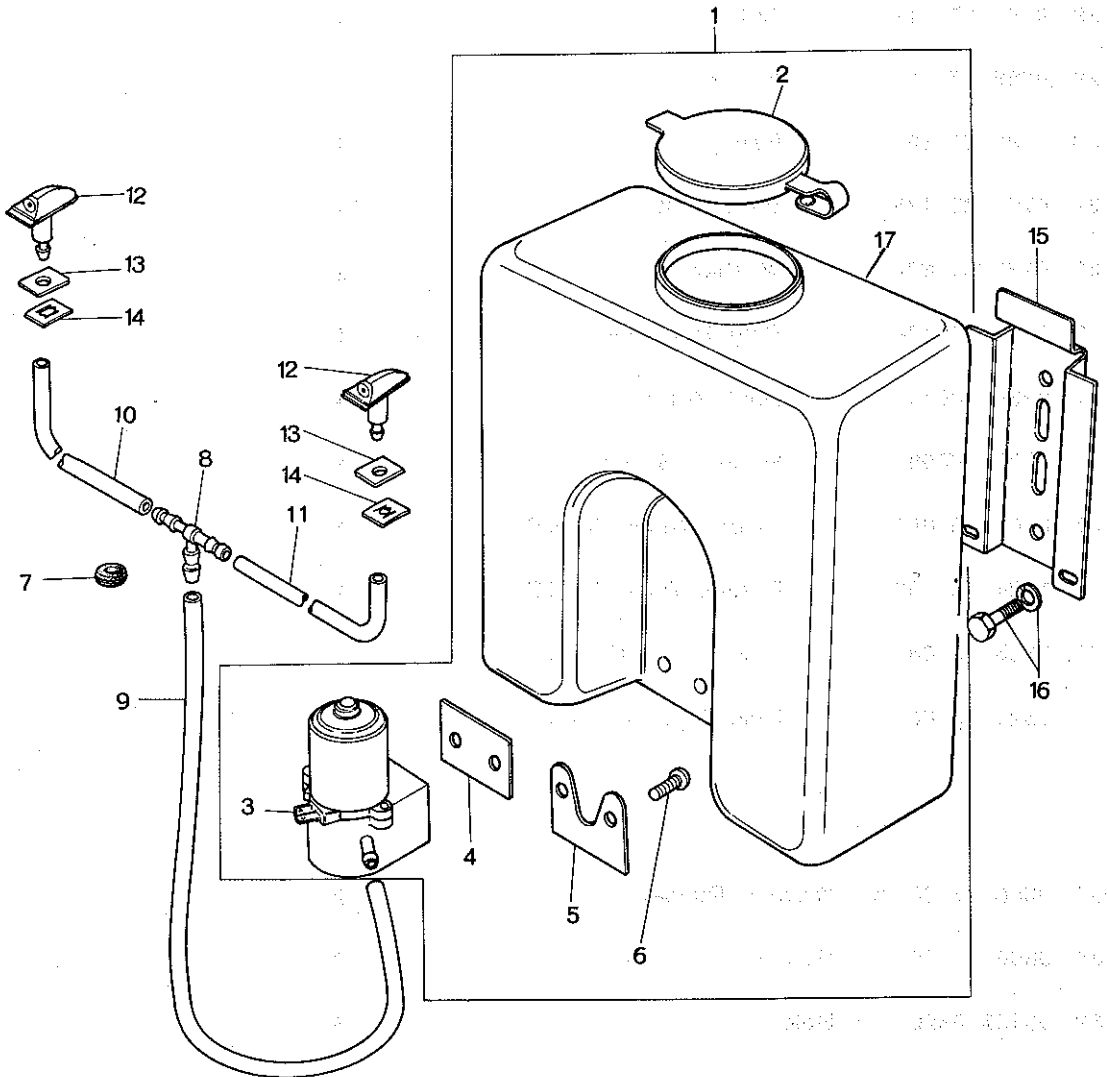
# WINDSHIELD WIPER

No.	Part Number	Description	Q'ty	Remarks
11	0866 76 605	Bush, Inner	1	
12	0259 87 134	Nut	4	
13	0866 67 350	Motor (R.H.D.)	1	} Fig. No. 14~33 included
●	0866 67 350A	Motor (R.H.D.)	1	
	1524 67 350	Motor (L.H.D.)	1	} Fig. No. 14~33 included
●	1524 67 350A	Motor (L.H.D.)	1	
14	0259 87 109A	Yoke	1	
15	0257 87 108	Nut	2	
16	99971 0500	Washer, Spring	6	
17	0257 87 107	Screw	2	
18	0868 76 607	Wire, Lead (R.H.D.)	1	
●	0866 76 607A	Wire, Lead (R.H.D.)	1	Car No. 160623 $\frac{73}{10}$ ~X
	1524 76 607	Wire, Lead (L.H.D.)	1	
19	0259 87 107	Ball	2	
20	0259 87 108A	Rotor	1	
21	0259 87 105	Screw	7	
22	0259 87 101A	Plate, Brush Holder	1	
●	1011 76 612A	Plate	1	Car No. 160623 $\frac{73}{10}$ ~X
23	0259 87 106	Brush	3	
24	99806 0510	Bolt	4	

# WINDSHIELD WIPER

66
87

No.	Part Number	Description	Q'ty	Remarks
25	0866 76 608	Box, Gear (R.H.D.)	1	
	1524 76 608	Box, Gear (L.H.D.)	1	
26	0259 87 103	Gasket	1	
27	2158 87 104	Plate, End (R.H.D.)	1	
	0259 87 104 A	Plate, End (L.H.D.)	1	
28	0259 87 119	Nut	1	
29	0259 87 120	Screw	1	
30	0738 87 803	Felt	1	
31	0702 87 135	Washer, Wave	1	
32	0738 87 804	Washer	2	
33	0702 87 138	Ring, Retaining	1	
34	99806 0510	Bolt, Motor	4	
	99971 0500	Washer, Spring	4	
35	0866 76 602	Frame, Wiper (R.H.D.)	1	
	1524 76 602	Frame, Wiper (L.H.D.)	1	
36	0866 76 601	Link, Wiper (R.H.D.)	1	
	1524 76 601	Link, Wiper (L.H.D.)	1	
37	0866 67 301 A	Washer, Rubber	2	
38	0866 67 302	Spacer	2	
39	99783 0625	Bolt	3	
●	99806 0616	Bolt	3	Car No. 160623 $\frac{7}{10}$ ~X
	99952 0618	Washer, Plain	3	
	99971 0600	Washer, Spring	3	



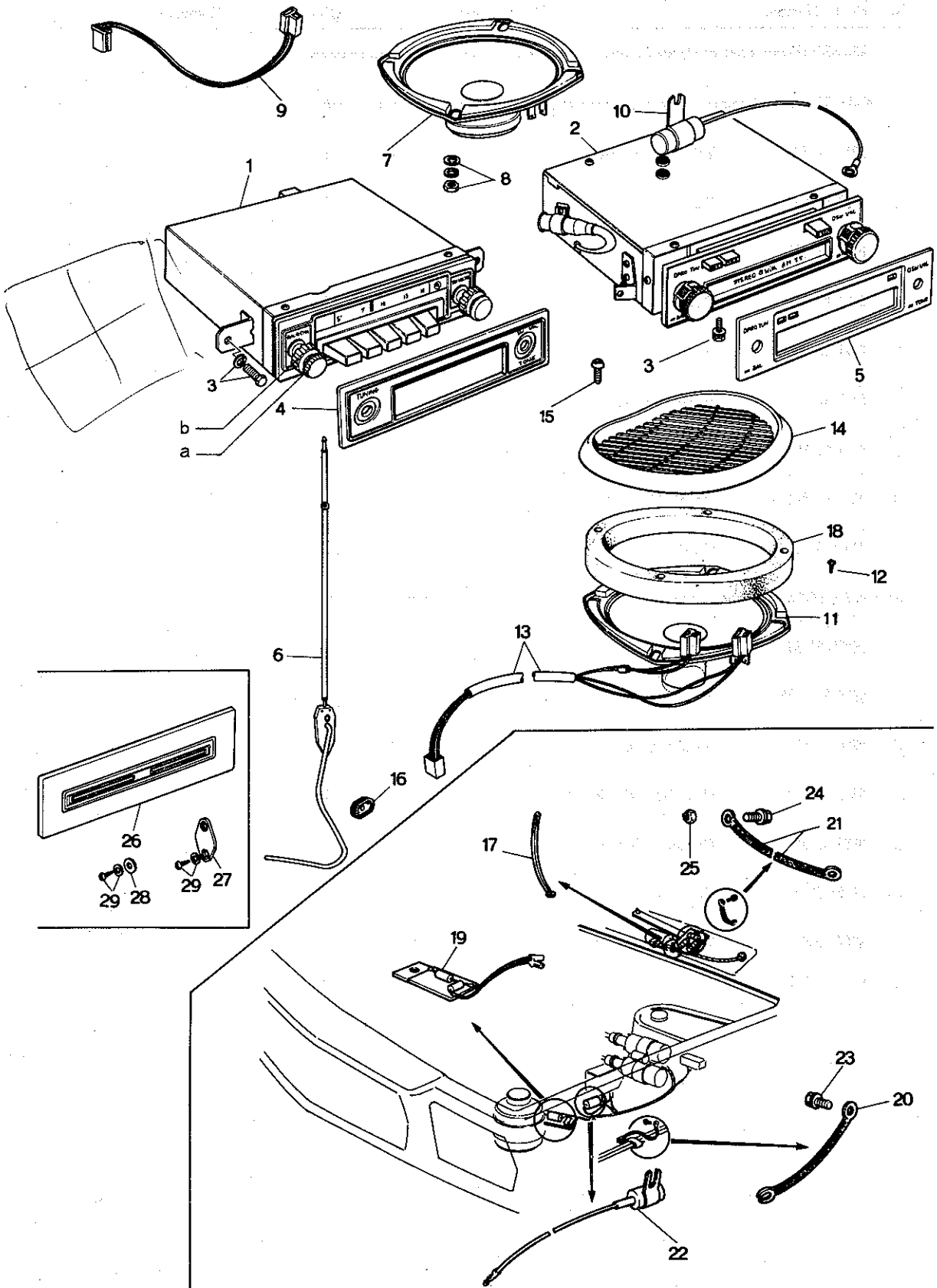


# SCREEN WASHER

67

87

No.	Part Number	Description	Q'ty	Remarks
	<del>0000 07 470</del>	<del>Washer Set, Screen (R.H.D.)</del>	<del>1</del>	☆
	<del>1524 07 470</del>	<del>Washer Set, Screen (L.H.D.)</del>	<del>1</del>	☆
1	0317 67 480	Tank & Motor	1	
2	0727 87 982	Cap	1	
3	0305 87 993	Pump	1	
4	0727 87 994	Gasket	1	
5	0727 87 995	Plate	1	
6	0727 87 996	Screw, Pump	2	
7	0111 41 692	Grommet	1	
8	0813 66 879	Joint, Pipe	1	
9	99335 04015	Pipe	1	
10	<del>99335 04005</del>	<del>Pipe</del>	<del>1</del>	
	99335 04066	Pipe	2	
11	<del>99335 04070</del>	<del>Pipe</del>	<del>1</del>	
12	0866 67 510A	Nozzle	2	
13	0866 67 511A	Washer, Nozzle	2	
14	0866 67 512	Nut, Speed-Nozzle	2	
15	0866 67 521	Bracket, Tank	1	
16	99781 0612	Bolt, Bracket	2	
	99971 0600	Washer, Spring	2	
17	0317 67 511	Tank	1	



No.	Part Number	Description	Q'ty	Remarks
	0865 66 860B	Auto Radio Cpt. AM	1	
	1550 66 860B	Auto Radio Cpt. AM/SW	1	(R.H.D.)
	1551 66 860A	Auto Radio Cpt. AM/FM	1	
	0870 66 860B	Auto Radio & Stereo Cpt.	1	
	1560 66 860B	Auto Radio Cpt. AM	1	
	1561 66 860B	Auto Radio Cpt. AM/SW	1	
	1562 66 860B	Auto Radio Cpt. AM/FM	1	(L.H.D.)
●	1558 66 860	Auto Radio Cpt. AM/FM (E.C.E. Arctic Spec)	1	Car No. 163339 ½~△
	1584 66 860B	Auto Radio & Stereo	1	
	<del>0865 66 870A</del>	<del>Auto Radio AM</del>	<del>1</del>	
	<del>1550 66 870</del>	<del>Auto Radio AM/SW</del>	<del>1</del>	(R.H.D.)
	<del>1551 66 870</del>	<del>Auto Radio AM/FM</del>	<del>1</del>	
	<del>0870 66 870A</del>	<del>Auto Radio &amp; Stereo</del>	<del>1</del>	
	<del>1560 66 870</del>	<del>Auto Radio AM</del>	<del>1</del>	
	<del>1561 66 870</del>	<del>Auto Radio AM/SW</del>	<del>1</del>	(L.H.D.)
	<del>1562 66 870</del>	<del>Auto Radio AM/FM</del>	<del>1</del>	
	<del>1564 66 870</del>	<del>Auto Radio &amp; Stereo</del>	<del>1</del>	
● a	0866 66 911	Knob S. } (E.C.E. Arctic Spec.)	1	Car No. 163339 ½~Added Anew
● b	0866 66 912	Knob L. }	1	
1	0866 66 900	Tuner, AM	1	

No.	Part Number	Description	Q'ty	Remarks
	1561 66 900	Tuner, AM/ SW	1	
	1562 66 900	Tuner, AM/ FM	1	
	1558 66 900	Tuner, AM/ FM (E.C.E. Arctic Spec.)	1	Car No. 163339 $\frac{1}{2}$ ~△
2	0870 66 900A	Tuner & Player	1	
3	99797 0512	Bolt, Tuner	2	
	99806 0516	Bolt, Tuner	2	Car No. 150526 $\frac{1}{8}$ ~○
	99952 0500	Washer, Plain	2	
	99971 0500	Washer, Spring	2	
4	0866 66 905	Plate, Decoration-Radio	1	
5	0670 66 905	Plate, Decoration-Radio & Stereo	1	
6	0370 66 930B	Antenna (R.H.D.)	1	
	1524 66 930A	Antenna (L.H.D.)	1	
7	0866 66 960	Loud Speaker	1	
	0275 68 088	Spacer	8	
8	<del>99906 0500</del>	<del>Nut, Loud Speaker</del>	<del>8</del>	
	99940 0500	Nut, Flange	4	
	<del>99952 0500</del>	<del>Washer, Plain</del>	<del>4</del>	
	99971 0500	Washer, Spring	4	
9	0866 66 965	Cord, Loud Speaker	1	
10	0839 66 992	Condenser	1	

No.	Part Number	Description	Q'ty	Remarks
	0820 66 992	Condenser	1	Car No. 150526 $\frac{7}{8}$ ~X
11	0870 66 970	Loud Speaker, Stereo	2	
	0870 66 970A	Loud Speaker, Stereo	2	Car No. 159937 $\frac{7}{11}$ ~△
12	99864 0410	Screw, Loud Speaker-Stereo	8	
13	0870 66 975	Cord, Stereo Loud Speaker	1	
●	0870 66 975A	Cord, Stereo Loud Speaker	1	Car No. 166069 $\frac{7}{8}$ ~△
14	0870 66 980	Grille, Loud Speaker-Stereo use	1	
15	99748 0410	Screw, Grille	8	
16	0866 67 153A	Protector, Antenna Cord	1	
17	0305 67 993A	Clip, Wire Harness (Excluded 0870 66 860B use)	1	Car No. 163773 $\frac{7}{8}$ ~ Discarded
18	0317 66 862	Partition, Loud Speaker	1	
19	0866 66 865	Suppresser, Ignition	1	
20	0866 66 871	Wire, Earth	2	
21	<del>0866 66 872</del>	<del>Wire, Earth</del>	<del>1</del>	
22	0839 66 992	Condenser	1	
	0820 66 992	Condenser	1	Car No. 150526 $\frac{7}{8}$ ~X
23	99833 0512	Screw	1	
	99952 0500	Washer, Plain	1	
24	99860 0512	Screw	1	
	99953 0500	Washer, Plain	1	

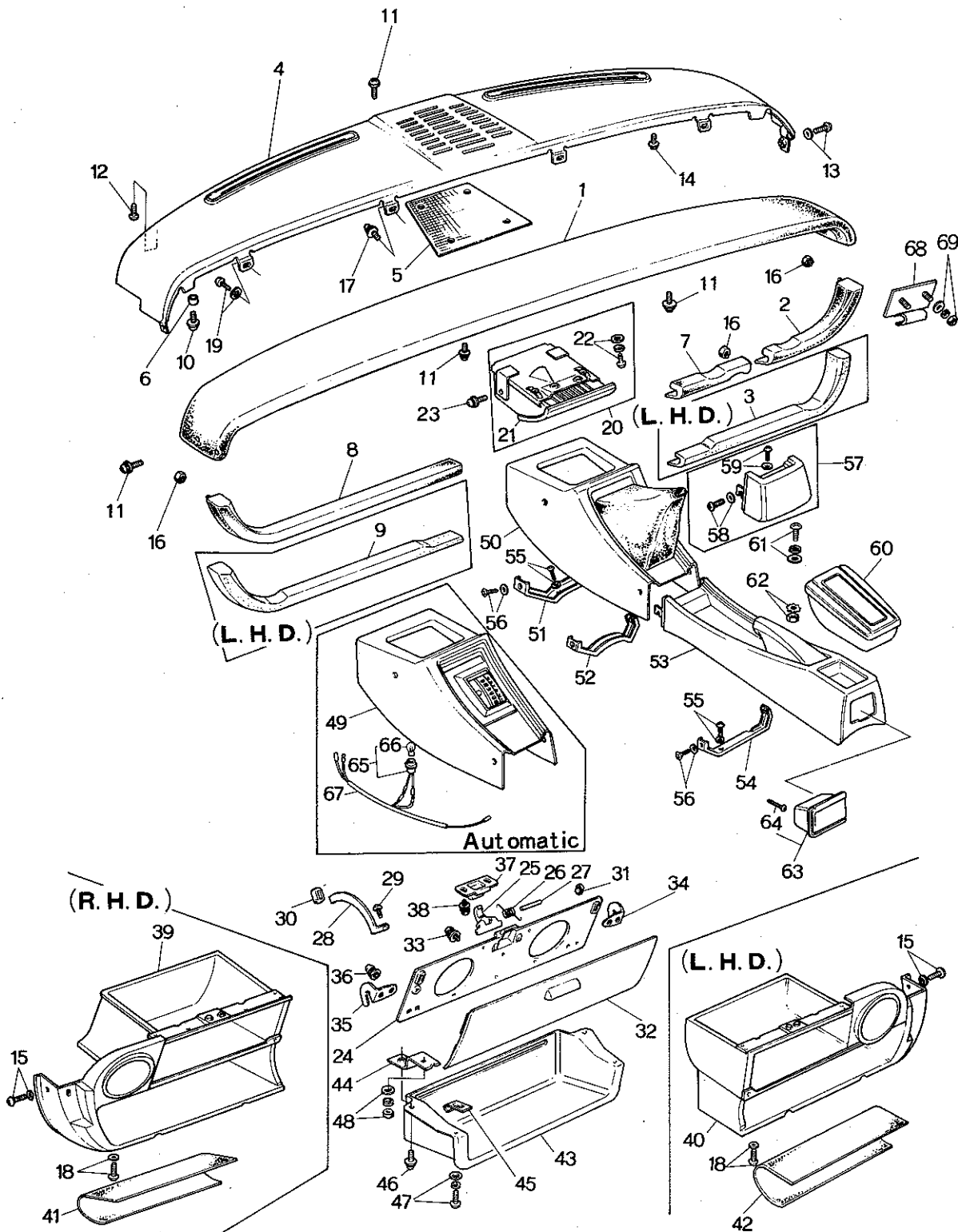


# AUTO RADIO

No.	Part Number	Description	Q'ty	Remarks
	99971 0500	Washer, Spring	1	
25	99940 0502	Nut, Flange	1	
26	0316 66 865A	Ornament	1	
27	0727 66 991A	Cover, Hole - Antenna	1	
28	0727 66 992	Cover, Hole - Antenna	1	Without Auto Radio
29	99863 0410B	Screw, Hole Cover	3	
	99953 0400B	Washer, Plain	3	



*[The main body of the document contains extremely faint and illegible text, likely bleed-through from the reverse side of the page. The text is arranged in several paragraphs and appears to be a typed document.]*





# CRUSH PAD, GLOVE POCKET & CONSOLE BOX

68

No.	Part Number	Description	Q'ty	Remarks
1	0865 68 020B	Pad, Crush	1	
2	0865 68 040C	Pad (R), Lower (R.H.D.)	1	
3	1562 68 040A	Pad (R), Lower (L.H.D.)	1	
4	0866 68 090B	Garnish	1	
5	0866 68 095	Cloth, Cover	1	
6	<del>0275 68 088</del>	<del>Spacer</del>	<del>2</del>	
7	0865 68 060C	Pad (R), Lower (R.H.D.)	1	
8	0865 68 140C	Pad (L), Lower (R.H.D.)	1	
9	1562 68 140B	Pad (L), Lower (L.H.D.)	1	
10	99805 0822	Bolt, Crush Pad	2	
	99786 0822	Bolt, Crush Pad	2	Car. No. 141928 $\frac{7}{8}$ " ~
	99952 0818	Washer, Plain	2	
	99952 0822	Washer, Plain	2	Car. No. 141928 $\frac{7}{8}$ " ~
	99971 0800	Washer, Spring	2	Car. No. 141928 $\frac{7}{8}$ " ~ Discarded
11	99834 0512B	Screw	4	
	99952 0500B	Washer, Plain	4	
	99971 0500	Washer, Spring	4	
12	99833 0516B	Screw	2	
	99952 0500B	Washer, Plain	2	
	99971 0500	Washer, Spring	2	

# CRUSH PAD, GLOVE POCKET & CONSOLE BOX

No.	Part Number	Description	Qty	Remarks
13	99833 0512B	Screw	1	
	99952 0516B	Washer, Plain	1	
14	99833 0616B	Screw, Crush Pad & Garnish	4	
	99952 0600B	Washer, Plain	4	
	99971 0600	Washer, Spring	4	
15	99836 0516B	Screw, Garnish	1	
	99967 0500B	Washer, Plain	1	
16	99940 0501	Nut, Pad Lower	7	
17	99833 0512	Screw, Garnish	2	
	99952 0500	Washer, Plain	2	
	99971 0500	Washer, Spring	2	
18	99834 0616B	Screw, Garnish	2	
	99952 0618B	Washer, Plain	2	
	99971 0600	Washer, Spring	2	
19	99863 0512	Screw, Garnish	2	
	99952 0500	Washer, Plain	2	
	99971 0500	Washer, Spring	2	
20	0866 68 180A	Tray, Ash (Frt.)	1	
21	0866 68 201	Case, Inner	1	
	0866 68 201A	Case, Inner	1	Car No. 152461 $\frac{7}{8}$ - $\Delta$

# CRUSH PAD, GLOVE POCKET & CONSOLE BOX

68

No.	Part Number	Description	Q'ty	Remarks
	0866 64 630	Case, Inner	1	Car No. 153929 $\frac{7}{8}$ " ~ $\odot$
(N)	0866 68 175	Plate Set	1	
22	99833 0512	Screw, Ash Tray	2	
	99952 0500	Washer, Plain	2	
	99971 0500	Washer, Spring	2	
23	99833 0512	Screw, Ash Tray	2	
	99952 0500	Washer, Plain	2	
	99971 0500	Washer, Spring	2	
•	24 0866 68 331 - 00	Lid, Glove-Inner (BLK.)	1	
	25 0866 68 332	Hook	1	
	26 0866 68 333	Spring	1	
	27 0866 68 334	Pin	1	
✓	28 0866 68 335A	Stopper	1	
•	0866 68 335B	Stopper	1	Car No. 155881 $\frac{7}{10}$ " ~ $\triangle$
	29 99831 0408B	Screw, Stopper	1	
	30 0275 55 195	Cushion, Rubber	1	
•	0275 55 195A	Cushion, Rubber	1	Car No. 155881 $\frac{7}{10}$ " ~ $\triangle$
	31 0317 70 269	Cushion	2	
	32 0865 68 340	Lid, Glove-Outer (Without Painting)	1	$\odot$
	0866 68 340	Lid, Glove-Outer (With Painting)	1	$\odot$

# CRUSH PAD, GLOVE POCKET & CONSOLE BOX

No.	Part Number	Description	Q'ty	Remarks
33	99262 1806B	Screw, Glove Lid	8	
34	0866 68 351A	Hinge (R), Glove Lid	1	
35	0866 68 352A	Hinge (L), Glove Lid	1	
36	99834 0412B	Screw, Hinge	4	
	99952 0412B	Washer, Plain	4	
	99971 0400	Washer, Spring	4	
37	0866 68 361	Striker	1	
38	99833 0514B	Screw, Striker	2	
	99952 0500B	Washer, Plain	2	
	99971 0500	Washer, Spring	2	
39	<del>0866 68 380C</del>	<del>Pocket, Glove-Outer (R.H.D.)</del>	<del>1</del>	
●	0865 68 380	Pocket, Glove-Outer (R.H.D.)	1	From Car No. 150526 ©
40	1524 68 380A	Pocket, Glove-Outer (L.H.D.)	1	
41	0866 68 011	Sheet, Glove Pocket (R.H.D.)	1	
42	1524 68 011	Sheet, Glove Pocket (L.H.D.)	1	
43	0866 69 811	Shelf, Parcel	1	
44	0866 69 820	Bracket, Parcel Shelf	1	
	0866 69 821A	Bracket, Parcel Shelf	1	Car No. 150526 7/8 ~ ①
45	0820 56 905	Nut, Spring-Parcel Shelf	2	
Ⓝ	99896 0500	Nut, Spring-Parcel Shelf	1	Car No. 150526 7/8 ~ Added Anew

# CRUSH PAD, GLOVE POCKET & CONSOLE BOX



No.	Part Number	Description	Q'ty	Remarks
46	99806 0616	Bolt, Parcel Shelf	3	
	99806 0616	Bolt, Parcel Shelf	1	Car. No. 150526 $\frac{7}{8}$ ~Q'ty
	99952 0618	Washer, Plain	3	
	99952 0618	Washer, Plain	1	Car. No. 150526 $\frac{7}{8}$ ~Q'ty
	99971 0600	Washer, Spring	3	
	99971 0600	Washer, Spring	1	Car. No. 150526 $\frac{7}{8}$ ~Q'ty
47	99863 0520B	Screw, Parcel Shelf	2	
	99863 0520B	Screw, Parcel Shelf	3	Car. No. 150526 $\frac{7}{8}$ ~Q'ty
	99952 0500B	Washer, Plain	2	
	99952 0500B	Washer, Plain	3	Car. No. 150526 $\frac{7}{8}$ ~Q'ty
	99971 0500	Washer, Spring	2	
	99971 0500	Washer, Spring	3	Car. No. 150526 $\frac{7}{8}$ ~Q'ty
48	99906 0600	Nut, Bracket	1	
	99952 0618	Washer, Plain	1	
	99971 0600	Washer, Spring	1	
49	<del>0378 68 890A</del>	Console, Front (Automatic) (R.H.D.)	1	1552 ©
50	0376 68 890A	Console, Front (Manual)	1	<del>1567, 1568</del> ©
	<del>0376 68 890B</del>	<del>Console, Front (Manual)</del>	1	<del>1567, 1568</del> Car. No. <del>127396</del> $\frac{7}{8}$ ~Q'ty ©
	0376 68 890B	Console, Front (Manual)	1	Car. No. 167343 $\frac{7}{4}$ ~Q'ty
	1524 68 890	Console, Front (Manual)	1	1558, 1559, <del>1567, 1568</del>



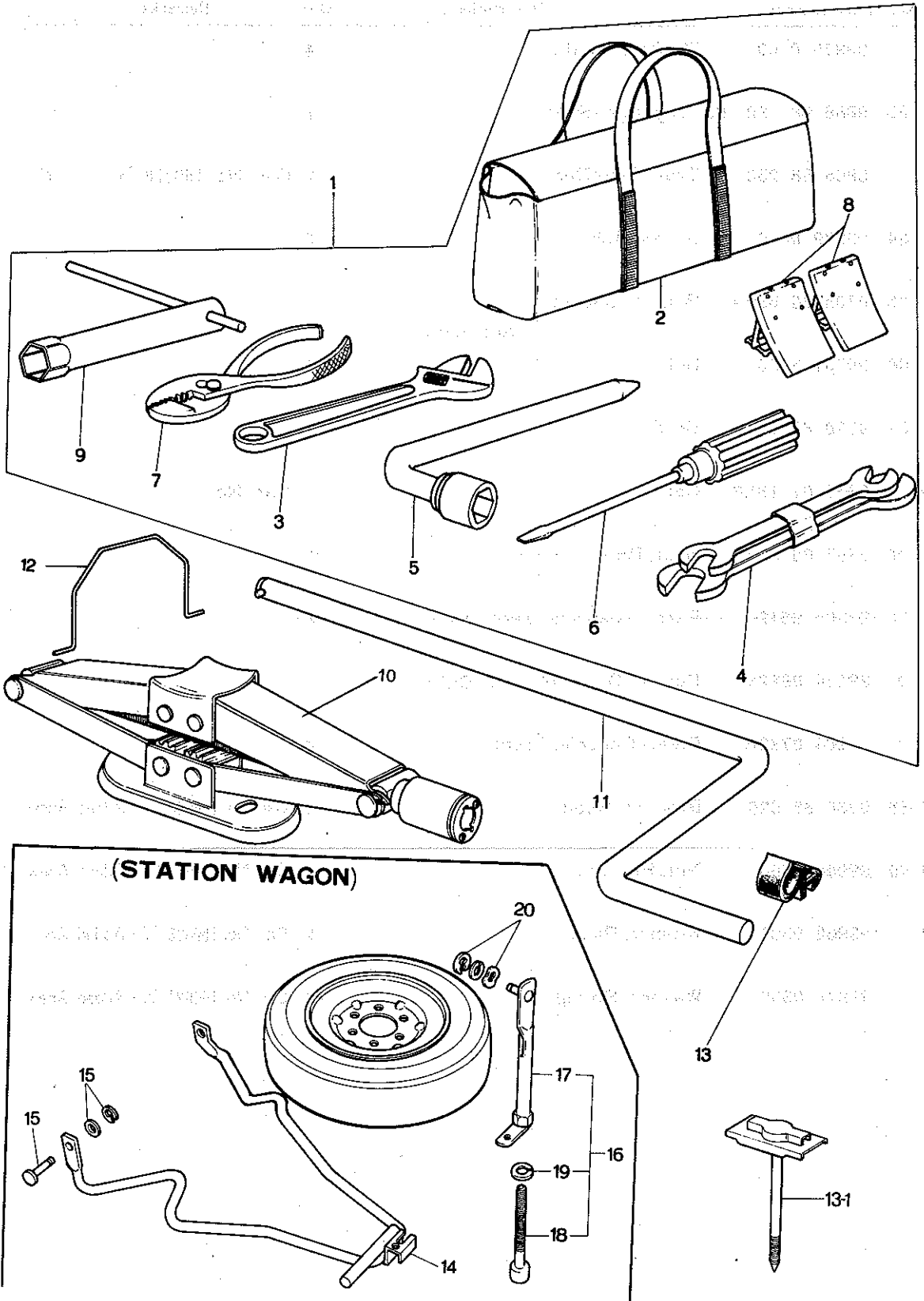
# CRUSH PAD, GLOVE POCKET & CONSOLE BOX

No.	Part Number	Description	Q'ty	Remarks
51	0376 68 900	Bracket No. 1, Console (Manual)	1	
	0378 68 900	Bracket No. 1, Console (Automatic)	1	
52	0376 68 910	Bracket No. 2	1	
53	0376 68 940	Console, Rear	1	©
	0870 68 940	Console, Rear - With Arm Rest	1	1566,1554,1557,1562 ©
54	0376 68 950	Bracket, Rear Console	1	
55	99804 0616	Screw, Console	5	
	99971 0600	Washer, Spring	5	
56	99832 0516B	Screw, Console	6	
	99967 0500B	Washer	6	
57	0370 68 920	Console, End	1	©
58	99804 0616	Bolt	4	
	99971 0600	Washer, Spring	4	Without Rear Console
59	99832 0516B	Screw, Console End	4	
	99967 0600B	Washer	4	
60	0870 68 960	Rest, Center Arm	1	1566,1554,1557,1562 ©
61	99836 0420B	Screw, Center Arm Rest	4	
	99952 0400B	Washer, Plain	4	
	99971 0400	Washer, Spring	4	
62	99906 0400	Nut, Center Arm Rest	4	

# CRUSH PAD, GLOVE POCKET & CONSOLE BOX

68

No.	Part Number	Description	Q'ty	Remarks
	99975 0400	Washer, Toothed	4	
63	0866 68 250 - 00	Tray, Ash-Rear	1	©
	0866 68 250 - 01	Tray, Ash-Rear	1	Car No. 160378 $\frac{7}{12}$ ○ ©
64	99839 0416	Screw, Ash Tray	2	
65	0305 66 580A	Bulb & Socket	1	} (Automatic)
66	99701 6030	Bulb	1	
67	0378 67 131A	Cord	1	
●	0378 67 131B	Cord	1	Car No. $\frac{7}{8}$ ~ △
Ⓝ	<del>0367 68 832A</del>	<del>Seat, Boot</del>	<del>1</del>	
Ⓝ	<del>99864 0512</del>	<del>Screw Tapping, Seat Boot</del>	<del>6</del>	
Ⓝ	99834 0612B	Screw, Glove Pocket Outer	2	
Ⓝ	99264 0732B	Rivet-Console, Front	4	
●	68 0866 68 920	Bracket, Hood	1	Car No. 160623 $\frac{7}{10}$ ~ Added Anew
●	69 99906 0500	Nut, Bracket	2	Car No. 160623 $\frac{7}{10}$ ~ Added Anew
●	99952 0500	Washer, Plain	2	Car No. 160623 $\frac{7}{10}$ ~ Added Anew
●	99971 0500	Washer, Spring	2	Car No. 160623 $\frac{7}{10}$ ~ Added Anew





# SERVICE TOOLS

68

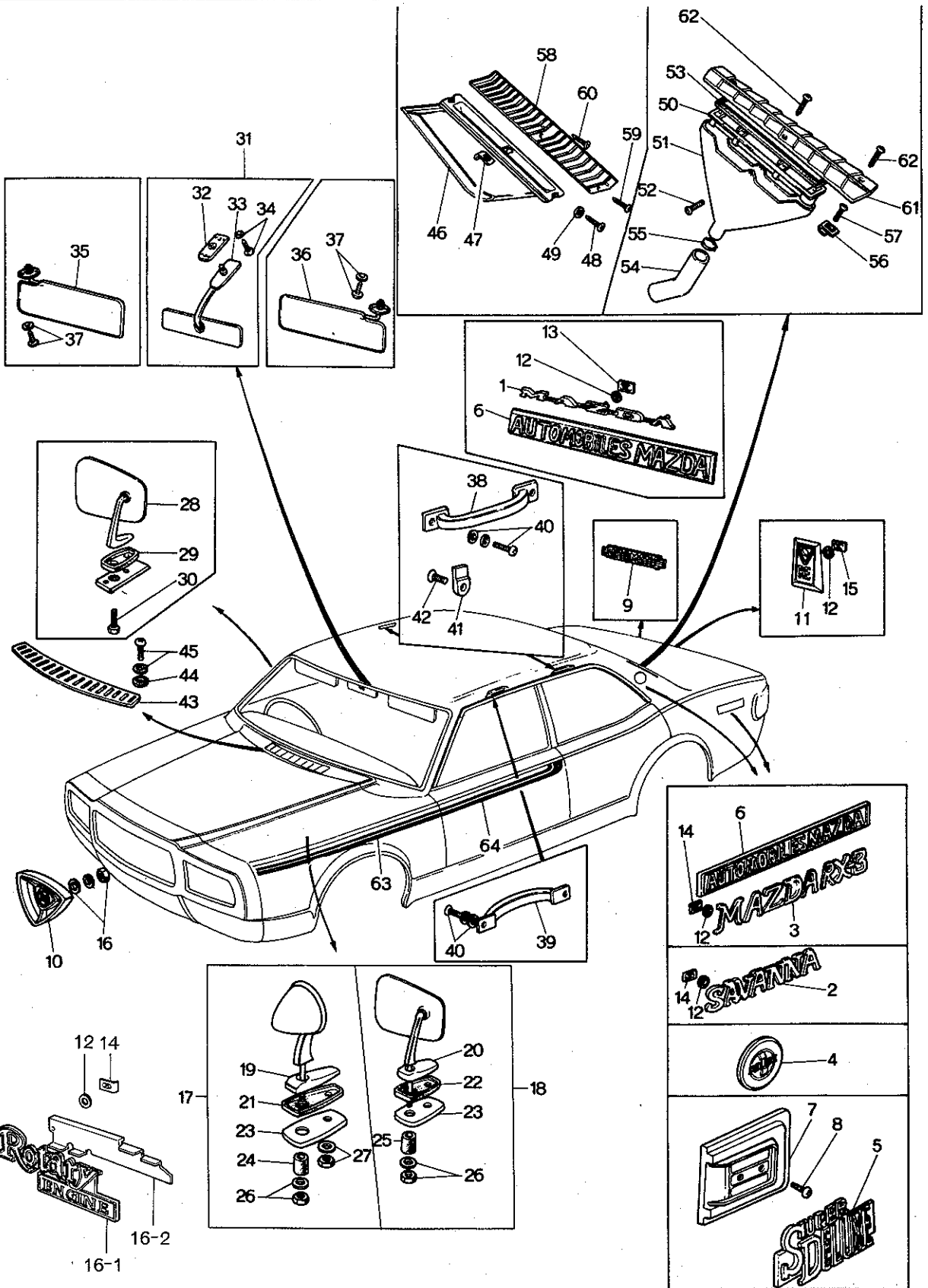
No.	Part Number	Description	Q'ty	Remarks
1	0839 68 660	Tool Set	1	
	1128 68 660	Tool Set	1	
2	0839 68 670 A	Bag, Tool	1	
	0839 68 670 B	Bag, Tool	1	Car No. 133210 $\frac{7}{16}$ "
	1128 68 670	Bag, Tool	1	
3	0110 68 050 A	Wrench, Monkey	1	
	0866 68 680	Wrench, Monkey	1	Car No. 144308 $\frac{7}{16}$ "
4	0249 68 060 A	Spanner Set	1	
	0672 68 060 A	Spanner Set	1	
5	0810 68 070	Wrench, Hub Nut	1	
	0810 68 070 A	Wrench, Hub Nut	1	Car No. 155593 $\frac{7}{16}$ "
6	0187 68 110 A	Driver Set	1	
7	0118 68 180 A	Plier	1	
8	0208 68 230	Stopper	1	
9	0839 68 720	Wrench, Plug	1	
10	0305 68 800 E	Jack	1	
	0305 68 800 F	Jack	1	
	<del>0307 68 800 F</del>	Jack	1	Car No. 159630 $\frac{7}{16}$ "
11	0305 68 810 A	Handle, Jack	1	
12	0866 56 991	Wire, Jack (Sedan & Coupe)	1	

M.L. APR. 26, 1974

# SERVICE TOOLS

No.	Part Number	Description	Q'ty	Remarks
13	99715 1101	Holder, Rod-Jack Handle (Sedan & Coupe)	1	
● 13-1	1011 56 210	Clamp, Spare Wheel	1	Car No. 170670 $\frac{73}{8}$ ~ Added Anew
●	1128 56 960	Clamp, Spare Wheel	1	$\frac{73}{8}$ ○
14	0585 70 710	Frame, Hanger	1	
15	99230 0820	Pin, Joint	2	
	99576 0500	Ring, Snap	2	
	99953 0500	Washer, Plain	2	
		(Station Wagon)	2	
16	0585 70 720	Lock, Spare Tire	1	
17	0585 70 730	Clamp	1	
18	0585 70 733	Bolt	1	
19	99951 0822	Washer, Plain	1	
20	99576 0700	Ring, Retaining	1	
	99952 1000	Washer, Plain	1	(Station Wagon)
	99972 1000	Washer, Wave	1	
			1	





# ATTACHMENT (SEDAN & COUPE)

69

71

No.	Part Number	Description	Q'ty	Remarks
1	0866 69 052	Ornament (MAZDA)	1	
2	0866 69 053A	Name, SAVANNA	2	Selective use
3	1562 69 053	Name, RX-3	2	
4	0368 69 055A	Ornament (DX), For Sedan	2	
	0374 69 055	Ornament (DX), For Coupe	2	
	0374 69 055A	Ornament (DX), For Coupe	2	Car No. 127396 7/12 ~ ⊙
5	1562 69 055	Ornament Super Deluxe (Side...2,Rear...1)	3	
	1562 69 055A	Ornament Super Deluxe (Side...2,Rear...1)	3	Car No. 127396 7/12 ~ △
	1562 69 055A 00	Ornament Super Deluxe (Side...2,Rear...1)	3	Car No. 127396 7/12 ~ △
6	2835 69 059	Plate, Automobiles-For France	3	
7	0376 69 061C	Base (R), Ornament	1	
	0376 69 061D	Base (R), Ornament	1	Car No. 127396 7/12 ~ ⊙
	0862 69 061	Base (R), Ornament	1	Car No. 160623 7/10 ~ ×
	0376 69 065C	Base (L), Ornament	1	
	0376 69 065D	Base (L), Ornament	1	Car No. 127396 7/12 ~ ⊙
	0862 69 065	Base (L), Ornament	1	Car No. 160623 7/10 ~ ×
8	99863 0414C	Screw, Base	4	
9	0378 69 066	Ornament, Automatic	1	
	0378 69 066A	Ornament, Automatic	1	Car No. 146346 7/5 ~ ⊙
	0397 69 066B	Ornament, Automatic (1552)	1	Car No. 152816 7/5 ~ ⊙

No.	Part Number	Description	Q'ty	Remarks	
10	0866 69 071 A	Emblem, Front	1		
●	0866 69 071 A00	Emblem, Front Gray (Dull Finish)	1		
●	0866 69 071 A02	Emblem, Front Gray (Semi Dull Finish)	1	Car No. 7/3 ~ X	
●	1128 89 601	Emblem Set, Front	1	Car No. 160623 7/10 ~ X	
●	11	0866 69 081 B	Emblem, Rear	1	Car No. 160623 7/10 ~ Discarded
12	0730 69 057 A	Gasket, Ornament	6		
13	0187 69 049 A	Nut, Speed-Ornament	3		
14	99579 3000	Nut, Speed-Ornament	6		
15	<del>99579 4000</del>	<del>Nut, Speed-Emblem</del>	<del>3</del>		
16	99906 0500	Nut, Front Emblem	2		
	99952 0500	Washer, Plain	2		
	99971 0500	Washer, Spring	2		
●	16-1	1881 69 076	Mark, Front (Rotary Engine)	1	Car No. 160623 7/10 ~ Added Anew
●	16-2	1128 69 077	Plate Set	1	Car No. 160623 7/10 ~ Added Anew
			1		
17	0376 69 110 A	Mirror (R), Rear View	1		
	0376 69 110 B	Mirror (R), Rear View	1	Car No. 127396 7/12 ~ ○	
	0376 69 110 C	Mirror (R), Rear View	1	(Coupe) Car No. 148407 7/6 ~ ○	
●	0376 69 110 D00	Mirror (R), Rear View (GRY. S. DULL.)	1	Car No. 7/2 ~ X	
●	0376 69 110 D01	Mirror (R), Rear View (GRY. DULL.)	1		

# ATTACHMENT (SEDAN & COUPE)



No.	Part Number	Description	Q'ty	Remarks
	0376 69 130A	Mirror (L), Rear View	1	801 69 8350 85
	0376 69 130B	Mirror (L), Rear View	1	Car No. 127396 $\frac{7}{12}$ ~ ⊙
	0376 69 130C	Mirror (L), Rear View	1	(Coupe) Car No. 148407 $\frac{7}{6}$ ~ ⊙
●	0376 69 130D00	Mirror (L), Rear View (GRY.S.DULL)	1	Car No. 801 $\frac{7}{3}$ ~ X
●	0376 69 130D01	Mirror (L), Rear View (GRY.DULL)	1	8000 84000
18	0866 69 110	Mirror (R), Rear View	1	8000 17000
	0866 69 110A	Mirror (R), Rear View	1	Car No. 133210 $\frac{7}{1}$ ~ ⊙
	0866 69 130	Mirror (L), Rear View	1	(Sedan)
	0866 69 130A	Mirror (L), Rear View	1	Car No. 133210 $\frac{7}{1}$ ~ ⊙
19	0376 69 111	Base (R)	1	8017 69 131
	0376 69 111A	Base (R)	1	Car No. 148407 $\frac{7}{6}$ ~ ⊙
	0376 69 131	Base (L)	1	(Coupe) 8188 87760 85
	0376 69 131A	Base (L)	1	Car No. 148407 $\frac{7}{6}$ ~ ⊙
20	0866 69 111A	Base (Sedan)	2	
21	0376 69 112	Gasket (Coupe)	2	871 69 8680 10
22	0866 69 112	Gasket (Sedan)	2	8671 69 8685
23	0866 69 113A	Reinforcement	2	771 69 7600 95
	0376 69 113	Reinforcement	2	Car No. 148407 $\frac{7}{6}$ ~ ⊙
24	0376 69 114	Spring (Coupe)	2	Used up to Car No. 148407 $\frac{7}{6}$ ~
25	0223 69 102	Spring (Sedan)	2	891 69 8280

# ATTACHMENT (SEDAN & COUPE)

No.	Part Number	Description	Q'ty	Remarks
26	0223 69 103	Washer	2	
	0223 69 103	Washer (Coupe)	2	Used up to Car No. 148407 7/8 ~
	0866 88 737	Nut	2	
27	99906 0600	Nut	4	(Coupe) Car No. 148407 7/8 ~
	99940 0600	Nut	4	
	99971 0600	Washer, Spring	2	
	99579 6000	Nut, Speed	2	
28	1511 69 110A	Mirror, Door	1	Car No. 132360 7/12 ~
	1511 69 110B	Mirror, Door	1	
29	1540 69 101	Gasket, Door Mirror	1	
30	99772 0516	Screw, Door Mirror	1	
	99772 0525	Screw, Door Mirror	1	
31	0305 69 170	Mirror, Interior	1	
	2835 69 170A	Mirror, Interior	1	For France
32	0305 69 171	Base	1	
	0839 69 171A	Base	1	For France
33	0305 69 180	Mirror	1	
	2835 69 180	Mirror	1	For France



# ATTACHMENT (SEDAN & COUPE)



No.	Part Number	Description	Q'ty	Remarks
34	99761 0516	Screw, Interior Mirro	2	
	99831 0516	Screw	2	Car No. 127396 $\frac{7}{12}$ ~ $\odot$
	99974 0500	Spring	2	
	99975 0500	Washer, Toothed	2	
35	0866 69 210 -13	Sun Visor (R)	(BLK.) 1	For General $\odot$
	0866 69 210 -14	Sun Visor (R)	(GRY.) 1	$\odot$
	1511 69 210 13	Sun Visor (R)	(BLK.) 1	For Australia $\odot$
	1511 69 210 14	Sun Visor (R)	(GRY.) 1	$\odot$
	1504 69 210 -13	Sun Visor (R)	(BLK.) 1	Car No. 141928 $\frac{7}{3}$ ~ Added Anew $\odot$
	1504 69 210A-13	Sun Visor (R)	(BLK.) 1	Car No. 159525 $\frac{7}{11}$ ~ $\odot$ $\odot$
	1504 69 210 -14	Sun Visor (R)	(GRY.) 1	Car No. 141928 $\frac{7}{3}$ ~ Added Anew $\odot$
	1504 69 210A14	Sun Visor (R)	(GRY.) 1	Car No. 159525 $\frac{7}{11}$ ~ $\odot$ $\odot$
36	0866 69 240 -13	Sun Visor (L)	(BLK.) 1	For General $\odot$
	0866 69 240 -14	Sun Visor (L)	(GRY.) 1	$\odot$
	1511 69 240 -13	Sun Visor (L)	(BLK.) 1	For Australia $\odot$
	1511 69 240 -14	Sun Visor (L)	(GRY.) 1	$\odot$
	1504 69 240 -13	Sun Visor (L)	(BLK.) 1	Car No. 141928 $\frac{7}{3}$ ~ Added Anew $\odot$
	1504 69 240A13	Sun Visor (L)	(BLK.) 1	Car No. 159525 $\frac{7}{11}$ ~ $\odot$ $\odot$
	1504 69 240 -14	Sun Visor (L)	(GRY.) 1	Car No. 141928 $\frac{7}{3}$ ~ Added Anew $\odot$
	1504 69 240A14	Sun Visor (L)	(GRY.) 1	Car No. 159525 $\frac{7}{11}$ ~ $\odot$ $\odot$

# ATTACHMENT (SEDAN & COUPE)

No.	Part Number	Description	Q'ty	Remarks
37	99837 0516C	Screw, Sun Visor	4	
	99975 0500	Washer, Toothed	2	
38	0866 69 910	Handle, Assist-Rear	2	
39	0866 69 920	Handle, Assist-Front	1	
40	99838 0620	Screw, Assist Handle	6	
	99952 0600	Washer, Plain	6	
	99971 0600	Washer, Spring	6	
41	0376 69 941	Hanger, Coat	1	
42	99776 0620	Screw, Coat Hanger	1	
43	0866 70 401A	Grille (R.H.D.)	1	
	1524 70 401A	Grille (L.H.D.)	1	
44	0866 56 405	Rubber, Cushion	4	
45	99864 0412B	Screw, Grille	4	
	99952 0412B	Washer, Plain	4	
46	0866 70 420	Extractor (R)	1	
	0866 71 420	Extractor (L)	1	
47	0866 70 412	Nut, Spring-Extractor	6	(Sedan)
48	99864 0414	Screw, Extractor	4	
49	<del>0223 59 445</del>	<del>Seat, Extractor</del>	<del>4</del>	
50	0376 70 421	Frame (R), Extractor (Coupe)	1	

# ATTACHMENT (SEDAN & COUPE)

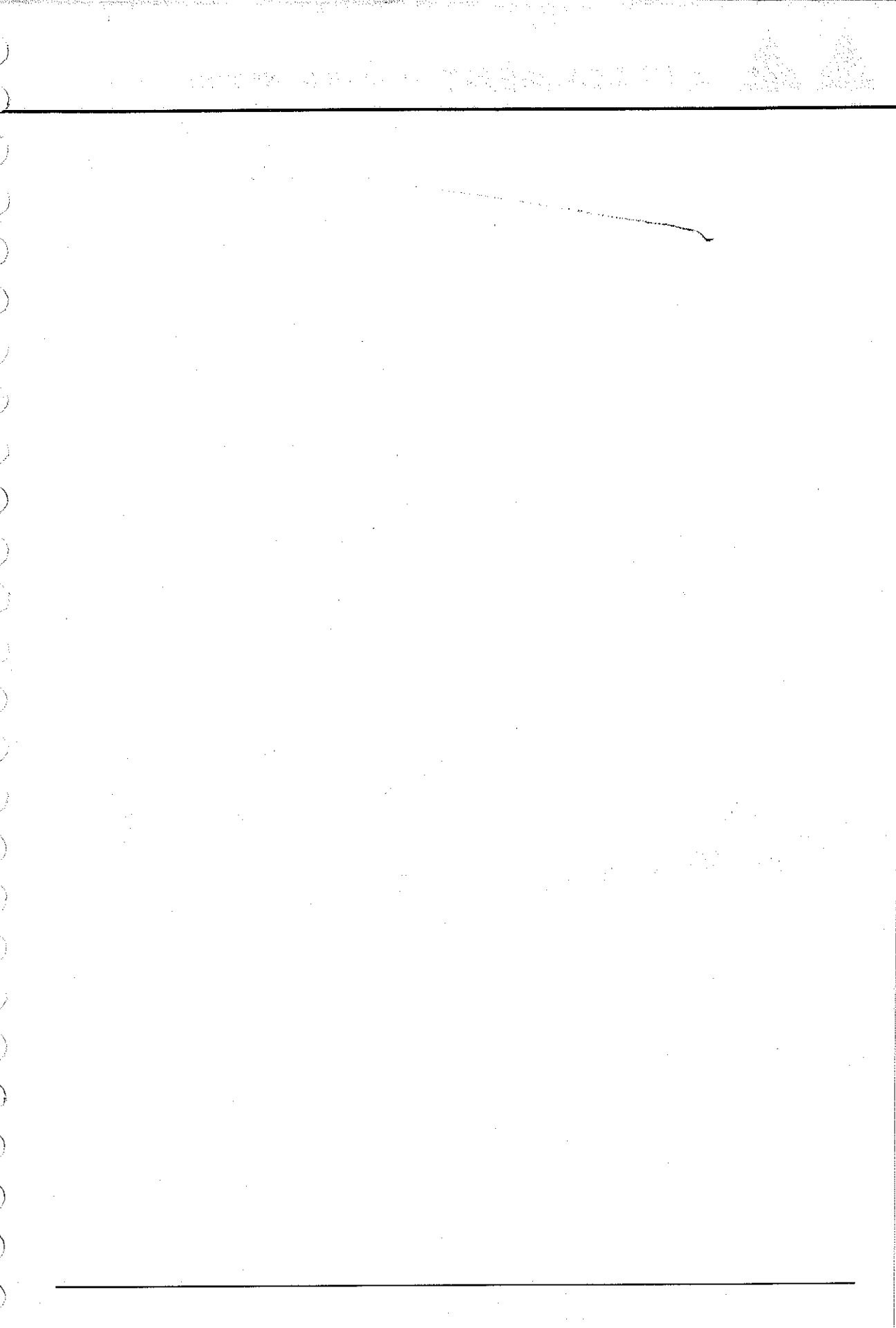
69

71

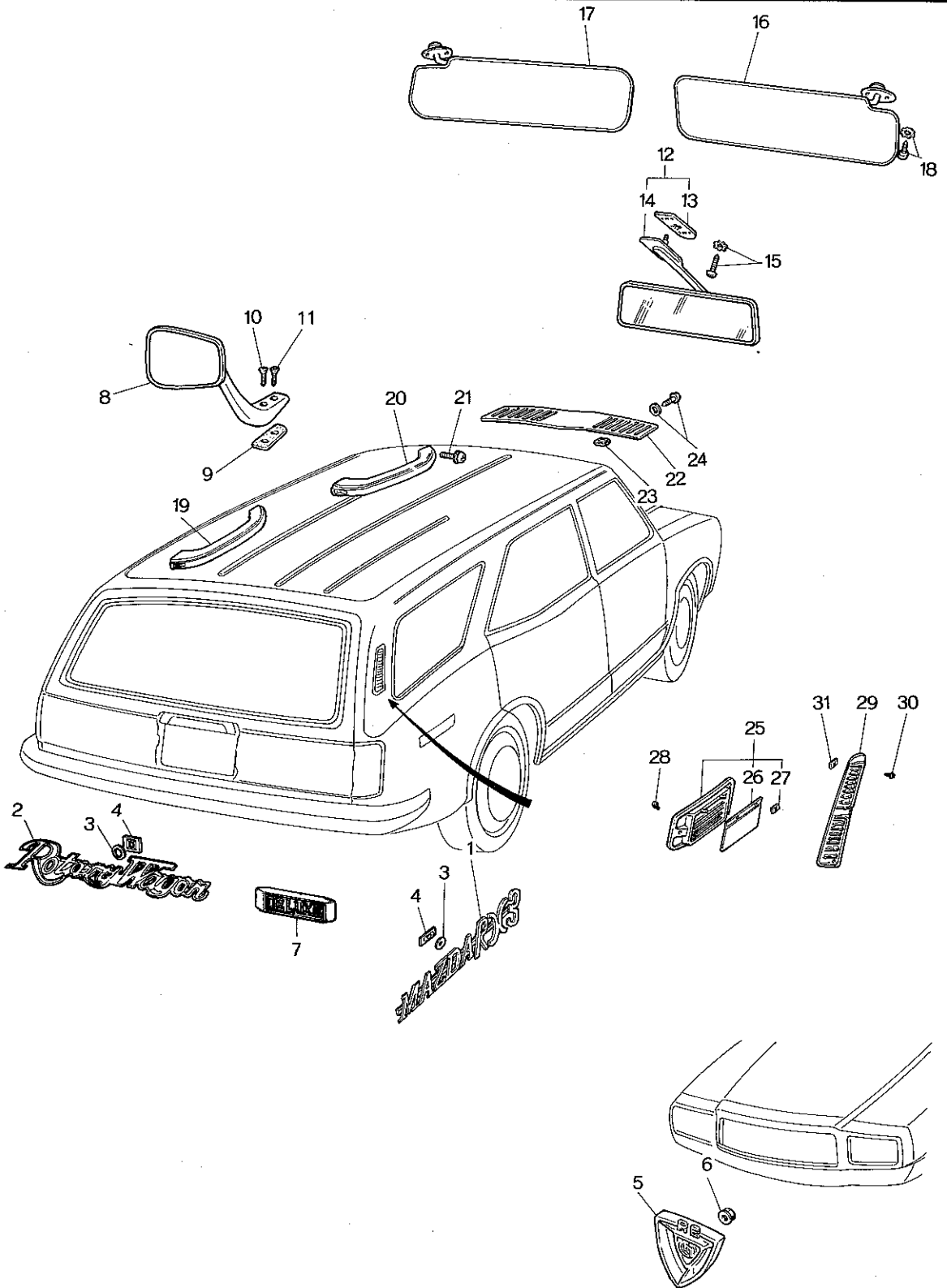
No.	Part Number	Description	Q'ty	Remarks
	0376 71 421	Frame (L), Extractor	1	
51	0376 70 422	Chamber (R)	1	
	0376 71 422	Chamber (L)	1	
52	99864 0410	Screw, Frame & Chamber	4	
53	0376 70 426	Gasket	2	(Coupe)
54	0376 70 427	Pipe	2	
55	0376 70 428	Clip	2	
56	<del>0820 56 905</del>	<del>Nut, Spring-Extractor</del>	<del>8</del>	
●	0866 70 412	Nut, Spring-Extractor	8	From Car No. 1
57	99864 0414	Screw, Extractor	8	
58	0370 70 431C	Grille (R), Extractor	1	(Painted)
	0370 71 431C	Grille (L), Extractor		
	0866 70 431C	Grille (R), Extractor	1	
	0866 70 431D	Grille (R), Extractor	1	Car No. 138761 7/2 ~ ○
●	0866 70 431E	Grille (R), Extractor	1	(DX.) (Sedan) 7/12 ~ ○
	0866 71 431C	Grille (L), Extractor	1	
	0866 71 431D	Grille (L), Extractor	1	Car No. 138761 7/2 ~ ○
59	99863 0412B	Screw, Tapping-Grille	2	
60	99863 0425B	Screw, Tapping-Grille	2	
61	0376 70 431A	Grille, Extractor	1	

# ATTACHMENT (SEDAN & COUPE)

No.	Part Number	Description	Q'ty	Remarks
●	0376 70 431 A 00	Grille, Extractor Gray (Dull Finish)	1	
●	0376 70 431 A 02	Grille, Extractor Gray (Semi Dull Finish)	1	Car No. 165313 3/4 ~ X
	0376 71 431 A	Grille, Extractor Gray	1	(Coupe)
●	0376 71 431 A 00	Grille, Extractor Gray (Dull Finish)	1	
●	0376 71 431 A 02	Grille, Extractor Gray (Semi Dull Finish)	1	Car No. 165313 3/4 ~ X
62	99864 0416 B	Screw, Tapping-Grille	6	
63	0376 70 891 - 00	Stripe (R), Front Fender	1	©BLUE
	0376 70 891 - 01	Stripe (R), Front Fender	1	©WHITE
	0376 71 891 - 00	Stripe (L), Front Fender	1	©BLUE
	0376 71 891 - 01	Stripe (L), Front Fender	1	©WHITE
64	0376 70 892 A 00	Stripe (R), Front Side Door	1	©BLUE
	0376 70 892 A 01	Stripe (R), Front Side Door	1	©WHITE
	0376 71 892 A 00	Stripe (L), Front Side Door	1	©BLUE
	0376 71 892 A 01	Stripe (L), Front Side Door	1	©WHITE



# ATTACHMENT (STATION WAGON)



# ATTACHMENT (STATION WAGON)

69

71

No.	Part Number	Description	Q'ty	Remarks
1	1562 69 053	Name, MAZDA RX-3	2	
2	0899 69 058	Mark, Rotary Wagon	1	
3	0730 69 057A	Packing	9	
/ 4	99579 3000	Nut, Speed	9	
5	0866 69 071A	Emblem, Front	1	
✓ 6	99940 0500	Nut	1	
7	0583 69 055	Ornament, DX	1	
8	1511 69 110B	Mirror (R), Rear View	1	
9	1540 69 101	Gasket	1	
✓ 10	99772 0516	Screw, Mirror	1	
✓ 11	99772 0525	Screw, Mirror	1	
12	0305 69 170	Mirror, Interior	1	
13	0305 69 171	Base	1	
14	0305 69 180	Mirror	1	
15/	99831 0516	Screw, Interior Mirror	2	
✓	99974 0500	Washer, Toothed	2	
✓	99975 0500	Washer, Toothed	2	

69

71

# ATTACHMENT (STATION WAGON)

No.	Part Number	Description	Q'ty	Remarks
16	0866 69 2100-13	Visor (R), Sun	1	© Black
	0866 69 2100-14	Visor (R), Sun	1	© Grey
17	0866 69 2400-13	Visor (L), Sun	1	© Black
	0866 69 2400-14	Visor (L), Sun	1	© Grey
18	✓ 99837 0516C	Screw, Sun Visor	4	
	✓ 99975 0500	Washer, Toothed	4	
19	0866 69 910	Handle, Assist (Rear Side)	2	
20	0866 69 920	Handle, Assist (Front Side)	1	
21	✓ 99838 0620	Screw, Assist Handle	6	
	✓ 99952 0600	Washer, Plain	6	
	✓ 99971 0600	Washer, Spring	6	
22	✓ 0866 70 401A	Grille	1	
✓ 23	0866 56 405	Cushion, Rubber	4	
24	✓ 99884 0412B	Screw, Grille	4	
	✓ 99952 0412B	Washer, Plain	4	
25	✓ 0585 79 420A	Extractor (R)	1	
	✓ 0585 71 420A	Extractor (L)	1	
26	✓ 0585 70 423A	Valve	2	
27	✓ 99579 2000	Nut, Speed-Valve	4	

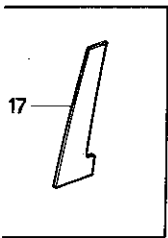


# ATTACHMENT (STATION WAGON)

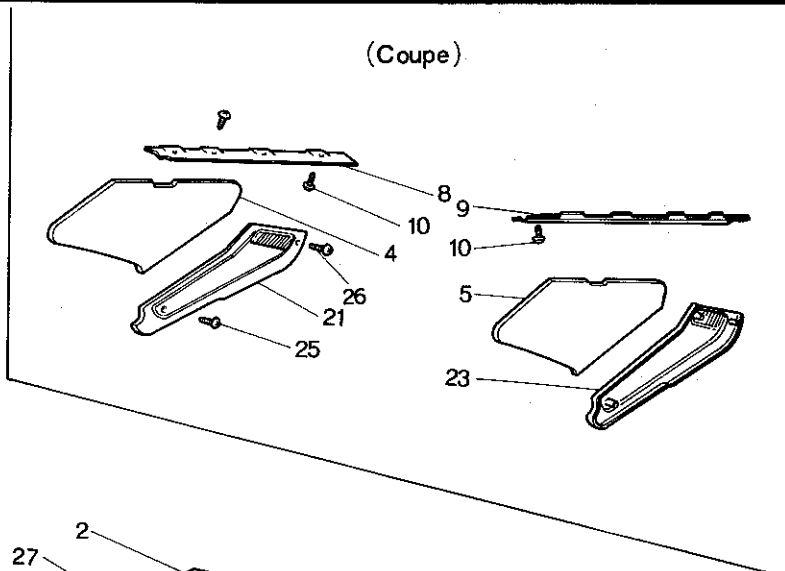
69

71

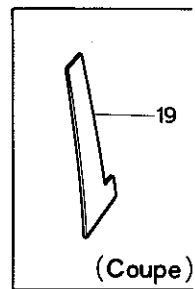
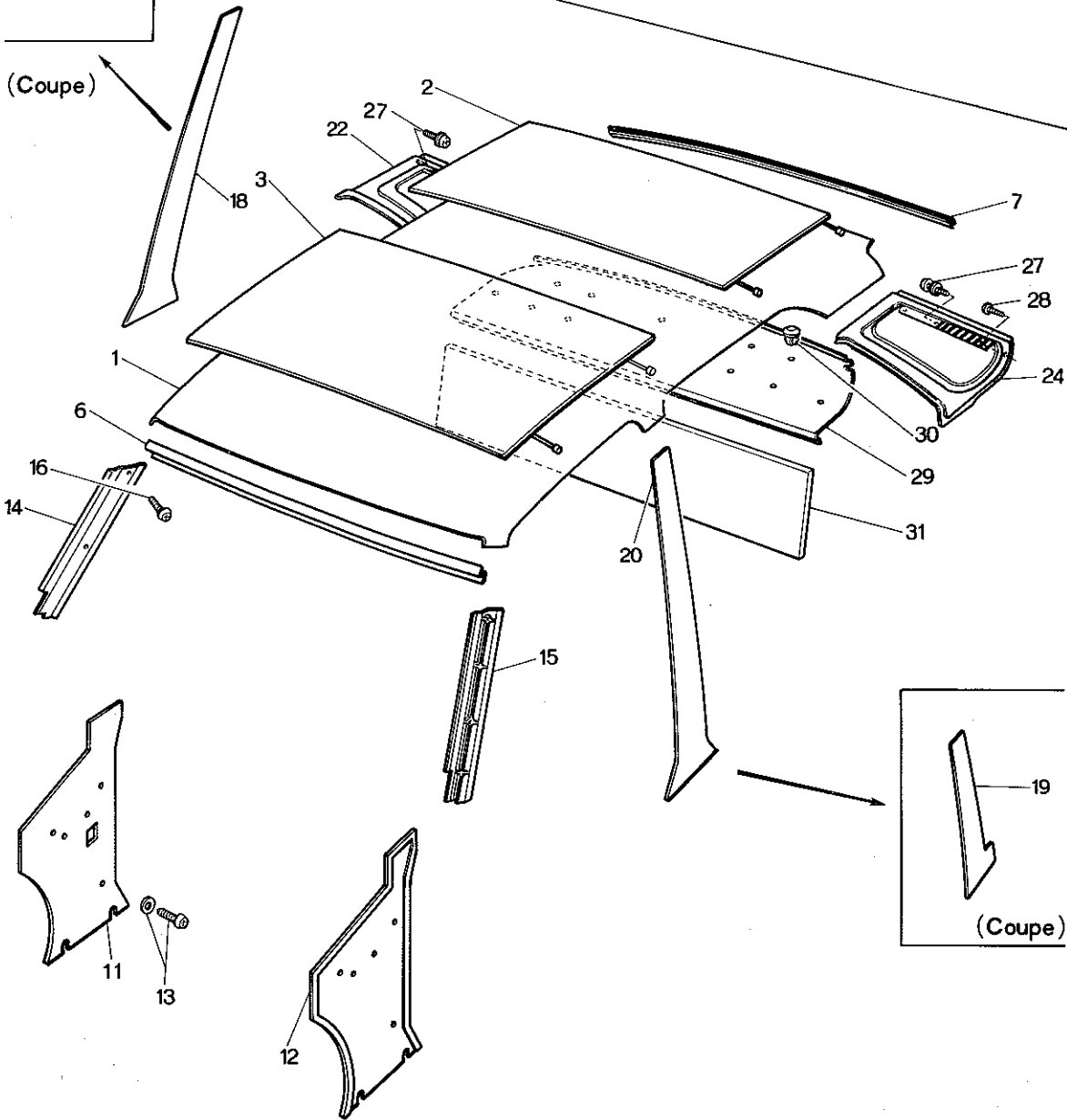
No.	Part Number	Description	Q'ty	Remarks
28	✓ 99884 0410B	Screw, Tapping-Extractor	4	
29	✓ 0899 70 431	Grille (R)	1	
	✓ 0899 71 431	Grille (L)	1	
30	✓ 99883 0420B	Screw, Tapping-Grille	4	
31	✓ 99896 0400	Nut, Spring-Grille	2	



(Coupe)



(Coupe)



(Coupe)

# TOP CEILING & TRIM (SEDAN & COUPE)

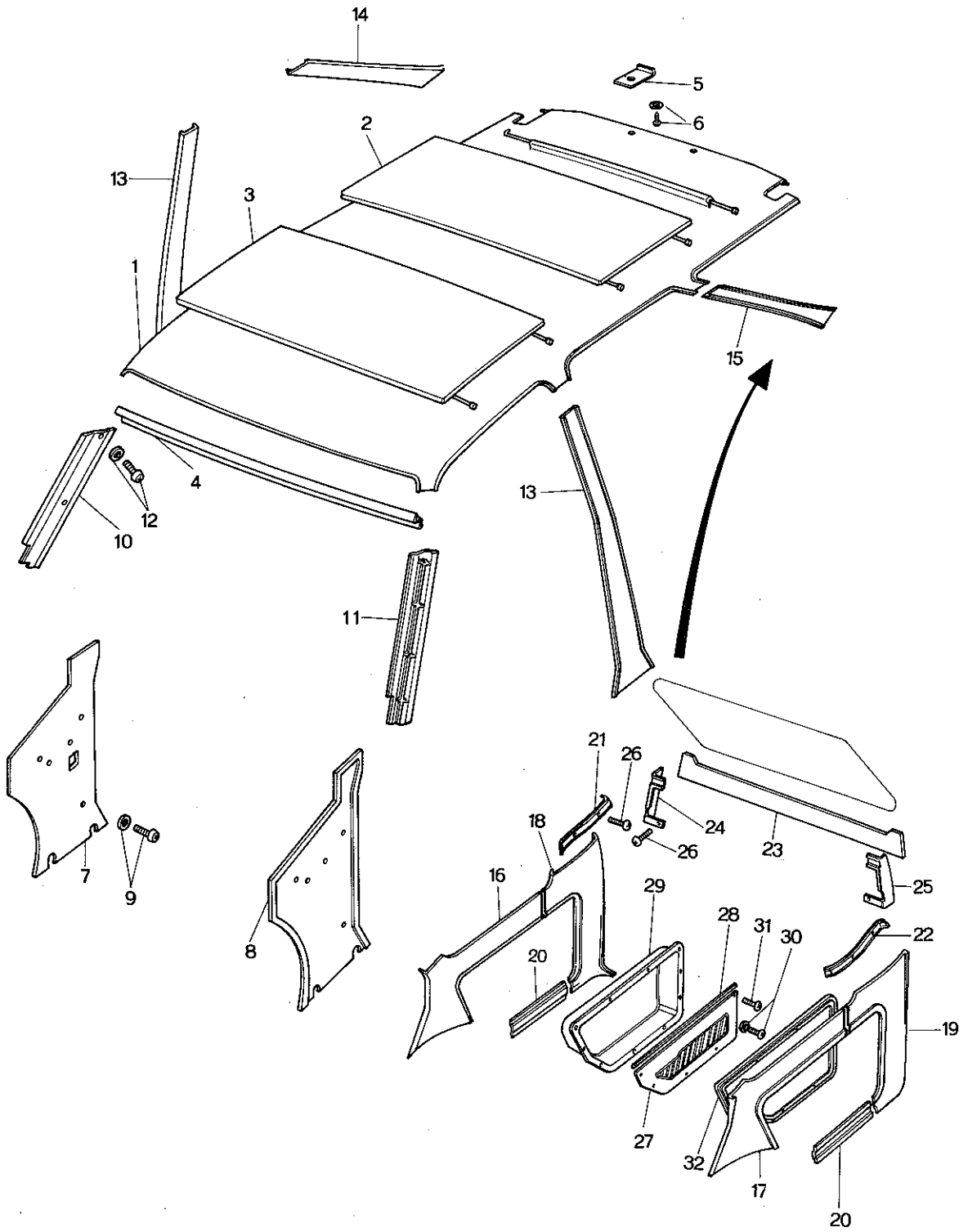
69

No.	Part Number	Description	Q'ty	Remarks
1	0376 69 290A	Ceiling, Top (Coupe)	1	©
	0866 69 290	Ceiling, Top (Sedan)	1	©
2	0259 69 311	Insulator No. 1	1	
3	0866 69 311	Lining, Head	1	
4	0376 69 314	Pad, Rear Pillar (Coupe)	2	
	0376 69 314A	Pad, Rear Pillar (Coupe)	2	Car No. 150526 $\frac{7}{8}$ "-O
5	0866 69 314	Pad, Rear Pillar (Sedan)	2	
	0866 69 314A	Pad, Rear Pillar (Sedan)	2	Car No. 150526 $\frac{7}{8}$ "-O
6	0376 69 321	Plate, Fixing-Front (Coupe)	1	
	0866 69 321	Plate, Fixing-Front (Sedan)	1	
7	0376 69 341	Plate, Fixing-Rear (Coupe)	1	
	0866 69 341	Plate, Fixing-Rear (Sedan)	1	
8	0376 69 342	Plate No. 2, Fixing-Rear	1	
9	0376 69 343	Plate No. 3, Fixing-Rear	1	
10	99864 0412	Screw, Fixing Plate	8	(Coupe)
	<del>99852 0460</del>	<del>Washer, Plain</del>	<del>8</del>	
	<del>99871 0460</del>	<del>Washer, Spring</del>	<del>8</del>	
11	0866 69 360A	Trim (R), Front Side (R.H.D.)	1	©
	1524 69 360A	Trim (R), Front Side (L.H.D.)	1	©
12	0866 69 380B	Trim (L), Front Side (R.H.D.)	1	©
	1524 69 380A	Trim (L), Front Side (L.H.D.)	1	©
13	99862 0512B	Screw, Front Side	4	
	99967 0500B	Washer	4	
14	0376 69 411	Trim (R), Front Pillar (Coupe)	1	©
	0866 69 411	Trim (R), Front Pillar (Sedan)	1	©
15	0376 69 431	Trim (L), Front Pillar (Coupe)	1	©
	0866 69 431	Trim (L), Front Pillar (Sedan)	1	©
16	99862 0412B	Screw, Front Pillar Trim	4	

## TOP CEILING &amp; TRIM (SEDAN &amp; COUPE)

No.	Part Number	Description	Q'ty	Remarks
	99974 0400	Washer, Toothed	4	
17	0376 69 462	Trim (R), Center Pillar (Coupe)	2	Car No. 142300 $\frac{7}{8}$ "~Q'ty ©
	0376 69 462A	Trim (R), Center Pillar (Coupe)	2	Car No. 150526 $\frac{7}{8}$ "~○ ©
18	0866 69 461 A	Trim (R), Center Pillar (Sedan)	2	○ ©
	0866 69 481B	Trim (R), Center Pillar (Sedan)	2	Car No. 150526 $\frac{7}{8}$ "~○ ©
19	0376 69 482	Trim (L), Center Pillar (Coupe)	1	Car No. 142300 $\frac{7}{8}$ "~ ©
				Discarded
20	<del>0866 69 481</del>	<del>Trim (L), Center Pillar (Sedan)</del>	<del>1</del>	©
21	0376 69 511	Trim (R), Rear Pillar (Coupe)	1	©
22	0866 69 511	Trim (R), Rear Pillar (Sedan)	1	©
23	0376 69 521	Trim (L), Rear Pillar (Coupe)	1	©
24	0866 69 521	Trim (L), Rear Pillar (Sedan)	1	©
25	99864 05168	Screw, Rear Pillar Trim	4	} (Coupe)
26	99864 05208	Screw, Rear Pillar Trim	2	
27	99864 0412	Screw, Rear Pillar Trim	2	} (Sedan)
	<del>88862 8488E</del>	<del>Washer, Plain</del>	<del>4</del>	
	<del>88871 8488</del>	<del>Washer, Spring</del>	<del>4</del>	
28	99864 0418	Screw, Rear Pillar Trim	4	
	<del>88867 8488A</del>	<del>Washer</del>	<del>2</del>	
29	0376 69 870B-00	Trim, Package Tray	1	} (Coupe)
	0870 69 870B-00	Trim, Package Tray-With Car Stereo Hole	1	
	0866 69 870C-00	Trim, Package Tray	1	} (Sedan)
	1524 69 870C-00	Trim, Package Tray-With Car Stereo Hole	1	
30	0866 69 885	Fastener, Package Tray Trim	2	
31	0866 69 894	Pad, Package Tray	1	





# TOP CEILING & TRIM (STATION WAGON)

69

No.	Part Number	Description	Q'ty	Remarks
1	0585 69 2900-14	Ceiling, Top	1	© Grey
2	0585 69 311	Lining, Head	1	
3	0866 69 311	Lining, Head	1	
4	0866 69 321	Plate, Fixing-Front	1	
5	0585 69 341B	Plate, Fixing-Rear	2	
6	√ 99862 0512C	Screw, Tapping-Rear Fixing Plate	2	
	√ 99967 0500A	Washer	2	
7	0866 69 360A	Trim (R), Front Side	1	
8	0866 69 380B	Trim (L), Front Side	1	
9	√ 99862 0512B	Screw, Tapping-Trim	4	
	√ 99967 0500B	Washer	4	
10	0866 69 411-00	Trim (R), Front Pillar	1	© Black
11	0866 69 431-00	Trim (L), Front Pillar	1	© Black
12	√ 99862 0412B	Screw, Tapping-Trim	4	
13	0866 69 461B-03	Trim, Center	2	© Black
	0866 69 461B-12	Trim, Center	2	© Brown
	0866 69 461B-13	Trim, Center	2	© Grey / Yellow
14	0899 69 561C-14	Trim (R), Quarter	1	© Grey
15	0899 69 571C-14	Trim (L), Quarter	1	© Grey
16	0899 69 711B-03	Trim No. 1 (R), Rear Side	1	© Black

## TOP CEILING &amp; TRIM (STATION WAGON)

No.	Part Number	Description	Q'ty	Remarks
	0899 69 711B-12	Trim No. 1 (R), Rear Side	1	© Brown
	0899 69 711B-13	Trim No. 1 (R), Rear Side	1	© Grey / Yellow
17	0899 69 712B-03	Trim No. 1 (L), Rear Side	1	© Black
	0899 69 712B-12	Trim No. 1 (L), Rear Side	1	© Brown
	0899 69 712B-13	Trim No. 1 (L), Rear Side	1	© Grey / Yellow
18	0899 69 713A-03	Trim No. 2 (R), Rear Side	1	© Black
	0899 69 713A-12	Trim No. 2 (R), Rear Side	1	© Brown
	0899 69 713A-13	Trim No. 2 (R), Rear Side	1	© Grey / Yellow
19	0899 69 714A-03	Trim No. 2 (L), Rear Side	1	© Black
	0899 69 714A-12	Trim No. 2 (L), Rear Side	1	© Brown
	0899 69 714A-13	Trim No. 2 (L), Rear Side	1	© Grey / Yellow
20	0899 69 715A-03	Trim, Rear Side-Lower	2	© Black
	0899 69 715A-12	Trim, Rear Side-Lower	2	© Brown
	0899 69 715A-13	Trim, Rear Side-Lower	2	© Grey / Yellow
21	0899 69 717A	Garnish (R), Rear Side Trim	1	
22	0899 69 718A	Garnish (L), Rear Side Trim	1	
23	0899 69 721B-03	Trim, Back Door-Upper	1	© Black
	0899 69 721B-12	Trim, Back Door-Upper	1	© Brown
	0899 69 721B-13	Trim, Back Door-Upper	1	© Grey / Yellow
24	0899 69 723B	Garnish (R), Back Door Trim	1	

See  
Trim  
7-2-73



# TOP CEILING & TRIM (STATION WAGON)

69

No.	Part Number	Description	Q'ty	Remarks
25	0899 69 724B	Garnish (L), Back Door Trim	1	
26	✓ 99864 0410C	Screw, Tapping - Garnish	6	
27	✓ 0899 70 911C-03	Trim (R), Side	1	© Black
	✓ 0899 70 911C-12	Trim (R), Side	1	© Brown
	✓ 0899 70 911C-13	Trim (R), Side	1	© Grey / Yellow
28	✓ 0585 70 912B	Moulding, Side Pocket	1	
29	✓ 0585 70 921B	Pocket, Side	1	
30	✓ 99862 0416B	Screw, Tapping - Side Pocket	17	Selective use
	✓ 99862 0416C	Screw, Tapping - Side Pocket		
	✓ 99967 0400A	Washer	17	Selective use
	✓ 99967 0400B	Washer		
31	✓ 99864 0420C	Screw, Tapping - Side Pocket (R)	2	
32	✓ 0899 71 911C-03	Trim (L), Side	1	© Black
	✓ 0899 71 911C-12	Trim (L), Side	1	© Brown
	✓ 0899 71 911C-13	Trim (L), Side	1	© Greyish Yellow

L/m 7.2.75.

18.	0899	69	710	03	side trim	BLK	1	
	0899	69	710	A03	-	-	1	~ Δ - 74/12.
	0899	69	710	13	-	gr/ylw	1	
	0899	69	710	A13	-	-	1	~ Δ - 74/12.
	0899	69	710	35	-	BRN	1	
	0899	69	710	A35	-	-	1	~ Δ - 74/12.
19.	0899	69	730	03	-	BLK	1	
	0899	69	730	A03	-	-	1	~ Δ - 74/12.
	0899	69	730	13	-	gr/ylw	1	
	0899	69	730	A13	-	-	1	~ Δ - 74/12.



# FLOOR MAT & TRIM

69

No.	Part Number	Description	Q'ty	Remarks
-----	-------------	-------------	------	---------

When ordering the following trims  
 Add color code nos. given below after parts number  
 -03 (Black) -12 (Brown) -13 (Greyish Yellow)

1	0866 69 541	Trim (R), Tire House (Sedan & Coupe)	1	©
● 2	0899 69 541A	Trim (R), Tire House (Station Wagon)	1	©
3	0866 69 542	Trim (L), Tire House (Sedan & Coupe)	1	©
● 4	0899 69 543A	Trim (L), Tire House (Station Wagon)	1	©
5	0866 69 543	Trim (R), Rear Seat Side	1	©
	0866 69 543A	Trim (R), Rear Seat Side	1	Car No. 149635 7/8 ~ ○ / ©
6	0866 69 544	Trim (L), Rear Seat Side	1	©
	0866 69 544A	Trim (L), Rear Seat Side	1	Car No. 149635 7/8 ~ ○ / ©

When ordering the following mat (Carpet)  
 Add color code nos. given below after parts number  
 -32 (Yellowish Green) -34 (Black)

7	0378 69 611	Mat (Frt., C)	1	©
●	<del>0378 69 611A</del>	<del>Mat (Frt., C)</del> (Automatic)	<del>1</del>	<del>Car No. 152816 7/8 ~ ○ / ©</del>
●	0378 69 611B	Mat (Frt., C)	1	Car No. 152816 7/8 ~ ○ / ©
	0866 69 611	Mat (Frt., C)	1	©
	0866 69 611A	Mat (Frt., C) (Manual)	1	Car No. 152816 7/8 ~ ○ / ©
	0585 69 611-05	Mat (Frt., C) Vinyl	1	©

## FLOOR MAT &amp; TRIM

No.	Part Number	Description	Q'ty	Remarks
	1524 69 611	Mat (Frt., C) (L.H.D.)	1	©
8	0378 69 612A	Mat (Frt., R) (Automatic)	1	©
	0866 69 612A	Mat (Frt., R)	1	©
		(Manual)		
	0585 69 612-05	Mat (Frt., R) Vinyl	1	©
	1524 69 612	Mat (Frt., R) (L.H.D.)	1	©
9	0378 69 613A	Mat (Frt., L) (Automatic)	1	©
	0866 69 613A	Mat (Frt., L)	1	©
		(Manual)		
	0585 69 613-05	Mat (Frt., L) Vinyl	1	©
	1524 69 613	Mat (Frt., L) (L.H.D.)	1	©
10	0866 69 616A	Mat (Rr., C)	1	©
	0585 69 616A-05	Mat (Rr., C) Vinyl	1	©
11	0866 69 617	Mat (Rr., R)	1	©
	0585 69 617-05	Mat (Rr., R) Vinyl	1	©
12	0866 69 618	Mat (Rr., L)	1	©
	0585 69 618-05	Mat (Rr., L) Vinyl	1	©
13	0866 69 625-05	Mat (R), End	1	©
		(Sedan & Coupe)		
	0866 69 625A-05	Mat (R), End	1	Car No. 127396 $\frac{7}{12}$ ~ ○ ✓ ©
● 14	0585 69 625C-05	Mat (R), End (Station Wagon)	1	©
15	0866 69 626-05	Mat (L), End	1	©
		(Sedan & Coupe)		
	0866 69 626A-05	Mat (L), End	1	Car No. 127396 $\frac{7}{12}$ ~ ○ ✓ ©

# FLOOR MAT & TRIM

69

No.	Part Number	Description	Q'ty	Remarks	
16	0585 69 626 C	05 Mat (L), End (Station Wagon)	1	ⓐ	
17	0866 69 627-10	Mat, Trunk Room (Sedan & Coupe)	1	ⓐ	
	1881 69 627-10	Mat, Trunk Room (Sedan & Coupe) (L.H.D.)	1	Car No. 179250 $\frac{7}{8}$ ~○	
18	0899 69 627 C	Mat, Trunk Room (Station Wagon)	1	ⓐ	
19	0585 69 628 E	Plate No. 1, Seat-Mat Rear	1		
	0585 69 628 F	Plate No. 1, Seat-Mat Rear	1		Car No. 170670 $\frac{7}{8}$ ~○
20	0585 69 629 B	Plate No. 2, Seat-Mat Front	1		
21	99861 0410	Screw, Tapping-Trunk Room Mat	5		
	99864 0410	Screw	8		(Station Wagon)
	99864 0412 C	Screw	7		
22	99861 0410 B	Screw, Tapping-Trunk Room Mat	4		
	99967 0400 B	Washer	4		
23	0866 69 660 C	Insulator	1	} (R.H.D.)	
	0866 69 660 D	Insulator	1		Car No. 150526 $\frac{7}{8}$ ~○
	1562 69 660 A	Insulator	1	} (L.H.D.)	
	1562 69 660 B	Insulator	1		Car No. 135734 $\frac{7}{8}$ ~○
	1562 69 660 C	Insulator	1		Car No. 140779 $\frac{7}{8}$ ~○
	1562 69 660 D	Insulator	1		Car No. 150526 $\frac{7}{8}$ ~○
	1562 69 660 F	Insulator	1	Car No. 179250 $\frac{7}{8}$ ~△	
24	0378 69 683	Pad (Frt., C) (Automatic)	1		

## FLOOR MAT &amp; TRIM

No.	Part Number	Description	Q'ty	Remarks
<del>0378</del>	<del>69 683B</del>	<del>Pad (Frnt., C) (Automatic)</del>	<del>1</del>	<del>Car No. 7/9 ~ ⊙</del>
0378	69 683C	Pad (Frnt., C) (Automatic)	1	Car No. 152816 7/9 ~ ⊙
0866	69 683	Pad (Frnt., C)	1	} (Manual)
0866	69 683B	Pad (Frnt., C)	1	
25	0866 69 684	Pad (Frnt.) (Manual)	2	
	0866 69 684 A	Pad (Frnt.) (Manual)	2	Car No. 176736 7/4 ~ Δ
●	0866 69 684 B	Pad (Frnt.) (Manual)	2	7/4 ~ ⊙
	<del>0870 69 684</del>	<del>Pad (Frnt., R)</del>	<del>±</del>	
	0871 69 684	Pad (Frnt., R)	1	From Car No. 1
●	0871 69 684 A	Pad (Frnt., R)	1	(Automatic) 7/4 ~ ⊙
	0871 69 685	Pad (Frnt., L)	1	
●	0871 69 685 A	Pad (Frnt., L)	1	7/4 ~ ⊙
26	0866 69 687 A	Pad (Rr., C)	1	
	<del>0866 69 687 B</del>	<del>Pad (Rr., C)</del>	<del>1</del>	<del>Car No. 7/9 ~ ⊙</del>
27	0866 69 688	Pad (Rr., R)	1	
28	0866 69 689	Pad (Rr., L)	1	
29	0866 69 692	Pad, End	2	
30	0866 69 696	Pad (C), Trunk Room	1	} (Sedan & Coupe)
31	0866 69 697	Pad (R), Trunk Room	1	
32	0866 69 698	Pad (L), Trunk Room	1	
33	0899 69 696 A	Pad, Trunk (Station Wagon)	1	
34	0208 76 071	Silencer, Floor (Revised Piece)	1	

A 30cm square object in sheet form is supplied  
under part no. 0208 76 071

(Floor Silencer Revised Piece).

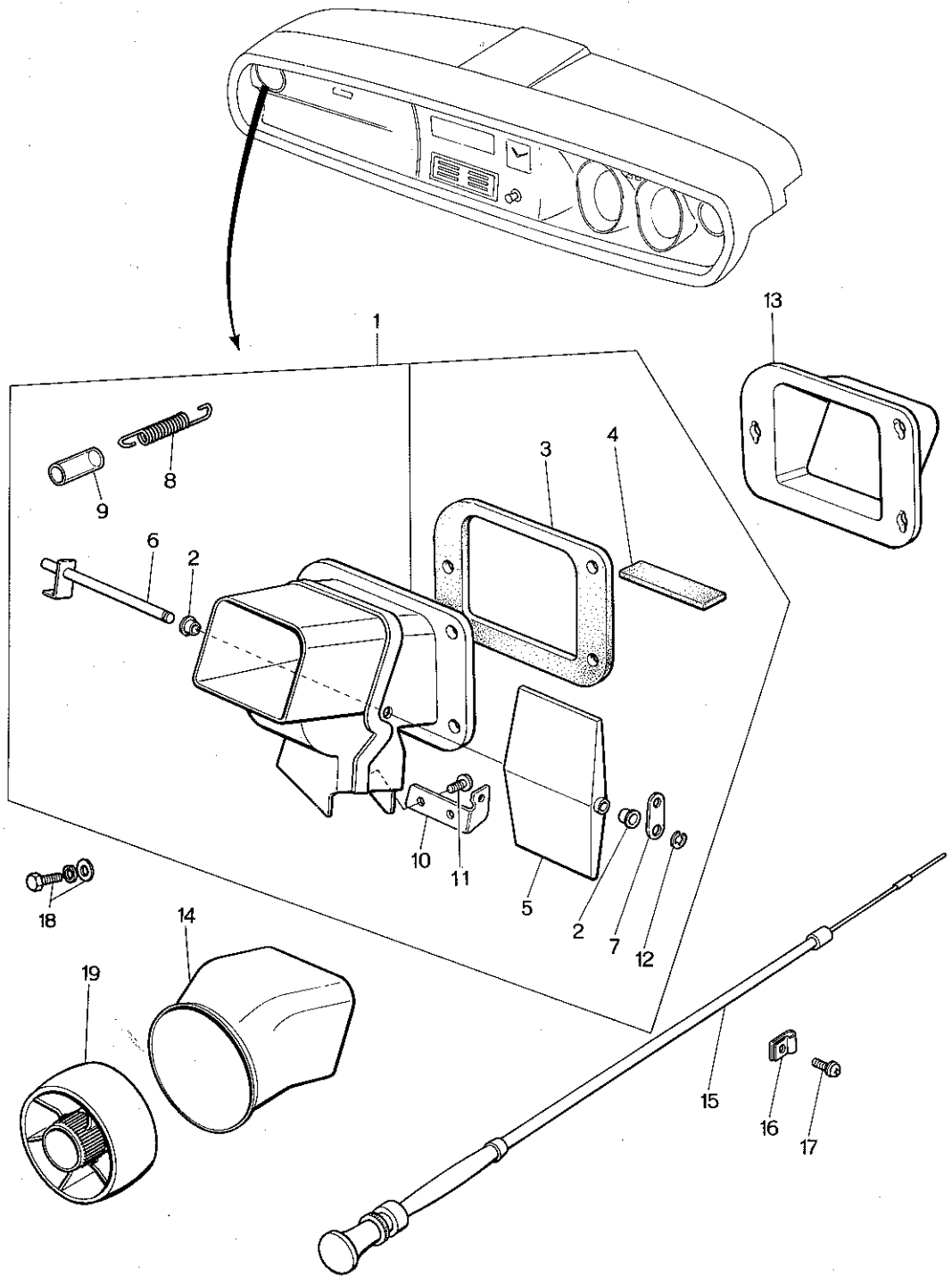


(

70

71

# VENTILATOR





# VENTILATOR

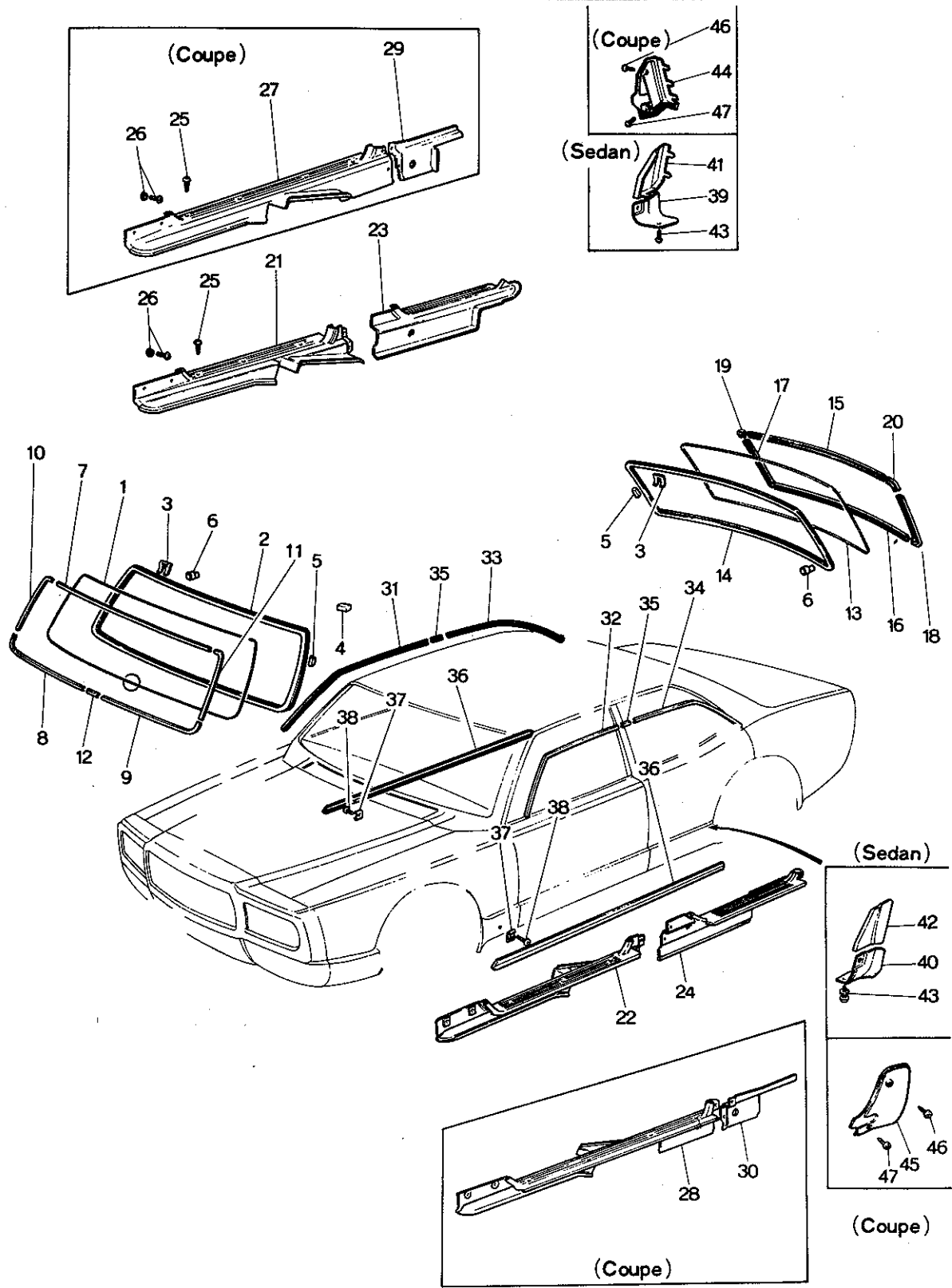
70

71

No.	Part Number	Description	Q'ty	Remarks
1	0886 70 310A	Ventilator (R)	1	
✓ ●	0886 70 310 B	Ventilator (R)	1	Car No. 159525 $\frac{7}{11}$ ~○
	0886 71 310A	Ventilator (L)	1	
✓ ●	0886 71 310 B	Ventilator (L)	1	Car No. 159525 $\frac{7}{11}$ ~○
2	0317 70 307	Bush	4	
3	0886 70 313	Gasket	2	
4	0886 70 314	Cushion	2	Car No. 146702 $\frac{7}{8}$ ~Discarded
5	0886 70 320	Flap	2	
6	0886 70 330	Lever	2	
	0886 70 330A	Lever	2	Car No. 146702 $\frac{7}{8}$ ~×
7	0886 70 341	Lever	2	
	0886 70 341A	Lever	2	Car No. 146702 $\frac{7}{8}$ ~×
8	0886 70 342	Spring	2	
9	99335 08003	Pipe	2	
10	0886 70 343	Bracket (R)	1	
	0886 71 343	Bracket (L)	1	
11	99884 0410	Screw, Tapping	4	
12	99576 0400	Ring, Snap	2	
Ⓝ	0866 70 365	Holder, Spring	2	} Car No. 146702 $\frac{7}{8}$ ~Added Anew
Ⓝ	0866 70 366	Roller	2	
Ⓝ	0866 70 367	Spring	2	
13	0886 70 351	Gasket (R)	1	
	0886 71 351	Gasket (L)	1	
14	0886 70 352	Duct (R), Ventilator	1	
	0886 71 352	Duct (L), Ventilator	1	
15	0866 70 360 A	Wire, Ventilator Control	2	
	0866 70 360B	Wire, Ventilator Control	2	Car No. 146702 $\frac{7}{8}$ ~×
✓ ●	0866 70 360C	Wire, Ventilator Control	2	Car No. 159525 $\frac{7}{11}$ ~○
16	0305 70 395B	Clamp, Wire	2	
	0866 70 395	Clamp, Wire	2	Car No. 146702 $\frac{7}{8}$ ~△
17	908332 4 10	Screw Set, Control Knob	2	
18	99785 0620	Bolt, Ventilator & Gasket	3	
	99952 0600	Washer, Plain	3	
	99971 0600	Washer, Spring	3	
19	0886 70 371	Louver	2	

# WINDOW GLASS & MOULDING

(SEDAN & COUPE)



# WINDOW GLASS & MOULDING

(SEDAN & COUPE)



No.	Part Number	Description	Q'ty	Remarks
1	0368 70 441	Glass, Front Window (Transparent)	1	
	0370 70 441	Glass, Front Window (Blue Pane)	(Sedan) 1	
	1531 70 441	Glass, Front Window (Transparent) H.P.R.)	1	
	0374 70 441	Glass, Front Window (Transparent)	1	
	0376 70 441	Glass, Front Window (Blue Pane)	(Coupe) 1	
	1568 70 441	Glass, Front Window (Transparent H.P.R.)	1	
2	0305 70 443B	Dam, Front Window Glass	1	
3	0305 70 445B	Clip, Front Window...19, Back Window...17 36		
•	1011 60 506A	Clip, Front Window...19, Back Window...17 36		$\frac{73}{10} \sim \bigcirc$
4	0305 70 447B	Spacer "A"	4	
5	0305 70 448A	Spacer "B"	4	
•	Ⓝ 0839 70 449	Spacer "C"	4	Car No. 160623 $\frac{73}{10} \sim$ Added Anew
6	0305 53 999	Stud, Front Window...19, Back Window...17 36		
7	0376 70 451	Mould, Upper-Front (Coupe)	1	
	0376 70 451 A	Mould, Upper-Front (Coupe)	1	Car No. 132009 $\frac{73}{12} \sim \triangle$
•	0376 99 741	Mould, Upper Set (Coupe)	1	$\frac{73}{2} \sim \bigcirc$
	0866 70 451	Mould, Upper-Front (Sedan)	1	
	0866 70 451 A	Mould, Upper-Front (Sedan)	1	Car No. 133994 $\frac{72}{1} \sim \triangle$
•	0866 99 741	Mould, Upper Set (Sedan)	1	$\frac{73}{2} \sim \bigcirc$
8	0866 70 452	Mould, Lower (R)-Front	1	



# WINDOW GLASS & MOULDING

(SEDAN & COUPE)

No.	Part Number	Description	Q'ty	Remarks
	0866 70 452A	Mould, Lower (R)-Front	1	Car No. 133994 $\frac{7}{8}$ ~△
●	0866 99 742	Mould, Lower Set	1	$\frac{7}{8}$ ~○
9	0866 71 452	Mould, Lower (L)-Front	1	
	0866 71 452A	Mould, Lower (L)-Front	1	Car No. 133994 $\frac{7}{8}$ ~△
●	0866 99 745	Mould, Lower Set	1	$\frac{7}{8}$ ~○
10	0376 70 453	Mould (R), Front (Coupe)	1	
	0376 70 453A	Mould (R), Front (Coupe)	1	Car No. 132009 $\frac{7}{12}$ ~△
●	0376 99 743	Mould Set (Coupe)	1	$\frac{7}{8}$ ~○
	0866 70 453	Mould (R), Front (Sedan)	1	
	0866 70 453A	Mould (R), Front (Sedan)	1	Car No. 133994 $\frac{7}{8}$ ~△
●	0866 99 743	Mould Set (Sedan)	1	$\frac{7}{8}$ ~○
11	0376 71 453	Mould (L), Front (Coupe)	1	
	0376 71 453A	Mould (L), Front (Coupe)	1	Car No. 132009 $\frac{7}{12}$ ~△
●	0376 99 744	Mould Set (Coupe)	1	$\frac{7}{8}$ ~○
	0866 71 453	Mould (L), Front (Sedan)	1	
	0866 71 453A	Mould (L), Front (Sedan)	1	Car No. 133994 $\frac{7}{8}$ ~△
●	0866 99 744	Mould Set (Sedan)	1	$\frac{7}{8}$ ~○
12	0866 70 454	Joint, Front Mould	1	
13	1510 70 471	Glass, Back Window (Transparent 5 mm)	1	(Sedan)
	1511 70 471	Glass, Back Window (Transparent 5 mm) (With Heating Wire)		

# WINDOW GLASS & MOULDING

(SEDAN & COUPE)



No.	Part Number	Description	Q'ty	Remarks
	1523 70 471	Glass, Back Window (Transparent 4%)	1	
●	1523 70 471 A	Glass, Back Window (Transparent 4%)	1	$\frac{73}{10} \sim \bigcirc$
	1524 70 471	Glass, Back Window (Transparent 4%) (With Heating Wire)	1	
●	1524 70 471 A	Glass, Back Window (Transparent 4%) (With Heating Wire)	1	$\frac{73}{10} \sim \bigcirc$
(Sedan)				
	1534 70 471	Glass, Back Window (Blue Pane 4%) (With Heating Wire)	1	
●	1534 70 471 A	Glass, Back Window (Blue Pane 4%) (With Heating Wire)	1	$\frac{73}{10} \sim \bigcirc$
	1535 70 471	Glass, Back Window (Blue Pane 4%)	1	
●	1535 70 471 A	Glass, Back Window (Blue Pane 4%)	1	$\frac{73}{10} \sim \bigcirc$
	0374 70 471	Glass, Back Window (Transparent 4%)	1	
●	0374 70 471 A	Glass, Back Window (Transparent 4%)	1	$\frac{73}{10} \sim \bigcirc$
	0375 70 471	Glass, Back Window (Blue Pane 4%)	1	
●	0375 70 471 A	Glass, Back Window (Blue Pane 4%)	1	$\frac{73}{10} \sim \bigcirc$
	0376 70 471	Glass, Back Window (Blue Pane 4%) (With Heating Wire)	1	
●	0376 70 471 A	Glass, Back Window (Blue Pane 4%) (With Heating Wire)	1	$\frac{73}{10} \sim \bigcirc$
(Coupe)				
	1514 70 471	Glass, Back Window (Transparent 5%)	1	
	1554 70 471	Glass, Back Window (Transparent 5%) (With Heating Wire)	1	
	1562 70 471	Glass, Back Window (Transparent 4%) (With Heating Wire)	1	
●	1562 70 471 A	Glass, Back Window (Transparent 4%) (With Heating Wire)	1	$\frac{73}{10} \sim \bigcirc$
14	0866 70 473	Dam, Back Window Glass	1	
15	0376 70 481	Mould, Upper - Rear (Coupe)	1	



# WINDOW GLASS & MOULDING

(SEDAN & COUPE)

No.	Part Number	Description	Q'ty	Remarks
	0376 70 481 A	Mould, Upper-Rear (Coupe)	1	Car No. 132009 $\frac{7}{12}$ ~△
●	0376 99 746	Mould, Upper Set (Coupe)	1	$\frac{7}{2}$ ~○
	0866 70 481	Mould, Upper-Rear (Sedan)	1	
	0866 70 481 A	Mould, Upper-Rear (Sedan)	1	Car No. 133994 $\frac{7}{1}$ ~△
●	0866 99 746	Mould, Upper Set (Sedan)	1	$\frac{7}{2}$ ~○
16	0376 70 482	Mould, Lower-Rear (Coupe)	1	
	0376 70 482 A	Mould, Lower-Rear (Coupe)	1	Car No. 132009 $\frac{7}{12}$ ~△
●	0376 99 747	Mould, Lower Set (Coupe)	1	$\frac{7}{2}$ ~○
	0866 70 482	Mould, Lower-Rear (Sedan)	1	
	0866 70 482 A	Mould, Lower-Rear (Sedan)	1	Car No. 133994 $\frac{7}{1}$ ~△
●	0866 99 747	Mould, Lower Set (Sedan)	1	$\frac{7}{2}$ ~○
17	0376 70 483	Mould (R), Rear (Coupe)	1	
	0376 70 483 A	Mould (R), Rear (Coupe)	1	Car No. 132009 $\frac{7}{12}$ ~△
●	0376 99 748	Mould Set (R), Rear (Coupe)	1	$\frac{7}{2}$ ~○
	0866 70 483	Mould (R), Rear (Sedan)	1	
	0866 70 483 A	Mould (R), Rear (Sedan)	1	Car No. 133994 $\frac{7}{1}$ ~△
●	0866 99 748	Mould Set (R), Rear (Sedan)	1	$\frac{7}{2}$ ~○
18	0376 71 483	Mould (L), Rear (Coupe)	1	
	0376 71 483 A	Mould (L), Rear (Coupe)	1	Car No. 132009 $\frac{7}{12}$ ~△
●	0376 99 749	Mould Set (R), Rear (Coupe)	1	$\frac{7}{2}$ ~○

# WINDOW GLASS & MOULDING

(SEDAN & COUPE)



No.	Part Number	Description	Q'ty	Remarks
	0866 71 483	Mould (L), Rear (Sedan)	1	
	0866 71 483A	Mould (L), Rear (Sedan)	1	Car No. 133994 $\frac{73}{81} \sim \Delta$
●	0866 99 749	Mould Set (L), Rea (Sedan)	1	$\frac{73}{81} \sim \bigcirc$
19	0376 70 484	Joint (R) (Coupe)	1	
	0376 70 484A	Joint (R) (Coupe)	1	Car No. 132009 $\frac{71}{12} \sim \Delta$
	0866 70 484	Joint (R) (Sedan)	1	
	0866 70 484A	Joint (R) (Sedan)	1	Car No. 133994 $\frac{73}{81} \sim \Delta$
20	0376 71 484	Joint (L) (Coupe)	1	
	0376 71 484A	Joint (L) (Coupe)	1	Car No. 132009 $\frac{71}{12} \sim \Delta$
	0866 71 484	Joint (L) (Sedan)	1	
	0866 71 484A	Joint (L) (Sedan)	1	Car No. 133994 $\frac{73}{81} \sim \Delta$
21	0866 70 801A00	Plate (R), Scarf-Front	1	©
●	0866 70 801B00	Plate (R), Scarf-Front	1	$\frac{73}{81} \sim \bigcirc$
22	0866 71 801A00	Plate (L), Scarf-Front	1	©
●	0866 71 801D00	Plate (L), Scarf-Front (Sedan)	1	$\frac{73}{81} \sim \bigcirc$
23	0866 70 802B00	Plate (R), Scarf-Rear	1	©
●	0866 70 802C00	Plate (R), Scarf-Rear	1	$\frac{73}{81} \sim \bigcirc$
24	0866 71 802B00	Plate (L), Scarf-Rear	1	©
●	0866 71 802C00	Plate (L), Scarf-Rear	1	$\frac{73}{81} \sim \bigcirc$
25	99862 0425B	Screw, Scarf Plate	8	



# WINDOW GLASS & MOULDING

(SEDAN & COUPE)

No.	Part Number	Description	Q'ty	Remarks
26	99864 0414B	Screw, Scarf Plate	14	
	99952 0516B	Washer, Plain	14	
27	0376 70 801A00	Plate (R), Scarf-Front (Coupe)	1	©
●	0376 70 801B00	Plate (R), Scarf-Front (Coupe)	1	$\frac{7}{8}$ ~○
28	0376 71 801A00	Plate (L), Scarf-Front	1	©
●	0376 71 801B00	Plate (L), Scarf-Front (Coupe)	1	$\frac{7}{8}$ ~○
29	0376 70 802A00	Plate (R), Scarf-Rear	1	©
30	0376 71 802A00	Plate (L), Scarf-Rear	1	©
31	0376 70 821A	Mould (R), Drip-Front (Coupe)	1	
	0376 70 821B	Mould (R), Drip-Front (Coupe)	1	Car No. 155593 $\frac{7}{8}$ ~○
	0866 70 821A	Mould (R), Drip-Front (Sedan)	1	
	0866 70 821B	Mould (R), Drip-Front (Sedan)	1	Car No. 155593 $\frac{7}{8}$ ~○
32	0376 71 821A	Mould (L), Drip-Front (Coupe)	1	
	0376 71 821B	Mould (L), Drip-Front (Coupe)	1	Car No. 155593 $\frac{7}{8}$ ~○
	0866 71 821A	Mould (L), Drip-Front (Sedan)	1	
	0866 71 821B	Mould (L), Drip-Front (Sedan)	1	Car No. 155593 $\frac{7}{8}$ ~○
33	0376 70 822A	Mould (R), Drip-Rear (Coupe)	1	
	0376 70 822B	Mould (R), Drip-Rear (Coupe)	1	Car No. 155593 $\frac{7}{8}$ ~○
	0866 70 822B	Mould (R), Drip-Rear (Sedan)	1	
	0866 70 822C	Mould (R), Drip-Rear (Sedan)	1	Car No. 155593 $\frac{7}{8}$ ~○



# WINDOW GLASS & MOULDING

(SEDAN & COUPE)



No.	Part Number	Description	Q'ty	Remarks
●	0866 70 822D	Mould (R), Drip-Rear (Sedan)	1	$\frac{7}{10}$ ~ ○
34	0376 71 822A	Mould (L), Drip-Rear (Coupe)	1	
	0376 71 822B	Mould (L), Drip-Rear (Coupe)	1	Car No. 155593 $\frac{7}{10}$ ~ ○
	0866 71 822B	Mould (L), Drip-Rear (Sedan)	1	
	0866 71 822C	Mould (L), Drip-Rear (Sedan)	1	Car No. 155593 $\frac{7}{10}$ ~ ○
●	0866 71 822D	Mould (L), Drip-Rear (Sedan)	1	$\frac{7}{10}$ ~ ○
35	0866 70 823A	Joint, Drip Mould	2	
36	0866 70 851	Mould, Step	2	
●	0866 99 721	Mould Set, Step	2	$\frac{7}{2}$ ~ ○
37	0305 70 861C	Clip, Step Mould	10	
38	99863 0512	Screw, Step Mould	10	
39	0866 70 852	Guard "A" (R), Stone	1	
40	0866 71 852	Guard "A" (L), Stone	1	
41	0866 70 853A	Guard "B" (R), Stone	1	
	0866 70 853C	Guard "B" (R), Stone	1	Car No. 144308 $\frac{7}{4}$ ~ ○
42	0866 71 853A	Guard "B" (L), Stone (Sedan)	1	
	0866 71 853C	Guard "B" (L), Stone	1	Car No. 144308 $\frac{7}{4}$ ~ ○
43	908631 5 12	Screw Set, Stone Guard	4	
	0870 70 875	Screw	2	Car No. 144308 $\frac{7}{4}$ ~ Added Anew
●	99739 0410	Screw	2	Car No. 160623 $\frac{7}{10}$ ~ ×



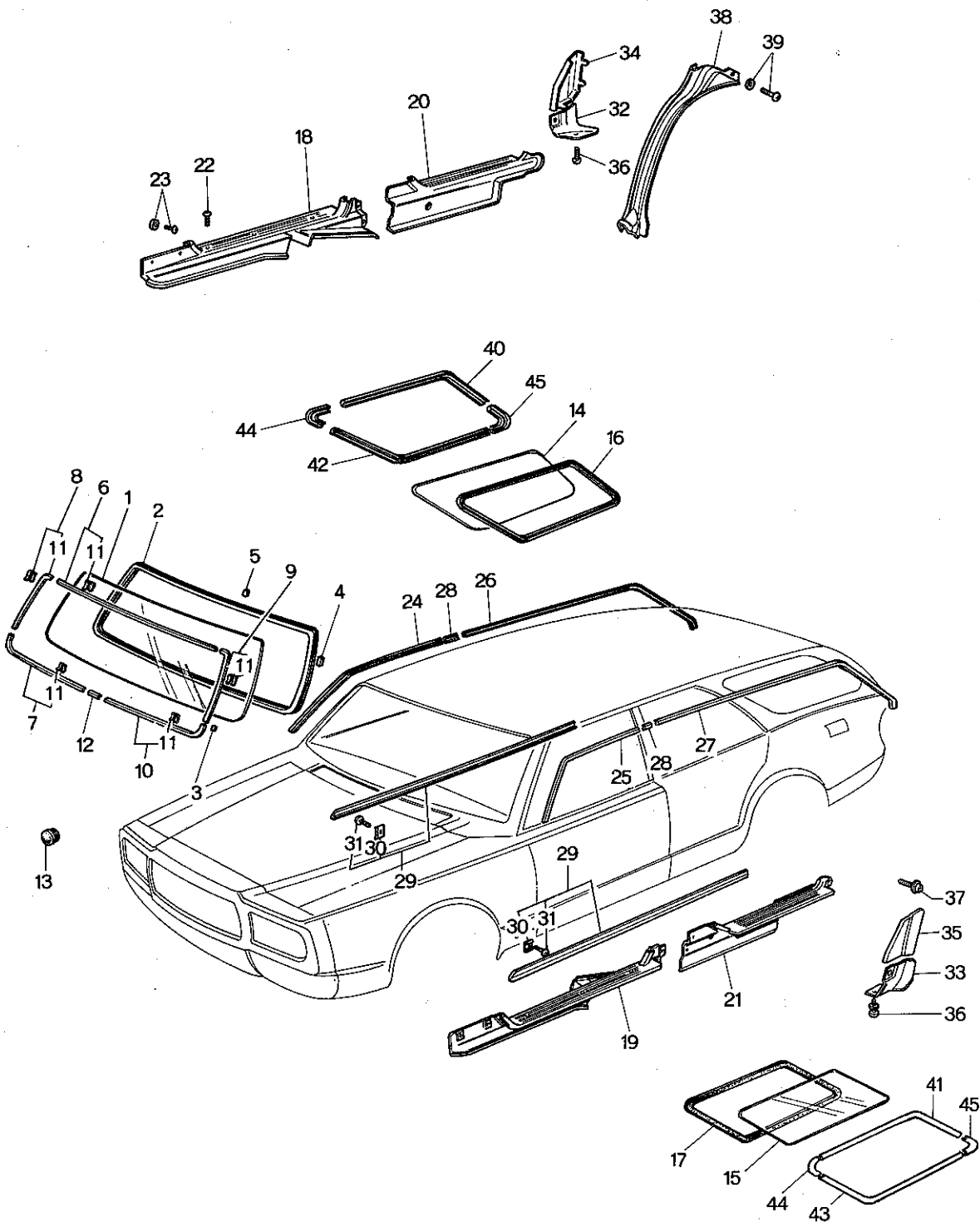
# WINDOW GLASS & MOULDING

(SEDAN & COUPE)

No.	Part Number	Description	Q'ty	Remarks
44	0376 70 855	Guard (R), Stone	1	
●	0376 70 855C	Guard (R), Stone	1	Car No. 167343 $\frac{73}{3}$ ~△
45	0376 71 855	Guard (L), Stone	1	
●	0376 71 855C	Guard (L), Stone (Coupe)	1	Car No. 167343 $\frac{73}{3}$ ~△
46	99767 0410	Screw, Stone Guard	2	
47	99769 0408	Screw, Stone Guard	2	
●	99769 0410	Screw, Stone Guard	2	$\frac{73}{10}$ ~○



# WINDOW GLASS & MOULDING (STATION WAGON)



# WINDOW GLASS & MOULDING

(STATION WAGON)



No.	Part Number	Description	Q'ty	Remarks
1	✓ 1531 70 441	Glass, Front Window	1	
2	✓ 0305 70 443B	Dam, Front Window Glass	1	
3	✓ 0305 70 447B	Spacer "A"	3	
4	✓ 0305 70 448A	Spacer "B"	2	
5	✓ 0839 70 449	Spacer "C"	2	
6	✓ 0866 99 741	Mould Set, Upper	1	
7	✓ 0866 99 742	Mould Set (R), Front Lower	1	
8	✓ 0866 99 743	Mould Set (R), Front	1	
9	✓ 0866 99 744	Mould Set (L), Front	1	
10	✓ 0866 99 745	Mould Set (L), Front Lower	1	
11	✓ 1011 70 506	Clip	19	
12	✓ 0866 70 454	Joint, Front Mould	1	
✓ 13	0118 56 241	Plug, Drain	1	
14	✓ 1529 70 551	Glass, Rear Side (R)	1	
15	✓ 1529 71 551	Glass, Rear Side (L)	1	
16	✓ 0585 70 521A	Weatherstrip (R)	1	
17	✓ 0585 71 521A	Weatherstrip (L)	1	
18	✓ 0866 70 801A-00	Plate (R), Scarf-Front	1	©
19	✓ 0866 71 801A-00	Plate (L), Scarf-Front	1	©
20	✓ 0866 70 802B-00	Plate (R), Scarf-Front	1	©



# WINDOW GLASS & MOULDING (STATION WAGON)

No.	Part Number	Description	Q'ty	Remarks
21	√ 0866 71 802B-00	Plate (L), Scarf-Front	1	©
22	J 99862 0425B	Screw, Scarf Plate	10	
23	J 99864 0414B	Screw, Scarf Plate	14	
	J 99952 0412B	Washer, Plain	12	
	J 99952 0516B	Washer, Plain	2	
24	√ 0866 70 821B	Mould (R), Drip-Front	1	
25	√ 0866 71 821B	Mould (L), Drip-Front	1	
26	√ 0585 70 822B	Mould (R), Drip-Rear	1	
27	J 0585 71 822B	Mould (L), Drip-Rear	1	
28	J 0866 70 823A	Joint, Drip Mould	2	
29	J 0866 99 721	Mould, Step	2	
30	J 0305 70 861C	Clip	10	
31	J 99863 0512	Screw, Step Mould	10	
32	J 0866 70 852	Guard "A" (R), Stone	1	
33	√ 0866 71 852	Guard "A" (L), Stone	1	
34	J 0866 70 853C	Guard "B" (R), Stone	1	
35	√ 0866 71 853C	Guard "B" (L), Stone	1	
36	J 99863 0512	Screw, Stone Guard	4	
	J 99952 0500	Washer, Plain	4	
37	J 0870 70 875	Screw, Tapping-Stone Guard	2	

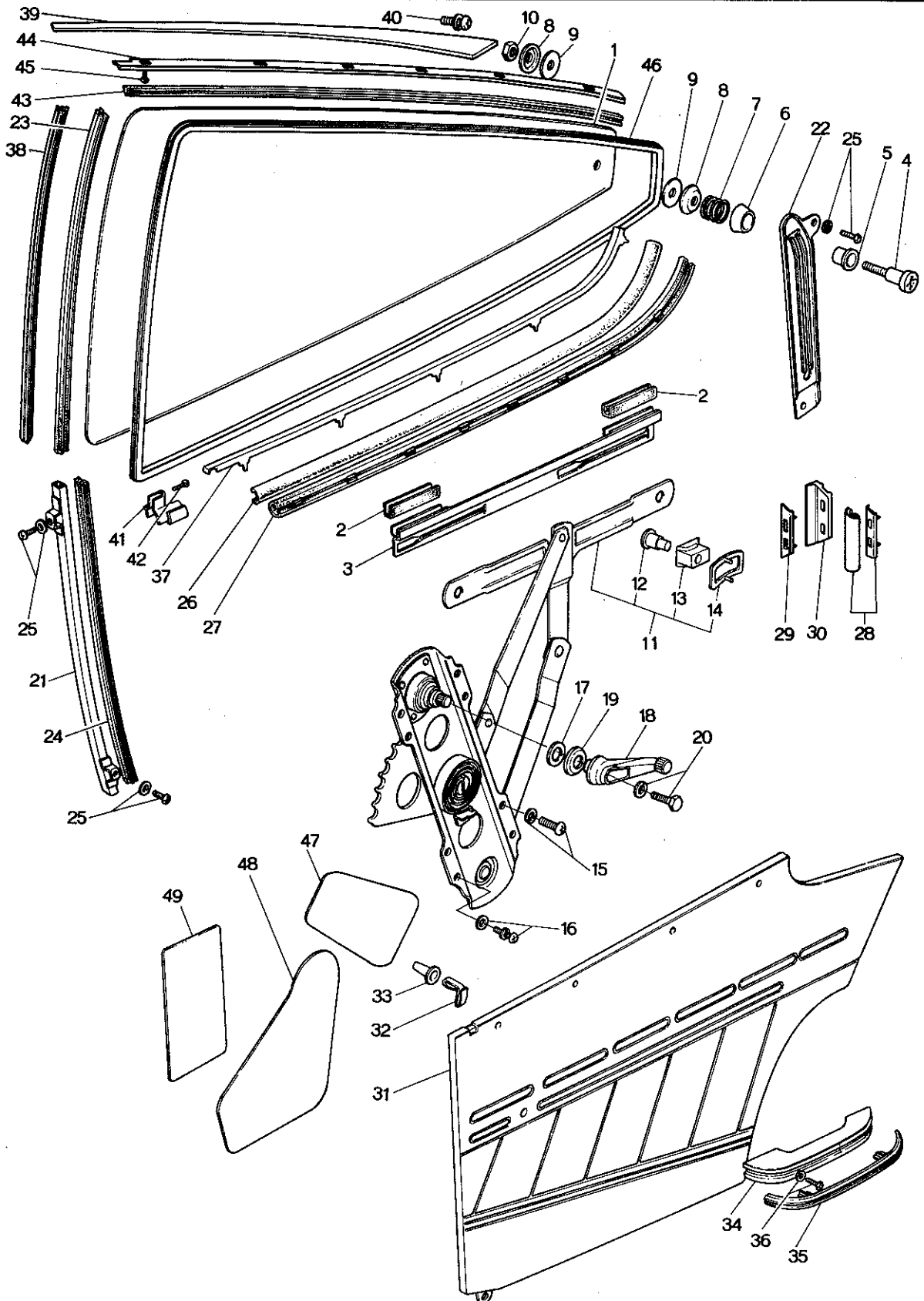
# WINDOW GLASS & MOULDING (STATION WAGON)

70

71

No.	Part Number	Description	Q'ty	Remarks
38	√ 0585 70 811C	Plate (Rr.), Scarf	1	
39	√ 99864 0414B	Screw, Scarf Plate (Rr.)	2	
	√ 99952 0412B	Washer, Plain	2	
40	√ 0585 70 531	Mould, Upper (R)	1	
41	√ 0585 71 531	Mould, Upper (L)	1	
42	√ 0585 70 532	Mould, Lower (R)	1	
43	√ 0585 71 532	Mould, Lower (L)	1	
44	√ 0585 70 533	Mould (Frt.)	2	
45	√ 0585 70 534	Mould (Rr.)	2	

# REAR SIDE WINDOW (COUPE)





# REAR SIDE WINDOW (COUPE)

72

73

No.	Part Number	Description	Q'ty	Remarks
1	0374 72 501	Glass (R), Window	1	
●	0374 72 501A	Glass (R), Window	1	7/10~○
	0374 73 501	Glass (L), Window	1	
●	0374 73 501A	Glass (L), Window	1	7/10~○
	0376 72 501	Glass (R), Window	1	
●	0376 72 501A	Glass (R), Window	1	7/10~○
	0376 73 501	Glass (L), Window	1	
●	0376 73 501A	Glass (L), Window	1	7/10~○
2	2292 58 232	Strip, Rubber	4	
3	0376 72 505	Bracket, Lift	4	
4	0839 70 521	Pin	2	
5	0839 70 522	Roller	2	
6	0839 70 523A	Seat, Spring	2	
7	0839 70 524	Spring	2	
8	0839 70 525	Washer	4	
9	0839 70 526	Seat	4	
10	99906 0500	Nut	2	
11	0376 72 560	Regulator (R), Window	1	
	0376 73 560	Regulator (L), Window	1	

Transparent

Blue Pane

72

73

## REAR SIDE WINDOW (COUPE)

No.	Part Number	Description	Q'ty	Remarks
12	0223 58 303A	Pin	4	
13	0223 58 304A	Guide	4	
14	0223 58 311	Spring, Guide	4	
15	99805 0616	Bolt, Regulator	4	
	99952 0600	Washer, Plain	4	
	99971 0600	Washer, Spring	4	
16	99806 0612	Bolt, Regulator	8	
	99971 0600	Washer, Spring	8	
	99951 0618	Washer, Plain	8	
17	<del>0259 72 305</del>	<del>Gasket, Regulator</del>	<del>2</del>	
	0259 58 305	Gasket, Regulator	2	From Car No. 1
●	0259 58 305B	Gasket, Regulator	2	Car No. 160623 $\frac{7}{10}$ ~△
18	0824 58 370A	Handle, Regulator	2	
	0824 58 370B	Handle, Regulator	2	Car No. 157510 $\frac{7}{10}$ ~△
●	0223 58 370D	Handle, Regulator	2	Car No. 160623 $\frac{7}{10}$ ~X
19	0223 58 375A	Escutcheon	2	
20	99806 0516	Bolt, Regulator Handle	2	
	99971 0500	Washer, Spring	2	
21	0376 72 602	Guide "A" (R), Glass	1	

# REAR SIDE WINDOW (COUPE)



No.	Part Number	Description	Q'ty	Remarks
	0376 73 602	Guide "A" (L), Glass	1	
22	0376 72 603	Guide "B" (R), Glass	1	
	0376 73 603	Guide "B" (L), Glass	1	
23	0376 72 605	Channel "A", Glass Run	2	
24	0376 72 606	Channel "B", Glass Run	2	
25	99806 0612	Bolt, Glass Guide	8	
	99971 0600	Washer, Spring	8	
	99951 0618	Washer, Plain	8	
26	0376 72 781C	Weatherstrip, Outer "A" (R)	1	
	<del>0376 73 781C</del>	<del>Weatherstrip, Outer "A" (L)</del>	<del>1</del>	
	0376 72 781C	Weatherstrip, Outer "A" (L)	1	From Car No. 1
27	0376 72 790	Weatherstrip, Inner "A" (R)	1	
	0376 73 790	Weatherstrip, Inner "A" (L)	1	
28	0376 72 890	Weatherstrip, Inner "B" (R)	1	Rear Pillar Trim
	0376 73 890	Weatherstrip, Inner "B" (L)	1	
29	0376 72 901C	Weatherstrip, Outer "B"	2	
30	0376 72 902B	Plate Set	2	

When ordering the following trims

Add color code nos. given below after parts number

-03 (BLK.) -12 (BRN.) -13 (GRY./YLW.)

72

73

# REAR SIDE WINDOW (COUPE)

No.	Part Number	Description	Q'ty	Remarks
31	0376 72 810A	Trim (R), Quarter	1	©
	0376 73 810A	Trim (L), Quarter	1	©
32	0208 58 921	Fastener, Quarter Trim	4	
33	0187 58 922	Cap, Fastener-Quarter Trim	4	
34	0398 58 821A	Rest, Arm	2	
35	0398 58 822	Garnish, Arm Rest	2	
	0398 58 822A	Garnish, Arm Rest	2	Car No. 130590 $\frac{7}{12}$ ~○
36	99833 0520	Screw, Arm Rest	4	
	99952 0500	Washer, Plain	4	
37	0376 72 831A	Mould (R), Beltline	1	
	0376 72 831B	Mould (R), Beltline	1	Car No. 144578 $\frac{7}{4}$ ~△
	0376 73 831A	Mould (L), Beltline	1	
	0376 73 831B	Mould (L), Beltline	1	Car No. 144578 $\frac{7}{4}$ ~△
38	0376 72 851A	Garnish (R)	1	
	0376 72 851B	Garnish (R)	1	Car No. 130590 $\frac{7}{12}$ ~○
	0376 73 851A	Garnish (L)	1	
	0376 73 851B	Garnish (L)	1	Car No. 130590 $\frac{7}{12}$ ~○
39	0376 72 855	Mould (R), Quarter Line	1	
	0376 73 855	Mould (L), Quarter Line	1	
40	99863 0410	Screw, Quarter Line Mould	2	

# REAR SIDE WINDOW (COUPE)

72

73

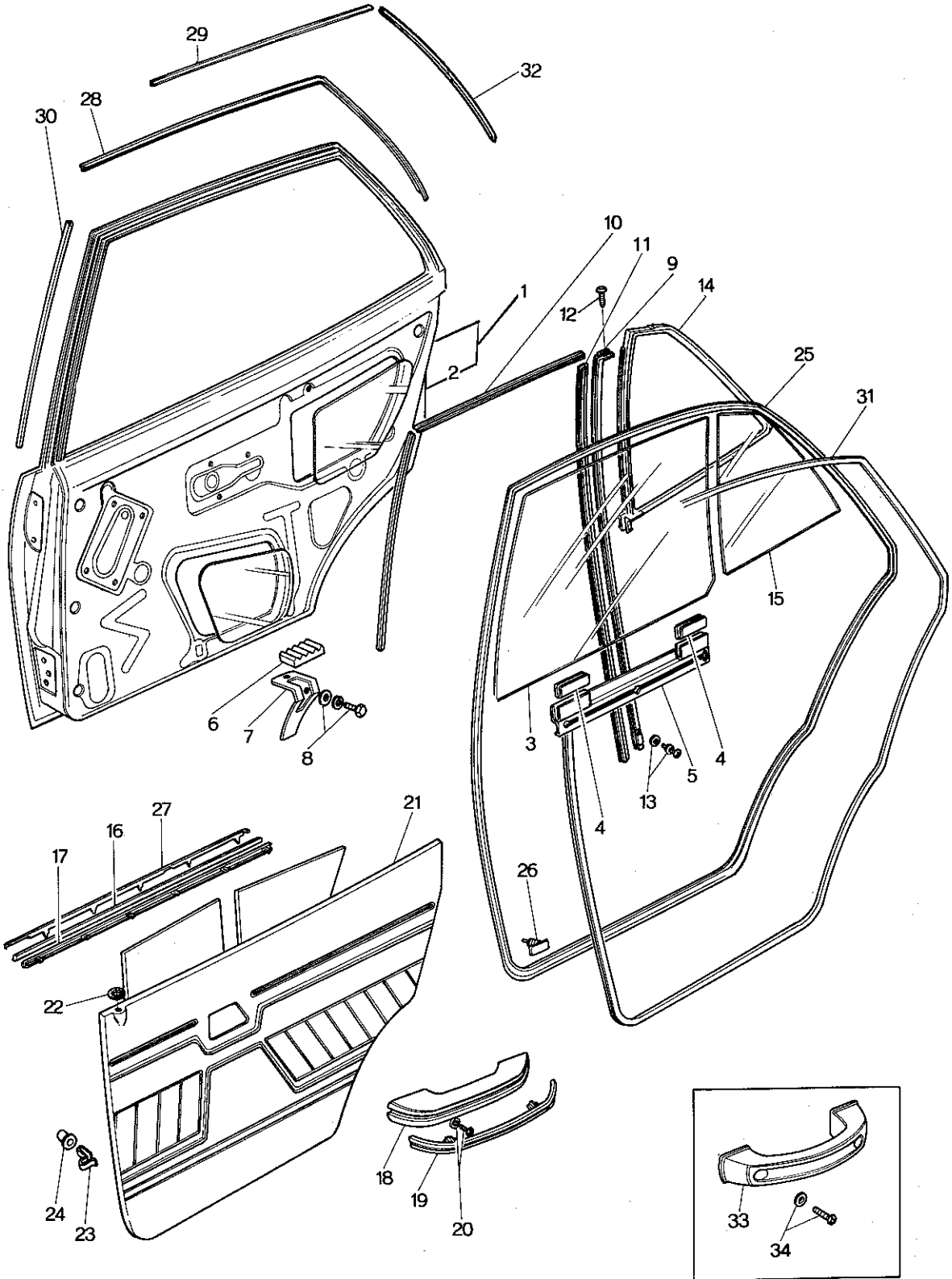
No.	Part Number	Description	Q'ty	Remarks
	99971 0400	Washer, Spring	2	
	99952 0412	Washer, Plain	2	
41	0376 72 881	Cover (R)	1	
	0376 73 881	Cover (L)	1	
42	99864 0410B	Screw, Cover	2	
43	0376 72 761	Weatherstrip (R)	1	
	0376 73 761	Weatherstrip (L)	1	
44	0376 72 771	Retainer (R)	1	
	0376 73 771	Retainer (L)	1	
45	99864 0408	Screw, Weatherstrip	8	
46	0376 72 755A	Welt, Seaming	2	
47	0376 72 861A	Screen, Door "A"	2	
48	0376 72 862	Screen, Door "B" <del>(R)</del>	2	
●	0376 72 862A	Screen, Door "B"	2	Car No. 176736 $\frac{3}{4}$ ~△
	<del>0376 73 862</del>	<del>Screen, Door "B" (L)</del>	<del>1</del>	
49	0376 72 863	Screen "C"	2	





# REAR SIDE DOOR (GLASS)

(SEDAN & STATION WAGON)





# REAR SIDE DOOR (GLASS) (SEDAN & STATION WAGON)



No.	Part Number	Description	Q'ty	Remarks
1	0866 72 010B	Body (R), Door	1	
	0866 72 010C	Body (R), Door (Sedan)	1	Car No. 144308 7/4~○
	0866 72 010D	Body (R), Door	1	Car No. 157510 7/10~○
	0585 72 010B	Body (R), Door (Station Wagon)	1	
	0866 73 010B	Body (L), Door	1	
	0866 73 010C	Body (L), Door (Sedan)	1	Car No. 144308 7/4~○
	0866 73 010D	Body (L), Door	1	Car No. 157510 7/10~○
	0585 73 010B	Body (L), Door (Station Wagon)	1	
2	0866 72 020A	Panel (R), Outer	1	
	0866 73 020A	Panel (L), Outer	1	
3	0368 72 501	Glass (R), Door (Sedan)	1	
●	0368 72 501A	Glass (R), Door (Sedan)	1	7/10~○
	0583 72 501	Glass (R), Door (Station Wagon)	1	
	0368 73 501	Glass (L), Door (Sedan)	1	Transparent
●	0368 73 501A	Glass (L), Door (Sedan)	1	7/10~○
	0583 73 501	Glass (L), Door (Station Wagon)	1	
	0866 72 501	Glass (R), Door	1	
●	0866 72 501A	Glass (R), Door (Sedan)	1	7/10~○
	0866 73 501	Glass (L), Door	1	Blue Pane
●	0866 73 501A	Glass (L), Door	1	7/10~○



# REAR SIDE DOOR (GLASS)

## (SEDAN & STATION WAGON)

No.	Part Number	Description	Q'ty	Remarks
4	0866 72 502	Strip, Rubber - Door Glass	2	
5	0259 72 210	Bracket, Lift-Door Glass	2	
6	0187 56 235	Rubber, Support	2	
7	0259 72 080	Stop, Glass	2	
8	99806 0612	Bolt, Glass Stop	2	
	99971 0600	Washer, Spring	2	
	99952 0618	Washer, Plain	2	
●	99951 0618	Washer, Plain	2	$\frac{7}{10}$ ~ ○
9	0866 72 602A	Channel (R), Center (Sedan)	1	
	0585 72 602C	Channel (R), Center (Station Wagon)	1	
	0866 73 602A	Channel (L), Center (Sedan)	1	
	0585 73 602C	Channel (L), Center (Station Wagon)	1	
10	0866 72 605	Channel "A", Glass Run (Sedan)	2	
	0585 72 605	Channel "A", Glass Run (Station Wagon)	2	
11	0866 72 606	Channel "B", Glass Run (Sedan)	2	
	0585 72 606	Channel "B", Glass Run (Station Wagon)	2	
12	99831 0408	Screw, Center Channel	4	
●	99831 0410	Screw, Center Channel	4	Car. No. 160623 $\frac{7}{10}$ ~ △
13	99806 0608	Bolt, Glass Run Channel	2	
	99806 0610	Bolt, Glass Run Channel	2	Car. No. 127396 $\frac{7}{12}$ ~ ○

# REAR SIDE DOOR (GLASS) (SEDAN & STATION WAGON)



No.	Part Number	Description	Q'ty	Remarks
	99971 0600	Washer, Spring	2	
●	99796 0608	Bolt, Glass Run Channel	2	$\frac{7}{16}$ ~○
	99952 0618	Washer, Plain	2	
14	0866 72 651A	Weatherstrip	2	(Sedan)
	0866 72 651B	Weatherstrip		
	0585 72 651A	Weatherstrip (Station Wagon)	2	Car. No. 129763 $\frac{7}{12}$ ~○
15	1511 72 661A	Glass (R), Quarter Window	1	(Sedan) } Transparent (For Australia)
	1511 73 661A	Glass (L), Quarter Window		
	1524 72 661B	Glass (R), Quarter Window (Sedan)	1	} Transparent (Except Australia)
●	1524 72 661C	Glass (R), Quarter Window (Sedan)	1	
	1529 72 661	Glass (R), Quarter Window (Station Wagon)	1	} Transparent (Except Australia)
	1524 73 661B	Glass (L), Quarter Window (Sedan)	1	
●	1524 73 661C	Glass (L), Quarter Window (Sedan)	1	$\frac{7}{16}$ ~○
	1529 73 661	Glass (L), Quarter Window (Station Wagon)	1	
	1540 72 661A	Glass (R), Quarter Window	1	(Sedan) } Blue Pane
●	1540 72 661B	Glass (R), Quarter Window		
	1540 73 661A	Glass (L), Quarter Window		
●	1540 73 661B	Glass (L), Quarter Window		
				$\frac{7}{16}$ ~○
16	0866 72 781C	Weatherstrip, Outer	2	
17	0866 72 791	Weatherstrip, Inner	2	



# REAR SIDE DOOR (GLASS)

(SEDAN & STATION WAGON)

No.	Part Number	Description	Q'ty	Remarks
18	0398 58 821A	Rest, Arm	2	
19	0398 58 822	Garnish, Arm Rest	2	
	0398 58 822A	Garnish, Arm Rest (Sedan)	2	Car No. 130590 $\frac{7}{12}$ ~○
20	99833 0520	Screw, Arm Rest	4	
	99952 0500	Washer, Plain	4	
<p>When ordering the following trims,            Add color code nos. given below after parts number            -03 (BLK.) -12 (BRN.) -13 (GRY./YLW.)</p>				
21	0866 72 810B	Trim (R), Door	1	©
	0866 73 810B	Trim (L), Door	1	©
22	0223 58 692A	Grommet	2	
23	0208 58 921	Fastener	12	
24	0187 58 922	Cap, Fastener	12	
25	0866 72 760	Weatherstrip (R)	1	
	0866 72 760A	Weatherstrip (R) (Sedan)	1	Car No. 139297 $\frac{7}{12}$ ~○
	0585 72 760A	Weatherstrip (R) (Station Wagon)	1	
	0866 73 760	Weatherstrip (L)	1	
	0866 73 760A	Weatherstrip (L) (Sedan)	1	Car No. 139297 $\frac{7}{12}$ ~○

# REAR SIDE DOOR (GLASS) (SEDAN & STATION WAGON)

72

73

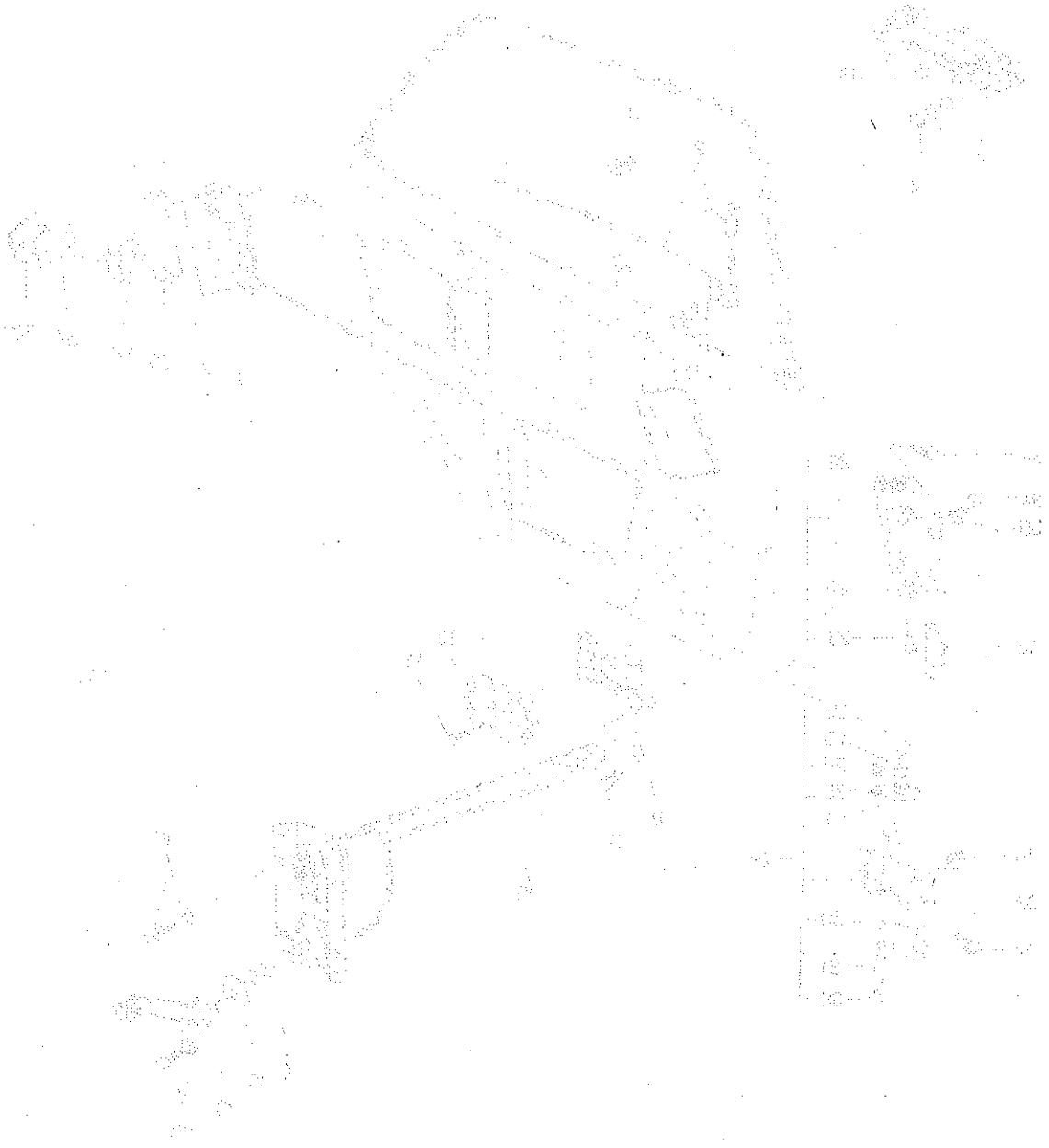
No.	Part Number	Description	Q'ty	Remarks
	0585 73 760A	Weatherstrip (L) (Station Wagon)	1	
26	0305 58 762	Fastener, Weatherstrip	50	
27	0866 72 831A	Mould (R), Beltline	1	
	0866 72 831C	Mould (R), Beltline	1	Car No. 127396 $\frac{7}{12}$ ~△
	0866 72 831D	Mould (R), Beltline	1	Car No. 144308 $\frac{7}{4}$ ~△
	0866 73 831A	Mould (L), Beltline	1	
	0866 73 831C	Mould (L), Beltline	1	Car No. 127396 $\frac{7}{12}$ ~△
	0866 73 831D	Mould (L), Beltline	1	Car No. 144308 $\frac{7}{4}$ ~△
28	0866 72 841A	Mould (R), Sash	1	(Sedan)
	0866 73 841A	Mould (L), Sash	1	
29	0899 72 841B	Mould (R), Sash	1	(Station Wagon)
	0899 73 841B	Mould (L), Sash	1	
30	0866 72 842A	Mould (R), Sash	1	
	0866 59 842A	Mould (R), Sash	1	Car No. 136920 $\frac{7}{2}$ ~○
	0866 73 842A	Mould (L), Sash	1	
	0866 58 842A	Mould (L), Sash	1	Car No. 136920 $\frac{7}{2}$ ~○
31	0398 58 755 - 00	Welt, Seaming (Sedan)	2	
	0585 72 755 - 00	Welt, Seaming (R)	1	(Station Wagon)
	0398 58 755 - 00	Welt, Seaming (L)	1	



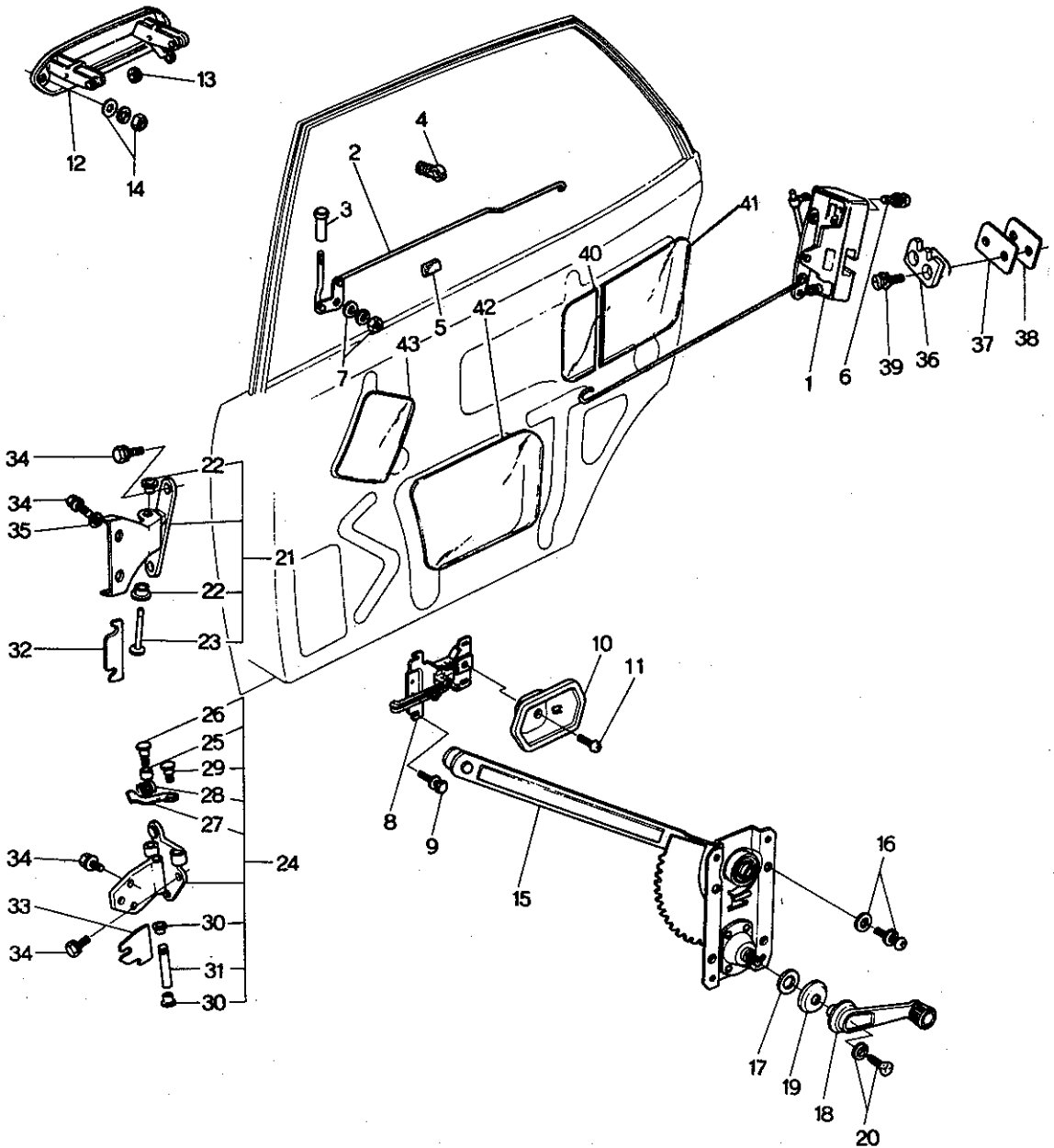
# REAR SIDE DOOR (GLASS)

## (SEDAN & STATION WAGON)

No.	Part Number	Description	Q'ty	Remarks
32	0899 72 843A	Mould (R), Sash	1	
	0839 73 843A	Mould (L), Sash	1	
33	0585 72 821	Handle, Pull	(Station Wagon) 2	
34	99833 0520	Screw, Pull Handle	4	
	99952 0500	Washer, Plain	4	



# REAR SIDE DOOR (LOCK) (SEDAN & STATION WAGON)





# REAR SIDE DOOR (LOCK) (SEDAN & STATION WAGON)



No.	Part Number	Description	Q'ty	Remarks
● 1	<del>0866 72 310B</del>	Lock (R), Door	1	
●	<del>0866 72 310E</del>	Lock (R), Door	1	Car No. 150526 $\frac{7}{8}$ ~ X
●	<del>0866 73 310B</del>	Lock (L), Door	1	
●	<del>0866 73 310E</del>	Lock (L), Door	1	Car No. 150526 $\frac{7}{8}$ ~ X
	1524 72 310B	Lock (R), Door	1	Arctic Spec.
	1524 72 310E	Lock (R), Door		
	1524 72 310G	Lock (R), Door	1	All Models Car No. 153515 $\frac{7}{9}$ ~ O
	1524 73 310B	Lock (L), Door	1	Arctic Spec.
	1524 73 310E	Lock (L), Door		
	1524 73 310G	Lock (L), Door	1	All Models Car No. 153515 $\frac{7}{9}$ ~ O
2	0866 72 330A	Rod (R)	1	Order Under No. <del>0866 72 310B</del> ☆ 1524 72 310B
	0866 73 330A	Rod (L)	1	Order Under No. <del>0866 73 310B</del> ☆ 1524 73 310B
3	0259 58 691	Knob	2	
4	0305 58 309	Holder, Rod	4	
5	0259 72 509	Pad, Door Lock	2	
6	99833 0630	Screw, Door Lock	6	
	99974 0600	Washer, Toothed	6	
7	99907 0600	Nut, Door Lock	2	



73

# REAR SIDE DOOR (LOCK) (SEDAN & STATION WAGON)

No.	Part Number	Description	Q'ty	Remarks
●	99940 0600	Nut, Door Lock	2	$\frac{7}{16}$ ~ ○
	99952 0600	Washer, Plain	2	
	99971 0600	Washer, Spring	2	
8	0866 58 321 B	Handle, Inner	2	
9	99806 0510	Bolt, Inner Handle	6	
●	99796 0508	Bolt, Inner Handle	6	$\frac{7}{16}$ ~ ○
	99952 0500	Washer, Plain	6	
	99971 0500	Washer, Spring	6	
10	0866 58 303 B00	Cover (R)	1	©
	0866 59 303 B00	Cover (L)	1	©
11	99832 0408 B	Screw, Cover	2	
12	0866 72 410	Handle (R), Outer Side	1	
	0866 72 410 A	Handle (R), Outer Side	1	Car No. 153515 $\frac{7}{8}$ ~ ○
	0866 73 410	Handle (L), Outer Side	1	
	0866 73 410 A	Handle (L), Outer Side	1	Car No. 153515 $\frac{7}{8}$ ~ ○
13	0305 58 411	Bush, Outer Handle	2	
●	0305 58 411 A	Bush, Outer Handle	2	Car No. 153515 $\frac{7}{8}$ ~ △
14	99906 0500	Nut, Outer Side Handle	4	

# REAR SIDE DOOR (LOCK) (SEDAN & STATION WAGON)



No.	Part Number	Description	Q'ty	Remarks
	99951 0618	Washer, Plain	4	
	99971 0500	Washer, Spring	4	
15	0866 72 560	Regulator (R), Window	1	
	0866 73 560	Regulator (L), Window	1	
16	99806 0612	Bolt, Window Regulator	8	
	99952 0600	Washer, Plain	8	
	99971 0600	Washer, Spring	8	
●	99796 0610	Bolt, Window Regulator	8	$\frac{7}{10}$ ~ ○
17	0259 58 305	Gasket, Window Regulator	2	
	1011 58 552	Packing, Window Regulator	2	
18	<del>0223 58 370C</del>	<del>Handle, Regulator (Std.)</del>	<del>2</del>	
	0824 58 370A	Handle, Regulator ( <del>Std. Excluded</del> )	2	
	0824 58 370B	Handle, Regulator (Aluminum Cap)	2	Car No. 157510 $\frac{7}{10}$ ~ △
●	0223 58 370D	Handle, Regulator	2	Car No. 160623 $\frac{7}{10}$ ~ X
19	0223 58 375A	Escutcheon	2	
20	99806 0516	Bolt, Regulator Handle	2	
	99971 0500	Washer, Spring	2	
21	0866 72 210B	Hinge "A" (R)	1	
	0866 73 210B	Hinge "A" (L)	1	



# REAR SIDE DOOR (LOCK)

(SEDAN & STATION WAGON)

No.	Part Number	Description	Q'ty	Remarks
22	0223 58 721	Bush	4	
23	0866 72 212A	Pin, Hinge	2	
24	0866 72 240	Hinge "B" (R)	1	
	0866 72 240B	Hinge "B" (R)	1	Car No. 159789 $\frac{7}{11}$ ~
	0866 73 240	Hinge "B" (L)	1	
	0866 73 240B	Hinge "B" (L)	1	Car No. 159789 $\frac{7}{11}$ ~
25	0866 58 281	Roller	2	
	0866 58 281A	Roller	2	Car No. 159789 $\frac{7}{11}$ ~
	0866 58 281B	Roller	2	Car No. 160822 $\frac{7}{12}$ ~
26	0866 58 282	Pin "A"	2	
	<del>0865 58 282A</del>	<del>Pin "A"</del>	<del>2</del>	<del>Car No. 160822 <math>\frac{7}{12}</math> ~ </del>
●	0866 53 282A	Pin "A"	2	$\frac{7}{12}$ ~
27	0866 58 291A	Lever, Check	2	
28	<del>0866 58 202A</del>	<del>Spring, Check</del>	<del>2</del>	
	<del>0866 72 929</del>	<del>Spring, Check</del>	<del>2</del>	<del>From Car No. 1</del>
●	0866 72 292	Spring, Check	2	From Car No. 1
29	0866 58 293	Pin "B"	2	
30	0223 58 721	Bush	4	
31	0187 58 731	Pin, Hinge	2	

# REAR SIDE DOOR (LOCK) (SEDAN & STATION WAGON)



No.	Part Number	Description	Q'ty	Remarks
32	0866 72 201	Shim, Hinge "A" - Selective use	4	
33	0866 58 231	Shim, Hinge "B" - Selective use	4	
↓	1011 58 231	Shim, Hinge "B" - Selective use	4	Car No. 152816 $\frac{7}{9}$ ~ ○
34	99783 0828	Bolt, Hinge	20	
	99971 0800	Washer, Spring	20	
35	99951 0822	Washer, Plain-Hinge "A"	4	
36	0866 58 361	Rack (R)	1	
	1540 58 361	Rack (R)	1	Car No. 134345 $\frac{7}{1}$ ~ ○
	0866 58 361 B	Rack (R)	1	Car No. 150526 $\frac{7}{8}$ ~ X
●	0866 58 361 C	Rack (R)	1	Car No. 170670 $\frac{7}{5}$ ~ △
	0866 59 361	Rack (L)	1	
	1540 59 361	Rack (L)	1	Car No. 134345 $\frac{7}{1}$ ~ ○
	0866 59 361 B	Rack (L)	1	Car No. 150526 $\frac{7}{8}$ ~ X
●	0866 59 361 C	Rack (L)	1	Car No. 170670 $\frac{7}{5}$ ~ △
37	0866 58 363	Seat, Striker	2	Used up to Car No. 150526 $\frac{7}{8}$ ~
38	0866 58 364 A	Plate, Base	2	
	0866 58 364 B	Plate, Base	2	Car No. 150526 $\frac{7}{8}$ ~ X
39	99761 0640	Screw, Rack	4	
✓	1540 58 371	Screw, Rack	4	Car No. 134345 $\frac{7}{1}$ ~ ○
	99975 0600	Washer, Toothed	4	

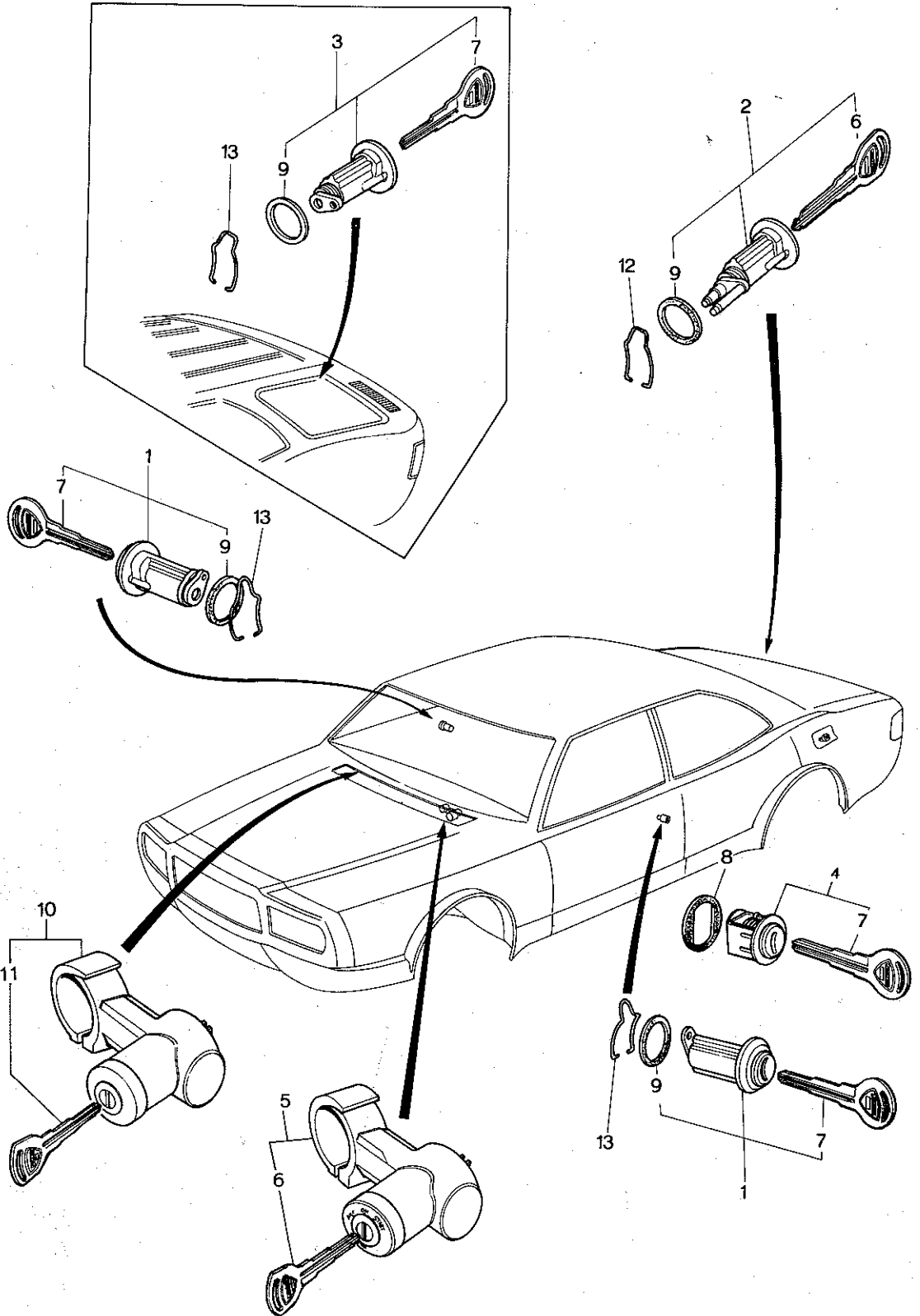


# REAR SIDE DOOR (LOCK)

## (SEDAN & STATION WAGON)

No.	Part Number	Description	Q'ty	Remarks
40	0223 72 921 A	Screen "A"	2	
41	0866 72 862 A	Screen "B"	2 (Sedan)	
	0866 72 862 A	Screen "B" (R)	1	} (Station Wagon)
	0866 73 862 A	Screen "B" (L)	1	
42	0866 72 863	Screen "C"	2 (Sedan)	
	0866 73 863	Screen "C" (R)	1 (Station Wagon)	
	0866 73 863	Screen "C" (L)	1 (Station Wagon)	
43	0305 72 864	Screen "D"	2	







No.	Part Number	Description	Q'ty	Remarks	
	1554 09 010	Key Set, Steering Lock Included	1		
	1554 09 010A	Key Set, Steering Lock Included	1	Car No. 127396 $\frac{7}{12}$ ~○	
	1562 09 010	Key Set	1		
	1562 09 010A	Key Set	1	Car No. 127396 $\frac{7}{12}$ ~○	
	0866 09 010	Key Set	1	} 1555,1556,1557 Steering Lock Excluded	
	0866 09 010A	Key Set	1		Car No. 127396 $\frac{7}{12}$ ~○
	1568 09 010	Key Set (For France)	1		
	1568 09 010A	Key Set (For France)	1	Car No. 127396 $\frac{7}{12}$ ~○	
✓●	1569 09 010	Key Set, Steering Lock Included (Station Wagon)	1		
1	0839 74 910	Key Sub Set, Door	1		
	0839 74 910A	Key Sub Set, Door	1	Car No. 127396 $\frac{7}{12}$ ~○	
	2080 74 910	Key Sub Set, Door	1	} (For France)	
	2080 74 910A	Key Sub Set, Door	1		Car No. 127396 $\frac{7}{12}$ ~○
2	0866 75 980	Key Sub Set, Trunk Lid	1		
	1568 75 980	Key Sub Set, Trunk Lid (For France)	1		
✓● 3	0899 75 980	Key Sub Set, Back Door (Station Wagon)	1		
4	0866 75 940	Key Sub Set, Filler Lid	1		
	1568 75 940	Key Sub Set, Filler Lid (For France)	1		
5	1554 75 990	Key Sub Set, Steering Lock (For Australia & England)	1		
	0866 75 990	Key Sub Set, Steering Lock (R.H.D. General)	1		

No.	Part Number	Description	Q'ty	Remarks
6	0839 58 492A	Key, Primary	2	
	2080 58 492	Key, Primary (For France)	2	
7	0839 58 493A	Key, Secondary	1	
8	0621 42 455	Seat, Filler Lid Lock	1	
9	0223 58 962	Gasket, Door & Trunk Lid	3	
<i>Steering lock switch P.B. 171.</i>				
10	2370 60 430A	Steering Lock (L.H.D.)	1	
11	2835 60 439	Key (L.H.D.)	2	
12	0305 52 802	Retainer, Trunk Lid	1	
13	0223 58 961	Fastener, Door	2	
	0839 74 158	Blank Key, Primary Key No. 2500~2999	—	
	0839 74 168	Blank Key, Primary Key No. 3000~3499	—	
	0839 74 159	Blank Key, Secondary Key No. 2500~2999	—	
	0839 74 169	Blank Key, Secondary Key No. 3000~3499	—	
	2080 74 158	Blank Key	—	} Key No. 2500~2999 (For France).
	2080 74 168	Blank Key	—	
	2280 75 641A	Blank Key, Steering Lock	—	

0014 17 411 ~ 0187 26 341 INDEX.

Parts Number	Fig. Page	Parts Composition List Page	Fig. No.	Parts Number	Fig. Page	Parts Composition List Page	Fig. No.
0014 17 411	42	43	12	0118 41 681	127	128	12
0103 17 244A	38	39	10	0118 41 682	125	126	11
0103 17 411	42	43	11		127	128	13
0106 40 861	116	117	21	0118 43 028A	129	130	17
0107 17 121	35	36	17	0118 43 505	143	144	20
0107 18 201	45	48	50	0118 56 241	165	167	37
0107 18 212	45	47	32	0118 56 242B	162	164	36
0107 18 216A	45	48	42		165	167	38
0107 18 221A	45	48	46		200	203	33
0107 18 224	45	48	44	0118 68 180A	232	233	7
0107 18 225	45	48	45	0136 43 635	133	135	31
0107 18 226A	45	48	43		143	144	2
0107 18 231	45	48	37	0164 23 664	53	54	2
0107 18 266	45	48	47	0180 17 353	35	37	30
0107 18 406B	53	54	16	0180 32 165A	95	98	42
0107 18 417A	53	54	11		100	103	36
0107 18 424	50	51	6	0180 32 171A	95	98	41
	53	54	4		100	102	35
	57	58	3	0180 32 172A	95	98	41
0110 18 515	27	28	4		100	102	35
0110 41 470	133	134	5	0180 32 173A	95	98	41
0110 68 050A	232	233	3		100	102	35
0111 17 323	42	43	18	0180 32 174A	95	98	41
0111 17 354	65	67	42		100	102	35
0111 41 692	210	213	40		35	37	26
	220	221	7	0183 17 346	35	37	28
0111 43 432	133	134	8	0183 17 351	42	44	40
0111 43 433	133	134	9	0183 17 491	42	44	32
0111 57 111	149	150	17	0183 17 493	42	44	46
0114 17 351	42	43	9	0183 34 731	110	113	9
0114 18 422A	53	54	5	0183 41 043	129	130	8
0114 27 262	89	90	20	0183 41 081	129	130	26
0114 42 046A	118	119	2	0183 41 308	133	135	14
0114 43 625	210	213	36		140	141	15
0118 10 320	27	30	37	0183 53 074	152	154	2
0118 15 114	27	28	10	0183 66 021	204	205	3
0118 15 118	27	28	14	0183 66 022	204	205	16
0118 15 121	27	28	9	0187 17 232	38	39	7
0118 17 313	42	43	4	0187 17 242	38	39	9
0118 17 316	42	43	8	0187 17 243	38	39	18
0118 23 636	53	54	8	0187 17 272	38	40	21
0118 23 637	53	54	7		38	40	38
0118 23 689	53	54	17	0187 17 323	38	41	21
	57	59	27	0187 17 333	35	37	37
0118 23 691	53	54	18	0187 17 346B	65	67	38
	57	59	29	0187 17 351A	65	67	39
0118 26 342	85	86	7	0187 17 352	65	67	2
0118 26 672	85	87	23	0187 17 404	42	43	13
0118 26 832	85	87	31	0187 17 441A	42	43	31
0118 26 834	85	87	32	0187 17 492	42	44	21
0118 26 897	85	88	35	0187 24 566	50	51	3
0118 41 342	133	134	20	0187 24 577A	50	51	2
0118 41 375	143	144	17	0187 24 579A	50	51	14
0118 41 681	125	126	10	0187 26 154	82	83	6
				0187 26 341	85	86	

INDEX. 0187 26 821 ~0223 58 311

0187 26 821	85	87	34	0221 43 694	143	144	18
0187 26 921	85	87	34	0221 44 033	140	141	4
0187 34 536	110	112	29	0221 44 044	140	141	7
0187 34 776	92	94	27	0222 13 363	27	31	62
0187 41 341	133	134	18		122	123	3
0187 42 371	118	119	15	0222 13 470A	122	123	7
0187 43 029	129	130	19	0222 13 481	122	123	8
0187 46 683	129	130	11	0222 13 493	5	8	45
0187 52 141	152	153	8		122	123	13
0187 56 235	256	257	6	0222 15 205	27	30	36
0187 58 731	195	198	25	0222 15 255	27	30	41
	195	198	33	0222 17 301B	38	40	29
	260	263	31	0222 18 375	50	52	33
0187 58 922	190	193	20	0222 18 376	50	52	33
	251	254	33	0222 18 377	50	52	33
	256	258	24	0222 18 391C	45	49	62
0187 62 973	152	154	24	0222 24 517	53	54	21
0187 68 110A	232	233	6	0222 24 568	50	51	22
0187 69 049A	234	235	13	0222 24 714	53	54	3
0191 41 331	133	134	17	0222 24 725	53	54	10
0200 23 531	50	51	9	0222 24 741	53	54	20
	53	54	22	0222 24 750	53	54	13
0208 13 458	116	117	15	0222 24 752A	53	54	15
0208 24 523	50	51	14	0222 24 753	53	54	14
0208 24 563A	50	51	20	0222 24 756	53	54	23
0208 26 651	85	87	21	0222 24 760A	53	54	6
0208 26 671	85	87	22	0222 66 511A	210	211	12
02 8 32 059	95	97	31	0223 25 024	80	81	6
	100	102	22	0223 26 345A	85	86	8
0208 32 188	95	98	48	0223 27 012	89	90	1
	100	103	42	0223 27 018	89	90	2
	104	106	21	0223 27 020B	89	90	3
0208 32 278	110	112	27	0223 27 030	89	90	4
0208 56 615	165	168	39	0223 27 401	89	91	25
0208 58 921	190	193	19	0223 27 402	89	91	25
	251	254	32	0223 27 403	89	91	25
	256	258	23	0223 27 404	89	91	25
0208 66 949	210	213	42	0223 27 405	89	91	25
0208 68 230	232	233	8	0223 27 406	89	91	25
0208 76 071	242	244	25	0223 27 407	89	91	25
0209 66 820	210	215	70	0223 27 408	89	91	25
0209 66 821	210	215	71	0223 27 409	89	91	25
0212 66 371	216	217	5	0223 27 411	89	91	25
0212 66 372	216	217	6	0223 27 412	89	91	25
0221 10 309	5	6	12	0223 27 413	89	91	25
0221 14 117	1	3	32	0223 27 414	89	91	25
0221 17 441	42	43	14	0223 27 415	89	91	25
0221 17 473	42	44	23	0223 41 131A	129	131	23
0221 17 475A	42	44	26	0223 46 683	129	131	24
0221 17 551A	42	44	36	0223 50 275	149	150	5
0221 17 552	42	44	37	0223 52 007	165	167	36
0221 27 141	89	90	7	0223 52 302	152	154	18
0221 27 255	89	90	18	0223 58 303A	195	197	15
0221 27 305	89	91	24		251	252	12
0221 33 035	107	108	11	0223 58 304A	195	197	16
0221 33 698	107	108	8		251	252	13
0221 43 431	133	134	7	0223 58 311	195	197	17
0221 43 694	133	135	28		251	252	14

## 0223 58 370C~0259 53 455 INDEX.

0223 58 370C	260	262	18	0259 26 155	82	83	11
0223 58 375A	195	198	21	0259 28 182	92	94	12
	251	253	19	0259 32 071	95	97	29
	260	262	19		100	102	25
0223 58 445	234	237	49	0259 32 154	95	97	34
0223 58 472	95	96	14		100	102	28
	100	101	3	0259 32 155	95	97	34
0223 58 692A	190	193	18		100	102	28
	256	258	22	0259 32 156	95	98	34
0223 58 721	195	198	24		100	102	28
	195	198	32	0259 32 157	95	98	34
	260	262	22		100	102	28
	260	263	30	0259 32 160	95	98	39
0223 58 939	190	194	27		100	102	33
0223 58 961	265	266	12	0259 32 163	95	98	40
0223 58 962	265	266	8		100	102	34
0223 66 371	216	217	4	0259 32 182	95	97	33
0223 69 102	234	236	25		100	102	27
0223 69 103	234	236	26	0259 32 289	95	99	51
0223 69 105	234	236	26		100	103	45
0225 43 092	129	132	39		104	105	5
0233 49 656	136	138	25	0259 33 047	107	108	9
0233 49 660	136	137	22	0259 33 071	107	108	1
0233 49 665	136	137	21	0259 33 165	82	83	17
0233 49 670	136	138	23		107	109	22
0233 66 790	129	132	41	0259 33 691	85	87	26
0243 34 565	110	112	28		133	135	24
0243 56 231	53	55	40	0259 33 693	85	87	27
	57	60	50		133	135	25
0243 66 773	118	120	31	0259 34 155	110	111	14
0249 24 731	57	58	8	0259 34 156	110	111	15
	57	58	22	0259 34 705	110	113	38
	57	59	37	0259 34 708	110	113	40
0249 41 671	125	126	6	0259 34 712	110	113	41
	127	128	16	0259 34 719A	110	113	44
0249 68 060A	232	233	4	0259 34 767	110	113	49
0257 61 051	200	202	25	0259 34 768	110	113	50
0257 87 107	216	217	17	0259 34 769B	110	113	51
0257 87 108	216	217	15	0259 39 340	114	115	6
0259 18 510	27	28	3	0259 41 613	127	128	4
0259 25 021B	80	81	2	0259 41 619	127	128	8
0259 25 060	80	81	3	0259 41 644	125	126	3
0259 25 071A	80	81	4		127	128	10
0259 25 072A	80	81	4		129	130	13
0259 25 073A	80	81	4	0259 42 022	146	147	1
0259 25 074A	80	81	4	0259 42 364	118	119	5
0259 25 075A	80	81	4	0259 42 390	118	119	17
0259 25 076A	80	81	4	0259 43 022	129	130	3
0259 25 077A	80	81	4	0259 43 028	129	130	17
0259 25 078A	80	81	4	0259 43 088	95	99	60
0259 25 079A	80	81	4		100	101	20
0259 26 041	82	83	7		129	132	38
0259 26 051	82	83	8	0259 43 140	129	131	21
0259 26 129	82	83	15	0259 46 691	146	148	25
0259 26 132	82	83	18	0259 52 257	152	153	14
0259 26 141	82	83	16	0259 52 301	152	154	17
0259 26 142	82	83	16	0259 53 455	159	161	33
0259 26 152	82	83	12		162	164	35

INDEX. 0259 55 261 ~0305 57 909

0259 55 261	176	177	10	0290 24 524	50	51	11
	176	178	23	0290 24 541A	50	51	25
0259 55 556	95	98	38	0290 24 542A	50	51	26
	100	102	32	0290 24 556	50	52	27
0259 55 951	169	175	93	0290 24 563	50	51	19
0259 57 105	179	181	28	0290 24 581	50	52	29
	184	187	34	0290 27 231	89	90	13
0259 58 305	195	198	19	0290 27 252	89	90	17
	260	262	17	0290 27 253	89	90	17
0259 58 691	195	196	3	0290 27 254	89	90	17
	260	261	3	0290 27 301	89	90	21
0259 58 906	195	199	41	0290 27 302	89	90	22
0259 61 405	200	202	24	0290 41 710	127	128	2
0259 66 685	210	213	35	0302 44 132	140	142	24
0259 68 250	179	181	30	0303 17 470	42	43	21
	184	187	36	0303 17 474	42	44	25
0259 69 311	239	240	2	0303 17 481	42	44	29
0259 72 080	256	257	7	0303 17 482	42	44	30
0259 72 210	256	257	5	0303 17 561	42	44	39
0259 72 305	251	253	17	0303 44 032	140	141	3
0259 72 509	195	196	5	0303 44 053	140	141	11
	260	261	5	0305 17 341	72	74	32
0259 87 101A	216	218	22	0305 17 345	65	67	36
0259 87 103	216	218	26	0305 26 255	85	86	2
0259 87 104A	216	218	27	0305 26 465	85	86	13
0259 87 105	216	218	21	0305 26 500	85	86	10
0259 87 106	216	218	23	0305 26 800A	85	87	30
0259 87 107	216	218	19	0305 26 810A	85	87	30
0259 87 108A	216	218	20	0305 27 171	89	90	11
0259 87 109A	216	217	14	0305 27 261	89	90	19
0259 87 119	216	218	28	0305 32 119	95	98	46
0259 87 120	216	218	29		100	103	40
0259 87 134	216	217	12		104	106	22
0259 88 123	179	181	22	0305 32 365	104	105	7
	184	187	28	0305 34 701A	110	113	37
0259 88 229	179	182	40	0305 34 707	110	113	39
	184	188	48	0305 34 709	110	113	52
0259 88 259	179	180	9	0305 34 713	110	113	42
	184	185	13	0305 34 714	110	113	43
0268 43 028	129	130	17	0305 34 720	110	113	52
0271 17 478	42	44	27	0305 40 061	116	117	3
0275 55 195	226	228	30	0305 41 440	133	134	2
	234	237	44	0305 41 451	133	134	3
0275 68 088	226	227	6	0305 41 461	133	134	4
0275 75 140	176	178	24	0305 41 641	127	128	7
0275 87 007	204	205	4	0305 43 140	129	131	27
	204	206	13	0305 43 635	143	144	8
0290 17 261B	38	39	19	0305 44 471	140	142	22
0290 17 402	42	43	1	0305 50 231	149	151	36
0290 24 501A	50	51	15	0305 52 312B	152	153	6
0290 24 505A	50	51	13	0305 52 313	152	153	5
0290 24 510A	50	51	7	0305 52 322A	152	153	7
0290 24 511A	50	51	10	0305 52 330A	152	153	9
0290 24 513	50	51	24	0305 52 331	152	153	10
0290 24 515	50	51	12	0305 52 628	152	155	33
0290 24 517	50	51	5	0305 52 802	265	266	11
0290 24 520A	50	51	16	0305 53 999	247	248	6
0290 24 521A	50	52	28	0305 57 909	179	183	46

0305 57 909 ~ 0338 19 381A INDEX.

0305 57 909	184	189	54	0317 60 257	169	174	77
0305 58 309	195	196	4	0317 60 258	169	174	78
	260	261	4	0317 60 259	169	174	79
0305 58 411	260	262	13	0317 60 261	169	174	80
0305 58 505	190	191	5	0317 60 262	169	175	81
0305 58 762	190	193	22	0317 60 266	169	175	85
	256	258	26	0317 66 862	222	224	18
0305 59 505	190	191	5	0317 67 480	220	221	1
0305 60 053	169	173	54	0317 70 269	226	228	31
0305 60 715	169	175	92	0317 70 307	245	246	2
0305 66 580	226	231	65	0324 10 250	5	7	29
0305 67 330A	216	217	2	0324 10 252	5	7	30
0305 67 993A	210	214	52	0329 17 520	42	44	34
	222	224	17	0329 32 013A	95	97	18
0305 68 800C	232	233	10		100	101	7
0305 68 810A	232	233	11	0329 32 014	95	97	21
0305 69 170 ✓	234	236 ✓	31	0329 32 015	95	97	20
0305 69 171	234	236	32		100	101	9
0305 69 180	234	236	33	0329 32 016	95	97	19
0305 70 395B	245	246	16		100	101	8
0305 70 443B ✓	247	248 ✓	2	0329 32 019	95	97	23
0305 70 445B	247	248	3		100	101	12
0305 70 448A	247	248	5	0329 32 031A	95	97	17
0305 70 449B	247	248	4		100	101	6
0305 70 861B	247	250	37	0329 32 033	95	97	22
0305 72 864	260	264	43		100	101	11
0305 87 032 ✓	207	209 ✓	13	0329 32 034	95	97	25
0305 87 065	226	231	66		100	101	14
0305 87 906	216	217	7	0338 10 667	72	74	29
0305 87 993	220	221	3	0338 19 100A	61	62	7
0305 99 431	133	134	-	0338 19 215	61	62	9
0308 46 030	146	147	5	0338 19 216	61	62	10
0308 46 054	146	147	9	0338 19 220	61	62	11
0308 46 056	146	147	11	0338 19 223	61	62	13
0308 46 057	146	147	12	0338 19 230	61	62	12
0308 46 083	146	147	18	0338 19 234	61	62	14
0316 66 865A	222	225	26	0338 19 235	61	62	14
0317 17 225	38	39	14	0338 19 236	61	62	14
0317 17 335	35	37	22	0338 19 237	61	62	15
	65	66	22	0338 19 238	61	62	15
0317 26 121	82	83	13	0338 19 239	61	62	15
0317 26 151A	82	83	10	0338 19 240	61	62	16
0317 32 129	95	98	45	0338 19 245	61	62	17
	100	103	39		75	76	14
0317 33 043	107	108	5	0338 19 255	61	63	18
0317 33 049	107	108	3	0338 19 256	61	63	19
0317 33 075	107	108	6	0338 19 257	61	63	20
0317 33 673	85	87	24	0338 19 258	61	63	21
0317 43 421	133	134	6	0338 19 310	65	66	1
0317 43 428	133	134	10	0338 19 311	65	66	2
0317 43 551	133	134	12	0338 19 335	65	66	3
0317 57 015	179	183	42	0338 19 336	65	66	4
	184	189	50	0338 19 337	65	66	5
0317 60 252	169	174	72	0338 19 338	65	66	6
0317 60 253	169	174	73	0338 19 360	68	69	1
0317 60 254	169	174	74	0338 19 361	65	66	9
0317 60 255	169	174	75	0338 19 363	65	66	10
0317 60 256	169	174	76	0338 19 381A	65	66	11

INDEX. 0338 19 384~0338 19 664

0338 19 384	65	66	12	0338 19 534	68	70	33
0338 19 385A	65	66	13	0338 19 540	68	70	34
0338 19 386	65	66	14	0338 19 550	68	70	35
0338 19 388	65	66	15	0338 19 560	68	70	36
0338 19 389	65	66	16	0338 19 565	68	70	37
0338 19 391A	65	66	17	0338 19 566	68	71	38
0338 19 393	65	66	18	0338 19 567	68	71	39
0338 19 395	65	66	18	0338 19 570	68	71	40
	65	66	19	0338 19 580	72	73	1
0338 19 397	65	66	20	0338 19 581	72	73	2
	72	74	23	0338 19 590	72	73	3
0338 19 431	75	76	1	0338 19 591	72	73	4
0338 19 432	75	76	2	0338 19 593	72	73	5
0338 19 433	75	76	8	0338 19 594	72	73	6
0338 19 440	75	76	9	0338 19 594	72	73	6
0338 19 443	75	76	10	0338 19 595	72	73	7
0338 19 444	75	76	5	0338 19 596	72	73	8
0338 19 445	75	76	3	0338 19 598	68	71	41
0338 19 446	75	76	4	0338 19 601	72	73	9
0338 19 448	75	76	11	0338 19 603	72	73	10
0338 19 449	75	76	12	0338 19 604	72	73	11
0338 19 450	75	76	13	0338 19 604	72	73	12
0338 19 460	68	69	2	0338 19 605	72	73	12
0338 19 470	68	69	3		72	73	12
0338 19 475	68	69	4	0338 19 606	72	73	13
	68	69	17	0338 19 607	72	73	14
0338 19 476	68	69	5	0338 19 608	72	73	15
	68	70	18	0338 19 609	72	73	16
0338 19 480	68	69	6	0338 19 610	72	73	17
	68	70	19	0338 19 613A	72	73	18
0338 19 486	68	69	8	0338 19 614A	72	73	18
	68	70	21	0338 19 615A	72	73	18
0338 19 487	68	69	9	0338 19 616A	72	73	18
	68	70	22	0338 19 617A	72	73	18
0338 19 488	68	69	10	0338 19 618A	72	74	18
	68	70	23	0338 19 621	68	71	42
0338 19 493	68	69	7	0338 19 622	68	71	43
	68	70	20		72	74	19
0338 19 498	68	69	11	0338 19 623	68	71	44
	68	70	24	0338 19 631	68	71	45
0338 19 499	68	69	12	0338 19 632	68	71	45
	68	70	25	0338 19 633	68	71	45
0338 19 500	68	69	13	0338 19 634	68	71	45
	68	70	26	0338 19 635	68	71	45
0338 19 503	68	69	14	0338 19 636	68	71	45
0338 19 504	68	69	14	0338 19 638	68	71	46
0338 19 505	68	69	14	0338 19 639	68	71	47
0338 19 506	68	69	14	0338 19 641	68	71	48
0338 19 507	68	69	14	0338 19 642	68	71	48
0338 19 508	68	69	14	0338 19 643	68	71	48
0338 19 509	68	69	15	0338 19 644	68	71	48
	68	70	27	0338 19 645	68	71	48
0338 19 510	68	69	16	0338 19 646	68	71	48
0338 19 511	68	70	28	0338 19 647	68	71	48
0338 19 515	68	70	29	0338 19 651	72	74	21
0338 19 530	68	70	30	0338 19 655	72	74	22
0338 19 531	68	70	31	0338 19 656	72	74	23
0338 19 533	68	70	32	0338 19 661	72	74	25
				0338 19 663	72	74	26
				0338 19 664	72	74	27



0338 19 670A~0370 70 985A INDEX

0338 19 670A	72	74	30	0338 19 831	77	79	39
0338 19 676	72	74	31	0338 19 832	77	79	40
0338 19 678	61	63	23	0338 19 833	77	79	41
0338 19 701	75	76	15	0338 19 835	65	67	29
0338 19 702	75	76	16	0338 19 836	65	67	30
0338 19 703	75	76	17	0338 19 837	65	67	31
0338 19 704	75	76	18	0338 19 880	65	67	33
0338 19 706	75	76	19	0338 19 904	61	63	28
0338 19 710A	65	66	21	0366 53 451	162	163	15
0338 19 731	75	76	20	0366 53 600	162	164	23
0338 19 732	75	76	21	0366 54 451✓	162	163✓	16
0338 19 733	75	76	22	0366 54 600	162	164	24
0338 19 734	75	76	23	0366 61 070	200	202	26
0338 19 735	65	67	23	0368 57 120	179	180	12
0338 19 737	65	67	24	0368 57 170	179	180	14
0338 19 739	65	67	24	0368 58 303	195	197	10
0338 19 760	77	78	1	0368 58 501✓	190	191✓	4
0338 19 768	77	78	3	0368 59 303	195	197	10
0338 19 771	77	78	4	0368 59 501✓	190	191✓	4
0338 19 772	77	78	5	0368 69 055A✓	234	235✓	4
0338 19 773	77	78	6	0368 70 441✓	247	248✓	1
0338 19 777	77	78	9	0368 72 501✓	256	257✓	3
0338 19 778	77	78	10	0368 73 501✓	256	257✓	3
0338 19 781	77	78	11	0368 88 010	179	180	10
0338 19 782	77	78	12	0368 88 100	179	181	17
0338 19 783	77	78	13	0368 88 200	179	180	11
0338 19 784	77	78	14	0368 88 280	179	181	18
0338 19 785	77	78	15	0370 32 030	95	96	3
0338 19 786	77	78	16	0370 32 037	95	96	4
0338 19 787	77	78	17	0370 32 039	95	96	9
0338 19 788	77	78	18	0370 32 080	95	97	28
0338 19 789	77	78	19		100	102	23
0338 19 791	77	78	20	0370 32 130	95	97	32
0338 19 792	77	78	21	0370 32 412✓	95	99✓	63
0338 19 793	77	78	22		100	103	49
0338 19 795	77	78	23	0370 32 820	95	96	10
0338 19 797	77	78	24	0370 32 980	95	96	8
0338 19 798	77	78	25	0370 41 619	125	126	2
0338 19 801	77	79	26	0370 52 110	152	153	1
0338 19 802	77	79	27	0370 53 410	162	163	11
0338 19 803	77	79	28	0370 55 331A	169	173	48
0338 19 805	77	79	29	0370 57 100A	184	185	1
0338 19 807	77	79	30	0370 57 110A	184	185	7
0338 19 808	77	79	31	0370 57 120	184	186	16
0338 19 811	77	79	32	0370 57 150A	184	185	4
0338 19 815	77	79	33	0370 57 160A	184	185	10
0338 19 816	77	79	34	0370 57 170	184	186	19
0338 19 817	77	79	35	0370 57 200A	184	187	40
0338 19 818	77	79	36	0370 57 250	184	188	45
0338 19 819	77	79	37	0370 60 071	169	173	58
0338 19 821	65	67	25	0370 60 073A	169	173	59
0338 19 822	65	67	26	0370 66 930B	222	223	6
0338 19 823	65	67	27	0370 68 920	226	230	57
0338 19 825	65	67	28	0370 70 431D	234	238	58
0338 19 826	65	67	28	0370 70 441✓	247	248✓	1
0338 19 827	65	67	28	0370 70 980	53	55	35
0338 19 828	65	67	28		57	59	45
0338 19 829	65	67	28	0370 70 985A	53	55	36

INDEX. 0370 70 985A~0376 70 421

0370 70 985A	57	60	46	0376 56 080A	165	166	4
0370 71 431D	234	238	58	0376 56 381	165	167	22
0370 75 010	176	177	2	0376 56 580A	165	166	5
0370 75 011	176	177	4	0376 56 881	165	167	23
0370 75 013	176	177	5	0376 57 180	179	181	25
0370 75 018	176	177	12	0376 57 200	179	182	35
0370 88 010	184	185	14	0376 58 010B✓	190	191✓	1
0370 88 100	184	186	23	0376 58 310	195	196	1
0370 88 200	184	186	15	0376 58 330	195	196	2
0370 88 250	179	182	38	0376 58 501✓	190	191✓	4
0370 88 280	184	186	24	0376 58 604✓	190	191✓	7
0370 88 370	184	188	44	0376 58 605✓	190	192✓	8
0370 88 420	179	182	41	0376 58 755✓	190	193✓	26
	184	188	49	0376 58 760A✓	190	193✓	21
0374 58 501✓	190	191✓	4	0376 58 781A✓	190	192✓	12
0374 59 501✓	190	191✓	4	0376 58 791✓	190	192✓	13
0374 69 055✓	234	235✓	4	0376 58 810C	190	193	17
0374 70 441✓	247	248✓	1	0376 58 831✓	190	193✓	23
0374 70 471✓	247	249✓	13	0376 59 010B✓	190	191✓	1
0374 72 501✓	251	252✓	1	0376 59 020A	190	191	2
0374 73 501✓	251	252✓	1	0376 59 310	195	196	1
0375 57 200	179	182✓	34	0376 59 330	195	196	2
0375 70 471✓	247	249✓	13	0376 59 501✓	190	191✓	4
0375 88 370	179	182	37	0376 59 604✓	190	192✓	7
0376 17 640✓	42	44✓	38	0376 59 760A✓	190	193✓	21
0376 28 010	92	93	1	0376 59 781A✓	190	192✓	12
0376 28 011✓	92	93✓	1	0376 59 791✓	190	192✓	13
0376 28 012	92	93	1	0376 59 810B✓	190	193✓	17
0376 28 013	92	93	1	0376 59 831✓	190	193✓	23
0376 28 014	92	93	1	0376 68 890A✓	226	230✓	50
0376 32 110A	95	97	-	0376 68 900	226	230	51
0376 42 410	118	120	21	0376 68 910	226	230	52
0376 52 510✓	152	154✓	25	0376 68 940✓	226	230✓	53
0376 52 901✓	152	155✓	39	0376 68 950	226	230	54
0376 53 330	159	160	3	0376 69 061A✓	234	235✓	7
0376 53 340	159	160	5	0376 69 065A	234	235✓	7
0376 53 350B	159	160	7	0376 69 110A✓	234	235✓	17
0376 53 391	159	160	9	0376 69 111	234	236	19
0376 53 410	159	160	11	0376 69 112	234	236	21
0376 53 430	159	160	13	0376 69 114	234	236	24
0376 53 500A✓	159	160✓	17	0376 69 130A✓	234	235✓	17
0376 53 591	159	160	19	0376 69 131	234	236	19
0376 53 600C✓	159	160✓	21	0376 69 290✓	239	240✓	1
0376 53 810B	159	161	23	0376 69 314	239	240	4
0376 53 901✓	159	161✓	27	0376 69 318	239	240	5
0376 53 920	159	161	28	0376 69 321	239	240	6
0376 53 941	159	161	29	0376 69 341	239	240	7
0376 53 950	159	161	30	0376 69 342	239	240	8
0376 53 991	159	161	31	0376 69 343	239	240	9
0376 54 330	159	160	4	0376 69 411✓	239	240✓	14
0376 54 340	159	160	6	0376 69 431✓	239	240✓	15
0376 54 350C	159	160	8	0376 69 462✓	239	241✓	17
0376 54 391	159	160	10	0376 69 482✓	239	241✓	19
0376 54 410	159	160	12	0376 69 511✓	239	241✓	21
0376 54 430	159	160	14	0376 69 521✓	239	241✓	23
0376 54 500A✓	159	160✓	18	0376 69 870✓	239	241✓	29
0376 54 591	159	160	20	0376 69 941	234	237	41
0376 54 600B✓	159	160✓	22	0376 70 421	234	237	50

0376 70 422 ~ 0600 17 324 INDEX.

0376 70 422	234	237	51	0376 73 602	251	253	21
0376 70 426	234	238	53	0376 73 603	251	253	22
0376 70 427	234	238	54	0376 73 761✓	251	254✓	43
0376 70 428	234	238	55	0376 73 771	251	254	44
0376 70 431A	234	238	61	0376 73 781A	251	253	26
0376 70 441✓	247	248✓	1	0376 73 790✓	251	253✓	27
0376 70 451✓	247	248✓	7	0376 73 801A	251	254	31
0376 70 453✓	247	248✓	10	0376 73 831✓	251	254✓	37
0376 70 471✓	247	249✓	13	0376 73 851A	251	254	38
0376 70 481✓	247	249✓	15	0376 73 855	251	254	39
0376 70 482✓	247	249✓	16	0376 73 862	251	255	48
0376 70 483✓	247	249✓	17	0376 73 881	251	254	41
0376 70 484✓	247	249✓	19	0376 73 890✓	251	253✓	28
0376 70 801	247	250	27	0376 88 370✓	179	182✓	37
0376 70 802	247	250	29	0378 19 344	65	66	7
0376 70 821✓	247	250✓	31	0378 41 610	125	126	1
0376 70 822✓	247	250✓	33	0378 43 030	129	130	2
0376 70 855	247	250	44	0378 46 150	146	148	21
0376 70 891	234	238	63	0378 53 100A	156	157	11
0376 70 892A	234	238	64	0378 67 131	226	231	67
0376 71 421	234	237	50	0378 68 890	226	230	49
0376 71 422	234	237	51	0378 68 900	226	230	51
0376 71 431A	234	238	61	0378 69 066	234	235	9
0376 71 453✓	247	248✓	11	0378 69 611	242	243	5
0376 71 483✓	247	249✓	18	0378 69 612A	242	243	6
0376 71 484✓	247	249✓	20	0378 69 613A	242	243	7
0376 71 801	247	250	28	0378 69 683	242	244	15
0376 71 802	247	250	30	0380 53 451	159	160	15
0376 71 821✓	247	250✓	32	0380 54 451	159	160	16
0376 71 822✓	247	250✓	34	0390 66 410✓	210	211✓	1
0376 71 855	247	250	45	0397 19 750	77	78	-
0376 71 891	234	238	63	0397 19 774	77	78	7
0376 71 892A	234	238	64	0397 19 775	77	78	8
0376 72 501✓	251	252✓	1	0398 17 461A	42	43	19
0376 72 505	251	252	3	0398 17 462A	42	43	20
0376 72 560✓	251	252✓	11	0398 33 065A	107	108	10
0376 72 602	251	253	21	0398 58 755	190	194	26
0376 72 603	251	253	22		256	259	30
0376 72 605✓	251	253✓	23	0398 58 821A	190	192	14
0376 72 606✓	251	253✓	24		251	254	34
0376 72 755✓	251	254✓	46		256	258	18
0376 72 761✓	251	254✓	43	0398 58 822	190	192	15
0376 72 771	251	254	44		251	254	35
0376 72 781A✓	251	253✓	26		256	258	19
0376 72 790✓	251	253✓	27	0398 66 412	210	211	2
0376 72 810A✓	251	254✓	31	0398 66 413	210	211	3
0376 72 831✓	251	254✓	37	0500 16 104	32	33	5
0376 72 851A	251	254	38	0504 18 520A	53	55	37
0376 72 855	251	254	39	0559 41 710A	125	126	13
0376 72 861A	251	255	47	0559 67 151A	210	213	41
0376 72 862	251	255	48		222	224	16
0376 72 863	251	255	49	0585 69 611	242	243	5
0376 72 881	251	254	41	0585 69 612	242	243	6
0376 72 890✓	251	253✓	28	0585 69 613	242	243	7
0376 72 900B	251	253	29	0585 69 616A	242	243	8
0376 72 902B	251	253	30	0585 69 617	242	243	9
0376 73 501✓	251	252✓	1	0585 69 618	242	243	10
0376 73 560✓	251	252✓	11	0600 17 324	38	39	11

INDEX. 0603 16 102B~0820 10 605

0603 16 102B	32	33	4	0730 23 854	24	25	19
0603 16 103	32	33	2	0730 24 732	53	54	12
0603 17 104	35	36	3	0730 32 279	95	99	50
0603 17 105	35	36	15		100	103	44
0603 17 131	35	36	18		104	105	4
0603 17 210	38	39	4	0730 69 057A	234	235	12
0603 17 230A	38	39	15	0738 87 803	216	218	30
0603 17 262	38	39	8	0738 87 804	216	218	32
0603 17 302	38	40	30	0755 27 141	89	90	6
0603 17 303	38	40	32	0810 10 171	1	2	6
0603 17 305	38	40	33		5	6	7
0603 17 310	38	40	35	0810 11 403	9	11	27
0603 17 312	38	40	36	0810 11 404	9	11	28
0603 17 321	38	41	37	0810 11 711	9	12	52
0603 17 361	35	37	31	0810 14 113	21	22	5
0603 34 153	92	94	26	0810 14 171	21	22	17
0603 41 322B	133	135	22	0810 14 611	24	26	27
0604 46 684	146	148	24	0810 15 119	27	28	15
0613 26 610A	85	87	18	0810 18 276	21	23	31
0613 26 922	85	87	19	0810 18 277	21	23	31
0613 33 681	85	87	25	0810 56 639	165	168	40
0613 41 308	129	130	20	0810 56 863A	53	55	34
0613 43 820A	143	144	10		57	59	44
0621 42 455	265	266	7	0810 68 070	232	233	5
0636 24 562A	50	51	23	0813 10 111	1	2	5
0636 24 568B	50	51	8		5	6	6
0652 28 161	92	93	8	0813 10 173	1	2	8
0662 33 042	107	108	4		5	6	9
0702 78 200B	179	183	45	0813 10 174	1	2	9
	184	189	53	0813 10 555	9	11	24
0702 87 135	216	218	31	0813 11 405	9	11	29
0702 87 138	216	218	33	0813 11 505B	9	11	35
0710 26 352	85	86	11	0813 11 541	9	12	42
0710 26 461	85	86	12	0813 14 623	21	23	29
0710 33 288	85	88	36	0813 14 641	21	23	34
0710 55 436	176	177	11	0813 14 716	27	31	60
0727 24 712	57	59	33	0813 15 111	27	28	7
0727 41 023	129	131	25	0813 15 117	27	28	13
0727 41 442	133	134	11	0813 15 173	27	29	22
0727 43 552	133	134	13	0813 16 112	32	33	6
	136	138	35	0813 18 288	45	49	56
0727 66 991A	222	225	27	0813 23 803	21	23	23
0727 66 992	222	225	28	0813 24 303	45	47	28
0727 72 943	190	192	11	0813 24 306	45	48	38
0727 87 014	204	205	5	0813 24 309	45	48	36
	204	206	14	0813 24 312	45	47	31
0727 87 016	204	205	6	0813 24 316	45	48	33
	204	206	15	0813 24 717	53	54	9
0727 87 992	220	221	2	0813 44 031	140	141	2
0727 87 994	220	221	4	0813 44 034	140	141	5
0727 87 995	220	221	5	0813 44 035	140	141	6
0727 87 996	220	221	6	0813 66 879	220	221	8
0730 23 837	24	25	5	0820 10 203	5	6	11
0730 23 839	24	25	7	0820 10 305	5	7	23
0730 23 842	24	25	9	0820 10 502B	9	11	21
0730 23 843	24	25	10	0820 10 550B	9	11	20
0730 23 845	24	25	12	0820 10 556A	9	11	23
0730 23 846	24	25	13	0820 10 605	1	3	27

# 0820 10 631A ~ 0820 66 470A INDEX.

0820 10 631A	1	3	26	0820 23 180	9	10	14
0820 10 711	5	8	36	0820 23 221	19	20	5
0820 10 721	5	8	37	0820 23 222	19	20	6
0820 10 722	5	8	38	0820 23 436	19	20	4
0820 10 723	5	8	39	0820 23 832B	24	25	2
0820 11 105	45	49	52	0820 23 833B	24	25	3
0820 11 111F	9	10	3	0820 23 834B	24	25	4
0820 11 301C	9	10	5	0820 23 835A	24	25	6
0820 11 304A	9	10	6	0820 23 836	24	25	8
0820 11 317	9	10	11	0820 23 840	24	25	17
0820 11 321C	9	10	12	0820 23 842	24	25	20
0820 11 341	9	10	15	0820 23 843	24	25	21
0820 11 343	9	10	16	0820 23 845A	24	25	23
0820 11 400G	9	11	26	0820 23 847A	24	25	24
0820 11 503	9	11	33	0820 23 848A	24	26	26
0820 11 507	9	12	37	0820 23 882A	21	22	3
0820 11 512A	9	12	39	0820 24 301	45	47	26
0820 11 542	9	12	43	0820 24 312	45	47	29
0820 11 611B	9	12	46	0820 24 315	45	48	34
0820 11 703	9	12	50	0820 24 319	45	48	41
	9	13	55	0820 24 322	45	48	49
0820 11 705	9	12	51	0820 24 405	45	48	40
0820 11 712	9	12	53	0820 24 511	50	51	17
0820 13 201A	19	20	2	0820 24 519	50	51	18
0820 14 118C	21	22	7	0820 24 712	57	58	11
	21	22	7	0820 24 713	57	58	10
0820 14 250C	21	23	26	0820 24 714	57	58	9
0820 14 620	21	23	27	0820 24 717	57	58	16
0820 14 625	21	23	28	0820 24 741	57	59	28
0820 14 643	21	23	35	0820 24 747	57	58	17
0820 14 647	21	23	36	0820 24 748	57	58	18
0820 15 106	27	29	25	0820 24 754	57	58	14
0820 15 112	27	28	8	0820 24 755	57	58	15
0820 15 115	27	28	11	0820 26 570A	85	86	16
0820 15 120	27	28	16	0820 27 251	89	90	16
0820 15 151	27	29	27	0820 33 091A	107	108	7
0820 15 152	27	28	17	0820 33 165	82	83	17
0820 15 312	27	30	38		107	109	22
0820 15 330	200	202	20	0820 33 180A	85	88	41
0820 16 230	32	33	13		107	109	18
0820 16 510	32	33	11	0820 33 192A	85	88	37
0820 16 515	32	33	12		107	109	20
0820 17 241B	38	39	6	0820 40 161	116	117	6
0820 17 341	38	41	39	0820 40 165	116	117	7
0820 17 345	35	37	25	0820 40 166	116	117	8
0820 18 111B	45	46	12	0820 40 170	116	117	9
0820 18 114	45	47	18	0820 56 905	149	151	23
0820 18 270E	45	49	51		165	167	33
0820 18 271D	45	49	53		169	170	13
0820 18 273A	45	49	55		200	202	29
0820 18 279A	45	49	58		226	229	45
0820 18 381	50	52	30		234	238	56
0820 18 520A	53	55	33	0820 56 906	165	167	35
	57	59	43	0820 57 900B	179	183	44
0820 23 103A	9	10	1		184	189	52
0820 23 113A	9	10	2	0820 58 999	190	194	27
0820 23 175A	9	10	12	0820 60 870A	210	215	64
0820 23 176A	9	10	12	0820 66 470A	210	215	65

INDEX. 0820 66 840 ~0839 70 524

0820 66 840	140	142	25	0839 14 117	21	22	6
0820 66 992	222	224	10	0839 14 119B	21	22	8
0820 99 150	27	28	—	0839 14 132	21	22	13
0822 10 451C	5	7	31	0839 14 133	21	22	14
0822 10 452D	5	7	31	0839 14 141A	21	22	10
0822 15 105	27	29	24	0839 14 142	21	22	15
0823 14 130	21	22	11	0839 14 273	1	3	31
0823 14 131	21	22	12	0839 14 300	21	23	20
0823 15 171	27	28	20	0839 14 730B	27	31	55
0823 18 100	45	46	1	0839 14 745	27	31	59
0823 18 107	45	46	6	0839 15 171	27	28	20
0823 18 291	45	49	61	0839 15 172	27	29	21
0823 23 802A	21	23	22	0839 15 200	27	29	31
0823 24 305	45	48	40	0839 15 210B	27	29	32
0823 24 311	45	48	35	0839 15 250	27	29	30
0824 17 524	42	44	35	0839 16 432	32	33	9
0824 40 401	116	117	4	0839 17 245	38	39	13
0824 41 040	129	130	7	0839 17 285	38	41	42
0824 41 051	129	130	15	0839 18 272	45	49	54
0824 41 084	129	130	12	0839 18 300	50	51	1
0824 44 140	140	142	23	0839 18 311B	50	52	31
0824 49 781	136	139	48	0839 23 672	17	18	5
0824 56 999	159	161	34	0839 23 675	17	18	6
0824 58 370A	195	198	20	0839 23 684	17	18	10
	251	253	18	0839 23 686	17	18	9
	260	262	18	0839 23 801	21	23	21
	200	202	23	0839 24 312	45	47	30
0824 61 192	207	208	11	0839 24 530	50	51	4
0824 66 375V				0839 24 703	57	59	34
0839 10 105	1	2	3	0839 24 705	57	58	25
	5	6	5	0839 24 706	57	58	20
0839 10 203	1	2	11	0839 24 709	57	58	12
0839 10 205	1	2	14	0839 24 710	57	58	7
	5	6	17	0839 24 715	57	58	21
0839 10 206	1	2	13	0839 24 716	57	58	13
0839 10 455	5	7	31	0839 24 719	57	58	23
0839 10 500B	9	11	19	0839 24 721	57	58	19
0839 10 504	9	11	22	0839 24 723	57	59	30
0839 10 641	1	3	34	0839 24 724	57	59	31
0839 11 323	9	10	13	0839 24 736B	57	58	26
0839 11 351	9	10	17	0839 24 758	57	58	2
0839 11 353	9	10	18	0839 24 761	57	58	4
0839 11 501	9	11	31	0839 24 762	57	58	5
0839 11 502	9	11	36	0839 24 763	57	58	6
0839 11 504B	9	11	34	0839 24 764	57	59	38
0839 11 506	9	12	36	0839 43 550	136	138	34
0839 11 508	9	12	36	0839 43 553A	133	134	14
0839 11 509	9	12	36		136	138	36
0839 11 515	9	11	32	0839 58 492A	265	266	5
0839 11 531	9	12	41	0839 58 493A	265	266	6
0839 11 551	9	12	40	0839 66 992	222	224	22
0839 11 601B	9	12	44	0839 67 880	210	214	54
0839 13 338	14	15	2	0839 68 660	232	233	1
0839 13 613	14	16	15	0839 68 670A	232	233	2
0839 13 614	14	16	15	0839 68 720	232	233	9
0839 14 101B	21	22	1	0839 70 521	251	252	4
0839 14 112B	21	22	4	0839 70 522	251	252	5
0839 14 115	1	3	30	0839 70 523A	251	252	6
				0839 70 524	251	252	7

0839 70 525 ~ 0866 17 288 INDEX.

0839 70 525	251	252	8	0866 10 411	5	7	26
0839 70 526	251	252	9	0866 10 600	1	3	23
0839 74 158	265	266	12	0866 10 830 ✓	5	8 ✓	41
0839 74 159	265	266	12	0866 10 871 ✓	5	8 ✓	44
0839 74 168	265	266	12	0866 11 511A	9	12	38
0839 74 169	265	266	12	0866 11 700A ✓	9	12 ✓	48
0839 74 910	265	266	1	0866 11 702	9	12	49
0840 18 600	45	47	23	0866 13 100E ✓	14	15 ✓	1
0842 19 025	61	62	3	0866 13 111 ✓	14	15 ✓	8
0842 19 027A	61	62	5	0866 13 200D	19	20	1
0842 19 031	75	76	6	0866 13 230A	19	20	7
0842 19 211B	61	62	8	0866 13 235	19	20	8
0842 19 650	72	74	20	0866 13 240B ✓	17	18 ✓	15
0842 19 660	72	74	24	0866 13 241C ✓	17	18 ✓	16
0842 19 665	72	74	28	0866 13 300C	17	18	1
0842 19 910	61	63	30	0866 13 311	17	18	13
0842 19 915A	61	63	32	0866 13 330B	14	15	10
0842 46 081	146	147	17	0866 13 341B ✓	17	18 ✓	20
0842 46 110A	146	147	19	0866 13 351A ✓	17	18 ✓	17
0845 18 101	45	46	4	0866 13 400D ✓	122	123 ✓	1
0845 24 720	53	54	19	0866 13 401A	122	123	2
0848 18 600	45	47	23	0866 13 402A	122	123	5
0848 66 830	210	215	66	0866 13 600A ✓	14	15 ✓	12
0864 61 061A	200	203	31	0866 13 603	14	15	13
0865 32 800	95	96	1	0866 13 611B ✓	14	15	14
0865 55 401D	169	170	11	0866 13 621 ✓	116	117 ✓	13
0865 55 402B	169	171	16	0866 14 160A ✓	21	22 ✓	16
0865 55 403B	169	171	17	0866 14 630	21	23	32
0865 55 404B	169	171	18	0866 14 640	21	23	33
0865 55 430D	176	177	1	0866 14 651A	21	23	37
0865 61 130A	200	201	1	0866 14 700B ✓	27	31 ✓	53
0865 61 140A	200	201	2	0866 14 720 ✓	27	31 ✓	54
0865 61 151A	200	201	3	0866 14 740	27	31	58
0865 61 190B	200	201	4	0866 15 010B ✓	27	28 ✓	1
0865 66 780	210	212	14	0866 15 100B	27	28	2
0865 66 790 ✓	210	212 ✓	15	0866 15 130	27	28	6
0865 66 800 ✓	210	212 ✓	16	0866 15 211C	200	202	11
0865 66 805 ✓	210	212 ✓	17	0866 15 212B	200	202	13
0865 66 809	210	212	18	0866 15 310C ✓	27	30 ✓	35
0865 66 860B	222	223	—	0866 15 350A ✓	27	30 ✓	40
0865 66 870A	222	223	—	0866 15 351 ✓	27	30 ✓	42
0865 68 020A ✓	226	227 ✓	1	0866 15 401	27	30	47
0865 68 040C	226	227	2	0866 15 511 ✓	27	31 ✓	50
0865 68 060C	226	227	7	0866 15 521A ✓	27	31 ✓	51
0865 68 140C	226	227	8	0866 16 210	32	33	1
0865 68 340	226	228	32	0866 17 100A	35	36	1
0865 87 008	204	205	2		35	36	1
0865 87 009	204	205	3	0866 17 107	35	36	12
0865 89 661	204	205	1	0866 17 201 ✓	38	39 ✓	1
0865 89 666	204	205	1	0866 17 221 ✓	38	39 ✓	5
0866 10 100B ✓	1	2 ✓	1	0866 17 250 ✓	38	39 ✓	17
	5	6	1	0866 17 270 ✓	38	40 ✓	20
0866 10 172A ✓	1	2 ✓	7	0866 17 275	38	40	22
	5	6	8	0866 17 276	38	40	23
0866 10 200E	1	2 ✓	10	0866 17 279	38	40	27
0866 10 300E ✓	5	6 ✓	10	0866 17 281 ✓	38	40 ✓	26
0866 10 320A ✓	5	6 ✓	14	0866 17 285	38	40	25
0866 10 400B ✓	5	7	25	0866 17 288	38	40	28

INDEX. 0866 17 289 ~ 0866 34 153A

0866 17 289	38	40	28	0866 27 150	89	90	8
0866 17 291	38	40	28	0866 27 172✓	89	90✓	12
0866 17 292	38	40	28	0866 28 010	92	93✓	1
0866 17 330A	35	37	20	0866 28 011✓	92	93✓	1
0866 17 450	42	43	17	0866 28 012✓	92	93✓	1
0866 17 510✓	42	44✓	33	0866 28 013✓	92	93✓	1
0866 17 524✓	35	37✓	34	0866 28 014✓	92	93✓	1
0866 17 530	35	37	33	0866 28 110✓	92	93✓	2
0866 17 540	35	37	23	0866 28 140✓	92	93✓	5
0866 18 100	45	46	2	0866 28 143✓	92	93✓	6
0866 18 101	45	46	5	0866 28 151✓	92	93✓	7
0866 18 110✓	45	46✓	11	0866 28 180A	92	93	10
0866 18 115	45	46	13	0866 28 183A✓	92	94✓	13
0866 18 120	45	47	15	0866 28 322	92	94	14
0866 18 130	45	47	19	0866 28 333B✓	92	94✓	15
0866 18 140	45	47	20	0866 28 343B✓	92	94✓	16
0866 18 150✓	45	47✓	17	0866 28 350✓	92	94✓	17
0866 18 155	45	46	14	0866 28 353B✓	92	94✓	18
0866 18 160	45	47	16	0866 28 591	92	94	19
0866 18 170	45	47	21	0866 28 700✓	92	94✓	20
0866 18 190A	45	46	3	0866 28 774✓	92	94✓	21
0866 18 200✓	45	47✓	24	0866 28 778A✓	92	94✓	22
0866 18 400A✓	53	54✓	1	0866 28 779✓	92	94✓	23
0866 18 496	5	7	19	0866 28 799	92	94	24
	27	31	66	0866 32 014	100	101	10
0866 18 501A✓	5	6✓	13	0866 32 100	95	97	30
0866 18 600✓	45	47✓	23	0866 32 110A	95	97	-
0866 18 700✓	45	47✓	25	0866 32 121	95	98	44
0866 18 810	45	46	7	0866 32 141✓	95	98✓	43
0866 18 999	17	18	19		100	103	37
0866 23 040	1	2	9	0866 32 227A	104	106	18
	5	6	9	0866 32 228	95	99	52
0866 23 676	17	18	7	0866 32 230	95	99	53
0866 23 694	17	18	8	0866 32 261	104	105	1
0866 24 308	45	48	39	0866 32 279	104	105	12
0866 24 323	45	48	48	0866 32 301	110	112	23
0866 24 408	45	48	39	0866 32 311	110	112	23
0866 24 411	45	48	35	0866 32 320	104	105	10
0866 24 423	45	48	48	0866 32 329A✓	104	105✓	13
0866 24 701	53	55	28	0866 32 330A	104	105	14
0866 24 704	53	55	29	0866 32 341	104	105	16
0866 24 705✓	53	55✓	27	0866 32 411✓	95	99✓	62
0866 24 709✓	53	54✓	25		100	103	48
0866 24 710	53	54	24	0866 32 420	95	99	59
0866 24 716	53	55	26		100	101	19
0866 25 100✓	80	81✓	1	0866 32 425	95	99	57
0866 25 130	80	81	5		100	101	17
0866 26 010A	82	83	1	0866 32 811	95	96	2
0866 26 060	82	83	4	0866 33 251✓	107	108✓	12
0866 26 062	82	83	5	0866 33 260✓	107	108✓	13
0866 26 063	82	83	6	0866 33 270✓	107	108✓	13
0866 26 251✓	85	86✓	1	0866 34 011	110	111	1
0866 26 280A✓	85	86✓	4	0866 34 013A	110	111	2
0866 26 290A✓	85	86✓	4	0866 34 015✓	110	111✓	3
0866 26 310	85	86✓	5	0866 34 019	110	111	4
0866 26 391	85	86✓	9	0866 34 111✓	110	111✓	11
0866 27 100	89	90	-	0866 34 151A✓	110	111✓	12
0866 27 110✓	89	90✓	5	0866 34 153A✓	110	111✓	13



0866 34 157 ~ 0866 53 320 INDEX.

0866 34 157 ✓	110	111 ✓	17	0866 43 063 ✓	129	130 ✓	5
0866 34 158 ✓	110	111 ✓	18	0866 43 070A	129	131	30
0866 34 310 ✓	110	112 ✓	22	0866 43 093	129	132	37
0866 34 311	110	112	24	0866 43 650B ✓	143	144 ✓	6
0866 34 313	110	112	33	0866 43 660B ✓	143	144 ✓	7
0866 34 320 ✓	110	112 ✓	22	0866 43 810 ✓	143	144 ✓	9
0866 34 340	110	111	5	0866 43 820 ✓	143	144 ✓	1
0866 34 381 ✓	110	111 ✓	6	0866 43 900 ✓	143	144	4
0866 34 382	110	111	7	0866 44 010	140	141	1
0866 34 390 ✓	110	111 ✓	8	0866 44 051 ✓	140	141 ✓	10
0866 34 460 ✓	110	112 ✓	25	0866 44 150 ✓	140	141 ✓	13
0866 34 710 ✓	110	113 ✓	36	0866 44 187	140	141	17
0866 34 730	110	113	45	0866 44 189	140	141	18
0866 34 732 ✓	110	113 ✓	47	0866 44 410 ✓	140	141 ✓	19
0866 34 735	110	113	48	0866 44 439	140	141	20
0866 34 738	110	113	53	0866 45 061A ✓	122	123 ✓	16
0866 34 760 ✓	110	113 ✓	48	0866 45 452	143	144	19
0866 34 800B	110	111	20	0866 45 510	143	145	27
0866 34 910A ✓	110	113 ✓	35	0866 45 611B	122	123	17
0866 34 960A ✓	110	113 ✓	35	0866 45 806	122	123	19
0866 37 170B ✓	85	88 ✓	40	0866 45 903A	122	123	21
	107	109 ✓	21		143	145	29
0866 39 020	114	115	1	0866 50 102	149	150	7
0866 39 040A ✓	114	115 ✓	3	0866 50 110A ✓	149	150 ✓	1
0866 39 060B ✓	114	115 ✓	4	0866 50 141 ✓	149	150 ✓	2
0866 39 381A	114	115	8	0866 50 151 ✓	149	150 ✓	3
0866 40 060 ✓	116	117 ✓	2	0866 50 181A ✓	149	150 ✓	9
0866 40 081 ✓	116	117 ✓	14	0866 50 320A ✓	149	150 ✓	13
0866 40 100 ✓	116	117 ✓	1	0866 50 330A ✓	149	150 ✓	14
0866 40 300 ✓	116	117 ✓	11	0866 50 340 ✓	149	150 ✓	15
0866 41 030A	129	130	1	0866 50 350 ✓	149	150 ✓	16
0866 41 320 ✓	133	134 ✓	21	0866 50 511A ✓	149	151 ✓	19
0866 41 370	133	135	30	0866 50 521A ✓	149	151 ✓	20
0866 41 380 ✓	133	135 ✓	27	0866 50 531 ✓	149	151 ✓	21
0866 41 400	133	134	1	0866 50 541 ✓	149	151 ✓	22
0866 41 610	125	126	1	0866 52 210 ✓	152	153 ✓	2
0866 41 660	125	126	5	0866 52 390	152	153	12
0866 41 920 ✓	133	134 ✓	16	0866 52 398	152	153	15
0866 42 310C ✓	118	119 ✓	1	0866 52 410	152	154	16
0866 42 350 ✓	118	119 ✓	4	0866 52 451	152	154	19
0866 42 366	118	119	7	0866 52 480	152	154	22
0866 42 382	118	119	10	0866 52 490	152	154	23
0866 42 410 ✓	118	120 ✓	21	0866 52 510 ✓	152	154 ✓	25
0866 42 440	265	266	3	0866 52 610 ✓	152	154 ✓	26
0866 42 521	118	119	13	0866 52 620 ✓	152	154 ✓	27
0866 42 522	118	119	14	0866 52 631	152	154	31
0866 42 523	118	119	12	0866 52 661A ✓	152	155 ✓	34
0866 42 530	118	119	9	0866 52 671A ✓	152	155 ✓	35
0866 42 541 ✓	118	120 ✓	20	0866 52 750A ✓	152	155 ✓	36
0866 42 542A ✓	118	120 ✓	18	0866 52 850A	152	155	37
0866 42 544	118	120	19	0866 52 901 ✓	152	155 ✓	39
0866 42 551 ✓	118	120 ✓	26	0866 53 020F	156	157	4
0866 42 552 ✓	118	120 ✓	25	0866 53 029 ✓	156	157 ✓	5
0866 42 555	118	120	27	0866 53 100A	156	157	11
0866 42 561 ✓	118	120 ✓	28	0866 53 220D	156	157	12
0866 43 030	129	130	2	0866 53 281A	156	157	14
0866 43 061 ✓	129	130 ✓	4	0866 53 320	159	160	1
0866 43 062 ✓	129	130	6		162	163	1

INDEX. 0866 53 330 ~ 0866 58 281

0866 53 330	162	163	3	0866 55 720	169	172	32
0866 53 340	162	163	5	0866 56 010D	165	166	1
0866 53 350A	162	163	7	0866 56 080B	165	166	4
0866 53 381	162	163	9	0866 56 171	165	166	8
0866 53 430	162	163	13	0866 56 181	165	166	9
0866 53 452	162	163	17	0866 56 210C	165	166	14
0866 53 500✓	162	163✓	19	0866 56 215	165	166	15
0866 53 591	162	163	21	0866 56 310	165	166	16
0866 53 720✓	156	157✓	16	0866 56 330	165	166	18
0866 53 750	156	158	18	0866 56 350	165	167	20
0866 53 780A	156	158	19	0866 56 381	165	167	22
0866 53 810B	162	164	25	0866 56 400	165	167	24
0866 53 830A	159	161	24	0866 56 450A	165	167	25
	162	164	26	0866 56 470A	165	167	26
0866 53 845	159	161	26	0866 56 481A	165	167	27
	162	164	28	0866 56 580A	165	166	5
0866 53 901✓	162	164✓	29	0866 56 610B	165	166	7
0866 53 920	162	164	30	0866 56 701	165	167	28
0866 53 941	162	164	31	0866 56 702	165	167	29
0866 53 950	162	164	32	0866 56 810A	165	166	17
0866 53 970A	156	157	6	0866 56 830	165	166	19
0866 53 979✓	156	157✓	7	0866 56 850	165	167	21
0866 53 981	156	157	9	0866 56 881	165	167	23
0866 53 991	162	164	33	0866 56 901A	165	167	31
0866 54 220B	156	157	13	0866 56 971	165	168	41
0866 54 281A	156	157	15	0866 56 981	165	166	3
0866 54 320	159	160	2	0866 56 991	232	233	12
	162	163	2	0866 57 100A	184	185	2
0866 54 330	162	163	4		184	185	5
0866 54 340	162	163	6	0866 57 105	179	181	27
0866 54 350A	162	163	8		184	187	33
0866 54 381	162	163	10	0866 57 110A	184	185	8
0866 54 410	162	163	12	0866 57 120	179	180	13
0866 54 430	162	163	14		184	186	17
0866 54 452	162	163	18	0866 57 130	179	181	24
0866 54 500✓	162	163✓	20		184	187	30
0866 54 591	162	163	22	0866 57 160A	184	185	11
0866 54 720✓	156	158✓	17	0866 57 170	179	181	15
0866 54 830A	159	161	25		184	186	20
	162	164	27	0866 57 180✓	179	181✓	25
0866 55 100E	169	170	1		184	187	31
0866 55 210B	169	172	33	0866 57 200A	184	188	41
0866 55 215A	169	172	36	0866 57 250	184	188	46
0866 55 216	169	172	38	0866 57 300A	184	185	3
0866 55 217	169	172	38	0866 57 310A	184	185	9
0866 55 218	169	172	38	0866 57 320	184	186	18
0866 55 230D	169	172	42	0866 57 350A	184	185	6
0866 55 360C	169	170	5	0866 57 360A	184	185	12
0866 55 365B	169	170	7	0866 57 370	184	186	21
0866 55 401D	169	170	11	0866 57 400A	184	188	42
0866 55 402A	169	171	16	0866 57 450	184	188	47
0866 55 403B	169	171	17	0866 58 010C✓	190	191✓	1
0866 55 404B	169	171	18	0866 58 201	195	199	34
0866 55 405C	169	171	19	0866 58 210✓	195	198✓	23
0866 55 406A	169	171	22	0866 58 231	195	199	35
0866 55 412A	169	171	26		260	263	33
0866 55 460B	176	178	15	0866 58 240A✓	195	198✓	26
0866 55 710✓	169	171✓	28	0866 58 281✓	195	198✓	27

0866 58 281 ~ 0866 67 065 INDEX.

0866 58 281✓	260	263 ✓	25	0866 59 831 ✓	190	193 ✓	23
0866 58 282	195	198	28	0866 59 841A ✓	190	193 ✓	24
	260	263	26	0866 59 842A ✓	190	193 ✓	25
0866 58 291A	195	198	29	0866 59 862 ✓	195	199 ✓	43
	260	263	27	0866 60 050 ✓	169	173 ✓	52
0866 58 292A	195	198	30	0866 60 070	169	173	55
	260	263	28	0866 60 071	169	173	57
0866 58 293	195	198	31	0866 60 073	169	173	60
	260	263	29	0866 60 101	169	174	61
0866 58 303A	195	197	10	0866 60 102	169	174	62
	260	261	10	0866 60 120 ✓	169	174 ✓	66
0866 58 310	195	196	1	0866 60 130 ✓	169	174 ✓	67
0866 58 321A	195	197	8	0866 60 250B	169	174	69
	260	261	8	0866 60 251 ✓	169	174 ✓	71
0866 58 330	195	196	2	0866 60 263	169	175	82
0866 58 361 ✓	195	199 ✓	37	0866 60 264	169	175	83
	260	263 ✓	36	0866 60 265A	169	175	84
0866 58 363 ✓	195	199 ✓	38	0866 60 267	169	175	86
	260	263 ✓	37	0866 60 335A	169	175	87
0866 58 364 ✓	195	199 ✓	39	0866 60 345A	169	175	88
	260	263 ✓	38	0866 60 720 ✓	169	175 ✓	91
0866 58 410 ✓	195	197 ✓	12	0866 61 070	200	201	—
0866 58 501 ✓	190	191 ✓	4	0866 61 080	200	201	—
0866 58 560 ✓	195	197 ✓	14	0866 61 130B	200	201	1
0866 58 590	169	171	24	0866 61 140C	200	201	2
0866 58 603 ✓	190	191 ✓	6	0866 61 151A	200	201	3
0866 58 604 ✓	190	192 ✓	7	0866 61 195	200	201	5
0866 58 605 ✓	190	192 ✓	8		200	202	28
0866 58 620	190	192	9	0866 61 213 ✓	200	202 ✓	15
0866 58 760A ✓	190	193 ✓	21	0866 61 214A	200	202	16
0866 58 781A ✓	190	192 ✓	12	0866 61 217 ✓	200	202	18
0866 58 791 ✓	190	192 ✓	13	0866 61 251 ✓	200	201 ✓	6
0866 58 810C	190	192	17	0866 66 190B	200	201 ✓	4
0866 58 831 ✓	190	193 ✓	23	0866 66 212 ✓	207	208 ✓	3
0866 58 841A ✓	190	193 ✓	24	0866 66 232 ✓	207	208 ✓	3
0866 58 842A ✓	190	193 ✓	25	0866 66 372 ✓	207	208 ✓	10
0866 58 861	195	199	42	0866 66 481A ✓	204	206 ✓	24
0866 58 862	195	199	43	0866 66 491A ✓	204	206 ✓	24
0866 58 863	195	199	44	0866 66 700A ✓	207	209 ✓	25
0866 58 864	195	199	45	0866 66 730B ✓	210	211 ✓	6
0866 59 010C ✓	190	191 ✓	1	0866 66 732 ✓	210	211 ✓	7
0866 59 020A	190	191	2	0866 66 733	210	211	8
0866 59 240A ✓	195	198 ✓	26	0866 66 760 ✓	210	211 ✓	11
0866 59 303A	195	197	10	0866 66 865	222	224	19
	260	261	10	0866 66 871	222	224	20
0866 59 310	195	196	1	0866 66 872	222	224	21
0866 59 330	195	196	2	0866 66 900	222	223	1
0866 59 361 ✓	195	199 ✓	37	0866 66 905	222	223	4
	260	263 ✓	36	0866 66 960	222	224	7
0866 59 410 ✓	195	197 ✓	12	0866 66 965	222	224	9
0866 59 501 ✓	190	191 ✓	4	0866 67 010A ✓	210	212 ✓	23
0866 59 560 ✓	195	197 ✓	14	0866 67 020B	210	212	24
0866 59 603 ✓	190	191 ✓	6	0866 67 030 ✓	210	213 ✓	28
0866 59 604 ✓	190	192 ✓	7	0866 67 040C ✓	210	213 ✓	29
0866 59 760A ✓	190	193 ✓	21	0866 67 050H	210	213	30
0866 59 781A ✓	190	192 ✓	12	0866 67 059	210	214	45
0866 59 791 ✓	190	192 ✓	13	0866 67 060C ✓	210	213 ✓	32
0866 59 810B ✓	190	192 ✓	17	0866 67 065	210	213	33

INDEX. 0866 67 070B~0866 70 343

0866 67 070B✓	210	213 ✓	31	0866 69 210✓	234	237 ✓	35
0866 67 080✓	210	213 ✓	34	0866 69 240✓	234	237 ✓	36
0866 67 100✓	53	56 ✓	43	0866 69 290✓	239	240 ✓	1
0866 67 110✓	53	56 ✓	44	0866 69 311	239	240	3
	57	60 ✓	54	0866 69 321	239	240	6
0866 67 131✓	140	142 ✓	27	0866 69 341	239	240	7
0866 67 132✓	122	124 ✓	24	0866 69 360	239	240	11
0866 67 133	210	215	73	0866 69 380	239	240	12
0866 67 151	210	213	25	0866 69 411✓	239	240 ✓	14
0866 67 152	210	213	43	0866 69 431✓	239	240 ✓	15
0866 67 170✓	118	120 ✓	30	0866 69 460	239	241	18
0866 67 175✓	118	121 ✓	33	0866 69 480	239	241	20
0866 67 301A✓	216	219 ✓	37	0866 69 511✓	239	241 ✓	22
0866 67 302✓	216	219 ✓	38	0866 69 521	239	241 ✓	24
0866 67 321	216	217	1	0866 69 541	242	243 ✓	1
0866 67 340C	216	217	3	0866 69 542	242	243 ✓	2
0866 67 350	216	217	13	0866 69 543	242	243 ✓	3
0866 67 470	220	221	-	0866 69 544✓	242	243 ✓	4
0866 67 510A✓	220	221 ✓	12	0866 69 611	242	243	5
0866 67 511A	220	221	13	0866 69 612A	242	243	6
0866 67 512	220	221	14	0866 69 613A	242	243	7
0866 67 521	220	221	15	0866 69 616A✓	242	243 ✓	8
0866 67 710A	210	214	56	0866 69 617✓	242	243 ✓	9
0866 67 711	210	214	57	0866 69 618	242	243 ✓	10
0866 67 712A	210	214	58	0866 69 625✓	242	243 ✓	11
0866 67 716	210	214	59	0866 69 626✓	242	243 ✓	12
0866 67 717	210	214	61	0866 69 627✓	242	243 ✓	13
0866 67 718	210	215	62	0866 69 660	242	243	14
0866 67 719	210	214	60	0866 69 683	242	244	15
0866 67 905A	210	214	47	0866 69 684	242	244	16
0866 67 906	210	214	48	0866 69 685	242	244	17
0866 67 908	210	214	49	0866 69 687A	242	244	18
0866 68 011	226	229	41	0866 69 688	242	244	19
0866 68 090B✓	226	227 ✓	4	0866 69 689	242	244	20
0866 68 095	226	227	5	0866 69 692	242	244	21
0866 68 180A✓	226	228 ✓	20	0866 69 694	239	241	31
0866 68 201✓	226	228 ✓	21	0866 69 696	242	244	22
0866 68 250✓	226	231 ✓	63	0866 69 697	242	244	23
0866 68 331	226	228	24	0866 69 698	242	244	24
0866 68 332	226	228	25	0866 69 811✓	226	229 ✓	43
0866 68 333	226	228	26	0866 69 820	226	229	44
0866 68 334	226	228	27	0866 69 870✓	239	241 ✓	29
0866 68 335A	226	228	28	0866 69 885✓	239	241 ✓	30
0866 68 340	226	229	32	0866 69 910✓	234	237 ✓	38
0866 68 351A✓	226	229 ✓	34	0866 69 920✓	234	237 ✓	39
0866 68 352A✓	226	229 ✓	35	0866 70 120✓	156	158 ✓	23
0866 68 361	226	229	37	0866 70 122	156	158	24
0866 68 380	226	229	39	0866 70 131A	156	158	26
0866 68 890A	226	230	50	0866 70 160B✓	156	158 ✓	21
0866 69 052✓	234	235 ✓	1	0866 70 180	156	158	28
0866 69 053A✓	234	235 ✓	2	0866 70 310	245	246	1
0866 69 071A✓	234	235 ✓	10	0866 70 313	245	246	3
0866 69 081B✓	234	235 ✓	11	0866 70 314	245	246	4
0866 69 110✓	234	235 ✓	18	0866 70 320	245	246	5
0866 69 111	234	236	20	0866 70 330	245	246	6
0866 69 112	234	236	22	0866 70 341	245	246	7
0866 69 113	234	236	23	0866 70 342	245	246	8
0866 69 130✓	234	235 ✓	18	0866 70 343	245	246	10

0866 70 351 ~ 0866 88 070 INDEX.

0866 70 351	245	246	13	0866 72 760	256	258	25
0866 70 352	245	246	14	0866 72 781A	256	258	16
0866 70 360	245	246	15	0866 72 791	256	258	17
0866 70 371	245	246	19	0866 72 810B	256	258	21
0866 70 401	234	237	43	0866 72 831A	256	259	27
0866 70 412	234	237	47	0866 72 841A	256	259	28
0866 70 420	234	237	46	0866 72 861	260	263	40
0866 70 431D	234	238	58	0866 72 862	260	263	41
0866 70 451	247	248	7	0866 72 863	260	263	42
0866 70 452	247	248	8	0866 73 010B	256	257	1
0866 70 453	247	248	10	0866 73 020A	256	257	2
0866 70 454	247	248	12	0866 73 210B	260	262	21
0866 70 473	247	249	14	0866 73 240	260	263	24
0866 70 481	247	249	15	0866 73 310	260	261	1
0866 70 482	247	249	16	0866 73 330	260	261	2
0866 70 483	247	249	17	0866 73 410	260	262	12
0866 70 484	247	249	19	0866 73 501	256	257	3
0866 70 801	247	249	21	0866 73 560	260	262	15
0866 70 802A	247	249	23	0866 73 602	256	257	9
0866 70 821	247	250	31	0866 73 755	256	259	30
0866 70 822A	247	250	33	0866 73 760	256	258	25
0866 70 823	247	250	35	0866 73 810B	256	258	21
0866 70 851	247	250	36	0866 73 831A	256	259	27
0866 70 852	247	250	39	0866 73 841	256	259	28
0866 70 853	247	250	41	0866 73 842A	256	259	29
0866 71 180	156	158	29	0866 73 862	260	263	41
0866 71 310	245	246	1	0866 73 863	260	264	42
0866 71 343	245	246	10	0866 75 014	176	177	8
0866 71 351	245	246	13	0866 75 021	176	177	6
0866 71 352	245	246	14	0866 75 026	176	177	7
0866 71 420	234	237	46	0866 75 122	176	178	16
0866 71 431D	234	238	58	0866 75 123	176	178	17
0866 71 452	247	248	9	0866 75 124	176	178	18
0866 71 453	247	248	11	0866 75 125	176	178	19
0866 71 483	247	249	18	0866 75 200	176	178	20
0866 71 484	247	249	20	0866 75 930	265	266	2
0866 71 801	247	249	22	0866 76 601	216	218	36
0866 71 802A	247	249	24	0866 76 602	216	218	35
0866 71 821	247	250	32	0866 76 603	216	217	9
0866 71 822A	247	250	34	0866 76 604	216	217	8
0866 71 852	247	250	40	0866 76 605	216	217	11
0866 71 853	247	250	42	0866 76 606	216	217	10
0866 72 010B	256	257	1	0866 76 607	216	217	18
0866 72 020A	256	257	2	0866 76 608	216	218	25
0866 72 201	260	263	32	0866 78 541	165	166	12
0866 72 210B	260	262	21	0866 78 701A	149	151	29
0866 72 212A	260	262	23	0866 78 702	149	151	30
0866 72 240	260	263	24		149	151	31
0866 72 310	260	261	1	0866 78 710	149	151	32
0866 72 330	260	261	2	0866 78 750	149	151	33
0866 72 410	260	262	12	0866 78 801A	149	151	34
0866 72 501	256	257	3	0866 78 810	149	151	35
0866 72 502	256	257	4	0866 88 010	179	180	10
0866 72 560	260	262	15		184	185	14
0866 72 602	256	257	9	0866 88 060	179	181	19
0866 72 605	256	257	10		184	187	25
0866 72 606	256	257	11	0866 88 070	179	181	20
0866 72 651A	256	257	14		184	187	26

INDEX. 0866 88 100~1524 51 020A

0866 88 100 ✓	179	181	17	0870 66 970	222	224	11
	184	186	23	0870 66 975	222	224	13
0866 88 105	179	181	16	0870 66 980	222	224	14
	184	186	22	0870 68 940	226	230	53
0866 88 200 ✓	179	180 ✓	11	0870 68 960	226	230	60
	184	186 ✓	15	0870 69 684	242	244	16
0866 88 250 ✓	179	181 ✓	21	0870 69 870 ✓	239	241 ✓	29
	179	182 ✓	39	0871 10 300C	5	6	10
	184	187 ✓	27	0871 11 400	9	11	26
0866 88 280 ✓	179	181 ✓	18	0871 11 511	9	12	38
	184	186 ✓	24	0871 11 750A	9	13	54
0866 88 370 ✓	184	188 ✓	44	0871 13 200	19	20	1
0866 88 375	179	182	36	0871 15 310B	27	30	35
	184	188	43	0871 18 520	53	55	37
0866 88 420 ✓	179	182 ✓	41	0871 19 910	61	63	27
	184	188 ✓	49	0871 19 920	61	64	34
0866 88 490	184	185	14	0871 19 930	61	64	35
0866 88 500	184	186	23	0871 19 940	61	64	37
0866 88 530	184	186	15	0871 19 951	61	64	38
0866 88 540	184	186	24	0871 19 961	61	64	36
0866 88 570	184	188	44	0871 19 962	61	64	39
0866 88 580	184	188	49	0871 19 963	61	64	43
0866 89 661	204	205	1	0871 19 964A	61	64	47
0866 89 663	204	206	23	0871 25 100	80	81	1
0866 89 665	207	208	9	0871 46 571	146	148	23
0866 89 666	204	205	1	0871 56 010E	165	166	2
0866 89 668	204	206	23	0871 56 701	165	167	28
0866 99 100	1	4	—	0871 67 060B	210	213	32
0866 99 356 ✓	110	112 ✓	26	0871 67 100	57	60	53
0866 99 801	149	151	26	0871 69 685	242	244	17
	149	151	27	0872 67 100	57	60	53
0866 99 806	149	151	28	0872 67 110 ✓	53	56 ✓	44
0870 26 111 ✓	82	83 ✓	9		57	60 ✓	54
0870 26 115 ✓	82	83	9	0877 18 520	57	60	47
0870 33 625 ✓	107	108	16	0881 37 191	85	88	42
0870 33 980 ✓	107	108	15		107	109	19
0870 33 990 ✓	107	108 ✓	15	1510 70 471	247	248	13
0870 43 422	136	138	31	1511 56 110A	165	166	6
0870 43 570	136	138	37	1511 58 010	190	191	1
0870 43 580	136	138	38	1511 58 020	190	191	2
0870 43 800B	136	139	41	1511 69 110	234	236	28
0870 43 830	143	144	21	1511 70 471	247	248	13
0870 43 842	143	144	24	1511 72 661	256	258	15
0870 43 990	136	137	1	1511 73 661	256	258	15
0870 45 280A	143	144	11	1514 70 471	247	249	13
0870 45 320B	143	144	13	1523 70 471 ✓	247	248 ✓	13
0870 45 350B	143	144	15	1524 32 110	100	102	—
0870 49 710 ✓	136	139	52	1524 32 121A ✓	100	103 ✓	38
0870 49 720 ✓	136	139	53	1524 32 130 ✓	100	102 ✓	26
0870 49 745	136	139	42	1524 32 220 ✓	100	103 ✓	43
0870 49 750	136	139	45	1524 32 261 ✓	104	105 ✓	1
0870 49 760	136	139	46	1524 41 400 ✓	133	134 ✓	1
0870 49 770	136	139	47	1524 41 620	127	128	1
0870 49 785	136	139	51	1524 41 678	127	128	20
0870 58 810C	190	193	17	1524 43 030 ✓	129	130 ✓	2
0870 59 810B ✓	190	193 ✓	17	1524 43 070A	129	131	31
0870 66 900A	222	223	2	1524 43 140	129	131	27
0870 66 905	222	223	5	1524 51 020A ✓	156	157 ✓	1

1524 51 120A~1554 09 010 INDEX.

1524 51 120A✓	156	157 ✓	2	1524 70 401✓	234	237 ✓	43
1524 52 390✓	152	153 ✓	12	1524 70 471✓	247	248 ✓	13
1524 52 410✓	152	154 ✓	16	1524 70 980	53	55	39
1524 53 020B	156	157	4		57	60	49
1524 53 100B	156	157	11	1524 72 310	260	261	1
1524 53 220C	156	157	12	1524 72 661A✓	256	258 ✓	15
1524 53 320	159	160	1	1524 73 310	260	261	1
	162	163	1	1524 73 661A✓	256	258 ✓	15
1524 53 970A	156	157	6	1524 75 010	176	177	3
1524 54 220B	156	157	13	1524 76 601	216	218	36
1524 54 320	159	160	2	1524 76 602	216	218	35
	162	163	2	1524 76 603	216	217	9
1524 54 410✓	162	163 ✓	12	1524 76 604	216	217	8
1524 55 210A	169	173	45	1524 76 607	216	218	18
1524 55 230B	169	172	39	1524 76 608	216	218	25
1524 55 330	169	173	50	1524 88 010	184	185	14
1524 56 110D	165	166	6	1524 88 100	184	186	23
1524 56 610B	165	166	7	1524 88 200	184	186	15
1524 57 100A	184	185	1	1524 88 280	184	186	24
1524 57 110	184	185	7	1524 88 370	184	188	44
1524 57 120	184	186	16	1524 88 420	184	188	49
1524 57 150	184	185	4	1524 99 322✓	104	105 ✓	2
1524 57 160	184	185	10	1524 99 324✓	104	105 ✓	3
1524 57 170	184	186	19	1531 53 350B	162	163	7
1524 57 200	184	188	40	1531 54 350B	162	163	8
1524 57 250	184	188	45	1531 56 117	165	166	10
1524 58 310✓	195	196 ✓	1	1531 56 617	165	166	11
1524 59 310✓	195	196 ✓	1	1531 60 250A✓	169	174 ✓	70
1524 60 250A✓	169	174 ✓	70	1531 66 370	207	209 ✓	15
1524 60 335A✓	169	175 ✓	87	1531 66 371✓	207	209 ✓	16
1524 60 345A✓	169	175 ✓	88	1531 66 372✓	207	209 ✓	17
1524 61 130A✓	200	201 ✓	1	1531 66 373✓	207	209 ✓	18
1524 61 140B✓	200	201 ✓	2	1531 66 374✓	207	209 ✓	19
1524 61 151A✓	200	201 ✓	3	1531 66 375✓	207	209 ✓	20
1524 66 110A✓	204	206 ✓	18	1531 66 376✓	207	209 ✓	21
1524 66 111✓	204	206 ✓	19	1531 66 780	210	212	14
1524 66 140A✓	204	206 ✓	18	1531 66 790✓	210	212 ✓	15
1524 66 141✓	204	206 ✓	19	1531 66 800✓	210	212 ✓	16
1524 66 810	210	212 ✓	21	1531 70 441✓	247	248	1
1524 66 930A	222	224	6	1532 57 110	179	180	5
1524 67 020✓	210	212 ✓	24	1532 57 160	179	180	7
1524 67 050A✓	210	213 ✓	30	1534 58 310✓	195	196 ✓	1
1524 67 155	210	214	44	1534 59 310✓	195	196 ✓	1
1524 67 321✓	216	217 ✓	1	1534 70 471✓	247	248 ✓	13
1524 67 340B✓	216	217 ✓	3	1535 70 471✓	247	248 ✓	13
1524 67 350	216	217	13	1540 66 030✓	204	205 ✓	1
1524 67 470	220	221	—	1540 69 101	234	236	29
1524 67 720A	210	215	67	1540 72 661✓	256	258 ✓	15
1524 68 011	226	229	42	1540 73 661✓	256	258 ✓	15
1524 68 380A	226	229 ✓	40	1550 66 860A	222	223	—
1524 68 890✓	226	230 ✓	50	1550 66 870	222	223	—
1524 69 360✓	239	240 ✓	11	1551 66 860A	222	223	—
1524 69 380✓	239	240 ✓	12	1551 66 870	222	223	—
1524 69 611✓	242	243 ✓	5	1552 66 860A	222	223	—
1524 69 612✓	242	243 ✓	6	1552 66 870	222	223	—
1524 69 613✓	242	243 ✓	7	1553 57 100	179	180	1
1524 69 870✓	239	241 ✓	29	1553 57 150	179	180	3
1524 70 050✓	162	164 ✓	34	1554 09 010	265	266	—

INDEX. 1554 32 220 ~ 1562 88 370

1554 32 220	95	99	49	1562 55 405	169	171	20
1554 55 530B	176	177	1	1562 55 412	169	171	27
1554 57 100	179	180	2	1562 55 430B	176	177	1
1554 57 150	179	180	4	1562 55 460A	176	178	15
1554 58 010	190	191	1	1562 55 710	169	171	29
1554 58 020	190	191	2	1562 56 010C	165	166	1
1554 66 210	207	208	1	1562 57 100	179	180	2
1554 66 230	207	208	1	1562 57 110	179	180	6
1554 70 471	247	249	13	1562 57 120	179	180	13
1554 75 021	176	177	6		184	186	17
1554 75 990	265	266	4	1562 57 130	179	181	24
1560 57 100	184	185	2	1562 57 150	179	180	4
1560 57 110	184	185	8	1562 57 160	179	180	8
1560 57 150	184	185	5	1562 57 170	179	180	15
1560 57 160	184	185	11		184	186	20
1560 57 200	184	188	41	1562 57 200	179	182	35
1560 66 060	204	205	1	1562 57 250	179	182	39
1560 66 860B	222	223	-		184	188	46
1560 66 870	222	223	-	1562 57 420	179	182	41
1560 88 370	184	188	44	1562 58 310	195	196	1
1561 55 720A	169	172	32	1562 59 310	195	196	1
1561 66 860	222	223	-	1562 60 050	169	173	53
1561 66 870	222	223	-	1562 60 070	169	173	56
1561 66 900	222	223	1	1562 61 080	200	201	-
1562 00 471	247	249	13	1562 61 190A	200	201	4
1562 09 010	265	266	-	1562 61 211B	200	202	12
1562 10 700	5	8	32	1562 61 214A	200	202	17
1562 13 200	19	20	1	1562 66 030	204	205	9
1562 15 212A	200	202	14	1562 66 042	204	205	10
1562 18 400	53	54	1	1562 66 060	204	205	9
1562 32 049	95	97	24	1562 66 210A	207	208	1
	100	101	13	1562 66 211A	207	208	2
1562 32 100	100	102	24	1562 66 230A	207	208	1
1562 32 110	100	102	-	1562 66 231A	207	208	2
1562 32 320	104	105	11	1562 66 860B	222	223	-
1562 32 330A	104	105	15	1562 66 870	222	223	-
1562 32 800	95	96	12	1562 66 900	222	223	1
	100	101	1	1562 67 100	53	56	43
1562 32 811	95	96	13	1562 68 040A	226	227	3
	100	101	2	1562 68 140A	226	227	9
1562 32 980	95	97	16	1562 69 053	234	235	3
	100	101	5	1562 69 055	234	235	5
1562 41 030A	129	130	1	1562 69 660A	242	244	15
1562 41 660	127	128	15	1562 70 050	159	161	32
1562 43 660	143	144	7	1562 75 021	176	177	6
1562 43 800	136	139	41	1562 75 122	176	178	16
1562 43 830	143	145	25		176	178	17
1562 43 836	143	145	26	1562 75 124	176	178	18
1562 43 990	136	137	1	1562 75 200	176	178	21
1562 45 280B	143	144	12	1562 88 010	179	180	10
1562 45 320A	143	144	14		184	185	14
1562 45 350B	143	144	16	1562 88 100	179	181	17
1562 45 510	143	145	28		184	186	23
1562 49 760	136	139	46	1562 88 200	179	180	11
1562 50 311	149	150	12		184	186	15
1562 52 110	152	153	1	1562 88 280	179	181	18
1562 53 410	159	160	11		184	186	24
1562 54 410	159	160	12	1562 88 370	179	182	37



1562 88 420 ~ 2835 49 685 INDEX.

1562 88 420 ✓	184	188 ✓	49	2090 23 844	24	25	22
1566 58 310 ✓	195	196 ✓	1	2090 23 853	24	25	16
1566 59 310 ✓	195	196 ✓	1	2112 11 301	9	10	5
1568 09 010 ✓	265	266	—	2113 11 301	9	10	5
1568 13 440 ✓	122	123	11	2113 23 674	17	18	3
1568 55 530B ✓	176	177 ✓	1	2113 23 675	17	18	4
1568 57 100	179	180	2	2113 23 679	17	18	11
1568 57 110	179	180	6	2113 54 295	53	55	38
1568 57 150	179	180	4		57	60	48
1568 57 160	179	180	8	2125 23 151	9	10	7
1568 66 030 ✓	204	205 ✓	9	2125 23 152	9	10	8
1568 66 060 ✓	204	205 ✓	9	2125 23 154	9	10	9
1568 66 210A ✓	207	208 ✓	1	2125 23 155	9	10	10
1568 66 211A ✓	207	208 ✓	2	2155 57 109	179	181	26
1568 66 230A ✓	207	208 ✓	1		184	187	32
1568 66 231A ✓	207	208 ✓	2	2158 40 355	116	117	12
1568 66 860A	222	223	—	2158 87 104	216	218	27
1568 66 870	222	223	—	2244 32 423	95	99	58
1568 70 441 ✓	247	248 ✓	1		100	101	18
1568 75 021	176	177	6	2276 66 044	204	205	11
1568 75 930	265	266	2	2280 42 460	118	120	22
2046 43 694	143	144	22	2280 42 462	118	120	23
2046 43 839	143	144	23	2280 75 641A	265	267	12
2046 49 620C	136	137	2	2288 66 045	204	206	12
2046 49 622	136	137	7	2292 58 232	190	191	3
2046 49 625A	136	137	3		251	252	2
2046 49 626A	136	137	4	2329 10 204	1	2	12
2046 49 627B	136	137	5	2329 10 864	1	4	39
2046 49 629A	136	137	6	2329 11 301D	9	10	5
2046 49 635A	136	137	9	2329 13 882	14	16	15
2046 49 638	136	137	20	2329 15 132A	27	28	18
2046 49 666	136	137	19	2360 66 045	204	206	12
2046 49 667	136	137	19	2375 46 021	146	147	3
2046 49 668	136	137	19	2375 46 022	146	147	4
2046 49 669	136	137	19	2375 46 051	146	147	6
2046 49 676	136	138	26	2375 46 052	146	147	7
2046 49 696	136	138	27	2375 46 053	146	147	8
2046 49 746	136	139	43	2375 46 055	146	147	10
2046 49 747	136	139	44	2375 46 061	146	147	15
2046 49 782	136	139	49	2375 46 062	146	147	16
2046 49 783	136	139	50	2545 23 496	45	47	27
2046 49 784	136	139	50	2587 24 335	45	48	38
2070 19 020	61	62	1	2587 24 336	45	48	36
2070 19 870	65	67	32	2691 18 660	125	126	15
2070 60 430A	265	266	9	2801 66 022	204	205	3
2080 58 492	265	266	5	2820 87 012	204	206	16
2080 74 158	265	267	12	2835 49 623	136	137	11
2080 74 168	265	267	12	2835 49 628A	136	137	12
2080 74 910	265	266	1	2835 49 630A	136	137	8
2090 10 730B	5	8	34	2835 49 640	136	137	10
2090 10 862A	5	8	42	2835 49 641A	136	137	18
2090 14 600	24	25	1	2835 49 642A	136	137	13
2090 15 104	27	28	5	2835 49 645A	136	137	14
2090 18 361	50	52	32	2835 49 646A	136	137	15
2090 23 673	17	18	2	2835 49 647A	136	137	16
2090 23 837	24	25	14	2835 49 648	136	137	17
2090 23 838	24	25	15	2835 49 652	136	138	24
2090 23 841	24	25	18	2835 49 682A	136	138	28
				2835 49 685	136	138	32

INDEX. 2835 49 686A ~ 99562 1400

2835 49 686A	136	138	29	99282 1301	0	122	124	22
2835 49 687	136	138	30	99282 1600	✓	122	123	12
2835 52 330	152	153	9	99282 1700	✓	61	64	40
2835 60 439	265	266	10	99282 2200	✓	200	202	22
2835 67 330	216	217	2	99282 2600	✓	200	202	21
2835 69 059	234	235	6			200	203	32
2840 46 010	146	147	2	99282 4900	✓	27	31	52
2850 87 012	204	205	7	99282 5500	✓	118	119	6
2869 10 860	1	4	38	99285 0800	✓	27	30	45
2869 18 400	57	58	1	99295 0800	0	27	30	44
2869 24 701	57	59	32	99295 1508	✓	21	23	40
2869 24 702	57	59	35			53	56	47
2869 24 720	57	59	36			57	60	57
2869 24 749	57	58	24	99295 1510	✓	32	33	14
2981 17 406	42	43	3			61	63	26
2981 17 410	42	43	5	99295 2008	✓	53	56	48
2981 17 420	42	43	6			57	60	58
2981 17 431	42	43	7	99301 1100	✓	179	183	49
2981 69 623	179	183	48			184	189	57
	184	189	56	99302 1100	✓	179	183	49
4069 17 245	38	39	12			184	189	57
4077 16 410	32	33	7	99305 2800	✓	5	7	27
4077 16 460B	32	33	8	99306 3000	✓	1	2	15
907614 6 40	✓195	199	40			5	6	18
907832 8 28	✓195	199	36	99307 0600	✓	1	3	24
908062 6 14	✓65	67	35	99307 1800	✓	14	15	3
	65	67	43	99335 04015	0	220	221	9
908066 6 18	✓27	29	34	99335 04065	✓	220	221	10
908332 4 10	✓245	246	17	99335 0407	0	220	221	11
908631 5 12	✓247	250	43	99335 08003	0	245	246	9
99221 1212	✓21	23	38	99336 12038	0	118	119	16
99221 2012	✓127	128	6	99340 05063	0	61	63	29
99221 2015	✓104	105	6	99340 0618	0	122	123	14
	104	106	20	99340 0632	0	122	123	18
99221 2020	✓95	99	55	99340 0634	0	122	123	10
	100	103	46	99340 0665	0	122	123	15
	104	105	6	99381 1000	0	61	64	41
	129	131	29	99381 1400	✓	27	31	56
	146	148	26	99384 1200	✓	1	3	28
99221 3015	0	179	29			27	31	64
	184	187	35	99502 2000	✓	95	98	37
99221 3020	✓104	105	17			100	102	31
	110	112	30	99502 4000	✓	35	36	19
99221 4030	✓107	108	2	99510 0800	✓	14	15	4
99222 0520	✓146	148	27	99510 1000	✓	5	7	28
99225 0320	0	146	13			42	43	16
99230 0511	✓125	126	8	99511 1000	✓	14	15	5
	127	128	17	99511 1400	✓	5	8	33
99230 0815	✓140	141	8	99541 01101	✓	9	11	30
99231 0818	✓129	131	28	99541 01601	✓	21	23	24
99231 0820	0	129	28			65	67	34
99233 0816	✓35	36	2	99541 02101	✓	35	37	29
99234 1208	✓5	7	21			65	67	40
99236 0525	✓9	12	45	99562 1000	✓	133	135	29
99262 1806B	0	226	33			143	144	3
99264 0531B	0	156	8	99562 1400	✓	5	8	33
99264 0702B	0	17	18			42	43	15
99275 2008	0	21	40			42	44	40

FINI *Houd*

99562 1600 ~ 99781 1085 INDEX.

99562 1600 ✓	1	3	29	X 99655 30015 ○	85	88	39
	5	6	15	99655 30020 ✓	85	88	39
99562 1800 ✓	27	31	57	X 99655 30025 ○	85	88	39
99564 0800 ✓	14	15	4	99655 30030 ✓	85	88	39
	38	41	38	99655 30035 ○	85	88	39
	61	63	31	99655 30040 ✓	85	88	39
99564 1000 ✓	5	7	28	X 99655 30045 ○	85	88	39
	14	15	5	99655 30050 ✓	85	88	39
	42	43	16	99655 30060 ✓	85	88	39
99564 1200 ✓	118	119	3	99681 1001 ✓	19	20	9
99564 1400 ✓	61	64	42	99684 0600 ✓	210	215	74
99564 1600 ✓	27	31	65	99686 0800 ✓	61	64	44
99564 2800 ✓	9	12	47	99686 1000 ✓	210	213	37
99573 2200 ✓	38	40	34	99686 1200 ✓	122	123	20
99573 2500 ✓	38	41	40		210	213	38
	72	74	33	99686 1600 ○	210	213	39
99573 3000 ✓	38	39	3	99701 2050 ✓	204	206	20
99574 3500 ✓	27	28	12		207	209	22
99575 0300 ✓	125	126	9	99701 2080 ✓	207	208	12
	127	128	18	99701 3210 ✓	204	206	21
99575 0500 ✓	140	141	9		207	208	4
99575 0600 ✓	85	87	33	99701 3230 ✓	207	208	6
	125	126	4	99701 4215 ✓	207	208	5
	127	128	11	99701 5050 ✓	210	211	4
	129	130	14	99701 6030 ✓	176	177	9
	146	148	28		176	178	22
99576 0400 ✓	245	246	12		204	206	25
99576 0800 ✓	21	23	30	99701 8100 ✓	207	208	6
99579 3000 ✓	95	96	15	99706 0105 ✓	210	211	9
	95	99	54	99706 0110 ✓	210	211	9
	100	101	4	99706 0115 ✓	210	211	9
	234	235	14	99706 0120 ✓	210	211	9
99579 4000 ✓	234	235	15	99715 1101 ○	232	233	13
99586 10207 ✓	35	37	27	99737 0514 ○	149	151	24
	65	67	41	99743 0616 ✓	210	212	13
99606 3306 ✓	38	40	24	99743 0650 ○	169	170	14
99606 6306 ✓	38	39	2	99748 0410 ○	222	224	15
99606 6344 ✓	38	40	31	99750 11018 ○	107	108	17
99611 1500 ✓	38	41	41	99753 41022 ✓	89	90	14
	72	74	34	99753 78118 ✓	32	33	10
	85	87	28	99753 81022 ✓	89	90	14
	133	135	23	99761 0516 ○	234	236	34
99611 2000 ✓	61	63	22	99761 0640 ○	260	263	39
	65	66	8	99765 0516 ○	127	128	3
	77	79	38	99765 0616 ○	125	126	14
99611 2500 ✓	42	43	10		127	128	9
	77	78	2	99767 0410 ○	247	250	46
X 9962 04 1553 ○	85	88	38	99769 0408 ○	247	250	47
	107	109	23	99772 0516 ✓	234	236	30
X 9962 07 1553 ○	85	88	38	99772 0525 ✓	234	236	30
	107	109	23	99773 0412 ○	207	209	23
9963 01 1553 ✓	85	88	38	99776 0620 ○	234	237	42
	107	109	23	99781 0612 ✓	220	221	16
9965 05 453 ✓	85	88	38	X 99781 1012 ○	61	62	2
	107	109	23	X 99781 1018 ○	61	62	4
9965 06 453 ✓	85	88	38	99781 1028 ✓	165	166	13
	107	109	23	99781 1080 ○	104	106	22
99655 30010 ✓	85	88	39	99781 1085 ○	95	98	46

FINI Hand

Small

INDEX. 99781 1085 ~ 99806 0616

99781 1085 O	100	103	40	99801 0845 ✓	35	36	9
99781 1225 ✓	110	112	31	99801 0850 ✓	45	46	8
99781 1235 ✓	110	112	32	99801 0865 ✓	1	3	36
99783 0625 O	216	219	39	99801 0875 ✓	1	3	37
99783 0825 ✓	152	153	3	99801 1035 ✓	53	55	30
99783 0828 O	260	263	34	99803 1011 O	53	55	31
99783 1028 O	92	94	11	99804 0516 O	118	119	8
99783 1035 O	110	111	16		118	120	24
99785 0612 O	136	138	40	99804 0614 O	165	167	30
99785 0614 O	122	124	23	99804 0616 O	27	30	46
	143	145	30		226	230	55
99785 0616 O	146	147	20		226	230	58
99785 0618 O	140	141	15	99804 0820 ✓	53	56	45
99785 0620 O	125	126	7		57	60	55
	127	128	19	99804 0825 ✓	118	120	29
	140	142	21	99805 0616 ✓	251	252	15
	165	167	32	99805 0622 O	149	150	8
99785 0820 O	149	150	4	99805 0640 O	143	144	5
99785 0825 O	179	182	32	99805 0816 O	169	170	3
	179	183	42		226	227	10
	184	187	38	99805 0825 ✓	129	131	34
	184	188	50	99805 0830 ✓	200	201	8
99785 1620 O	245	246	18	99805 0865 O	129	131	32
99790 0620 O	149	151	37	99806 0510 ✓	195	197	9
99795 1032 O	129	130	18		216	218	24
99797 0512 ✓	222	223	3		216	218	34
99797 0612 O	207	209	14		260	261	9
	207	209	24	99806 0516 ✓	195	198	22
99797 0614 O	169	172	40		251	253	20
99797 0616 ✓	45	46	9		260	262	20
	169	173	46	99806 0608 O	256	257	13
99797 0618 O	169	170	15	99806 0610 ✓	5	7	24
99797 0630 O	176	177	14		27	29	28
99799 0832 O	95	99	61		27	31	61
	100	101	21		35	37	35
99801 0812 ✓	27	31	49		61	62	6
99801 0814 ✓	85	86	15	99806 0612 ✓	27	29	33
99801 0816 ✓	95	98	35		122	123	6
	100	102	29		122	123	9
	152	153	4		149	150	10
	156	158	20		190	192	11
	179	181	23		195	198	18
	184	187	29		210	212	22
99801 0818 ✓	5	8	43		210	214	55
	9	11	25		251	253	25
	114	115	7		256	257	8
99801 0820 ✓	50	52	34		260	262	16
	92	93	3	99806 0614 ✓	21	22	19
	116	117	16		42	44	24
99801 0822 ✓	50	52	35		61	63	33
99801 0825 ✓	27	28	19		61	64	45
	42	43	22		156	157	3
99801 0828 ✓	57	59	40		156	158	25
	116	117	20		169	172	43
99801 0832 ✓	27	29	29	99806 0616 ✓	5	8	40
	116	117	17		152	153	11
99801 0835 ✓	42	43	22		152	153	13
99801 0840 ✓	1	3	35		152	155	38

99806 0616 ~ 99855 1085 INDEX.

99806 0616 ✓	156	157	10	99833 0612 ✓	45	49	63
	226	229	46		176	177	13
99806 0618 ✓	21	22	2		210	214	53
	24	26	28	99833 0616 ✓	169	172	37
	27	30	48	99833 0616B ○	226	227	14
	152	154	28	99833 0625 ○	210	211	10
99806 0620 ✓	53	55	41	99833 0630 ○	260	261	6
	57	60	51	99833 0810 ✓	5	6	3
99806 0625 ✓	210	213	26	99833 0812 ✓	85	86	3
99806 0630 ✓	24	26	28		85	86	17
99806 0816 ✓	210	212	20		210	213	27
99806 0818 ✓	169	170	2	99834 0412B ○	226	229	36
99811 0812 ✓	89	91	23	99834 0510 ✓	226	228	22
99811 1010 ✓	5	6	16	99834 0512 ✓	226	228	23
99811 1018 ✓	107	108	14	99834 0512B ○	226	227	11
99811 1032 ✓	32	33	15	99834 0535 ○	169	173	49
	61	63	24	99834 0616B ○	226	228	18
99811 1045 ✓	61	63	25	99835 0625C ○	204	206	22
99811 1050 ✓	32	33	16	99836 0414B ○	226	230	61
	61	63	24	99836 0516 ✓	226	227	15
	61	63	25	99837 0516C ✓	234	237	37
	89	90	9	99837 0525B ○	169	171	25
99811 1055 ✓	32	33	17	99838 0412 ○	169	170	8
	61	63	25		169	171	23
99811 1075 ✓	61	63	25	99838 0514 ○	210	211	5
99813 1011 ○	129	131	35	99838 0616 ✓	169	170	6
99813 10125 ✓	50	52	36	99838 0620 ○	234	237	40
99813 10155 ○	129	131	35	99839 0416 ○	226	231	64
99831 0408 ✓	190	192	10	99839 0520B ○	169	173	51
	256	257	12	99851 0618A ○	45	49	57
99831 04088 ○	226	228	29	99851 0812A ✓	14	15	6
99831 0416B ✓	169	171	30	99851 0814 ✓	65	67	44
99831 0640 ○	152	154	20	99851 0814A ✓	1	2	2
99832 0408B ✓	169	175	89		5	6	2
	260	261	11	99851 0818A ○	1	3	25
	195	197	11	99851 0820 ✓	32	33	3
99832 0516B ✓	226	230	56	99851 0826A ✓	14	15	7
	226	230	59	99851 0850A ✓	1	2	4
99832 0630 ○	195	196	6		5	6	4
99833 0408 ✓	24	25	11	99851 0860 ✓	35	36	8
	85	86	14	99852 0612 ✓	85	87	20
	95	96	5	99852 0655 ○	1	2	16
	104	106	19	99852 0820 ✓	82	83	2
	118	121	32	99852 0822A ✓	1	2	18
99833 0410 ✓	118	121	32		5	7	20
99833 0412 ✓	140	142	26	99852 0830A ✓	5	7	22
99833 0418 ○	5	8	35	99852 0848 ○	133	134	15
99833 0510 ✓	35	37	24	99852 0865A ○	1	3	22
99833 0512 ✓	136	138	39	99852 0878A ✓	1	2	17
	200	201	9	99852 0880 ✓	82	83	3
	222	224	23	99852 1016 ○	1	2	21
	226	228	17	99855 1020A ○	1	3	33
99833 0512B ○	226	227	13	99855 1025 ✓	35	36	14
99833 0514B ○	226	229	38	99855 1035 ✓	35	36	16
99833 0516B ○	226	227	12	99855 1040 ✓	35	36	7
99833 0520 ✓	190	192	16	99855 1055 ✓	35	36	6
	251	254	36	99855 1078 ✓	35	36	5
	256	258	20	99855 1085 ✓	35	36	4

INDEX. 99855 1232 ~ 99906 0600

99855 1232 ✓	35	36	13	99868 0512 ✓	200	202	19
99859 1220A ✓	1	2	19	99869 0400 ○	169	170	10
99859 1225A ✓	1	2	20	99869 0412 ○	169	174	68
99860 0512 ○	222	224	24	99869 0508 ○	210	214	50
99860 0616 ○	204	205	8	99869 0512 ○	95	99	64
	204	206	17		100	103	50
99861 0412 ○	179	183	47	99884 0414 ○	234	238	57
	184	189	55	99885 0406 ✓	9	10	4
99861 0414B ○	169	170	9	99887 0412 ○	146	147	14
99862 0412B ✓	239	240	16	99896 0500 ✓	169	174	64
99862 0420E ○	239	241	28	99896 0600 ✓	156	158	22
99862 0425B ○	247	249	25	99901 0800 ✓	1	4	40
99862 0512B ○	239	240	13		14	15	9
99862 0516B ✓	149	151	25		14	15	11
99862 0525B ○	169	170	12		17	18	14
99863 0410 ✓	251	254	40		19	20	3
99863 0410B ✓	222	225	29		21	23	25
99863 0412 ✓	118	119	11		27	29	26
	239	240	10		27	30	39
99863 0412B ✓	234	238	59		35	36	11
99863 0412E ○	239	241	27		45	49	59
99863 0414C ○	234	235	8		57	59	39
99863 0425B ○	234	238	60		57	59	41
99863 0510 ✓	169	171	21		82	83	19
99863 0512 ✓	176	178	25		82	84	20
	210	214	46		92	93	3
	226	228	19		92	93	4
	247	250	38		110	111	9
99863 0516 ✓	165	167	34		116	117	10
	169	174	63		116	117	18
	200	202	27		129	130	10
	200	203	30		129	131	33
99863 0520B ✓	226	229	47		129	132	40
99863 0612 ○	27	30	43		133	135	33
99864 0406 ✓	179	181	31		136	138	33
	184	187	37		136	139	54
99864 0408 ✓	251	254	45		140	141	12
99864 0410 ✓	222	224	12		179	182	33
	234	237	52		179	183	43
	245	246	11		184	187	39
99864 0410B ✓	251	254	42		184	189	51
99864 0412 ✓	210	215	72	99902 0800 ✓	61	64	48
99864 0412B ○	234	237	45		146	148	29
99864 0414 ○	234	237	48	99905 0500 ○	53	55	32
99864 0416B ○	204	206	26	99906 0400 ✓	226	230	62
	234	238	62	99906 0500 ✓	169	171	31
99864 0516B ✓	239	241	25		195	197	13
99864 0520B ○	239	241	26		207	208	8
99864 0616 ○	156	158	22		207	209	26
99866 0420 ○	95	97	26		222	224	8
	100	101	15		234	235	16
99868 0308 ✓	95	96	11		251	252	10
99868 0410 ✓	95	96	6		260	262	14
	200	201	7	99906 0600 ✓	21	22	18
99868 0414 ○	207	208	7		27	31	63
99868 0420 ○	95	96	7		45	49	60
99868 0508 ○	140	141	16		53	56	42
99868 0512 ✓	61	64	46		57	60	52

99906 0600 ~ 99952 0400 INDEX.

99906 0600 ✓	85	87	29	99922 1000 ✓	146	148	22
	122	123	4	99922 1200 ✓	21	22	9
	133	135	32	99922 1400 ✓	75	76	7
	149	150	6		104	105	8
	149	150	11	99924 1000 ✓	95	99	55
	152	154	29		100	103	46
	152	154	30		104	105	6
	156	158	27		104	106	20
	156	158	30	99924 1200 ✓	104	106	17
	169	172	41		110	112	30
	169	173	47	99940 0400 ○	152	154	24
	210	212	19		176	178	26
	210	213	26	99940 0501 ○	169	174	65
	210	215	63		226	227	16
	210	215	68	99940 0502 ○	222	224	25
	210	215	69	99940 0600 ○	210	214	51
	226	229	48	99940 0602 ○	169	172	34
	234	236	27		169	173	44
99906 0800 ✓	169	172	35	99940 0802 ○	169	170	4
	200	202	10	99941 0801 ✓	17	18	12
99907 0500 ✓	45	46	10	99942 1000 ✓	95	98	47
	57	59	42		100	103	41
99907 0600 ✓	24	25	25		104	106	22
	125	126	12	99942 1400 ○	110	111	10
	127	128	14	99944 1400 ✓	104	105	9
	152	154	21	99945 0500B ✓	169	175	90
	195	197	7	99947 1200 ✓	100	101	16
	260	261	7	99947 1400 ✓	110	111	19
99907 0800 ○	27	29	23	99948 1200 ○	95	97	27
	53	56	46	99949 0800 ✓	116	117	5
	57	60	56	99950 0618 ○	256	257	13
99910 0601 ○	204	205	8	99951 0618 ✓	149	150	6
	204	206	17		149	150	8
99921 1000 ○	32	34	18	99952 0618 ???	152	154	29
	35	36	10	Cal. page 257.	152	155	38
	35	37	32		169	173	46
	50	52	37		169	173	47
	61	63	25		190	192	11
	92	93	9		195	197	13
	92	94	28		195	198	18
	110	111	21		251	253	16
	110	112	34		251	253	25
	114	115	2		260	262	14
	114	115	5	99951 0818 ✓	50	52	35
	114	115	9		116	117	19
	129	131	36		149	150	4
	149	150	18	99951 0822 ✓	17	18	14
99921 1200 ✓	27	31	67		27	30	39
	32	34	19		116	117	5
	92	94	25		260	263	35
99921 1800 ✓	95	99	56	99951 1022 ✓	95	98	47
	100	103	47		100	103	41
99922 0800 ✓	129	131	22		165	166	13
	133	134	19	99951 1030 ✓	110	111	21
99922 1000 ✓	92	94	28		114	115	5
	95	98	36		114	115	9
	100	102	30		149	150	18
	129	130	-	99952 0400 ✓	169	171	23

FINI *Handwritten signature*

*Handwritten signature*

INDEX. 99952 0400 ~ 99952 0800

99952 0400 V	239	240	10	99952 0600 V	165	167	30
99952 0400B V	226	230	61		169	170	14
99952 0400E O	239	241	27		169	171	21
99952 0412 V	118	119	11		169	172	40
	251	254	40		169	172	41
99952 0412B V	226	229	36		195	197	7
	234	237	45		207	209	14
	247	249	26		207	209	24
99952 0500 V	45	46	10		210	212	13
	53	55	32		210	212	22
	57	59	42		210	213	26
	118	120	24		210	214	53
	165	167	34		210	214	55
	176	178	25		210	215	68
	190	192	16		210	215	69
	200	202	27		234	237	40
	200	203	30		245	246	18
	207	209	26		251	252	15
	210	214	46		260	262	7
	210	215	62		260	262	16
	222	223	3	99952 0600B V	226	227	14
	222	224	8	99952 0616 O	122	123	6
	222	224	23		122	123	9
	226	228	17	99952 0618 V	53	55	41
	226	228	19		53	56	42
	226	228	22		57	60	51
	226	228	23		57	60	52
	234	235	16		125	126	7
	251	254	36		127	128	19
	256	258	20		146	147	20
	260	261	9		149	151	37
99952 0500B V	169	173	51		152	153	11
	169	175	90		152	154	28
	226	227	11		156	158	22
	226	227	12		156	158	30
	226	229	38		165	167	32
	226	229	47		169	170	6
99952 0516 V	169	171	31		169	171	15
	169	174	65		169	172	37
	200	202	19		169	172	43
	207	208	8		176	177	13
	226	227	13		176	177	14
99952 0518 O	169	174	63		210	215	63
	195	197	9		210	215	68
99952 0600 V	21	22	2		216	219	39
	27	30	43		226	229	46
	27	30	46		226	229	48
	27	31	48		256	257	8
	27	31	63	99952 0618B V	226	228	18
	45	46	9	99952 0800 V	1	3	35
	45	49	60		1	3	36
	45	49	63		1	3	37
	125	126	14		27	28	19
	152	154	30		27	31	49
	156	157	3		45	46	8
	156	157	10		95	99	61
	156	158	25		100	101	21
	156	158	27		110	111	9

INI H Harold

Smith



99952 0800 ~ 99971 0500 INDEX.

99952 0800 ✓	118	120	29	99958 1018 0	89	90	15
	152	153	13	99963 3310 ✓	42	44	28
	156	158	20	99963 3330 ✓	42	44	28
	169	170	3	99963 6310 ✓	38	41	43
	169	172	35	99963 6330 ✓	38	41	43
	184	189	51	99967 0400A 0	239	241	28
	200	202	10	99967 0500 ✓	169	171	25
	210	213	27	99967 0500B ✓	169	170	12
99952 0816 ✓	129	130	16		226	227	15
	129	131	34		226	230	56
	146	148	30		239	240	13
	152	153	3	99967 0600B 0	226	230	59
	152	153	4	99971 0300 ✓	95	96	11
	179	181	23	99971 0400 ✓	5	8	35
	184	187	29		24	25	11
	204	205	8		85	86	14
	204	206	17		95	96	5
99952 0818 0	200	201	8		95	96	6
	226	227	10		95	96	7
99952 0822 ✓	129	131	32		104	106	19
	129	131	33		140	142	26
	152	154	32		169	170	8
	169	170	2		169	171	23
	179	182	32		226	229	36
	179	182	33		226	230	61
	179	183	43		239	240	10
	184	187	38		239	241	27
	184	187	39		251	254	40
	200	201	8	99971 0500 ✓	35	37	24
99952 1000 ✓	32	34	18		45	46	10
	50	52	37		53	55	32
	53	55	31		57	59	42
	92	94	11		61	64	46
	129	131	36		118	119	8
99952 1400 0	110	111	10		118	120	24
99953 0400 ✓	21	23	39		136	138	39
99953 0400B 0	222	225	29		140	141	16
99953 0500 ✓	222	224	24		169	172	31
99953 0600 ✓	24	26	28		169	173	51
99953 0800 ✓	14	15	9		169	174	63
	14	15	11		169	175	90
	21	23	25		195	197	9
	27	29	23		195	197	13
	27	29	26		195	198	22
	27	29	29		200	201	9
	35	36	11		200	202	19
	45	49	59		200	202	27
	57	59	39		207	209	26
	57	59	40		210	214	50
	127	128	5		210	215	62
	146	148	31		216	217	16
99953 1000 ✓	32	33	4		216	218	34
	32	33	16		222	223	3
	32	34	18		222	224	8
	35	36	10		222	224	24
	35	37	32		226	227	11
	53	55	30		226	227	12
99953 1200 ✓	32	34	19		226	228	17

FINI *[Handwritten signature]*

*[Handwritten signature]*

INDEX. 99971 0500 ~ 99971 0800

99971 0500 ✓	226	228	19	99971 0600 ✓	152	155	38	
	226	228	22		156	157	3	
	226	228	23		156	157	10	
	226	229	38		156	158	25	
	226	229	47		156	158	27	
	234	235	16		156	158	30	
	251	253	20		165	167	30	
	260	261	9		169	170	6	
	260	262	14		169	170	14	
	260	262	20		169	171	15	
	99971 0600 ✓	5	7		24	169	172	37
		5	8		40	169	172	40
		21	22		2	169	172	41
		21	22		18	169	172	43
		21	22		19	169	173	46
		24	26		25	169	173	47
		24	26		28	176	177	13
		27	29		28	176	177	14
		27	29		33	190	192	11
		27	30		46	195	197	7
		27	31		48	195	198	18
27		31	61	207	209	14		
27		31	63	207	209	24		
35		37	35	210	211	10		
42		43	4	210	212	13		
42		44	24	210	212	19		
45		46	9	210	212	22		
45		49	60	210	213	26		
45		49	63	210	214	53		
53		56	41	210	214	55		
53		56	42	210	215	68		
57		60	51	210	215	69		
57		60	52	216	219	39		
61		62	6	220	221	16		
61		63	33	226	227	14		
61		64	45	226	228	18		
85		87	29	226	229	46		
122		123	4	226	230	48		
122		123	6	226	230	55		
122		123	9	226	230	58		
122		124	23	234	236	27		
125		126	7	234	237	40		
125		126	14	245	246	18		
127		128	9	251	252	15		
127		128	19	251	253	16		
133		135	32	251	253	25		
136		139	40	256	257	8		
140		141	15	256	257	13		
140		141	21	260	261	7		
143		144	5	260	262	16		
143		145	30	99971 0800 ✓	1	3	35	
146		147	20		1	3	36	
149		150	6		1	3	37	
149		150	11		1	4	40	
149	151	37	5		8	43		
152	153	11	9		11	25		
152	154	28	14		15	9		
152	154	30	14		15	11		

99971 0800 ~ 99972 0800 INDEX.

99971 0800 ✓	17	18	14	99971 0800 ✓	169	172	35
	19	20	3		179	181	23
	21	23	25		179	182	32
	27	28	19		179	182	33
	27	29	23		179	183	42
	27	29	26		179	183	43
	27	29	29		184	187	29
	27	30	39		184	187	38
	27	31	49		184	187	39
	32	33	9		184	189	50
	32	33	10		184	189	51
	35	36	11		200	201	8
	42	43	22		200	202	10
	42	44	31		210	212	20
	45	46	8		210	213	27
	45	49	59		226	227	10
	50	52	34		260	263	34
	50	52	35	99971 1000 ✓	5	6	16
	53	56	45		32	33	4
	53	56	46		32	33	15
	57	59	39		32	33	16
	57	59	40		32	34	18
	57	59	41		35	36	10
	57	60	55		35	37	32
	57	60	56		50	52	37
	61	64	48		53	55	30
	80	81	7		53	55	31
	82	84	19		61	62	2
	82	84	20		61	62	4
	85	86	15		61	63	24
	85	86	17		61	63	25
	89	91	23		89	90	10
	92	93	3		92	93	9
	92	93	4		92	94	11
	95	98	35		107	108	8
	95	99	61		107	108	14
	100	102	21		107	108	17
	100	102	29		110	111	16
	110	111	9		110	112	21
	114	115	7		110	112	34
	116	117	10		114	115	2
	116	117	16		114	115	5
	116	117	18		114	115	9
	118	120	29		116	117	12
	129	131	33		129	131	36
	129	131	34		146	148	22
	129	132	40		149	150	18
	133	135	33		165	166	13
	136	138	33	99971 1200 ✓	27	31	67
	136	139	54		32	34	19
	140	141	12		92	94	25
	146	148	32		110	112	31
	149	150	4		110	112	32
	152	153	3	99971 1400 ✓	75	76	7
	152	153	4	99971 1800 ✓	95	99	56
	152	153	13		100	103	47
	169	170	2	99972 0800 ✓	129	131	26
	169	170	3		146	148	33

FINI #10000

INDEX. 99972 1400 ~ 99979 1200

99972 1400 0	146	148	22	
99974 0400 ✓	239	241	16	
99974 0600 0	195	196	6	
	260	261	6	
	260	263	39	
99975 0400 0	226	230	62	
99975 0500 ✓	234	236	34	
	234	237	37	
99975 0600 ✓	195	196	6	
99979 1200 ✓	21	22	9	

V.C.

*[Handwritten signature]*

*[Handwritten mark]*