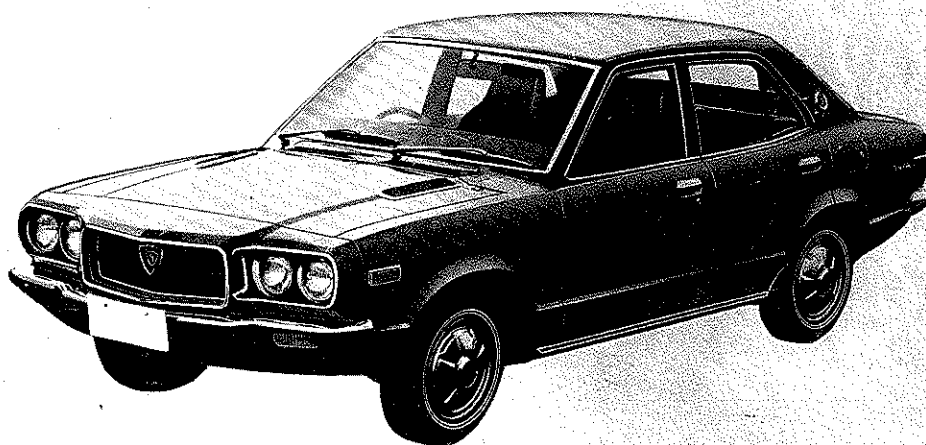
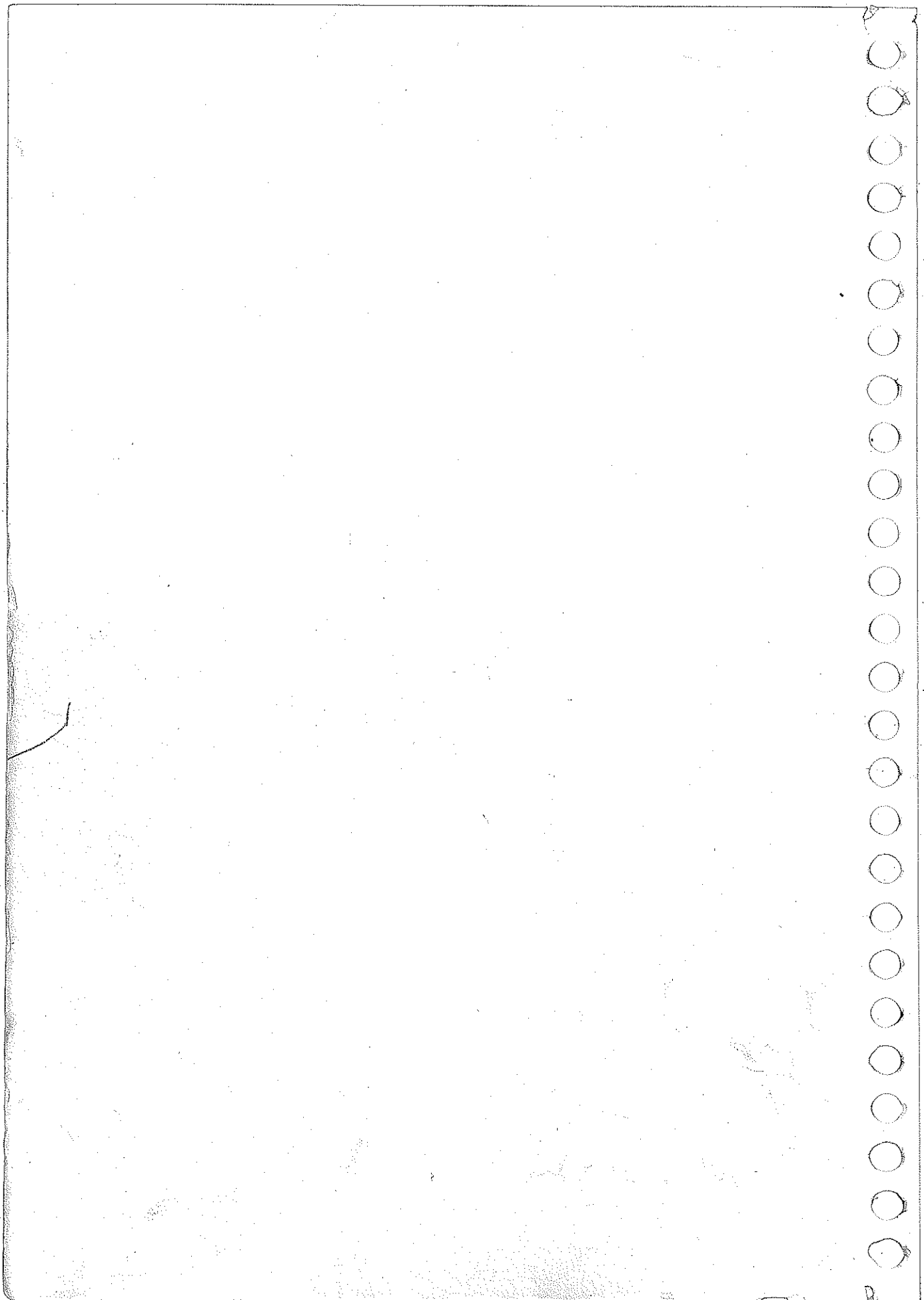


***RX-3***  
***SEDAN & COUPE***  
***PARTS CATALOG***



Issued by  
**TOYO KOGYO CO., LTD.**  
Rotary Engine-Licence NSU. Wankel  
August, 1971



## HOW TO USE THIS PARTS CATALOG

This parts catalog is compiled for the following models (From Car No. 120642  $\frac{73}{10}$  ~)

Model : RX-3 Sedan, Coupe & Rotary Wagon

- : RX-3 Sedan Deluxe with Automatic T/mission, Manuf. From April, 1974

| Model No. | Model /Type | Description   |   |
|-----------|-------------|---|---|
| 1550      | S102A       | RX-3 Sedan Standard<br>Australian Spec. Model   | (R.H.D.)  |
| 1551      | S102A-DX    | RX-3 Sedan Deluxe<br>Australian Spec. Model   | (R.H.D.)  |
| 1552      | S102A-DXT   | RX-3 Sedan Deluxe With Automatic T/mission<br>Australian Spec. Model                        | (R.H.D.)  |
| 1553      | S102A-DCA   | RX-3 Coupé Deluxe<br>Australian Spec. Model   | (R.H.D.)  |
| 1554      | S102A-SCA   | RX-3 Coupé Super Deluxe<br>Australian Spec. Model   | (R.H.D.)  |
| 1555      | S102A-DX    | RX-3 Sedan Deluxe<br>General Export Model   | (R.H.D.)  |
| 1556      | S102A-DCA   | RX-3 Coupé Deluxe<br>General Export Model   | (R.H.D.)  |
| 1557      | S102A-SCA   | RX-3 Coupé Super Deluxe<br>General Export Model   | Obsolete from Sept. 1973<br>Car No. 179250 (R.H.D.) |
| 1558      | S102A-DX    | RX-3 Sedan Deluxe<br>ECE Cold Proof Spec. Model   | (L.H.D.)  |
| 1559      | S102A-DCA   | RX-3 Coupé Deluxe<br>ECE Cold Proof Spec. Model   | (L.H.D.)  |
| 1565      | S102A-DX    | RX-3 Sedan Deluxe<br>General Export Model   | (L.H.D.)  |
| 1566      | S102A-SCA   | RX-3 Coupé Super Deluxe<br>General Export Model   | (L.H.D.)  |
| 1567      | S102A-DX    | RX-3 Sedan Deluxe<br>ECE Spec. Model  | (L.H.D.)  |
| 1568      | S102A-DCA   | RX-3 Coupé Deluxe<br>ECE Spec. Model  | (L.H.D.)  |
| 1569      | S102W-DX    | RX-3 Rotary Wagon Deluxe, British Spec. Model<br>Manuf. From Feb. 13, 1973                  | (R.H.D.)  |
| 3501      | S124A-DX    | RX-3 Sedan Deluxe<br>General Export Model, Manuf. From Car No. 160623 $\frac{73}{10}$       | (R.H.D.)  |
| 3502      | S124A-DXT   | RX-3 Sedan Deluxe with Automatic T/mission<br>General Export Model, Manuf. From April, 1974 | (R.H.D.)  |
| 3503      | S124A-SCA   | RX-3 Coupé Super Deluxe<br>General Export Model, Manuf. From Car No. 160623 $\frac{73}{10}$ | (R.H.D.)  |
| 3516      | S124A-DX    | RX-3 Sedan Deluxe<br>General Export Model, Manuf. From Car No. 160623 $\frac{73}{10}$       | (L.H.D.)  |
| 3517      | S124A-SCA   | RX-3 Coupé Super Deluxe<br>General Export Model, Manuf. From Car No. 160623 $\frac{73}{10}$ | (L.H.D.)  |

Caution:

REGULAR STEAK BARS 100 OF WINE

There is a repetition of car number for obsolete and new models from car no.160623 to car no.179250, caused from a new car numbering system adopted from Oct.1973.

|        |      |        |      |
|--------|------|--------|------|
| 160623 | 1973 | 160623 | 1973 |
| 160624 | 1973 | 160624 | 1973 |
| 160625 | 1973 | 160625 | 1973 |
| 160626 | 1973 | 160626 | 1973 |
| 160627 | 1973 | 160627 | 1973 |
| 160628 | 1973 | 160628 | 1973 |
| 160629 | 1973 | 160629 | 1973 |
| 160630 | 1973 | 160630 | 1973 |
| 160631 | 1973 | 160631 | 1973 |
| 160632 | 1973 | 160632 | 1973 |
| 160633 | 1973 | 160633 | 1973 |
| 160634 | 1973 | 160634 | 1973 |
| 160635 | 1973 | 160635 | 1973 |
| 160636 | 1973 | 160636 | 1973 |
| 160637 | 1973 | 160637 | 1973 |
| 160638 | 1973 | 160638 | 1973 |
| 160639 | 1973 | 160639 | 1973 |
| 160640 | 1973 | 160640 | 1973 |
| 160641 | 1973 | 160641 | 1973 |
| 160642 | 1973 | 160642 | 1973 |
| 160643 | 1973 | 160643 | 1973 |
| 160644 | 1973 | 160644 | 1973 |
| 160645 | 1973 | 160645 | 1973 |
| 160646 | 1973 | 160646 | 1973 |
| 160647 | 1973 | 160647 | 1973 |
| 160648 | 1973 | 160648 | 1973 |
| 160649 | 1973 | 160649 | 1973 |
| 160650 | 1973 | 160650 | 1973 |
| 160651 | 1973 | 160651 | 1973 |
| 160652 | 1973 | 160652 | 1973 |
| 160653 | 1973 | 160653 | 1973 |
| 160654 | 1973 | 160654 | 1973 |
| 160655 | 1973 | 160655 | 1973 |
| 160656 | 1973 | 160656 | 1973 |
| 160657 | 1973 | 160657 | 1973 |
| 160658 | 1973 | 160658 | 1973 |
| 160659 | 1973 | 160659 | 1973 |
| 160660 | 1973 | 160660 | 1973 |
| 160661 | 1973 | 160661 | 1973 |
| 160662 | 1973 | 160662 | 1973 |
| 160663 | 1973 | 160663 | 1973 |
| 160664 | 1973 | 160664 | 1973 |
| 160665 | 1973 | 160665 | 1973 |
| 160666 | 1973 | 160666 | 1973 |
| 160667 | 1973 | 160667 | 1973 |
| 160668 | 1973 | 160668 | 1973 |
| 160669 | 1973 | 160669 | 1973 |
| 160670 | 1973 | 160670 | 1973 |
| 160671 | 1973 | 160671 | 1973 |
| 160672 | 1973 | 160672 | 1973 |
| 160673 | 1973 | 160673 | 1973 |
| 160674 | 1973 | 160674 | 1973 |
| 160675 | 1973 | 160675 | 1973 |
| 160676 | 1973 | 160676 | 1973 |
| 160677 | 1973 | 160677 | 1973 |
| 160678 | 1973 | 160678 | 1973 |
| 160679 | 1973 | 160679 | 1973 |
| 160680 | 1973 | 160680 | 1973 |
| 160681 | 1973 | 160681 | 1973 |
| 160682 | 1973 | 160682 | 1973 |
| 160683 | 1973 | 160683 | 1973 |
| 160684 | 1973 | 160684 | 1973 |
| 160685 | 1973 | 160685 | 1973 |
| 160686 | 1973 | 160686 | 1973 |
| 160687 | 1973 | 160687 | 1973 |
| 160688 | 1973 | 160688 | 1973 |
| 160689 | 1973 | 160689 | 1973 |
| 160690 | 1973 | 160690 | 1973 |
| 160691 | 1973 | 160691 | 1973 |
| 160692 | 1973 | 160692 | 1973 |
| 160693 | 1973 | 160693 | 1973 |
| 160694 | 1973 | 160694 | 1973 |
| 160695 | 1973 | 160695 | 1973 |
| 160696 | 1973 | 160696 | 1973 |
| 160697 | 1973 | 160697 | 1973 |
| 160698 | 1973 | 160698 | 1973 |
| 160699 | 1973 | 160699 | 1973 |
| 160700 | 1973 | 160700 | 1973 |

## HOW TO USE THIS PARTS CATALOG

This parts catalog is compiled for the following models (From Car No. 120642 <sup>7</sup>/<sub>11</sub> ~ )

Model : RX-3 Sedan & Coupe

| Model No. | Model /Type | Description   |
|-----------|-------------|---|
| 1550      | S102A       | RX-3 Sedan Standard<br>Australian Spec. Model (R. H. D.)                        |
| 1551      | S102A-DX    | RX-3 Sedan Deluxe<br>Australian Spec. Model (R. H. D.)                          |
| 1552      | S102A-DXT   | RX-3 Sedan Deluxe with Automatic T/mission<br>Australian Spec. Model (R. H. D.) |
| 1553      | S102A-DCA   | RX-3 Coupé Deluxe<br>Australian Spec. Model (R. H. D.)                          |
| 1554      | S102A-SCA   | RX-3 Coupé Super Deluxe<br>Australian Spec. Model (R. H. D.)                    |
| 1555      | S102A-DX    | RX-3 Sedan Deluxe<br>General Export Model (R. H. D.)                            |
| 1556      | S102A-DCA   | RX-3 Coupé Deluxe<br>General Export Model (R. H. D.)                            |
| 1557      | S102A-SCA   | RX-3 Coupé Super Deluxe<br>General Export Model (R. H. D.)                      |
| 1558      | S102A-DX    | RX-3 Sedan Deluxe<br>ECE Cold Proof Spec. Model (L. H. D.)                      |
| 1559      | S102A-DCA   | RX-3 Coupé Deluxe<br>ECE Cold Proof Spec. Model (L. H. D.)                      |
| 1565      | S102A-DX    | RX-3 Sedan Deluxe<br>General Export Model (L. H. D.)                            |
| 1566      | S102A-SCA   | RX-3 Coupé Super Deluxe<br>General Export Model (L. H. D.)                      |
| 1567      | S102A-DX    | RX-3 Sedan Deluxe<br>ECE Spec. Model (L. H. D.)                                 |
| 1568      | S102A-DCA   | RX-3 Coupé Deluxe<br>ECE Spec. Model (L. H. D.)                                 |
| 1569      | S102W -DX   | RX-3 Rotary Wagon Deluxe<br>British Spec. Model (R. H. D.)                      |

### INSTRUCTIONS FOR USE OF THIS PARTS CATALOG

#### (I) Layout of Parts Catalog

The spares relevant to each assembly are printed inset to the right, and parts that constitute a sub-assembly are indicated by illustrations and classified according to each assembly. Therefore, if a spare part is not printed inset to the right, this shows that the part does not constitute a part of the assembly. Moreover, to aid identification of spares, "exploded" illustrations are incorporated in this catalog.

(II) How to locate parts

- 1) When part number is not known.
  - A. Refer to index of groups and locate the group to which the part belongs.
 

↓
  - B. Open to group illustration page and locate part wanted.
 



↓
  - C. See the number given for the part in the illustration and find corresponding number in the parts composition lists.
 

↓
  - D. Then, you will find the name and the part number of the part on the right side of this number.
  
- 2) When part number is known but shape and name of part is unknown.
  - A. See index given at back of the parts catalog and find pages where illustration, part number and figure number is listed.
 

↓
  - B. Open to page indicated and locate the part number in the part composition list, and after this locate the part in the illustration by referring to figure number given at front of the part number.
 

↓
  - C. The corresponding figure number in the illustration is for the part required.
  
- 3) Moreover as an alphabetical index is incorporated after the index of groups, utilize for locating principal parts.

(III) On Groups

- 1) The figure enclosed by a triangle at the top of each page (Example ) indicates group number.
- 2) Group numbers are determined according to structure and function of parts.
- 3) The group number given in the index of groups coincide with the numerals (Example ) of the illustration and parts composition pages.

(IV) Explanation of Parts Composition Lists

- 1) Indication of composition of assembly.
  - (a) The spares relevant to each assembly are printed inset to the right.
  - (b) Spares not printed inset to the right are parts that do not constitute a part of any assembly.
  - (c) The space between the parts that constitute an assembly or sub assembly is widened, to clearly indicate the parts of each assembly or sub assembly.

Example :

| No.           | Part Number  | Description          | Q'ty | Remarks             |
|---------------|--------------|----------------------|------|---------------------|
| (a) — 1       | 0839 14 300  | Filter, Oil          | 1    |                     |
| (b) — 2       | 0839 23 801  | Cover                | 1    |                     |
| ⋮             | ⋮            | ⋮                    | ⋮    |                     |
| 3             | 0823 23 802A | Guide (EX.), Valve   | 1    | Fig. No. 4 included |
| (b) — (c) — 4 | 0813 23 803  | Clip, Valve Guide    | 1    |                     |
| (d) — 5       | 99541 01601  | Ring, "O"-Oil Filter | 2    |                     |
| 6             | 99801 0800   | Nut, Oil Filter      | 2    |                     |

### (I) Layout of Parts Catalog

The spares relevant to each assembly are printed inset to the right, and parts that constitute a sub-assembly are indicated by illustrations and classified according to each assembly. Therefore, if a spare part is not printed inset to the right, this shows that the part does not constitute a part of the assembly. moreover, to aid identification of spares, "exploded" illustrations are incorporated in this catalog.

### (II) How to locate parts

#### 1) When part number is not known.

A. Refer to index of groups and locate the group to which the part belongs.



B. Open to group illustration page and located part wanted.



C. See the number given for the part in the illustration and find corresponding number in the parts composition lists.

D. Then, you will find the name and the part number of the part on the right side of this number.

#### 2) When part number is known but shape and name of part is unknown.

A. See index given at back of the parts catalog and find pages where illustration, part number and figure number is listed.




B. Open to page indicated and locate the part number in the parts composition list, and after this locate the part in the illustration by referring to figure number given at front of the part number.




C. The corresponding figure number in the illustration is for the part required.

#### 3) Moreover as an alphabetical index is incorporated after the index of groups, utilize for locating principal parts.

### (III) On Groups

1) The figure enclosed by a triangle at the top of each page (Example ) indicates group number.

2) Group numbers are determined according to structure and function of parts.

3) The group number given in the index of groups coincide with the numerals (Example ) of the illustration and parts composition pages.

### (IV) Explanation of Parts Composition Lists

#### 1) Indication of composition of assembly.

(a) The spares relevant to each assembly are printed inset to the right.

(b) Spares not printed inset to the right are parts that do not constitute a part of any assembly.

(c) The space between the parts that constitute an assembly or sub assembly is widened, to clearly indicate the parts of each assembly or sub assembly.

Example:

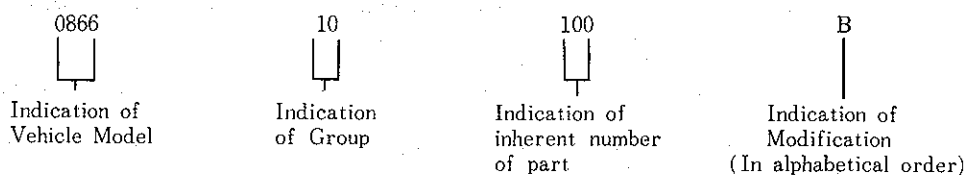
| No.           | Part Number  | Description            | Q'ty | Remarks             |
|---------------|--------------|------------------------|------|---------------------|
| (a) — 1       | 0839 14 300  | Filter, Oil            | 1    |                     |
| (b) — 2       | 0839 23 801  | Cover                  | 1    |                     |
| 3             | 0823 23 802A | Guide (EX.), Valve     | 1    | Fig. No. 4 included |
| (b) — (c) — 4 | 0813 23 803  | Clip, Valve Guide      | 1    |                     |
| (d) — 5       | 99541 01601  | Ring, "O" - Oil Filter | 2    |                     |
| 6             | 99901 0800   | Nut, Oil Filter        | 2    |                     |

- (a) ..... Includes (b) to (c)
- (b) ..... Includes (c)
- (d) ..... Is not included in any ass'y nor sub ass'y

2) On parts number

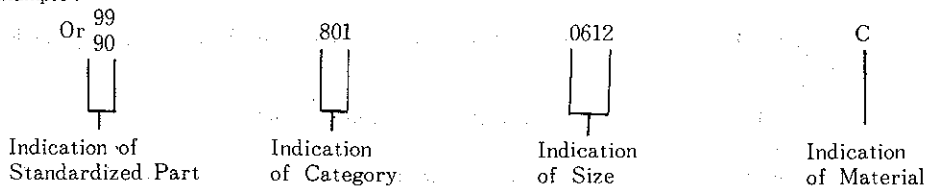
A. Exclusive parts

Example:



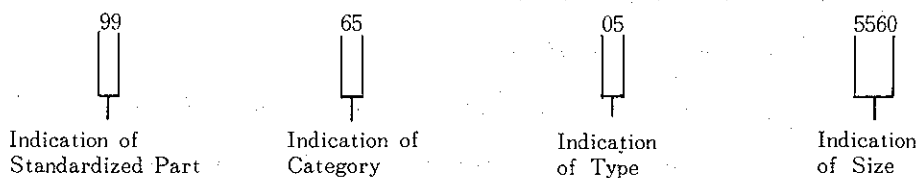
B. Standardized parts (General parts)

Example:



C. Standardized parts (Tires, Tubes, Disc Wheels, etc.)

Example:



3) On Quantity

The quantity given in the parts composition list shows number of parts used per vehicle and does not indicate selling unit.



4) Other Precautions

☆ Mark.....Parts marked thus are not available as replacement parts, therefore, when these parts are required, order in the form of assemblies (or sets) including these parts or in the form of parts interchangeable with these parts.

5) Abbreviations

|             |            |                 |   |
|-------------|------------|-----------------|---|
| (R) .....   | Right      | EX. ....        | Exhaust   |
| (L) .....   | Left       | IN: .....       | Inlet   |
| (C) .....   | Center     | T/mission ..... | Transmission  |
| (Fr.) ..... | Front      | © .....         | Parts with Different Colours<br>(Indicate Colour when Ordering) |
| (Rr.) ..... | Rear       | ▲<br>10 .....   | Indication of Group   |
| Cpt. ....   | Complete   | Manual .....    | Manual Transmission   |
| Ass'y ..... | Assembly   | Automatic ..... | Automatic Transmission  |
| Std. ....   | Standard   |                 |   |
| O.S. ....   | Over Size  |                 |   |
| U.S. ....   | Under Size |                 |   |

(V) Precautions to be taken when placing orders for parts

- 1) Always specify part numbers, names of parts and quantity required.
- 2) Be sure to list the parts in order of part number, when filling in order sheet.
- 3) As processing of orders received by us is done by electronic computers, importance is attached to the part number. Therefore, in case the part number and name of part do not coincide with each other, the part will be sent to you in accordance with the part number.
- 4) Distinction of colour of spare parts by code number is done with figures number 11 and 12 of the parts number. Therefore, add to the end of the applying part number and order.

| Example : | Part Number         | Colour Code No. | Description           |
|-----------|---------------------|-----------------|-----------------------|
|           | 0 3 0 1 5 8 8 1 0 0 | - 0 1           | Door Trim (R) (Black) |
|           | ← 10 Figures →      | ← 2 Figures →   |                       |
|           | 0 3 0 1 5 8 8 1 0 0 | - 0 4           | Door Trim (R) (Brown) |
|           | ← 10 Figures →      | ← 2 Figures →   |                       |

(VI) Replacement pages and purport

Page replacements are supplied every six months as a rule, listing parts modified or newly added and month and year date will be printed in lower corner of each replacement page. Therefore, it is essential that care be taken to check on these dates to confirm if the parts listed conform to the car imported, before ordering.

- 1) Explanation on designation given in remarks column.
  - a. Car No. .... Chassis no. of car that modification becomes effective from.  
However, for cars produced from January, 1974, refer to "List of chassis numbers" given below. (for car numbers)
  - b. % .....
  - c. O mark .....
  - d. X mark .....

e.  $\Delta$  mark..... Indicates that new part is interchangeable with old part but that old part is not interchangeable as a replacement for cars utilizing the new part.

2)  $\bullet$  mark..... This dot at front of figure number of replacement pages show the parts that have been subject to modification.

List of chassis numbers:

| Year<br>Month<br>Model   | 1974   |        |        |        |        |        |        |        |        |        |        |        |
|--------------------------|--------|--------|--------|--------|--------|--------|--------|--------|--------|--------|--------|--------|
|                          | JAN.   | FEB.   | MAR.   | APR.   | MAY    | JUN.   | JUL.   | AUG.   | SEP.   | OCT.   | NOV.   | DEC.   |
| RX-3<br>Sedan &<br>Coupe | 165673 | 166888 | 169214 | 171719 | 173263 | 173659 | 174171 | 174571 | 174610 | 174665 | 174762 | 174775 |

1975

| Year<br>Mo Del.       | JAN    | FEB    | MAR | APR | MAY | JUN | JUL | Aug | SEP | Oct | NOV | Dec |
|-----------------------|--------|--------|-----|-----|-----|-----|-----|-----|-----|-----|-----|-----|
| RX3<br>SEDAN<br>COUPE | 174803 | 174864 |     |     |     |     |     |     |     |     |     |     |
| RX3<br>WAGON          |        |        |     |     |     |     |     |     |     |     |     |     |

1973 - 1974

| Year         | 73/10  | 73/11  | 73/12  | 74/1   | 74/2   | 74/3   | 74/4   | 74/5   | 74/6   | 74/7   | 74/8   | 74/9   |
|--------------|--------|--------|--------|--------|--------|--------|--------|--------|--------|--------|--------|--------|
| Month        | OCT    | NOV    | DEC    | JAN    | FEB    | MAY    | APR    | MAY    | JUNE   | JUL    | Aug    | SEPT   |
| RX3<br>wagon | 152758 | 156387 | 158480 | 159642 | 160488 | 161716 | 163015 | 165138 | 165215 | 166252 | 166421 | 166504 |

1974 - 1975

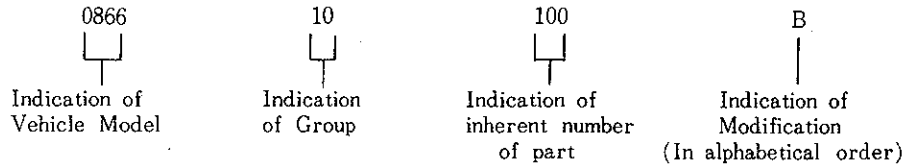
| Year         | 74/10  | 74/11  | 74/12  | 75/1   | 75/2   | 75/3 | 75/4 | 75/5 | 75/6 | 75/7 | 75/8 | 75/9 |
|--------------|--------|--------|--------|--------|--------|------|------|------|------|------|------|------|
| Month        | OCT    | NOV    | Dec    | Jan    | FEB    | MAR  | APR  | MAY  | JUNE | July | Aug  | Sept |
| RX3<br>wagon | 166504 | 166504 | 166504 | 166504 | 166504 |      |      |      |      |      |      |      |

- (a) ..... Includes (b) to (c)
- (b) ..... Includes (c)
- (d) ..... Is not included in any ass'y nor sub ass'y

2) On parts Number

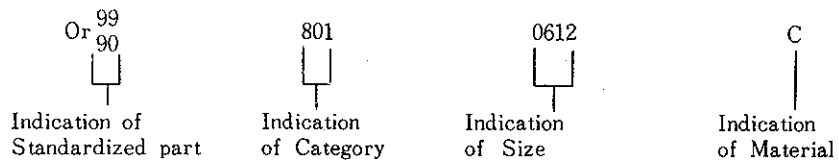
A. Exclusive parts

Example :



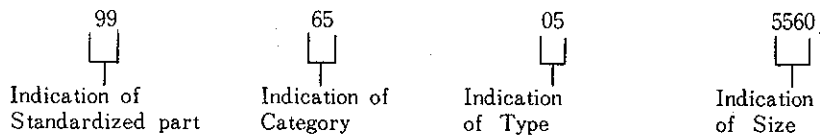
B. Standardized parts (General parts)

Example :



C. Standardized parts (Tires, Tubes, Disc Wheels, etc.)

Example :



3) On Quantity

The quantity given in the parts composition list shows number of parts used per vehicle and does not indicate selling unit.

4) Other Precautions

☆ Mark ..... Parts marked thus are not available as replacement parts, therefore, when these parts are required, order in the form of assemblies (or sets) including these parts or in the form of parts interchangeable with these parts.

5) Abbreviations

- |                      |   |
|----------------------|---|
| (R) ..... Right      | O.S. .... Over Size   |
| (L) ..... Left       | U.S. .... Under Size  |
| (C) ..... Center     | EX. .... Exhaust  |
| (Fr.) ..... Front    | IN. .... Inlet  |
| (Rr.) ..... Rear     | T/mission ..... Transmission  |
| Cpt. .... Complete   | © ..... Parts with Different Colours<br>(Indicate Colour when Ordering) |
| Ass'y ..... Assembly | ▲ <sub>10</sub> ..... Indication of Group                               |
| Std. .... Standard   | Manual ..... Manual Transmission  |
|                      | Automatic ..... Automatic Transmission                                  |

(V) Precautions to be taken when placing orders for parts

- 1) Always specify part numbers, names of parts and quantity required.
- 2) Be sure to list the parts in order of part number, when filling in order sheet.
- 3) As processing of orders received by us is done by electronic computers, importance is attached to the part number. Therefore, in case the part number and name of part do not coincide with each other, the part will be sent to you in accordance with the part number.
- 4) Distinction of colour of spare parts by code number is done by figures number 11 and 12 of the part number. Therefore add to the end of the applying part number and order.

| Example: | Part Number    | Code No.   | Description           |
|----------|----------------|------------|-----------------------|
|          | 0301 58 8100   | -01        | Door Trim (R) (Black) |
|          | ← 10 Figures → | ← 2 Fig. → |                       |
|          | 0301 58 8100   | -04        | Door Trim (R) (Brown) |
|          | ← 10 Figures → | ← 2 Fig. → |                       |

(VI) Replacement pages and purport

Page replacements are supplied in monthly frequency as a rule, listing parts modified or newly added and month and year date will be printed in lower corner of each replacement page. Therefore it is essential that care be taken to check on these dates to confirm if the parts listed conform to the car imported, before ordering.

- 1) Explanation on designation given in remarks column
  - a. Car No. .... Chassis no. of car that modification becomes effective from.
  - b.  $\omega/h$  ..... 69 designates year of modification and numerals 1 ~ 12 shows month of year.
  - c.  $\bigcirc$  mark ..... Indicates that modified part and former part are interchangeable.
  - d.  $\times$  mark ..... Indicates that former part has been superseded by new part and is no longer available.
  - e.  $\times$  mark ..... Indicates that modified part and old part are not interchangeable.
  - f.  $\Delta$  mark ..... Indicates that new part is interchangeable with old part but that old part is not interchangeable as a replacement for cars utilizing the new part.
- 2)  $\bullet$  mark ..... This dot at front of figure number of replacement pages show the parts that have been subject to modification.

# INDEX

| Group No.           | Description   | Fig. Page   | Part No.         |
|---------------------|---|-------------|------------------|
| <b>Engine Parts</b> |   |             |                  |
| <b>10</b>           | Rotor Housing (Front) (Used up to Car No. 179250 $\frac{7}{10}$ )                       | <b>1</b>    | <b>2~4-1</b>     |
| <b>10</b>           | Rotor Housing (Rear) (Used up to Car No. 179250 $\frac{7}{10}$ )                        | <b>5</b>    | <b>6~8-2</b>     |
| <b>10</b>           | Rotor Housing (Used from Car No. 160623 $\frac{7}{10}$ )                                | <b>8-A</b>  | <b>8-B~8-G</b>   |
| <b>10.11</b>        | Rotor (Used up to Car No. 179250 $\frac{7}{10}$ )                                       | <b>9</b>    | <b>10~13-2</b>   |
| <b>10.11</b>        | Rotor (Used from Car No. 160623 $\frac{7}{10}$ )  | <b>13-A</b> | <b>13-B~13-E</b> |
| <b>13</b>           | IN. & EX. Manifold  | <b>14</b>   | <b>15~16-1</b>   |
| <b>13</b>           | Starting Assist System (Model No. 1558, 1559) (Used up to Car No. 152815)               | <b>16-A</b> | <b>16-B</b>      |
| <b>13</b>           | Starting Assist System (Model No. 1558, 1559) (Used from Car No. 152816~)               | <b>16-C</b> | <b>16-D</b>      |
| <b>13.23</b>        | Air Cleaner (Used up to Car No. 179250 $\frac{7}{10}$ )                                 | <b>17</b>   | <b>18~18-1</b>   |
| <b>13.23</b>        | Air Cleaner (Used from Car No. 160623 $\frac{7}{10}$ )                                  | <b>18-A</b> | <b>18-B</b>      |
| <b>13.23</b>        | Carburettor   | <b>19</b>   | <b>20</b>        |
| <b>13.23</b>        | Carburettor (Manual) (Used up to Car No. 179250 $\frac{7}{10}$ )                        | <b>20-A</b> | <b>20-B~20-F</b> |
| <b>13.23</b>        | Carburettor (Automatic) (Used up to $\frac{7}{10}$ )                                    | <b>20-G</b> | <b>20-H~20-I</b> |
| <b>13.23</b>        | Carburettor (Automatic Used from $\frac{7}{10}$ )<br>(Manual Used from $\frac{7}{10}$ ) | <b>20-J</b> | <b>20-K~20-N</b> |
| <b>14</b>           | Oil Pump  | <b>21</b>   | <b>22~23-2</b>   |
| <b>23</b>           | Metering Oil Pump   | <b>24</b>   | <b>25~26</b>     |
| <b>14.15</b>        | Cooling System (Used up to Car No. 179250 $\frac{7}{10}$ )                              | <b>27</b>   | <b>28~31-4</b>   |
| <b>14.15</b>        | Cooling System (Used from Car No. 160623 $\frac{7}{10}$ )                               | <b>31-A</b> | <b>31-B~31-F</b> |
| <b>16</b>           | Clutch (Manual)   | <b>32</b>   | <b>33~34-1</b>   |
| <b>17</b>           | Manual T/mission (Case) (Used up to Car No. 179250 $\frac{7}{10}$ )                     | <b>35</b>   | <b>36~37</b>     |

## INDEX.

| Group No.            | Description  | Fig. Page | Part No.  |
|----------------------|--|-----------|-----------|
| 17                   | Manual T/mission (Case) (Used from Car No. 160623 $\frac{7}{10}$ )                                       | 37-A      | 37-B~37-D |
| 17                   | Manual T/mission (Gear) (Used up to Car No. 179250 $\frac{7}{9}$ )                                       | 38        | 39~41     |
| 17                   | Manual T/mission (Gear) (Used from Car No. 160623 $\frac{7}{10}$ )                                       | 41-A      | 41-B~41-D |
| 17                   | Manual T/mission (Change Control)  | 42        | 43~44-2   |
| 18.24                | Distributor (Used up to Car No. 179250 $\frac{7}{9}$ )   | 45        | 46~49     |
| 18.24                | Distributor (Used from Car No. 160623 $\frac{7}{10}$ )   | 49-A      | 49-B~49-D |
| 18.24                | Alternator   | 50        | 51~52-1   |
| 24                   | Alternator (Used up to Car No. 179250 $\frac{7}{9}$ )  | 52-A      | 52-B      |
| 18.24                | Alternator (Used from Car No. 160623 $\frac{7}{10}$ )  | 52-C      | 52-D~52-E |
| ● 18.24              | Starter & Battery (Manual) (Used up to Car No. 179250 $\frac{7}{9}$ )                                    | 53        | 54~56-3   |
| ● 18.24              | Starter & Battery (Manual Used from Car No. 160623 $\frac{7}{10}$<br>Automatic Used from $\frac{7}{4}$ ) | 56-A      | 56-B~56-C |
| ● 18.24              | Starter & Battery (Automatic) (Used up to $\frac{7}{3}$ )  | 57        | 58~60-2   |
| ● 19                 | Automatic T/mission (Converter, Oil Pump & Piping) (Used up to $\frac{7}{3}$ )                           | 61        | 62~64     |
| ● 19                 | Automatic T/mission (Converter, Oil Pump & Piping) (Used from $\frac{7}{4}$ )                            | 64-A      | 64-B~64-D |
| 19                   | Automatic T/mission (Case) (Used up to $\frac{7}{3}$ )   | 65        | 66~67     |
| ● 19                 | Automatic T/mission (Case & Main Control) (Used from $\frac{7}{4}$ )                                     | 67-A      | 67-B~67-E |
| 19                   | Automatic T/mission (Clutch & Planetary Gear)  | 68        | 69~71     |
| ● 19                 | Automatic T/mission (Low, Reverse & Governor)  | 72        | 73~74-1   |
| ● 19                 | Automatic T/mission (Manual Linkage) (Used up to $\frac{7}{3}$ )   | 75        | 76        |
| ● 19                 | Automatic T/mission (Manual Linkage) (Used from $\frac{7}{4}$ )  | 76-A      | 76-B~76-C |
| ● 19                 | Automatic T/mission (Main Control) (Used up to $\frac{7}{3}$ )   | 77        | 78~79     |
| <b>Chassis Parts</b> |  |           |           |
| 25                   | Propeller Shaft  | 80        | 81        |

# INDEX.

| Group No. | Description  | Fig. Page | Part No.        |
|-----------|--|-----------|-----------------|
| 26        | Rear Axle  | 82        | 83~84           |
| 26        | Rear Brake   | 85        | 86~88-2         |
| 27        | Driving  | 89        | 90~91-1         |
| ● 28      | Rear Suspension (Sedan & Coupe)  | 92        | 93~94-2         |
| 28        | Rear Suspension (Station Wagon)  | 94-A      | 94-B~94-C       |
| 32        | Steering System (Wheel & Gear, R.H.D.)   | 95        | 96~99-2         |
| 32        | Steering System (Wheel & Gear, L.H.D.)   | 100       | 101~103         |
| 32        | Steering System (Rod)  | 104       | 105~106         |
| 33        | Front Axle   | 107       | 108~109-1       |
| 33.49     | Disc Brake   | 109-A     | 109-B           |
| 34        | Front Suspension   | 110       | 111~113-2       |
| 39        | Engine & T/mission Bracket (Used up to Car No. 179250 $\frac{7}{8}$ )          | 114       | 115             |
| 39        | Engine & T/mission Bracket (Used from Car No. 160623 $\frac{7}{8}$ )           | 115-A     | 115-B           |
| 40        | Exhaust System   | 116       | 117             |
| 42        | Fuel Tank (Sedan & Coupe)  | 118       | 119~121-2       |
| 42        | Fuel Tank (Station Wagon)  | 121-A     | 121-B~121-D     |
| ● 13.45   | Fuel Piping (Sedan & Coupe) (Used up to $\frac{7}{8}$ )                        | 122       | 123~124-1       |
| ● 13.45   | Fuel Piping (Sedan & Coupe) (Used from $\frac{7}{8}$ )                         | 124-1-A   | 124-1-B~124-1-D |
| 13.45     | Fuel Piping (Station Wagon)  | 124-A     | 124-B~124-C     |
| 41        | Accelerator Control System (R.H.D.)  | 125       | 126             |
| 41        | Accelerator Control System (L.H.D.) (Used up to Car No. 179250 $\frac{7}{8}$ ) | 127       | 128             |

# INDEX.

| Group No.         | Description   | Fig. Page | Part No.    |
|-------------------|---|-----------|-------------|
| 41                | Accelerator Control System (L.H.D.) (Used from Car No. 160623 $\frac{7}{10}$ )              | 128       | A 128-B     |
| 41, 43            | Clutch & Brake System   | 129       | 130~132-1   |
| 41                | Clutch Release & Master Cylinder  | 133       | 134~135-1   |
| 43, 49            | Tandem Master Cylinder & Vacuum Power Assist<br>(Used up to Car No. 179250 $\frac{7}{10}$ ) | 136       | 137~139     |
| 43, 49            | Tandem Master Cylinder & Vacuum Power Assist<br>(Used from Car No. 160623 $\frac{7}{10}$ )  | 139-A     | 139-B~139-D |
| 44                | Parking Brake System  | 140       | 141~142     |
| 43, 45            | Piping (Clutch & Brake)   | 143       | 144~145-2   |
| 43, 45            | Piping (Clutch & Brake) (Arctic Spec. Model & Switzerland)                                  | 145-A     | 145-B~145-C |
| 46                | Change Controls (Automatic, R.H.D.)   | 146       | 147~148     |
| <b>Body Parts</b> |   |           |             |
| 50                | Bumper & Grille (Used up to Car No. 179250 $\frac{7}{10}$ )                                 | 149       | 150~151-2   |
| 50                | Bumper & Grille (Used from Car No. 160623 $\frac{7}{10}$ )                                  | 151-A     | 151-B~151-C |
| 52                | Bonnet & Trunk Lid  | 152       | 153~155     |
| 53, 54            | Body Panels (Front) (Used up to Car No. 179250 $\frac{7}{10}$ )                             | 156       | 157~158-3   |
| 53, 54            | Body Panels (Front) (Used from Car No. 160623 $\frac{7}{10}$ )                              | 158-A     | 158-B~158-C |
| 53, 54            | Body Panels (Side, Coupe)   | 159       | 160~161-1   |
| 53, 54            | Body Panels (Side, Sedan)   | 162       | 163~164-1   |
| 53, 54            | Body Panels (Side, Station Wagon)   | 164-A     | 164-B~164-D |
| 56                | Body Panels (Floor, Sedan & Coupe)  | 165       | 166~168-2   |
| 56                | Body Panels (Floor) (Station Wagon)   | 168-A     | 168-B~168-D |



# INDEX.

| Group No. | Description   | Fig. Page | Part No.        |
|-----------|---|-----------|-----------------|
| ● 55.60   | Dashboard   | 169       | 170~175-3       |
| ● 55.75   | Meter   | 176       | 177~178-3       |
| ● 57      | Seat (Coupe)  | 179       | 180~183-2       |
| ● 57      | Seat (Sedan)  | 184       | 185~189-2       |
| ● 57      | Seat (Station Wagon)  | 189-A     | 189-B~189-E     |
| ● 58.59   | Front Side Door (Glass)   | 190       | 191~194-3       |
| ● 58.59   | Front Side Door (Lock)  | 195       | 196~199-5       |
| ● 61      | Car Heater  | 200       | 201~203-b       |
| ● 61.76   | Heater Unit & Blower (R.H.D.)   | 203-1     | 203-2~203-3     |
| ● 61.76   | Heater Unit & Blower (L.H.D.)   | 203-4     | 203-5~203-6     |
| ● 61.79   | Car Cooler (R.H.D.)   | 203-A     | 203-B~203-F-3   |
| ● 61.79   | Car Cooler (L.H.D.) (Used up to Car No. 179250 $\frac{7}{10}$ )                 | 203-G     | 203-H~203-L     |
| ● 61.79   | Car Cooler (L.H.D.) (Used From Car No. 160623 $\frac{7}{10}$ )                  | 203-L-1   | 203-L-2~203-L-8 |
| ● 61.76   | Cooler Unit   | 203-M     | 203-N~203-N-1   |
| ● 61.76   | Cooler Unit & Control Panel (L.H.D.) (Used from Car No. 160623 $\frac{7}{10}$ ) | 203-N-2   | 203-N-3         |
| ● 61.76   | Compressor (Car Cooler)   | 203-O     | 203-P~203-Q-1   |
| ● 62.63   | Back Door (Station Wagon)   | 203-R     | 203-S~203-V     |
| ● 66      | Lamps (Front Side)  | 204       | 205~206-4       |
| ● 66      | Lamps (Rear Side)   | 207       | 208~209-2       |
| ● 66      | Lamps (Rear Side)   | 209-A     | 209-B~209-C     |

# INDEX.

| Group No. | Description                                    | Fig. Page | Part No.    |
|-----------|--|-----------|-------------|
| ● 66, 67  | Electric Equipment (Body)                      | 210       | 211~215-6   |
| ● 66, 87  | Windshield Wiper                               | 216       | 217~219     |
| ● 67, 87  | Screen Washer                                  | 220       | 221         |
| ● 66      | Auto Radio                                     | 222       | 223~225-1   |
| ● 68      | Crush Pad, Glove Pocket & Console Box          | 226       | 227~231-1   |
| ● 68      | Service Tools                                  | 232       | 233~233-1   |
| ● 69~71   | Attachment (Sedan & Coupe)                     | 234       | 235~238-4   |
| ● 69~71   | Attachment (Station Wagon)                     | 238-A     | 238-B~238-D |
| ● 69      | Top Ceiling & Trim (Sedan & Coupe)             | 239       | 240~241     |
| ● 69      | Top Ceiling & Trim (Station Wagon)             | 241-A     | 241-B~241-D |
| ● 69      | Floor Mat & Trim                               | 242       | 243~244-2   |
| ● 70, 71  | Ventilator                                     | 245       | 246         |
| ● 70, 71  | Window Glass & Moulding (Sedan & Coupe)        | 247       | 248~250-5   |
| ● 70, 71  | Window Glass & Moulding (Station Wagon)        | 250-A     | 250-B~250-D |
| ● 72, 73  | Rear Side Window (Coupe)                       | 251       | 252~255-1   |
| ● 72, 73  | Rear Side Door (Glass) (Sedan & Station Wagon) | 256       | 257~259-3   |
| ● 72, 73  | Rear Side Door (Lock) (Sedan & Station Wagon)  | 260       | 261~264-2   |
| ● 09      | Key Set  | 265       | 266~267     |
| ● 663     | INDEX  |           | 268~301     |

## ALPHABETICAL INDEX

| Description                      | Page | Description                        | Page |
|----------------------------------|------|------------------------------------|------|
| <b>ENGINE</b>                    |      |                                    |      |
| Bolt, Tension .....              | 7    | Shaft, Eccentric .....             | 11   |
| Bracket, Engine Mounting .....   | 115  | Spring, Apex Seal .....            | 10   |
| Cap, Limiter - Carburettor ..... | 20   | Spring, Corner Seal .....          | 10   |
| Cap, Oil Filler .....            | 7    | Spring, Oil Seal - Inner .....     | 10   |
| Carburettor .....                | 20   | Spring, Side Seal .....            | 10   |
| Cleaner, Air .....               | 18   | Sprocket, Drive .....              | 12   |
| Cord, Earth - Fuel Pump .....    | 123  | Support, Air Cleaner .....         | 18   |
| Cover, Dust .....                | 7    | Tray, Carburettor .....            | 20   |
| Cover, Front - Rotor .....       | 3    | Tube, Vacuum .....                 | 18   |
| Duct, Hot Air .....              | 15   | Weight, Balance (Manual) .....     | 12   |
| Engine Packing Set .....         | 4    | Weight, Counter (Automatic) .....  | 13   |
| Gauge, Oil Level .....           | 8    | Wheel, Fly .....                   | 12   |
| Gear, Drive - Distributor .....  | 12   | <b>EXHAUST SYSTEM</b>              |      |
| Gear, Stationary (Front) .....   | 11   | Hanger, Silencer .....             | 117  |
| Gear, Stationary (Rear) .....    | 11   | Joint, Main & Pre - Silencer ..... | 117  |
| Hanger, Engine .....             | 4, 8 | Manifold, EX. ....                 | 15   |
| Hose, Air .....                  | 18   | Pre - Silencer .....               | 117  |
| Hose, Hot Air .....              | 18   | Silencer, Main .....               | 117  |
| Hose, Ventilation .....          | 8    | <b>LUBRICATION</b>                 |      |
| Housing, Front - Rotor .....     | 2    | Adjuster, Chain .....              | 22   |
| Housing, Intermediate .....      | 7    | Body, Oil Pump .....               | 22   |
| Housing, Gear - Rotor .....      | 6    | Cartridge, Oil Filter .....        | 23   |
| Housing, Rotor - Front .....     | 2    | Chain, Timing .....                | 22   |
| Housing, Rotor - Rear .....      | 6    | Filter, Oil .....                  | 23   |
| Joint, Hose .....                | 6    | Gear, Driven .....                 | 23   |
| Manifold, IN. ....               | 15   | Plate, Middle - Oil Pump .....     | 22   |
| Member, Engine Mounting .....    | 115  | Plunger, Pressure Control .....    | 3    |
| Oil Seal Set - Rotor .....       | 10   | Pump, Metering Oil .....           | 25   |
| "O" Ring Set .....               | 2, 6 | Regulator, Pressure .....          | 23   |
| Pan, Oil .....                   | 8    | Rod, Connecting .....              | 23   |
| Plate, Oil Baffle .....          | 12   | Rotor, Set .....                   | 22   |
| Plate, Thrust .....              | 11   | Shaft, Driven - Gear .....         | 23   |
| Pulley .....                     | 12   | Sprocket, Driven .....             | 22   |
| Rotor, Front .....               | 10   | Strainer, Oil .....                | 22   |
| Rotor, Rear .....                | 10   | Tube, Metering Oil .....           | 23   |
| Rubber, Engine Mounting .....    | 115  | <b>COOLING</b>                     |      |
| Seal, Apex .....                 | 10   | Boss, Pulley .....                 | 28   |
| Seal, Corner .....               | 10   | Cock, Water Drain .....            | 30   |
| Seal, Side - Outer .....         | 10   | Cooler, Oil .....                  | 31   |
|                                  |      | Fan & Fan Drive .....              | 29   |

## ALPHABETICAL INDEX

| Description                        | Page | Description                           | Page |
|------------------------------------|------|---------------------------------------|------|
| Hose, Oil .....                    | 31   | Cover, Blind .....                    | 37   |
| Hose, Water .....                  | 31   | Cover, Under- Automatic .....         | 62   |
| Joint, Union .....                 | 31   | Diaphragm, Vacuum- Automatic .....    | 67   |
| Pulley, Water Pump .....           | 29   | Distributor, Oil- Automatic .....     | 74   |
| Pump, Water .....                  | 28   | Drum, Connecting- Automatic .....     | 73   |
| Radiator .....                     | 30   | End, Control Lever .....              | 43   |
| Repair Kit, Water Pump .....       | 28   | Flange, Automatic .....               | 73   |
| Shroud, Radiator .....             | 30   | Fork, Shift- 1 st & 2 nd .....        | 43   |
| Tank, Sub .....                    | 30   | Fork, Shift- 3 rd & 4 th .....        | 43   |
| Thermostat, Water .....            | 28   | Fork, Shift-Reverse .....             | 43   |
| Water Seal .....                   | 28   | Gear, Countershaft .....              | 40   |
| <b>CLUTCH</b>                      |      |                                       |      |
| Cylinder, Clutch Master .....      | 134  | Gear, Countershaft-Reverse .....      | 40   |
| Cylinder, Clutch Release .....     | 134  | Gear, Drive- Automatic .....          | 74   |
| Collar, Release .....              | 33   | Gear, Driven- Automatic .....         | 67   |
| Cover, Clutch .....                | 33   | Gear, Low .....                       | 40   |
| Cover, Dust .....                  | 33   | Gear, Main Drive .....                | 39   |
| Disc, Clutch .....                 | 33   | Gear, Reverse .....                   | 40   |
| Fork End, Push Rod .....           | 131  | Gear, Reverse Idle .....              | 40   |
| Fork, Release .....                | 33   | Gear, Second .....                    | 39   |
| Holder, Flexible Hose .....        | 135  | Gear, Speedometer Drive .....         | 41   |
| Hose, Flexible .....               | 135  | Gear, Speedometer Driven .....        | 37   |
| Housing, Clutch .....              | 33   | Gear, Third .....                     | 39   |
| Pedal, Clutch .....                | 130  | Governor- Automatic .....             | 74   |
| Pin, Pivot .....                   | 33   | Hose, Oil- Automatic .....            | 64   |
| Pipe, Clutch .....                 | 145  | Hose, Vacuum (Rr) . - Automatic ..... | 63   |
| Repair Kit, Clutch Master Cylinder | 134  | Housing, Automatic .....              | 62   |
| Rod, Push-Clutch .....             | 131  | Housing, Extension .....              | 37   |
| <b>TRANSMISSION</b>                |      |                                       |      |
| Band, Brake Automatic .....        | 69   | Housing, Extension- Automatic .....   | 66   |
| Boot, Automatic .....              | 147  | Hub, Clutch .....                     | 39   |
| Boot, Dust .....                   | 44   | Hub, Rear Clutch- Automatic .....     | 70   |
| Carrier, Front- Automatic .....    | 70   | Joint, "T"- Automatic .....           | 148  |
| Carrier, Rear- Automatic .....     | 71   | Joint, Speedometer Cable .....        | 37   |
| Case, Change Control .....         | 43   | Key, Synchronizer .....               | 39   |
| Case, T/mission- Manual .....      | 36   | Knob .....                            | 44   |
| Case, T/mission- Automatic .....   | 66   | Knob, Automatic .....                 | 147  |
| Clutch, Front- Automatic .....     | 69   | Lever, Automatic .....                | 148  |
| Clutch, Rear- Automatic .....      | 69   | Lever, Change .....                   | 44   |
| Converter, Torque- Automatic ..... | 62   | Lever, Control .....                  | 43   |
|                                    |      | Lever, Select- Automatic .....        | 76   |
|                                    |      | Lever, Selecter- Automatic .....      | 147  |

## ALPHABETICAL INDEX

| Description                            | Page | Description                  | Page    |
|--|------|------------------------------|---------|
| Member, T/mission Mount .....          | 115  | Piece, Distance .....        | 90      |
| Pan, Oil - Automatic .....             | 67   | Pinion, Differential .....   | 90      |
| Pass, Oil .....                        | 37   | Shaft, Propeller .....       | 81      |
| Pawl, Parking - Automatic .....        | 76   | Spacer .....                 | 91      |
| Pipe, Oil - Automatic .....            | 64   | Yoke .....                   | 81      |
| Pipe, Vacuum - Automatic .....         | 63   | Yoke, Sliding .....          | 81      |
| Piston, Low & Reverse - Automatic ..   | 73   | <b>FRT. &amp; RR. AXLE</b>   |         |
| Plate, Backing - Automatic .....       | 62   | Adapter .....                | 86      |
| Plate, Drive - Automatic .....         | 62   | Adapter, Mounting .....      | 108     |
| Plate, Manual - Automatic .....        | 76   | Anchor Block .....           | 86      |
| Plug, Magnet .....                     | 36   | Brake, Disc .....            | 108     |
| Pump, Ass'y - Automatic .....          | 62   | Breather .....               | 83      |
| Retainer, Servo - Automatic .....      | 66   | Cap, Center .....            | 88, 109 |
| Ring, Synchronizer (3.4) .....         | 39   | Cap, Hub .....               | 108     |
| Rod, Automatic .....                   | 148  | Cap, Wheel .....             | 88, 109 |
| Rod, Diaphragm - Automatic .....       | 67   | Casing, Rear Axle .....      | 83      |
| Rod, Shift .....                       | 43   | Cylinder, Wheel .....        | 87      |
| Rubber, T/mission Mounting .....       | 115  | Drum, Rear Brake .....       | 86      |
| Shaft, Input - Automatic .....         | 63   | Hub, Front .....             | 108     |
| Shaft, Main .....                      | 39   | Lever, Operating .....       | 87      |
| Shaft, Manual - Automatic .....        | 76   | Plate, Brake Back .....      | 86      |
| Shaft, Parking Pawl - Automatic .....  | 76   | Plate, Disc .....            | 108     |
| Shaft, Reverse Idle Gear .....         | 41   | Plug, Magnet Drain .....     | 83      |
| Shell, Sun Gear - Automatic .....      | 70   | Plug, Oil Level .....        | 83      |
| Sleeve, Clutch Hub (3.4) .....         | 39   | Ring, Dust .....             | 108     |
| Solenoid, Down Shift - Automatic ..... | 67   | Ring, Wheel .....            | 88, 109 |
| Spindle, Select Lock .....             | 44   | Rubber, Set .....            | 88, 109 |
| Spring, Synchronizer .....             | 39   | Shaft, Rear Axle .....       | 83      |
| Strut, Band - Automatic .....          | 66   | Shoe, Brake .....            | 86      |
| Support, Actuator - Automatic .....    | 76   | Strut, Operating .....       | 87      |
| Tube, Oil - Automatic .....            | 67   | Tire, 155 SR-13 Radial ..... | 88, 109 |
| Valve, Control - Automatic .....       | 78   | <b>SUSPENSION</b>            |         |
| <b>PROPELLER SHAFT &amp; DRIVING</b>   |      |                              |         |
| Carrier, Differential .....            | 90   | Arm .....                    | 112     |
| Case, Differential Gear .....          | 90   | Arm, Knuckle .....           | 112     |
| Driving & Differential .....           | 90   | Bracket, Shackle .....       | 93      |
| Flange, Companion .....                | 90   | Bumper, Bound .....          | 94, 111 |
| Gear Set, Final .....                  | 90   | Casing, Stopper .....        | 94      |
| Gear, Differential Side .....          | 90   | Clamp, Spring .....          | 93      |
| Joint, Universal .....                 | 81   | Damper, Front .....          | 113     |
|  |      | Damper, Rear .....           | 94      |

## ALPHABETICAL INDEX

| Description                                     | Page        | Description                       | Page |
|---|-------------|-----------------------------------|------|
| Holder, Rubber Pad .....                        | 94          |                                   |      |
| Member, Cross .....                             | 111         |                                   |      |
| Pad, Rubber .....                               | 94          |                                   |      |
| Pin, Spring .....                               | 93          |                                   |      |
| Plate No. 1, Shackle .....                      | 93          |                                   |      |
| Rubber, Mounting .....                          | 111         |                                   |      |
| Rubber, Stopper .....                           | 94          |                                   |      |
| Spring, Coil .....                              | 111         |                                   |      |
| Spring, Rear .....                              | 93          |                                   |      |
| Stabilizer .....                                | 111         |                                   |      |
| <b>STEERING</b>                                 |             |                                   |      |
| Arm, Pitman .....                               | 99, 103     |                                   |      |
| Boss, Steering Wheel .....                      | 96, 97, 101 |                                   |      |
| Bracket, Lower-Shaft Jacket .....               | 99, 101     |                                   |      |
| Bush, Tapered .....                             | 105         |                                   |      |
| Button, Horn .....                              | 96          |                                   |      |
| Cap, Horn .....                                 | 96, 101     |                                   |      |
| Cover, Column .....                             | 175         |                                   |      |
| Cover, Dust .....                               | 99, 103     |                                   |      |
| Cover, Side .....                               | 98, 102     |                                   |      |
| Gear, Steering .....                            | 97, 102     |                                   |      |
| Housing, Gear .....                             | 98, 103     |                                   |      |
| Idler .....                                     | 105         |                                   |      |
| Insulator .....                                 | 99          |                                   |      |
| Jacket, Shaft (Without Energy Absorbing) .....  | 97, 102     |                                   |      |
| Link, Center .....                              | 105         |                                   |      |
| Nut, Worm Ball (Without Energy Absorbing) ..... | 97          |                                   |      |
| Plate, Set .....                                | 103         |                                   |      |
| Plug, Oil .....                                 | 98, 102     |                                   |      |
| Rod, Tie .....                                  | 105         |                                   |      |
| Rubber, Fixing-Shaft Jacket .....               | 101         |                                   |      |
| Shaft, Energy Absorbing .....                   | 97, 102     |                                   |      |
| Shaft, Sector .....                             | 98, 103     |                                   |      |
| Socket Set .....                                | 105         |                                   |      |
| <b>ACCELERATION CONTROLS</b>                    |             |                                   |      |
| Cable, Choke .....                              | 173         |                                   |      |
| Pedal, Accelerator .....                        | 126, 128    |                                   |      |
| Retainer, Accelerator Rod .....                 | 128         |                                   |      |
| Rod, Accelerator Control .....                  | 126, 128    |                                   |      |
| Wire, Accel. ....                               | 126, 128    |                                   |      |
|   |             | <b>FOOT BRAKE</b>                 |      |
|   |             | Bracket, Master Cylinder .....    | 131  |
|   |             | Connector, Brake Pipe .....       | 144  |
|   |             | Cylinder, Tandem Master .....     | 137  |
|   |             | Fork End, Brake .....             | 131  |
|   |             | Holder, Reserve Tank .....        | 138  |
|   |             | Hose, Flexible .....              | 144  |
|   |             | Hose, Vacuum .....                | 144  |
|   |             | Joint, Pipe-Brake Pipe .....      | 144  |
|   |             | Pad, Pedal .....                  | 130  |
|   |             | Pedal, Brake .....                | 130  |
|   |             | Pipe No. 1, Rear Brake .....      | 144  |
|   |             | Pipe, Connector-Vacuum Hose ..... | 144  |
|   |             | Pipe, Vacuum .....                | 145  |
|   |             | Repair Kit "A" .....              | 139  |
|   |             | Repair Kit "B" .....              | 139  |
|   |             | Tank, Reserve .....               | 138  |
|   |             | Vac, Master .....                 | 139  |
|   |             | Valve, W. P. ....                 | 144  |
|   |             | <b>PARKING BRAKE</b>              |      |
|   |             | Boot .....                        | 142  |
|   |             | Cable, Front .....                | 141  |
|   |             | Cable, Rear .....                 | 141  |
|   |             | Lever, Hand Brake .....           | 141  |
|   |             | Ratchet .....                     | 141  |
|   |             | Rod, Release .....                | 141  |
|   |             | Sector .....                      | 141  |
|   |             | <b>FUEL SYSTEM</b>                |      |
|   |             | Board, Partition-Fuel Tank .....  | 119  |
|   |             | Cap, Filler .....                 | 120  |
|   |             | Elbow .....                       | 120  |
|   |             | Filter, Fuel .....                | 123  |
|   |             | Hose, Joint .....                 | 119  |
|   |             | Lid, Filler .....                 | 120  |
|   |             | Pipe, Filler .....                | 119  |
|   |             | Pipe, Fuel-Carburettor Side ..... | 123  |
|   |             | Pipe, Fuel-Fuel Pump .....        | 123  |
|   |             | Pipe, Soft Vinyl .....            | 119  |
|   |             | Plate, Back Up .....              | 120  |
|   |             | Pump, Fuel .....                  | 123  |

## ALPHABETICAL INDEX

| Description                                      | Page       | Description                            | Page       |
|--|------------|--|------------|
| Tank, Fuel .....                                 | 119        | Harness, Wire - Reverse Lamp .....     | 213        |
| Tube, Vent .....                                 | 120        | Horn, Electric .....                   | 212        |
| <b>ELECTRICAL EQUIPMENT</b>                      |            | Lamp, Front Turn Signal .....          | 206        |
| Alternator .....                                 | 51         | Lamp, Head .....                       | 205        |
| Antenna, Auto Radio .....                        | 223        | Lamp, Licence .....                    | 208, 209   |
| Arm, Wiper .....                                 | 217        | Lamp, Rear Combination .....           | 208        |
| Auto Radio & Stereo .....                        | 223        | Lamp, Room .....                       | 211        |
| Auto Radio Cpt. ....                             | 223        | Lamp, Side Turn Signal .....           | 206        |
| Battery .....                                    | 55, 59, 60 | Lens, Illumination .....               | 171        |
| Beam Unit, Sealed No. 1 .....                    | 205        | Lighter, Cigar .....                   | 175        |
| Belt, "V" .....                                  | 52         | Loud Speaker .....                     | 224        |
| Blade, Wiper .....                               | 217        | Meter Set .....                        | 177        |
| Block, Fuse .....                                | 211        | Meter, Combination .....               | 178        |
| Block, Main Fuse .....                           | 211        | Motor, Wiper .....                     | 217        |
| Bracket, Alternator .....                        | 52         | Motor & Link - Wiper .....             | 217        |
| Bracket, Ignition Coil .....                     | 46         | Ornament, Without Auto Clock .....     | 172        |
| Bracket, Relay .....                             | 215        | Plug, Sparking .....                   | 47         |
| Bulb & Socket .....                              | 231        | Reflector, Reflex - Rear .....         | 209        |
| Cable, Battery Positive .....                    | 56, 60     | Regulator .....                        | 49         |
| Cable, Speedometer .....                         | 173        | Relay, Horn .....                      | 212        |
| Clamp, Battery .....                             | 55, 59, 60 | Relay, Ignition Cord .....             | 214        |
| Clock, Auto .....                                | 171        | Relay, Wiper Switch .....              | 214, 215   |
| Coil, Ignition .....                             | 46         | Socket, Distributor .....              | 49         |
| Condenser .....                                  | 224        | Starter .....                          | 54, 58     |
| Control Unit, Center .....                       | 214        | Strap, Alternator .....                | 52         |
| Cord, Back Window - Heating Wire use .....       | 215        | Switch, Combination .....              | 174        |
| Cord, Earth .....                                | 121        | Switch, Door .....                     | 215        |
| Cord, High Tension .....                         | 47         | Switch, Ignition & Steering Lock ..... | 266        |
| Cord, High Tension - Coil - Distributor .....    | 46         | Switch, Kick Down .....                | 126        |
| Cord, Parking Lamp Switch .....                  | 142        | Switch, Oil Level Warning .....        | 8          |
| Distributor .....                                | 47         | Switch, Oil Pressure .....             | 6          |
| Flasher & Hazard Unit .....                      | 214, 215   | Switch, Parking Lamp .....             | 142        |
| Flasher Unit, For France .....                   | 215        | Switch, Reverse Lamp .....             | 44         |
| Gauge, Fuel Tank .....                           | 120        | Switch, Stop Lamp .....                | 132        |
| Gauge Unit, Water Heat .....                     | 28         | Switch, Vacuum .....                   | 18         |
| Harness, Wire - Front .....                      | 212        | Tray, Battery .....                    | 55, 59, 60 |
| Harness, Wire - Rear .....                       | 213        | Tube, Vacuum Control .....             | 49         |
| Harness, Wire - Engine .....                     | 213        | Washer Set, Screen .....               | 221        |
| Harness, Wire - Ignition Coil Relay - Coil ..... | 213        | Wire, Earth .....                      | 60         |
| Harness, Wire - Meter .....                      | 213        | Wire, Earth - Battery .....            | 56         |

## ALPHABETICAL INDEX

| Description                      | Page          | Description                    | Page          |
|----------------------------------|---------------|--------------------------------|---------------|
| <b>BODY &amp; FITTINGS</b>       |               |                                |               |
| Adjuster No. 1, Seat .....       | 181, 187      | Grille, Extractor .....        | 238           |
| Bar, Front Bumper .....          | 150           | Grille, Radiator .....         | 151           |
| Bar, Rear Bumper .....           | 150           | Guard Set, Bumper .....        | 151           |
| Belt, Front Safety .....         | 183, 189      | Guide "A", Glass .....         | 191, 253      |
| Belt, Rear Safety .....          | 189           | Handle, Outer Side .....       | 197, 262      |
| Bezel, Lamp .....                | 151           | Handle, Inner .....            | 197, 261      |
| Blank Key, Primary Key .....     | 266           | Handle, Regulator .....        | 198, 253, 262 |
| Body, Door-Front .....           | 191           | Hinge, Bonnet .....            | 153           |
| Body, Door-Rear .....            | 257           | Hinge, Door .....              | 198, 262, 263 |
| Bonnet .....                     | 153           | Hinge, Trunk Lid .....         | 154           |
| Brace, Diagonal .....            | 161, 164      | Holder, Belt .....             | 183, 189      |
| Bracket, Lift-Front .....        | 191           | Holder, Number Plate .....     | 150           |
| Bracket, Lift-Rear (Coupe) ..... | 252           | Hook, Bonnet .....             | 153           |
| Bracket, Lift-Rear (Sedan) ..... | 257           | Hook, Front & Rear Frame ..... | 166           |
| Carrier, Battery .....           | 158           | Insulator No. 1 .....          | 167           |
| Chamber .....                    | 237           | Knuckle, Seat .....            | 181, 187      |
| Channel, Center .....            | 257           | Lid, Trunk .....               | 154           |
| Channel, Glass Run-Front .....   | 192           | Lock, Bonnet .....             | 153           |
| Channel, Glass Run-Rear .....    | 253           | Lock, Door .....               | 196, 261      |
| Clamp, Release Wire-Bonnet ..... | 154           | Lock, Lid .....                | 155           |
| Cover, Inner Handle .....        | 197, 261      | Louver .....                   | 246           |
| Cover, Service Hole .....        | 168           | Member No. 1, Cross .....      | 166           |
| Cover, Under .....               | 167           | Member No. 3, Cross .....      | 167           |
| Cushion, Seat-Rear .....         | 182, 187      | Mould "A", Sash .....          | 193           |
| Cushion, Seat .....              | 180, 185      | Mould, Beltline .....          | 193, 254, 259 |
| Dam, Window Glass .....          | 248, 249      | Mould, Drip .....              | 250           |
| Duct, Ventilator .....           | 246           | Mould, Front .....             | 151           |
| Extractor .....                  | 237           | Mould, Rear .....              | 249           |
| Frame, Extractor .....           | 237           | Mould, Lower-Front .....       | 248           |
| Frame, Front-Floor .....         | 166           | Mould, Quarter Line .....      | 254           |
| Frame, Rear-Floor .....          | 166           | Mould, Sash .....              | 259           |
| Garnish .....                    | 254           | Mould, Step .....              | 250           |
| Garnish, Arm Rest .....          | 192, 254, 258 | Mould, Upper-Front .....       | 248           |
| Glass, Back Window .....         | 248           | Panel, Rear End .....          | 161           |
| Glass, Front Side Door .....     | 191           | Panel, Quarter Inner .....     | 160           |
| Glass, Front Window .....        | 248           | Panel, Rear Deck .....         | 164           |
| Glass, Quarter Window .....      | 258           | Panel, Rear End .....          | 164           |
| Glass, Rear Side Door .....      | 257           | Panel, Roof .....              | 164           |
| Glass, Side Window .....         | 252           | Panel, Cowl Side .....         | 163           |



## ALPHABETICAL INDEX

| Description                  | Page                  | Description                                   | Page                  |
|------------------------------|-----------------------|---|-----------------------|
| Panel, Cowl .....            | 157                   | Stripe, Front Fender .....                    | 238                   |
| Panel, Cowl Side .....       | 160                   | Stripe, Front Side Door .....                 | 238                   |
| Panel, Dashboard-Lower ..... | 157                   | Tray, Ash .....                               | 181, 187              |
| Panel, Dashboard-Upper ..... | 157                   | Tray, Package .....                           | 161, 164              |
| Panel, Floor Side .....      | 167                   | Trim, Back Seat .....                         | 181, 186              |
| Panel, Front Fender .....    | 157                   | Trim, Cushion .....                           | 180, 185, 188         |
| Panel, Front Skirt .....     | 158                   | Trim, Door .....                              | 192, 258              |
| Panel, Nose .....            | 158                   | Trim, Quarter .....                           | 254                   |
| Panel, Rear Deck .....       | 161                   | Trim, Rear Seat .....                         | 182                   |
| Panel, Rear Fender .....     | 160, 164              | Trim, Seat Back .....                         | 182, 188              |
| Panel, Roof .....            | 161                   | Valve, Check-Side Sill .....                  | 161                   |
| Panel, Shroud .....          | 157                   | Ventilator .....                              | 246                   |
| Panel, Shroud-Upper .....    | 158                   | Weatherstrip .....                            | 155, 193, 257,<br>258 |
| Panel, Wheel Apron .....     | 157                   | Weatherstrip, Inner .....                     | 192                   |
| Panel, Wheel House .....     | 166                   | Weatherstrip, Outer .....                     | 192, 258              |
| Pan, Front Floor .....       | 166                   | Weatherstrip Outer "A" .....                  | 253                   |
| Pan, Rear Floor .....        | 166                   | Weatherstrip, Outer "B" .....                 | 253                   |
| Pan, Spare Tire .....        | 167                   | Welt, Seaming .....                           | 193, 254, 259         |
| Pillar, Center-Outer .....   | 160, 163              | Wire, Release .....                           | 154                   |
| Pillar, Front Inner .....    | 160, 163              | Wire, Ventilator Control .....                | 246                   |
| Pillar, Hinge Outer .....    | 160, 163              | <b>KITS, ACCESSORIES &amp; OPTIONAL PARTS</b> |                       |
| Pillar, Rear Inner .....     | 163                   | Blower .....                                  | 201                   |
| Plate, Guide .....           | 158                   | Box, Hood Center .....                        | 171                   |
| Plate, Scarf-Front .....     | 249                   | Box, Glove-Outer .....                        | 229                   |
| Rack .....                   | 199, 263              | Bracket, Center Panel .....                   | 170                   |
| Regulator, Window .....      | 197, 252, 262         | Bracket, Choke .....                          | 173                   |
| Rest, Arm .....              | 192, 254, 258         | Ceiling, Top .....                            | 240                   |
| Rod, Door Lock .....         | 196, 261              | Cloth, Cover .....                            | 227                   |
| Scoop, Air .....             | 154                   | Console, End .....                            | 230                   |
| Seat, Back .....             | 180, 182, 186,<br>188 | Console, Front .....                          | 230                   |
| Seat, Front .....            | 180, 185              | Cosole, Rear .....                            | 230                   |
| Sill, Side-Inner .....       | 166                   | Control .....                                 | 201                   |
| Sill, Side-Outer .....       | 160, 163              | Duct .....                                    | 201                   |
| Spring, Balance .....        | 155                   | Emblem, Front .....                           | 235                   |
| Spring, Lift .....           | 153                   | Garnish .....                                 | 227                   |
| Stay, Front Bumper .....     | 150                   | Grille .....                                  | 237                   |
| Stay, Rear Bumper .....      | 150                   | Guide, Ventilator .....                       | 174                   |
| Stopper, Bonnet .....        | 153                   | Handle, Assist .....                          | 237                   |
| Stoneguard .....             | 250                   | Hanger, Coat .....                            | 237                   |
| Striker .....                | 155                   | Heater Set .....                              | 201                   |

## ALPHABETICAL INDEX

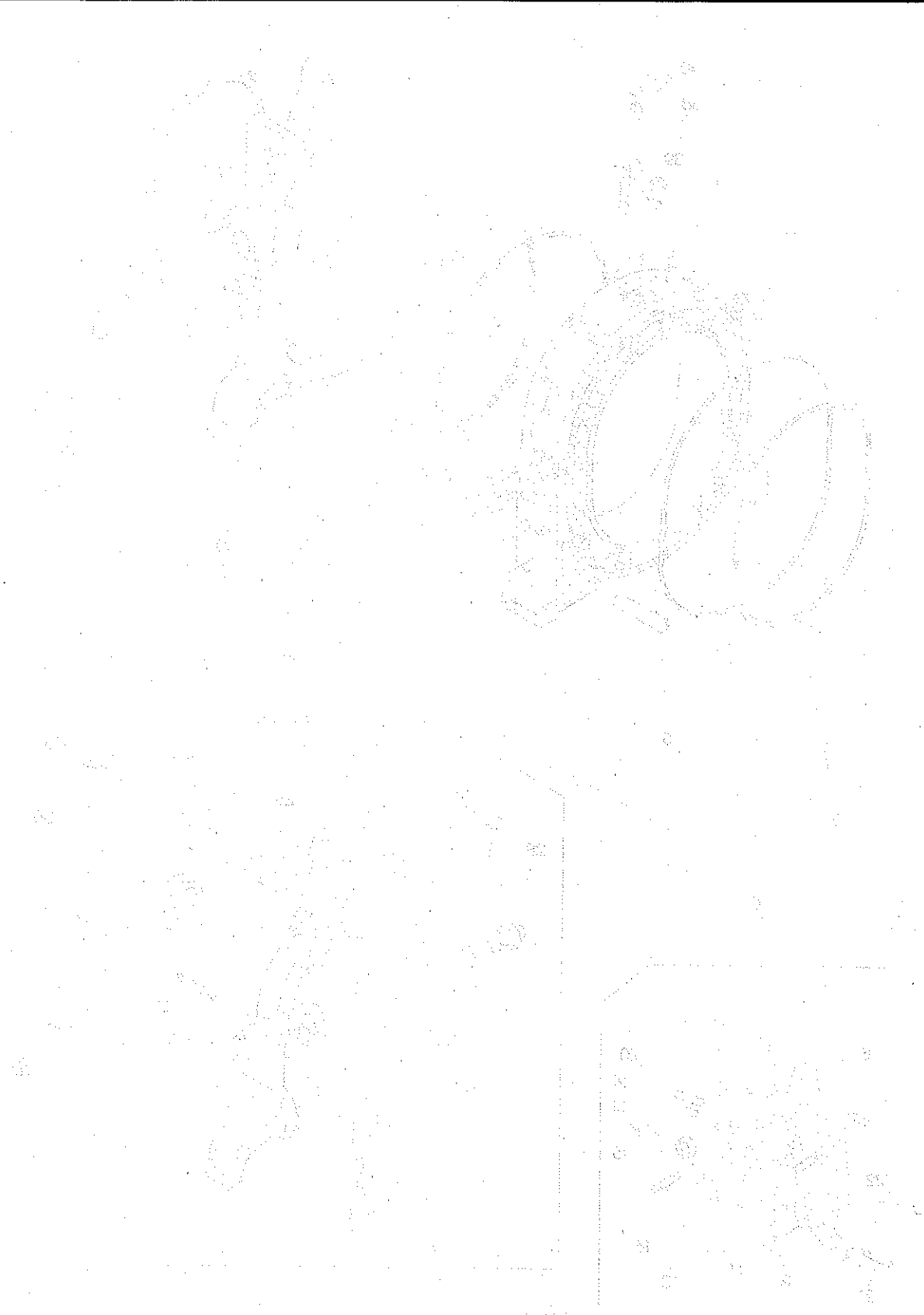
| Description                      | Page | Description               | Page |
|----------------------------------|------|---------------------------|------|
| Heater Unit .....                | 201  | Sun Visor .....           | 237  |
| Holder, Grille .....             | 170  | Tools .....               | 233  |
| Hood No. 1 .....                 | 170  | Tray, Ash (Frt.) .....    | 228  |
| Hood No. 2 .....                 | 171  | Tray, Ash-Rear .....      | 231  |
| Hose No. 1 .....                 | 202  | Trim, Center Pillar ..... | 241  |
| Hose, Defroster .....            | 201  | Trim, Front Pillar .....  | 240  |
| Insulator .....                  | 243  | Trim, Front Side .....    | 240  |
| Jack .....                       | 233  | Trim, Package Tray .....  | 241  |
| Key Primary .....                | 266  | Trim, Rear Pillar .....   | 241  |
| Key Set .....                    | 266  | Trim, Tire House .....    | 243  |
| Key Sub Set .....                | 266  | Wire, Jack .....          | 233  |
| Key Sub Set, Filler Lid .....    | 266  |                           |      |
| Key Sub Set, Steering Lock ..... | 266  |                           |      |
| Key Sub Set, Trunk Lid .....     | 266  |                           |      |
| Key, Secondary .....             | 266  |                           |      |
| Lid, Glove Box .....             | 228  |                           |      |
| Mat (Frt., C) .....              | 243  |                           |      |
| Mat (Frt., L) .....              | 243  |                           |      |
| Mat (Frt., R) .....              | 243  |                           |      |
| Mat (Rr., C) .....               | 243  |                           |      |
| Mat (Rr., L) .....               | 243  |                           |      |
| Mat (Rr., R) .....               | 243  |                           |      |
| Mat, End .....                   | 243  |                           |      |
| Mat, Trunk Room .....            | 243  |                           |      |
| Member, Lower .....              | 172  |                           |      |
| Mirror, Door .....               | 236  |                           |      |
| Mirror, Rear View .....          | 235  |                           |      |
| Mirror, Room .....               | 236  |                           |      |
| Name, Plate .....                | 235  |                           |      |
| Nozzle, Defroster .....          | 174  |                           |      |
| Ornament .....                   | 235  |                           |      |
| Pad, Lower .....                 | 227  |                           |      |
| Pad, Crush .....                 | 227  |                           |      |
| Panel, Control .....             | 201  |                           |      |
| Pipe, Heater .....               | 202  |                           |      |
| Plate No. 2, Fixing-Rear .....   | 240  |                           |      |
| Plate, Center .....              | 171  |                           |      |
| Plate, Fixing-Front .....        | 240  |                           |      |
| Rest, Center Arm .....           | 230  |                           |      |
| Shelf, Parcel .....              | 229  |                           |      |

ROTOR HOUSING

UNIT OF NO. OF THE UNIT



1  
2  
3  
4  
5  
6  
7  
8  
9  
10  
11  
12  
13  
14  
15  
16  
17  
18  
19  
20  
21  
22  
23  
24  
25  
26  
27  
28  
29  
30  
31  
32  
33  
34  
35  
36  
37  
38  
39  
40  
41  
42  
43  
44  
45  
46  
47  
48  
49  
50  
51  
52  
53  
54  
55  
56  
57  
58  
59  
60  
61  
62  
63  
64  
65  
66  
67  
68  
69  
70  
71  
72  
73  
74  
75  
76  
77  
78  
79  
80  
81  
82  
83  
84  
85  
86  
87  
88  
89  
90  
91  
92  
93  
94  
95  
96  
97  
98  
99  
100

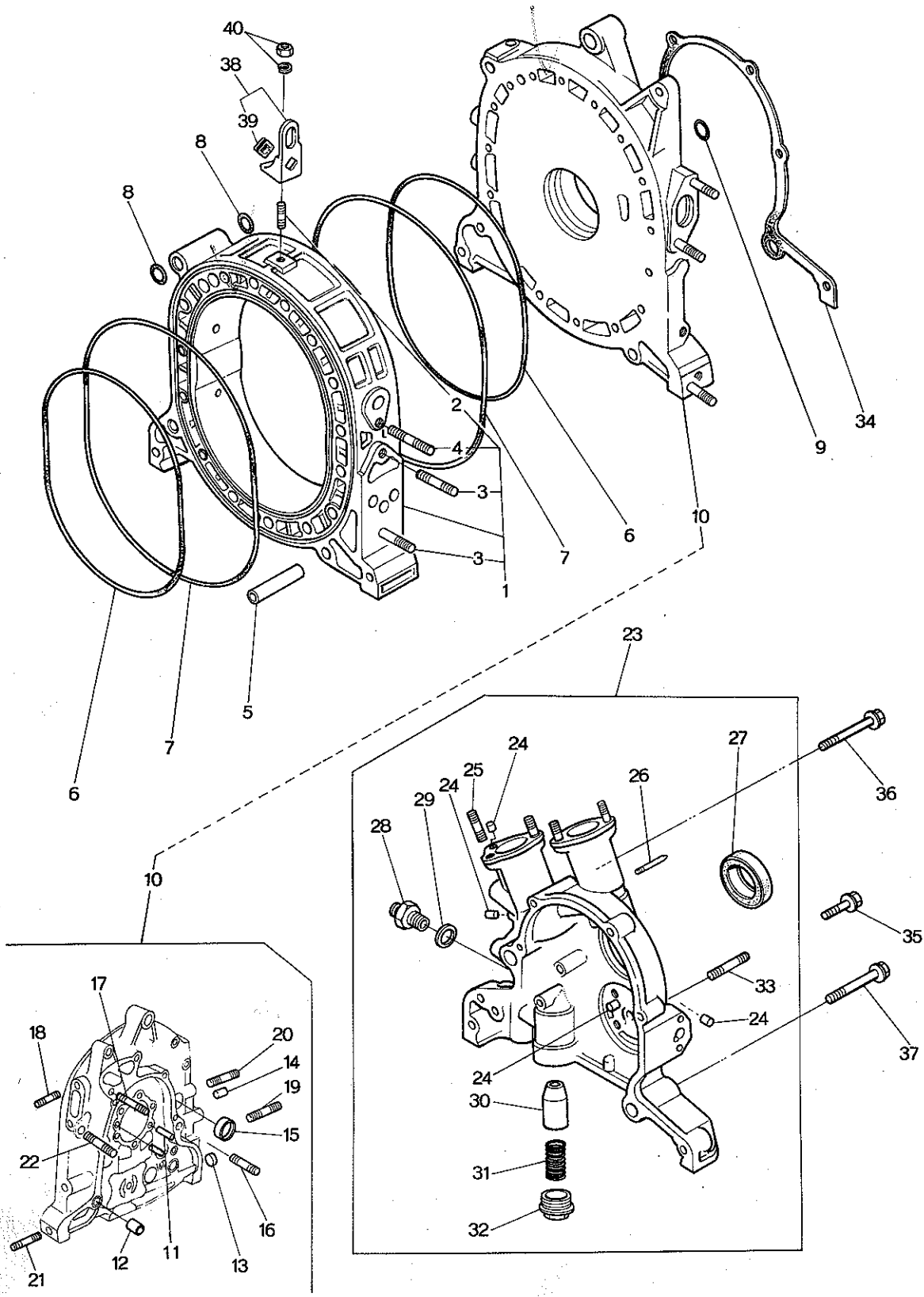


FROM THE FIG. 1 DRAWING OF THE UNIT (REV)

10

# ROTOR HOUSING (FRONT)

(USED UP TO CAR NO. 179250 <sup>73</sup>/<sub>9</sub>)



# ROTOR HOUSING (FRONT)

(USED UP TO CAR NO. 179250  $\frac{7}{8}$ )



| No. | Part Number   | Description                                   | Q'ty  | Remarks                          |
|-----|---|---|-------|----------------------------------|
| 1   | 0866 10 100 B   | Housing, Rotor                                | 1     |                                  |
|     | 0866 10 100 C   | Housing, Rotor                                | 1     | Car No. 144175 $\frac{7}{4}$ ~○  |
|     | 0866 10 100 D   | Housing, Rotor                                | 1     | Car No. 151984 $\frac{7}{8}$ ~○  |
| ✓ 2 | 99851 0814 A  | Stud, Engine Hanger                           | 1     |                                  |
|     | 0866 10 105   | Stud, Engine Hanger                           | 1     | Car No. 146346 $\frac{7}{5}$ ~○  |
| 3   | 0839 10 105   | Stud, EX. Manifold                            | 2     |                                  |
| 4   | 99851 0850 A ✓  | Stud, IN. Manifold                            | 1     |                                  |
| 5   | 0813 10 111   | Dowel, Tubular                                | 2     |                                  |
| 6   | 0810 10 171   | Ring, "O" - Inner                             | 2     |                                  |
|     | 1668 10 171   | Ring, "O" - Inner                             | 2     | Car No. 155593 $\frac{7}{10}$ ~○ |
| ⑦   | 0866 10 172 A   | Ring, "O" - Outer                             | 2     |                                  |
| ⑧   | 0813 10 173   | Ring, "O" - Tubular Dowel                     | 4     |                                  |
| 9   | 0813 10 174   | Ring, "O" - Tension Bolt                      | 1     |                                  |
|     | 0866 23 040   | "O" Ring Set (Fig. No. 6~9 included)          | 1 Set |                                  |
|     | 0866 23 040 A   | "O" Ring Set (Fig. No. 6~9 included)          | 1     | Car No. 155593 $\frac{7}{10}$ ~○ |
|     | (1665 10 200 A) and { 1665 10 200 C<br>99852 0865 A } | } are interchangeable when exchanged as a set |       |                                  |
|     | (0866 10 200 E) and { 0866 10 200 A<br>99852 0865 A } |   |       |                                  |



# ROTOR HOUSING (FRONT)

(USED UP TO CAR NO. 179250 <sup>73</sup>/<sub>9</sub>)

| No.  | Part Number   | Description        | Q'ty | Remarks   |
|------|---------------|--------------------|------|---|
| • 10 | 0866 10 200 E | Housing, Front     | 1    |   |
| •    | 0866 10 200 H | Housing, Front     | 1    | General Spec. Car No. 152816 <sup>73</sup> / <sub>9</sub> ~X                                      |
| •    | 0870 10 200 C | Housing, Front     | 1    | Hole Car No. 152816 <sup>73</sup> / <sub>9</sub> ~○   |
| •    | 2359 10 200 D | Housing, Front     | 1    |   |
| •    | 1665 10 200 A | Housing, Front     | 1    | Car No. 140779 <sup>72</sup> / <sub>2</sub> ~△  |
| •    | 1665 10 200 C | Housing, Front     | 1    | ECE Cold Spec. (1558, 1559) with Block Heater Hole Car No. 152816 <sup>73</sup> / <sub>9</sub> ~X |
| •    | 1665 10 200 D | Housing, Front     | 1    | Car No. 152816 <sup>73</sup> / <sub>9</sub> ~○  |
| 11   | 0839 10 203   | Pin, Dowel         | 1    |   |
| 12   | 2329 10 204   | Dowel, Tubular     | 2    |   |
| 13   | 0839 10 206   | Plug, Blind        | 1    |   |
| 14   | 0839 10 205   | Plug, Blind        | 3    |   |
| 15   | 99306 3000    | Plug, Blind-Water  | 4    |   |
| 16   | 99852 0655    | Stud               | 2    |   |
| 17   | 99852 0878 A  | Stud, Water Pump   | 2    |   |
| 18   | 99852 0822 A  | Stud, IN. Manifold | 2    |   |
| 19   | 99859 1220 A  | Stud, Mounting     | 2    |   |
| 20   | 99859 1225 A  | Stud               | 1    |   |
| 21   | 99852 1016    | Stud               | 1    |   |
| 22   | 99852 0865 A  | Stud               | 1    |   |
|      | 99852 0878 A  | Stud               | 1    | Car No. 150526 <sup>72</sup> / <sub>8</sub> ~X  |

# ROTOR HOUSING (FRONT)

(USED UP TO CAR NO. 179250<sup>73/9</sup>)

10

| No.  | Part Number   | Description               | Q'ty | Remarks                            |
|------|---------------|---------------------------|------|------------------------------------|
| 23   | 0866 10 600   | Cover, Front              | 1    |                                    |
|      | 0866 10 600 A | Cover, Front              | 1    | Car No. 159447 <sup>72/11</sup> ~△ |
| √ 24 | 99307 0600    | Plug, Blind               | 5    |                                    |
| √ 25 | 99851 0818 A  | Stud, Distributor         | 4    |                                    |
| 26   | 0820 10 631 A | Pin, Indicator            | 1    |                                    |
| 27   | 0820 10 605   | Oil Seal                  | 1    |                                    |
| √ 28 | 89384 1200    | Joint, Union              | 1    |                                    |
| ↓ ●  | 99384 1200 F  | Joint, Union              | 1    | Car No. 175279 <sup>74/1</sup> ~○  |
| ↓ ●  | 99384 1200    | Joint, Union              | 1    | Car No. 163569 <sup>73/11</sup> ~○ |
| √ 29 | 99562 1600    | Gasket                    | 1    |                                    |
| 30   | 0839 14 115   | Plunger, Pressure Control | 1    |                                    |
| 31   | 0839 14 273   | Spring                    | 1    |                                    |
|      | 0839 14 273 A | Spring                    | 1    | Car No. 159447 <sup>72/11</sup> ~△ |
| 32   | 0221 14 117   | Plug                      | 1    |                                    |
|      | 0839 14 274   | Plug                      | 1    | Car No. 159447 <sup>72/11</sup> ~△ |
| √ 33 | 99855 1020 A  | Stud                      | 4    |                                    |
| 34   | 0839 10 641   | Gasket, Front Cover       | 1    |                                    |
| 35   | 99801 0840    | Bolt, Front Cover         | 4    |                                    |
|      | 99952 0800    | Washer, Plain             | 4    |                                    |

10

**ROTOR HOUSING (FRONT)**  
 (USED UP TO CAR NO. 179250 <sup>73%</sup>)

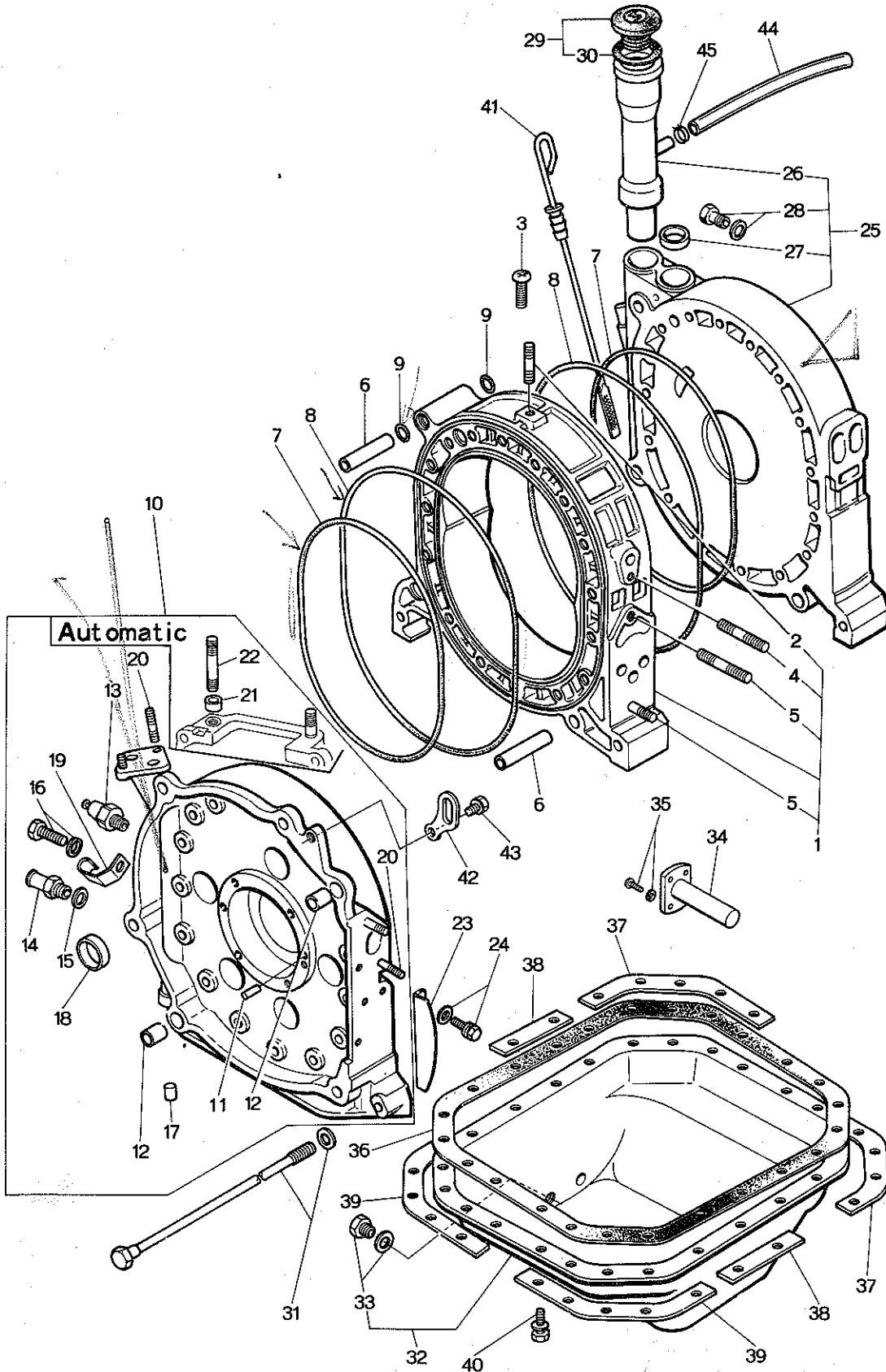
| No. | Part Number  | Description        | Q'ty | Remarks                                     |
|-----|--------------|--------------------|------|---|
|     | 99971 0800   | Washer, Spring     | 4    |   |
| 36  | 99801 0865   | Bolt, Front Cover  | 1    |   |
|     | 99952 0800   | Washer, Plain      | 1    |   |
|     | 99971 0800   | Washer, Spring     | 1    |   |
| 37  | 99801 0875   | Bolt, Front Cover  | 2    |   |
|     | 99952 0800   | Washer, Plain      | 2    |   |
|     | 99971 0800   | Washer, Spring     | 2    |   |
| 38  | 2869 10 860  | Hanger, Engine     | 1    |   |
| •   | 0871 10 862A | Hanger, Engine     | 1    | Car No. 171556 <sup>73%</sup> ~X            |
| •   | 1011 18 319  | Clip               | 1    | Car No. 171556 <sup>73%</sup> ~Added Anew   |
| 39  | 2329 10 864  | Protector, Hanger  | 1    |   |
| 40  | 99901 0800   | Nut, Engine Hanger | 1    | } Car No. 171556 <sup>73%</sup> ~ Discarded |
|     | 99971 0800   | Washer, Spring     | 1    |   |
|     | 0866 99 100C | Engine Parking Set | 1    | Set   |
| Ⓝ   | 1665 14 200D | Pellet Oil         | 1    |   |
| Ⓝ   | 99564 1000   | Packing            | 1    | Car No. 135808 <sup>72%</sup> ~Added Anew   |
| Ⓝ   | 99503 1000   | Plug, Blaind       | 1    |   |





# ROTOR HOUSING (REAR)

(USED UP TO CAR NO. 179250 <sup>73</sup>/<sub>9</sub>)



# ROTOR HOUSING (REAR)

(USED UP TO CAR NO. 179250 <sup>73</sup>/<sub>9</sub>)

**10**

| No.   | Part Number  | Description                            | Q'ty | Remarks  |
|-------|--------------|--|------|--|
| 1     | 0866 10 100B | Housing, Rotor (Manual)                | 1    |  |
|       | 0866 10 100C | Housing, Rotor (Manual)                | 1    | Car No. 144175 <sup>74</sup> / <sub>4</sub> ~ ○          |
|       | 0866 10 100D | Housing, Rotor (Manual)                | 1    | Car No. 151984 <sup>78</sup> / <sub>8</sub> ~ ○          |
|       | 0871 10 150A | Housing, Rotor (Automatic)             | 1    |  |
|       | 0871 10 150B | Housing, Rotor (Automatic)             | 1    | Car No. 144175 <sup>74</sup> / <sub>4</sub> ~ ○          |
|       | 0871 10 150C | Housing, Rotor (Automatic)             | 1    | Car No. 151984 <sup>78</sup> / <sub>8</sub> ~ ○          |
| 2     | 99851 0816A  | Stud, Engine Hanger (Manual)           | 1    |  |
|       | 0866 10 105  | Stud, Engine Hanger (Manual)           | 1    | Car No. 146346 <sup>75</sup> / <sub>5</sub> ~ ○          |
| ✓3    | 99833 0810   | Screw (Automatic)                      | 1    |  |
| ● ✓   | 99801 0812   | Screw (Automatic)                      | 1    | Car No. 159447 <sup>71</sup> / <sub>11</sub> ~ ○         |
| 4     | 99851 0850A  | Stud, IN. Manifold                     | 1    |  |
| 5     | 0839 10 105  | Stud, EX. Manifold                     | 2    |  |
| 6     | 0813 10 111  | Dowel, Tubular                         | 2    |  |
| 7     | 0810 10 171  | Ring, "O"-Inner                        | 2    |  |
|       | 1668 10 171  | Ring, "O"-Inner                        | 2    | Car No. 155593 <sup>72</sup> / <sub>10</sub> ~ ○         |
| 8     | 0866 10 172A | Ring, "O"-Outer                        | 2    |  |
| 9     | 0813 10 173  | Ring, "O"-Tubular Dowel                | 4    |  |
|       | 0866 23 040  | "O" Ring Set (Fig. No. 7 ~ 9 included) | 1    | Set  |
|       | 0866 23 040A | "O" Ring Set (Fig. No. 7 ~ 9 included) | 1    | Set Car No. 155593 <sup>72</sup> / <sub>10</sub> ~ ○     |
| ● (N) | 0866 23 025  | Protector                              | 4    | Car No. 167747 <sup>75</sup> / <sub>5</sub> ~ Added Anew |



# ROTOR HOUSING (REAR)

(USED UP TO CAR NO. 179250 <sup>73</sup>/<sub>9</sub>)

| No. | Part Number  | Description               | Q'ty | Remarks  |
|-----|--------------|---------------------------|------|--|
| 10  | 0866 10 300E | Housing, Rear (Manual)    | 1    |  |
|     | 0866 10 300G | Housing, Rear (Manual)    | 1    | Car No. 152816 <sup>73</sup> / <sub>9</sub> ~○ |
|     | 0870 10 300B | Housing, Rear (Manual)    | 1    | Car No. 152816 <sup>73</sup> / <sub>9</sub> ~○ |
|     | 0871 10 300D | Housing, Rear (Automatic) | 1    |  |
|     | 0871 10 300E | Housing, Rear (Automatic) | 1    | Car No. 152816 <sup>73</sup> / <sub>9</sub> ~○ |
|     | 0872 10 300B | Housing, Rear (Automatic) | 1    | Car No. 152816 <sup>73</sup> / <sub>9</sub> ~○ |
| 11  | 0820 10 203  | Pin, Dowel                | 1    |  |
| 12  | 0221 10 309  | Pin, Tubular              | 2    |  |
| 13  | 0866 18 501A | Switch, Oil Pressure      | 1    |  |
| 14  | 0866 10 320A | Joint, Hose               | 1    |  |
| 15  | 99562 1600   | Gasket                    | 1    |  |
| 16  | 99811 1010   | Bolt                      | 1    |  |
|     | 99971 1000   | Washer, Spring            | 1    | (Manual)                                       |
| 17  | 0839 10 205  | Plug, Blind               | 1    |  |
| 18  | 99306 3000   | Plug, Blind               | 5    |  |
| 19  | 0866 18 496  | Clip (Manual)             | 1    |  |
| 20  | 99852 0822A  | Stud                      | 3    |  |
| 21  | 99234 1208   | Pin, Tubular              | 2    |  |
|     | 99852 0830A  | Stud                      | 2    | (Automatic)                                    |

# ROTOR HOUSING (REAR)

(USED UP TO CAR NO. 179250<sup>73/9</sup>)

10

| No. | Part Number  | Description           | Q'ty | Remarks                              |
|-----|--------------|-----------------------|------|--------------------------------------|
| 23  | 0820 10 305  | Cover, Dust           | 1    |                                      |
| 24  | 99806 0610   | Bolt                  | 2    |                                      |
|     | 99971 0600   | Washer, Spring        | 2    |                                      |
| 25  | 0866 10 400B | Housing, Intermediate | 1    |                                      |
|     | 0870 10 400A | Housing, Intermediate | 1    | Car No. 152816 <sup>73/9</sup> ~ (O) |
| 26  | 0866 10 411  | Pipe, Oil Filler      | 1    |                                      |
| 27  | 99305 2800   | Plug, Expansion       | 1    |                                      |
| 28  | 99510 1000   | Plug                  | 1    |                                      |
|     | 99564 1000   | Gasket                | 1    |                                      |
| 29  | 0324 10 250  | Cap, Oil Filler       | 1    |                                      |
| 30  | 0324 10 252  | Gasket                | 1    |                                      |
| 31  | 0822 10 451C | Bolt, Tension         | 18   |                                      |
|     | 0822 10 452D | Bolt, Tension         | 1    |                                      |
|     | 0839 10 455  | Washer, Plain         | 19   |                                      |
| 32  | 1562 10 700A | Pan, Oil              | 1    |                                      |
|     | 0866 10 700B | Pan, Oil              | 1    | Car No. 152816 <sup>73/9</sup> ~ X   |

10

# ROTOR HOUSING (REAR)

(USED UP TO CAR NO. 179250  $\frac{73}{9}$ )

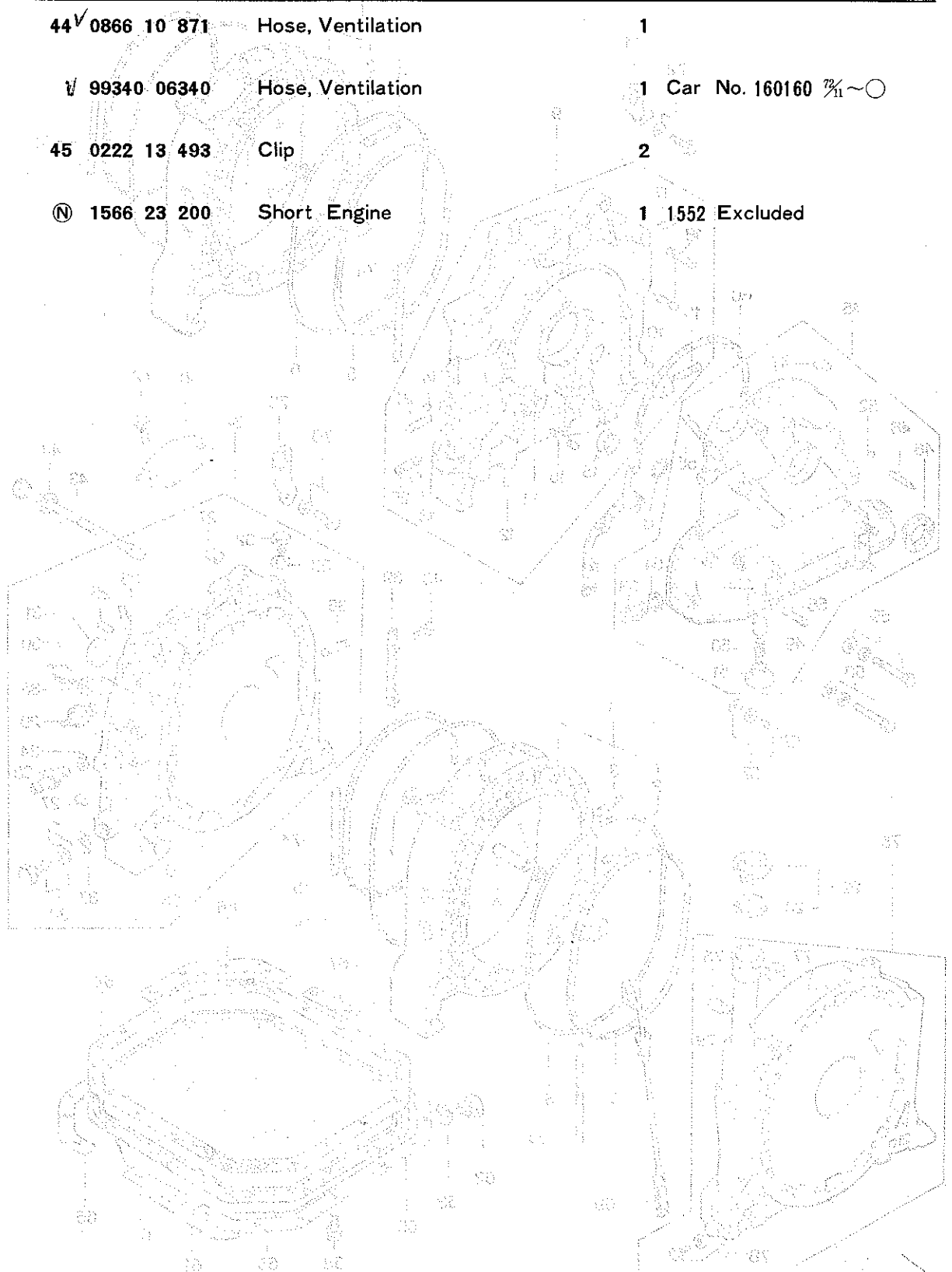
| No. | Part Number  | Description                     | Q'ty | Remarks                                   |
|-----|--------------|---------------------------------|------|---|
|     | 1562 10 700B | Pan, Oil                        | 1    | Car No. 152816 $\frac{72}{8}$ ~ X         |
| 33  | 99511 1400   | Plug, Drain                     | 1    |   |
|     | 99562 1400   | Gasket                          | 1    |   |
| 34  | 2090 10 730B | Switch, Oil Level Warning       | 1    | Car No. 150526 $\frac{72}{8}$ ~ Discarded |
| 35  | 99833 0418   | Screw, Oil Level Warning Switch | 4    | Car No. 150526 $\frac{72}{8}$ ~ Discarded |
|     | 99971 0400   | Washer, Spring                  | 4    | Car No. 150526 $\frac{72}{8}$ ~ Discarded |
| 36  | 0820 10 711  | Gasket, Oil Pan                 | 1    |   |
| 37  | 0820 10 721  | Stiffener                       | 2    |   |
| 38  | 0820 10 722  | Stiffener                       | 2    |   |
| 39  | 0820 10 723  | Stiffener                       | 2    |   |
| 40  | 99806 0616   | Bolt, Oil Pan                   | 22   |   |
|     | 99971 0600   | Washer, Spring                  | 22   |   |
| 41  | 0866 10 830  | Gauge, Oil Level                | 1    |   |
| 42  | 2090 10 862A | Hanger, Engine                  | 1    |   |
|     | 0871 10 862A | Hanger-Engine (Automatic)       | 1    | Car No. 144175 $\frac{72}{4}$ ~ O         |
|     | 2090 10 862A | Hanger-Engine (Automatic)       | 1    | Car No. 155593 $\frac{72}{10}$ ~ Δ        |
| 43  | 99801 0818   | Bolt, Engine Hanger             | 1    |   |
|     | 99801 0820   | Bolt, Engine Hanger (Automatic) | 1    | Car No. 144175 $\frac{72}{4}$ ~ O         |
|     | 99971 0800   | Washer, Spring                  | 1    |   |

# ROTOR HOUSING (REAR)

(USED UP TO CAR NO. 179250 <sup>73</sup>/<sub>9</sub>)

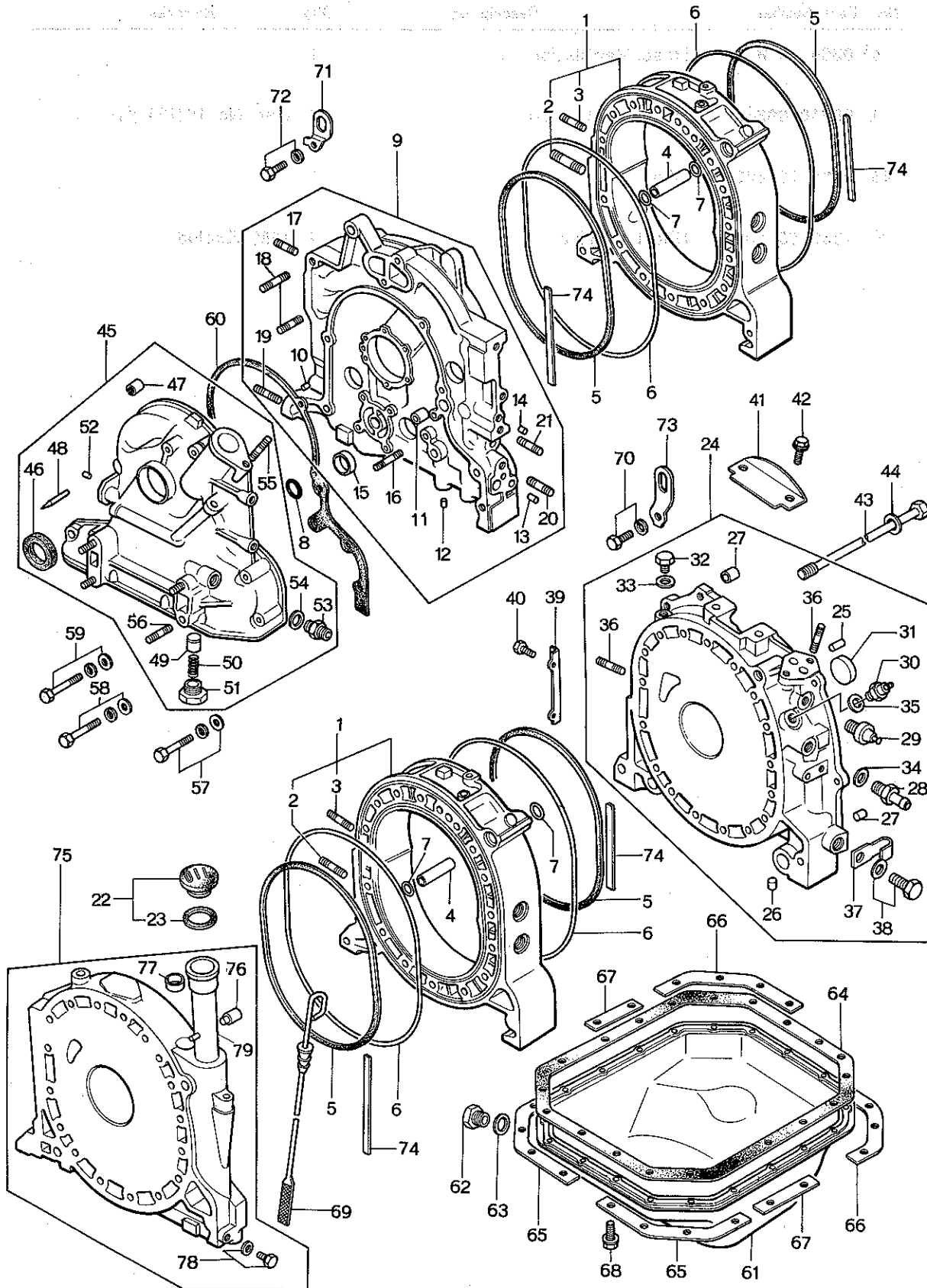
**10**

| No. | Part Number   | Description       | Q'ty | Remarks  |
|-----|---------------|-------------------|------|--|
| 44  | ✓ 0866 10 871 | Hose, Ventilation | 1    |  |
|     | ✓ 99340 06340 | Hose, Ventilation | 1    | Car No. 160160 <sup>71</sup> / <sub>11</sub> ~ ○ |
| 45  | 0222 13 493   | Clip              | 2    |  |
|     | Ⓝ 1566 23 200 | Short Engine      | 1    | 1552 Excluded                                    |



# ROTOR HOUSING TOP

(USED FROM CAR NO. 160623 <sup>73</sup>/<sub>10</sub>)





# ROTOR HOUSING

(USED FROM CAR NO. 160623 <sup>73/10</sup>)



| No. | Part Number  | Description               | Q'ty | Remarks                           |
|-----|--------------|---------------------------|------|-----------------------------------|
| 1   | 1708 10 100B | Housing, Rotor            | 2    |                                   |
| 2   | 0839 10 105  | Stud                      | 4    |                                   |
| 3   | 99851 0822A  | Stud                      | 2    |                                   |
| 4   | 0839 10 111B | Dowel, Tubular            | 4    |                                   |
| 5   | 1757 10 171A | Ring, Square              | 4    |                                   |
| 6   | 0813 10 172  | Ring, "O" Outer           | 4    |                                   |
| 7   | 0813 10 173  | Ring, "O" - Tubular Dowel | 4    |                                   |
| 8   | 0813 10 174  | Ring, "O" - Front Cover   | 1    |                                   |
| 9   | 1757 10 200C | Housing, Front            | 1    |                                   |
| 10  | 0839 10 203  | Pin, Dowel                | 1    |                                   |
| 11  | 2329 10 204  | Dowel, Tubular            | 2    |                                   |
| 12  | 0839 10 205  | Plug, Blind               | 3    |                                   |
| 13  | 1757 10 206  | Plug, Blind               | 1    |                                   |
|     | 1757 10 206A | Plug, Blind               | 1    | Car No. 163274 <sup>73/10</sup> Δ |
| 14  | 1757 10 207  | Plug, Blind               | 1    |                                   |
| 15  | 99306 3000   | Plug, Blind Water         | 3    |                                   |
| 16  | 99852 0660   | Stud                      | 2    |                                   |
| 17  | 99852 0822A  | Stud, IN. Manifold        | 2    |                                   |

10

# ROTOR HOUSING

(USED FROM CAR NO. 160623 <sup>73/10</sup>)

| No. | Part Number            | Description             | Q'ty         | Remarks              |
|-----|------------------------|-------------------------|--------------|----------------------|
| 18  | 1757 10 208            | Stud, Water Pump        | 4            |                      |
| 19  | 99852 1016             | Stud                    | 1            |                      |
| 20  | 99859 1220A            | Stud, Mounting          | 1            |                      |
| 21  | <del>99852 1225A</del> | <del>Stud</del>         | <del>1</del> |                      |
| ●   | 99859 1225 A           | Stud                    | 1            | From Car No. 1       |
| 22  | 0324 10 250            | Cap, Oil Filler         | 1            |                      |
| 23  | 0324 10 252            | Gasket                  | 1            |                      |
| 24  | 1881 10 300A           | Housing, Rear           | 1            |                      |
| 25  | 0820 10 203            | Pin, Knock - Gear       | 1            |                      |
| 26  | 0839 10 205            | Plug, Blind             | 1            |                      |
| 27  | 1757 10 309            | Pin, Tubular            | 1            |                      |
| 28  | 0866 10 320A           | Joint, House            | 1            |                      |
| 29  | 0866 18 501A           | Switch, Oil Pressure    | 1            |                      |
| 30  | 1757 18 510            | Gauge Unit, Heat        | 1            |                      |
| ●   | 1757 18 510 A          | Gauge Unit, Heat        | 1            | <sup>73/10</sup> ~ Δ |
| 31  | 99306/3000             | Plug, Blind - Water     | 5            |                      |
| 32  | 99511 1200             | Plug                    | 1            |                      |
| 33  | 99562 1200             | Gasket, Plug            | 1            |                      |
| 34  | 99562 1600             | Gasket, Hose Joint      | 1            |                      |
| 35  | 99564 0800             | Gasket, Heat Gauge Unit | 1            |                      |

# ROTOR HOUSING

(USED FROM CAR NO. 160623 <sup>73/10</sup>)

10

10000  
 9000  
 8000  
 7000  
 6000  
 5000  
 4000  
 3000  
 2000  
 1000  
 0

| No.  | Part Number  | Description                     | Q'ty | Remarks  |
|------|--------------|---------------------------------|------|----------|
| 36   | 99852 0822A  | Stud, IN. Manifold & Oil Filter | 4    |          |
| 37   | 99276 1210   | Clip                            | 1    |          |
| 38   | 99811 1010   | Bolt, Clip                      | 1    |          |
|      | 99971 1000   | Washer, Spring                  | 1    |          |
| ✓ 39 | 1757 10 305  | Cover, Dust                     | 1    |          |
| ● 40 | 99796 0610   | Bolt, Dust Cover                | 2    | (Manual) |
| ✓ 41 | 1757 10 351  | Cover, Dust                     | 1    |          |
| ● 42 | 99796 0816   | Bolt, Dust Cover                | 2    |          |
| 43   | 1015 10 451  | Bolt, Tension                   | 18   |          |
|      | 1015 10 452  | Bolt, Tension                   | 1    |          |
| 44   | 0839 10 455  | Washer, Seal                    | 19   |          |
| 45   | 1757 10 600B | Cover, Front                    | 1    |          |
| 46   | 0820 10 605  | Oil Seal                        | 1    |          |
| 47   | 1757 10 609  | Pin, Spring                     | 1    |          |
| 48   | 0820 10 631B | Pin, Top Indicator              | 1    |          |
| 49   | 0839 14 115  | Plunger, Press                  | 1    |          |
| 50   | 0839 14 273A | Spring, Press Plunger           | 1    |          |
| 51   | 0839 14 274  | Plug, Press Plunger             | 1    |          |

10

# ROTOR HOUSING

(USED FROM CAR NO. 160623 <sup>73</sup>/<sub>10</sub>)

| No. | Part Number           | Description             | Q'ty         | Remarks        |
|-----|-----------------------|-------------------------|--------------|----------------|
| 52  | 99307 0600            | Plug, Blind             | 2            |                |
| 53  | <del>99834 1200</del> | <del>Joint, Union</del> | <del>1</del> |                |
| ●   | 99384 1200            | Joint, Union            | 1            | From Car No. 1 |
| 54  | 99562 1600            | Gasket, Union Joint     | 1            |                |
| 55  | 99851 0612A           | Stud                    | 1            |                |
| 56  | 99855 1020            | Stud                    | 4            |                |
| 57  | 99801 0840            | Bolt, Front Cover       | 3            |                |
|     | 99952 0800            | Washer, Plain           | 3            |                |
|     | 99971 0800            | Washer, Spring          | 3            |                |
| 58  | 99801 0865            | Bolt, Front Cover       | 2            |                |
|     | 99952 0800            | Washer, Plain           | 2            |                |
|     | 99971 0800            | Washer, Spring          | 2            |                |
| 59  | 99801 0875            | Bolt, Front Cover       | 1            |                |
|     | 99952 0800            | Washer, Plain           | 1            |                |
|     | 99971 0800            | Washer, Spring          | 1            |                |
| 60  | 1757 10 641           | Gasket, Front Cover     | 1            |                |
| 61  | 0862 10 700           | Pan, Oil                | 1            |                |
| 62  | 99511 1400            | Plug, Drain             | 1            |                |
| 63  | 99562 1400            | Gasket                  | 1            |                |

# ROTOR HOUSING

(USED FROM CAR NO. 160623 <sup>73/10</sup>)

10

| No.           | Part Number                   | Description                      | Q'ty         | Remarks                                 |
|---------------|-------------------------------|----------------------------------|--------------|---|
| 64            | 0839 10 711                   | Gasket, Oil Pan                  | 1            |   |
| 65            | 0839 10 721                   | Plate, Seat                      | 2            |   |
| 66            | 0839 10 722                   | Plate, Seat                      | 2            |   |
| 67            | 0839 10 723                   | Plate, Seat                      | 2            |   |
| 68            | 99806 0616                    | Bolt, Oil Pan                    | 22           |   |
|               | 99971 0600                    | Washer, Spring                   | 22           |   |
| 69            | 0866 10 830                   | Gauge, Oil Level                 | 1            |   |
| 70            | 1757 10 845                   | Bolt, Rear Housing+Engine Hanger | 1            |   |
|               | 99971 1000                    | Washer, Spring                   | 1            |   |
| 71            | 1757 10 861<br>3565 10 860    | Hanger, Engine                   | 1            | Δ 74/09 (4/m 7-2-75)                    |
| 72            | 99801 0816                    | Bolt, Engine Hanger              | 1            |   |
|               | 99971 0800                    | Washer, Spring                   | 1            |   |
| 73            | 1757 10 862                   | Hanger, Engine                   | 1            |   |
| 74            | 0866 23 025                   | Protector, "O" Ring              | 4            |   |
| <del>75</del> | <del>1708 99 105</del>        | <del>Housing, Intermediate</del> | <del>1</del> |   |
| ●             | 1708 23 070                   | Housing, Intermediate            | 1            | From Car No. 1                          |
| 76            | 2329 10 417                   | Joint, Pipe                      | 1            |   |
| 77            | 99305 2800                    | Plug, Expansion                  | 1            |   |
| 78            | 99510 1000                    | Plug                             | 1            |   |
|               | 99564 1000                    | Gasket                           | 1            |   |
| ●             | 79 1011 10 410<br>3565 10 410 | Pipe, Oil Filler                 | 1            | From Car No. 1<br>~ x 74/9 (4/m 7-2-75) |

10

# ROTOR HOUSING

(USED FROM CAR NO. 160623 <sup>73/10</sup>)

| No. | Part Number   | Description       | Q'ty | Remarks           |
|-----|---------------|-------------------|------|-------------------|
|     | 1757 23 040   | "O" Ring Set      | 1    |                   |
|     | 1757 10 171 A | Ring, "O" - Inner | 4    |                   |
|     | 0813 10 172   | Ring, "O" - Outer | 4    |                   |
|     | 0813 10 173   | Ring, "O"         | 4    |                   |
|     | 0813 10 174   | Ring, "O"         | 1    |                   |
|     | 0813 10 455   | Ring, "O"         | 19   |                   |
|     | 0813 10 555   | Ring, "O"         | 1    |                   |
|     | 99541 01601   | Ring, "O"         | 2    |                   |
|     | 99541 0240    | Ring, "O"         | 2    |                   |
|     | 99541 0350    | Ring, "O"         | 1    |                   |
| ● ✓ | 1029 10 308   | Ring, "O"         | 1    | 3/8" ~ Added Anew |
|     | 1708 23 200   | Short Engine      | 1    |                   |
|     | 1708 99 100   | Engine Gasket Set | 1    |                   |
| ●   | 1708 99 100 A | Engine Gasket Set | 1    | 7/12 ~ Δ          |
| ●   | 1708 99 100 B | Engine Gasket Set | 1    | 7/12 ~ Δ          |

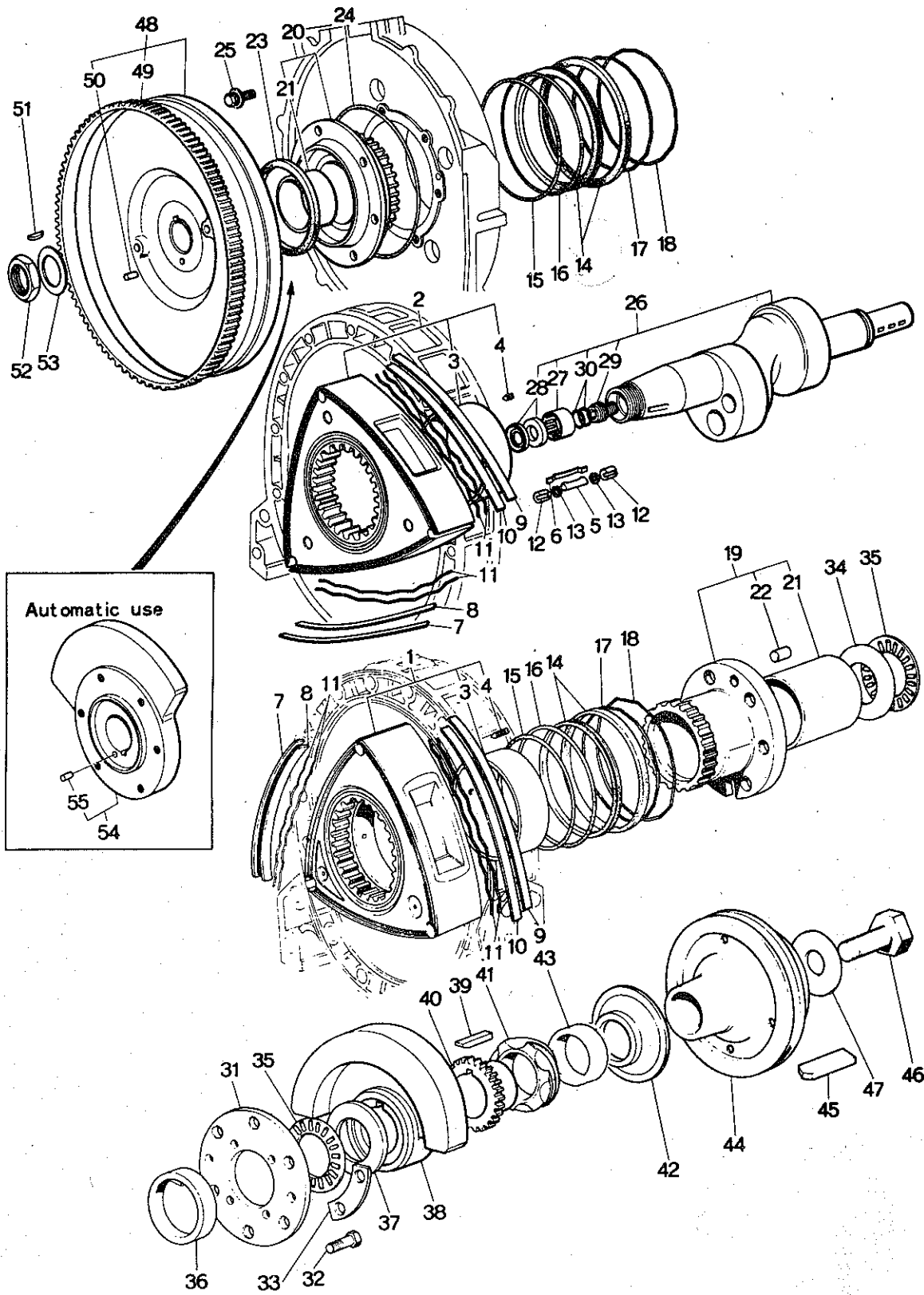
All gaskets and all "O" rings relative to engine included.





# ROTOR

(USED UP TO CAR NO. 179250 <sup>73</sup>/<sub>9</sub>)





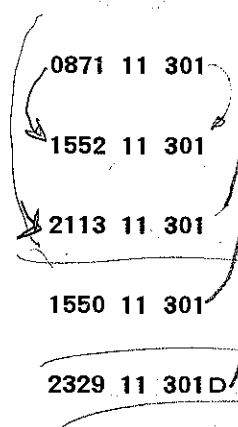
# ROTOR

(USED UP TO CAR NO. 179250  $\frac{73}{9}$ )



| No. | Part Number  | Description                        | Q'ty | Remarks                                    |
|-----|--------------|------------------------------------|------|--|
| 1   | 0820 23 103A | Rotor, Front                       | 1    |  |
|     | 0866 23 103  | Rotor, Front                       | 1    | Car No. 120503 $\frac{73}{2}$ ~ Δ          |
| ●   | 0866 23 103A | Rotor, Front                       | 1    | Car No. 161998 $\frac{73}{1}$ ~ Δ          |
| ●   | 0866 23 103B | Rotor, Front                       | 1    | Car No. 171556 $\frac{73}{6}$ ~ Δ          |
| 2   | 0820 23 113A | Rotor, Rear                        | 1    |  |
|     | 0866 23 113  | Rotor, Rear                        | 1    | Car No. 120503 $\frac{73}{2}$ ~ Δ          |
| ●   | 0866 23 113A | Rotor, Rear                        | 1    | Car No. 161998 $\frac{73}{1}$ ~ Δ          |
| ●   | 0866 23 113B | Rotor, Rear                        | 1    | Car No. 171556 $\frac{73}{6}$ ~ Δ          |
| 3   | 0820 11 111F | Bearing                            | 2    |  |
| 4   | 99885 0406   | Screw                              | 6    |  |
| 5   | 0820 11 301C | Seal, Apex (TR230)                 | 6    | Car No. 167747 $\frac{73}{5}$ ~ Discarded  |
|     | 0871 11 301  | Seal, Apex (TMC15T)<br>(Automatic) | 6    | Car No. 142922 $\frac{73}{3}$ ~ ○          |
| ●   | 1552 11 301  | Seal, Apex (TMC15T)<br>(Automatic) | 6    | Car No. 175279 $\frac{73}{4}$ ~ Δ          |
|     | 2113 11 301  | Seal, Apex (TMC15B)                | 6    |  |
| ●   | 1550 11 301  | Seal, Apex (TMC15B)                | 6    | Car No. 175279 $\frac{73}{4}$ ~ Δ          |
|     | 2329 11 301D | Seal, Apex (TMC115)                | 6    | Car No. 175279 $\frac{73}{4}$ ~ Discarded  |
|     | 2112 11 301  | Seal, Apex-Arctic Spec. Model      | 6    | Car No. 167747 $\frac{73}{5}$ ~ Discarded  |
| Ⓝ   | 0871 11 302  | Piece Side (Automatic)             | 6    | Car No. 142922 $\frac{73}{3}$ ~ Added Anew |
| 6   | 0820 11 304A | Spring, Apex Seal                  | 6    |  |

0820 23 113A

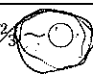


Selective use



# ROTOR

(USED UP TO CAR NO. 179250  $\frac{7}{8}$ )

| No. | Part Number  | Description                   | Q'ty | Remarks  |
|-----|--------------|-------------------------------|------|--|
|     | 0871 11 304  | Spring, Apex Seal (Automatic) | 6    | Car No. 142922 $\frac{7}{8}$  |
| 7   | 2125 23 151  | Seal, Side-Outer              | 6    |  |
| ●   | 1011 23 151  | Seal, Side-Outer              | 6    | Car No. 161998 $\frac{7}{8}$ ~○  |
| ●   | 1011 23 151A | Seal, Side-Outer              | 6    | Car No. 167748 $\frac{7}{8}$ ~○  |
|     |              | Front Side of Rotor           |      |  |
| 8   | 2125 23 152  | Seal, Side-Inner              | 6    |  |
| ●   | 1011 23 151  | Seal, Side-Inner              | 6    | Car No. 161998 $\frac{7}{8}$ ~○  |
| ●   | 1011 23 151A | Seal, Side-Inner              | 6    | Car No. 167748 $\frac{7}{8}$ ~○  |
| 9   | 2125 23 154  | Seal, Side-Outer              | 6    |  |
| ●   | 2125 23 151  | Seal, Side-Outer              | 6    | Car No. 149622 $\frac{7}{8}$ ~○  |
| ●   | 1011 23 151  | Seal, Side-Outer              | 6    | Car No. 161998 $\frac{7}{8}$ ~○  |
|     |              | Rear Side of Rotor            |      |  |
| 10  | 2125 23 155  | Seal, Side-Inner              | 6    |  |
| ●   | 2125 23 152  | Seal, Side-Inner              | 6    | Car No. 149622 $\frac{7}{8}$ ~○  |
| ●   | 1011 23 151  | Seal, Side-Inner              | 6    | Car No. 161998 $\frac{7}{8}$ ~○  |
| 11  | 0820 11 317  | Spring, Side Seal             | 24   |  |
| 12  | 0820 11 321B | Seal, Corner-Front & Rear     | 12   |  |
|     | 0820 11 321C | Seal, Corner-Front & Rear     | 12   | Car No. 145050 $\frac{7}{8}$ ~○  |
|     | 0820 23 175A | Seal, Corner (O.S. 0.2)       | 12   |  |
|     | 0820 23 175B | Seal, Corner (O.S. 0.2)       | 12   | Car No. 146342 $\frac{7}{8}$ ~○  |
|     | 0820 23 176  | Seal, Corner (O.S. 0.03)      | 12   |  |
|     | 0820 23 176A | Seal, Corner (O.S. 0.03)      | 12   | Car No. 141928 $\frac{7}{8}$ ~○  |
|     | 0820 23 176B | Seal, Corner (O.S. 0.03)      | 12   | Car No. 146342 $\frac{7}{8}$ ~○  |

Selective use

# ROTOR

(USED UP TO CAR NO. 179250  $\frac{73}{9}$ )

10

11

| No. | Part Number  | Description                | Q'ty | Remarks                                    |
|-----|--------------|----------------------------|------|--|
| 13  | 0839 11 323  | Spring, Corner Seal        | 12   |  |
|     | 0839 11 323A | Spring, Corner Seal        | 12   | Car No. 139865 $\frac{72}{2}$ ~ ○          |
| 14  | 0820 23 180  | Oil Seal Set               | 4    |  |
|     | 0820 23 180A | Oil Seal Set               | 4    | Car No. 140448 $\frac{72}{2}$ ~ △          |
|     | 0820 23 180C | Oil Seal Set               | 4    | Car No. 149232 $\frac{76}{6}$ ~ △          |
| 15  | 0820 11 341  | Ring, "O"-Inner            | 4    |  |
| 16  | 0820 11 343  | Ring, "O"-Outer            | 4    |  |
| 17  | 0839 11 351  | Spring, Oil Seal-Inner     | 4    |  |
|     | 0839 11 351A | Spring, Oil Seal-Inner (F) | 2    | Car No. 140024 $\frac{72}{2}$ ~ X          |
|     | 0839 11 351B | Spring, Oil Seal-Inner (F) | 2    | Car No. 140448 $\frac{75}{5}$ ~ ○          |
| ✓ ● | 1011 11 351  | Spring, Oil Seal-Inner (F) | 2    | Car No. $\frac{74}{4}$ ~ ○                 |
|     | 0839 11 361  | Spring, Oil Seal-Inner (R) | 2    | Car No. 140024 $\frac{72}{2}$ ~ Added Anew |
|     | 0839 11 361A | Spring, Oil Seal-Inner (R) | 2    | Car No. 140448 $\frac{75}{5}$ ~ ○          |
| ✓ ● | 1011 11 361  | Spring, Oil Seal-Inner (R) | 2    | Car No. 166139 $\frac{74}{4}$ ~ ○          |
| 18  | 0839 11 353  | Spring, Oil Seal-Outer     | 4    |  |
|     | 0839 11 353A | Spring, Oil Seal-Outer (F) | 2    | Car No. 149232 $\frac{76}{6}$ ~ X          |
| ✓ ● | 1011 11 353  | Spring, Oil Seal-Outer (F) | 2    | Car No. 166139 $\frac{74}{4}$ ~ ○          |
|     | 0839 11 363  | Spring, Oil Seal-Outer (R) | 2    | Car No. 149232 $\frac{76}{6}$ ~ Added Anew |
| ✓ ● | 1011 11 363  | Spring, Oil Seal-Outer (R) | 2    | Car No. 166139 $\frac{74}{4}$ ~ ○          |
| 19  | 0839 10 500B | Gear, Stationary (Front)   | 1    |  |



# ROTOR

(USED UP TO CAR NO. 179250 <sup>73</sup>/<sub>9</sub>)

ROTOR

| No.  | Part Number  | Description                                    | Q'ty | Remarks  |
|------|--------------|--|------|--|
| ● 20 | 0820 10 550B | Gear, Stationary (Rear) (Fig. No. 23 included) | 1    |  |
| ●    | 1668 10 550  | Gear, Stationary (Rear) (Fig. No. 23 included) | 1    | Car No. 165314 <sup>73</sup> / <sub>3</sub> ~ Δ  |
| 21   | 0820 10 502B | Bearing, Main (Front & Rear)                   | 2    |  |
| 22   | 0839 10 504  | Pin, Knock (Front)                             | 1    |  |
| ● 23 | 0820 10 556A | Oil Seal, Stationary Gear (Rear)               | 1    |  |
| ●    | 1668 10 556  | Oil Seal, Stationary Gear (Rear)               | 1    | Car No. 165314 <sup>73</sup> / <sub>3</sub> ~ Δ  |
| 24   | 0813 10 555  | Ring, "O"-Stationary Gear (Rear)               | 1    |  |
| 25   | 99801 0818   | Bolt, Stationary Gear (Rear)                   | 6    |  |
|      | 99971 0800   | Washer, Spring                                 | 6    |  |
| 26   | 0820 11 400G | Shaft, Eccentric (Manual)                      | 1    |  |
|      | 0820 11 400H | Shaft, Eccentric (Manual)                      | 1    | Car No. 160378 <sup>73</sup> / <sub>12</sub> ~ Δ |
|      | 0871 11 400  | Shaft, Eccentric (Automatic)                   | 1    |  |
|      | 0871 11 400A | Shaft, Eccentric (Automatic)                   | 1    | Car No. 160378 <sup>73</sup> / <sub>12</sub> ~ Δ |
| 27   | 0810 11 403  | Bearing, Needle                                | 1    | } (Manual)                                       |
| 28   | 0810 11 404  | Oil Seal                                       | 2    |  |
| 29   | 0813 11 405  | Plug, Blind                                    | 1    |  |
| 30   | 99541 01101  | Ring, "O"                                      | 2    |  |

# ROTOR

(USED UP TO CAR NO. 179250 <sup>73/8</sup>)



| No. | Part Number   | Description                 | Q'ty              | Remarks                           |
|-----|---------------|-----------------------------|-------------------|-----------------------------------|
| 31  | 0839 11 501   | Plate                       | 1                 |                                   |
| 32  | 0839 11 515   | Bolt, Stationary Gear       | 6                 |                                   |
| 33  | 0820 11 503   | Washer, Lock                | 3                 |                                   |
| 34  | 0839 11 504 B | Plate, Thrust               | 1                 |                                   |
| 35  | 0813 11 505 B | Bearing, Needle             | 2                 |                                   |
| 36  | 0839 11 502   | Spacer (L=8.02)             | } Selective use 1 |                                   |
|     | 0839 11 506   | Spacer (L=8.08)             |                   |                                   |
|     | 0839 11 508   | Spacer (L=8.04)             |                   |                                   |
|     | 0839 11 509   | Spacer (L=8.00)             |                   |                                   |
| 37  | 0820 11 507   | Washer, Thrust              | 1                 |                                   |
| 38  | 0866 11 511 A | Weight, Balance (Manual)    | 1                 |                                   |
|     | 0871 11 511   | Weight, Balance (Automatic) | 1                 |                                   |
| 39  | 0820 11 512 A | Key                         | 1                 |                                   |
| 40  | 0839 11 551   | Sprocket, Drive             | 1                 |                                   |
| ●   | 0839 11 551 A | Sprocket, Drive             | 1                 | Car No. 161155 <sup>73/8</sup> ~○ |
| 41  | 0839 11 531   | Gear, Drive-Distributor     | 1                 |                                   |
| 42  | 0813 11 541   | Plate, Oil Baffle           | 1                 |                                   |
| 43  | 0820 11 542   | Spacer                      | 1                 |                                   |
| 44  | 0839 11 601 B | Pulley                      | 1                 |                                   |
| ●   | 0839 11 601 C | Pulley                      | 1                 | Car No. 163843 <sup>73/8</sup> ~○ |

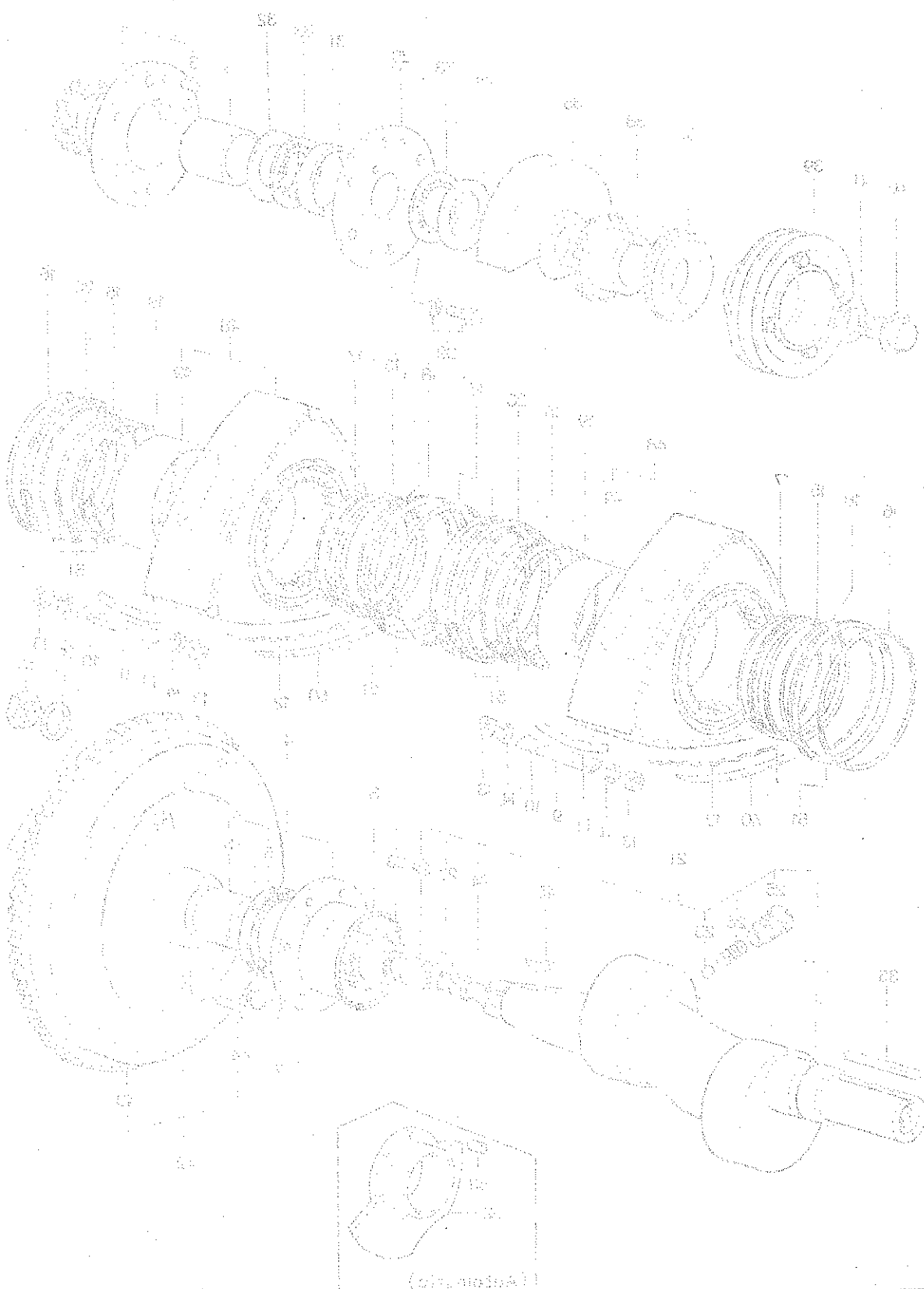


# ROTOR

(USED UP TO CAR NO. 179250 <sup>73</sup>/<sub>9</sub>)

| No. | Part Number  | Description     | Q'ty | Remarks  |
|-----|--------------|-----------------|------|--|
| 45  | 99236 0525   | Key, Pulley     | 1    |  |
| 46  | 0820 11 611B | Bolt, Pulley    | 1    |  |
| 47  | 99564 2800   | Gasket          | 1    |  |
| 48  | 0866 11 700A | Wheel, Fly      | 1    |  |
| 49  | 0866 11 702  | Gear, Ring      | 1    | } (Manual)                                       |
| 50  | 0820 11 703  | Pin             | 1    |  |
| 51  | 0820 11 705  | Key, Fly Wheel  | 1    |  |
| 52  | 0810 11 711  | Nut, Fly Wheel  | 1    |  |
| 53  | 0620 11 712  | Washer, Lock    | 1    |  |
| 54  | 0871 11 750A | Weight, Counter | 1    |  |
|     | 0871 11 750B | Weight, Counter | 1    | Car No. 127380 <sup>73</sup> / <sub>11</sub> ~ O |
| ✓ ● | 0871 11 750C | Weight, Counter | 1    | Car No. 167747 <sup>73</sup> / <sub>5</sub> ~ O  |
| 55  | 0820 11 703  | Pin             | 1    |  |

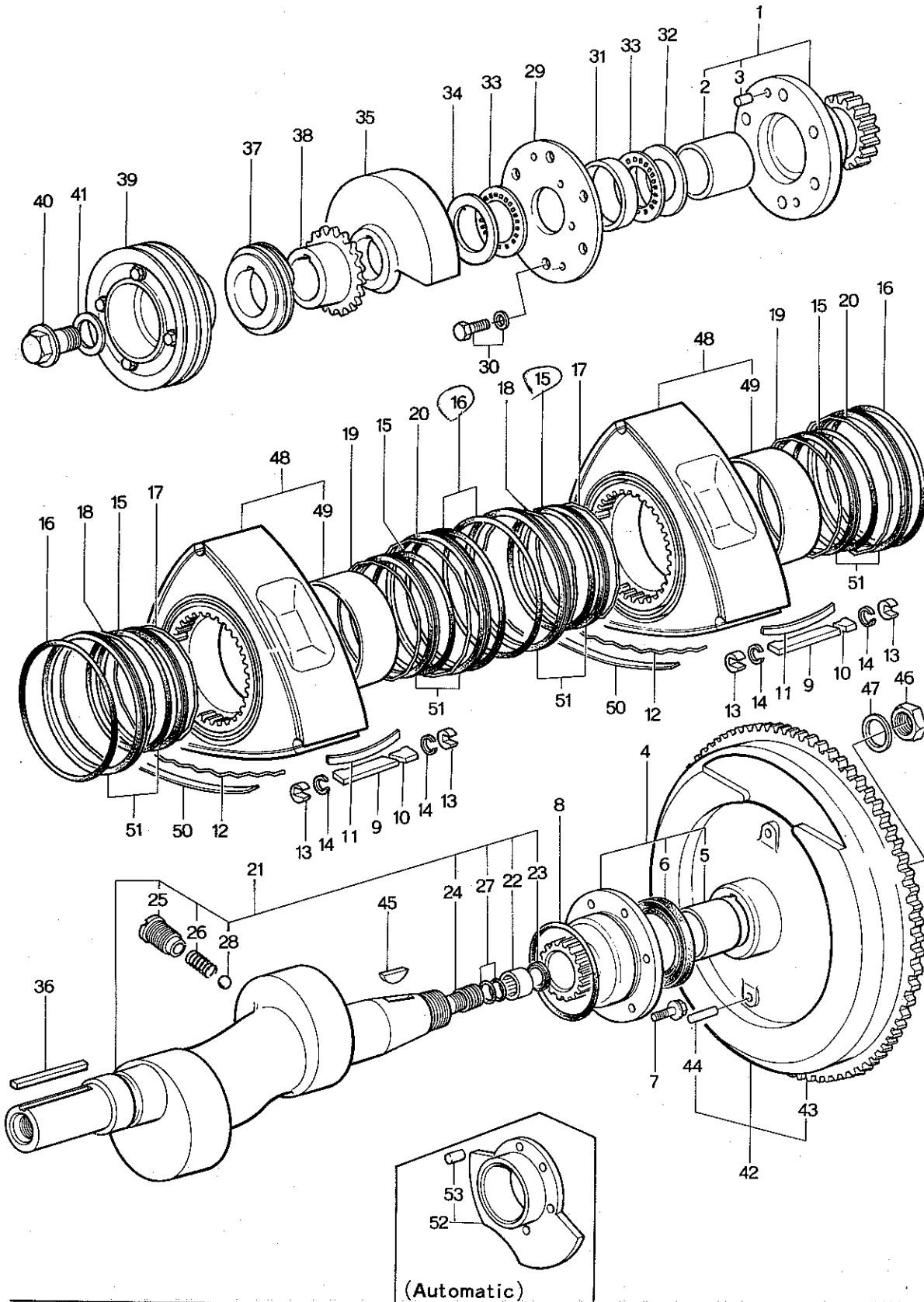
ROTOR  
(USED FROM CAR NO. 10022-01)





# ROTOR

(USED FROM CAR NO. 160623 <sup>73</sup>/<sub>10</sub>)





# ROTOR

(USED FROM CAR NO. 160623 <sup>73/10</sup>)

10

11

| No. | Part Number  | Description                 | Q'ty | Remarks       |
|-----|--------------|-----------------------------|------|---------------|
| 1   | 0839 10 500B | Gear (Frt.), Stationary     | 1    |               |
| 2   | 0820 10 502B | Bearing, Main               | 1    |               |
| 3   | 0839 10 504  | Pin, Knock                  | 1    |               |
| 4   | 1668 10 550  | Gear (Rr.), Stationary      | 1    |               |
| 5   | 0820 10 502B | Bearing, Main               | 1    |               |
| 6   | 1668 10 556  | Oil Seal                    | 1    |               |
| 7   | 99801 0818   | Bolt, Stationary Gear       | 6    |               |
|     | 99971 0800   | Washer, Spring              | 6    |               |
| 8   | 0813 10 555  | Ring, "O" - Stationary Gear | 1    |               |
| 9   | 1881 11 301A | Seal, Apex                  | 6    |               |
| 10  | 1011 11 302C | Piece, Side                 | 6    |               |
| 11  | 1011 11 304A | Spring, Apex Seal           | 6    |               |
| 12  | 0820 11 317  | Spring, Side Seal           | 12   |               |
| 13  | 1011 11 321  | Seal, Corner (Std.)         | 12   | Selective use |
|     | 1011 23 176  | Seal, Corner (O.S. 0.03)    | 12   |               |
| 14  | 0839 11 323A | Spring, Corner Seal         | 12   |               |
| 15  | 0820 11 341  | Ring, "O" - Inner           | 4    |               |
| 16  | 0820 11 343  | Ring, "O" - Outer           | 4    |               |



# ROTOR

(USED FROM CAR NO. 160623 <sup>7</sup>/<sub>10</sub>)

| No.    | Part Number  | Description                   | Q'ty              | Remarks    |
|--------|--------------|-------------------------------|-------------------|------------|
| 17     | 1011 11 351  | Spring, Oil Seal Inner (Fr.)  | 2                 |            |
| 18     | 1011 11 353  | Spring, Oil Seal Outer (Fr.)  | 2                 |            |
| 19     | 1011 11 361  | Spring, Oil Seal Inner (Rr.)  | 2                 |            |
| 20     | 1011 11 363  | Spring, Oil Seal Outer (Rr.)  | 2                 |            |
| ✓ ● 21 | 1881 11 400A | Shaft, Eccentric (Manual)     | 1                 |            |
| ✓ ●    | 1883 11 400A | Shaft, Eccentric (Automatic)  | 1                 |            |
| ✓ ● 22 | 1881 11 403  | Bearing, Needle               | 1                 | } (Manual) |
| ✓ ● 23 | 1881 11 404  | Oil, Seal                     | 1                 |            |
| 24     | 0813 11 405  | Plug, Blind                   | 1                 |            |
| 25     | 0839 11 411A | Plug, Oil Jet                 | 2                 |            |
| 26     | 0839 11 412  | Spring                        | 2                 |            |
| 27     | 99541 01101  | Ring, "O"                     | 2                 |            |
| 28     | 99611 2000   | Ball, Steel                   | 2                 |            |
| 29     | 1011 11 501  | Plate                         | 1                 |            |
| 30     | 99801 0822   | Bolt, Plate & Stationary Gear | 6                 |            |
|        | 99701 0800   | Washer, Spring                | 6                 |            |
| 31     | 0839 11 502  | Spacer (L=8.02)               | } Selective use 1 |            |
|        | 0839 11 506  | Spacer (L=8.08)               |                   |            |
|        | 0839 11 508  | Spacer (L=8.04)               |                   |            |

# ROTOR

(USED FROM CAR NO. 160623  $\frac{73}{10}$ )

ROTOR



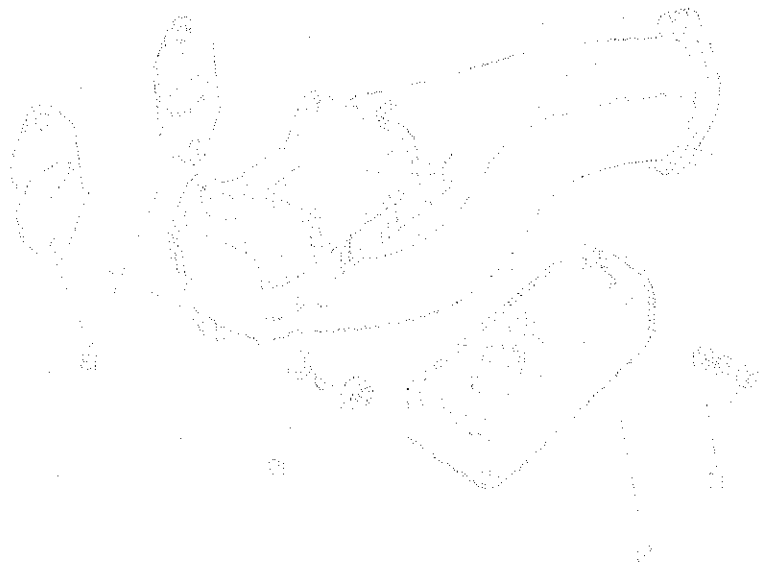
| No.    | Part Number   | Description                            | Q'ty | Remarks                       |
|--------|---------------|--|------|-------------------------------|
|        | 0839 11 509   | Spacer (L=8.00)                        | 1    |                               |
| 32     | 1011 11 504   | Plate, Thrust                          | 1    |                               |
| 33     | 0813 11 505B  | Bearing, Needle                        | 2    |                               |
| 34     | 1011 11 507   | Washer, Thrust                         | 1    |                               |
| 35     | 1881 11 511   | Weight, Balance                        | 1    |                               |
| 36     | 1757 11 512   | Key                                    | 1    |                               |
| 37     | 0839 11 531   | Gear, Drive-Distributor<br>(Automatic) | 1    |                               |
| 38     | 1757 11 551   | Gear, Drive-Oil Pump                   | 1    |                               |
| 39     | 1757 11 600 C | Pulley                                 | 1    |                               |
| •      | 1757 11 600 D | Pulley                                 | 1    | $\frac{73}{11} \sim \bigcirc$ |
| •      | 1881 11 600   | Pulley                                 | 1    | $\frac{73}{3} \sim \times$    |
| 40     | 0820 11 611B  | Bolt, Pulley                           | 1    |                               |
| 41     | 99564 2800    | Gasket, Bolt                           | 1    |                               |
| ✓ • 42 | 1881 11 700   | Wheel, Fly                             | 1    |                               |
| 43     | 0866 11 702   | Gear, Ring                             | 1    | } (Manual)                    |
| 44     | 99222 0610    | Pin                                    | 1    |                               |
| 45     | 0820 11 705   | Key, Fly Wheel                         | 1    |                               |
| 46     | 0810 11 711   | Not, Lock                              | 1    |                               |
| 47     | 0820 11 712   | Washer, Lock                           | 1    |                               |

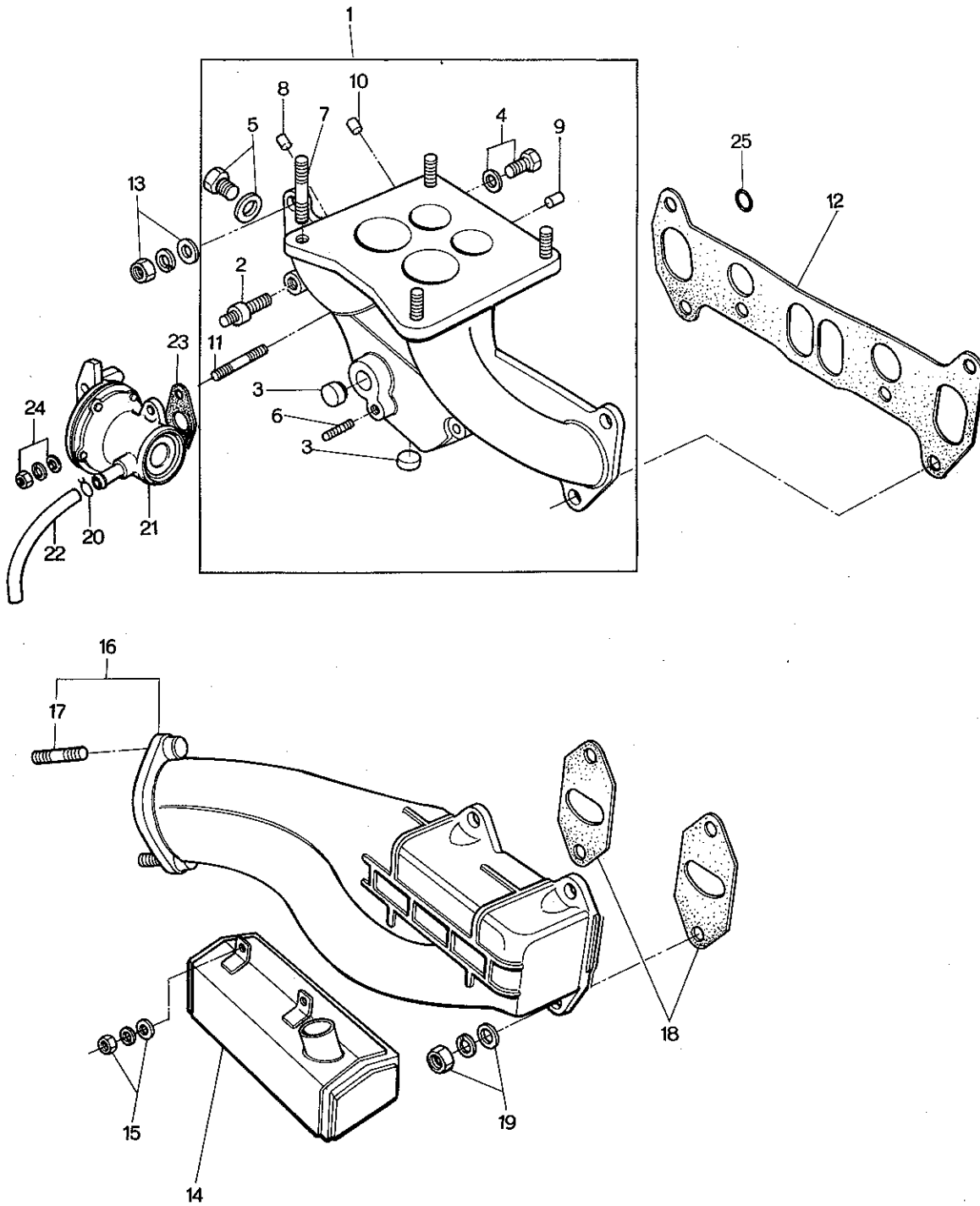


# ROTOR

(USED FROM CAR NO. 160623 <sup>73</sup>/<sub>10</sub>)

| No.    | Part Number  | Description     | Q'ty | Remarks     |
|--------|--------------|-----------------|------|-------------|
| 48     | 1011 23 103B | Rotor "C"       | 2    |             |
| 49     | 1011 11 111  | Bearing, Rotor  | 2    |             |
| 50     | 1011 23 151A | Seal, Side      | 12   |             |
| 51     | 0820 23 180C | Oil Seal Set    | 4    |             |
| ✓ ● 52 | 1883 11 750  | Weight, Counter | 1    | (Automatic) |
| ● 53   | 99222 0610   | Pin             | 1    |             |





# IN. & EX. MANIFOLD

13

| No. | Part Number             | Description                       | Q'ty         | Remarks                                   |
|-----|-------------------------|-----------------------------------|--------------|---|
| 1   | <del>0866 13 100F</del> | <del>Manifold, IN. (Manual)</del> | <del>1</del> | <del>(1) ST 0866 13</del>                 |
|     | 0866 13 100E            | Manifold, IN. (Manual)            | 1            | From Car No. 1                            |
|     | 1559 13 100             | Manifold, IN. (Manual)            | 1            | 1558,1559 Car No. 140779 $\frac{7}{2}$ ~X |
|     | 1708 13 100             | Manifold, IN. (Manual)            | 1            | Car No. 160623 $\frac{7}{10}$ ~X          |
|     | 0871 13 100C            | Manifold, IN. (Automatic)         | 1            |   |
|     | 0871 13 100D            | Manifold, IN. (Automatic)         | 1            | Car No. 152816 $\frac{7}{9}$ ~X           |
| ✓   | 1708 13 100             | Manifold, IN. (Automatic)         | 1            | Car No. 160623 $\frac{7}{10}$ ~X          |
| 2   | 0839 13 338             | Stud, Hot Air Duct                | 1            | Car No. 160623 $\frac{7}{10}$ ~Discarded  |
| 3   | 99307 1800              | Plug, Blind                       | 2            |   |
|     | 99503 3000              | Plug, Blind                       | 2            | Car No. 146346 $\frac{7}{5}$ ~X           |
| 4   | 99510 0800              | Plug, Blind                       | 2            | Car No. 160623 $\frac{7}{10}$ ~Discarded  |
|     | 99564 0800              | Gasket                            | 2            | Car No. 160623 $\frac{7}{10}$ ~Discarded  |
| 5   | 99511 1000              | Plug, Blind                       | 2            |   |
|     | 99564 1000              | Gasket                            | 2            |   |
| 6   | 99851 0812A             | Stud                              | 1            |   |
| 7   | 99851 0826A             | Stud, Carburettor                 | 4            |   |
|     | 99851 0828A             | Stud, Carburettor                 | 4            | Car No. 160623 $\frac{7}{10}$ ~△          |
| 8   | 99307 0600              | Plug, Blind                       | 1            |   |
| 9   | 99307 0800              | Plug, Blind                       | 2            |   |
| 10  | 99307 1200              | Plug, Blind                       | 1            |   |
| 11  | 99851 0624A             | Stud                              | 2            |   |

(Automatic)

| No. | Part Number            | Description              | Q'ty         | Remarks   |
|-----|------------------------|--------------------------|--------------|---|
| 12  | 0866 13 111            | Gasket, IN. Manifold     | 1            |   |
|     | 0866 13 111A           | Gasket, IN. Manifold     | 1            | Car No. 146346 $\frac{7}{5}$ ~ O                        |
|     | 1881 13 111            | Gasket, IN. Manifold     | 1            | Car No. 160623 $\frac{7}{10}$ ~ X                       |
| 13  | 99901 0800             | Nut, IN. Manifold        | 6            |   |
|     | <del>99953 0800</del>  | <del>Washer, Plain</del> | <del>6</del> |   |
| ●   | 99952 0800             | Washer, Plain            | 6            | From Car No. 1  |
|     | 99971 0800             | Washer, Spring           | 6            |   |
| 14  | 0866 13 330B           | Duct, Hot Air            | 1            |   |
|     | 0862 13 330            | Duct, Hot Air            | 1            | Car No. 160623 $\frac{7}{10}$ ~ X                       |
| 15  | 99901 0800             | Nut, Hot Air Duct        | 2            |   |
|     | 99940 0802             | Nut                      | 2            | Car No. 142383 $\frac{7}{3}$ ~ O                        |
|     | 99953 0800             | Washer, Plain            | 2            | } Car No. 142382 $\frac{7}{3}$ ~ Discarded              |
|     | 99971 0800             | Washer, Spring           | 2            |   |
|     | 99796 0812             | Bolt                     | 2            | Car No. 160623 $\frac{7}{10}$ ~ Added Anew              |
| 16  | 0866 13 600A           | Manifold, EX.            | 1            |   |
|     | 0866 13 600B           | Manifold, EX.            | 1            | Car No. 127396 $\frac{7}{12}$ ~ O                       |
|     | 0866 13 600C           | Manifold, EX.            | 1            | Car No. 140448 $\frac{7}{6}$ ~ O                        |
|     | 1708 13 600B           | Manifold, EX.            | 1            | Car No. 160623 $\frac{7}{10}$ ~ X                       |
| 17  | 0866 13 603            | Stud                     | 2            |   |
|     | 0823 13 603            | Stud                     | 2            | Car No. 160623 $\frac{7}{10}$ ~ X                       |
|     | <del>2329 13 105</del> | <del>Stud</del>          | <del>2</del> | <del>Car No. 127396 <math>\frac{7}{12}</math> ~ X</del> |
|     | 2329 10 105            | Stud                     | 2            | Car No. 127396 $\frac{7}{12}$ ~ X                       |



# IN. & EX. MANIFOLD

13

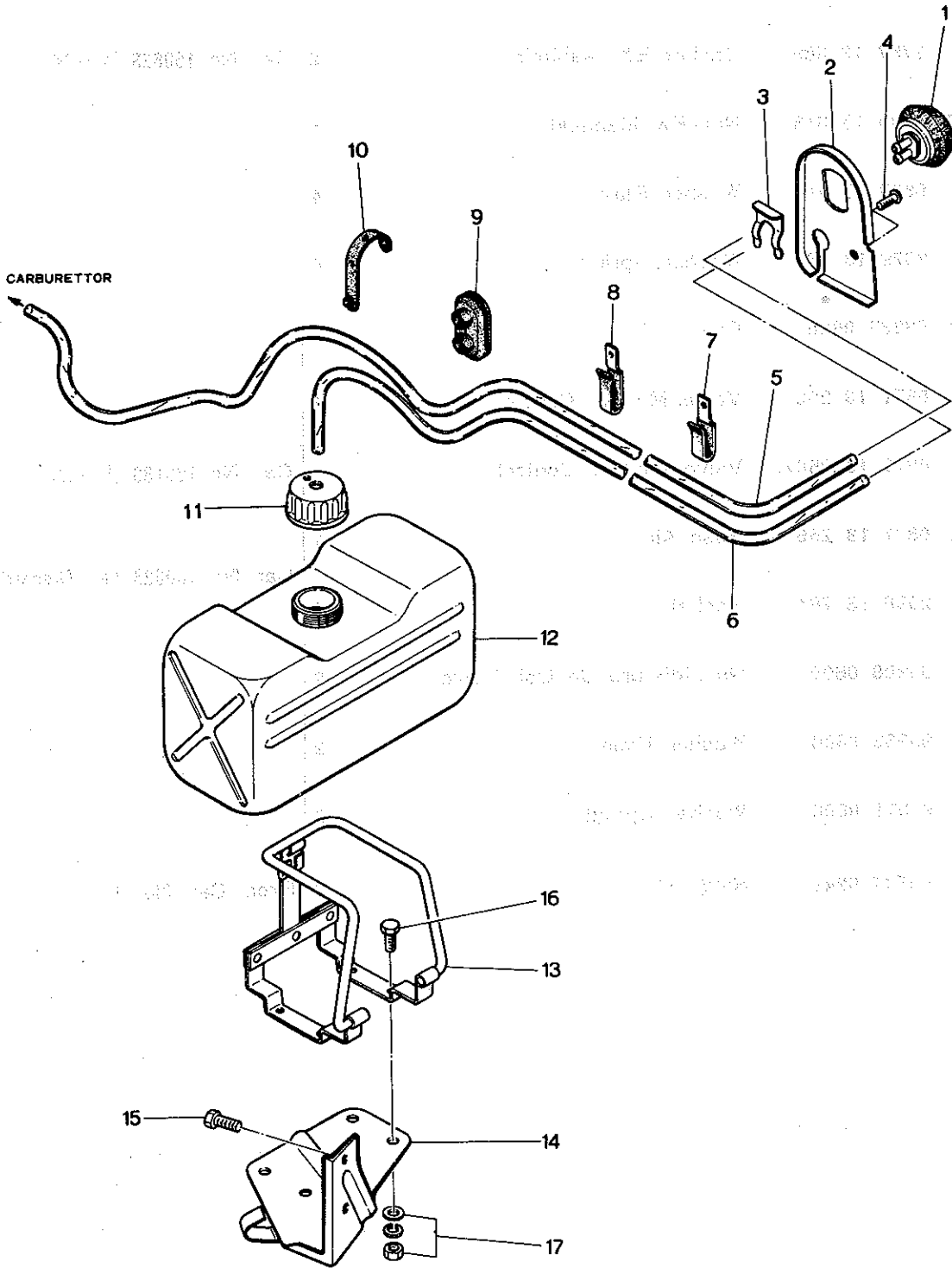
| No.  | Part Number  | Description                | Q'ty | Remarks                                    |
|------|--------------|----------------------------|------|--|
| 18   | 0839 13 611E | Gasket, EX. Manifold       | 2    |  |
|      | 1757 13 889  | Gasket, EX. Manifold       | 2    | Car No. 160623 $\frac{73}{10}$ ~ X         |
| 19   | 0839 13 613  | Nut, EX. Manifold          | 4    |  |
|      | 0839 13 614  | Washer, Plain              | 4    |  |
|      | 2329 13 882  | Washer, Spring             | 4    |  |
| 20   | 99285 0608   | Clip                       | 1    |  |
| 21   | 0871 13 250  | Valve, Mixture Control     | 1    |  |
|      | 0871 13 250A | Valve, Mixture Control     | 1    | Car No. 166139 $\frac{73}{4}$ ~ Δ          |
| 22   | 0871 13 256  | Hose, Air                  | 1    |  |
|      |              |                            |      | Car No. 160623 $\frac{73}{10}$ ~ Discarded |
| 23   | 2090 13 764  | Gasket                     | 1    |  |
| 24   | 99906 0600   | Nut, Mixture Control Valve | 2    |  |
|      | 99953 0600   | Washer, Plain              | 2    |  |
|      | 99971 0600   | Washer, Spring             | 2    |  |
| ● 25 | 99541 0240   | Ring, "O"                  | 2    | From Car No. 1                             |

13

# STARTING ASSIST SYSTEM

(USED UP TO CAR NO. 152815 <sup>7</sup>/<sub>8</sub>)

FRIDOM 30



# STARTING ASSIST SYSTEM

(USED UP TO CAR NO. 152815 <sup>7/8</sup>)



| No. | Part Number  | Description          | Q'ty | Remarks |
|-----|--------------|----------------------|------|---------|
| 1   | 1665 13 520  | Pump, Starting Fluid | 1    |         |
| 2   | 1559 13 525  | Bracket, Pump        | 1    |         |
| 3   | 0136 43 635  | Clip, Flexible Hose  | 1    |         |
| 4   | 99765 0610   | Screw, Tapping       | 1    |         |
| 5   | 1559 13 527  | Hose                 | 1    |         |
| 6   | 99336 06100  | Pipe, Vinyl          | 1    |         |
| 7   | 99276 1408   | Clip                 | 1    |         |
| 8   | 99276 2208   | Clip                 | 1    |         |
| 9   | 1559 13 528  | Grommet              | 1    |         |
| 10  | 0187 66 991  | Clip, Rubber         | 1    |         |
| 11  | 1665 13 512  | Cap, Tank            | 1    |         |
| 12  | 1665 13 511A | Tank, Starting Fluid | 1    |         |
| 13  | 0119 66 870  | Holder, Tank         | 1    |         |
| 14  | 1559 13 510  | Bracket, Tank        | 1    |         |
| 15  | 99786 0612   | Screw, Tapping       | 2    |         |
| 16  | 99834 0408   | Screw                | 4    |         |
| 17  | 99906 0400   | Nut                  | 4    |         |
|     | 99952 0400   | Washer, Plain        | 4    |         |
|     | 99971 0400   | Washer, Spring       | 4    |         |

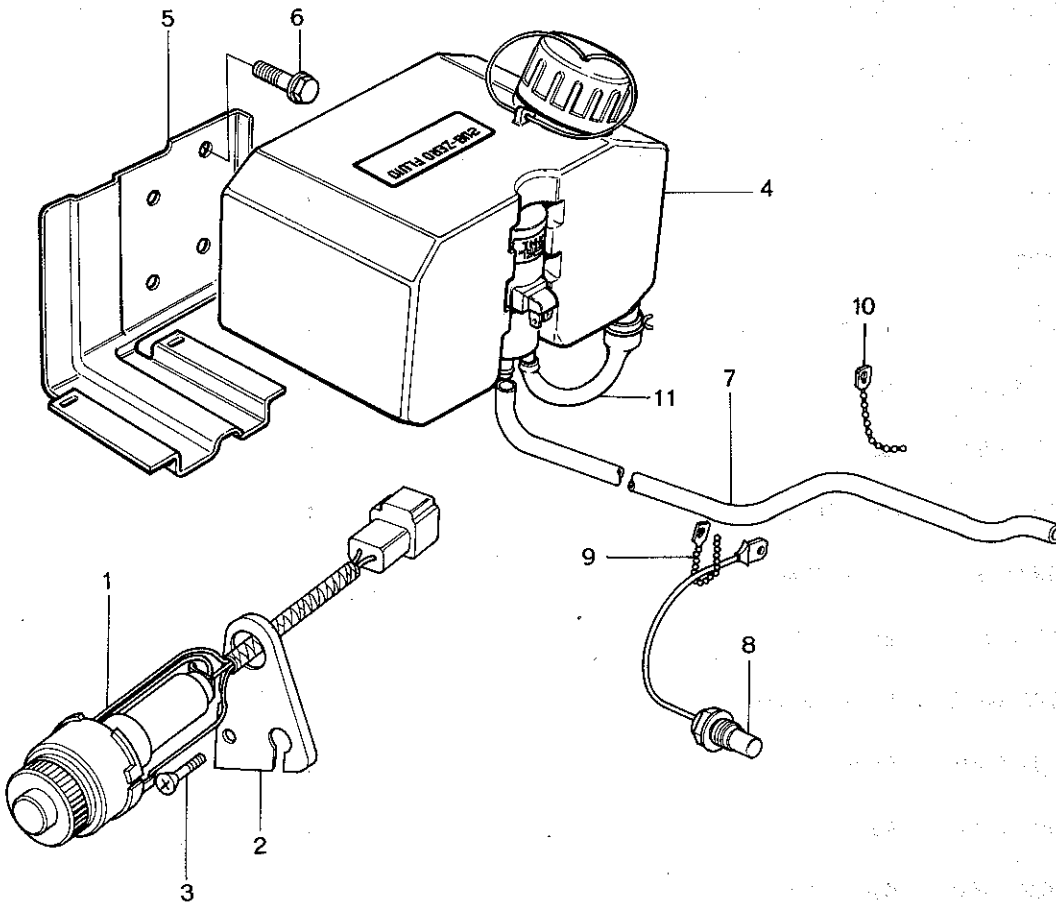
**MODEL NO.**  
 99952-1-0555-1

# STARTING ASSIST SYSTEM

(USED FROM CAR NO. 152816  $\frac{7}{8}$  ~)

NO. FFDDOM

95551-1-85551



# STARTING ASSIST SYSTEM

(USED FROM CAR NO. 152816  $\frac{7}{8}$  ~)

13

| No.  | Part Number  | Description             | Q'ty | Remarks                                   |
|------|--------------|-------------------------|------|---|
| 1    | 1668 13 520A | Switch, Starting Assist | 1    |   |
| 2    | 1620 13 525A | Bracket, Switch         | 1    |   |
| 3    | 99765 0610B  | Screw, Bracket          | 1    |   |
| 4    | 1668 13 510  | Tank, Starting Fluid    | 1    |   |
| 5    | 1668 13 515A | Bracket, Tank           | 1    |   |
| 6    | 99786 0612   | Screw                   | 2    |   |
| 7    | 1668 13 527  | Hose                    | 1    |   |
| 8    | 1668 13 531A | Unit, Thermo            | 1    |   |
| 9    | 99709 0108   | Band                    | 1    |   |
| 10   | 99709 0225   | Band                    | 1    |   |
| ● 11 | 1668 13 513  | Hose- Saction           | 1    | Car. No. 167748 $\frac{7}{4}$ ~Added Anew |

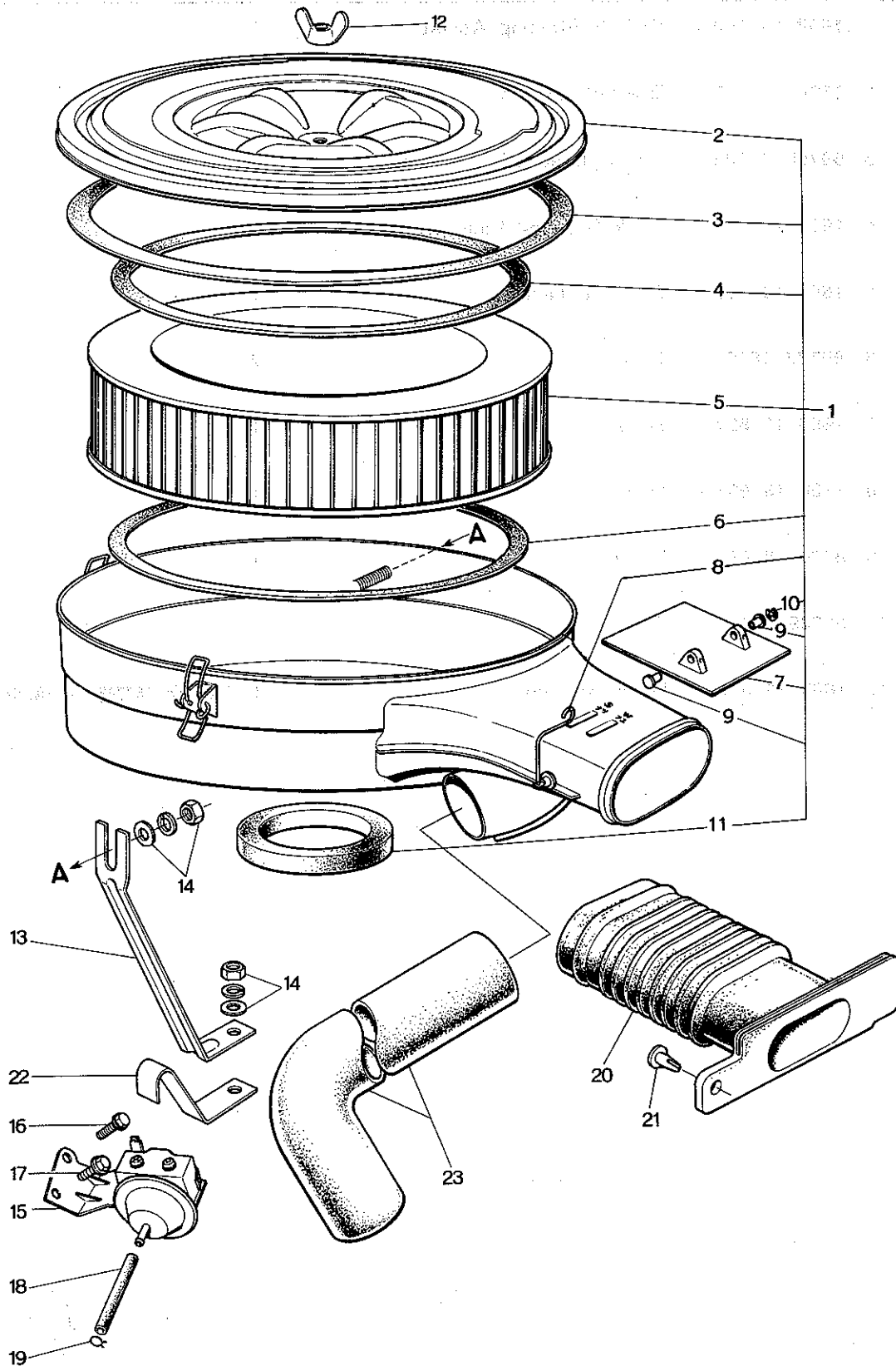
MODEL NO. 1-15151-1-15151

13

23

# AIR CLEANER

(USED UP TO CAR NO. 179250 <sup>73/9</sup>)



# AIR CLEANER

(USED UP TO CAR NO. 179250 <sup>73</sup>/<sub>9</sub>)



| No.  | Part Number            | Description                                | Q'ty         | Remarks  |
|------|------------------------|--|--------------|--|
| 1    | 0866 13 300C           | Cleaner, Air (Manual)                      | 1            |  |
|      | 0871 13 300            | Cleaner, Air                               | 1            | } (Automatic)  |
|      | 0871 13 300A           | Cleaner, Air                               | 1            |  |
| 2    | 2090 23 673            | Cover                                      | 1            |  |
| ● 3  | 2113 23 674            | Gasket, Cover                              | 1            | } Order Under<br>No. 0866 23 680                           |
| ● 4  | 2113 23 675            | Gasket, Element                            | 1            |  |
| 5    | 0839 23 672            | Element                                    | 1            |  |
| ●    | <del>1655 23 672</del> | <del>Element</del>                         | <del>1</del> | <del>Car. No. 159525 <sup>71</sup>/<sub>11</sub> ~ ○</del> |
| ●    | 1665 23 672            | Element                                    | 1            | Car. No. 159525 <sup>71</sup> / <sub>11</sub> ~ ○          |
| ● 6  | 0839 23 675            | Gasket, Element                            | 1            | Order Under<br>No. 0866 23 680                             |
| 7    | 0866 23 676            | Shutter                                    | 1            |  |
| 8    | 0866 23 694            | Shaft, Shutter                             | 1            |  |
| 9    | 0839 23 686            | Bush                                       | 2            |  |
| 10   | 0839 23 684            | Ring, Stop                                 | 1            |  |
| ● 11 | 2113 23 679            | Gasket                                     | 1            | Order Under<br>No. 0866 23 680                             |
|      | 0866 23 680            | Gasket Set<br>(Fig. No. 3,4,6,11 included) | 1            | Car. No. 159525 <sup>71</sup> / <sub>11</sub> ~ Added Anew |
| 12   | 99941 0801             | Nut, Wing-Air Cleaner                      | 1            |  |
| 13   | 0866 13 311            | Support, Air Cleaner                       | 1            |  |
| 14   | 99901 0800             | Nut, Supporter                             | 2            |  |

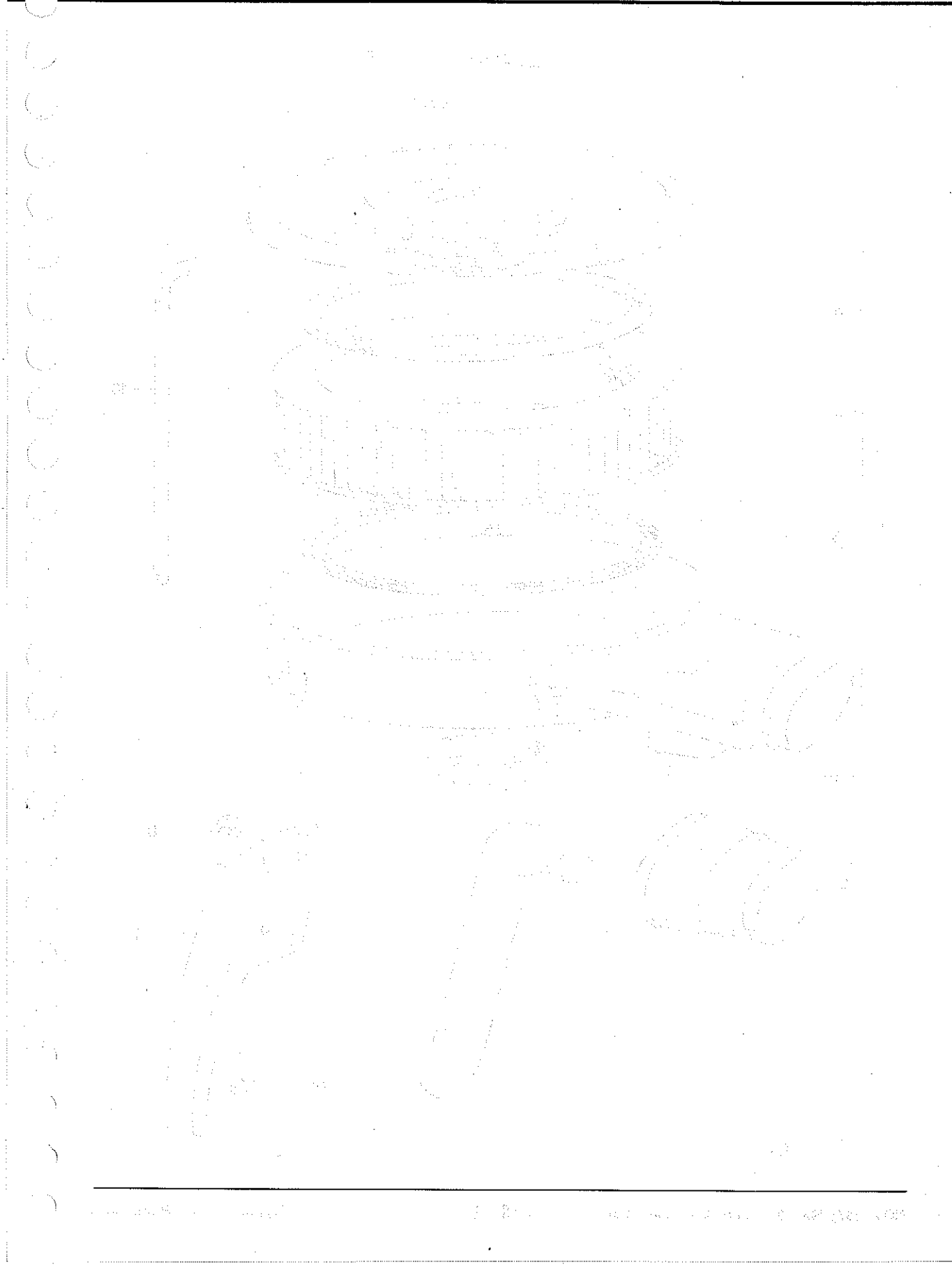


# AIR CLEANER

(USED UP TO CAR NO. 179250  $\frac{73}{9}$ )

| No.    | Part Number  | Description         | Q'ty | Remarks   |
|--------|--------------|---------------------|------|---|
|        | 99940 0802   | Nut                 | 2    | Car No. 142383 $\frac{73}{9}$ ~ O   |
|        | 99951 0822   | Washer, Plain       | 2    | } Car No. 142383 Discarded  |
|        | 99971 0800   | Washer, Spring      | 2    |   |
| ✓ ● 15 | 0866 13 240F | Switch, Vacuum      | 1    | } For L.H.D.<br>Car No. 140779 $\frac{72}{2}$ ~ Discarded<br>For R.H.D.<br>Car No. 155593 $\frac{73}{10}$ ~ O |
| ✓ ●    | 0866 13 240G | Switch, Vacuum      | 1    |   |
| 16     | 99811 0812   | Bolt, Vacuum Switch | 1    | }   |
|        | 99971 0800   | Washer, Spring      | 1    |   |
| 17     | 99806 0510   | Bolt, Vacuum Switch | 1    | } For L.H.D.<br>Car No. 140779 $\frac{72}{2}$ ~ Discarded   |
|        | 99971 0500   | Washer, Spring      | 1    |   |
| 18     | 0866 13 241E | Tube, Vacuum        | 1    |   |
| 19     | 99295 0408   | Clip                | 1    |   |
| 20     | 0866 13 351A | Hose, Air           | 1    |   |
| 21     | 99264 0702B  | Rivet, Air Hose     | 1    |   |
| 22     | 0866 18 999A | Clip                | 1    |   |
| ✓ ●    | 0370 13 441  | Clip                | 1    | Car No. 175279 $\frac{74}{1}$ ~ Δ   |
| 23     | 0866 13 341B | Hose, Hot Air       | 1    |   |



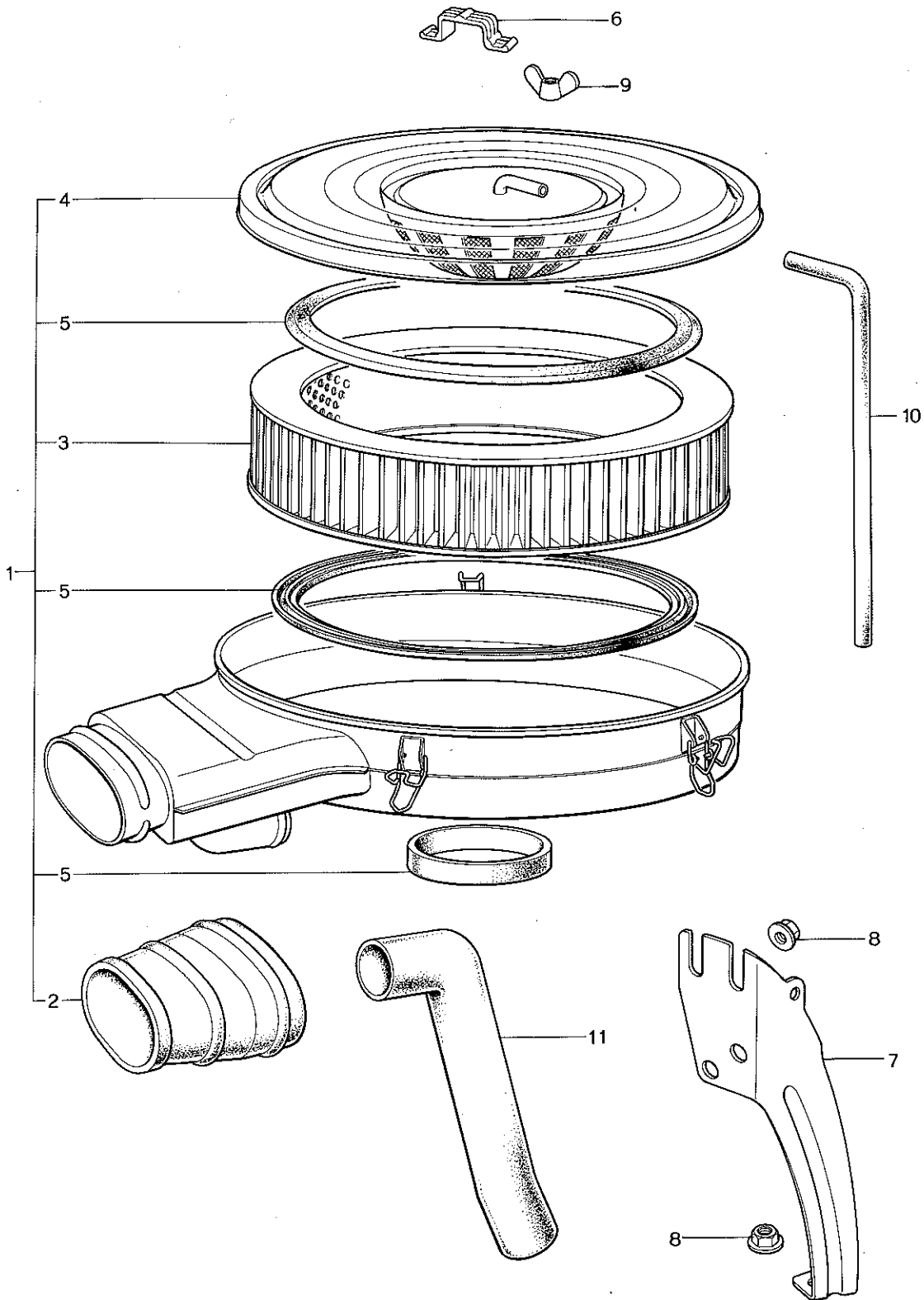


13

23

# AIR CLEANER

(USED FROM CAR NO. 160623 <sup>73</sup>/<sub>10</sub>)



# AIR CLEANER

(USED FROM CAR NO. 160623 <sup>73</sup>/<sub>10</sub>)

13

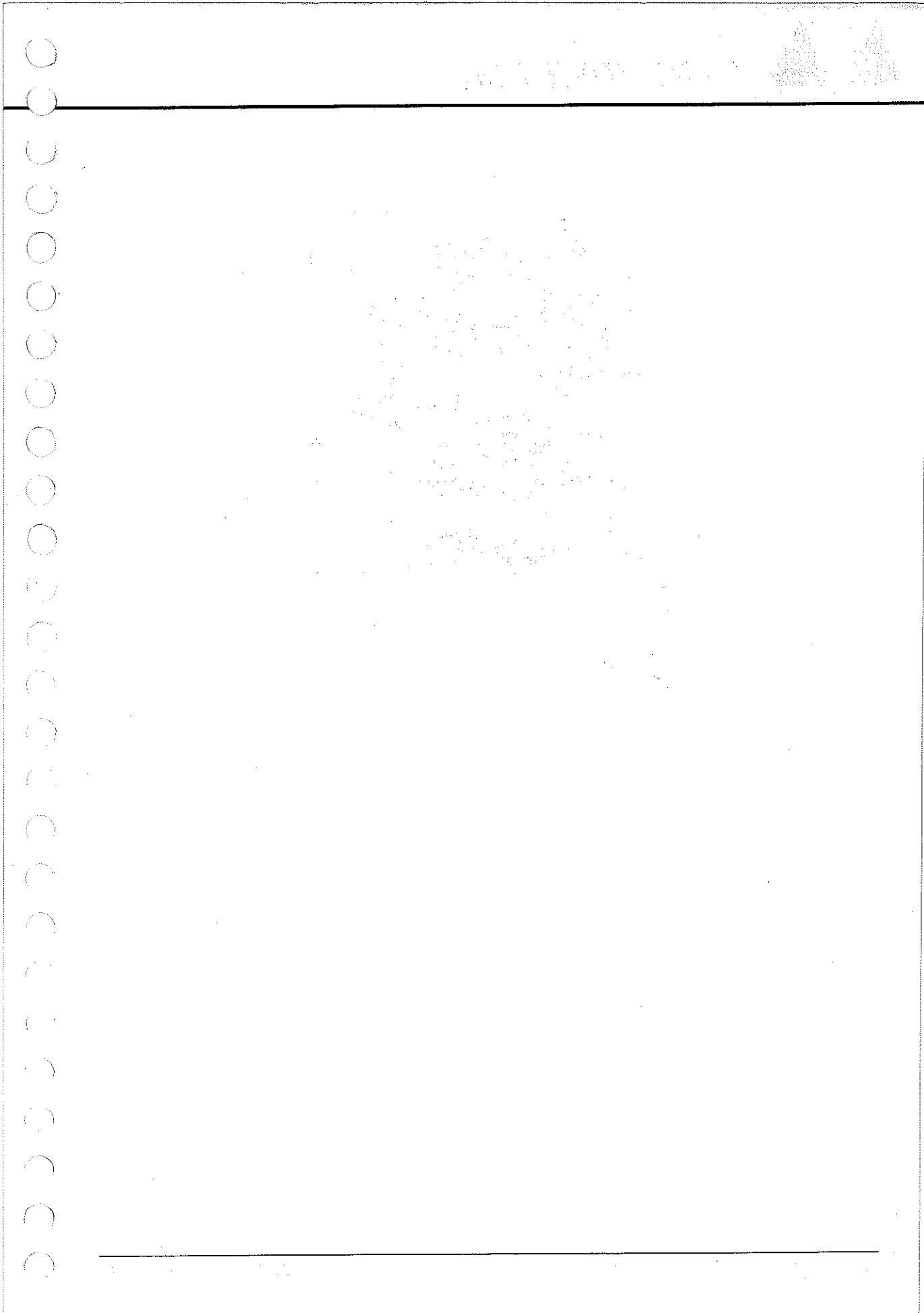
23

| No. | Part Number  | Description           | Q'ty | Remarks |
|-----|--------------|-----------------------|------|---------|
| 1   | 3511 13 300A | Cleaner, Air          | 1    |         |
| 2   | 1881 13 351  | Hose, Air             | 1    |         |
| 3   | 1757 23 672  | Element               | 1    |         |
| 4   | 1790 23 673  | Cover                 | 1    |         |
| 5   | 1757 23 680  | Gasket Set            | 1    |         |
| 6   | 1617 13 305A | Clip                  | 1    |         |
| 7   | 1881 13 311A | Support, Air Cleaner  | 1    |         |
| 8   | 99940 0802   | Nut                   | 2    |         |
| 9   | 99941 0801   | Nut, Wing-Air Cleaner | 1    |         |
| 10  | 1757 13 786A | Hose, Ventilation     | 1    |         |
| 11  | 1052 13 341A | Hose, Hot Air         | 1    |         |

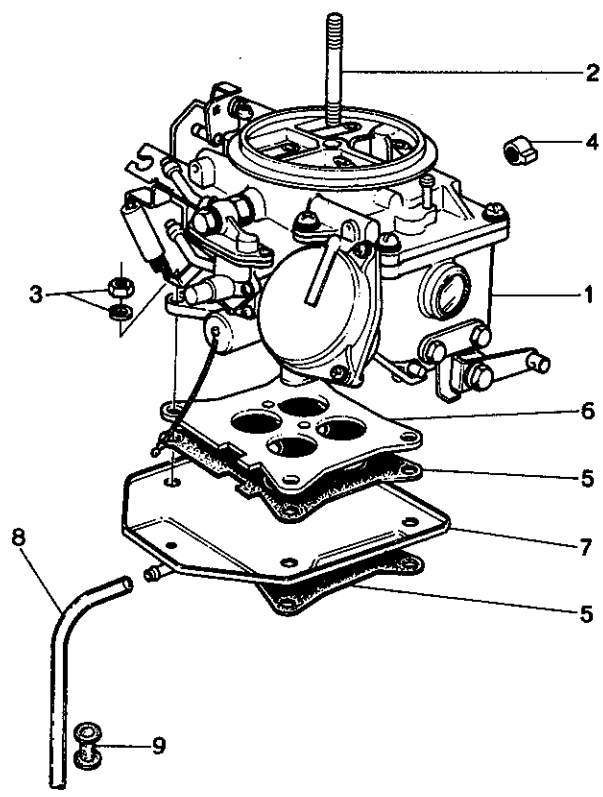


REMAIS DE NIA  
(N° 838001 ON PAS N° 838001)

| DATE | LIBELLE | DEBIT | CREDIT | SOLDE |
|------|---------|-------|--------|-------|
| 1    | ...     | ...   | ...    | ...   |
| 2    | ...     | ...   | ...    | ...   |
| 3    | ...     | ...   | ...    | ...   |
| 4    | ...     | ...   | ...    | ...   |
| 5    | ...     | ...   | ...    | ...   |
| 6    | ...     | ...   | ...    | ...   |
| 7    | ...     | ...   | ...    | ...   |
| 8    | ...     | ...   | ...    | ...   |
| 9    | ...     | ...   | ...    | ...   |
| 10   | ...     | ...   | ...    | ...   |
| 11   | ...     | ...   | ...    | ...   |
| 12   | ...     | ...   | ...    | ...   |
| 13   | ...     | ...   | ...    | ...   |
| 14   | ...     | ...   | ...    | ...   |
| 15   | ...     | ...   | ...    | ...   |
| 16   | ...     | ...   | ...    | ...   |
| 17   | ...     | ...   | ...    | ...   |
| 18   | ...     | ...   | ...    | ...   |
| 19   | ...     | ...   | ...    | ...   |
| 20   | ...     | ...   | ...    | ...   |
| 21   | ...     | ...   | ...    | ...   |
| 22   | ...     | ...   | ...    | ...   |
| 23   | ...     | ...   | ...    | ...   |
| 24   | ...     | ...   | ...    | ...   |
| 25   | ...     | ...   | ...    | ...   |
| 26   | ...     | ...   | ...    | ...   |
| 27   | ...     | ...   | ...    | ...   |
| 28   | ...     | ...   | ...    | ...   |
| 29   | ...     | ...   | ...    | ...   |
| 30   | ...     | ...   | ...    | ...   |
| 31   | ...     | ...   | ...    | ...   |
| 32   | ...     | ...   | ...    | ...   |
| 33   | ...     | ...   | ...    | ...   |
| 34   | ...     | ...   | ...    | ...   |
| 35   | ...     | ...   | ...    | ...   |
| 36   | ...     | ...   | ...    | ...   |
| 37   | ...     | ...   | ...    | ...   |
| 38   | ...     | ...   | ...    | ...   |
| 39   | ...     | ...   | ...    | ...   |
| 40   | ...     | ...   | ...    | ...   |
| 41   | ...     | ...   | ...    | ...   |
| 42   | ...     | ...   | ...    | ...   |
| 43   | ...     | ...   | ...    | ...   |
| 44   | ...     | ...   | ...    | ...   |
| 45   | ...     | ...   | ...    | ...   |
| 46   | ...     | ...   | ...    | ...   |
| 47   | ...     | ...   | ...    | ...   |
| 48   | ...     | ...   | ...    | ...   |
| 49   | ...     | ...   | ...    | ...   |
| 50   | ...     | ...   | ...    | ...   |
| 51   | ...     | ...   | ...    | ...   |
| 52   | ...     | ...   | ...    | ...   |
| 53   | ...     | ...   | ...    | ...   |
| 54   | ...     | ...   | ...    | ...   |
| 55   | ...     | ...   | ...    | ...   |
| 56   | ...     | ...   | ...    | ...   |
| 57   | ...     | ...   | ...    | ...   |
| 58   | ...     | ...   | ...    | ...   |
| 59   | ...     | ...   | ...    | ...   |
| 60   | ...     | ...   | ...    | ...   |
| 61   | ...     | ...   | ...    | ...   |
| 62   | ...     | ...   | ...    | ...   |
| 63   | ...     | ...   | ...    | ...   |
| 64   | ...     | ...   | ...    | ...   |
| 65   | ...     | ...   | ...    | ...   |
| 66   | ...     | ...   | ...    | ...   |
| 67   | ...     | ...   | ...    | ...   |
| 68   | ...     | ...   | ...    | ...   |
| 69   | ...     | ...   | ...    | ...   |
| 70   | ...     | ...   | ...    | ...   |
| 71   | ...     | ...   | ...    | ...   |
| 72   | ...     | ...   | ...    | ...   |
| 73   | ...     | ...   | ...    | ...   |
| 74   | ...     | ...   | ...    | ...   |
| 75   | ...     | ...   | ...    | ...   |
| 76   | ...     | ...   | ...    | ...   |
| 77   | ...     | ...   | ...    | ...   |
| 78   | ...     | ...   | ...    | ...   |
| 79   | ...     | ...   | ...    | ...   |
| 80   | ...     | ...   | ...    | ...   |
| 81   | ...     | ...   | ...    | ...   |
| 82   | ...     | ...   | ...    | ...   |
| 83   | ...     | ...   | ...    | ...   |
| 84   | ...     | ...   | ...    | ...   |
| 85   | ...     | ...   | ...    | ...   |
| 86   | ...     | ...   | ...    | ...   |
| 87   | ...     | ...   | ...    | ...   |
| 88   | ...     | ...   | ...    | ...   |
| 89   | ...     | ...   | ...    | ...   |
| 90   | ...     | ...   | ...    | ...   |
| 91   | ...     | ...   | ...    | ...   |
| 92   | ...     | ...   | ...    | ...   |
| 93   | ...     | ...   | ...    | ...   |
| 94   | ...     | ...   | ...    | ...   |
| 95   | ...     | ...   | ...    | ...   |
| 96   | ...     | ...   | ...    | ...   |
| 97   | ...     | ...   | ...    | ...   |
| 98   | ...     | ...   | ...    | ...   |
| 99   | ...     | ...   | ...    | ...   |
| 100  | ...     | ...   | ...    | ...   |



# CARBURETTOR



# CARBURETTOR

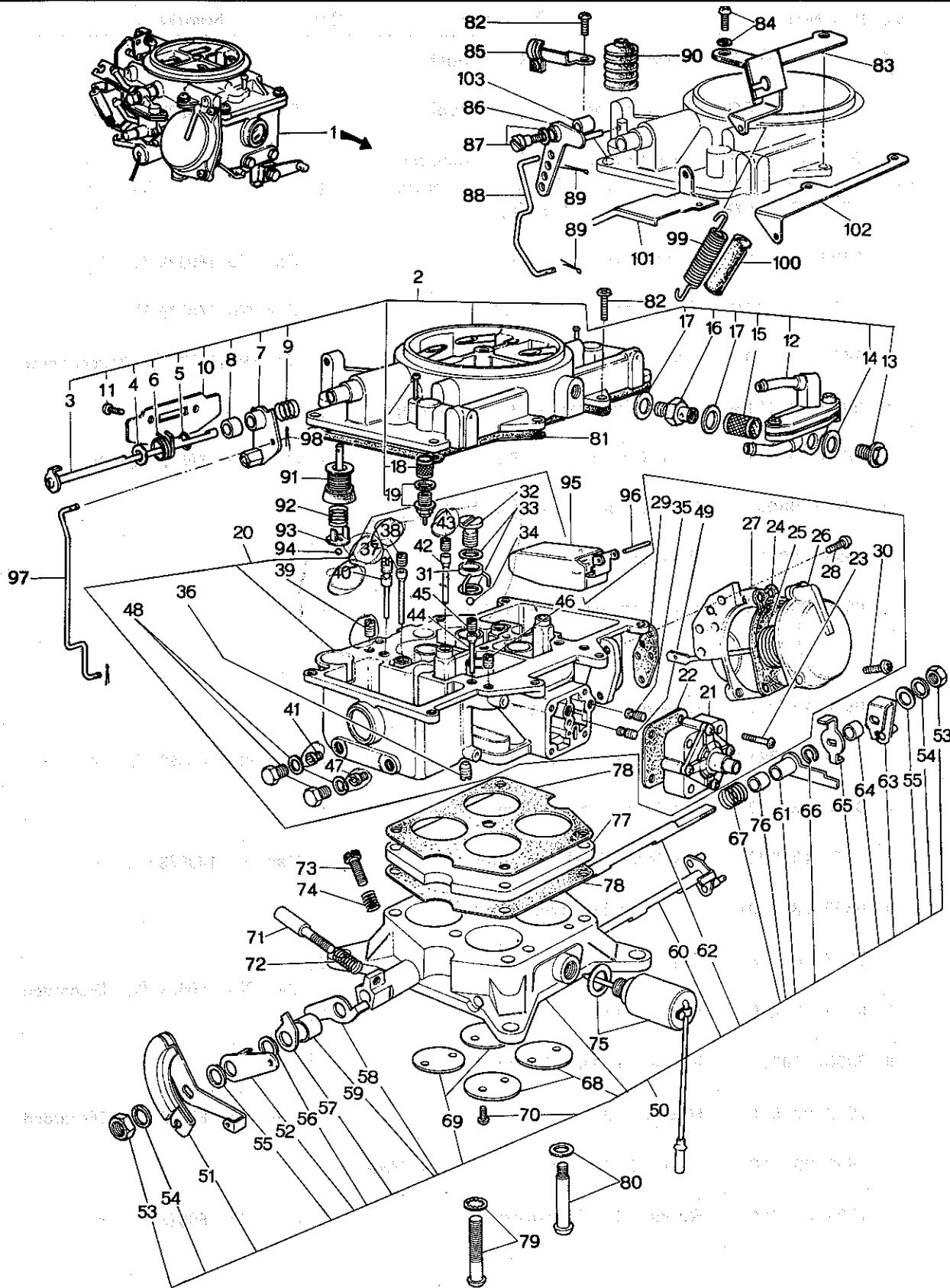
13

23

| No. | Part Number  | Description                               | Q'ty | Remarks                                     |
|-----|--------------|---|------|---|
| 1   | 0866 13 200E | Carburettor (R.H.D. Manual)               | 1    |   |
|     | 3503 13 200C | Carburettor (R.H.D. Manual)               | 1    | Car No. 160623 $\frac{7}{10}$ ~ X           |
|     | 0871 13 200A | Carburettor (R.H.D. Automatic)            | 1    |   |
| ● ✓ | 1955 13 200C | Carburettor (R.H.D. Automatic)            | 1    | $\frac{7}{4}$ ~ X                           |
|     | 1562 13 200B | Carburettor (L.H.D.)                      | 1    |   |
|     | 1708 13 200C | Carburettor (L.H.D.)                      | 1    | Car No. 160623 $\frac{7}{10}$ ~ X           |
|     | 1562 13 200C | Carburettor (1558,1559)                   | 1    | Car No. 140779 $\frac{7}{2}$ ~ X            |
|     | 1566 13 200  | Carburettor (1565,1566,1567,1568)         | 1    | Car No. 140779 $\frac{7}{2}$ ~ Added Anew   |
| 2   | 0820 13 201A | Stub, Carburettor & Air Cleaner           | 1    |   |
|     | 0839 13 201  | Bolt, Carburettor Set                     | 1    | Car No. 160623 $\frac{7}{10}$ ~ X           |
| 3   | 99901 0800   | Nut, Carburettor                          | 4    |   |
|     | 99971 0800   | Washer, Spring                            | 4    |   |
| 4   | 0820 23 436A | Cap, Limiter - Carburettor                | 1    |   |
| 5   | 0820 13 221  | Gasket, Carburettor                       | 3    |   |
|     | 0823 13 221A | Gasket, Carburettor                       | 2    | Car No. 160623 $\frac{7}{10}$ ~ X           |
| 6   | 0820 13 222  | Insulator, Carburettor                    | 1    |   |
|     | 1570 13 222  | Insulator, Carburettor                    | 1    | Car No. 160623 $\frac{7}{10}$ ~ X           |
| 7   | 0866 13 230B | Tray, Carburettor                         | 1    | } Car No. 160623 $\frac{7}{10}$ ~ Discarded |
|     | 1617 13 233  | Clip                                      | 2    |   |
| 8   | 0866 13 235  | Pipe, Drain                               | 1    |   |
| 9   | 99681 1001   | Protector, Drain Pipe                     | 1    |   |
|     | 1562 23 540  | Repair Kit, Carburettor                   | 1    | Car No. 160623 $\frac{7}{10}$ ~ Discarded   |
|     | 1552 23 540  | Repair Kit, Carburettor (ECE Spec. Model) | 1    |   |
|     | 1708 23 540  | Repair Kit, Carburettor                   | 1    | Car No. 160623 $\frac{7}{10}$ ~ X           |

# CARBURETTOR (MANUAL)

(USED UP TO CAR NO. 179250 <sup>73</sup>/<sub>9</sub>)





# CARBURETTOR (MANUAL)

(USED UP TO CAR NO. 179250 <sup>73</sup>/<sub>9</sub>)



| No. | Part Number  | Description                       | Q'ty | Remarks  |
|-----|--------------|-----------------------------------|------|--|
| 1   | 0866 13 200E | Carburettor (R.H.D.)              | 1    |  |
|     | 1562 13 200B | Carburettor (L.H.D.)              | 1    |  |
| ●   | 1562 13 200C | Carburettor (1558,1559)           | 1    | Car. No. 140779 <sup>72</sup> / <sub>2</sub> ~X          |
|     | 1566 13 200  | Carburettor (1565,1566,1567,1568) | 1    | Car. No. 140779 <sup>72</sup> / <sub>2</sub> ~Added Anew |
| 2   | 0866 23 300  | Chamber                           | 1    |  |
| 3   | 0820 23 304A | Shaft, Choke                      | 1    |  |
| 4   | 0114 13 759  | Sleeve                            | 1    |  |
| 5   | 0114 13 757  | Clip                              | 1    |  |
| 6   | 0866 23 309  | Spring, Choke Valve               | 1    |  |
| 7   | 0820 23 302A | Lever, Choke                      | 1    |  |
| 8   | 0820 23 311  | Sleeve                            | 1    |  |
| 9   | 0813 23 361  | Spring, Choke                     | 1    |  |
| 10  | 0820 23 306  | Valve, Choke                      | 1    |  |
| 11  | 0820 23 388  | Screw ( 3 φ )                     | 2    |  |
| 12  | 0866 23 314  | Valve, Fuel Return                | 1    |  |
| 13  | 0118 23 398  | Screw Set, Filter                 | 1    |  |
| 14  | 0813 23 395  | Washer ( 8 φ )                    | 1    |  |
| 15  | 0813 23 401  | Filter, Fuel Return Valve         | 1    |  |
| 16  | 0813 23 307B | Connector                         | 1    |  |
| 17  | 0114 13 788A | Washer (12φ)                      | 2    |  |
| 18  | 0820 23 499  | Filter                            | 2    |  |
| 19  | 0820 23 398B | Valve, Needle                     | 2    |  |
|     | 0221 23 314  | Washer (10φ)                      | 2    |  |
| 20  | 0866 23 320  | Float Chamber                     | 1    |  |
|     | 1562 23 320  | Float Chamber Ass'y               | 1    | Car. No. 150526 <sup>78</sup> / <sub>8</sub> ~○          |
| 21  | 0866 23 324  | Diaphragm                         | 1    |  |
| 22  | 0866 23 331  | Gasket, Valve Body                | 1    |  |
| 23  | 0866 23 335  | Screw ( 4 φ )                     | 4    |  |



# CARBURETTOR (MANUAL)

(USED UP TO CAR NO. 179250  $\frac{7}{8}$ )

| No. | Part Number  | Description               | Q'ty | Remarks                         |
|-----|--------------|---------------------------|------|---------------------------------|
| 24  | 0866 23 372  | Diaphragm                 | 1    |                                 |
| 25  | 0866 23 334  | Spring, Diaphragm         | 1    |                                 |
| 26  | 0820 23 322C | Cover, Diaphragm Chamber  | 1    |                                 |
| 27  | 0820 23 371A | Chamber, Diaphragm        | 1    |                                 |
| 28  | 1617 23 388  | Screw (4 $\phi$ )         | 3    |                                 |
| 29  | 0820 23 373  | Gasket, Diaphragm Chamber | 1    |                                 |
| 30  | 1617 23 394  | Screw (5 $\phi$ )         | 3    |                                 |
| 31  | 0820 23 338  | Injector, Pump            | 1    |                                 |
|     | 0820 23 338A | Injector, Pump            | 1    | Car No. 138734 $\frac{7}{8}$ ~O |
| 32  | 0813 23 328  | Screw Set, Weight         | 1    |                                 |
| 33  | 0187 23 356  | Washer (7 $\phi$ )        | 2    |                                 |
| 34  | 0866 23 339  | Ball (4.2 $\phi$ )        | 1    |                                 |
| 35  | 0268 23 393A | Slow Jet (#120)           | 1    |                                 |
| 36  | 0118 23 329A | Air Bleed, Slow (#80)     | 1    |                                 |
| 37  | 0866 23 329  | Tube, Emulsion (P)        | 2    |                                 |
| 38  | 0268 23 395  | Air Bleed, Slow (#100)    | 2    |                                 |
| 39  | 0268 23 394A | Air Bleed, Slow (#200)    | 2    |                                 |
| 40  | 0866 23 425  | Slow Jet (#42)            | 2    |                                 |
| 41  | 0866 23 421  | Main Jet (#92)            | 2    |                                 |
| 42  | 0820 23 330  | Tube, Emulsion (S)        | 2    |                                 |
| 43  | 0114 13 662  | Air Bleed, Slow (#140)    | 2    |                                 |
| 44  | 0866 23 428  | Air Bleed (#180)          | 2    |                                 |
| 45  | 0820 23 426B | Slow Jet (#60)            | 2    |                                 |
| 46  | 0820 23 433  | Air Bleed, Slow (#0)      | 2    |                                 |
| 47  | 0820 23 422  | Main Jet (#140)           | 2    |                                 |
| 48  | 0221 23 395  | Plug, Drain               | 4    |                                 |
|     | 0221 23 366  | Washer (9 $\phi$ )        | 4    |                                 |

# CARBURETTOR (MANUAL)

(USED UP TO CAR NO. 179250 <sup>7</sup>/<sub>9</sub>)

13

23

| No. | Part Number  | Description                | Q'ty | Remarks  |
|-----|--------------|----------------------------|------|--|
| 49  | 2113 23 431  | Slow Jet (#190)            | 1    |  |
| 50  | 966 23 340   | Chamber, Throttle (R.H.D.) | 1    |  |
|     | 1562 23 340  | Chamber, Throttle (L.H.D.) | 1    |  |
|     | 1562 23 340A | Chamber, Throttle (L.H.D.) | 1    | Car No. 150526 <sup>7</sup> / <sub>8</sub> ~ ○ |
|     | 1566 23 340  | Chamber, Throttle (L.H.D.) | 1    | Car No. 150526 <sup>7</sup> / <sub>8</sub> ~ ○ |
| 51  | 0866 23 344  | Lever, Throttle (R.H.D.)   | 1    |  |
|     | 1562 23 344  | Lever, Throttle (L.H.D.)   | 1    |  |
| 52  | 0813 23 347  | Lever, Starting            | 1    |  |
| 53  | 0118 23 369  | Nut (8 φ)                  | 2    |  |
| 54  | 0221 23 368  | Washer, Spring (8 φ)       | 2    |  |
| 55  | 0813 13 392  | Washer (8 φ)               | 2    |  |
| 56  | 0866 23 406  | Piece, Distance            | 1    |  |
| 57  | 0866 23 357  | Lever, Adjust              | 1    |  |
| 58  | 0866 23 346  | Lever, Adjust              | 1    |  |
| 59  | 0180 23 316  | Collar, Shaft              | 1    |  |
| 60  | 0820 23 343C | Shaft, Throttle (S)        | 1    |  |
| 61  | 0866 23 345  | Lever, Control             | 1    |  |
| 62  | 0820 23 342B | Shaft, Throttle (P)        | 1    |  |
| 63  | 0820 23 498  | Lever, Metering            | 1    |  |
| 64  | 0820 23 359  | Spacer                     | 1    |  |
| 65  | 0820 23 358  | Lever, Adjust              | 1    |  |
| 66  | 0813 23 403  | Clip                       | 1    |  |
| 67  | 0820 23 353  | Spring, Control Lever      | 1    |  |
| 68  | 0820 23 351  | Valve, Throttle (S)        | 2    |  |
| 69  | 0268 23 317  | Valve, Throttle (P)        | 2    |  |
| 70  | 0820 23 389  | Screw (3 φ)                | 8    |  |
| 71  | 0820 23 397B | Screw, Adjust- Throttle    | 1    |  |
| 72  | 0820 23 397A | Spring, Adjust- Throttle   | 1    |  |



# CARBURETTOR (MANUAL)

(USED UP TO CAR NO. 179250 <sup>73</sup>/<sub>9</sub>)

| No. | Part Number  | Description                | Q'ty | Remarks             |
|-----|--------------|----------------------------|------|---------------------|
| 73  | 0820 23 405A | Screw, Adjust-Idle         | 1    |                     |
| 74  | 0813 23 383  | Spring, Adjust Screw-Idle  | 1    |                     |
| 75  | 0866 23 352  | Valve, Solenoid            | 1    | 1565,1566,1567,1568 |
|     | 0118 23 348  | Washer (8 φ)               | 1    | 1565,1566,1567,1568 |
| 76  | 0866 23 355  | Spacer                     | 1    |                     |
| 77  | 0866 23 354  | Insulator                  | 1    |                     |
| 78  | 0866 23 349  | Gasket, Throttle Chamber   | 2    |                     |
| 79  | 0866 23 413  | Screw (5 φ)                | 1    |                     |
|     | 0820 23 399  | Washer (5 φ)               | 1    |                     |
| 80  | 0866 23 411  | Screw (6 φ)                | 4    |                     |
|     | 0221 23 375  | Washer (6 φ)               | 4    |                     |
| 81  | 0820 23 327  | Gasket, Float Chamber      | 1    |                     |
| 82  | 1617 23 394  | Screw (5 φ)                | 7    |                     |
| 83  | 0866 23 305  | Arm, Wire (R.H.D.)         | 1    |                     |
| 84  | 1617 23 392  | Screw (5 φ)                | 1    |                     |
| 85  | 0820 23 303A | Arm, Choke Wire            | 1    |                     |
| 86  | 0813 23 325  | Lever, Pump                | 1    |                     |
| 87  | 0820 23 362  | Shaft, Pump Lever (R.H.D.) | 1    |                     |
|     | 2125 23 362  | Screw (5 φ)                | 1    |                     |
|     | 0114 13 795  | Washer, Spring (5 φ)       | 1    | Pump Lever (L.H.D.) |
| 88  | 0866 23 332  | Rod, Connecting - Pump     | 1    |                     |
| 89  | 0136 13 717A | Pin, Cotter (1 φ)          | 3    |                     |
| 90  | 0118 23 342  | Cover, Pump                | 1    |                     |
| 91  | 0866 23 323  | Piston                     | 1    |                     |
| 92  | 0813 23 333  | Spring, Return-Piston      | 1    |                     |
| 93  | 0820 23 337A | Piece, Distance            | 1    |                     |

# CARBURETTOR (MANUAL)

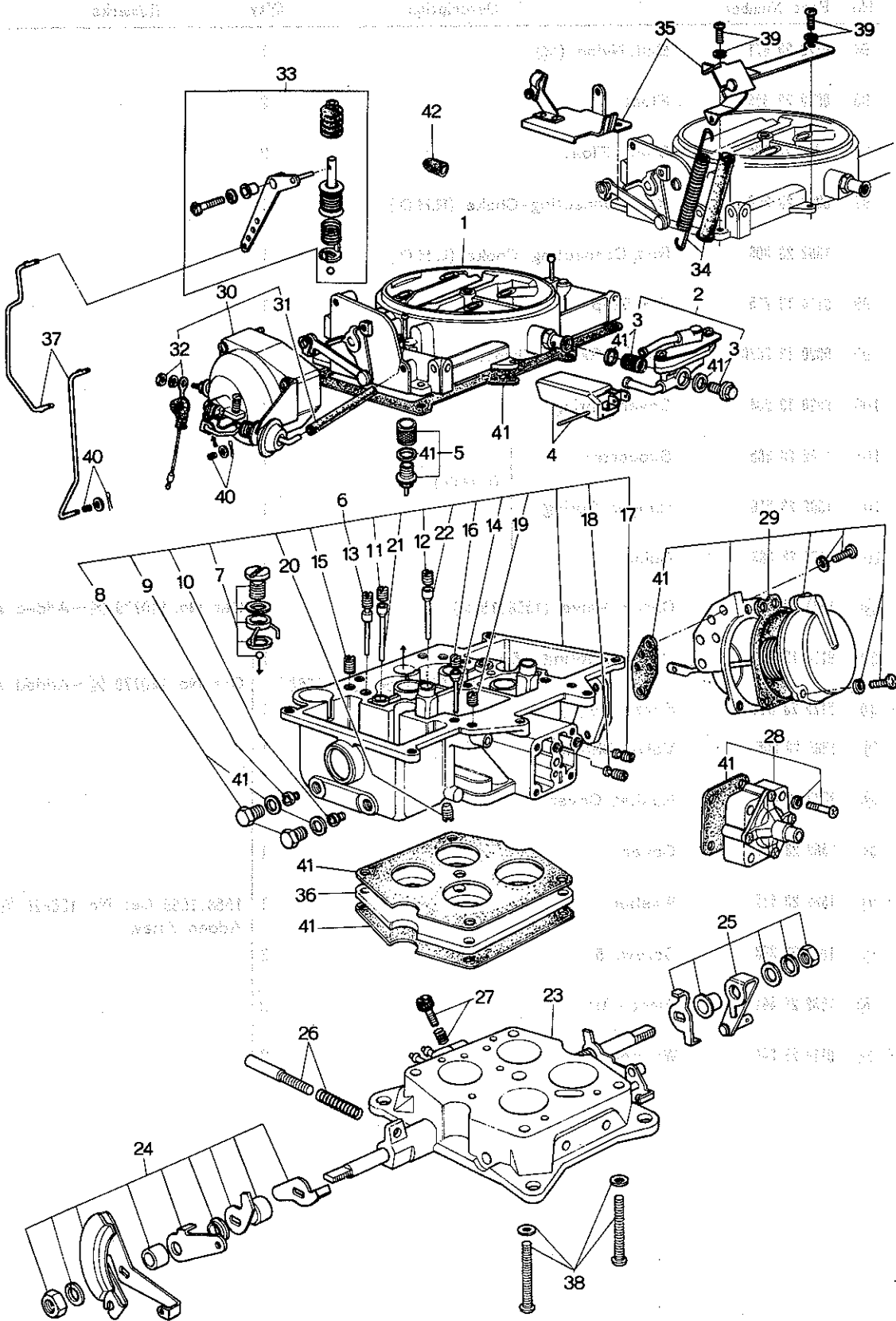
(USED UP TO CAR NO. 179250 <sup>73/9</sup>)



| No.   | Part Number  | Description                    | Q'ty | Remarks  |
|-------|--------------|--------------------------------|------|--|
| 94    | 0820 23 471  | Ball, Nylon ( $\frac{5}{32}$ ) | 1    |  |
| 95    | 0813 23 326  | Float                          | 2    |  |
| 96    | 0820 23 396  | Shaft, Float                   | 2    |  |
| 97    | 0866 23 308  | Rod, Connecting-Choke (R.H.D.) | 1    |  |
|       | 1562 23 308  | Rod, Connecting-Choke (L.H.D.) | 1    |  |
| 98    | 0114 13 715  | Pin, Stop                      | 1    |  |
| 99    | 0820 13 202C | Spring, Return-Throttle        | 1    |  |
| 100   | 0820 13 204  | Cover, Spring                  | 1    |  |
| 101   | 1562 23 305  | Supporter                      | 1    | (L.H.D.)   |
| 102   | 1562 23 318  | Hanger, Spring                 | 1    |  |
| 103   | 2125 23 363  | Guide                          | 1    |  |
| ✓ (N) | 1665 23 506  | Check Valve (1558,1559)        | 1    | Car No. 140779 $\frac{7}{8}$ ~Added Anew                       |
| (N)   | 0114 13 785  | Washer, Spring (5 $\phi$ )     | 1    | (1565,1566,1567,1568) Car No. 140779 $\frac{7}{8}$ ~Added Anew |
| ✓ (N) | 2125 23 362  | Screw (5 $\phi$ )              | 1    |  |
| ✓ (N) | 1665 23 506  | Valve Check                    | 1    |  |
| ✓ (N) | 2329 23 443  | Gasket Cover                   | 1    |  |
| ✓ (N) | 1562 23 442  | Cover                          | 1    |  |
| ✓ (N) | 1562 23 445  | Washer                         | 1    | 1558,1559 Car No. 136920 $\frac{7}{8}$ ~<br>Added Anew         |
| ✓ (N) | 1617 23 393  | Screw, 5                       | 3    |  |
| ✓ (N) | 1562 23 444  | Bleed - Air                    | 2    |  |
| ✓ (N) | 0118 23 348  | Washer                         | 2    |  |

# CARBURETTOR (AUTOMATIC)

(USED UP TO 7 1/3)



# CARBURETTOR (AUTOMATIC)

(USED UP TO  $\frac{74}{3}$ )



| No. | Part Number  | Description               | Q'ty | Remarks                                   |
|-----|--------------|---------------------------|------|---|
|     | 0871 13 200C | Carburettor (R.H.D.)      | 1    |   |
| ✓ ● | 0871 13 200E | Carburettor (R.H.D.)      | 1    | Car. No. 167343 $\frac{74}{3}$ ~ $\Delta$ |
| 1   | 0871 23 310  | Chamber, Choke            | 1    |   |
| 2   | 0871 23 380  | Valve Set, Fuel Return    | 1    | Fig. No. 3 included                       |
| 3   | 0871 23 381  | Strainer Set              | 1    |   |
| 4   | 0871 23 385  | Float Set                 | 1    |   |
| 5   | 0871 23 390  | Valve, Needle             | 1    |   |
| 6   | 0871 23 320  | Chamber, Float            | 1    | } Fig. No. 7 ~ 22 included                |
| ●   | 0871 23 320B | Chamber, Float            | 1    |   |
| 7   | 0871 23 490  | Injector, Pump            | 1    |   |
| 8   | 0871 23 495  | Plug, Drain               | 1    |   |
| 9   | 0866 23 421  | # 92 Jet, Main (P)        | 2    |   |
| 10  | 0820 23 422  | # 140 Jet, Main (S)       | 2    |   |
| 11  | 0268 23 395  | # 100 Bleed, Main Air (P) | 2    |   |
| 12  | 0114 23 662  | # 140 Bleed, Main Air (S) | 2    |   |
| 13  | 0866 23 425  | # 42 Jet, Slow (P)        | 2    |   |
| 14  | 0820 23 426B | # 60 Jet, Slow (S)        | 2    |   |
| 15  | 0268 23 394A | # 200 Bleed, Slow Air (P) | 2    |   |
| 16  | 0866 23 428  | # 180 Bleed, Slow Air (P) | 2    |   |
| 17  | 2113 23 431  | # 180 Jet, Vacuum (P)     | 1    |   |
| 18  | 0268 23 393A | # 120 Jet, Vacuum (S)     | 1    |   |
| 19  | 0820 23 433  | # 0 Bleed, Slow Air       | 2    |   |
| 20  | 0871 23 434  | # 180 Jet, Richer         | 1    |   |
| 21  | 0866 23 329  | Tube (P), Emulsion        | 2    |   |
| 22  | 0820 23 330  | Tube (S), Emulsion        | 2    |   |
| 23  | 0871 23 330  | Chamber, Throttle         | 1    |   |
| ●   | 0872 23 330  | Chamber, Throttle         | 1    | $\frac{74}{3}$ ~ $\circ$                  |
| 24  | 0871 23 360  | Lever Set (Rr.)           | 1    |   |
| 25  | 0871 23 365  | Lever Set (Fr.)           | 1    |   |



# CARBURETTOR (AUTOMATIC)

(USED UP TO 7/8)

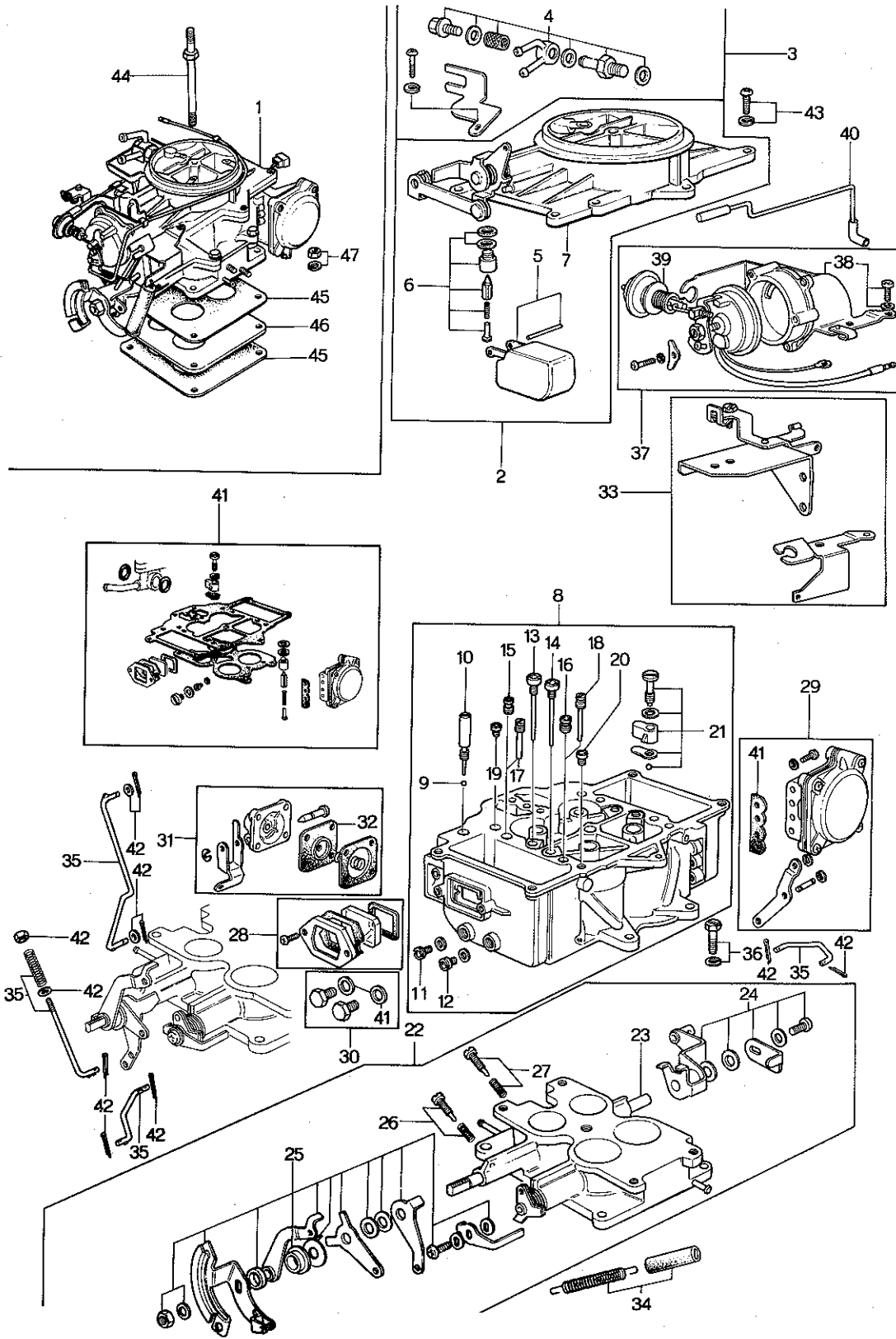
| No. | Part Number  | Description                 | Q'ty | Remarks                         |
|-----|--------------|-----------------------------|------|---------------------------------|
| 26  | 0871 23 370  | Screw, Throttle Adjust      | 1    |                                 |
| 27  | 0871 23 375  | Screw, Idle Adjust          | 1    |                                 |
| 28  | 0871 23 355  | Valve, Vacuum               | 1    |                                 |
| 29  | 0871 23 350  | Chamber, Diaphragm          | 1    |                                 |
| 30  | 0871 23 340  | Thermostat                  | 1    | Fig. No. 31, 32 included        |
| 31  | 0871 23 346  | Tube                        | 1    |                                 |
| 32  | 0871 23 345  | Wire Set, Lead              | 1    |                                 |
| 33  | 0871 23 410  | Pump, Accelerator           | 1    |                                 |
| 34  | 0871 23 420  | Spring, Throttle Return     | 1    |                                 |
| 35  | 0871 23 430  | Bracket Set                 | 1    |                                 |
| 36  | 0866 23 354  | Insulator                   | 1    |                                 |
| 37  | 0871 23 440  | Rod Set                     | 1    |                                 |
| 38  | 0871 23 510  | Screw Set, Throttle Chamber | 1    |                                 |
| 39  | 0871 23 520  | Screw Set, Choke Chamber    | 1    |                                 |
| 40  | 0871 23 540  | Pin & Washer Set            | 1    |                                 |
| ●   | 0871 23 540A | Pin & Washer Set            | 1    | Car No. 167343 7/4 ~ Δ          |
| 41  | 0871 23 530  | Gasket Set                  | 1    |                                 |
| ✓ ● | 0559 13 104  | Cap, Blind                  | 1    | Car No. 160623 7/9 ~ Added Anew |





# CARBURETTOR

(AUTOMATIC USED FROM  $\frac{7}{4}$ )  
 (MANUAL USED FROM  $\frac{7}{10}$ )



**CARBURETTOR**  
 (AUTOMATIC USED FROM  $\frac{7}{4}$ )  
 (MANUAL USED FROM  $\frac{7}{10}$ )



| No. | Part Number   | Description   | Q'ty | Remarks |
|-----|---------------|---|------|---------|
| √ 1 | 1708 13 200 C | Carburettor (Manual) (L.H.D.)                       | 1    |         |
| √   | 1955 13 200 C | Carburettor (Automatic)                             | 1    | }       |
|     |               | (R.H.D.)  |      |         |
| √   | 3503 13 200 C | Carburettor (Manual)                                | 1    |         |
| 2   | 1955 23 310   | Horn Set, Air-Fig. No. 3,5,6,7 included (Automatic) | 1    |         |
|     | 3503 23 310   | Horn Set, Air-Fig. No. 3,5,6,7 included (Manual)    | 1    |         |
| 3   | 1881 23 319   | Connector Set, Fuel-Fig. No. 4 included             | 1    |         |
| 4   | 1663 23 409   | Strainer Set  | 1    |         |
| 5   | 1663 23 326 B | Float Set   | 1    |         |
| 6   | 1663 23 390   | Seat Set, Float Valve                               | 1    |         |
| 7   | 1955 23 520   | Horn Sub Set, Air (Automatic)                       | 1    |         |
|     | 3503 23 520   | Horn Sub Set, Air (Manual)                          | 1    |         |
| 8   | 1955 23 320   | Body Set-Fig. No.9~21 included                      | 1    |         |
| √ 9 | 0107 13 781   | Ball, Steel   | 1    |         |
| 10  | 0823 23 338   | Plug, Check Ball                                    | 1    |         |
| 11  | 1955 23 421   | Jet Set, Main (P)                                   | 2    |         |
| 12  | 1955 23 422   | Jet Set, Main (S)                                   | 2    |         |
| 13  | 1955 23 423   | Jet, Main Air Bleed (P)                             | 2    |         |
| 14  | 0839 23 424   | Jet, Main Air Bleed (S)                             | 2    |         |
| 15  | 1881 23 427   | Jet, Slow Air Bleed                                 | 2    |         |
| 16  | 1955 23 428   | Jet, Step Air Bleed (S)                             | 2    |         |



# CARBURETTOR

(AUTOMATIC USED FROM  $\frac{7\frac{1}{4}}{4}$ )  
 (MANUAL USED FROM  $\frac{7\frac{3}{10}}{10}$ )

| No. | Part Number   | Description  | Q'ty | Remarks |
|-----|---------------|--|------|---------|
| 17  | 1955 23 431   | Jet, Slow  | 2    |         |
| 18  | 1883 23 432   | Jet, Step  | 2    |         |
| 19  | 1955 23 433   | Jet, Slow Air Bleed  | 2    |         |
| 20  | 1955 23 434   | Jet, Step Air Bleed  | 2    |         |
| 21  | 1955 23 490   | Nozzle Set, Accel.   | 1    |         |
| 22  | 1708 23 330   | Flange Set-Fig. No. 23~27 included<br>(Manual) (L.H.D.)    | 1    |         |
|     | 1955 23 330   | Flange Set-Fig. No. 23~27 included<br>(Automatic) (R.H.D.) | 1    |         |
|     | 3503 23 330   | Flange Set-Fig. No. 23~27 included<br>(Manual) (R.H.D.)    | 1    |         |
| 23  | 1955 23 410   | Flange Sub Set (Automatic)                                 | 1    |         |
|     | 3503 23 410   | Flange Sub Set (Manual)                                    | 1    |         |
| 24  | 1955 23 420   | Lever Set, Front   | 1    |         |
| 25  | 1708 23 430   | Lever Set, Rear (Manual) (L.H.D.)                          | 1    |         |
|     | 1955 23 430   | Lever Set, Rear (Automatic) (R.H.D.)                       | 1    |         |
|     | 3503 23 430   | Lever Set, Rear (Manual) (R.H.D.)                          | 1    |         |
| 26  | 0842 23 440   | Screw Set, Throttle Lever Adjust                           | 1    |         |
| 27  | 0842 23 460   | Screw Set, Idle Adjust                                     | 1    |         |
| 28  | 1668 23 340 A | Cover Set, Level Gauge                                     | 1    |         |
| 29  | 1955 23 350   | Chamber Set, Diaphragm                                     | 1    |         |
| 30  | 1668 23 354   | Plug Set, Main Passage                                     | 1    |         |
| 31  | 1663 23 360 C | Pump Set, Accel.-Fig. No. 32 included                      | 1    |         |

**CARBURETTOR**  
 (AUTOMATIC USED FROM  $\frac{7}{16}$ )  
 (MANUAL USED FROM  $\frac{7}{16}$ )

13 23

| No.  | Part Number   | Description                                      | Q'ty | Remarks     |
|------|---------------|--|------|-------------|
| 32   | 1663 23 361 A | Diaphragm, Accel. Pump                           | 1    |             |
| 33   | 1708 23 370   | Bracket Set (Manual) (L.H.D.)                    | 1    |             |
|      | 1951 23 370   | Bracket Set (Automatic)                          | 1    | (R.H.D.)    |
|      | 3503 23 370   | Bracket Set (Manual)                             | 1    |             |
| 34   | 1663 23 380   | Spring Set, Return                               | 1    |             |
| 35   | 1955 23 480   | Rod & Link Set (Automatic)                       | 1    |             |
|      | 3503 23 480   | Rod & Link Set (Manual)                          | 1    |             |
| 36   | 0839 23 484 A | Screw, Flange Set                                | 4    |             |
| 37   | 1955 23 500   | Choke Set, Semi Auto<br>Fig. No. 38, 39 included | 1    |             |
| 38   | 1955 23 501   | Holder Set, Bimetal                              | 1    | (Automatic) |
| 39   | 1955 23 502   | Bimetal Set                                      | 2    |             |
| 40   | 1027 23 509   | Pipe, Vacuum                                     | 1    |             |
| 41   | 0862 23 510   | Gasket Set                                       | 1    |             |
| 42   | 1668 23 530   | Pin & Washer Set                                 | 1    |             |
| 43   | 0750 23 652   | Screw & Washer Set                               | 7    |             |
|      | 1708 23 540   | Repair Kit, Carburettor                          | 1    |             |
| ✓ 44 | 0839 13 201   | Bolt, Cleaner Set                                | 1    |             |
| ✓ 45 | 0823 13 221 A | Gasket, Carburettor                              | 2    |             |
| ✓ 46 | 1570 13 222   | Insulator, Carburettor                           | 1    |             |

13 23

**CARBURETTOR**  
 (AUTOMATIC USED FROM 7/4)  
 (MANUAL USED FROM 7/10)

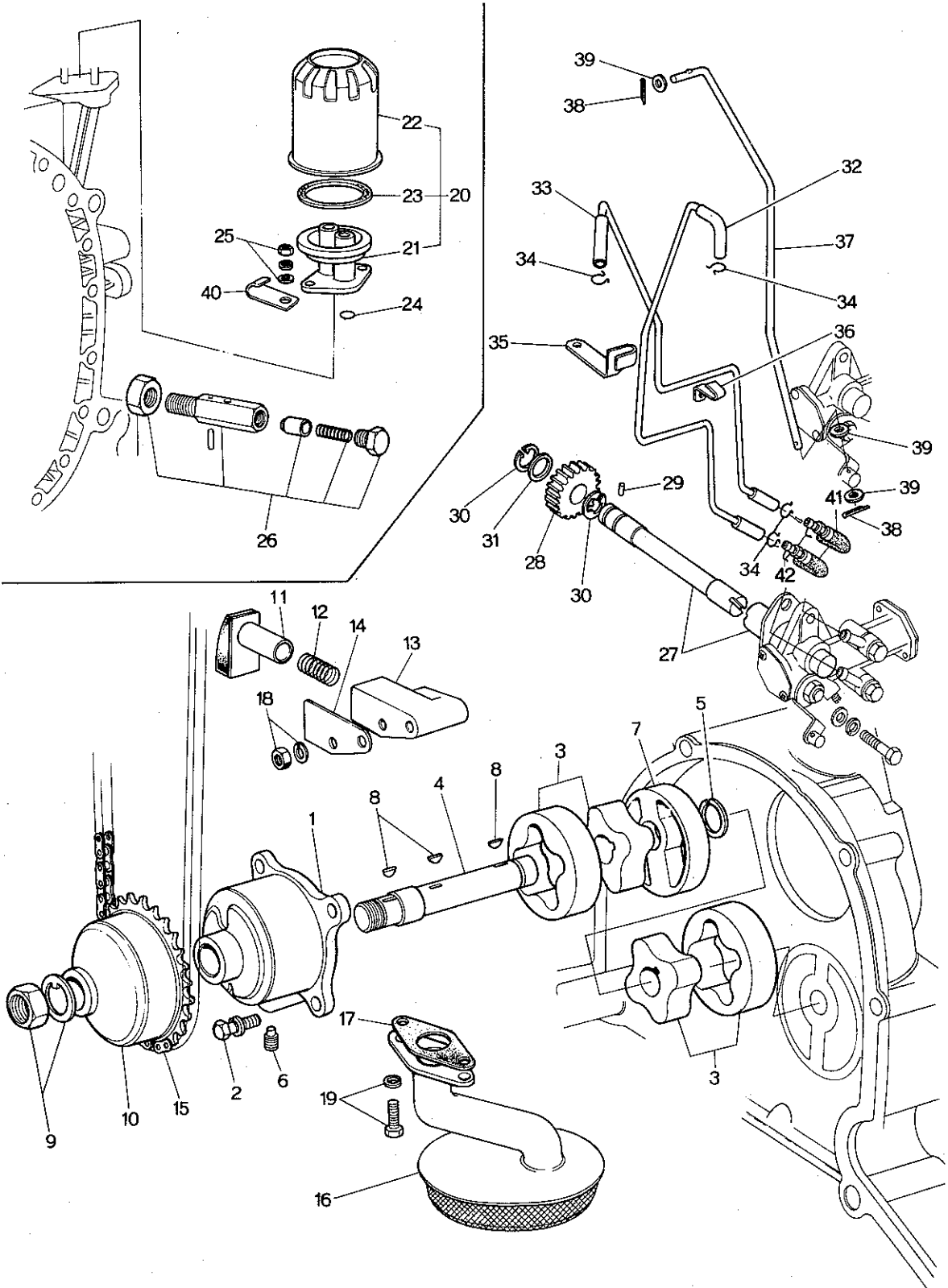
| No. | Part Number | Description      | Q'ty | Remarks |
|-----|-------------|------------------|------|---------|
| 47  | 99901 0800  | Nut, Carburettor | 4    |         |
|     | 99971 0800  | Washer, Spring   | 4    |         |



*[Faint, illegible handwriting or bleed-through text covering the majority of the page.]*

14

OIL PUMP





# OIL PUMP

14

| No. | Part Number  | Description              | Q'ty | Remarks                           |
|-----|--------------|--------------------------|------|-----------------------------------|
| 1   | 0839 14 101B | Body, Oil Pump           | 1    |                                   |
| 2   | 99806 0618   | Bolt, Oil Pump Body      | 4    |                                   |
|     | 99952 0600   | Washer, Plain            | 4    |                                   |
|     | 99971 0600   | Washer, Spring           | 4    |                                   |
| 3   | 0820 23 882A | Rotor Set                | 2    |                                   |
| 4   | 0839 14 112B | Shaft                    | 1    |                                   |
| ●   | 1757 14 112  | Shaft                    | 1    | Car No. 160623 $\frac{73}{10}$ ~X |
| 5   | 0810 14 113  | Ring, Snap               | 1    |                                   |
| 6   | 0839 14 117  | Screw, Lock - Oil Pump   | 1    |                                   |
| 7   | 0820 14 118C | Plate, Middle - Oil Pump | 1    |                                   |
| 8   | 0839 14 119B | Key                      | 3    |                                   |
| 9   | 99922 1200   | Nut                      | 1    |                                   |
|     | 99979 1200   | Washer, Tab              | 1    |                                   |
| 10  | 0839 14 141A | Sprocket, Driven         | 1    |                                   |
| 11  | 0823 14 130  | Adjuster, Chain          | 1    |                                   |
| 12  | 0823 14 131  | Spring                   | 1    |                                   |
| 13  | 0839 14 132  | Body                     | 1    |                                   |
| ●   | 1757 14 132  | Body                     | 1    | Car No. 160623 $\frac{73}{10}$ ~X |
| 14  | 0839 14 133  | Plate, Guide             | 1    |                                   |
| 15  | 0839 14 142  | Chain                    | 1    |                                   |
| 16  | 0866 14 160C | Strainer, Oil            | 1    |                                   |

| No. | Part Number  | Description                                  | Q'ty | Remarks                          |
|-----|--------------|--|------|----------------------------------|
|     | 0866 14 160D | Strainer, Oil                                | 1    | Car No. 149072 $\frac{7}{8}$ "~△ |
|     | 0866 14 160E | Strainer, Oil                                | 1    | Car No. 150285 $\frac{7}{8}$ "~○ |
| 17  | 0810 14 171  | Gasket, Oil Strainer                         | 1    |                                  |
| 18  | 99906 0600   | Nut, Chain Adjuster & Oil Strainer           | 2    |                                  |
|     | 99971 0600   | Washer, Spring                               | 2    |                                  |
| 19  | 99806 0614   | Bolt   | 2    |                                  |
|     | 99971 0600   | Washer, Spring                               | 2    |                                  |
| 20  | 0839 14 300  | Filter, Oil                                  | 1    |                                  |
| 21  | 0839 23 801  | Cover  | 1    |                                  |
| 22  | 0813 23 802A | Cartridge, Oil Filter (Fig. No. 23 included) | 1    |                                  |
| ●   | 0813 23 802B | Cartridge, Oil Filter (Fig. No. 23 included) | 1    | Car No. 161187 $\frac{3}{4}$ "~○ |
| 23  | 0813 23 803  | Gasket                                       | 1    |                                  |
| 24  | 99541 01601  | Ring, "O" - Oil Filter                       | 2    |                                  |
| 25  | 99901 0800   | Nut, Oil Filter                              | 2    |                                  |
|     | 99971 0800   | Washer, Spring                               | 2    |                                  |
|     | 99953 0800   | Washer, Plain                                | 1    |                                  |
| 26  | 0820 14 250C | Regulator, Pressure                          | 1    |                                  |
| ●   | 0820 14 250D | Regulator, Pressure                          | 1    | Car No. 167714 $\frac{3}{4}$ "~△ |
| 27  | 0820 14 620  | Shaft, Driven Gear                           | 1    |                                  |

# OIL PUMP



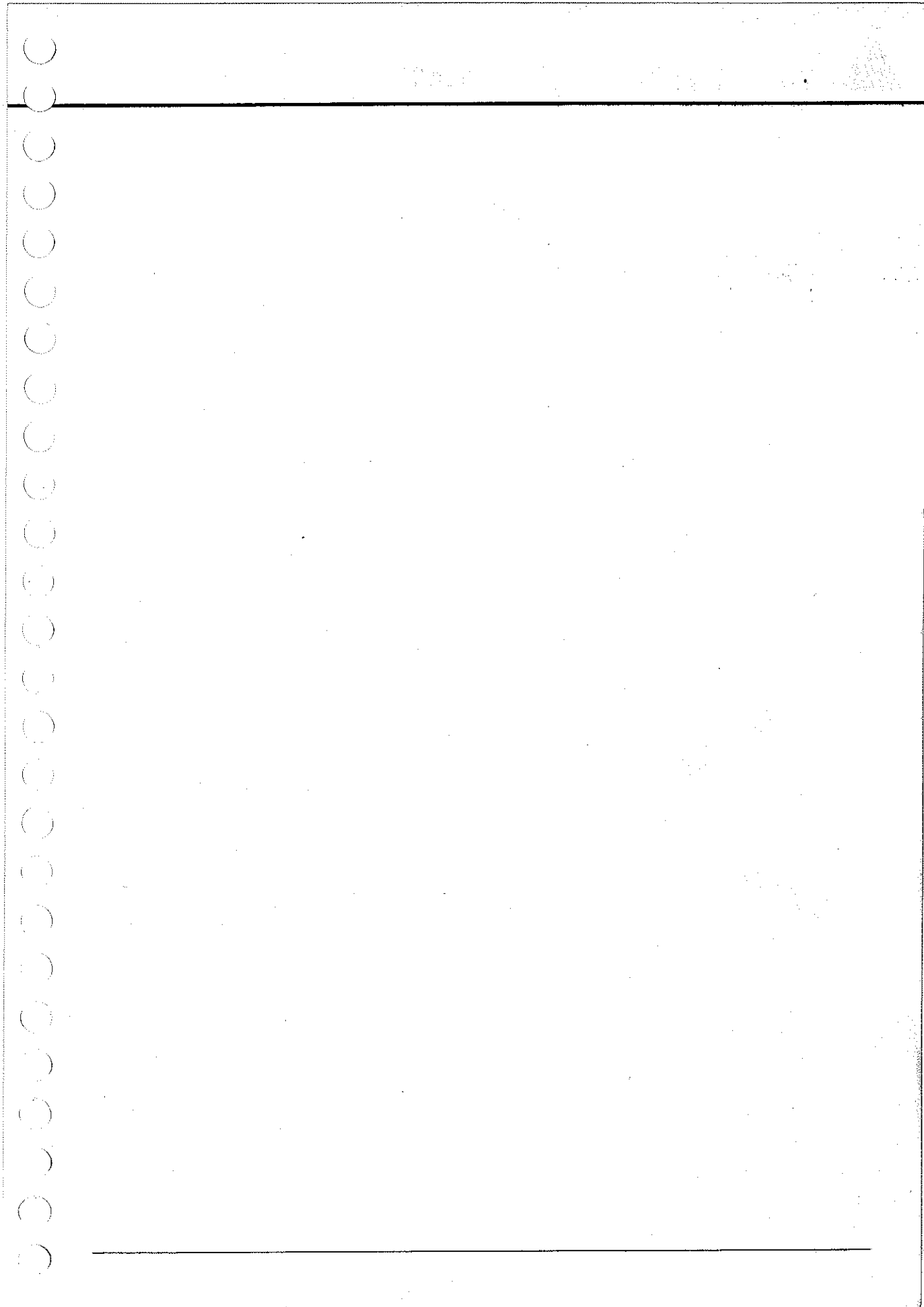
| No. | Part Number    | Description                    | Q'ty | Remarks                                   |
|-----|----------------|--------------------------------|------|---|
| ✓ ● | 0820 14 620A   | Shaft, Driven Gear             | 1    | Car No. 160623 $\frac{7}{10}$ ~△          |
| 28  | 0820 14 625    | Gear, Driven                   | 1    |   |
| ✓ ● | 0820 14 625A   | Gear, Driven                   | 1    | Car No. 166139 $\frac{7}{4}$ ~○           |
| 29  | 0813 14 623    | Pin                            | 1    |   |
| 30  | 99576 0800     | Ring, Snap                     | 2    |   |
| 31  | 0810 18 276    | Shim, Adjust (t=0.6)           | 2    | } Selective use                           |
|     | 0810 18 277    | Shim, Adjust (t=0.3)           |      |   |
| 32  | 0866 14 630    | Tube, Metering Oil             | 1    |   |
| ✓ ● | 1757 14 660    | Tube, Metering Oil             | 1    | Car No. 160623 $\frac{73}{10}$ ~X         |
| 33  | 0866 14 640A   | Tube, Metering Oil             | 1    |   |
| ✓ ● | 1757 14 670    | Tube, Metering Oil             | 1    | Car No. 160623 $\frac{73}{10}$ ~X         |
| 34  | 0813 14 641    | Clip                           | 4    |   |
| ✓ ● | 35 0820 14 643 | Clip                           | 1    | Car No. 160623 $\frac{73}{10}$ ~Discarded |
| ✓ ● | 36 0820 14 647 | Clip                           | 1    | Car No. 160623 $\frac{73}{10}$ ~Discarded |
| 37  | 0866 14 651A   | Rod, Connecting                | 1    |   |
| ✓ ● | 1757 14 651    | Rod, Connecting                | 1    | Car No. 160623 $\frac{73}{10}$ ~X         |
| 38  | 99221 1212     | Pin, Split                     | 2    |   |
| ✓ ● | 39 99953 0400  | Washer, Plain                  | 1    | Car No. 162719 $\frac{73}{11}$ ~Q'ty      |
| 40  | 99295 1508     | Clip, Battery Cable (Manual)   | 1    |   |
|     | 99275 2008     | Clip, Batter Cable (Automatic) | 1    |   |
|     | 9927 62 003    | clip                           | 1    |   |
|     | 3565 10 865    | ~                              | 1    | ~   |
|     | 3568 10 865 A  | ~                              | 1    | ~   |

X 74/9 (4m 7.2.75)  
 Δ HX 12.3.78.

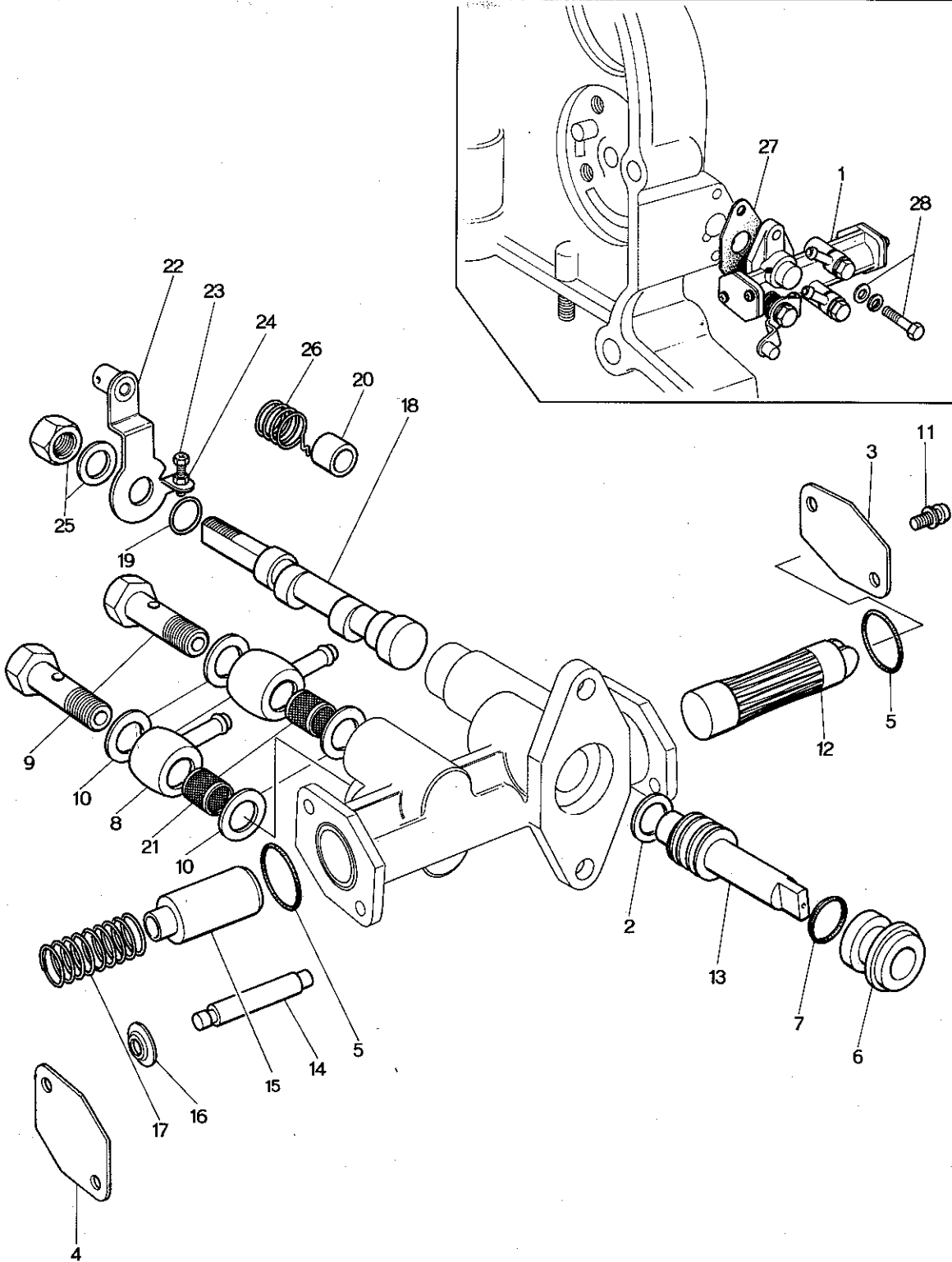


# OIL PUMP

| No.    | Part Number | Description                           | Q'ty | Remarks   |
|--------|-------------|---------------------------------------|------|---|
| ✓ ● 41 | 1757 14 680 | Check, Valve                          | 2    | Car No. 160623 <sup>73</sup> / <sub>10</sub> ~ Added Anew   |
| ✓ ● 42 | 1011 14 683 | Clip, Metering Oil Tube + Check Valve | 2    | Car No. 160623 <sup>73</sup> / <sub>10</sub> ~ Added Anew   |
| ✓ ●    | 1757 14 652 | Shim-HET. Adjust                      | 1    | } Car No. 162719 <sup>73</sup> / <sub>11</sub> ~ Added Anew |
| ✓ ●    | 1757 14 653 | Shim-HET. Adjust                      | 1    |   |
| ✓ ●    | 1757 14 654 | Shim-HET. Adjust                      | 1    |   |



## METERING OIL PUMP



# METERING OIL PUMP

23

| No. | Part Number    | Description          | Q'ty | Remarks                                    |
|-----|----------------|----------------------|------|--|
| 1   | 2090 14 600    | Pump, Metering Oil   | 1    |  |
|     | 2090 14 600 A  | Pump, Metering Oil   | 1    | Car No. $\frac{73}{10}$ ~○                 |
| ●   | 1757 14 600    | Pump, Metering Oil   | 1    | Car No. 160623 $\frac{73}{10}$ ~X          |
| 2   | 0820 23 832 B  | Washer, Thrust       | 1    |  |
| 3   | 0820 23 833 B  | Plate                | 1    |  |
| 4   | 0820 23 834 B  | Plate                | 1    |  |
| 5   | 0730 23 837    | Ring, "O"            | 2    |  |
| 6   | 0820 23 835 A  | Bearing, Worm        | 1    |  |
| 7   | 0730 23 839    | Ring, "O"            | 1    |  |
| 8   | 0820 23 836    | Connector            | 2    |  |
| ●   | 1757 23 836    | Pipe                 | 2    | Car No. 160623 $\frac{73}{10}$ ~X          |
| ●   | 9 0730 23 842  | Bolt, Connector      | 2    | Car No. 160623 $\frac{73}{10}$ ~ Discarded |
| ●   | 10 0730 23 843 | Washer, Connector    | 4    | Car No. 160623 $\frac{73}{10}$ ~ Discarded |
| 11  | 99833 0408     | Screw, Plate         | 4    |  |
|     | 99971 0400     | Washer, Spring       | 4    |  |
| 12  | 0730 23 845    | Plunger              | 1    |  |
| 13  | 0730 23 846    | Worm, Driving        | 1    |  |
| 14  | 2090 23 837    | Plunger, Sub         | 1    |  |
| ●   | 1011 23 837    | Plunger, Sub         | 1    | Car No. 160623 $\frac{73}{10}$ ~X          |
| 15  | 2090 23 838    | Pluger, Differential | 1    |  |

## METERING OIL PUMP

| No. | Part Number      | Description               | Q'ty | Remarks                                    |
|-----|------------------|---------------------------|------|--|
| •   | 1011 23 838      | Plunger, Differential     | 1    | Car No. 160623 $\frac{73}{10}$ ~X          |
|     | 16 2090 23 853   | Nut, Push                 | 1    |  |
|     | 17 0820 23 840   | Spring, Plunger           | 1    |  |
|     | 18 2090 23 841   | Pin, Control              | 1    |  |
| •   | 1011 23 841      | Pin, Control              | 1    | Car No. 160623 $\frac{73}{10}$ ~X          |
|     | 19 0730 23 854   | Ring, "V"                 | 1    |  |
|     | 20 0820 23 842   | Cap                       | 1    |  |
| •   | 21 0820 23 843   | Strainer                  | 2    | Car No. 160623 $\frac{73}{10}$ ~Discarded  |
|     | 22 2090 23 844   | Lever, Control            | 1    |  |
| •   | 1757 23 844      | Lever, Control            | 1    | Car No. 160623 $\frac{73}{10}$ ~X          |
|     | 23 0820 23 845 A | Screw, Adjust             | 1    |  |
|     | 24 0820 23 847 A | Nut, Adjust Screw         | 1    |  |
|     | 25 99907 0600    | Nut, Control Lever        | 1    |  |
|     | 99971 0600       | Washer, Spring            | 1    |  |
|     | 26 0820 23 848 A | Spring, Return            | 1    |  |
|     | 27 0810 14 611   | Gasket, Metering Oil Pump | 1    |  |
| •   | 1757 14 611      | Gasket, Metering Oil Pump | 1    | Car No. 160623 $\frac{73}{10}$ ~X          |
|     | 28 99806 0630    | Bolt, Metering Oil Pump   | 1    |  |
| • V | 9080 66630       | Bolt Set                  | 1    | Car No. 160730 $\frac{73}{12}$ ~O          |
| • V | 9080 66630       | Bolt Set                  | 1    | Car No. 160623 $\frac{73}{10}$ ~Discarded  |
|     | 99806 0618       | Bolt                      | 1    |  |
| • V | 90806 6618       | Bolt Set                  | 1    | Car No. 160730 $\frac{73}{12}$ ~O          |
| • V | 99806 0618       | Bolt                      | 2    | Car No. 160623 $\frac{73}{10}$ ~Added Anew |
| • V | 99953 0600       | Washer, Plain             | 2    | Car No. 160730 $\frac{73}{12}$ ~Discarded  |
| •   | 99971 0600       | Washer, Spring            | 2    | Car No. 160730 $\frac{73}{12}$ ~Discarded  |





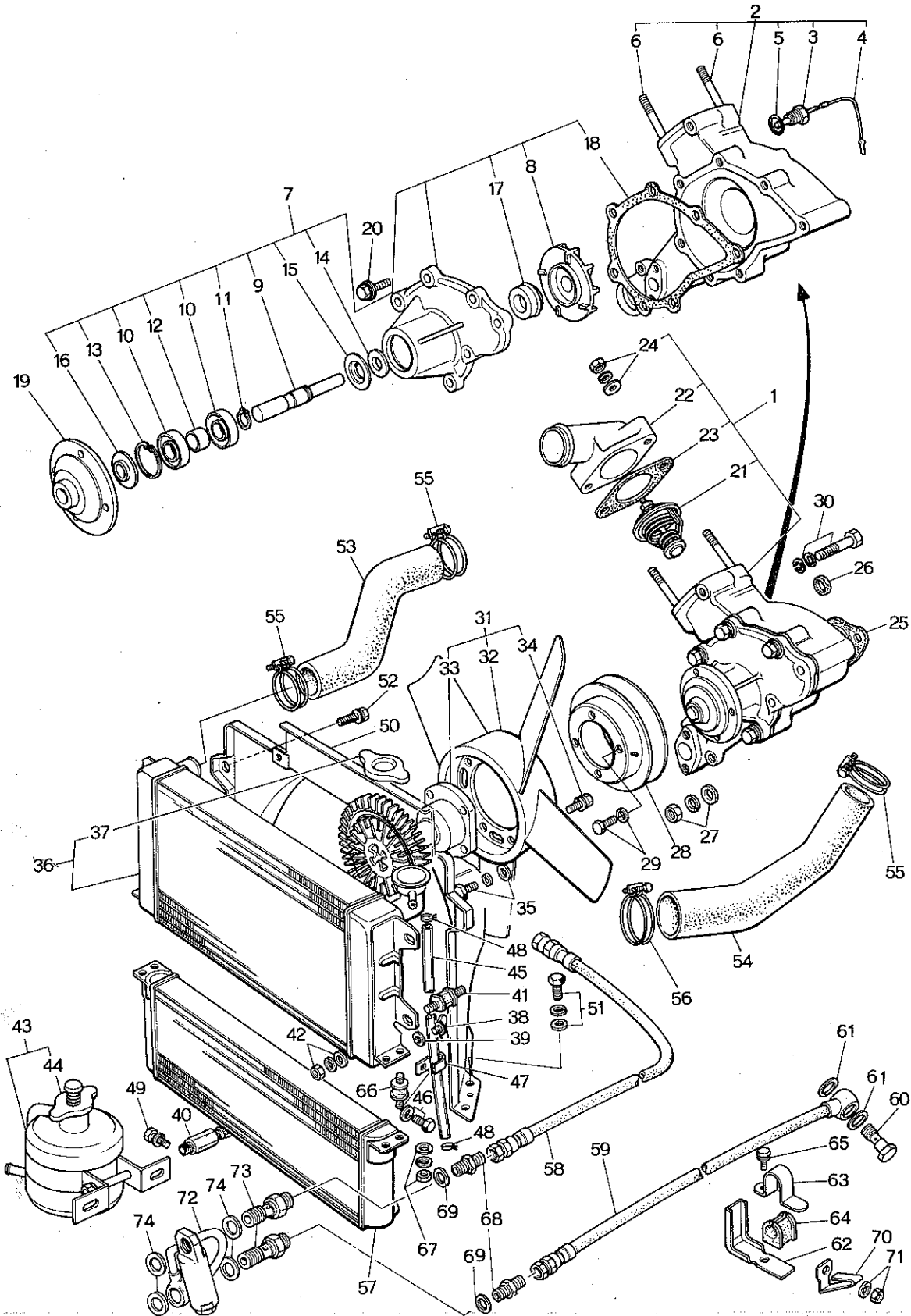
[illegible text]

[illegible text]



# COOLING SYSTEM

(USED UP TO CAR NO. 179250 <sup>73/9</sup>)



# COOLING SYSTEM

(USED UP TO CAR NO. 179250 <sup>73</sup>/<sub>9</sub>)



| No. | Part Number             | Description  | Q'ty         | Remarks  |
|-----|-------------------------|--|--------------|--|
| 1   | 0866 15 010B            | Pump, Water  | 1            |  |
|     | 0866 15 010C            | Pump, Water  | 1            | Car No. 128078 <sup>7</sup> / <sub>12</sub> ~○   |
|     | 0866 15 010D            | Pump, Water  | 1            | Car No. 146346 <sup>7</sup> / <sub>5</sub> ~○    |
|     | 0862 15 010             | Pump, Water  | 1            | Car No. 152816 <sup>7</sup> / <sub>9</sub> ~×    |
|     | 0862 15 010A            | Pump, Water  | 1            | Car No. <sup>7</sup> / <sub>2</sub> ~○           |
|     | 0862 15 010B            | Pump, Water  | 1            | Car No. 171556 <sup>7</sup> / <sub>6</sub> ~○    |
| 2   | <del>0866 15 100D</del> | <del>Casing</del>  | <del>1</del> | ☆  |
|     | <del>0866 15 100C</del> | <del>Casing</del>  | <del>1</del> | Car No. 128078 <sup>7</sup> / <sub>12</sub> ~○ ☆ |
|     | <del>0866 15 100D</del> | <del>Casing</del>  | <del>1</del> | Car No. 146346 <sup>7</sup> / <sub>5</sub> ~○ ☆  |
|     | <del>0862 15 100</del>  | <del>Casing</del>  | <del>1</del> | Car No. 152816 <sup>7</sup> / <sub>9</sub> ~× ☆  |
| 3   | 0259 18 510             | Gauge Unit, Water Heat   | 1            |  |
| 4   | 0866 18 511             | Cord, Heat Gauge Unit  | 1            |  |
| 5   | 0110 18 515             | Ring, "O"-Heat Gauge Unit  | 1            |  |
| 6   | 2090 15 104             | Stud, Thermostat Cover   | 2            |  |
| 7   | <del>0866 15 130</del>  | <del>Cover, Pump</del>   | <del>1</del> | ☆  |
|     | <del>1620 15 130</del>  | <del>Cover, Pump</del>   | <del>1</del> | Car No. 152816 <sup>7</sup> / <sub>9</sub> ~× ☆  |
|     | 0820 99 150             | Repair Kit, Water Pump<br>(Fig. No. 8,9,10,11,15,16,17 included)       | 1            |  |
|     | 0862 99 150             | Repair Kit, Water Pump<br>(Fig. No. 8,9,10,11,12,14,15,17,18 included) | 1            | Car No. 152816 <sup>7</sup> / <sub>9</sub> ~×    |
|     | 0862 99 150A            | Repair Kit, Water Pump<br>(Fig. No. 8,9,10,11,12,14,15,17,18 included) | 1            | Car No. <sup>7</sup> / <sub>2</sub> ~○           |
| 8   | 0813 15 111             | Impeller   | 1            |  |
|     | 1620 15 111             | Impeller   | 1            | Car No. 152816 <sup>7</sup> / <sub>9</sub> ~×    |



# COOLING SYSTEM

(USED UP TO CAR NO. 179250  $\frac{7}{8}$ )

| No. | Part Number  | Description      | Q'ty | Remarks                                 |
|-----|--------------|------------------|------|---|
| 9   | 0820 15 112  | Shaft            | 1    |   |
| 10  | 0118 15 121  | Bearing, Ball    | 2    |   |
| 11  | 0118 15 114  | Ring, Snap       | 1    |   |
| 12  | 0820 15 115  | Spacer           | 1    |   |
| 13  | 99574 3500   | Ring, Snap       | 1    |   |
| 14  | 0813 15 117  | Plate, Baffle    | 1    |   |
|     | 0118 15 125  | Plate, Baffle    | 1    | Car No. 152816 $\frac{7}{8}$ ~X         |
| 15  | 0118 15 118  | Plate, Dust Seal | 1    |   |
| 16  | 0810 15 119  | Plate, Dust Seal | 1    | Car No. 152815 $\frac{7}{8}$ ~Discarded |
| 17  | 0820 15 120  | Water Seal       | 1    |   |
| 18  | 2329 15 132A | Gasket           | 1    |   |
|     | 1620 15 132  | Gasket           | 1    | Car No. 152816 $\frac{7}{8}$ ~X         |
|     | 1620 15 132A | Gasket           | 1    | Car No. $\frac{7}{8}$ ~X                |
| 19  | 0820 15 152  | Boss, Pulley     | 1    |   |
|     | 1011 15 152  | Boss, Pulley     | 1    | Car No. 152816 $\frac{7}{8}$ ~X         |
| 20  | 99801 0825   | Bolt, Water Pump | 5    |   |
|     | 99801 0825   | Bolt             | 3    | Car No. 152816 $\frac{7}{8}$ ~Q'ty      |
|     | 99952 0800   | Washer, Plain    | 5    |   |
|     | 99952 0800   | Washer, Plain    | 3    | Car No. 152816 $\frac{7}{8}$ ~Q'ty      |
|     | 99971 0800   | Washer, Spring   | 5    |   |

# COOLING SYSTEM

(USED UP TO CAR NO. 179250  $\frac{7}{8}$ )



| No. | Part Number             | Description                  | Q'ty         | Remarks                             |
|-----|-------------------------|------------------------------|--------------|-------------------------------------|
|     | 99971 0800              | Washer, Spring               | 3            | Car No. 152816 $\frac{7}{8}$ ~ Q'ty |
| 21  | 0823 15 171             | Thermostat, Water            | 1            |                                     |
|     | <del>0838 15 171A</del> | <del>Thermostat, Water</del> | <del>1</del> |                                     |
| 22  | 0839 15 172             | Cover, Thermostat            | 1            |                                     |
| ✓ ● | 1114 15 170             | Cover, Thermostat            | 1            | Car No. 171556 $\frac{7}{8}$ ~ Δ    |
| 23  | 0813 15 173             | Gasket, Cover                | 1            |                                     |
| 24  | 99907 0800              | Nut, Cover                   | 2            |                                     |
| D   | 99901 0800              | Nut, Cover                   | 2            | Car No. 143210 $\frac{7}{8}$ ~ ⊙    |
|     | 99971 0800              | Washer, Spring               | 2            |                                     |
| 25  | 0822 15 105             | Gasket, Water Pump           | 1            |                                     |
| 26  | 0820 15 106             | Gasket, Water Pump           | 2            |                                     |
| 27  | 99901 0800              | Nut, Water Pump              | 3            |                                     |
|     | 99953 0800              | Washer, Plain                | 3            |                                     |
|     | 99971 0800              | Washer, Spring               | 3            |                                     |
| 28  | 0820 15 151             | Pulley, Water Pump           | 1            |                                     |
|     | 1011 15 151             | Pulley, Water Pump           | 1            | Car No. 152816 $\frac{7}{8}$ ~ X    |
| 29  | 99806 0610              | Bolt, Pulley                 | 4            |                                     |
|     | 99971 0600              | Washer, Spring               | 4            |                                     |
| 30  | 99801 0832              | Bolt, Water Pump             | 1            |                                     |



# COOLING SYSTEM

(USED UP TO CAR NO. 179250  $\frac{7}{9}$ )

| No. | Part Number  | Description                 | Q'ty | Remarks                          |
|-----|--------------|-----------------------------|------|----------------------------------|
|     | 99953 0800   | Washer, Plain               | 1    |                                  |
|     | 99971 0800   | Washer, Spring              | 1    |                                  |
| 31  | 0839 15 2500 | Fan & Fan Drive (Manual)    | 1    |                                  |
|     | 0842 15 2500 | Fan & Fan Drive (Automatic) | 1    |                                  |
| 32  | 0839 15 200  | Fan, Cooling                | 1    |                                  |
| 33  | 0839 15 2108 | Fan Drive                   | 1    |                                  |
| 34  | 99808 0612   | Bolt, Fan & Fan Drive       | 6    |                                  |
|     | 99971 0600   | Washer, Spring              | 6    |                                  |
| 35  | 908066 6 18  | Bolt Set, Fan & Fan Drive   | 4    |                                  |
| 36  | 0866 15 310C | Radiator (Manual)           | 1    |                                  |
|     | 0866 15 310D | Radiator (Manual)           | 1    | Car No. 131046 $\frac{7}{12}$ ~△ |
|     | 0866 15 310E | Radiator (Manual)           | 1    | Car No. 153087 $\frac{7}{9}$ ~○  |
|     | 0872 15 310  | Radiator (Automatic)        | 1    |                                  |
| 37  | 0222 15 205  | Cap (Automatic)             | 1    |                                  |

# COOLING SYSTEM

(USED UP TO CAR NO. 179250  $\frac{73}{9}$ )



| No. | Part Number  | Description                | Q'ty | Remarks                                    |
|-----|--------------|----------------------------|------|--|
|     | 0866 15 316  | Cap (Manual)               | 1    |  |
|     | 0866 15 316A | Cap (Manual)               | 1    | Car No. 146710 $\frac{75}{5}$ ~△           |
| 38  | 0866 15 317  | Cock, Drain (Manual)       | 1    |  |
|     | 2228 15 207  | Cock, Drain (Automatic)    | 1    |  |
| 39  | 0866 15 318  | Gasket (Manual)            | 1    |  |
|     | 2228 15 208  | Gasket (Automatic)         | 1    |  |
| 40  | 0118 10 320  | Cock, Water Drain (Manual) | 1    | Car No. 131046 $\frac{72}{12}$ ~Discarded  |
| 41  | 0820 15 312  | Rubber, Insulation         | 4    |  |
|     | 0820 15 312A | Rubber, Insulation         | 4    | Car No. 133210 $\frac{74}{1}$ ~△           |
| 42  | 99901 0800   | Nut, Radiator              | 4    |  |
|     | 99940 0800   | Nut                        | 4    | Car No. 142383 $\frac{73}{3}$ ~○           |
|     | 99952 0822   | Washer, Plain              | 4    | } Car No. 142383 $\frac{73}{3}$ ~Discarded |
|     | 99971 0800   | Washer, Spring             | 4    |  |
| 43  | 0866 15 350A | Tank, Sub                  | 1    |  |
|     | 0866 15 350B | Tank, Sub                  | 1    | Car No. 127380 $\frac{74}{11}$ ~○          |
| ●   | 0866 15 350C | Tank, Sub                  | 1    | Car No. 161190 $\frac{72}{12}$ ~○          |
| 44  | 0222 15 255  | Cap                        | 1    |  |



# COOLING SYSTEM

(USED UP TO CAR NO. 179250 <sup>73</sup>/<sub>9</sub>)

| No. | Part Number           | Description                 | Q'ty         | Remarks  |
|-----|-----------------------|-----------------------------|--------------|--|
| 45  | 0866 15 351           | Hose, Water - Reserve Tank  | 1            |  |
|     | 0866 15 351A          | Hose, Water - Reserve Tank  | 1            | Car No. 124708 <sup>71</sup> / <sub>11</sub> ~○        |
| 46  | <del>99899 0812</del> | <del>Screw</del>            | <del>2</del> | From Car No. 1   |
|     | <del>99952 0800</del> | <del>Washer, Plain</del>    | <del>2</del> |  |
| 47  | <del>99295 0800</del> | <del>Clip, Water Hose</del> | <del>2</del> |  |
|     | 99289 0701            | Clip, Water Hose            | 2            | From Car No. 1   |
| 48  | 99285 0800            | Clip, Water Hose            | 2            |  |
| 49  | 99804 0820            | Bolt                        | 2            |  |
|     | 99786 0820            | Bolt                        | 2            | Car No. 142383 <sup>73</sup> / <sub>3</sub> ~○         |
|     | 99952 0800            | Washer, Plain               | 2            | Car No. 142383 <sup>73</sup> / <sub>3</sub> ~Discarded |
|     | 99971 0800            | Washer, Spring              | 2            |  |
| 50  | 0866 15 401           | Shroud, Radiator            | 1            |  |
|     | 0866 15 401A          | Shroud, Radiator            | 1            | Car No. 149767 <sup>73</sup> / <sub>7</sub> ~○         |
| 51  | 99806 0618            | Bolt, Radiator Shroud       | 4            |  |
|     | 99971 0600            | Washer, Spring              | 4            |  |
|     | 99952 0600            | Washer, Plain               | 4            |  |
| 52  | 99801 0812            | Bolt                        | 2            |  |
|     | 99796 0812            | Bolt                        | 2            | Car No. 142383 <sup>73</sup> / <sub>3</sub> ~○         |
|     | 99952 0800            | Washer, Plain               | 2            | Car No. 142383 <sup>73</sup> / <sub>3</sub> ~Discarded |
|     | 99971 0800            | Washer, Spring              | 2            |  |



# COOLING SYSTEM

(USED UP TO CAR NO. 179250  $\frac{73}{100}$ )



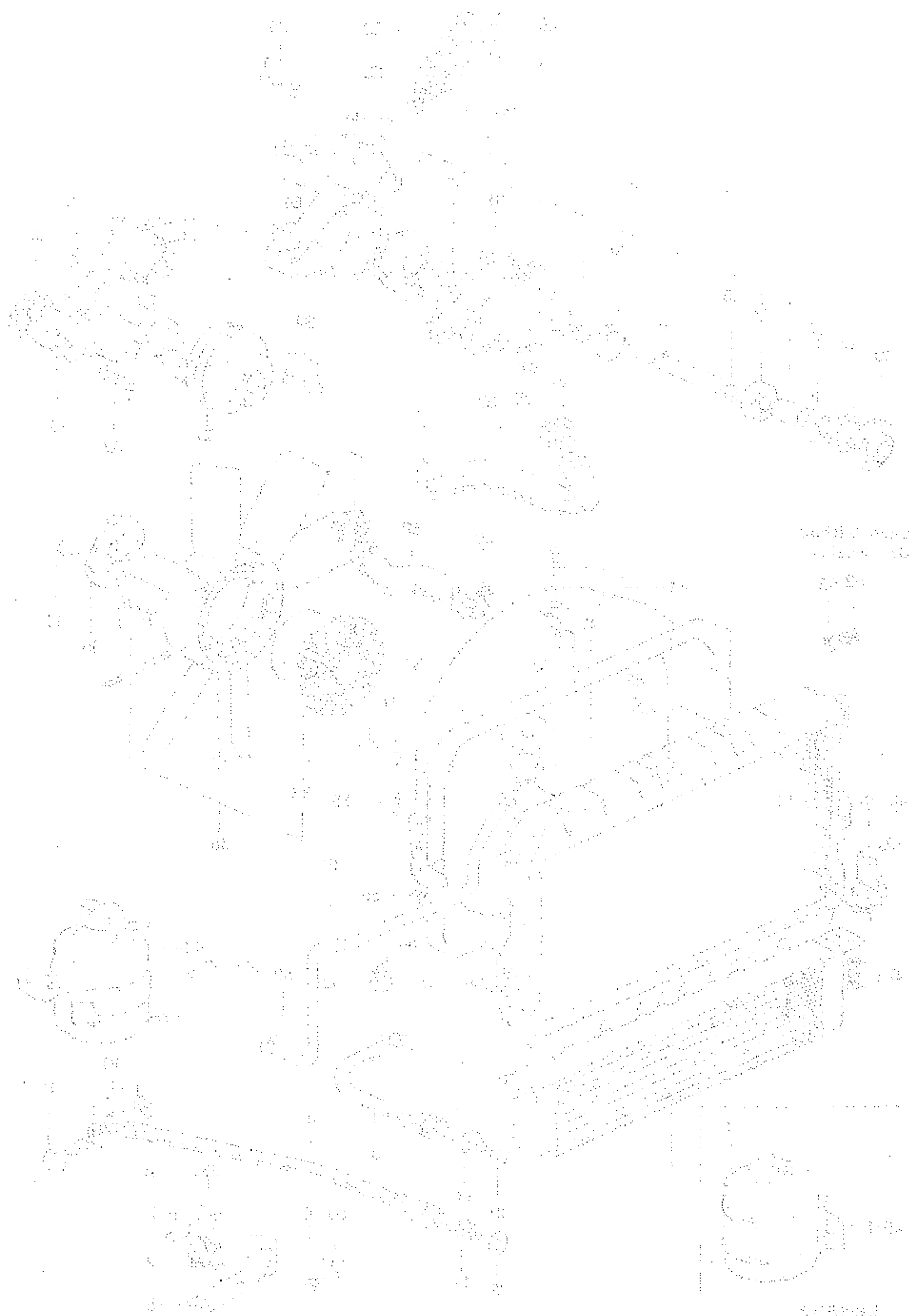
| No. | Part Number  | Description                     | Q'ty | Remarks                                     |
|-----|--------------|---------------------------------|------|---|
| 53  | 0866 15 511  | Hose, Water-Thermostat~Radiator | 1    |   |
| 54  | 0866 15 521A | Hose, Water-Radiator~Water Pump | 1    |   |
|     | 1620 15 521  | Hose, Water-Radiator~Water Pump | 1    | Car No. 152816 $\frac{73}{100}$ ~X          |
| 55  | 99282 4900   | Band                            | 3    | Car No. 152816 $\frac{73}{100}$ ~Q'ty       |
| 56  | 99282 5300   | Band                            | 1    | Car No. 152816 $\frac{73}{100}$ ~Added Anew |
| 57  | 0866 14 700B | Cooler, Oil (Manual)            | 1    |   |
|     | 0866 14 700C | Cooler, Oil (Manual)            | 1    | Car No. 150306 $\frac{74}{100}$ ~X          |
|     | 0865 14 700  | Cooler, Oil (Automatic)         | 1    |   |
|     | 0865 14 700A | Cooler, Oil (Automatic)         | 1    | Car No. 150306 $\frac{74}{100}$ ~X          |
| 58  | 0866 14 720  | Hose, Oil                       | 1    |   |
|     | 0866 14 720A | Hose, Oil                       | 1    | Car No. 127396 $\frac{71}{12}$ ~○           |
|     | 0865 14 720  | Hose, Oil                       | 1    | Car No. 132360 Added Anew                   |
|     |              | } Selective use                 |      |   |
| 59  | 0839 14 730A | Hose, Oil                       | 1    |   |
|     | 0866 14 730  | Hose, Oil                       | 1    | Car No. 127396 $\frac{71}{12}$ ~○           |
|     | 0865 14 730  | Hose, Oil                       | 1    | Car No. 132360 Added Anew                   |
|     |              | } Selective use                 |      |   |
| 60  | 99381 1400   | Bolt, Connector~Oil Hose        | 1    |   |
| 61  | 99562 1800   | Gasket                          | 2    |   |
| 62  | 0866 14 740  | Bracket, Oil Hose               | 1    |   |
|     | 0866 14 740A | Bracket, Oil Hose               | 1    | Car No. 127396 $\frac{71}{12}$ ~○           |
| 63  | 0839 14 745  | Clip, Oil Hose                  | 1    |   |



# COOLING SYSTEM

(USED UP TO CAR NO. 179250 <sup>73/9</sup>)

| No.           | Part Number            | Description         | Q'ty         | Remarks   |
|---------------|------------------------|---------------------|--------------|---|
| 64            | 0813 14 716            | Protector           | 1            |   |
| 65            | 99806 0610             | Bolt                | 1            |   |
|               | 99806 0616             | Bolt                | 1            | Car No. 127396 $\frac{7}{12}$ ~O                              |
|               | 99971 0600             | Washer, Spring      | 1            |   |
| 66            | 0222-13 363            | Rubber, Insulation  | 4            |   |
| 67            | 99906 0600             | Nut                 | 8            |   |
|               | 99952 0600             | Washer, Plain       | 8            |   |
|               | 99971 0600             | Washer, Spring      | 8            |   |
| 68            | 99834 1200             | Joint, Union        | 2            | (1558) (1559)<br>Car No. 143809 $\frac{7}{4}$ ~Discarded      |
| 69            | 99584 1600             | Gasket              | 2            |   |
| 70            | 0868 18 496            | Clip                | 1            |   |
| 71            | 99921 1200             | Nut                 | 1            |   |
|               | 99971 1200             | Washer, Plain       | 1            |   |
| 72            | 1562 14 780            | Valve Ass'y-By Pass | 1            |   |
| 73            | 1685 14 771            | Bolt, Connector     | 2            | 1558, 1559<br>Car No. 143809 $\frac{7}{4}$ ~Added Anew        |
| 74            | 99582 1600             | Packing             | 4            |   |
| <del>75</del> | <del>0868 01 811</del> | <del>Packing</del>  | <del>1</del> |   |
| <del>76</del> | <del>0868 01 812</del> | <del>Packing</del>  | <del>1</del> |   |
| <del>77</del> | <del>0868 01 813</del> | <del>Packing</del>  | <del>1</del> | <del>Car No. 137813 <math>\frac{7}{4}</math>~Added Anew</del> |
| <del>78</del> | <del>0868 01 814</del> | <del>Packing</del>  | <del>1</del> |   |



Technical drawing text, possibly a title or description, located to the right of the main assembly drawing.

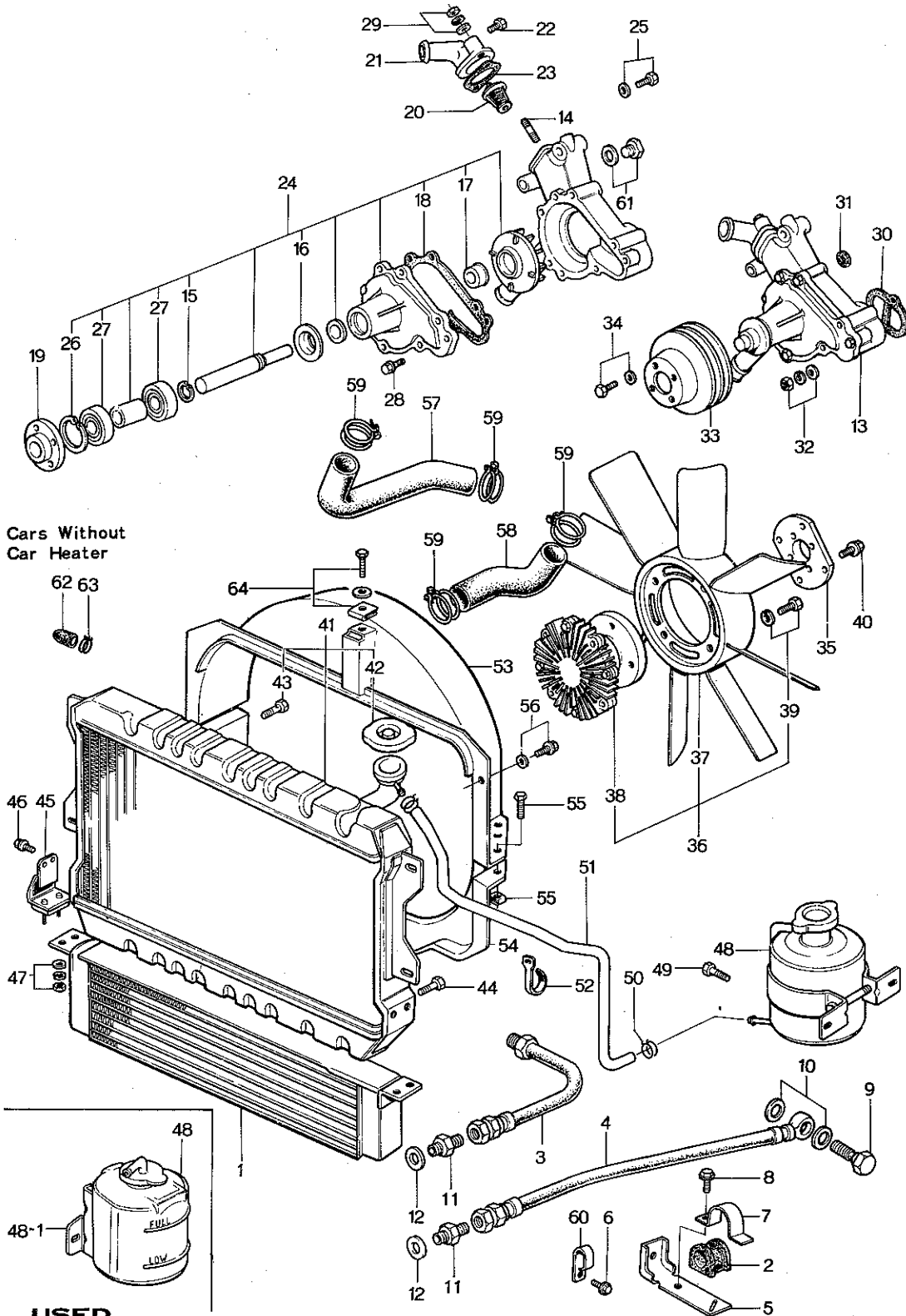


Technical drawing text, possibly a title or description, located below the circular detail drawing.

14

15

# COOLING SYSTEM (USED FROM CAR NO. 160623 <sup>73</sup>/<sub>10</sub>)



# COOLING SYSTEM

(USED FROM CAR NO. 160623 <sup>73/10</sup>)

14

15

| No. | Part Number  | Description              | Q'ty | Remarks         |
|-----|--------------|--------------------------|------|-----------------|
| 1   | 1128 14 700  | Cooler, Oil              | 1    |                 |
| 2   | 0813 14 716  | Protector, Oil Hose      | 1    |                 |
| 3   | 0865 14 720  | Hose, Oil                | 1    |                 |
| 4   | 0881 14 730  | Hose, Oil                | 1    |                 |
| 5   | 1757 14 740  | Bracket, Oil Hose        | 1    |                 |
| 6   | 99796 0810   | Bolt                     | 1    |                 |
| 7   | 0839 14 745  | Clip, Oil Hose           | 1    |                 |
| 8   | 99806 0616   | Bolt, Clip               | 1    |                 |
| 9   | 99971 0600   | Washer, Spring           | 1    |                 |
| 10  | 99381 1400   | Bolt, Connector-Oil Hose | 1    |                 |
| 11  | 99384 1200F  | Joint, Union             | 2    |                 |
| 12  | 99564 1600   | Gasket                   | 2    |                 |
| 13  | 1907 15 010C | Pump, Water              | 1    |                 |
| 14  | 1052 15 010  | Pump, Water              | 1    | $\frac{7}{8}$ - |
| 15  | 2090 15 104  | Stud                     | 2    |                 |
| 16  | 1757 15 114  | Ring, Snap               | 1    |                 |
| 17  | 1757 15 118  | Plate, Dust Seal         | 1    |                 |
| 18  | 1757 15 120  | Seal, Water              | 1    |                 |
| 19  | 1757 15 132  | Gasket, Pump Cover       | 1    |                 |

14 15

# COOLING SYSTEM

(USED FROM CAR NO. 160623 <sup>73</sup>/<sub>10</sub>)

| No. | Part Number    | Description                 | Q'ty | Remarks   |
|-----|----------------|-----------------------------|------|---|
| 19  | 1757 15 152A   | Boss, Pulley                | 1    |   |
| 20  | 0823 15 171    | Thermostat                  | 1    |   |
| 21  | 1757 15 170    | Cover, Thermostat           | 1    |   |
| ●   | ✓ 1052 15 170  | Cover, Thermostat           | 1    | <sup>73</sup> / <sub>3</sub> ~ ○                        |
| 22  | 99502 3000     | Plug, Thermostat Cover      | 1    |   |
| 23  | 0813 15 173    | Gasket, Thermostat          | 1    |   |
| ●   | ✓ 1757 15 173  | Gasket, Thermostat          | 1    | <sup>73</sup> / <sub>3</sub> ~ ○                        |
| 24  | 1907 99 150A ✓ | Repair Kit, Water Pump      | 1    |   |
| ●   | 1907 99 150B ✓ | Repair Kit, Water Pump      | 1    | <sup>73</sup> / <sub>3</sub> ~ △                        |
| 25  | 99511 1200     | Plug                        | 1    | <sup>73</sup> / <sub>3</sub> ~ Discarded                |
|     | 99562 1200     | Gasket                      | 1    | <sup>73</sup> / <sub>3</sub> ~ Discarded                |
| 26  | 99574 4000     | Ring, Retaining             | 1    |   |
| 27  | 99606 72030    | Bearing, Ball               | 2    |   |
| 28  | 99796 0820     | Bolt, Pump Cover            | 2    |   |
| 29  | 99901 0800     | Nut, Thermostat Cover       | 2    |   |
|     | 99953 0800     | Washer, Plain               | 2    |   |
|     | 99971 0800     | Washer, Spring              | 2    |   |
| 30  | 1757 15 105    | Gasket, Water Pump          | 1    |   |
| ●   | ✓ 1757 15 105A | Gasket, Water Pump          | 1    | <sup>73</sup> / <sub>1</sub> ~ △                        |
| 31  | 0820 15 106    | Gasket, Water Pump          | 2    |   |
| ●   | ✓ 1757 15 106  | Shim, Water Pump            | 2    | <sup>73</sup> / <sub>2</sub> ~ △                        |
| 32  | 99901 0800     | Nut, Water Pump             | 4    |   |
|     | 99971 0800     | Washer, Spring              | 4    |   |
| 33  | 1757 15 151A   | Pulley, Water Pump          | 1    |   |
|     | 1757 15 190    | Socket - W. THERMO (L.H. Ⓟ) | 1    | <sup>73</sup> / <sub>1</sub> ~ Added anew (4/1 APR '73) |

# COOLING SYSTEM

(USED FROM CAR NO. 160623 <sup>73</sup>/<sub>10</sub>)

14

15

| No. | Part Number    | Description                | Q'ty | Remarks           |
|-----|----------------|----------------------------|------|-------------------|
| 34  | 99796 0620     | Bolt                       | 4    |                   |
| 35  | 1907 15 211    | Spacer, Fan Drive          | 1    |                   |
| 36  | 1907 15 250    | Fan & Fan Drive            | 1    |                   |
| 37  | 1097 15 200    | Fan, Cooling               | 1    |                   |
| 38  | 1907 15 210    | Fan, Drive                 | 1    |                   |
| 39  | 99806 0620     | Bolt, Fan & Fan Drive      | 4    |                   |
|     | 99971 0600     | Washer, Spring             | 4    |                   |
| 40  | 99796 0620     | Bolt, Fan Drive            | 4    |                   |
| 41  | 1128 15 310B   | Radiator                   | 1    |                   |
| ●   | √ 1128 15 310D | Radiator (Manual)          | 1    | $\frac{3}{4}$ ~ X |
| ●   | √ 1129 15 310D | Radiator (Automatic)       | 1    |                   |
| 42  | 0222 15 205    | Cap                        | 1    |                   |
| ●   | √ 0488 15 205  | Cap                        | 1    | $\frac{3}{4}$ ~ X |
| 43  | 1128 15 317    | Cock, Water Drain          | 1    |                   |
| 44  | 99786 0816     | Bolt, Radiator             | 4    |                   |
| ●   | 99952 0822     | Washer, Plain              | 4    |                   |
| 45  | 1128 15 312A   | Rubber, Insulation         | 2    |                   |
| 46  | 99786 0610     | Bolt, Radiator             | 4    |                   |
| 47  | 99906 0600     | Nut, Radiator & Oil Cooler | 4    |                   |
|     | 99952 0600     | Washer, Plain              | 4    |                   |



# COOLING SYSTEM

(USED FROM CAR NO. 160623<sup>7/10</sup>)

| No. | Part Number        | Description                               | Q'ty | Remarks        |
|-----|--------------------|---|------|----------------|
|     | 99971 0600         | Washer, Spring                            | 4    |                |
| 48  | 0866 15 350 C      | Tank, Sub                                 | 1    |                |
| ●   | ✓ 0806 15 350      | Tank, Sub                                 | 1    | 3/4~X          |
|     | 2981 15 205        | Cap                                       | 1    | 3/4~Discarded  |
| ✓   | ● 48-1 0494 15 251 | Bracket, Sub Tank                         | 1    | 3/4~Added Anew |
|     | 49 99786 0620      | Bolt, Sub Tank                            | 2    |                |
|     | 50 99285 0800      | Clip, Water Hose                          | 2    |                |
| ●   | 99283 1300         | Clip, Water Hose                          | 2    | 3/4~X          |
|     | 51 0866 15 351 A   | Hose, Water - Sub Tank                    | 1    |                |
| ●   | ✓ 1881 15 351 A    | Hose, Water - Sub Tank                    | 1    | 3/4~X          |
|     | 52 99289 0701      | Clip                                      | 2    |                |
|     | 53 1881 15 411 C   | Shroud, Radiator - Upper                  | 1    |                |
|     | 54 1881 15 421 B   | Shroud, Radiator - Lower                  | 1    |                |
|     | 55 99863 0516      | Screw, Tapping                            | 4    |                |
|     | 99952 0500         | Washer, Plain                             | 4    |                |
|     | 0820 56 905        | Nut, Spring                               | 4    |                |
|     | 56 99796 0812      | Bolt, Radiator Shroud                     | 4    |                |
| ●   | 99952 0816         | Washer, Plain                             | 4    |                |
|     | 57 1881 15 511     | Hose, Water - Thermostat ~ Radiator       | 1    |                |
|     | 58 1881 15 521     | Hose, Water - Radiator ~ Water Pump       | 1    |                |
|     | 59 99282 4900      | Band, Hose - Water Hose                   | 4    |                |
|     | 60 0866 18 496     | Clip                                      | 1    |                |
| ●   | ✓ 2090 18 999      | Clip                                      | 1    | 3/8~X          |
|     | 61 99511 1600      | Plug, HEX.-Head (Cars Without Car Heater) | 1    |                |



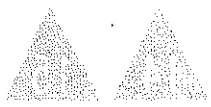
# COOLING SYSTEM

(USED FROM CAR NO. 160623 <sup>73</sup>/<sub>10</sub>)

▲ 14

▲ 15

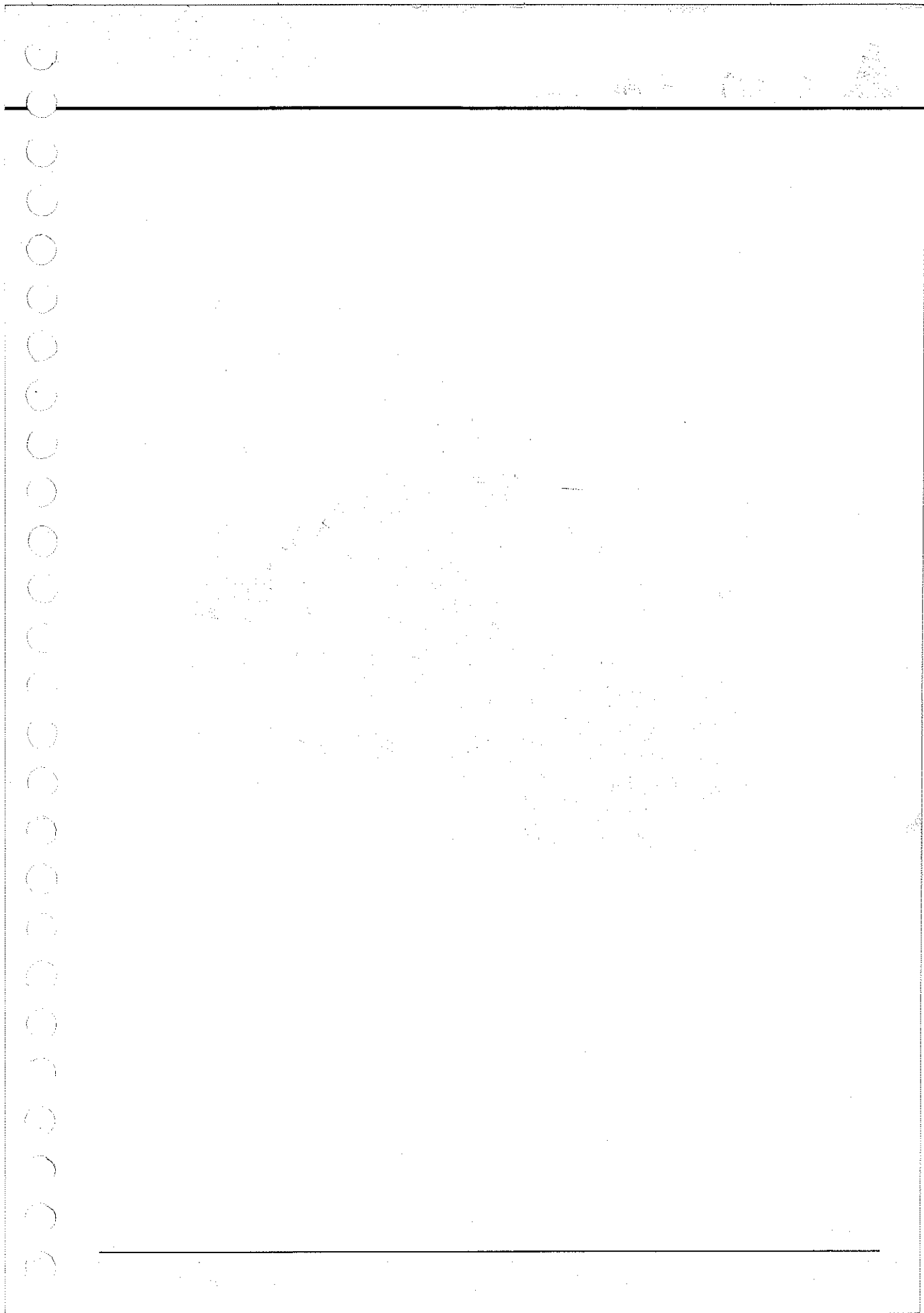
| No. | Part Number  | Description            | Q'ty | Remarks                   |
|-----|--------------|------------------------|------|---------------------------|
|     | 99564 1600   | Gasket                 | 1    |                           |
| 62  | 0864 61 061A | Cover                  | 2    | (Cars Without Car Heater) |
| 63  | 99282 2600   | Band Hose              | 2    |                           |
| 64  | 99860 0514   | Screw, Radiator Shroud | 1    |                           |
|     | 99952 0500   | Washer, Plain          | 1    |                           |
|     | 0820 56 906  | Nut, Spring            | 1    |                           |

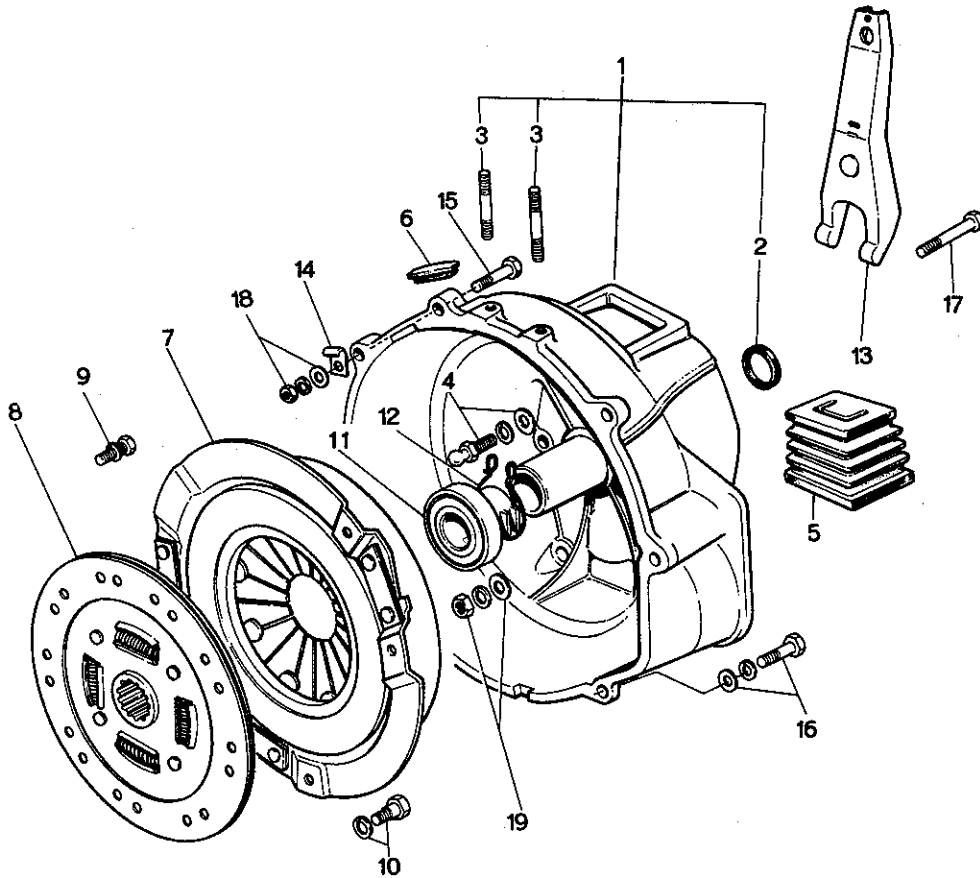


# COOLING SYSTEM

(USED FROM THE 1970S TO THE 1980S)

| Year | Model   | Capacity | Notes                |
|------|---------|----------|----------------------|
| 1970 | Model A | 1000 BTU | Initial installation |
| 1975 | Model B | 1500 BTU | Upgrade              |
| 1980 | Model C | 2000 BTU | Final upgrade        |
| 1985 | Model D | 2500 BTU | Replacement          |
| 1990 | Model E | 3000 BTU | Current model        |





# CLUTCH (MANUAL)

16

| No. | Part Number                        | Description       | Q'ty | Remarks  |
|-----|------------------------------------|-------------------|------|--|
| 1   | 0866 16 210                        | Housing, Clutch   | 1    |  |
| ●   | 1881 16 210A                       | Housing, Clutch   | 1    | Car No. 160623 $\frac{7}{10}$ ~ X  |
| 2   | 0603 16 103                        | Oil Seal          | 1    |  |
| 3   | 99851 0820                         | Stud              | 2    |  |
| ✓ ● | 0222 16 105                        | Stud              | 2    | Car No. 160623 $\frac{7}{10}$ ~ X  |
| 4   | 0603 16 102B                       | Pin, Pivot        | 1    |  |
|     | 99953 1000                         | Washer, Plain     | 1    |  |
|     | 99971 1000                         | Washer, Spring    | 1    |  |
| 5   | 0866 16 214                        | Cover, Dust       | 1    |  |
|     | 0866 16 214A                       | Cover, Dust       | 1    | Car No. 153087 $\frac{7}{9}$ ~ ○   |
| 6   | 0813 16 112                        | Cover, Top Hole   | 1    |  |
| 7   | 4077 16 410                        | Cover, Clutch     | 1    |  |
|     | 0866 16 410                        | Cover, Clutch     | 1    | Car No. 142765 $\frac{7}{3}$ ~ △   |
| ✓ ● | 0839 16 410B                       | Cover, Clutch     | 1    | Car No. 160623 $\frac{7}{10}$ ~ X  |
| 8   | 4077 16 460C                       | Disc, Clutch      | 1    |  |
|     | 0866 16 460                        | Disc, Clutch      | 1    | Car No. 135808 $\frac{7}{2}$ ~ △   |
|     | 0866 16 460A                       | Disc, Clutch      | 1    | Car No. 157510 $\frac{7}{10}$ ~ ○  |
| ✓ ● | 0862 16 460<br><i>0862 16 460A</i> | Disc, Clutch<br>" | 1    | Car No. 160623 $\frac{7}{10}$ ~ X<br>$\frac{7}{12}$ ~ △ (1/4 JAN. 14, '75) |
| 9   | 0839 16 432                        | Bolt, Reamer      | 2    |  |

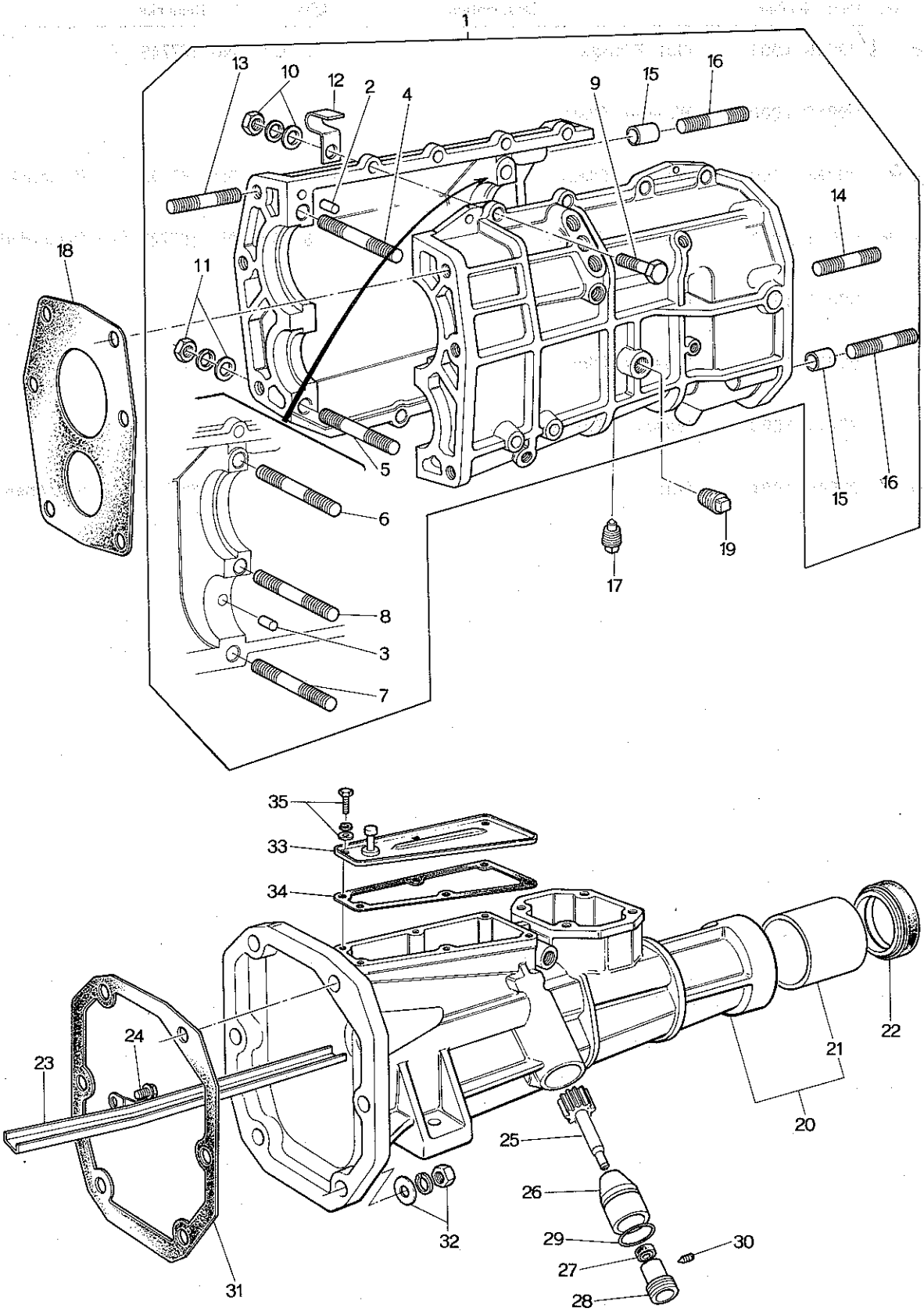


# CLUTCH (MANUAL)

| No. | Part Number           | Description          | Qty          | Remarks                         |
|-----|-----------------------|----------------------|--------------|---------------------------------|
|     | 99971 0800            | Washer, Spring       | 2            |                                 |
| 10  | 99753 78118           | Bolt                 | 4            |                                 |
|     | 99971 0800            | Washer, Spring       | 4            |                                 |
| 11  | 0820 16 510           | Collar, Release      | 1            |                                 |
| 12  | 0820 16 515           | Spring, Collar       | 1            |                                 |
| 13  | 0820 16 230           | Fork, Release        | 1            |                                 |
| ✓ ● | 0454 16 520           | Fork, Release        | 1            | Car No. 160623 7/10 ~ X         |
| 14  | <del>99295 1510</del> | <del>Clip</del>      | <del>1</del> |                                 |
| 15  | 99811 1032            | Bolt                 | 1            |                                 |
| ● ✓ | 99761 0309            | Bolt                 | 1            | Car No. 167748 7/5 ~ ○          |
| ● ✓ | 99971 1000            | Washer, Spring       | 1            | Car No. 167748 7/5 ~ Discarded  |
| ● ✓ | 99953 0300            | Washer, Plain        | 1            | Car No. 167748 7/5 ~ Added Anew |
| ● ✓ | 99971 0300            | Washer, Spring       | 1            | Car No. 167748 7/5 ~ Added Anew |
| 16  | 99811 1050            | Bolt, Clutch Housing | 2            |                                 |
| ● ✓ | 99796 1050            | Bolt, Clutch Housing | 2            | Car No. 167748 7/5 ~ ○          |
|     | 99953 1000            | Washer, Plain        | 2            | Car No. 167748 7/5 ~ Discarded  |
|     | 99971 1000            | Washer, Spring       | 2            | Car No. 167748 7/5 ~ Discarded  |
| 17  | 99811 1055            | Bolt, Clutch Housing | 1            |                                 |
| ● ✓ | 99796 1045            | Bolt, Clutch Housing | 1            | Car No. 167748 7/5 ~ X          |
| 18  | 99921 1000            | Nut                  | 3            |                                 |

| No. | Part Number  | Description    | Q'ty | Remarks                                   |
|-----|--------------|----------------|------|---|
| ●   | ✓ 99940 1001 | Nut-Flange     | 3    | Car No. 167748 $\frac{7}{8}$ ~○           |
|     | 99952 1000   | Washer, Plain  | 1    |   |
| ●   | ✓ 99953 1000 | Washer, Plain  | 2    | Car No. 167748 $\frac{7}{8}$ ~Discarded   |
| ●   | ✓ 99971 1000 | Washer, Spring | 3    | Car No. 167748 $\frac{7}{8}$ ~Discarded   |
| 19  | 99921 1200   | Nut            | 6    |   |
|     | 99953 1200   | Washer, Plain  | 6    |   |
|     | 99971 1200   | Washer, Spring | 6    |   |
| ●   | ✓ 99940 1001 | Nut            | 8    | Car No. 160623 $\frac{7}{10}$ ~Added Anew |

**MANUAL T / MISSION (CASE)**  
 (USED UP TO CAR NO. 179250 <sup>78</sup>/<sub>9</sub>)





# MANUAL T / MISSION (CASE)

(USED UP TO CAR NO. 179250 <sup>73</sup>/<sub>9</sub>)

17

| No. | Part Number  | Description                    | Q'ty | Remarks |
|-----|--------------|--------------------------------|------|---------|
| 1   | 0866 17 100A | Case, T / mission              | 1    |         |
| 2   | 99233 0818   | Pin, Knock                     | 1    |         |
| 3   | 0803 17 104  | Pin, Knock                     | 1    |         |
| 4   | 99855 1085   | Stud                           | 1    |         |
| 5   | 99855 1078   | Stud                           | 1    |         |
| 6   | 99855 1055   | Stud                           | 1    |         |
| 7   | 99855 1040   | Stud                           | 1    |         |
| 8   | 99851 0860   | Stud                           | 1    |         |
| 9   | 99801 0845   | Bolt                           | 7    |         |
| 10  | 99921 1000   | Nut                            | 4    |         |
|     | 99971 1000   | Washer, Spring                 | 4    |         |
|     | 99953 1000   | Washer, Plain                  | 4    |         |
| 11  | 99901 0800   | Nut                            | 8    |         |
|     | 99971 0800   | Washer, Spring                 | 8    |         |
|     | 99953 0800   | Washer, Plain                  | 8    |         |
| 12  | 0866 17 107  | Clip                           | 2    |         |
| 13  | 99855 1232   | Stud                           | 6    |         |
| 14  | 99855 1025   | Stud                           | 4    |         |
| 15  | 0603 17 105  | Pin, Tabular                   | 2    |         |
| 16  | 99855 1035   | Stud                           | 2    |         |
| 17  | 0107 17 121  | Plug, Magnet                   | 1    |         |
| 18  | 0603 17 131  | Gasket, T / mission Case Front | 1    |         |
| 19  | 99502 4000   | Plug, Tapered                  | 1    |         |



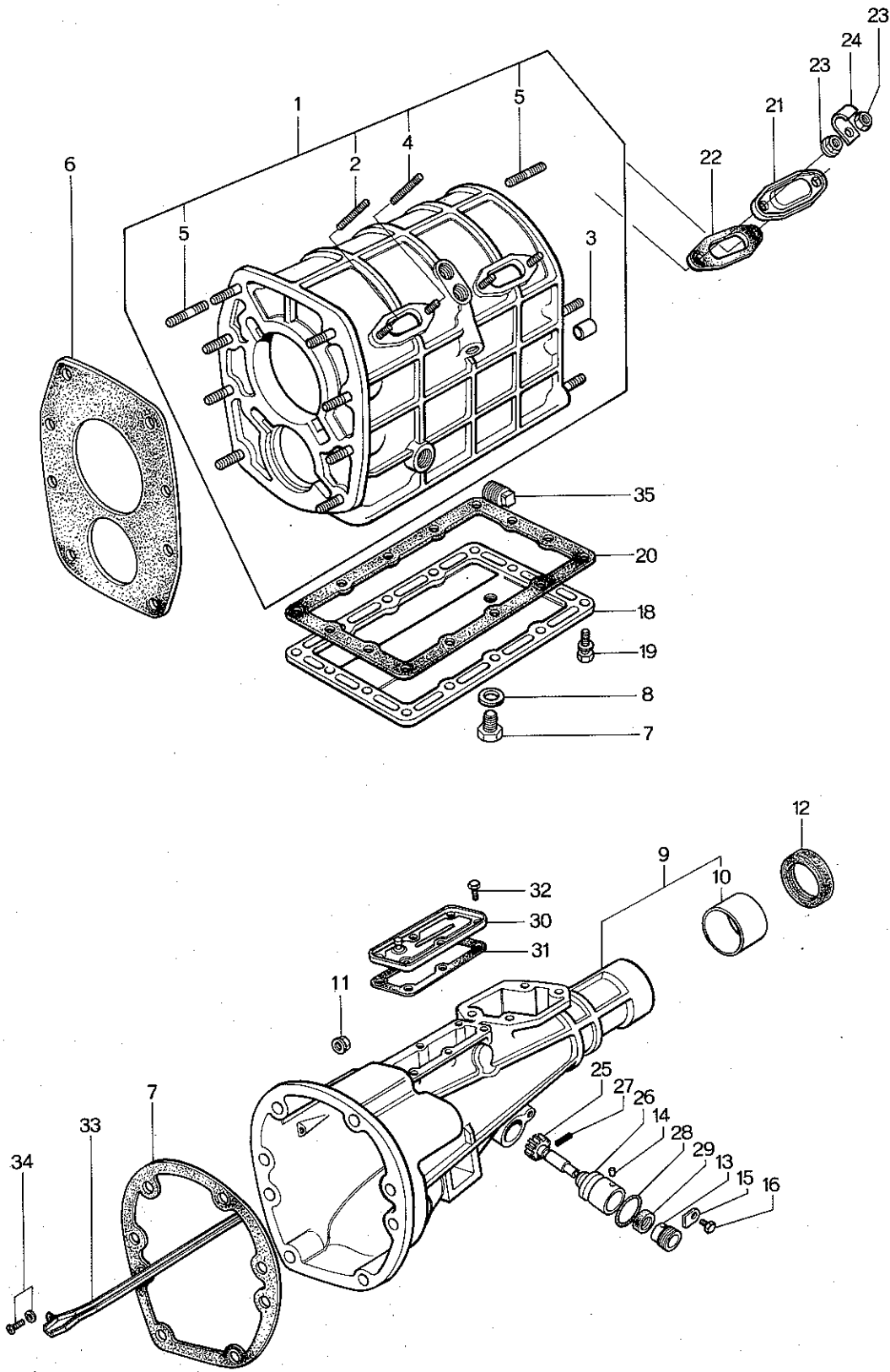
# MANUAL T / MISSION (CASE)

(USED UP TO CAR NO. 179250  $\frac{7}{8}$ )

| No. | Part Number   | Description              | Q'ty | Remarks                         |
|-----|---------------|--------------------------|------|---------------------------------|
| 20  | 0888 17 330 A | Housing, Extension       | 1    |                                 |
| 21  | 0187 17 333   | Bush                     | 1    |                                 |
|     | 1820 22 333   | Bush                     | 1    | Car No. 133210 $\frac{7}{8}$ ~O |
| 22  | 0317 17 335   | Seal, Oil                | 1    |                                 |
|     | 0376 17 335   | Seal, Oil                | 1    | Car No. 159447 $\frac{7}{8}$ ~O |
| 23  | 0888 17 540   | Pass, Oil                | 1    |                                 |
| 24  | 99833 0510    | Screw, Oil Pass          | 1    |                                 |
|     | 99871 0500    | Washer, Spring           | 1    |                                 |
| 25  | 0820 17 345   | Gear, Speedometer Driven | 1    |                                 |
| 26  | 0183 17 346   | Sleeve, Speedometer      | 1    |                                 |
| 27  | 99586 10207   | Seal, Oil                | 1    |                                 |
| 28  | 0183 17 351   | Joint, Speedometer Cable | 1    |                                 |
| 29  | 99541 02101   | Ring, "O"                | 1    |                                 |
| 30  | 0180 17 353   | Screw, Set               | 1    |                                 |
| 31  | 0603 17 361   | Gasket                   | 1    |                                 |
| 32  | 99921 1000    | Nut                      | 6    |                                 |
|     | 99953 1000    | Washer, Plain            | 6    |                                 |
|     | 99971 1000    | Washer, Spring           | 6    |                                 |
| 33  | 0886 17 530   | Cover, Blind             | 1    |                                 |
| 34  | 0886 17 524   | Gasket                   | 1    |                                 |
| 35  | 99806 0610    | Bolt, Blind Cover        | 6    |                                 |
|     | 99971 0600    | Washer, Spring           | 6    |                                 |



**MANUAL T / MISSION (CASE)**  
 (USED FROM CAR NO. 160623 <sup>73</sup>/<sub>10</sub>)



# MANUAL T/MISSION (CASE)

(USED FROM CAR NO. 160623 <sup>73/10</sup>)

17

| No. | Part Number  | Description                           | Q'ty | Remarks |
|-----|--------------|---------------------------------------|------|---------|
| 1   | 1011 17 100B | Case, T/mission                       | 1    |         |
| 2   | 0839 17 105  | Stud, Blind Cover                     | 2    |         |
| 3   | 99233 1225   | Pin, Knock                            | 2    |         |
| 4   | 99852 0610F  | Stud, Blind Cover                     | 2    |         |
| 5   | 99855 1025   | Stud, Front & Rear                    | 12   |         |
|     | 99855 1025F  | Stud, Front & Rear                    | 2    |         |
| 6   | 0839 17 111  | Gasket, T/mission Case Front          | 1    |         |
| 7   | 0810 17 121  | Plug, Magnet                          | 1    |         |
| 8   | 99564 1800   | Gasket, Magnet Plug                   | 1    |         |
| 9   | 1011 17 330A | Housing, Extension Housing            | 1    |         |
| 10  | 0398 22 333  | Bush, Extension Housing               | 1    |         |
| 11  | 99940 1001   | Not, Extension Housing+T/mission Case | 6    |         |
| 12  | 0376 17 335  | Oil Seal, Extension Housing           | 1    |         |
| 13  | 0862 17 351  | Joint, Cable-Speedometer              | 1    |         |
| 14  | 0187 17 352  | Pin, Dowel                            | 1    |         |
| 15  | 0111 17 354  | Plate, Lock-Cable Joint               | 1    |         |
| 16  | 99796 0614   | Bolt, Lock Plate                      | 1    |         |

**17****MANUAL T / MISSION (CASE)**  
(USED FROM CAR NO. 160623 <sup>73</sup>/<sub>10</sub>)

| No. | Part Number  | Description                              | Q'ty | Remarks |
|-----|--------------|--|------|---------|
| 17  | 0839 17 361  | Gasket, Extension Housing+T/mission Case | 1    |         |
| 18  | 0862 17 371  | Cover, Under                             | 1    |         |
| 19  | 99796 0620   | Bolt, Under Cover                        | 14   |         |
| 20  | 0862 17 375  | Gasket, Under Cover                      | 1    |         |
| 21  | 0810 17 381  | Cover, Blind                             | 2    |         |
| 22  | 0810 17 385  | Gasket, Blind Cover                      | 2    |         |
| 23  | 99906 0600   | Nut, Blind Cover & Clip                  | 6    |         |
|     | 99971 0600   | Washer                                   | 4    |         |
| 24  | 99276 0506   | Clip, Wire Harness                       | 2    |         |
| 25  | 0862 17 441  | Gear, Drive-Speedometer                  | 1    |         |
| 26  | 0862 17 442  | Sleeve, Driven Gear                      | 1    |         |
| 27  | 99222 0216   | Pin, Spring-Driven Gear                  | 1    |         |
| 28  | 99541 02211  | Ring, "O"-Driven Gear                    | 1    |         |
| 29  | 99586 10207  | Oil Seal, Driven Gear                    | 1    |         |
| 30  | 1011 17 530  | Cover, Blind                             | 1    |         |
| 31  | 1011 17 535  | Gasket, Blind Cover                      | 1    |         |
| 32  | 99796 0608   | Bolt, Blind Cover                        | 6    |         |
| 33  | 1011 17 540A | Pass, Oil                                | 1    |         |
| 34  | 99806 0614   | Bolt, Oil Pass                           | 1    |         |
|     | 99971 0600   | Washer, Spring                           | 1    |         |

# MANUAL T / MISSION (CASE)

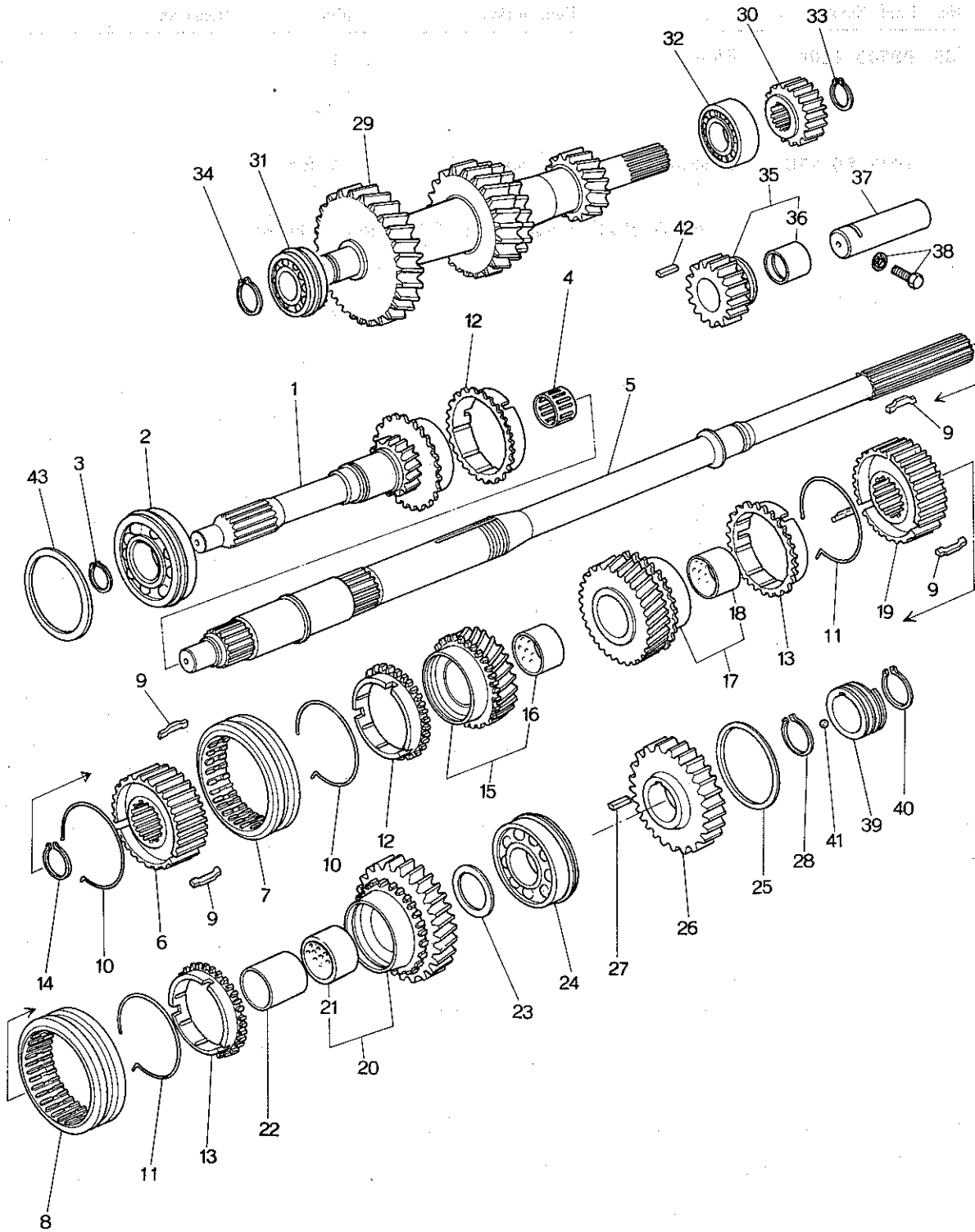
(USED FROM CAR NO. 160623 <sup>73</sup>/<sub>10</sub>)

17

| No.  | Part Number | Description           | Q'ty  | Remarks |
|------|-------------|-----------------------|-------|---------|
| 35   | 99502 4000  | Plug                  | 1     |         |
| 1011 | 89 175      | Gasket Set, T/mission | 1 Set |         |

All Gaskets Relative to T/mission Included

**MANUAL T / MISSION (GEAR)**  
 (USED UP TO CAR NO. 179250 <sup>73</sup>/<sub>9</sub>)





# MANUAL T / MISSION (GEAR)

(USED UP TO CAR NO. 179250 <sup>73</sup>/<sub>9</sub>)



| No. | Part Number             | Description                | Q'ty         | Remarks  |
|-----|-------------------------|----------------------------|--------------|--|
| 1   | 0866 17 201             | Gear, Main Drive           | 1            |  |
|     | 0866 17 201B            | Gear, Main Drive           | 1            | Car No. 127396 $\frac{7}{12}$ ~X                               |
| 2   | 99606 63060             | Bearing, Ball              | 1            |  |
| 3   | 99573 3000              | Ring, Snap                 | 1            |  |
| 4   | 0603 17 210             | Bearing, Needle            | 1            |  |
| 5   | 0866 17 221             | Shaft, Main                | 1            |  |
|     | 0866 17 221A            | Shaft, Main                | 1            | Car No. 127396 $\frac{7}{12}$ ~X                               |
| 6   | 0820 17 241B            | Hub, (3.4) - Clutch        | 1            |  |
|     | 0290 17 241B            | Hub, (3.4) - Clutch        | 1            | Car No. 127396 $\frac{7}{12}$ ~X                               |
| 7   | 0187 17 242             | Sleeve, Clutch Hub (3.4)   | 1            |  |
|     | 0603 17 282             | Sleeve, Clutch             | 1            | Car No. 127396 $\frac{7}{12}$ ~X                               |
| 8   | 0603 17 282             | Sleeve (1.2)               | 1            |  |
| 9   | 0187 17 243             | Key, Synchronizer          | 6            |  |
| 10  | 0103 17 244A            | Spring, Synchronizer       | 2            |  |
|     | 0800 17 324             | Spring, Synchronizer       | 2            | Car No. 127396 $\frac{7}{12}$ ~O                               |
| 11  | 0600 17 324             | Spring, Synchronizer (1.2) | 2            |  |
| 12  | 4069 17 245             | Ring, Synchronizer (3.4)   | 2            |  |
|     | 0839 17 245             | Ring, Synchronizer (3.4)   | 2            | Car No. 127396 $\frac{7}{12}$ ~X                               |
|     | 0881 17 245A            | Ring, Synchronizer (3.4)   | 2            | Car No. 152816 $\frac{7}{9}$ ~O                                |
| 13  | 0839 17 245             | Ring, Synchronizer (1.2)   | 2            | Car No. 127396 $\frac{7}{12}$ ~Q'ty                            |
|     | 0881 17 245A            | Ring, Synchronizer (1.2)   | 2            | Car No. 152816 $\frac{7}{9}$ ~O                                |
| 14  | 0317 17 225             | Ring, Snap                 | 1            |  |
|     | <del>0800 17 270</del>  | <del>Washer, Thrust</del>  | <del>±</del> | } Selective use<br>} Car No. 127396 $\frac{7}{12}$ ~ Added New |
|     | <del>0800 17 288A</del> | <del>Washer, Thrust</del>  | <del>±</del> |  |
|     | <del>0800 17 277</del>  | <del>Washer, Thrust</del>  | <del>±</del> |  |
|     | <del>0800 17 295</del>  | <del>Washer, Thrust</del>  | <del>±</del> |  |
| 15  | 0603 17 230A            | Gear, Third                | 1            |  |
|     | 0290 17 230A            | Gear, Third                | 1            | Car No. 127396 $\frac{7}{12}$ ~X                               |
| 16  | 0187 17 232             | Bush, Third Gear           | 1            |  |
| 17  | 0866 17 250             | Gear, Second               | 1            |  |
| 18  | 0187 17 272             | Bush, Second Gear          | 1            |  |
| 19  | 0290 17 281B            | Hub, (1.2) - Clutch        | 1            |  |



# MANUAL T / MISSION (GEAR)

(USED UP TO CAR NO. 179250 <sup>73</sup>/<sub>9</sub>)

| No. | Part Number  | Description                | Q'ty            | Remarks   |
|-----|--------------|----------------------------|-----------------|---|
| 20  | 0866 17 270  | Gear, Low                  | 1               |   |
| 21  | 0187 17 272  | Bush, Low Gear             | 1               |   |
| 22  | 0866 17 275  | Sleeve, Gear               | 1               |   |
| 23  | 0866 17 276  | Washer, Thrust (t=3.0)     | 1               | } Selective use<br>Car No. 127395 <sup>7</sup> / <sub>12</sub> - Added Anew |
|     | 0866 17 277  | Washer, Thrust (t=3.5)     | 1               |   |
| 24  | 98606 33060  | Bearing, Ball              | 1               |   |
| 25  | 0866 17 285  | Washer, Adjust (t=2.00)    | 1               | } Selective use<br>Car No. 127395 <sup>7</sup> / <sub>12</sub> - Added Anew |
|     | 0866 17 286A | Washer, Adjust (t=2.50)    | 1               |   |
| 26  | 0866 17 281  | Gear, Reverse              | 1               |   |
| 27  | 0866 17 279  | Key                        | 1               |   |
| 28  | 0866 17 288  | Ring, Snap                 | } Selective use |   |
|     | 0866 17 289  | Ring, Snap                 |                 |   |
|     | 0866 17 291  | Ring, Snap                 |                 |   |
|     | 0866 17 292  | Ring, Snap                 |                 |   |
| 29  | 0222 17 301B | Gear, Countershaft         | 1               |   |
| 30  | 0603 17 302  | Gear, Countershaft Reverse | 1               |   |
| 31  | 99606 63440  | Bearing, Ball              | 1               |   |
| 32  | 0603 17 303  | Bearing, Needle Roller     | 1               |   |
| 33  | 0603 17 305  | Ring, Snap                 | 1               |   |
| 34  | 99573 2200   | Ring, Snap                 | 1               |   |
| 35  | 0603 17 310  | Gear, Reverse Idle         | 1               |   |
| 36  | 0603 17 312  | Bush                       | 1               |   |

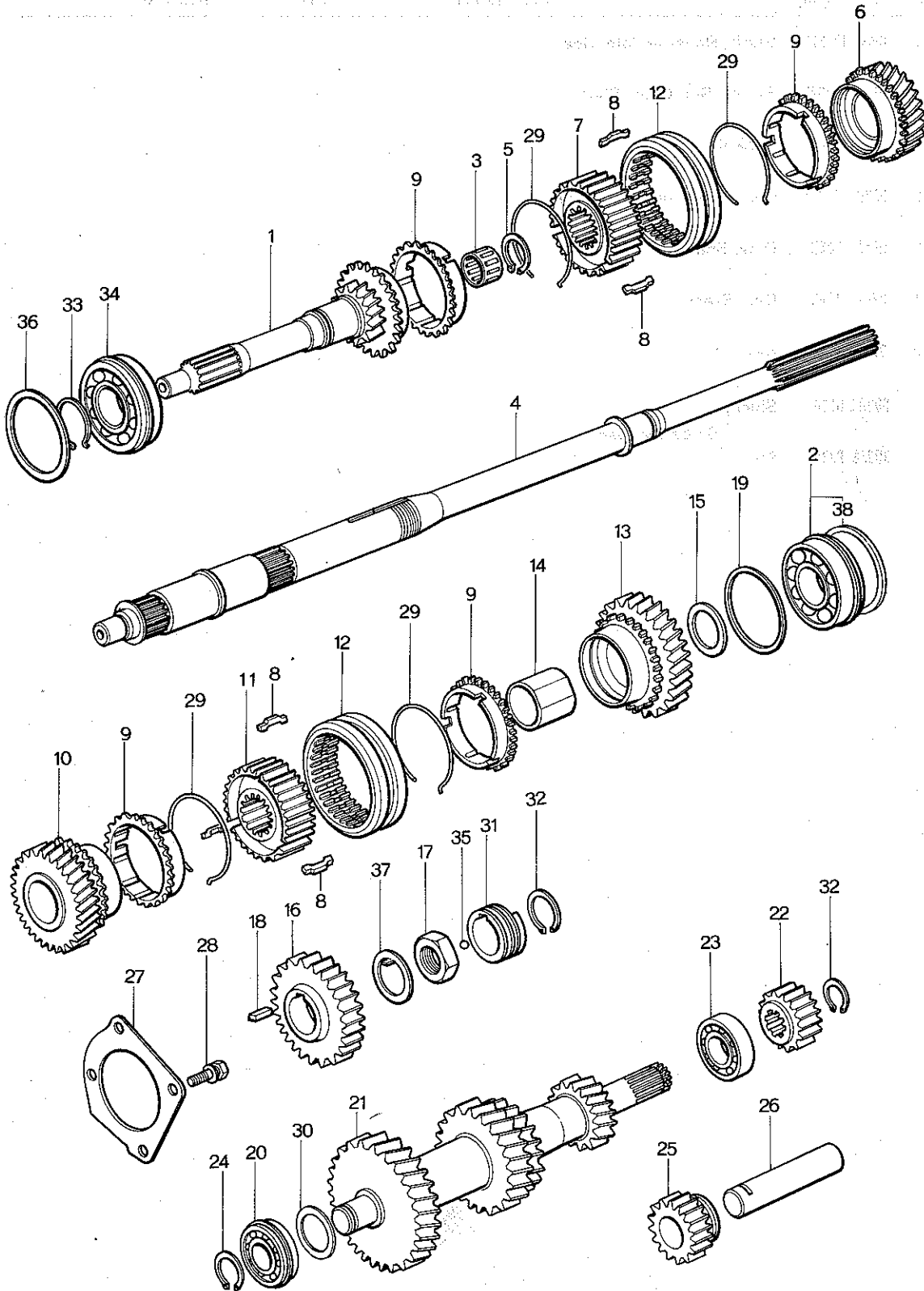
# MANUAL T / MISSION (GEAR)

(USED UP TO CAR NO. 179250 <sup>73</sup>/<sub>9</sub>)



| No. | Part Number | Description              | Q'ty | Remarks         |
|-----|-------------|--------------------------|------|-----------------|
| 37  | 0603 17 321 | Shaft, Reverse Idle Gear | 1    |                 |
| 38  | 0187 17 323 | Screw Set, Gear Shaft    | 1    |                 |
|     | 99564 0800  | Gasket                   | 1    |                 |
| 39  | 0820 17 341 | Gear, Speedometer Drive  | 1    |                 |
| 40  | 99573 2500  | Ring, Snap               | 1    |                 |
| 41  | 99611 1500  | Ball, Steel              | 1    |                 |
| 42  | 0839 17 285 | Key                      | 1    |                 |
| 43  | 99963 6310  | Shim                     | 1    | } Selective use |
|     | 99963 6330  | Shim                     |      |                 |

**MANUAL T / MISSION (GEAR)**  
 (USED FROM CAR NO. 160623 <sup>73</sup>/<sub>10</sub>)



# MANUAL T / MISSION (GEAR)

(USED FROM CAR NO. 160623 <sup>73</sup>/<sub>10</sub>)

| No. | Part Number  | Description                     | Q'ty              | Remarks |
|-----|--------------|---------------------------------|-------------------|---------|
| 1   | 0862 17 201  | Gear, Main Drive                | 1                 |         |
| 2   | 0810 17 204  | Bearing, Ball                   | 1                 |         |
| 3   | 0810 17 205  | Bearing, Needle Roller          | 1                 |         |
| 4   | 1011 17 221A | Shaft, Main                     | 1                 |         |
| 5   | 0317 17 225  | Ring, Snap                      | 1                 |         |
| 6   | 0862 17 230  | Gear (3rd)                      | 1                 |         |
| 7   | 0862 17 241  | Hub, Clutch (3rd & 4th)         | 1                 |         |
| 8   | 0187 17 243  | Key, Synchronizer               | 6                 |         |
| 9   | 0881 17 245B | Ring, Synchronizer              | 4                 |         |
| 10  | 0862 17 250  | Gear (2nd)                      | 1                 |         |
| 11  | 0867 17 261  | Hub, Clutch (1st & 2nd)         | 1                 |         |
| 12  | 0862 17 262A | Sleeve, Clutch Hub              | 2                 |         |
| 13  | 1011 17 270  | Gear (1st)                      | 1                 |         |
| 14  | 0839 17 275  | Sleeve, Gear                    | 1                 |         |
| 15  | 0839 17 276  | Washer, Thrust ( $\ell = 2.5$ ) | } Selective use 1 |         |
|     | 0839 17 277  | Washer, Thrust ( $\ell = 3.0$ ) |                   |         |
|     | 0839 17 278  | Washer, Thrust ( $\ell = 3.5$ ) |                   |         |
| 16  | 0839 17 281  | Gear, Reverse                   | 1                 |         |
| 17  | 0839 17 284  | Nut, Lock                       | 1                 |         |
| 18  | 0839 17 285  | Key                             | 1                 |         |

**MANUAL T / MISSION (GEAR)**  
 (USED FROM CAR NO. 160623 <sup>73</sup>/<sub>10</sub>)

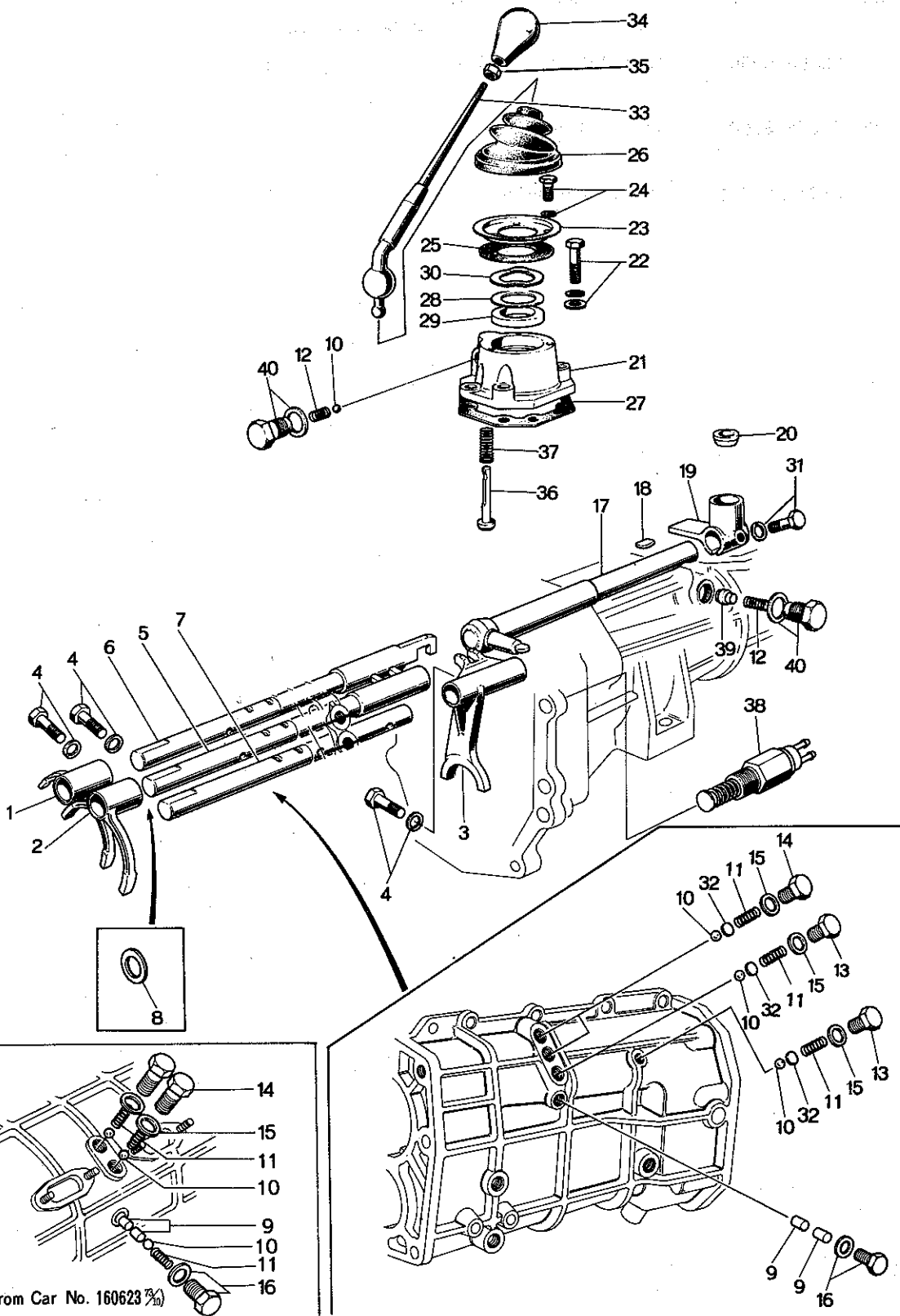
| No. | Part Number  | Description             | Q'ty | Remarks         |
|-----|--------------|-------------------------|------|-----------------|
| 19  | 0839 17 287  | Shim, Adjust (t=0.1)    | 2    | } Selective use |
|     | 0839 17 288  | Shim, Adjust (t=0.3)    | 1    |                 |
| 20  | 0821 17 297  | Bearing, Ball           | 1    |                 |
| 21  | 1011 17 301  | Gear, Counter Shaft     | 1    |                 |
| 22  | 0839 17 302  | Gear, Reverse-Counter   | 1    |                 |
| 23  | 0821 17 303  | Bearing, Needle         | 1    |                 |
| 24  | 0839 17 305  | Ring, Snap              | 1    |                 |
| 25  | 0839 17 310  | Gear, Idle-Reverse      | 1    |                 |
| 26  | 0839 17 313  | Shaft, Reverse Gear     | 1    |                 |
| 27  | 0839 17 321A | Stopper, Bearing        | 1    |                 |
| 28  | 99801 0820   | Bolt, Bearing Stopper   | 4    |                 |
|     | 99971 0800   | Washer, Spring          | 4    |                 |
| 29  | 0600 17 324  | Spring Synchronizer     | 4    |                 |
| 30  | 0305 17 327  | Shim, Adjust (t=0.1)    | 2    | } Selective use |
|     | 0305 17 328  | Shim, Adjust (t=0.3)    | 1    |                 |
| 31  | 0862 17 341  | Gear, Drive-Speedometer | 1    |                 |
| 32  | 99573 2500   | Ring, Snap              | 2    |                 |
| 33  | 99573 3500   | Ring, Snap              | 1    |                 |
| 34  | 99606 33070  | Bearing, Ball           | 1    |                 |
| 35  | 99611 1500   | Ball, Steel             | 1    |                 |

# MANUAL T / MISSION (GEAR)

(USED FROM CAR NO. 160623 <sup>73</sup>/<sub>10</sub>)



| No. | Part Number | Description          | Q'ty | Remarks         |
|-----|-------------|----------------------|------|-----------------|
| 36  | 99963 6910  | Shim, Adjust (t=0.1) | 2    | } Selective use |
|     | 99963 6930  | Shim, Adjust (t=0.3) | 1    |                 |
| 37  | 99978 3200  | Washer, Lock         | 1    |                 |
| 38  | 0881 22 297 | Clip, Ball Bearing   | 1    |                 |





# MANUAL T / MISSION (CHANGE CONTROLS)

17

| No. | Part Number  | Description            | Q'ty | Remarks                           |
|-----|--------------|------------------------|------|-----------------------------------|
| 1   | 0290 17 402  | Fork, Shift- 1st & 2nd | 1    |                                   |
| ●   | 0810 17 402  | Fork, Shift- 1st & 2nd | 1    | Car. No. 160623 $\frac{7}{10}$ ~X |
| 2   | 0187 17 404  | Fork, Shift- 3rd & 4th | 1    |                                   |
|     | 0290 17 404  | Fork, Shift- 3rd & 4th | 1    | Car. No. 127396 $\frac{7}{12}$ ~X |
| ●   | 0810 17 404  | Fork, Shift- 3rd & 4th | 1    | Car. No. 160623 $\frac{7}{10}$ ~X |
| 3   | 2981 17 406  | Fork, Shift-Reverse    | 1    |                                   |
| ●   | 1011 17 406  | Fork, Shift-Reverse    | 1    | Car. No. 160623 $\frac{7}{10}$ ~X |
| 4   | 0118 17 313  | Bolt                   | 3    |                                   |
| ✓   | 99971 0600   | Washer, Spring         | 3    |                                   |
| ● ✓ | 99971 0601   | Washer, Spring         | 3    | Car. No. 160623 $\frac{7}{10}$ ~△ |
| 5   | 2981 17 410  | Rod, Shift- 1st & 2nd  | 1    |                                   |
| ●   | 1011 17 410  | Rod, Shift- 1st & 2nd  | 1    | Car. No. 160623 $\frac{7}{10}$ ~X |
| ●   | 1011 17 410A | Rod, Shift- 1st & 2nd  | 1    | Car. No. 164070 $\frac{7}{11}$ ~△ |
| 6   | 2981 17 420  | Rod, Shift- 3rd & 4th  | 1    |                                   |
|     | 0292 17 420  | Rod, Shift- 3rd & 4th  | 1    | Car. No. 127396 $\frac{7}{12}$ ~X |
| ●   | 1011 17 420  | Rod, Shift- 3rd & 4th  | 1    | Car. No. 160623 $\frac{7}{10}$ ~X |
| 7   | 2981 17 431  | Rod, Shift-Reverse     | 1    |                                   |
| ●   | 0839 17 431  | Rod, Shift-Reverse     | 1    | Car. No. 160623 $\frac{7}{10}$ ~X |
| 8   | 0118 17 316  | Spacer, Adjust         | 2    |                                   |
| 9   | 0114 17 351  | Pin, Interlock         | 2    |                                   |

**MANUAL T / MISSION (CHANGE CONTROLS)**

| No. | Part Number      | Description               | Q'ty | Remarks                                   |
|-----|------------------|---------------------------|------|---|
| 10  | 99611 2500       | Ball, Steel               | 5    |   |
| ●   | ✓ 99611 2500     | Ball, Steel               | 4    | Car No. 160623 $\frac{73}{10}$ ~Q'ty      |
| 11  | 0103 17 411      | Spring                    | 4    |   |
| ●   | 12 0014 17 411   | Spring                    | 2    | Car No. 160623 $\frac{73}{10}$ ~Discarded |
| ●   | 13 0187 17 441 A | Cap, Spring               | 2    | Car No. 160623 $\frac{73}{10}$ ~Discarded |
| 14  | 0221 17 441      | Cap, Spring               | 2    |   |
| 15  | 99562 1400       | Gasket                    | 4    |   |
| ●   | 99562 1400       | Gasket                    | 3    | Car No. 160623 $\frac{73}{10}$ ~Q'ty      |
| ●   | 16 99510 1000    | Plug                      | 1    | Car No. 160623 $\frac{73}{10}$ ~Discarded |
|     | 0259 17 441      | Plug, Spring Set          | 1    | Car No. 151014 $\frac{72}{8}$ ~○          |
| ●   | 0259 17 441      | Plug Spring Set           | 2    | Car No. 160623 $\frac{73}{10}$ ~Q'ty      |
|     | 99564 1000       | Gasket                    | 1    |   |
| ●   | ✓ 99564 1000     | Gasket                    | 2    | Car No. 160623 $\frac{73}{10}$ ~Q'ty      |
| 17  | 0866 17 450      | Lever, Control            | 1    |   |
| ●   | 1011 17 450      | Lever, Control            | 1    | Car No. 160623 $\frac{73}{10}$ ~X         |
| 18  | 0111 17 323      | Key                       | 1    |   |
| 19  | 0398 17 461 A    | End, Control Lever        | 1    |   |
| 20  | 0398 17 462 A    | Seat, Spring              | 1    |   |
| 21  | 0303 17 470      | Case, Change Control      | 1    |   |
| 22  | 99801 0825       | Bolt, Change Control Case | 2    |   |

# MANUAL T / MISSION (CHANGE CONTROLS)

17

| No. | Part Number  | Description                   | Q'ty | Remarks                                   |
|-----|--------------|-------------------------------|------|---|
| ●   | 99796 0822   | Bolt, Change Control Case     | 2    | Car No. 160623 $\frac{7}{10}$ ~ X         |
|     | 99801 0835   | Bolt                          | 2    |   |
| ● ✓ | 99796 0832   | Bolt, Change Control Case     | 2    | Car No. 160623 $\frac{7}{10}$ ~ X         |
| ● ✓ | 99953 0800   | Washer, Plain                 | 4    | From Car No. 1                            |
|     |              |                               | 4    | Car No. 160623 $\frac{7}{10}$ ~ Discarded |
| ● ✓ | 99971 0800   | Washer, Spring                | 4    | Car No. 160623 $\frac{7}{10}$ ~ Discarded |
| 23  | 0221 17 473  | Plate, Cover                  | 1    |   |
| 24  | 99806 0614   | Bolt, Cover Plate             | 3    |   |
|     | 99971 0601   | Washer, Spring                | 3    | From Car No. 1                            |
| ● ✓ | 99971 0600   | Washer, Spring                | 3    | Car No. 160479 $\frac{7}{10}$ ~ Δ         |
| 25  | 0303 17 474  | Gasket, Cover Plate           | 1    |   |
| 26  | 0221 17 475B | Boot, Dust                    | 1    |   |
| 27  | 0271 17 478  | Gasket, Change Control        | 1    |   |
| 28  | 99963 3310   | Shim, Adjust                  | 1    | Selective use                             |
|     | 99963 3330   | Shim, Adjust                  |      |   |
| 29  | 0303 17 481  | Bush                          | 1    |   |
| 30  | 0303 17 482  | Washer, Wave                  | 1    |   |
| 31  | 0187 17 492  | Bolt, Reamer                  | 1    |   |
|     | 99971 0800   | Washer, Spring                | 1    |   |
| 32  | 0183 17 493  | Plate, Adjust - Selective use | 2    |   |
| 33  | 0866 17 510  | Lever, Change                 | 1    |   |

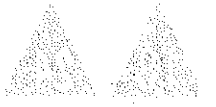


# 17 MANUAL T / MISSION (CHANGE CONTROLS)

| No. | Part Number                   | Description            | Q'ty | Remarks                                   |
|-----|-------------------------------|------------------------|------|---|
| ●   | 1011 17 510B                  | Lever, Change          | 1    | Car No. 162719 $\frac{7}{11}$ ~ X         |
| 34  | 0329 17 520                   | Knob                   | 1    |   |
| ●   | <sup>essl 2</sup> 0831 17 520 | Knob                   | 1    | Car No. 170670 $\frac{7}{5}$ ~ O          |
| ●   | 1882 17 520                   | Knob                   | 1    | Car No. 162719 $\frac{7}{11}$ ~ X         |
| 35  | 0824 17 524                   | Nut, Change Lever Knob | 1    |   |
| ●   | 0824 17 524                   | Nut, Change Lever Knob | 1    | Car No. 162719 $\frac{7}{11}$ ~ Discarded |
| 36  | 0221 17 551 A                 | Spindle, Select Lock   | 1    |   |
| 37  | 0221 17 552                   | Spring                 | 1    |   |
| 38  | 0376 17 640                   | Switch, Reverse Lamp   | 1    |   |
| ●   | 0376 17 640 A                 | Switch, Reverse Lamp   | 1    | Car No. 167748 $\frac{7}{4}$ ~ O          |
| 39  | 0303 17 561                   | Piece, Friction        | 1    |   |
| 40  | 0183 17 491                   | Cap, Spring            | 2    |   |
|     | 99562 1400                    | Gasket                 | 2    |   |

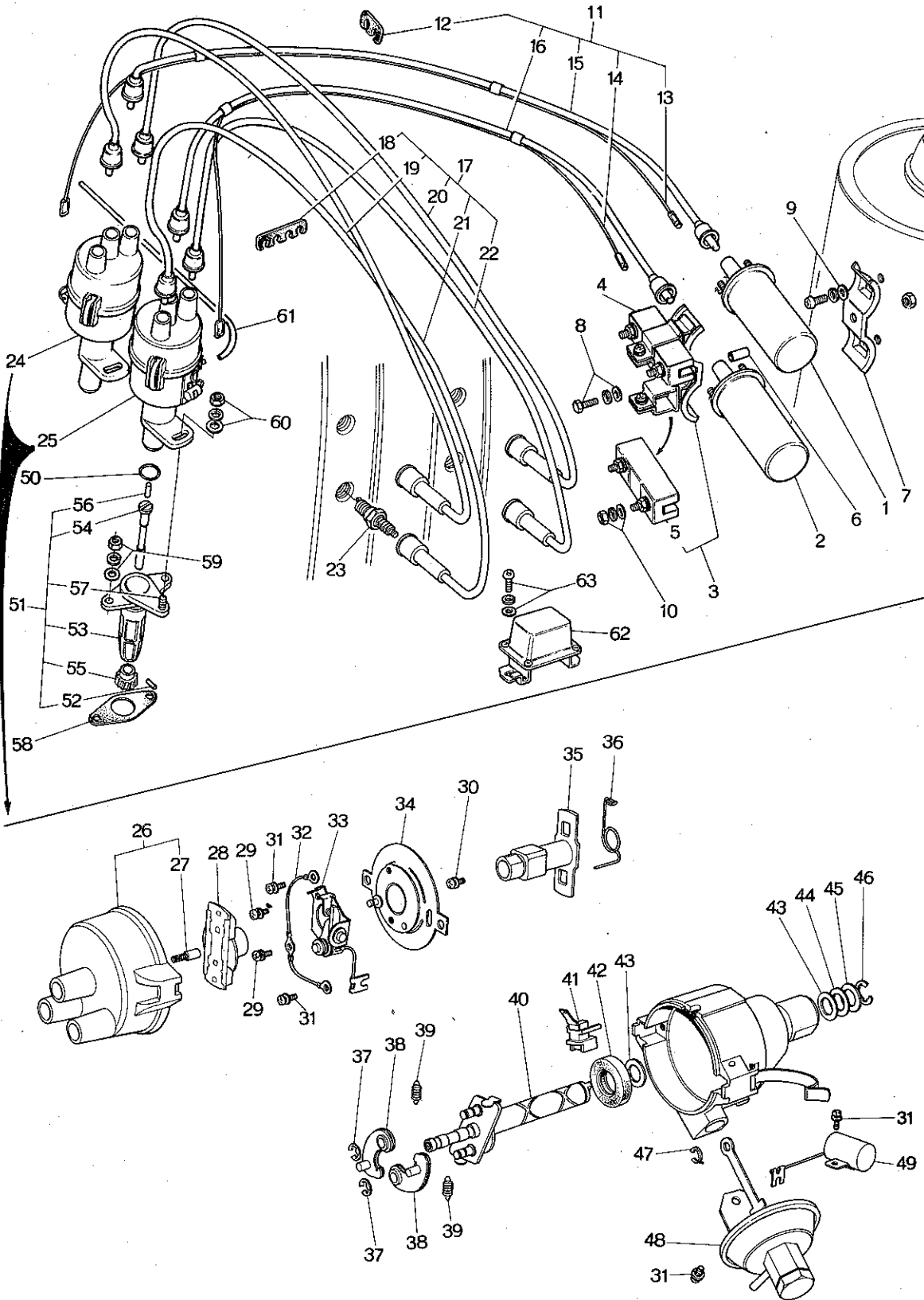
ROYALTY REPORT

FOR THE YEAR END OF 1951



18

24

**DISTRIBUTOR**(USED UP TO CAR NO. 179250 <sup>73/9</sup>)

# DISTRIBUTOR

(USED UP TO CAR NO. 179250 <sup>73/9</sup>)



| No. | Part Number           | Description                            | Q'ty         | Remarks                                     |
|-----|-----------------------|--|--------------|---|
| 1   | 0823 18 100           | Coil, Ignition                         | 1            |   |
|     | 1562 18 100           | Coil, Ignition (Arctic Spec.)          | 1            | Car No. 152816 <sup>73/9</sup> ~○           |
|     | 1562 18 100           | Coil, Ignition (General)               | 1            | Optional                                    |
| 2   | 0866 18 100A          | Coil, Ignition                         | 1            |   |
|     | 1672 18 100           | Coil, Ignition (Arctic Spec.)          | 1            | Car No. 152816 <sup>73/9</sup> ~○           |
|     | 1672 18 100           | Coil, Ignition (General)               | 1            | Optional                                    |
| 3   | 0866 18 190A          | Bracket, Ignition Coil                 | 1            |   |
| ✓   | 1011 18 190           | Bracket, Ignition Coil                 | 1            | Car No. 177588 <sup>73/1</sup> ~△           |
| 4   | 0845 18 101           | Resistor                               | 1            |   |
| 5   | 0866 18 101           | Resistor                               | 1            |   |
| 6   | 0823 18 107           | Pipe, Ignition Coil Bracket            | 1            |   |
|     | 0866 18 107           | Pipe, Ignition Coil Bracket            | 1            | Car No. 127396 <sup>73/2</sup> ~△           |
| 7   | 0866 18 810           | Bracket, Ignition Coil                 | 1            |   |
| 8   | 99801 0850            | Bolt, Ignition Coil Bracket            | 1            |   |
|     | <del>99001 0005</del> | <del>Bolt, Ignition Coil Bracket</del> | <del>1</del> | <del>Car No. 127396 <sup>73/2</sup>~△</del> |
|     | 99794 0845            | Bolt, Ignition Coil Bracket            | 1            | Car No. 142383 <sup>73/3</sup> ~△           |
|     | 99952 0800            | Washer, Plain                          | 1            |   |
|     | 99971 0800            | Washer, Spring                         | 1            |   |
| 9   | 99797 0616            | Bolt, Ignition Coil Bracket            | 2            |   |
|     | 99952 0600            | Washer, Plain                          | 2            |   |
|     | 99971 0600            | Washer, Spring                         | 2            |   |
| 10  | 99907 0500            | Nut, Ignition Coil Resistor            | 5            |   |
|     | 99952 0500            | Washer, Plain                          | 7            | Car No. 127396 <sup>73/2</sup> ~Q'ty        |
|     | 99971 0500            | Washer, Spring                         | 5            |   |
|     | 99906 0500            | Nut, Ignition Coil                     | 1            |   |
|     | 99952 0500            | Washer, Plain                          | 1            | Car No. 127396 <sup>73/2</sup> ~Added Anew  |
|     | 99971 0500            | Washer, Spring                         | 1            |   |
| 11  | 0866 18 110A          | Cord, High Tension-Coil~Distributor    | 1            |   |
| 12  | 0820 18 111B          | Supporter, High Tension Cord           | 1            |   |
| 13  | 0866 18 115           | Cord, Trailing-Coil~Distributor        | 1            |   |
| 14  | 0866 18 155           | Cord, Leading-Coil~Distributor         | 1            |   |



# DISTRIBUTOR

(USED UP TO CAR NO. 179250 <sup>73</sup>/<sub>9</sub>)

| No. | Part Number            | Description   | Q'ty                    | Remarks   |
|-----|------------------------|---|-------------------------|---|
| 15  | 0866 18 120            | Cord, High Tension-Trailing                             | 1                       |   |
| 16  | 0866 18 160A           | Cord, High Tension-Leading                              | 1                       |   |
| 17  | 0866 18 150            | Cord, High Tension                                      | 1                       |   |
| 18  | 0820 18 114            | Supporter, Cord   | 1                       |   |
| 19  | 0866 18 130            | Cord (T-1)-High Tension                                 | 1                       |   |
| 20  | 0866 18 140            | Cord (T-2)-High Tension                                 | 1                       |   |
| 21  | 0866 18 170            | Cord (L-1)-High Tension                                 | 1                       |   |
| 22  | 0866 18 180            | Cord (L-2)-High Tension                                 | 1                       |   |
| 23  | 0866 18 600            | Plug, Sparking (NGK B-7EJ<br>DENSO W22EG 2)             | Standard 4              |   |
|     | 2182 18 600            | Plug, Sparking (NGK BR-7EM<br>DENSO W22EG 2)            | Standard 4              | For Europe Car No. <sup>73</sup> / <sub>10</sub> ~X               |
|     | 0840 18 600            | Plug, Sparking (NGK B-8EJ<br>DENSO W25EG 2)             | High Speed 4            |   |
|     | <del>0840 18 600</del> | <del>Plug, Sparking (NGK B-6EJ<br/>DENSO W20EG 2)</del> | <del>Low Speed 4</del>  |   |
|     | <del>0885 18 600</del> | <del>Plug, Sparking (NGK B-6EM<br/>DENSO W20EA)</del>   | <del>Low Speed 4</del>  |   |
|     | 0867 18 600            | Plug, Sparking (NGK B-8EM<br>DENSO W25EA)               | High Speed 4            |   |
|     | 2183 18 600            | Plug, Sparking (NGK BR-8EH<br>DENSO W25EAR)             | High Speed 4            | For Europe Car No. <sup>73</sup> / <sub>10</sub> ~X               |
| ●   | <del>1503 18 600</del> | <del>Plug, Sparking (CHAMPION RN-80B)</del>             | <del>High Speed 4</del> | <del>Car No. 155583 <sup>73</sup>/<sub>10</sub>~ Added Anew</del> |
| ●   | 24                     | 0866 18 200   | Distributor, Trailing   | 1   |
|     | 25                     | 0866 18 700   | Distributor, Leading    | 1   |
|     | 26                     | 0820 24 301   | Cap                     | 1   |
|     | 27                     | 2545 23 496   | Carbon, Contact         | 1   |
|     | 28                     | 0813 24 303   | Rotor                   | 1   |
|     | 29                     | 0820 24 312   | Screw Set               | 2   |
|     | 30                     | 0839 24 312   | Screw Set               | 1   |
|     | 31                     | 0813 24 312   | Screw Set               | 5   |
|     | 32                     | 0107 18 212   | Wire, Earth             | 1   |



# DISTRIBUTOR

(USED UP TO CAR NO. 179250 <sup>73/9</sup>)

18

24

| No. | Part Number  | Description                 | Q'ty | Remarks |
|-----|--------------|-----------------------------|------|---------|
| 33  | 0813 24 316  | Support, Arm                | 1    |         |
| 34  | 0820 24 315  | Base, Breaker               | 1    |         |
| 35  | 0823 24 311  | Cam (Trailing)              | 1    |         |
|     | 0866 24 411  | Cam (Leading)               | 1    |         |
| 36  | 2587 24 336  | Spring, Hair Pin (Trailing) | 1    |         |
|     | 0813 24 309  | Spring, Hair Pin (Leading)  | 1    |         |
| 37  | 0107 18 231  | Ring, Snap                  | 2    |         |
| 38  | 2587 24 335  | Weight, Governor (Trailing) | 2    |         |
|     | 0813 24 306  | Weight, Governor (Leading)  | 2    |         |
| 39  | 0866 24 308  | Spring, Governor (Trailing) | 2    |         |
|     | 0866 24 408  | Spring, Governor (Leading)  | 2    |         |
| 40  | 0823 24 305  | Shaft (Trailing)            | 1    |         |
|     | 0820 24 405  | Shaft (Leading)             | 1    |         |
| 41  | 0820 24 319  | Terminal                    | 1    |         |
| 42  | 0107 18 216A | Oil Seal                    | 1    |         |
| 43  | 0107 18 226A | Washer (12.7×20×1)          | 1    |         |
| 44  | 0107 18 224  | Washer (12.7×20×0.2)        | 1    |         |
| 45  | 0107 18 225  | Washer (12.7×20×0.1)        | 1    |         |
| 46  | 0107 18 221A | Ring, Snap                  | 1    |         |
| 47  | 0107 18 266  | Ring, Snap                  | 1    |         |
| 48  | 0866 24 323  | Control, Vacuum (Trailing)  | 1    |         |
|     | 0866 24 423  | Control, Vacuum (Leading)   | 1    |         |
| 49  | 0820 24 322  | Condenser                   | 1    |         |
| 50  | 0107 18 201  | Ring, "O" - Distributor     | 2    |         |

18

24

# DISTRIBUTOR

(USED UP TO CAR NO. 179250  $\frac{7}{8}$ )

| No. | Part Number  | Description                | Q'ty | Remarks                                    |
|-----|--------------|----------------------------|------|--|
| 51  | 0820 18 270F | Socket, Distributor        | 2    |  |
| 52  | 0820 11 105  | Pin, Spring                | 2    |  |
| 53  | 0820 18 2710 | Socket                     | 2    |  |
| 54  | 0838 18 272A | Shaft                      | 2    |  |
| 55  | 0820 18 273A | Gear                       | 2    |  |
| 56  | 0813 18 288  | Insert                     | 2    |  |
| 57  | 99851 0618A  | Stud                       | 2    |  |
| 58  | 0820 18 279A | Gasket, Distributor Socket | 2    |  |
| 59  | 99901 0800   | Nut, Distributor Socket    | 4    |  |
|     | 99953 0800   | Washer, Plain              | 4    |  |
|     | 99971 0800   | Washer, Spring             | 4    |  |
| 60  | 99906 0600   | Nut, Distributor & Socket  | 2    |  |
|     | 99952 0600   | Washer, Plain              | 2    |  |
|     | 99971 0600   | Washer, Spring             | 2    |  |
| 61  | 0823 18 291  | Tube, Vacuum Control       | 2    |  |
| 62  | 0222 18 391C | Regulator                  | 1    |  |
|     | 0259 18 391B | Regulator                  | 1    | Car No. 150526 $\frac{7}{8}$ ~X            |
| 63  | 99833 0612   | Screw, Regulator           | 2    |  |
|     | 99952 0600   | Washer, Plain              | 2    |  |
|     | 99971 0600   | Washer, Spring             | 2    |  |
|     | 1620 18 390  | Bracket Ass'y - Regulator  | 1    | } Car No. 150526 $\frac{7}{8}$ ~Added Anew |
|     | 99796 0610   | Bolt                       | 1    |  |

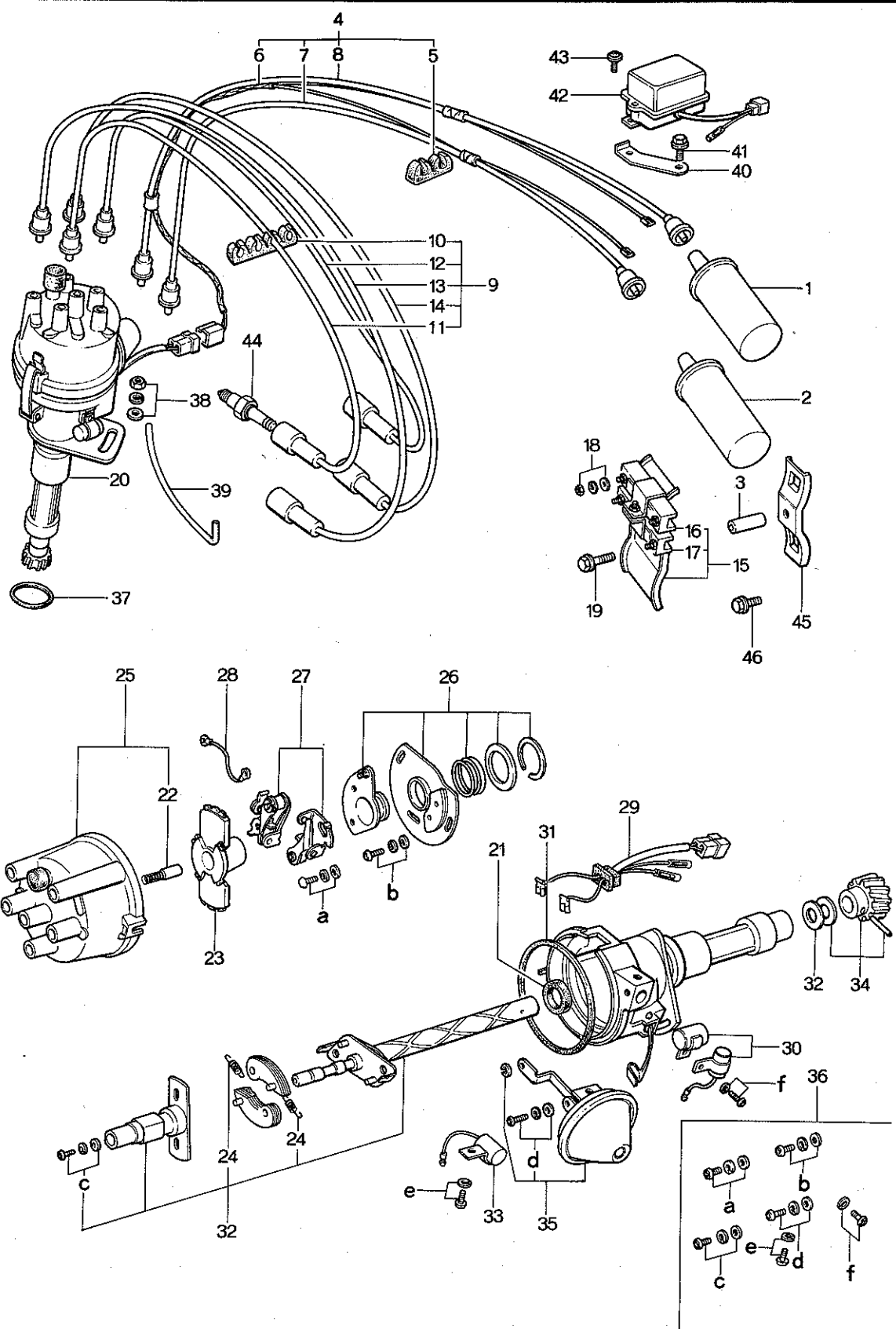
ROTUNDA

APRIL 1964



# DISTRIBUTOR

(USED FROM CAR NO. 160623 <sup>73</sup>/<sub>10</sub>)



# DISTRIBUTOR

(USED FROM CAR NO. 160623 <sup>73</sup>/<sub>10</sub>)

18
24

| No. | Part Number  | Description                   | Q'ty | Remarks                  |
|-----|--------------|-------------------------------|------|--------------------------|
| 1   | 0823 18 100  | Coil, Ignition (HP 5-13E)     | 1    |                          |
| 2   | 0866 18 100A | Coil, Ignition (HP 5-13J)     | 1    |                          |
| 3   | 0866 18 107  | Pipe                          | 1    |                          |
| 4   | 1757 18 110  | Cord, High Tension            | 1    |                          |
|     | 1757 18 110A | Cord, High Tension            | 1    | Car No. $\frac{3}{4}$ ~△ |
| 5   | 0820 18 111B | Supporter, High Tension       | 1    |                          |
| 6   | 1757 18 115  | Cord                          | 1    |                          |
|     | 1757 18 115A | Cord                          | 1    | Car No. $\frac{3}{4}$ ~△ |
| 7   | 1757 18 120  | Cord, High Tension (Trailing) | 1    |                          |
| 8   | 1757 18 160  | Cord, High Tension (Leading)  | 1    |                          |
| 9   | 1757 18 150B | Cord, High Tension            | 1    |                          |
|     | 1757 18 150C | Cord, High Tension            | 1    | Car No. $\frac{3}{2}$ ~○ |
| 10  | 0820 18 114  | Supporter, High Tension       | 1    |                          |
| 11  | 1757 18 130  | Cord, High Tension (T-1)      | 1    |                          |
|     | 1757 18 130A | Cord, High Tension (T-1)      | 1    | Car No. $\frac{3}{2}$ ~○ |
| 12  | 1757 18 140  | Cord, High Tension (T-2)      | 1    |                          |
|     | 1757 18 140A | Cord, High Tension (T-2)      | 1    | Car No. $\frac{3}{2}$ ~○ |
| 13  | 1757 18 170  | Cord, High Tension (L-1)      | 1    |                          |

18

24

# DISTRIBUTOR

(USED FROM CAR NO. 160623 <sup>73</sup>/<sub>10</sub>)

| No. | Part Number  | Description                            | Q'ty | Remarks           |
|-----|--------------|--|------|-------------------|
|     | 1757 18 170A | Cord, High Tension (L- 1)              | 1    | Car No. 7 1/2 ~ O |
| 14  | 1757 18 180  | Cord, High Tension (L- 2)              | 1    |                   |
|     | 1757 18 180A | Cord, High Tension (L- 2)              | 1    | Car No. 7 1/2 ~ O |
| 15  | 1011 18 190  | Bracket, Ignition Coil                 | 1    |                   |
| 16  | 0845 18 101  | Resistor                               | 1    |                   |
| 17  | 0866 18 101  | Resistor                               | 1    |                   |
| 18  | 99906 0500   | Nut, Ignition Coil & Resistor Terminal | 6    |                   |
|     | 99952 0500   | Washer, Plain                          | 6    |                   |
|     | 99971 0500   | Washer, Spring                         | 6    |                   |
| 19  | 99786 0845   | Bolt, Ignition Coil Bracket            | 1    |                   |
| 20  | 1757 18 200A | Distributor                            | 1    |                   |
| 21  | 0107 18 216A | Oil Seal                               | 1    |                   |
| 22  | 1757 24 302  | Contact                                | 1    |                   |
| 23  | 1757 24 303  | Rotor                                  | 1    |                   |
| 24  | 1757 24 308  | Spring Set                             | 1    |                   |
| 25  | 1757 24 310  | Cap                                    | 1    |                   |
| 26  | 1757 24 313  | Base, Breaker                          | 1    |                   |

# DISTRIBUTOR

(USED FROM CAR NO. 160623 <sup>73/10</sup>)

18

24

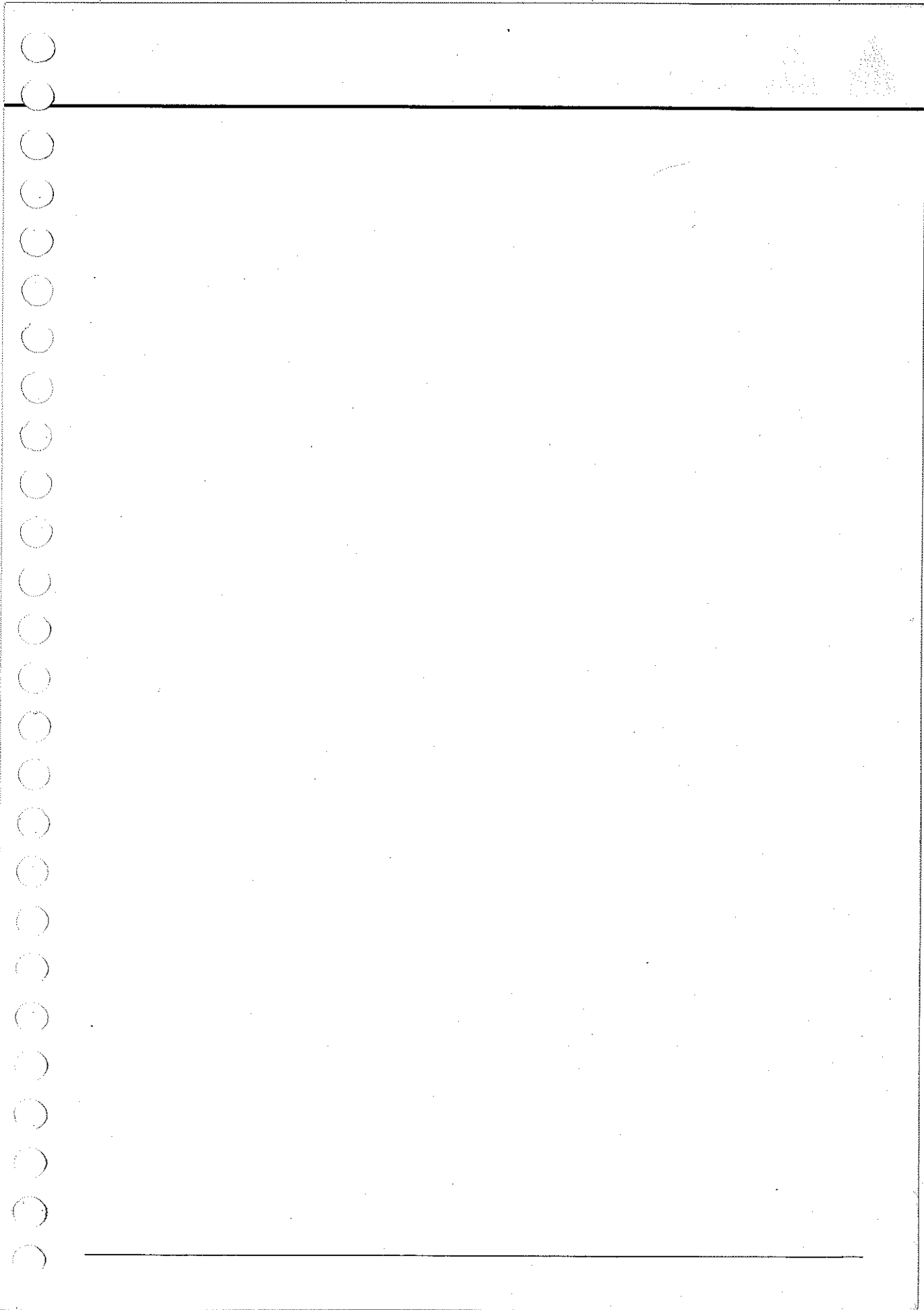
| No. | Part Number | Description                        | Q'ty | Remarks |
|-----|-------------|------------------------------------|------|---------|
| 27  | 1757 24 314 | Support, Arm                       | 2    |         |
| 28  | 1757 24 317 | Wire (E), Lead                     | 1    |         |
| 29  | 1757 24 319 | Wire, Lead                         | 1    |         |
| 30  | 1757 24 322 | Condenser                          | 2    |         |
| 31  | 1757 24 328 | Gasket                             | 1    |         |
| 32  | 1757 24 330 | Governor Set                       | 1    |         |
| 33  | 1757 24 334 | Condenser                          | 1    |         |
| 34  | 1757 24 340 | Coupling Set                       | 1    |         |
| 35  | 1757 24 350 | Vacuum Set                         | 1    |         |
| 36  | 1757 24 360 | Screw Set                          | 1    |         |
| 37  | 99541 0350  | Ring, "O" - Distributor            | 1    |         |
| 38  | 99940 0603  | Nut, Distributor                   | 1    |         |
| 39  | 99340 04350 | Tube, Vacuum Control               | 1    |         |
| 40  | 1620 18 390 | Bracket, Regulator                 | 1    |         |
| 41  | 99796 0610  | Bolt, Regulator Bracket            | 1    |         |
| 42  | 0453 18 391 | Regulator                          | 1    |         |
| 43  | 99786 0612  | Screw, Regulator                   | 2    |         |
| 44  | 0866 18 600 | Plug, Spark (B 7 EM) (N.G.K. Make) | 4    |         |
| 45  | 0866 18 810 | Bracket                            | 1    |         |
| 46  | 99786 0612  | Screw                              | 2    |         |



DISTRIBUTOR  
LIST FROM CARBON MONOXIDE

| State                | Distributor Name | Address | City | State | Zip |
|----------------------|------------------|---------|------|-------|-----|
| Alabama              | ...              | ...     | ...  | ...   | ... |
| Alaska               | ...              | ...     | ...  | ...   | ... |
| Arizona              | ...              | ...     | ...  | ...   | ... |
| Arkansas             | ...              | ...     | ...  | ...   | ... |
| California           | ...              | ...     | ...  | ...   | ... |
| Colorado             | ...              | ...     | ...  | ...   | ... |
| Connecticut          | ...              | ...     | ...  | ...   | ... |
| Delaware             | ...              | ...     | ...  | ...   | ... |
| District of Columbia | ...              | ...     | ...  | ...   | ... |
| Florida              | ...              | ...     | ...  | ...   | ... |
| Georgia              | ...              | ...     | ...  | ...   | ... |
| Hawaii               | ...              | ...     | ...  | ...   | ... |
| Idaho                | ...              | ...     | ...  | ...   | ... |
| Illinois             | ...              | ...     | ...  | ...   | ... |
| Indiana              | ...              | ...     | ...  | ...   | ... |
| Iowa                 | ...              | ...     | ...  | ...   | ... |
| Kansas               | ...              | ...     | ...  | ...   | ... |
| Kentucky             | ...              | ...     | ...  | ...   | ... |
| Louisiana            | ...              | ...     | ...  | ...   | ... |
| Maine                | ...              | ...     | ...  | ...   | ... |
| Maryland             | ...              | ...     | ...  | ...   | ... |
| Massachusetts        | ...              | ...     | ...  | ...   | ... |
| Michigan             | ...              | ...     | ...  | ...   | ... |
| Minnesota            | ...              | ...     | ...  | ...   | ... |
| Mississippi          | ...              | ...     | ...  | ...   | ... |
| Missouri             | ...              | ...     | ...  | ...   | ... |
| Montana              | ...              | ...     | ...  | ...   | ... |
| Nebraska             | ...              | ...     | ...  | ...   | ... |
| Nevada               | ...              | ...     | ...  | ...   | ... |
| New Hampshire        | ...              | ...     | ...  | ...   | ... |
| New Jersey           | ...              | ...     | ...  | ...   | ... |
| New Mexico           | ...              | ...     | ...  | ...   | ... |
| New York             | ...              | ...     | ...  | ...   | ... |
| North Carolina       | ...              | ...     | ...  | ...   | ... |
| North Dakota         | ...              | ...     | ...  | ...   | ... |
| Ohio                 | ...              | ...     | ...  | ...   | ... |
| Oklahoma             | ...              | ...     | ...  | ...   | ... |
| Oregon               | ...              | ...     | ...  | ...   | ... |
| Pennsylvania         | ...              | ...     | ...  | ...   | ... |
| Rhode Island         | ...              | ...     | ...  | ...   | ... |
| South Carolina       | ...              | ...     | ...  | ...   | ... |
| South Dakota         | ...              | ...     | ...  | ...   | ... |
| Tennessee            | ...              | ...     | ...  | ...   | ... |
| Texas                | ...              | ...     | ...  | ...   | ... |
| Utah                 | ...              | ...     | ...  | ...   | ... |
| Vermont              | ...              | ...     | ...  | ...   | ... |
| Virginia             | ...              | ...     | ...  | ...   | ... |
| Washington           | ...              | ...     | ...  | ...   | ... |
| West Virginia        | ...              | ...     | ...  | ...   | ... |
| Wisconsin            | ...              | ...     | ...  | ...   | ... |
| Wyoming              | ...              | ...     | ...  | ...   | ... |

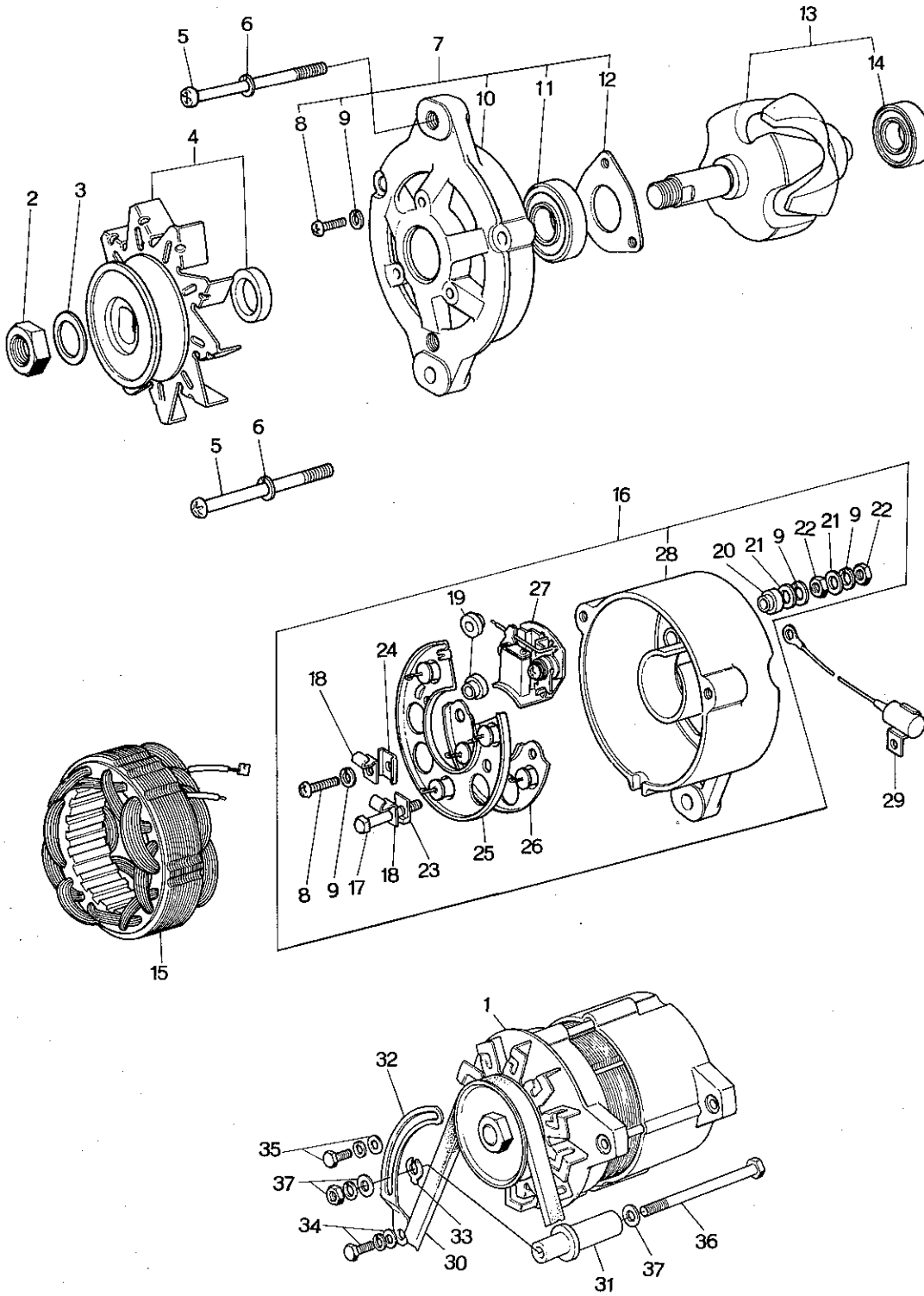




18

24

# ALTERNATOR



# ALTERNATOR

18

24

| No. | Part Number  | Description                     | Q'ty | Remarks              |
|-----|--------------|---------------------------------|------|----------------------|
| 1   | 0839 18 300  | Alternator                      | 1    |                      |
| 2   | 0187 24 579A | Nut (12×23B×7 H)                | 1    |                      |
| 3   | 0187 24 577A | Washer, Spring (12.2×21.5×3 t)  | 1    |                      |
| 4   | 0839 24 530  | Pulley                          | 1    |                      |
| 5   | 0290 24 517  | Screw (6×71)                    | 3    |                      |
| 6   | 0107 18 424  | Washer, Spring (6.1×12.2×1.5 t) | 3    |                      |
| 7   | 0290 24 510A | Bracket, Front                  | 1    |                      |
| 8   | 0836 24 568B | Screw (5×18)                    | 4    |                      |
| 9   | 0200 23 531  | Washer, Spring (5.1×9.2×1.3 t)  | 8    |                      |
| 10  | 0290 24 511A | Bracket, Front                  | 1    |                      |
| 11  | 0290 24 524  | Bearing, Ball                   | 1    | Used up to Car No. 1 |
| 12  | 0290 24 515  | Plate, Bearing Press            | 1    |                      |
| 13  | 0290 24 505A | Rotor                           | 1    |                      |
| 14  | 0208 24 523  | Bearing, Ball                   | 1    |                      |
| 15  | 0290 24 501A | Stator                          | 1    |                      |
| 16  | 0290 24 520A | Bracket, Rear                   | 1    |                      |
| 17  | 0820 24 511  | Bolt, Square (5×36)             | 2    |                      |
| 18  | 0820 24 519  | Clamp                           | 3    |                      |
| 19  | 0290 24 563  | Plate, Insulation (5)           | 3    |                      |
| 20  | 0208 24 563A | Plate, Insulation (5)           | 1    |                      |

18

24

## ALTERNATOR

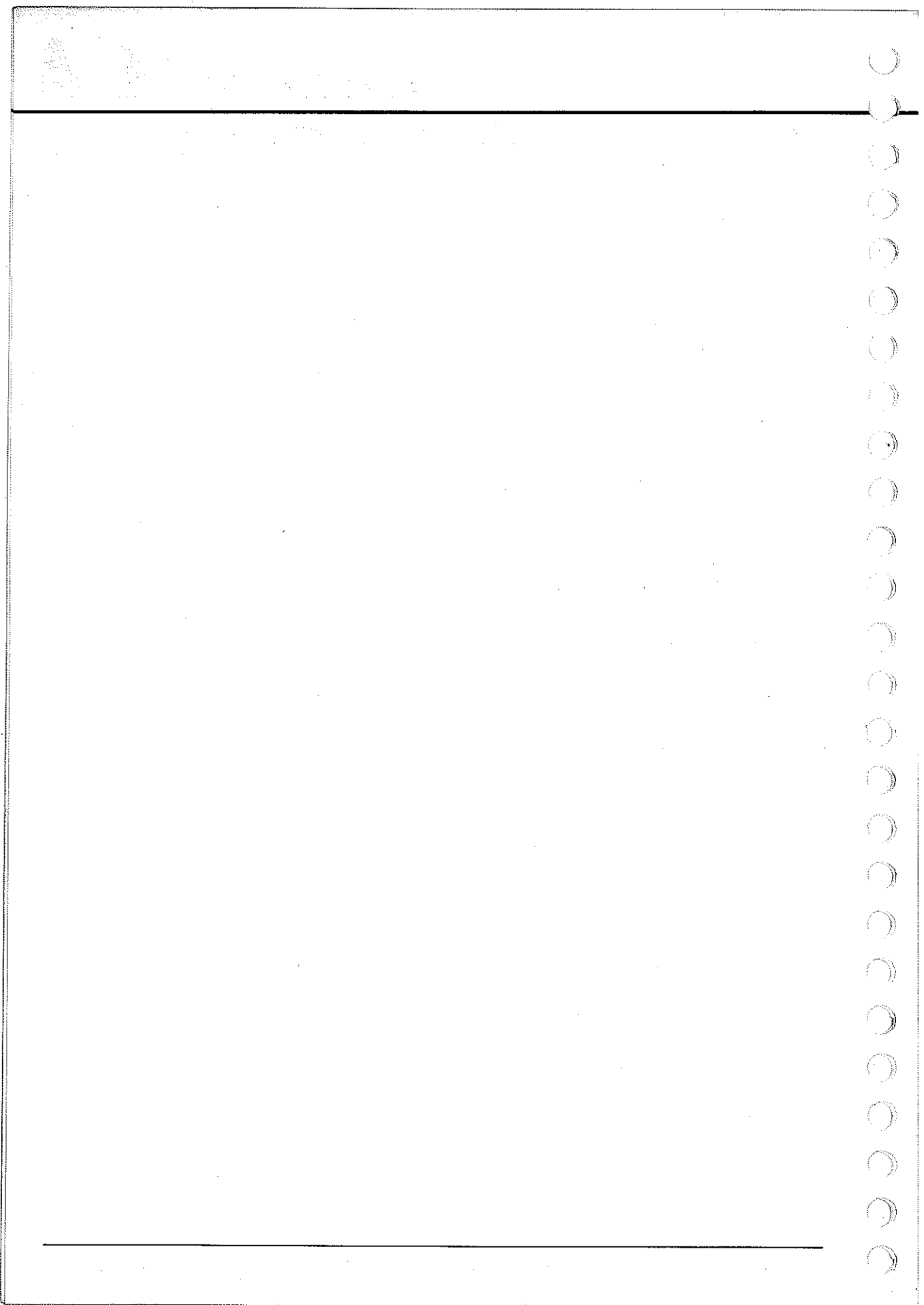
| No.  | Part Number            | Description                | Q'ty            | Remarks                         |
|------|------------------------|----------------------------|-----------------|---------------------------------|
| 21   | 0187 24 566            | Washer (5.5×10×0.8t)       | 4               |                                 |
| 22   | 0222 24 568            | Nut (5×8 B×4H)             | 4               |                                 |
| 23   | 0636 24 562A           | Insulation, "L" Type (5)   | 1               |                                 |
| 24   | 0290 24 513            | Insulation, "U" Type       | 1               |                                 |
| 25   | 0290 24 541A           | Heat Sink ⊕                | 1               | Used up to Car No. 1            |
| 26   | 0290 24 542A           | Heat Sink ⊖                | 1               |                                 |
| 27   | 0290 24 556            | Holder, Brush              | 1               |                                 |
| 28   | 0290 24 521A           | Bracket, Rear              | 1               |                                 |
| 29   | 0290 24 581            | Condenser                  | 1               |                                 |
| ✓ 30 | <del>0026 18 381</del> | <del>Bolt, "V"</del>       | <del>1</del>    |                                 |
| ✓ ●  | 2329 13 715            | Belt, "V"                  | 1               | From Car No. 1                  |
| ✓ ●  | 1562 18 381            | Belt, "V" (ECE COLD PROOF) | 1               | Car No. 152816 $\frac{7}{8}$ ~X |
| ✓ ●  | 2329 13 715            | Belt, "V" (Station Wagon)  | 1               |                                 |
| 31   | 0839 18 311B           | Bracket, Alternator        | 1               |                                 |
| 32   | 2090 18 361            | Strap, Alternator          | 1               |                                 |
| 33   | 0222 18 375            | Shim, Alternator (t=0.3)   | } Selective use | 1                               |
|      | 0222 18 376            | Shim, Alternator (t=0.5)   |                 |                                 |
|      | 0222 18 377            | Shim, Alternator (t=0.15)  |                 |                                 |
| 34   | 99801 0820             | Bolt, Strap                | 1               |                                 |

# ALTERNATOR

18

24

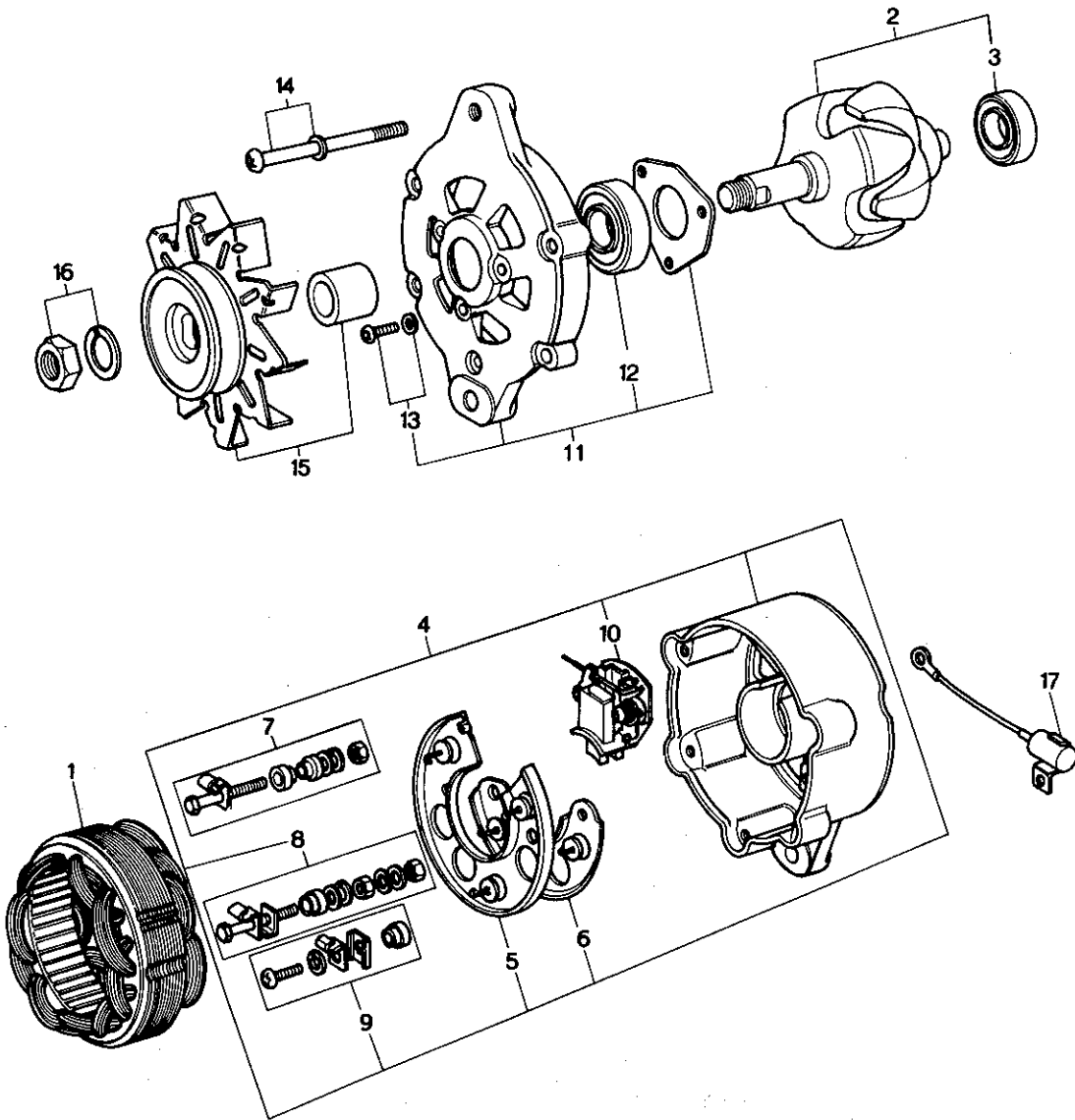
| No. | Part Number | Description              | Q'ty | Remarks |
|-----|-------------|--------------------------|------|---------|
|     | 99971 0800  | Washer, Spring           | 1    |         |
| 35  | 99801 0822  | Bolt, Strap              | 1    |         |
|     | 99951 0818  | Washer, Plain            | 1    |         |
|     | 99971 0800  | Washer, Spring           | 1    |         |
| 36  | 99813 10125 | Bolt, Alternator         | 1    |         |
| 37  | 99952 1000  | Washer, Plain            | 2    |         |
|     | 99971 1000  | Washer, Spring           | 1    |         |
|     | 99921 1000  | Nut                      | 1    |         |
| ✓ ● | 99276 1808  | Clip, Wire Harness       | 1    |         |
| ✓ ● | 99908 0500  | Nut, Alternator Terminal | 1    |         |
| ✓ ● | 99952 0500  | Washer, Plain            | 1    |         |
| ✓ ● | 99971 0500  | Washer, Spring           | 1    |         |



ALTERNATOR  
(FOR TYPE 1 OR TYPE 2)



|      |             |             |          |
|------|-------------|-------------|----------|
| 147  | 3/10/74     | 24/06/74    | 11-06-74 |
| Jack | [Signature] | [Signature] | L.R.     |

**ALTERNATOR**(USED UP TO CAR NO. 167747 <sup>73</sup>/<sub>5</sub>)



# ALTERNATOR

(USE UP TO CAR NO. 167747 <sup>73%</sup>)

24

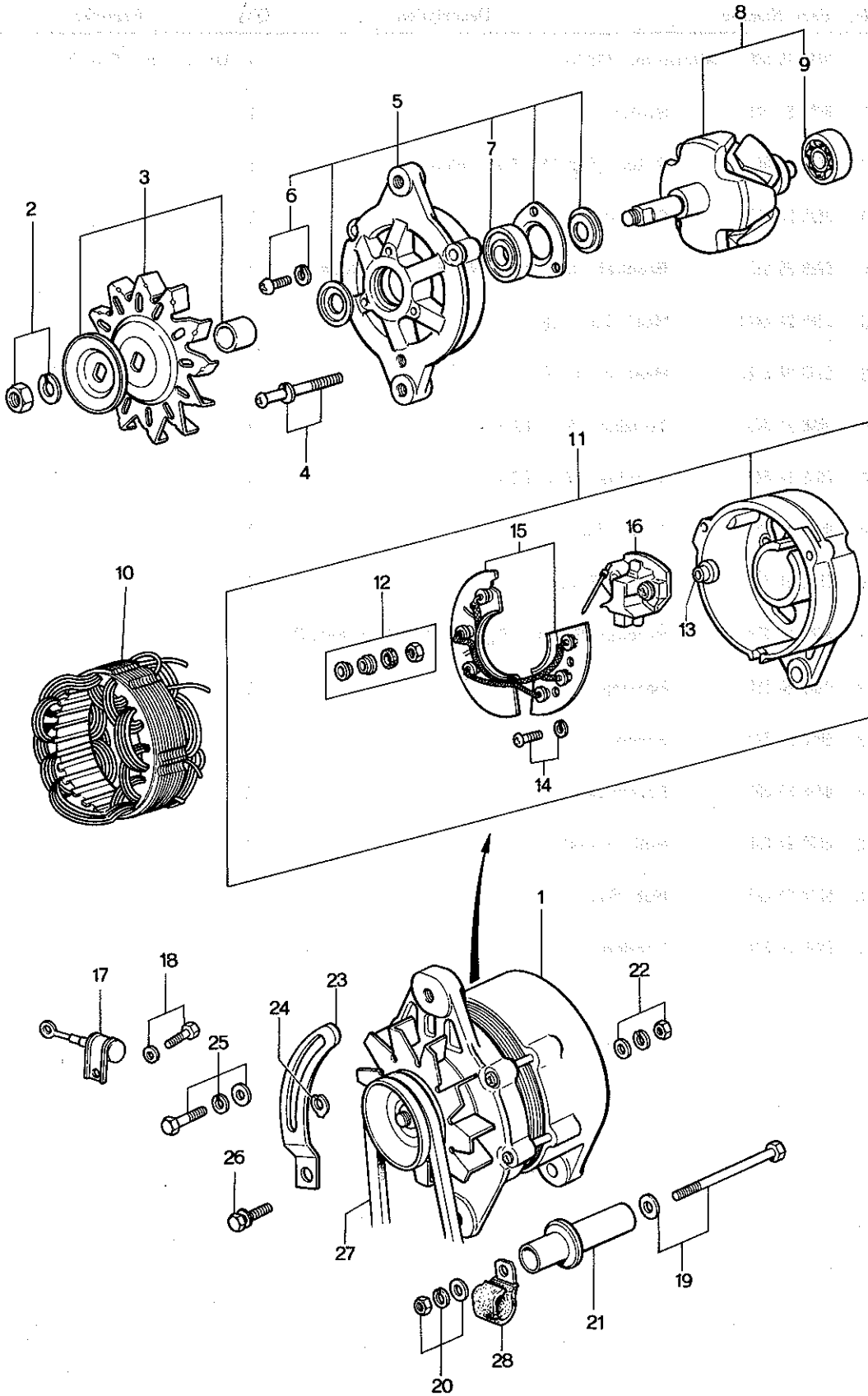
| No. | Part Number  | Description                              | Q'ty | Remarks             |
|-----|--------------|--|------|---------------------|
| ✓   | 0888 18 300  | Alternator (50 A)                        | 1    | Used from Car No. 1 |
| 1   | 0888 24 501  | Stator                                   | 1    |                     |
| 2   | 0888 24 540  | Rotor (Fig. No. 3 included)              | 1    |                     |
| 3   | 0820 24 503  | Bearing                                  | 1    |                     |
| 4   | 0888 24 560  | Bracket, Rear (Fig. No. 5~10 included)   | 1    |                     |
| 5   | 0290 24 541A | Heat Sink ⊕                              | 1    |                     |
| 6   | 0290 24 542A | Heat Sink ⊖                              | 1    |                     |
| 7   | 0888 24 548  | Terminal Set (A)                         | 1    |                     |
| 8   | 0888 24 549  | Terminal Set (E)                         | 1    |                     |
| 9   | 0888 24 534  | Screw Set                                | 1    |                     |
| 10  | 0888 24 541  | Holder, Brush                            | 1    |                     |
| 11  | 0888 24 550  | Bracket, Front (Fig. No. 12~13 included) | 1    |                     |
| 12  | 0208 24 514  | Bearing                                  | 1    |                     |
| 13  | 0888 24 528  | Screw                                    | 3    |                     |
| 14  | 0888 24 536  | Screw Set                                | 1    |                     |
| 15  | 0888 24 530  | Pulley Ass'y                             | 1    |                     |
| 16  | 0888 24 533  | Nut Set                                  | 1    |                     |
| 17  | 0290 24 581  | Condenser                                | 1    |                     |

18

24

# ALTERNATOR

(USED FROM CAR NO. 167748 <sup>73</sup>/<sub>5</sub> TO CAR NO. 179250 <sup>73</sup>/<sub>9</sub>)



# ALTERNATOR

ROTAMET LA

(USED FROM CAR NO. 167748 <sup>73</sup>/<sub>5</sub> TO CAR NO. 179250 <sup>73</sup>/<sub>9</sub>)

18

24

| No. | Part Number | Description      | Q'ty | Remarks |
|-----|-------------|------------------|------|---------|
| ✓ 1 | 1011 18 300 | Alternator       | 1    |         |
| 2   | 0866 24 533 | Nut Set          | 1    |         |
| 3   | 0866 24 530 | Pulley           | 1    |         |
| 4   | 0866 24 535 | Screw Set        | 1    |         |
| 5   | 0866 24 550 | Bracket, Front   | 1    |         |
| 6   | 0866 24 526 | Screw Set        | 3    |         |
| 7   | 0208 24 514 | Bearing, Ball    | 1    |         |
| 8   | 0866 24 540 | Rotor            | 1    |         |
| 9   | 0820 24 503 | Bearing, Ball    | 1    |         |
| 10  | 1011 24 501 | Starter          | 1    |         |
| 11  | 1011 24 560 | Bracket, Rear    | 1    |         |
| 12  | 1011 24 533 | Nut Set          | 1    |         |
| 13  | 1011 24 563 | Mould            | 1    |         |
| 14  | 1011 24 534 | Screw Set        | 1    |         |
| 15  | 1011 24 510 | Rectifier        | 1    |         |
| 16  | 1011 24 541 | Brush & Holder   | 1    |         |
| 17  | 0290 24 581 | Condenser        | 1    |         |
| 18  | 1011 24 527 | Screw, Condenser | 1    |         |
| 19  | 99813 10125 | Bolt, Alternator | 1    |         |

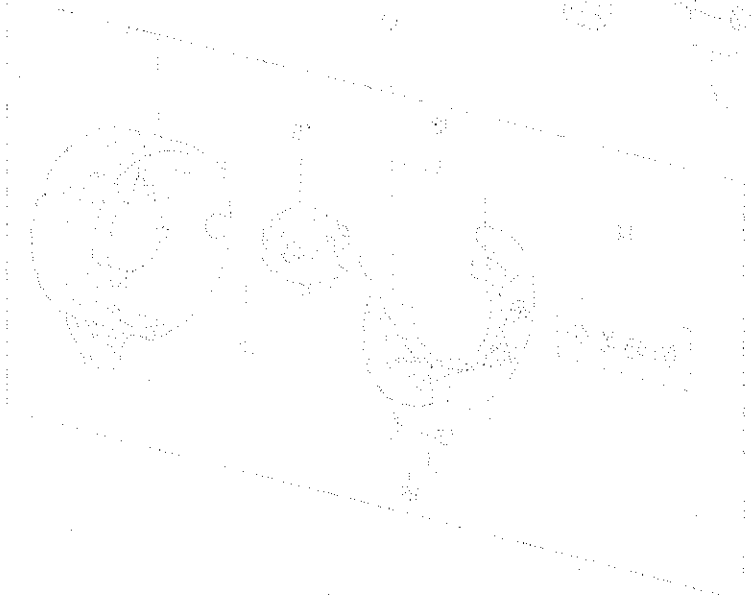
**18** **24**

# ALTERNATOR

ROTAMBERT JIA

(USED FROM CAR NO. 167748 <sup>73</sup>/<sub>5</sub> TO CAR NO. 179250 <sup>73</sup>/<sub>9</sub>)

| No.  | Part Number   | Description                          | Q'ty            | Remarks |
|------|---------------|--------------------------------------|-----------------|---------|
|      | 99952 1000    | Washer, Plain                        | 1               |         |
| 20   | 99921 1000    | Nut, Alternator                      | 1               |         |
|      | 99952 1000    | Washer, Plain                        | 1               |         |
|      | 99971 1000    | Washer, Spring                       | 1               |         |
| ✓ 21 | 0839 18 311 B | Bracket, Alternator                  | 1               |         |
| 22   | 99906 0600    | Nut, Alternator Terminal "B"         | 1               |         |
|      | 99952 0500    | Washer, Plain                        | 1               |         |
|      | 99971 0500    | Washer, Spring                       | 1               |         |
| ✓ 23 | 2090 18 361   | Strap, Alternator                    | 1               |         |
| ✓ 24 | 0222 18 375   | Shim (t=0.3)                         | } Selective use | 1       |
| ✓    | 0222 18 376   | Shim (t=0.5)                         |                 |         |
| ✓    | 0222 18 377   | Shim (t=0.15)                        |                 |         |
| 25   | 99801 0822    | Bolt, Strap                          | 1               |         |
|      | 99951 0818    | Washer, Plain                        | 1               |         |
|      | 99971 0800    | Washer, Spring                       | 1               |         |
| 26   | 908012 8 16   | Bolt Set, Strap                      | 1               |         |
| ✓ 27 | 2329 13 715   | Belt, "V" (Except E.C.E. Cold Spec.) | 1               |         |
| ✓    | 1562 18 381   | Belt, "V" (E.C.E. Cold Spec.)        | 1               |         |
| ✓ 28 | 1011 18 319   | Clip                                 | 1               |         |

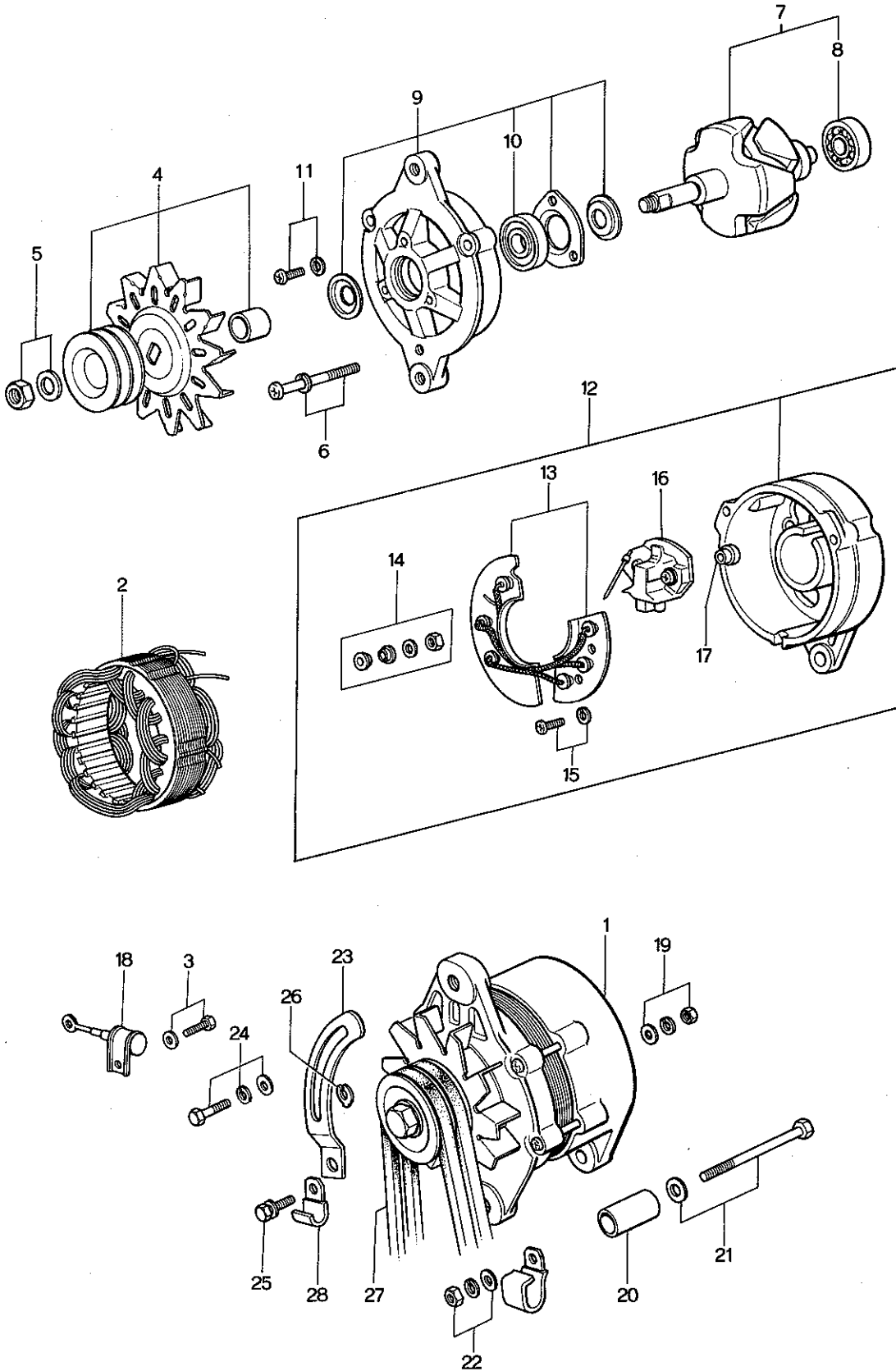


18

24

# ALTERNATOR

(USED FROM CAR NO. 160623 <sup>73</sup>/<sub>10</sub>)



# ALTERNATOR

(USED FROM CAR NO. 160623 <sup>73/10</sup>)

18

24

| No. | Part Number | Description                             | Q'ty | Remarks |
|-----|-------------|---|------|---------|
| 1   | 3511 18 300 | Alternator                              | 1    |         |
| 2   | 1011 24 501 | Starter                                 | 1    |         |
| 3   | 1011 24 527 | Screw                                   | 1    |         |
| 4   | 3511 24 530 | Pulley                                  | 1    |         |
| 5   | 1708 24 533 | Nut Set                                 | 1    |         |
| 6   | 0866 24 535 | Screw Set                               | 1    |         |
| 7   | 0866 24 540 | Rotor (Fig. No. 8 included)             | 1    |         |
| 8   | 0820 24 503 | Bearing                                 | 1    |         |
| 9   | 3511 24 550 | Bracket, Front (Fig. No. 10 included)   | 1    |         |
| 10  | 4028 24 514 | Bearing                                 | 1    |         |
| 11  | 0866 24 526 | Screw                                   | 3    |         |
| 12  | 1011 24 560 | Bracket, Rear (Fig. No. 13~17 included) | 1    |         |
| 13  | 1011 24 510 | Rectifier Ass'y                         | 1    |         |
| 14  | 1011 24 533 | Nut Set                                 | 1    |         |
| 15  | 1011 24 534 | Screw                                   | 1    |         |
| 16  | 1011 24 541 | Holder, Brush                           | 1    |         |
| 17  | 1011 24 563 | Mould                                   | 1    |         |
| 18  | 0290 24 581 | Condenser                               | 1    |         |
| 19  | 99906 0500  | Nut, Alternator Terminal                | 1    |         |



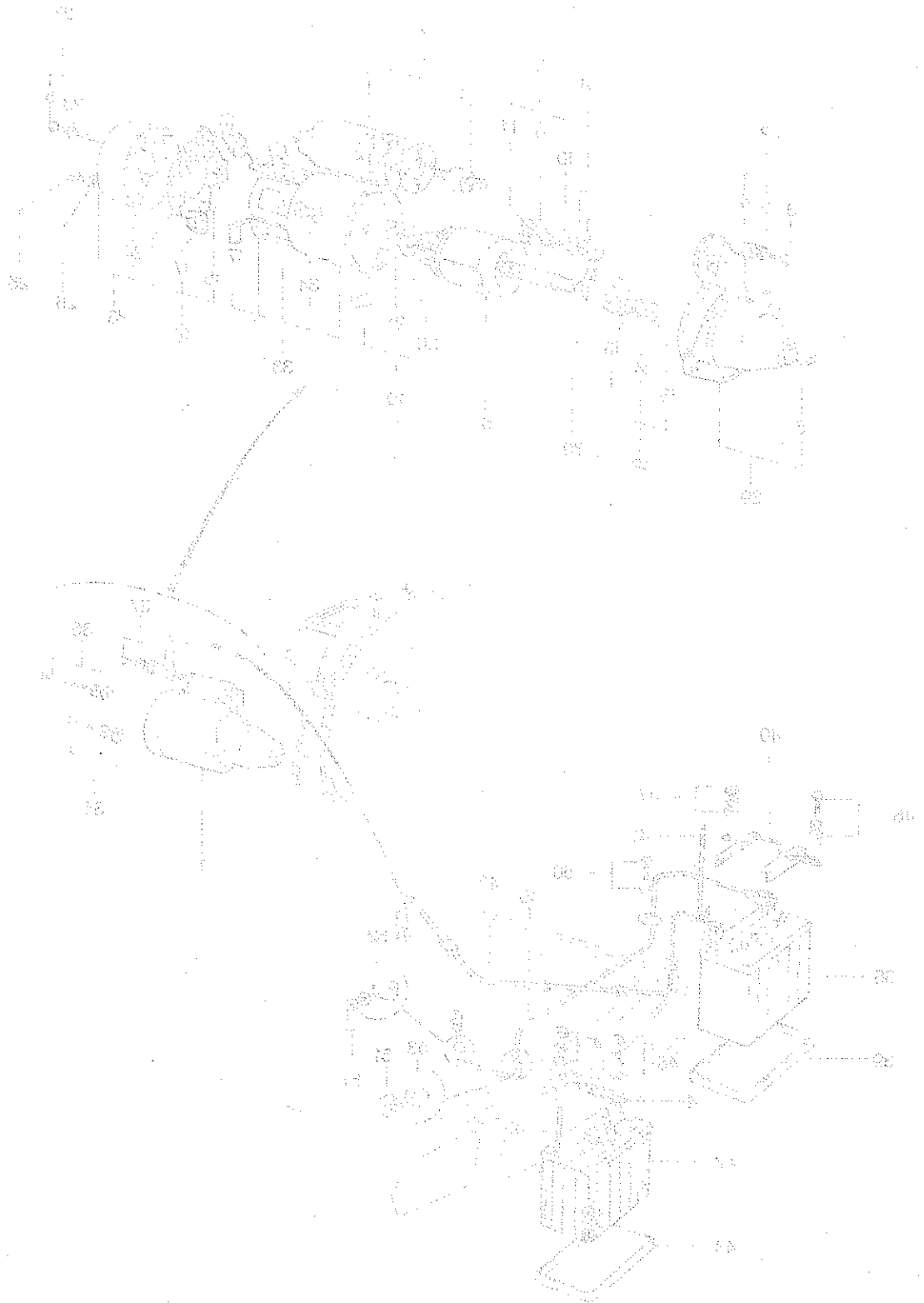
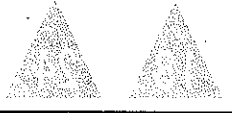
# ALTERNATOR

(USED FROM CAR NO. 160623 <sup>73</sup>/<sub>10</sub>)

| No. | Part Number  | Description        | Q'ty                 | Remarks |
|-----|--------------|--------------------|----------------------|---------|
|     | 99952 0500   | Washer, Plain      | 1                    |         |
|     | 99971 0500   | Washer, Spring     | 1                    |         |
| 20  | 1757 18 311  | Spacer, Alternator | 1                    |         |
| 21  | 99800 10115  | Bolt, Alternator   | 1                    |         |
| 22  | 99940 1001   | Nut, Alternator    | 1                    |         |
| 23  | 1881 18 361  | Strap, Alternator  | 1                    |         |
| 24  | 99796 0825   | Bolt, Strap        | 1                    |         |
| 25  | 90796 0820   | Bolt, Alternator   | 1                    |         |
| 26  | 0222 18 375  | Shim (t=0.3)       | } Selective use<br>1 |         |
|     | 0222 18 376  | Shim (t=0.5)       |                      |         |
|     | 0222 18 377  | Shim (t=0.7)       |                      |         |
| 27  | 1672 18 381A | Belt, "V"          | 2                    |         |
| 28  | 99276 2008   | Clip, Wire Harness | 2                    |         |

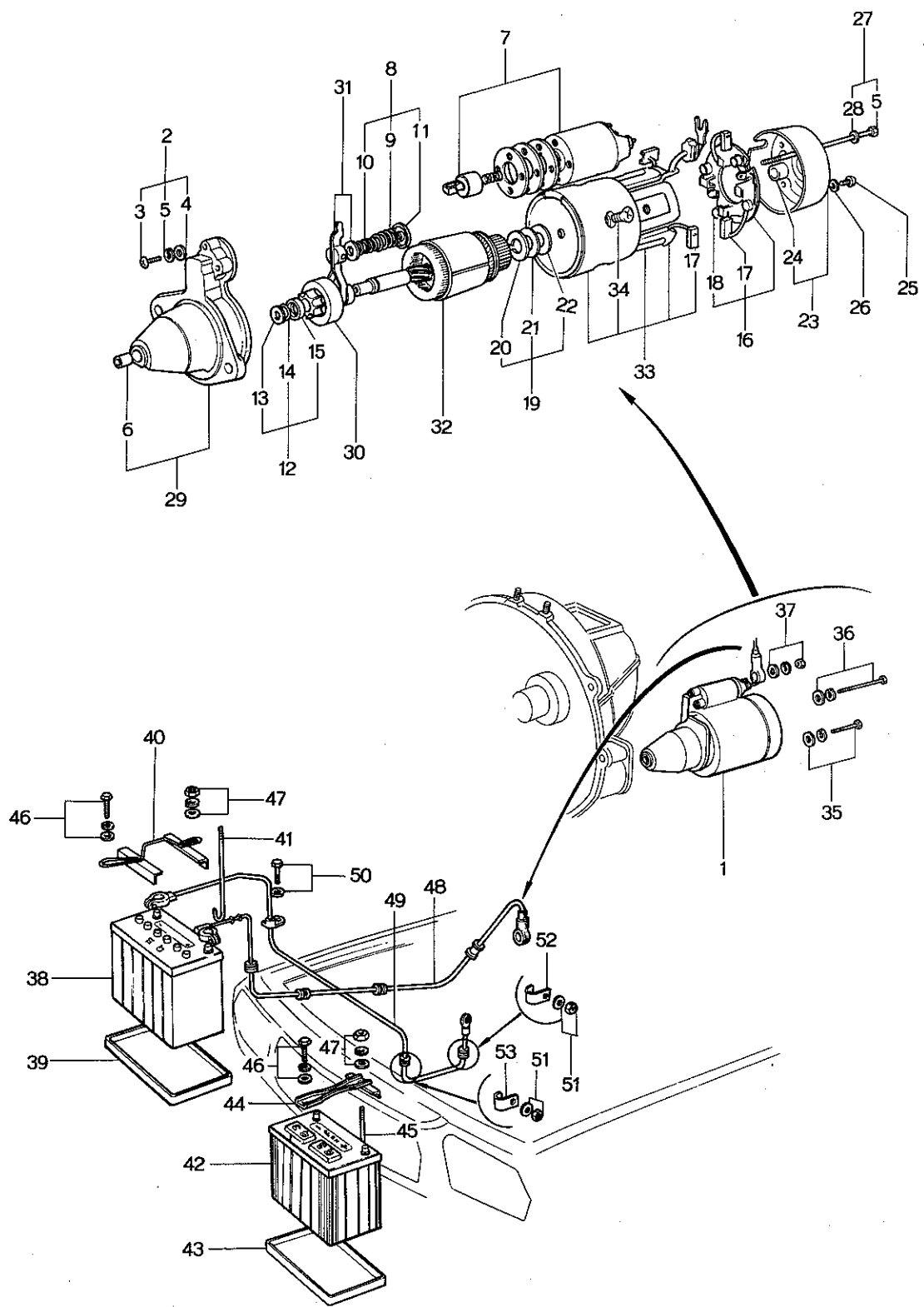


STARTER & BATTERY (MANUAL)  
(USED UP TO CAR NO. 1234567)



# STARTER & BATTERY (MANUAL)

(USED UP TO CAR NO. 179250 <sup>7</sup>/<sub>9</sub>)



# STARTER & BATTERY (MANUAL)

(USED UP TO CAR NO. 179250 <sup>73/9</sup>)



| No. | Part Number            | Description  | Q'ty         | Remarks                                       |
|-----|------------------------|--|--------------|---|
| 1   | 0866 18 400A           | Starter  | 1            |   |
|     | 1562 18 400            | Starter (Arctic Spec. Model)                                 | 1            |   |
|     | 0866 18 400A           | Starter (All Models)   | 1            | Car No. 144308 $\frac{73}{4}$ ~○              |
|     | 1562 18 400            | Starter (Optional)   | 1            | Car No. 144308 $\frac{73}{4}$ ~<br>Added Anew |
| 2   | 0426 24 725            | Screw Set (Fig. No. 3~5, 25, 26 included) (0866 18 400A use) | 1            | Car No. 170670 $\frac{73}{4}$ ~○              |
| 3   | 0164 23 664            | Screw (0866 18 400A use)                                     | 3            | Order Under<br>No. 0426 24 725                |
|     | 1562 24 758            | Screw (6×39) (1562 18 400 use)                               | 2            |   |
| 4   | 0222 24 714            | Washer (6.1×12×1) (0866 18 400A use)                         | 3            | Order Under<br>No. 0426 24 725                |
| 5   | <del>0170 18 424</del> | <del>Washer, Spring (6)</del>                                | <del>5</del> |   |
|     | 0107 18 424            | Washer, Spring (6)   | 5            | From Car No. 1                                |
| 6   | 0114 18 422A           | Sleeve, Bearing  | 1            |   |
|     | 0426 24 715            | Sleeve, Bearing (0866 18 400A use)                           | 1            | Car No. 170670 $\frac{73}{4}$ ~○              |
| 7   | 0222 24 760A           | Switch (0866 18 400A use)                                    | 1            |   |
|     | 0839 24 736B           | Switch (1562 18 400 use)                                     | 1            |   |
| 8   | 0426 24 754            | Spring Set (Fig. No. 9~11 included) (0866 18 400A use)       | 1            | Car No. 170670 $\frac{73}{4}$ ~○              |
| 9   | 0118 23 637            | Spring, Lever (0866 18 400A use)                             | 1            | Order Under<br>No. 0426 24 754                |
|     | 0820 24 755            | Spring, Lever (1562 18 400 use)                              | 1            |   |
| 10  | 0118 23 636            | Spring, Lever (0866 18 400A use)                             | 1            | Order Under<br>No. 0426 24 754                |
|     | 0820 24 754            | Spring, Lever (1562 18 400 use)                              | 1            |   |
| 11  | 0813 24 717            | Holder, Spring (0866 18 400A use)                            | 1            | Order Under<br>No. 0426 24 754                |



# STARTER & BATTERY (MANUAL)

(USED UP TO CAR NO. 179250 <sup>73</sup>/<sub>9</sub>)

| No. | Part Number            | Description   | Q'ty         | Remarks   |
|-----|------------------------|---|--------------|---|
|     | 1562 24 719            | Packing ( 1562 18 400 use)                                | 1            |   |
| 12  | 0426 24 712            | Stopper Set (Fig. No. 13~15 included) ( 0866 18 400A use) | 1            | Car. No. 170670 <sup>73</sup> / <sub>4</sub> ~○ |
| 13  | 0222 24 725            | Washer ( 0866 18 400A use)                                | 1            | Order Under<br>No. 0426 24 712                  |
|     | 1562 24 714            | Washer (12.5×20×2.3) ( 1562 18 400 use)                   | 1            |   |
| 14  | 0107 18 417A           | Ring ( 0866 18 400A use)                                  | 1            | Order Under<br>No. 0426 24 712                  |
|     | 0636 24 753            | Ring ( 1562 18 400 use)                                   | 1            |   |
| 15  | <del>0720 24 732</del> | <del>Stopper</del>  | <del>1</del> |   |
|     |                        |   |              | From Car No. 1                                  |
|     | 0730 24 732            | Stopper ( 0866 18 400A use)                               | 1            | Order Under<br>No. 0426 24 712                  |
|     | 1562 24 712            | Stopper ( 1562 18 400 use)                                | 1            |   |
| 16  | 0222 24 750            | Holder, Brush ( 0866 18 400A use)                         | 1            |   |
| 17  | 0222 24 753            | Brush   | 2            |   |
|     | 0426 24 753            | Brush ( 0866 18 400A use)                                 | 2            | Car. No. 170670 <sup>73</sup> / <sub>4</sub> ~○ |
|     | 0839 24 723            | Brush ( 1562 18 400 use)                                  | 4            |   |
| 18  | 0222 24 752A           | Spring, Brush ( 0866 18 400A use)                         | 4            |   |
|     | 0839 24 724            | Spring, Brush ( 1562 18 400 use)                          | 4            |   |
| 19  | 0426 24 726            | Washer Set (Fig. No. 20~22 included) ( 0866 18 400A use)  | 1            | Car. No. 170670 <sup>73</sup> / <sub>4</sub> ~○ |
| 20  | 0107 18 406B           | Washer (14.4×30×1.6)                                      | 1            | Order Under<br>No. 0426 24 726                  |
| 21  | 0118 23 689            | Washer (14.5×30×0.25)                                     |              |   |
|     | 1562 24 741            | Washer (14.5×30×0.1) ( 1562 18 400 use)                   | 1            |   |
| 22  | 0118 23 691            | Washer, Insulation (14.4×30×0.8)                          | 1            | Order Under<br>No. 0426 24 726                  |

# STARTER & BATTERY (MANUAL)

(USED UP TO CAR NO. 179250 <sup>7/8</sup>)



| No. | Part Number | Description   | Q'ty | Remarks                        |
|-----|-------------|---|------|--------------------------------|
| 23  | 0845 24 720 | Bracket, Rear (0866 18 400A use)                      | 1    |                                |
|     | 2869 24 720 | Bracket, Rear (1562 18 400 use)                       | 1    |                                |
| 24  | 0222 24 741 | Sleeve, Bearing (0866 18 400A use)                    | 1    |                                |
|     | 0249 24 731 | Sleeve, Bearing (1562 18 400 use)                     | 1    |                                |
| 25  | 0222 24 517 | Screw (0866 18 400A use)                              | 2    | Order Under<br>No. 0426 24 725 |
|     | 1562 24 731 | Screw (6×139) (1562 18 400 use)                       | 2    |                                |
| 26  | 0200 23 531 | Washer, Spring (0866 18 400A use)                     | 2    | Order Under<br>No. 0426 24 725 |
|     | 0107 18 424 | Washer, Spring  | 2    |                                |
|     | 0839 24 761 | Cap (1562 18 400 use)                                 | 2    |                                |
|     | 0839 24 762 | Packing   | 1    |                                |
| 27  | 0426 24 731 | Bolt Set (Fig. No. 5, 28 included) (0866 18 400A use) | 1    | Car. No. 170670 <sup>7/4</sup> |
| 28  | 0222 24 756 | Bolt, Through (0866 18 400A use)                      | 2    | Order Under<br>No. 0426 24 731 |
| 29  | 0866 24 710 | Bracket, Front (0866 18 400A use)                     | 1    |                                |
|     | 1562 24 710 | Bracket, Front (1562 18 400 use)                      | 1    |                                |
| 30  | 0866 24 709 | Clutch, Over Running (0866 18 400A use)               | 1    |                                |
|     | 1562 24 709 | Clutch, Over Running (1562 18 400 use)                | 1    |                                |
| 31  | 0866 24 716 | Lever (0866 18 400A use)                              | 1    |                                |
|     | 1562 24 716 | Lever (1562 18 400 use)                               | 1    |                                |
| 32  | 0866 24 705 | Armature (0866 18 400A use)                           | 1    |                                |
|     | 1562 24 705 | Armature (1562 18 400 use)                            | 1    |                                |



# STARTER & BATTERY (MANUAL)

(USED UP TO CAR NO. 179250 7/8)

| No. | Part Number  | Description                      | Q'ty | Remarks |
|-----|--------------|----------------------------------|------|---------|
| 33  | 0866 24 701  | Yoke ( 0866 18 400A use)         | 1    |         |
|     | 1562 24 701  | Yoke ( 1562 18 400 use)          | 1    |         |
| 34  | 0866 24 704  | Screw ( 0866 18 400A use)        | 4    |         |
|     | 0727 24 712  | Screw ( 8×17) ( 1562 18 400 use) | 4    |         |
|     | 1562 24 706  | Bracket, Center                  | 1    |         |
|     | 1562 24 725  | Screw ( 6×10)                    | 1    |         |
|     | 0839 24 762  | Packing                          | 1    |         |
|     | 0118 23 689  | Washer                           | 1    |         |
|     |              | ( 1562 18 400 use)               |      |         |
| 35  | 99801 1035   | Bolt, Starter                    | 1    |         |
|     | 99971 1000   | Washer, Spring                   | 1    |         |
|     | 99953 1000   | Washer, Plain                    | 1    |         |
| 36  | 99803 10110  | Bolt, Starter                    | 1    |         |
|     | 99952 1000   | Washer, Plain                    | 1    |         |
|     | 99971 1000   | Washer, Spring                   | 1    |         |
| 37  | 99905 0500   | Nut, Starter                     | 1    |         |
|     | 99952 0500   | Washer, Plain                    | 1    |         |
|     | 99971 0500   | Washer, Spring                   | 1    |         |
| 38  | 0820 18 520A | Battery, NS60                    | 1    |         |
| 39  | 0810 56 863A | Tray, Battery-NS60 Battery use   | 1    |         |

# STARTER & BATTERY (MANUAL)

(USED UP TO CAR NO. 179250  $\frac{7}{8}$ )



| No. | Part Number  | Description                               | Q'ty | Remarks                                     |
|-----|--------------|---|------|---|
| 40  | 0370 70 980  | Clamp, Battery                            | 1    | NS60 Battery use                            |
| 41  | 0370 70 985A | Bolt, Battery                             | 1    |   |
| 42  | 0504 18 520A | Battery, N50Z                             | 1    | N50Z & NS70 Battery use                     |
|     | 0877 18 520  | Battery, NS70                             | 1    |   |
|     | 1672 18 520  | Battery, NS70                             | 1    |   |
| 43  | 2113 54 295  | Tray, Battery                             | 1    | N50Z & NS70 Battery use                     |
|     | 2981 54 222  | Tray, Battery                             | 1    |   |
| 44  | 1524 70 980  | Clamp, Battery                            | 1    |   |
| 45  | 0243 56 231  | Bolt, Battery                             | 1    |   |
| 46  | 99806 0620   | Bolt, Clamp                               | 1    |   |
|     | 907860 6 16  | Bolt Set                                  | 1    | Car No. 142383 $\frac{7}{8}$ ~○             |
|     | 99952 0618   | Washer, Plain                             | 1    | Car No. 142382 $\frac{7}{8}$ ~<br>Discarded |
|     | 99971 0600   | Washer, Spring                            | 1    |   |
| 47  | 99906 0600   | Nut, Clamp Bolt                           | 1    |   |
|     | 99940 0602   | Nut, Clamp Bolt                           | 1    | Car No. 142383 $\frac{7}{8}$ ~○             |
|     | 99952 0618   | Washer, Plain                             | 1    | Car No. 142382 $\frac{7}{8}$ ~<br>Discarded |
|     | 99971 0600   | Washer, Spring                            | 1    |   |
| 48  | 0866 67 100A | Cable, Battery Positive                   | 1    | Car No. 176736 $\frac{7}{8}$ ~△             |
|     | 0866 67 100B | Cable, Battery Positive                   | 1    |   |
|     | 1562 67 100A | Cable, Battery Positive (1562 18 400 use) | 1    |   |
| 49  | 0866 67 110A | Wire, Earth-Battery                       | 1    |   |



# STARTER & BATTERY (MANUAL)

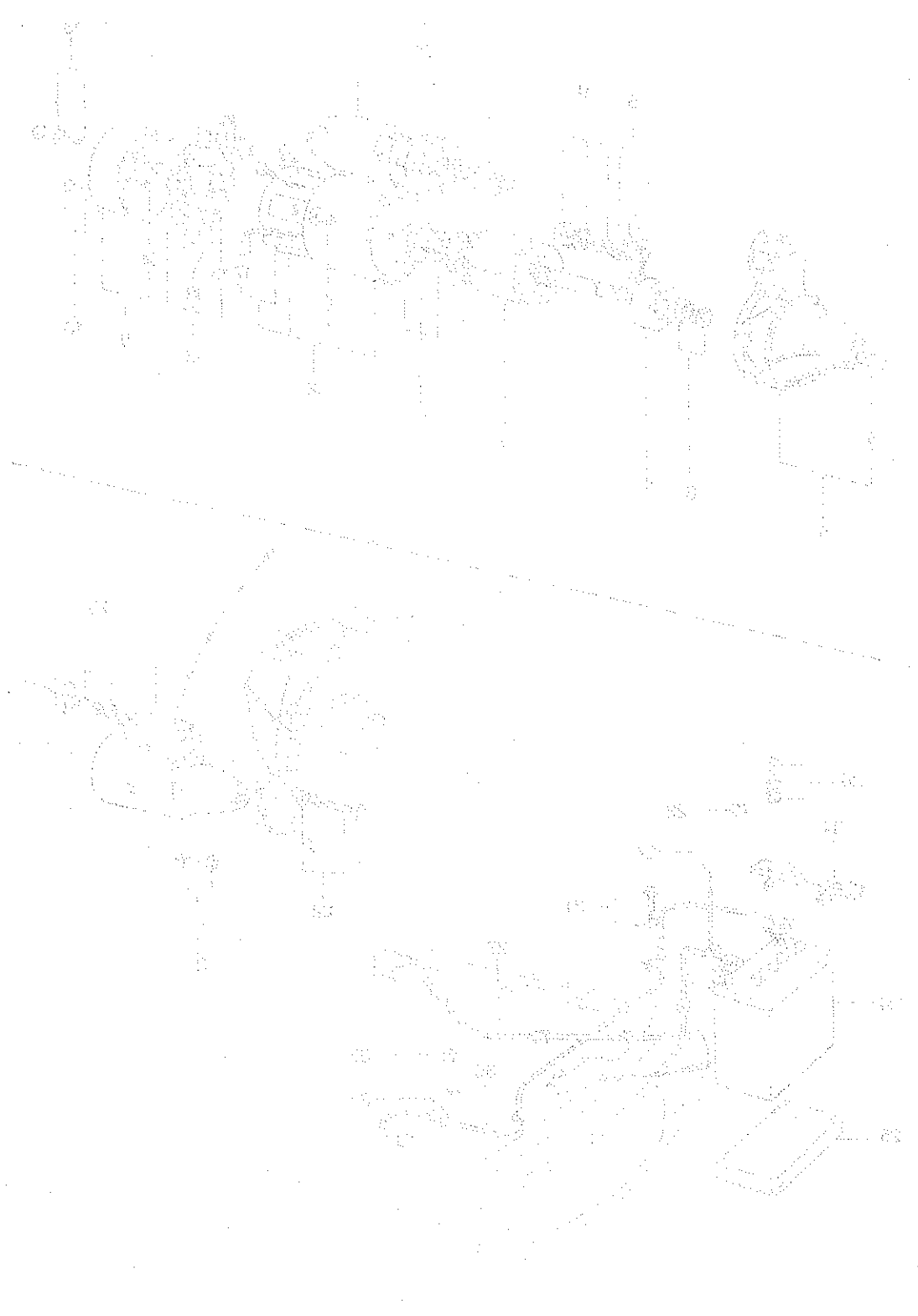
(USED UP TO CAR NO. 179250 <sup>73/9</sup>)

| No. | Part Number | Description                           | Q'ty | Remarks |
|-----|-------------|---------------------------------------|------|---------|
|     | 0872 67 110 | Wire, Earth-Battery (1562 18 400 use) | 1    |         |
| 50  | 99804 0820  | Bolt, Earth Wire                      | 1    |         |
|     | 99971 0800  | Washer, Spring                        | 1    |         |
| 51  | 99907 0800  | Nut                                   | 2    |         |
|     | 99971 0800  | Washer, Spring                        | 2    |         |
| 52  | 99276 1608  | Clip, Earth Wire                      | 1    |         |
| 53  | 99295 2008  | Clip, Earth Wire                      | 1    |         |
| (N) | 99685 1000  | Protector, Positive Cable             | 6    |         |
| (N) | 99685 1400  | Protector, Positive Cable             | 1    |         |
| (N) | 0866 67 105 | Cap, Positive Cable                   | 1    |         |



# YHTYÄS & KORTTEI

(A) TYÖN: ON AIN KÄYTTÄ KÄYTTÄ KÄYTTÄ  
(B) KORTTI: ON AIN KÄYTTÄ KÄYTTÄ

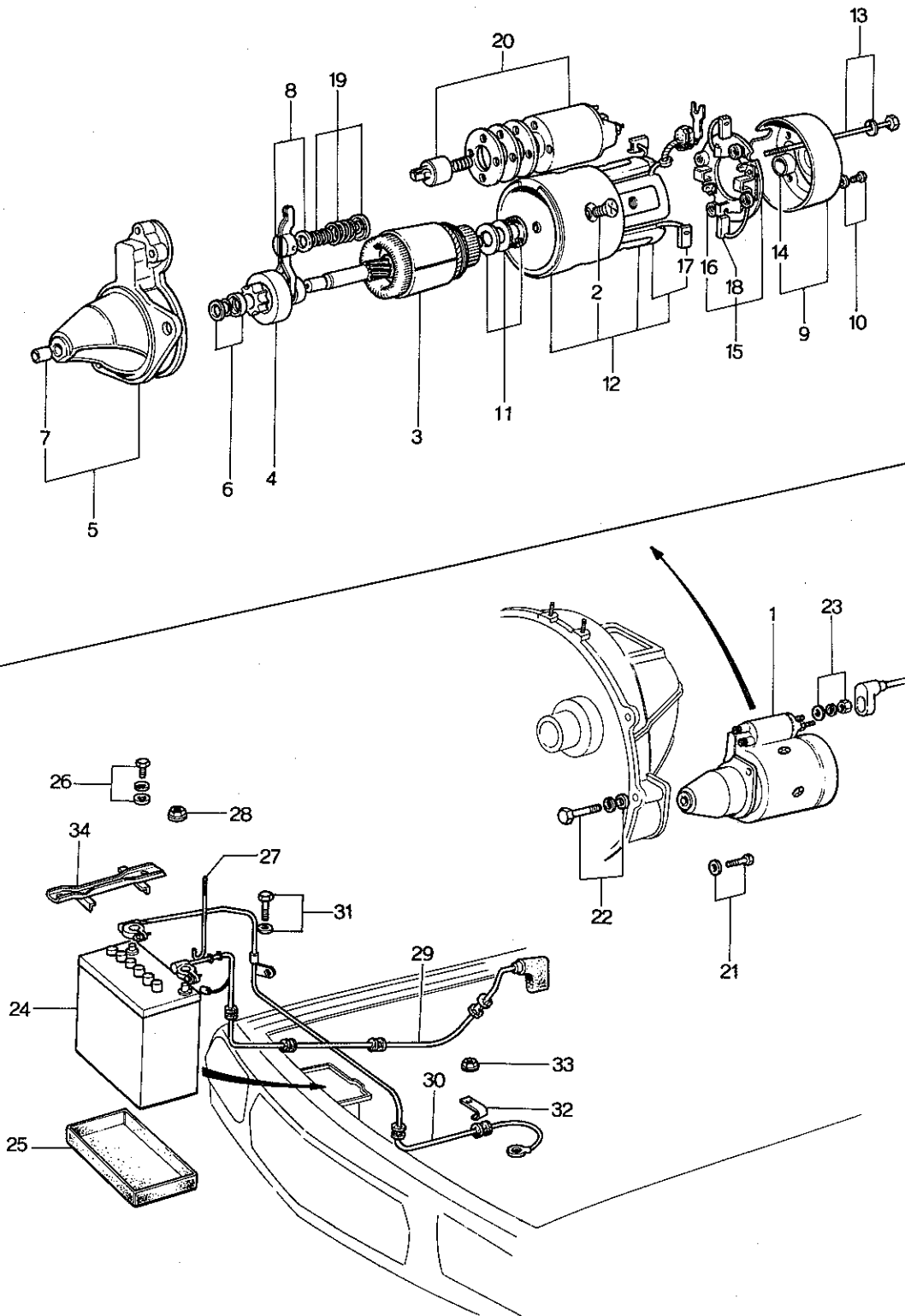


18

24

# STARTER & BATTERY

(MANUAL USED FROM CAR NO. 160623  $\frac{73}{10}$ )  
 (AUTOMATIC USED FROM  $\frac{74}{4}$ )



# STARTER & BATTERY

(MANUAL USED FROM CAR NO. 160623 <sup>7/16</sup>)  
 (AUTOMATIC USED FROM <sup>7/4</sup> OYAKA FUA)



| No. | Part Number  | Description                 | Q'ty | Remarks |
|-----|--------------|-----------------------------|------|---------|
| 1   | 1757 18 400A | Starter (Manual)            | 1    |         |
| • ✓ | 1030 18 400A | Starter (Automatic)         | 1    |         |
| 2   | 0866 24 704  | Screw                       | 4    |         |
| 3   | 1757 24 705  | Armature                    | 1    |         |
| 4   | 1757 24 709  | Clutch, Over Running        | 1    |         |
| 5   | 1757 24 710  | Bracket, Front (Manual)     | 1    |         |
| •   | 1030 24 710  | Bracket, Front (Automatic)  | 1    |         |
| 6   | 0426 24 712  | Stopper Set, Piston         | 1    |         |
| 7   | 0426 24 715  | Sleeve                      | 1    |         |
| 8   | 0866 24 716  | Lever                       | 1    |         |
| 9   | 0845 24 720  | Bracket, Rear               | 1    |         |
| 10  | 0426 24 725  | Screw Set                   | 1    |         |
| 11  | 0426 24 726  | Washer Set                  | 1    |         |
| 12  | 1757 24 730  | Yoke                        | 1    |         |
| •   | 0426 24 731  | Bolt Set (Manual)           | 1    |         |
| •   | 1030 24 731  | Bolt Set (Automatic)        | 1    |         |
| 14  | 0222 24 741  | Sleeve                      | 1    |         |
| 15  | 0222 24 750  | Holder                      | 1    |         |
| 16  | 0222 24 752A | Spring, Brush               | 4    |         |
| 17  | 0222 24 753  | Brush                       | 2    |         |
| 18  | 0426 24 753  | Brush                       | 2    |         |
| 19  | 0426 24 754  | Spring Set                  | 1    |         |
| •   | 0324 24 760  | Switch, Starter (Manual)    | 1    |         |
| •   | 0222 24 760A | Switch, Starter (Automatic) | 1    |         |

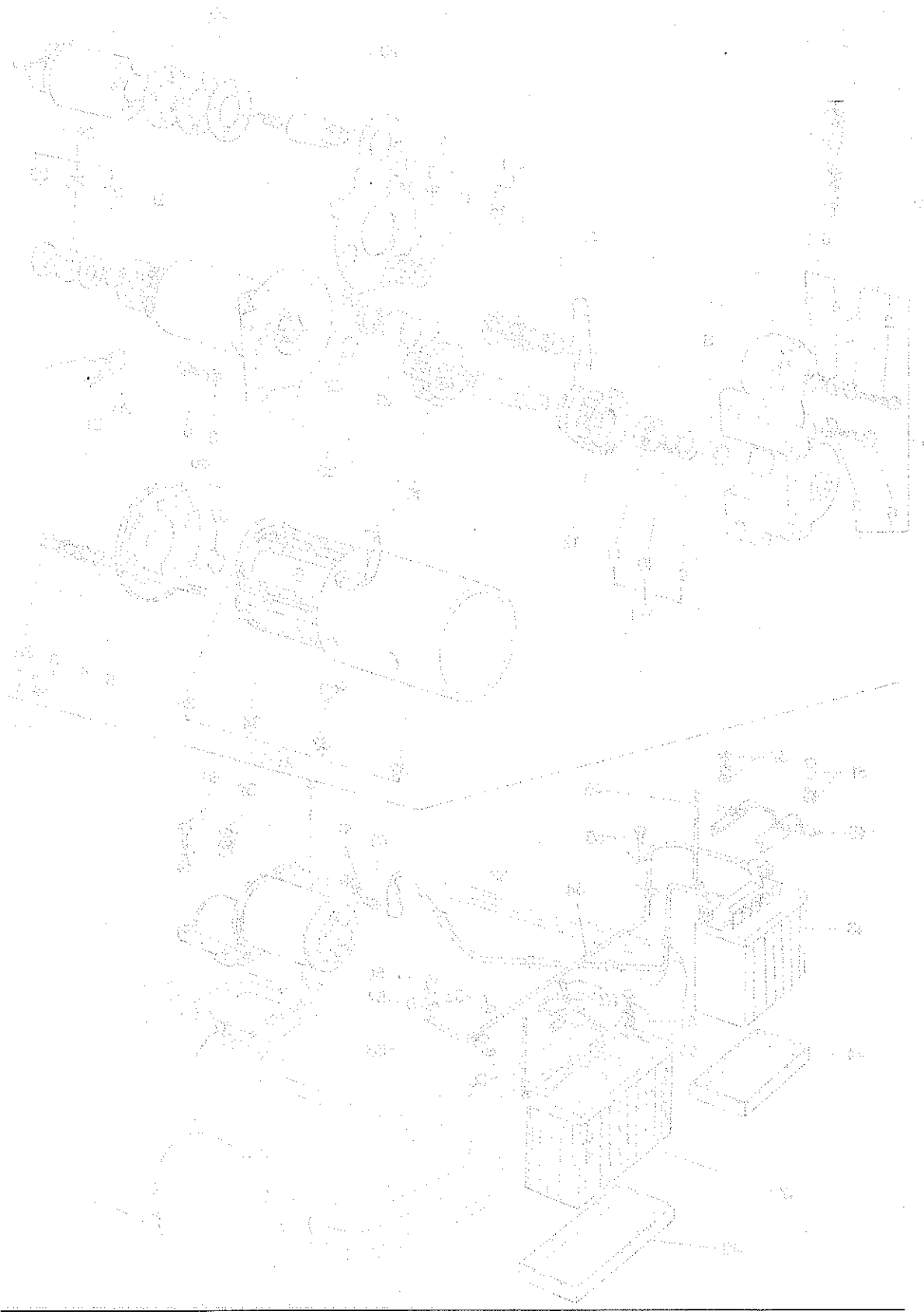


# STARTER & BATTERY

(MANUAL USED FROM CAR NO. 160623 <sup>7%</sup>/<sub>10</sub>)  
 (AUTOMATIC USED FROM <sup>7%</sup>/<sub>4</sub>)

| No.  | Part Number   | Description               | Q'ty   | Remarks                          |
|------|---------------|---------------------------|--------|----------------------------------|
| 21   | 99801 1035    | Bolt, Starter             | 1      |                                  |
|      | 99971 1000    | Washer, Spring            | 1      |                                  |
| ● 22 | 99803 10120   | Bolt, Starter (Manual)    | 1      |                                  |
| ●    | 99801 1075    | Bolt, Starter (Automatic) | 1      |                                  |
|      | 99953 1000    | Washer, Plain             | 1      |                                  |
|      | 99971 1000    | Washer, Spring            | 1      |                                  |
| 23   | 99901 0800    | Nut, Starter Terminal     | 1      |                                  |
|      | 99952 0800    | Washer, Plain             | 1      |                                  |
|      | 99971 0800    | Washer, Spring            | 1      |                                  |
| 24   | 0504 18 520A  | Battery (N50Z)            | 1      |                                  |
| 25   | 2113 54 295   | Tray, Battery             | 1      |                                  |
| 26   | 90786 0616    | Bolt, Battery Clamp       | 1      |                                  |
| 27   | 0243 56 231   | Bolt, Clamp               | 1      |                                  |
| 28   | 99940 0602    | Nut                       | 1      |                                  |
| 29   | 1881 67 100   | Cable, Battery Positive   | 1      |                                  |
| ●    | 1881 67 100 A | Cable, Battery Positive   | 1      | <sup>7%</sup> / <sub>2</sub> ~ Δ |
| 30   | 0872 67 110   | Wire, Battery Earth       | 1      |                                  |
| 31   | 99804 0820    | Bolt, Earth Wire          | 1      |                                  |
|      | 99971 0800    | Washer, Spring            | 1      |                                  |
| 32   | 99276 1208    | Clip                      | 1      |                                  |
| 33   | 99940 0800    | Nut, Earth Wire           | 1<br>2 |                                  |
| 34   | 1524 70 980   | Clamp, Battery            | 1      |                                  |

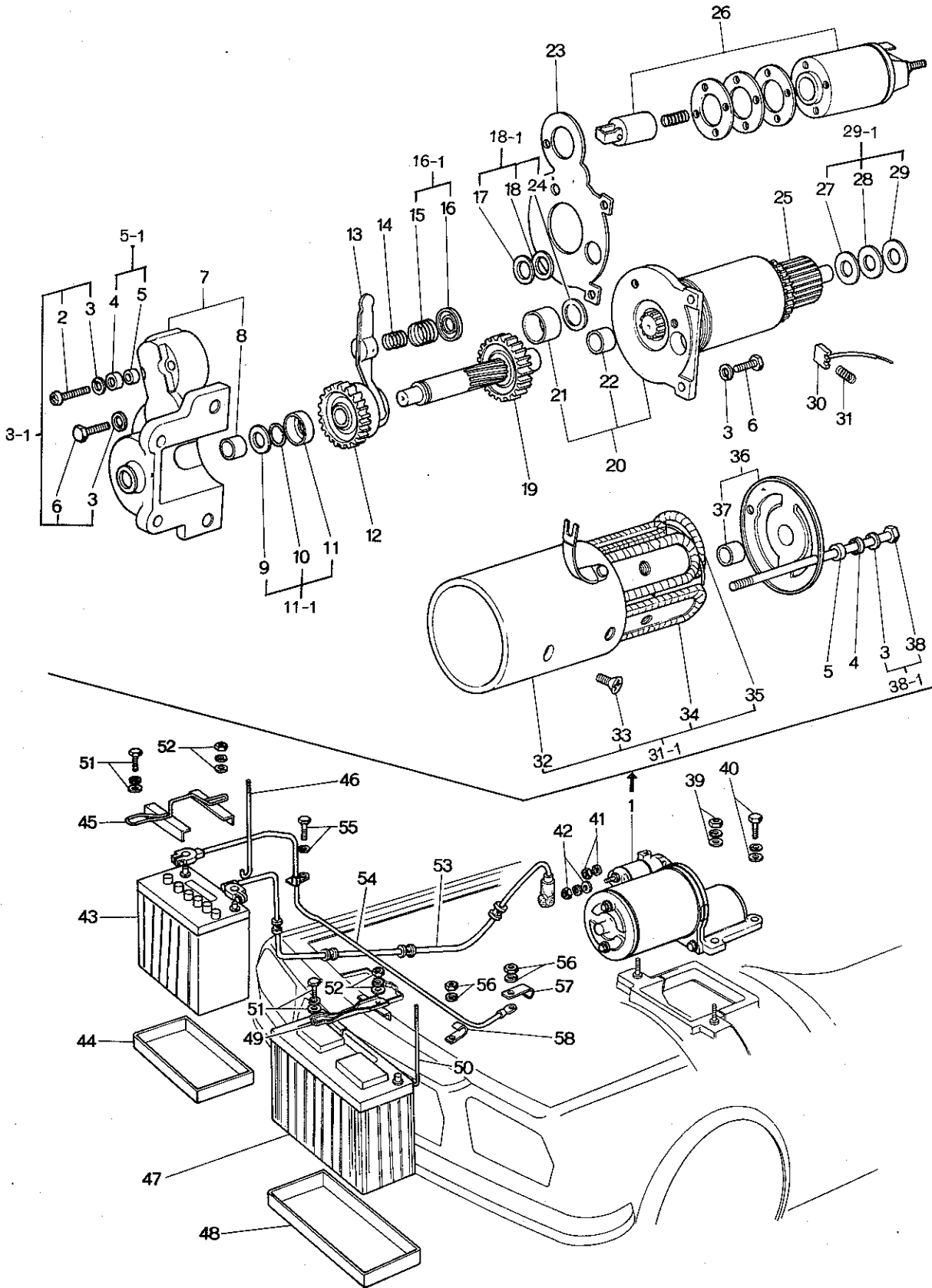
STARTER & BATTERY (continued)



18 24

# STARTER & BATTERY (AUTOMATIC)

(USED UP TO  $\frac{74}{3}$ )



# STARTER & BATTERY (AUTOMATIC)

(USED UP TO 7/3) (USED UP TO 7/3)



| No.  | Part Number  | Description                   | Q'ty | Remarks                       |
|------|--------------|-------------------------------|------|-------------------------------|
| 1    | 2869 18 400  | Starter (Mitsubishi Make)     | 1    | Car No. 155593 7/10~△         |
|      | 2869 18 400A | Starter (Mitsubishi Make)     | 1    | Car No. 155593 7/10~△         |
| 2    | 0839 24 758  | Screw (6×44)                  | 12   | Car No. 155592 7/10~Discarded |
| 3    | 0107 18 424  | Washer, Spring (6.1×12.2×1.5) | 8    |                               |
| 3-1  | 2869 24 725  | Screw Set                     | 1    | Car No. 155593 7/10~○         |
| 4    | 0839 24 761  | Cover, Gasket                 | 4    | Car No. 155592 7/10~Discarded |
| 5    | 0839 24 762  | Gasket                        | 4    |                               |
| 5-1  | 0559 24 760  | Gasket Set                    | 1    | Car No. 155593 7/10~○         |
| 6    | 0839 24 763  | Bolt (6×20)                   | 1    | Car No. 155592 7/10~Discarded |
| 7    | 0839 24 710  | Bracket, Front                | 1    |                               |
|      | 2869 24 710  | Bracket, Front                | 1    | Car No. 155593 7/10~○         |
| 8    | 0249 24 731  | Metal                         | 1    |                               |
| 9    | 0820 24 714  | Washer (14.4×26×1.6)          | 1    | Car No. 155592 7/10~Discarded |
| 10   | 0820 24 713  | Ring                          | 1    |                               |
| 11   | 0820 24 712  | Stopper, Pinion               | 1    |                               |
| 11-1 | 2869 24 712  | Stopper Set                   | 1    | Car No. 155593 7/10~○         |
| 12   | 0839 24 709  | Clutch, Over Running          | 1    |                               |
| 13   | 0839 24 716  | Lever                         | 1    |                               |
| 14   | 0820 24 754  | Spring, Lever (A)             | 1    | Car No. 155592 7/10~Discarded |
| 15   | 0820 24 755  | Spring, Lever (B)             | 1    | Car No. 155592 7/10~Discarded |



# STARTER & BATTERY (AUTOMATIC)

(USED UP TO 7/3)

(18) QY TU 2307

| No.  | Part Number  | Description                       | Q'ty | Remarks                      |
|------|--------------|-----------------------------------|------|------------------------------|
| 16   | 0820 24 717  | Seat, Spring                      | 1    | Car No. 155592 3/4~Discarded |
| 16-1 | 2889 24 754  | Spring Set                        | 1    | Car No. 155593 3/4~○         |
| 17   | 0820 24 747  | Washer (14.4×26×0.8)              | 1    | Car No. 155592 3/4~Discarded |
| 18   | 0820 24 748  | Washer (14.4×26×0.2)              | 1    |                              |
| 18-1 | 2889 24 748  | Washer Set (Fig. No. 24 included) | 1    | Car No. 155593 3/4~○         |
| 19   | 0839 24 721  | Shaft, Pinion                     | 1    |                              |
| 20   | 0839 24 706  | Bracket, Center                   | 1    |                              |
| 21   | 0839 24 715  | Metal                             | 1    |                              |
| 22   | 0249 24 731  | Metal                             | 1    |                              |
| 23   | 0839 24 719  | Plate, Water Proof                | 1    |                              |
| 24   | 2889 24 749  | Washer                            | 1    | Car No. 155592 3/4~Discarded |
| 25   | 0839 24 705  | Armature                          | 1    |                              |
| 26   | 0839 24 738B | Switch                            | 1    |                              |
|      | 2889 24 738  | Switch                            | 1    | Car No. 155593 3/4~X         |
| 27   | 0118 23 889  | Washer (14.5×30×0.25)             | 2    |                              |
| 28   | 0820 24 741  | Washer (14.5×30×0.8)              | 1    | Car No. 155592 3/4~Discarded |
| 29   | 0118 23 891  | Washer, Insulation (14.4×30×0.6)  | 1    |                              |
| 29-1 | 2889 24 726  | Washer Set                        | 1    | Car No. 155593 3/4~○         |
| 30   | 0839 24 723  | Brush                             | 4    |                              |
| 31   | 0839 24 724  | Spring, Brush                     | 4    |                              |



# STARTER & BATTERY (AUTOMATIC)

(USED UP TO 7/3)



| No.  | Part Number | Description                    | Q'ty | Remarks                         |
|------|-------------|--------------------------------|------|---------------------------------|
| 31-1 | 2869 24 730 | Yoke (Fig. No. 30,31 included) | 1    | Car No. 155593 7/10             |
| 32   | 2869 24 701 | Yoke                           | 1    | Car No. 155592 7/10 - Discarded |
| 33   | 0727 24 712 | Screw (8 X 17)                 | 4    |                                 |
| 34   | 0839 24 703 | Piece, Pole                    | 4    | Car No. 155592 7/10 - Discarded |
| 35   | 2869 24 702 | Coil, Field                    | 1    |                                 |
| 36   | 2869 24 720 | Bracket, Rear                  | 1    |                                 |
| 37   | 0249 24 731 | Metal                          | 1    |                                 |
| 38   | 0839 24 764 | Bolt, Through (6 X 155)        | 2    | Car No. 155592 7/10 - Discarded |
| 38-1 | 0559 24 731 | Bolt Set (Fig. No. 3 included) | 1    | Car No. 155593 7/10             |
| 39   | 99901 0800  | Nut                            | 2    |                                 |
|      | 99971 0800  | Washer, Spring                 | 2    |                                 |
|      | 99953 0800  | Washer, Plain                  | 2    |                                 |
| 40   | 99801 0828  | Bolt                           | 2    |                                 |
|      | 99971 0800  | Washer, Spring                 | 2    |                                 |
|      | 99953 0800  | Washer, Plain                  | 2    |                                 |
| 41   | 99901 0800  | Nut                            | 1    |                                 |
|      | 99971 0800  | Washer, Spring                 | 1    |                                 |
| 42   | 99907 0500  | Nut                            | 1    |                                 |



# STARTER & BATTERY (AUTOMATIC)

(USED UP TO  $\frac{7}{8}$ )

| No. | Part Number  | Description                             | Q'ty | Remarks                         |
|-----|--------------|---|------|---------------------------------|
|     | 99952 0500   | Washer, Plain                           | 1    |                                 |
|     | 99971 0500   | Washer, Spring                          | 1    |                                 |
| 43  | 0820 18 520A | Battery (NS 60)                         | 1    |                                 |
| 44  | 0810 56 983A | Tray, Battery                           | 1    |                                 |
| 45  | 0370 70 980  | Clamp, Battery                          | 1    | (NS 60 use)                     |
| 46  | 0370 70 985A | Bolt, Battery Clamp                     | 1    |                                 |
| 47  | 0877 18 520  | Battery (NS 70)                         | 1    |                                 |
| 48  | 2113 54 295  | Tray, Battery                           | 1    |                                 |
| 49  | 1524 70 980  | Clamp, Battery                          | 1    | (NS 70 use)                     |
| 50  | 0243 56 231  | Bolt, Battery Clamp                     | 1    |                                 |
| 51  | 99806 0620   | Bolt, Battery Clamp                     | 1    |                                 |
|     | 99952 0618   | Washer, Plain                           | 1    |                                 |
|     | 99971 0600   | Washer, Spring                          | 1    |                                 |
| 52  | 99906 0600   | Nut                                     | 1    |                                 |
|     | 99952 0618   | Washer, Plain                           | 1    |                                 |
|     | 99971 0600   | Washer, Spring                          | 1    |                                 |
| 53  | 0871 67 100A | Cable, Battery Positive (NS 60 Battery) | 1    |                                 |
| J   | 0871 67 100B | Cable, Battery Positive (NS 60 Battery) | 1    | Car No. 126396 $\frac{7}{8}$ ~O |
| ●   | 0871 67 100C | Cable, Battery Positive (NS 60 Battery) | 1    | Car No. 176736 $\frac{7}{8}$ ~Δ |
|     | 0872 67 100  | Cable, Battery Positive (NS 70 Battery) | 1    |                                 |
| J   | 0872 67 100A | Cable, Battery Positive (NS 70 Battery) | 1    | Car No. 126396 $\frac{7}{8}$ ~O |
| ●   | 0872 67 100B | Cable, Battery Positive (NS 70 Battery) | 1    | Car No. 176736 $\frac{7}{8}$ ~Δ |

# STARTER & BATTERY (AUTOMATIC)

(USED UP TO 7/3)

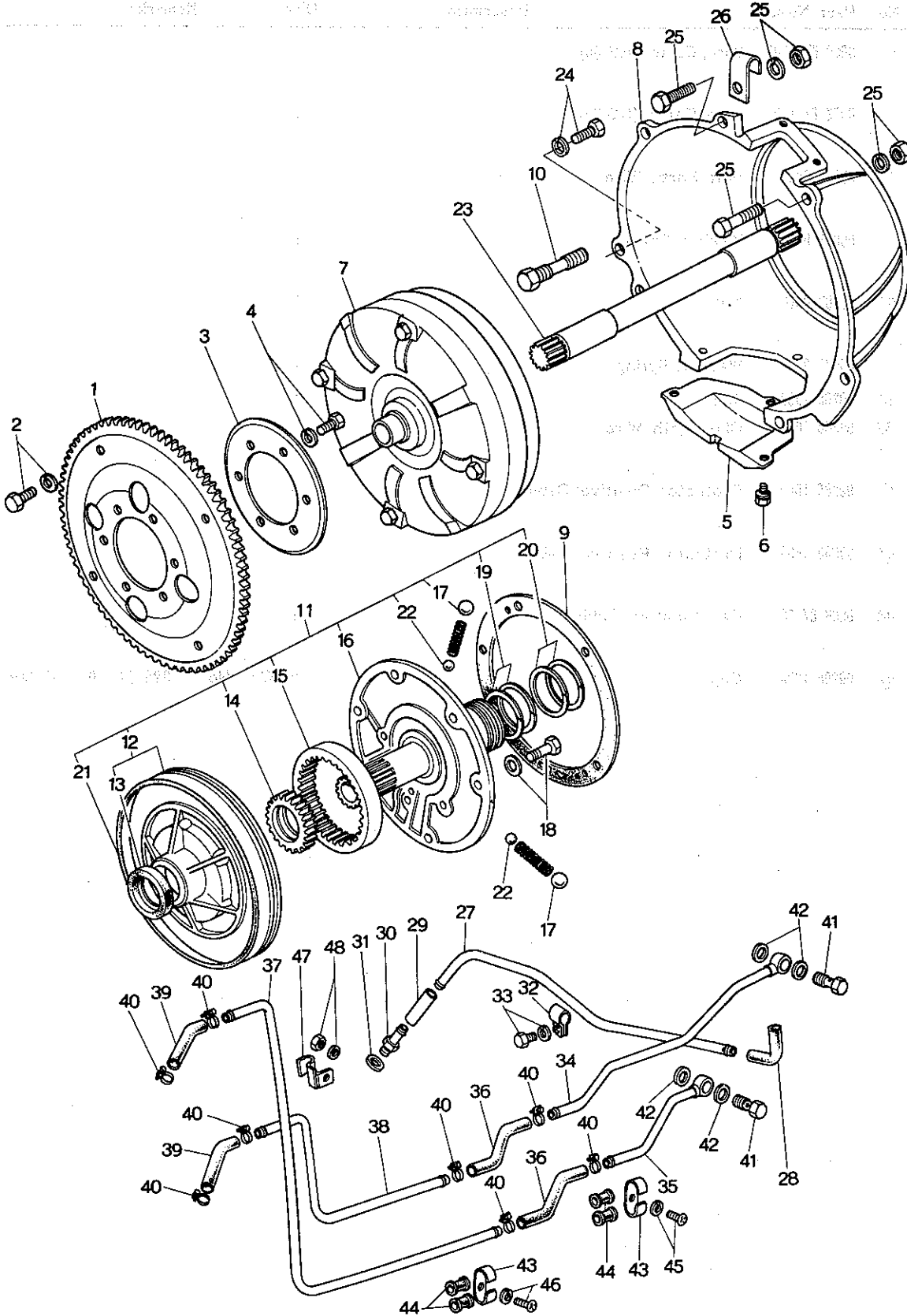
18

24

| No. | Part Number  | Description               | Q'ty | Remarks                       |
|-----|--------------|---------------------------|------|-------------------------------|
| 54  | 0886 67 110A | Wire, Earth (NS 60)       | 1    |                               |
|     | 0872 67 110  | Wire, Earth (NS 70)       | 1    |                               |
| 55  | 99804 0820   | Bolt, Earth Wire          | 1    |                               |
|     | 99971 0800   | Washer, Spring            | 1    |                               |
| 56  | 99907 0800   | Nut                       | 2    |                               |
|     | 99971 0800   | Washer, Spring            | 2    |                               |
| 57  | 99295 1508   | Clip                      | 1    |                               |
| 58  | 99295 2008   | Clip, Earth Wire          | 1    |                               |
| (N) | 99685 1000   | Protector, Positive Cable | 6    |                               |
| (N) | 99685 1400   | Protector, Positive Cable | 1    |                               |
| (N) | 0866 67 105  | Cap, Positive Cable       | 1    |                               |
| (N) | 99295 1008   | Clip                      | 2    | Car No. 127396 7/2~Added Anew |

# AUTOMATIC T/MISSION

(CONVERTER, OIL PUMP & PIPING) (USED UP TO 7/4/3)



# AUTOMATIC T / MISSION MOTUA

(CONVERTER, OIL PUMP & PIPING) (USED UP TO 7/8)



| No. | Part Number            | Description            | Q'ty         | Remarks                       |
|-----|------------------------|------------------------|--------------|-------------------------------|
| 1   | 2070 19 020            | Plate, Drive           | 1            |                               |
| 2   | 99781 1012             | Bolt, Drive Plate      | 4            |                               |
|     | 99971 1000             | Washer, Spring         | 4            |                               |
| 3   | 0842 19 025            | Plate, Backing         | 1            |                               |
| 4   | 99781 1018             | Bolt, Backing          | 6            |                               |
|     | 99971 1000             | Washer, Spring         | 6            |                               |
| 5   | 0842 19 027A           | Cover, Under           | 1            |                               |
| 6   | 99806 0610             | Screw, Under Cover     | 3            |                               |
|     | 99971 0600             | Washer, Spring         | 3            |                               |
| 7   | 0338 19 100A           | Converter, Torque      | 1            |                               |
| 8   | 0842 19 211B           | Housing                | 1            |                               |
| 9   | 0338 19 215            | Gasket, Oil Pump       | 1            |                               |
| 10  | 0338 19 216            | Bolt, Housing          | 6            |                               |
| 11  | 0338 19 220            | Pump, Ass'y-Oil        | 1            |                               |
| 12  | 0338 19 230            | Housing                | 1            |                               |
| 13  | 0338 19 223            | Oil Seal               | 1            |                               |
| 14  | 0338 19 234            | Gear, Inner            | 1            |                               |
|     | 0338 19 235            | Gear                   | 1            | Selective use                 |
|     | 0338 19 236            | Gear                   | 1            |                               |
| 15  | 0338 19 237            | Gear, Outer            | 1            |                               |
|     | 0338 19 238            | Gear                   | 1            | Selective use                 |
|     | 0338 19 239            | Gear                   | 1            |                               |
| 16  | 0338 19 240            | Cover                  | 1            |                               |
| 17  | 0338 19 245            | Ball, Steel            | 2            |                               |
|     | <del>0337 19 705</del> | <del>Ball, Steel</del> | <del>2</del> | <del>Car No. 126982 7/8</del> |

19

# AUTOMATIC T/MISSION

(CONVERTER, OIL PUMP & PIPING) (USED UP TO 7<sup>4</sup>/<sub>3</sub>)

| No. | Part Number   | Description              | Q'ty | Remarks  |
|-----|---------------|--------------------------|------|--|
| 18  | 0338 19 255   | Bolt                     | 5    |  |
| 19  | 0338 19 256   | Ring, Seal               | 2    |  |
| 20  | 0338 19 257   | Ring, Seal               | 2    |  |
| 21  | 0338 19 258   | Seal, Lathe Cut Ring     | 1    |  |
| 22  | 99611 2000    | Ball, Steel              | 2    |  |
| 23  | 0338 19 678   | Shaft, Input             | 1    |  |
| 24  | 99811 1032    | Bolt, Housing            | 1    |  |
| ●   | ✓ 99796 10309 | Bolt, Housing            | 1    | 7 <sup>3</sup> / <sub>5</sub> ~○                         |
| ●   | ✓ 99952 1030  | Washer, Plain            | 1    | 7 <sup>3</sup> / <sub>5</sub> ~ Added Anew               |
|     | 99811 1050    | Bolt                     | 1    |  |
| ●   | ✓ 99796 1050  | Bolt                     | 1    | Car No. 170670 7 <sup>3</sup> / <sub>5</sub> ~×          |
|     | 99971 1000    | Washer, Spring           | 2    |  |
| 25  | 99811 1045    | Bolt, Housing            | 1    |  |
| ●   | ✓ 99796 1045  | Bolt, Housing            | 1    | 7 <sup>3</sup> / <sub>5</sub> ~○                         |
|     | 99811 1050    | Bolt                     | 1    |  |
| ●   | ✓ 99796 1050  | Bolt                     | 1    | Car No. 170670 7 <sup>3</sup> / <sub>5</sub> ~×          |
|     | 99811 1055    | Bolt                     | 1    |  |
| ●   | ✓ 99796 1045  | Bolt                     | 1    | 7 <sup>3</sup> / <sub>5</sub> ~○                         |
|     | 99811 1075    | Bolt                     | 1    |  |
| ●   | ✓ 99796 1080  | Bolt                     | 1    | 7 <sup>3</sup> / <sub>5</sub> ~○                         |
|     | 99971 1000    | Washer, Spring           | 4    | Car No. 170670 7 <sup>3</sup> / <sub>5</sub> ~ Discarded |
|     | 99921 1000    | Nut                      | 4    |  |
| ●   | ✓ 99940 1001  | Nut                      | 4    | 7 <sup>3</sup> / <sub>5</sub> ~○                         |
| 26  | 99295 1510    | Clip                     | 1    |  |
| 27  | 0871 19 910   | Pipe, Vacuum             | 1    |  |
| 28  | 0338 19 904   | Hose, Vacuum (Rr.)       | 1    |  |
| 29  | 99340 05063   | Hose, Vacuum (Frt.)      | 1    |  |
| 30  | 0842 19 910   | Union Joint, Vacuum Hose | 1    |  |
| 31  | 99564 0800    | Gasket, Union Joint      | 1    |  |
| 32  | 0842 19 915A  | Clip, Vacuum Pipe        | 1    |  |
| 33  | 99806 0614    | Bolt, Clip               | 1    |  |
|     | 99971 0600    | Washer, Spring           | 1    |  |

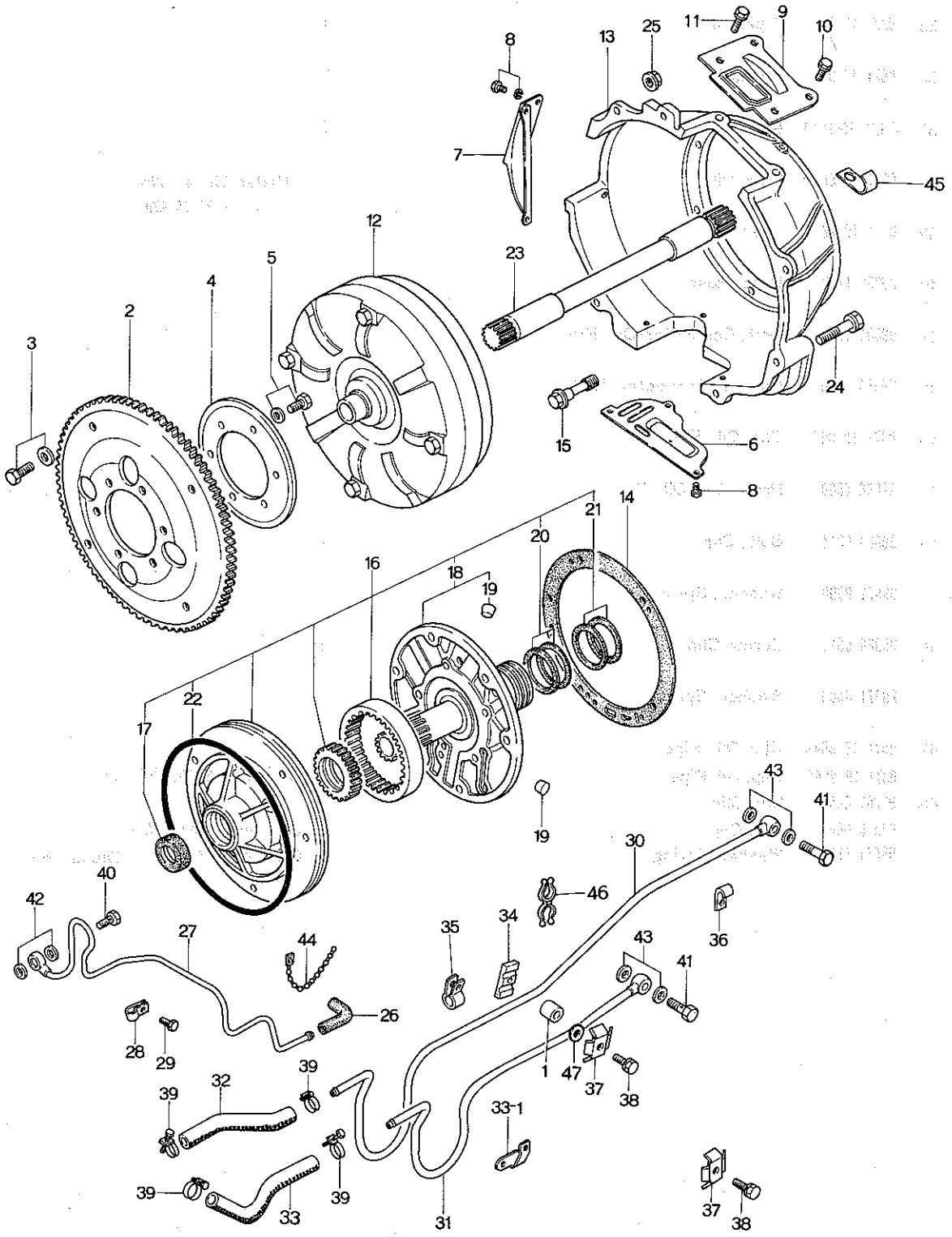
# AUTOMATIC T / MISSION MOTUA

(CONVERTER, OIL PUMP & PIPING) (USED UP TO 7/3)

| No. | Part Number  | Description              | Q'ty | Remarks                          |
|-----|--------------|--------------------------|------|----------------------------------|
| 34  | 0871 19 820  | Pipe, Oil                | 1    |                                  |
| 35  | 0871 19 830  | Pipe, Oil                | 1    |                                  |
| 36  | 0871 19 881  | Hose, Oil                | 2    |                                  |
| 37  | 0871 19 970  | Pipe, Oil                | 1    |                                  |
| 38  | 0871 19 951A | Pipe, Oil                | 1    | Order Under No. ☆<br>0871 19 970 |
| 39  | 0871 19 862  | Hose, Oil                | 2    |                                  |
| 40  | 99282 1700   | Band, Hose               | 8    |                                  |
| 41  | 99381 1000   | Bolt, Connector-Oil Pipe | 2    |                                  |
| 42  | 99564 1400   | Gasket, Connector Bolt   | 4    |                                  |
| 43  | 0871 19 863  | Clip, Oil Pipe           | 1    |                                  |
| 44  | 99686 0800   | Protector, Oil Pipe      | 2    |                                  |
| 45  | 99806 0614   | Bolt, Clip               | 1    |                                  |
|     | 99971 0600   | Washer, Spring           | 1    |                                  |
| 46  | 99868 0512   | Screw, Clip              | 2    |                                  |
|     | 99971 0500   | Washer, Spring           | 2    |                                  |
| 47  | 0871 19 864A | Clip, Oil Pipe           | 1    |                                  |
|     | 0871 19 864B | Clip, Oil Pipe           | 1    | Car No. 159789 7/1~O             |
| 48  | 99902 0800   | Nut, Clip                | 1    |                                  |
|     | 99940 0800   | Nut, Clip                | 1    | Car No. 150526 7/8~O             |
|     | 99971 0800   | Washer, Spring           | 1    | Car No. 150526 7/8~Discarded     |

# AUTOMATIC T/MISSION MOTOR

(CONVERTER, OIL PUMP & PIPING) (USED FROM 7 3/4)





# AUTOMATIC T / MISSION

(CONVERTER, OIL PUMP & PIPING) (USED FROM <sup>74</sup>/<sub>4</sub>)

| No.  | Part Number                     | Description              | Q'ty | Remarks            |
|------|---------------------------------|--------------------------|------|--------------------|
| ✓ 1  | 2850 13 331                     | Spacer, Oil Pipe         | 1    |                    |
| ✓ 2  | 1758 19 020                     | Plate, Drive             | 1    |                    |
| 3    | 99781 1012                      | Bolt, Drive Plate        | 4    |                    |
|      | 99971 1000                      | Washer, Spring           | 4    |                    |
| ✓ 4  | 0842 19 025                     | Plate, Backing           | 1    |                    |
| 5    | 99781 1018                      | Bolt, Backing Plate      | 6    |                    |
|      | 99971 1000                      | Washer, Spring           | 6    |                    |
| ✓ 6  | 1908 19 027                     | Cover, Under             | 1    |                    |
| ✓ 7  | 0454 19 028                     | Cover, Side              | 1    |                    |
| 8    | 99796 0610                      | Bolt, Under & Side Cover | 7    |                    |
| ✓ 9  | 1758 19 028                     | Cover, Top               | 1    |                    |
| 10   | 99796 0610                      | Bolt, Top Cover          | 1    |                    |
| 11   | 99796 0816                      | Bolt, Top Cover          | 2    |                    |
| ✓ 12 | 0338 19 100A                    | Converter, Torque        | 1    |                    |
| ✓ 13 | 1758 19 211A<br>● 1758 19 211 B | Housing, Converter       | 1    | 75/40 X. Ym. 4/75. |
| ✓ 14 | 1758 19 215                     | Gasket, Oil Pump         | 1    |                    |
| ✓ 15 | 0338 19 216                     | Bolt, Housing            | 6    |                    |
| ✓ 16 | 1758 19 220                     | Pump, Oil                | 1    |                    |
| ✓ 17 | 0338 19 223                     | Oil Seal                 | 1    |                    |

19

# AUTOMATIC T / MISSION MOTUA

(CONVERTER, OIL PUMP & PIPING) (USED FROM 7/4)

| No.    | Part Number  | Description          | Q'ty | Remarks         |
|--------|--------------|----------------------|------|-----------------|
| ✓ 18   | 1758 19 240  | Cover                | 1    |                 |
| ✓ 19   | 0338 19 245A | Ball                 | 2    |                 |
| ✓ 20   | 0338 19 256  | Ring, Seal           | 2    |                 |
| ✓ 21   | 0338 19 257  | Ring, Seal           | 2    |                 |
| ✓ 22   | 0338 19 258  | Seal, Lathe Cut Ring | 1    |                 |
| ✓ 23   | 0338 19 678  | Shaft, Input         | 1    |                 |
| 24     | 99796 1035   | Bolt, Housing        | 2    |                 |
|        | 99796 1040   | Bolt                 | 1    |                 |
|        | 99796 1045   | Bolt                 | 4    |                 |
| 25     | 99940 1001   | Nut, Housing         | 1    |                 |
| ✓ 26   | 0338 19 904A | Hose, Vacuum (Rr.)   | 1    |                 |
| ✓ 27   | 0808 19 910  | Pipe, Vacuum         | 1    |                 |
| ✓ 28   | 0842 19 915A | Clip, Vacuum Pipe    | 1    |                 |
| 29     | 99796 0610   | Bolt, Clip           | 3    |                 |
| ✓ 30   | 1053 19 920A | Pipe, Oil            | 1    |                 |
| ✓ 31   | 1053 19 930A | Pipe, Oil            | 1    |                 |
| ✓ 32   | 1129 19 933  | Hose, Oil            | 1    |                 |
| ✓ 33   | 1129 19 934  | Hose, Oil            | 1    |                 |
| ✓ 33-1 | 1758 19 940  | Bracket, Pipe        | 1    | 7/6 ~ Discarded |
| ✓ 34   | 1015 19 945A | Plate, Spacer        | 1    |                 |

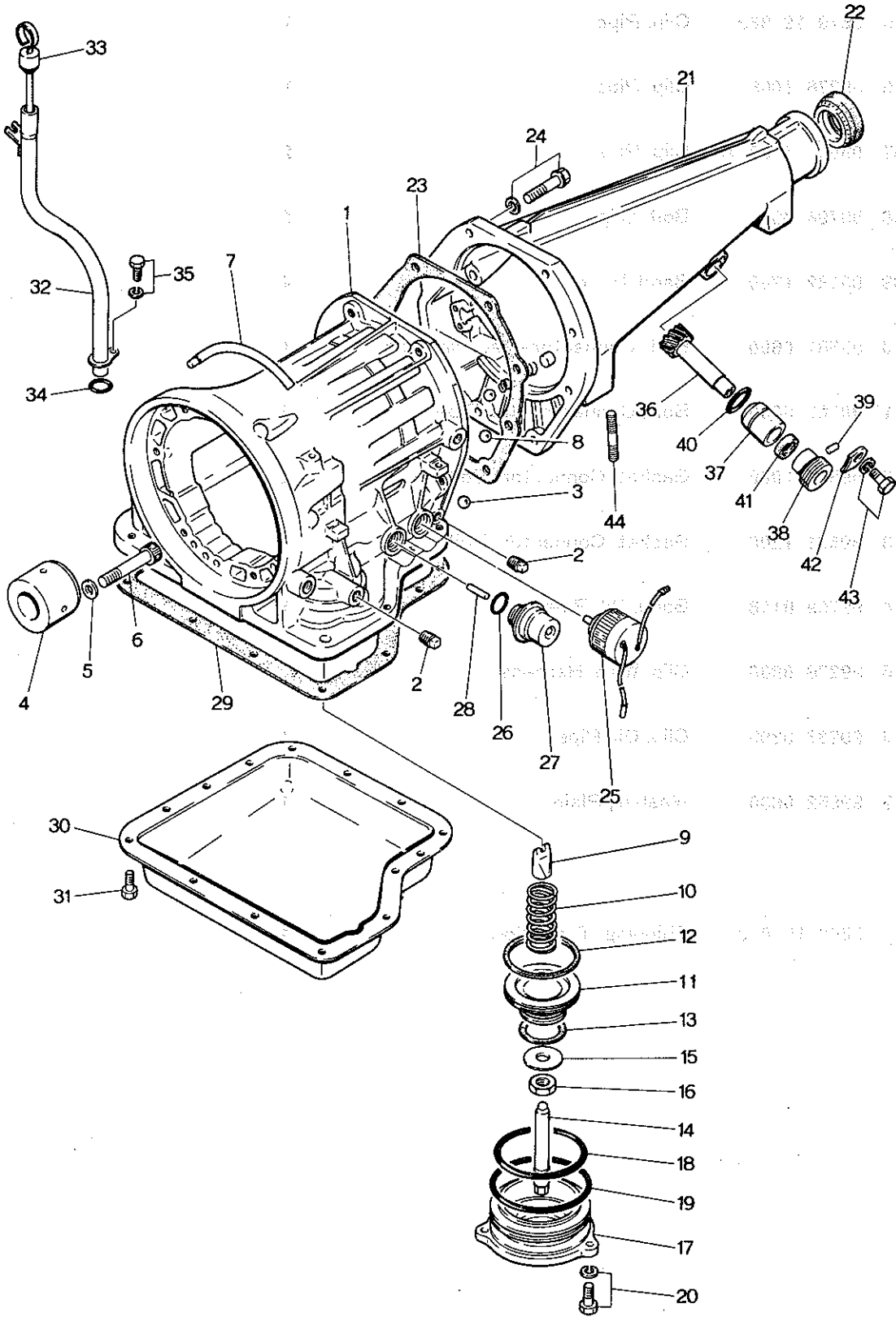
# AUTOMATIC T / MISSION

(CONVERTER, OIL PUMP & PIPING) (USED FROM 7<sup>3</sup>/<sub>4</sub>)

| No.    | Part Number  | Description                   | Q'ty | Remarks |
|--------|--------------|-------------------------------|------|---------|
| ✓ 35   | 2579 19 989  | Clip, Pipe                    | 1    |         |
| 36     | 99276 1006   | Clip, Pipe                    | 1    |         |
| 37     | 0866 45 903A | Clip, Pipe                    | 2    |         |
| 38     | 99796 0620   | Bolt, Clip                    | 2    |         |
| 39     | 99282 1700   | Band, Hose                    | 4    |         |
| 40     | 99381 0600   | Bolt, Connector - Vacuum Pipe | 1    |         |
| 41     | 99381 0800   | Bolt, Connector - Oil Pipe    | 2    |         |
| 42     | 99564 1000   | Gasket, Connector Bolt        | 2    |         |
| 43     | 99564 1200   | Gasket, Connector Bolt        | 4    |         |
| 44     | 99709 0108   | Band, Oil Pipe                | 1    |         |
| 45     | 99276 0806   | Clip, Wire Harness            | 1    |         |
| 46     | 99288 0808   | Clip, Oil Pipe                | 1    |         |
| 47     | 99952 0600   | Washer, Plain                 | 1    |         |
| ✓ 0808 | 19 090       | Shipping T/mission            | 1    |         |

# AUTOMATIC TRANSMISSION (CASE)

(USED UP TO 7 1/3)



# AUTOMATIC T/MISSION (CASE)

(USED UP TO  $\frac{7}{3}$ )

| No.             | Part Number  | Description           | Q'ty | Remarks                                   |
|-----------------|--------------|-----------------------|------|---|
| 1               | 0338 19 310  | Case, T/mission       | 1    |   |
| ✓ 2             | 0338 19 331  | Plug, Square Head     | 3    |   |
|                 | 0338 19 331A | Plug, Square Head     | 3    | Car No. 159711 $\frac{7}{11}$ ~ ○         |
| 3               | 0338 19 335  | Ball, Steel           | 3    |   |
| • ✓ 9961 11 750 |              | Ball, Steel           | 3    | $\frac{7}{11}$ ~ ○                        |
| 4               | 0338 19 336  | Race, Inner           | 1    |   |
| 5               | 0338 19 337  | Washer, Plain         | 8    |   |
| 6               | 0338 19 338  | Bolt                  | 8    |   |
| 7               | 0397 19 340  | Breather Ass'y, Air   | 1    |   |
| 8               | 99611 2000   | Ball, Steel           | 2    |   |
| 9               | 0338 19 361  | Strut, Band           | 1    |   |
| 10              | 0338 19 363  | Return Spring, Piston | 1    |   |
| 11              | 0338 19 381A | Piston, Band Servo    | 1    |   |
| 12              | 0338 19 384  | Seal, Piston          | 1    |   |
| 13              | 0338 19 385A | Seal, Piston          | 1    |   |
| 14              | 0338 19 386  | Stem, Piston          | 1    |   |
|                 | 0338 19 386A | Stem, Piston          | 1    | Car No. 133210 $\frac{7}{1}$ ~ X          |
| 15              | 0338 19 388  | Washer                | 1    |   |
|                 | 0338 19 388A | Washer                | 1    | Car No. 133210 $\frac{7}{1}$ ~ X          |
| 16              | 0338 19 389  | Nut, Band Adjust      | 1    |   |
| 17              | 0338 19 391A | Retainer, Servo       | 1    |   |
| 18              | 0338 19 393  | Seal, Lathe Cut Ring  | 1    |   |
| 19              | 0338 19 395  | Seal, "O" Ring        | 1    |   |
| 20              | 0338 19 397  | Bolt                  | 5    |   |
|                 | 0397 19 838  | Bolt                  | 3    | Car No. 143349 $\frac{7}{3}$ ~ Q'ty       |
|                 |              |                       | 2    | Car No. 143349 $\frac{7}{3}$ ~ Added Anew |
| 21              | 0338 19 710A | Housing, Extension    | 1    |   |
|                 | 1675 19 710  | Housing, Extension    | 1    | $\frac{7}{1}$ ~ X                         |
| ✓ 22            | 1840 19 710  | Housing, Extension    | 1    | $\frac{7}{2}$ ~ ○                         |
|                 | 0317 17 335  | Oil Seal              | 1    |   |



# AUTOMATIC T / MISSION (CASE)

(USED UP TO 7/3)

| No. | Part Number  | Description               | Q'ty               | Remarks              |
|-----|--------------|---------------------------|--------------------|----------------------|
| 23  | 0338 19 735  | Gasket, Extension         | 1                  |                      |
| 24  | 0338 19 737  | Bolt                      | 8                  |                      |
|     | 0338 19 739  | Washer, Plain             | 8                  |                      |
| 25  | 0338 19 821  | Solenoid, Down Shift      | 1                  |                      |
|     | 1675 19 821  | Solenoid, Down Shift      | 1                  | Car No. 150526 7/3~X |
| 26  | 0338 19 822  | Seal, "O" Ring            | 2                  |                      |
| 27  | 0338 19 823  | Diaphragm, Vacuum         | 1                  |                      |
| 28  | 0338 19 825  | Rod, Diaphragm (ℓ = 30.0) | Selective use<br>1 |                      |
|     | 0338 19 826  | Rod (ℓ = 31.0)            |                    |                      |
|     | 0338 19 827  | Rod (ℓ = 30.5)            |                    |                      |
|     | 0338 19 828  | Rod (ℓ = 29.0)            |                    |                      |
|     | 0338 19 829  | Rod (ℓ = 29.5)            |                    |                      |
| 29  | 0338 19 835  | Gasket, Oil Pan           | 1                  |                      |
|     | 0338 19 835A | Gasket, Oil Pan           | 1                  | 7/3~O                |
| 30  | 0338 19 836  | Pan, Oil                  | 1                  |                      |
| 31  | 0338 19 837  | Bolt                      | 14                 |                      |
| 32  | 2070 19 870  | Tube, Oil                 | 1                  |                      |
| 33  | 0338 19 880  | Gauge                     | 1                  |                      |
| 34  | 99541 01801  | Ring, "O"                 | 1                  |                      |
| 35  | 908062 6 14  | Bolt, Set                 | 1                  |                      |
| 36  | 0305 17 345  | Gear, Driven              | 1                  |                      |
|     | 0862 17 441  | Gear, Driven              | 1                  | Car No. 7/3~X        |
| 37  | 0187 17 346B | Sleeve                    | 1                  |                      |
|     | 0862 17 442  | Sleeve                    | 1                  | Car No. 7/3~X        |
| 38  | 0187 17 351A | Joint                     | 1                  |                      |
|     | 0862 17 351  | Joint                     | 1                  | Car No. 7/3~X        |
| 39  | 0187 17 352  | Pin, Dowel                | 1                  |                      |
| 40  | 99541 02101  | Ring, "O"                 | 1                  |                      |
|     | 99541 02211  | Ring, "O"                 | 1                  | Car No. 7/3~X        |
| 41  | 99586 10207  | Seal, Oil                 | 1                  |                      |
| 42  | 0111 17 354  | Plate, Lock               | 1                  |                      |
| 43  | 908062 6 14  | Bolt, Set - Lock Plate    | 1                  |                      |
| 44  | 99851 0814   | Stud, T/mission Support   | 2                  |                      |

AUTOMATIC TRANSMISSION

(CASE & MAIN CONTROL USED FROM 1974)



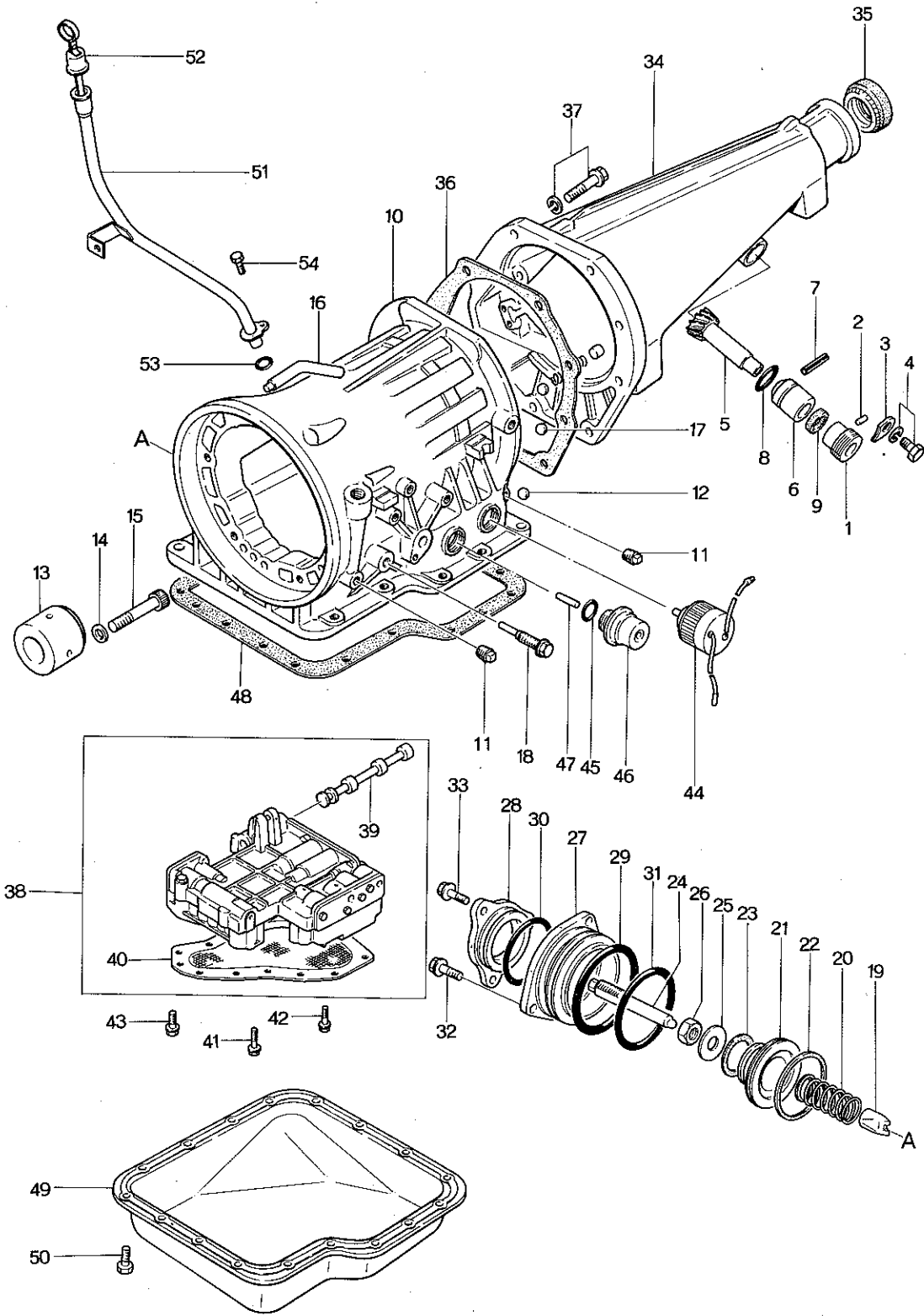
1974-1975

A 12

1974-1975

# AUTOMATIC T/MISSION

(CASE & MAIN CONTROL)(USED FROM 74/4)





# AUTOMATIC T / MISSION

(CASE & MAIN CONTROL) (USED FROM 74/4)

| No. | Part Number  | Description                     | Qty | Remarks |
|-----|--------------|---------------------------------|-----|---------|
| 1   | 0862 17 351  | Joint, Cable - Speedometer      | 1   |         |
| 2   | 0187 17 352  | Pin, Dowel - Driven Gear        | 1   |         |
| 3   | 0111 17 354  | Plate, Lock - Cable Joint       | 1   |         |
| 4   | 99806 0614   | Bolt, Lock Plate                | 1   |         |
|     | 99971 0600   | Washer, Spring                  | 1   |         |
| 5   | 0862 17 441  | Gear, Driven - Speedometer      | 1   |         |
| 6   | 0862 17 442  | Sleeve, Speedometer Driven Gear | 1   |         |
| 7   | 99222 0216   | Pin, Spring                     | 1   |         |
| 8   | 99541 02211  | Ring, "O" - Driven Gear         | 1   |         |
| 9   | 99586 10207  | Oil Seal, Driven Gear           | 1   |         |
| 10  | 1758 19 310  | Case, T/mission                 | 1   |         |
| 11  | 0338 19 331A | Plug, Square Head               | 3   |         |
| 12  | 99611 1750   | Ball, Steel                     | 3   |         |
| 13  | 0338 19 336  | Race, Inner                     | 1   |         |
| 14  | 0338 19 337  | Washer, Plain                   | 8   |         |
| 15  | 0338 19 338  | Bolt                            | 8   |         |
| 16  | 0378 19 344  | Breather, Air                   | 1   |         |
| 17  | 99611 2000   | Ball, Steel                     | 2   |         |

# AUTOMATIC T / MISSION

(CASE & MAIN CONTROL) (USED FROM 7/4)

| No. | Part Number  | Description             | Q'ty | Remarks |
|-----|--------------|-------------------------|------|---------|
| 18  | 1758 19 341  | Bolt, Anchor End        | 1    |         |
| 19  | 0338 19 361  | Strut, Band             | 1    |         |
| 20  | 0338 19 363  | Spring, Return - Piston | 1    |         |
| 21  | 0842 19 381  | Piston, Band Servo      | 1    |         |
| 22  | 0338 19 384  | Seal, Piston            | 1    |         |
| 23  | 0842 19 385  | Seal, Piston            | 1    |         |
| 24  | 1758 19 386  | Stem, Piston            | 1    |         |
| 25  | 0338 19 388A | Washer, Plain           | 1    |         |
| 26  | 0338 19 389  | Nut, Band Adjust        | 1    |         |
| 27  | 1758 19 391  | Retainer, Servo         | 1    |         |
| 28  | 1758 19 392  | Cover, Servo            | 1    |         |
| 29  | 0842 19 394  | Seal, Lathe Cut Ring    | 1    |         |
| 30  | 1758 19 394  | Ring, "O"               | 1    |         |
| 31  | 0338 19 395  | Seal, "O" Ring          | 1    |         |
| 32  | 0338 19 397  | Bolt                    | 3    |         |
| 33  | 1758 19 397  | Bolt, Servo             | 3    |         |
| 34  | 1840 19 710  | Housing, Extension      | 1    |         |
| 35  | 0376 17 335  | Oil Seal                | 1    |         |

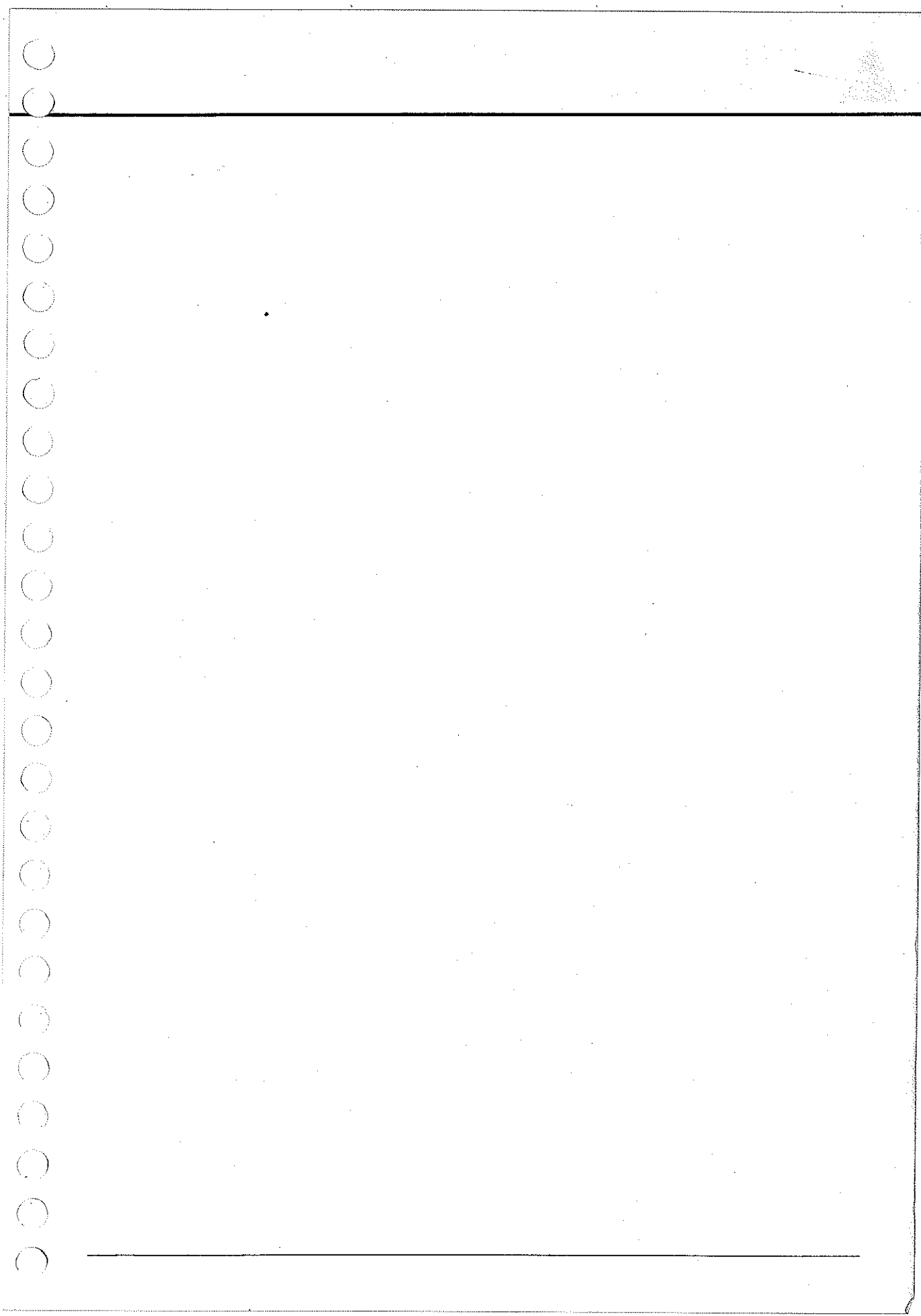
# AUTOMATIC T / MISSION

(CASE & MAIN CONTROL) (USED FROM 74 $\frac{1}{4}$ )

**19**

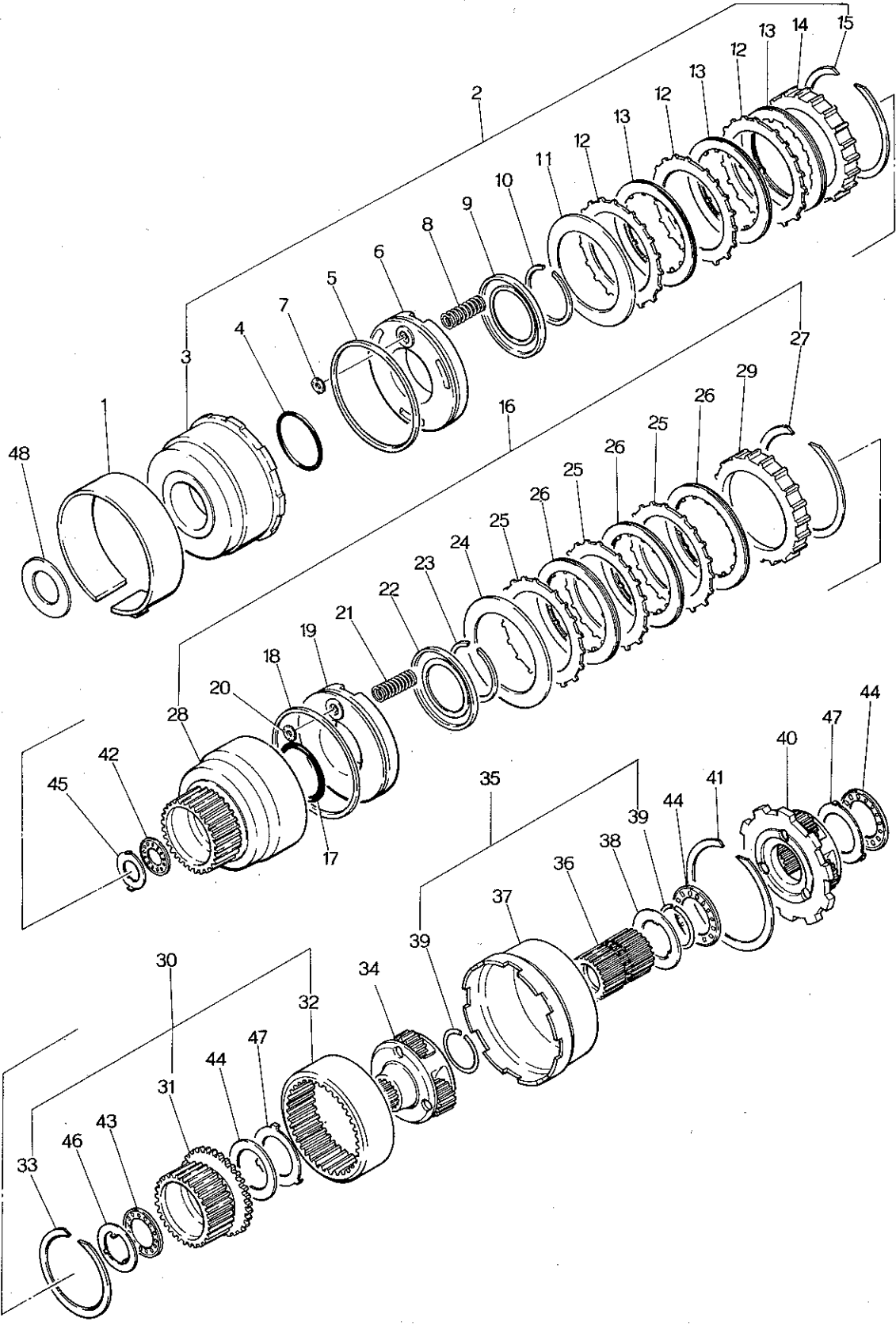
| No. | Part Number | Description                      | Q'ty            | Remarks |
|-----|-------------|----------------------------------|-----------------|---------|
| 36  | 0338 19 735 | Gasket, Extension Housing        | 1               |         |
| 37  | 0338 19 737 | Bolt, Extension Housing          | 8               |         |
|     | 0338 19 739 | Washer, Plain                    | 8               |         |
| 38  | 1758 19 750 | Valve, Control                   | 1               |         |
| 39  | 0338 19 768 | Valve, Manual                    | 1               |         |
| 40  | 1758 19 815 | Strainer, Oil                    | 1               |         |
| 41  | 0338 19 831 | Bolt, Control Valve              | 3               |         |
| 42  | 0338 19 832 | Bolt, Control Valve              | 2               |         |
| 43  | 0338 19 833 | Bolt, Control Valve              | 2               |         |
| 44  | 1675 19 821 | Solenoid, Down Shift             | 1               |         |
| 45  | 0338 19 822 | Seal, "O" Ring                   | 2               |         |
| 46  | 1758 19 823 | Diaphragm, Vacuum                | 1               |         |
| 47  | 0338 19 825 | Rod, Diaphragm ( $\ell = 30.0$ ) | } Selective use |         |
|     | 0338 19 826 | Rod ( $\ell = 31.0$ )            |                 |         |
|     | 0338 19 827 | Rod ( $\ell = 30.5$ )            |                 |         |
|     | 0338 19 828 | Rod ( $\ell = 29.0$ )            |                 |         |
|     | 0338 19 829 | Rod ( $\ell = 29.5$ )            |                 |         |





# AUTOMATIC T/MISSION

(CLUTCH & PLANETARY GEAR)



# AUTOMATIC T / MISSION (CLUTCH & PLANETARY GEAR)



| No. | Part Number | Description           | Q'ty            | Remarks |
|-----|-------------|-----------------------|-----------------|---------|
| 1   | 0338 19 360 | Band, Brake           | 1               |         |
| 2   | 0338 19 460 | Clutch, Front         | 1               |         |
| 3   | 0338 19 470 | Drum, Clutch          | 1               |         |
| 4   | 0338 19 475 | Seal, "O" Ring        | 1               |         |
| 5   | 0338 19 476 | Seal, Lathe Cut       | 1               |         |
| 6   | 0338 19 480 | Piston, Clutch        | 1               |         |
| 7   | 0338 19 493 | Retainer, Ball        | 1               |         |
| 8   | 0338 19 486 | Spring, Piston Return | 10              |         |
| 9   | 0338 19 487 | Retainer, Spring      | 1               |         |
| 10  | 0338 19 488 | Ring, Snap            | 1               |         |
| 11  | 0338 19 498 | Plate, Dished         | 1               |         |
| 12  | 0338 19 499 | Plate, Driven         | 3               |         |
| 13  | 0338 19 500 | Plate, Drive          | 3               |         |
| 14  | 0338 19 503 | Plate, Retaining      | } Selective use | 1       |
|     | 0338 19 504 | Plate, Retaining      |                 |         |
|     | 0338 19 505 | Plate, Retaining      |                 |         |
|     | 0338 19 506 | Plate, Retaining      |                 |         |
|     | 0338 19 507 | Plate, Retaining      |                 |         |
|     | 0338 19 508 | Plate, Retaining      |                 |         |
| 15  | 0338 19 509 | Ring, Snap            | 1               |         |
| 16  | 0338 19 510 | Clutch, Rear          | 1               |         |
| 17  | 0338 19 475 | Seal, "O" Ring        | 1               |         |

**19****AUTOMATIC T / MISSION  
(CLUTCH & PLANETARY GEAR)**

| No. | Part Number | Description           | Q'ty | Remarks |
|-----|-------------|-----------------------|------|---------|
| 18  | 0338 19 476 | Seal, Lathe Cut       | 1    |         |
| 19  | 0338 19 480 | Piston, Clutch        | 1    |         |
| 20  | 0338 19 493 | Retainer, Ball        | 1    |         |
| 21  | 0338 19 486 | Spring, Piston Return | 10   |         |
| 22  | 0338 19 487 | Retainer, Spring      | 1    |         |
| 23  | 0338 19 488 | Ring, Snap            | 1    |         |
| 24  | 0338 19 498 | Plate, Dished         | 1    |         |
| 25  | 0338 19 499 | Plate, Driven         | 4    |         |
| 26  | 0338 19 500 | Plate, Drive          | 4    |         |
| 27  | 0338 19 509 | Ring, Snap            | 1    |         |
| 28  | 0338 19 511 | Drum, Rear Clutch     | 1    |         |
| 29  | 0338 19 515 | Plate, Retaining      | 1    |         |
| 30  | 0338 19 530 | Hub, Rear Clutch      | 1    |         |
| 31  | 0338 19 531 | Hub, Rear Clutch      | 1    |         |
| 32  | 0338 19 533 | Gear, Internal        | 1    |         |
| 33  | 0338 19 534 | Ring, Snap            | 1    |         |
| 34  | 0338 19 540 | Carrier, Front        | 1    |         |
| 35  | 0338 19 550 | Shell, Sun Gear       | 1    |         |
| 36  | 0338 19 560 | Gear, Sun             | 1    |         |
| 37  | 0338 19 565 | Shell, Connecting     | 1    |         |



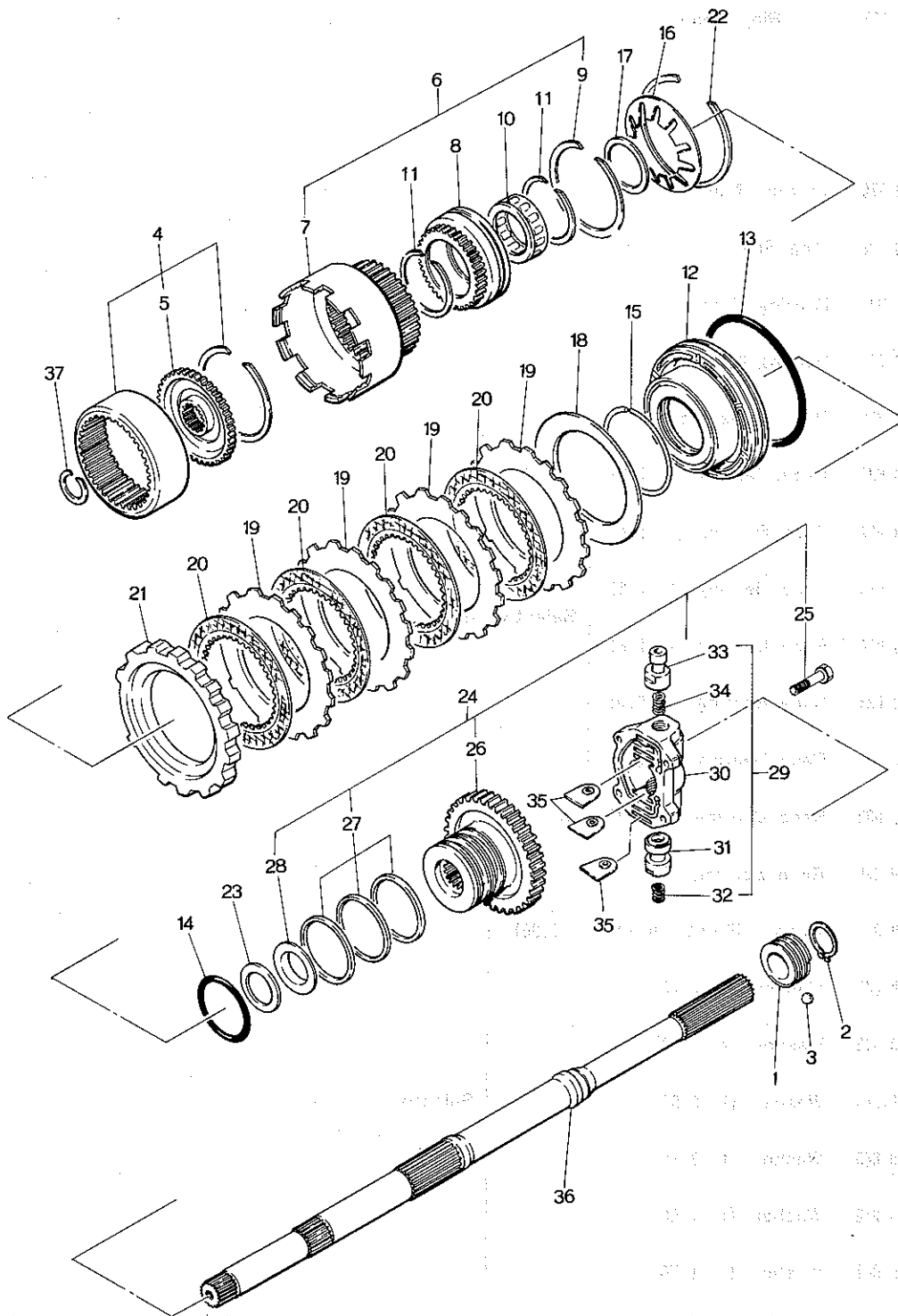
# AUTOMATIC T / MISSION (CLUTCH & PLANETARY GEAR)

**19**

| No. | Part Number | Description                   | Q'ty          | Remarks        |
|-----|-------------|-------------------------------|---------------|----------------|
| 38  | 0338 19 566 | Race, Bearing Seal            | 1             |                |
| 39  | 0338 19 567 | Ring, Snap                    | 2             |                |
| 40  | 0338 19 570 | Carrier, Rear                 | 1             |                |
| 41  | 0338 19 598 | Ring, Snap                    | 1             |                |
| 42  | 0338 19 621 | Bearing, Needle               | 1             |                |
| 43  | 0338 19 622 | Beering, Needle               | 1             |                |
| 44  | 0338 19 623 | Beering, Needle               | 3             |                |
| 45  | 0338 19 631 | Race, Bearing (t=1.2)         | Selective use | 1              |
|     | 0338 19 632 | Race, Bearing (t=1.4)         |               |                |
|     | 0338 19 633 | Race, Bearing (t=1.6)         |               |                |
|     | 0338 19 634 | Race, Bearing (t=1.8)         |               |                |
|     | 0338 19 635 | Race, Bearing (t=2.0)         |               |                |
|     | 0338 19 636 | Race, Bearing (t=2.2)         |               |                |
| 46  | 0338 19 638 | Race, Bearing Rear Clutch     | 1             |                |
| 47  | 0338 19 639 | Race, Bearing                 | 2             |                |
| 48  | 0338 19 641 | Washer, Front Clutch (t=1.90) | Selective use | 1              |
|     | 0338 19 642 | Washer (t=2.10)               |               |                |
|     | 0338 19 643 | Washer (t=2.30)               |               |                |
|     | 0338 19 644 | Washer (t=2.50)               |               |                |
|     | 0338 19 645 | Washer (t=2.70)               |               |                |
|     | 0338 19 646 | Washer (t=1.50)               |               |                |
|     | 0338 19 647 | Washer (t=1.70)               |               |                |
| 49  | 0338 19 624 | Bearing, Needle               | 1             | From Car No. 1 |

# AUTOMATIC T/MISSION

(LOW, REVERSE & GOVERNOR)



# AUTOMATIC T/MISSION

(LOW, REVERSE & GOVERNOR)

**19**

| No. | Part Number | Description               | Qty | Remarks                         |
|-----|-------------|---------------------------|-----|---------------------------------|
| 1   | 0305 17 341 | Gear, Drive - Speedometer | 1   |                                 |
| ✓ ● | 0862 17 341 | Gear, Drive - Speedometer | 1   | Car No. 162203 <del>1</del> ~ X |
| 2   | 99573 2500  | Ring, Snap - Drive Gear   | 1   |                                 |
| 3   | 99611 1500  | Ball, Steel               | 1   |                                 |
| 4   | 0338 19 580 | Flange                    | 1   |                                 |
| 5   | 0338 19 581 | Flange, Drive             | 1   |                                 |
| 6   | 0338 19 590 | Drum, Connecting          | 1   |                                 |
| 7   | 0338 19 591 | Drum, Connecting          | 1   |                                 |
| 8   | 0338 19 593 | Race, Outer               | 1   |                                 |
| 9   | 0338 19 594 | Ring, Snap                | 1   |                                 |
| 10  | 0338 19 595 | Clutch, One Way           | 1   |                                 |
| 11  | 0338 19 596 | Ring, Snap                | 2   |                                 |
| 12  | 0338 19 601 | Piston, Low & Reverse     | 1   |                                 |
| 13  | 0338 19 603 | Seal, Piston              | 1   |                                 |
| 14  | 0338 19 604 | Seal, "O" Ring            | 1   |                                 |
| 15  | 0338 19 605 | Ring, Thrust Spring       | 1   |                                 |
| 16  | 0338 19 606 | Spring, Piston            | 1   |                                 |
| 17  | 0338 19 607 | Ring, Snap                | 1   |                                 |

# AUTOMATIC T / MISSION

(LOW REVERSE & GOVERNOR)

| No. | Part Number    | Description                       | Q'ty | Remarks                          |
|-----|----------------|-----------------------------------|------|----------------------------------|
| 18  | 0338 19 608    | Plate, Dished                     | 1    |                                  |
| 19  | 0338 19 609    | Plate, Driven                     | 4    |                                  |
| 20  | 0338 19 610    | Plate, Driven                     | 4    |                                  |
| 21  | 0378 19 613    | Plate, Retaining (t=15.8)         |      |                                  |
| ✓ ● | 0338 19 613A   | Plate (t=15.8)                    |      |                                  |
|     | 0378 19 614    | Plate (t=16.0)                    |      |                                  |
| / ● | 0338 19 614A   | Plate (t=16.0)                    |      |                                  |
|     | 0378 19 615    | Plate (t=16.2)                    |      |                                  |
| ✓ ● | 0338 19 615A   | Plate (t=16.2)                    | 1    |                                  |
|     | 0378 19 616    | Plate (t=16.4)                    |      |                                  |
| ✓ ● | 0338 19 616A   | Plate (t=16.4)                    | 1    | Selective use 1 $\frac{3}{4}$ ~X |
|     | 0378 19 617    | Plate (t=16.6)                    |      |                                  |
| ✓ ● | 0338 19 617A   | Plate (t=16.6)                    |      |                                  |
|     | 0378 19 618    | Plate (t=16.8)                    |      |                                  |
| ✓ ● | 0338 19 618A   | Plate (t=16.8)                    |      |                                  |
| ✓ ● | 22 0338 19 619 | Ring, Snap                        | 1    |                                  |
|     | 23 0338 19 622 | Bearing, Needle                   | 1    |                                  |
|     | 24 0842 19 650 | Distributor, Oil                  | 1    |                                  |
|     | 25 0338 19 397 | Bolt                              | 4    |                                  |
|     | 26 0338 19 651 | Distributor                       | 1    |                                  |
|     | 27 0338 19 655 | Ring, Seal                        | 3    |                                  |
|     | 28 0338 19 656 | Race, Bearing                     | 1    |                                  |
|     | 29 0842 19 660 | Governor, Fig. No. 30~33 included | 1    |                                  |
|     | 30 0338 19 661 | Body                              | 1    |                                  |
|     | 31 0338 19 663 | Valve                             | 1    |                                  |

# AUTOMATIC T/MISSION

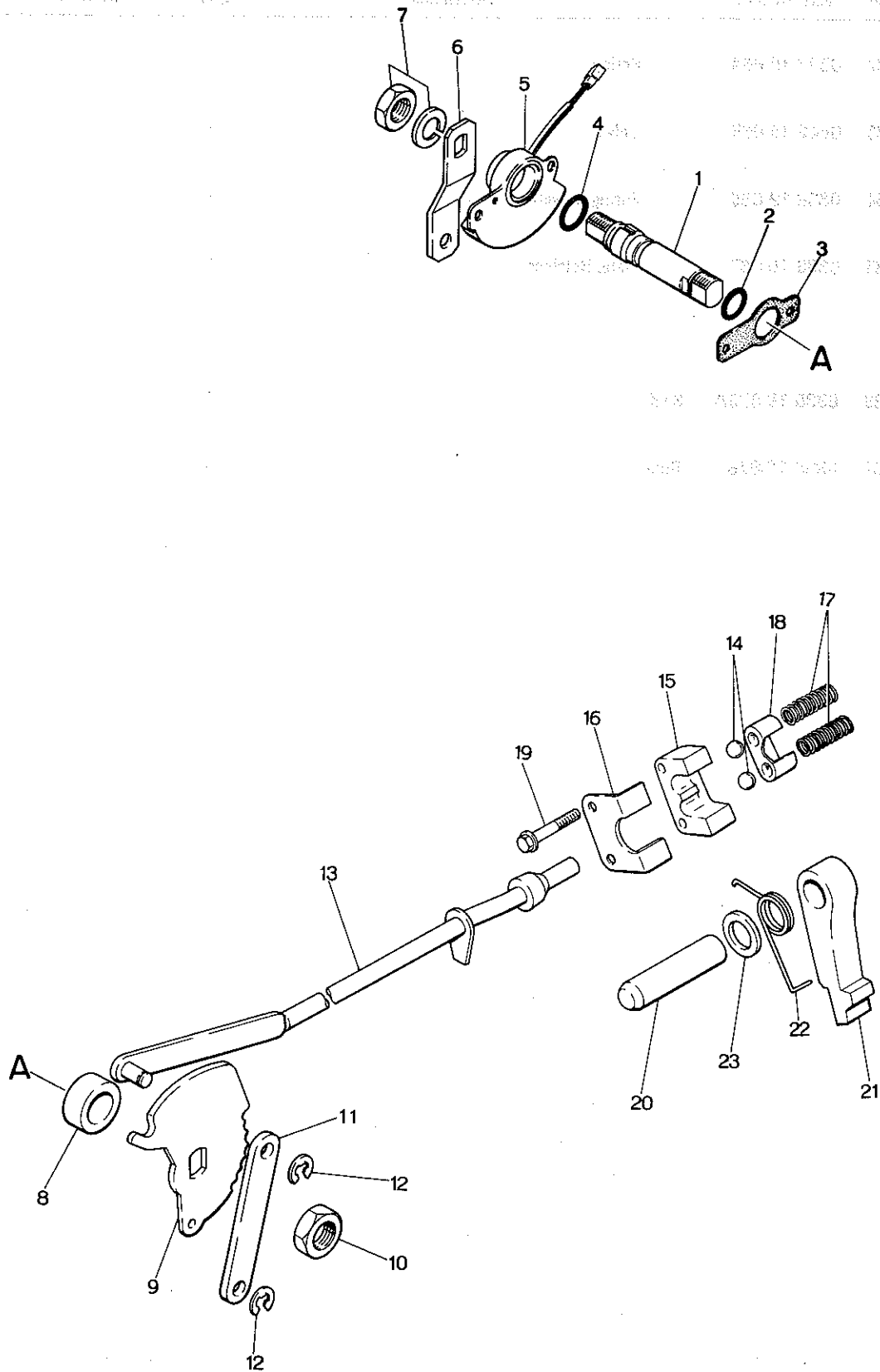
(LOW, REVERSE & GOVERNOR)

19

| No. | Part Number  | Description      | Q'ty | Remarks |
|-----|--------------|------------------|------|---------|
| 32  | 0338 19 664  | Spring           | 1    |         |
| 33  | 0842 19 665  | Valve            | 1    |         |
| 34  | 0338 19 666  | Spring, Governor | 1    |         |
| 35  | 0338 19 667  | Plate, Retainer  | 3    |         |
| 36  | 0338 19 670A | Shaft            | 1    |         |
| 37  | 0338 19 676  | Ring             | 1    |         |

# AUTOMATIC T/MISSION

(MANUAL LINKAGE) (USED UP TO 74<sup>3</sup>/<sub>8</sub>)



# AUTOMATIC T / MISSION

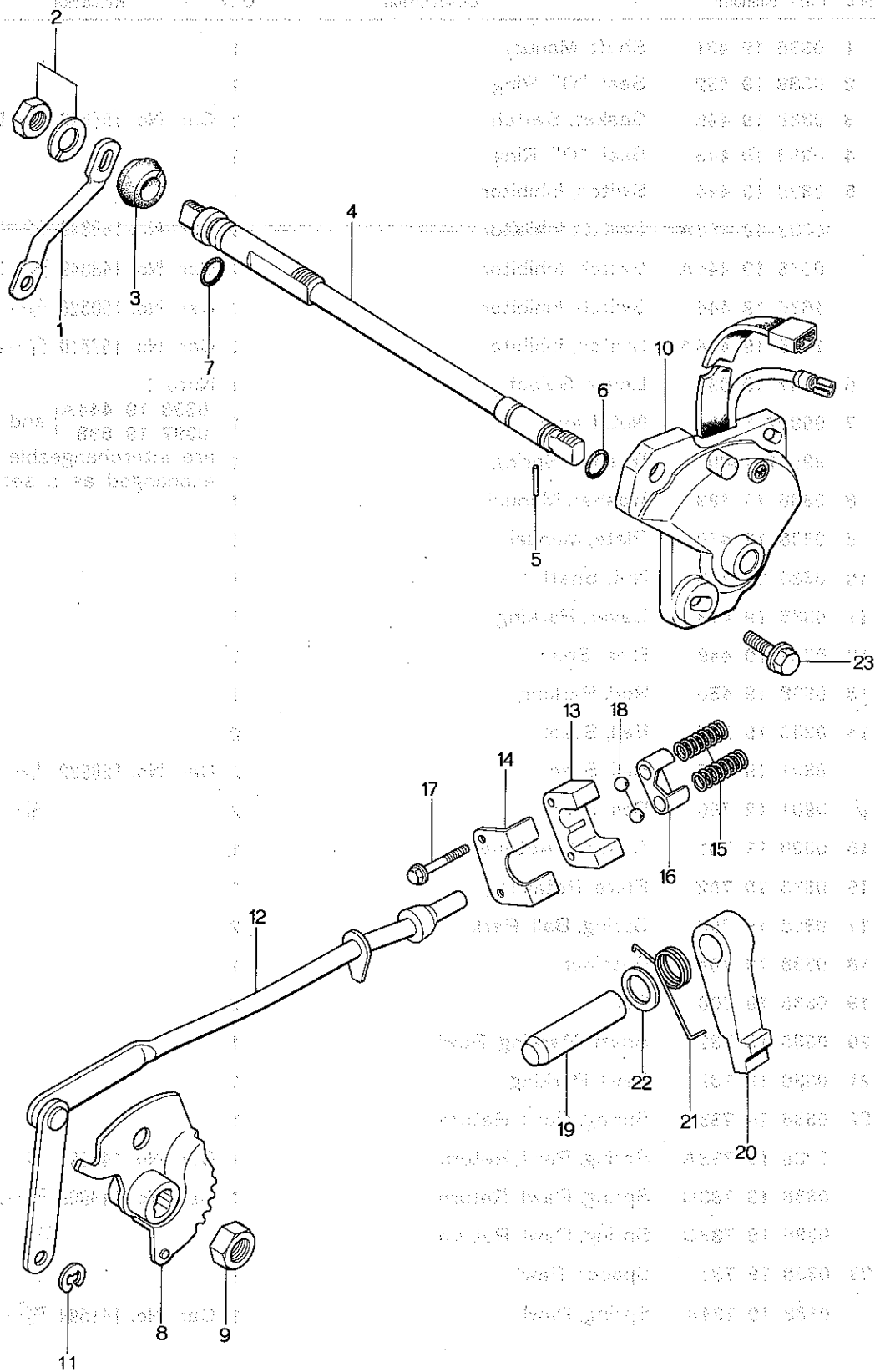
(MANUAL LINKAGE) (USED UP TO  $\frac{7}{3}$ )

19

| No. | Part Number             | Description                  | Q'ty         | Remarks   |
|-----|-------------------------|------------------------------|--------------|---|
| 1   | 0338 19 431             | Shaft, Manual                | 1            |   |
| 2   | 0338 19 432             | Seal, "O" Ring               | 1            |   |
| 3   | 0338 19 445             | Gasket, Switch               | 1            | Car No. 155593 $\frac{7}{10}$ ~ Discarded             |
| 4   | 0338 19 446             | Seal, "O" Ring               | 1            |   |
| 5   | 0338 19 444             | Switch, Inhibitor            | 1            |   |
|     | <del>0338 19 444A</del> | <del>Switch, Inhibitor</del> | <del>1</del> | <del>Car No. 143349 <math>\frac{7}{3}</math>~ X</del> |
|     | 0338 19 444A            | Switch, Inhibitor            | 1            | Car No. 143349 $\frac{7}{3}$ ~ X                      |
|     | 1675 19 444             | Switch, Inhibitor            | 1            | Car No. 150526 $\frac{7}{8}$ ~ $\Delta$               |
|     | 1675 19 444A            | Switch, Inhibitor            | 1            | Car No. 157510 $\frac{7}{10}$ ~ $\Delta$              |
| 6   | 0842 19 031             | Lever, Select                | 1            | Noto :  |
| 7   | 99922 1400              | Nut, Lever                   | 1            | 0338 19 444A } and (0338 19 44<br>0397 19 838 }       |
|     | 99971 1400              | Washer, Spring               | 1            |   |
| 8   | 0338 19 433             | Washer, Manual               | 1            |   |
| 9   | 0338 19 440             | Plate, Manual                | 1            |   |
| 10  | 0338 19 443             | Nut, Shaft                   | 1            |   |
| 11  | 0338 19 448             | Lever, Parking               | 1            |   |
| 12  | 0338 19 449             | Ring, Snap                   | 1            |   |
| 13  | 0338 19 450             | Rod, Parking                 | 1            |   |
| 14  | 0338 19 245             | Ball, Steel                  | 2            |   |
|     | 0397 19 705             | Ball, Steel                  | 2            | Car No. 128982 $\frac{7}{12}$ ~ $\bigcirc$            |
| ● ✓ | 9961 12 750             | Ball, Steel                  | 2            | $\frac{7}{11}$ ~ $\bigcirc$                           |
| 15  | 0338 19 701             | Support, Actuator            | 1            |   |
| 16  | 0338 19 702             | Plate, Retaining             | 1            |   |
| 17  | 0338 19 703             | Spring, Ball Park            | 2            |   |
| 18  | 0338 19 704             | Retainer                     | 1            |   |
| 19  | 0338 19 706             | Bolt                         | 2            |   |
| 20  | 0338 19 731             | Shaft, Parking Pawl          | 1            |   |
| 21  | 0338 19 732             | Pawl, Parking                | 1            |   |
| 22  | 0338 19 733             | Spring, Pawl Return          | 1            |   |
|     | 0338 19 733A            | Spring, Pawl Return          | 1            | Car No. 141594 $\frac{7}{2}$ ~ $\Delta$               |
| ● ✓ | 0338 19 733B            | Spring, Pawl Return          | 1            | Car No. 143809 $\frac{7}{4}$ ~ $\Delta$               |
| ● ✓ | 0338 19 733C            | Spring, Pawl Return          | 1            | $\frac{7}{8}$ ~ $\bigcirc$                            |
| 23  | 0338 19 734             | Spacer, Pawl                 | 1            |   |
|     | 0338 19 734A            | Spring, Pawl                 | 1            | Car No. 141594 $\frac{7}{2}$ ~ $\Delta$               |

# AUTOMATIC T/MISSION

(MANUAL LINKAGE) (USED FROM 7/4)





# AUTOMATIC T/MISSION

(MANUAL LINKAGE) (USED FROM 7/4)



| No. | Part Number | Description                | Q'ty | Remarks |
|-----|-------------|----------------------------|------|---------|
| 1   | 1015 19 031 | Lever, Select              | 1    |         |
| 2   | 99922 1400  | Nut, Select Lever          | 1    |         |
|     | 99971 1400  | Washer, Spring             | 1    |         |
| 3   | 1758 19 036 | Seal, Dust                 | 1    |         |
| 4   | 1758 19 431 | Shaft, Manual              | 1    |         |
| 5   | 1758 19 434 | Pin, Manual Shaft          | 1    |         |
| 6   | 99541 00901 | Ring, "O" - Manual Shaft   | 1    |         |
| 7   | 99541 01201 | Ring, "O"                  | 1    |         |
| 8   | 1758 19 440 | Plate, Manual              | 1    |         |
| 9   | 1758 19 443 | Nut, Manual Shaft          | 1    |         |
| 10  | 1758 19 444 | Switch, Inhibitor          | 1    |         |
| 11  | 0338 19 449 | Ring, Snap                 | 2    |         |
| 12  | 1758 19 450 | Rod, Parking               | 1    |         |
| 13  | 0338 19 701 | Support, Actuator          | 1    |         |
| 14  | 0338 19 702 | Plate, Retaining           | 1    |         |
| 15  | 0338 19 703 | Spring, Ball Park          | 2    |         |
| 16  | 0338 19 704 | Retainer, Actuator Support | 1    |         |
| 17  | 0338 19 706 | Bolt, Actuator Support     | 2    |         |
| 18  | 99611 2750  | Ball, Steel                | 2    |         |
| 19  | 0338 19 731 | Shaft, Parking Pawl        | 1    |         |

19

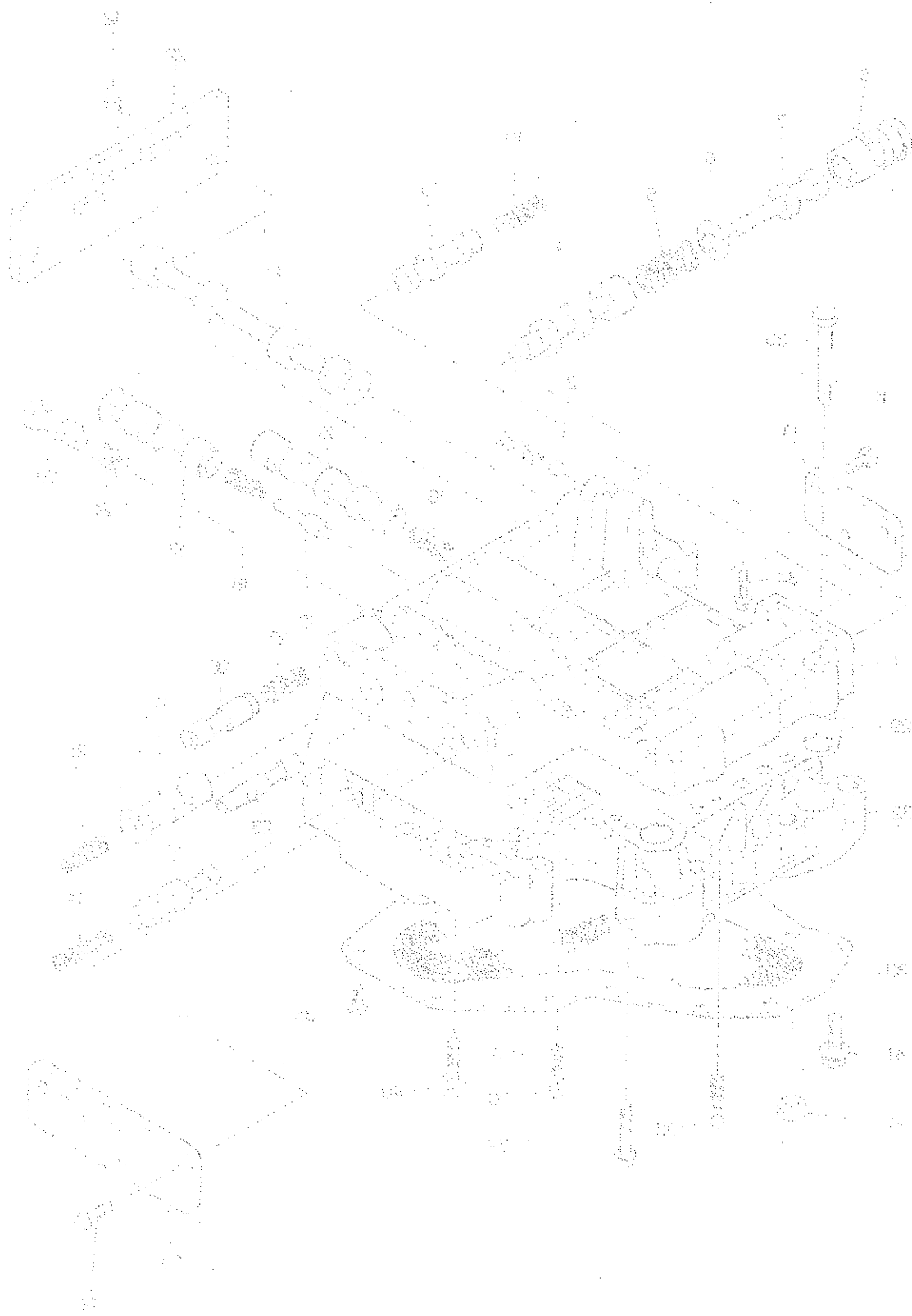
# AUTOMATIC T / MISSION

(MANUAL LINKAGE) (USED FROM 7/4)

| No. | Part Number   | Description            | Q'ty | Remarks |
|-----|---------------|------------------------|------|---------|
| 20  | 0338 19 732   | Pawl, Parking          | 1    |         |
| 21  | 0338 19 733 C | Spring, Pawl Return    | 1    |         |
| 22  | 0338 19 734 A | Spacer, Dowel          | 1    |         |
| 23  | 0397 19 838   | Bolt, Inhibitor Switch | 3    |         |

# MOISEIN(T OTAMOTUA

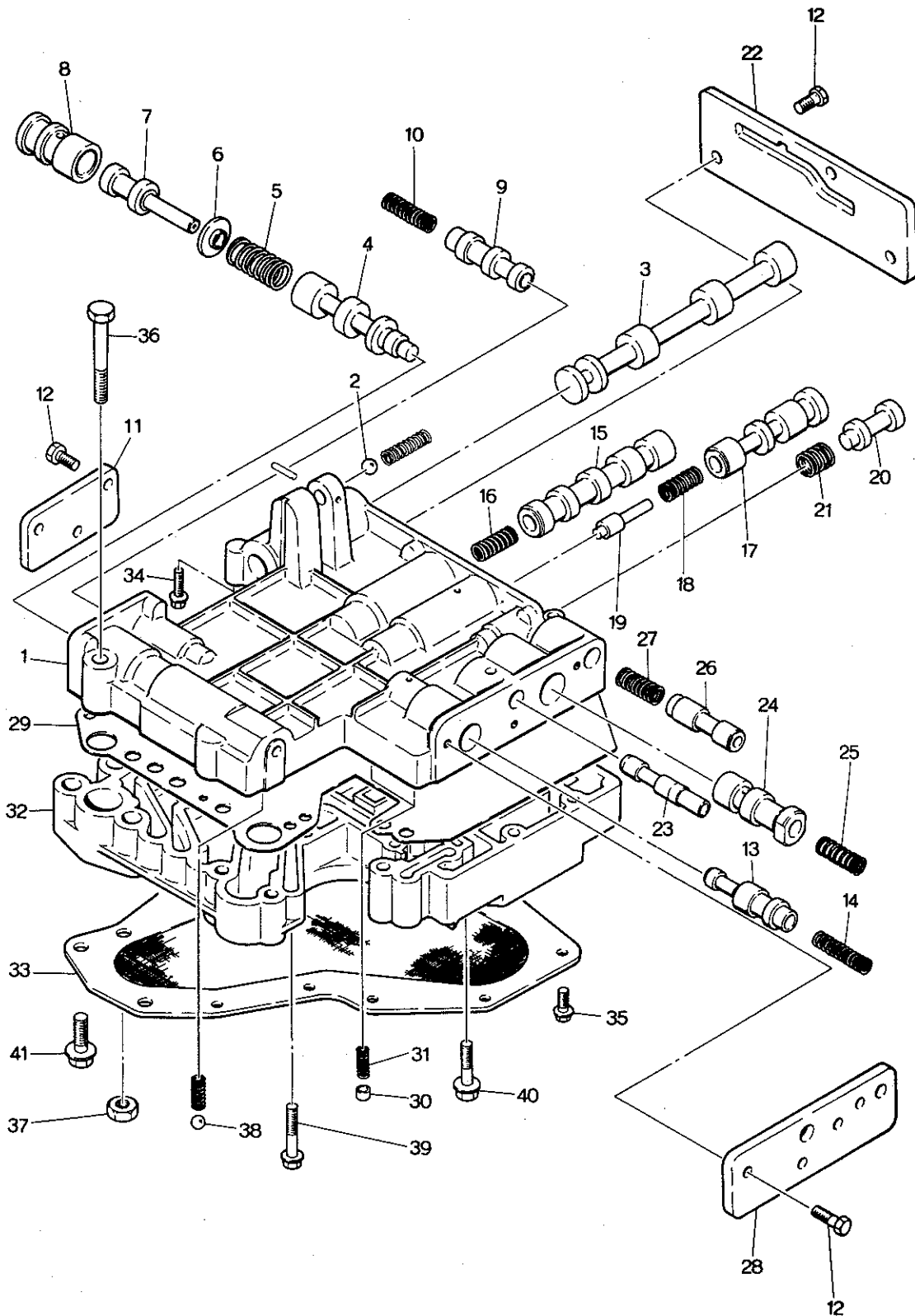
(N' 87 90 8811)(JOSTHOC NIAN)



MARK LINE 40 & 50mm & 60mm & 70mm & 80mm & 90mm & 100mm & 110mm & 120mm & 130mm & 140mm & 150mm & 160mm & 170mm & 180mm & 190mm & 200mm & 210mm & 220mm & 230mm & 240mm & 250mm & 260mm & 270mm & 280mm & 290mm & 300mm & 310mm & 320mm & 330mm & 340mm & 350mm & 360mm & 370mm & 380mm & 390mm & 400mm & 410mm & 420mm & 430mm & 440mm & 450mm & 460mm & 470mm & 480mm & 490mm & 500mm & 510mm & 520mm & 530mm & 540mm & 550mm & 560mm & 570mm & 580mm & 590mm & 600mm & 610mm & 620mm & 630mm & 640mm & 650mm & 660mm & 670mm & 680mm & 690mm & 700mm & 710mm & 720mm & 730mm & 740mm & 750mm & 760mm & 770mm & 780mm & 790mm & 800mm & 810mm & 820mm & 830mm & 840mm & 850mm & 860mm & 870mm & 880mm & 890mm & 900mm & 910mm & 920mm & 930mm & 940mm & 950mm & 960mm & 970mm & 980mm & 990mm & 1000mm

# AUTOMATIC T/MISSION

(MAIN CONTROL) (USED UP TO  $\frac{74}{3}$ )



# AUTOMATIC TRANSMISSION

(MAIN CONTROL) (USED UP TO 7/31/68)

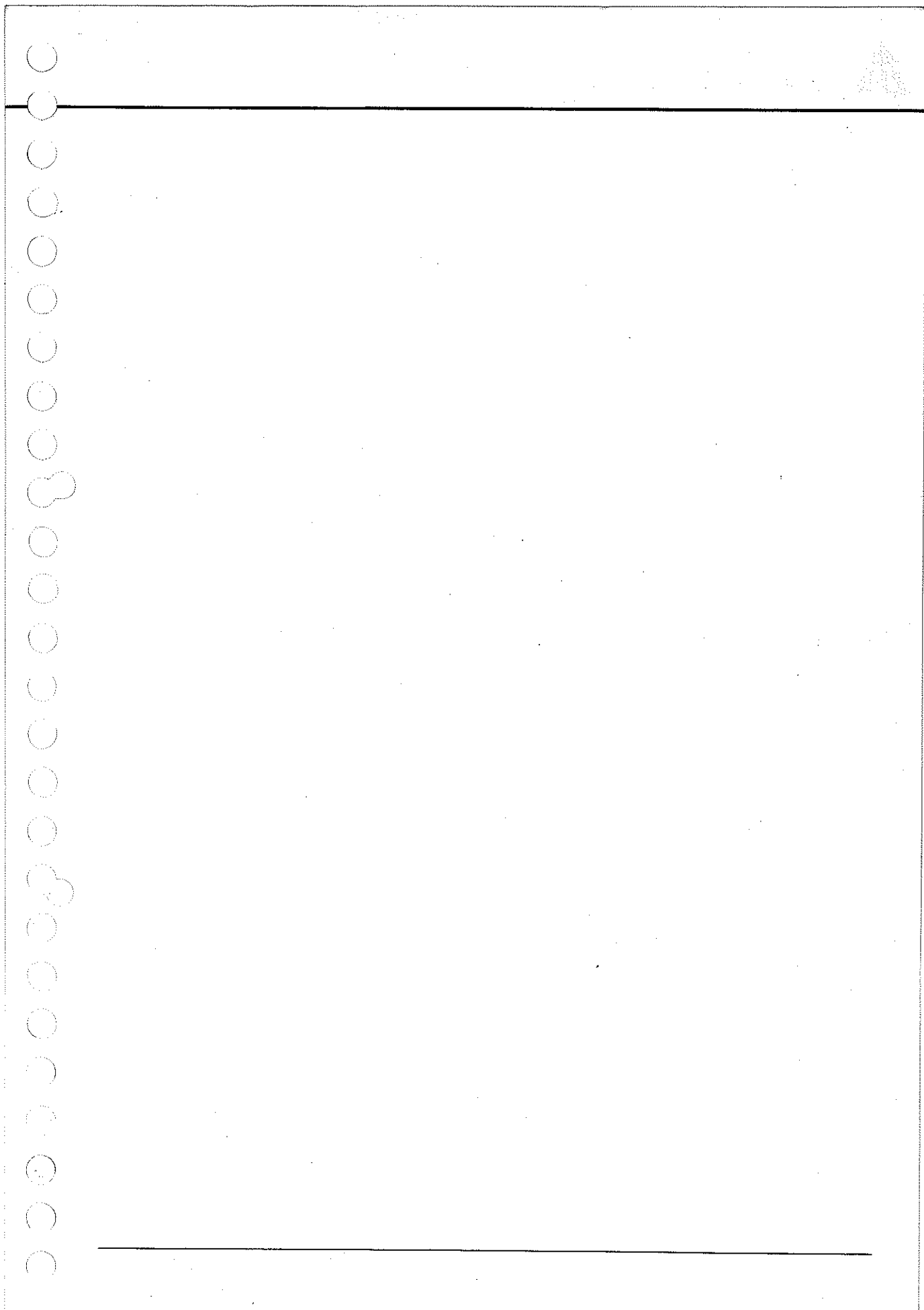
19

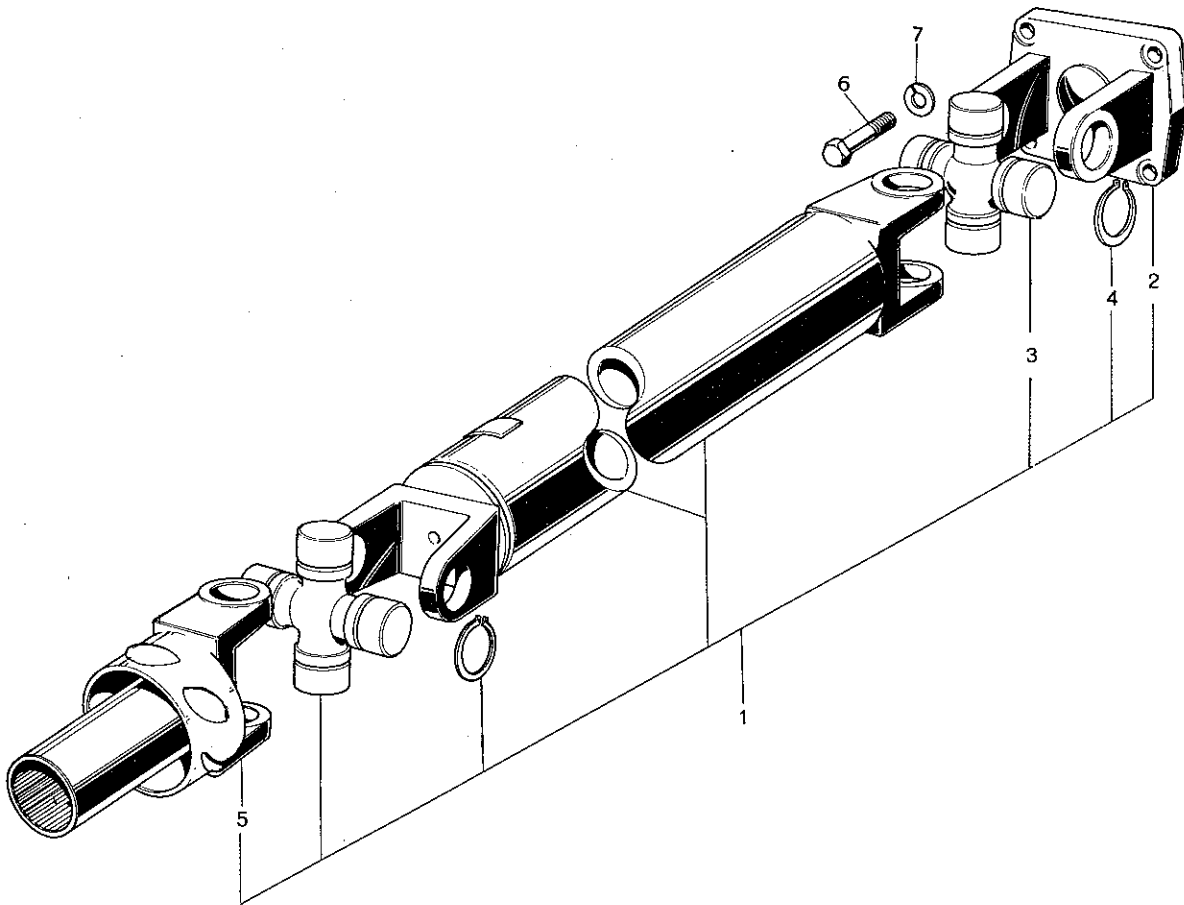
| No. | Part Number | Description                | Q'ty | Remarks                        |
|-----|-------------|----------------------------|------|--------------------------------|
|     | 0397 19 750 | Valve, Control             | 1    |                                |
| 1   | 0338 19 760 | Body                       | 1    | Order Under No.<br>0397 19 750 |
| 2   | 98611 2500  | Ball, Steel                | 1    |                                |
| 3   | 0338 19 768 | Valve, Manual              | 1    |                                |
| 4   | 0338 19 771 | Valve, Regulator Pressure  | 1    |                                |
| 5   | 0338 19 772 | Spring, Regulator Pressure | 1    |                                |
| 6   | 0338 19 773 | Seat, Spring               | 1    |                                |
| 7   | 0397 19 774 | Plug, Regulator Pressure   | 1    |                                |
| 8   | 0397 19 775 | Sleeve, Plug               | 1    |                                |
| 9   | 0338 19 777 | Valve, Second Lock         | 1    |                                |
| 10  | 0338 19 778 | Spring, Second Lock        | 1    |                                |
| 11  | 0338 19 781 | Plate, Side "D"            | 1    |                                |
| 12  | 0338 19 782 | Screw                      | 9    |                                |
| 13  | 0338 19 783 | Valve, 2 ~ 3 Timing        | 1    |                                |
| 14  | 0338 19 784 | Spring                     | 1    |                                |
| 15  | 0338 19 785 | Valve, 1 ~ 2 Shift         | 1    |                                |
| 16  | 0338 19 786 | Spring                     | 1    |                                |
| 17  | 0338 19 787 | Valve, 2 ~ 3 Shift         | 1    |                                |
| 18  | 0338 19 788 | Spring                     | 1    |                                |
| 19  | 0338 19 789 | Plug, 2 ~ 3 Shift          | 1    |                                |
| 20  | 0338 19 791 | Valve, Modifier            | 1    |                                |
| 21  | 0338 19 792 | Spring, Modifier           | 1    |                                |
| 22  | 0338 19 793 | Plate, Side "A"            | 1    |                                |
| 23  | 0338 19 795 | Valve, Vacuum Throttle     | 1    |                                |
| 24  | 0338 19 797 | Valve, Throttle Back Up    | 1    |                                |
| 25  | 0338 19 798 | Spring, Throttle Back Up   | 1    |                                |

# AUTOMATIC T / MISSION

(MAIN CONTROL) (USED UP TO 74/8)

| No. | Part Number | Description           | Q'ty | Remarks                     |
|-----|-------------|-----------------------|------|-----------------------------|
| 26  | 0338 19 801 | Valve, Down Shift     | 1    |                             |
| 27  | 0338 19 802 | Spring, Down Shift    | 1    |                             |
| 28  | 0338 19 803 | Plate, Side "B"       | 1    |                             |
| 29  | 0338 19 805 | Plate, Separator      | 1    | Order Under No. 0397 19 750 |
| 30  | 0338 19 807 | Valve, Orifice Check  | 2    |                             |
| 31  | 0338 19 808 | Spring, Orifice Check | 2    |                             |
| 32  | 0338 19 811 | Body, Lower           | 1    |                             |
| 33  | 0338 19 815 | Strainer, Oil         | 1    |                             |
| 34  | 0338 19 816 | Screw                 | 67   |                             |
| 35  | 0338 19 817 | Screw                 | 10   |                             |
| 36  | 0338 19 818 | Bolt                  | 2    | Order Under No. 0397 19 750 |
| 37  | 0338 19 819 | Nut                   | 2    |                             |
| 38  | 89811 2000  | Ball, Steel           | 1    |                             |
| 39  | 0338 19 831 | Bolt                  | 3    |                             |
| 40  | 0338 19 832 | Bolt                  | 2    |                             |
| 41  | 0338 19 833 | Bolt                  | 2    |                             |



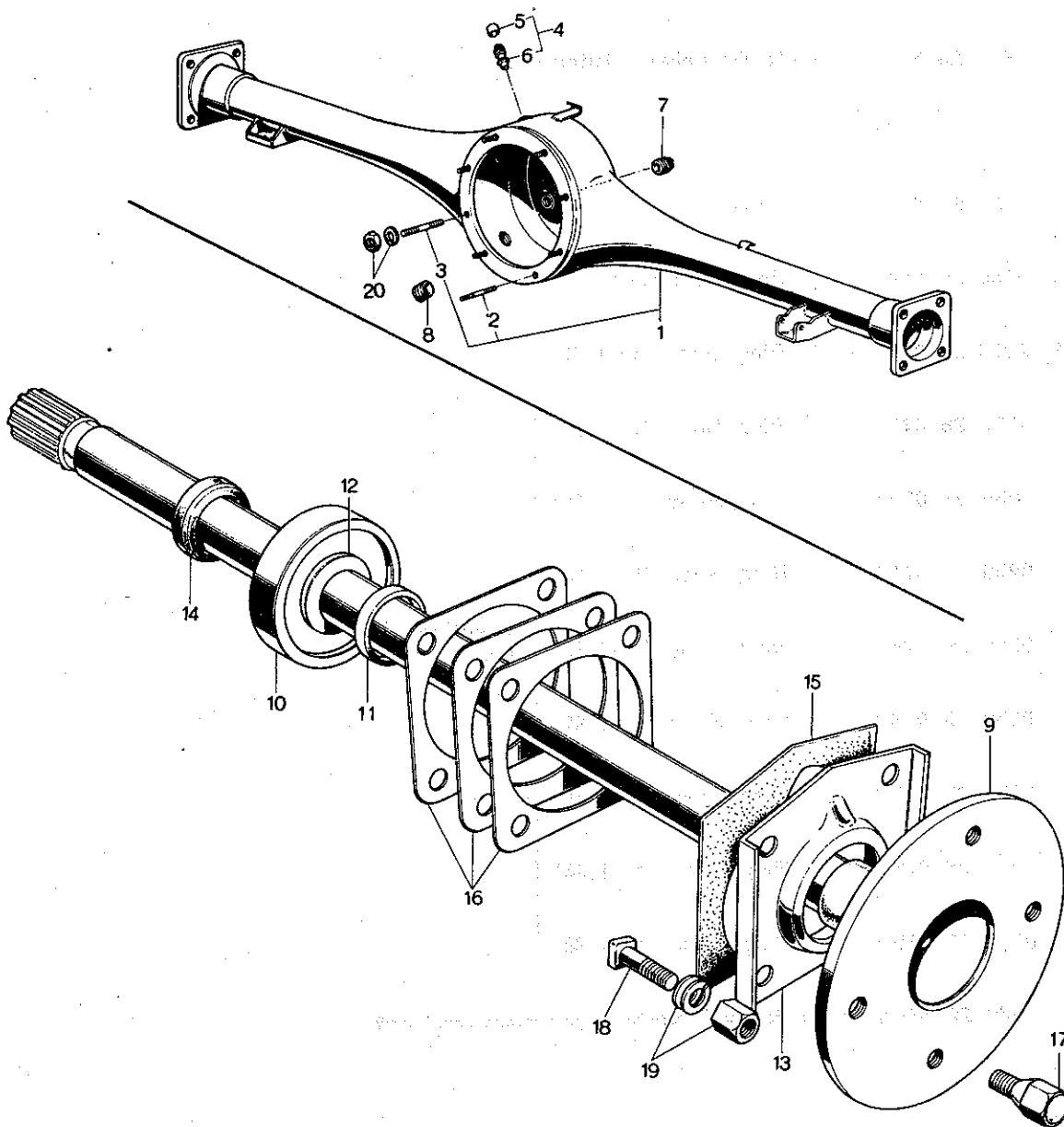




# PROPELLER SHAFT

25

| No.          | Part Number            | Description                  | Q'ty         | Remarks                          |
|--------------|------------------------|------------------------------|--------------|----------------------------------|
| 1            | 0866 25 100            | Shaft, Propeller (Manual)    | 1            |                                  |
|              | 0866 25 100 A          | Shaft, Propeller (Manual)    | 1            | Car No. 149635 $\frac{7}{8}$ "-O |
|              | 0862 25 100 A          | Shaft, Propeller (Manual)    | 1            | Car No. 160623 $\frac{7}{8}$ "-X |
|              | 0871 25 100            | Shaft, Propeller (Automatic) | 1            |                                  |
| 2            | 0259 25 021 B          | Yoke                         | 1            |                                  |
| 3            | 0259 25 060            | Joint, Universal             | 1            |                                  |
| 4            | 0259 25 071 A          | Ring, Snap (t=1.22)          | 1            | Selective use                    |
|              | 0259 25 072 A          | Ring, Snap (t=1.24)          |              |                                  |
|              | 0259 25 073 A          | Ring, Snap (t=1.26)          |              |                                  |
|              | 0259 25 074 A          | Ring, Snap (t=1.28)          |              |                                  |
|              | 0259 25 075 A          | Ring, Snap (t=1.30)          |              |                                  |
|              | 0259 25 076 A          | Ring, Snap (t=1.32)          |              |                                  |
|              | 0259 25 077 A          | Ring, Snap (t=1.34)          |              |                                  |
|              | 0259 25 078 A          | Ring, Snap (t=1.36)          |              |                                  |
|              | 0259 25 079 A          | Ring, Snap (t=1.38)          |              |                                  |
| <del>5</del> | <del>0866 25 130</del> | <del>Yoke, Sliding</del>     | <del>1</del> |                                  |
| 6            | 0223 25 024            | Bolt                         | 4            |                                  |
|              | 997523 0818            | Bolt                         | 4            | Car No. 157735 $\frac{7}{8}$ "-O |
| 7            | 99971 0800             | Washer, Spring               | 4            |                                  |



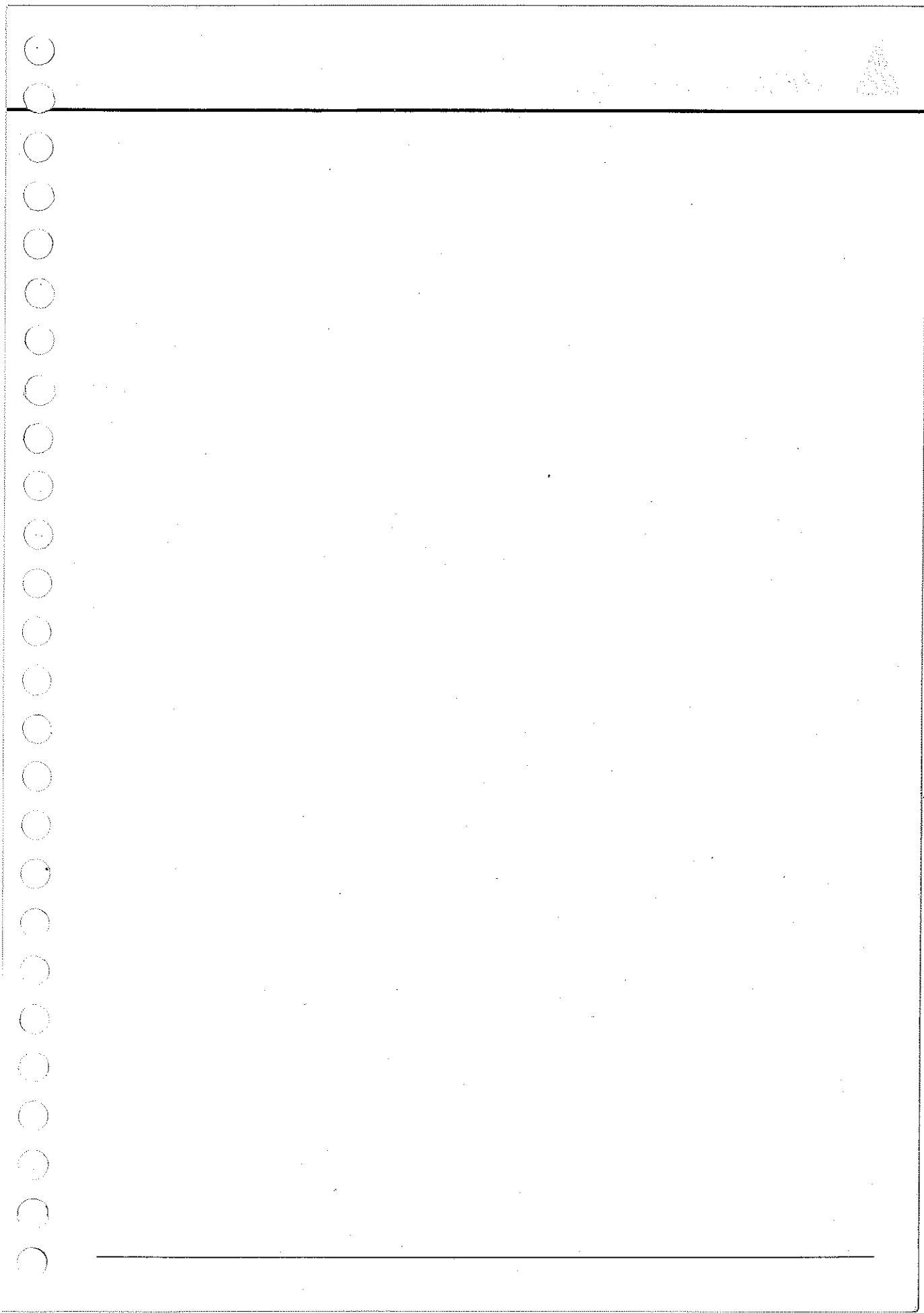
# REAR AXLE

26

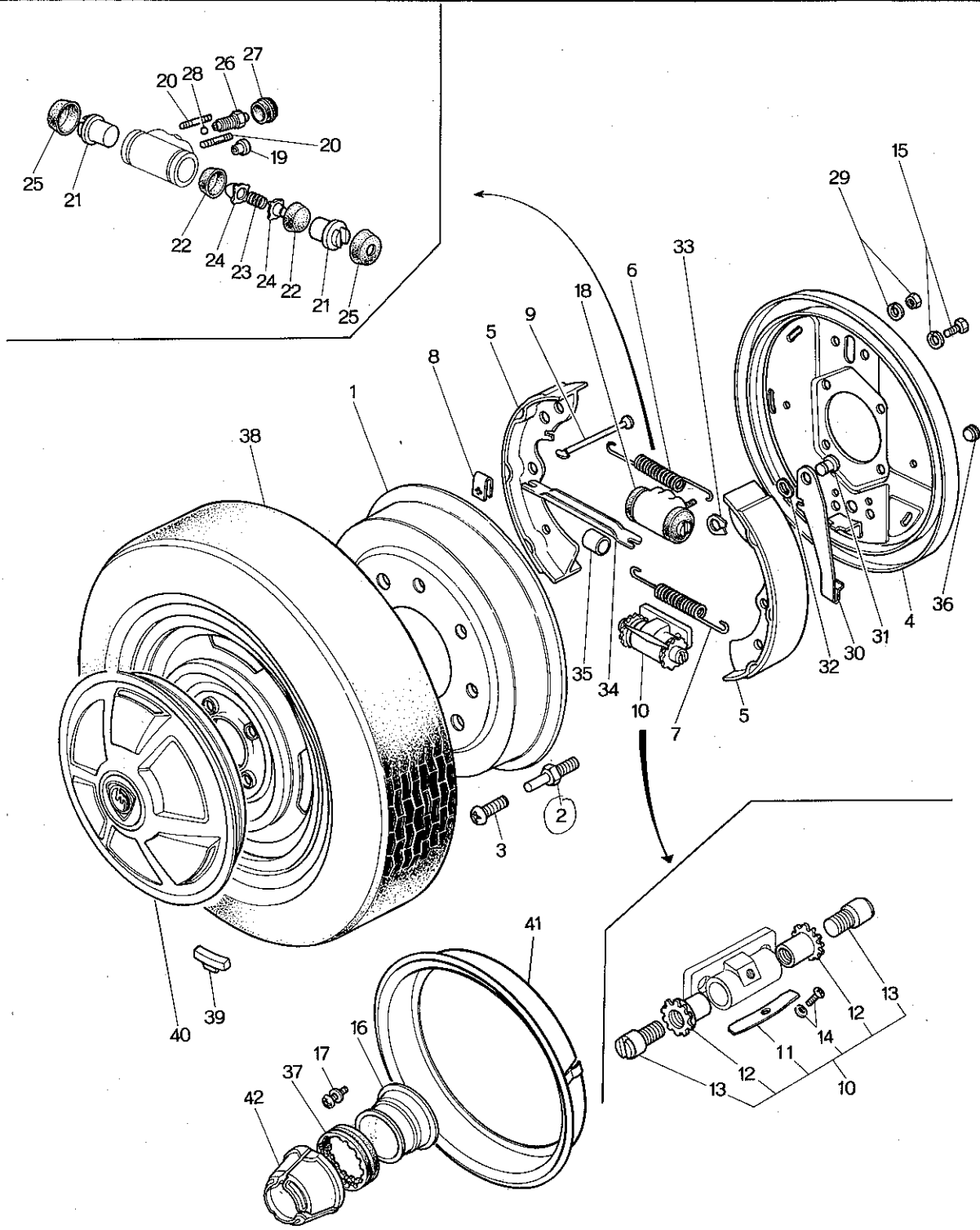
| No. | Part Number            | Description               | Q'ty         | Remarks          |
|-----|------------------------|---------------------------|--------------|------------------|
| 1   | 0866 26 010B           | Casing, Rear Axle         | 1            |                  |
| 2   | 99852 0820             | Stud                      | 7            |                  |
|     | 99852 0820F            | Stud                      | 7            | $\frac{7}{10}$ ~ |
|     | 99789 0820F            | Stud                      | 7            | $\frac{7}{2}$ ~  |
| 3   | 99852 0880             | Stud                      | 1            |                  |
|     | 99852 0880F            | Stud                      | 1            | $\frac{7}{10}$ ~ |
|     | 99789 0880F            | Stud                      | 1            | $\frac{7}{2}$ ~  |
| 4   | 0866 26 060            | Breather                  | 1            |                  |
| 5   | <del>0866 26 062</del> | <del>Cap, Breather</del>  | <del>1</del> |                  |
| 6   | <del>0866 26 063</del> | <del>Body, Breather</del> | <del>1</del> |                  |
| 7   | 0259 26 041            | Plug, Oil Level           | 1            |                  |
| 8   | 0259 26 051            | Plug, Magnet Drain        | 1            |                  |
| 9   | 0870 26 111A           | Shaft (R), Rear Axle      | 1            |                  |
|     | 0870 26 115A           | Shaft (L), Rear Axle      | 1            |                  |
| 10  | 0317 26 151A           | Bearing, Rear Wheel       | 2            |                  |
| 11  | 0259 26 155            | Spacer, Bearing           | 2            |                  |
| 12  | 0259 26 152            | Collar, Bearing           | 2            |                  |
| 13  | 0317 26 121            | Retainer, Bearing         | 2            |                  |
| 14  | 0187 26 154            | Oil Seal                  | 2            |                  |
| 15  | 0259 26 129            | Gasket                    | 2            |                  |

REAR AXLE

| No. | Part Number  | Description                       | Q'ty | Remarks                                 |
|-----|--------------|-----------------------------------|------|---|
| 16  | 0259 26 141  | Shim, Adjust (t=0.1)              | 2    | Selective use                           |
|     | 0259 26 142  | Shim, Adjust (t=0.4)              |      |   |
| 17  | 0259 33 165  | Bolt, Wheel Set                   | 8    |   |
|     | 0820 33 165  | Bolt, Wheel Set (With Center Cap) | 8    |   |
|     | 0820 33 165A | Bolt, Wheel Set (With Center Cap) | 8    | Car No. 151154 $\frac{7}{8}$ ~ $\Delta$ |
| 18  | 0259 26 132  | Bolt, Retainer                    | 8    |   |
| 19  | 99901 0800   | Nut, Retainer                     | 8    |   |
|     | 99971 0800   | Washer, Spring                    | 8    |   |
| 20  | 99901 0800   | Nut, Differential                 | 8    |   |
|     | 99971 0800   | Washer, Spring                    | 8    |   |



# REAR BRAKE



# REAR BRAKE

26

| No. | Part Number              | Description                        | Q'ty         | Remarks                           |
|-----|--------------------------|------------------------------------|--------------|-----------------------------------|
| 1   | 0866 26 251              | Drum, Rear Brake                   | 2            |                                   |
|     | 0305 26 251              | Drum, Rear Brake                   | 2            | Car No. 152816 $\frac{7}{9}$ ~ ○  |
|     | 0305 26 251 A            | Drum, Rear Brake                   | 2            | Car No. 155593 $\frac{7}{10}$ ~ ○ |
|     | <del>1504 26 251 A</del> | <del>Drum, Rear Brake</del>        | <del>2</del> | <del>1558, 1559</del>             |
|     | 1504 26 251 B            | Drum, Rear Brake                   | 2            | $\frac{7}{12}$ ~ ○                |
|     | 1504 26 251 A            | Drum, Rear Brake                   | 2            | 1558, 1559<br>From Car No. 1      |
| 2   | 0305 26 255              | Bolt                               | 4            |                                   |
| 3   | 99833 0812               | Bolt, Center Cap                   | 4            |                                   |
| 4   | 0866 26 280 B            | Plate (R), Brake Back              | 1            |                                   |
|     | 0866 26 290 B            | Plate (L), Brake Back              | 1            |                                   |
| 5   | 0866 26 310              | Shoe, Brake (Front Disc Brake use) | 4            |                                   |
|     | 0866 26 310 A            | Shoe, Brake (Front Disc Brake use) | 4            | Car No. 155593 $\frac{7}{10}$ ~ ○ |
| 6   | 0187 26 341              | Spring, Return-Wheel Cylinder Side | 2            |                                   |
| 7   | 0118 26 342              | Spring, Return-Wheel Cylinder Side | 2            |                                   |
| 8   | 0223 26 345 A            | Spring, Shoe Hold                  | 4            |                                   |
|     | 0110 26 345              | Spring, Shoe Hold                  | 4            | Car No. 162808 $\frac{7}{11}$ ~ × |
| 9   | 0866 26 391              | Pin, Shoe Hold Down                | 4            |                                   |
|     | 0187 33 391 A            | Pin, Shoe Hold Down                | 4            | Car No. 162808 $\frac{7}{11}$ ~ × |
| 10  | 0305 26 500 A            | Anchor Block                       | 2            |                                   |

REAR BRAKE

| No. | Part Number   | Description                     | Qty | Remarks                          |
|-----|---------------|---------------------------------|-----|----------------------------------|
| 11  | 0710 26 352   | Spring                          | 2   |                                  |
| 12  | 0710 26 461   | Adjuster                        | 4   |                                  |
| 13  | 0305 26 465   | Screw, Adjust                   | 4   |                                  |
| 14  | 99833 0408    | Screw                           | 2   |                                  |
|     | 99971 0400    | Washer, Spring                  | 2   |                                  |
| 15  | 99801 0814    | Bolt, Anchor Block              | 4   |                                  |
|     | 99971 0800    | Washer, Spring                  | 4   |                                  |
| 16  | 0820 26 570 A | Adapter                         | 2   |                                  |
| ●   | 1004 26 571   | Adapter                         | 2   | Car No. 160623 $\frac{7}{10}$ ~X |
| 17  | 99833 0812    | Screw, Adapter                  | 2   |                                  |
|     | 99971 0800    | Washer, Spring                  | 4   |                                  |
|     |               | Center Cap use                  |     |                                  |
| 18  | 0613 26 610 A | Cylinder, Wheel                 | 2   |                                  |
|     | 0223 26 610 A | Cylinder, Wheel                 | 2   | 1558, 1559                       |
|     | 0813 26 610 A | Cylinder, Wheel (Station Wagon) | 2   | 1569                             |
| 19  | 0613 26 922   | Tube Seat                       | 2   |                                  |
| 20  | 99852 0612    | Stud                            | 4   |                                  |
| 21  | 0208 26 651   | Piston                          | 4   |                                  |
|     | 0221 26 651   | Piston                          | 4   | 1558, 1559                       |



# REAR BRAKE

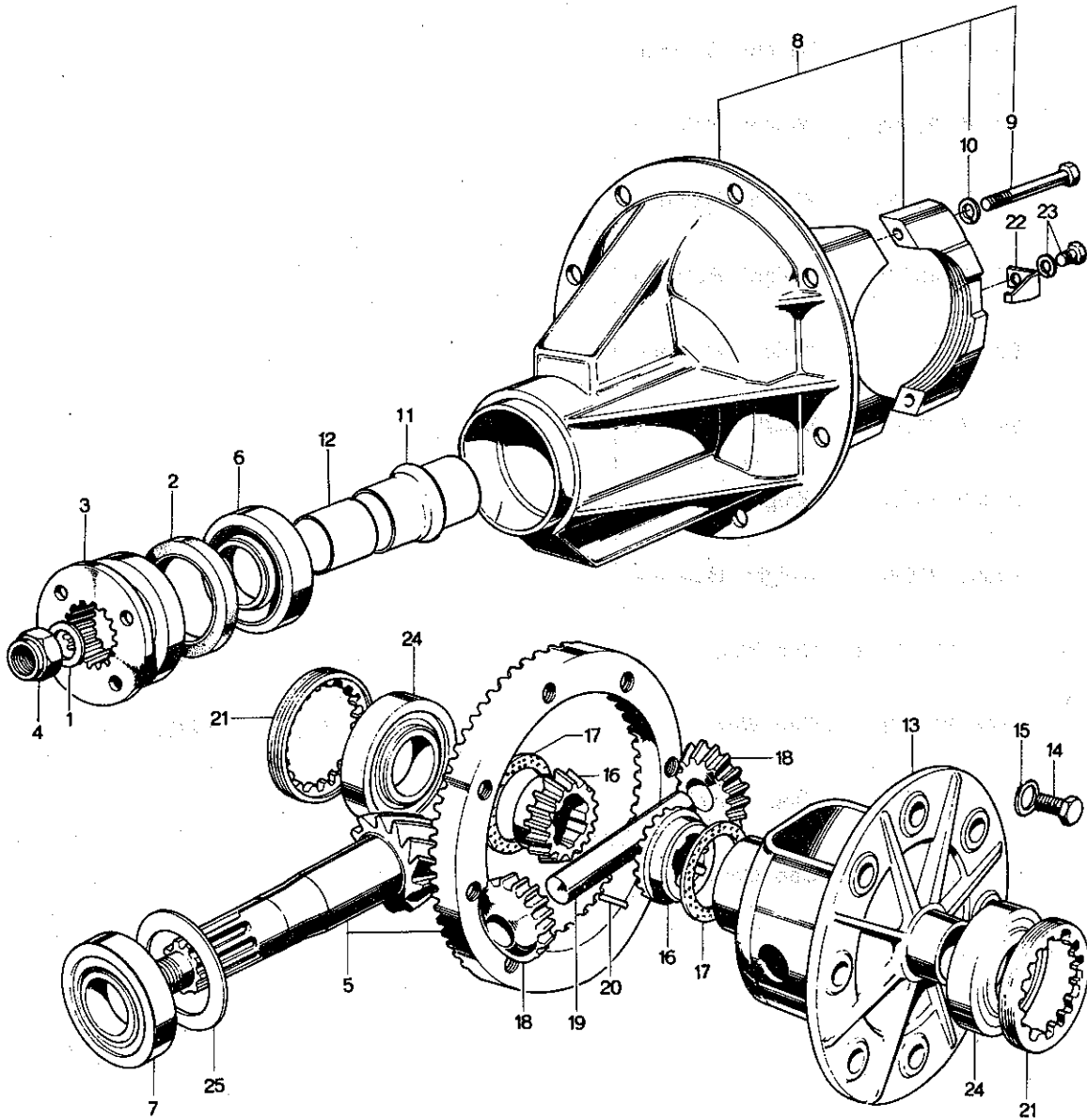


| No. | Part Number  | Description                 | Q'ty             | Remarks |
|-----|--------------|-----------------------------|------------------|---------|
|     | 0810 26 651  | Piston (Station Wagon)      | 4 1569           |         |
| 22  | 0208 26 671  | Cup, Piston                 | 4                |         |
|     | 0221 26 671  | Cup, Piston                 | 4 1558,1559      |         |
|     | 0810 26 671  | Cup, Piston (Station Wagon) | 4 1569           |         |
| 23  | 0118 26 672  | Spring                      | 2                |         |
|     | 0221 26 672  | Spring                      | 2 1558,1559,1569 |         |
| 24  | 0317 33 673  | Block, Filling              | 4                |         |
|     | 0221 26 673  | Block, Filling              | 4 1558,1559,1569 |         |
| 25  | 0613 33 681  | Cover, Dust                 | 4                |         |
| 26  | 0259 33 691  | Screw, Bleeder              | 2                |         |
| 27  | 0259 33 693  | Cap                         | 2                |         |
| 28  | 99611 1500   | Ball, Steel                 | 2                |         |
| 29  | 99906 0600   | Nut, Wheel Cylinder         | 4                |         |
|     | 99971 0600   | Washer, Spring              | 4                |         |
| 30  | 0305 26 800A | Lever (R), Operating        | 1                |         |
|     | 0305 26 810A | Lever (L), Operating        | 1                |         |
| 31  | 0118 26 832  | Pin                         | 2                |         |

| No. | Part Number     | Description  | Q'ty | Remarks            |  |
|-----|-----------------|--|------|--------------------|--|
| 32  | 0118 26 834     | Washer, Wave   | 2    |                    |  |
| 33  | 99575 0600      | Ring, Retaining  | 2    |                    |  |
| 34  | 0187 26 821     | Strut (R), Operating                                   | 1    |                    |  |
|     | 0187 26 921     | Strut (L), Operating                                   | 1    |                    |  |
| 35  | 0118 26 897     | Holder   | 2    |                    |  |
| 36  | 0710 33 288     | Plug   | 4    |                    |  |
| ●   | 37 0820 33 192A | Rubber, Set  | 2    | } (Center Cap use) |  |
| ●   | 1011 37 192     | Rubber, Set  | 2    |                    | Car No. 160623 $\frac{73}{10}$ ~△                |
| 38  | 9962 04 1553    | Tire, 155 SR—13 Radial                                 | 2    | } Selective<br>use |  |
| ●   | 9962 10 1553    | Tire, 155 SR—13 Radial                                 | 2    |                    | 1550~1554<br>Car No. $\frac{73}{10}$ ~Added Anew |
| ●   | 9962 13 1553    | Tire, 155 SR—13 Radial                                 | 2    |                    | $\frac{73}{10}$ ~○                               |
|     | 9962 07 1553    | Tire, 155 HR—13 Radial (High Speed Type)               | 2    |                    |  |
| ●   | 9962 11 1553    | Tire, 155 HR—13 Radial (High Speed Type)               | 2    |                    | 1550~1554<br>Car No. $\frac{73}{10}$ ~Added Anew |
| ●   | 9962 14 1553    | Tire, 155 HR—13 Radial (High Speed Type)               | 2    |                    | $\frac{73}{10}$ ~○                               |
|     | 9963 01 1553    | Tube, 155 HR—13  | 2    |                    |  |
|     | 9965 05 4530    | Wheel, 4 $\frac{1}{2}$ —J×13 WDC Disc                  | 2    |                    |  |
| ●   | 9965 18 4530    | Wheel, 4 $\frac{1}{2}$ —J×13 WDC Disc                  | 2    | $\frac{73}{10}$ ~○ |  |
|     | 9965 06 4530    | Wheel, 4 $\frac{1}{2}$ —J×13 WDC Disc (Center Cap use) | 2    |                    |  |
| ●   | 9965 19 4530    | Wheel, 4 $\frac{1}{2}$ —J×13 WDC Disc (Center Cap use) | 2    | $\frac{73}{10}$ ~○ |  |

# REAR BRAKE

| No. | Part Number  | Description      | Q'ty | Remarks                                 |
|-----|--------------|------------------|------|---|
| 39  | 99655 30010  | Weight, Balance  |      |   |
|     | 99655 30015  | Weight, Balance  |      |   |
|     | 99655 30020  | Weight, Balance  |      |   |
|     | 99655 30025  | Weight, Balance  |      |   |
|     | 99655 30030  | Weight, Balance  |      |   |
|     | 99655 30035  | Weight, Balance  |      |   |
|     | 99655 30040  | Weight, Balance  |      |   |
|     | 99655 30045  | Weight, Balance  |      |   |
|     | 99655 30050  | Weight, Balance  |      |   |
|     | 99655 30060  | Weight, Balance  |      |   |
| 40  | 0866 37 170B | Cap, Wheel       | 2    |   |
|     | 0866 37 170C | Cap, Wheel       | 2    | Car No. 163339 $\frac{7}{8}$ ~ $\Delta$ |
| 41  | 0820 33 180A | Ring, Wheel      | 2    |   |
|     | 1011 37 180A | ~ ~              | 2    |   |
|     | 1011 37 180B | ~ ~              | 2    |   |
| 42  | 0881 37 191  | Cap, Center      | 2    |   |
|     |              | (Center Cap use) |      | $\Delta$ - $7\frac{1}{2}$ (4m 7.2.75)   |



| No. | Part Number            | Description   | Q'ty         | Remarks              |
|-----|------------------------|---|--------------|----------------------|
|     | <del>0800 27 100</del> | <del>Driving &amp; Differential</del>                 | <del>1</del> |                      |
|     | 1562 27 100            | Driving & Differential                                | 1            | <del>1558,1559</del> |
|     | <del>0866 27 100</del> | <del>Driving &amp; Differential (Station Wagon)</del> | <del>1</del> |                      |
|     | 1562 27 100            | Driving & Differential (Station Wagon)                | 1            | From Car No. 1       |
| 1   | 0223 27 012            | Washer, Drive Pinion                                  | 1            |                      |
| 2   | <del>0229 27 018</del> | <del>Oil Seal</del>                                   | <del>1</del> |                      |
|     | 2112 27 018            | Oil Seal  | 1            | 1558,1559            |
|     | <del>0223 27 018</del> | <del>Oil Seal (Station Wagon)</del>                   | <del>1</del> |                      |
|     | 2122 27 018            | Oil Seal (Station Wagon)                              | 1            | From Car No. 1       |
| 3   | 0223 27 020 B          | Flange, Companion                                     | 1            |                      |
| 4   | 0223 27 030            | Nut, Lock   | 1            |                      |
| 5   | 0866 27 110            | Gear Set, Final                                       | 1            |                      |
| 6   | 0755 27 141            | Bearing   | 1            |                      |
| 7   | 0221 27 141            | Bearing   | 1            |                      |
| 8   | 0866 27 150            | Carrier, Differential                                 | 1            |                      |
| 9   | 99811 1050             | Bolt  | 4            |                      |
| 10  | 99971 1000             | Washer, Spring  | 4            |                      |
| 11  | 0305 27 171            | Piece, Distance                                       | 1            |                      |
| 12  | 0866 27 172            | Collar, Long  | 1            |                      |
| 13  | 0290 27 231            | Case, Differential Gear                               | 1            |                      |



# DRIVING

| No. | Part Number   | Description             | Q'ty               | Remarks                           |
|-----|---------------|-------------------------|--------------------|-----------------------------------|
| ●   | 0290 27 231 A | Case, Differential Gear | 1                  | Car No. $\frac{7}{8} \sim \Delta$ |
| 14  | 99753 41022   | Bolt, Ring Gear         | } Selective use 10 |                                   |
|     | 99753 81022   | Bolt, Ring Gear         |                    |                                   |
| 15  | 99958 1018    | Washer                  | 10                 |                                   |
| 16  | 0820 27 251   | Gear, Differential Side | 2                  |                                   |
| ●   | 0820 27 251 A | Gear, Differential Side | 2                  | Car No. $\frac{7}{8} \sim \Delta$ |
| 17  | 0290 27 252   | Washer, Thrust (t=1.6)  | } Selective use 2  |                                   |
|     | 0290 27 253   | Washer, Thrust (t=1.7)  |                    |                                   |
|     | 0290 27 254   | Washer, Thrust (t=1.8)  |                    |                                   |
| 18  | 0221 27 255   | Pinion, Differential    | 2                  |                                   |
| 19  | 0305 27 261   | Shaft, Pinion           | 1                  |                                   |
| 20  | 0114 27 262   | Pin, Pinion Shaft       | 1                  |                                   |
| 21  | 0290 27 301   | Screw, Adjust           | 2                  |                                   |
| 22  | 0290 27 302   | Plate, Lock             | 2                  |                                   |
| 23  | 99811 0812    | Bolt, Lock Plate        | 2                  |                                   |
|     | 99971 0800    | Washer, Spring          | 2                  |                                   |
| 24  | 0221 27 305   | Bearing                 | 2                  |                                   |
| 25  | 0223 27 401   | Spacer (t=3.08)         | }                  |                                   |
|     | 0223 27 402   | Spacer (t=3.11)         |                    |                                   |
|     | 0223 27 403   | Spacer (t=3.14)         |                    |                                   |

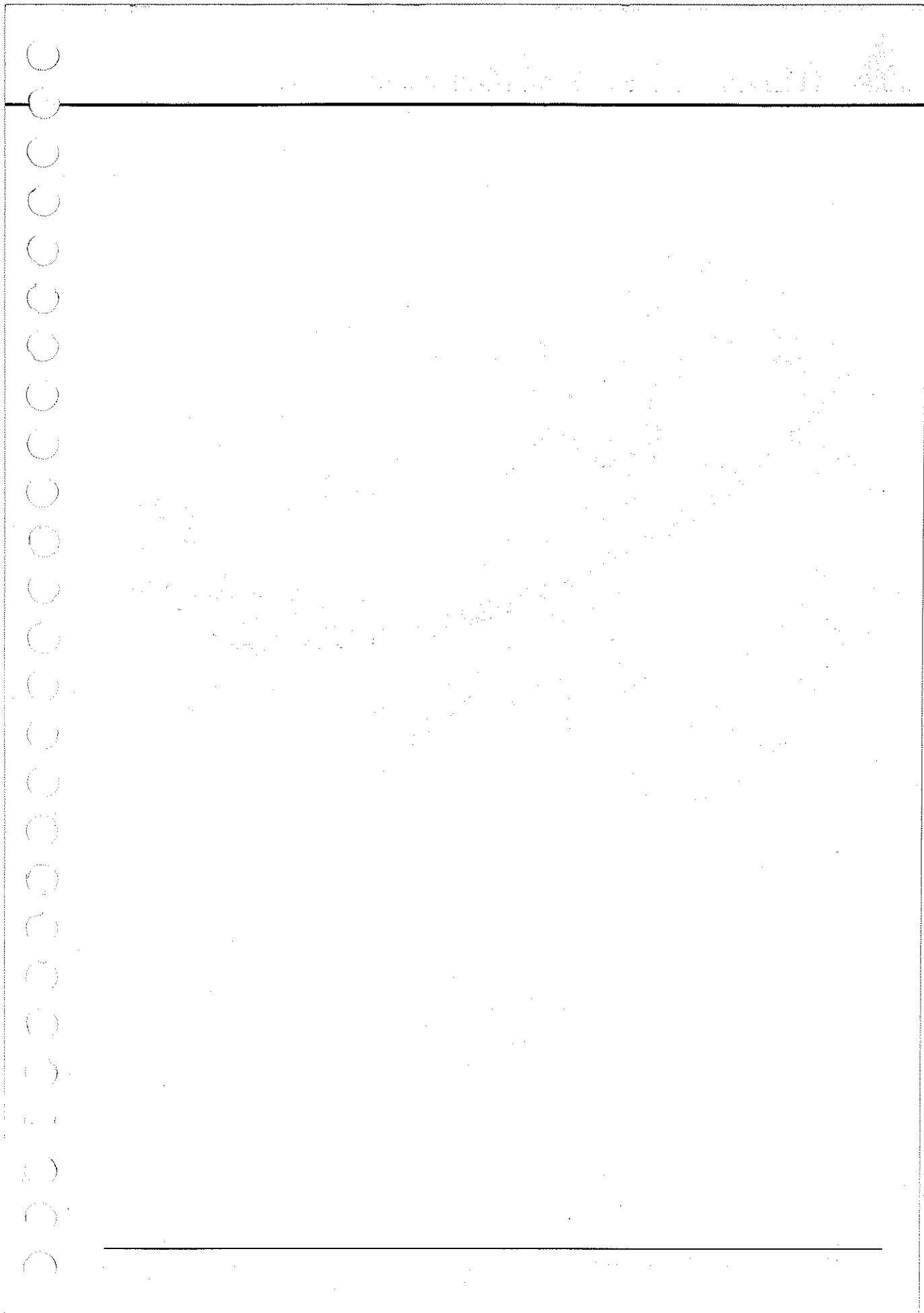
| No. | Part Number | Description     | Q'ty | Remarks           |
|-----|-------------|-----------------|------|-------------------|
|     | 0223 27 404 | Spacer (t=3.17) |      | } Selective use 1 |
|     | 0223 27 405 | Spacer (t=3.20) |      |                   |
|     | 0223 27 406 | Spacer (t=3.23) |      |                   |
|     | 0223 27 407 | Spacer (t=3.26) |      |                   |
|     | 0223 27 408 | Spacer (t=3.29) |      |                   |
|     | 0223 27 409 | Spacer (t=3.32) |      |                   |
|     | 0223 27 411 | Spacer (t=3.35) |      |                   |
|     | 0223 27 412 | Spacer (t=3.38) |      |                   |
|     | 0223 27 413 | Spacer (t=3.41) |      |                   |
|     | 0223 27 414 | Spacer (t=3.44) |      |                   |
|     | 0223 27 415 | Spacer (t=3.47) |      |                   |



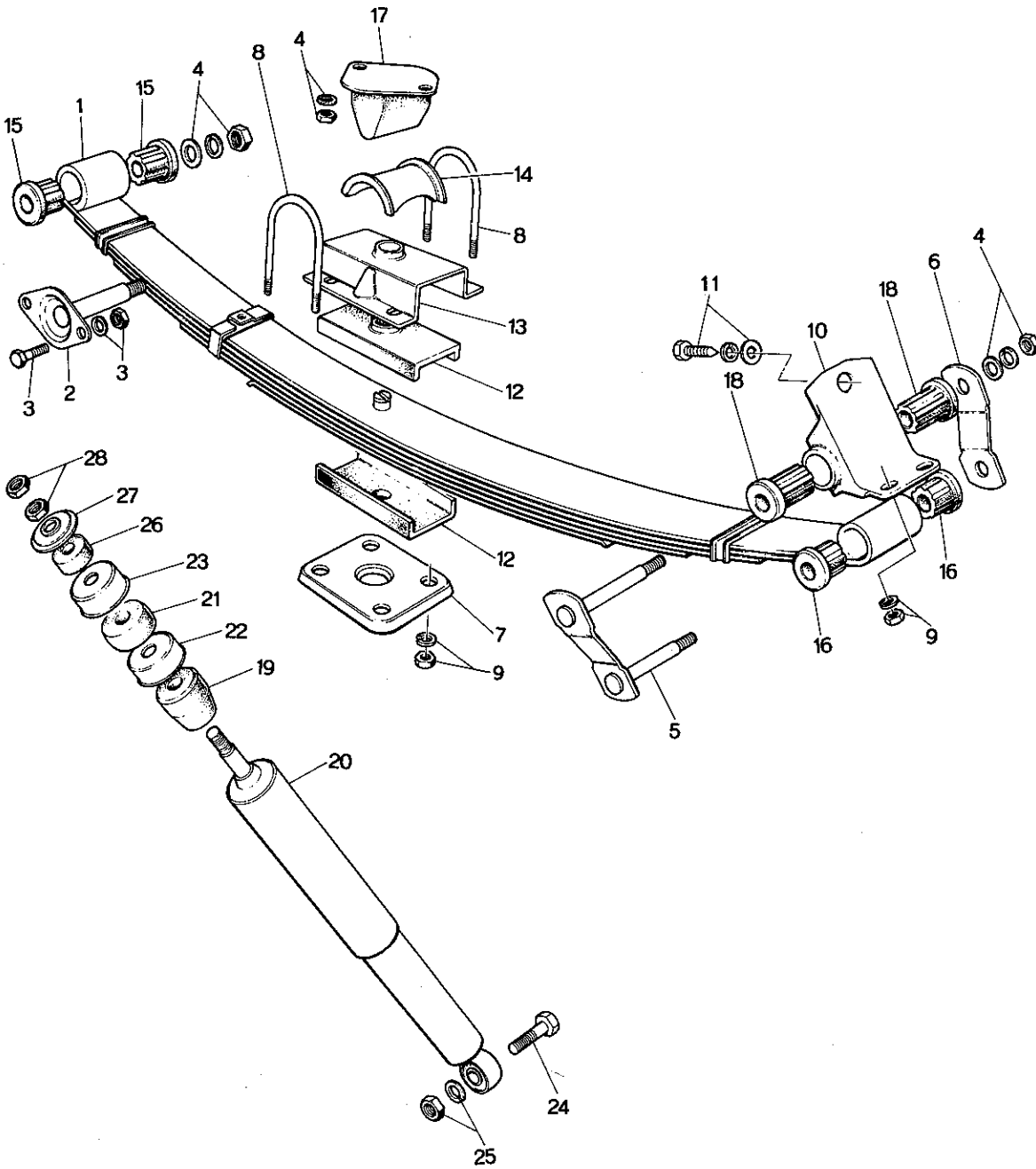
# DRIVING

| Driver         | Vehicle               | License  | Insurance     |
|----------------|-----------------------|----------|---------------|
| John Doe       | 2015 Ford Focus       | 12345678 | ABC Insurance |
| Jane Smith     | 2016 Toyota Camry     | 87654321 | DEF Insurance |
| Bob Johnson    | 2014 Honda Accord     | 23456789 | GHI Insurance |
| Alice Brown    | 2017 Chevrolet Malibu | 34567890 | JKL Insurance |
| Charlie Wilson | 2013 Nissan Altima    | 45678901 | MNO Insurance |
| Diana Prince   | 2018 Subaru Outback   | 56789012 | PQR Insurance |
| Frank Miller   | 2011 Volkswagen Jetta | 67890123 | STU Insurance |
| Grace Lee      | 2019 Hyundai Sonata   | 78901234 | VWX Insurance |
| Harry King     | 2010 Ford Taurus      | 89012345 | YZA Insurance |
| Ivy Green      | 2016 Jeep Cherokee    | 90123456 | BCD Insurance |





REAR SUSPENSION (SEDAN & COUPE)



# REAR SUSPENSION (SEDAN & COUPE)

| No. | Part Number  | Description        | Q'ty | Remarks                                     |
|-----|--------------|--------------------|------|---|
| 1   | 0376 28 010  | Spring, Rear       | 2    |   |
|     | 0376 28 010A | Spring, Rear       | 2    | Car No. 178812 $\frac{73}{8}$ ~ X           |
|     | 0376 28 011  | Spring No. 1, Leaf | 2    |   |
|     | 0376 28 011A | Spring No. 1, Leaf | 2    | Car No. 178812 $\frac{73}{8}$ ~ X           |
|     | 0376 28 012  | Spring No. 2, Leaf | 2    |   |
|     | 0376 28 012A | Spring No. 2, Leaf | 2    | Car No. 178812 $\frac{73}{8}$ ~ X           |
|     | 0376 28 013  | Spring No. 3, Leaf | 2    |   |
|     | 0376 28 013A | Spring No. 3, Leaf | 2    | Car No. 178812 $\frac{73}{8}$ ~ X           |
|     | 0376 28 014  | Spring No. 4, Leaf | 2    |   |
|     | 0376 28 014A | Spring No. 4, Leaf | 2    | Car No. 178812 $\frac{73}{8}$ ~ X           |
|     | 0866 28 010  | Spring, Rear       | 2    |   |
|     | 0866 28 010A | Spring, Rear       | 2    | Car No. 178812 $\frac{73}{8}$ ~ X           |
|     | 0866 28 011  | Spring No. 1, Leaf | 2    |   |
|     | 0866 28 011A | Spring No. 1, Leaf | 2    | Car No. 178812 $\frac{73}{8}$ ~ X           |
|     | 0866 28 012  | Spring No. 2, Leaf | 2    |   |
|     | 0866 28 012A | Spring No. 2, Leaf | 2    | Sedan use Car No. 178812 $\frac{73}{8}$ ~ X |
|     | 0866 28 013  | Spring No. 3, Leaf | 2    |   |
|     | 0866 28 013A | Spring No. 3, Leaf | 2    | Car No. 178812 $\frac{73}{8}$ ~ X           |
|     | 0866 28 014  | Spring No. 4, Leaf | 2    |   |

Coupe use

Sedan use

REAR SUSPENSION (SEDAN & COUPE)

| No. | Part Number  | Description          | Qty                | Remarks                                    |
|-----|--------------|----------------------|--------------------|--|
| ●   | 0866 28 014A | Spring No. 4, Leaf   | 2                  | Car No. 178812 $\frac{73}{8}$ ~ X          |
| ●   | 0866 28 019  | Spring, Inter Leaf   | 2                  | Car No. 178812 $\frac{73}{8}$ ~ Added Anew |
| 2   | 0866 28 110  | Pin, Spring          | 2                  |  |
|     | 0866 28 110A | Pin, Spring          | 2                  | Car No. 157735 $\frac{72}{10}$ ~ Δ         |
| ●   | 1881 28 110  | Pin, Spring          | 2                  | Car No. 178812 $\frac{73}{8}$ ~ X          |
| 3   | 99801 0820   | Bolt, Spring Pin     | 4                  |  |
| ●   | 99801 0822   | Bolt, Spring Pin     | 4                  | $\frac{73}{8}$ ~ O                         |
|     | 99901 0800   | Nut, Spring Pin      | 4                  |  |
|     | 99971 0800   | Washer, Spring       | 4                  |  |
| ●   | 4 99901 0800 | Nut, Shackle         | <del>12</del><br>6 | From Car No. 1                             |
| ●   | 99971 0800   | Washer, Spring       | <del>12</del><br>6 | From Car No. 1 ~ O                         |
| ●   | 99940 0800   | Nut, Rubber Stopper  | 2                  | $\frac{73}{9}$ ~ O                         |
| 5   | 0866 28 140  | Plate No. 1, Shackle | 2                  |  |
|     | 0866 28 140A | Plate No. 1, Shackle | 2                  | Car No. 133210 $\frac{72}{1}$ ~ O          |
|     | 0866 28 140B | Plate No. 1, Shackle | 2                  | Car No. 157735 $\frac{72}{10}$ ~ Δ         |
| 6   | 0866 28 143  | Plate No. 2, Shackle | 2                  |  |
| 7   | 0866 28 151  | Clamp, Spring        | 2                  |  |
| 8   | 0652 28 161  | Bolt, Lock           | 4                  |  |
| 9   | 99921 1000   | Nut                  | 8                  |  |

# REAR SUSPENSION (SEDAN & COUPE)

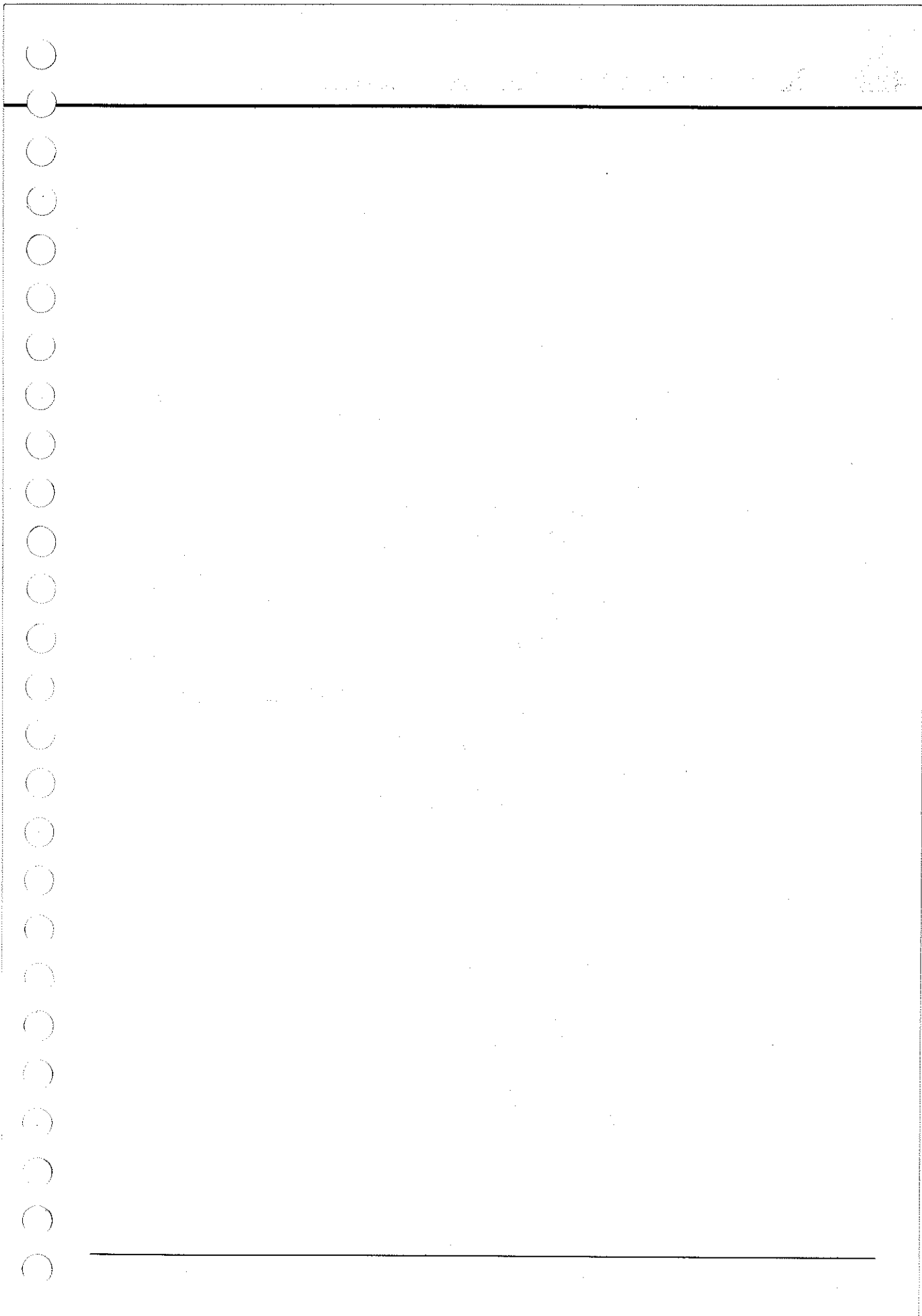
**28**

| No. | Part Number  | Description           | Q'ty | Remarks   |
|-----|--------------|-----------------------|------|---|
|     | 99971 1000   | Washer, Spring        | 8    |   |
| 10  | 0866 28 180A | Bracket, Shackle      | 2    |   |
| 11  | 99783 1028   | Bolt, Shackle Bracket | 2    |   |
|     | 99952 1000   | Washer, Plain         | 2    |   |
|     | 99971 1000   | Washer, Spring        | 2    |   |
| 12  | 0259 28 182  | Pad, Rubber           | 4    |   |
| 13  | 0866 28 183A | Holder, Rubber Pad    | 2    |   |
| 14  | 0866 28 322  | Seat, Lock Bolt       | 2    |   |
| 15  | 0866 28 333B | Bush (Frt.)           | 4    |   |
|     | 0866 28 333C | Bush (Frt.)           | 4    | Car No. 178812 $\frac{3}{8}$ ~ X                                    |
| 16  | 0866 28 343B | Bush No. 1 (Rr.)      | 4    |   |
| 17  | 0866 28 350  | Rubber, Stopper       | 1    |   |
| 18  | 0866 28 353B | Bush No. 2 (Rr.)      | 4    |   |
| 19  | 0866 28 591  | Bumper, Bound         | 2    |   |
| 20  | 0866 28 700  | Damper, Rear          | 2    |   |
|     | 0866 28 700A | Damper, Rear          | 2    | Car No. 150816 $\frac{7}{8}$ ~ O                                    |
|     | 0866 28 700B | Damper, Rear          | 2    | Order Under No. 0866 99 281B  |
|     | 0866 99 281B | —                     | 2    | Car No. 179250 $\frac{7}{8}$ ~ Δ                                    |
|     | 0866 99 281C | —                     | 2    | $\frac{7}{4}$ / 10 ~ Δ. $\frac{1}{2}$ m $\frac{7}{2}$ $\frac{7}{8}$ |
| 21  | 0866 28 774  | Bush, Rubber          | 2    |   |
| 22  | 0866 28 778A | Casing, Stopper       | 2    |   |
| 23  | 0866 28 779  | Holder                | 2    |   |

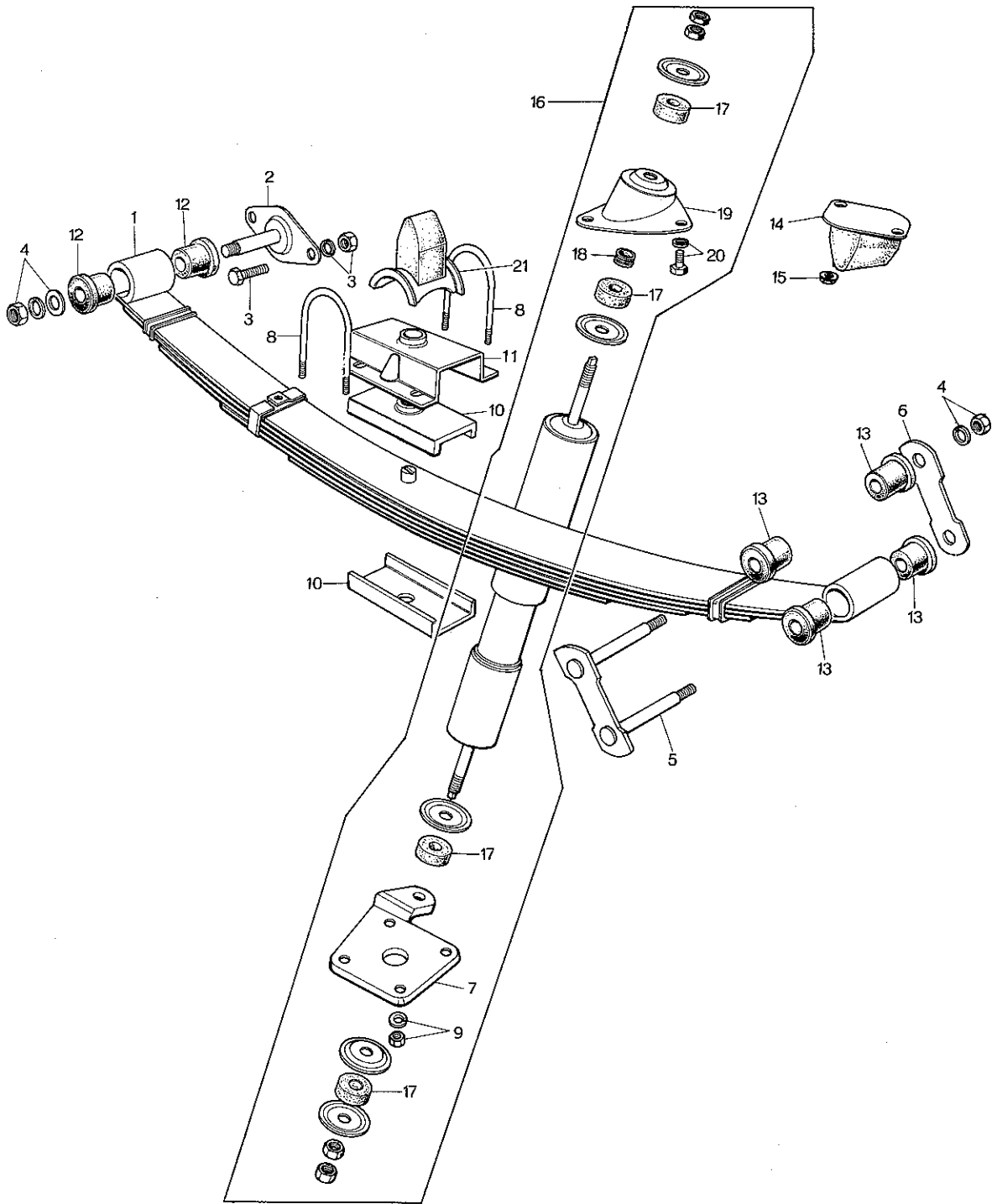


# REAR SUSPENSION (SEDAN & COUPE)

| No. | Part Number | Description       | Q'ty | Remarks |
|-----|-------------|-------------------|------|---------|
| 24  | 0866 28 799 | Bolt, Rear Damper | 2    |         |
| 25  | 99921 1200  | Nut, Rear Damper  | 2    |         |
|     | 99971 1200  | Washer, Spring    | 2    |         |
| 26  | 0603 34 153 | Bush, Rubber      | 2    |         |
| 27  | 0187 34 776 | Retainer          | 2    |         |
| 28  | 99921 1000  | Nut, Rear Damper  | 2    |         |
|     | 99922 1000  | Nut               | 2    |         |



REAR SUSPENSION (STATION WAGON)





# REAR SUSPENSION (STATION WAGON)

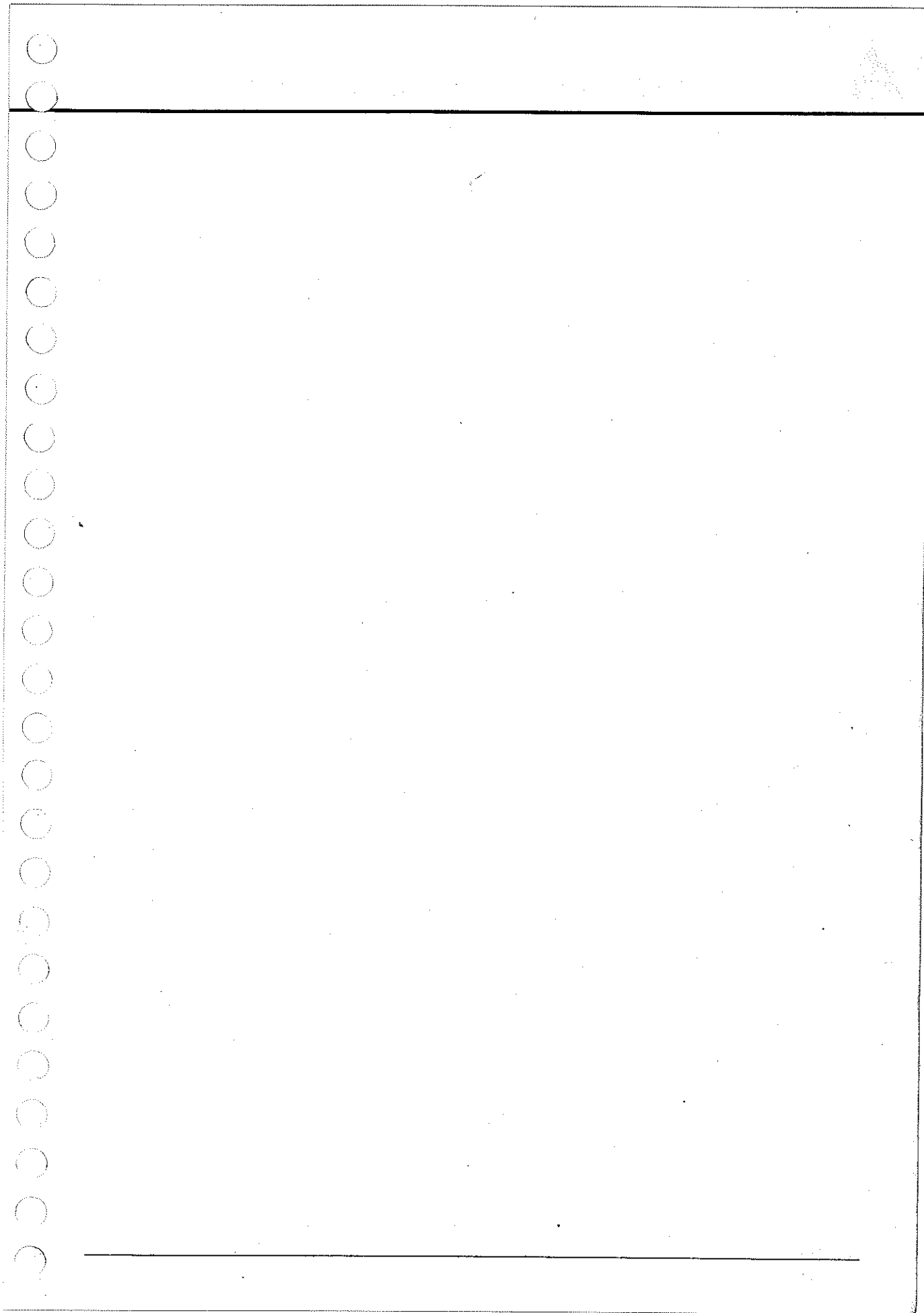
**28**

| No. | Part Number  | Description          | Q'ty | Remarks |
|-----|--------------|----------------------|------|---------|
| ✓ 1 | 2190 28 010  | Spring, Rear         | 2    |         |
| ✓   | 2160 28 011  | Spring No. 1, Leaf   | 2    |         |
| ✓   | 2160 28 012  | Spring No. 2, Leaf   | 2    |         |
| ✓   | 2160 28 013  | Spring No. 3, Leaf   | 2    |         |
| ✓   | 2160 28 014  | Spring No. 4, Leaf   | 2    |         |
| ✓ 2 | 0259 28 110  | Pin, Spring          | 2    |         |
| ✓ 3 | 99901 0822   | Bolt                 | 4    |         |
| ✓   | 99901 0800   | Nut                  | 4    |         |
| ✓   | 99971 0800   | Washer, Spring       | 4    |         |
| ✓ 4 | 99921 1000   | Nut                  | 6    |         |
| ✓   | 99952 1000   | Washer, Plain        | 2    |         |
| ✓   | 99971 1000   | Washer, Spring       | 6    |         |
| ✓ 5 | 0259 28 140  | Plate No. 1, Shackle | 2    |         |
| ✓ 6 | 0259 28 143  | Plate No. 2, Shackle | 2    |         |
| ✓ 7 | 0899 28 150A | Clamp (R), Spring    | 1    |         |
| ✓   | 0899 28 170A | Clamp (L), Spring    | 1    |         |
| ✓ 8 | 0193 28 181  | Bolt, Lock           | 4    |         |
| ✓ 9 | 99921 1000   | Nut, Lock Bolt       | 8    |         |
| ✓   | 99971 1000   | Washer, Spring       | 8    |         |

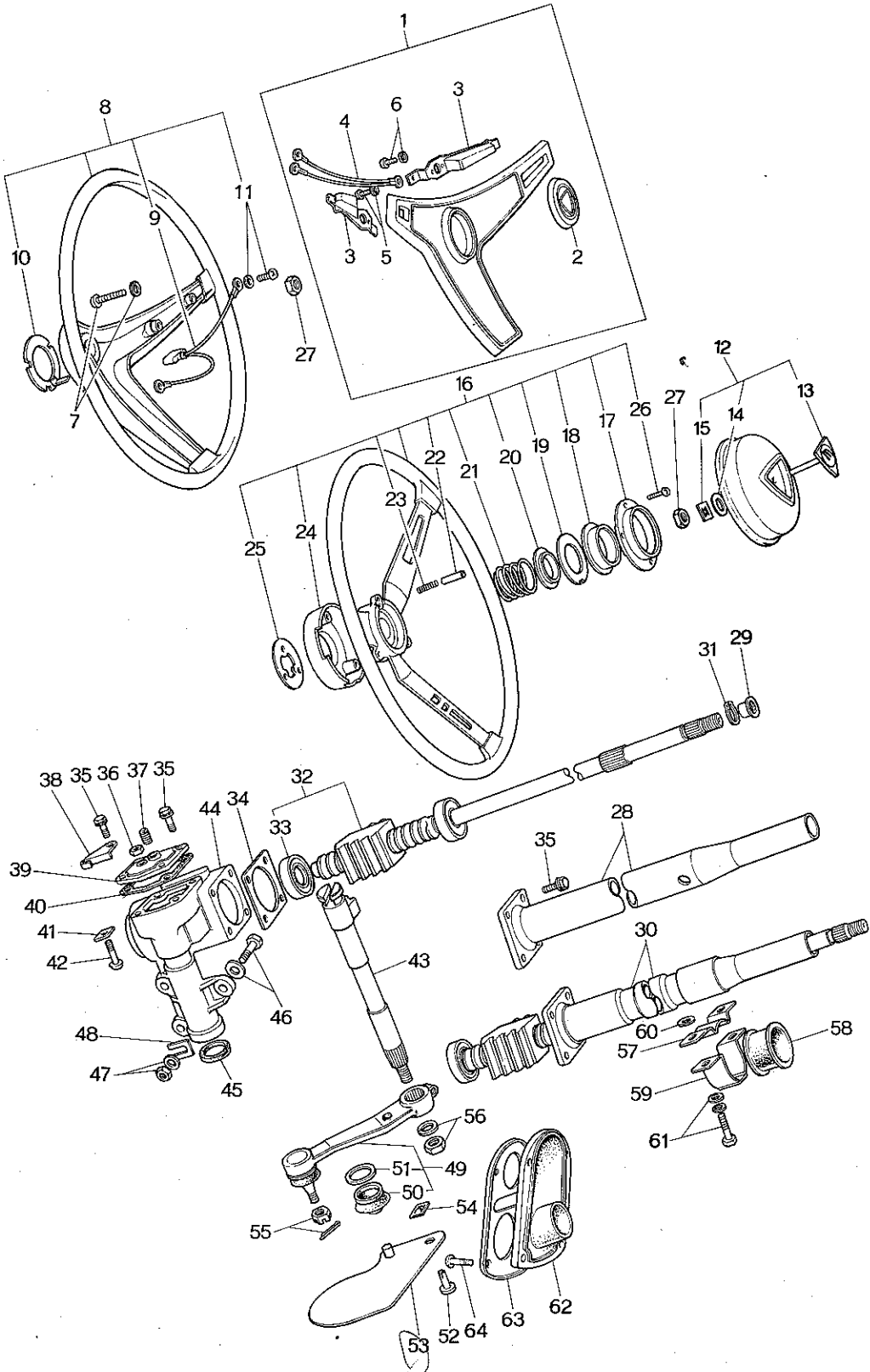


# REAR SUSPENSION (STATION WAGON)

| No.  | Part Number  | Description          | Q'ty | Remarks |
|------|--------------|----------------------|------|---------|
| √ 10 | 0259 28 182  | Pad, Rubber          | 4    |         |
| √ 11 | 0259 28 183  | Holder, Rubber Pad   | 2    |         |
| √ 12 | 0259 28 333  | Bush (Frt.)          | 4    |         |
| √ 13 | 0259 28 343  | Bush (Rr.)           | 8    |         |
| √ 14 | 0866 28 350  | Rubber, Stopper      | 1    |         |
| √ 15 | 99940 0800   | Nut, Flange          | 2    |         |
| √ 16 | 0585 99 281  | Damper, Rear         | 2    |         |
| √ 17 | 0223 28 775  | Bush, Rubber         | 8    |         |
| √ 18 | 0259 28 778  | Grommet              | 2    |         |
| √ 19 | 0585 28 180A | Bracket (R), Damper  | 1    |         |
| √    | 0585 28 190A | Bracket (L), Damper  | 1    |         |
| √ 20 | 99785 0825   | Bolt, Damper Bracket | 6    |         |
| √    | 99971 0800   | Washer, Spring       | 6    |         |
| √ 21 | 0899 28 320  | Bumper, Bound        | 2    |         |



# 32 STEERING SYSTEM (WHEEL & GEAR, R. H.D.)



# STEERING SYSTEM

(WHEEL & GEAR, R.H.D.)



| No.           | Part Number            | Description                           | Q'ty         | Remarks                                   |
|---------------|------------------------|---------------------------------------|--------------|---|
| 1             | 0865 32 800-00         | Cap Set, Horn                         | 1-1550       |   |
| 2             | 0866 32 811            | Emblem                                | 1            |   |
|               | 1570 32 811            | Emblem                                | 1            | Car No. 140779 $\frac{7}{2}$ ~            |
|               | 0370 32 030            | Button, Horn                          | 2            |   |
|               | 0370 32 030A           | Button, Horn (L)                      | 1            | Car No. 144308 $\frac{7}{4}$ ~ X          |
|               | 0370 32 090            | Button, Horn (R)                      | 1            | Car No. 144308 $\frac{7}{4}$ ~ Added Anew |
| 4             | 0370 32 037            | Cord                                  | 1            |   |
| 5             | 99833 0408             | Screw, Cap Retainer & Return Spring   | 2            |   |
|               | 99971 0400             | Washer, Spring                        | 2            |   |
| 6             | 99868 0410             | Screw, Cap Retainer & Return Spring   | 2            |   |
|               | 99971 0400             | Washer, Spring                        | 2            |   |
| 7             | 99868 0420             | Screw, Horn Cap & Steering Wheel Boss | 3            |   |
|               | 99971 0400             | Washer, Spring                        | 3            |   |
| 8             | 0370 32 980            | Boss, Steering Wheel                  | 1-1550       |   |
| 9             | 0370 32 039            | Cord                                  | 1            |   |
| <del>10</del> | <del>0370 32 820</del> | <del>Terminal</del>                   | <del>1</del> |   |
| 11            | 99868 0308             | Screw, Cord                           | 1            |   |
|               | 99971 0300             | Washer, Spring                        | 1            |   |



# STEERING SYSTEM

(WHEEL & GEAR, R.H.D.)

| No. | Part Number   | Description   | Q'ty | Remarks                              |
|-----|---------------|---|------|--------------------------------------|
| 12  | 1562 32 800   | Cap, Horn   | 1    | ©                                    |
| 13  | 1562 32 811   | Emblem  | 1    | 1551~1557, 1569,<br>3501, 3503, 3502 |
| 14  | 0223 58 472   | Washer, Emblem  | 1    |                                      |
| 15  | 99579 3000    | Nut, Speed-Emblem   | 1    |                                      |
| 16  | 1562 32 980   | Boss, Steering Wheel (1551~1557)                          | 1    |                                      |
|     | 1562 32 980 A | Boss, Steering Wheel (1551~1557, 1569, 3501, 3502 & 3503) | 1    | Car No. 160822 $\frac{7}{12}$ ~ Ⓞ    |
| 17  | 0329 32 031 A | Retainer, Sub   | 1    |                                      |
| 18  | 0329 32 013 A | Retainer, Cap   | 1    |                                      |
| 19  | 0329 32 016   | Plate, Contact  | 1    |                                      |
| 20  | 0329 32 015   | Insulator   | 1    |                                      |
| 21  | 0329 32 014   | Spring  | 1    |                                      |
| 22  | 0329 32 033   | Pipe  | 1    |                                      |
| 23  | 0329 32 019   | Spring  | 1    |                                      |
| 24  | 1562 32 049   | Cover, Wheel Core   | 1    |                                      |
| 25  | 0329 32 034   | Terminal  | 1    |                                      |
| 26  | 99866 0420    | Screw   | 3    |                                      |
| 27  | 99948 1200    | Nut, Self Lock-Wheel & Shaft                              | 1    |                                      |
| Ⓝ   | 0820 32 058   | Washer, Stop-Selective use                                | 2    |                                      |
|     | 0820 32 058 A | Washer, Stop-Selective use                                | 2    | $\frac{7}{16}$ ~ Δ                   |

# STEERING SYSTEM

(WHEEL & GEAR, R.H.D.)



| No. | Part Number   | Description                               | Q'ty                 | Remarks                           |
|-----|---------------|---|----------------------|-----------------------------------|
|     | 0376 32 110 A | Gear, Steering                            | 1                    |                                   |
|     | 0376 32 110 B | Gear, Steering                            | 1                    | Car No. 127396 $\frac{7}{12}$ ~ ○ |
|     | 0376 32 110 C | Gear, Steering                            | 1                    | Car No. 171555 $\frac{7}{5}$ ~ △  |
|     | 0866 32 110 A | Gear, Steering-Energy Absorbing           | 1                    |                                   |
|     | 0866 32 110 B | Gear, Steering-Energy Absorbing           | 1                    | Car No. 127396 $\frac{7}{12}$ ~ ○ |
|     | 0866 32 110 C | Gear, Steering-Energy Absorbing           | 1                    | Car No. 171555 $\frac{7}{5}$ ~ △  |
| 28  | 0370 32 080   | Jacket, Shaft (Without Energy Absorbing)  | 1                    |                                   |
|     | 0370 32 080 A | Jacket, Shaft (Without Energy Absorbing)  | 1                    | Car No. 127396 $\frac{7}{12}$ ~ ○ |
|     | 1524 32 080   | Jacket, Shaft (Without Energy Absorbing)  | 1                    | Car No. 171555 $\frac{7}{5}$ ~ △  |
| 29  | 0259 32 071   | Bush, Support                             | 1                    |                                   |
| 30  | 0866 32 100   | Shaft, Energy Absorbing                   | 1                    |                                   |
|     | 0866 32 100 A | Shaft, Energy Absorbing                   | 1                    | Car No. 127396 $\frac{7}{12}$ ~ ○ |
| 31  | 0208 32 059   | Ring, Stop                                | 1                    |                                   |
| 32  | 0370 32 130   | Nut, Worm Ball (Without Energy Absorbing) | 1                    |                                   |
|     | 0370 32 130 A | Nut, Worm Ball (Without Energy Absorbing) | 1                    | Car No. 127396 $\frac{7}{12}$ ~ ○ |
| 33  | 0259 32 182   | Bearing, Worm Ball Nut                    | 1                    |                                   |
| 34  | 0259 32 154   | Shim, End Cover (t=0.05)                  | } Selective<br>use 1 |                                   |
|     | 0259 32 155   | Shim (t=0.075)                            |                      |                                   |
|     | 0259 32 156   | Shim (t=0.1)                              |                      |                                   |
|     | 0259 32 157   | Shim (t=0.2)                              |                      |                                   |

# STEERING SYSTEM

(WHEEL & GEAR, R.H.D.)

| No. | Part Number   | Description                  | Q'ty                 | Remarks                         |
|-----|---------------|------------------------------|----------------------|---------------------------------|
| 35  | 99801 0816    | Bolt, End Cover & Side Cover | 8                    |                                 |
|     | 99971 0800    | Washer, Spring               | 8                    |                                 |
| 36  | 99922 1000    | Nut, Sector Adjust Screw     | 1                    |                                 |
| 37  | 99502 2000    | Plug, Oil                    | 1                    |                                 |
| 38  | 0259 55 556   | Clip                         | 1                    |                                 |
| 39  | 0259 32 160   | Cover, Side                  | 1                    |                                 |
| 40  | 0259 32 163   | Gasket, Side Cover           | 1                    |                                 |
| 41  | 0180 32 171 A | Shim, Adjust (t=1.95)        | } Selective<br>use 1 |                                 |
|     | 0180 32 172 A | Shim, Adjust (t=2.00)        |                      |                                 |
|     | 0180 32 173 A | Shim, Adjust (t=2.05)        |                      |                                 |
|     | 0180 32 174 A | Shim, Adjust (t=2.10)        |                      |                                 |
| 42  | 0180 32 165 A | Screw, Sector Adjust         | 1                    |                                 |
| 43  | 0866 32 141   | Shaft, Sector                | 1                    |                                 |
| 44  | 0866 32 121 A | Housing, Gear                | 1                    |                                 |
| 45  | 0317 32 129   | Oil Seal, Sector             | 1                    |                                 |
| ●   | 1128 32 129   | Oil Seal, Sector             | 1                    | Car No. 172856 $\frac{73}{6}$ X |
| 46  | 99781 1085    | Bolt, Gear Housing           | 3                    |                                 |
|     | 0305 32 119   | Washer, Plain                | 3                    |                                 |
| 47  | 99942 1000    | Nut, Steering Gear           | 3                    |                                 |



# STEERING SYSTEM

(WHEEL & GEAR, R.H.D.)

32

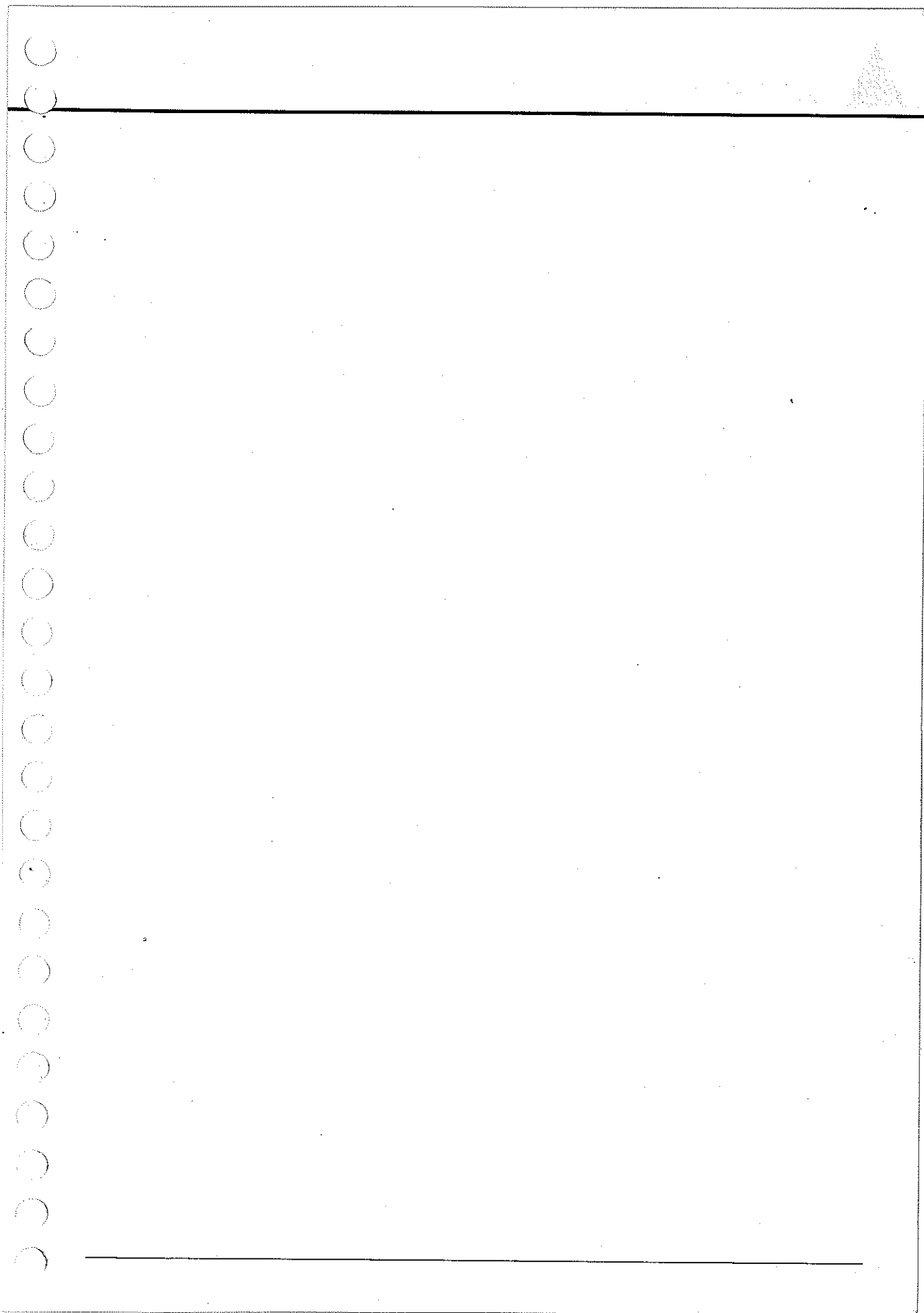
| No. | Part Number            | Description                        | Q'ty         | Remarks                          |
|-----|------------------------|------------------------------------|--------------|----------------------------------|
| ✓   | 99942 1001             | Nut, Steering Gear                 | 2            | Car No. 146203 $\frac{7}{4}$ ~○  |
|     | 99951 1022             | Washer, Plain                      | 2            |                                  |
| 48  | 0208 32 188            | Shim, Adjust-Steering Gear Housing | 2            |                                  |
| 49  | 0866 32 220A           | Arm, Pitman                        | 1            |                                  |
| ●   | 0866 32 220C           | Arm, Pitman                        | 1            | Car No. 160623 $\frac{7}{10}$ ~△ |
| 50  | 0730 32 279            | Seal, Dust                         | 1            |                                  |
|     | 1027 32 279            | Seal, Dust                         | 1            | Car No. 165313 $\frac{7}{3}$ ~△  |
| 51  | 0259 32 289            | Ring, Set                          | 1            |                                  |
|     | 0187 32 289            | Ring, Set                          | 1            | Car No. 160822 $\frac{7}{12}$ ~○ |
|     | 1823 32 289            | Ring, Set                          | 1            | Car No. 165313 $\frac{7}{3}$ ~△  |
| ✓   | <del>0866 32 228</del> | <del>Pin, Insulator</del>          | <del>1</del> | <del>From Car No. 1</del>        |
|     | 53 0866 32 230         | Insulator                          | 1            |                                  |
| ●   | 1128 32 227C           | Insulator                          | 1            | Car No. 160623 $\frac{7}{10}$ ~X |
| ●   | 1128 32 227D           | Insulator                          | 1            | $\frac{7}{11}$ ~○                |
| 54  | <del>99579 3000</del>  | <del>Nut, Speed</del>              | <del>1</del> |                                  |
| ●   | 90833 2408             | Washer and Screw                   | 1            | From Car No. 1                   |
|     |                        |                                    | 2            | $\frac{7}{3}$ ~Q'ty              |
| ●   | 55 99924 1000          | Nut, Pitman Arm & Center Link      | 1            |                                  |
|     |                        |                                    | 3            | $\frac{7}{3}$ ~Q'ty              |
| ●   | 99221 2020             | Pin, Split                         | 1            |                                  |
|     |                        |                                    | 3            | $\frac{7}{3}$ ~Q'ty              |
| 56  | 99921 1000             | Nut, Pitman Arm & Sector Shaft     | 1            |                                  |
| ●   | 99921 1800             | Nut, Pitman Arm & Sector Shaft     | 1            | From Car No. 1                   |
|     | 99971 1800             | Washer, Spring                     | 1            |                                  |
| 57  | 0866 32 425            | Bracket, Upper-Shaft Jacket        | 1            |                                  |

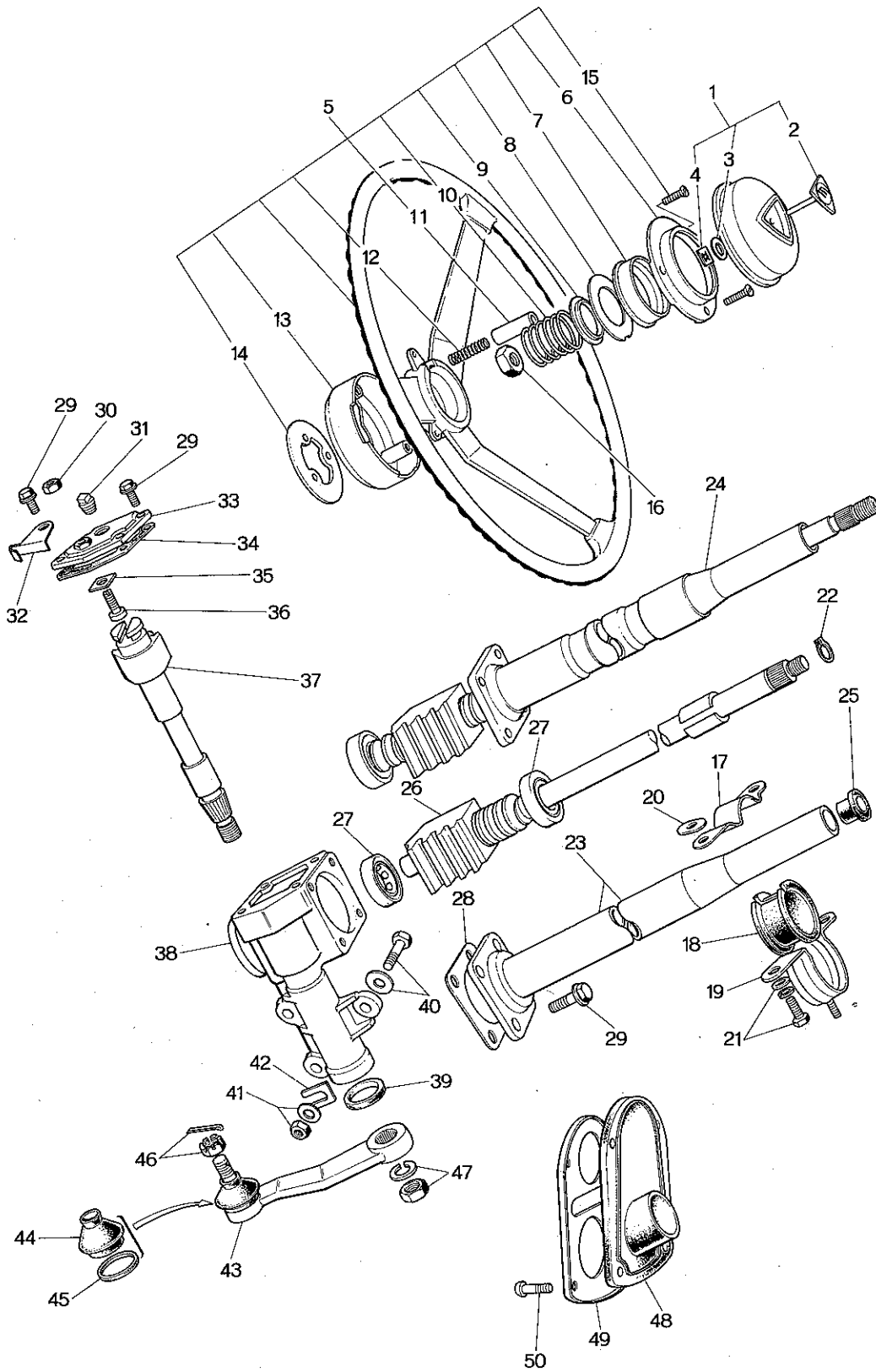


# STEERING SYSTEM

(WHEEL & GEAR, R. H. D.)

| No. | Part Number | Description                 | Q'ty | Remarks                      |
|-----|-------------|-----------------------------|------|------------------------------|
| 58  | 2244 32 423 | Rubber, Fixing-Shaft Jacket | 1    |                              |
| 59  | 0866 32 420 | Bracket, Lower-Shaft Jacket | 1    |                              |
| 60  | 0259 43 088 | Sheet, Fixing Bracket       | 2    |                              |
| 61  | 99799 0832  | Bolt, Fixing Bracket        | 2    |                              |
|     | 99786 0825  | Bolt, Fixing Bracket        | 2    | Car No. 142383 $\frac{7}{8}$ |
|     | 99952 0800  | Washer, Plain               | 2    |                              |
|     | 99971 0800  | Washer, Spring              | 1    |                              |
| 62  | 0866 32 411 | Cover, Dust                 | 1    |                              |
| 63  | 0370 32 412 | Plate, Set                  | 4    |                              |
| 64  | 99869 0512  | Screw, Set Plate            | 4    |                              |





# STEERING SYSTEM (WHEEL & GEAR, L. H. D.)

32

| No. | Part Number            | Description                         | Q'ty         | Remarks                          |
|-----|------------------------|-------------------------------------|--------------|----------------------------------|
| 1   | 1562 32 800            | Cap, Horn                           | 1            | ©                                |
| 2   | 1562 32 811            | Emblem                              | 1            |                                  |
| 3   | 0223 58 472            | Washer, Emblem                      | 1            |                                  |
| 4   | 99579 3000             | Nut, Speed-Emblem                   | 1            |                                  |
| 5   | 1562 32 980            | Boss, Steering Wheel                | 1            |                                  |
| ●   | 1562 32 980A           | Boss, Steering Wheel                | 1            | Car No. 160822 $\frac{7}{12}$ ~○ |
| 6   | 0329 32 031A           | Retainer, Sub                       | 1            |                                  |
| 7   | 0329 32 013A           | Retainer, Cap                       | 1            |                                  |
| 8   | 0329 32 018            | Plate, Contact                      | 1            |                                  |
| 9   | 0329 32 015            | Insulator                           | 1            |                                  |
| 10  | <del>0329 32 014</del> | <del>Spring</del>                   | <del>1</del> |                                  |
| ●   | 0329 32 014            | Spring                              | 1            | From Car No. 1                   |
| 11  | 0329 32 033            | Pipe                                | 1            |                                  |
| 12  | 0329 32 019            | Spring                              | 1            |                                  |
| 13  | 1562 32 049            | Cover, Wheel Core                   | 1            |                                  |
| 14  | 0329 32 034            | Terminal                            | 1            |                                  |
| 15  | 99886 0420             | Screw                               | 3            |                                  |
| Ⓝ   | 0820 32 058            | Washer, Stop (Selective use)        | 2            |                                  |
| 16  | 99848 1200             | Nut, Self Lock-Wheel & Shaft        | 1            |                                  |
| 17  | 9986 32 425            | Bracket, Upper-Shaft Jacket         | 1            |                                  |
| 18  | 2244 32 423            | Rubber, Fixing-Shaft Jacket         | 1            |                                  |
| 19  | 9986 32 420            | Bracket, Lower-Shaft Jacket         | 1            |                                  |
| 20  | 0259 43 088            | Sheet, Shaft Jacket                 | 2            |                                  |
| 21  | 99799 0832             | Bolt, Shaft Jacket & Fixing Bracket | 2            |                                  |
|     | 99852 0800             | Washer, Plain                       | 2            |                                  |

## STEERING SYSTEM (WHEEL &amp; GEAR, L.H.D.)

| No. | Part Number  | Description                               | Q'ty              | Remarks                          |
|-----|--------------|---|-------------------|----------------------------------|
|     | 99971 0800   | Washer, Spring                            | 6                 |                                  |
|     | 1524 32 110  | Gear, Steering                            | 1                 |                                  |
|     | 1524 32 110A | Gear, Steering                            | 1                 | Car No. 127396 $\frac{7}{12}$ ~○ |
| ↓ ● | 1524 32 110B | Gear, Steering                            | 1                 | Car No. 159447 $\frac{7}{10}$ ~△ |
|     | 1562 32 110  | Gear, Steering-Energy Absorbing           | 1                 |                                  |
|     | 1562 32 110A | Gear, Steering-Energy Absorbing           | 1                 | Car No. 127396 $\frac{7}{12}$ ~○ |
| ↓ ● | 1562 32 110B | Gear, Steering-Energy Absorbing           | 1                 | Car No. 159447 $\frac{7}{10}$ ~△ |
| 22  | 0208 32 059  | Ring, Stop                                | 1                 |                                  |
| 23  | 0370 32 080  | Jacket, Shaft                             | 1                 |                                  |
|     | 0370 32 080A | Jacket, Shaft                             | 1                 | Car No. 127396 $\frac{7}{12}$ ~○ |
| 24  | 1562 32 100  | Jacket, Shaft-Energy Absorbing            | 1                 |                                  |
|     | 1562 32 100A | Jacket, Shaft-Energy Absorbing            | 1                 | Car No. 127396 $\frac{7}{12}$ ~○ |
| 25  | 0259 32 071  | Bush, Support                             | 1                 |                                  |
| 26  | 1524 32 130  | Nut, Worm Ball (Without Energy Absorbing) | 1                 |                                  |
|     | 1524 32 130A | Nut, Worm Ball (Without Energy Absorbing) | 1                 | Car No. 127396 $\frac{7}{12}$ ~○ |
| 27  | 0259 32 182  | Bearing, Worm Ball Nut                    | 2                 |                                  |
| 28  | 0259 32 154  | Shim, End Cover (t=0.05)                  | } Selective use 1 |                                  |
|     | 0259 32 155  | Shim (t=0.075)                            |                   |                                  |
|     | 0259 32 156  | Shim (t=0.1)                              |                   |                                  |
|     | 0259 32 157  | Shim (t=0.2)                              |                   |                                  |
| 29  | 99801 0816   | Bolt, End Cover & Side Cover              | 8                 |                                  |
|     | 99971 0800   | Washer, Spring                            | 8                 |                                  |
| 30  | 99922 1000   | Nut, Lock-Sector Adjust Screw             | 1                 |                                  |
| 31  | 99502 2000   | Plug, Oil                                 | 1                 |                                  |
| 32  | 0259 55 556  | Clip                                      | 1                 |                                  |
| 33  | 0259 32 180  | Cover, Side                               | 1                 |                                  |
| 34  | 0259 32 183  | Gasket, Side Cover                        | 1                 |                                  |
| 35  | 0180 32 171A | Shim, Adjust (t=1.95)                     | } Selective use 1 |                                  |
|     | 0180 32 172A | Shim, Adjust (t=2.00)                     |                   |                                  |
|     | 0180 32 173A | Shim, Adjust (t=2.05)                     |                   |                                  |
|     | 0180 32 174A | Shim, Adjust (t=2.10)                     |                   |                                  |

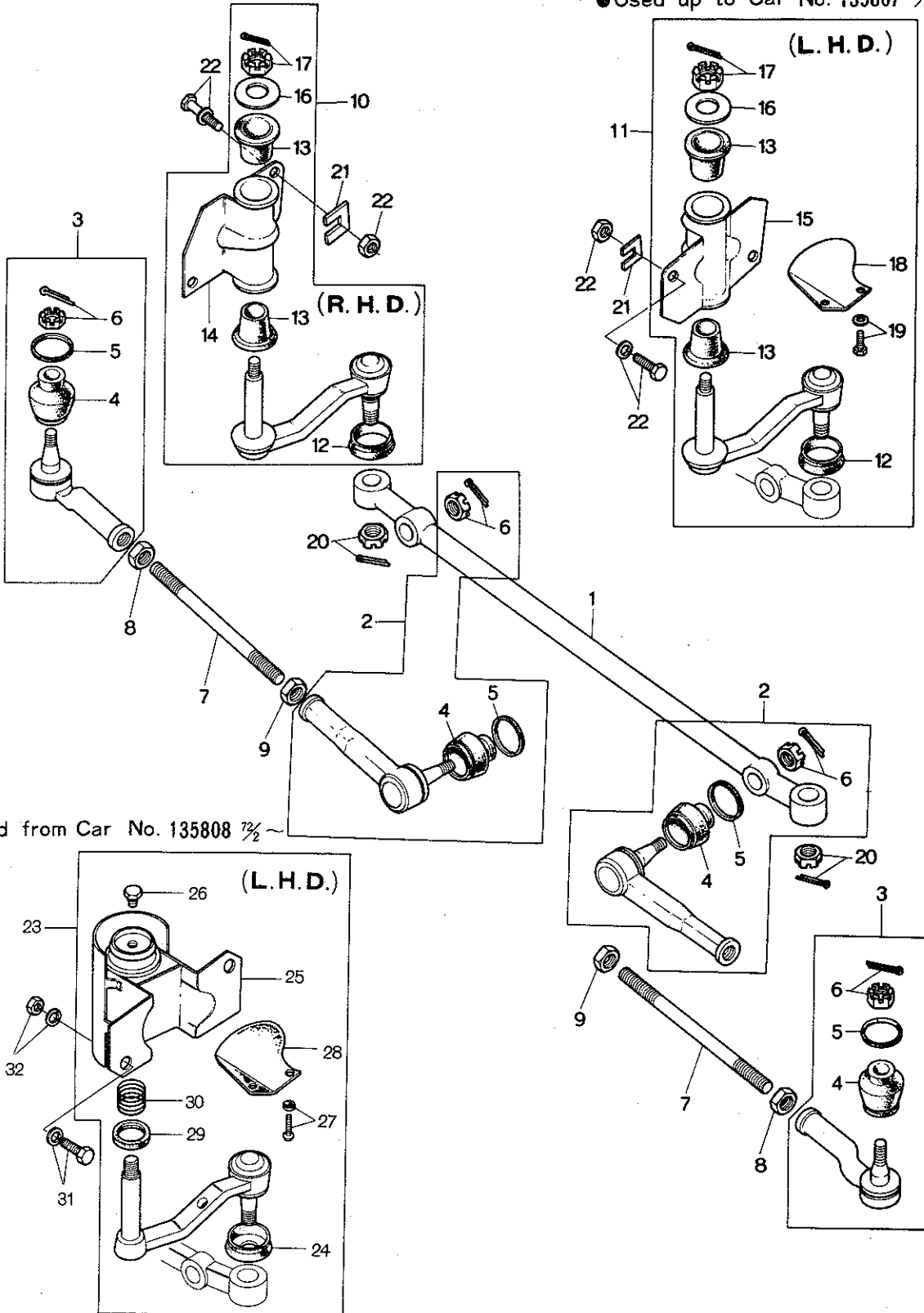
# STEERING SYSTEM (WHEEL & GEAR, L. H. D.)

32

| No. | Part Number             | Description                    | Q'ty         | Remarks                                  |
|-----|-------------------------|--------------------------------|--------------|--|
| 36  | 0180 32 165A            | Screw, Sector Adjust           | 1            |  |
| 37  | 0868 32 141             | Shaft, Sector                  | 1            |  |
| 38  | <del>1524 32 121A</del> | <del>Housing, Gear</del>       | <del>1</del> |  |
| 39  | 0317 32 129             | Oil Seal, Sector               | 1            |  |
| 40  | 99781 1085              | Bolt, Gear Housing             | 3            |  |
|     | 0305 32 119             | Washer, Plain                  | 3            |  |
| 41  | 99942 1000              | Nut, Gear Housing              | 3            |  |
| ✓●  | 99942 1001              | Nut, Gear Housing              | 3            | Car No. 146203 $\frac{3}{4}$ ~○          |
|     | 99951 1022              | Washer, Plain                  | 3            |  |
| 42  | 0208 32 188             | Shim, Adjust-Gear Housing      | 2            |  |
| 43  | 1524 32 220             | Arm, Pitman                    | 1            |  |
| 44  | 0730 32 279             | Seal, Dust                     | 1            |  |
| 45  | 0259 32 289             | Ring, Set                      | 1            |  |
| ✓●  | 0187 32 289             | Ring, Set                      | 1            | Car No. 160822 $\frac{3}{12}$ ~○         |
| 46  | 99924 1000              | Nut, Pitman Arm & Center Link  | 1            |  |
|     | 99221 2020              | Pin, Split                     | 1            |  |
| 47  | 99921 1800              | Nut, Pitman Arm & Sector Shaft | 1            |  |
|     | 99971 1800              | Washer, Spring                 | 1            |  |
| 48  | 0866 32 411             | Cover, Dust                    | 1            |  |
| 49  | 0370 32 412             | Plate, Set                     | 1            |  |
| 50  | 99889 0512              | Screw, Set Plate               | 4            |  |
| Ⓝ   | 0820 32 058             | Washer Stop, Selective use     |              | Car No. 146346 $\frac{7}{8}$ ~Added Anew |

# 32 STEERING SYSTEM (ROD)

● Used up to Car No. 135807  $\frac{7}{8}$ ~



Used from Car No. 135808  $\frac{1}{2}$ ~



# STEERING SYSTEM (ROD)

32

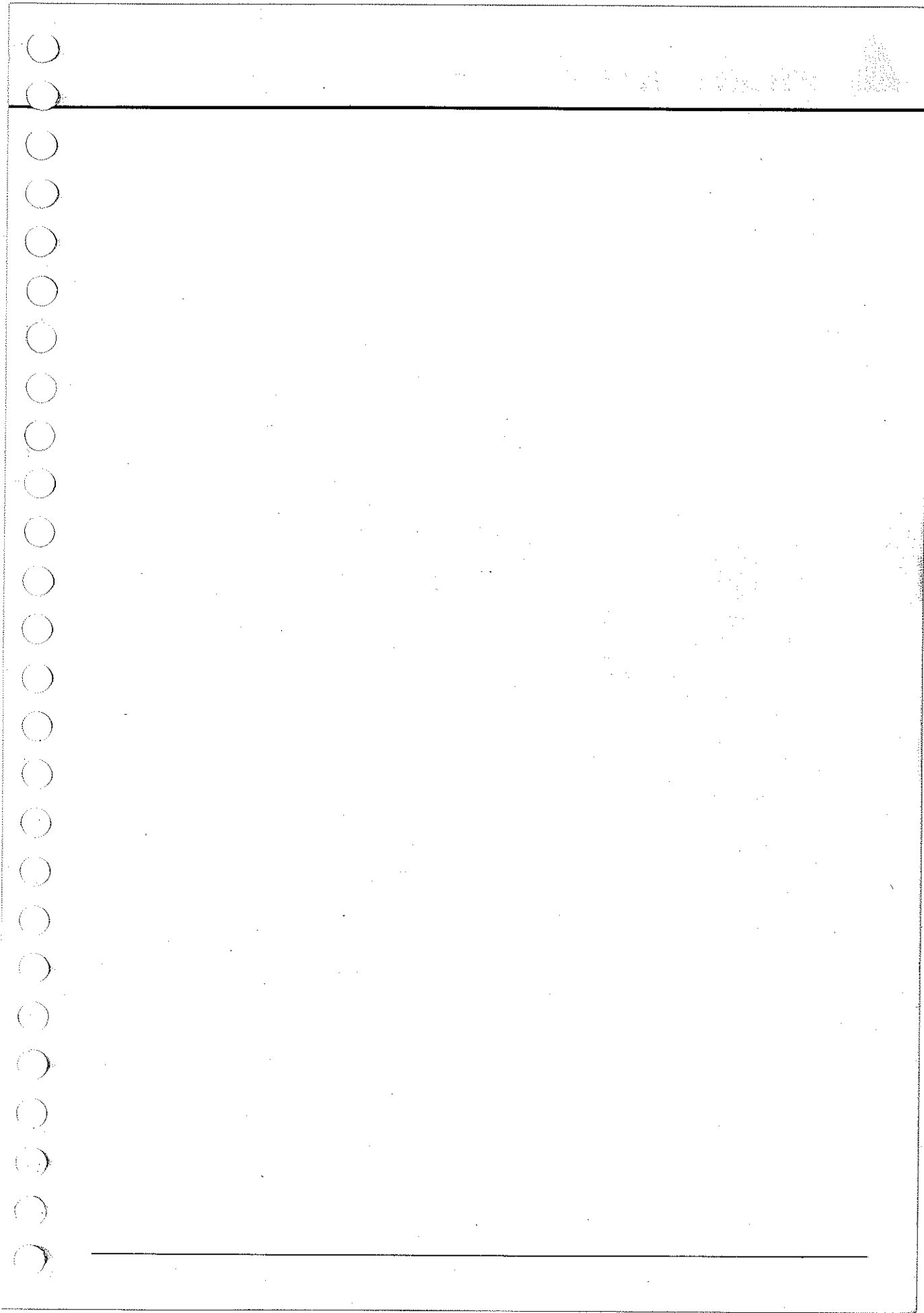
| No. | Part Number   | Description                      | Q'ty | Remarks                                 |
|-----|---------------|----------------------------------|------|---|
| 1   | 0866 32 261   | Link, Center (R.H.D.)            | 1    |   |
|     | 1524 32 261   | Link, Center (L.H.D.)            | 1    |   |
| 2   | 1524 99 322   | Socket Set                       | 2    |   |
|     | 0866 99 322   | Socket Set                       | 2    | Car No. 150259 $\frac{7}{8}$ ~ O        |
| 3   | 1524 99 324   | Socket Set                       | 2    |   |
|     | 0866 99 324   | Socket Set                       | 2    | Car No. 150259 $\frac{7}{8}$ ~ O        |
| 4   | 0730 32 279   | Seal, Dust                       | 4    |   |
| 5   | 0259 32 289   | Ring, Set                        | 4    |   |
|     | 0187 32 289   | Ring, Set                        | 4    | Car No. 160822 $\frac{7}{12}$ ~ O       |
| 6   | 99924 1000    | Nut                              | 4    |   |
|     | 99221 2020    | Pin, Split                       | 2    |   |
|     | 99221 2015    | Pin, Split                       | 2    |   |
| 7   | 0305 32 365   | Rod, Tie                         | 2    |   |
| 8   | 99922 1400    | Nut                              | 2    |   |
| 9   | 99944 1400    | Nut                              | 2    |   |
| 10  | 0866 32 320   | Idler (R.H.D.)                   | 1    |   |
|     | 0866 32 320 A | Idler (R.H.D.)                   | 1    | Car No. 161186 $\frac{7}{8}$ ~ Δ        |
|     | 0866 32 320 B | Idler (R.H.D.)                   | 1    | Car No. 176736 $\frac{7}{8}$ ~ Δ        |
| 11  | 1562 32 320 A | Idler (L.H.D.)                   | 1    | Used up to Car No. 135807 $\frac{7}{8}$ |
|     | 1562 32 320 B | Idler (L.H.D.)                   | 1    | Car No. 136920 $\frac{7}{2}$ ~ X        |
|     | 1562 32 320 C | Idler (L.H.D.)                   | 1    | Car No. 161186 $\frac{7}{8}$ ~ O        |
|     | 1562 32 320 D | Idler (L.H.D.)                   | 1    | Car No. 165313 $\frac{7}{3}$ ~ Δ        |
|     | 1562 32 320 E | Idler (L.H.D.)                   | 1    | Car No. 176736 $\frac{7}{8}$ ~ Δ        |
|     | 1562 32 320 F | Idler (L.H.D.)                   | 1    | Car No. 176736 $\frac{7}{8}$ ~ Δ        |
| 12  | 0866 32 279   | Seal, Dust                       | 1    |   |
| 13  | 0866 32 329 A | Bush, Tapered                    | 2    |   |
| 14  | 0866 32 330 A | Bracket (R.H.D.)                 | 1    |   |
| 15  | 1562 32 330 A | Bracket (L.H.D.)                 | 1    | Used up to Car No. 135807 $\frac{7}{8}$ |
| 16  | 0866 32 341   | Washer                           | 1    |   |
| 17  | 99221 3020    | Pin, Split ( <del>L.H.D.</del> ) | 1    |   |

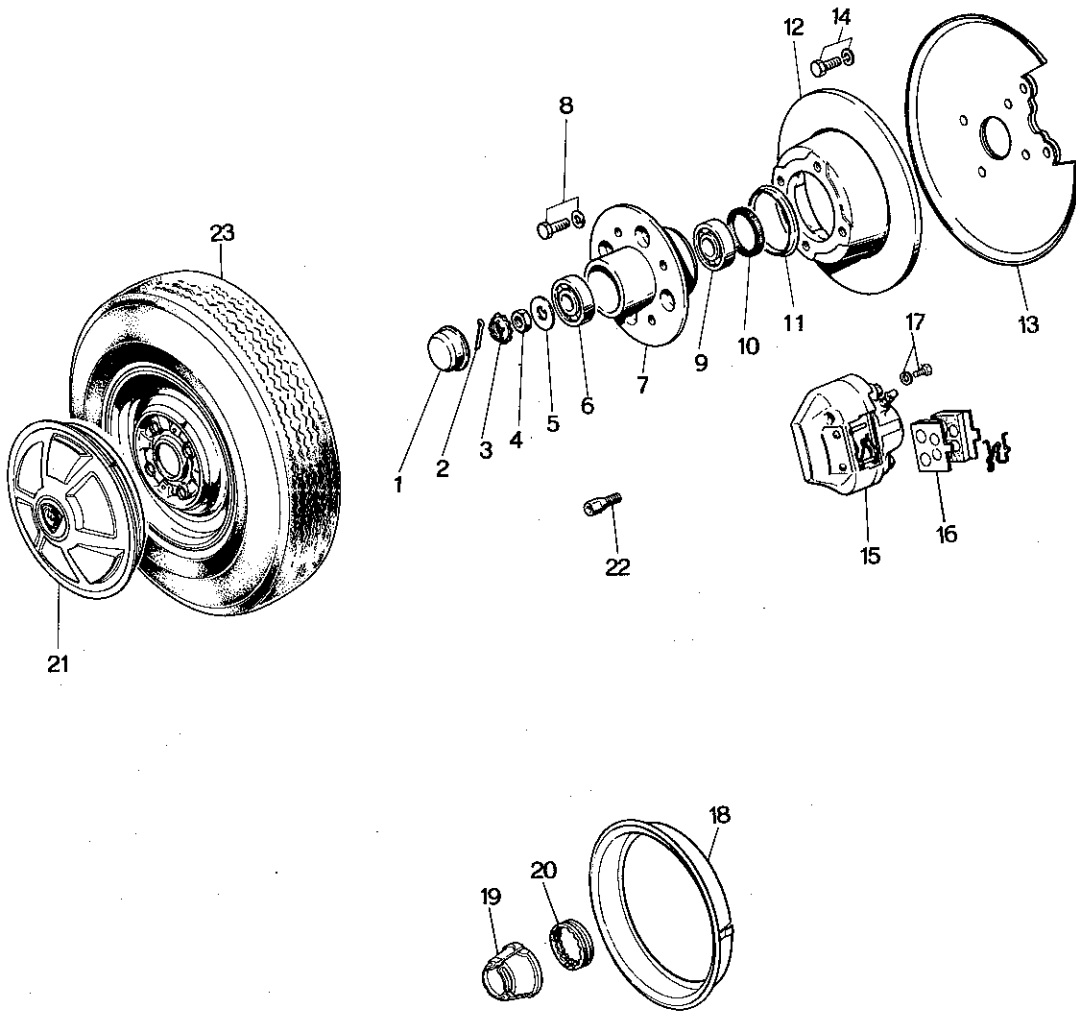
# STEERING SYSTEM (ROD)

| No. | Part Number   | Description              | Qty | Remarks                                    |
|-----|---------------|--------------------------|-----|--|
|     | 99924 1200    | Nut                      | 1   |  |
| 18  | 0866 32 227 A | Insulator                | 1   |  |
| ●   | 0866 32 230   | Insulator                | 1   | From Car No. 1                             |
| ●   | 1128 32 227 C | Insulator                | 1   | Car No. 160623 $\frac{3}{4}$ " ~ O         |
| ●   | 1128 32 227 D | Insulator                | 1   | Used up to Car No. 135807 $\frac{3}{4}$ "  |
| 19  | 0866 32 228   | Pin                      | 1   |  |
|     | 99579 3000    | Nut, Speed               | 1   |  |
| Ⓝ   | 99242 0308    | Pin                      | 1   |  |
| 20  | 99924 1000    | Nut, Idler & Center Link | 1   |  |
|     | 99221 2015    | Pin, Split               | 3   |  |
| 21  | 0208 32 188   | Shim, Adjust - Idler     | 3   |  |
| 22  | 99781 1080    | Bolt, Idler              | 2   |  |
|     | 0305 32 119   | Washer, Plain            | 4   |  |
|     | 99942 1000    | Nut                      | 3   |  |
|     | 99942 1001    | Nut                      | 3   | Car No. 146203 $\frac{3}{4}$ " ~ O         |
| 23  | 1562 32 320 B | Idler                    | 1   |  |
|     | 1562 32 320 C | Idler                    | 1   | $\frac{3}{4}$ " ~ O                        |
| 24  | 0866 32 279   | Seal, Dust               | 1   |  |
| 25  | 1562 32 330 C | Bracket                  | 1   |  |
| 26  | 0208 32 278   | Plug                     | 1   |  |
| 27  | 99833 0408    | Screw                    | 2   |  |
|     | 99971 0400    | Washer, Spring           | 2   |  |
| 28  | 0866 32 230   | Insulator                | 1   | Used from Car No. 135808 $\frac{3}{2}$ " ~ |
| 29  | 2113 32 356   | Oil Seal                 | 1   |  |
| 30  | 0111 32 173   | Spring                   | 1   |  |
| 31  | 99781 1080    | Bolt, Idler              | 1   |  |
|     | 0305 32 119   | Washer, Plain            | 1   |  |
| 32  | 99921 1000    | Nut                      | 2   |  |
|     | 99971 1000    | Washer, Spring           | 2   |  |

(L.H.D.)

(L.H.D.)





# FRONT AXLE

33

| No. | Part Number   | Description            | Q'ty | Remarks                |
|-----|---------------|------------------------|------|------------------------|
| 1   | 0259 33 071   | Cap, Hub               | 2    |                        |
| 2   | 99221 4030    | Pin, Split             | 2    |                        |
| 3   | 0317 33 049   | Cover, Set             | 2    |                        |
| 4   | 0662 33 042   | Nut                    | 2    |                        |
| 5   | 0317 33 043   | Washer                 | 2    |                        |
|     | 1011 33 043   | Washer                 | 2    | 7/2 ~ O                |
| 6   | 0317 33 075   | Bearing, Wheel Outer   | 2    |                        |
| 7   | 0820 33 091 A | Hub, Front             | 2    |                        |
|     | 0820 33 091 B | Hub, Front             | 2    | 7/11 ~ O               |
| 8   | 0221 33 698   | Bolt, Hub              | 8    |                        |
|     | 99971 1000    | Washer, Spring         | 8    |                        |
| 9   | 0259 33 047   | Bearing, Wheel Inner   | 2    |                        |
| 10  | 0398 33 065   | Oil Seal               | 2    |                        |
| 11  | 0221 33 035   | Ring, Dust             | 2    |                        |
| 12  | 0866 33 251   | Plate, Disc            | 2    |                        |
|     | 0866 33 251 A | Plate, Disc            | 2    | 7/8 ~ O                |
| 13  | 0866 33 260   | Adapter (R), Mounting  | 1    |                        |
|     | 0866 33 260 A | Adapter (R), Mounting  | 1    | 7/1 ~ O                |
|     | 0866 33 270   | Adapter (L), Mounting  | 1    |                        |
|     | 0866 33 270 A | Adapter (L), Mounting  | 1    | 7/1 ~ O                |
| 14  | 99811 1018    | Bolt, Mounting Adapter | 8    |                        |
|     | 99811 1020    | Bolt, Mounting Adapter | 8    | Car No. 152249 7/8 ~ O |
|     | 99971 1000    | Washer, Spring         | 8    |                        |

| No. | Part Number     | Description                    | Qty | Remarks  |
|-----|-----------------|--------------------------------|-----|--|
| 15  | 0870 33 980A    | Brake (R), Disc                | 1   |  |
| ●   | 0870 33 980B    | Brake (R), Disc                | 1   | $\frac{7}{8}$ ~○                               |
|     | 0870 33 990A    | Brake (L), Disc                | 1   |  |
| ●   | 0870 33 990B    | Brake (L), Disc                | 1   | $\frac{7}{8}$ ~○                               |
| 16  | 0870 49 230A    | Pad, Set                       | 1   |  |
|     | 0870 49 230B    | Pad, Set                       | 1   | $\frac{7}{8}$ ~○                               |
| 17  | 997501 1018     | Bolt, Disc Brake               | 4   |  |
|     | 99971 1000      | Washer, Spring                 | 4   |  |
| ●   | 18 0820 33 180A | Ring, Wheel-Center Cap use     | 1   |  |
|     |                 |                                | 2   | From Car No. 1                                 |
| ●   | 19 0881 37 191  | Cap, Center                    | 1   |  |
|     |                 |                                | 2   | From Car No. 1                                 |
| 20  | 0820 33 192A    | Rubber, Set-Center Cap         | 2   |  |
|     | 1011 37 192     | Rubber, Set-Center Cap         | 2   | Car No. 160623 $\frac{7}{10}$ ~○               |
| 21  | 0866 37 170B    | Cap, Wheel                     | 2   |  |
|     | 0866 37 170C    | Cap, Wheel                     | 2   | Car No. 163322 $\frac{7}{2}$ ~△                |
| 22  | 0259 33 165     | Bolt, Wheel Set                | 8   |  |
|     | 0820 33 165     | Bolt, Wheel Set-Center Cap use | 8   |  |
|     | 0820 33 165A    | Bolt, Wheel Set-Center Cap use | 8   | Car No. 151154 $\frac{7}{8}$ ~△                |
| 23  | 9962 04 1553    | Tire, 155 SR-13 Radial         | 2   |  |
|     | 9962 10 1553    | Tire, 155 SR-13 Radial         | 2   | 1550~1554<br>Car No. $\frac{7}{2}$ ~Added Anew |
|     | 9962 13 1553    | Tire, 155 SR-13 Radial         | 2   | $\frac{7}{10}$ ~○                              |
|     | 9962 07 1553    | Tire, 155 HR-13 Radial         | 2   |  |

# FRONT AXLE



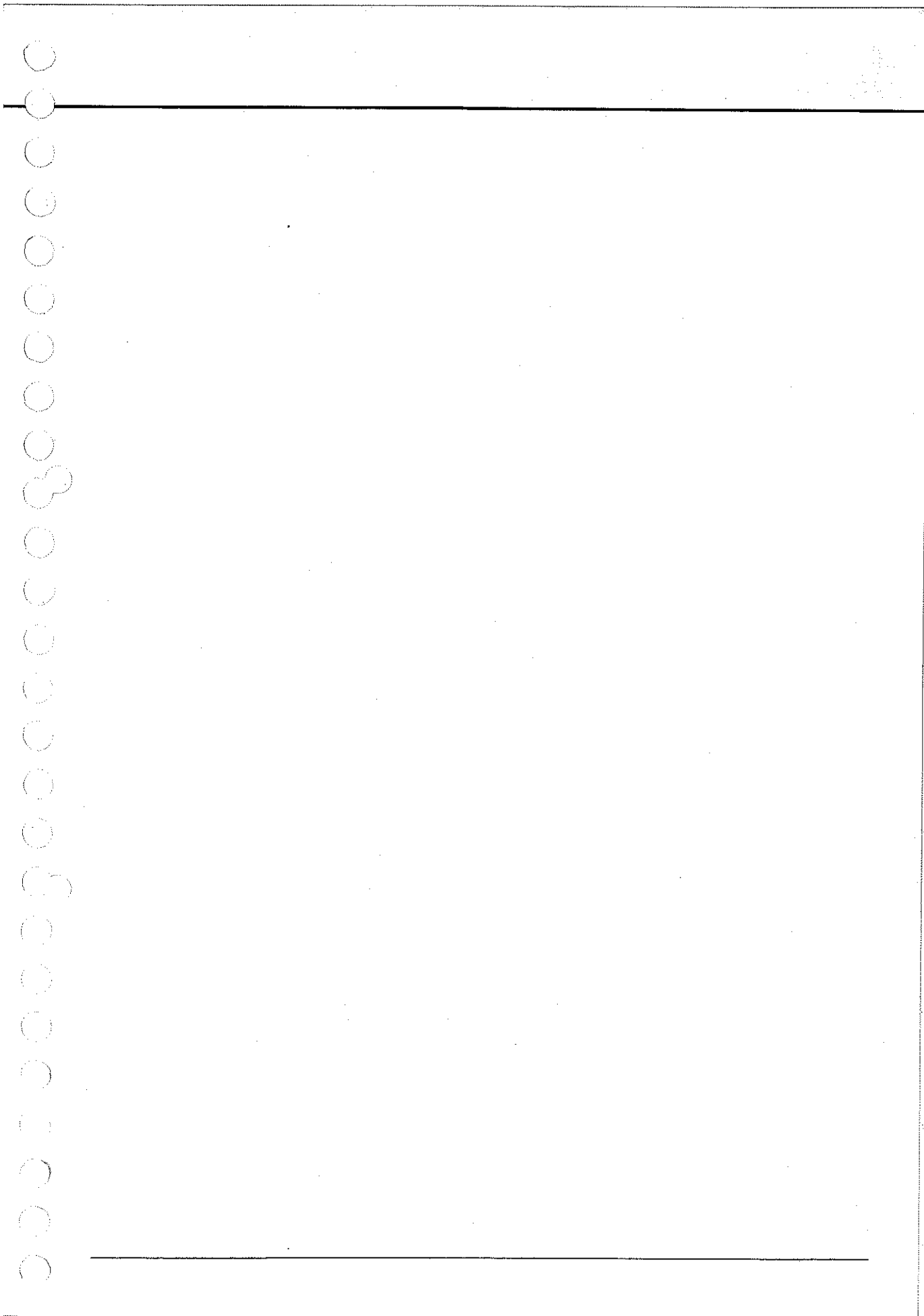
| No. | Part Number  | Description   | Q'ty | Remarks  |
|-----|--------------|---|------|--|
| ●   | 9962 11 1553 | Tire, 155 HR — 13 Radial                              | 2    | 1550~1554<br>Car No. $\frac{7}{8}$ ~Added Anew |
| ●   | 9962 14 1553 | Tire, 155 HR — 13 Radial                              | 2    | $\frac{7}{8}$ ~○                               |
|     | 9963 01 1553 | Tube, 155 R — 13                                      | 3    |  |
|     | 9965 05 4530 | Wheel, 4 $\frac{1}{2}$ — J × 13 WDC Disc              | 2    |  |
| ● ✓ | 9965 18 4530 | Wheel, 4 $\frac{1}{2}$ — J × 13 WDC Disc              | 2    | $\frac{7}{8}$ ~○                               |
|     | 9965 06 4530 | Wheel, 4 $\frac{1}{2}$ — J × 13 WDC Disc (Center Cap) | 2    |  |



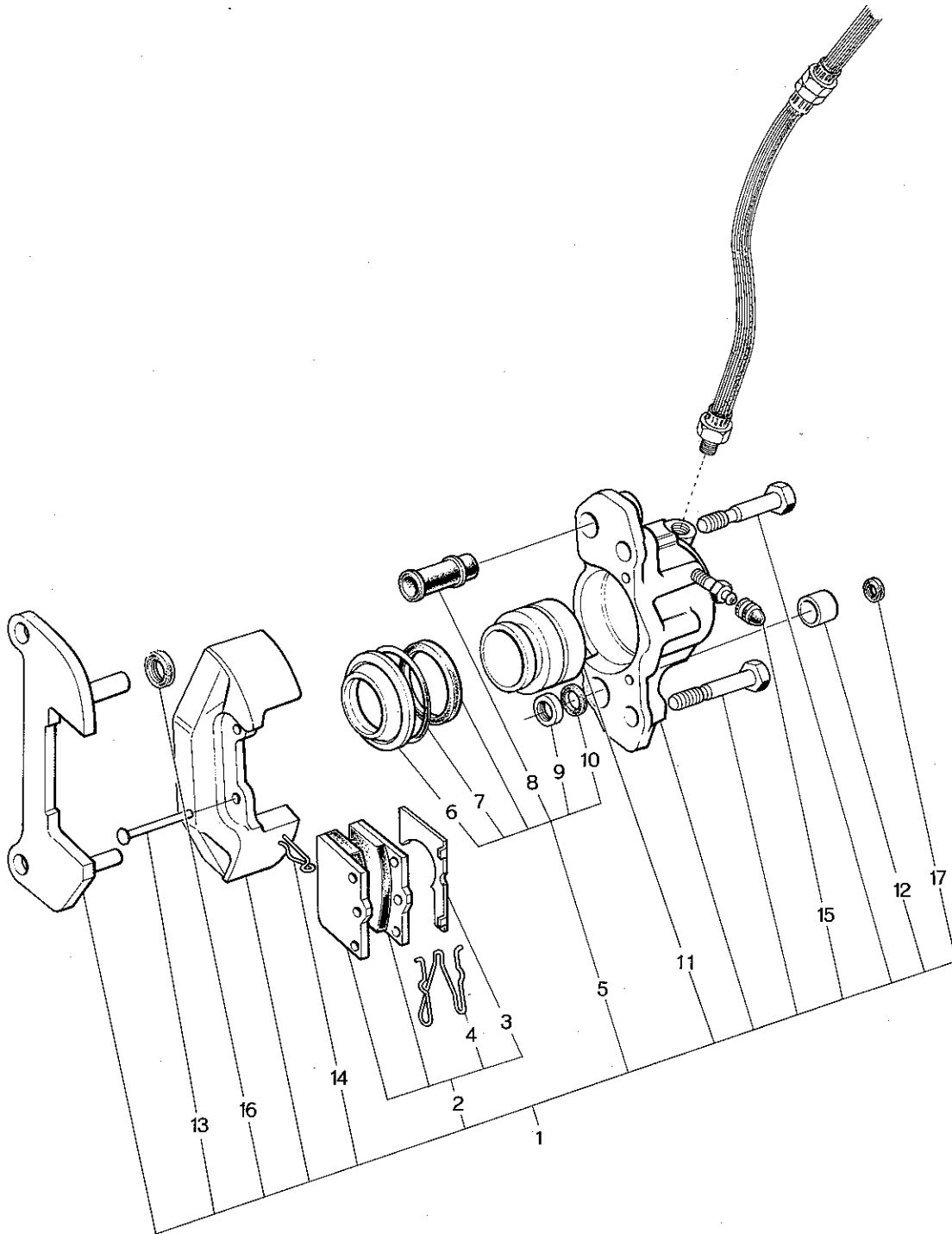
# FRONT AXLE

| Part No. | Description          | QTY | Notes |
|----------|----------------------|-----|-------|
| 10000    | FRONT AXLE ASSEMBLY  | 1   |       |
| 10001    | AXLE SHAFT           | 1   |       |
| 10002    | AXLE HUB             | 1   |       |
| 10003    | AXLE HUB NUT         | 1   |       |
| 10004    | AXLE HUB WASHER      | 1   |       |
| 10005    | AXLE HUB BUSH        | 1   |       |
| 10006    | AXLE HUB BUSH WASHER | 1   |       |
| 10007    | AXLE HUB BUSH NUT    | 1   |       |
| 10008    | AXLE HUB BUSH WASHER | 1   |       |
| 10009    | AXLE HUB BUSH NUT    | 1   |       |
| 10010    | AXLE HUB BUSH WASHER | 1   |       |
| 10011    | AXLE HUB BUSH NUT    | 1   |       |
| 10012    | AXLE HUB BUSH WASHER | 1   |       |
| 10013    | AXLE HUB BUSH NUT    | 1   |       |
| 10014    | AXLE HUB BUSH WASHER | 1   |       |
| 10015    | AXLE HUB BUSH NUT    | 1   |       |
| 10016    | AXLE HUB BUSH WASHER | 1   |       |
| 10017    | AXLE HUB BUSH NUT    | 1   |       |
| 10018    | AXLE HUB BUSH WASHER | 1   |       |
| 10019    | AXLE HUB BUSH NUT    | 1   |       |
| 10020    | AXLE HUB BUSH WASHER | 1   |       |
| 10021    | AXLE HUB BUSH NUT    | 1   |       |
| 10022    | AXLE HUB BUSH WASHER | 1   |       |
| 10023    | AXLE HUB BUSH NUT    | 1   |       |
| 10024    | AXLE HUB BUSH WASHER | 1   |       |
| 10025    | AXLE HUB BUSH NUT    | 1   |       |
| 10026    | AXLE HUB BUSH WASHER | 1   |       |
| 10027    | AXLE HUB BUSH NUT    | 1   |       |
| 10028    | AXLE HUB BUSH WASHER | 1   |       |
| 10029    | AXLE HUB BUSH NUT    | 1   |       |
| 10030    | AXLE HUB BUSH WASHER | 1   |       |
| 10031    | AXLE HUB BUSH NUT    | 1   |       |
| 10032    | AXLE HUB BUSH WASHER | 1   |       |
| 10033    | AXLE HUB BUSH NUT    | 1   |       |
| 10034    | AXLE HUB BUSH WASHER | 1   |       |
| 10035    | AXLE HUB BUSH NUT    | 1   |       |
| 10036    | AXLE HUB BUSH WASHER | 1   |       |
| 10037    | AXLE HUB BUSH NUT    | 1   |       |
| 10038    | AXLE HUB BUSH WASHER | 1   |       |
| 10039    | AXLE HUB BUSH NUT    | 1   |       |
| 10040    | AXLE HUB BUSH WASHER | 1   |       |
| 10041    | AXLE HUB BUSH NUT    | 1   |       |
| 10042    | AXLE HUB BUSH WASHER | 1   |       |
| 10043    | AXLE HUB BUSH NUT    | 1   |       |
| 10044    | AXLE HUB BUSH WASHER | 1   |       |
| 10045    | AXLE HUB BUSH NUT    | 1   |       |
| 10046    | AXLE HUB BUSH WASHER | 1   |       |
| 10047    | AXLE HUB BUSH NUT    | 1   |       |
| 10048    | AXLE HUB BUSH WASHER | 1   |       |
| 10049    | AXLE HUB BUSH NUT    | 1   |       |
| 10050    | AXLE HUB BUSH WASHER | 1   |       |
| 10051    | AXLE HUB BUSH NUT    | 1   |       |
| 10052    | AXLE HUB BUSH WASHER | 1   |       |
| 10053    | AXLE HUB BUSH NUT    | 1   |       |
| 10054    | AXLE HUB BUSH WASHER | 1   |       |
| 10055    | AXLE HUB BUSH NUT    | 1   |       |
| 10056    | AXLE HUB BUSH WASHER | 1   |       |
| 10057    | AXLE HUB BUSH NUT    | 1   |       |
| 10058    | AXLE HUB BUSH WASHER | 1   |       |
| 10059    | AXLE HUB BUSH NUT    | 1   |       |
| 10060    | AXLE HUB BUSH WASHER | 1   |       |
| 10061    | AXLE HUB BUSH NUT    | 1   |       |
| 10062    | AXLE HUB BUSH WASHER | 1   |       |
| 10063    | AXLE HUB BUSH NUT    | 1   |       |
| 10064    | AXLE HUB BUSH WASHER | 1   |       |
| 10065    | AXLE HUB BUSH NUT    | 1   |       |
| 10066    | AXLE HUB BUSH WASHER | 1   |       |
| 10067    | AXLE HUB BUSH NUT    | 1   |       |
| 10068    | AXLE HUB BUSH WASHER | 1   |       |
| 10069    | AXLE HUB BUSH NUT    | 1   |       |
| 10070    | AXLE HUB BUSH WASHER | 1   |       |
| 10071    | AXLE HUB BUSH NUT    | 1   |       |
| 10072    | AXLE HUB BUSH WASHER | 1   |       |
| 10073    | AXLE HUB BUSH NUT    | 1   |       |
| 10074    | AXLE HUB BUSH WASHER | 1   |       |
| 10075    | AXLE HUB BUSH NUT    | 1   |       |
| 10076    | AXLE HUB BUSH WASHER | 1   |       |
| 10077    | AXLE HUB BUSH NUT    | 1   |       |
| 10078    | AXLE HUB BUSH WASHER | 1   |       |
| 10079    | AXLE HUB BUSH NUT    | 1   |       |
| 10080    | AXLE HUB BUSH WASHER | 1   |       |
| 10081    | AXLE HUB BUSH NUT    | 1   |       |
| 10082    | AXLE HUB BUSH WASHER | 1   |       |
| 10083    | AXLE HUB BUSH NUT    | 1   |       |
| 10084    | AXLE HUB BUSH WASHER | 1   |       |
| 10085    | AXLE HUB BUSH NUT    | 1   |       |
| 10086    | AXLE HUB BUSH WASHER | 1   |       |
| 10087    | AXLE HUB BUSH NUT    | 1   |       |
| 10088    | AXLE HUB BUSH WASHER | 1   |       |
| 10089    | AXLE HUB BUSH NUT    | 1   |       |
| 10090    | AXLE HUB BUSH WASHER | 1   |       |
| 10091    | AXLE HUB BUSH NUT    | 1   |       |
| 10092    | AXLE HUB BUSH WASHER | 1   |       |
| 10093    | AXLE HUB BUSH NUT    | 1   |       |
| 10094    | AXLE HUB BUSH WASHER | 1   |       |
| 10095    | AXLE HUB BUSH NUT    | 1   |       |
| 10096    | AXLE HUB BUSH WASHER | 1   |       |
| 10097    | AXLE HUB BUSH NUT    | 1   |       |
| 10098    | AXLE HUB BUSH WASHER | 1   |       |
| 10099    | AXLE HUB BUSH NUT    | 1   |       |
| 10100    | AXLE HUB BUSH WASHER | 1   |       |





**33** **49** **DISC BRAKE**



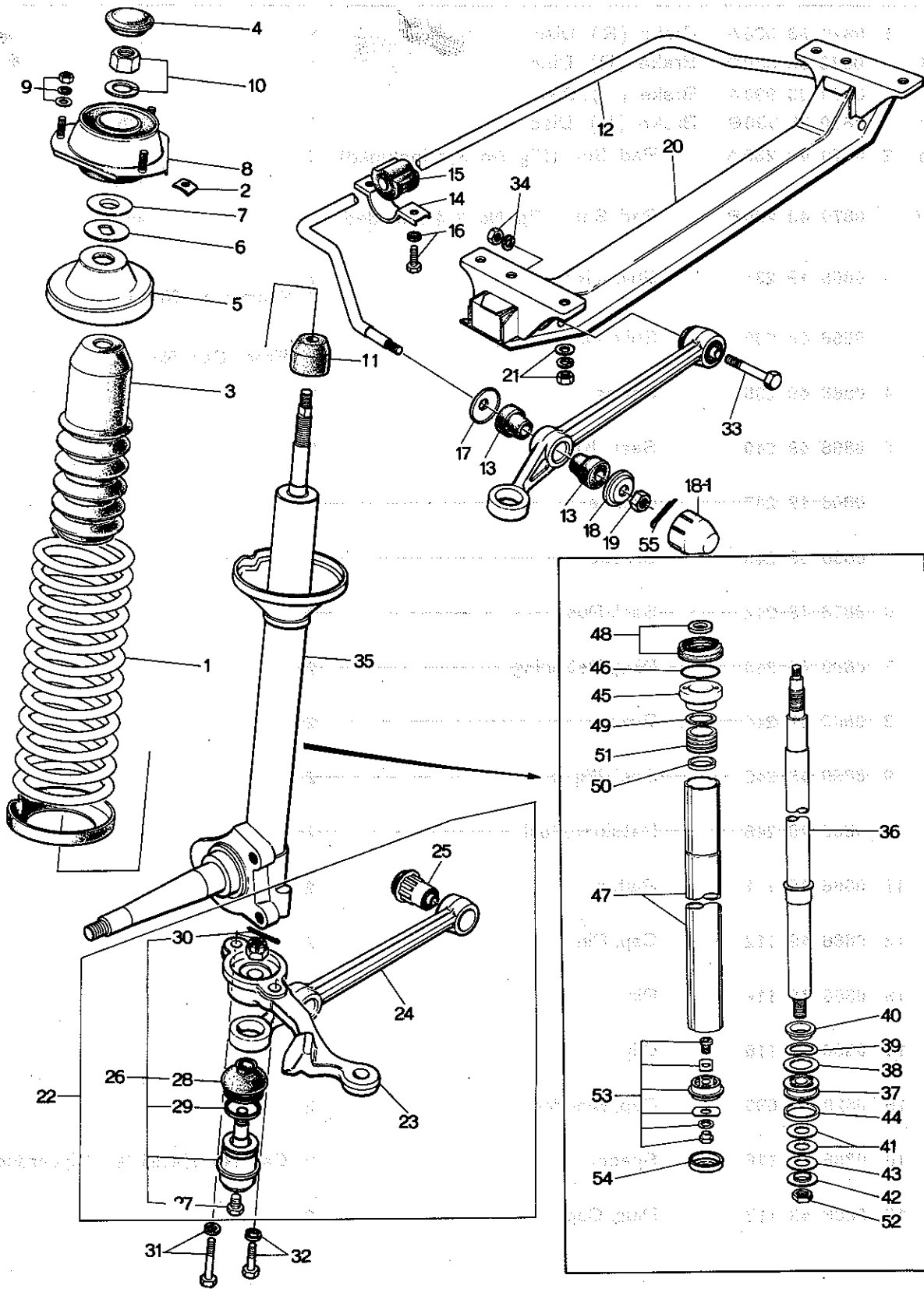
# DISC BRAKE

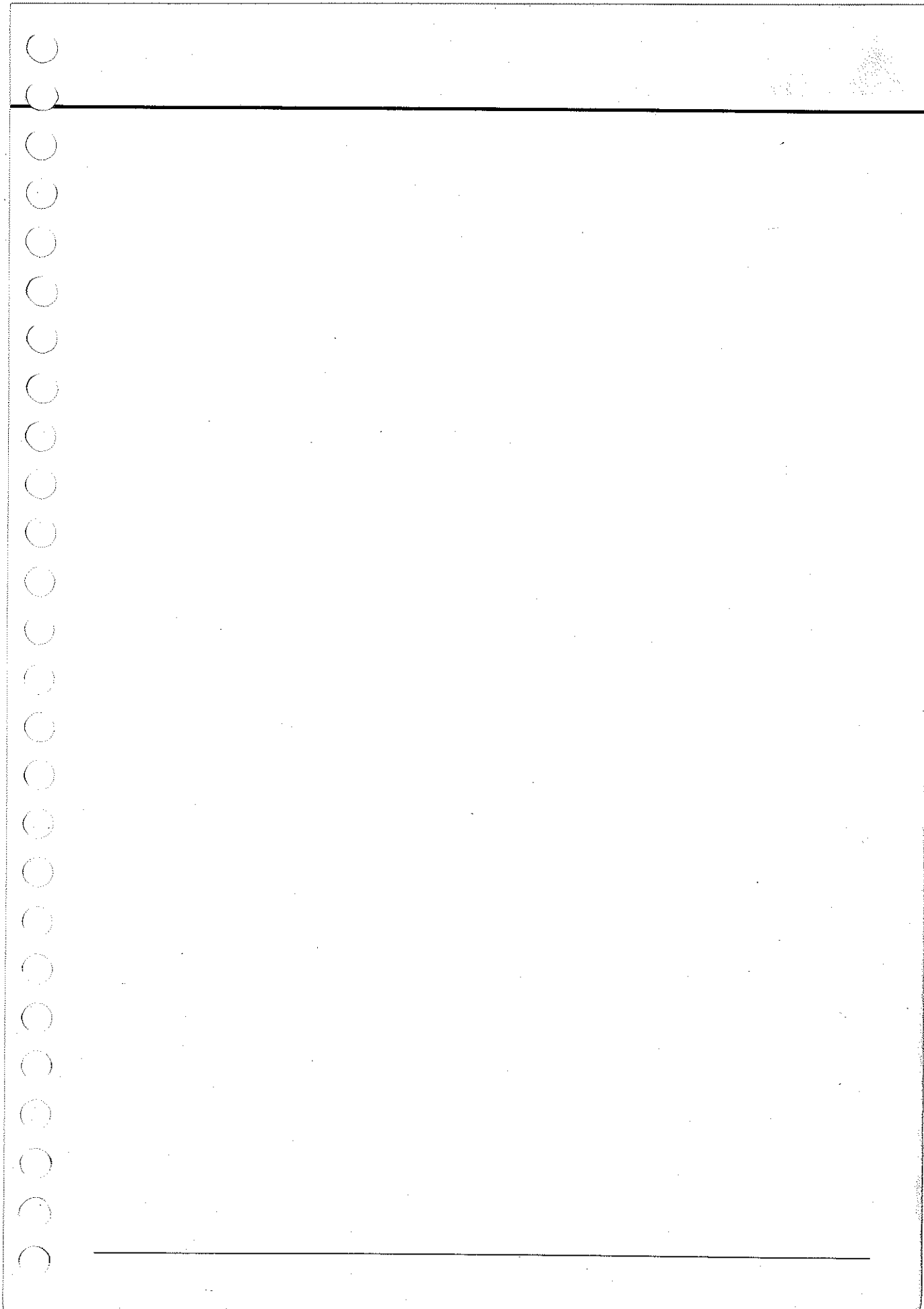
33

49

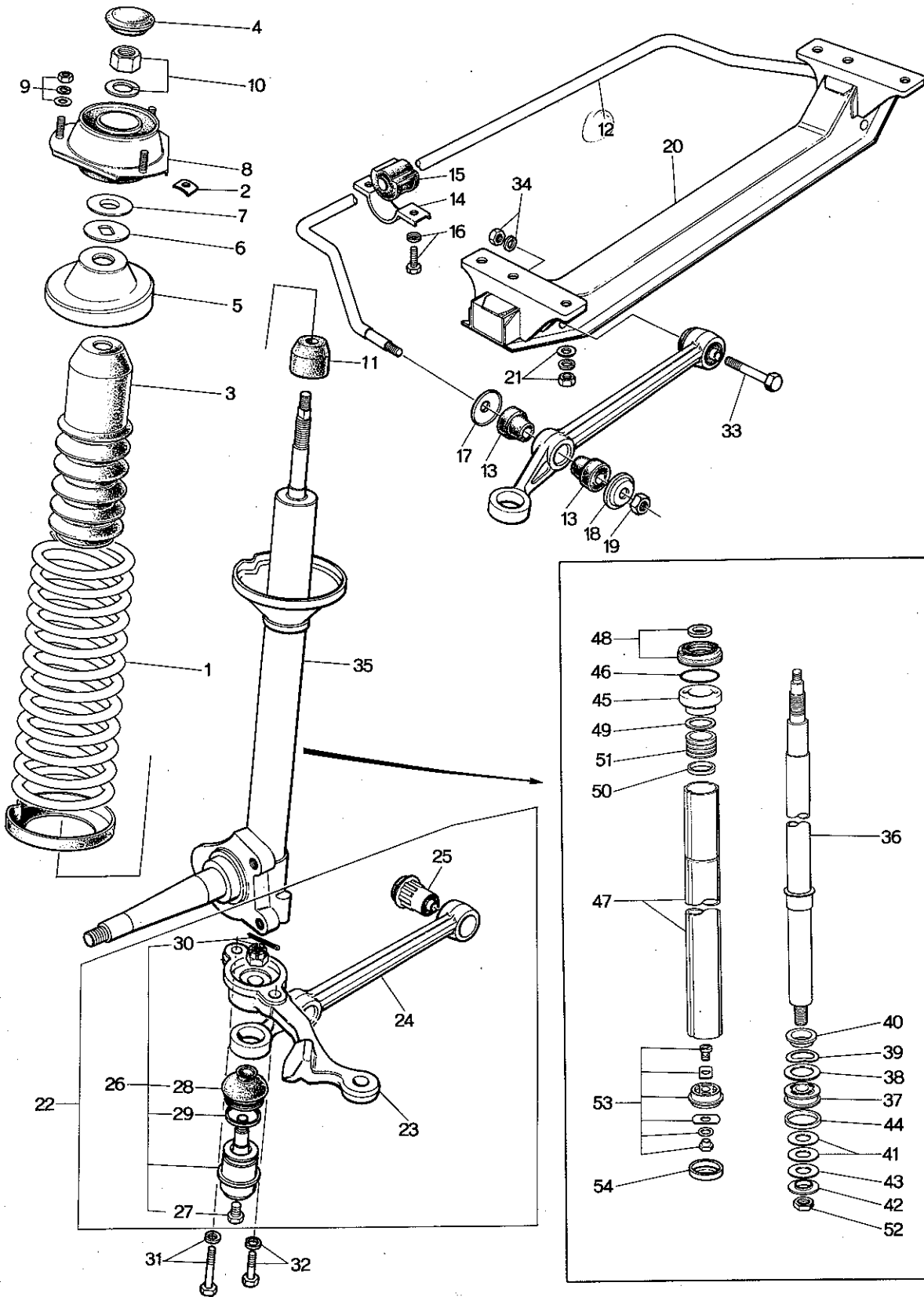
| No. | Part Number            | Description                     | Q'ty         | Remarks                                   |
|-----|------------------------|---------------------------------|--------------|---|
| 1   | 0870 33 980 A          | Brake (R), Disc                 | 1            |   |
|     | 0870 33 980 B          | Brake (R), Disc                 | 1            | $\frac{7}{8}$ "~○                         |
|     | 0870 33 990 A          | Brake (L), Disc                 | 1            |   |
|     | 0870 33 990 B          | Brake (L), Disc                 | 1            | $\frac{7}{8}$ "~○                         |
| 2   | 0870 49 230 A          | Pad Set (Fig. No. 3,4 included) | 2            |   |
|     | 0870 49 230 B          | Pad Set (Fig. No. 3,4 included) | 2            | $\frac{7}{8}$ "~○                         |
| 3   | 0866 49 231            | Shim (R)                        | 1            |   |
|     |                        |                                 | 2            | From Car No. 1                            |
|     | 0866 49 232            | Shim (L)                        | 1            |   |
|     |                        |                                 | 2            | From Car No. 1                            |
| 4   | 0866 49 235            | Spring                          | 2            |   |
| 5   | 0866 49 240            | Seal Kit                        | 2            |   |
|     | <del>0866 49 247</del> | <del>Grease</del>               | <del>1</del> |   |
|     | <del>0866 49 248</del> | <del>Grease</del>               | <del>1</del> |   |
| 6   | <del>0866 49 242</del> | <del>Seal, Dust</del>           | <del>2</del> |   |
| 7   | <del>0866 49 243</del> | <del>Ring, Retaining</del>      | <del>2</del> |   |
| 8   | <del>0866 49 244</del> | <del>Bush</del>                 | <del>2</del> |   |
| 9   | <del>0866 49 245</del> | <del>Seal, Wiper</del>          | <del>2</del> |   |
| 10  | <del>0866 49 246</del> | <del>Retainer, Seal</del>       | <del>2</del> |   |
| 11  | 0866 49 111            | Piston                          | 2            |   |
| 12  | 0866 49 112            | Cap, Pin                        | 2            |   |
| 13  | 0866 49 114            | Pin                             | 4            |   |
| 14  | 0866 49 115            | Clip                            | 4            |   |
| 15  | 0820 33 693            | Cap, Bleeder                    | 2            |   |
| 16  | 0866 49 116            | Spacer                          | 2            | Car No. 164105 $\frac{7}{8}$ "~ Discarded |
| 17  | 0866 49 117            | Plug, Cap                       | 2            |   |

# FRONT SUSPENSION





# FRONT SUSPENSION



# FRONT SUSPENSION

34

| No. | Part Number  | Description      | Q'ty | Remarks                                      |
|-----|--------------|------------------|------|--|
| 1   | 0866 34 011  | Spring, Coil     | 2    |  |
|     | 1570 34 011  | Spring, Coil     | 2    | Car No. 160623 $\frac{73}{10}$ ~ X           |
| 2   | 0866 34 013A | Plate, Adjusting | 6    |  |
| 3   | 0866 34 015  | Cover, Dust      | 2    |  |
| 4   | 0866 34 019  | Cap              | 2    |  |
|     | 1011 34 019  | Cap              | 2    | $\frac{7}{8}$ ~ O                            |
| 5   | 0866 34 340  | Seat, Spring     | 2    |  |
| 6   | 0866 34 381  | Bearing          | 2    |  |
| 7   | 0866 34 382  | Seat, Bearing    | 2    |  |
| 8   | 0866 34 390  | Rubber, Mounting | 2    |  |
| 9   | 99901 0800   | Nut              | 6    |  |
|     | 99940 0802   | Nut              | 6    | Car No. 141928 $\frac{73}{10}$ ~ O           |
|     | 99952 0800   | Washer, Plain    | 6    | } Car No. 141928 $\frac{73}{10}$ ~ Discarded |
|     | 99971 0800   | Washer, Spring   | 2    |  |
| 10  | 99942 1400   | Nut              | 2    |  |
|     | 99952 1400   | Washer, Spring   | 2    |  |
|     | 99951 1430   | Washer, Spring   | 2    | $\frac{73}{10}$ ~ O                          |
| 11  | 0866 34 111  | Bumper, Bound    | 2    |  |
| 12  | 0866 34 151A | Stabilizer       | 1    |  |
|     | 0866 34 151B | Stabilizer       | 1    | $\frac{73}{10}$ ~ O                          |
|     | 0866 34 151C | Stabilizer       | 1    | $\frac{73}{10}$ ~ X                          |

| No.      | Part Number           | Description                              | Q'ty         | Remarks                                   |
|----------|-----------------------|--|--------------|---|
| 13       | 0866 34 153 A         | Bush, Rubber - Stabilizer                | 4            |   |
| ●        | 1004 34 153           | Bush, Rubber - Stabilizer                | 4            | Car No. 160623 $\frac{7}{8}$ ~△           |
| 14       | 0259 34 155           | Plate                                    | 2            |   |
| 15       | 0259 34 156           | Bush, Rubber                             | 2            |   |
| 16       | 99783 1035            | Bolt, Stabilizer & Frame                 | 4            |   |
|          | 99971 1000            | Washer, Spring                           | 4            |   |
| 17       | 0866 34 157           | Washer, Stabilizer                       | 2            |   |
| 18       | 0866 34 158           | Washer                                   | 2            |   |
| 18-11011 | 34 159                | Stopper, Steering                        | 2            | Car No. 159630 $\frac{7}{8}$ ~ Added Anew |
| ●        | 1011 34 159 A         | Stopper, Steering                        | 2            | $\frac{7}{4}$ ~△                          |
| 19       | 99947 1400            | Nut                                      | 2            |   |
|          | 99923 1400            | Nut                                      | 2            | $\frac{7}{8}$ ~○                          |
| 20       | 0866 34 800 B         | Member, Cross                            | 1            |   |
| 21       | <del>99921 1000</del> | <del>Nut, Cross Member &amp; Frame</del> | <del>4</del> |   |
|          | 99942 1000            | Nut, Cross Member & Frame                | 4            | From Car No. 1                            |
|          | 99951 1030            | Washer, Plain                            | 4            |   |
|          | 99971 1000            | Washer, Spring                           | 4            |   |
| 22       | 0866 34 310           | Arm (R)                                  | 1            |   |
|          | 0866 34 310 A         | Arm (R)                                  | 1            | Car No. 155593 $\frac{7}{10}$ ~△          |
|          | 0866 34 320           | Arm (L)                                  | 1            |   |



# FRONT SUSPENSION

34

| No. | Part Number   | Description        | Q'ty | Remarks                          |
|-----|---------------|--------------------|------|----------------------------------|
|     | 0866 34 320 A | Arm (L)            | 1    | Car No. 155593 $\frac{7}{16}$ ~△ |
| 23  | 0866 32 301   | Arm (R), Knuckle   | 1    |                                  |
|     | 0866 32 301 A | Arm (R), Knuckle   | 1    | Car No. 142765 $\frac{7}{8}$ ~○  |
|     | 0866 32 311   | Arm (L), Knuckle   | 1    |                                  |
|     | 0866 32 311 A | Arm (L), Knuckle   | 1    | Car No. 142765 $\frac{7}{8}$ ~○  |
| 24  | 0866 34 311   | Arm                | 2    |                                  |
|     | 1011 34 311   | Arm                | 2    | Car No. 159584 $\frac{7}{11}$ ~○ |
| 25  | 0866 34 460   | Bush               | 2    |                                  |
| 26  | 0866 99 356   | Joint, Ball        | 2    |                                  |
|     | 0866 99 356 A | Joint, Ball        | 2    | Car No. 163339 $\frac{7}{8}$ ~△  |
| 27  | 0208 32 278   | Plug               | 2    |                                  |
| 28  | 0243 34 565   | Seal, Dust         | 2    |                                  |
|     | 0866 34 565   | Seal, Dust         | 2    | Car No. 155593 $\frac{7}{16}$ ~△ |
| 29  | 0187 34 536   | Ring, Dust Seal    | 2    |                                  |
| 30  | 99221 3020    | Pin, Split         | 2    |                                  |
|     | 99924 1200    | Nut                | 2    |                                  |
| 31  | 99781 1225    | Bolt, Arm & Damper | 2    |                                  |
|     | 99971 1200    | Washer, Spring     | 2    |                                  |
| 32  | 99781 1235    | Bolt, Arm & Damper | 2    |                                  |

# 34

# FRONT SUSPENSION

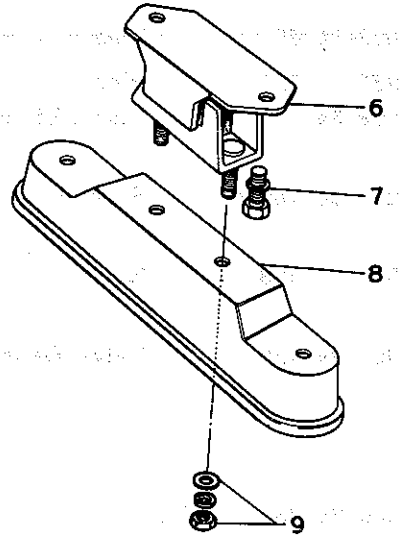
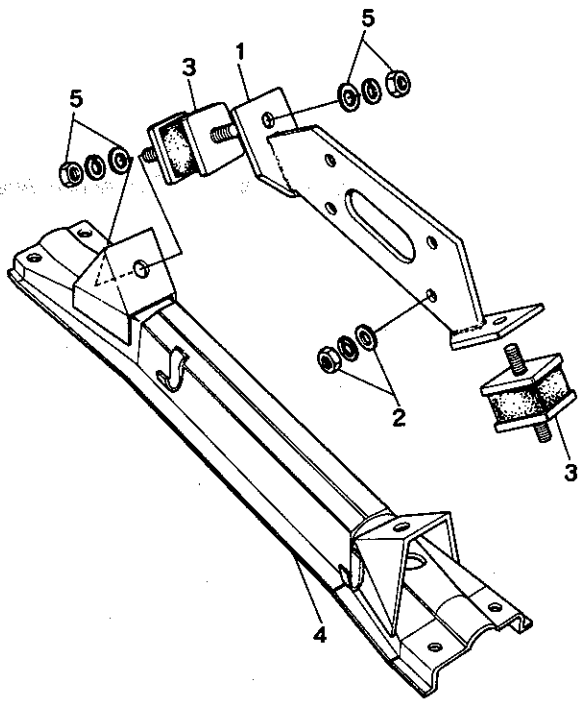
| No. | Part Number    | Description              | Q'ty               | Remarks                          |
|-----|----------------|--------------------------|--------------------|----------------------------------|
|     | 99971 1200     | Washer, Spring           | 2                  |                                  |
| 33  | 0866 34 313A   | Bolt, Arm & Cross Member | 2                  |                                  |
| 34  | 99921 1000     | Nut, Arm                 | 2                  |                                  |
|     | 99971 1000     | Washer, Spring           | 2                  |                                  |
| 35  | 0866 34 910A   | Damper, Front (R)        | 1                  |                                  |
|     | 0866 34 910C   | Damper (R)               | 1                  | Car No. 159447 $\frac{7}{11}$ ~○ |
| ●   | 0866 34 910D   | Damper (R)               | 1                  | $\frac{7}{12}$ ~△                |
|     | 0866 34 960A   | Damper (L)               | 1                  |                                  |
|     | 0866 34 960C   | Damper (L)               | 2                  | Car No. 159447 $\frac{7}{11}$ ~○ |
| ●   | 0866 34 960D   | Damper (L)               | 1                  | $\frac{7}{12}$ ~△                |
| 36  | 0866 34 710    | Rod, Piston              | 2                  |                                  |
| 37  | 0305 34 701A   | Piston                   | 2                  |                                  |
| ●   | 0305 34 701B   | Piston                   | 2                  | $\frac{7}{12}$ ~△                |
| 38  | 0259 34 705    | Valve, Check             | 2                  |                                  |
| 39  | 0305 34 707    | Spring, Check Valve      | 2                  |                                  |
| ●   | 40 0259 34 708 | Washer                   | <del>2</del><br>2  | From Car No. 1                   |
| ●   | 41 0259 34 712 | Valve                    | <del>2</del><br>12 | From Car No. 1                   |
| 42  | 0305 34 713    | Washer                   | 2                  |                                  |
| 43  | 0305 34 714    | Valve                    | 2                  |                                  |
| 44  | 0259 34 719A   | Ring, Piston             | 2                  |                                  |
| 45  | 0866 34 730    | Guide, Piston Rod        | 2                  |                                  |
| 46  | 0183 34 731    | Ring, "O"                | 2                  |                                  |

# FRONT SUSPENSION

| No.           | Part Number            | Description     | Q'ty         | Remarks  |
|---------------|------------------------|-----------------|--------------|--|
| 47            | 0866 34 732            | Tube, Pressure  | 2            |  |
| 48            | 0866 34 760            | Oil Seal        | 2            |  |
|               | 0866 34 735            | Oil Seal        | 2            |  |
| <del>49</del> | <del>0258 34 767</del> | <del>Ring</del> | <del>2</del> |  |
| • 49          | 0259 34 767            | Ring            | 2            | From Car No. 1                                     |
| 50            | 0259 34 768            | Guide, Stopper  | 2            |  |
| 51            | 0259 34 769B           | Stopper         | 2            |  |
| 52            | 0305 34 709            | Nut             | 2            |  |
| 53            | 0305 34 720            | Valve Base      | 2            |  |
| 54            | 0866 34 738            | Cap             | 2            |  |
| 55            | 99221 3035             | Pin, Split      | 2            | Car No. <sup>73</sup> / <sub>10</sub> - Added Anew |

# ENGINE & T/MISSION BRACKET

(USED UP TO CAR NO. 179250 <sup>73</sup>/<sub>9</sub>)



# ENGINE & T/MISSION BRACKET

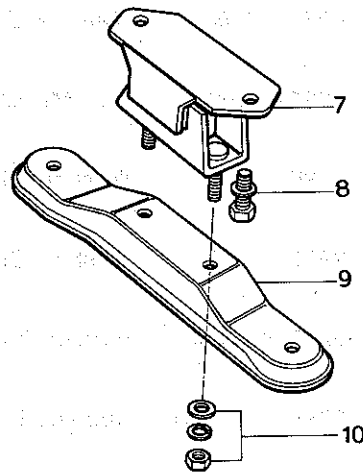
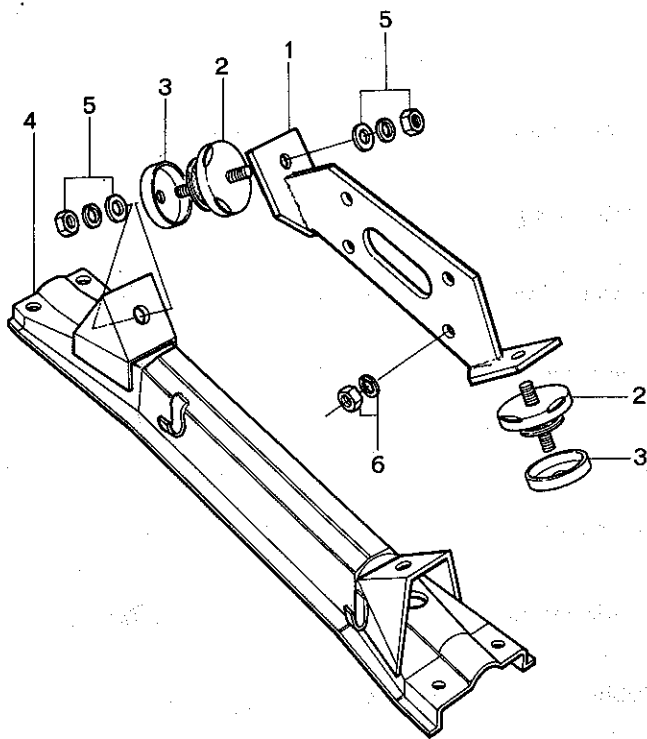
(USED UP TO CAR NO. 179250  $\frac{73}{9}$ )



| No. | Part Number  | Description                | Q'ty | Remarks                          |
|-----|--------------|----------------------------|------|----------------------------------|
| 1   | 0866 39 020  | Bracket, Engine Mounting   | 1    |                                  |
| 2   | 99921 1000   | Nut, Bracket & Engine      | 4    |                                  |
|     | 99971 1000   | Washer, Spring             | 4    |                                  |
| 3   | 0866 39 040A | Rubber, Engine Mounting    | 2    |                                  |
|     | 0866 39 040B | Rubber, Engine Mounting    | 2    | Car No. 145214 $\frac{74}{4}$ ~△ |
| 4   | 0866 39 060B | Member, Engine Mounting    | 1    |                                  |
| 5   | 99921 1000   | Nut, Member & Rubber       | 4    |                                  |
|     | 99951 1030   | Washer, Plain              | 4    |                                  |
|     | 99971 1000   | Washer, Spring             | 4    |                                  |
| 6   | 0259 39 340  | Rubber, T/mission Mounting | 1    |                                  |
|     | 1011 39 340A | Rubber, T/mission Mounting | 1    | $\frac{74}{4}$ ~○                |
|     | 0259 39 340  | Rubber, T/mission Mounting | 1    | $\frac{74}{4}$ ~○                |
| 7   | 99801 0818   | Bolt, Rubber & T/mission   | 2    |                                  |
|     | 99971 0800   | Washer, Spring             | 2    |                                  |
| 8   | 0866 39 381A | Member, T/mission Mount    | 1    |                                  |
|     | 1570 39 380  | Member, T/mission Mounting | 1    | $\frac{76}{6}$ ~○                |
| 9   | 99921 1000   | Nut, Member & Rubber       | 4    |                                  |
|     | 99951 1030   | Washer, Plain              | 4    |                                  |
|     | 99971 1000   | Washer, Spring             | 4    |                                  |

# ENGINE & T/MISSION BRACKET

(USED FROM CAR NO. 160623 <sup>73/10</sup>)



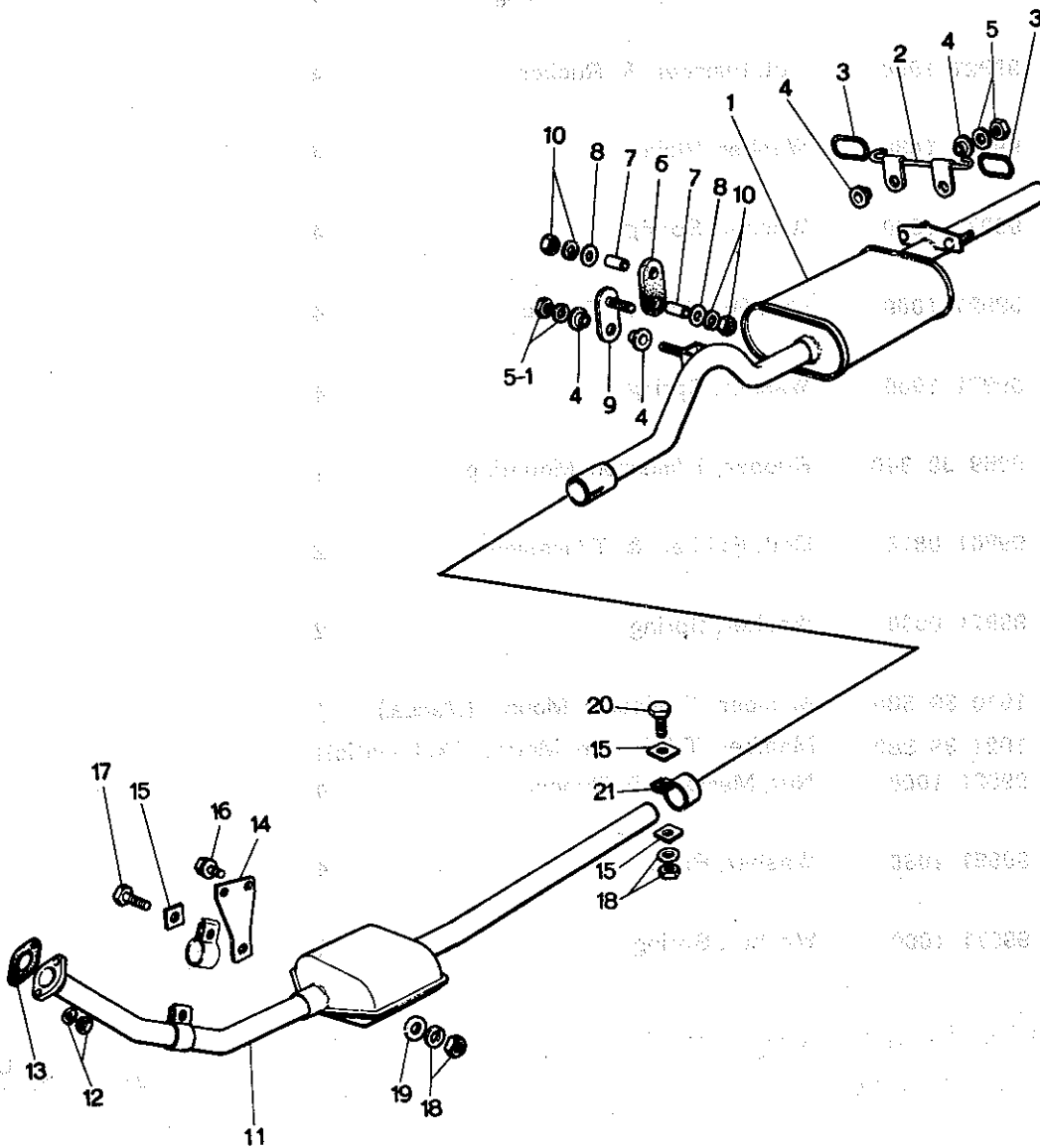
# ENGINE & T/MISSION BRACKET

(USED FROM CAR NO. 160623 <sup>73</sup>/<sub>10</sub>)



| No. | Part Number  | Description                         | Q'ty | Remarks              |
|-----|--------------|-------------------------------------|------|----------------------|
| 1   | 1622 39 020  | Bracket, Engine Mounting            | 1    |                      |
| 2   | 1668 39 040C | Rubber, Engine Mounting             | 2    |                      |
| 3   | 1668 39 045A | Casing, Stopper                     | 2    |                      |
| 4   | 0866 39 060B | Member, Engine Mounting             | 1    |                      |
| 5   | 99921 1000   | Nut, Member & Rubber                | 4    |                      |
|     | 99951 1030   | Washer, Plain                       | 4    |                      |
|     | 99971 1000   | Washer, Spring                      | 4    |                      |
| 6   | 99921 1000   | Nut, Bracket & Engine               | 4    |                      |
|     | 99971 1000   | Washer, Spring                      | 4    |                      |
| 7   | 0259 39 340  | Rubber, T/mission Mounting          | 1    |                      |
| 8   | 99801 0818   | Bolt, Rubber & T/mission            | 2    |                      |
|     | 99971 0800   | Washer, Spring                      | 2    |                      |
| 9   | 1570 39 380  | Member, T/mission Mount (Manual)    | 1    |                      |
|     | 1621 39 380  | Member, T/mission Mount (Automatic) | 1    |                      |
| 10  | 99921 1000   | Nut, Member & Rubber                | 4    |                      |
|     | 99951 1030   | Washer, Plain                       | 4    |                      |
|     | 99971 1000   | Washer, Spring                      | 4    |                      |
|     | 1175 39 040  | Eng. mtg. RUBBER                    | 1    |                      |
|     | 1668 39 040C | ~ ~ ~                               | 1    | 7 5/8 ~ X. 4 in 7/32 |

# EXHAUST SYSTEM



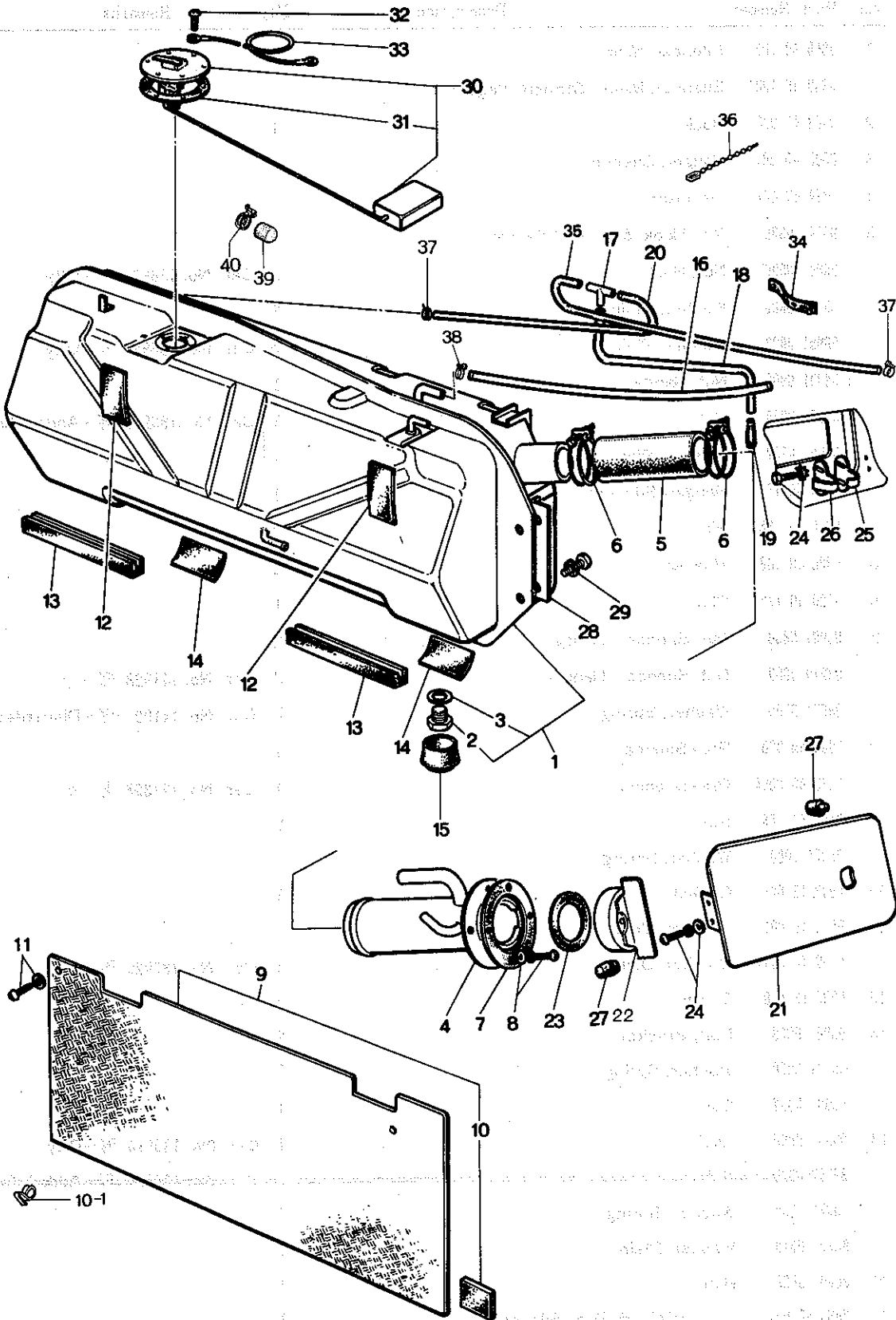


# EXHAUST SYSTEM

40

| No. | Part Number           | Description                    | Q'ty         | Remarks   |
|-----|-----------------------|--------------------------------|--------------|---|
| 1   | 0866 40 100           | Silencer, Main                 | 1            |   |
|     | 0899 40 100A          | Silencer, Main (Station Wagon) | 1            |   |
| 2   | 0866 40 060           | Hook                           | 1            |   |
| 3   | 0305 40 061           | Hanger, Silencer               | 2            |   |
| 4   | 0824 40 401           | Insulator                      | 6            |   |
| 5   | 99949 0800            | Nut, Hook & Main Silencer      | 3            |   |
|     | 99949 0800            | Nut, Hook                      | 2            | Car No. 136920 $\frac{2}{3}$ ~Q'ty                            |
|     | 99951 0800            | Washer, Plain                  | 3            |   |
|     | 99951 0822            | Washer, Plain                  | 3            | Car No. 136920 $\frac{2}{3}$ ~Q'ty                            |
| 5-1 | 99901 0800            | Nut, Hanger                    | 1            | } Car No. 136920 $\frac{2}{3}$ ~Added Anew                    |
|     | 99902 0800            | Nut                            | 1            |   |
|     | 99952 0822            | Washer, Plain                  | 1            |   |
| 6   | 0820 40 161           | Hanger, Silencer               | 1            |   |
| 7   | 0820 40 185           | Pipe                           | 2            |   |
| 8   | 0820 40 166           | Washer                         | 2            |   |
| 9   | 0820 40 170           | Plate                          | 1            |   |
| 10  | 99901 0800            | Nut, Silencer Hanger           | 2            |   |
|     | 99940 0800            | Nut, Silencer Hanger           | 3            | Car No. 141928 $\frac{2}{3}$ ~○                               |
|     | 99971 0800            | Washer, Spring                 | 3            | Car No. 141927 $\frac{2}{3}$ ~Discarded                       |
| 11  | 0866 40 300           | Pre-Silencer                   | 1            |   |
|     | 0866 40 300A          | Pre-Silencer                   | 1            | Car No. 127396 $\frac{2}{3}$ ~△                               |
| 12  | 2158 40 355           | Nut                            | 2            |   |
|     | 99971 1000            | Washer, Spring                 | 2            |   |
| 13  | 0866 13 621           | Gasket                         | 1            |   |
| 14  | 0866 40 081           | Bracket, Joint                 | 1            |   |
|     | 0866 40 081A          | Bracket, Joint                 | 1            | Car No. 136920 $\frac{2}{3}$ ~○                               |
| 15  | 0208 13 458           | Clamp                          | 3            |   |
| 16  | 99801 0820            | Bolt, Bracket                  | 2            |   |
|     | 99971 0800            | Washer, Spring                 | 1            |   |
| 17  | 99801 0832            | Bolt                           | 1            |   |
| 18  | 99901 0800            | Nut                            | 1            | Car No. 136920 $\frac{2}{3}$ ~Q'ty                            |
|     | <del>99902 0800</del> | <del>Nut</del>                 | <del>1</del> | <del>Car No. 136920 <math>\frac{2}{3}</math>~Added Anew</del> |
|     | 99971 0800            | Washer, Spring                 | 2            |   |
| 19  | 99951 0818            | Washer, Plain                  | 1            |   |
| 20  | 99801 0828            | Bolt                           | 1            |   |
| 21  | 0866 40 091           | Joint, Main & Pre-Silencer     | 1            |   |

FUEL TANK (SEDAN & COUPE)



# FUEL TANK (SEDAN & COUPE)

42

| No. | Part Number   | Description        | Q'ty | Remarks                         |
|-----|---------------|--------------------|------|---------------------------------|
| 1   | 0866 42 310 C | Tank, Fuel         | 1    |                                 |
|     | 0866 42 310 D | Tank, Fuel         | 1    | Car No. 141928 $\frac{7}{8}$ ~○ |
|     | 0866 42 310 E | Tank, Fuel         | 1    | Car No. 161186 $\frac{7}{8}$ ~△ |
| ●   | 0866 42 310 G | Tank, Fuel         | 1    | $\frac{7}{8}$ ~○                |
| 2   | 0114 42 046 A | Plug, Drain        | 1    |                                 |
| ●   | 99796 1012    | Bolt               | 1    |                                 |
| 3   | 99564 1200    | Packing            | 1    |                                 |
| ●   | 99564 1000    | Gasket             | 1    |                                 |
| 4   | 0866 42 350   | Pipe, Filler       | 1    |                                 |
|     | 0866 42 350 A | Pipe, Filler       | 1    | Car No. 141928 $\frac{7}{8}$ ~○ |
|     | 0866 42 350 B | Pipe, Filler       | 1    | Car No. 161186 $\frac{7}{8}$ ~△ |
| 5   | 0259 42 364   | Hose, Joint        | 1    |                                 |
| ●   | 0259 42 364 B | Hose, Joint        | 1    | $\frac{7}{8}$ ~○                |
| 6   | 99282 5500    | Clamp              | 2    |                                 |
| 7   | 0866 42 366   | Gasket, Inlet Pipe | 1    |                                 |
| 8   | 99804 0516    | Screw              | 4    |                                 |
| ●   | 99786 0516    | Screw, Filler Pipe | 4    | $\frac{7}{8}$ ~○                |
|     | 99971 0500    |                    | 4    |                                 |
| 9   | 0866 42 530   | Board, Partition   | 1    |                                 |

# 42 FUEL TANK (SEDAN & COUPE)

| No. | Part Number      | Description                            | Q'ty | Remarks                                     |
|-----|------------------|--|------|---|
|     | 0866 42 380      | Board, Partition                       | 1    |   |
| ✓   | 1570 42 381A     | Board, Partition                       | 1    | Car. No. 178812 3/8 ~ Δ                     |
| ✓   | 10 0866 42 382   | Spacer                                 | 4    | Car. No. 178812 3/8 ~ Discarded             |
| ✓   | 10-1 1011 69 885 | Fastener                               | 2    | Car. No. 178813 3/8 ~ Added Anew            |
|     | 11 99863 0412    | Screw, Tapping                         | 2    |   |
|     | 99952 0412       | Washer, Plain                          | 2    |   |
|     | 12 0866 42 523   | Pad, Fuel Tank "C"                     | 2    |   |
|     | 13 0866 42 521   | Pad, Fuel Tank "A"                     | 2    |   |
|     | 14 0866 42 522   | Pad, Fuel Tank "B"                     | 2    |   |
|     | 15 0187 42 371   | Rubber, Dust Seal                      | 1    |   |
|     | 16 99336 12040   | Pipe, Soft Vinyl-Body Side             | 1    |   |
| ✓   | 99346 12400      | Pipe, Soft Vinyl-Body Side (400%)      | 1    | Order Under No. 99349 12750 (1.75m)         |
|     | 1504 42 543      | Pipe, Soft Vinyl-Body Side (1558,1559) | 1    |   |
|     | 17 0259 42 390   | Joint, "T"                             | 1    |   |
|     | 18 0866 42 542A  | Tube, Vent-"T" Joint~Flow              | 1    |   |
| ✓   | 99346 06850      | Tube, Vent-"T" Joint~Flow (850%)       | 1    | Order Under No. 99343 06035 (3.5 m) 1/2 ~ ○ |
|     | 1504 42 542      | Tube, Vent (1558,1559)                 | 1    |   |
| ✓   | 99346 06850      | Tube, Vent (ECE Cold)(850%)            | 1    | Order Under No. 99343 06035 (3.5 m) 1/2 ~ ○ |
|     | 19 0866 42 544   | Elbow                                  | 1    |   |
|     | 20 0866 42 542A  | Tube, Vent-"T" Joint-Fuel Tank         | 1    |   |

# FUEL TANK (SEDAN & COUPE)

42

| No. | Part Number   | Description  | Q'ty | Remarks   |
|-----|---------------|--|------|---|
| ● ✓ | 99346 06880   | Tube, Vent - "T" Joint ~ Fuel Tank (880 <sup>mm</sup> )            | 1    | Order Under No. 99343 06035 (3.5 m) <sup>73</sup> / <sub>12</sub> ~ ○ |
|     | 1504 42 542   | Tube, Vent - "T" Joint ~ Fuel Tank (1558, 1559)                    | 1    |   |
| ● ✓ | 99346 06850   | Tube, Vent - "T" Joint ~ Fuel Tank (ECE Cold) (850 <sup>mm</sup> ) | 1    | Order Under No. 99343 06035 (3.5 m) <sup>73</sup> / <sub>12</sub> ~ ○ |
| 21  | 0376 42 410   | Lid, Filler (Coupe)  | 1    |   |
|     | 0866 42 410   | Lid, Filler (Sedan)  | 1    |   |
| 22  | 2280 42 460   | Cap, Filler  | 1    |   |
| ●   | 1011 42 250   | Cap, Filler  | 1    |   |
| 23  | 2280 42 462   | Gasket   | 1    |   |
|     | 2280 42 462 A | Gasket   | 1    | Car No. 159447 <sup>73</sup> / <sub>11</sub> ~ ○                      |
| ●   | 2280 42 462 B | Gasket   | 1    | <sup>73</sup> / <sub>12</sub> ~ ○                                     |
| 24  | 99804 0516    | Bolt, Filler Lid   | 4    |   |
| ● ✓ | 99786 0512    | Bolt, Filler Lid Plate   | 2    | <sup>73</sup> / <sub>4</sub> ~ ○                                      |
| ● ✓ | 99786 0516    | Bolt, Filler Lid   | 2    | <sup>73</sup> / <sub>4</sub> ~ ○                                      |
|     | 99952 0500    | Washer, Plain  | 4    |   |
|     | 99971 0500    | Washer, Spring   | 4    |   |
| 25  | 0866 42 552   | Plate, Back Up   | 1    |   |
| 26  | 0866 42 551   | Plate, Lock  | 1    |   |
| 27  | 0110 52 265   | Rubber, Cushion  | 2    |   |

FUEL TANK (SEDAN & COUPE)

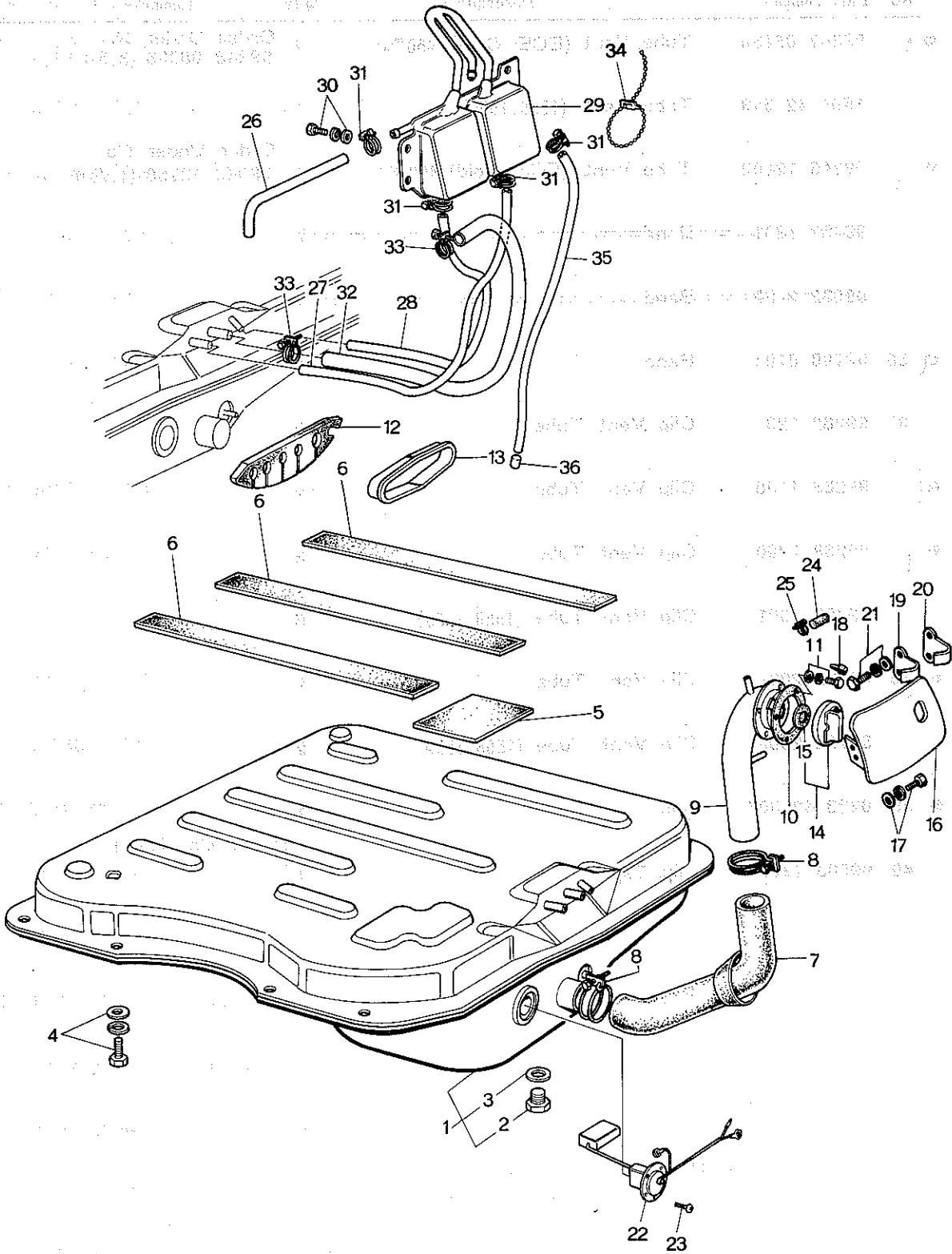
| No. | Part Number            | Description                             | Q'ty         | Remarks                                 |
|-----|------------------------|---|--------------|---|
| 28  | 0866 42 561            | Washer                                  | 2            |   |
| 29  | 99804 0825             | Bolt, Fuel Tank                         | 4            |   |
| •   | ✓ 99786 0820           | Bolt, Fuel Tank                         | 4            |   |
|     | 99952 0800             | Washer, Plain                           | 4            |   |
| •   | ✓ 99952 0818           | Washer, Plain                           | 4            |   |
|     | 99971 0800             | Washer, Spring                          | 4            |   |
| 30  | 0866 67 170            | Gauge, Fuel Tank                        | 1            |   |
| 31  | 0243 66 773            | Gasket                                  | 1            |   |
| 32  | 99833 0410             | Screw, Fuel Tank Gauge                  | 6            |   |
|     | 99833 0408             | Screw, Fuel Tank Gauge                  | 6            |   |
| 33  | <del>0866 67 175</del> | <del>Cord, Earth</del>                  | <del>1</del> |   |
|     | 0866 67 176            | Cord, Earth                             | 1            | From Car No. 1                          |
|     | 0866 67 175            | Cord, Earth                             | 1            |   |
| 34  | 0187 66 991            | Clip, Rubber                            | 1            |   |
|     | <del>99709 0108</del>  | <del>Band</del>                         | <del>1</del> |   |
| 35  | 0866 42 541            | Tube, Vent                              | 1            |   |
| •   | ✓ 99347 06450          | Tube, Vent-"T" Joint~Filler Pipe (450%) | 1            | Order Under No. 99343 06035 (3.5 m) 3/2 |
|     | 1504 42 541            | Tube, Vent (1558,1559)                  | 1            |   |

# FUEL TANK (SEDAN & COUPE)



| No. | Part Number           | Description                                | Q'ty         | Remarks  |
|-----|-----------------------|--|--------------|--|
| ●   | 99347 06450           | Tube, Vent (ECE. Cold) (450 <sup>m</sup> ) | 1            | Order Under No. 99343 06035 (3.5 m) <sup>7</sup> / <sub>12</sub> ~○  |
|     | 1504 42 543           | Tube, Vent (1558,1559)                     | 1            |  |
| ●   | 99346 12400           | Tube, Vent (ECE. Cold) (400 <sup>m</sup> ) | 1            | Order Under No. 99349 12750 (1.75 m) <sup>7</sup> / <sub>12</sub> ~○ |
|     | <del>99282 1301</del> | <del>Band</del>                            | <del>5</del> |  |
|     | <del>99282 2000</del> | <del>Band</del>                            | <del>2</del> |  |
| ●   | 36 99709 0108         | Band                                       | 1            |  |
|     | 37 99282 1201         | Clip, Vent Tube                            | 5            |  |
| ●   | 99283 1100            | Clip, Vent Tube                            | 2            |  |
| ●   | 99283 1200            | Clip, Vent Tube                            | 3            |  |
|     | 99282 1301            | Clip, Vent Tube (1558,1559)                | 5            |  |
| ●   | 38 99282 2001         | Clip, Vent Tube                            | 2            |  |
|     | 99282 2000            | Clip, Vent Tube (1558,1559)                | 2            |  |
| ●   | 39 0223 42 307        | Cap  | 1            | } From Car No. 1   |
|     | 40 99283 1300         | Clip, Cap                                  | 1            |  |

FUEL TANK (STATION WAGON)





# FUEL TANK (STATION WAGON)

42

| No. | Part Number  | Description         | Q'ty | Remarks |
|-----|--------------|---------------------|------|---------|
| ✓1  | 0899 42 3100 | Tank, Fuel          | 1    |         |
| ✓2  | 0114 42 046A | Plug, Drain         | 1    |         |
| 3   | 99564 1200   | Packing             | 1    |         |
| 4   | 99796 1020   | Bolt, Fuel Tank     | 8    |         |
|     | 99952 1030   | Washer, Plain       | 8    |         |
| ✓5  | 0652 42 304  | Pad                 | 4    |         |
| ✓6  | 0585 42 305  | Pad                 | 3    |         |
| ✓7  | 0585 42 307  | Hose, Joint         | 1    |         |
| 8   | 99282 6000   | Clamp, Hose         | 2    |         |
| ✓9  | 0585 42 350  | Pipe, Filler        | 1    |         |
| ✓10 | 0886 42 368  | Packing             | 1    |         |
| 11  | 99786 0516   | Screw, Tapping      | 4    |         |
| ✓12 | 0899 42 302  | Protector           | 1    |         |
| ✓13 | 0585 42 306  | Protector           | 1    |         |
| ✓14 | 1011 42 250  | Cap, Filler         | 1    |         |
| ✓15 | 2280 42 462A | Gasket, Filler Pipe | 1    |         |
| ✓16 | 0585 42 410  | Lid, Filler         | 1    |         |

42

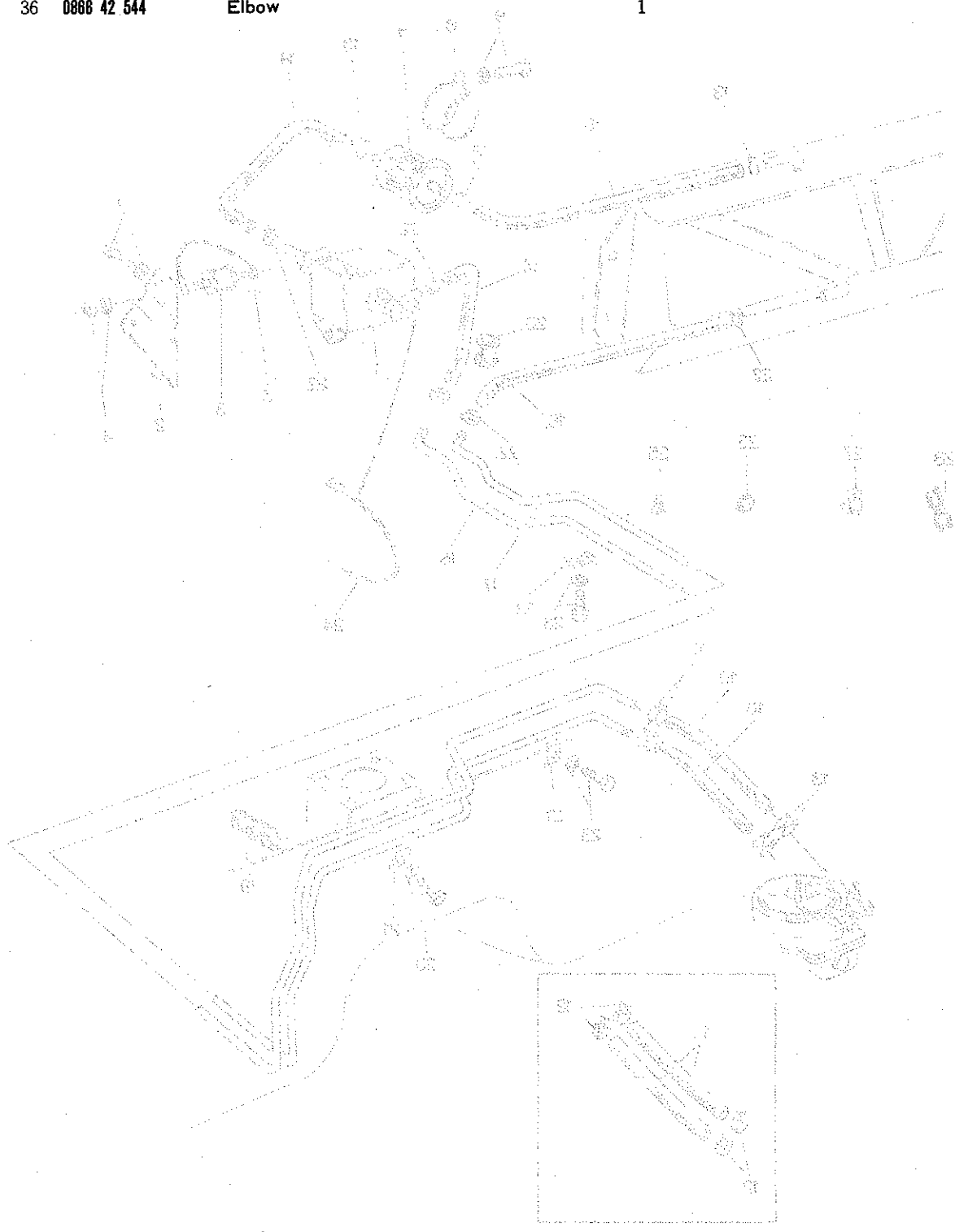
## FUEL TANK (STATION WAGON)

| No.  | Part Number  | Description                          | Q'ty | Remarks |
|------|--------------|--------------------------------------|------|---------|
| 17   | 99786 0516   | Screw, Tapping-Filler Lid            | 2    |         |
| ✓ 18 | 0110 52 265  | Rubber, Cushion                      | 2    |         |
| ✓ 19 | 0866 42 551  | Plate, Lock                          | 1    |         |
| ✓ 20 | 0866 42 552  | Plate, Back Up                       | 1    |         |
| 21   | 99786 0512   | Screw, Tapping-Plate                 | 2    |         |
| 22   | 0898 67 170B | Gauge, Fuel Tank                     | 1    |         |
| 23   | 99833 0408   | Screw, Fuel Tank                     | 6    |         |
| ✓ 24 | 0223 42 307  | Cap                                  | 2    |         |
| 25   | 99282 1401   | Clip, Wire-Cap                       | 2    |         |
| ✓ 26 | 2432 42 381A | Tube, Vent-Condense Tank~Filler Pipe | 1    |         |
| ✓ 27 | 1544 42 613  | Tube, Vent-Condense Tank~Fuel Tank   | 1    |         |
| ✓ 28 | 1544 42 614  | Tube, Vent-Condense Tank~Fuel Tank   | 1    |         |
| ✓ 29 | 1544 42 610B | Tank, Condense                       | 1    |         |
| 30   | 99786 0616   | Bolt, Condense Tank                  | 2    |         |
|      | 99952 0618   | Washer, Plain                        | 2    |         |
| 31   | 99282 1201   | Band, Hose-Vent Tube                 | 7    |         |
| 32   | 99336 10070  | Tube, Fuel Tank~Filler Pipe          | 1    |         |
| 33   | 99282 1801   | Clamp, Tube                          | 2    |         |
| 34   | 99709 0255   | Band, Vent Tube                      | 2    |         |

(STUD) & (HOLE)

# FUEL TANK (STATION WAGON)

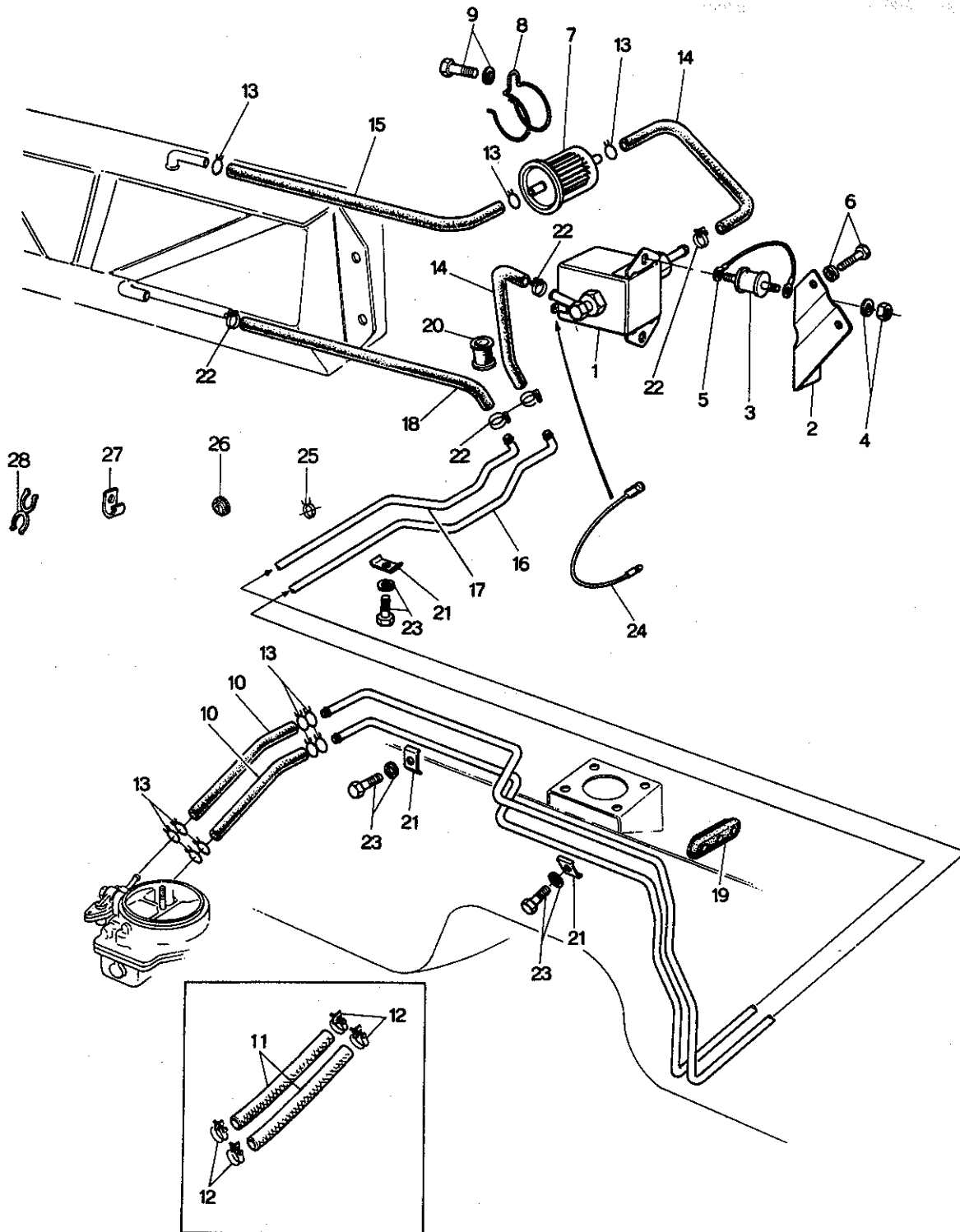
| No. | Part Number  | Description | Q'ty | Remarks |
|-----|--------------|-------------|------|---------|
| 35  | 0585 42 570A | Tube, Vent  | 1    |         |
| 36  | 0866 42 544  | Elbow       | 1    |         |



13 45

# FUEL PIPING (SEDAN & COUPE)

(USED UP TO 7/4)



# FUEL PIPING (SEDAN & COUPE)

(USED UP TO  $\frac{7}{4}$ )



| No. | Part Number  | Description                        | Q'ty | Remarks                           |
|-----|--------------|------------------------------------|------|-----------------------------------|
| 1   | 0866 13 400D | Pump, Fuel                         | 1    |                                   |
|     | 0866 13 400F | Pump, Fuel                         | 1    | Car. No. 120642 $\frac{7}{11}$ ~○ |
|     | 1881 13 400  | Pump, Fuel                         | 1    | Car. No. 160623 $\frac{7}{10}$ ~X |
| 2   | 0886 13 401A | Bracket, Fuel Pump                 | 1    |                                   |
| 3   | 0222 13 363  | Rubber, Insulation-Fuel Pump       | 2    |                                   |
|     | 0223 13 363  | Rubber, Insulation-Fuel Pump       | 2    | Car. No. 160623 $\frac{7}{10}$ ~X |
| 4   | 99906 0800   | Nut, Insulation Rubber + Fuel Pump | 4    |                                   |
|     | 99971 0600   | Washer, Spring                     | 4    |                                   |
|     | 99940 0600   | Nut                                | 4    | $\frac{7}{10}$ ~○                 |
| 5   | 0866 13 402A | Cord, Earth-Fuel Pump              | 1    |                                   |
| 6   | 99806 0612   | Bolt, Fuel Pump Bracket            | 2    |                                   |
|     | 99952 0616   | Washer, Plain                      | 2    |                                   |
|     | 99971 0600   | Washer, Spring                     | 2    |                                   |
|     | 99786 0616   | Screw, Tapping                     | 2    | $\frac{7}{10}$ ~○                 |
| 7   | 0222 13 470A | Filter, Fuel                       | 1    |                                   |
|     | 0222 13 470B | Filter, Fuel                       | 1    | $\frac{7}{10}$ ~○                 |
| 8   | 0381 13 481  | Clamp, Fuel Filter                 | 1    |                                   |
| 9   | 99806 0612   | Bolt, Fuel Filter                  | 1    |                                   |
|     | 99796 0612   | Bolt, Fuel Filter                  | 1    | $\frac{7}{10}$ ~○                 |
|     | 99952 0616   | Washer, Plain                      | 1    |                                   |



# FUEL PIPING (SEDAN & COUPE)

(USED UP TO 3/4)

| No. | Part Number  | Description                 | Q'ty | Remarks   |
|-----|--------------|-----------------------------|------|---|
|     | 99952 0612   | Washer, Plain               | 1    | 3/16~○  |
|     | 99971 0800   | Washer, Spring              | 1    |   |
| 10  | 99340 06340  | Pipe, Fuel-Carburettor Side | 1    | Car No. 134786 3/1~Q'ty                                     |
|     | 0866 13 442  | Pipe, Fuel                  | 1    | Car No. 134786 3/1~Added Anew                               |
| 11  | 1568 13 440  | Pipe, Fuel-Carburettor Side | 2    | 1567,1568   |
|     | 1594 13 421  | Pipe, Fuel-Carburettor Side | 2    | 1558,1559 (Only for Norway)                                 |
|     | 0866 13 442  | Pipe, Fuel-Carburettor Side | 2    | 1558,1559 (Only for Norway)<br>Car No. 3/8~X                |
| 12  | 99282 1600   | Band, Fuel Pipe             | 4    | 1567,1568   |
|     | 99282 1601   | Band, Fuel Pipe (1558,1559) | 4    | 1558,1559 (Only for Norway)                                 |
| 13  | 0222 13 493  | Clip, Fuel Pipe             | 18   |   |
| Y   | 99283 1300   | Clip, Fuel Pipe             | 18   | Car No. 3/2~○   |
|     | 99283 1100   | Clip, Fuel Pipe             | 2    | Car No. 160623 3/10~X                                       |
| 14  | 99340 06180  | Pipe, Fuel-Fuel Pump        | 2    |   |
|     | 99348 08180  | Pipe, Fuel-Fuel Pump        | 2    | Car No. 160623 3/10~X<br>(Order Under No. 99343 08150 M=15) |
| 15  | 99340 06670  | Pipe, Fuel Tank~Filter      | 1    |   |
|     | 99348 08680  | Pipe, Fuel Tank~Filter      | 1    | Car No. 160623 3/10~X<br>(Order Under No. M=15 99343 08150) |
| 16  | 0866 45 061A | Pipe, Fuel Main             | 1    |   |
|     | 1881 45 061  | Pipe, Fuel Main             | 1    | Car No. 160623 3/10~△                                       |
| 17  | 0886 45 611B | Pipe, Fuel Return           | 1    |   |
|     | 1881 45 611  | Pipe, Fuel Return           | 1    | Car No. 160623 3/10~△                                       |

# FUEL PIPING (SEDAN & COUPE)

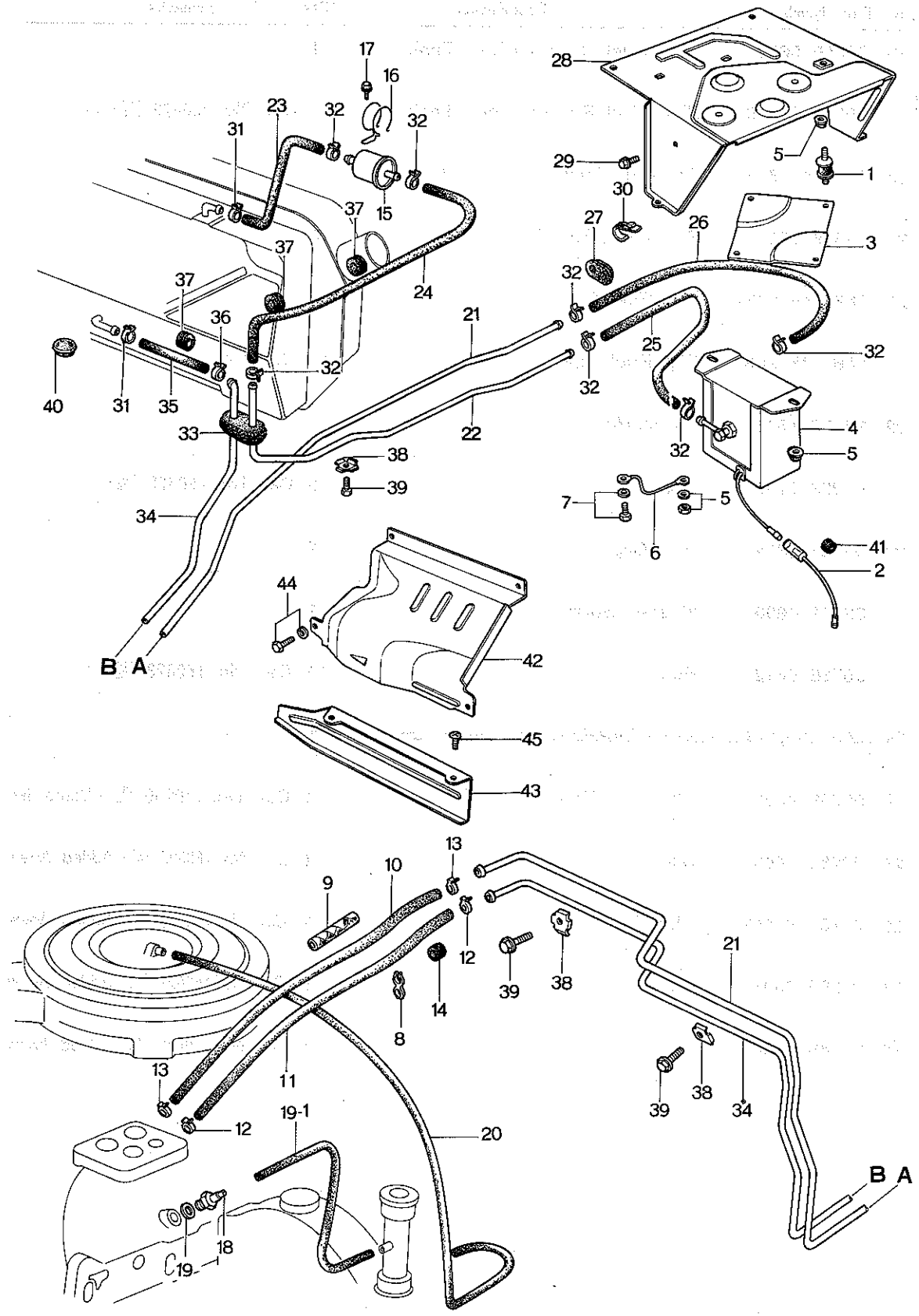
(USED UP TO 7/4)

13

45

| No. | Part Number            | Description                       | Q'ty         | Remarks                          |
|-----|------------------------|-----------------------------------|--------------|----------------------------------|
| 18  | 98340 06320            | Pipe, Fuel Return Pipe~Tank       | 1            |                                  |
|     | 99348 06330            | Pipe, Fuel Return Pipe~Tank       | 1            | Car No. 160623 7/10 ~ Δ          |
| 19  | 0866 45 806A           | Grommet, Fuel Pipe ( 99343 06150) | 1            |                                  |
| 20  | 99868 1200             | Protector, Fuel Pipe              | 3            |                                  |
| 21  | 0866 45 803A           | Clip, Fuel Pipe                   | 9            |                                  |
|     | 0866 45 903A           | Clip, Fuel Pipe                   | 16           | Car No.                          |
| 22  | 99282 1301             | Clamp, Hose                       | 4            |                                  |
|     | 99283 1200             | Clip                              | 5            | Car No. 160623 7/10 ~ X          |
| 23  | 99785 0614             | Bolt, Clip                        | 9            |                                  |
|     | 99971 0600             | Washer, Spring                    | 9            |                                  |
|     | 99786 0612             | Bolt                              | 17           | Car No. 160623 7/10 ~ X          |
| 24  | <del>0866 87 102</del> | <del>Cord, Fuel Pump</del>        | <del>1</del> |                                  |
| Ⓝ   | 99289 0851             | Clip, Fuel Pipe                   | 1            | Car No. 179250 7/10 ~ Discarded  |
| 25  | 99283 1000             | Clip                              | 1            | Car No. 160623 7/10 ~ Added Anew |
| 26  | 0118 56 241            | Plug, Drain                       | 1            | Car No. 160623 7/10 ~ Added Anew |
| 27  | 99295 0606             | Clip                              | 1            | Car No. 160623 7/10 ~ Added Anew |
| 28  | 99288 0808B            | Clip                              | 1            | Car No. 160623 7/10 ~ Added Anew |

# FUEL PIPING (USED FROM 7/5)





# FUEL PIPING (USED FROM 7/5)

13

45

| No.  | Part Number   | Description                      | Q'ty | Remarks                            |
|------|---------------|----------------------------------|------|------------------------------------|
| ✓ 1  | 0223 13 363   | Rubber, Insulation-Fuel Pump     | 4    |                                    |
| ✓ 2  | 1690 13 359   | Cord, Fuel Pump                  | 1    |                                    |
| ✓ 3  | 1690 13 361   | Bracket, Fuel Pump               | 1    |                                    |
| ✓ 4  | 1173 13 400 A | Pump, Fuel                       | 1    |                                    |
| 5    | 99940 0600    | Nut, Fuel Pump                   | 8    |                                    |
|      | 99952 0600    | Washer, Plain                    | 1    |                                    |
| ✓ 6  | 0866 13 402 A | Wire, Earth-Fuel Pump            | 1    |                                    |
| 7    | 99796 0610    | Bolt, Earth Wire                 | 1    |                                    |
|      | 99952 0600    | Washer, Plain                    | 1    |                                    |
| ✓ 8  | 1570 13 447   | Clip, Fuel Hose                  | 2    |                                    |
| ✓ 9  | 1883 13 448   | Protector, Fuel Hose (Automatic) | 2    |                                    |
| 10   | 99348 08430   | Hose, Fuel Main (430%)           | 1    | Order Under No. 99343 08035 (3.5m) |
| 11   | 99348 06430   | Hose, Fuel Return (430%)         | 1    | Order Under No. 99343 06035 (3.5m) |
| 12   | 99283 1000    | Clip, Fuel Hose-Fuel Return Hose | 2    |                                    |
| 13   | 99283 1200    | Clip, Fuel Hose-Fuel Main Hose   | 2    |                                    |
| 14   | 99681 1503    | Protector, Fuel Hose             | 2    |                                    |
| ✓ 15 | 0222 13 470 B | Filter, Fuel                     | 1    |                                    |
| ✓ 16 | 0381 13 481   | Clamp, Fuel Filter               | 1    |                                    |
| 17   | 99786 0612    | Bolt, Filter Clamp               | 1    |                                    |
|      | 99952 0618    | Washer, Plain                    | 1    |                                    |

**13 45**

**FUEL PIPING (USED FROM 7/5)**

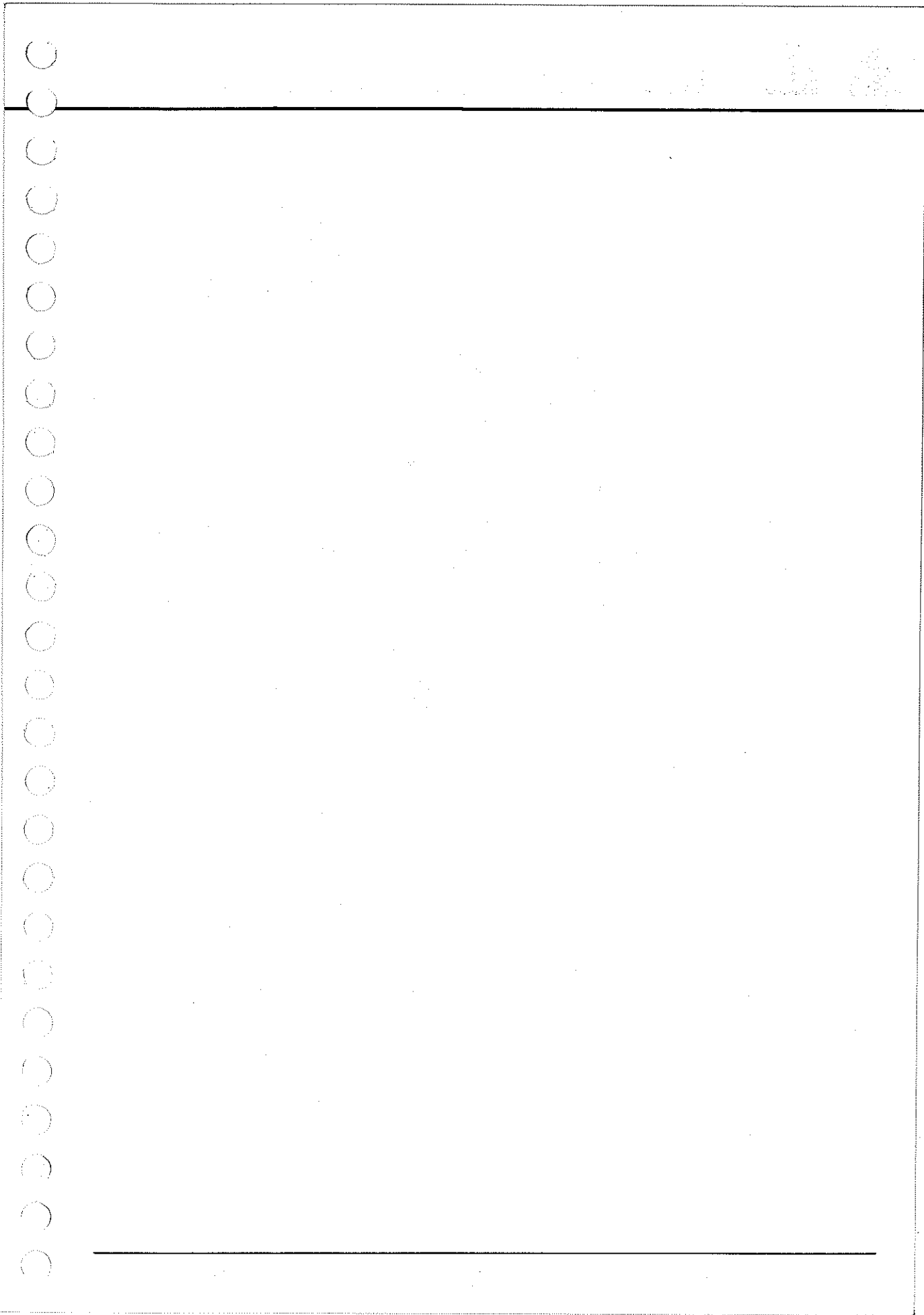
| No.    | Part Number                  | Description                               | Q'ty | Remarks  |
|--------|------------------------------|---|------|--|
| ✓ 18   | 1757 13 780                  | Valve, Ventilation                        | 1    |  |
| 19     | 99564 1600                   | Gasket, Ventilation Valve                 | 1    |  |
| ✓ 19-1 | 99346 08300<br>1790 13 785 B | Hose Ventilator - Valve ~ Pipe (300%)     | 1    | Order Under No.<br>99343 08035 (3.5 m)<br>1 7/2 ~ (4/1 JAN. 14, '75) |
| ✓ 20   | 1757 13 786 A                | Hose, Ventilation - Air Cleaner ~ Housing | 1    |  |
| ✓ 21   | 1881 45 061 A                | Pipe, Fuel Main - Carburettor Side        | 1    |  |
| ✓ 22   | 0866 45 062                  | Pipe, Fuel Main - Fuel Tank Side          | 1    |  |
| ✓ 23   | 99348 08180                  | Hose, Fuel - Tank ~ Filter (180%)         | 1    | Order Under No.<br>99343 08035 (3.5 m)                               |
| ✓ 24   | 99348 08640                  | Hose, Fuel - Filter ~ Fuel Pipe (640%)    | 1    | Order Under No.<br>99343 08035 (3.5 m)                               |
| ✓ 25   | 0866 45 801                  | Hose, Fuel - Filter ~ Pump, Tank Side     | 1    |  |
| ✓ 26   | 0866 45 802                  | Hose, Fuel - Pump ~ Fuel Pipe             | 1    |  |
| ✓ 27   | 0866 45 807                  | Protector, Pipe                           | 1    |  |
| ✓ 28   | 0866 45 810 A                | Cover, Fuel Pump                          | 1    |  |
| ✓ 29   | 99786 0612                   | Bolt, Fuel Pump Cover                     | 2    |  |
| ✓ 30   | 99278 1201                   | Clip, Fuel Hose                           | 2    |  |
| ✓ 31   | 99283 1100                   | Clip, Fuel Hose                           | 2    |  |
| ✓ 32   | 99283 1200                   | Clip, Fuel Hose                           | 7    |  |
| ✓ 33   | 0866 45 806 A                | Grommet, Fuel Pipe                        | 1    |  |
| ✓ 34   | 1881 45 611                  | Pipe, Fuel Return                         | 1    |  |
| ✓ 35   | 99348 06330                  | Hose, Fuel Return (330%)                  | 1    | Order Under No.<br>99343 06035 (3.5 m)                               |
| ✓ 36   | 99283 1000                   | Clip, Fuel Hose                           | 1    |  |

# FUEL PIPING (USED FROM $\frac{7}{8}$ )

**13** **45**

| No.  | Part Number   | Description                | Q'ty | Remarks |
|------|---------------|----------------------------|------|---------|
| 37   | 99686 1200    | Protector, Fuel Hose       | 3    |         |
| ✓ 38 | 0866 45 903 A | Clip, Pipe                 | 10   |         |
| 39   | 99786 0612    | Bolt, Clip                 | 10   |         |
| ✓ 40 | 0118 56 241   | Plug, Drain                | 1    |         |
| 41   | 0208 66 683   | Protector, Pump Cord       | 1    |         |
| ✓ 42 | 0866 56 781   | Cover, Fuel Pump           | 1    |         |
| ✓ 43 | 0866 56 782   | Protector, Fuel Pump Cover | 1    |         |
| 44   | 99786 0616    | Screw, Fuel Pump Cover     | 4    |         |
|      | 99952 0618    | Washer, Plain              | 4    |         |
| 45   | 99786 0612    | Screw, Fuel Pump Cover     | 2    |         |

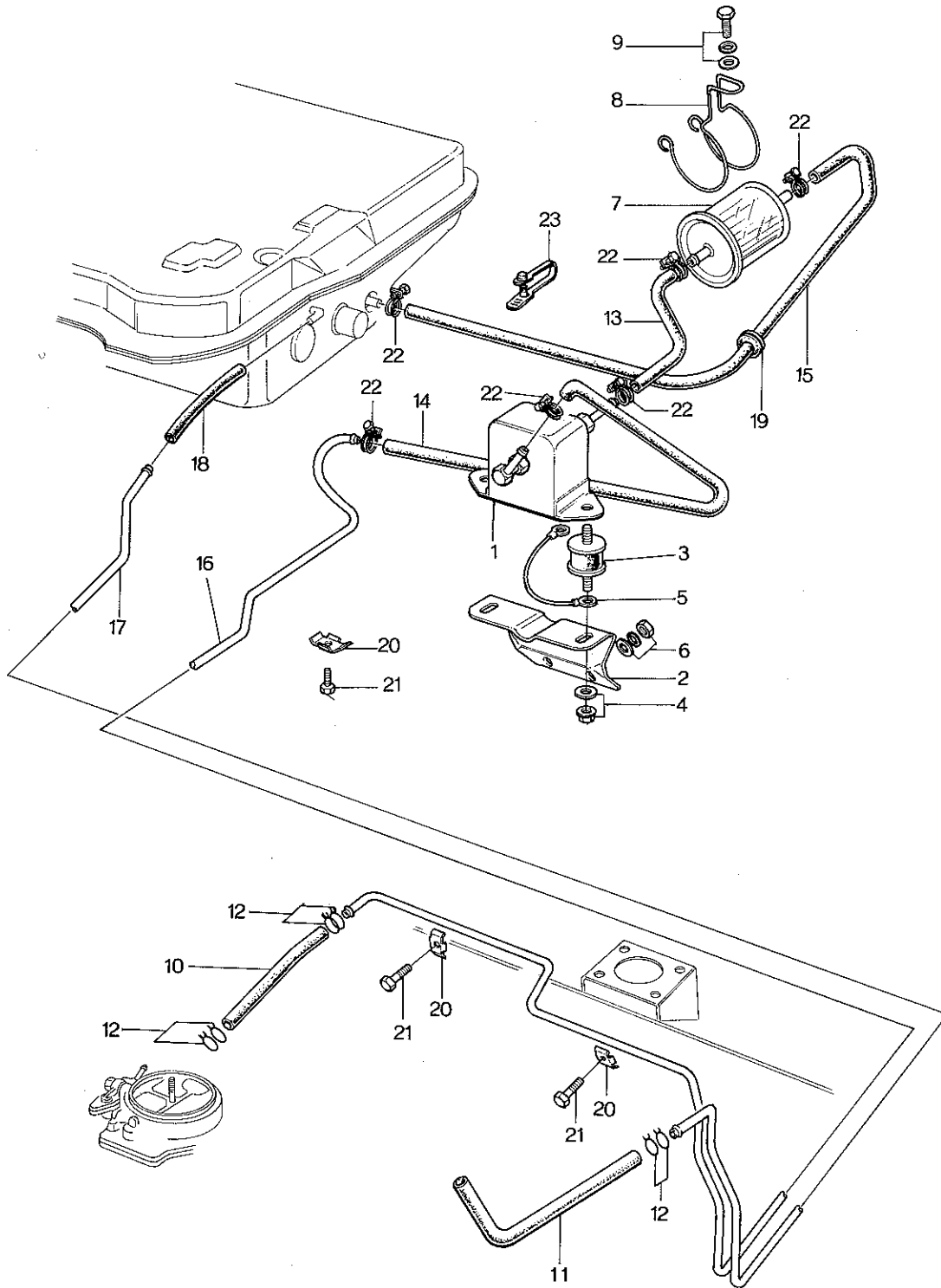




13

45

# FUEL PIPING (STATION WAGON)



# FUEL PIPING (STATION WAGON)

13

45

| No. | Part Number  | Description                  | Q'ty | Remarks                     |
|-----|--------------|------------------------------|------|-----------------------------|
| 1   | 0886 13 400F | Pump, Fuel                   | 1    |                             |
| 2   | 0899 13 401  | Bracket, Fuel Pump           | 1    |                             |
| 3   | 0223 13 363  | Rubber, Insulation-Fuel Pump | 2    |                             |
| 4   | 99940 0600   | Nut, Insulation Rubber       | 4    |                             |
|     | 99971 0600   | Washer, Spring               | 4    |                             |
| 5   | 0886 13 402A | Cord, Earth-Fuel Pump        | 1    |                             |
| 6   | 99940 0600   | Nut, Fuel Pump Bracket       | 2    |                             |
|     | 99952 0600   | Washer, Plain                | 2    |                             |
|     | 99971 0600   | Washer, Spring               | 2    |                             |
| 7   | 0222 13 470B | Filter, Fuel                 | 1    |                             |
| 8   | 0381 13 481  | Clamp, Fuel Filter           | 1    |                             |
| 9   | 99806 0612   | Bolt, Fuel Filter            | 1    |                             |
|     | 99952 0600   | Washer, Spring               | 1    |                             |
|     | 99971 0600   | Washer, Spring               | 1    |                             |
| 10  | 99340 06460  | Pipe, Fuel-Carburettor Side  | 2    | Order Under No. 99344 06150 |
| 11  | 0886 13 442  | Pipe                         | 1    |                             |
| 12  | 0222 13 493  | Clip, Wire-Pipe              | 8    |                             |
| 13  | 99340 06224  | Pipe, Fuel-Filter~Pump       | 1    | Order Under No. 99344 06150 |
| 14  | 0899 45 091  | Pipe, Pump~Main Pipe         | 1    |                             |
| 15  | 99340 06500  | Pipe, Tank~Filter            | 1    | Order Under No. 99344 06150 |

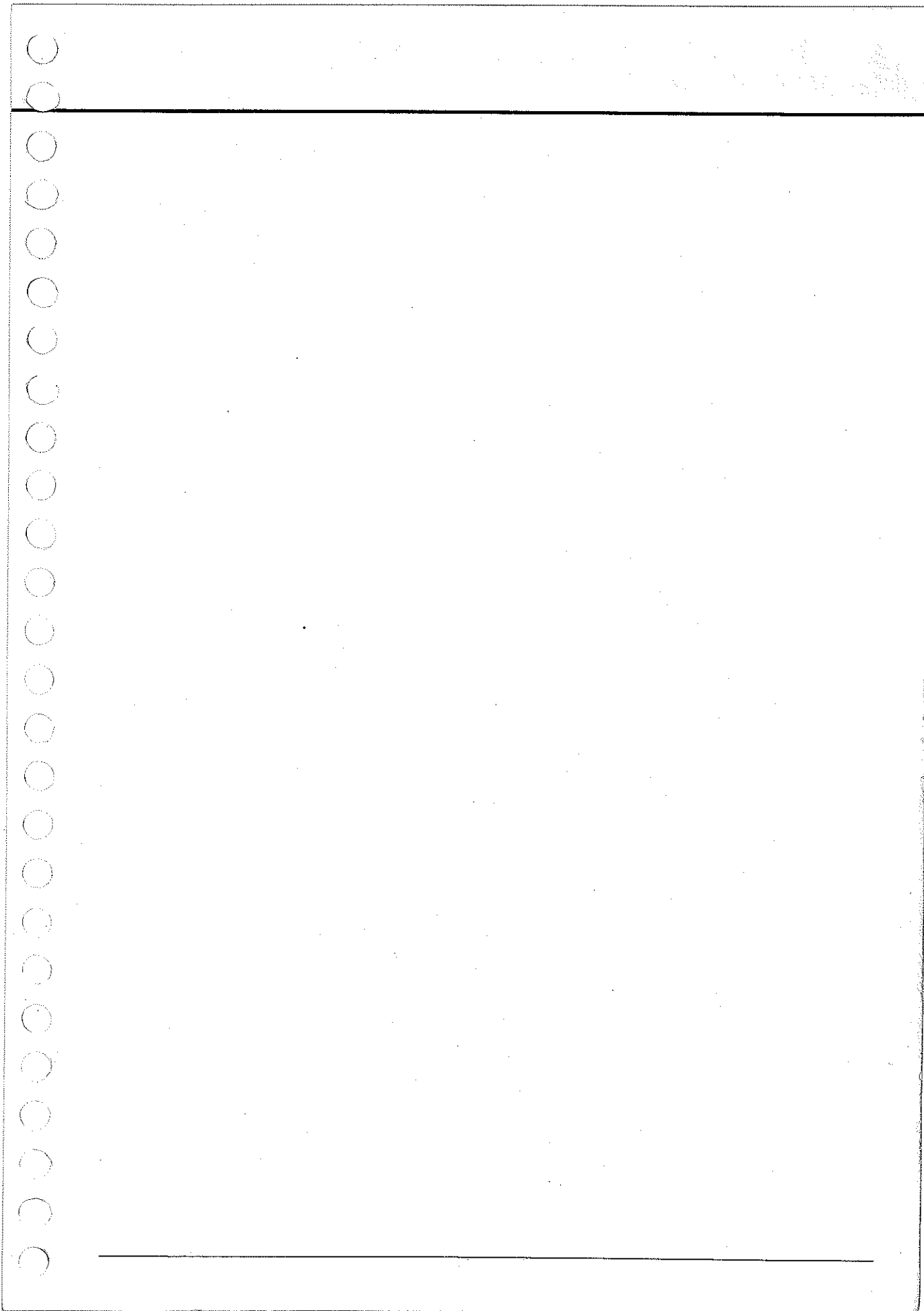
13

45

**FUEL PIPING (STATION WAGON)**

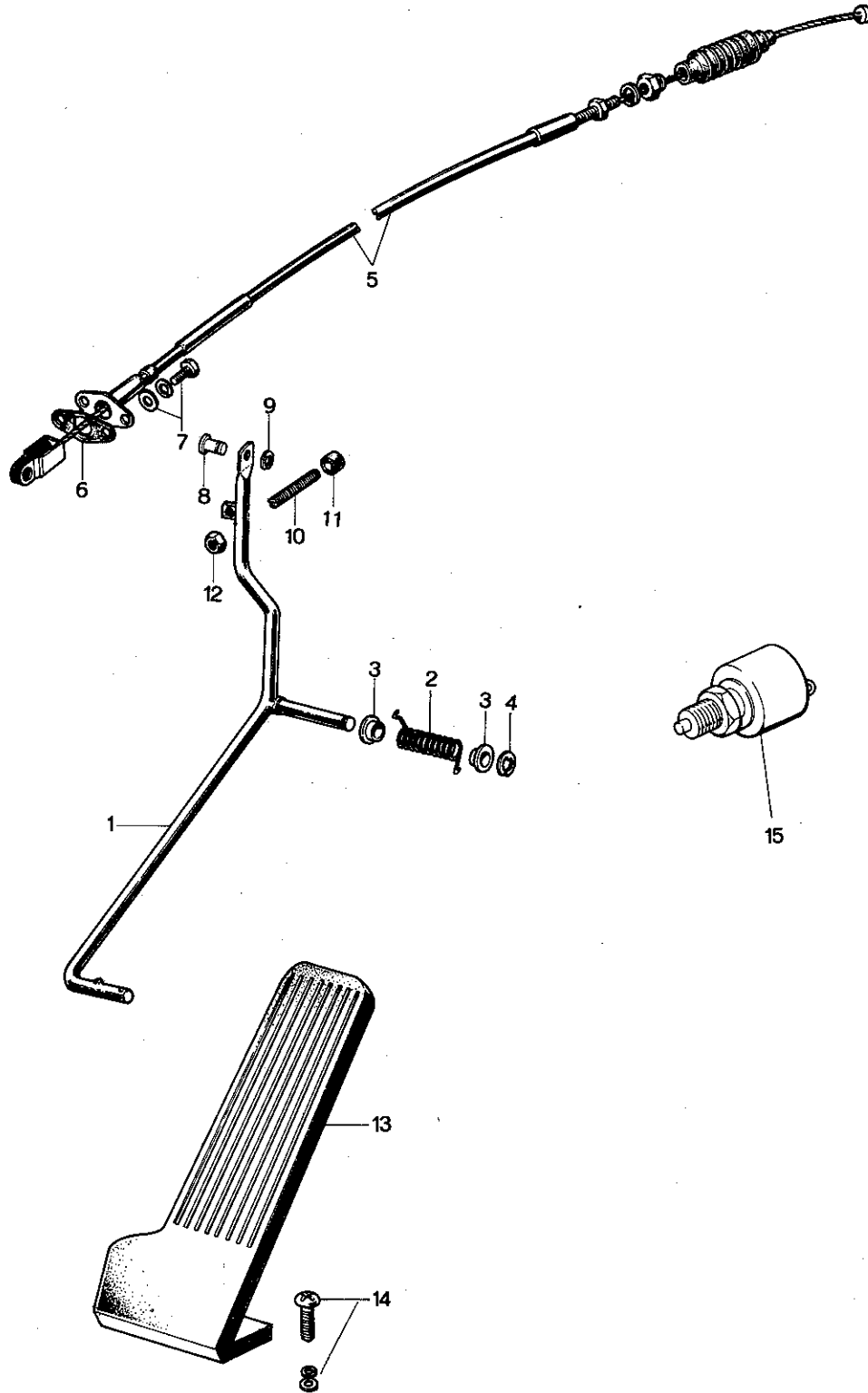
| No. | Part Number  | Description                 | Q'ty | Remarks                     |
|-----|--------------|-----------------------------|------|-----------------------------|
| 16  | 0899 45 071C | Pipe, Fuel Main             | 1    |                             |
| 17  | 0899 45 611B | Pipe, Fuel Return           | 1    |                             |
| 18  | 99340 06140  | Pipe, Fuel Return Pipe~Tank | 1    | Order Under No. 99344 06150 |
| 19  | 0866 45 805  | Protector                   | 1    |                             |
| 20  | 0866 45 903A | Clip, Fuel Pipe             | 9    |                             |
| 21  | 99786 0612   | Screw, Tapping              | 9    |                             |
| 22  | 99282 1401   | Clamp, Hose                 | 6    |                             |
| 23  | 99289 0851   | Clip, Fuel Pipe             | 1    |                             |





41

# ACCELERATOR CONTROL SYSTEM (R. H. D.)



# ACCELERATOR CONTROL SYSTEM (R.H.D.)

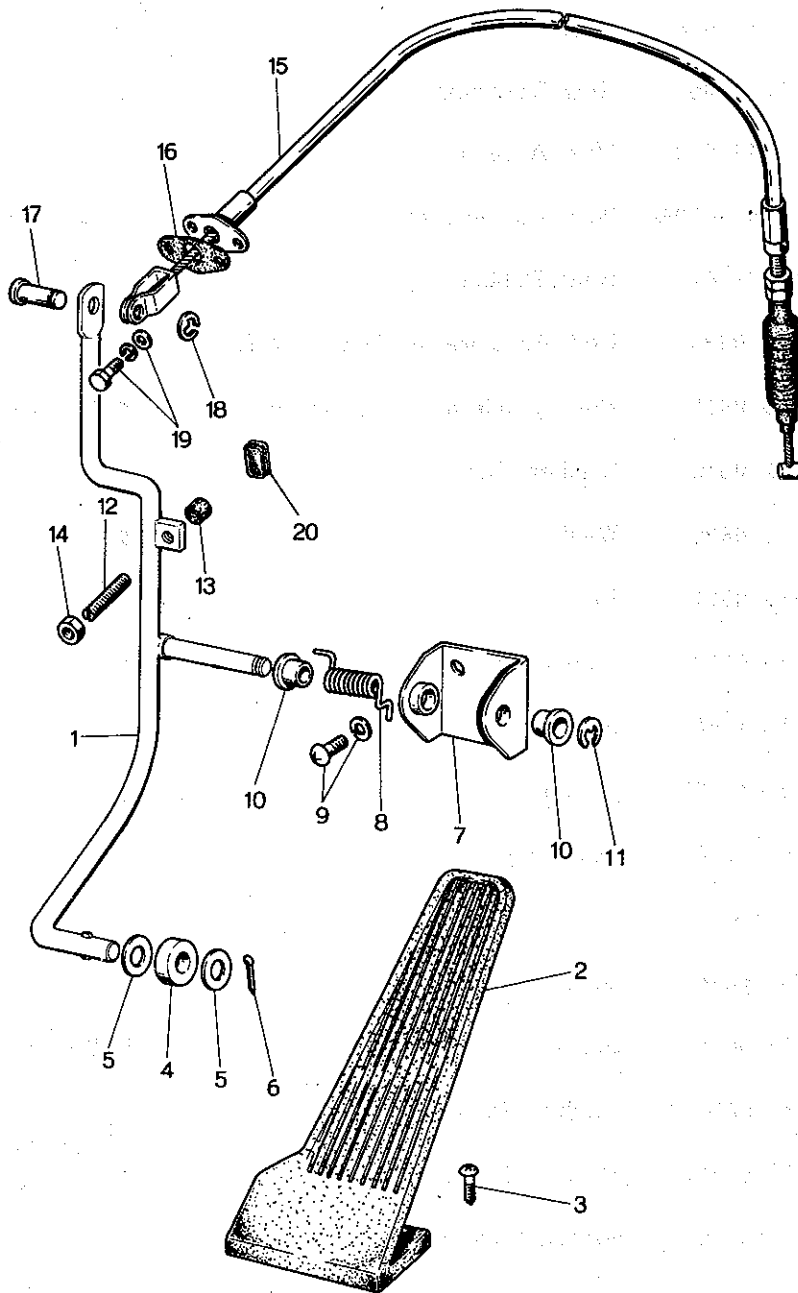
**41**

| No. | Part Number  | Description                          | Q'ty | Remarks                                   |
|-----|--------------|--------------------------------------|------|---|
| 1   | 0378 41 610  | Rod, Accelerator Control (Automatic) | 1    |   |
|     | 0866 41 610  | Rod, Accelerator Control (Manual)    | 1    |   |
| 2   | 0370 41 619  | Spring, Return                       | 1    |   |
| 3   | 0259 41 644  | Bush                                 | 2    |   |
| 4   | 99575 0600   | Ring, Retaining                      | 1    |   |
| 5   | 0866 41 660  | Wire, Accelerator                    | 1    |   |
|     | 0862 41 660B | Wire, Accelerator                    | 1    | Car No. 160623 $\frac{7}{10}$ ~X          |
| 6   | 0249 41 671  | Seat, Rubber                         | 1    |   |
| 7   | 99785 0620   | Bolt, Accelerator Control Wire       | 2    |   |
|     | 99786 0620   | Bolt, Accelerator Control Wire       | 2    | Car No. 141928 $\frac{7}{3}$ ~○           |
|     | 99952 0618   | Washer, Plain                        | 2    |   |
|     | 99971 0600   | Washer, Spring                       | 2    |   |
| 8   | 99230 0511   | Pin                                  | 1    |   |
| 9   | 99575 0300   | Ring, Stop                           | 1    |   |
| 10  | 0118 41 681  | Stopper                              | 1    |   |
| 11  | 0118 41 682  | Rubber                               | 1    |   |
| 12  | 99907 0600   | Nut, Lock                            | 1    |   |
| 13  | 0559 41 710B | Pedal, Accelerator                   | 1    |   |
| 14  | 99765 0616   | Screw                                | 2    |   |
|     | 99786 0616   | Screw                                | 2    | Car No. 141928 $\frac{7}{3}$ ~○           |
|     | 99952 0600   | Washer, Plain                        | 2    | } Car No. 141927 $\frac{7}{3}$ ~Discarded |
|     | 99971 0600   | Washer, Spring                       | 2    |   |
| 15  | 2691 18 660  | Switch, Kick Down (Automatic)        | 1    |   |
| Ⓝ   | 0866 41 617  | Protector, Accelerator Pedal         | 1    | From Car No. 1                            |
| Ⓝ   | 99576 0600   | Ring, Stop-Protector                 | 1    | From Car No. 1                            |

41

# ACCELERATOR CONTROL SYSTEM

(L.H.D.) (USED UP TO CAR NO. 179250 <sup>73</sup>/<sub>9</sub>)

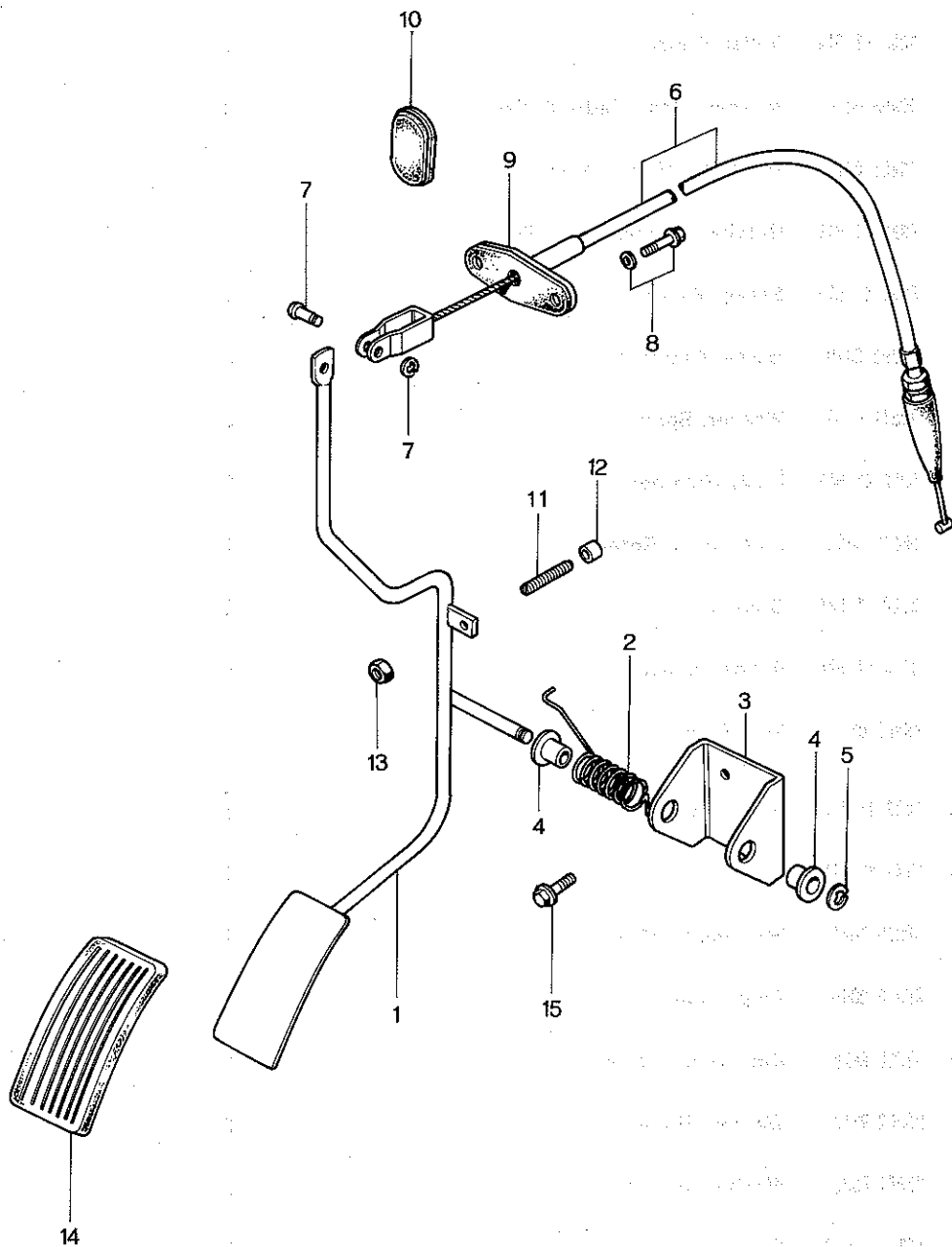


# ACCELERATOR CONTROL SYSTEM (L.H.D.) (USED UP TO CAR NO. 179250 <sup>73/6</sup>)



| No. | Part Number    | Description                  | Q'ty | Remarks                          |
|-----|----------------|------------------------------|------|----------------------------------|
| 1   | 1524 41 820    | Rod, Accelerator Control     | 1    |                                  |
| ✓   | 1524 41 820A   | Rod, Accelerator Control     | 1    | Car No. 148407 $\frac{73}{6}$ ~○ |
| 2   | 0290 41 710    | Pedal, Accelerator           | 1    |                                  |
| 3   | 99785 0516     | Screw, Accelerator Pedal     | 2    |                                  |
| 4   | 0259 41 813    | Roller, Pedal                | 1    |                                  |
| 5   | 99953 0800     | Washer, Plain - Pedal Roller | 2    |                                  |
| 6   | 99221 2012     | Pin, Split - Pedal Roller    | 1    |                                  |
| 7   | 0305 41 841    | Retainer, Accelerator Rod    | 1    |                                  |
| 8   | 0259 41 819    | Spring, Return               | 1    |                                  |
| 9   | 99785 0816     | Screw, Retainer              | 2    |                                  |
|     | 99971 0800     | Washer, Spring               | 2    |                                  |
| 10  | 0259 41 844    | Bush, Retainer               | 2    |                                  |
| 11  | 99575 0600     | Ring, Snap - Retainer        | 1    |                                  |
| 12  | 0118 41 881    | Stopper                      | 1    |                                  |
| 13  | 0118 41 882    | Rubber, Stopper              | 1    |                                  |
| 14  | 99907 0800     | Nut, Stopper                 | 1    |                                  |
| 15  | 1582 41 880    | Wire Accel.                  | 1    |                                  |
| 16  | 0249 41 871    | Seat                         | 1    |                                  |
| 17  | 99230 0511     | Pin, Accel. Wire             | 1    |                                  |
| 18  | 99575 0300     | Ring, Stop                   | 1    |                                  |
| 19  | 99785 0820     | Bolt, Accel. Wire            | 2    |                                  |
|     | 99952 0818     | Washer, Plain                | 2    |                                  |
|     | 99971 0800     | Washer, Spring               | 2    |                                  |
| ✓   | 20 1524 41 878 | Seal                         | 1    |                                  |

# ACCELERATOR CONTROL SYSTEM (L.H.D.) (USED FROM CAR NO. 160623 <sup>73</sup>/<sub>10</sub>)



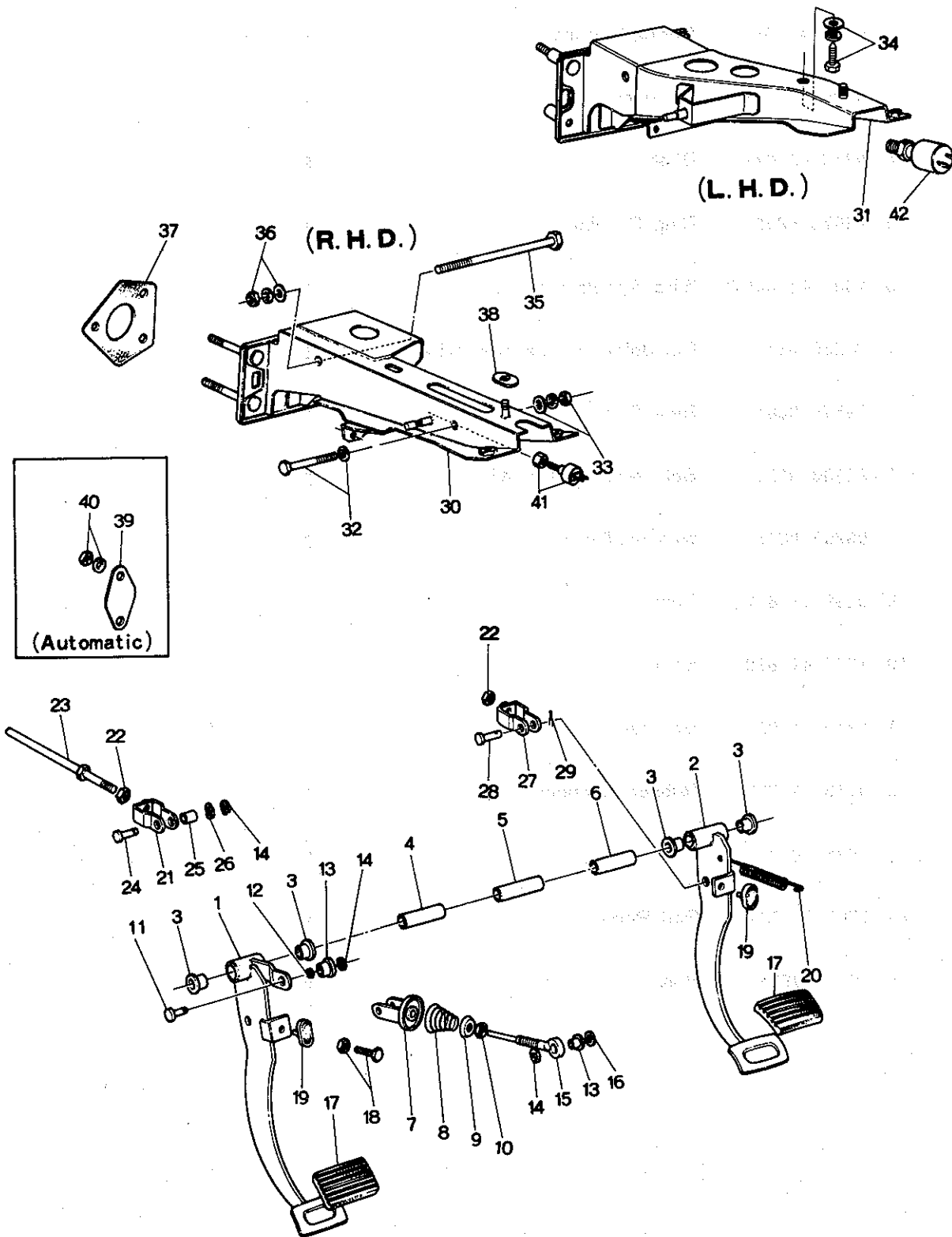
# ACCELERATOR CONTROL SYSTEM

(L.H.D.) (USED FROM CAR NO. 160623 <sup>73</sup>/<sub>10</sub>)



| No.  | Part Number   | Description                   | Q'ty | Remarks |
|------|---------------|-------------------------------|------|---------|
| ✓ 1  | 1881 41 610 A | Pedal, Accelerator            | 1    |         |
| ✓ 2  | 0370 41 619   | Spring, Return                | 1    |         |
| ✓ 3  | 0305 41 641   | Retainer                      | 1    |         |
| ✓ 4  | 0259 41 644   | Bush                          | 2    |         |
| 5    | 99575 0600    | Ring, Retaining               | 1    |         |
| ✓ 6  | 1881 41 660 B | Wire, Accelerator             | 1    |         |
| 7    | 99230 0511    | Pin, Joint - Accelerator Wire | 1    |         |
|      | 99575 0300    | Ring, Snap                    | 1    |         |
| 8    | 99786 0620    | Bolt, Accelerator Wire        | 2    |         |
|      | 99952 0618    | Washer, Plain                 | 2    |         |
| ✓ 9  | 0249 41 671   | Seat                          | 1    |         |
| ✓ 10 | 1524 41 678   | Seal                          | 1    |         |
| ✓ 11 | 0118 41 681   | Stopper                       | 1    |         |
| ✓ 12 | 0118 41 682   | Rubber, Stopper               | 1    |         |
| 13   | 99940 0600    | Nut                           | 1    |         |
| ✓ 14 | 1708 41 711   | Pad, Pedal                    | 1    |         |
| 15   | 99786 0616    | Bolt                          | 2    |         |

# CLUTCH & BRAKE SYSTEM





# CLUTCH & BRAKE SYSTEM

41

43

| No. | Part Number   | Description                       | Q'ty | Remarks              |
|-----|---------------|-----------------------------------|------|----------------------|
| 1   | 0866 41 030 A | Pedal, Clutch (R.H.D.)            | 1    |                      |
|     | 0866 41 030 B | Pedal, Clutch (R.H.D.)            | 1    | Car No. 133210 7/1~○ |
|     | 1562 41 030 A | Pedal, Clutch (L.H.D.)            | 1    |                      |
| 2   | 0866 43 030   | Pedal, Brake (R.H.D.)             | 1    |                      |
|     | 1524 43 030   | Pedal, Brake (L.H.D.)             | 1    |                      |
|     | 0378 43 030   | Pedal, Brake (R.H.D.) (Automatic) | 1    |                      |
| 3   | 0259 43 022   | Bush, Pedal                       | 4    |                      |
| ●   | 1015 46 085   | Bush, Pedal (Automatic)           | 4    | Car No. 178812 7/8~△ |
| 4   | 0866 43 061   | Pipe, Pedal                       | 1    |                      |
| 5   | 0866 43 083   | Pipe, Pedal                       | 1    |                      |
| 6   | 0866 43 062   | Pipe, Pedal                       | 1    |                      |
| 7   | 0824 41 040   | Seat, Spring-Clutch               | 1    |                      |
|     | 0559 41 040 C | Seat, Spring-Clutch               | 1    | Car No. 149635 7/1~× |
| 8   | 0559 41 081   | Spring, Return                    | 1    |                      |
|     | 0559 41 081 A | Spring, Return                    | 1    | Car No. 149635 7/1~○ |
| 9   | 0183 41 043   | Seat, Spring                      | 1    |                      |
| 10  | 99801 0800    | Nut, Spring                       | 1    |                      |
|     | 99922 0800    | Nut, Spring                       | 1    | Car No. 149635 7/1~× |
| 11  | 0187 46 683   | Pin, Spring Seat                  | 1    |                      |
|     | 0604 46 785   | Pin, Spring Seat                  | 1    | Car No. 149635 7/1~○ |



# CLUTCH & BRAKE SYSTEM

| No. | Part Number   | Description                     | Q'ty                        | Remarks                           |
|-----|---------------|---------------------------------|-----------------------------|-----------------------------------|
| 12  | 0824 41 084   | Spacer                          | 1                           |                                   |
| 13  | 0259 41 644   | Bush                            | 2                           |                                   |
| 14  | 99575 0800    | Ring, Snap                      | 3                           |                                   |
| ●   | 99575 0600    | Ring, Snap                      | 3                           | From Car No. 1                    |
| 15  | 0824 41 051   | Rod                             | 1                           |                                   |
|     | 0824 41 051 A | Rod                             | 1                           | Car No. 149635 $\frac{73}{10}$ ~X |
| 16  | 99952 0816    | Washer, Plain                   | 1                           |                                   |
| 17  | 0118 43 028 A | Pad, Pedal (L.H.D.)             | 2                           | (Manual)                          |
|     | 0259 43 028   | Pad, Pedal (R.H.D.)             | 2                           |                                   |
|     | 0268 43 028   | Pad, Pedal (R.H.D.) (Automatic) | 1                           |                                   |
| 18  | 99795 1032    | Bolt, Stopper-Clutch            | 1                           |                                   |
|     | 99922 1000    | Nut, Stopper & Push Rod         | 2                           |                                   |
| 19  | 0187 43 028   | Rubber, Stopper                 | (Manual) 2<br>(Automatic) 1 |                                   |
| 20  | 0813 41 308   | Spring, Return-Brake            | 1                           |                                   |
| 21  | 0259 43 140   | Fork End, Clutch                | 1                           |                                   |
| ●   | 1872 41 140   | Fork End, Clutch                | 1                           | Car No. 160623 $\frac{73}{10}$ ~X |
| 22  | 99922 0800    | Nut, Fork End-Clutch            | 1                           |                                   |
|     | 1872 41 142   | Nut, Fork End                   | 1                           | $\frac{73}{10}$ ~Added Anew       |
|     | 99922 1000    | Nut, Fork End-Brake             | 1                           |                                   |
| 23  | 0223 41 131 A | Rod, Push-Clutch                | 1                           |                                   |

# CLUTCH & BRAKE SYSTEM

41

43

| No. | Part Number     | Description                       | Q'ty | Remarks                                    |
|-----|-----------------|-----------------------------------|------|--|
| 24  | 0223 46 683     | Pin, Fork End-Clutch              | 1    |  |
| 25  | 0727 41 023     | Bush, Fork End-Clutch             | 1    |  |
| 26  | 99972 0800      | Washer, Wave-Fork End-Clutch      | 1    |  |
| 27  | 0305 43 140     | Fork End, Brake (R.H.D.)          | 1    |  |
|     | 1524 43 140     | Fork End, Brake (L.H.D.)          | 1    |  |
| 28  | 99231 0818      | Pin, Joint-Fork End (R.H.D.)      | 1    |  |
|     | 99231 0820      | Pin, Joint-Fork End (L.H.D.)      | 1    |  |
| 29  | 99221 2020      | Pin, Split-Fork End               | 1    |  |
| 30  | 0866 43 070 A   | Bracket, Master Cylinder (R.H.D.) | 1    |  |
| ●   | 0866 43 070 B   | Bracket, Master Cylinder (R.H.D.) | 1    | 73/10 ~ O                                  |
| 31  | 1524 43 070 B   | Bracket, Master Cylinder (L.H.D.) | 1    |  |
|     | 1504 43 070 A   | Bracket, Master Cylinder (L.H.D.) | 1    | (1558, 1559)                               |
| 32  | 99805 0865      | Bolt, Master Cylinder Bracket     | 1    |  |
| ●   | √ 99801 0860    | Bolt, Master Cylinder Bracket     | 1    | Car. No. 160623 73/10 ~ X                  |
|     | 99952 0822      | Washer, Plain                     | 1    | (R.H.D.)                                   |
| 33  | 99901 0800      | Nut, Master Cylinder Bracket      | 1    |  |
|     | 99971 0800      | Washer, Spring                    | 1    |  |
|     | 99952 0822      | Washer, Plain                     | 1    |  |
| ●   | 34/√ 99805 0825 | Bolt, Master Cylinder Bracket     | 1    |  |
| ●   | √ 99952 0816    | Washer, Plain                     | 1    | (L.H.D.) Car. No. 179250 73/10 ~ Discarded |

41

43

## CLUTCH &amp; BRAKE SYSTEM

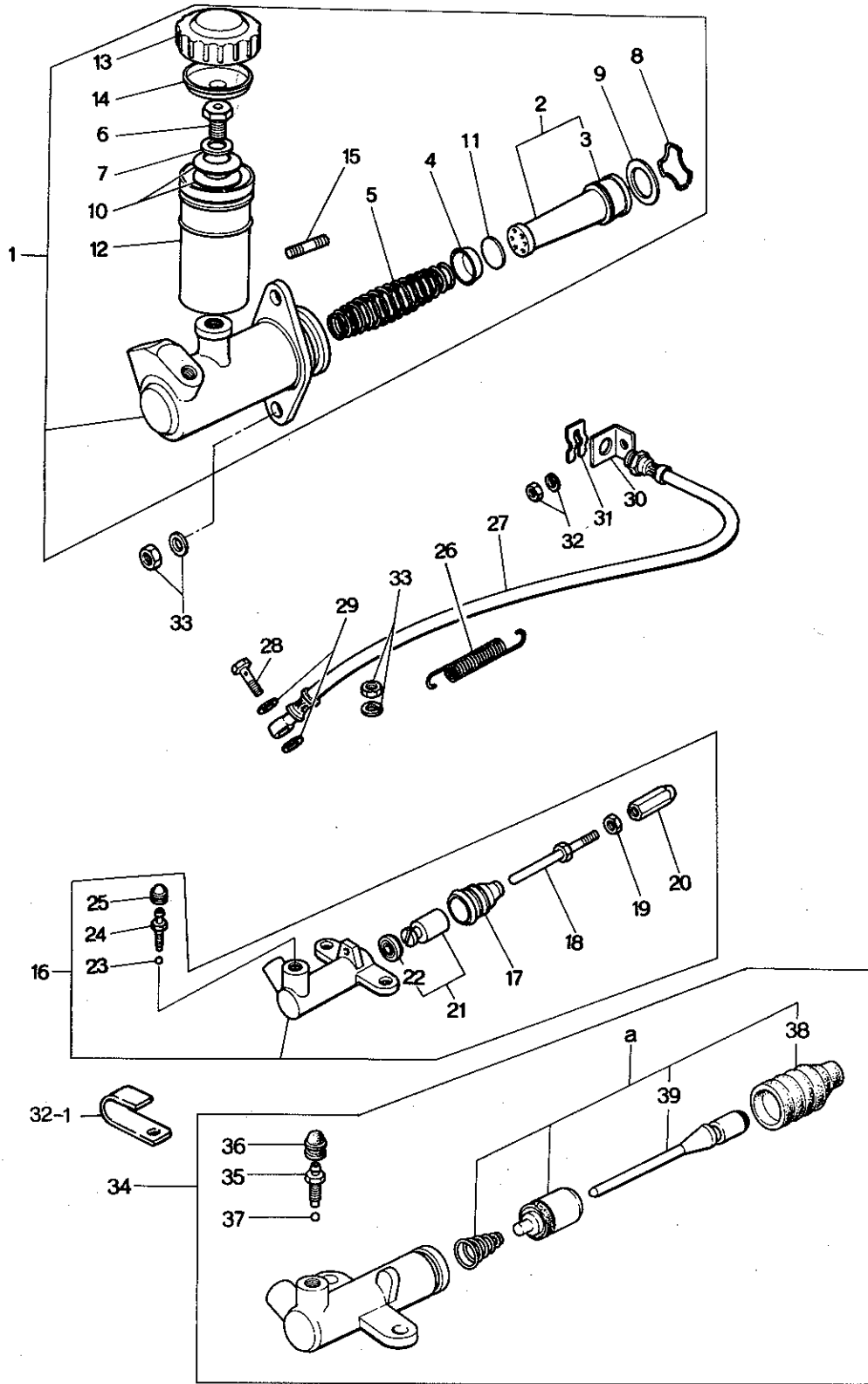
| No.    | Part Number            | Description                               | Q'ty         | Remarks   |
|--------|------------------------|---|--------------|---|
| ● ✓    | 99971 0800             | Washer, Spring                            | 1            |   |
| 35     | 99813 10155            | Bolt, Master Cylinder Bracket (Manual)    | 1            |   |
|        | 99813 10110            | Bolt, Master Cylinder Bracket (Automatic) | 1            |   |
| 36     | 99921 1000             | Nut, Master Cylinder Bracket              | 1            |   |
|        | 99952 1000             | Washer, Plain                             | 1            |   |
|        | 99971 1000             | Washer, Spring                            | 1            |   |
| 37     | 0866 43 093            | Gasket, Master Cylinder                   | 1            |   |
| 38     | 0259 43 088            | Seat, Master Cylinder Bracket             | 2            |   |
| 39     | 0225 43 092            | Plate                                     | 1            |   |
| 40     | 99901 0800             | Nut, Plate (Automatic)                    | 2            |   |
|        | 99971 0800             | Washer, Spring                            | 2            |   |
| 41     | 0233 66 790            | Switch, Stop Lamp                         | 1            |   |
| ● 42   | <del>2305 60 490</del> | <del>Switch, Brake Lining</del>           | <del>1</del> | <del>(1558, 1559)</del>                                 |
|        | 1504 60 490            | Switch, Brake Lining                      | 1            | (1558, 1559)  |
| ✓ ● 43 | 99940 0800             | Nut                                       | 1            | Car No. 150623 <sup>73</sup> / <sub>10</sub> Added Anew |

CLINICAL RELEASE & RECALL  
CYLINDER



*[Faint, illegible text, likely bleed-through from the reverse side of the page]*

# CLUTCH RELEASE & MASTER CYLINDER



# CLUTCH RELEASE & MASTER CYLINDER



| No. | Part Number  | Description                      | Q'ty | Remarks                          |
|-----|--------------|----------------------------------|------|----------------------------------|
| 1   | 0866 41 400  | Cylinder, Clutch Master (R.H.D.) | 1    |                                  |
| ✓●  | 0866 41 400A | Cylinder, Clutch Master (R.H.D.) | 1    | $\frac{7}{11}$ ~○                |
|     | 1524 41 400  | Cylinder, Clutch Master (L.H.D.) | 1    |                                  |
| ✓●  | 1524 41 400A | Cylinder, Clutch Master (L.H.D.) | 1    | $\frac{7}{11}$ ~○                |
| 2   | 0305 41 440  | Piston                           | 1    | (Fig. No. 3 included)            |
|     | 0839 41 440  | Piston                           | 1    | Car No. 127396 $\frac{7}{12}$ ~X |
| 3   | 0305 41 451  | Cup, Secondary                   | 1    |                                  |
| 4   | 0305 41 461  | Cup, Primary                     | 1    |                                  |
|     | 0839 41 461  | Cup, Primary                     | 1    | Car No. 127396 $\frac{7}{12}$ ~X |
| 5   | 0110 41 470  | Spring, Return                   | 1    |                                  |
|     | 0110 41 470A | Spring, Return                   | 1    | Car No. 149635 $\frac{7}{11}$ ~○ |
| 6   | 0317 43 421  | Plug                             | 1    |                                  |
| ●   | 0317 43 421A | Plug                             | 1    | $\frac{7}{11}$ ~○                |
| 7   | 0221 43 431  | Washer                           | 1    |                                  |
| ✓●  | 0221 43 431A | Washer                           | 1    | $\frac{7}{11}$ ~○                |
| 8   | 0111 43 432  | Wire, Stop                       | 1    |                                  |
| 9   | 0111 43 433  | Washer, Stop                     | 1    |                                  |
| 10  | 0317 43 428  | Spring, Cone                     | 2    |                                  |
| 11  | 0727 41 442  | Spacer                           | 1    |                                  |
| 12  | 0317 43 551  | Tank, Reserve                    | 1    |                                  |



# CLUTCH RELEASE & MASTER CYLINDER

| No.  | Part Number             | Description                 | Q'ty | Remarks  |
|------|-------------------------|-----------------------------|------|--|
| 13   | 0727 43 552             | Cap, Reserve Tank           | 1    |  |
| 14   | 0839 43 553A            | Baffle                      | 1    |  |
| √ 15 | 99852 0848              | Stud (L.H.D.)               | 1    |  |
|      | 0305 99 431             | Repair Kit, Clutch Cylinder | 1    | (Fig. No. 2~5,8,9,11 included)                                   |
|      | 0839 89 431             | Repair Kit, Clutch Cylinder | 1    | Car No. 127396 7/12~○  |
|      | 0839 89 431A            | Repair Kit, Clutch Cylinder | 1    | Car No. 149635 7/4~○   |
| √    | <del>0839 89 431B</del> | Repair Kit, Clutch Cylinder | 1    | ERROR (HPM-813) / <i>AV</i> 7/4~○<br>+ LMP. 5-11-74 <i>22/10</i> |
| 16   | 0866 41 920             | Cylinder, Clutch Release    | 1    |  |
| 17   | 0191 41 331             | Boot                        | 1    |  |
| 18   | 0187 41 341             | Rod                         | 1    |  |
| 19   | 99922 0800              | Nut                         | 1    |  |
| 20   | 0118 41 342             | Screw, Adjust               | 1    |  |
| 21   | 0866 41 320             | Piston                      | 1    | Car No. 179250 7/8~ Discarded<br>(Fig. No. 22 included)          |
| 22   | 0603 41 322B            | Cup, Piston                 | 1    |  |
| 23   | 99611 1500              | Ball, Steel                 | 1    |  |
| 24   | 0259 33 691             | Screw, Bleeder              | 1    |  |
| 25   | 0259 33 693             | Cap                         | 1    |  |



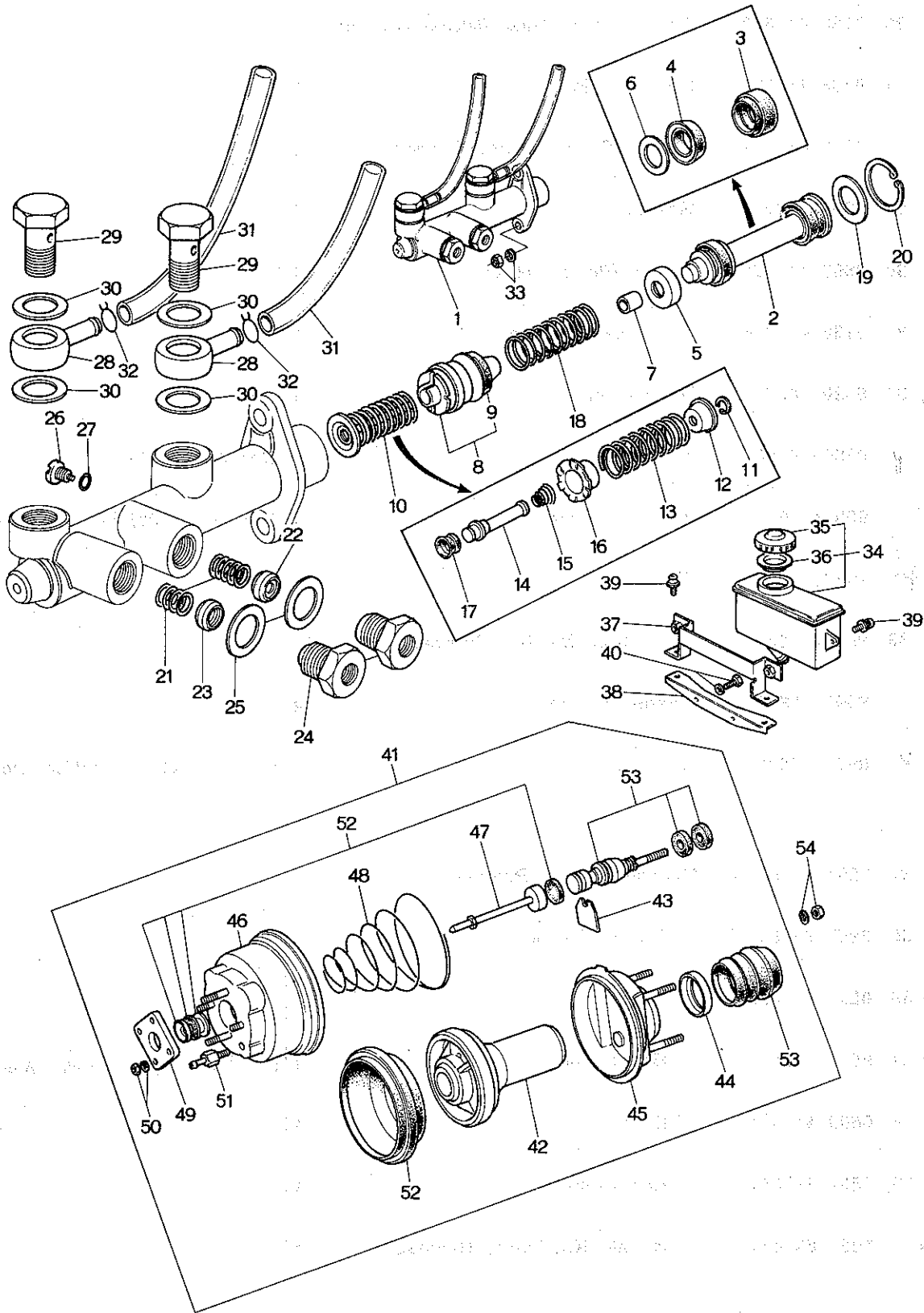
# CLUTCH RELEASE & MASTER CYLINDER

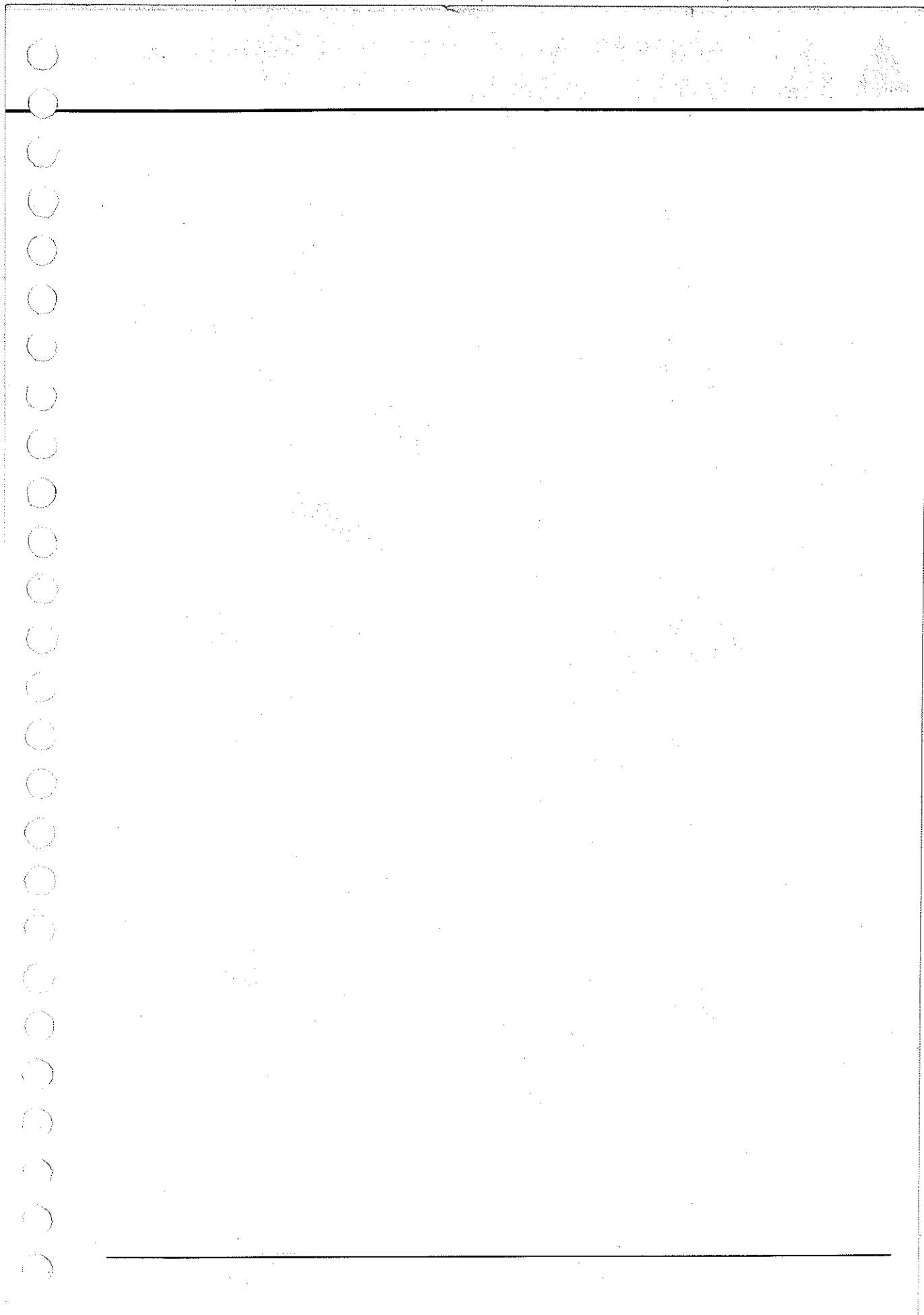


| No. | Part Number     | Description                            | Q'ty | Remarks                                   |
|-----|-----------------|--|------|---|
|     | 26 0183 41 308  | Spring, Return-Clutch Release Cylinder | 1    |   |
|     | 27 0866 41 380  | Hose, Flexible                         | 1    |   |
|     | 28 0221 43 694  | Bolt, Hose & Release Cylinder          | 1    |   |
|     | 29 99562 1000   | Gasket                                 | 2    |   |
|     | 30 0866 41 370  | Holder, Flexible Hose                  | 1    |   |
|     | 31 0136 43 635  | Clip, Flexible Hose                    | 1    |   |
| ✓   | 32 99906 0600   | Nut, Holder                            | 1    |   |
| ✓   | 99940 0600      | Nut, Holder                            | 1    | Car No. 141928 $\frac{7}{8}$ ~○           |
| ✓   | 99971 0600      | Washer, Spring                         | 1    | Car No. 141927 $\frac{7}{8}$ ~Discarded   |
| ●   | 32-1 99276 0808 | Clip                                   | 1    |   |
|     | 33 99901 0800   | Nut, Clutch Master Cylinder            | 4    |   |
|     | 99971 0800      | Washer, Spring                         | 4    |   |
| ● ✓ | 99940 0800      | Nut                                    | 4    | Car No. 160623 $\frac{7}{10}$ ~Added Anew |
| ✓   | 34 1881 41 920A | Cylinder, Clutch Release               | 1    |   |
| ●   | 35 0259 36 691  | Screw, Bleeder                         | 1    |   |
| ●   | 36 0259 33 693  | Cap                                    | 1    |   |
| ✓   | 37 99611 1500   | Ball, Steel                            | 1    | Car No. 160623 $\frac{7}{10}$ ~Added Anew |
| ✓   | 38 0603 41 331  | Boot                                   | 1    |   |
| ✓   | 39 1881 41 341  | Rod, Push                              | 1    |   |
| ✓ a | 1029 89 411     | Repair Kit, Clutch Release             | 1    |   |

43 49

# TANDEM MASTER CYLINDER & VACUUM POWER ASSIST (USED UP TO CAR NO. 179250 <sup>73/9</sup>)

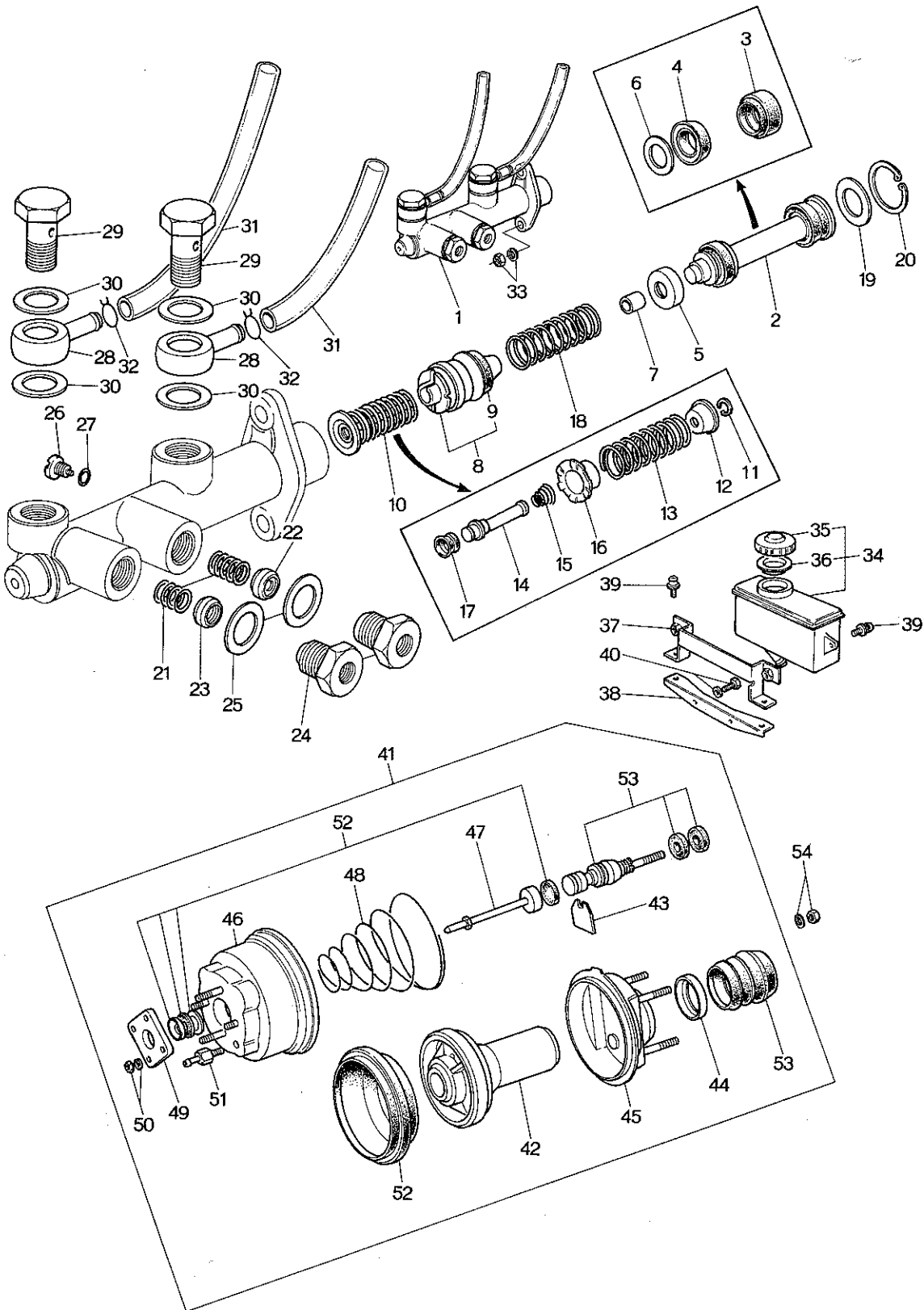




43

49

# TANDEM MASTER CYLINDER & POWER BRAKE



# TANDEM MASTER CYLINDER & VACUUM POWER ASSIST (USED UP TO CAR NO. 179250 <sup>73/9</sup>)

43

49

| No. | Part Number   | Description                      | Q'ty            | Remarks                       |
|-----|---------------|----------------------------------|-----------------|-------------------------------|
| 1   | 0870 43 990   | Cylinder, Tandem Master (R.H.D.) | 1               |                               |
|     | 1562 43 990 A | Cylinder, Tandem Master (L.H.D.) | 1               |                               |
| 2   | 2046 49 620 C | Piston, Primary                  | 1               |                               |
| 3   | 2046 49 625 A | Cup, Secondary                   | 1               |                               |
| 4   | 2046 48 626 A | Cup, Primary                     | 1               |                               |
| 5   | 2046 49 627 B | Seat, Spring                     | 1               |                               |
| 6   | 2046 48 629 A | Spacer, Piston Cup               | 1               |                               |
| 7   | 2046 48 622   | Ring, Stop                       | 1               |                               |
| 8   | 2835 48 630 A | Piston, Floating                 | 1               |                               |
| 9   | 2046 48 635 A | Cup, Secondary                   | 2               |                               |
| 10  | 2835 49 640   | Valve, Floating                  | 1               |                               |
| 11  | 2835 49 623   | Stopper                          | 1               | ☆                             |
| 12  | 2835 49 628 A | Seat, Spring                     | 1               | ☆                             |
| 13  | 2835 49 642 A | Spring, Floating Piston          | 1               | ☆                             |
| 14  | 2835 49 645 A | Rod, Valve                       | 1               | Order Under No. 2835 49 640 ☆ |
| 15  | 2835 49 646 A | Spring, Valve                    | 1               | ☆                             |
| 16  | 2835 49 647 A | Case, Valve                      | 1               | ☆                             |
| 17  | 2835 49 648   | Valve, Tipping                   | 1               | ☆                             |
| 18  | 2835 49 641 A | Spring, Primary Piston           | 1               |                               |
| 19  | 2046 49 666   | Washer(1), Piston                | Selective use 1 |                               |
|     | 2046 49 667   | Washer(2), Piston                |                 |                               |
|     | 2046 49 668   | Washer(3), Piston                |                 |                               |
|     | 2046 49 669   | Washer(4), Piston                |                 |                               |
| 20  | 2046 49 638   | Ring, Retaining                  | 1               |                               |
| 21  | 0233 49 665   | Spring, Check Valve              | 2               |                               |
| 22  | 0233 49 660   | Valve, Check                     | 1               |                               |



# TANDEM MASTER CYLINDER & VACUUM POWER ASSIST (USED UP TO CAR NO. 179250 <sup>73%</sup>)

| No. | Part Number  | Description   | Q'ty                     | Remarks                                   |
|-----|--------------|---|--------------------------|---|
| 23  | 0233 49 670  | Valve, Check  | 1                        |   |
| 24  | 2835 49 652  | Bolt, Joint   | 2                        |   |
| 25  | 0233 49 656  | Gasket, Joint Bolt  | 2                        |   |
| 26  | 2046 49 676  | Bolt, Set   | 1                        |   |
| 27  | 2046 49 696  | Gasket, Joint Bolt  | 1                        |   |
| 28  | 2835 49 682A | Union   | 2                        |   |
| 29  | 2835 49 686A | Bolt, Connector   | 2                        |   |
| 30  | 2835 49 687  | Gasket  | 4                        |   |
| 31  | 0870 43 422A | Pipe, Oil   | 2 (R.H.D.)<br>1 (L.H.D.) |   |
|     | 1562 43 422  | Pipe, Oil   | 1 (L.H.D.)               |   |
| 32  | 2835 49 685  | Clip  | 2                        |   |
|     | 2835 89 439  | Repair Kit-Tandem Master Cylinder<br>(Fig. No. 2~10,18 & 20 included) | 1 Set                    |   |
| 33  | 99906 0800   | Nut, Tandem Master Cylinder   | 2                        |   |
|     | 99971 0800   | Washer, Spring  | 2                        |   |
| Ⓝ   | 99285 0800   | Clip, Wire  | 2                        |   |
| 34  | 0839 43 550  | Tank, Reserve   | 1                        |   |
|     | 1559 43 550  | Tank, Reserve   | 1 1558,1559              |   |
| 35  | 0727 43 552  | Cap   | 1                        |   |
| 36  | 0839 43 553A | Baffle, Oil   | 1                        |   |
| Ⓝ   | 0391 49 684  | Packing   | 1                        | Car No. 170670 <sup>73%</sup> ~Added Anew |
| 37  | 0870 43 570  | Holder, Reserve Tank  | 1                        |   |
| 38  | 0870 43 580  | Holder, Reserve Tank  | 1                        |   |
| 39  | 99833 0512   | Screw, Holder   | 4                        |   |
|     | 99971 0500   | Washer, Spring  | 4                        |   |
| 40  | 99785 0612   | Screw, Holder   | 2                        |   |

# TANDEM MASTER CYLINDER & VACUUM POWER ASSIST (USED UP TO CAR NO. 179250 <sup>7/6</sup>)

43

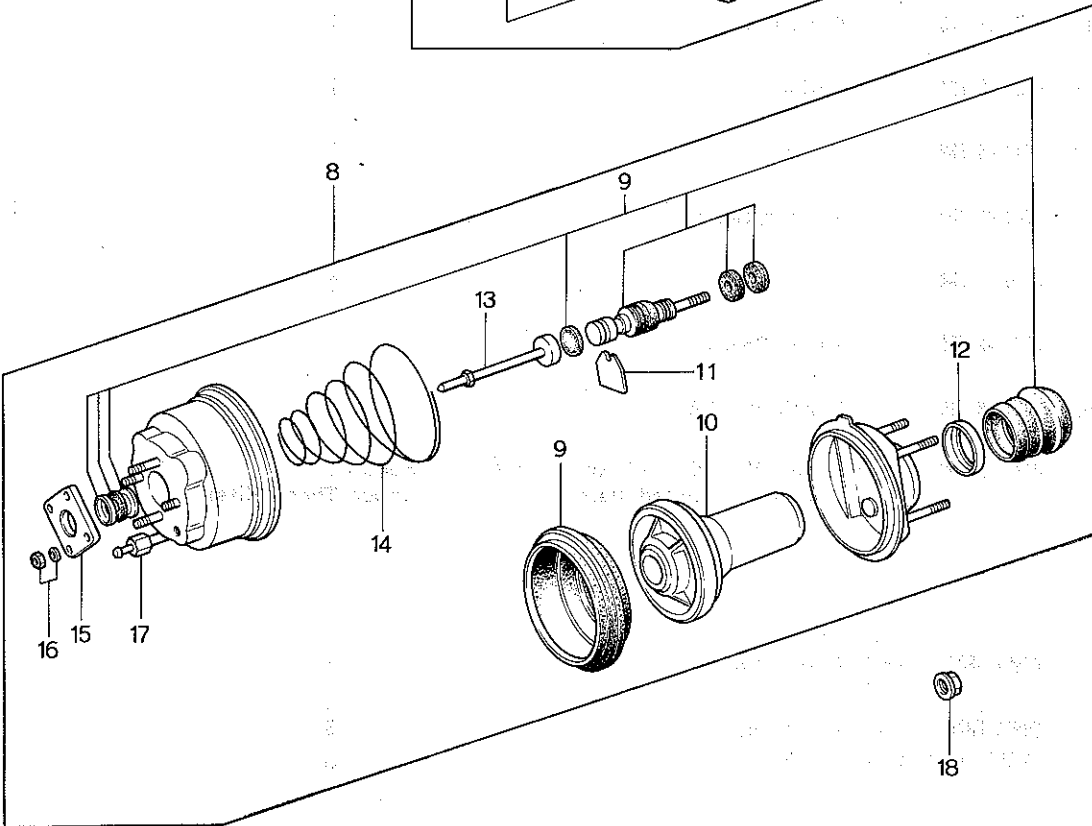
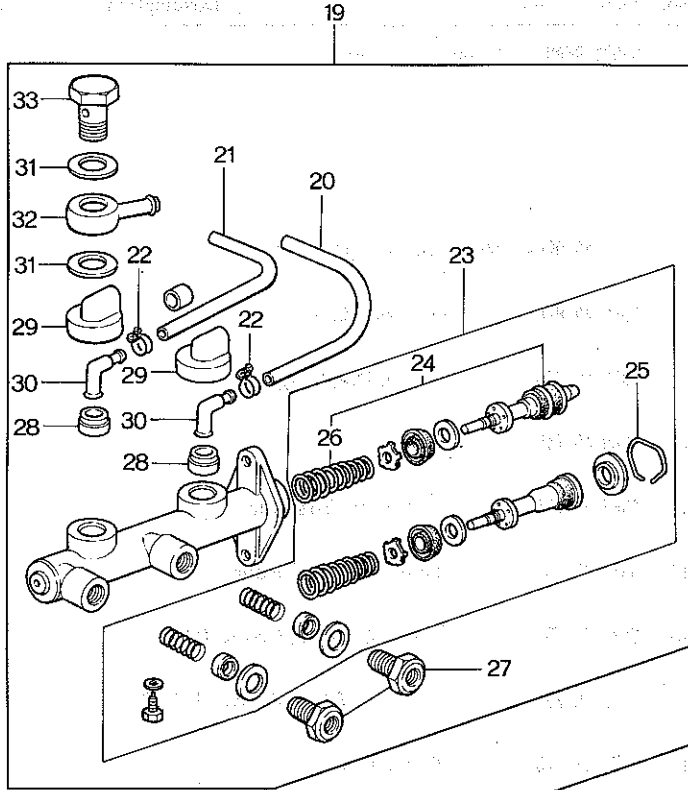
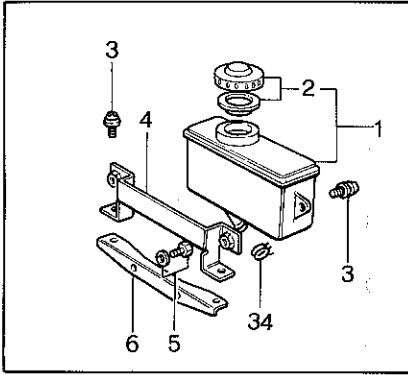
49

| No. | Part Number  | Description  | Q'ty | Remarks |
|-----|--------------|--|------|---------|
|     | 99971 0800   | Washer, Spring   | 2    |         |
| 41  | 0870 43 800B | Vac, Master (R.H.D.)   | 1    |         |
|     | 1582 43 800  | Vac, Master (L.H.D.)   | 1    |         |
| 42  | 0870 49 745  | Plate, Diaphragm   | 1    |         |
| 43  | 2046 49 746  | Key  | 1    |         |
| 44  | 2046 49 747  | Retainer, Silencer   | 1    |         |
| 45  | 0870 49 750  | Shell & Stud, Rear   | 1    |         |
| 46  | 0870 49 760  | Shell & Stud, Front (R.H.D.)   | 1    |         |
|     | 1582 49 760  | Shell & Stud, Front (L.H.D.)   | 1    |         |
| 47  | 0870 49 770  | Push Rod   | 1    |         |
| 48  | 0824 49 781  | Spring   | 1    |         |
| 49  | 2046 49 782  | Flange   | 1    |         |
| 50  | 2046 49 783  | Washer, Spring   | 1    |         |
|     | 2046 49 784  | Nut  | 1    |         |
| 51  | 0870 49 785  | Valve, Check   | 1    |         |
| 52  | 0870 49 710  | Repair Kit "A"   | 1    |         |
| 53  | 0870 49 720  | Repair Kit "B" ("A" Kit & Fig. No. 51 included)<br>(Parts Not Listed here are supplied under These Kits) | 1    |         |
| 54  | 99901 0800   | Nut, Master Vac  | 3    |         |
|     | 99971 0800   | Washer, Spring   | 3    |         |
|     | 99952 0816   | Washer, Plain  | 3    |         |

43

49

# TANDEM MASTER CYLINDER & VACUUM POWER ASSIST (USED FROM CAR NO. 160623 <sup>7/10</sup>)





# TANDEM MASTER CYLINDER & VACUUM POWER ASSIST (USED FROM CAR NO. 160623 7%)

43

49

| No.    | Part Number  | Description                   | Q'ty | Remarks |
|--------|--------------|-------------------------------|------|---------|
| ✓ 1    | 0839 43 550  | Tank, Reserve                 | 1    |         |
| 2      | 0317 89 436A | Cap, Set                      | 1    |         |
| 3      | 99833 0512   | Bolt, Holder & Reserve Tank   | 4    |         |
|        | 99971 0500   | Washer, Spring                | 4    |         |
| ✓ 4    | 0870 43 570  | Holder, Reserve Tank          | 1    |         |
| 5      | 99785 0612   | Bolt, Holder                  | 2    |         |
|        | 99971 0600   | Washer, Spring                | 2    |         |
| ✓ 6    | 0870 43 580  | Holder, Reserve Tank          | 1    |         |
| 7      | 99940 0800   | Nut, Master Cylinder          | 2    |         |
| ✓ 8    | 0870 43 800B | Assist, Vacuum Power (R.H.D.) | 1    |         |
| ✓ 1562 | 43 800       | Assist, Vacuum Power (L.H.D.) | 1    |         |
| ✓ 9    | 0870 49 720  | Kit, Repair                   | 1    |         |
| ✓ 10   | 0870 49 745  | Plate, Diaphragm              | 1    |         |
| ✓ 11   | 2046 49 746  | Key                           | 1    |         |
| ✓ 12   | 2046 49 747  | Retainer, Silencer            | 1    |         |
| ✓ 13   | 0870 49 770  | Rod, Push                     | 1    |         |
| ✓ 14   | 0824 49 781  | Spring                        | 1    |         |
| ✓ 15   | 2046 49 782  | Flange                        | 1    |         |



# TANDEM MASTER CYLINDER & VACUUM POWER ASSIST (USED FROM CAR NO. 160623 %)

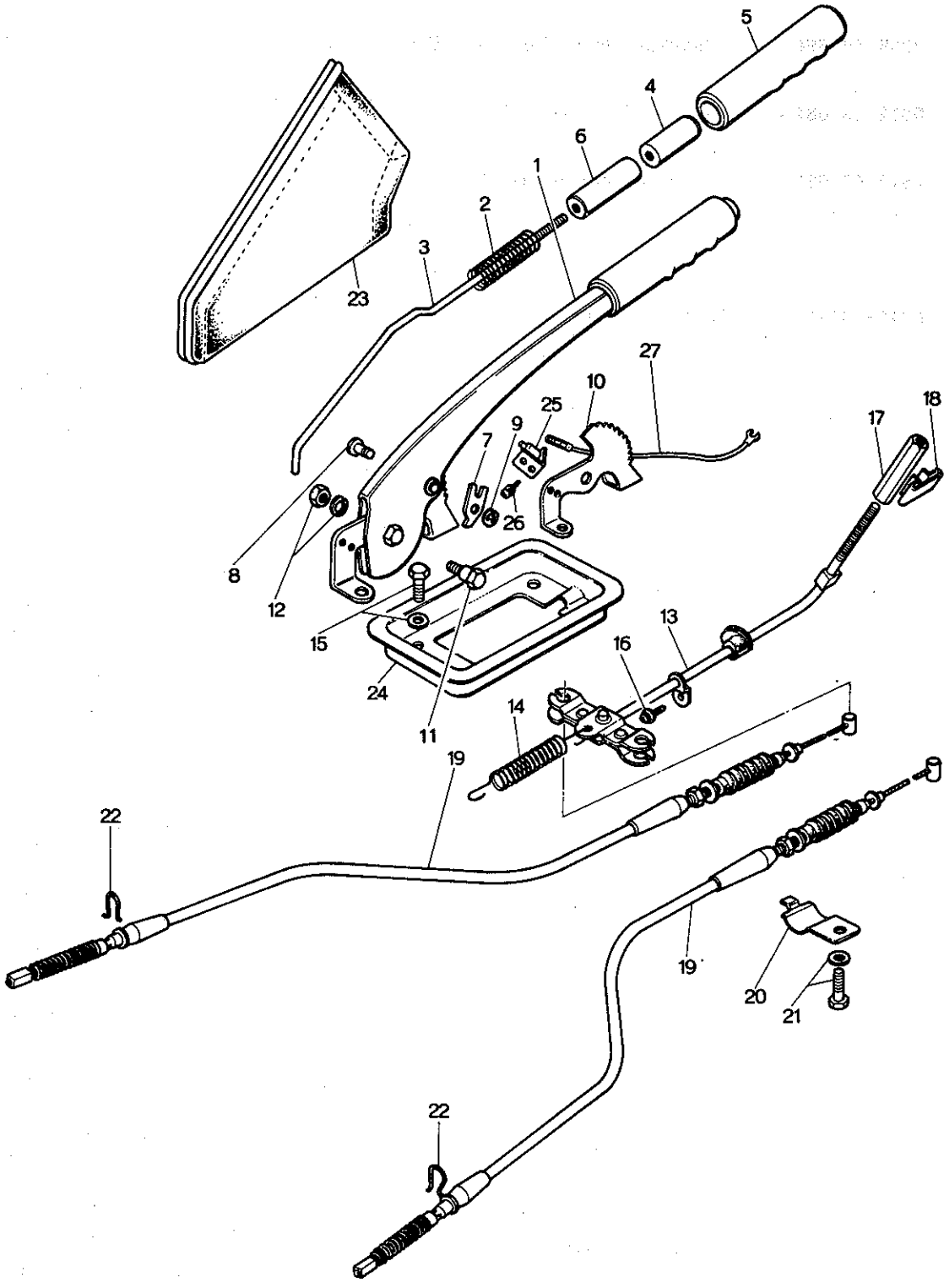
| No.  | Part Number   | Description                      | Q'ty                     | Remarks |
|------|---------------|----------------------------------|--------------------------|---------|
| J 16 | 2046 49 783   | Washer, Spring                   | 2                        |         |
|      | 2046 49 784   | Nut                              | 2                        |         |
| J 17 | 0870 49 785   | Valve, Check                     | 1                        |         |
|      | 99940 0800    | Nut, Flange                      | 3                        |         |
| J 19 | 1128 43 990 A | Cylinder, Tandem Master (R.H.D.) | 1                        |         |
| J    | 1620 43 990 A | Cylinder, Tandem Master (L.H.D.) | 1                        |         |
| J 20 | 0870 43 422 A | Hose, Reserve (R.H.D.)           | 1                        |         |
| J 21 | 1562 43 422   | Hose, Reserve (R.H.D.)           | 1                        |         |
| J    | 1881 43 422   | Hose, Reserve (L.H.D.)           | 2                        |         |
| 22   | 99282 1401    | Clamp, Hose                      | 2                        |         |
| J 23 | 1128 49 610   | Kit, Inner Parts                 | 1                        |         |
| J 24 | 1128 49 630   | Piston, Floating                 | 1                        |         |
| J 25 | 0305 49 638   | Wire, Piston Stop                | 1                        |         |
| J 26 | 0512 49 642   | Spring, Floating                 | 1                        |         |
| J 27 | 0512 49 651   | Bolt, Joint                      | 2 (R.H.D.)<br>1 (L.H.D.) |         |
| J    | 1620 49 651   | Bolt, Joint (L.H.D.)             | 1                        |         |
| J 28 | 0839 49 686 A | Bush, Elbow Joint (R.H.D.)       | 2                        |         |
| J 29 | 0839 49 698   | Cover, Elbow Joint (R.H.D.)      | 2                        |         |

# TANDEM MASTER CYLINDER & VACUUM POWER ASSIST (USED FROM CAR NO 160623 3/0)



| No.  | Part Number   | Description                 | Q'ty | Remarks |
|------|---------------|-----------------------------|------|---------|
| ✓ 30 | 0839 49 699 A | Joint, Elbow. (R.H.D.)      | 2    |         |
| ✓ 31 | 0305 49 656   | Gasket, Joint Bolt (L.H.D.) | 4    |         |
| ✓ 32 | 0512 49 682 A | Joint, Union (L.H.D.)       | 2    |         |
| ✓ 33 | 0512 49 686   | Bolt, Connector (L.H.D.)    | 2    |         |
| 34   | 99285 0800    | Clip, Wire-Oil Pipe         | 2    |         |

PARKING BRAKE SYSTEM



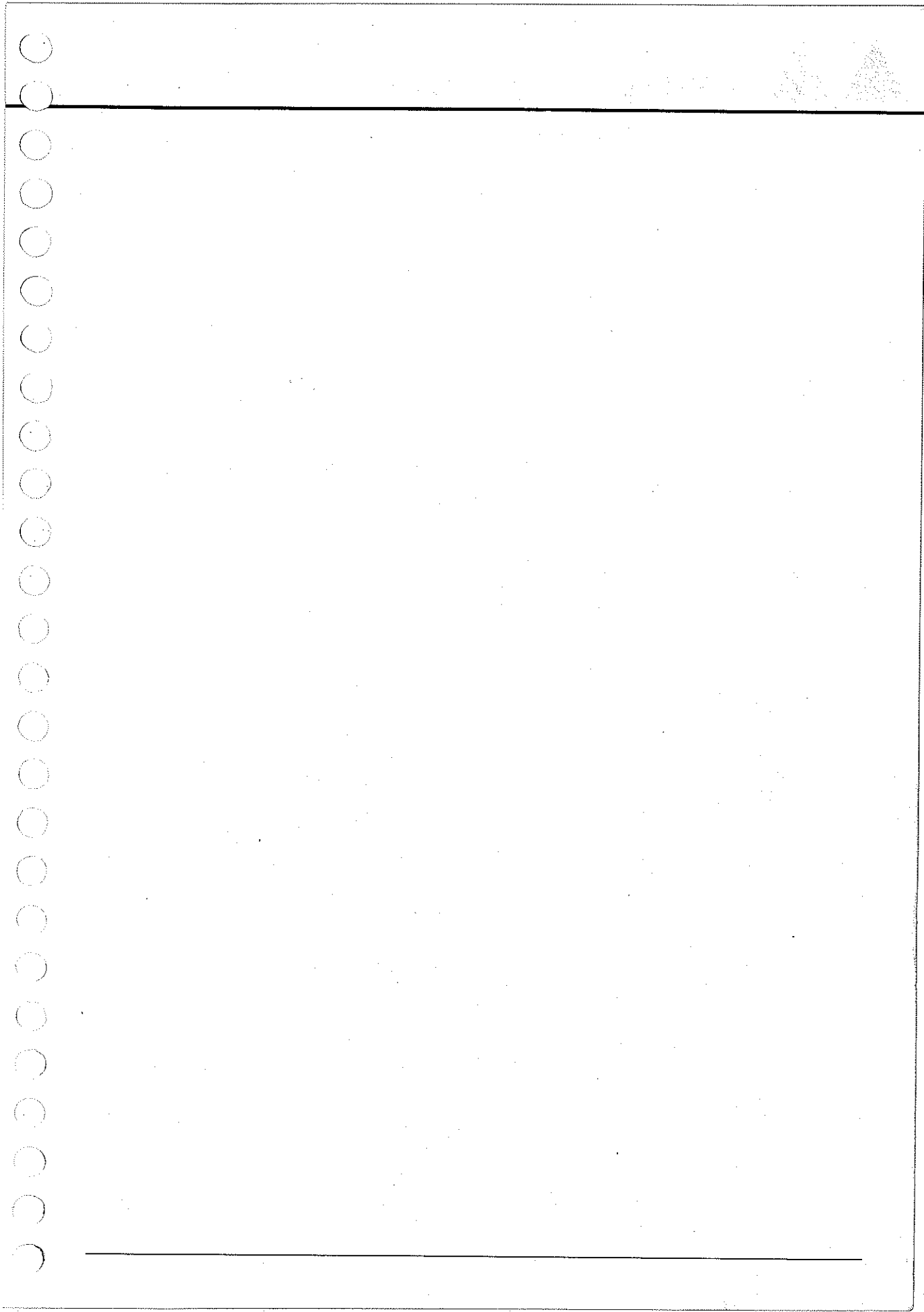
# PARKING BRAKE SYSTEM

**44**

| No. | Part Number    | Description                | Q'ty | Remarks                                  |
|-----|----------------|----------------------------|------|--|
| 1   | 0866 44 010    | Lever, Hand Brake          | 1    |  |
| 2   | 0813 44 031    | Spring                     | 1    |  |
| 3   | 0303 44 032    | Rod, Release               | 1    |  |
| 4   | 0221 44 033    | Button                     | 1    |  |
| 5   | 0813 44 034    | Cap                        | 1    |  |
| 6   | 0813 44 035    | Spacer                     | 1    |  |
| 7   | 0221 44 044    | Ratchet                    | 1    |  |
| 8   | 99230 0815     | Pin                        | 1    |  |
|     | √ 99230 0815 B | Pin                        | 1    | Car No. 133210 $\frac{7}{8}$ ~ ○         |
| 9   | 99575 0500     | Ring, Stop                 | 1    |  |
| 10  | 0866 44 051    | Sector                     | 1    |  |
| 11  | 0303 44 053    | Bolt, Hand Brake Lever     | 1    |  |
| 12  | 99901 0800     | Nut                        | 1    |  |
|     | √ 99901 0800 B | Nut                        | 1    | Car No. 133210 $\frac{7}{8}$ ~ ○         |
|     | 99971 0800     | Washer, Spring             | 1    |  |
| 13  | 0866 44 150    | Cable, Front               | 1    |  |
|     | 0866 44 150 A  | Cable, Front               | 1    | Car No. 133210 $\frac{7}{8}$ ~ ○         |
| 14  | 0183 41 308    | Spring, Return             | 1    |  |
| 15  | 99785 0618     | Bolt, Front Cable          | 4    |  |
|     | √ 99786 0616   | Screw, Tapping-Front Cable | 4    | Car No. 143809 $\frac{7}{8}$ ~ ○         |
|     | 99971 0600     | Washer, Spring             | 4    |  |
| 16  | 99868 0508     | Screw, Tapping             | 1    |  |
|     | 99971 0500     | Washer, Spring             | 1    |  |
| 17  | 0866 44 187    | Screw, Adjust              | 1    |  |
|     | 0866 44 187 A  | Screw, Adjust              | 1    | Car No. 155593 $\frac{7}{10}$ ~ ○        |
| 18  | 0866 44 189    | Clip                       | 1    |  |
| 19  | 0866 44 410    | Cable, Rear                | 2    |  |
|     | 0866 44 410 A  | Cable, Rear                | 2    | Car No. 155593 $\frac{7}{10}$ ~ ○        |
| ●   | 0866 44 410 B  | Cable, Rear                | 2    | $\frac{7}{8}$ ~ △                        |
| ●   | 0866 44 410 B  | Cable (L), Rear            | 1    | $\frac{7}{10}$ ~ ○                       |
| ●   | 1570 44 410 C  | Cable (R), Rear            | 1    | Car No. 160623 $\frac{7}{10}$ ~ ×        |
|     | 1504 44 410    | Cable, Rear                | 2    | 1558, 1559                               |
| 20  | 0866 44 439    | Clip, Cable                | 2    |  |
| 21  | 99971 0600     | Washer, Spring             | 2    | Car No. 143809 $\frac{7}{8}$ ~ Discarded |

# PARKING BRAKE SYSTEM

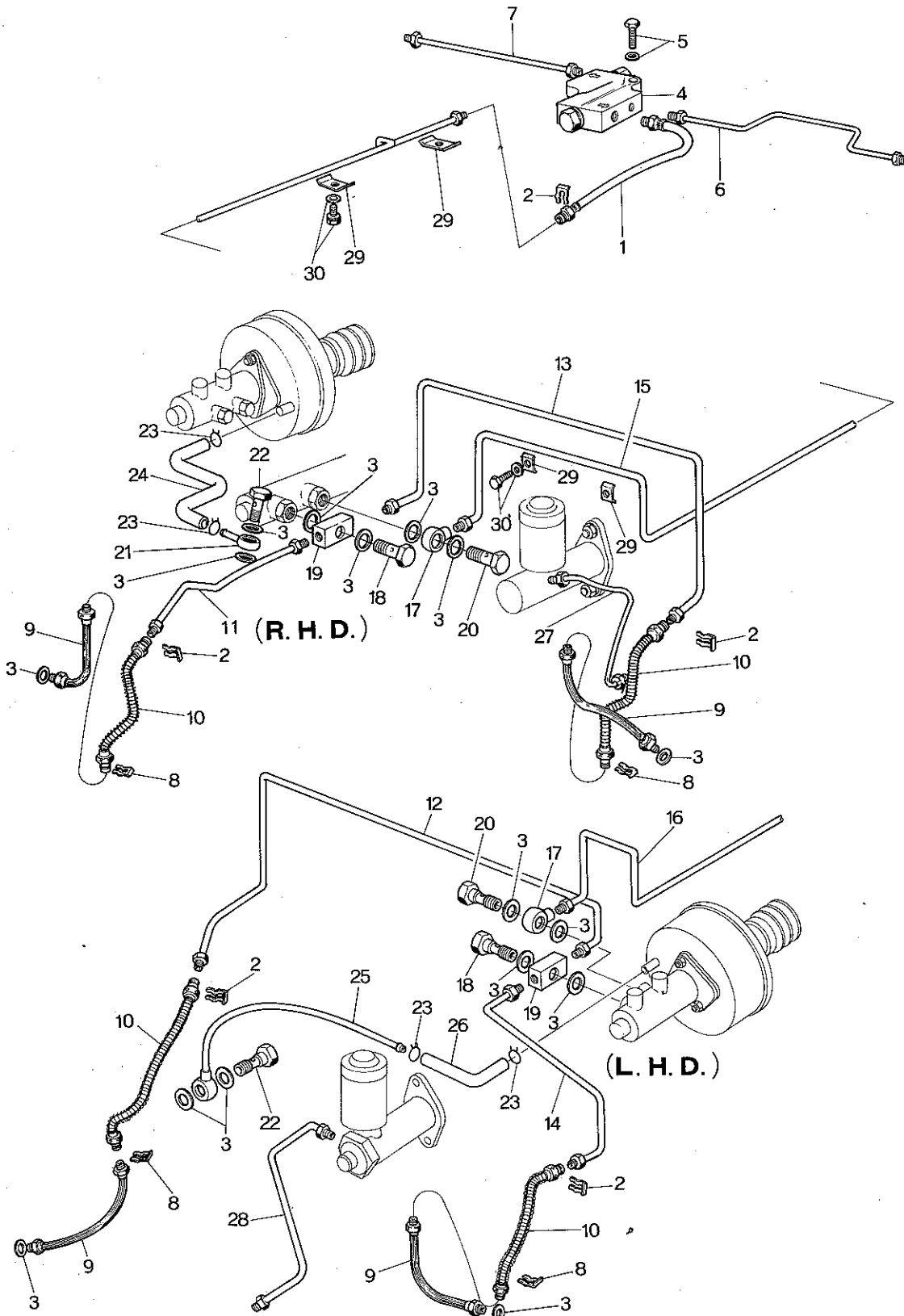
| No. | Part Number           | Description               | Q'ty         | Remarks             |
|-----|-----------------------|---------------------------|--------------|---------------------|
|     | 99785 0820            | Bolt                      | 2            |                     |
|     | 99788 0616            | Screw, Tapping            | 2            | Car No. 143809      |
| 22  | 0305 44 471           | Clip                      | 2            |                     |
| 23  | 0824 44 140           | Boot                      | 1            | Without Console Box |
| 24  | 0302 44 132           | Plate                     | 1            |                     |
| 25  | 0820 68 840           | Switch, Parking Lamp      | 1            |                     |
| 26  | 98833 0412            | Screw, Switch             | 2            |                     |
|     | <del>98871 0408</del> | <del>Washer, Spring</del> | <del>2</del> |                     |
|     | 98952 0400            | Washer, Plain             | 2            | From Car No. 1      |
| 27  | 0888 87 131           | Cord, Parking Lamp Switch | 1            |                     |



43

45

# PIPING (CLUTCH & BRAKE)





# PIPING (CLUTCH & BRAKE)

**43**

**45**

| No. | Part Number  | Description                                 | Q'ty | Remarks   |
|-----|--------------|---|------|---|
| 1   | 0866 43 820  | Hose, Flexible (Sedan & Coupe)              | 1    |   |
|     | 0370 43 820  | Hose, Flexible (Station Wagon)              | 1    |   |
| 2   | 0136 43 635  | Clip, Flexible Hose                         | 3    |   |
| ● 3 | 99562 1000   | Gasket                                      | 8    | } (Sedan & Coupe)<br>Car No. 160623 $\frac{7}{10}$ ~ Q'ty |
| ●   | 99562 1000   | Gasket                                      | 6    |   |
| ●   | 99562 1200   | Gasket, Vacuum Pipe Connector Bolt          | 2    |   |
|     | 99562 1000   | Gasket (Station Wagon)                      | 9    | From Car No. 1  |
| 4   | 0866 43 900  | Valve, Double Proportioning (Sedan & Coupe) | 1    |   |
|     | 0118 43 853  | Joint, Pipe (Station Wagon)                 | 1    |   |
| 5   | 99805 0640   | Bolt, D.P. Valve (Sedan & Coupe)            | 2    |   |
|     | 99806 0625   | Bolt, Pipe Joint (Station Wagon)            | 1    |   |
|     | 99971 0600   | Washer, Spring                              | 2    |   |
| 6   | 0866 43 650B | Pipe No. 1, Rear Brake (Sedan & Coupe)      | 1    |   |
|     | 0585 43 650A | Pipe No. 1, Rear Brake (Station Wagon)      | 1    |   |
| 7   | 0866 43 660B | Pipe No. 2, Rear Brake (Sedan & Coupe)      | 1    |   |
|     | 0899 43 660  | Pipe No. 2, Rear Brake (Station Wagon)      | 1    |   |
| 8   | 0305 43 635  | Clip, Flexible Hose                         | 2    |   |
| 9   | 0866 43 810  | Hose, Flexible                              | 2    |   |
| 10  | 0613 43 820A | Hose, Flexible                              | 2    |   |
| 11  | 0870 45 280B | Pipe (Frt., R), Brake (R.H.D.)              | 1    |   |
| ●   | 1128 45 280  | Pipe (Frt., R), Brake (R.H.D.)              | 1    | Car No. $\frac{7}{10}$ ~ X                                |

43

45

## PIPING (CLUTCH &amp; BRAKE)

| No. | Part Number              | Description  | Q'ty         | Remarks                           |
|-----|--------------------------|--|--------------|-----------------------------------|
| ●   | 1128 45 280 A            | Pipe (Frnt., R), Brake (R.H.D.)                    | 1            | $\frac{7}{8}$ ~ ○                 |
|     | 0866 45 280 A            | Pipe (Frnt., R), Brake (1552)                      | 1            |                                   |
| 12  | <del>1562 45 280 C</del> | <del>Pipe (Frnt., R), Brake (L.H.D.) General</del> | <del>1</del> |                                   |
|     | 1568 45 280 B            | Pipe (Frnt., R), Brake (L.H.D.)                    | 1            |                                   |
|     | 1562 45 280 C            | Pipe (Frnt., R), Brake (L.H.D.)                    | 1            | Car No. 155593 $\frac{7}{10}$ ~ ○ |
| ●   | 1597 45 280              | Pipe (Frnt., R), Brake (L.H.D.)                    | 1            | Car No. 176731 $\frac{7}{8}$ ~ X  |
| 13  | 0870 45 320 B            | Pipe (Frnt., L), Brake (R.H.D.)                    | 1            |                                   |
|     | 0866 45 320 B            | Pipe (Frnt., L), Brake (1552)                      | 1            |                                   |
| 14  | <del>1562 45 320 B</del> | <del>Pipe (Frnt., L), Brake (L.H.D.) General</del> | <del>1</del> |                                   |
|     | 1568 45 320 A            | Pipe (Frnt., L), Brake (L.H.D.)                    | 1            |                                   |
|     | 1562 45 320 B            | Pipe (Frnt., L), Brake (L.H.D.)                    | 1            | Car No. 155593 $\frac{7}{10}$ ~ ○ |
| ●   | 1597 45 320              | Pipe (Frnt., L), Brake (L.H.D.)                    | 1            | Car No. 176736 $\frac{7}{8}$ ~ X  |
| 15  | 0870 45 350 B            | Pipe (Rr.), Brake (R.H.D.) (Sedan & Coupe)         | 1            |                                   |
|     | 1137 45 350              | Pipe (Rr.), Brake (R.H.D.) (Station Wagon)         | 1            |                                   |
|     | 0866 45 350 B            | Pipe (Rr.), Brake (1552)                           | 1            |                                   |
| 16  | <del>1562 45 350 C</del> | <del>Connection, Brake Pipe (Rr.) General</del>    | <del>1</del> |                                   |
|     | 1568 45 350 B            | Connection, Brake Pipe (Rr.) (L.H.D.)              | 1            |                                   |
|     | 1562 45 350 C            | Connection, Brake Pipe (Rr.) (L.H.D.)              | 1            | Car No. 155593 $\frac{7}{10}$ ~ ○ |
| 17  | 0118 41 375              | Connection, Brake Pipe (Rr.)                       | 1            |                                   |
| 18  | 0221 43 694              | Bolt, Connector - Brake Pipe Rear                  | 1            |                                   |

# PIPING (CLUTCH & BRAKE)

▲ 43

▲ 45

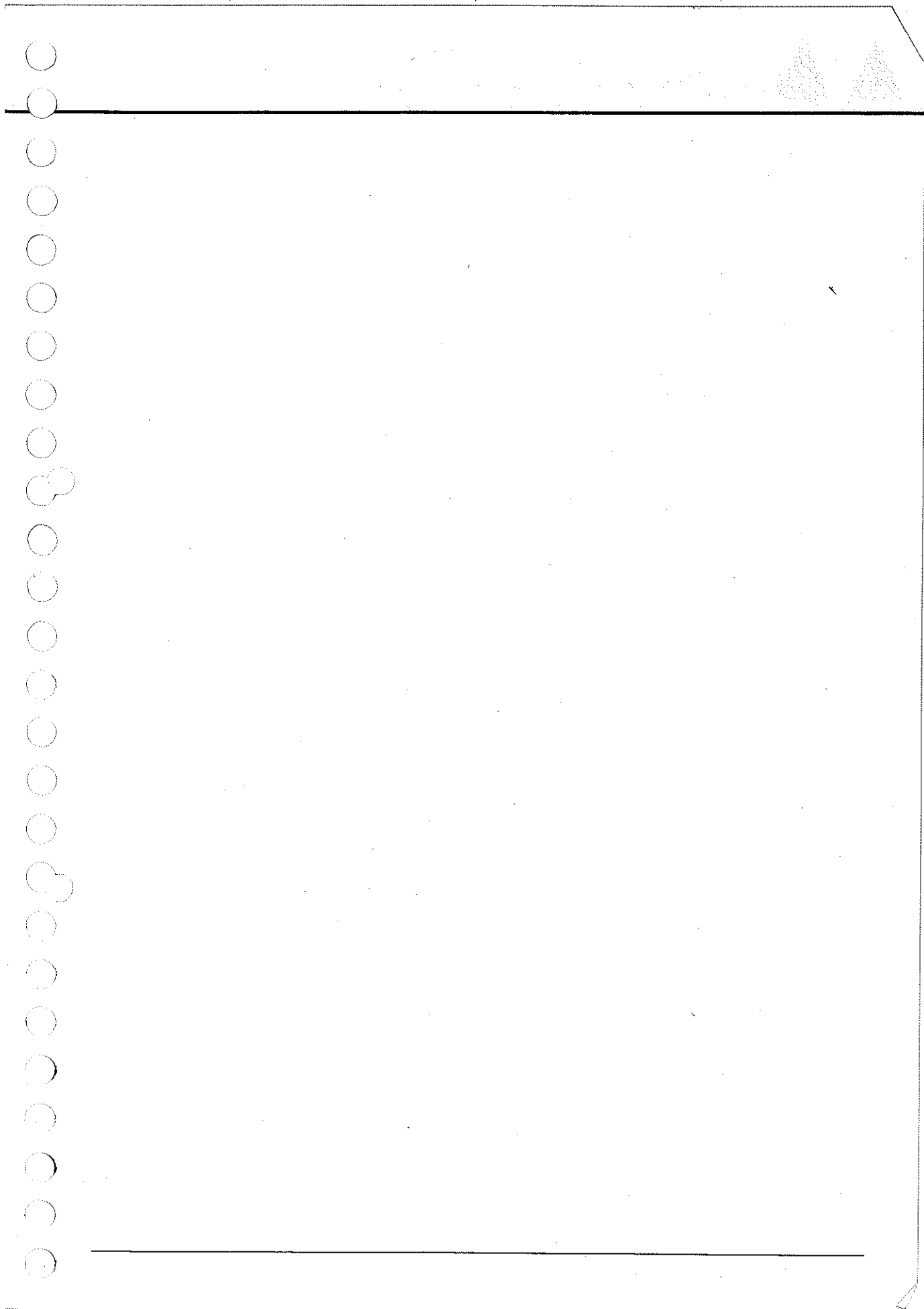
| No. | Part Number             | Description                          | Q'ty         | Remarks                           |                                   |
|-----|-------------------------|--------------------------------------|--------------|-----------------------------------|-----------------------------------|
| 19  | 0866 45 452             | Joint, Pipe-Brake Pipe (Frt.)        | 1            |                                   |                                   |
|     | 1128 45 452             | Joint, Pipe-Brake Pipe (Frt.)        | 1            | Car No. 160623 $\frac{7}{10}$ ~ X |                                   |
| 20  | 0118 43 505             | Bolt, Connector-Brake Pipe (Frt.)    | 1            |                                   |                                   |
|     | 0118 43 505A            | Bolt, Connector-Brake Pipe (Frt.)    | 1            | Car No. 144175 $\frac{7}{4}$ ~ O  |                                   |
| 21  | 0870 43 830             | Pipe, Connector-Vacuum Hose (R.H.D.) | 1            |                                   |                                   |
|     | 0862 43 830             | Pipe, Connector-Vacuum Hose (R.H.D.) | 1            | Car No. 160623 $\frac{7}{10}$ ~ X |                                   |
| 22  | 2046 43 694             | Bolt, Connector-Vacuum Pipe          | 1            |                                   |                                   |
|     | 1570 43 694             | Bolt, Connector-Vacuum Pipe          | 1            | Car No. 160623 $\frac{7}{10}$ ~ X |                                   |
| 23  | 2046 43 839             | Clamp, Hose                          | 2            |                                   |                                   |
|     | 99282 2001              | Clamp, Hose                          | 2            | Car No. 160378 $\frac{7}{12}$ ~ O |                                   |
|     | 99282 1901              | Clamp, Hose                          | 2            | $\frac{7}{4}$ ~ O                 |                                   |
| 24  | 0870 43 842A            | Hose, Vacuum (R.H.D.)                | 1            |                                   |                                   |
|     | 0870 43 842B            | Hose, Vacuum (R.H.D.)                | 1            | Car No. 129763 $\frac{7}{12}$ ~ O |                                   |
| 25  | 1562 43 830A            | Pipe, Vacuum                         | 1            | (L.H.D.)                          |                                   |
|     | 1562 43 830B            | Pipe, Vacuum                         | 1            |                                   | Car No. 137394 $\frac{7}{2}$ ~ O  |
|     | 1881 43 830             | Pipe, Vacuum                         | 1            |                                   | Car No. 160623 $\frac{7}{10}$ ~ X |
| 26  | 1570 43 842             | Hose, Vacuum                         | 1            |                                   |                                   |
|     | 1570 43 842A            | Hose, Vacuum                         | 1            | Car No. 140779 $\frac{7}{2}$ ~ O  |                                   |
|     | 1570 43 842B            | Hose, Vacuum                         | 1            | Car No. 152377 $\frac{7}{8}$ ~ Δ  |                                   |
|     | <del>1550 43 838A</del> | <del>Hose, Vacuum</del>              | <del>1</del> | <del>1558, 1559</del>             |                                   |

43

45

## PIPING (CLUTCH &amp; BRAKE)

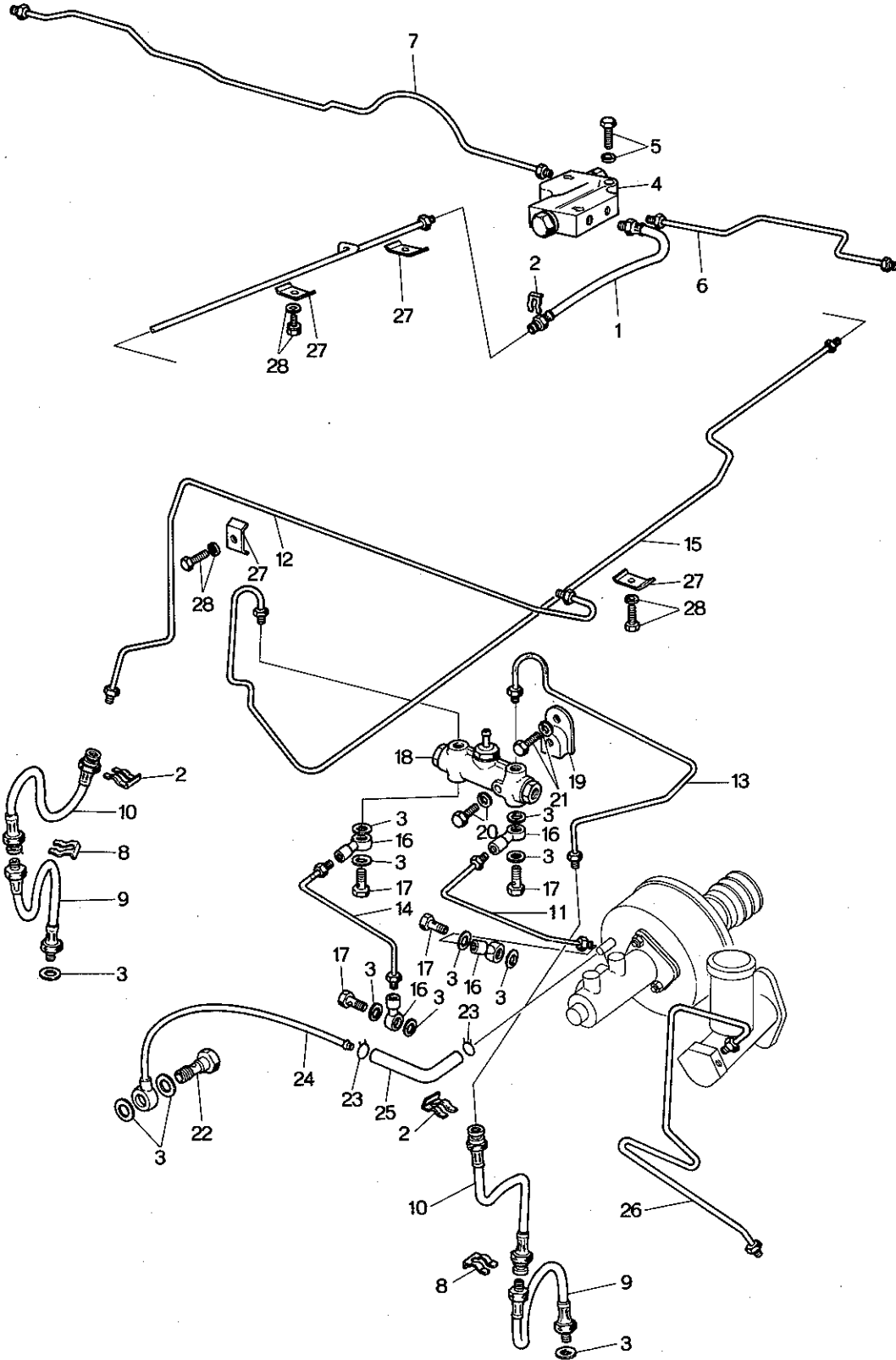
| No.  | Part Number             | Description                    | Q'ty         | Remarks                                     |
|------|-------------------------|--------------------------------|--------------|---|
|      | 1559 43 836C            | Hose, Vacuum                   | 1            | Car No. 160623 $\frac{73}{10}$ ~ Added Anew |
| ● 27 | 0866 45 510             | Pipe, Clutch (R.H.D.) (Manual) | 1            |   |
|      | <del>0866 45 611B</del> | <del>Pipe, Clutch (1552)</del> | <del>1</del> |   |
|      | <del>99340 06205</del>  | <del>Pipe, Clutch (1552)</del> | <del>1</del> |   |
| 28   | 1562 45 510A            | Pipe, Clutch (L.H.D.)          | 1            |   |
|      | 1562 45 510B            | Pipe, Clutch (L.H.D.)          | 1            | Car No. 149635 $\frac{72}{4}$ ~ $\Delta$    |
| 29   | 0866 45 903A            | Clip                           | 9            | Car No. 141928 $\frac{72}{3}$ ~ Q'ty        |
| 30   | 99785 0614              | Bolt, Clip                     | 8            |   |
|      | 99786 0612              | Screw, Tapping                 | 9            | Car No. 141928 $\frac{72}{3}$ ~ $\circ$     |
|      | 99971 0600              | Washer, Spring                 | 8            | Car No. 141927 $\frac{72}{3}$ ~ Discarded   |



43

45

# PIPING (CLUTCH & BRAKE) (ARCTIC SPEC. MODEL & SWITZERLAND)



# PIPING (CLUTCH & BRAKE)

## (ARCTIC SPEC. MODEL & SWITZERLAND)

▲ 43

▲ 45

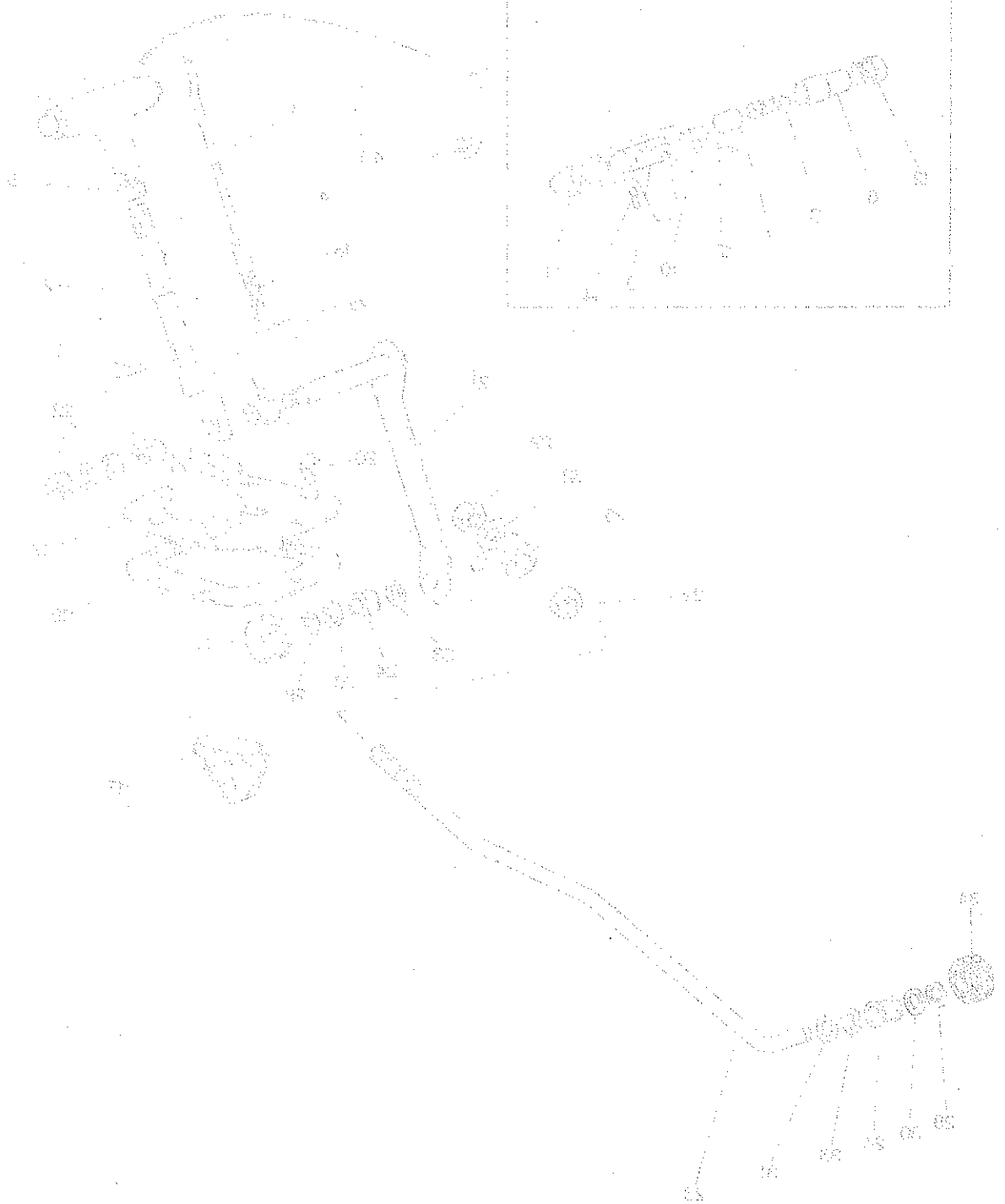
| No. | Part Number             | Description                         | Q'ty         | Remarks                           |
|-----|-------------------------|-------------------------------------|--------------|-----------------------------------|
| 1   | 0868 43 820             | Hose, Flexible                      | 1            |                                   |
| 2   | 0138 43 835             | Clip, Flexible Hose                 | 3            |                                   |
| 3   | 99582 1000              | Gasket                              | 12           |                                   |
| 4   | 0866 43 900             | Valve, W. P. (For Sweden & Denmark) | 1            |                                   |
|     | 1559 43 900             | Joint, Pipe                         | 1            |                                   |
| 5   | 99905 0640              | Bolt, W. P. Valve                   | 2            |                                   |
|     | 99971 0600              | Washer, Spring                      | 2            |                                   |
| ● 6 | <del>1562 43 650B</del> | <del>Pipe, No. 1, Rear Brake</del>  | <del>1</del> |                                   |
| ● ✓ | 1562 43 650             | Pipe No. 1, Rear Brake              | 1            | From Car No. 1                    |
| ● ✓ | 0866 43 650B            | Pipe No. 1, Rear Brake              | 1            | Car No. 159525 $\frac{7}{16}$ "~○ |
| 7   | 1562 43 660             | Pipe No. 2, Rear Brake              | 1            |                                   |
|     | 1562 43 660A            | Pipe No. 2, Rear Brake              | 1            | Car No. 148407 $\frac{7}{16}$ "~△ |
|     | 0866 43 660B            | Pipe No. 2, Rear Brake              | 1            | Car No. 159525 $\frac{7}{16}$ "~○ |
| 8   | 0305 43 635             | Clip, Flexible Hose                 | 2            |                                   |
| 9   | 0868 43 810             | Hose, Flexible                      | 2            |                                   |
| 10  | 0813 43 820A            | Hose, Flexible                      | 2            |                                   |
| 11  | 1559 45 250             | Pipe (Frt.), Brake-Main             | 1            |                                   |
| 12  | 1540 45 280A            | Pipe (Frt., R), Brake               | 1            |                                   |
| 13  | 1540 45 320             | Pipe (Frt., L), Brake               | 1            |                                   |
| 14  | 1559 45 350             | Pipe (Rr.), Brake-Main              | 1            |                                   |
| 15  | 1504 45 380             | Pipe (Rr.), Brake                   | 1            |                                   |
| 16  | 0118 41 375             | Connector, Brake Pipe               | 4            |                                   |
| 17  | 0221 43 894             | Bolt, Brake Pipe Connector          | 4            |                                   |
| 18  | 1540 45 890             | Indicator, Fail                     | 1            |                                   |
| 19  | 1540 45 920A            | Bracket, Fail Indicator             | 1            |                                   |
| 20  | 99808 0835              | Bolt, Fail Indicator                | 1            |                                   |
|     | 99971 0600              | Washer, Spring                      | 1            |                                   |
| 21  | 908088 8 16             | Bolt Set, Bracket                   | 1            |                                   |
| 22  | 2048 43 894             | Bolt, Connector - Vacuum Pipe       | 1            |                                   |
| 23  | 99282 1900              | Clamp, Hose                         | 2            |                                   |

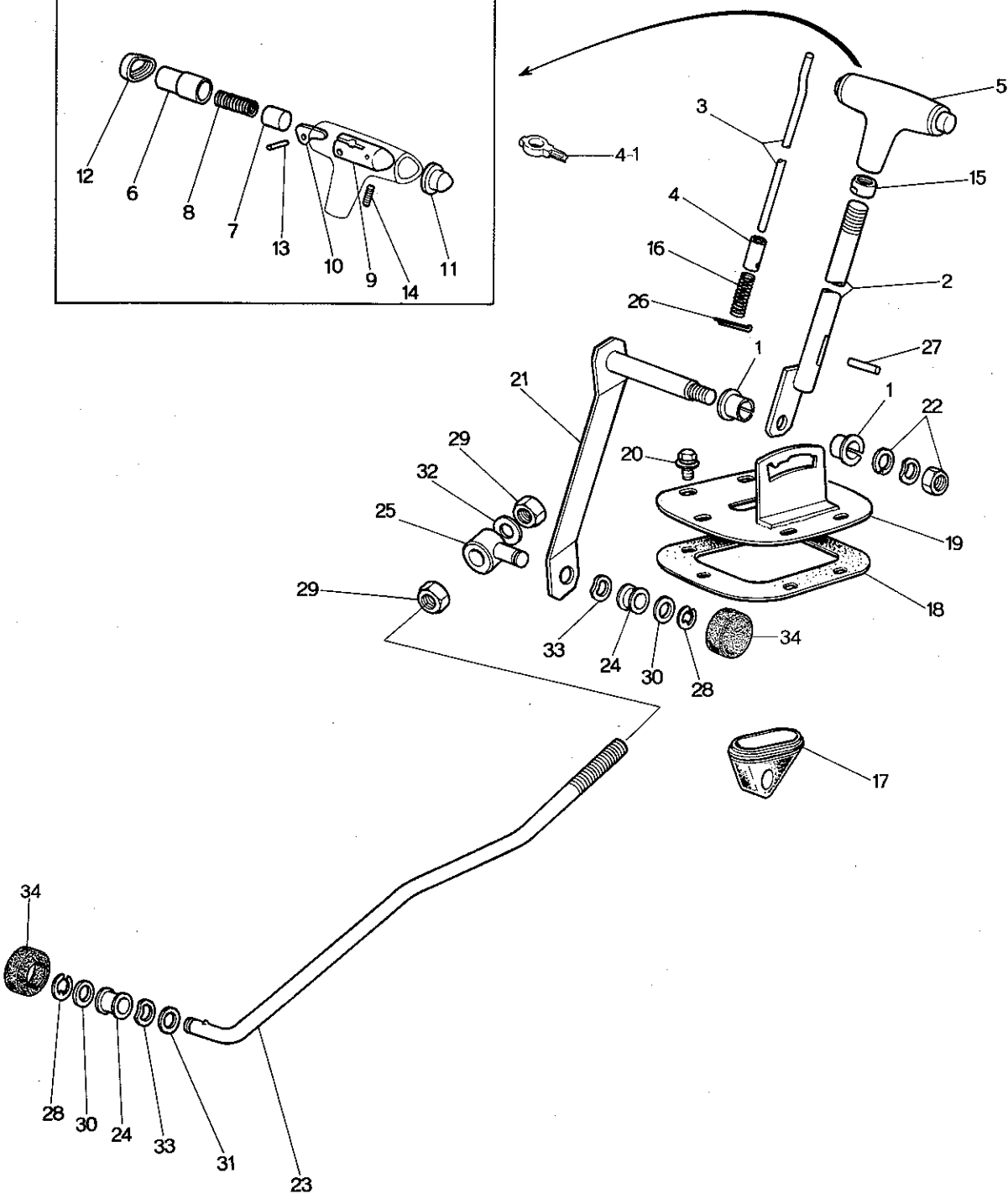
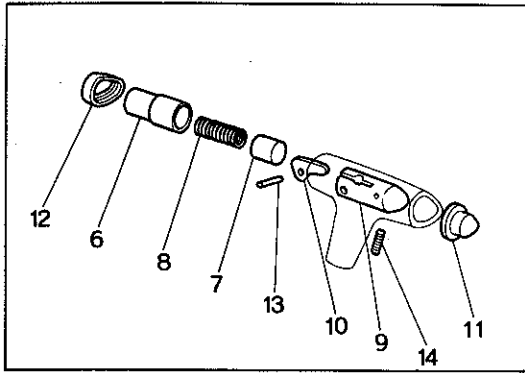


# PIPING (CLUTCH & BRAKE) (ARCTIC SPEC. MODEL & SWITZERLAND)

| No. | Part Number  | Description    | Q'ty | Remarks                         |
|-----|--------------|----------------|------|---------------------------------|
| 24  | 1562 43 830A | Pipe, Vacuum   | 1    |                                 |
|     | 1562 43 830B | Pipe, Vacuum   | 1    | Car No. 137394 $\frac{7}{8}$ ~○ |
| 25  | 1559 43 836A | Hose, Vacuum   | 1    |                                 |
|     | 1559 43 836B | Hose, Vacuum   | 1    | Car No. 140779 $\frac{7}{8}$ ~△ |
|     | 1559 43 836C | Hose, Vacuum   | 1    | Car No. 152377 $\frac{7}{8}$ ~△ |
| 26  | 1562 45 510A | Pipe, Clutch   | 1    |                                 |
| 27  | 0866 45 903A | Clip           | 8    |                                 |
| 28  | 98765 0614   | Bolt, Clip     | 8    |                                 |
|     | 98971 0600   | Washer, Spring | 8    |                                 |





**CHANGE CONTROLS (AUTOMATIC, R. H. D.)**

# CHANGE CONTROLS (AUTOMATIC, R.H.D.)



| No. | Part Number            | Description            | Q'ty         | Remarks                         |
|-----|------------------------|------------------------|--------------|---------------------------------|
| 1   | <del>0259 42 022</del> | <del>Bush</del>        | <del>2</del> |                                 |
|     | 0259 43 022            | Bush                   | 2            | From Car No. 1                  |
| ●   | 1015 46 085            | Bush (3502)            | 1            |                                 |
| 2   | 2840 46 010            | Lever, Selector        | 1            |                                 |
| ●   | 1932 46 010            | Lever, Selector (3502) | 1            |                                 |
| 3   | 2375 46 021            | Rod                    | 1            |                                 |
| ●   | 1840 46 021            | Rod (3502)             | 1            |                                 |
| 4   | 2375 46 022            | Guide                  | 1            |                                 |
| ●   | 4-1 1840 46 022        | Guide (3502)           | 1            |                                 |
| 5   | 0308 46 030A           | Knob                   | 1            |                                 |
|     | 0308 46 030B           | Knob                   | 1            | Car No. 159525 $\frac{7}{8}$ ~○ |
| ●   | 0308 46 030C           | Knob                   | 1            | Car No. 178812 $\frac{7}{8}$ ~△ |
| 6   | 2375 46 051            | Knob                   | 1            |                                 |
| ●   | 0308 46 051            | Knob (3502)            | 1            |                                 |
| 7   | 2375 46 052            | Piston                 | 1            |                                 |
| 8   | 2375 46 053            | Spring                 | 1            |                                 |
| 9   | 0308 46 054            | Supporter              | 1            |                                 |
| 10  | 2375 46 055            | Lever                  | 1            |                                 |
| 11  | 0308 46 056            | Plug                   | 1            |                                 |
| 12  | 0308 46 057            | Cap                    | 1            |                                 |
| 13  | 99225 0320             | Pin                    | 1            |                                 |
| 14  | 99887 0412             | Screw                  | 1            |                                 |
| 15  | 2375 46 061            | Nut                    | 1            |                                 |
| 16  | 2375 46 062            | Spring                 | 1            |                                 |
| 17  | 0842 46 081            | Boot                   | 1            |                                 |
| 18  | 0308 46 083            | Seal                   | 1            |                                 |
| 19  | 0842 46 110A           | Bracket                | 1            |                                 |
| 20  | 99785 0616             | Bolt                   | 6            |                                 |
| ●   | 99786 0616             | Bolt                   | 6            |                                 |
|     | 99952 0618             | Washer, Plain          | 6            |                                 |
|     | 99971 0600             | Washer, Spring         | 6            |                                 |

46

## CHANGE CONTROLS (AUTOMATIC, R.H.D.)

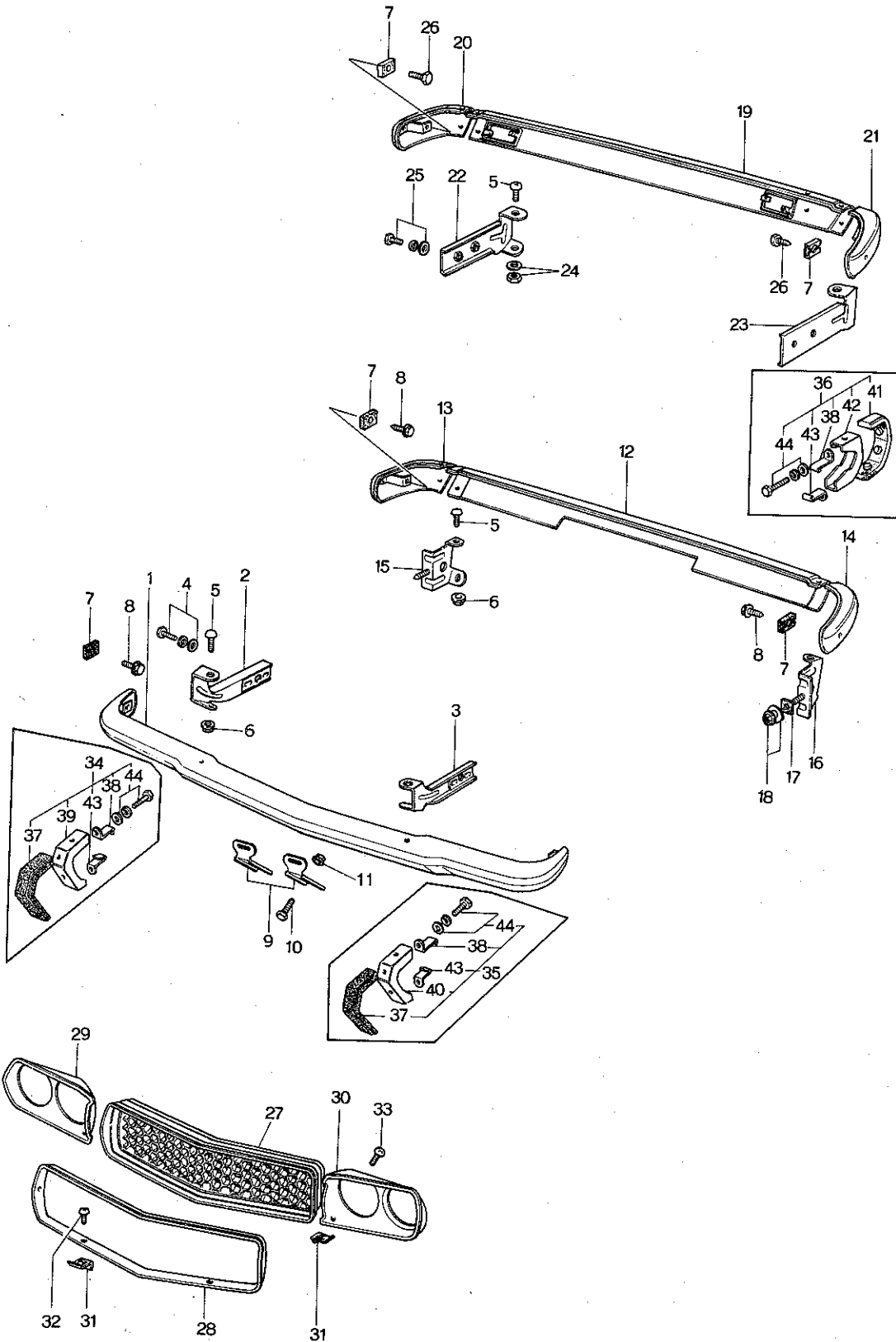
| No.  | Part Number | Description        | Q'ty | Remarks                         |
|------|-------------|--------------------|------|---------------------------------|
| 21   | 0378 46 150 | Lever              | 1    |                                 |
| J●   | 1053 46 150 | Lever (3502)       | 1    |                                 |
| 22   | 99922 1000  | Nut                | 1    |                                 |
|      | 99971 1000  | Washer, Spring     | 1    |                                 |
|      | 99972 1400  | Washer, Wave       | 2    |                                 |
| 23   | 0871 46 571 | Rod                | 1    |                                 |
| J●   | 1856 46 571 | Rod (3502)         | 1    |                                 |
| 24   | 0604 46 684 | Bush               | 2    |                                 |
| J●   | 1015 46 684 | Bush               | 2    | $\frac{3}{4}$ ~O                |
| 25   | 0259 46 691 | Joint, "T"         | 1    |                                 |
| J●   | 1015 46 691 | Joint, "T" (3502)  | 1    |                                 |
| 26   | 99221 2020  | Pin, Split         | 1    |                                 |
| 27   | 99222 0520  | Pin                | 1    |                                 |
|      | 99222 0522  | Pin                | 1    | Car No. 150526 $\frac{7}{8}$ ~O |
| 28   | 99575 0600  | Ring, Retaining    | 1    |                                 |
| 29   | 99902 0800  | Nut                | 2    |                                 |
| 30   | 99952 0816  | Washer, Plain      | 1    |                                 |
| 31   | 99953 0800  | Washer, Plain      | 2    |                                 |
| 32   | 99971 0800  | Washer, Spring     | 1    |                                 |
| 33   | 99972 0800  | Washer, Wave       | 2    |                                 |
| ● 34 | 1015 46 648 | Cover, Dust (3502) | 2    |                                 |

ELMER & BESSIE  
USED UP TO CAR NO. 12345



# BUMPER & GRILLE

(USED UP TO CAR NO. 179250 <sup>73</sup>/<sub>9</sub>)



# BUMPER & GRILLE

(USED UP TO CAR NO. 179250 7/9)



| No. | Part Number  | Description               | Q'ty | Remarks                        |
|-----|--------------|---------------------------|------|--------------------------------|
| 1   | 0866 50 110A | Bar, Front Bumper         | 1    |                                |
| 2   | 0866 50 141  | Stay (R), Front Bumper    | 1    |                                |
| 3   | 0866 50 151  | Stay (L), Front Bumper    | 1    |                                |
| 4   | ✓ 99785 0820 | Screw, Stay & Front Frame | 4    |                                |
|     | ✓ 99781 1028 | Screw, Stay & Front Frame | 4    | Car No. 144308 3/4~○           |
|     | 99794 10259  | Bolt, Stay & Front Frame  | 4    | Car No. 160378 1/2~×           |
|     | ✓ 99951 0818 | Washer, Plain             | 4    |                                |
|     | ✓ 99951 1022 | Washer, Plain             | 4    | Car No. 144308 3/4~○           |
|     | ✓ 99971 0800 | Washer, Spring            | 4    |                                |
|     | ✓ 99971 1000 | Washer, Spring            | 4    | Car No. 144308 3/4~○           |
| 5   | 0223 50 275  | Screw, Bumper & Stay      | 12   |                                |
| 6   | 99906 0600   | Nut, Bumper & Stay        | 12   |                                |
|     | 99940 0602   | Nut, Bumper & Stay        | 12   | Car No. 152377 7/8~△           |
|     | 99951 0818   | Washer, Plain             | 12   | } Car No. 152377 7/8~Discarded |
|     | 99971 0600   | Washer, Spring            | 12   |                                |
| 7   | 0866 50 102A | Spacer, Bumper            | 4    |                                |
| 8   | 99805 0622   | Bolt, Bumper & Bracket    | 2    |                                |
|     | 99786 0622   | Bolt, Bumper & Bracket    | 2    | Car No. 141928 7/8~            |
|     | 99951 0618   | Washer, Plain             | 2    |                                |
| 9   | 0866 50 181A | Holder, Number Plate      | 2    |                                |



# BUMPER & GRILLE

(USED UP TO CAR NO. 179250  $\frac{7}{8}$ .)

| No. | Part Number  | Description             | Q'ty | Remarks                                 |
|-----|--------------|-------------------------|------|---|
| 10  | 98808 0812   | Bolt, Holder            | 2    |   |
| 11  | 98808 0800   | Nut, Holder             | 2    |   |
|     | 98940 0802   | Nut, Holder             | 2    | Car No. 152377 $\frac{7}{8}$ ~△         |
|     | 98971 0800   | Washer, Spring          | 2    | Car No. 152377 $\frac{7}{8}$ ~Discarded |
| 12  | 1582 50 311  | Bar (C), Rear Bumper    | 1    |   |
| 13  | 0866 50 320B | Bar (R), Rear Bumper    | 1    |   |
| 14  | 0866 50 330B | Bar (L), Rear Bumper    | 1    |   |
| 15  | 0866 50 340  | Stay (R), Rear Bumper   | 1    |   |
| 16  | 0866 50 350  | Stay (L), Rear Bumper   | 1    | (Sedan & Coupe)                         |
| 17  | 0111 57 111  | Set Rubber              | 2    |   |
| 18  | 98921 1000   | Nut, Stay & Rear Bumper | 2    |   |
|     | 98951 1030   | Washer, Plain           | 2    |   |
|     | 98971 1000   | Washer, Spring          | 2    |   |
| 19  | 0585 50 310A | Bar (C), Rear Bumper    | 1    |   |
| 20  | 0585 50 320B | Bar (R), Rear Bumper    | 1    |   |
| 21  | 0585 50 330B | Bar (L), Rear Bumper    | 1    |   |
| 22  | 0585 50 360  | Stay (R), Rear Bumper   | 1    |   |
| 23  | 0585 50 370  | Stay (L), Rear Bumper   | 1    | (Station Wagon)                         |
| 24  | 98940 0802   | Nut                     | 8    |   |
| 25  | 98794 10259  | Bolt, Stay & Frame      | 4    |   |



# BUMPER & GRILLE

(USED UP TO CAR NO. 179250  $\frac{7}{8}$ )



| No. | Part Number               | Description                              | Q'ty         | Remarks  |
|-----|---------------------------|--|--------------|--|
|     | 99951 1022                | Washer, Plain                            | 4            |  |
|     |                           | (Station Wagon)                          |              |  |
| 26  | 99786 0620                | Bolt, Spacer                             | 2            |  |
| 27  | 0866 50 511 A 02          | Grille, Radiator (GRY. Semi-Dull Finish) | 1            |  |
|     | <del>0866 50 511 06</del> | <del>Grille, Radiator</del>              | <del>1</del> | <del>Car No. 165313 <math>\frac{7}{8}</math> ~ X</del> |
| ●   | 0866 50 511 A 06          | Grille, Radiator (GRY. Semi-Dull Finish) | 1            | Car No. 165313 $\frac{7}{8}$ ~ X                       |
| 28  | 0866 50 521 A             | Mould, Front                             | 1            |  |
| 29  | 0866 50 531               | Bezel (R), Lamp                          | 1            |  |
| ●   | 0866 50 531 - 01          | Bezel (R), Lamp (GRY. Dull Finish)       | 1            |  |
| ●   | 0866 50 531 - 02          | Bezel (R), Lamp (GRY. Semi Dull Finish)  | 1            | Car No. 165313 $\frac{7}{8}$ ~ X                       |
| 30  | 0866 50 541               | Bezel (L), Lamp                          | 1            |  |
| ●   | 0866 50 541 00            | Bezel (L), Lamp (GRY. Dull Finish)       | 1            |  |
| ●   | 0866 50 541 02            | Bezel (L), Lamp (GRY. Semi Dull Finish)  | 1            | Car No. 165313 $\frac{7}{8}$ ~ X                       |
| 31  | 0866 50 501               | Nut, Spring-Grille                       | 8            |  |
| ✓   | 99896 0500                | Nut, Spring-Grille                       | 14           | Car No. 127396 $\frac{7}{12}$ ~ O                      |
| 32  | 99737 0514                | Screw, Tapping                           | 8            |  |
| 33  | 99862 0516B               | Screw, Tapping                           | 6            |  |
| 34  | 0866 99 801               | Guard (R), Front Bumper                  | 1            |  |
| 35  | 0866 99 802               | Guard (L), Front Bumper                  | 1            |  |
| 36  | 0866 99 806               | Guard Set, Rear Bumper (Sedan & Coupe)   | 2            |  |

**50****BUMPER & GRILLE**  
(USED UP TO CAR NO. 179250 <sup>73/9</sup>)

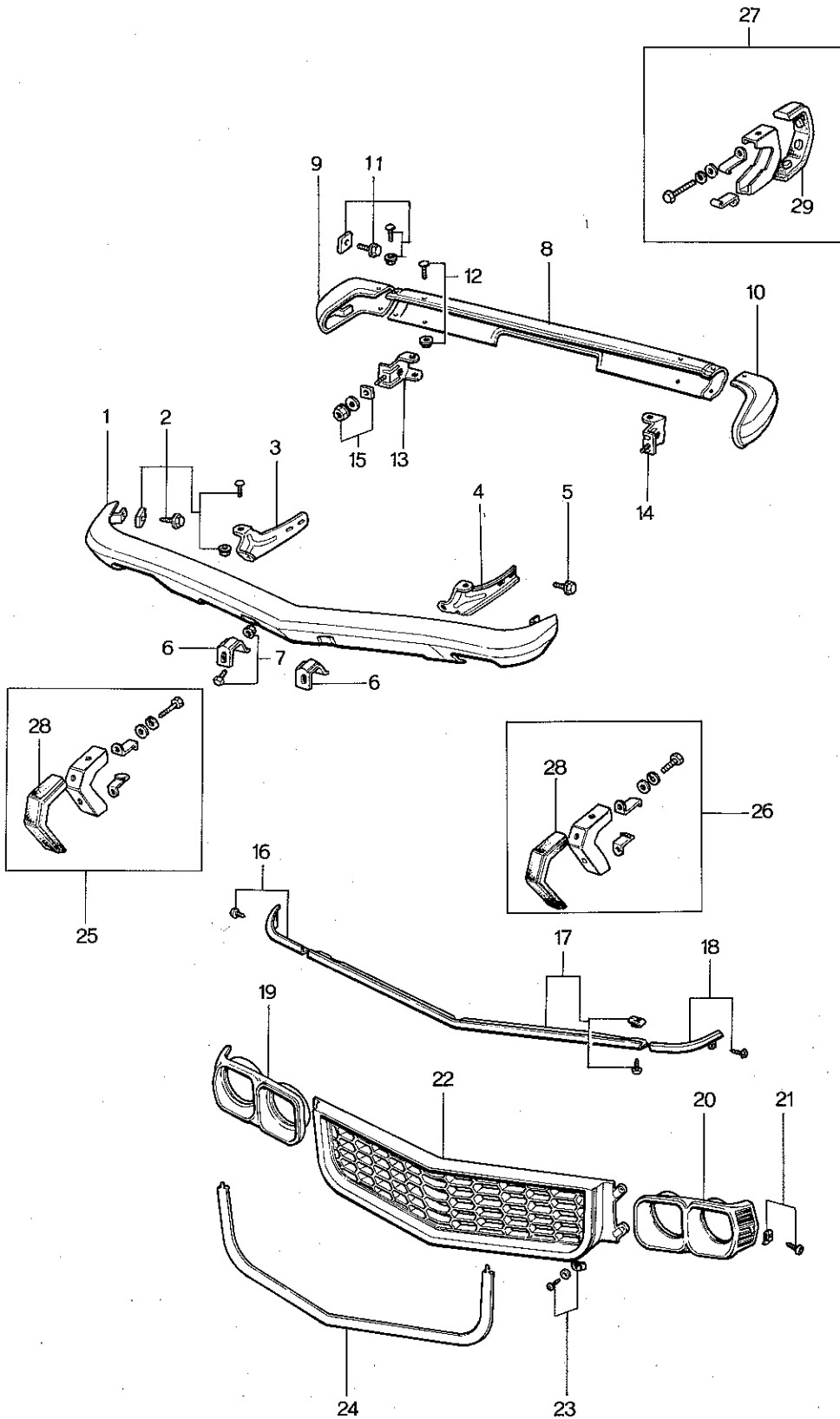
| No.  | Part Number  | Description                           | Q'ty                                   | Remarks |
|------|--------------|---------------------------------------|--|---------|
| 37   | 0866 78 701A | Rubber, Cushion (Front)               | 2                                      |         |
| 38   | 0866 78 702  | Plate, Clamp                          | 4 (Sedan & Coupe)<br>2 (Station Wagon) |         |
| ✓ 39 | 0866 78 710  | Guard (R), Front Bumper               | 1                                      |         |
| ✓ 40 | 0866 78 750  | Guard (L), Front Bumper               | 1                                      |         |
| ✓ 41 | 0866 78 801A | Rubber, Cushion (Rr.) (Sedan & Coupe) | 2                                      |         |
| ✓ 42 | 0866 78 810  | Guard, Rear Bumper (Sedan & Coupe)    | 2                                      |         |
| 43   | 0305 50 231  | Plate                                 | 4                                      |         |
| ✓ 44 | 99797 0620   | Bolt, Bumper Guard                    | 8                                      |         |
| ✓    | 99952 0600   | Washer, Plain                         | 8                                      |         |
| ✓    | 99971 0600   | Washer, Spring                        | 8                                      |         |



Faint text at the bottom of the diagram area, possibly a title or description, which is mostly illegible due to fading.

# BUMPER & GRILLE

(USED FROM CAR NO. 160623 <sup>73</sup>/<sub>10</sub>)



# BUMPER & GRILLE

(USED FROM CAR NO. 160623 <sup>73/10</sup>)



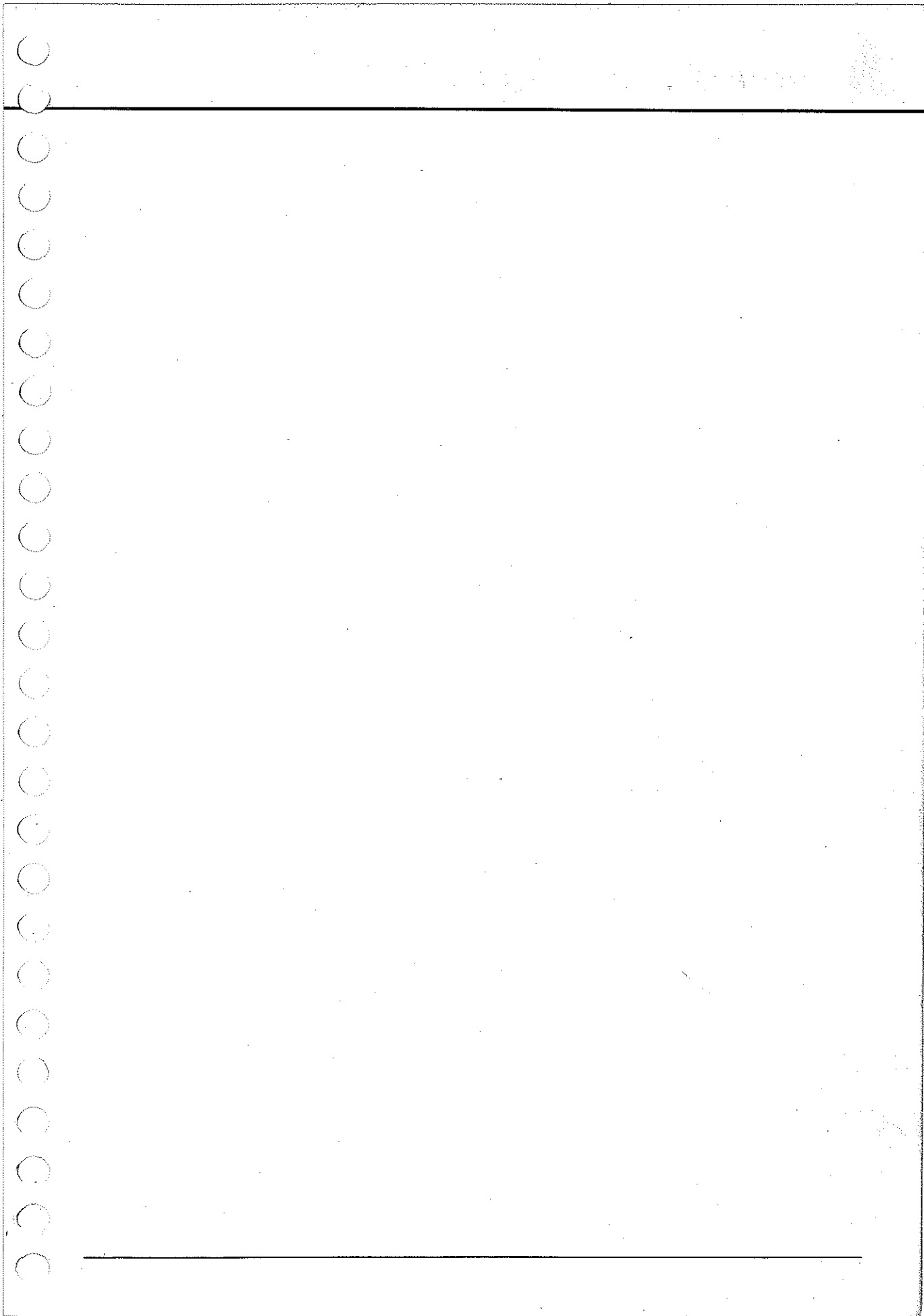
| No.  | Part Number                 | Description                       | Q'ty | Remarks |
|------|-----------------------------|-----------------------------------|------|---------|
| ✓ 1  | 1128 50 110B                | Bar, Front Bumper                 | 1    |         |
| ✓ 2  | 0370 99 916                 | Fixing Set, Bumper-Front          | 2    |         |
| ✓ 3  | 1128 50 141                 | Stay (R), Front Bumper            | 1    |         |
| ✓ 4  | 1128 50 151                 | Stay (L), Front Bumper            | 1    |         |
| ✓ 5  | 90794 10259                 | Bolt, Stay                        | 4    |         |
| ✓ 6  | 1128 50 181                 | Holder, Number Plate              | 2    |         |
| ✓ 7  | 99806 0612                  | Bolt, Number Plate Holder         | 2    |         |
|      | 99940 0602                  | Nut                               | 2    |         |
| ✓ 8  | 1562 50 311                 | Bar (C), Rear Bumper              | 1    |         |
| ✓ 9  | 0866 50 320B                | Bar (R), Rear Bumper              | 1    |         |
| ✓ 10 | 0866 50 330B                | Bar (L), Rear Bumper              | 1    |         |
| ✓ 11 | → LMP. 10.74<br>0370 99 916 | Fixing Set, Rear Bumper (R) & (L) | 2    |         |
| ✓ 12 | 0243 99 916                 | Fixing Set, Rear Bumper (C)       | 2    |         |
| ✓ 13 | 0866 50 340                 | Stay (R), Rear Bumper             | 1    |         |
| ✓ 14 | 0866 50 350                 | Stay (L), Rear Bumper             | 1    |         |
|      | 15 99940 1002               | Nut, Stay                         | 2    |         |
| ✓    | 99951 1030                  | Washer, Plain                     | 2    |         |
| ✓    | 0111 57 111                 | Rubber, Set                       | 2    |         |
| ✓ 16 | 1128 99 712                 | Mould Set (R), Nose               | 1    |         |
| ✓ 17 | 1128 99 711                 | Mould Set (C), Nose               | 1    |         |

50

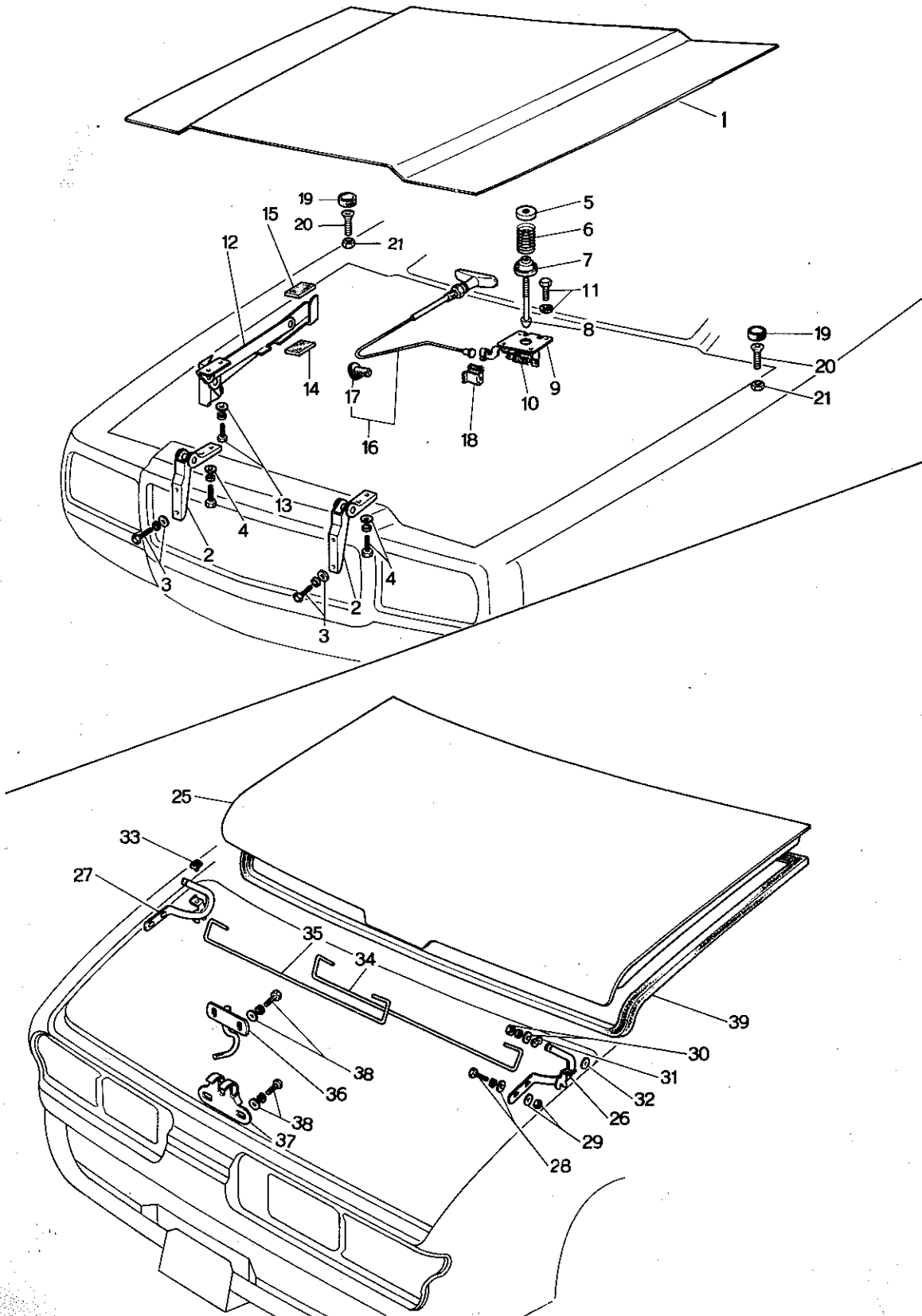
# BUMPER & GRILLE

(USED FROM CAR NO. 160623 <sup>73</sup>/<sub>10</sub>)

| No.  | Part Number    | Description                  | Q'ty | Remarks |
|------|----------------|------------------------------|------|---------|
| ✓ 18 | 1128 99 713    | Mould Set (L), Nose          | 1    |         |
| ✓ 19 | 1128 50 531A   | Bezel (R), Lamp              | 1    |         |
| ✓ 20 | 1128 50 541A   | Bezel (L), Lamp              | 1    |         |
|      | 21 99769 0420B | Screw, Tapping               | 6    |         |
|      | 99869 0400     | Nut, Spring                  | 6    |         |
| ✓ 22 | 1128 50 511A01 | Grille, Radiator (D. GRY. M) | 1    |         |
|      | 23 99769 0420B | Screw, Tapping               | 6    |         |
|      | 99952 0512     | Washer, Plain                | 6    |         |
|      | 99896 0400     | Washer, Spring               | 6    |         |
| ✓ 24 | 1128 50 521    | Mould, Grille                | 1    |         |
| ✓ 25 | 1128 99 801    | Guard Set (R), Front Bumper  | 1    |         |
| ✓ 26 | 1128 99 802    | Guard Set (L), Front Bumper  | 1    |         |
| ✓ 27 | 0866 99 806    | Guard Set, Rear Bumper       | 2    |         |
| ✓ 28 | 0866 78 701A   | Rubber, Cushion (Frt.)       | 2    |         |
| ✓ 29 | 0866 78 801A   | Rubber, Cushion (Rr.)        | 2    |         |



BONNET & TRUNK LID





# BONNET & TRUNK LID

52

| No. | Part Number             | Description                        | Q'ty         | Remarks                                   |
|-----|-------------------------|------------------------------------|--------------|---|
| 1   | 0370 52 110             | Bonnet (R. H. D.)                  | 1            |   |
|     | 1524 52 110             | Bonnet (L. H. D.)                  | 1            |   |
|     | 0866 74 250             | Bonnet (All Models)                | 1            | Used from Car No. 135808 $\frac{7}{8}$ ~○ |
| 2   | 0866 52 210             | Hinge, Bonnet                      | 2            |   |
| 3   | 99783 0825              | Bolt, Hinge & Shroud Panel         | 4            |   |
|     | 99952 0816              | Washer, Plain                      | 4            |   |
|     | 99971 0800              | Washer, Spring                     | 4            | Order Under No. 0866 98 522               |
| 4   | 99801 0818              | Bolt, Bonnet & Hinge               | 4            |   |
|     | 99805 0818              | Bolt, Bonnet & Hinge               | 4            | Car No. 129763 $\frac{7}{12}$ ~○          |
|     | 99952 0816              | Washer, Plain                      | 4            |   |
|     | 99971 0800              | Washer, Spring                     | 4            |   |
| 5   | 0305 52 313             | Seat, Spring-Upper                 | 1            |   |
| 6   | 0305 52 312B            | Spring, Lift                       | 1            | Order Under No. 0305 99 521               |
| 7   | 0305 52 322A            | Seat, Spring-Lower                 | 1            |   |
| 8   | 0187 52 141             | Hook, Bonnet                       | 1            |   |
| 9   | 0305 52 330A            | Lock, Bonnet (R. H. D.)            | 1            |   |
|     | <del>2835 52 330A</del> | <del>Lock, Bonnet (L. H. D.)</del> | <del>1</del> |   |
|     | 2835 52 330             | Lock, Bonnet (L.H.D.)              | 1            | From Car No. 1                            |
| 10  | 0305 52 331             | Spring, Lock                       | 1            |   |
| 11  | 99806 0816              | Bolt, Bonnet Lock                  | 4            |   |
|     | 99952 0816              | Washer, Plain                      | 4            |   |
|     | 99971 0800              | Washer, Spring                     | 4            |   |
| 12  | 0866 52 390             | Stopper, Bonnet (R.H.D.)           | 1            |   |
|     | 1524 52 390             | Stopper, Bonnet (L.H.D.)           | 1            |   |
| 13  | 99806 0816              | Bolt, Stopper                      | 4            |   |
|     | 99952 0800              | Washer, Plain                      | 4            |   |
|     | 99971 0800              | Washer, Spring                     | 4            |   |
| 14  | <del>0259 52 257</del>  | <del>Pad, Stopper</del>            | <del>1</del> |   |
|     | 0223 52 306             | Pad, Stopper                       | 1            | From Car No. 1                            |
| 15  | 0866 52 397             | Pad, Stopper (R.H.D.)              | 2            |   |
|     |                         | (L.H.D.)                           | 1            |   |
|     | 0866 52 397A            | Pad, Stopper                       | 2            | Car No. 135808 $\frac{7}{8}$ ~△           |
|     |                         | (L.H.D.)                           | 1            |   |

# BONNET & TRUNK LID

| No. | Part Number            | Description                    | Q'ty         | Remarks         |
|-----|------------------------|--------------------------------|--------------|-----------------|
|     | 0183 53 074            | Pad, Stopper (L. H. D.)        | 1            |                 |
| 16  | 0886 52 410            | Wire, Release (R. H. D.)       | 1            |                 |
|     | 1524 52 410            | Wire, Release (L. H. D.)       | 1            |                 |
| 17  | 0259 52 301            | Grommet, Release Wire          | 1            |                 |
| 18  | 0223 52 302            | Clamp, Release Wire (L. H. D.) | 1            |                 |
|     | 0223 52 302            | Clamp, Release Wire (R.H.D.)   | 1            | From Car No. 1  |
| 19  | 0886 52 451            | Cushion, Bonnet                | 2            |                 |
| 20  | 99831 0640             | Bolt, Cushion                  | 2            |                 |
| 21  | 99907 0600             | Nut                            | 2            |                 |
|     | 0111 53 771            | Cushion, Bonnet                | 2            |                 |
| 22  | <del>0886 52 488</del> | <del>Scoop (R), Air</del>      | <del>1</del> |                 |
| 23  | <del>0886 52 488</del> | <del>Scoop (L), Air</del>      | <del>1</del> |                 |
| 24  | <del>0187 02 873</del> | <del>Washer, Air Scoop</del>   | <del>4</del> |                 |
|     | <del>99940 0400</del>  | <del>Nut</del>                 | <del>4</del> |                 |
| 25  | 0376 52 510            | Lid, Trunk (Coupe)             | 1            |                 |
|     | 0886 52 510            | Lid, Trunk (Sedan)             | 1            |                 |
| 26  | 0886 52 610            | Hinge (R), Trunk Lid           | 1            |                 |
| 27  | 0886 52 620            | Hinge (L), Trunk Lid           | 1            |                 |
| 28  | 99806 0618             | Bolt, Bonnet & Hinge           | 4            |                 |
|     | 99852 0618             | Washer, Plain                  | 4            |                 |
|     | 99871 0600             | Washer, Spring                 | 4            |                 |
| 29  | 99806 0600             | Nut, Trunk Lid & Hinge         | 4            | (Sedan & Coupe) |
|     | 99851 0618             | Washer, Plain                  | 4            |                 |
| 30  | 99806 0600             | Nut, Hinge                     | 2            |                 |
|     | 99852 0600             | Washer, Plain                  | 2            |                 |
|     | 99871 0600             | Washer, Spring                 | 2            |                 |
| 31  | 0886 52 631            | Washer, Wave-Hinge             | 2            |                 |
| 32  | 99852 0822             | Washer, Plain-Hinge            | 2            |                 |

# BONNET & TRUNK LID

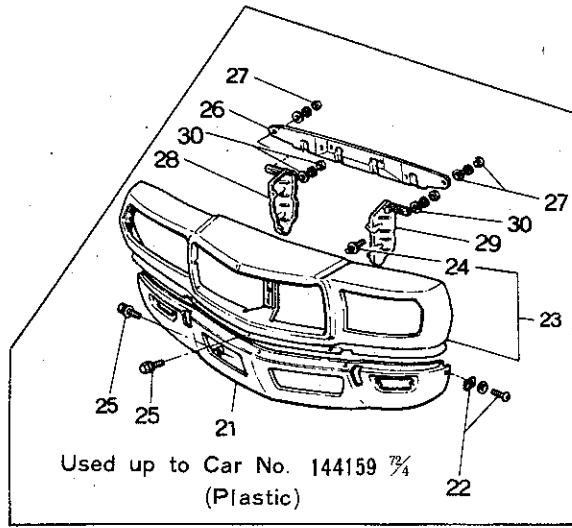
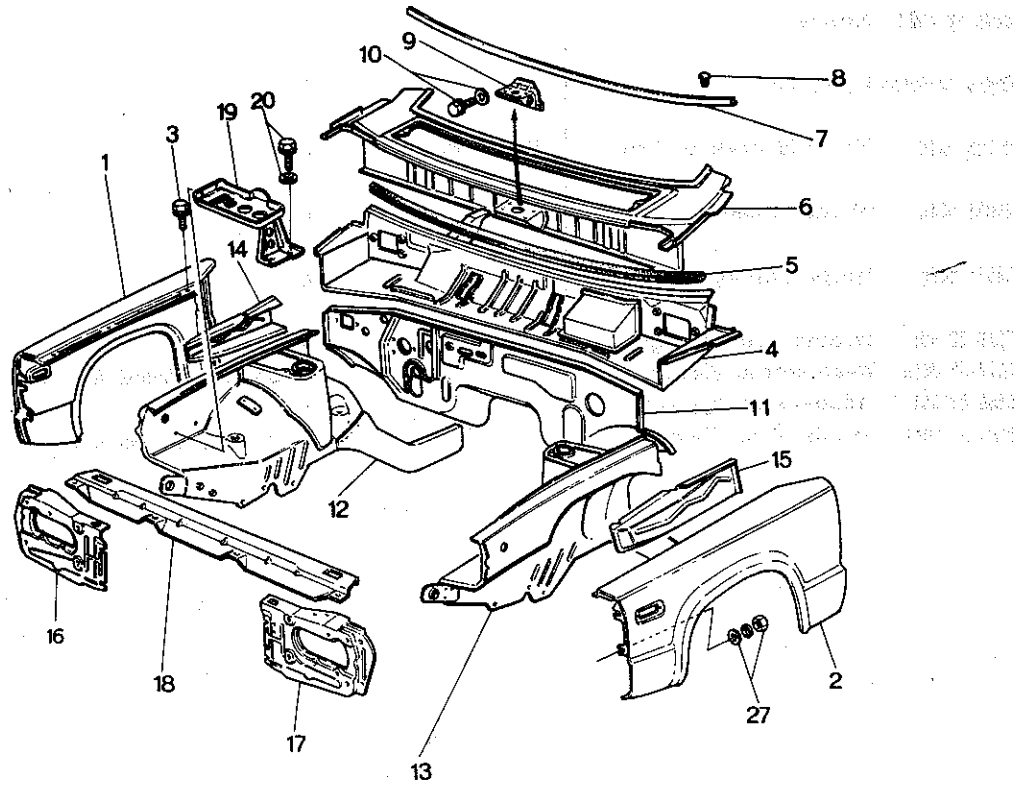
52

| No. | Part Number   | Description              | Q'ty | Remarks                         |
|-----|---------------|--------------------------|------|---------------------------------|
| 33  | 0305 52 828   | Rubber, Cushion          | 2    |                                 |
| 34  | 0886 52 861 A | Spring (R), Balance      | 1    |                                 |
| 35  | 0886 52 871 A | Spring (L), Balance      | 1    |                                 |
| 36  | 0886 52 750 A | Striker                  | 1    |                                 |
| 37  | 0305 52 850A  | Lock, Lid                | 1    |                                 |
| 38  | 99908 0818    | Bolt, Lid Lock & Striker | 4    | (Sedan & Coupe)                 |
|     | 99951 0818    | Washer, Plain            | 4    |                                 |
|     | 99971 0800    | Washer, Spring           | 4    |                                 |
| 39  | 0376 52 901   | Weatherstrip (Coupe)     | 1    |                                 |
|     | 0376 52 901A  | Weatherstrip (Coupe)     | 1    | Car No. 155593 $\frac{7}{8}$ ~○ |
|     | 0886 52 901   | Weatherstrip (Sedan)     | 1    |                                 |
|     | 0886 52 901A  | Weatherstrip (Sedan)     | 1    | Car No. 155593 $\frac{7}{8}$ ~○ |

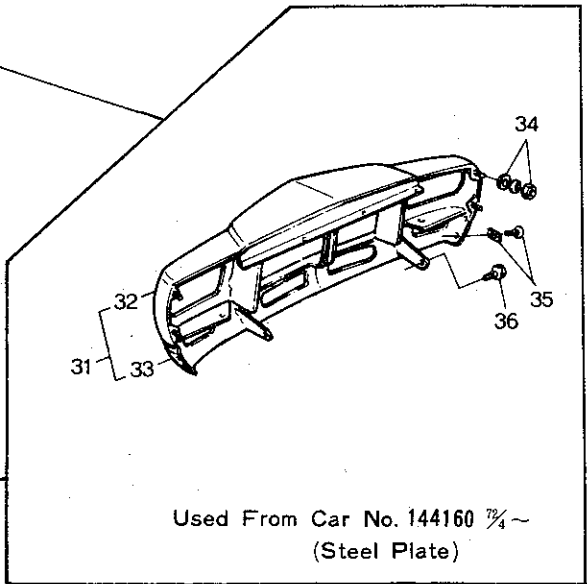
53 54

# BODY PANELS (FRONT)

(USED UP TO CAR NO. 179250. <sup>73</sup>/<sub>9</sub>)



Used up to Car No. 144159 <sup>74</sup>/<sub>4</sub>  
(Plastic)



Used From Car No. 144160 <sup>74</sup>/<sub>4</sub> ~  
(Steel Plate)

# BODY PANELS (FRONT)

(USED UP TO CAR NO. 179250 <sup>73</sup>/<sub>9</sub>)

53

54

| No. | Part Number  | Description                         | Q'ty | Remarks  |
|-----|--------------|-------------------------------------|------|--|
| 1   | 1524 51 020A | Panel (R), Front Fender             | 1    |  |
| 2   | 1524 51 120A | Panel (L), Front Fender             | 1    |  |
| 3   | 99806 0614   | Bolt, Front Fender                  | 12   |  |
|     | 99971 0600   | Washer, Spring                      | 12   |  |
|     | 99952 0600   | Washer, Plain                       | 12   |  |
| 4   | 0866 53 020F | Panel, Dashboard-Upper (R.H.D.)     | 1    |  |
| ✓ ● | 0866 53 020G | Panel, Dashboard-Upper (R.H.D.)     | 1    | <sup>73</sup> / <sub>9</sub> ~○                |
|     | 1524 53 020D | Panel, Dashboard-Upper (L.H.D.)     | 1    |  |
|     | 1524 53 020E | Panel, Dashboard-Upper (L.H.D.)     | 1    | Car No. 150526 <sup>73</sup> / <sub>8</sub> ~○ |
| ✓ ● | 1524 53 020G | Panel, Dashboard-Upper (L.H.D.)     | 1    | <sup>73</sup> / <sub>9</sub> ~○                |
| 5   | 0866 53 029A | Rubber, Edge-Dashboard & Cowl Panel | 1    |  |
| 6   | 0866 53 970A | Panel, Cowl (R.H.D.)                | 1    |  |
|     | 0866 74 040  | Panel, Cowl (R.H.D.)                | 1    | From Car No. 1                                 |
|     | 1524 53 970B | Panel, Cowl (L.H.D.)                | 1    |  |
|     | 1524 74 040  | Panel, Cowl (L.H.D.)                | 1    | From Car No. 1                                 |
| 7   | 0866 53 979A | Rubber, Seal-Cowl Panel             | 1    |  |
| 8   | 99264 0531B  | Fastener, Cowl Panel & Seal Rubber  | 8    |  |
| 9   | 0866 53 981  | Bracket, Lock-Bonnet                | 1    |  |
| 10  | 99806 0616   | Bolt, Lock Bracket & Cowl Panel     | 4    |  |
|     | 99971 0600   | Washer, Spring                      | 4    |  |



# BODY PANELS (FRONT)

(USED UP TO CAR NO. 179250 <sup>73</sup>/<sub>9</sub>)

| No. | Part Number  | Description                                      | Q'ty | Remarks  |
|-----|--------------|--|------|--|
|     | 99952 0600   | Washer, Plain                                    | 4    |  |
| 11  | 0866 53 100C | Panel, Dashboard-Lower (Manual) (R.H.D.)         | 1    |  |
|     | 0866 53 100D | Panel, Dashboard-Lower (Manual) (R.H.D.)         | 1    | Car No. 133676 <sup>73</sup> / <sub>1</sub> ~○ |
|     | 0866 53 100E | Panel, Dashboard-Lower (Manual) (R.H.D.)         | 1    | Car No. 148513 <sup>73</sup> / <sub>6</sub> ~○ |
|     | 0866 53 100F | Panel, Dashboard-Lower (Manual) (R.H.D.)         | 1    | Car No. 149635 <sup>73</sup> / <sub>1</sub> ~○ |
|     | 0866 53 100G | Panel, Dashboard-Lower (Manual) (R.H.D.)         | 1    | Car No. 152816 <sup>73</sup> / <sub>6</sub> ~○ |
|     | 0378 53 100C | Panel, Dashboard-Lower (Automatic) (R.H.D.)      | 1    |  |
|     | 0378 53 100D | Panel, Dashboard-Lower (Automatic) (R.H.D.)      | 1    | Car No. 127396 <sup>73</sup> / <sub>2</sub> ~○ |
|     | 0378 53 100E | Panel, Dashboard-Lower (Automatic) (R.H.D.)      | 1    | Car No. 133676 <sup>73</sup> / <sub>1</sub> ~○ |
|     | 0378 53 100F | Panel, Dashboard-Lower (Automatic) (R.H.D.)      | 1    | Car No. 148513 <sup>73</sup> / <sub>6</sub> ~○ |
|     | 0378 53 100G | Panel, Dashboard-Lower (Automatic) (R.H.D.)      | 1    | Car No. 149635 <sup>73</sup> / <sub>1</sub> ~○ |
|     | 0378 53 100H | Panel, Dashboard-Lower (Automatic R.H.D.) (1552) | 1    | Car No. 152816 <sup>73</sup> / <sub>6</sub> ~○ |
|     | 1524 53 100C | Panel, Dashboard-Lower (L.H.D.)                  | 1    |  |
|     | 1524 53 100D | Panel, Dashboard-Lower (L.H.D.)                  | 1    | Car No. 148513 <sup>73</sup> / <sub>6</sub> ~○ |
|     | 1524 53 100E | Panel, Dashboard-Lower (L.H.D.)                  | 1    | Car No. 152816 <sup>73</sup> / <sub>6</sub> ~○ |
| 12  | 0866 53 220E | Panel (R), Wheel Apron (R.H.D.)                  | 1    |  |
|     | 0866 53 220F | Panel (R), Wheel Apron (R.H.D.)                  | 1    | Car No. 148513 <sup>73</sup> / <sub>6</sub> ~○ |
|     | 1524 53 220D | Panel (R), Wheel Apron (L.H.D.)                  | 1    |  |
|     | 1524 53 220E | Panel (R), Wheel Apron (L.H.D.)                  | 1    | Car No. 148513 <sup>73</sup> / <sub>6</sub> ~○ |
|     | 1524 53 220F | Panel (R), Wheel Apron (L.H.D.)                  | 1    | Car No. 152816 <sup>73</sup> / <sub>6</sub> ~○ |

# BODY PANELS (FRONT)

(USED UP TO CAR NO. 179250 <sup>73</sup>/<sub>9</sub>)



| No. | Part Number  | Description                                 | Q'ty | Remarks   |
|-----|--------------|---|------|---|
| 13  | 0866 54 220B | Panel (L), Wheel Apron (R.H.D.)             | 1    |   |
|     | 0866 54 220C | Panel (L), Wheel Apron (R.H.D.)             | 1    | Car. No. 148513 <sup>73</sup> / <sub>6</sub> ~○ |
| ●   | 0866 54 220E | Panel (L), Wheel Apron (R.H.D.)             | 1    | <sup>73</sup> / <sub>3</sub> ~○                 |
| ●   | 0866 54 220F | Panel (L), Wheel Apron (R.H.D.)             | 1    | <sup>73</sup> / <sub>3</sub> ~○                 |
|     | 1524 54 220B | Panel (L), Wheel Apron (L.H.D.)             | 1    |   |
|     | 1524 54 220C | Panel (L), Wheel Apron (1558,1559 Excluded) | 1    | Car. No. 140779 <sup>72</sup> / <sub>2</sub> ~○ |
|     | 1524 54 220C | Panel (L), Wheel Apron (1558,1559)          | 1    | Car. No. 140779 <sup>72</sup> / <sub>2</sub> ~△ |
|     | 1524 54 220D | Panel (L), Wheel Apron (L.H.D.)             | 1    | Car. No. 148513 <sup>73</sup> / <sub>6</sub> ~○ |
|     | 1524 54 220E | Panel (L), Wheel Apron (L.H.D.)             | 1    | Car. No. 152816 <sup>73</sup> / <sub>9</sub> ~○ |
| J ● | 1524 54 220F | Panel (L), Wheel Apron (L.H.D.)             | 1    | <sup>73</sup> / <sub>4</sub> ~○                 |
| J ● | 1524 54 220G | Panel (L), Wheel Apron (L.H.D.)             | 1    | <sup>73</sup> / <sub>8</sub> ~○                 |
| 14  | 0866 53 281A | Reinforcement (R), Wheel Apron Panel        | 1    |   |
| 15  | 0866 54 281A | Reinforcement (L), Wheel Apron Panel        | 1    |   |
| 16  | 0866 53 720  | Panel (R), Shroud                           | 1    |   |
|     | 0866 53 720A | Panel (R), Shroud                           | 1    | Car. No. 152377 <sup>73</sup> / <sub>8</sub> ~○ |
| 17  | 0866 54 720  | Panel (L), Shroud                           | 1    |   |
| 18  | 0866 53 750  | Panel, Shroud-Upper                         | 1    |   |
| 19  | 0866 53 780A | Carrier, Battery                            | 1    |   |
| 20  | 99801 0816   | Bolt, Battery Carrier & Wheel Apron Panel   | 4    |   |
|     | 99952 0800   | Washer, Plain                               | 4    |   |



# BODY PANELS (FRONT)

(USED UP TO CAR NO. 179250 <sup>73</sup>/<sub>9</sub>)

| No. | Part Number  | Description                   | Q'ty | Remarks   |
|-----|--------------|-------------------------------|------|---|
| 21  | 0866 70 160B | Panel, Front Skirt            | 1    |   |
|     | 0866 70 160C | Panel, Front Skirt            | 1    | Car No. 133676 <sup>71</sup> / <sub>12</sub> ~○   |
| 22  | 99864 0616   | Screw, Skirt & Fender         | 2    |   |
|     | 99952 0618   | Washer, Plain                 | 2    | Used up to Car No. 144159 <sup>74</sup> / <sub>4</sub>  |
|     | 99896 0600   | Nut, Spring                   | 2    |   |
| 23  | 0866 70 120  | Panel, Nose                   | 1    |   |
| 24  | 0866 70 122  | Stud, Nose Panel              | 12   |   |
| 25  | 99806 0614   | Bolt, Nose & Skirt            | 11   |   |
|     | 99952 0600   | Washer, Plain                 | 11   | Used up till Car No. 144159 <sup>74</sup> / <sub>4</sub>  |
|     | 99971 0600   | Washer, Spring                | 11   |   |
| 26  | 0866 70 131A | Bracket, Nose Panel           | 1    |   |
| 27  | 99906 0600   | Nut, Nose Panel & Bracket     | 4    |   |
|     | 99952 0600   | Washer, Plain                 | 4    |   |
|     | 99971 0600   | Washer, Spring                | 4    |   |
| 28  | 0866 70 180  | Plate (R), Guide              | 1    |   |
| 29  | 0866 71 180  | Plate (L), Guide              | 1    |   |
| 30  | 99906 0600   | Nut, Guide Plate & Nose Panel | 8    | Used up till Car No. 144159 <sup>74</sup> / <sub>4</sub>  |
|     | 99952 0618   | Washer, Plain                 | 8    |   |
|     | 99971 0600   | Washer, Spring                | 8    |   |
| 31  | 0866 70 120A | Panel Cpt., Nose              | 1    | Used from Car No. 144160 <sup>74</sup> / <sub>4</sub> ~<br>Car No. 148513 <sup>76</sup> / <sub>6</sub> ~○ |



# BODY PANELS (FRONT)

(USED UP TO CAR NO. 179250 <sup>73</sup>/<sub>9</sub>)

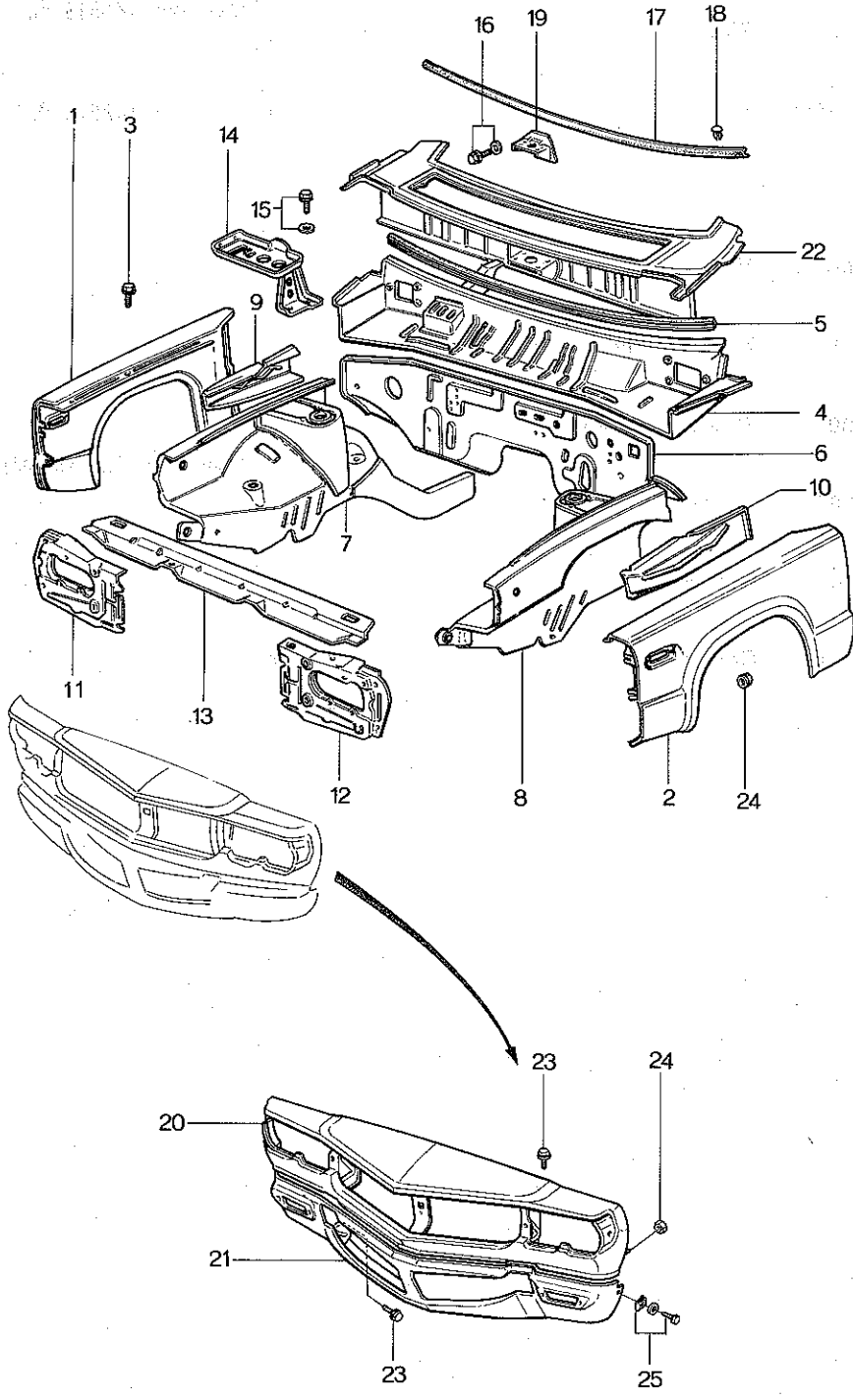


| No. | Part Number  | Description    | Q'ty. | Remarks   |
|-----|--------------|----------------|-------|---|
| 32  | 0866 74 200  | Panel, Nose    | 1     | Used from Car No. 144160 <sup>74</sup> / <sub>4</sub> ~<br>Car No. 148513 <sup>76</sup> / <sub>6</sub> ~○ |
|     | 0866 74 200A | Panel, Nose    | 1     |   |
| 33  | 0866 70 160C | Skirt          | 1     |   |
|     | 0866 70 160D | Skirt          | 1     |   |
| 34  | 99906 0600   | Nut            | 4     | Used from Car No. 144160 <sup>74</sup> / <sub>4</sub> ~   |
|     | 99952 0618   | Washer, Plain  | 4     |   |
|     | 99971 0600   | Washer, Spring | 4     |   |
| 35  | 99864 0616   | Screw          | 2     |   |
|     | 99896 0600   | Nut, Spring    | 2     |   |
| 36  | 908067 6 14  | Bolt Set       | 6     |   |

53 54

# BODY PANELS (FRONT)

(USED FROM CAR NO. 160623 <sup>73</sup>/<sub>10</sub>)



# BODY PANELS (FRONT)

(USED FROM CAR NO. 160623<sup>73/10</sup>)

53

54

| No.  | Part Number   | Description                                | Q'ty | Remarks   |
|------|---------------|--|------|-----------|
| ✓ 1  | 1524 51 020 A | Panel (R), Front Fender                    | 1    |           |
| ✓ 2  | 1524 51 120 A | Panel (L), Front Fender                    | 1    |           |
| 3    | 99806 0614    | Bolt, Fender                               | 12   |           |
|      | 99952 0600    | Washer, Plain                              | 12   |           |
|      | 99971 0600    | Washer, Spring                             | 12   |           |
| ✓ 4  | 0866 53 020 G | Panel, Dashboard Upper (R.H.D.)            | 1    |           |
| ✓    | 1524 53 020 G | Panel, Dashboard Upper (L.H.D.)            | 1    |           |
| ✓ 5  | 0866 53 029 A | Rubber, Edge                               | 1    |           |
| ✓ 6  | 0866 53 100 I | Panel, Dashboard-Lower (R.H.D.)            | 1    |           |
| ✓    | 1524 53 100 G | Panel, Dashboard-Lower(L.H.D.) W/O Cooler  | 1    |           |
| ✓    | 1620 53 100 B | Panel, Dashboard-Lower(L.H.D.) With Cooler | 1    |           |
| ✓ 7  | 0866 53 220 F | Panel (R), Wheel Apron (R.H.D.)            | 1    |           |
| ✓    | 1524 53 220 G | Panel (R), Wheel Apron (L.H.D.)            | 1    |           |
| ✓ 8  | 0866 54 220 F | Panel (L), Wheel Apron (R.H.D.)            | 1    |           |
| ✓    | 1524 54 220 G | Panel (L), Wheel Apron (L.H.D.)            | 1    |           |
| ✓ 9  | 0866 53 281 A | Reinforcement (R)                          | 1    |           |
| ✓ 10 | 0866 54 281 A | Reinforcement (L)                          | 1    |           |
| ✓ 11 | 0866 53 720 A | Panel (R), Shroud                          | 1    |           |
| ✓    | 0866 53 720 B | Panel (R), Shroud                          | 1    |           |
| ✓ 12 | 0866 54 720   | Panel (L), Shroud                          | 1    |           |
| ✓ 13 | 0866 53 750   | Panel, Shroud-Upper                        | 1    |           |
| ✓ 14 | 0866 53 780 A | Carrier, Battery                           | 1    |           |
| ✓    | 0866 53 780 B | Carrier, Battery                           | 1    | 73/10 ~ O |

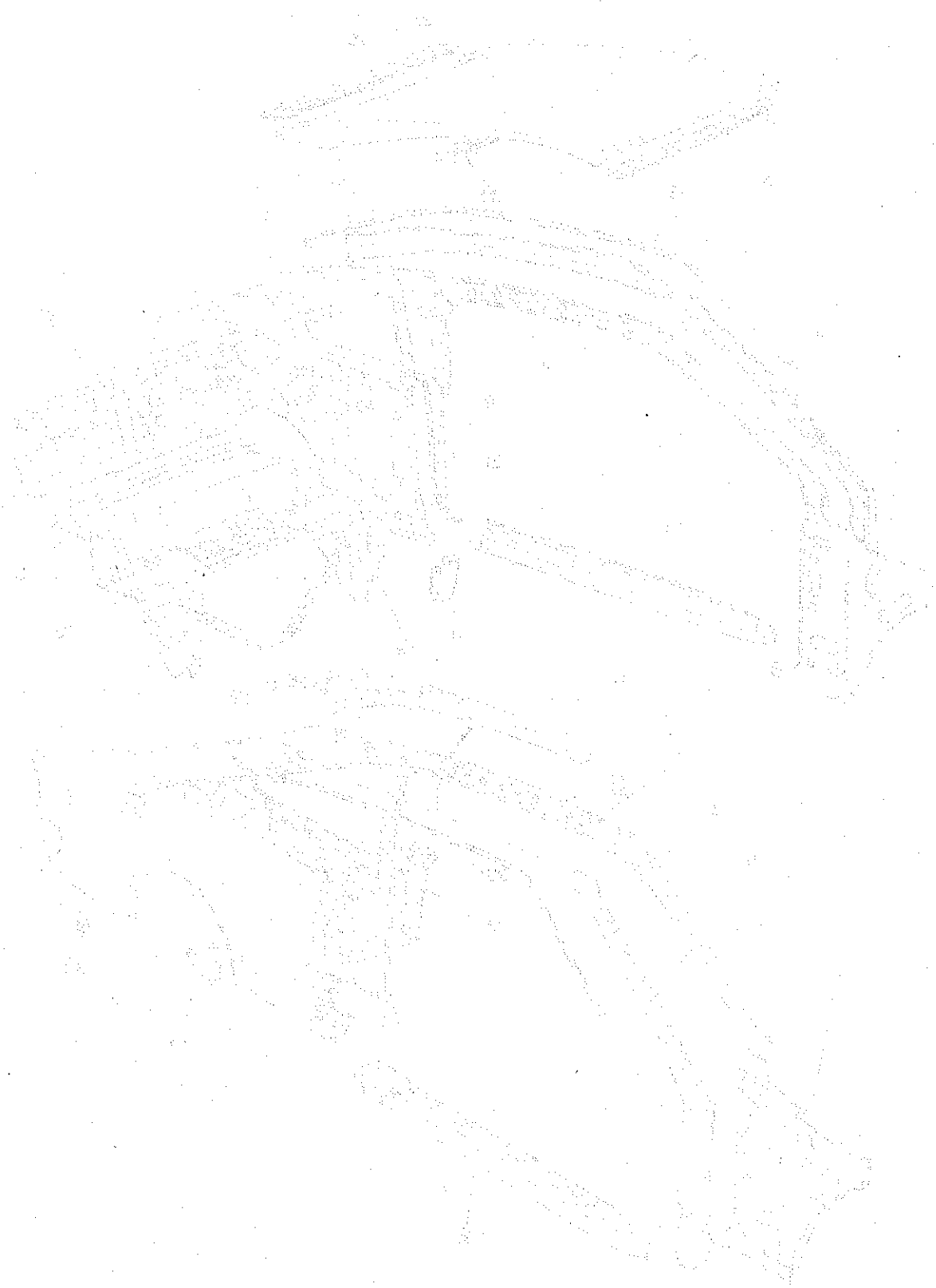


# BODY PANELS (FRONT)

(USED FROM CAR NO. 160623 <sup>73</sup>/<sub>10</sub>)

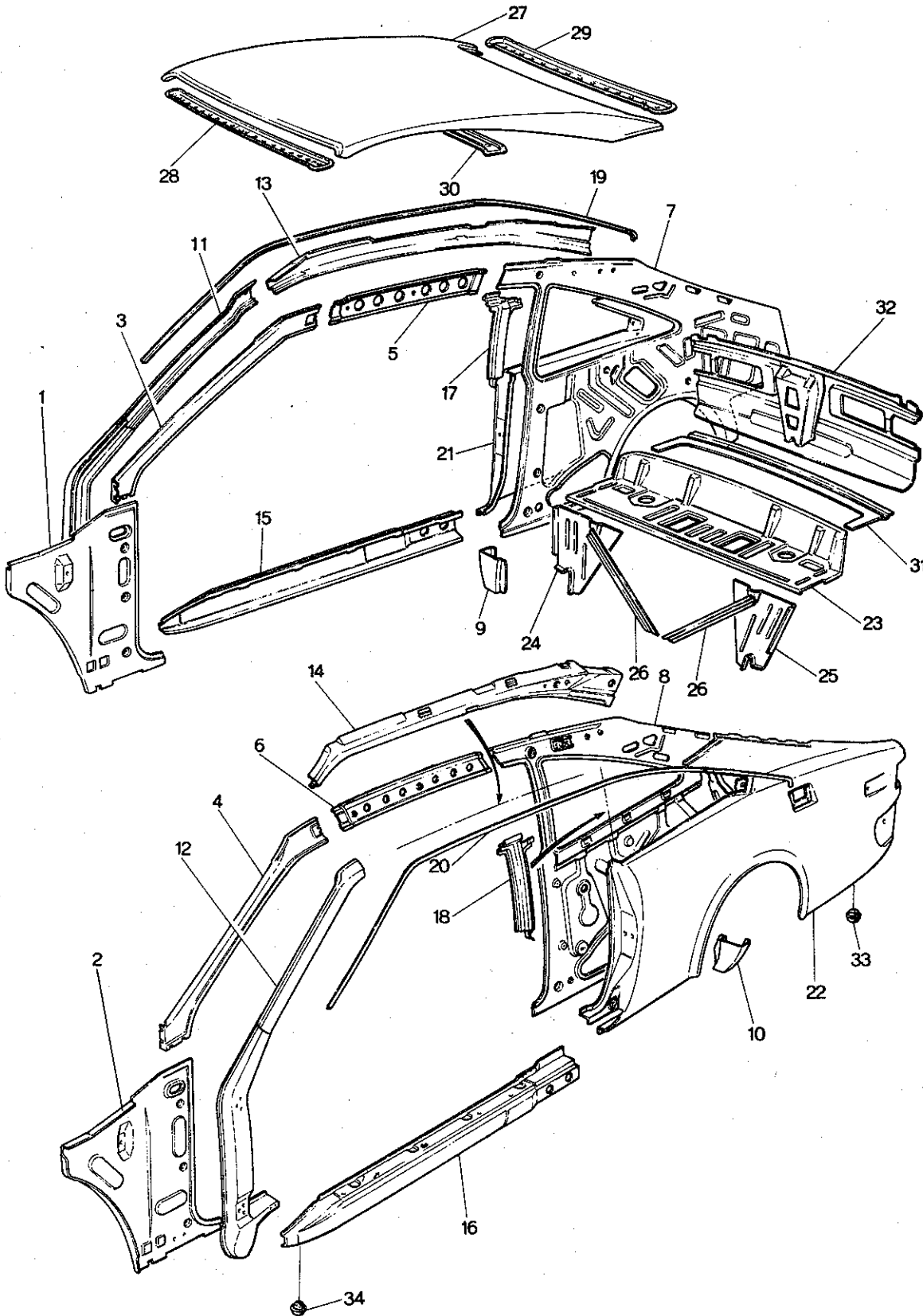
| No.  | Part Number  | Description                                 | Q'ty | Remarks |
|------|--------------|---|------|---------|
| 15   | 99801 0816   | Bolt, Battery Carrier                       | 4    |         |
|      | 99952 0822   | Washer, Plain                               | 4    |         |
|      | 99971 0800   | Washer, Spring                              | 4    |         |
| 16   | 99806 0616   | Bolt, Lock Bracket                          | 4    |         |
|      | 99952 0600   | Washer, Plain                               | 4    |         |
|      | 99971 0600   | Washer, Spring                              | 4    |         |
| J 17 | 0866 53 979A | Rubber, Seal                                | 1    |         |
| 18   | 99264 0531 B | Clip, Seal Rubber                           | 8    |         |
| J 19 | 0866 53 980  | Bracket, Lock                               | 1    |         |
| 20   | 1128 70 120  | Panel Ass'y, Nose                           | 1    |         |
| 21   | 1128 70 160  | Skirt, Front                                | 1    |         |
| 22   | 0866 74 040  | Panel, Cowl (R.H.D.)                        | 1    |         |
|      | 1524 74 040  | Panel, Cowl (L.H.D.)                        | 1    |         |
| 23   | 99796 0614   | Bolt (Nose & Shroud ··4, Skirt & Frame ··2) | 6    |         |
|      | 99952 0618   | Washer, Plain                               | 6    |         |
| 24   | 99940 0602   | Nut, Nose & Skirt                           | 4    |         |
| 25   | 99864 0616   | Screw, Skirt & Fender                       | 2    |         |
|      | 99952 0618   | Washer, Plain                               | 2    |         |
|      | 99896 0600   | Nut, Spring                                 | 2    |         |

BODY PANELS (SEE DRAWING)



1. 2. 3. 4. 5. 6. 7. 8. 9. 10. 11. 12. 13. 14. 15. 16. 17. 18. 19. 20. 21. 22. 23. 24. 25. 26. 27. 28. 29. 30. 31. 32. 33. 34. 35. 36. 37. 38. 39. 40. 41. 42. 43. 44. 45. 46. 47. 48. 49. 50. 51. 52. 53. 54. 55. 56. 57. 58. 59. 60. 61. 62. 63. 64. 65. 66. 67. 68. 69. 70. 71. 72. 73. 74. 75. 76. 77. 78. 79. 80. 81. 82. 83. 84. 85. 86. 87. 88. 89. 90. 91. 92. 93. 94. 95. 96. 97. 98. 99. 100.

## BODY PANELS (SIDE, COUPE)



# BODY PANELS (SIDE, COUPE)

53

54

| No. | Part Number     | Description                   | Q'ty | Remarks   |
|-----|-----------------|-------------------------------|------|---|
| ✓ 1 | 0866 53 320     | Panel (R), Cowl Side (R.H.D.) | 1    |   |
| ✓   | 1524 53 320 A   | Panel (R), Cowl Side (L.H.D.) | 1    |   |
| ✓   | 2 0866 54 320   | Panel (L), Cowl Side (R.H.D.) | 1    |   |
| ✓   | 1524 54 320 A   | Panel (L), Cowl Side (L.H.D.) | 1    |   |
| ✓   | 1524 54 320 B   | Panel (L), Cowl Side (L.H.D.) | 1    | Car No. 140779 $\frac{7}{8}$ ~○                 |
| ✓   | 3 0376 53 330   | Pillar (R), Front Inner       | 1    |   |
| ✓   | 4 0376 54 330   | Pillar (L), Front Inner       | 1    |   |
| ✓   | 5 0376 53 340   | Rail (R), Roof Inner          | 1    |   |
| ✓   | 6 0376 54 340   | Rail (L), Roof Inner          | 1    |   |
|     | 7 0376 53 350 B | Panel (R), Quarter Inner      | 1    | 1559 Excluded                                   |
| ✓ ● | 0376 53 350 C   | Panel (R), Quarter Inner      | 1    | (1559 Excluded) Car No. 166069 $\frac{7}{8}$ ~△ |
|     | 1559 53 350 A   | Panel (R), Quarter Inner      | 1    | 1559  |
| ✓ ● | 1559 53 350 B   | Panel (R), Quarter Inner      | 1    | 1559 Car No. 166069 $\frac{7}{8}$ ~△            |
| 8   | 0376 54 350 C   | Panel (L), Quarter Inner      | 1    | 1559 Excluded                                   |
| ✓ ● | 0376 54 350 D   | Panel (L), Quarter Inner      | 1    | (1559 Excluded) Car No. 166069 $\frac{7}{8}$ ~△ |
| ✓ ● | 0376 54 350 E   | Panel (L), Quarter Inner      | 1    | 1559 Excluded $\frac{7}{8}$ ~○                  |
| ✓ ● | 1559 54 350 C   | Panel (L), Quarter Inner      | 1    | (1559 Excluded) Car No. 160623 $\frac{7}{8}$ ~△ |
|     | 1559 54 350 A   | Panel (L), Quarter Inner      | 1    | 1559  |
| ✓ ● | 1559 54 350 B   | Panel (L), Quarter Inner      | 1    | 1559 Car No. 166069 $\frac{7}{8}$ ~△            |
| 9   | 0376 53 391     | Plate (R), End-Inner          | 1    |   |
| ✓ ● | 0376 53 391 A   | Plate (R), End-Inner          | 1    | Car No. 166069 $\frac{7}{8}$ ~△                 |

53

54

## BODY PANELS (SIDE, COUPE)

| No. | Part Number   | Description                      | Q'ty | Remarks                          |
|-----|---------------|----------------------------------|------|----------------------------------|
| 10  | 0376 54 391   | Plate (L), End-Inner             | 1    |                                  |
|     | 0376 54 391 A | Plate (L), End-Inner             | 1    | Car. No. 166069 $\frac{7}{8}$ ~△ |
| 11  | 0376 53 410   | Pillar (R), Hinge Outer (R.H.D.) | 1    |                                  |
| ✓   | 0376 74 090   | Pillar (R), Hinge Outer (R.H.D.) | 1    | From Car No. 1 $\frac{7}{11}$ ~○ |
|     | 1562 53 410   | Pillar (R), Hinge Outer (L.H.D.) | 1    |                                  |
| ✓   | 1562 74 090   | Pillar (R), Hinge Outer (L.H.D.) | 1    | From Car No. 1 $\frac{7}{11}$ ~○ |
| 12  | 0376 54 410   | Pillar (L), Hinge Outer (R.H.D.) | 1    |                                  |
| ✓   | 0376 74 120   | Pillar (L), Hinge Outer (R.H.D.) | 1    | From Car No. 1 $\frac{7}{11}$ ~○ |
|     | 1562 54 410   | Pillar (L), Hinge Outer (L.H.D.) | 1    |                                  |
| ✓   | 1562 74 120   | Pillar (L), Hinge Outer (L.H.D.) | 1    | From Car No. 1 $\frac{7}{11}$ ~○ |
| 13  | 0376 53 430   | Rail (R), Roof Outer             | 1    |                                  |
| 14  | 0376 54 430   | Rail (L), Roof Outer             | 1    |                                  |
| 15  | 0380 53 451   | Sill (R), Side Outer             | 1    |                                  |
| ✓ ● | 0376 53 451   | Sill (R), Side Outer             | 1    | Car No. 160623 $\frac{7}{10}$ ~× |
| 16  | 0380 54 451   | Sill (L), Side Outer             | 1    |                                  |
| ✓ ● | 0376 54 451   | Sill (L), Side Outer             | 1    | Car No. 160623 $\frac{7}{10}$ ~× |
| 17  | 0376 53 500 A | Pillar (R), Center-Outer         | 1    |                                  |
| 18  | 0376 54 500 A | Pillar (L), Center-Outer         | 1    |                                  |
| 19  | 0376 53 591   | Rail (R), Rain                   | 1    |                                  |
| 20  | 0376 54 591   | Rail (L), Rain                   | 1    |                                  |



# BODY PANELS (SIDE, COUPE)

53

54

| No.  | Part Number   | Description            | Q'ty | Remarks               |
|------|---------------|------------------------|------|-----------------------|
| 21   | 0376 53 600 C | Panel (R), Rear Fender | 1    |                       |
|      | ✓ 0376 74 100 | Panel (R), Rear Fender | 1    | From Car No. 1 7/11~○ |
| 22   | 0376 54 600 B | Panel (L), Rear Fender | 1    |                       |
|      | ✓ 0376 74 130 | Panel (L), Rear Fender | 1    | From Car No. 1 7/11~○ |
| 23   | 0376 53 810 B | Tray, Package          | 1    |                       |
| 24   | 0866 53 830 A | Brace (R), Side        | 1    |                       |
| 25   | 0866 54 830 A | Brace (L), Side        | 1    |                       |
| 26   | 0866 53 845   | Brace, Diagonal        | 2    |                       |
| 27   | 0376 53 901   | Panel, Roof            | 1    |                       |
|      | ✓ 0376 74 030 | Panel, Roof            | 1    | From Car No. 1 7/11~○ |
| 28   | 0376 53 920   | Header, Front          | 1    |                       |
| 29   | 0376 53 941   | Header, Rear           | 1    |                       |
| 30   | 0376 53 950   | Reinforcement, Roof    | 1    |                       |
| 31   | 0376 53 991   | Panel, Rear Deck       | 1    |                       |
|      | ✓ 0376 74 050 | Panel, Rear Deck       | 1    | From Car No. 1 7/11~○ |
| ✓ 32 | 1527 70 050   | Panel, Rear End        | 1    |                       |
| 33   | 0259 53 455   | Plug, Drain            | 6    |                       |
| 34   | 0824 56 999   | Valve, Check-Side Sill | 2    |                       |



# ROYAL PANEL SIDE COURT

Case No. \_\_\_\_\_ Date \_\_\_\_\_

Plaintiff \_\_\_\_\_

Defendant \_\_\_\_\_

\_\_\_\_\_

\_\_\_\_\_

\_\_\_\_\_

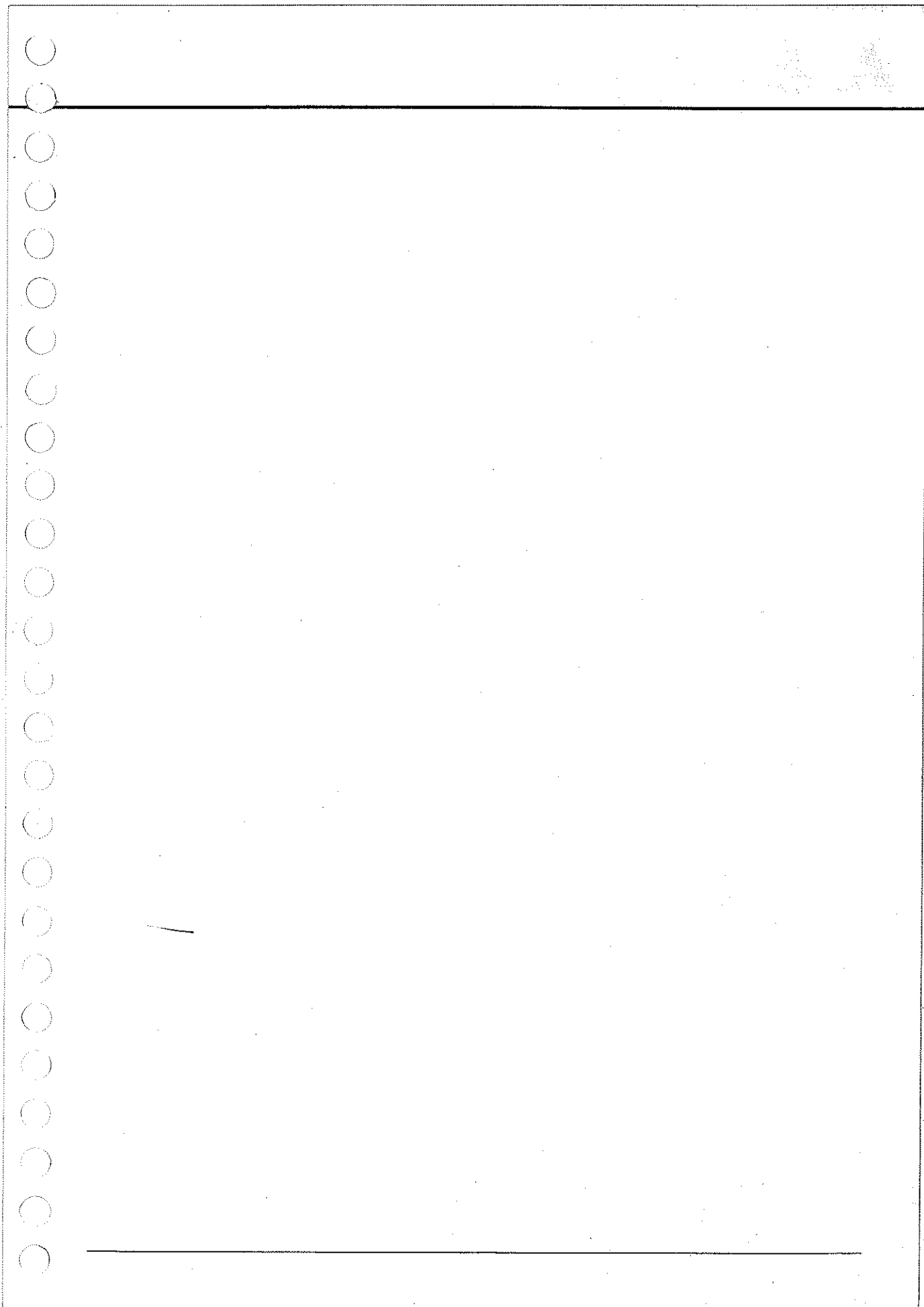
\_\_\_\_\_

\_\_\_\_\_

\_\_\_\_\_

\_\_\_\_\_

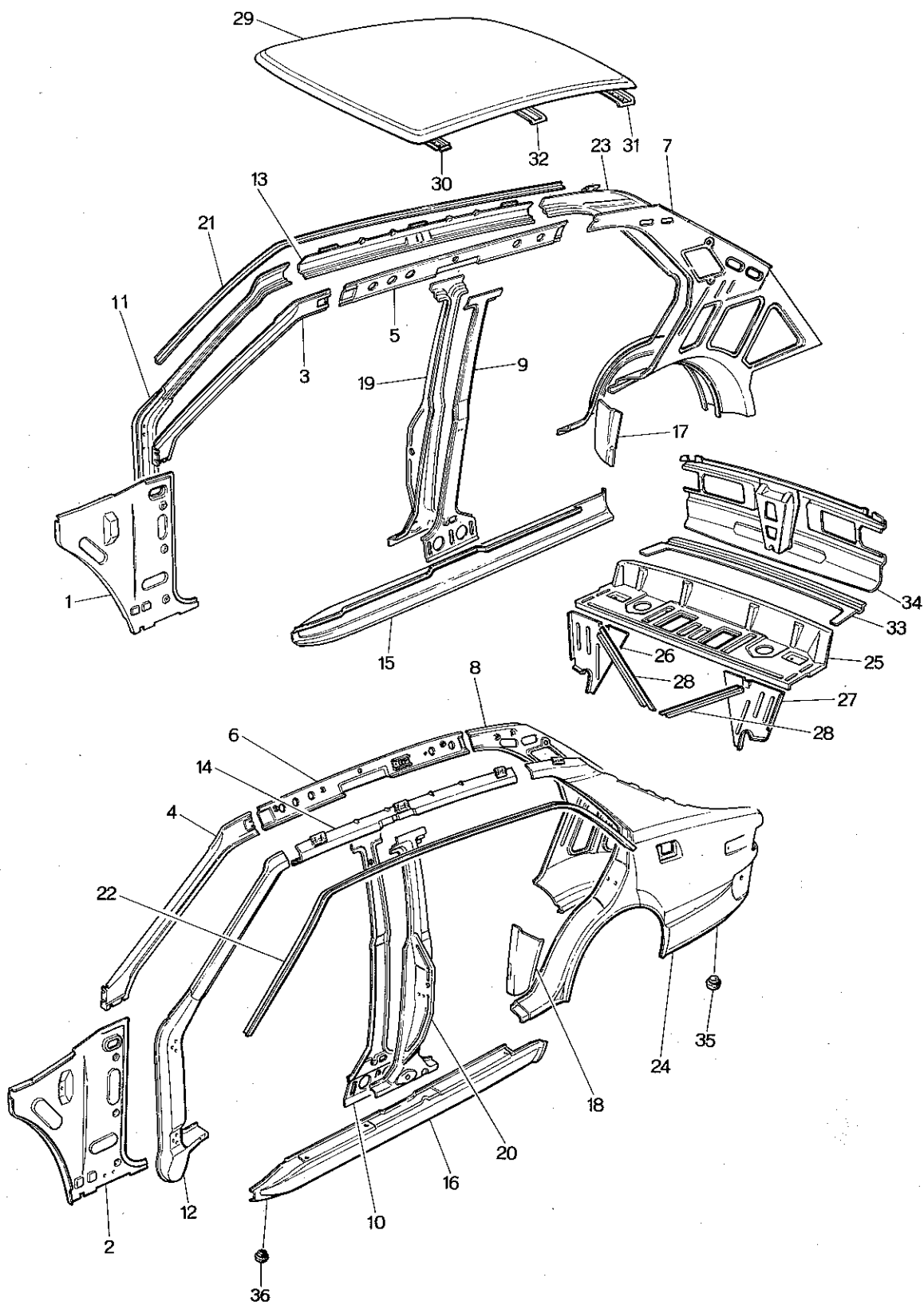
\_\_\_\_\_



53

54

# BODY PANELS (SIDE, SEDAN)



# BODY PANELS (SIDE, SEDAN)

53

54

| No. | Part Number             | Description                         | Q'ty         | Remarks                 |
|-----|-------------------------|-------------------------------------|--------------|-------------------------|
| 1   | 0866 53 320             | Panel (R), Cowl Side (R.H.D.)       | 1            |                         |
|     | 1524 53 320A            | Panel (R), Cowl Side (L.H.D.)       | 1            |                         |
| 2   | 0866 54 320             | Panel (L), Cowl Side (R.H.D.)       | 1            |                         |
|     | 1524 54 320A            | Panel (L), Cowl Side (L.H.D.)       | 1            |                         |
|     | 1524 54 320B            | Panel (L), Cowl Side (L.H.D.)       | 1            | Car. No. 140779 7/2 ~ O |
| 3   | 0866 53 330             | Pillar (R), Front Inner             | 1            |                         |
| 4   | 0866 54 330             | Pillar (L), Front Inner             | 1            |                         |
| 5   | 0866 53 340A            | Rail (R), Roof Inner                | 1            | 1558 Excluded           |
| ●   | 0866 53 340B            | Rail (R), Roof- Inner               | 1            | 7/1 ~ O                 |
|     | 1504 53 340B            | Rail (R), Roof Inner                | 1            | 1558                    |
| 6   | 0866 54 340             | Rail (L), Roof Inner                | 1            | 1558 Excluded           |
| ●   | 0866 54 340A            | Rail (L), Roof Inner                | 1            | 7/1 ~ O                 |
|     | 1504 54 340A            | Rail (L), Roof Inner                | 1            | 1558                    |
| 7   | <del>0866 53 350A</del> | <del>Pillar (R), Rear Inner</del>   | <del>1</del> |                         |
|     | 1531 53 350C            | Pillar (R), Rear Inner (For E.C.E.) | 1            |                         |
| 8   | <del>0866 54 350A</del> | <del>Pillar (L), Rear Inner</del>   | <del>1</del> |                         |
|     | 1531 54 350C            | Pillar (L), Rear Inner (For E.C.E.) | 1            |                         |
| 9   | 0866 53 381             | Pillar (R), Center- Inner           | 1            |                         |
| ●   | 0866 53 381A            | Pillar (R), Center- Inner           | 1            | 7/1 ~ O                 |
| 10  | 0866 54 381             | Pillar (L), Center- Inner           | 1            |                         |

**53****54****BODY PANELS (SIDE, SEDAN)**

| No. | Part Number            | Description                                | Q'ty         | Remarks               |
|-----|------------------------|--|--------------|-----------------------|
| ●   | 0866 54 381 A          | Pillar (L), Center-Inner                   | 1            | 7/11~O                |
| 11  | <del>0370 53 410</del> | <del>Pillar (R), Hinge Outer</del>         | <del>1</del> |                       |
|     | 0866 53 410            | Pillar (R), Hinge Outer                    | 1            | From Car No. 1        |
| 12  | 0866 54 410            | Pillar (L), Hinge Outer (R.H.D.)           | 1            |                       |
|     | 1524 54 410            | Pillar (L), Hinge Outer (L.H.D.)           | 1            |                       |
| 13  | 0866 53 430            | Rail (R), Roof Outer                       | 1            |                       |
| 14  | 0866 54 430            | Rail (L), Roof Outer                       | 1            |                       |
| ✓   | 0866 53 451            | Sill (R), Side Outer                       | 1            |                       |
| ✓   | 0866 54 451            | Sill (L), Side Outer                       | 1            |                       |
| 17  | 0866 53 452            | Plate (R), Filler                          | 1            |                       |
| 18  | 0866 54 452            | Plate (L), Filler                          | 1            |                       |
| 19  | 0866 53 500            | Pillar (R), Center-Outer                   | 1            |                       |
|     | 0866 53 500 A          | Pillar (R), Center-Outer                   | 1            | Car No. 157735 7/10~△ |
| 20  | 0866 54 500            | Pillar (L), Center-Outer                   | 1            |                       |
|     | 0866 54 500 A          | Pillar (L), Center-Outer                   | 1            | Car No. 157735 7/10~△ |
| 21  | 0866 53 591            | Rail (R), Rain                             | 1            |                       |
| 22  | 0866 54 591            | Rail (L), Rain                             | 1            |                       |
| 23  | <del>0866 53 600</del> | <del>Panel (R), Rear Fender (R.H.D.)</del> | <del>1</del> |                       |
|     | 0866 53 600 B          | Panel (R), Rear Fender (L.H.D.)            | 1            |                       |
| ✓   | 0866 74 100            | Panel (R), Rear Fender                     | 1            | From Car No. 1        |

# BODY PANELS (SIDE, SEDAN)

53

54

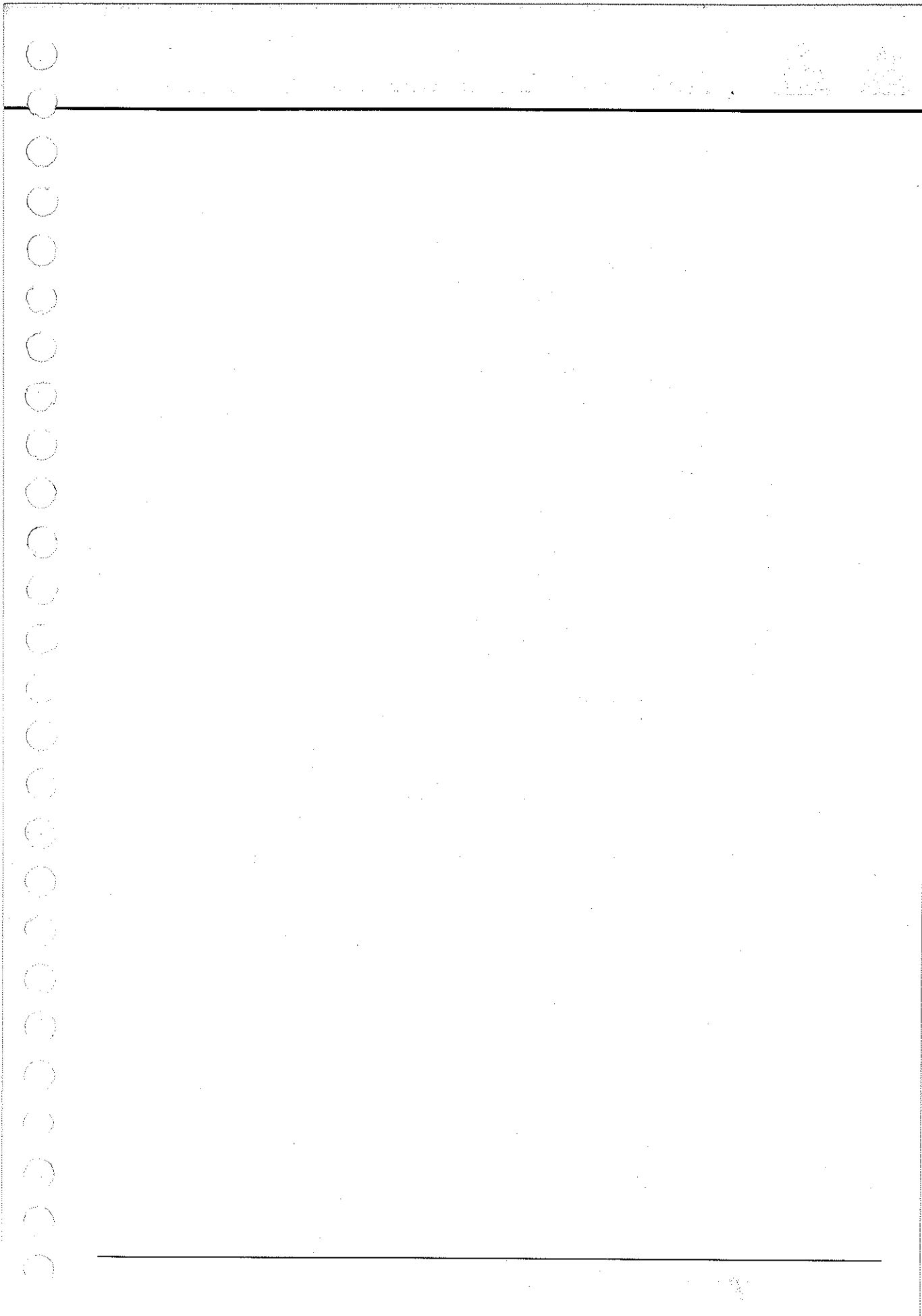
| No.           | Part Number            | Description  | Q'ty         | Remarks                          |
|---------------|------------------------|--|--------------|----------------------------------|
| <del>24</del> | <del>0866 54 600</del> | <del>Panel (L), Rear Fender (R.H.D.)</del>         | <del>1</del> |                                  |
|               | 0866 54 600A           | Panel (L), Rear Fender <del>(R.H.D.)</del>         | 1            |                                  |
|               | ✓ 0866 74 130          | Panel (L), Rear Fender                             | 1            | From Car No. 1                   |
| 25            | 0866 53 810B           | Tray, Package                                      | 1            |                                  |
|               | ● 0866 53 810C         | Tray, Package                                      | 1            | Car No. 160378 $\frac{7}{12}$ ~△ |
| 26            | 0866 53 830A           | Brace (R), Side                                    | 1            |                                  |
| 27            | 0866 54 830A           | Brace (L), Side                                    | 1            |                                  |
| 28            | 0866 53 845            | Brace, Diagonal                                    | 2            |                                  |
| ✓ 29          | 0866 53 901            | Panel, Roof  | 1            |                                  |
| ✓             | 0866 74 030            | Panel, Roof  | 1            | From Car No. 1 $\frac{7}{11}$ ~○ |
| 30            | 0866 53 920            | Header, Front                                      | 1            |                                  |
| 31            | 0866 53 941            | Header, Rear                                       | 1            |                                  |
| 32            | 0866 53 950            | Reinforcement, Roof                                | 1            |                                  |
| ✓ 33          | 0866 53 991            | Panel, Rear Deck                                   | 1            |                                  |
| ✓             | 0866 74 050            | Panel, Rear Deck                                   | 1            | From Car No. 1 $\frac{7}{11}$ ~○ |
| 34            | 1524 70 050            | Panel, Rear End                                    | 1            |                                  |
| 35            | 0259 53 455            | Plug, Drain (Side Seal Outer...6, Rear Fender...2) | 8            |                                  |
| 36            | 0118 56 242B           | Plug, Drain  | 2            |                                  |



# BOY SCOUTS OF AMERICA

| Unit Number | Unit Name   | Area   | Year | Status |
|-------------|-------------|--------|------|--------|
| 1001        | 1st Troop   | Area A | 1998 | Active |
| 1002        | 2nd Troop   | Area A | 1998 | Active |
| 1003        | 3rd Troop   | Area A | 1998 | Active |
| 1004        | 4th Troop   | Area A | 1998 | Active |
| 1005        | 5th Troop   | Area A | 1998 | Active |
| 1006        | 6th Troop   | Area A | 1998 | Active |
| 1007        | 7th Troop   | Area A | 1998 | Active |
| 1008        | 8th Troop   | Area A | 1998 | Active |
| 1009        | 9th Troop   | Area A | 1998 | Active |
| 1010        | 10th Troop  | Area A | 1998 | Active |
| 1011        | 11th Troop  | Area A | 1998 | Active |
| 1012        | 12th Troop  | Area A | 1998 | Active |
| 1013        | 13th Troop  | Area A | 1998 | Active |
| 1014        | 14th Troop  | Area A | 1998 | Active |
| 1015        | 15th Troop  | Area A | 1998 | Active |
| 1016        | 16th Troop  | Area A | 1998 | Active |
| 1017        | 17th Troop  | Area A | 1998 | Active |
| 1018        | 18th Troop  | Area A | 1998 | Active |
| 1019        | 19th Troop  | Area A | 1998 | Active |
| 1020        | 20th Troop  | Area A | 1998 | Active |
| 1021        | 21st Troop  | Area A | 1998 | Active |
| 1022        | 22nd Troop  | Area A | 1998 | Active |
| 1023        | 23rd Troop  | Area A | 1998 | Active |
| 1024        | 24th Troop  | Area A | 1998 | Active |
| 1025        | 25th Troop  | Area A | 1998 | Active |
| 1026        | 26th Troop  | Area A | 1998 | Active |
| 1027        | 27th Troop  | Area A | 1998 | Active |
| 1028        | 28th Troop  | Area A | 1998 | Active |
| 1029        | 29th Troop  | Area A | 1998 | Active |
| 1030        | 30th Troop  | Area A | 1998 | Active |
| 1031        | 31st Troop  | Area A | 1998 | Active |
| 1032        | 32nd Troop  | Area A | 1998 | Active |
| 1033        | 33rd Troop  | Area A | 1998 | Active |
| 1034        | 34th Troop  | Area A | 1998 | Active |
| 1035        | 35th Troop  | Area A | 1998 | Active |
| 1036        | 36th Troop  | Area A | 1998 | Active |
| 1037        | 37th Troop  | Area A | 1998 | Active |
| 1038        | 38th Troop  | Area A | 1998 | Active |
| 1039        | 39th Troop  | Area A | 1998 | Active |
| 1040        | 40th Troop  | Area A | 1998 | Active |
| 1041        | 41st Troop  | Area A | 1998 | Active |
| 1042        | 42nd Troop  | Area A | 1998 | Active |
| 1043        | 43rd Troop  | Area A | 1998 | Active |
| 1044        | 44th Troop  | Area A | 1998 | Active |
| 1045        | 45th Troop  | Area A | 1998 | Active |
| 1046        | 46th Troop  | Area A | 1998 | Active |
| 1047        | 47th Troop  | Area A | 1998 | Active |
| 1048        | 48th Troop  | Area A | 1998 | Active |
| 1049        | 49th Troop  | Area A | 1998 | Active |
| 1050        | 50th Troop  | Area A | 1998 | Active |
| 1051        | 51st Troop  | Area A | 1998 | Active |
| 1052        | 52nd Troop  | Area A | 1998 | Active |
| 1053        | 53rd Troop  | Area A | 1998 | Active |
| 1054        | 54th Troop  | Area A | 1998 | Active |
| 1055        | 55th Troop  | Area A | 1998 | Active |
| 1056        | 56th Troop  | Area A | 1998 | Active |
| 1057        | 57th Troop  | Area A | 1998 | Active |
| 1058        | 58th Troop  | Area A | 1998 | Active |
| 1059        | 59th Troop  | Area A | 1998 | Active |
| 1060        | 60th Troop  | Area A | 1998 | Active |
| 1061        | 61st Troop  | Area A | 1998 | Active |
| 1062        | 62nd Troop  | Area A | 1998 | Active |
| 1063        | 63rd Troop  | Area A | 1998 | Active |
| 1064        | 64th Troop  | Area A | 1998 | Active |
| 1065        | 65th Troop  | Area A | 1998 | Active |
| 1066        | 66th Troop  | Area A | 1998 | Active |
| 1067        | 67th Troop  | Area A | 1998 | Active |
| 1068        | 68th Troop  | Area A | 1998 | Active |
| 1069        | 69th Troop  | Area A | 1998 | Active |
| 1070        | 70th Troop  | Area A | 1998 | Active |
| 1071        | 71st Troop  | Area A | 1998 | Active |
| 1072        | 72nd Troop  | Area A | 1998 | Active |
| 1073        | 73rd Troop  | Area A | 1998 | Active |
| 1074        | 74th Troop  | Area A | 1998 | Active |
| 1075        | 75th Troop  | Area A | 1998 | Active |
| 1076        | 76th Troop  | Area A | 1998 | Active |
| 1077        | 77th Troop  | Area A | 1998 | Active |
| 1078        | 78th Troop  | Area A | 1998 | Active |
| 1079        | 79th Troop  | Area A | 1998 | Active |
| 1080        | 80th Troop  | Area A | 1998 | Active |
| 1081        | 81st Troop  | Area A | 1998 | Active |
| 1082        | 82nd Troop  | Area A | 1998 | Active |
| 1083        | 83rd Troop  | Area A | 1998 | Active |
| 1084        | 84th Troop  | Area A | 1998 | Active |
| 1085        | 85th Troop  | Area A | 1998 | Active |
| 1086        | 86th Troop  | Area A | 1998 | Active |
| 1087        | 87th Troop  | Area A | 1998 | Active |
| 1088        | 88th Troop  | Area A | 1998 | Active |
| 1089        | 89th Troop  | Area A | 1998 | Active |
| 1090        | 90th Troop  | Area A | 1998 | Active |
| 1091        | 91st Troop  | Area A | 1998 | Active |
| 1092        | 92nd Troop  | Area A | 1998 | Active |
| 1093        | 93rd Troop  | Area A | 1998 | Active |
| 1094        | 94th Troop  | Area A | 1998 | Active |
| 1095        | 95th Troop  | Area A | 1998 | Active |
| 1096        | 96th Troop  | Area A | 1998 | Active |
| 1097        | 97th Troop  | Area A | 1998 | Active |
| 1098        | 98th Troop  | Area A | 1998 | Active |
| 1099        | 99th Troop  | Area A | 1998 | Active |
| 1100        | 100th Troop | Area A | 1998 | Active |

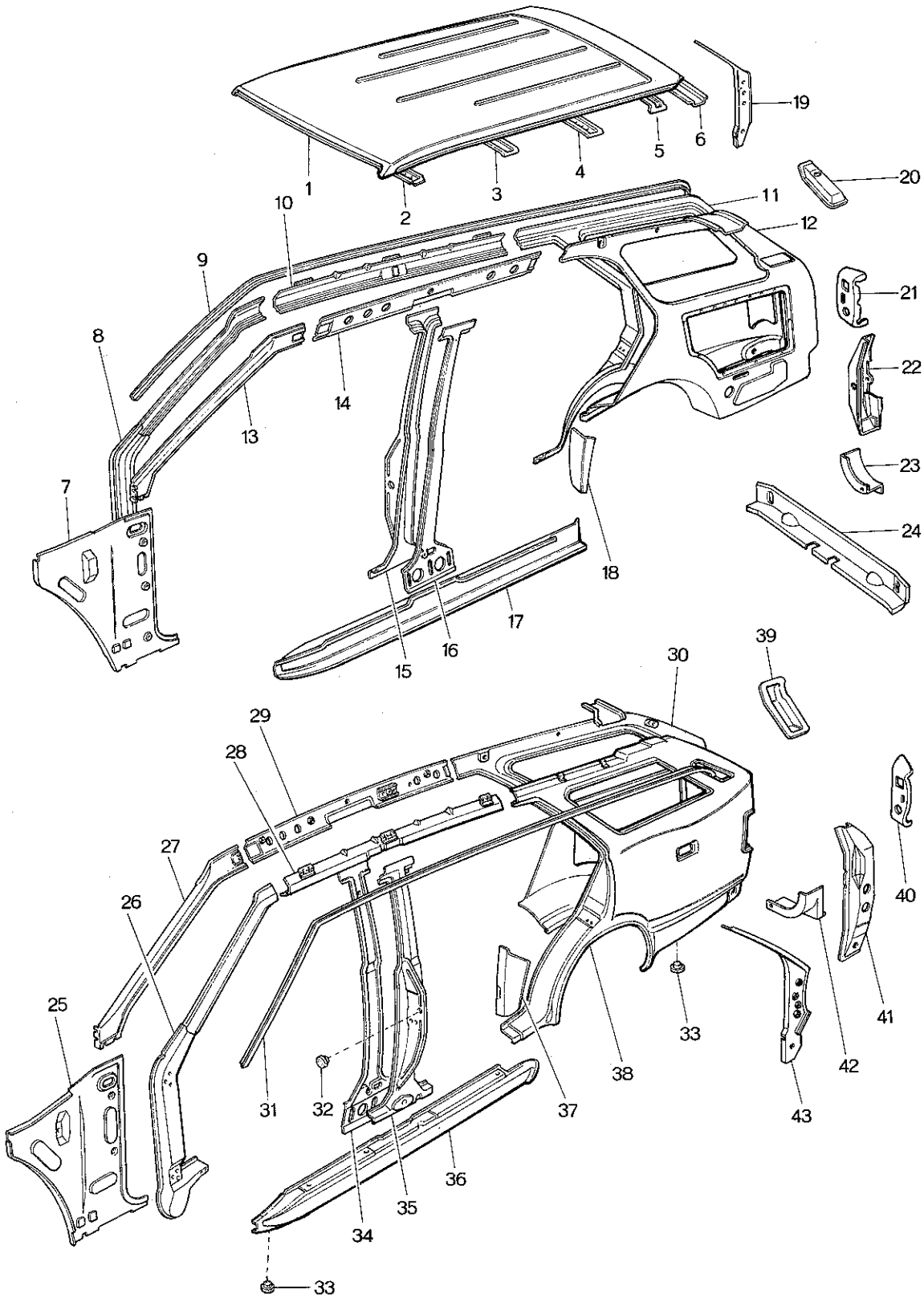




53

54

# BODY PANELS (SIDE, STATION WAGON)



# BODY PANELS (SIDE, STATION WAGON)

53

54

| No. | Part Number  | Description              | Q'ty | Remarks |
|-----|--------------|--------------------------|------|---------|
| ✓1  | 0585 74 030  | Panel, Roof              | 1    |         |
| ✓2  | 0866 53 920  | Header, Rear             | 1    |         |
| ✓3  | 0866 53 950  | Reinforcement, Roof      | 1    |         |
| ✓4  | 0866 53 951  | Reinforcement, Roof      | 1    |         |
| ✓5  | 0585 53 970A | Reinforcement, Roof      | 1    |         |
| ✓6  | 0585 53 941  | Header, Rear             | 1    |         |
| ✓7  | 0866 53 320  | Panel (R), Cowl Side     | 1    |         |
| ✓8  | 0866 74 090  | Pillar (R), Hinge Outer  | 1    |         |
| ✓9  | 0585 53 591  | Rail (R), Rain           | 1    |         |
| ✓10 | 0585 53 430  | Rail (R), Roof Outer     | 1    |         |
| ✓11 | 1529 53 600A | Panel (R), Rear Fender   | 1    |         |
| ✓12 | 0585 53 310  | Panel (R), Inside        | 1    |         |
| ✓13 | 0866 53 330  | Pillar (R), Front Inner  | 1    |         |
| ✓14 | 0585 53 340  | Rail (R), Roof Inner     | 1    |         |
| ✓15 | 0866 53 500A | Pillar (R), Center-Outer | 1    |         |
| ✓16 | 0866 53 381  | Pillar (R), Center-Inner | 1    |         |
| ✓17 | 0866 53 451  | Sill (R), Side Outer     | 1    |         |
| ✓18 | 0866 53 452  | Plate (R), Filler        | 1    |         |
| ✓19 | 0585 53 670A | Pillar (R), Rear Outer   | 1    |         |
| ✓20 | 0585 53 480B | Chamber (R)              | 1    |         |

53

54

# BODY PANELS (SIDE, STATION WAGON)

| No.  | Part Number  | Description                                     | Q'ty | Remarks |
|------|--------------|---|------|---------|
| ✓ 21 | 0585 53 651  | Housing (R), Lamp                               | 1    |         |
| ✓ 22 | 0585 53 680A | Reinforcement (R)                               | 1    |         |
| ✓ 23 | 0585 53 691  | Junction (R), Corner                            | 1    |         |
| ✓ 24 | 0585 53 701A | Crossmember, Rear Outer                         | 1    |         |
| ✓ 25 | 0866 54 320  | Panel (L), Cowl Side                            | 1    |         |
| ✓ 26 | 0866 74 120  | Pillar (L), Hinge Outer                         | 1    |         |
| ✓ 27 | 0866 54 330  | Pillar (L), Front Inner                         | 1    |         |
| ✓ 28 | 0585 54 430  | Rail (L), Roof Outer                            | 1    |         |
| ✓ 29 | 0585 54 340  | Rail (L), Roof Inner                            | 1    |         |
| ✓ 30 | 0585 54 310A | Panel (L), Inside                               | 1    |         |
| ✓ 31 | 0585 54 591  | Rail (L), Rain                                  | 1    |         |
| ✓ 32 | 0118 56 242B | Plug, Drain-Center Pillar                       | 2    |         |
| ✓ 33 | 0259 53 455  | Plug, Drain (Side Sill ...6, Rear Fender ... 2) | 8    |         |
| ✓ 34 | 0866 54 381  | Pillar (L), Center-Inner                        | 1    |         |
| ✓ 35 | 0866 54 500A | Pillar (L), Center-Outer                        | 1    |         |
| ✓ 36 | 0866 54 451  | Sill (L), Side Outer                            | 1    |         |
| ✓ 37 | 0866 54 452  | Plate (L), Filler                               | 1    |         |
| ✓ 38 | 1529 54 600A | Panel (L), Rear Fender                          | 1    |         |
| ✓ 39 | 0585 54 480B | Chamber (L)                                     | 1    |         |
| ✓ 40 | 0585 54 651  | Housing (L), Lamp                               | 1    |         |

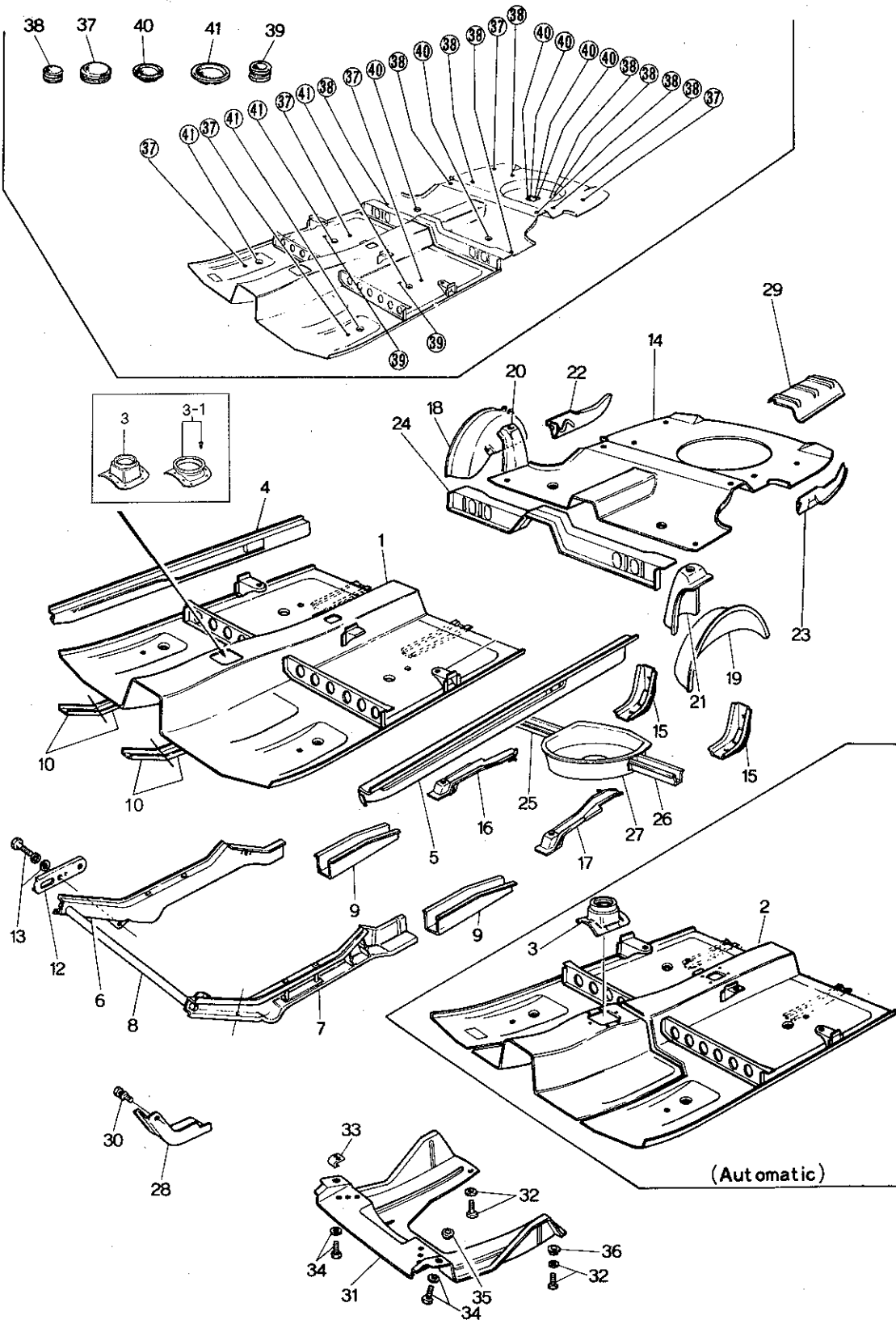
# BODY PANELS (SIDE, STATION WAGON)

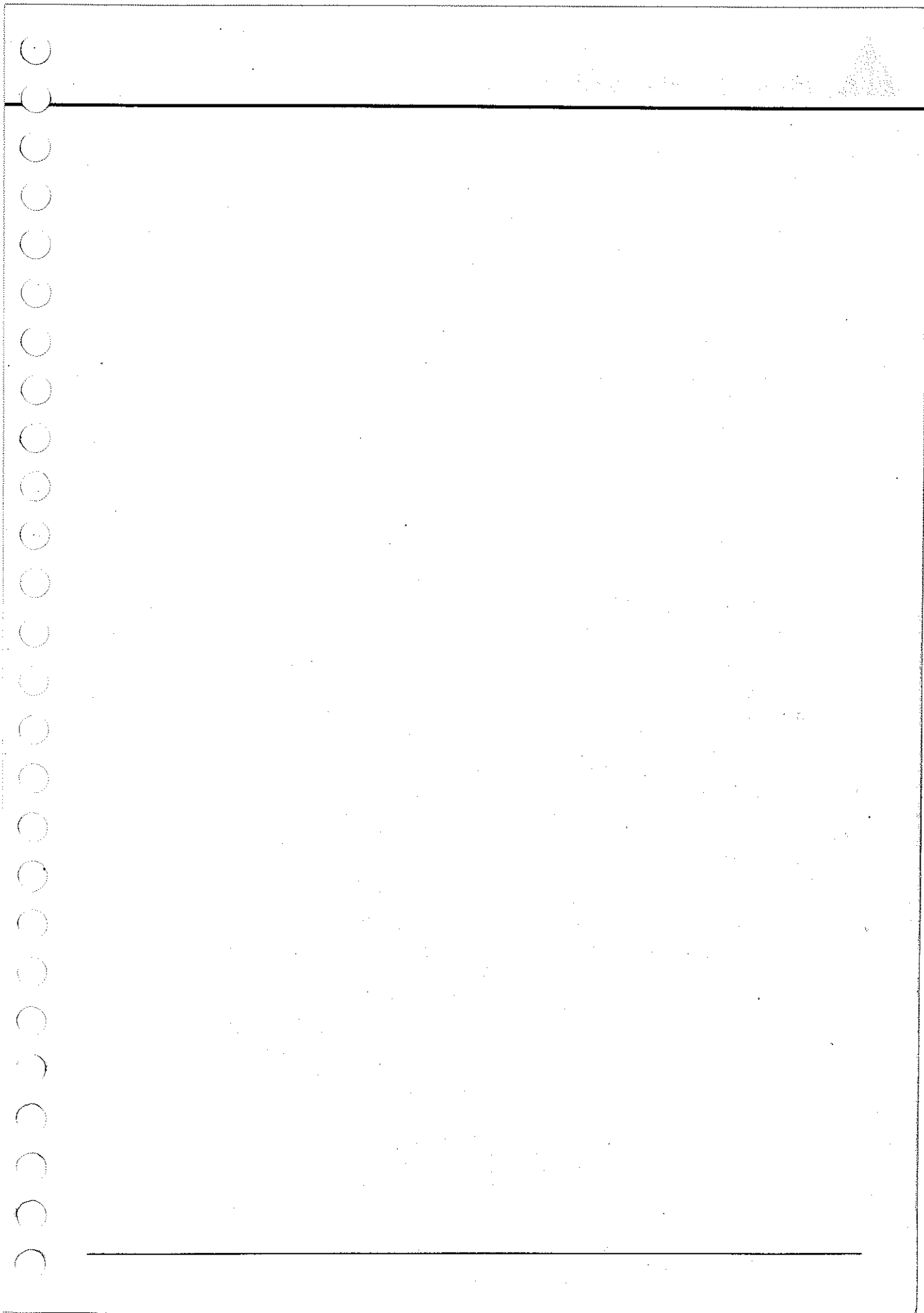
53

54

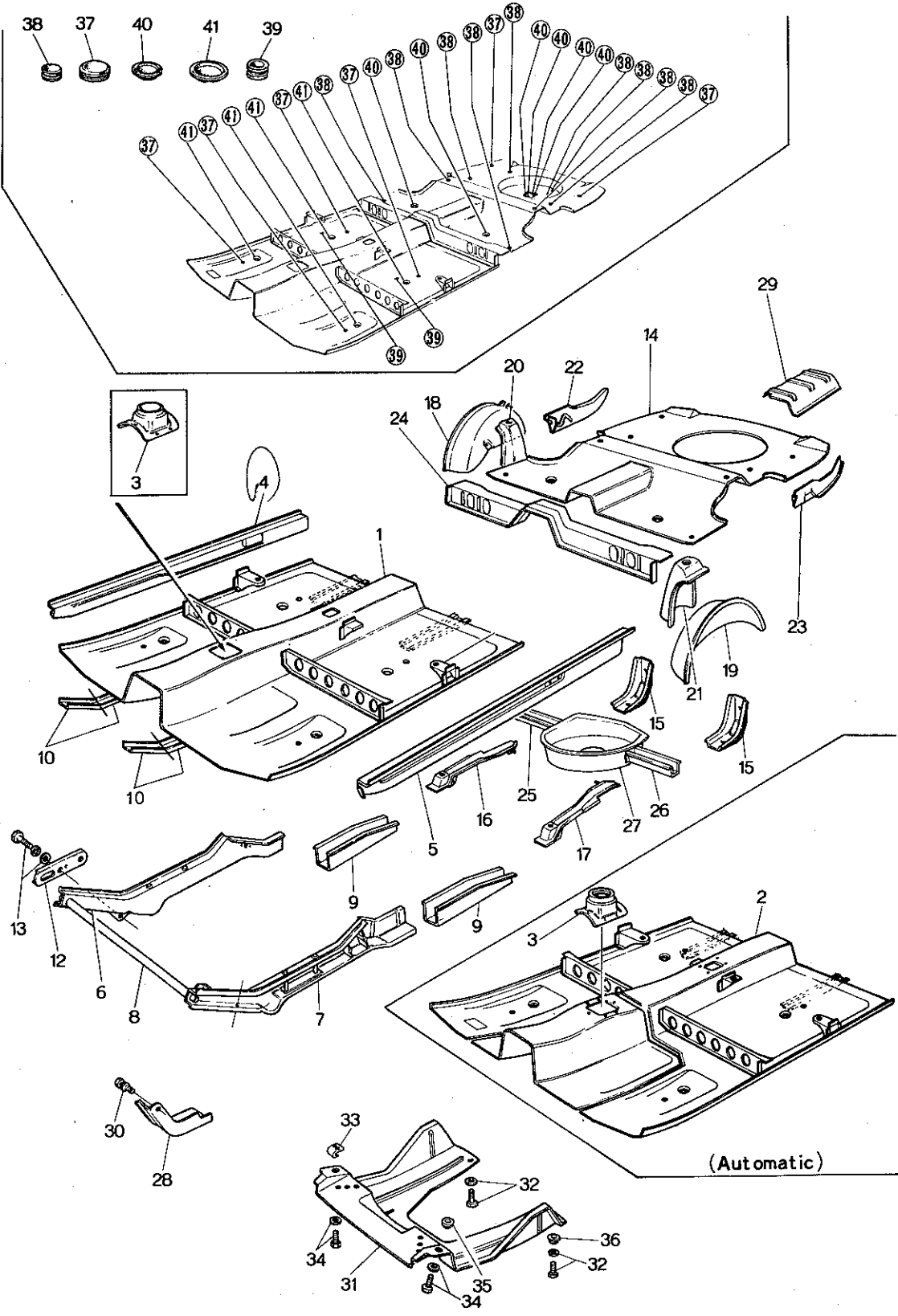
| No.  | Part Number  | Description            | Q'ty | Remarks |
|------|--------------|------------------------|------|---------|
| ✓ 41 | 0585 54 660A | Reinforcement (L)      | 1    |         |
| ✓ 42 | 0585 54 691  | Junction (L), Corner   | 1    |         |
| ✓ 43 | 0585 54 670A | Pillar (L), Rear Outer | 1    |         |

**BODY PANELS (FLOOR)(SEDAN & COUPE)**





BODY PANELS (FLOOR)





# BODY PANELS (FLOOR) (SEDAN & COUPE)

56

| No. | Part Number             | Description                       | Q'ty         | Remarks                          |                |
|-----|-------------------------|-----------------------------------|--------------|----------------------------------|----------------|
| 1   | 0866 56 010G            | Pan, Front Floor, Manual (R.H.D.) | 1            |                                  |                |
|     | 0866 56 010 I           | Pan, Front Floor, Manual (R.H.D.) | 1            | Car No. 150526 $\frac{7}{8}$ ~○  |                |
|     | 0870 56 010             | Pan, Front Floor, Manual (R.H.D.) | 1            | Car No. 152816 $\frac{7}{8}$ ~○  |                |
|     | 1128 56 010A            | Pan, Front Floor, Manual (R.H.D.) | 1            | Car No. 160623 $\frac{7}{10}$ ~× |                |
|     | 1562 56 010D            | Pan, Front Floor (L.H.D.)         | 1            |                                  |                |
|     | 1562 56 010E            | Pan, Front Floor (L.H.D.)         | 1            | Car No. 150526 $\frac{7}{8}$ ~○  |                |
|     | 1562 56 010F            | Pan, Front Floor (L.H.D.)         | 1            | Car No. 152816 $\frac{7}{8}$ ~○  |                |
|     | 1128 56 010A            | Pan, Front Floor (L.H.D.)         | 1            | Car No. 160623 $\frac{7}{10}$ ~× |                |
| 2   | 0871 56 010G            | Pan, Front Floor (Automatic)      | 1            |                                  |                |
| ●   | 0871 56 010H            | Pan, Front Floor (Automatic)      | 1            | $\frac{7}{8}$ ~○                 |                |
| 3   | 0866 56 981             | Insulator                         | 1            |                                  |                |
| 3-1 | <del>0376 68 832A</del> | <del>Set, Boot</del>              | <del>1</del> | } (Manual)                       |                |
| ●   | 0367 68 832A            | Seat, Set-Boot                    | 1            |                                  | From Car No. 1 |
|     | 99864 0512              | Screw, Tapping                    | 6            |                                  |                |
| 4   | 0376 56 080B            | Sill (R), Side-Inner (Coupe)      | 1            |                                  |                |
|     | 0376 56 080C            | Sill (R), Side-Inner (Coupe)      | 1            | Car No. 133210 $\frac{7}{11}$ ~○ |                |
|     | 0866 56 080B            | Sill (R), Side-Inner (Sedan)      | 1            |                                  |                |
|     | 0866 56 080C            | Sill (R), Side-Inner (Sedan)      | 1            | Car No. 133210 $\frac{7}{11}$ ~○ |                |
|     | 0866 56 080D            | Sill (R), Side-Inner (Sedan)      | 1            | $\frac{7}{10}$ ~○                |                |
| 5   | 0376 56 580A            | Sill (L), Side-Inner (Coupe)      | 1            |                                  |                |
|     | 0866 56 580A            | Sill (L), Side-Inner (Sedan)      | 1            |                                  |                |
|     | 0866 56 580B            | Sill (L), Side-Inner (Sedan)      | 1            | $\frac{7}{10}$ ~○                |                |

# BODY PANELS (FLOOR) (SEDAN & COUPE)

| No. | Part Number  | Description                | Q'ty | Remarks                         |
|-----|--------------|----------------------------|------|---------------------------------|
| 6   | 1511 56 110D | Frame (R), Front (R.H.D.)  | 1    |                                 |
|     | 1511 56 110E | Frame (R), Front (R.H.D.)  | 1    | Car No. 135808 $\frac{7}{2}$ ~○ |
|     | 1511 56 110F | Frame (R), Front (R.H.D.)  | 1    | Car No. 148513 $\frac{7}{6}$ ~○ |
|     | 0866 56 110H | Frame (R), Front (R.H.D.)  | 1    | $\frac{7}{10}$ ~○               |
|     | 1524 56 110F | Frame (R), Front (L.H.D.)  | 1    |                                 |
|     | 1524 56 110G | Frame (R), Front (L.H.D.)  | 1    | Car No. 135808 $\frac{7}{2}$ ~○ |
|     | 1524 56 110H | Frame (R), Front (L.H.D.)  | 1    | Car No. 148513 $\frac{7}{6}$ ~○ |
| 7   | 1511 56 610  | Frame (L), Front (R.H.D.)  | 1    |                                 |
|     | 1511 56 610A | Frame (L), Front (R.H.D.)  | 1    | Car No. 135808 $\frac{7}{2}$ ~○ |
|     | 1511 56 610B | Frame (L), Front (R.H.D.)  | 1    | Car No. 148513 $\frac{7}{6}$ ~○ |
|     | 0866 56 610D | Frame (L), Front (R.H.D.)  | 1    | $\frac{7}{10}$ ~○               |
|     | 1524 56 610C | Frame (L), Front (L.H.D.)  | 1    |                                 |
|     | 1524 56 610D | Frame (L), Front (L.H.D.)  | 1    | Car No. 135808 $\frac{7}{2}$ ~○ |
|     | 1524 56 610E | Frame (L), Front (L.H.D.)  | 1    | Car No. 148513 $\frac{7}{6}$ ~○ |
| 8   | 0866 56 171  | Member No. 1, Cross        | 1    |                                 |
|     | 0866 56 171A | Member No. 1, Cross        | 1    | $\frac{7}{6}$ ~○                |
| 9   | 0866 56 181A | Frame "B", Front (L)       | 1    |                                 |
|     | 0866 56 180  | Frame "B", Front (R)       | 1    |                                 |
| 10  | 1524 56 117  | Reinforcement "A" (L.H.D.) | 2    |                                 |
|     | 1524 56 118  | Reinforcement "B" (L.H.D.) | 2    |                                 |

# BODY PANELS (FLOOR) (SEDAN & COUPE)

56

| No. | Part Number  | Description                   | Q'ty | Remarks                           |
|-----|--------------|-------------------------------|------|-----------------------------------|
| 12  | 0866 78 541  | Hook, Front & Rear Frame      | 2    |                                   |
| 13  | 99781 1028   | Bolt, Hook                    | 2    |                                   |
|     | 99951 1022   | Washer, Plain                 | 2    |                                   |
|     | 99971 1000   | Washer, Spring                | 2    |                                   |
| 14  | 0866 56 210C | Pan, Rear Floor               | 1    |                                   |
|     | 0866 56 200C | Pan, Rear Floor               | 1    | $\frac{7}{32}$ ~○                 |
| 15  | 0866 58 215  | Bracket, Bumper               | 2    |                                   |
| 16  | 0866 56 310A | Frame (R), Rear               | 1    |                                   |
|     | 0866 56 310B | Frame (R), Rear               | 1    | Car. No. 164105 $\frac{7}{16}$ ~△ |
| 17  | 0866 56 810A | Frame (L), Rear               | 1    |                                   |
|     | 0866 56 810B | Frame (L), Rear               | 1    | Car. No. 164105 $\frac{7}{16}$ ~△ |
| 18  | 0866 56 330  | Panel (R), Wheel House        | 1    |                                   |
| 19  | 0866 56 830  | Panel (L), Wheel House        | 1    |                                   |
| 20  | 0866 56 350  | Bracket (R), Damper           | 1    |                                   |
| 21  | 0866 56 850  | Bracket (L), Damper           | 1    |                                   |
| 22  | 0866 56 381  | Panel (R), Floor Side (Sedan) | 1    |                                   |
|     | 0866 56 381A | Panel (R), Floor Side (Sedan) | 1    | $\frac{7}{16}$ ~○                 |
|     | 0378 56 381  | Panel (R), Floor Side (Coupe) | 1    |                                   |
|     | 0376 56 381A | Panel (R), Floor Side (Coupe) | 1    | $\frac{7}{16}$ ~○                 |

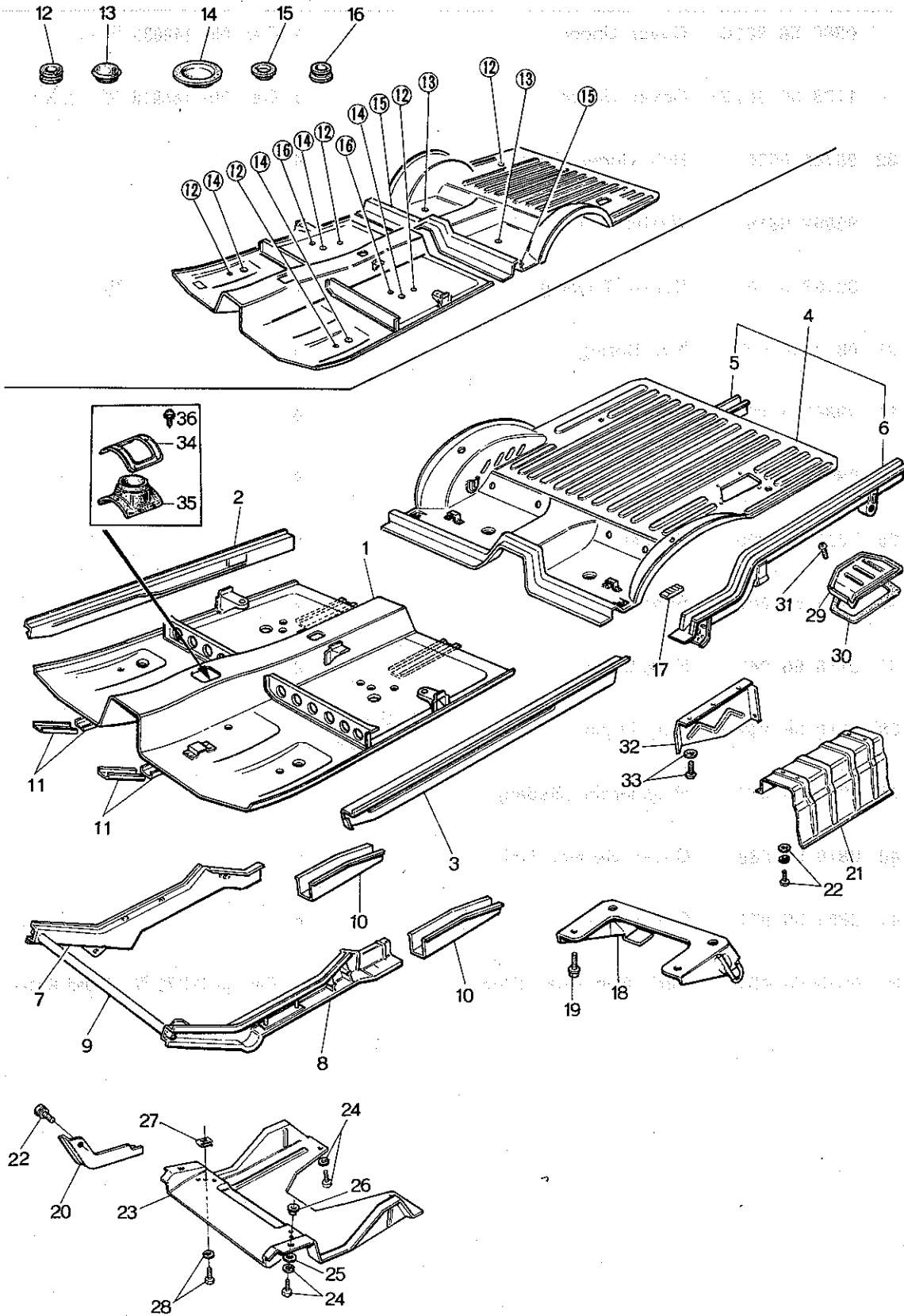
# BODY PANELS (FLOOR) (SEDAN & COUPE)

| No. | Part Number  | Description                   | Q'ty | Remarks                           |
|-----|--------------|-------------------------------|------|-----------------------------------|
| 23  | 0866 56 881  | Panel (L), Floor Side (Sedan) | 1    |                                   |
|     | 0866 56 881A | Panel (L), Floor Side (Sedan) | 1    | $\frac{73}{6}$ ~○                 |
|     | 0376 56 881  | Panel (L), Floor Side (Coupe) | 1    |                                   |
|     | 0376 56 881A | Panel (L), Floor Side (Coupe) | 1    | $\frac{73}{6}$ ~○                 |
| 24  | 0866 56 400  | Member No. 3, Cross           | 1    |                                   |
| 25  | 0866 56 450A | Member No. 4 (R), Cross       | 1    |                                   |
| 26  | 0866 56 470A | Member No. 4 (L), Cross       | 1    |                                   |
| 27  | 0866 56 481A | Pan, Spare Tire               | 1    |                                   |
| 28  | 0866 56 701  | Insulator No. 1 (Manual)      | 1    |                                   |
|     | 0866 56 701A | Insulator No. 1 (Manual)      | 1    | Car No. 150526 $\frac{73}{8}$ ~○  |
|     | 0866 56 701B | Insulator No. 1 (Manual)      | 1    | $\frac{73}{10}$ ~○                |
|     | 0871 56 701  | Insulator No. 1 (Automatic)   | 1    |                                   |
|     | 0871 56 701A | Insulator No. 1 (Automatic)   | 1    | Car No. 127396 $\frac{73}{12}$ ~○ |
|     | 0871 56 701B | Insulator No. 1 (Automatic)   | 1    | $\frac{73}{8}$ ~○                 |
| 29  | 0866 56 702  | Insulator No. 2               | 1    |                                   |
| 30  | 99804 0614   | Bolt, Insulator               | 7    |                                   |
|     | 99952 0600   | Washer, Plain                 | 7    |                                   |
|     | 99971 0600   | Washer, Spring                | 7    |                                   |
|     | 90786 0612   | Screw, Tapping                | 7    | $\frac{73}{10}$ ~○                |
| 31  | 0866 56 901B | Cover, Under                  | 1    |                                   |

# BODY PANELS (FLOOR) (SEDAN & COUPE)

| No. | Part Number    | Description           | Q'ty                     | Remarks  |
|-----|----------------|-----------------------|--------------------------|--|
|     | 0866 56 901C   | Cover, Under          | 1                        | Car No. 149635 $\frac{7}{8}$ "~○                                     |
| ●   | ✓ 1128 56 901B | Cover, Under          | 1                        | Car No. 164916 $\frac{7}{8}$ "~ <del>1/2</del> X HPD256<br>(3-04-76) |
| 32  | 99785 0620     | Bolt, Under Cover     | 4                        | }  |
|     | 99952 0618     | Washer, Plain         | 4                        |  |
| ●   | 90786 0616     | Screw, Tapping        | 4                        | $\frac{7}{10}$ "~○   |
| 33  | 0820 56 905    | Nut, Spring           | 4                        |  |
| 34  | 99863 0516     | Screw                 | 4                        |  |
|     | 99952 0500     | Washer, Plain         | 4                        |  |
| 35  | 0820 56 906    | Spacer                | 2                        |  |
| 36  | 0223 52 007    | Spacer                | 2                        |  |
| 37  | 0118 56 241    | Plug, Drain           | 6                        |  |
| 38  | 0118 56 242B   | Plug, Drain           | (Sedan) 10<br>(Coupe) 11 |  |
| 39  | 0208 56 615    | Plug, Drain (Sedan)   | 2                        |  |
| 40  | 0810 56 639    | Cover, Service Hole   | 6                        |  |
| 41  | 0866 56 971    | Cover, Hole           | 4                        |  |
| Ⓝ   | 0866 56 489    | Pad (Pan, Rear Floor) | 4                        | Car No. 131172 $\frac{7}{8}$ "~Added Anew                            |

**BODY PANELS (FLOOR) (STATION WAGON)**



# BODY PANELS (FLOOR) (STATION WAGON)

**56**

| No.  | Part Number  | Description          | Q'ty | Remarks     |
|------|--------------|----------------------|------|-------------|
| ✓ 1  | 0870 56 010A | Pan, Front Floor     | 1    | 1 Be        |
| ✓ 2  | 0866 56 080C | Sill (R), Side-Inner | 1    |             |
| ✓ 3  | 0866 56 580A | Sill (L), Side-Inner | 1    |             |
| ✓ 4  | 0899 56 300E | Floor, Rear          | 1    |             |
| ✓ 5  | 0585 56 330B | Member (R), Rear     | 1    |             |
| ✓ 6  | 0585 56 830D | Member (L), Rear     | 1    |             |
| ✓ 7  | 1511 56 110F | Frame (R), Front     | 1    |             |
| ✓ 8  | 1511 56 610B | Frame (L), Front     | 1    |             |
| ✓ 9  | 0866 56 171  | Member No. 1         | 1    |             |
| ✓ 10 | 0866 56 180A | Frame "B", Front (R) | 1    | HL 08-10.49 |
| ✓    | 0866 56 181A | Frame "B", Front (L) | 1    |             |
| ✓ 11 | 1524 56 117  | Reinforcement "A"    | 2    |             |
| ✓    | 1524 56 118  | Reinforcement "B"    | 2    |             |
| ✓ 12 | 0118 56 241  | Plug, Drain          | 5    |             |
| ✓ 13 | 0810 56 639  | Cover, Hole          | 2    |             |
| ✓ 14 | 0866 56 971  | Cover, Hole          | 4    |             |
| ✓ 15 | 0118 56 242B | Plug, Drain          | 3    |             |
| ✓ 16 | 0208 56 615  | Plug, Drain          | 2    |             |

56

# BODY PANELS (FLOOR) (STATION WAGON)

| No. | Part Number  | Description                       | Q'ty | Remarks |
|-----|--------------|-----------------------------------|------|---------|
| ✓17 | 0187 56 235  | Supporter, Seat                   | 2    |         |
| ✓18 | 0585 56 540A | Hanger, Silencer                  | 1    |         |
| ✓19 | 99786 0820   | Bolt, Silencer Hanger             | 4    |         |
| ✓   | 99952 0822   | Washer, Plain                     | 4    |         |
| ✓20 | 0866 56 701A | Insulator No. 1                   | 1    |         |
| ✓21 | 0899 56 921B | Insulator No. 2                   | 1    |         |
| ✓22 | 99786 0612   | Bolt, Insulator                   | 7    |         |
| ✓   | 99952 0618   | Washer, Plain                     | 7    |         |
| ✓23 | 0866 56 901C | Cover, Under                      | 1    |         |
| ✓24 | 99786 0616   | Bolt, Under Cover                 | 4    |         |
| ✓   | 99952 0618   | Washer, Plain                     | 4    |         |
| ✓25 | 0223 52 007  | Spacer                            | 2    |         |
| ✓26 | 0820 56 906  | Spacer                            | 2    |         |
| ✓27 | 0820 56 905  | Nut, Spring                       | 4    |         |
| ✓28 | 99863 0516   | Screw, Under Cover                | 4    |         |
| ✓   | 99952 0500   | Washer, Plain                     | 4    |         |
| ✓29 | 0585 56 901A | Cover, Service Hole               | 1    |         |
| ✓30 | 0585 56 902  | Tape                              | 1    |         |
| ✓31 | 99868 0408   | Screw, Tapping-Service Hole Cover | 4    |         |
| ✓32 | 0585 56 911A | Protector                         | 1    |         |



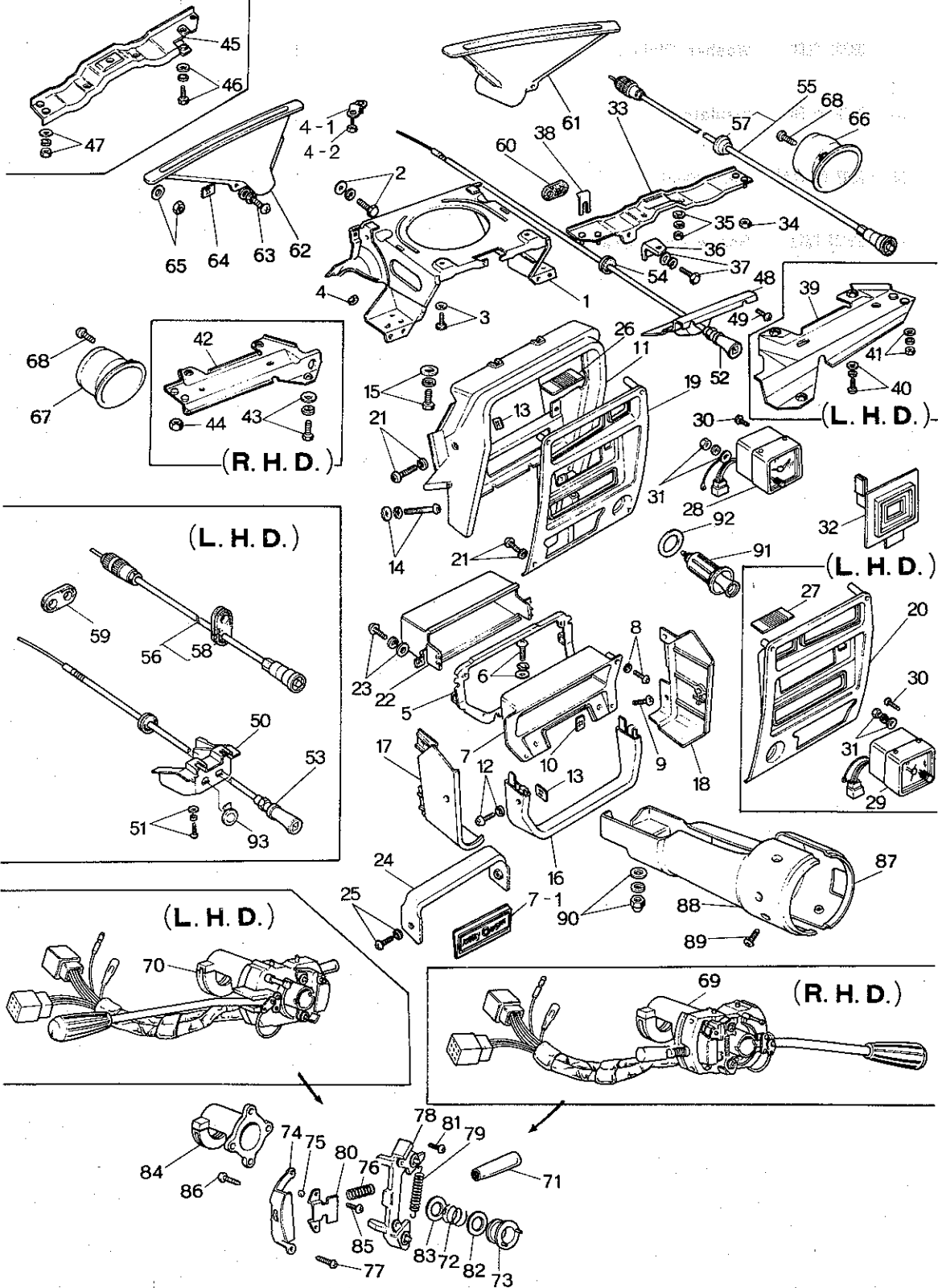
# BODY PANELS (FLOOR) (STATION WAGON)

56

| No. | Part Number  | Description              | Q'ty | Remarks |
|-----|--------------|--------------------------|------|---------|
| 33  | 98880 0510   | Screw, Tapping-Protector | 4    |         |
|     | 98852 0800   | Washer, Plain            | 4    |         |
| 34  | 0886 58 881  | Insulator                | 1    |         |
| 35  | 0387 68 832A | Seat, Boot               | 1    |         |
| 36  | 98884 0512   | Screw, Boot Seat         | 4    |         |

# DASHBOARD

(L. H. D.)



# DASHBOARD

55

60

| No.   | Part Number   | Description                         | Q'ty | Remarks                         |
|-------|---------------|-------------------------------------|------|---------------------------------|
| 1     | 0866 55 100 F | Bracket, Center Panel               | 1    |                                 |
| ✓ 2   | 99806 0818    | Bolt, Center Panel Bracket          | 2    |                                 |
| ✓     | 99786 0820    | Bolt, Center Panel Bracket          | 2    | Car No. 141928 7/8 ~            |
|       | 99952 0822    | Washer, Plain                       | 2    |                                 |
|       | 99971 0800    | Washer, Spring                      | 2    | Car No. 141928 7/8 ~ Discarded  |
| 3     | 99805 0816    | Bolt, Center Panel Bracket          | 2    |                                 |
|       | 99786 0816    | Bolt, Center Panel Bracket          | 2    |                                 |
| ✓     | 99952 0800    | Washer, Plain                       | 2    | Car No. 141928 7/8 ~            |
|       | 99971 0800    | Washer, Spring                      | 2    |                                 |
| 4     | 99940 0802    | Nut, Self Lock-Center Panel Bracket | 2    | Car No. 141928 7/8 ~ Discarded  |
| ● 4-1 | 0370 55 150   | Bracket, Cooler                     | 1    |                                 |
| ● 4-2 | 99940 0602    | Nut                                 | 2    | From Car No. 141928             |
| 5     | 0866 55 360 C | Holder, Grille                      | 1    | From Car No. 141928             |
| 6     | 99838 0616    | Screw                               | 1    |                                 |
|       | 99952 0618    | Washer, Plain                       | 1    |                                 |
|       | 99971 0600    | Washer, Spring                      | 1    |                                 |
| 7     | 0866 55 365 B | Body, Grille                        | 1    |                                 |
|       | 0866 55 365 C | Body, Grille                        | 1    |                                 |
| ● 7-1 | 0866 55 368   | Ornament, Tuner                     | 1    | Car No. 142300 7/8 ~            |
| 8     | 99838 0412    | Screw, Grille Body                  | 2    | Car No. 142300 7/8 ~ Added Anew |

55

60

# DASHBOARD

| No.  | Part Number              | Description                      | Q'ty         | Remarks          |
|------|--------------------------|----------------------------------|--------------|------------------|
| ✓    | 99971 0400               | Washer, Spring                   | 2            |                  |
| ✓ 9  | 99861 0414 B             | Screw, Grille Body               | 2            |                  |
| ✓ 10 | 99869 0400               | Nut, Spring-Grille Body          | 2            |                  |
| 11   | 0865 55 401 D            | Hood No. 1 ( <del>L.H.D.</del> ) | 1            | ©                |
|      | <del>0865 55 401 D</del> | <del>Hood No. 1 (R.H.D.)</del>   | <del>1</del> | <del>©</del>     |
| 12/  | 99862 0525 B             | Screw, Hood No. 1                | 4            |                  |
|      | 99967 0500 B             | Washer                           | 4            |                  |
| 13   | 0820 56 905              | Nut, Spring-Hood No. 1 & No. 2   | 4            |                  |
| 14   | 99743 0650               | Screw, Hood No. 1                | 2            |                  |
|      | 99952 0600               | Washer, Plain                    | 2            |                  |
|      | 99971 0600               | Washer, Spring                   | 2            |                  |
| 15   | 99797 0618               | Bolt, Hood No. 1                 | 2            |                  |
|      | 99952 0618               | Washer, Plain                    | 2            |                  |
|      | 99971 0600               | Washer, Spring                   | 2            |                  |
| 16   | 0865 55 402 B            | Hood No. 2                       | 1            | ©                |
|      | <del>0866 55 402 A</del> | <del>Hood No. 2</del>            | <del>1</del> | <del>©</del>     |
| 17   | 0865 55 403 B            | Hood No. 3 (R)                   | 1            | ©                |
|      | <del>0866 55 403 A</del> | <del>Hood No. 3 (R)</del>        | <del>1</del> | <del>©</del>     |
| 18   | <del>0865 55 404 A</del> | <del>Hood No. 3 (L)</del>        | <del>1</del> | <del>©</del>     |
| ● ✓  | 0865 55 404 B00          | Hood No. 4 (L)                   | 1            | From Car No. 1 © |

# DASHBOARD

55

60

| No. | Part Number              | Description                            | Q'ty         | Remarks      |
|-----|--------------------------|--|--------------|--------------|
|     | <del>0866 55 404 A</del> | <del>Hood No. 3 (L)</del>              | <del>1</del> | <del>©</del> |
| 19  | 0866 55 405 C            | Plate, Center (R.H.D.)                 | 1            |              |
| 20  | 1562 55 405              | Plate, Center (L.H.D.)                 | 1            |              |
| 21  | 99863 0510               | Screw, Center Plate                    | 4            |              |
|     | 99952 060C               | Washer, Plain                          | 6            |              |
| 22  | 0866 55 406 B            | Box, Hood Center                       | 1            | ©            |
| 23  | 99838 0412               | Screw, Hood Box                        | 2            |              |
|     | 99952 0400               | Washer, Plain                          | 2            |              |
|     | 99971 0400               | Washer, Spring                         | 2            |              |
| 24  | 0866 55 590              | Stiffener                              | 1            |              |
| 25  | 99837 0525 B             | Screw                                  | 2            |              |
|     | 99967 0500               | Washer                                 | 2            |              |
| 26  | 0866 55 412 A            | Lens, Illumination <del>(R.H.D.)</del> | 1            |              |
| 27  | <del>1562 55 412</del>   | <del>Lens Illumination (L.H.D.)</del>  | <del>1</del> |              |
| 28  | 0866 55 710              | Clock, Auto (R.H.D.)                   | 1            |              |
| 29  | 1562 55 710              | Clock, Auto (L.H.D.)                   | 1            |              |
| 30  | 99831 0416 B             | Screw, Auto Clock                      | 4            |              |
| 31  | 99906 0500               | Nut, Auto Clock                        | 1            |              |
|     | 99952 0516               | Washer, Plain                          | 1            |              |

55

60

## DASHBOARD

| No. | Part Number   | Description                           | Q'ty            | Remarks |
|-----|---------------|---------------------------------------|-----------------|---------|
|     | 99971 0500    | Washer, Spring                        | 1               |         |
| 32  | 0866 55 720 A | Ornament, Without Auto Clock (R.H.D.) | 1               |         |
|     | 1561 55 720 A | Ornament, Without Auto Clock (L.H.D.) | 1               |         |
| 33  | 0866 55 210 B | Member (R), Lower                     | 1               |         |
| 34  | 99940 0602    | Nut, Member                           | 4               |         |
| 35  | 99906 0800    | Nut, Member                           | 1               |         |
|     | 99952 0800    | Washer, Plain                         | 1               |         |
|     | 99971 0800    | Washer, Spring (R.H.D.)               | 1               |         |
| 36  | 0866 55 215 A | Bracket, Meter                        | 1               |         |
| 37  | 99833 0616    | Bolt, Meter Bracket                   | 2               |         |
|     | 99952 0618    | Washer, Plain                         | 2               |         |
|     | 99971 0600    | Washer, Spring                        | 2               |         |
| 38  | 0866 55 216   | Shim (t=1.0)                          | } Selective use | 1       |
|     | 0866 55 217   | Shim (t=2.0)                          |                 |         |
|     | 0866 55 218   | Shim (t=3.2)                          |                 |         |
| 39  | 1524 55 230 B | Member (R), Lower                     | 1               |         |
| 40  | 99797 0614    | Bolt, Member                          | 1               |         |
|     | 99952 0600    | Washer, Plain                         | 1               |         |
|     | 99971 0600    | Washer, Spring (L.H.D.)               | 1               |         |
| 41  | 99906 0600    | Nut, Member                           | 2               |         |

# DASHBOARD

55

60

| No. | Part Number   | Description                   | Q'ty | Remarks                                  |
|-----|---------------|-------------------------------|------|--|
|     | 99952 0600    | Washer, Plain                 | 2    |  |
|     | 99971 0600    | Washer, Spring                | 2    |  |
| 42  | 0866 55 230D  | Member, (L), Lower            | 1    |  |
| 43  | 99806 0614    | Bolt, Member                  | 2    |  |
| ● ✓ | 99786 0616    | Bolt, Member                  | 2    | Car. No. 141928 $\frac{7}{8}$ ~○         |
|     | 99952 0618    | Washer, Plain                 | 2    |  |
| ● ✓ | 99971 0600    | Washer, Spring                | 2    | Car. No. 141928 $\frac{7}{8}$ ~Discarded |
| 44  | 99940 0602    | Nut, Member                   | 2    |  |
| 45  | 1524 56 210B  | Member, (L), Lower            | 1    |  |
| ✓   | 99797 0616    | Bolt, Member                  | 1    | $\frac{7}{8}$ ~○                         |
|     | 99951 0618    | Washer, Plain                 | 1    |  |
|     | 99971 0600    | Washer, Spring                | 1    | (L.H.D.)                                 |
| 47  | 99906 0600    | Nut, Member                   | 4    |  |
|     | 99951 0618    | Washer, Plain                 | 4    |  |
|     | 99971 0600    | Washer, Spring                | 4    |  |
| 48  | 0370 55 331 A | Bracket, Choke (R.H.D.)       | 1    |  |
| ● ✓ | 1128 55 331   | Bracket, Choke (R.H.D.)       | 1    | $\frac{7}{8}$ ~○                         |
| 49  | 99834 0535    | Screw, Choke Bracket (R.H.D.) | 2    |  |
| 50  | 1524 55 330 A | Bracket, Choke                | 1    |  |
| ● ✓ | 1524 55 330 B | Bracket, Choke                | 1    | Car. No. 152370 $\frac{7}{8}$ ~X         |

55

60

## DASHBOARD

| No. | Part Number   | Description                               | Q'ty | Remarks                            |
|-----|---------------|---|------|------------------------------------|
| 51  | 99839 0520 B  | Screw, Choke Bracket                      | 2    |                                    |
|     |               | (L.H.D.)                                  |      |                                    |
|     | 99952 0500 B  | Washer, Plain                             | 2    |                                    |
|     | 99971 0500    | Washer, Spring                            | 2    |                                    |
| 52  | 0866 60 050   | Cable, Choke (R.H.D.)                     | 1    |                                    |
| ●   | 3503 60 050   | Cable, Choke (R.H.D.)                     | 1    | Car No. 160623 $\frac{73}{10}$ ~ X |
|     | 0871 60 050 B | Cable, Choke (R.H.D. Automatic T/mission) | 1    |                                    |
| 53  | 1562 60 050   | Cable, Choke (L.H.D.)                     | 1    |                                    |
| ●   | 3511 60 050   | Cable, Choke (L.H.D.)                     | 1    | Car No. 160623 $\frac{73}{10}$ ~ X |
| 54  | 0305 60 053   | Protector, Choke Cable (R.H.D.)           | 1    |                                    |
| 55  | 0866 60 070   | Cable, Speedometer (R.H.D.)               | 1    |                                    |
|     | 0866 60 070 A | Cable, Speedometer (R.H.D.)               | 1    | Car No. 152249 $\frac{78}{10}$ ~ O |
| 56  | 1562 60 070   | Cable, Speedometer (L.H.D.)               | 1    |                                    |
| 57  | 0866 60 071   | Grommet (R.H.D.)                          | 1    |                                    |
| 58  | 0370 60 071   | Grommet (L.H.D.)                          | 1    |                                    |
| Ⓝ   | 9968 60800    | Protector, Speedometer Cable              | 1    |                                    |
| 59  | 0370 60 073 A | Grommet (L.H.D.)                          | 1    |                                    |
|     | 0370 60 073 B | Grommet (L.H.D.)                          | 1    | Car No. 132360 $\frac{74}{10}$ ~ Δ |
| 60  | 0866 60 073   | Grommet (R.H.D.)                          | 1    |                                    |



# DASHBOARD

55

60

| No. | Part Number     | Description   | Q'ty | Remarks   |
|-----|-----------------|---|------|---|
| 61  | 0866 60 101     | Nozzle (R), Defroster   | 1    |   |
| 62  | 0866 60 102     | Nozzle (L), Defroster   | 1    |   |
| 63  | 99863 0516      | Bolt, Defroster Nozzle  | 2    |   |
|     | 99952 0518      | Washer, Plain   | 2    |   |
|     | 99971 0500      | Washer, Spring  | 2    |   |
| 64  | 99896 0500      | Nut, Spring-Defroster Nozzle  | 2    |   |
| 65  | 99940 0501      | Nut, Defroster Nozzle   | 4    |   |
|     | 99952 0516      | Washer  | 4    |   |
| 66  | 0866 60 120     | Guide (R), Ventilator   | 1    |   |
| 67  | 0866 60 130     | Guide (L), Ventilator   | 1    |   |
| 68  | 99869 0412      | Screw, Ventilator Guide   | 4    |   |
| 69  | 0866 60 250 B00 | Switch, Combination (R.H.D.) (BLK.)                                     | 1    |   |
|     | 1511 60 250     | Switch, Combination (R.H.D.)  | 1    | Car No. 133210 $\frac{73}{11}$ $\sim$ $\Delta$            |
| 70  | 1524 60 250 A00 | Switch, Combination (L.H.D.) (BLK.)                                     | 1    |   |
|     | 1524 60 250 B00 | Switch, Combination (L.H.D.) (BLK.)                                     | 1    | Car No. 159525 $\frac{73}{11}$ $\sim$ $\bigcirc$ $\odot$  |
|     | 3514 66 120     | Switch, Combination (L.H.D.) (BLK.)                                     | 1    | Car No. 163273 $\frac{73}{11}$ $\sim$ $\times$ $\bigcirc$ |
|     | 1531 60 250 A00 | Switch, Combination (L.H.D.) (BLK.)<br>Without Hazard Switch For France | 1    | $\odot$   |
| 71  | 0866 60 251     | Knob  | 1    |   |
|     | 1011 66 121     | Knob (L.H.D.)   | 1    | Car No. 164070 $\frac{73}{11}$ $\sim$ $\times$ $\bigcirc$ |

55

60

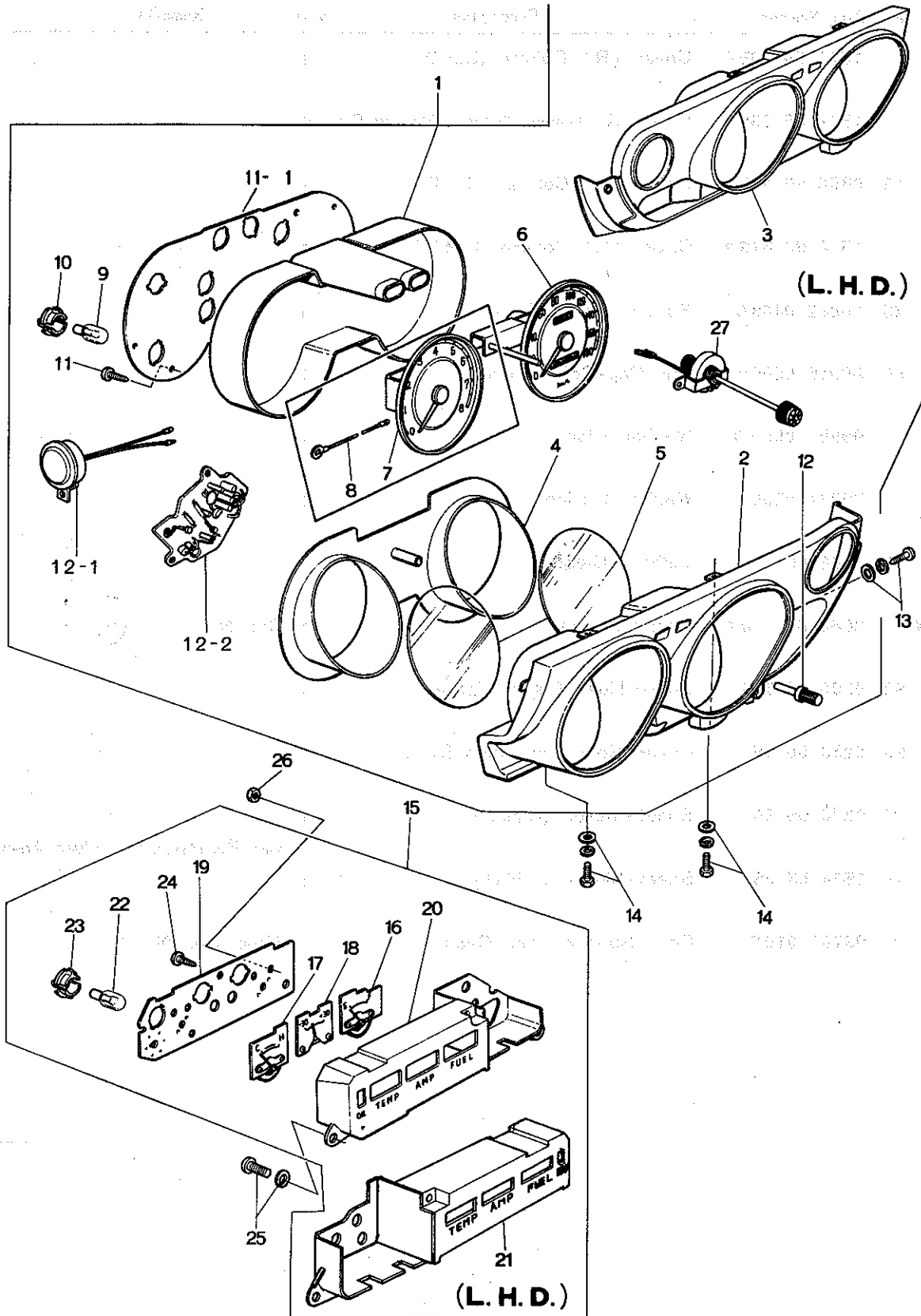
## DASHBOARD

| No. | Part Number   | Description                | Q'ty | Remarks   |
|-----|---------------|----------------------------|------|---|
| 72  | 0317 60 252   | Spring, Cancel Cam         | 1    |   |
| 73  | 0317 60 253   | Cam, Cancel                | 1    |   |
| 74  | 0317 60 254   | Bracket, Fixing            | 1    |   |
| ●   | 1634 60 254   | Bracket, Fixing (L.H.D.)   | 1    | Car No. 164070 $\frac{7}{11}$ X                               |
| 75  | 0317 60 255   | Ball                       | 1    |   |
| 76  | 0317 60 256   | Spring, Arm Set            | 1    |   |
| 77  | 0317 60 257   | Screw, Bracket             | 2    |   |
| 78  | 0317 60 258   | Arm                        | 1    |   |
| 79  | 0317 60 259   | Spring, Ratchet            | 1    |   |
| 80  | 0317 60 261   | Plate, Set                 | 1    |   |
| 81  | 0317 60 262   | Screw, Set Plate           | 2    |   |
| 82  | 0866 60 263   | Washer "A"                 | 1    |   |
| 83  | 0866 60 264   | Washer "B"                 | 1    |   |
| 84  | 0866 60 265 A | Band                       | 1    |   |
| ⑩   | 1011 60 125   | Band (L.H.D.)              | 1    | Car No. 164070 $\frac{7}{11}$ X                               |
| 85  | 0317 60 266   | Screw                      | 2    |   |
| 86  | 0866 60 267   | Screw, Light Switch        | 2    |   |
| ⑨   | 99709 0255    | Clip                       | 1    | Car No. 164070 ~ Added Anew<br>Without Head Switch For France |
| 87  | 0866 60 335 A | Cover (R), Coulmn (R.H.D.) | 1    |   |

# DASHBOARD



| No. | Part Number   | Description                              | Q'ty | Remarks   |
|-----|---------------|--|------|---|
|     | 1524 60 335 A | Cover (R), Column (L.H.D.)               | 1    |   |
|     | 1531 60 335   | Cover (R), Column, Without Hazard Switch |      |   |
| 88  | 0866 60 345 A | Cover (L), Column (R.H.D.)               | 1    |   |
|     | 1524 60 345 A | Cover (L), Column (L.H.D.)               | 1    |   |
| 89  | 99832 0408 B  | Screw, Column Cover                      | 4    |   |
| 90  | 99945 0500 B  | Nut, Cap-Column Cover                    | 1    |   |
|     | 99952 0500 B  | Washer, Plain                            | 1    |   |
|     | 99971 0500    | Washer, Spring                           | 1    |   |
| 91  | 0866 60 720   | Lighter, Cigar                           | 1    |   |
|     | 0866 60 720 A | Lighter, Cigar                           | 1    | Car No. <span style="border: 1px solid black; border-radius: 50%; padding: 2px;">7/11</span> $\Delta$ |
| 92  | 0305 60 715   | Shield, Heat-Cigar Lighter               | 1    |   |
| 93  | 0259 55 951   | Cover, Hole-Fog Lamp Switch              | 1    |   |
| (N) | 0370 55 351   | Sheet-Meter (R.H.D.)                     | 1    | } Car No. 141928 $\frac{7}{3}$ ~ Added Anew   |
| (N) | 1524 55 351   | Sheet-Meter (L.H.D.)                     | 1    |   |
| (N) | 99709 010 B   | Band, Speedometer Cable                  | 1    | From Car No. 1  |



# METER

55

75

| No. | Part Number  | Description                         | Q'ty | Remarks                            |
|-----|--------------|-------------------------------------|------|------------------------------------|
| 1   | 0865 55 430D | Meter Set (Km)                      | 1    | 1555~1557 ©                        |
|     | 0865 55 430E | Meter Set (Km)                      | 1    | Car No. 152816 $\frac{7}{9}$ ~○ ©  |
|     | 3502 55 430  | Meter Set (Km) (Automatic)          | 1    | 1555~1557                          |
|     | 1553 60 530  | Meter Set (Km & Mile)               | 1    | Car No. $\frac{3}{4}$ ~△           |
|     | 1553 60 530A | Meter Set (Km & Mile)               | 1    | 1555~1557                          |
|     | 3502 60 530  | Meter Set (Km & Mile) (Automatic)   | 1    | Car No. 167748 $\frac{7}{5}$ ~△    |
|     | 1553 55 430  | Meter Set (Km)                      | 1    | 1550~1554                          |
|     |              |                                     | 1    | Car No. 152816 $\frac{7}{9}$ ~△ ©  |
|     | 1553 60 530  | Meter Set (Km & Mile)               | 1    | 1550~1554, 3501, 3503              |
|     |              |                                     | 1    | Car No. 166140 $\frac{3}{4}$ ~△    |
|     | 1554 55 530B | Meter Set (Mile)                    | 1    | ©                                  |
|     | 1554 55 530C | Meter Set (Mile)                    | 1    | 1555~1557                          |
|     |              |                                     | 1    | Car No. 152816 $\frac{7}{9}$ ~○ ©  |
|     | 1554 55 530D | Meter Set (Mile)                    | 1    | 1555~1557                          |
|     |              |                                     | 1    | Car No. 167748 $\frac{7}{5}$ ~△    |
|     | 1553 55 530  | Meter Set (Mile)                    | 1    | 1550~1554                          |
|     |              |                                     | 1    | Car No. 152816 $\frac{7}{9}$ ~△ ©  |
|     | 1553 60 530  | Meter Set (Mile & Km)               | 1    | 1550~1554, 1569                    |
|     |              |                                     | 1    | Car No. 160378 $\frac{7}{12}$ ~△ © |
|     | 1553 60 530A | Meter Set (Mile & Km)               | 1    | 1550~1554, 1569, 3501, 3503        |
|     |              |                                     | 1    | Car No. 167748 $\frac{7}{5}$ ~△    |
|     | 1562 55 430C | Meter Set (Km) (Arctic Spec. Model) | 1    | ©                                  |
|     | 1562 55 430E | Meter Set (Km) (Arctic Spec. Model) | 1    | Car No. 167748 $\frac{7}{5}$ ~△    |
|     | 1562 55 430F | Meter Set (Km) (Arctic Spec. Model) | 1    | Car No. 178812 $\frac{7}{8}$ ~△    |
|     | 1568 55 530C | Meter Set (Mile)                    | 1    | (L.H.D.) ©                         |
|     | 1568 55 530D | Meter Set (Mile)                    | 1    | Car No. 160378 $\frac{7}{12}$ ~△ © |
|     | 1568 55 530E | Meter Set (Mile)                    | 1    | Car No. 165313 $\frac{7}{3}$ ~×    |
|     | 1568 55 530F | Meter Set (Mile)                    | 1    | Car No. 160623 $\frac{7}{10}$ ~△   |

# 55 75 METER

| No. | Part Number   | Description                      | Q'ty | Remarks  |
|-----|---------------|----------------------------------|------|--|
| 2   | 0370 75 010   | Hood (R.H.D.)                    | 1    | QVDe 20 7505. ©                                |
|     | 0370 75 010 A | Hood (R.H.D.)                    | 1    | Car No. 152816 $\frac{7}{9}$ ~ Δ ©             |
|     | 1510 75 010   | Hood (R.H.D.) (Km & Mile)        | 1    | Car No. 160623 $\frac{7}{10}$ ~ X ©            |
| ●   | 0370 75 010 A | Hood (R.H.D.) (Km) (Automatic)   | 1    | ©  |
| ●   | 1510 75 010   | Hood (R.H.D.) (Km & Mile)        | 1    | ©  |
| 3   | 1524 75 010   | Hood (L.H.D.)                    | 1    | ©  |
|     | 1524 75 010 A | Hood (L.H.D.)                    | 1    | Car No. 178812 $\frac{7}{8}$ ~ X ©             |
| 4   | 0866 75 011   | Plate, Window                    | 1    |  |
| 5   | 0866 75 013   | Glass, Window                    | 2    |  |
| 6   | 0866 75 021   | Speedometer (Km)                 | 1    |  |
|     | 1513 75 021   | Speedometer (Km) (R.H.D.)        | 1    | Car No. 164116 $\frac{7}{8}$ ~ Δ               |
|     | 1514 75 021   | Speedometer (Mile) (R.H.D.)      | 1    |  |
|     | 1513 75 021   | Speedometer (Mile & Km) (R.H.D.) | 1    | Car No. 160378 $\frac{7}{12}$ ~ Δ              |
|     | 1562 75 021   | Speedometer (Km) (L.H.D.)        | 1    |  |
|     | 1514 75 021   | Speedometer (Mile) (L.H.D.)      | 1    |  |
| 7   | 0866 75 026   | Tachometer                       | 1    |  |
|     | 1568 75 026   | Tachometer                       | 1    | 1565~1568<br>Car No. 160378 $\frac{7}{12}$ ~ Δ |
|     | 0866 75 026 A | Tachometer                       | 1    | Car No. 167748 $\frac{7}{8}$ ~ Δ               |
| ●   | 1053 75 026   | Tachometer (Automatic)           | 1    | $\frac{7}{4}$ ~ Δ                              |
| 8   | 0866 75 028   | Wire, Lead-Tachometer            | 1    |  |
| 9   | 99701 6030    | Bulb                             | 9    |  |
| 10  | 0259 55 261   | Socket                           | 9    |  |
| 11  | 0710 75 436   | Screw, Tapping                   | 3    |  |

# METER

55

75

| No.    | Part Number  | Description                 | Q'ty | Remarks                                    |
|--------|--------------|-----------------------------|------|--|
| 11-1   | 0866 75 025  | Circuit, Print              | 1    | From Car No. 1                             |
|        | 1128 75 025A | Circuit, Print              | 1    | Car No. 167748 $\frac{73}{10}$ ~△          |
|        | 1562 75 025  | Plate, Print                | 1    | Car No. 160623 $\frac{73}{10}$ ~X          |
| ● ✓    | 1881 75 025  | Plate, Print (Automatic)    | 1    |  |
| 12     | 0370 75 018  | Knob, Trip                  | 1    | ©  |
| Ⓝ      | 0866 75 025  | Plate, Print                | 1    |  |
| ● 12-1 | 1568 75 029  | Buzzer                      | 1    | Car No. 167748 $\frac{73}{10}$ ~Added Anew |
|        |              | (Manual)                    |      |  |
| ● 12-2 | 1114 55 465  | Relay                       | 1    | Car No. 167748 $\frac{73}{10}$ ~Added Anew |
| 13     | 99833 0612   | Screw, Meter                | 3    |  |
|        | 99952 0618   | Washer, Plain               | 3    |  |
|        | 99971 0600   | Washer, Spring              | 3    |  |
| 14     | 99797 0630   | Bolt, Meter                 | 2    |  |
|        | 99952 0618   | Washer, Plain               | 2    |  |
|        | 99971 0600   | Washer, Spring              | 2    |  |
| 15     | 0866 55 460C | Meter, Combination (R.H.D.) | 1    |  |
|        | 3507 55 460  | Meter, Combination (R.H.D.) | 1    | Car No. 160623 $\frac{73}{10}$ ~X          |
|        | 1562 55 460B | Meter, Combination (L.H.D.) | 1    |  |
|        | 1881 55 460  | Meter, Combination (L.H.D.) | 1    | Car No. 160623 $\frac{73}{10}$ ~X          |
| 16     | 0866 75 122A | Meter, Fuel (R.H.D.)        | 1    |  |
|        | 1562 75 122A | Meter, Fuel (L.H.D.)        | 1    |  |

# 55 75 METER

| No. | Part Number           | Description                      | Q'ty         | Remarks                           |
|-----|-----------------------|----------------------------------|--------------|-----------------------------------|
| 17  | 0866 75 123A          | Thermometer (R.H.D.)             | 1            |                                   |
|     | 1562 75 123A          | Thermometer (L.H.D.)             | 1            |                                   |
| 18  | 0866 75 124A          | Ammeter (R.H.D.)                 | 1            |                                   |
|     | 3507 75 124           | Ammeter (R.H.D.)                 | 1            | Car No. 160623 $\frac{73}{10}$ ~X |
|     | 1562 75 124A          | Ammeter (L.H.D.)                 | 1            |                                   |
|     | 1881 75 124           | Ammeter (L.H.D.)                 | 1            | Car No. 160623 $\frac{73}{10}$ ~X |
| 19  | 0866 75 125           | Plate, Print (R.H.D.)            | 1            |                                   |
|     | 3507 75 125           | Plate, Print (R.H.D.)            | 1            | Car No. 160623 $\frac{73}{10}$ ~X |
|     | 1562 75 125           | Plate, Print (L.H.D.)            | 1            |                                   |
|     | 1881 75 125           | Plate, Print (L.H.D.)            | 1            | Car No. 160623 $\frac{73}{10}$ ~X |
| 20  | 0866 75 200A          | Case (R.H.D.)                    | 1            |                                   |
| 21  | 1562 75 200A          | Case (L.H.D.)                    | 1            |                                   |
| 22  | 99701 6030            | Bulb                             | 3            |                                   |
| 23  | 0259 55 261           | Socket                           | 3            |                                   |
| 24  | 0275 75 140           | Screw, Tapping                   | 4            |                                   |
| 25  | 99863 0512            | Screw, Tapping-Combination Meter | 3            |                                   |
|     | <del>99952 0500</del> | <del>Washer, Plain</del>         | <del>3</del> |                                   |



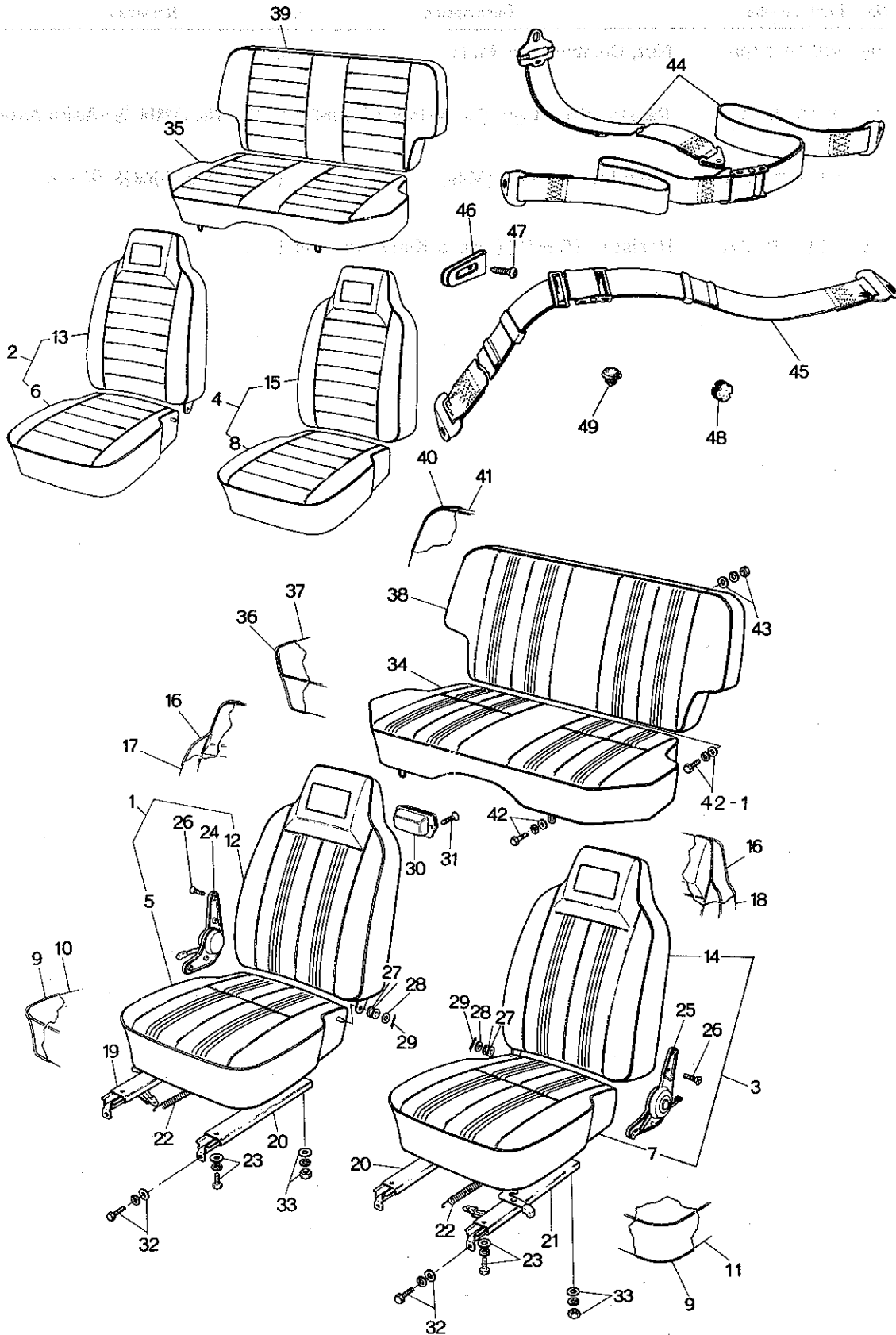
# METER

55

75

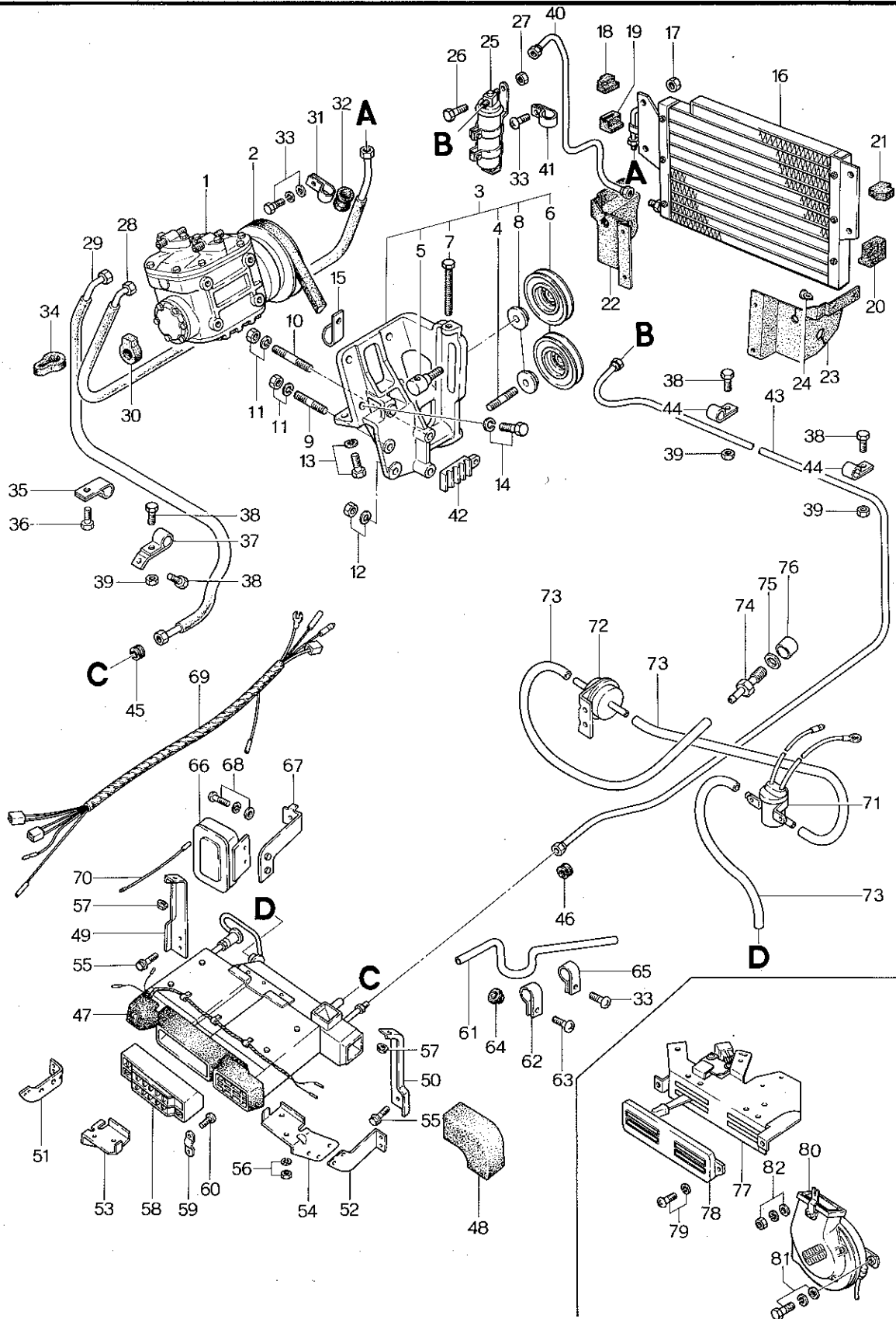
| No. | Part Number | Description                                      | Q'ty | Remarks                                  |
|-----|-------------|--|------|--|
| 26  | 99940 0400  | Nut, Combination Meter                           | 3    |  |
| 27  | 1510 75 040 | Resistor - Panel Light (For Australia & England) | 1    | Car No. 152816 $\frac{7}{9}$ ~Added Anew |
|     | 1511 75 040 | Resistor (R.H.D.) (Mile)                         | 1    | Car No. 160623 $\frac{7}{10}$ ~X         |
| ● ✓ | 1511 75 040 | Resistor (R.H.D.) (Mile & Km) Automatic          | 1    |  |

# SEAT (COUPE)





# 61 CAR COOLER



# CAR COOLER

61

| No. | Part Number  | Description                                   | Qty | Remarks |
|-----|--------------|---|-----|---------|
|     | 1620 61 400  | Cooler, Car (With Car Heater)                 | 1   |         |
|     | 1620 61 390  | Cooler, Car (Without Car Heater)              | 1   |         |
| 1   | 0866 61 450  | Compressor                                    | 1   |         |
| 2   | 0866 15 906  | Belt, "V"                                     | 1   |         |
| 3   | 0866 15 920B | Bracket, Compressor (Fig. No. 4 ~ 8 Included) | 1   |         |
| 4   | 0866 15 923A | Shaft   | 1   |         |
| 5   | 0866 15 932  | Bolt, Idle Pulley                             | 1   |         |
| 6   | 0866 15 940A | Pulley, Idle                                  | 2   |         |
| 7   | 0839 61 966A | Bolt, Adjust                                  | 1   |         |
| 8   | 0317 78 034  | Collar  | 2   |         |
| 9   | 99859 1025   | Stud, Compressor Bracket                      | 2   |         |
| 10  | 99859 1050   | Stud, Compressor Bracket                      | 2   |         |
| 11  | 99921 1000   | Nut, Compressor Bracket                       | 4   |         |
|     | 99971 1000   | Washer, Spring                                | 4   |         |
| 12  | 99921 1200   | Nut, Compressor Bracket                       | 1   |         |
|     | 99971 1200   | Washer, Spring                                | 1   |         |
| 13  | 99801 0840   | Bolt, Compressor Bracket                      | 2   |         |
|     | 99971 0800   | Washer, Spring                                | 2   |         |
| 14  | 99801 0825   | Bolt, Compressor                              | 4   |         |
|     | 99971 0800   | Washer, Spring                                | 4   |         |

61

## CAR COOLER

| No. | Part Number  | Description              | Q'ty | Remarks |
|-----|--------------|--------------------------|------|---------|
| 15  | 99295 1508   | Clip                     | 1    |         |
| 16  | 1562 61 490  | Condenser                | 1    |         |
| 17  | 99940 0602B  | Nut, Condenser           | 4    |         |
| 18  | 0866 61 911  | Packing No. 1            | 1    |         |
| 19  | 0866 61 912  | Packing No. 2            | 1    |         |
| 20  | 0866 61 913  | Packing No. 3            | 1    |         |
| 21  | 0866 61 914  | Packing No. 4            | 1    |         |
| 22  | 1620 61 925  | Rubber (R), Seal         | 1    |         |
| 23  | 1620 61 926  | Rubber (L), Seal         | 1    |         |
| 24  | 99264 0531B  | Rivet                    | 4    |         |
| 25  | 0866 61 500  | Tank, Receiver           | 1    |         |
| 26  | 99794 0612   | Bolt, Receiver Tank      | 3    |         |
| 27  | 99940 0602   | Nut                      | 2    |         |
| 28  | 0866 61 461  | Hose, Flexible           | 1    |         |
| 29  | 1562 61 462A | Hose, Flexible           | 1    |         |
| 30  | 0317 61 612  | Cushion, Flexible Hose   | 1    |         |
| 31  | 0820 78 857  | Clip, Flexible Hose      | 2    |         |
| 32  | 0259 78 858  | Protector, Flexible Hose | 2    |         |
| 33  | 99865 0512   | Screw, Clip              | 12   |         |
| 34  | 0866 61 476  | Protector, Flexible Hose | 1    |         |

# CAR COOLER

61

| No. | Part Number | Description                | Q'ty | Remarks |
|-----|-------------|----------------------------|------|---------|
| 35  | 1562 61 474 | Clip, Flexible Hose        | 1    |         |
| 36  | 99794 0630  | Bolt, Clip                 | 1    |         |
| 37  | 1562 61 469 | Clip, Flexible Hose        | 1    |         |
| 38  | 99794 0616  | Bolt, Clip                 | 5    |         |
| 39  | 99940 0602  | Nut                        | 3    |         |
| 40  | 0866 61 463 | Pipe No. 1                 | 1    |         |
| 41  | 0259 78 868 | Clip, Pipe No. 1           | 2    |         |
| 42  | 0866 61 472 | Clip                       | 1    |         |
| 43  | 1562 61 464 | Pipe No. 2                 | 1    |         |
| 44  | 1562 61 473 | Clip                       | 3    |         |
| 45  | 0866 61 475 | Grommet                    | 1    |         |
| 46  | 0208 78 875 | Grommet                    | 1    |         |
| 47  | 1568 61 520 | Unit, Cooler               | 1    |         |
| 48  | 1524 61 526 | Duct, Rubber               | 1    |         |
| 49  | 0866 61 531 | Bracket No. 1, Cooler Unit | 1    |         |
| 50  | 0866 61 532 | Bracket No. 2, Cooler Unit | 1    |         |
| 51  | 0866 61 533 | Bracket No. 3, Cooler Unit | 1    |         |
| 52  | 0866 61 534 | Bracket No. 4, Cooler Unit | 1    |         |
| 53  | 0866 61 535 | Bracket No. 5, Cooler Unit | 1    |         |
| 54  | 0866 61 536 | Bracket No. 5, Cooler Unit | 1    |         |

61

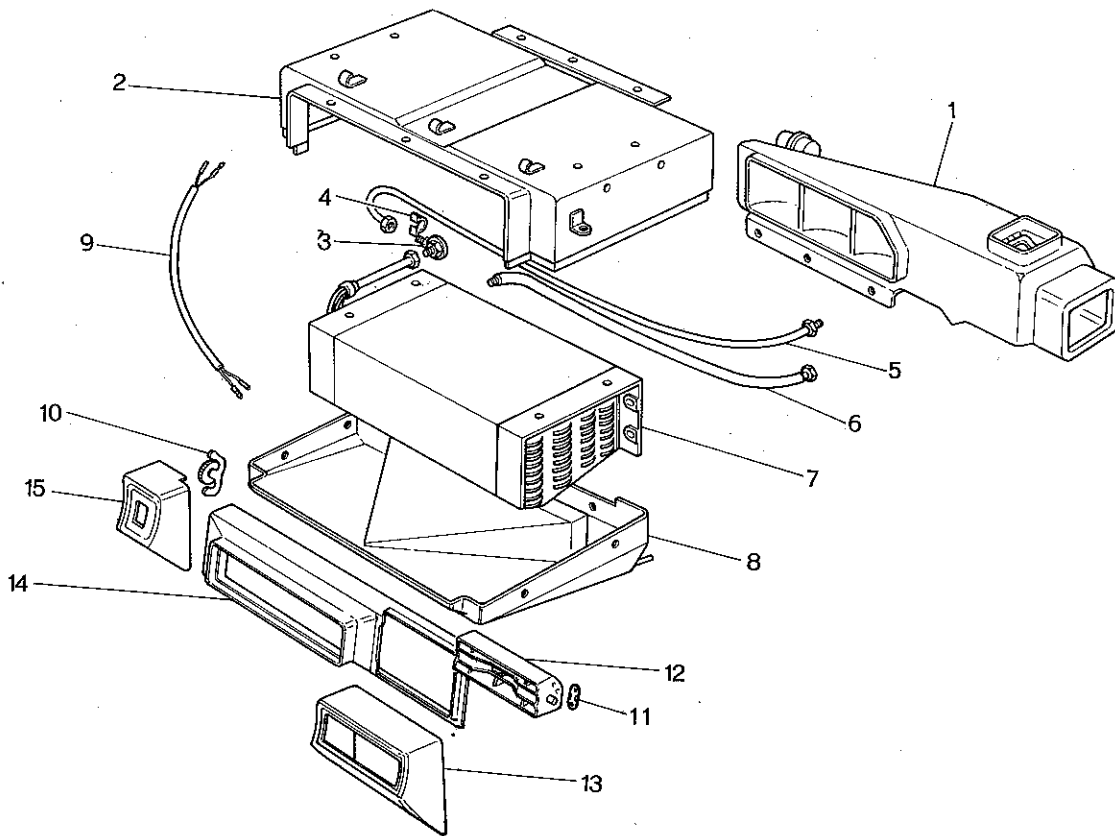
## CAR COOLER

| No. | Part Number  | Description           | Q'ty | Remarks |
|-----|--------------|-----------------------|------|---------|
| 55  | 99794 0616   | Bolt, Bracket         | 14   |         |
| 56  | 99940 0602   | Nut, Bracket          | 2    |         |
| 57  | 99940 0800   | Nut, Bracket          | 2    |         |
| 58  | 0866 61 551  | Grille                | 1    |         |
| 59  | 0866 61 552  | Holder, Grille        | 2    |         |
| 60  | 99868 0308   | Screw, Grille Holder  | 4    |         |
| 61  | 0866 61 525A | Hose, Drain           | 2    |         |
| 62  | 0866 61 527  | Clip                  | 1    |         |
| 63  | 99868 0512   | Screw, Clip           | 1    |         |
|     | 99952 0500   | Washer, Plain         | 1    |         |
|     | 99971 0500   | Washer, Spring        | 1    |         |
| 64  | 0820 78 883  | Grommet, Drain Hose   | 2    |         |
| 65  | 0370 61 467  | Clip, Drain Hose      | 4    |         |
| 66  | 0866 61 545  | Stabilizer, Amplifier | 1    |         |
| 67  | 1524 61 548A | Bracket, Stabilizer   | 1    |         |
| 68  | 99740 0512   | Screw, Bracket        | 2    |         |
| 69  | 1562 61 546  | Harness               | 1    |         |
| 70  | 1524 61 547  | Cord                  | 1    |         |
| 71  | 0824 61 236A | Valve, Magnet         | 1    |         |
| 72  | 0866 61 541  | Valve, Check          | 1    |         |



| No. | Part Number  | Description          | Q'ty | Remarks               |
|-----|--------------|----------------------|------|-----------------------|
| 73  | 0866 61 543A | Hose, Vacuum         | 1    |                       |
| 74  | 0866 61 542  | Connector            | 1    |                       |
| 75  | 99564 1000   | Gasket, Connector    | 1    |                       |
| 76  | 0866 61 549  | Spacer               | 1    |                       |
| 77  | 1568 61 190C | Control              | 1    |                       |
| 78  | 0866 61 195B | Panel, Control       | 1    |                       |
| 79  | 99833 0512   | Screw, Control Panel | 3    |                       |
|     | 99971 0500   | Washer, Spring       | 3    |                       |
| 80  | 1531 61 140  | Blower               | 1    |                       |
| 81  | 99805 0830   | Bolt, Blower         | 2    | Without<br>Car Heater |
|     | 99952 0800   | Washer, Plain        | 2    |                       |
|     | 99971 0800   | Washer, Spring       | 2    |                       |
| 82  | 99906 0800   | Nut, Blower          | 1    |                       |
|     | 99952 0822   | Washer, Plain        | 1    |                       |
|     | 99971 0800   | Washer, Spring       | 1    |                       |

**61 76 COOLER UNIT**

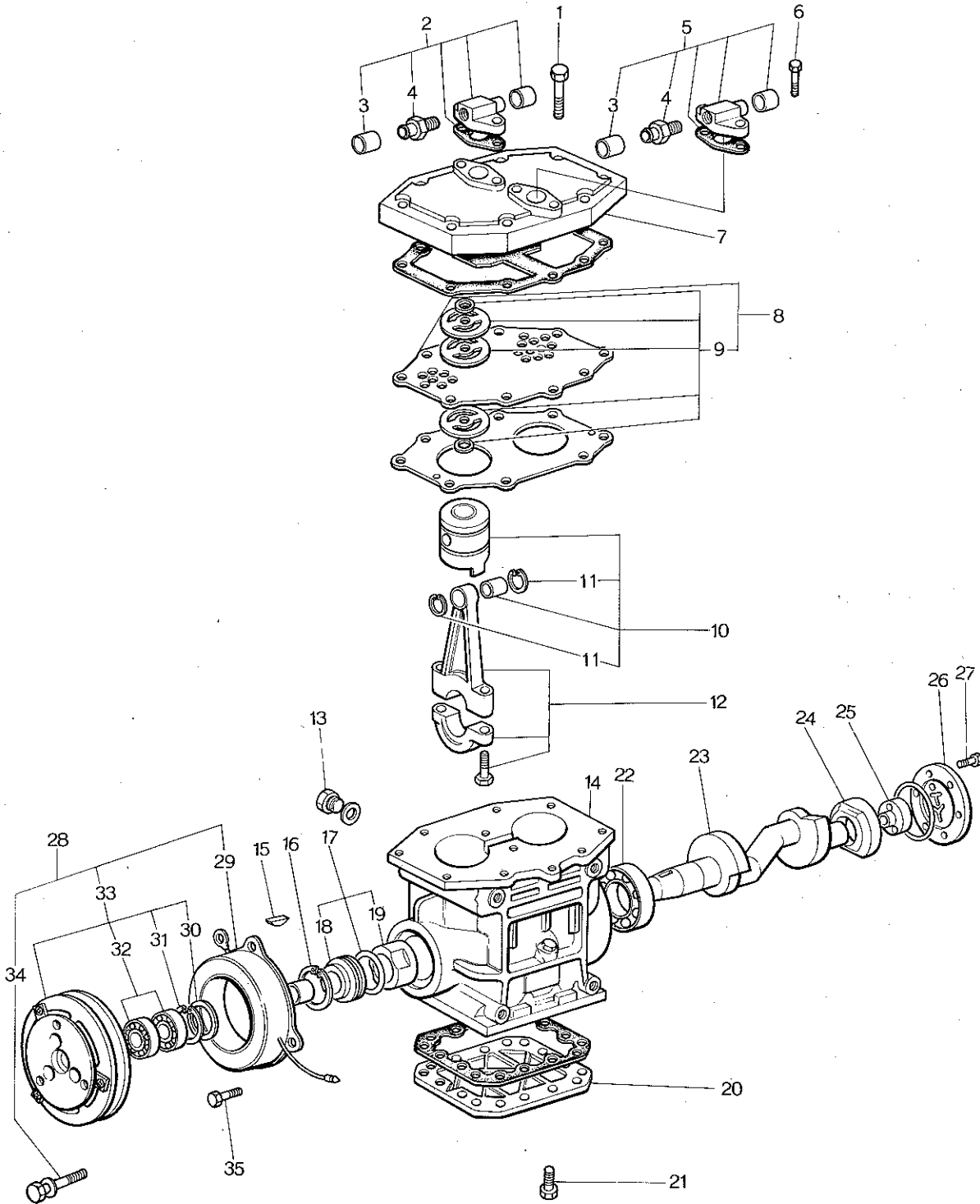


# COOLER UNIT

**61****76**

| No. | Part Number | Description        | Q'ty | Remarks |
|-----|-------------|--------------------|------|---------|
|     | 1568 61 520 | Unit, Cooler       | 1    |         |
| 1   | 1531 76 701 | Duct, Air          | 1    |         |
| 2   | 1524 76 702 | Case, Main - Upper | 1    |         |
| 3   | 0370 76 703 | Valve, Expansion   | 1    |         |
| 4   | 0370 76 704 | Holder, Valve      | 1    |         |
| 5   | 1524 76 705 | Pipe No. 1         | 1    |         |
| 6   | 1524 76 706 | Pipe No. 2         | 1    |         |
| 7   | 1524 76 708 | Evaporator         | 1    |         |
| 8   | 1524 76 709 | Case, Main - Lower | 1    |         |
| 9   | 0370 76 707 | Thermister         | 1    |         |
| 10  | 0866 76 711 | Resister           | 1    |         |
| 11  | 0866 61 552 | Holder, Grille     | 2    |         |
| 12  | 0866 76 715 | Grille             | 1    |         |
| 13  | 1562 76 716 | Body, Grille       | 1    |         |
| 14  | 1562 76 717 | Duct, Air          | 1    |         |
| 15  | 1562 76 718 | Base, Grille       | 1    |         |

**61 76 COMPRESSOR (CAR COOLER)**



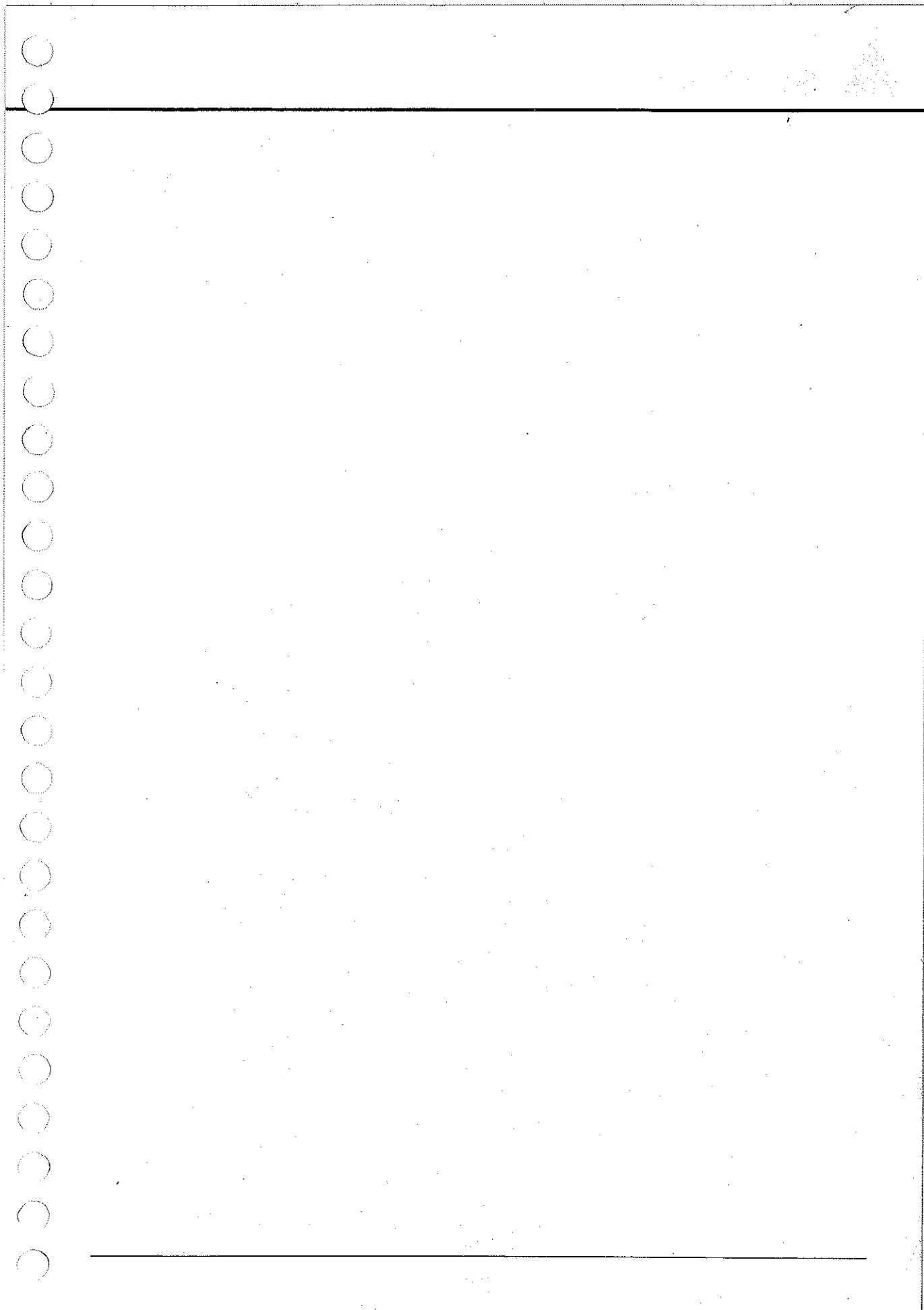
# COMPRESSOR (CAR COOLER)

**61****76**

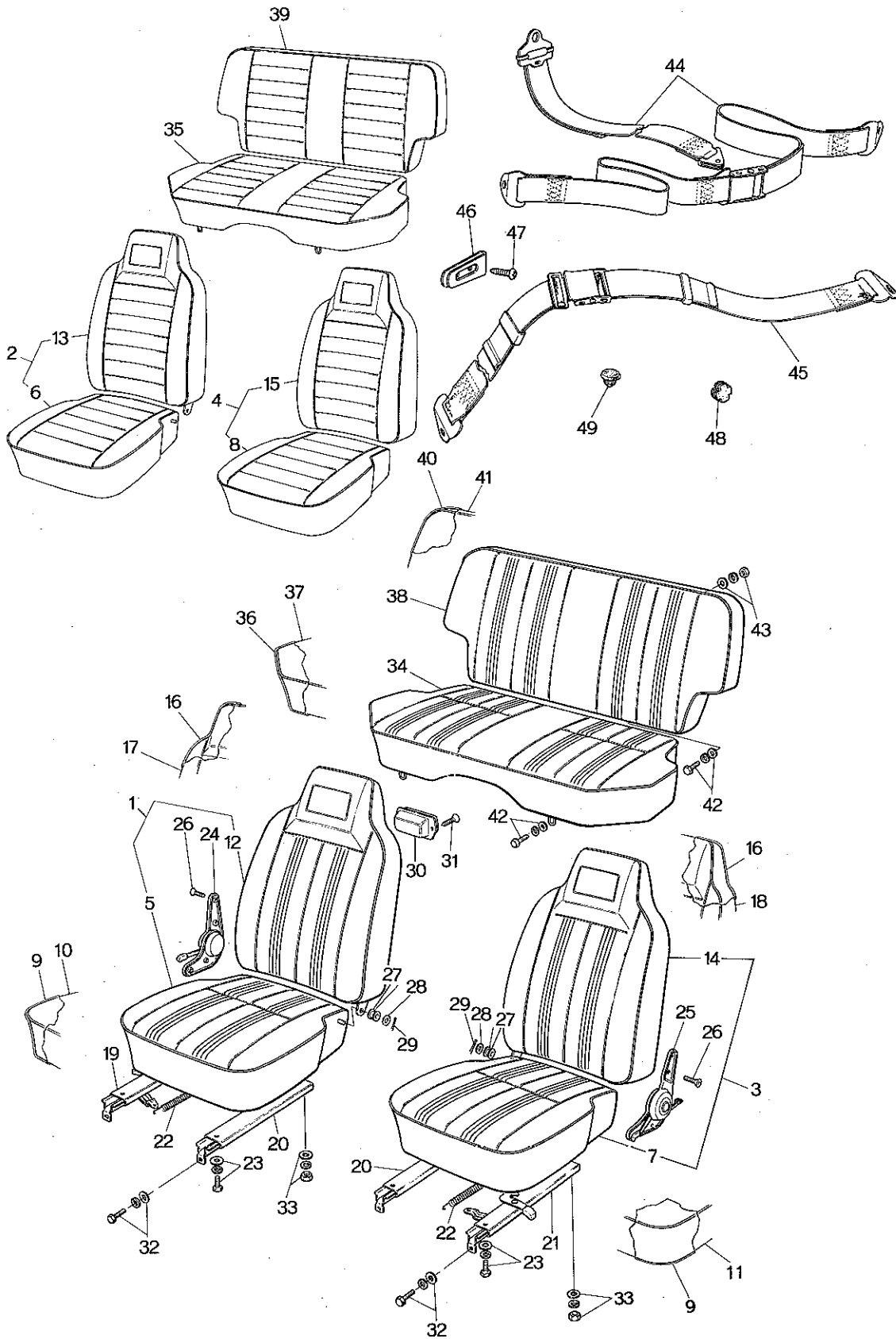
| No. | Part Number  | Description                                 | Q'ty | Remarks |
|-----|--------------|---|------|---------|
|     | 0866 61 450  | Compressor                                  | 1    |         |
|     | 0866 76 710  | Compressor (Fig. No. 1 ~ 27 Included)       | 1    |         |
| 1   | 0866 76 701  | Bolt  | 4    |         |
| 2   | 0866 76 810  | Valve Kit, Service (Fig. No. 3, 4 included) | 1    |         |
| 3   | 0866 76 755  | Cap, Service Valve                          | 2    |         |
| 4   | 0866 76 754  | Valve, Service                              | 2    |         |
| 5   | 0866 76 820  | Valve Kit, Fig. No. 3, 4 Included           | 1    |         |
| 6   | 0866 76 702  | Bolt, Cylinder Head                         | 8    |         |
| 7   | 0866 76 752  | Head, Cylinder                              | 1    |         |
| 8   | 0866 76 760  | Valve Set, Fig. No. 9 Included              | 1    |         |
| 9   | 0866 76 703  | Valve Kit, Lead                             | 2    |         |
| 10  | 0866 76 830  | Piston Set, Fig. No. 11 Included            | 2    |         |
| 11  | 0866 76 739  | Ring, Snap                                  | 4    |         |
| 12  | 0866 76 750  | Rod, Connecting                             | 2    |         |
| 13  | 0866 76 704  | Plug, Oil                                   | 1    |         |
| 14  | 0866 76 721A | Block, Cylinder                             | 1    |         |
| 15  | 0866 76 723  | Key, Woodruff                               | 1    |         |
| 16  | 0866 76 734  | Clip  | 1    |         |
| 17  | 0866 76 730  | Seal Set, Shaft                             | 1    |         |
| 18  | 0866 76 733  | Plate, Seal                                 | 1    |         |

**61 76****COMPRESSOR (CAR COOLER)**

| No. | Part Number  | Description                       | Q'ty | Remarks |
|-----|--------------|-----------------------------------|------|---------|
| 19  | 0866 76 731  | Seal                              | 1    |         |
| 20  | 0866 76 743A | Plate, Bottom                     | 1    |         |
| 21  | 0866 76 705  | Bolt                              | 16   |         |
| 22  | 0866 76 722  | Bearing                           | 1    |         |
| 23  | 0866 76 724  | Shaft, Crank                      | 1    |         |
| 24  | 0866 76 725  | Bearing                           | 1    |         |
| 25  | 0866 76 726  | Pump                              | 1    |         |
| 26  | 0866 76 729  | Plate, Cover                      | 1    |         |
| 27  | 0866 76 706  | Bolt                              | 6    |         |
| 28  | 0866 76 720  | Clutch, Fig. No. 29 ~ 34 Included | 1    |         |
| 29  | 0866 76 763  | Stator                            | 1    |         |
| 30  | 0866 76 764  | Cover, Dust                       | 1    |         |
| 31  | 0866 76 765  | Ring, "E" Stop                    | 1    |         |
| 32  | 0866 76 766  | Bearing, Ball                     | 2    |         |
| 33  | 0866 76 790  | Clutch, Magnet                    | 1    |         |
| 34  | 0866 76 707  | Bolt                              | 1    |         |
| 35  | 0866 76 708  | Screw                             | 3    |         |
|     | 0866 76 709A | Gasket Set                        | 1    |         |



# 57 SEAT (COUPE)





| No.                                       | Part Number            | Description  | Q'ty         | Remarks                   |
|---|------------------------|--|--------------|---------------------------|
| When ordering the following Seat & Trim   |                        |  |              |                           |
| Note : 1, Add                             |                        |  |              |                           |
| - 03 (BLK.) - 12 (BRN.) - 13 (GRY./YLW.)  |                        |  |              |                           |
| after the parts number as color code nos. |                        |  |              |                           |
| 1   | <del>1553 57 100</del> | <del>Seat (Frnt., R) (R.H.D.), With Ash Tray</del> | <del>1</del> | <del>①</del>              |
| 2   | 1554 57 100            | Seat (Frnt., R) (R.H.D.)                           | 1            | ①                         |
| J ●                                       | 1554 57 100 A          | Seat (Frnt., R) (R.H.D.)                           | 1            | ① 7/9 ~ ①                 |
|   | 1562 57 100            | Seat (Frnt., R) (L.H.D.) - Arctic Spec.            | 1            | ①                         |
|   | 1562 57 100 A          | Seat (Frnt., R) (L.H.D.) - Arctic Spec.            | 1            | Car No. 152816 7/9 ~ ①    |
|   | 1568 57 100            | Seat (Frnt., R) (L.H.D.)                           | 1            | ①                         |
| J ●                                       | 1568 57 100 A          | Seat (Frnt., R) (L.H.D.) 1566, 1568                | 1            | ① 7/9 ~ ①                 |
| V ●                                       | 1568 57 100 B          | Seat (Frnt., R) (L.H.D.)                           | 1            | Car No. 160623 7/10 ~ Δ ① |
| 3   | <del>1553 57 150</del> | <del>Seat (Frnt., L) (R.H.D.)</del>                | <del>1</del> | <del>①</del>              |
| 4   | 1554 57 150            | Seat (Frnt., L) (R.H.D.)                           | 1            | ①                         |
| J ●                                       | 1554 57 150 A          | Seat (Frnt., L) (R.H.D.)                           | 1            | ① 7/9 ~ ①                 |
| J ●                                       | 1554 57 150 B          | Seat (Frnt., L) (R.H.D.)                           | 1            | Car No. 160623 7/10 ~ Δ ① |
|   | 1562 57 150            | Seat (Frnt., L) (L.H.D.) - Arctic Spec.            | 1            | ①                         |
|   | 1562 57 150 A          | Seat (Frnt., L) (L.H.D.) - Arctic Spec.            | 1            | Car No. 152816 7/9 ~ ①    |
|   | 1568 57 150            | Seat (Frnt., L) (L.H.D.)                           | 1            | ①                         |
| J ●                                       | 1568 57 150 A          | Seat (Frnt., L) (L.H.D.) 1566, 1568                | 1            | ① 7/9 ~ ①                 |



# SEAT (COUPE)

| No. | Part Number            | Description                    | Q'ty         | Remarks           |
|-----|------------------------|--------------------------------|--------------|-------------------|
| 5   | <del>1532 88 110</del> | <del>Cushion (R), Seat</del>   | <del>1</del> | ©                 |
| 6   | 1562 88 110            | Cushion (R), Seat-Arctic Spec. | 1            | ©                 |
|     | 1568 88 110            | Cushion (R), Seat              | 1            | ©                 |
| 7   | <del>1532 88 160</del> | <del>Cushion (L), Seat</del>   | <del>1</del> | ©                 |
| 8   | 1562 88 160            | Cushion (L), Seat-Arctic Spec. | 1            | ©                 |
|     | 1568 88 160            | Cushion (L), Seat              | 1            | ©                 |
| 9   | 0259 88 259            | Cover, Top                     | 1            | ©                 |
| 10  | <del>0368 88 111</del> | <del>Trim (R), Cushion</del>   | <del>1</del> | ©                 |
|     | 1562 88 111            | Trim (R), Cushion-Arctic Spec. | 1            | ©                 |
|     | 0866 88 111            | Trim (R), Cushion              | 1            | ©                 |
| 11  | <del>0368 88 161</del> | <del>Trim (L), Cushion</del>   | <del>1</del> | ©                 |
|     | 1562 88 161            | Trim (L), Cushion-Arctic Spec. | 1            | ©                 |
|     | 0866 88 161            | Trim (L), Cushion              | 1            | ©                 |
| 12  | <del>0368 88 130</del> | <del>Seat (R), Back</del>      | <del>1</del> | ©                 |
| 13  | 1562 88 130            | Seat (R), Back-Arctic Spec.    | 1            | ©                 |
| ●   | ✓ 1562 88 130A         | Seat (R), Back-Arctic Spec.    | 1            | Car No. 72% ~ X © |
|     | 0866 88 130            | Seat (R), Back                 | 1            | ©                 |
| 14  | <del>0368 88 180</del> | <del>Seat (L), Back</del>      | <del>1</del> | ©                 |
| 15  | 1562 88 180            | Seat (L), Back-Arctic Spec.    | 1            | ©                 |
| ●   | ✓ 1562 88 180A         | Seat (L), Back-Arctic Spec.    | 1            | Car No. 72% ~ X © |

| No. | Part Number            | Description                           | Q'ty         | Remarks             |
|-----|------------------------|---------------------------------------|--------------|---------------------|
|     | 0866 88 180            | Seat (L), Back                        | 1            | ©                   |
| 16  | <del>0866 88 105</del> | <del>Cover, Top</del>                 | <del>2</del> |                     |
|     | 0866 88 135            | Cover, Top                            | 2            | From Car No. 1      |
| 17  | <del>0866 88 131</del> | <del>Trim (R), Back Seat</del>        | <del>1</del> |                     |
|     | 1562 88 131            | Trim (R), Back Seat-Arctic Spec. 1    | 1            |                     |
|     | 0866 88 131            | Trim (R), Back Seat                   | 1            |                     |
| 18  | <del>0866 88 181</del> | <del>Trim (L), Back Seat</del>        | <del>1</del> |                     |
|     | 1562 88 181            | Trim (L), Back Seat-Arctic Spec. 1    | 1            |                     |
|     | 0866 88 181            | Trim (L), Back Seat                   | 1            |                     |
| 19  | 0866 88 102            | Adjuster No. 1                        | 1            |                     |
| ✓●  | 1882 88 102            | Adjuster No. 1 (L.H.D.)               | 1            | Car No. 160623 7%~X |
| 20  | 0866 88 103            | Adjuster No. 2                        | 2            |                     |
| 21  | 0866 88 152            | Adjuster No. 3                        | 1            |                     |
| ✓●  | 1554 88 153            | Adjuster No. 4 (R.H.D.)               | 1            | Car No. 160623 7%~X |
| 22  | 0866 88 123            | Spring, Return                        | 2            |                     |
| 23  | 99801 0816             | Bolt, Adjuster                        | 8            |                     |
|     | 99952 0816             | Washer, Plain                         | 8            |                     |
|     | 99971 0800             | Washer, Spring                        | 8            |                     |
| 24  | 0866 88 101            | Knuckle (R) (R.H.D.)                  | 1            |                     |
|     | 1562 88 101            | Knuckle (R) (L.H.D.), With Foot Pedal | 1            |                     |

57

## SEAT (COUPE)


| No. | Part Number            | Description                           | Q'ty         | Remarks                            |
|-----|------------------------|---------------------------------------|--------------|------------------------------------|
| ✓ ● | 1882 88 101            | Knuckle (R) (L.H.D.), With Foot Pedal | 1            | Car No. 160623 $\frac{73}{10}$ ~ X |
| 25  | 0376 88 151            | Knuckle (L) (R.H.D.), With Foot Pedal | 1            |                                    |
| ● ✓ | 1554 88 151            | Knuckle (L) (R.H.D.), With Foot Pedal | 1            | Car No. 160623 $\frac{73}{10}$ ~ X |
|     | 0866 88 151            | Knuckle (L) (L.H.D.)                  | 1            |                                    |
| 26  | 2155 57 109            | Screw, Knuckle                        | 8            |                                    |
| 27  | <del>0866 57 105</del> | <del>Bush</del>                       | <del>2</del> |                                    |
|     | 0866 88 105            | Bush                                  | 2            | From Car No. 1                     |
| 28  | 0259 57 105            | Washer                                | 2            |                                    |
| 29  | 99221 3015             | Pin, Split                            | 2            |                                    |
| 30  | 0259 68 250            | Tray, Ash                             | 1            |                                    |
| 31  | 99864 0406             | Screw, Ash Tray                       | 2            |                                    |
| 32  | 99785 0825             | Bolt, Front Seat                      | 4            |                                    |
| ●   | 99786 0820 B           | Bolt, Front Seat                      | 4            | $\frac{72}{3}$ ~ O                 |
|     | 99952 0822             | Washer, Plain                         | 4            |                                    |
|     | 99971 0800             | Washer, Spring                        | 4            |                                    |
| 33  | 99901 0800             | Nut, Front Seat                       | 4            |                                    |
| ●   | 99901 0800             | Nut, Front Seat                       | 4            | $\frac{72}{3}$ ~ O                 |
|     | 99952 0822             | Washer, Plain                         | 4            |                                    |
|     | 99971 0800             | Washer, Spring                        | 4            |                                    |

## SEAT (COUPE)

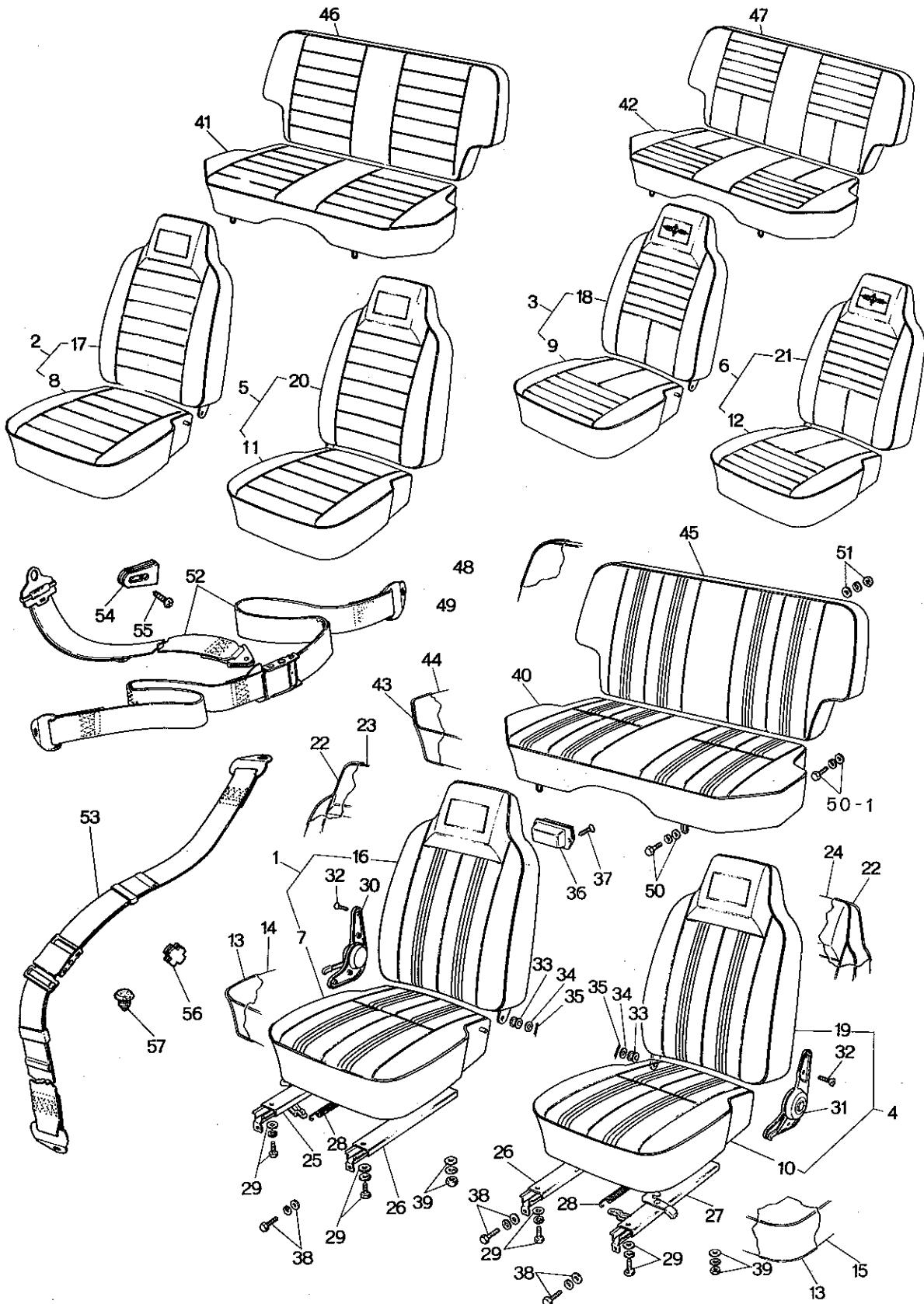
57

| No. | Part Number            | Description                      | Q'ty         | Remarks                                       |
|-----|------------------------|----------------------------------|--------------|---|
| 34  | 0375 57 200            | Cushion (Rr.), Seat              | 1            | ©   |
| 35  | 0376 57 200            | Cushion (Rr.), Seat              | 1            | ©   |
|     | 1562 57 200            | Cushion (Rr.), Seat-Arctic Spec. | 1            | ©   |
| 36  | 0866 88 375            | Cover, Top                       | 1            |   |
| 37  | <del>0375 88 201</del> | <del>Trim</del>                  | <del>1</del> | <del>©</del>                                  |
| ● ✓ | 0376 88 201            | Trim                             | 1            | 1553, 1554, 1556, 1557,<br>1568, 3503, 3517 © |
|     | 1562 88 201            | Trim, Arctic Spec.               | 1            | ©   |
|     | 0866 88 201            | Trim                             | 1            | 1556 ©  |
| 38  | 0370 57 250            | Seat (Rr.), Back                 | 1            | ©   |
| 39  | 0866 57 250            | Seat (Rr.), Back                 | 1            | ©   |
|     | 1562 57 250            | Seat (Rr.), Back                 | 1            | ©   |
| 40  | 0259 88 229            | Cover, Top                       | 1            |   |
| 41  | <del>0370 88 251</del> | <del>Trim</del>                  | <del>1</del> | <del>©</del>                                  |
|     | 0866 88 251            | Trim                             | 1            | ©   |
|     | 1562 88 251            | Trim, Arctic Spec.               | 1            | ©   |
| 42  | 99785 0825             | Bolt, Rear Seat Cushion          | 2            |   |
| ●   | 99786 0825 B           | Bolt, Rear Seat                  | 2            | $\frac{72}{3}$ ~ ○                            |
|     | 99971 0800             | Washer, Spring                   | 2            |   |

SEAT (COUPE)

| No.    | Part Number  | Description          | Q'ty | Remarks  |
|--------|--------------|----------------------|------|--|
|        | 0317 57 015  | Washer               | 2    |  |
| ● 42-1 | 907860 8 20B | Bolt, Rear Seat Back | 2    | From Car No. 1   |
| ●      | 99952 0822   | Washer, Plain        | 2    | From Car No. 1   |
| 43     | 99901 0800   | Nut, Rear Seat Back  | 2    |  |
| ●      | 99940 0800   | Nut, Rear Seat Back  | 2    | $\frac{7}{32}$ ~  |
|        | 99952 0822   | Washer, Plain        | 2    |  |
|        | 99971 0800   | Washer, Spring       | 2    |  |
| 44     | 0820 57 900B | Belt, Front Safety   | 2    |  |
|        | 0305 57 920B | Belt, Front Safety   | 2    | Car No. 160623 $\frac{7}{10}$ ~ X  |
| 45     | 0702 78 200C | Belt, Rear Safety    | 2    |  |
| 46     | 0305 57 909  | Holder, Belt         | 2    |  |
| 47     | 99861 0412   | Screw, Belt Holder   | 4    |  |
| 48     | 2981 69 623  | Cap, Trim            | 2    |  |
| 49     | 99301 1100   | Cap                  | 6    | Without Safety Belt  |
|        | 99302 1100C  | Cap                  | 1    |  |







| No. | Part Number | Description | Q'ty | Remarks |
|-----|-------------|-------------|------|---------|
|-----|-------------|-------------|------|---------|

When ordering the following Seat & Trim

Note : 1, Add

- 03 (BLK.) - 12 (BRN.) - 13 (GRY. / YLW.)

after the parts number as colour code nos.

|    |                         |  |              |                       |                        |
|----|-------------------------|--|--------------|-----------------------|------------------------|
| 1. | 0370 57 100A            | Seat (Frt., R), Vinyl                          | 1            | 1550                  | ©                      |
| •  | 0370 57 100B            | Seat (Frt., R), Vinyl                          | 1            | 1550                  | ©                      |
|    |                         |  |              | With Ash Tray Car No. | $\frac{7}{9} \sim X$   |
|    | <del>1524 57 100A</del> | <del>Seat (Frt., R), Arctic Spec., Vinyl</del> | <del>1</del> |                       | <del>©</del>           |
| 2. | 0866 57 100A            | Seat (Frt., R), Vinyl                          | 1            |                       | ©                      |
|    | 0866 57 100B            | Seat (Frt., R), Vinyl                          | 1            | Car No. 152816        | $\frac{7}{9} \sim X$ © |
|    | 1560 57 100             | Seat (Frt., R), Arctic Spec., Vinyl            | 1            |                       | ©                      |
|    | 1560 57 100A            | Seat (Frt., R), Arctic Spec., Vinyl            | 1            | Car No. 152816        | $\frac{7}{9} \sim X$ © |
| 3. | <del>0866 57 300A</del> | <del>Seat (Frt., R), Cloth</del>               | <del>1</del> |                       | <del>©</del>           |
| 4. | 0370 57 150A            | Seat (Frt., L), Vinyl                          | 1            |                       | ©                      |
| •  | 0370 57 150B            | Seat (Frt., L), Vinyl                          | 1            | Car No.               | $\frac{7}{9} \sim X$ © |
|    | 1524 57 150             | Seat (Frt., L), Arctic Spec., Vinyl            | 1            |                       | ©                      |
| 5. | 0866 57 150A            | Seat (Frt., L), Vinyl                          | 1            |                       | ©                      |
| •  | 0866 57 150B            | Seat (Frt., L), Vinyl                          | 1            | Car No. 152816        | $\frac{7}{9} \sim X$ © |
| •  | 1560 57 150             | Seat (Frt., L), Arctic Spec., Vinyl            | 1            |                       | ©                      |
| •  | 1560 57 150A            | Seat (Frt., L), Arctic Spec., Vinyl            | 1            | Car No. 152816        | $\frac{7}{9} \sim X$ © |
|    | <del>0866 57 350A</del> | <del>Seat (Frt., L), Cloth</del>               | <del>1</del> |                       | <del>©</del>           |

| No. | Part Number              | Description                                      | Q'ty         | Remarks      |
|-----|--------------------------|--|--------------|--------------|
| 7   | 0370 88 110              | Cushion (R), Seat-Vinyl                          | 1 1550       | ©            |
|     | <del>1524 57 110</del>   | <del>Cushion (R), Seat-Arctic Spec., Vinyl</del> | <del>1</del> | <del>©</del> |
| 8   | 0866 88 110              | Cushion (R), Seat-Vinyl                          | 1            | ©            |
|     | 1560 88 110              | Cushion (R), Seat-Arctic Spec., Vinyl            | 1            | ©            |
| 9   | <del>0866 57 310 A</del> | <del>Cushion (R), Seat-Cloth</del>               | <del>1</del> | <del>©</del> |
| 10  | 0370 88 160              | Cushion (L), Vinyl                               | 1 1550       | ©            |
|     | <del>1524 57 160</del>   | <del>Cushion (L), Arctic Spec., Vinyl</del>      | <del>1</del> | <del>©</del> |
| 11  | 0866 88 160              | Cushion (L), Vinyl                               | 1            | ©            |
|     | 1560 88 160              | Cushion (L), Arctic Spec., Vinyl                 | 1            | ©            |
| 12  | <del>0866 57 360 A</del> | <del>Cushion (L), Cloth</del>                    | <del>1</del> | <del>©</del> |
| 13  | 0259 88 259              | Cover, Top                                       | 2            |              |
| 14  | 0370 88 111              | Trim (R), Cushion-Vinyl                          | 1 1550       | ©            |
|     | <del>1524 88 111</del>   | <del>Trim (R), Cushion-Arctic Spec., Vinyl</del> | <del>1</del> | <del>©</del> |
|     | 0866 88 111              | Trim (R), Cushion-Vinyl                          | 1            | ©            |
|     | 1562 88 111              | Trim (R), Cushion-Arctic Spec., Vinyl            | 1            | ©            |
|     | <del>0866 88 490</del>   | <del>Trim (R), Cushion-Cloth</del>               | <del>1</del> | <del>©</del> |
| 15  | 0370 88 161              | Trim (L), Cushion-Vinyl                          | 1 1550       | ©            |
|     | <del>1524 88 200</del>   | <del>Trim (L), Cushion-Arctic Spec., Vinyl</del> | <del>1</del> | <del>©</del> |
|     | 0866 88 161              | Trim (L), Cushion-Vinyl                          | 1            | ©            |
|     | 1562 88 161              | Trim (L), Cushion-Arctic Spec., Vinyl            | 1            | ©            |

## SEAT (SEDAN)

57

| No. | Part Number            | Description  | Q'ty                                       | Remarks      |
|-----|------------------------|--|--|--------------|
|     | <del>0866 88 530</del> | <del>Trim (L), Cushion-Cloth</del>                 | <del>1</del>                               | <del>Ⓢ</del> |
| 16  | 0370 88 130            | Seat (R), Back-Vinyl                               | 1 1550                                     | Ⓢ            |
| ●   | ✓ 0370 88 130 A        | Seat (R), Back-Vinyl                               | 1 1550<br>Car No. 152816 $\frac{7}{8}$ ~ X |              |
|     | 1524 88 130            | Seat (R), Back-Arctic Spec., Vinyl                 | 1  | Ⓢ            |
| 17  | 0866 88 130            | Seat (R), Back-Vinyl                               | 1  | Ⓢ            |
| ●   | ✓ 0866 88 130 A        | Seat (R), Back-Vinyl                               | 1 Car No. 152816 $\frac{7}{8}$ ~ X         |              |
|     | 1562 88 130            | Seat (R), Back-Arctic Spec., Vinyl                 | 1  | Ⓢ            |
| 18  | <del>0866 57 320</del> | <del>Seat (R), Back-Cloth</del>                    | <del>1</del>                               | <del>Ⓢ</del> |
| 19  | 0370 88 180            | Seat (L), Back-Vinyl                               | 1 1550                                     | Ⓢ            |
| ●   | ✓ 0370 88 180 A        | Seat (L), Back-Vinyl                               | 1 1550<br>Car No. 152816 $\frac{7}{8}$ ~ X |              |
|     | <del>1524 57 170</del> | <del>Seat (L), Back-Arctic Spec., Vinyl</del>      | <del>1</del>                               | <del>Ⓢ</del> |
| 20  | 0866 88 180            | Seat (L), Back-Vinyl                               | 1  | Ⓢ            |
| ●   | ✓ 0866 88 180 A        | Seat (L), Back-Vinyl                               | 1 Car No. 152816 $\frac{7}{8}$ ~ X         |              |
|     | 1562 88 180            | Seat (L), Back-Arctic Spec., Vinyl                 | 1  | Ⓢ            |
| 21  | <del>0866 57 370</del> | <del>Seat (L), Back-Cloth</del>                    | <del>1</del>                               | <del>Ⓢ</del> |
| 22  | <del>0866 88 105</del> | <del>Cover, Top</del>                              | <del>2</del>                               |              |
|     | 0866 88 135            | Cover, Top   | 2 From Car No. 1                           |              |
| 23  | 0370 88 131            | Trim (R), Back Seat-Vinyl                          | 1 1550                                     | Ⓢ            |
|     | <del>1524 88 100</del> | <del>Trim (R), Back Seat-Arctic Spec., Vinyl</del> | <del>1</del>                               | <del>Ⓢ</del> |
|     | 0866 88 131            | Trim (R), Back Seat-Vinyl                          | 1  | Ⓢ            |

57

## SEAT (SEDAN)

| No. | Part Number            | Description  | Q'ty         | Remarks        |
|-----|------------------------|--|--------------|----------------|
|     | 1562 88 131            | Trim (R), Back Seat - Arctic Spec., Vinyl            | 1            | ©              |
|     | <del>0866 88 500</del> | <del>Trim (R), Back Seat, Cloth</del>                | <del>1</del> | <del>©</del>   |
| 24  | 0370 88 181            | Trim (L), Back Seat - Vinyl                          | 1 1550       | ©              |
|     | <del>1524 88 280</del> | <del>Trim (L), Back Seat - Arctic Spec., Vinyl</del> | <del>1</del> | <del>©</del>   |
|     | 0866 88 181            | Trim (L), Back Seat - Vinyl                          | 1            | ©              |
|     | 1562 88 181            | Trim (L), Back Seat - Arctic Spec., Vinyl            | 1            | ©              |
|     | <del>0866 88 540</del> | <del>Trim (L), Back Seat - Cloth</del>               | <del>1</del> | <del>©</del>   |
| 25  | 0866 88 102            | Adjuster No. 1                                       | 1            |                |
| 26  | 0866 88 103            | Adjuster No. 2                                       | 2            |                |
| 27  | 0866 88 152            | Adjuster No. 3                                       | 1            |                |
| 28  | 0259 88 123            | Spring, Return                                       | 2            |                |
| 29  | 99801 0816             | Bolt, Adjuster                                       | 8            |                |
|     | 99952 0816             | Washer, Plain  | 8            |                |
|     | 99971 0800             | Washer, Spring                                       | 8            |                |
| 30  | 0866 88 101            | Knuckle (R)  | 1            |                |
| 31  | 0866 88 151            | Knuckle (L)  | 1            |                |
| 32  | 2155 57 109            | Screw, Knuckle                                       | 8            |                |
| 33  | <del>0866 57 105</del> | <del>Bush</del>                                      | <del>2</del> |                |
|     | 0866 88 105            | Bush   | 2            | From Car No. 1 |
| 34  | 0259 57 105            | Washer   | 2            |                |

## SEAT (SEDAN)

57

| No. | Part Number            | Description  | Q'ty         | Remarks           |
|-----|------------------------|--|--------------|-------------------|
| 35  | 99221 3015             | Pin, Split   | 2            |                   |
| 36  | 0259 68 250            | Tray, Ash  | 1            |                   |
| 37  | 99864 0406             | Screw, Ash Tray                                      | 1            |                   |
| 38  | 99785 0825             | Bolt, Front Seat                                     | 4            |                   |
| • V | 99786 0825 B           | Bolt, Front Seat                                     | 4            | $\frac{7}{8}$ ~ ○ |
|     | 99952 0822             | Washer, Plain  | 4            |                   |
|     | 99971 0800             | Washer, Spring                                       | 4            |                   |
| 39  | 99901 0800             | Nut, Front Seat                                      | 4            |                   |
| • V | 99940 0800             | Nut, Front Seat                                      | 4            | $\frac{7}{8}$ ~ ○ |
|     | 99952 0822             | Washer, Plain  | 4            |                   |
|     | 99971 0800             | Washer, Spring                                       | 4            |                   |
| 40  | 0370 57 200 A          | Cushion (Rr.), Seat-Vinyl                            | 1 1550       | ©                 |
|     | <del>1524 57 200</del> | <del>Cushion (Rr.), Seat - Arctic Spec., Vinyl</del> | <del>1</del> | <del>©</del>      |
| 41  | 0866 57 200 A          | Cushion (Rr.), Seat-Vinyl                            | 1            | ©                 |
|     | 1560 57 200            | Cushion (Rr.), Seat-Arctic Spec., Vinyl              | 1            | ©                 |
| 42  | <del>0866 57 400</del> | <del>Cushion (Rr.), Seat-Clutch</del>                | <del>1</del> | <del>©</del>      |
| 43  | 0866 88 375            | Cover, Top   | 1            |                   |
| 44  | 0370 88 201            | Trim, Vinyl  | 1 1550       | ©                 |

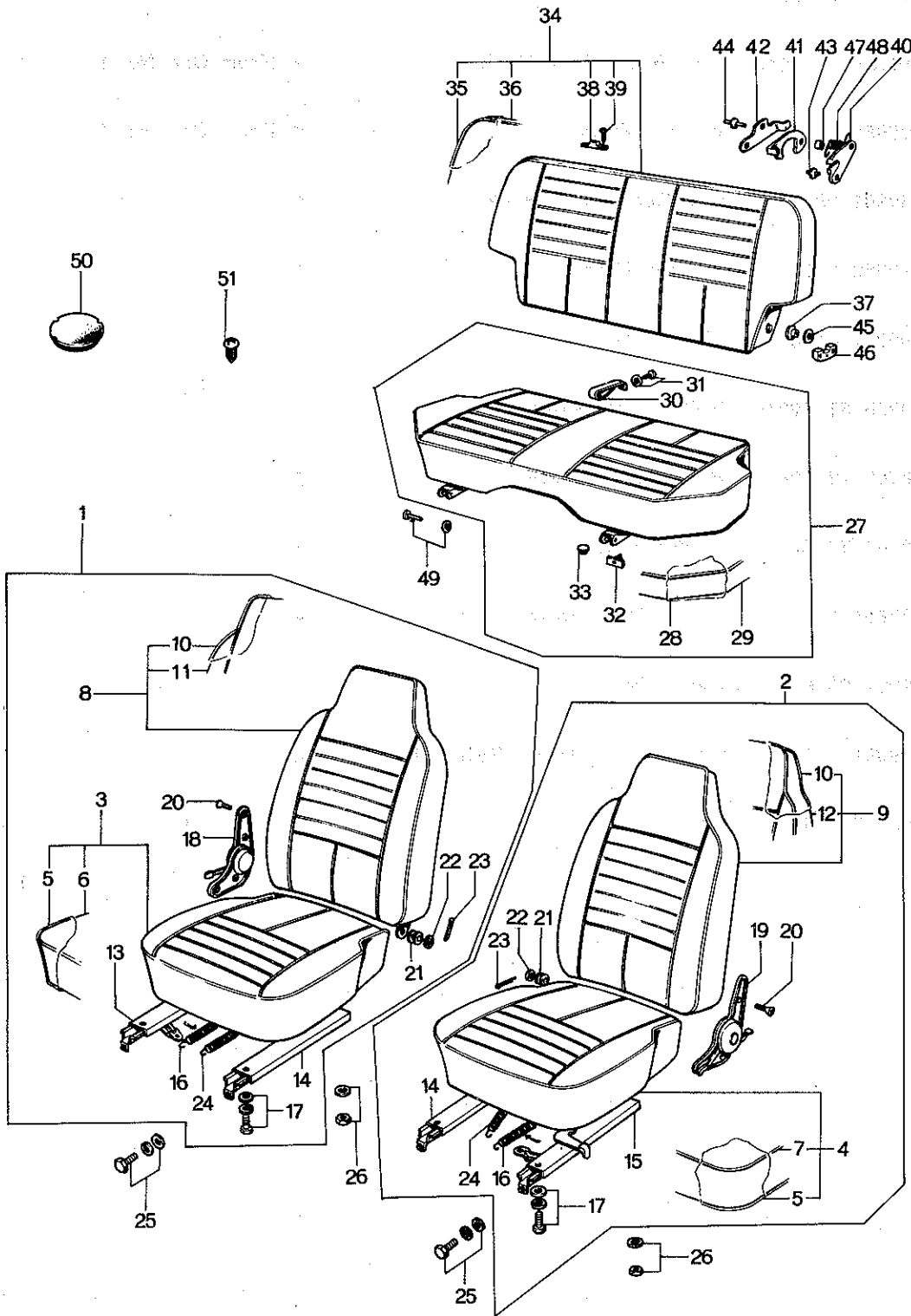
**57**

**SEAT (SEDAN)**

| No.             | Part Number            | Description                                       | Q'ty         | Remarks            |
|-----------------|------------------------|---|--------------|--------------------|
| <del>1524</del> | <del>88 370</del>      | <del>Trim, Arctic Spec., Vinyl</del>              | <del>1</del> | <del>Ⓢ</del>       |
| 0866            | 88 201                 | Trim, Vinyl                                       | 1            | Ⓢ                  |
| 1560            | 88 201                 | Trim, Arctic Spec., Vinyl                         | 1            | Ⓢ                  |
| <del>0866</del> | <del>88 570</del>      | <del>Trim, Cloth</del>                            | <del>1</del> | <del>Ⓢ</del>       |
| 45              | 0370 57 250            | Seat (Rr.), Back - Vinyl                          | 1 1550       | Ⓢ                  |
| <del>1524</del> | <del>57 250</del>      | <del>Seat (Rr.), Back - Arctic Spec., Vinyl</del> | <del>1</del> | <del>Ⓢ</del>       |
| 46              | 0866 57 250            | Seat (Rr.), Back - Vinyl                          | 1            | Ⓢ                  |
| 1562            | 57 250                 | Seat (Rr.), Back - Arctic Spec., Vinyl            | 1            | Ⓢ                  |
| <del>47</del>   | <del>0866 57 450</del> | <del>Seat (Rr.), Back - Cloth</del>               | <del>1</del> | <del>Ⓢ</del>       |
| 48              | 0259 88 229            | Cover, Top  | 1            |                    |
| 49              | 0370 88 251            | Trim, Vinyl                                       | 1            | Ⓢ                  |
| <del>1524</del> | <del>88 420</del>      | <del>Trim, Arctic Spec.</del>                     | <del>1</del> | <del>Ⓢ</del>       |
| 0866            | 88 251                 | Trim, Vinyl                                       | 1            | Ⓢ                  |
| 1562            | 88 251                 | Trim, Arctic Spec., Vinyl                         | 1            | Ⓢ                  |
| <del>0866</del> | <del>88 580</del>      | <del>Trim, Cloth</del>                            | <del>1</del> | <del>Ⓢ</del>       |
| 50              | 99785 0825             | Bolt, Rear Seat                                   | 2            |                    |
| ●               | 99786 0825B            | Bolt, Rear Seat Cushion                           | 2            | $\frac{72}{3}$ ~ ○ |
|                 | 99971 0800             | Washer, Spring                                    | 2            |                    |

| No.  | Part Number  | Description          | Q'ty | Remarks             |
|------|--------------|----------------------|------|---------------------|
|      | 0317 57 015  | Washer               | 2    |                     |
| 50-1 | 907860 8 20B | Bolt, Rear Seat Back | 2    | From Car No. 1      |
| ●    | 99952 0822   | Washer, Plain        | 2    | From Car No. 1      |
| 51   | 99901 0800   | Nut, Rear Seat Back  | 2    |                     |
|      | 99952 0800   | Washer, Plain        | 2    |                     |
|      | 99971 0800   | Washer, Spring       | 2    |                     |
| 52   | 0305 57 920B | Belt, Front Safety   | 2    |                     |
| 53   | 0702 78 200C | Belt, Rear Safety    | 2    |                     |
| 54   | 0305 57 909  | Holder, Belt         | 2    |                     |
| 55   | 99861 0412   | Screw, Belt Holder   | 4    |                     |
| 56   | 2981 69 623  | Cap, Trim            | 2    |                     |
| 57   | 99301 1100   | Cap                  | 6    | Without Safety Belt |
|      | 99302 1100   | Cap                  |      |                     |

# SEAT (STATION WAGON)





# SEAT (STATION WAGON)

57

| No.  | Part Number  | Description               | Q'ty | Remarks |
|--|--------------|---------------------------|------|---------|
| <p>When ordering the following Seat &amp; Trim<br/>           Note : 1 Add<br/>           -03 (Black) -12 (Brown) -13 (Grayish Yellow)<br/>           after the parts number as colour code nos.</p> |              |                           |      |         |
| ✓ 1  | 0866 57 100B | Seat (R), Front           | 1    | ©       |
| ✓ 2  | 0866 57 150B | Seat (L), Front           | 1    | ©       |
| 3  | 0866 88 110  | Cushion (R), Seat         | 1    | ©       |
| 4  | 0866 88 160  | Cushion (L), Seat         | 1    | ©       |
| ✓ 5  | 0820 57 114  | Cover, Top-Seat Cushion   | 2    |         |
| 6  | 0866 88 111  | Trim (R)                  | 1    | ©       |
| 7  | 0866 88 161  | Trim (L)                  | 1    | ©       |
| 8  | 0866 88 130A | Seat (R), Back-Front      | 1    | ©       |
| 9  | 0866 88 180A | Seat (L), Back-Front      | 1    | ©       |
| 10   | 0866 88 135  | Cover, Top-Seat Back      | 2    | ©       |
| 11   | 0866 88 131A | Trim (R), Back Seat       | 1    | ©       |
| 12   | 0866 88 181A | Trim (L), Back Seat       | 1    | ©       |
| 13   | 0866 88 102  | Adjuster No. 1            | 1    |         |
| 14   | 0866 88 103  | Adjuster No. 2            | 2    |         |
| 15   | 0866 88 152  | Adjuster No. 3            | 1    |         |
| 16   | 0259 88 123  | Spring, Return - Adjuster | 2    |         |
| 17   | 98801 0820   | Bolt, Adjuster            | 8    |         |



# SEAT (STATION WAGON)

| No.  | Part Number  | Description        | Q'ty | Remarks |
|------|--------------|--------------------|------|---------|
|      | 99952 0816   | Washer, Plain      | 8    |         |
|      | 99971 0800   | Washer, Spring     | 8    |         |
| 18   | 0866 88 101  | Knuckle (R)        | 1    |         |
| 19   | 0866 88 151  | Knuckle (L)        | 1    |         |
| ✓ 20 | 2155 57 109  | Screw, Knuckle     | 8    |         |
| 21   | 0866 88 105  | Bush, Hinge        | 2    |         |
| 22   | 0866 88 106  | Washer, Hinge      | 2    |         |
| 23   | 99221 3020   | Pin, Split         | 2    |         |
| 24   | 3450 88 107  | Spring, Return     | 2    |         |
| 25   | 99786 08208  | Bolt, Front Seat   | 4    |         |
|      | 99952 0822   | Washer, Plain      | 4    |         |
| 26   | 99940 0800   | Nut, Front Seat    | 4    |         |
|      | 99952 0822   | Washer, Plain      | 4    |         |
| ✓ 27 | 0899 57 200A | Cushion, Rear Seat | 1    | ©       |
| 28   | 0652 88 209  | Cover, Top         | 1    |         |
| 29   | 0899 88 201  | Trim               | 1    | ©       |
| 30   | 0652 88 219  | Band               | 1    |         |
| 31   | 0760 88 218  | Rivet, Band        | 1    |         |

## SEAT (STATION WAGON)

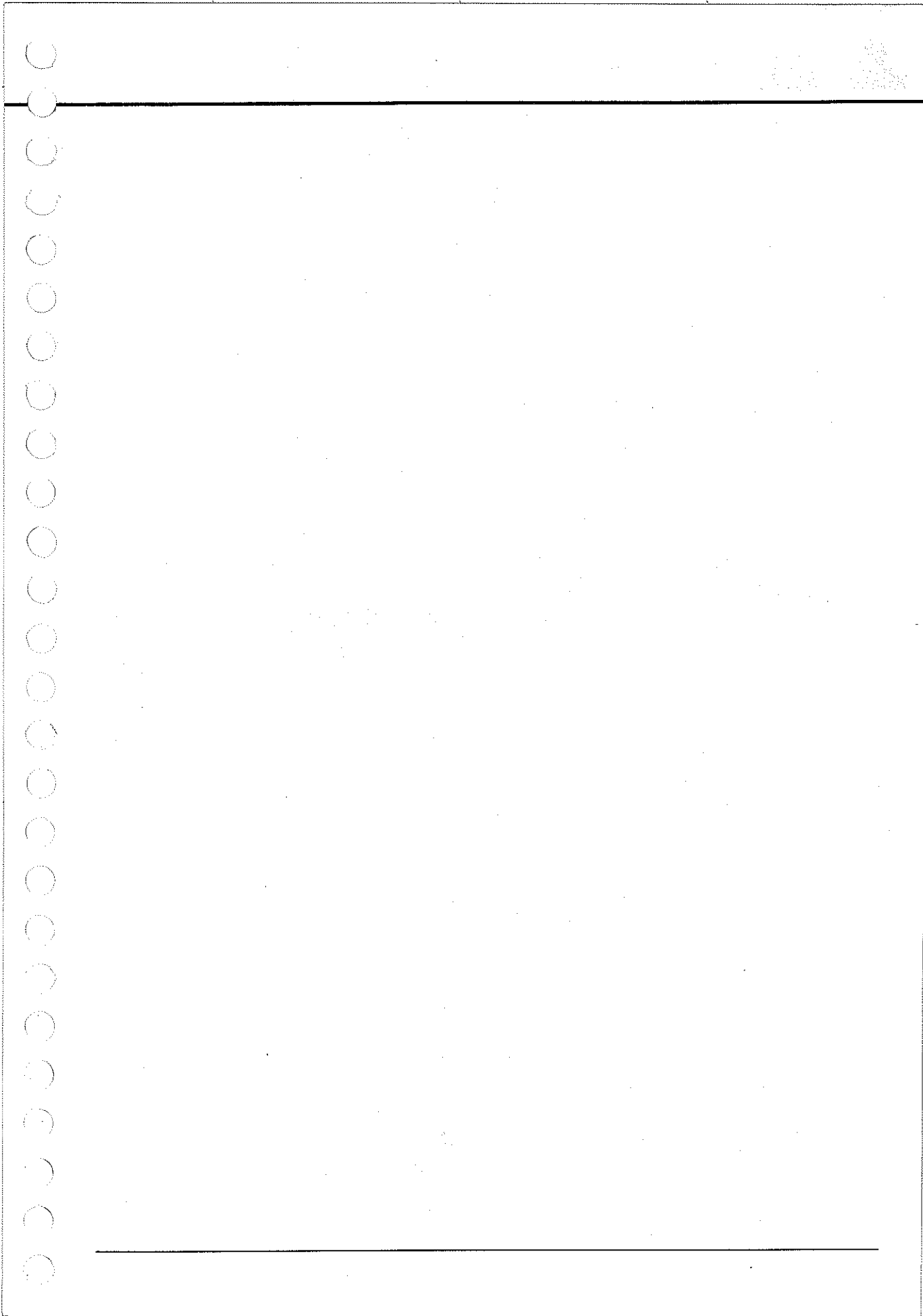
57

| No.  | Part Number    | Description         | Q'ty | Remarks |
|------|----------------|---------------------|------|---------|
|      | 99953 0400     | Washer, Plain       | 1    |         |
| ✓ 32 | 0621 57 701A   | Stopper             | 2    |         |
| ✓ 33 | 0603 53 436    | Grommet             | 1    |         |
| ✓ 34 | 0899 57 250    | Seat, Rear Back     | 1    | ©       |
|      | 35 0652 88 229 | Cover, Top          | 1    |         |
|      | 36 0899 88 251 | Trim                | 1    | ©       |
| ✓ 37 | 0187 57 751    | Tube                | 2    |         |
| ✓ 38 | 0621 57 753    | Stopper             | 2    |         |
|      | 39 99832 0625B | Screw, Stopper      | 4    |         |
| ✓ 40 | 0585 57 012    | Stopper (R)         | 1    |         |
| ✓    | 0585 57 013    | Stopper (L)         | 1    |         |
| ✓ 41 | 0585 57 015    | Plate, Lock         | 1    |         |
| ✓ 42 | 0585 57 016    | Washer (R), Stopper | 1    |         |
| ✓    | 0585 57 017    | Washer (L), Stopper | 1    |         |
| ✓ 43 | 0710 57 022    | Rivet, Stopper      | 3    |         |
| ✓ 44 | 0710 57 023    | Rivet, Stopper      | 3    |         |
| ✓ 45 | 0187 57 052    | Washer, Adjust      | 2    |         |
| ✓ 46 | 0621 57 054    | Retainer            | 2    |         |

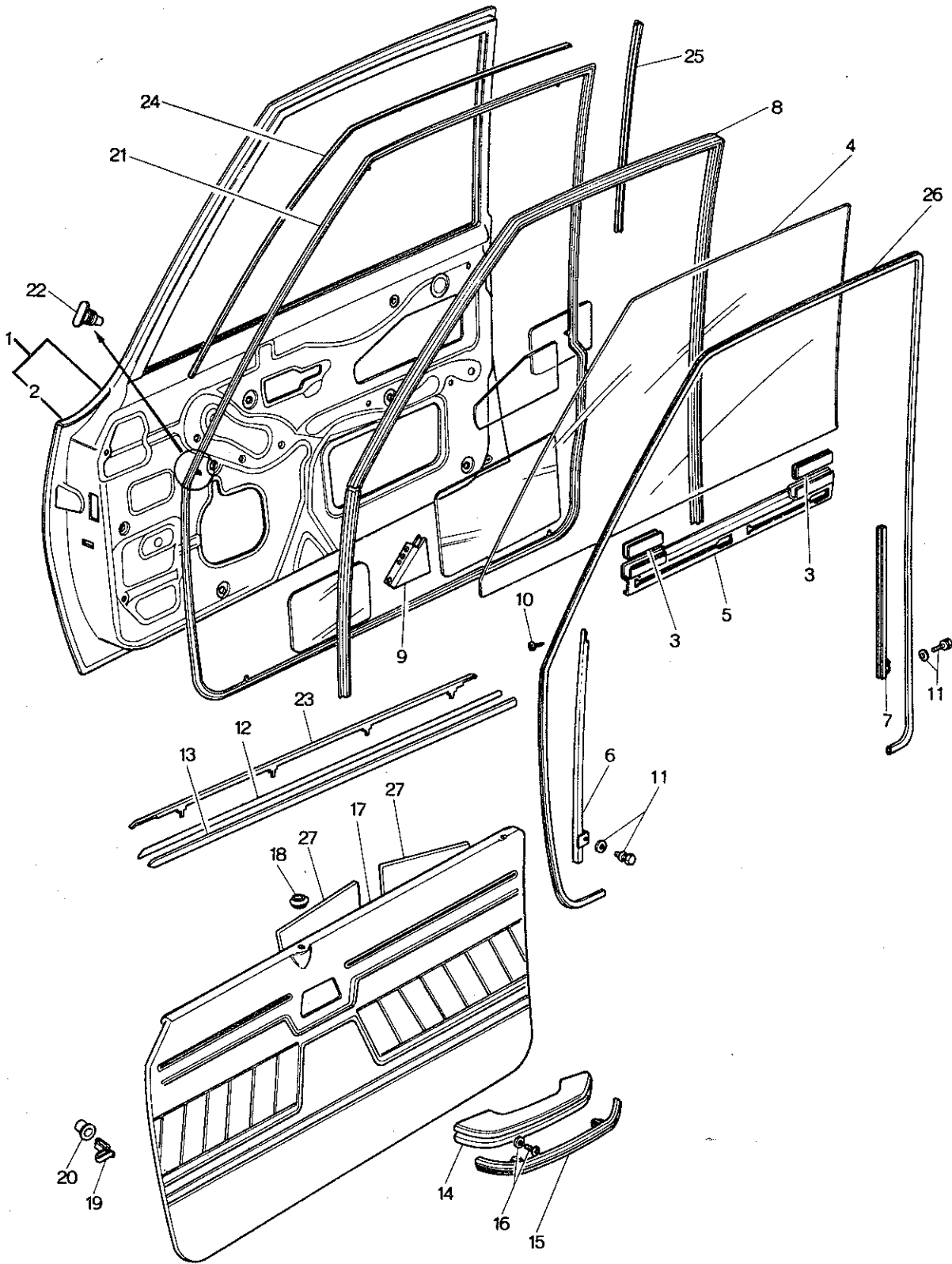


# SEAT (STATION WAGON)

| No.  | Part Number | Description            | Q'ty | Remarks |
|------|-------------|------------------------|------|---------|
| 47 ✓ | 0585 57 019 | Bush                   | 1    |         |
| 48 ✓ | 0585 57 018 | Spring, Return         | 1    |         |
| 49   | 99230 0852  | Pin, Rear Seat Cushion | 2    |         |
|      | 99576 0500  | Ring, Snap             | 2    |         |
| 50   | 2981 68 623 | Cap, Trim              | 2    |         |
| 51   | 99301 1100  | Cap                    | 6    |         |



# FRONT SIDE DOOR (GLASS)



# FRONT SIDE DOOR (GLASS)

58

59

| No. | Part Number  | Description    | Q'ty | Remarks                             |
|-----|--------------|----------------|------|-------------------------------------|
| 1   | 0376 58 010B | Body (R), Door | 1    |                                     |
|     | 0376 58 010C | Body (R), Door | 1    | Car No. 134345 $\frac{7}{8}$ ~ O ✓  |
|     | 0376 58 010D | Body (R), Door | 1    | Car No. 152249 $\frac{7}{8}$ ~ O ✓  |
|     | 0376 58 010E | Body (R), Door | 1    | Car No. 160378 $\frac{7}{12}$ ~ O ✓ |
|     | 1554 58 010  | Body (R), Door | 1    |                                     |
|     | 1554 58 010A | Body (R), Door | 1    | Car No. 134345 $\frac{7}{8}$ ~ O ✓  |
|     | 1554 58 010B | Body (R), Door | 1    | Car No. 152249 $\frac{7}{8}$ ~ O ✓  |
|     | 1554 58 010C | Body (R), Door | 1    | Car No. 160378 $\frac{7}{12}$ ~ O ✓ |
|     | 0376 59 010B | Body (L), Door | 1    |                                     |
|     | 0376 59 010C | Body (L), Door | 1    | Car No. 134345 $\frac{7}{8}$ ~ O ✓  |
|     | 0376 59 010D | Body (L), Door | 1    | Car No. 152249 $\frac{7}{8}$ ~ O ✓  |
|     | 0376 59 010E | Body (L), Door | 1    | Car No. 160378 $\frac{7}{12}$ ~ O ✓ |
|     | 0866 58 010C | Body (R), Door | 1    |                                     |
|     | 0866 58 010D | Body (R), Door | 1    | Car No. 134345 $\frac{7}{8}$ ~ O ✓  |
|     | 0866 58 010E | Body (R), Door | 1    | Car No. 157510 $\frac{7}{10}$ ~ O ✓ |
|     | 0866 58 010F | Body (R), Door | 1    | Car No. 160378 $\frac{7}{12}$ ~ O ✓ |
|     | 1511 58 010A | Body (R), Door | 1    |                                     |
|     | 1511 58 010B | Body (R), Door | 1    | Car No. 134345 $\frac{7}{8}$ ~ O ✓  |
|     | 1511 58 010C | Body (R), Door | 1    | Car No. 157510 $\frac{7}{10}$ ~ O ✓ |
|     | 1511 58 010D | Body (R), Door | 1    | Car No. 160378 $\frac{7}{12}$ ~ O ✓ |

(For Australia & England) (Coupe)

(For Australia & England) (Sedan & Station Wagon)

58

59

## FRONT SIDE DOOR (GLASS)

| No. | Part Number  | Description                         | Q'ty | Remarks                          |
|-----|--------------|-------------------------------------|------|----------------------------------|
|     | 0866 59 010C | Body (L), Door                      | 1    |                                  |
|     | 0866 59 010D | Body (L), Door                      | 1    | Car No. 134345 $\frac{7}{11}$ ~○ |
|     | 0866 59 010E | Body (L), Door                      | 1    | Car No. 157510 $\frac{7}{10}$ ~○ |
|     | 0866 59 010F | Body (L), Door                      | 1    | Car No. 160378 $\frac{7}{12}$ ~○ |
|     |              | (Sedan & Station Wagon)             |      |                                  |
| 2   | 0376 58 020A | Panel (R)                           | 1    |                                  |
|     | 1554 58 020  | Panel (R) (For Australia & England) | 1    | (Coupe)                          |
|     | 0376 59 020A | Panel (L)                           | 1    |                                  |
|     | 0866 58 020A | Panel (R)                           | 1    |                                  |
|     | 1511 58 020  | Panel (R) (For Australia & England) | 1    | (Sedan & Station Wagon)          |
|     | 0866 59 020A | Panel (L)                           | 1    |                                  |
| 3   | 2292 58 232  | Rubber, Strip-Door Glass            | 4    |                                  |
| 4   | 0368 58 501  | Glass (R)                           | 1    |                                  |
| ●   | 0368 58 501A | Glass (R)                           | 1    | $\frac{7}{10}$ ~○                |
|     | 0368 59 501  | Glass (L)                           | 1    |                                  |
| ●   | 0368 59 501A | Glass (L)                           | 1    | $\frac{7}{10}$ ~○                |
|     |              | (Sedan & Station Wagon)             |      |                                  |
|     | 0866 58 501  | Glass (R)                           | 1    |                                  |
| ●   | 0866 58 501A | Glass (R)                           | 1    | $\frac{7}{10}$ ~○                |
|     | 0866 59 501  | Glass (L)                           | 1    |                                  |
| ●   | 0866 59 501A | Glass (L)                           | 1    | $\frac{7}{10}$ ~○                |



# FRONT SIDE DOOR (GLASS)

**58**

**59**

| No. | Part Number   | Description                                | Q'ty | Remarks |
|-----|---------------|--|------|---------|
|     | 0374 58 501   | Glass (R)                                  | 1    |         |
|     | 0374 58 501A  | Glass (R)                                  | 1    |         |
|     | 0374 59 501   | Glass (L)                                  | 1    |         |
|     | 0374 59 501A  | Glass (L)                                  | 1    |         |
|     | 0376 58 501   | Glass (R)                                  | 1    |         |
|     | 0376 58 501A  | Glass (R)                                  | 1    |         |
|     | 0376 59 501   | Glass (L)                                  | 1    |         |
|     | 0376 59 501A  | Glass (L)                                  | 1    |         |
|     | 5 0305 58 505 | Bracket (R), Lift                          | 1    |         |
|     | 0305 59 505   | Bracket (L), Lift                          | 1    |         |
|     | 6 0866 58 603 | Guide "A" (R), Glass                       | 1    |         |
|     | 0866 59 603   | Guide "A" (L), Glass                       | 1    |         |
|     | 7 0376 58 604 | Guide "B" (R), Glass                       | 1    |         |
|     | 0376 59 604   | Guide "B" (L), Glass                       | 1    |         |
|     | 0866 58 604   | Guide "B" (R), Glass                       | 1    |         |
|     | 0866 59 604   | Guide "B" (L), Glass                       | 1    |         |
|     | 8 0376 58 605 | Channel, Glass Run (Coupe)                 | 2    |         |
|     | 0866 58 605   | Channel, Glass Run (Sedan & Station Wagon) | 2    |         |
|     | 9 0866 58 620 | Bracket, Corner                            | 2    |         |
|     | 10 99831 0408 | Screw, Glass Guide                         | 4    |         |

Transparent

(Coupe)

Blue Pane

(Coupe)

(Sedan & Station Wagon)

58

59

## FRONT SIDE DOOR (GLASS)

| No. | Part Number             | Description                    | Q'ty         | Remarks                               |
|-----|-------------------------|--------------------------------|--------------|---------------------------------------|
| 11  | 99806 0612              | Bolt, Glass Guide              | 4            |                                       |
|     | 99971 0600              | Washer, Spring                 | 4            |                                       |
|     | 99951 0618              | Washer, Plain                  | 2            |                                       |
|     | 0727 70 943             | Washer, Plain                  | 2            |                                       |
| ●   | 2850 13 332             | Washer, Plain                  | 2            | $\frac{7}{16}$ " ~ O                  |
| 12  | 0376 58 781D            | Weatherstrip, Outer            | 2            |                                       |
|     |                         | (Coupe)                        |              |                                       |
|     | <del>0376 59 781A</del> | <del>Weatherstrip, Outer</del> | <del>±</del> |                                       |
|     | 0866 58 781D            | Weatherstrip, Outer            | 2            |                                       |
|     |                         | (Sedan & Station Wagon)        |              |                                       |
|     | <del>0866 59 781A</del> | <del>Weatherstrip, Outer</del> | <del>±</del> |                                       |
| 13  | 0376 58 791             | Weatherstrip, Inner (R)        | 1            |                                       |
|     |                         | (Coupe)                        |              |                                       |
|     | 0376 59 791             | Weatherstrip, Inner (L)        | 1            |                                       |
|     | 0866 58 791             | Weatherstrip, Inner (R)        | 1            |                                       |
|     |                         | (Sedan & Station Wagon)        |              |                                       |
|     | 0866 59 791             | Weatherstrip, Inner (L)        | 1            |                                       |
| 14  | 0398 58 821A            | Rest, Arm                      | 2            |                                       |
| 15  | 0398 58 822             | Garnish, Arm Rest              | 2            |                                       |
|     | 0398 58 822A            | Garnish, Arm Rest              | 2            | Car No. 130590 $\frac{7}{12}$ " ~ O ✓ |
| 16  | 99833 0512              | Screw, Tapping - Arm Rest      | 4            |                                       |
| ● ✓ | 99833 0520              | Screw, Tapping - Arm Rest      | 4            | Car No. 160623 $\frac{7}{10}$ " ~ Δ   |
|     | 99952 0500              | Washer, Plain                  | 4            | Car No. 160623 $\frac{7}{10}$ " ~ Δ   |



58

59

## FRONT SIDE DOOR (GLASS)

| No.  | Part Number             | Description               | Qty                      | Remarks   |
|------|-------------------------|---------------------------|--------------------------|---|
|      | 1562 58 810D            | Trim (R), Door            | 1                        | ©   |
|      | 1562 58 810E            | Trim (R), Door            | 1                        | Car No. 160378 $\frac{7}{12}$ ~○✓©                      |
|      | <del>0870 59 810F</del> | <del>Trim (L), Door</del> | <del>±</del>             | (Coupe Super Deluxe)                                    |
|      | 0870 59 810E            | Trim (L), Door            | 1                        | From Car No. 1 ©  |
|      | 0870 59 810F            | Trim (L), Door            | 1                        | Car No. 160378 $\frac{7}{12}$ ~○✓©                      |
| 18   | 0223 58 692A            | Grommet                   | 2                        |   |
| ● 19 | 0208 58 921             | Fastener, Door Trim       | 14 (Sedan)<br>18 (Coupe) |   |
| ● 20 | 0187 58 922             | Seal, Fastener-Door Trim  | 14 (Sedan)<br>18 (Coupe) |   |
| 21   | 0376 58 760A            | Weatherstrip (R)          | 1                        | } (Coupe)   |
|      | 0376 59 760A            | Weatherstrip (L)          | 1                        |   |
|      | 0866 58 760A            | Weatherstrip (R)          | 1                        | } (Sedan & Station Wagon)                               |
|      | 0866 59 760A            | Weatherstrip (L)          | 1                        |   |
| 22   | 0305 58 762             | Fastener                  | 54                       |   |
| 23   | 0866 58 831A            | Mould (R), Beltline       | 1                        |   |
|      | 0866 58 831B            | Mould (R), Beltline       | 1                        | Car No. 127396 $\frac{7}{12}$ ~△                        |
|      | 0866 58 831C            | Mould (R), Beltline       | 1                        | (Sedan & Station Wagon) Car No. 144578 $\frac{3}{4}$ ~△ |
|      | 0866 59 831A            | Mould (L), Beltline       | 1                        |   |
|      | 0866 59 831B            | Mould (L), Beltline       | 1                        | Car No. 127396 $\frac{7}{12}$ ~△                        |

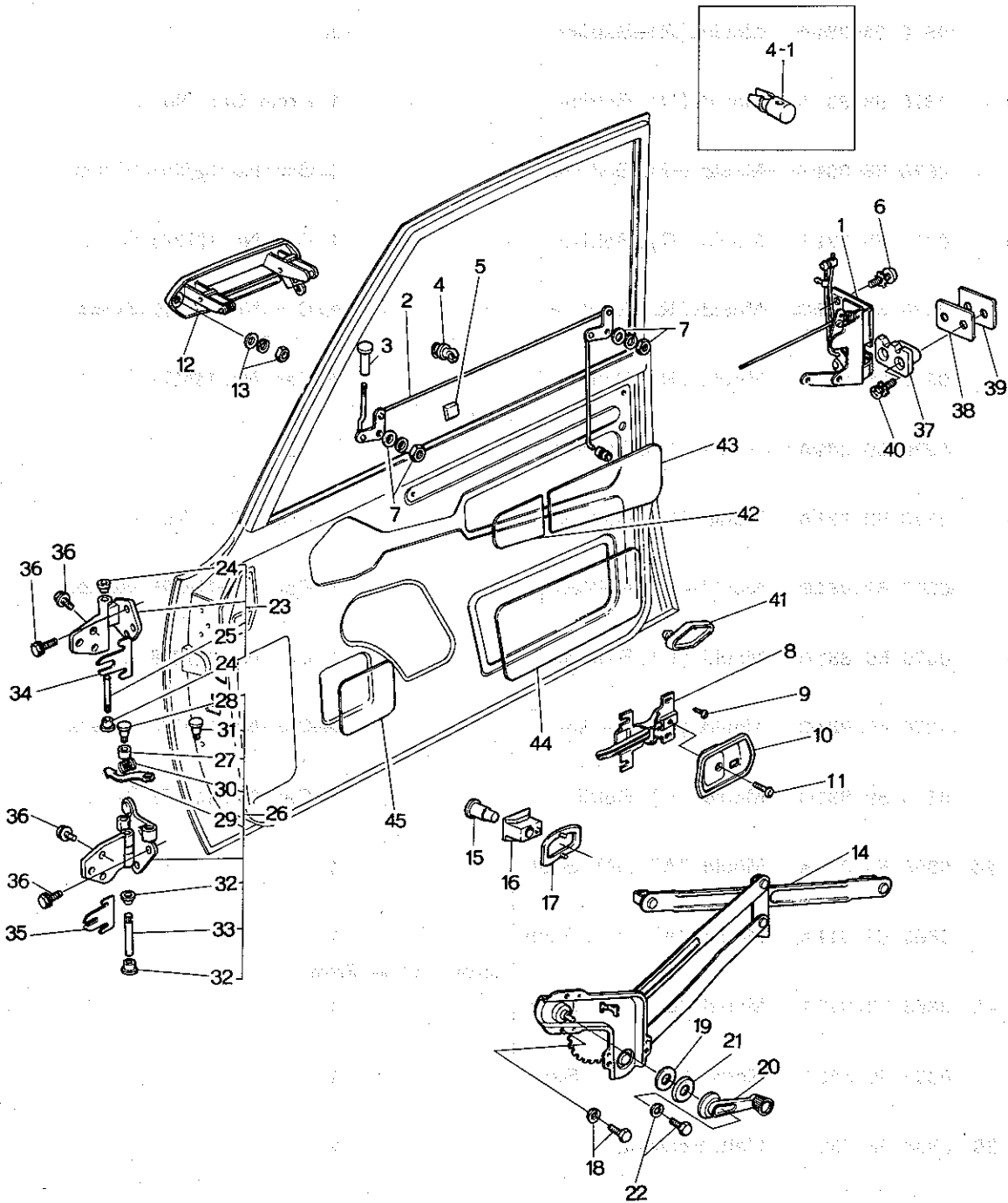
# FRONT SIDE DOOR (GLASS)

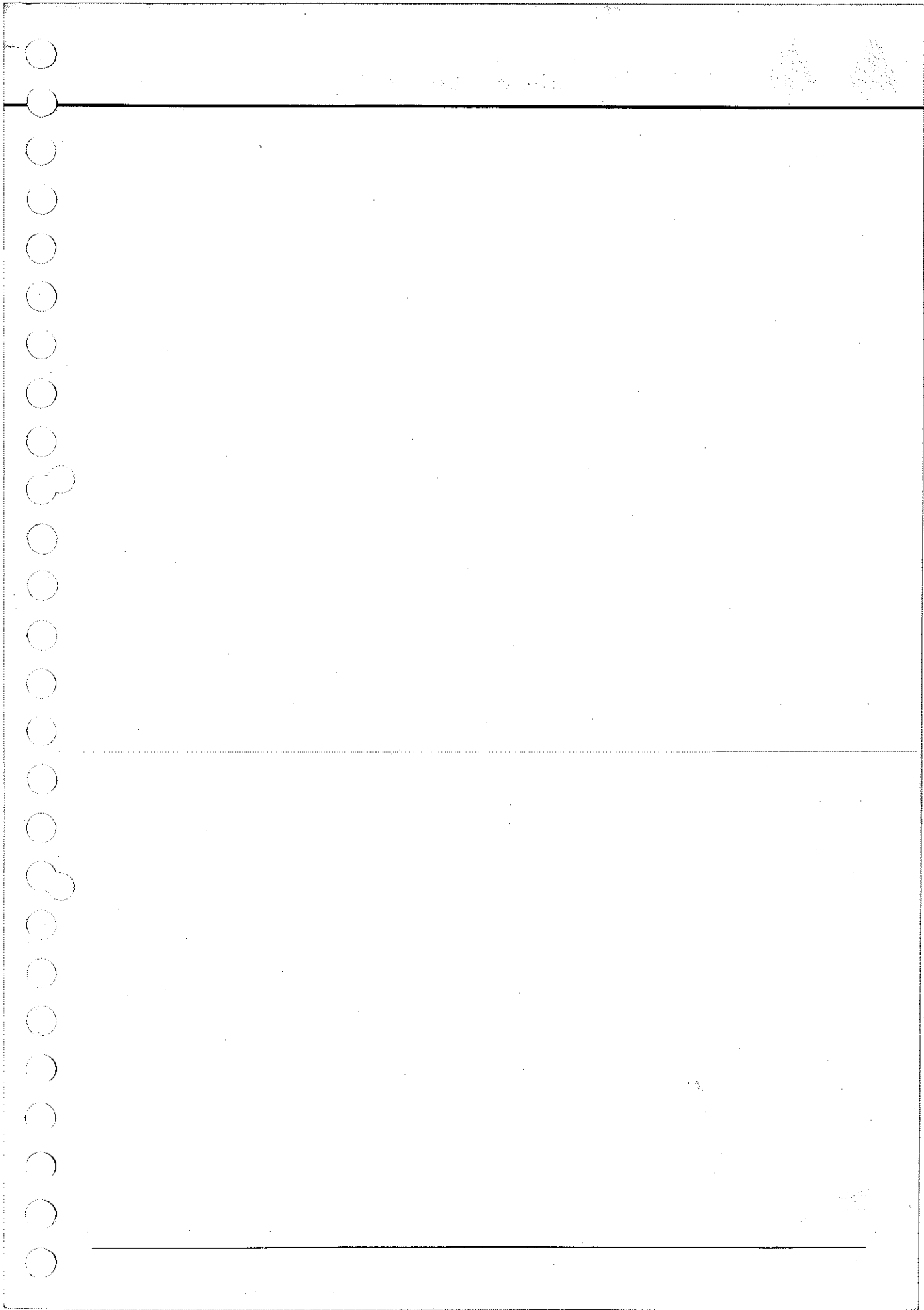
58

59

| No. | Part Number             | Description                                 | Q'ty         | Remarks   |
|-----|-------------------------|---|--------------|---|
|     | 0866 59 831C            | Mould (L), Beltline (Sedan & Station Wagon) | 1            | Car No. 144578 $\frac{7}{4} \sim \Delta$                        |
|     | <del>0376 58 381A</del> | <del>Mould (R), Beltline</del>              | <del>±</del> |   |
| ●   | 0376 58 831A            | Mould (R), Beltline                         | 1            | From Car No. 1  |
|     | <del>0376 58 381B</del> | <del>Mould (R), Beltline</del>              | <del>±</del> | <del>Car No. 127396 <math>\frac{7}{12} \sim \Delta</math></del> |
| ●   | 0376 58 831B            | Mould (R), Beltline                         | 1            | Car No. 127396 $\frac{7}{12} \sim \Delta$                       |
|     | <del>0376 58 381C</del> | <del>Mould (R), Beltline</del>              | <del>±</del> | <del>Car No. 144578 <math>\frac{7}{4} \sim \Delta</math></del>  |
| ●   | 0376 58 831C            | Mould (R), Beltline                         | 1            | Car No. 144578 $\frac{7}{4} \sim \Delta$                        |
|     |                         | (Coupe)                                     |              |   |
|     | <del>0376 59 381A</del> | <del>Mould (L), Beltline</del>              | <del>±</del> |   |
| ●   | 0376 59 831A            | Mould (L), Beltline                         | 1            | From Car No. 1  |
|     | <del>0376 59 381B</del> | <del>Mould (L), Beltline</del>              | <del>±</del> | <del>Car No. 127396 <math>\frac{7}{12} \sim \Delta</math></del> |
| ●   | 0376 59 831B            | Mould (L), Beltline                         | 1            | Car No. 127396 $\frac{7}{12} \sim \Delta$                       |
|     | <del>0376 59 381C</del> | <del>Mould (L), Beltline</del>              | <del>±</del> | <del>Car No. 144578 <math>\frac{7}{4} \sim \Delta</math></del>  |
| ●   | 0376 59 831C            | Mould (L), Beltline                         | 1            | Car No. 144578 $\frac{7}{4} \sim \Delta$                        |
| 24  | 0866 58 841A            | Mould "A" (R), Sash                         | 1            | (Sedan & Station Wagon)   |
|     | 0866 59 841A            | Mould "A" (L), Sash                         | 1            |   |
| 25  | 0866 58 842A            | Mould "B" (R), Sash                         | 1            | (Sedan & Station Wagon)   |
|     | 0866 59 842A            | Mould "B" (L), Sash                         | 1            |   |
| 26  | 0398 58 755             | Welt, Seaming                               | 2            |   |
| 27  | 0866 58 851             | Insulation (Sedan & Station Wagon)          | 4            |   |
|     | 0376 58 851             | Insulation (Coupe)                          | 4            |   |

## FRONT SIDE DOOR (LOCK)

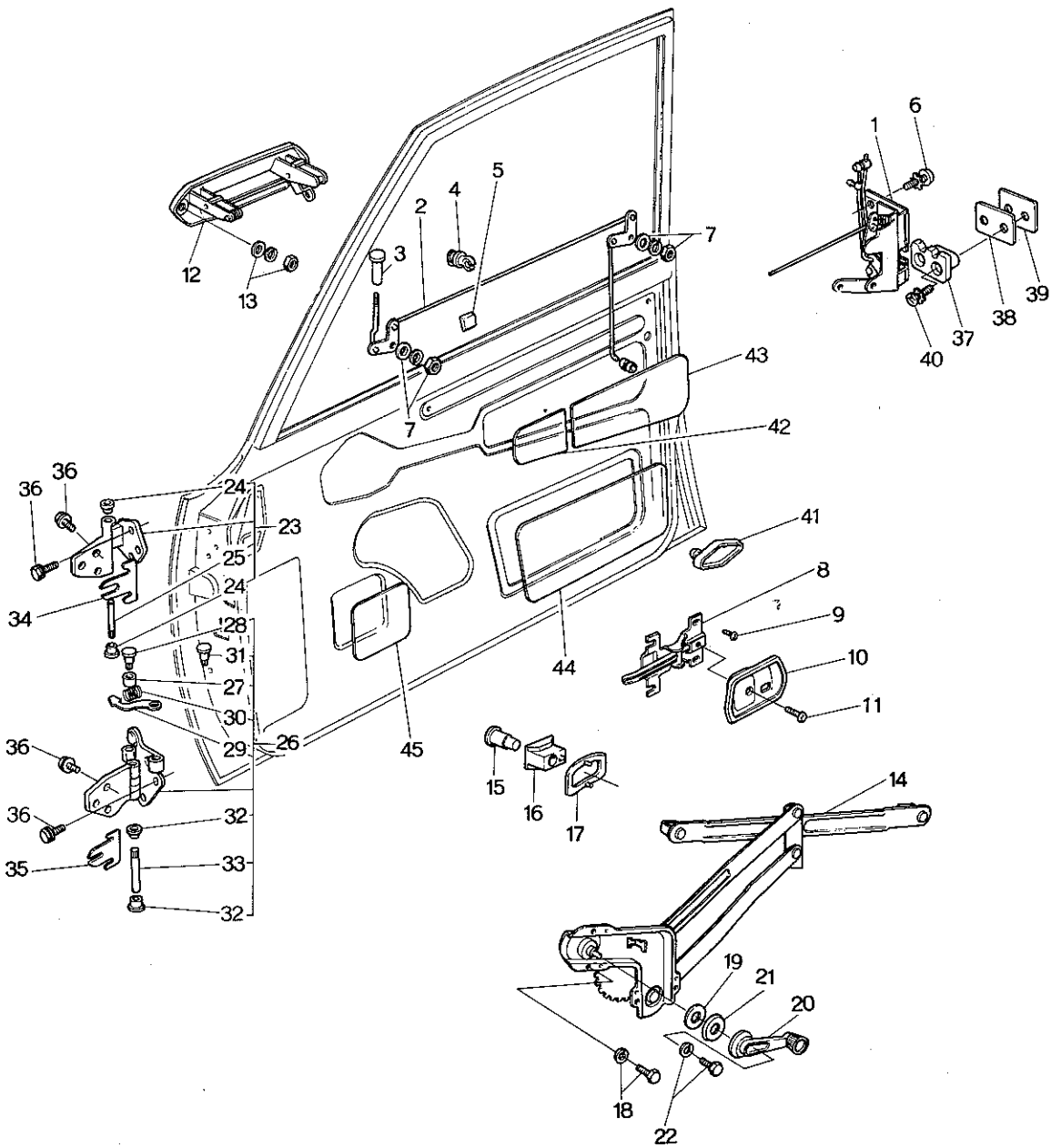




58

59

# FRONT SIDE DOOR (LOCK)





# FRONT SIDE DOOR (LOCK)

58

59

| No. | Part Number  | Description                 | Q'ty | Remarks                           |
|-----|--------------|-----------------------------|------|-----------------------------------|
| 1   | 0376 58 310A | Lock (R), Door              | 1    |                                   |
|     | 0376 58 310D | Lock (R), Door              | 1    | Car. No. 134345 $\frac{7}{8}$ ~ ○ |
|     | 0376 58 310F | Lock (R), Door              | 1    | Car. No. 150526 $\frac{7}{8}$ ~ X |
|     | 0376 58 310G | Lock (R), Door              | 1    | Car. No. 153515 $\frac{7}{8}$ ~ ○ |
| ●   | 0376 58 310H | Lock (R), Door              | 1    | Car. No. 167748 $\frac{7}{8}$ ~ △ |
|     |              | (R.H.D. Coupe)              |      |                                   |
|     | 0376 59 310A | Lock (L), Door              | 1    |                                   |
|     | 0376 59 310D | Lock (L), Door              | 1    | Car. No. 134345 $\frac{7}{8}$ ~ ○ |
|     | 0376 59 310F | Lock (L), Door              | 1    | Car. No. 150526 $\frac{7}{8}$ ~ X |
|     | 0376 59 310G | Lock (L), Door              | 1    | Car. No. 153515 $\frac{7}{8}$ ~ ○ |
| ●   | 0376 59 310H | Lock (L), Door              | 1    | Car. No. 167748 $\frac{7}{8}$ ~ △ |
|     | 1562 58 310A | Lock (R), Door              | 1    |                                   |
|     | 1562 58 310D | Lock (R), Door              | 1    | Car. No. 134345 $\frac{7}{8}$ ~ ○ |
|     | 1562 58 310F | Lock (R), Door              | 1    | Car. No. 150526 $\frac{7}{8}$ ~ X |
|     | 1562 58 310G | Lock (R), Door (All Models) | 1    | Car. No. 153515 $\frac{7}{8}$ ~ ○ |
| ●   | 1562 58 310H | Lock (R), Door              | 1    | Car. No. 167748 $\frac{7}{8}$ ~ △ |
|     |              | (L.H.D. Coupe)              |      |                                   |
|     | 1562 59 310A | Lock (L), Door              | 1    |                                   |
|     | 1562 59 310D | Lock (L), Door              | 1    | Car. No. 134345 $\frac{7}{8}$ ~ ○ |
|     | 1562 59 310F | Lock (L), Door              | 1    | Car. No. 150526 $\frac{7}{8}$ ~ X |
|     | 1562 59 310G | Lock (L), Door (All Models) | 1    | Car. No. 153515 $\frac{7}{8}$ ~ ○ |
| ●   | 1562 59 310H | Lock (L), Door              | 1    | Car. No. 167748 $\frac{7}{8}$ ~ △ |



# FRONT SIDE DOOR (LOCK)

| No. | Part Number  | Description    | Q'ty | Remarks                          |
|-----|--------------|----------------|------|----------------------------------|
|     | 1566 58 310A | Lock (R), Door | 1    |                                  |
|     | 1566 58 310D | Lock (R), Door | 1    | Car No. 134345 $\frac{7}{8}$ ~ ○ |
|     | 1566 58 310F | Lock (R), Door | 1    | Car No. 150526 $\frac{7}{8}$ ~ X |
|     | 1566 58 310H | Lock (R), Door | 1    | Car No. 167748 $\frac{7}{8}$ ~ Δ |
|     | 1566 59 310A | Lock (L), Door | 1    |                                  |
|     | 1566 59 310D | Lock (L), Door | 1    | Car No. 134345 $\frac{7}{8}$ ~ ○ |
|     | 1566 59 310F | Lock (L), Door | 1    | Car No. 150526 $\frac{7}{8}$ ~ X |
|     | 1566 59 310H | Lock (L), Door | 1    | Car No. 167748 $\frac{7}{8}$ ~ Δ |
|     | 0866 58 310A | Lock (R), Door | 1    |                                  |
|     | 0866 58 310D | Lock (R), Door | 1    | Car No. 134345 $\frac{7}{8}$ ~ ○ |
|     | 0866 58 310F | Lock (R), Door | 1    | Car No. 150526 $\frac{7}{8}$ ~ X |
|     | 0866 58 310G | Lock (R), Door | 1    | Car No. 153515 $\frac{7}{8}$ ~ ○ |
|     | 0866 58 310H | Lock (R), Door | 1    | Car No. 167748 $\frac{7}{8}$ ~ Δ |
|     | 0866 59 310A | Lock (L), Door | 1    |                                  |
|     | 0866 59 310D | Lock (L), Door | 1    | Car No. 134345 $\frac{7}{8}$ ~ ○ |
|     | 0866 59 310F | Lock (L), Door | 1    | Car No. 150526 $\frac{7}{8}$ ~ X |
|     | 0866 59 310G | Lock (L), Door | 1    | Car No. 153515 $\frac{7}{8}$ ~ ○ |
|     | 0866 59 310H | Lock (L), Door | 1    | Car No. 167748 $\frac{7}{8}$ ~ Δ |
|     | 1524 58 310A | Lock (R), Door | 1    |                                  |
|     | 1524 58 310D | Lock (R), Door | 1    | Car No. 134345 $\frac{7}{8}$ ~ ○ |

(L.H.D. Coupe)

(R.H.D. Sedan & Station Wagon)

Arctic Spec. (L.H.D. Sedan)

# FRONT SIDE DOOR (LOCK)

58

59

| No. | Part Number    | Description                   | Q'ty | Remarks                           |
|-----|----------------|-------------------------------|------|-----------------------------------|
|     | 1524 58 310F   | Lock (R), Door Arctic Spec.   | 1    | Car. No. 150526 $\frac{7}{8}$ ~ X |
|     | 1524 58 310G   | Lock (R), Door (All Models)   | 1    | Car. No. 153515 $\frac{7}{8}$ ~ O |
|     | 1524 58 310H   | Lock (R), Door                | 1    | Car. No. 167748 $\frac{7}{8}$ ~ Δ |
|     | 1524 59 310A   | Lock (L), Door                | 1    | Car. No. 150526 $\frac{7}{8}$ ~ X |
|     | 1524 59 310D   | Lock (L), Door } Arctic Spec. | 1    | Car. No. 134345 $\frac{7}{8}$ ~ O |
|     | 1524 59 310F   | Lock (L), Door                | 1    | Car. No. 150526 $\frac{7}{8}$ ~ X |
|     | 1524 59 310G   | Lock (L), Door (All Models)   | 1    | Car. No. 153515 $\frac{7}{8}$ ~ O |
|     | 1524 59 310H   | Lock (L), Door                | 1    | Car. No. 167748 $\frac{7}{8}$ ~ Δ |
|     | 1534 58 310A   | Lock (R), Door                | 1    | Car. No. 150526 $\frac{7}{8}$ ~ X |
|     | 1534 58 310D   | Lock (R), Door                | 1    | Car. No. 134345 $\frac{7}{8}$ ~ O |
|     | 1534 58 310F   | Lock (R), Door                | 1    | Car. No. 150526 $\frac{7}{8}$ ~ X |
|     | 1534 58 310G   | Lock (R), Door                | 1    | $\frac{7}{8}$ ~ O                 |
|     | 1534 59 310A   | Lock (L), Door                | 1    | Car. No. 150526 $\frac{7}{8}$ ~ X |
|     | 1534 59 310D   | Lock (L), Door                | 1    | Car. No. 134345 $\frac{7}{8}$ ~ O |
|     | 1534 59 310F   | Lock (L), Door                | 1    | Car. No. 150526 $\frac{7}{8}$ ~ X |
|     | 1534 59 310G   | Lock (L), Door                | 1    | $\frac{7}{8}$ ~ O                 |
|     | 2 0376 58 330A | Rod (R)                       | 1    | Car. No. 150526 $\frac{7}{8}$ ~ X |
|     | 0376 58 330B   | Rod (R) } (Coupe)             | 1    | Car. No. 134345 $\frac{7}{8}$ ~ O |
|     | 0376 58 330C   | Rod (R)                       | 1    | Car. No. 153515 $\frac{7}{8}$ ~ O |



# FRONT SIDE DOOR (LOCK)

| No. | Part Number            | Description                     | Q'ty         | Remarks                                   |
|-----|------------------------|---------------------------------|--------------|---|
|     | 0376 59 330A           | Rod (L)                         | 1            |   |
|     | 0376 59 330B           | Rod (L) (Coupe)                 | 1            | Car No. 134345 $\frac{7}{8}$ ~            |
|     | 0376 59 330C           | Rod (L)                         | 1            | Car No. 153515 $\frac{7}{8}$ ~            |
|     | 0866 58 330A           | Rod (R)                         | 1            |   |
|     | 0866 58 330B           | Rod (R)                         | 1            | Car No. 134345 $\frac{7}{8}$ ~            |
|     | 0866 58 330C           | Rod (R) (Sedan & Station Wagon) | 1            | Car No. 153515 $\frac{7}{8}$ ~            |
|     | 0866 59 330A           | Rod (L)                         | 1            |   |
|     | 0866 59 330B           | Rod (L)                         | 1            | Car No. 134345 $\frac{7}{8}$ ~            |
|     | 0866 59 330C           | Rod (L)                         | 1            | Car No. 153515 $\frac{7}{8}$ ~            |
| 3   | <del>0259 58 681</del> | <del>Knob</del>                 | <del>2</del> |   |
| ●   | 0259 58 691            | Knob                            | 2            | From Car No. 1                            |
| 4   | 0305 58 309            | Holder, Rod                     | 4            |   |
| ●   | 4-1 0866 58 313        | Joint-Key Cylinder              | 2            | Car No. 167748 $\frac{7}{8}$ ~ Added Anew |
| 5   | 0259 72 509            | Pad, Door Lock                  | 4            |   |
| 6   | 99832 0630             | Screw, Door Lock                | 6            |   |
|     | 99974 0600             | Washer, Toothed                 | 6            |   |
|     | 99975 0600             | Washer, Toothed                 | 6            |   |
| 7   | 99907 0600             | Nut, Door Lock                  | 4            |   |
|     | 99952 0600             | Washer, Plain                   | 4            |   |

# FRONT SIDE DOOR (LOCK)

**58**

**59**

| No. | Part Number               | Description                       | Q'ty         | Remarks                     |
|-----|---------------------------|-----------------------------------|--------------|-----------------------------|
|     | 99971 0600                | Washer, Spring                    | 4            |                             |
| ●   | ✓ 99940 0600              | Nut, Door Lock                    | 4            | Car No. 153515 7/16 ~ ○     |
| 8   | 0866 58 321B              | Handle, Inner                     | 2            |                             |
| 9   | 99806 0510                | Bolt, Inner Handle                | 6            |                             |
|     | 99952 0518                | Washer, Plain                     | 6            |                             |
|     | 99971 0500                | Washer, Spring                    | 6            |                             |
| ●   | ✓ 99796 0508              | Bolt, Inner Handle                | 6            | Car No. 153515 7/16 ~ ○     |
| 10  | 0368 58 303               | Cover (R), Inner Handle<br>(Std.) | 1            |                             |
|     | 0368 59 303               |                                   | 1            |                             |
|     | <del>0866 58 303B00</del> | <del>Cover (R)</del>              | <del>1</del> |                             |
| ●   | <del>0866 58 303 01</del> | <del>Cover (R)</del>              | <del>1</del> | <del>From Car No. 1</del> ○ |
| ●   | 0866 58 303B01            | Cover (R) (Std. Excluded)         | 1            | From Car No. 1              |
| ●   | <del>0866 59 303B00</del> | <del>Cover (L)</del>              | <del>1</del> | <del>From Car No. 1</del> ○ |
|     | 0866 59 303B01            | Cover (L)                         | 1            | From Car No. 1              |
| 11  | 99832 0408B               | Screw, Cover                      | 2            |                             |
| 12  | 0866 58 410               | Handle (R), Outer Side            | 1            |                             |
|     | 0866 58 410A              | Handle (R), Outer Side            | 1            | Car No. 153515 7/8 ~ ○      |
|     | 0866 59 410               | Handle (L), Outer Side            | 1            |                             |
|     | 0866 59 410A              | Handle (L), Outer Side            | 1            | Car No. 153515 7/8 ~ ○      |
| 13  | 99906 0500                | Nut, Outer                        | 4            |                             |

**58** **59**

**FRONT SIDE DOOR (LOCK)**

| No. | Part Number  | Description              | Q'ty | Remarks                                     |
|-----|--------------|--------------------------|------|---|
|     | 99951 0618   | Washer, Plain            | 4    |   |
|     | 99971 0500   | Washer, Spring           | 4    |   |
| 14  | 0866 58 560  | Regulator (R)            | 1    |   |
|     | 0866 59 560  | Regulator (L)            | 1    |   |
| 15  | 0223 58 303A | Pin                      | 4    |   |
| 16  | 0223 58 304A | Guide                    | 4    |   |
| 17  | 0223 58 311  | Spring                   | 4    |   |
| 18  | 99806 0612   | Bolt, Window Regulator   | 8    |   |
|     | 99971 0600   | Washer, Spring           | 8    |   |
|     | 99951 0818   | Washer, Plain            | 8    |   |
| ●   | V 99951 0618 | Washer, Plain            | 8    | Car No. 160623 $\frac{73}{10}$ ~ Added Anew |
| 19  | 0259 58 305  | Gasket, Window Regulator | 2    |   |
|     | 0259 58 305A | Gasket, Window Regulator | 2    | Car No. 152816 $\frac{72}{9}$ ~ ○           |
| ●   | 0259 58 305B | Gasket, Window Regulator | 2    | Car No. $\frac{74}{1}$ ~ △                  |
| 20  | 0824 58 370A | Handle, Regulator        | 2    |   |
|     | 0824 58 370B | Handle, Regulator        | 2    | Car No. 157510 $\frac{72}{10}$ ~ △          |
| ●   | 0223 58 370D | Handle, Regulator        | 2    | Car No. 160623 $\frac{73}{10}$ ~ X          |
| 21  | 0223 58 375A | Escutcheon               | 2    |   |

# FRONT SIDE DOOR (LOCK)

**58**

**59**

| No. | Part Number  | Description            | Q'ty | Remarks                           |
|-----|--------------|------------------------|------|-----------------------------------|
| 22  | 99808 0516   | Bolt, Regulator Handle | 2    |                                   |
|     | 99971 0500   | Washer, Spring         | 2    |                                   |
| 23  | 0866 58 210  | Hinge "A"              | 2    |                                   |
| 24  | 0223 58 721  | Bush                   | 4    |                                   |
| 25  | 0187 58 731  | Pin, Hinge             | 2    |                                   |
| 26  | 0866 58 240A | Hinge "B" (R)          | 1    |                                   |
|     | 0866 58 240C | Hinge "B" (R)          | 1    | Car No. 160822 $\frac{7}{12}$ ~ ○ |
|     | 0866 59 240A | Hinge "B" (L)          | 1    |                                   |
|     | 0866 59 240C | Hinge "B" (L)          | 1    | Car No. 160822 $\frac{7}{12}$ ~ ○ |
| 27  | 0866 58 281  | Roller                 | 2    |                                   |
|     | 0866 58 281A | Roller                 | 2    | Car No. 159789 $\frac{7}{11}$ ~ ○ |
|     | 0866 58 281B | Roller                 | 2    | Car No. 160822 $\frac{7}{12}$ ~ △ |
| 28  | 0866 58 282  | Pin "A"                | 2    |                                   |
|     | 0866 58 282A | Pin "A"                | 2    | Car No. 160822 $\frac{7}{12}$ ~ △ |
| 29  | 0866 58 291A | Lever, Check           | 2    |                                   |
| 30  | 0866 58 292A | Spring, Check          | 2    |                                   |
| 31  | 0866 58 293  | Pin "B"                | 2    |                                   |
| 32  | 0223 58 721  | Bush                   | 4    |                                   |



# FRONT SIDE DOOR (LOCK)

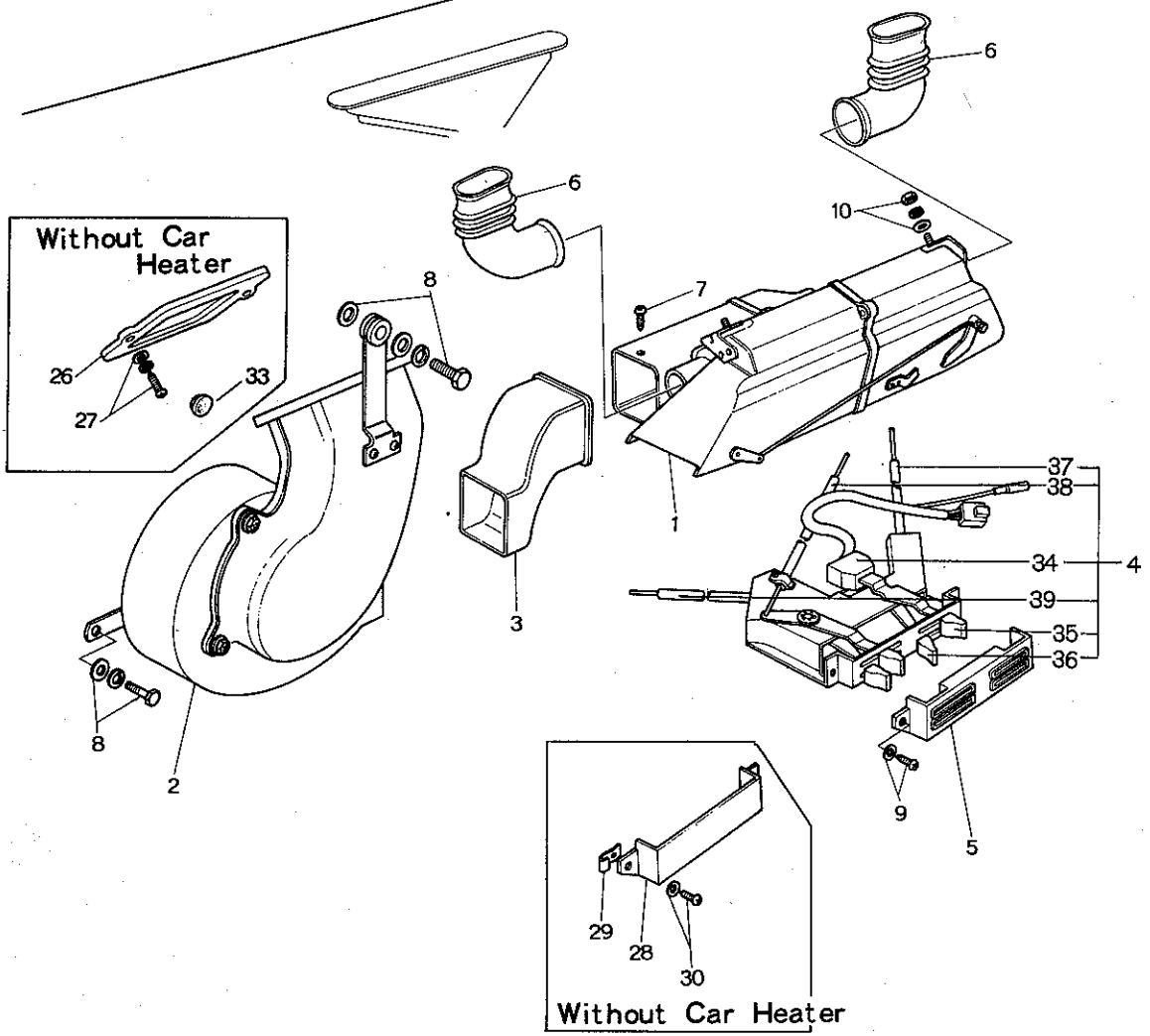
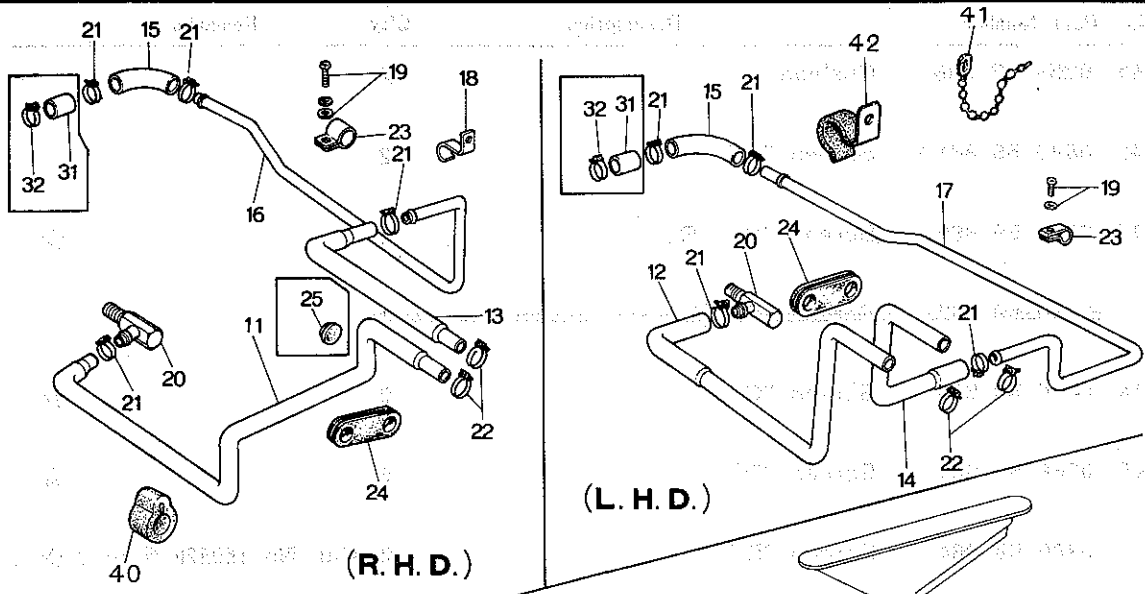
| No. | Part Number  | Description     | Q'ty | Remarks                                   |
|-----|--------------|-----------------|------|---|
| 33  | 0187 58 731  | Pin, Hinge      | 2    |   |
| 34  | 0866 58 201  | Shim, Hinge "A" | 4    |   |
| 35  | 0866 58 231  | Shim, Hinge "B" | 4    | Selective use                             |
|     | 1011 58 231  | Shim, Hinge "B" | 4    |   |
| 36  | 907832 8 28  | Bolt Set, Hinge | 24   |   |
| 37  | 0866 58 361  | Rack (R)        | 1    |   |
|     | 1540 58 361  | Rack (R)        | 1    | Car No. 134345 $\frac{7}{1}$ ~ $\odot$    |
|     | 0866 58 361B | Rack (R)        | 1    | Car No. 150526 $\frac{7}{8}$ ~ X          |
|     | 0866 58 361C | Rack (R)        | 1    | Car No. 167748 $\frac{13}{5}$ ~ $\Delta$  |
|     | 0866 59 361  | Rack (L)        | 1    |   |
|     | 1540 59 361  | Rack (L)        | 1    | Car No. 134345 $\frac{7}{1}$ ~ $\odot$    |
|     | 0866 59 361B | Rack (L)        | 1    | Car No. 150526 $\frac{7}{8}$ ~ X          |
|     | 0866 59 361C | Rack (L)        | 1    | Car No. 166140 $\frac{7}{4}$ ~ $\Delta$   |
| 38  | 0866 58 363  | Seat, Striker   | 2    | Used up to Car No. 150526 $\frac{7}{8}$   |
| 39  | 0866 58 364A | Plate, Base     | 2    |   |
|     | 0866 58 364B | Plate, Base     | 2    | Car No. 150526 $\frac{7}{8}$ ~ X          |
| 40  | 907614 6 40  | Screw Set, Rack | 4    | Car No. 134344 $\frac{7}{1}$ ~ Discarded  |
|     | 1540 58 371  | Screw           | 4    | Car No. 134345 $\frac{7}{1}$ ~ Added Anew |
|     | 99975 0600   | Washer          | 4    |   |



# FRONT SIDE DOOR (LOCK)



| No.  | Part Number            | Description               | Q'ty         | Remarks                            |
|------|------------------------|---------------------------|--------------|------------------------------------|
| 41   | 0259 58 906            | Cushion                   | 2            |                                    |
| 42   | 0866 58 861 A          | Screen "A"                | 2            |                                    |
| ● 43 | 0866 59 862 A          | Screen "B" (R)            | 2            | ☆                                  |
|      | <del>0866 59 862</del> | <del>Screen "B" (L)</del> | <del>1</del> |                                    |
| ● 44 | 0866 58 863            | Screen "C"                | 2            | ☆                                  |
| ● 45 | 0866 58 864            | Screen "D"                | 2            | ☆                                  |
| ●    | 0305 58 864            | Screen "D"                | 2            | Car No. 150526 $\frac{7}{8}$ ~ ○ ☆ |



# CAR HEATER

61

| No. | Part Number              | Description                           | Q'ty         | Remarks                           |
|-----|--------------------------|---------------------------------------|--------------|-----------------------------------|
|     | <del>0866 81 070</del>   | <del>Heater Set (Nichira Make)</del>  | <del>±</del> |                                   |
|     |                          | (R.H.D.)                              |              |                                   |
|     | 0866 61 080              | Heater Set (Denso Make)               | 1            |                                   |
|     | 1562 61 080              | Heater Set (L.H.D.)                   | 1            |                                   |
| 1   | <del>0605 61 130 A</del> | <del>Heater Unit (Nichira Make)</del> | <del>±</del> |                                   |
|     |                          | (R.H.D.)                              |              |                                   |
|     | 0866 61 130 B            | Heater Unit (Denso Make)              | 1            |                                   |
|     | 0862 61 130              | Heater Unit                           | 1            | Car No. 155593 $\frac{7}{10}$ ~ X |
|     | 1524 61 130 A            | Heater Unit (L.H.D.)                  | 1            |                                   |
|     | 1524 61 130 B            | Heater Unit (L.H.D.)                  | 1            | Car No. 141928 $\frac{7}{3}$ ~ X  |
| 2   | <del>0605 61 140 A</del> | <del>Blower (Nichira Make)</del>      | <del>±</del> |                                   |
|     |                          | (R.H.D.)                              |              |                                   |
|     | 0866 61 140 C            | Blower (Denso Make)                   | 1            |                                   |
|     | 1524 61 140 B            | Blower (L.H.D.)                       | 1            |                                   |
| 3   | <del>0605 61 151 A</del> | <del>Duct (Nichira Make)</del>        | <del>±</del> |                                   |
|     |                          | (R.H.D.)                              |              |                                   |
|     | 0866 61 151 A            | Duct (Denso Make)                     | 1            |                                   |
|     | 1524 61 151 A            | Duct (L.H.D.)                         | 1            |                                   |
| 4   | <del>0865 61 190 B</del> | <del>Control (Nichira Make)</del>     | <del>±</del> |                                   |
|     |                          | (R.H.D.)                              |              |                                   |
|     | 0866 61 190 B            | Control (Denso Make)                  | 1            | Fig. No. 5 Included               |
|     | 0866 61 190 D            | Control (R.H.D.)                      | 1            | Car No. 139297 $\frac{7}{2}$ ~ X  |
|     | 1562 61 190 A            | Control (L.H.D.)                      | 1            |                                   |
|     | 1562 61 190 C            | Control (L.H.D.)                      | 1            | Car No. 141184 $\frac{7}{2}$ ~ X  |
| 5   | 0866 61 195              | Panel, Control (R.H.D.)               | 1            |                                   |



# CAR HEATER

| No. | Part Number   | Description             | Q'ty | Remarks                                 |
|-----|---------------|-------------------------|------|---|
|     | 0866 61 195 B | Panel, Control (R.H.D.) | 1    | Car No. 141184 $\frac{7}{8}$ ~X         |
|     | 99863 0516    | Screw, Tapping          | 2    |   |
|     | 99952 0500    | Washer, Plain           | 2    |   |
|     | 0820 56 905   | Clip                    | 2    |   |
| 6   | 0866 61 251   | Hose, Defroster         | 2    |   |
| 7   | 99971 0500    | Washer, Spring          | 2    | Duct & Heater Unit                      |
|     | 99952 0500    | Washer, Plain           | 2    |   |
|     | 99863 0512    | Bolt                    | 2    |   |
| 8   | 99805 0830    | Bolt, Blower            | 3    |   |
|     | 99952 0818    | Washer, Plain           | 3    |   |
|     | 99971 0800    | Washer, Spring          | 3    |   |
|     | 99952 0822    | Washer, Plain           | 1    |   |
| 9   | 99833 0512    | Screw, Control          | 3    |   |
|     | 99952 0500    | Washer, Plain           | 3    |   |
|     | 99971 0500    | Washer, Spring          | 3    |   |
| 10  | 99906 0800    | Nut, Heater Unit        | 3    |   |
|     | 99940 0800    | Nut, Heater Unit        | 3    | Car No. 141928 $\frac{7}{8}$ ~△         |
|     | 99952 0800    | Washer, Plain           | 3    | Car No. 141928 $\frac{7}{8}$ ~Discarded |
|     | 99971 0800    | Washer, Spring          | 3    |   |

# CAR HEATER

61

| No. | Part Number   | Description           | Q'ty | Remarks                                     |
|-----|---------------|-----------------------|------|---|
| 11  | 0866 61 211 C | Hose No. 1 (R.H.D.)   | 1    |   |
| 12  | 1562 61 211 B | Hose No. 1 (L.H.D.)   | 1    |   |
|     | 1562 61 211 C | Hose No. 1 (L.H.D.)   | 1    | Car No. 141928 $\frac{7}{8}$ " ~ X          |
| 13  | 0866 61 212 B | Hose No. 2 (R.H.D.)   | 1    |   |
| 14  | 1562 61 212 A | Hose No. 2 (L.H.D.)   | 1    |   |
|     | 1562 61 212 B | Hose No. 2 (L.H.D.)   | 1    | Car No. 141928 $\frac{7}{8}$ " ~ X          |
|     | 1620 61 212   | Hose No. 2            | 1    | Car No. 160627 $\frac{7}{10}$ " ~ X         |
| 15  | 0866 61 213   | Hose No. 3            | 1    |   |
| 16  | 0866 61 214 A | Pipe, Heater (R.H.D.) | 1    |   |
| 17  | 1562 61 214 A | Pipe, Heater (L.H.D.) | 1    |   |
|     | 1881 61 214 A | Pipe, Heater (L.H.D.) | 1    | Car No. 160623 $\frac{7}{10}$ " ~ X         |
| 18  | 0866 61 217   | Clip, Pipe (R.H.D.)   | 1    |   |
| 19  | 99868 0512    | Screw, Pipe           | 2    |   |
|     | 99952 0516    | Washer, Plain         | 2    |   |
|     | 99971 0500    | Washer, Spring        | 2    |   |
| 20  | 0820 15 330   | Joint, Hose           | 1    |   |
| 21  | 99282 2600    | Band, Hose            | 4    |   |
| 22  | 99282 2200    | Band, Hose            | 2    |   |
|     | 99282 2600    | Band, Hose (L.H.D.)   | 2    | Car No. 141928 $\frac{7}{8}$ " ~ Added Anew |
| 23  | 0824 61 192   | Clip, Heater Pipe     | 1    |   |

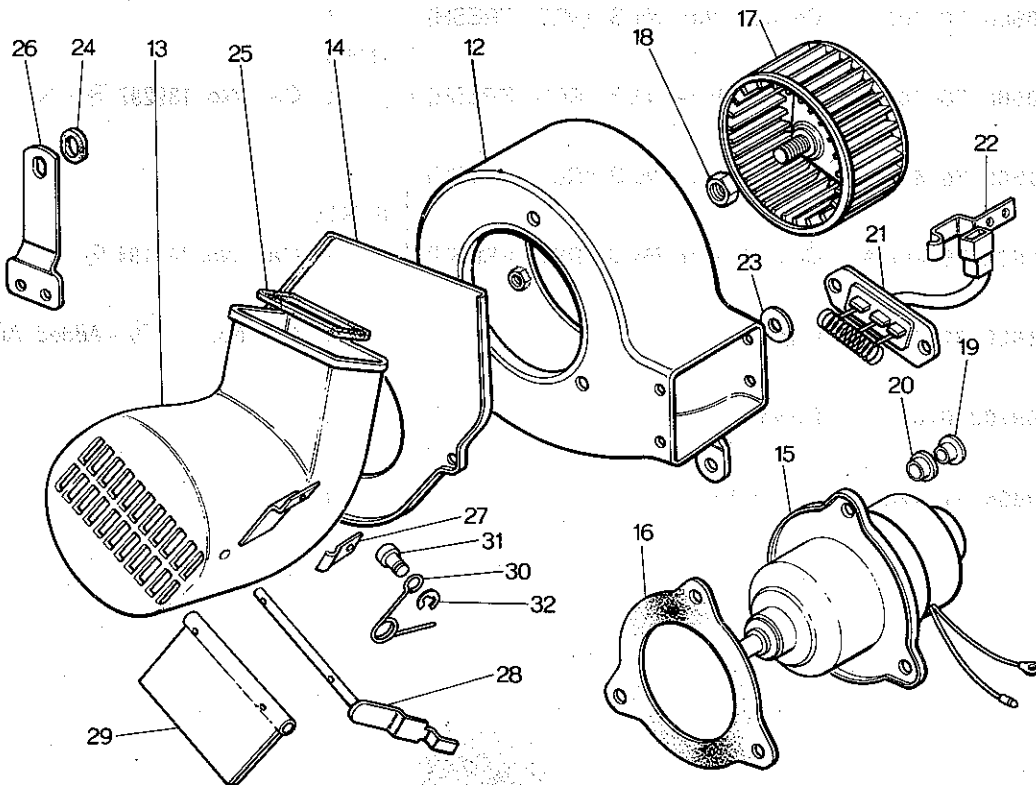
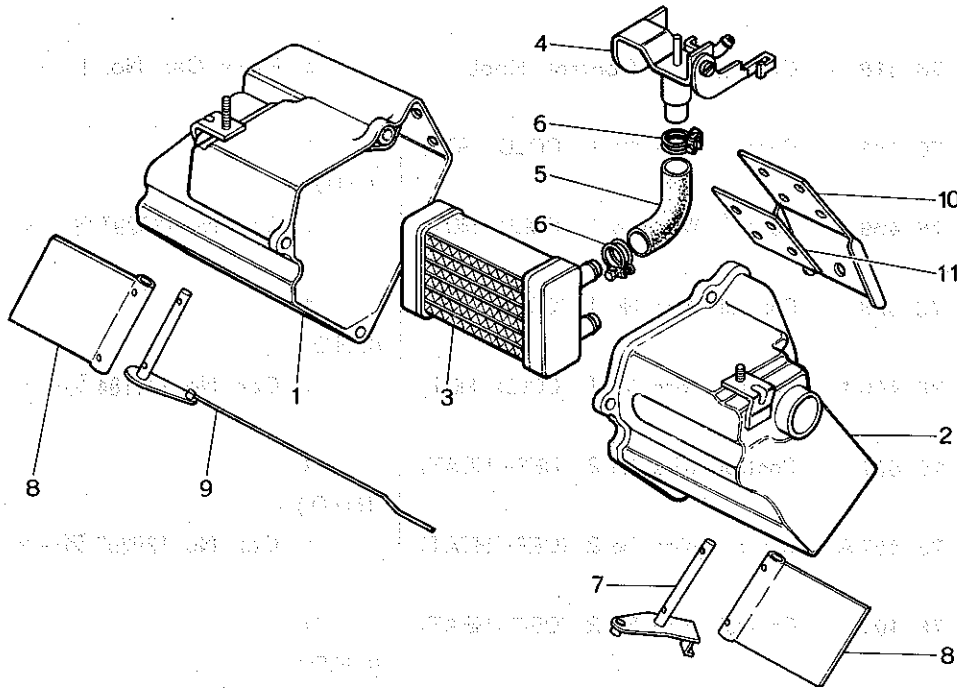
| No. | Part Number              | Description                        | Qty          | Remarks               |
|-----|--------------------------|------------------------------------|--------------|-----------------------|
| 24  | 0866 61 235              | Grommet                            | 1            |                       |
| 25  | 0257 61 051              | Grommet                            | 1            |                       |
| 26  | <del>0366 61 070 A</del> | <del>Cover, Dash Panel Upper</del> | <del>1</del> |                       |
|     | 0366 61 071              | Cover, Dash Panel Upper            | 1            | From Car No. 1        |
|     | 0366 61 072              | Packing, Cover                     | 1            |                       |
| 27  | 99863 0516               | Screw, Cover                       | 2            |                       |
|     | 99952 0500               | Washer, Plain                      | 2            | Without<br>Car Heater |
|     | 99971 0500               | Washer, Spring                     | 2            |                       |
| 28  | 0868 61 195              | Panel, Control                     | 1            |                       |
|     | 0866 61 195 B            | Panel, Control                     | 1            |                       |
| 29  | 0820 56 905              | Clip                               | 2            |                       |
| 30  | 99863 0516               | Screw, Control Panel               | 2            |                       |
|     | 99952 0500               | Washer, Plain                      | 2            |                       |
| 31  | 0864 61 061 A            | Cover                              | 1            | Without<br>Car Heater |
| 32  | 99282 2600               | Band, Hose                         | 2            |                       |
| 33  | 0118 56 242 B            | Plug, Hole                         | 2            |                       |
| 34  | 0370 76 403              | Switch, Control (OFF~FAN)          | 1            |                       |
| 35  | 0370 76 409              | Knob (Upper)                       | 2            |                       |
| ●   | √ 0862 76 409            | Knob (Upper)                       | 2            | 7/8~○                 |
| 36  | 0370 76 411              | Knob (Lower)                       | 2            |                       |

# (GM) REVOLE & TIME CAR HEATER

**61**

| No. | Part Number    | Description                    | Q'ty | Remarks                            |
|-----|----------------|--------------------------------|------|------------------------------------|
| ● ✓ | 0862 76 411    | Knob (Lower)                   | 2    | $\frac{7}{32}$ ~○                  |
| ● ✓ | 0370 76 416    | Clip, Lower Control Knob       | 4    | From Car No. 1                     |
| 37  | 0866 76 406    | Control Wire No. 1 (COLD~HOT)  | 1    | } (R.H.D.)                         |
|     | 0866 76 406 A  | Control Wire No. 1 (COLD~HOT)  | 1    |                                    |
|     | 1562 76 406    | Control Wire No. 1 (COLD~HOT)  | 1    | } (L.H.D.)                         |
|     | 1562 76 406 A  | Control Wire No. 1 (COLD~HOT)  | 1    |                                    |
| 38  | 0866 76 407    | Control Wire No. 2 (DEF~HEAT)  | 1    | } (R.H.D.)                         |
|     | 0866 76 407 A  | Control Wire No. 2 (DEF~HEAT)  | 1    |                                    |
|     | 1562 76 407    | Control Wire No. 2 (DEF~HEAT)  | 1    | } (L.H.D.)                         |
|     | 1562 76 407 A  | Control Wire No. 2 (DEF~HEAT)  | 1    |                                    |
| 39  | 0866 76 408    | Control Wire No. 3 (REC~FRESH) | 1    | } (R.H.D.)                         |
|     | 0866 76 408 A  | Control Wire No. 3 (REC~FRESH) | 1    |                                    |
|     | 1562 76 408    | Control Wire No. 3 (REC~FRESH) | 1    | } (L.H.D.)                         |
|     | 1562 76 408 A  | Control Wire No. 3 (REC~FRESH) | 1    |                                    |
| ●   | 40 1620 61 225 | Clip                           | 1    | Car No. $\frac{7}{8}$ ~ Added Anew |
| ●   | 41 99709 0108  | Band                           | 1    |                                    |
| ●   | 42 0866 61 476 | Protector                      | 1    |                                    |

## HEATER UNIT &amp; BLOWER (R.H.D.)





# HEATER UNIT & BLOWER (R.H.D.)

61

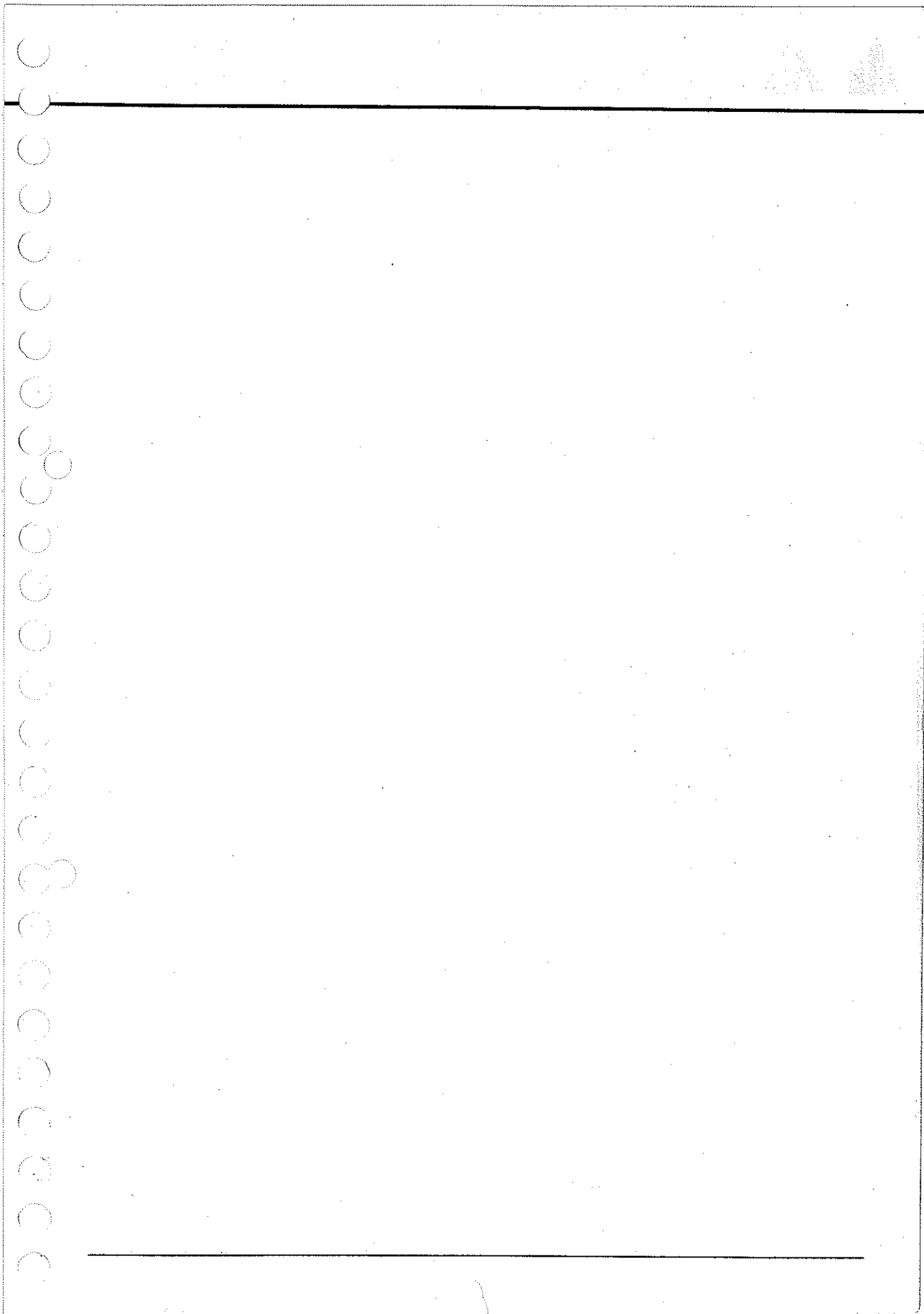
76

| No. | Part Number            | Description             | Q'ty         | Remarks                           |
|-----|------------------------|-------------------------|--------------|-----------------------------------|
|     | <del>0866 61 130</del> | <del>Unit, Heater</del> | <del>1</del> |                                   |
|     | 0866 61 130B           | Unit, Heater            | 1            | From Car No. 1                    |
|     | 0862 61 130            | Unit, Heater            | 1            | Car No. 155593 $\frac{3}{16}$ " O |
| 1   | 0866 76 501            | Case, Unit              | 1            |                                   |
| 2   | 0866 76 502            | Case, Unit              | 1            |                                   |
| 3   | 0866 76 503            | Radiator, Unit          | 1            |                                   |
| 4   | 0866 76 504            | Valve, Water            | 1            |                                   |
| 5   | 0866 76 505            | Hose, Water             | 1            |                                   |
| 6   | 99282 2200             | Band, Hose              | 2            |                                   |
| 7   | 0866 76 506            | Shaft                   | 1            |                                   |
| 8   | 0866 76 507            | Damper                  | 2            |                                   |
| 9   | 0866 76 508            | Shaft                   | 1            |                                   |
| 10  | 0866 76 509            | Bracket                 | 1            |                                   |
| 11  | 0866 76 511            | Plate                   | 1            |                                   |
|     | 0866 61 140C           | Blower, Heater          | 1            |                                   |
| 12  | 0866 76 451            | Case, Blower            | 1            |                                   |
| 13  | 0866 76 452            | Duct, Air               | 1            |                                   |
| 14  | 0866 76 453            | Flange                  | 1            |                                   |
| 15  | 0866 76 454            | Motor                   | 1            |                                   |
| 16  | 0866 76 455            | Gasket                  | 1            |                                   |
| 17  | 0866 76 456            | Blower                  | 1            |                                   |
| 18  | 0866 76 472            | Nut                     | 1            |                                   |
| 19  | 0866 76 457            | Insert                  | 3            |                                   |
| 20  | 0866 76 458            | Gasket                  | 3            |                                   |
| 21  | 0866 76 459            | Resistance              | 1            |                                   |
| 22  | 0866 76 461            | Clamp "B"               | 1            |                                   |



# HEATER UNIT & BLOWER (R.H.D.)

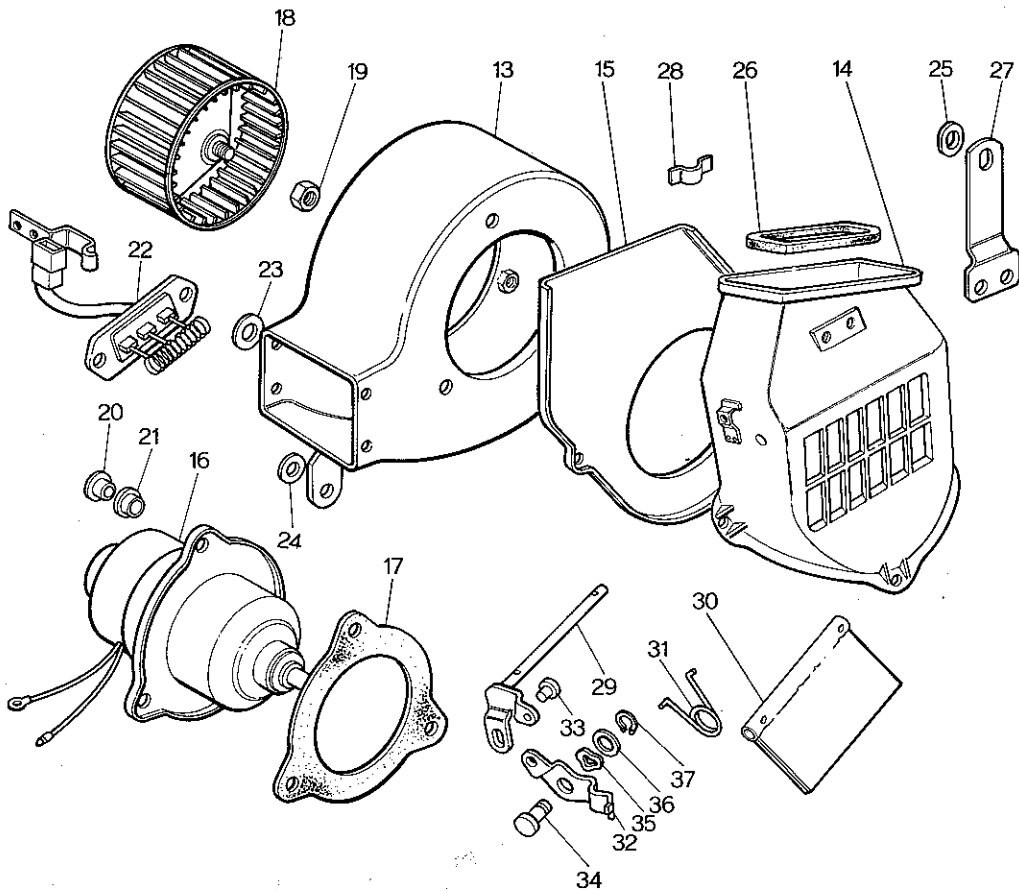
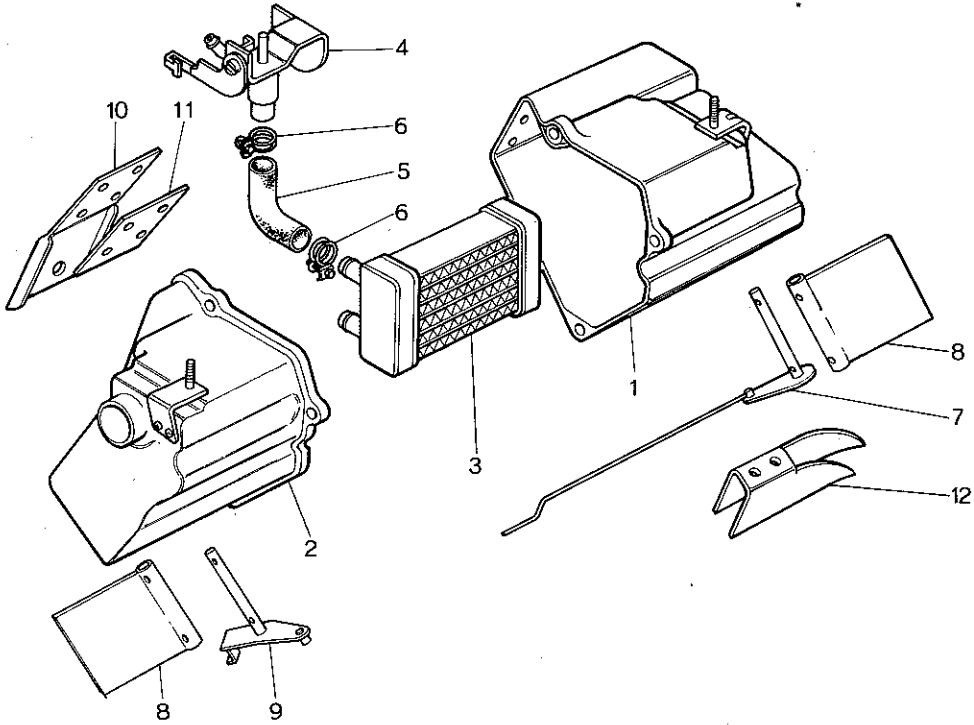
| No.     | Part Number    | Description     | Q'ty | Remarks                         |
|---------|----------------|-----------------|------|---------------------------------|
| 23      | 0866 76 462    | Gasket "A"      | 1    |                                 |
| 24      | 0866 76 463    | Gasket          | 1    |                                 |
| 25      | 0866 76 464    | Gasket "B"      | 1    |                                 |
| 26      | 0866 76 465    | Bracket         | 1    |                                 |
| 27      | 0866 76 466    | Bracket "C"     | 1    |                                 |
| ● ✓     | 0862 76 572    | Bracket "C"     | 1    | Car No. 166140 3/4 ~ X          |
| ✓       | 28 0866 76 467 | Shaft           | 1    |                                 |
| ✓       | 29 0866 76 468 | Damper          | 1    |                                 |
| 30 ✓    | 0866 76 469    | Spring          | 1    |                                 |
| 31 ✓    | 0866 76 471    | Piece Set       | 1    |                                 |
| 32      | 99576 0400     | Ring, Retaining | 1    |                                 |
| ● (N) ✓ | 0866 76 473    | Packing         | 1    | Car No. 166140 3/4 ~ Added Anew |



61

76

# HEATER UNIT & BLOWER (L. H. D.)



# HEATER UNIT & BLOWER (L.H.D.)

61

76

| No. | Part Number             | Description       | Q'ty         | Remarks              |
|-----|-------------------------|-------------------|--------------|----------------------|
|     | 1524 61 130A            | Unit, Heater      | 1            |                      |
|     | 1524 61 130B            | Unit, Heater      | 1            | Car No. 141928 7/8~X |
| 1   | 1524 76 501             | Case, Unit        | 1            |                      |
|     | 1524 76 501A            | Case, Unit        | 1            | Car No. 141928 7/8~X |
| 2   | 1524 76 502             | Case, Unit        | 1            |                      |
|     | 1524 76 502A            | Case, Unit        | 1            | Car No. 141928 7/8~X |
| 3   | 1524 76 503             | Radiator, Unit    | 1            |                      |
|     | 1524 76 503A            | Radiator, Unit    | 1            | Car No. 141928 7/8~X |
| 4   | 1524 76 504             | Valve, Water      | 1            |                      |
|     | 1524 76 504A            | Valve, Water      | 1            | Car No. 141928 7/8~X |
| 5   | 1524 76 505             | Hose, Water       | 1            |                      |
|     | 1524 76 505A            | Hose, Water       | 1            | Car No. 141928 7/8~X |
| 6   | 99282 2600              | Band, Hose        | 2            |                      |
| 7   | 0866 76 506             | Shaft             | 1            |                      |
| 8   | 0866 76 507             | Damper            | 2            |                      |
| 9   | 0866 76 508             | Shaft             | 1            |                      |
| 10  | 0866 76 509             | Bracket           | 1            |                      |
| 11  | 0866 76 511             | Plate             | 1            |                      |
| 12  | 1524 76 512             | Guide, Air        | 1            |                      |
|     | <del>1524 07 1408</del> | <del>Blower</del> | <del>1</del> |                      |
| ●   | 1524 61 140B            | Blower            | 1            | From Car No. 1       |
| 13  | 1524 76 451             | Case, Blower      | 1            |                      |
| 14  | 1524 76 452             | Duct, Air         | 1            |                      |
| 15  | 1524 76 453             | Flange            | 1            |                      |
| 16  | 1524 76 454             | Motor             | 1            |                      |
| 17  | 0866 76 455             | Gasket            | 1            |                      |
| 18  | 1524 76 456             | Blower            | 1            |                      |
| 19  | 0866 76 472             | Nut               | 1            |                      |
| 20  | 0866 76 457             | Insert            | 3            |                      |
| 21  | 0866 76 458             | Gasket            | 1            |                      |
| 22  | 0866 76 459             | Resistance        | 1            |                      |

61

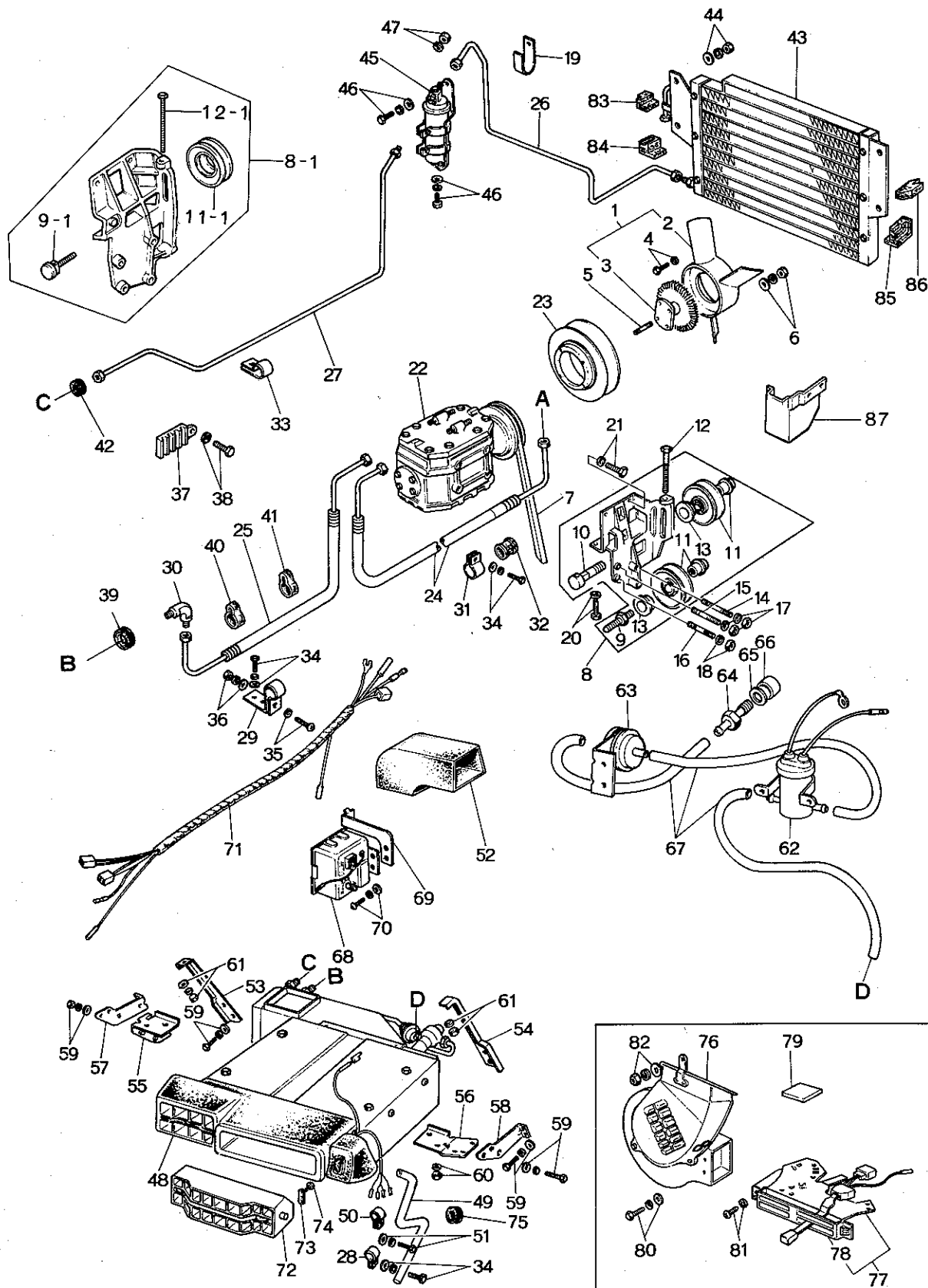
76

**HEATER UNIT & BLOWER (L. H. D.)**

| No. | Part Number | Description     | Q'ty | Remarks |
|-----|-------------|-----------------|------|---------|
| 23  | 0866 76 461 | Clamp "B"       | 1    |         |
| 24  | 0866 76 462 | Gasket "A"      | 1    |         |
| 25  | 0866 76 463 | Gasket          | 1    |         |
| 26  | 0866 76 464 | Gasket "B"      | 1    |         |
| 27  | 1524 76 465 | Bracket         | 1    |         |
| 28  | 0866 76 466 | Bracket "C"     | 1    |         |
| 29  | 1524 76 467 | Shaft           | 1    |         |
| 30  | 0866 76 468 | Damper          | 1    |         |
| 31  | 1524 76 469 | Spring          | 1    |         |
| 32  | 1524 76 471 | Lever, Control  | 1    |         |
| 33  | 1524 76 472 | Cooler          | 1    |         |
| 34  | 1524 76 473 | Pin             | 1    |         |
| 35  | 99972 0500  | Washer, Wave    | 1    |         |
| 36  | 0315 76 022 | Washer          | 1    |         |
| 37  | 98576 0300  | Ring, Retaining | 1    |         |



**61 79 CAR COOLER (R.H.D.)**





# CAR COOLER (R.H.D.)



| No. | Part Number            | Description                             | Q'ty         | Remarks                               |
|-----|------------------------|---|--------------|---------------------------------------|
|     | <del>0866 79 310</del> | <del>Cooler, Car</del>                  | <del>1</del> | <del>From Car No. 160623 7/10 X</del> |
| ●   | 0866 79 320            | Cooler, Car                             | 1            | From Car No. 160623 7/10 X            |
| ●   | 3507 61 410            | Cooler, Car (With Heater)               | 1            | Car No. 160623 7/10 X                 |
|     | 1557 61 390            | Cooler, Car-Heater Less                 | 1            |                                       |
| ●   | 3503 61 410            | Cooler, Car                             | 1            | Car No. 160623 7/10 X                 |
| 1   | 0877 15 250            | Fan & Fan Drive (Fig. No. 2~4 Included) | 1            |                                       |
| ✓   | 0871 15 250            | Fan & Fan Drive (Fig. No. 2~4 Included) | 1            | Car No. 149702 7/6 ~ Δ                |
| ✓   | 2 0877 15 200          | Fan, Cooling                            | 1            |                                       |
| ✓   | 0871 15 200            | Fan, Cooling                            | 1            | Car No. 149702 7/6 ~ Δ                |
| 3   | 2090 15 210            | Fan Drive                               | 1            |                                       |
|     | 0871 15 210            | Fan Drive                               | 1            | Car No. 149702 7/6 ~ Δ                |
| 4   | 99806 0612             | Bolt, Fan & Fan Drive                   | 6            |                                       |
|     | 99971 0600             | Washer, Spring                          | 6            | Car No. 160623 7/10 ~ Discarded       |
| 5   | 99852 0635             | Stud, Fan & Fan Drive                   | 14           |                                       |
| 6   | 99907 0600             | Nut, Fan & Fan Drive                    | 4            |                                       |
|     | 99952 0600             | Washer, Plain                           | 4            |                                       |
|     | 99971 0600             | Washer, Spring                          | 4            |                                       |
| ✓   | 7 0866 15 906          | Belt, "V"                               | 1            |                                       |
| ✓   | 1881 15 906            | Belt, "V"                               | 1            | Car No. 160623 7/10 X                 |
| ●   | 1881 15 906A           | Belt, "V"                               | 1            | Car No. 7/2 X                         |



# CAR COOLER (R.H.D.)

| No.    | Part Number   | Description                                    | Q'ty | Remarks                                     |
|--------|---------------|--|------|---|
| 8      | 0866 15 920 B | Bracket, Compressor (Fig. No. 9 ~ 13 Included) | 1    |   |
| ● 8-1  | 1881 15 920   | Bracket  | 1    | Car No. 160623 $\frac{73}{10}$ ~ X          |
| 9      | 0866 15 923 A | Shaft  | 1    |   |
| ● 9-1  | 1881 15 967   | Shaft  | 1    | Car No. 160623 $\frac{73}{10}$ ~ Added Anew |
| 10     | 0866 15 932   | Bolt, Idle Pulley                              | 1    |   |
| 11     | 0866 15 940 A | Pulley, Idle                                   | 2    |   |
| ● 11-1 | 1881 15 940   | Pulley, Idle                                   | 1    | Car No. 160623 $\frac{73}{10}$ ~ X          |
| 12     | 0839 61 966 A | Bolt, Adjust                                   | 1    |   |
| ● 12-1 | 1757 15 966   | Bolt, Adjust                                   | 1    | Car No. 160623 $\frac{73}{10}$ ~ X          |
| 13     | 0317 78 034   | Collar   | 2    |   |
| 14     | 99859 1025    | Stud, Compressor Bracket                       | 2    |   |
| 15     | 99859 1050    | Stud, Compressor Bracket                       | 2    |   |
| ●      | 99859 1032 A  | Stud, Compressor Bracket                       | 2    | Car No. 160623 $\frac{73}{10}$ ~ X          |
| 16     | 99859 1225    | Stud, Compressor Bracket                       | 1    |   |
| 17     | 99921 1000    | Nut, Compressor Bracket                        | 4    |   |
|        | 99971 1000    | Washer, Spring                                 | 4    |   |
| 18     | 99921 1200    | Nut, Compressor Bracket                        | 1    |   |
|        | 99971 1200    | Washer, Spring                                 | 1    |   |
| 19     | 99295 1508    | Clip   | 1    |   |
| 20     | 99801 0840    | Bolt, Compressor Bracket                       | 2    |   |

# CAR COOLER (R.H.D.)

61

79

| No. | Part Number   | Description              | Q'ty | Remarks                                   |
|-----|---------------|--------------------------|------|---|
|     | 99971 0800    | Washer, Spring           | 2    |   |
| 21  | 99801 0825    | Bolt, Compressor Bracket | 4    |   |
|     | 99971 0800    | Washer, Spring           | 4    |   |
| 22  | 0866 61 450   | Compressor               | 1    |   |
| 23  | 0839 61 975 C | Pulley, "V" Belt         | 1    |   |
| ●   | 1881 15 911 B | Pulley, "V" Belt         | 1    | Car No. 160623 $\frac{73}{10}$ X          |
| ●   | 1757 15 911 B | Pulley, "V" Belt         | 1    | Car No. $\frac{73}{12}$ X                 |
| ●   | 1757 15 912   | Stiffener, Pulley        | 1    | Car No. 160623 $\frac{73}{10}$ Added Anew |
| 24  | 0866 61 461   | Hose, Flexible           | 1    |   |
| 25  | 0866 61 462   | Hose, Flexible           | 1    |   |
| 26  | 0866 61 463   | Pipe No. 1               | 1    |   |
| 27  | 0866 61 464 A | Pipe No. 2               | 1    | $\frac{72}{12}$ O                         |
| ●   | 0866 61 466   | Pipe No. 2               | 4    |   |
| 28  | 0370 61 467   | Clip                     | 1    |   |
| 29  | 0866 61 467   | Clip                     | 1    |   |
| 30  | 0866 61 474   | Elbow                    | 2    |   |
| 31  | 0259 76 857   | Clip                     | 2    |   |
| 32  | 0259 78 858   | Packing, Rubber          | 1    |   |
| 33  | 0259 78 868   | Clip                     | 13   |   |
| 34  | 99868 0512    | Screw, Clip              | 13   |   |

61

79

## CAR COOLER (R.H.D.)

| No. | Part Number  | Description    | Q'ty | Remarks                         |
|-----|--------------|----------------|------|---------------------------------|
|     | 99952 0500   | Washer, Plain  | 13   |                                 |
|     | 99971 0500   | Washer, Spring | 13   |                                 |
| 35  | 99797 0512   | Screw          | 1    |                                 |
|     | 99952 0500   | Washer, Plain  | 1    |                                 |
| 36  | 99906 0500   | Nut            | 1    |                                 |
|     | 99952 0500   | Washer, Plain  | 1    |                                 |
|     | 99971 0500   | Washer, Spring | 1    |                                 |
| 37  | 0866 61 472  | Clip           | 1    |                                 |
| 38  | 99806 0814   | Bolt, Clip     | 1    |                                 |
|     | 99971 0800   | Washer, Spring | 1    |                                 |
| 39  | 0866 61 475  | Grommet        | 1    |                                 |
| 40  | 0866 61 476  | Protector      | 1    |                                 |
| 41  | 0317, 61 612 | Cushion        | 1    |                                 |
| 42  | 0208 78 875  | Grommet        | 1    |                                 |
| 43  | 0866 61 480  | Condenser      | 1    |                                 |
|     | 0866 61 490  | Condenser      | 1    | Car No. 146346 $\frac{7}{8}$ ~△ |
| 44  | 99906 0600   | Nut, Condenser | 4    |                                 |
|     | 99952 0618   | Washer, Plain  | 4    |                                 |
|     | 99971 0600   | Washer, Spring | 4    |                                 |
| 45  | 0866 61 500  | Tank, Receiver | 1    |                                 |

# CAR COOLER (R.H.D.)

61

79

| No. | Part Number   | Description                | Q'ty | Remarks                    |
|-----|---------------|----------------------------|------|----------------------------|
| 46  | 99801 0612    | Bolt, Receiver Tank        | 3    |                            |
|     | 99952 0618    | Washer, Plain              | 3    |                            |
|     | 99971 0600    | Washer, Spring             | 3    |                            |
| 47  | 99906 0600    | Nut, Receiver Tank         | 1    |                            |
|     | 99952 0600    | Washer, Plain              | 1    |                            |
| 48  | 0866 61 520   | Cooler Unit (With Heater)  | 1    |                            |
|     | 1557 61 520   | Cooler Unit (W/O Heater)   | 1    | Car No. 152816 %           |
| 49  | 0866 61 525 A | Hose, Drain                | 1    |                            |
| 50  | 0866 61 527   | Clip, Drain Hose           | 1    |                            |
| 51  | 99868 0512    | Screw, Clip                | 1    |                            |
|     | 99952 0500    | Washer, Plain              | 1    |                            |
|     | 99971 0500    | Washer, Spring             | 1    |                            |
| 52  | 0866 61 526 A | Duct, Rubber               | 1    | Car No. 152816 % Discarded |
| 53  | 0866 61 531   | Bracket No. 1, Cooler Unit | 1    |                            |
| 54  | 0866 61 532   | Bracket No. 2, Cooler Unit | 1    |                            |
| 55  | 0866 61 533   | Bracket No. 3, Cooler Unit | 1    |                            |
| 56  | 0866 61 534   | Bracket No. 4, Cooler Unit | 1    |                            |
| 57  | 0866 61 535   | Bracket No. 5, Cooler Unit | 1    |                            |
| 58  | 0866 61 536   | Bracket No. 6, Cooler Unit | 1    |                            |
| 59  | 99797 0616    | Bolt, Bracket              | 14   |                            |



# CAR COOLER (R.H.D.)

| No.  | Part Number   | Description            | Q'ty | Remarks   |
|------|---------------|------------------------|------|---|
|      | 99952 0600    | Washer, Plain          | 12   |   |
|      | 99952 0618    | Washer, Plain          | 2    |   |
|      | 99971 0600    | Washer, Spring         | 14   |   |
| 60   | 99906 0600    | Nut, Bracket           | 2    |   |
|      | 99952 0618    | Washer, Plain          | 2    |   |
| 61   | 99906 0800    | Nut, Bracket           | 2    |   |
|      | 99952 0800    | Washer, Plain          | 2    |   |
|      | 99971 0800    | Washer, Spring         | 2    |   |
| ● 62 | 0824 61 236 A | Valve, Magnet          | 1    |   |
| ● 63 | 0866 61 541   | Valve, Check           | 1    |   |
| ● 64 | 0866 61 542   | Connector, Vacuum Hose | 1    |   |
| ● 65 | 99564 1000    | Gasket, Connector      | 1    | Car No. 152816 $\frac{7}{8}$ ~Discarded<br>(W/O Heater) |
| ● 66 | 0866 61 549   | Spacer                 | 1    |   |
| ● 67 | 0866 61 543 A | Hose, Vacuum           | 1    |   |
| 68   | 0866 61 545   | Stabilizer, Amplifier  | 1    |   |
| ●    | 1622 61 545   | Stabilizer, Amplifier  | 1    | $\frac{7}{8}$ ~○  |
| 69   | 0866 61 548   | Bracket, Stabilizer    | 1    |   |
| ↓    | 0866 61 548 A | Bracket, Stabilizer    | 1    | Car No. 152377 $\frac{7}{8}$ ~△                         |
| ●    | 1622 61 548   | Bracket, Stabilizer    | 1    | $\frac{7}{8}$ ~○  |
| 70   | 99833 0512    | Screw, Bracket         | 2    |   |

# CAR COOLER (R.H.D.)



| No. | Part Number              | Description               | Q'ty         | Remarks  |
|-----|--------------------------|---------------------------|--------------|--|
|     | 99952 0500               | Washer, Plain             | 2            |  |
|     | 99971 0500               | Washer, Spring            | 2            |  |
| 71  | 0866 61 546              | Harness                   | 1            |  |
| 72  | 0866 61 551              | Grille                    | 1            |  |
| 73  | 0866 61 552              | Holder, Grille            | 2            |  |
| 74  | 99968 0308               | Screw                     | 4            |  |
| 75  | 0820 78 883              | Grommet                   | 2            |  |
| 76  | 1518 61 140              | Blower                    | 1            |  |
| 77  | 1566 61 190 A            | Control                   | 1            |  |
| ●   | <del>1588 61 190 B</del> | <del>Control</del>        | <del>1</del> | <del>Car No. 141928 <sup>72</sup>/<sub>3</sub> ~ X</del> |
| ●   | 1568 61 190 C            | Control                   | 1            | Car No. 141928 <sup>72</sup> / <sub>3</sub> ~ X          |
| ●   | <del>0868 61 195 A</del> | <del>Panel, Control</del> | <del>1</del> | <del>Car No. 141928 <sup>72</sup>/<sub>3</sub> ~ X</del> |
| ●   | 0866 61 195 B            | Panel, Control            | 1            | Car No. 141928 <sup>72</sup> / <sub>3</sub> ~ Δ          |
| 79  | 1531 61 411              | Cover, Cooler             | 1            | Car No. 152816 <sup>72</sup> / <sub>9</sub> ~ Discarded  |
| 80  | 99905 0830               | Bolt, Blower (W/O Heater) | 2            |  |
|     | 99952 0800               | Washer, Plain             | 2            |  |
|     | 99971 0800               | Washer, Spring            | 2            |  |
| 81  | 99833 0512               | Screw, Control            | 3            |  |
|     | 99971 0500               | Washer, Spring            | 3            |  |
| 82  | 99906 0800               | Nut, Blower               | 1            |  |



# CAR COOLER (R.H.D.)

| No.  | Part Number | Description    | Q'ty | Remarks                            |
|------|-------------|----------------|------|------------------------------------|
|      | 99952 0822  | Washer, Plain  | 1    |                                    |
|      | 99971 0800  | Washer, Spring | 1    |                                    |
| 83   | 0866 61 911 | Packing No. 1  | 1    |                                    |
| ●    | 1128 61 911 | Packing No. 1  | 1    | Car No. 160623 $\frac{73}{10}$ ~ X |
| 84   | 0866 61 912 | Packing No. 2  | 1    |                                    |
| ●    | 1128 61 912 | Packing No. 2  | 1    | Car No. 160623 $\frac{73}{10}$ ~ X |
| 85   | 0866 61 913 | Packing No. 3  | 1    |                                    |
| ●    | 1128 61 913 | Packing No. 3  | 1    | Car No. 160623 $\frac{73}{10}$ ~ X |
| 86   | 0866 61 914 | Packing No. 4  | 1    |                                    |
| ● 87 | 1620 61 920 | Sealer         | 1    | Car No. 160623 $\frac{73}{10}$     |



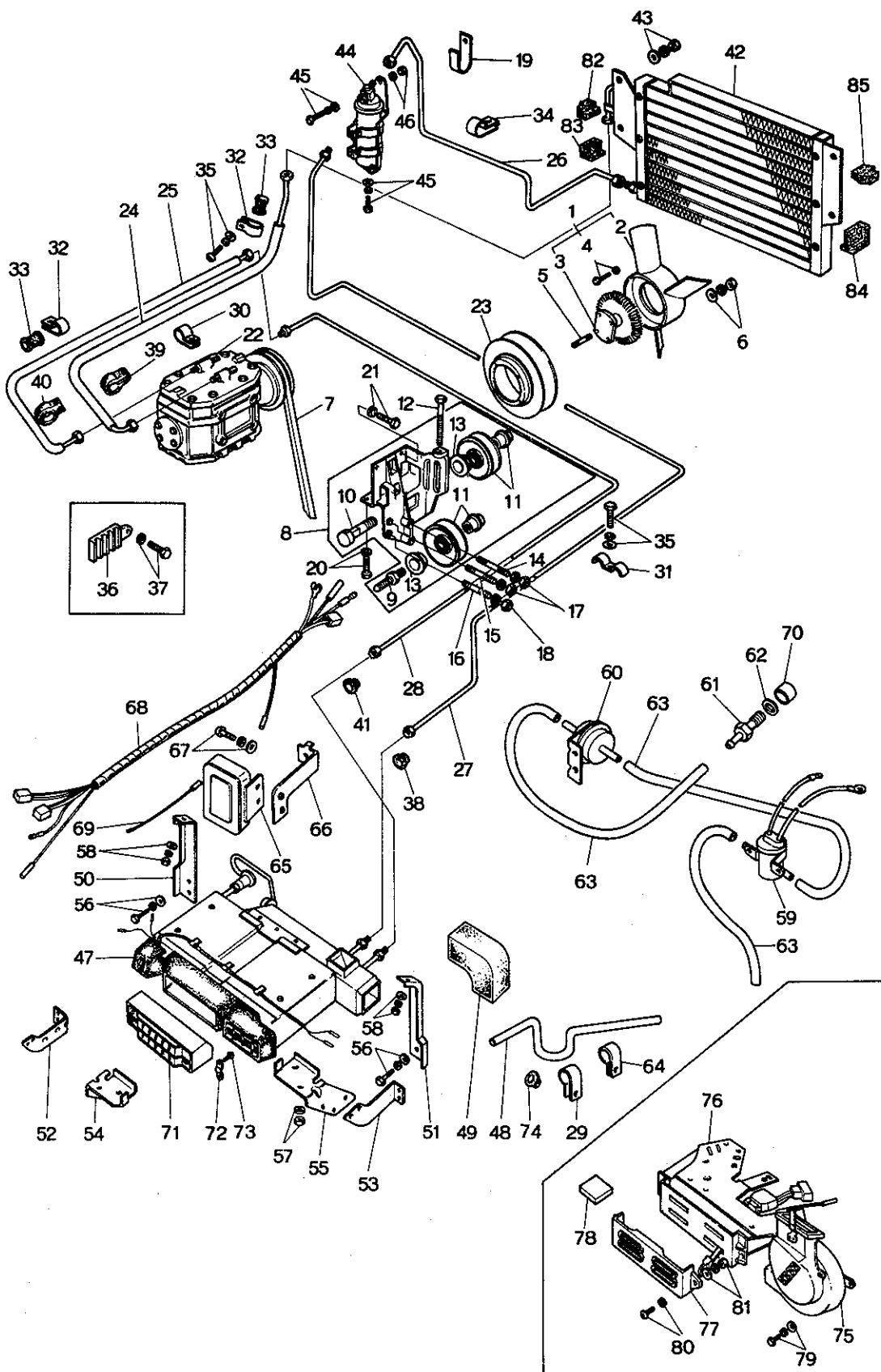
CAR COOLER (M.F.)  
(USED UP TO CAR NO. 1000)



1. CAR COOLER (M.F.) 2. CAR COOLER (M.F.) 3. CAR COOLER (M.F.) 4. CAR COOLER (M.F.) 5. CAR COOLER (M.F.) 6. CAR COOLER (M.F.) 7. CAR COOLER (M.F.) 8. CAR COOLER (M.F.) 9. CAR COOLER (M.F.) 10. CAR COOLER (M.F.) 11. CAR COOLER (M.F.) 12. CAR COOLER (M.F.) 13. CAR COOLER (M.F.) 14. CAR COOLER (M.F.) 15. CAR COOLER (M.F.) 16. CAR COOLER (M.F.) 17. CAR COOLER (M.F.) 18. CAR COOLER (M.F.) 19. CAR COOLER (M.F.) 20. CAR COOLER (M.F.) 21. CAR COOLER (M.F.) 22. CAR COOLER (M.F.) 23. CAR COOLER (M.F.) 24. CAR COOLER (M.F.) 25. CAR COOLER (M.F.) 26. CAR COOLER (M.F.) 27. CAR COOLER (M.F.) 28. CAR COOLER (M.F.) 29. CAR COOLER (M.F.) 30. CAR COOLER (M.F.) 31. CAR COOLER (M.F.) 32. CAR COOLER (M.F.) 33. CAR COOLER (M.F.) 34. CAR COOLER (M.F.) 35. CAR COOLER (M.F.) 36. CAR COOLER (M.F.) 37. CAR COOLER (M.F.) 38. CAR COOLER (M.F.) 39. CAR COOLER (M.F.) 40. CAR COOLER (M.F.) 41. CAR COOLER (M.F.) 42. CAR COOLER (M.F.) 43. CAR COOLER (M.F.) 44. CAR COOLER (M.F.) 45. CAR COOLER (M.F.) 46. CAR COOLER (M.F.) 47. CAR COOLER (M.F.) 48. CAR COOLER (M.F.) 49. CAR COOLER (M.F.) 50. CAR COOLER (M.F.) 51. CAR COOLER (M.F.) 52. CAR COOLER (M.F.) 53. CAR COOLER (M.F.) 54. CAR COOLER (M.F.) 55. CAR COOLER (M.F.) 56. CAR COOLER (M.F.) 57. CAR COOLER (M.F.) 58. CAR COOLER (M.F.) 59. CAR COOLER (M.F.) 60. CAR COOLER (M.F.) 61. CAR COOLER (M.F.) 62. CAR COOLER (M.F.) 63. CAR COOLER (M.F.) 64. CAR COOLER (M.F.) 65. CAR COOLER (M.F.) 66. CAR COOLER (M.F.) 67. CAR COOLER (M.F.) 68. CAR COOLER (M.F.) 69. CAR COOLER (M.F.) 70. CAR COOLER (M.F.) 71. CAR COOLER (M.F.) 72. CAR COOLER (M.F.) 73. CAR COOLER (M.F.) 74. CAR COOLER (M.F.) 75. CAR COOLER (M.F.) 76. CAR COOLER (M.F.) 77. CAR COOLER (M.F.) 78. CAR COOLER (M.F.) 79. CAR COOLER (M.F.) 80. CAR COOLER (M.F.) 81. CAR COOLER (M.F.) 82. CAR COOLER (M.F.) 83. CAR COOLER (M.F.) 84. CAR COOLER (M.F.) 85. CAR COOLER (M.F.) 86. CAR COOLER (M.F.) 87. CAR COOLER (M.F.) 88. CAR COOLER (M.F.) 89. CAR COOLER (M.F.) 90. CAR COOLER (M.F.) 91. CAR COOLER (M.F.) 92. CAR COOLER (M.F.) 93. CAR COOLER (M.F.) 94. CAR COOLER (M.F.) 95. CAR COOLER (M.F.) 96. CAR COOLER (M.F.) 97. CAR COOLER (M.F.) 98. CAR COOLER (M.F.) 99. CAR COOLER (M.F.) 100. CAR COOLER (M.F.)

# CAR COOLER (L.H.D.)

(USED UP TO CAR NO. 167747 <sup>73</sup>/<sub>4</sub>)



# CAR COOLER (L.H.D.)

(USED UP TO CAR NO. 167747  $\frac{7}{4}$ )

**61**

| No.  | Part Number      | Description                                  | Q'ty | Remarks                                  |
|------|------------------|--|------|--|
|      | 1562 61 400      | Cooler, Car                                  | 1    |  |
|      | 1568 61 390      | Cooler, Car-W/O Heater                       | 1    |  |
| ✓ 1  | 0877 15 250      | Fan & Fan Drive (Fig. No. 2~4 included)      | 1    |  |
| ✓    | 0871 15 250      | Fan & Fan Drive (Fig. No. 2~4 included)      | 1    | Car No. 149702 $\frac{7}{6}$ ~ $\Delta$  |
| ✓ 2  | 0877 15 200      | Fan  | 1    |  |
| ✓    | 0871 15 200      | Fan  | 1    | Car No. 149702 $\frac{7}{6}$ ~ $\Delta$  |
| ✓ 3  | 2090 15 210      | Fan Drive                                    | 1    |  |
| ✓    | 0871 15 210      | Fan Drive                                    | 1    | Car No. 149702 $\frac{7}{6}$ ~ $\Delta$  |
|      | 4 99806 0612     | Bolt   | 6    |  |
|      | 99971 0600       | Washer, Spring                               | 6    |  |
|      | 5 99852 0635     | Stud, Fan & Fan Drive                        | 4    |  |
|      | 6 99907 0600     | Nut, Fan & Fan Drive                         | 4    |  |
|      | 99952 0600       | Washer, Spring                               | 4    |  |
|      | 99971 0600       | Washer, Plain                                | 4    |  |
| ✓ 7  | 0866 15 906      | Belt, "V"                                    | 1    |  |
| ✓ 8  | 0866 15 920B     | Bracket, Compressor (Fig. No. 9~13 included) | 1    |  |
| ✓ 9  | 0866 15 923A     | Shaft  | 1    |  |
| ✓ 10 | 0866 15 932      | Bolt, Idle Pulley                            | 1    |  |
| ✓ 11 | 0866 15 940A     | Pulley, Idle                                 | 2    |  |
|      | 12 0839 61 966A  | Bolt, Adjust                                 | 1    |  |
|      | 13 0317 78 034 ✓ | Collar                                       | 2    |  |
|      | 14 99859 1025    | Stud, Compressor Bracket                     | 2    |  |
|      | 15 99859 1050    | Stud, Compressor Bracket                     | 2    |  |
|      | 99859 1032A      | Stud, Compressor Bracket                     | 2    | Car No. 160623 $\frac{7}{10}$ ~ $\times$ |
|      | 16 99859 1225    | Stud, Compressor Bracket                     | 1    |  |
|      | 17 99921 1000    | Nut, Compressor Bracket                      | 4    |  |
|      | 99971 1000       | Washer, Spring                               | 4    |  |
|      | 18 99921 1200    | Nut, Compressor Bracket                      | 1    |  |
|      | 99971 1200       | Washer, Spring                               | 1    |  |
|      | 19 99295 1508    | Clip   | 1    |  |

61

# CAR COOLER (L.H.D.)

(USED UP TO CAR NO. 167747 <sup>73/4</sup>)

| No. | Part Number   | Description              | Q'ty | Remarks |
|-----|---------------|--------------------------|------|---------|
| 20  | 99801 0840    | Bolt, Compressor Bracket | 2    |         |
|     | 99871 0800    | Washer, Spring           | 2    |         |
| 21  | 99801 0825    | Bolt, Compressor Bracket | 4    |         |
|     | 99871 0800    | Washer, Spring           | 4    |         |
| 22  | 0866 81 450   | Compressor               | 1    |         |
| 23  | 0839 81 875C  | Pulley, "V" Belt         | 1    |         |
| 24  | 1562 81 461   | Hose, Flexible           | 1    |         |
| 25  | 1562 81 462   | Hose, Flexible           | 1    |         |
| 26  | 0866 81 463   | Pipe, No. 1              | 1    |         |
| 27  | 1524 81 464A  | Pipe, No. 2              | 1    |         |
| 28  | 1562 81 465   | Pipe, No. 3              | 1    |         |
| 29  | 0370 81 467   | Clip                     | 4    |         |
| 30  | 1562 81 467   | Clip                     | 1    |         |
| 31  | 0370 81 471   | Clip                     | 4    |         |
| 32  | 0259 78 857 ✓ | Clip                     | 2    |         |
| 33  | 0259 78 858 ✓ | Packing, Rubber          | 2    |         |
| 34  | 0259 78 868 ✓ | Clip                     | 1    |         |
| 35  | 99868 0512    | Screw, Clip              | 16   |         |
|     | 99952 0500    | Washer, Plain            | 16   |         |
|     | 99871 0500    | Washer, Spring           | 16   |         |
| 36  | 0866 81 472   | Clip                     | 1    |         |
| 37  | 99806 0814    | Bolt, Clip               | 1    |         |
|     | 99871 0800    | Washer, Spring           | 1    |         |
| 38  | 0866 81 475   | Grommet                  | 1    |         |
| 39  | 0866 81 476   | Protector                | 1    |         |
| 40  | 0317 81 612   | Cushion                  | 1    |         |

# CAR COOLER (L.H.D.)

(USED UP TO CAR NO. 167747 <sup>73</sup>/<sub>4</sub>)

**61**

| No. | Part Number            | Description                | Q'ty         | Remarks  |
|-----|------------------------|----------------------------|--------------|--|
| 41  | <del>0208 78 788</del> | <del>Grommet</del>         | <del>1</del> |  |
|     | 0208 78 875 v          | Grommet                    | 1            | From Car No. 1   |
| 42  | 0886 81 480            | Condenser                  | 1            |  |
|     | 1582 81 490            | Condenser                  | 1            | Cor No. 146346 <sup>73</sup> / <sub>5</sub> ~△         |
| 43  | 88908 0800             | Nut, Condenser             | 4            |  |
|     | 88952 0818             | Washer, Plain              | 4            |  |
|     | 88971 0800             | Washer, Spring             | 4            |  |
| 44  | 0886 81 500            | Tank, Receiver             | 1            |  |
| 45  | 88801 0812             | Bolt, Receiver Tank        | 3            |  |
|     | 88952 0818             | Washer, Plain              | 3            |  |
|     | 88971 0800             | Washer, Spring             | 3            |  |
| 46  | 88908 0800             | Nut                        | 1            |  |
|     | 88952 0800             | Washer, Plain              | 1            |  |
| 47  | 1582 81 520            | Cooler Unit                | 1            |  |
|     | 1588 81 520            | Cooler Unit                | 1            | Car No. 152816 <sup>73</sup> / <sub>5</sub> ~○         |
| 48  | 0886 81 525A           | Hose, Drain                | 2            |  |
| 49  | 1524 81 528            | Duct, Rubber               | 1            | Car No. 152816 <sup>73</sup> / <sub>5</sub> ~Discarded |
| 50  | 0886 81 531            | Bracket No. 1, Cooler Unit | 1            |  |
| 51  | 0886 81 532            | Bracket No. 2, Cooler Unit | 1            |  |
| 52  | 0886 81 533            | Bracket No. 3, Cooler Unit | 1            |  |
| 53  | 0886 81 534            | Bracket No. 4, Cooler Unit | 1            |  |
| 54  | 0886 81 535            | Bracket No. 5, Cooler Unit | 1            |  |
| 55  | 0886 81 536            | Bracket No. 6, Cooler      | 1            |  |
| 56  | 98979 0818             | Bolt, Bracket              | 14           |  |
|     | 98952 0800             | Washer, Plain              | 12           |  |
|     | 98971 0800             | Washer, Spring             | 14           |  |
| 57  | 88908 0800             | Nut                        | 2            |  |
|     | 98951 0818             | Washer, Plain              | 4            |  |
| 58  | 88908 0800             | Nut, Bracket               | 2            |  |



# CAR COOLER (L.H.D.)

(USED UP TO CAR NO. 167747 <sup>73</sup>/<sub>4</sub>)

| No. | Part Number  | Description           | Q'ty | Remarks   |
|-----|--------------|-----------------------|------|---|
|     | 99952 0800   | Washer, Plain         | 2    |   |
|     | 99971 0800   | Washer, Spring        | 2    |   |
| 59  | 0824 61 236A | Valve, Magnet         | 1    |   |
| 60  | 0866 61 541  | Valve, Check          | 1    |   |
| 61  | 0866 61 542  | Connector             | 1    | Car No. 152816 <sup>72</sup> / <sub>9</sub> ~ Discarded<br>(W/O Heater) |
| 62  | 99564 1000   | Gasket                | 1    |   |
| 63  | 0866 61 543A | Hose No. 1, Vacuum    | 1    |   |
| 64  | 0866 61 527  | Clip                  | 1    |   |
| 65  | 0866 61 545  | Stabilizer, Amplifier | 1    |   |
|     | 1622 61 545  | Stabilizer, Amplifier | 1    | Car No. <sup>73</sup> / <sub>6</sub> ~ O                                |
| 66  | 1524 61 548  | Bracket, Stabilizer   | 1    |   |
|     | 1622 61 545  | Bracket, Stabilizer   | 1    | Car No. <sup>73</sup> / <sub>6</sub> ~ O                                |
| 67  | 99833 0512   | Screw, Bracket        | 2    |   |
|     | 99952 0500   | Washer, Plain         | 2    |   |
|     | 99971 0500   | Washer, Spring        | 2    |   |
| 68  | 1562 61 546  | Harness               | 1    |   |
| 69  | 1524 61 547  | Wire                  | 1    |   |
| 70  | 0866 61 549  | Spacer                | 1    | Car No. 152816 <sup>72</sup> / <sub>9</sub> ~ Discarded<br>(W/O Heater) |
| 71  | 0866 61 551  | Grille                | 1    |   |
| 72  | 0866 61 552  | Holder, Grille        | 2    |   |

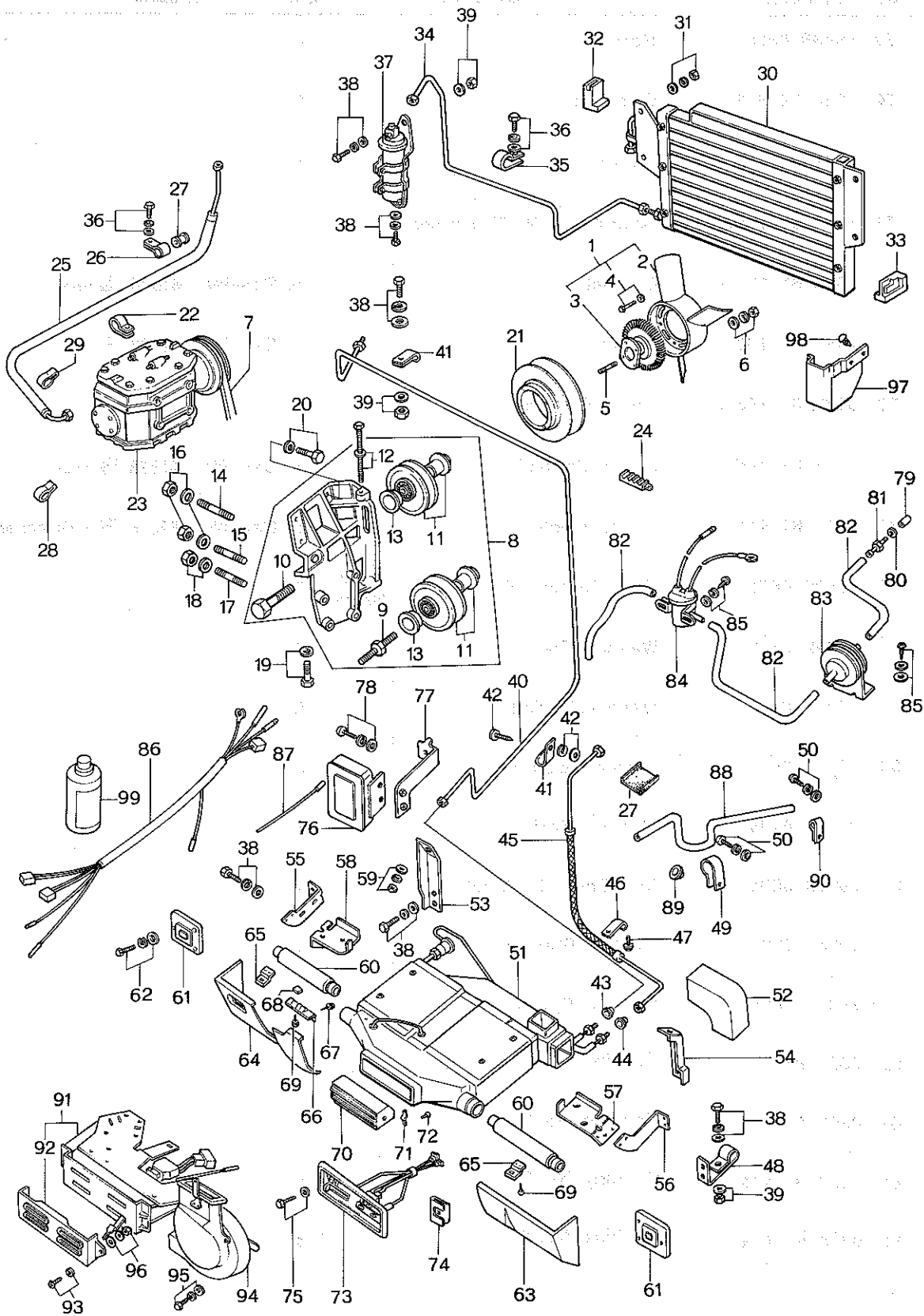
# CAR COOLER (L.H.D.)

(USED UP TO CAR NO. 167747 <sup>73</sup>/<sub>4</sub>)

61

| No. | Part Number             | Description                    | Q'ty         | Remarks  |
|-----|-------------------------|--------------------------------|--------------|--|
| 73  | 99868 0308              | Screw                          | 4            |  |
| 74  | 0820 78 883 ✓           | Grommet                        | 2            |  |
| 75  | 1531 61 140             | Blower                         | 1            |  |
| 76  | 1568 61 190A            | Control (Fig. No. 77 included) | 1            |  |
|     | <del>1568 61 190B</del> | <del>Control</del>             | <del>1</del> | <del>Car No. 141928 <sup>72</sup>/<sub>3</sub> ~ X</del> |
|     | 1568 61 190C            | Control                        | 1            | Car No. 141928 <sup>73</sup> / <sub>3</sub> ~ X          |
| 77  | 0866 61 195A            | Panel, Control                 | 1            |  |
|     | 0866 61 195B            | Panel, Control                 | 1            | Car No. 141928 <sup>73</sup> / <sub>3</sub> ~ Δ          |
| 78  | 1531 61 411             | Cover, Cooler                  | 1            | Car No. 152816 <sup>73</sup> / <sub>9</sub> ~ Discarded  |
| 79  | 99805 0830              | Bolt, Control Panel            | 2            | W/O Heater   |
|     | 99952 0800              | Washer, Plain                  | 2            |  |
|     | 99971 0800              | Washer, Spring                 | 2            |  |
| 80  | 99833 0512              | Screw, Control                 | 3            |  |
|     | 99971 0500              | Washer, Spring                 | 3            |  |
| 81  | 99906 0800              | Nut, Control Panel             | 1            |  |
|     | 99952 0822              | Washer, Plain                  | 1            |  |
|     | 99971 0800              | Washer, Spring                 | 1            |  |
| 82  | 0866 61 911             | Packing No. 1                  | 1            |  |
| 83  | 0866 61 912             | Packing No. 2                  | 1            |  |
| 84  | 0866 61 913             | Packing No. 3                  | 1            |  |
| 85  | 0866 61 914             | Packing No. 4                  | 1            |  |

## CAR COOLER (L.H.D.)

(USED FROM CAR NO. 167748 <sup>73</sup>/<sub>4</sub> TO CAR NO. 179250 <sup>73</sup>/<sub>9</sub>)



# CAR COOLER (L.H.D.)

(USED FROM CAR NO. 167748 <sup>73/4</sup> TO CAR NO. 179250 <sup>73/9</sup>)



| No.  | Part Number  | Description                                  | Q'ty | Remarks                                    |
|------|--------------|--|------|--|
|      | 1565 61 390  | Cooler, Car-Heater Less                      | 1    |  |
|      | 1566 61 400  | Cooler, Car                                  | 1    |  |
| ✓ 1  | 0871 15 250  | Fan & Fan Drive (7 Blade Fan)                | 1    | (Selective use)<br>(Fig. No. 2~4 included) |
| ✓    | 0872 15 250  | Fan & Fan Drive (5 Blade Fan)                | 1    |  |
| ✓ 2  | 0871 15 200  | Fan ( 0871 15 250 use)                       | 1    |  |
| ✓    | 0872 15 200  | Fan ( 0872 15 250 use)                       | 1    |  |
| ✓ 3  | 0871 15 210  | Fan Drive ( 0871 15 250 use)                 | 1    |  |
| ✓    | 2090 15 210  | Fan Drive ( 0872 15 250 use)                 | 1    |  |
| 4    | 99906 0600   | Nut  | 4    | ( 0871 15 250 use)                         |
|      | 99971 0600   | Washer, Spring                               |      |  |
|      | 99806 0612   | Bolt   | 6    | ( 0872 15 250 use)                         |
|      | 99971 0600   | Washer, Spring                               |      |  |
| 5    | 99852 0635   | Stud, Fan & Fan Drive                        | 4    |  |
| 6    | 99907 0600   | Nut, Fan & Fan Drive                         | 4    |  |
|      | 99952 0600   | Washer, Plain                                | 4    |  |
|      | 99971 0600   | Washer, Spring                               | 4    |  |
| ✓ 7  | 0866 15 906  | Belt, "V"                                    | 1    |  |
| ✓ 8  | 0866 15 920B | Bracket, Compressor (Fig. No. 9~13 included) | 1    |  |
| ✓ 9  | 0866 15 923A | Shaft  | 1    |  |
| ✓ 10 | 0866 15 932  | Bolt, Idle Pulley                            | 1    |  |

61

# CAR COOLER (L.H.D.)

(USED FROM CAR NO. 167748 <sup>73</sup>/<sub>4</sub> TO CAR NO. 179250 <sup>73</sup>/<sub>9</sub>)

| No.  | Part Number    | Description              | Q'ty | Remarks |
|------|----------------|--------------------------|------|---------|
| ✓ 11 | 0866 15 940A   | Pulley, Idle             | 2    |         |
| 12   | 0839 61 966A ✓ | Bolt, Adjuster           | 1    |         |
| 13   | 0317 78 034 ✓  | Collar "A"               | 2    |         |
| 14   | 99859 1025     | Stud, Compressor Bracket | 2    |         |
| 15   | 99859 1050     | Stud, Compressor Bracket | 2    |         |
| 16   | 99921 1000     | Nut, Compressor Bracket  | 4    |         |
|      | 99971 1000     | Washer, Spring           | 4    |         |
| 17   | 99859 1225     | Stud, Compressor Bracket | 1    |         |
| 18   | 99921 1200     | Nut, Compressor Bracket  | 1    |         |
|      | 99971 1200     | Washer, Spring           | 1    |         |
| 19   | 99801 0840     | Bolt, Compressor Bracket | 2    |         |
|      | 99971 0800     | Washer, Spring           | 2    |         |
| 20   | 99801 0825     | Bolt, Compressor Bracket | 4    |         |
|      | 99971 0800     | Washer, Spring           | 4    |         |
| 21   | 0839 61 975C   | Pulley, "V" Belt         | 1    |         |
| 22   | 99295 1508     | Clip                     | 1    |         |
| 23   | 0866 61 450 ✓  | Compressor               | 1    |         |
| 24   | 0866 61 472 ✓  | Clamp                    | 1    |         |
| 25   | 1562 61 461    | Hose, Flexible           | 1    |         |
| 26   | 0820 78 857 ✓  | Clip                     | 1    |         |

# CAR COOLER (L.H.D.)

(USED FROM CAR NO. 167748 <sup>73</sup>/<sub>4</sub> TO CAR NO. 179250 <sup>73</sup>/<sub>9</sub>)



| No. | Part Number   | Description         | Q'ty | Remarks |
|-----|---------------|---------------------|------|---------|
| 27  | 0259 78 858 ✓ | Packing, Rubber     | 1    |         |
| 28  | 0317 61 612 ✓ | Protector, Rubber   | 1    |         |
| 29  | 0866 61 476 ✓ | Protector, Rubber   | 1    |         |
| 30  | 1562 61 490 ✓ | Condenser           | 1    |         |
| 31  | 99906 0600    | Nut, Condenser      | 4    |         |
|     | 99952 0618    | Washer, Plain       | 4    |         |
|     | 99971 0600    | Washer, Spring      | 4    |         |
| 32  | 0866 61 912 ✓ | Packing No. 2       | 1    |         |
| 33  | 0866 61 913 ✓ | Packing No. 3       | 1    |         |
| 34  | 0866 61 463 ✓ | Pipe, No. 1         | 1    |         |
| 35  | 0259 78 868 ✓ | Clip                | 2    |         |
| 36  | 99868 0520    | Screw, Tapping      | 3    |         |
|     | 99952 0500    | Washer, Plain       | 3    |         |
|     | 99971 0500    | Washer, Spring      | 3    |         |
| 37  | 0866 61 500 ✓ | Tank, Receiver      | 1    |         |
| 38  | 99806 0612    | Bolt, Receiver Tank | 19   |         |
|     | 99952 0600    | Washer, Plain       | 19   |         |
|     | 99971 0600    | Washer, Spring      | 19   |         |
| 39  | 99906 0600    | Nut, Receiver Tank  | 4    |         |
|     | 99952 0600    | Washer, Plain       | 4    |         |

61

**CAR COOLER (L.H.D.)**

(USED FROM CAR NO. 167748 <sup>73/4</sup> TO CAR NO. 179250 <sup>73/9</sup>)

| No. | Part Number    | Description                     | Q'ty | Remarks |
|-----|----------------|---------------------------------|------|---------|
| 40  | 1562 61 464A ✓ | Pipe No. 2                      | 1    |         |
| 41  | 1562 61 473 ✓  | Clip                            | 3    |         |
| 42  | 99868 0520     | Screw, Tapping                  | 1    |         |
|     | 99952 0618     | Washer, Plain                   | 1    |         |
|     | 99971 0500     | Washer, Spring                  | 1    |         |
| 43  | 0208 78 875 ✓  | Grommet                         | 1    |         |
| 44  | 0866 61 475 ✓  | Protector, Rubber               | 1    |         |
| 45  | 1562 61 462A ✓ | Hose, Flexible                  | 1    |         |
| 46  | 1562 61 474 ✓  | Clip                            | 1    |         |
| 47  | 99806 0628     | Bolt, Flexible Hose             | 1    |         |
|     | 99952 0600     | Washer, Plain                   | 1    |         |
|     | 99971 0600     | Washer, Spring                  | 1    |         |
| 48  | 1562 61 469 ✓  | Clip                            | 1    |         |
| 49  | 0370 61 467 ✓  | Clip                            | 4    |         |
| 50  | 99868 0520     | Screw, Tapping                  | 5    |         |
|     | 99952 0500     | Washer, Plain                   | 5    |         |
|     | 99971 0500     | Washer, Spring                  | 5    |         |
| 51  | 1608 61 520 ✓  | Unit, Cooler ( 1565 61 390 use) | 1    |         |
|     | 1622 61 520 ✓  | Unit, Cooler ( 1566 61 400 use) | 1    |         |
| 52  | 1524 61 526 ✓  | Duct ( 1566 61 400 use)         | 1    |         |

# CAR COOLER (L.H.D.)

(USED FROM CAR NO. 167748 <sup>73</sup>/<sub>4</sub> TO CAR NO. 179250 <sup>73</sup>/<sub>9</sub>)



| No. | Part Number | Description             | Q'ty | Remarks |
|-----|-------------|-------------------------|------|---------|
| 53  | 0866 61 531 | ✓ Bracket No. 1         | 1    |         |
| 54  | 0866 61 532 | ✓ Bracket No. 2         | 1    |         |
| 55  | 0866 61 533 | ✓ Bracket No. 3         | 1    |         |
| 56  | 0866 61 534 | ✓ Bracket No. 4         | 1    |         |
| 57  | 0866 61 535 | ✓ Bracket No. 5         | 1    |         |
| 58  | 0866 61 536 | ✓ Bracket No. 6         | 1    |         |
| 59  | 99906 0800  | Nut, Bracket            | 2    |         |
|     | 99952 0800  | Washer, Plain           | 2    |         |
|     | 99971 0800  | Washer, Spring          | 2    |         |
| 60  | 1622 61 561 | ✓ Duct, Air             | 2    |         |
| 61  | 1622 61 568 | ✓ Cover (R), Ventilator | 1    |         |
|     | 1622 61 578 | ✓ Cover (L), Ventilator | 1    |         |
| 62  | 99806 0620  | Bolt, Ventilator Cover  | 6    |         |
|     | 99952 0618  | Washer, Plain           | 6    |         |
|     | 99971 0600  | Washer, Spring          | 6    |         |
| 63  | 1622 61 575 | ✓ Cover, Duct           | 1    |         |
| 64  | 1622 61 565 | ✓ Cover, Duct           | 1    |         |
| 65  | 1622 61 566 | ✓ Bracket, Cover        | 4    |         |
| 66  | 1622 61 567 | ✓ Bracket               | 1    |         |
| 67  | 99868 0410  | Screw, Tapping-Bracket  | 10   |         |

61

# CAR COOLER (L.H.D.)

(USED FROM CAR NO. 167748 <sup>73</sup>/<sub>4</sub> TO CAR NO. 179250 <sup>73</sup>/<sub>9</sub>)

| No. | Part Number  | Description              | Q'ty | Remarks |
|-----|--------------|--------------------------|------|---------|
| 68  | 1622 61 569  | ✓ Spacer                 | 2    |         |
| 69  | 99833 0525   | Screw, Spacer            | 2    |         |
|     | 99952 0500   | Washer, Plain            | 2    |         |
|     | 99971 0500   | Washer, Spring           | 2    |         |
| 70  | 0866 61 551  | ✓ Grille                 | 1    |         |
| 71  | 0866 61 552  | ✓ Holder, Grille         | 2    |         |
| 72  | 99868 0408   | Screw, Tapping           | 4    |         |
| 73  | 1622 61 580  | ✓ Panel, Control         | 1    |         |
| 74  | 1622 61 572  | ✓ Bracket, Control Panel | 2    |         |
| 75  | 1622 61 571  | ✓ Screw, Control Panel   | 2    |         |
| 76  | 0866 61 545  | ✓ Amp., Stabilizer       | 1    |         |
| 77  | 1524 61 548A | ✓ Bracket, Amp.          | 1    |         |
| 78  | 99833 0512B  | Screw, Amp.              | 2    |         |
|     | 99952 0500   | Washer, Plain            | 2    |         |
|     | 99971 0500   | Washer, Spring           | 2    |         |
| 79  | 0866 61 549  | ✓ Spacer                 | 1    |         |
| 80  | 99564 1000   | Gasket                   | 1    |         |
| 81  | 0866 61 542  | ✓ Connector              | 1    |         |
| 82  | 0866 61 543A | ✓ Hose, Vacuum           | 1    |         |
| 83  | 0866 61 541  | ✓ Valve, Check           | 1    |         |

# CAR COOLER (L.H.D.)

(USED FROM CAR NO. 167748 <sup>73</sup>/<sub>4</sub> TO CAR NO. 179250 <sup>73</sup>/<sub>9</sub>)

61

| No. | Part Number    | Description                  | Q'ty | Remarks |
|-----|----------------|------------------------------|------|---------|
| 84  | 0824 61 236A ✓ | Valve, Magnet                | 1    |         |
| 85  | 99863 0620     | Screw, Tapping - Valve       | 4    |         |
|     | 99952 0600     | Washer, Plain                | 4    |         |
|     | 99971 0600     | Washer, Spring               | 4    |         |
| 86  | 1622 61 546 ✓  | Harness, Wire                | 1    |         |
| 87  | 1524 61 547 ✓  | Wire                         | 1    |         |
| 88  | 0866 61 525A   | Hose, Drain                  | 2    |         |
| 89  | 0820 78 883 ✓  | Grommet                      | 2    |         |
| 90  | 0866 61 527 ✓  | Clip                         | 1    |         |
| 91  | 1568 61 190C ✓ | Control (Heater Less)        | 1    |         |
| 92  | 0866 61 195B   | Panel, Control (Heater Less) | 1    |         |
| 93  | 99833 0512     | Screw                        | 3    |         |
|     | 99971 0500     | Washer, Spring               | 3    |         |
| 94  | 1531 61 140 ✓  | Blower (Heater Less)         | 1    |         |
| 95  | 99805 0830     | Bolt                         | 2    |         |
|     | 99952 0822     | Washer, Plain                | 2    |         |
|     | 99971 0800     | Washer, Spring               | 2    |         |
| 96  | 99906 0800     | Nut                          | 1    |         |
|     | 99952 0822     | Washer, Plain                | 1    |         |
|     | 99971 0800     | Washer, Spring               | 1    |         |

61

# CAR COOLER (L.H.D.)

(USED FROM CAR NO. 167748 <sup>73</sup>/<sub>4</sub> TO CAR NO. 179250 <sup>73</sup>/<sub>9</sub>)

| No. | Part Number   | Description | Q'ty | Remarks |
|-----|---------------|-------------|------|---------|
| 97  | 1620 61 925   | Sealer (R)  | 1    |         |
|     | 1620 61 926   | Sealer (L)  | 1    |         |
| 98  | 99264 0531 B  | Rivet       | 4    |         |
| 99  | 0208 78 834 A | Gas, Freon  | 3    |         |



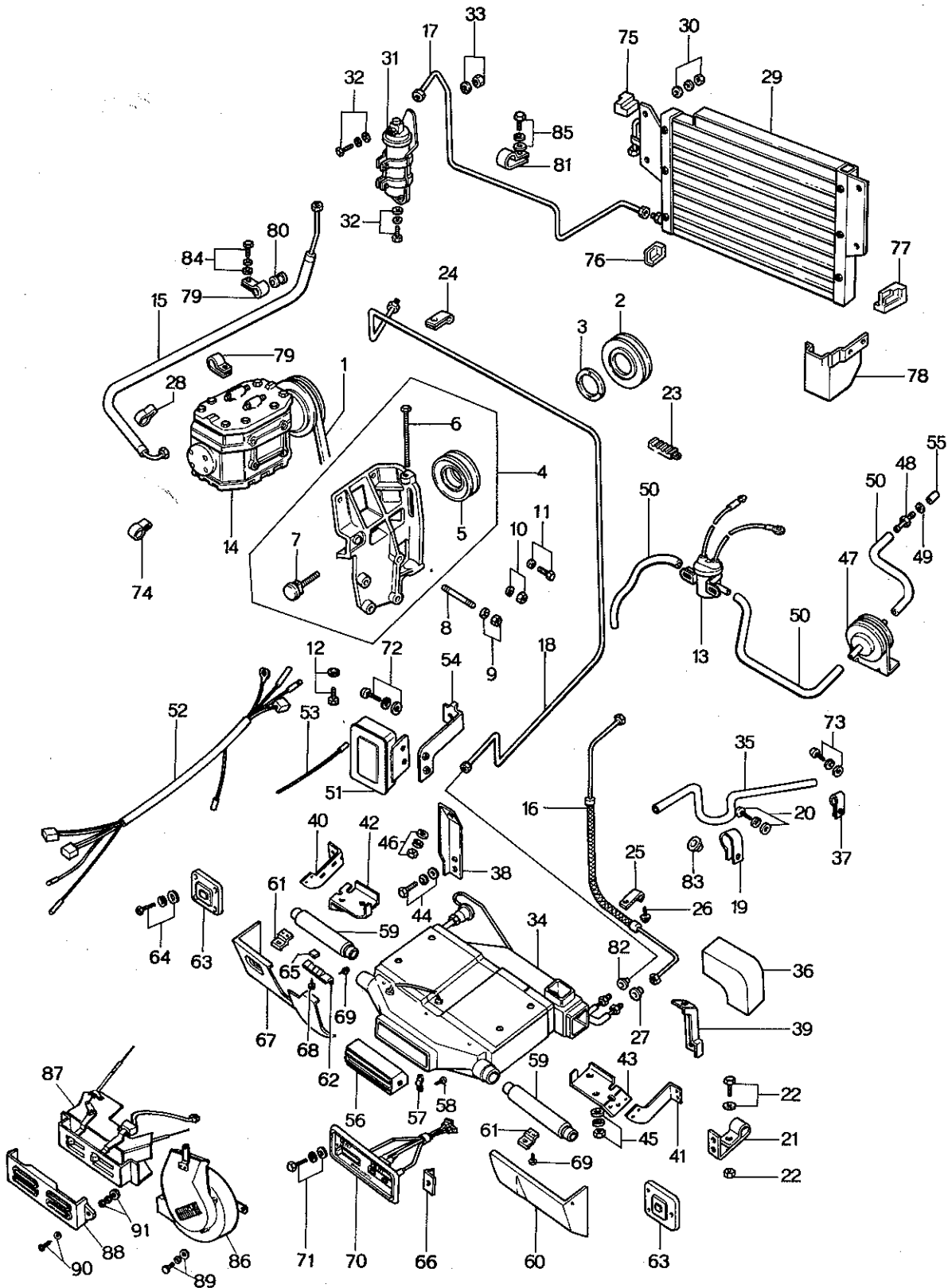
CAR COOLER (LARGE)  
(USED FROM CAR AND TRUCK)



FOR THE CAR & TRUCK COOLER (LARGE) SEE PAGE 100

# CAR COOLER (L.H.D.)

(USED FROM CAR NO. 160623  $\frac{73}{10}$ )



# CAR COOLER (L.H.D.)

(USED FROM CAR NO. 160623 <sup>73/10</sup>)



| No. | Part Number   | Description                                  | Q'ty | Remarks |
|-----|---------------|--|------|---------|
|     | 1883 61 410   | Air-Conditioner, Heater Less                 | 1    |         |
|     | 1881 61 410   | Air-Conditioner                              | 1    |         |
| 1   | 1881 15 906   | Belt, "V"                                    | 1    |         |
| 2   | 1881 15 911 A | Pulley, "V" Belt                             | 1    |         |
| 3   | 1757 15 912   | Stiffener, Pulley                            | 1    |         |
| 4   | 1881 15 920   | Bracket, Compressor (Fig. No. 5 ~7 included) | 1    |         |
| 5   | 1881 15 940   | Pulley, Idle                                 | 1    |         |
| 6   | 1757 15 966   | Bolt, Adjust                                 | 1    |         |
| 7   | 1757 15 967   | Shaft, Adjust                                | 1    |         |
| 8   | 99859 1028    | Stud   | 2    |         |
|     | 99859 1050    | Stud   | 2    |         |
| 9   | 99921 1000    | Nut, Compressor Bracket                      | 4    |         |
|     | 99971 1000    | Washer, Spring                               | 4    |         |
| 10  | 99921 1200    | Nut, Compressor Bracket                      | 1    |         |
|     | 99971 1200    | Washer, Spring                               | 1    |         |
| 11  | 99801 0825    | Bolt, Compressor                             | 4    |         |
|     | 99971 0800    | Washer, Spring                               | 4    |         |
| 12  | 99801 0840    | Bolt, Compressor                             | 2    |         |
|     | 99971 0800    | Washer, Spring                               | 2    |         |
| 13  | 0824 61 236 A | Valve, Magnet                                | 2    |         |

61

**CAR COOLER (L.H.D.)**  
 (USED FROM CAR NO. 160623 <sup>73/10</sup>)

| No. | Part Number   | Description    | Q'ty | Remarks |
|-----|---------------|----------------|------|---------|
| 14  | 1881 61 450   | Compressor     | 1    |         |
| 15  | 1562 61 461   | Hose, Flexible | 1    |         |
| 16  | 1562 61 462 A | Hose, Flexible | 1    |         |
| 17  | 1128 61 463   | Pipe No. 1     | 1    |         |
| 18  | 1562 61 464 A | Pipe No. 2     | 1    |         |
| 19  | 0370 61 467   | Clip           | 4    |         |
| 20  | 99868 0520    | Bolt           | 4    |         |
|     | 99952 0500    | Washer, Plain  | 4    |         |
|     | 99971 0500    | Washer, Spring | 4    |         |
| 21  | 1562 61 469   | Clip           | 1    |         |
| 22  | 99806 0612    | Bolt           | 7    |         |
|     | 99906 0600    | Nut            | 7    |         |
|     | 99952 0600    | Washer, Plain  | 7    |         |
|     | 99971 0600    | Washer, Spring | 7    |         |
| 23  | 0866 61 472   | Clip           | 1    |         |
| 24  | 1562 61 473   | Clip           | 4    |         |
| 25  | 1562 61 474   | Clip           | 1    |         |
| ●   | 1622 61 474   | Clip           | 1    |         |
| 26  | 99806 0628    | Bolt           | 1    |         |
|     | 99952 0600    | Washer, Plain  | 1    |         |

# CAR COOLER (L.H.D.)

(USED FROM CAR NO. 160623 <sup>73</sup>/<sub>10</sub>)

61

| No. | Part Number  | Description         | Q'ty | Remarks |
|-----|--------------|---------------------|------|---------|
|     | 99971 0600   | Washer, Spring      | 1    |         |
| 27  | 0866 61 475  | Grommet             | 1    |         |
| 28  | 0866 61 476  | Protector           | 1    |         |
| 29  | 1562 61 490  | Condenser           | 1    |         |
| 30  | 99906 0600   | Nut                 | 4    |         |
|     | 99952 0618   | Washer, Plain       | 4    |         |
|     | 99971 0800   | Washer, Spring      | 4    |         |
| 31  | 0866 61 500  | Tank, Receiver      | 1    |         |
| 32  | 99906 0612   | Bolt, Receiver Tank | 3    |         |
|     | 99952 0600   | Washer, Plain       | 3    |         |
|     | 99971 0600   | Washer, Spring      | 3    |         |
| 33  | 99906 0600   | Nut                 | 1    |         |
|     | 99952 0600   | Washer, Plain       | 1    |         |
| 34  | 1622 61 520  | Cooler Unit         | 1    |         |
| 35  | 0866 61 525A | Hose, Drain         | 2    |         |
| 36  | 1524 61 526  | Duct, Rubber        | 1    |         |
| 37  | 0866 61 527  | Clip                | 1    |         |
| 38  | 0866 61 531  | Bracket No. 1       | 1    |         |
| 39  | 0866 61 532  | Bracket No. 2       | 1    |         |
| 40  | 0866 61 533  | Bracket No. 3       | 1    |         |

61

# CAR COOLER (L.H.D.)

(USED FROM CAR NO. 160623 <sup>73</sup>/<sub>10</sub>)

| No. | Part Number  | Description          | Q'ty | Remarks |
|-----|--------------|----------------------|------|---------|
| 41  | 0866 61 534  | Bracket No. 4        | 1    |         |
| 42  | 0866 61 535  | Bracket No. 5        | 1    |         |
| 43  | 0866 61 536  | Bracket No. 6        | 1    |         |
| 44  | 99806 0612   | Bolt                 | 12   |         |
|     | 99952 0800   | Washer, Plain        | 12   |         |
|     | 99971 0800   | Washer, Spring       | 12   |         |
| 45  | 99906 0600   | Nut                  | 2    |         |
|     | 99951 0618   | Washer, Plain        | 2    |         |
|     | 99971 0600   | Washer, Spring       | 2    |         |
| 46  | 99906 0800   | Nut                  | 2    |         |
|     | 99952 0800   | Washer, Plain        | 2    |         |
|     | 99971 0800   | Washer, Spring       | 2    |         |
| 47  | 0866 61 541  | Valve, Check         | 1    |         |
| 48  | 0866 61 542  | Connector            | 1    |         |
| 49  | 99564 1000   | Gasket               | 1    |         |
| 50  | 0866 61 543A | Hose No. 1, Vacuum   | 1    |         |
| 51  | 1622 61 545  | Stabilizer Amplifier | 1    |         |
| 52  | 1622 61 546  | Harness              | 1    |         |
| 53  | 1524 61 547  | Wire                 | 1    |         |
| 54  | 1622 61 548  | Bracket              | 1    |         |

# CAR COOLER (L.H.D.)

(USED UP TO CAR NO. 160623 <sup>73</sup>/<sub>10</sub>)



| No. | Part Number | Description           | Q'ty | Remarks |
|-----|-------------|-----------------------|------|---------|
| 55  | 0866 61 549 | Spacer                | 1    |         |
| 56  | 0866 61 551 | Grille                | 1    |         |
| 57  | 0866 61 552 | Holder                | 2    |         |
| 58  | 99888 0408  | Screw, Tapping        | 4    |         |
| 59  | 1622 61 561 | Duct, Air             | 2    |         |
| 60  | 1622 61 565 | Cover (R), Duct       | 1    |         |
| 61  | 1622 61 566 | Bracket, Cover        | 4    |         |
| 62  | 1622 61 567 | Bracket               | 1    |         |
| 63  | 1622 61 568 | Cover (R), Ventilator | 1    |         |
|     | 1622 61 578 | Cover (L), Ventilator | 1    |         |
| 64  | 99806 0620  | Bolt, Cover           | 6    |         |
|     | 99952 0600  | Washer, Plain         | 6    |         |
|     | 99971 0600  | Washer, Spring        | 6    |         |
| 65  | 1622 61 569 | Spacer                | 2    |         |
| 66  | 1622 61 572 | Bracket               | 2    |         |
| 67  | 1622 61 575 | Cover (L), Duct       | 1    |         |
| 68  | 99833 0525  | Screw, Cover          | 2    |         |
|     | 99952 0500  | Washer, Plain         | 2    |         |
|     | 99971 0500  | Washer, Spring        | 2    |         |
| 69  | 99868 0410  | Screw, Cover          | 10   |         |

61

**CAR COOLER (L.H.D.)**  
 (USED FROM CAR NO. 160623 <sup>73</sup>/<sub>10</sub>)

| No. | Part Number   | Description    | Q'ty | Remarks             |
|-----|---------------|----------------|------|---------------------|
| 70  | 1622 61 580   | Panel, Control | 1    |                     |
| 71  | 99833 0310B   | Screw          | 2    |                     |
|     | 99952 0300    | Washer, Plain  | 2    |                     |
|     | 99971 0300    | Washer, Spring | 2    |                     |
| 72  | 99833 0512B   | Screw          | 2    |                     |
|     | 99952 0500    | Washer, Plain  | 2    |                     |
|     | 99971 0500    | Washer, Spring | 2    |                     |
| 73  | 99868 0520    | Bolt           | 5    |                     |
|     | 99952 0500    | Washer, Plain  | 5    |                     |
|     | 99971 0500    | Washer, Spring | 5    |                     |
| 74  | 0317 61 612   | Cushion        | 1    |                     |
| 75  | 1128 61 911   | Packing No. 1  | 1    |                     |
| 76  | 1128 61 912   | Packing No. 2  | 1    |                     |
| 77  | 1128 61 913   | Packing No. 3  | 1    |                     |
| 78  | 1620 61 920   | Seal           | 1    |                     |
| 79  | 0820 78 857   | Clip           | 2    |                     |
|     | √ 0259 78 857 | Clip           | 2    | $\frac{73}{11}$ - O |
| 80  | 0259 78 858   | Packing        | 3    |                     |
| 81  | 0259 78 868   | Clip           | 1    |                     |
| 82  | 0208 78 875   | Grommet        | 1    |                     |
| 83  | 0820 78 883   | Grommet        | 2    |                     |



# CAR COOLER (L.H.D.)

(USED FROM CAR NO. 160623 <sup>73</sup>/<sub>10</sub>)

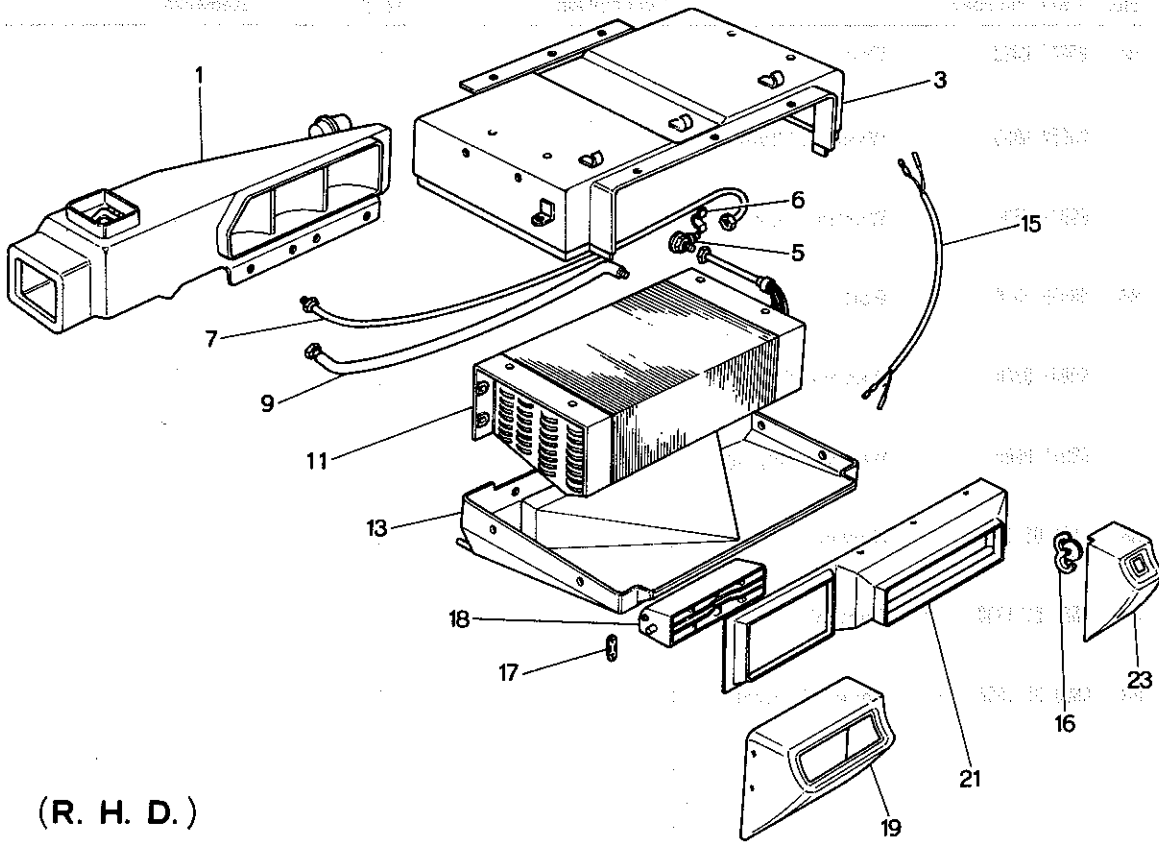
61

| No. | Part Number  | Description        | Q'ty | Remarks |
|-----|--------------|--------------------|------|---------|
| 84  | 99863 0620   | Bolt               | 4    |         |
|     | 99952 0800   | Washer, Plain      | 4    |         |
|     | 99971 0800   | Washer, Spring     | 4    |         |
| 85  | 99806 0618   | Bolt               | 1    |         |
|     | 99952 0800   | Washer, Plain      | 1    |         |
|     | 99971 0800   | Washer, Spring     | 1    |         |
| 86  | 1531 61 140  | Blower             | 1    |         |
| 87  | 1588 61 190C | Control            | 1    |         |
| 88  | 0886 61 185B | Panel, Control     | 1    |         |
| 89  | 99805 0830   | Bolt, Control Case | 4    |         |
|     | 99952 0800   | Washer, Plain      | 4    |         |
|     | 99971 0800   | Washer, Spring     | 4    |         |
| 90  | 99833 0512   | Screw, Control     | 3    |         |
|     | 99971 0500   | Washer, Spring     | 3    |         |
| 91  | 99806 0800   | Nut                | 1    |         |
|     | 99952 0822   | Washer, Plain      | 1    |         |
|     | 99971 0800   | Washer, Spring     | 1    |         |

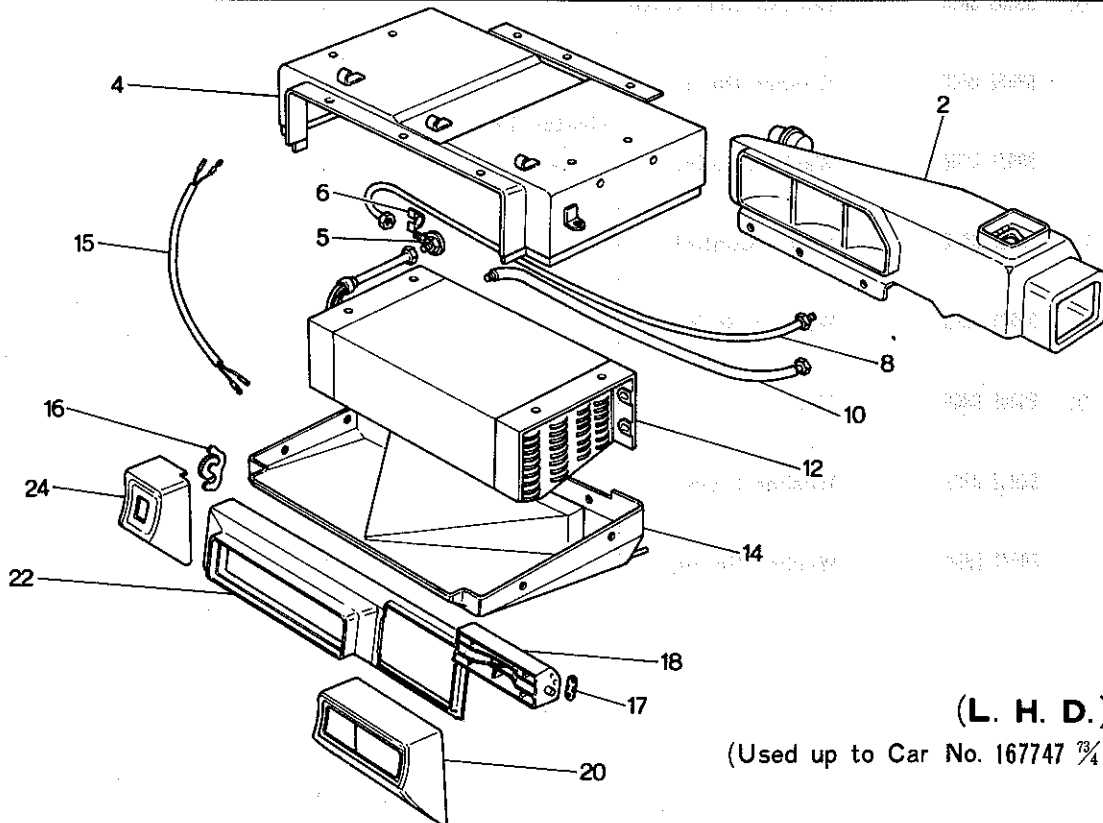
Heater Less

61 76

# COOLER UNIT



(R. H. D.)



(L. H. D.)

(Used up to Car No. 167747 <sup>3</sup>/<sub>4</sub>)

# COOLER UNIT

61

76

No. Part Number Description Q'ty Remarks

● Caution : Parts for L.H.D. models listed in this page with "※" mark at front of part no. apply up to car no. 167747 <sup>7/4</sup>, for parts from car no. 167748 <sup>7/4</sup> refer to page (203-N-2~203-N-3)

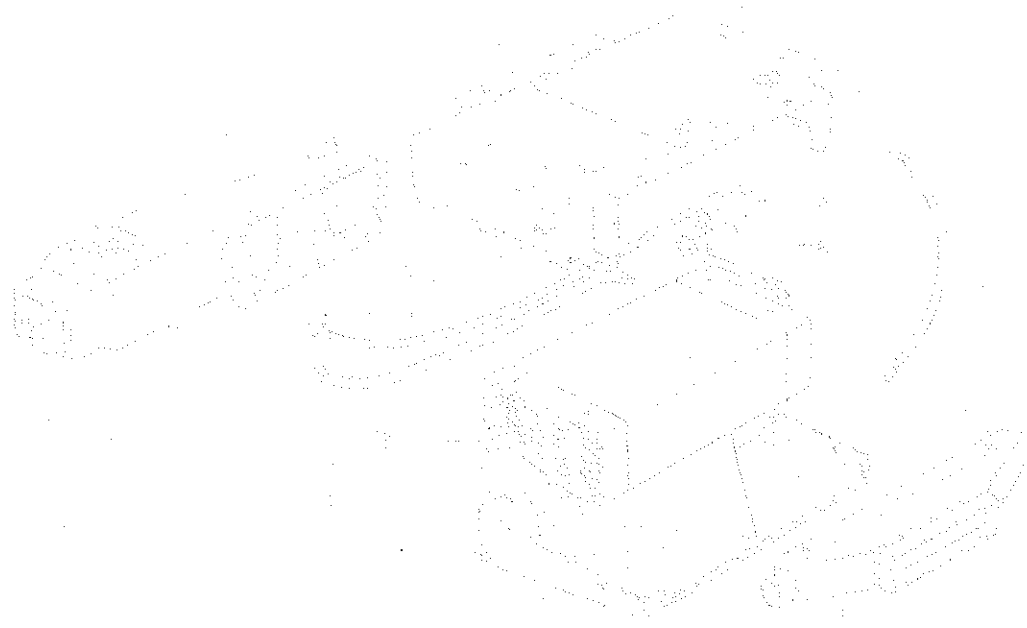
|   |                  |                                     |   |                                  |
|---|------------------|-------------------------------------|---|----------------------------------|
|   | 0866 61 520      | ✓ Unit, Cooler (R.H.D.) With Heater | 1 |                                  |
|   | 1557 61 520      | ✓ Unit, Cooler (R.H.D.) W/O Heater  | 1 | Car No. 152816 <sup>7/9</sup> ~X |
| ※ | 1562 61 520      | ✓ Unit, Cooler (L.H.D.) With Heater | 1 |                                  |
| ※ | 1568 61 520      | ✓ Unit, Cooler (L.H.D.) W/O Heater  | 1 | Car No. 152816 <sup>7/9</sup> ~X |
|   | 1 ✓ 0370 76 701  | Duct, Air (R.H.D.) With Heater      | 1 |                                  |
|   | ✓ 1518 76 701    | Duct, Air (R.H.D.) W/O Heater       | 1 | Car No. 152816 <sup>7/9</sup> ~X |
| ※ | ✓ 2 1524 76 701  | Duct, Air (L.H.D.) With Heater      | 1 |                                  |
| ※ | ✓ 1531 76 701    | Duct, Air (L.H.D.) W/O Heater       | 1 | Car No. 152816 <sup>7/9</sup> ~X |
|   | 3 ✓ 0370 76 702  | Case, Main (R.H.D.)                 | 1 |                                  |
| ※ | 4 ✓ 1524 76 702  | Case, Main (L.H.D.)                 | 1 |                                  |
|   | 5 ✓ 0370 76 703  | Valve, Expansion                    | 1 |                                  |
|   | 6 ✓ 0370 76 704  | Holder, Valve                       | 1 |                                  |
|   | 7 ✓ 0370 76 705  | Pipe No. 1 (R.H.D.)                 | 1 |                                  |
| ※ | 8 ✓ 1524 76 705  | Pipe No. 1 (L.H.D.)                 | 1 |                                  |
|   | 9 ✓ 0370 76 706  | Pipe No. 2 (R.H.D.)                 | 1 |                                  |
| ※ | 10 ✓ 1524 76 706 | Pipe No. 2 (L.H.D.)                 | 1 |                                  |
|   | 11 ✓ 0370 76 708 | Evaporator (R.H.D.)                 | 1 |                                  |



# COOLER UNIT

| No.  | Part Number   | Description           | Q'ty | Remarks             |
|------|---------------|-----------------------|------|---------------------|
| ※ 12 | 1524 76 708 ✓ | Evaporator (L.H.D.)   | 1    |                     |
| ※    | 1622 76 708 ✓ | Evaporator (L.H.D.)   | 1    | Car No. 73-00 7/3~○ |
| 13   | 0370 76 709 ✓ | Case, Main (R.H.D.)   | 1    |                     |
| ※ 14 | 1524 76 709 ✓ | Case, Main (L.H.D.)   | 1    |                     |
| 15   | 0370 76 707 ✓ | Thermistor            | 1    |                     |
| 16   | 0866 76 711 ✓ | Resistor              | 1    |                     |
| 17   | 0866 61 552 ✓ | Holder, Grille        | 2    |                     |
| 18   | 0866 76 715 ✓ | Grille                | 1    |                     |
| 19   | 0866 76 716 ✓ | Body, Grille (R.H.D.) | 1    |                     |
| ※ 20 | 1562 76 716 ✓ | Body, Grille (L.H.D.) | 1    |                     |
| 21   | 0866 76 717 ✓ | Duct, Air (R.H.D.)    | 1    |                     |
| ※ 22 | 1562 76 717 ✓ | Duct, Air (L.H.D.)    | 1    |                     |
| 23   | 0866 76 718 ✓ | Base, Grille (R.H.D.) | 1    |                     |
| ※ 24 | 1562 76 718 ✓ | Base, Grille (L.H.D.) | 1    |                     |

COOLER UNIT & CONTROL PANEL  
(USED FROM CAR NO. 1174)

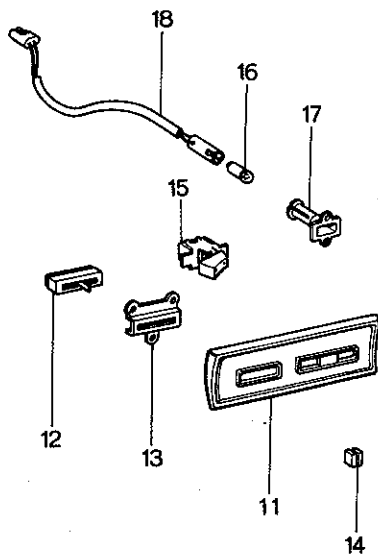
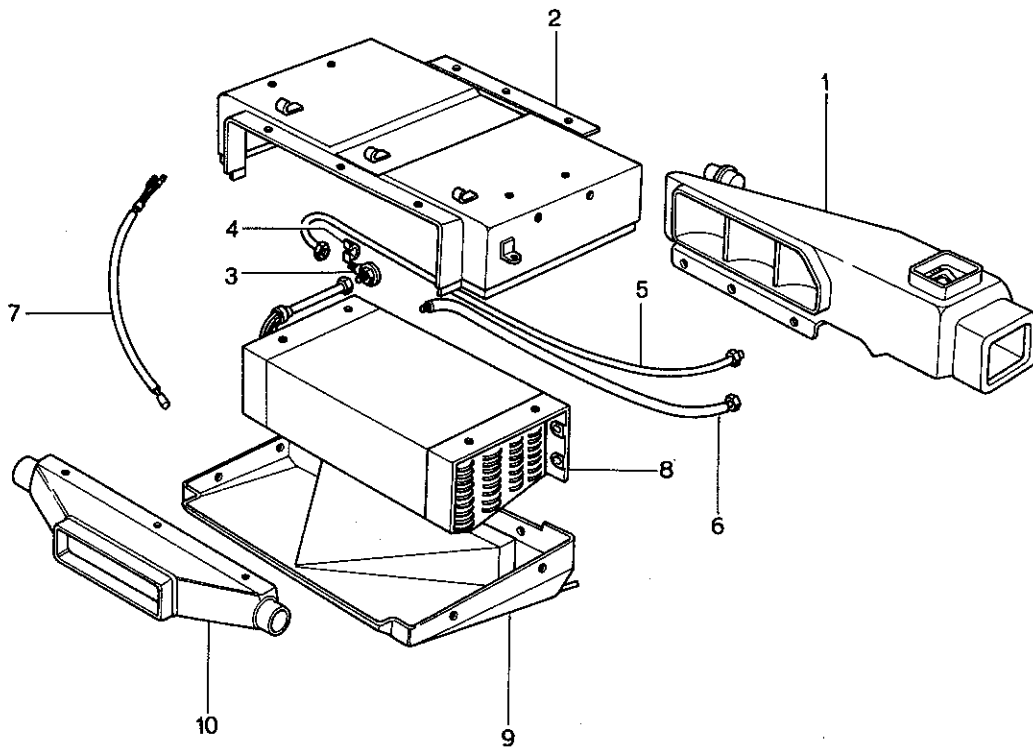


61

76

# COOLER UNIT & CONTROL PANEL

(L.H.D.) (USED FROM CAR NO. 167748 7/4)



# COOLER UNIT & CONTROL PANEL

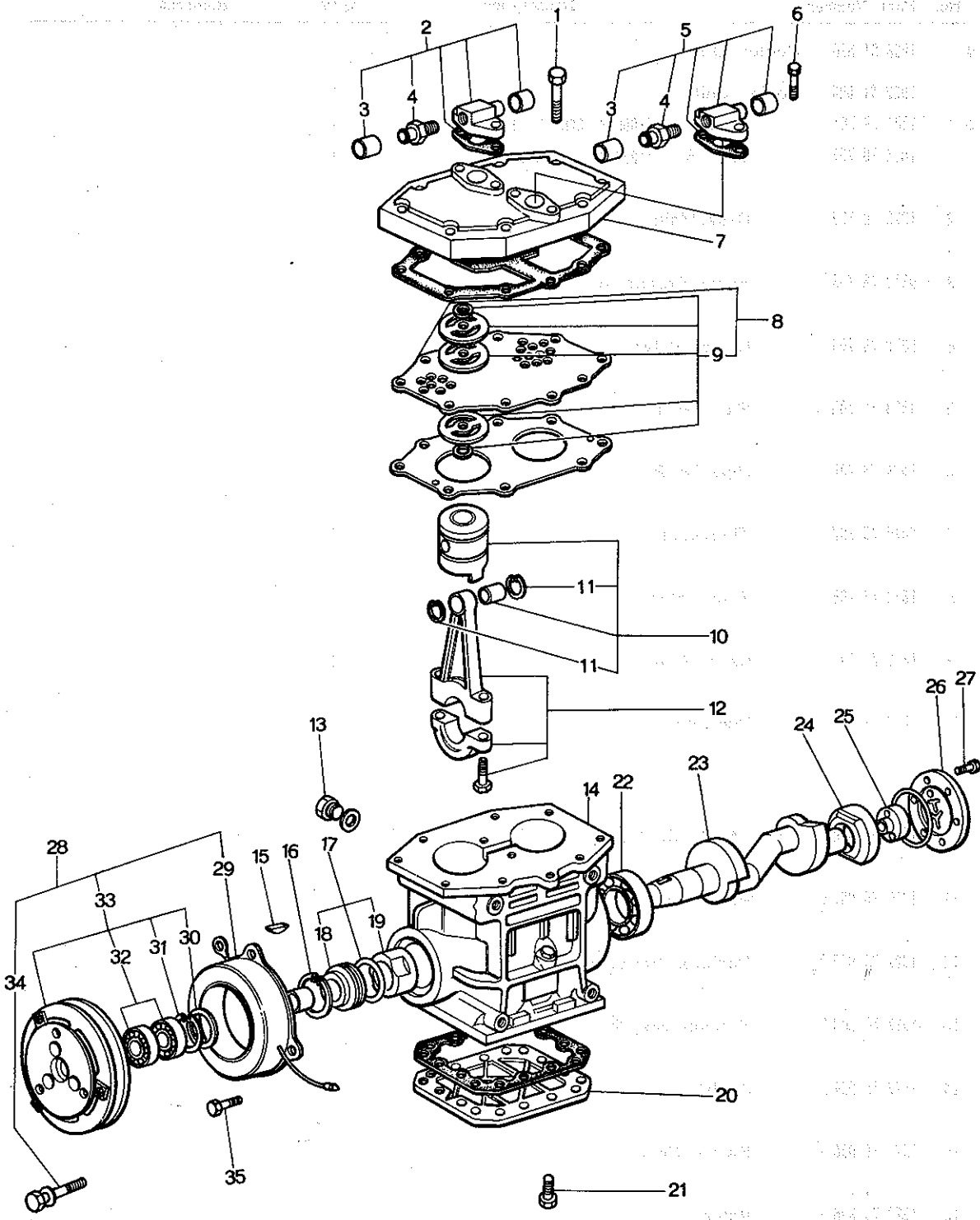
(L.H.D.) (USED FROM CAR NO. 167748 <sup>73/4</sup>)

61

76

| No. | Part Number     | Description                 | Q'ty | Remarks |
|-----|-----------------|-----------------------------|------|---------|
| ●   | 1608 61 520     | Cooler Unit                 | 1    |         |
|     | 1622 61 520     | Cooler Unit                 | 1    |         |
| ● 1 | ✓ 1531 76 701   | Duct, Air (1608 61 520 Use) | 1    |         |
|     | 1524 76 701 ✓   | Duct, Air (1622 61 520 Use) | 1    |         |
| 2   | 1622 76 702 ✓   | Case, Main                  | 1    |         |
| 3   | 0370 76 703 ✓   | Valve, Expansion            | 1    |         |
| 4   | 0370 76 704 ✓   | Holder, Valve               | 1    |         |
| 5   | 1524 76 705 ✓   | Pipe No. 1                  | 1    |         |
| 6   | 1524 76 706 ✓   | Pipe No. 2                  | 1    |         |
| 7   | 0370 76 707 ✓   | Thermister                  | 1    |         |
| 8   | 1622 76 708 ✓   | Evaporator                  | 1    |         |
| 9   | 1622 76 709 ✓   | Case, Main                  | 1    |         |
| 10  | 1622 76 717 ✓   | Duct, Air                   | 1    |         |
|     | 1622 61 580     | Panel Ass'y, Control        | 1    |         |
| 11  | ✓ 1622 76 901 ✓ | Panel, Control              | 1    |         |
| 12  | 1622 76 902 ✓   | Resistor, Variable          | 1    |         |
| 13  | 1622 76 903 ✓   | Bracket, Switch             | 1    |         |
| 14  | 1622 76 904 ✓   | Knob, Control               | 1    |         |
| 15  | 1622 76 905 ✓   | Switch, Snap                | 1    |         |
| 16  | 1622 76 906 ✓   | Valve                       | 1    |         |
| 17  | 1622 76 907 ✓   | Socket, Valve               | 1    |         |
| 18  | 1622 76 908 ✓   | Holder, Valve               | 1    |         |

COOLER UNIT & CONTROL PANEL  
**COMPRESSOR (CAR COOLER)**





# COMPRESSOR (CAR COOLER)

61
76

| No. | Part Number  | Description                             | Q'ty | Remarks                           |
|-----|--------------|---|------|-----------------------------------|
|     | 0866 61 450  | Compressor                              | 1    |                                   |
| ●   | 1881 61 450  | Compressor (L.H.D.)                     | 1    | Car No. 160623 $\frac{73}{10}$ ~X |
|     | 0866 76 710  | Compressor Cpt., Fig. No. 1~27 Included | 1    |                                   |
| 1   | 0866 76 701  | Bolt                                    | 4    |                                   |
| 2   | 0866 76 810  | Valve Kit, Service                      | 1    |                                   |
| 3   | 0866 76 755  | Cap, Service Valve                      | 2    |                                   |
| 4   | 0866 76 754  | Valve, Service                          | 2    |                                   |
| 5   | 0866 76 820  | Valve Kit                               | 1    |                                   |
| 6   | 0866 76 702  | Bolt                                    | 8    |                                   |
| 7   | 0866 76 752  | Head, Cylinder                          | 1    |                                   |
| 8   | 0866 76 760  | Valve Ass'y                             | 1    |                                   |
| 9   | 0866 76 703  | Valve Kit, Lead                         | 2    |                                   |
| 10  | 0866 76 830  | Piston Ass'y                            | 2    |                                   |
| 11  | 0866 76 739  | Ring, Snap                              | 4    |                                   |
| 12  | 0866 76 750  | Connecting Rod Ass'y                    | 2    |                                   |
| 13  | 0866 76 704  | Plug, Oil                               | 1    |                                   |
| 14  | 0866 76 721  | Block, Cylinder                         | 1    |                                   |
|     | 0866 76 721A | Block, Cylinder                         | 1    | Car No. 161019 $\frac{72}{12}$ ~X |
| 15  | 0866 76 723  | Key, Woodruff                           | 1    |                                   |
| 16  | 0866 76 734  | Clip                                    | 1    |                                   |



# COMPRESSOR (CAR COOLER)

| No. | Part Number  | Description                                    | Q'ty | Remarks                          |
|-----|--------------|--|------|----------------------------------|
| 17  | 0866 76 730  | Seal Cpt., Shaft                               | 1    |                                  |
| 18  | 0866 76 733  | Plate, Seal                                    | 1    |                                  |
| 19  | 0866 76 731  | Seal Cpt.                                      | 1    |                                  |
| 20  | 0866 76 743  | Plate, Bottom                                  | 1    |                                  |
|     | 0866 76 743A | Plate, Bottom                                  | 1    | Car No. 161019 $\frac{1}{2}$ ~X  |
| 21  | 0866 76 705  | Bolt   | 16   |                                  |
| 22  | 0866 76 722  | Bearing  | 1    |                                  |
| 23  | 0866 76 724  | Shaft, Crank                                   | 1    |                                  |
| 24  | 0866 76 725  | Bearing  | 1    |                                  |
| 25  | 0866 76 726  | Pump Ass'y                                     | 1    |                                  |
| 26  | 0866 76 729  | Plate, Cover                                   | 1    |                                  |
| 27  | 0866 76 706  | Bolt   | 6    |                                  |
| 28  | 0866 76 720  | Clutch Ass'y, Fig. No. 29~34 Included          | 1    |                                  |
| ●   | 1881 76 720  | Clutch Ass'y, Fig. No. 29~34 Included (L.H.D.) | 1    | Car No. 160623 $\frac{3}{10}$ ~X |
| 29  | 0866 76 763  | Stator   | 1    |                                  |
| ●   | 1881 76 763  | Stator (L.H.D.)                                | 1    | Car No. 160623 $\frac{3}{10}$ ~X |
| 30  | 0866 76 764  | Cover, Dust                                    | 1    |                                  |
| 31  | 0866 76 765  | Ring "E"                                       | 1    |                                  |
| ●   | 1881 76 765  | Ring "E" (L.H.D.)                              | 1    | Car No. 160623 $\frac{3}{10}$ ~X |
| 32  | 0866 76 766  | Bearing, Ball                                  | 2    |                                  |

# COMPRESSOR (CAR COOLER)

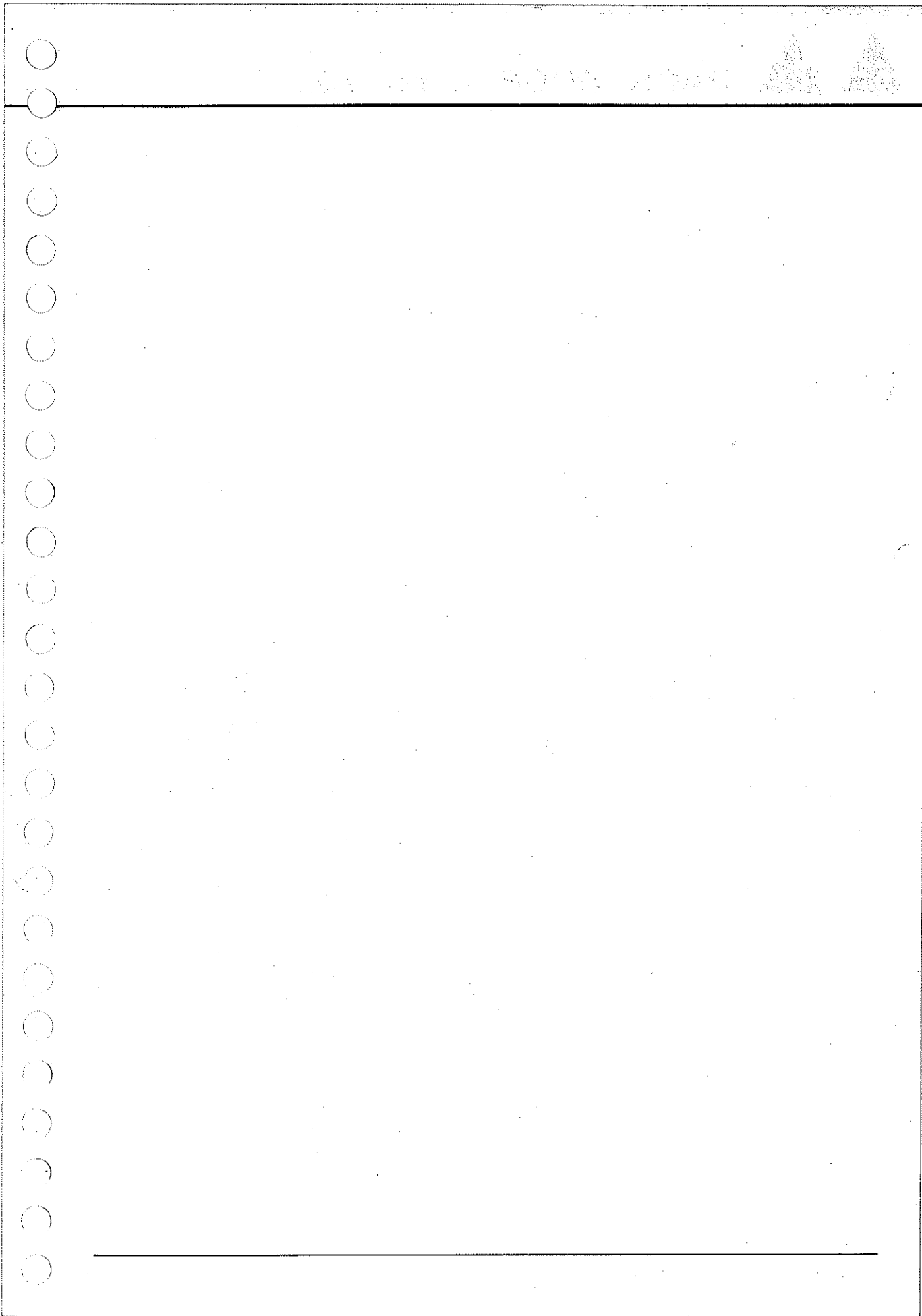
**61****76**

| No. | Part Number  | Description            | Q'ty | Remarks                          |
|-----|--------------|------------------------|------|----------------------------------|
| 33  | 0866 76 790  | Magnet Clutch          | 1    |                                  |
| ●   | 1881 76 790  | Magnet Clutch (L.H.D.) | 1    | Car No. 160623 $\frac{7}{10}$ ~X |
| 34  | 0866 76 707  | Bolt                   | 1    |                                  |
| ●   | 1881 76 707  | Bolt (L.H.D.)          | 1    | Car No. 160623 $\frac{7}{10}$ ~X |
| 35  | 0866 76 708  | Screw                  | 3    |                                  |
|     | 0866 76 709  | Gasket Kit             | 1    |                                  |
|     | 0866 76 709A | Gasket Kit             | 1    | Car No. 161019 $\frac{7}{12}$ ~X |



COMMUNICATIONS SECTION

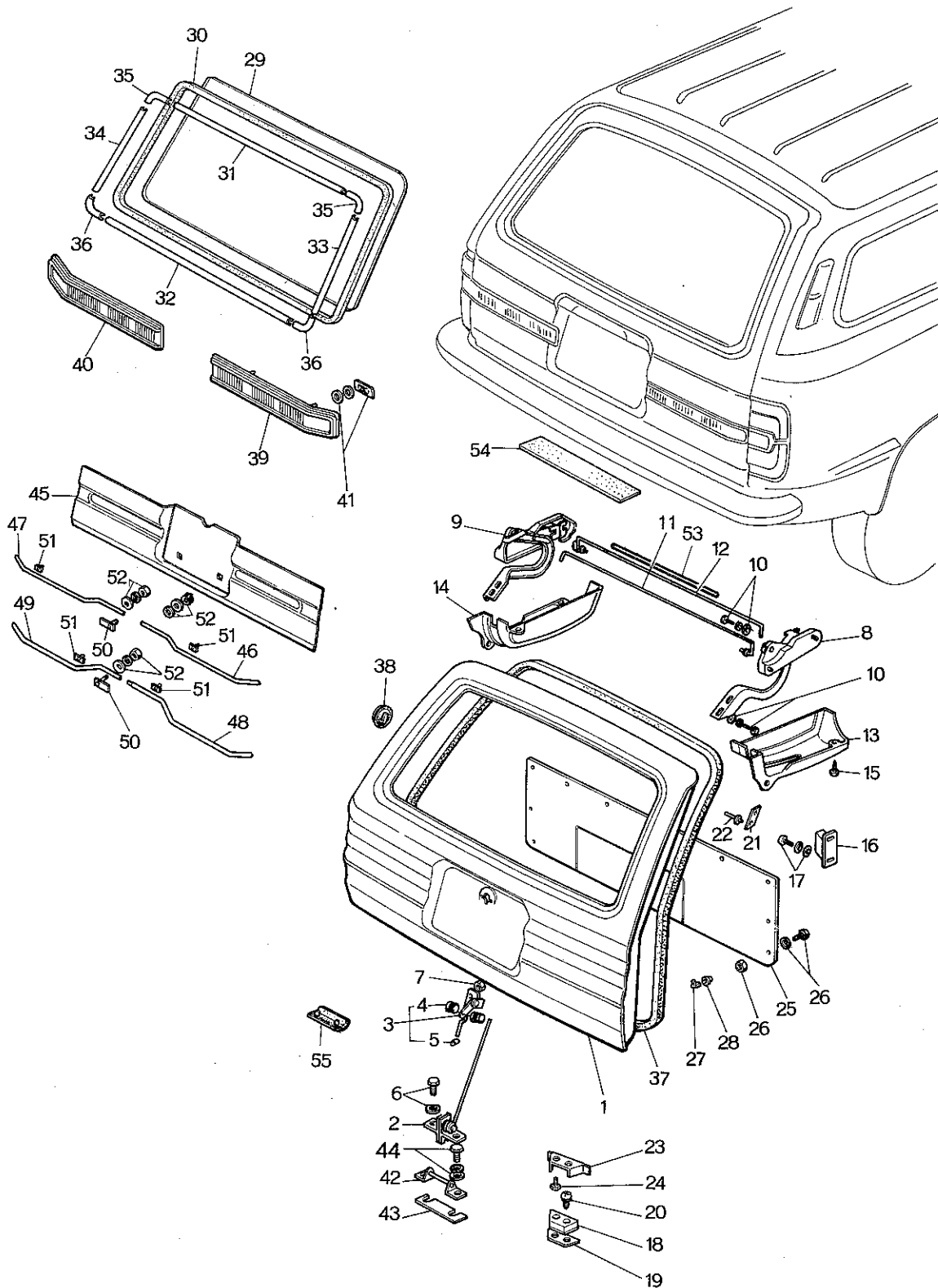
| Time  | From | To  | Remarks |
|-------|------|-----|---------|
| 10:00 | ...  | ... | ...     |
| 10:15 | ...  | ... | ...     |
| 10:30 | ...  | ... | ...     |
| 10:45 | ...  | ... | ...     |
| 11:00 | ...  | ... | ...     |
| 11:15 | ...  | ... | ...     |
| 11:30 | ...  | ... | ...     |
| 11:45 | ...  | ... | ...     |
| 12:00 | ...  | ... | ...     |
| 12:15 | ...  | ... | ...     |
| 12:30 | ...  | ... | ...     |
| 12:45 | ...  | ... | ...     |
| 13:00 | ...  | ... | ...     |
| 13:15 | ...  | ... | ...     |
| 13:30 | ...  | ... | ...     |
| 13:45 | ...  | ... | ...     |
| 14:00 | ...  | ... | ...     |
| 14:15 | ...  | ... | ...     |
| 14:30 | ...  | ... | ...     |
| 14:45 | ...  | ... | ...     |
| 15:00 | ...  | ... | ...     |
| 15:15 | ...  | ... | ...     |
| 15:30 | ...  | ... | ...     |
| 15:45 | ...  | ... | ...     |
| 16:00 | ...  | ... | ...     |
| 16:15 | ...  | ... | ...     |
| 16:30 | ...  | ... | ...     |
| 16:45 | ...  | ... | ...     |
| 17:00 | ...  | ... | ...     |
| 17:15 | ...  | ... | ...     |
| 17:30 | ...  | ... | ...     |
| 17:45 | ...  | ... | ...     |
| 18:00 | ...  | ... | ...     |
| 18:15 | ...  | ... | ...     |
| 18:30 | ...  | ... | ...     |
| 18:45 | ...  | ... | ...     |
| 19:00 | ...  | ... | ...     |
| 19:15 | ...  | ... | ...     |
| 19:30 | ...  | ... | ...     |
| 19:45 | ...  | ... | ...     |
| 20:00 | ...  | ... | ...     |
| 20:15 | ...  | ... | ...     |
| 20:30 | ...  | ... | ...     |
| 20:45 | ...  | ... | ...     |
| 21:00 | ...  | ... | ...     |
| 21:15 | ...  | ... | ...     |
| 21:30 | ...  | ... | ...     |
| 21:45 | ...  | ... | ...     |
| 22:00 | ...  | ... | ...     |
| 22:15 | ...  | ... | ...     |
| 22:30 | ...  | ... | ...     |
| 22:45 | ...  | ... | ...     |
| 23:00 | ...  | ... | ...     |
| 23:15 | ...  | ... | ...     |
| 23:30 | ...  | ... | ...     |
| 23:45 | ...  | ... | ...     |
| 24:00 | ...  | ... | ...     |



62

63

# BACK DOOR (STATION WAGON)



# BACK DOOR (STATION WAGON)

62

63

| No.  | Part Number  | Description          | Q'ty | Remarks |
|------|--------------|----------------------|------|---------|
| 1    | 1571 62 510A | Door, Back           | 1    |         |
| 2    | 0585 62 710B | Lock, Back Door      | 1    |         |
| 3    | 0585 62 720D | Control, Remote      | 1    |         |
| 4    | 0824 58 546A | Bush                 | 1    |         |
| 5    | 0866 58 313  | Joint                | 1    |         |
| ✓ 6  | 99806 0818   | Bolt, Back Door Lock | 2    |         |
| ✓    | 99971 0600   | Washer, Spring       | 2    |         |
| ✓    | 99952 0818   | Washer, Plain        | 2    |         |
| ✓ 7  | 99940 0602   | Nut, Flange          | 2    |         |
| 8    | 0585 62 810  | Hinge (R)            | 1    |         |
| 9    | 0585 63 810  | Hinge (L)            | 1    |         |
| ✓ 10 | 99781 0820   | Bolt, Hinge          | 8    |         |
| ✓    | 99951 0818   | Washer, Plain        | 8    |         |
| ✓    | 99971 0800   | Washer, Spring       | 8    |         |
| ✓ 11 | 0585 62 650C | Spring (R), Balance  | 1    |         |
| 12   | 0585 63 650C | Spring (L), Balance  | 1    |         |
| ✓ 13 | 0585 62 871C | Cover (R), Hinge     | 1    |         |
| 14   | 0585 63 871C | Cover (L), Hinge     | 1    |         |

62

63

## BACK DOOR (STATION WAGON)

| No. | Part Number   | Description              | Q'ty | Remarks         |
|-----|---------------|--------------------------|------|-----------------|
| √15 | 99864 0518C   | Screw, Hinge Cover       | 6    |                 |
| 16  | 0585 62 671A  | Wedge, Upper             | 2    |                 |
| √17 | 99765 0616    | Screw                    | 4    |                 |
| √   | 99952 0600    | Washer, Plain            | 4    |                 |
| √   | 99971 0600    | Washer, Spring           | 4    |                 |
| 18  | 0621 62 840A  | Wedge                    | 2    |                 |
| 19  | 0621 62 841   | Shim, Adjust - Wedge     | —    | } Selective use |
|     | 0621 62 842   | Shim, Adjust - Wedge     |      |                 |
| 20  | √ 99836 0620  | Screw, Wedge             | 4    |                 |
|     | √ 99974 0600  | Washer, Toothed          | 4    |                 |
|     | √ 99975 0600  | Washer, Toothed          | 4    |                 |
| 21  | 0585 62 672A  | Protector                | 2    |                 |
| 22  | 0223 89 032   | Rivet, Blind - Protector | 4    |                 |
| 23  | 0585 62 695   | Wedge                    | 2    |                 |
| 24  | √ 99833 0614  | Screw, Wedge             | 4    |                 |
|     | √ 99974 0600  | Washer, Toothed          | 4    |                 |
|     | √ 99975 0600  | Washer, Toothed          | 4    |                 |
| 25  | 0899 62 851C  | Trim, Back Door          | 1    |                 |
| 26  | √ 99862 0416B | Screw, Back Door Trim    | 6    | } Selective use |
|     | √ 99862 0418C | Screw, Back Door Trim    |      |                 |



# BACK DOOR (STATION WAGON)

62

63

| No. | Part Number  | Description           | Q'ty | Remarks         |
|-----|--------------|-----------------------|------|-----------------|
| ✓   | 99967 0400A  | Washer, Plain         | 6    | } Selective use |
| ✓   | 99967 0400B  | Washer, Plain         | 6    |                 |
| ✓   | 99910 0401   | Nut                   | 6    |                 |
| 27  | 0208 58 921  | Fastener              | 2    |                 |
| 28  | 0187 58 922  | Fastener, Seal        | 2    |                 |
| 29  | 1528 62 801  | Glass, Back Window    | 1    | } Transparent   |
|     | 1529 62 801  | Glass, Back Window    | 1    |                 |
| 30  | 0585 62 802  | Weatherstrip          | 1    |                 |
| 31  | 0585 62 821A | Mould, Upper          | 1    |                 |
| 32  | 0585 62 822A | Mould, Lower          | 1    |                 |
| 33  | 0585 62 823A | Mould (R)             | 1    |                 |
| 34  | 0585 63 823A | Mould (L)             | 1    |                 |
| 35  | 0585 62 824B | Mould, Corner - Upper | 2    |                 |
| 36  | 0585 62 825B | Mould, Corner - Lower | 2    |                 |
| 37  | 0585 62 831A | Weatherstrip          | 1    |                 |
| ✓   | 0136 58 112  | Hole Cover, Switch    | 2    |                 |
| 39  | 0585 62 940A | Finisher (R), Tail    | 1    |                 |
| 40  | 0585 63 940A | Finisher (L), Tail    | 1    |                 |
| 41  | 0305 68 951  | Gasket                | 4    |                 |
|     | 0305 68 952  | Washer                | 4    |                 |

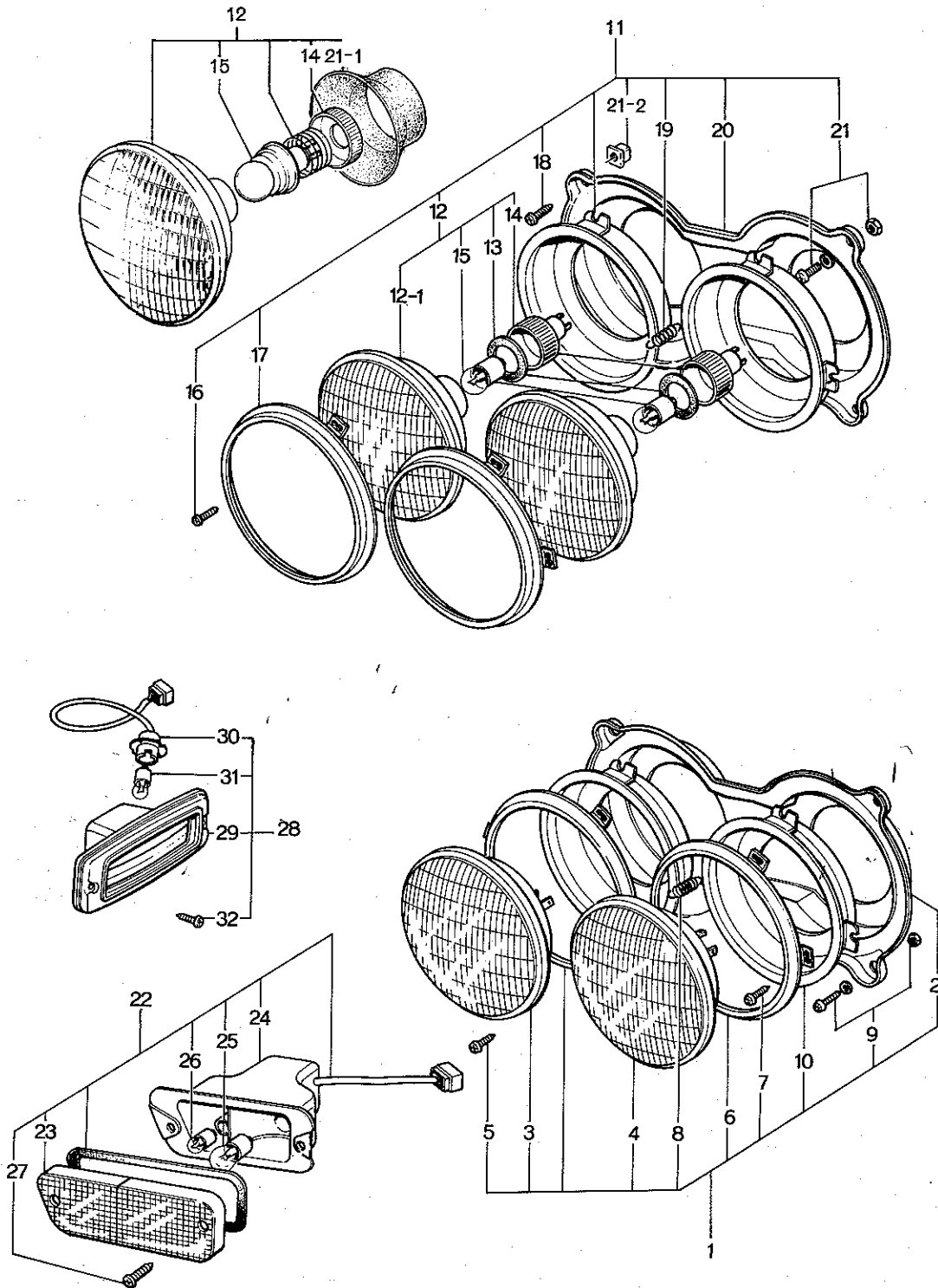


# BACK DOOR (STATION WAGON)

| No.  | Part Number  | Description               | Q'ty | Remarks         |
|------|--------------|---------------------------|------|-----------------|
| ✓    | 99579 4000   | Nut, Speed                | 4    |                 |
| 42   | 0585 62 750  | Striker ✓                 | 1    |                 |
| 43   | 0585 62 741  | Plate "A", Adjust (t=2.0) | 1    | } Selective use |
|      | 0585 62 742  | Plate "B", Adjust (t=1.0) | 1    |                 |
| 44 ✓ | 99806 0618   | Bolt, Striker             | 2    |                 |
| ✓    | 99951 0618   | Washer, Plain             | 2    |                 |
| ✓    | 99971 0800   | Washer, Spring            | 2    |                 |
| 45   | 0899 62 955A | Film, Decoration          | 1    |                 |
| 46   | 0899 62 961  | Moulding (R), Upper ✓     | 1    |                 |
| 47   | 0899 62 962A | Moulding (L), Upper ✓     | 1    |                 |
| 48   | 0899 62 963  | Moulding (R), Lower ✓     | 1    |                 |
| 49   | 0899 62 964  | Moulding (L), Lower ✓     | 1    |                 |
| 50   | 0899 62 970  | Bolt, Moulding ✓          | 3    |                 |
| 51   | 0899 62 975A | Clip                      | 10   |                 |
| 52 ✓ | 99906 0300   | Nut, Decoration Film      | 3    |                 |
| ✓    | 99952 0300   | Washer, Plain             | 3    |                 |
| ✓    | 99971 0300   | Washer, Spring            | 1    |                 |
| ✓    | 0621 62 792  | Pipe                      | 1    |                 |
| 54   | 0803 69 323A | Cushion ✓                 | 1    |                 |
| 55   | 0305 58 872  | Valve, Drain ✓            | 2    |                 |



# LAMPS (FRONT SIDE)



# LAMPS (FRONT SIDE)



| No. | Part Number            | Description                                       | Q'ty         | Remarks                                  |
|-----|------------------------|---|--------------|--|
| 1   | <del>0865 89 661</del> | <del>Lamp (R), Head</del>                         | <del>1</del> | <del>SSR OR FOUR</del>                   |
|     |                        | (Toshiba Make)                                    |              |  |
|     | <del>0865 89 666</del> | <del>Lamp (L), Head</del>                         | <del>1</del> | <del>SSR OR FOUR</del>                   |
|     | 0866 89 661            | Lamp (R), Head                                    | 1            | (R.H.D.)                                 |
|     | 0866 89 666            | Lamp (L), Head                                    | 1            |  |
|     | 1128 89 661            | Lamp (R), Head                                    | 1            | Car. No. 160623 $\frac{7}{10}$ X         |
|     |                        | (Toshiba Make)                                    |              |  |
|     | 1128 89 666            | Lamp (L), Head                                    | 1            | Car. No. 160623 $\frac{7}{10}$ X         |
|     | 1540 89 661            | Lamp (R), Head                                    | 1            |  |
|     | 1540 89 666            | Lamp (L), Head                                    | 1            |  |
|     |                        | (L.H.D.) Sealed Beam Type                         |              |  |
|     | 3517 89 661            | Lamp (R), Head                                    | 1            | Car. No. 160623 $\frac{7}{10}$ X         |
|     | 3517 89 666            | Lamp (L), Head                                    | 1            | Car. No. 160623 $\frac{7}{10}$ X         |
| 2   | <del>0865 66 001</del> | <del>Housing (R)</del>                            | <del>1</del> | <del>SSR OR FOUR</del>                   |
|     |                        | (Toshiba Make)                                    |              |  |
|     | <del>0865 66 011</del> | <del>Housing (L)</del>                            | <del>1</del> | <del>SSR OR FOUR</del>                   |
|     | 0866 66 031            | Housing (R)                                       | 1            | Car. No. 160623 $\frac{7}{10}$ Discarded |
|     |                        | (Koito Make)                                      |              |  |
|     | 0866 66 061            | Housing (L)                                       | 1            | Car. No. 160623 $\frac{7}{10}$ Discarded |
| 3   | <del>0865 87 008</del> | <del>Beam Unit, Sealed No. 1 (Toshiba Make)</del> | <del>2</del> |  |
|     | 0183 66 021            | Beam Unit, Sealed No. 1 (Koito Make)              | 2            |  |
|     | 0865 87 008            | Beam Unit, Sealed No. 1 (Toshiba Make)            | 2            | Car. No. 160623 $\frac{7}{10}$ X         |
| 4   | <del>0865 07 009</del> | <del>Beam Unit, Sealed No. 2 (Toshiba Make)</del> | <del>2</del> |  |
|     | 0183 66 022            | Beam Unit, Sealed No. 2 (L.H.D.) (Koito Make)     | 2            |  |
|     | 0865 87 009            | Beam Unit, Sealed No. 2 (R.H.D.) (Toshiba Make)   | 2            | Car. No. 160623 $\frac{7}{10}$ X         |

## LAMPS (FRONT SIDE)

| No. | Part Number  | Description                                   | Q'ty | Remarks  |
|-----|--------------|---|------|--|
|     | 2801 66 022  | Beam Unit, Sealed No. 2 (L.H.D.) (Koito Make) | 2    |  |
| 5   | 0275 87 007  | Screw   | 12   |  |
| 6   | 0727 87 014  | Holder, Lamp                                  | 4    |  |
| 7   | 0727 87 016  | Screw   | 8    |  |
| 8   | 2850 87 012  | Spring  | 4    |  |
| 9   | 99860 0616   | Screw, Tapping                                | 8    |  |
|     | 99910 0616   | Nut   | 8    |  |
| ●   | 99910 0601   | Nut   | 8    | $\frac{7}{10}$ ~○  |
|     | 99952 0601   | Washer, Plain                                 | 8    |  |
| ●   | 99952 0816   | Washer, Plain                                 | 8    | Car No. 160623 $\frac{73}{10}$ ~△                              |
| 10  | 0727 87 012  | Holder (R)                                    | 1    | } (R) Side   |
|     | 0727 87 013  | Holder (L)                                    | 1    |  |
|     | 0727 87 022  | Holder (R)                                    | 1    | } (L) Side   |
|     | 0727 87 023  | Holder (L)                                    | 1    |  |
| 11  | 1562 89 661  | Lamp (R), Head                                | 1    |  |
| ●   | 1562 89 661A | Lamp (R), Head                                | 1    | $\frac{72}{11}$ ~○   |
|     | 1562 89 666  | Lamp (L), Head                                | 1    | } White Bulb   |
| ●   | 1562 89 666A | Lamp (L), Head                                | 1    |  |
| ●   | 3513 89 661  | Lamp (R), Head                                | 1    | Car No. 160623 $\frac{73}{10}$ ~X<br>(L.H.D.) Semi Sealed Beam |

# LAMPS (FRONT SIDE)

66

| No.  | Part Number   | Description        | Q'ty | Remarks  |
|------|---------------|--------------------|------|--|
| ●    | 3513 89 666   | Lamp (L), Head     | 1    | Car No. 160623 $\frac{73}{10}$ X               |
|      | 1568 89 661   | Lamp (R), Head     | 1    |  |
| ●    | 1568 89 661 A | Lamp (R), Head     | 1    | $\frac{72}{11}$ O                              |
|      | 1568 89 666   | Lamp (L), Head     | 1    |  |
| ●    | 1568 89 666 A | Lamp (L), Head     | 1    | $\frac{72}{11}$ O                              |
| ●    | 3514 89 661   | Lamp (R), Head     | 1    | Car No. 160623 $\frac{73}{10}$ X               |
| ●    | 3514 89 666   | Lamp (L), Head     | 1    | Car No. 160623 $\frac{73}{10}$ X               |
| 12   | 2288 66 040   | Lamp Unit Type E 1 | 2    |  |
| ●    | 1562 66 041   | Lamp Unit Type E 1 | 2    | $\frac{72}{11}$ X (pas homologué)              |
| ●    | 1562 66 040 A | Beam, Semi-Sealed  | 2    | $\frac{73}{10}$ X                              |
|      | 2288 66 070   | Lamp Unit Type E 2 | 2    |  |
| ●    | 1562 66 071   | Lamp Unit Type E 2 | 2    | $\frac{72}{11}$ X (pas homologué)              |
| ●    | 1562 66 070 A | Beam, Semi-Sealed  | 2    | $\frac{73}{10}$ X                              |
|      | 2212 66 040   | Lamp Unit Type E 1 | 2    |  |
| ●    | 1562 66 041   | Lamp Unit Type E 1 | 2    | $\frac{72}{11}$ O                              |
| ●    | 1568 66 040 A | Beam, Semi-Sealed  | 2    | Car No. 160623 $\frac{73}{10}$ X (Yellow Bulb) |
|      | 2212 65 070   | Lamp Unit Type E 2 | 2    |  |
| ●    | 1562 66 071   | Lamp Unit Type E 2 | 2    | $\frac{72}{11}$ O                              |
| ●    | 1568 66 070 A | Beam, Semi-Sealed  | 2    | Car No. 160623 $\frac{73}{10}$ X               |
| 12-1 | 2288 87 041   | Lens & Body E 1    | 2    |  |



# LAMPS (FRONT SIDE)

| No.   | Part Number | Description        | Q'ty | Remarks                                  |
|-------|-------------|--------------------|------|--|
|       | 2288 87 071 | Lens & Body E 2    | 2    |  |
| 13    | 2276 66 042 | Gasket             | 4    | Car No. 160623 $\frac{7}{10}$ Discarded  |
| 14    | 2276 66 044 | Ring Set           | 4    |  |
| ●     | 2369 66 075 | Holder, Bulb       | 4    | Car No. 160623 $\frac{7}{10}$ X          |
| 15    | 2288 66 045 | Bulb-White Color   | 4    |  |
|       | 2360 66 045 | Bulb- Yellow Color | 4    |  |
| 16    | 0275 87 007 | Screw              | 12   |  |
| 17    | 0727 87 014 | Holder, Lamp       | 4    |  |
| 18    | 0727 87 016 | Screw              | 8    |  |
| 19    | 2850 87 012 | Spring             | 4    |  |
| 20    | 0727 87 012 | Holder (R)         | 1    | (R) Side                                 |
|       | 0727 87 013 | Holder (L)         | 1    |  |
|       | 0727 87 022 | Holder (R)         | 1    | (L) Side                                 |
|       | 0727 87 023 | Holder (L)         | 1    |  |
| 21    | 99860 0616  | Screw, Tapping     | 8    |  |
|       | 99910 0601  | Nut                | 8    |  |
|       | 99952 0816  | Washer, Plain      | 8    |  |
| ●21-1 | 2369 66 071 | Cover              | 4    | Car No. 160623 $\frac{7}{10}$ Added Anew |
| ●21-2 | 2850 87 003 | Nut, Self Lock     | 8    | Car No. 160623 $\frac{7}{10}$ Added Anew |



# LAMPS (FRONT SIDE)

66

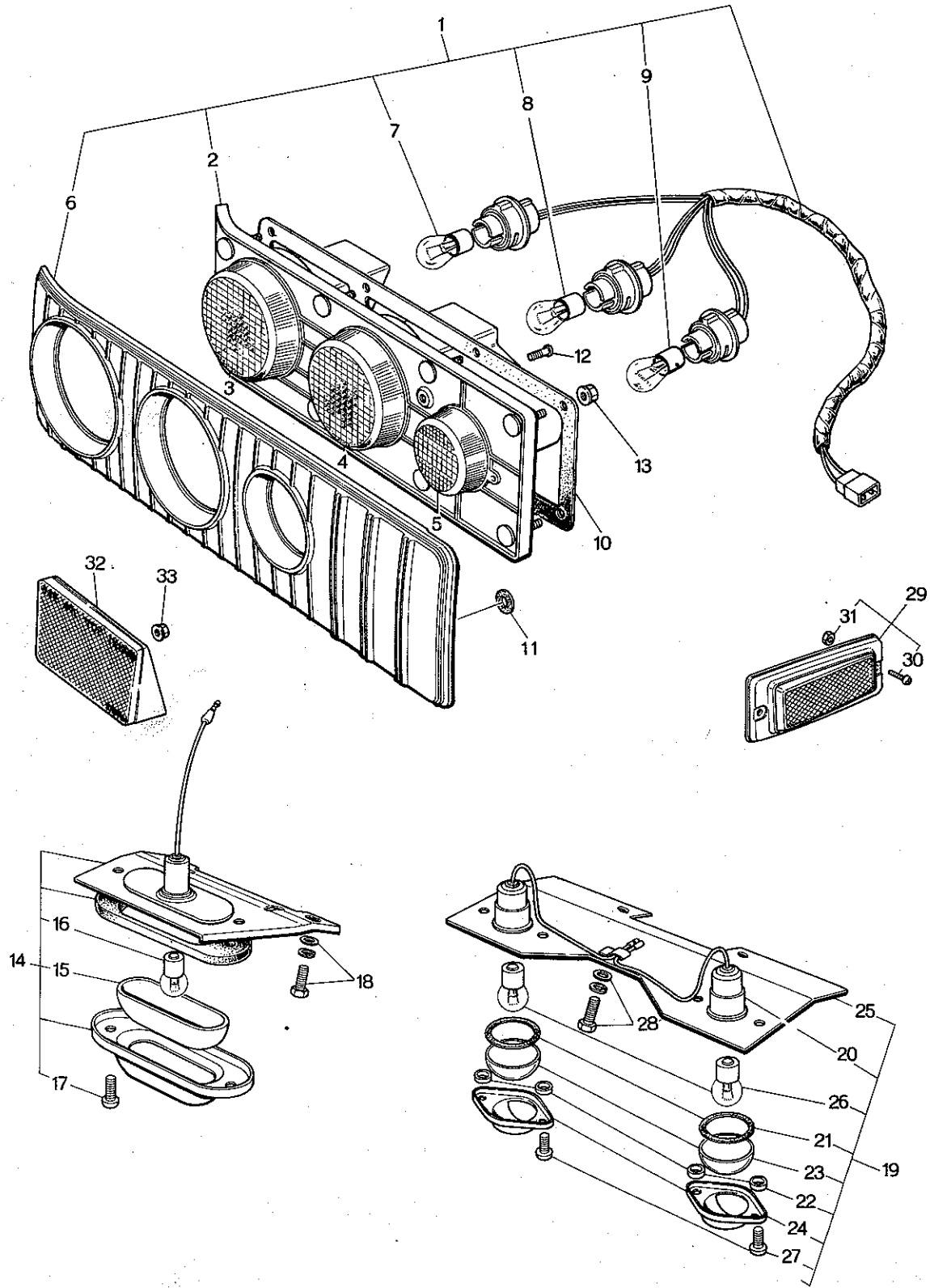
| No.  | Part Number   | Description                 | Q'ty | Remarks  |
|------|---------------|-----------------------------|------|--|
| 22   | 1524 89 662 A | Lamp (R), Front Turn Signal | 1    |  |
| ●    | 1524 89 662 B | Lamp (R), Front Turn Signal | 1    | Car No. 160623 $\frac{73}{10}$ ~ $\Delta$                          |
|      | 1524 89 667 A | Lamp (L), Front Turn Signal | 1    |  |
| ●    | 1524 89 667 B | Lamp (L), Front Turn Signal | 1    | Car No. 160623 $\frac{73}{10}$ ~ $\Delta$                          |
| 23   | 1524 66 112 A | Lens (R)                    | 1    |  |
|      | 1524 66 142 A | Lens (L)                    | 1    |  |
| ● 24 | 1524 66 111   | Housing (R)                 | 1    | Car No. 160623 $\frac{73}{10}$ ~ Discarded                         |
| ●    | 1524 66 141   | Housing (L)                 | 1    | Car No. 160623 $\frac{73}{10}$ ~ Discarded                         |
| 25   | 99701 2050    | Bulb                        | 2    |  |
| 26   | 99701 3210    | Bulb                        | 2    |  |
| 27   | 99835 0625 C  | Screw                       | 4    |  |
| 28   | 0866 89 663   | Lamp (R), Side Turn Signal  | 1    | (For General & England)  |
|      | 0866 89 668   | Lamp (L), Side Turn Signal  | 1    |  |
|      | 0866 89 663   | Lamp (R), Side Turn Signal  | 1    | (For Denmark)  |
|      | 1531 89 663 A | Lamp (R), Side Turn Signal  | 1    |  |
|      | 1531 89 663 A | Lamp (R), Side Turn Signal  | 1    | (Except Denmark) Car No. 141928 $\frac{73}{3}$ ~ X<br>(For Europe) |
|      | 0866 89 668   | Lamp (L), Side Turn Signal  | 1    |  |
|      | 1531 89 668 A | Lamp (L), Side Turn Signal  | 1    | (For Denmark)  |
|      | 1531 89 668 A | Lamp (L), Side Turn Signal  | 1    | Car No. 133210 $\frac{73}{1}$ ~ X<br>(Except Denmark)              |

LAMPS (FRONT SIDE)

| No. | Part Number   | Description                         | Q'ty | Remarks   |
|-----|---------------|-------------------------------------|------|---|
| 29  | 0866 66 481 A | Lens & Body (R)                     | 1    | (For General & England)   |
|     | 0866 66 491 A | Lens & Body (L)                     | 1    |   |
|     | 0866 66 481 A | Lens & Body (R)                     | 1    | (For Europe)  |
|     | 1531 66 481   | Lens & Body (R)                     | 1    |   |
|     | 0866 66 491 A | Lens & Body (L)                     | 1    |   |
|     | 1531 66 491   | Lens & Body (L)                     | 1    |   |
|     |               |                                     | 1    |   |
|     |               |                                     | 1    | Car No. 133210 $\frac{7}{16}$ " ~ X (For Denmark)<br>Car No. 141828 $\frac{7}{16}$ " ~ X (Except Denmark) |
|     |               |                                     | 1    | Car No. 133210 $\frac{7}{16}$ " ~ X (For Denmark)<br>Car No. 141920 $\frac{7}{16}$ " ~ X (Except Denmark) |
| 30  | 0865 66 482   | Socket                              | 2    |   |
| 31  | 99701 6030    | Bulb (For General & England)        | 2    |   |
|     | 99701 6030    | Bulb (For Europe)                   | 2    |   |
|     | 99701 2050    | Bulb (For Europe)                   | 2    | Car No. 133210 $\frac{7}{16}$ " ~ X   |
| 32  | 99864 0416 B  | Screw, Lamp (For General & England) | 4    |   |
| ●   | 99796 0414    | Screw, Lamp (For General & England) | 4    | Car No. 160623 $\frac{7}{10}$ " ~ X   |
|     | 99864 0416 B  | Screw, Lamp                         | 4    | (For Europe)  |
|     | 99769 0416    | Screw, Lamp                         | 4    |   |
| ●   | 99769 0414    | Screw, Lamp                         | 4    | Car No. 160623 $\frac{7}{10}$ " ~ X   |



# LAMPS (REAR SIDE, SEDAN & COUPE)



# LAMPS (REAR SIDE, SEDAN & COUPE)



| No. | Part Number      | Description   | Q'ty | Remarks                              |
|-----|------------------|---|------|--------------------------------------|
| 1   | 1554 89 664      | Lamp (R), Rear Combination                          | 1    |                                      |
| •   | 1554 89 664 - 15 | Lamp (R), Rear Combination                          | 1    | Car No. 167343 3/4~X (For Australia) |
|     | 1554 89 669      | Lamp (L), Rear Combination<br><del>RED</del> GRAY   | 1    |                                      |
| •   | 1554 89 669 - 15 | Lamp (L), Rear Combination<br>(BLK)                 | 1    | Car No. 167343 3/4~X                 |
|     | 1562 89 664A     | Lamp (R), Rear Combination                          | 1    |                                      |
| •   | 1562 89 664A 15  | Lamp (R), Rear Combination                          | 1    | Car No. 167343 3/4~X (For General)   |
|     | 1562 89 669A     | Lamp (L), Rear Combination                          | 1    |                                      |
| •   | 1562 89 669A 15  | Lamp (L), Rear Combination                          | 1    | Car No. 167343 3/4~X                 |
|     | 1568 89 664A     | Lamp (R), Rear Combination<br><del>(RED)</del> GRAY | 1    |                                      |
| •   | 1568 89 664A 15  | Lamp (R), Rear Combination<br>(BLK)                 | 1    | Car No. 167343 3/4~X (For France)    |
|     | 1568 89 669A     | Lamp (L), Rear Combination                          | 1    |                                      |
| •   | 1568 89 669A 15  | Lamp (L), Rear Combination                          | 1    | Car No. 167343 3/4~X                 |
| 2   | 1562 66 211A     | Unit (R)  | 1    | Fig. No. 3~5 included                |
|     | 1562 66 231A     | Unit (L)  | 1    |                                      |
|     | 1568 66 211A     | Unit (R)  | 1    |                                      |
|     | 1568 66 231A     | Unit (L)  | 1    |                                      |
|     |                  | (For Australia & General)                           |      |                                      |
|     |                  | (For France)  |      |                                      |
| 3   | 1562 66 219      | Lens (R), Turn Signal Lamp                          | 1    |                                      |
|     | 1562 66 239      | Lens (L), Turn Signal Lamp                          | 1    |                                      |
| 4   | 0865 66 218      | Lens (R), Tail & Stop Lamp                          | 1    |                                      |
|     | 0865 66 238      | Lens (L), Tail & Stop Lamp                          | 1    |                                      |

## LAMPS (REAR SIDE, SEDAN &amp; COUPE)

| No. | Part Number    | Description   | Q'ty | Remarks            |
|-----|----------------|---|------|--------------------|
| 5   | 0865 66 217    | Lens, Back Up Lamp (For Australia & General)                    | 2    |                    |
|     | 1568 66 217    | Lens, Back Up Lamp (For France)                                 | 2    |                    |
| 6   | 0866 66 212    | Rim (R)   | 1    |                    |
| ●   | 0866 66 212-15 | Rim (R)   | 1    | Car No. 167343 ¾~X |
|     | 0866 66 232    | Rim (L)   | 1    |                    |
| ●   | 0866 66 232-15 | Rim (L)   | 1    | Car No. 167343 ¾~X |
| 7   | 99701 3210     | Bulb, Turn Signal Lamp  | 2    |                    |
| 8   | 99701 4215     | Bulb, Tail & Stop Lamp  | 2    |                    |
| 9   | 99701 8100     | Bulb, Back Up Lamp  | 2    |                    |
|     | 99701 3230     | Bulb, Back Up Lamp (For Australia)                              | 2    |                    |
| 10  | 0866 66 213    | Packing   | 2    |                    |
| 11  | 0866 66 214    | Packing   | 2    |                    |
| 12  | 99868 0414     | Screw   | 6    |                    |
| 13  | 99906 0500     | Nut, Rear Combination Lamp                                      | 18   |                    |
|     | 99952 0516     | Washer, Plain   | 18   |                    |
| 14  | 0866 89 665    | Lamp, Licence (For General)                                     | 1    |                    |
|     | 1524 89 665    | Lamp, Licence (For All ECE Spec. Models, Except France & Italy) | 1    |                    |
| 15  | 0866 66 372    | Lens  | 1    |                    |

# LAMPS (REAR SIDE, SEDAN & COUPE)

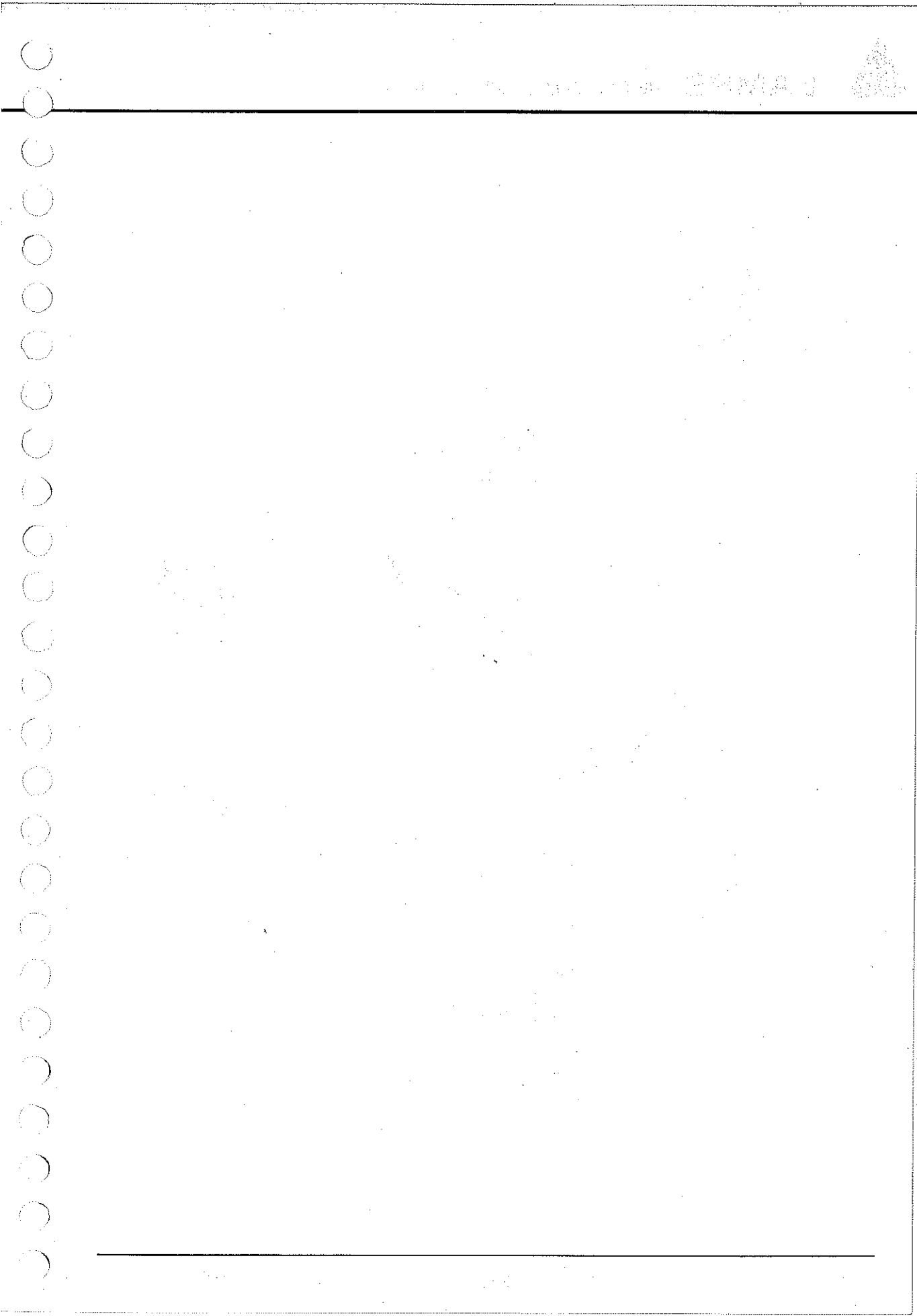
66

| No. | Part Number  | Description   | Q'ty | Remarks |
|-----|--------------|---|------|---------|
| 16  | 99701 2050   | Bulb (12V, 5W) (For All ECE Territory, Except France & Italy) | 1    |         |
|     | 99701 2080   | Bulb (12V, 8W) (For General)                                  | 1    |         |
| 17  | 0305 87 032  | Screw   | 2    |         |
| 18  | 99797 0612   | Bolt, Licence Lamp  | 2    |         |
|     | 99952 0600   | Washer, Plain   | 2    |         |
|     | 99971 0600   | Washer, Spring  | 2    |         |
| 19  | 1531 89 665  | Lamp, Licence (For France & Italy)                            | 2    |         |
| 20  | 1531 66 371  | Body  | 2    |         |
| 21  | 1531 66 372  | Gasket  | 2    |         |
| 22  | 1531 66 373  | Spacer  | 4    |         |
| 23  | 1531 66 374  | Lens  | 2    |         |
| 24  | 1531 66 375A | Rim   | 2    |         |
| 25  | 1531 66 376  | Bracket   | 1    |         |
| 26  | 99701 2050   | Bulb  | 2    |         |
| 27  | 99773 0412   | Screw   | 4    |         |
| 28  | 99797 0612   | Bolt, Licence Lamp  | 2    |         |
|     | 99952 0600   | Washer, Plain   | 2    |         |
|     | 99971 0600   | Washer, Spring  | 2    |         |

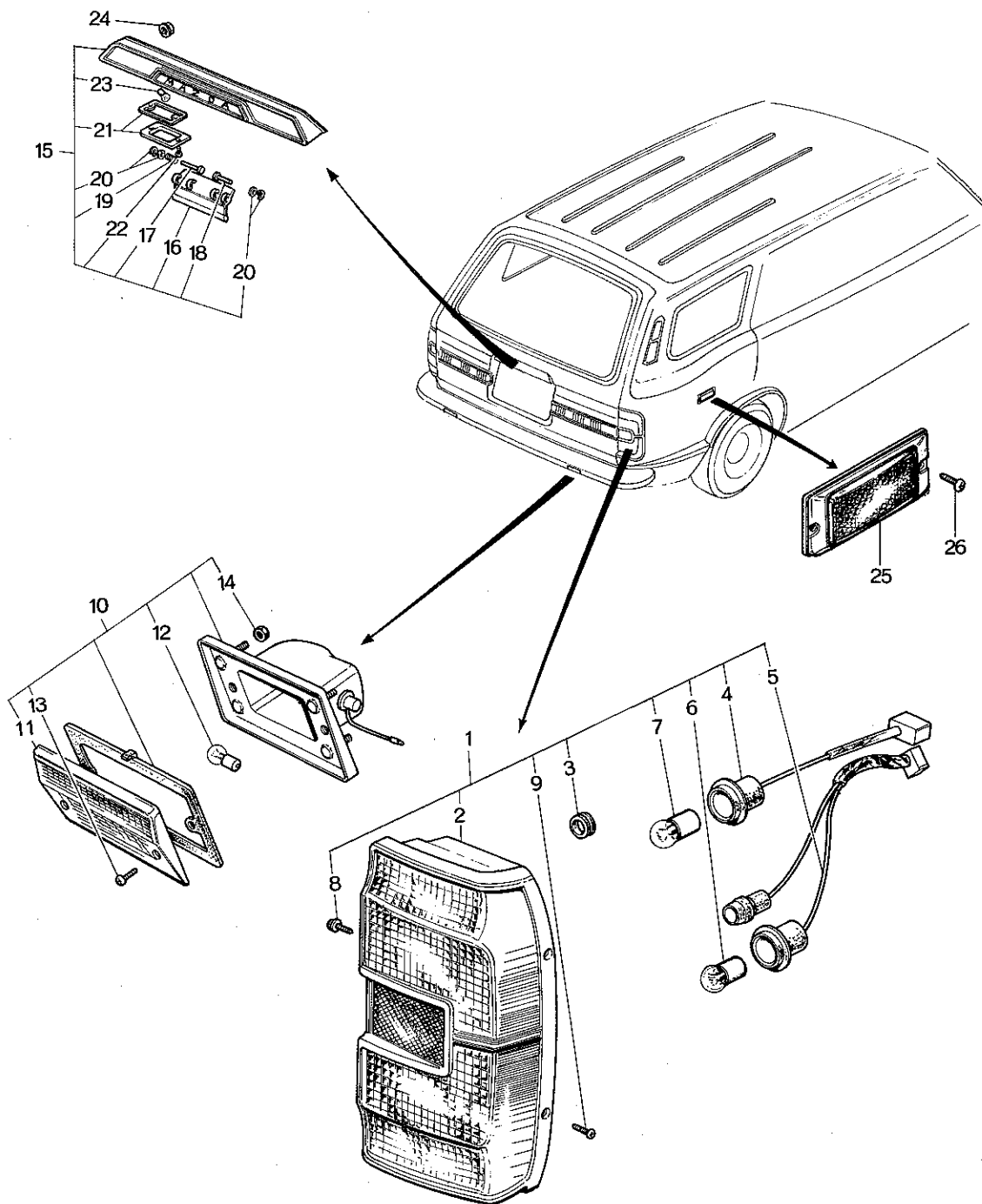
**LAMPS (REAR SIDE, SEDAN & COUPE)**

| No. | Part Number  | Description            | Q'ty | Remarks                        |
|-----|--------------|------------------------|------|--------------------------------|
| 29  | 1511 89 673  | Ornament - Side (R)    | 1    | For Australia                  |
|     | 1511 89 678  | Ornament - Side (L)    | 1    |                                |
|     | 1524 89 673  | Ornament - Side (R)    | 1    | For General (England included) |
|     | 1524 89 678  | Ornament - Side (L)    | 1    |                                |
| 30  | 99974 0416   | Screw, Ornament        | 4    |                                |
| 31  | 99940 0400   | Nut                    | 4    |                                |
| 32  | 0866 66 700A | Reflector, Reflex-Rear | 2    |                                |
| 33  | 99940 0500   | Nut                    | 2    |                                |





## LAMPS (REAR SIDE, STATION WAGON)



# LAMPS (REAR SIDE, STATION WAGON)

66

| No. | Part Number    | Description                          | Q'ty | Remarks |
|-----|----------------|--------------------------------------|------|---------|
| 1   | ✓ 1529 89 864E | Lamp (R), Rear Combination           | 1    |         |
|     | ✓ 1529 89 869E | Lamp (L), Rear Combination           | 1    |         |
| 2   | 1529 66 211A   | Lens & Body (R)                      | 1    |         |
|     | 1529 66 219    | Lens (Amber & Red)                   | 1    |         |
|     | 1529 66 231A   | Lens & Body (L)                      | 1    |         |
|     | 1529 66 239    | Lens (Amber & Red)                   | 1    |         |
| 3   | 1529 66 212    | Grommet                              | 2    |         |
| 4   | 1529 66 213    | Cord & Socket No. 1                  | 2    |         |
| 5   | 1529 66 214    | Cord & Socket No. 2                  | 2    |         |
| 6   | ✓ 99701 3210   | Bulb (12 V 21 W)                     | 2    |         |
| 7   | ✓ 99701 4215   | Bulb (12 V 21 / 5 W)                 | 2    |         |
| 8   | ✓ 99833 0616   | Screw, Rear Combination Lamp         | 4    |         |
|     | ✓ 99971 0600   | Washer, Spring                       | 4    |         |
|     | ✓ 99952 0600   | Washer, Plain                        | 4    |         |
| 9   | ✓ 99767 0525   | Screw, Tapping-Rear Combination Lamp | 4    |         |
| 10  | ✓ 1529 89 854  | Lamp, Reverse                        | 2    |         |
| 11  | 0585 66 333    | Lens                                 | 2    |         |
| 12  | ✓ 99701 8100   | Bulb (12 V 10 W)                     | 2    |         |
| 13  | ✓ 99773 0416   | Screw                                | 4    |         |

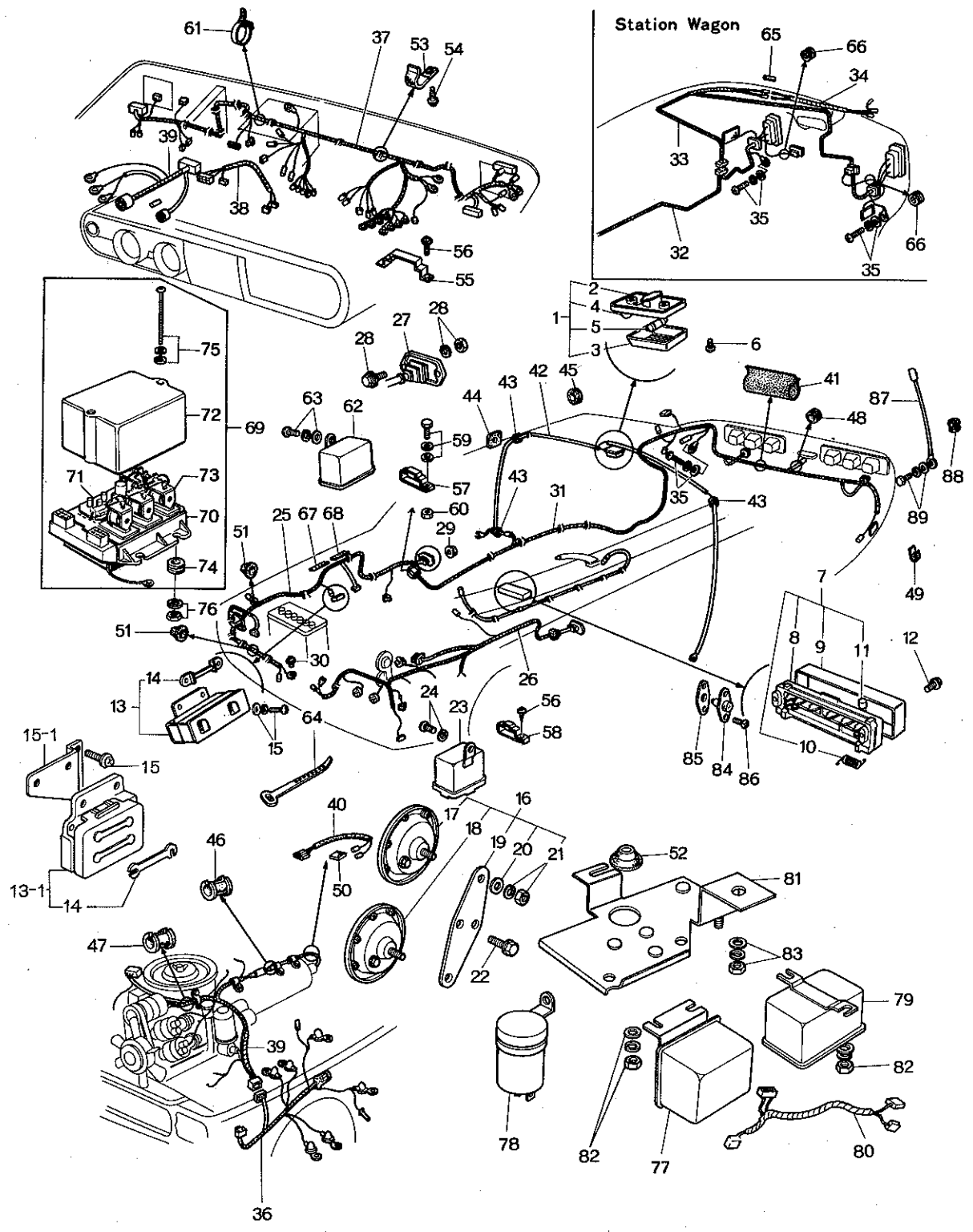
66

## LAMPS (REAR SIDE, STATION WAGON)

| No. | Part Number    | Description               | Q'ty | Remarks |
|-----|----------------|---------------------------|------|---------|
| 14  | ✓ 99940 0502   | Nut                       | 4    |         |
| 15  | ✓ 1529 89 6658 | Lamp & Handle             | 1    |         |
| 16  | 0585 66 373    | Handle                    | 1    |         |
| 17  | 0585 66 374    | Pin No. 1, Hinge          | 1    |         |
| 18  | 0585 66 375    | Pin No. 2, Hinge          | 1    |         |
| 19  | 0585 66 376    | Spring, Return            | 1    |         |
| 20  | 0111 58 443    | Washer                    | 2    |         |
|     | ✓ 99575 0400   | Ring, Snap                | 2    |         |
| 21  | 0585 66 377    | Lens                      | 2    |         |
|     | 0585 66 378    | Packing                   | 2    |         |
| 22  | ✓ 98773 0410   | Screw                     | 4    |         |
| 23  | ✓ 99701 2050   | Bulb (12 V, 5 W)          | 2    |         |
| 24  | ✓ 99940 0602   | Nut, Lamp & Handle        | 4    |         |
| 25  | ✓ 1524 89 673  | Ornament (R), Rear Side   | 1    |         |
|     | ✓ 1524 89 678  | Ornament (L), Rear Side   | 1    |         |
| 26  | ✓ 99769 0416   | Screw, Rear Side Ornament | 4    |         |



**ELECTRIC EQUIPMENT (BODY)**



# ELECTRIC EQUIPMENT (BODY)

66

67

| No. | Part Number             | Description                   | Qty | Remarks                                   |
|-----|-------------------------|-------------------------------|-----|---|
| 1   | 0390 66 410             | Lamp, Interior                | 1   |   |
| 2   | 0390 66 411             | Body                          | 1   |   |
| 3   | 0398 66 412             | Lens                          | 1   |   |
| 4   | 0398 66 413             | Knob                          | 1   |   |
| 5   | 99701 5050              | Bulb                          | 1   |   |
| 6   | 99838 0514              | Screw, Interior Lamp          | 2   |   |
| 7   | 0866 66 730B            | Block, Fuse                   | 1   |   |
|     | 0862 66 730             | Block, Fuse                   | 1   | M.L. APR. 26, 1974                        |
|     | <del>0862-66-730B</del> | Block, Fuse                   | 1   | Car No. 150526 $\frac{7}{8}$ ~X           |
| ●   | 1175 66 730             | Block, Fuse                   | 1   | Car No. 160623 $\frac{7}{10}$ ~X          |
| 8   | 0866 66 731             | Body                          | 1   |   |
|     | 0862 66 731             | Body                          | 1   | Car No. 150526 $\frac{7}{8}$ ~○           |
| 9   | 0866 66 732             | Cover                         | 1   |   |
|     | 0862 66 732             | Cover                         | 1   | Car No. 150526 $\frac{7}{8}$ ~X           |
| ●   | 1175 66 732             | Cover                         | 1   | Car No. 160623 $\frac{7}{10}$ ~X          |
| 10  | 0866 66 733             | Spring, Return                | 1   |   |
| 11  | 99706 0105              | Fuse, 5 A                     | 1   | Car No. 150526 $\frac{7}{8}$ ~ Discarded  |
|     | 99706 0115              | Fuse, 15A                     | 1   | Car No. 150526 $\frac{7}{8}$ ~ Added: New |
|     | 99706 0110              | Fuse, 10A-Spare Fuse Included | 7   |   |



# ELECTRIC EQUIPMENT (BODY)

| No. | Part Number        | Description                                    | Q'ty | Remarks                                   |
|-----|--------------------|--|------|---|
|     | 99706 0115         | Fuse, 15A                                      | 2    |   |
|     | 99706 0120         | Fuse, 20A-Spare Fuse Included                  | 3    |   |
| 12  | 99863 0625         | Screw, Fuse Block                              | 2    |   |
|     | 99971 0600         | Washer, Spring                                 | 2    |   |
| 13  | 0865 66 760        | Block, Main Fuse                               | 1    |   |
|     | ● 13-1 1708 66 760 | Block, Main Fuse                               | 1    | Car No. 160623 $\frac{7}{10}$ ~X          |
| 14  | 2852 66 763        | Fuse, 50A                                      | 2    |   |
|     | ● 1708 66 765      | Fuse, 5 A                                      | 1    | Car No. 160623 $\frac{7}{10}$ ~Added Anew |
| 15  | 99743 0620         | Screw, Main Fuse Block                         | 2    |   |
|     | ● 99786 0612       | Screw, Main Fuse Block                         | 2    | Car No. 160623 $\frac{7}{10}$ ~X          |
|     | 99786 0620         | Bolt   | 2    | Car No. 141928 $\frac{7}{3}$ ~○           |
|     | 99952 0600         | Washer, Plain                                  | 2    | Car No. 141928 $\frac{7}{3}$ ~Discarded   |
|     | 99971 0600         | Washer, Spring                                 | 2    |   |
|     | ● 15-1 1128 66 750 | Bracket, Main Fuse                             | 1    | Car No. 160623 $\frac{7}{10}$ ~Added Anew |
| 16  | 0865 66 780        | Horn, Electric                                 | 1    |   |
|     | 1531 66 780        | Horn, Electric (For Europe) (England Excluded) | 1    |   |



# ELECTRIC EQUIPMENT (BODY)

**66**

**67**

| No.           | Part Number            | Description                                      | Q'ty         | Remarks                          |
|---------------|------------------------|--|--------------|----------------------------------|
| 17            | 0865 66 790            | Horn (High Tone)                                 | 1            |                                  |
|               | 1531 66 790            | Horn (High Tone) (For Europe) (England Excluded) | 1            |                                  |
| 18            | 0865 66 800            | Horn (Low Tone)                                  | 1            |                                  |
|               | 1531 66 800            | Horn (Low Tone) (For Europe) (England Excluded)  | 1            |                                  |
| 19            | 0865 66 805            | Holder   | 1            |                                  |
| 20            | 0865 66 809            | Washer, Holder                                   | 2            |                                  |
| 21            | 99906 0600             | Nut  | 2            |                                  |
|               | 99971 0600             | Washer, Spring                                   | 2            |                                  |
| <del>22</del> | <del>99801 0816</del>  | <del>Bolt, Electric Horn</del>                   | <del>2</del> |                                  |
|               | 99801 0820             | Bolt   | 2            | From Car No. 1                   |
|               | 99971 0800             | Washer, Spring                                   | 2            |                                  |
| <del>23</del> | <del>1524 68 810</del> | <del>Relay, Horn</del>                           | <del>1</del> |                                  |
|               | 1524 66 810            | Relay, Horn                                      | 1            |                                  |
| 24            | 99806 0612             | Bolt, Horn Relay (Station Wagon Excluded)        | 1            |                                  |
|               | 99952 0600             | Washer, Plain                                    | 1            |                                  |
|               | 99971 0600             | Washer, Spring                                   | 1            |                                  |
| 25            | 0866 67 010A           | Harness, Wire (Frt., R)                          | 1            |                                  |
|               | 0866 67 010C           | Harness, Wire (Frt., R)                          | 1            | Car No. 140779 $\frac{1}{2}$ ~ ⊙ |
|               | 0862 67 010A           | Harness, Wire (Frt., R)                          | 1            | Car No. 150461 $\frac{1}{2}$ ~ × |
|               | 0862 67 010B           | Harness, Wire (Frt., R)                          | 1            | Car No. 161189 $\frac{1}{2}$ ~ △ |



# ELECTRIC EQUIPMENT (BODY)

| No. | Part Number   | Description                   | Q'ty      | Remarks                                   |
|-----|---------------|-------------------------------|-----------|---|
| ●   | 3511 67 010   | Harness, Wire (Frt., R)       | 1         | Car No. 160623 $\frac{73}{10}$ ~X         |
|     | 1504 67 010   | Harness, Wire (Frt., R)       | 1         |   |
|     | 1504 67 010B  | Harness, Wire (Frt., R)       | 1558,1559 | 1 Car No. 140779 $\frac{72}{2}$ ~○        |
|     | 1504 67 010D  | Harness, Wire (Frt., R)       | 1         | Car No. 150526 $\frac{72}{8}$ ~X          |
| 26  | 0866 67 020B  | Harness, Wire (Frt., L)       | 1         |   |
|     | 0866 67 020C  | Harness, Wire (Frt., L)       | 1         | Car No. 136920 $\frac{72}{2}$ ~○          |
|     | 0866 67 020E  | Harness, Wire (Frt., L)       | 1         | Car No. 140779 $\frac{72}{2}$ ~○          |
|     | 0862 67 020C  | Harness, Wire (Frt., L)       | 1         | Car No. 150526 $\frac{72}{8}$ ~X          |
|     |               | (R.H.D.)                      |           |   |
| ●   | 3503 67 020   | Harness, Wire (Frt., L)       | 1         | Car No. 160623 $\frac{73}{10}$ ~X         |
|     | 1524 67 020B  | Harness, Wire (Frt., L)       | 1         |   |
|     | 1524 67 020C  | Harness, Wire (Frt., L)       | 1         | Car No. 130590 $\frac{71}{12}$ ~○         |
|     | 1524 67 020F  | Harness, Wire (Frt., L)       | 1         | Car No. 140779 $\frac{72}{2}$ ~○          |
|     | 1524 67 020 I | Harness, Wire (Frt., L)       | 1         | Car No. 150526 $\frac{72}{8}$ ~X          |
|     |               | (L.H.D.)                      |           |   |
| ●   | 3511 67 020   | Harness, Wire (Frt., L)       | 1         | Car No. 160623 $\frac{73}{10}$ ~X         |
|     | 1504 67 020   | Harness, Wire (Frt., L)       | 1         |   |
|     | 1504 67 020F  | Harness, Wire (Frt., L)       | 1558,1559 | 1 Car No. 142350 $\frac{72}{3}$ ~○        |
|     | 1524 67 020 I | Harness, Wire (Frt., L)       | 1         | Car No. 150526 $\frac{72}{8}$ ~X          |
| 27  | 0866 67 151   | Protector, Wire Harness Front | 1         | Car No. 150461 $\frac{72}{7}$ ~ Discarded |
| 28  | 99806 0625    | Bolt                          | 4         |   |
|     | 99952 0600    | Washer, Plain                 | 4         | Car No. 152815 Discarded                  |

# ELECTRIC EQUIPMENT (BODY)

66

67

| No. | Part Number  | Description                     | Q'ty | Remarks  |
|-----|--------------|---------------------------------|------|--|
|     | 99906 0600   | Nut                             | 4    | Car No. 152815 Discarded                           |
|     | 99971 0600   | Washer, Spring                  | 4    |  |
| 29  | 99940 0600   | Nut                             | 4    | Car No. 152816 $\frac{7}{9}$ ~ Added Anew.         |
| 30  | 99833 0812   | Screw, Wire Harness Front Earth | 1    |  |
|     | 99952 0800   | Washer, Plain                   | 1    |  |
|     | 99971 0800   | Washer, Spring                  | 1    |  |
| 31  | 0866 67 030  | Harness, Wire (Rr.)             | 1    |  |
|     | 0866 67 030B | Harness, Wire (Rr.)             | 1    | Car No. 142383 $\frac{7}{3}$ ~△<br>(Sedan & Coupe) |
| ●   | 0866 67 030C | Harness, Wire (Rr.)             | 1    |  |
| ●   | 0866 67 030D | Harness, Wire (Rr.)             | 1    | Car No. 160623 $\frac{7}{10}$ ~X                   |
| 32  | 0585 67 030A | Harness, Wire (Rr.) No. 1       | 1    |  |
| ●   | 0585 67 030C | Harness, Wire (Rr.) No. 1       | 1    | Car No. 177587 $\frac{7}{4}$ ~△                    |
| 33  | 0585 67 035D | Harness, Wire (Rr.) No. 2       | 1    |  |
| ●   | 0585 67 035E | Harness, Wire (Rr.) No. 2       | 1    | (Station & Wagon) Car No. 177587 $\frac{7}{4}$ ~△  |
| ●   | 0585 67 035F | Harness, Wire (Rr.) No. 2       | 1    | Car No. $\frac{7}{8}$ ~△                           |
| 34  | 0585 67 036  | Wire, Licence Lamp              | 1    |  |
| ●   | 0585 67 036A | Wire, Licence Lamp              | 1    | Car No. 177587 $\frac{7}{4}$ ~△                    |
| 35  | 99833 0612   | Screw                           | 2    | (Station Wagon)                                    |
|     | 99952 0600   | Washer, Plain                   | 2    |  |
|     | 99971 0600   | Washer, Spring                  | 2    |  |



# ELECTRIC EQUIPMENT (BODY)

| No. | Part Number             | Description   | Qty | Remarks                          |
|-----|-------------------------|---|-----|----------------------------------|
| 36  | 0866 67 040E            | Harness, Wire-Ignition Coil Relay~Coil                    | 1   |                                  |
|     | 0862 67 040             | Harness, Wire   | 1   | Car No. 150526 $\frac{7}{8}$ ~X  |
| ●   | 0862 67 040A            | Harness, Wire   | 1   | Car No. 160623 $\frac{7}{10}$ ~X |
| 37  | 0866 67 050H            | Harness, Wire-Meter Panel                                 | 1   |                                  |
|     | 0866 67 050 I           | Harness, Wire-Meter Panel                                 | 1   | Car No. 133210 $\frac{7}{8}$ ~○  |
|     | 0865 67 050             | Harness, Wire-Meter Panel (R.H.D.)                        | 1   | Car No. 136920 $\frac{7}{8}$ ~○  |
|     | 1511 67 050             | Harness, Wire-Meter Panel                                 | 1   | Car No. 150526 $\frac{7}{8}$ ~X  |
| ●   | 3503 67 050             | Harness, Wire-Meter Panel                                 | 1   | Car No. 160623 $\frac{7}{10}$ ~X |
|     | 1524 67 050C            | Harness, Wire-Meter Panel                                 | 1   |                                  |
|     | 1524 67 050F            | Harness, Wire-Meter Panel (L.H.D.)                        | 1   | Car No. 150526 $\frac{7}{8}$ ~X  |
|     | 1524 67 050G            | Harness, Wire-Meter Panel                                 | 1   | Car No. 152880 $\frac{7}{9}$ ~△  |
| ●   | 3511 67 050             | Harness, Wire-Meter Panel                                 | 1   | Car No. 160623 $\frac{7}{10}$ ~X |
|     | 1504 67 050B            | Harness, Wire-Meter Panel (L.H.D.) (1558,1559)            | 1   |                                  |
|     | <del>1504 67 050D</del> | <del>Harness, Wire-Meter Panel (L.H.D.) (1558,1559)</del> |     |                                  |
|     | 1504 67 050E            | Harness, Wire-Meter Panel (L.H.D.) (1558,1559)            | 1   | Car No. 150526 $\frac{7}{8}$ ~X  |
| 38  | 0866 67 070B            | Harness, Wire-Meter                                       | 1   |                                  |
|     | 0866 67 070C            | Harness, Wire-Meter                                       | 1   | Car No. 150306 $\frac{7}{8}$ ~△  |
| ●   | 1881 67 070             | Harness, Wire-Meter                                       | 1   | Car No. 160623 $\frac{7}{10}$ ~X |
|     | 1558 67 070             | Harness, Wire-Meter (1558,1559)                           | 1   |                                  |
|     | 1558 67 070A            | Harness, Wire-Meter (1558,1559)                           | 1   | Car No. 150526 $\frac{7}{8}$ ~X  |

# ELECTRIC EQUIPMENT (BODY)

66

67

| No. | Part Number  | Description                             | Q'ty | Remarks                          |
|-----|--------------|---|------|----------------------------------|
| 39  | 0866 67 060C | Harness, Wire-Engine (Manual)           | 1    |                                  |
|     | 0866 67 060E | Harness, Wire-Engine                    | 1    | Car No. 130590 $\frac{7}{12}$ ~○ |
|     | 0866 67 060F | Harness, Wire-Engine                    | 1    | Car No. 133822 $\frac{7}{1}$ ~○  |
|     | 0862 67 060A | Harness, Wire-Engine (Manual)           | 1    | Car No. 150526 $\frac{7}{8}$ ~X  |
|     | 0862 67 060B | Harness, Wire-Engine                    | 1    | Car No. 177587 $\frac{7}{1}$ ~△  |
|     | 3511 67 060A | Harness, Wire-Engine                    | 1    | Car No. 160623 $\frac{7}{10}$ ~X |
|     | 0871 67 060C | Harness, Wire-Engine                    | 1    |                                  |
|     | 0871 67 060F | Harness, Wire-Engine                    | 1    | Car No. 133210 $\frac{7}{1}$ ~△  |
|     | 0871 67 060G | Harness, Wire-Engine                    | 1    | Car No. 136920 $\frac{7}{2}$ ~○  |
|     | 0871 67 060H | Harness, Wire-Engine (Automatic)        | 1    | Car No. 141184 $\frac{7}{2}$ ~○  |
|     | 0872 67 060A | Harness, Wire-Engine                    | 1    | Car No. 150526 $\frac{7}{8}$ ~X  |
|     | 0872 67 060B | Harness, Wire-Engine                    | 1    | Car No. 166139 $\frac{7}{3}$ ~○  |
|     | 0872 67 060C | Harness, Wire-Engine                    | 1    | Car No. 177587 $\frac{7}{1}$ ~△  |
|     | 3511 67 060A | Harness, Wire-Engine                    | 1    | $\frac{7}{4}$ ~X                 |
|     | 1560 67 060  | Harness, Wire-Engine (1558, 1559)       | 1    | Car No. 150526 $\frac{7}{8}$ ~X  |
| 40  | 0866 67 065  | Harness, Wire-Reverse Lamp              | 1    |                                  |
|     | 0862 67 065A | Harness, Wire-Reverse Lamp (Manual)     | 1    | Car No. 150526 $\frac{7}{8}$ ~X  |
|     | 3514 67 065A | Harness, Wire-Reverse Lamp              | 1    | Car No. 160623 $\frac{7}{10}$ ~X |
| 41  | 0866 67 155  | Protector, Wire Harness (Sedan & Coupe) | 1    |                                  |
| 42  | 0866 67 080  | Cord, Room Lamp                         | 1    |                                  |
| 43  | 0114 43 625  | Protector, Room Lamp Cord               | 2    |                                  |

**66****67****ELECTRIC EQUIPMENT (BODY)**

| No. | Part Number  | Description                                    | Q'ty                                    | Remarks         |
|-----|--------------|--|---|-----------------|
| 44  | 0866 67 153A | Pad, Protector                                 | 1                                       |                 |
| 45  | 0820 67 151  | Protector (Coupe)                              | 1                                       |                 |
| 46  | 99686 1000   | Protector                                      | 5                                       |                 |
| 47  | 99686 1600   | Protector, Cord                                | 1                                       | (Sedan & Coupe) |
| 48  | 0866 67 156  | Protector, Cord                                | 1                                       |                 |
| 49  | 99295 0406   | Clip, Rear Combination Lamp                    | 1                                       |                 |
| 50  | 0208 66 949  | Pad, Protector                                 | 5 (Sedan & Coupe)<br>16 (Station Wagon) |                 |
| 51  | 0866 67 152  | Protector, Cord-Side Turn Signal Lamp          | 6                                       |                 |
| 52  | 1524 67 155  | Protector, Cord-Relay (L.H.D. & Station Wagon) | 2                                       |                 |
| 53  | 0866 67 059  | Clip, Wiring Harness (Panel)                   | 4                                       |                 |
| 54  | 99863 0512   | Screw, Clip                                    | 4                                       |                 |
|     | 99952 0500   | Washer, Plain                                  | 4                                       |                 |
| 55  | 0866 67 905A | Clip, Wiring Harness (Meter)                   | 1                                       |                 |
| 56  | 99869 0512   | Screw, Clip                                    | 3                                       |                 |
|     | 99952 0500   | Washer, Plain                                  | 3                                       |                 |
| 57  | 0866 67 906  | Clip, Dash Panel Upper                         | 3                                       |                 |
| 58  | 0866 67 908  | Clip, Ignition Coil Harness                    | 1                                       |                 |
| 59  | 99833 0612   | Screw, Clip                                    | 1                                       |                 |
|     | 99952 0600   | Washer, Plain                                  | 1                                       |                 |
|     | 99971 0600   | Washer, Spring                                 | 1                                       |                 |

# ELECTRIC EQUIPMENT (BODY)



| No. | Part Number  | Description                       | Q'ty | Remarks                         |
|-----|--------------|-----------------------------------|------|---------------------------------|
| 60  | 99940 0600   | Nut, Clip                         | 1    |                                 |
| 61  | 0305 67 993A | Clip                              | 1    |                                 |
| 62  | 0839 67 880  | Relay, Ignition Coil              | 1    |                                 |
|     | 0862 67 880  | Relay, Ignition Coil              | 1    | Car No. 150526 $\frac{7}{8}$ ~X |
| 63  | 99806 0612   | Bolt                              | 2    |                                 |
|     | 99952 0600   | Washer, Plain                     | 2    |                                 |
|     | 99971 0600   | Washer, Spring                    | 2    |                                 |
| 64  | 99709 2185   | Band, Wiring Harness Panel        | 3    |                                 |
| 65  | 0585 67 151  | Protector, Licence Lamp           | 1    | } (Station Wagon)               |
| 66  | 0585 67 154  | Protector, Licence & Reverse Lamp | 1    |                                 |
| 67  | 0823 18 111  | Supporter, Wiring Harness Engine  | 3    |                                 |
| 68  | 0305 67 994  | Supporter, Wiring Harness Engine  | 1    |                                 |
| 69  | 0866 67 710D | Control Unit, Center              | 1    | }                               |
|     | 0866 67 710E | Control Unit, Center              | 1    |                                 |
| 70  | 0866 67 711  | Socket                            | 1    |                                 |
| 71  | 0866 67 712C | Flasher & Hazard Unit (R.H.D.)    | 1    |                                 |
| 72  | 0866 67 716  | Cover                             | 1    |                                 |
| 73  | 0866 67 719  | Relay, Wiper Switch               | 1    |                                 |
| 74  | 0866 67 717  | Bush                              | 4    |                                 |

66

67

## ELECTRIC EQUIPMENT (BODY)

| No. | Part Number  | Description                | Q'ty | Remarks  |
|-----|--------------|----------------------------|------|----------|
| 75  | 0866 67 718  | Screw                      | 2    |          |
|     | 99952 0500   | Washer, Plain              | 2    | (R.H.D.) |
|     | 99971 0500   | Washer, Spring             | 2    |          |
| 76  | 99906 0600   | Nut, Center Control Unit   | 3    |          |
|     | 99952 0618   | Washer, Plain              | 3    |          |
| 77  | 0820 60 870A | Relay, Wiper Switch        | 1    |          |
| 78  | 0820 66 470A | Flasher Unit (For France)  | 1    |          |
| 79  | 0848 66 830  | Flasher & Hazard Unit      | 1    |          |
| 80  | 1524 67 715  | Cord, Relay Unit           | 1    |          |
| 81  | 1524 67 720B | Bracket, Relay (L.H.D.)    | 1    |          |
| 82  | 99906 0600   | Nut                        | 4    |          |
|     | 99952 0600   | Washer, Plain              | 4    |          |
|     | 99971 0600   | Washer, Spring             | 4    |          |
|     | 99952 0618   | Washer, Plain              | 1    |          |
| 83  | 99906 0600   | Nut                        | 2    |          |
|     | 99952 0600   | Washer, Plain              | 2    | (L.H.D.) |
|     | 99971 0600   | Washer, Spring             | 2    |          |
| 84  | 0209 66 820  | Switch, Door               | 4    |          |
| 85  | 0209 66 821  | Washer, Adjust-Door Switch | 8    |          |



# ELECTRIC EQUIPMENT (BODY)

66

67

| No. | Part Number | Description                        | Q'ty | Remarks           |
|-----|-------------|------------------------------------|------|-------------------|
| 86  | 99864 0412  | Screw, Door Switch                 | 8    |                   |
| 87  | 0866 67 133 | Cord, Back Window-Heating Wire use | 1    | (Sedan & Coupe)   |
|     | 0899 67 133 | Cord, Back Window-Heating Wire use | 1    | (Station Wagon)   |
| 88  | 99684 0600  | Protector                          | 1    | } (Sedan & Coupe) |
| 89  | 99806 0616  | Bolt, Back Window Cord             | 1    |                   |
|     | 99952 0600  | Washer, Plain                      | 1    |                   |
|     | 99971 0600  | Washer, Spring                     | 1    |                   |



# MEMORANDUM FOR THE DIRECTOR

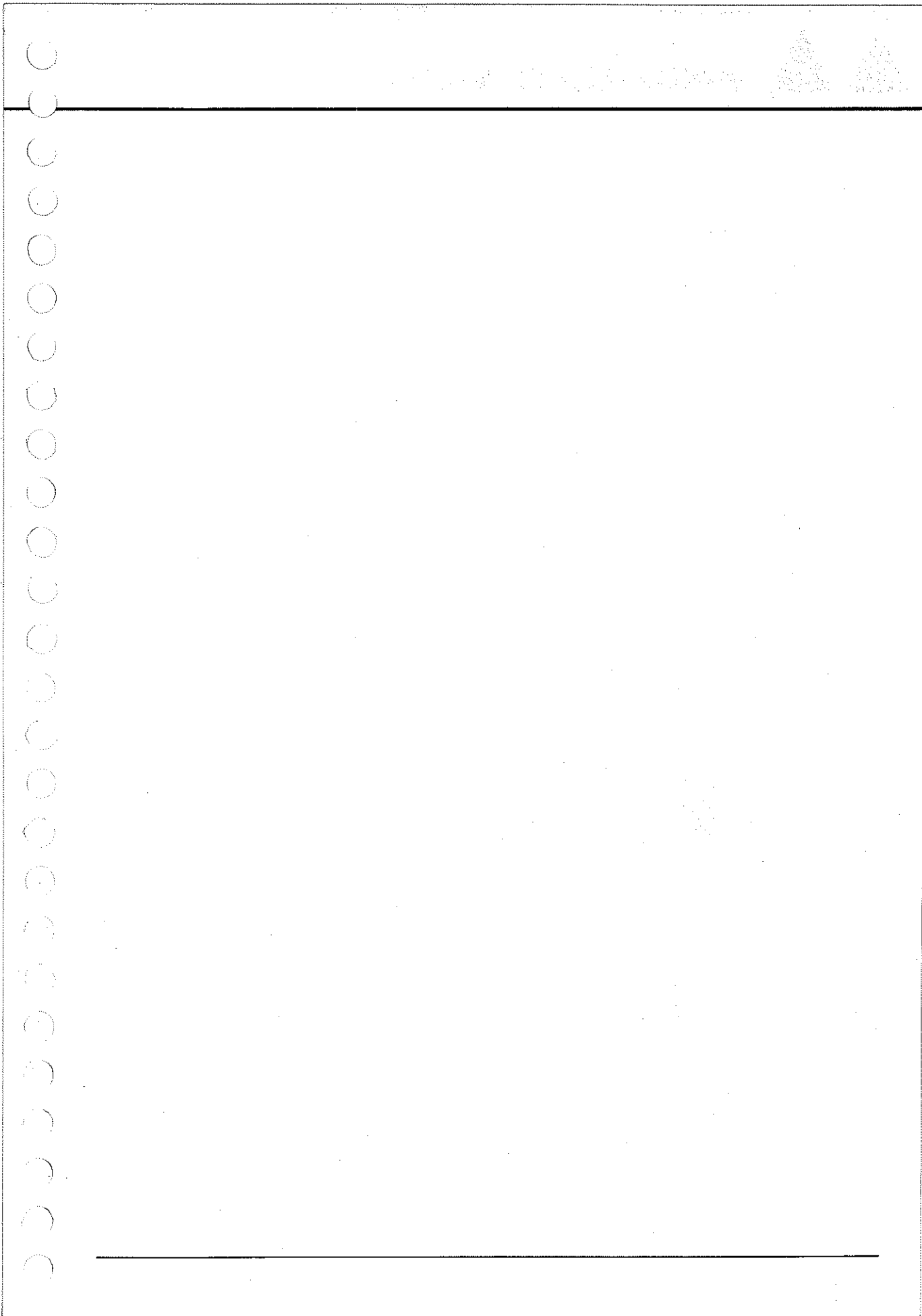
1. The purpose of this memorandum is to provide a summary of the findings of the recent study conducted by the Research Department regarding the effectiveness of the current training program for new hires.

2. The study was conducted over a period of six months, involving a total of 150 participants. The results indicate that the current program is highly effective, with a 95% success rate in meeting the required performance standards.

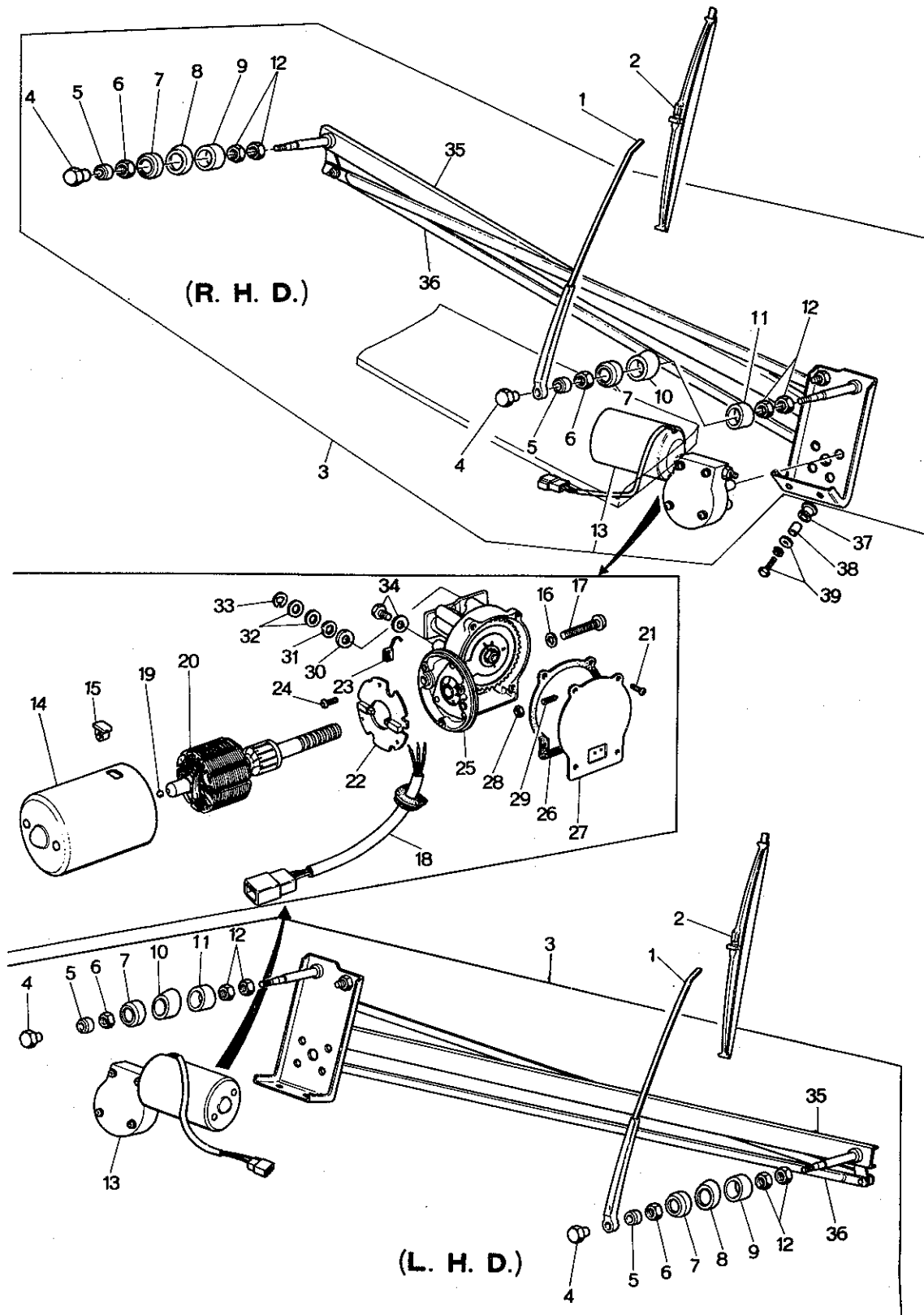
3. The data shows that the most significant improvements were seen in the areas of technical skills and problem-solving abilities. However, there were some concerns regarding the duration of the program, which was found to be slightly longer than necessary for some participants.

4. Based on these findings, it is recommended that the program be revised to include more hands-on training and to reduce the overall duration by approximately 10%. This will help to optimize the training process and ensure that new hires are better prepared for their roles.

5. The attached report provides a detailed breakdown of the data and includes several charts illustrating the trends over time. It is hoped that these findings will be helpful in making informed decisions regarding the future of the training program.



## WINDSHIELD WIPER



# WINDSHIELD WIPER

66
87

| No. | Part Number   | Description           | Q'ty | Remarks                          |
|-----|---------------|-----------------------|------|----------------------------------|
| 1   | 0866 67 321   | Arm, Wiper (R.H.D.)   | 2    |                                  |
|     | 0866 67 321 A | Arm, Wiper (R.H.D.)   | 2    | Car No. 159525 $\frac{7}{11}$ ~△ |
|     | 1524 67 321   | Arm, Wiper (L.H.D.)   | 2    |                                  |
|     | 1524 67 321 A | Arm, Wiper (L.H.D.)   | 2    | Car No. 159525 $\frac{7}{11}$ ~△ |
| 2   | 0305 67 330 A | Blade, Wiper (R.H.D.) | 2    |                                  |
|     | 2835 67 330   | Blade, Wiper (L.H.D.) | 2    |                                  |
| 3   | 0866 67 340 C | Motor & Link (R.H.D.) | 1    |                                  |
| ●   | 0866 67 340 D | Motor & Link (R.H.D.) | 1    | Car No. 160623 $\frac{7}{10}$ ~△ |
|     | 1524 67 340 B | Motor & Link (L.H.D.) | 1    |                                  |
| ●   | 1524 67 340 C | Motor & Link (L.H.D.) | 1    | Car No. 160623 $\frac{7}{10}$ ~△ |
| 4   | 0223 66 371   | Nut, Cap              | 2    |                                  |
| 5   | 0212 66 371   | Cap, Seal             | 2    |                                  |
| 6   | 0212 66 372   | Nut                   | 2    |                                  |
| 7   | 0305 87 906   | Washer                | 2    |                                  |
| 8   | 0866 76 604   | Bush, Outer (R.H.D.)  | 1    |                                  |
|     | 1524 76 604   | Bush, Outer (L.H.D.)  | 1    |                                  |
| 9   | 0866 76 603   | Bush, Inner (R.H.D.)  | 1    |                                  |
|     | 1524 76 603   | Bush, Inner (L.H.D.)  | 1    |                                  |
| 10  | 1823 67 352   | Bush, Outer           | 1    |                                  |

66

87

## WINDSHIELD WIPER

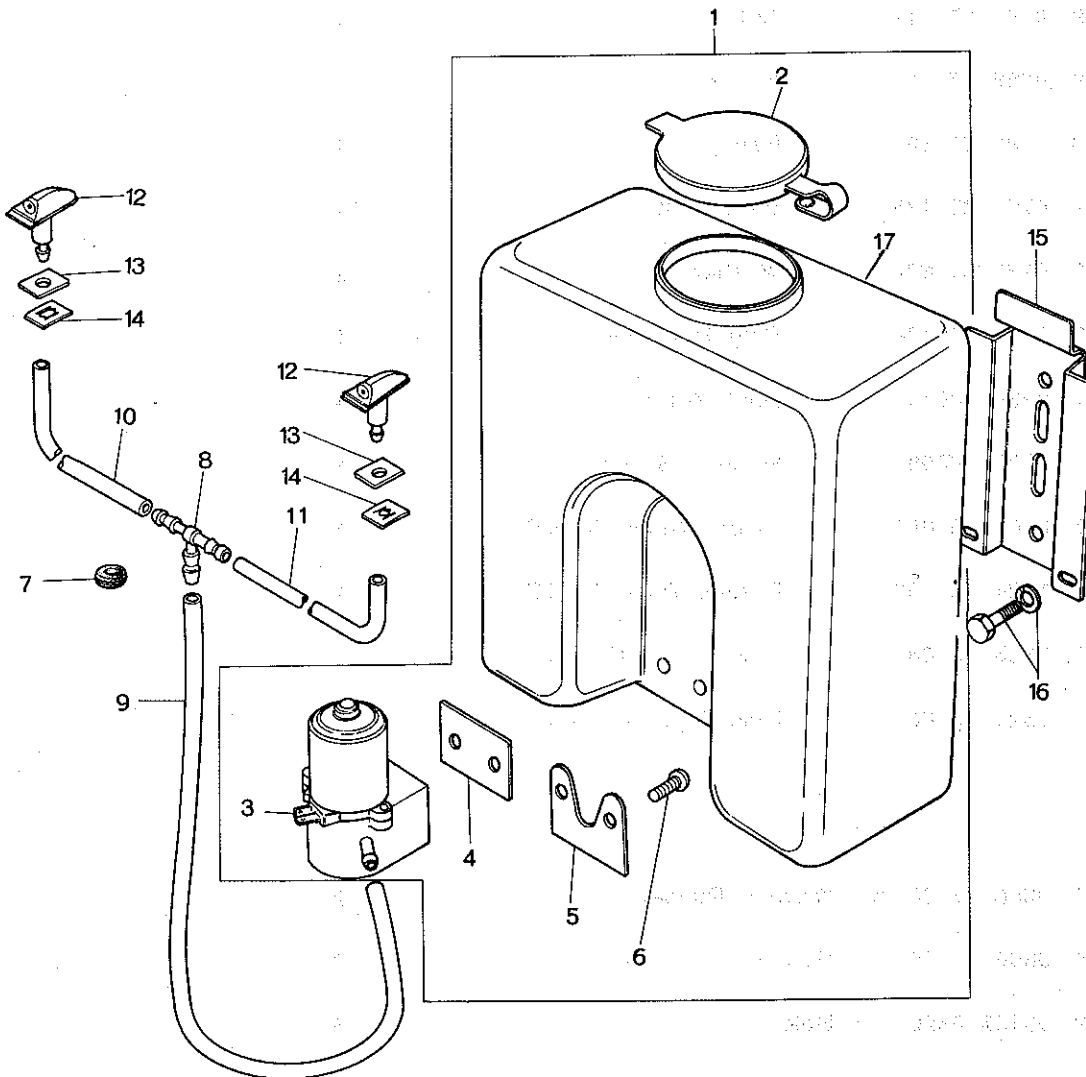
| No. | Part Number   | Description         | Q'ty | Remarks  |
|-----|---------------|---------------------|------|--|
| 11  | 0866 76 605   | Bush, Inner         | 1    |  |
| 12  | 0259 87 134   | Nut                 | 4    |  |
| 13  | 0866 67 350   | Motor (R.H.D.)      | 1    | } Fig. No. 14~33 included<br>1 Car No. 160623 $\frac{73}{10}$ ~△ |
| ●   | 0866 67 350 A | Motor (R.H.D.)      | 1    |  |
|     | 1524 67 350   | Motor (L.H.D.)      | 1    | } Fig. No. 14~33 included<br>1 Car No. 160623 $\frac{73}{10}$ ~△ |
| ●   | 1524 67 350 A | Motor (L.H.D.)      | 1    |  |
| 14  | 0259 87 109 A | Yoke                | 1    |  |
| 15  | 0257 87 108   | Nut                 | 2    |  |
| 16  | 99971 0500    | Washer, Spring      | 6    |  |
| 17  | 0257 87 107   | Screw               | 2    |  |
| 18  | 0868 76 607   | Wire, Lead (R.H.D.) | 1    |  |
| ●   | 0866 76 607 A | Wire, Lead (R.H.D.) | 1    | Car No. 160623 $\frac{73}{10}$ ~X                                |
|     | 1524 76 607   | Wire, Lead (L.H.D.) | 1    |  |
| 19  | 0259 87 107   | Ball                | 2    |  |
| 20  | 0259 87 108 A | Rotor               | 1    |  |
| 21  | 0259 87 105   | Screw               | 7    |  |
| 22  | 0259 87 101 A | Plate, Brush Holder | 1    |  |
| ●   | 1011 76 612 A | Plate               | 1    | Car No. 160623 $\frac{73}{10}$ ~X                                |
| 23  | 0259 87 106   | Brush               | 3    |  |
| 24  | 99806 0510    | Bolt                | 4    |  |

# WINDSHIELD WIPER

66
87

| No. | Part Number   | Description           | Q'ty | Remarks                          |
|-----|---------------|-----------------------|------|----------------------------------|
| 25  | 0866 76 608   | Box, Gear (R.H.D.)    | 1    |                                  |
|     | 1524 76 608   | Box, Gear (L.H.D.)    | 1    |                                  |
| 26  | 0259 87 103   | Gasket                | 1    |                                  |
| 27  | 2158 87 104   | Plate, End (R.H.D.)   | 1    |                                  |
|     | 0259 87 104 A | Plate, End (L.H.D.)   | 1    |                                  |
| 28  | 0259 87 119   | Nut                   | 1    |                                  |
| 29  | 0259 87 120   | Screw                 | 1    |                                  |
| 30  | 0738 87 803   | Felt                  | 1    |                                  |
| 31  | 0702 87 135   | Washer, Wave          | 1    |                                  |
| 32  | 0738 87 804   | Washer                | 2    |                                  |
| 33  | 0702 87 138   | Ring, Retaining       | 1    |                                  |
| 34  | 99806 0510    | Bolt, Motor           | 4    |                                  |
|     | 99971 0500    | Washer, Spring        | 4    |                                  |
| 35  | 0866 76 602   | Frame, Wiper (R.H.D.) | 1    |                                  |
|     | 1524 76 602   | Frame, Wiper (L.H.D.) | 1    |                                  |
| 36  | 0866 76 601   | Link, Wiper (R.H.D.)  | 1    |                                  |
|     | 1524 76 601   | Link, Wiper (L.H.D.)  | 1    |                                  |
| 37  | 0866 67 301 A | Washer, Rubber        | 2    |                                  |
| 38  | 0866 67 302   | Spacer                | 2    |                                  |
| 39  | 99783 0625    | Bolt                  | 3    |                                  |
| ●   | 99806 0616    | Bolt                  | 3    | Car No. 160623 $\frac{7}{10}$ ~X |
|     | 99952 0618    | Washer, Plain         | 3    |                                  |
|     | 99971 0600    | Washer, Spring        | 3    |                                  |

# SCREEN WASHER



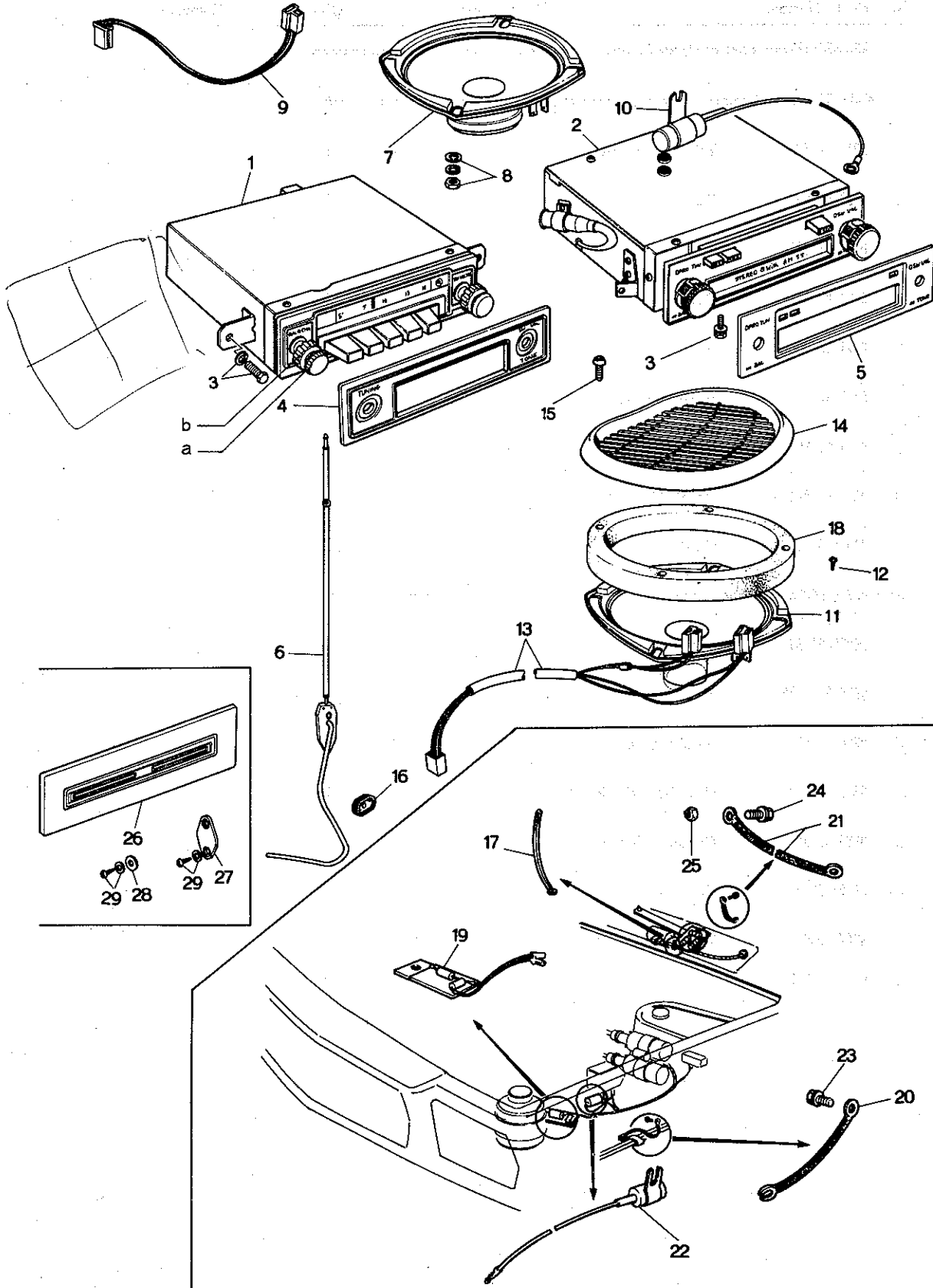


# SCREEN WASHER

67

87

| No. | Part Number            | Description                            | Q'ty         | Remarks |
|-----|------------------------|--|--------------|---------|
|     | <del>0086 87 470</del> | <del>Washer Set, Screen (R.H.D.)</del> | <del>1</del> | ☆       |
|     | <del>1524 87 470</del> | <del>Washer Set, Screen (L.H.D.)</del> | <del>1</del> | ☆       |
| 1   | 0317 67 480            | Tank & Motor                           | 1            |         |
| 2   | 0727 87 992            | Cap                                    | 1            |         |
| 3   | 0305 87 993            | Pump                                   | 1            |         |
| 4   | 0727 87 994            | Gasket                                 | 1            |         |
| 5   | 0727 87 995            | Plate                                  | 1            |         |
| 6   | 0727 87 996            | Screw, Pump                            | 2            |         |
| 7   | 0111 41 692            | Grommet                                | 1            |         |
| 8   | 0813 66 879            | Joint, Pipe                            | 1            |         |
| 9   | 99335 04015            | Pipe                                   | 1            |         |
| 10  | <del>99335 04095</del> | <del>Pipe</del>                        | <del>1</del> |         |
|     | 99335 04066            | Pipe                                   | 2            |         |
| 11  | <del>99335 04070</del> | <del>Pipe</del>                        | <del>1</del> |         |
| 12  | 0866 67 510A           | Nozzle                                 | 2            |         |
| 13  | 0866 67 511A           | Washer, Nozzle                         | 2            |         |
| 14  | 0866 67 512            | Nut, Speed-Nozzle                      | 2            |         |
| 15  | 0866 67 521            | Bracket, Tank                          | 1            |         |
| 16  | 99781 0612             | Bolt, Bracket                          | 2            |         |
|     | 99971 0600             | Washer, Spring                         | 2            |         |
| 17  | 0317 67 511            | Tank                                   | 1            |         |



# AUTO RADIO 66

| No. | Part Number             | Description                                   | Q'ty         | Remarks   |
|-----|-------------------------|---|--------------|---|
|     | 0865 66 860B            | Auto Radio Cpt. AM                            | 1            |   |
|     | 1550 66 860B            | Auto Radio Cpt. AM/SW                         | 1            | (R.H.D.)  |
|     | 1551 66 860A            | Auto Radio Cpt. AM/FM                         | 1            |   |
|     | 0870 66 860B            | Auto Radio & Stereo Cpt.                      | 1            |   |
|     | 1560 66 860B            | Auto Radio Cpt. AM                            | 1            |   |
|     | 1561 66 860B            | Auto Radio Cpt. AM/SW                         | 1            |   |
|     | 1562 66 860B            | Auto Radio Cpt. AM/FM                         | 1            | (L.H.D.)  |
| ●   | 1558 66 860             | Auto Radio Cpt. AM/FM<br>(E.C.E. Arctic Spec) | 1            | Car No. 163339 ½~Δ                                  |
|     | 1584 66 860B            | Auto Radio & Stereo                           | 1            |   |
|     | <del>0865 66 870A</del> | <del>Auto Radio AM</del>                      | <del>1</del> |   |
|     | <del>1550 66 870</del>  | <del>Auto Radio AM/SW</del>                   | <del>1</del> | (R.H.D.)  |
|     | <del>1551 66 870</del>  | <del>Auto Radio AM/FM</del>                   | <del>1</del> |   |
|     | <del>0870 66 870A</del> | <del>Auto Radio &amp; Stereo</del>            | <del>1</del> |   |
|     | <del>1560 66 870</del>  | <del>Auto Radio AM</del>                      | <del>1</del> |   |
|     | <del>1561 66 870</del>  | <del>Auto Radio AM/SW</del>                   | <del>1</del> | (L.H.D.)  |
|     | <del>1562 66 870</del>  | <del>Auto Radio AM/FM</del>                   | <del>1</del> |   |
|     | <del>1564 66 870</del>  | <del>Auto Radio &amp; Stereo</del>            | <del>1</del> |   |
| ● a | 0866 66 911             | Knob S.                                       | 1            | (E.C.E. Arctic Spec.) } Car No. 163339 ½~Added Anew |
| ● b | 0866 66 912             | Knob L.                                       | 1            |   |
| 1   | 0866 66 900             | Tuner, AM                                     | 1            |   |



# AUTO RADIO

| No. | Part Number           | Description                        | Q'ty         | Remarks                         |
|-----|-----------------------|------------------------------------|--------------|---------------------------------|
|     | 1561 66 900           | Tuner, AM/SW                       | 1            |                                 |
|     | 1562 66 900           | Tuner, AM/FM                       | 1            |                                 |
|     | 1558 66 900           | Tuner, AM/FM (E.C.E. Arctic Spec.) | 1            | Car No. 163339 $\frac{3}{8}$ ~△ |
| 2   | 0870 66 900A          | Tuner & Player                     | 1            |                                 |
| 3   | 99797 0512            | Bolt, Tuner                        | 2            |                                 |
|     | 99806 0516            | Bolt, Tuner                        | 2            | Car No. 150526 $\frac{3}{8}$ ~○ |
|     | 99952 0500            | Washer, Plain                      | 2            |                                 |
|     | 99971 0500            | Washer, Spring                     | 2            |                                 |
| 4   | 0866 66 905           | Plate, Decoration-Radio            | 1            |                                 |
| 5   | 0670 66 905           | Plate, Decoration-Radio & Stereo   | 1            |                                 |
| 6   | 0370 66 930B          | Antenna (R.H.D.)                   | 1            |                                 |
|     | 1524 66 930A          | Antenna (L.H.D.)                   | 1            |                                 |
| 7   | 0866 66 960           | Loud Speaker                       | 1            |                                 |
|     | 0275 68 088           | Spacer                             | 8            |                                 |
| 8   | <del>99906 0500</del> | <del>Nut, Loud Speaker</del>       | <del>8</del> |                                 |
|     | 99940 0500            | Nut, Flange                        | 4            |                                 |
|     | <del>99952 0500</del> | <del>Washer, Plain</del>           | <del>4</del> |                                 |
|     | 99971 0500            | Washer, Spring                     | 4            |                                 |
| 9   | 0866 66 965           | Cord, Loud Speaker                 | 1            |                                 |
| 10  | 0839 66 992           | Condenser                          | 1            |                                 |

| No. | Part Number            | Description                                       | Q'ty         | Remarks                                  |
|-----|------------------------|---|--------------|--|
|     | 0820 66 992            | Condenser   | 1            | Car No. 150526 $\frac{7}{8}$ ~X          |
| 11  | 0870 66 970            | Loud Speaker, Stereo                              | 2            |  |
|     | 0870 66 970A           | Loud Speaker, Stereo                              | 2            | Car No. 159937 $\frac{7}{8}$ ~△          |
| 12  | 99864 0410             | Screw, Loud Speaker - Stereo                      | 8            |  |
| 13  | 0870 66 975            | Cord, Stereo Loud Speaker                         | 1            |  |
|     | 0870 66 975A           | Cord, Stereo Loud Speaker                         | 1            | Car No. 166069 $\frac{7}{8}$ ~△          |
| 14  | 0870 66 980            | Grille, Loud Speaker - Stereo use                 | 1            |  |
| 15  | 99748 0410             | Screw, Grille                                     | 8            |  |
| 16  | 0866 67 153A           | Protector, Antenna Cord                           | 1            |  |
| 17  | 0305 67 993A           | Clip, Wire Harness<br>(Excluded 0870 66 860B use) | 1            | Car No. 163773 $\frac{7}{8}$ ~ Discarded |
| 18  | 0317 66 862            | Partition, Loud Speaker                           | 1            |  |
| 19  | 0866 66 865            | Suppresser, Ignition                              | 1            |  |
| 20  | 0866 66 871            | Wire, Earth                                       | 2            |  |
| 21  | <del>0866 66 872</del> | <del>Wire, Earth</del>                            | <del>1</del> |  |
| 22  | 0839 66 992            | Condenser   | 1            |  |
|     | 0820 66 992            | Condenser   | 1            | Car No. 150526 $\frac{7}{8}$ ~X          |
| 23  | 99833 0512             | Screw   | 1            |  |
|     | 99952 0500             | Washer, Plain                                     | 1            |  |
| 24  | 99860 0512             | Screw   | 1            |  |
|     | 99953 0500             | Washer, Plain                                     | 1            |  |



# AUTO RADIO

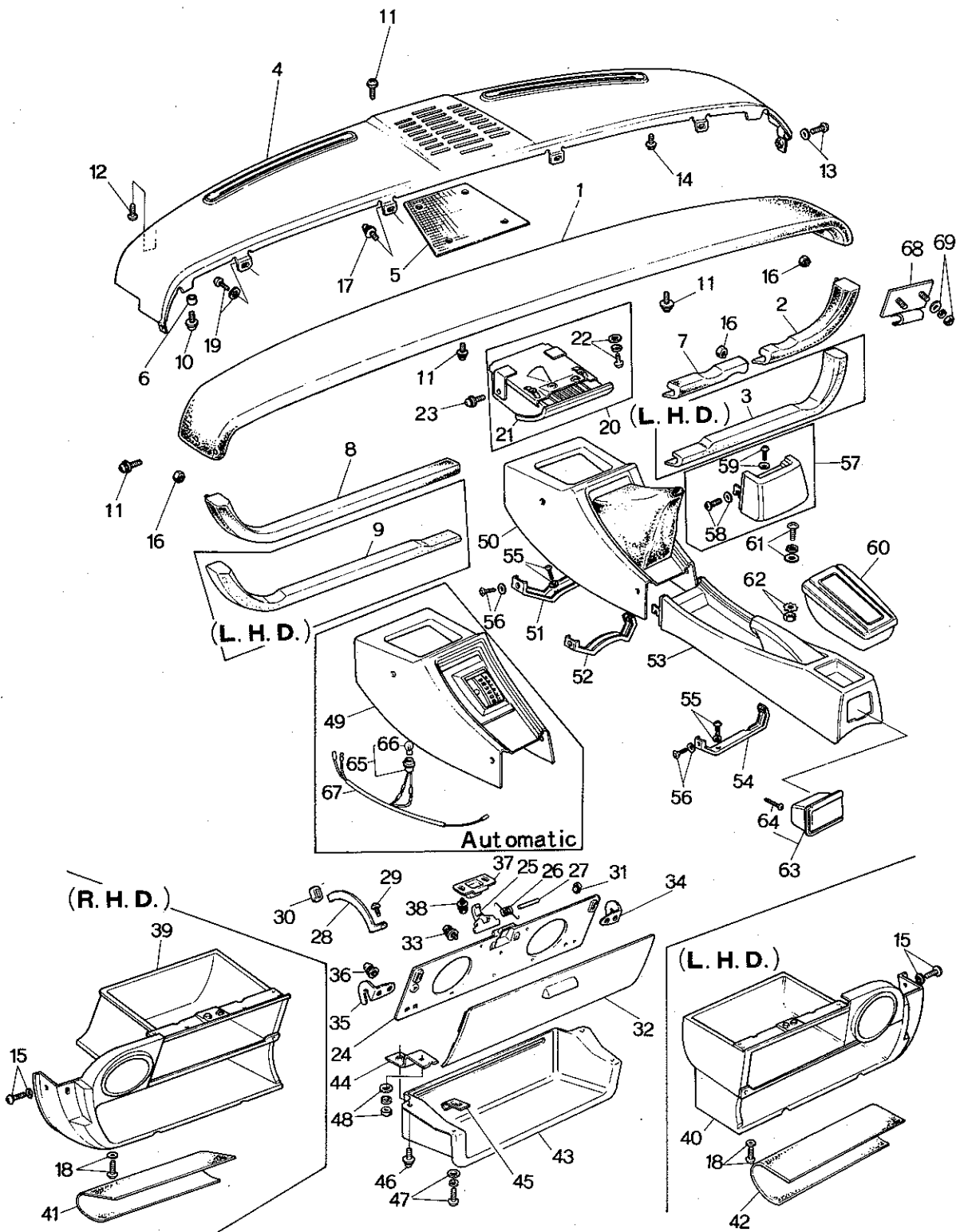
| No. | Part Number  | Description           | Q'ty | Remarks            |
|-----|--------------|-----------------------|------|--------------------|
|     | 99971 0500   | Washer, Spring        | 1    |                    |
| 25  | 99940 0502   | Nut, Flange           | 1    |                    |
| 26  | 0316 66 865A | Ornament              | 1    |                    |
| 27  | 0727 66 991A | Cover, Hole - Antenna | 1    |                    |
| 28  | 0727 66 992  | Cover, Hole - Antenna | 1    | Without Auto Radio |
| 29  | 99863 0410B  | Screw, Hole Cover     | 3    |                    |
|     | 99953 0400B  | Washer, Plain         | 3    |                    |

CRUSH PAD GLOVE POLYESTER  
NON SLIPSOLE BOY



Faint text or markings at the bottom of the page, possibly a footer or additional product information.

# CRUSH PAD, GLOVE POCKET & CONSOLE BOX





# CRUSH PAD, GLOVE POCKET & CONSOLE BOX



| No. | Part Number            | Description             | Q'ty         | Remarks                                   |
|-----|------------------------|-------------------------|--------------|---|
| 1   | 0865 68 020B           | Pad, Crush              | 1            |   |
| 2   | 0865 68 040C           | Pad (R), Lower (R.H.D.) | 1            |   |
| 3   | 1562 68 040A           | Pad (R), Lower (L.H.D.) | 1            |   |
| 4   | 0866 68 090B           | Garnish                 | 1            |   |
| 5   | 0866 68 095            | Cloth, Cover            | 1            |   |
| 6   | <del>0275 68 088</del> | <del>Spacer</del>       | <del>2</del> |   |
| 7   | 0865 68 060C           | Pad (R), Lower (R.H.D.) | 1            |   |
| 8   | 0865 68 140C           | Pad (L), Lower (R.H.D.) | 1            |   |
| 9   | 1562 68 140B           | Pad (L), Lower (L.H.D.) | 1            |   |
| 10  | 99805 0822             | Bolt, Crush Pad         | 2            |   |
|     | 99786 0822             | Bolt, Crush Pad         | 2            | Cars No. 141928 $\frac{7}{8}$ "           |
|     | 99952 0818             | Washer, Plain           | 2            |   |
|     | 99952 0822             | Washer, Plain           | 2            | Cars No. 141928 $\frac{7}{8}$ "           |
|     | 99971 0800             | Washer, Spring          | 2            | Cars No. 141928 $\frac{7}{8}$ " Discarded |
| 11  | 99834 0512B            | Screw                   | 4            |   |
|     | 99952 0500B            | Washer, Plain           | 4            |   |
|     | 99971 0500             | Washer, Spring          | 4            |   |
| 12  | 99833 0516B            | Screw                   | 2            |   |
|     | 99952 0500B            | Washer, Plain           | 2            |   |
|     | 99971 0500             | Washer, Spring          | 2            |   |



# CRUSH PAD, GLOVE POCKET & CONSOLE BOX

| No. | Part Number  | Description                | Q'ty | Remarks                           |
|-----|--------------|----------------------------|------|-----------------------------------|
| 13  | 99833 0512B  | Screw                      | 1    |                                   |
|     | 99952 0516B  | Washer, Plain              | 1    |                                   |
| 14  | 99833 0616B  | Screw, Crush Pad & Garnish | 4    |                                   |
|     | 99952 0600B  | Washer, Plain              | 4    |                                   |
|     | 99971 0600   | Washer, Spring             | 4    |                                   |
| 15  | 99836 0516B  | Screw, Garnish             | 1    |                                   |
|     | 99967 0500B  | Washer, Plain              | 1    |                                   |
| 16  | 99940 0501   | Nut, Pad Lower             | 7    |                                   |
| 17  | 99833 0512   | Screw, Garnish             | 2    |                                   |
|     | 99952 0500   | Washer, Plain              | 2    |                                   |
|     | 99971 0500   | Washer, Spring             | 2    |                                   |
| 18  | 99834 0616B  | Screw, Garnish             | 2    |                                   |
|     | 99952 0618B  | Washer, Plain              | 2    |                                   |
|     | 99971 0600   | Washer, Spring             | 2    |                                   |
| 19  | 99863 0512   | Screw, Garnish             | 2    |                                   |
|     | 99952 0500   | Washer, Plain              | 2    |                                   |
|     | 99971 0500   | Washer, Spring             | 2    |                                   |
| 20  | 0866 68 180A | Tray, Ash (Frt.)           | 1    |                                   |
| 21  | 0866 68 201  | Case, Inner                | 1    |                                   |
|     | 0866 68 201A | Case, Inner                | 1    | Car No. 152461 $\frac{72}{8}$ ~ Δ |

# CRUSH PAD, GLOVE POCKET & CONSOLE BOX



| No. | Part Number         | Description                           | Q'ty | Remarks                          |
|-----|---------------------|---------------------------------------|------|----------------------------------|
|     | 0866 64 630         | Case, Inner                           | 1    | Car No. 153929 $\frac{7}{8}$ ~○  |
| ①   | 0866 68 175         | Plate Set                             | 1    |                                  |
| 22  | 99833 0512          | Screw, Ash Tray                       | 2    |                                  |
|     | 99952 0500          | Washer, Plain                         | 2    |                                  |
|     | 99971 0500          | Washer, Spring                        | 2    |                                  |
| 23  | 99833 0512          | Screw, Ash Tray                       | 2    |                                  |
|     | 99952 0500          | Washer, Plain                         | 2    |                                  |
|     | 99971 0500          | Washer, Spring                        | 2    |                                  |
| ●   | 24 0866 68 331 - 00 | Lid, Glove - Inner (BLK.)             | 1    |                                  |
|     | 25 0866 68 332      | Hook                                  | 1    |                                  |
|     | 26 0866 68 333      | Spring                                | 1    |                                  |
|     | 27 0866 68 334      | Pin                                   | 1    |                                  |
| ✓   | 28 0866 68 335A     | Stopper                               | 1    |                                  |
| ●   | 0866 68 335B        | Stopper                               | 1    | Car No. 155881 $\frac{7}{10}$ ~△ |
|     | 29 99831 0408B      | Screw, Stopper                        | 1    |                                  |
|     | 30 0275 55 195      | Cushion, Rubber                       | 1    |                                  |
| ●   | 0275 55 195A        | Cushion, Rubber                       | 1    | Car No. 155881 $\frac{7}{10}$ ~△ |
|     | 31 0317 70 269      | Cushion                               | 2    |                                  |
|     | 32 0865 68 340      | Lid, Glove - Outer (Without Painting) | 1    | ©                                |
|     | 0866 68 340         | Lid, Glove - Outer (With Painting)    | 1    | ©                                |

# CRUSH PAD, GLOVE POCKET & CONSOLE BOX

| No. | Part Number             | Description                             | Q'ty         | Remarks                                   |
|-----|-------------------------|---|--------------|---|
| 33  | 99262 1806B             | Screw, Glove Lid                        | 8            |   |
| 34  | 0866 68 351A            | Hinge (R), Glove Lid                    | 1            |   |
| 35  | 0866 68 352A            | Hinge (L), Glove Lid                    | 1            |   |
| 36  | 99834 0412B             | Screw, Hinge                            | 4            |   |
|     | 99952 0412B             | Washer, Plain                           | 4            |   |
|     | 99971 0400              | Washer, Spring                          | 4            |   |
| 37  | 0866 68 361             | Striker                                 | 1            |   |
| 38  | 99833 0514B             | Screw, Striker                          | 2            |   |
|     | 99952 0500B             | Washer, Plain                           | 2            |   |
|     | 99971 0500              | Washer, Spring                          | 2            |   |
| 39  | <del>0866 68 380C</del> | <del>Pocket, Glove-Outer (R.H.D.)</del> | <del>1</del> |   |
| ●   | 0865 68 380             | Pocket, Glove-Outer (R.H.D.)            | 1            | From Car No. 150526 ©                     |
| 40  | 1524 68 380A            | Pocket, Glove-Outer (L.H.D.)            | 1            |   |
| 41  | 0866 68 011             | Sheet, Glove Pocket (R.H.D.)            | 1            |   |
| 42  | 1524 68 011             | Sheet, Glove Pocket (L.H.D.)            | 1            |   |
| 43  | 0866 69 811             | Shelf, Parcel                           | 1            |   |
| 44  | 0866 69 820             | Bracket, Parcel Shelf                   | 1            |   |
|     | 0866 69 821A            | Bracket, Parcel Shelf                   | 1            | Car No. 150526 $\frac{7}{8}$ ~            |
| 45  | 0820 56 905             | Nut, Spring-Parcel Shelf                | 2            |   |
| Ⓝ   | 99896 0500              | Nut, Spring-Parcel Shelf                | 1            | Car No. 150526 $\frac{7}{8}$ ~ Added Anew |

# CRUSH PAD, GLOVE POCKET & CONSOLE BOX



| No. | Part Number             | Description                         | Q'ty | Remarks                                       |
|-----|-------------------------|-------------------------------------|------|---|
| 46  | 99806 0616              | Bolt, Parcel Shelf                  | 3    |   |
|     | 99806 0616              | Bolt, Parcel Shelf                  | 1    | Car. No. 150526 7/8~Q'ty                      |
|     | 99952 0618              | Washer, Plain                       | 3    |   |
|     | 99952 0618              | Washer, Plain                       | 1    | Car. No. 150526 7/8~Q'ty                      |
|     | 99971 0600              | Washer, Spring                      | 3    |   |
|     | 99971 0600              | Washer, Spring                      | 1    | Car. No. 150526 7/8~Q'ty                      |
| 47  | 99863 0520B             | Screw, Parcel Shelf                 | 2    |   |
|     | 99863 0520B             | Screw, Parcel Shelf                 | 3    | Car. No. 150526 7/8~Q'ty                      |
|     | 99952 0500B             | Washer, Plain                       | 2    |   |
|     | 99952 0500B             | Washer, Plain                       | 3    | Car. No. 150526 7/8~Q'ty                      |
|     | 99971 0500              | Washer, Spring                      | 2    |   |
|     | 99971 0500              | Washer, Spring                      | 3    | Car. No. 150526 7/8~Q'ty                      |
| 48  | 99906 0600              | Nut, Bracket                        | 1    |   |
|     | 99952 0618              | Washer, Plain                       | 1    |   |
|     | 99971 0600              | Washer, Spring                      | 1    |   |
| 49  | 0378 68 890A            | Console, Front (Automatic) (R.H.D.) | 1    | 1552  |
| 50  | 0376 68 890A            | Console, Front (Manual)             | 1    | <del>1567, 1568</del>                         |
|     | <del>0376 68 890B</del> | <del>Console, Front (Manual)</del>  | 1    | <del>1567, 1568</del><br>Car. No. 127396 7/8~ |
|     | 0376 68 890B            | Console, Front (Manual)             | 1    | Car. No. 167343 7/4~                          |
|     | 1524 68 890             | Console, Front (Manual)             | 1    | 1558, 1559, <del>1567, 1568</del>             |



# CRUSH PAD, GLOVE POCKET & CONSOLE BOX

| No. | Part Number | Description                        | Q'ty | Remarks               |
|-----|-------------|------------------------------------|------|-----------------------|
| 51  | 0376 68 900 | Bracket No. 1, Console (Manual)    | 1    |                       |
|     | 0378 68 900 | Bracket No. 1, Console (Automatic) | 1    |                       |
| 52  | 0376 68 910 | Bracket No. 2                      | 1    |                       |
| 53  | 0376 68 940 | Console, Rear                      | 1    | ©                     |
|     | 0870 68 940 | Console, Rear - With Arm Rest      | 1    | 1566,1554,1557,1562 © |
| 54  | 0376 68 950 | Bracket, Rear Console              | 1    |                       |
| 55  | 99804 0616  | Screw, Console                     | 5    |                       |
|     | 99971 0600  | Washer, Spring                     | 5    |                       |
| 56  | 99832 0516B | Screw, Console                     | 6    |                       |
|     | 99967 0500B | Washer                             | 6    |                       |
| 57  | 0370 68 920 | Console, End                       | 1    | ©                     |
| 58  | 99804 0616  | Bolt                               | 4    |                       |
|     | 99971 0600  | Washer, Spring                     | 4    | Without Rear Console  |
| 59  | 99832 0516B | Screw, Console End                 | 4    |                       |
|     | 99967 0600B | Washer                             | 4    |                       |
| 60  | 0870 68 960 | Rest, Center Arm                   | 1    | 1566,1554,1557,1562 © |
| 61  | 99836 0420B | Screw, Center Arm Rest             | 4    |                       |
|     | 99952 0400B | Washer, Plain                      | 4    |                       |
|     | 99971 0400  | Washer, Spring                     | 4    |                       |
| 62  | 99906 0400  | Nut, Center Arm Rest               | 4    |                       |

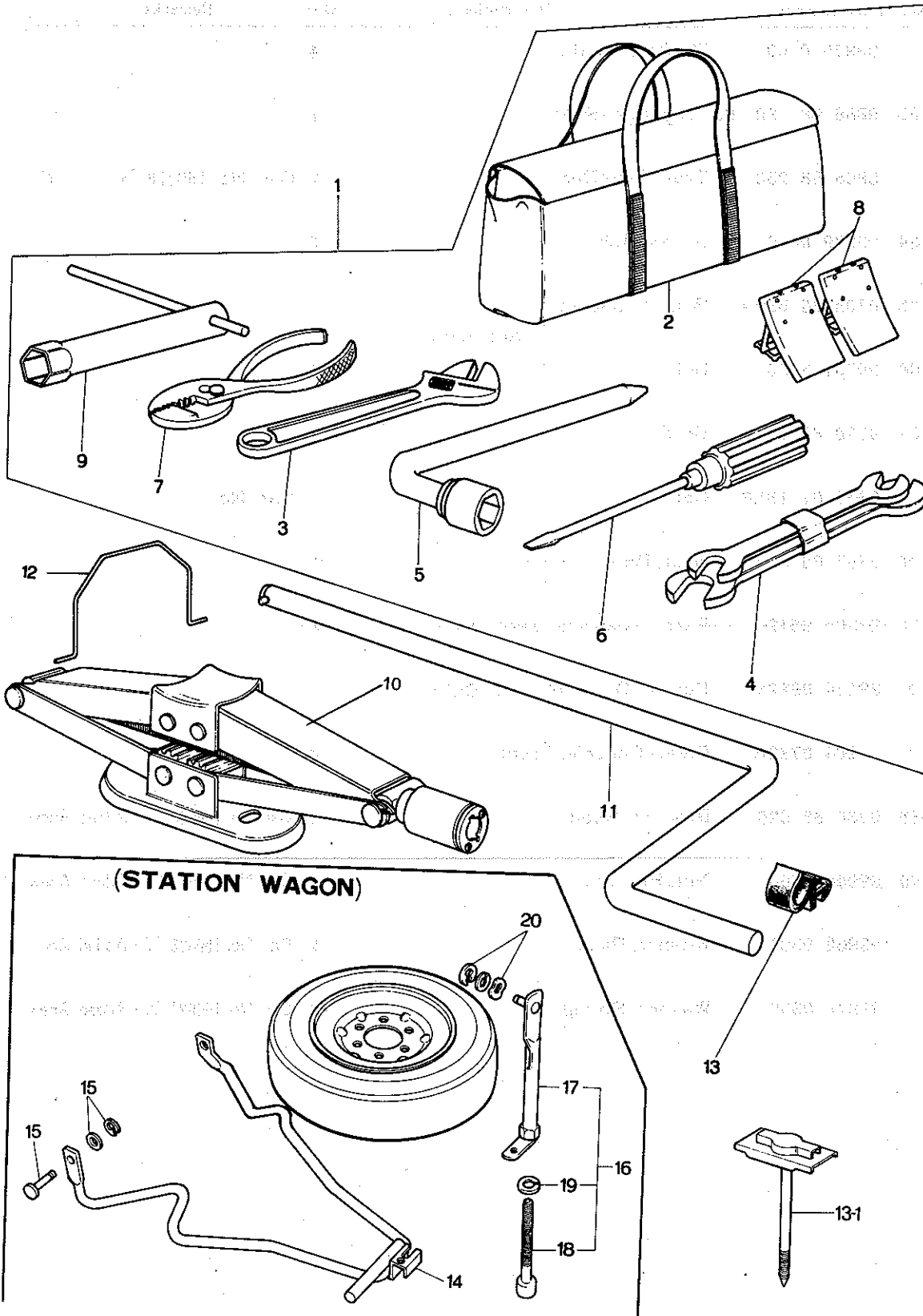
# CRUSH PAD, GLOVE POCKET & CONSOLE BOX



| No. | Part Number               | Description                         | Q'ty         | Remarks                                    |
|-----|---------------------------|-------------------------------------|--------------|--|
|     | 99975 0400                | Washer, Toothed                     | 4            |  |
| 63  | 0866 68 250 - 00          | Tray, Ash-Rear                      | 1            | ©  |
|     | 0866 68 250 - 01          | Tray, Ash-Rear                      | 1            | Car No. 160378 $\frac{7}{12}$ ~ ○ ©        |
| 64  | 99839 0416                | Screw, Ash Tray                     | 2            |  |
| 65  | 0305 66 580A              | Bulb & Socket } (Automatic)         | 1            |  |
| 66  | 99701 6030                |                                     | Bulb         | 1  |
| 67  | 0378 67 131A              | Cord                                | 1            |  |
|     | ● 0378 67 131B            | Cord                                | 1            | Car No. $\frac{7}{8}$ ~ △                  |
|     | Ⓝ <del>0367 68 832A</del> | <del>Seat, Boot</del>               | <del>1</del> |  |
|     | Ⓝ <del>99864 0512</del>   | <del>Screw Tapping, Seat Boot</del> | <del>6</del> |  |
|     | Ⓝ 99834 0612B             | Screw, Glove Pocket Outer           | 2            |  |
|     | Ⓝ 99264 0732B             | Rivet - Console, Front              | 4            |  |
|     | ● 68 0866 68 920          | Bracket, Hood                       | 1            | Car No. 160623 $\frac{7}{10}$ ~ Added Anew |
|     | ● 69 99906 0500           | Nut, Bracket                        | 2            | Car No. 160623 $\frac{7}{10}$ ~ Added Anew |
|     | ● 99952 0500              | Washer, Plain                       | 2            | Car No. 160623 $\frac{7}{10}$ ~ Added Anew |
|     | ● 99971 0500              | Washer, Spring                      | 2            | Car No. 160623 $\frac{7}{10}$ ~ Added Anew |

# CRUSH PAD GLOVE POCKET & CONSOLE BOX TOOLS

## SERVICE TOOLS





# SERVICE TOOLS

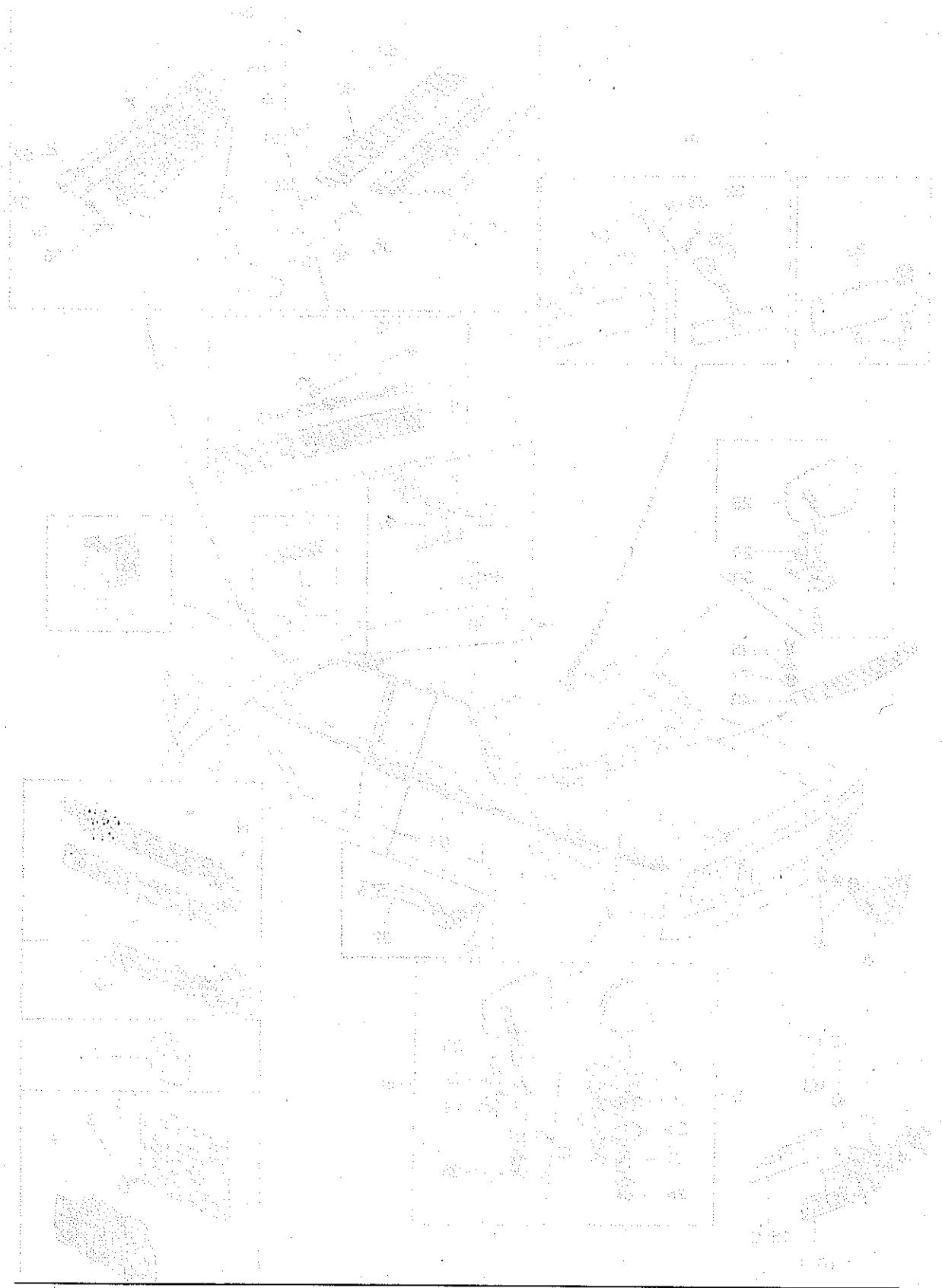
68

| No. | Part Number              | Description                | Q'ty | Remarks                         |
|-----|--------------------------|----------------------------|------|---------------------------------|
| 1   | 0839 68 660              | Tool Set                   | 1    |                                 |
|     | 1128 68 660              | Tool Set                   | 1    |                                 |
| 2   | 0839 68 670 A            | Bag, Tool                  | 1    |                                 |
|     | 0839 68 670 B            | Bag, Tool                  | 1    | Car No. 133210 $\frac{7}{16}$ " |
|     | 1128 68 670              | Bag, Tool                  | 1    |                                 |
| 3   | 0110 68 050 A            | Wrench, Monkey             | 1    |                                 |
|     | 0866 68 680              | Wrench, Monkey             | 1    | Car No. 144308 $\frac{7}{16}$ " |
| 4   | 0249 68 060 A            | Spanner Set                | 1    |                                 |
|     | 0672 68 060 A            | Spanner Set                | 1    |                                 |
| 5   | 0810 68 070              | Wrench, Hub Nut            | 1    |                                 |
|     | 0810 68 070 A            | Wrench, Hub Nut            | 1    | Car No. 155593 $\frac{7}{16}$ " |
| 6   | 0187 68 110 A            | Driver Set                 | 1    |                                 |
| 7   | 0118 68 180 A            | Plier                      | 1    |                                 |
| 8   | 0208 68 230              | Stopper                    | 1    |                                 |
| 9   | 0839 68 720              | Wrench, Plug               | 1    |                                 |
| 10  | 0305 68 800 E            | Jack                       | 1    |                                 |
|     | 0305 68 800 F            | Jack                       | 1    |                                 |
|     | <del>0307 68 800 F</del> | Jack                       | 1    | Car No. 159630 $\frac{7}{11}$ " |
| 11  | 0305 68 810 A            | Handle, Jack               | 1    |                                 |
| 12  | 0866 56 991              | Wire, Jack (Sedan & Coupe) | 1    |                                 |

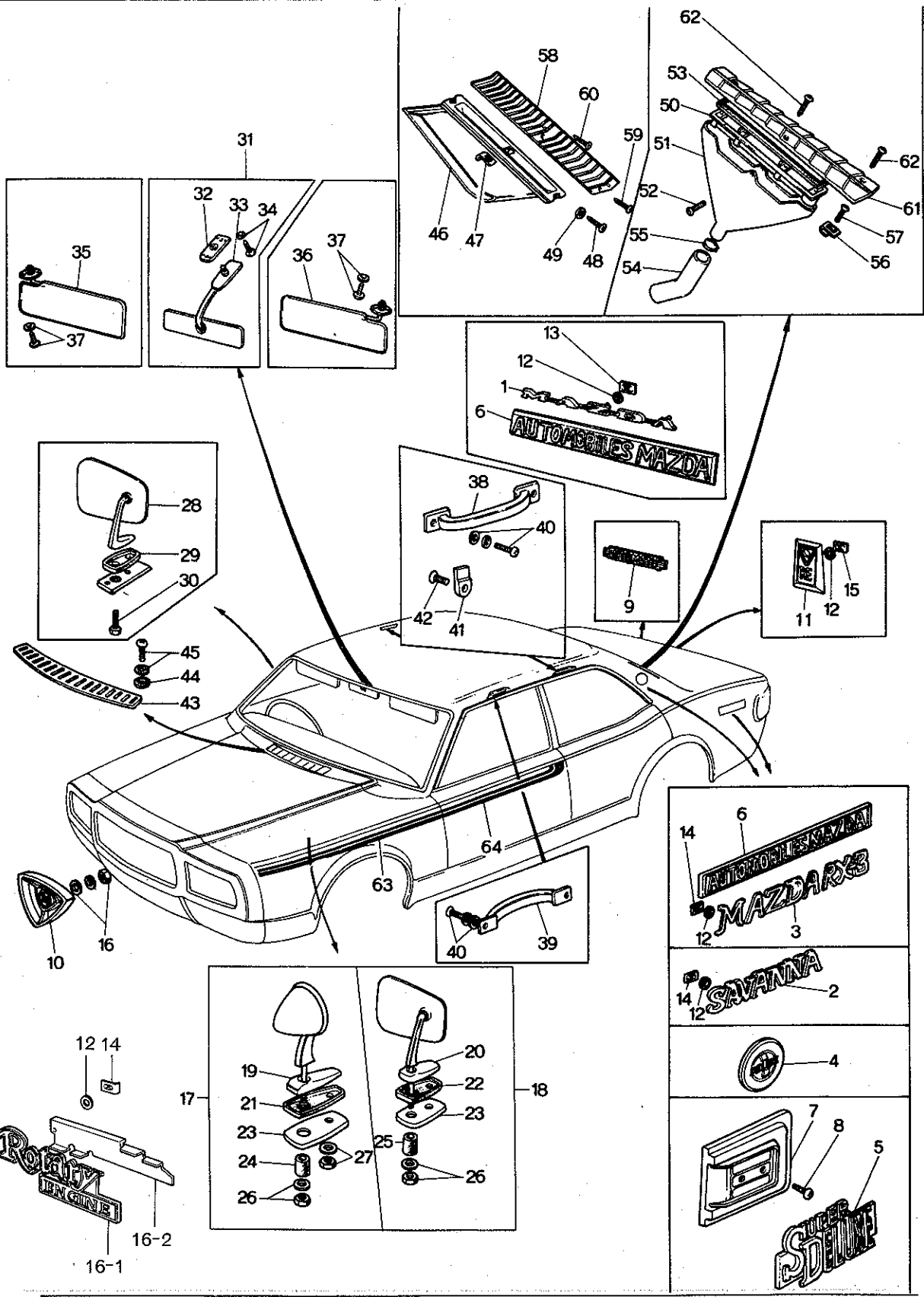
M.L. APR. 26, 1974

# SERVICE TOOLS

| No.    | Part Number | Description                             | Q'ty | Remarks                                  |
|--------|-------------|---|------|--|
| 13     | 99715 1101  | Holder, Rod-Jack Handle (Sedan & Coupe) | 1    |  |
| ● 13-1 | 1011 56 210 | Clamp, Spare Wheel                      | 1    | Car No. 170670 $\frac{7}{8}$ ~Added Anew |
| ●      | 1128 56 960 | Clamp, Spare Wheel                      | 1    | $\frac{7}{8}$ ○                          |
| 14     | 0585 70 710 | Frame, Hanger                           | 1    |  |
| 15     | 99230 0820  | Pin, Joint                              | 2    |  |
|        | 99576 0500  | Ring, Snap                              | 2    |  |
|        | 99953 0500  | Washer, Plain                           | 2    |  |
|        |             | (Station Wagon)                         | 2    |  |
| 16     | 0585 70 720 | Lock, Spare Tire                        | 1    |  |
| 17     | 0585 70 730 | Clamp                                   | 1    |  |
| 18     | 0585 70 733 | Bolt                                    | 1    |  |
| 19     | 99951 0822  | Washer, Plain                           | 1    |  |
| 20     | 99576 0700  | Ring, Retaining                         | 1    |  |
|        | 99952 1000  | Washer, Plain                           | 1    | (Station Wagon)                          |
|        | 99972 1000  | Washer, Wave                            | 1    |  |



# ATTACHMENT (SEDAN & COUPE)



# ATTACHMENT (SEDAN & COUPE)



| No. | Part Number     | Description                               | Q'ty | Remarks                 |
|-----|-----------------|---|------|-------------------------|
| 1   | 0866 69 052     | Ornament (MAZDA)                          | 1    |                         |
| 2   | 0866 69 053A    | Name, SAVANNA                             | 2    | } Selective use         |
| 3   | 1562 69 053     | Name, RX-3                                | 2    |                         |
| 4   | 0368 69 055A    | Ornament (DX), For Sedan                  | 2    |                         |
|     | 0374 69 055     | Ornament (DX), For Coupe                  | 2    |                         |
|     | 0374 69 055A    | Ornament (DX), For Coupe                  | 2    | Car No. 127396 7/12 ~ ○ |
| 5   | 1562 69 055     | Ornament Super Deluxe (Side...2,Rear...1) | 3    |                         |
|     | 1562 69 055A    | Ornament Super Deluxe (Side...2,Rear...1) | 3    | Car No. 127396 7/12 ~ △ |
|     | 1562 69 055A 00 | Ornament Super Deluxe (Side...2,Rear...1) | 3    | Car No. 127396 7/12 ~ △ |
| 6   | 2835 69 059     | Plate, Automobiles-For France             | 3    |                         |
| 7   | 0376 69 061C    | Base (R), Ornament                        | 1    |                         |
|     | 0376 69 061D    | Base (R), Ornament                        | 1    | Car No. 127396 7/12 ~ ○ |
|     | 0862 69 061     | Base (R), Ornament                        | 1    | Car No. 160623 7/10 ~ × |
|     | 0376 69 065C    | Base (L), Ornament                        | 1    |                         |
|     | 0376 69 065D    | Base (L), Ornament                        | 1    | Car No. 127396 7/12 ~ ○ |
|     | 0862 69 065     | Base (L), Ornament                        | 1    | Car No. 160623 7/10 ~ × |
| 8   | 99863 0414C     | Screw, Base                               | 4    |                         |
| 9   | 0378 69 066     | Ornament, Automatic                       | 1    |                         |
|     | 0378 69 066A    | Ornament, Automatic                       | 1    | Car No. 146346 7/5 ~ ○  |
|     | 0397 69 066B    | Ornament, Automatic (1552)                | 1    | Car No. 152816 7/5 ~ ○  |



# ATTACHMENT (SEDAN & COUPE)

| No. | Part Number           | Description                           | Q'ty         | Remarks                                     |
|-----|-----------------------|---------------------------------------|--------------|---|
| 10  | 0866 69 071A          | Emblem, Front                         | 1            |   |
| ●   | 0866 69 071A00        | Emblem, Front Gray (Dull Finish)      | 1            |   |
| ●   | 0866 69 071A02        | Emblem, Front Gray (Semi Dull Finish) | 1            | Car No. $\frac{7}{8}$ ~ X                   |
| ●   | 1128 89 601           | Emblem Set, Front                     | 1            | Car No. 160623 $\frac{7}{10}$ ~ X           |
| ●   | 11 0866 69 081B       | Emblem, Rear                          | 1            | Car No. 160623 $\frac{7}{10}$ ~ Discarded   |
| 12  | 0730 69 057A          | Gasket, Ornament                      | 6            |   |
| 13  | 0187 69 049A          | Nut, Speed-Ornament                   | 3            |   |
| 14  | 99579 3000            | Nut, Speed-Ornament                   | 6            |   |
| 15  | <del>99579 4000</del> | <del>Nut, Speed-Emblem</del>          | <del>3</del> |   |
| 16  | 99906 0500            | Nut, Front Emblem                     | 2            |   |
|     | 99952 0500            | Washer, Plain                         | 2            |   |
|     | 99971 0500            | Washer, Spring                        | 2            |   |
| ●   | 16-1 1881 69 076      | Mark, Front (Rotary Engine)           | 1            | Car No. 160623 $\frac{7}{10}$ ~ Added Anew  |
| ●   | 16-2 1128 69 077      | Plate Set                             | 1            | Car No. 160623 $\frac{7}{10}$ ~ Added Anew  |
|     |                       |                                       | 1            |   |
| 17  | 0376 69 110A          | Mirror (R), Rear View                 | 1            |   |
|     | 0376 69 110B          | Mirror (R), Rear View                 | 1            | Car No. 127396 $\frac{7}{12}$ ~ O           |
|     | 0376 69 110C          | Mirror (R), Rear View                 | 1            | (Coupe)<br>Car No. 148407 $\frac{7}{6}$ ~ O |
| ●   | 0376 69 110D00        | Mirror (R), Rear View (GRY. S. DULL)  | 1            | Car No. $\frac{7}{2}$ ~ X                   |
| ●   | 0376 69 110D01        | Mirror (R), Rear View (GRY. DULL)     | 1            |   |

# ATTACHMENT (SEDAN & COUPE)

69

71

| No. | Part Number    | Description                        | Q'ty | Remarks                                   |
|-----|----------------|------------------------------------|------|---|
|     | 0376 69 130A   | Mirror (L), Rear View              | 1    |   |
|     | 0376 69 130B   | Mirror (L), Rear View              | 1    | Car No. 127396 $\frac{7}{12}$ ~ (C)       |
|     | 0376 69 130C   | Mirror (L), Rear View              | 1    | Car No. 148407 $\frac{7}{6}$ ~ (C)        |
|     | 0376 69 130D00 | Mirror (L), Rear View (GRY.S.DULL) | 1    | Car No. $\frac{7}{3}$ ~ X                 |
|     | 0376 69 130D01 | Mirror (L), Rear View (GRY.DULL)   | 1    |   |
| 18  | 0866 69 110    | Mirror (R), Rear View              | 1    |   |
|     | 0866 69 110A   | Mirror (R), Rear View              | 1    | Car No. 133210 $\frac{7}{1}$ ~ (C)        |
|     | 0866 69 130    | Mirror (L), Rear View              | 1    |   |
|     | 0866 69 130A   | Mirror (L), Rear View              | 1    | Car No. 133210 $\frac{7}{1}$ ~ (C)        |
| 19  | 0376 69 111    | Base (R)                           | 1    |   |
|     | 0376 69 111A   | Base (R)                           | 1    | Car No. 148407 $\frac{7}{6}$ ~ (C)        |
|     | 0376 69 131    | Base (L)                           | 1    |   |
|     | 0376 69 131A   | Base (L)                           | 1    | Car No. 148407 $\frac{7}{6}$ ~ (C)        |
| 20  | 0866 69 111A   | Base (Sedan)                       | 2    |   |
| 21  | 0376 69 112    | Gasket (Coupe)                     | 2    |   |
| 22  | 0866 69 112    | Gasket (Sedan)                     | 2    |   |
| 23  | 0866 69 113A   | Reinforcement                      | 2    |   |
|     | 0376 69 113    | Reinforcement                      | 2    | Car No. 148407 $\frac{7}{6}$ ~ (C)        |
| 24  | 0376 69 114    | Spring (Coupe)                     | 2    | Used up to Car No. 148407 $\frac{7}{6}$ ~ |
| 25  | 0223 69 102    | Spring (Sedan)                     | 2    |   |



# ATTACHMENT (SEDAN & COUPE)

| No. | Part Number  | Description         | Q'ty | Remarks                        |
|-----|--------------|---------------------|------|--------------------------------|
| 26  | 0223 69 103  | Washer              | 2    |                                |
|     | 0223 69 103  | Washer (Coupe)      | 2    | Used up to Car No. 148407 7/8~ |
|     | 0866 88 737  | Nut                 | 2    |                                |
| 27  | 99906 0600   | Nut                 | 4    |                                |
|     | 99940 0600   | Nut (Coupe)         | 4    | Car No. 148407 7/8~            |
|     | 99971 0600   | Washer, Spring      | 2    |                                |
|     | 99579 6000   | Nut, Speed          | 2    |                                |
| 28  | 1511 69 110A | Mirror, Door        | 1    |                                |
|     | 1511 69 110B | Mirror, Door        | 1    | Car No. 132360 7/12~           |
| 29  | 1540 69 101  | Gasket, Door Mirror | 1    | For Australia                  |
| 30  | 99772 0516   | Screw, Door Mirror  | 1    |                                |
|     | 99772 0525   | Screw, Door Mirror  | 1    |                                |
| 31  | 0305 69 170  | Mirror, Interior    | 1    |                                |
|     | 2835 69 170A | Mirror, Interior    | 1    | For France                     |
| 32  | 0305 69 171  | Base                | 1    |                                |
|     | 0839 69 171  | Base                | 1    | For France                     |
| 33  | 0305 69 180  | Mirror              | 1    |                                |
|     | 2835 69 180  | Mirror              | 1    | For France                     |



# ATTACHMENT (SEDAN & COUPE)



| No. | Part Number     | Description           | Q'ty     | Remarks   |
|-----|-----------------|-----------------------|----------|---|
| 34  | 99761 0516      | Screw, Interior Mirro | 2        |   |
|     | 99831 0516      | Screw                 | 2        | Car No. 127396 $\frac{7}{12}$ ~ $\odot$           |
|     | 99974 0500      | Spring                | 2        |   |
|     | 99975 0500      | Washer, Toothed       | 2        |   |
| 35  | 0866 69 210 -13 | Sun Visor (R)         | (BLK.) 1 | For General $\odot$                               |
|     | 0866 69 210 -14 | Sun Visor (R)         | (GRY.) 1 |   |
|     | 1511 69 210 13  | Sun Visor (R)         | (BLK.) 1 | For Australia $\odot$                             |
|     | 1511 69 210 14  | Sun Visor (R)         | (GRY.) 1 |   |
|     | 1504 69 210 -13 | Sun Visor (R)         | (BLK.) 1 | Car No. 141928 $\frac{7}{8}$ ~ Added Anew $\odot$ |
|     | 1504 69 210 -13 | Sun Visor (R)         | (BLK.) 1 | Car No. 159525 $\frac{7}{11}$ ~ $\odot$ $\odot$   |
|     | 1504 69 210 -14 | Sun Visor (R)         | (GRY.) 1 | Car No. 141928 $\frac{7}{8}$ ~ Added Anew $\odot$ |
|     | 1504 69 210A14  | Sun Visor (R)         | (GRY.) 1 | Car No. 159525 $\frac{7}{11}$ ~ $\odot$ $\odot$   |
| 36  | 0866 69 240 -13 | Sun Visor (L)         | (BLK.) 1 | For General $\odot$                               |
|     | 0866 69 240 -14 | Sun Visor (L)         | (GRY.) 1 |   |
|     | 1511 69 240 -13 | Sun Visor (L)         | (BLK.) 1 | For Australia $\odot$                             |
|     | 1511 69 240 -14 | Sun Visor (L)         | (GRY.) 1 |   |
|     | 1504 69 240 -13 | Sun Visor (L)         | (BLK.) 1 | Car No. 141928 $\frac{7}{8}$ ~ Added Anew $\odot$ |
|     | 1504 69 240A13  | Sun Visor (L)         | (BLK.) 1 | Car No. 159525 $\frac{7}{11}$ ~ $\odot$ $\odot$   |
|     | 1504 69 240 -14 | Sun Visor (L)         | (GRY.) 1 | Car No. 141928 $\frac{7}{8}$ ~ Added Anew $\odot$ |
|     | 1504 69 240A14  | Sun Visor (L)         | (GRY.) 1 | Car No. 159525 $\frac{7}{11}$ ~ $\odot$ $\odot$   |



# ATTACHMENT (SEDAN & COUPE)

| No. | Part Number            | Description                   | Q'ty         | Remarks |
|-----|------------------------|-------------------------------|--------------|---------|
| 37  | 99837 0516C            | Screw, Sun Visor              | 4            |         |
|     | 99975 0500             | Washer, Toothed               | 2            |         |
| 38  | 0866 69 910            | Handle, Assist-Rear           | 2            |         |
| 39  | 0866 69 920            | Handle, Assist-Front          | 1            |         |
| 40  | 99838 0620             | Screw, Assist Handle          | 6            |         |
|     | 99952 0600             | Washer, Plain                 | 6            |         |
|     | 99971 0600             | Washer, Spring                | 6            |         |
| 41  | 0376 69 941            | Hanger, Coat                  | 1            |         |
| 42  | 99776 0620             | Screw, Coat Hanger            | 1            |         |
| 43  | 0866 70 401A           | Grille (R.H.D.)               | 1            |         |
|     | 1524 70 401A           | Grille (L.H.D.)               | 1            |         |
| 44  | 0866 56 405            | Rubber, Cushion               | 4            |         |
| 45  | 99864 0412B            | Screw, Grille                 | 4            |         |
|     | 99952 0412B            | Washer, Plain                 | 4            |         |
| 46  | 0866 70 420            | Extractor (R)                 | 1            |         |
|     | 0866 71 420            | Extractor (L)                 | 1            |         |
| 47  | 0866 70 412            | Nut, Spring-Extractor (Sedan) | 6            |         |
| 48  | 99864 0414             | Screw, Extractor              | 4            |         |
| 49  | <del>6223 59 445</del> | <del>Seat, Extractor</del>    | <del>4</del> |         |
| 50  | 0376 70 421            | Frame (R), Extractor (Coupe)  | 1            |         |

# ATTACHMENT (SEDAN & COUPE)

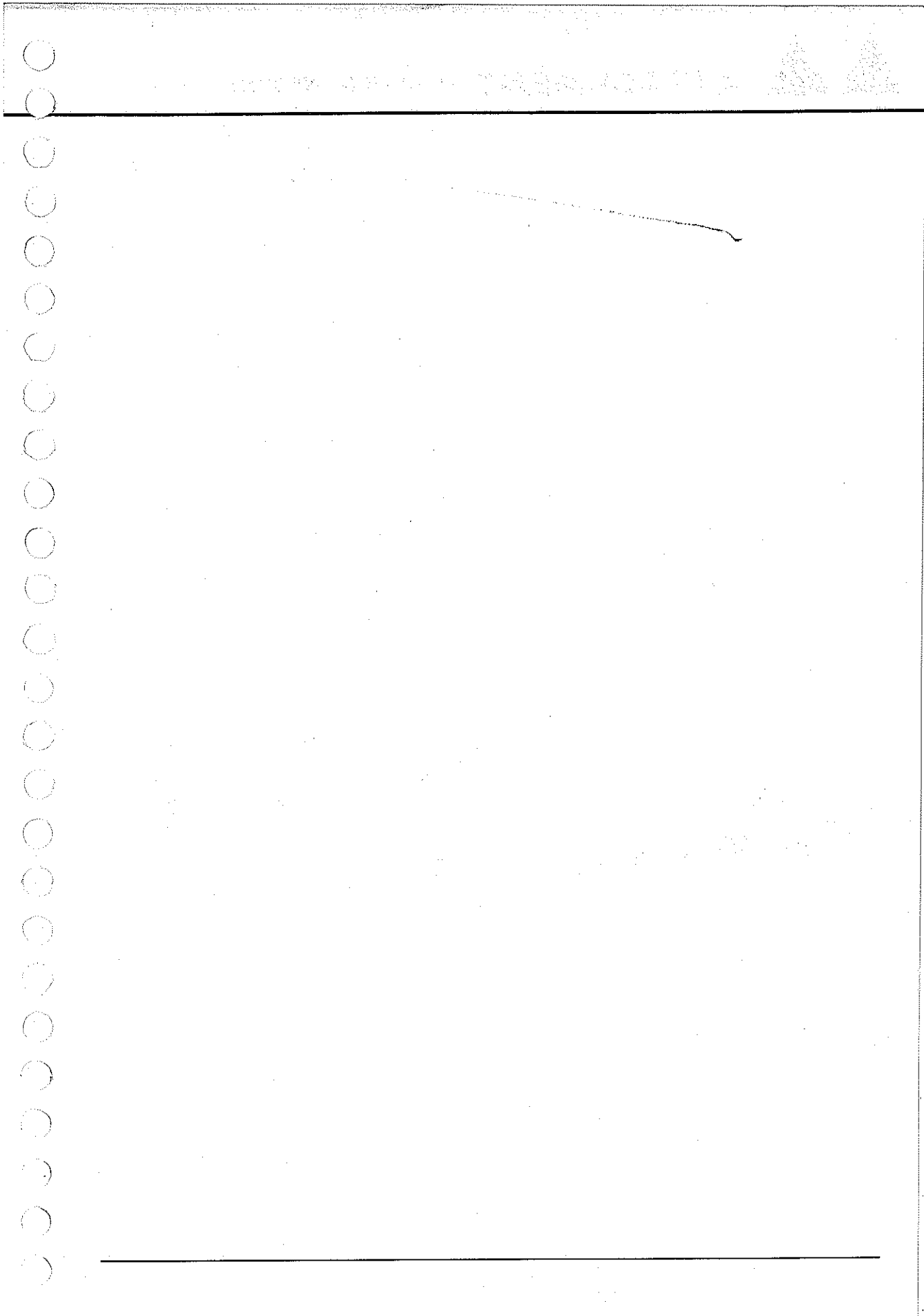


| No. | Part Number            | Description                      | Q'ty         | Remarks                          |
|-----|------------------------|----------------------------------|--------------|----------------------------------|
|     | 0376 71 421            | Frame (L), Extractor             | 1            |                                  |
| 51  | 0376 70 422            | Chamber (R)                      | 1            |                                  |
|     | 0376 71 422            | Chamber (L)                      | 1            |                                  |
| 52  | 99864 0410             | Screw, Frame & Chamber           | 4            |                                  |
| 53  | 0376 70 426            | Gasket                           | 2            |                                  |
| 54  | 0376 70 427            | Pipe                             | 2            | (Coupe)                          |
| 55  | 0376 70 428            | Clip                             | 2            |                                  |
| 56  | <del>0820 56 905</del> | <del>Nut, Spring-Extractor</del> | <del>8</del> |                                  |
| ●   | 0866 70 412            | Nut, Spring-Extractor            | 8            | From Car No. 1                   |
| 57  | 99864 0414             | Screw, Extractor                 | 8            |                                  |
| 58  | 0370 70 431C           | Grille (R), Extractor            | 1            | } (Painted)                      |
|     | 0370 71 431C           | Grille (L), Extractor            | 1            |                                  |
|     | 0866 70 431C           | Grille (R), Extractor            | 1            |                                  |
|     | 0866 70 431D           | Grille (R), Extractor            | 1            | Car No. 138761 $\frac{7}{8}$ ~ ○ |
| ●   | 0866 70 431E           | Grille (R), Extractor (DX.)      | 1            | $\frac{7}{8}$ ~ ○                |
|     | 0866 71 431C           | Grille (L), Extractor            | 1            | (Sedan)                          |
|     | 0866 71 431D           | Grille (L), Extractor            | 1            | Car No. 138761 $\frac{7}{8}$ ~ ○ |
| 59  | 99863 0412B            | Screw, Tapping-Grille            | 2            |                                  |
| 60  | 99863 0425B            | Screw, Tapping-Grille            | 2            |                                  |
| 61  | 0376 70 431A           | Grille, Extractor                | 1            |                                  |



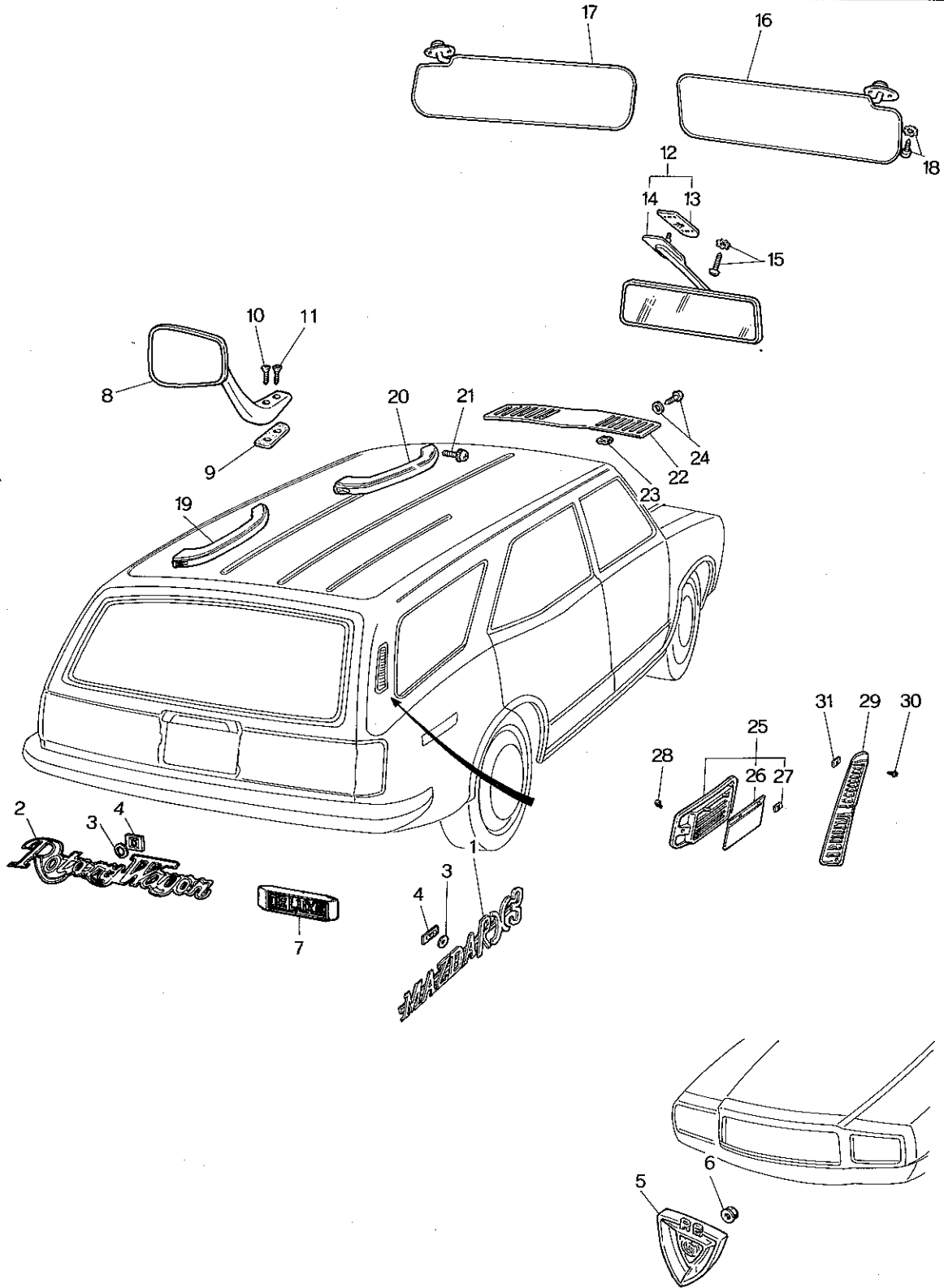
# ATTACHMENT (SEDAN & COUPE)

| No. | Part Number      | Description                               | Qty | Remarks                |
|-----|------------------|---|-----|------------------------|
| ●   | 0376 70 431A00   | Grille, Extractor Gray (Dull Finish)      | 1   |                        |
| ●   | 0376 70 431A02   | Grille, Extractor Gray (Semi Dull Finish) | 1   | Car No. 165313 7/8 ~ X |
|     | 0376 71 431A     | Grille, Extractor Gray                    | 1   | (Coupe)                |
| ●   | 0376 71 431A00   | Grille, Extractor Gray (Dull Finish)      | 1   |                        |
| ●   | 0376 71 431A02   | Grille, Extractor Gray (Semi Dull Finish) | 1   | Car No. 165313 7/8 ~ X |
| 62  | 99864 0416B      | Screw, Tapping - Grille                   | 6   |                        |
| 63  | 0376 70 891 - 00 | Stripe (R), Front Fender                  | 1   | ◎BLUE                  |
|     | 0376 70 891 - 01 | Stripe (R), Front Fender                  | 1   | ◎WHITE                 |
|     | 0376 71 891 - 00 | Stripe (L), Front Fender                  | 1   | ◎BLUE                  |
|     | 0376 71 891 - 01 | Stripe (L), Front Fender                  | 1   | ◎WHITE                 |
| 64  | 0376 70 892A00   | Stripe (R), Front Side Door               | 1   | ◎BLUE                  |
|     | 0376 70 892A01   | Stripe (R), Front Side Door               | 1   | ◎WHITE                 |
|     | 0376 71 892A00   | Stripe (L), Front Side Door               | 1   | ◎BLUE                  |
|     | 0376 71 892A01   | Stripe (L), Front Side Door               | 1   | ◎WHITE                 |



69 ~ 71

# ATTACHMENT (STATION WAGON)



# ATTACHMENT (STATION WAGON)

69

71

| No.  | Part Number  | Description            | Q'ty | Remarks |
|------|--------------|------------------------|------|---------|
| 1    | 1562 69 053  | Name, MAZDA RX-3       | 2    |         |
| 2    | 0899 69 058  | Mark, Rotary Wagon     | 1    |         |
| 3    | 0730 69 057A | Packing                | 9    |         |
| / 4  | 99579 3000   | Nut, Speed             | 9    |         |
| 5    | 0866 69 071A | Emblem, Front          | 1    |         |
| ✓ 6  | 99940 0500   | Nut                    | 1    |         |
| 7    | 0583 69 055  | Ornament, DX           | 1    |         |
| 8    | 1511 69 110B | Mirror (R), Rear View  | 1    |         |
| 9    | 1540 69 101  | Gasket                 | 1    |         |
| ✓ 10 | 99772 0516   | Screw, Mirror          | 1    |         |
| ✓ 11 | 99772 0525   | Screw, Mirror          | 1    |         |
| 12   | 0305 69 170  | Mirror, Interior       | 1    |         |
| 13   | 0305 69 171  | Base                   | 1    |         |
| 14   | 0305 69 180  | Mirror                 | 1    |         |
| 15/  | 99831 0516   | Screw, Interior Mirror | 2    |         |
| ✓    | 99974 0500   | Washer, Toothed        | 2    |         |
| ✓    | 99975 0500   | Washer, Toothed        | 2    |         |



# ATTACHMENT (STATION WAGON)

| No.  | Part Number     | Description                 | Q'ty | Remarks |
|------|-----------------|-----------------------------|------|---------|
| 16   | 0866 69 2100-13 | Visor (R), Sun              | 1    | © Black |
|      | 0866 69 2100-14 | Visor (R), Sun              | 1    | © Grey  |
| 17   | 0866 69 2400-13 | Visor (L), Sun              | 1    | © Black |
|      | 0866 69 2400-14 | Visor (L), Sun              | 1    | © Grey  |
| 18   | ✓ 99837 0516C   | Screw, Sun Visor            | 4    |         |
|      | ✓ 99975 0500    | Washer, Toothed             | 4    |         |
| 19   | 0866 69 910     | Handle, Assist (Rear Side)  | 2    |         |
| 20   | 0866 69 920     | Handle, Assist (Front Side) | 1    |         |
| 21   | ✓ 99838 0620    | Screw, Assist Handle        | 6    |         |
|      | ✓ 99952 0600    | Washer, Plain               | 6    |         |
|      | ✓ 99971 0600    | Washer, Spring              | 6    |         |
| 22   | ✓ 0866 70 401A  | Grille                      | 1    |         |
| J 23 | 0866 56 405     | Cushion, Rubber             | 4    |         |
| 24   | ✓ 99864 0412B   | Screw, Grille               | 4    |         |
|      | ✓ 99952 0412B   | Washer, Plain               | 4    |         |
| 25   | ✓ 0585 79 420A  | Extractor (R)               | 1    |         |
|      | ✓ 0585 71 420A  | Extractor (L)               | 1    |         |
| 26   | ✓ 0585 70 423A  | Valve                       | 2    |         |
| 27   | ✓ 99579 2000    | Nut, Speed-Valve            | 4    |         |



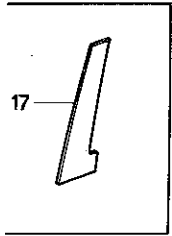
# ATTACHMENT (STATION WAGON)



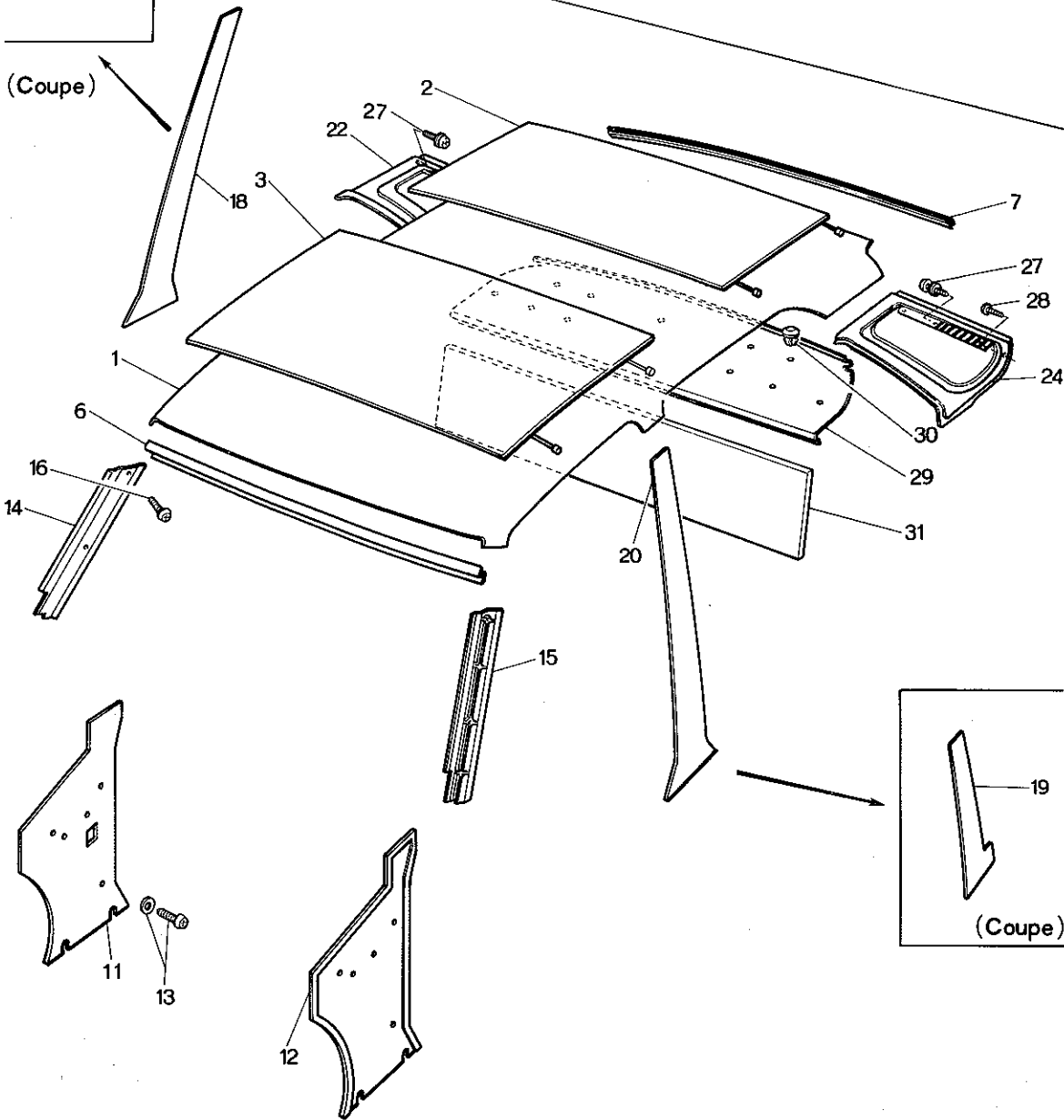
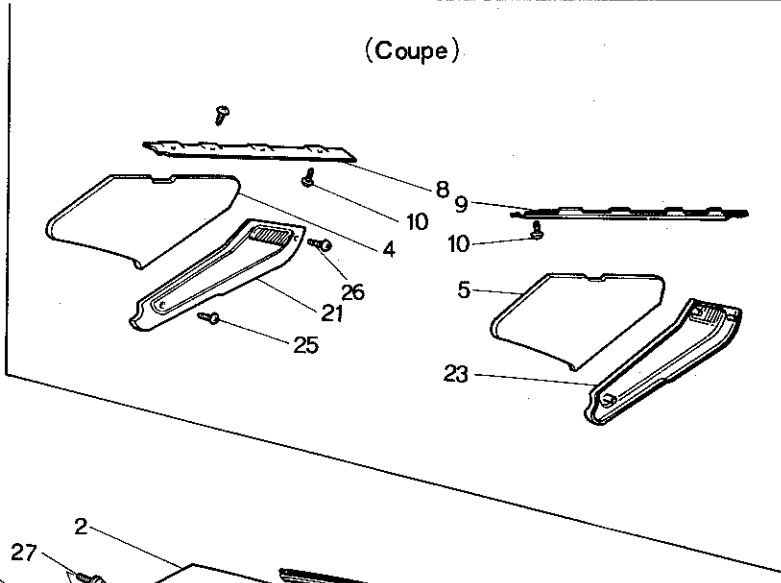
| No. | Part Number   | Description              | Q'ty | Remarks |
|-----|---------------|--------------------------|------|---------|
| 28  | ✓ 99884 0410B | Screw, Tapping-Extractor | 4    |         |
| 29  | ✓ 0899 70 431 | Grille (R)               | 1    |         |
|     | ✓ 0899 71 431 | Grille (L)               | 1    |         |
| 30  | ✓ 99863 0420B | Screw, Tapping-Grille    | 4    |         |
| 31  | ✓ 99896 0400  | Nut, Spring-Grille       | 2    |         |

TOP CEILING & TRIM (SEDAN & COUPE)

(Coupe)



(Coupe)



(Coupe)

# TOP CEILING & TRIM (SEDAN & COUPE)



| No. | Part Number           | Description                    | Q'ty         | Remarks              |
|-----|-----------------------|--------------------------------|--------------|----------------------|
| 1   | 0376 69 290A          | Ceiling, Top (Coupe)           | 1            | ©                    |
|     | 0866 69 290           | Ceiling, Top (Sedan)           | 1            | ©                    |
| 2   | 0259 69 311           | Insulator No. 1                | 1            |                      |
| 3   | 0866 69 311           | Lining, Head                   | 1            |                      |
| 4   | 0376 69 314           | Pad, Rear Pillar (Coupe)       | 2            |                      |
|     | 0376 69 314A          | Pad, Rear Pillar (Coupe)       | 2            | Car No. 150526 7/8~○ |
| 5   | 0866 69 314           | Pad, Rear Pillar (Sedan)       | 2            |                      |
|     | 0866 69 314A          | Pad, Rear Pillar (Sedan)       | 2            | Car No. 150526 7/8~○ |
| 6   | 0376 69 321           | Plate, Fixing-Front (Coupe)    | 1            |                      |
|     | 0866 69 321           | Plate, Fixing-Front (Sedan)    | 1            |                      |
| 7   | 0376 69 341           | Plate, Fixing-Rear (Coupe)     | 1            |                      |
|     | 0866 69 341           | Plate, Fixing-Rear (Sedan)     | 1            |                      |
| 8   | 0376 69 342           | Plate No. 2, Fixing-Rear       | 1            |                      |
| 9   | 0376 69 343           | Plate No. 3, Fixing-Rear       | 1            |                      |
| 10  | 99864 0412            | Screw, Fixing Plate            | 8            | (Coupe)              |
|     | <del>00052 0400</del> | <del>Washer, Plain</del>       | <del>8</del> |                      |
|     | <del>00071 0400</del> | <del>Washer, Spring</del>      | <del>8</del> |                      |
| 11  | 0866 69 360A          | Trim (R), Front Side (R.H.D.)  | 1            | ©                    |
|     | 1524 69 360A          | Trim (R), Front Side (L.H.D.)  | 1            | ©                    |
| 12  | 0866 69 380B          | Trim (L), Front Side (R.H.D.)  | 1            | ©                    |
|     | 1524 69 380A          | Trim (L), Front Side (L.H.D.)  | 1            | ©                    |
| 13  | 99862 0512B           | Screw, Front Side              | 4            |                      |
|     | 99967 0500B           | Washer                         | 4            |                      |
| 14  | 0376 69 411           | Trim (R), Front Pillar (Coupe) | 1            | ©                    |
|     | 0866 69 411           | Trim (R), Front Pillar (Sedan) | 1            | ©                    |
| 15  | 0376 69 431           | Trim (L), Front Pillar (Coupe) | 1            | ©                    |
|     | 0866 69 431           | Trim (L), Front Pillar (Sedan) | 1            | ©                    |
| 16  | 99862 0412B           | Screw, Front Pillar Trim       | 4            |                      |



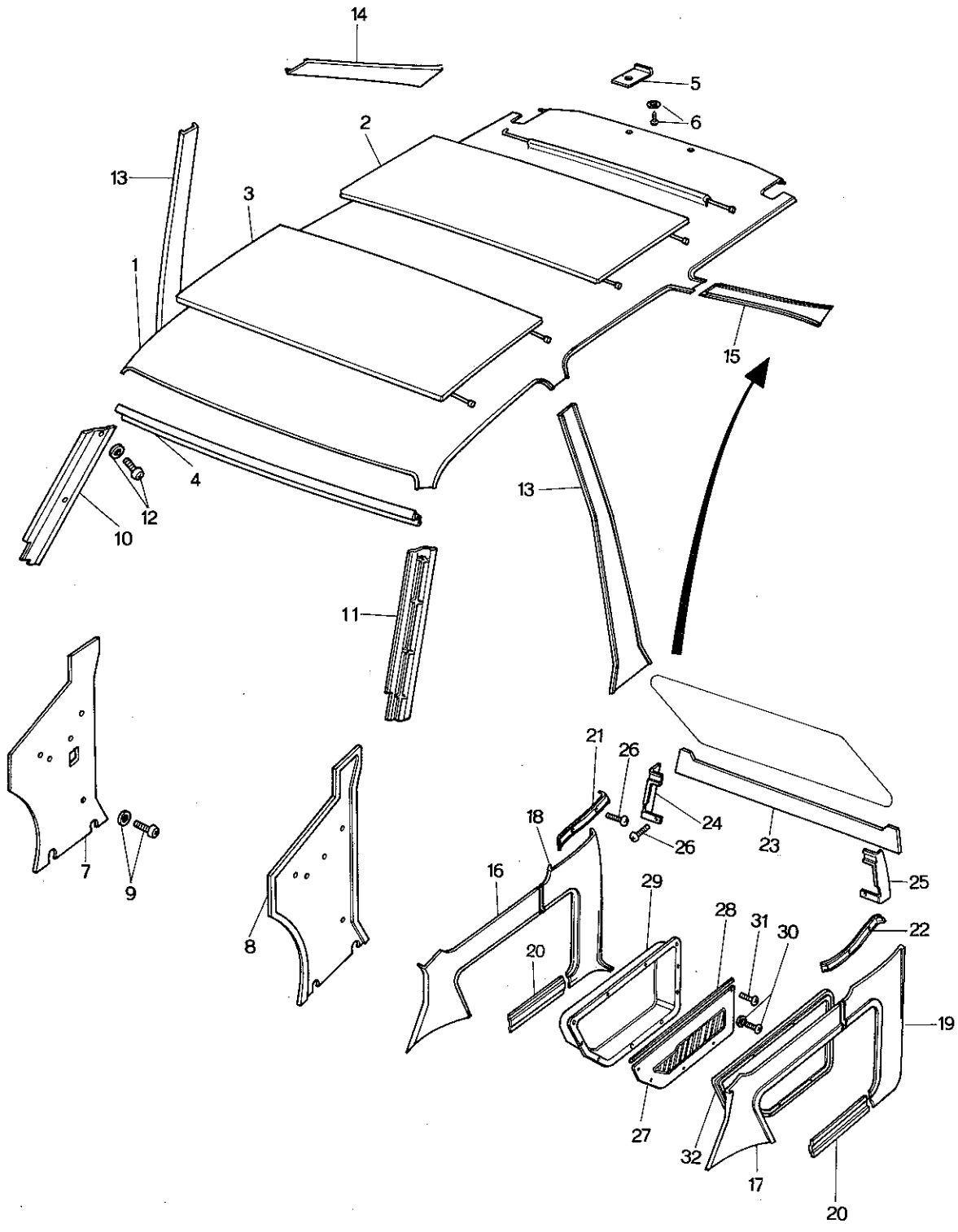
# TOP CEILING & TRIM (SEDAN & COUPE)

| No. | Part Number            | Description                                | Q'ty         | Remarks                              |
|-----|------------------------|--|--------------|--------------------------------------|
|     | 99974 0400             | Washer, Toothed                            | 4            |                                      |
| 17  | 0376 69 462            | Trim (R), Center Pillar (Coupe)            | 2            | Car No. 142300 $\frac{7}{8}$ ~Q'ty © |
|     | 0376 69 462A           | Trim (R), Center Pillar (Coupe)            | 2            | Car No. 150526 $\frac{7}{8}$ ~○ ©    |
| 18  | 0866 69 461 A          | Trim (R), Center Pillar (Sedan)            | 2            | ©                                    |
|     | 0866 69 461B           | Trim (R), Center Pillar (Sedan)            | 2            | Car No. 150526 $\frac{7}{8}$ ~○ ©    |
| 19  | 0376 69 482            | Trim (L), Center Pillar (Coupe)            | 1            | Car No. 142300 $\frac{7}{8}$ ~ ©     |
|     |                        |  |              | Discarded                            |
| 20  | <del>0866 69 481</del> | <del>Trim (L), Center Pillar (Sedan)</del> | <del>1</del> | ©                                    |
| 21  | 0376 69 511            | Trim (R), Rear Pillar (Coupe)              | 1            | ©                                    |
| 22  | 0866 69 511            | Trim (R), Rear Pillar (Sedan)              | 1            | ©                                    |
| 23  | 0376 69 521            | Trim (L), Rear Pillar (Coupe)              | 1            | ©                                    |
| 24  | 0866 69 521            | Trim (L), Rear Pillar (Sedan)              | 1            | ©                                    |
| 25  | 99864 05168            | Screw, Rear Pillar Trim                    | 4            | } (Coupe)                            |
| 26  | 99864 05208            | Screw, Rear Pillar Trim                    | 2            |                                      |
| 27  | 99864 0412             | Screw, Rear Pillar Trim                    | 2            | } (Sedan)                            |
|     | <del>08662 0488E</del> | <del>Washer, Plain</del>                   | <del>4</del> |                                      |
|     | <del>08671 0489</del>  | <del>Washer, Spring</del>                  | <del>4</del> |                                      |
| 28  | 99864 0418             | Screw, Rear Pillar Trim                    | 4            |                                      |
|     | <del>08667 0489A</del> | <del>Washer</del>                          | <del>2</del> |                                      |
| 29  | 0376 69 870B-00        | Trim, Package Tray                         | 1            | } (Coupe) ©                          |
|     | 0870 69 870B-00        | Trim, Package Tray-With Car Stereo Hole    | 1            |                                      |
|     | 0866 69 870C-00        | Trim, Package Tray                         | 1            | } (Sedan) ©                          |
|     | 1524 69 870C-00        | Trim, Package Tray-With Car Stereo Hole    | 1            |                                      |
| 30  | 0866 69 885            | Fastener, Package Tray Trim                | 2            |                                      |
| 31  | 0866 69 894            | Pad, Package Tray                          | 1            |                                      |



[The main body of the page contains extremely faint and illegible text, likely bleed-through from the reverse side of the document.]

**69** TOP CEILING & TRIM (STATION WAGON)



# TOP CEILING & TRIM (STATION WAGON)

**69**

| No. | Part Number     | Description                      | Q'ty | Remarks         |
|-----|-----------------|----------------------------------|------|-----------------|
| 1   | 0585 69 2900-14 | Ceiling, Top                     | 1    | © Grey          |
| 2   | 0585 69 311     | Lining, Head                     | 1    |                 |
| 3   | 0866 69 311     | Lining, Head                     | 1    |                 |
| 4   | 0866 69 321     | Plate, Fixing-Front              | 1    |                 |
| 5   | 0585 69 341B    | Plate, Fixing-Rear               | 2    |                 |
| 6   | √ 99862 0512C   | Screw, Tapping-Rear Fixing Plate | 2    |                 |
|     | √ 99967 0500A   | Washer                           | 2    |                 |
| 7   | 0866 69 360A    | Trim (R), Front Side             | 1    |                 |
| 8   | 0866 69 380B    | Trim (L), Front Side             | 1    |                 |
| 9   | √ 99862 0512B   | Screw, Tapping-Trim              | 4    |                 |
|     | √ 99967 0500B   | Washer                           | 4    |                 |
| 10  | 0866 69 411-00  | Trim (R), Front Pillar           | 1    | © Black         |
| 11  | 0866 69 431-00  | Trim (L), Front Pillar           | 1    | © Black         |
| 12  | √ 99862 0412B   | Screw, Tapping-Trim              | 4    |                 |
| 13  | 0866 69 461B-03 | Trim, Center                     | 2    | © Black         |
|     | 0866 69 461B-12 | Trim, Center                     | 2    | © Brown         |
|     | 0866 69 461B-13 | Trim, Center                     | 2    | © Grey / Yellow |
| 14  | 0899 69 561C-14 | Trim (R), Quarter                | 1    | © Grey          |
| 15  | 0899 69 571C-14 | Trim (L), Quarter                | 1    | © Grey          |
| 16  | 0899 69 711B-03 | Trim No. 1 (R), Rear Side        | 1    | © Black         |



# TOP CEILING & TRIM (STATION WAGON)

| No. | Part Number     | Description                 | Q'ty | Remarks         |
|-----|-----------------|-----------------------------|------|-----------------|
|     | 0899 69 711B-12 | Trim No. 1 (R), Rear Side   | 1    | © Brown         |
|     | 0899 69 711B-13 | Trim No. 1 (R), Rear Side   | 1    | © Grey / Yellow |
| 17  | 0899 69 712B-03 | Trim No. 1 (L), Rear Side   | 1    | © Black         |
|     | 0899 69 712B-12 | Trim No. 1 (L), Rear Side   | 1    | © Brown         |
|     | 0899 69 712B-13 | Trim No. 1 (L), Rear Side   | 1    | © Grey / Yellow |
| 18  | 0899 69 713A-03 | Trim No. 2 (R), Rear Side   | 1    | © Black         |
|     | 0899 69 713A-12 | Trim No. 2 (R), Rear Side   | 1    | © Brown         |
|     | 0899 69 713A-13 | Trim No. 2 (R), Rear Side   | 1    | © Grey / Yellow |
| 19  | 0899 69 714A-03 | Trim No. 2 (L), Rear Side   | 1    | © Black         |
|     | 0899 69 714A-12 | Trim No. 2 (L), Rear Side   | 1    | © Brown         |
|     | 0899 69 714A-13 | Trim No. 2 (L), Rear Side   | 1    | © Grey / Yellow |
| 20  | 0899 69 715A-03 | Trim, Rear Side-Lower       | 2    | © Black         |
|     | 0899 69 715A-12 | Trim, Rear Side-Lower       | 2    | © Brown         |
|     | 0899 69 715A-13 | Trim, Rear Side-Lower       | 2    | © Grey / Yellow |
| 21  | 0899 69 717A    | Garnish (R), Rear Side Trim | 1    |                 |
| 22  | 0899 69 718A    | Garnish (L), Rear Side Trim | 1    |                 |
| 23  | 0899 69 721B-03 | Trim, Back Door-Upper       | 1    | © Black         |
|     | 0899 69 721B-12 | Trim, Back Door-Upper       | 1    | © Brown         |
|     | 0899 69 721B-13 | Trim, Back Door-Upper       | 1    | © Grey / Yellow |
| 24  | 0899 69 723B    | Garnish (R), Back Door Trim | 1    |                 |

*See  
p. 23*



# TOP CEILING & TRIM (STATION WAGON)



| No. | Part Number       | Description                    | Q'ty | Remarks          |
|-----|-------------------|--------------------------------|------|------------------|
| 25  | 0899 69 724B      | Garnish (L), Back Door Trim    | 1    |                  |
| 26  | ✓ 99864 0410C     | Screw, Tapping-Garnish         | 6    |                  |
| 27  | ✓ 0899 70 911C-03 | Trim (R), Side                 | 1    | © Black          |
|     | ✓ 0899 70 911C-12 | Trim (R), Side                 | 1    | © Brown          |
|     | ✓ 0899 70 911C-13 | Trim (R), Side                 | 1    | © Grey / Yellow  |
| 28  | ✓ 0585 70 912B    | Moulding, Side Pocket          | 1    |                  |
| 29  | ✓ 0585 70 921B    | Pocket, Side                   | 1    |                  |
| 30  | ✓ 99862 0416B     | Screw, Tapping-Side Pocket     | 17   | Selective use    |
|     | ✓ 99862 0416C     | Screw, Tapping-Side Pocket     |      |                  |
|     | ✓ 99867 0400A     | Washer                         | 17   | Selective use    |
|     | ✓ 99867 0400B     | Washer                         |      |                  |
| 31  | ✓ 99864 0420C     | Screw, Tapping-Side Pocket (R) | 2    |                  |
| 32  | ✓ 0899 71 911C-03 | Trim (L), Side                 | 1    | © Black          |
|     | ✓ 0899 71 911C-12 | Trim (L), Side                 | 1    | © Brown          |
|     | ✓ 0899 71 911C-13 | Trim (L), Side                 | 1    | © Greyish Yellow |

L/m 7.2.75.

|     |      |    |         |              |        |   |              |
|-----|------|----|---------|--------------|--------|---|--------------|
| 18. | 0899 | 69 | 710     | Outside trim | BLK    | 1 |              |
|     | 0899 | 69 | 710A03  |              |        | 1 | ~ Δ - 74/12. |
|     | 0899 | 69 | 710 13  |              | gr/ylw | 1 |              |
|     | 0899 | 69 | 710 A13 |              |        | 1 | ~ Δ - 74/12. |
|     | 0899 | 69 | 710 35  |              | BRN    | 1 |              |
|     | 0899 | 69 | 710A35  |              |        | 1 | ~ Δ - 74/12. |
| 19. | 0899 | 69 | 730 03  |              | BLK    | 1 |              |
|     | 0899 | 69 | 730A03  |              |        | 1 | ~ Δ - 74/12. |
|     | 0899 | 69 | 730 13  |              | gr/ylw | 1 |              |
|     | 0899 | 69 | 730A 13 |              |        | 1 | ~ Δ - 74/12. |

Supplementary Page

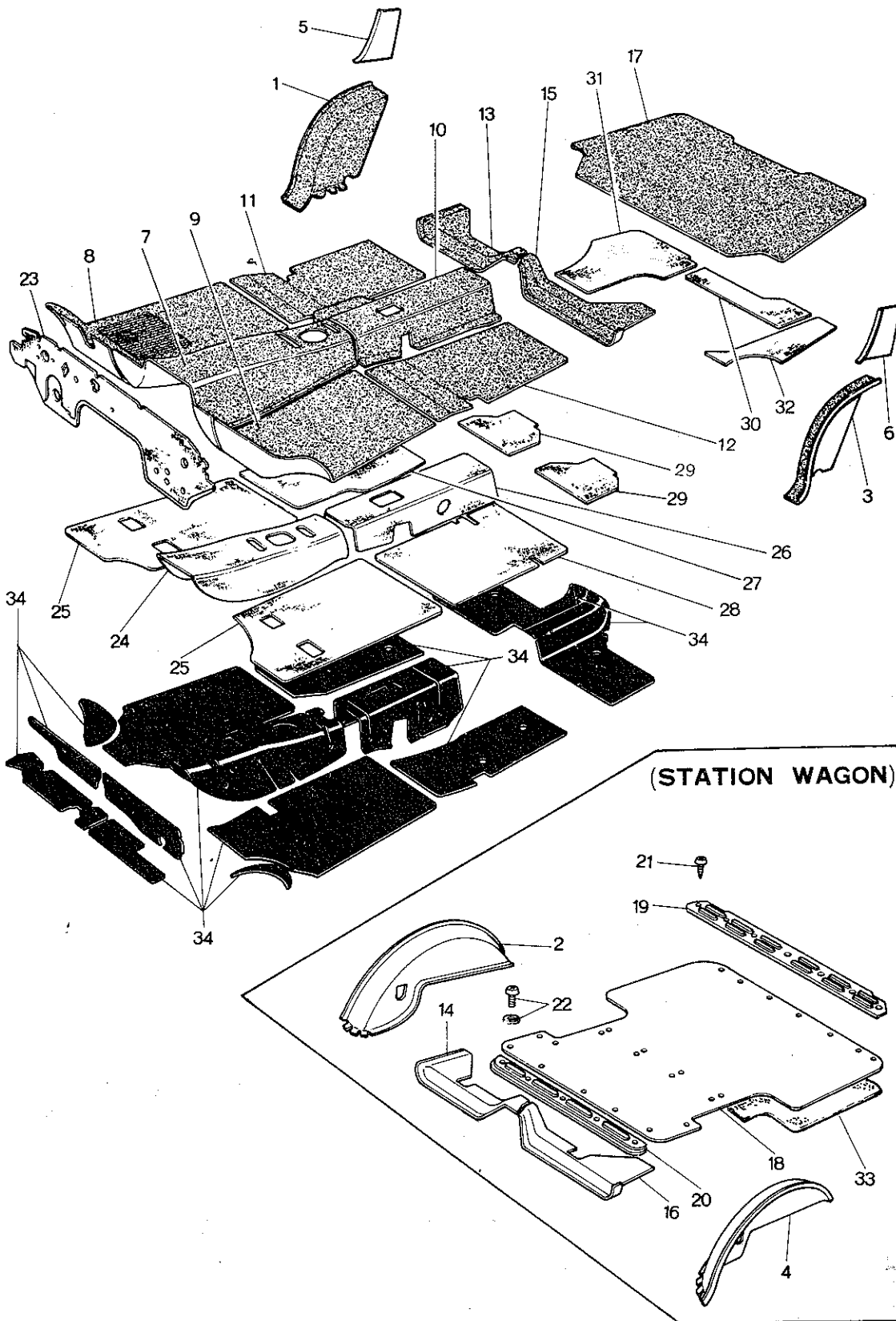
- 241-D -

RX-3 Sedan & Coupe (Vol. 1) Jan. 1973

0899 69 730 35  
0899 69 730 A35

- BRN 1 - Δ - 74/12.

# FLOOR MAT & TRIM



# FLOOR MAT & TRIM

69

| No.   | Part Number             | Description                          | Q'ty         | Remarks                               |
|---|-------------------------|--------------------------------------|--------------|---------------------------------------|
| When ordering the following trims<br>Add color code nos. given below after parts number<br>-03 (Black) -12 (Brown) -13 (Greyish Yellow) |                         |                                      |              |                                       |
| 1   | 0866 69 541             | Trim (R), Tire House (Sedan & Coupe) | 1            | ©                                     |
| ● 2   | 0899 69 541A            | Trim (R), Tire House (Station Wagon) | 1            | ©                                     |
| 3   | 0866 69 542             | Trim (L), Tire House (Sedan & Coupe) | 1            | ©                                     |
| ● 4   | 0899 69 543A            | Trim (L), Tire House (Station Wagon) | 1            | ©                                     |
| 5   | 0866 69 543             | Trim (R), Rear Seat Side             | 1            | ©                                     |
|   | 0866 69 543A            | Trim (R), Rear Seat Side             | 1            | Car No. 149635 7/8 ~ ○ ✓ ©            |
|   |                         | (Sedan)                              |              |                                       |
| 6   | 0866 69 544             | Trim (L), Rear Seat Side             | 1            | ©                                     |
|   | 0866 69 544A            | Trim (L), Rear Seat Side             | 1            | Car No. 149635 7/8 ~ ○ ✓ ©            |
| When ordering the following mat (Carpet)<br>Add color code nos. given below after parts number<br>-32 (Yellowish Green) -34 (Black)     |                         |                                      |              |                                       |
| 7   | 0378 69 611             | Mat (Frt., C)                        | 1            | ©                                     |
| ●   | <del>0378 69 611A</del> | <del>Mat (Frt., C)</del> (Automatic) | <del>1</del> | <del>Car No. 152816 7/8 ~ ○ ✓ ©</del> |
| ●   | 0378 69 611B            | Mat (Frt., C)                        | 1            | Car No. 152816 7/8 ~ ○ ✓ ©            |
|   |                         | (R.H.D.)                             |              |                                       |
|   | 0866 69 611             | Mat (Frt., C)                        | 1            | ©                                     |
|   | 0866 69 611A            | Mat (Frt., C) (Manual)               | 1            | Car No. 152816 7/8 ~ ○ ✓ ©            |
|   | 0585 69 611-05          | Mat (Frt., C) Vinyl                  | 1            | ©                                     |

# FLOOR MAT & TRIM

| No.  | Part Number     | Description                  | Q'ty | Remarks                           |
|------|-----------------|------------------------------|------|-----------------------------------|
|      | 1524 69 611     | Mat (Frnt., C) (L.H.D.)      | 1    | ©                                 |
| 8    | 0378 69 612A    | Mat (Frnt., R) (Automatic)   | 1    | ©                                 |
|      | 0866 69 612A    | Mat (Frnt., R)               | 1    | ©                                 |
|      | 0585 69 612-05  | Mat (Frnt., R) Vinyl         |      |                                   |
|      |                 | (Manual) (R.H.D.)            |      |                                   |
|      | 1524 69 612     | Mat (Frnt., R) (L.H.D.)      | 1    | ©                                 |
| 9    | 0378 69 613A    | Mat (Frnt., L) (Automatic)   | 1    | ©                                 |
|      | 0866 69 613A    | Mat (Frnt., L)               | 1    | ©                                 |
|      | 0585 69 613-05  | Mat (Frnt., L) Vinyl         |      |                                   |
|      |                 | (Manual) (R.H.D.)            |      |                                   |
|      | 1524 69 613     | Mat (Frnt., L) (L.H.D.)      | 1    | ©                                 |
| 10   | 0866 69 616A    | Mat (Rr., C)                 | 1    | ©                                 |
|      | 0585 69 616A-05 | Mat (Rr., C) Vinyl           | 1    | ©                                 |
| 11   | 0866 69 617     | Mat (Rr., R)                 | 1    | ©                                 |
|      | 0585 69 617-05  | Mat (Rr., R) Vinyl           | 1    | ©                                 |
| 12   | 0866 69 618     | Mat (Rr., L)                 | 1    | ©                                 |
|      | 0585 69 618-05  | Mat (Rr., L) Vinyl           | 1    | ©                                 |
| 13   | 0866 69 625-05  | Mat (R), End                 | 1    | ©                                 |
|      |                 | (Sedan & Coupe)              |      |                                   |
|      | 0866 69 625A-05 | Mat (R), End                 | 1    | Car No. 127396 $\frac{7}{12}$ ~ ○ |
| ● 14 | 0585 69 625C-05 | Mat (R), End (Station Wagon) | 1    | ©                                 |
| 15   | 0866 69 626-05  | Mat (L), End                 | 1    | ©                                 |
|      |                 | (Sedan & Coupe)              |      |                                   |
|      | 0866 69 626A-05 | Mat (L), End                 | 1    | Car No. 127396 $\frac{7}{12}$ ~ ○ |

# FLOOR MAT & TRIM

69

| No. | Part Number     | Description                              | Q'ty | Remarks                          |                                  |
|-----|-----------------|--|------|----------------------------------|----------------------------------|
| 16  | 0585 69 626 C05 | Mat (L), End (Station Wagon)             | 1    | ©                                |                                  |
| 17  | 0866 69 627-10  | Mat, Trunk Room (Sedan & Coupe)          | 1    | ©                                |                                  |
|     | 1881 69 627-10  | Mat, Trunk Room (Sedan & Coupe) (L.H.D.) | 1    | Car No. 179250 $\frac{7}{8}$ ~ ○ |                                  |
| 18  | 0899 69 627 C   | Mat, Trunk Room (Station Wagon)          | 1    | ©                                |                                  |
| 19  | 0585 69 628 E   | Plate No. 1, Seat-Mat Rear               | 1    |                                  |                                  |
|     | 0585 69 628 F   | Plate No. 1, Seat-Mat Rear               | 1    |                                  | Car No. 170670 $\frac{7}{8}$ ~ ○ |
| 20  | 0585 69 629 B   | Plate No. 2, Seat-Mat Front              | 1    |                                  |                                  |
| 21  | 99861 0410      | Screw, Tapping-Trunk Room Mat            | 5    |                                  |                                  |
|     | 99864 0410      | Screw                                    | 8    | (Station Wagon)                  |                                  |
|     | 99864 0412 C    | Screw                                    | 7    |                                  |                                  |
| 22  | 99861 0410 B    | Screw, Tapping-Trunk Room Mat            | 4    |                                  |                                  |
|     | 99967 0400 B    | Washer                                   | 4    |                                  |                                  |
| 23  | 0866 69 660 C   | Insulator                                | 1    | } (R.H.D.)                       |                                  |
|     | 0866 69 660 D   | Insulator                                | 1    |                                  | Car No. 150526 $\frac{7}{8}$ ~ ○ |
|     | 1562 69 660 A   | Insulator                                | 1    | } (L.H.D.)                       |                                  |
|     | 1562 69 660 B   | Insulator                                | 1    |                                  | Car No. 135734 $\frac{7}{8}$ ~ ○ |
|     | 1562 69 660 C   | Insulator                                | 1    |                                  | Car No. 140779 $\frac{7}{8}$ ~ ○ |
|     | 1562 69 660 D   | Insulator                                | 1    |                                  | Car No. 150526 $\frac{7}{8}$ ~ ○ |
|     | 1562 69 660 F   | Insulator                                | 1    | Car No. 179250 $\frac{7}{8}$ ~ △ |                                  |
| 24  | 0378 69 683     | Pad (Frt., C) (Automatic)                | 1    |                                  |                                  |

## FLOOR MAT &amp; TRIM

| No. | Part Number              | Description                          | Q'ty         | Remarks                   |
|-----|--------------------------|--------------------------------------|--------------|---------------------------|
|     | <del>0378 69 683B</del>  | <del>Pad (Frt., C) (Automatic)</del> | <del>1</del> | <del>Car No. 7/9 ~○</del> |
|     | 0378 69 683C             | Pad (Frt., C) (Automatic)            | 1            | Car No. 152816 7/9 ~○     |
|     | 0866 69 683              | Pad (Frt., C)                        | 1            |                           |
|     | 0866 69 683B             | Pad (Frt., C) } (Manual)             | 1            | Car No. 152816 7/9 ~○     |
| 25  | 0866 69 684              | Pad (Frt.) (Manual)                  | 2            |                           |
|     | 0866 69 684 A            | Pad (Frt.) (Manual)                  | 2            | Car No. 176736 7/4 ~△     |
| ●   | 0866 69 684 B            | Pad (Frt.) (Manual)                  | 2            | 7/4 ~○                    |
|     | <del>0870 69 684</del>   | <del>Pad (Frt., R)</del>             | <del>1</del> | <del>+</del>              |
|     | 0871 69 684              | Pad (Frt., R)                        | 1            | From Car No. 1            |
| ●   | 0871 69 684 A            | Pad (Frt., R) } (Automatic)          | 1            | 7/4 ~○                    |
|     | 0871 69 685              | Pad (Frt., L)                        | 1            |                           |
| ●   | 0871 69 685 A            | Pad (Frt., L)                        | 1            | 7/4 ~○                    |
| 26  | 0866 69 687 A            | Pad (Rr., C)                         | 1            |                           |
|     | <del>0866 69 687 B</del> | <del>Pad (Rr., C)</del>              | <del>1</del> | <del>Car No. 7/9 ~○</del> |
| 27  | 0866 69 688              | Pad (Rr., R)                         | 1            |                           |
| 28  | 0866 69 689              | Pad (Rr., L)                         | 1            |                           |
| 29  | 0866 69 692              | Pad, End                             | 2            |                           |
| 30  | 0866 69 696              | Pad (C), Trunk Room                  | 1            |                           |
| 31  | 0866 69 697              | Pad (R), Trunk Room                  | 1            |                           |
| 32  | 0866 69 698              | Pad (L), Trunk Room                  | 1            |                           |
| 33  | 0899 69 696 A            | Pad, Trunk (Station Wagon)           | 1            |                           |
| 34  | 0208 76 071              | Silencer, Floor (Revised Piece)      | 1            |                           |

A 30cm square object in sheet form is supplied  
under part no. 0208 76 071  
(Floor Silencer Revised Piece).

NOTA: ITA

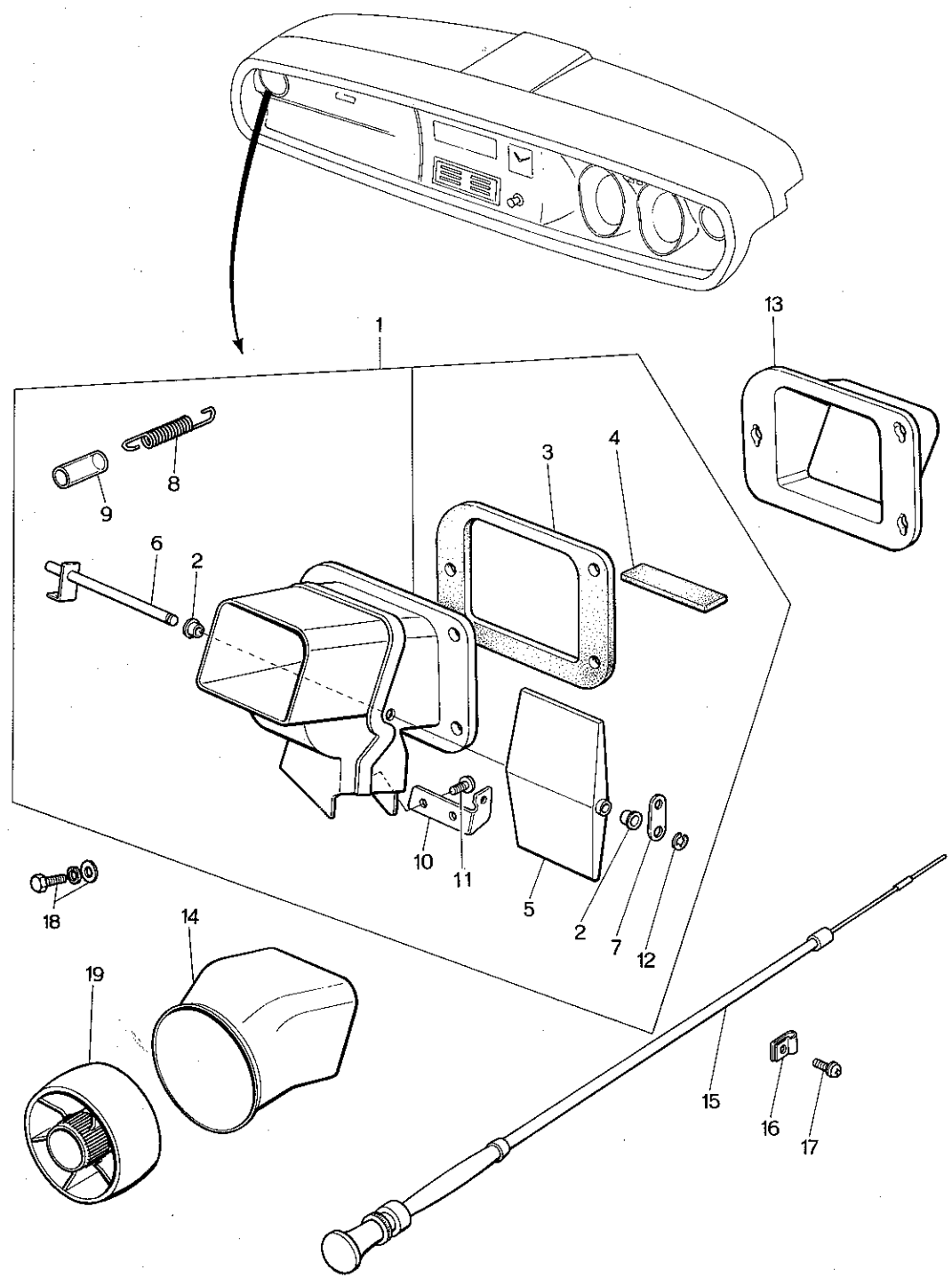


(

70

71

# VENTILATOR





# VENTILATOR

70

71

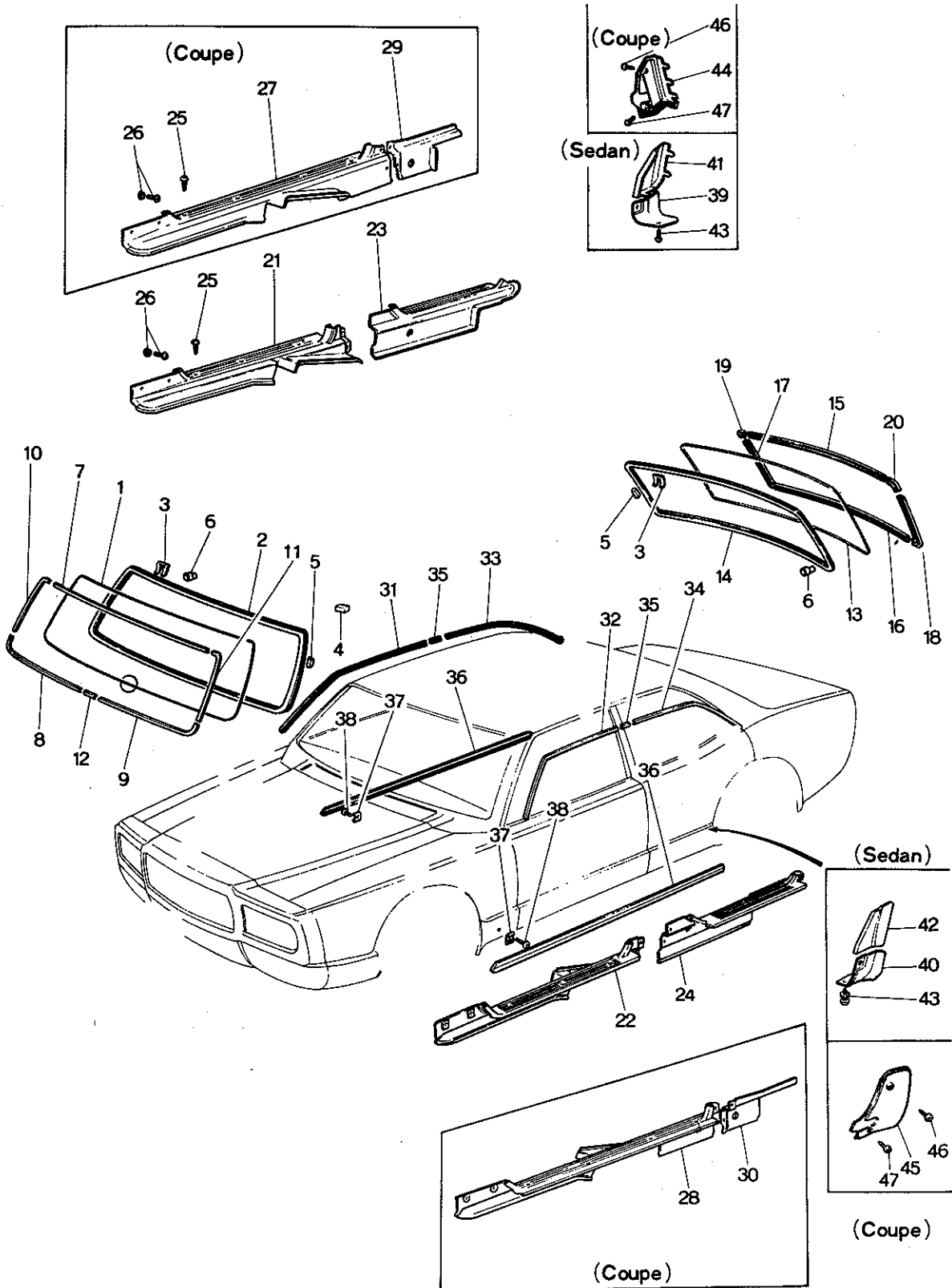
| No. | Part Number   | Description               | Q'ty | Remarks                       |
|-----|---------------|---------------------------|------|-------------------------------|
| 1   | 0866 70 310A  | Ventilator (R)            | 1    |                               |
| ✓●  | 0866 70 310 B | Ventilator (R)            | 1    | Car No. 159525 7/11~○         |
|     | 0866 71 310A  | Ventilator (L)            | 1    |                               |
| ✓●  | 0866 71 310 B | Ventilator (L)            | 1    | Car No. 159525 7/11~○         |
| 2   | 0317 70 307   | Bush                      | 4    |                               |
| 3   | 0866 70 313   | Gasket                    | 2    |                               |
| 4   | 0866 70 314   | Cushion                   | 2    | Car No. 146702 7/5~Discarded  |
| 5   | 0866 70 320   | Flap                      | 2    |                               |
| 6   | 0866 70 330   | Lever                     | 2    |                               |
|     | 0866 70 330A  | Lever                     | 2    | Car No. 146702 7/5~×          |
| 7   | 0866 70 341   | Lever                     | 2    |                               |
|     | 0866 70 341A  | Lever                     | 2    | Car No. 146702 7/5~×          |
| 8   | 0866 70 342   | Spring                    | 2    |                               |
| 9   | 99335 08003   | Pipe                      | 2    |                               |
| 10  | 0866 70 343   | Bracket (R)               | 1    |                               |
|     | 0866 71 343   | Bracket (L)               | 1    |                               |
| 11  | 99884 0410    | Screw, Tapping            | 4    |                               |
| 12  | 99576 0400    | Ring, Snap                | 2    |                               |
| Ⓝ   | 0866 70 365   | Holder, Spring            | 2    | Car No. 146702 7/5~Added Anew |
| Ⓝ   | 0866 70 366   | Roller                    | 2    |                               |
| Ⓝ   | 0866 70 367   | Spring                    | 2    |                               |
| 13  | 0866 70 351   | Gasket (R)                | 1    |                               |
|     | 0866 71 351   | Gasket (L)                | 1    |                               |
| 14  | 0866 70 352   | Duct (R), Ventilator      | 1    |                               |
|     | 0866 71 352   | Duct (L), Ventilator      | 1    |                               |
| 15  | 0866 70 360 A | Wire, Ventilator Control  | 2    |                               |
|     | 0866 70 360B  | Wire, Ventilator Control  | 2    | Car No. 146702 7/5~×          |
| ✓●  | 0866 70 360C  | Wire, Ventilator Control  | 2    | Car No. 159525 7/11~○         |
| 16  | 0305 70 395B  | Clamp, Wire               | 2    |                               |
|     | 0866 70 395   | Clamp, Wire               | 2    | Car No. 146702 7/5~△          |
| 17  | 908332 4 10   | Screw Set, Control Knob   | 2    |                               |
| 18  | 99785 0620    | Bolt, Ventilator & Gasket | 3    |                               |
|     | 99952 0600    | Washer, Plain             | 3    |                               |
|     | 99971 0800    | Washer, Spring            | 3    |                               |
| 19  | 0866 70 371   | Louver                    | 2    |                               |

70

71

# WINDOW GLASS & MOULDING

(SEDAN & COUPE)



# WINDOW GLASS & MOULDING

(SEDAN & COUPE)



| No. | Part Number   | Description                                  | Q'ty      | Remarks                                       |
|-----|---------------|--|-----------|---|
| 1   | 0368 70 441   | Glass, Front Window (Transparent)            | 1         |   |
|     | 0370 70 441   | Glass, Front Window (Blue Pane)              | (Sedan) 1 |   |
|     | 1531 70 441   | Glass, Front Window (Transparent) H.P.R.)    | 1         |   |
|     | 0374 70 441   | Glass, Front Window (Transparent)            | 1         |   |
|     | 0376 70 441   | Glass, Front Window (Blue Pane)              | (Coupe) 1 |   |
|     | 1568 70 441   | Glass, Front Window (Transparent H.P.R.)     | 1         |   |
| 2   | 0305 70 443B  | Dam, Front Window Glass                      | 1         |   |
| 3   | 0305 70 445B  | Clip, Front Window...19, Back Window...17 36 |           |   |
| •   | 1011 60 506 A | Clip, Front Window...19, Back Window...17 36 |           | $\frac{7}{10} \sim \bigcirc$                  |
| 4   | 0305 70 447B  | Spacer "A"                                   | 4         |   |
| 5   | 0305 70 448A  | Spacer "B"                                   | 4         |   |
| •   | Ⓝ 0839 70 449 | Spacer "C"                                   | 4         | Car No. 160623 $\frac{7}{10} \sim$ Added Anew |
| 6   | 0305 53 999   | Stud, Front Window...19, Back Window...17 36 |           |   |
| 7   | 0376 70 451   | Mould, Upper-Front (Coupe)                   | 1         |   |
|     | 0376 70 451 A | Mould, Upper-Front (Coupe)                   | 1         | Car No. 132009 $\frac{7}{12} \sim \triangle$  |
| •   | 0376 99 741   | Mould, Upper Set (Coupe)                     | 1         | $\frac{7}{2} \sim \bigcirc$                   |
|     | 0866 70 451   | Mould, Upper-Front (Sedan)                   | 1         |   |
|     | 0866 70 451 A | Mould, Upper-Front (Sedan)                   | 1         | Car No. 133994 $\frac{7}{1} \sim \triangle$   |
| •   | 0866 99 741   | Mould, Upper Set (Sedan)                     | 1         | $\frac{7}{2} \sim \bigcirc$                   |
| 8   | 0866 70 452   | Mould, Lower (R)-Front                       | 1         |   |



# WINDOW GLASS & MOULDING

(SEDAN & COUPE)

| No. | Part Number  | Description  | Q'ty         | Remarks                          |
|-----|--------------|--|--------------|----------------------------------|
|     | 0866 70 452A | Mould, Lower (R)-Front                                       | 1            | Car No. 133994 $\frac{7}{8}$ ~△  |
| ●   | 0866 99 742  | Mould, Lower Set   | 1            | $\frac{7}{8}$ ~○                 |
| 9   | 0866 71 452  | Mould, Lower (L)-Front                                       | 1            |                                  |
|     | 0866 71 452A | Mould, Lower (L)-Front                                       | 1            | Car No. 133994 $\frac{7}{8}$ ~△  |
| ●   | 0866 99 745  | Mould, Lower Set   | 1            | $\frac{7}{8}$ ~○                 |
| 10  | 0376 70 453  | Mould (R), Front (Coupe)                                     | 1            |                                  |
|     | 0376 70 453A | Mould (R), Front (Coupe)                                     | 1            | Car No. 132009 $\frac{7}{12}$ ~△ |
| ●   | 0376 99 743  | Mould Set (Coupe)  | 1            | $\frac{7}{8}$ ~○                 |
|     | 0866 70 453  | Mould (R), Front (Sedan)                                     | 1            |                                  |
|     | 0866 70 453A | Mould (R), Front (Sedan)                                     | 1            | Car No. 133994 $\frac{7}{8}$ ~△  |
| ●   | 0866 99 743  | Mould Set (Sedan)  | 1            | $\frac{7}{8}$ ~○                 |
| 11  | 0376 71 453  | Mould (L), Front (Coupe)                                     | 1            |                                  |
|     | 0376 71 453A | Mould (L), Front (Coupe)                                     | 1            | Car No. 132009 $\frac{7}{12}$ ~△ |
| ●   | 0376 99 744  | Mould Set (Coupe)  | 1            | $\frac{7}{8}$ ~○                 |
|     | 0866 71 453  | Mould (L), Front (Sedan)                                     | 1            |                                  |
|     | 0866 71 453A | Mould (L), Front (Sedan)                                     | 1            | Car No. 133994 $\frac{7}{8}$ ~△  |
| ●   | 0866 99 744  | Mould Set (Sedan)  | 1            | $\frac{7}{8}$ ~○                 |
| 12  | 0866 70 454  | Joint, Front Mould   | 1            |                                  |
| 13  | 1510 70 471  | Glass, Back Window (Transparent 5 mm)                        | 1<br>(Sedan) |                                  |
|     | 1511 70 471  | Glass, Back Window (Transparent 5 mm)<br>(With Heating Wire) |              | 1                                |

# WINDOW GLASS & MOULDING

(SEDAN & COUPE)



| No. | Part Number   | Description  | Q'ty | Remarks             |
|-----|---------------|--|------|---------------------|
|     | 1523 70 471   | Glass, Back Window (Transparent 4 mm)                        | 1    |                     |
| ●   | 1523 70 471 A | Glass, Back Window (Transparent 4 mm)                        | 1    | $\frac{73}{10}$ ~ ○ |
|     | 1524 70 471   | Glass, Back Window (Transparent 4 mm)<br>(With Heating Wire) | 1    |                     |
| ●   | 1524 70 471 A | Glass, Back Window (Transparent 4 mm)<br>(With Heating Wire) | 1    | $\frac{73}{10}$ ~ ○ |
|     | 1534 70 471   | Glass, Back Window (Blue Pane 4 mm)<br>(With Heating Wire)   | 1    |                     |
| ●   | 1534 70 471 A | Glass, Back Window (Blue Pane 4 mm)<br>(With Heating Wire)   | 1    | $\frac{73}{10}$ ~ ○ |
|     | 1535 70 471   | Glass, Back Window (Blue Pane 4 mm)                          | 1    |                     |
| ●   | 1535 70 471 A | Glass, Back Window (Blue Pane 4 mm)                          | 1    | $\frac{73}{10}$ ~ ○ |
|     | 0374 70 471   | Glass, Back Window (Transparent 4 mm)                        | 1    |                     |
| ●   | 0374 70 471 A | Glass, Back Window (Transparent 4 mm)                        | 1    | $\frac{73}{10}$ ~ ○ |
|     | 0375 70 471   | Glass, Back Window (Blue Pane 4 mm)                          | 1    |                     |
| ●   | 0375 70 471 A | Glass, Back Window (Blue Pane 4 mm)                          | 1    | $\frac{73}{10}$ ~ ○ |
|     | 0376 70 471   | Glass, Back Window (Blue Pane 4 mm)<br>(With Heating Wire)   | 1    |                     |
| ●   | 0376 70 471 A | Glass, Back Window (Blue Pane 4 mm)<br>(With Heating Wire)   | 1    | $\frac{73}{10}$ ~ ○ |
|     | 1514 70 471   | Glass, Back Window (Transparent 5 mm)                        | 1    |                     |
|     | 1554 70 471   | Glass, Back Window (Transparent 5 mm)<br>(With Heating Wire) | 1    |                     |
|     | 1562 70 471   | Glass, Back Window (Transparent 4 mm)<br>(With Heating Wire) | 1    |                     |
| ●   | 1562 70 471 A | Glass, Back Window (Transparent 4 mm)<br>(With Heating Wire) | 1    | $\frac{73}{10}$ ~ ○ |
| 14  | 0866 70 473   | Dam, Back Window Glass                                       | 1    |                     |
| 15  | 0376 70 481   | Mould, Upper - Rear. (Coupe)                                 | 1    |                     |

(Sedan)

(Coupe)



# WINDOW GLASS & MOULDING

(SEDAN & COUPE)

| No. | Part Number   | Description                 | Q'ty | Remarks                          |
|-----|---------------|-----------------------------|------|----------------------------------|
|     | 0376 70 481 A | Mould, Upper-Rear (Coupe)   | 1    | Car No. 132009 $\frac{7}{12}$ ~△ |
| ●   | 0376 99 746   | Mould, Upper Set (Coupe)    | 1    | $\frac{7}{2}$ ~○                 |
|     | 0866 70 481   | Mould, Upper-Rear (Sedan)   | 1    |                                  |
|     | 0866 70 481 A | Mould, Upper-Rear (Sedan)   | 1    | Car No. 133994 $\frac{7}{1}$ ~△  |
| ●   | 0866 99 746   | Mould, Upper Set (Sedan)    | 1    | $\frac{7}{2}$ ~○                 |
| 16  | 0376 70 482   | Mould, Lower-Rear (Coupe)   | 1    |                                  |
|     | 0376 70 482 A | Mould, Lower-Rear (Coupe)   | 1    | Car No. 132009 $\frac{7}{12}$ ~△ |
| ●   | 0376 99 747   | Mould, Lower Set (Coupe)    | 1    | $\frac{7}{2}$ ~○                 |
|     | 0866 70 482   | Mould, Lower-Rear (Sedan)   | 1    |                                  |
|     | 0866 70 482 A | Mould, Lower-Rear (Sedan)   | 1    | Car No. 133994 $\frac{7}{1}$ ~△  |
| ●   | 0866 99 747   | Mould, Lower Set (Sedan)    | 1    | $\frac{7}{2}$ ~○                 |
| 17  | 0376 70 483   | Mould (R), Rear (Coupe)     | 1    |                                  |
|     | 0376 70 483 A | Mould (R), Rear (Coupe)     | 1    | Car No. 132009 $\frac{7}{12}$ ~△ |
| ●   | 0376 99 748   | Mould Set (R), Rear (Coupe) | 1    | $\frac{7}{2}$ ~○                 |
|     | 0866 70 483   | Mould (R), Rear (Sedan)     | 1    |                                  |
|     | 0866 70 483 A | Mould (R), Rear (Sedan)     | 1    | Car No. 133994 $\frac{7}{1}$ ~△  |
| ●   | 0866 99 748   | Mould Set (R), Rear (Sedan) | 1    | $\frac{7}{2}$ ~○                 |
| 18  | 0376 71 483   | Mould (L), Rear (Coupe)     | 1    |                                  |
|     | 0376 71 483 A | Mould (L), Rear (Coupe)     | 1    | Car No. 132009 $\frac{7}{12}$ ~△ |
| ●   | 0376 99 749   | Mould Set (R), Rear (Coupe) | 1    | $\frac{7}{2}$ ~○                 |

# WINDOW GLASS & MOULDING

(SEDAN & COUPE)



| No. | Part Number    | Description                       | Q'ty | Remarks                          |
|-----|----------------|-----------------------------------|------|----------------------------------|
|     | 0866 71 483    | Mould (L), Rear (Sedan)           | 1    |                                  |
|     | 0866 71 483A   | Mould (L), Rear (Sedan)           | 1    | Car No. 133994 $\frac{7}{8}$ ~△  |
| ●   | 0866 99 749    | Mould Set (L), Rea (Sedan)        | 1    | $\frac{7}{8}$ ~○                 |
| 19  | 0376 70 484    | Joint (R) (Coupe)                 | 1    |                                  |
|     | 0376 70 484A   | Joint (R) (Coupe)                 | 1    | Car No. 132009 $\frac{7}{12}$ ~△ |
|     | 0866 70 484    | Joint (R) (Sedan)                 | 1    |                                  |
|     | 0866 70 484A   | Joint (R) (Sedan)                 | 1    | Car No. 133994 $\frac{7}{8}$ ~△  |
| 20  | 0376 71 484    | Joint (L) (Coupe)                 | 1    |                                  |
|     | 0376 71 484A   | Joint (L) (Coupe)                 | 1    | Car No. 132009 $\frac{7}{12}$ ~△ |
|     | 0866 71 484    | Joint (L) (Sedan)                 | 1    |                                  |
|     | 0866 71 484A   | Joint (L) (Sedan)                 | 1    | Car No. 133994 $\frac{7}{8}$ ~△  |
| 21  | 0866 70 801A00 | Plate (R), Scarf-Front            | 1    | ◎                                |
| ●   | 0866 70 801B00 | Plate (R), Scarf-Front            | 1    | $\frac{7}{8}$ ~○                 |
| 22  | 0866 71 801A00 | Plate (L), Scarf-Front            | 1    | ◎                                |
| ●   | 0866 71 801D00 | Plate (L), Scarf-Front<br>(Sedan) | 1    | $\frac{7}{8}$ ~○                 |
| 23  | 0866 70 802B00 | Plate (R), Scarf-Rear             | 1    | ◎                                |
| ●   | 0866 70 802C00 | Plate (R), Scarf-Rear             | 1    | $\frac{7}{8}$ ~○                 |
| 24  | 0866 71 802B00 | Plate (L), Scarf-Rear             | 1    | ◎                                |
| ●   | 0866 71 802C00 | Plate (L), Scarf-Rear             | 1    | $\frac{7}{8}$ ~○                 |
| 25  | 99862 0425B    | Screw, Scarf Plate                | 8    |                                  |



# WINDOW GLASS & MOULDING

(SEDAN & COUPE)

| No. | Part Number    | Description                    | Q'ty | Remarks                            |
|-----|----------------|--------------------------------|------|------------------------------------|
| 26  | 99864 0414B    | Screw, Scarf Plate             | 14   |                                    |
|     | 99952 0516B    | Washer, Plain                  | 14   |                                    |
| 27  | 0376 70 801A00 | Plate (R), Scarf-Front (Coupe) | 1    | ©                                  |
| ●   | 0376 70 801B00 | Plate (R), Scarf-Front (Coupe) | 1    | $\frac{73}{8}$ ~ ○                 |
| 28  | 0376 71 801A00 | Plate (L), Scarf-Front         | 1    | ©                                  |
| ●   | 0376 71 801B00 | Plate (L), Scarf-Front         | 1    | $\frac{73}{8}$ ~ ○                 |
|     |                | (Coupe)                        |      |                                    |
| 29  | 0376 70 802A00 | Plate (R), Scarf-Rear          | 1    | ©                                  |
| 30  | 0376 71 802A00 | Plate (L), Scarf-Rear          | 1    | ©                                  |
| 31  | 0376 70 821A   | Mould (R), Drip-Front (Coupe)  | 1    |                                    |
|     | 0376 70 821B   | Mould (R), Drip-Front (Coupe)  | 1    | Car No. 155593 $\frac{72}{10}$ ~ ○ |
|     | 0866 70 821A   | Mould (R), Drip-Front (Sedan)  | 1    |                                    |
|     | 0866 70 821B   | Mould (R), Drip-Front (Sedan)  | 1    | Car No. 155593 $\frac{72}{10}$ ~ ○ |
| 32  | 0376 71 821A   | Mould (L), Drip-Front (Coupe)  | 1    |                                    |
|     | 0376 71 821B   | Mould (L), Drip-Front (Coupe)  | 1    | Car No. 155593 $\frac{72}{10}$ ~ ○ |
|     | 0866 71 821A   | Mould (L), Drip-Front (Sedan)  | 1    |                                    |
|     | 0866 71 821B   | Mould (L), Drip-Front (Sedan)  | 1    | Car No. 155593 $\frac{72}{10}$ ~ ○ |
| 33  | 0376 70 822A   | Mould (R), Drip-Rear (Coupe)   | 1    |                                    |
|     | 0376 70 822B   | Mould (R), Drip-Rear (Coupe)   | 1    | Car No. 155593 $\frac{72}{10}$ ~ ○ |
|     | 0866 70 822B   | Mould (R), Drip-Rear (Sedan)   | 1    |                                    |
|     | 0866 70 822C   | Mould (R), Drip-Rear (Sedan)   | 1    | Car No. 155593 $\frac{72}{10}$ ~ ○ |



# WINDOW GLASS & MOULDING

## (SEDAN & COUPE)



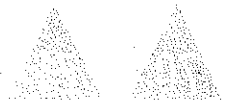
| No. | Part Number  | Description                  | Q'ty | Remarks                          |  |
|-----|--------------|------------------------------|------|----------------------------------|--|
| ●   | 0866 70 822D | Mould (R), Drip-Rear (Sedan) | 1    | $\frac{7}{10}$ ~○                |  |
| 34  | 0376 71 822A | Mould (L), Drip-Rear (Coupe) | 1    |                                  |  |
|     | 0376 71 822B | Mould (L), Drip-Rear (Coupe) | 1    | Car No. 155593 $\frac{7}{10}$ ~○ |  |
|     | 0866 71 822B | Mould (L), Drip-Rear (Sedan) | 1    |                                  |  |
|     | 0866 71 822C | Mould (L), Drip-Rear (Sedan) | 1    | Car No. 155593 $\frac{7}{10}$ ~○ |  |
| ●   | 0866 71 822D | Mould (L), Drip-Rear (Sedan) | 1    | $\frac{7}{10}$ ~○                |  |
| 35  | 0866 70 823A | Joint, Drip Mould            | 2    |                                  |  |
| 36  | 0866 70 851  | Mould, Step                  | 2    |                                  |  |
| ●   | 0866 99 721  | Mould Set, Step              | 2    | $\frac{7}{2}$ ~○                 |  |
| 37  | 0305 70 861C | Clip, Step Mould             | 10   |                                  |  |
| 38  | 99863 0512   | Screw, Step Mould            | 10   |                                  |  |
| 39  | 0866 70 852  | Guard "A" (R), Stone         | 1    | }                                |  |
| 40  | 0866 71 852  | Guard "A" (L), Stone         | 1    |                                  |  |
| 41  | 0866 70 853A | Guard "B" (R), Stone         | 1    |                                  |  |
|     | 0866 70 853C | Guard "B" (R), Stone         | 1    |                                  | Car No. 144308 $\frac{7}{4}$ ~○          |
| 42  | 0866 71 853A | Guard "B" (L), Stone (Sedan) | 1    |                                  |  |
|     | 0866 71 853C | Guard "B" (L), Stone         | 1    |                                  | Car No. 144308 $\frac{7}{4}$ ~○          |
| 43  | 908631 5 12  | Screw Set, Stone Guard       | 4    |                                  |  |
|     | 0870 70 875  | Screw                        | 2    |                                  | Car No. 144308 $\frac{7}{4}$ ~Added Anew |
| ●   | 99739 0410   | Screw                        | 2    |                                  | Car No. 160623 $\frac{7}{10}$ ~×         |



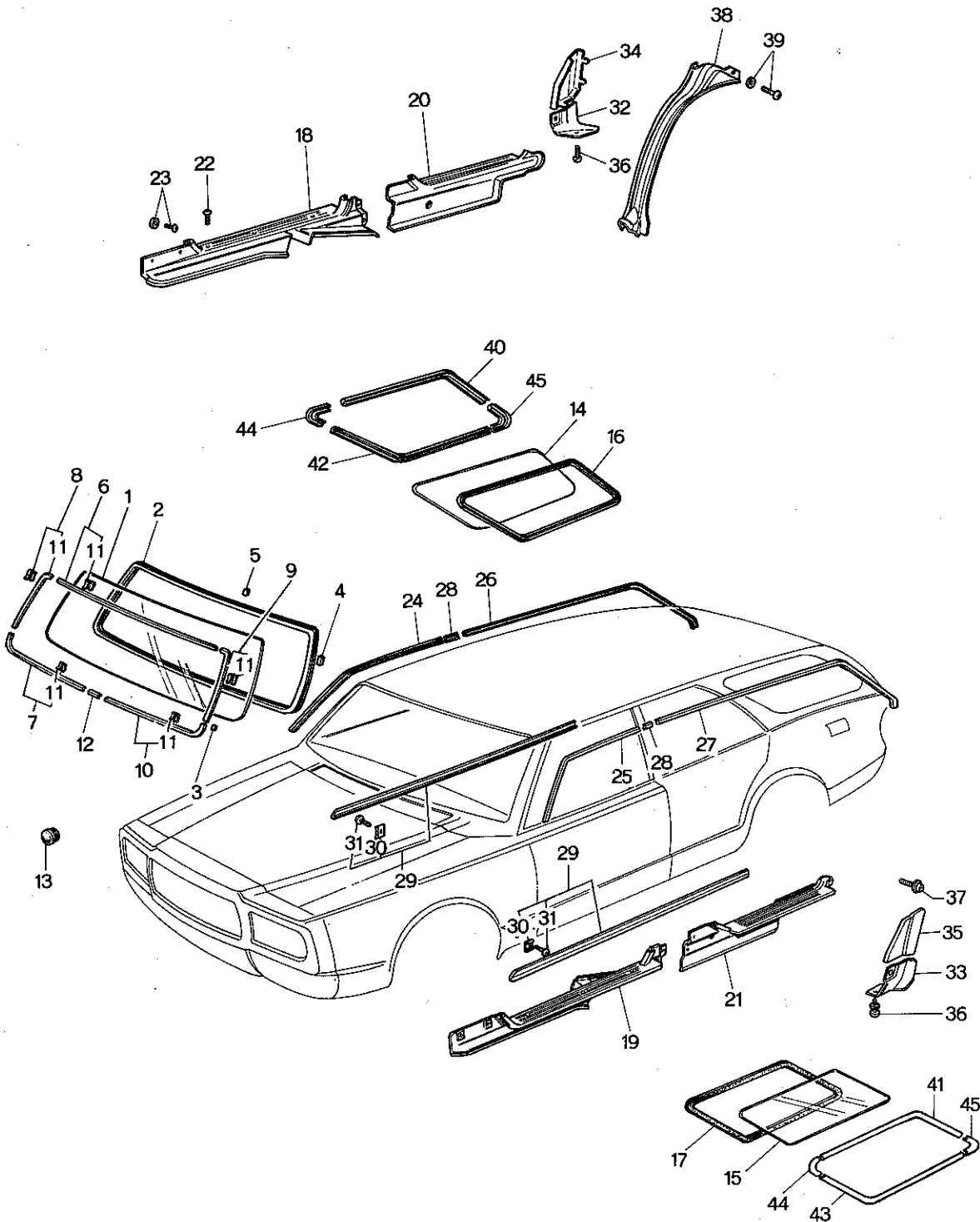
# WINDOW GLASS & MOULDING

(SEDAN & COUPE)

| No. | Part Number  | Description              | Q'ty | Remarks                         |
|-----|--------------|--------------------------|------|---------------------------------|
| 44  | 0376 70 855  | Guard (R), Stone         | 1    |                                 |
| ●   | 0376 70 855C | Guard (R), Stone         | 1    | Car No. 167343 $\frac{7}{8}$ ~△ |
| 45  | 0376 71 855  | Guard (L), Stone         | 1    |                                 |
| ●   | 0376 71 855C | Guard (L), Stone (Coupe) | 1    | Car No. 167343 $\frac{7}{8}$ ~△ |
| 46  | 99767 0410   | Screw, Stone Guard       | 2    |                                 |
| 47  | 99769 0408   | Screw, Stone Guard       | 2    |                                 |
| ●   | 99769 0410   | Screw, Stone Guard       | 2    | $\frac{7}{16}$ ~○               |



# WINDOW GLASS & MOULDING (STATION WAGON)



# WINDOW GLASS & MOULDING

(STATION WAGON)



| No. | Part Number       | Description                | Q'ty | Remarks |
|-----|-------------------|----------------------------|------|---------|
| 1   | ✓ 1531 70 441     | Glass, Front Window        | 1    |         |
| 2   | ✓ 0305 70 443B    | Dam, Front Window Glass    | 1    |         |
| 3   | ✓ 0305 70 447B    | Spacer "A"                 | 3    |         |
| 4   | ✓ 0305 70 448A    | Spacer "B"                 | 2    |         |
| 5   | ✓ 0839 70 449     | Spacer "C"                 | 2    |         |
| 6   | / 0866 99 741     | Mould Set, Upper           | 1    |         |
| 7   | ✓ 0866 99 742     | Mould Set (R), Front Lower | 1    |         |
| 8   | ✓ 0866 99 743     | Mould Set (R), Front       | 1    |         |
| 9   | / 0866 99 744     | Mould Set (L), Front       | 1    |         |
| 10  | ✓ 0866 99 745     | Mould Set (L), Front Lower | 1    |         |
| 11  | ✓ 1011 70 506     | Clip                       | 19   |         |
| 12  | ✓ 0866 70 454     | Joint, Front Mould         | 1    |         |
| 13  | ✓ 0118 56 241     | Plug, Drain                | 1    |         |
| 14  | ✓ 1529 70 551     | Glass, Rear Side (R)       | 1    |         |
| 15  | ✓ 1529 71 551     | Glass, Rear Side (L)       | 1    |         |
| 16  | ✓ 0585 70 521A    | Weatherstrip (R)           | 1    |         |
| 17  | ✓ 0585 71 521A    | Weatherstrip (L)           | 1    |         |
| 18  | ✓ 0866 70 801A-00 | Plate (R), Scarf-Front     | 1    | ©       |
| 19  | ✓ 0866 71 801A-00 | Plate (L), Scarf-Front     | 1    | ©       |
| 20  | ✓ 0866 70 802B-00 | Plate (R), Scarf-Front     | 1    | ©       |



# WINDOW GLASS & MOULDING (STATION WAGON)

| No. | Part Number       | Description                | Q'ty | Remarks |
|-----|-------------------|----------------------------|------|---------|
| 21  | √ 0866 71 802B-00 | Plate (L), Scarf-Front     | 1    | ©       |
| 22  | J 99862 0425B     | Screw, Scarf Plate         | 10   |         |
| 23  | J 99864 0414B     | Screw, Scarf Plate         | 14   |         |
|     | J 99952 0412B     | Washer, Plain              | 12   |         |
|     | J 99952 0516B     | Washer, Plain              | 2    |         |
| 24  | √ 0866 70 821B    | Mould (R), Drip-Front      | 1    |         |
| 25  | √ 0866 71 821B    | Mould (L), Drip-Front      | 1    |         |
| 26  | √ 0585 70 822B    | Mould (R), Drip-Rear       | 1    |         |
| 27  | J 0585 71 822B    | Mould (L), Drip-Rear       | 1    |         |
| 28  | J 0866 70 823A    | Joint, Drip Mould          | 2    |         |
| 29  | J 0866 99 721     | Mould, Step                | 2    |         |
| 30  | J 0305 70 861C    | Clip                       | 10   |         |
| 31  | J 99863 0512      | Screw, Step Mould          | 10   |         |
| 32  | J 0866 70 852     | Guard "A" (R), Stone       | 1    |         |
| 33  | √ 0866 71 852     | Guard "A" (L), Stone       | 1    |         |
| 34  | √ 0866 70 853C    | Guard "B" (R), Stone       | 1    |         |
| 35  | √ 0866 71 853C    | Guard "B" (L), Stone       | 1    |         |
| 36  | J 99863 0512      | Screw, Stone Guard         | 4    |         |
|     | J 99952 0500      | Washer, Plain              | 4    |         |
| 37  | J 0870 70 875     | Screw, Tapping-Stone Guard | 2    |         |

# WINDOW GLASS & MOULDING

(STATION WAGON)

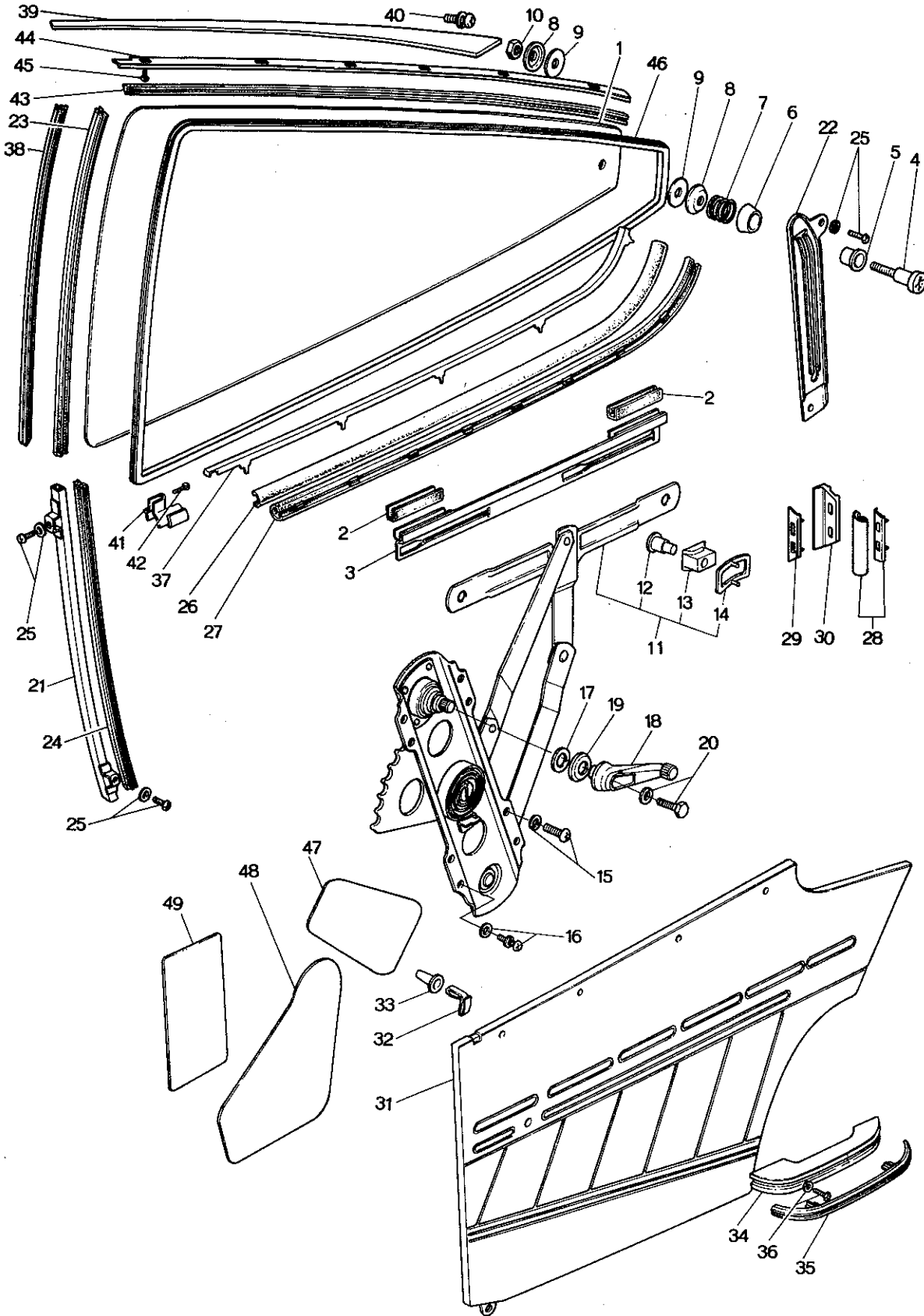


| No. | Part Number    | Description              | Q'ty | Remarks |
|-----|----------------|--------------------------|------|---------|
| 38  | √ 0585 70 811C | Plate (Rr.), Scarf       | 1    |         |
| 39  | √ 99864 0414B  | Screw, Scarf Plate (Rr.) | 2    |         |
|     | √ 99952 0412B  | Washer, Plain            | 2    |         |
| 40  | √ 0585 70 531  | Mould, Upper (R)         | 1    |         |
| 41  | √ 0585 71 531  | Mould, Upper (L)         | 1    |         |
| 42  | √ 0585 70 532  | Mould, Lower (R)         | 1    |         |
| 43  | √ 0585 71 532  | Mould, Lower (L)         | 1    |         |
| 44  | √ 0585 70 533  | Mould (Frt.)             | 2    |         |
| 45  | √ 0585 70 534  | Mould (Rr.)              | 2    |         |

72

73

# REAR SIDE WINDOW (COUPE)





# REAR SIDE WINDOW (COUPE)



| No. | Part Number  | Description           | Q'ty | Remarks                        |
|-----|--------------|-----------------------|------|--------------------------------|
| 1   | 0374 72 501  | Glass (R), Window     | 1    |                                |
| ●   | 0374 72 501A | Glass (R), Window     | 1    | Transparent $\frac{73}{10}$ ~○ |
|     | 0374 73 501  | Glass (L), Window     | 1    |                                |
| ●   | 0374 73 501A | Glass (L), Window     | 1    | $\frac{73}{10}$ ~○             |
|     | 0376 72 501  | Glass (R), Window     | 1    |                                |
| ●   | 0376 72 501A | Glass (R), Window     | 1    | Blue Pane $\frac{73}{10}$ ~○   |
|     | 0376 73 501  | Glass (L), Window     | 1    |                                |
| ●   | 0376 73 501A | Glass (L), Window     | 1    | $\frac{73}{10}$ ~○             |
| 2   | 2292 58 232  | Strip, Rubber         | 4    |                                |
| 3   | 0376 72 505  | Bracket, Lift         | 4    |                                |
| 4   | 0839 70 521  | Pin                   | 2    |                                |
| 5   | 0839 70 522  | Roller                | 2    |                                |
| 6   | 0839 70 523A | Seat, Spring          | 2    |                                |
| 7   | 0839 70 524  | Spring                | 2    |                                |
| 8   | 0839 70 525  | Washer                | 4    |                                |
| 9   | 0839 70 526  | Seat                  | 4    |                                |
| 10  | 99906 0500   | Nut                   | 2    |                                |
| 11  | 0376 72 560  | Regulator (R), Window | 1    |                                |
|     | 0376 73 560  | Regulator (L), Window | 1    |                                |



# REAR SIDE WINDOW (COUPE)

| No. | Part Number            | Description                  | Q'ty         | Remarks                          |
|-----|------------------------|------------------------------|--------------|----------------------------------|
| 12  | 0223 58 303A           | Pin                          | 4            |                                  |
| 13  | 0223 58 304A           | Guide                        | 4            |                                  |
| 14  | 0223 58 311            | Spring, Guide                | 4            |                                  |
| 15  | 99805 0616             | Bolt, Regulator              | 4            |                                  |
|     | 99952 0600             | Washer, Plain                | 4            |                                  |
|     | 99971 0600             | Washer, Spring               | 4            |                                  |
| 16  | 99806 0612             | Bolt, Regulator              | 8            |                                  |
|     | 99971 0600             | Washer, Spring               | 8            |                                  |
|     | 99951 0618             | Washer, Plain                | 8            |                                  |
| 17  | <del>0259 72 305</del> | <del>Gasket, Regulator</del> | <del>2</del> |                                  |
|     | 0259 58 305            | Gasket, Regulator            | 2            | From Car No. 1                   |
| ●   | 0259 58 305B           | Gasket, Regulator            | 2            | Car No. 160623 $\frac{7}{10}$ ~△ |
| 18  | 0824 58 370A           | Handle, Regulator            | 2            |                                  |
|     | 0824 58 370B           | Handle, Regulator            | 2            | Car No. 157510 $\frac{7}{10}$ ~△ |
| ●   | 0223 58 370D           | Handle, Regulator            | 2            | Car No. 160623 $\frac{7}{10}$ ~X |
| 19  | 0223 58 375A           | Escutcheon                   | 2            |                                  |
| 20  | 99806 0516             | Bolt, Regulator Handle       | 2            |                                  |
|     | 99971 0500             | Washer, Spring               | 2            |                                  |
| 21  | 0376 72 602            | Guide "A" (R), Glass         | 1            |                                  |

# REAR SIDE WINDOW (COUPE)

72
73

| No. | Part Number             | Description                            | Q'ty         | Remarks          |
|-----|-------------------------|--|--------------|------------------|
|     | 0376 73 602             | Guide "A" (L), Glass                   | 1            |                  |
| 22  | 0376 72 603             | Guide "B" (R), Glass                   | 1            |                  |
|     | 0376 73 603             | Guide "B" (L), Glass                   | 1            |                  |
| 23  | 0376 72 605             | Channel "A", Glass Run                 | 2            |                  |
| 24  | 0376 72 606             | Channel "B", Glass Run                 | 2            |                  |
| 25  | 99806 0612              | Bolt, Glass Guide                      | 8            |                  |
|     | 99971 0600              | Washer, Spring                         | 8            |                  |
|     | 99951 0618              | Washer, Plain                          | 8            |                  |
| 26  | 0376 72 781C            | Weatherstrip, Outer "A" (R)            | 1            |                  |
|     | <del>0376 73 781C</del> | <del>Weatherstrip, Outer "A" (L)</del> | <del>1</del> |                  |
|     | 0376 72 781C            | Weatherstrip, Outer "A" (L)            | 1            | From Car No. 1   |
| 27  | 0376 72 790             | Weatherstrip, Inner "A" (R)            | 1            |                  |
|     | 0376 73 790             | Weatherstrip, Inner "A" (L)            | 1            |                  |
| 28  | 0376 72 890             | Weatherstrip, Inner "B" (R)            | 1            | Rear Pillar Trim |
|     | 0376 73 890             | Weatherstrip, Inner "B" (L)            | 1            |                  |
| 29  | 0376 72 901C            | Weatherstrip, Outer "B"                | 2            |                  |
| 30  | 0376 72 902B            | Plate Set                              | 2            |                  |

When ordering the following trims  
 Add color code nos. given below after parts number  
 -03 (BLK.) -12 (BRN.) -13 (GRY./YLW.)

**72****73****REAR SIDE WINDOW (COUPE)**

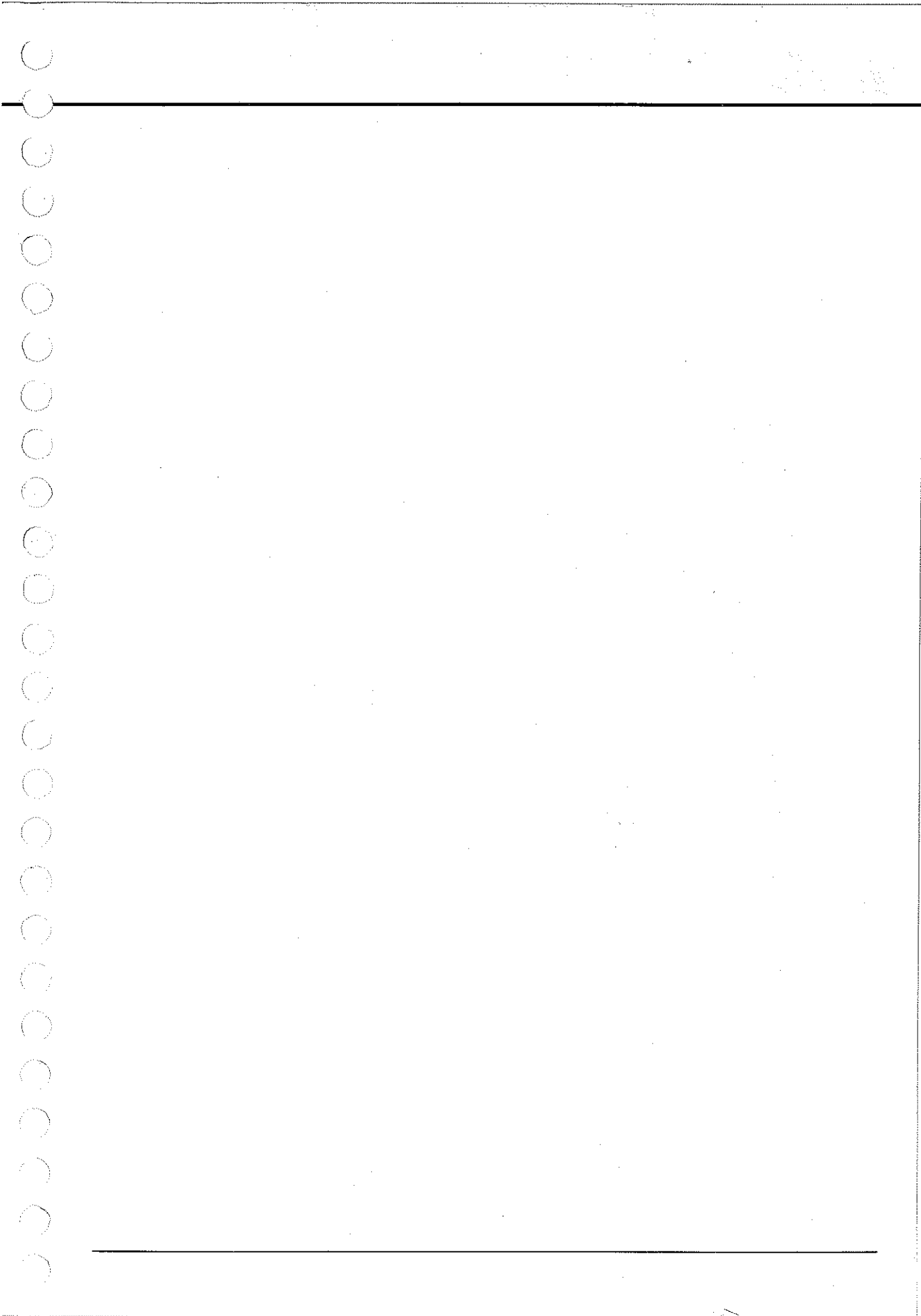
| No. | Part Number  | Description                | Q'ty | Remarks                          |
|-----|--------------|----------------------------|------|----------------------------------|
| 31  | 0376 72 810A | Trim (R), Quarter          | 1    | ©                                |
|     | 0376 73 810A | Trim (L), Quarter          | 1    | ©                                |
| 32  | 0208 58 921  | Fastener, Quarter Trim     | 4    |                                  |
| 33  | 0187 58 922  | Cap, Fastener-Quarter Trim | 4    |                                  |
| 34  | 0398 58 821A | Rest, Arm                  | 2    |                                  |
| 35  | 0398 58 822  | Garnish, Arm Rest          | 2    |                                  |
|     | 0398 58 822A | Garnish, Arm Rest          | 2    | Car No. 130590 $\frac{7}{12}$ ~○ |
| 36  | 99833 0520   | Screw, Arm Rest            | 4    |                                  |
|     | 99952 0500   | Washer, Plain              | 4    |                                  |
| 37  | 0376 72 831A | Mould (R), Beltline        | 1    |                                  |
|     | 0376 72 831B | Mould (R), Beltline        | 1    | Car No. 144578 $\frac{7}{4}$ ~△  |
|     | 0376 73 831A | Mould (L), Beltline        | 1    |                                  |
|     | 0376 73 831B | Mould (L), Beltline        | 1    | Car No. 144578 $\frac{7}{4}$ ~△  |
| 38  | 0376 72 851A | Garnish (R)                | 1    |                                  |
|     | 0376 72 851B | Garnish (R)                | 1    | Car No. 130590 $\frac{7}{12}$ ~○ |
|     | 0376 73 851A | Garnish (L)                | 1    |                                  |
|     | 0376 73 851B | Garnish (L)                | 1    | Car No. 130590 $\frac{7}{12}$ ~○ |
| 39  | 0376 72 855  | Mould (R), Quarter Line    | 1    |                                  |
|     | 0376 73 855  | Mould (L), Quarter Line    | 1    |                                  |
| 40  | 99863 0410   | Screw, Quarter Line Mould  | 2    |                                  |

# REAR SIDE WINDOW (COUPE)

72
73

| No. | Part Number            | Description                     | Q'ty         | Remarks   |
|-----|------------------------|---------------------------------|--------------|---|
|     | 99971 0400             | Washer, Spring                  | 2            |   |
|     | 99952 0412             | Washer, Plain                   | 2            |   |
| 41  | 0376 72 881            | Cover (R)                       | 1            |   |
|     | 0376 73 881            | Cover (L)                       | 1            |   |
| 42  | 99864 0410B            | Screw, Cover                    | 2            |   |
| 43  | 0376 72 761            | Weatherstrip (R)                | 1            |   |
|     | 0376 73 761            | Weatherstrip (L)                | 1            |   |
| 44  | 0376 72 771            | Retainer (R)                    | 1            |   |
|     | 0376 73 771            | Retainer (L)                    | 1            |   |
| 45  | 99864 0408             | Screw, Weatherstrip             | 8            |   |
| 46  | 0376 72 755A           | Welt, Seaming                   | 2            |   |
| 47  | 0376 72 861A           | Screen, Door "A"                | 2            |   |
| 48  | 0376 72 862            | Screen, Door "B" <del>(R)</del> | 2            |   |
| ●   | 0376 72 862A           | Screen, Door "B"                | 2            | Car No. 176736 <sup>73</sup> / <sub>4</sub> ~ Δ |
|     | <del>0376 73 862</del> | <del>Screen, Door "B" (L)</del> | <del>1</del> |   |
| 49  | 0376 72 863            | Screen "C"                      | 2            |   |

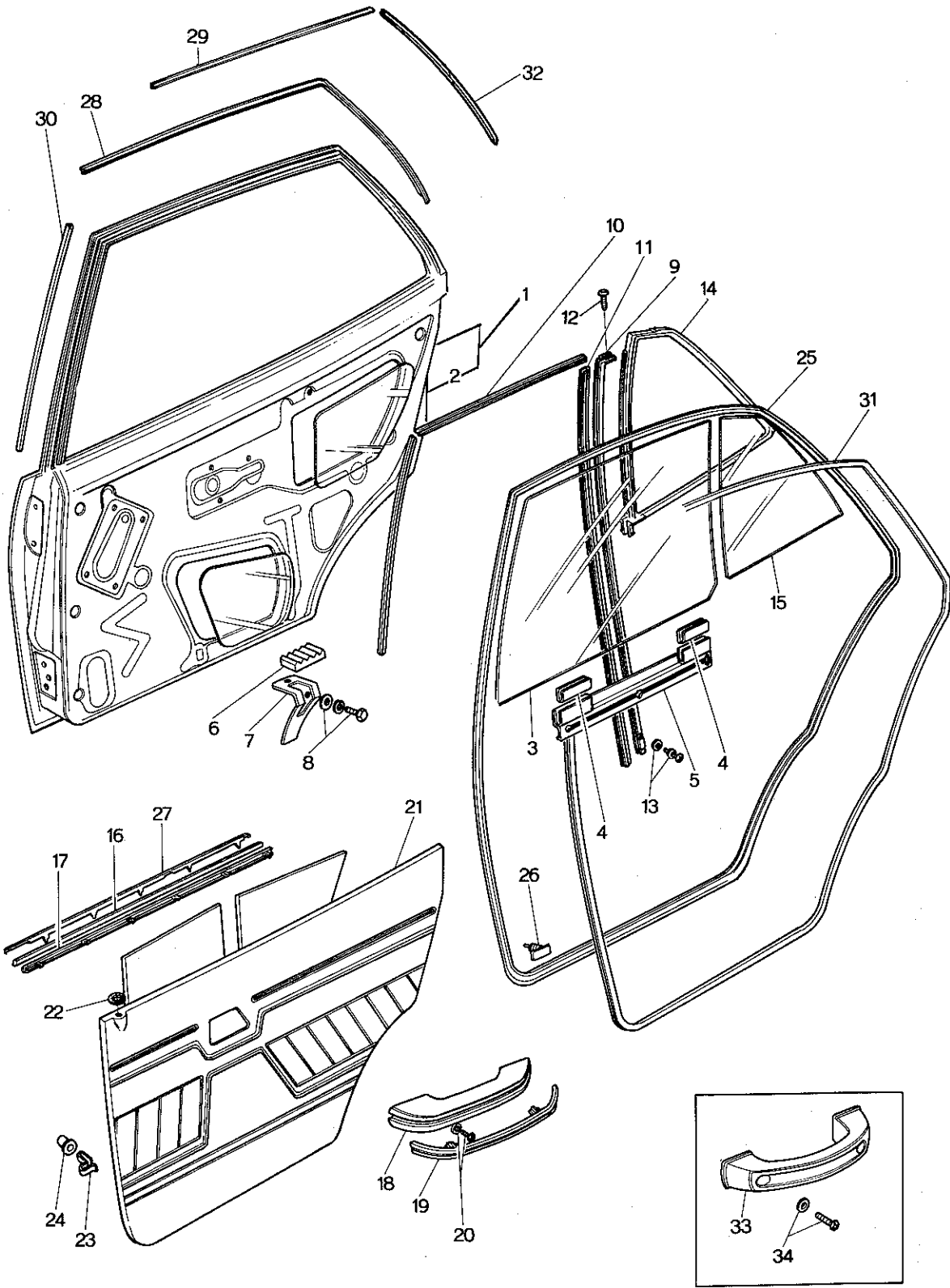




72 73

# REAR SIDE DOOR (GLASS)

(SEDAN & STATION WAGON)





# REAR SIDE DOOR (GLASS) (SEDAN & STATION WAGON)



| No. | Part Number  | Description                     | Q'ty | Remarks                          |
|-----|--------------|---------------------------------|------|----------------------------------|
| 1   | 0866 72 010B | Body (R), Door                  | 1    |                                  |
|     | 0866 72 010C | Body (R), Door (Sedan)          | 1    | Car No. 144308 $\frac{7}{4}$ ~○  |
|     | 0866 72 010D | Body (R), Door                  | 1    | Car No. 157510 $\frac{7}{10}$ ~○ |
|     | 0585 72 010B | Body (R), Door (Station Wagon)  | 1    |                                  |
|     | 0866 73 010B | Body (L), Door                  | 1    |                                  |
|     | 0866 73 010C | Body (L), Door (Sedan)          | 1    | Car No. 144308 $\frac{7}{4}$ ~○  |
|     | 0866 73 010D | Body (L), Door                  | 1    | Car No. 157510 $\frac{7}{10}$ ~○ |
|     | 0585 73 010B | Body (L), Door (Station Wagon)  | 1    |                                  |
| 2   | 0866 72 020A | Panel (R), Outer                | 1    |                                  |
|     | 0866 73 020A | Panel (L), Outer                | 1    |                                  |
| 3   | 0368 72 501  | Glass (R), Door (Sedan)         | 1    |                                  |
| ●   | 0368 72 501A | Glass (R), Door (Sedan)         | 1    | $\frac{7}{10}$ ~○                |
|     | 0583 72 501  | Glass (R), Door (Station Wagon) | 1    |                                  |
|     | 0368 73 501  | Glass (L), Door (Sedan)         | 1    | Transparent                      |
| ●   | 0368 73 501A | Glass (L), Door (Sedan)         | 1    | $\frac{7}{10}$ ~○                |
|     | 0583 73 501  | Glass (L), Door (Station Wagon) | 1    |                                  |
|     | 0866 72 501  | Glass (R), Door                 | 1    |                                  |
| ●   | 0866 72 501A | Glass (R), Door (Sedan)         | 1    | $\frac{7}{10}$ ~○                |
|     | 0866 73 501  | Glass (L), Door                 | 1    | Blue Pane                        |
| ●   | 0866 73 501A | Glass (L), Door                 | 1    | $\frac{7}{10}$ ~○                |



# REAR SIDE DOOR (GLASS)

## (SEDAN & STATION WAGON)

| No. | Part Number  | Description                            | Q'ty | Remarks                           |
|-----|--------------|--|------|-----------------------------------|
| 4   | 0866 72 502  | Strip, Rubber-Door Glass               | 2    |                                   |
| 5   | 0259 72 210  | Bracket, Lift-Door Glass               | 2    |                                   |
| 6   | 0187 56 235  | Rubber, Support                        | 2    |                                   |
| 7   | 0259 72 080  | Stop, Glass                            | 2    |                                   |
| 8   | 99806 0612   | Bolt, Glass Stop                       | 2    |                                   |
|     | 99971 0600   | Washer, Spring                         | 2    |                                   |
|     | 99952 0618   | Washer, Plain                          | 2    |                                   |
| ●   | 99951 0618   | Washer, Plain                          | 2    | $\frac{7}{16}$ ~○                 |
| 9   | 0866 72 602A | Channel (R), Center (Sedan)            | 1    |                                   |
|     | 0585 72 602C | Channel (R), Center (Station Wagon)    | 1    |                                   |
|     | 0866 73 602A | Channel (L), Center (Sedan)            | 1    |                                   |
|     | 0585 73 602C | Channel (L), Center (Station Wagon)    | 1    |                                   |
| 10  | 0866 72 605  | Channel "A", Glass Run (Sedan)         | 2    |                                   |
|     | 0585 72 605  | Channel "A", Glass Run (Station Wagon) | 2    |                                   |
| 11  | 0866 72 606  | Channel "B", Glass Run (Sedan)         | 2    |                                   |
|     | 0585 72 606  | Channel "B", Glass Run (Station Wagon) | 2    |                                   |
| 12  | 99831 0408   | Screw, Center Channel                  | 4    |                                   |
| ●   | 99831 0410   | Screw, Center Channel                  | 4    | Car. No. 160623 $\frac{7}{16}$ ~△ |
| 13  | 99806 0608   | Bolt, Glass Run Channel                | 2    |                                   |
|     | 99806 0610   | Bolt, Glass Run Channel                | 2    | Car. No. 127396 $\frac{7}{16}$ ~○ |

# REAR SIDE DOOR (GLASS) (SEDAN & STATION WAGON)



| No. | Part Number  | Description                               | Q'ty | Remarks                                 |                                   |
|-----|--------------|---|------|---|-----------------------------------|
|     | 99971 0600   | Washer, Spring                            | 2    |   |                                   |
| •   | 99796 0608   | Bolt, Glass Run Channel                   | 2    | $\frac{7}{10}$ ~○                       |                                   |
|     | 99952 0618   | Washer, Plain                             | 2    |   |                                   |
| 14  | 0866 72 651A | Weatherstrip                              | 2    | } (Sedan)                               |                                   |
|     | 0866 72 651B | Weatherstrip                              | 2    |   | Car. No. 129763 $\frac{7}{12}$ ~○ |
|     | 0585 72 651A | Weatherstrip (Station Wagon)              | 2    |   |                                   |
| 15  | 1511 72 661A | Glass (R), Quarter Window                 | 1    | } (Sedan) } Transparent (For Australia) |                                   |
|     | 1511 73 661A | Glass (L), Quarter Window                 | 1    |   |                                   |
|     | 1524 72 661B | Glass (R), Quarter Window (Sedan)         | 1    | } Transparent (Except Australia)        |                                   |
| •   | 1524 72 661C | Glass (R), Quarter Window (Sedan)         | 1    |   | $\frac{7}{10}$ ~○                 |
|     | 1529 72 661  | Glass (R), Quarter Window (Station Wagon) | 1    |   |                                   |
|     | 1524 73 661B | Glass (L), Quarter Window (Sedan)         | 1    |   |                                   |
| •   | 1524 73 661C | Glass (L), Quarter Window (Sedan)         | 1    |   | $\frac{7}{10}$ ~○                 |
|     | 1529 73 661  | Glass (L), Quarter Window (Station Wagon) | 1    |   |                                   |
|     | 1540 72 661A | Glass (R), Quarter Window                 | 1    | } (Sedan) } Blue Pane                   |                                   |
| •   | 1540 72 661B | Glass (R), Quarter Window                 | 1    |   | $\frac{7}{10}$ ~○                 |
|     | 1540 73 661A | Glass (L), Quarter Window                 | 1    |   |                                   |
| •   | 1540 73 661B | Glass (L), Quarter Window                 | 1    |   | $\frac{7}{10}$ ~○                 |
| 16  | 0866 72 781C | Weatherstrip, Outer                       | 2    |   |                                   |
| 17  | 0866 72 791  | Weatherstrip, Inner                       | 2    |   |                                   |



# REAR SIDE DOOR (GLASS)

## (SEDAN & STATION WAGON)

| No. | Part Number  | Description               | Q'ty | Remarks                          |
|-----|--------------|---------------------------|------|----------------------------------|
| 18  | 0398 58 821A | Rest, Arm                 | 2    |                                  |
| 19  | 0398 58 822  | Garnish, Arm Rest         | 2    |                                  |
|     | 0398 58 822A | Garnish, Arm Rest (Sedan) | 2    | Car No. 130590 $\frac{7}{12}$ ~○ |
| 20  | 99833 0520   | Screw, Arm Rest           | 4    |                                  |
|     | 99952 0500   | Washer, Plain             | 4    |                                  |

When ordering the following trims,

Add color code nos. given below after parts number

-03 (BLK.) -12 (BRN.) -13 (GRY./YLW.)

|    |              |                                  |    |                                  |
|----|--------------|----------------------------------|----|----------------------------------|
| 21 | 0866 72 810B | Trim (R), Door                   | 1  | ©                                |
|    | 0866 73 810B | Trim (L), Door                   | 1  | ©                                |
| 22 | 0223 58 692A | Grommet                          | 2  |                                  |
| 23 | 0208 58 921  | Fastener                         | 12 |                                  |
| 24 | 0187 58 922  | Cap, Fastener                    | 12 |                                  |
| 25 | 0866 72 760  | Weatherstrip (R)                 | 1  |                                  |
|    | 0866 72 760A | Weatherstrip (R) (Sedan)         | 1  | Car No. 139297 $\frac{7}{12}$ ~○ |
|    | 0585 72 760A | Weatherstrip (R) (Station Wagon) | 1  |                                  |
|    | 0866 73 760  | Weatherstrip (L)                 | 1  |                                  |
|    | 0866 73 760A | Weatherstrip (L) (Sedan)         | 1  | Car No. 139297 $\frac{7}{12}$ ~○ |

# REAR SIDE DOOR (GLASS)

## (SEDAN & STATION WAGON)



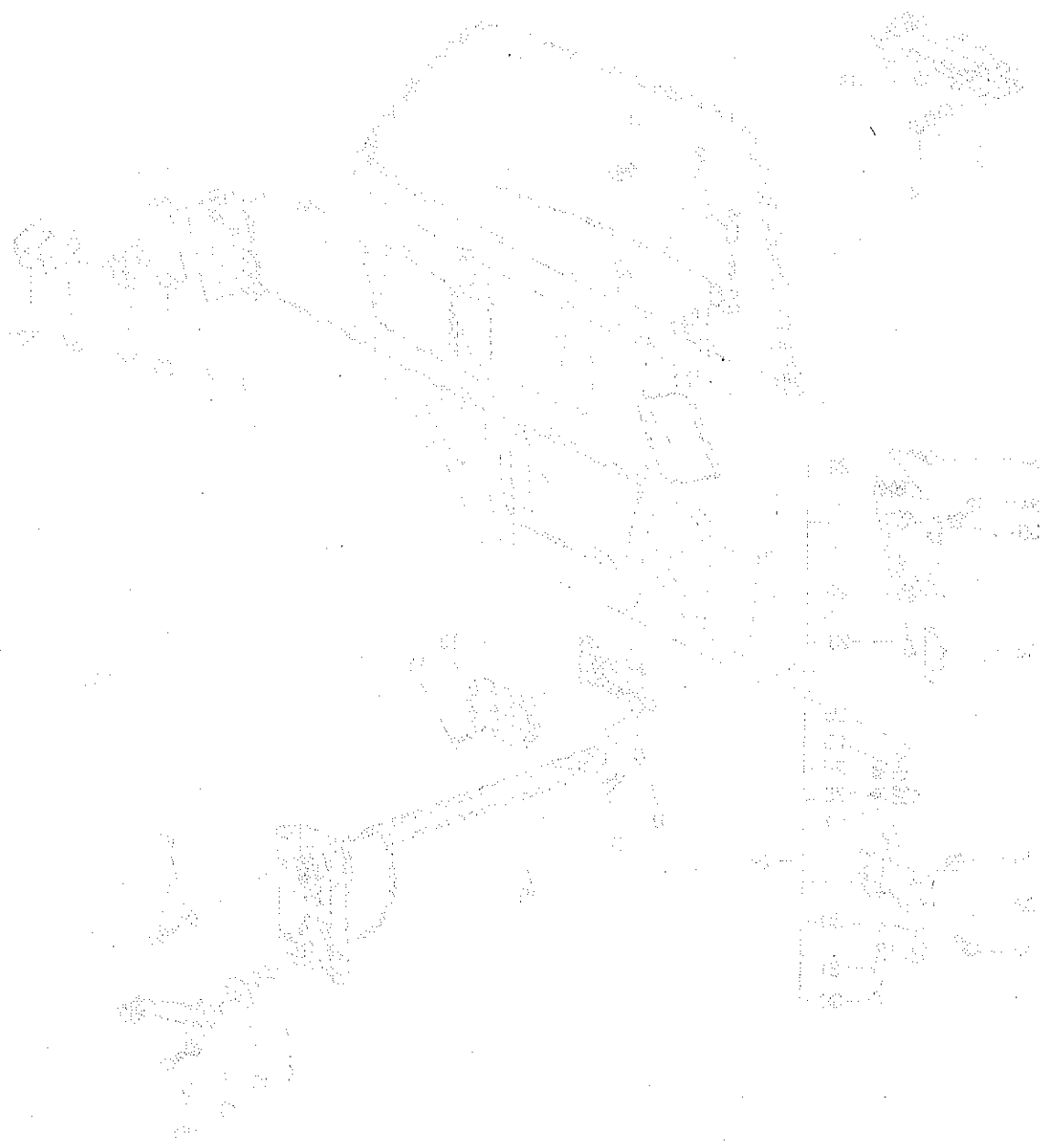
| No. | Part Number      | Description                      | Q'ty | Remarks                          |
|-----|------------------|----------------------------------|------|----------------------------------|
|     | 0585 73 760A     | Weatherstrip (L) (Station Wagon) | 1    |                                  |
| 26  | 0305 58 762      | Fastener, Weatherstrip           | 50   |                                  |
| 27  | 0866 72 831A     | Mould (R), Beltline              | 1    |                                  |
|     | 0866 72 831C     | Mould (R), Beltline              | 1    | Car No. 127396 $\frac{7}{12}$ ~△ |
|     | 0866 72 831D     | Mould (R), Beltline              | 1    | Car No. 144308 $\frac{7}{4}$ ~△  |
|     | 0866 73 831A     | Mould (L), Beltline              | 1    |                                  |
|     | 0866 73 831C     | Mould (L), Beltline              | 1    | Car No. 127396 $\frac{7}{12}$ ~△ |
|     | 0866 73 831D     | Mould (L), Beltline              | 1    | Car No. 144308 $\frac{7}{4}$ ~△  |
| 28  | 0866 72 841A     | Mould (R), Sash                  | 1    | } (Sedan)                        |
|     | 0866 73 841A     | Mould (L), Sash                  | 1    |                                  |
| 29  | 0899 72 841B     | Mould (R), Sash                  | 1    | } (Station Wagon)                |
|     | 0899 73 841B     | Mould (L), Sash                  | 1    |                                  |
| 30  | 0866 72 842A     | Mould (R), Sash                  | 1    |                                  |
|     | 0866 59 842A     | Mould (R), Sash                  | 1    | Car No. 136920 $\frac{7}{2}$ ~○  |
|     | 0866 73 842A     | Mould (L), Sash                  | 1    |                                  |
|     | 0866 58 842A     | Mould (L), Sash                  | 1    | Car No. 136920 $\frac{7}{2}$ ~○  |
| 31  | 0398 58 755 - 00 | Welt, Seaming (Sedan)            | 2    |                                  |
|     | 0585 72 755 - 00 | Welt, Seaming (R)                | 1    | } (Station Wagon)                |
|     | 0398 58 755 - 00 | Welt, Seaming (L)                | 1    |                                  |



# REAR SIDE DOOR (GLASS)

(SEDAN & STATION WAGON)

| No. | Part Number  | Description        | Q'ty              | Remarks |
|-----|--------------|--------------------|-------------------|---------|
| 32  | 0899 72 843A | Mould (R), Sash    | 1                 |         |
|     | 0839 73 843A | Mould (L), Sash    | 1                 |         |
| 33  | 0585 72 821  | Handle, Pull       | (Station Wagon) 2 |         |
| 34  | 99833 0520   | Screw, Pull Handle | 4                 |         |
|     | 99952 0500   | Washer, Plain      | 4                 |         |







# REAR SIDE DOOR (LOCK) (SEDAN & STATION WAGON)



| No. | Part Number             | Description      | Q'ty | Remarks   |
|-----|-------------------------|------------------|------|---|
| ● 1 | <del>0866 72 310B</del> | Lock (R), Door   | 1    | <del>0000 00000</del>                                     |
| ●   | <del>0866 72 310E</del> | Lock (R), Door   | 1    | Car No. 150526 $\frac{7}{8}$ ~ X                          |
| ●   | <del>0866 73 310B</del> | Lock (L), Door   | 1    | <del>0000 00000</del>                                     |
| ●   | <del>0866 73 310E</del> | Lock (L), Door   | 1    | Car No. 150526 $\frac{7}{8}$ ~ X                          |
|     | 1524 72 310B            | Lock (R), Door   | 1    | Arctic Spec.  |
|     | 1524 72 310E            | Lock (R), Door   | 1    |   |
|     | 1524 72 310G            | Lock (R), Door   | 1    | All Models Car No. 153515 $\frac{7}{9}$ ~ O               |
|     | 1524 73 310B            | Lock (L), Door   | 1    | Arctic Spec.  |
|     | 1524 73 310E            | Lock (L), Door   | 1    |   |
|     | 1524 73 310G            | Lock (L), Door   | 1    | All Models Car No. 153515 $\frac{7}{9}$ ~ O               |
| 2   | 0866 72 330A            | Rod (R)          | 1    | Order Under No. <del>0866 72 310B</del> ☆<br>1524 72 310B |
|     | 0866 73 330A            | Rod (L)          | 1    | Order Under No. <del>0866 73 310B</del> ☆<br>1524 73 310B |
| 3   | 0259 58 691             | Knob             | 2    |   |
| 4   | 0305 58 309             | Holder, Rod      | 4    |   |
| 5   | 0259 72 509             | Pad, Door Lock   | 2    |   |
| 6   | 99833 0630              | Screw, Door Lock | 6    |   |
|     | 99974 0600              | Washer, Toothed  | 6    |   |
| 7   | 99907 0600              | Nut, Door Lock   | 2    |   |

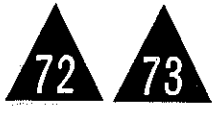


# REAR SIDE DOOR (LOCK)

## (SEDAN & STATION WAGON)

| No. | Part Number     | Description            | Q'ty | Remarks                           |
|-----|-----------------|------------------------|------|-----------------------------------|
| ●   | 99940 0600      | Nut, Door Lock         | 2    | $\frac{73}{10}$ ~ ○               |
|     | 99952 0600      | Washer, Plain          | 2    |                                   |
|     | 99971 0600      | Washer, Spring         | 2    |                                   |
| 8   | 0866 58 321 B   | Handle, Inner          | 2    |                                   |
| 9   | 99806 0510      | Bolt, Inner Handle     | 6    |                                   |
| ●   | 99796 0508      | Bolt, Inner Handle     | 6    | $\frac{73}{10}$ ~ ○               |
|     | 99952 0500      | Washer, Plain          | 6    |                                   |
|     | 99971 0500      | Washer, Spring         | 6    |                                   |
| 10  | 0866 58 303 B00 | Cover (R)              | 1    | ©                                 |
|     | 0866 59 303 B00 | Cover (L)              | 1    | ©                                 |
| 11  | 99832 0408 B    | Screw, Cover           | 2    |                                   |
| 12  | 0866 72 410     | Handle (R), Outer Side | 1    |                                   |
|     | 0866 72 410 A   | Handle (R), Outer Side | 1    | Car No. 153515 $\frac{72}{9}$ ~ ○ |
|     | 0866 73 410     | Handle (L), Outer Side | 1    |                                   |
|     | 0866 73 410 A   | Handle (L), Outer Side | 1    | Car No. 153515 $\frac{72}{9}$ ~ ○ |
| 13  | 0305 58 411     | Bush, Outer Handle     | 2    |                                   |
| ●   | 0305 58 411 A   | Bush, Outer Handle     | 2    | Car No. 153515 $\frac{72}{9}$ ~ △ |
| 14  | 99906 0500      | Nut, Outer Side Handle | 4    |                                   |

# REAR SIDE DOOR (LOCK) (SEDAN & STATION WAGON)



| No. | Part Number             | Description                         | Q'ty         | Remarks                                       |
|-----|-------------------------|-------------------------------------|--------------|---|
|     | 99951 0618              | Washer, Plain                       | 4            |   |
|     | 99971 0500              | Washer, Spring                      | 4            |   |
| 15  | 0866 72 560             | Regulator (R), Window               | 1            |   |
|     | 0866 73 560             | Regulator (L), Window               | 1            |   |
| 16  | 99806 0612              | Bolt, Window Regulator              | 8            |   |
|     | 99952 0600              | Washer, Plain                       | 8            |   |
|     | 99971 0600              | Washer, Spring                      | 8            |   |
| ●   | 99796 0610              | Bolt, Window Regulator              | 8            | $\frac{73}{10} \sim \bigcirc$                 |
| 17  | 0259 58 305             | Gasket, Window Regulator            | 2            |   |
|     | 1011 58 552             | Packing, Window Regulator           | 2            |   |
| 18  | <del>0223 58 370C</del> | <del>Handle, Regulator (Std.)</del> | <del>2</del> |   |
|     | 0824 58 370A            | Handle, Regulator (Std. Excluded)   | 2            |   |
|     | 0824 58 370B            | Handle, Regulator (Aluminum Cap)    | 2            | Car No. 157510 $\frac{73}{10} \sim \triangle$ |
| ●   | 0223 58 370D            | Handle, Regulator                   | 2            | Car No. 160623 $\frac{73}{10} \sim \times$    |
| 19  | 0223 58 375A            | Escutcheon                          | 2            |   |
| 20  | 99806 0516              | Bolt, Regulator Handle              | 2            |   |
|     | 99971 0500              | Washer, Spring                      | 2            |   |
| 21  | 0866 72 210B            | Hinge "A" (R)                       | 1            |   |
|     | 0866 73 210B            | Hinge "A" (L)                       | 1            |   |



# REAR SIDE DOOR (LOCK)

(SEDAN & STATION WAGON)

| No. | Part Number             | Description              | Qty          | Remarks   |
|-----|-------------------------|--------------------------|--------------|---|
| 22  | 0223 58 721             | Bush                     | 4            |   |
| 23  | 0866 72 212A            | Pin, Hinge               | 2            |   |
| 24  | 0866 72 240             | Hinge "B" (R)            | 1            |   |
|     | 0866 72 240B            | Hinge "B" (R)            | 1            | Car No. 159789 $\frac{7}{16}$ " $\odot$                                 |
|     | 0866 73 240             | Hinge "B" (L)            | 1            |   |
|     | 0866 73 240B            | Hinge "B" (L)            | 1            | Car No. 159789 $\frac{7}{16}$ " $\odot$                                 |
| 25  | 0866 58 281             | Roller                   | 2            |   |
|     | 0866 58 281A            | Roller                   | 2            | Car No. 159789 $\frac{7}{16}$ " $\odot$                                 |
|     | 0866 58 281B            | Roller                   | 2            | Car No. 160822 $\frac{7}{16}$ " $\odot$                                 |
| 26  | 0866 58 282             | Pin "A"                  | 2            |   |
|     | <del>0866 58 282A</del> | <del>Pin "A"</del>       | <del>2</del> | <del>Car No. 160822 <math>\frac{7}{16}</math>" <math>\odot</math></del> |
| ●   | 0866 53 282A            | Pin "A"                  | 2            | $\frac{7}{16}$ " $\odot$  |
| 27  | 0866 58 291A            | Lever, Check             | 2            |   |
| 28  | <del>0866 58 202A</del> | <del>Spring, Check</del> | <del>2</del> |   |
|     | <del>0866 72 929</del>  | <del>Spring, Check</del> | <del>2</del> | <del>From Car No. 1</del>   |
| ●   | 0866 72 292             | Spring, Check            | 2            | From Car No. 1  |
| 29  | 0866 58 293             | Pin "B"                  | 2            |   |
| 30  | 0223 58 721             | Bush                     | 4            |   |
| 31  | 0187 58 731             | Pin, Hinge               | 2            |   |

# REAR SIDE DOOR (LOCK) (SEDAN & STATION WAGON)



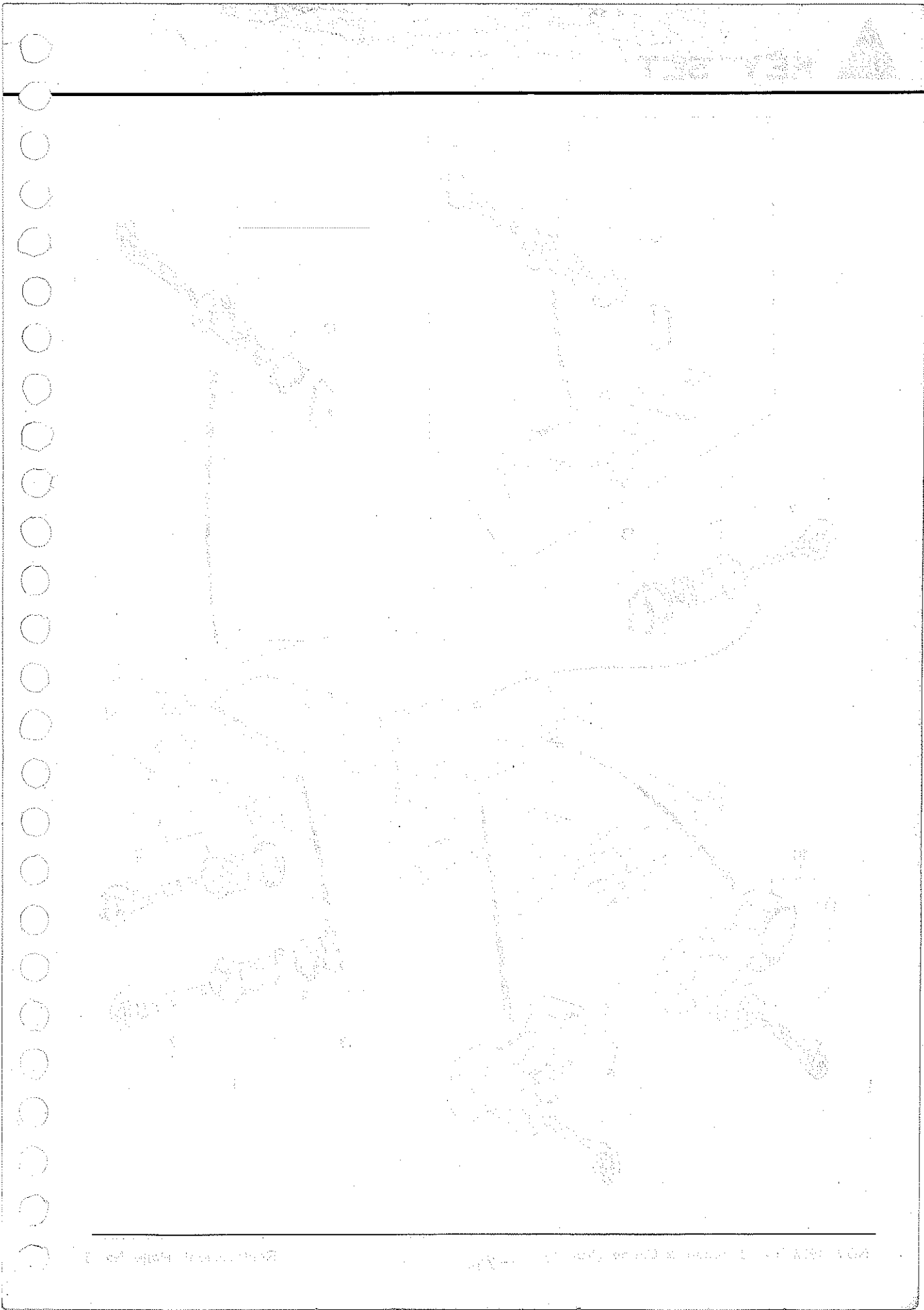
| No. | Part Number   | Description                     | Q'ty | Remarks                                      |
|-----|---------------|---------------------------------|------|--|
| 32  | 0866 72 201   | Shim, Hinge "A" - Selective use | 4    |  |
| 33  | 0866 58 231   | Shim, Hinge "B" - Selective use | 4    |  |
| ↓   | 1011 58 231   | Shim, Hinge "B" - Selective use | 4    | Car No. 152816 $\frac{7}{8}$ ~ ○             |
| 34  | 99783 0828    | Bolt, Hinge                     | 20   |  |
|     | 99971 0800    | Washer, Spring                  | 20   |  |
| 35  | 99951 0822    | Washer, Plain-Hinge "A"         | 4    |  |
| 36  | 0866 58 361   | Rack (R)                        | 1    |  |
|     | 1540 58 361   | Rack (R)                        | 1    | Car No. 134345 $\frac{7}{8}$ ~ ○             |
|     | 0866 58 361 B | Rack (R)                        | 1    | Car No. 150526 $\frac{7}{8}$ ~ ×             |
| ●   | 0866 58 361 C | Rack (R)                        | 1    | Car No. 170670 $\frac{7}{8}$ ~ △             |
|     | 0866 59 361   | Rack (L)                        | 1    |  |
|     | 1540 59 361   | Rack (L)                        | 1    | Car No. 134345 $\frac{7}{8}$ ~ ○             |
|     | 0866 59 361 B | Rack (L)                        | 1    | Car No. 150526 $\frac{7}{8}$ ~ ×             |
| ●   | 0866 59 361 C | Rack (L)                        | 1    | Car No. 170670 $\frac{7}{8}$ ~ △             |
| 37  | 0866 58 363   | Seat, Striker                   | 2    | Used up to<br>Car No. 150526 $\frac{7}{8}$ ~ |
| 38  | 0866 58 364 A | Plate, Base                     | 2    |  |
|     | 0866 58 364 B | Plate, Base                     | 2    | Car No. 150526 $\frac{7}{8}$ ~ ×             |
| 39  | 99761 0640    | Screw, Rack                     | 4    |  |
| ✓   | 1540 58 371   | Screw, Rack                     | 4    | Car No. 134345 $\frac{7}{8}$ ~ ○             |
|     | 99975 0600    | Washer, Toothed                 | 4    |  |



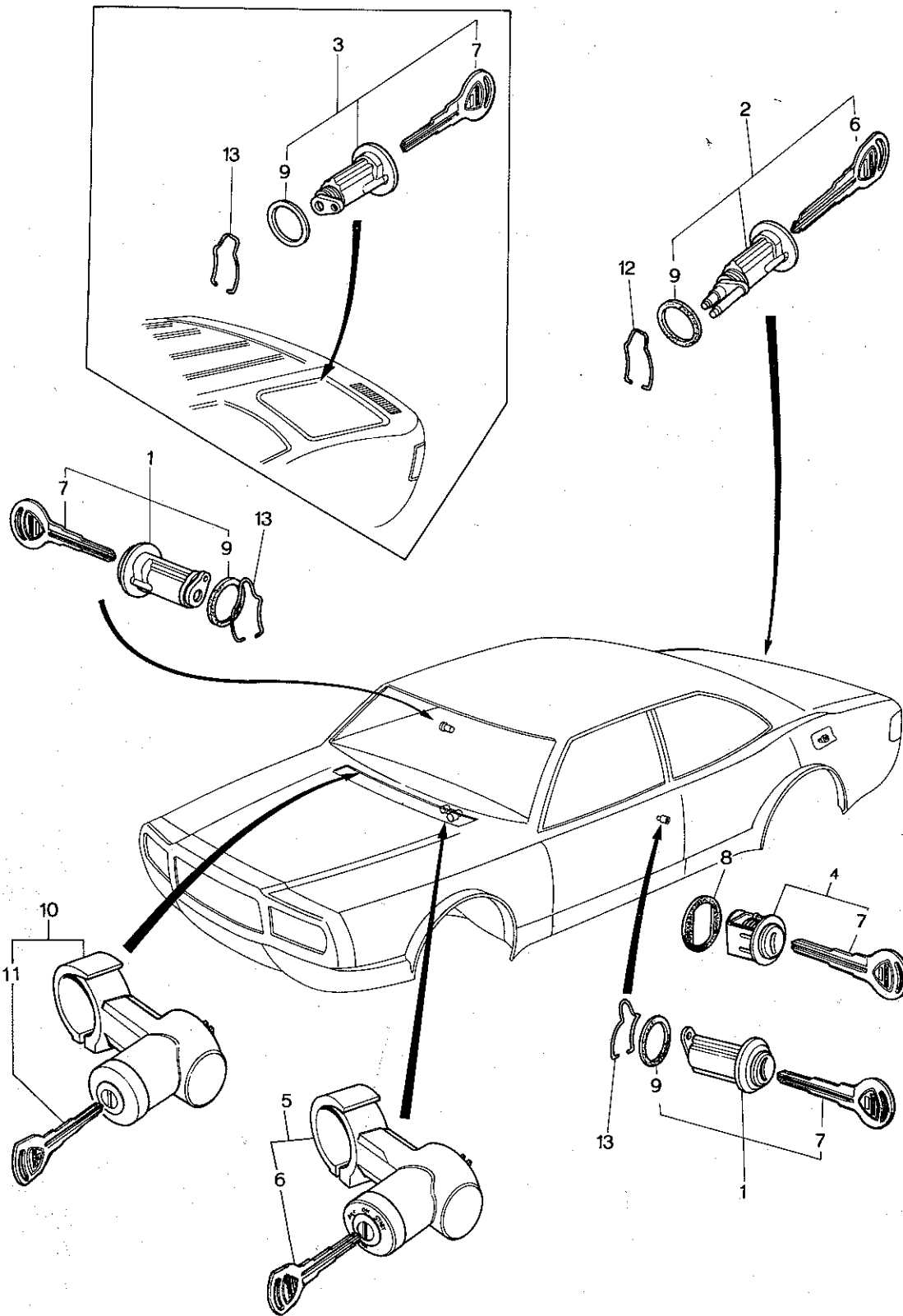
# REAR SIDE DOOR (LOCK)

## (SEDAN & STATION WAGON)

| No. | Part Number   | Description    | Qty               | Remarks           |
|-----|---------------|----------------|-------------------|-------------------|
| 40  | 0223 72 921 A | Screen "A"     | 2                 |                   |
| 41  | 0866 72 862 A | Screen "B"     | 2 (Sedan)         |                   |
|     | 0866 72 862 A | Screen "B" (R) | 1                 | } (Station Wagon) |
|     | 0866 73 862 A | Screen "B" (L) | 1                 |                   |
| 42  | 0866 72 863   | Screen "C"     | 2 (Sedan)         |                   |
|     | 0866 73 863   | Screen "C" (R) | 1 (Station Wagon) |                   |
|     | 0866 73 863   | Screen "C" (L) | 1 (Station Wagon) |                   |
| 43  | 0305 72 864   | Screen "D"     | 2                 |                   |



© 1994 by The McGraw-Hill Companies. All rights reserved. This book is a trademark of The McGraw-Hill Companies.





# KEY SET

09

| No.  | Part Number  | Description  | Q'ty | Remarks                                   |
|------|--------------|--|------|---|
|      | 1554 09 010  | Key Set, Steering Lock Included                      | 1    |   |
|      | 1554 09 010A | Key Set, Steering Lock Included                      | 1    | Car No. 127396 7/12~○                     |
|      | 1562 09 010  | Key Set  | 1    |   |
|      | 1562 09 010A | Key Set  | 1    | Car No. 127396 7/12~○                     |
|      | 0866 09 010  | Key Set  | 1    | } 1555, 1556, 1557 Steering Lock Excluded |
|      | 0866 09 010A | Key Set  | 1    |   |
|      | 1568 09 010  | Key Set (For France)                                 | 1    |   |
|      | 1568 09 010A | Key Set (For France)                                 | 1    | Car No. 127396 7/12~○                     |
| ✓●   | 1569 09 010  | Key Set, Steering Lock Included (Station Wagon)      | 1    |   |
| 1    | 0839 74 910  | Key Sub Set, Door                                    | 1    |   |
|      | 0839 74 910A | Key Sub Set, Door                                    | 1    | Car No. 127396 7/12~○                     |
|      | 2080 74 910  | Key Sub Set, Door                                    | 1    | } (For France)                            |
|      | 2080 74 910A | Key Sub Set, Door                                    | 1    |   |
| 2    | 0866 75 930  | Key Sub Set, Trunk Lid                               | 1    |   |
|      | 1568 75 930  | Key Sub Set, Trunk Lid (For France)                  | 1    |   |
| ✓● 3 | 0899 75 980  | Key Sub Set, Back Door (Station Wagon)               | 1    |   |
| 4    | 0866 75 940  | Key Sub Set, Filler Lid                              | 1    |   |
|      | 1568 75 940  | Key Sub Set, Filler Lid (For France)                 | 1    |   |
| 5    | 1554 75 990  | Key Sub Set, Steering Lock (For Australia & England) | 1    |   |
|      | 0866 75 990  | Key Sub Set, Steering Lock (R.H.D. General)          | 1    |   |



# KEY SET

| No.                                   | Part Number  | Description                                    | Q'ty                          | Remarks |
|---------------------------------------|--------------|--|-------------------------------|---------|
| 6                                     | 0839 58 492A | Key, Primary                                   | 2                             |         |
|                                       | 2080 58 492  | Key, Primary (For France)                      | 2                             |         |
| 7                                     | 0839 58 493A | Key, Secondary                                 | 1                             |         |
| 8                                     | 0621 42 455  | Seat, Filler Lid Lock                          | 1                             |         |
| 9                                     | 0223 58 962  | Gasket, Door & Trunk Lid                       | 3                             |         |
| <i>Steering lock switch P.B. 171.</i> |              |  |                               |         |
| 10                                    | 2370 60 430A | Steering Lock (L.H.D.)                         | 1                             |         |
| 11                                    | 2835 60 439  | Key (L.H.D.)                                   | 2                             |         |
| 12                                    | 0305 52 802  | Retainer, Trunk Lid                            | 1                             |         |
| 13                                    | 0223 58 961  | Fastener, Door                                 | 2                             |         |
|                                       | 0839 74 158  | Blank Key, Primary Key No. 2500~2999           | —                             |         |
|                                       | 0839 74 168  | Blank Key, Primary Key No. 3000~3499           | —                             |         |
|                                       | 0839 74 159  | Blank Key, Secondary Key No. 2500~2999         | —                             |         |
|                                       | 0839 74 169  | Blank Key, Secondary Key No. 3000~3499         | —                             |         |
|                                       | 2080 74 158  | Blank Key } Key No. 2500~2999<br>(For France). | —                             |         |
|                                       | 2080 74 168  |  | Blank Key } Key No. 3000~3499 | —       |
|                                       | 2280 75 641A | Blank Key, Steering Lock                       | —                             |         |

## 0014 17 411 ~ 0187 26 341 INDEX.

| Parts Number | Fig. Page | Parts Composition List Page | Fig. No. | Parts Number | Fig. Page | Parts Composition List Page | Fig. No. |
|--------------|-----------|-----------------------------|----------|--------------|-----------|-----------------------------|----------|
| 0014 17 411  | 42        | 43                          | 12       | 0118 41 681  | 127       | 128                         | 12       |
| 0103 17 244A | 38        | 39                          | 10       | 0118 41 682  | 125       | 126                         | 11       |
| 0103 17 411  | 42        | 43                          | 11       |              | 127       | 128                         | 13       |
| 0106 40 861  | 116       | 117                         | 21       | 0118 43 028A | 129       | 130                         | 17       |
| 0107 17 121  | 35        | 36                          | 17       | 0118 43 505  | 143       | 144                         | 20       |
| 0107 18 201  | 45        | 48                          | 50       | 0118 56 241  | 165       | 167                         | 37       |
| 0107 18 212  | 45        | 47                          | 32       | 0118 56 242B | 162       | 164                         | 36       |
| 0107 18 216A | 45        | 48                          | 42       |              | 165       | 167                         | 38       |
| 0107 18 221A | 45        | 48                          | 46       |              | 200       | 203                         | 33       |
| 0107 18 224  | 45        | 48                          | 44       | 0118 68 180A | 232       | 233                         | 7        |
| 0107 18 225  | 45        | 48                          | 45       | 0136 43 635  | 133       | 135                         | 31       |
| 0107 18 226A | 45        | 48                          | 43       |              | 143       | 144                         | 2        |
| 0107 18 231  | 45        | 48                          | 37       | 0164 23 664  | 53        | 54                          | 2        |
| 0107 18 266  | 45        | 48                          | 47       | 0180 17 353  | 35        | 37                          | 30       |
| 0107 18 406B | 53        | 54                          | 16       | 0180 32 165A | 95        | 98                          | 42       |
| 0107 18 417A | 53        | 54                          | 11       |              | 100       | 103                         | 36       |
| 0107 18 424  | 50        | 51                          | 6        | 0180 32 171A | 95        | 98                          | 41       |
|              | 53        | 54                          | 4        |              | 100       | 102                         | 35       |
|              | 57        | 58                          | 3        | 0180 32 172A | 95        | 98                          | 41       |
| 0110 18 515  | 27        | 28                          | 4        |              | 100       | 102                         | 35       |
| 0110 41 470  | 133       | 134                         | 5        | 0180 32 173A | 95        | 98                          | 41       |
| 0110 68 050A | 232       | 233                         | 3        |              | 100       | 102                         | 35       |
| 0111 17 323  | 42        | 43                          | 18       | 0180 32 174A | 95        | 98                          | 41       |
| 0111 17 354  | 65        | 67                          | 42       |              | 100       | 102                         | 35       |
| 0111 41 692  | 210       | 213                         | 40       | 0183 17 346  | 35        | 37                          | 26       |
|              | 220       | 221                         | 7        | 0183 17 351  | 35        | 37                          | 28       |
| 0111 43 432  | 133       | 134                         | 8        | 0183 17 491  | 42        | 44                          | 40       |
| 0111 43 433  | 133       | 134                         | 9        | 0183 17 493  | 42        | 44                          | 32       |
| 0111 57 111  | 149       | 150                         | 17       | 0183 34 731  | 110       | 113                         | 46       |
| 0114 17 351  | 42        | 43                          | 9        | 0183 41 043  | 129       | 130                         | 9        |
| 0114 18 422A | 53        | 54                          | 5        | 0183 41 081  | 129       | 130                         | 8        |
| 0114 27 262  | 89        | 90                          | 20       | 0183 41 308  | 133       | 135                         | 26       |
| 0114 42 046A | 118       | 119                         | 2        |              | 140       | 141                         | 14       |
| 0114 43 625  | 210       | 213                         | 36       | 0183 53 074  | 152       | 154                         | 15       |
| 0118 10 320  | 27        | 30                          | 37       | 0183 66 021  | 204       | 205                         | 2        |
| 0118 15 114  | 27        | 28                          | 10       | 0183 66 022  | 204       | 205                         | 3        |
| 0118 15 118  | 27        | 28                          | 14       | 0187 17 232  | 38        | 39                          | 16       |
| 0118 15 121  | 27        | 28                          | 9        | 0187 17 242  | 38        | 39                          | 7        |
| 0118 17 313  | 42        | 43                          | 4        | 0187 17 243  | 38        | 39                          | 9        |
| 0118 17 316  | 42        | 43                          | 8        | 0187 17 272  | 38        | 39                          | 18       |
| 0118 23 636  | 53        | 54                          | 8        |              | 38        | 40                          | 21       |
| 0118 23 637  | 53        | 54                          | 7        | 0187 17 323  | 38        | 41                          | 38       |
| 0118 23 689  | 53        | 54                          | 17       | 0187 17 333  | 35        | 37                          | 21       |
|              | 57        | 59                          | 27       | 0187 17 346B | 65        | 67                          | 37       |
| 0118 23 691  | 53        | 54                          | 18       | 0187 17 351A | 65        | 67                          | 38       |
|              | 57        | 59                          | 29       | 0187 17 352  | 65        | 67                          | 39       |
| 0118 26 342  | 85        | 86                          | 7        | 0187 17 404  | 42        | 43                          | 2        |
| 0118 26 672  | 85        | 87                          | 23       | 0187 17 441A | 42        | 43                          | 13       |
| 0118 26 832  | 85        | 87                          | 31       | 0187 17 492  | 42        | 44                          | 31       |
| 0118 26 834  | 85        | 87                          | 32       | 0187 24 566  | 50        | 51                          | 21       |
| 0118 26 897  | 85        | 88                          | 35       | 0187 24 577A | 50        | 51                          | 3        |
| 0118 41 342  | 133       | 134                         | 20       | 0187 24 579A | 50        | 51                          | 2        |
| 0118 41 375  | 143       | 144                         | 17       | 0187 26 154  | 82        | 83                          | 14       |
| 0118 41 681  | 125       | 126                         | 10       | 0187 26 341  | 85        | 86                          | 6        |

INDEX. 0187 26 821 ~0223 58 311

|              |     |     |    |              |     |     |    |
|--------------|-----|-----|----|--------------|-----|-----|----|
| 0187 26 821  | 85  | 87  | 34 | 0221 43 694  | 143 | 144 | 18 |
| 0187 26 921  | 85  | 87  | 34 | 0221 44 033  | 140 | 141 | 4  |
| 0187 34 536  | 110 | 112 | 29 | 0221 44 044  | 140 | 141 | 7  |
| 0187 34 776  | 92  | 94  | 27 | 0222 13 363  | 27  | 31  | 62 |
| 0187 41 341  | 133 | 134 | 18 |              | 122 | 123 | 3  |
| 0187 42 371  | 118 | 119 | 15 | 0222 13 470A | 122 | 123 | 7  |
| 0187 43 029  | 129 | 130 | 19 | 0222 13 481  | 122 | 123 | 8  |
| 0187 46 683  | 129 | 130 | 11 | 0222 13 493  | 5   | 8   | 45 |
| 0187 52 141  | 152 | 153 | 8  |              | 122 | 123 | 13 |
| 0187 56 235  | 256 | 257 | 6  | 0222 15 205  | 27  | 30  | 36 |
| 0187 58 731  | 195 | 198 | 25 | 0222 15 255  | 27  | 30  | 41 |
|              | 195 | 198 | 33 | 0222 17 301B | 38  | 40  | 29 |
|              | 260 | 263 | 31 | 0222 18 375  | 50  | 52  | 33 |
| 0187 58 922  | 190 | 193 | 20 | 0222 18 376  | 50  | 52  | 33 |
|              | 251 | 254 | 33 | 0222 18 377  | 50  | 52  | 33 |
|              | 256 | 258 | 24 | 0222 18 391C | 45  | 49  | 62 |
| 0187 62 973  | 152 | 154 | 24 | 0222 24 517  | 53  | 54  | 21 |
| 0187 68 110A | 232 | 233 | 6  | 0222 24 568  | 50  | 51  | 22 |
| 0187 69 049A | 234 | 235 | 13 | 0222 24 714  | 53  | 54  | 3  |
| 0191 41 331  | 133 | 134 | 17 | 0222 24 725  | 53  | 54  | 10 |
| 0200 23 531  | 50  | 51  | 9  | 0222 24 741  | 53  | 54  | 20 |
|              | 53  | 54  | 22 | 0222 24 750  | 53  | 54  | 13 |
| 0208 13 458  | 116 | 117 | 15 | 0222 24 752A | 53  | 54  | 15 |
| 0208 24 523  | 50  | 51  | 14 | 0222 24 753  | 53  | 54  | 14 |
| 0208 24 563A | 50  | 51  | 20 | 0222 24 756  | 53  | 54  | 23 |
| 0208 26 651  | 85  | 87  | 21 | 0222 24 760A | 53  | 54  | 6  |
| 0208 26 671  | 85  | 87  | 22 | 0222 66 511A | 210 | 211 | 12 |
| 02 8 32 059  | 95  | 97  | 31 | 0223 25 024  | 80  | 81  | 6  |
|              | 100 | 102 | 22 | 0223 26 345A | 85  | 86  | 8  |
| 0208 32 188  | 95  | 98  | 48 | 0223 27 012  | 89  | 90  | 1  |
|              | 100 | 103 | 42 | 0223 27 018  | 89  | 90  | 2  |
|              | 104 | 106 | 21 | 0223 27 020B | 89  | 90  | 3  |
| 0208 32 278  | 110 | 112 | 27 | 0223 27 030  | 89  | 90  | 4  |
| 0208 56 615  | 165 | 168 | 39 | 0223 27 401  | 89  | 91  | 25 |
| 0208 58 921  | 190 | 193 | 19 | 0223 27 402  | 89  | 91  | 25 |
|              | 251 | 254 | 32 | 0223 27 403  | 89  | 91  | 25 |
|              | 256 | 258 | 23 | 0223 27 404  | 89  | 91  | 25 |
| 0208 66 949  | 210 | 213 | 42 | 0223 27 405  | 89  | 91  | 25 |
| 0208 68 230  | 232 | 233 | 8  | 0223 27 406  | 89  | 91  | 25 |
| 0208 76 071  | 242 | 244 | 25 | 0223 27 407  | 89  | 91  | 25 |
| 0209 66 820  | 210 | 215 | 70 | 0223 27 408  | 89  | 91  | 25 |
| 0209 66 821  | 210 | 215 | 71 | 0223 27 409  | 89  | 91  | 25 |
| 0212 66 371  | 216 | 217 | 5  | 0223 27 411  | 89  | 91  | 25 |
| 0212 66 372  | 216 | 217 | 6  | 0223 27 412  | 89  | 91  | 25 |
| 0221 10 309  | 5   | 6   | 12 | 0223 27 413  | 89  | 91  | 25 |
| 0221 14 117  | 1   | 3   | 32 | 0223 27 414  | 89  | 91  | 25 |
| 0221 17 441  | 42  | 43  | 14 | 0223 27 415  | 89  | 91  | 25 |
| 0221 17 473  | 42  | 44  | 23 | 0223 41 131A | 129 | 131 | 23 |
| 0221 17 475A | 42  | 44  | 26 | 0223 46 683  | 129 | 131 | 24 |
| 0221 17 551A | 42  | 44  | 36 | 0223 50 275  | 149 | 150 | 5  |
| 0221 17 552  | 42  | 44  | 37 | 0223 52 007  | 165 | 167 | 36 |
| 0221 27 141  | 89  | 90  | 7  | 0223 52 302  | 152 | 154 | 18 |
| 0221 27 255  | 89  | 90  | 18 | 0223 58 303A | 195 | 197 | 15 |
| 0221 27 305  | 89  | 91  | 24 |              | 251 | 252 | 12 |
| 0221 33 035  | 107 | 108 | 11 | 0223 58 304A | 195 | 197 | 16 |
| 0221 33 698  | 107 | 108 | 8  |              | 251 | 252 | 13 |
| 0221 43 431  | 133 | 134 | 7  | 0223 58 311  | 195 | 197 | 17 |
| 0221 43 694  | 133 | 135 | 28 |              | 251 | 252 | 14 |

## 0223 58 370C~0259 53 455 INDEX.

|              |     |     |    |              |     |     |    |
|--------------|-----|-----|----|--------------|-----|-----|----|
| 0223 58 370C | 260 | 262 | 18 | 0259 26 155  | 82  | 83  | 11 |
| 0223 58 375A | 195 | 198 | 21 | 0259 28 182  | 92  | 94  | 12 |
|              | 251 | 253 | 19 | 0259 32 071  | 95  | 97  | 29 |
|              | 260 | 262 | 19 |              | 100 | 102 | 25 |
| 0223 58 445  | 234 | 237 | 49 | 0259 32 154  | 95  | 97  | 34 |
| 0223 58 472  | 95  | 96  | 14 |              | 100 | 102 | 28 |
|              | 100 | 101 | 3  | 0259 32 155  | 95  | 97  | 34 |
| 0223 58 692A | 190 | 193 | 18 |              | 100 | 102 | 28 |
|              | 256 | 258 | 22 | 0259 32 156  | 95  | 98  | 34 |
| 0223 58 721  | 195 | 198 | 24 |              | 100 | 102 | 28 |
|              | 195 | 198 | 32 | 0259 32 157  | 95  | 98  | 34 |
|              | 260 | 262 | 22 |              | 100 | 102 | 28 |
|              | 260 | 263 | 30 | 0259 32 160  | 95  | 98  | 39 |
| 0223 58 939  | 190 | 194 | 27 |              | 100 | 102 | 33 |
| 0223 58 961  | 265 | 266 | 12 | 0259 32 163  | 95  | 98  | 40 |
| 0223 58 962  | 265 | 266 | 8  |              | 100 | 102 | 34 |
| 0223 66 371  | 216 | 217 | 4  | 0259 32 182  | 95  | 97  | 33 |
| 0223 69 102  | 234 | 236 | 25 |              | 100 | 102 | 27 |
| 0223 69 103  | 234 | 236 | 26 | 0259 32 289  | 95  | 99  | 51 |
| 0223 69 105  | 234 | 236 | 26 |              | 100 | 103 | 45 |
| 0225 43 092  | 129 | 132 | 39 |              | 104 | 105 | 5  |
| 0233 49 656  | 136 | 138 | 25 | 0259 33 047  | 107 | 108 | 9  |
| 0233 49 660  | 136 | 137 | 22 | 0259 33 071  | 107 | 108 | 1  |
| 0233 49 665  | 136 | 137 | 21 | 0259 33 165  | 82  | 83  | 17 |
| 0233 49 670  | 136 | 138 | 23 |              | 107 | 109 | 22 |
| 0233 66 790  | 129 | 132 | 41 | 0259 33 691  | 85  | 87  | 26 |
| 0243 34 565  | 110 | 112 | 28 |              | 133 | 135 | 24 |
| 0243 56 231  | 53  | 55  | 40 | 0259 33 693  | 85  | 87  | 27 |
|              | 57  | 60  | 50 |              | 133 | 135 | 25 |
| 0243 66 773  | 118 | 120 | 31 | 0259 34 155  | 110 | 111 | 14 |
| 0249 24 731  | 57  | 58  | 8  | 0259 34 156  | 110 | 111 | 15 |
|              | 57  | 58  | 22 | 0259 34 705  | 110 | 113 | 38 |
|              | 57  | 59  | 37 | 0259 34 708  | 110 | 113 | 40 |
| 0249 41 671  | 125 | 126 | 6  | 0259 34 712  | 110 | 113 | 41 |
|              | 127 | 128 | 16 | 0259 34 719A | 110 | 113 | 44 |
| 0249 68 060A | 232 | 233 | 4  | 0259 34 767  | 110 | 113 | 49 |
| 0257 61 051  | 200 | 202 | 25 | 0259 34 768  | 110 | 113 | 50 |
| 0257 87 107  | 216 | 217 | 17 | 0259 34 769B | 110 | 113 | 51 |
| 0257 87 108  | 216 | 217 | 15 | 0259 39 340  | 114 | 115 | 6  |
| 0259 18 510  | 27  | 28  | 3  | 0259 41 613  | 127 | 128 | 4  |
| 0259 25 021B | 80  | 81  | 2  | 0259 41 619  | 127 | 128 | 8  |
| 0259 25 060  | 80  | 81  | 3  | 0259 41 644  | 125 | 126 | 3  |
| 0259 25 071A | 80  | 81  | 4  |              | 127 | 128 | 10 |
| 0259 25 072A | 80  | 81  | 4  |              | 129 | 130 | 13 |
| 0259 25 073A | 80  | 81  | 4  | 0259 42 022  | 146 | 147 | 1  |
| 0259 25 074A | 80  | 81  | 4  | 0259 42 364  | 118 | 119 | 5  |
| 0259 25 075A | 80  | 81  | 4  | 0259 42 390  | 118 | 119 | 17 |
| 0259 25 076A | 80  | 81  | 4  | 0259 43 022  | 129 | 130 | 3  |
| 0259 25 077A | 80  | 81  | 4  | 0259 43 028  | 129 | 130 | 17 |
| 0259 25 078A | 80  | 81  | 4  | 0259 43 088  | 95  | 99  | 60 |
| 0259 25 079A | 80  | 81  | 4  |              | 100 | 101 | 20 |
| 0259 26 041  | 82  | 83  | 7  |              | 129 | 132 | 38 |
| 0259 26 051  | 82  | 83  | 8  | 0259 43 140  | 129 | 131 | 21 |
| 0259 26 129  | 82  | 83  | 15 | 0259 46 691  | 146 | 148 | 25 |
| 0259 26 132  | 82  | 83  | 18 | 0259 52 257  | 152 | 153 | 14 |
| 0259 26 141  | 82  | 83  | 16 | 0259 52 301  | 152 | 154 | 17 |
| 0259 26 142  | 82  | 83  | 16 | 0259 53 455  | 159 | 161 | 33 |
| 0259 26 152  | 82  | 83  | 12 |              | 162 | 164 | 35 |

INDEX. 0259 55 261 ~ 0305 57 909

|              |     |     |    |              |     |     |    |
|--------------|-----|-----|----|--------------|-----|-----|----|
| 0259 55 261  | 176 | 177 | 10 | 0290 24 524  | 50  | 51  | 11 |
|              | 176 | 178 | 23 | 0290 24 541A | 50  | 51  | 25 |
| 0259 55 556  | 95  | 98  | 38 | 0290 24 542A | 50  | 51  | 26 |
|              | 100 | 102 | 32 | 0290 24 556  | 50  | 52  | 27 |
| 0259 55 951  | 169 | 175 | 93 | 0290 24 563  | 50  | 51  | 19 |
| 0259 57 105  | 179 | 181 | 28 | 0290 24 581  | 50  | 52  | 29 |
|              | 184 | 187 | 34 | 0290 27 231  | 89  | 90  | 13 |
| 0259 58 305  | 195 | 198 | 19 | 0290 27 252  | 89  | 90  | 17 |
|              | 260 | 262 | 17 | 0290 27 253  | 89  | 90  | 17 |
| 0259 58 691  | 195 | 196 | 3  | 0290 27 254  | 89  | 90  | 17 |
|              | 260 | 261 | 3  | 0290 27 301  | 89  | 90  | 21 |
| 0259 58 906  | 195 | 199 | 41 | 0290 27 302  | 89  | 90  | 22 |
| 0259 61 405  | 200 | 202 | 24 | 0290 41 710  | 127 | 128 | 2  |
| 0259 66 685  | 210 | 213 | 35 | 0302 44 132  | 140 | 142 | 24 |
| 0259 68 250  | 179 | 181 | 30 | 0303 17 470  | 42  | 43  | 21 |
|              | 184 | 187 | 36 | 0303 17 474  | 42  | 44  | 25 |
| 0259 69 311  | 239 | 240 | 2  | 0303 17 481  | 42  | 44  | 29 |
| 0259 72 080  | 256 | 257 | 7  | 0303 17 482  | 42  | 44  | 30 |
| 0259 72 210  | 256 | 257 | 5  | 0303 17 561  | 42  | 44  | 39 |
| 0259 72 305  | 251 | 253 | 17 | 0303 44 032  | 140 | 141 | 3  |
| 0259 72 509  | 195 | 196 | 5  | 0303 44 053  | 140 | 141 | 11 |
|              | 260 | 261 | 5  | 0305 17 341  | 72  | 74  | 32 |
| 0259 87 101A | 216 | 218 | 22 | 0305 17 345  | 65  | 67  | 36 |
| 0259 87 103  | 216 | 218 | 26 | 0305 26 255  | 85  | 86  | 2  |
| 0259 87 104A | 216 | 218 | 27 | 0305 26 465  | 85  | 86  | 13 |
| 0259 87 105  | 216 | 218 | 21 | 0305 26 500  | 85  | 86  | 10 |
| 0259 87 106  | 216 | 218 | 23 | 0305 26 800A | 85  | 87  | 30 |
| 0259 87 107  | 216 | 218 | 19 | 0305 26 810A | 85  | 87  | 30 |
| 0259 87 108A | 216 | 218 | 20 | 0305 27 171  | 89  | 90  | 11 |
| 0259 87 109A | 216 | 217 | 14 | 0305 27 261  | 89  | 90  | 19 |
| 0259 87 119  | 216 | 218 | 28 | 0305 32 119  | 95  | 98  | 46 |
| 0259 87 120  | 216 | 218 | 29 |              | 100 | 103 | 40 |
| 0259 87 134  | 216 | 217 | 12 |              | 104 | 106 | 22 |
| 0259 88 123  | 179 | 181 | 22 | 0305 32 365  | 104 | 105 | 7  |
|              | 184 | 187 | 28 | 0305 34 701A | 110 | 113 | 37 |
| 0259 88 229  | 179 | 182 | 40 | 0305 34 707  | 110 | 113 | 39 |
|              | 184 | 188 | 48 | 0305 34 709  | 110 | 113 | 52 |
| 0259 88 259  | 179 | 180 | 9  | 0305 34 713  | 110 | 113 | 42 |
|              | 184 | 185 | 13 | 0305 34 714  | 110 | 113 | 43 |
| 0268 43 028  | 129 | 130 | 17 | 0305 34 720  | 110 | 113 | 52 |
| 0271 17 478  | 42  | 44  | 27 | 0305 40 061  | 116 | 117 | 3  |
| 0275 55 195  | 226 | 228 | 30 | 0305 41 440  | 133 | 134 | 2  |
|              | 234 | 237 | 44 | 0305 41 451  | 133 | 134 | 3  |
| 0275 68 088  | 226 | 227 | 6  | 0305 41 461  | 133 | 134 | 4  |
| 0275 75 140  | 176 | 178 | 24 | 0305 41 641  | 127 | 128 | 7  |
| 0275 87 007  | 204 | 205 | 4  | 0305 43 140  | 129 | 131 | 27 |
|              | 204 | 206 | 13 | 0305 43 635  | 143 | 144 | 8  |
| 0290 17 261B | 38  | 39  | 19 | 0305 44 471  | 140 | 142 | 22 |
| 0290 17 402  | 42  | 43  | 1  | 0305 50 231  | 149 | 151 | 36 |
| 0290 24 501A | 50  | 51  | 15 | 0305 52 312B | 152 | 153 | 6  |
| 0290 24 505A | 50  | 51  | 13 | 0305 52 313  | 152 | 153 | 5  |
| 0290 24 510A | 50  | 51  | 7  | 0305 52 322A | 152 | 153 | 7  |
| 0290 24 511A | 50  | 51  | 10 | 0305 52 330A | 152 | 153 | 9  |
| 0290 24 513  | 50  | 51  | 24 | 0305 52 331  | 152 | 153 | 10 |
| 0290 24 515  | 50  | 51  | 12 | 0305 52 628  | 152 | 155 | 33 |
| 0290 24 517  | 50  | 51  | 5  | 0305 52 802  | 265 | 266 | 11 |
| 0290 24 520A | 50  | 51  | 16 | 0305 53 999  | 247 | 248 | 6  |
| 0290 24 521A | 50  | 52  | 28 | 0305 57 909  | 179 | 183 | 46 |

0305 57 909~0338 19 381A INDEX

|                |     |       |    |              |     |     |    |
|----------------|-----|-------|----|--------------|-----|-----|----|
| 0305 57 909    | 184 | 189   | 54 | 0317 60 257  | 169 | 174 | 77 |
| 0305 58 309    | 195 | 196   | 4  | 0317 60 258  | 169 | 174 | 78 |
|                | 260 | 261   | 4  | 0317 60 259  | 169 | 174 | 79 |
| 0305 58 411    | 260 | 262   | 13 | 0317 60 261  | 169 | 174 | 80 |
| 0305 58 505    | 190 | 191   | 5  | 0317 60 262  | 169 | 175 | 81 |
| 0305 58 762    | 190 | 193   | 22 | 0317 60 266  | 169 | 175 | 85 |
|                | 256 | 258   | 26 | 0317 66 862  | 222 | 224 | 18 |
| 0305 59 505    | 190 | 191   | 5  | 0317 67 480  | 220 | 221 | 1  |
| 0305 60 053    | 169 | 173   | 54 | 0317 70 269  | 226 | 228 | 31 |
| 0305 60 715    | 169 | 175   | 92 | 0317 70 307  | 245 | 246 | 2  |
| 0305 66 580    | 226 | 231   | 65 | 0324 10 250  | 5   | 7   | 29 |
| 0305 67 330A   | 216 | 217   | 2  | 0324 10 252  | 5   | 7   | 30 |
| 0305 67 993A   | 210 | 214   | 52 | 0329 17 520  | 42  | 44  | 34 |
|                | 222 | 224   | 17 | 0329 32 013A | 95  | 97  | 18 |
| 0305 68 800C   | 232 | 233   | 10 |              | 100 | 101 | 7  |
| 0305 68 810A   | 232 | 233   | 11 | 0329 32 014  | 95  | 97  | 21 |
| 0305 69 170 V  | 234 | 236 V | 31 | 0329 32 015  | 95  | 97  | 20 |
| 0305 69 171    | 234 | 236   | 32 |              | 100 | 101 | 9  |
| 0305 69 180    | 234 | 236   | 33 | 0329 32 016  | 95  | 97  | 19 |
| 0305 70 395B   | 245 | 246   | 16 |              | 100 | 101 | 8  |
| 0305 70 443B V | 247 | 248 V | 2  | 0329 32 019  | 95  | 97  | 23 |
| 0305 70 445B   | 247 | 248   | 3  |              | 100 | 101 | 12 |
| 0305 70 448A   | 247 | 248   | 5  | 0329 32 031A | 95  | 97  | 17 |
| 0305 70 449B   | 247 | 248   | 4  |              | 100 | 101 | 6  |
| 0305 70 861B   | 247 | 250   | 37 | 0329 32 033  | 95  | 97  | 22 |
| 0305 72 864    | 260 | 264   | 43 |              | 100 | 101 | 11 |
| 0305 87 032 V  | 207 | 209 V | 13 | 0329 32 034  | 95  | 97  | 25 |
| 0305 87 065    | 226 | 231   | 66 |              | 100 | 101 | 14 |
| 0305 87 906    | 216 | 217   | 7  | 0338 10 667  | 72  | 74  | 29 |
| 0305 87 993    | 220 | 221   | 3  | 0338 19 100A | 61  | 62  | 7  |
| 0305 99 431    | 133 | 134   | -  | 0338 19 215  | 61  | 62  | 9  |
| 0308 46 030    | 146 | 147   | 5  | 0338 19 216  | 61  | 62  | 10 |
| 0308 46 054    | 146 | 147   | 9  | 0338 19 220  | 61  | 62  | 11 |
| 0308 46 056    | 146 | 147   | 11 | 0338 19 223  | 61  | 62  | 13 |
| 0308 46 057    | 146 | 147   | 12 | 0338 19 230  | 61  | 62  | 12 |
| 0308 46 083    | 146 | 147   | 18 | 0338 19 234  | 61  | 62  | 14 |
| 0316 66 865A   | 222 | 225   | 26 | 0338 19 235  | 61  | 62  | 14 |
| 0317 17 225    | 38  | 39    | 14 | 0338 19 236  | 61  | 62  | 14 |
| 0317 17 335    | 35  | 37    | 22 | 0338 19 237  | 61  | 62  | 15 |
|                | 65  | 66    | 22 | 0338 19 238  | 61  | 62  | 15 |
| 0317 26 121    | 82  | 83    | 13 | 0338 19 239  | 61  | 62  | 15 |
| 0317 26 151A   | 82  | 83    | 10 | 0338 19 240  | 61  | 62  | 16 |
| 0317 32 129    | 95  | 98    | 45 | 0338 19 245  | 61  | 62  | 17 |
|                | 100 | 103   | 39 |              | 75  | 76  | 14 |
| 0317 33 043    | 107 | 108   | 5  | 0338 19 255  | 61  | 63  | 18 |
| 0317 33 049    | 107 | 108   | 3  | 0338 19 256  | 61  | 63  | 19 |
| 0317 33 075    | 107 | 108   | 6  | 0338 19 257  | 61  | 63  | 20 |
| 0317 33 673    | 85  | 87    | 24 | 0338 19 258  | 61  | 63  | 21 |
| 0317 43 421    | 133 | 134   | 6  | 0338 19 310  | 65  | 66  | 1  |
| 0317 43 428    | 133 | 134   | 10 | 0338 19 331  | 65  | 66  | 2  |
| 0317 43 551    | 133 | 134   | 12 | 0338 19 335  | 65  | 66  | 3  |
| 0317 57 015    | 179 | 183   | 42 | 0338 19 336  | 65  | 66  | 4  |
|                | 184 | 189   | 50 | 0338 19 337  | 65  | 66  | 5  |
| 0317 60 252    | 169 | 174   | 72 | 0338 19 338  | 65  | 66  | 6  |
| 0317 60 253    | 169 | 174   | 73 | 0338 19 360  | 68  | 69  | 1  |
| 0317 60 254    | 169 | 174   | 74 | 0338 19 361  | 65  | 66  | 9  |
| 0317 60 255    | 169 | 174   | 75 | 0338 19 363  | 65  | 66  | 10 |
| 0317 60 256    | 169 | 174   | 76 | 0338 19 381A | 65  | 66  | 11 |

INDEX. 0338 19 384~0338 19 664

|              |    |    |    |              |    |    |    |
|--------------|----|----|----|--------------|----|----|----|
| 0338 19 384  | 65 | 66 | 12 | 0338 19 534  | 68 | 70 | 33 |
| 0338 19 385A | 65 | 66 | 13 | 0338 19 540  | 68 | 70 | 34 |
| 0338 19 386  | 65 | 66 | 14 | 0338 19 550  | 68 | 70 | 35 |
| 0338 19 388  | 65 | 66 | 15 | 0338 19 560  | 68 | 70 | 36 |
| 0338 19 389  | 65 | 66 | 16 | 0338 19 565  | 68 | 70 | 37 |
| 0338 19 391A | 65 | 66 | 17 | 0338 19 566  | 68 | 71 | 38 |
| 0338 19 393  | 65 | 66 | 18 | 0338 19 567  | 68 | 71 | 39 |
| 0338 19 395  | 65 | 66 | 18 | 0338 19 570  | 68 | 71 | 40 |
|              | 65 | 66 | 19 | 0338 19 570  | 68 | 71 | 40 |
| 0338 19 397  | 65 | 66 | 20 | 0338 19 580  | 72 | 73 | 1  |
|              | 72 | 74 | 23 | 0338 19 581  | 72 | 73 | 2  |
| 0338 19 431  | 75 | 76 | 1  | 0338 19 590  | 72 | 73 | 3  |
| 0338 19 432  | 75 | 76 | 2  | 0338 19 591  | 72 | 73 | 4  |
| 0338 19 433  | 75 | 76 | 8  | 0338 19 593  | 72 | 73 | 5  |
| 0338 19 440  | 75 | 76 | 9  | 0338 19 594  | 72 | 73 | 6  |
| 0338 19 443  | 75 | 76 | 10 | 0338 19 595  | 72 | 73 | 7  |
| 0338 19 444  | 75 | 76 | 5  | 0338 19 596  | 72 | 73 | 8  |
| 0338 19 445  | 75 | 76 | 3  | 0338 19 598  | 68 | 71 | 41 |
| 0338 19 446  | 75 | 76 | 4  | 0338 19 601  | 72 | 73 | 9  |
| 0338 19 448  | 75 | 76 | 11 | 0338 19 603  | 72 | 73 | 10 |
| 0338 19 449  | 75 | 76 | 12 | 0338 19 604  | 72 | 73 | 11 |
| 0338 19 450  | 75 | 76 | 13 | 0338 19 605  | 72 | 73 | 12 |
| 0338 19 460  | 68 | 69 | 2  |              | 72 | 73 | 12 |
| 0338 19 470  | 68 | 69 | 3  | 0338 19 606  | 72 | 73 | 13 |
| 0338 19 475  | 68 | 69 | 4  | 0338 19 607  | 72 | 73 | 14 |
|              | 68 | 69 | 17 | 0338 19 608  | 72 | 73 | 15 |
| 0338 19 476  | 68 | 69 | 5  | 0338 19 609  | 72 | 73 | 16 |
|              | 68 | 70 | 18 | 0338 19 610  | 72 | 73 | 17 |
| 0338 19 480  | 68 | 69 | 6  | 0338 19 613A | 72 | 73 | 18 |
|              | 68 | 70 | 19 | 0338 19 614A | 72 | 73 | 18 |
| 0338 19 486  | 68 | 69 | 8  | 0338 19 615A | 72 | 73 | 18 |
|              | 68 | 70 | 21 | 0338 19 616A | 72 | 73 | 18 |
| 0338 19 487  | 68 | 69 | 9  | 0338 19 617A | 72 | 73 | 18 |
|              | 68 | 70 | 22 | 0338 19 618A | 72 | 74 | 18 |
| 0338 19 488  | 68 | 69 | 10 | 0338 19 621  | 68 | 71 | 42 |
|              | 68 | 70 | 23 | 0338 19 622  | 68 | 71 | 43 |
| 0338 19 493  | 68 | 69 | 7  |              | 72 | 74 | 19 |
|              | 68 | 70 | 20 | 0338 19 623  | 68 | 71 | 44 |
| 0338 19 498  | 68 | 69 | 11 | 0338 19 631  | 68 | 71 | 45 |
|              | 68 | 70 | 24 | 0338 19 632  | 68 | 71 | 45 |
| 0338 19 499  | 68 | 69 | 12 | 0338 19 633  | 68 | 71 | 45 |
|              | 68 | 70 | 25 | 0338 19 634  | 68 | 71 | 45 |
| 0338 19 500  | 68 | 69 | 13 | 0338 19 635  | 68 | 71 | 45 |
|              | 68 | 70 | 26 | 0338 19 636  | 68 | 71 | 45 |
| 0338 19 503  | 68 | 69 | 14 | 0338 19 638  | 68 | 71 | 46 |
| 0338 19 504  | 68 | 69 | 14 | 0338 19 639  | 68 | 71 | 47 |
| 0338 19 505  | 68 | 69 | 14 | 0338 19 641  | 68 | 71 | 48 |
| 0338 19 506  | 68 | 69 | 14 | 0338 19 642  | 68 | 71 | 48 |
| 0338 19 507  | 68 | 69 | 14 | 0338 19 643  | 68 | 71 | 48 |
| 0338 19 508  | 68 | 69 | 14 | 0338 19 644  | 68 | 71 | 48 |
| 0338 19 509  | 68 | 69 | 15 | 0338 19 645  | 68 | 71 | 48 |
|              | 68 | 70 | 27 | 0338 19 646  | 68 | 71 | 48 |
| 0338 19 510  | 68 | 69 | 16 | 0338 19 647  | 68 | 71 | 48 |
| 0338 19 511  | 68 | 70 | 28 | 0338 19 651  | 72 | 74 | 21 |
| 0338 19 515  | 68 | 70 | 29 | 0338 19 655  | 72 | 74 | 22 |
| 0338 19 530  | 68 | 70 | 30 | 0338 19 656  | 72 | 74 | 23 |
| 0338 19 531  | 68 | 70 | 31 | 0338 19 661  | 72 | 74 | 25 |
| 0338 19 533  | 68 | 70 | 32 | 0338 19 663  | 72 | 74 | 26 |
|              |    |    |    | 0338 19 664  | 72 | 74 | 27 |



0338 19 670A ~ 0370 70 985A INDEX.

|              |    |    |    |               |     |      |    |
|--------------|----|----|----|---------------|-----|------|----|
| 0338 19 670A | 72 | 74 | 30 | 0338 19 831   | 77  | 79   | 39 |
| 0338 19 676  | 72 | 74 | 31 | 0338 19 832   | 77  | 79   | 40 |
| 0338 19 678  | 61 | 63 | 23 | 0338 19 833   | 77  | 79   | 41 |
| 0338 19 701  | 75 | 76 | 15 | 0338 19 835   | 65  | 67   | 29 |
| 0338 19 702  | 75 | 76 | 16 | 0338 19 836   | 65  | 67   | 30 |
| 0338 19 703  | 75 | 76 | 17 | 0338 19 837   | 65  | 67   | 31 |
| 0338 19 704  | 75 | 76 | 18 | 0338 19 880   | 65  | 67   | 33 |
| 0338 19 706  | 75 | 76 | 19 | 0338 19 904   | 61  | 63   | 28 |
| 0338 19 710A | 65 | 66 | 21 | 0366 53 451   | 162 | 163  | 15 |
| 0338 19 731  | 75 | 76 | 20 | 0366 53 600   | 162 | 164  | 23 |
| 0338 19 732  | 75 | 76 | 21 | 0366 54 451✓  | 162 | 163✓ | 16 |
| 0338 19 733  | 75 | 76 | 22 | 0366 54 600   | 162 | 164  | 24 |
| 0338 19 734  | 75 | 76 | 23 | 0366 61 070   | 200 | 202  | 26 |
| 0338 19 735  | 65 | 67 | 23 | 0368 57 120   | 179 | 180  | 12 |
| 0338 19 737  | 65 | 67 | 24 | 0368 57 170   | 179 | 180  | 14 |
| 0338 19 739  | 65 | 67 | 24 | 0368 58 303   | 195 | 197  | 10 |
| 0338 19 760  | 77 | 78 | 1  | 0368 58 501✓  | 190 | 191✓ | 4  |
| 0338 19 768  | 77 | 78 | 3  | 0368 59 303   | 195 | 197  | 10 |
| 0338 19 771  | 77 | 78 | 4  | 0368 59 501✓  | 190 | 191✓ | 4  |
| 0338 19 772  | 77 | 78 | 5  | 0368 69 055A✓ | 234 | 235✓ | 4  |
| 0338 19 773  | 77 | 78 | 6  | 0368 70 441✓  | 247 | 248✓ | 1  |
| 0338 19 777  | 77 | 78 | 9  | 0368 72 501✓  | 256 | 257✓ | 3  |
| 0338 19 778  | 77 | 78 | 10 | 0368 73 501✓  | 256 | 257✓ | 3  |
| 0338 19 781  | 77 | 78 | 11 | 0368 88 010   | 179 | 180  | 10 |
| 0338 19 782  | 77 | 78 | 12 | 0368 88 100   | 179 | 181  | 17 |
| 0338 19 783  | 77 | 78 | 13 | 0368 88 200   | 179 | 180  | 11 |
| 0338 19 784  | 77 | 78 | 14 | 0368 88 280   | 179 | 181  | 18 |
| 0338 19 785  | 77 | 78 | 15 | 0370 32 030   | 95  | 96   | 3  |
| 0338 19 786  | 77 | 78 | 16 | 0370 32 037   | 95  | 96   | 4  |
| 0338 19 787  | 77 | 78 | 17 | 0370 32 039   | 95  | 96   | 9  |
| 0338 19 788  | 77 | 78 | 18 | 0370 32 080   | 95  | 97   | 28 |
| 0338 19 789  | 77 | 78 | 19 |               | 100 | 102  | 23 |
| 0338 19 791  | 77 | 78 | 20 | 0370 32 130   | 95  | 97   | 32 |
| 0338 19 792  | 77 | 78 | 21 | 0370 32 412✓  | 95  | 99✓  | 63 |
| 0338 19 793  | 77 | 78 | 22 |               | 100 | 103  | 49 |
| 0338 19 795  | 77 | 78 | 23 | 0370 32 820   | 95  | 96   | 10 |
| 0338 19 797  | 77 | 78 | 24 | 0370 32 980   | 95  | 96   | 8  |
| 0338 19 798  | 77 | 78 | 25 | 0370 41 619   | 125 | 126  | 2  |
| 0338 19 801  | 77 | 79 | 26 | 0370 52 110   | 152 | 153  | 1  |
| 0338 19 802  | 77 | 79 | 27 | 0370 53 410   | 162 | 163  | 11 |
| 0338 19 803  | 77 | 79 | 28 | 0370 55 331A  | 169 | 173  | 48 |
| 0338 19 805  | 77 | 79 | 29 | 0370 57 100A  | 184 | 185  | 1  |
| 0338 19 807  | 77 | 79 | 30 | 0370 57 110A  | 184 | 185  | 7  |
| 0338 19 808  | 77 | 79 | 31 | 0370 57 120   | 184 | 186  | 16 |
| 0338 19 811  | 77 | 79 | 32 | 0370 57 150A  | 184 | 185  | 4  |
| 0338 19 815  | 77 | 79 | 33 | 0370 57 160A  | 184 | 185  | 10 |
| 0338 19 816  | 77 | 79 | 34 | 0370 57 170   | 184 | 186  | 19 |
| 0338 19 817  | 77 | 79 | 35 | 0370 57 200A  | 184 | 187  | 40 |
| 0338 19 818  | 77 | 79 | 36 | 0370 57 250   | 184 | 188  | 45 |
| 0338 19 819  | 77 | 79 | 37 | 0370 60 071   | 169 | 173  | 58 |
| 0338 19 821  | 65 | 67 | 25 | 0370 60 073A  | 169 | 173  | 59 |
| 0338 19 822  | 65 | 67 | 26 | 0370 66 930B  | 222 | 223  | 6  |
| 0338 19 823  | 65 | 67 | 27 | 0370 68 920   | 226 | 230  | 57 |
| 0338 19 825  | 65 | 67 | 28 | 0370 70 431D  | 234 | 238  | 58 |
| 0338 19 826  | 65 | 67 | 28 | 0370 70 441✓  | 247 | 248✓ | 1  |
| 0338 19 827  | 65 | 67 | 28 | 0370 70 980   | 53  | 55   | 35 |
| 0338 19 828  | 65 | 67 | 28 |               | 57  | 59   | 45 |
| 0338 19 829  | 65 | 67 | 28 | 0370 70 985A  | 53  | 55   | 36 |

INDEX. 0370 70 985A~0376 70 421

|               |     |      |    |               |     |      |    |
|---------------|-----|------|----|---------------|-----|------|----|
| 0370 70 985A  | 57  | 60   | 46 | 0376 56 080A  | 165 | 166  | 4  |
| 0370 71 431D  | 234 | 238  | 58 | 0376 56 381   | 165 | 167  | 22 |
| 0370 75 010   | 176 | 177  | 2  | 0376 56 580A  | 165 | 166  | 5  |
| 0370 75 011   | 176 | 177  | 4  | 0376 56 881   | 165 | 167  | 23 |
| 0370 75 013   | 176 | 177  | 5  | 0376 57 180   | 179 | 181  | 25 |
| 0370 75 018   | 176 | 177  | 12 | 0376 57 200   | 179 | 182  | 35 |
| 0370 88 010   | 184 | 185  | 14 | 0376 58 010B✓ | 190 | 191✓ | 1  |
| 0370 88 100   | 184 | 186  | 23 | 0376 58 310   | 195 | 196  | 1  |
| 0370 88 200   | 184 | 186  | 15 | 0376 58 330   | 195 | 196  | 2  |
| 0370 88 250   | 179 | 182  | 38 | 0376 58 501✓  | 190 | 191✓ | 4  |
| 0370 88 280   | 184 | 186  | 24 | 0376 58 604✓  | 190 | 191✓ | 7  |
| 0370 88 370   | 184 | 188  | 44 | 0376 58 605✓  | 190 | 192✓ | 8  |
| 0370 88 420   | 179 | 182  | 41 | 0376 58 755✓  | 190 | 193✓ | 26 |
|               | 184 | 188  | 49 | 0376 58 760A✓ | 190 | 193✓ | 21 |
| 0374 58 501✓  | 190 | 191✓ | 4  | 0376 58 781A✓ | 190 | 192✓ | 12 |
| 0374 59 501✓  | 190 | 191✓ | 4  | 0376 58 791✓  | 190 | 192✓ | 13 |
| 0374 69 055✓  | 234 | 235✓ | 4  | 0376 58 810C  | 190 | 193  | 17 |
| 0374 70 441✓  | 247 | 248✓ | 1  | 0376 58 831✓  | 190 | 193✓ | 23 |
| 0374 70 471✓  | 247 | 249✓ | 13 | 0376 59 010B✓ | 190 | 191✓ | 1  |
| 0374 72 501✓  | 251 | 252✓ | 1  | 0376 59 020A  | 190 | 191  | 2  |
| 0374 73 501✓  | 251 | 252✓ | 1  | 0376 59 310   | 195 | 196  | 1  |
| 0375 57 200   | 179 | 182✓ | 34 | 0376 59 330   | 195 | 196  | 2  |
| 0375 70 471✓  | 247 | 249✓ | 13 | 0376 59 501✓  | 190 | 191✓ | 4  |
| 0375 88 370   | 179 | 182  | 37 | 0376 59 604✓  | 190 | 192✓ | 7  |
| 0376 17 640✓  | 42  | 44✓  | 38 | 0376 59 760A✓ | 190 | 193✓ | 21 |
| 0376 28 010   | 92  | 93   | 1  | 0376 59 781A✓ | 190 | 192✓ | 12 |
| 0376 28 011✓  | 92  | 93✓  | 1  | 0376 59 791✓  | 190 | 192✓ | 13 |
| 0376 28 012   | 92  | 93   | 1  | 0376 59 810B  | 190 | 193✓ | 17 |
| 0376 28 013   | 92  | 93   | 1  | 0376 59 831✓  | 190 | 193✓ | 23 |
| 0376 28 014   | 92  | 93   | 1  | 0376 68 890A✓ | 226 | 230✓ | 50 |
| 0376 32 110A  | 95  | 97   | —  | 0376 68 900   | 226 | 230  | 51 |
| 0376 42 410   | 118 | 120  | 21 | 0376 68 910   | 226 | 230  | 52 |
| 0376 52 510✓  | 152 | 154✓ | 25 | 0376 68 940✓  | 226 | 230✓ | 53 |
| 0376 52 901✓  | 152 | 155✓ | 39 | 0376 68 950   | 226 | 230  | 54 |
| 0376 53 330   | 159 | 160  | 3  | 0376 69 061A✓ | 234 | 235✓ | 7  |
| 0376 53 340   | 159 | 160  | 5  | 0376 69 065A  | 234 | 235✓ | 7  |
| 0376 53 350B  | 159 | 160  | 7  | 0376 69 110A✓ | 234 | 235✓ | 17 |
| 0376 53 391   | 159 | 160  | 9  | 0376 69 111   | 234 | 236  | 19 |
| 0376 53 410   | 159 | 160  | 11 | 0376 69 112   | 234 | 236  | 21 |
| 0376 53 430   | 159 | 160  | 13 | 0376 69 114   | 234 | 236  | 24 |
| 0376 53 500A✓ | 159 | 160✓ | 17 | 0376 69 130A✓ | 234 | 235✓ | 17 |
| 0376 53 591   | 159 | 160  | 19 | 0376 69 131   | 234 | 236  | 19 |
| 0376 53 600C✓ | 159 | 160✓ | 21 | 0376 69 290✓  | 239 | 240✓ | 1  |
| 0376 53 810B  | 159 | 161  | 23 | 0376 69 314   | 239 | 240  | 4  |
| 0376 53 901✓  | 159 | 161✓ | 27 | 0376 69 318   | 239 | 240  | 5  |
| 0376 53 920   | 159 | 161  | 28 | 0376 69 321   | 239 | 240  | 6  |
| 0376 53 941   | 159 | 161  | 29 | 0376 69 341   | 239 | 240  | 7  |
| 0376 53 950   | 159 | 161  | 30 | 0376 69 342   | 239 | 240  | 8  |
| 0376 53 991   | 159 | 161  | 31 | 0376 69 343   | 239 | 240  | 9  |
| 0376 54 330   | 159 | 160  | 4  | 0376 69 411✓  | 239 | 240✓ | 14 |
| 0376 54 340   | 159 | 160  | 6  | 0376 69 431✓  | 239 | 240✓ | 15 |
| 0376 54 350C  | 159 | 160  | 8  | 0376 69 462✓  | 239 | 241✓ | 17 |
| 0376 54 391   | 159 | 160  | 10 | 0376 69 482✓  | 239 | 241✓ | 19 |
| 0376 54 410   | 159 | 160  | 12 | 0376 69 511✓  | 239 | 241✓ | 21 |
| 0376 54 430   | 159 | 160  | 14 | 0376 69 521✓  | 239 | 241✓ | 23 |
| 0376 54 500A✓ | 159 | 160✓ | 18 | 0376 69 870✓  | 239 | 241✓ | 29 |
| 0376 54 591   | 159 | 160  | 20 | 0376 69 941   | 234 | 237  | 41 |
| 0376 54 600B✓ | 159 | 160✓ | 22 | 0376 70 421   | 234 | 237  | 50 |

0376 70 422~0600 17 324 INDEX.

|               |     |      |    |              |     |      |    |
|---------------|-----|------|----|--------------|-----|------|----|
| 0376 70 422   | 234 | 237  | 51 | 0376 73 602  | 251 | 253  | 21 |
| 0376 70 426   | 234 | 238  | 53 | 0376 73 603  | 251 | 253  | 22 |
| 0376 70 427   | 234 | 238  | 54 | 0376 73 761✓ | 251 | 254✓ | 43 |
| 0376 70 428   | 234 | 238  | 55 | 0376 73 771  | 251 | 254  | 44 |
| 0376 70 431A  | 234 | 238  | 61 | 0376 73 781A | 251 | 253  | 26 |
| 0376 70 441✓  | 247 | 248✓ | 1  | 0376 73 790✓ | 251 | 253✓ | 27 |
| 0376 70 451✓  | 247 | 248✓ | 7  | 0376 73 801A | 251 | 254  | 31 |
| 0376 70 453✓  | 247 | 248✓ | 10 | 0376 73 831✓ | 251 | 254✓ | 37 |
| 0376 70 471✓  | 247 | 249✓ | 13 | 0376 73 851A | 251 | 254  | 38 |
| 0376 70 481✓  | 247 | 249✓ | 15 | 0376 73 855  | 251 | 254  | 39 |
| 0376 70 482✓  | 247 | 249✓ | 16 | 0376 73 862  | 251 | 255  | 48 |
| 0376 70 483✓  | 247 | 249✓ | 17 | 0376 73 881  | 251 | 254  | 41 |
| 0376 70 484✓  | 247 | 249✓ | 19 | 0376 73 890✓ | 251 | 253✓ | 28 |
| 0376 70 801   | 247 | 250  | 27 | 0376 88 370✓ | 179 | 182✓ | 37 |
| 0376 70 802   | 247 | 250  | 29 | 0378 19 344  | 65  | 66   | 7  |
| 0376 70 821✓  | 247 | 250✓ | 31 | 0378 41 610  | 125 | 126  | 1  |
| 0376 70 822✓  | 247 | 250✓ | 33 | 0378 43 030  | 129 | 130  | 2  |
| 0376 70 855   | 247 | 250  | 44 | 0378 46 150  | 146 | 148  | 21 |
| 0376 70 891   | 234 | 238  | 63 | 0378 53 100A | 156 | 157  | 11 |
| 0376 70 892A  | 234 | 238  | 64 | 0378 67 131  | 226 | 231  | 67 |
| 0376 71 421   | 234 | 237  | 50 | 0378 68 890  | 226 | 230  | 49 |
| 0376 71 422   | 234 | 237  | 51 | 0378 68 900  | 226 | 230  | 51 |
| 0376 71 431A  | 234 | 238  | 61 | 0378 69 066  | 234 | 235  | 9  |
| 0376 71 453✓  | 247 | 248✓ | 11 | 0378 69 611  | 242 | 243  | 5  |
| 0376 71 483✓  | 247 | 249✓ | 18 | 0378 69 612A | 242 | 243  | 6  |
| 0376 71 484✓  | 247 | 249✓ | 20 | 0378 69 613A | 242 | 243  | 7  |
| 0376 71 801   | 247 | 250  | 28 | 0378 69 683  | 242 | 244  | 15 |
| 0376 71 802   | 247 | 250  | 30 | 0380 53 451  | 159 | 160  | 15 |
| 0376 71 821✓  | 247 | 250✓ | 32 | 0380 54 451  | 159 | 160  | 16 |
| 0376 71 822✓  | 247 | 250✓ | 34 | 0390 66 410✓ | 210 | 211✓ | 1  |
| 0376 71 855   | 247 | 250  | 45 | 0397 19 750  | 77  | 78   | —  |
| 0376 71 891   | 234 | 238  | 63 | 0397 19 774  | 77  | 78   | 7  |
| 0376 71 892A  | 234 | 238  | 64 | 0397 19 775  | 77  | 78   | 8  |
| 0376 72 501✓  | 251 | 252✓ | 1  | 0398 17 461A | 42  | 43   | 19 |
| 0376 72 505   | 251 | 252  | 3  | 0398 17 462A | 42  | 43   | 20 |
| 0376 72 560✓  | 251 | 252✓ | 11 | 0398 33 065A | 107 | 108  | 10 |
| 0376 72 602   | 251 | 253  | 21 | 0398 58 755  | 190 | 194  | 26 |
| 0376 72 603   | 251 | 253  | 22 |              | 256 | 259  | 30 |
| 0376 72 605✓  | 251 | 253✓ | 23 | 0398 58 821A | 190 | 192  | 14 |
| 0376 72 606✓  | 251 | 253✓ | 24 |              | 251 | 254  | 34 |
| 0376 72 755✓  | 251 | 254✓ | 46 |              | 256 | 258  | 18 |
| 0376 72 761✓  | 251 | 254✓ | 43 | 0398 58 822  | 190 | 192  | 15 |
| 0376 72 771   | 251 | 254  | 44 |              | 251 | 254  | 35 |
| 0376 72 781A✓ | 251 | 253✓ | 26 |              | 256 | 258  | 19 |
| 0376 72 790✓  | 251 | 253✓ | 27 | 0398 66 412  | 210 | 211  | 2  |
| 0376 72 810A✓ | 251 | 254✓ | 31 | 0398 66 413  | 210 | 211  | 3  |
| 0376 72 831✓  | 251 | 254✓ | 37 | 0500 16 104  | 32  | 33   | 5  |
| 0376 72 851A  | 251 | 254  | 38 | 0504 18 520A | 53  | 55   | 37 |
| 0376 72 855   | 251 | 254  | 39 | 0559 41 710A | 125 | 126  | 13 |
| 0376 72 861A  | 251 | 255  | 47 | 0559 67 151A | 210 | 213  | 41 |
| 0376 72 862   | 251 | 255  | 48 |              | 222 | 224  | 16 |
| 0376 72 863   | 251 | 255  | 49 | 0585 69 611  | 242 | 243  | 5  |
| 0376 72 881   | 251 | 254  | 41 | 0585 69 612  | 242 | 243  | 6  |
| 0376 72 890✓  | 251 | 253✓ | 28 | 0585 69 613  | 242 | 243  | 7  |
| 0376 72 900B  | 251 | 253  | 29 | 0585 69 616A | 242 | 243  | 8  |
| 0376 72 902B  | 251 | 253  | 30 | 0585 69 617  | 242 | 243  | 9  |
| 0376 73 501✓  | 251 | 252✓ | 1  | 0585 69 618  | 242 | 243  | 10 |
| 0376 73 560✓  | 251 | 252✓ | 11 | 0600 17 324  | 38  | 39   | 11 |

INDEX. 0603 16 102B~0820 10 605

|              |     |     |    |              |     |     |    |
|--------------|-----|-----|----|--------------|-----|-----|----|
| 0603 16 102B | 32  | 33  | 4  | 0730 23 854  | 24  | 25  | 19 |
| 0603 16 103  | 32  | 33  | 2  | 0730 24 732  | 53  | 54  | 12 |
| 0603 17 104  | 35  | 36  | 3  | 0730 32 279  | 95  | 99  | 50 |
| 0603 17 105  | 35  | 36  | 15 |              | 100 | 103 | 44 |
| 0603 17 131  | 35  | 36  | 18 |              | 104 | 105 | 4  |
| 0603 17 210  | 38  | 39  | 4  | 0730 69 057A | 234 | 235 | 12 |
| 0603 17 230A | 38  | 39  | 15 | 0738 87 803  | 216 | 218 | 30 |
| 0603 17 262  | 38  | 39  | 8  | 0738 87 804  | 216 | 218 | 32 |
| 0603 17 302  | 38  | 40  | 30 | 0755 27 141  | 89  | 90  | 6  |
| 0603 17 303  | 38  | 40  | 32 | 0810 10 171  | 1   | 2   | 6  |
| 0603 17 305  | 38  | 40  | 33 |              | 5   | 6   | 7  |
| 0603 17 310  | 38  | 40  | 35 | 0810 11 403  | 9   | 11  | 27 |
| 0603 17 312  | 38  | 40  | 36 | 0810 11 404  | 9   | 11  | 28 |
| 0603 17 321  | 38  | 41  | 37 | 0810 11 711  | 9   | 12  | 52 |
| 0603 17 361  | 35  | 37  | 31 | 0810 14 113  | 21  | 22  | 5  |
| 0603 34 153  | 92  | 94  | 26 | 0810 14 171  | 21  | 22  | 17 |
| 0603 41 322B | 133 | 135 | 22 | 0810 14 611  | 24  | 26  | 27 |
| 0604 46 684  | 146 | 148 | 24 | 0810 15 119  | 27  | 28  | 15 |
| 0613 26 610A | 85  | 87  | 18 | 0810 18 276  | 21  | 23  | 31 |
| 0613 26 922  | 85  | 87  | 19 | 0810 18 277  | 21  | 23  | 31 |
| 0613 33 681  | 85  | 87  | 25 | 0810 56 639  | 165 | 168 | 40 |
| 0613 41 308  | 129 | 130 | 20 | 0810 56 863A | 53  | 55  | 34 |
| 0613 43 820A | 143 | 144 | 10 |              | 57  | 59  | 44 |
| 0621 42 455  | 265 | 266 | 7  | 0810 68 070  | 232 | 233 | 5  |
| 0636 24 562A | 50  | 51  | 23 | 0813 10 111  | 1   | 2   | 5  |
| 0636 24 568B | 50  | 51  | 8  |              | 5   | 6   | 6  |
| 0652 28 161  | 92  | 93  | 8  | 0813 10 173  | 1   | 2   | 8  |
| 0662 33 042  | 107 | 108 | 4  |              | 5   | 6   | 9  |
| 0702 78 200B | 179 | 183 | 45 | 0813 10 174  | 1   | 2   | 9  |
|              | 184 | 189 | 53 | 0813 10 555  | 9   | 11  | 24 |
| 0702 87 135  | 216 | 218 | 31 | 0813 11 405  | 9   | 11  | 29 |
| 0702 87 138  | 216 | 218 | 33 | 0813 11 505B | 9   | 11  | 35 |
| 0710 26 352  | 85  | 86  | 11 | 0813 11 541  | 9   | 12  | 42 |
| 0710 26 461  | 85  | 86  | 12 | 0813 14 623  | 21  | 23  | 29 |
| 0710 33 288  | 85  | 88  | 36 | 0813 14 641  | 21  | 23  | 34 |
| 0710 55 436  | 176 | 177 | 11 | 0813 14 716  | 27  | 31  | 60 |
| 0727 24 712  | 57  | 59  | 33 | 0813 15 111  | 27  | 28  | 7  |
| 0727 41 023  | 129 | 131 | 25 | 0813 15 117  | 27  | 28  | 13 |
| 0727 41 442  | 133 | 134 | 11 | 0813 15 173  | 27  | 29  | 22 |
| 0727 43 552  | 133 | 134 | 13 | 0813 16 112  | 32  | 33  | 6  |
|              | 136 | 138 | 35 | 0813 18 288  | 45  | 49  | 56 |
| 0727 66 991A | 222 | 225 | 27 | 0813 23 803  | 21  | 23  | 23 |
| 0727 66 992  | 222 | 225 | 28 | 0813 24 303  | 45  | 47  | 28 |
| 0727 72 943  | 190 | 192 | 11 | 0813 24 306  | 45  | 48  | 38 |
| 0727 87 014  | 204 | 205 | 5  | 0813 24 309  | 45  | 48  | 36 |
|              | 204 | 206 | 14 | 0813 24 312  | 45  | 47  | 31 |
| 0727 87 016  | 204 | 205 | 6  | 0813 24 316  | 45  | 48  | 33 |
|              | 204 | 206 | 15 | 0813 24 717  | 53  | 54  | 9  |
| 0727 87 992  | 220 | 221 | 2  | 0813 44 031  | 140 | 141 | 2  |
| 0727 87 994  | 220 | 221 | 4  | 0813 44 034  | 140 | 141 | 5  |
| 0727 87 995  | 220 | 221 | 5  | 0813 44 035  | 140 | 141 | 6  |
| 0727 87 996  | 220 | 221 | 6  | 0813 66 879  | 220 | 221 | 8  |
| 0730 23 837  | 24  | 25  | 5  | 0820 10 203  | 5   | 6   | 11 |
| 0730 23 839  | 24  | 25  | 7  | 0820 10 305  | 5   | 7   | 23 |
| 0730 23 842  | 24  | 25  | 9  | 0820 10 502B | 9   | 11  | 21 |
| 0730 23 843  | 24  | 25  | 10 | 0820 10 550B | 9   | 11  | 20 |
| 0730 23 845  | 24  | 25  | 12 | 0820 10 556A | 9   | 11  | 23 |
| 0730 23 846  | 24  | 25  | 13 | 0820 10 605  | 1   | 3   | 27 |

0820 10 631A ~ 0820 66 470A INDEX.

|              |     |     |    |              |     |     |    |
|--------------|-----|-----|----|--------------|-----|-----|----|
| 0820 10 631A | 1   | 3   | 26 | 0820 23 180  | 9   | 10  | 14 |
| 0820 10 711  | 5   | 8   | 36 | 0820 23 221  | 19  | 20  | 5  |
| 0820 10 721  | 5   | 8   | 37 | 0820 23 222  | 19  | 20  | 6  |
| 0820 10 722  | 5   | 8   | 38 | 0820 23 436  | 19  | 20  | 4  |
| 0820 10 723  | 5   | 8   | 39 | 0820 23 832B | 24  | 25  | 2  |
| 0820 11 105  | 45  | 49  | 52 | 0820 23 833B | 24  | 25  | 3  |
| 0820 11 111F | 9   | 10  | 3  | 0820 23 834B | 24  | 25  | 4  |
| 0820 11 301C | 9   | 10  | 5  | 0820 23 835A | 24  | 25  | 6  |
| 0820 11 304A | 9   | 10  | 6  | 0820 23 836  | 24  | 25  | 8  |
| 0820 11 317  | 9   | 10  | 11 | 0820 23 840  | 24  | 25  | 17 |
| 0820 11 321C | 9   | 10  | 12 | 0820 23 842  | 24  | 25  | 20 |
| 0820 11 341  | 9   | 10  | 15 | 0820 23 843  | 24  | 25  | 21 |
| 0820 11 343  | 9   | 10  | 16 | 0820 23 845A | 24  | 25  | 23 |
| 0820 11 400G | 9   | 11  | 26 | 0820 23 847A | 24  | 25  | 24 |
| 0820 11 503  | 9   | 11  | 33 | 0820 23 848A | 24  | 26  | 26 |
| 0820 11 507  | 9   | 12  | 37 | 0820 23 882A | 21  | 22  | 3  |
| 0820 11 512A | 9   | 12  | 39 | 0820 24 301  | 45  | 47  | 26 |
| 0820 11 542  | 9   | 12  | 43 | 0820 24 312  | 45  | 47  | 29 |
| 0820 11 611B | 9   | 12  | 46 | 0820 24 315  | 45  | 48  | 34 |
| 0820 11 703  | 9   | 12  | 50 | 0820 24 319  | 45  | 48  | 41 |
|              | 9   | 13  | 55 | 0820 24 322  | 45  | 48  | 49 |
| 0820 11 705  | 9   | 12  | 51 | 0820 24 405  | 45  | 48  | 40 |
| 0820 11 712  | 9   | 12  | 53 | 0820 24 511  | 50  | 51  | 17 |
| 0820 13 201A | 19  | 20  | 2  | 0820 24 519  | 50  | 51  | 18 |
| 0820 14 118C | 21  | 22  | 7  | 0820 24 712  | 57  | 58  | 11 |
|              | 21  | 22  | 7  | 0820 24 713  | 57  | 58  | 10 |
| 0820 14 250C | 21  | 23  | 26 | 0820 24 714  | 57  | 58  | 9  |
| 0820 14 620  | 21  | 23  | 27 | 0820 24 717  | 57  | 58  | 16 |
| 0820 14 625  | 21  | 23  | 28 | 0820 24 741  | 57  | 59  | 28 |
| 0820 14 643  | 21  | 23  | 35 | 0820 24 747  | 57  | 58  | 17 |
| 0820 14 647  | 21  | 23  | 36 | 0820 24 748  | 57  | 58  | 18 |
| 0820 15 106  | 27  | 29  | 25 | 0820 24 754  | 57  | 58  | 14 |
| 0820 15 112  | 27  | 28  | 8  | 0820 24 755  | 57  | 58  | 15 |
| 0820 15 115  | 27  | 28  | 11 | 0820 26 570A | 85  | 86  | 16 |
| 0820 15 120  | 27  | 28  | 16 | 0820 27 251  | 89  | 90  | 16 |
| 0820 15 151  | 27  | 29  | 27 | 0820 33 091A | 107 | 108 | 7  |
| 0820 15 152  | 27  | 28  | 17 | 0820 33 165  | 82  | 83  | 17 |
| 0820 15 312  | 27  | 30  | 38 |              | 107 | 109 | 22 |
| 0820 15 330  | 200 | 202 | 20 | 0820 33 180A | 85  | 88  | 41 |
| 0820 16 230  | 32  | 33  | 13 |              | 107 | 109 | 18 |
| 0820 16 510  | 32  | 33  | 11 | 0820 33 192A | 85  | 88  | 37 |
| 0820 16 515  | 32  | 33  | 12 |              | 107 | 109 | 20 |
| 0820 17 241B | 38  | 39  | 6  | 0820 40 161  | 116 | 117 | 6  |
| 0820 17 341  | 38  | 41  | 39 | 0820 40 165  | 116 | 117 | 7  |
| 0820 17 345  | 35  | 37  | 25 | 0820 40 166  | 116 | 117 | 8  |
| 0820 18 111B | 45  | 46  | 12 | 0820 40 170  | 116 | 117 | 9  |
| 0820 18 114  | 45  | 47  | 18 | 0820 56 905  | 149 | 151 | 23 |
| 0820 18 270E | 45  | 49  | 51 |              | 165 | 167 | 33 |
| 0820 18 271D | 45  | 49  | 53 |              | 169 | 170 | 13 |
| 0820 18 273A | 45  | 49  | 55 |              | 200 | 202 | 29 |
| 0820 18 279A | 45  | 49  | 58 |              | 226 | 229 | 45 |
| 0820 18 381  | 50  | 52  | 30 |              | 234 | 238 | 56 |
| 0820 18 520A | 53  | 55  | 33 | 0820 56 906  | 165 | 167 | 35 |
|              | 57  | 59  | 43 | 0820 57 900B | 179 | 183 | 44 |
| 0820 23 103A | 9   | 10  | 1  |              | 184 | 189 | 52 |
| 0820 23 113A | 9   | 10  | 2  | 0820 58 999  | 190 | 194 | 27 |
| 0820 23 175A | 9   | 10  | 12 | 0820 60 870A | 210 | 215 | 64 |
| 0820 23 176A | 9   | 10  | 12 | 0820 66 470A | 210 | 215 | 65 |

INDEX. 0820 66 840 ~ 0839 70 524

|              |     |     |    |              |     |     |    |
|--------------|-----|-----|----|--------------|-----|-----|----|
| 0820 66 840  | 140 | 142 | 25 | 0839 14 117  | 21  | 22  | 6  |
| 0820 66 992  | 222 | 224 | 10 | 0839 14 119B | 21  | 22  | 8  |
| 0820 99 150  | 27  | 28  | -  | 0839 14 132  | 21  | 22  | 13 |
| 0822 10 451C | 5   | 7   | 31 | 0839 14 133  | 21  | 22  | 14 |
| 0822 10 452D | 5   | 7   | 31 | 0839 14 141A | 21  | 22  | 10 |
| 0822 15 105  | 27  | 29  | 24 | 0839 14 142  | 21  | 22  | 15 |
| 0823 14 130  | 21  | 22  | 11 | 0839 14 273  | 1   | 3   | 31 |
| 0823 14 131  | 21  | 22  | 12 | 0839 14 300  | 21  | 23  | 20 |
| 0823 15 171  | 27  | 28  | 20 | 0839 14 730B | 27  | 31  | 55 |
| 0823 18 100  | 45  | 46  | 1  | 0839 14 745  | 27  | 31  | 59 |
| 0823 18 107  | 45  | 46  | 6  | 0839 15 171  | 27  | 28  | 20 |
| 0823 18 291  | 45  | 49  | 61 | 0839 15 172  | 27  | 29  | 21 |
| 0823 23 802A | 21  | 23  | 22 | 0839 15 200  | 27  | 29  | 31 |
| 0823 24 305  | 45  | 48  | 40 | 0839 15 210B | 27  | 29  | 32 |
| 0823 24 311  | 45  | 48  | 35 | 0839 15 250  | 27  | 29  | 30 |
| 0824 17 524  | 42  | 44  | 35 | 0839 16 432  | 32  | 33  | 9  |
| 0824 40 401  | 116 | 117 | 4  | 0839 17 245  | 38  | 39  | 13 |
| 0824 41 040  | 129 | 130 | 7  | 0839 17 285  | 38  | 41  | 42 |
| 0824 41 051  | 129 | 130 | 15 | 0839 18 272  | 45  | 49  | 54 |
| 0824 41 084  | 129 | 130 | 12 | 0839 18 300  | 50  | 51  | 1  |
| 0824 44 140  | 140 | 142 | 23 | 0839 18 311B | 50  | 52  | 31 |
| 0824 49 781  | 136 | 139 | 48 | 0839 23 672  | 17  | 18  | 5  |
| 0824 56 999  | 159 | 161 | 34 | 0839 23 675  | 17  | 18  | 6  |
| 0824 58 370A | 195 | 198 | 20 | 0839 23 684  | 17  | 18  | 10 |
|              | 251 | 253 | 18 | 0839 23 686  | 17  | 18  | 9  |
|              | 260 | 262 | 18 | 0839 23 801  | 21  | 23  | 21 |
| 0824 61 192  | 200 | 202 | 23 | 0839 24 312  | 45  | 47  | 30 |
| 0824 66 375V | 207 | 208 | 11 | 0839 24 530  | 50  | 51  | 4  |
|              |     |     |    | 0839 24 703  | 57  | 59  | 34 |
| 0839 10 105  | 1   | 2   | 3  | 0839 24 705  | 57  | 58  | 25 |
|              | 5   | 6   | 5  | 0839 24 706  | 57  | 58  | 20 |
| 0839 10 203  | 1   | 2   | 11 | 0839 24 709  | 57  | 58  | 12 |
| 0839 10 205  | 1   | 2   | 14 | 0839 24 710  | 57  | 58  | 7  |
|              | 5   | 6   | 17 | 0839 24 715  | 57  | 58  | 21 |
| 0839 10 206  | 1   | 2   | 13 | 0839 24 716  | 57  | 58  | 13 |
| 0839 10 455  | 5   | 7   | 31 | 0839 24 719  | 57  | 58  | 23 |
| 0839 10 500B | 9   | 11  | 19 | 0839 24 721  | 57  | 58  | 19 |
| 0839 10 504  | 9   | 11  | 22 | 0839 24 723  | 57  | 59  | 30 |
| 0839 10 641  | 1   | 3   | 34 | 0839 24 724  | 57  | 59  | 31 |
| 0839 11 323  | 9   | 10  | 13 | 0839 24 736B | 57  | 58  | 26 |
| 0839 11 351  | 9   | 10  | 17 | 0839 24 758  | 57  | 58  | 2  |
| 0839 11 353  | 9   | 10  | 18 | 0839 24 761  | 57  | 58  | 4  |
| 0839 11 501  | 9   | 11  | 31 | 0839 24 762  | 57  | 58  | 5  |
| 0839 11 502  | 9   | 11  | 36 | 0839 24 763  | 57  | 58  | 6  |
| 0839 11 504B | 9   | 11  | 34 | 0839 24 764  | 57  | 59  | 38 |
| 0839 11 506  | 9   | 12  | 36 | 0839 43 550  | 136 | 138 | 34 |
| 0839 11 508  | 9   | 12  | 36 | 0839 43 553A | 133 | 134 | 14 |
| 0839 11 509  | 9   | 12  | 36 |              | 136 | 138 | 36 |
| 0839 11 515  | 9   | 11  | 32 | 0839 58 492A | 265 | 266 | 5  |
| 0839 11 531  | 9   | 12  | 41 | 0839 58 493A | 265 | 266 | 6  |
| 0839 11 551  | 9   | 12  | 40 | 0839 66 992  | 222 | 224 | 22 |
| 0839 11 601B | 9   | 12  | 44 | 0839 67 880  | 210 | 214 | 54 |
| 0839 13 338  | 14  | 15  | 2  | 0839 68 660  | 232 | 233 | 1  |
| 0839 13 613  | 14  | 16  | 15 | 0839 68 670A | 232 | 233 | 2  |
| 0839 13 614  | 14  | 16  | 15 | 0839 68 720  | 232 | 233 | 9  |
| 0839 14 101B | 21  | 22  | 1  | 0839 70 521  | 251 | 252 | 4  |
| 0839 14 112B | 21  | 22  | 4  | 0839 70 522  | 251 | 252 | 5  |
| 0839 14 115  | 1   | 3   | 30 | 0839 70 523A | 251 | 252 | 6  |
|              |     |     |    | 0839 70 524  | 251 | 252 | 7  |

0839 70 525 ~ 0866 17 288 INDEX.

|                |     |       |    |                |     |       |    |
|----------------|-----|-------|----|----------------|-----|-------|----|
| 0839 70 525    | 251 | 252   | 8  | 0866 10 411    | 5   | 7     | 26 |
| 0839 70 526    | 251 | 252   | 9  | 0866 10 600    | 1   | 3     | 23 |
| 0839 74 158    | 265 | 266   | 12 | 0866 10 830 ✓  | 5   | 8 ✓   | 41 |
| 0839 74 159    | 265 | 266   | 12 | 0866 10 871 ✓  | 5   | 8 ✓   | 44 |
| 0839 74 168    | 265 | 266   | 12 | 0866 11 511A   | 9   | 12    | 38 |
| 0839 74 169    | 265 | 266   | 12 | 0866 11 700A ✓ | 9   | 12 ✓  | 48 |
| 0839 74 910    | 265 | 266   | 1  | 0866 11 702    | 9   | 12    | 49 |
| 0840 18 600    | 45  | 47    | 23 | 0866 13 100E ✓ | 14  | 15 ✓  | T  |
| 0842 19 025    | 61  | 62    | 3  | 0866 13 111 ✓  | 14  | 15 ✓  | 8  |
| 0842 19 027A   | 61  | 62    | 5  | 0866 13 200D   | 19  | 20    | 1  |
| 0842 19 031    | 75  | 76    | 6  | 0866 13 230A   | 19  | 20    | 7  |
| 0842 19 211B   | 61  | 62    | 8  | 0866 13 235    | 19  | 20    | 8  |
| 0842 19 650    | 72  | 74    | 20 | 0866 13 240B ✓ | 17  | 18 ✓  | 15 |
| 0842 19 660    | 72  | 74    | 24 | 0866 13 241C ✓ | 17  | 18 ✓  | 16 |
| 0842 19 665    | 72  | 74    | 28 | 0866 13 300C ✓ | 17  | 18 ✓  | 1  |
| 0842 19 910    | 61  | 63    | 30 | 0866 13 311    | 17  | 18    | 13 |
| 0842 19 915A   | 61  | 63    | 32 | 0866 13 330B   | 14  | 15    | 10 |
| 0842 46 081    | 146 | 147   | 17 | 0866 13 341B ✓ | 17  | 18 ✓  | 20 |
| 0842 46 110A   | 146 | 147   | 19 | 0866 13 351A ✓ | 17  | 18 ✓  | 17 |
| 0845 18 101    | 45  | 46    | 4  | 0866 13 400D ✓ | 122 | 123 ✓ | 1  |
| 0845 24 720    | 53  | 54    | 19 | 0866 13 401A   | 122 | 123   | 2  |
| 0848 18 600    | 45  | 47    | 23 | 0866 13 402A   | 122 | 123   | 5  |
| 0848 66 830    | 210 | 215   | 66 | 0866 13 600A ✓ | 14  | 15 ✓  | 12 |
| 0864 61 061A   | 200 | 203   | 31 | 0866 13 603    | 14  | 15    | 13 |
| 0865 32 800    | 95  | 96    | 1  | 0866 13 611B   | 14  | 15    | 14 |
| 0865 55 401D   | 169 | 170   | 11 | 0866 13 621 ✓  | 116 | 117 ✓ | 13 |
| 0865 55 402B   | 169 | 171   | 16 | 0866 14 160A ✓ | 21  | 22 ✓  | 16 |
| 0865 55 403B   | 169 | 171   | 17 | 0866 14 630    | 21  | 23    | 32 |
| 0865 55 404B   | 169 | 171   | 18 | 0866 14 640    | 21  | 23    | 33 |
| 0865 55 430D   | 176 | 177   | 1  | 0866 14 651A   | 21  | 23    | 37 |
| 0865 61 130A   | 200 | 201   | 1  | 0866 14 700B ✓ | 27  | 31 ✓  | 53 |
| 0865 61 140A   | 200 | 201   | 2  | 0866 14 720 ✓  | 27  | 31 ✓  | 54 |
| 0865 61 151A   | 200 | 201   | 3  | 0866 14 740    | 27  | 31    | 58 |
| 0865 61 190B   | 200 | 201   | 4  | 0866 15 010B ✓ | 27  | 28 ✓  | 1  |
| 0865 66 780    | 210 | 212   | 14 | 0866 15 100B   | 27  | 28    | 2  |
| 0865 66 790 ✓  | 210 | 212 ✓ | 15 | 0866 15 130    | 27  | 28    | 6  |
| 0865 66 800 ✓  | 210 | 212 ✓ | 16 | 0866 15 211C   | 200 | 202   | 11 |
| 0865 66 805 ✓  | 210 | 212 ✓ | 17 | 0866 15 212B   | 200 | 202   | 13 |
| 0865 66 809    | 210 | 212   | 18 | 0866 15 310C ✓ | 27  | 30 ✓  | 35 |
| 0865 66 860B   | 222 | 223   | —  | 0866 15 350A ✓ | 27  | 30 ✓  | 40 |
| 0865 66 870A   | 222 | 223   | —  | 0866 15 351 ✓  | 27  | 30 ✓  | 42 |
| 0865 68 020A ✓ | 226 | 227 ✓ | 1  | 0866 15 401    | 27  | 30    | 47 |
| 0865 68 040C   | 226 | 227   | 2  | 0866 15 511 ✓  | 27  | 31 ✓  | 50 |
| 0865 68 060C   | 226 | 227   | 7  | 0866 15 521A ✓ | 27  | 31 ✓  | 51 |
| 0865 68 140C   | 226 | 227   | 8  | 0866 16 210    | 32  | 33    | 1  |
| 0865 68 340    | 226 | 228   | 32 | 0866 17 100A   | 35  | 36    | 1  |
| 0865 87 008    | 204 | 205   | 2  |                | 35  | 36    | 1  |
| 0865 87 009    | 204 | 205   | 3  | 0866 17 107    | 35  | 36    | 12 |
| 0865 89 661    | 204 | 205   | 1  | 0866 17 201 ✓  | 38  | 39 ✓  | 1  |
| 0865 89 666    | 204 | 205   | 1  | 0866 17 221 ✓  | 38  | 39 ✓  | 5  |
| 0866 10 100B ✓ | 1   | 2 ✓   | 1  | 0866 17 250 ✓  | 38  | 39 ✓  | 17 |
|                | 5   | 6     | 1  | 0866 17 270 ✓  | 38  | 40 ✓  | 20 |
| 0866 10 172A ✓ | 1   | 2 ✓   | 7  | 0866 17 275    | 38  | 40    | 22 |
|                | 5   | 6     | 8  | 0866 17 276    | 38  | 40    | 23 |
| 0866 10 200E   | 1   | 2     | 10 | 0866 17 279    | 38  | 40    | 27 |
| 0866 10 300E ✓ | 5   | 6 ✓   | 10 | 0866 17 281 ✓  | 38  | 40 ✓  | 26 |
| 0866 10 320A ✓ | 5   | 6 ✓   | 14 | 0866 17 285    | 38  | 40    | 25 |
| 0866 10 400B ✓ | 5   | 7     | 25 | 0866 17 288    | 38  | 40    | 28 |

INDEX. 0866 17 289~0866 34 153A

|               |    |     |    |               |     |      |    |
|---------------|----|-----|----|---------------|-----|------|----|
| 0866 17 289   | 38 | 40  | 28 | 0866 27 150   | 89  | 90   | 8  |
| 0866 17 291   | 38 | 40  | 28 | 0866 27 172✓  | 89  | 90✓  | 12 |
| 0866 17 292   | 38 | 40  | 28 | 0866 28 010   | 92  | 93✓  | 1  |
| 0866 17 330A  | 35 | 37  | 20 | 0866 28 011✓  | 92  | 93✓  | 1  |
| 0866 17 450   | 42 | 43  | 17 | 0866 28 012✓  | 92  | 93✓  | 1  |
| 0866 17 510✓  | 42 | 44✓ | 33 | 0866 28 013✓  | 92  | 93✓  | 1  |
| 0866 17 524✓  | 35 | 37✓ | 34 | 0866 28 014✓  | 92  | 93✓  | 1  |
| 0866 17 530   | 35 | 37  | 33 | 0866 28 110✓  | 92  | 93✓  | 2  |
| 0866 17 540   | 35 | 37  | 23 | 0866 28 140✓  | 92  | 93✓  | 5  |
| 0866 18 100   | 45 | 46  | 2  | 0866 28 143✓  | 92  | 93✓  | 6  |
| 0866 18 101   | 45 | 46  | 5  | 0866 28 151✓  | 92  | 93✓  | 7  |
| 0866 18 110✓  | 45 | 46✓ | 11 | 0866 28 180A  | 92  | 93   | 10 |
| 0866 18 115   | 45 | 46  | 13 | 0866 28 183A✓ | 92  | 94✓  | 13 |
| 0866 18 120   | 45 | 47  | 15 | 0866 28 322   | 92  | 94   | 14 |
| 0866 18 130   | 45 | 47  | 19 | 0866 28 333B✓ | 92  | 94✓  | 15 |
| 0866 18 140   | 45 | 47  | 20 | 0866 28 343B✓ | 92  | 94✓  | 16 |
| 0866 18 150✓  | 45 | 47✓ | 17 | 0866 28 350✓  | 92  | 94✓  | 17 |
| 0866 18 155   | 45 | 46  | 14 | 0866 28 353B✓ | 92  | 94✓  | 18 |
| 0866 18 160   | 45 | 47  | 16 | 0866 28 591   | 92  | 94   | 19 |
| 0866 18 170   | 45 | 47  | 21 | 0866 28 700✓  | 92  | 94✓  | 20 |
| 0866 18 190A  | 45 | 46  | 3  | 0866 28 774✓  | 92  | 94✓  | 21 |
| 0866 18 200✓  | 45 | 47✓ | 24 | 0866 28 778A✓ | 92  | 94✓  | 22 |
| 0866 18 400A✓ | 53 | 54✓ | 1  | 0866 28 779✓  | 92  | 94✓  | 23 |
| 0866 18 496   | 5  | 7   | 19 | 0866 28 799   | 92  | 94   | 24 |
|               | 27 | 31  | 66 | 0866 32 014   | 100 | 101  | 10 |
| 0866 18 501A✓ | 5  | 6✓  | 13 | 0866 32 100   | 95  | 97   | 30 |
| 0866 18 600✓  | 45 | 47✓ | 23 | 0866 32 110A  | 95  | 97   | -  |
| 0866 18 700✓  | 45 | 47✓ | 25 | 0866 32 121   | 95  | 98   | 44 |
| 0866 18 810   | 45 | 46  | 7  | 0866 32 141✓  | 95  | 98✓  | 43 |
| 0866 18 999   | 17 | 18  | 19 |               | 100 | 103  | 37 |
| 0866 23 040   | 1  | 2   | 9  | 0866 32 227A  | 104 | 106  | 18 |
|               | 5  | 6   | 9  | 0866 32 228   | 95  | 99   | 52 |
| 0866 23 676   | 17 | 18  | 7  | 0866 32 230   | 95  | 99   | 53 |
| 0866 23 694   | 17 | 18  | 8  | 0866 32 261   | 104 | 105  | 1  |
| 0866 24 308   | 45 | 48  | 39 | 0866 32 279   | 104 | 105  | 12 |
| 0866 24 323   | 45 | 48  | 48 | 0866 32 301   | 110 | 112  | 23 |
| 0866 24 408   | 45 | 48  | 39 | 0866 32 311   | 110 | 112  | 23 |
| 0866 24 411   | 45 | 48  | 35 | 0866 32 320   | 104 | 105  | 10 |
| 0866 24 423   | 45 | 48  | 48 | 0866 32 329A✓ | 104 | 105✓ | 13 |
| 0866 24 701   | 53 | 55  | 28 | 0866 32 330A  | 104 | 105  | 14 |
| 0866 24 704   | 53 | 55  | 29 | 0866 32 341   | 104 | 105  | 16 |
| 0866 24 705✓  | 53 | 55✓ | 27 | 0866 32 411✓  | 95  | 99✓  | 62 |
| 0866 24 709✓  | 53 | 54✓ | 25 |               | 100 | 103  | 48 |
| 0866 24 710   | 53 | 54  | 24 | 0866 32 420   | 95  | 99   | 59 |
| 0866 24 716   | 53 | 55  | 26 |               | 100 | 101  | 19 |
| 0866 25 100✓  | 80 | 81✓ | 1  | 0866 32 425   | 95  | 99   | 57 |
| 0866 25 130   | 80 | 81  | 5  |               | 100 | 101  | 17 |
| 0866 26 010A  | 82 | 83  | 1  | 0866 32 811   | 95  | 96   | 2  |
| 0866 26 060   | 82 | 83  | 4  | 0866 33 251✓  | 107 | 108✓ | 12 |
| 0866 26 062   | 82 | 83  | 5  | 0866 33 260✓  | 107 | 108✓ | 13 |
| 0866 26 063   | 82 | 83  | 6  | 0866 33 270✓  | 107 | 108✓ | 13 |
| 0866 26 251✓  | 85 | 86✓ | 1  | 0866 34 011   | 110 | 111  | 1  |
| 0866 26 280A✓ | 85 | 86✓ | 4  | 0866 34 013A  | 110 | 111  | 2  |
| 0866 26 290A✓ | 85 | 86✓ | 4  | 0866 34 015✓  | 110 | 111✓ | 3  |
| 0866 26 310✓  | 85 | 86✓ | 5  | 0866 34 019   | 110 | 111  | 4  |
| 0866 26 391✓  | 85 | 86✓ | 9  | 0866 34 111✓  | 110 | 111✓ | 11 |
| 0866 27 100   | 89 | 90  | -  | 0866 34 151A✓ | 110 | 111✓ | 12 |
| 0866 27 110✓  | 89 | 90✓ | 5  | 0866 34 153A✓ | 110 | 111✓ | 13 |



0866 34 157~0866 53 320 INDEX.

|                |     |       |    |                |     |       |    |
|----------------|-----|-------|----|----------------|-----|-------|----|
| 0866 34 157 ✓  | 110 | 111 ✓ | 17 | 0866 43 063 ✓  | 129 | 130 ✓ | 5  |
| 0866 34 158 ✓  | 110 | 111 ✓ | 18 | 0866 43 070A   | 129 | 131   | 30 |
| 0866 34 310 ✓  | 110 | 112 ✓ | 22 | 0866 43 093    | 129 | 132   | 37 |
| 0866 34 311    | 110 | 112   | 24 | 0866 43 650B ✓ | 143 | 144 ✓ | 6  |
| 0866 34 313    | 110 | 112   | 33 | 0866 43 660B ✓ | 143 | 144 ✓ | 7  |
| 0866 34 320 ✓  | 110 | 112 ✓ | 22 | 0866 43 810 ✓  | 143 | 144 ✓ | 9  |
| 0866 34 340    | 110 | 111   | 5  | 0866 43 820 ✓  | 143 | 144 ✓ | 1  |
| 0866 34 381 ✓  | 110 | 111 ✓ | 6  | 0866 43 900 ✓  | 143 | 144   | 4  |
| 0866 34 382    | 110 | 111   | 7  | 0866 44 010    | 140 | 141   | 1  |
| 0866 34 390 ✓  | 110 | 111 ✓ | 8  | 0866 44 051 ✓  | 140 | 141 ✓ | 10 |
| 0866 34 460 ✓  | 110 | 112 ✓ | 25 | 0866 44 150 ✓  | 140 | 141 ✓ | 13 |
| 0866 34 710 ✓  | 110 | 113 ✓ | 36 | 0866 44 187    | 140 | 141   | 17 |
| 0866 34 730    | 110 | 113   | 45 | 0866 44 189    | 140 | 141   | 18 |
| 0866 34 732 ✓  | 110 | 113 ✓ | 47 | 0866 44 410 ✓  | 140 | 141 ✓ | 19 |
| 0866 34 735    | 110 | 113   | 48 | 0866 44 439    | 140 | 141   | 20 |
| 0866 34 738    | 110 | 113   | 53 | 0866 45 061A ✓ | 122 | 123 ✓ | 16 |
| 0866 34 760 ✓  | 110 | 113 ✓ | 48 | 0866 45 452    | 143 | 144   | 19 |
| 0866 34 800B   | 110 | 111   | 20 | 0866 45 510    | 143 | 145   | 27 |
| 0866 34 910A ✓ | 110 | 113 ✓ | 35 | 0866 45 611B   | 122 | 123   | 17 |
| 0866 34 960A ✓ | 110 | 113 ✓ | 35 | 0866 45 806    | 122 | 123   | 19 |
| 0866 37 170B ✓ | 85  | 88 ✓  | 40 | 0866 45 903A   | 122 | 123   | 21 |
|                | 107 | 109 ✓ | 21 |                | 143 | 145   | 29 |
| 0866 39 020    | 114 | 115   | 1  | 0866 50 102    | 149 | 150   | 7  |
| 0866 39 040A ✓ | 114 | 115 ✓ | 3  | 0866 50 110A ✓ | 149 | 150 ✓ | 1  |
| 0866 39 060B ✓ | 114 | 115 ✓ | 4  | 0866 50 141 ✓  | 149 | 150 ✓ | 2  |
| 0866 39 381A   | 114 | 115   | 8  | 0866 50 151 ✓  | 149 | 150 ✓ | 3  |
| 0866 40 060 ✓  | 116 | 117 ✓ | 2  | 0866 50 181A ✓ | 149 | 150 ✓ | 9  |
| 0866 40 081 ✓  | 116 | 117 ✓ | 14 | 0866 50 320A ✓ | 149 | 150 ✓ | 13 |
| 0866 40 100 ✓  | 116 | 117 ✓ | 1  | 0866 50 330A ✓ | 149 | 150 ✓ | 14 |
| 0866 40 300 ✓  | 116 | 117 ✓ | 11 | 0866 50 340 ✓  | 149 | 150 ✓ | 15 |
| 0866 41 030A   | 129 | 130   | 1  | 0866 50 350 ✓  | 149 | 150 ✓ | 16 |
| 0866 41 320 ✓  | 133 | 134 ✓ | 21 | 0866 50 511A ✓ | 149 | 151 ✓ | 19 |
| 0866 41 370    | 133 | 135   | 30 | 0866 50 521A ✓ | 149 | 151 ✓ | 20 |
| 0866 41 380 ✓  | 133 | 135 ✓ | 27 | 0866 50 531 ✓  | 149 | 151 ✓ | 21 |
| 0866 41 400    | 133 | 134   | 1  | 0866 50 541 ✓  | 149 | 151 ✓ | 22 |
| 0866 41 610    | 125 | 126   | 1  | 0866 52 210 ✓  | 152 | 153 ✓ | 2  |
| 0866 41 660    | 125 | 126   | 5  | 0866 52 390    | 152 | 153   | 12 |
| 0866 41 920 ✓  | 133 | 134 ✓ | 16 | 0866 52 398    | 152 | 153   | 15 |
| 0866 42 310C ✓ | 118 | 119 ✓ | 1  | 0866 52 410    | 152 | 154   | 16 |
| 0866 42 350 ✓  | 118 | 119 ✓ | 4  | 0866 52 451    | 152 | 154   | 19 |
| 0866 42 366    | 118 | 119   | 7  | 0866 52 480    | 152 | 154   | 22 |
| 0866 42 382    | 118 | 119   | 10 | 0866 52 490    | 152 | 154   | 23 |
| 0866 42 410 ✓  | 118 | 120 ✓ | 21 | 0866 52 510 ✓  | 152 | 154 ✓ | 25 |
| 0866 42 440    | 265 | 266   | 3  | 0866 52 610 ✓  | 152 | 154 ✓ | 26 |
| 0866 42 521    | 118 | 119   | 13 | 0866 52 620 ✓  | 152 | 154 ✓ | 27 |
| 0866 42 522    | 118 | 119   | 14 | 0866 52 631    | 152 | 154   | 31 |
| 0866 42 523    | 118 | 119   | 12 | 0866 52 661A ✓ | 152 | 155 ✓ | 34 |
| 0866 42 530    | 118 | 119   | 9  | 0866 52 671A ✓ | 152 | 155 ✓ | 35 |
| 0866 42 541 ✓  | 118 | 120 ✓ | 20 | 0866 52 750A ✓ | 152 | 155 ✓ | 36 |
| 0866 42 542A ✓ | 118 | 120 ✓ | 18 | 0866 52 850A   | 152 | 155   | 37 |
| 0866 42 544    | 118 | 120   | 19 | 0866 52 901 ✓  | 152 | 155 ✓ | 39 |
| 0866 42 551 ✓  | 118 | 120 ✓ | 26 | 0866 53 020F   | 156 | 157   | 4  |
| 0866 42 552 ✓  | 118 | 120 ✓ | 25 | 0866 53 029 ✓  | 156 | 157 ✓ | 5  |
| 0866 42 555    | 118 | 120   | 27 | 0866 53 100A   | 156 | 157   | 11 |
| 0866 42 561 ✓  | 118 | 120 ✓ | 28 | 0866 53 220D   | 156 | 157   | 12 |
| 0866 43 030    | 129 | 130   | 2  | 0866 53 281A   | 156 | 157   | 14 |
| 0866 43 061 ✓  | 129 | 130 ✓ | 4  | 0866 53 320    | 159 | 160   | 1  |
| 0866 43 062 ✓  | 129 | 130 ✓ | 6  |                | 162 | 163   | 1  |

INDEX. 0866 53 330~0866 58 281

|              |     |      |    |               |     |      |    |
|--------------|-----|------|----|---------------|-----|------|----|
| 0866 53 330  | 162 | 163  | 3  | 0866 55 720   | 169 | 172  | 32 |
| 0866 53 340  | 162 | 163  | 5  | 0866 56 010D  | 165 | 166  | 1  |
| 0866 53 350A | 162 | 163  | 7  | 0866 56 080B  | 165 | 166  | 4  |
| 0866 53 381  | 162 | 163  | 9  | 0866 56 171   | 165 | 166  | 8  |
| 0866 53 430  | 162 | 163  | 13 | 0866 56 181   | 165 | 166  | 9  |
| 0866 53 452  | 162 | 163  | 17 | 0866 56 210C  | 165 | 166  | 14 |
| 0866 53 500✓ | 162 | 163✓ | 19 | 0866 56 215   | 165 | 166  | 15 |
| 0866 53 591  | 162 | 163  | 21 | 0866 56 310   | 165 | 166  | 16 |
| 0866 53 720✓ | 156 | 157✓ | 16 | 0866 56 330   | 165 | 166  | 18 |
| 0866 53 750  | 156 | 158  | 18 | 0866 56 350   | 165 | 167  | 20 |
| 0866 53 780A | 156 | 158  | 19 | 0866 56 381   | 165 | 167  | 22 |
| 0866 53 810B | 162 | 164  | 25 | 0866 56 400   | 165 | 167  | 24 |
| 0866 53 830A | 159 | 161  | 24 | 0866 56 450A  | 165 | 167  | 25 |
|              | 162 | 164  | 26 | 0866 56 470A  | 165 | 167  | 26 |
| 0866 53 845  | 159 | 161  | 26 | 0866 56 481A  | 165 | 167  | 27 |
|              | 162 | 164  | 28 | 0866 56 580A  | 165 | 166  | 5  |
| 0866 53 901✓ | 162 | 164✓ | 29 | 0866 56 610B  | 165 | 166  | 7  |
| 0866 53 920  | 162 | 164  | 30 | 0866 56 701   | 165 | 167  | 28 |
| 0866 53 941  | 162 | 164  | 31 | 0866 56 702   | 165 | 167  | 29 |
| 0866 53 950  | 162 | 164  | 32 | 0866 56 810A  | 165 | 166  | 17 |
| 0866 53 970A | 156 | 157  | 6  | 0866 56 830   | 165 | 166  | 19 |
| 0866 53 979✓ | 156 | 157✓ | 7  | 0866 56 850   | 165 | 167  | 21 |
| 0866 53 981  | 156 | 157  | 9  | 0866 56 881   | 165 | 167  | 23 |
| 0866 53 991  | 162 | 164  | 33 | 0866 56 901A  | 165 | 167  | 31 |
| 0866 54 220B | 156 | 157  | 13 | 0866 56 971   | 165 | 168  | 41 |
| 0866 54 281A | 156 | 157  | 15 | 0866 56 981   | 165 | 166  | 3  |
| 0866 54 320  | 159 | 160  | 2  | 0866 56 991   | 232 | 233  | 12 |
|              | 162 | 163  | 2  | 0866 57 100A  | 184 | 185  | 2  |
| 0866 54 330  | 162 | 163  | 4  |               | 184 | 185  | 5  |
| 0866 54 340  | 162 | 163  | 6  | 0866 57 105   | 179 | 181  | 27 |
| 0866 54 350A | 162 | 163  | 8  |               | 184 | 187  | 33 |
| 0866 54 381  | 162 | 163  | 10 | 0866 57 110A  | 184 | 185  | 8  |
| 0866 54 410  | 162 | 163  | 12 | 0866 57 120   | 179 | 180  | 13 |
| 0866 54 430  | 162 | 163  | 14 |               | 184 | 186  | 17 |
| 0866 54 452  | 162 | 163  | 18 | 0866 57 130   | 179 | 181  | 24 |
| 0866 54 500✓ | 162 | 163✓ | 20 |               | 184 | 187  | 30 |
| 0866 54 591  | 162 | 163  | 22 | 0866 57 160A  | 184 | 185  | 11 |
| 0866 54 720✓ | 156 | 158✓ | 17 | 0866 57 170   | 179 | 181  | 15 |
| 0866 54 830A | 159 | 161  | 25 |               | 184 | 186  | 20 |
|              | 162 | 164  | 27 | 0866 57 180✓  | 179 | 181✓ | 25 |
| 0866 55 100E | 169 | 170  | 1  |               | 184 | 187  | 31 |
| 0866 55 210B | 169 | 172  | 33 | 0866 57 200A  | 184 | 188  | 41 |
| 0866 55 215A | 169 | 172  | 36 | 0866 57 250   | 184 | 188  | 46 |
| 0866 55 216  | 169 | 172  | 38 | 0866 57 300A  | 184 | 185  | 3  |
| 0866 55 217  | 169 | 172  | 38 | 0866 57 310A  | 184 | 185  | 9  |
| 0866 55 218  | 169 | 172  | 38 | 0866 57 320   | 184 | 186  | 18 |
| 0866 55 230D | 169 | 172  | 42 | 0866 57 350A  | 184 | 185  | 6  |
| 0866 55 360C | 169 | 170  | 5  | 0866 57 360A  | 184 | 185  | 12 |
| 0866 55 365B | 169 | 170  | 7  | 0866 57 370   | 184 | 186  | 21 |
| 0866 55 401D | 169 | 170  | 11 | 0866 57 400A  | 184 | 188  | 42 |
| 0866 55 402A | 169 | 171  | 16 | 0866 57 450   | 184 | 188  | 47 |
| 0866 55 403B | 169 | 171  | 17 | 0866 58 010C✓ | 190 | 191✓ | 1  |
| 0866 55 404B | 169 | 171  | 18 | 0866 58 201   | 195 | 199  | 34 |
| 0866 55 405C | 169 | 171  | 19 | 0866 58 210✓  | 195 | 198✓ | 23 |
| 0866 55 406A | 169 | 171  | 22 | 0866 58 231   | 195 | 199  | 35 |
| 0866 55 412A | 169 | 171  | 26 |               | 260 | 263  | 33 |
| 0866 55 460B | 176 | 178  | 15 | 0866 58 240A✓ | 195 | 198  | 26 |
| 0866 55 710✓ | 169 | 171✓ | 28 | 0866 58 281✓  | 195 | 198  | 27 |

0866 58 281 ~ 0866 67 065 INDEX.

|                |     |       |    |                |     |       |    |
|----------------|-----|-------|----|----------------|-----|-------|----|
| 0866 58 281✓   | 260 | 263 ✓ | 25 | 0866 59 831 ✓  | 190 | 193 ✓ | 23 |
| 0866 58 282    | 195 | 198   | 28 | 0866 59 841A ✓ | 190 | 193 ✓ | 24 |
|                | 260 | 263   | 26 | 0866 59 842A ✓ | 190 | 193 ✓ | 25 |
| 0866 58 291A   | 195 | 198   | 29 | 0866 59 862 ✓  | 195 | 199 ✓ | 43 |
|                | 260 | 263   | 27 | 0866 60 050 ✓  | 169 | 173 ✓ | 52 |
| 0866 58 292A   | 195 | 198   | 30 | 0866 60 070    | 169 | 173   | 55 |
|                | 260 | 263   | 28 | 0866 60 071    | 169 | 173   | 57 |
| 0866 58 293    | 195 | 198   | 31 | 0866 60 073    | 169 | 173   | 60 |
|                | 260 | 263   | 29 | 0866 60 101    | 169 | 174   | 61 |
| 0866 58 303A   | 195 | 197   | 10 | 0866 60 102    | 169 | 174   | 62 |
|                | 260 | 261   | 10 | 0866 60 120 ✓  | 169 | 174 ✓ | 66 |
| 0866 58 310    | 195 | 196   | 1  | 0866 60 130 ✓  | 169 | 174 ✓ | 67 |
| 0866 58 321A   | 195 | 197   | 8  | 0866 60 250B   | 169 | 174   | 69 |
|                | 260 | 261   | 8  | 0866 60 251 ✓  | 169 | 174 ✓ | 71 |
| 0866 58 330    | 195 | 196   | 2  | 0866 60 263    | 169 | 175   | 82 |
| 0866 58 361 ✓  | 195 | 199 ✓ | 37 | 0866 60 264    | 169 | 175   | 83 |
|                | 260 | 263 ✓ | 36 | 0866 60 265A   | 169 | 175   | 84 |
| 0866 58 363 ✓  | 195 | 199 ✓ | 38 | 0866 60 267    | 169 | 175   | 86 |
|                | 260 | 263 ✓ | 37 | 0866 60 335A   | 169 | 175   | 87 |
| 0866 58 364 ✓  | 195 | 199 ✓ | 39 | 0866 60 345A   | 169 | 175   | 88 |
|                | 260 | 263 ✓ | 38 | 0866 60 720 ✓  | 169 | 175 ✓ | 91 |
| 0866 58 410 ✓  | 195 | 197 ✓ | 12 | 0866 61 070    | 200 | 201   | —  |
| 0866 58 501 ✓  | 190 | 191 ✓ | 4  | 0866 61 080    | 200 | 201   | —  |
| 0866 58 560 ✓  | 195 | 197 ✓ | 14 | 0866 61 130B   | 200 | 201   | 1  |
| 0866 58 590    | 169 | 171   | 24 | 0866 61 140C   | 200 | 201   | 2  |
| 0866 58 603 ✓  | 190 | 191 ✓ | 6  | 0866 61 151A   | 200 | 201   | 3  |
| 0866 58 604 ✓  | 190 | 192 ✓ | 7  | 0866 61 195    | 200 | 201   | 5  |
| 0866 58 605 ✓  | 190 | 192 ✓ | 8  |                | 200 | 202   | 28 |
| 0866 58 620    | 190 | 192   | 9  | 0866 61 213 ✓  | 200 | 202 ✓ | 15 |
| 0866 58 760A ✓ | 190 | 193 ✓ | 21 | 0866 61 214A   | 200 | 202   | 16 |
| 0866 58 781A ✓ | 190 | 192 ✓ | 12 | 0866 61 217 ✓  | 200 | 202   | 18 |
| 0866 58 791 ✓  | 190 | 192 ✓ | 13 | 0866 61 251 ✓  | 200 | 201 ✓ | 6  |
| 0866 58 810C   | 190 | 192   | 17 | 0866 66 190B   | 200 | 201 ✓ | 4  |
| 0866 58 831 ✓  | 190 | 193 ✓ | 23 | 0866 66 212 ✓  | 207 | 208 ✓ | 3  |
| 0866 58 841A ✓ | 190 | 193 ✓ | 24 | 0866 66 232 ✓  | 207 | 208 ✓ | 3  |
| 0866 58 842A ✓ | 190 | 193 ✓ | 25 | 0866 66 372 ✓  | 207 | 208 ✓ | 10 |
| 0866 58 861    | 195 | 199   | 42 | 0866 66 481A ✓ | 204 | 206 ✓ | 24 |
| 0866 58 862    | 195 | 199   | 43 | 0866 66 491A ✓ | 204 | 206 ✓ | 24 |
| 0866 58 863    | 195 | 199   | 44 | 0866 66 700A ✓ | 207 | 209 ✓ | 25 |
| 0866 58 864    | 195 | 199   | 45 | 0866 66 730B ✓ | 210 | 211 ✓ | 6  |
| 0866 59 010C ✓ | 190 | 191 ✓ | 1  | 0866 66 732 ✓  | 210 | 211 ✓ | 7  |
| 0866 59 020A   | 190 | 191   | 2  | 0866 66 733    | 210 | 211   | 8  |
| 0866 59 240A ✓ | 195 | 198 ✓ | 26 | 0866 66 760 ✓  | 210 | 211 ✓ | 11 |
| 0866 59 303A   | 195 | 197   | 10 | 0866 66 865    | 222 | 224   | 19 |
|                | 260 | 261   | 10 | 0866 66 871    | 222 | 224   | 20 |
| 0866 59 310    | 195 | 196   | 1  | 0866 66 872    | 222 | 224   | 21 |
| 0866 59 330    | 195 | 196   | 2  | 0866 66 900    | 222 | 223   | 1  |
| 0866 59 361 ✓  | 195 | 199 ✓ | 37 | 0866 66 905    | 222 | 223   | 4  |
|                | 260 | 263 ✓ | 36 | 0866 66 960    | 222 | 224   | 7  |
| 0866 59 410 ✓  | 195 | 197 ✓ | 12 | 0866 66 965    | 222 | 224   | 9  |
| 0866 59 501 ✓  | 190 | 191 ✓ | 4  | 0866 67 010A ✓ | 210 | 212 ✓ | 23 |
| 0866 59 560 ✓  | 195 | 197 ✓ | 14 | 0866 67 020B   | 210 | 212   | 24 |
| 0866 59 603 ✓  | 190 | 191 ✓ | 6  | 0866 67 030 ✓  | 210 | 213 ✓ | 28 |
| 0866 59 604 ✓  | 190 | 192 ✓ | 7  | 0866 67 040C ✓ | 210 | 213 ✓ | 29 |
| 0866 59 760A ✓ | 190 | 193 ✓ | 21 | 0866 67 050H   | 210 | 213   | 30 |
| 0866 59 781A ✓ | 190 | 192 ✓ | 12 | 0866 67 059    | 210 | 214   | 45 |
| 0866 59 791 ✓  | 190 | 192 ✓ | 13 | 0866 67 060C ✓ | 210 | 213 ✓ | 32 |
| 0866 59 810B ✓ | 190 | 192 ✓ | 17 | 0866 67 065    | 210 | 213   | 33 |

INDEX. 0866 67 070B~0866 70 343

|               |     |       |    |               |     |       |    |
|---------------|-----|-------|----|---------------|-----|-------|----|
| 0866 67 070B✓ | 210 | 213 ✓ | 31 | 0866 69 210✓  | 234 | 237 ✓ | 35 |
| 0866 67 080✓  | 210 | 213 ✓ | 34 | 0866 69 240✓  | 234 | 237 ✓ | 36 |
| 0866 67 100✓  | 53  | 56 ✓  | 43 | 0866 69 290✓  | 239 | 240 ✓ | 1  |
| 0866 67 110✓  | 53  | 56 ✓  | 44 | 0866 69 311   | 239 | 240   | 3  |
|               | 57  | 60 ✓  | 54 | 0866 69 321   | 239 | 240   | 6  |
| 0866 67 131✓  | 140 | 142 ✓ | 27 | 0866 69 341   | 239 | 240   | 7  |
| 0866 67 132✓  | 122 | 124 ✓ | 24 | 0866 69 360   | 239 | 240   | 11 |
| 0866 67 133   | 210 | 215   | 73 | 0866 69 380   | 239 | 240   | 12 |
| 0866 67 151   | 210 | 213   | 25 | 0866 69 411✓  | 239 | 240 ✓ | 14 |
| 0866 67 152   | 210 | 213   | 43 | 0866 69 431✓  | 239 | 240 ✓ | 15 |
| 0866 67 170✓  | 118 | 120 ✓ | 30 | 0866 69 460   | 239 | 241   | 18 |
| 0866 67 175✓  | 118 | 121 ✓ | 33 | 0866 69 480   | 239 | 241   | 20 |
| 0866 67 301A✓ | 216 | 219 ✓ | 37 | 0866 69 511✓  | 239 | 241 ✓ | 22 |
| 0866 67 302✓  | 216 | 219 ✓ | 38 | 0866 69 521   | 239 | 241 ✓ | 24 |
| 0866 67 321   | 216 | 217   | 1  | 0866 69 541   | 242 | 243 ✓ | 1  |
| 0866 67 340C  | 216 | 217   | 3  | 0866 69 542   | 242 | 243 ✓ | 2  |
| 0866 67 350   | 216 | 217   | 13 | 0866 69 543   | 242 | 243 ✓ | 3  |
| 0866 67 470   | 220 | 221   | —  | 0866 69 544✓  | 242 | 243 ✓ | 4  |
| 0866 67 510A✓ | 220 | 221✓  | 12 | 0866 69 611   | 242 | 243   | 5  |
| 0866 67 511A  | 220 | 221   | 13 | 0866 69 612A  | 242 | 243   | 6  |
| 0866 67 512   | 220 | 221   | 14 | 0866 69 613A  | 242 | 243   | 7  |
| 0866 67 521   | 220 | 221   | 15 | 0866 69 616A✓ | 242 | 243 ✓ | 8  |
| 0866 67 710A  | 210 | 214   | 56 | 0866 69 617✓  | 242 | 243 ✓ | 9  |
| 0866 67 711   | 210 | 214   | 57 | 0866 69 618✓  | 242 | 243 ✓ | 10 |
| 0866 67 712A  | 210 | 214   | 58 | 0866 69 625   | 242 | 243 ✓ | 11 |
| 0866 67 716   | 210 | 214   | 59 | 0866 69 626✓  | 242 | 243 ✓ | 12 |
| 0866 67 717   | 210 | 214   | 61 | 0866 69 627✓  | 242 | 243 ✓ | 13 |
| 0866 67 718   | 210 | 215   | 62 | 0866 69 660   | 242 | 243   | 14 |
| 0866 67 719   | 210 | 214   | 60 | 0866 69 683   | 242 | 244   | 15 |
| 0866 67 905A  | 210 | 214   | 47 | 0866 69 684   | 242 | 244   | 16 |
| 0866 67 906   | 210 | 214   | 48 | 0866 69 685   | 242 | 244   | 17 |
| 0866 67 908   | 210 | 214   | 49 | 0866 69 687A  | 242 | 244   | 18 |
| 0866 68 011   | 226 | 229   | 41 | 0866 69 688   | 242 | 244   | 19 |
| 0866 68 090B✓ | 226 | 227 ✓ | 4  | 0866 69 689   | 242 | 244   | 20 |
| 0866 68 095   | 226 | 227   | 5  | 0866 69 692   | 242 | 244   | 21 |
| 0866 68 180A✓ | 226 | 228 ✓ | 20 | 0866 69 694   | 239 | 241   | 31 |
| 0866 68 201✓  | 226 | 228 ✓ | 21 | 0866 69 696   | 242 | 244   | 22 |
| 0866 68 250✓  | 226 | 231 ✓ | 63 | 0866 69 697   | 242 | 244   | 23 |
| 0866 68 331   | 226 | 228   | 24 | 0866 69 698   | 242 | 244   | 24 |
| 0866 68 332   | 226 | 228   | 25 | 0866 69 811✓  | 226 | 229 ✓ | 43 |
| 0866 68 333   | 226 | 228   | 26 | 0866 69 820   | 226 | 229   | 44 |
| 0866 68 334   | 226 | 228   | 27 | 0866 69 870✓  | 239 | 241 ✓ | 29 |
| 0866 68 335A  | 226 | 228   | 28 | 0866 69 885✓  | 239 | 241 ✓ | 30 |
| 0866 68 340   | 226 | 229   | 32 | 0866 69 910✓  | 234 | 237 ✓ | 38 |
| 0866 68 351A✓ | 226 | 229 ✓ | 34 | 0866 69 920✓  | 234 | 237 ✓ | 39 |
| 0866 68 352A✓ | 226 | 229 ✓ | 35 | 0866 70 120✓  | 156 | 158 ✓ | 23 |
| 0866 68 361   | 226 | 229   | 37 | 0866 70 122   | 156 | 158   | 24 |
| 0866 68 380   | 226 | 229   | 39 | 0866 70 131A  | 156 | 158   | 26 |
| 0866 68 890A  | 226 | 230   | 50 | 0866 70 160B✓ | 156 | 158 ✓ | 21 |
| 0866 69 052✓  | 234 | 235 ✓ | 1  | 0866 70 180   | 156 | 158   | 28 |
| 0866 69 053A  | 234 | 235 ✓ | 2  | 0866 70 310   | 245 | 246   | 1  |
| 0866 69 071A  | 234 | 235 ✓ | 10 | 0866 70 313   | 245 | 246   | 3  |
| 0866 69 081B  | 234 | 235 ✓ | 11 | 0866 70 314   | 245 | 246   | 4  |
| 0866 69 110✓  | 234 | 235 ✓ | 18 | 0866 70 320   | 245 | 246   | 5  |
| 0866 69 111   | 234 | 236   | 20 | 0866 70 330   | 245 | 246   | 6  |
| 0866 69 112   | 234 | 236   | 22 | 0866 70 341   | 245 | 246   | 7  |
| 0866 69 113   | 234 | 236   | 23 | 0866 70 342   | 245 | 246   | 8  |
| 0866 69 130✓  | 234 | 235 ✓ | 18 | 0866 70 343   | 245 | 246   | 10 |

0866 70 351 ~ 0866 88 070 INDEX.

|              |     |     |    |              |     |     |    |
|--------------|-----|-----|----|--------------|-----|-----|----|
| 0866 70 351  | 245 | 246 | 13 | 0866 72 760  | 256 | 258 | 25 |
| 0866 70 352  | 245 | 246 | 14 | 0866 72 781A | 256 | 258 | 16 |
| 0866 70 360  | 245 | 246 | 15 | 0866 72 791  | 256 | 258 | 17 |
| 0866 70 371  | 245 | 246 | 19 | 0866 72 810B | 256 | 258 | 21 |
| 0866 70 401  | 234 | 237 | 43 | 0866 72 831A | 256 | 259 | 27 |
| 0866 70 412  | 234 | 237 | 47 | 0866 72 841A | 256 | 259 | 28 |
| 0866 70 420  | 234 | 237 | 46 | 0866 72 861  | 260 | 263 | 40 |
| 0866 70 431D | 234 | 238 | 58 | 0866 72 862  | 260 | 263 | 41 |
| 0866 70 451  | 247 | 248 | 7  | 0866 72 863  | 260 | 263 | 42 |
| 0866 70 452  | 247 | 248 | 8  | 0866 73 010B | 256 | 257 | 1  |
| 0866 70 453  | 247 | 248 | 10 | 0866 73 020A | 256 | 257 | 2  |
| 0866 70 454  | 247 | 248 | 12 | 0866 73 210B | 260 | 262 | 21 |
| 0866 70 473  | 247 | 249 | 14 | 0866 73 240  | 260 | 263 | 24 |
| 0866 70 481  | 247 | 249 | 15 | 0866 73 310  | 260 | 261 | 1  |
| 0866 70 482  | 247 | 249 | 16 | 0866 73 330  | 260 | 261 | 2  |
| 0866 70 483  | 247 | 249 | 17 | 0866 73 410  | 260 | 262 | 12 |
| 0866 70 484  | 247 | 249 | 19 | 0866 73 501  | 256 | 257 | 3  |
| 0866 70 801  | 247 | 249 | 21 | 0866 73 560  | 260 | 262 | 15 |
| 0866 70 802A | 247 | 249 | 23 | 0866 73 602  | 256 | 257 | 9  |
| 0866 70 821  | 247 | 250 | 31 | 0866 73 755  | 256 | 259 | 30 |
| 0866 70 822A | 247 | 250 | 33 | 0866 73 760  | 256 | 258 | 25 |
| 0866 70 823  | 247 | 250 | 35 | 0866 73 810B | 256 | 258 | 21 |
| 0866 70 851  | 247 | 250 | 36 | 0866 73 831A | 256 | 259 | 27 |
| 0866 70 852  | 247 | 250 | 39 | 0866 73 841  | 256 | 259 | 28 |
| 0866 70 853  | 247 | 250 | 41 | 0866 73 842A | 256 | 259 | 29 |
| 0866 71 180  | 156 | 158 | 29 | 0866 73 862  | 260 | 263 | 41 |
| 0866 71 310  | 245 | 246 | 1  | 0866 73 863  | 260 | 264 | 42 |
| 0866 71 343  | 245 | 246 | 10 | 0866 75 014  | 176 | 177 | 8  |
| 0866 71 351  | 245 | 246 | 13 | 0866 75 021  | 176 | 177 | 6  |
| 0866 71 352  | 245 | 246 | 14 | 0866 75 026  | 176 | 177 | 7  |
| 0866 71 420  | 234 | 237 | 46 | 0866 75 122  | 176 | 178 | 16 |
| 0866 71 431D | 234 | 238 | 58 | 0866 75 123  | 176 | 178 | 17 |
| 0866 71 452  | 247 | 248 | 9  | 0866 75 124  | 176 | 178 | 18 |
| 0866 71 453  | 247 | 248 | 11 | 0866 75 125  | 176 | 178 | 19 |
| 0866 71 483  | 247 | 249 | 18 | 0866 75 200  | 176 | 178 | 20 |
| 0866 71 484  | 247 | 249 | 20 | 0866 75 930  | 265 | 266 | 2  |
| 0866 71 801  | 247 | 249 | 22 | 0866 76 601  | 216 | 218 | 36 |
| 0866 71 802A | 247 | 249 | 24 | 0866 76 602  | 216 | 218 | 35 |
| 0866 71 821  | 247 | 250 | 32 | 0866 76 603  | 216 | 217 | 9  |
| 0866 71 822A | 247 | 250 | 34 | 0866 76 604  | 216 | 217 | 8  |
| 0866 71 852  | 247 | 250 | 40 | 0866 76 605  | 216 | 217 | 11 |
| 0866 71 853  | 247 | 250 | 42 | 0866 76 606  | 216 | 217 | 10 |
| 0866 72 010B | 256 | 257 | 1  | 0866 76 607  | 216 | 217 | 18 |
| 0866 72 020A | 256 | 257 | 2  | 0866 76 608  | 216 | 218 | 25 |
| 0866 72 201  | 260 | 263 | 32 | 0866 78 541  | 165 | 166 | 12 |
| 0866 72 210B | 260 | 262 | 21 | 0866 78 701A | 149 | 151 | 29 |
| 0866 72 212A | 260 | 262 | 23 | 0866 78 702  | 149 | 151 | 30 |
| 0866 72 240  | 260 | 263 | 24 |              | 149 | 151 | 31 |
| 0866 72 310  | 260 | 261 | 1  | 0866 78 710  | 149 | 151 | 32 |
| 0866 72 330  | 260 | 261 | 2  | 0866 78 750  | 149 | 151 | 33 |
| 0866 72 410  | 260 | 262 | 12 | 0866 78 801A | 149 | 151 | 34 |
| 0866 72 501  | 256 | 257 | 3  | 0866 78 810  | 149 | 151 | 35 |
| 0866 72 502  | 256 | 257 | 4  | 0866 88 010  | 179 | 180 | 10 |
| 0866 72 560  | 260 | 262 | 15 |              | 184 | 185 | 14 |
| 0866 72 602  | 256 | 257 | 9  | 0866 88 060  | 179 | 181 | 19 |
| 0866 72 605  | 256 | 257 | 10 |              | 184 | 187 | 25 |
| 0866 72 606  | 256 | 257 | 11 | 0866 88 070  | 179 | 181 | 20 |
| 0866 72 651A | 256 | 257 | 14 |              | 184 | 187 | 26 |

INDEX. 0866 88 100~1524 51 020A

|               |     |      |    |               |     |      |    |
|---------------|-----|------|----|---------------|-----|------|----|
| 0866 88 100✓  | 179 | 181  | 17 | 0870 66 970   | 222 | 224  | 11 |
|               | 184 | 186  | 23 | 0870 66 975   | 222 | 224  | 13 |
| 0866 88 105   | 179 | 181  | 16 | 0870 66 980   | 222 | 224  | 14 |
|               | 184 | 186  | 22 | 0870 68 940   | 226 | 230  | 53 |
| 0866 88 200✓  | 179 | 180✓ | 11 | 0870 68 960   | 226 | 230  | 60 |
|               | 184 | 186✓ | 15 | 0870 69 684   | 242 | 244  | 16 |
| 0866 88 250✓  | 179 | 181✓ | 21 | 0870 69 870✓  | 239 | 241✓ | 29 |
|               | 179 | 182✓ | 39 | 0871 10 300C  | 5   | 6    | 10 |
|               | 184 | 187✓ | 27 | 0871 11 400   | 9   | 11   | 26 |
| 0866 88 280✓  | 179 | 181✓ | 18 | 0871 11 511   | 9   | 12   | 38 |
|               | 184 | 186✓ | 24 | 0871 11 750A  | 9   | 13   | 54 |
| 0866 88 370✓  | 184 | 188✓ | 44 | 0871 13 200   | 19  | 20   | 1  |
| 0866 88 375   | 179 | 182  | 36 | 0871 15 310B  | 27  | 30   | 35 |
|               | 184 | 188  | 43 | 0871 18 520   | 53  | 55   | 37 |
| 0866 88 420✓  | 179 | 182✓ | 41 | 0871 19 910   | 61  | 63   | 27 |
|               | 184 | 188✓ | 49 | 0871 19 920   | 61  | 64   | 34 |
| 0866 88 490   | 184 | 185  | 14 | 0871 19 930   | 61  | 64   | 35 |
| 0866 88 500   | 184 | 186  | 23 | 0871 19 940   | 61  | 64   | 37 |
| 0866 88 530   | 184 | 186  | 15 | 0871 19 951   | 61  | 64   | 38 |
| 0866 88 540   | 184 | 186  | 24 | 0871 19 961   | 61  | 64   | 36 |
| 0866 88 570   | 184 | 188  | 44 | 0871 19 962   | 61  | 64   | 39 |
| 0866 88 580   | 184 | 188  | 49 | 0871 19 963   | 61  | 64   | 43 |
| 0866 89 661   | 204 | 205  | 1  | 0871 19 964A  | 61  | 64   | 47 |
| 0866 89 663   | 204 | 206  | 23 | 0871 25 100   | 80  | 81   | 1  |
| 0866 89 665   | 207 | 208  | 9  | 0871 46 571   | 146 | 148  | 23 |
| 0866 89 666   | 204 | 205  | 1  | 0871 56 010E  | 165 | 166  | 2  |
| 0866 89 668   | 204 | 206  | 23 | 0871 56 701   | 165 | 167  | 28 |
| 0866 99 100   | 1   | 4    | -  | 0871 67 060B  | 210 | 213  | 32 |
| 0866 99 356✓  | 110 | 112✓ | 26 | 0871 67 100   | 57  | 60   | 53 |
| 0866 99 801   | 149 | 151  | 26 | 0871 69 685   | 242 | 244  | 17 |
|               | 149 | 151  | 27 | 0872 67 100   | 57  | 60   | 53 |
| 0866 99 806   | 149 | 151  | 28 | 0872 67 110✓  | 53  | 56✓  | 44 |
| 0870 26 111✓  | 82  | 83✓  | 9  |               | 57  | 60✓  | 54 |
| 0870 26 115✓  | 82  | 83✓  | 9  | 0877 18 520   | 57  | 60   | 47 |
| 0870 33 625✓  | 107 | 108  | 16 | 0881 37 191   | 85  | 88   | 42 |
| 0870 33 980✓  | 107 | 108  | 15 |               | 107 | 109  | 19 |
| 0870 33 990✓  | 107 | 108  | 15 | 1510 70 471   | 247 | 248  | 13 |
| 0870 43 422   | 136 | 138  | 31 | 1511 56 110A  | 165 | 166  | 6  |
| 0870 43 570   | 136 | 138  | 37 | 1511 58 010   | 190 | 191  | 1  |
| 0870 43 580   | 136 | 138  | 38 | 1511 58 020   | 190 | 191  | 2  |
| 0870 43 800B  | 136 | 139  | 41 | 1511 69 110   | 234 | 236  | 28 |
| 0870 43 830   | 143 | 144  | 21 | 1511 70 471   | 247 | 248  | 13 |
| 0870 43 842   | 143 | 144  | 24 | 1511 72 661   | 256 | 258  | 15 |
| 0870 43 990   | 136 | 137  | 1  | 1511 73 661   | 256 | 258  | 15 |
| 0870 45 280A  | 143 | 144  | 11 | 1514 70 471   | 247 | 249  | 13 |
| 0870 45 320B  | 143 | 144  | 13 | 1523 70 471✓  | 247 | 248✓ | 13 |
| 0870 45 350B  | 143 | 144  | 15 | 1524 32 110   | 100 | 102  | -  |
| 0870 49 710✓  | 136 | 139  | 52 | 1524 32 121A✓ | 100 | 103✓ | 38 |
| 0870 49 720✓  | 136 | 139  | 53 | 1524 32 130✓  | 100 | 102✓ | 26 |
| 0870 49 745   | 136 | 139  | 42 | 1524 32 220✓  | 100 | 103✓ | 43 |
| 0870 49 750   | 136 | 139  | 45 | 1524 32 261✓  | 104 | 105✓ | 1  |
| 0870 49 760   | 136 | 139  | 46 | 1524 41 400✓  | 133 | 134✓ | 1  |
| 0870 49 770   | 136 | 139  | 47 | 1524 41 620   | 127 | 128  | 1  |
| 0870 49 785   | 136 | 139  | 51 | 1524 41 678   | 127 | 128  | 20 |
| 0870 58 810C  | 190 | 193  | 17 | 1524 43 030✓  | 129 | 130✓ | 2  |
| 0870 59 810B✓ | 190 | 193  | 17 | 1524 43 070A  | 129 | 131  | 31 |
| 0870 66 900A  | 222 | 223  | 2  | 1524 43 140   | 129 | 131  | 27 |
| 0870 66 905   | 222 | 223  | 5  | 1524 51 020A✓ | 156 | 157✓ | 1  |

1524 51 120A~1554 09 010 INDEX.

|               |     |       |    |               |     |       |    |
|---------------|-----|-------|----|---------------|-----|-------|----|
| 1524 51 120A✓ | 156 | 157 ✓ | 2  | 1524 70 401✓  | 234 | 237 ✓ | 43 |
| 1524 52 390✓  | 152 | 153 ✓ | 12 | 1524 70 471✓  | 247 | 248 ✓ | 13 |
| 1524 52 410✓  | 152 | 154 ✓ | 16 | 1524 70 980   | 53  | 55    | 39 |
| 1524 53 020B  | 156 | 157   | 4  |               | 57  | 60    | 49 |
| 1524 53 100B  | 156 | 157   | 11 | 1524 72 310   | 260 | 261   | 1  |
| 1524 53 220C  | 156 | 157   | 12 | 1524 72 661A✓ | 256 | 258 ✓ | 15 |
| 1524 53 320   | 159 | 160   | 1  | 1524 73 310   | 260 | 261   | 1  |
|               | 162 | 163   | 1  | 1524 73 661A✓ | 256 | 258 ✓ | 15 |
| 1524 53 970A  | 156 | 157   | 6  | 1524 75 010   | 176 | 177   | 3  |
| 1524 54 220B  | 156 | 157   | 13 | 1524 76 601   | 216 | 218   | 36 |
| 1524 54 320   | 159 | 160   | 2  | 1524 76 602   | 216 | 218   | 35 |
|               | 162 | 163   | 2  | 1524 76 603   | 216 | 217   | 9  |
| 1524 54 410✓  | 162 | 163 ✓ | 12 | 1524 76 604   | 216 | 217   | 8  |
| 1524 55 210A  | 169 | 173   | 45 | 1524 76 607   | 216 | 218   | 18 |
| 1524 55 230B  | 169 | 172   | 39 | 1524 76 608   | 216 | 218   | 25 |
| 1524 55 330   | 169 | 173   | 50 | 1524 88 010   | 184 | 185   | 14 |
| 1524 56 110D  | 165 | 166   | 6  | 1524 88 100   | 184 | 186   | 23 |
| 1524 56 610B  | 165 | 166   | 7  | 1524 88 200   | 184 | 186   | 15 |
| 1524 57 100A  | 184 | 185   | 1  | 1524 88 280   | 184 | 186   | 24 |
| 1524 57 110   | 184 | 185   | 7  | 1524 88 370   | 184 | 188   | 44 |
| 1524 57 120   | 184 | 186   | 16 | 1524 88 420   | 184 | 188   | 49 |
| 1524 57 150   | 184 | 185   | 4  | 1524 99 322✓  | 104 | 105 ✓ | 2  |
| 1524 57 160   | 184 | 185   | 10 | 1524 99 324✓  | 104 | 105 ✓ | 3  |
| 1524 57 170   | 184 | 186   | 19 | 1531 53 350B  | 162 | 163   | 7  |
| 1524 57 200   | 184 | 188   | 40 | 1531 54 350B  | 162 | 163   | 8  |
| 1524 57 250   | 184 | 188   | 45 | 1531 56 117   | 165 | 166   | 10 |
| 1524 58 310✓  | 195 | 196 ✓ | 1  | 1531 56 617   | 165 | 166   | 11 |
| 1524 59 310✓  | 195 | 196 ✓ | 1  | 1531 60 250A✓ | 169 | 174 ✓ | 70 |
| 1524 60 250A✓ | 169 | 174 ✓ | 70 | 1531 66 370   | 207 | 209 ✓ | 15 |
| 1524 60 335A✓ | 169 | 175 ✓ | 87 | 1531 66 371✓  | 207 | 209 ✓ | 16 |
| 1524 60 345A✓ | 169 | 175 ✓ | 88 | 1531 66 372✓  | 207 | 209 ✓ | 17 |
| 1524 61 130A✓ | 200 | 201 ✓ | 1  | 1531 66 373✓  | 207 | 209 ✓ | 18 |
| 1524 61 140B  | 200 | 201 ✓ | 2  | 1531 66 374✓  | 207 | 209 ✓ | 19 |
| 1524 61 151A✓ | 200 | 201 ✓ | 3  | 1531 66 375✓  | 207 | 209 ✓ | 20 |
| 1524 66 110A✓ | 204 | 206 ✓ | 18 | 1531 66 376✓  | 207 | 209 ✓ | 21 |
| 1524 66 111✓  | 204 | 206 ✓ | 19 | 1531 66 780   | 210 | 212   | 14 |
| 1524 66 140A✓ | 204 | 206 ✓ | 18 | 1531 66 790✓  | 210 | 212 ✓ | 15 |
| 1524 66 141✓  | 204 | 206 ✓ | 19 | 1531 66 800✓  | 210 | 212 ✓ | 16 |
| 1524 66 810✓  | 210 | 212 ✓ | 21 | 1531 70 441✓  | 247 | 248   | 1  |
| 1524 66 930A  | 222 | 224   | 6  | 1532 57 110   | 179 | 180   | 5  |
| 1524 67 020✓  | 210 | 212 ✓ | 24 | 1532 57 160   | 179 | 180   | 7  |
| 1524 67 050A✓ | 210 | 213 ✓ | 30 | 1534 58 310✓  | 195 | 196 ✓ | 1  |
| 1524 67 155   | 210 | 214   | 44 | 1534 59 310✓  | 195 | 196 ✓ | 1  |
| 1524 67 321✓  | 216 | 217 ✓ | 1  | 1534 70 471✓  | 247 | 248 ✓ | 13 |
| 1524 67 340B✓ | 216 | 217 ✓ | 3  | 1535 70 471✓  | 247 | 248 ✓ | 13 |
| 1524 67 350   | 216 | 217   | 13 | 1540 66 030✓  | 204 | 205 ✓ | 1  |
| 1524 67 470   | 220 | 221   | -  | 1540 69 101   | 234 | 236   | 29 |
| 1524 67 720A  | 210 | 215   | 67 | 1540 72 661✓  | 256 | 258 ✓ | 15 |
| 1524 68 011   | 226 | 229   | 42 | 1540 73 661✓  | 256 | 258 ✓ | 15 |
| 1524 68 380A✓ | 226 | 229 ✓ | 40 | 1550 66 860A  | 222 | 223   | -  |
| 1524 68 890✓  | 226 | 230 ✓ | 50 | 1550 66 870   | 222 | 223   | -  |
| 1524 69 360✓  | 239 | 240 ✓ | 11 | 1551 66 860A  | 222 | 223   | -  |
| 1524 69 380✓  | 239 | 240 ✓ | 12 | 1551 66 870   | 222 | 223   | -  |
| 1524 69 611✓  | 242 | 243 ✓ | 5  | 1552 66 860A  | 222 | 223   | -  |
| 1524 69 612✓  | 242 | 243 ✓ | 6  | 1552 66 870   | 222 | 223   | -  |
| 1524 69 613✓  | 242 | 243 ✓ | 7  | 1553 57 100   | 179 | 180   | 1  |
| 1524 69 870✓  | 239 | 241 ✓ | 29 | 1553 57 150   | 179 | 180   | 3  |
| 1524 70 050✓  | 162 | 164 ✓ | 34 | 1554 09 010   | 265 | 266   | -  |

INDEX. 1554 32 220 ~ 1562 88 370

|              |     |     |    |              |     |     |    |
|--------------|-----|-----|----|--------------|-----|-----|----|
| 1554 32 220  | 95  | 99  | 49 | 1562 55 405  | 169 | 171 | 20 |
| 1554 55 530B | 176 | 177 | 1  | 1562 55 412  | 169 | 171 | 27 |
| 1554 57 100  | 179 | 180 | 2  | 1562 55 430B | 176 | 177 | 1  |
| 1554 57 150  | 179 | 180 | 4  | 1562 55 460A | 176 | 178 | 15 |
| 1554 58 010  | 190 | 191 | 1  | 1562 55 710  | 169 | 171 | 29 |
| 1554 58 020  | 190 | 191 | 2  | 1562 56 010C | 165 | 166 | 1  |
| 1554 66 210  | 207 | 208 | 1  | 1562 57 100  | 179 | 180 | 2  |
| 1554 66 230  | 207 | 208 | 1  | 1562 57 110  | 179 | 180 | 6  |
| 1554 70 471  | 247 | 249 | 13 | 1562 57 120  | 179 | 180 | 13 |
| 1554 75 021  | 176 | 177 | 6  |              | 184 | 186 | 17 |
| 1554 75 990  | 265 | 266 | 4  | 1562 57 130  | 179 | 181 | 24 |
| 1560 57 100  | 184 | 185 | 2  | 1562 57 150  | 179 | 180 | 4  |
| 1560 57 110  | 184 | 185 | 8  | 1562 57 160  | 179 | 180 | 8  |
| 1560 57 150  | 184 | 185 | 5  | 1562 57 170  | 179 | 180 | 15 |
| 1560 57 160  | 184 | 185 | 11 |              | 184 | 186 | 20 |
| 1560 57 200  | 184 | 188 | 41 | 1562 57 200  | 179 | 182 | 35 |
| 1560 66 060  | 204 | 205 | 1  | 1562 57 250  | 179 | 182 | 39 |
| 1560 66 860B | 222 | 223 | —  |              | 184 | 188 | 46 |
| 1560 66 870  | 222 | 223 | —  | 1562 57 420  | 179 | 182 | 41 |
| 1560 88 370  | 184 | 188 | 44 | 1562 58 310  | 195 | 196 | 1  |
| 1561 55 720A | 169 | 172 | 32 | 1562 59 310  | 195 | 196 | 1  |
| 1561 66 860  | 222 | 223 | —  | 1562 60 050  | 169 | 173 | 53 |
| 1561 66 870  | 222 | 223 | —  | 1562 60 070  | 169 | 173 | 56 |
| 1561 66 900  | 222 | 223 | 1  | 1562 61 080  | 200 | 201 | —  |
| 1562 00 471  | 247 | 249 | 13 | 1562 61 190A | 200 | 201 | 4  |
| 1562 09 010  | 265 | 266 | —  | 1562 61 211B | 200 | 202 | 12 |
| 1562 10 700  | 5   | 8   | 32 | 1562 61 214A | 200 | 202 | 17 |
| 1562 13 200  | 19  | 20  | 1  | 1562 66 030  | 204 | 205 | 9  |
| 1562 15 212A | 200 | 202 | 14 | 1562 66 042  | 204 | 205 | 10 |
| 1562 18 400  | 53  | 54  | 1  | 1562 66 060  | 204 | 205 | 9  |
| 1562 32 049  | 95  | 97  | 24 | 1562 66 210A | 207 | 208 | 1  |
|              | 100 | 101 | 13 | 1562 66 211A | 207 | 208 | 2  |
| 1562 32 100  | 100 | 102 | 24 | 1562 66 230A | 207 | 208 | 1  |
| 1562 32 110  | 100 | 102 | —  | 1562 66 231A | 207 | 208 | 2  |
| 1562 32 320  | 104 | 105 | 11 | 1562 66 860B | 222 | 223 | —  |
| 1562 32 330A | 104 | 105 | 15 | 1562 66 870  | 222 | 223 | —  |
| 1562 32 800  | 95  | 96  | 12 | 1562 66 900  | 222 | 223 | 1  |
|              | 100 | 101 | 1  | 1562 67 100  | 53  | 56  | 43 |
| 1562 32 811  | 95  | 96  | 13 | 1562 68 040A | 226 | 227 | 3  |
|              | 100 | 101 | 2  | 1562 68 140A | 226 | 227 | 9  |
| 1562 32 980  | 95  | 97  | 16 | 1562 69 053  | 234 | 235 | 3  |
|              | 100 | 101 | 5  | 1562 69 055  | 234 | 235 | 5  |
| 1562 41 030A | 129 | 130 | 1  | 1562 69 660A | 242 | 244 | 15 |
| 1562 41 660  | 127 | 128 | 15 | 1562 70 050  | 159 | 161 | 32 |
| 1562 43 660  | 143 | 144 | 7  | 1562 75 021  | 176 | 177 | 6  |
| 1562 43 800  | 136 | 139 | 41 | 1562 75 122  | 176 | 178 | 16 |
| 1562 43 830  | 143 | 145 | 25 |              | 176 | 178 | 17 |
| 1562 43 836  | 143 | 145 | 26 | 1562 75 124  | 176 | 178 | 18 |
| 1562 43 990  | 136 | 137 | 1  | 1562 75 200  | 176 | 178 | 21 |
| 1562 45 280B | 143 | 144 | 12 | 1562 88 010  | 179 | 180 | 10 |
| 1562 45 320A | 143 | 144 | 14 |              | 184 | 185 | 14 |
| 1562 45 350B | 143 | 144 | 16 | 1562 88 100  | 179 | 181 | 17 |
| 1562 45 510  | 143 | 145 | 28 |              | 184 | 186 | 23 |
| 1562 49 760  | 136 | 139 | 46 | 1562 88 200  | 179 | 180 | 11 |
| 1562 50 311  | 149 | 150 | 12 |              | 184 | 186 | 15 |
| 1562 52 110  | 152 | 153 | 1  | 1562 88 280  | 179 | 181 | 18 |
| 1562 53 410  | 159 | 160 | 11 |              | 184 | 186 | 24 |
| 1562 54 410  | 159 | 160 | 12 | 1562 88 370  | 179 | 182 | 37 |



1562 88 420 ~ 2835 49 685 INDEX.

|                |     |       |    |              |     |     |    |
|----------------|-----|-------|----|--------------|-----|-----|----|
| 1562 88 420 ✓  | 184 | 188 ✓ | 49 | 2090 23 844  | 24  | 25  | 22 |
| 1566 58 310 ✓  | 195 | 196 ✓ | 1  | 2090 23 853  | 24  | 25  | 16 |
| 1566 59 310 ✓  | 195 | 196 ✓ | 1  | 2112 11 301  | 9   | 10  | 5  |
| 1568 09 010 ✓  | 265 | 266   | —  | 2113 11 301  | 9   | 10  | 5  |
| 1568 13 440 ✓  | 122 | 123   | 11 | 2113 23 674  | 17  | 18  | 3  |
| 1568 55 530B ✓ | 176 | 177 ✓ | 1  | 2113 23 675  | 17  | 18  | 4  |
| 1568 57 100    | 179 | 180   | 2  | 2113 23 679  | 17  | 18  | 11 |
| 1568 57 110    | 179 | 180   | 6  | 2113 54 295  | 53  | 55  | 38 |
| 1568 57 150    | 179 | 180   | 4  |              | 57  | 60  | 48 |
| 1568 57 160    | 179 | 180   | 8  | 2125 23 151  | 9   | 10  | 7  |
| 1568 66 030 ✓  | 204 | 205 ✓ | 9  | 2125 23 152  | 9   | 10  | 8  |
| 1568 66 060 ✓  | 204 | 205 ✓ | 9  | 2125 23 154  | 9   | 10  | 9  |
| 1568 66 210A ✓ | 207 | 208 ✓ | 1  | 2125 23 155  | 9   | 10  | 10 |
| 1568 66 211A ✓ | 207 | 208 ✓ | 2  | 2155 57 109  | 179 | 181 | 26 |
| 1568 66 230A ✓ | 207 | 208 ✓ | 1  |              | 184 | 187 | 32 |
| 1568 66 231A ✓ | 207 | 208 ✓ | 2  | 2158 40 355  | 116 | 117 | 12 |
| 1568 66 860A   | 222 | 223   | —  | 2158 87 104  | 216 | 218 | 27 |
| 1568 66 870    | 222 | 223   | —  | 2244 32 423  | 95  | 99  | 58 |
| 1568 70 441 ✓  | 247 | 248 ✓ | 1  |              | 100 | 101 | 18 |
| 1568 75 021    | 176 | 177   | 6  | 2276 66 044  | 204 | 205 | 11 |
| 1568 75 930    | 265 | 266   | 2  | 2280 42 460  | 118 | 120 | 22 |
| 2046 43 694    | 143 | 144   | 22 | 2280 42 462  | 118 | 120 | 23 |
| 2046 43 839    | 143 | 144   | 23 | 2280 75 641A | 265 | 267 | 12 |
| 2046 49 620C   | 136 | 137   | 2  | 2288 66 045  | 204 | 206 | 12 |
| 2046 49 622    | 136 | 137   | 7  | 2292 58 232  | 190 | 191 | 3  |
| 2046 49 625A   | 136 | 137   | 3  |              | 251 | 252 | 2  |
| 2046 49 626A   | 136 | 137   | 4  | 2329 10 204  | 1   | 2   | 12 |
| 2046 49 627B   | 136 | 137   | 5  | 2329 10 864  | 1   | 4   | 39 |
| 2046 49 629A   | 136 | 137   | 6  | 2329 11 301D | 9   | 10  | 5  |
| 2046 49 635A   | 136 | 137   | 9  | 2329 13 882  | 14  | 16  | 15 |
| 2046 49 638    | 136 | 137   | 20 | 2329 15 132A | 27  | 28  | 18 |
| 2046 49 666    | 136 | 137   | 19 | 2360 66 045  | 204 | 206 | 12 |
| 2046 49 667    | 136 | 137   | 19 | 2375 46 021  | 146 | 147 | 3  |
| 2046 49 668    | 136 | 137   | 19 | 2375 46 022  | 146 | 147 | 4  |
| 2046 49 669    | 136 | 137   | 19 | 2375 46 051  | 146 | 147 | 6  |
| 2046 49 676    | 136 | 138   | 26 | 2375 46 052  | 146 | 147 | 7  |
| 2046 49 696    | 136 | 138   | 27 | 2375 46 053  | 146 | 147 | 8  |
| 2046 49 746    | 136 | 139   | 43 | 2375 46 055  | 146 | 147 | 10 |
| 2046 49 747    | 136 | 139   | 44 | 2375 46 061  | 146 | 147 | 15 |
| 2046 49 782    | 136 | 139   | 49 | 2375 46 062  | 146 | 147 | 16 |
| 2046 49 783    | 136 | 139   | 50 | 2545 23 496  | 45  | 47  | 27 |
| 2046 49 784    | 136 | 139   | 50 | 2587 24 335  | 45  | 48  | 38 |
| 2070 19 020    | 61  | 62    | 1  | 2587 24 336  | 45  | 48  | 36 |
| 2070 19 870    | 65  | 67    | 32 | 2691 18 660  | 125 | 126 | 15 |
| 2070 60 430A   | 265 | 266   | 9  | 2801 66 022  | 204 | 205 | 3  |
| 2080 58 492    | 265 | 266   | 5  | 2820 87 012  | 204 | 206 | 16 |
| 2080 74 158    | 265 | 267   | 12 | 2835 49 623  | 136 | 137 | 11 |
| 2080 74 168    | 265 | 267   | 12 | 2835 49 628A | 136 | 137 | 12 |
| 2080 74 910    | 265 | 266   | 1  | 2835 49 630A | 136 | 137 | 8  |
| 2090 10 730B   | 5   | 8     | 34 | 2835 49 640  | 136 | 137 | 10 |
| 2090 10 862A   | 5   | 8     | 42 | 2835 49 641A | 136 | 137 | 18 |
| 2090 14 600    | 24  | 25    | 1  | 2835 49 642A | 136 | 137 | 13 |
| 2090 15 104    | 27  | 28    | 5  | 2835 49 645A | 136 | 137 | 14 |
| 2090 18 361    | 50  | 52    | 32 | 2835 49 646A | 136 | 137 | 15 |
| 2090 23 673    | 17  | 18    | 2  | 2835 49 647A | 136 | 137 | 16 |
| 2090 23 837    | 24  | 25    | 14 | 2835 49 648  | 136 | 137 | 17 |
| 2090 23 838    | 24  | 25    | 15 | 2835 49 652  | 136 | 138 | 24 |
| 2090 23 841    | 24  | 25    | 18 | 2835 49 682A | 136 | 138 | 28 |
|                |     |       |    | 2835 49 685  | 136 | 138 | 32 |

*[Handwritten mark]*

INDEX. 2835 49 686A ~99562 1400

|              |      |     |    |             |   |     |     |    |
|--------------|------|-----|----|-------------|---|-----|-----|----|
| 2835 49 686A | 136  | 138 | 29 | 99282 1301  | 0 | 122 | 124 | 22 |
| 2835 49 687  | 136  | 138 | 30 | 99282 1600  | ✓ | 122 | 123 | 12 |
| 2835 52 330  | 152  | 153 | 9  | 99282 1700  | ✓ | 61  | 64  | 40 |
| 2835 60 439  | 265  | 266 | 10 | 99282 2200  | ✓ | 200 | 202 | 22 |
| 2835 67 330  | 216  | 217 | 2  | 99282 2600  | ✓ | 200 | 202 | 21 |
| 2835 69 059  | 234  | 235 | 6  |             |   | 200 | 203 | 32 |
| 2840 46 010  | 146  | 147 | 2  | 99282 4900  | ✓ | 27  | 31  | 52 |
| 2850 87 012  | 204  | 205 | 7  | 99282 5500  | ✓ | 118 | 119 | 6  |
| 2869 10 860  | 1    | 4   | 38 | 99285 0800  | ✓ | 27  | 30  | 45 |
| 2869 18 400  | 57   | 58  | 1  | 99295 0800  | 0 | 27  | 30  | 44 |
| 2869 24 701  | 57   | 59  | 32 | 99295 1508  | ✓ | 21  | 23  | 40 |
| 2869 24 702  | 57   | 59  | 35 |             |   | 53  | 56  | 47 |
| 2869 24 720  | 57   | 59  | 36 |             |   | 57  | 60  | 57 |
| 2869 24 749  | 57   | 58  | 24 | 99295 1510  | ✓ | 32  | 33  | 14 |
| 2981 17 406  | 42   | 43  | 3  |             |   | 61  | 63  | 26 |
| 2981 17 410  | 42   | 43  | 5  | 99295 2008  | ✓ | 53  | 56  | 48 |
| 2981 17 420  | 42   | 43  | 6  |             |   | 57  | 60  | 58 |
| 2981 17 431  | 42   | 43  | 7  | 99301 1100  | ✓ | 179 | 183 | 49 |
| 2981 69 623  | 179  | 183 | 48 |             |   | 184 | 189 | 57 |
|              | 184  | 189 | 56 | 99302 1100  | ✓ | 179 | 183 | 49 |
| 4069 17 245  | 38   | 39  | 12 |             |   | 184 | 189 | 57 |
| 4077 16 410  | 32   | 33  | 7  | 99305 2800  | ✓ | 5   | 7   | 27 |
| 4077 16 460B | 32   | 33  | 8  | 99306 3000  | ✓ | 1   | 2   | 15 |
| 907614 6 40  | ✓195 | 199 | 40 |             |   | 5   | 6   | 18 |
| 907832 8 28  | ✓195 | 199 | 36 | 99307 0600  | ✓ | 1   | 3   | 24 |
| 908062 6 14  | ✓65  | 67  | 35 | 99307 1800  | ✓ | 14  | 15  | 3  |
|              | 65   | 67  | 43 | 99335 04015 | 0 | 220 | 221 | 9  |
| 908066 6 18  | ✓27  | 29  | 34 | 99335 04065 | ✓ | 220 | 221 | 10 |
| 908332 4 10  | ✓245 | 246 | 17 | 99335 0407  | 0 | 220 | 221 | 11 |
| 908631 5 12  | ✓247 | 250 | 43 | 99335 08003 | 0 | 245 | 246 | 9  |
| 99221 1212   | ✓21  | 23  | 38 | 99336 12038 | 0 | 118 | 119 | 16 |
| 99221 2012   | ✓127 | 128 | 6  | 99340 05063 | 0 | 61  | 63  | 29 |
| 99221 2015   | ✓104 | 105 | 6  | 99340 0618  | 0 | 122 | 123 | 14 |
|              | 104  | 106 | 20 | 99340 0632  | 0 | 122 | 123 | 18 |
| 99221 2020   | ✓95  | 99  | 55 | 99340 0634  | 0 | 122 | 123 | 10 |
|              | 100  | 103 | 46 | 99340 0665  | 0 | 122 | 123 | 15 |
|              | 104  | 105 | 6  | 99381 1000  | 0 | 61  | 64  | 41 |
|              | 129  | 131 | 29 | 99381 1400  | ✓ | 27  | 31  | 56 |
|              | 146  | 148 | 26 | 99384 1200  | ✓ | 1   | 3   | 28 |
| 99221 3015   | 0    | 179 | 29 |             |   | 27  | 31  | 64 |
|              | 184  | 187 | 35 | 99502 2000  | ✓ | 95  | 98  | 37 |
| 99221 3020   | ✓104 | 105 | 17 |             |   | 100 | 102 | 31 |
|              | 110  | 112 | 30 | 99502 4000  | ✓ | 35  | 36  | 19 |
| 99221 4030   | ✓107 | 108 | 2  | 99510 0800  | ✓ | 14  | 15  | 4  |
| 99222 0520   | ✓146 | 148 | 27 | 99510 1000  | ✓ | 5   | 7   | 28 |
| 99225 0320   | 0    | 146 | 13 |             |   | 42  | 43  | 16 |
| 99230 0511   | ✓125 | 126 | 8  | 99511 1000  | ✓ | 14  | 15  | 5  |
|              | 127  | 128 | 17 | 99511 1400  | ✓ | 5   | 8   | 33 |
| 99230 0815   | ✓140 | 141 | 8  | 99541 01101 | ✓ | 9   | 11  | 30 |
| 99231 0818   | ✓129 | 131 | 28 | 99541 01601 | ✓ | 21  | 23  | 24 |
| 99231 0820   | 0    | 129 | 28 |             |   | 65  | 67  | 34 |
| 99233 0816   | ✓    | 35  | 2  | 99541 02101 | ✓ | 35  | 37  | 29 |
| 99234 1208   | ✓    | 5   | 21 |             |   | 65  | 67  | 40 |
| 99236 0525   | ✓    | 9   | 45 | 99562 1000  | ✓ | 133 | 135 | 29 |
| 99262 1806B  | 0    | 226 | 33 |             |   | 143 | 144 | 3  |
| 99264 0531B  | 0    | 156 | 8  | 99562 1400  | ✓ | 5   | 8   | 33 |
| 99264 0702B  | 0    | 17  | 18 |             |   | 42  | 43  | 15 |
| 99275 2008   | 0    | 21  | 40 |             |   | 42  | 44  | 40 |

FINI *Handwritten mark*

99562 1600 ~ 99781 1085 INDEX.

|                  |     |     |    |                 |     |     |    |
|------------------|-----|-----|----|-----------------|-----|-----|----|
| 99562 1600 ✓     | 1   | 3   | 29 | X 99655 30015 ○ | 85  | 88  | 39 |
|                  | 5   | 6   | 15 | 99655 30020 ✓   | 85  | 88  | 39 |
| 99562 1800 ✓     | 27  | 31  | 57 | X 99655 30025 ○ | 85  | 88  | 39 |
| 99564 0800 ✓     | 14  | 15  | 4  | 99655 30030 ✓   | 85  | 88  | 39 |
|                  | 38  | 41  | 38 | 99655 30035 ○   | 85  | 88  | 39 |
|                  | 61  | 63  | 31 | 99655 30040 ✓   | 85  | 88  | 39 |
| 99564 1000 ✓     | 5   | 7   | 28 | X 99655 30045 ○ | 85  | 88  | 39 |
|                  | 14  | 15  | 5  | 99655 30050 ✓   | 85  | 88  | 39 |
|                  | 42  | 43  | 16 | 99655 30060 ✓   | 85  | 88  | 39 |
| 99564 1200 ✓     | 118 | 119 | 3  | 99681 1001 ✓    | 19  | 20  | 9  |
| 99564 1400 ✓     | 61  | 64  | 42 | 99684 0600 ✓    | 210 | 215 | 74 |
| 99564 1600 ✓     | 27  | 31  | 65 | 99686 0800 ✓    | 61  | 64  | 44 |
| 99564 2800 ✓     | 9   | 12  | 47 | 99686 1000 ✓    | 210 | 213 | 37 |
| 99573 2200 ✓     | 38  | 40  | 34 | 99686 1200 ✓    | 122 | 123 | 20 |
| 99573 2500 ✓     | 38  | 41  | 40 |                 | 210 | 213 | 38 |
|                  | 72  | 74  | 33 | 99686 1600 ○    | 210 | 213 | 39 |
| 99573 3000 ✓     | 38  | 39  | 3  | 99701 2050 ✓    | 204 | 206 | 20 |
| 99574 3500 ✓     | 27  | 28  | 12 |                 | 207 | 209 | 22 |
| 99575 0300 ✓     | 125 | 126 | 9  | 99701 2080 ✓    | 207 | 208 | 12 |
|                  | 127 | 128 | 18 | 99701 3210 ✓    | 204 | 206 | 21 |
| 99575 0500 ✓     | 140 | 141 | 9  |                 | 207 | 208 | 4  |
| 99575 0600 ✓     | 85  | 87  | 33 | 99701 3230 ✓    | 207 | 208 | 6  |
|                  | 125 | 126 | 4  | 99701 4215 ✓    | 207 | 208 | 5  |
|                  | 127 | 128 | 11 | 99701 5050 ✓    | 210 | 211 | 4  |
|                  | 129 | 130 | 14 | 99701 6030 ✓    | 176 | 177 | 9  |
|                  | 146 | 148 | 28 |                 | 176 | 178 | 22 |
| 99576 0400 ✓     | 245 | 246 | 12 |                 | 204 | 206 | 25 |
| 99576 0800 ✓     | 21  | 23  | 30 | 99701 8100 ✓    | 207 | 208 | 6  |
| 99579 3000 ✓     | 95  | 96  | 15 | 99706 0105 ✓    | 210 | 211 | 9  |
|                  | 95  | 99  | 54 | 99706 0110 ✓    | 210 | 211 | 9  |
|                  | 100 | 101 | 4  | 99706 0115 ✓    | 210 | 211 | 9  |
|                  | 234 | 235 | 14 | 99706 0120 ✓    | 210 | 211 | 9  |
| 99579 4000 ✓     | 234 | 235 | 15 | 99715 1101 ○    | 232 | 233 | 13 |
| 99586 10207 ✓    | 35  | 37  | 27 | 99737 0514 ○    | 149 | 151 | 24 |
|                  | 65  | 67  | 41 | 99743 0616 ✓    | 210 | 212 | 13 |
| 99606 3306 ✓     | 38  | 40  | 24 | 99743 0650 ○    | 169 | 170 | 14 |
| 99606 6306 ✓     | 38  | 39  | 2  | 99748 0410 ○    | 222 | 224 | 15 |
| 99606 6344 ✓     | 38  | 40  | 31 | 99750 11018 ○   | 107 | 108 | 17 |
| 99611 1500 ✓     | 38  | 41  | 41 | 99753 41022 ✓   | 89  | 90  | 14 |
|                  | 72  | 74  | 34 | 99753 78118 ✓   | 32  | 33  | 10 |
|                  | 85  | 87  | 28 | 99753 81022 ✓   | 89  | 90  | 14 |
|                  | 133 | 135 | 23 | 99761 0516 ○    | 234 | 236 | 34 |
| 99611 2000 ✓     | 61  | 63  | 22 | 99761 0640 ○    | 260 | 263 | 39 |
|                  | 65  | 66  | 8  | 99765 0516 ○    | 127 | 128 | 3  |
|                  | 77  | 79  | 38 | 99765 0616 ○    | 125 | 126 | 14 |
| 99611 2500 ✓     | 42  | 43  | 10 |                 | 127 | 128 | 9  |
|                  | 77  | 78  | 2  | 99767 0410 ○    | 247 | 250 | 46 |
| X 9962 04 1553 ○ | 85  | 88  | 38 | 99769 0408 ○    | 247 | 250 | 47 |
|                  | 107 | 109 | 23 | 99772 0516 ✓    | 234 | 236 | 30 |
| X 9962 07 1553 ○ | 85  | 88  | 38 | 99772 0525 ✓    | 234 | 236 | 30 |
|                  | 107 | 109 | 23 | 99773 0412 ○    | 207 | 209 | 23 |
| 9963 01 1553 ✓   | 85  | 88  | 38 | 99776 0620 ○    | 234 | 237 | 42 |
|                  | 107 | 109 | 23 | 99781 0612 ✓    | 220 | 221 | 16 |
| 9965 05 453 ✓    | 85  | 88  | 38 | X 99781 1012 ○  | 61  | 62  | 2  |
|                  | 107 | 109 | 23 | X 99781 1018 ○  | 61  | 62  | 4  |
| 9965 06 453 ✓    | 85  | 88  | 38 | 99781 1028 ✓    | 165 | 166 | 13 |
|                  | 107 | 109 | 23 | 99781 1080 ○    | 104 | 106 | 22 |
| 99655 30010 ✓    | 85  | 88  | 39 | 99781 1085 ○    | 95  | 98  | 46 |

FINI *Hand*

*Hand*

INDEX. 99781 1085 ~ 99806 0616

|            |   |     |     |    |            |   |     |     |    |
|------------|---|-----|-----|----|------------|---|-----|-----|----|
| 99781 1085 | 0 | 100 | 103 | 40 | 99801 0845 | ✓ | 35  | 36  | 9  |
| 99781 1225 | ✓ | 110 | 112 | 31 | 99801 0850 | ✓ | 45  | 46  | 8  |
| 99781 1235 | ✓ | 110 | 112 | 32 | 99801 0865 | ✓ | 1   | 3   | 36 |
| 99783 0625 | 0 | 216 | 219 | 39 | 99801 0875 | ✓ | 1   | 3   | 37 |
| 99783 0825 | 0 | 152 | 153 | 3  | 99801 1035 | ✓ | 53  | 55  | 30 |
| 99783 0828 | 0 | 260 | 263 | 34 | 99803 1011 | 0 | 53  | 55  | 31 |
| 99783 1028 | 0 | 92  | 94  | 11 | 99804 0516 | 0 | 118 | 119 | 8  |
| 99783 1035 | 0 | 110 | 111 | 16 |            |   | 118 | 120 | 24 |
| 99785 0612 | 0 | 136 | 138 | 40 | 99804 0614 | 0 | 165 | 167 | 30 |
| 99785 0614 | 0 | 122 | 124 | 23 | 99804 0616 | 0 | 27  | 30  | 46 |
|            |   | 143 | 145 | 30 |            |   | 226 | 230 | 55 |
| 99785 0616 | 0 | 146 | 147 | 20 |            |   | 226 | 230 | 58 |
| 99785 0618 | 0 | 140 | 141 | 15 | 99804 0820 | ✓ | 53  | 56  | 45 |
| 99785 0620 | 0 | 125 | 126 | 7  |            |   | 57  | 60  | 55 |
|            |   | 127 | 128 | 19 | 99804 0825 | ✓ | 118 | 120 | 29 |
|            |   | 140 | 142 | 21 | 99805 0616 | ✓ | 251 | 252 | 15 |
|            |   | 165 | 167 | 32 | 99805 0622 | 0 | 149 | 150 | 8  |
| 99785 0820 | 0 | 149 | 150 | 4  | 99805 0640 | 0 | 143 | 144 | 5  |
| 99785 0825 | 0 | 179 | 182 | 32 | 99805 0816 | 0 | 169 | 170 | 3  |
|            |   | 179 | 183 | 42 |            |   | 226 | 227 | 10 |
|            |   | 184 | 187 | 38 | 99805 0825 | ✓ | 129 | 131 | 34 |
|            |   | 184 | 188 | 50 | 99805 0830 | ✓ | 200 | 201 | 8  |
| 99785 1620 | 0 | 245 | 246 | 18 | 99805 0865 | 0 | 129 | 131 | 32 |
| 99790 0620 | 0 | 149 | 151 | 37 | 99806 0510 | ✓ | 195 | 197 | 9  |
| 99795 1032 | 0 | 129 | 130 | 18 |            |   | 216 | 218 | 24 |
| 99797 0512 | ✓ | 222 | 223 | 3  |            |   | 216 | 218 | 34 |
| 99797 0612 | 0 | 207 | 209 | 14 |            |   | 260 | 261 | 9  |
|            |   | 207 | 209 | 24 | 99806 0516 | ✓ | 195 | 198 | 22 |
| 99797 0614 | 0 | 169 | 172 | 40 |            |   | 251 | 253 | 20 |
| 99797 0616 | ✓ | 45  | 46  | 9  |            |   | 260 | 262 | 20 |
|            |   | 169 | 173 | 46 | 99806 0608 | 0 | 256 | 257 | 13 |
| 99797 0618 | 0 | 169 | 170 | 15 | 99806 0610 | ✓ | 5   | 7   | 24 |
| 99797 0630 | 0 | 176 | 177 | 14 |            |   | 27  | 29  | 28 |
| 99799 0832 | 0 | 95  | 99  | 61 |            |   | 27  | 31  | 61 |
|            |   | 100 | 101 | 21 |            |   | 35  | 37  | 35 |
| 99801 0812 | ✓ | 27  | 31  | 49 |            |   | 61  | 62  | 6  |
| 99801 0814 | ✓ | 85  | 86  | 15 | 99806 0612 | ✓ | 27  | 29  | 33 |
| 99801 0816 | ✓ | 95  | 98  | 35 |            |   | 122 | 123 | 6  |
|            |   | 100 | 102 | 29 |            |   | 122 | 123 | 9  |
|            |   | 152 | 153 | 4  |            |   | 149 | 150 | 10 |
|            |   | 156 | 158 | 20 |            |   | 190 | 192 | 11 |
|            |   | 179 | 181 | 23 |            |   | 195 | 198 | 18 |
|            |   | 184 | 187 | 29 |            |   | 210 | 212 | 22 |
| 99801 0818 | ✓ | 5   | 8   | 43 |            |   | 210 | 214 | 55 |
|            |   | 9   | 11  | 25 |            |   | 251 | 253 | 25 |
|            |   | 114 | 115 | 7  |            |   | 256 | 257 | 8  |
| 99801 0820 | ✓ | 50  | 52  | 34 |            |   | 260 | 262 | 16 |
|            |   | 92  | 93  | 3  | 99806 0614 | ✓ | 21  | 22  | 19 |
|            |   | 116 | 117 | 16 |            |   | 42  | 44  | 24 |
| 99801 0822 | ✓ | 50  | 52  | 35 |            |   | 61  | 63  | 33 |
| 99801 0825 | ✓ | 27  | 28  | 19 |            |   | 61  | 64  | 45 |
|            |   | 42  | 43  | 22 |            |   | 156 | 157 | 3  |
| 99801 0828 | ✓ | 57  | 59  | 40 |            |   | 156 | 158 | 25 |
|            |   | 116 | 117 | 20 |            |   | 169 | 172 | 43 |
| 99801 0832 | ✓ | 27  | 29  | 29 | 99806 0616 | ✓ | 5   | 8   | 40 |
|            |   | 116 | 117 | 17 |            |   | 152 | 153 | 11 |
| 99801 0835 | ✓ | 42  | 43  | 22 |            |   | 152 | 153 | 13 |
| 99801 0840 | ✓ | 1   | 3   | 35 |            |   | 152 | 155 | 38 |

99806 0616 ~ 99855 1085 INDEX.

|               |     |     |    |               |     |     |    |
|---------------|-----|-----|----|---------------|-----|-----|----|
| 99806 0616 ✓  | 156 | 157 | 10 | 99833 0612 ✓  | 45  | 49  | 63 |
|               | 226 | 229 | 46 |               | 176 | 177 | 13 |
| 99806 0618 ✓  | 21  | 22  | 2  |               | 210 | 214 | 53 |
|               | 24  | 26  | 28 | 99833 0616 ✓  | 169 | 172 | 37 |
|               | 27  | 30  | 48 | 99833 0616B ○ | 226 | 227 | 14 |
|               | 152 | 154 | 28 | 99833 0625 ○  | 210 | 211 | 10 |
| 99806 0620 ✓  | 53  | 55  | 41 | 99833 0630 ○  | 260 | 261 | 6  |
|               | 57  | 60  | 51 | 99833 0810 ✓  | 5   | 6   | 3  |
| 99806 0625 ✓  | 210 | 213 | 26 | 99833 0812 ✓  | 85  | 86  | 3  |
| 99806 0630 ✓  | 24  | 26  | 28 |               | 85  | 86  | 17 |
| 99806 0816 ✓  | 210 | 212 | 20 |               | 210 | 213 | 27 |
| 99806 0818 ✓  | 169 | 170 | 2  | 99834 0412B ○ | 226 | 229 | 36 |
| 99811 0812 ✓  | 89  | 91  | 23 | 99834 0510 ✓  | 226 | 228 | 22 |
| 99811 1010 ✓  | 5   | 6   | 16 | 99834 0512 ✓  | 226 | 228 | 23 |
| 99811 1018 ✓  | 107 | 108 | 14 | 99834 0512B ○ | 226 | 227 | 11 |
| 99811 1032 ✓  | 32  | 33  | 15 | 99834 0535 ○  | 169 | 173 | 49 |
|               | 61  | 63  | 24 | 99834 0616B ○ | 226 | 228 | 18 |
| 99811 1045 ✓  | 61  | 63  | 25 | 99835 0625C ○ | 204 | 206 | 22 |
| 99811 1050 ✓  | 32  | 33  | 16 | 99836 0414B ○ | 226 | 230 | 61 |
|               | 61  | 63  | 24 | 99836 0516 ✓  | 226 | 227 | 15 |
|               | 61  | 63  | 25 | 99837 0516C ✓ | 234 | 237 | 37 |
|               | 89  | 90  | 9  | 99837 0525B ○ | 169 | 171 | 25 |
| 99811 1055 ✓  | 32  | 33  | 17 | 99838 0412 ○  | 169 | 170 | 8  |
|               | 61  | 63  | 25 |               | 169 | 171 | 23 |
| 99811 1075 ✓  | 61  | 63  | 25 | 99838 0514 ○  | 210 | 211 | 5  |
| 99813 1011 ○  | 129 | 131 | 35 | 99838 0616 ✓  | 169 | 170 | 6  |
| 99813 10125 ✓ | 50  | 52  | 36 | 99838 0620 ○  | 234 | 237 | 40 |
| 99813 10155 ○ | 129 | 131 | 35 | 99839 0416 ○  | 226 | 231 | 64 |
| 99831 0408 ✓  | 190 | 192 | 10 | 99839 0520B ○ | 169 | 173 | 51 |
|               | 256 | 257 | 12 | 99851 0618A ○ | 45  | 49  | 57 |
| 99831 04088 ○ | 226 | 228 | 29 | 99851 0812A ✓ | 14  | 15  | 6  |
| 99831 0416B ✓ | 169 | 171 | 30 | 99851 0814 ✓  | 65  | 67  | 44 |
| 99831 0640 ○  | 152 | 154 | 20 | 99851 0814A ✓ | 1   | 2   | 2  |
| 99832 0408B ✓ | 169 | 175 | 89 |               | 5   | 6   | 2  |
|               | 260 | 261 | 11 | 99851 0818A ○ | 1   | 3   | 25 |
|               | 195 | 197 | 11 | 99851 0820 ✓  | 32  | 33  | 3  |
| 99832 0516B ✓ | 226 | 230 | 56 | 99851 0826A ✓ | 14  | 15  | 7  |
|               | 226 | 230 | 59 | 99851 0850A ✓ | 1   | 2   | 4  |
| 99832 0630 ○  | 195 | 196 | 6  |               | 5   | 6   | 4  |
| 99833 0408 ✓  | 24  | 25  | 11 | 99851 0860 ✓  | 35  | 36  | 8  |
|               | 85  | 86  | 14 | 99852 0612 ✓  | 85  | 87  | 20 |
|               | 95  | 96  | 5  | 99852 0655 ○  | 1   | 2   | 16 |
|               | 104 | 106 | 19 | 99852 0820 ✓  | 82  | 83  | 2  |
|               | 118 | 121 | 32 | 99852 0822A ✓ | 1   | 2   | 18 |
| 99833 0410 ✓  | 118 | 121 | 32 |               | 5   | 7   | 20 |
| 99833 0412 ✓  | 140 | 142 | 26 | 99852 0830A ✓ | 5   | 7   | 22 |
| 99833 0418 ○  | 5   | 8   | 35 | 99852 0848 ○  | 133 | 134 | 15 |
| 99833 0510 ✓  | 35  | 37  | 24 | 99852 0865A ○ | 1   | 3   | 22 |
| 99833 0512 ✓  | 136 | 138 | 39 | 99852 0878A ✓ | 1   | 2   | 17 |
|               | 200 | 201 | 9  | 99852 0880 ✓  | 82  | 83  | 3  |
|               | 222 | 224 | 23 | 99852 1016 ○  | 1   | 2   | 21 |
|               | 226 | 228 | 17 | 99855 1020A ○ | 1   | 3   | 33 |
| 99833 0512B ○ | 226 | 227 | 13 | 99855 1025 ✓  | 35  | 36  | 14 |
| 99833 0514B ○ | 226 | 229 | 38 | 99855 1035 ✓  | 35  | 36  | 16 |
| 99833 0516B ○ | 226 | 227 | 12 | 99855 1040 ✓  | 35  | 36  | 7  |
| 99833 0520 ✓  | 190 | 192 | 16 | 99855 1055 ✓  | 35  | 36  | 6  |
|               | 251 | 254 | 36 | 99855 1078 ✓  | 35  | 36  | 5  |
|               | 256 | 258 | 20 | 99855 1085 ✓  | 35  | 36  | 4  |

FINI

INDEX. 99855 1232 ~ 99906 0600

|               |     |     |    |              |     |     |    |
|---------------|-----|-----|----|--------------|-----|-----|----|
| 99855 1232 ✓  | 35  | 36  | 13 | 99868 0512 ✓ | 200 | 202 | 19 |
| 99859 1220A ✓ | 1   | 2   | 19 | 99869 0400 ○ | 169 | 170 | 10 |
| 99859 1225A ✓ | 1   | 2   | 20 | 99869 0412 ○ | 169 | 174 | 68 |
| 99860 0512 ○  | 222 | 224 | 24 | 99869 0508 ○ | 210 | 214 | 50 |
| 99860 0616 ○  | 204 | 205 | 8  | 99869 0512 ○ | 95  | 99  | 64 |
|               | 204 | 206 | 17 |              | 100 | 103 | 50 |
| 99861 0412 ○  | 179 | 183 | 47 | 99884 0414 ○ | 234 | 238 | 57 |
|               | 184 | 189 | 55 | 99885 0406 ✓ | 9   | 10  | 4  |
| 99861 0414B ○ | 169 | 170 | 9  | 99887 0412 ○ | 146 | 147 | 14 |
| 99862 0412B ✓ | 239 | 240 | 16 | 99896 0500 ✓ | 169 | 174 | 64 |
| 99862 0420E ○ | 239 | 241 | 28 | 99896 0600 ✓ | 156 | 158 | 22 |
| 99862 0425B ○ | 247 | 249 | 25 | 99901 0800 ✓ | 1   | 4   | 40 |
| 99862 0512B ○ | 239 | 240 | 13 |              | 14  | 15  | 9  |
| 99862 0516B ✓ | 149 | 151 | 25 |              | 14  | 15  | 11 |
| 99862 0525B ○ | 169 | 170 | 12 |              | 17  | 18  | 14 |
| 99863 0410 ✓  | 251 | 254 | 40 |              | 19  | 20  | 3  |
| 99863 0410B ✓ | 222 | 225 | 29 |              | 21  | 23  | 25 |
| 99863 0412 ✓  | 118 | 119 | 11 |              | 27  | 29  | 26 |
|               | 239 | 240 | 10 |              | 27  | 30  | 39 |
| 99863 0412B ✓ | 234 | 238 | 59 |              | 35  | 36  | 11 |
| 99863 0412E ○ | 239 | 241 | 27 |              | 45  | 49  | 59 |
| 99863 0414C ○ | 234 | 235 | 8  |              | 57  | 59  | 39 |
| 99863 0425B ○ | 234 | 238 | 60 |              | 57  | 59  | 41 |
| 99863 0510 ✓  | 169 | 171 | 21 |              | 82  | 83  | 19 |
| 99863 0512 ✓  | 176 | 178 | 25 |              | 82  | 84  | 20 |
|               | 210 | 214 | 46 |              | 92  | 93  | 3  |
|               | 226 | 228 | 19 |              | 92  | 93  | 4  |
|               | 247 | 250 | 38 |              | 110 | 111 | 9  |
| 99863 0516 ✓  | 165 | 167 | 34 |              | 116 | 117 | 10 |
|               | 169 | 174 | 63 |              | 116 | 117 | 18 |
|               | 200 | 202 | 27 |              | 129 | 130 | 10 |
|               | 200 | 203 | 30 |              | 129 | 131 | 33 |
| 99863 0520B ✓ | 226 | 229 | 47 |              | 129 | 132 | 40 |
| 99863 0612 ○  | 27  | 30  | 43 |              | 133 | 135 | 33 |
| 99864 0406 ✓  | 179 | 181 | 31 |              | 136 | 138 | 33 |
|               | 184 | 187 | 37 |              | 136 | 139 | 54 |
| 99864 0408 ✓  | 251 | 254 | 45 |              | 140 | 141 | 12 |
| 99864 0410 ✓  | 222 | 224 | 12 |              | 179 | 182 | 33 |
|               | 234 | 237 | 52 |              | 179 | 183 | 43 |
|               | 245 | 246 | 11 |              | 184 | 187 | 39 |
| 99864 0410B ✓ | 251 | 254 | 42 |              | 184 | 189 | 51 |
| 99864 0412 ✓  | 210 | 215 | 72 | 99902 0800 ✓ | 61  | 64  | 48 |
| 99864 0412B ○ | 234 | 237 | 45 |              | 146 | 148 | 29 |
| 99864 0414 ○  | 234 | 237 | 48 | 99905 0500 ○ | 53  | 55  | 32 |
| 99864 0416B ○ | 204 | 206 | 26 | 99906 0400 ✓ | 226 | 230 | 62 |
|               | 234 | 238 | 62 | 99906 0500 ✓ | 169 | 171 | 31 |
| 99864 0516B ✓ | 239 | 241 | 25 |              | 195 | 197 | 13 |
| 99864 0520B ○ | 239 | 241 | 26 |              | 207 | 208 | 8  |
| 99864 0616 ○  | 156 | 158 | 22 |              | 207 | 209 | 26 |
| 99866 0420 ○  | 95  | 97  | 26 |              | 222 | 224 | 8  |
|               | 100 | 101 | 15 |              | 234 | 235 | 16 |
| 99868 0308 ✓  | 95  | 96  | 11 |              | 251 | 252 | 10 |
| 99868 0410 ✓  | 95  | 96  | 6  |              | 260 | 262 | 14 |
|               | 200 | 201 | 7  | 99906 0600 ✓ | 21  | 22  | 18 |
| 99868 0414 ○  | 207 | 208 | 7  |              | 27  | 31  | 63 |
| 99868 0420 ○  | 95  | 96  | 7  |              | 45  | 49  | 60 |
| 99868 0508 ○  | 140 | 141 | 16 |              | 53  | 56  | 42 |
| 99868 0512 ✓  | 61  | 64  | 46 |              | 57  | 60  | 52 |

FINI *H. H. H. H.*

99906 0600 ~ 99952 0400 INDEX.

|              |     |     |    |                |     |     |    |
|--------------|-----|-----|----|----------------|-----|-----|----|
| 99906 0600 ✓ | 85  | 87  | 29 | 99922 1000 ✓   | 146 | 148 | 22 |
|              | 122 | 123 | 4  | 99922 1200 ✓   | 21  | 22  | 9  |
|              | 133 | 135 | 32 | 99922 1400 ✓   | 75  | 76  | 7  |
|              | 149 | 150 | 6  |                | 104 | 105 | 8  |
|              | 149 | 150 | 11 | 99924 1000 ✓   | 95  | 99  | 55 |
|              | 152 | 154 | 29 |                | 100 | 103 | 46 |
|              | 152 | 154 | 30 |                | 104 | 105 | 6  |
|              | 156 | 158 | 27 |                | 104 | 106 | 20 |
|              | 156 | 158 | 30 | 99924 1200 ✓   | 104 | 106 | 17 |
|              | 169 | 172 | 41 |                | 110 | 112 | 30 |
|              | 169 | 173 | 47 | 99940 0400 ○   | 152 | 154 | 24 |
|              | 210 | 212 | 19 |                | 176 | 178 | 26 |
|              | 210 | 213 | 26 | 99940 05010    | 169 | 174 | 65 |
|              | 210 | 215 | 63 |                | 226 | 227 | 16 |
|              | 210 | 215 | 68 | 99940 05020    | 222 | 224 | 25 |
|              | 210 | 215 | 69 | 99940 06000    | 210 | 214 | 51 |
|              | 226 | 229 | 48 | 99940 06020    | 169 | 172 | 34 |
|              | 234 | 236 | 27 |                | 169 | 173 | 44 |
| 99906 0800 ✓ | 169 | 172 | 35 | 99940 08020    | 169 | 170 | 4  |
|              | 200 | 202 | 10 | 99941 0801 ✓   | 17  | 18  | 12 |
| 99907 0500 ✓ | 45  | 46  | 10 | 99942 1000 ✓   | 95  | 98  | 47 |
|              | 57  | 59  | 42 |                | 100 | 103 | 41 |
| 99907 0600 ✓ | 24  | 25  | 25 |                | 104 | 106 | 22 |
|              | 125 | 126 | 12 | 99942 1400 ○   | 110 | 111 | 10 |
|              | 127 | 128 | 14 | 99944 1400 ✓   | 104 | 105 | 9  |
|              | 152 | 154 | 21 | 99945 0500B ✓  | 169 | 175 | 90 |
|              | 195 | 197 | 7  | 99947 1200V    | 100 | 101 | 16 |
|              | 260 | 261 | 7  | 99947 1400 ✓   | 110 | 111 | 19 |
| 99907 0800 ○ | 27  | 29  | 23 | 99948 1200 ○   | 95  | 97  | 27 |
|              | 53  | 56  | 46 | 99949 0800 ✓   | 116 | 117 | 5  |
|              | 57  | 60  | 56 | 99950 0618 ○   | 256 | 257 | 13 |
| 99910 0601 ○ | 204 | 205 | 8  | 99951 0618 ✓   | 149 | 150 | 6  |
|              | 204 | 206 | 17 |                | 149 | 150 | 8  |
| 99921 1000 ○ | 32  | 34  | 18 | 99952 0618 ??? | 152 | 154 | 29 |
|              | 35  | 36  | 10 | Cal. page 257. | 152 | 155 | 38 |
|              | 35  | 37  | 32 |                | 169 | 173 | 46 |
|              | 50  | 52  | 37 |                | 169 | 173 | 47 |
|              | 61  | 63  | 25 |                | 190 | 192 | 11 |
|              | 92  | 93  | 9  |                | 195 | 197 | 13 |
|              | 92  | 94  | 28 |                | 195 | 198 | 18 |
|              | 110 | 111 | 21 |                | 251 | 253 | 16 |
|              | 110 | 112 | 34 |                | 251 | 253 | 25 |
|              | 114 | 115 | 2  |                | 260 | 262 | 14 |
|              | 114 | 115 | 5  | 99951 0818 ✓   | 50  | 52  | 35 |
|              | 114 | 115 | 9  |                | 116 | 117 | 19 |
|              | 129 | 131 | 36 |                | 149 | 150 | 4  |
|              | 149 | 150 | 18 | 99951 0822 ✓   | 17  | 18  | 14 |
| 99921 1200 ✓ | 27  | 31  | 67 |                | 27  | 30  | 39 |
|              | 32  | 34  | 19 |                | 116 | 117 | 5  |
|              | 92  | 94  | 25 |                | 260 | 263 | 35 |
| 99921 1800 ✓ | 95  | 99  | 56 | 99951 1022 ✓   | 95  | 98  | 47 |
|              | 100 | 103 | 47 |                | 100 | 103 | 41 |
| 99922 0800 ✓ | 129 | 131 | 22 |                | 165 | 166 | 13 |
|              | 133 | 134 | 19 | 99951 1030 ✓   | 110 | 111 | 21 |
| 99922 1000 ✓ | 92  | 94  | 28 |                | 114 | 115 | 5  |
|              | 95  | 98  | 36 |                | 114 | 115 | 9  |
|              | 100 | 102 | 30 |                | 149 | 150 | 18 |
|              | 129 | 130 | -  | 99952 0400 ✓   | 169 | 171 | 23 |

INDEX. 99952 0400 ~ 99952 0800

|               |     |     |    |               |     |     |    |
|---------------|-----|-----|----|---------------|-----|-----|----|
| 99952 0400 ✓  | 239 | 240 | 10 | 99952 0600 ✓  | 165 | 167 | 30 |
| 99952 0400B ✓ | 226 | 230 | 61 |               | 169 | 170 | 14 |
| 99952 0400E ○ | 239 | 241 | 27 |               | 169 | 171 | 21 |
| 99952 0412 ✓  | 118 | 119 | 11 |               | 169 | 172 | 40 |
|               | 251 | 254 | 40 |               | 169 | 172 | 41 |
| 99952 0412B ✓ | 226 | 229 | 36 |               | 195 | 197 | 7  |
|               | 234 | 237 | 45 |               | 207 | 209 | 14 |
|               | 247 | 249 | 26 |               | 207 | 209 | 24 |
| 99952 0500 ✓  | 45  | 46  | 10 |               | 210 | 212 | 13 |
|               | 53  | 55  | 32 |               | 210 | 212 | 22 |
|               | 57  | 59  | 42 |               | 210 | 213 | 26 |
|               | 118 | 120 | 24 |               | 210 | 214 | 53 |
|               | 165 | 167 | 34 |               | 210 | 214 | 55 |
|               | 176 | 178 | 25 |               | 210 | 215 | 68 |
|               | 190 | 192 | 16 |               | 210 | 215 | 69 |
|               | 200 | 202 | 27 |               | 234 | 237 | 40 |
|               | 200 | 203 | 30 |               | 245 | 246 | 18 |
|               | 207 | 209 | 26 |               | 251 | 252 | 15 |
|               | 210 | 214 | 46 |               | 260 | 262 | 7  |
|               | 210 | 215 | 62 |               | 260 | 262 | 16 |
|               | 222 | 223 | 3  | 99952 0600B ✓ | 226 | 227 | 14 |
|               | 222 | 224 | 8  | 99952 0616 ○  | 122 | 123 | 6  |
|               | 222 | 224 | 23 |               | 122 | 123 | 9  |
|               | 226 | 228 | 17 | 99952 0618 ✓  | 53  | 55  | 41 |
|               | 226 | 228 | 19 |               | 53  | 56  | 42 |
|               | 226 | 228 | 22 |               | 57  | 60  | 51 |
|               | 226 | 228 | 23 |               | 57  | 60  | 52 |
|               | 234 | 235 | 16 |               | 125 | 126 | 7  |
|               | 251 | 254 | 36 |               | 127 | 128 | 19 |
|               | 256 | 258 | 20 |               | 146 | 147 | 20 |
|               | 260 | 261 | 9  |               | 149 | 151 | 37 |
| 99952 0500B ✓ | 169 | 173 | 51 |               | 152 | 153 | 11 |
|               | 169 | 175 | 90 |               | 152 | 154 | 28 |
|               | 226 | 227 | 11 |               | 156 | 158 | 22 |
|               | 226 | 227 | 12 |               | 156 | 158 | 30 |
|               | 226 | 229 | 38 |               | 165 | 167 | 32 |
|               | 226 | 229 | 47 |               | 169 | 170 | 6  |
| 99952 0516 ✓  | 169 | 171 | 31 |               | 169 | 171 | 15 |
|               | 169 | 174 | 65 |               | 169 | 172 | 37 |
|               | 200 | 202 | 19 |               | 169 | 172 | 43 |
|               | 207 | 208 | 8  |               | 176 | 177 | 13 |
|               | 226 | 227 | 13 |               | 176 | 177 | 14 |
| 99952 0518 ○  | 169 | 174 | 63 |               | 210 | 215 | 63 |
|               | 195 | 197 | 9  |               | 210 | 215 | 68 |
| 99952 0600 ✓  | 21  | 22  | 2  |               | 216 | 219 | 39 |
|               | 27  | 30  | 43 |               | 226 | 229 | 46 |
|               | 27  | 30  | 46 |               | 226 | 229 | 48 |
|               | 27  | 31  | 48 |               | 256 | 257 | 8  |
|               | 27  | 31  | 63 | 99952 0618B ✓ | 226 | 228 | 18 |
|               | 45  | 46  | 9  | 99952 0800 ✓  | 1   | 3   | 35 |
|               | 45  | 49  | 60 |               | 1   | 3   | 36 |
|               | 45  | 49  | 63 |               | 1   | 3   | 37 |
|               | 125 | 126 | 14 |               | 27  | 28  | 19 |
|               | 152 | 154 | 30 |               | 27  | 31  | 49 |
|               | 156 | 157 | 3  |               | 45  | 46  | 8  |
|               | 156 | 157 | 10 |               | 95  | 99  | 61 |
|               | 156 | 158 | 25 |               | 100 | 101 | 21 |
|               | 156 | 158 | 27 |               | 110 | 111 | 9  |

INI

*H. Harold*

*Leath*



99952 0800 ~ 99971 0500 INDEX.

|               |     |     |    |               |     |     |    |
|---------------|-----|-----|----|---------------|-----|-----|----|
| 99952 0800 ✓  | 118 | 120 | 29 | 99958 1018 ○  | 89  | 90  | 15 |
|               | 152 | 153 | 13 | 99963 3310 ✓  | 42  | 44  | 28 |
|               | 156 | 158 | 20 | 99963 3330 ✓  | 42  | 44  | 28 |
|               | 169 | 170 | 3  | 99963 6310 ✓  | 38  | 41  | 43 |
|               | 169 | 172 | 35 | 99963 6330 ✓  | 38  | 41  | 43 |
|               | 184 | 189 | 51 | 99967 0400A ○ | 239 | 241 | 28 |
|               | 200 | 202 | 10 | 99967 0500 ✓  | 169 | 171 | 25 |
|               | 210 | 213 | 27 | 99967 0500B ✓ | 169 | 170 | 12 |
| 99952 0816 ✓  | 129 | 130 | 16 |               | 226 | 227 | 15 |
|               | 129 | 131 | 34 |               | 226 | 230 | 56 |
|               | 146 | 148 | 30 |               | 239 | 240 | 13 |
|               | 152 | 153 | 3  | 99967 0600B ○ | 226 | 230 | 59 |
|               | 152 | 153 | 4  | 99971 0300 ✓  | 95  | 96  | 11 |
|               | 179 | 181 | 23 | 99971 0400 ✓  | 5   | 8   | 35 |
|               | 184 | 187 | 29 |               | 24  | 25  | 11 |
|               | 204 | 205 | 8  |               | 85  | 86  | 14 |
|               | 204 | 206 | 17 |               | 95  | 96  | 5  |
| 99952 0818 ○  | 200 | 201 | 8  |               | 95  | 96  | 6  |
|               | 226 | 227 | 10 |               | 95  | 96  | 7  |
| 99952 0822 ✓  | 129 | 131 | 32 |               | 104 | 106 | 19 |
|               | 129 | 131 | 33 |               | 140 | 142 | 26 |
|               | 152 | 154 | 32 |               | 169 | 170 | 8  |
|               | 169 | 170 | 2  |               | 169 | 171 | 23 |
|               | 179 | 182 | 32 |               | 226 | 229 | 36 |
|               | 179 | 182 | 33 |               | 226 | 230 | 61 |
|               | 179 | 183 | 43 |               | 239 | 240 | 10 |
|               | 184 | 187 | 38 |               | 239 | 241 | 27 |
|               | 184 | 187 | 39 |               | 251 | 254 | 40 |
|               | 200 | 201 | 8  | 99971 0500 ✓  | 35  | 37  | 24 |
| 99952 1000 ✓  | 32  | 34  | 18 |               | 45  | 46  | 10 |
|               | 50  | 52  | 37 |               | 53  | 55  | 32 |
|               | 53  | 55  | 31 |               | 57  | 59  | 42 |
|               | 92  | 94  | 11 |               | 61  | 64  | 46 |
|               | 129 | 131 | 36 |               | 118 | 119 | 8  |
| 99952 1400 ○  | 110 | 111 | 10 |               | 118 | 120 | 24 |
| 99953 0400 ✓  | 21  | 23  | 39 |               | 136 | 138 | 39 |
| 99953 0400B ○ | 222 | 225 | 29 |               | 140 | 141 | 16 |
| 99953 0500 ✓  | 222 | 224 | 24 |               | 169 | 172 | 31 |
| 99953 0600 ✓  | 24  | 26  | 28 |               | 169 | 173 | 51 |
| 99953 0800 ✓  | 14  | 15  | 9  |               | 169 | 174 | 63 |
|               | 14  | 15  | 11 |               | 169 | 175 | 90 |
|               | 21  | 23  | 25 |               | 195 | 197 | 9  |
|               | 27  | 29  | 23 |               | 195 | 197 | 13 |
|               | 27  | 29  | 26 |               | 195 | 198 | 22 |
|               | 27  | 29  | 29 |               | 200 | 201 | 9  |
|               | 35  | 36  | 11 |               | 200 | 202 | 19 |
|               | 45  | 49  | 59 |               | 200 | 202 | 27 |
|               | 57  | 59  | 39 |               | 207 | 209 | 26 |
|               | 57  | 59  | 40 |               | 210 | 214 | 50 |
|               | 127 | 128 | 5  |               | 210 | 215 | 62 |
|               | 146 | 148 | 31 |               | 216 | 217 | 16 |
| 99953 1000 ✓  | 32  | 33  | 4  |               | 216 | 218 | 34 |
|               | 32  | 33  | 16 |               | 222 | 223 | 3  |
|               | 32  | 34  | 18 |               | 222 | 224 | 8  |
|               | 35  | 36  | 10 |               | 222 | 224 | 24 |
|               | 35  | 37  | 32 |               | 226 | 227 | 11 |
|               | 53  | 55  | 30 |               | 226 | 227 | 12 |
| 99953 1200 ✓  | 32  | 34  | 19 |               | 226 | 228 | 17 |

FINI *A. Howard*

*Howard*

INDEX. 99971 0500 ~ 99971 0800

|              |     |     |    |              |     |     |    |
|--------------|-----|-----|----|--------------|-----|-----|----|
| 99971 0500 ✓ | 226 | 228 | 19 | 99971 0600 ✓ | 152 | 155 | 38 |
|              | 226 | 228 | 22 |              | 156 | 157 | 3  |
|              | 226 | 228 | 23 |              | 156 | 157 | 10 |
|              | 226 | 229 | 38 |              | 156 | 158 | 25 |
|              | 226 | 229 | 47 |              | 156 | 158 | 27 |
|              | 234 | 235 | 16 |              | 156 | 158 | 30 |
|              | 251 | 253 | 20 |              | 165 | 167 | 30 |
|              | 260 | 261 | 9  |              | 169 | 170 | 6  |
|              | 260 | 262 | 14 |              | 169 | 170 | 14 |
|              | 260 | 262 | 20 |              | 169 | 171 | 15 |
| 99971 0600 ✓ | 5   | 7   | 24 |              | 169 | 172 | 37 |
|              | 5   | 8   | 40 |              | 169 | 172 | 40 |
|              | 21  | 22  | 2  |              | 169 | 172 | 41 |
|              | 21  | 22  | 18 |              | 169 | 172 | 43 |
|              | 21  | 22  | 19 |              | 169 | 173 | 46 |
|              | 24  | 26  | 25 |              | 169 | 173 | 47 |
|              | 24  | 26  | 28 |              | 176 | 177 | 13 |
|              | 27  | 29  | 28 |              | 176 | 177 | 14 |
|              | 27  | 29  | 33 |              | 190 | 192 | 11 |
|              | 27  | 30  | 46 |              | 195 | 197 | 7  |
|              | 27  | 31  | 48 |              | 195 | 198 | 18 |
|              | 27  | 31  | 61 |              | 207 | 209 | 14 |
|              | 27  | 31  | 63 |              | 207 | 209 | 24 |
|              | 35  | 37  | 35 |              | 210 | 211 | 10 |
|              | 42  | 43  | 4  |              | 210 | 212 | 13 |
|              | 42  | 44  | 24 |              | 210 | 212 | 19 |
|              | 45  | 46  | 9  |              | 210 | 212 | 22 |
|              | 45  | 49  | 60 |              | 210 | 213 | 26 |
|              | 45  | 49  | 63 |              | 210 | 214 | 53 |
|              | 53  | 56  | 41 |              | 210 | 214 | 55 |
|              | 53  | 56  | 42 |              | 210 | 215 | 68 |
|              | 57  | 60  | 51 |              | 210 | 215 | 69 |
|              | 57  | 60  | 52 |              | 216 | 219 | 39 |
|              | 61  | 62  | 6  |              | 220 | 221 | 16 |
|              | 61  | 63  | 33 |              | 226 | 227 | 14 |
|              | 61  | 64  | 45 |              | 226 | 228 | 18 |
|              | 85  | 87  | 29 |              | 226 | 229 | 46 |
|              | 122 | 123 | 4  |              | 226 | 230 | 48 |
|              | 122 | 123 | 6  |              | 226 | 230 | 55 |
|              | 122 | 123 | 9  |              | 226 | 230 | 58 |
|              | 122 | 124 | 23 |              | 234 | 236 | 27 |
|              | 125 | 126 | 7  |              | 234 | 237 | 40 |
|              | 125 | 126 | 14 |              | 245 | 246 | 18 |
|              | 127 | 128 | 9  |              | 251 | 252 | 15 |
|              | 127 | 128 | 19 |              | 251 | 253 | 16 |
|              | 133 | 135 | 32 |              | 251 | 253 | 25 |
|              | 136 | 139 | 40 |              | 256 | 257 | 8  |
|              | 140 | 141 | 15 |              | 256 | 257 | 13 |
|              | 140 | 141 | 21 |              | 260 | 261 | 7  |
|              | 143 | 144 | 5  |              | 260 | 262 | 16 |
|              | 143 | 145 | 30 | 99971 0800 ✓ | 1   | 3   | 35 |
|              | 146 | 147 | 20 |              | 1   | 3   | 36 |
|              | 149 | 150 | 6  |              | 1   | 3   | 37 |
|              | 149 | 150 | 11 |              | 1   | 4   | 40 |
|              | 149 | 151 | 37 |              | 5   | 8   | 43 |
|              | 152 | 153 | 11 |              | 9   | 11  | 25 |
|              | 152 | 154 | 28 |              | 14  | 15  | 9  |
|              | 152 | 154 | 30 |              | 14  | 15  | 11 |

FINI

*[Handwritten signature]*

*[Handwritten signature]*

99971 0800 ~ 99972 0800 INDEX.

|              |     |     |    |              |     |     |    |
|--------------|-----|-----|----|--------------|-----|-----|----|
| 99971 0800 ✓ | 17  | 18  | 14 | 99971 0800 ✓ | 169 | 172 | 35 |
|              | 19  | 20  | 3  |              | 179 | 181 | 23 |
|              | 21  | 23  | 25 |              | 179 | 182 | 32 |
|              | 27  | 28  | 19 |              | 179 | 182 | 33 |
|              | 27  | 29  | 23 |              | 179 | 183 | 42 |
|              | 27  | 29  | 26 |              | 179 | 183 | 43 |
|              | 27  | 29  | 29 |              | 184 | 187 | 29 |
|              | 27  | 30  | 39 |              | 184 | 187 | 38 |
|              | 27  | 31  | 49 |              | 184 | 187 | 39 |
|              | 32  | 33  | 9  |              | 184 | 189 | 50 |
|              | 32  | 33  | 10 |              | 184 | 189 | 51 |
|              | 35  | 36  | 11 |              | 200 | 201 | 8  |
|              | 42  | 43  | 22 |              | 200 | 202 | 10 |
|              | 42  | 44  | 31 |              | 210 | 212 | 20 |
|              | 45  | 46  | 8  |              | 210 | 213 | 27 |
|              | 45  | 49  | 59 |              | 226 | 227 | 10 |
|              | 50  | 52  | 34 |              | 260 | 263 | 34 |
|              | 50  | 52  | 35 | 99971 1000 ✓ | 5   | 6   | 16 |
|              | 53  | 56  | 45 |              | 32  | 33  | 4  |
|              | 53  | 56  | 46 |              | 32  | 33  | 15 |
|              | 57  | 59  | 39 |              | 32  | 33  | 16 |
|              | 57  | 59  | 40 |              | 32  | 34  | 18 |
|              | 57  | 59  | 41 |              | 35  | 36  | 10 |
|              | 57  | 60  | 55 |              | 35  | 37  | 32 |
|              | 57  | 60  | 56 |              | 50  | 52  | 37 |
|              | 61  | 64  | 48 |              | 53  | 55  | 30 |
|              | 80  | 81  | 7  |              | 53  | 55  | 31 |
|              | 82  | 84  | 19 |              | 61  | 62  | 2  |
|              | 82  | 84  | 20 |              | 61  | 62  | 4  |
|              | 85  | 86  | 15 |              | 61  | 63  | 24 |
|              | 85  | 86  | 17 |              | 61  | 63  | 25 |
|              | 89  | 91  | 23 |              | 89  | 90  | 10 |
|              | 92  | 93  | 3  |              | 92  | 93  | 9  |
|              | 92  | 93  | 4  |              | 92  | 94  | 11 |
|              | 95  | 98  | 35 |              | 107 | 108 | 8  |
|              | 95  | 99  | 61 |              | 107 | 108 | 14 |
|              | 100 | 102 | 21 |              | 107 | 108 | 17 |
|              | 100 | 102 | 29 |              | 110 | 111 | 16 |
|              | 110 | 111 | 9  |              | 110 | 112 | 21 |
|              | 114 | 115 | 7  |              | 110 | 112 | 34 |
|              | 116 | 117 | 10 |              | 114 | 115 | 2  |
|              | 116 | 117 | 16 |              | 114 | 115 | 5  |
|              | 116 | 117 | 18 |              | 114 | 115 | 9  |
|              | 118 | 120 | 29 |              | 116 | 117 | 12 |
|              | 129 | 131 | 33 |              | 129 | 131 | 36 |
|              | 129 | 131 | 34 |              | 146 | 148 | 22 |
|              | 129 | 132 | 40 |              | 149 | 150 | 18 |
|              | 133 | 135 | 33 |              | 165 | 166 | 13 |
|              | 136 | 138 | 33 | 99971 1200 ✓ | 27  | 31  | 67 |
|              | 136 | 139 | 54 |              | 32  | 34  | 19 |
|              | 140 | 141 | 12 |              | 92  | 94  | 25 |
|              | 146 | 148 | 32 |              | 110 | 112 | 31 |
|              | 149 | 150 | 4  |              | 110 | 112 | 32 |
|              | 152 | 153 | 3  | 99971 1400 ✓ | 75  | 76  | 7  |
|              | 152 | 153 | 4  | 99971 1800 ✓ | 95  | 99  | 56 |
|              | 152 | 153 | 13 |              | 100 | 103 | 47 |
|              | 169 | 170 | 2  | 99972 0800 ✓ | 129 | 131 | 26 |
|              | 169 | 170 | 3  |              | 146 | 148 | 33 |

FINI *H. Jones*

*Great*

INDEX. 99972 1400 ~ 99979 1200

|            |   |     |     |    |
|------------|---|-----|-----|----|
| 99972 1400 | 0 | 146 | 148 | 22 |
| 99974 0400 | ✓ | 239 | 241 | 16 |
| 99974 0600 | 0 | 195 | 196 | 6  |
|            |   | 260 | 261 | 6  |
|            |   | 260 | 263 | 39 |
| 99975 0400 | 0 | 226 | 230 | 62 |
| 99975 0500 | ✓ | 234 | 236 | 34 |
|            |   | 234 | 237 | 37 |
| 99975 0600 | ✓ | 195 | 196 | 6  |
| 99979 1200 | ✓ | 21  | 22  | 9  |

10

FINI *H. Kawa*

*Handwritten mark*