

CLYMER

MAZDA RX-2 & RX-3

1971-1977

SHOP MANUAL



MAZDA RX-2 & RX-3 1971-1977 SHOP MANUAL

By
ALAN AHLSTRAND

ERIC JORGENSEN
Editor

JEFF ROBINSON
Publisher

CLYMER PUBLICATIONS

*World's largest publisher of books
devoted exclusively to automobiles and motorcycles*

12860 MUSCATINE STREET • P.O. BOX 20 • ARLETA, CALIFORNIA 91331

Copyright © 1975, 1978 Clymer Publications

*All rights reserved. No part of this publication
may be reproduced, stored in a retrieval system, or
transmitted, in any form or by any means,
electronic, mechanical, photocopying,
recording or otherwise, without the prior written
permission of Clymer Publications.*

FIRST EDITION

First Printing March, 1975

Second Printing December, 1976

Third Printing July, 1977

SECOND EDITION

*Revised by Alan Ahlstrand
to cover 1975-1977 models*

First Printing May, 1978

Second Printing November, 1979

Printed in U.S.A.

ISBN: 0-89287-236-5

Chapter One General Information	1
Chapter Two Lubrication, Maintenance, and Tune-up	2
Chapter Three Troubleshooting	3
Chapter Four Engine	4
Chapter Five Fuel and Exhaust Systems	5
Chapter Six Cooling System	6
Chapter Seven Electrical System	7
Chapter Eight Clutch	8
Chapter Nine Transmission	9
Chapter Ten Brakes	10
Chapter Eleven Rear Suspension, Differential, and Drive Shaft	11
Chapter Twelve Front Suspension, Wheel Bearings, and Steering	12
Supplement 1975-1977 Service Information	13
Index	14

CONTENTS

QUICK REFERENCE DATA	IX
--------------------------------	----

CHAPTER ONE

INTRODUCTION	1
------------------------	---

Service hints	General specifications
Manual organization	

CHAPTER TWO

LUBRICATION, MAINTENANCE, AND TUNE-UP	4
---	---

Routine checks	Tire pressures
Maintenance schedule	Tune-up specifications
Recommended lubricants	

CHAPTER THREE

TROUBLESHOOTING	21
---------------------------	----

Troubleshooting instruments	Automatic transmission
Starter	Brakes
Charging system	Steering and suspension
Engine	Tire wear analysis
Clutch	Wheel balancing
Manual transmission	

CHAPTER FOUR

ENGINE	30
------------------	----

Engine removal	Rotor and housing disassembly
Engine installation	Rotor and housing inspection and repair
Oil pan and strainer	Engine assembly
Front cover and oil seal	Eccentric shaft end-play
Oil pumps	Engine specifications
Flywheel	
Torque converter drive plate	

CHAPTER FIVE

FUEL AND EXHAUST SYSTEMS	65
------------------------------------	----

Air cleaner	Air injection system
Carburetor	Deceleration control system
Fuel pump	Additional air control system
Intake manifold	Evaporative emission control system
Thermal reactor	Fuel tank
Exhaust pipes and mufflers	Throttle linkage

CHAPTER SIX

COOLING SYSTEM 104

- | | |
|-------------------------|----------------|
| Cooling system flushing | Radiator |
| Thermostat | Expansion tank |
| Fan and hub | Water pump |

CHAPTER SEVEN

ELECTRICAL SYSTEM 109

- | | |
|-----------------|------------------------------|
| Battery | Windshield washer and wipers |
| Alternator | Horns |
| Regulator | Ignition system |
| Starter | Distributors |
| Lighting system | Ignition control system |
| Instruments | Wiring diagrams |
| Fuses | |

CHAPTER EIGHT

CLUTCH 144

- | | |
|-------------------------|-----------------------|
| Adjustments | Clutch inspection |
| Clutch master cylinder | Clutch installation |
| Clutch release cylinder | Release mechanism |
| Bleeding the clutch | Clutch specifications |
| Clutch removal | |

CHAPTER NINE

TRANSMISSION 153

- | | |
|------------------------------------|-------------------|
| Manual transmission | Line pressure |
| Automatic transmission | Governor pressure |
| Manual transmission specifications | |

CHAPTER TEN

BRAKES 168

- | | |
|---------------------|--------------------------------|
| Disc brake pads | Brake bleeding |
| Disc brake calipers | Brake adjustment |
| Brake discs | Brake pedal adjustment |
| Rear brakes | Stoplight switch replacement |
| Backing plate | Brake lines and warning switch |
| Master cylinder | Handbrake |
| Vacuum booster | Brake specifications |

CHAPTER ELEVEN

REAR SUSPENSION, DIFFERENTIAL, AND DRIVE SHAFT 190

Drive shaft	Differential and rear suspension
Rear axle	specifications
Differential	Tightening torques
Rear suspension	

CHAPTER TWELVE

FRONT SUSPENSION, WHEEL BEARINGS, AND STEERING 205

Wheel alignment	Wheel bearings
Front shock absorber replacement	Steering
Coil spring replacement	Steering linkage
Stabilizer	Front suspension specifications
Suspension arms	Steering specifications
Ball-joints	Tightening torques

SUPPLEMENT

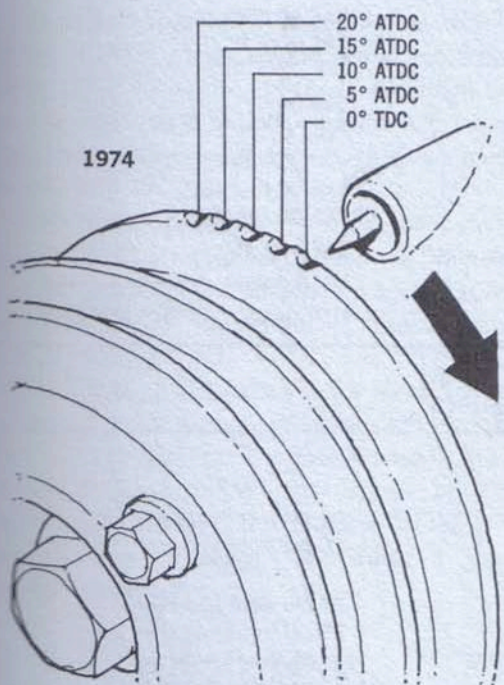
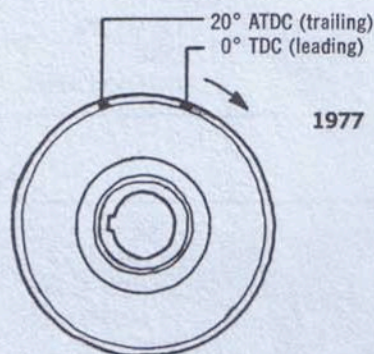
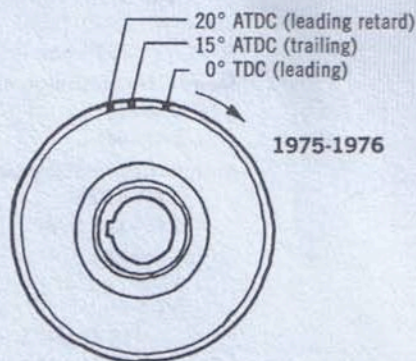
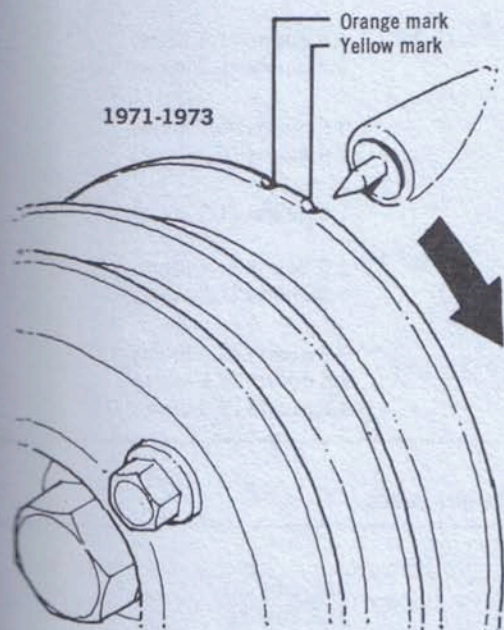
1975-1977 SERVICE INFORMATION 222

Periodic maintenance	Alternator
Breaker points (1975-1976)	Starter
Ignition timing	Ignition control system
Carburetor adjustments	Clutch release cylinder
Engine troubleshooting	Brake master cylinder
Air cleaner	Rear suspension
EGR system	Front wheel alignment
Cooling system	

INDEX 241

QUICK REFERENCE DATA

TIMING MARKS



TUNE-UP SPECIFICATIONS

Breaker point gap	0.018 in. (0.45mm)
Dwell angle	
1971-1975	55-61°
1976 leading advanced, trailing	55-61°
1976 leading retarded	50-56°
1977	55-61°
Ignition timing	
1971-1973 leading	TDC
1971-1973 trailing	10° ATDC
1974 leading	5° ATDC
1974 trailing	10° ATDC
1975-1976 leading advanced	0° (TDC)
1975-1976 leading retarded	20° ATDC
1975-1976 trailing	15° ATDC
1977 leading	0° (TDC)
1977 trailing	20° ATDC
Spark plugs	
Standard gap, 1971-1975	0.024 in.
Standard gap, 1976 and later	0.039 in.
Maximum gap	0.043 in.

APPROXIMATE REFILL CAPACITIES

Engine oil	
Without filter change	4.5 quarts (4.3 liters)
With filter change	
1971-1974	5 quarts (4.7 liters)
1975 and later	5.5 quarts (5.2 liters)
Manual transmission oil	
4-speed	1.5 quarts (1.4 liters)
5-speed	1.8 quarts (1.7 liters)
Automatic transmission fluid	
1971-1973	5.8 quarts (5.5 liters)
1974 and later	6.6 quarts (6.2 liters)
Differential oil	
RX-2	1.3 quarts (1.2 liters)
RX-3	
1971-1974	1.5 quarts (1.4 liters)
1975 and later	1.3 quarts (1.2 liters)
Coolant	
1971-1974	8.5 quarts (8.0 liters)
1975	9.6 quarts (9.1 liters)
1976 and later	9.8 quarts (9.3 liters)

RECOMMENDED LUBRICANTS

Engine oil	
0-85°F	SAE 10W-30
0-100°F	SAE 10W-40
15-100°F	SAE 20W-40 or 20W-50
Below 0°F	SAE 5W-20 or 5W-30
Manual transmission	
Above 0°F	SAE 90 E.P.
Below 0°F	SAE 80 E.P.
Automatic transmission	
1971-1973 (3N71B transmission)	Dexron
1974 and later (R3A transmission)	Type F
Rear axle	
Above 0°F	SAE 90 hypoid
Below 0°F	SAE 80 hypoid
Steering gear	
	SAE 90 E.P.
Suspension ball-joints	
	Molybdenum disulphide grease
Front wheel bearings	
	Multipurpose lithium grease

TIRE PRESSURES

1971-1973	
RX-2 (standard 165SR-13 tires)	
Less than 60 mph	24 psi front and rear
More than 60 mph	28 psi front and rear
RX-3 (standard 155SR-13 tires)	
Up to two persons, less than 60 mph)	24 psi front and rear
Full load, less than 60 mph)	28 psi front and rear
Up to two persons, more than 60 mph)	28 psi front and rear
Full load, more than 60 mph)	32 psi front and rear
1974	
	See sticker in glove box
1975 and later	
	26 psi front and rear

MAZDA RX-2 & RX-3 1971-1977 SHOP MANUAL

This book is another in the world's largest-selling automobile repair series. Clymer books are noted for delivering more troubleshooting, repair, and maintenance information than any others.

- More photos, drawings, charts
- Compact "carry-along" size
- Emphasis on tune-up, troubleshooting, frequently-needed information
- Quick reference pages for vital specs
- More exploded views
- Tricks of the trade from factory mechanics

CLYMER PUBLICATIONS · LOS ANGELES, CALIFORNIA