

Mazda RX-5&121  
(R.H.D.)  
(First Revised Edition)

Automobiles

**mazda**

# Parts Catalog

## Mazda RX-5 & 121 (R.H.D.) (First Revised Edition)



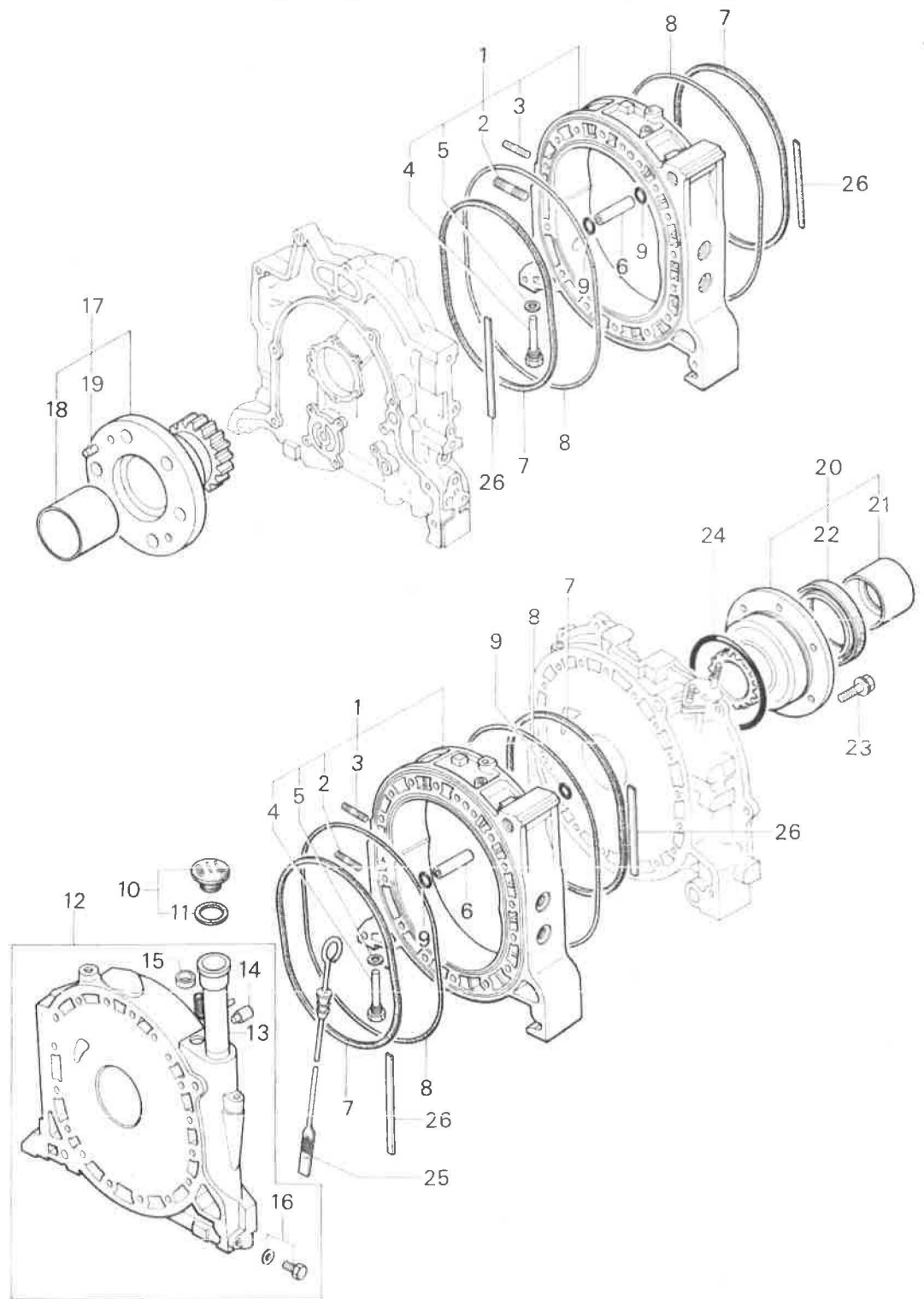
MAZDA ROTARY ENGINE LICENSE NSU-WANKEL

**Toyo Kogyo Co., Ltd.**

© 1976 Toyo Kogyo Co., Ltd.  
July 1977

10

ROTOR HOUSING (ROTARY)



# ROTOR HOUSING (ROTARY)



| Part Number     | Description                                 | Q'ty | Remarks   |
|-----------------|---|------|-----------|
| 1 3775 10 100   | Housing, Rotor                              | 2    |           |
| 2 0839 10 105   | Stud  | 4    |           |
| 3 99851 0822A   | Stud  | 2    |           |
| 4 1757 10 120   | Nozzle, Air                                 | 4    |           |
| 5 99564 1400    | Gasket                                      | 4    |           |
| 6 1757 10 111   | Dowel, Tubular                              | 4    |           |
| 7 1757 10 171A  | Ring, Square                                | 4    |           |
| 8 1757 10 172   | Ring-Square, Outer                          | 4    |           |
| 9 0813 10 173   | Ring "O"                                    | 4    |           |
| 10 0324 10 250  | Cap, Oil Filler                             | 1    |           |
| 10 0453 10 250  | Cap, Oil Filler                             | 1    | 76/11 ~ O |
| 11 0324 10 252  | Gasket                                      | 1    |           |
| 12 3648 23 070  | Housing, Intermediate (Except 3565 10 410A) | 1    |           |
| 13 3565 10 410A | Pipe, Filler                                | 1    |           |
| 14 2329 10 417  | Joint, Pipe                                 | 1    |           |
| 15 99305 2800   | Plug, Expansion                             | 1    |           |
| 16 99510 1000   | Plug  | 1    |           |
| 99564 1000      | Gasket                                      | 1    |           |

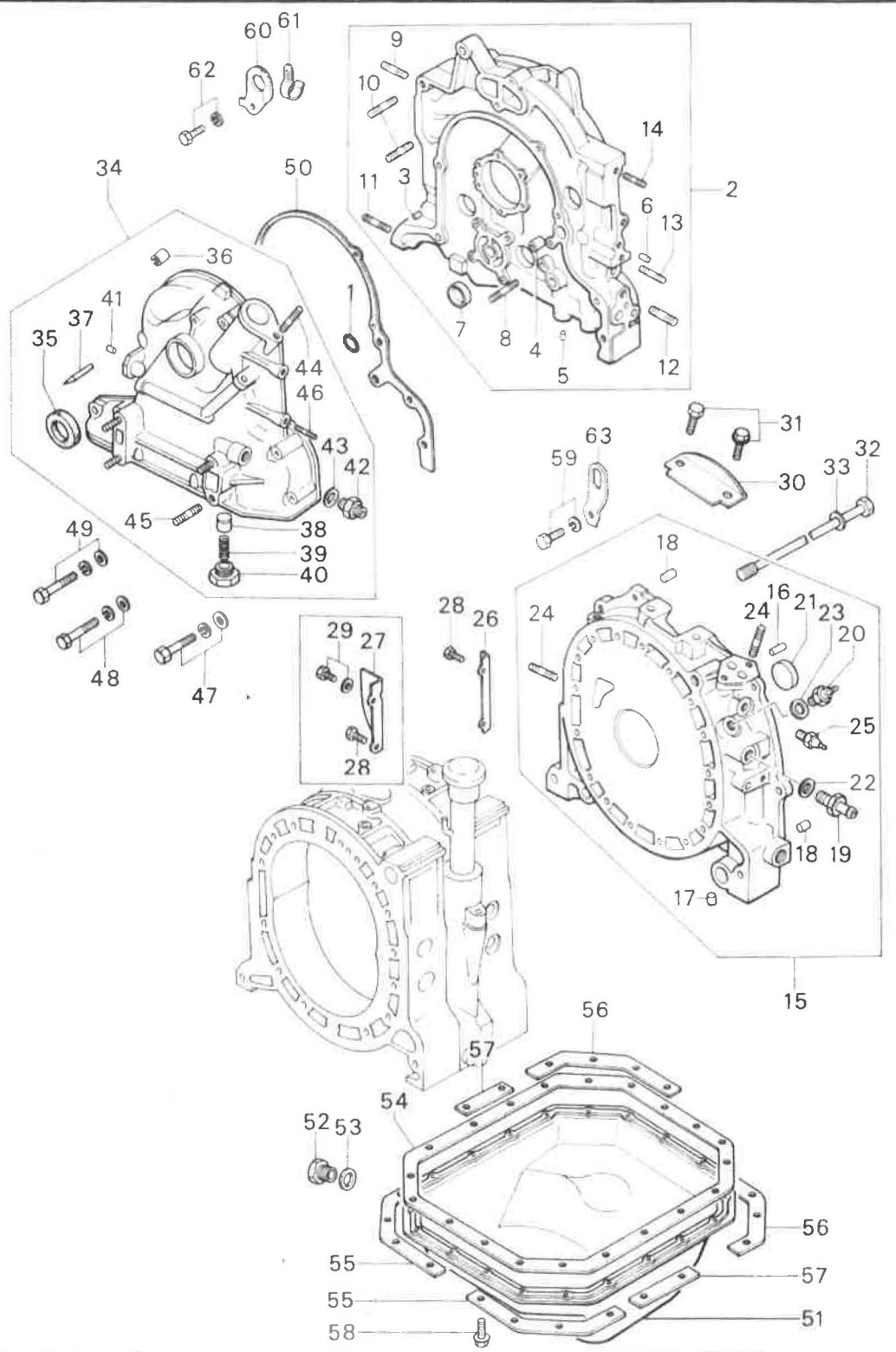
**10**

**ROTOR HOUSING (ROTARY)**

| No. | Part Number  | Description              | Q'ty | Remarks |
|-----|--------------|--------------------------|------|---------|
| 17  | 3648 10 500  | Gear (Frt.), Stationary  | 1    |         |
| 18  | 0820 10 502B | Bearing, Main            | 1    |         |
| 19  | 0839 10 504  | Pin, Knock               | 1    |         |
| 20  | 3648 10 550  | Gear (Rr.), Stationary   | 1    |         |
| 21  | 0820 10 502B | Bearing, Main            | 1    |         |
| 22  | 1668 10 556  | Oil Seal                 | 1    |         |
| 23  | 99801 0820   | Bolt, Stationary Gear    | 6    |         |
|     | 99971 0800   | Washer, Spring           | 6    |         |
| 24  | 0813 10 555  | Ring "O"-Stationary Gear | 1    |         |
| 25  | 0866 10 830  | Gauge, Oil Level         | 1    |         |
| 26  | 0866 23 025  | Protector, "O" Ring      | 4    |         |

10

FRONT & REAR HOUSING (ROTARY)



## FRONT &amp; REAR HOUSING (ROTARY)

10

| No. | Part Number  | Description        | Qty | Remarks   |
|-----|--------------|--------------------|-----|-----------|
| 1   | 0813 10 174  | Ring, "O"          | 1   |           |
| •   | 8527 10 174  | Ring, "O"          | 1   | 76/10 ~ X |
| 2   | 8501 10 200B | Housing, Front     | 1   |           |
| 3   | 0839 10 203  | Pin, Dowel         | 1   |           |
| 4   | 2329 10 204  | Dowel, Tubular     | 2   |           |
| 5   | 0839 10 205  | Plug, Blind        | 3   |           |
| 6   | 1757 10 207  | Plug, Blind        | 1   |           |
| 7   | 99306 3000   | Plug, Blind-Water  | 3   |           |
| 8   | 99852 0660   | Stud               | 2   |           |
| 9   | 99852 0822A  | Stud, IN. Manifold | 2   |           |
| 10  | 1757 10 208  | Stud, Water Pump   | 4   |           |
| 11  | 99952 1016   | Stud               | 1   |           |
| 12  | 99859 1220A  | Stud, Mounting     | 1   |           |
| 13  | 99859 1225A  | Stud               | 1   |           |
| 14  | 99859 1035A  | Stud               | 1   |           |
| 15  | 1260 10 300A | Housing, Rear      | 1   |           |
| •   | 3854 10 300  | Housing, Rear      | 1   | 76/10 ~ X |
| 16  | 0820 10 203  | Pin, Dowel         | 1   |           |
| 17  | 0839 10 205  | Plug, Blind        | 1   |           |
| 18  | 1757 10 309  | Pin, Tubular       | 2   |           |

1st Revision

-17 - RX-5 &amp; 121 R.H.D. (Vol. 1) Jun. 1977

**10**

**FRONT & REAR HOUSING (ROTARY)**

| No.  | Part Number  | Description                              | Q'ty   | Remarks   |
|------|--------------|--|--------|-----------|
| 19   | 0866 10 320A | Connector, Hose                          | 1      |           |
| 20   | 1757 18 510A | Gauge Unit, Heat                         | 1      |           |
| • 21 | 8712 18 510  | Gauge Unit, Heat                         | 1      | 76/10 ~ X |
| 21   | 99306 3000   | Plug, Blind-Water                        | 5      |           |
| 22   | 99562 1600   | Gasket, Hose Connector                   | 1      |           |
| 23   | 99564 0800   | Gasket, Heat Gauge Unit                  | 3      |           |
| 24   | 99852 0822A  | Stud, IN. Manifold & Oil Filter          | 4      |           |
| 25   | 0866 18 501A | Switch, Oil Pressure                     | 1      |           |
| 26   | 1757 10 305  | Cover, Dust (Manual)                     | 1      |           |
| 27   | 1029 10 305  | Cover, Dust (Automatic)                  | 1      |           |
| 28   | 99796 0610   | Bolt, Dust Cover (Automatic)<br>(Manual) | 1<br>2 |           |
| 29   | 99796 1016   | Bolt, Dust Cover (Automatic)             | 1      |           |
| 30   | 1757 10 351  | Cover, Dust                              | 1      |           |
| 31   | 99796 0816   | Bolt, Dust Cover (Manual)                | 2      |           |
| 32   | 1757 10 451  | Bolt, Tension                            | 18     |           |
|      | 1757 10 452  | Bolt, Tension                            | 1      |           |
| 33   | 0839 10 455  | Washer, Seal                             | 19     |           |
| 34   | 3523 10 600  | Cover, Front                             | 1      |           |



## FRONT &amp; REAR HOUSING (ROTARY)

10

| No. | Part Number  | Description            | Q'ty | Remarks |
|-----|--------------|------------------------|------|---------|
| 35  | 0820 10 605  | Oil Seal               | 1    |         |
| 36  | 1757 10 609  | Pin, Spring            | 1    |         |
| 37  | 0820 10 631B | Pin, Top Indicator     | 1    |         |
| 38  | 0839 14 115  | Plunger, Press Plunger | 1    |         |
| 39  | 0839 14 273A | Spring, Press Plunger  | 1    |         |
| 40  | 0839 14 274  | Plug, Press Plunger    | 1    |         |
| 41  | 99307 0600   | Plug, Blind            | 2    |         |
| 42  | 99384 1200   | Joint, Union           | 1    |         |
| 43  | 99562 1600   | Gasket, Union Joint    | 1    |         |
| 44  | 99851 0612A  | Stud                   | 1    |         |
| 45  | 99855 1020   | Stud                   | 4    |         |
| 46  | 99859 1035A  | Stud                   | 2    |         |
| 47  | 99801 0840   | Bolt, Front Cover      | 3    |         |
|     | 99952 0800   | Washer, Plain          | 3    |         |
|     | 99971 0800   | Washer, Spring         | 3    |         |
| 48  | 99801 0865   | Bolt, Front Cover      | 2    |         |
|     | 99952 0800   | Washer, Plain          | 2    |         |
|     | 99971 0800   | Washer, Spring         | 2    |         |
| 49  | 99801 0875   | Bolt, Front Cover      | 1    |         |

**10**

**FRONT & REAR HOUSING (ROTARY)**

| No. | Part Number  | Description                        | Q'ty | Remarks             |
|-----|--------------|------------------------------------|------|---------------------|
|     | 99952 0800   | Washer, Plain                      | 1    |                     |
|     | 99971 0800   | Washer, Spring                     | 1    |                     |
| 50  | 1757 10 641  | Gasket, Front Cover                | 1    |                     |
|     | 8527 10 641  | Gasket, Front Cover                | 1    | 76/10 ~ X           |
| 51  | 1029 10 700  | Pan, Oil                           | 1    |                     |
|     | 8527 10 700  | Pan, Oil                           | 1    | 76/9 ~ X            |
| 52  | 99511 1400   | Plug, Drain                        | 1    |                     |
| 53  | 99562 1400   | Gasket                             | 1    |                     |
| 54  | 1757 10 711  | Gasket                             | 1    | } 76/10 ~ Discarded |
| 55  | 0839 10 721  | Stiffener                          | 2    |                     |
| 56  | 1757 10 722  | Stiffener                          | 2    |                     |
| 57  | 1757 10 723  | Stiffener                          | 2    |                     |
| 58  | 99806 0616   | Bolt, Oil Pan                      | 22   | 76/10 ~ Discarded   |
|     | 99796 0610   | Bolt, Oil Pan                      | 22   | 76/10 ~ Added Anew  |
|     | 99952 0600   | Washer, Plain                      | 22   |                     |
| 59  | 1757 10 845  | Bolt, Rear Housing + Engine Hanger | 1    |                     |
|     | 99971 1000   | Washer, Spring                     | 1    |                     |
| 60  | 3565 10 860A | Hanger, Engine                     | 1    |                     |

# FRONT & REAR HOUSING (ROTARY)



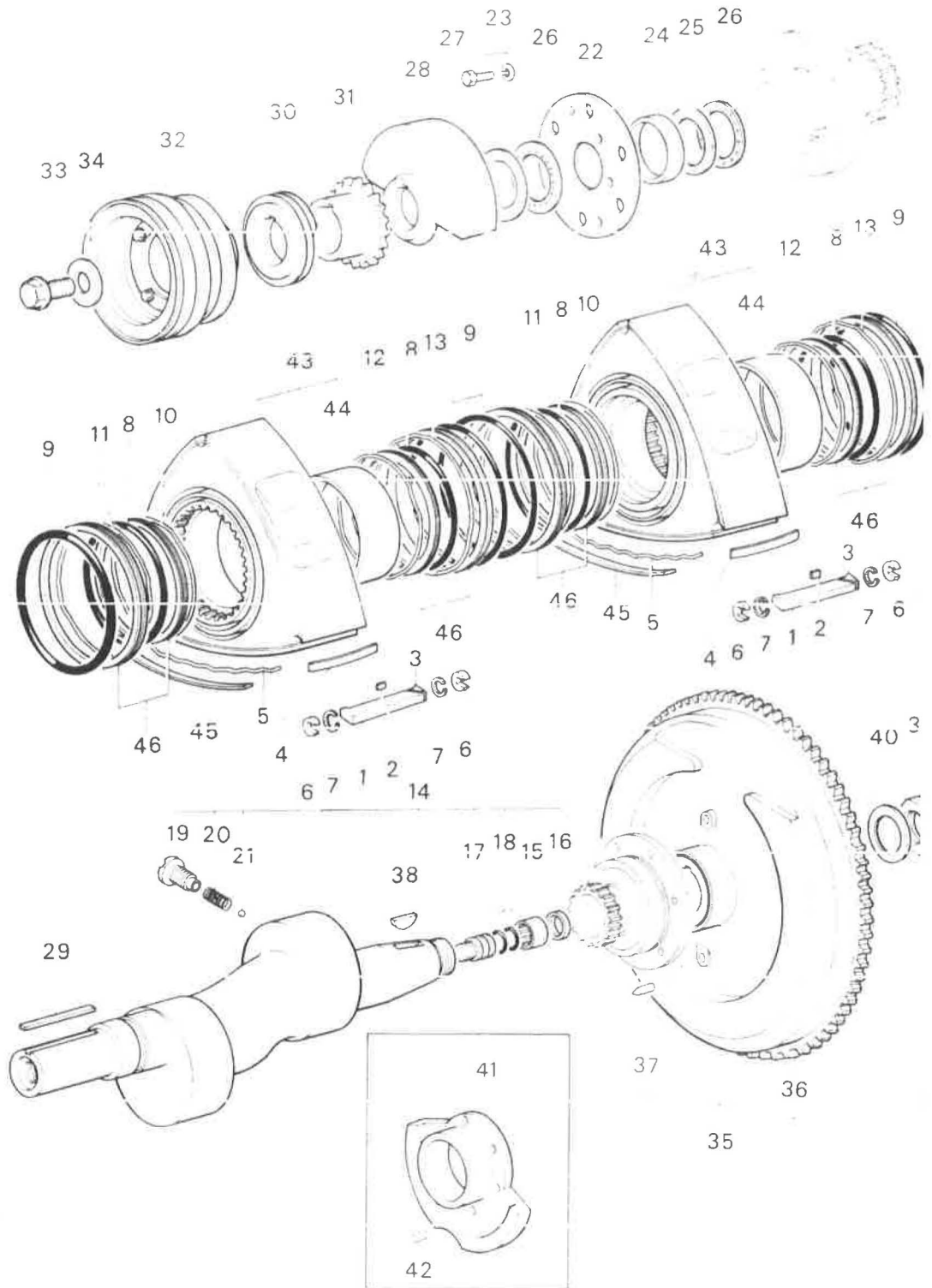
| No. | Part Number  | Description         | Q'ty | Remarks          |
|-----|--------------|---------------------|------|------------------|
|     | 3565 10 860B | Hanger, Engine      | 1    | 76/9 ~ Δ         |
| 61  | 3565 10 865A | Clip                | 1    | 76/9 ~ Discarded |
| 62  | 99801 0820   | Bolt, Engine Hanger | 1    |                  |
|     | 99971 0800   | Washer, Spring      | 1    |                  |
| 63  | 1757 10 862  | Hanger, Engine      | 1    |                  |
|     | 1757 23 040  | Ring Set "O"        | 1    |                  |
|     | 1757 23 040A | Ring Set "O"        | 1    | 76/10 ~ X        |
|     | 1757 10 171A | Ring, Square        | 4    |                  |
|     | 1757 10 172  | Ring, Square Outer  | 4    |                  |
|     | 0813 10 173  | Ring "O"            | 4    |                  |
|     | 0813 10 174  | Ring "O"            | 1    |                  |
|     | 8527 10 174  | Ring "O"            | 1    | 76/10 ~ X        |
|     | 0839 10 455  | Washer, Seal        | 19   |                  |
|     | 0813 10 555  | Ring "O"            | 1    |                  |
|     | 99541 01601  | Ring "O"            | 2    |                  |
|     | 99541 02401  | Ring "O"            | 2    |                  |
|     | 99541 0350   | Ring "O"            | 1    |                  |

## FRONT &amp; REAR HOUSING (ROTARY)

| No. | Part Number  | Description               | Q'ty | Remarks   |
|-----|--------------|---------------------------|------|-----------|
|     | 3565 99 100B | Gasket, Engine            | 1    |           |
|     | 3565 99 100C | Gasket, Engine            | 1    | 76/10 ~ X |
|     | 1757 10 171A | Ring, Square              | 4    |           |
|     | 1757 10 172  | Ring, Square              | 4    |           |
|     | 0813 10 173  | Ring "O"                  | 1    |           |
|     | 0813 10 174  | Ring "O"                  | 1    |           |
|     | 8527 10 174  | Ring "O"                  | 1    | 76/10 ~ X |
|     | 0839 10 455  | Washer, Seal              | 19   |           |
|     | 0813 10 555  | Ring "O"                  | 1    |           |
|     | 1757 10 641  | Gasket, Front Cover       | 1    |           |
|     | 8527 10 641  | Gasket, Front Cover       | 1    | 76/10 ~ X |
|     | 1757 10 711  | Gasket                    | 1    |           |
|     | 1757 13 111A | Gasket, in Monifold       | 1    |           |
|     | 1757 13 221  | Gasket                    | 1    |           |
|     | 3565 13 724  | Gasket, Air Control Valve | 1    |           |
|     | 1757 13 891  | Gasket, Thermal Reactor   | 1    |           |
|     | 1757 13 889B | Gasket, Thermal Reactor   | 2    |           |
|     | 1757 15 105A | Gasket, Water Pump        | 1    |           |
|     | 1757 15 106  | Shim, Water Pump          | 2    |           |
|     | 0866 23 205  | Protector, "O" Ring       | 4    |           |

11

ROTOR (ROTARY)



Automatic

# ROTOR (ROTARY)



| No. | Part Number  | Description                                  | Q'ty | Remarks |
|-----|--------------|--|------|---------|
| 1   | 1202 11 300A | Seal, Apex                                   | 6    |         |
| 2   | 1056 11 307A | Piece, Assist                                | 6    |         |
| 3   | 1202 11 302  | Piece, Side                                  | 6    |         |
| 4   | 1757 11 304  | Spring, Apex Seal                            | 6    |         |
| 5   | 0820 11 317  | Spring, Side Seal                            | 12   |         |
|     | 8712 11 317  | Spring, Side Seal (British)                  | 12   |         |
| 6   | 1202 11 321  | Seal, Corner (Std.)                          | 12   |         |
|     | 8712 11 321  | Seal, Corner (Std.) (British)                | 12   |         |
|     | 1011 23 176  | Seal, Corner (O.S. 0.03)<br>(Except British) | 12   |         |
| 7   | 1202 11 323  | Spring, Corner Seal                          | 12   |         |
| 8   | 0820 11 341  | Ring, "O"-Inner                              | 4    |         |
| 9   | 1202 11 343  | Ring, "O"-Outer                              | 4    |         |
| 10  | 1011 11 351  | Spring, Oil Seal Inner (Frt.)                | 2    |         |
| 11  | 1011 11 353A | Spring, Oil Seal Outer (Frt.)                | 2    |         |
| 12  | 1011 11 361  | Spring, Oil Seal Inner (Rr.)                 | 2    |         |
| 13  | 1011 11 363A | Spring, Oil Seal Outer (Rr.)                 | 2    |         |
| 14  | 3648 11 400  | Shaft, Eccentric (Manual)                    | 1    |         |
|     | 8501 11 400  | Shaft, Eccentric (Automatic)                 | 1    |         |
| 15  | 1881 11 403  | Bearing, Needle<br>(Manual)                  | 1    |         |
| 16  | 1881 11 404  | Oil Seal                                     | 1    |         |

1st Revision

# 11

## ROTOR (ROTARY)

| No. | Part Number  | Description                   | Qty | Remarks       |
|-----|--------------|-------------------------------|-----|---------------|
| 17  | 0813 11 405  | Plug, Blind                   | 1   |               |
| 18  | 99541 01101  | Ring, "O"                     | 2   |               |
| 19  | 0389 11 411A | Plug, Oil Jet                 | 2   |               |
| 20  | 0839 11 412  | Spring                        | 2   |               |
| 21  | 99611 2000   | Ball, Steel                   | 2   |               |
| 22  | 1011 11 501  | Plate                         | 1   |               |
| 23  | 99801 0825   | Bolt, Plate & Stationary Gear | 6   |               |
|     | 99971 0800   | Washer, Spring                | 6   |               |
| 24  | 0839 11 502  | Spacer (L = 8.02)             | 1   | Selective use |
|     | 0839 11 506  | Spacer (L = 8.08)             | 1   |               |
|     | 0839 11 508  | Spacer (L = 8.04)             | 1   | Selective use |
|     | 0839 11 509  | Spacer (L = 8.00)             |     |               |
| 25  | 1011 11 504  | Plate, Thrust                 | 1   |               |
| 26  | 0813 11 505B | Bearing, Needle               | 2   |               |
| 27  | 1011 11 507  | Washer, Thrust                | 1   |               |
| 28  | 1757 11 511  | Weight, Balance               | 1   |               |
| 29  | 1757 11 512  | Key                           | 1   |               |
|     | 99236 0571   | Key                           | 1   | 76/8 ~ O      |
| 30  | 0839 11 531  | Gear, Drive-Distributor       | 1   |               |
| 31  | 1757 11 551  | Gear, Drive-Oil Pump          | 1   |               |
|     | 0839 11 551A | Gear, Drive-Oil Pump          | 1   | 76/11 ~ Δ     |

# ROTOR (ROTARY)



| No. | Part Number  | Description      | Q'ty | Remarks             |
|-----|--------------|------------------|------|---------------------|
| 32  | 1245 11 600  | Pulley           | 1    | Ord. By 8523 11 600 |
| •   | 8735 11 600  | Pulley (British) | 1    | 76/9 ~ Δ            |
| 33  | 0820 11 611B | Bolt, Pulley     | 1    |                     |
| 34  | 99562 2800   | Gasket, Bolt     | 1    |                     |
| 35  | 1757 11 700  | Wheel, Fly       | 1    |                     |
| 36  | 0866 11 702  | Gear, Ring       | 1    | (Manual)            |
| 37  | 99222 0610   | Pin              | 1    |                     |
| 38  | 0820 11 705  | Key, Fly Wheel   | 1    |                     |
| 39  | 0810 11 711  | Nut, Lock        | 1    |                     |
| 40  | 0820 11 712  | Washer, Lock     | 1    |                     |
| 41  | 1029 11 750  | Weight, Counter  | 1    |                     |
| 42  | 99922 0610   | Pin              | 1    | (Automatic)         |
| 43  | 1757 23 103  | Rotor "C"        | 2    |                     |
| 44  | 1011 11 111  | Bearing, Rotor   | 2    |                     |
| 45  | 1011 23 151A | Seal, Side       | 12   |                     |
| 46  | 1202 23 180  | Oil Seal Set     | 4    |                     |