

COOLING SYSTEM

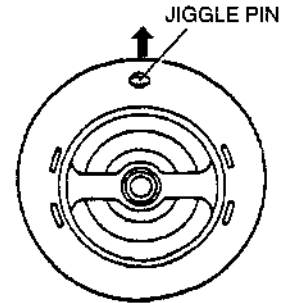
THERMOSTAT REMOVAL/INSTALLATION

X5U112W07

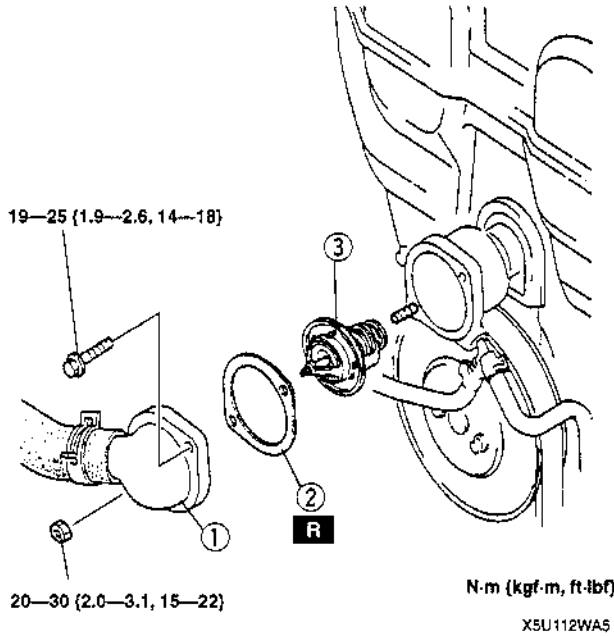
1. Disconnect the negative battery cable.
2. Remove the air hose.
3. Drain the engine coolant. (Refer to 01-12 ENGINE COOLANT REPLACEMENT.)
4. Remove in the order indicated in the table.
5. Install in the reverse order of removal.

Thermostat Installation Note

- Install the thermostat into the cylinder head with the jiggle pin at the top.

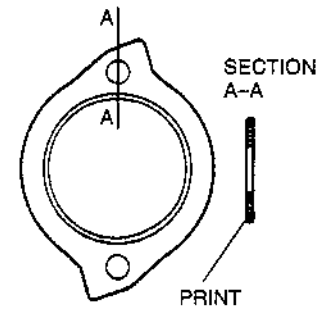


X5U112WA6



Thermostat Cover Gasket Installation Note

- Install a new gasket with the seal print side facing the cylinder head.



X5U112WA7

1	Thermostat cover
2	Thermostat cover gasket ☞ Installation Note
3	Thermostat ☞ Installation Note

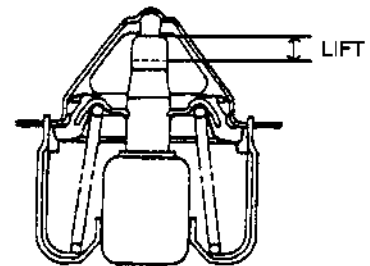
THERMOSTAT INSPECTION

X5U112W08

Inspect the thermostat for the following and replace as necessary.

- Open valve in room temperature
- Opening temperature and lift of the valve

Initial-opening temperature °C {°F}	83.5—88.0 {183—190}
Full-open temperature °C {°F}	100 {212}
Full-open lift mm {in}	8.5 {0.33} min.



X5U112WA8