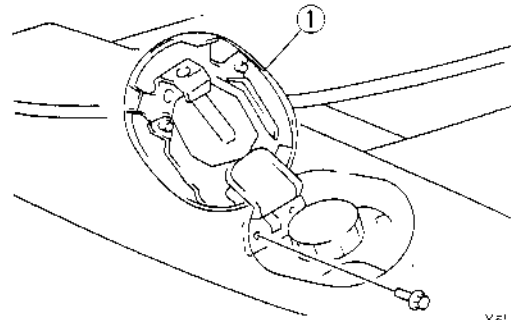


BODY PANELS

FUEL-FILLER LID REMOVAL/INSTALLATION

XEUS*3WC8

1. Remove in the order indicated in the table.
2. Install in the reverse order of removal.
3. Adjust the fuel-filler lid. (Refer to 09-10 FUEL-FILLER LID ADJUSTMENT.)



XEUS910WAA

1	Fuel-filler lid
---	-----------------

HOOD ADJUSTMENT

XEUS910WC2

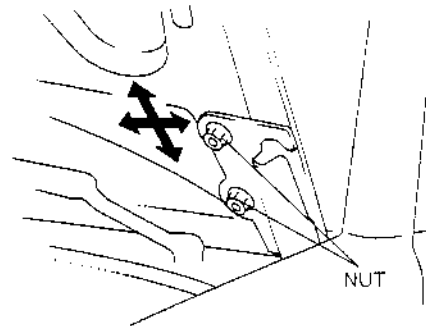
1. Measure the gap and height between the hood and the body.

Clearance

- a: 3.8—6.2 mm {0.15—0.24 in}
- b: -2.5—0.5 mm {-0.098—0.019 in}
- c: 5.0—10.0 mm {0.20—0.39 in}
- d: 3.8—6.2 mm {0.15—0.24 in}
- e: -1.5—0.5 mm {-0.059—0.019 in}

Gap Adjustment

1. Loosen the hood installation nuts and reposition the hood.

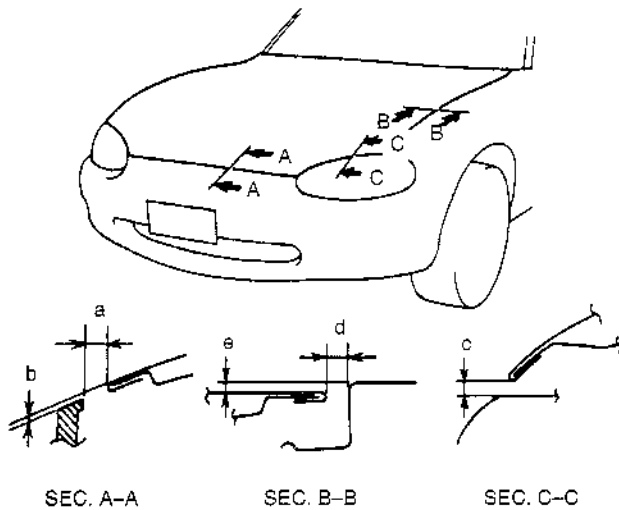


XEUS910WA2

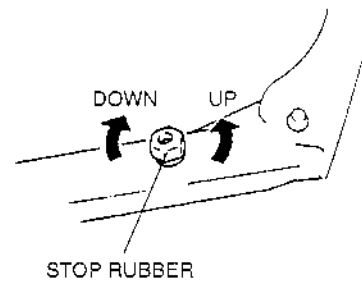
2. Tighten the hood installation nuts.

Height Adjustment

- Turn the stop rubber to adjust the height of the hood.



XEUS910WA1



XEUS910WA3

2. If not as specified, adjust the gap and height.
3. Adjust the hood lock after the hood has been aligned. (Refer to 09-14 HOOD LOCK ADJUSTMENT.)