

# REAR AXLE

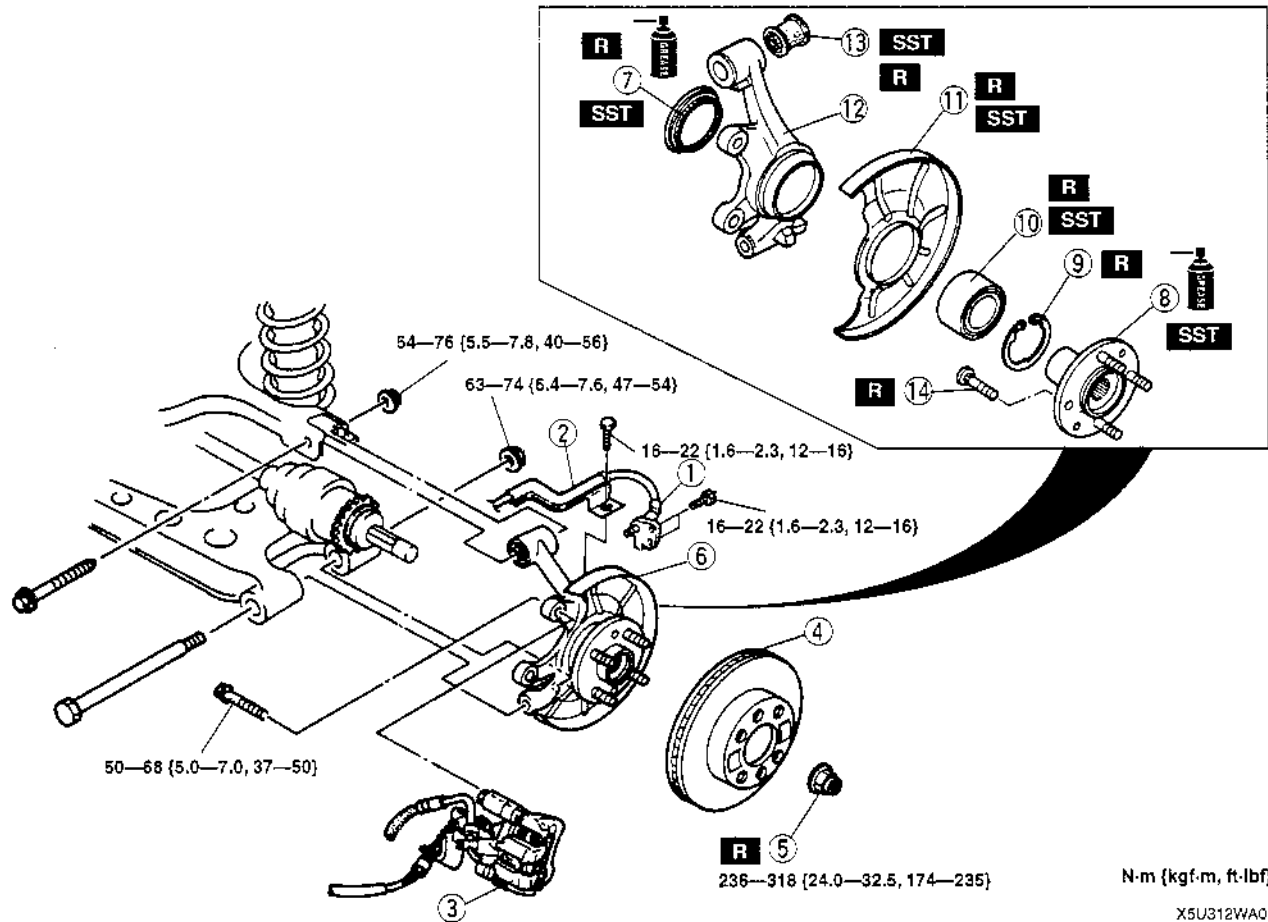
## WHEEL HUB, KNUCKLE REMOVAL/INSTALLATION

X5U312W02

### Caution

- Performing the following procedures without first removing the ABS wheel-speed sensor may possibly cause an open circuit in the harness if it is pulled by mistake. Before performing the following procedures, remove the ABS wheel-speed sensor (axle side) and fix it to an appropriate place where the sensor will not be pulled by mistake while servicing the vehicle.

- Remove in the order indicated in the table.
- Install in the reverse order of removal.



1	ABS wheel-speed sensor (if equipped)
2	Sensor bracket
3	Brake caliper component
4	Disc plate ↳ 04-11 FRONT BRAKE (DISC) REMOVAL/INSTALLATION, Disc Plate Removal Note ↳ 04-11 FRONT BRAKE (DISC) REMOVAL/INSTALLATION, Disc Plate Installation Note
5	Locknut ↳ Installation Note
6	Knuckle, wheel hub, and dust cover
7	Oil seal ↳ Installation Note
8	Rear wheel hub ↳ Removal Note ↳ Installation Note

9	Retaining ring
10	Wheel bearing ↳ Removal Note ↳ Installation Note
11	Dust cover ↳ Removal Note ↳ Installation Note
12	Knuckle
13	Bushing ↳ Removal Note ↳ Installation Note
14	Wheel hub bolt ↳ 03-11 WHEEL HUB, STEERING KNUCKLE REMOVAL/INSTALLATION, Wheel hub Bolt Removal Note