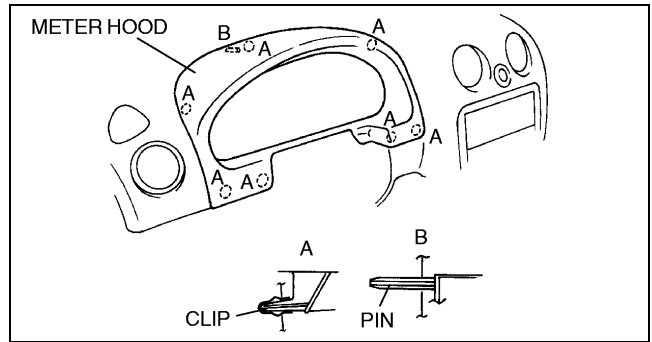


# INTERIOR TRIM

## METER HOOD REMOVAL/INSTALLATION

A5U091755420W01

1. Pull the meter hood toward you, then disengage clips A and pin B from the body.
2. Install in the reverse order of removal.

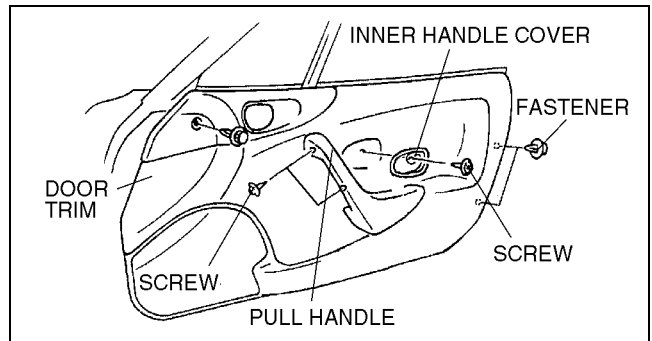


X5U917WA7

## DOOR TRIM REMOVAL/INSTALLATION

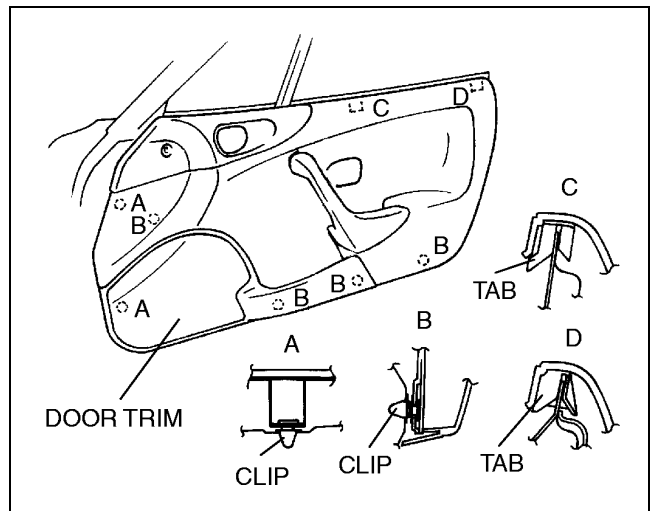
A5U091768420W01

1. Remove the screw.
2. Remove the inner handle cover.
3. Remove the fasteners.



Z5U917WA2

4. Pull the door trim, then disengage clips A and B from the body.
5. Lift the door trim, then disengage tabs C and D from the body.
6. Install in the reverse order of removal.

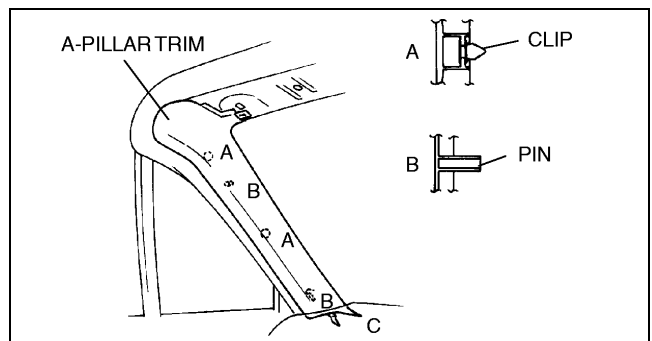


Y5U917WA3

## A-PILLAR TRIM REMOVAL/INSTALLATION

A5U091768160W01

1. Remove the front header trim.
2. Pull the A-pillar trim toward you, then disengage clips A and pin B from the body.
3. Pull the A-pillar trim upward, then disengage tab C from the body.
4. Install in the reverse order of removal.



X5U917WB0