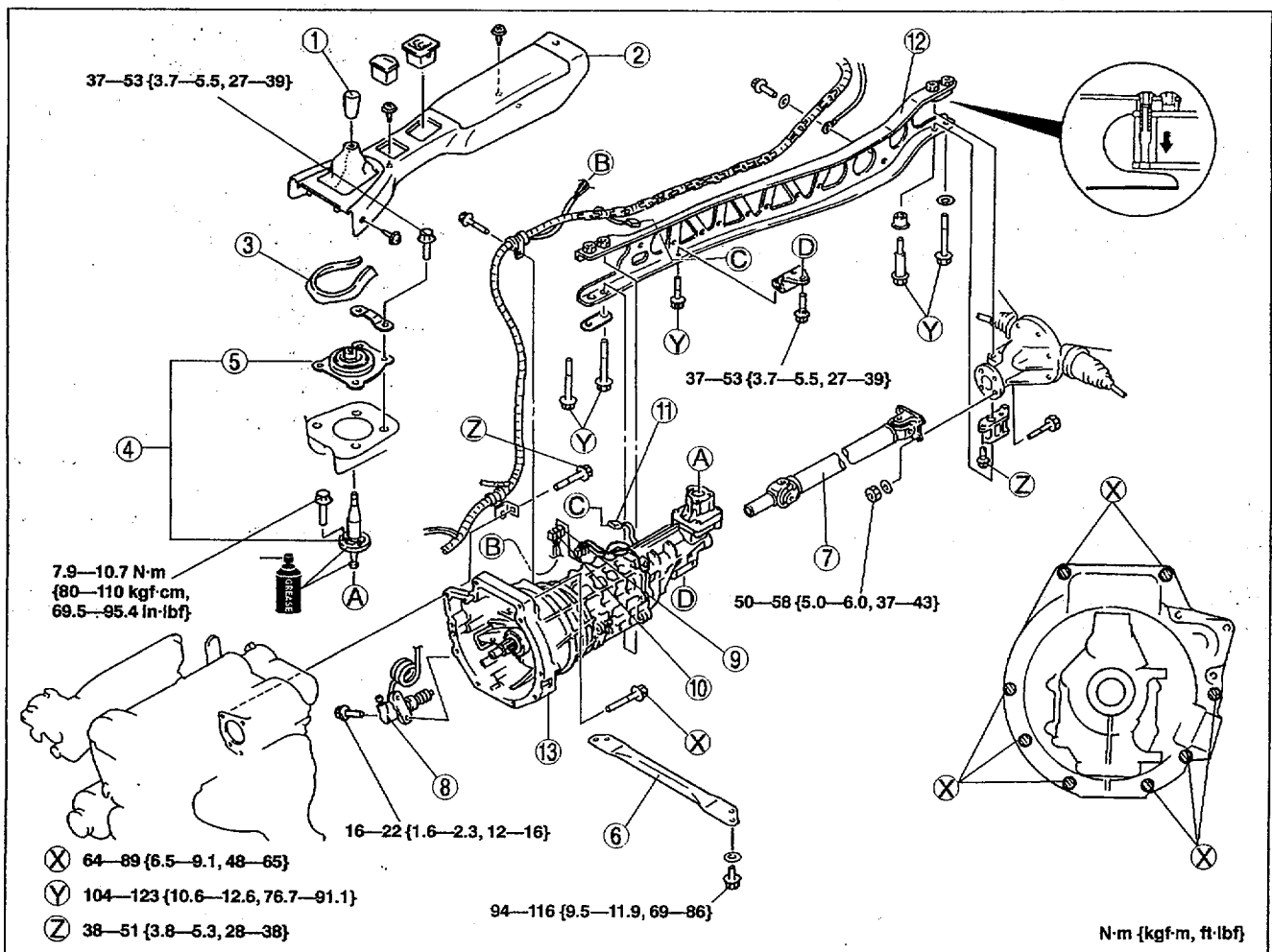


MANUAL TRANSMISSION [Y16M-D]

MANUAL TRANSMISSION REMOVAL/INSTALLATION [Y16M-D]

D5U05110000W04

1. Drain the transmission oil. (See 05-11B-2 TRANSMISSION OIL REPLACEMENT [Y16M-D].)
2. Remove the cross member. (16-inch wheel vehicles)
3. Remove the cross member bracket. (16-inch wheel vehicles)
4. Remove the rear crossbar. (16-inch wheel vehicles) (See 02-14-8 REAR CROSSMEMBER REMOVAL/INSTALLATION.)
5. Remove the undercover.
6. Remove the starter. (See 01-19-2 STARTER REMOVAL/INSTALLATION.)
7. Remove the front pipe and middle pipe. (See 01-15-2 EXHAUST SYSTEM REMOVAL/INSTALLATION [BP].)
(See 01-15-4 EXHAUST SYSTEM REMOVAL/INSTALLATION [BP WITH TC].)
8. Remove in the order indicated in the table.
9. Install in the reverse order of removal.
10. Add the specified amount and type of transmission oil. (See 05-11B-2 TRANSMISSION OIL REPLACEMENT [Y16M-D].)
11. Warm up the engine and transmission, inspect for oil leakage, and verify the transmission operation.



X5U511WB5

1	Shift lever knob
2	Rear console
3	Insulator
4	Shift lever component (See 05-11A-9 Shift Lever Component Installation Note)
5	Dust boot
6	Front crossbar
7	Propeller shaft (See 03-15-2 PROPELLER SHAFT REMOVAL/INSTALLATION)
8	Clutch release cylinder

9	Back-up light switch connector
10	Neutral switch connector
11	Speedometer sensor connector
12	Power plant frame (PPF) (See 05-11A-6 Power Plant Frame (PPF) Removal Note) (See 05-11A-7 Power Plant Frame (PPF) Installation Note)
13	Transmission (See 05-11A-7 Transmission Removal Note) (See 05-11A-7 Transmission Installation Note)