

LIGHTING SYSTEMS

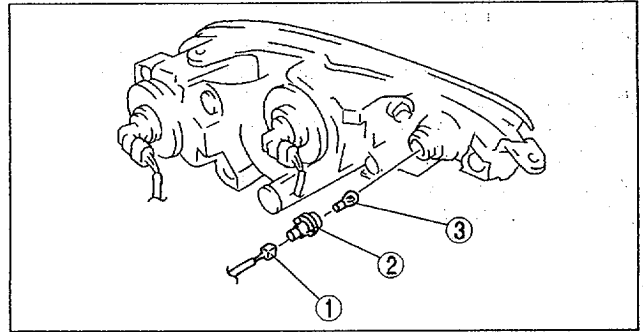
FRONT TURN LIGHT/PARKING LIGHT BULB REMOVAL/INSTALLATION

D5U091851040W01

1. Disconnect the negative battery cable.
2. Remove in the order indicated in the table.

1	Connector
2	Socket
3	Front turn light/parking light bulb

3. Install in the reverse order of removal.



Z5U0918W001

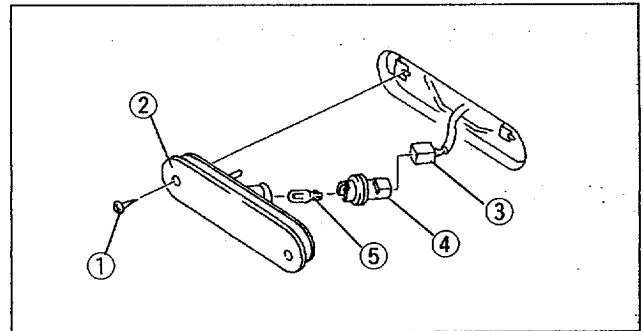
FRONT SIDE MARKER LIGHT REMOVAL/INSTALLATION

D5U091851120W01

1. Disconnect the negative battery cable.
2. Remove in the order indicated in the table.

1	Screw
2	Front side marker light
3	Connector
4	Socket
5	Front side marker light bulb

3. Install in the reverse order of removal.

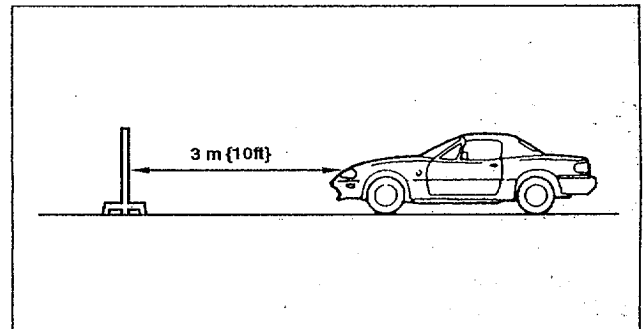


X5U918WA5

FRONT FOG LIGHT ADJUSTMENT [EXCEPT BP WITH TC]

D5U091851680W01

1. Adjust the tire air pressure to the specification.
2. Position the unloaded vehicle on a flat, level surface.
3. Seat one person in the driver's seat.
4. Position the vehicle straight ahead and perpendicularly to a wall.
5. Set the front fog light 3 m {10 ft} from the white screen.
6. While adjusting one front fog light, disconnect the connector of the other.
7. Start the engine to charge the battery.
8. Turn over the mud guard.

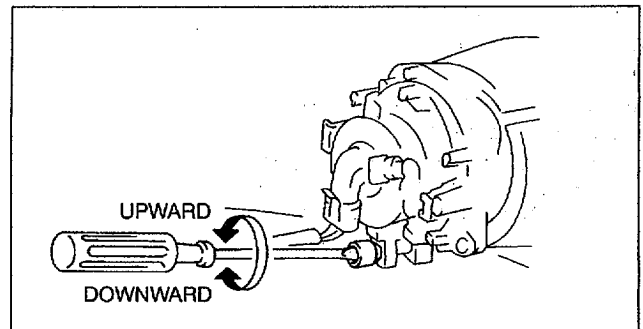


Z5U918WA1

9. Adjust the front fog light by turning the adjusting screws as shown in the figure. Loosen the screws first, then tighten them.

Note

- If the adjusting screws are tightened first, then loosened, they will continue to loosen when the vehicle is in motion and may cause the front fog light to become misaligned.



Z5U918WA8