

# ANTILOCK BRAKE SYSTEM

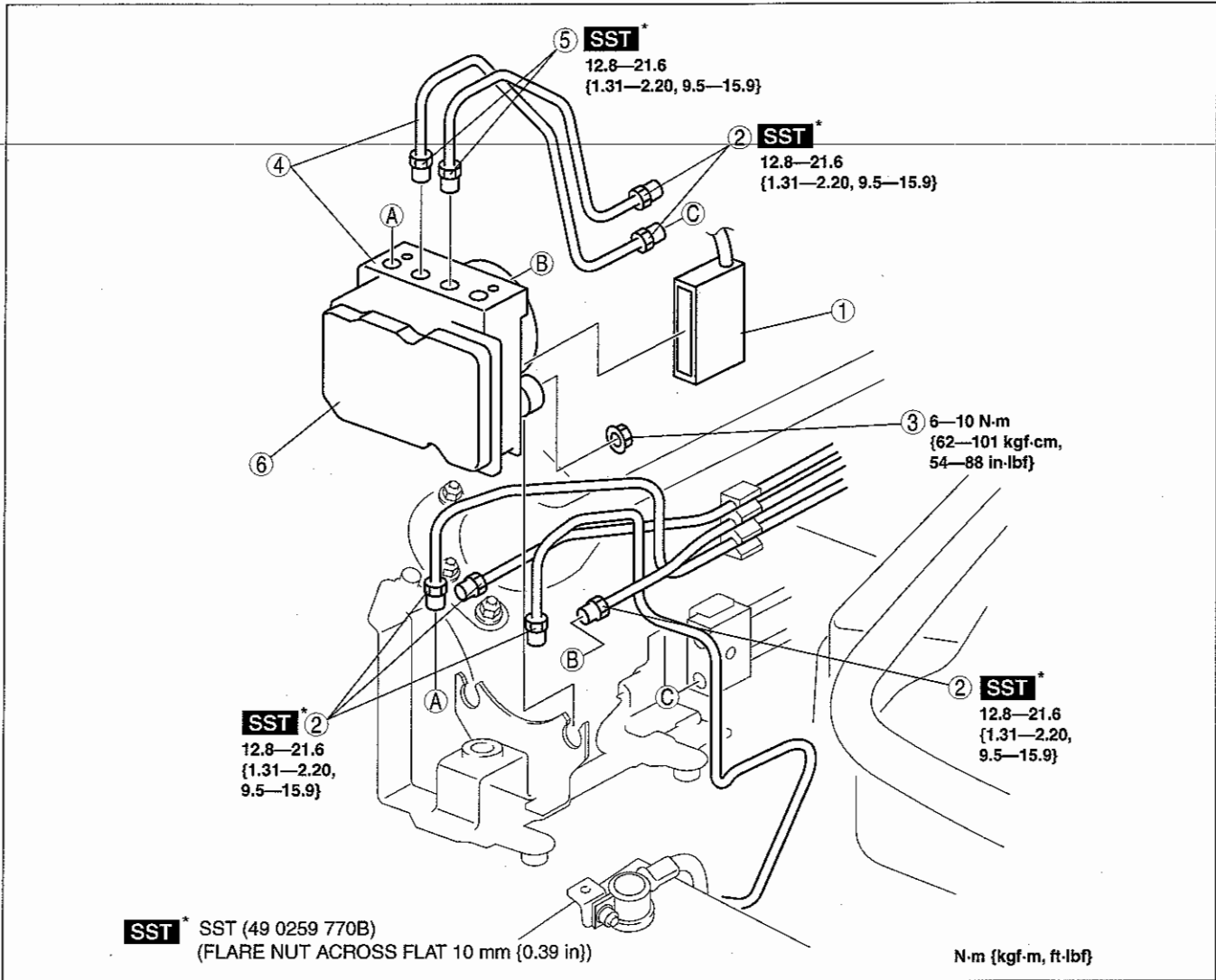
## ABS HU/CM REMOVAL/INSTALLATION

E5U041343750W01

### Caution

- When replacing the DSC HU/CM with a new one, configuration procedure must be performed before removing the DSC HU/CM. If configuration is not completed before removing the DSC HU/CM, DTC B2477 will be detected.
- The internal parts of the ABS HU/CM could be damaged if dropped. Be careful not to drop the ABS HU/CM. Replace the ABS HU/CM if it is subjected to an impact.

1. Perform ABS configuration. (See 04-13-3 ABS CONFIGURATION.)
2. Remove in the order indicated in the table.
3. Install in the reverse order of removal.



E5U413ZW5002

1	ABS HU/CM connector (See 04-13-5 ABS HU/CM Connector Removal Note.) (See 04-13-6 ABS HU/CM Connector Installation Note.)
2	Brake pipe (See 04-13-5 Brake Pipe Removal Note.) (See 04-13-5 Brake Pipe Installation Note.)

3	Nut
4	ABS HU/CM, brake pipe
5	Brake pipe (ABS HU/CM—brake pipe joint) (See 04-13-5 Brake Pipe (ABS HU/CM—brake pipe joint) Installation Note.)
6	ABS HU/CM