

# BODY PANELS

## HOOD REMOVAL/INSTALLATION

E5U091056601W01

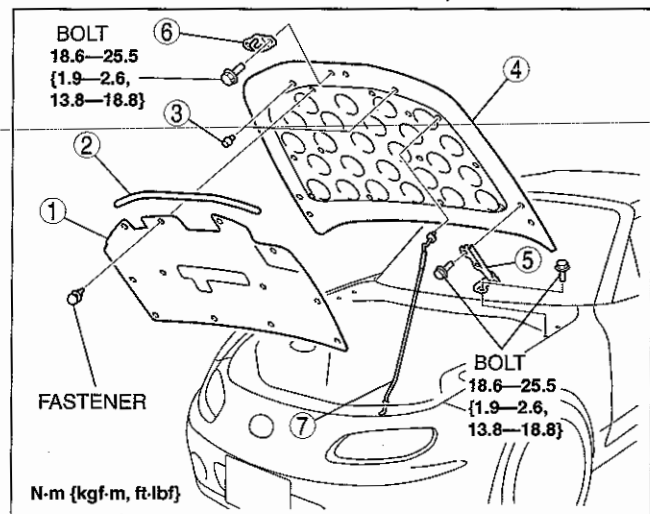
### Warning

- Removing the hood without proper support can be dangerous. The hood may fall and injure you. Always perform the following procedure with at least another person.

1. Disconnect the negative battery cable. (See 01-17-2 BATTERY REMOVAL/INSTALLATION [LF].)
2. To remove the hood hinge, remove the following parts:
  - (1) Front bumper (See 09-10-7 FRONT BUMPER REMOVAL/INSTALLATION.)
  - (2) Front combination lights (See 09-18-4 FRONT COMBINATION LIGHT REMOVAL/INSTALLATION.)
  - (3) Side step molding (See 09-16-3 SIDE STEP MOLDING REMOVAL.) (See 09-16-4 SIDE STEP MOLDING INSTALLATION.)
  - (4) Front fender panel (See 09-10-11 FRONT FENDER PANEL REMOVAL/INSTALLATION.)
3. Remove in the order indicated in the table.

1	Hood insulator
2	Shroud seal weatherstrip
3	Cushion rubber
4	Hood
5	Hood hinge
6	Hood striker
7	Hood stay

4. Install in the reverse order of removal.
5. Adjust the hood. (See 09-10-3 HOOD ADJUSTMENT.)



E5U910ZW1002

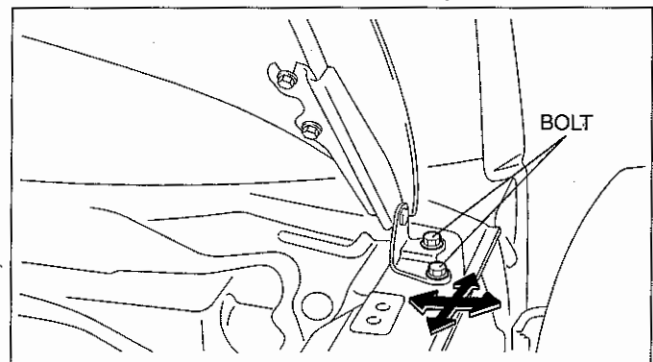
09-10

## HOOD ADJUSTMENT

E5U091056601W02

### Gap Adjustment

1. Disconnect the negative battery cable. (See 01-17-2 BATTERY REMOVAL/INSTALLATION [LF].)
2. Remove the following parts:
  - (1) Front bumper (See 09-10-7 FRONT BUMPER REMOVAL/INSTALLATION.)
  - (2) Front combination lights (See 09-18-4 FRONT COMBINATION LIGHT REMOVAL/INSTALLATION.)
  - (3) Side step molding (See 09-16-3 SIDE STEP MOLDING REMOVAL.) (See 09-16-4 SIDE STEP MOLDING INSTALLATION.)
  - (4) Front fender panel (See 09-10-11 FRONT FENDER PANEL REMOVAL/INSTALLATION.)
3. Loosen the hood hinge installation bolts and adjust the hood.
4. Tighten the bolts.



E5U910ZW1003