

FRONT SUSPENSION

FRONT SHOCK ABSORBER AND COIL SPRING REMOVAL/INSTALLATION

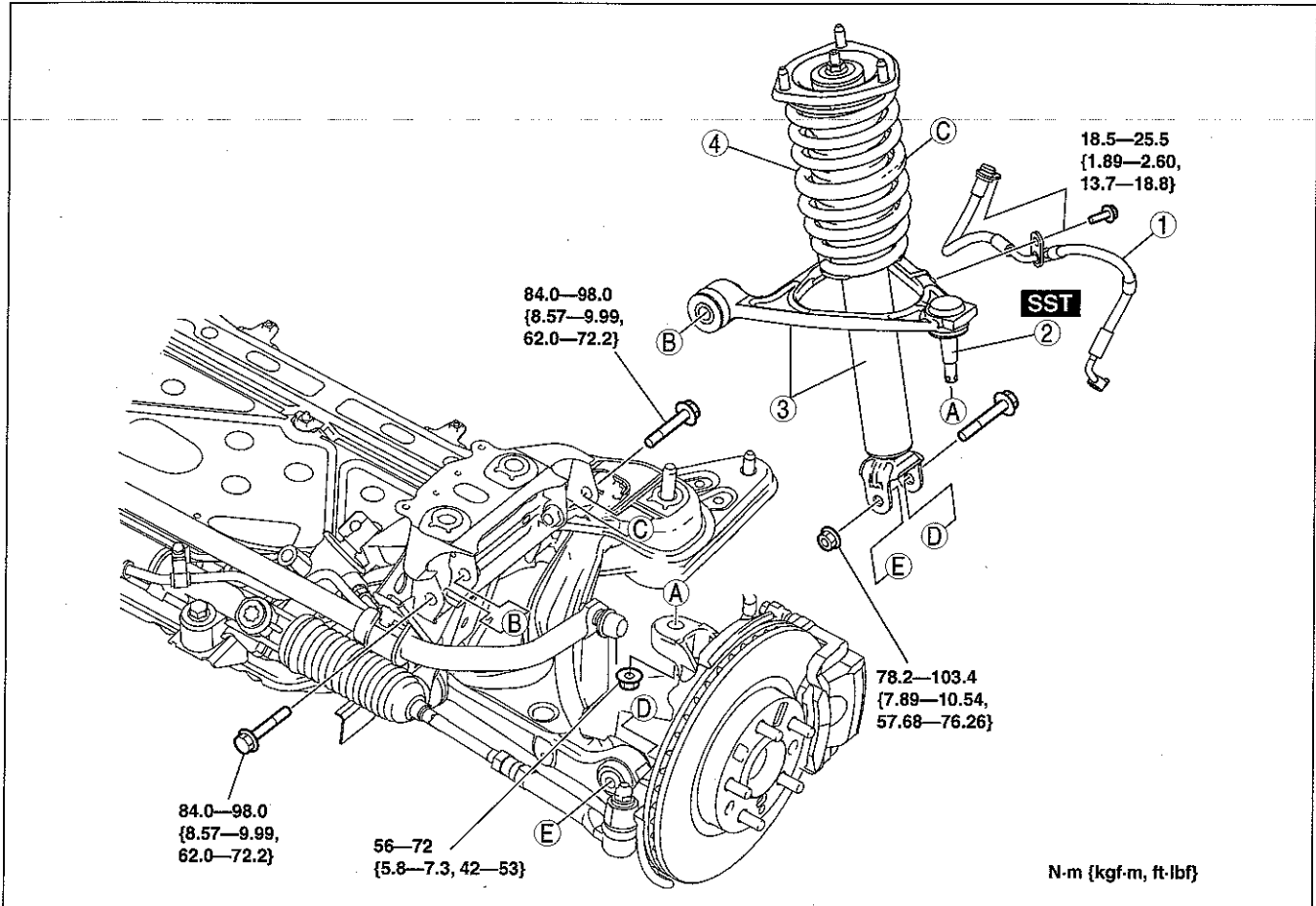
E5U021304910W01

Caution

- Performing the following procedures without first removing the ABS wheel-speed sensor may possibly cause an open circuit in the wiring harness if it is pulled by mistake. Before performing the following procedures, remove the ABS wheel-speed sensor (axle side) and fix it to an appropriate place where the sensor will not be pulled while servicing the vehicle.

- Remove the front suspension tower bar. (See 02-13-18 FRONT SUSPENSION TOWER BAR REMOVAL/INSTALLATION.)
- Remove in the order indicated in the table.
- Install in the reverse order of removal.
- Inspect the front wheel alignment, and adjust it if necessary. (See 02-11-2 FRONT WHEEL ALIGNMENT.)

02-13



E5U213ZW5002

1	Brake hose bracket
2	Front upper arm ball joint (See 02-13-7 Front Upper Arm Ball Joint Removal Note.)

3	Front shock absorber, coil spring and front upper arm
4	Front shock absorber and coil spring