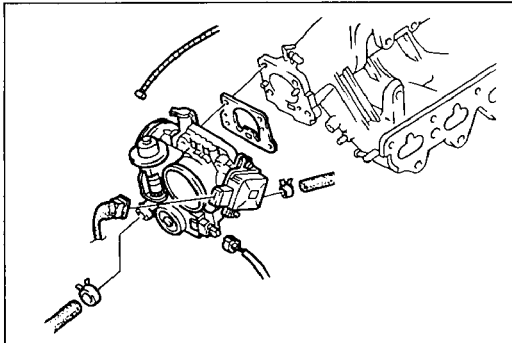
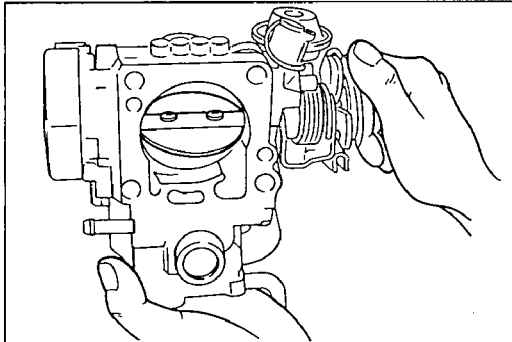


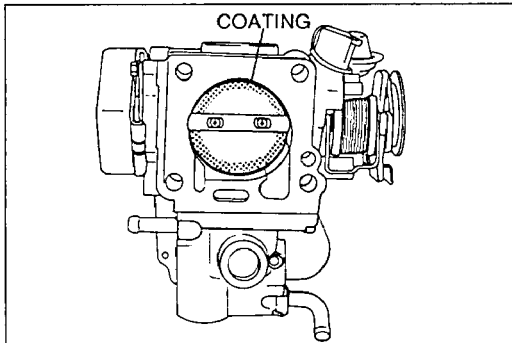
15U0FX-043



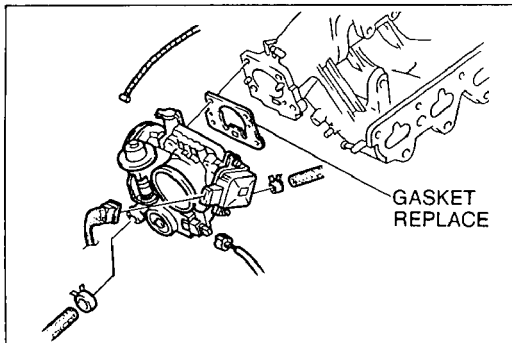
05U0FX-108



05U0FX-109



05U0FX-110



05U0FX-111

## THROTTLE BODY

### Caution

- Obtain the code number and deactivate the audio anti-theft system before disconnecting the battery. (Refer to page T-115.)

### Removal

1. Remove the negative battery terminal.
2. Remove the air pipe.
3. Remove the accelerator cable from the throttle lever.

### Note

- Before disconnecting the water hoses, drain the engine coolant.

4. Disconnect the water hoses.
5. Disconnect the connectors for the ISC valve and the throttle sensor.
6. Remove the throttle body.

### Inspection

1. Verify that the throttle valve is fully closed.
2. Verify that the throttle valve moves smoothly when the throttle lever is moved from fully closed to fully open.
3. Replace the throttle body if necessary.

### Caution

- Do not remove the thin seal coating from the throttle valve or bore.

### Installation

Install in the reverse order of removal.

### Note

- Use a new mounting gasket.

### Tightening torque:

19—25 N·m (1.9—2.6 m·kg, 14—19 ft·lb)