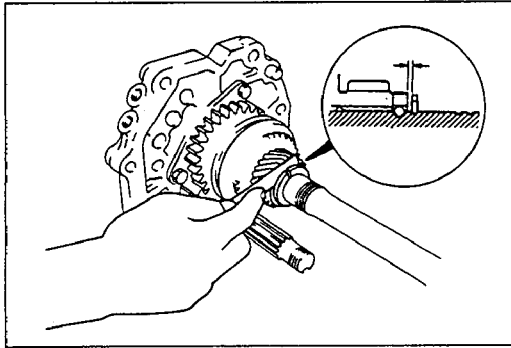
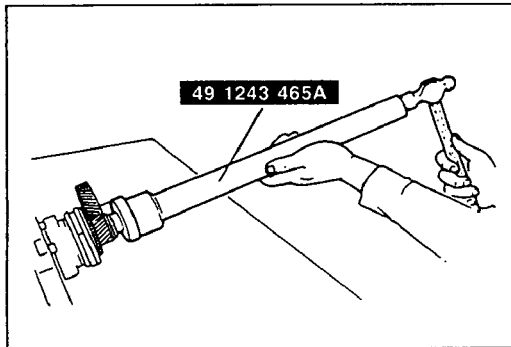


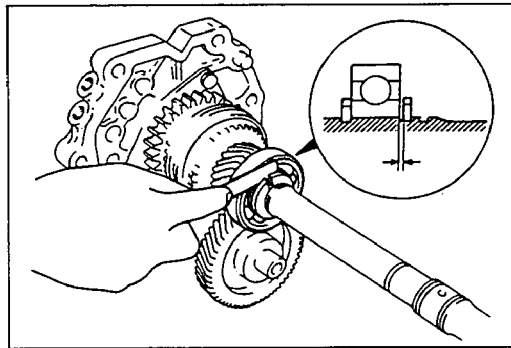
15U0JX-002



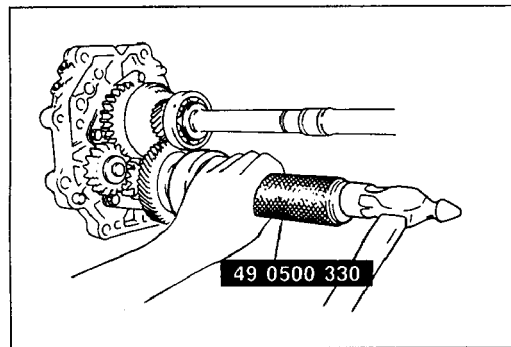
15U0JX-003



15U0JX-004



15U0JX-005



97U0J1-064

### Thrust lock washer

1. Install the synchronizer ring and 5th gear.
2. Insert the steel ball and thrust lock washer.
3. Install only the two 3.0mm (0.118 in) thick C-washers in the front mainshaft groove and hold them with the retaining ring.

#### Note

- If the C-washers are not pushed fully forward in the mainshaft groove the measurement will be incorrect.

4. While pushing the C-washers forward, measure the clearance between the thrust lock washer and C-washers. If the clearance is not as specified select the proper thrust lock washer.

**Standard play: 0.1—0.3mm (0.004—0.012 in)**

**Thrust lock washer thickness:**

6.2mm (0.244 in), 6.4mm (0.252 in),  
6.5mm (0.256 in), 6.6mm (0.260 in)

### Mainshaft Rear Bearing

1. Drive on the mainshaft rear bearing using the **SST**, fully seating it against the front C-washers.
2. Install the original C-washers and hold them with the retaining ring.

#### Note

- If the C-washers will not fit into the rear mainshaft groove, select the proper thickness C-washers. Ensure both C-washers at this position are the same thickness.

3. Measure the clearance between the C-washers and mainshaft rear bearing. If the clearance is not as specified, select the proper C-washers.

**Standard play: 0—0.1mm (0—0.004 in)**

**C-washer thickness:**

2.9mm (0.114 in), 3.0mm (0.118 in),  
3.1mm (0.122 in), 3.2mm (0.126 in)

### Countershaft rear bearing

Drive the countershaft rear bearing onto the countershaft with the **SST**.