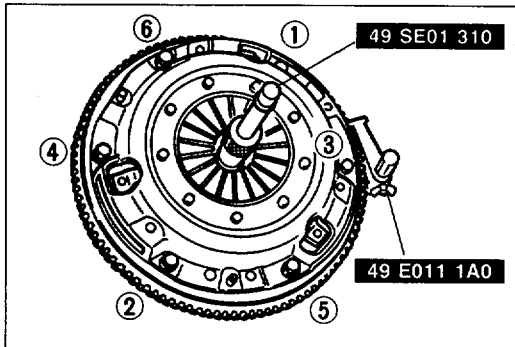
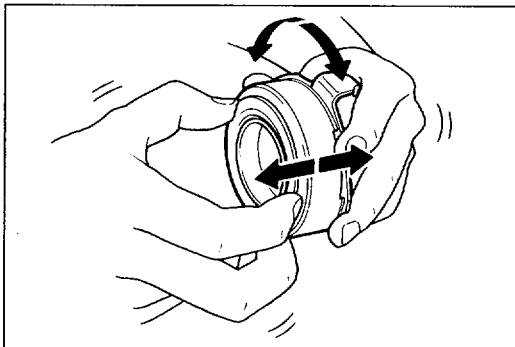


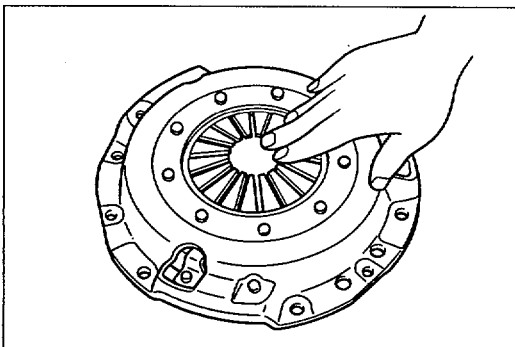
05U0HX-029



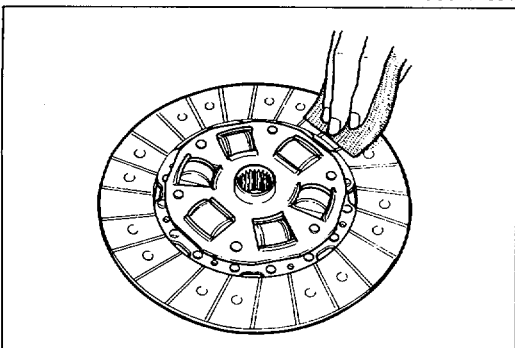
25U0HX-006



9MU0HX-040



05U0HX-031



05U0HX-032

Clutch disc

1. Clean the clutch disc splines and main drive gear splines, and apply Mori White TA No.2 or equivalent organic molybdenum grease.
2. Hold the clutch disc in position with the **SST**.

Clutch cover

1. Hold the flywheel with the **SST** or equivalent.
2. Align the dowel holes with the flywheel dowels.
3. Tighten the bolts evenly and gradually in the pattern shown.

Tightening torque:

18—26 Nm (1.8—2.7 m-kg, 13—20 ft-lb)

RELEASE BEARING

INSPECTION

Note

- The clutch release bearing is a sealed bearing and must not be washed in solvent.

Turn the bearing while applying force in the axial direction. If the bearing sticks or has excessive resistance, replace it.

CLUTCH COVER

INSPECTION

Note

- Minor scoring or burning should be removed with emery paper.

1. Inspect the contact surface of the clutch disc for scoring, cracks, and burning. Repair or replace as necessary.
2. Inspect the contact surface of the clutch release bearing for wear and cracks.
3. If there is wear or cracks, replace the clutch cover.

CLUTCH DISC

INSPECTION

Note

- Use sandpaper if the trouble is minor.

1. Inspect the lining surface for burning and oil contamination. Replace the clutch disc if it is badly burned or oil soaked.
2. Inspect for loose facing rivets or torsion rubbers. Replace the clutch disc if any are loose.