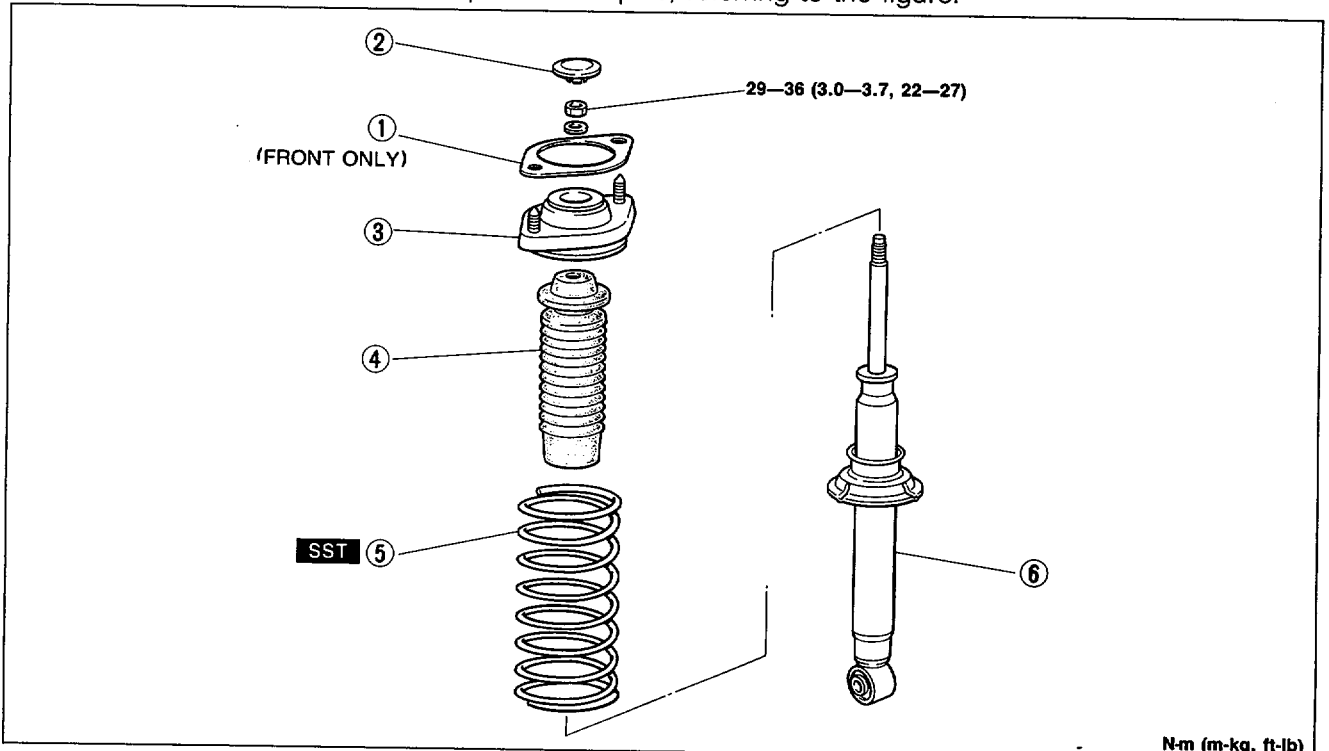


Disassembly / Inspection / Assembly

1. Disassemble in the order shown in the figure, referring to **Disassembly Note**.
2. Inspect all parts and repair or replace as necessary.
3. Assemble in the reverse order of disassembly, referring to **Assembly Note**.
4. Tighten all nuts and bolts to the specified torques, referring to the figure.

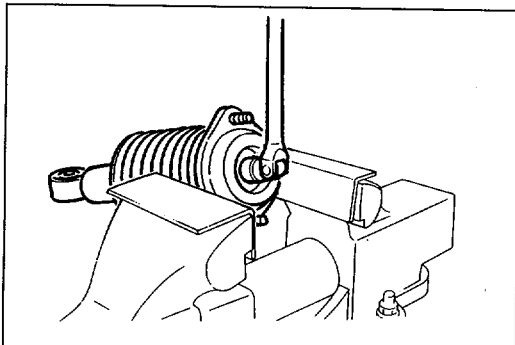


N·m (m·kg, ft·lb)

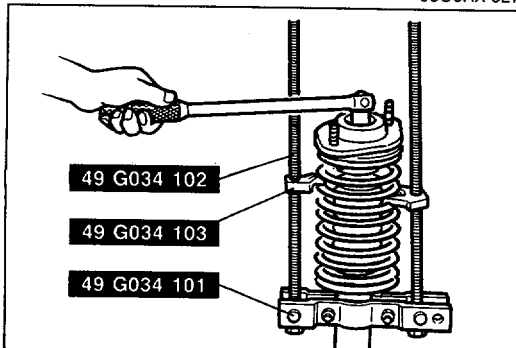
15U0RX-010

1. Sheet (front only)
2. Cap
3. Mounting plate
4. Bound stopper
Inspect for damage

5. Coil spring
Disassembly Note page R-13
Assembly Note page R-14
6. Shock absorber
Inspect for oil leakage and abnormal noise



05U0RX-027



05U0RX-028

Disassembly note Coil spring

Caution

- Do not remove the nut.
- Use copper or aluminum plates in the jaws of the vise.

1. Loosen the piston rod upper nut several turns, but do not remove the nut.
2. Assemble the **SST**.
3. Compress the coil spring with the **SST**, and remove the upper nut.
4. Remove the coil spring.