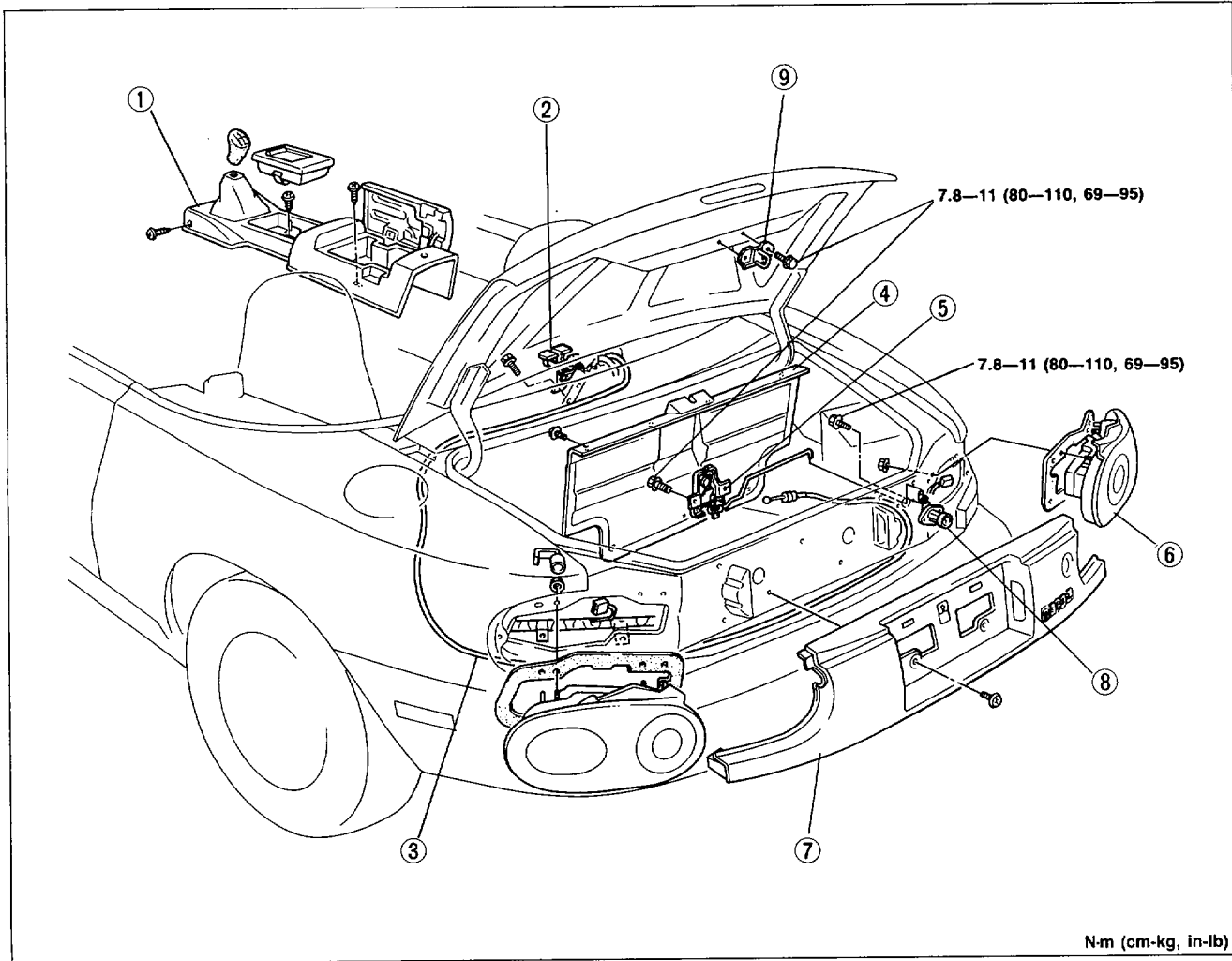


TRUNK LID LOCK AND OPENER

COMPONENTS

Removal / Installation

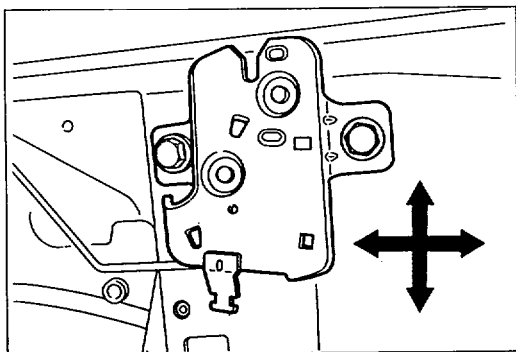
1. Remove in the order shown in the figure.
2. Install in the reverse order of removal.



25U0SX-031

- 1. Rear console
Removal / Installation page S-52
- 2. Opener lever
- 3. Opener cable
- 4. Trunk end trim
- 5. Trunk lid lock assembly
Adjustment below

- 6. Rear combination light
Removal..... Section T
- 7. Rear finisher
Removal Note..... page S-28
- 8. Key cylinder
- 9. Striker



05U0SX-024

Adjustment

Trunk lid lock assembly

Verify that the trunk lid can be closed easily and whether there is any looseness. If necessary, loosen the lock assembly mounting bolts and adjust the lock assembly.