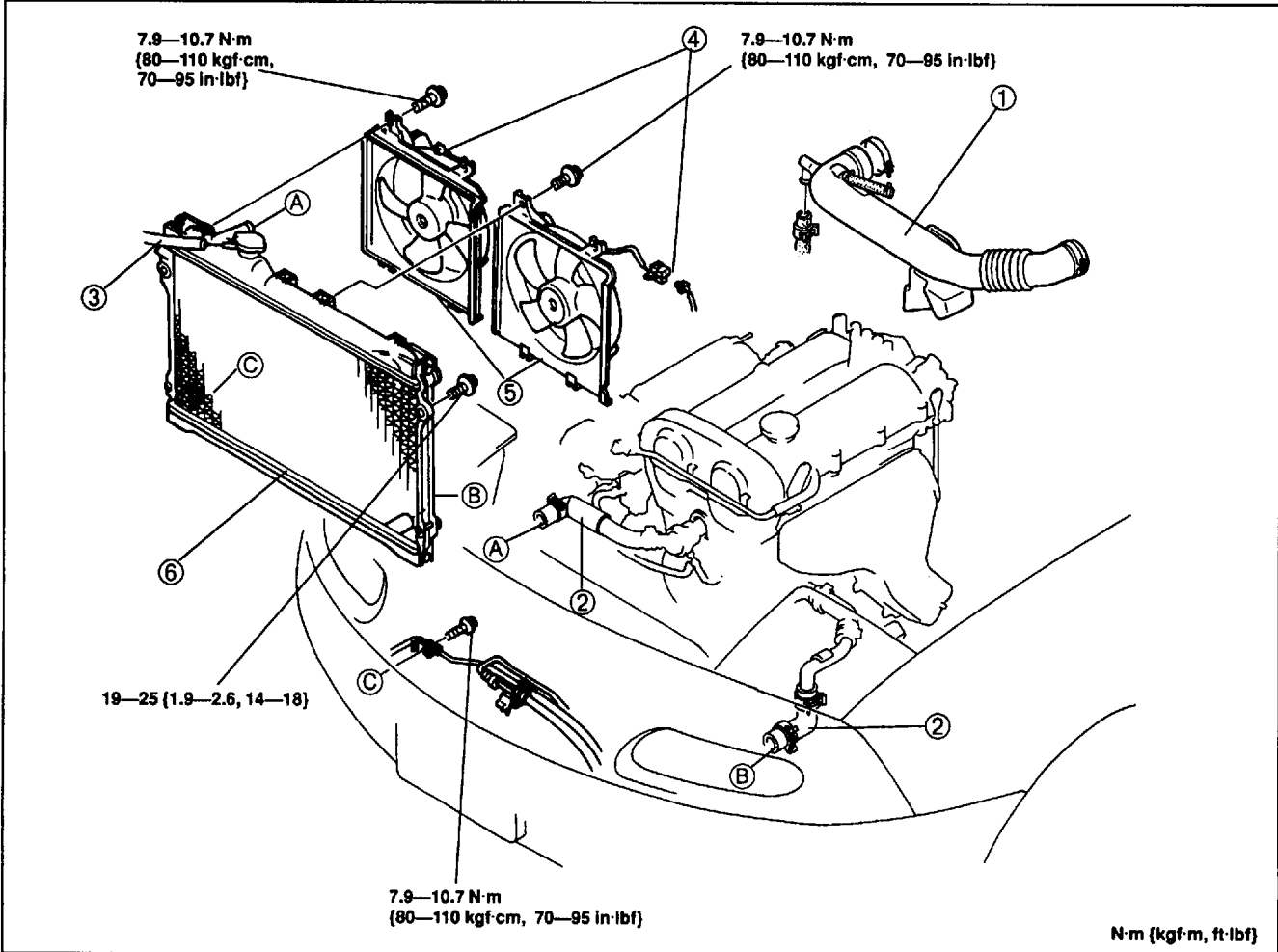


RADIATOR

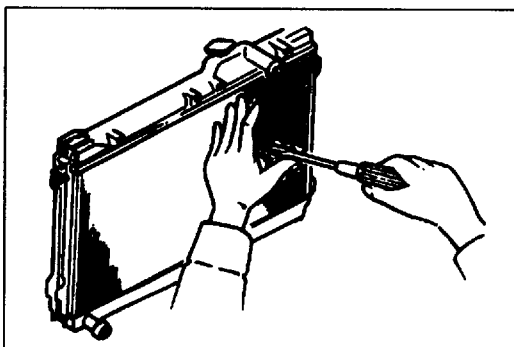
REMOVAL / INSTALLATION

1. Disconnect the negative battery cable.
2. Drain the engine coolant. (Refer to page E-5 for **WARNING** and procedure.)
3. Remove the undercover.
4. Remove in the order shown in the figure.
5. Install in the reverse order of removal.



45U0EX-019

- | | |
|----------------------------------------------------------------------------------------------------------------------------------------------------------------------------------------------------------|------------------------------------------------------------------------------------------------------------------------------------|
| <ol style="list-style-type: none"> 1. Air intake pipe 2. Radiator hose 3. Coolant reservoir hose 4. Coolant fan motor connector, condenser fan motor connector | <ol style="list-style-type: none"> 5. Coolant fan, condenser fan 6. Radiator <p>Inspection below</p> |
|----------------------------------------------------------------------------------------------------------------------------------------------------------------------------------------------------------|------------------------------------------------------------------------------------------------------------------------------------|



45U0EX-015

INSPECTION

Check for the following and repair or replace as necessary.

1. Cracks, damage, and water leakage.
2. Bent fins (repair with a screwdriver).
3. Distorted or bent radiator inlet.

Steps After Installation

1. Install the undercover.
2. Connect the negative battery cable.
3. Fill the radiator with coolant. (Refer to page E-6 for **WARNING** and procedure.)