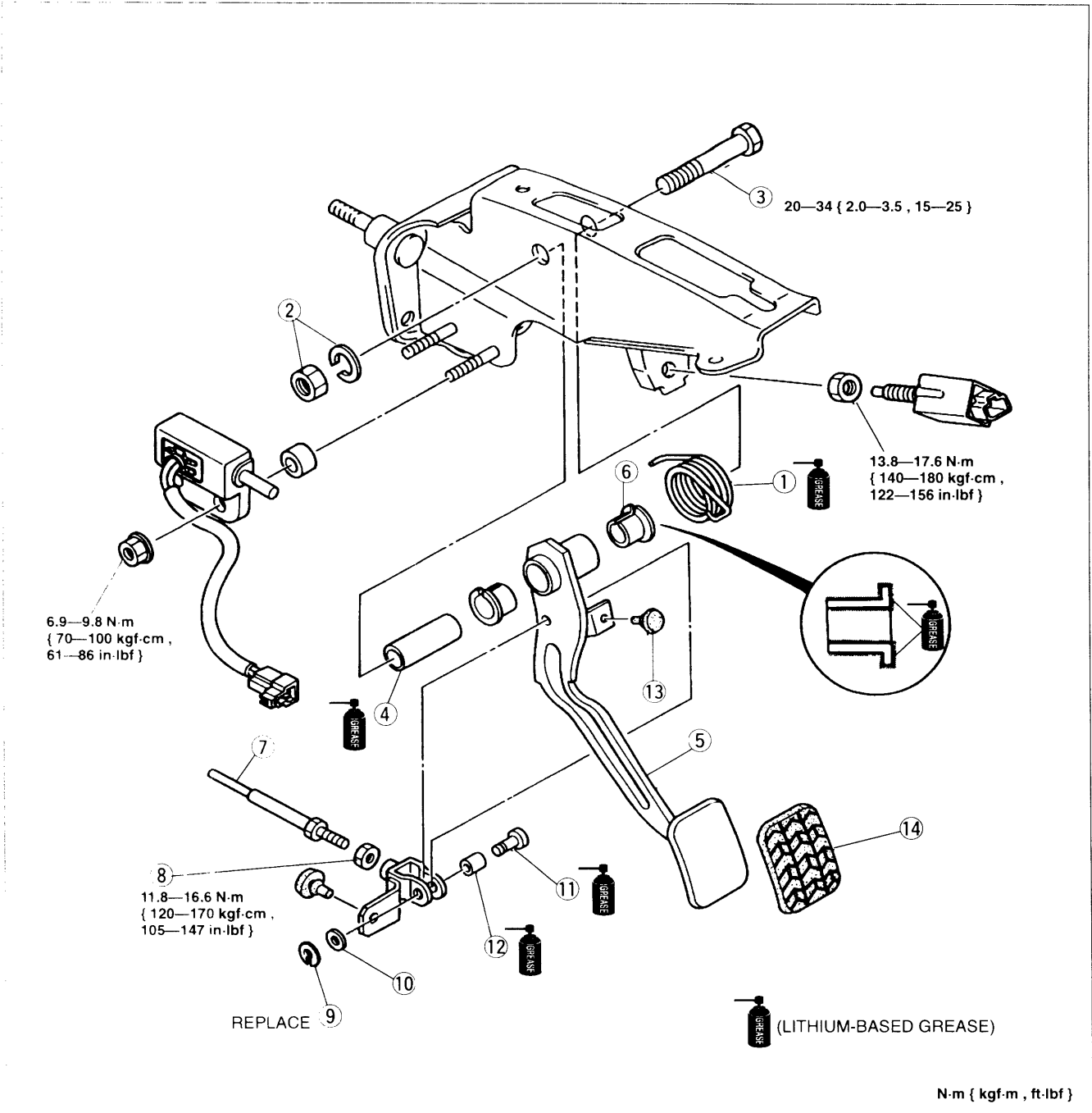


REMOVAL / INSPECTION / INSTALLATION

1. Remove in the order shown in the figure, referring to **Removal Note**.
2. Install in the reverse order of removal, referring to **Installation Note**.



- | | |
|--------------------------------------|-----------------|
| 1. Spring | 7. Push rod |
| Removal Note page H-7 | 8. Nut |
| Installation Note page H-7 | 9. Clip |
| 2. Nut and lock washer | 10. Wave washer |
| 3. Bolt | 11. Pin |
| 4. Spacer | 12. Spacer |
| 5. Clutch pedal | 13. Stop |
| 6. Bushing | 14. Pedal pad |