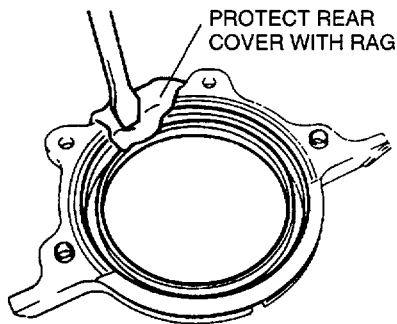


Rear oil seal disassembly note

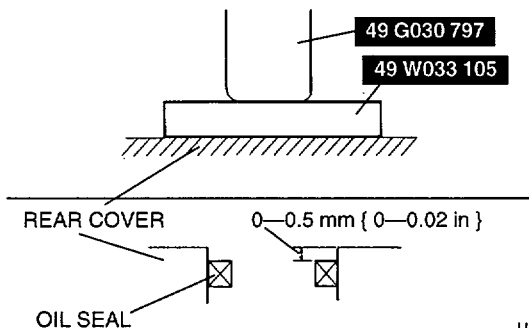
- Remove the oil seal by using a screwdriver protected with a rag.



U5U11094

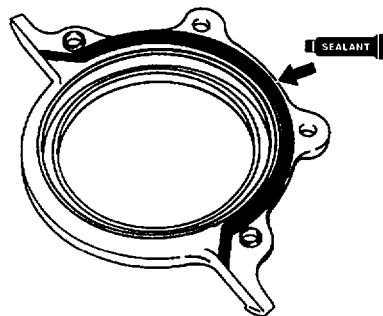
Rear cover assembly note

- Apply clean engine oil to the new oil seal.
- Install the oil seal into rear cover by hand.
- Tap the oil seal in evenly by using the SST and a hammer.



U5U11095

- Apply silicone sealant to the shaded area shown.



U5U11096

- Install the rear cover.

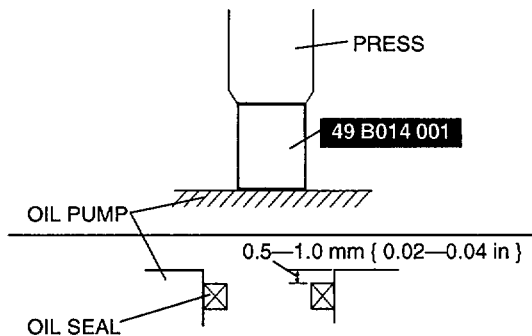
Tightening torque

7.9—10.7 N·m { 80—110 kgf·cm , 70—95 in·lbf }

- Cut away the portion of the silicone sealant that project from the rear cover toward the oil pan side.

Oil pump assembly note

- Apply clean engine oil to the new oil seal.
- Install the oil seal into the oil pump body by hand.
- Press the oil seal into the oil pump body by using the SST.

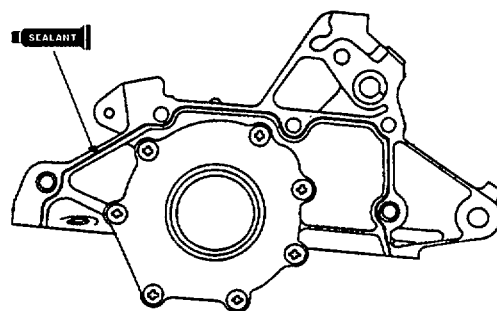


U5U11097

- Apply silicone sealant to the oil pump as shown.

Thickness

ϕ 1—2 mm { 0.040—0.078 in }



U5U11098

- Install the oil pump within five minutes of applying the sealant.

Tightening torque

19—25 N·m { 1.9—2.6 kgf·m , 14—18 ft·lbf }

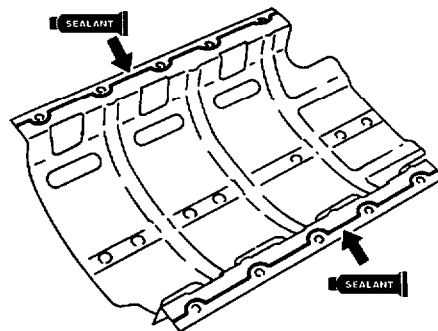
- Cut away the portion of the silicone sealant that project from the body toward the oil pan side.

Oil baffle assembly note

- Remove all foreign material from the contact surfaces.
- Apply silicone sealant to the oil baffle along the inside of the bolt holes, and install within five minutes.

Thickness

ϕ 2.5—3.5 mm { 0.099—0.137 in }



U5U110A0