

# MANUAL TRANSMISSION

1	Oil seal ☞ Assembly Note
2	Snap ring
3	Steel ball
4	Speedometer drive gear
5	Snap ring
6	Transmission case
7	Extension housing ☞ Assembly Note
8	Main drive gear bearing ☞ Assembly Note
9	Snap ring
10	Countershaft front bearing ☞ Assembly Note
11	Snap ring
12	Adjustment shim ☞ Assembly Note
13	Gasket
14	Front cover
15	Speedometer driven gear
16	Neutral switch
17	Back-up light switch
18	Boot
19	Clutch release fork ☞ Assembly Note
20	Clutch release collar ☞ Assembly Note

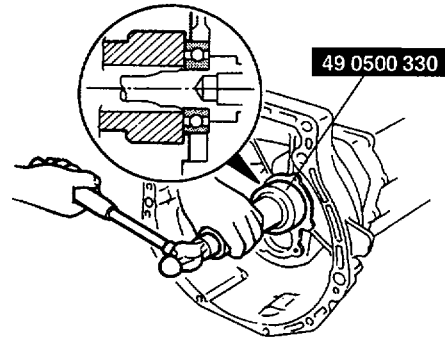
- Align the inner shift lever and shift rod end groove, and install the extension housing.
- Apply sealant to the bolt threads, and install the bolts.

### Tightening torque

18—26 N·m { 1.8—2.7 kgf·m , 14—19 ft·lbf }

### Main Drive Gear Bearing Assembly Note

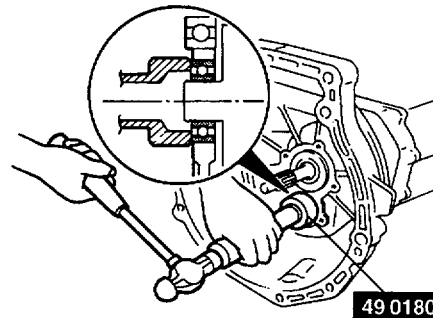
- Install the main drive gear bearing by using the SST, and secure it with a new snap ring.



U5U51128

### Countershaft Front Bearing Assembly Note

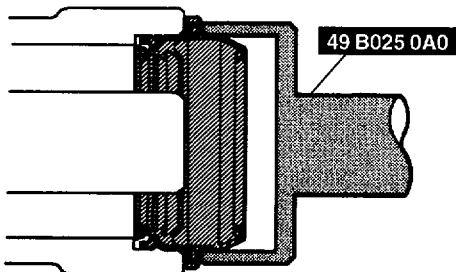
- Install the countershaft front bearing by using the SST, and secure it with a new snap ring.



U5U51129

### Oil Seal Assembly Note

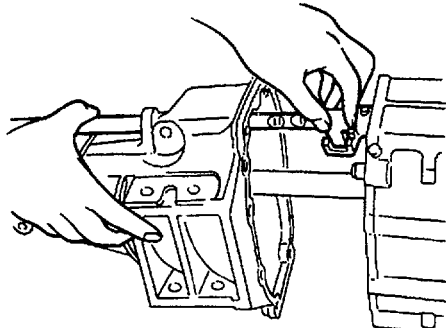
- Apply transmission oil to the outer periphery.
- Install a new oil seal with the SST.



U5U51126

### Extension Housing Assembly Note

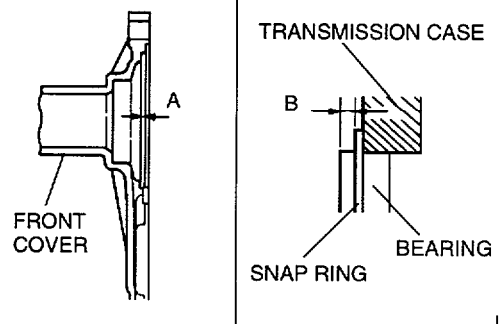
- Apply sealant to the contact surfaces of the bearing housing and transmission case.



U5U51127

### Adjustment Shim Assembly Note

- After measuring dimensions A and B shown in the figure, use the adjustment shim(s) of the thickness corresponding to the value of A minus B, so that bearing end play will be within the specification.



U5U51130