

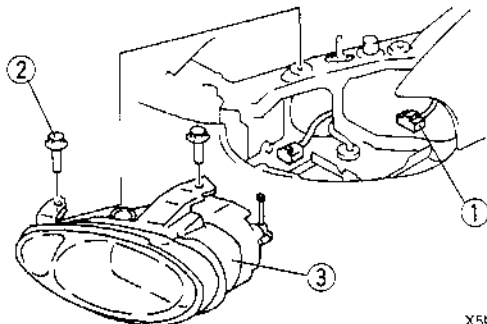
LIGHTING SYSTEM

FRONT COMBINATION LIGHT REMOVAL/INSTALLATION

X5U918W02

1. Disconnect the negative battery cable.
2. Remove the front bumper. (Refer to 09-10 FRONT BUMPER REMOVAL/INSTALLATION.)
3. Remove in the order indicated in the table.
4. Install in the reverse order of removal.
5. Adjust the headlight aiming. (Refer to 09-18 HEADLIGHT ADJUSTMENT.)

1	Front combination light connector
2	Bolt
3	Front combination light



X5U918WA1

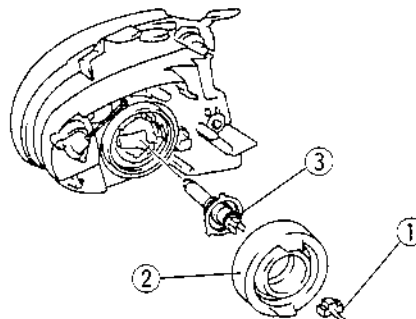
HEADLIGHT BULB REMOVAL/INSTALLATION

X5U918W03

Caution

- A halogen bulb generates extremely high heat when it is used. If the surface of the bulb is soiled, excessive heat will build up and the light's life will be shortened. When replacing the bulb, hold the metal flange, not the glass.

1. Disconnect the negative battery cable.
2. Remove in the order indicated in the table.
3. Install in the reverse order of removal.



X5U918WA2

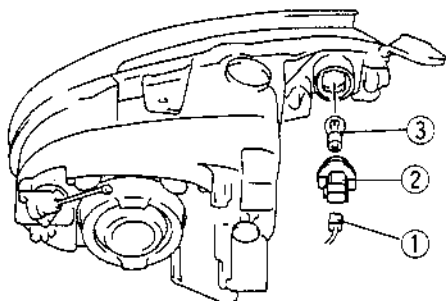
1	Headlight bulb connector
2	Cover
3	Headlight bulb

PARKING LIGHT/FRONT TURN LIGHT BULB REMOVAL/INSTALLATION

X5U918W05

1. Disconnect the negative battery cable.
2. Remove in the order indicated in the table.
3. Install in the reverse order of removal.

1	Parking light/front turn light bulb connector
2	Socket
3	Parking light/front turn light bulb



X5U918WA4