



SUSPENSION - REAR

STRUT ASSEMBLY

Removal & Disassembly

- 1) Raise vehicle and r
- Remove rear wheel assembly. Rem
- 2 upper strut mount-to-body nut
- upper and lower arm bolts. Lowe
- 2) Clamp strut securel
- spring. Remove lock nut and was
- note order for reassembly.

Inspection

Check strut for leaks
wear or damage. Check for loose
Replace parts as necessary.

Reassembly & Installat

To reassemble, reverse
reverse removal procedure. Ensu
and lower seats. Check rear whe
PROCEDURES article in the WHEEL

LOWER ARM

Removal

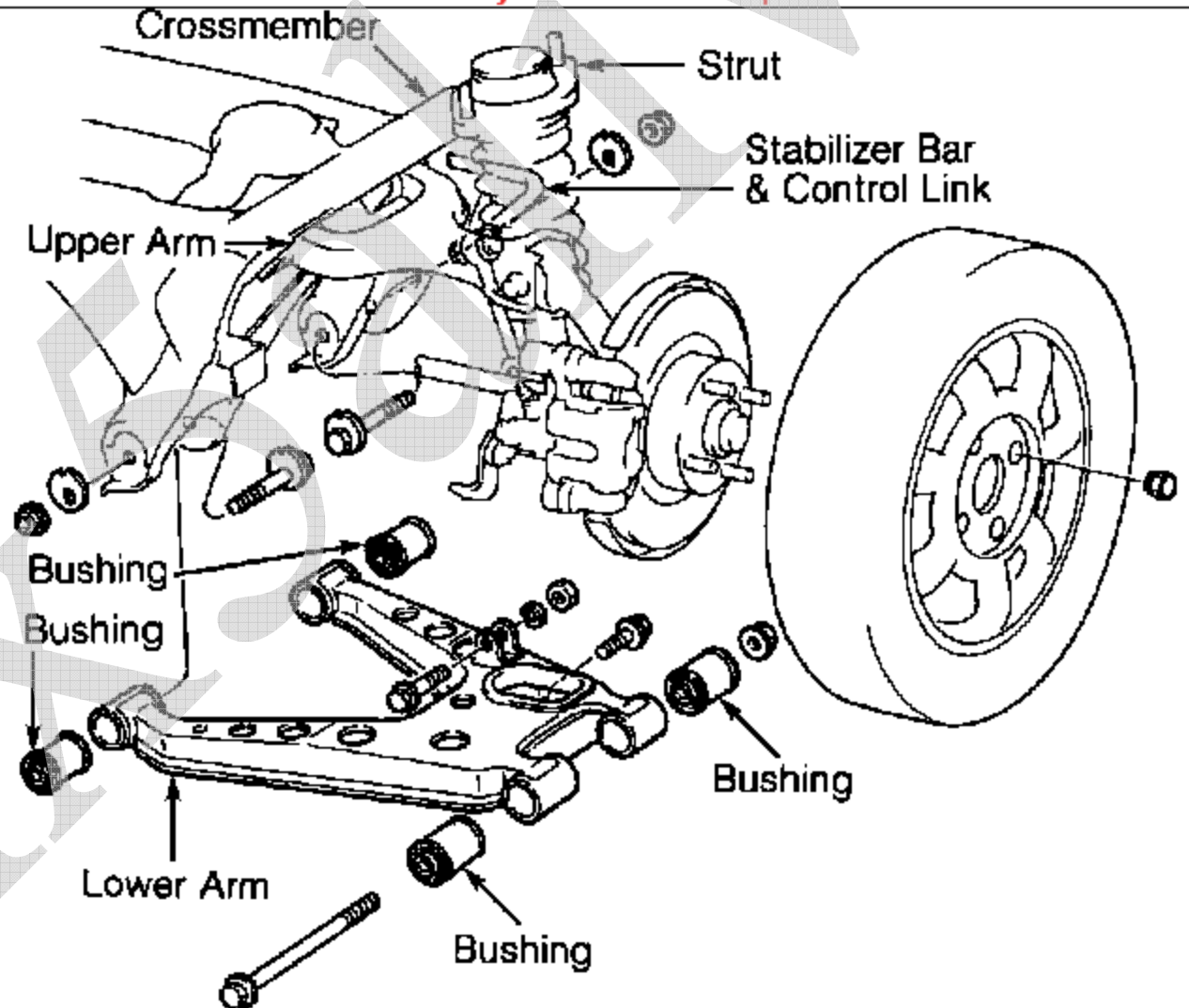
Raise and support vehi
stabilizer bar control link nut
strut bolt. Remove lower arm-to
to-knuckle bolts. Remove lower
deformation. Check for damaged

Fig. 1: Exploded View of Rear
Courtesy of Mazda Motors Corp.

Installation

To install, reverse re

Fig. 1: Exploded View of Rear Lower Arm Assembly
Courtesy of Mazda Motors Corp.



G92G01328