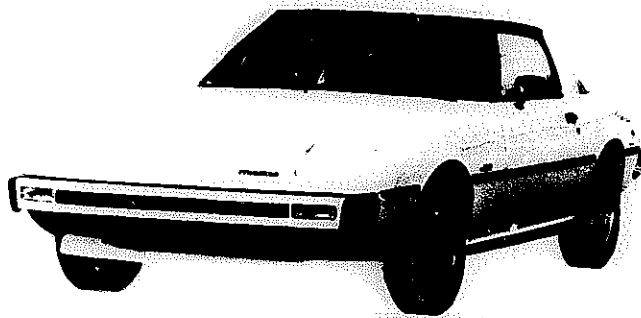


# Parts Catalog

RX-7 U.S.A. & Canada  
( '79 ▶ '80 )

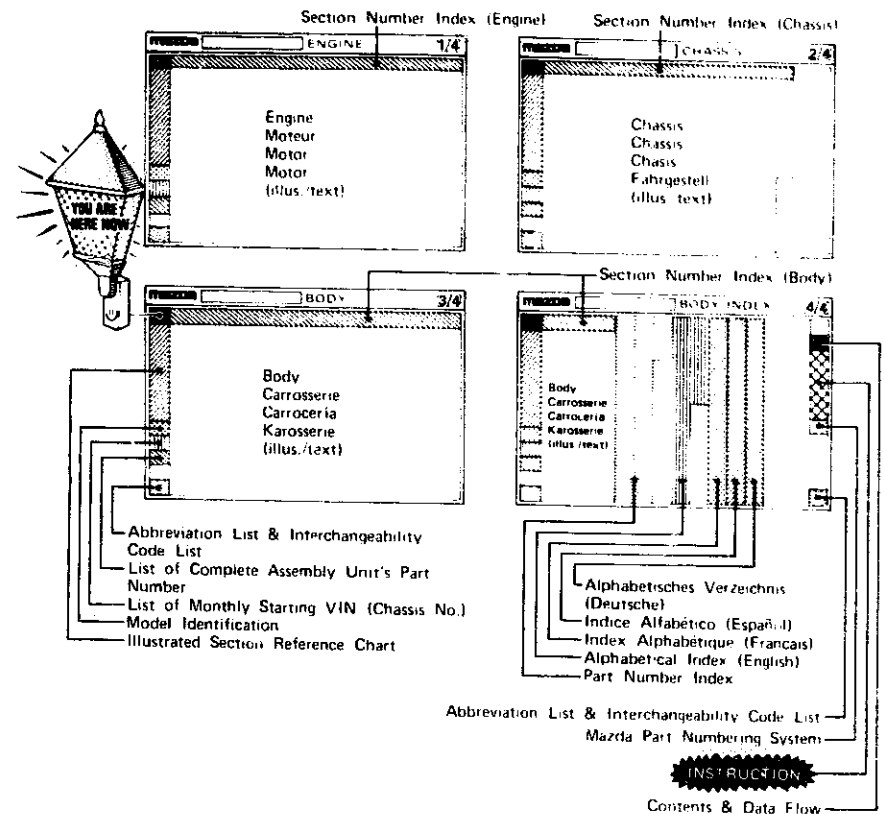


MAZDA MOTOR ENGINE CO. LTD. (MOTOR CO.)

SA22C-500001~650000

## CONTENTS

The following charts provide you with the general layout and contents location of Mazda parts catalogs, but some sections may vary slightly in detail.

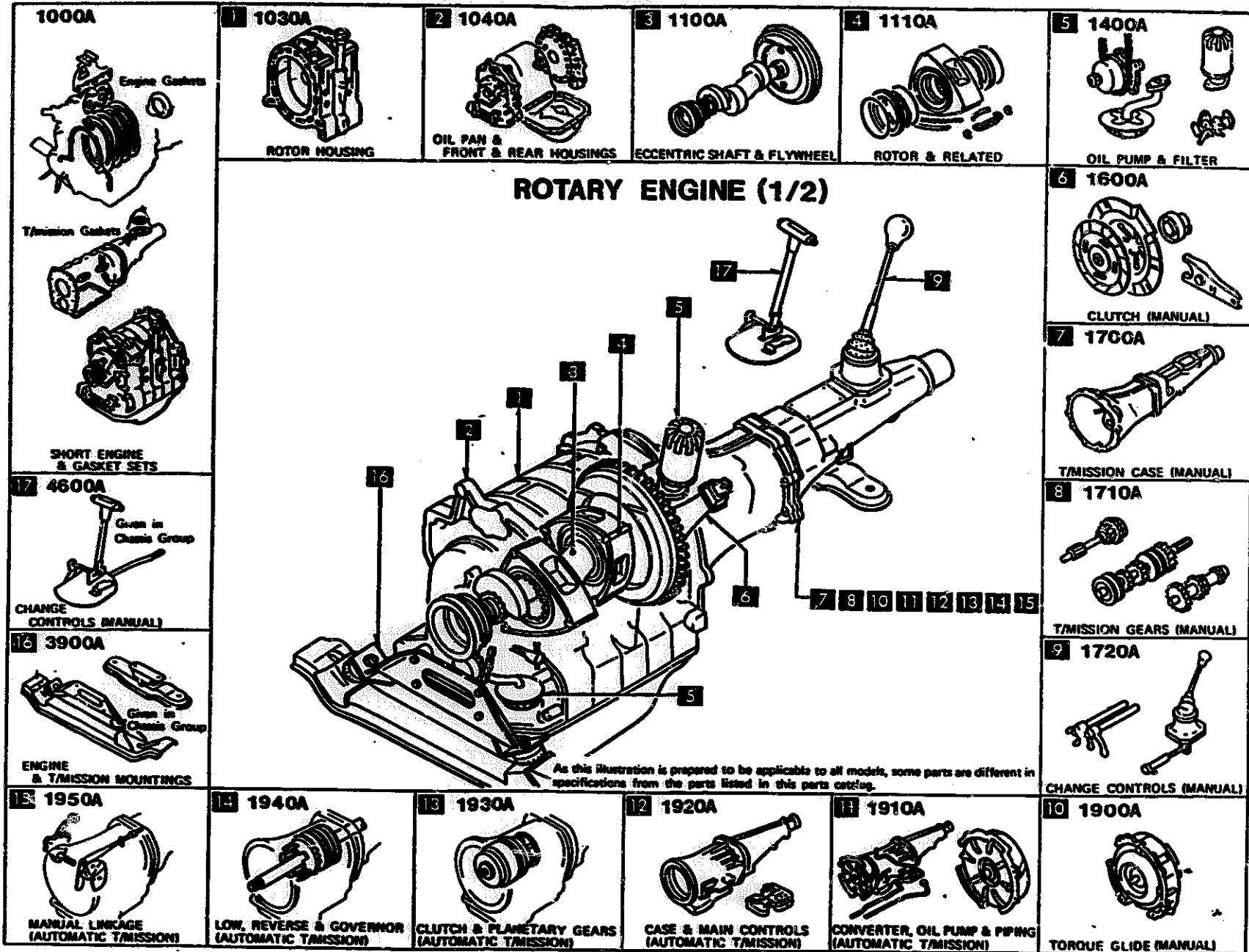


May '83 (FINAL)  
Catalog NO. 1111-MF-USAA-08







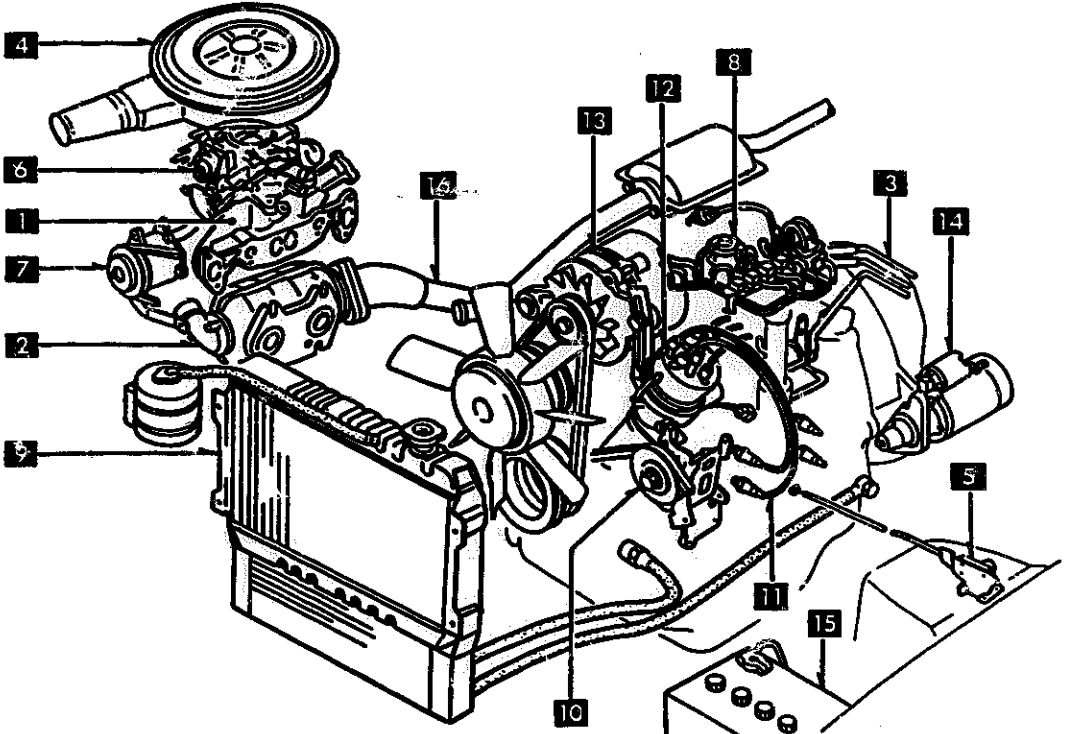


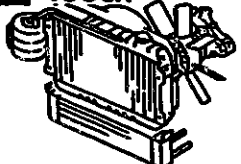
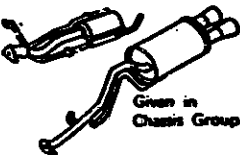
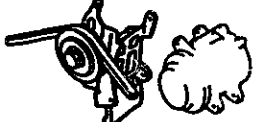
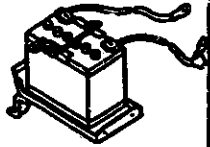




**mazda**  
© 1983 Toyo Kogyo Co., Ltd.

4 - B 1

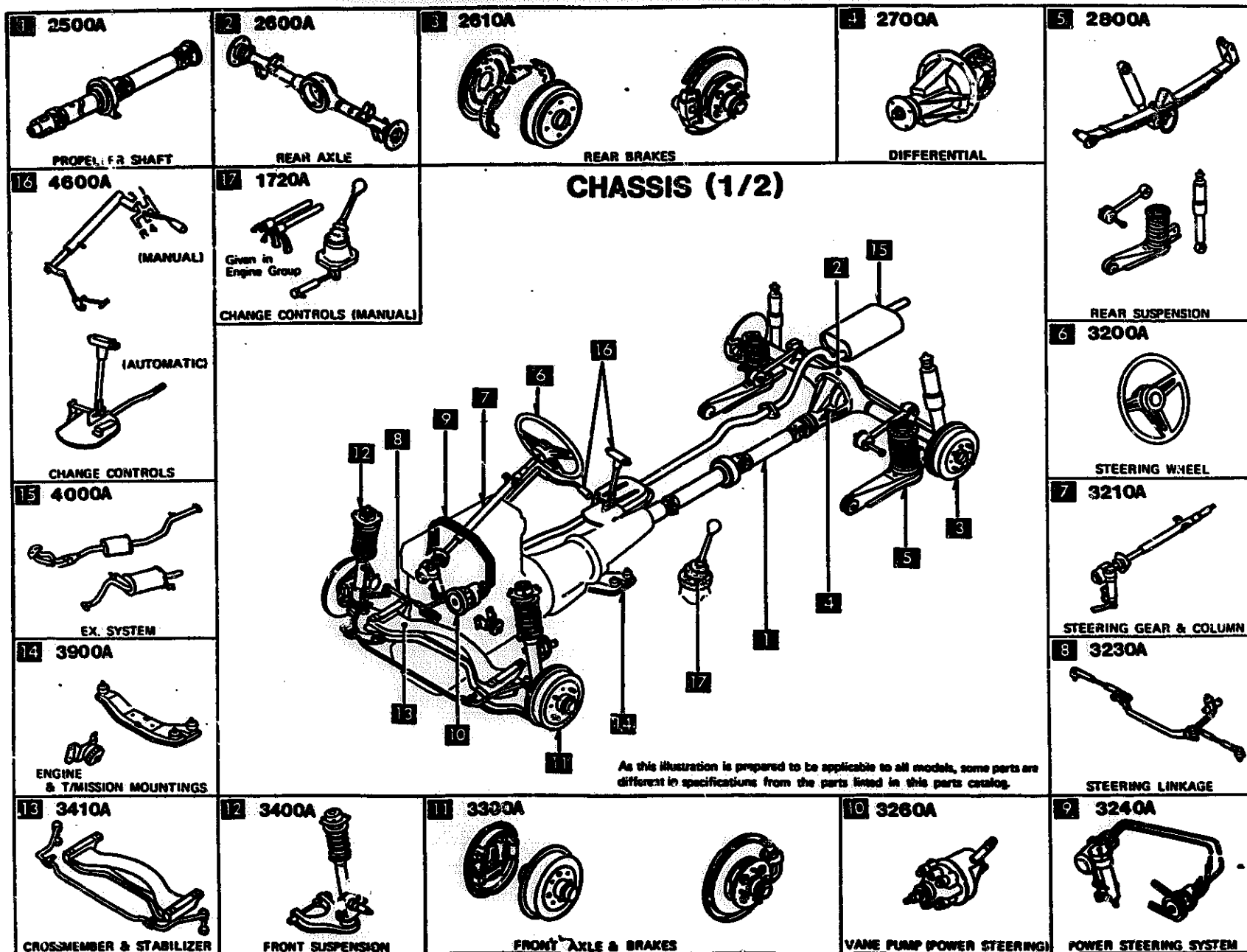
# ILLUSTRATED SECTION REFERENCE CHART



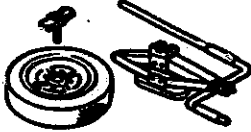


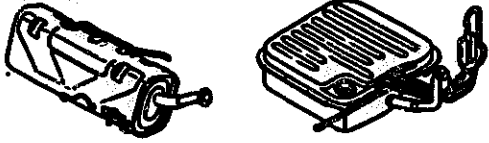

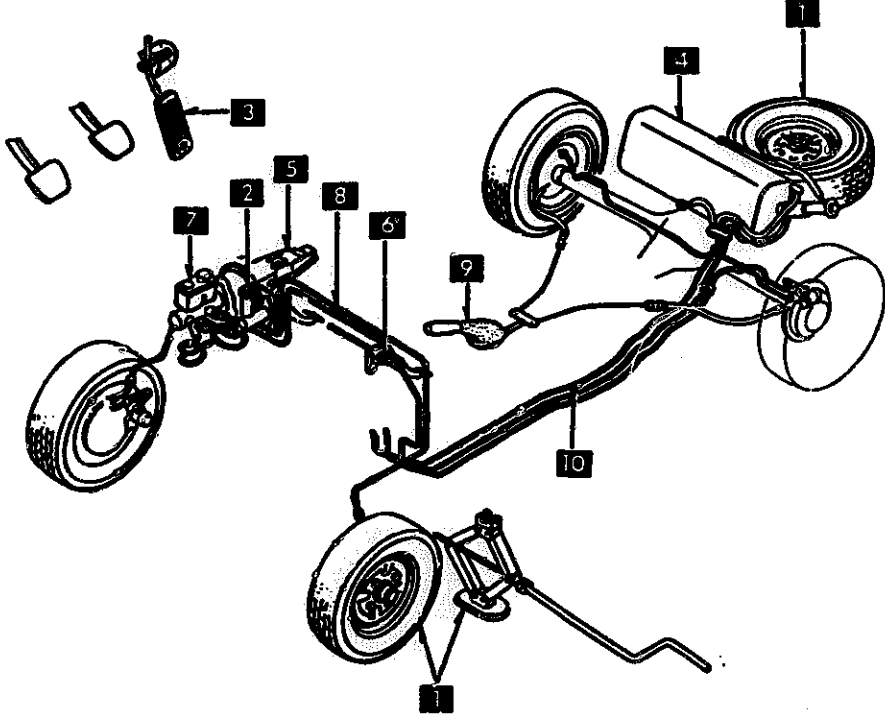
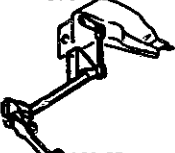
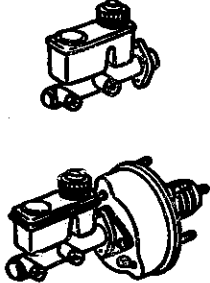



# ILLUSTRATED SECTION REFERENCE CHART

<b>1 1300A</b>  IN. MANIFOLD	<b>2 1310A</b>  THERMAL REACTOR	<b>3 1320A</b>  FUEL SYSTEM	<b>4 1330A</b>  AIR CLEANER	<b>5 1350A</b>  STARTING ASSIST SYSTEM	<b>6 1360A</b>  CARBURETOR		
<b>ROTARY ENGINE (2/2)</b>  <p>As this illustration is prepared to be applicable to all models, some parts are different in specifications from the parts listed in this parts catalog.</p>						<b>7 1371A</b>  EMISSION CONTROLS (AIR PUMP & CONTROL VALVE)	
						<b>8 1380A</b>  EMISSION CONTROLS (EX. SIDE)	
						<b>9 1500A</b>  COOLING SYSTEM	
<b>16 4000A</b>  Given in Chassis Group EX. SYSTEM							<b>10 1580A</b>  COMPRESSOR BRACKET, PULLEY & BELT (AIR CONDITIONER)
<b>15 1850A</b>  BATTERY & CABLES	<b>14 1840A</b>  STARTER	<b>13 1830A</b>  ALTERNATOR	<b>12 1820A</b>  DISTRIBUTOR	<b>11 1800A</b>  V Belt, Spark Plug, Ignition Coil, Regulator ELECTRICAL SYSTEM (ENGINE)			

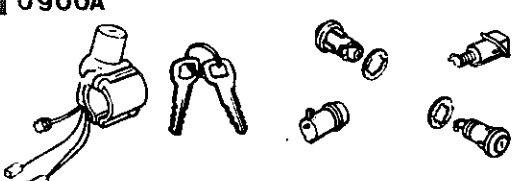
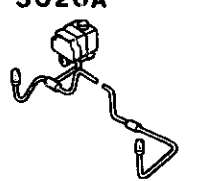
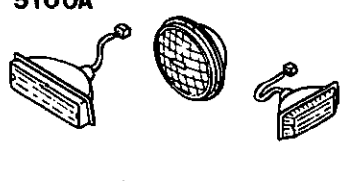

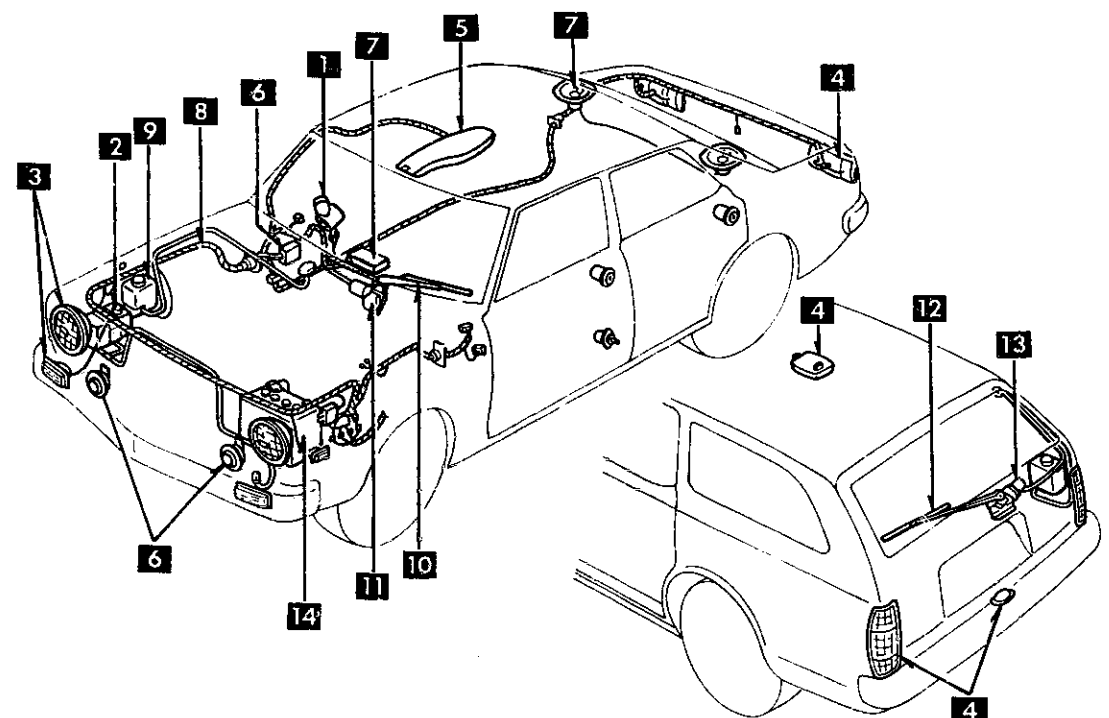
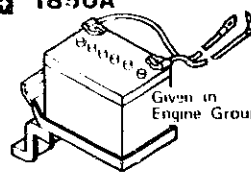
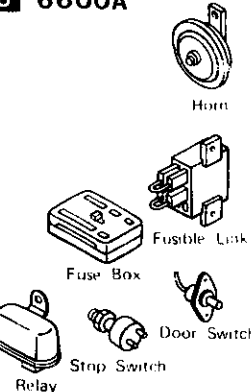
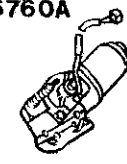
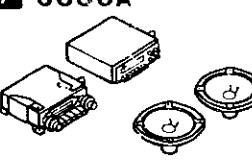
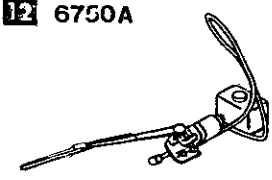
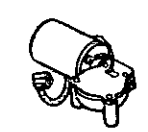
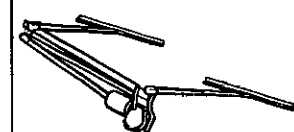
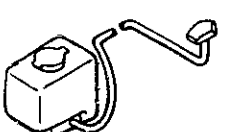
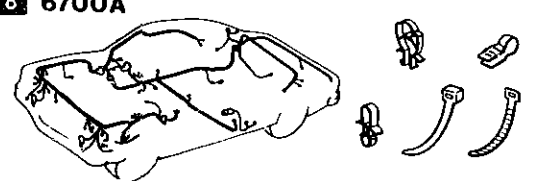
# ILLUSTRATED SECTION REFERENCE CHART



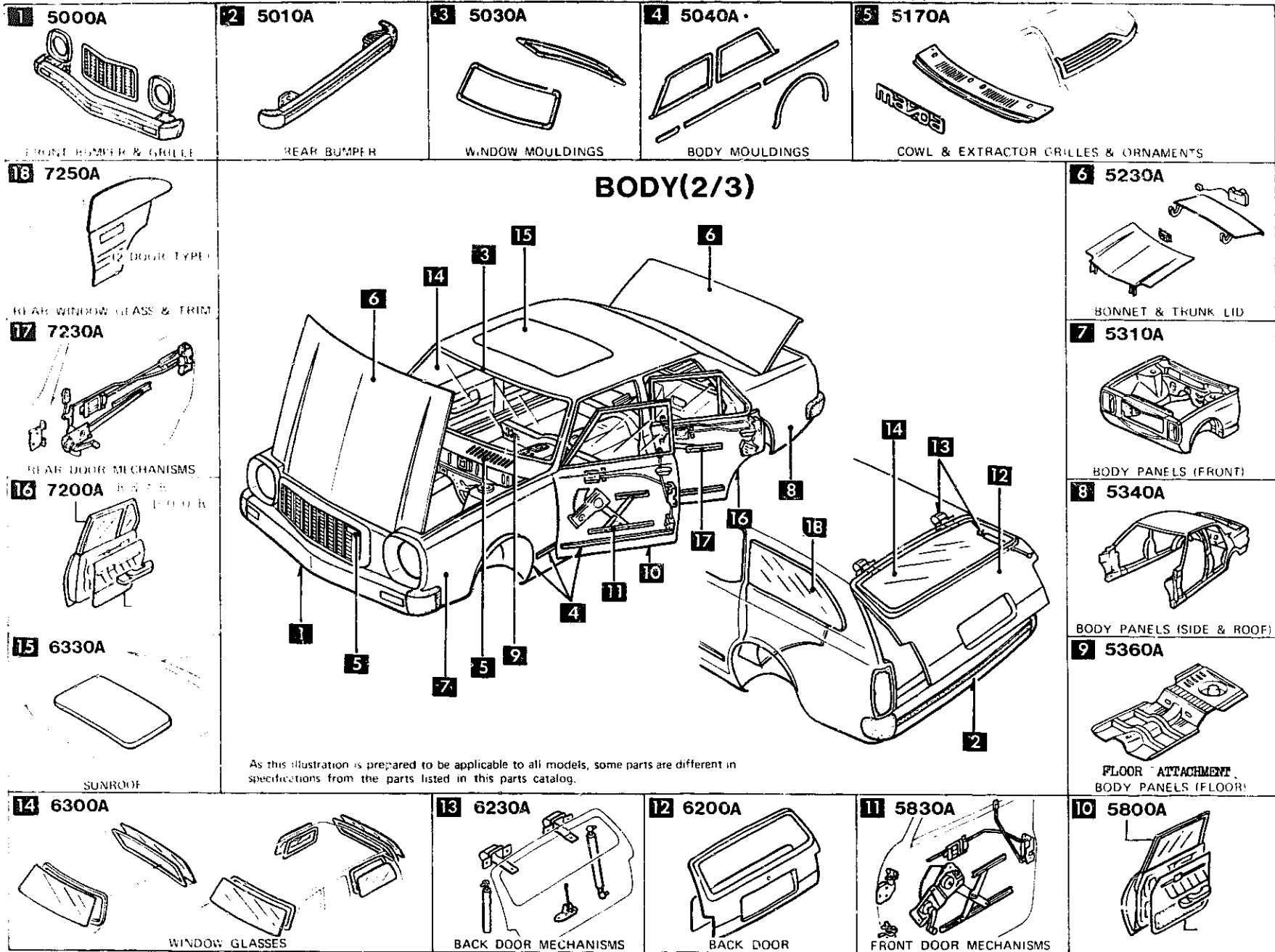
# ILLUSTRATED SECTION REFERENCE CHART

<p><b>1 3700A</b></p>  <p>TIRE &amp; JACK</p>	<p><b>2 4140A</b></p>  <p>CLUTCH RELEASE &amp; MASTER CYLINDERS</p>	<p><b>3 4160A</b></p>  <p>ACCELERATOR CONTROLS</p>	<p><b>4 4200A</b></p>  <p>FUEL TANK</p>	<p><b>5 4300A</b></p>  <p>CLUTCH &amp; BRAKE</p>
<p><b>CHASSIS (2/2)</b></p>  <p>As this illustration is prepared to be applicable to all models, some parts are different in specifications from the parts listed in this parts catalog.</p>				
<p><b>6 4310A</b></p>  <p>ASSIST BRAKE (FOR DRIVING SCHOOL)</p> <p><b>7 4340A</b></p>  <p>TANDEM MASTER CYL. &amp; VACUUM POWER ASSIST SYSTEM</p> <p><b>8 4360A</b></p>  <p>BRAKE PIPING</p> <p><b>10 4500A</b></p>  <p>FUEL &amp; EVAPORATION PIPINGS</p> <p><b>9 4400A</b></p>  <p>PARKING BRAKE SYSTEM</p>				

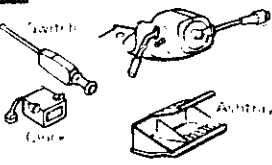
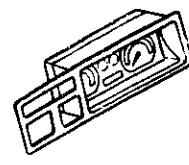
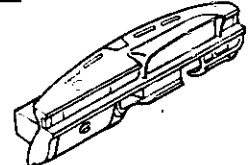
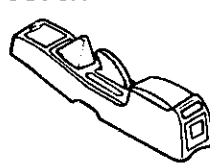
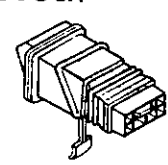
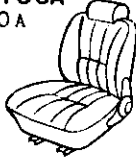
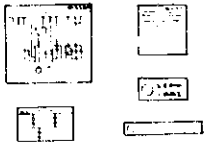
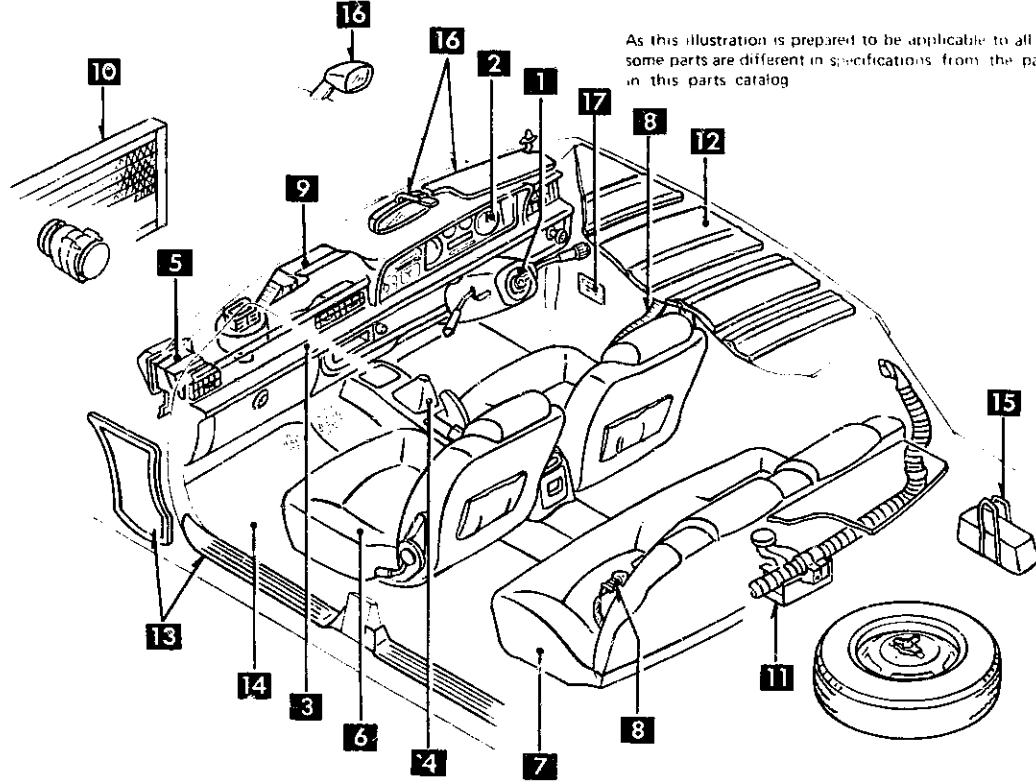
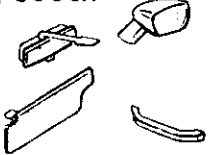
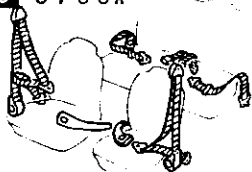
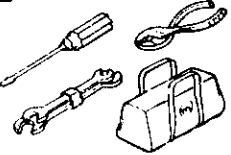
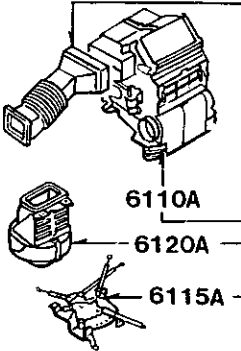
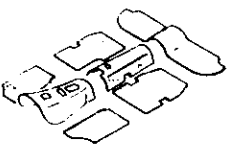
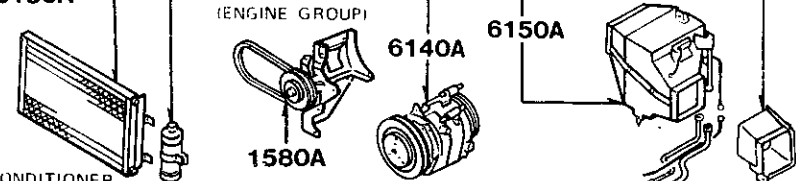
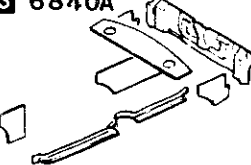
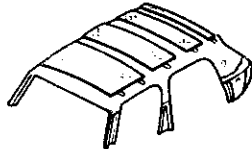
# ILLUSTRATED SECTION REFERENCE CHART

<p><b>1 0900A</b></p>  <p>KEY SETS</p>	<p><b>2 5020A</b></p>  <p>HEAD LAMP CLEANER</p>	<p><b>3 5100A</b></p>  <p>LAMPS (FRONT &amp; SIDE)</p>	<p><b>4 5110A</b></p>  <p>LAMPS (REAR &amp; INTERIOR)</p> <p>Interior Lamp Exterior Lamp</p>
<p><b>BODY(1/3)</b></p> 			
<p><b>14 1850A</b></p>  <p>BATTERY &amp; CABLES</p> <p>Given in Engine Group</p>		<p><b>6 6600A</b></p>  <p>Horn Fusible Link Fuse Box Door Switch Stop Switch Relay</p> <p>ELECTRIC EQUIPMENT (BODY)</p>	
<p><b>13 6760A</b></p>  <p>REAR WINDOW WIPER MOTOR (COMPONENTS ONLY)</p>	<p>As this illustration is prepared to be applicable to all models, some parts are different in specifications from the parts listed in this parts catalog.</p>	<p><b>7 6680A</b></p>  <p>RADIO &amp; STEREO SYSTEMS</p>	
<p><b>12 6750A</b></p>  <p>REAR WINDOW WIPER &amp; WASHER</p>	<p><b>11 6740A</b></p>  <p>WIPER MOTOR (COMPONENTS ONLY)</p>	<p><b>10 6730A</b></p>  <p>WINDSHIELD WIPER</p>	<p><b>9 6720A</b></p>  <p>WINDSHIELD WASHER</p>
<p><b>8 6700A</b></p>  <p>WIRE HARNESS &amp; CLAMPS</p>			

# ILLUSTRATED SECTION REFERENCE CHART



# ILLUSTRATED SECTION REFERENCE CHART

<b>1 5500A</b>  DASHBOARD EQUIPMENT	<b>2 5540A</b>  METERS	<b>3 5560A</b>  DASHBOARD & RELATED	<b>4 5570A</b>  CONSOLE	<b>5 5580A</b>  VENTILATOR	<b>6 5700A</b> 5710A  FRONT SEAT
<b>17 6930A</b>  CAUTION PLATES	<div style="text-align: center;"> <h2>BODY(3/3)</h2> <p>As this illustration is prepared to be applicable to all models, some parts are different in specifications from the parts listed in this parts catalog</p>  </div>				
<b>16 6900A</b>  VISOR, ASSIST HANDLE & MIRRORS					<b>8 5760A</b>  SEAT BELTS
<b>15 6870A</b>  SERVICE TOOLS					<b>9 6100A</b>  6110A 6120A 6115A HEATER
<b>14 6860A</b>  FLOOR MATS & PADS					<b>10 6130A</b> (ENGINE GROUP)  6140A 6150A 1580A
<b>13 6840A</b>  TRIM & SCUFF PLATE					<b>12 6800A</b>  CEILING TRIM



# MODEL IDENTIFICATION

This parts catalog has been compiled to cover the following models.

MAZDA RX-7, 1979 Year Model for U.S.A. and Canada (Manuf. From March 1978)

MAZDA RX-7, 1980 Year Model for U.S.A. and Canada (Manuf. From June 1979)

Model No.	Model/Type	Country			Roof Type		Engine (Rotary 12A)			Transmission			Model Year		V. I. N. (Chassis No.)	
		U.S.A. California	Federal	Canada	Sunroof	Std. Roof	(SUN)	(STD)	(12A)	(4S)	(5S)	(A/T)	Manual 4-Speed	Automatic 5-Speed		1979
8867	SA22C	CF				STD		12A	4S						●	SA22C-500001 ~ 568500
8868	SA22C-P	CF				STD		12A		5S					●	SA22C-500001 ~ 568500
8869	SA22C-T	CF				STD		12A			A/T				●	SA22C-500001 ~ 568500
8970	SA22C-RP	CF			SUN			12A		5S					●	SA22C-500001 ~ 568500
8971	SA22C-RT	CF			SUN			12A			A/T				●	SA22C-500001 ~ 568500
8870	SA22C		FD	CN		STD		12A	4S						●	SA22C-500001 ~ 568500
8871	SA22C-P		FD	CN		STD		12A		5S					●	SA22C-500001 ~ 568500
8872	SA22C-T		FD	CN		STD		12A			A/T				●	SA22C-500001 ~ 568500
8973	SA22C-RP		FD	CN	SUN			12A		5S					●	SA22C-500001 ~ 568500
8974	SA22C-RT		FD	CN	SUN			12A			A/T				●	SA22C-500001 ~ 568500
8343	SA22C	CF				STD		12A	4S						●	SA22C-568501 ~ 650000
8344	SA22C-P	CF				STD		12A		5S					●	SA22C-568501 ~ 650000
8345	SA22C-T	CF				STD		12A			A/T				●	SA22C-568501 ~ 650000
8348	SA22C-RP	CF			SUN			12A		5S					●	SA22C-568501 ~ 650000
8349	SA22C-RT	CF			SUN			12A			A/T				●	SA22C-568501 ~ 650000

Model No.	Model/Type	Country			Roof Type		Engine (Rotary 12A)			Transmission			Model Year		V. I. N. (Chassis No.)	
		U.S.A. California	Federal	Canada	Sunroof	Std. Roof	(SUN)	(STD)	(12A)	(4S)	(5S)	(A/T)	Manual 4-Speed	Automatic 5-Speed		1979
8340	SA22C		FD			STD		12A	4S						●	SA22C-568501 ~ 650000
8341	SA22C-P		FD			STD		12A		5S					●	SA22C-568501 ~ 650000
8342	SA22C-T		FD			STD		12A			A/T				●	SA22C-568501 ~ 650000
8346	SA22C-RP		FD		SUN			12A		5S					●	SA22C-568501 ~ 650000
8347	SA22-RT		FD		SUN			12A			A/T				●	SA22C-568501 ~ 650000
8484	SA22C			CN		STD		12A	4S						●	SA22C-568501 ~ 650000
8485	SA22C-P			CN		STD		12A		5S					●	SA22C-568501 ~ 650000
8486	SA22C-T			CN		STD		12A			A/T				●	SA22C-568501 ~ 650000
8487	SA22C-RP			CN	SUN			12A		5S					●	SA22C-568501 ~ 650000
8488	SA22C-RT			CN	SUN			12A			A/T				●	SA22C-568501 ~ 650000

### LIST OF MONTHLY STARTING VIN (CHASSIS No.)

Year/Month	JAN.	FEB.	MAR.	APR.	MAY	JUN.	JUL.	AUG.	SEP.	OCT.	NOV.	DEC.
Model	78/1	78/2	78/3	78/4	78/5	78/6	78/7	78/8	78/9	78/10	78/11	78/12
RX-7	-	-	500001	502999	504977	508587	510189	512943	516625	520638	525594	531149
Year/Month	JAN.	FEB.	MAR.	APR.	MAY	JUN.	JUL.	AUG.	SEP.	OCT.	NOV.	DEC.
Model	79/1	79/2	79/3	79/4	79/5	79/6	79/7	79/8	79/9	79/10	79/11	79/12
RX-7	536458	541117	547089	554325	559740	566641	569399	574180	578961	583527	588207	592950
Year/Month	JAN.	FEB.	MAR.	APR.	MAY	JUN.	JUL.	AUG.	SEP.	OCT.	NOV.	DEC.
Model	80/1	80/2	80/3	80/4	80/5	80/6	80/7	80/8	80/9	80/10	80/11	80/12
RX-7	597273	602250	606775	611388	615692	619393	624203	629533	629954	-	-	-

**4 - K 1**

## LIST OF COMPLETE ASSEMBLY UNIT'S PART NUMBER

Cpt.	Engine cpt.	T/mission cpt.	Rear Axle cpt.	Cabin cpt.	Remarks
Model No.					
8340	8340 02 000	8867 03 000	8871 05 000	8341 07 010	Fed. 4-Speed Std. Roof
8341	8340 02 000	8868 03 000	8871 05 000	8341 07 010	Fed. 5-Speed Std Roof
8342	8342 02 000	8872 19 090	8871 05 000	8341 07 010	Fed. A/T Std. Roof
8343	8344 02 000	8867 03 000	8871 05 000	8341 07 010	Calif. 4-Speed Std. Roof
8344	8344 02 000	8868 03 000	8871 05 000	8341 07 010	Calif. 5-Speed Std. Roof
8345	8345 02 000	8872 19 090	8871 05 000	8341 07 010	Calif. A/T Std. Roof
8346	8340 02 000	8868 03 000	8871 05 000	8346 07 010	Fed. 5-Speed Sunroof
8347	8342 02 000	8872 19 090	8871 05 000	8346 07 010	Fed. A/T Sunroof
8348	8344 02 000	8868 03 000	8871 05 000	8346 07 010	Calif. 5-Speed Sunroof
8349	8345 02 000	8872 19 090	8871 05 000	8346 07 010	Calif A/T Sunroof
8484	8485 02 000	8484 03 000	8871 05 000	8341 07 010	Canada 4-Speed Std. Roof
8485	8485 02 000	8485 03 000	8871 05 000	8341 07 010	Canada 5-Speed Std. Roof
8486	8486 02 000	8872 19 090	8871 05 000	8341 07 010	Canada A/T Std. Roof
8487	8485 02 000	8485 03 000	8871 05 000	8346 07 010	Canada 5-Speed Sunroof
8488	8486 02 000	8872 19 090	8871 05 000	8346 07 010	Canada A/T Sunroof

Note: Complete assemblies are available manufactured in accordance with current production specifications only.




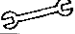
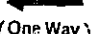
# ABBREVIATION LIST (English)

(M)

Abbreviation	Definition	Abbreviation	Definition
1 ST	First	.F	Feet
2 ND	Second	FED.	Federal
3 D.	3-Door	FIX.	Fixing
3 RD	Third	FOLD.	Folding
4 SPD	4-Speed	FRT. or F.	Front
4 TH	Fourth	F/SHIFT	Floor Shift
5 D.	5-Door		
5 SPD	5 Speed		
14-FT	14-Foot Box		
.A	Amps	.G	Grams
ACCEL.	Accelerator	GAS.	Gasoline
ADJ.	Adjust	GEN.	General
A.D.R.	Australia Design Rule	HARN	Harness
AIR CON.	Air Conditioner	HEAT. or HEA.	Heater
ALUMI.	Aluminum	HIGHT.	High-Tension
A/REST	Arm Rest	H/LAMP	Headlamp
ASS'Y	Assembly	H B.RE.	Hatchback Release
ATT.	Attachment	H/TOP or H/T	Hardtop
A/T	Automatic Transmission		
AUST.	Australia	IG. or IGN.	Ignition
AUTO.	Automatic	IN.	Inlet
		IND.	Indicator
BAL.	Balance	INJ.	Injection
B/DOOR	Back Door	INN.	Inner
BDY.	Body	INS.	Insulation
BELT.	Beltline	INST.	Instrument
BRG.	Bearing	INT.	Interior
BRKT.	Bracket	INTMT.	Intermittent
BRT.	Britain		
	(=The United Kingdom)	.L	Liters
BUMP.	Bumper	.L	Length
		(L) or L	Long
(C) or CTR.	Center	L/BODY	Long Body
CASN.	Cabin	L/BOX	Long Box
CALIF.	California	LH. SIDE	Left Hand Side
CARB.	Carburetor	L.H.D.	Left Hand Drive
CE.	Conventional Engine	LWR.	Lower
	(=Reciprocating Engine)	L/VAN	Light Van
CLG.	Ceiling		
COMB.	Combination	MA. CYL.	Master Cylinder
CON.H.	Connector	MAINT.	Maintain
CONN.	Connector or Connecting	MLD. or MLDG.	Moulding
CONS.	Console	MPX.	Multiplex
COVR.	Cover	MT.	Mounting
CPT.	Complect Assembly	M/T	Manual Transmission
C/SHIFT	Column Shift		
CYL.	Cylinder		
D.	Door	NO.	Number
D-	Diameter	NON T/CABIN	Non Tilt Cabin
DAY & NIGHT AJST.	Day & Night Adjust Table	NOR. ROOF	Normal Roof
D/CABIN	Double Cabin	NOZ.	Nozzle
DEF	Defroster		
DIAPH.	Diaphragm	ORD. BY	Order By
DIFF.	Differential	O.S.	Oversize
DISC/B	Disc Brake	OUT.	Outer
DIST.	Distributor		
DR.	Door	P.	Panel
DRUM/B	Drum Brake	(P)	Primary
D/TIRE	Dual Tires	PARK. or PARKG.	Parking
DX.	Deluxe	PASS.	Passenger
DUMP.	Dump Truck	P. BOARD	Partition Board
		P.C.V.	Positive Crankcase
E.G.R.	Exhaust Gas Recirculation		Ventilation
ELEC.	Electric	PHLPNS	The Phillips
EM.	Emission Control System	PILR.	Pillar
ENEGY or ENGY.	Energy	PKG.	Package
ENG.	Engine	FNL.	Panel
EQUIP.	Equipment	POSIT.	Positive
EX.	Exhaust	P.P.	Polypropylene
EXC.	Except	P.S.	Power Steering
EXTRACT.	Extractor	P/S	Power Steering

Abbreviation	Definition	Abbreviation	Definition
P.T.O.	Power Take Off	SW.	Switch
P/VAN	Panel Van	S. WASHER	Screen Washer
P/W or P. WINDOW	Power Window	SWD.	Sweeder
		SYNC.	Synchronizer
QTR.	Quarter	.T	Tone
		T	Thickness
(R) or R	Right	T/CABIN	Tilt Cabin
RAD.	Radiator	T/CEILING	Top Ceiling
RE.	Rotary Engine	TH.	Throttle
RECIPRO	Reciprocating Engine	THERM.	Thermostat
	(=Conventional Engine)	TH.ROT.	Throttle
REGUL.	Regulator	T/MISSION	Transmission
REG. CABN	Regular Cabin	T/L	Tubeless
REL.	Release	T/STEERING	Tilt Steering
REM. CON.	Remote Controlled		
or REMO. CON.		U.X.	The United Kingdom
RET.	Return	UP	Upper
RETAIN.	Retaining	URETANE	Urethane Rubber
REV.	Reverse	U.S.	Underseal
R. H. SIDE	Right Hand Side		
R.H.D.	Right Hand Drive	.V	Volts
RR. or R.	Rear	V.	Valve
		VAC.	Vacuum
(S)	Secondary	Vent.	Ventilator, Ventilation
SAFE.	Safety		
S/CDY	Short Body	.W	Watts
S/BOX	Short Box	W/...	Width
SELECT.	Selective use	W/CASSIS	Windshield Chassis
SET. TYPE	Separate Type	W/GER.	West Germany
SIG.	Signal	or W. GERMANY	
SILVER M.	Silver Metallic	WIND.	Window
SNGL TIRE	Single Tire	W/O	Without
SOL.	Solenoid	W. PUMP	Water Pump
SPEC.	Specification	WSHLD	Windshield
SPEEDO	Speedometer	WSTR. or WTHSTP.	Weatherstrip
SPL. TYPE	Split Type	W/T	With Tube
SPG.	Spring		
SPK.	Speaker		
ST.	Steering		
STA. WAGON	Station Wagon		
STAB.	Stabilizer		
SUB T/MISSION	Sub Transmission		
STD.	Standard		
S/TIRE	Single Tire		

## INTERCHANGEABILITY CODE LIST

Code	Definition
AN	 (Both Ways) A new part and the former part are fully interchangeable.
A	 (One Way) A new part can be used in place of the former part, but the former part cannot be used in place of a new part.
C	Plus  A new part with some additional part(s) can be used in place of the former part.
G	Plus  Some modification work is required to use a new part in place of the former part.
S	 (One Way Backward) The former part can be used in place of a new part, but a new part cannot be used in place of the former part.

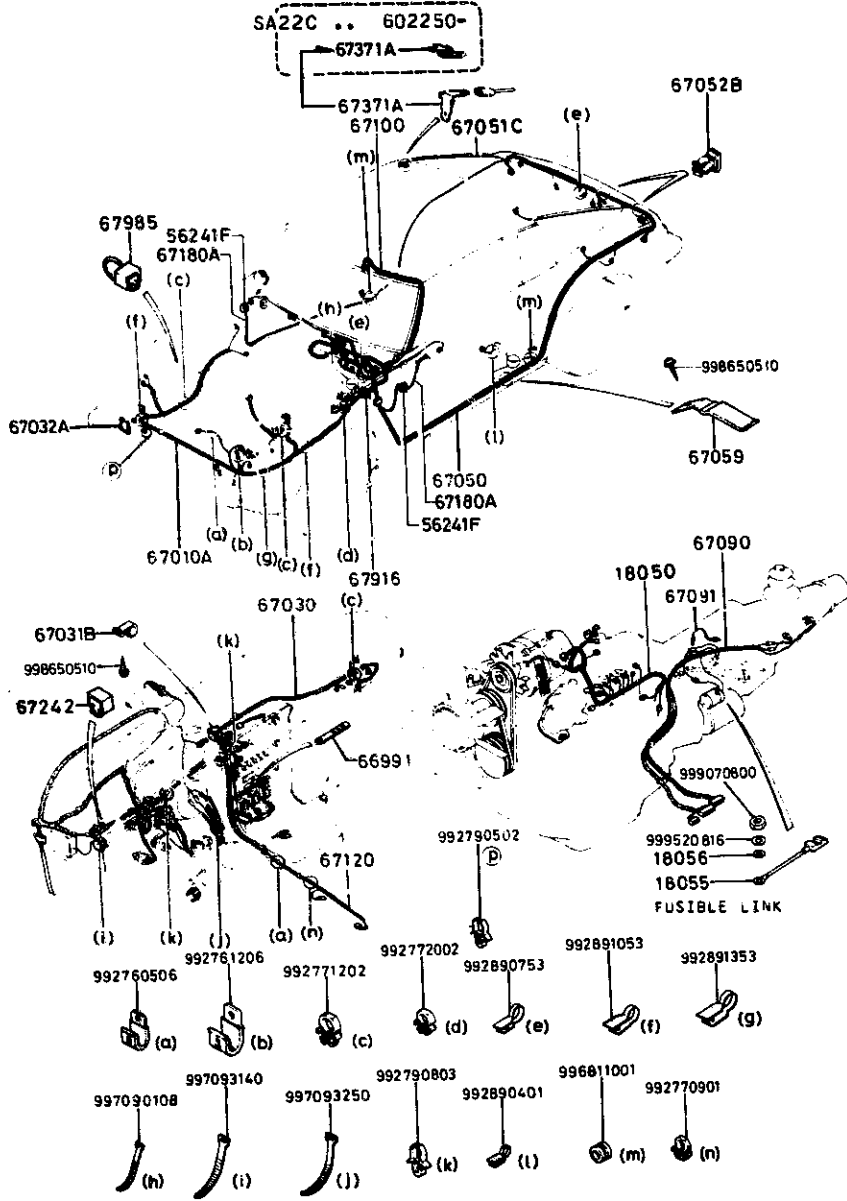
# SECTION NUMBER INDEX (BODY)

STARTING LOCATION	SECTION No.	SECTION NAME	STARTING LOCATION	SECTION No.	SECTION NAME
3-C2	0900A	KEY SETS	3-C12	5800A	FRONT DOOR
3-C3	5000A	FRONT BUMPER & GRILLE	3-C13	5830A	FRONT DOOR MECHANISMS
3-E3	5010A	REAR BUMPER	3-C14	6100A	HEATER
3-G3	5030A	WINDOW MOULDINGS	3-E14	6110A	HEATER UNIT
3-I3	5040A	BODY MOULDINGS	3-H14	6115A	HEATER CONTROLS
3-C4	5100A	LAMPS (FRONT & SIDE)	3-J14	6120A	HEATER BLOWER
3-G4	5110A	LAMPS (REAR)	3-C15	6230A	BACK DOOR MECHANISMS
3-I4	5130A	OVERHEAD CONSOLE (1979 STANDARD ROOF MODEL)	3-F15	6300A	WINDOW GLASSES
3-J4	5170A	COWL & EXTRACTOR GRILLES & ORNAMENTS	3-I15	6330A	SUNROOF
3-C5	5230A	BONNET	3-C16	6600A	ELECTRIC EQUIPMENT
3-E5	5310A	BODY PANELS (FRONT)	3-G16	6680A	RADIO & STEREO SYSTEMS
3-K5	5340A	BODY PANELS (SIDE & ROOF)	4-C2	6700A	WIRE HARNESS & CLAMPS
3-I6	5360A	BODY PANELS (FLOOR)	4-G2	6720A	WINDSHIELD WASHER
3-C7	5500A	DASHBOARD EQUIPMENT	4-H2	6730A	WINDSHIELD WIPER
3-L7	5540A	METERS	4-J2	6740A	WIPER MOTOR (COMPONENTS ONLY)
3-D8	5560A	DASHBOARD & RELATED	4-C3	6800A	CEILING TRIM
3-L8	5570A	CONSOLE	4-J3	6840A	TRIM & SCUFF PLATE
3-K9	5580A	VENTILATOR	4-F4	6860A	FLOOR MAT & PADS
3-C10	5700A	SEAT (EXCEPT LEATHER TRIM)	4-L4	6870A	SERVICE TOOLS
3-N10	5710A	SEAT TRIM (LEATHER - ANNIVERSARY EDITION)	4-M4	6900A	VISOR, ASSIST HANDLE & MIRRORS
3-G11	5760A	SEAT BELTS	4-G5	6930A	CAUTION PLATES

THE FRAMES IN THIS COLUMN INDICATE :

4-C2 6700A WIRE HARNESS & CLAMPS  
 4-G2 6720A WINDSHIELD WASHER  
 4-H2 6730A WINDSHIELD WIPER  
 4-J2 6740A WIPER MOTOR (COMPONENTS ONLY)

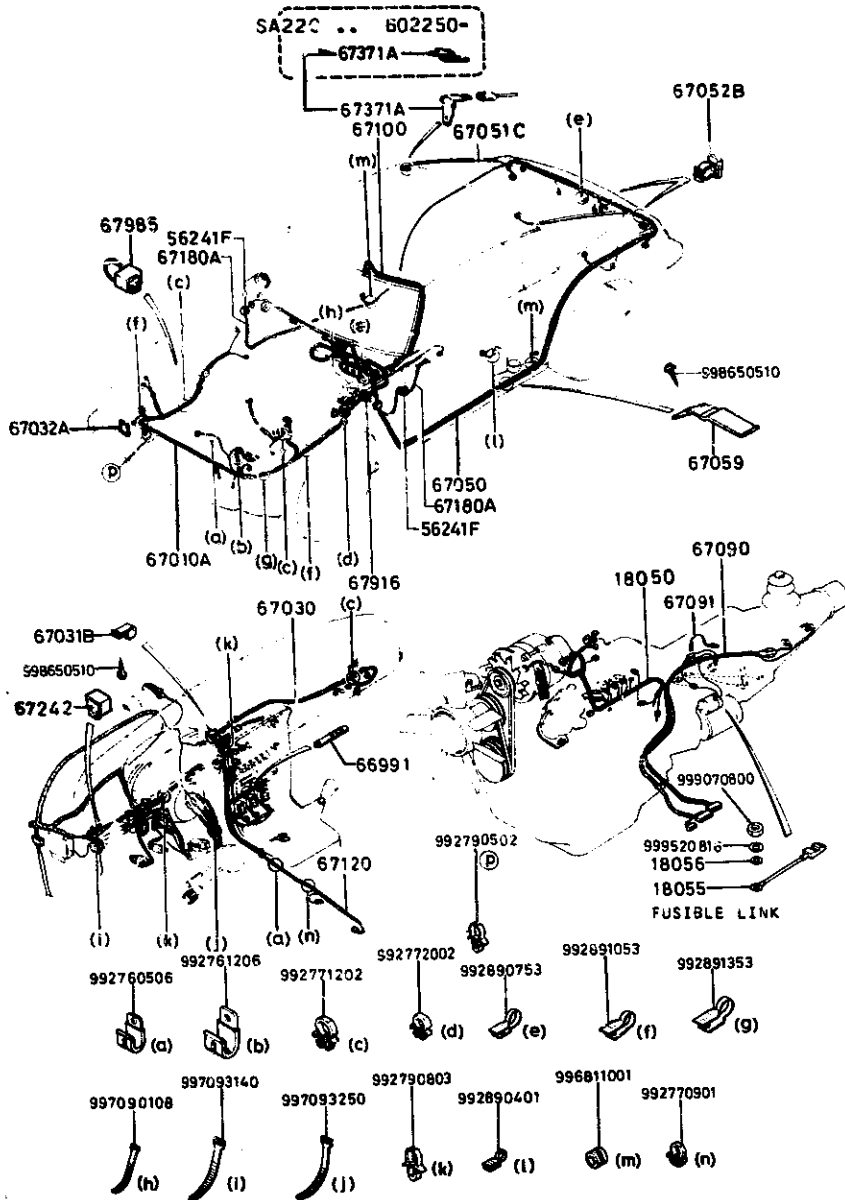
# 6700A WIRE HARNESS & CLAMPS



# 6700A-1 WIRE HARNESS & CLAMPS

D-CODE (Key No.)	PART NAME	PART No.	Qty.	MODEL/DESCRIPTION	VIN (Chassis No.)
18050	WIRING, ENGINE CABLE, MOTEUR CABLE, MOTOR	8341-18-050B	1	80 MODEL FED. M/T 80 MODEL CALIF. W/T	SA22C .. 568501-
		8342-18-050B	1	80 MODEL FED. A/T 80 MODEL CALIF. A/T	SA22C .. 568501-
		8485-18-050C	1	80 MODEL. CANADA	SA22C .. 568501-
		8871-18-050F	1	79 MODEL M/T	SA22C .. 500001 -541116
		8871-18-050G	1	79 MODEL M/T	SA22C .. 541117 -568500
		8872-18-050E	1	79 MODEL A/T	SA22C .. 500001 -541116
		8872-18-050F	1	79 MODEL A/T	SA22C .. 541117 -568500
		8341-18-055	1	80 MODEL	SA22C .. 568501-
		8871-18-055	1	79 MODEL	SA22C .. 500001 -568500
		18056	WASHER, LOCK RONDELLE, BLOCAGE ARANDELA, CIERRE	8872-18-056	1
56241F	PLUG, DRAIN	0118-56-241	4	(USE W/O REMOT. CONT. MIRROR) 80 MODEL	SA22C .. 592956-
66991	CLIP ATTACHE PRENSA TRABA GAZA	0187-66-991	1		
67010A	HARNESS, FRONT FAISCEAU AVANT	8341-67-010B	1	80 MODEL FED. 80 MODEL CALIF.	SA22C .. 568501 -578960
		8341-67-010C	1	80 MODEL FED. 80 MODEL CALIF.	SA22C .. 578961 -592955
		<A> 8341-67-010E	1	80 MODEL FED. 80 MODEL CALIF.	SA22C .. 592956 -619392

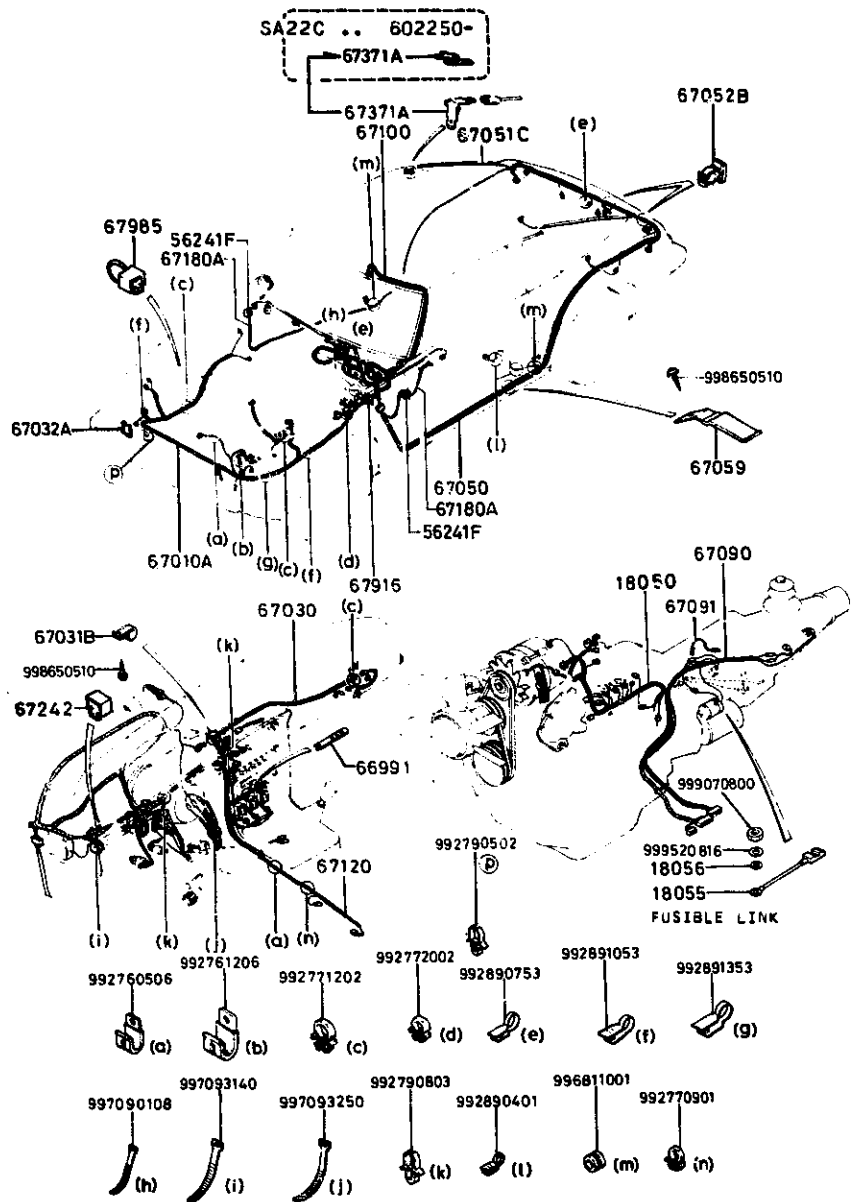
# 6700A WIRE HARNESS & CLAMPS



# 6700A-2 WIRE HARNESS & CLAMPS

D-CODE (Key No.)	PART NAME	PART No.	Qty.	MODEL / DESCRIPTION	VIN (Chassis No.)	
67010A CONT'D		*8341-67-010G	1	80 MODEL FED. 80 MODEL CALIF.	SA22C .. 619393-	
		8485-67-010E	1	80 MODEL CANADA	SA22C .. 568501 -578960	
		8485-67-010C	1	80 MODEL CANADA	SA22C .. 578961 -592955	
	<A >	8485-67-010E	1	80 MODEL CANADA	SA22C .. 592956 -619392	
		*8485-67-010G	1	80 MODEL CANADA	SA22C .. 619393-	
		8868-67-010D	1	79 MODEL CALIF.	SA22C .. 500001 -516624	
		*8868-67-010E	1	79 MODEL CALIF.	SA22C .. 516625 -540410	
		8868-67-010G	1	79 MODEL CALIF.	SA22C .. 540411 -568500	
		8872-67-010D	1	79 MODEL FED. 79 MODEL CANADA	SA22C .. 500001 -516624	
		*8872-67-010D	1	79 MODEL FED. 79 MODEL CANADA	SA22C .. 516625 -540410	
		8872-67-010F	1	79 MODEL FED. 79 MODEL CANADA	SA22C .. 540411 -568500	
	67030	HARNES, INSTRUMENT FAISCEAU DE TABLEAU DE BO SUJETADOR, INSTRUMENTOS	8341-67-030A	1	80 MODEL	SA22C .. 568501 -592955
		<A >	8341-67-030E	1	80 MODEL	SA22C .. 592956-
			8871-67-030A	1	79 MODEL	SA22C .. 500001 -540410
			8871-67-030C	1	79 MODEL	SA22C .. 540411 -568500
		8973-67-030P	1	(ORD. BY 897367030P01) (LIMITED) 79 MODEL		

# 6700A WIRE HARNESS & CLAMPS



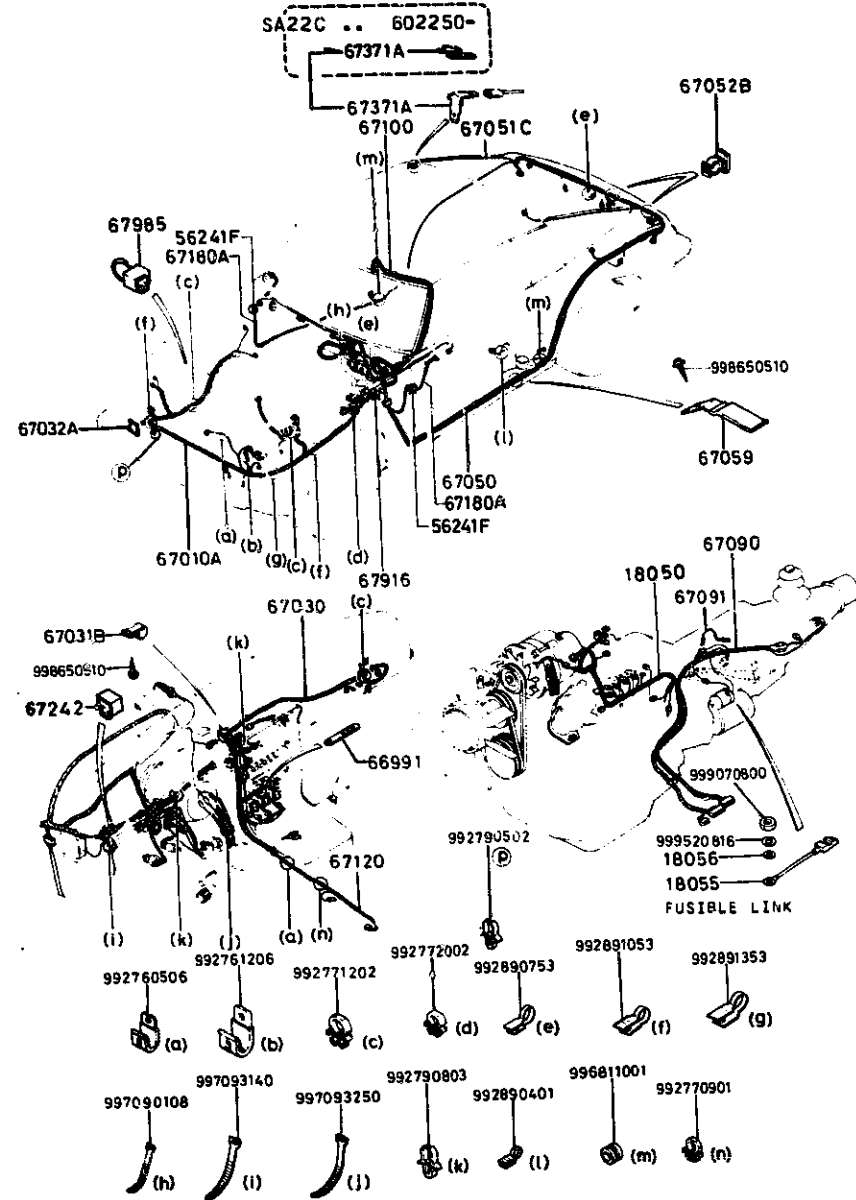
# 6700A-3 WIRE HARNESS & CLAMPS

D-CODE (Key No.)	PART NAME	PART No.	Qty	MODEL DESCRIPTION	V IN (Chassis No.)
67031B	CLIP ATTACHE PRENSA TRABA GAZA	8871-67-031	1		
67032A	PROTECTOR PROTECTEUR PROTECTOR	8871-67-012	1	79 MODEL	SA22C .. 500001
			2	80 MODEL	SA22C .. 568500 568501 -576263
67050	HARNES, REAR FAISCEAU RR.	8341-67-050B	1	80 MODEL	SA22C .. 568501-
		8871-67-050A	1	79 MODEL	SA22C .. 500001 -559739
		8871-67-050B	1	79 MODEL	SA22C .. 559740 -568500
67051C	CORD, RR. DEF.	8341-67-051	2	80 MODEL	SA22C .. 568501-
67052B	CLIP ATTACHE PRENSA TRABA GAZA	8565-67-051	4	79 MODEL	SA22C .. 500001 -502998
		9927-91-112	4	79 MODEL	SA22C .. 502999-
67059	CLIP ATTACHE PRENSA TRABA GAZA	8871-67-053	3		
67090	HARNES, T/MISSION FAISCEAU DE TRANSMISSION SUJETADOR, TRASMISSION	8341-67-090	1	80 MODEL M/T	SA22C .. 568501-
		8342-67-090	1	80 MODEL A/T	SA22C .. 568501-
		8871-67-090B	1	79 MODEL M/T	SA22C .. 500001 -563500
		8872-67-090B	1	79 MODEL A/T	SA22C .. 500001 -568500
67091	CORD, SHORT FIL COURT CABLE CORTO	8867-67-091	1	M/T	
67100	HARNES, INT. LAMP FAISCEAU DE PLAFONNIER SUJETADOR, LAMPARA INTERI	8871-67-100	1		SA22C .. 500001 -556771
		8871-67-100A	1		SA22C .. 556772-



# 6700A WIRE HARNESS & CLAMPS

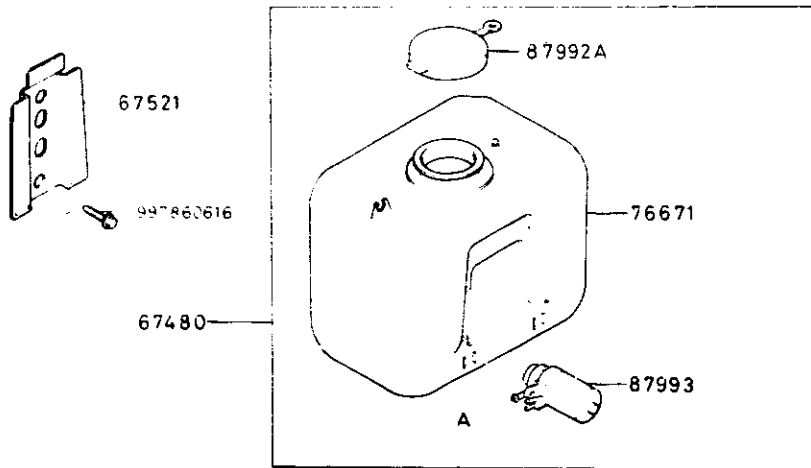
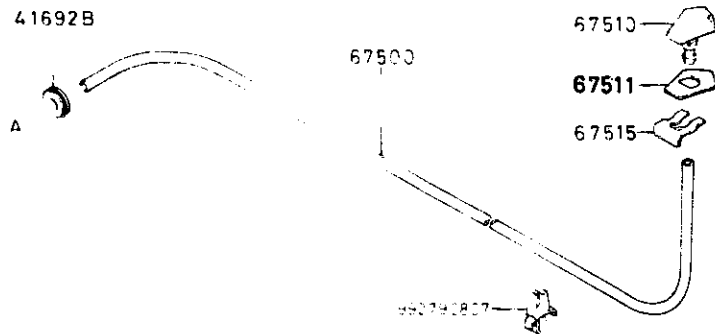
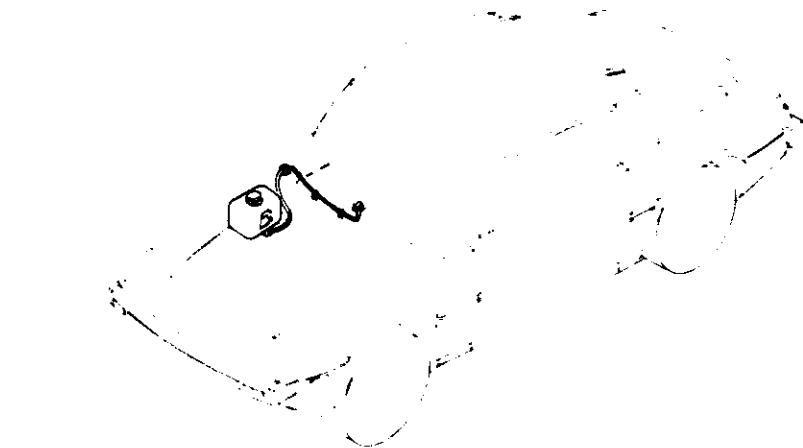
# 6700A-4\* WIRE HARNESS & CLAMPS



D-CODE (Key No.)	PART NAME	PART No.	Qty.	MODEL DESCRIPTION	VIN (Chassis No.)
67120	HARNESS, PARKG. BRAKE FAISCEAU DE FREIN A MAIN SUJETADOR, BREQUE EMERGEN	8871-67-120A	1		SA22C .. 500001 -587603
		<A> 8871-67-120B	1		SA22C .. 587604 -606774
		<A>*8871-67-120C	1		SA22C .. 606775-
67180A	HARNESS, DOOR MIRROR FAISCEAU RETROVIS. EXT.	<A> 8341-67-190A	2		SA22C .. 592956 -598995
		<A> 8341-67-190B	2		SA22C .. 598996 -605680
		<A>*8341-67-190C	2		SA22C .. 605681-
67242	RECTIFIER REDRESSEUR RECTIFICADOR	8871-67-242	1		
67371A	TERMINAL BORNE TERMINAL	8871-67-371	2		SA22C .. 500001 -602249
		.FA01-75-899	2	80 MODEL	SA22C .. 602250-
67916	GRÖMMET PROTECTEUR ANILLO PROTECTOR	<AN> 8545-63-915	1		SA22C .. 510189-
		8871-67-915	1		SA22C .. 500001 -510188
67985	CONNECTOR, SHORT RACCORD, COURT UNION CORTA	8342-67-985	1	80 MODEL FED. A/T 80 MODEL CALIF. A/T	SA22C .. 568501-
		8344-67-985	1	80 MODEL CALIF. M/T	SA22C .. 568501-

6720A WINDSHIELD WASHER

6720A-1\* WINDSHIELD WASHER

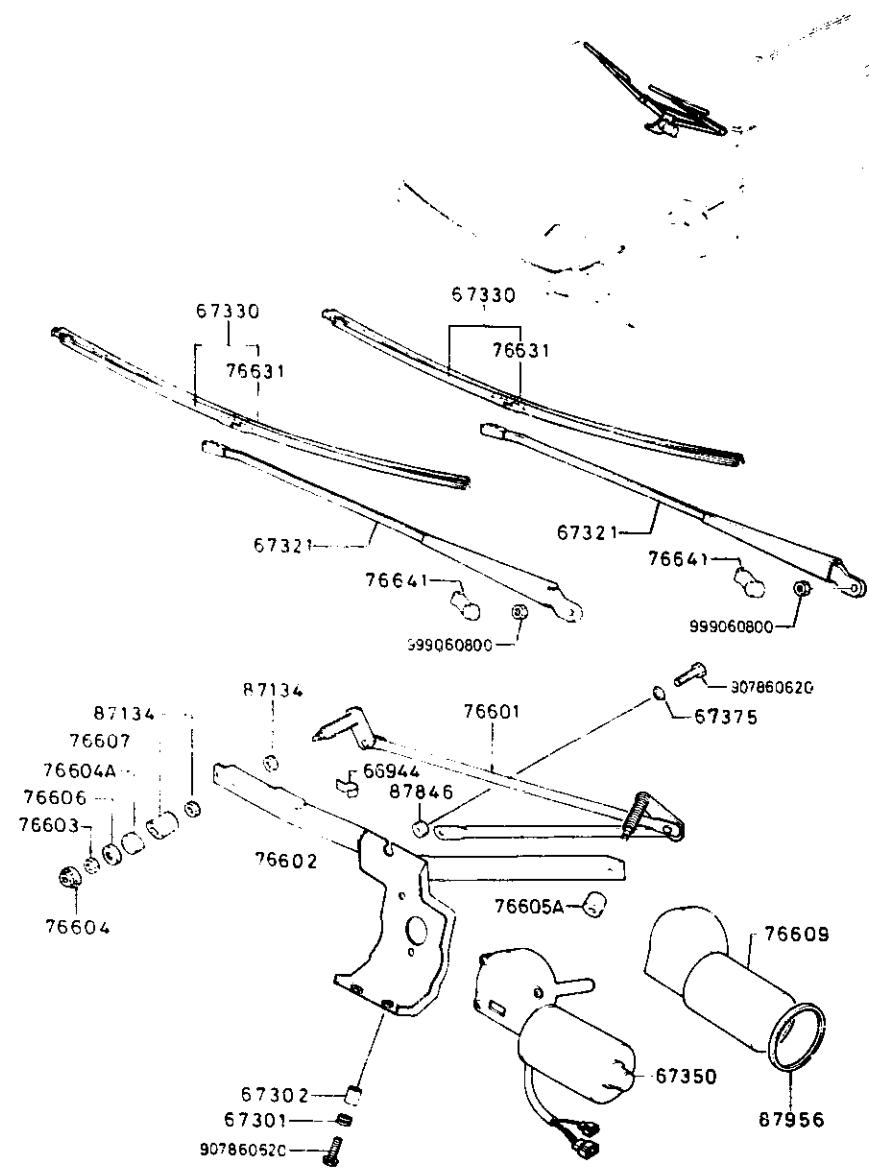


D-CODE (Key No.)	PART NAME	PART No.	Qty.	MODEL DESCRIPTION	VIN Chassis No.
41692B	PROTECTOR PROTECTEUR PROTECTOR	0111-41-692	1		
67480	TANK, WASHER RESERVJIR DE LAVE-GLACE DEPOSITO, LAVA	0317-67-480A	1		
67500	PIPE CONDUIT TUBO	8871-67-500	1		
67510	NOZZLE, WASHER GICLÉUR, LAVE-GLACE BOQUILLA, VOLANDA	1011-67-510	1		SA220 .. 500001 -51662-
		1011-67-510A	1		SA220 .. 516625-
67511	PACKING JOINT JUNTA	1011-67-511A	1		SA220 .. 500001 -51662-
		1011-67-511B	1		SA220 .. 516625-
67515	CLIP ATTACHE PRENSA TRABA GAZA	1011-67-515A	1		SA220 .. 500001 -525593
		1011-67-515B	1		SA220 .. 525594-
67521	BRACKET, WASHER TANK ATTACHE, RESERVOIR SOPORTE, TANQUE	*8545-53-225	1		
76671	TANK RESERVOIR DE LAVE-GLACE DEPOSITO, LAVAPARABRISAS	0317-67-511A	1		
87992A	CAP TANK BOUCHON DE RESERVOIR TAPON PARA TANQUE DEL GAS	1391-76-673	1		
87993	PUMP KIT NECESSAIRE DE POMPE BOMBA, JUEGU	8532-76-672	1		

6730A WINDSHIELD WIPER

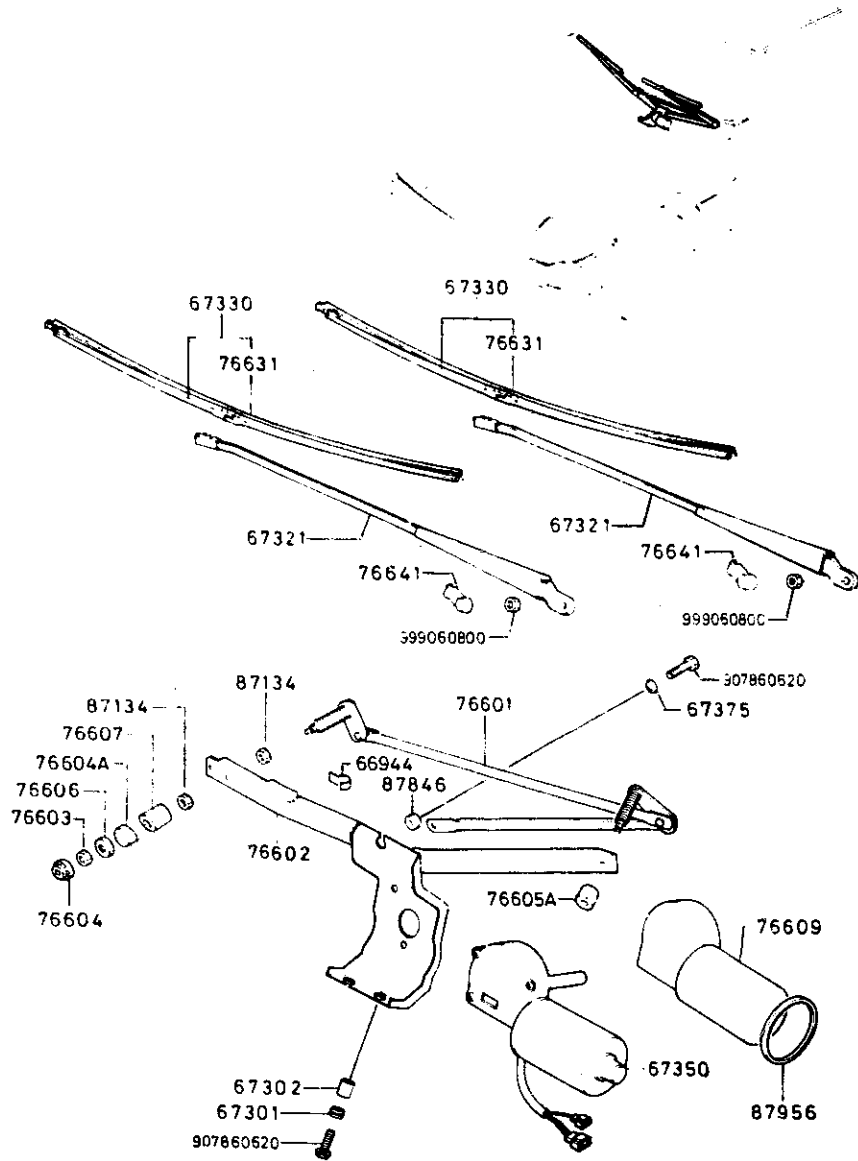
6730A-1 WINDSHIELD WIPER

D-CODE (Key No.)	PART NAME	PART No.	Qty.	MODEL DESCRIPTION	VIN Chassis No.
66944	CLIP ATTACHE PRENSA TRABA GAZA	0208-66-944	1		SA22C .. 500001 -585500
		0208-66-944A	1		SA22C .. 585501-
67301	WASHER, RUBBER BAGUE CAGUTCHOU	0866-67-301A	2		
67302	SPACER RONDELLE ESPACIADOR	0866-67-302	2		
67321	ARM, WIPER BALAIS D'ESSUIE GLACE BRAZO, LIMPIADOR	8871-67-321A	2		SA22C .. 500001 -585593
		8872-67-321	2		SA22C .. 585594-
67330	BLADE, WIPER BALAIS, ESSUIE-GLACE ESCOBILLA LIMPIA-PARABRIZ	8562-67-330	2		
67350	MOTOR, WIPER MOTEUR ESSUIE-GLACE MOTOR DE LIMPIA PARABRISAS	8871-67-350B	1		SA22C .. 500001 -585593
		8872-67-350	1		SA22C .. 585594-
67375	WASHER, CAP RONDELLE	1011-67-375	2		
76601	LINK, WIPER TRINGLE D'ESSUIE-GLACE ESLABON LIMPIADOR	3871-76-601A	1		
76602	FRAME CHASSIS CHASIS	3871-76-602A	1		
76603	NUT, CAP BOUCHON TUERCA, TAPA	8871-76-657	2		
76604	CAP, SEAL BOUCHON D'ETANCHEITE EMPAQUE PARA TAPA	8871-76-655A	1		
76604A	BUSH, OUTER BUSELURE EXT.	8871-76-604A	2		
76605A	BUSH, INNER	8871-76-605A	1		



6730A WINDSHIELD WIPER

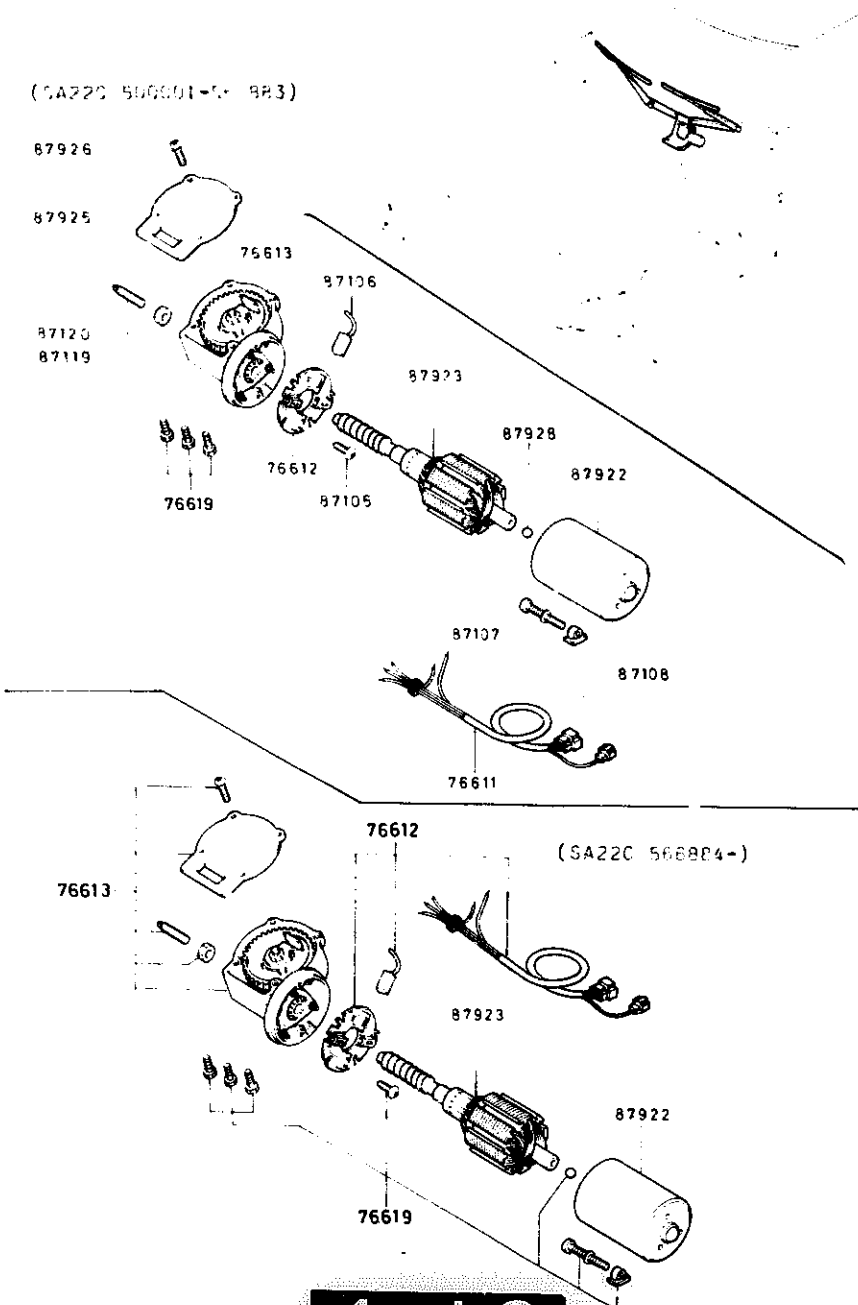
6730A-2\* WINDSHIELD WIPER



D-CODE (Key No.)	PART NAME	PART No.	Qty	MODEL DESCRIPTION	VIN Chassis No.
76605A CONT'D	ARTICULATION INT	8871-76-605A			
76606	WASHER, CUP RONDELLE ARANDELA, TASA	8871-76-656A	2		
76607	BUSH, INNER ARTICULATION INT BUJE, INTERIOR	8871-76-605A	1		
76609	COVER CACHE COBERTOR	1175-76-609	1		
76631	BLADE BALAIS ESCUBILLA	1175-76-631A	2		SA... .. 500001 -525593
		8502-76-631	2		SA... .. 500004
76641	COVER, WIPER ARM COUVERCLE BRAS ESSUI-GLAC	8871-76-641	2		
87134	NUT ECROU TUERCA	0727-87-844	4		
87846	GROMMET PROTECTEUR ANILLO PROTECTOR	0324-87-846	2		
87956	BAND COLLIER DE SERRAGE BANDA	0305-87-956	1		

6740A

## WIPER MOTOR (COMPONENTS ONLY)



6740A-1

## WIPER MOTOR (COMPONENTS ONLY)

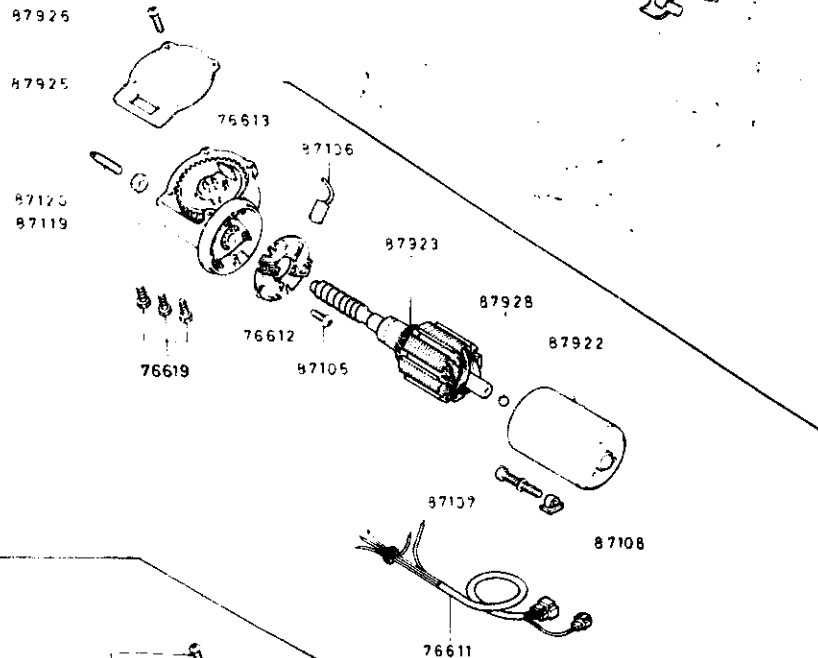
D-CODE Key No.	PART NAME	PART No.	Qty.	MODEL DESCRIPTION	VIN Chassis No.
76611	WIRE, WIPER MOTOR FIL DE CONTACT CABLE, PRINCIPAL	8871-76-611	1		SA22C .. 500001 -566883
76612	HOLDER, BRUSH PORTE CHARBON PORTA CARBON	1011-76-612A	1		SA22C .. 500001 -566883
		3672-76-612	1		SA22C .. 500001 -566883
76613	BOX, GEAR BOITE DE VITESSES CAJA, ENGRANAJE	3671-76-613	1		SA22C .. 500001 -566883
		6672-76-613	1		SA22C .. 500001 -566883
		3672-76-613	1		SA22C .. 500001 -566883
76617	PARTS SET JEU DE PIECE APARATO DE PIEZA	8236-76-617	1		SA22C .. 500001 -566883
87105	SCREW VIS TORNILLO	0259-87-105	3		SA22C .. 500001 -566883
87106	BRUSH BALAIS CARBON	0259-87-106	3		SA22C .. 500001 -566883
87107	SCREW VIS TORNILLO	0257-87-107	2		SA22C .. 500001 -566883
87108	NUT ECROU TUERCA	0257-87-108	2		SA22C .. 500001 -566883
87119	NUT ECROU TUERCA	0259-87-119	1		SA22C .. 500001 -566883
87120	SCREW VIS TORNILLO	0259-87-120	1		SA22C .. 500001 -566883
87922	YUKE, STATOR MANCHON DE STATOR CULATA, ESTATOR	2835-87-922	1		SA22C .. 525594 -566883
		8236-76-614	1		SA22C .. 500001 -566883
		8871-87-922	1		SA22C ..

4-J2

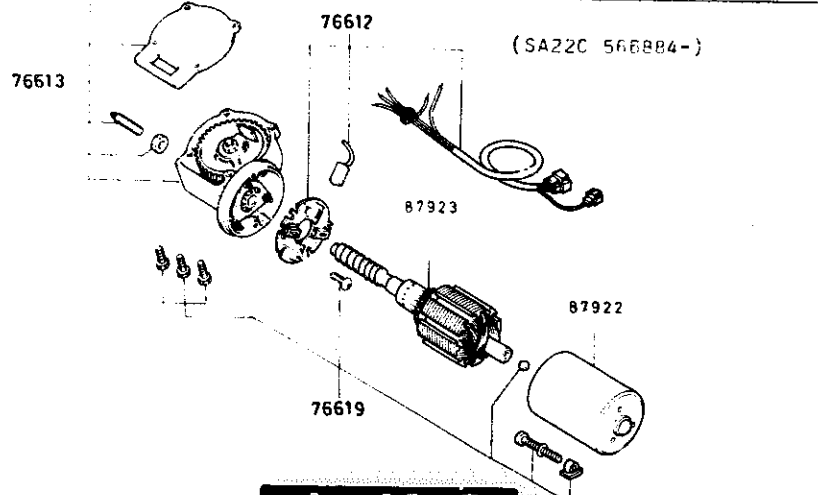
**6740A WIPER MOTOR (COMPONENTS ONLY)**

**6740A-2\* WIPER MOTOR (COMPONENTS ONLY)**

(SA220 566881-566883)



(SA220 566884-)



D-CODE Key No.	PART NAME	PART No.	Qty.	MODEL DESCRIPTION	VIN Chassis No.
87922 CONT'D		8871-87-922			500-101 -525593
87923	ROTOR ROTOR ROTOR	8236-76-618	1		SA220 .. 566884-
		5562-87-923	1		SA220 .. 566884- -525593
		8871-87-923	1		SA220 .. 566881 -525593
87925	PLATE,END PLAQUE EN BOUT PLACA FINAL	2835-87-925	1		SA220 .. 566881 -525593
87926	SCREW VIS TORNILLO	2835-87-926	4		SA220 .. 566881 -525593
87926	BALL BILLE BOLA	2835-87-926	2		SA220 .. 566881 -525593

# SECTION NUMBER INDEX (BODY)

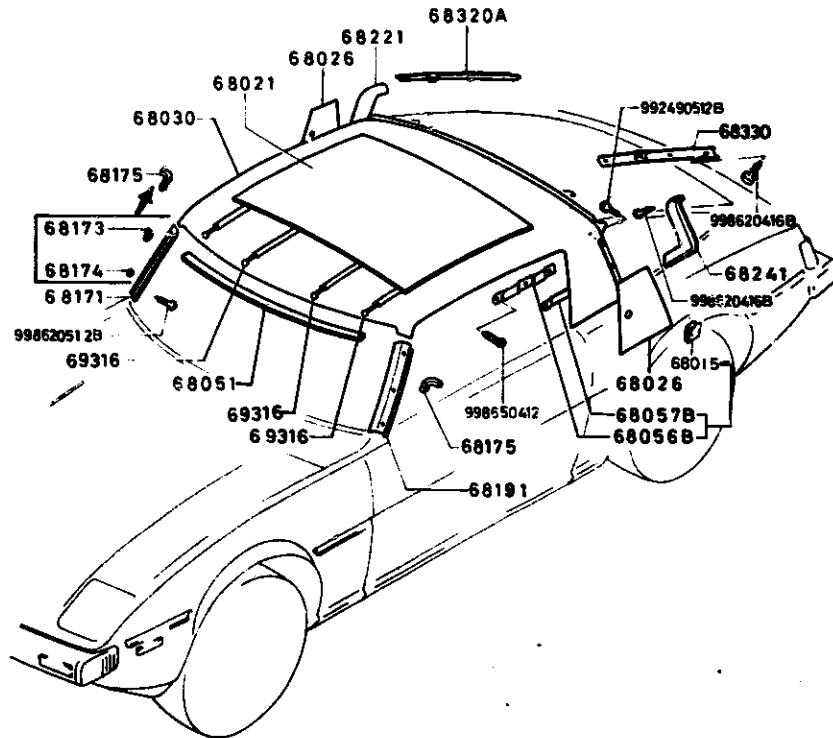
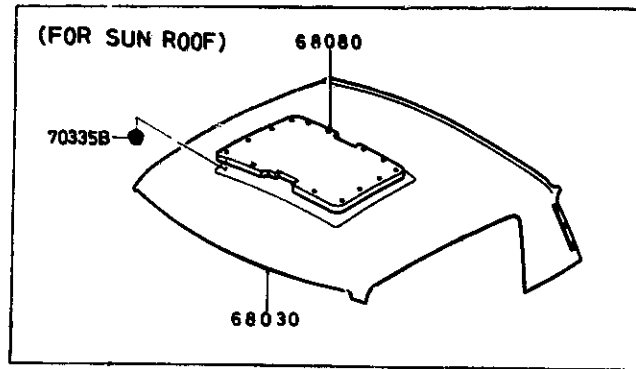
STARTING LOCATION	SECTION No.	SECTION NAME	STARTING LOCATION	SECTION No.	SECTION NAME
3-C2	0900A	KEY SETS	3-C12	5800A	FRONT DOOR
3-C3	5000A	FRONT BUMPER & GRILLE	3-C13	5830A	FRONT DOOR MECHANISMS
3-E3	5010A	REAR BUMPER	3-C14	6100A	HEATER
3-G3	5030A	WINDOW MOULDINGS	3-E14	6110A	HEATER UNIT
3-I3	5040A	BODY MOULDINGS	3-H14	6115A	HEATER CONTROLS
3-C4	5100A	LAMPS (FRONT & SIDE)	3-J14	6120A	HEATER BLOWER
3-G4	5110A	LAMPS (REAR)	3-C15	6230A	BACK DOOR MECHANISMS
3-I4	5130A	OVERHEAD CONSOLE (1979 STANDARD ROOF MODEL)	3-F15	6300A	WINDOW GLASSES
3-J4	5170A	COWL & EXTRACTOR GRILLES & ORNAMENTS	3-I15	6330A	SUNROOF
3-C5	5230A	BONNET	3-C16	6600A	ELECTRIC EQUIPMENT
3-E5	5310A	BODY PANELS (FRONT)	3-G16	6680A	RADIO & STEREO SYSTEMS
3-K5	5340A	BODY PANELS (SIDE & ROOF)	4-C2	6700A	WIRE HARNESS & CLAMPS
3-I6	5360A	BODY PANELS (FLOOR)	4-G2	6720A	WINDSHIELD WASHER
3-C7	5500A	DASHBOARD EQUIPMENT	4-H2	6730A	WINDSHIELD WIPER
3-L7	5540A	METERS	4-J2	6740A	WIPER MOTOR (COMPONENTS ONLY)
3-D8	5560A	DASHBOARD & RELATED	4-C3	6800A	CEILING TRIM
3-L8	5570A	CONSOLE	4-J3	6840A	TRIM & SCUFF PLATE
3-K9	5580A	VENTILATOR	4-F4	6860A	FLOOR MAT & PADS
3-C10	5700A	SEAT (EXCEPT LEATHER TRIM)	4-L4	6870A	SERVICE TOOLS
3-N10	5710A	SEAT TRIM (LEATHER - ANNIVERSARY EDITION)	4-M4	6900A	VISOR, ASSIST HANDLE & MIRRORS
3-G11	5760A	SEAT BELTS	4-G5	6930A	CAUTION PLATES

THE FRAMES IN THIS COLUMN INDICATE :

4-C3 6800A CEILING TRIM  
 4-J3 6840A TRIM & SCUFF PLATE

4-B3

**6800A CEILING TRIM**

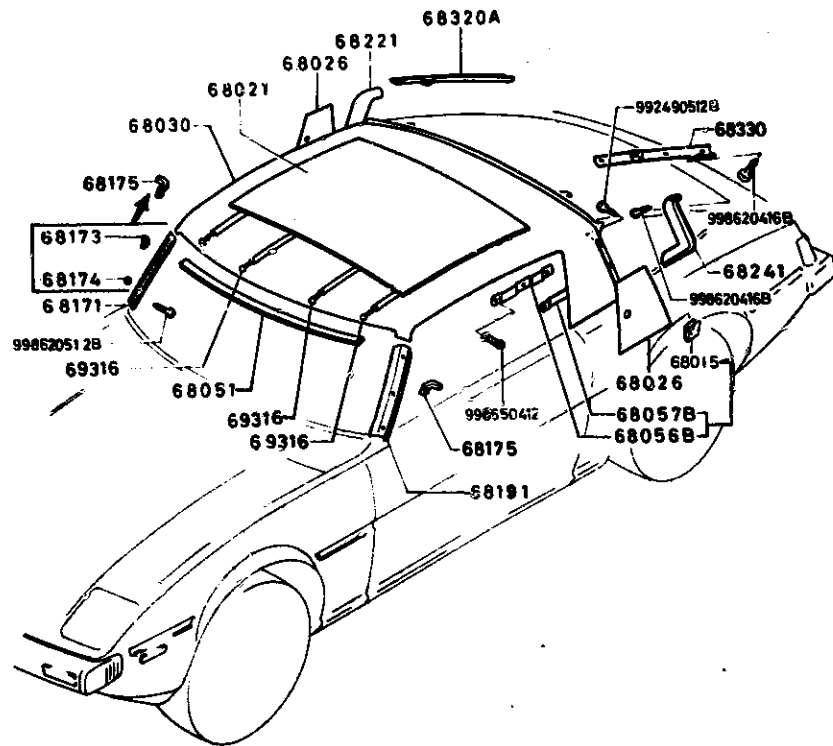
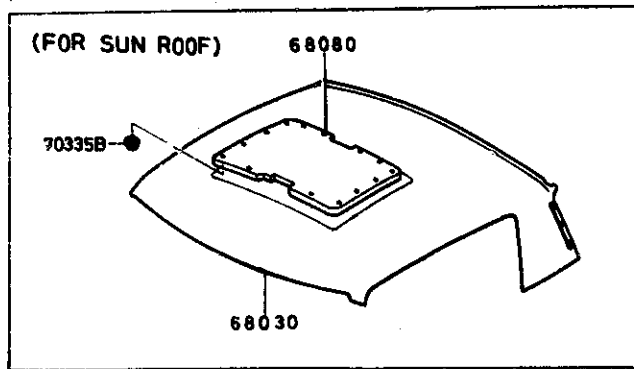


**6800A-1 CEILING TRIM**

D-CODE (Key No.)	PART NAME	PART No.	Qty.	MODEL/DESCRIPTION	VIN (Chassis No.)
68015	CLIP ATTACHE PRENSA TRABA GAZA	8531-68-015	4		SA22C .. 588207-
68021	LINING, HEAD DOUBLURE, TOIT FIBRA PRINCIPAL	8531-68-021	1	STANDARD ROOF	
68026	PAD'B', PILLAR REMOURRAGE'B' MONTANT	8871-68-026	2		
68030	CEILING, TOP CIEL DE PAVILLON CIELO INTERIOR DEL TECHO	8346-68-040B	1	80 MODEL-SUNROOF	SA22C .. 568501-
	BLACK		01		
	WINE		15		
	BROWN (SA22C 568501-606774)		73		
	BROWN (SA22C 606775-)		88		
		8871-68-030	1	STANDARD ROOF	
	BLACK		01		
	WINE		15		
	BROWN (SA22C 500001-535838)		21		
	BROWN (SA22C 535839-)		73		
		8973-68-040	1	79 MODEL-SUNROOF	SA22C .. 500001 -568500
	BLACK		01		
	WINE		15		



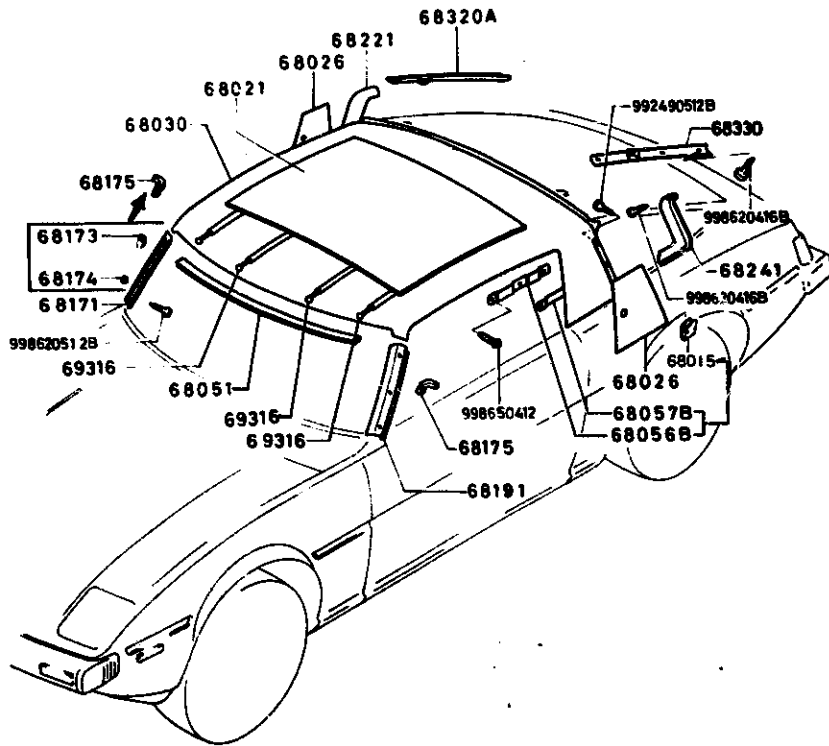
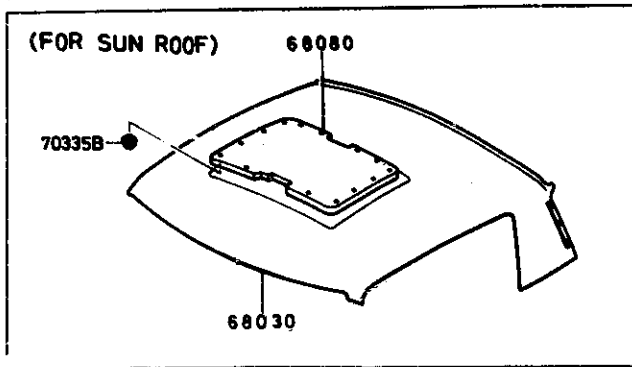
# 6800A CEILING TRIM



# 6800A-2 CEILING TRIM

D-CODE (Key No.)	PART NAME	PART No.	Qty.	MODEL DESCRIPTION	VIN (Chassis No.)
68030 CONT'D	BROWN (SA22C 500001-535838)	8973-68-040	21		
	BROWN (SA22C 535839-568500)		73		
68051	PLATE,T/CEILING-FRT. PLAQUE CIEL.AV.	6871-53-041	1		
68056B	PLATE(R),SET JEU DE PLAQUES(D)	8871-68-056	1		SA22C .. 500001 -588206
68057B	PLATE(L),SET JEU DE PLAQUES(G)	8871-68-056	1		SA22C .. 512943 -588206
		8871-68-057	1		SA22C .. 500001 -512942
68080	CEILING,R.TOP CIEL	8346-68-080A	1	80 MODEL-SUNROOF	SA22C .. 568501-
	BLACK		01		
	WINE		15		
	BROWN (SA22C 568501-606774)		73		
	BROWN (SA22C 606775-)		88		
		8973-68-080A	1	79 MODEL-SUNROOF	SA22C .. 500001 -568500
	BLACK		01		
	WINE		15		
	BROWN (SA22C 500001-535838)		21		
	BROWN (SA22C 535839-568500)		73		
68171	TRIM(R),FRT-PILLAR GARNITURE (D), MONTANT AV	8871-68-171A	1		SA22C .. 500001

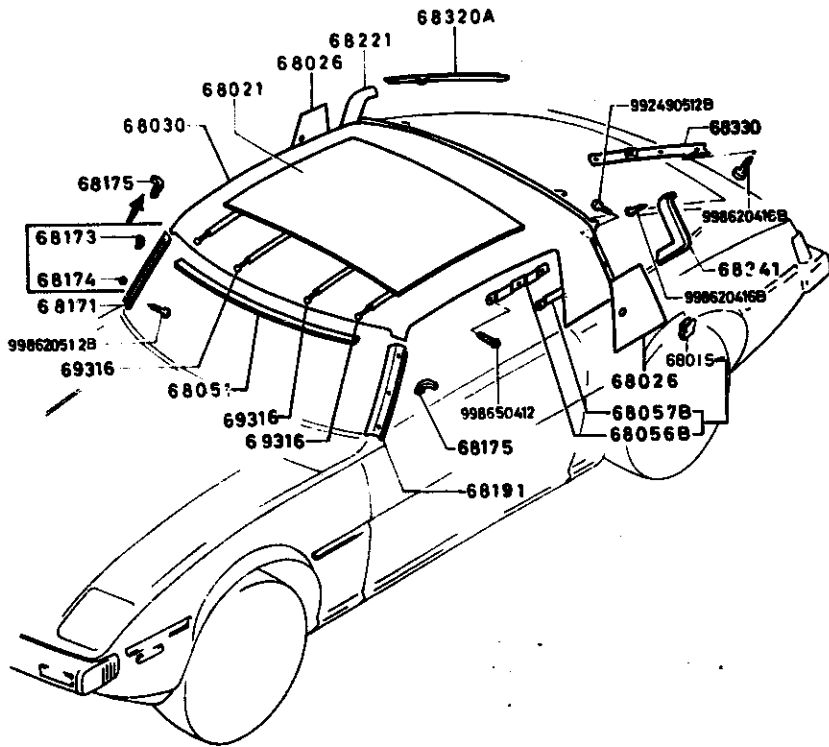
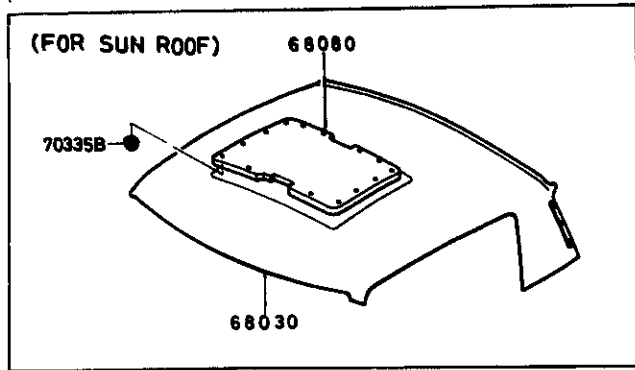
**6800A CEILING TRIM**



**6800A-3 CEILING TRIM**

D-CODE (Key No.)	PART NAME	PART No.	Qty.	MODEL/ DESCRIPTION	VIN (Chassis No.)
68171 CONT'D	HOLDURA(DER),PILAR DELANT	8871-68-171A			-531148
	BLACK		00		
	WINE		10		
	BROWN		20		
		8871-68-171B	1		SA22C .. 531149 -554324
	BLACK		00		
	WINE		10		
	BROWN (SA22C 531149-535838)		20		
	BROWN (SA22C 535839-554324)		21		
		8871-68-171C	1		SA22C .. 554325 -619392
	BLACK		00		
	WINE		10		
	BROWN		21		
	BROWN (SA22C 606775-)		70	(SUNROOF ONLY)	
		*8871-68-171D	1		SA22C .. 619393-
	BLACK		00		
	WINE		10		
	BROWN		21		
	BROWN		70	(SUNROOF ONLY)	
68173	SEALER,UPPER	8871-68-173	2		SA22C ..

**6800A CEILING TRIM**

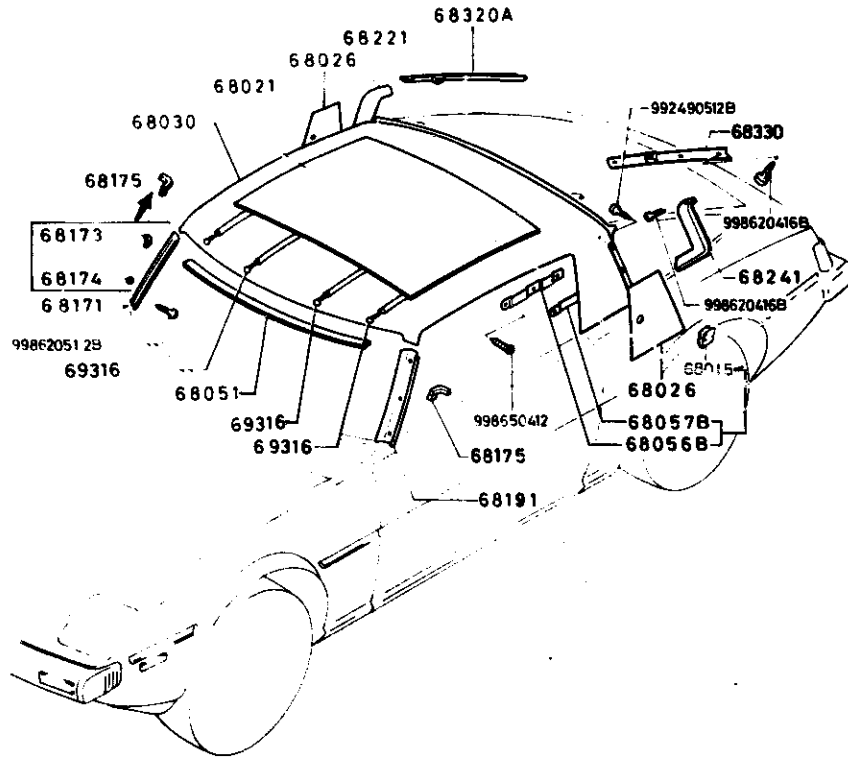
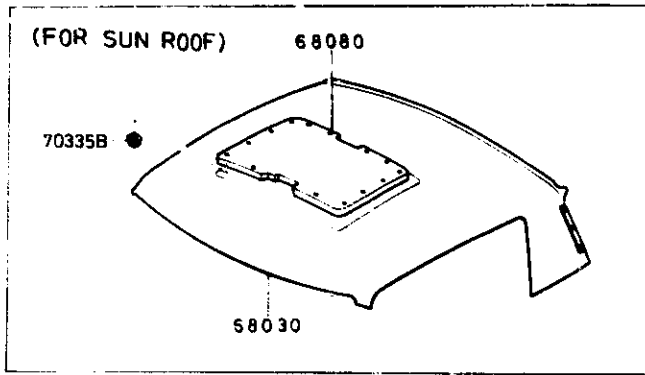


**6800A-4 CEILING TRIM**

D-CODE (Key No.)	PART NAME	PART No.	Qty.	MODEL/DESCRIPTION	VIN (Chassis No.)
68173 CONT'D	JOINT D'ETANCHEITE SUP.	8871-68-173			500001 -520859
68174	SEALER, LOWER JOINT D'ETANCHEITE INF.	8871-68-174	2		SA22C .. 500001 -520859
68175	SEALER	8871-68-175	2		SA22C .. 520860-
68191	TRIM(L), FRT. PILLAR GARNITURE (G), MONTANT AV MOLDURA(IZQ), PILAR DELANT	8871-68-191A	1		SA22C .. 500001 -531148
	BLACK		00		
	WINE		10		
	BROWN		20		
		8871-68-191B	1		SA22C .. 531149 -554324
	BLACK		00		
	WINE		10		
	BROWN (SA22C 531149-535838)		20		
	BROWN (SA22C 535839-554324)		21		
		8871-68-191C	1		SA22C .. 554325 -619392
	BLACK		00		
	WINE		10		
	BROWN		21		
	BROWN (SA22C 606775-)		70	(SUNROOF ONLY)	
		*8871-68-191D	1		SA22C .. 619393-

6800A CEILING TRIM

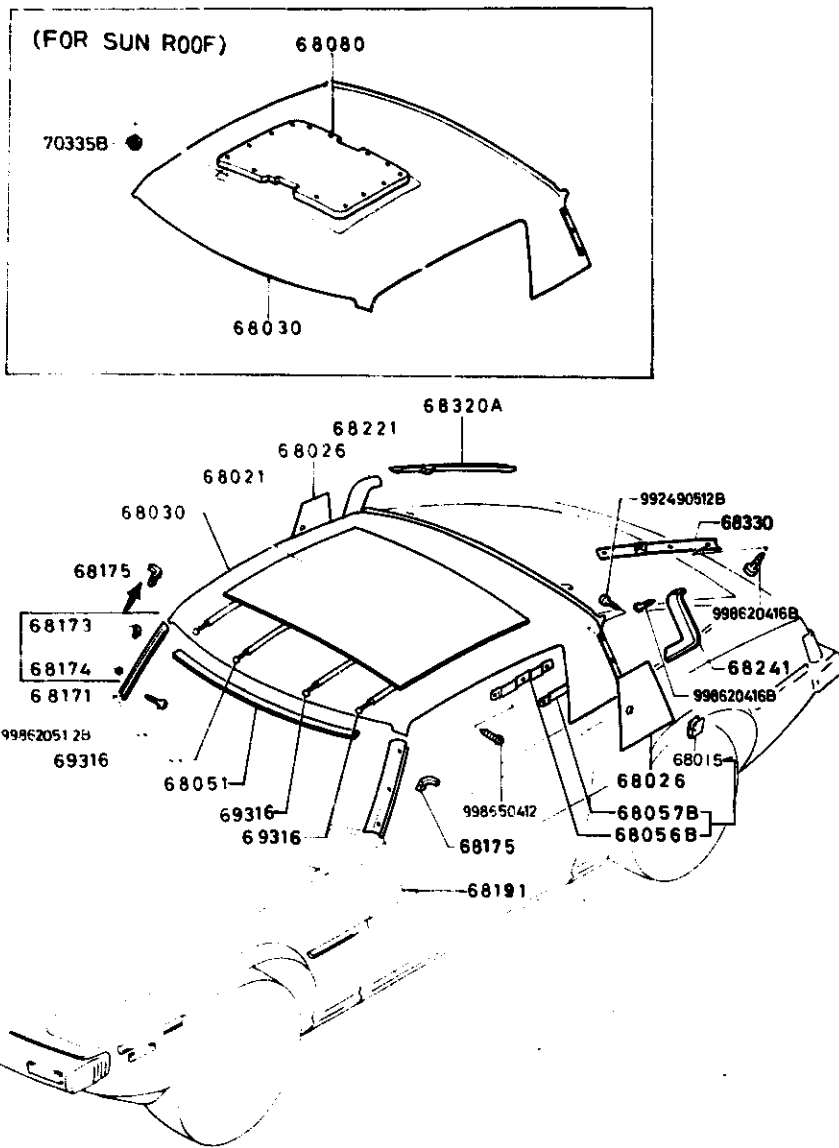
6800A-5 CEILING TRIM



D-CODE (Key No.)	PART NAME	PART No.	Qty.	MODEL DESCRIPTION	V I N Chassis No.
68191 CONT'D	BLACK	8871-68-191D	00		
	WINE		10		
	BROWN		21		
	BROWN		70	(SUNROOF ONLY)	
68221	TRIM(R),CTR-PILLAR GARNITURE (D), MONTANT C. MOLDURA(DER),(CENTRO)PILA	8871-68-221	1		SA22C -- 500001 -559739
	BLACK		00		
	WINE		10		
	BROWN (SA22C 500001-535838)		20		
68241	BROWN (SA22C 535839-559739)		21		
	TRIM(L),CTR-PILLAR GARNITURE (G), MONTANT C. MOLDURA (IZQ),(CENTRO)PILA	8871-68-221A	1		SA22C -- 559740-
	BLACK		00		
	WINE		10		
68241	BROWN		21		
	BROWN (SA22C 606775-)		70	(SUNROOF ONLY)	
	BLACK		00		
	WINE		10		
68241	BROWN (SA22C 500001-535838)		20		
	TRIM(L),CTR-PILLAR GARNITURE (G), MONTANT C. MOLDURA (IZQ),(CENTRO)PILA	8871-68-241	1		SA22C -- 500001 -559739
	BLACK		00		
	WINE		10		
	BROWN (SA22C 500001-535838)		20		

6800A CEILING TRIM

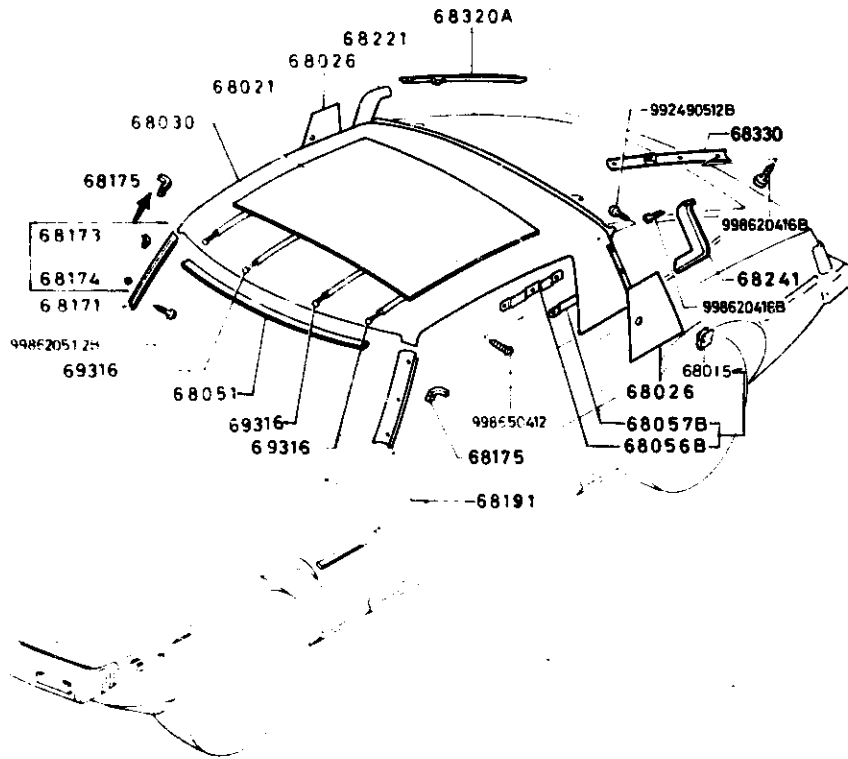
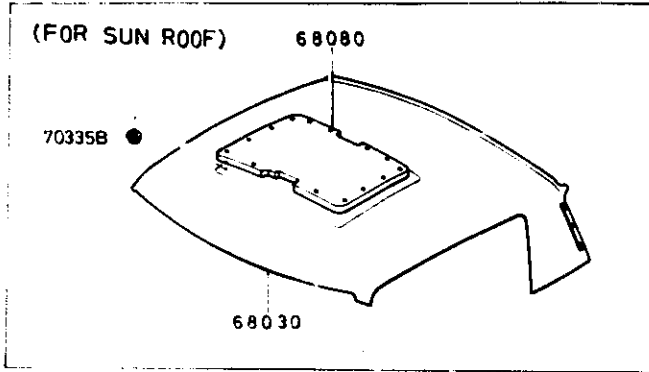
6800A-6 CEILING TRIM



D-CODE (Key No.)	PART NAME	PART No.	Qty.	MODEL DESCRIPTION	V I N (Chassis No.)
68241 CONT'D	BROWN (SA22C 535839-559739)	8871-68-241	21		
	BLACK	8871-68-241A	1		SA22C .. 559740-
	WINE		10		
	BROWN		21		
	BROWN (SA22C 606775-)		70	(SUNROOF ONLY)	
68320A	TRIM(R), REAR PILLAR GARNITURE (D), MONTANT AR MOLDURA(DER), LUNETAS TRAS.	8871-68-271	1		SA22C .. 500001 -559739
	BLACK		00		
	WINE		10		
	BROWN (SA22C 500001-535838)		20		
	BROWN (SA22C 535839-559739)		21		
	BLACK	8871-68-271A	1		SA22C .. 559740-
	WINE		10		
	BROWN		21		
	BROWN (SA22C 606775-)		70	(SUNROOF ONLY)	
68330	TRIM(L), REAR PILLAR GARNITURE (G), MONTANT AR MOLDURA(IZQ), PILAR TRASER	8871-68-291	1		SA22C .. 500001 -559739
	BLACK		00		

6800A CEILING TRIM

6800A-7\* CEILING TRIM

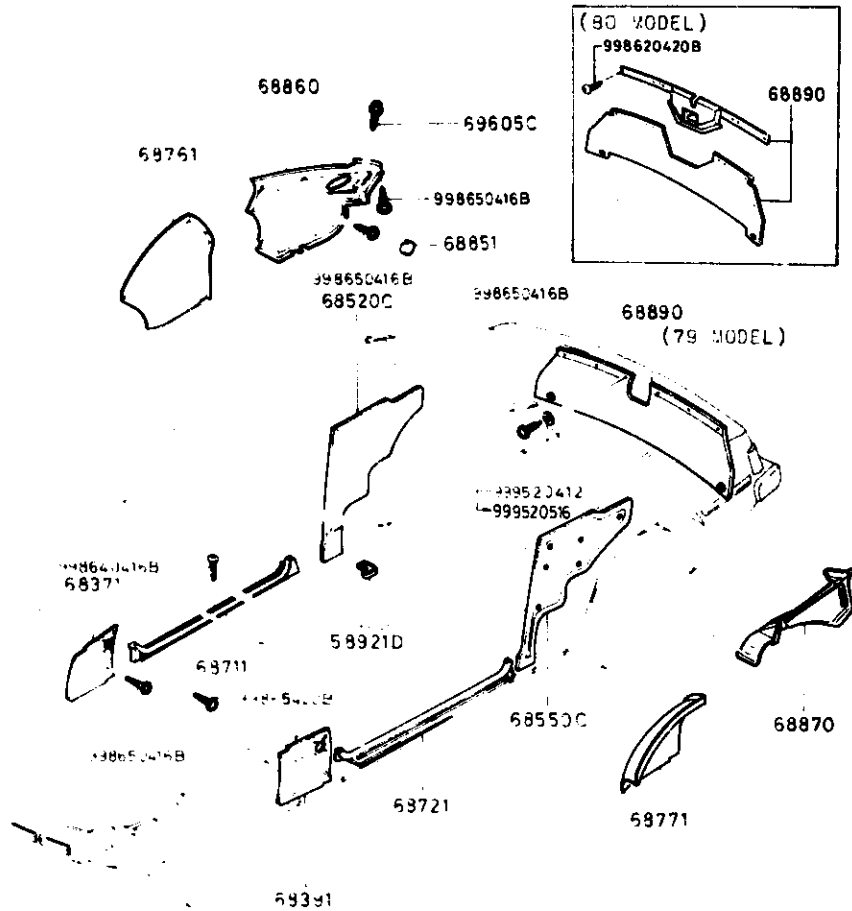


D-CODE (Key No.)	PART NAME	PART No.	Qty.	MODEL DESCRIPTION	VIN Chassis No.
68330 CONT'D	WINE	3871-68-291	10		
	BROWN (SA22C 500001-535838)		20		
	BROWN (SA22C 535839-559739)		21		
		3871-68-291A	1		SA22C ... 500001-
	BLACK		00		
	WINE		10		
	BROWN		21		
	BROWN (SA22C 606775-)		70	(SUNROOF ONLY)	
69316	RUBBER, LISTING WIRE CAUTCHDUC	0208-69-316	4	STANDARD ROOF	
70335B	CLIP, D. TOP CEILING CLIPS	0305-70-335	17	SUNROOF	

6840A TRIM & SCUFF PLATE

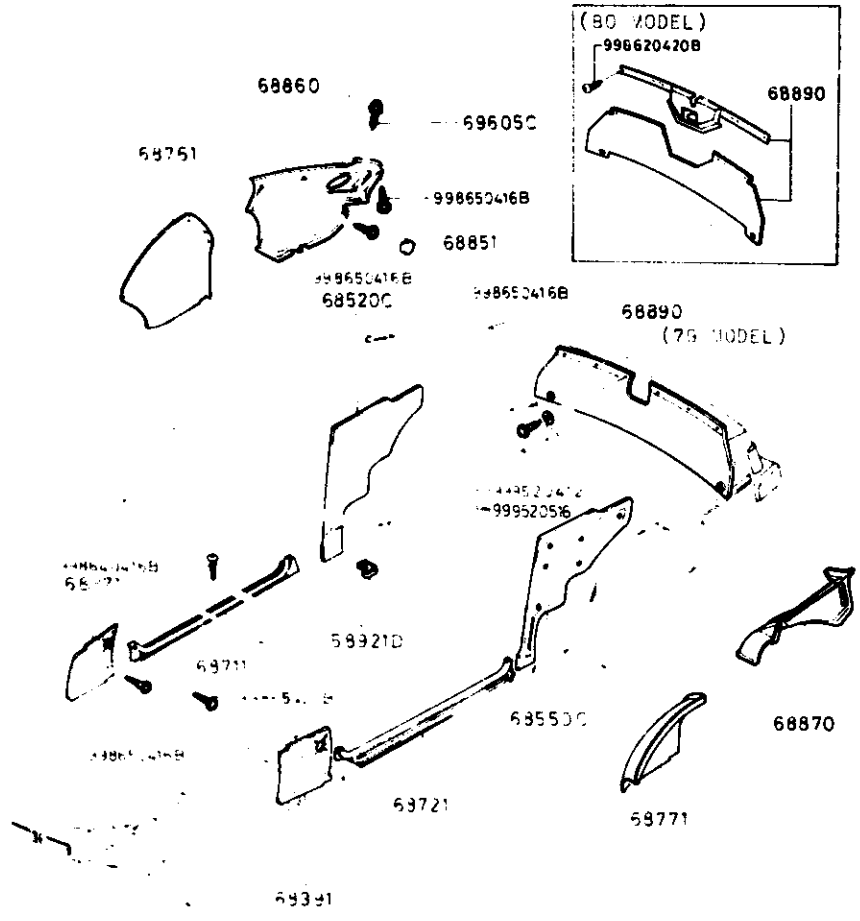
6840A-1 TRIM & SCUFF PLATE

D-CODE (Key No.)	PART NAME	PART No.	Qty	MODEL DESCRIPTION	VIN Chassis No.
58921D	FASTENER AGRAFE SOPORTE	0208-58-921	12		
68371	TRIM(R), FRONT SIDE GARNITURE (D), COTE AV. MOLDURA(DER), LADO DELANT.	8871-68-370	1	(USE W/SPEAKER)	SA22C .. 500001 -525593
	BLACK	00			
	WINE	10			
	BROWN	20			
		8871-68-370B	1	(USE W/SPEAKER)	SA22C .. 525594 -559739
	BLACK	00			
	WINE	10			
	BROWN (SA22C 525594-535838)	20			
	BROWN (SA22C 535839-559739)	21			
		8871-68-370C	1	(USE W/SPEAKER)	SA22C .. 559740-
	BLACK	00			
	WINE	10			
	BROWN	21			
	BROWN (SA22C 606775-)	70		(SUNROOF ONLY)	
		8872-68-370	1	(USE W/O SPEAKER)	SA22C .. 500001 -525593
	BLACK	00			



6840A TRIM & SCUFF PLATE

6840A-2 TRIM & SCUFF PLATE



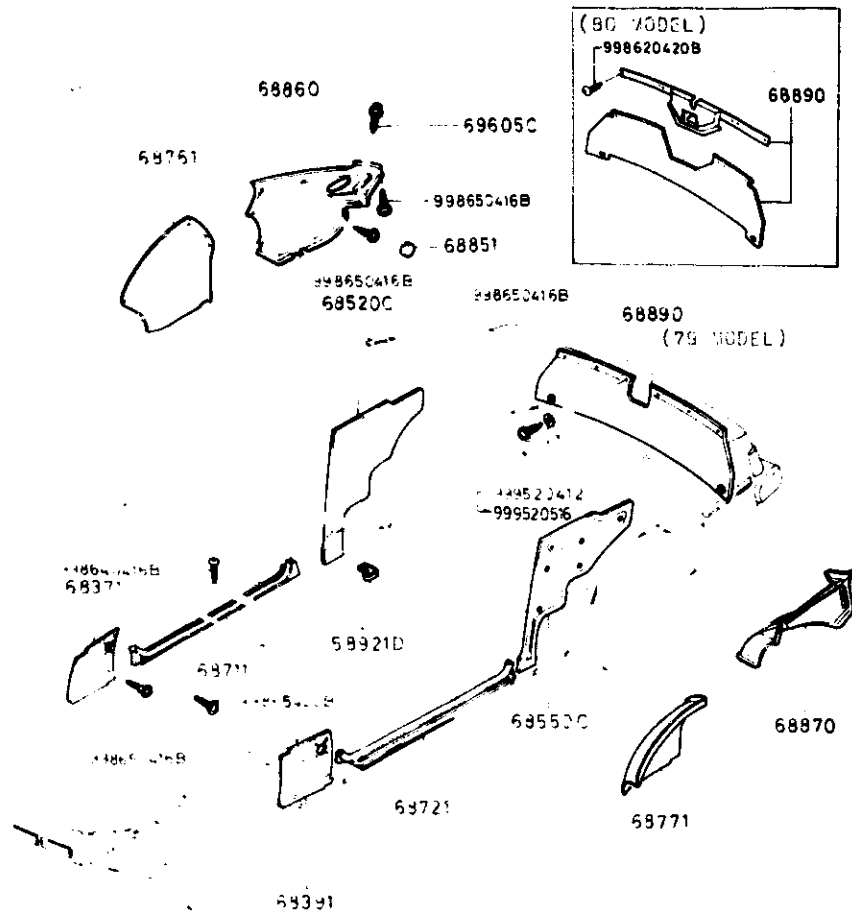
D-CODE (Key No.)	PART NAME	PART No.	Qty.	MODEL DESCRIPTION	V I N Chassis No.
68371 CONT'D	WINE	8872-68-370	10		
	BROWN		20		
		3872-68-370B	1	(USE W/O SPEAKER)	SA22C .. 525594 -550730
	BLACK		00		
	WINE		10		
	BROWN		20	(SA22C 525594-535638)	
	BROWN		21	(SA22C 535639-559739)	
		3372-68-370C	1	(USE W/O SPEAKER)	SA22C .. 525594
	BLACK		00		
	WINE		10		
	BROWN		21		
	BROWN		70	(SUNROOF GILLY)	
68391	TRIM(L), FRONT SIDE GARNITURE (S), COTE AV. MOLDURA (IZG), LADO DELANT.	3871-68-390	1	(USE W/SPEAKER)	SA22C .. 525594 -550730
	BLACK		00		
	WINE		10		
	BROWN		20		
		8871-68-390B	1	(USE W/SPEAKER)	SA22C .. 525594

4-K3



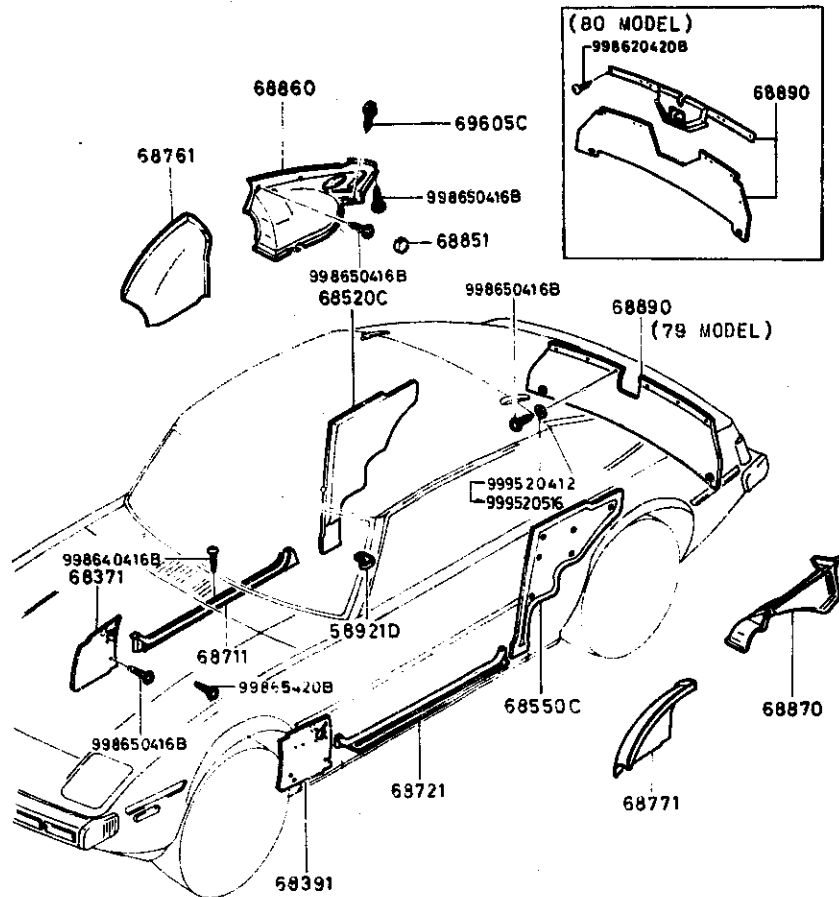
6840A TRIM & SCUFF PLATE

6840A-3 TRIM & SCUFF PLATE



D-CODE (Key No.)	PART NAME	PART No.	Qty.	MODEL DESCRIPTION	VIN Chassis No
68391 CONT'D		8871-68-390B			-624202
	BLACK		00		
	WINE		10		
	BROWN (SA22C 525594-535838)		20		
	BROWN (SA22C 535839-624202)		21		
	BROWN (SA22C 606775-624202)		70	(SUNROOF ONLY)	
		8871-68-390C	1	(USE W/SPEAKER)	SA22C 525594- 624202
	BLACK		00		
	WINE		10		
	BROWN		21		
	BROWN		70	(SUNROOF ONLY)	
		8872-68-390	1	(USE W/O SPEAKER)	SA22C 525594- 624202
	BLACK		00		
	WINE		10		
	BROWN		20		
		8872-68-390B	1	(USE W/O SPEAKER)	SA22C 525594- 624202
	BLACK		00		
	WINE		10		

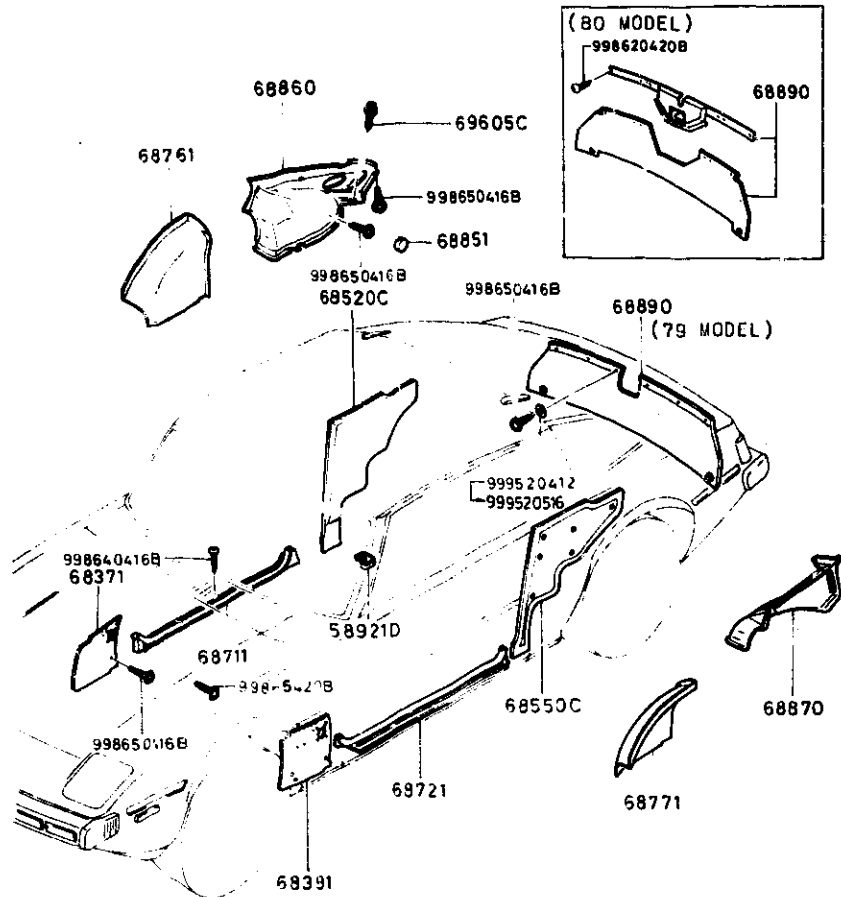
**6840A TRIM & SCUFF PLATE**



**6840A-4 TRIM & SCUFF PLATE**

D-CODE (Key No.)	PART NAME	PART No.	Qty.	MODEL/ DESCRIPTION	VIN (Chassis No.)
68391 CONT'D	BROWN (SA22C 525594-535838)	8872-68-390B	20		
	BROWN (SA22C 535839-624202)		21		
	BROWN (SA22C 606775-624202)		70	(SUNROOF ONLY)	
		<A>*8872-68-390C	1	(USE W/O SPEAKER)	SA22C .. 624203-
	BLACK		00		
	WINE		10		
	BROWN		21		
	BROWN		70	(SUNROOF ONLY)	
68520C	TRIM (R), QUARTER GARNITURE D DEFLECTEUR	8671-68-520	1		SA22C .. 500001 -611387
	BLACK (SA22C 500001-535838)		00		
	BLACK (SA22C 535839-611387)		04		
	WINE (SA22C 500001-535838)		12		
	WINE (SA22C 535839-611387)		14		
	BROWN (SA22C 500001-535838)		22		
	BROWN (SA22C 535839-611387)		24		
	BROWN (SA22C 606775-611387)		70	(SUNROOF ONLY)	
		<A>*8871-68-520A	1		SA22C .. 611388-
	BLACK		04		

**6840A TRIM & SCUFF PLATE**



**6840A-5 TRIM & SCUFF PLATE**

D-CODE (Key No.)	PART NAME	PART No.	Qty.	MODEL DESCRIPTION	V I N (Chassis No.)
68520C CONT'D	WINE	8871-68-520A	14		
	BROWN		24		
	BROWN		70	(SUNROOF ONLY)	
68550C	TRIM(L), QUARTER GARNITURE G DEFLECTEUR	8871-68-550	1		SA22C -- 500001 -611387
	BLACK (SA22C 500001-535838)		00		
	BLACK (SA22C 535839-611387)		04		
	WINE (SA22C 500001-535838)		12		
	WINE (SA22C 535839-611387)		14		
	BROWN (SA22C 500001-535838)		22		
	BROWN (SA22C 535839-611387)		24		
	BROWN (SA22C 606775-611387)		70	(SUNROOF ONLY)	
		<A>*8871-68-550A	1		SA22C -- 611388-
	BLACK		04		
68711	PLATE(R), FRONT SCUFF PROTECTEUR AV. (D), BAS DE PLACA BISELADA DELANTERA	8871-68-711	1		
	BLACK		00		
	WINE		14		
	BROWN		24		
	BROWN		70	(SUNROOF ONLY)	

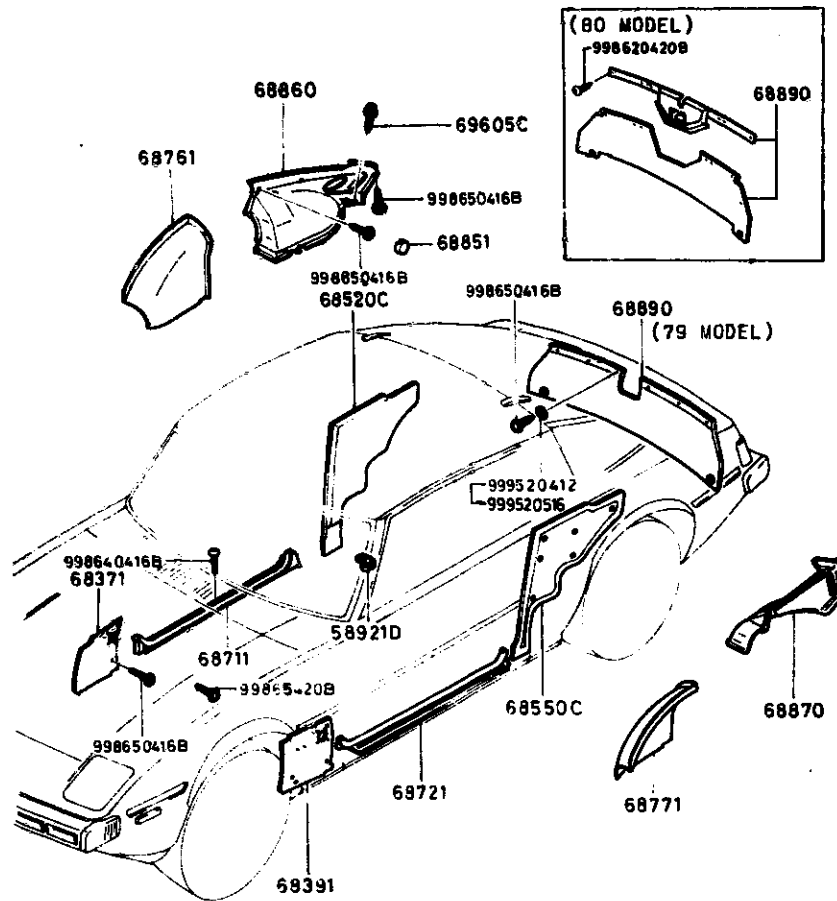
# SECTION NUMBER INDEX (BODY)

STARTING LOCATION	SECTION No.	SECTION NAME	STARTING LOCATION	SECTION No.	SECTION NAME
3-C2	0900A	KEY SEYS	3-C12	5800A	FRONT DOOR
3-C3	5000A	FRONT BUMPER & GRILLE	3-C13	5830A	FRONT DOOR MECHANISMS
3-E3	5010A	REAR BUMPER	3-C14	6100A	HEATER
3-G3	5030A	WINDOW MOULDINGS	3-E14	6110A	HEATER UNIT
3-I3	5040A	BODY MOULDINGS	3-H14	6115A	HEATER CONTROLS
3-C4	5100A	LAMPS (FRONT & SIDE)	3-J14	6120A	HEATER BLOWER
3-G4	5110A	LAMPS (REAR)	3-C15	6230A	BACK DOOR MECHANISMS
3-I4	5130A	OVERHEAD CONSOLE (1979 STANDARD ROOF MODEL)	3-F15	6300A	WINDOW GLASSES
3-J4	5170A	COWL & EXTRACTOR GRILLES & ORNAMENTS	3-I15	6330A	SUNROOF
3-C5	5230A	BONNET	3-C16	6600A	ELECTRIC EQUIPMENT
3-E5	5310A	BODY PANELS (FRONT)	3-G16	6680A	RADIO & STEREO SYSTEMS
3-K5	5340A	BODY PANELS (SIDE & ROOF)	4-C2	6700A	WIRE HARNESS & CLAMPS
3-I6	5360A	BODY PANELS (FLOOR)	4-G2	6720A	WINDSHIELD WASHER
3-C7	5500A	DASHBOARD EQUIPMENT	4-H2	6730A	WINDSHIELD WIPER
3-L7	5540A	METERS	4-J2	6740A	WIPER MOTOR (COMPONENTS ONLY)
3-D8	5560A	DASHBOARD & RELATED	4-C3	6800A	CEILING TRIM
3-L8	5570A	CONSOLE	4-J3	6840A	TRIM & SCUFF PLATE
3-K9	5580A	VENTILATOR	4-F4	6860A	FLOOR MAT & PADS
3-C10	5700A	SEAT (EXCEPT LEATHER TRIM)	4-L4	6870A	SERVICE TOOLS
3-N10	5710A	SEAT TRIM (LEATHER - ANNIVERSARY EDITION)	4-M4	6900A	VISOR, ASSIST HANDLE & MIRRORS
3-G11	5760A	SEAT BELTS	4-G5	6930A	CAUTION PLATES

THE FRAMES IN THIS COLUMN INDICATE :

4-J3 6840A TRIM & SCUFF PLATE  
 4-F4 6860A FLOOR MAT & PADS  
 4-L4 6870A SERVICE TOOLS  
 4-M4 6900A VISOR, ASSIST HANDLE & MIRRORS

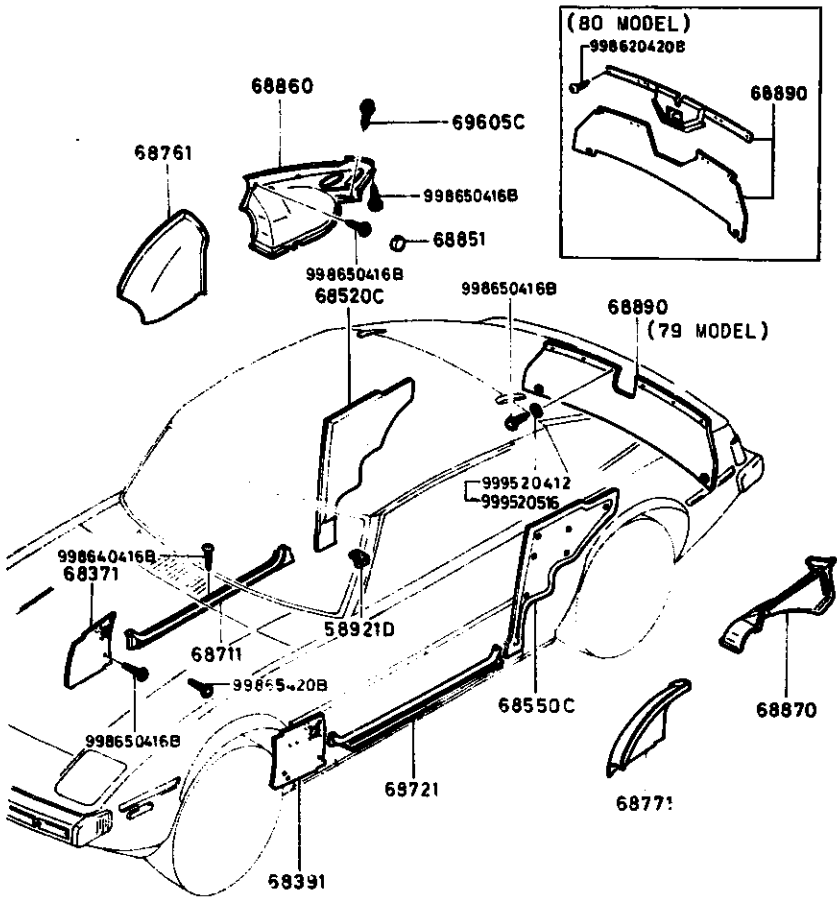
# 6840A TRIM & SCUFF PLATE



# 6840A-6 TRIM & SCUFF PLATE

D-CODE (Key No.)	PART NAME	PART No.	Qty	MODEL/DESCRIPTION	VIN (Chassis No.)
68721	PLATE(L), FRONT SCUFF PROTECTEUR AV.(6), BAS DE PLACA BISELADA DELANTERA	8871-68-721	1		
	BLACK	00			
68761	TRIM(R), TIRE HOUSE GARNITURE D	8871-68-770	1		
	BLACK	00			
	WINE	10			
	BROWN (SA22C 500001-535838)	20			
	BROWN (SA22C 535839-)	21			
	BROWN (SA22C 606775-)	70		(SUNROOF ONLY)	
68771	TRIM(L), TIRE HOUSE GARNITURE G	8871-68-790	1		
	BLACK	00			
	WINE	10			
	BROWN (SA22C 500001-535838)	20			
	BROWN (SA22C 535839-)	21		(SUNROOF ONLY)	
	BROWN (SA22C 606775-)	70			
68851	CAP, TRUNK SIDE BOUCHON	8871-68-851	4		
	BLACK	00			
	WINE	10			
	BROWN (SA22C 500001-535838)	20			

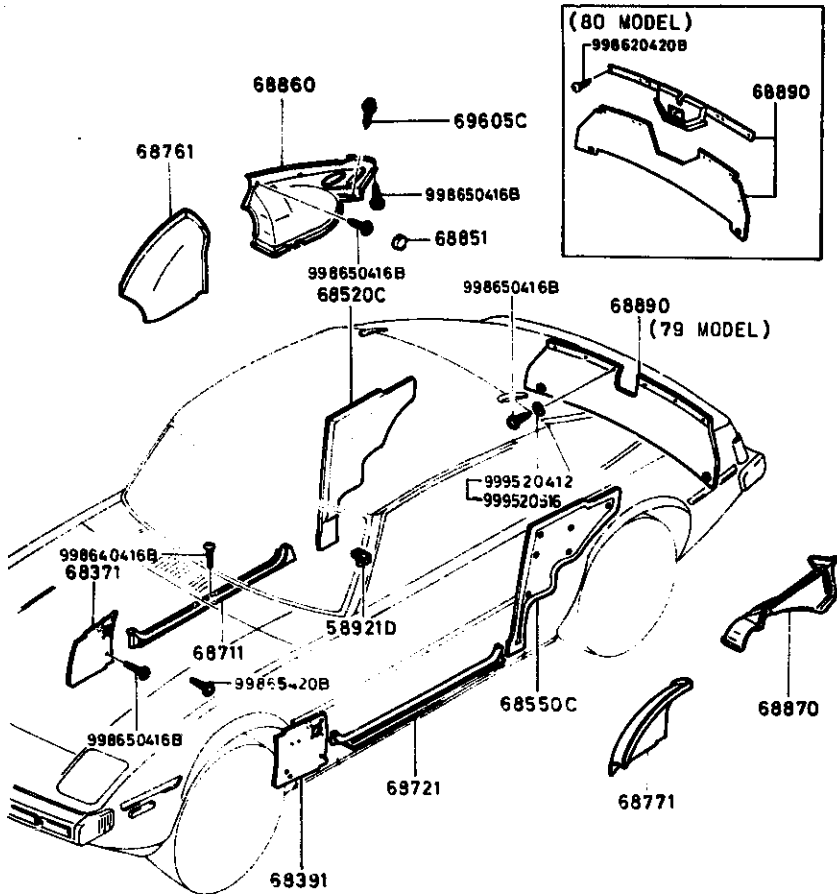
**6840A TRIM & SCUFF PLATE**



**6840A-7 TRIM & SCUFF PLATE**

D-CODE (Key No.)	PART NAME	PART No.	Qty.	MODEL/DESCRIPTION	VIN (Chassis No.)
68851 CONT'D	BROWN (SA22C 535839-)	8871-68-851	23		
	BROWN (SA22C 606775-)		70	(SUNROOF ONLY)	
68860	TRIM(R), TRUNK SIDE GARNITURE (D), COTE COFFR MOLDURA(DER), LADO MALETER	8871-68-861	1		
	BLACK		00		
	WINE		10		
	BROWN (SA22C 500001-535838)		20		
	BROWN (SA22C 535839-)		23		
	BROWN (SA22C 606775-)		70	(SUNROOF ONLY)	
68870	TRIM(L), TRUNK SIDE GARNITURE (G), COTE COFFR MOLDURA(IZQ), LADO MALETER	8871-68-871	1		
	BLACK		00		
	WINE		10		
	BROWN (SA22C 500001-535838)		20		
	BROWN (SA22C 535839-)		23		
	BROWN (SA22C 606775-)		70	(SUNROOF ONLY)	
68890	TRIM, TRUNK END GARNITURE DE COIN, COFFR MOLDURA, FINAL MALETERO	8341-68-890	1	80 MODEL	SA22C -- 568501-
	BLACK		00		
	WINE		10		
	BROWN		20		

**6840A TRIM & SCUFF PLATE**

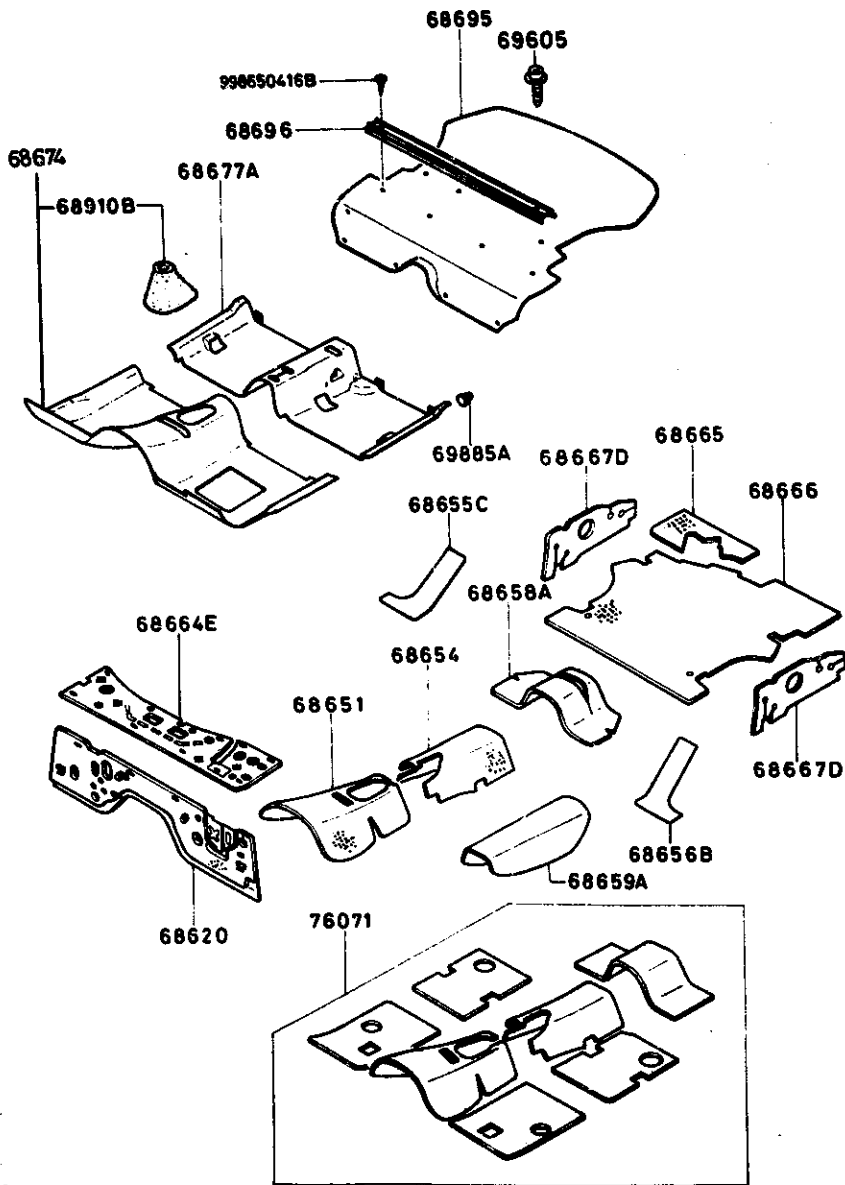


**6840A-8\* TRIM & SCUFF PLATE**

D-CODE (Key No.)	PART NAME	PART No.	Qty.	MODEL/DESCRIPTION	VIN (Chassis No.)
68890 CONT'D	BROWN (SA22C 606775-)	8341-68-890 70		(SUNROOF ONLY)	
	BLACK	77			
	WINE	81			
	BROWN	85			
		8871-68-891A	1	79 MODEL	SA22C .. 500001 -501213
		8871-68-891B	1	79 MODEL	SA22C .. 501214 -568500
	BLACK (SA22C 535839-568500)	00			
	WINE (SA22C 535839-568500)	10			
	BROWN (SA22C 535839-568500)	20			
	BLACK (SA22C 501214-535838)	77			
	WINE (SA22C 501214-535838)	81			
	BROWN (SA22C 501214-535838)	85			
69605C	HOOK, TRIM AGRAFE GARNITURE	0187-69-605	2		SA22C .. 500001 -589267
		8871-68-855	2		SA22C .. 589268-

6860A FLOOR MAT & PADS

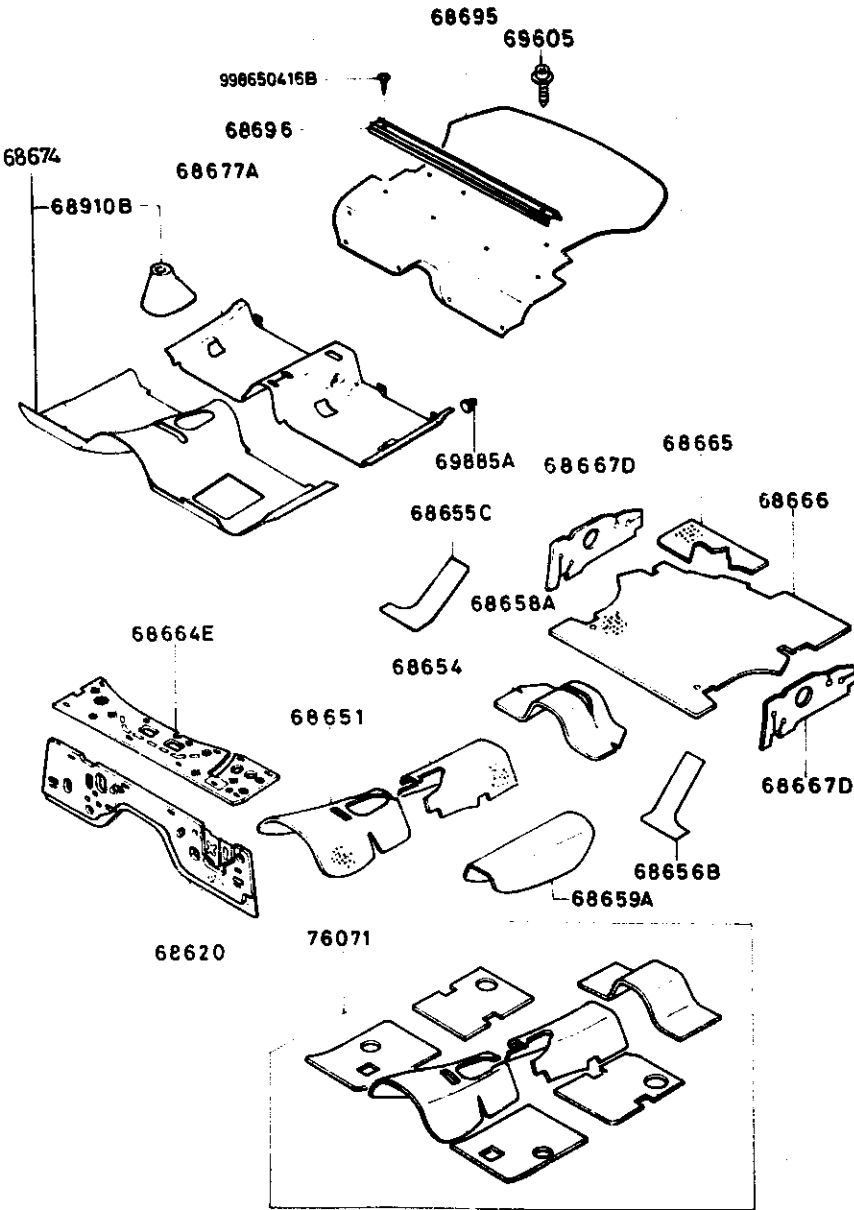
6860A-1 FLOOR MAT & PADS



D-CODE (Key No.)	PART NAME	PART No.	Qty.	MODEL/DESCRIPTION	VIN (Chassis No.)
68620	INSULATOR, DASHBOARD ISOLAYEUR, TABLEAU DE BOR AISLAD. TABLERO INSTRUMEN	8871-68-620	1		SA22C .. 500001 -520637
	< A >	8871-68-620A	1		SA22C .. 520638-
68651	PAD (C), FLOOR-FRONT FIBRANNE (C) DE PLANCHER TACO DE GOMA PISO DELANTE	8871-68-651	1		
68654	PAD (C), FLOOR-REAR FIBRANNE (C) DE PLANCHER TACO DE GOMA PISO TRAS-	8871-68-654	1		
68655C	PAD (R), STRAGE SIDE PANNEAU (D)	8871-68-655	1		
68656B	PAD (L), STRAGE SIDE PANNEAU (G)	8871-68-656	1		
68658A	PAD, STRAGE BOX TAMPON	8871-68-658	1		
68659A	PAD, KICK UP REINF. TAMPON	8871-68-659	2		
68664E	INSULATOR, DASH UP. ISOLANT	8871-68-664	1		SA22C .. 500001 -547088
		8871-68-664A	1		SA22C .. 547089 -524202
		< A > *8871-68-664B	1		SA22C .. 624203-
68665	PAD (R), FLOOR-TRUNK FIBRANNE DE PLANCHER (D) TACO DE GOMA PISO DERECHO	8871-68-665	1		SA22C .. 500001 -547088
68666	PAD (L), FLOOR-TRUNK FIBRANNE DE PLANCHER (G) TACO DE GOMA PISO (C)	8871-68-666	1		
68667D	PAD, TRUNK SIDE FIBRANNE COFFRE	8871-68-667	2		
68674	MAT, FRONT FLOOR TAPIS AVANT ALFOMBRA DELANTERA	8871-68-671	1		SA22C .. 500001 -525593



6860A FLOOR MAT & PADS

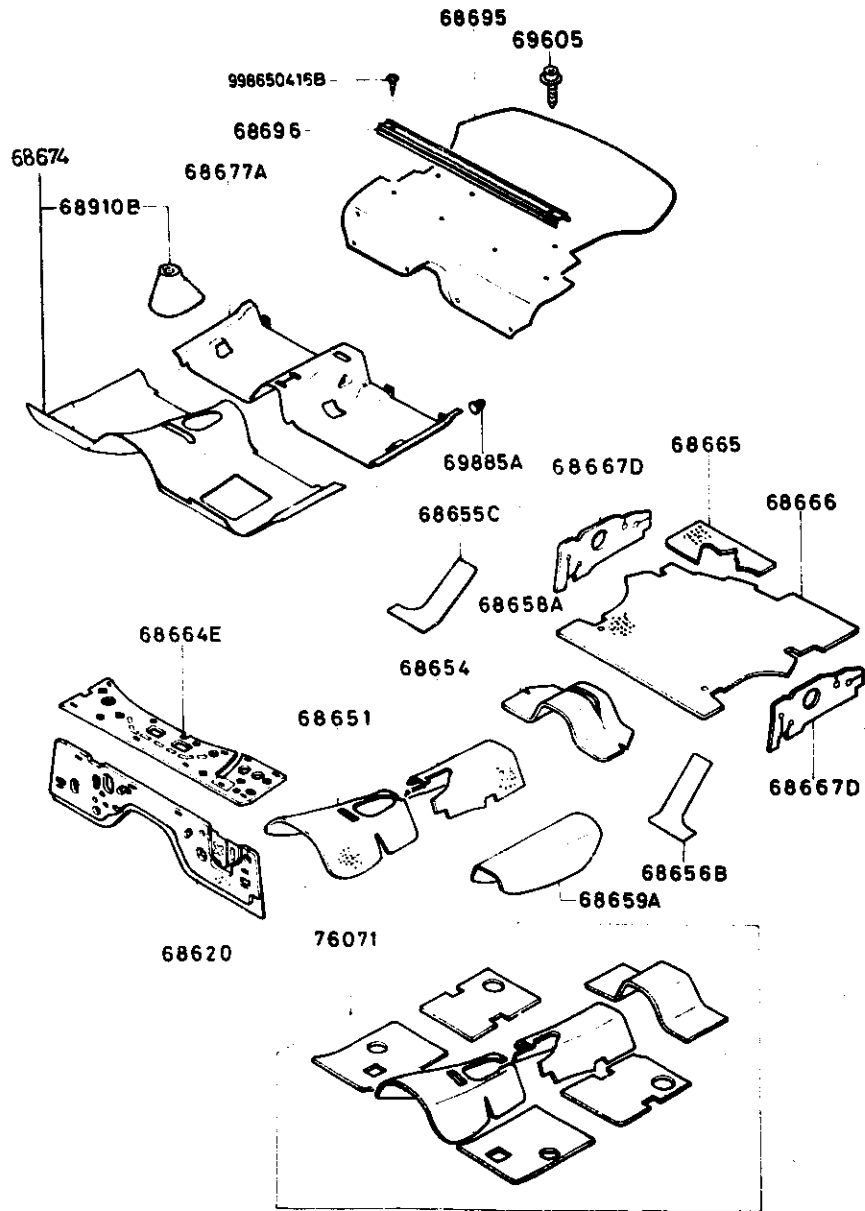


6860A-2 FLOOR MAT & PADS

D-CODE (Key No.)	PART NAME	PART No.	Qty.	MODEL DESCRIPTION	V I N (Chassis No.)
68674 CONT'D	WINE	8871-68-671			
	BROWN		17		
	BLACK		24		
			75		
		8871-68-671A	1		SA22C .. 525594 -576261
	WINE (SA22C 525594-535838)		17		
	BROWN (SA22C 525594-535838)		24		
	BROWN (SA22C 535839-576261)		25		
	BLACK (SA22C 525594-535838)		75		
	BLACK (SA22C 535839-576261)		76		
	WINE (SA22C 535839-576261)		80		
		8871-68-671B	1		SA22C .. 576262 -617318
	BROWN		25		
	BLACK		76		
	WINE		80		
		*8871-68-671C	1		SA22C .. 617319-
	BROWN		25		
	BLACK		76		
	WINE		80		

6860A FLOOR MAT & PADS

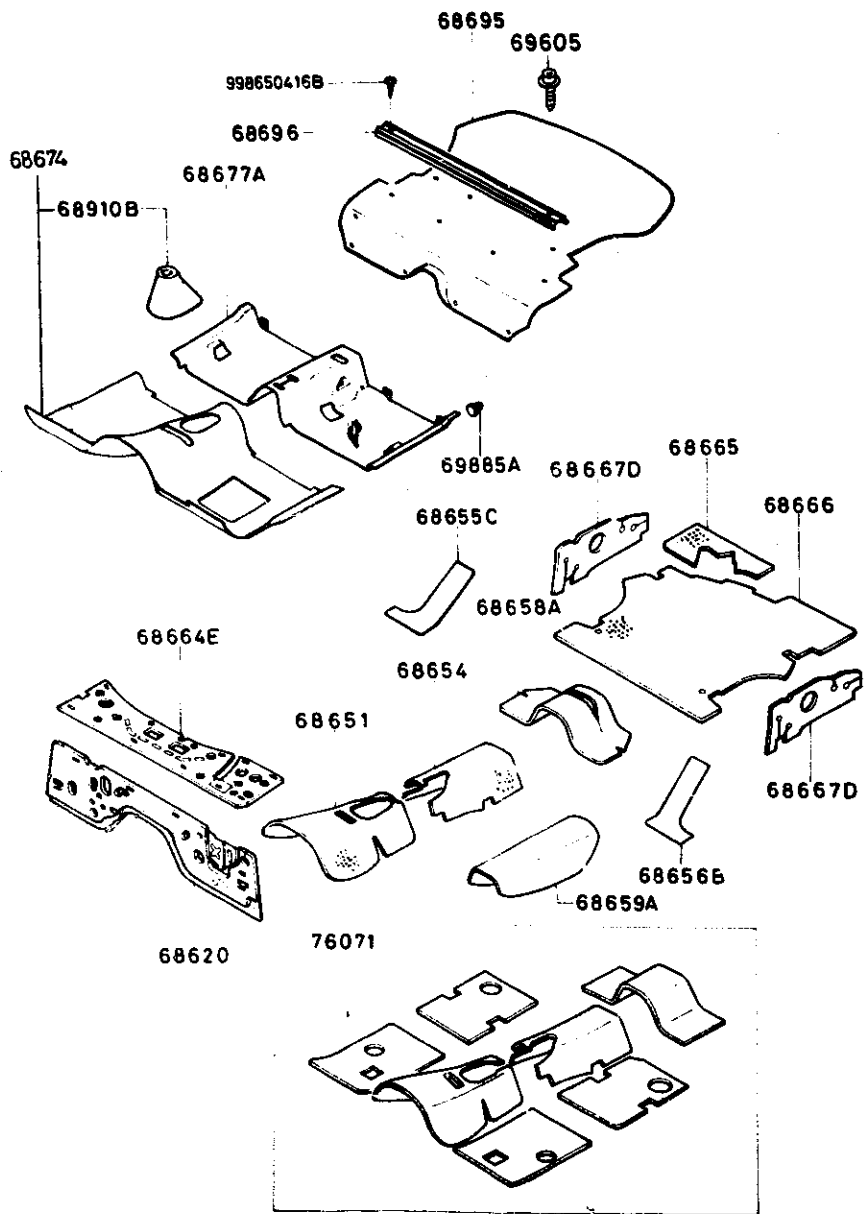
6860A-3 FLOOR MAT & PADS



D-CODE (Key No.)	PART NAME	PART No.	Qty.	MODEL DESCRIPTION	VIN (Chassis No.)
68677A	MAT, REAR FLOOR TAPIS PLANCHER ARR.	8871-68-677A	1	(USE W/REAR CONSOLE)	SA22C .. 500001 -510188
	WINE	17			
	BROWN	24			
	BLACK	75			
		8871-68-677B	1	(USE W/REAR CONSOLE)	SA22C .. 510189 -525593
	WINE	17			
	BROWN	24			
	BLACK	75			
		8871-68-677C	1	(USE W/REAR CONSOLE)	SA22C .. 525594 -576761
	WINE (SA22C 525594-535838)	17			
	BROWN (SA22C 525594-535838)	24			
	BROWN (SA22C 535839-576761)	25			
	BLACK (SA22C 525594-535838)	75			
	BLACK (SA22C 535839-576761)	76			
	WINE (SA22C 535839-576761)	80			
		8871-68-677D	1	(USE W/REAR CONSOLE)	SA22C .. 576761-
	BROWN	25			

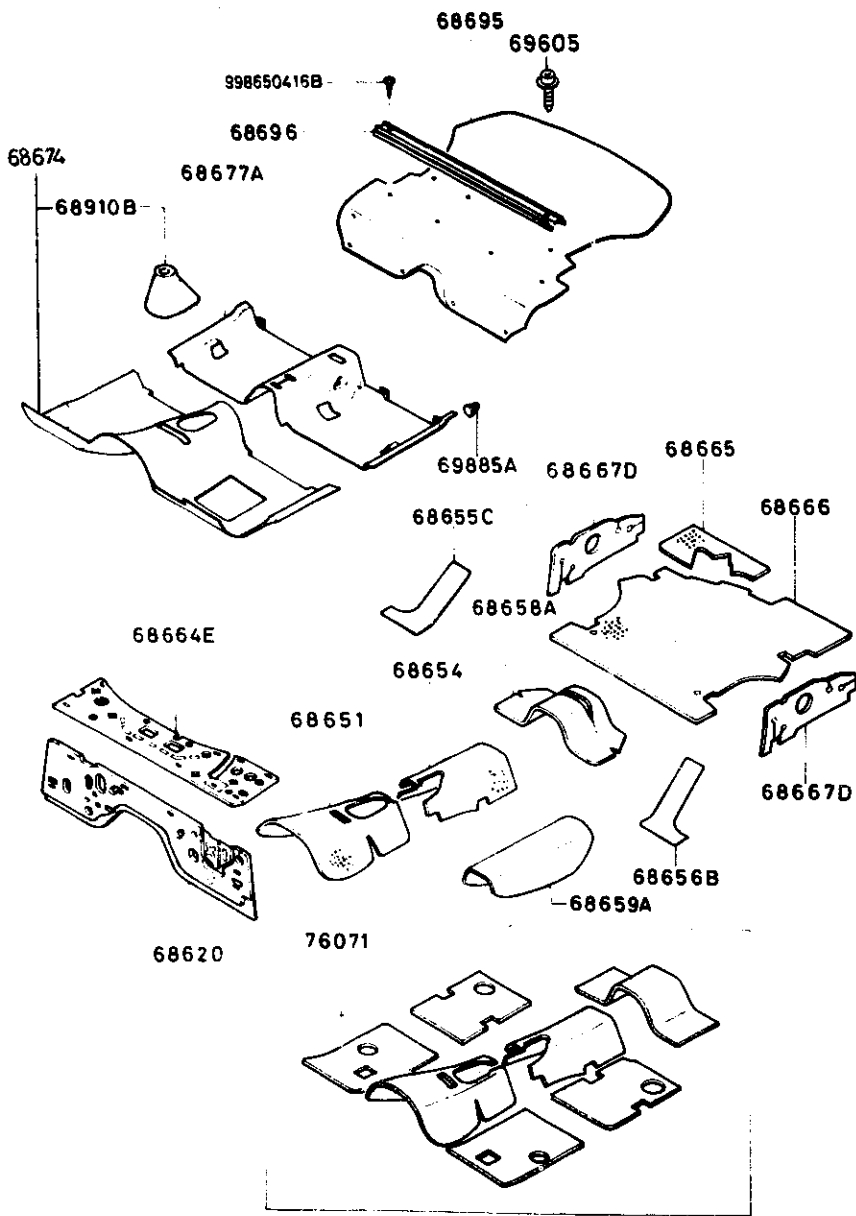
6860A FLOOR MAT & PADS

6860A-4 FLOOR MAT & PADS



D-CODE (Key No.)	PART NAME	PART No.	Qty	MODEL DESCRIPTION	VIN (Chassis No.)
68677A CONT'D	BLACK	8671-68-677D	76		
	WINE		80		
		8872-68-677A	1	(USE W/O REAR CONSOLE)	SA22C .. 500001 -51J188
	WINE		17		
	BROWN		24		
	BLACK		75		
		8872-68-677B	1	(USE W/O REAR CONSOLE)	SA22C .. 510139 -525593
	WINE		17		
	BROWN		24		
	BLACK		75		
		8872-68-677C	1	(USE W/O REAR CONSOLE)	SA22C .. 525594 -576261
	WINE (SA22C 525594-535838)		17		
	BROWN (SA22C 525594-535838)		24		
	BROWN (SA22C 535839-576261)		25		
	BLACK (SA22C 525594-535838)		75		
	BLACK (SA22C 535839-576261)		76		
	WINE (SA22C 535839-576261)		80		

6860A FLOOR MAT & PADS

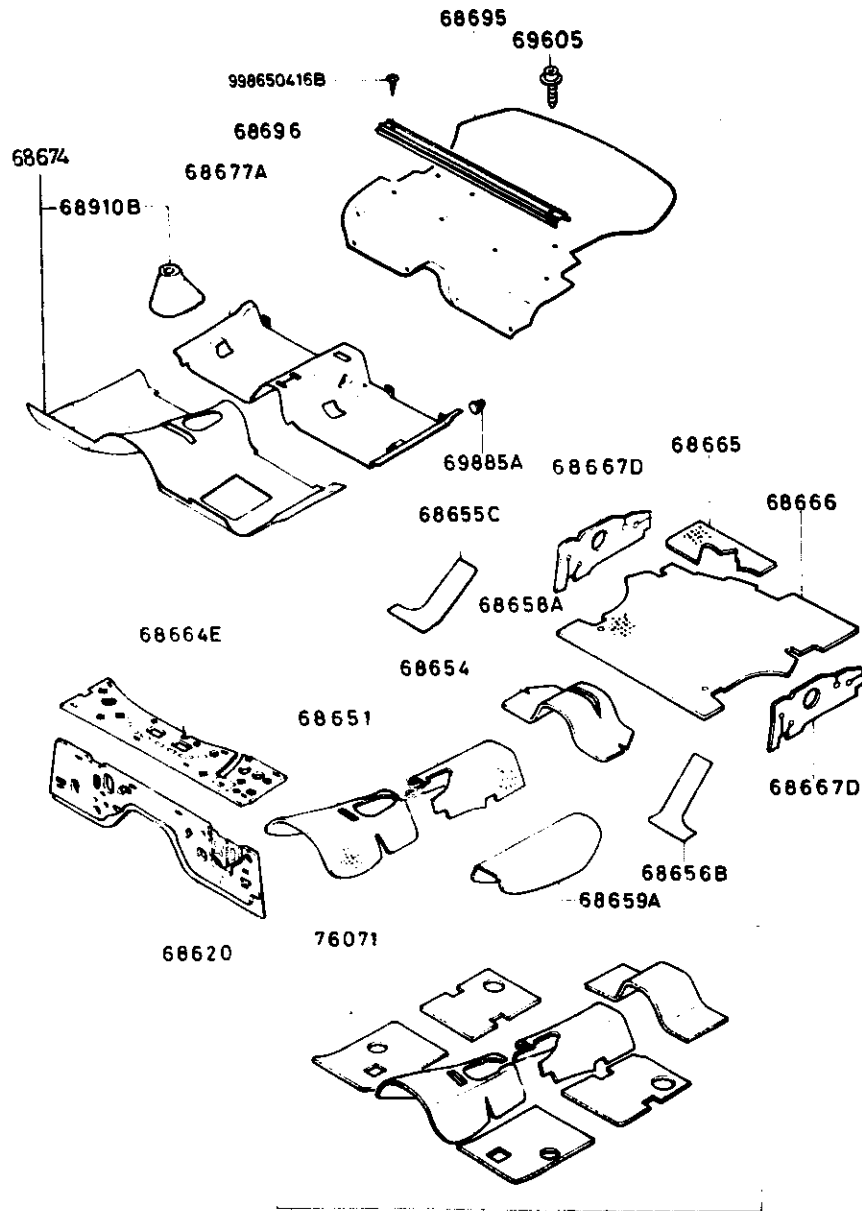


6860A-5 FLOOR MAT & PADS

D-CODE (Key No.)	PART NAME	PART No.	Qty.	MODEL DESCRIPTION	VIN (Chassis No.)
68677A CONT'D		8872-68-677D	1	(USE W/O REAR CONSOLE)	SA22C .. 576262-
	BROWN		25		
	BLACK		76		
	WINE		80		
		8973-68-677P	1	(ORD. BY 897368677P01) (LIMITED) 79 MODEL	
68695	MAT, TRUNK ROOM TAPIS, COFFRE ARRIERE ALFOMBRA DEL BAUL	8871-68-695	1	79 MODEL	SA22C .. 5J0001 -554324
	BLACK		77		
	WINE		81		
	BROWN		85		
		8871-68-695A	1		SA22C .. 554325-
	BLACK		77		
	WINE		91		
	BROWN		85		
68696	PLATE, MAT SET MOULURE DOSSIER ARR PLATO- JUEGO DE ALFOMBRAS	8871-68-696A	1		
68910B	BOOT, BRAKE	8869-75-011	1		SA22C .. 561377-
	BLACK		77		
		8871-75-011	1		SA22C .. 500001 -561876
69605	HOOK, TRUNK ROOM MAT AGRAFE, TAPIS COFFRE AR.	0187-69-605	2		SA22C .. 500001

6860A FLOOR MAT & PADS

6860A-6\* FLOOR MAT & PADS



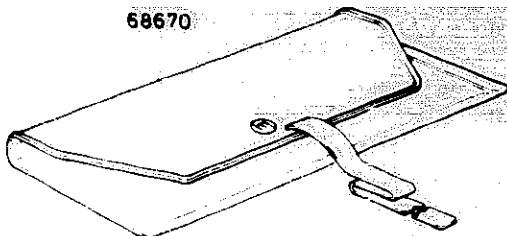
D-CODE (Key No.)	PART NAME	PART No.	Qty.	MODEL DESCRIPTION	VIN Chassis No.
69605	BROCHE ALFOMBRA BALIJERO	0187-69-605			-589267
69885A	FASTENER AGRAFE SOPORTE	0866-69-885	8		SA22C .. 500001 -573960
	BLACK	00			
	BROWN	05			
		*0866-69-385A	7		SA22C .. 573901-
	BLACK	00			
	BROWN	05			
76071	SILENCER, FLOOR INSONORISATEUR PLANCHER SILENCIADOR, PISO	0208-76-071	1	(30CM X 30CM)	

**6870A SERVICE TOOLS**

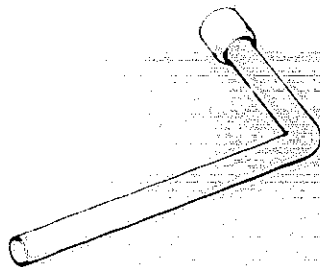
**6870A-1\* SERVICE TOOLS**

68660A

68670

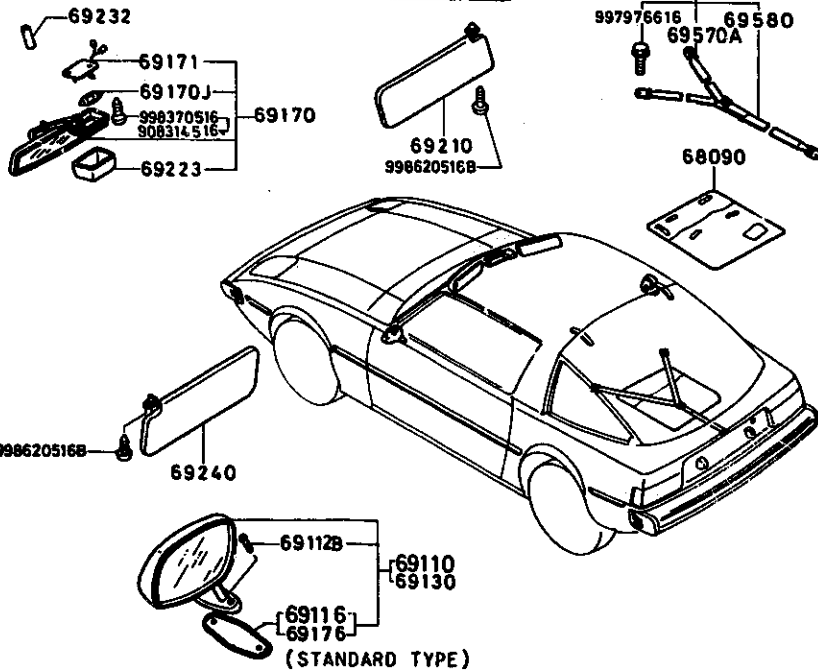
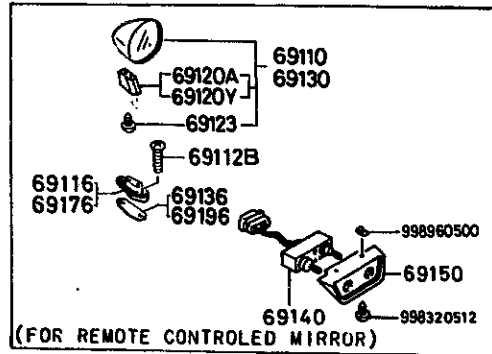
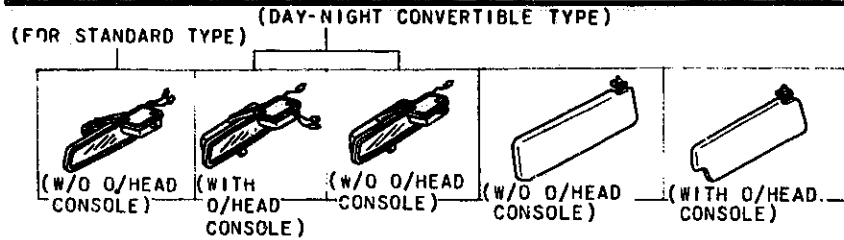


68070



D CODE (Key No.)	PART NAME	PART No	Qty	MODEL DESCRIPTION	V I N Chassis No.
68070	WRENCH, HUB NUT CLEF DE MOYEU LLAVE, TUERCA SOPORTE	0810-68-070A	1		SA220 ... 500001 -627592
		*0810-68-070C	1	30 MODEL	SA220 ... 627593-
68660A	TOOL SET TROUSSE A OUTILS JUEGO HERRAMIENTAS	3781-69-650	1		
68670	BAG, TOOL SAC, OUTIL BOLSA, HERRAMIENTAS	3731-69-670	1		SA220 ... 500001 -554324
		8173-69-670	1		SA220 ... 554325-

# 6900A VISOR, ASSIST HANDLE & MIRRORS

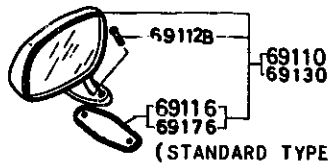
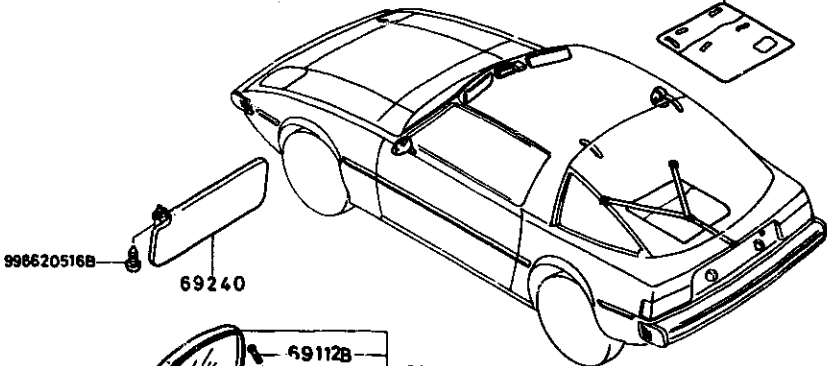
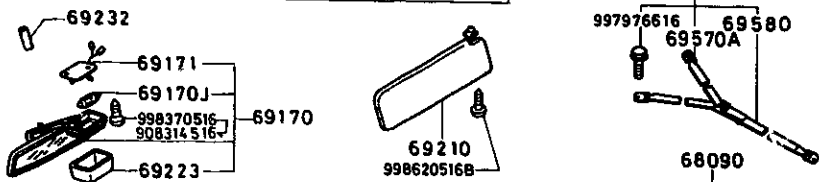
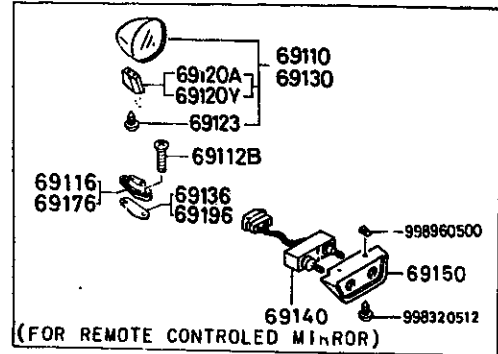
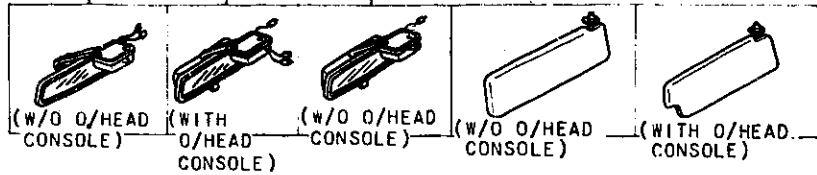


# 6900A-1 VISOR, ASSIST HANDLE & MIRRORS

D-CODE (Key No.)	PART NAME	PART No.	Qty.	MODEL / DESCRIPTION	VIN (Chassis No.)
68C90	BAG, SUNROOF	8973-68-090A	1	(FOR SUNROOF) 79 MODEL USA	SA22C .. 500001 -525593
		8973-68-090B	1	(FOR SUNROOF) 79 MOSEL USA	SA22C .. 525594 -568500
		8973-68-090C	1	(FOR SUNROOF) 80 MODEL USA	SA22C .. 568501-
		8974-68-090	1	(FOR SUNROOF) CANADA	SA22C .. 510189-
69110	MIRROR(R), REAR VIEW MIRDIR (D) ESPEJO DERECHO	8341-69-120	1	(REMOTE CONTROL TYPE) 80 MODEL	SA22C .. 592956-
		8871-69-110	1	(STANDARD TYPE) 79 MODEL	SA22C .. 525594 -568500
		8871-69-110A	1	(STANDARD TYPE) 80 MODEL	SA22C .. 568501-
69112B	SCREW, MIRROR VIS, MIRROR TORNILLO, ESPEJO	8341-69-178	4	(REMOTE CONTROL TYPE) 80 MODEL	SA22C .. 592956-
		8871-69-178	4	(STANDARD TYPE)	
69116	BASE(R), MIRROR SOCLE(D) MIRROIR	8341-69-131	1	(REMOTE CONTROL TYPE) 80 MODEL	SA22C .. 592956-
		8871-69-117	1	(STANDARD TYPE)	
69120A	STAY(R)	8341-69-122	1	(REMOTE CONTROL TYPE) 80 MODEL	
69120Y	STAY(L)	8341-69-182	1	(REMOTE CONTROL TYPE) 80 MODEL	
69123	SCREW	8341-69-123	1	(REMOTE CONTROL TYPE) 80 MODEL	
69130	MIRROR(L), REAR VIEW MIRDIR (G)	8341-69-180	1	(REMOTE CONTROL TYPE) 80 MODEL	SA22C .. 592956-
		8871-69-170	1	(STANDARD TYPE) 79 MODEL	SA22C ..

# 6900A VISOR, ASSIST HANDLE & MIRRORS

(FOR STANDARD TYPE) (DAY-NIGHT CONVERTIBLE TYPE)



# 6900A-2 VISOR, ASSIST HANDLE & MIRRORS

D-CODE (Key No.)	PART NAME	PART No.	Qty.	MODEL DESCRIPTION	VIN (Chassis No.)
69130 CONT'D		8871-69-170			500001 -568500
		8871-69-170A	1	(STANDARD TYPE) 80 MODEL	SA22C .. 568501-
69136	GASKET(R), MIRROR JOINT MIRROR(D)	*8341-69-115	1	(FOR REMO.CON.MIRROR) 80 MODEL	SA22C .. 592956-
69140	SWITCH, MIRROR INTERRUPTEUR RETROVISEUR	8561-69-140	1	(FOR REMO.CON.MIRROR) 80 MODEL	SA22C .. 592956-
69150	PANEL, SWITCH PANNEAU INTERRUPTEUR	8561-69-151	1	(FOR REMO.CON.MIRROR) 80 MODEL	SA22C .. 592956-
	BROWN		28		
69170	MIRROR, INTERIOR MIRROIR INTERIEUR ESPEJO INTERIOR	8870-69-220	1	(DAY-NIGHT ADJUSTABLE)	SA22C .. 500001 -540410
		8870-69-220A	1	(DAY-NIGHT ADJUSTABLE)	SA22C .. 540411-
		8871-69-220	1	(WITH O/HEAD CONSOLE) (DAY-NIGHT ADJUSTABLE) STD. ROOF	SA22C .. 500001 -540410
		8871-69-220A	1	(WITH O/HEAD CONSOLE) (DAY-NIGHT ADJUSTABLE) STD. ROOF	SA22C .. 540411 -568500
		8872-69-220	1	(STANDARD TYPE) (NON DAY/NIGHT TYPE)	SA22C .. 500001 -540410
		8872-69-220A	1	(STANDARD TYPE) (NON DAY/NIGHT TYPE)	SA22C .. 540411 -568500
69170J	BULB AMPOULE FOCO	9970-05-100	1	(A12V 10W)	
69171	BASE, MIRROR SOCLE MIRROIR	8371-69-240	1		
69176	BASE(L), MIRROR	8341-69-191		(REMOTE CONTROL TYPE)	



# SECTION NUMBER INDEX (BODY)

STARTING LOCATION	SECTION No.	SECTION NAME	STARTING LOCATION	SECTION No.	SECTION NAME
3-C2	0900A	KEY SETS	3-C12	5800A	FRONT DOOR
3-C3	5000A	FRONT BUMPER & GRILLE	3-C13	5830A	FRONT DOOR MECHANISMS
3-E3	5010A	REAR BUMPER	3-C14	6100A	HEATER
3-G3	5030A	WINDOW MOULDINGS	3-E14	6110A	HEATER UNIT
3-I3	5040A	BODY MOULDINGS	3-H14	6115A	HEATER CONTROLS
3-C4	5100A	LAMPS (FRONT & SIDE)	3-J14	6120A	HEATER BLOWER
3-G4	5110A	LAMPS (REAR)	3-C15	6230A	BACK DOOR MECHANISMS
3-I4	5130A	OVERHEAD CONSOLE (1979 STANDARD ROOF MODEL)	3-F15	6300A	WINDOW GLASSES
3-J4	5170A	COWL & EXTRACTOR GRILLES & ORNAMENTS	3-I15	6330A	SUNROOF
3-C5	5230A	BONNET	3-C16	6600A	ELECTRIC EQUIPMENT
3-E5	5310A	BODY PANELS (FRONT)	3-G16	6680A	RADIO & STEREO SYSTEMS
3-K5	5340A	BODY PANELS (SIDE & ROOF)	4-C2	6700A	WIRE HARNESS & CLAMPS
3-I6	5360A	BODY PANELS (FLOOR)	4-G2	6720A	WINDSHIELD WASHER
3-C7	5500A	DASHBOARD EQUIPMENT	4-H2	6730A	WINDSHIELD WIPER
3-L7	5540A	METERS	4-J2	6740A	WIPER MOTOR (COMPONENTS ONLY)
3-D8	5560A	DASHBOARD & RELATED	4-C3	6800A	CEILING TRIM
3-L8	5570A	CONSOLE	4-J3	6840A	TRIM & SCUFF PLATE
3-K9	5580A	VENTILATOR	4-F4	6860A	FLOOR MAT & PADS
3-C10	5700A	SEAT (EXCEPT LEATHER TRIM)	4-L4	6870A	SERVICE TOOLS
3-N10	5710A	SEAT TRIM (LEATHER - ANNIVERSARY EDITION)	4-M4	6900A	VISOR, ASSIST HANDLE & MIRRORS
3-G11	5760A	SEAT BELTS	4-G5	6930A	CAUTION PLATES

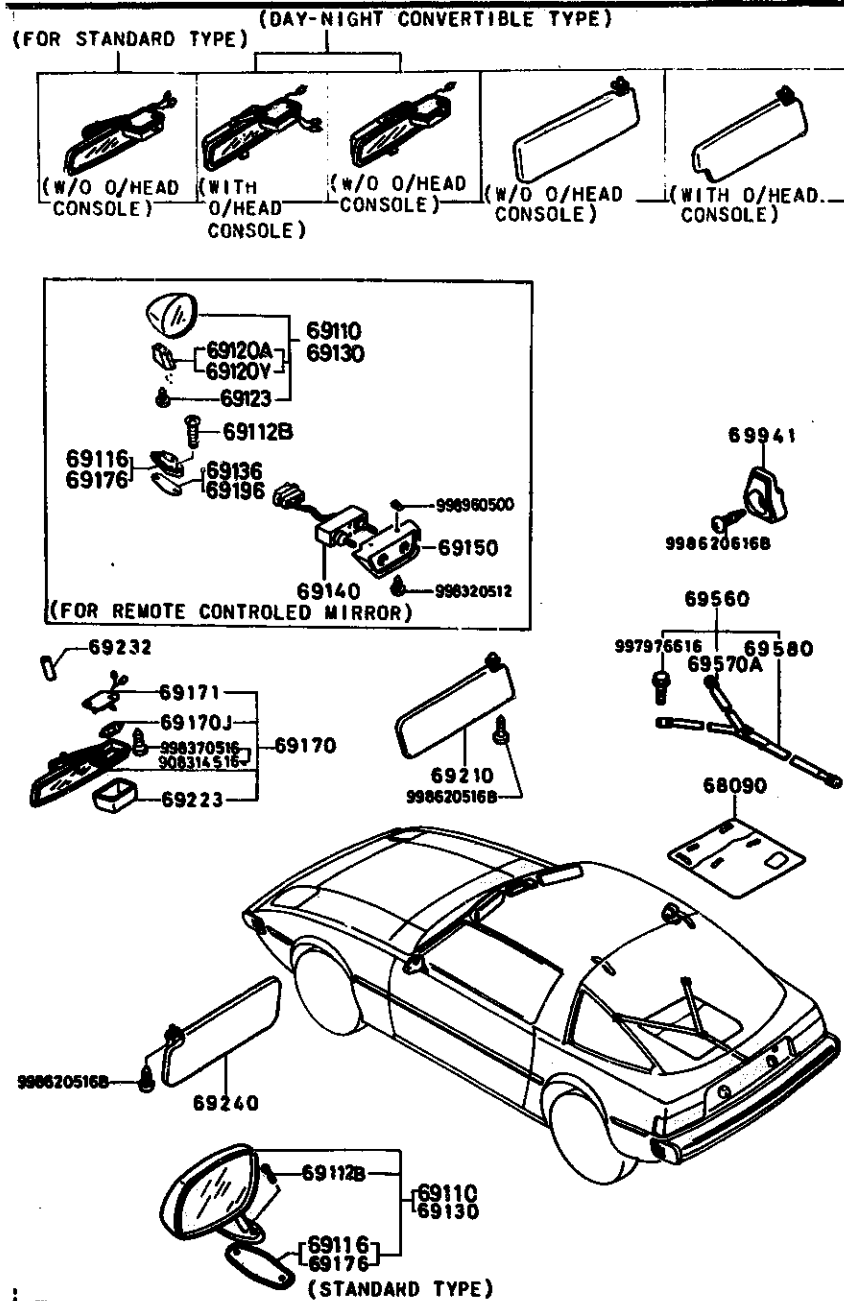
THE FRAMES IN THIS COLUMN INDICATE :

4-M4 6900A VISOR, ASSIST HANDLE & MIRRORS  
 4-G5 6930A CAUTION PLATES

© 1983 Toyo Kogyo Co., Ltd.  
 MAY 1983

4 - B 5

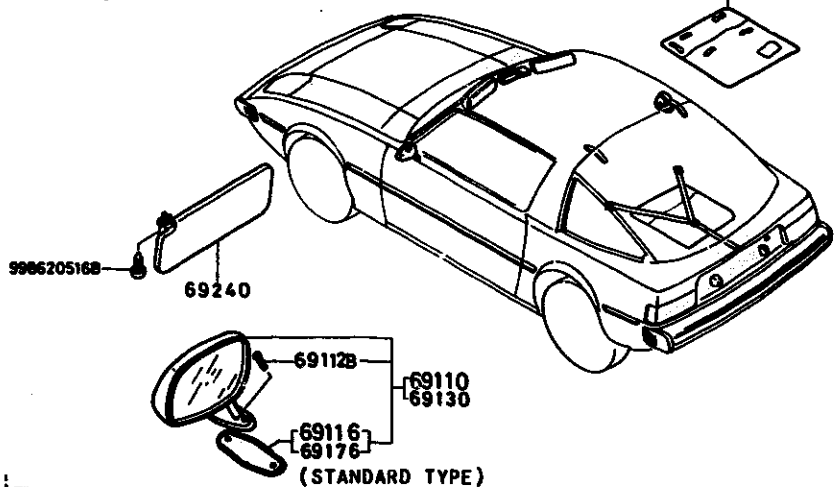
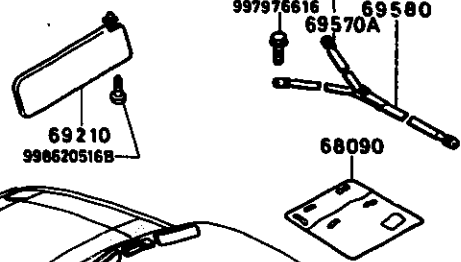
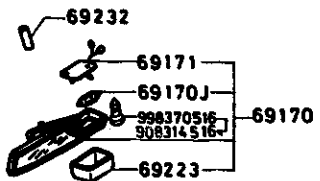
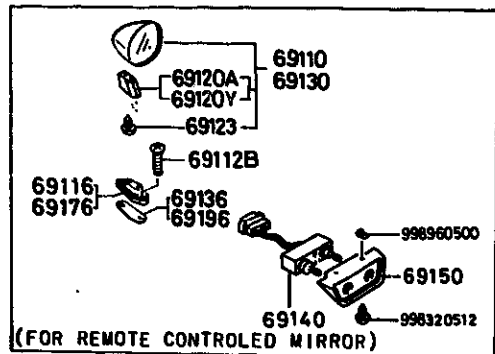
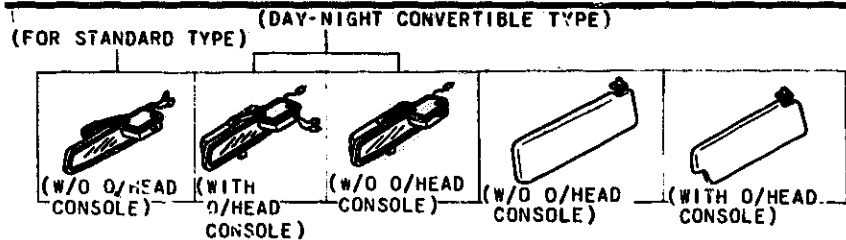
# 6900A VISOR, ASSIST HANDLE & MIRRORS



# 6900A-3 VISOR, ASSIST HANDLE & MIRRORS

D-CODE (Key No.)	PART NAME	PART No.	Qty.	MODEL/ DESCRIPTION	VIN (Chassis No.)
69176 CONT'D	SOCLE(G)MIRROIR	<A> 8341-69-191	1	80 MODEL	SA22C .. 592956-
		8871-69-177	1	(STANDARD TYPE)	
69196	GASKET(L),MIRROR JOINT MIRROIR(G)	8341-69-116	1	(FOR REMO.CON.MIRROR) 80 MODEL	SA22C .. 592956-
69210	SUN VISOR(R) PARE-SOLEIL (D) VISERA(D)	8347-69-270	1	(W/MIRROR) (FOR W/O O/HEAD CONSOLE) 80 MODEL	SA22C .. 568501-
	BLACK		01		
	WINE		15		
	BROWN		73		
	BROWN (SA22C 606775-)		88	(SUNROOF ONLY)	
		8871-69-270	1	(FOR O/HEAD CONSOLE) 79 MODEL STD.ROOF	SA22C .. 500001 -568500
	BLACK		01		
	WINE		15		
	BROWN (SA22C 500001-535838)		21		
	BROWN (SA22C 535839-568500)		73		
		8872-69-270	1	(W/O MIRROR) (FOR W/O O/HEAD CONSOLE)	
	BLACK		01		
	WINE		15		
	BROWN (SA22C 500001-535838)		21		
	BROWN (SA22C 535839-)		73		

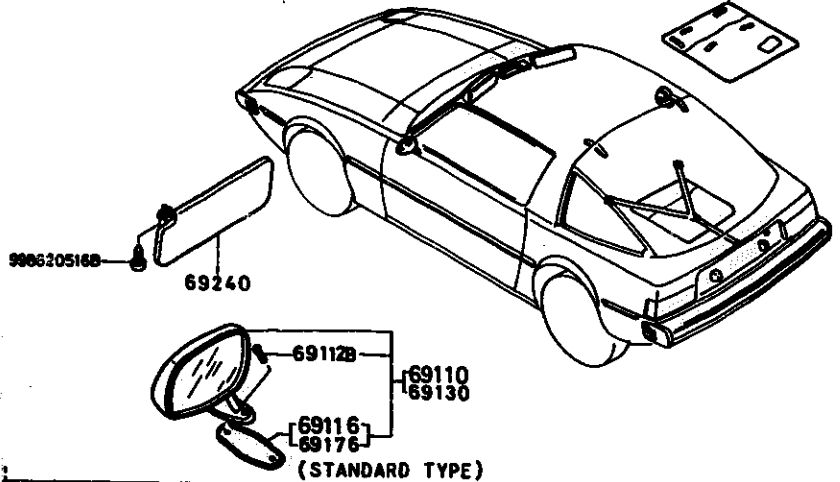
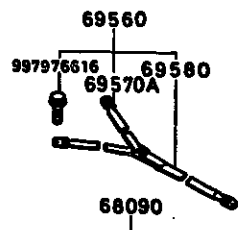
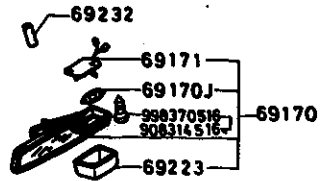
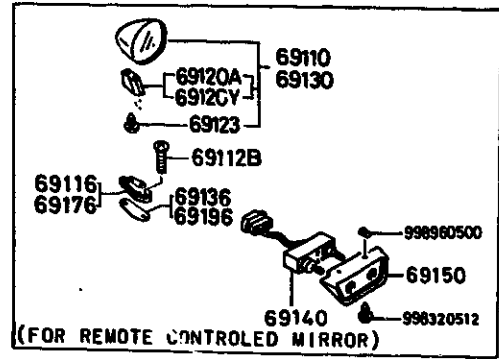
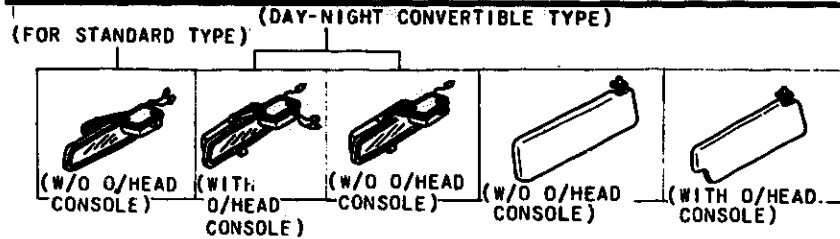
**6900A VISOR, ASSIST HANDLE & MIRRORS**



**6900A-4 VISOR, ASSIST HANDLE & MIRRORS**

D-CODE (Key No.)	PART NAME	PART No.	Qty.	MODEL/DESCRIPTION	VIN (Chassis No.)
69210 CONT'D	BROWN (SA22C 606775-)	8872-69-270	88	(SUNROOF ONLY)	
69223	LENS VERRE CRISTAL	8871-69-233	1		SA22C .. 500001 -540410
		8871-69-233A	1		SA22C .. 540411 -541116
		8872-69-233	1		SA22C .. 541117-
69232	STOPPER, RUBBER ARRET C.T.C.	8871-69-232	1		
69240	SUN VISOR (L) PARE-SOLEIL (G) VISERA (I)	8342-69-320	1	80 MODEL STD. ROOF	SA22C .. 568501-
	BLACK		01		
	WINE		15		
	BROWN		73		
		8346-69-320A	1	80 MODEL SUNROOF	SA22C .. 568501-
	BLACK		01		
	WINE		15		
	BROWN (SA22C 568501-606774)		73		
	BROWN (SA22C 606775-)		88		
		8871-69-320	1	(FOR W/ O/HEAD CONSOLE) 79 MODEL STD. ROOF	SA22C .. 500001 -568500
	BLACK		01		
	WINE		15		

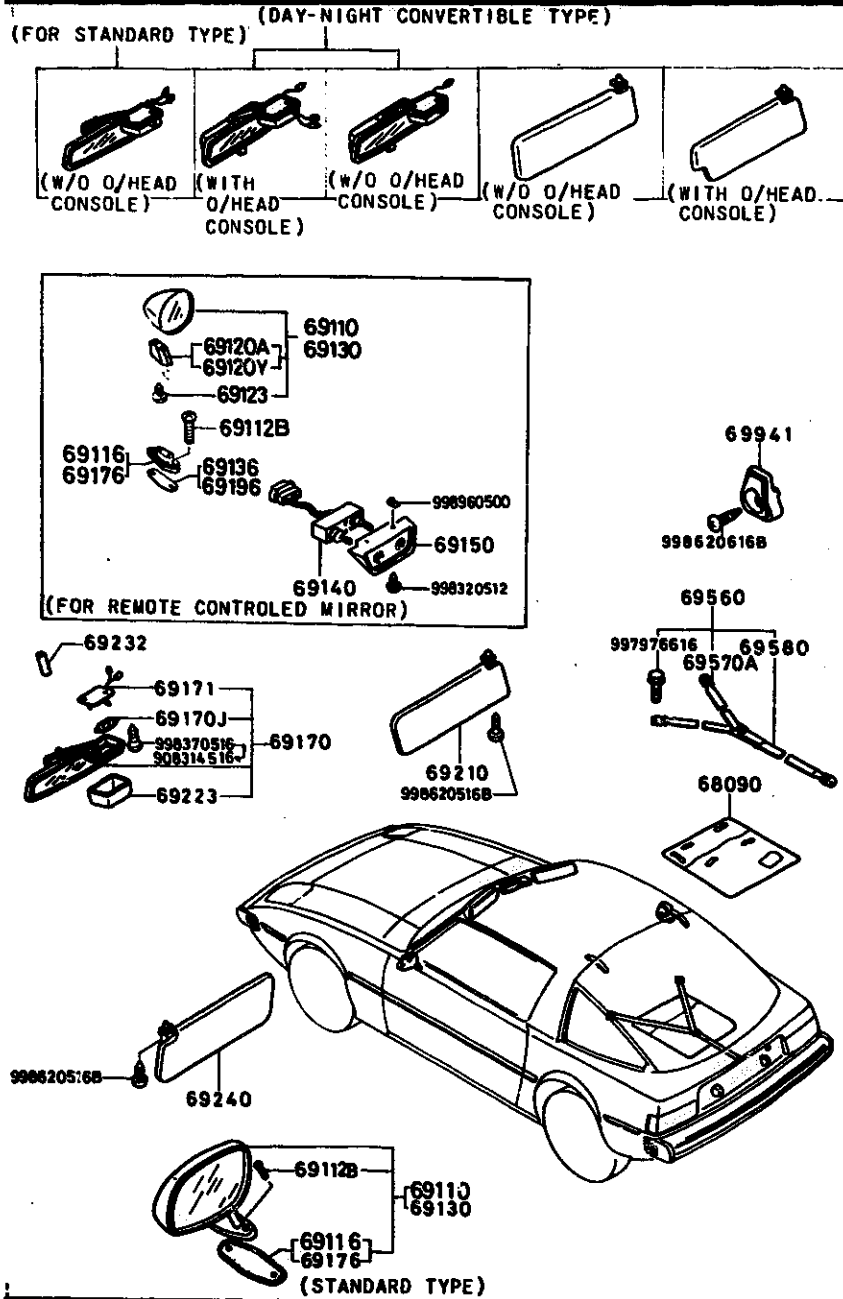
# 6900A VISOR, ASSIST HANDLE & MIRRORS



# 6900A-5 VISOR, ASSIST HANDLE & MIRRORS

D-CODE (Key No.)	PART NAME	PART No.	Qty.	MODEL/DESCRIPTION	VIN (Chassis No.)
69240 CONT'D	BROWN (SA22C 500001-535838)	8871-69-320	21		
	BROWN (SA22C 535839-568500)		73		
		8872-69-320		(FOR W/O O/HEAD CONSOLE)	
			1	79 MODEL STD. ROOF	SA22C .. 500001 -568500
	BLACK		01		
	WINE		15		
	BROWN (SA22C 500001-535838)		21		
	BROWN (SA22C 535839-568500)		73		
		8973-69-320		79 MODEL SUNROOF	SA22C .. 520638 -568500
	BLACK		01		
	WINE		15		
	BROWN (SA22C 500001-535838)		21		
	BROWN (SA22C 535839-568500)		73		
69560	STRAP, CARGOROOM COURROIE FIXATION	8341-69-560	1	80 MODEL	SA22C .. 568501-
	BLACK		00		
	WINE		10		
	BROWN		20		
		8871-69-560	1	79 MODEL	SA22C .. 500001 -568500
69570A	STRAP A*, CARGOROOM	8341-69-570	1	80 MODEL	SA22C ..

**6900A VISOR, ASSIST HANDLE & MIRRORS**

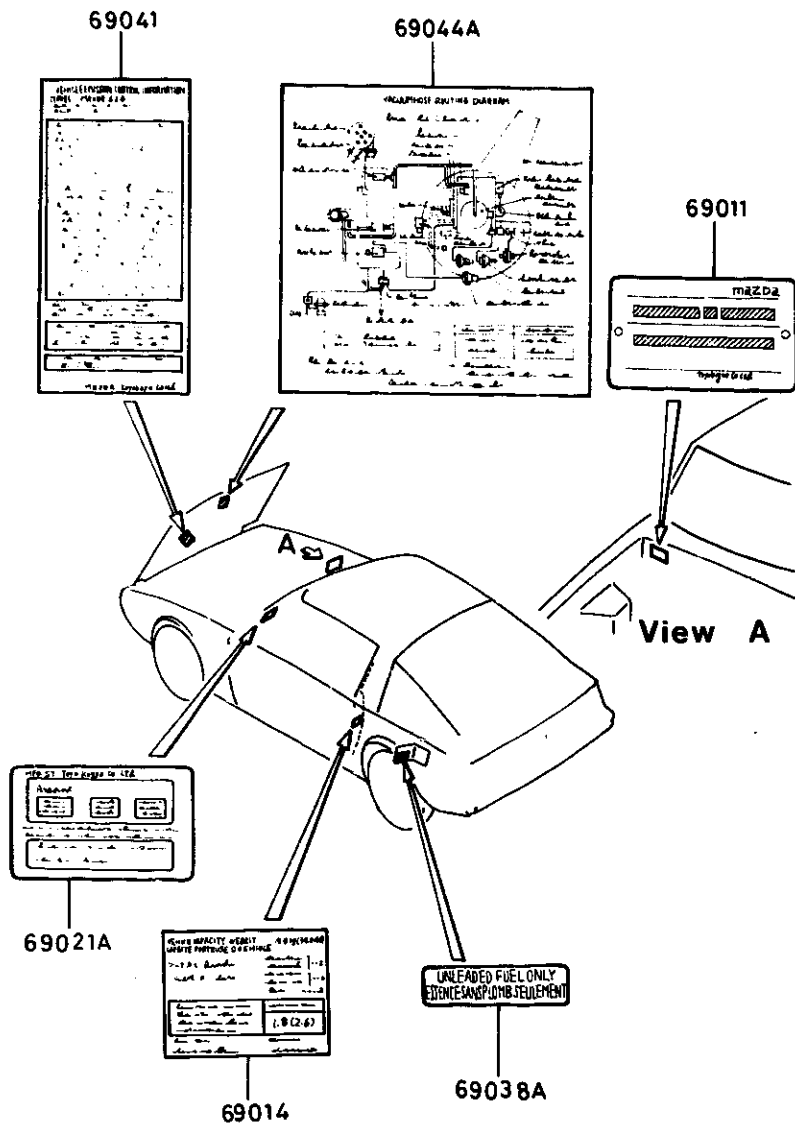


**6900A-6\* VISOR, ASSIST HANDLE & MIRRORS**

D-CODE (Key No.)	PART NAME	PART No.	Qty.	MODEL/DESCRIPTION	VIN (Chassis No.)
69570A CONT'D	BLACK	8341-69-570	00		568501-
	WINE		10		
	BROWN		20		
69580	STRAP*B*, CARGOROOM CGURROIE FIXATION*B*	8341-69-580	1	80 MODEL	SA22C .. 568501-
	BLACK		00		
	WINE		10		
	BROWN		20		
		8871-69-580	1	79 MODEL	SA22C .. 500001 -568500
69941	COAT HOOK CROCHET	0376-69-941	2		
	BLACK		01		

6930A CAUTION PLATES

6930A-1\* CAUTION PLATES



D-CODE (Key No.)	PART NAME	PART No.	Qty.	MODEL DESCRIPTION	VIN (Chassis No.)
69011	PLATE MODEL	8595-69-011	1		
69014	LABEL, TIRE ETIQUETTE DES PNEUS	8871-69-014C	1	80 MODEL	
69021A	PLATE, CAUTION (MVSS) PLAQUE, MODE-D'EMPLOI PLACA PRECAUCION	8240-69-034	1	79 MODEL	
69038A	LABEL, GASOLINE	3906-69-038	1	FED. CALIF.	
		8750-69-038	1	CANADA	
69041	LABEL, EMISSION ETIQUETTE	8341-69-036	1	FED.	
		8344-69-036	1	CALIF.	
		8485-69-036	1	(ENGLISH) CANADA	
		8486-69-036	1	(FRENCH) CANADA	
69044A	LABEL, AC. DIAPHRAGM	8341-69-044	1	FED.	
		8344-69-044	1	CALIF.	