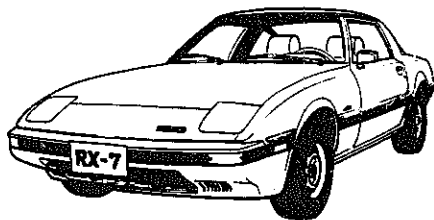



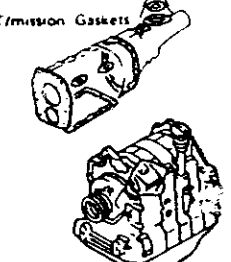
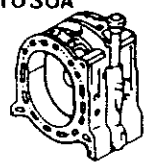

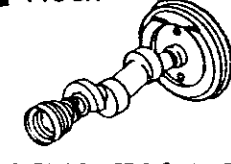

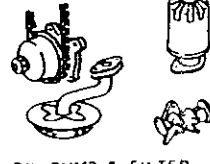

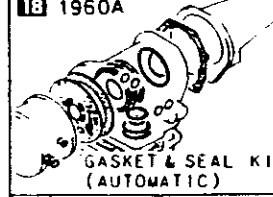
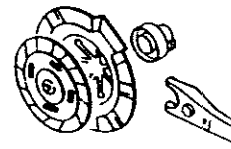
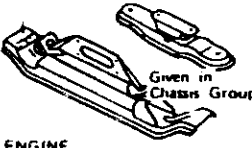
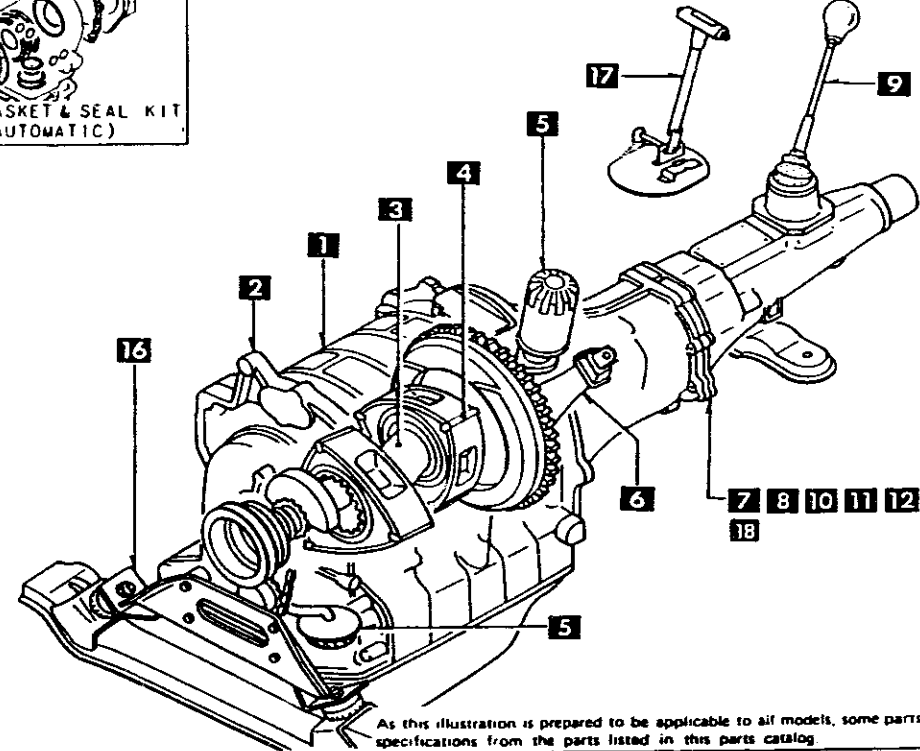
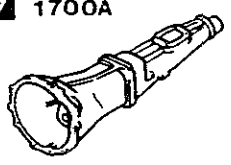

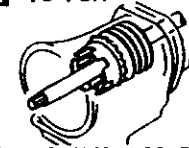

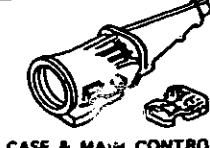
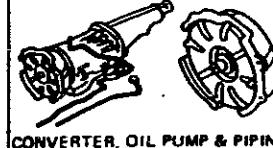
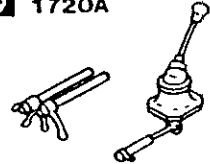

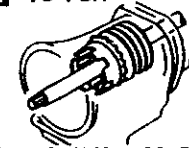

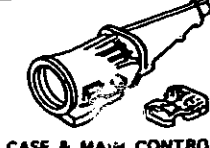
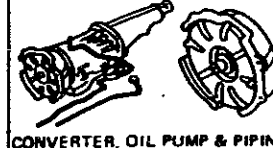
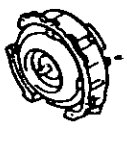
Parts Catalog

Mazda RX-7
U.S.A.
('84-'85)

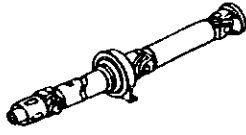
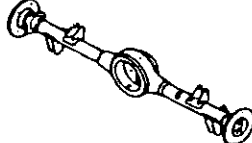

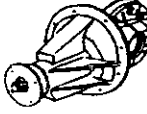
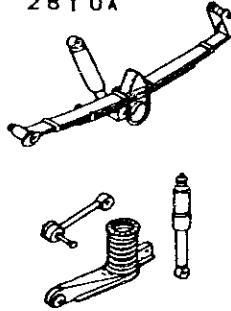
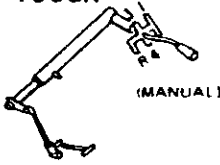
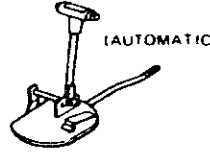
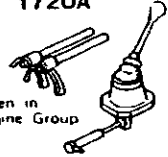
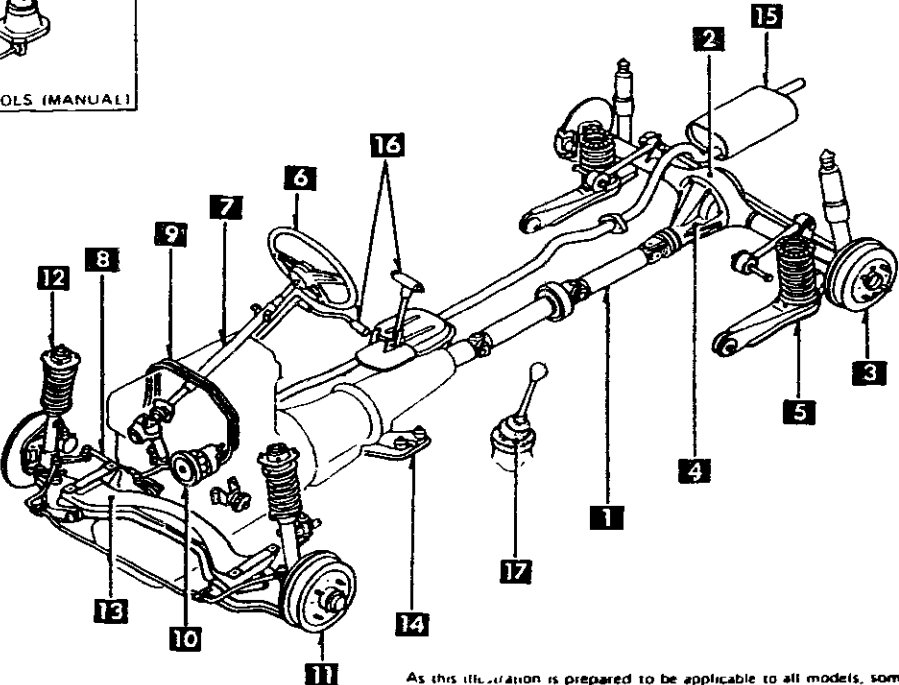

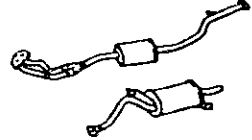
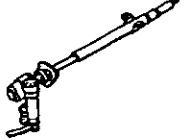
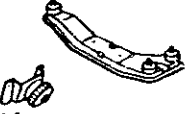
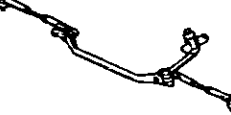
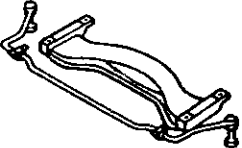



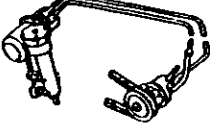


(FB33--800001~ 890000)

PICTORIAL INDEX

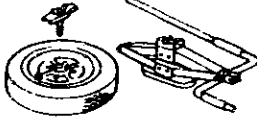


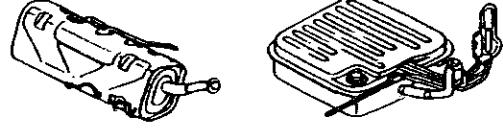

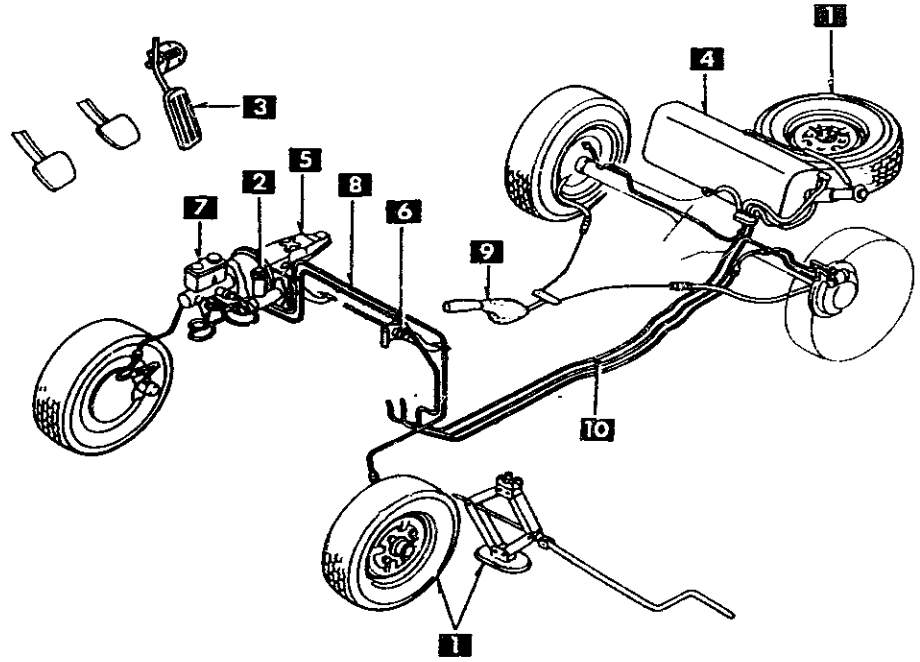
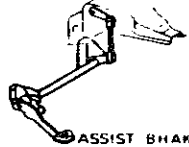
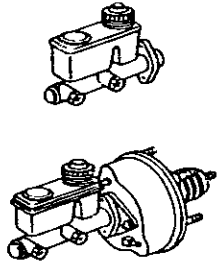

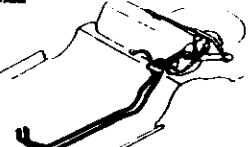

<p>1000A</p>  <p>Engine Gaskets</p>  <p>Transmission Gaskets</p> <p>SHORT ENGINE & GASKET SETS</p>	<p>1 1030A</p>  <p>ROTOR HOUSING</p>	<p>2 1040A</p>  <p>OIL PAN & FRONT & REAR HOUSINGS</p>	<p>3 1100A</p>  <p>ECCENTRIC SHAFT & FLYWHEEL</p>	<p>4 1110A</p>  <p>ROTOR & RELATED</p>	<p>5 1400A</p>  <p>OIL PUMP & FILTER</p>
<p>17 4600A</p>  <p>Given in Chassis Group</p> <p>CHANGE CONTROLS (MANUAL)</p>	<p>18 1960A</p>  <p>GASKET & SEAL KIT (AUTOMATIC)</p>				<p>6 1600A</p>  <p>CLUTCH (MANUAL)</p>
<p>16 3900A</p>  <p>Given in Chassis Group</p> <p>ENGINE & TRANSMISSION MOUNTINGS</p>	<p style="font-size: 2em; font-weight: bold;">ROTARY ENGINE (1/2)</p> 				<p>7 1700A</p>  <p>TRANSMISSION CASE (MANUAL)</p>
<p>15 1950A</p>  <p>MANUAL LINKAGE (AUTOMATIC TRANSMISSION)</p>	<p>14 1940A</p>  <p>LOW, REVERSE & GOVERNOR (AUTOMATIC TRANSMISSION)</p>	<p>13 1930A</p>  <p>CLUTCH & PLANETARY GEARS (AUTOMATIC TRANSMISSION)</p>	<p>12 1920A</p>  <p>CASE & MAIN CONTROLS (AUTOMATIC TRANSMISSION)</p>	<p>11 1910A</p>  <p>CONVERTER, OIL PUMP & PIPING (AUTOMATIC TRANSMISSION)</p>	<p>9 1720A</p>  <p>CHANGE CONTROLS (MANUAL)</p>
<p>As this illustration is prepared to be applicable to all models, some parts are different in specifications from the parts listed in this parts catalog</p>					
<p>15 1950A</p>  <p>MANUAL LINKAGE (AUTOMATIC TRANSMISSION)</p>	<p>14 1940A</p>  <p>LOW, REVERSE & GOVERNOR (AUTOMATIC TRANSMISSION)</p>	<p>13 1930A</p>  <p>CLUTCH & PLANETARY GEARS (AUTOMATIC TRANSMISSION)</p>	<p>12 1920A</p>  <p>CASE & MAIN CONTROLS (AUTOMATIC TRANSMISSION)</p>	<p>11 1910A</p>  <p>CONVERTER, OIL PUMP & PIPING (AUTOMATIC TRANSMISSION)</p>	<p>10 1900A</p>  <p>TORQUE GLIDE (MANUAL)</p>

PICTORIAL INDEX


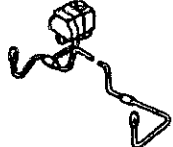


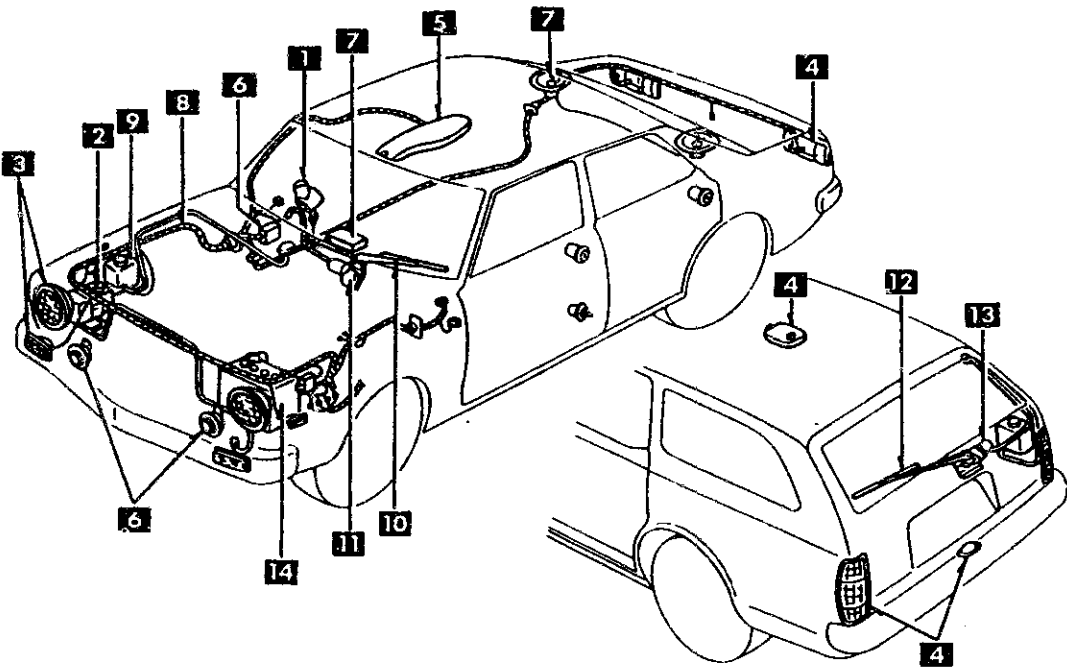
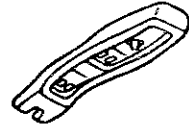
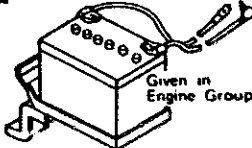
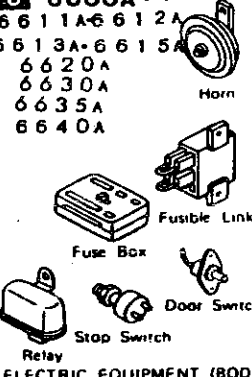

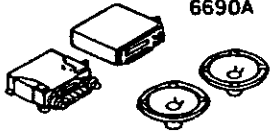
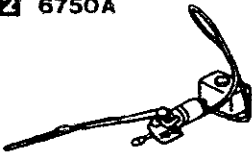

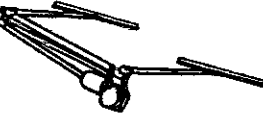


<p>1 2500A</p>  <p>PROPELLER SHAFT</p>	<p>2 2600A</p>  <p>REAR AXLE</p>	<p>3 2610A</p>  <p>REAR BRAKES</p>	<p>4 2700A</p>  <p>DIFFERENTIAL</p>	<p>5 2800A 2810A</p>  <p>REAR STABILIZER REAR SUSPENSION</p>	
<p>16 4600A</p>  <p>(MANUAL)</p>  <p>(AUTOMATIC)</p> <p>CHANGE CONTROLS</p>	<p>17 1720A</p> <p>Given in Engine Group</p>  <p>CHANGE CONTROLS (MANUAL)</p>	<p>CHASSIS (1/2)</p> 			<p>6 3200A</p>  <p>STEERING WHEEL</p>
<p>15 4000A</p>  <p>EX SYSTEM</p>	<p>7 3210A</p>  <p>STEERING GEAR & COLUMN</p>				
<p>14 3900A</p>  <p>ENGINE & TRANSMISSION MOUNTINGS</p>	<p>8 3230A</p>  <p>STEERING LINKAGE</p>				
<p>13 3410A</p>  <p>CROSSMEMBER & STABILIZER</p>	<p>12 3400A</p>  <p>FRONT SUSPENSION</p>	<p>11 3300A</p>  <p>FRONT AXLE & BRAKES</p>	<p>10 3260A</p>  <p>VANE PUMP (POWER STEERING)</p>	<p>9 3240A</p>  <p>POWER STEERING SYSTEM</p>	

As this illustration is prepared to be applicable to all models, some parts are different in specifications from the parts listed in this parts catalog

PICTORIAL INDEX

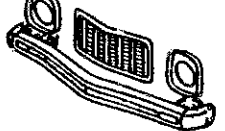


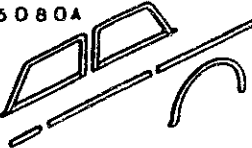
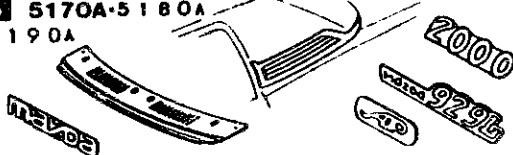
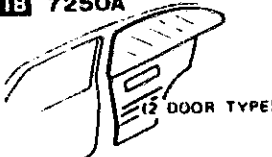
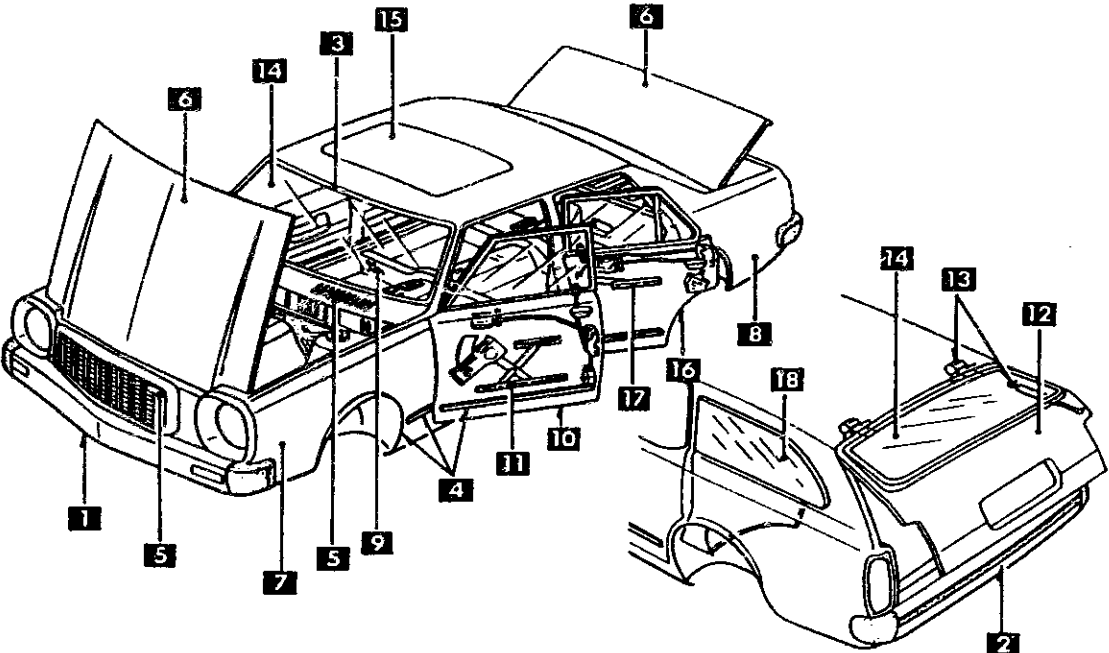
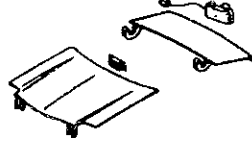
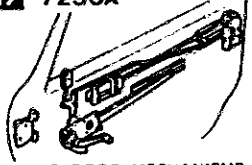
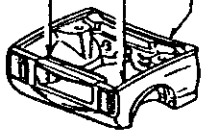
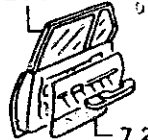
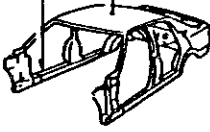


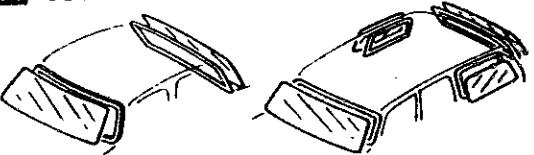
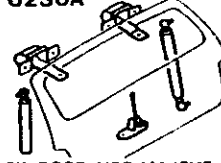
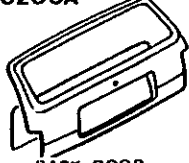
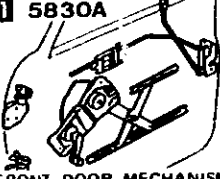
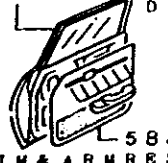
<p>1 3700A</p>  <p>TIRE & JACK</p>	<p>2 4140A</p>  <p>CLUTCH RELEASE & MASTER CYLINDERS</p>	<p>3 4160A</p>  <p>ACCELERATOR CONTROLS</p>	<p>4 4200A</p>  <p>FUEL TANK</p>	<p>5 4300A</p>  <p>CLUTCH & BRAKE</p>	
<p>CHASSIS (2/2)</p>  <p>As this illustration is prepared to be applicable to all models some parts are different in specifications from the parts listed in this parts catalog</p>					<p>6 4310A</p>  <p>ASSIST BRAKE (FOR DRIVING SCHOOL)</p>
					<p>7 4340A</p>  <p>TANDEM MASTER CYL & VACUUM POWER ASSIST SYSTEM</p>
					<p>8 4360A</p>  <p>BRAKE PIPING</p>
					<p>10 4500A</p>  <p>FUEL & EVAPORATION PIPINGS</p>
<p>9 4400A</p>  <p>PARKING BRAKE SYSTEM</p>					

PICTORIAL INDEX

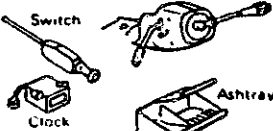
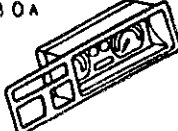
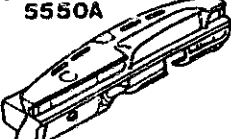
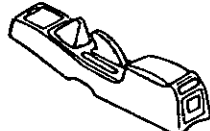
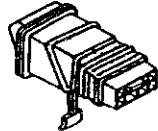
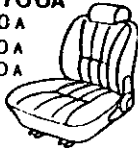
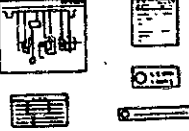
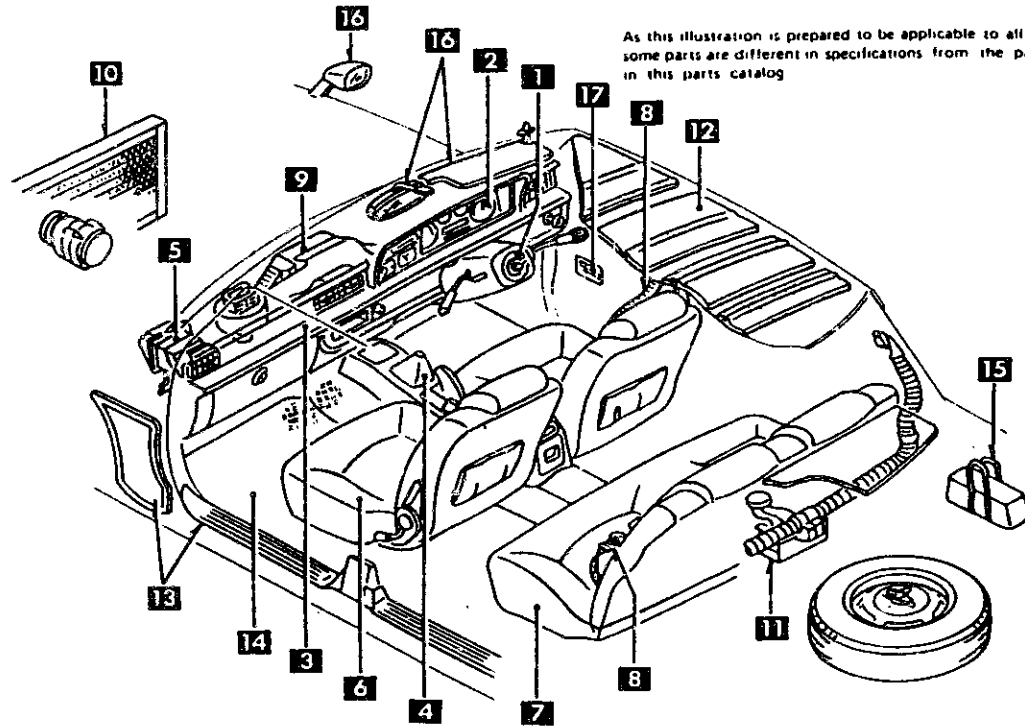
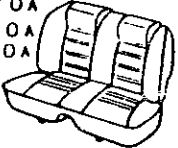

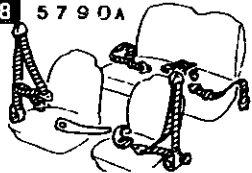
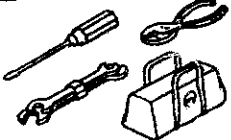
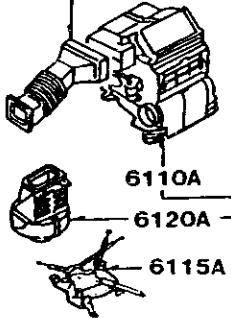


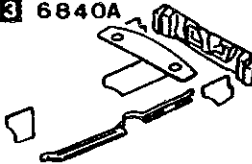
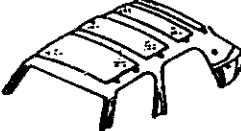
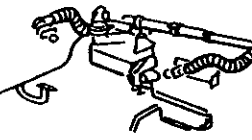
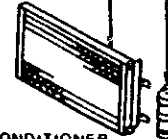

<p>1 0900A</p>  <p>KEY SETS</p>	<p>2 5020A</p>  <p>HEAD LAMP CLEANER</p>	<p>3 5100A • 5105A • 5103A</p>  <p>HEAD LAMP RETRACTOR (LAMPS (FRONT & SIDE))</p>	<p>4 5110A • 5120A 6125A</p>  <p>Interior Lamp Licence Lamp</p> <p>LAMPS (REAR & INTERIOR)</p>	
<p>BODY(1/3)</p> 				<p>5 5130A</p>  <p>OVERHEAD CONSOLE</p>
<p>14 1850A</p>  <p>BATTERY & CABLES Given in Engine Group</p>				<p>6 6600A • 6610A 6611A • 6612A 6613A • 6615A 6620A 6630A 6635A 6640A</p>  <p>Horn Fusible Link Fuse Box Door Switch</p>
<p>13 6760A</p>  <p>REAR WINDOW WIPER MOTOR (COMPONENTS ONLY)</p>				<p>7 6680A, 6682A, 6684A 6690A</p>  <p>RADIO & STEREO SYSTEMS</p>
<p>12 6750A</p>  <p>REAR WINDOW WIPER & WASHER</p>	<p>11 6740A</p>  <p>WIPER MOTOR (COMPONENTS ONLY)</p>	<p>10 6730A</p>  <p>WINDSHIELD WIPER</p>	<p>9 6720A</p>  <p>WINDSHIELD WASHER</p>	<p>8 6700A • 6701A • 6702A • 6703A • 6704A</p>  <p>WIRE HARNESS & CLAMPS</p>

As this illustration is prepared to be applicable to all models, some parts are different in specifications from the parts listed in this parts catalog.

PICTORIAL INDEX

<p>1 5000A-5005A</p>  <p>FRONT BUMPER & GRILLE</p>	<p>2 5010A</p>  <p>REAR BUMPER</p>	<p>3 5030A</p>  <p>WINDOW MOULDINGS</p>	<p>4 5040A-5060A 5080A</p>  <p>BODY MOULDINGS</p>	<p>5 5170A-5180A 5190A</p>  <p>COWL & EXTRACTOR GRILLES & ORNAMENTS</p>
<p>13 7250A</p>  <p>REAR WINDOW GLASS & TRIM (2 DOOR TYPE)</p>	<p>BODY(2/3)</p> 			<p>6 5230A</p>  <p>BONNET & TRUNK LID</p>
<p>17 7230A</p>  <p>REAR DOOR MECHANISMS</p>				<p>7 5310A,5320A,5330A</p>  <p>BODY PANELS (FRONT)</p>
<p>16 7200A REAR DOOR</p>  <p>TRIM & ARMREST</p>				<p>8 5340A,5360A</p>  <p>BODY PANELS (SIDE & ROOF)</p>
<p>15 6330A</p>  <p>SUNROOF</p>	<p>As this illustration is prepared to be applicable to all models, some parts are different in specifications from the parts listed in this parts catalog</p>			<p>9 5370A,5390A</p>  <p>FLOOR ATTACHMENT, BODY PANELS (FLOOR)</p>
<p>14 6300A</p>  <p>WINDOW GLASSES</p>	<p>18 6230A</p>  <p>BACK DOOR MECHANISMS</p>	<p>12 6200A</p>  <p>BACK DOOR</p>	<p>11 5830A</p>  <p>FRONT DOOR MECHANISMS</p>	<p>10 5800A FRONT DOOR</p>  <p>TRIM & ARMREST</p>

PICTORIAL INDEX

<p>1 5500A</p>  <p>Switch Clock Ashtray</p> <p>DASHBOARD EQUIPMENT</p>	<p>2 5540A · 5520A 5530A</p>  <p>METERS</p>	<p>3 5560A 5550A</p>  <p>DASHBOARD & RELATED</p>	<p>4 5570A</p>  <p>CONSOLE</p>	<p>5 5580A</p>  <p>VENTILATOR</p>	<p>6 5700A 5710A 5720A 5730A</p>  <p>FRONT SEAT</p>
<p>17 6930A</p>  <p>CAUTION PLATES</p>	<p>BODY(3/3)</p> <p style="font-size: small;">As this illustration is prepared to be applicable to all models, some parts are different in specifications from the parts listed in this parts catalog</p> 				<p>7 5750A · 5760A 5770A 5780A 5720A</p>  <p>REAR SEAT</p>
<p>16 6900A</p>  <p>VISOR, ASSIST HANDLE & MIRRORS</p>					<p>8 5790A</p>  <p>SEAT BELTS</p>
<p>15 6870A</p>  <p>SERVICE TOOLS</p>					<p>9 6100A</p>  <p>6110A 6120A 6115A</p> <p>HEATER</p>
<p>14 6860A</p>  <p>FLOOR MATS & PADS</p>					<p>15</p> 
<p>13 6840A</p>  <p>TRIM & SCUFF PLATE</p>	<p>12 6800A, 6820A</p>  <p>CEILING TRIM</p>	<p>11 6180A</p>  <p>REAR COOLER</p>	<p>10 6130A</p>  <p>AIR CONDITIONER</p>	<p>ENGINE GROUP</p> <p>1580A 6140A 6150A</p> 	

INSTRUCTIONS

HOW TO LOCATE PARTS IN THE CATALOG

Realistically, there can only be four possible scenarios when looking for a part(s). These are:

1. Either image of the part or the location on vehicle are known.
2. D-Code and/or Group number (of part) are known.
3. Part Number is known.
4. Name of part is known.

If one or more of the items listed above are known, the parts catalog user may use the appropriate index to facilitate part(s) location. The four indexes that may be used are:

PICTORIAL INDEX -

Use if either the image of the part and/or location on vehicle are known.

SECTION NUMBER INDEX -

Use if D-Code, Group Number or type of part is known.

PART NUMBER INDEX -

Use if part number is known.

ALPHABETICAL INDEX -

Use if name of part is known.

The following two pages outline how to use these indexes.

USING THE PICTORIAL INDEX

1. The PICTORIAL INDEX is the 1st column of every fiche.
2. Decide whether the desired part is an engine, chassis or body part.
3. Look through the PICTORIAL INDEX for the part. Take note of all possible fiche locations where the part may be found. This information will be useful in thoroughly tracking down the part.
4. Once the appropriate illustration is found, note the section number. Refer to the SECTION NUMBER INDEX for fiche location.

USING THE SECTION NUMBER INDEX

1. The SECTION NUMBER INDEX is the first row of every fiche.
2. The column labeled STARTING LOCATION denotes the microfiche GRID LOCATION for a particular section.

EXAMPLE:

1 - G6

1 = denotes the fiche number, i.e., 1 of 3, 2 of 3, 3 of 3

G = denotes the horizontal row location

6 = denotes the vertical column location

3. As an additional feature, the sections located in every column are enclosed in a "highlight box" in the SECTION NUMBER INDEX.
4. At this point, it is just a simple matter of going to the correct frame and locating the desired part number.

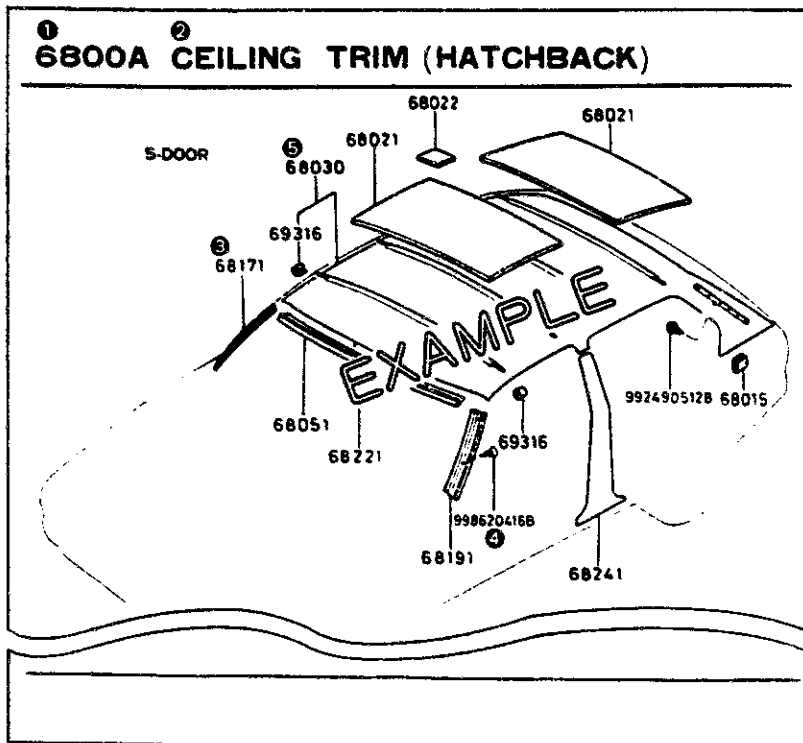
USING THE PART NUMBER INDEX

1. If the part number is known, simply use the PART NUMBER INDEX.
2. The PART NUMBER INDEX is located at the very end of the catalog, on the last fiche of a fiche set.
3. The index shows the section number and the grid location where the part number may be found.
4. When the PART NUMBER INDEX is used, remember that the part number is NOT read from "left to right". The base part number is read first. The base part number consists of the center two digits plus the next three (or four) digits to the right.
5. Use the grid location to go to the appropriate frame where the part number may be found. Cross-reference the part number with the illustration and text to ensure that it is indeed the desired part.

USING THE ALPHABETICAL INDEX

1. If the name of the part is known, simply use the ALPHABETICAL INDEX.
2. The ALPHABETICAL INDEX is located right before the PART NUMBER INDEX, at the very end of the catalog, on the last fiche of a fiche set.
3. The ALPHABETICAL INDEX contains the section number and the grid location where the desired part may be found.
4. Use the grid location to go to the appropriate frame where the part number may be found. Cross-reference the part number with the illustration and text to ensure that it is indeed the desired part.

HOW TO INTERPRET THE ILLUSTRATION



In the example shown above, the interpretation of each item appearing in the illustration area is as follows.

1 SECTION NUMBER

Each illustration is given a Section Number, which is a "IDENTIFICATION NUMBER" of the group of parts classified in function.

Section Number basically consists of four numeric characters and alpha "A". But when a Section (a group of parts) is shown in more than one illustration over the same catalog, an additional alphabetical character is incorporated, e.g.,

Section No.	Section Name
6800A	Ceiling Trim (Hatchback)
6800AA	Ceiling Trim (Wagon)

[Note]

Illustrations are always arranged in numerical sequence by SECTION NUMBER throughout the fiches in the set. (Exception: Section No. "0900A key Sets" is located in the first section of Body group.)

2 SECTION NAME

This is a descriptive name of the illustration (the group of parts).

3 D-CODE (KEY NUMBER)

D-Code consists of five or six digits, and serves as a "KEY NUMBER" to co-ordinate a part's illustration with its related text.

[Note]

Those parts which appear in the illustration without D-Code are not available as spare parts. (Exception: Most Standard Parts do not have D-Code, but are available as spare parts.)

4 STANDARD PART NUMBER

Those parts which are standardized in form, dimension, material, etc. such as bolts, nuts, washers, etc. are called "Standard Parts". In most cases, Standard Part Numbers are shown on the illustration instead of via the D-Code, and are distinguished from D-Code by the number which consists of nine or ten digits starting with "9", e.g., 99862-0416B. Those Parts do not appear in the text and part number index.

5 ASSEMBLY AND COMPONENTS' RELATIONSHIP

The relationship between an Assembly and its Components is indicated in the illustration but not in the text.

If the D-Code appeared as the example, the correct interpretation of that would be: D-Code 68030 includes D-Code 69316 and Top Ceiling (no D-Code indicated).

HOW TO INTERPRET THE TEXT

IMPORTANT

As there are many abbreviated words used in the text, refer to "Abbreviation List" located in the lower corner of each fiche (frame No. N1).

6800A-1 CEILING TRIM (HATCHBACK)

D-CODE (Key No.)	PART NAME	PART No.	Qty	MODEL/DESCRIPTION	VIN (Chassis No.)
68030	CEILING, TOP	8531-68-030	1	(USE W/DEFROSTER) 3-DOOR	
	BLACK	00			
	BEIGE	31			
	BLACK	00		(USE W/O DEFROSTER) 5-DOOR	
	BEIGE	31			
68051	PLATE, T/CEILING	8531-68-051	1		FA4PS 500001 -522626 FA4TS 500001 -688439
	<AN>	*8531-68-051A	1		FA4PS 522627- FA4TS 688440-

In the example shown above, the interpretation of the information appearing in each column is as follows.

1 D-CODE (KEY NUMBER)

This is to serve as a "KEY NUMBER" to co-ordinate with a part on the illustration. Those parts which are identical in function and descriptive name, are given a common code over the Mazda Spare Parts. Within each Section Number, the D-Code appears in numerical sequence.

2 PART NAME

Part Names are shown in English and/or French and/or Spanish and/or German, depending upon Catalogs and are given to each "D-CODE".

3 COLOR NAME

Color Names appear here when Color Codes are indicated in the "PART No." column. These are shown in English only.

4 PART NUMBER

Under the same D-Code, if there are more than one Part Number, Part Numbers are always listed in numerical and/or alphabetical sequence regardless of the order of modification history of parts.

5 COLOR CODE

When Color Code(s) appear(s), the indicated Part Number requires the Color Code to properly identify the color of the part. e.g., 8531-68-030 00, 8531-68-030 31.

6 QUANTITY

This denotes the Quantity of each part number per the D-Code used on the applicable model(s).

7 DESCRIPTION

An additional descriptive information for each part is provided as necessary.

8 MODEL APPLICATION

Model Application for a part is shown in this column if necessary. If there is no Model Application indicated, the affected part is applicable to "ALL MODELS" covered in the page. For further information, refer to "HOW TO INTERPRET THE MODEL APPLICATION" shown later (frame No. G16).

9 INTERCHANGEABILITY CODE

The code in < > brackets appearing in this column indicates the level of interchangeability between the indicated part and the former one. For the definition of the Codes, refer to "INTERCHANGEABILITY CODE LIST" shown in the lower corner of each fiche (frame No. N1).

10 NEW PART NUMBER'S SIGN

An asterisk (*) appearing in the "Part Number" column indicates that the affected Part Number has been newly added since the last edition.

11 VIN (CHASSIS No.)

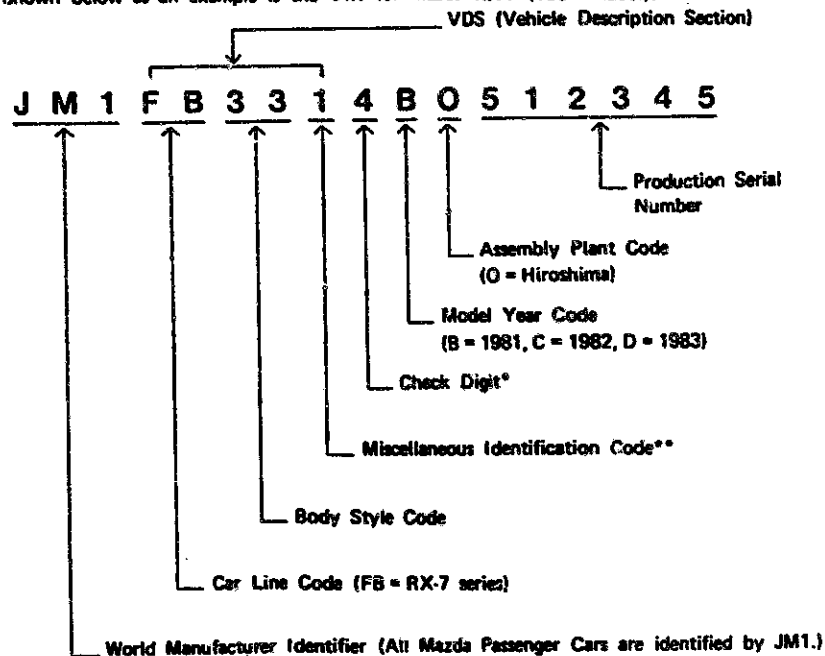
VIN (Vehicle Identification Number) is shown in this column if necessary, to identify the vehicles applicable to the affected part. For further details, refer to "HOW TO INTERPRET THE VIN (CHASSIS No.)" located in frame No. H16 of this fiche.

HOW TO INTERPRET THE VIN (CHASSIS No.)

VEHICLE IDENTIFICATION SYSTEM FOR MAZDA RX-7 SERIES (1981-)

Vehicle Identification Number (VIN) for RX-7 (1981 and later year models) consists of World Manufacturer Identifier, Vehicle Description Section (VDS), Check Digit, Model Year Code and Production Serial Number which is sequentially numbered within each VDS.

Shown below as an example is the VIN for Mazda RX-7 (1981 model).



* Check Digit is included as a VIN security feature to permit law enforcement verification of the authenticity of a suspected illegal VIN plate. This single digit number is determined, based upon a complex mathematical formula which is applied to each vehicle's VIN number.

** Miscellaneous Identification Code identifies major components such as engine, brake system, cab type, etc. However, if all models of the same car line use the same such components, this code is indicated as a numeric character "1" only.

VIN PRESENTATION ON THE PARTS CATALOG

VIN does NOT ALWAYS APPEAR. No "VIN" indicated denotes that a Part is applicable to the affected model from the FIRST PRODUCTION and ON (up to now).

If the information in the "VIN" column appeared as the example below:

6230A-1 BACK DOOR MECHANISMS (HATCHBACK)

D-CODE (Key No.)	PART NAME	PART No.	Qty	MODEL/DESCRIPTION	VIN (Chassis No.)
62210A	HINGE, BACK DOOR	8531-62-210B	2	1000	FA4PS... 500001
				1300	-522626 FA4TS... 500001
		8531-62-210D	2		-688439 FA4PS... 522627
62310	LOCK, BACK DOOR	8531-62-310B	2		FA4TS... 688440 FA4US... 500001

... the correct interpretation of the above would be:

- ① Part No. 8531-62-210B is applicable to Model 1000 from VIN FA4PS-500001 thru FA4PS-522626 and Model 1300 from VIN FA4TS-500001 thru FA4TS-688439 for the Hatchback respectively.
- ② Part No. 8531-62-210D is applicable to Model 1000 from VIN FA4PS-522627 and on, Model 1300 from VIN FA4TS-688440 and on, and Model 1400 from VIN FA4US-500001 (the first production) and on for the Hatchback respectively.
- ③ Part No. 8531-62-310B is applicable to ALL MODELS (1000, 1300 and 1400) of the Hatchback series from the FIRST PRODUCTION and ON (up to now).

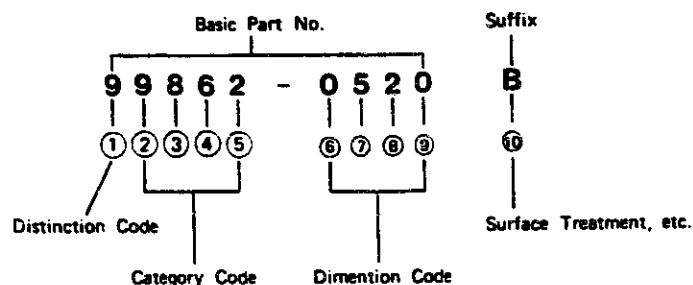
MAZDA STANDARD PARTS

Those Parts which are standardized in form and dimension such as Bolts, Nuts, Washers, Hoses, Disc Wheels, etc. are called Mazda Standard Parts.

All the Mazda Standard Parts are identified by a Part Number starting with "9". The numbering structure of Standard Parts varies depending upon the kind of parts.

The following is just one example of Standard Part Numbers. For further details and examples, refer to the wall chart, "LIST OF STANDARD PARTS".

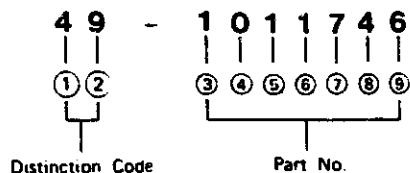
EXAMPLE



MAZDA SPECIAL TOOLS

In order to repair Mazda Vehicles, certain equipment is required. Those are called Mazda Special Tools.

EXAMPLE



(Note)

As Mazda Special Tools are not shown in the Parts Catalog, refer to "LIST OF SPECIAL TOOLS & APPLYING MODELS" as for further details.

INTERCHANGEABILITY CODE LIST

Code	Definition	
AN	(Both Ways)	A new part and the former part are fully interchangeable.
A	(One Way)	A new part can be used in place of the former part, but the former part cannot be used in place of a new part.
C	Plus	A new part with some additional part(s) can be used in place of the former part.
G	Plus	Some modification work is required to use a new part in place of the former part.
S	(One Way Backward)	The former part can be used in place of a new part, but a new part cannot be used in place of the former part.

ABBREVIATION LIST

ABBREV.	MAY REPLACE	ABBREV.	MAY REPLACE
1ST	First	CAL.	California
2ND	Second	CASS.	Cassette
3RD	Third	CAT.	Category
4TH	Fourth	Cd	Coefficient Of Drag
4 SPD	Four Speed	CD	Compact Disk
4WS	Four Wheel Steering	C.G.R.	Constant Gear Ratio
4WD, 4X4	Four Wheel Drive	CHG.	Change
5TH	Fifth	CHK.	Check
5 SPD	Five Speed	CHMBR	Chamber
		CHN.	Chain
AA.	Anti Altatum	CIGAR.	Cigarette
A.A.S.	Auto Adjusting Suspension	CI	Coefficient Of Lift
ABS	Anti Lock Braking System	CLPR	Celiper
A/C	Air Conditioning	CNVTR.	Converter
A.C.C.	Automatic Cruise Control	COMB.	Combination
ACCEL.	Accelerator	COND.	Condenser
A.C.V.	Air Control Valve	COMP.	Compressor
A.E.	Acoustical Equalizer	CONV.	Convertible
ALUM	Aluminum	C/P	Cab Plus
ALL	Automatic Load Leveling	C.S.D.	Cold Start Device
ALT.	Alternator	CSTG.	Coasting
AMP.	Amplifier	CTR.	Center
ANT.	Antenna	CTRL.	Control
APR.	April	CV	Constant Velocity
ASSY.	Assembly	CVR.	Cover
A/T	Automatic Transmission	CYL.	Cylinder
AUG.	August		
AUTO.	Automatic	DASH.	Dashboard
		Db	Decibels
BAL.	Balance	DEC.	December
BELT.	Beltline	DEF.	Defroster
BFGR	B. F. Goodrich	DIAPH.	Diaphragm
BRDG	Bridgestone	DIFF.	Differential
BRG.	Bearing	DNLP	Dunlop
BRKT.	Bracket	DOHC	Double Overhead Camshaft
BRN.	Brown	DSL.	Diesel
BLK.	Black	DTSS	Dynamic Tracking Suspension System
BLU.	Blue		
BMPR.	Bumper	DX	Deluxe
B.S.V.	Bleed Solenoid Valve	ECAT	Electronically Controlled A/T
BULL.	Bulletin	EGI	Electronic Gas Injection
BW	Black Wall	EGR	Exhaust Gas Recirculation

ABBREVIATION LIST

ABBREV.	MAY REPLACE	ABBREV.	MAY REPLACE
ELEC.	Electric	INN.	Innr
ENG.	Engine	INT.	Interior
ETR	Electronically Tuned Radio	INTMT.	Intermittent
		INJ.	Injector, Injected
EXC.	Except	L.R.S.	Independent Rear Suspension
EXH.	Exhaust		
EXT.	Extension	JAN.	January
EQ	Equalizer	JUL.	July
		JUN.	June
FEB.	February		
FED.	Federal	KG	Kilogram
F.I.	Fuel Injection	KM	Kilometer
FLEX	Flexible	KW	Kilowatt
FLID	Fuel Lid		
FRT.	Front	(L), LT	Left
FRST	Firestone	L=	Length
FSTNR.	Fastener	LCD	Liquid Crystal Display
		L/B	Long Bed
G	Gram	LH	Left Hand
GAS.	Gasoline	LPG	Liquid Petroleum Gas
GDYR	Goodyear	L.S.D.	Limited Slip Differential
GEN.	General	LWR	Lower
GOV.	Governor	LX	Luxury
GRN.	Green		
GRY.	Gray	H	Metalic
GSKT.	Gasket	MAR.	March
		MC	Micro
H.A.C.	High Altitude Compensator	MCHW	Michelin
HARN.	Harness	MLDG.	Moulding, Mould
H/B	Hatchback	MM	Millimeter
HD.	Head	MMFLD.	Manifold
H/DUTY	Heavy Duty	MPX	Multiple
HDWE.	Hardware	MSTR.	Master
HL ALT.	High Altitude	M/T	Manual Transmission
HSG.	Hose, Housing	MTG.	Mounting
HTR.	Heater	MTR	Manually Tuned Radio
IC	Integrated Circuit	N=	Number Of Teeth
ID	Inside Diameter	N/A	Not Available
IGN.	Ignition	N/B	Notchback
ILLUM.	Illumination, Illuminated	NO.	Number
INCL	Includes	NORM.	Normal
IND	Indicator	NOV.	November
INFO.	Information		
INST.	Instrument		

ABBREVIATION LIST

ABBREV.	MAY REPLACE	ABBREV.	MAY REPLACE
OCT.	October	SPEC.	Specification
OD	Outer Diameter	SPEEDO.	Speedometer
O/DRIVE	Overdrive	SPG.	Spring
OHC	Overhead Camshaft	SPKR.	Speaker
OPT.	Optional	SPRKT.	Sprocket
O.S.	Oversize	SRS	Supplemental Restraint System
OUT.	Outer	STAB.	Stabilizer
PANSC	Panasonic	STD.	Standard
PARK.	Parking	STRG.	Steering
PB	Parking Brake	S/ROOF	Sunroof
PCV	Positive Crankcase Ventilation	SUSP.	Suspension
PIN.	Pinion	S/W	Station Wagon
PKG	Package	SW.	Switch
PLR	Pillar	SYNC.	Synchronizer
PROD.	Production	T-	Thickness
P/S	Power Steering	TEMP.	Temperature
P/TRIM	Pillar Trim	THERMO.	Thermostat
PTH	Phillips Truss Head	TMG.	Timing
PWR.	Power	T/MISSION	Transmission
QTR.	Quarter	TRK.	Truck
QTY.	Quantity	T/LID	Trunk Lid
®/L, RT	Right	T/S	Touring Sedan
RH	Right Hand	TTL	Twin Trapezoidal Links
RAD.	Radiator	TURBO	Turbocharged
REINF.	Reinforcement	UP.	Upper
REG.	Regular	U.S.	Undersize
REGUL.	Regulator	VAC.	Vacuum
REL.	Release	V.G.R.	Variable Gear Ratio
REM.	Remote	VPV	Variable Port Valve
RET.	Return	VNL	Vinyl
REV.	Reverse	W-	Width
RR.	Rear	W/	With
RWL	Raised White Letters	W/P	Water Pump
S/B	Short Bed	WGN.	Wagon
S/ROD	Shift Rod	WHL.	Wheel
S/S	Supercession	W/O	Without
SDN.	Sedan	WHT.	White
SEP.	September	W/SHIELD	Wind Shield, Screen
SERV.	Service	WTR.	Water
SLND.	Solenoid	W/W	White Walls
SOHC	Single Overhead		



1984-85 RX-7 ACCESSORIES

AERO

0000-86-2200 - 1979-85, Lip Spoiler

AIR CONDITIONER

Refer to Accy. Bulletin XA-1 for Air Conditioner information.

ARM REST

Refer to Accy. Bulletin XN-1 for replacement parts.

BATTERY

0000-80-124F

Refer to Accy. Bulletin XG-4 for Battery information.

BLOCK HEATER

0000-88-6600

Refer to Accy. Bulletin XG-5 for installation information.

CIGARETTE LIGHTERS

B001-66-252 - 1983-90

CRUISE CONTROL

FA54-99-063A

Refer to Accy. Bulletin XG-7 for more Cruise Control information.

DOOR EDGE GUARDS

0000-88-3199-BK - ALL, Black Universal Type

FRONT MASK

0000-88-0584 - 1984-85, W/O Air Dam

PAINT

Refer to Accy. Bulletin XE-2 for Touch-Up Paint information.

STEREO EQUIPMENT

Refer to Accy. Bulletins XS-1, XS-2, and XS-3 for Audio information.

SUNROOF

0000-86-2600 - 1980-85, Moonroof

0000-86-2600-KT - 1980-85, Left & Right Hinge

0000-86-2600-CP - 1980-85, Cap Nut Set

8346-62-885 - 1980-85, Slide Hook Latch

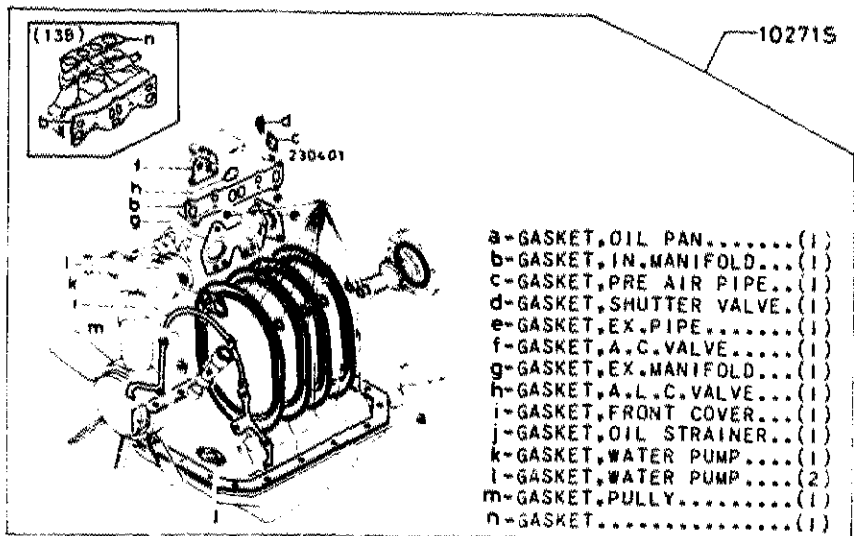
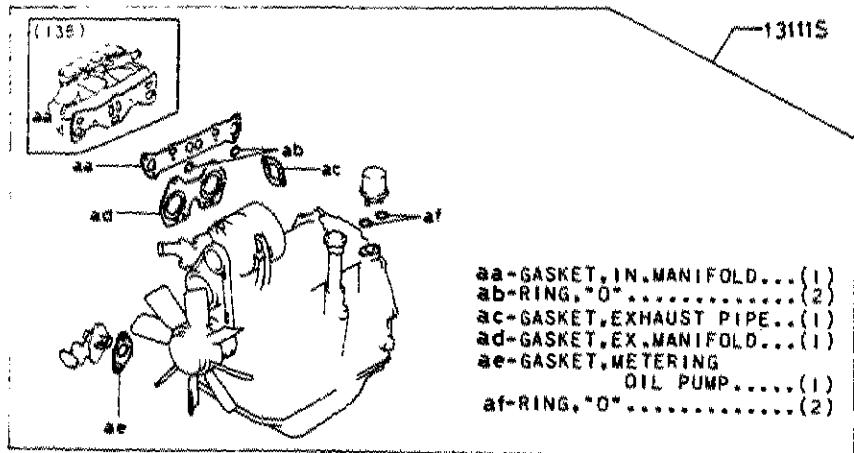
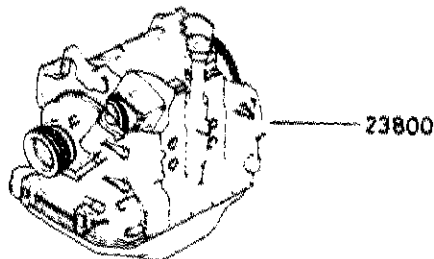
TIRES

Refer to Accy. Bulletins XE-1 for Tire information.

SECTION INDEX -- ENGINE

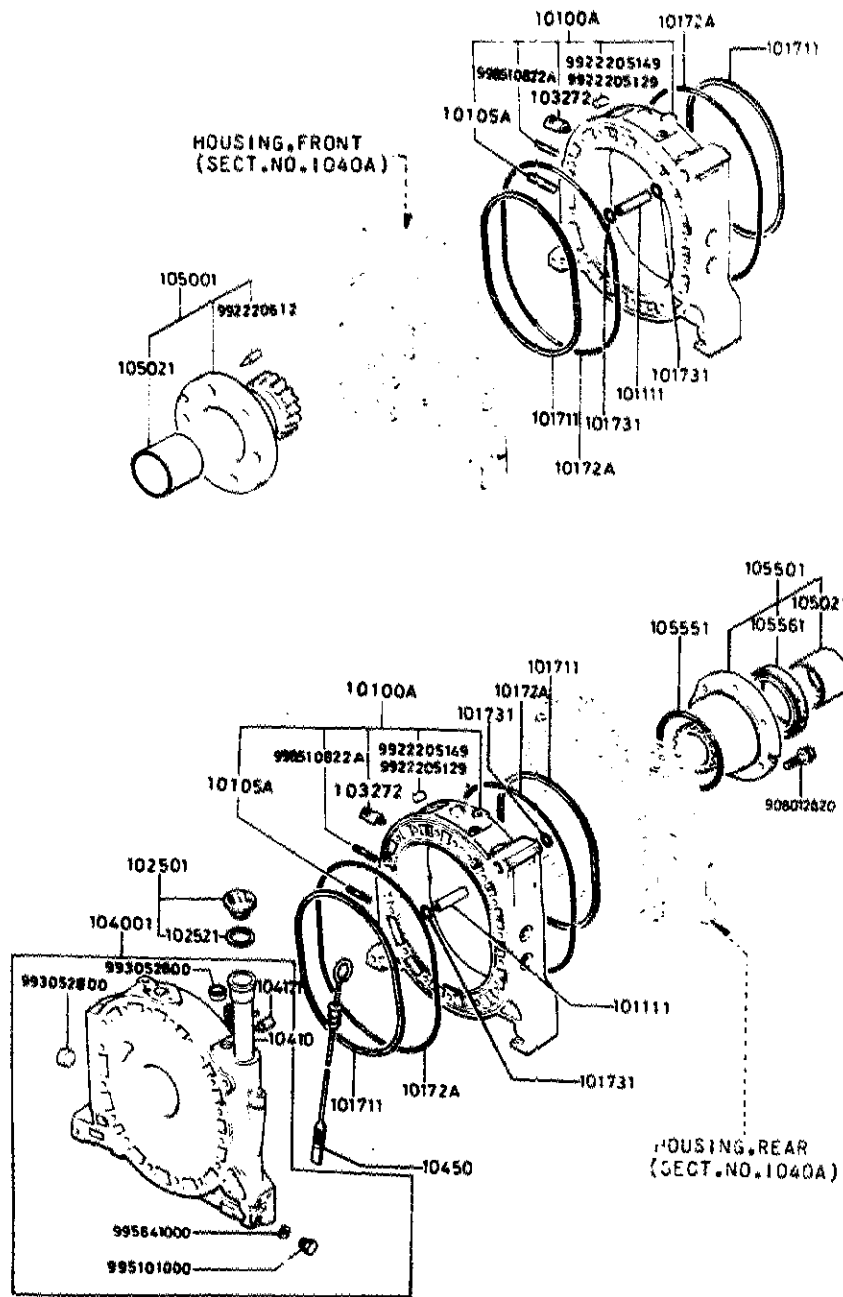
STARTING LOCATION	SECT NO.	SECTION NAME	STARTING LOCATION	SECT NO.	SECTION NAME	STARTING LOCATION	SECT NO.	SECTION NAME
1 - C 3	1000A	SHORT ENGINE & GASKET SETS	1 - G 6	1720A	CHANGE CONTROLS (MANUAL)			
1 - D 3	1030A	ROTOR HOUSING	1 - H 6	1800A	ENGINE ELECTRICAL SYSTEM			
1 - E 3	1040A	OIL PAN, FRONT & REAR HOUSING	1 - I 6	1820A	DISTRIBUTOR			
1 - G 3	1100A	ECCENTRIC SHAFT & FLYWHEEL	1 - J 6	1830A	ALTERNATOR			
1 - H 3	1110A	ROTOR & RELATED	1 - K 6	1840A	STARTER			
1 - I 3	1300A	INTAKE MANIFOLD (12A) (S.GS.GSU)	1 - M 6	1850A	BATTERY & CABLES			
1 - J 3	1300AA	INTAKE MANIFOLD (13B) (GSL-SE)	1 - N 6	1910A	TORQUE CONVERTER, OIL PUMP & PIPING (AUTOMATIC)			
1 - K 3	1310A	EXHAUST MANIFOLD (12A) (S.GS.GSU)	1 - C 7	1920A	TRANSMISSION CASE & MAIN CONTROLS (AUTOMATIC)			
1 - L 3	1310AA	EXHAUST MANIFOLD (13B) (GSL-SE)	1 - E 7	1930A	CLUTCH & PLANETARY GEAR (AUTOMATIC)			
1 - M 3	1320A	FUEL SYSTEM (12A) (S.GS.GSU)	1 - G 7	1940A	LOW, REVERSE & GOVERNOR (AUTOMATIC)			
1 - C 4	1320AA	FUEL SYSTEM (13B) (GSL-SE)	1 - H 7	1950A	MANUAL LINKAGE (AUTOMATIC)			
1 - E 4	1330A	AIR CLEANER (12A) (S.GS.GSU)	1 - I 7	1960A	GASKET & SEAL KIT (AUTOMATIC)			
1 - F 4	1330AA	AIR CLEANER (13B) (GSL-SE)						
1 - G 4	1350A	STARTING ASSIST SYSTEM (12A) (S.GS.GSU) (FEDERAL ONLY)						
1 - H 4	1350AA	STARTING ASSIST SYSTEM (13B) (GSL-SE) (FEDERAL ONLY)						
1 - I 4	1359A	CARBURETOR & REPAIR KIT (12A) (S.GS.GSU)						
1 - J 4	1360A	CARBURETOR COMPONENTS (12A) (S.GS.GSU)						
1 - L 4	1371A	AIR PUMP & AIR CONTROL VALVE (12A) (S.GS.GSU)						
1 - M 4	1371AA	AIR PUMP & AIR CONTROL VALVE (13B) (GSL-SE)						
1 - N 4	1380A	EMISSION CONTROLS (12A) (S.GS.GSU)						
1 - C 5	1380AA	EXHAUST SIDE EMISSION CONTROLS (13B) (GSL-SE)						
1 - E 5	1400A	OIL PUMP & FILTER (12A) (S.GS.GSU)						
1 - F 5	1400AA	OIL PUMP & FILTER (13B) (GSL-SE)						
1 - H 5	1500A	COOLING SYSTEM (12A) (S.GS.GSU)						
1 - I 5	1500AA	COOLING SYSTEM (13B) (GSL-SE)						
1 - K 5	1580A	COMPRESSOR BRACKET, PULLEY & BELT						
1 - L 5	1600A	CLUTCH DISC & COVER						
1 - M 5	1700A	TRANSMISSION CASE (MANUAL)						
1 - C 6	1710A	TRANSMISSION GEARS (MANUAL)						

1000A-1 SHORT ENGINE & GASKET SETS



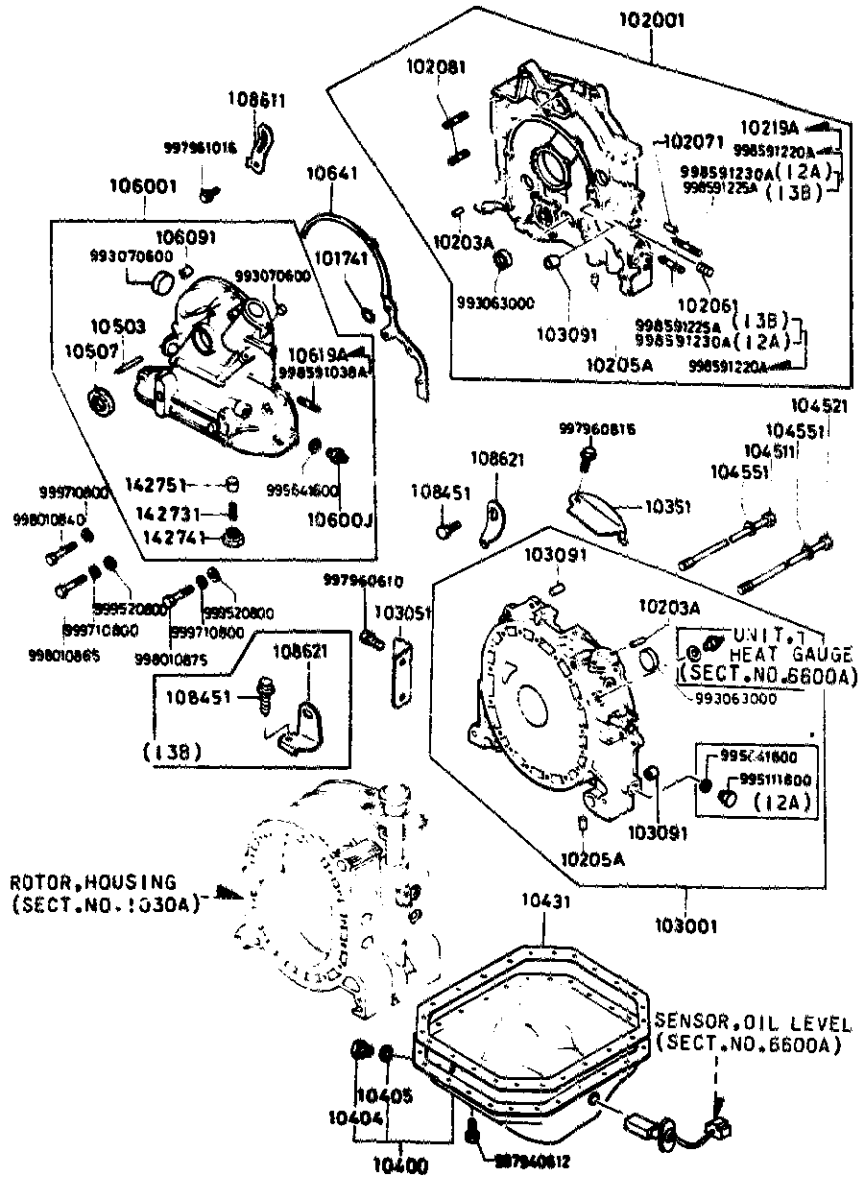
ITEM NO.	D-CODE	DESCRIPTION	PART NO.	QTY	MODEL/DESCRIPTION	REMARKS
10	2715	GASKET SET, ENGINE	N231-99-100 N304-99-100A	1	12A (S.GS.GS)	
13	1115	GASKET SET, SUB-ENGINE	N201-99-050 N304-99-050	1	12A (S.GS.GS)	
23	0401	O-RING SET	1757-23-040B	1	12A (S.GS.GS)	
23	800	ENGINE, SHORT REFER TO PARTS BULL. NOS. 6-6 & 8-8 FOR MORE INFO.	N307-23-040	1	13B (GS.L-SE)	

1030A-1 ROTOR HOUSING



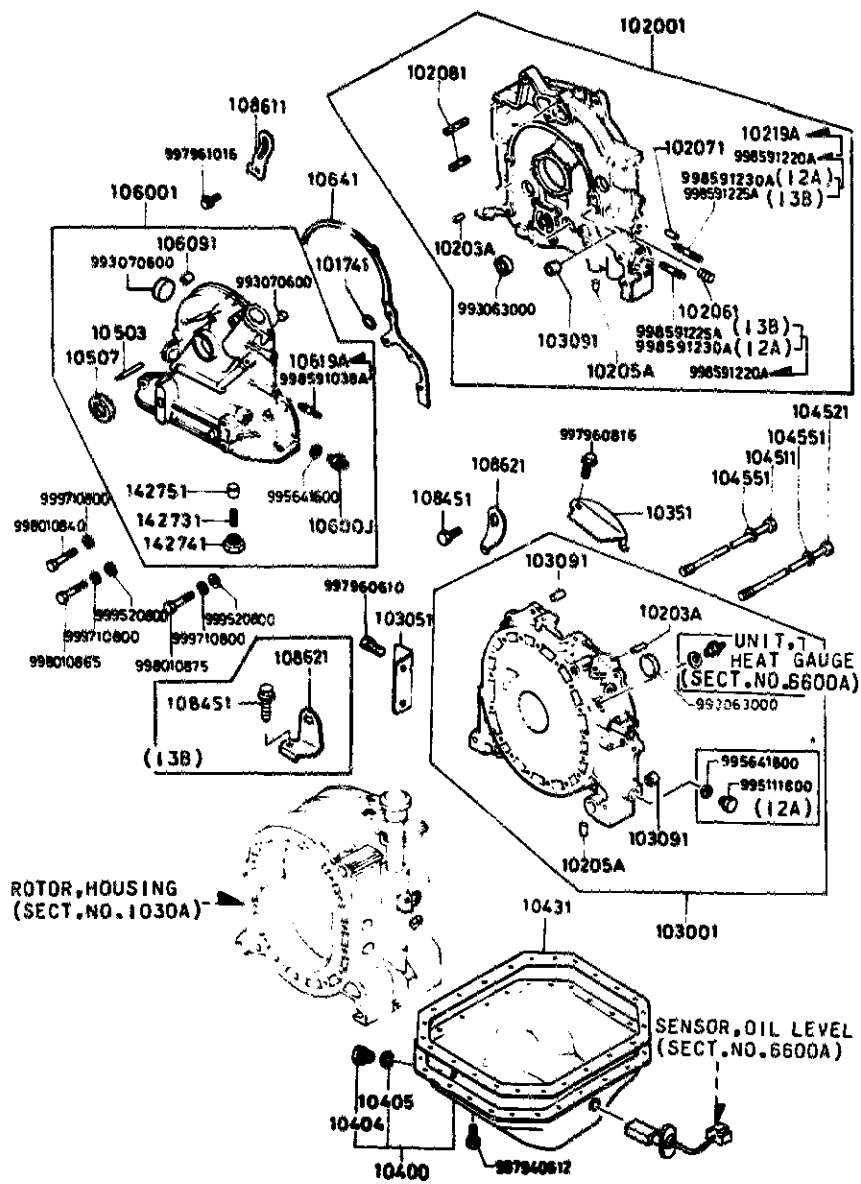
ITEM NO	D-CODE	DESCRIPTION	PART NO	QTY	MODEL/DESCRIPTION	REMARKS
10 100A		HOUSING, ROTOR	N249-10-100	2	12A (S.GS.GSL)	
			N304-10-100C	2	13B (GSL-SE)	
10 105A		STUD, REACTOR	0839-10-105	4		
10 1111		DOWEL, TUBULAR	0839-10-111B	4	12A (S.GS.GSL)	
			1757-10-111	4	13B (GSL-SE)	
10 1711		RING, SQUARE	1757-10-171A	4		
10 172A		RING, SQUARE-OUTER	1480-10-172	4		
10 1731		O-RING	N231-10-173	4		
10 2501		CAP, OIL FILLER	8871-10-250A	1		
10 2521		GASKET, OIL CAP	8871-10-252	1		
10 3272		PLUG, JET	N236-14-633A	2	13B (GSL-SE)	
10 4001		HOUSING, INTERMEDIATE	8341-10-400	1	12A (S. GS. GSL)	
			N304-10-400	1	13B (GSL-SE)	
10 410		PIPE, OIL FILLER	3665-10-410A	1		
10 4171		JOINT, PIPE	8562-10-417	1		
10 450		DIPSTICK	N201-10-830	1		
10 5001		GEAR, STATIONARY-FRT.	3743-10-500	1	12A (S.GS.GSL)	
			3648-10-500	1	13B (GSL-SE)	
10 5021		BEARING, MAIN	0820-10-502B	2		
10 5501		GEAR, STATIONARY-RR.	3743-10-550A	1	12A (S. GS. GSL)	
			3648-10-550A	1	13B (GSL-SE)	
10 5551		O-RING	0813-10-555A	1		
10 5561		SEAL, OIL	1668-10-556A	1		

1040A-1 OIL PAN, FRONT & REAR HOUSING



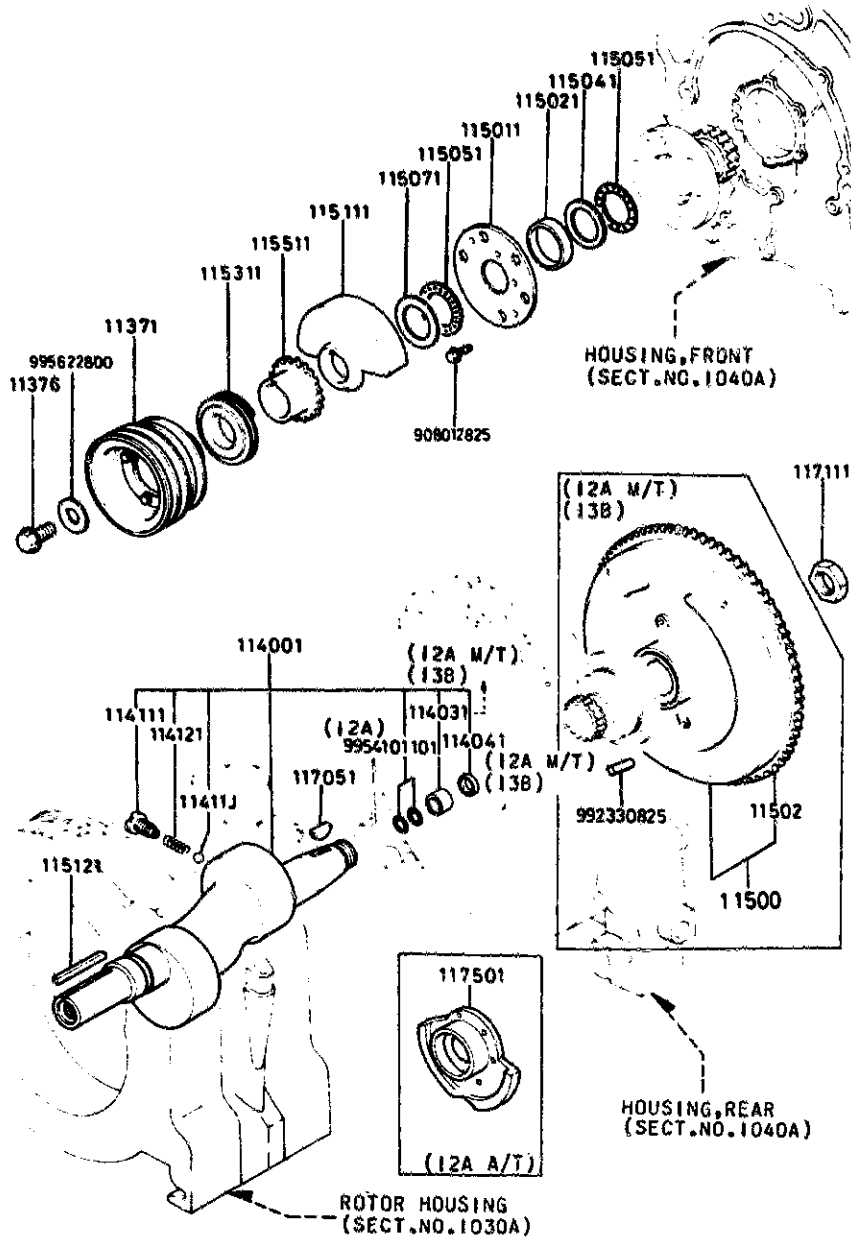
ITEM NO.	D-CODE	DESCRIPTION	PART NO.	QTY	MODEL/DESCRIPTION	REMARKS
10 1741		O-RING	N231-10-174	1		
10 2001		HOUSING, FRONT	8981-10-2008	1	12A (S.GS,GSL)	
			N304-10-2008	1	13B (GSL-SE)	
10 203A		PIN, DOWEL	0839-10-203	2		
10 205A		PLUG, BLIND	8562-10-205	4		
10 2061		PLUG, BLIND	1757-10-206A	1		
10 2071		PLUG, BLIND	1757-10-207A	1		
10 2081		STUD	1757-10-208	4		
10 219A		STUD, HOUSING	N249-10-219	1	FROM JAN '84 PROD.	FB33* .815218-
10 3001		HOUSING, REAR	N231-10-300A	1	12A (S.GS,GSL)	
			N304-10-300	1	13B (GSL-SE)	
10 3051		COVER, DUST	1481-10-305	1	12A A/T (S.GS,GSL) THRU OCT '83 PROD.	FB33* .800001-806530
			1480-10-305	1	12A A/T (S.GS,GSL) FROM NOV '83 PROD.	FB33* .806531-
			N225-10-305	1	13B (GSL-SE)	
10 3091		PIN, TUBULAR	1757-10-309	4		
10 351		COVER, DUST	N231-10-351A	1	12A M/T (S.GS,GSL)	
			N304-10-351	1	13B (GSL-SE)	
10 400		PAN, OIL	N201-10-700A	1	CAL. 12A (S.GS,GSL)	
			N203-10-700	1	FED/12A (S.GS,GSL)	
			N304-10-700	1	FED/13B (GSL-SE)	
			N305-10-700A	1	CAL. 13B (GSL-SE)	
10 404		PLUG, DRAIN	HE03-10-404	1		
10 405		GASKET, DRAIN PLUG	9956-41-400	1		
10 431		GASKET, OIL PAN	0839-10-711	1	12A (S.GS,GSL)	
			1757-10-711	1	13B (GSL-SE)	
10 4511		BOLT, TENSION	1015-10-451B	16	12A (S.GS,GSL)	
			1757-10-451B	17	13B (GSL-SE)	
10 4521		BOLT, TENSION	1015-10-452A	1	12A (S.GS,GSL)	
			1757-10-452A	1	13B (GSL-SE)	
10 4551		WASHER, SEAL	0839-10-455	17	12A (S.GS,GSL)	
				18	13B (GSL-SE)	
10 503		PIN, TOP INDICATOR	8871-10-631A	1		
10 507		SEAL, OIL	0820-10-605	1		
10 6001		COVER, FRONT	N231-10-600B	1	12A (S.GS,GSL)	
			N304-10-A60	1	13B (GSL-SE)	
10 600J		JOINT, UNION	9938-41-200F	1		
10 6091		PIN, SPRING	1757-10-609	1		
10 619A		STUD, COVER	N249-10-619	2	FROM JAN '84 PROD.	FB33* .815218-
10 641		GASKET, FRONT COVER	8527-10-641	1		

1040A-2 OIL PAN, FRONT & REAR HOUSING



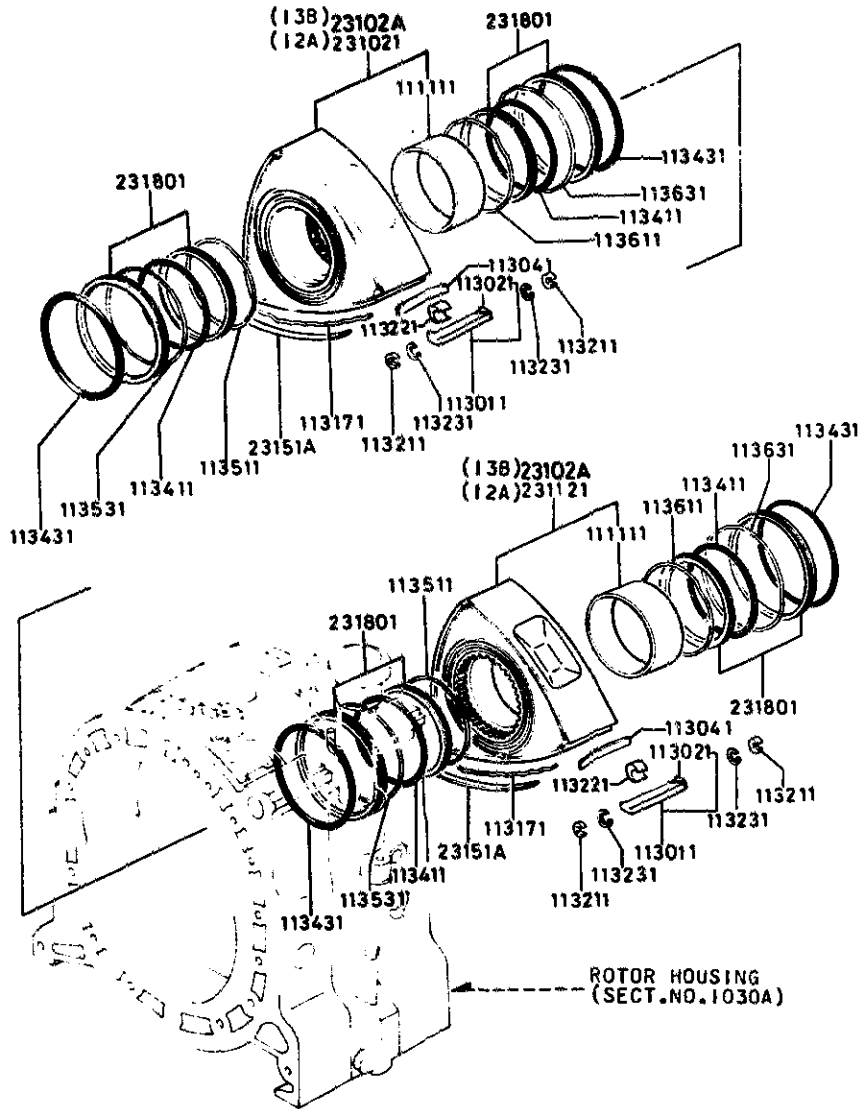
ITEM NO.	D-CODE	DESCRIPTION	PART NO.	QTY	MODEL/DESCRIPTION	REMARKS
10 8451		BOLT	8555-10-845	1	12A (S.GS.GS)	
			N307-10-845	1	13B (GSL-SB)	
10 8611		HANGER, ENGINE	N225-10-861	1		
10 8621		HANGER, ENGINE	8871-10-862	1	12A (S.GS.GS)	
			N304-10-862	1	13B (GSL-SB)	
14 2731		SPRING	N231-14-273	1	12A (S.GS.GS)	
			0839-14-273A	1	13B (GSL-SB)	
14 2741		PLUG	0839-14-274	1		
14 2751		PLUNGER, CONTROL	0839-14-115	1		

1100A-1 ECCENTRIC SHAFT & FLYWHEEL



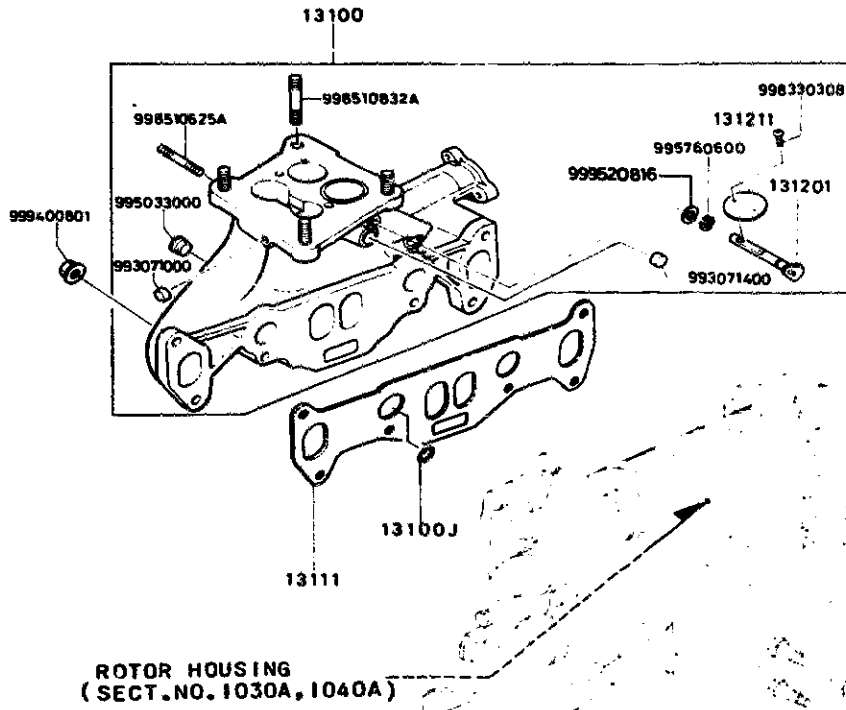
ITEM NO.	D-CODE	DESCRIPTION	PART NO.	QTY	MODEL/DESCRIPTION	REMARKS
11 371		PULLEY, CRANKSHAFT	N249-11-600A	1	12A (S.GS,GSL)	
			N304-11-600A	1	13B (GSL-SE)	
		SEE SERVICE BULLETIN 008/84, CAT. 1 FOR MORE PULLEY INFO.				
11 376		BOLT, PULLEY	0820-11-611B	1		
11 4001		SHAFT, ECCENTRIC	N201-11-400	1	12A M/T (S.GS,GSL)	
			1683-11-400A	1	12A A/T (S.GS,GSL)	
			N304-11-400	1	13B (GSL-SE)	
11 4031		BEARING, NEEDLE	N326-11-D03	1	12A M/T (S.GS,GSL)	
					13B (GSL-SE)	
11 4041		SEAL, OIL	1881-11-404	1	12A M/T (S.GS,GSL)	
					13B (GSL-SE)	
11 4111		PLUG, OIL JET	0839-11-411A	2		
11 411J		BALL, STEEL	9961-12-000	2		
11 4121		SPRING	0839-11-412	2		
11 500		FLYWHEEL	N231-11-700A	1	12A M/T (S.GS,GSL)	
			N304-11-700A	1	13B (GSL-SE)	
		SEE SERVICE BULLETIN 003/84, CAT. 40 FOR MORE FLYWHEEL INFO.				
11 5011		PLATE	1011-11-501	1		
11 502		GEAR, RING	0866-11-702	1	12A M/T (S.GS,GSL)	
					13B (GSL-SE)	
11 5021		SPACER	0839-11-509	1	(L=8.00)	
			0839-11-502	1	(L=8.02)	
			0839-11-508	1	(L=8.04)	
			8519-11-517	1	(L=8.06)	
			0839-11-506	1	(L=8.08)	
11 5041		PLATE, THRUST	1011-11-504	1		
11 5051		BEARING, NEEDLE	0813-11-505B	2		
11 5071		WASHER, THRUST	1011-11-507	1		
11 5111		WEIGHT, BALANCE	N226-11-511A	1	12A (S.GS,GSL)	
			N304-11-511	1	13B (GSL-SE)	
11 5121		KEY	9923-60-571	1		
11 5311		GEAR, DRIVE	0839-11-531	1		
11 5511		GEAR, DRIVE-OIL PUMP	0839-11-551A	1		
11 7051		KEY, FLYWHEEL	0820-11-705	1		
11 7111		NUT, LOCK	0810-11-711	1		
11 7501		WEIGHT, CONTROL	N226-11-751A	1	12A A/T (S.GS,GSL)	

1110A-1 ROTOR & RELATED



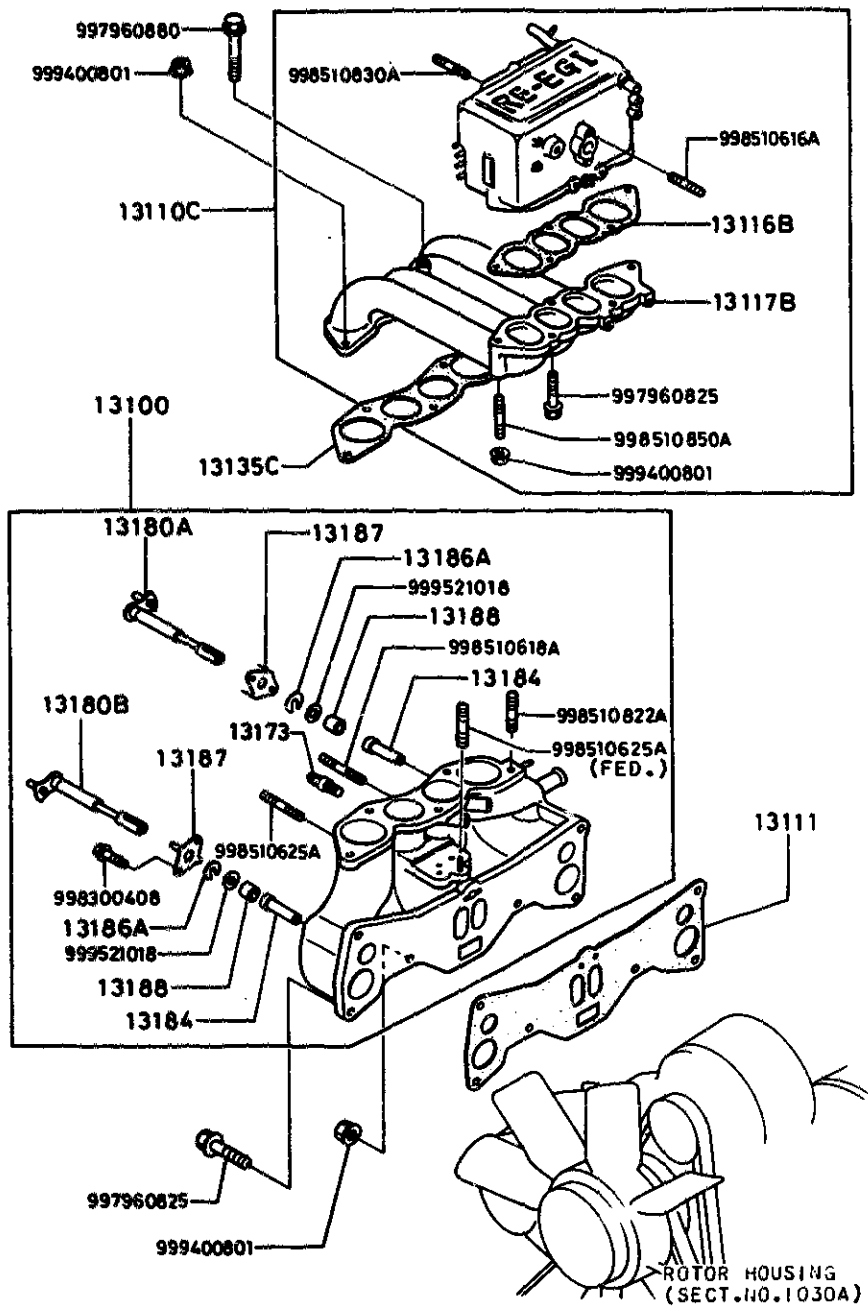
ITEM NO.	D-CODE	DESCRIPTION	PART NO.	QTY	MODEL/DESCRIPTION	REMARKS
11 1111		BEARING, ROTOR	1011-11-111	2		
11 3011		SEAL, APEX	N201-11-300A	6	12A (S.GS, GSI)	
			N304-11-300	6	13B (GSI-SE)	
11 3021		PIECE, SIDE	N201-11-302A	6		
11 3041		SPRING, APEX SEAL	1011-11-304B	6	12A (S.GS, GSI)	
			1757-11-304	6	13B (GSI-SE)	
11 3171		SPRING, SIDE SEAL	0820-11-317	12		
11 3211		SEAL, CORNER	N225-11-321	12	(STD.)	
11 3221		PLUG, CORNER SEAL	N201-11-322	12		
11 3231		SPRING, CORNER SEAL	1202-11-323A	12		
11 3411		O-RING, INNER	0820-11-341	4		
11 3431		O-RING, OUTER	1202-11-343	4		
11 3511		SPRING, FRIT-INNER	N225-11-351	2		
11 3531		SPRING, FRIT-OUTER	1011-11-353A	2		
11 3611		SPRING, REAR-INNER	N225-11-361	2		
11 3631		SPRING, REAR-OUTER	1011-11-363A	2		
23 1021		ROTOR, FRONT	N225-23-103	1	12A (S.GS, GSI)	
23 102A		ROTOR	N304-23-103	2	13B (GSI-SE)	
23 1121		ROTOR, REAR	N225-23-113	1	12A (S.GS, GSI)	
23 151A		SEAL, SIDE	1011-23-151A	12		
23 1801		SEAL SET, OIL	8871-23-180	4		

**1300A-1 INTAKE MANIFOLD
(12A) (S,GS,GSL)**



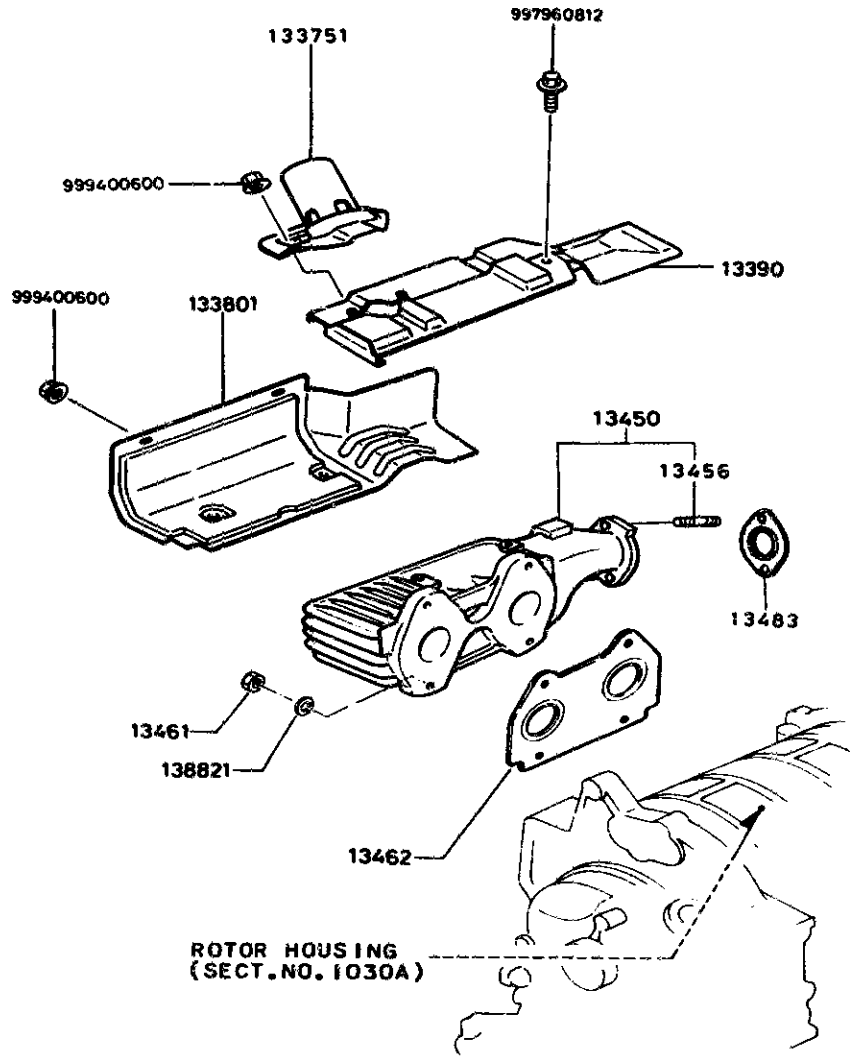
ITEM NO.	D-CODE	DESCRIPTION	PART NO.	QTY	MODEL/DESCRIPTION	REMARKS
13 100		MANIFOLD, INTAKE	N201-13-100A	1		
13 100J		O-RING	E*27-13-113	2		
13 111		GASKET, INTAKE MANIFOLD	1881-13-111A	1		
13 1201		SHAFT, VALVE	1480-13-120A	1		
13 1211		VALVE	N201-13-121	1		

1300AA-1 INTAKE MANIFOLD (13B) (GSL-SE)



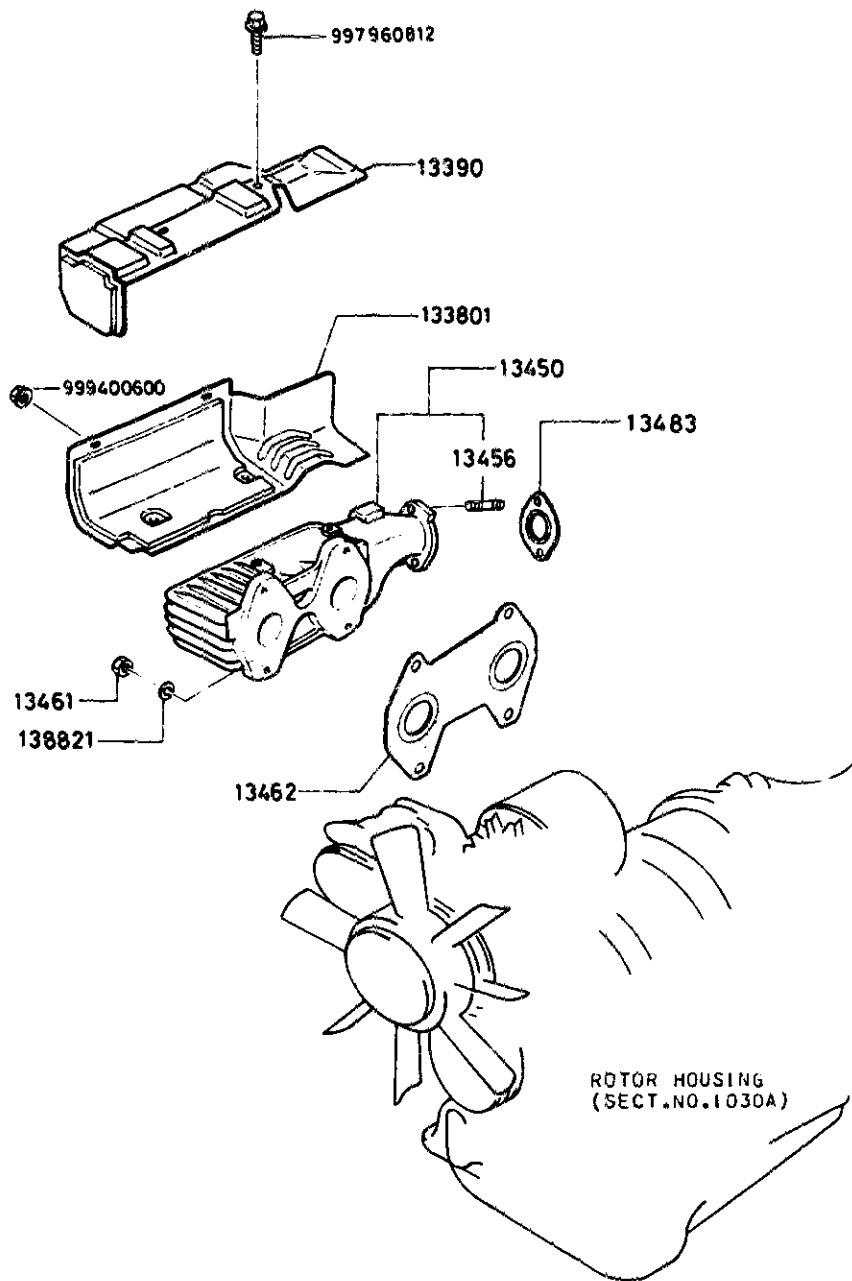
ITEM NO.	D-CODE	DESCRIPTION	PART NO.	QTY	MODEL/DESCRIPTION	REMARKS
13 100		MANIFOLD, INTAKE	N304-13-100F	1	FED	
			N305-13-100F	1	CAL.	
13 110C		CHAMBER, DYNAMIC	N304-13-110D	1		
13 111		GASKET, INTAKE MANIFOLD	N304-13-111	1		
13 116B		GASKET, RESO. CHAMBER	N304-13-116	1		
13 117B		PIPE, INLET-RESO. CHAM	N304-13-117B	1		
13 135C		GASKET	N304-13-114	1		
13 173		STUD	N225-13-173A	2		
13 180A		SHAFT, V.P.V. CONTROL	N304-13-180A	1		
13 180B		SHAFT, V.P.V. CONTROL	N305-13-180A	1		
13 184		BUSHING	N225-13-184	2		
13 186A		PLATE, LOCATING	N225-13-186	2		
13 187		COVER	N304-13-187	2		
13 188		RUBBER, SEALING	N225-13-188A	2		

**1310A-1 EXHAUST MANIFOLD
(12A) (S.GS.GSL)**



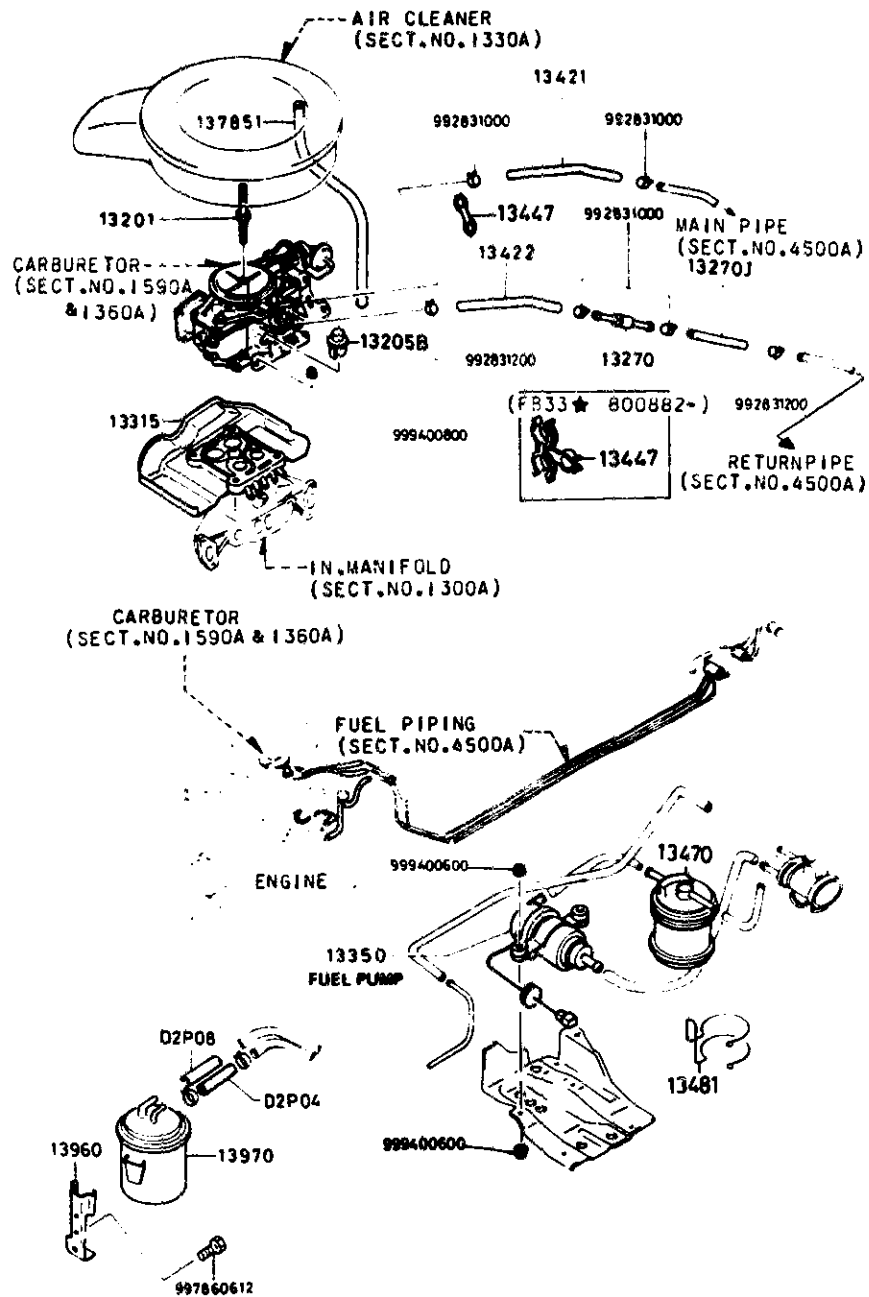
ITEM NO.	D-CODE	DESCRIPTION	PART NO.	QTY	MODEL/DESCRIPTION	REMARKS
13 3751		PIPE, HOT AIR DUCT	N249-13-375	1		
13 3801		PLATE, ABSORBER	N249-13-380	1		
13 390		DUCT, HOT AIR	N249-13-330A	1		
13 450		MANIFOLD, EXHAUST	N249-13-600B	1		
13 456		STUD	1757-13-857	2		
13 461		NUT	8134-40-355	4		
13 462		GASKET, EXHAUST MANIFOLD	1480-13-889A	1		
13 483		GASKET, EXHAUST PIPE	1480-13-621	1		
13 8821		WASHER, SPRING	9997-11-000	2	THRU AUG '84 PROD.	FB33* 800001-861828
			E508-20-523	2	FROM SEP '84 PROD.	FB33* 861829-

**1310AA-1 EXHAUST MANIFOLD
(13B) (GSL-SE)**



ITEM NO.	D-CODE	DESCRIPTION	PART NO.	QTY	MODEL/DESCRIPTION	REMARKS
13 3801		PLATE, ABSORBER	N304-13-380A	1		
13 390		DUCT, HOT AIR	N304-13-330B	1		
13 450		MANIFOLD, EXHAUST	N304-13-600B	1		
13 456		STUD	1757-13-857	2		
13 461		NUT	8134-40-355	4		
13 462		GASKET, EXHAUST MANIFOLD	N304-13-889	1		
13 483		GASKET, EXHAUST PIPE	1480-13-621	1		
13 8821		WASHER, SPRING	9997-11-000	2	THRU AUG '84 PROD.	FB33* ..80001-861828
			E508-20-524	2	FROM SEP '84 PROD.	FB33* ..861829-

**1320A-1 FUEL SYSTEM
(12A) (S.GS.GSL)**

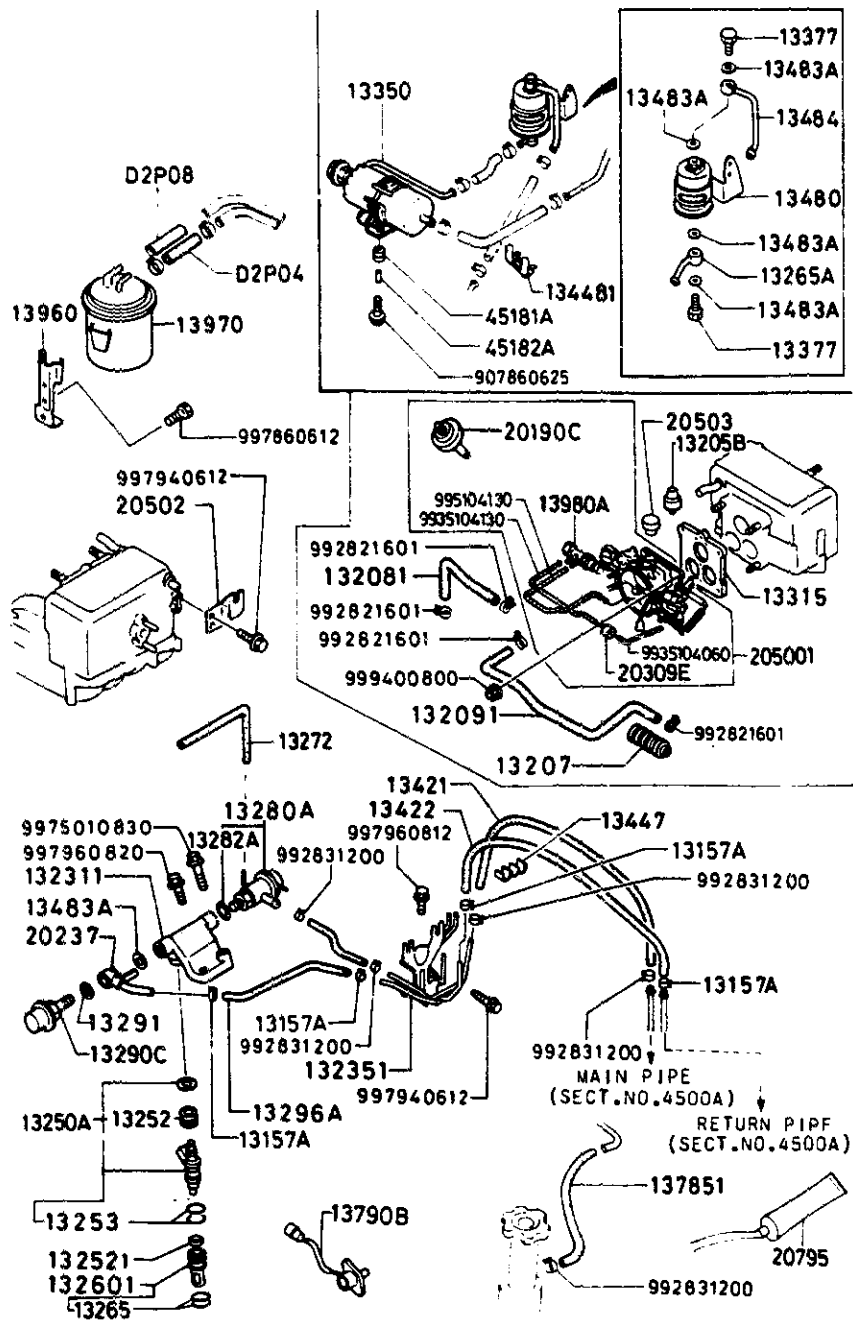


ITEM NO.	D-CODE	DESCRIPTION	PART NO.	QTY	MODEL/DESCRIPTION	REMARKS
13 201		BOLT, AIR CLEANER	8871-13-201A	1		
13 205B		CAP, IDLE SWITCH	1481-13-205C	1		
13 270		VALVE, CHECK	3648-13-270A	1		
13 270J		HOSE, FUEL	9935-80-6999	1	(BULK QTY)	
13 315		INSULATOR	1480-13-220B	1		
13 350		PUMP, FUEL	N249-13-400B	1		
13 421		HOSE, FUEL MAIN	9935-80-8999	1	(BULK QTY)	
13 422		HOSE, FUEL RETURN	9935-80-6999	1	(BULK QTY)	
13 447		CLIP	N231-13-445A	1		
13 470		FILTER, FUEL	E508-13-470	1		
			E508-13-470 -BP	1	BUSTER PACK	
13 481		CLAMP, FUEL FILTER	E508-13-481	1		
13 7851		HOSE, VENTILATION	8871-13-785C	1		
13 960		BRACKET, CANISTER	N304-20-611A	1		
13 970		CANISTER	N231-20-610	1		
D2 P04		HOSE, AIR	9935-10-4999	1	(BULK QTY)	
D2 P08		HOSE, AIR	9935-10-8999	1	(BULK QTY)	

SECTION INDEX -- ENGINE

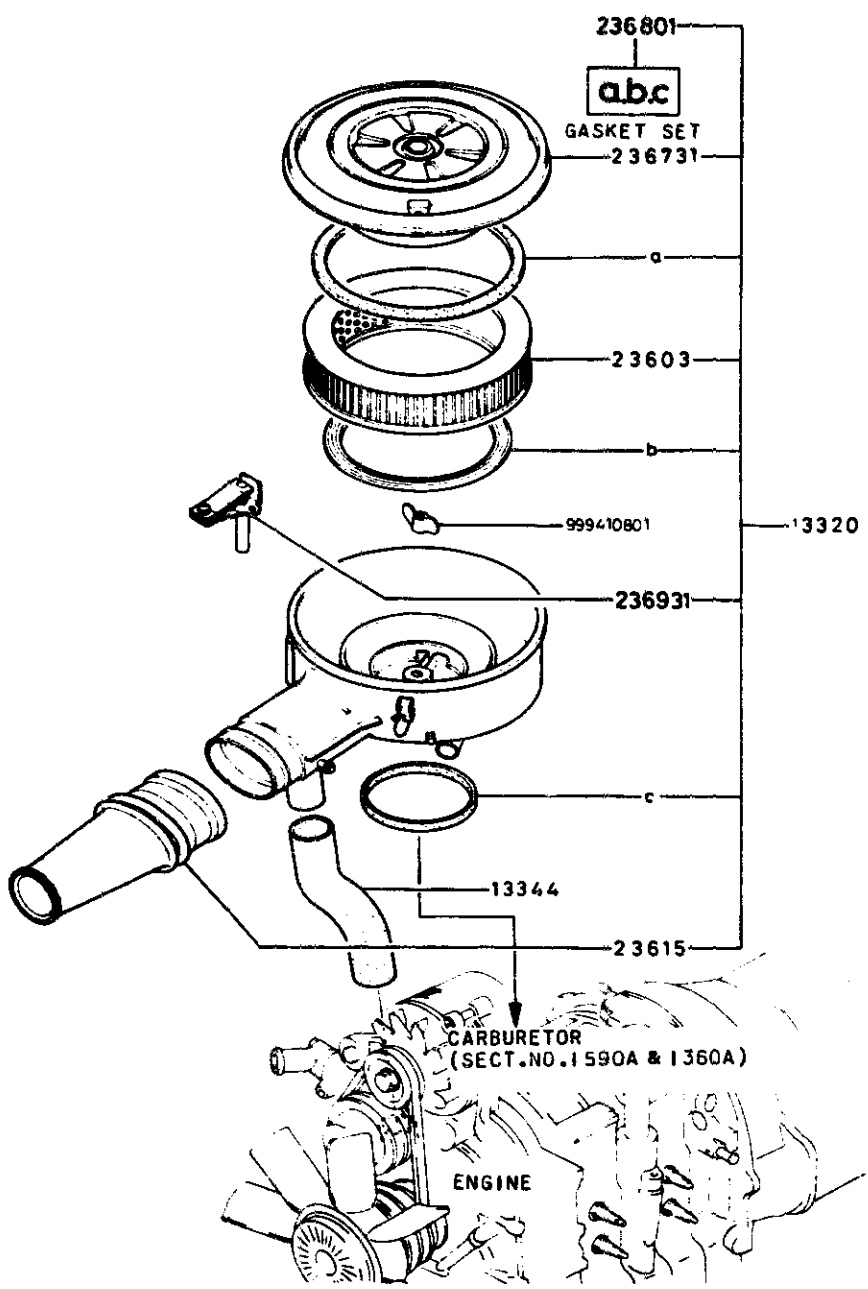
STARTING LOCATION	SECT. NO.	SECTION NAME	STARTING LOCATION	SECT. NO.	SECTION NAME	STARTING LOCATION	SECT. NO.	SECTION NAME
1 - C 3	1000A	SHORT ENGINE & GASKET SETS	1 - C 6	1710A	TRANSMISSION GEARS (MANUAL)			
1 - D 3	1030A	ROTOR HOUSING	1 - G 6	1720A	CHANGE CONTROLS (MANUAL)			
1 - E 3	1040A	OIL PAN, FRONT & REAR HOUSING	1 - H 6	1800A	ENGINE ELECTRICAL SYSTEM			
1 - G 3	1100A	ECCENTRIC SHAFT & FLYWHEEL	1 - I 6	1820A	DISTRIBUTOR			
1 - H 3	1110A	ROTOR & RELATED	1 - J 6	1830A	ALTERNATOR			
1 - I 3	1300A	INTAKE MANIFOLD (12A) (S.GS.GSU)	1 - K 6	1840A	STARTER			
1 - J 3	1300AA	INTAKE MANIFOLD (13B) (GSL-SE)	1 - M 6	1850A	BATTERY & CABLES			
1 - K 3	1310A	EXHAUST MANIFOLD (12A) (S.GS.GSU)	1 - N 6	1910A	TORQUE CONVERTER, OIL PUMP & PIPING (AUTOMATIC)			
1 - L 3	1310AA	EXHAUST MANIFOLD (13B) (GSL-SE)	1 - C 7	1920A	TRANSMISSION CASE & MAIN CONTROLS (AUTOMATIC)			
1 - M 3	1320A	FUEL SYSTEM (12A) (S.GS.GSU)	1 - E 7	1930A	CLUTCH & PLANETARY GEAR (AUTOMATIC)			
1 - C 4	1320AA	FUEL SYSTEM (13B) (GSL-SE)	1 - G 7	1940A	LOW, REVERSE & GOVERNOR (AUTOMATIC)			
1 - E 4	1330A	AIR CLEANER (12A) (S.GS.GSU)	1 - H 7	1950A	MANUAL LINKAGE (AUTOMATIC)			
1 - F 4	1330AA	AIR CLEANER (13B) (GSL-SE)	1 - I 7	1960A	GASKET & SEAL KIT (AUTOMATIC)			
1 - G 4	1350A	STARTING ASSIST SYSTEM (12A) (S.GS.GSU) (FEDERAL ONLY)						
1 - H 4	1350AA	STARTING ASSIST SYSTEM (13B) (GSL-SE) (FEDERAL ONLY)						
1 - I 4	1359A	CARBURETOR & REPAIR KIT (12A) (S.GS.GSU)						
1 - J 4	1360A	CARBURETOR COMPONENTS (12A) (S.GS.GSU)						
1 - L 4	1371A	AIR PUMP & AIR CONTROL VALVE (12A) (S.GS.GSU)						
1 - M 4	1371AA	AIR PUMP & AIR CONTROL VALVE (13B) (GSL-SE)						
1 - N 4	1380A	EMISSION CONTROLS (12A) (S.GS.GSU)						
1 - C 5	1380AA	EXHAUST SIDE EMISSION CONTROLS (13B) (GSL-SE)						
1 - E 5	1400A	OIL PUMP & FILTER (12A) (S.GS.GSU)						
1 - F 5	1400AA	OIL PUMP & FILTER (13B) (GSL-SE)						
1 - H 5	1500A	COOLING SYSTEM (12A) (S.GS.GSU)						
1 - I 5	1500AA	COOLING SYSTEM (13B) (GSL-SE)						
1 - K 5	1580A	COMPRESSOR BRACKET, PULLEY & BELT						
1 - L 5	1600A	CLUTCH DISC & COVER						
1 - M 5	1700A	TRANSMISSION CASE (MANUAL)						

**1320AA-1 FUEL SYSTEM
(13B) (GSL-SE)**



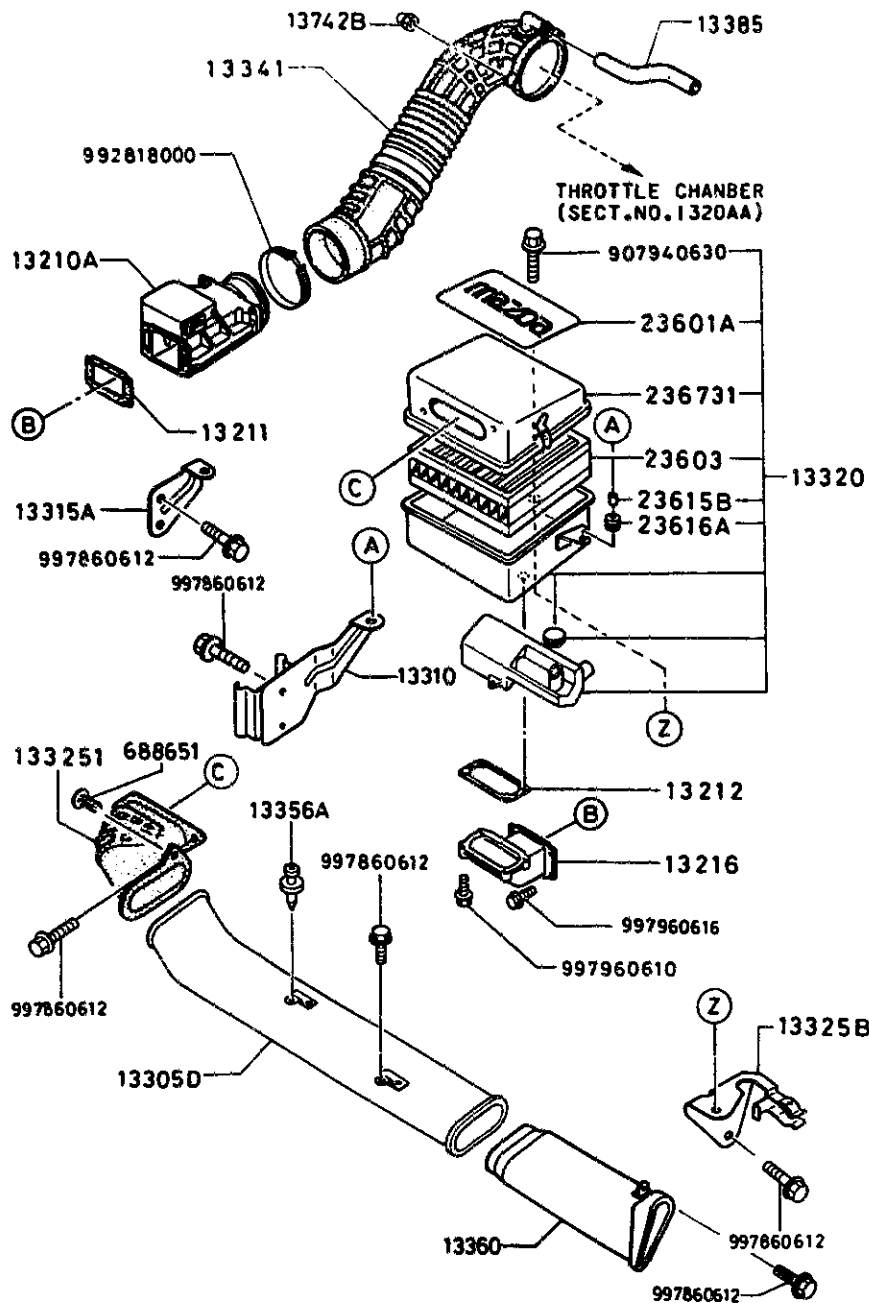
ITEM NO.	D-CODE	DESCRIPTION	PART NO.	QTY	MODEL DESCRIPTION	REMARKS
13 157A		CLIP	8574-13-157	6		
13 205B		CAP, IDLE SWITCH	1481-13-205C	1		
13 207		PROTECTOR, WATER HOSE	HE21-13-428	1		
13 2081		HOSE, WATER INLET	N304-13-208A	1		
13 2091		HOSE, WATER OUTLET	N304-13-209	1		
13 2311		PIPE, DELIVERY	N253-13-231	1		
13 2351		PIPE, FUEL	N304-13-235D	1		
13 250A		INJECTOR, FUEL	N304-13-250	2		
13 252		GROMMET	8574-13-252	2		
13 2521		INSERT, RUBBER	N236-13-252	2		
13 253		O-RING	8574-13-253	2		
13 2601		SOCKET, AIR BLEED	N305-13-260	2		
13 265		O-RING	9954-10-1252	4		
13 265A		CONNECTOR, FUEL	N304-13-481B	1		
13 272		HOSE, FUEL	9935-80-8999	1	BULK QTY THRU FEB '84 PROD.	FB33* ..800001-823267
			N304-13-272	1	FORMED HOSE FROM MAR '84 PROD.	FB33* ..823268-
13 280		REGULATOR, FUEL PRESSURE	N253-13-280	1		
13 282A		O-RING	N253-13-282	1		
13 290C		DAMPER, PULSATION	N304-13-230	1		
13 291		GASKET	N304-13-291	1		
13 296A		HOSE, FUEL	N326-13-416	1		
13 315		INSULATOR	N304-13-220B	1		
13 350		PUMP, FUEL	N304-13-350C	1		
13 377		BOLT, CONNECTOR	N236-13-482	2		
13 421		HOSE, FUEL MAIN	N304-13-420	1		
13 422		HOSE FUEL RETURN	N304-13-276C	1		
13 447		CLIP	N304-13-447	1		
13 4481		CLIP	N304-13-448	1		
13 480		FILTER, FUEL	N304-13-480	1		
13 483A		GASKET	N236-13-483	5		
13 484		CONNECTOR, FUEL FILTER	N304-13-484	1		
13 7851		HOSE, VENTILATION	N304-13-785A	1		
13 790B		RESISTOR, VARIABLE	N236-13-790B	1		
13 960		BRACKET, CANISTER	N304-20-611A	1		
13 970		CANISTER	N231-20-610	1		
13 980A		VALVE, THERMO	N304-13-980A	1		
20 190C		DASH POT	8341-13-215	1		
20 237		CONNECTOR, FUEL	N304-20-237A	1		
20 309E		VALVE, DELAY	HE01-20-309	1		

**1330A-1 AIR CLEANER
(12A) (S.GS.GSL)**



ITEM NO.	D-CODE	DESCRIPTION	PART NO.	QTY	MODEL/DESCRIPTION	REMARKS
13 320		CLEANER, AIR	N249-13-300A	1		
13 344		HOSE, HOT AIR	8871-13-341A	1		
23 603		ELEMENT, AIR CLEANER	8341-23-672	1		
23 615		PIPE, AIR INTAKE	1757-13-351A	1		
23 6731		COVER	8245-23-673	1		
23 6801		GASKET SET	1757-23-680	1		
23 6931		COMPENSATOR	3648-23-693A	1		

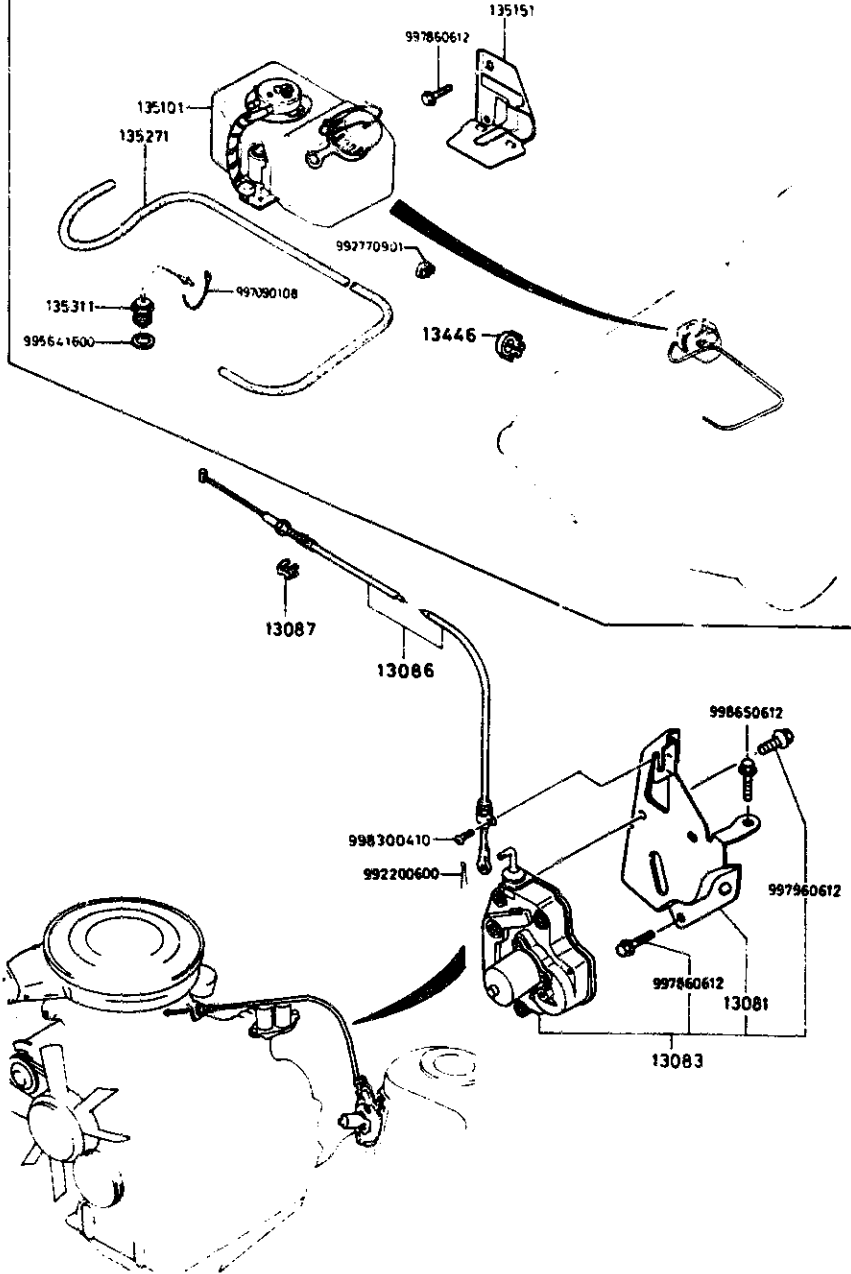
**1330AA-1 AIR CLEANER
(13B) (GSL-SE)**



ITEM NO.	D-CODE	DESCRIPTION	PART NO.	QTY	MODEL/DESCRIPTION	REMARKS
13 210A		METER, AIR FLOW	N304-13-210	1		
13 211		GASKET	N236-13-211	1		
13 212		GASKET	N304-13-212	1		
13 216		ADAPTER, AIR FLOW	N304-13-215	1		
13 305D		DUCT, AIR	N304-13-351A	1		
13 310		BRACKET, AIR CLEANER	FA66-56-360	1		
13 315A		BRACKET, AIR CLEANER	N304-13-315A	1		
13 320		CLEANER, AIR	N304-13-300B	1		
13 325I		DUCT, AIR	N304-13-353A	1		
13 325B		BRACKET, AIR CLEANER	N304-13-320B	1		
13 341		FUNNEL, AIR	N304-13-740C	1		
13 356A		RIVET	N304-13-356B	1		
13 360		DUCT, AIR	N304-13-352	1	FROM AUG '84 PROD.	FB33* .856209-
13 385		HOSE, AIR	N304-13-773	1		
13 742B		NUT, CAP	N236-13-742	2		
23 601A		SEAL, ORNAMENT	N304-23-301	1		
23 603		ELEMENT, AIR CLEANER	N236-23-672	1		
23 615B		COLLAR	1372-23-615	3		
23 616A		INSULATOR	1372-23-616	3		
23 6731		COVER	N304-23-673	1		
68 8651		FASTENER, AIR DUCT BLACK	5049-68-865 00	1		

**1350A-1 STARTING ASSIST SYSTEM
(12A) (S.GS.GSL) (FEDERAL ONLY)**

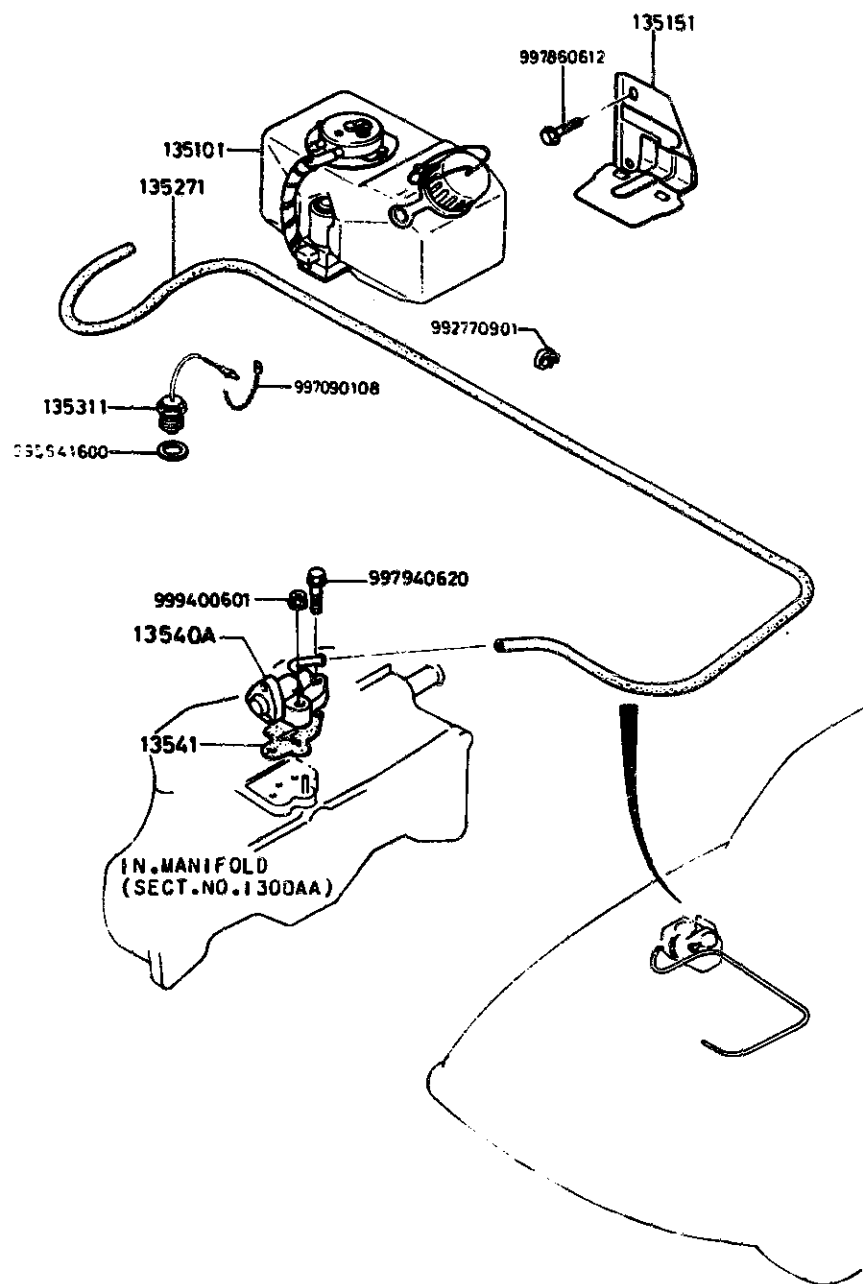
FED/CANADA



ITEM NO.	D-CODE	DESCRIPTION	PART NO.	QTY	MODEL/DESCRIPTION	REMARKS
13 081		BRACKET	N229-13-081	1		
13 083		MOTOR	N229-13-085	1		
13 086		WIRE	N225-13-086A	1		
13 087		SPRING	8871-13-087A	2		
13 446		CLIP	N231-13-446	1		
13 5101		TANK, STARTING FLUID	1881-13-510G	1		
13 5151		BRACKET, TANK	1757-13-515A	1		
13 5271		HOSE	8871-13-527	1		
13 5311		THERMO UNIT	8712-13-531	1		

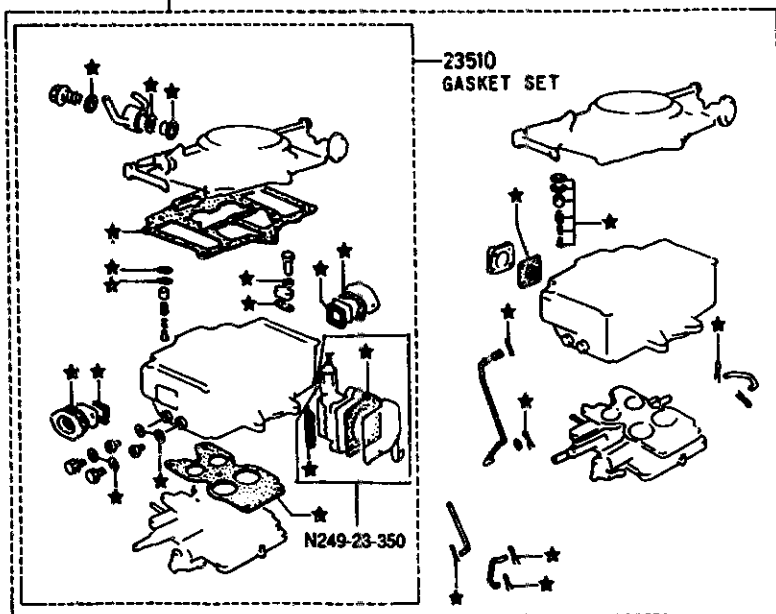
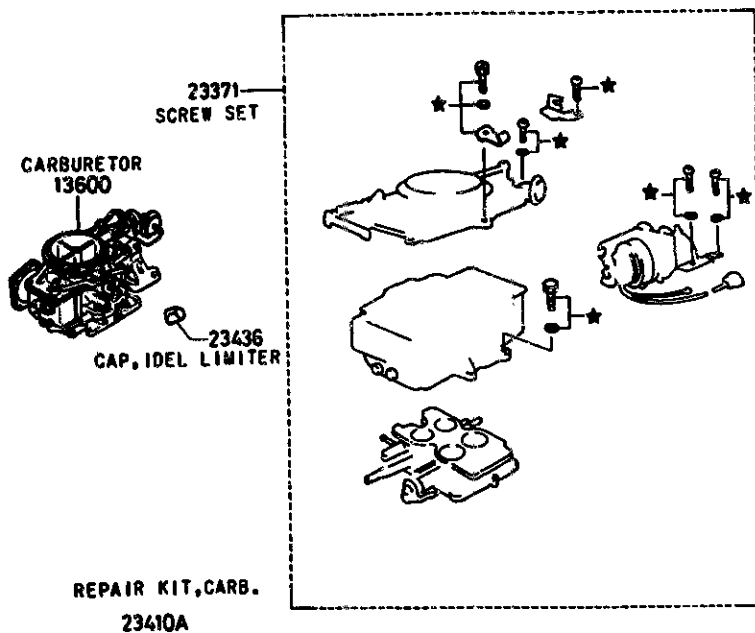
**1350AA-1 STARTING ASSIST SYSTEM
(13B) (GSL-SE) (FEDERAL ONLY)**

FED/CANADA



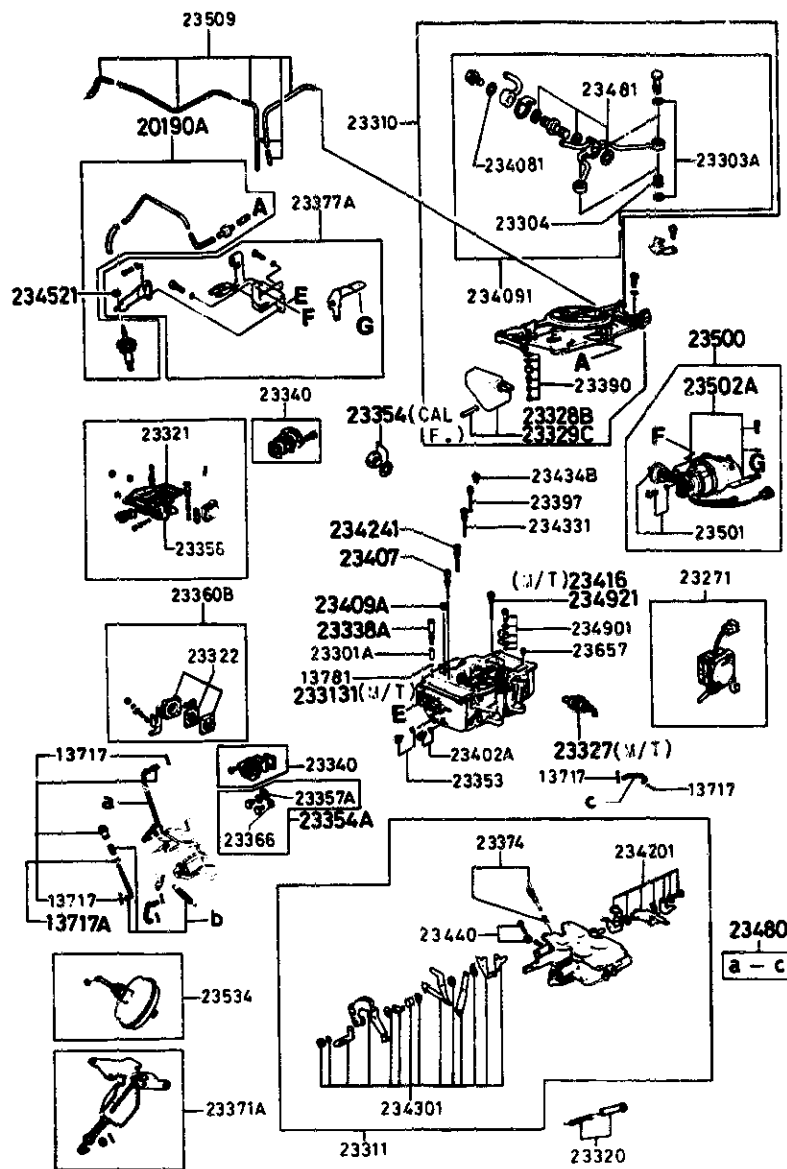
ITEM NO.	D-CODE	DESCRIPTION	PART NO.	QTY	MODEL/DESCRIPTION	REMARKS
13 5101		TANK, STARTING FLUID	1881-13-510G	1		
13 5151		BRACKET, TANK	1757-13-515A	1		
13 5271		HOSE	N304-13-527A	1		
13 5311		THERMO UNIT	8712-13-531	1		
13 540A		VALVE, STARTING FLUID	N304-13-540C	1		
13 541		GASKET	N326-13-A66	1		

**1359A-1 CARBURETOR & REPAIR KIT
(12A) (S.GS.GSL)**



ITEM NO.	D-CODE	DESCRIPTION	PART NO.	QTY	MO./REL/DESCRIPTION	REMARKS
13	600	CARBURETOR	N249-13-200F	1	FED M/T	
			N250-13-200E	1	FED A/T	
			N251-13-200F	1	CAL. M/T	
			N252-13-200E	1	CAL. A/T	
			N201-23-652	1		
23	371	SCREW SET	N201-23-652	1		
23	410A	REPAIR KIT, CARBURETOR	N249-99-131	1		
23	436	CAP, IDLE LIMITER	N231-13-205	1		
23	510	GASKET SET	N201-23-510	1		

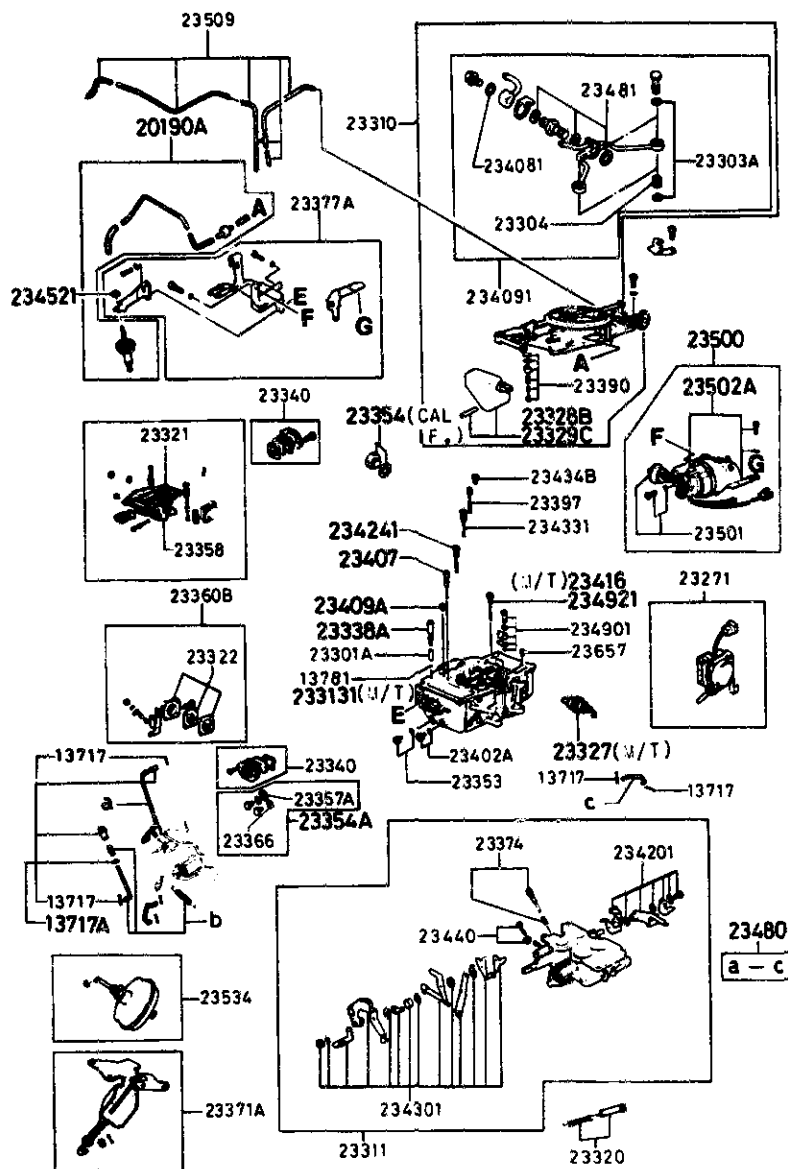
**1360A-1 CARBURETOR COMPONENTS
(12A) (S.GS.GSL)**



* SEE SERVICE BULLETIN 014/85-CATEGORY 4 FOR CARBURETOR ALTITUDE COMPENSATOR VALVE INFORMATION

ITEM NO.	D-CODE	DESCRIPTION	PART NO.	QTY	MODEL/DESCRIPTION	REMARKS
13 717		PIN, COTTER	1663-23-392	7		
13 717A		PIN & WASHER SET	8871-23-530	1		
13 781		BALL, STEEL	0107-13-781	1		
20 190A		DASH POT	8341-13-215	1		
23 271		CHAMBER SET, DIAPHRAGM	N249-23-350	1		
23 301A		WEIGHT, PUMP	3743-23-488	1		
23 303A		GASKET	0730-23-318	4		
23 304		STRAINER	8871-23-401	2		
23 310		HORN, AIR	N249-23-310	1		
23 311		CHAMBER, THROTTLE	N249-23-330	1	M/T	
			N250-23-330	1	A/T	
23 3131		SPACER	N249-23-313	1	M/T	
23 320		SPRING SET, RETURN	N201-23-380	1		
23 321		GASKET, FLOAT CHAMBER	N201-23-327	1		
23 322		DIAPHRAGM, CARBURETOR	N201-23-361	1		
23 327		VALVE, SOLENOID-A.V.	N249-23-326	1	M/T	
23 328B		FLOAT SET, FRONT	N201-23-328	1		
23 329C		FLOAT SET, REAR	N201-23-329	1		
23 338A		SHEET, CHECK VALVE	8826-23-338	1		
23 340		COVER SET, LEV. GAUGE	3743-23-340	2		
23 353		JET SET, MAIN 1ST	1955-23-421	2	M/T	
			N202-23-421	2	A/T	
23 354		PLUG SET	1570-23-507	1	FED	
			2183-23-508	1	CAL	
23 354A		PLUG, MAIN JET	8980-23-354	2		
23 357A		CLAMP, MAIN JET PLUG	8980-23-357	2		
23 358		GASKET, FLANGE	8341-23-349	1		
23 360B		PUMP SET, ACCEL.	N201-23-360	1		
23 366		WASHER	0305-23-356	4		
23 371A		HOLDER SET, RETURN	N201-23-371	1		
23 374		SCREW SET, IDLE ADJ.	N201-23-460	1		
23 377A		BRACKET SET	N231-23-370	1		
23 390		VALVE SET, FLOAT	N249-23-390	2		
23 397		JET, STEP	N201-23-426	2		
23 402A		JET SET, MAIN 2ND	0222-23-355B	2		
23 407		JET SET, SLOW	3743-23-425	2		
23 4081		WASHER	0823-23-402A	1		
23 4091		CONNECTOR SET, FUEL	8871-23-409A	1		
23 409A		JET, SLOW AIR BLEED	3744-23-391	2	A/T	
			3824-23-409	2	M/T	

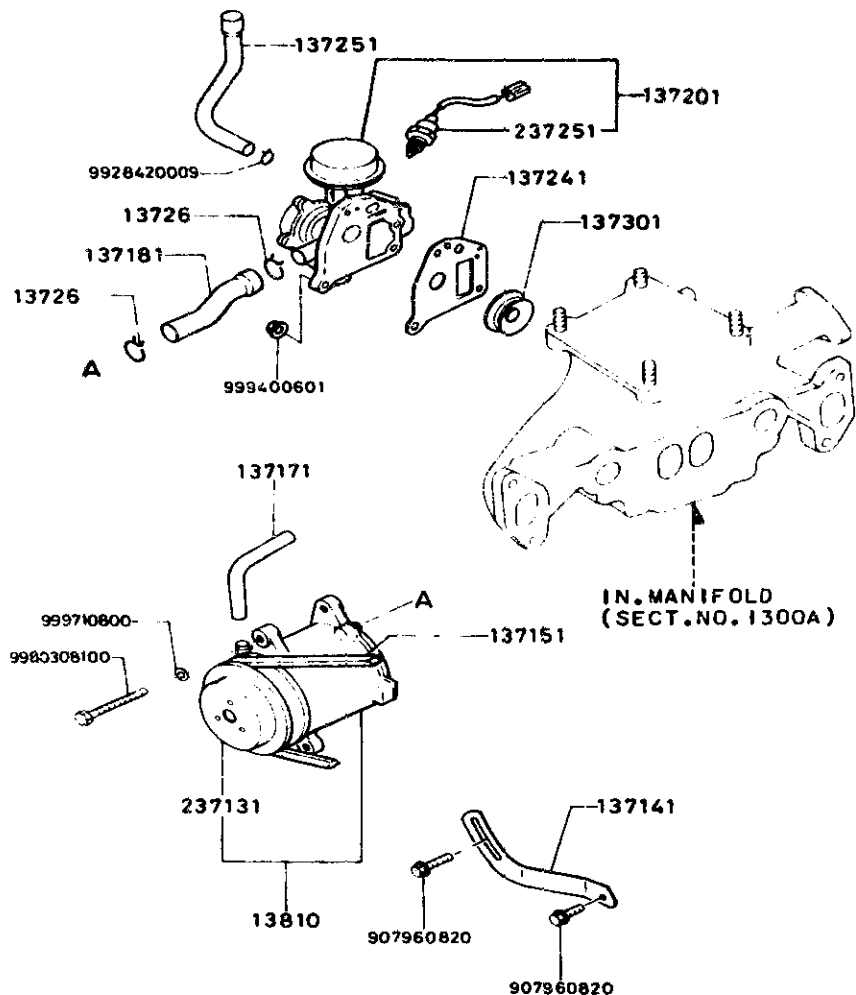
1360A-2 CARBURETOR COMPONENTS (12A) (S.GS,GSL)



* SEE SERVICE BULLETIN 014/85-CATEGORY 4 FOR CARBURETOR ALTITUDE COMPENSATOR VALVE INFORMATION

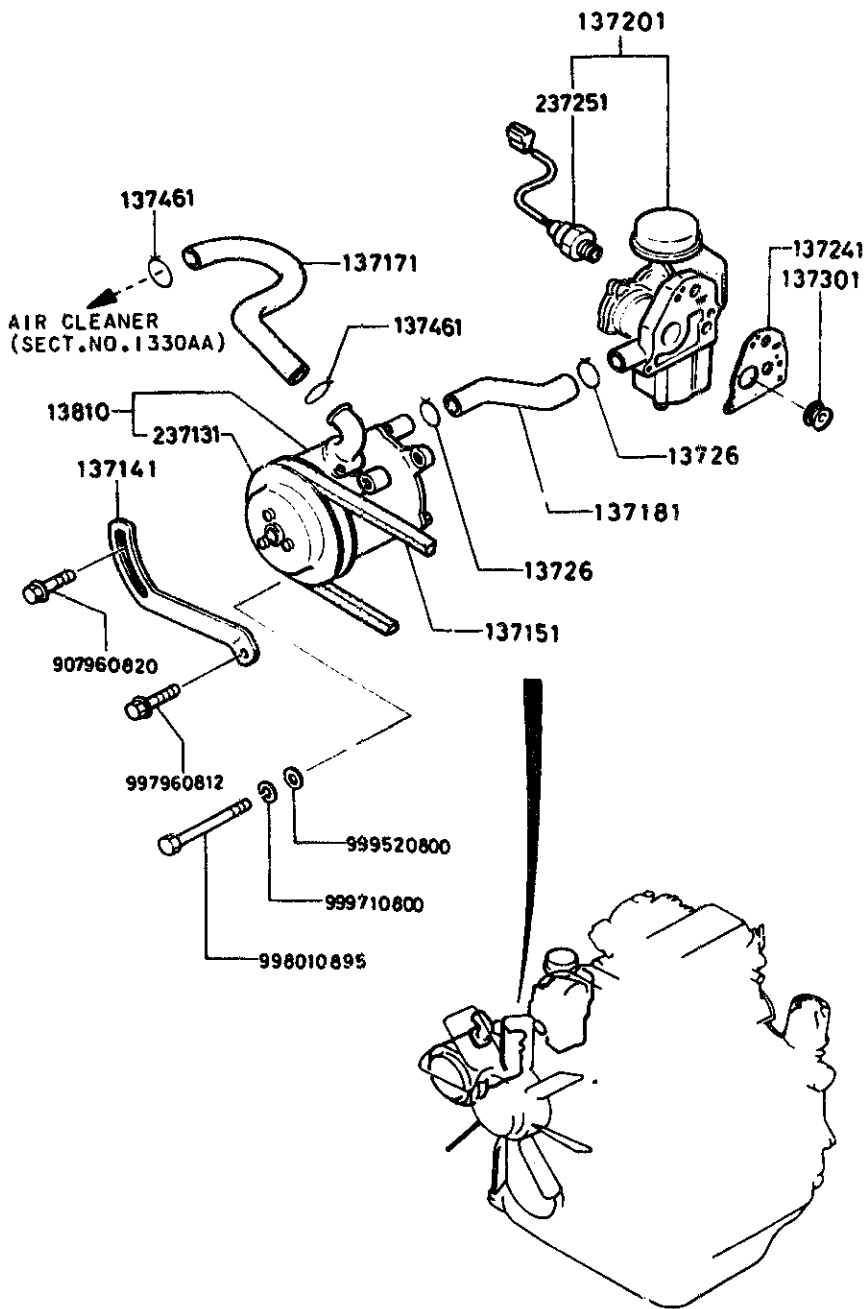
ITEM NO.	D-CODE	DESCRIPTION	PART NO.	QTY	MODEL/DESCRIPTION	REMARKS
23 416		JET, COASTING	N251-23-491	1	M/T	
23 4201		LEVER SET, FRONT	N231-23-420	1		
23 4241		JET, AIR BLEED 1ST	N201-23-423	2	M/T	
			N202-23-423	2	A/T	
23 4301		LEVER SET, REAR	N231-23-430	1		
23 4331		JET, AIR BLEED 2ND	8871-23-424	2		
23 4348		JET, SLOW AIR BLEED	8649-23-434	2		
23 440		SCREW SET, THROTTLE ADJUST	N201-23-440	1		
23 4521		NUT, HEX/ GON	2090-23-452	1		
23 480		ROD & LINK SET	N201-23-480	1		
23 481		GASKET	0823-23-394	3		
23 4901		NOZZLE SET, ACCEL.	N201-23-490	1		
23 4921		JET, AIR BLEED	N201-23-492	1		
23 500		CHOKE SET, SEMI AUTO	N201-23-500A	1	(# 1 CHOKE DIAPH.)	
23 501		HOLDER, BI-METAL	N201-23-501	1	(DIAPHRAGM NOT INCLUDED)	
23 502A		CASE, THERMOSTAT	N201-23-502A	1		
23 509		PIPE SET, VACUUM	N201-23-509	1		
23 534		CHOKE SET, RETURN	N201-23-503	1	(# 2 CHOKE DIAPH.)	
23 657		PLUG, BLIND	0107-23-657	1	M/T	

1371A-1 AIR PUMP & AIR CONTROL VALVE (12A) (S,GS,GSL)



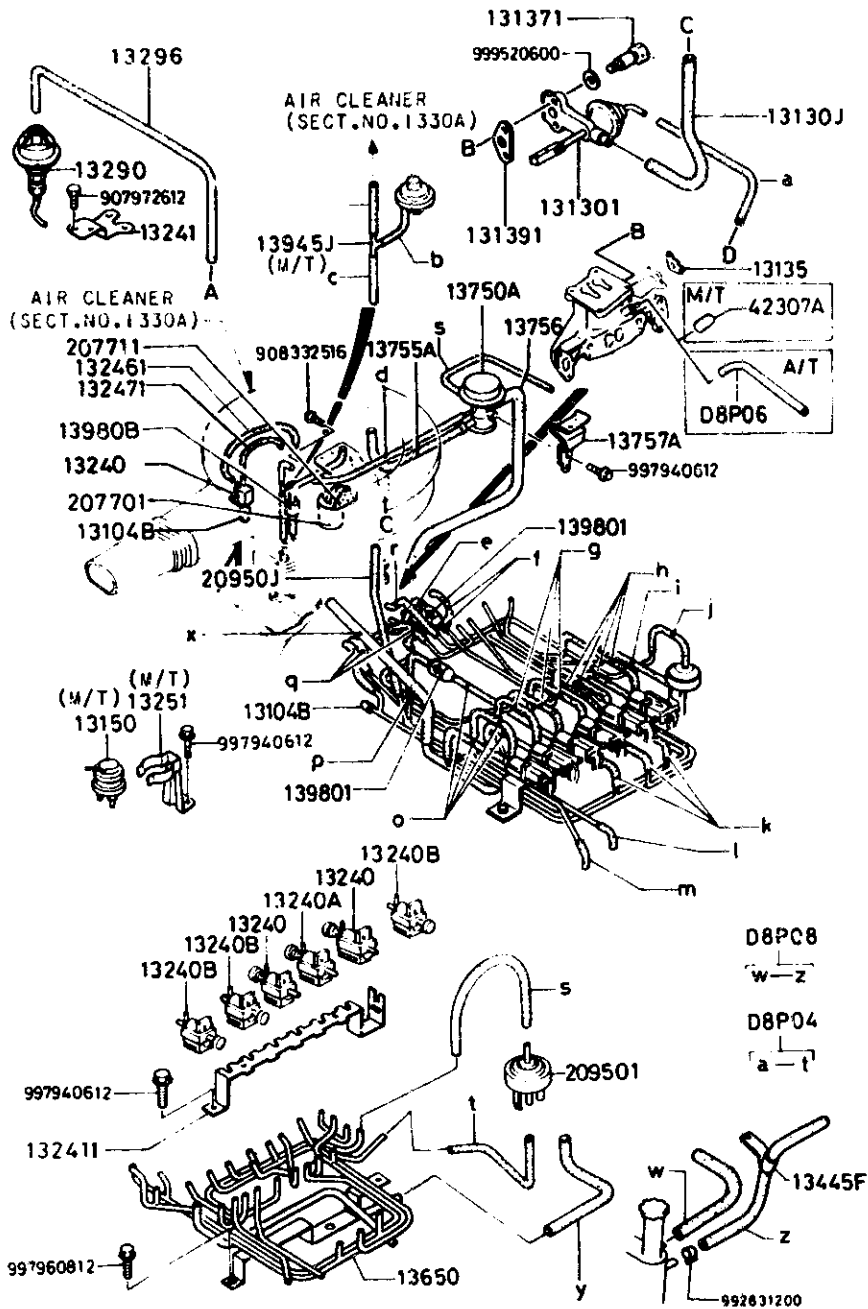
ITEM NO.	D-CODE	DESCRIPTION	PART NO.	QTY	MODEL/DESCRIPTION	REMARKS
13 7141		STRAP, AIR PUMP	1757-13-714	1		
13 7151		BELT, AIR PUMP	1757-13-715	1		
13 7171		HOSE, AIR	1757-13-717	1		
13 7181		HOSE, AIR	1480-13-718A	1		
13 7201		VALVE, AIR CONTROL	N249-13-720A	1	FED M/T THRU FEB '84 PROD.	FB33* .800001-824686
			N249-13-720B	1	FED M/T FROM MAR '84 PROD.	FB33* .824687-
			N250-13-720	1	FED A/T THRU FEB '84 PROD.	FB33* .800001-824686
			N250-13-720A	1	FED A/T FROM MAR '84 PROD.	FB33* .824687-
			N251-13-720A	1	CAL M/T THRU FEB '84 PROD.	FB33* .800001-824686
			N251-13-720B	1	CAL M/T FROM MAR '84 PROD.	FB33* .824687-
			N252-13-720	1	CAL A/T THRU FEB '84 PROD.	FB33* .800001-824686
			N252-13-720A	1	CAL A/T FROM MAR '84 PROD.	FB33* .824687-
		SEE SERVICE BULLETIN 002/84, CAT. 4 FOR MORE AIR CONTROL SYSTEM INFO.				
13 7241		GASKET, A/C VALVE	N201-13-724	1		
13 7251		HOSE, AIR	N201-13-725	1		
13 726		CLIP, AIR HOSE	1480-13-726	2		
13 7301		VALVE, CHECK	1480-13-730	1	(INTAKE MANIFOLD)	
13 810		PUMP, AIR	1757-13-710B	1		
23 7131		PULLEY, AIR PUMP	1757-23-713A	1		
23 7251		VALVE, AIR CONTROL SOLENOID	N249-20-725	1	(BLACK COUPLER)	
			N250-20-725	1	(BLACK COUPLER) FROM MAR '84 PROD.	FB33* .824687-

**1371AA-1 AIR PUMP & AIR CONTROL VALVE
(13B) (GSL-SE)**



ITEM NO.	D-CODE	DESCRIPTION	PART NO.	QTY	MODEL/DESCRIPTION	REMARKS
13 7141		STRAP, AIR PUMP	N304-13-714A	1		
13 7151		BELT, AIR PUMP	N304-13-715	1		
13 7171		HOSE, AIR	N304-13-717A	1		
13 7181		HOSE, AIR	N304-13-718A	1		
13 7201		VALVE, AIR CONTROL	N304-13-720B	1		
13 7241		GASKET, A/C VALVE	N304-13-724A	1		
13 726		CLIP, AIR HOSE	N304-13-726	2		
13 7301		VALVE, CHECK	1480-13-730	1	(INTAKE MANIFOLD)	
13 7461		CLIP, AIR HOSE	1480-13-726	2		
13 810		PUMP, AIR	N304-13-710	1		
23 7131		PULLEY, AIR PUMP	N304-23-713	1		
23 7251		VALVE, AIR CONTROL SOLENOID	*304-20-725	1		
SEE SERVICE BULLETIN 011/35 CATEGORY 4 FOR MORE VALVE INFO.						

**1380A-1 EMISSION CONTROLS
(12A) (S.GS.GSL)**

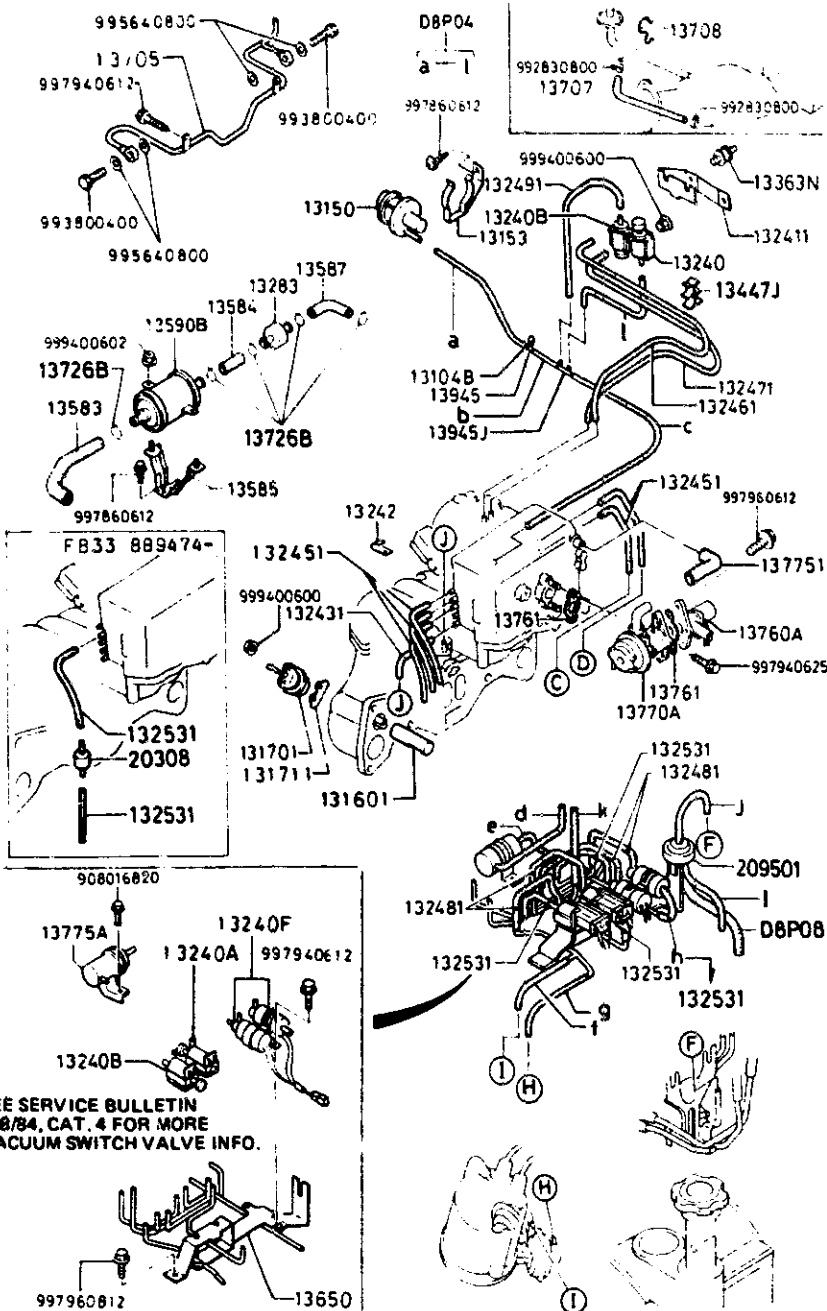


ITEM NO.	D-CODE	DESCRIPTION	PART NO.	QTY	MODEL/DESCRIPTION	REMARKS
13 104B		CAP	1010-13-104	3		
13 1301		DIAPHRAGM, SHUTTER VALVE	N238-13-130	1	(COASTING VALVE)	
13 1301		HOSE, AIR	1480-13-727A	1		
13 135		GASKET	N249-13-135A	1	M-T	
			N250-13-135	1	A/T	
13 1371		BOLT, REAMER	1480-13-137A	2		
13 1391		GASKET, SHUTTER VALVE	1480-13-139B	1	(COASTING VALVE)	
13 150		SWITCH, VACUUM	N249-13-150	1	M-T	
13 240		VALVE, THREE-WAY	1480-13-240A	3	(MAIN AIR BLEED, SWITCHING & RELIEF SOLENOID VALVE)	
13 240A		VALVE, THREE-WAY	1481-13-240A	1	(SHUTTER SOLENOID VALVE)	
13 240B		VALVE, THREE-WAY	1482-13-240A	3	(LEADING, TRAILING & A.C. SOLENOID VALVE)	
13 241		BRACKET, ACTUATOR	8871-13-291A	1		
13 2411		BRACKET	N225-13-241A	1		
13 2461		HOSE, VACUUM	N249-13-246A	1		
13 2471		HOSE, VACUUM	N249-13-247A	1		
13 251		BRACKET	N249-13-255	1	M-T	
13 290		ACTUATOR	3648-13-290	1	(THROTTLE OPENER)	
13 296		HOSE, AIR	8871-13-296B	1		
13 445F		CLIP	1480-13-445	1		
13 650		PIPE, VACUUM	N249-13-650B	1		
13 750A		VALVE, A.A.	N201-13-750	1	(ANTI-AFTERBURN VALVE NO 1)	
13 755A		HOSE, AIR	N201-13-755	1		
13 756		HOSE, AIR	N201-13-756	1		
13 757A		BRACKET	N201-13-757A	1		
13 945J		TUBE, VACUUM	1700-13-945A	1	M-T	
13 9801		VALVE, DELAY	8574-20-309	2	(RELIEF SWITCHING VALVE)	
13 980B		VALVE, DELAY	N231-13-980	1		
20 7701		VALVE, ALTITUDE COMPENSATOR	N249-20-770	1		
20 7711		GASKET	N201-20-771	1		
20 9501		VALVE, PURGE	1480-20-950A	1		
20 950J		HOSE, AIR	N249-13-785A	1		
42 307A		CAP	0223-42-307	1	M-T	
D8 P04		HOSE, AIR	9935-10-4999		BULK QTY	
D8 P06		HOSE, AIR	9935-10-6999		A T BULK QTY	
D8 P08		HOSE, AIR	9935-10-8999		BULK QTY	

SECTION INDEX -- ENGINE

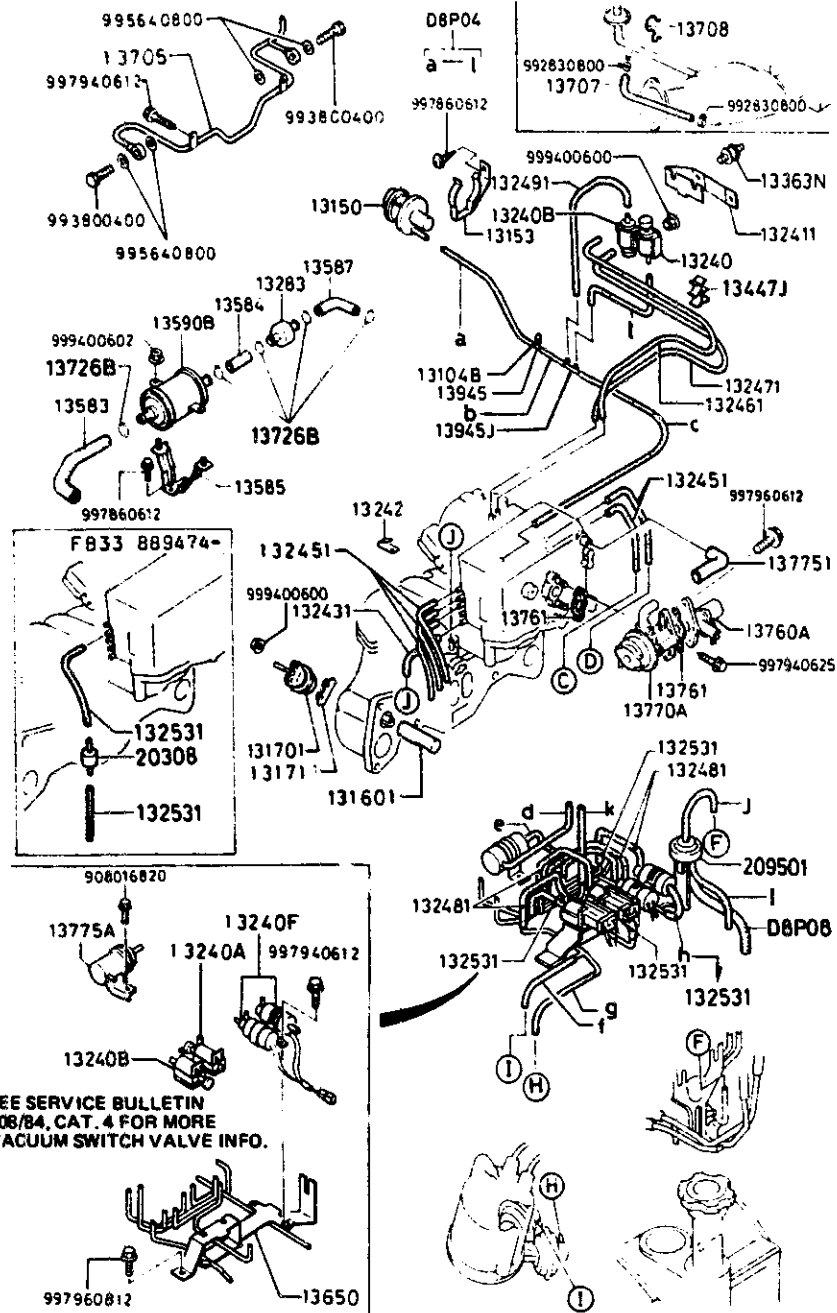
STARTING LOCATION	SECT. NO.	SECTION NAME	STARTING LOCATION	SECT. NO.	SECTION NAME	STARTING LOCATION	SECT. NO.	SECTION NAME
1 - C 3	1000A	SHORT ENGINE & GASKET SETS	1 - C 6	1710A	TRANSMISSION GEARS (MANUAL)			
1 - D 3	1030A	ROTOR HOUSING	1 - G 6	1720A	CHANGE CONTROLS (MANUAL)			
1 - E 3	1040A	OIL PAN, FRONT & REAR HOUSING	1 - H 6	1800A	ENGINE ELECTRICAL SYSTEM			
1 - G 3	1100A	ECCENTRIC SHAFT & FLYWHEEL	1 - I 6	1820A	DISTRIBUTOR			
1 - H 3	1110A	ROTOR & RELATED	1 - J 6	1830A	ALTERNATOR			
1 - I 3	1300A	INTAKE MANIFOLD (12A) (S.GS.GSU)	1 - K 6	1840A	STARTER			
1 - J 3	1300AA	INTAKE MANIFOLD (13B) (GSI-SE)	1 - M 6	1850A	BATTERY & CABLES			
1 - K 3	1310A	EXHAUST MANIFOLD (12A) (S.GS.GSU)	1 - N 6	1910A	TORQUE CONVERTER, OIL PUMP & PIPING (AUTOMATIC)			
1 - L 3	1310AA	EXHAUST MANIFOLD (13B) (GSI-SE)	1 - C 7	1920A	TRANSMISSION CASE & MAIN CONTROLS (AUTOMATIC)			
1 - M 3	1320A	FUEL SYSTEM (12A) (S.GS.GSU)	1 - E 7	1930A	CLUTCH & PLANETARY GEAR (AUTOMATIC)			
1 - C 4	1320AA	FUEL SYSTEM (13B) (GSI-SE)	1 - G 7	1940A	LOW, REVERSE & GOVERNOR (AUTOMATIC)			
1 - E 4	1330A	AIR CLEANER (12A) (S.GS.GSU)	1 - H 7	1950A	MANUAL LINKAGE (AUTOMATIC)			
1 - F 4	1330AA	AIR CLEANER (13B) (GSI-SE)	1 - I 7	1960A	GASKET & SEAL KIT (AUTOMATIC)			
1 - G 4	1350A	STARTING ASSIST SYSTEM (12A) (S.GS.GSU) (FEDERAL ONLY)						
1 - H 4	1350AA	STARTING ASSIST SYSTEM (13B) (GSI-SE) (FEDERAL ONLY)						
1 - I 4	1359A	CARBURETOR & REPAIR KIT (12A) (S.GS.GSU)						
1 - J 4	1360A	CARBURETOR COMPONENTS (12A) (S.GS.GSU)						
1 - L 4	1371A	AIR PUMP & AIR CONTROL VALVE (12A) (S.GS.GSU)						
1 - M 4	1371AA	AIR PUMP & AIR CONTROL VALVE (13B) (GSI-SE)						
1 - N 4	1380A	EMISSION CONTROLS (12A) (S.GS.GSU)						
1 - C 5	1380AA	EXHAUST SIDE EMISSION CONTROLS (13B) (GSI-SE)						
1 - E 5	1400A	OIL PUMP & FILTER (12A) (S.GS.GSU)						
1 - F 5	1400AA	OIL PUMP & FILTER (13B) (GSI-SE)						
1 - H 5	1500A	COOLING SYSTEM (12A) (S.GS.GSU)						
1 - I 5	1500AA	COOLING SYSTEM (13B) (GSI-SE)						
1 - K 5	1580A	COMPRESSOR BRACKET, PULLEY & BELT						
1 - L 5	1600A	CLUTCH DISC & COVER						
1 - M 5	1700A	TRANSMISSION CASE (MANUAL)						

1380AA-1 EXHAUST SIDE EMISSION CONTROLS (13B) (GSL-SE)



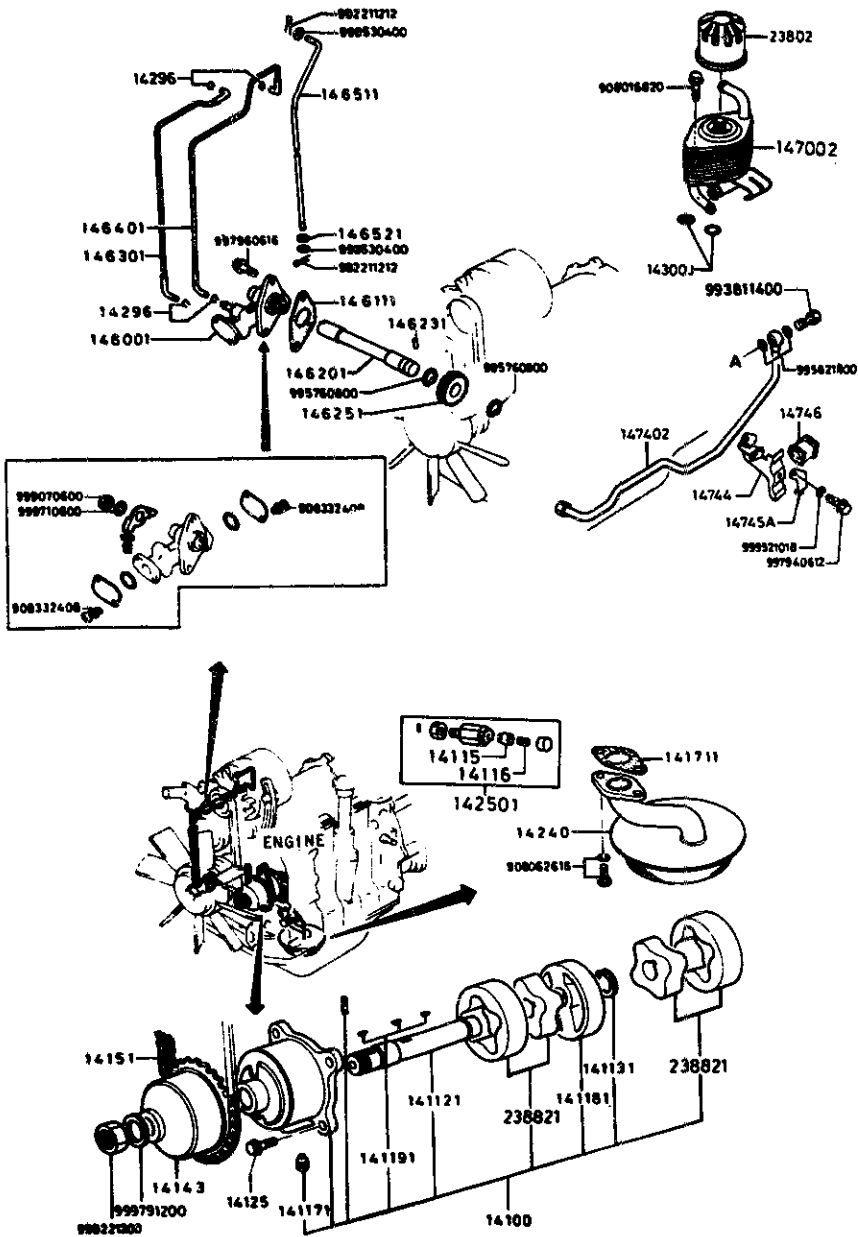
ITEM NO.	D-CODE	DESCRIPTION	PART NO.	QTY	MODEL/DESCRIPTION	REMARKS
13 104B		CAP	1010-13-104	1	THRU MAR '84 PROD.	FB33* ..800001-829421
13 150		SWITCH, VACUUM	N304-13-150A	1		
13 153		BRACKET	N304-13-155	1		
13 1601		VALVE, VARIABLE PORT	N225-13-160A	2	(AUX. PORT VALVE)	
13 1701		ACTUATOR, V.P.V.	N304-13-170	2		
13 1711		GASKET	N225-13-171	2		
13 240		VALVE, THREE-WAY	N305-13-240A	1	(SWITCHING SOLENOID VALVE)	
13 240A		VALVE, THREE-WAY	1481-13-240A	1	(PRESSURE REGULATOR CONTROL SOLENOID)	
13 240B		VALVE, THREE-WAY	1482-13-240A	2	(RELIEF/VACUUM CONTROL SOLENOID)	
13 240F		VALVE, VACUUM SW.	N304-13-240	1	(VACUUM SOLENOID VALVE)	
13 2411		BRACKET	N304-13-241B	1		
13 242		CLIP, AIR HOSE	N304-13-242	1		
13 2431		HOSE, VACUUM	N304-13-243A	1		
13 2451		HOSE, VACUUM	BAF1-13-SGY	5		
		REFER TO BULL. NO. 011/85 CAT. 4 FOR MORE INFO.				
13 2461		HOSE, VACUUM	N304-13-246A	1		
13 2471		HOSE, VACUUM	N304-13-247B	1		
13 2481		HOSE, VACUUM	N304-13-248A	4		
13 2491		HOSE, VACUUM	N304-13-249	1		
13 2531		HOSE, VACUUM	N236-13-253A	3	THRU OCT '83 PROD.	FB33* ..800001-806530
				4	NOV '83-FEB '85 PROD.	FB33* ..806531-889473
				6	FROM MAR. '85 PROD.	FB33* ..889474-
13 283		CHAMBER, AIR	N304-13-283A	1		
13 363N		RUBBER, MOUNTING	0222-13-363	2		
13 447J		CLIP	F801-13-447	1	THRU OCT '83 PROD.	FB33* ..800001-806530
13 583		HOSE, AIR	N304-13-583B	1		
13 584		HOSE, AIR	N304-13-584A	1		
13 585		BRACKET	N304-13-585B	1		
13 587		HOSE, AIR	N304-13-587B	1		
13 590B		SILENCER, RELIEF	N304-13-590A	1	(AIR SILENCER)	
13 650		PIPE, VACUUM	N304-13-650C	1		
13 705		PIPE, AIR	N304-13-705B	1		
13 707		HOSE, AIR	N304-13-707	1		
13 708		CLIP	N304-13-708A	1		
13 726B		CLIP, AIR HOSE	N304-13-726	4		
13 760A		VALVE, AIR SUPPLY	N304-13-760B	1		
13 761		GASKET	N304-13-761A	2		

1380AA-2 EXHAUST SIDE EMISSION CONTROLS (13B) (GSL-SE)



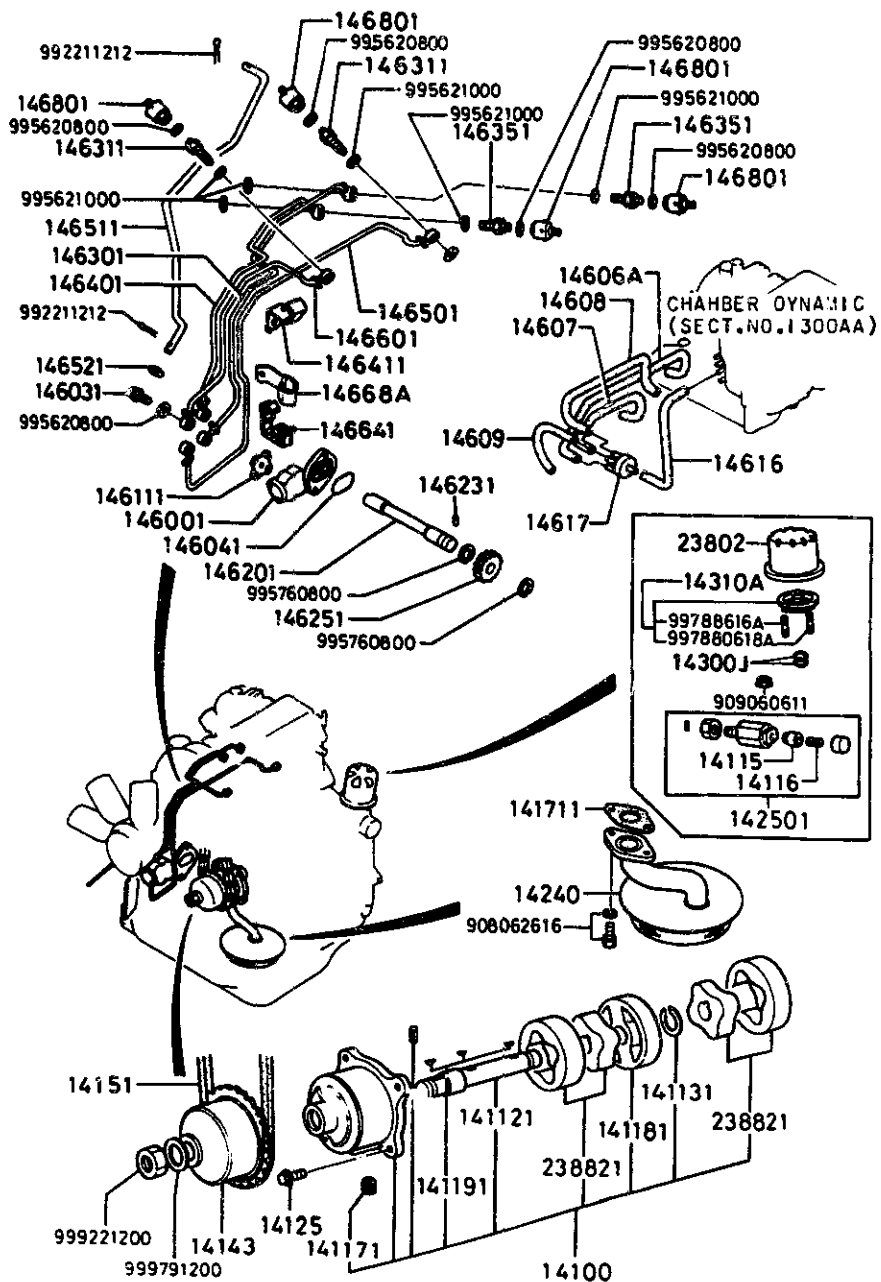
ITEM NO	D-CODE	DESCRIPTION	PART NO.	QTY	MODEL/DESCRIPTION	REMARKS
13 770A		VALVE, BY-PASS AIR CONTROL	N304-13-770A	1		
13 7751		HOSE, AIR	N304-13-772	1		
13 775A		CHAMBER, VACUUM	N304-13-775B	1		
13 945		CONNECTOR, TUBE	1700-13-945A	1		
13 945J		TUBE, VACUUM	8140-13-945	1		
20 308		FILTER, GAS	N304-20-308	1	FROM FEB '85 PROD.	BF33* .889474-
20 9501		VALVE, PURGE	1480-20-950A	1		
D8 P04		HOSE, AIR	9935-10-4999		BULK QTY	
D8 P08		HOSE, AIR	9935-10-8999		BULK QTY	

**1400A-1 OIL PUMP & FILTER
(12A) (S.GS.GSL)**



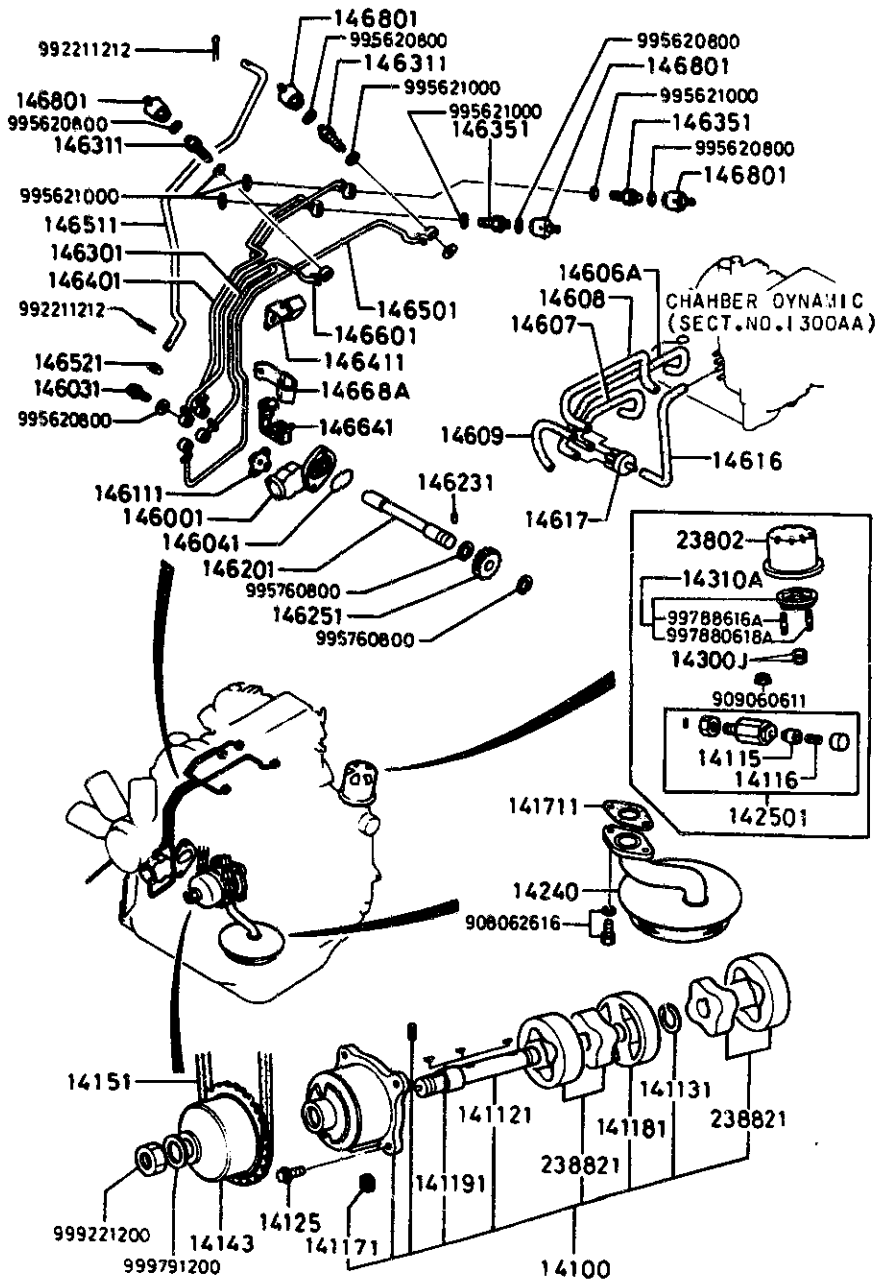
ITEM NO.	D-CODE	DESCRIPTION	PART NO.	QTY	MODEL/DESCRIPTION	REMARKS
14 100		PUMP, OIL	8553-14-100	1		
14 112		SHAFT, OIL PUMP	8553-14-112	1		
14 113		RING, SNAP	0810-14-113	1		
14 115		PLUNGER, CONTROL	0221-14-115	1		
14 116		SPRING, PRESSURE	0221-14-116	1		
14 117		BOLT, LOCK	0839-14-117	1		
14 118		PLATE, MIDDLE	8553-14-118	1		
14 119		KEY	0839-14-119B	3		
14 125		BOLT, SET	8553-14-125	4		
14 143		WHEEL, SPROCKET	0839-14-141A	1		
14 151		CHAIN, OIL PUMP	0839-14-142	1		
14 171		GASKET, OIL STRAINER	0810-14-171A	4		
14 240		STRAINER, OIL	8871-14-160	1		
14 250		REGULATOR, PRESSURE	3648-14-250	1		
14 296		CLIP, OIL TUBE	0730-14-296	4		
14 300J		O-RING	9954-10-1601	2		
14 600		PUMP, METERING OIL	N249-14-600	1		
14 611		GASKET, METERING OIL	1757-14-611	1		
14 620		SHAFT, DRIVEN GEAR	0820-14-620A	1		
14 623		PIN, DRIVEN GEAR	0813-14-623	1		
14 625		GEAR, DRIVEN	0820-14-625A	1		
14 630		TUBE, METERING OIL	8871-14-660B	1		
14 640		TUBE, METERING OIL	8871-14-670B	1		
14 651		ROD, CONNECTING	N225-14-651	1		
14 652		SHIM, ADJUST	1757-14-652	1		
14 700		COOLER, OIL	N231-14-700C	1		
14 740		PIPE, OIL COOLER	N231-14-720B	1		
14 744		BRACKET, OIL PIPE	N231-14-744B	1		
14 745A		CLIP, OIL PIPE	N231-14-745B	1		
14 746		PROTECTOR	N231-14-746	1		
23 802		CARTRIDGE, OIL FILTER	N3Y6-14-302	1		
		REFER TO PARTS BULL. NOS. T-1-7 & T-1-8 FOR MORE INFO.				
		< AN >	B6Y1-14-302	1		
23 882		ROTOR SET, OIL PUMP	8553-14-110	2		

1400AA-1 OIL PUMP & FILTER (13B) (GSL-SE)



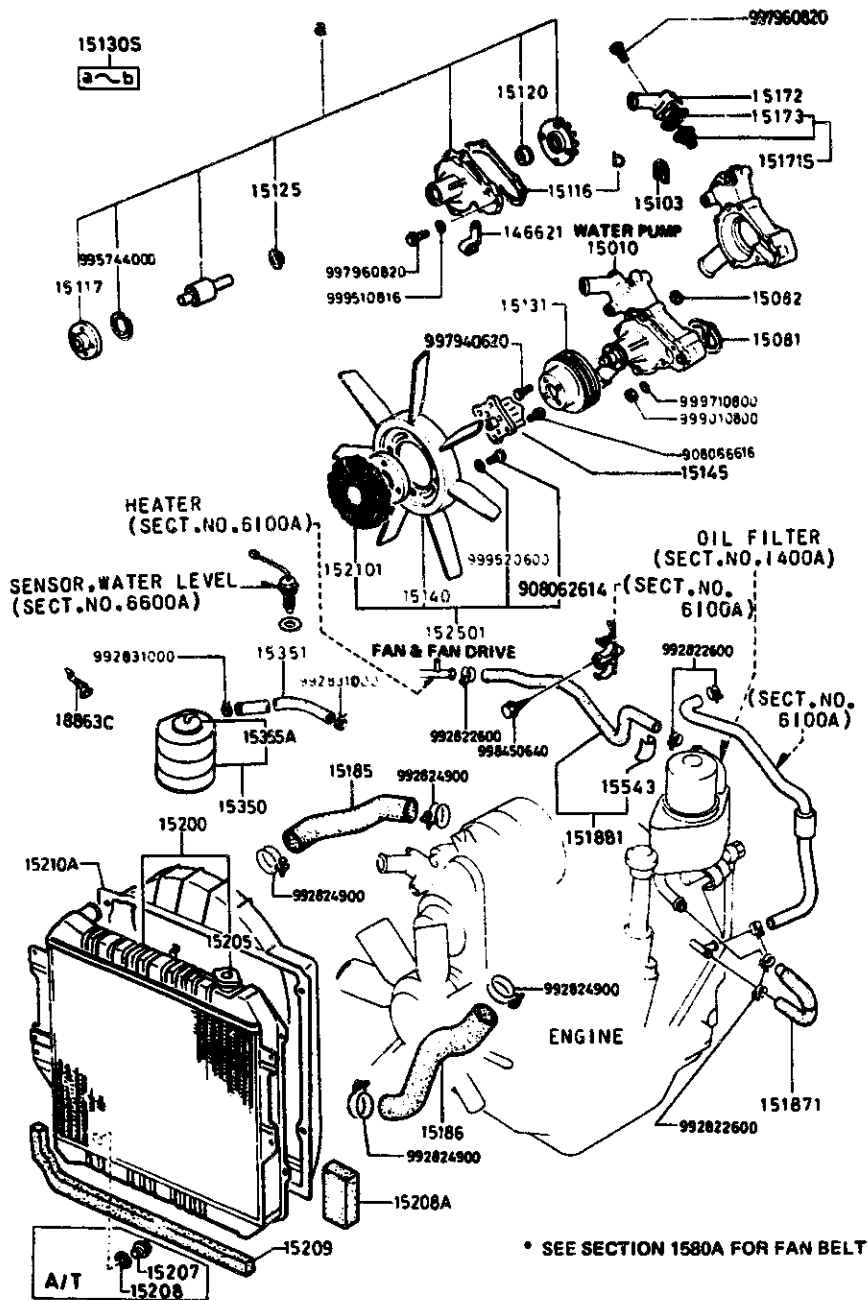
ITEM NO.	D-CODE	DESCRIPTION	PART NO.	QTY	MODEL/DESCRIPTION	REMARKS
14 100		PUMP, OIL	8553-14-100	1		
14 1121		SHAFT, OIL PUMP	8553-14-112	1		
14 1131		RING, SNAP	0810-14-113	1		
14 115		PLUNGER, CONTROL	0221-14-115	1		
14 116		SPRING, PRESSURE	0221-14-116	1		
14 1171		BOLT, LOCK	0839-14-117	1		
14 1181		PLATE, MIDDLE	8553-14-118	1		
14 1191		KEY	0839-14-119B	3		
14 125		BOLT, SET	8553-14-125	4		
14 143		WHEEL, SPROCKET	0839-14-141A	1		
14 151		CHAIN, OIL PUMP	0839-14-142	1		
14 1711		GASKET, OIL STRAINER	0810-14-171A	1		
14 240		STRAINER, OIL	8871-14-160	1		
14 2501		REGULATOR, PRESSURE	3648-14-250	1		
14 3001		O-RING	9954-10-1601	2		
14 310A		BODY, OIL FILTER	8341-14-310	1		
14 6001		PUMP, METERING OIL	N246-14-600	1		
14 6031		BOLT, CONNECTOR	N236-14-603B	4		
14 6041		O-RING	N236-14-604	1		
14 606A		TUBE NO. 1, AIR	N304-14-606	1		
14 607		TUBE NO. 2, AIR	N304-14-607	1		
14 608		TUBE NO. 3, AIR	N304-14-608	1		
14 609		TUBE NO. 4, AIR	N304-14-609	1		
14 6111		GASKET, METERING OIL	N236-14-602A	1		
14 616		TUBE, AIR INLET	N304-14-616	1		
14 617		CONNECTOR, AIR TUBE	N304-14-617A	1		
14 6201		SHAFT, DRIVEN GEAR	0820-14-620A	1		
14 6231		PIN, DRIVEN GEAR	0813-14-623	1		
14 6251		GEAR, DRIVEN	0820-14-625A	1		
14 6301		TUBE, METERING OIL	N304-14-660A	1		
14 6311		BOLT, CONNECTOR	N304-14-631	2		
14 6351		BOLT, CONNECTOR	N236-14-635A	2		
14 6401		TUBE, METERING OIL	N304-14-670A	1		
14 6411		CLIP, OIL TUBE	N304-14-667C	1		
14 6501		TUBE, METERING OIL	N304-14-680B	1		
14 6511		ROD, CONNECTING	N304-14-651C	1		
14 6521		SHIM, ADJUST	N236-14-652A	1	(T=1.0)	
			N236-14-653	2	(T=0.5)	
14 6601		TUBE, METERING OIL	N304-14-690A	1		
14 6641		CLAMP, TUBE	N304-14-664	1	THRU JAN '84 PROD.	FB33* .800001-819694

**1400AA-2 OIL PUMP & FILTER
(13B) (GSL-SE)**



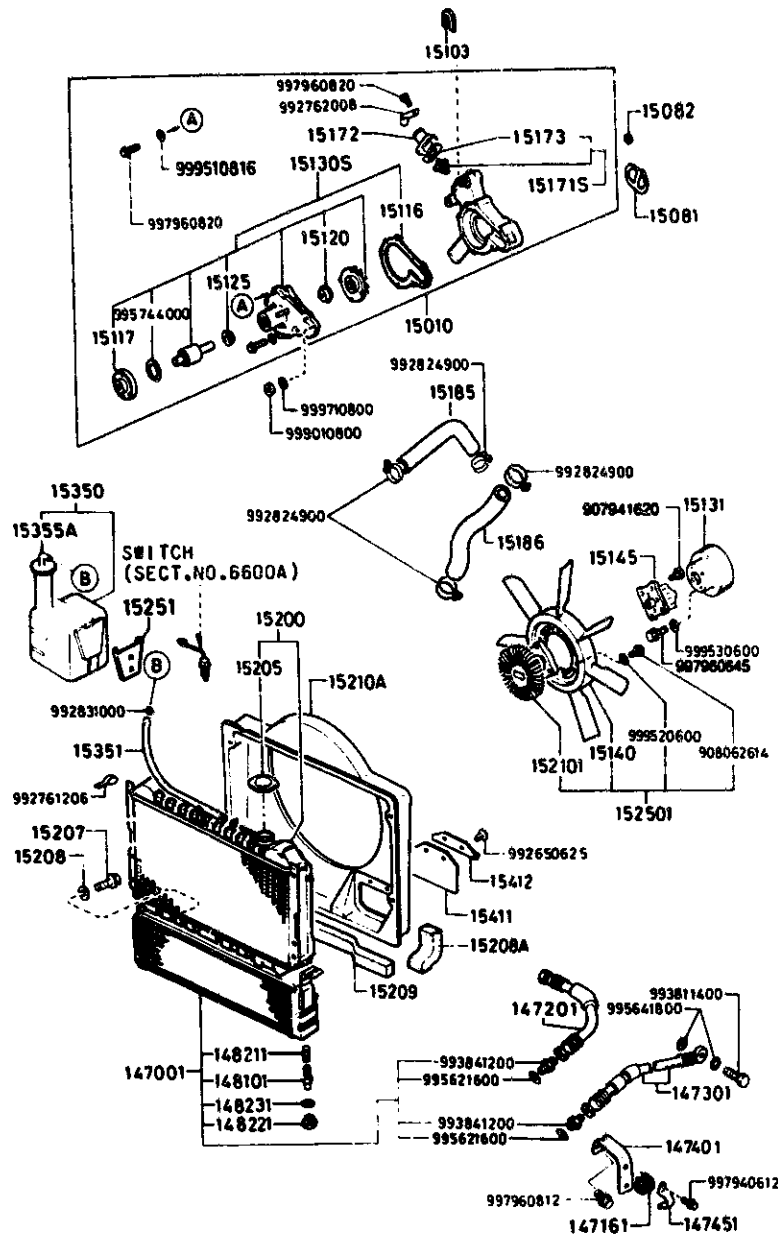
ITEM NO.	D-CODE	DESCRIPTION	PART NO.	QTY	MODEL/DESCRIPTION	REMARKS
14 668A		CLIP, M. OIL TUBE	N304-14-668E	1		
14 6801		VALVE, CHECK	N236-14-639B	4		
23 802		CARTRIDGE, OIL FILTER	N3Y6-14-302	1		
		< AN >	B6Y1-14-302	1		
		REFER TO PARTS BULL. NOS. T-1-7 & T-1-8 FOR MORE INFO.				
23 8821		ROTOR SET, OIL PUMP	8553-14-110	2		

**1500A-1 COOLING SYSTEM
(12A) (S.GS.GSL)**



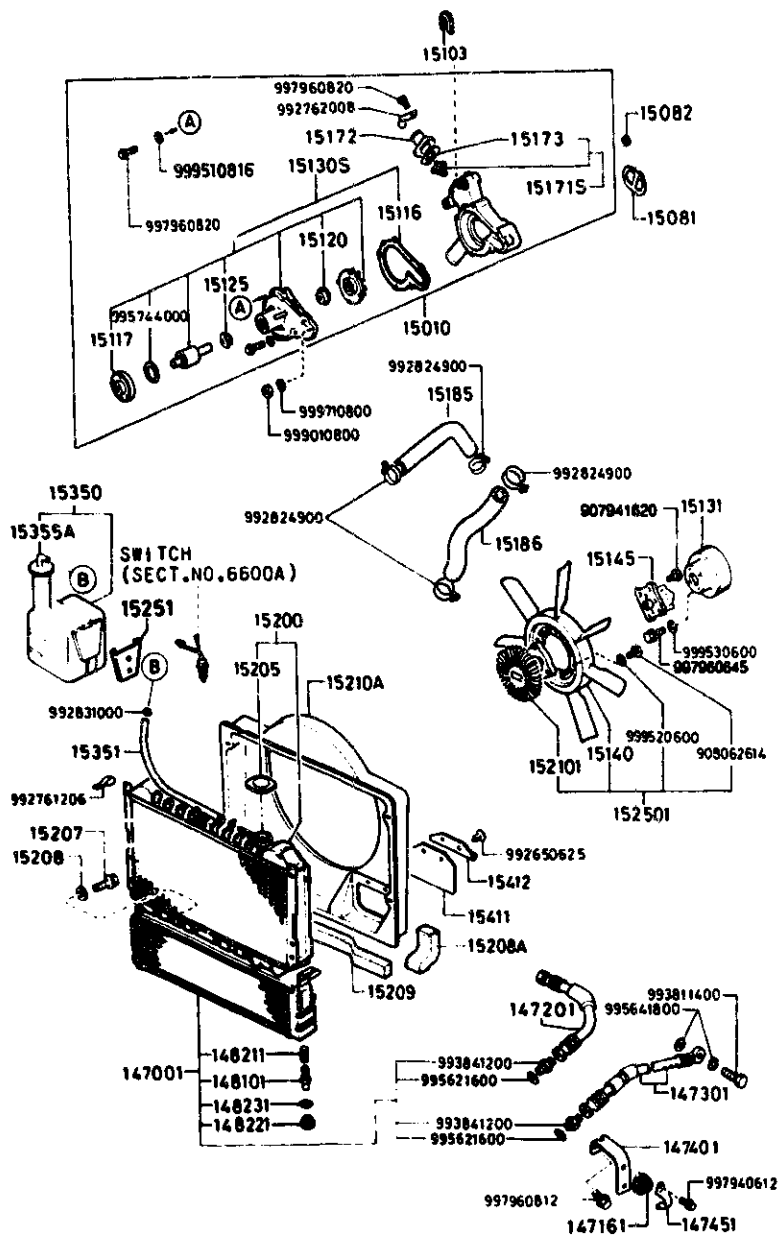
ITEM NO.	D-CODE	DESCRIPTION	PART NO.	QTY	MODEL/DESCRIPTION	REMARKS
14 6621		CLIP	3565-14-662A	1		
15 010		PUMP, WATER	8872-15-0101	1		
15 081		GASKET	1757-15-105A	1		
15 082		GASKET	1757-15-106	2		
15 103		SPACER	8872-15-103	1		
15 116		GASKET, WATER PUMP	1757-15-132	1		
15 117		BOSS, WATER PUMP PULLEY	N232-15-152	1		
15 120		SEAL, WATER	E301-15-120	1		
15 125		PLATE, WATER BAFFLE	N304-15-125	1		
15 1305		COVER SET, WATER PUMP	N232-99-153A	1		
15 131		PULLEY	1757-15-151B	1		
15 140		FAN, COOLING	N304-15-200	1		
15 145		SPACER	N249-15-211	1		
15 1715		THERMOSTAT SET	8553-99-152	1		
15 172		COVER, THERMOSTAT	8872-15-170A	1		
15 173		GASKET	1757-15-173	1		
15 185		HOSE, WATER	N231-15-511	1		
15 186		HOSE, WATER	N231-15-521C	1		
15 1871		HOSE, WATER-COOLER	N231-15-530A	1		
15 1881		HOSE, WATER-COOLER	N231-15-540B	1		
15 200		RADIATOR	N249-15-310	1	M/T	
			N232-15-310D	1	A/T	
15 205		CAP, RADIATOR	SE01-15-205	1	A/T THRU JUN '85 PROD.	FB33* ..800001-909987
			FB07-15-205	1	A/T FROM JUL '85 PROD.	FB33* ..909988-
			8871-15-205	1	M/T THRU JUN '85 PROD.	FB33* ..800001-909987
			D316-15-205	1	M/T FROM JUL '85 PROD.	FB33* ..909988
15 207		COCK, DRAIN	N232-15-317	1	A/T	
15 208		GASKET, DRAIN COCK	0710-15-204	1	A/T	
15 208A		SEAL, RADIATOR LWR.	N231-15-331A	1		
15 209		SEAL, RADIATOR SIDE	N231-15-332A	1		
15 2101		FAN DRIVE	N249-15-210B	1		
15 210A		COWLING, RADIATOR	N249-15-401C	1		
15 2501		FAN & FAN DRIVE	N249-15-250B	1		
15 350		TANK, SUB	1052-15-350B	1		
15 351		HOSE, WATER	8871-15-351A	1		
15 355A		CAP, SUB TANK	1052-15-355A	1		
15 543		PROTECTOR, WATER HOSE	N231-15-543	1		
18 863C		CLIP	8156-18-863B	1		

**1500AA-1 COOLING SYSTEM
(13B) (GSL-SE)**



ITEM NO.	D-CODE	DESCRIPTION	PART NO.	QTY	MODEL/DESCRIPTION	REMARKS
14 7001		COOLER, OIL	N304-14-750D	1		
14 7161		PROTECTOR, OIL HOSE	0813-14-716	1		
14 7201		HOSE, OIL	N304-14-720C	1		
14 7301		HOSE, OIL	N304-14-730C	1		
14 7401		BRACKET, OIL HOSE	N304-14-740	1		
14 7451		CLIP, AIR HOSE	0839-14-745A	1		
14 8101		PELLET, THERMO	8871-14-810	1		
14 8211		SPRING, PELLET	1757-14-821	1		
14 8221		NUT, STOPPER	1757-14-822	1		
14 8231		GASKET	9956-42-200	1		
15 010		PUMP, WATER	BAF1-15-010	1	W/ GASKET	
15 081		GASKET	1757-15-105A	1		
15 082		GASKET	1757-15-106	2		
15 103		SPACER	N304-15-103	1		
15 116		GASKET, WATER PUMP	1757-15-132	1		
15 117		BOSS, WATER PUMP PULLEY	N232-15-152	1		
15 120		SEAL, WATER	E301-15-120	1		
15 125		PLATE, WATER BAFFLE	N304-15-125	1		
15 130S		COVER SET, WATER PUMP	N232-99-153A	1		
15 131		PULLEY	1757-15-151B	1		
15 140		FAN, COOLING	N304-15-200	1		
15 145		SPACER	N249-15-211	1		
15 171S		THERMOSTAT SET	8553-99-152	1		
15 172		COVER, THERMOSTAT	N236-15-170	1		
15 173		GASKET	1757-15-173	1		
15 185		HOSE, WATER	N304-15-511	1		
15 186		HOSE, WATER	N304-15-521B	1		
15 200		RADIATOR	N304-15-310A	1		
15 205		CAP, RADIATOR	SE01-15-205	1	THRU JUN '85 PROD.	FB33* .800001-909987
			FB07-15-205	1	FROM JUL '85 PROD.	FB33* .909988-
15 207		COCK, DRAIN	N232-15-317	1		
15 208		GASKET, DRAIN COCK	0710-15-204	1		
15 208A		SEAL, RADIATOR LWR.	N231-15-331A	1		
15 209		SEAL, RADIATOR SIDE	N231-15-332A	1		
15 2101		FAN DRIVE	N304-15-210B	1		
15 210A		COWLING, RADIATOR	N304-15-400D	1		
15 2501		FAN & FAN DRIVE	N304-15-250B	1		
15 251		BRACKET, SUB TANK	FA01-56-374	1		
15 350		TANK, SUB	N304-15-350A	1		
15 351		HOSE, WATER	0460-15-277	1		

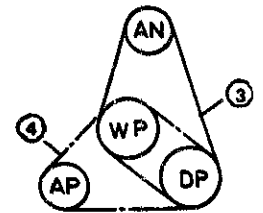
**1500AA-2 COOLING SYSTEM
(13B) (GSL-SE)**



ITEM NO.	D-CODE	DESCRIPTION	PART NO.	QTY	MODEL/DESCRIPTION	REMARKS
15 355A		CAP. SUB TANK	N304-1S-355A	1		
15 411		FLAP	N304-1S-411B	1		
15 412		HOLDER, FLAP-RAD. SHROUD	N304-1S-412A	1		

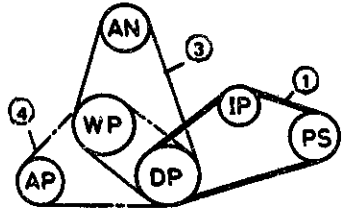
1580A-1 COMPRESSOR BRACKET, PULLEY & BELT

(W/O POWER STEERING & W/O AIR CON.)

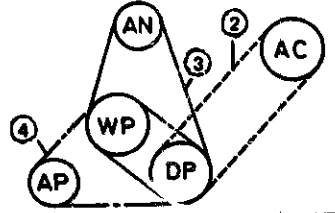


(SECT. NO. 1800A)

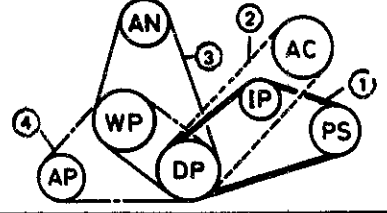
(W/POWER STEERING & W/O AIR CON.)



(W/O POWER STEERING & W/AIR CON.)

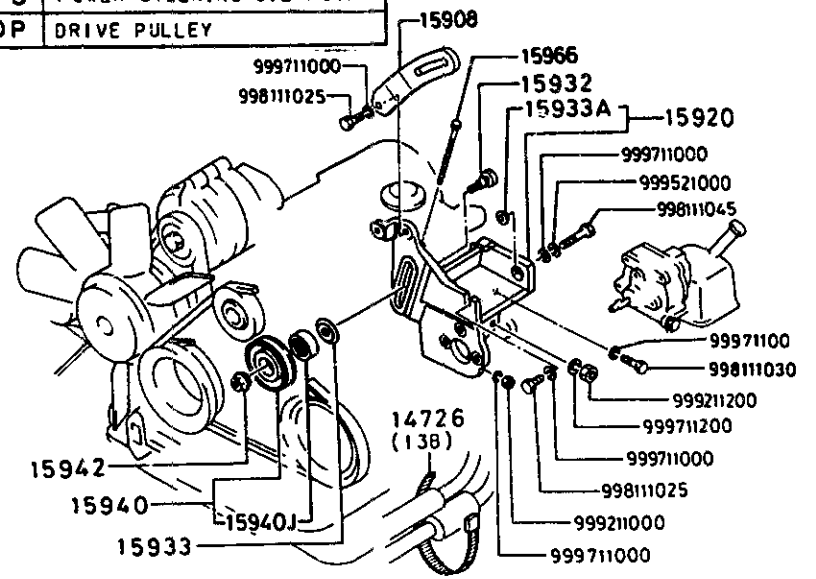


(W/POWER STEERING & W/AIR CON.)



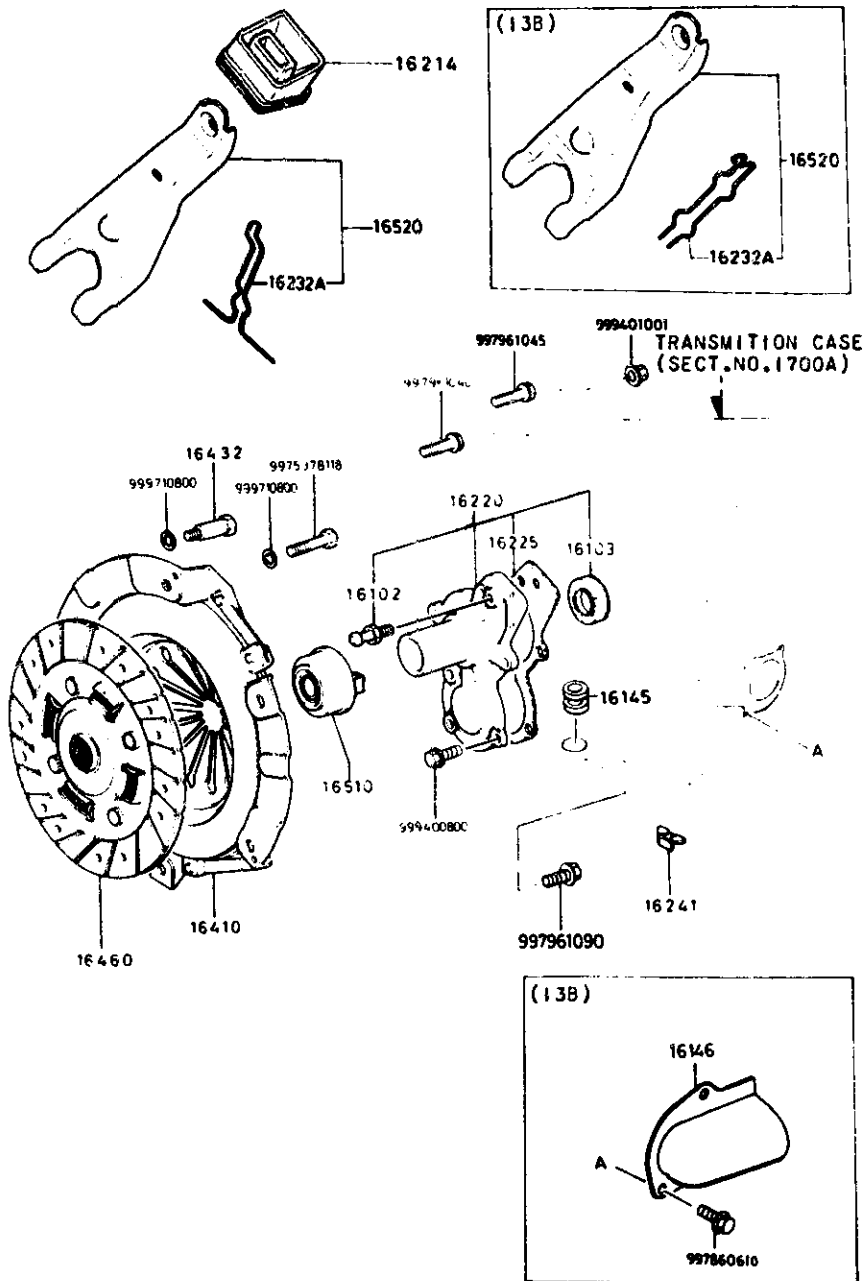
AN	ALTERNATOR
WP	WATER PUMP
AP	AIR PUMP
AC	AIR CON.
IP	IDLE PULLEY
PS	POWER STEERING OIL PUMP
DP	DRIVE PULLEY

	D-CODE	SECT. NO.
1	15907	1580A
2	15906	1580A
3	18381	1800A
4	137151	1371A



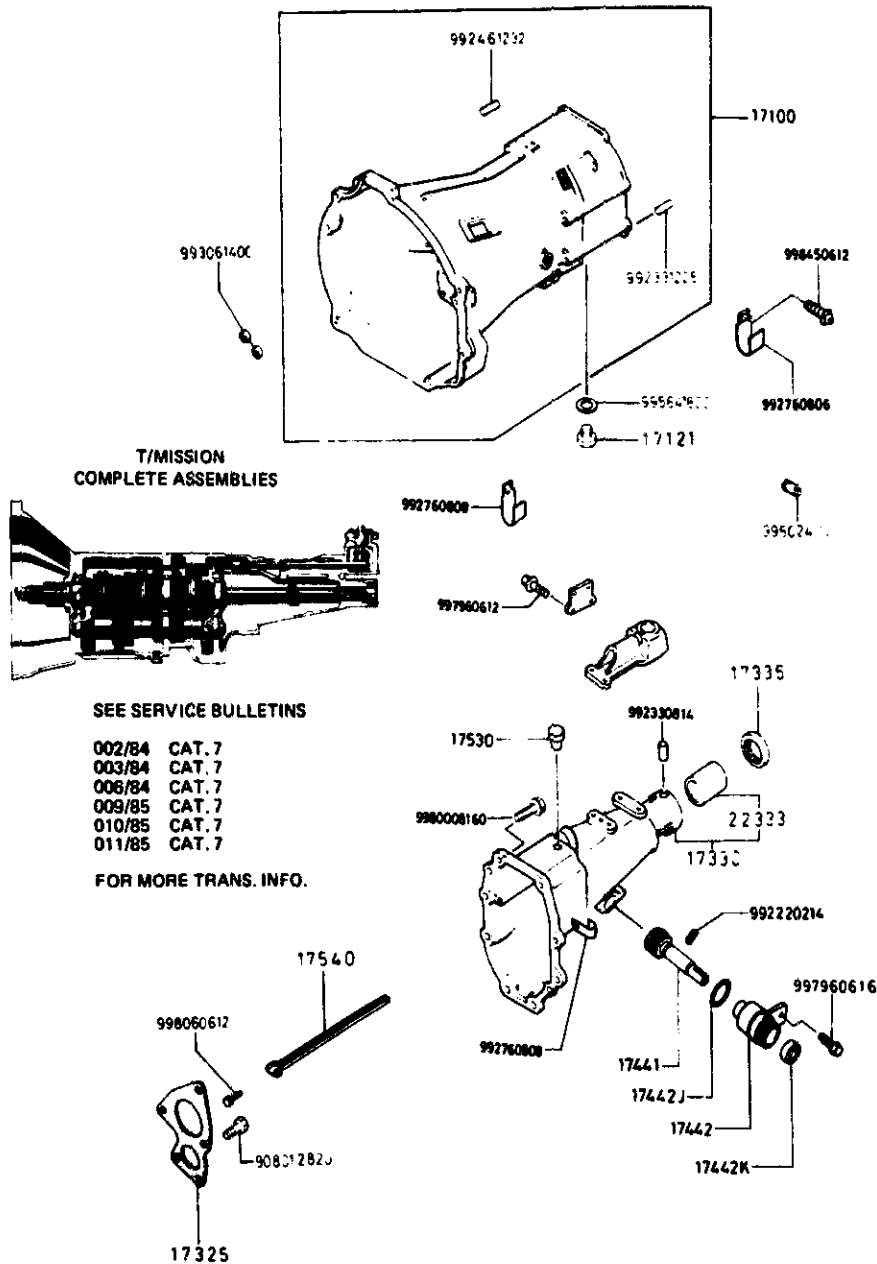
ITEM NO.	D-CODE	DESCRIPTION	PART NO.	QTY	MODEL/DESCRIPTION	REMARKS
4	13 7151	BELT, AIR PUMP	1757-13-715	1	(12A) 5. GS. GSI	
4			N304-13-715	1	(13B) GSI-SE	
	14 726	BAND	N304-14-726	1	(W/ P/S; 13B) GSI-SE	
2	15 906	BELT, COMPRESSOR	0000-68-1111-05	1	(NIPPONDENSO)	
2			0000-67-5409-03	1	(WYNN'S)	
1	15 907	BELT, P/S PUMP	N249-15-907A	1	(W/ OR W/O A/C)	
	15 908	STRAP	N249-15-908B	1		
	15 920	BRACKET, COMPRESSOR	N249-15-925C	1	(W/ P/S)	
	15 932	SHAFT, PULLEY	N249-15-932A	1	(W/ P/S)	
	15 933	COLLAR	N249-15-933	1	(W/ P/S)	
	15 933A	COLLAR	N249-15-927A	1	(W/ P/S)	
	15 940	PULLEY, IDLE	N249-15-940	1	(W/ P/S)	
	15 940J	BEARING	9960-62-203	1	(W/ P/S)	
	15 942	COLLAR	N249-15-942	1	(W/ P/S)	
	15 966	BOLT, ADJUST	1757-15-966	1	(W/ P/S)	
3	18 381	BELT, ALTERNATOR	8311-18-381A	1		

1600A-1 CLUTCH DISC & COVER



ITEM NO.	D-CODE	DESCRIPTION	PART NO.	QTY	MODEL/DESCRIPTION	REMARKS
16 102		PIN, PIVOT	0603-16-102B	1		
16 103		SEAL, OIL	0603-16-103	1		
16 145		RUBBER, SEAL	N204-16-145	1		
16 146		COVER, VENT	N206-16-150	1	13B (GSI-SE)	
16 214		COVER, DUST	3975-16-214A	1		
16 220		COVER, FRONT	8540-16-220D	1	12A (S. GS, GSI)	
			N204-16-220A	1	13B (GSI-SE)	
16 225		GASKET, FRONT COVER	8540-16-225	1		
16 232A		SUPPORTER, FORK	0249-16-232	1	12A (S. GS, GSI) THRU OCT. '84 PROD	FB33* 800001-871510
			1416-16-232A	1	12A (S. GS, GSI) FROM NOV. '84 PROD	FB33* 871511
				1	13B (GSI-SE)	
16 241		PLUG, BLIND	8540-16-241A	1		
16 410		COVER, CLUTCH	N203-16-410A	1	12A (S. GS, GSI)	
			N304-16-410	1	13B (GSI-SE)	
16 432		BOLT, REAMER	0839-16-432	2		
16 460		DISC, CLUTCH	N203-16-460B	1	12A (S. GS, GSI)	
			N303-16-460	1	13B (GSI-SE)	
16 510		COLLAR, CLUTCH RELEASE	H606-16-510A	1		
16 520		FORK, CLUTCH RELEASE	8540-16-520A	1	12A (S. GS, GSI) THRU OCT. '84 PROD.	FB33* 800001-871510
			N204-16-520	1	12A (S. GS, GSI) FROM NOV. '84 PROD.	FB33* 871511
				1	13B (GSI-SE)	

1700A-1 TRANSMISSION CASE (MANUAL)

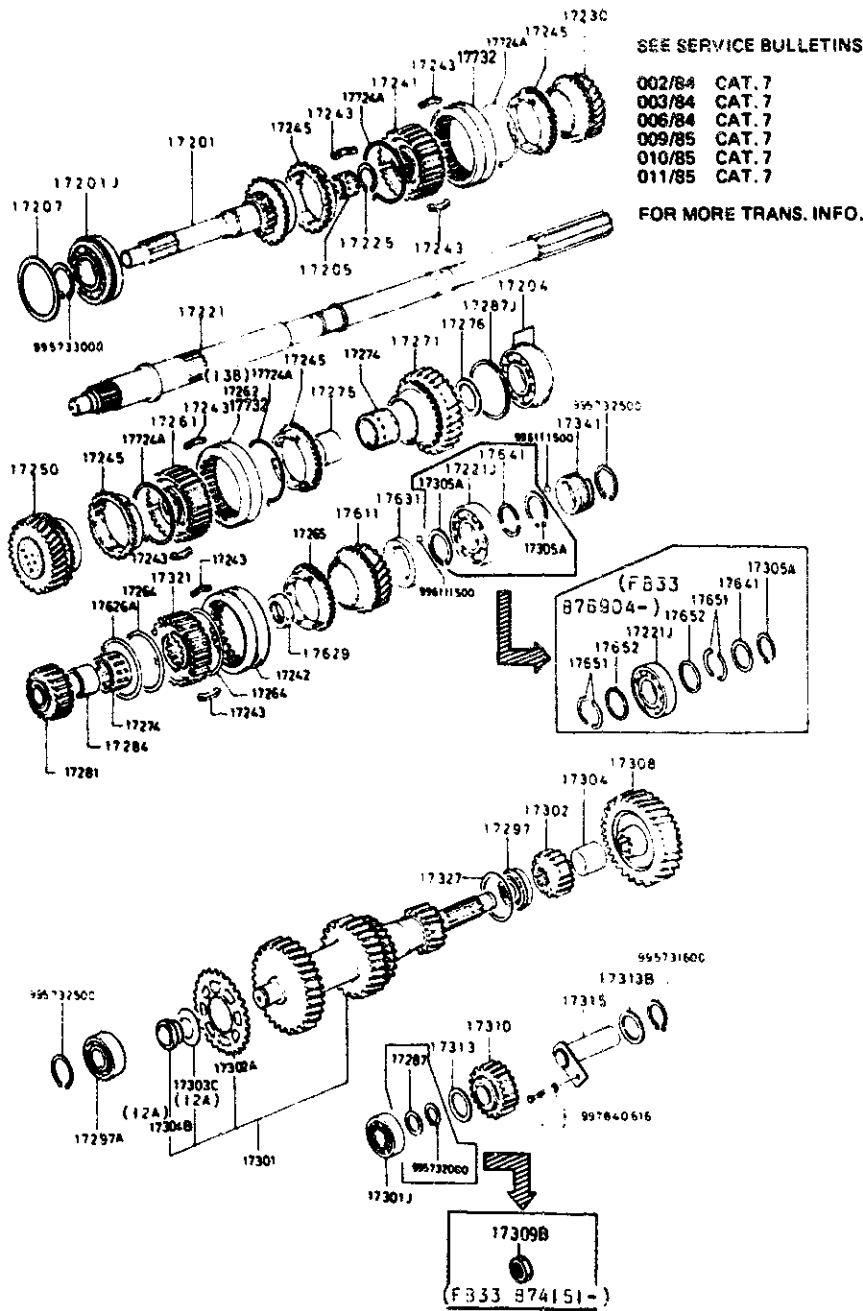


ITEM NO.	D-CODE	DESCRIPTION	PART NO.	QTY	MODEL/DESCRIPTION	REMARKS
1		TRANSMISSION, ASSY COMPLETE	M544-03-000	1	12A (S. GS. GSI)	
1		TRANSMISSION, ASSY COMPLETE	M546-03-000	1	13B (GSI-SE)	
17 100		CASE, T/MISSION	M503-17-100A	1	12A (S. GS. GSI) THRU NOV. '84 PROD.	FB33* .800001-874150
			M503-17-100B	1	12A (S. GS. GSI) FROM DEC. '84 PROD.	FB33* .874151-
			M511-17-100A	1	13B (GSI-SE) THRU NOV. '84 PROD.	FB33* .800001-874150
			M511-17-100B	1	13B (GSI-SE) FROM DEC. '84 PROD.	FB33* .874151-
			< A > M511-17-100C	1		
17 121		PLUG, MAGNET DRAIN	0810-17-121	1		
17 325		COVER, BEARING	8086-17-326	1		
17 330		HOUSING, EXTENSION	M503-17-330	1		
17 335		SEAL, OIL	0437-17-335A	1		
17 441		GEAR, DRIVEN	8057-17-441C	1		
17 442		SLEEVE, SPEEDOMETER	1011-17-442A	1		
17 442J		O-RING	1011-17-443	1		
17 442K		SEAL, OIL	9958-60-8166	1		
17 530		BREATHER, AIR	0884-17-530	1		
17 540		PASS. OIL	M501-17-550A	1		
22 333		BUSHING	0398-22-330	1		

SECTION INDEX -- ENGINE

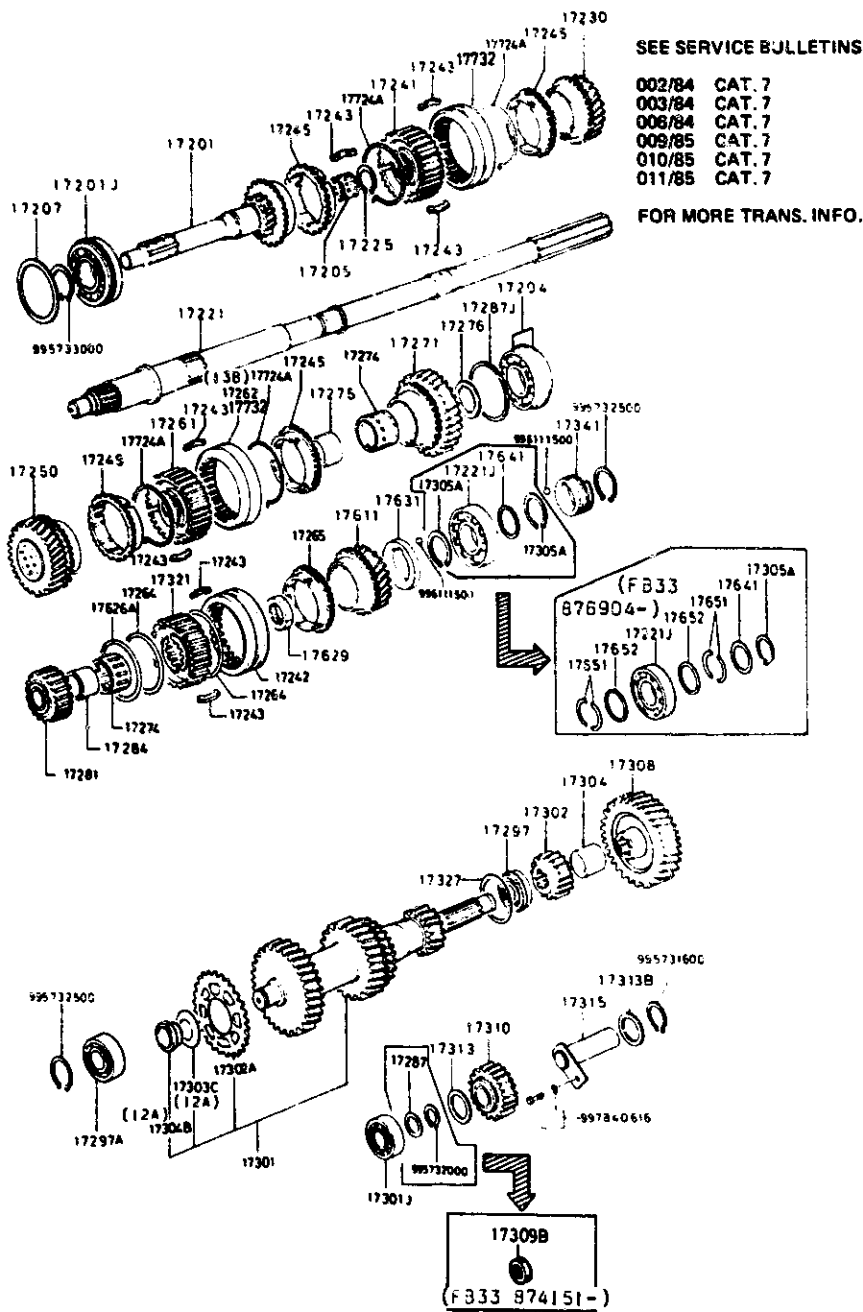
STARTING LOCATION	SECT. NO.	SECTION NAME	STARTING LOCATION	SECT. NO.	SECTION NAME	STARTING LOCATION	SECT. NO.	SECTION NAME
1 - C 3	1000A	SHORT ENGINE & GASKET SETS	1 - G 6	1720A	CHANGE CONTROLS (MANUAL)			
1 - D 3	1030A	ROTOR HOUSING	1 - H 6	1800A	ENGINE ELECTRICAL SYSTEM			
1 - E 3	1040A	OIL PAN, FRONT & REAR HOUSING	1 - I 6	1820A	DISTRIBUTOR			
1 - G 3	1100A	ECCENTRIC SHAFT & FLYWHEEL	1 - J 6	1830A	ALTERNATOR			
1 - H 3	1110A	ROTOR & RELATED	1 - K 6	1840A	STARTER			
1 - I 3	1300A	INTAKE MANIFOLD (12A) (S.GS.GSU)	1 - M 6	1850A	BATTERY & CABLES			
1 - J 3	1300AA	INTAKE MANIFOLD (13B) (GSJ-SE)	1 - N 6	1910A	TORQUE CONVERTER, OIL PUMP & PIPING (AUTOMATIC)			
1 - K 3	1310A	EXHAUST MANIFOLD (12A) (S.GS.GSU)	1 - C 7	1920A	TRANSMISSION CASE & MAIN CONTROLS (AUTOMATIC)			
1 - L 3	1310AA	EXHAUST MANIFOLD (13B) (GSJ-SE)	1 - E 7	1930A	CLUTCH & PLANETARY GEAR (AUTOMATIC)			
1 - M 3	1320A	FUEL SYSTEM (12A) (S.GS.GSU)	1 - G 7	1940A	LOW, REVERSE & GOVERNOR (AUTOMATIC)			
1 - C 4	1320AA	FUEL SYSTEM (13B) (GSJ-SE)	1 - H 7	1950A	MANUAL LINKAGE (AUTOMATIC)			
1 - E 4	1330A	AIR CLEANER (12A) (S.GS.GSU)	1 - I 7	1960A	GASKET & SEAL KIT (AUTOMATIC)			
1 - F 4	1330AA	AIR CLEANER (13B) (GSJ-SE)						
1 - G 4	1350A	STARTING ASSIST SYSTEM (12A) (S.GS.GSU) (FEDERAL ONLY)						
1 - H 4	1350AA	STARTING ASSIST SYSTEM (13B) (GSJ-SE) (FEDERAL ONLY)						
1 - I 4	1359A	CARBURETOR & REPAIR KIT (12A) (S.GS.GSU)						
1 - J 4	1360A	CARBURETOR COMPONENTS (12A) (S.GS.GSU)						
1 - L 4	1371A	AIR PUMP & AIR CONTROL VALVE (12A) (S.GS.GSU)						
1 - M 4	1371AA	AIR PUMP & AIR CONTROL VALVE (13B) (GSJ-SE)						
1 - N 4	1380A	EMISSION CONTROLS (12A) (S.GS.GSU)						
1 - C 5	1380AA	EXHAUST SIDE EMISSION CONTROLS (13B) (GSJ-SE)						
1 - E 5	1400A	OIL PUMP & FILTER (12A) (S.GS.GSU)						
1 - F 5	1400AA	OIL PUMP & FILTER (13B) (GSJ-SE)						
1 - H 5	1500A	COOLING SYSTEM (12A) (S.GS.GSU)						
1 - I 5	1500AA	COOLING SYSTEM (13B) (GSJ-SE)						
1 - K 5	1580A	COMPRESSOR BRACKET, PULLEY & BELT						
1 - L 5	1600A	CLUTCH DISC & COVER						
1 - M 5	1700A	TRANSMISSION CASE (MANUAL)						
1 - C 6	1710A	TRANSMISSION GEARS (MANUAL)						

1710A-1 TRANSMISSION GEARS (MANUAL)



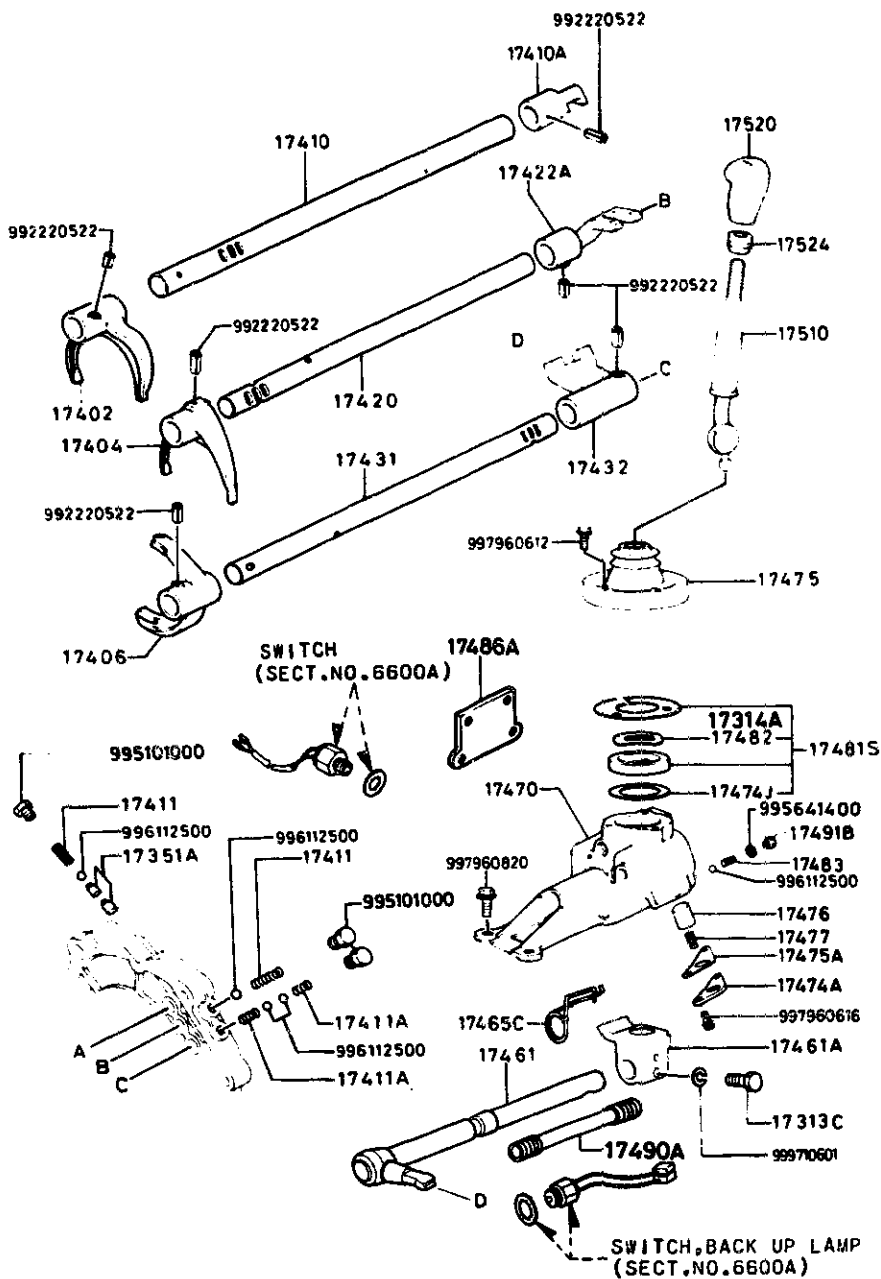
ITEM NO	D-CODE	DESCRIPTION	PART NO	QTY	MODEL DESCRIPTION	REMARKS
17 201		GEAR, MAIN DRIVE	M506-17-201	1	THRU NOV. '84 PROD.	FB33* .800001-876903
			M515-17-201A	1	FROM DEC. '84 PROD.	FB33* .876904-
		REFER TO SERV. BULL. NO. 010/85 CAT. 7 FOR MORE INFO.				
17 201J		BEARING, BALL	M502-17-295C	1		
		REFER TO SERV. BULL. NO. 011/85 CAT. 7 FOR MORE INFO.				
17 204		BEARING, BALL	M502-17-298A	1		
17 205		BEARING, ROLLER	0249-17-210B	1	12A (S, GS, GSI) THRU NOV. '84 PROD.	FB33* .815218-876903
				1	13B (GSL-SE) THRU NOV. '84 PROD.	FB33* .876904-
			M501-17-210	1	13B (GSL-SE) FROM DEC. '84 PROD.	FB33* .876904-
17 207		SHIM, ADJUST	9996-36-315	1	(T=0.15)	
			9996-36-330	1	(T=0.30)	
17 221		SHAFT, MAIN	M502-17-221	1	12A (S, GS, GSI) THRU SEP. '84 PROD.	FB33* .800001-866964
			M502-17-221A	1	12A (S, GS, GSI) FROM OCT. '84 PROD.	FB33* .866965-
			M505-17-221	1	13B (GSL-SE) THRU SEP. '84 PROD.	FB33* .800001-866964
			M505-17-221A	1	13B (GSL-SE) FROM OCT. '84 PROD.	FB33* .866965-
17 221J		BEARING, BALL	M503-17-204	1		
17 225		RING, SNAP	0317-17-225	1		
17 230		GEAR, 3RD	M503-17-231C	1		
17 241		HUB, CLUTCH	M508-17-261A	1	THRU JUN. '85 PROD.	
17 242		SLEEVE, CLUTCH HUB	F401-17-242A	1		
17 243		KEY, SYNCHRONIZER	F401-17-243A	9		
17 245		RING, SYNCHRONIZER	M501-17-245	4		
17 250		GEAR, 2ND	M503-17-251D	1		
17 261		HUB, CLUTCH	M509-17-261A	1		
17 262		SLEEVE, CLUTCH HUB	M501-17-262B	1	13B (GSL-SE)	
17 264		SPRING, SYNCHRONIZER KEY	F402-17-264	2		
17 265		RING, SYNCHRONIZER	F401-17-265A	1		
17 271		GEAR, 1ST	M501-17-271	1	12A (S, GS, GSI)	
			M506-17-271B	1	13B (GSL-SE)	
17 274		BEARING, NEEDLE	4069-17-283A	2		
17 275		RACE, INNER	8540-17-275A	1		
17 276		WASHER, THRUST	0259-17-274A	2	(T=3/0)	
			0259-17-276	2	(T=2.2)	
			0259-17-277	2	(T=2.7)	
			0259-17-278	2	(T=3.2)	

1710A-2 TRANSMISSION GEARS (MANUAL)



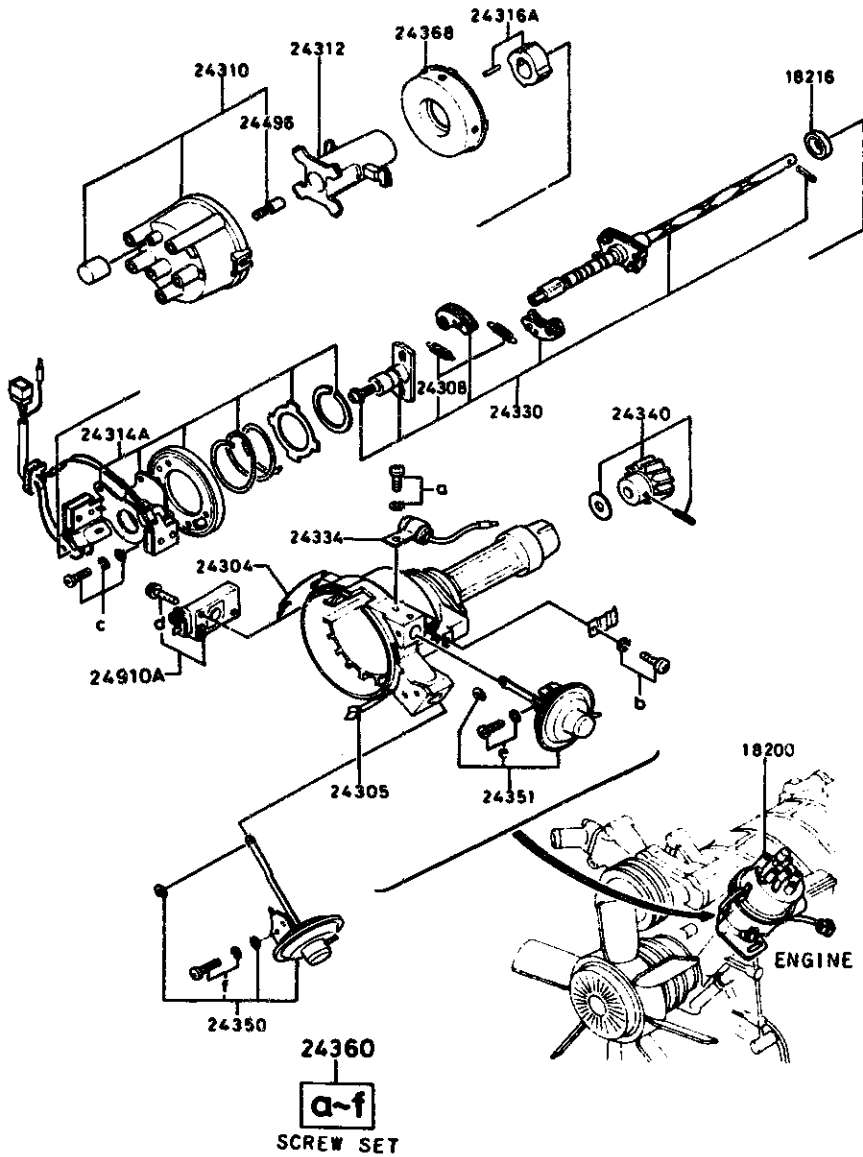
ITEM NO.	D-CODE	DESCRIPTION	PART NO.	QTY	MODEL/DESCRIPTION	REMARKS
17 276	(CONT'D)		0259-17-279	2	(T=3.7)	
17 281		GEAR, REVERSE	M501-17-281B	1		
17 284		RACE, INNER	4069-17-284E	1		
17 287		SHIM, ADJUST	0419-17-288	1	(T=2.1)	FB33* .800001-874150
			0419-17-291	1	(T=2.2)	FB33* .800001-874150
			0419-17-292	1	(T=2.3)	FB33* .800001-874150
			0419-17-293	1	(T=2.4)	BF33* .800001-874150
17 287J		SHIM, ADJUST	9996-36-310	1	(T=0.1)	FB33* .800001-874150
			9996-36-330	1	(T=0.3)	
17 297		BEARING, BALL	R502-17-306A	1		
17 297A		BEARING, BALL	M502-17-297A	1		
17 301		GEAR, COUNTER SHAFT	M505-17-300C	1	12A (S. GS. GSL)	
			M508-17-301D	1	13B (GSL-SE)	
		REFER TO SERV. BULL. NO. 009/85 CAT. 7 FOR MORE INFO.				
17 301J		BEARING, BALL	M502-17-299A	1		
17 302		GEAR, COUNTER REVERSE	8086-17-302C	1		
17 302A		GEAR, FRICTION	M502-17-302B	1	12A (S. GS. GSL)	
17 303C		SPRING, DIAPHRAGM	M501-17-303	1	12A (S. GS. GSL)	
17 304		SPACER	8086-17-304A	1		
		< A >	M504-17-304	1		
17 304B		SPACER	M501-17-304C	1	12A (S. GS. GSL)	
17 305A		RING, RETAINING	0839-17-305B	2		
17 308		GEAR, COUNTER	M505-17-308	1	12A (S. GS. GSL)	
			M502-17-308A	1	13B (GSL-SE) THRU MAY '84 PROD.	FB33* .800001-850000
			M504-17-308	1	13B (GSL-SE) FROM JUNE '84 PROD.	FB33* .8500001-
		REFER TO SERV. BULL. NO. 006/84 CAT. 7 FOR MORE INFO.				
		< C >	M507-17-308	1	REQUIRES GEAR: M512-17-611	
17 309B		NUT, LOCK-COUNTER SHAFT BRG.	M501-17-309	1	FROM NOV. '84 PROD.	FB33* .874151
17 310		GEAR, REVERSE IDLE	8086-17-310C	1	12A (S. GS. GSL)	
			M504-17-310C	1	13B (GSL-SE)	
17 313		WASHER, THRUST	M501-17-313	1		
17 313B		WASHER, THRUST	4077-17-316	1	(T=2.6)	
			4077-17-314A	1	(T=2.8)	
			4077-17-315A	1	(T=3.0)	
17 315		SHAFT, REV. IDLE GEAR	8086-17-140A	1		
17 321		HUB, CLUTCH	M510-17-261	1		

1720A-1 CHANGE CONTROLS (MANUAL)



ITEM NO.	D CODE	DESCRIPTION	PART NO.	QTY	MODEL/DESCRIPTION	REMARKS
17 313C		BOLT	0118-17-313B	1		
17 314A		WASHER	M505-17-482	1		
17 351A		PIN, INTER LOCK	0114-17-351	2		
17 402		FORK, SHIFT (1ST & 2ND)	M501-17-402B	1		
17 404		FORK, SHIFT (3RD & 4TH)	M501-17-404B	1		
17 406		FORK, SHIFT	M501-17-406A	1		
17 410		ROD, SHIFT (1ST & 2ND)	M503-17-411	1		
17 410A		END, SHIFT ROD (1ST & 2ND)	M501-17-412	1		
17 411		SPRING	0103-17-411	2		
17 411A		SPRING	0014-17-411	2		
17 420		ROD, SHIFT (3RD & 4TH)	M503-17-421	1		
17 422A		END, SHIFT ROD (3RD & 4TH)	M501-17-422	1		
17 431		ROD, SHIFT	M505-17-431A	1		
17 432		END, SHIFT	M501-17-432	1		
17 461		LEVER, CONTROL	M503-17-450	1		
17 461A		END, CONTROL ROD	M501-17-461A	1		
17 465C		SPRING, SELECT	M501-17-465B	1		
17 470		CASE, CHANGE CONTROL	M505-17-470E	1		
17 474A		CAP, SPRING	M501-17-474	1		
17 474J		SHIM, ADJUST	9996-33-130	1	(T=0.3)	
17 475		BOOT, DUST	M501-17-480A	1		
17 475A		GASKET, SPRING CAP	M501-17-475	1		
17 476		SPINDLE, SELECT LOCK	M502-17-476A	1		
17 477		SPRING	M501-17-477	1		
17 481S		BUSHING SET, CHANGE LEVER	M505-99-178	1	12A (S, GS, G5L)	
17 482		WASHER, WAVY	8599-17-482	1		
17 483		SPRING	0824-17-483	1		
17 486A		COVER, BLIND	M501-17-486	1		
17 490A		COVER, ROD	M501-17-490B	1		
17 491B		CAP, SPRING	0183-17-491	1		
17 510		LEVER, CHANGE	M501-17-510E	1		
17 520		KNOB, CHANGE LEVER	M507-17-520	1		
		RED	10			
		BLACK	65			
		BROWN	78			
17 524		NUT, LOCK	M502-17-524	1		

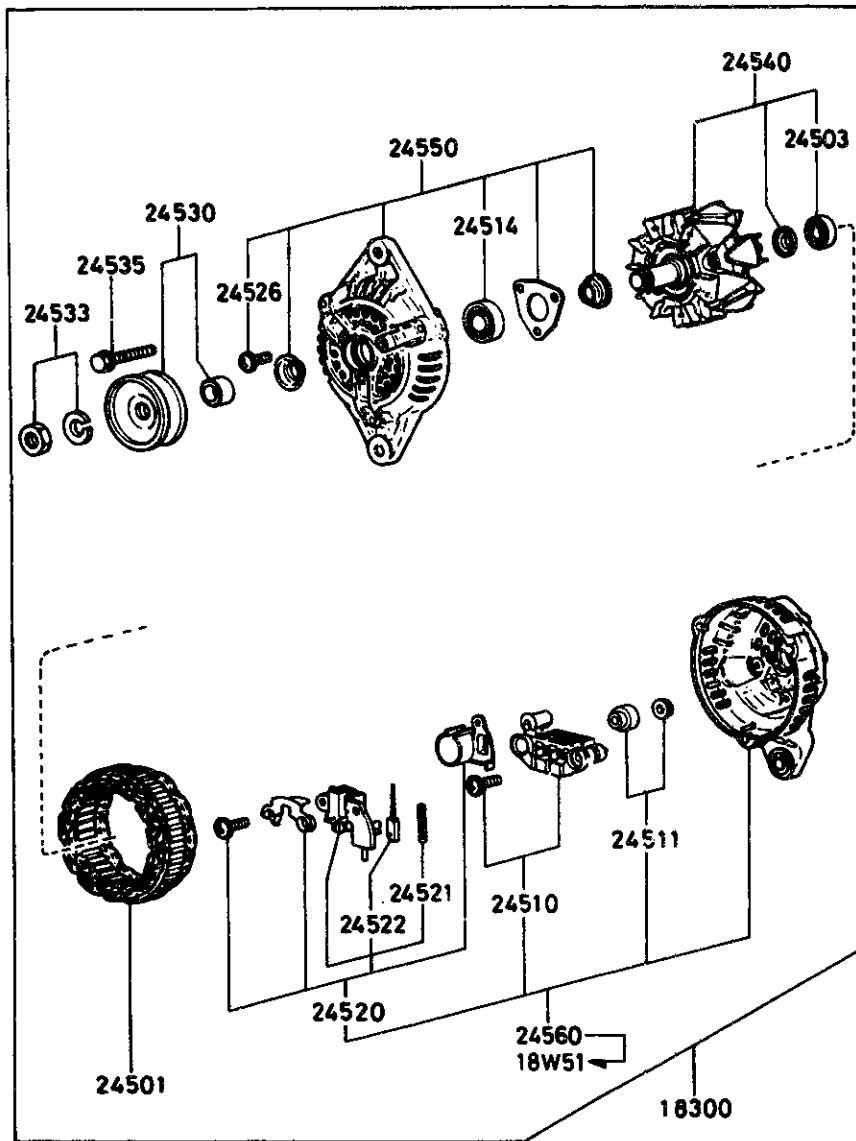
1820A-1 DISTRIBUTOR



ITEM NO.	D-CODE	DESCRIPTION	PART NO.	QTY	MODEL/DESCRIPTION	REMARKS
18 200		DISTRIBUTOR	N249-18-200A	1	12A (S. GS, GSI)	
			N304-18-200B	1	13B (GSI-SE)	
18 216		SEAL, OIL	0107-18-216A	1		
24 304		CLAMP	8245-24-304	1		
24 305		CLAMP	8245-24-305	1		
24 308		SPRING SET	1480-24-308	1	12A (S. GS, GSI)	
			N304-24-308	1	13B (GSI-SE)	
24 310		CAP, DISTRIBUTOR	8245-24-310B	1		
24 312		ROTOR, DISTRIBUTOR	8245-24-303A	1		
			8AF1-24-310A-BP	1	CAP & ROTOR BLISTER PAK	
24 314A		PICK-UP SET	N236-24-314	1		
24 316A		ROTOR SET, SIGNAL	8248-24-316	1		
24 330		GOVERNOR SET	N249-24-330	1	12A (S. GS, GSI)	
			N304-24-330	1	13B (GSI-SE)	
24 334		CONDENSOR	1757-24-334	1		
24 34C		COUPLING SET	3648-24-340	1		
24 350		VACUUM SET	1480-24-350A	1		
			N304-24-350	1	13B (GSI-SE)	
24 351		VACUUM SET	N231-24-351	1	12A (S. GS, GSI)	
			N304-24-351	1	13B (GSI-SE)	
24 360		SCREW SET	8248-24-360	1		
24 368		COVER	8245-24-368A	1		
24 496		CONTACT	1757-24-302	1		
24 910A		IGNITER SET	E301-24-910	2		

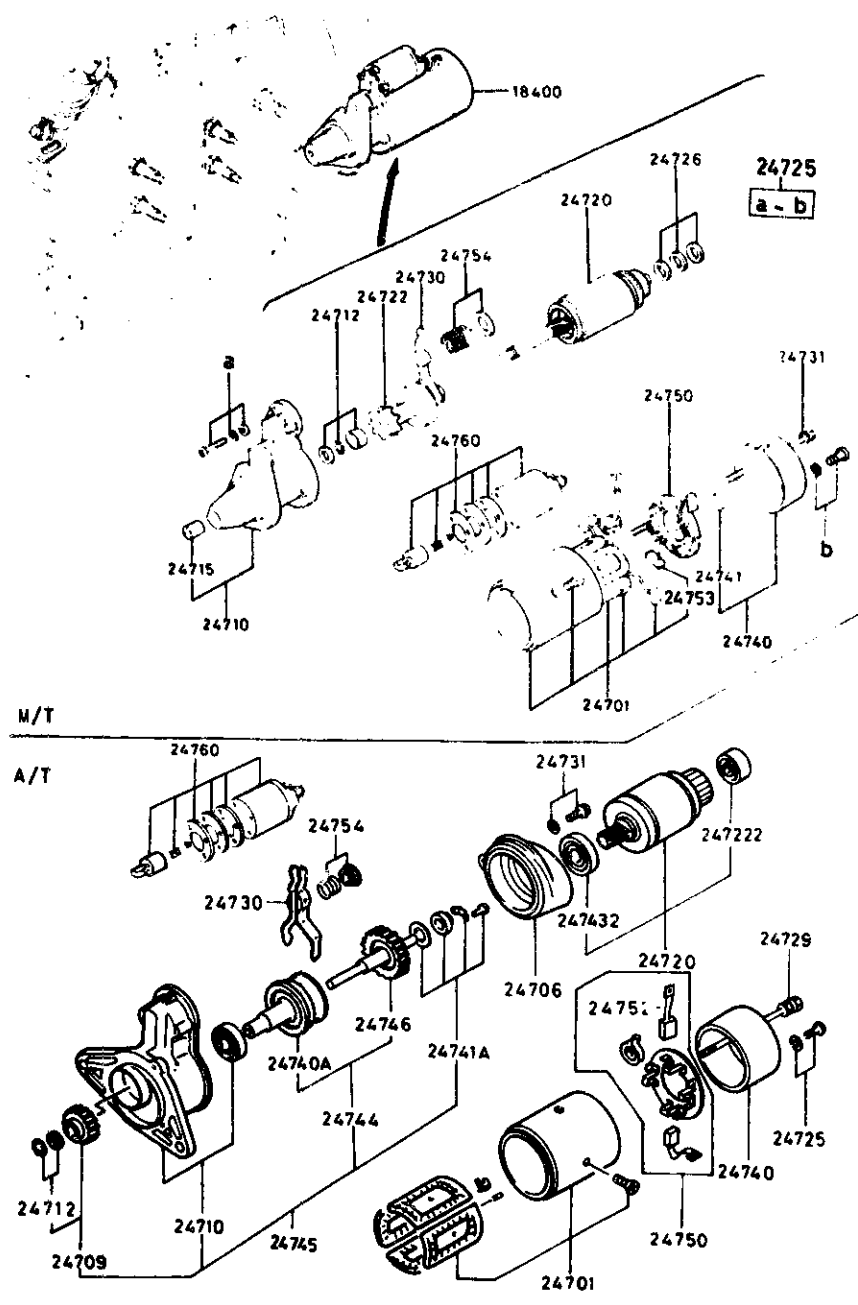
1830A-1 ALTERNATOR

SEE SECTION 1580A FOR FAN BELT



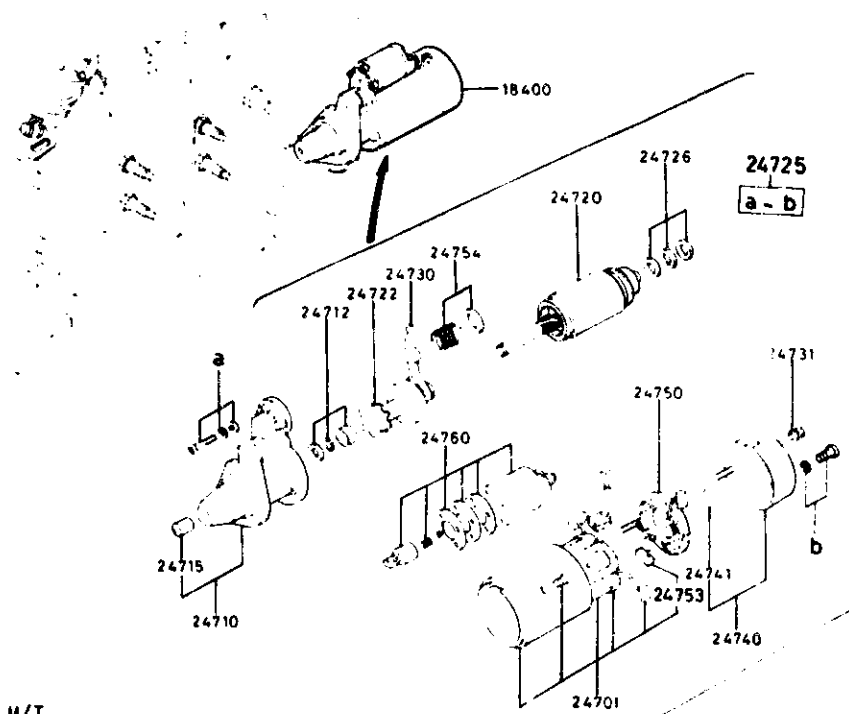
ITEM NO.	D-CODE	DESCRIPTION	PART NO.	QTY	MODEL/DESCRIPTION	REMARKS
18 300		ALTERNATOR REFER TO PARTS BULL. NOS. R-1 & R-5 FOR MORE INFO.	N304-18-300R	1	REMAN.	
18 W51		BRACKET, REAR	FE65-18-W50A	1	FROM DEC. '84 PROD.	FB33* .880507-
24 501		STATOR	E356-18-W45 FE65-24-501A	1	12A (S. GS. GSU) 13B (GSI-5B)	
24 503		BEARING, BALL	FE65-24-503 B612-18-W36	1	THRU NOV. '84 PROD. FOM DEC. '84 PROD.	FB33* .800001-877562 FB33* .877563-
24 510		RECTIFIER	FE65-24-510 FE65-18-W60A	1	THRU MAR. '85 PROD. FROM APR. '85 PROD.	FB33* .800001-893765 FB33* .893766-
24 511		NUT SET	SE21-24-511	1		
24 514		BEARING, BALL	FE65-24-523 FE38-24-W27	1	THRU NOV. '84 PROD. FROM DEC. '84 PROD.	FB33* .800001-877562 FB33* .877563-
24 520		REGULATOR	E356-18-W70	1		
24 521		SPRING, BRUSH	B173-24-521	2		
24 522		BRUSH	FE65-24-522	2		
24 526		SCREW SET	FE65-24-526	1		
24 530		PULLEY	N304-24-530 N304-24-530A	1	THRU NOV. '84 PROD. FROM DEC. '84 PROD.	FB33* .800001-878002 FB33* .878003-
24 533		NUT SET	B028-24-533	1		
24 535		SCREW SET	FE65-24-535	1		
24 540		ROTOR	FE65-24-540 E356-18-W35	1	THRU NOV. '84 PROD. FROM DEC. '84 PROD.	FB33* .800001-880506 FB33* .880507-
24 550		BRACKET, FRONT	FE65-24-550 FE65-18-W25	1	THRU NOV. '84 PROD. FROM DEC. '84 PROD.	FB33* .800001-880506 FB33* .880507
24 560		BRACKET, REAR	FE65-24-560	1	THRU NOV. '84 PROD.	FB33* .800001-880506

1840A-1 STARTER



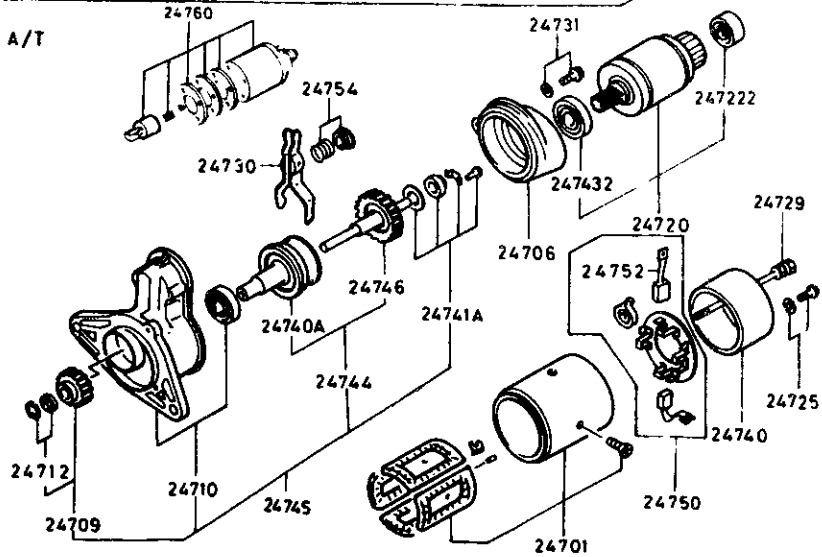
ITEM NO.	D-CODE	DESCRIPTION	PART NO.	QTY	MODEL/DESCRIPTION	REMARKS
18 400		STARTER	N221-18-400R N250-18-400R	1	M/T, REMAN	
		REFER TO PARTS BULL. NOS. R-1 & R-5 FOR MORE INFO.				
24 701		YOKE	N221-24-701 N250-24-730	1	M/T A/T	
24 706		BRACKET, CENTER	N202-24-721	1	A/T	
24 709		PINION	N202-24-709	1	A/T	
24 710		BRACKET, FRONT	N221-24-710 N250-24-710A	1	M/T A/T	
24 712		STOPPER SET	N202-24-712	1	A/T	
			0426-24-712A	1	M/T	
24 715		SLEEVE, BEARING	N221-24-715	1	M/T	
24 720		ARMATURE	N202-24-705 N221-24-705	1	A/T M/T	
24 722		CLUTCH, OVER RUNNING	N221-24-709	1	M/T	
24 7222		BEARING	N202-24-722	1	A/T	
24 725		SCREW SET	N202-24-728	1	A/T	
			0426-24-725	1	M/T	
24 726		WASHER SET	0426-24-726	1	M/T	
24 729		BOLT	N202-24-729A	2	A/T	
24 730		LEVER	N221-24-730 N250-24-716	1	M/T A/T	
24 731		BOLT SET	N202-24-731	1	A/T	
			1030-24-731A	1	M/T	
24 740		BRACKET, REAR	N202-24-720 0222-24-740	1	A/T M/T	
24 740A		SHAFT	N202-24-740	1	A/T	
24 741		SLEEVE, BEARING	0222-24-741	1	M/T	
24 741A		COVER SET	N202-24-741	1	A/T	
24 7432		BEARING	N202-24-743	1	A/T	
24 744		GEAR SET	N202-24-744	1	A/T	
24 745		SHAFT, CLUTCH	N202-24-745	1	A/T	
24 746		GEAR	N202-24-746	1	A/T	
24 750		HOLDER, BRUSH	E301-24-750 N202-24-750	1	M/T A/T	
24 752		SPRING, BRUSH	0222-24-752A	4	A/T	
24 753		BRUSH, YOKE	E301-24-753	2	M/T	
24 754		SPRING SET	N226-24-754 0426-24-754	1	M/T A/T	
24 760		SWITCH	N226-24-760	1	M/T	

1840A-2 STARTER



M/T

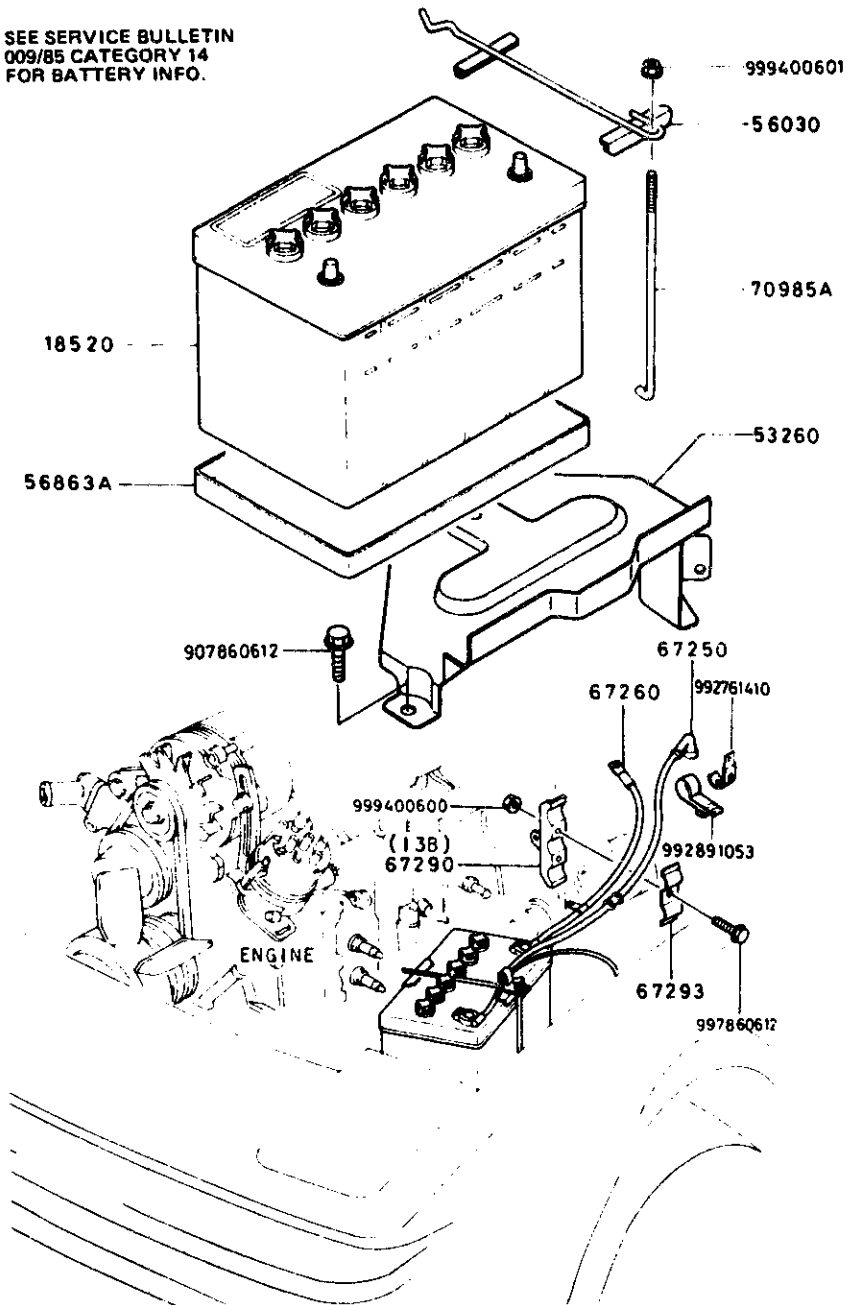
A/T



ITEM NO.	D-CODE	DESCRIPTION	PART NO.	QTY	MODEL/DESCRIPTION	REMARKS
	24 760 (CONT'D)		8872-24-736	1	A.T	

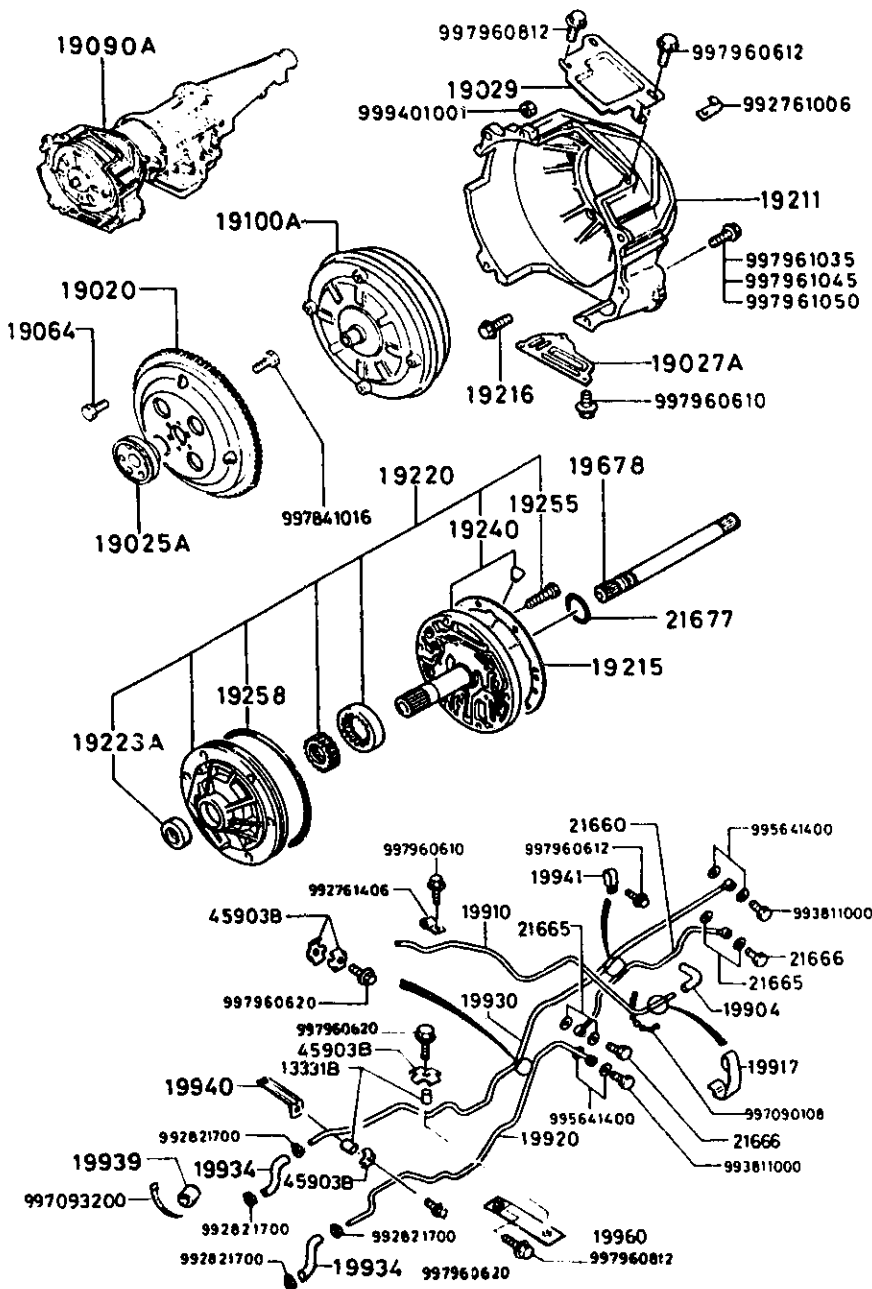
1850A-1 BATTERY & CABLES

• SEE SERVICE BULLETIN 009/85 CATEGORY 14 FOR BATTERY INFO.



ITEM NO	D-CODE	DESCRIPTION	PART NO	QTY	MODEL/DESCRIPTION	REMARKS
18 520		BATTERY SEE ACCESSORY BULLETIN NO. XG-4 FOR MORE BATTERY INFO	0000-80-124F	1		
53 260		CARRIER, BATTERY	FA54-54-260	1		
56 030		CLAMP, BATTERY	FA54-56-030A	1		
56 863A		TRAY, BATTERY	2113-54-295	1		
67 250		CABLE, POSITIVE-BATTERY	FA54-67-250E	1	12A M. T (S. GS, GSI)	
			FA55-67-250F	1	A/T	
			FA66-67-250E	1	13B (GSI-SE)	
67 260		CABLE, GROUND BATTERY	FA54-67-260B	1		
67 290		CLIP, CABLE	1011-67-291A	1	13B (GSI-SE)	
67 293		CLIP, CABLE	1011-67-293	1		
70 985A		BOLT, CLAMP	0613-65-857A	1		

1910A-1 TORQUE CONVERTER, OIL PUMP & PIPING (AUTOMATIC)

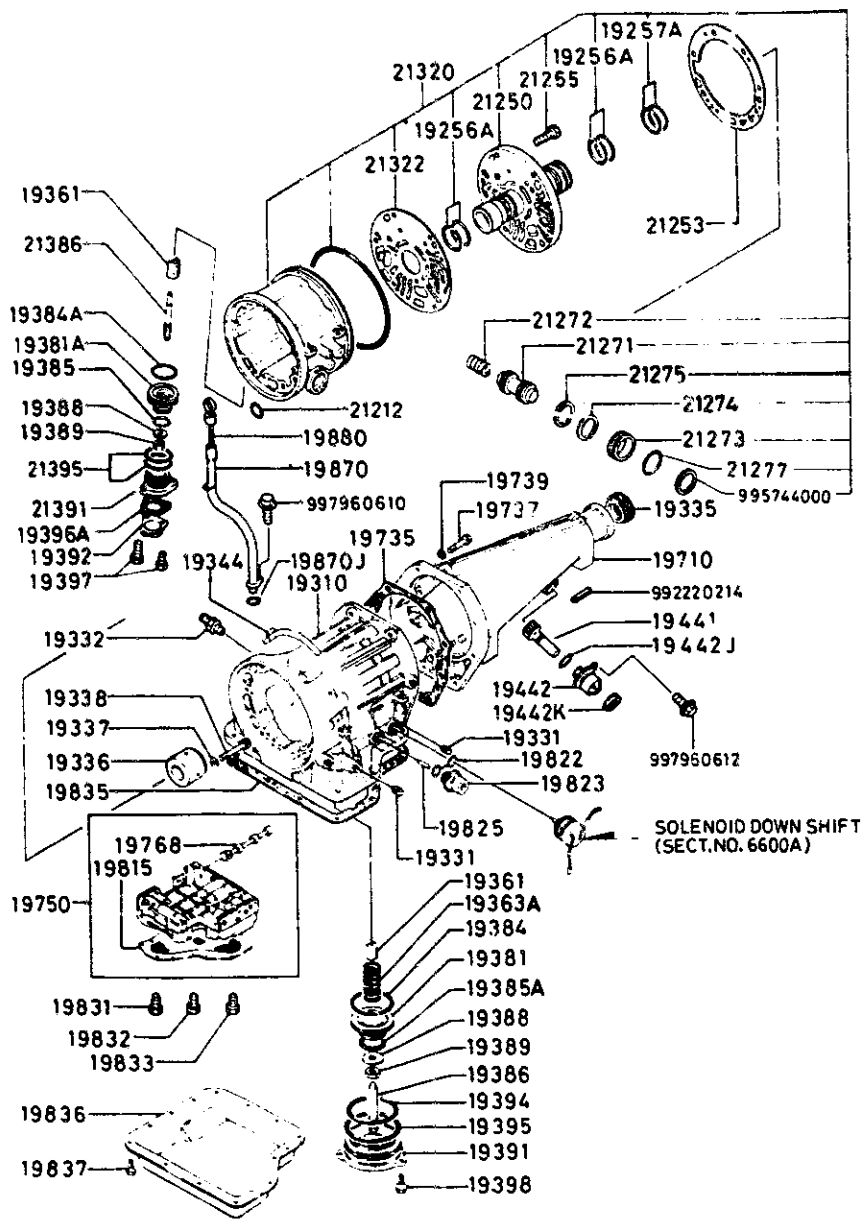


ITEM NO	D-CODE	DESCRIPTION	PART NO	QTY	MODEL/DESCRIPTION	REMARKS
13 331B		SPACER, OIL PIPE	2850-13-331	2		
19 020		PLATE, DRIVE	BU02-19-020B	1		
19 025S		ADAPTER	0842-19-025	1		
19 027A		COVER, UNDER	BU02-19-027	1		
19 029		COVER, TOP	BU02-19-028B	1		
19 064		BOLT	3649-19-064A	4		
19 090A		TRANSMISSION	BU16-19-090C	1		
19 100A		CONVERTER, TORQUE	BU06-19-100A	1		
19 211		HOUSING, CONVERTER	BU02-19-211C	1		
19 215		GASKET, OIL PUMP	BU01-19-215	1		
19 216		BOLT	BU01-19-216	6		
19 220		PUMP, OIL	BU16-19-220A	1		
19 223A		SEAL, OIL	0338-19-223A	1		
19 240		COVER	BU16-19-240A	1		
19 255		BOLT	0338-19-255	5		
19 258		SEAL, CUT RING	0338-19-258	1		
19 678		SHAFT, INPUT	BU01-21-678	1		
19 904		HOSE, VACUUM	0338-19-904A	1		
19 910		PIPE, VACUUM	BU11-19-910	1		
19 917		CLIP	0436-19-917	1		
19 920		PIPE, OIL	BU06-19-920A	1		
19 930		PIPE, OIL	BU06-19-930A	1		
19 934		HOSE, OIL	BU06-19-934	2		
19 939		GUIDE, OIL HOSE	1098-19-939	2		
19 940		BRACKET, PIPE	BU06-19-940	1		
19 941		CLIP	BU01-19-941	1		
19 960		BRACKET	AT09-19-961	1		
21 660		TUBE, GOVERNOR	BU01-21-660A	1		
21 665		WASHER, SEAL	BU01-21-665	4		
21 666		BOLT, CONNECTOR	BU01-21-666	2		
21 677		O-RING	BU01-21-677	1		
45 903B		CLIP	8173-45-903	4		

SECTION INDEX -- ENGINE

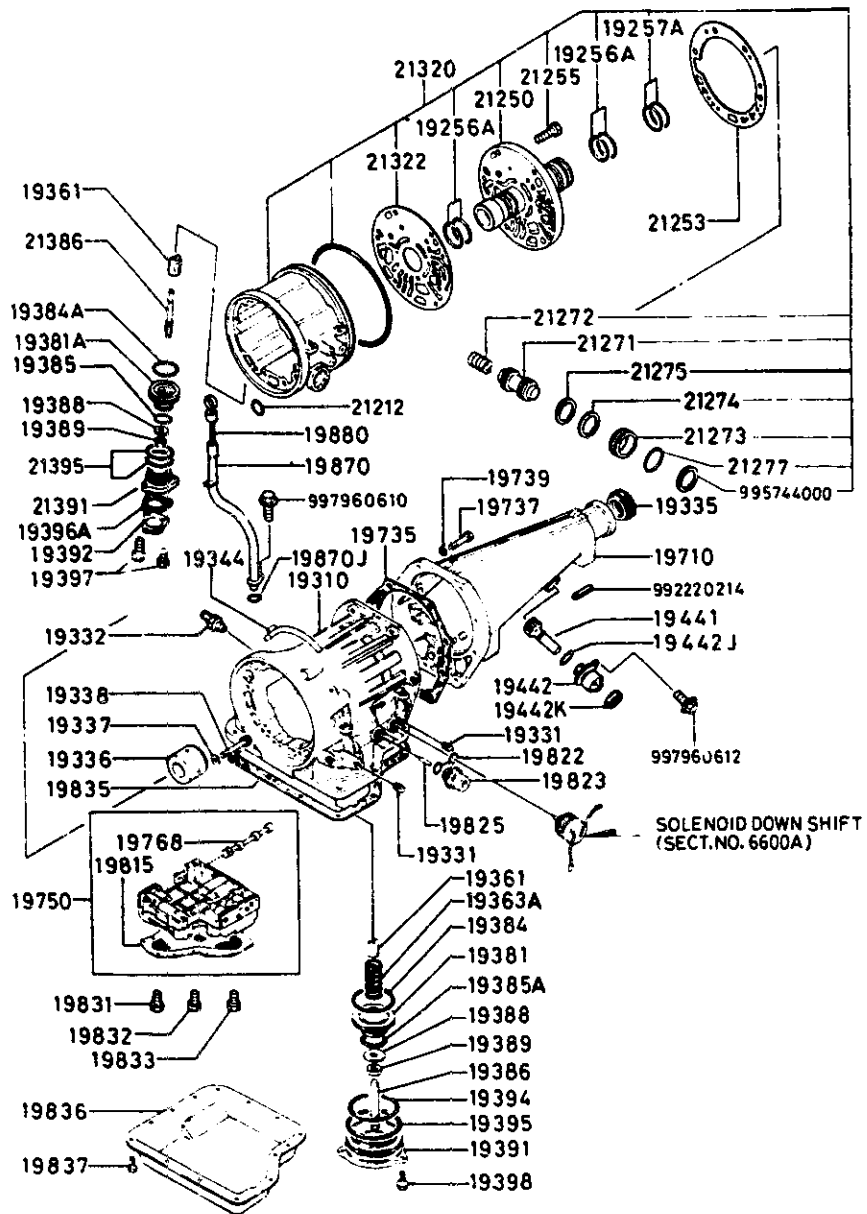
STARTING LOCATION	SECT. NO.	SECTION NAME	STARTING LOCATION	SECT. NO.	SECTION NAME	STARTING LOCATION	SECT. NO.	SECTION NAME
1 - C 3	1000A	SHORT ENGINE & GASKET SETS	1 - H 6	1800A	ENGINE ELECTRICAL SYSTEM			
1 - D 3	1030A	ROTOR HOUSING	1 - I 6	1820A	DISTRIBUTOR			
1 - E 3	1040A	OIL PAN, FRONT & REAR HOUSING	1 - J 6	1830A	ALTERNATOR			
1 - G 3	1100A	ECCENTRIC SHAFT & FLYWHEEL	1 - K 6	1840A	STARTER			
1 - H 3	1110A	ROTOR & RELATED	1 - M 6	1850A	BATTERY & CABLES			
1 - I 3	1300A	INTAKE MANIFOLD (12A) (S,GS,GSU)	1 - N 6	1910A	TORQUE CONVERTER, OIL PUMP & PIPING (AUTOMATIC)			
1 - J 3	1300AA	INTAKE MANIFOLD (13B) (GSI-SE)	1 - C 7	1920A	TRANSMISSION CASE & MAIN CONTROLS (AUTOMATIC)			
1 - K 3	1310A	EXHAUST MANIFOLD (12A) (S,GS,GSU)	1 - E 7	1930A	CLUTCH & PLANETARY GEAR (AUTOMATIC)			
1 - L 3	1310AA	EXHAUST MANIFOLD (13B) (GSI-SE)	1 - G 7	1940A	LOW, REVERSE & GOVERNOR (AUTOMATIC)			
1 - M 3	1320A	FUEL SYSTEM (12A) (S,GS,GSU)	1 - H 7	1950A	MANUAL LINKAGE (AUTOMATIC)			
1 - C 4	1320AA	FUEL SYSTEM (13B) (GSI-SE)	1 - I 7	1960A	GASKET & SEAL KIT (AUTOMATIC)			
1 - E 4	1330A	AIR CLEANER (12A) (S,GS,GSU)						
1 - F 4	1330AA	AIR CLEANER (13B) (GSI-SE)						
1 - G 4	1350A	STARTING ASSIST SYSTEM (12A) (S,GS,GSU) (FEDERAL ONLY)						
1 - H 4	1350AA	STARTING ASSIST SYSTEM (13B) (GSI-SE) (FEDERAL ONLY)						
1 - J 4	1359A	CARBURETOR & REPAIR KIT (12A) (S,GS,GSU)						
1 - J 4	1360A	CARBURETOR COMPONENTS (12A) (S,GS,GSU)						
1 - L 4	1371A	AIR PUMP & AIR CONTROL VALVE (12A) (S,GS,GSU)						
1 - M 4	1371AA	AIR PUMP & AIR CONTROL VALVE (13B) (GSI-SE)						
1 - N 4	1380A	EMISSION CONTROLS (12A) (S,GS,GSU)						
1 - C 5	1380AA	EXHAUST SIDE EMISSION CONTROLS (13B) (GSI-SE)						
1 - E 5	1400A	OIL PUMP & FILTER (12A) (S,GS,GSU)						
1 - F 5	1400AA	OIL PUMP & FILTER (13B) (GSI-SE)						
1 - H 5	1500A	COOLING SYSTEM (12A) (S,GS,GSU)						
1 - I 5	1500AA	COOLING SYSTEM (13B) (GSI-SE)						
1 - K 5	1580A	COMPRESSOR BRACKET, PULLEY & BELT						
1 - L 5	1600A	CLUTCH DISC & COVER						
1 - M 5	1700A	TRANSMISSION CASE (MANUAL)						
1 - C 6	1710A	TRANSMISSION GEARS (MANUAL)						
1 - G 6	1720A	CHANGE CONTROLS (MANUAL)						

1920A-1 TRANSMISSION CASE & MAIN CONTROLS (AUTOMATIC)



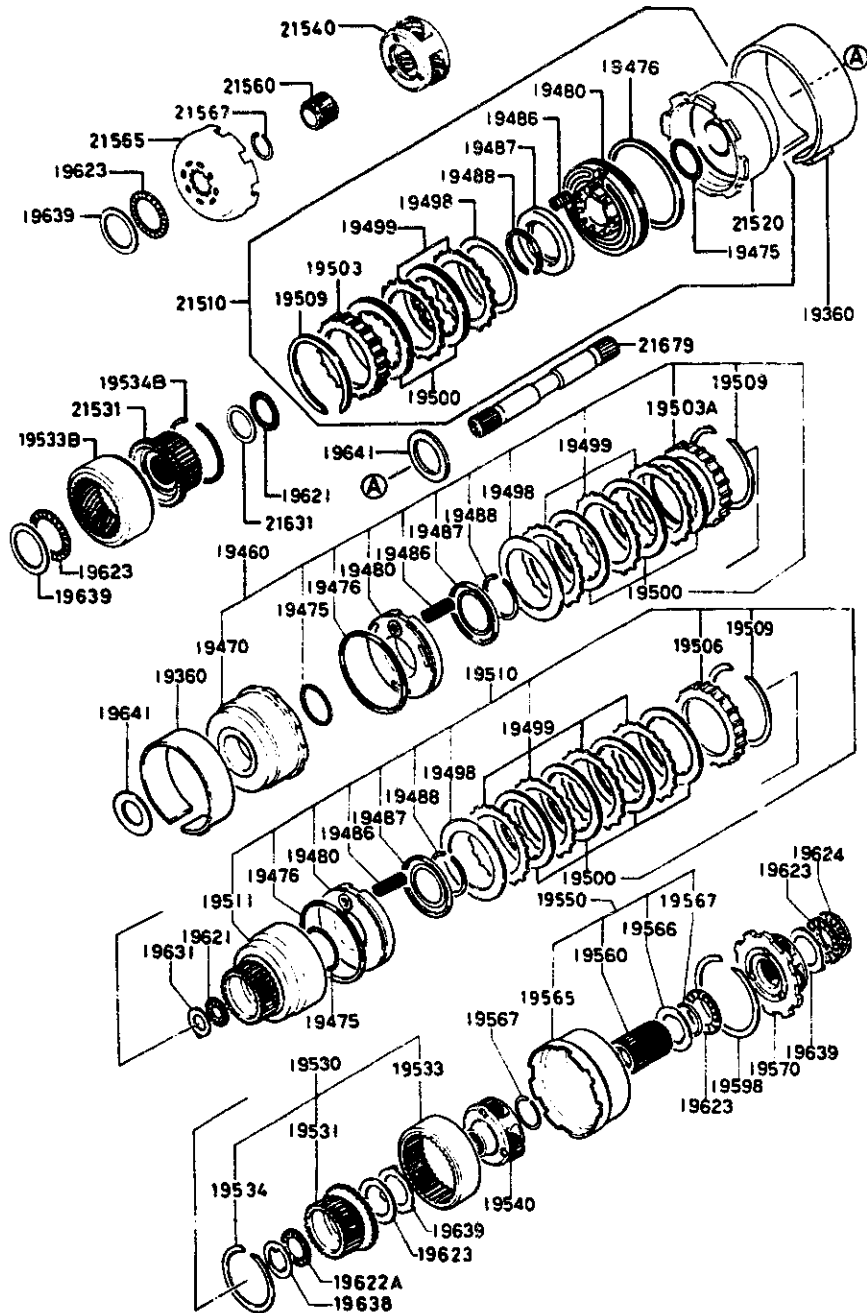
ITEM NO.	D-CODE	DESCRIPTION	PART NO.	QTY	MODEL/DESCRIPTION	REMARKS
19 256A		RING, SEAL	BU01-19-256	4		
19 257A		RING, SEAL	BU01-19-257	2		
19 310		CASE, T/MISSION	BU06-19-310	1		
19 331		PLUG, SQUARE HEAD	0338-19-331A	2		
19 332		CONNECTOR, STRAIGHT	BU01-19-192A	1		
19 335		SEAL, OIL	0437-17-335A	1		
19 336		RACE, INNER	0338-19-336	1		
19 337		WASHER, PLAIN	0338-19-337	8		
19 338		BOLT	0338-19-338	8		
19 344		BREATHER, AIR	0397-19-340	1		
19 361		STRUT, BAND	0338-19-361B	2		
19 363A		SPRING, PISTON RETURN	BU06-19-363	1		
19 381		PISTON, BAND SERVO	0842-19-381	1		
19 381A		PISTON, BAND SERVO	3959-19-381	1		
19 384		SEAL, PISTON	0338-19-384	1		
19 384A		SEAL, PISTON	3959-19-384	1		
19 385		SEAL, PISTON	0338-15-385A	1		
19 385A		SEAL, PISTON	0842-19-385	1		
19 386		STEM, PISTON	0338-19-386A	1		
19 388		WASHER, PLAIN	0338-19-388A	2		
19 389		NUT	0338-19-389	2		
19 391		RETAINER, SERVO	BU01-19-391	1		
19 392		COVER, SERVO	1758-19-392A	1		
19 394		SEAL, LATHE CUT	0842-19-394	1		
19 395		O-RING	0338-19-395	1		
19 396A		GASKET	1758-19-394A	2		
19 397		BOLT	1758-19-397	3		
19 398		BOLT	0338-19-398	3		
19 441		GEAR, DRIVEN	8057-17-441C	1		
19 442		SLEEVE, SPEEDO GEAR	1011-17-442A	1		
19 442J		O-RING	1011-17-443	1		
19 442K		SEAL, OIL	9958-60-8166	1		
19 710		HOUSING, EXTENSION	BU06-19-710	1		
19 735		GASKET, EXTENSION	0338-19-735	1		
19 737		BOLT	0338-19-737	8		
19 739		WASHER, PLAIN	0338-19-739	8		
19 750		VALVE, CONTROL	BU16-19-750A	1		
19 768		VALVE, MANUAL	0338-19-768	1		
19 815		STRAINER, OIL	BU01-19-815	1		
19 822		SEAL, O-RING	0338-19-822	2		

1920A-2 TRANSMISSION CASE & MAIN CONTROLS (AUTOMATIC)



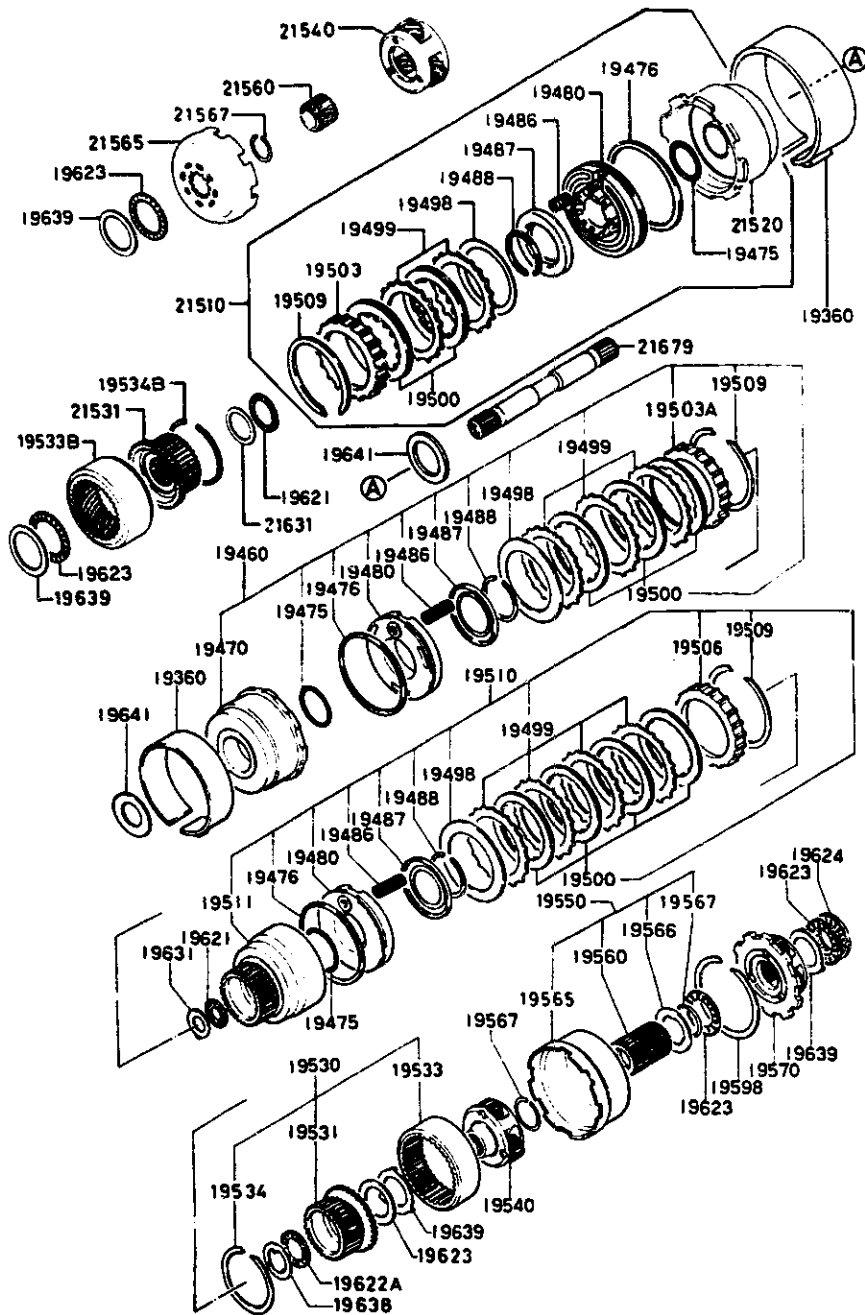
ITEM NO.	D-CODE	DESCRIPTION	PART NO.	QTY	MODEL/DESCRIPTION	REMARKS
19 823		DIAPHRAGM, VACUUM	BT07-19-823	1		
19 825		ROD, DIAPHRAGM	FT01-19-824	1	(L=29.0)	
			0338-19-829	1	(L=29.5)	
			0338-19-825	1	(L=30.0)	
			0338-19-826	1	(L=31.0)	
			0338-19-827	1	(L=31.5)	
19 831		BOLT, CONTROL VALVE	0338-19-831	3		
19 832		BOLT, CONTROL VALVE	0338-19-832	2		
19 833		BOLT, CONTROL VALVE	0338-19-833	2		
19 835		GASKET, OIL PAN	0338-19-835B	1		
19 836		PAN, OIL	0338-19-836A	1		
19 837		BOLT, OIL PAN	0338-19-837	18		
19 870		TUBE, OIL LEVEL	BU06-19-870	1		
19 870J		O-RING	9954-10-1601	1		
19 880		DIPSTICK	BU06-19-880	1		
21 2 2		O-RING	BU01-21-212	1		
21 250		SUPPORT, DRUM	BU10-21-250	1		
21 253		GASKET, DRUM SUPPORT	BU01-21-253	1		
21 255		BOLT	BU01-21-255	5		
21 271		PISTON, ACCUMULATOR	BU10-21-271	1		
21 272		SPRING, ACCUMULATOR	BU01-21-272A	1		
21 273		PLUG, ACCUMULATOR	BU01-21-273	1		
21 274		SEAL, O-RING	BU01-21-274	1		
21 275		SEAL, O-RING	BU10-21-275	1		
21 277		O-RING	BU01-21-277	1		
21 320		CASE, OVER DRIVE	BU05-21-320A	1		
21 322		GASKET, O/DRIVE CASE	BU01-21-322	1		
21 386		STEM, PISTON BAND	BU01-21-386	1		
21 391		RETAINER, SERVO	BU01-21-391	1		
21 395		O-RING	BU01-21-395	2		

1930A-1 CLUTCH & PLANETARY GEAR (AUTOMATIC)



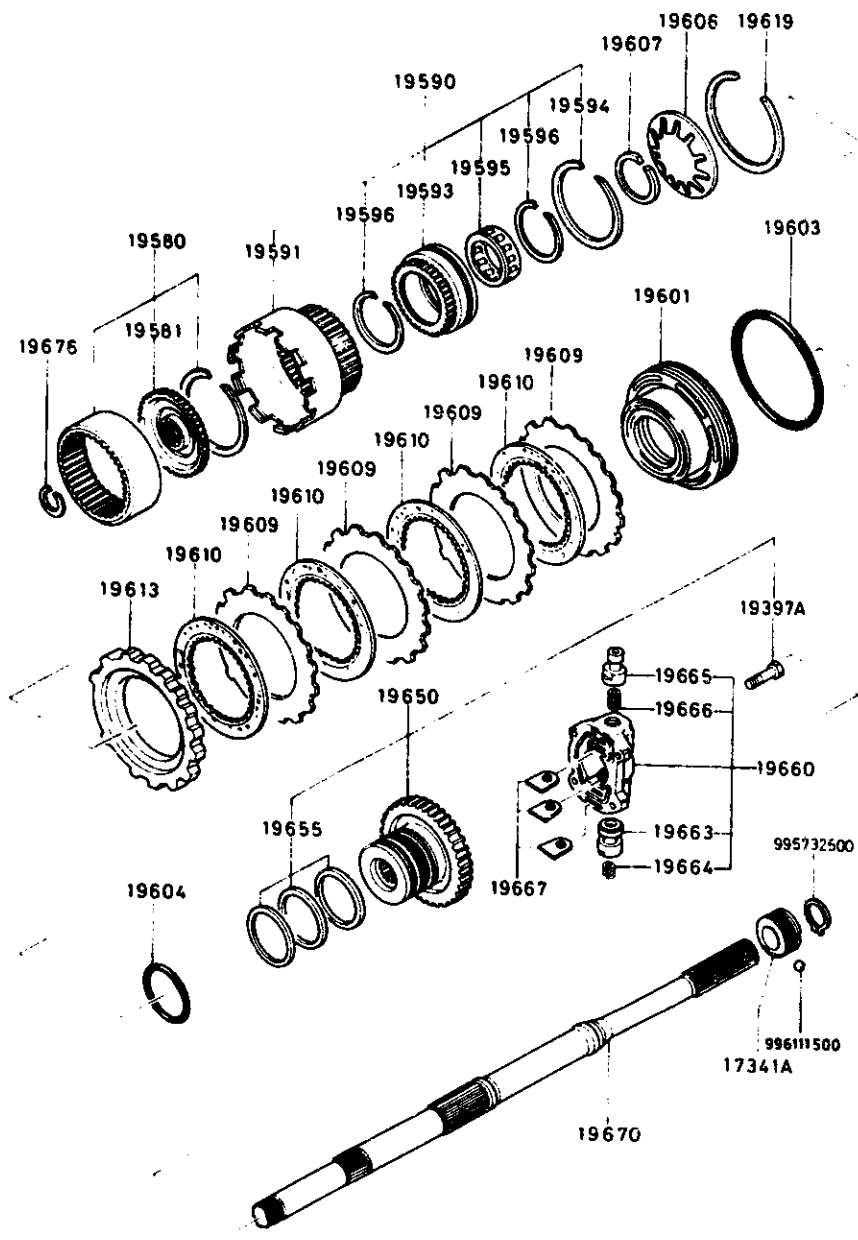
ITEM NO.	D-CODE	DESCRIPTION	PART NO.	QTY	MODEL/DESCRIPTION	REMARKS
		19 360	BAND, BRAKE	0338-19-360B	2	
		19 460	CLUTCH, FRONT	3959-19-460A	1	
		19 470	DRUM, CLUTCH	3959-19-470A	1	
		19 475	SEAL, O-RING	0338-19-475	3	
		19 476	SEAL, LATHE CUT	0338-19-476	3	
		19 480	PISTON, CLUTCH	0338-19-480	3	
		19 486	SPRING, PISTON RETURN	0338-19-486	30	
		19 487	RETAINER, SPRING	0338-19-487	3	
		19 488	RING, SNAP	0338-19-488	3	
		19 498	PLATE, DISHED	BU17-19-498	3	
		19 499	PLATE, DRIVEN	0338-19-499	9	
		19 500	PLATE, DRIVE	BU17-19-500A	9	
		19 503	PLATE, RETAINING	1758-19-503	1	(T=7.2)
				1758-19-504	1	(T=7.4)
				1758-19-505	1	(T=7.6)
				1758-19-506	1	(T=7.8)
				1758-19-507	1	(T=8.0)
				1758-19-508	1	(T=8.2)
		19 503A	PLATE, RETAINING	3959-19-503	1	(T=5.0)
				3959-19-504	1	(T=5.2)
				3959-19-505	1	(T=5.4)
				3959-19-506	1	(T=5.6)
				3959-19-507	1	(T=5.8)
				3959-19-508	1	(T=6.0)
				3959-19-509	1	(T=6.2)
		19 506	PLATE, RETAINING	BU07-19-507	1	
		19 509	RING, SNAP	0338-19-509	3	
		19 510	CLUTCH, REAR	BU07-19-510	1	
		19 511	DRUM, REAR CLUTCH	1758-19-511	1	
		19 530	HUB, REAR CLUTCH	0338-19-530	1	
		19 531	HUB, REAR CLUTCH	0338-19-531	1	
		19 533	GEAR, INTERNAL	0338-19-533A	1	
		19 533B	GEAR, INTERNAL	BU03-19-533	1	
		19 534	RING, SNAP	BU03-19-534	1	
		19 534B	RING SNAP	0338-19-534	1	
		19 540	CARRIER, FRONT	0338-19-540	1	
		19 550	GEAR, SHELL & SUN	0338-19-550	1	
		19 560	GEAR, SUN	0338-19-560	1	
		19 565	SHELL, CONNECTING	0338-19-565	1	
		19 566	RACE, SHELL BEARING	0338-19-566	1	

1930A-2 CLUTCH & PLANETARY GEAR (AUTOMATIC)



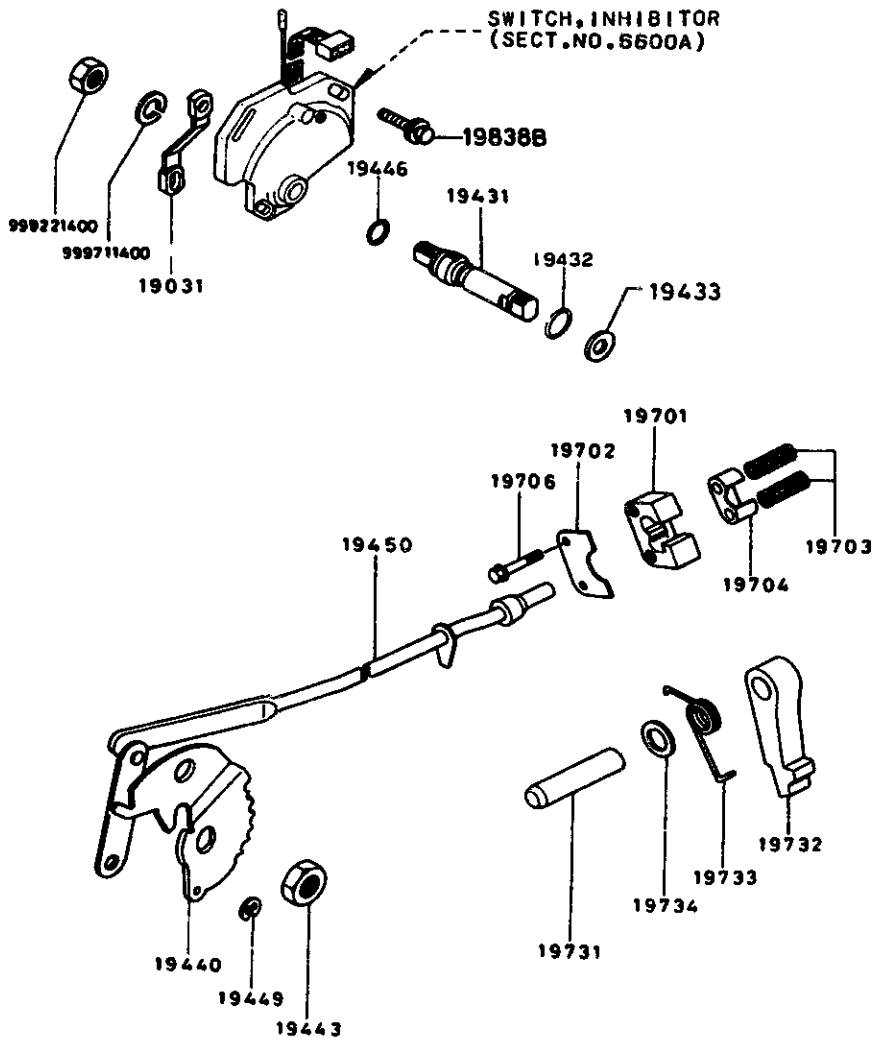
ITEM NO.	D-CODE	DESCRIPTION	PART NO.	QTY	MODEL/DESCRIPTION	REMARKS
19 567		RING, SNAP	0338-19-567	1		
19 570		CARRIER, REAR	0338-19-570	1		
19 598		RING, SNAP	0338-19-598	1		
19 621		BEARING, NEEDLE	0338-19-621	2		
19 622A		BEARING, NEEDLE	0338-19-622	2		
19 623		BEARING, NEEDLE	0338-19-623A	5		
19 624		BEARING, NEEDLE	0338-19-624	1		
19 631		RACE, BRG. PUMP COVER	0338-19-631	1	(T=1.2)	
			0338-19-632	1	(T=1.4)	
			0338-19-633	1	(T=1.6)	
			0338-19-634	1	(T=1.8)	
			0338-19-635	1	(T=2.0)	
			0338-19-636	1	(T=2.2)	
19 638		RACE, BRG. RR. CLUTCH	0436-19-656	2		
19 639		RACE, BEARING	0338-19-639	4		
19 641		WASHER, FRONT CLUTCH	0338-19-648	2	(T=1.3)	
			0338-19-646	2	(T=1.5)	
			0338-19-647	2	(T=1.7)	
			0338-19-641	2	(T=1.9)	
			0338-19-642	2	(T=2.1)	
			0338-19-643	2	(T=2.3)	
			0338-19-644	2	(T=2.5)	
			0338-19-645	2	(T=2.7)	
21 510		CLUTCH, DIRECT	BU03-21-510	1		
21 520		DRUM, DIRECT	BU03-21-520	1		
21 531		HUB, OVERDRIVE CLUTCH	BU03-21-531	1		
21 540		CARRIER, OVER DRIVE	BU03-21-540	1		
21 560		GEAR, OVERDRIVE	BU03-21-560	1		
21 565		CONNECTING, SHELL	BU03-21-565	1		
21 567		RING, SNAP	BU03-21-567	1		
21 631		RACE, BRG. HUB CLUTCH	BU01-21-631	1	(T=1.2)	
			BU01-21-632	1	(T=1.4)	
			BU01-21-633	1	(T=1.6)	
			BU01-21-634	1	(T=1.8)	
			BU01-21-635	1	(T=2.0)	
			BU01-21-636	1	(T=2.2)	
21 679		SHAFT, INTERMEDIATE	BU01-21-679	1		

1940A-1 LOW, REVERSE & GOVERNOR (AUTOMATIC)



ITEM NO.	D-COE?	DESCRIPTION	PART NO.	QTY	MODEL/DESCRIPTION	REMARKS
17 341A		GEAR, SPEEDO. DRIVE	3728-17-341A	1		
19 397A		BOLT	0338-19-398	4		
19 580		FLANGE	0338-19-580	1		
19 581		FLANGE, DRIVE	0338-19-581	1		
19 590		DRUM, CONNECTING	0338-19-590	1		
19 591		DRUM, CONNECTING	0338-19-591	1		
19 593		RACE, OUTER	0338-19-593	1		
19 594		RING, SNAP	0338-19-594	1		
19 595		CLUTCH, ONE-WAY	0338-19-595	1		
19 596		RING, SNAP	0338-19-596	2		
19 601		PISTON, LOW & REVERSE	8708-19-600	1		
19 603		SEAL, PISTON	0338-19-603	1		
19 604		SEAL, O-RING	0338-19-604	1		
19 606		SPRING, PISTON	0338-19-606	1		
19 607		RING, SNAP	0338-19-607	1		
19 609		PLATE, DRIVEN	0338-19-609	4		
19 610		PLATE, DRIVE	0338-19-610A	4		
19 613		PLATE, RETAINING	1758-19-613	1	(T=7.8)	
			1758-19-614	1	(T=8.0)	
			1758-19-615	1	(T=8.2)	
			1758-19-616	1	(T=8.4)	
			1758-19-617	1	(T=8.6)	
			1758-19-618	1	(T=8.8)	
19 619		RING, SNAP	0338-19-619	1		
19 650		DISTRIBUTOR, OIL	0842-19-650	1		
19 655		RING, SEAL	0338-19-655	3		
19 660		GOVERNOR	0842-19-660	1		
19 663		VALVE	0338-19-663	1		
19 664		SPRING	0338-19-664	1		
19 665		VALVE	0842-19-665	1		
19 666		SPRING, GOVERNOR	0338-19-666	1		
19 667		PLATE, RETAINER	0338-19-667	3		
19 670		SHAFT	BU06-19-670	1		
19 676		RING	0338-19-676	1		

1950A-1 MANUAL LINKAGE (AUTOMATIC)

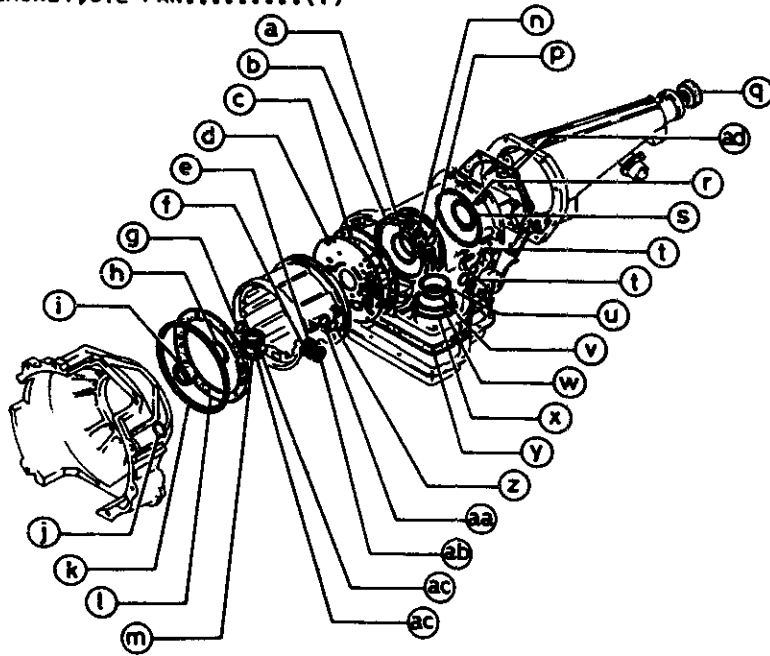


ITEM NO.	D-CODE	DESCRIPTION	PART NO.	QTY	MODEL/DESCRIPTION	REMARKS
19 031		LEVER, SELECT	BU06-19-031	1		
19 431		SHAFT, MANUAL	0338-19-431	1		
19 432		O-RING	0338-19-432	1		
19 433		WASHER	0338-19-433A	1		
19 440		PLATE, MANUAL	0338-19-440	1		
19 443		NUT, SHAFT	0338-19-443	1		
19 446		O-RING	0338-19-446	1		
19 449		RING, SNAP	0338-19-449	1		
19 450		ROD, PARKING	0338-19-450A	1		
19 701		SUPPORTER, ACTUATOR	0338-19-701A	1		
19 702		PLATE, RETAINING	0338-19-702A	1		
19 703		SPRING, BALL PARK	0338-19-703	2		
19 704		RETAINER	0338-19-704	1		
19 706		BOLT	0338-19-706	2		
19 731		SHAFT, PARKING PAWL	0338-19-731	1		
19 732		PAWL, PARKING	0338-19-732	1		
19 733		SPRING, PAWL RETURN	0338-19-733C	1		
19 734		SPACER, DOWEL	0338-19-734A	1		
19 838B		BOLT	1758-19-838	2		

1960A-1 GASKET & SEAL KIT (AUTOMATIC)

22 900

- a-SEAL, "O"RING.....(3)
- b-SEAL.....(3)
- c-GASKET, DRUM SUPPORT.....(1)
- d-GASKET, DRIVE CASE.....(1)
- e-SEAL, "O"RING.....(1)
- f-SEAL, "O"RING.....(1)
- g-RING, "O".....(1)
- h-RING, "O".....(1)
- i-SEAL, OIL.....(1)
- j-RING, "O".....(1)
- k-SEAL.....(1)
- l-GASKET, OIL PUMP.....(1)
- m-RING, "O".....(1)
- n-RING, "O".....(1)
- p-RING, "O".....(1)
- q-SEAL, OIL.....(1)
- r-SEAL, "O"RING.....(1)
- s-SEAL, PISTON.....(1)
- t-SEAL, "O"RING.....(2)
- u-SEAL, PISTON.....(1)
- v-SEAL, PISTON.....(1)
- w-SEAL.....(1)
- x-GASKET.....(1)
- y-GASKET, OIL PAN.....(1)
- z-RING, "O".....(1)
- aa-RING, "O".....(1)
- ab-RING, "O".....(1)
- ac-RING, "O".....(2)
- ad-GASKET, EXTENTION.....(1)



ITEM NO.	D-CODE	DESCRIPTION	PART NO.	QTY	MODEL/DESCRIPTION	REMARKS
	22 900	GASKET & SEAL KIT	BU01-99-190A	1		