

17 Fastener, Bar (2/Side) L LD48-50-311A
R/L BF82-50-233

MAZDA RX7 1986-88

SECTION INDEX

A/C /HEATER.....	467
A/C REFRIGERANT CAPACITIES.....	467
AIR CLEANER.....	466
CENTER CONSOLE.....	469
CLEAR COAT IDENTIFICATION.....	465
CONVERTIBLE TOP.....	471
COOLING.....	466
COWL & DASH.....	469
ELECTRICAL.....	466
EMISSION SYSTEM.....	466
ENGINE/TRANS.....	466
ENGINE/TRANS MOUNTS.....	466
EXHAUST.....	467
FRONT BUMPER.....	465
FRONT DOOR.....	470
FRONT FENDER.....	467
FRONT INNER STRUCTURE.....	467
FRONT LAMPS.....	465
FRONT SEAT.....	470
FRONT SUSPENSION.....	468
FUEL TANK.....	473
HOOD.....	467
INSTRUMENT PANEL.....	469
LIFTGATE.....	472
LUGGAGE LID.....	472
PAINT CODE LOCATION.....	465
QUARTER PANEL.....	472
REAR BODY.....	473
REAR BUMPER.....	474
REAR DRIVE AXLE.....	473
REAR LAMPS.....	473
REAR SUSPENSION.....	473
ROCKER/PILLARS/FLOOR.....	469
ROOF.....	471
SEAT BELTS.....	470
STEERING GEAR.....	469
STEERING LINKAGE.....	468
STEERING PUMP.....	469
STEERING WHEEL/COLUMN.....	468
SUNROOF.....	471
UNDERHOOD DIMENSIONS.....	467
WHEEL.....	468
WINDSHIELD.....	469

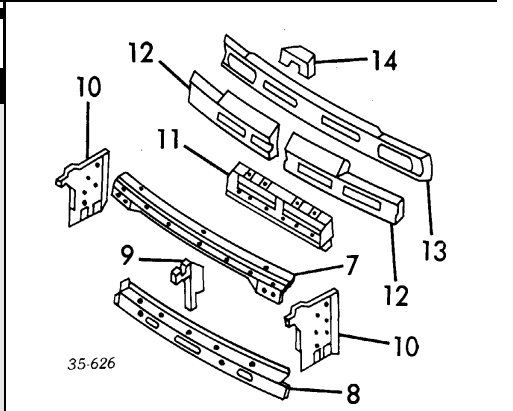
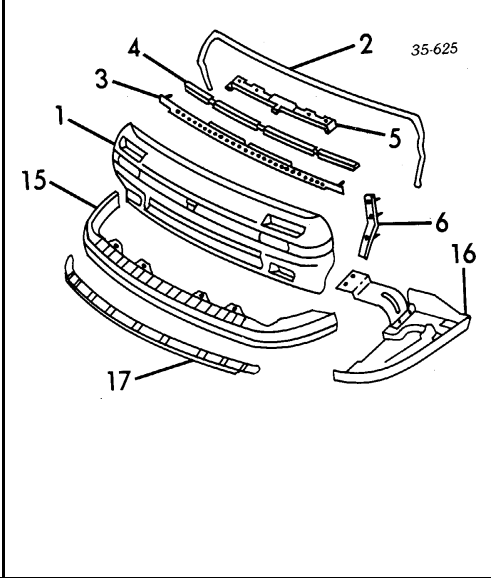
PAINT CODE LOCATION

Paint code located on right side of cowl panel.

CLEAR COAT IDENTIFICATION

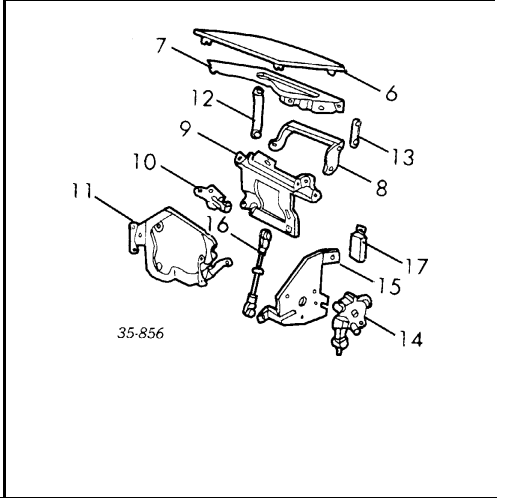
All metallic colors are clear coat.

FRONT BUMPER



1 Cover, Front (P)	FB01-50-031C
(P) Paint to Match	
Decal	
"Mazda"	
Black	FB01-51-711-01
Silver	FB01-51-711-08
2 Weatherstrip, Face Bar	FB01-50-311
3 Retainer, Cover	FB01-50-050A
4 Plate, Cover Mtg	
Center	R FB01-50-05Y
	L FB01-50-06Y
Outer	R FB01-50-110
	L FB01-50-120
5 Seal, Plate	
USA	FB01-50-071
Canada	N.A.
6 Plate, Support	R FB01-50-180
	L FB01-50-190
Support Assy, Cover	
Coupe	FB01-53-170K
Conv	FB67-53-170B
7 Support, Cover Upper]]	FC66-53-180
8 Support, Cover Lower]]	FB01-53-18XA
Bracket, Stay]]	
9 Center	FB01-53-172
10 Outer-Serviced w/Cover Support Assy	
]]Included w/Cover Support Assy	
11 Bracket, Bar	FB01-50-131A
12 Absorber, Impact	
USA	R/L FB01-50-171-2
Canada	R/L N.A.
13 Bar, Reinforcement	
USA	FB01-50-151
Canada	N.A.
14 Arm, Mounting	
USA	R FB01-50-080A
	L FB01-50-090A
Canada	
Coupe	R/L N.A.
Conv	R/L N.A.
Panel, Valance	
15 1 Piece	FB01-50-732
3 Piece	
16 Side	R FB01-51-9K0A
	L FB01-51-9L0A
	FB01-51-9J1A
17 Center	
Bracket, Outer Valance Panel	
Outer	R/L FB01-51-9L2
Inner	R/L FB01-51-9L3
Cover, Passing Lamp	R FB01-51-360B
	L FB01-51-370B
Bracket, License	
USA	FB01-50-140
Canada	N.A.

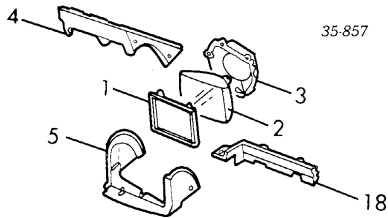
FRONT LAMPS HEADLAMP



MAZDA RX7 1986-88

FRONT LAMPS Cont'd

HEADLAMP Cont'd

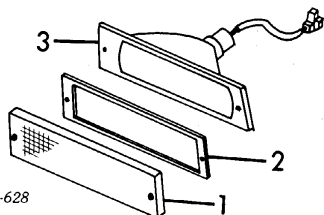


Headlamp Assy		
Standard	R	8BF4-51-030
	L	8BF4-51-040
Halogen	R	8BF1-51-032
	L	8BF1-51-042
1 Ring, Retaining	R/L	BA03-51-033
2 Sealed Beam		
Standard	R/L	0000-11-6052
Halogen	R/L	0000-11-6054
3 Ring, Mounting	R	FB01-51-032
	L	FB01-51-042
*Included w/Headlamp Assy		
Bezel, Headlamp		
4 Upper	R	FB01-51-621A
	L	FB01-51-631A
5 Lower		
w/o H/Lamp Washer	R	FB01-51-622A
	L	FB01-51-632A
w/ H/Lamp Washer	R	FB02-51-622A
	L	FB02-51-632A
6 Lid, Lamp	R	FB01-51-623
	L	FB01-51-633
Hinge Assy, Lamp	R	FB01-51-510F
	L	FB01-51-520F
7 Frame, Lid	R	FB01-51-512
	L	FB01-51-522
8 Arm, Upper Lid	R	FB01-51-515
	L	FB01-51-525
9 Bracket, Lid Hinge	R	FB01-51-511A
	L	FB01-51-512
10 Arm, Lower Lid	R	FB01-51-514
	L	FB01-51-524
11 Housing, Lamp Lid	R	FB01-51-513D
	L	FB01-51-523D
*Included w/Lamp Hinge Assy		
12 Rod, Inner Actuating	R/L	FB01-51-652A
13 Rod, Outer	R/L	FB01-51-651A
14 Motor Assy	R	FB01-51-66X
	L	FB01-51-67X
15 Bracket, Motor	R	FB01-51-662A
	L	FB01-51-672A
16 Rod, Lamp Actuating	R/L	FB01-51-664A
17 Relay, Motor	R/L	FB01-51-663
18 Shield, Lamp	R	FB01-51-411A
	L	FB01-51-421A

HEADLAMP CLEANER

Tank, Washer	FB01-51-812
Bracket, Tank	FB01-51-813
Pump	FB01-51-811
Valve, Check	G113-51-401
Nozzle, Spray	R/L FB01-51-850

PARK/SIGNAL LAMP

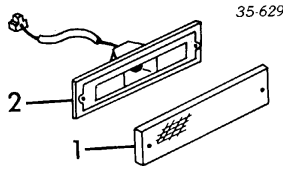


Lamp Assy, Park/Signal	R	8BF1-51-060A
	L	8BF1-51-070A
1 Lens	R	FB01-51-061
	L	FB01-51-071
2 Gasket	R/L	FB01-51-063
3 Housing —Serviced w/Park/Signal Lamp Assy	R/L	0000-11-0194
*Included w/Park/Signal Lamp Assy		

SIDE MARKER LAMP

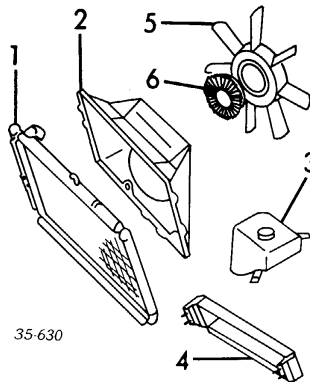
Illustration Located in Next Column

Lamp Assy, Side Marker	R	8BF1-51-120
	L	8BF1-51-130



1 Lens	R	FB01-51-123
	L	FB01-51-133
2 Housing —Serviced w/Side Marker Lamp Assy	R/L	0000-11-0194
*Included w/Side Marker Lamp Assy		

COOLING



Support, Rad-See Front Inner Structure Section		
1 Radiator		
Man Trans	N326-15-200D	
Auto Trans	N327-15-200D	
*Add'l Parts &/or Dealer Contact Required		
Cap, Radiator		
To Ch 527275	D316-15-205	
From Ch 527275	K817-15-205	
	N326-15-211B	
2 Shroud, Fan		
3 Tank Assy, Coolant		
w/o Turbo	N326-15-350A	
w/Turbo	N332-15-350C	
Cap, Tank		
w/o Turbo		
To Ch 129445	N326-15-355A	
From Ch 129445	KF01-15-205	
w/Turbo	N332-15-355	
*Included w/Coolant Tank Assy		
Hose, Rad Upper	N326-15-186B	
Hose, Rad Lower	N326-15-185B	
*Add'l Parts &/or Dealer Contact Required		
4 Cooler, Engine Oil	N326-14-700A	
Fan & Drive Assy	N326-15-140	
5 Fan	N326-15-141	
6 Clutch, Fan	N326-15-150	
*Included w/Fan & Drive Assy		
Fan Assy, Auxiliary	N350-15-035A	
Fan	N326-15-142	
Shroud, Fan	N326-15-15X	
Motor	N326-15-151	
*Included w/Auxiliary Fan Assy		
Belt, Drive (a)	N326-15-908	
(a) Order by Application		
Pump, Water		
w/o Turbo		
Man Trans	8AF2-15-010B	
Auto Trans	8AF3-15-010B	
w/Turbo	8AF4-15-010B	
Pulley, Water Pump	N326-15-131A	

EMISSION SYSTEM

W/O TURBO

Pump, Air	N304-13-710
Pulley, Pump	N304-23-713
Belt, Drive	N304-13-715
Valve, EGR	N326-20-300A
Valve, Thermo	
Man Trans	N304-13-980A
Auto Trans	N326-13-980
Canister, Vapor	N326-13-970

W/TURBO

Pump, Air	N332-13-810
Pulley, Pump—Serviced w/Air Pump	
Belt, Drive	N332-13-813A
Valve, EGR	N332-20-300
Valve, Thermo	N304-13-980A
Canister, Vapor	N326-13-970

ELECTRICAL

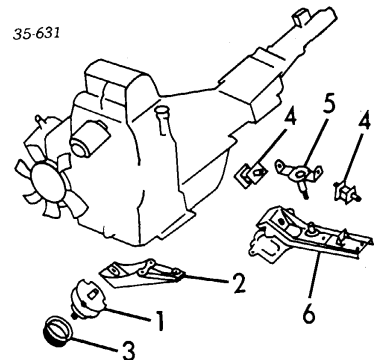
Horn

High Note		
To Ch 118628		FB01-66-780
From Ch 118628		FB03-66-780A
Low Note		
80x2 Decibel		FB01-66-790
100x2 Decibel		H001-66-790B
Coil, Leading Side		N327-18-100
Coil, Trailing Side		N326-18-100B
Module, Main Computer		
Coupe		
To Ch 550168		N3Y6-18-881R
From Ch 550168		N327-18-881R
Conv		N338-18-881R
*Located behind Left Kick Panel		
Alternator Assy		
w/o Turbo		N320-18-300R-00
w/Turbo		N318-18-300R-00
Pulley		N304-24-530A
Regulator, Voltage		E356-18-W70
*Included w/Alternator Assy		
Belt, Drive (a)		N326-15-908
(a) Order by Application		

ENGINE/TRANS

Cover, Front		
w/o Turbo		N326-10-500B
w/Turbo		N318-10-500B
Housing		
w/o Turbo		
Front		N326-10-C00C
Rear		N326-10-C50C
w/Turbo		
Front		N318-10-C00D
Rear		N318-10-C50C
Pan, Eng Oil		
w/o Calif Emission		N326-10-400E
w/Calif Emission		N328-10-400E
Gasket, Eng Oil Pan		N3Y0-10-427
Pump, Fuel		
w/o Turbo		N326-13-350A
w/Turbo		N318-13-350A

ENGINE/TRANS MOUNTS



1 Mount, Front	R/L	FB01-39-040A
2 Bracket, Front Mount	R	FB01-39-021A
	L	FB01-39-031
3 Casing, Stopper	R/L	3975-39-045
4 Mount, Trans		
w/o Turbo	R/L	FB01-39-040A
w/Turbo	R/L	FB01-39-340A
5 Bracket, Trans Mount		
Man Trans		FB01-39-350A
Auto Trans		FB02-39-350A
6 Crossmember, Trans		
w/o Turbo		
Man Trans		FB01-39-370D
Auto Trans		FB02-39-370C
w/Turbo		F044-39-370D

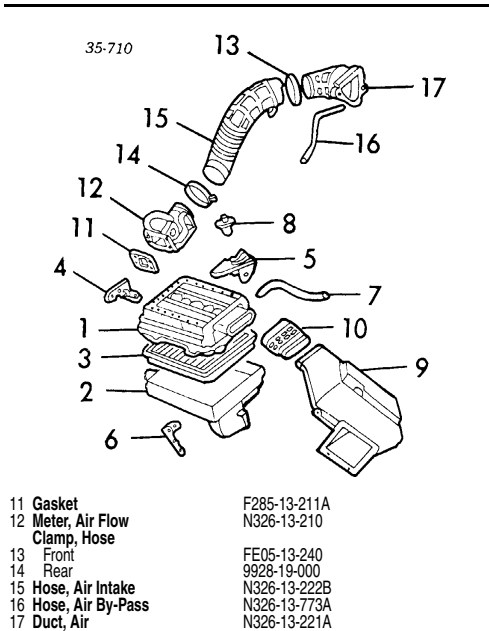
AIR CLEANER

W/O TURBO

Illustration Located in Next Column

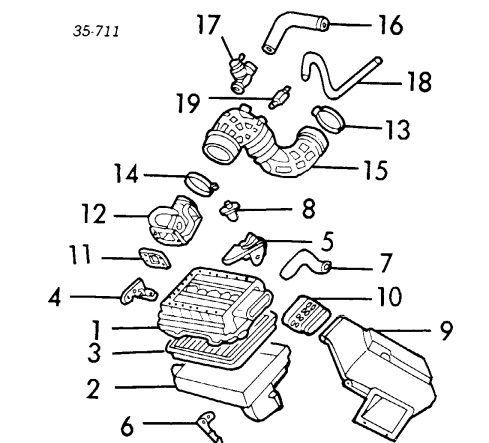
Cleaner Assy, Air	N326-13-320B
1 Cover, Air Cleaner	N326-13-201
2 Body, Air Cleaner —Serviced w/Air Cleaner Assy	
3 Element, Cleaner	N350-13-240-9U
*Included w/Air Cleaner Assy	
Bracket, Air Cleaner	
4 Front	N326-20-200A
5 Right	N326-20-220B
6 Left	N326-20-210A
7 Hose, Air	N326-20-751
8 Resistor, Variable	N323-20-690
Duct, Fresh Air	
9 Outer	N326-13-201D
10 Inner	N326-13-202A

MAZDA RX7 1986-88



- 11 Gasket F285-13-211A
- 12 Meter, Air Flow N326-13-210
- 13 Front FE05-13-240
- 14 Rear 9928-19-000
- 15 Hose, Air Intake N326-13-222B
- 16 Hose, Air By-Pass N326-13-773A
- 17 Duct, Air N326-13-221A

W/TURBO



- Cleaner Assy, Air N326-13-320B
- 1 Cover, Air Cleaner N326-13-Z01
- 2 Body, Air Cleaner, Serviced w/Air Cleaner Assy
- 3 Element, Cleaner N350-13-Z40-9J
- Bracket, Air Cleaner
- 4 Front N326-20-200A
- 5 Right N326-20-220B
- 6 Left N326-20-210A
- 7 Hose, Air N332-20-751B
- 8 Resistor, Variable N323-20-690
- 9 Outer N326-13-201D
- 10 Inner N326-13-202A
- 11 Gasket F285-13-211A
- 12 Meter, Air Flow N318-13-210
- 13 Front 9928-17-000
- 14 Rear 9928-19-000
- 15 Hose, Air Intake N319-13-220A
- 16 Hose, Air By-Pass N318-13-765A
- 17 Valve, Air By-Pass FE67-20-250
- 18 Hose, Ventilation N318-13-743
- 19 Valve, Check N236-13-265

EXHAUST

W/O TURBO

- Manifold, Exhaust N326-13-450
- Converter, Catalytic
- Front N326-20-500A
- Man Trans N327-20-500
- Auto Trans N326-20-550
- Center N326-20-600A
- Rear N326-20-600E
- Pipe, Intermediate N326-40-600E
- Muffler Assy R N332-40-100B
- L N338-40-200C
- R/L N326-40-990C
- Tip, Muffler N326-40-990C
- Included w/Muffler Assy

W/TURBO	
Manifold, Exhaust	N332-13-450A
Pipe, Front	N332-40-500A
Converter, Catalytic	
Front	N332-20-500
Rear	N332-20-600
Pipe, Intermediate	
Coupe	N326-40-600E
Conv	N319-40-600B
Muffler Assy	R N332-40-100F
	L N338-40-200G
Tip, Muffler	R/L N326-40-990A
	Included w/Muffler Assy

A/C REFRIGERANT CAPACITIES

A/C R-12 Refrigerant Capacity
 1986-88
 Nippondenso: 22-25 Ozs (1.37-1.56 Lbs)
 Sanden: 30 Ozs (1.87 Lbs)

A/C /HEATER

AIR CONDITIONING W/O TURBO

Condenser	0000-67-A00A-7A
Compressor	FB04-61-450B
Clutch	0000-67-D20A-6A
Receiver/Drier	0000-67-A90A-6A
Evaporator Assy	0000-67-B10A-6A
Coil, Evaporator	0000-67-B30A-6A
Case, Evaporator Upper	0000-67-B11A-6A
Case, Evaporator Lower	0000-67-B21A-6A
Valve, Expansion	0000-67-B40B-6A
	Included w/Evaporator Assy
Motor, Blower	N.A.

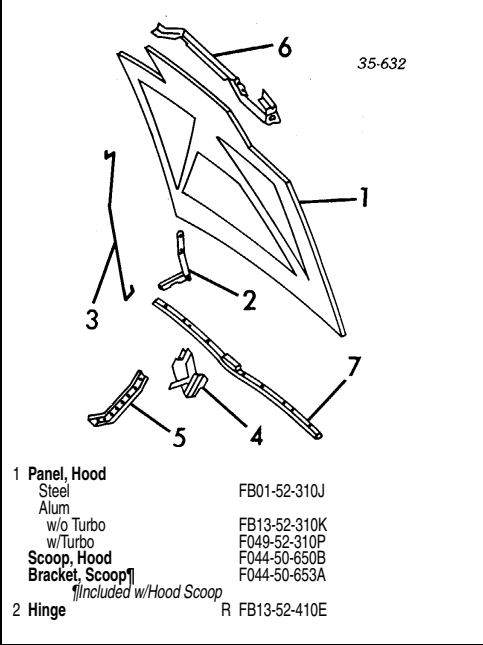
AIR CONDITIONING W/TURBO

Condenser	0000-68-0087-51
Compressor	0000-68-0075-00
Clutch	0000-68-0038-60
Receiver/Drier	0000-68-1002-20
Evaporator Assy	0000-68-0097-81
Evaporator	0000-68-0045-51
Case, Evaporator Upper	0000-68-2046-02
Case, Evaporator Lower	0000-68-2046-10
	Included w/Evaporator Assy
Motor, Blower	N.A.

HEATER

Heater Assy	FB01-61-130C
Core, Heater	FB01-61-A10
Case, Heater	R FB01-61-A01
	L FB01-61-A02
	Included w/Heater Assy
Blower Assy	FB01-61-140F
Case, Blower	R FB01-61-B01
	L FB01-61-B02A
Motor Assy, Blower	UB94-61-B10
Fan, Motor (a)	8871-76-456
	Included w/Blower Motor Assy
Cover, Motor	UB39-61-B40
	Included w/Blower Assy
Duct	FB01-61-150A

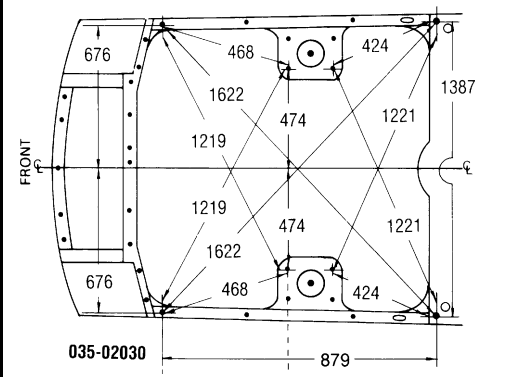
HOOD



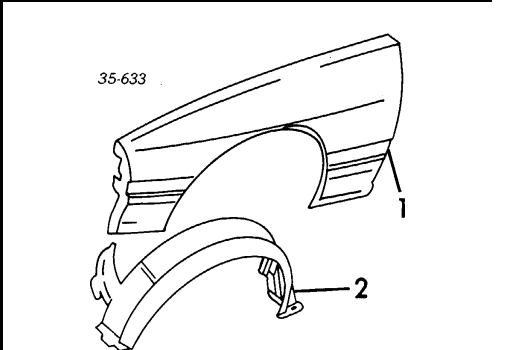
- 1 Panel, Hood
- Steel FB01-52-310J
- Alum
- w/o Turbo FB13-52-310K
- w/Turbo F049-52-310P
- Scoop, Hood F044-50-650B
- Bracket, Scoop F044-50-653A
- Included w/Hood Scoop
- 2 Hinge R FB13-52-410E

3 Rod, Support	L FB13-52-420E
	FB01-52-510D
4 Latch	
Steel Hood	
w/o Theft Deterrent	FB01-56-620E
w/Theft Deterrent	FB02-56-620G
Alum Hood	
w/o Theft Deterrent	FB13-56-620E
w/Theft Deterrent	FB15-56-620G
5 Support, Latch	FB01-56-651
Cable, Release (a)	FB01-56-710C
	(a) Dark Gray listed, Order by Application
	07 D Gray; 10 Red; 48 Blue
6 Seal, Hood Front	FB01-56-770A
7 Seal, Hood Rear	
Coupe	FB01-56-780D
Conv	FB67-56-740
Insulator	
w/o Turbo	FB03-68-661A
w/Turbo	R F046-68-661B
	L F046-68-662A

UNDERHOOD DIMENSIONS



FRONT FENDER



1 Fender	R FB01-52-111C
	L FB01-52-211B
Moulding, Side	
Front	R FB01-50-910
	L FB01-50-920
Rear	R FB02-50-681
	L FB02-50-691
Decal "GT"	
Black	R/L F044-51-761-01
Silver	R/L F044-51-761-08
"GX"	
Black	R/L FB02-51-761-01
Silver	R/L FB02-51-761-08
"GXL"	
Black	R/L FB05-51-761-01
Silver	R/L FB05-51-761-08
"Turbo II"	
Red	R/L FB51-51-761-10
Silver	R/L FB51-51-761-08
2 Skirt	R FC01-56-130
	L FC01-56-140
Tray, Battery	FB01-56-981D

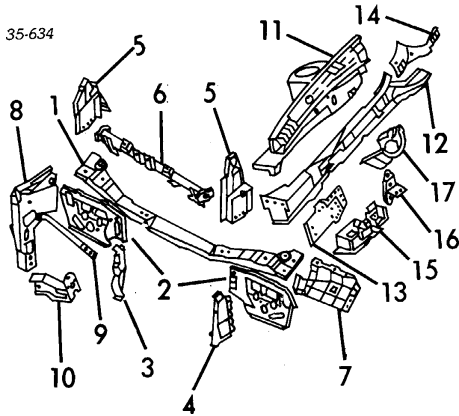
FRONT INNER STRUCTURE

Illustration Located in Next Column

Cover, Engine Under	
Front	FB01-56-111C
Rear	FB43-56-112D
Panel, Rad Shroud Duct	R FB01-56-812
	L FC01-56-811
Tube, Rad Shroud Air	FB01-56-361A

MAZDA RX7 1986-88

FRONT INNER STRUCTURE Cont'd



Support Assy, Radiator

Coupe	FB01-53-100N
To Ch 547831	FB01-53-100N
From Ch 547831	FC66-53-100
Conv	FC66-53-100

1 Bar, Upper Tie

Coupe	FB01-53-150D
Conv	FC66-53-150

Panel Assy, Side

Coupe	R FB01-53-12XD
Conv	L FB01-54-12XE

Conv-Serviced by Components

2 Panel, Side

Coupe (a)	R FB01-53-120C
Conv	L FB01-54-120D
	R FB67-53-12XD
	L FB67-54-12XD

Reinforcement, Side Panel

3 Right	
Coupe (a)	FB01-53-131A
Conv	
Outer	FB67-53-101
Inner	FB67-53-102

4 Left

Coupe (a)	FB01-54-131A
Conv	
Outer	FB67-54-101
Inner	FB67-54-102

5 Bracket, Crossmember

Coupe (a)-Serviced w/Side Panel Assy	
Conv-Serviced w/Radiator Support Assy	
(a) Included w/Side Panel Assy	

6 Crossmember

Coupe	FB01-53-160
Conv	FB67-53-160

†Included w/Radiator Support Assy

7 Panel, Duct

R	FB01-56-812
L	FC01-56-811

8 Bracket, Fender

R	FB01-53-110A
L	FB01-54-110B

Stay, Fender

9 Upper	R FB01-53-192
	L FB01-54-192

10 Lower

R	FC01-53-190
L	FC01-54-190

Apron Assy

Coupe	R FB01-53-200G
w/o ABS	L FB01-54-200L

w/ABS	R FB01-53-200
Conv	L FC49-54-200B
	R FC66-53-200A
	L FB67-54-200H

11 Panel, Apron (a)

Coupe	R FB01-53-210K
w/o ABS	L FB01-54-210P

w/ABS	R FB34-53-210G
Conv	L F044-54-210M
	R FB67-53-210C
	L FC66-54-210A

12 Sidemember Assy, Front (a)

Coupe	R FC01-53-310
Conv	L FC01-54-310

Conv	R FC33-53-310A
	L FC33-54-310A

Bracket, Tie Down Hook (a)

Coupe	FB01-56-311
Conv-Serviced w/Front Sidemember	

†Included w/Front Sidemember Assy

Plate, Closing (a)

13 Front	R FC66-53-240C
	L FC66-54-240C

14 Rear	R FB01-53-250A
	L FB01-54-250A

(a) Included w/Apron Assy

Bracket, Apron

Conv	R FC56-53-59X
	L FC56-54-59X

15 Plate, Seal	R FB01-56-182A
	L FB01-56-181A

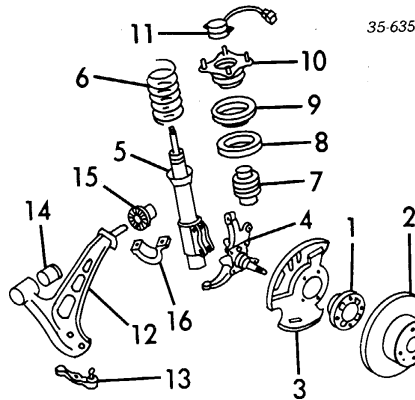
16 Hook, Tie-Down	R FB01-56-221A
-------------------	----------------

17 Bracket, Torque Rod	L FB01-56-231A
Coupe	R FB01-53-391A
	L FB01-54-391A
Conv	R FB67-53-391A
	L FB67-54-391A

WHEEL

Wheel	
w/o Turbo	
14x5-1/2"	
Steel	9965-69-5540
Alum	
To Ch 500010	8BF3-37-192
From Ch 500010	8BF1-37-600
15x6" (Alum)	
To Ch 500010	R 8BF2-37-192
	L 8BF5-37-192
From Ch 500010 to 528625	R 8BF5-37-600
	L 8BF4-37-600
From Ch 528625	R 8BF9-37-600
	L 8BFA-37-600
	8BFF-37-600A
15x6-1/2" (Alum)	
w/Turbo	
15x6" (Alum)	R 8BF2-37-192
	L 8BF5-37-192
15x7" (Alum)	R 8BFD-37-600
	L 8BFE-37-600
16x7"	
To Ch 500010	R 8BF6-37-192
	L 8BF7-37-192
From Ch 500010 to 528625	R 8BF3-37-600
	L 8BFC-37-600
From Ch 528625	R 8BF2-37-600
	L 8BFC-37-600
Cap, Hub	
Coupe	FB02-37-190A
Conv	FB68-37-190
Emblem, Cap	
To Ch 543109	FB01-37-192B
From Ch 543109	F055-37-192

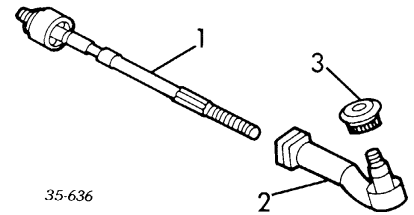
FRONT SUSPENSION



1 Hub Assy	
Hvy Duty	R/L FB05-49-060E
Std Duty	R/L FB01-49-060E
Bearing †Serviced w/Hub Assy	
Seal, Bearing †	R/L FB01-33-065A
†Included w/Hub Assy	
2 Rotor, Brake	
Hvy Duty	R/L FB05-33-251A
Std Duty	R/L FB01-33-251
3 Plate, Backing	
Hvy Duty	R FB05-33-260D
	L FB05-33-270D
Std Duty	R FB01-33-260B
	L FB01-33-270B
Caliper, Brake	
Hvy Duty	R FBY1-33-98ZR
	L FBY1-33-99ZR
Std Duty	R FBY1-33-98ZR
	L FBY1-33-99ZR
Hose, Brake	
w/o ABS	R/L FB01-43-980
w/ABS	R/L FB05-43-810
4 Knuckle	R FB01-33-021B
	L FB01-33-031B
5 Strut Assy	
w/o Turbo	
w/o AAS	
Std Duty	R FB01-34-700C
	L FB01-34-900C
Hvy Duty	R FB44-34-700C
	L FB44-34-900C
w/AAS	R FB52-34-700A-9U
	L FB52-34-900A-9U
w/Turbo	R FB44-34-700C
	L FB44-34-900C
6 Spring, Coil	
w/o Turbo	
Std Duty	R FB01-34-011B
	L FB01-34-021B
Hvy Duty	R FB44-34-011

w/Turbo	L FB44-34-021
	R FB44-34-011
	L FB44-34-021
7 Bumper, Stop	R/L FB01-34-111A
8 Cushion, Spring	R/L FB01-34-012
9 Seat, Spring	R/L FB01-34-341
10 Insulator, Mounting	R/L FB01-34-380C
11 Actuator, AAS	R/L FB07-34-080A
Cap, Mount	R/L FB01-34-019
12 Arm Assy, Lower	R FB01-34-310B
	L FB01-34-360B
	R/L FB01-34-550
13 Ball Joint, Lower	R/L FB01-34-470
Bushing, Lower Arm	R/L FB01-34-460
14 Front	
15 Rear	†Included w/Lower Arm Assy
16 Bracket, Lower Arm	R/L FC01-34-201
Bar, Stabilizer	
Std Duty	FB01-34-151C
Hvy Duty	FB43-34-151C
Link, Stabilizer	R/L FB01-34-170A
Crossmember	
Coupe	FB01-34-800G
Conv	FB67-34-800C

STEERING LINKAGE



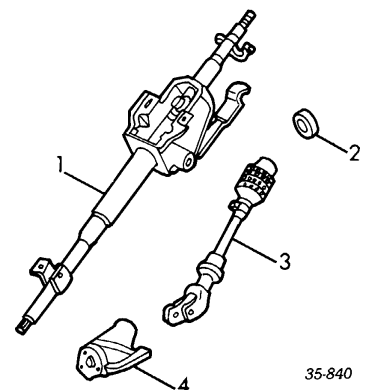
1 Rod, Tie	
Man Strg	R FB02-32-240A
	L FB01-32-240A
Pwr Strg	R/L FB01-32-240A
2 End, Tie Rod	R/L 8AF1-32-280
3 Seal	R/L 8021-32-279

STEERING WHEEL/COLUMN

WHEEL & TRIM

Wheel, Steering (a)	
2 Spoke (Assy)	
Standard	FB01-32-980B
Leather	FB03-32-980B
3 Spoke	
Standard	FB05-32-980D
Leather	FB06-32-980D
(a) Order by Application	
Cover, Horn	
2 Spoke	FB01-32-730
3 Spoke Standard	FB05-32-801
3 Spoke Leather	FB06-32-801
†Included w/2 Spoke Steering Wheel Assy	
Emblem, Cover	
2 Spoke	FB01-32-800A
3 Spoke	F044-32-800

COLUMN



Cover, Lock Housing	
Upper	FB01-60-221A
Lower	FB01-60-230A
Lock Assy	FB01-76-290
Switch, Ignition †	FB01-66-151
†Included w/Lock Assy	
1 Shaft, Strg Upper	
w/o Tilt	FB01-32-100
w/Tilt	FB05-32-100B
2 Cover, Lever	FB01-32-411A
3 Shaft, Intermediate	FB05-32-090F
4 Cover, Steering Shaft	FB01-32-210

MAZDA RX7 1986-88

STEERING GEAR

Gear Assy	
Man Strg	FB01-32-110F
Pwr Strg	FB78-32-110C
Housing	
Man Strg	FB01-32-120
Pwr Strg	FB05-32-120A
Rack	
Man Strg	FB01-32-119
Pwr Strg	FB05-32-119
Boot, Rack	R/L FB01-32-125-6
Pinion	
Man Strg	FB01-32-122
Pwr Strg	FB05-32-380
†Included w/Gear Assy	

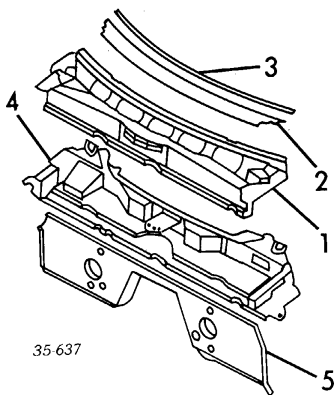
STEERING PUMP

Pump, Steering	FB78-32-600B
Pulley	FB05-32-620A
Belt, Drive	N304-13-715
Hose, Pressure	FB05-32-490E
Hose, Return	FB05-32-471

WINDSHIELD

Glass, Windshield	
Mazda	
Tint w/o Sunshade	FB01-63-901C
w/o Antenna	FB02-63-901E
w/Antenna	
Tint w/Sunshade	
Weatherstrip	GA7B-50-899
Moulding, Reveal	
Upper	FB01-50-601A
Side/Corner	R 8AF1-50-860
	L 8AF1-50-870
Moulding, Inside Garnish	
Coupe (a)	R FB01-68-170A-07
	L FB01-68-190A-07
Conv	
Blue	R FB67-68-160A-48
	L FB67-68-170A-48
Dark Gray	R FB67-68-160A-09
	L FB67-68-170A-09
(a) Dark Gray listed, Order by Application	
07 Dark Gray; 10 Red; 48 Blue	
Mirror, Rear View	
Coupe	FB35-69-220F-00
Conv	FB68-69-220B-07
Visor, Sun (b)	
R	FB31-69-270C-07
L	FB34-69-320B-07
(b) Dark Gray listed, Order by Application	
07 Dark Gray; 10 Red; 48 Blue	
Blade, Wiper	R/L KA78-67-330B
Arm, Wiper	R FB02-67-321A
	L FB01-67-321B
Link, Wiper	FB06-67-360
Motor, Wiper	FB01-67-350A
Reservoir & Pump Assy	
1.5L Eng	FB41-67-4T0
2.5L Eng	FB03-67-4T0C
5.7L Eng	FB05-67-4T0C
Reservoir	
1.5L, 2.5L Eng	FB01-67-481
5.7L Eng	FB05-67-481A
Pump	
1.5L, 2.5L Eng	FB05-67-482A
5.7L Eng	FB05-67-482A
†Included w/Reservoir Assy	
Nozzle, Spray	R/L FB01-67-510

COWL & DASH

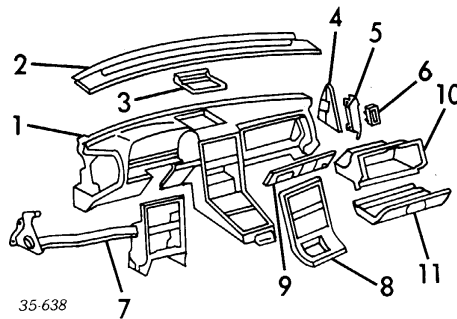


35-637

1 Panel, Cowl	
Coupe	FB01-70-610L
Conv	FB67-70-610E
2 Grille Assy, Cowl	FB01-50-790B
3 Moulding, Grille	FB01-50-792
†Included w/Cowl Grille Assy	
4 Panel, Dash Upper	
Coupe	FB01-53-510C
Conv	FC66-53-510

5 Panel, Dash Lower	
Coupe†	FB05-54-400H
Conv	FB67-54-400E
†Order by Application	
Bracket, Dash Panel	
Conv	
Front	R FB67-70-654
	L FB67-71-654
Side	R FB67-70-260
	L FB67-71-260

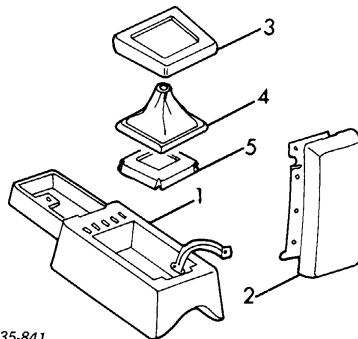
INSTRUMENT PANEL



35-638

1 Panel, Instrument (a)	
USA	FB01-60-350E-07
Canada	N.A.
2 Panel, Upper (a)	FB01-60-720A-07
3 Bezel, Clock (a)	FB01-55-715A-07
4 Cover, Side (a)	R FB01-64-912-07
	L FB01-64-922-07
(a) Dark Gray listed, Order by Application	
07 Dark Gray; 10 Red; 48 Blue	
5 Panel, Side	R FB01-64-911A
	L FB01-64-921A
6 Seal, Side Panel	R FB01-64-913
	L FB01-64-923
Frame, Instrument Panel	
Coupe	FB01-60-420G
Conv	FB67-60-420F
8 Panel, Center	
w/o CD Player	FB01-55-210C
w/CD Player	FB05-55-210B
9 Cover, Lower (b)	FB01-64-270A-07
10 Glove Box	
GT, GX	FB01-64-161A
GXL	FB02-64-161A
11 Door, Glove Box (b)	FB01-64-030-07
(b) Dark Gray listed, Order by Application	
07 Dark Gray; 10 Red; 48 Blue	

CENTER CONSOLE



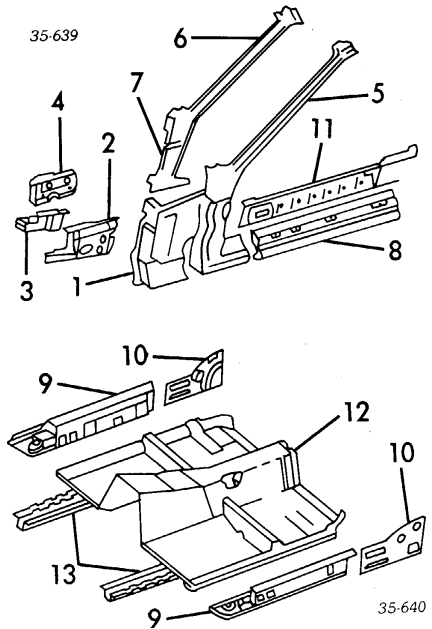
35-841

1 Console Assy	FB01-64-410C-48
2 Lid, Console (a)	FB01-64-440B-48
†Blue listed, Order by Application	
07 Dark Gray; 10 Red; 48 Blue	
(a) Included w/Console Assy	
Plate Assy, Upper	FB01-64-331A
3 Plate, Upper	†Serviced w/Upper Plate Assy
4 Boot, Change Lever	FB01-64-331A
5 Base, Boot	FB01-64-491
†Included w/Upper Plate Assy	

ROCKER/PILLARS/FLOOR

COUPE

Illustration Located in Next Column



35-640

1 Panel, Cowl Side	R FB01-70-210E
	L FB01-71-210F
Reinforcement, Cowl Side	
2 Outer	R FB01-53-287A
	L FB01-54-287A
3 Inner	R FB01-53-289
	L FB01-54-289
4 Plate, Locking	R FB01-53-592B
	L FB01-54-592B
Panel, Cowl Trim	
Dark Gray	R FB01-68-370-07
	L FB01-68-390-07
Red	R FB01-68-370-10
	L FB01-68-390-10
Blue	R FB01-68-370-48
	L FB01-68-390-48
5 Pillar, Hinge Outer	R FBY1-70-210D
	L FBY1-71-210D
Pillar, Hinge Inner	
6 Upper	R FC11-70-240
	L FC11-71-240
7 Lower	R FB01-70-020
	L FB01-71-020
Panel, Rocker	
8 Outer	R FCY1-70-271B
	L FCY1-71-271B
9 Inner	R FB01-53-951
	L FB01-54-950
Plate, Scuff	
Dark Gray	R FB01-68-710A-07
	L FB01-68-720A-07
Red	R FB01-68-710A-10
	L FB01-68-720A-10
Blue	R FB01-68-710A-48
	L FB01-68-720A-48
Spoiler Extension Assy, Spoiler	0000-86-2086
Bracket, Spoiler Extension	R FB01-51-9B0A
	L FB01-51-9C0A
Bracket, Spoiler Extension	
Outer	R/L FB01-51-9L3
Inner	R/L FB01-51-9L2
†Included w/Spoiler Extension Assy	
10 Ext, Inner Rocker	R FC01-53-790
	L FC01-54-790
11 Reinf, Rocker	R FB01-70-273
	L FB01-71-273
12 Pan, Front Floor	
Man Trans	FB01-53-600F
Auto Trans	FB02-53-600F
13 Sidemember, Center	R FC01-53-660
	L FC01-54-660

CONV

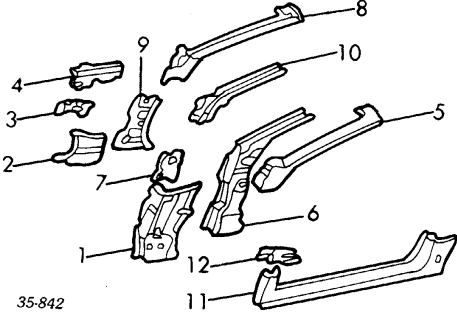
Illustration Located in Next Column

1 Panel, Cowl Side	R FB67-70-230C
	L FB67-71-230C
Reinforcement, Cowl Side	
2 Outer	R FB67-53-287
	L FB67-54-287
3 Inner	R FB01-53-289
	L FB01-54-289
4 Plate, Locking	R FB67-53-592
	L FB67-54-592
Panel, Cowl Trim	
Dark Gray	R FB01-68-370-07

MAZDA RX7 1986-88

ROCKER/PILLARS/FLOOR Cont'd

CONV Cont'd



35-842

Red	L	FB01-68-390-07
	R	FB01-68-370-10
Blue	L	FB01-68-390-10
	R	FB01-68-370-48
	L	FB01-68-390-48

Pillar, Hinge Outer

5 Upper	R	FB67-70-220C
	L	FB67-71-220C
6 Lower	R	FB67-70-210A
	L	FB67-71-210A

Rail, Drip

R	FB67-70-222A
L	FB67-71-222A

7 Gusset, Hinge Pillar

R	FB67-53-698
L	FB67-54-698

Pillar, Hinge Inner

8 Upper	R	FB67-70-240B
	L	FB67-71-240B
9 Lower	R	FB67-70-020C
	L	FB67-71-020C

10 Reinforcement, Hinge Pillar Inner

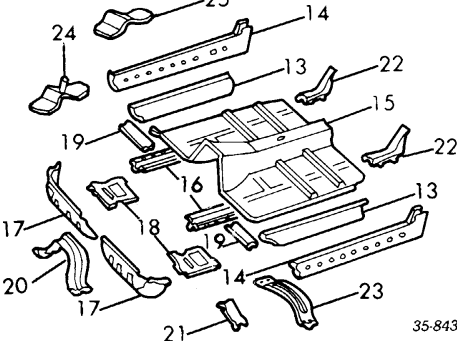
R	FB67-70-246B
L	FB67-71-246B

11 Panel, Rocker Outer

R	FC33-70-270A
L	FC33-71-270A

12 Brkt, Rocker Otr Panel

R	FB67-70-272
L	FB67-71-272



35-843

13 Panel, Rocker Inner	R	FB67-53-950
	L	FB67-54-950

Plate, Scuff

Gray	R	FB67-68-710-07
	L	FB67-68-720-07
Blue	R	FB67-68-710-48
	L	FB67-68-720-48

14 Reinforcement, Rocker Panel Inner

R	FB67-53-790
L	FB67-54-790

15 Pan Assy, Front Floor

FC33-53-600A

16 Sidemember, Center

R	FB67-53-660
L	FB67-54-660

†Included w/Front Floor Pan Assy

Reinforcement, Floor

17 Front	R	FB67-53-603A
	L	FB67-54-603A
18 Center	R	FB67-53-606
	L	FB67-54-606
19 Rear	R	FB67-53-607A
	L	FB67-54-607A

20 Reinforcement, Tunnel Gusset, Front Floor

21 Front	R/L	FB67-53-790
22 Rear	R/L	FB67-53-98XA
23 Member, Front Floor Support, Control Unit		FB67-56-74XA

24 Right (2)

FB01-53-685

25 Left (2)

FB01-54-685

FRONT SEAT

Adjuster, Guide

Driver		
Outer		
Coupe		FB01-88-153B

Conv		FB67-88-153
Inner		FB01-88-152B
Passenger		
Outer		
Coupe		
w/o Cloth Cover		FB01-88-102B
w/Cloth Cover		FB04-88-102B
Conv		FB67-88-102
Inner		FB01-88-103B

Adjuster, Recline

Driver		
Coupe		BF80-88-151
Conv		FB01-88-151
Passenger		
Coupe		BF80-88-101
Conv		FB01-88-101

SEAT BELTS

Belt, Seat Front

Buckle Side		
Dark Gray	R	FB10-57-620C-07
	L	FB10-57-680A-07
Red	R	FB10-57-620C-10
	L	FB10-57-680A-10
Blue	R	FB10-57-620C-48
	L	FB10-57-680A-48

Belt Side

Coupe		RF40-57-630A-48
Conv		RF05-57-690C-48

Dark Gray

R	FB67-57-630B-07
L	FB67-57-690B-07

Blue

R	FB67-57-630B-48
L	FB67-57-690B-48

†Blue listed, Order by Application

Belt Assy, Seat Rear

Buckle Side		
Dark Gray	R/L	FB10-57-710-07
Red	R/L	FB10-57-710-10
Blue	R/L	FB10-57-710-48

Retractor Side

Dark Gray	R/L	FB10-57-720-07
Red	R/L	FB10-57-720-10
Blue	R/L	FB10-57-720-48

†Included w/Rear Seat Belt Assy

FRONT DOOR SHEET METAL

Shell Assy, Door (a)

Coupe	R	FB05-58-020H
	L	FB05-59-020H
Conv	R	FB67-58-020L
	L	FB67-59-020L

(a) Models Equipped w/CD Player Require Replacement of Front Window Guide

Panel, Door Repair

Coupe	R	FB01-58-031D
	L	FB01-59-031D
Conv	R	FB67-58-031C
	L	FB67-59-031C

†Included w/Door Shell Assy

EXTERIOR TRIM

Moulding, Window Reveal

Coupe	R	FB01-50-981B
	L	FB01-50-985B
Conv	R	FB67-50-981A
	L	FB67-50-985A

Mldg, Side (Adhesive)

R	FB02-50-682
L	FB02-50-692

Mirror, Rear View

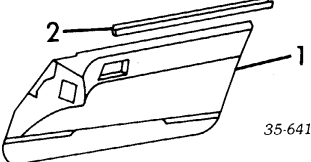
w/o Turbo		
Manual	R	FB01-69-110B
	L	FB01-69-170B
Remote	R	FB11-69-110D
	L	FB11-69-170D
w/Turbo (a)	R	FB45-69-110A-NP
	L	FB45-69-170A-NP

(a) Pure Red listed, Order by Application
J5 Arctic Silver Metallic; K8 Tornado Silver Metallic; NP Pure Red; PZ Brilliant Black; WU Dover White; 1A Satin Gold Metallic; 3A Royal Maroon; 5A Sapphire Blue Metallic

Bracket, Mirror

w/o Turbo	R	F044-69-124A
	L	F044-69-184A

INTERIOR TRIM



35-641

1 Panel, Trim (a)		
w/o Turbo	R	FB04-68-420A-07
	L	FB04-68-450A-07
w/Turbo	R	FB44-68-420A-07
	L	FB44-68-450A-07

Armrest (a)

w/o Turbo	R	FB01-69-370-07
	L	FB01-69-390-07
w/Turbo	R/L	FB02-69-370-07

Pocket, Trim (a)

R	FB03-68-427-07
L	FB03-68-457-07

(a) Dark Gray listed, Order by Application
07 Dark Gray; 10 Red; 48 Blue

2 Weatherstrip, Belt Inner

Coupe	R	FB01-58-821
	L	FB01-59-821

HARDWARE

Latch

w/o CD Speaker Brkt	R	FB05-58-310A
	L	FB05-59-310A
w/CD Speaker Brkt	R	FB05-58-310A
	L	FB05-59-310A

Striker

R/L	B001-58-361A
-----	--------------

Cylinder & Key

R	FB01-76-210B
L	FB01-76-220B
R	FB01-58-410C-K8
L	FB01-59-410C-K8

†Tornado Silver Metallic listed, Order by Application
J5 Arctic Silver Metallic; K8 Tornado Silver Metallic; NP Pure Red; WU Dover White; 1A Satin Gold Metallic; 3A Royal Maroon; 5A Sapphire Blue Metallic

Handle, Outer

R	FB01-58-330B-07
L	FB01-59-330B-07

(a) Dark Gray listed, Order by Application
07 Dark Gray; 10 Red; 48 Blue

Hinge, Upper

R	B156-59-240
L	B156-58-240

Hinge, Lower

R	B092-58-240
L	B092-59-240

Check, Door Weatherstrip

R/L	FB01-58-270B
-----	--------------

Coupe

R	FB01-58-760C
L	FB01-59-760C

Conv

R	FB67-58-760B
L	FB67-59-760B

Welt, Seaming

Coupe		
Dark Gray	R	FB01-68-911-07
	L	FB01-68-912-07
Red	R	FB01-68-911-10
	L	FB01-68-912-10
Blue	R	FB01-68-911-48
	L	FB01-68-912-48

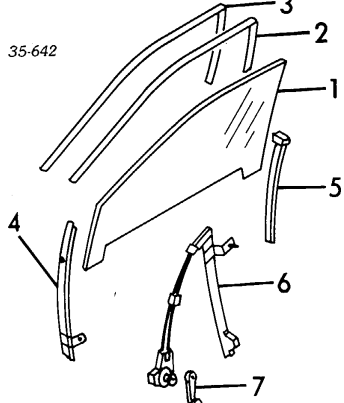
Conv

Front	R	FB67-68-911C-07
Gray	L	FB67-68-912C-07
Blue	R	FB67-68-911C-48
	L	FB67-68-912C-48

Rear

Gray	R	FB67-68-921A-07
	L	FB67-68-922A-07
Blue	R	FB67-68-921A-48
	L	FB67-68-922A-48

GLASS & PARTS COUPE



35-642

1 Glass, Front Door Mazda (Tint)	R	FB01-58-511
	L	FB01-59-511
2 Run Assy, Glass	R	FB01-58-60XD
	L	FB01-59-60XD
3 Retainer, Glass Run	R/L	FB01-58-606A

†Included w/Glass Run Assy

Guide, Glass

4 Front	R	FB01-58-603B
	L	FB01-59-603A
5 Rear	R	FB01-58-604A
	L	FB01-59-604A

W/Strip, Belt Outer

R	FB01-58-810
L	FB01-59-810

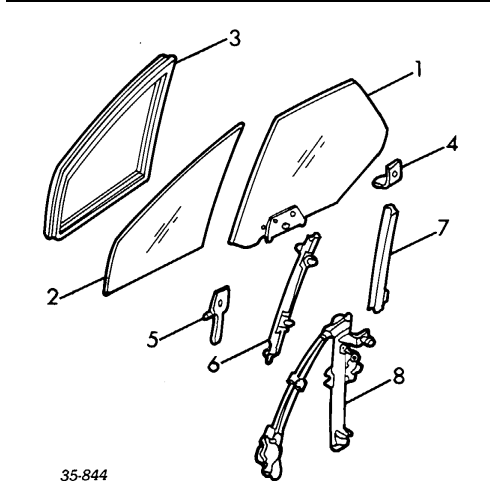
W/Strip, Belt Inner-See Interior Trim Section

6 Regulator

Manual	R	FB01-58-560E
	L	FB01-59-560E

Power (Assy)	R FB05-58-560J L FB05-59-560J
Motor, Regulator†	R FB05-58-58X L FB05-59-58X
†Included w/Power Regulator Assy	
7 Handle, Regulator (a)	B092-58-580-09
(a) Dark Gray listed, Order by Application	
07 Dark Gray; 10 Red; 48 Blue	

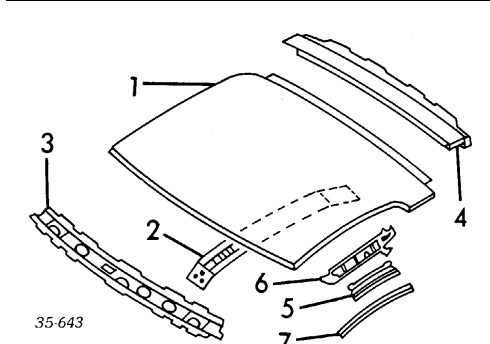
GLASS & PARTS CONV



35-844

1 Glass, Front Door Mazda (Tint)	R FB67-58-510C L FB67-59-510C
2 Glass, Front Vent Mazda (Tint)	R FB67-58-661B L FB67-59-661B
3 W/Strip, Vent	R FB67-58-651 L FB67-59-651
4 Protector, Sash	R FB67-58-877B L FB67-59-877B
5 Stopper, Glass Guide, Glass	R/L H272-58-911
6 Front	R FB67-58-61XB L FB67-59-61XB
7 Rear	R FB67-58-6A0A L FB67-59-6A0A
8 Regulator	R FB67-58-560B L FB67-59-560B
Motor, Regulator	R/L N.A.

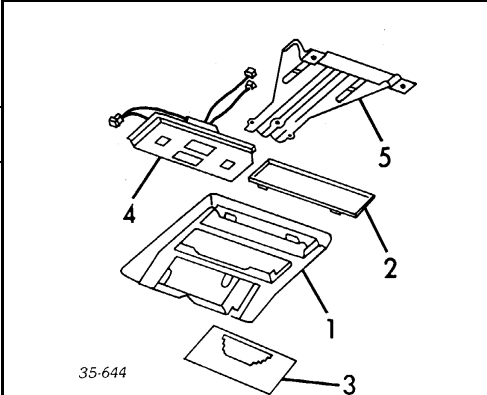
ROOF



35-643

1 Panel, Roof w/o Sunroof w/Sunroof	FC01-70-601 FC03-70-601
2 Reinforcement, Center Panel, Header	FB01-70-609A
3 Front	FB01-70-640A
4 Rear	FC01-70-700
Rail, Side	
5 Outer	R FBY1-70-251A L FBY1-71-251A
6 Inner w/o Sunroof w/Sunroof	R FC01-70-050 L FC01-71-050
7 Rail, Drip	R FB01-70-321A L FB01-71-321A
Weatherstrip, Drip Rail	R FB01-58-831E L FB01-59-831E
Band Kit, Targa Headliner†	0000-86-2586 FB02-68-030-48
Moulding, Inside Garnish†	
Front	FB01-68-020-48
Rear	FB01-68-040-48
†Blue listed, Order by Application	

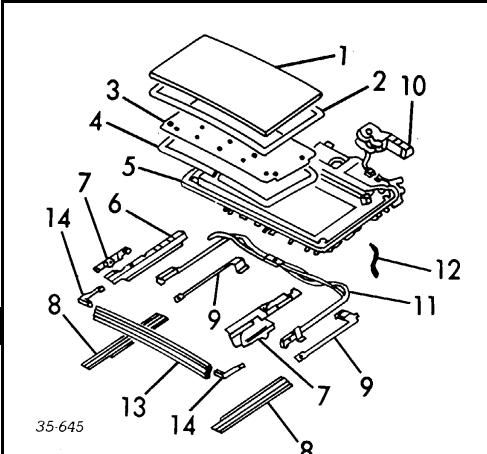
OVERHEAD CONSOLE



35-644

Console Assy, Overhead (a) w/o Spot Lamp w/Spot Lamp w/o Sunroof w/Sunroof	FB01-69-870-07 FB02-69-870A-07 FB03-69-870A-07
(a) Dark Gray listed, Order by Application	
07 Dark Gray; 10 Red; 48 Blue	
1 Console†-Serviced w/Overhead Console Assy	FB01-69-872-07
2 Panel, Cover†	FB01-69-873
3 Lens, Lamp†	FB01-69-873
4 Body & Wire†-Serviced w/Overhead Console Assy	FB01-69-874
†Included w/Overhead Console Assy	
5 Bracket, Console	FB01-69-874

SUNROOF



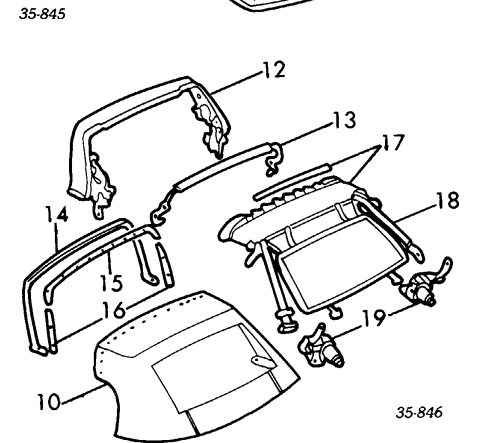
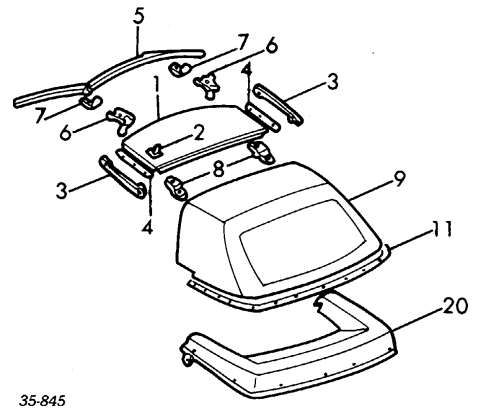
35-645

1 Panel, Sliding	FB03-69-810H
2 Weatherstrip	FB03-69-895C
3 Panel, Trim	Dark Gray FB03-69-860C-07 Red FB03-69-860C-10 Blue FB03-69-860C-48
4 Welt, Seam	Dark Gray FB03-69-915A-07 Red FB03-69-915A-10 Blue FB03-69-915A-48
5 Frame	FB03-69-831J
6 Plate, Guide	R FB03-69-838C L FB03-69-839C
7 Guide, Rear	R FB03-69-842A L FB03-69-843A
8 Rail, Guide	R FB03-69-832C L FB03-69-833C
9 Cable, Slide	R/L FB03-69-865-6
10 Motor	FB03-69-848B
11 Bracket, Drive Unit	FB03-69-844A
12 Handle	R/L FB03-69-982
13 Deflector	FB03-69-845
14 Link, Deflector	R FB03-69-846B L FB03-69-847B

CONVERTIBLE TOP

Illustration Located in Next Column

1 Panel, Roof Front	FC23-R1-2Y0A
2 Cover, Roof Panel Headliner	FC33-R1-217
Dark Gray	FB67-68-03XB-07
Blue	FB67-68-03XB-48
Moulding, Inside Garnish	
Front	



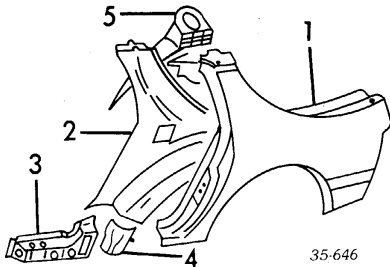
35-845

Dark Gray	FB67-68-020A-07
Blue	FB67-68-020A-48
Side	
Dark Gray	R/L FB67-68-032-07
Blue	R/L FB67-68-032-48
Bag, Roof Panel	FB67-68-095A
3 W/Strip, Roof Panel	R FC54-R1-951B L FC54-R1-952B
4 Retainer, Weatherstrip	R FB67-R1-930A L FB67-R1-940A
Header, Front	
Outer	FB67-70-631B
Inner	FB67-70-640A
5 Weatherstrip, Header	FB67-R1-711F
6 Latch, Roof Panel	R FB67-R1-860D L FB67-R1-870D
7 Striker	R FB67-R1-881C L FB67-R1-882C
8 Latch, Folding Top	Dark Gray R/L FB67-R1-910H-09 Blue R/L FB67-R1-910H-48 L FB67-R1-920E
Cover, Latch	Dark Gray R FB67-68-28XA-09 Blue L FB67-68-29XA-09 R FB67-68-28XB-48 L FB67-68-29XB-48
Top, Rear Folding	
9 Outer	Dark Gray FC23-R1-210 Blue FC23-R1-210
10 Inner	Dark Gray FB67-R1-212C-07 Blue FB67-R1-212C-48
11 Retainer, Folding Top	FB67-R1-214A
12 Bar Assy, Front Roll	FB67-R1-100
13 Bar, Rear Roll-Serviced w/Front Roll Bar Assy	
Trim, Upper Roll Bar	Gray FB67-68-21XC-07 Blue FB67-68-21XC-48
Trim, Side Roll Bar	Gray
Blue	R FB67-68-24YA-09 L FB67-68-25YA-09 R FB67-68-24YA-48 L FB67-68-25YA-48
14 Weatherstrip, Roll Bar	FB67-R1-721E
15 Retainer, Upper Weatherstrip	FB67-R1-911A
16 Retainer, Side Weatherstrip	R FB67-R1-912A L FB67-R1-913A
17 Insulator, Folding Top	FB67-R1-213
18 Frame, Back Window Window, Back	FB67-R1-421B
Weatherstrip, Glass	FB67-63-931A
Motor, Folding Top	FB67-63-932B
Blue	R FB67-R1-510D L FB67-R1-520B
20 Boot, Folding Top	Gray/Red FB67-R1-960G-07 Blue FB67-R1-960G-48

MAZDA RX7 1986-88

QUARTER PANEL

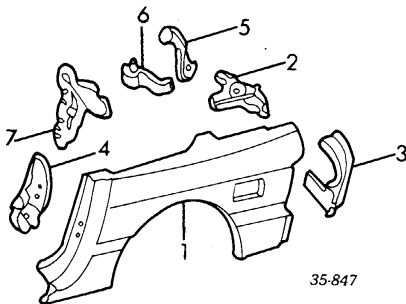
SHEET METAL COUPE



35-646

- 1 Panel, Outer R FBY4-70-400E
L FBY4-71-400C
- Door, Fuel Latch, Fuel Door Cable, Release FB01-42-410B
- Antenna Panel Assy, Inner R FB01-56-890A
L FB01-56-870B
- 0000-81-930A
- R FC11-70-100B
L FC11-71-100B
- 2 Panel, Inner†-Serviced w/Inner Panel Assy
- 3 Plate, Joint† R FB01-70-114A
L FB01-71-114A
- 4 Plate, End† R FC01-70-113
L FC01-71-113
- Panel, Wheelhouse† Outer-Serviced w/Inner Panel Assy
- 5 Inner R FC01-70-150B
L FC01-71-150B
- Plate, Rear Lower† (a) R FB01-70-112A
L FB01-71-112D
- Protector, Splash Shield† (a) Right FB01-70-118A
Left FB01-71-118A
- †Included w/Inner Panel Assy
(a) Included w/Wheelhouse Panel

SHEET METAL CONV

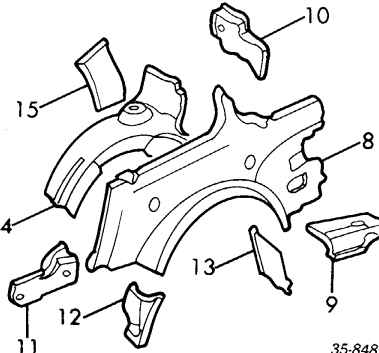


35-847

- 1 Panel Assy, Outer R FC33-70-400A
L FC33-71-400A
- 2 Plate, Corner† R FB67-70-441A
L FB67-71-441A
- 3 Housing, Lamp† R FB67-70-491A
L FB67-71-491A
- †Included w/Outer Panel Assy
- Door, Fuel Latch, Fuel Door Cable, Release FB01-42-410B
- Antenna, Power 0000-81-9301
- 4 Reinf, Striker R FB67-70-420
L FB67-71-420
- 5 Reinforcement, Rear R FB67-70-169A
L FB67-71-169A
- 6 Bracket, Stay R FB67-52-750
L FB67-52-760
- 7 Bracket, Roll Bar R FB67-70-130D
L FB67-71-130D

Illustration Located in Next Column

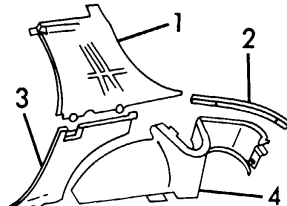
- Panel Assy, Inner R FC33-70-100A
L FC33-71-100A
- 8 Panel, Inner†-Serviced w/Inner Panel Assy
- 9 Panel, Lower† R FB01-70-112A
L FB01-71-112D
- 10 Plate, Rear Corner† R FB67-70-160B
L FB67-71-160B
- 11 Plate, Joint† R FB67-70-114
L FB67-71-114
- 12 Plate, Seal† R FB67-70-113
L FB67-71-113
- 13 Protector, Splash Shield† Right FB01-70-118A



35-848

- Left Panel, Wheelhouse† FB01-71-118A
- Outer-Serviced w/Inner Panel Assy
- 14 Inner R FB67-70-150D
L FB67-71-150D
- †Included w/Inner Panel Assy
- 15 Gusset, Wheelhouse R FB67-70-690A
L FB67-71-690A

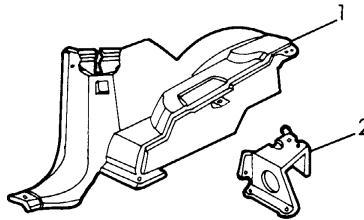
INTERIOR TRIM COUPE



35-647

- Panel, Trim (a) 1 Upper Front R FB01-68-110A-07
L FB01-68-120A-07
- 2 Upper Rear R FB01-68-860-07
L FB01-68-870-07
- 3 Lower Front R FB01-68-520A-07
L FB01-68-550A-07
- 4 Lower Rear R FB01-68-86YB-07
L FB01-68-87YB-07
- (a) Dark Gray listed, Order by Application
07 D Gray; 10 Red; 48 Blue;

INTERIOR TRIM CONV



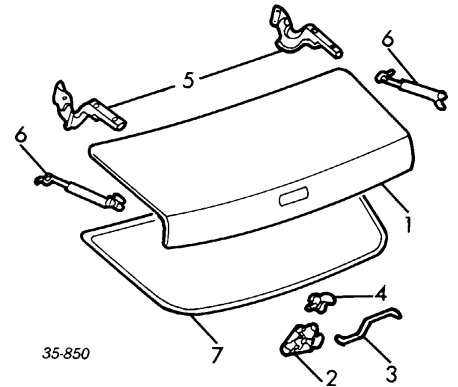
35-849

- 1 Panel, Trim Dark Gray/Gray R FB67-68-520E-07
L FB67-68-550E-07
- Blue R/L FB67-68-520E-48
- 2 Bracket, Trim Panel Panel, Package Tray Bracket, Tray R FB67-70-512
L FB67-71-512

EXTERIOR TRIM

- Moulding, Side Front (Adhesive) R FB02-50-683
L FB02-50-693
- Rear R FB01-50-930
L FB01-50-940
- Moulding, Drip Rear R FB01-50-942A
L FB01-50-943A
- Grille, Extractor R F044-51-910A
L F044-51-930A

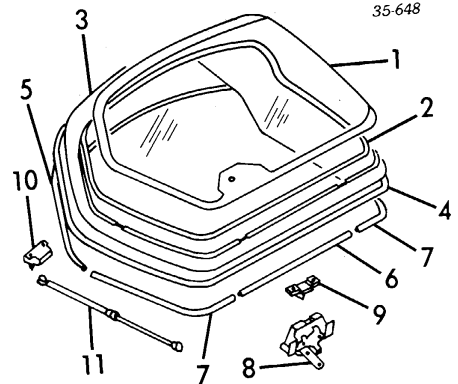
LUGGAGE LID



35-850

- 1 Lid Nameplate "Mazda" FB67-52-610C
- "Mazda RX-7" FB02-51-740
- 2 Latch Assy FB02-51-720
- 3 Rod, Lid Opening† FB67-56-820A
FB67-56-835A
- †Included w/Latch Assy
- 4 Striker Cylinder w/Key FB67-56-840
- 5 Hinge FB68-76-230
- R FB67-52-710A
- L FB67-52-720A
- 6 Stay, Support R 8BF1-56-860
L 8BF1-56-870
- Lever Assy FB67-56-920G
- Cable, Lever† FB67-56-930F
- †Included w/Lever Assy
- Weatherstrip, Lid FB67-56-952
- Spoiler 0000-86-2186

LIFTGATE

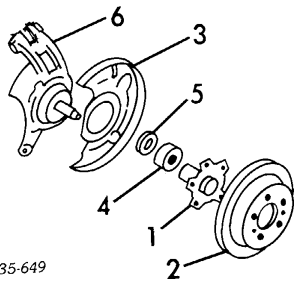


35-648

- 1 Glass, Liftgate Mazda w/o Wiper FB01-63-930
- w/Wiper FB02-63-930
- Moulding, Reveal Joint, Moulding FB01-50-611C
- Weatherstrip, Glass FB01-50-615D
- 2 Frame Assy, Glass FB01-62-761C
- w/o Wiper FB01-62-020E
- w/Wiper FB02-62-020E
- Spoiler FB01-51-960A
- 4 Weatherstrip FB01-50-896
- Welt, Seaming
- 5 Upper FB01-62-911C
- Lower
- 6 Center w/o Wiper FB01-62-913C
- w/Wiper FB02-62-913B
- 7 Outer R FB01-62-912B
L FB01-63-912C
- 8 Latch R FB01-62-310D
L FB01-63-310E
- Bracket, Latch-See Rear Body Section
- 9 Striker FB01-62-361B
- Lock, Control FB01-62-350E
- Switch, Lock Cylinder FB02-62-496A
- Cylinder & Key-See Rear Body Section
- Cable, Release FB01-56-880C
- 10 Hinge† R/L FB01-62-210D
- †Included w/Glass Frame Assy
- 11 Support (a) R/L 8BF1-62-620
- (a) Order by Application
- Blade, Wiper FB02-67-330
- Arm, Wiper FC01-67-421
- Motor, Wiper FB02-67-450A
- Pump/Reservoir Assy FB02-67-480A
- Pump† 8532-76-672

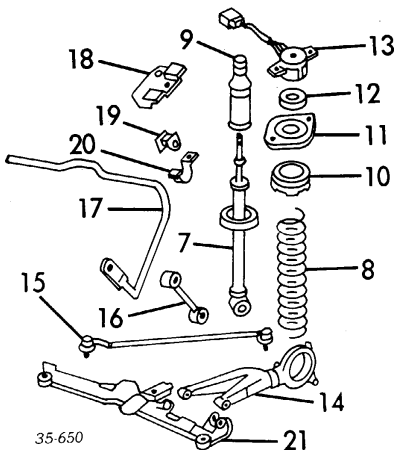
Reservoir **¶** Serviced w/Pump/Reservoir Assy
 ¶Included w/Pump/Reservoir Assy
 Nozzle, Spray DX52-67-510

REAR SUSPENSION



35-649

- 1 Flange, Axle
Std Duty R/L FB01-26-240
Hvy Duty R/L FB05-26-240A
- 2 Rotor, Brake
Std Duty R/L FB01-26-251A
Hvy Duty R/L FB05-26-251A
- 3 Plate, Backing R/L FB01-26-261B
- 4 Bearing, Axle R/L GA2A-33-047D-MV
- 5 Seal, Bearing
Caliper, Brake
Std Duty R/L FB01-26-065A
- Hvy Duty R FB01-26-610B
L FB01-26-710B
- Hvy Duty R FB05-26-610B
L FBY5-26-99ZR
- Hose, Brake R/L FB01-43-810B
- 6 Hub, Toe Control R FB01-49-130
L FB01-49-140



35-650

- 7 Strut
w/o Turbo R/L FB44-28-700C
Std Duty R/L FB44-28-700C
Hvy Duty R/L FB44-28-700C
- 8 Spring, Coil R/L FB01-28-011A
- 9 Bumper, Stop R/L FB01-28-014
- 10 Seat, Spring R/L FB01-28-040
- 11 Plate, Mounting R/L FB01-28-050
- 12 Pad, Plate Mtg R/L FB01-28-030A
- 13 Actuator, AAS R/L FB07-28-080B
- 14 Arm, Control R F070-28-300
L FB43-28-350D
- Bushing, Lower Arm (4) R/L FB01-28-460
- 15 Link, Lateral R/L FB01-28-200A
- 16 Link, Control R/L FB01-28-170B
- 17 Bar, Stabilizer
Std Duty FB01-28-151B
Hvy Duty FB43-28-151C
- 18 Bracket, Bar R/L FB01-28-160A
- 19 Bushing, Bar
Std Duty R/L FB01-28-156
Hvy Duty R/L FB43-28-156A
- 20 Plate, Bushing R/L FB01-28-155
- 21 Crossmember FB43-28-800G

REAR DRIVE AXLE

- Shaft Assy, Axle
w/o Turbo R/L M030-25-500C
w/Turbo R/L M040-25-500D
- Boot Kit, Joint
w/o Turbo R/L M030-22-530A
Outer R/L M030-22-540A
Inner R/L M030-22-540A
- w/Turbo R/L M040-22-530B
Outer R/L M040-22-540A
Inner R/L M040-22-540A
- Joint Set **¶**
w/o Turbo R/L M030-22-510A
Outer R/L M030-22-510A

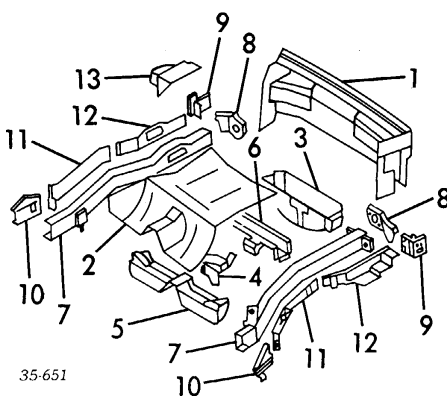
- Inner R/L M030-22-520A
w/Turbo R/L M040-22-510B
- Outer R/L M040-22-510B
- Inner R/L M040-22-520A
- ¶Included w/Axle Shaft Assy

FUEL TANK

- Tank, Fuel FB01-42-110D
- Cap, Filler FC01-42-250
- Pipe, Filler FB01-42-210
- Gauge, Tank Unit FB01-60-960B

REAR BODY

COUPE



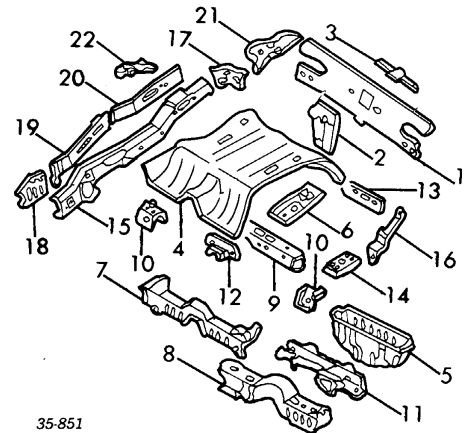
35-651

- 1 Panel Assy, Rear **¶** FC01-70-75X
¶Add'l Parts &/or Dealer Contact Required
- Panel, Qtr Extension **¶** R FB01-70-77X
L FB01-71-771A
- ¶Included w/Rear Panel Assy
- Bracket, Latch R FB01-70-760C
L FB01-71-760B
- Panel Assy, Finish
Reinforcement, Finish Panel **¶**
Upper FB01-50-853
Lower FB01-50-854
- Protector, Finish Panel **¶** FB01-50-852A
- ¶Included w/Finish Panel Assy
- Decal
"Mazda"
Black
To Ch 130380 FB01-51-712-01
From Ch 130380 FB02-51-712-08
- Silver
"Mazda RX-7"
Gray/Black
To Ch 130380 FB01-51-721A-05
From Ch 130380 FB02-51-720
- Silver FB01-51-721A-06
- Cylinder w/Key FB01-76-260
- 2 Pan, Rear Floor FC01-53-710A
- 3 Pan, Spare Tire FB01-53-760H
- Crossmember
4 Upper FC01-53-910
5 Lower FB01-53-920C
- 6 Crossmember, Rear FC01-53-930A
- 7 Sidemember, Rear R FC11-53-810A
L FB01-54-810K
- 8 Plate, Seal R FB01-53-731B
L FB01-54-731B
- 9 Bracket, Support R FB01-53-895B
L FB01-54-895B
- Plate, Closing
10 Front R FB01-53-796
L FB01-54-796
- 11 Center R FC01-53-74X
L FC01-54-74X
- 12 Rear R FC01-53-75Y
L FC01-54-75Y
- 13 Extension, Rear Floor FB01-53-732A

CONV

Illustration Located in Next Column

- 1 Panel Assy, Rear End FC33-70-750A
- 2 Member, Rear End **¶** FC33-70-750A
- ¶Included w/Rear End Panel Assy
- 3 Reinforcement, Latch FB67-56-890
- Panel Assy, Finish FB67-50-850B
- Reinforcement, Finish Panel **¶**
Upper FB67-50-853
Side R FB67-50-855A
L FB67-50-856A
- Lower FB67-50-855A
- Protector, Finish Panel **¶**
Upper FB67-50-852
Side R/L FB67-50-857A



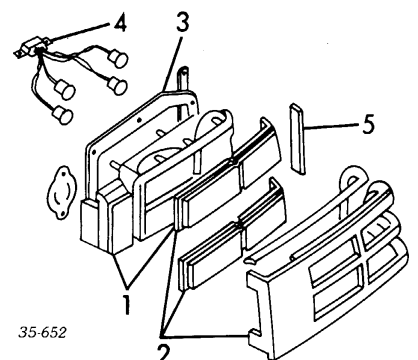
35-851

¶Included w/Finish Panel Assy

- Panel, Inner Trim
End (Dark Gray) FB67-68-891B-07
Side (Dark Gray) R FB67-68-861-07
L FB67-68-871-07
- 4 Pan, Rear Floor FC01-53-710A
- 5 Pan, Spare Tire FB67-53-760B
- 6 Reinf, Spare Tire Pan FB67-53-92X
- Crossmember
7 Upper FC01-53-910
- 8 Lower FC33-53-920
- Reinforcement, Upper Crossmember
9 Center FC66-53-910
- 10 Side R FB67-53-917
L FB67-54-917
- 11 Crossmember, Rear FC01-53-930A
- 12 Reinforcement, Tunnel FB67-53-918
- 13 Panel, Bulkhead FB67-53-726A
- 14 Bracket, Folding Top Motor
Right FB67-53-94X
Left FB67-54-94X
- 15 Sidemember, Rear R FB67-53-810C
L FB67-54-810B
- 16 Sidemember, Rear Upper
Right FB67-53-81XA
Left FB67-54-81XA
- 17 Plate, Seal R FB01-53-731B
L FB01-54-731B
- Plate, Closing
18 Front R FB01-53-796
L FB01-54-796
- 19 Center R FB67-53-74XA
L FB67-54-74XA
- 20 Rear R FC33-53-75X
L FC33-54-75X
- 21 Extension, Rear Floor FB01-53-732A
- 22 Bracket, Silencer R FB67-53-750A
L FB67-54-750A

REAR LAMPS

COMBINATION LAMP



35-652

- Lamp Assy, Combination
Coupe (a) R 8BF1-51-150
L 8BF1-51-160
- Conv R 8BF7-51-150
L 8BF7-51-160
- (a) Includes License Lamp
- 1 Housing & Lens Assy **¶**
Coupe R FB01-51-170
L FB01-51-180
- Conv R FB67-51-170
L FB67-51-180
- 2 Lens & Bezel **¶** (b)
Coupe R FB01-51-170
L FB01-51-180
- Conv R FB67-51-170
L FB67-51-180

MAZDA RX7 1989-91

REAR LAMPS Cont'd

COMBINATION LAMP Cont'd

(b) Included w/Housing & Lens Assy

3 Gasket†	R/L FB01-51-156
4 Socket w/Wire†	R/L FB01-51-158
Bulb, Back-Up/Signal†	R/L 0000-11-1156
Bulb, Tail/Stop†	R/L 0000-11-1157
5 Moulding, Lamp†	
Coupe	R/L FB01-51-171
Conv	R/L FB34-51-171
Reinforcement, Lamp†	
Upper	R FB01-51-175
Lower	L FB01-51-185
	R FB01-51-176
	L FB01-51-186

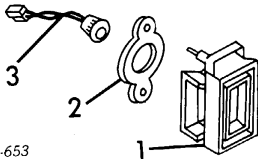
†Included w/Combination Lamp Assy

HIGH MOUNT STOP LAMP

Lamp Assy, Stop (a) (b)	FB01-51-580B
(a) Coupe-Located on Rear Body	
(b) Convertible-Located on Luggage Lid	
Lens†	FB01-51-583A
Housing†	FB01-51-586
Gasket†	FB01-51-582A
Socket†	FB01-51-584A
Bulb†	0000-11-1157

†Included w/Stop Lamp Assy

LICENSE LAMP COUPE

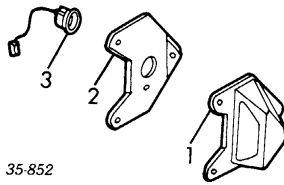


35-653

1 Housing†	R FB01-51-154
	L FB01-51-164
2 Bracket†	R/L FB01-51-157
3 Socket w/Wire†	R/L FB01-51-172
Bulb†	R/L 9970-12-089

†Included w/Tail Lamp Assy

LICENSE LAMP CONV

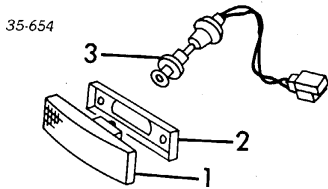


35-852

1 Lamp Assy, License	R/L 8BF1-51-270
2 Shade, Lamp†	R/L FB67-51-276
3 Socket w/Wire†	R/L FB67-51-272
Bulb†	R/L 0000-11-0089

†Included w/License Lamp Assy

SIDE MARKER LAMP



35-654

Lamp Assy, Side Marker	R 8BF1-51-550
	L 8BF1-51-560
1 Lens†	R FB01-51-555
	L FB01-51-565
2 Gasket†	R/L FB01-51-552A
3 Socket w/Wire†	R/L FB01-51-554
Bulb†	R/L 0000-11-0194

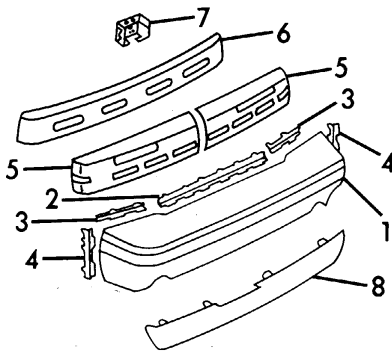
†Included w/Side Marker Lamp Assy

REAR BUMPER

USA

Illustration Located in Next Column

1 Cover, Rear (P)	FB01-50-221
-------------------	-------------

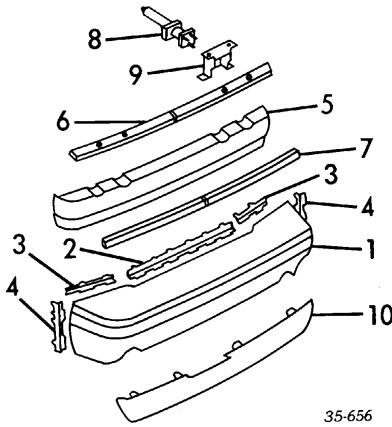


35-655

(P) Paint to Match

Plate, Cover Mounting	
2 Center	FB01-50-350
3 Outer	R FB01-50-360
	L FB01-50-370
4 Plate, Support	R FB01-50-380
	L FB01-50-390
5 Absorber, Impact	R/L FB01-50-341-2
6 Bar, Reinforcement	FB01-50-330B
7 Arm, Mounting	R FB01-50-280
	L FB01-50-290
8 Spoiler, Air	0000-86-2786

CANADA



35-656

1 Cover, Rear (P)	FB01-50-221
(P) Paint to Match	
Plate, Cover Mtg	
2 Center	FB01-50-350
3 Outer	R FB01-50-360
	L FB01-50-370
4 Plate, Support	R FB01-50-380
	L FB01-50-390
5 Bar, Reinforcement	N.A.
Spacer, Bar	
6 Upper	R FB11-50-351
	L FB11-50-352
7 Lower	FB11-50-342
8 Absorber, Impact	R/L N.A.
9 Plate, Absorber	R/L N.A.
10 Spoiler, Air	0000-86-2786

MAZDA RX7 1989-91

SECTION INDEX

A/C /HEATER	476
A/C REFRIGERANT CAPACITIES	476
ABS/BRAKES	478
AIR BAG SYSTEM	478
AIR CLEANER	479
CENTER CONSOLE	481
CLEAR COAT IDENTIFICATION	474
CONVERTIBLE TOP	484
COOLING	476
COWL & DASH	480
CRUISE CONTROL SYSTEM	478
ELECTRICAL	480
EMISSION SYSTEM	480
ENGINE	479
ENGINE MOUNTS	479
ENGINE OIL COOLER	479
EXHAUST	480
FRONT BUMPER	475
FRONT DOOR	482
FRONT FENDER	477
FRONT INNER STRUCTURE	477
FRONT LAMPS	475
FRONT STEERING LINKAGE/GEAR	479
FRONT SUSPENSION	478
FUEL TANK	487
GROUND EFFECTS	476
HOOD	476
INFORMATION LABELS	474
INSTRUMENT PANEL	481
INTERCOOLER	480
LIFTGATE	486
LUGGAGE LID	486
PAINT CODE LOCATION	474
REAR BODY	487
REAR BUMPER	489
REAR DRIVE AXLE	487
REAR LAMPS	488
REAR SUSPENSION	487
ROCKER/PILLARS/FLOOR	481
ROOF	484
SEAT	482
SEAT BELTS	482
SIDE BODY	485
SPECIAL CAUTIONS	474
STEERING PUMP	479
STEERING WHEEL/COLUMN	479
SUNROOF	484
UNDERHOOD DIMENSIONS	477
WHEEL	478
WINDSHIELD	480

SPECIAL CAUTIONS

SUPPLEMENTAL RESTRAINT SYSTEM

Refer to Procedure Explanation 29 for Supplemental Restraint/Air Bag Special Cautions.

PAINT CODE LOCATION

Paint code located on right side of cowl panel.

CLEAR COAT IDENTIFICATION

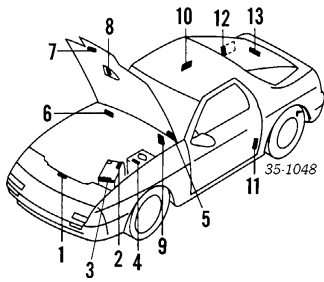
All metallic colors are clear coat.

INFORMATION LABELS

Illustration Located in Next Column

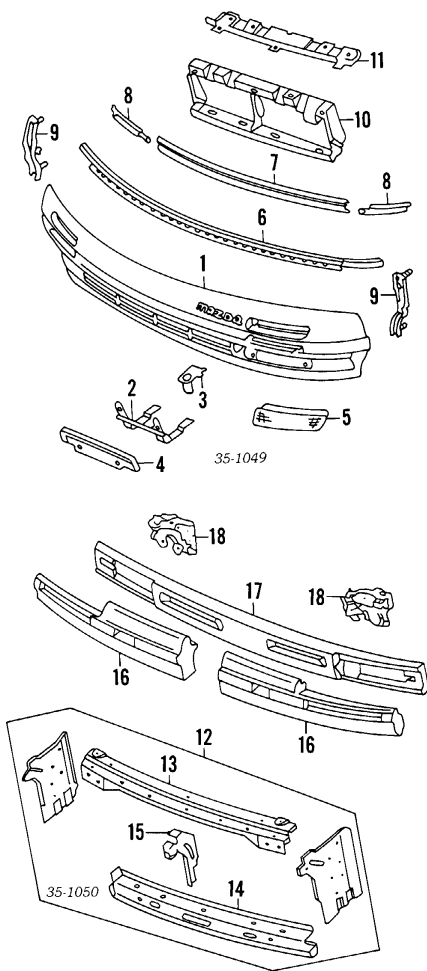
1 Retractable Caution	FB34-51-408
2 Battery	FA03-69-C72A
3 Battery Box Caution	N318-18-599
4 Sub-Tank Caution	8871-15-357
5 Caution	
w/Air Bag	NA01-69-068A
w/o Air Bag	GA02-69-068
6 Model Plate	8595-69-011B

MAZDA RX7 1989-91



- 7 Hood Stay G030-56-799
 - 8 Oil To 6-1-91 FB01-69-D21B
From 6-1-91 FB01-69-D21B
 - 9 Caution FB01-61-439B
 - 10 Burglar Alarm FB01-66-201
 - 11 Tire Conv FB05-69-014A
Coupe FC01-69-014A
Turbo FC17-69-014A
- Order by Application
- 12 Unleaded Fuel w/Air Bag UB40-69-C61
w/o Air Bag UB40-69-C61
 - 13 Temporary Tire Std Susp FB35-69-074A
Hard Susp FA02-69-073A

FRONT BUMPER

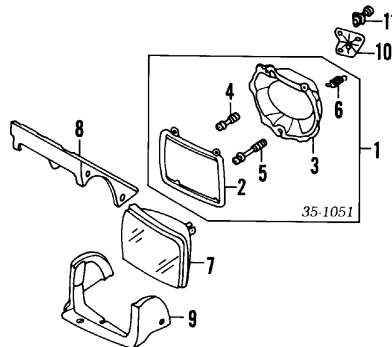


- 1 Cover, Front (P) FC01-50-031
(P) Paint to Match
- 2 Frame, License Plate Coupe FB01-50-140
Conv, Turbo FB01-50-180
- 3 Bracket, Frame FC01-50-180
- 4 Protector, Frame FB01-50-144
- 5 Cover, Hole Passing Lamp R FB01-51-360B
L FB01-51-370B
- 6 Retainer, Cover FB01-50-050A
- 7 Plate, Cover Mtg Center FC01-50-1A0

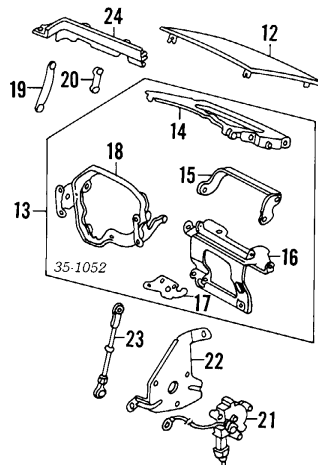
- 8 Plate, Cover Mtg Outer R FC01-50-1B0
L FC01-50-1C0
- 9 Plate, Cover Mtg Side R FC01-50-1D0
L FC01-50-1E0
- 10 Bracket, Bumper FC01-50-A30A
- 11 Plate, Seal FB01-50-071
- 12 Support Assy, Cover Sensor, Air Bag Impact LB22-57-K00-46
- 13 Support, Cover Upper Conv FC01-53-170
FC66-53-170
- 14 Support, Cover Lower FC66-53-180
- 15 Bracket, Center FC01-53-18X
FB01-53-172
- 16 Absorber, Impact R/L FC01-50-111-2
- 17 Bar, Reinf FC01-50-071
- 18 Bracket, Mount R FB01-50-080A
L FB01-50-090A

FRONT LAMPS

HEADLAMP



- 1 Headlamp Assy R 8BF1-51-032
L 8BF1-51-042
- 2 Ring, Retaining R/L BA03-51-033
- 3 Ring, Mounting R FB01-51-032
L FB01-51-042
- 4 Screw, Adjusting Upper R/L FB01-51-047
- 5 Screw, Adjusting Lower R/L FB01-51-037
- 6 Spring, Adjusting R/L FB01-51-036
- 7 Sealed Beam R/L 0000-11-6054
- 8 Bezel, Headlamp Upper R FB01-51-621A
L FB01-51-631A
- 9 Bezel, Headlamp Lower w/ H/Lamp Washers R FB02-51-622A
L FB02-51-632A
w/o H/Lamp Washers R FB01-51-622A
L FB01-51-632A
- 10 Cover, Seal R/L FB01-51-0G1
- 11 Fastener (3/Side) R/L H001-68-401



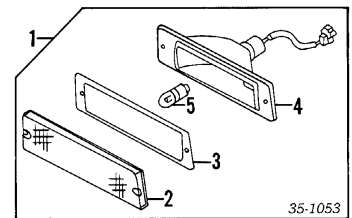
- 12 Lid, Lamp R FB01-51-623
L FB01-51-633
- 13 Hinge Assy, Lamp R FB01-51-510F
L FB01-51-520F
- 14 Frame, Lid R FB01-51-512
L FB01-51-522
- 15 Arm, Upper Lid R FB01-51-515
L FB01-51-525
- 16 Bracket, Lid Hinge R FB01-51-511A
L FB01-51-521A
- 17 Arm, Lower Lid R FB01-51-514A
L FB01-51-524A
- 18 Housing, Lamp Lid R FB01-51-513D
L FB01-51-523D
- 19 Rod, Actuating Outer R/L FB01-51-652A
- 20 Rod, Actuating Inner R/L FB01-51-651A

- 21 Motor R FB01-51-66X
L FB01-51-67X
- 22 Bracket, Motor R FB01-51-662A
L FB01-51-672A
- 23 Rod, Lamp Actuating R/L FB01-51-664A
- 24 Shield, Lamp Retractable R FB01-51-411A
L FB01-51-421A

HEADLAMP WIPER

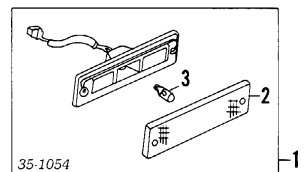
- Tank 89-90 FB01-51-812
91 FC01-51-812
- Cap, Tank H005-50-905
- Pump FC01-51-811
- Valve, Check H113-51-401
- Nozzle, Washer R/L FB01-51-850

PARK/SIGNAL LAMP



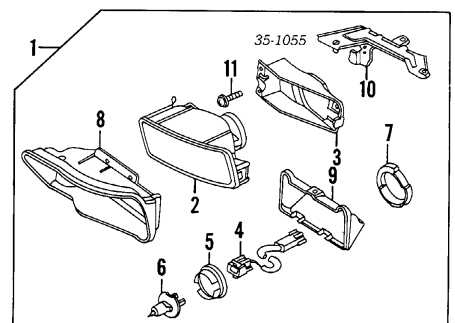
- 1 Lamp Assy, Park/Signal R 8BF4-51-060
L 8BF4-51-070
- 2 Lens R FC01-51-061
L FC01-51-071
- 3 Gasket, Lens 89-90 R/L FC01-51-063
91 R FC01-51-066
L FC01-51-076
- 4 Housing R FC01-51-062
L FC01-51-063
- 5 Bulb 89-90 R/L 0000-11-1157-NA
91 R/L 0000-11-1157

SIDE MARKER LAMP



- 1 Lamp Assy, Side Marker To Ch 709151 R 8BF1-51-120
L 8BF1-51-130
From Ch 709151 R 8BF5-51-120
L 8BF5-51-130
- 2 Lens To Ch 709151 R FB01-51-123
L FB01-51-133
From Ch 709151 R FC01-51-5E1
L FC01-51-5F1
- 3 Bulb R/L 0000-11-0194

FOG LAMP



- 1 Lamp Assy, Fog R FC04-51-680A
L FC04-51-690A
- 2 Lens & Body R FC04-51-6G1
L FC04-51-6H1
- 3 Ring, Mounting R FC04-51-6G3
L FC04-51-6H3
- 4 Socket & Wire R/L FC04-51-688A
- 5 Cover, Socket R/L FC04-51-6G4
- 6 Bulb R/L FC04-51-675
- 7 Cap, Locking R/L FC04-51-698
- 8 Cover, Lamp Outer R FC04-51-6G6A
L FC04-51-6H6A
- 9 Cover, Lamp Inner R FC04-51-6G5

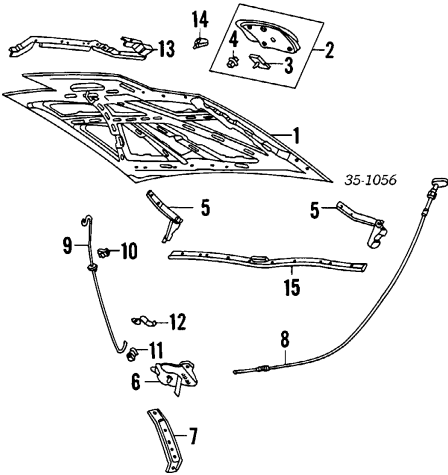
MAZDA RX7 1989-91

FRONT LAMPS Cont'd

FOG LAMP Cont'd

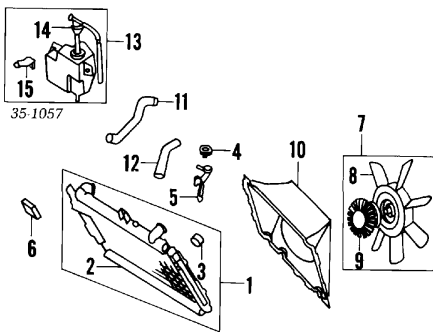
- 10 Bracket]] L FC04-51-6H5
R FC04-51-6G2
- 11 Screw, Adjusting]] L FC04-51-6H2
R/L FC04-51-6G9
]]Included w/Fog Lamp Assy

HOOD



- 1 Panel, Hood
Conv FB13-52-310K
Coupe w/Turbo F049-52-310P
w/o Turbo FB01-52-310J
- 2 Scoop Assy, Hood F044-50-650B
- 3 Bracket, Scoop]] F044-50-653A
- 4 Fastener, Scoop]] F044-50-656A
]]Included w/Hood Scoop Assy
- Insulator, Hood
w/Turbo R F046-68-661B
L F046-68-662A
- w/o Turbo FB03-68-661A
- 5 Hinge R FB13-52-410E
L FB13-52-420E
- 6 Latch
Coupe FB15-56-620G
w/Turbo FB02-56-620G
w/o Turbo FB15-56-620G
Conv
- 7 Support, Latch FB01-56-651
- 8 Cable Latch FB01-56-710C
- 9 Rod, Support FB01-52-510D
- 10 Holder Assy, Support Rod Front
Coupe FB01-52-514B
Conv FB67-52-514
- 11 Holder, Supt Rod Rear]] FB01-52-518
]]Included w/Front Support Rod Holder Assy
- 12 Plate, Holder FB01-52-519A
- 13 Seal, Hood Front FC01-56-770
- 14 Seal, Hood Side (2) FB67-56-740
- 15 Seal, Hood Rear FB01-56-780D
- Label, Hood Stay-See Information Labels Section
- Label, Oil-See Information Labels Section

COOLING



- 1 Radiator Assy
Man Trans N350-15-200
Auto Trans N351-15-200A
- 2 Bracket, Radiator]] R N350-15-V03
L N350-15-V12
- 3 Rubber Mount]]
Man Trans (4) N326-15-202
Auto Trans (2) N332-15-202

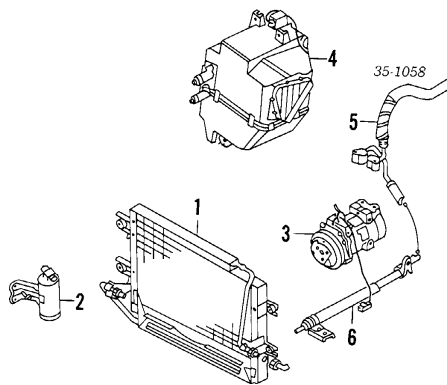
- 4 Cap, Radiator D316-15-205
- 5 Hose, Filler N350-15-175
- 6 Seal, Radiator R N326-15-421
L N326-15-441
- 7 Fan Assy, Cooling N350-15-140
- 8 Blade, Fan]] N350-15-141
- 9 Clutch, Fan]] N350-15-150
- 10 Shroud, Fan N350-15-211
- Fan, Cooling Auxiliary N326-15-142
- Motor, Cooling Fan N326-15-151
- Shroud, Auxiliary Fan N350-15-15XA
- Pump, Water
Man Trans N370-15-090
w/Turbo N350-15-090A
w/o Turbo N351-15-090A
Auto Trans N350-15-131
- Pulley, Water Pump N350-15-186
- 11 Hose, Rad Upper N350-15-185
- 12 Hose, Rad Lower N332-15-350C
- 13 Tank Assy, Coolant N332-15-355
- 14 Cap, Tank]] N332-15-370B
- 15 Bracket, Tank Mounting]]
]]Included w/Coolant Tank Assy

A/C REFRIGERANT CAPACITIES

- A/C R-12 Refrigerant Capacity
- 1989
Nippondenso: 22-25 Ozs (1.37-1.56 Lbs)
Sanden: 30 Ozs (1.87 Lbs)
- 1990: 26.5 Ozs (1.65 Lbs)
- 1991: 28 Ozs (1.75 Lbs)

A/C /HEATER

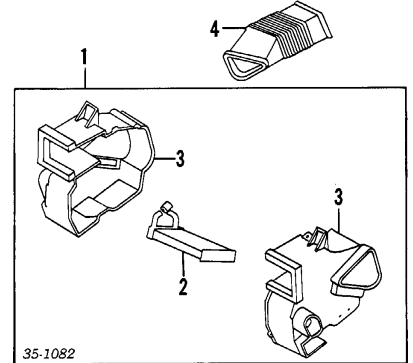
AIR CONDITIONING



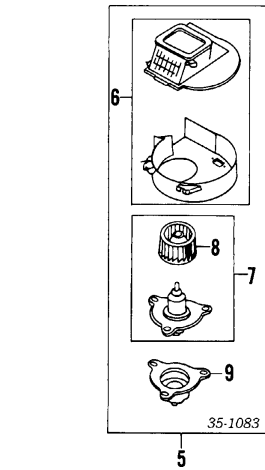
- 1 Condenser]]
w/Turbo 89-90 0000-68-0087-51
91 0000-67-A00A-7A
89-90 0000-67-A00A-7A
91 FB01-61-480A
- 2 Receiver/Drier]]
w/Turbo 89-90 0000-68-1002-20
91 0000-67-A90A-6A
89-90 0000-67-A90A-6A
91 8572-61-510
- 3 Compressor Assy]]
w/Turbo 89-90 FC20-61-450
91 FB02-61-450A
89-90 FC20-61-450
91 0000-67-D00C-3B
- Compressor]] (a) 89-90 UE38-61-K00
91 FB02-61-K00A
- Clutch, Drive]] (a) 89-90 0000-68-0038-60
91 FB01-61-L10
w/o Turbo 89-90 0000-67-D20A-6A
91 FB01-61-L10
- (a) Included w/Compressor Assy
- 4 Evaporator Assy
w/Turbo 89-90 0000-68-0097-81
91 FB04-61-520A
w/o Turbo 89-90 0000-67-B10A-6P
91 FB01-61-J10
- Core, Evaporator]] (a) 89-90 0000-68-0045-51
91 0000-67-B30A-6A
89-90 0000-67-B30A-6A
91 FB01-61-J10
- Case, Evaporator]] (a)
Upper 89-90 0000-68-2046-02
91 0000-67-B11A-6A
89-90 0000-68-2046-10
91 0000-67-B21A-6A
- Case, Evaporator (a)
w/o Turbo 89-90 0000-67-B18A-6F
91 FB01-61-J01
Lower 89-90 0000-67-B17A-6F
91 FB01-61-J02
- Valve, Expansion]] (a) 89-90 0000-67-B40B-6A
91 B111-61-J14

- (a) Included w/Evaporator Assy
- 5 Hose, Suction]] 0000-67-E00A-9A
- 6 Hose, Discharge]] FC20-61-461
- Tube, A/C Front]] 0000-67-E20A-6A
- Tube, A/C Center]] 0000-67-E24A-6A
- Tube, A/C Rear]] FB04-61-466C
-]]Order by Application

HEATER

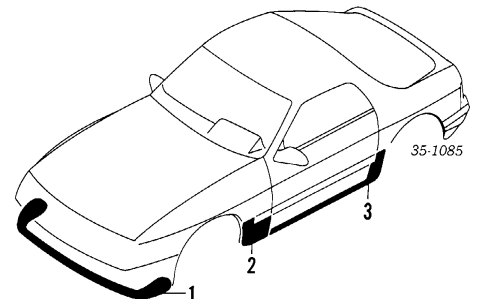


- 1 Heater Assy FB01-61-130C
- 2 Core, Heater]] FB01-61-A10
- 3 Case, Heater]] R FB01-61-A01
L FB01-61-A02A
- 4 Duct, Air FB01-61-150A



- 5 Blower Assy
Man Trans FC07-61-140
w/Turbo FC01-61-140
w/o Turbo FC07-61-140
Auto Trans R FB01-61-B01
L FB01-61-B02A
- 6 Case, Blower]] UB94-61-B10
- 7 Motor Assy, Blower]] 8871-76-456
- 8 Fan, Motor]] (a) (a) Included w/Blower Motor Assy
91 8871-76-456
- 9 Cover, Motor]] UB39-61-B40
]]Included w/Blower Assy

GROUND EFFECTS



- 1 Spoiler, Front
1 Piece (Assy)] FC17-51-9H0A-PZ
3 Piece
Center FC01-51-9J1A
Outer R FC01-51-9K1A
L FC01-51-9L1A

MAZDA RX7 1989-91

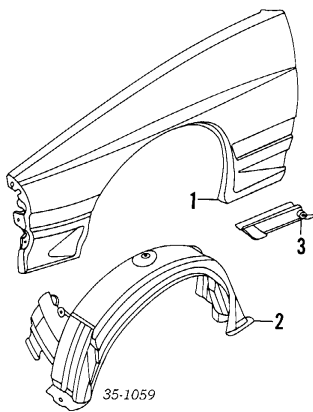
†Black listed, Order by Application
 GU Shade Green; PZ Brilliant Black;
 SQ Blaze Red; UC Crystal White;
 WY Noble White; 1F Winning Silver;
 3G Shadow Silver M; 5D Silver Blue;
 5N Brave Blue; 6H Mellow Burgundy

- Stiffener, Spoiler (a)** FB02-51-9LXB
 (a) Included w/1 Piece Spoiler Assy
- 2 Mldg, Fender Lower†** R FC17-51-PJ0A-PZ
 L FC17-51-PP0A-PZ
- 3 Moulding, Rocker†** R FC17-51-PK0B-PZ
 L FC17-51-PR0B-PZ

†Black listed, Order by Application
 GU Shade Green; PZ Brilliant Black;
 SQ Blaze Red; UC Crystal White;
 WY Noble White; 1F Silver Winning M;
 3G Shadow Silver M; 5D Silver Blue;
 5N Brave Blue; 6H Mellow Burgundy

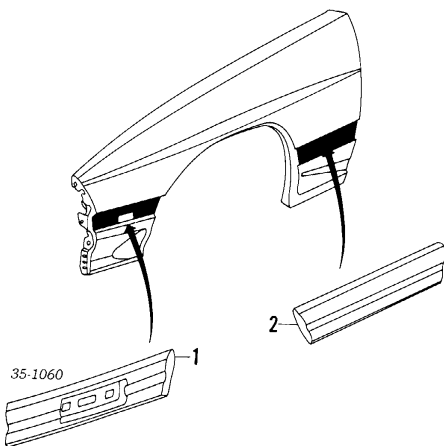
Spoiler, Rear-See Liftgate Section

FRONT FENDER SHEET METAL



- 1 Fender**
 w/Spoiler R FC17-52-111
 L FC17-52-211
 w/o Spoiler R FC01-52-111
 L FC01-52-211
- 2 Skirt**
 Coupe R FC01-56-130
 L FC01-56-140
 Conv R FC66-56-130
 L FC66-56-140
- 3 Bracket, Side** R/L FC17-52-PP2

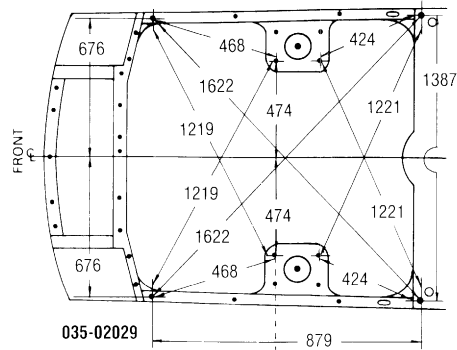
EXTERIOR TRIM



- 1 Mldg, Side Front†** R FC01-50-6R0A-PZ
 L FC01-50-6S0A-PZ
- 2 Mldg, Side Rear†** R FC01-50-681A-PZ
 L FC01-50-691A-PZ
- †Black listed, Order by Application
 GU Shade Green; PZ Brilliant Black;
 SQ Blaze Red; UC Crystal White;
 WY Noble White; 1F Winning Silver M;
 3G Shadow Silver M; 5D Harbor Blue;
 5N Brave Blue; 6H Mellow Burgundy
- Decal**
 "GXL" R/L FB05-51-761-01
 Black R/L FB05-51-761-08
 Silver
 "GTU" R/L FC02-51-761-18
 Red R/L FC02-51-761-30
 White

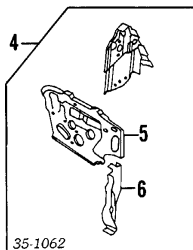
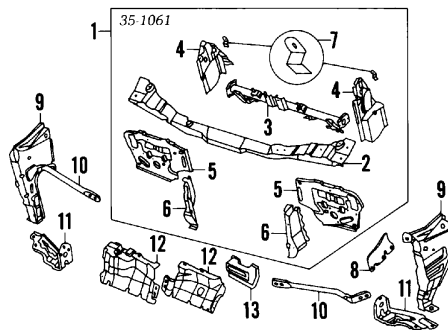
- "GTUS"
 Red R/L FC05-51-761-18
 White R/L FC02-51-761-30
 "Turbo II"
 Silver R/L FB51-51-761-08
 Red R/L FB51-51-761-10

UNDERHOOD DIMENSIONS



FRONT INNER STRUCTURE

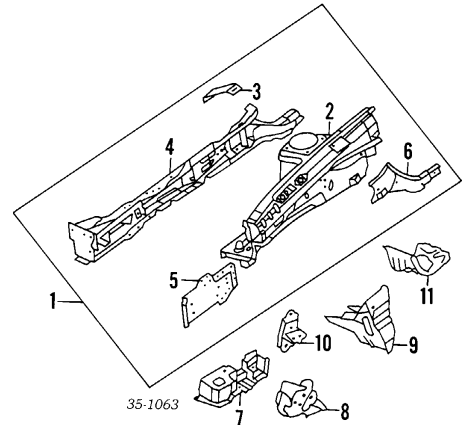
FRONT



- 1 Support Assy, Radiator**
 Coupe FB01-53-100N
 Conv FC66-53-100
- 2 Bar, Upper Tie†**
 Coupe FB01-53-150D
 Conv FC66-53-150
- 3 Crossmember†**
 Coupe FB01-53-160
 Conv FB67-53-160
- 4 Panel Assy, Side†**
 Coupe R FB01-53-12XD
 L FB01-54-12XE
 Conv-Serviced by Components
- 5 Panel, Side†**
 Coupe (a) R/L FB01-53-120C
 Conv R FB67-53-12XD
 L FB67-54-12XD
- 6 Reinf, Side Panel†**
 Coupe (a) R FB01-53-131A
 L FB01-54-131A
 (a) Included w/Coupe Side Panel Assy
- Bracket, Side Panel†**
 Conv R FB67-53-101
 Outer L FB67-54-101
 Inner R FB67-53-102
 L FB67-54-102
- 7 Bracket, Grille†** R/L 0305-53-781A
 †Included w/Radiator Support Assy
- 8 Plate, Rad Support Seal** L FB01-56-963
- 9 Bracket, Fender** R FB01-53-110A
 L FB01-54-110B
 L FB67-54-102
- 10 Stay, Fender Upper** R FB01-53-192
 L FB01-54-192
- 11 Stay, Fender Lower** R FC01-53-190

- 12 Panel, Front Duct** L FC01-54-190
 Right FB01-56-812
 Left (Assy) FC01-56-811
- 13 Panel, Duct Rear†** FC01-56-81Z
 †Included w/Left Front Duct Panel Assy

SIDE



- 1 Apron Assy**
 Coupe w/Turbo R FB34-53-200G
 To Ch 701886 L FC49-54-200B
 From Ch 701886 to 801679 R FB34-53-200G
 L FC49-54-200B
 From Ch 801679 R FB34-53-200G
 L FC49-54-200B
- w/o Turbo R FC01-53-200
 To Ch 701886 L FC01-54-200
 From Ch 701886 to 801679 R FB01-53-200G
 L FB01-54-200L
 From Ch 801679 R FB01-53-200G
 L FB01-54-200L
- Conv w/Air Bag R FC66-53-200A
 To Ch 701886 L FC66-54-200A
- w/o Air Bag R FC33-53-200
 To Ch 701886 L FB67-54-200H
 R FC66-53-200A
 L FB67-54-200H
- 2 Panel, Apron†**
 Coupe w/Turbo R FB34-53-210J
 To Ch 701886 L FC49-54-210
 From Ch 701886 to 801679 R FB34-53-210G
 L FC66-54-210A
 From Ch 801679 R FB34-53-210J
 L FC66-54-210A
- w/o Turbo R FB01-53-210K
 To Ch 701886 L FB01-54-210P
 From Ch 701886 to 801679 R FB01-53-210K
 L FB01-54-210P
 From Ch 801679 R FB01-53-210K
 L FB01-54-210P
- 3 Bracket, ABS†** R FB34-53-225
 L F044-54-225
- 4 Rail, Side Front†**
 Coupe R FC01-53-310
 L FC01-54-310
 Conv R FC33-53-310A
 L FC33-54-310A
- 5 Plate, Closing Front†** R FC66-53-240C
 L FC66-54-240C
- 6 Plate, Closing Rear†** R FB01-53-250A
 L FB01-54-250A
- †Included w/Apron Assy
- 7 Plate, Seal Closing** R FB01-56-182A
 L FB01-56-181A
- 8 Brkt, Closing Plate (a)** R FB67-53-38YC
 L FB67-54-38YC
- 9 Reinf, Apron (a)** R FC56-53-59X
 L FC56-54-59X
 (a) For Convertible
- 10 Hook, Tie-Down** R FB01-56-221A
 L FB01-56-231A
- 11 Box, Torque**
 Coupe R FB01-53-391A
 L FB01-54-391A
 Conv R FB67-53-391A
 L FB67-54-391A
 FB01-56-981D
 FB01-56-030
- Tray, Battery** FB01-56-030
Clamp, Battery 0370-70-985B
Bolt, Clamp (2) N318-18-59XC
Box, Battery N318-18-59XC
Cover, Battery Box N318-18-593C

ELECTRICAL COMPONENTS

Control, Passive Restraint

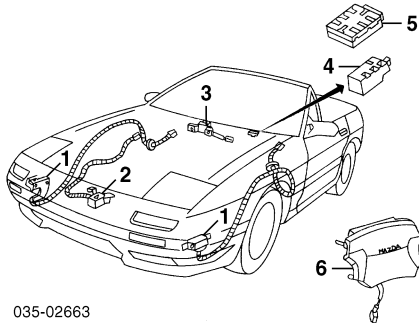
MAZDA RX7 1989-91

FRONT INNER STRUCTURE Cont'd

ELECTRICAL COMPONENTS Cont'd

-See Seat Belts Section
Control Unit, Central†
 w/Air Bag FC66-67-560A
 w/o Air Bag FC01-67-560
 †Includes Alarm Unit
Alarm Unit-See Central Control Unit

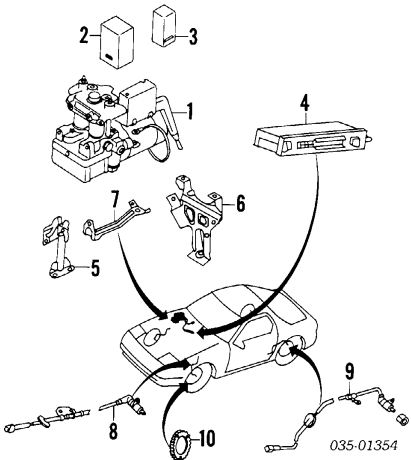
AIR BAG SYSTEM



035-02663

- Sensor, Air Bag**
- 1 Front Outer R FC66-57-K2XG
L FC66-57-K2YG
FC66-57-K1XD
 - 2 Front Center
 - 3 Rear-See Instrument Panel Section
 - 4 **Power Unit, Back-Up**
Air Bag NA01-67-7G0A
 - 5 **Diagnosis Unit, Air Bag**
NA01-67-7FOA
 - 6 **Module, Air Bag**
LB22-57-K00-46
- Clockspring**†-See Steering Wheel/Column Section
 †Served w/Combination Switch

ABS/BRAKES



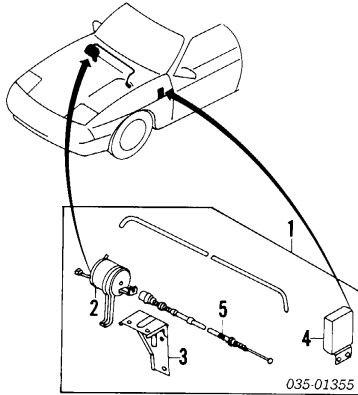
035-01354

- 1 **Hydraulic Unit, ABS** F048-43-7A0J
- 2 **Relay, ABS Hyd Motor Unit**† NA23-43-7A2
- 3 **Relay, ABS Hyd Valve Unit**† NA23-43-7A3
†Included w/ABS Hydraulic Unit
- 4 **Control, ABS** F048-43-7B0B
- 5 **Bracket, Hydraulic Unit Mtg**
- 6 Front FB55-43-310D
- 7 Rear FB55-43-320D
- 8 Lower FB55-43-330C
- 9 **Sensor, ABS Front** R F051-43-70XB
L F051-43-73XB
- 10 **Sensor, ABS Rear** R F051-43-71YC
L F051-43-72YC

CRUISE CONTROL SYSTEM

Illustration Located in Next Column

- 1 **Control Assy, Cruise**
w/Turbo 8AF4-66-340
w/o Turbo 8AF3-66-340
- 2 **Actuator, Cruise Control**†

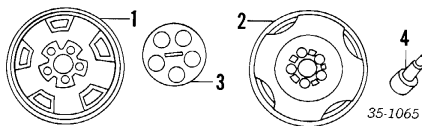


035-01355

- w/Turbo F046-66-310B
- w/o Turbo FB01-66-310A
- Cover, Actuator**†
- Turbo B107-66-319
- 3 **Bracket, Cruise Control Box**†
w/o Calif Emission FB02-66-330
w/Calif Emission FB01-66-330
- 4 **Control Unit, Cruise**†
w/Turbo FC17-66-320A
w/o Turbo FC01-66-320A
- 5 **Cable, Cruise Control**†
w/Turbo FB44-66-311A
w/o Turbo FC01-66-311
†Included w/Cruise Control Assy

WHEEL

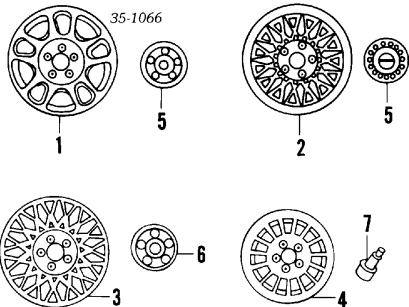
STEEL WHEEL



35-1065

- 1 **Wheel** 9965-17-405
- 2 **Wheel, Spare** 9965-17-405
- 3 **Cap, Hub** FC73-37-190
- 4 **Stem, Valve**† 9963-60-4130
†Order by Application

ALUMINUM WHEEL

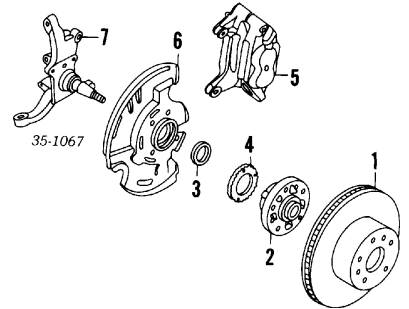


- 1 **Wheel Assy (16x6")**
Coupe 8BFR-37-600
- 2 **Wheel Assy (16x7")**
Coupe 8BFL-37-600
- 3 **Wheel Assy (15x6-1/2")**
Conv 8BFF-37-600A
- 4 **Wheel, Spare** 9965-10-406
- 5 **Cap, Center**†
- 5 Coupe FC02-37-190B
- w/Turbo FC73-37-190
- w/o Turbo FB68-37-190
- 6 Conv
- 7 **Stem, Valve**†
- Coupe 9963-60-4130
- Conv 9963-60-111
†Included w/Aluminum Wheel Assy

FRONT SUSPENSION

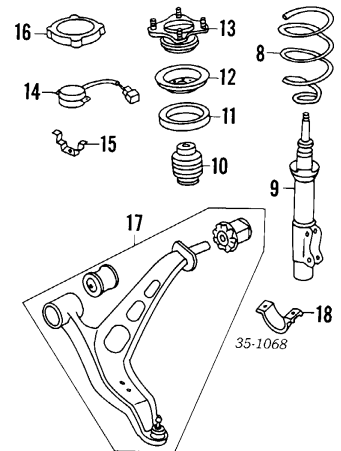
Illustration Located in Next Column

- 1 **Rotor, Brake** R/L FB05-33-251A
- 2 **Hub Assy** R/L FB05-49-060E
- 3 **Seal, Bearing** R/L FB01-33-065A



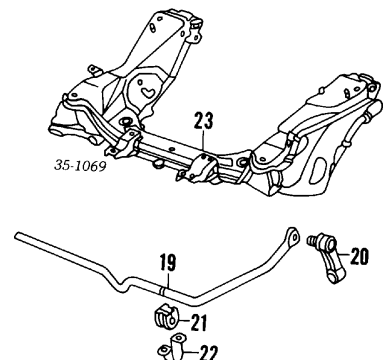
35-1067

- †Included w/Hub Assy
- 4 **Ring, ABS Exciter**
-See ABS/Brakes Section
- 5 **Caliper, Brake**
w/Auto Adjust Susp R FBY1-33-98ZR
L FCY1-33-99ZR
R FCY1-33-98ZR
L FCY1-33-99ZR
- w/o Auto Adjust Susp R/L FB05-43-810
- 6 **Hose, Brake** R/L FB01-26-261B
- 7 **Shield, Splash**
- 7 **Knuckle, Steering** w/Turbo R F051-33-021B
w/o Turbo L F051-33-031B
R FB01-33-021B
L FB01-33-031B



35-1068

- 8 **Spring, Coil**† R FB67-34-021
L FB67-34-011
†Order by Application
- 9 **Strut**
w/Auto Adjust Susp R FB52-34-700A-9U
L FB52-34-900A-9U
- w/o Auto Adjust Susp R FB44-34-700C
L FB44-34-900C
- 10 **Bumper, Stop** R/L FB01-34-111A
- 11 **Cushion Spring** R/L FB01-34-012
- 12 **Seat, Spring** R/L FB01-34-341
- 13 **Insulator, Mounting** R/L FB01-34-380C
- 14 **Actuator, Auto Adj Susp** R/L FC04-34-080
- 15 **Plate, Actuator** R/L H126-34-088A
- 16 **Cap, Mount** R/L FB01-34-019
- 17 **Arm, Lower** R FC02-34-300
L FC02-34-350
- 18 **Bracket, Lower Arm** R/L FC01-34-201

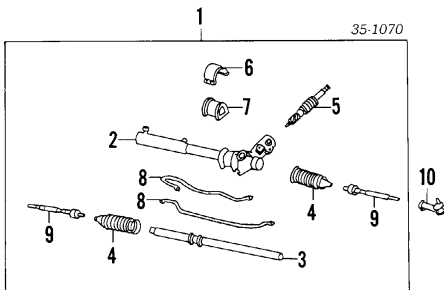


- 19 **Bar, Stabilizer**
w/Turbo 35-1069
- To Ch 708021 FC02-34-151
- From Ch 708021 FC18-34-151
- w/o Turbo FC02-34-151
- 20 **Link, Stabilizer** R/L FC01-34-170

MAZDA RX7 1989-91

- 21 Bushing, Stabilizer R/L FB43-34-156B
- 22 Bracket, Stabilizer R/L FB01-34-155
- 23 Crossmember Coupe FB01-34-800G
- Conv FB67-34-800C

FRONT STEERING LINKAGE/GEAR



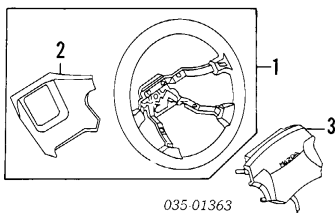
- 1 Gear Assy w/Turbo Velocity Sensor FB78-32-110C RPM Sensor FC01-32-110A w/o Turbo FC01-32-110A
- 2 Housing w/Turbo Velocity Sensor FB05-32-120A RPM Sensor FC01-32-120 w/o Turbo FC01-32-120
- 3 Rack w/Turbo Velocity Sensor FB05-32-119 RPM Sensor FC01-32-119 w/o Turbo FC01-32-119
- 4 Boot, Rack R/L FB01-32-126-5
- 5 Pinion w/Turbo Velocity Sensor FB05-32-380 RPM Sensor FC01-32-380 w/o Turbo FC01-32-380
- 6 Plate, Clamp FB01-32-134
- 7 Rubber, Mounting FB01-32-124
- 8 Tube, Oil Feed L FB05-32-481A R FB05-32-482
- 9 Rod, Tie Inner R/L FB01-32-240A
- 10 End, Tie Rod R/L 8AF1-32-280

STEERING PUMP

- Pump, Steering w/Turbo FC02-32-600A w/o Turbo FC01-32-600A
- Pulley, Pump FB05-32-620A
- Reservoir, Fluid w/Turbo FB78-32-690 w/o Turbo FC01-32-690
- Belt, Drive N326-15-909-9U
- Hose, Pressure w/Turbo FB05-32-490E w/o Turbo FC01-32-490A
- Hose, Return w/Turbo FB05-32-470A w/o Turbo FB05-32-471

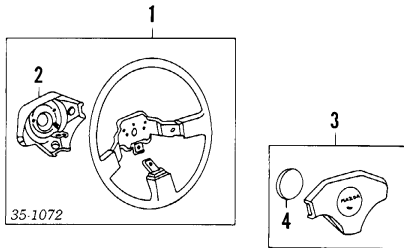
STEERING WHEEL/COLUMN

WHEEL & TRIM W/AIR BAG



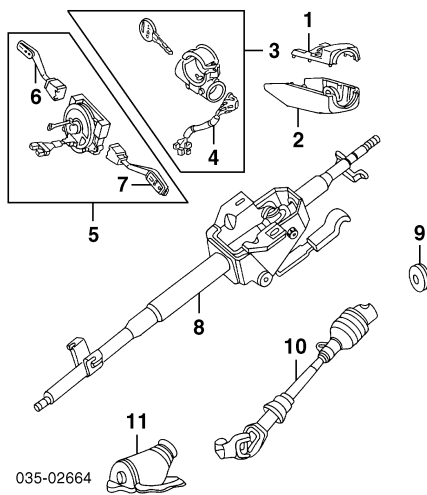
- 1 Wheel Assy, Steering FC66-32-980C
- 2 Cover, Wheel Core FC66-32-049A
- 3 Module, Air Bag-See Air Bag System Section Clockspring-Serviced w/Combination Switch Sensor, Air Bag-See Air Bag System Section

WHEEL & TRIM W/O AIR BAG



- 1 Wheel Assy, Steering Urethane FB06-32-980D Leather Coupe FC17-32-980B Conv FB06-32-980D
- 2 Cover, Wheel Core FB05-32-049
- 3 Cap Assy, Horn Urethane FB05-32-801 Leather Coupe FC17-32-800A Conv FB06-32-801
- 4 Cover, Horn Urethane FB05-32-802 Leather FC17-32-802

COLUMN



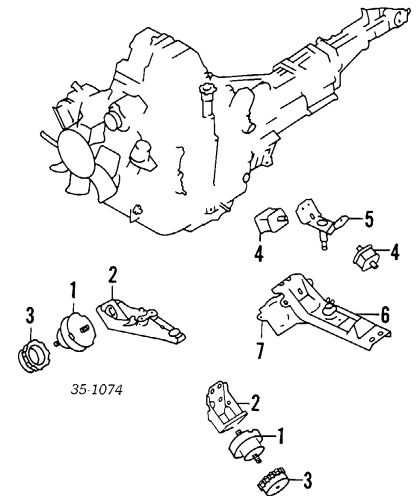
- 1 Cover, Column Upper w/Air Bag FC66-60-220A w/o Air Bag FB01-60-221A
- 2 Cover, Column Lower w/Air Bag FC66-60-230B w/o Air Bag FB01-60-230A
- 3 Lock Assy Man Trans FB01-76-290 Auto Trans FB07-76-290
- 4 Switch, Ignition Man Trans FB02-66-151 Auto Trans FB01-66-151
- 5 Switch Assy, Combination FC66-66-120A
- 6 Switch, Turn Signal (a) FC66-66-130
- 7 Switch, Cruise Control (a) FC66-66-34X
- 8 Shaft, Steering Upper w/Tilt FB05-32-100B w/o Tilt FC66-32-100B w/Air Bag FB01-32-100 w/o Air Bag FB01-32-411A
- 9 Cover, Lever FB05-32-090F
- 10 Shaft, Intermediate FB01-32-210
- 11 Cover, Steering Shaft

ENGINE

- Pulley, Crankshaft N350-11-400B
- Cover, Front Timing w/Turbo 89-90 N370-10-A60 91 N370-10-500 w/o Turbo 89-90 N350-10-500A 91 N350-10-500
- Housing, Front w/Turbo N370-10-C00B w/o Turbo 89-90 N350-10-C00A 91 N350-10-C00B
- Pan, Eng Oil

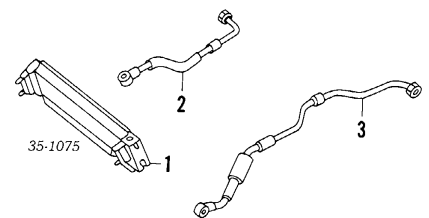
- w/o Calif Emission N326-10-400E
- w/Calif Emission N328-10-400E
- Gasket, Eng Oil Pan N3Y0-10-427
- Pump, Electric Fuel-See Fuel Tank Section

ENGINE MOUNTS



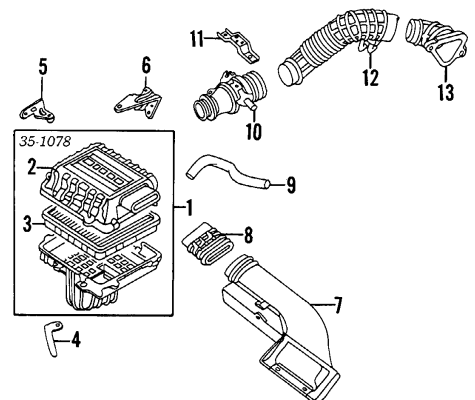
- 1 Mount Coupe R/L FB01-39-040A Conv R/L FB67-39-040A
- 2 Bracket, Mount R FB01-39-021A L FB01-39-031
- 3 Casing, Stopper R/L 3975-39-045
- 4 Mount, Trans Coupe R/L FB01-39-340A Conv R/L FB67-39-340B
- 5 Bracket, Trans Man Trans FC02-39-350 Auto Trans FB02-39-350A
- 6 Crossmember, Trans Man Trans FC18-39-370 w/Turbo FC02-39-370 w/o Turbo FB02-39-370C Auto Trans
- 7 Mount, Crossmember w/o Turbo FC02-39-385

ENGINE OIL COOLER



- 1 Cooler, Oil N326-14-700A
- 2 Hose, Cooler Upper N326-14-710B
- 3 Hose, Cooler Lower N326-14-720B

AIR CLEANER



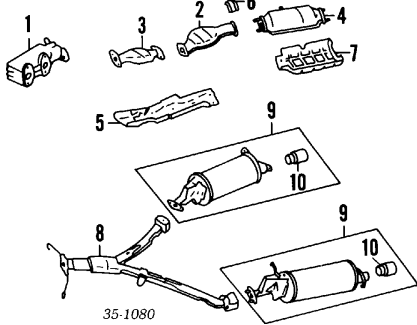
- 1 Cleaner Assy, Air N350-13-320
- 2 Cover, Air Cleaner N326-13-201
- 3 Element, Cleaner N350-13-240-9U

MAZDA RX7 1989-91

AIR CLEANER Cont'd

4	Brkt, Air Cleaner Front	N326-20-210A
5	Brkt, Air Cleaner Side	N326-20-200A
6	Brkt, Air Cleaner Rear	N350-20-220
7	Duct, Fresh Air Outer	N350-13-201
8	Duct, Fresh Air Inner	N350-13-202
9	Hose, Air	N350-20-751
10	Meter, Air Flow	
	w/Turbo	N370-13-210
	w/o Turbo	N350-13-210R-00
11	Bracket, Air Flow Meter	N350-13-310
12	Hose, Air Intake	
	w/Turbo	N370-13-220
	w/o Turbo	N350-13-222
	Valve, Check	N236-13-265
13	Duct, Air	
	w/Turbo	N370-13-220
	w/o Turbo	N326-13-221A

EXHAUST

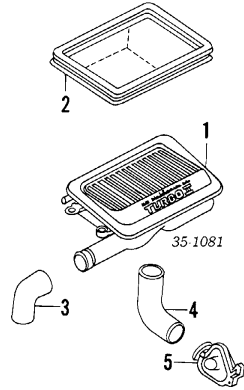


1	Manifold, Exhaust	
	w/Turbo	N370-13-450B
	w/o Turbo	N350-13-450
2	Pipe, Front Exhaust	
	w/Turbo	N332-40-500A
	w/o Turbo	N350-40-500B
3	Converter, Catalytic Front	
	w/Turbo	N370-20-500A
	w/o Turbo	N350-20-600A
4	Converter, Catalytic Rear	
	w/Turbo	N370-20-600
	w/o Turbo	N350-20-550A
5	Protector, Conv Front	
	w/Turbo	N332-40-960C
	w/o Turbo	N326-40-861A
6	Protector, Conv Rear Upper	
	w/Turbo	N326-40-861A
	w/o Turbo	N326-40-874B
7	Protector, Conv Rear Lower	
	w/Turbo	N332-40-865
	w/o Turbo	N350-40-870
8	Pipe, Intermediate	N319-40-600B
9	Muffler Assy	
	w/Turbo	R N378-40-100A
		L N380-40-200E
	w/o Turbo	
	Coupe	
	Man Trans	R N367-40-100B
		L N367-40-200B
	Auto Trans	R N362-40-100C
		L N380-40-200E
	Conv	
	Man Trans	R N367-40-100B
		L N367-40-200B
	Auto Trans	R N362-40-100C
		L N380-40-200E
10	Tip, Muffler	
	w/Turbo	R/L N332-40-990A
	w/o Turbo	R/L N326-40-990C
		†Included w/Muffler Assy

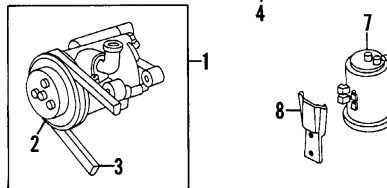
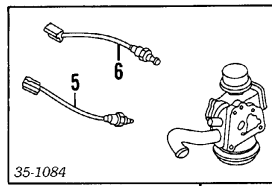
INTERCOOLER

Illustration Located in Next Column

1	Intercooler	N370-13-550
2	Seal, Intercooler	N318-13-555A
3	Joint, Rubber	N370-13-245
4	Seal, Rubber	N318-13-246C
5	Pipe, Air	N370-13-332
	Bracket, Intercooler	N318-13-56X



EMISSION SYSTEM



1	Pump Assy, Air	
	w/Turbo	N370-13-810
	w/o Turbo	N350-13-810
2	Pulley, Pump	N350-13-811
		†Included w/Air Pump Assy
3	Belt, Drive	N370-13-813A
4	Valve Assy, Air Control	
	Man Trans	
	w/Turbo	N370-13-990A
	w/o Turbo	N350-13-990A
	Auto Trans	N351-13-990A
5	Valve, Solenoid Front	N250-20-725
6	Valve, Solenoid Rear	N304-20-725
		†Included w/Air Control Valve Assy
7	Canister, Vapor	N326-13-970
8	Bracket, Canister	N326-13-961A

ELECTRICAL

HORN

Horn	
High Note	FB03-66-780A
Low Note	FB01-66-790

IGNITION

Coil, Ignition	N326-18-100B
Module, Main Computer	N370-18-881R
	†Order by Application

BATTERY

Battery	0000-80-026R-WB
---------	-----------------

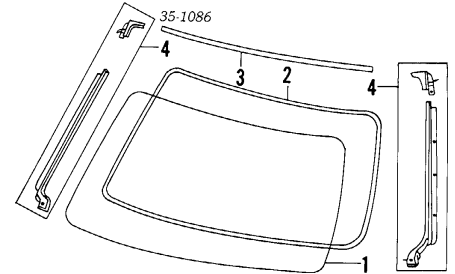
ALTERNATOR

Alternator Assy	
w/Turbo	N370-18-300R-00
w/o Turbo	N350-18-300R-00
	†Remanufactured Part. Contact Dealer for Core Charge & Exchange Information
Pulley, Alternator (a)	N336-18-W10
	(a) Included w/Alternator Assy
Belt, Drive	N370-13-813A

WINDSHIELD

Illustration Located in Next Column

1	Glass, Windshield	
	Mazda (Tint)	
	Coupe	FC02-63-901



Conv		FB03-63-901E
2	Dam, Windshield	
	Coupe	GA7B-50-899
	Conv	FB67-50-894
3	Moulding, Reveal Upper	FB01-50-801A
4	Moulding, Reveal Side	R 8AF1-50-860
	L	8AF1-50-870

Moulding, Inside Garnish	
Coupe	R FC01-68-160C-02
	L FC01-68-170C-02

	19 Red; 48 Blue
Conv	
Black	R FB67-68-160A-02
	L FB67-68-170A-02
Blue	R FB67-68-160A-48
	L FB67-68-170A-48

†Black listed, Order by Application

Mirror, Rear View	
Coupe	
w/Anti-Glare Mirror	FB35-69-220F-00
w/o Anti-Glare Mirror	FB10-69-220E-00

Conv	
Black	FB68-69-220B-02
Blue	FB68-69-220B-48
Visor, Sun	R FC02-69-270-02
	L FC01-69-320-02

†Black listed, Order by Application

WIPER SYSTEM

	02 Black; 48 Blue; 19 Red
Blade, Wiper	R/L KA78-67-330B
Arm, Wiper	R FB01-67-321B
	L FB02-67-321A

Link, Wiper	
USA	FB06-67-360
Canada	N.A.
Motor, Wiper	FB71-67-350

Tank Assy, Fluid	
1.5 Liter Capacity	
USA	FB01-67-4T0E
Canada	N.A.
2.5 Liter Capacity	FB01-67-481
5.7 Liter Capacity	FB05-67-4T0E

Pump, Fluid	
1.5, 2.5 Liter Tank	FB01-67-482B
5.7 Liter Tank	FB05-67-482B

Switch, Level	
1.5, 2.5 Liter Tank	FB01-67-488A
5.7 Liter Tank	FB05-67-488

Bracket, Fluid Tank	
1.5, 2.5 Liter Tank	FB04-67-485
5.7 Liter Tank	
Lower	FB01-51-814
Front	FB01-51-819

Bracket, Pump	
5.7 Liter Tank	FB05-67-489

	†Included w/Fluid Tank Assy
Pipe Assy, Filler	
1.5, 2.5 Liter Tank	FB01-67-4C0B
5.7 Liter Tank	FB05-67-4C0B

Cap, Tank	
1.5, 2.5 Liter Tank	FB01-67-483
5.7 Liter Tank	UB39-51-815

	†Included w/Filler Pipe Assy
Nozzle, Spray	R/L FB01-67-510

COWL & DASH

Illustration Located in Next Column

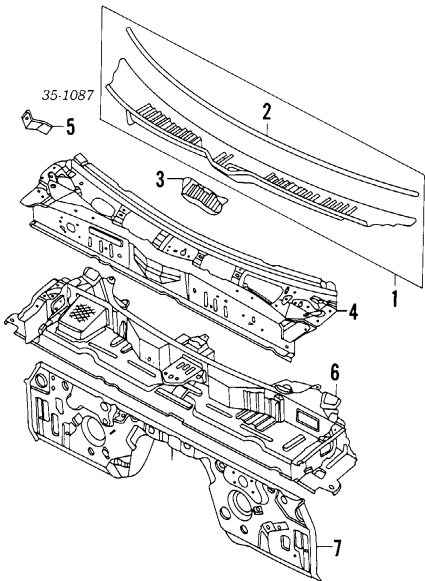
1	Grille Assy, Cowl Top	FB01-50-790B
2	Moulding, Grille	FB01-50-792
		†Included w/Cowl Top Grille Assy

3	Grille, Lower	FB01-50-7P1A
4	Panel, Cowl	
	Coupe	FB01-70-610L
	Conv	FB67-70-610E

5	Bracket, Pillar Garnish	R/L FB01-70-613B
6	Panel, Dash Upper	
	Coupe	FB01-53-510C
	Conv	FC66-53-510

7	Panel, Dash Lower	
	Coupe	
	w/Turbo	FB55-54-400D
	w/o Turbo	FB05-54-400H
	Conv	FB67-54-400E
	Insulator, Dash Panel	

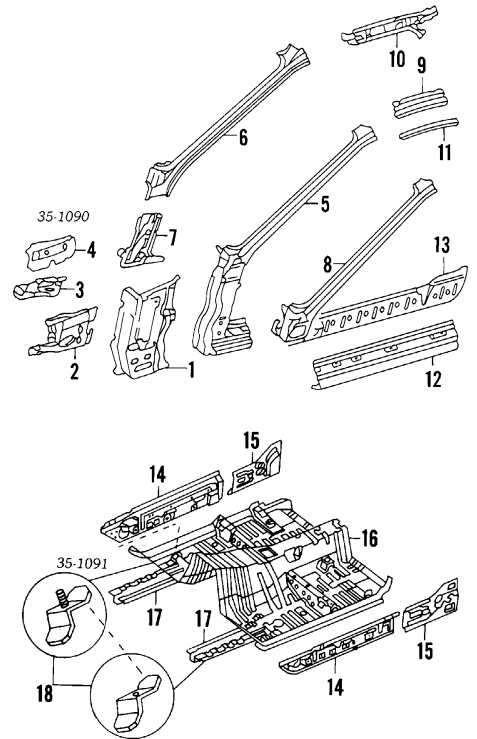
MAZDA RX7 1989-91



w/Silencer Pad FB04-68-620A
w/o Silencer Pad FB02-68-620

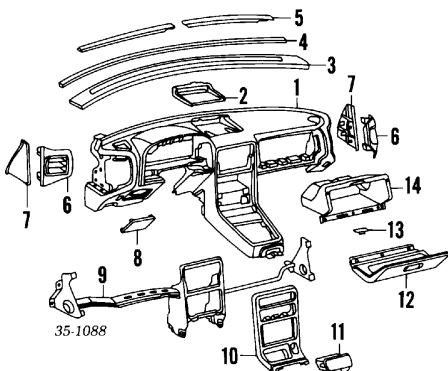
INSTRUMENT PANEL

- Red R FC01-64-250A-19
- Blue L FB01-64-270A-19
- R FC01-64-250A-48
- L FB01-64-270A-48
- w/o Air Bag R FB01-64-250B-02
- Black L FB01-64-270A-02
- Red R FB01-64-250B-19
- Blue L FB01-64-270A-19
- R FB01-64-250B-48
- L FB01-64-270A-48
- R 0000-81-443B-01
- L 0000-81-443A-01
- 0000-81-5104
- Speaker, Radio**
- Radio** †Order by Application, Price Determined by Local Dealer
- 9 Frame, Instrument Panel** FC66-60-420B
- w/Air Bag
- w/o Air Bag FC01-60-420
- Coupe FB67-60-420F
- Conv FC01-55-210A
- 10 Panel, Center** FC01-64-610B
- 11 Ashtray** FC01-64-610B
- 12 Door Assy, Glove Box** †Black listed, Order by Application
- 02 Black; 19 Red; 48 Blue
- Hook, Glove Lid (a)** HF05-64-092
- Stopper, Glove Lid (a)** R/L FB01-64-043-4
- (a) Included w/Glove Box Door Assy
- 13 Striker, Glove Box** FB67-64-10X
- 14 Glove Box**
- Coupe FB02-64-161A
- w/Turbo FB01-64-161A
- w/o Turbo FB01-64-161A
- Conv FB67-64-161A
- Power Unit, Air Bag Back-Up**
- See Air Bag System Section
- Diagnosis Unit, Air Bag**
- See Air Bag System Section

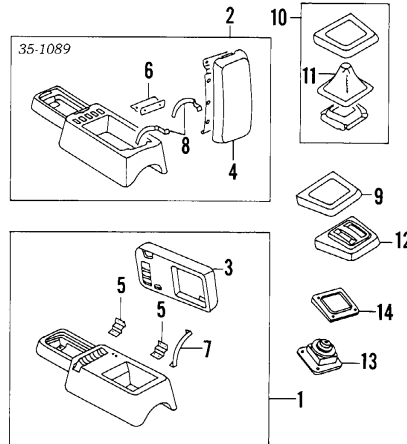


CENTER CONSOLE

- Side Body Assy-See Quarter Panel Section**
- 1 Panel, Cowl Side** †
- R FB01-70-210E
- L FB01-71-210F
- 2 Reinf, Cowl Side Outer** †
- R FB01-53-287A
- L FB01-54-287A
- 3 Reinf, Cowl Side Inner** †
- R FB01-53-289
- L FB01-54-289
- 4 Plate, Locking** †
- R FB01-53-592B
- L FB01-54-592B
- †Included w/Side Body Assy
- Panel, Cowl Trim**
- Black R FB01-68-370-02
- L FB01-68-390-02
- Red R FB01-68-370-19
- L FB01-68-390-19
- Blue R FB01-68-370-48
- L FB01-68-390-48
- 5 Pillar, Hinge Outer** †
- L FB01-70-210D
- Pillar, Hinge Inner** †
- R FC01-70-240B
- 6 Upper** L FC01-71-240B
- 7 Lower** R FB01-70-020
- L FB01-71-020
- 8 Reinf, Pillar** †
- R FB01-70-220D
- L FB01-71-220D
- 9 Rail, Roof Outer** †
- R FB01-70-251A
- L FB01-71-251A
- 10 Rail, Roof Inner** †
- w/Sunroof R FC03-70-050
- L FC03-71-050
- w/o Sunroof R FC01-70-050
- L FC01-71-050
- 11 Rail, Drip** †
- R FB01-70-321A
- L FB01-71-321A
- 12 Panel, Rocker Outer** †
- R FCY1-70-271B
- L FCY1-71-271B
- 13 Reinf, Rocker** †
- R FB01-70-273
- L FB01-71-273
- †Included w/Side Body Assy-listed in Quarter Panel Section
- 14 Panel, Rocker Inner** †
- R FB01-53-951
- L FB01-54-950
- Plate, Scuff**
- Black R FB01-68-710A-02
- L FB01-68-720A-02
- Red R FB01-68-710A-19
- L FB01-68-720A-19
- Blue R FB01-68-710A-48
- L FB01-68-720A-48
- 15 Plate, Closing** †
- R FC01-53-790
- L FC01-54-790
- 16 Pan, Floor Front**
- Man Trans FC01-53-600
- Auto Trans FC07-53-600
- 17 Member, Side Center** †
- R FC01-53-660
- L FC01-54-660
- 18 Bracket, Control Unit** †
- R/L FB01-53-685



- 1 Panel, Instrument w/Pad**
- w/Air Bag FC66-60-350B-02
- Black FC66-60-350B-48
- Blue
- w/o Air Bag FB01-60-350E-02
- Black FB01-60-350E-19
- Red FB01-60-350E-48
- Blue FC66-57-K40B
- Sensor, Air Bag** †Located Under Center of Dash Panel
- 2 Bezel, Clock**
- Black F055-55-71XB-02
- Red F055-55-71XB-19
- Blue F055-55-71XB-48
- 3 Garnish, Upper**
- Black FB01-60-720A-02
- Red FB01-60-720A-19
- Blue FB01-60-720A-48
- 4 Pad, Garnish** FB01-60-735
- 5 Grille, Defroster**
- Black R FB67-60-785A-02
- L FB01-60-795B-02
- Red R FB01-60-785A-19
- L FB01-60-795A-19
- Blue R FB67-60-785A-48
- L FB01-60-795B-48
- 6 Panel, Side**
- Black R FB01-64-911A-02
- L FB01-64-921A-02
- Red R FB01-64-911A-19
- L FB01-64-921A-19
- Blue R FB01-64-911A-48
- L FB01-64-921A-48
- 7 Cover, Side**
- Black R FB01-64-912-02
- L FB01-64-922-02
- Red R FB01-64-912-48
- L FB01-64-922-48
- 8 Grille, Speaker (w/o Air Bag)**
- Black L FB01-60-821-02
- Red L FB01-60-821-19
- Blue L FB01-60-821-48
- Panel, Lower**
- w/Air Bag R FC01-64-250A-02
- Black L FB01-64-270A-02



- Console Assy** †
- 1 Coupe FC02-64-410B-02
- 2 Conv FB02-64-410C-02
- Lid, Console** † (a)
- 3 Coupe FC01-64-450A-02
- 4 Conv FB01-64-440B-02
- †Black listed, Order by Color & Application
- 02 Black; 19 Red; 48 Blue
- Hinge, Lid (a)**
- 5 Coupe
- Front FC01-64-45X
- Rear FC01-64-46X
- 6 Conv
- Black FB01-64-45X-02
- Red FB01-64-45X-19
- Blue FB01-64-45X-48
- Stopper, Console (a)**
- 7 Coupe FC01-64-452
- 8 Conv
- Front FB01-64-453
- Rear FB01-64-452
- (a) Included w/Console Assy
- Plate Assy, Upper**
- 9 Man Trans FC01-64-340B
- 10 Auto Trans FC07-64-390A
- 11 Boot, Lever Change** †
- Man Trans FC01-64-331
- †Included w/Upper Plate Assy
- 12 Indicator (Auto Trans)** FC07-64-350E
- 13 Boot (Man Trans)** FB01-64-490B
- 14 Base, Boot (Man Trans)** FB01-64-491

ROCKER/PILLARS/FLOOR

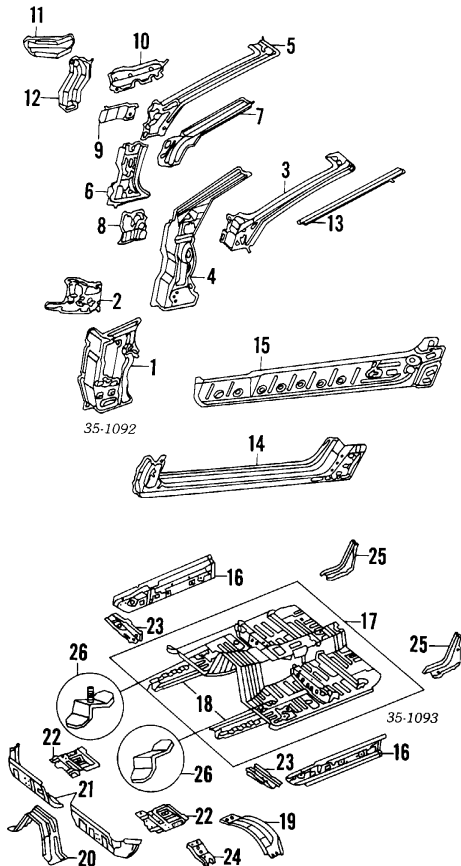
COUPE

Illustration Located in Next Column

MAZDA RX7 1989-91

ROCKER/PILLARS/FLOOR Cont'd

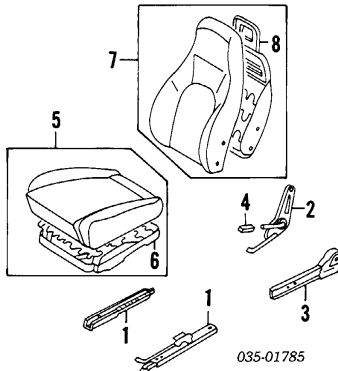
CONV



- | | |
|---|---|
| 1 Panel, Cowl Side | R FB67-70-230C
L FB67-71-230C |
| 2 Reinf, Cowl Side | R FB67-53-287
L FB67-54-287 |
| Panel, Cowl Trim | |
| Black | R FB67-68-370-02
L FB67-68-390-02 |
| Blue | R FB67-68-370-48
L FB67-68-390-48 |
| Pillar, Hinge Outer | |
| 3 Upper | R FB67-70-220C
L FB67-71-220C |
| 4 Lower | R FB67-70-210A
L FB67-71-210A |
| Pillar, Hinge Inner | |
| 5 Upper | R FB67-70-240B
L FB67-71-240B |
| 6 Lower | R FB67-70-020C
L FB67-71-020C |
| 7 Reinf, Pillar | R FB67-70-246B
L FB67-71-246B |
| 8 Gusset, Hinge Pillar | R FB67-53-698
L FB67-54-698 |
| 9 Reinf, Cowl Side Inner | R FB01-53-289
L FB01-54-289 |
| 10 Plate, Cowl Side | R FB67-53-592
L FB67-54-592 |
| 11 Bracket, Dash Panel | R FB67-70-654
L FB67-71-654 |
| 12 Brkt, Inst Panel | R FB67-70-260
L FB67-71-260 |
| 13 Rail, Drip | R FB67-70-222A
L FB67-71-222A |
| 14 Panel, Rocker Outer | R FC33-70-270A
L FC33-71-270A |
| Moulding, Rocker-See Ground Effects Section | |
| 15 Reinf, Röcker | R FC33-53-790
L FC33-54-790 |
| 16 Panel, Rocker Inner | R FB67-53-950
L FB67-54-950 |
| Plate, Scuff | |
| Black | R FB67-68-710-02
L FB67-68-720-02 |
| Blue | R FB67-68-710-48
L FB67-68-720-48 |
| 17 Pan Assy, Front Floor | Man Trans FC33-53-600A
Auto Trans FC47-53-600A |
| 18 Member, Side Center | |
| Man Trans | R FB67-53-660
L FB67-54-660 |
| Auto Trans | R F056-53-660 |

- | | |
|----------------------------------|--|
| | L FB67-54-660 |
| *Included w/Front Floor Pan Assy | |
| 19 Member, Front Floor | Man Trans FB67-56-74XA
FB67-53-612A |
| 20 Reinf, Front Floor | R FB67-53-603A
L FB67-54-603A |
| 21 Brkt, Front Floor Front | R FB67-53-606
L FB67-54-606 |
| 22 Brkt, Front Floor Center | R FB67-53-606
L FB67-54-606 |
| 23 Brkt, Front Floor Rear | R FB67-53-607A
L FB67-54-607A |
| 24 Gusset, Front Floor | Front R/L FB67-56-780 |
| 25 Gusset, Rear Floor | Rear R/L FB67-53-98XA |
| 26 Brkt, Control Unit | R FB01-53-685
L FB01-54-685 |

SEAT

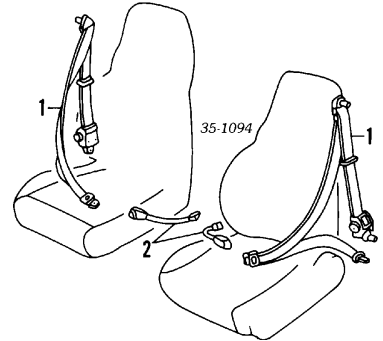


- | | |
|-------------------------------------|---|
| 1 Adjuster, Seat Track | |
| Passenger Side | R FC01-88-102A
L FC50-88-103 |
| Coupe | R FC34-88-102A
L FC34-88-103 |
| Conv | |
| Driver Side | |
| Coupe | R/L FC01-88-152-3
R/L FC03-88-152-3 |
| w/High-Back Seat | R FC01-88-152
L FC34-88-153 |
| w/o High-Back Seat | |
| 2 Recliner, Seat | Passenger Side FB01-88-101
Driver Side FB01-88-151 |
| 3 Cover, Recliner | Passenger Side F044-88-127A-02
Driver Side F044-88-177A-02 |
| 4 Knob, Adjuster | Passenger Side B001-88-081-02
Driver Side B001-88-091-02 |
| 5 Cushion Assy, Seat | w/High-Back Seat |
| w/Leather | R FCY5-88-110-02
L FCY5-88-160-02 |
| w/o Leather | R FCX7-88-110B-02
L FCX7-88-160A-02 |
| w/o High-Back Seat | |
| w/Leather | R FCY4-88-110A-02
L FC70-88-160-02 |
| w/o Leather | R FC13-88-110A-02
L FC13-88-160A-02 |
| *Black listed, Order by Application | |
| 6 Frame, Cushion (a) | R FC13-88-163A
L FC13-88-113A |
| (a) Included w/Seat Cushion Assy | |
| 7 Back Assy, Seat | w/High-Back Seat |
| w/Leather | R FB46-88-130-02
L FB46-88-180-02 |
| w/o Leather | R FC01-88-130-02
L FC01-88-180-02 |
| w/o High-Back Seat | |
| w/Leather | R FC70-88-130-02
L FC70-88-180-02 |
| w/o Leather | R FC03-88-130-02
L FC03-88-180-02 |
| 8 Frame, Seat Back (a) | w/High-Back Seat |
| w/o High-Back Seat | R FC01-88-133
L FC01-88-183 |
| | R FC03-88-133
L FC03-88-183 |
| Headrest (a) | R/L FC03-88-140-02
w/Leather R/L FB69-88-141-02
w/o Leather |
| *Black listed, Order by Application | |
| (a) Included w/Seat Back Assy | |

SEAT BELTS

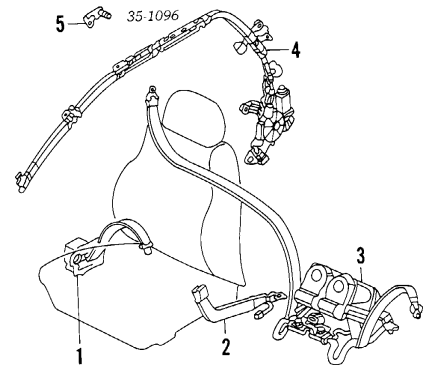
FRONT ACTIVE RESTRAINT

Illustration Located in Next Column



- | | |
|---|--|
| 1 Belt, Seat Retractable Side w/Air Bag | |
| Black | R FC33-57-630-00
L FC66-57-690A-00 |
| Blue | R FC33-57-630-48
L FC66-57-690A-48 |
| w/o Air Bag | |
| Black | R FC33-57-630-00
L FC33-57-690-00 |
| Blue | R FC33-57-630-48
L FC33-57-690-48 |
| 2 Buckle Side | |
| Black | R FB10-57-620C-02
L FB10-57-680A-02 |
| Blue | R FB10-57-620C-48
L FB10-57-680A-48 |

FRONT PASSIVE RESTRAINT



- | | |
|----------------------------|--|
| 1 Belt, Seat Lap Side | |
| Black | R FC01-57-940B-02
L FC01-57-980B-02 |
| Red | R FC01-57-940B-19
L FC01-57-980B-19 |
| Blue | R FC01-57-940B-48
L FC01-57-980B-48 |
| 2 Belt, Seat Buckle Side | |
| Black | R FC01-57-620A-02
L FC01-57-680A-02 |
| Red | R FC01-57-620A-19
L FC01-57-680A-19 |
| Blue | R FC01-57-620A-48
L FC01-57-680A-48 |
| 3 Belt, Seat Shoulder Side | |
| Black | R/L FC01-57-920B-02 |
| Red | R/L FC01-57-920B-19 |
| Blue | R/L FC01-57-920B-48 |
| 4 Slide Assy, Passive | R FC01-57-930B
L FC01-57-990B |
| 5 Bracket, Seat Belt | R FC01-56-27X
L FC01-56-28X |
| Power Unit, Passive | FC01-67-780B |

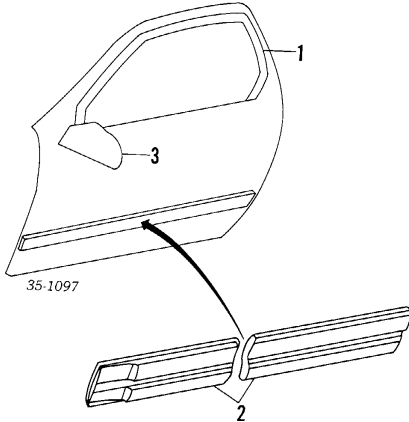
FRONT DOOR

SHEET METAL

- | | |
|-----------------------------|----------------------------------|
| Shell Assy, Door | |
| Coupe | R FB05-58-020H
L FB05-59-020H |
| Conv | R FC33-58-020B
L FC33-59-020B |
| Panel, Door Repair | |
| Coupe | R FB01-58-031D
L FB01-59-031D |
| Conv | R FC33-58-031A
L FC33-59-031A |
| *Included w/Door Shell Assy | |

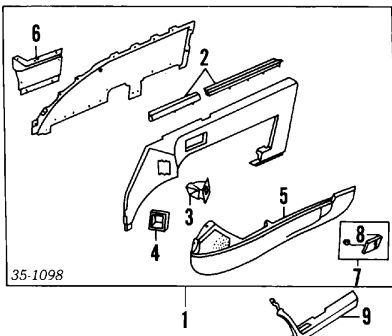
MAZDA RX7 1989-91

EXTERIOR TRIM



- 1 Moulding, Window Opening**
Coupe R FB01-58-831E
L FB01-59-831E
Conv R FB67-50-981A
L FB67-50-985A
- 2 Moulding, Side**
R FC01-50-682-PZ
L FC01-50-692-PZ
- Black listed, Order by Application
GU Shade Green; PZ Brilliant Black;
SQ Blaze Red; UC Crystal White;
WY Noble White; 1F Winning Silver M;
3G Shadow Silver M; 5D Harbor Blue;
5N Brave Blue; 6H Mellow Burgundy*
- 3 Mirror, Rear View USA**
R FC01-69-110-PZ
L FC01-69-170-PZ
- Canada
w/Turbo R/L N.A.
w/o Turbo R/L N.A.
- Black listed, Order by Application
PZ Brilliant Black; SQ Blaze Red;
UC Crystal White; WY Noble White;
1F Winning Silver M; 3G Shadow Silver M;
5D Harbor Blue; 5N Brave Blue;
6H Mellow Burgundy*

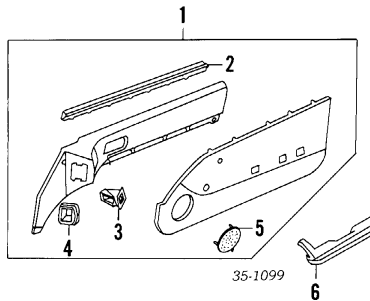
INTERIOR TRIM W/DOOR POCKET



- 1 Panel Assy, Trim (a)**
Cloth R FC04-68-420B-02
L FC04-68-450B-02
Leather R FC06-68-420B-02
L FC06-68-450B-02
- (a) Black listed, Order by Application
02 Black; 19 Red; 48 Blue*
- 2 Weatherstrip, Belt**
Coupe R FB01-58-810
L FB01-59-810
- Conv
Front R FB67-68-422
L FB67-68-452
Rear R FB67-58-821
L FB67-59-821
- 3 Grille, Vent**
Black R FB01-68-44X-02
L FB01-68-47X-02
Red R FB01-68-44X-19
L FB01-68-47X-19
Blue R FB01-68-44X-48
L FB01-68-47X-48
- 4 Cover, Lever**
Black R FB01-68-423-02
L FB01-68-453-02
Red R FB01-68-423-19
L FB01-68-453-19
Blue R FB01-68-423-48
L FB01-68-453-48

- 5 Pocket, Door**
Black R FC04-68-4E0B-02
L FC04-68-4Q0B-02
Red R FC04-68-4E0-19
L FC04-68-4Q0-19
Blue R FC04-68-4E0B-48
L FC04-68-4Q0B-48
- 6 Cover, Pocket**
Black R FC04-68-433-02
L FC04-68-463-02
Red R FC04-68-433-19
L FC04-68-463-19
Blue R FC04-68-433-48
L FC04-68-463-48
- 7 Lamp Assy, Courtesy**
R FB05-51-530
L FB05-51-590
- 8 Lens, Lamp (a)**
R FB05-51-531
L FB05-51-591
- Bulb (a)** R/L 0000-11-0194
*Included w/Trim Panel Assy
(a) Included w/Courtesy Lamp Assy*
- Speaker, Radio** R/L 0000-81-429C-01
Order by Application, Price Determined by Local Dealer
- 9 Armrest**
Black R FB01-69-370-02
L FB01-69-390-02
Red R FB01-69-370-19
L FB01-69-390-19
Blue R FB01-69-370-48
L FB01-69-390-48

INTERIOR TRIM W/O DOOR POCKET



- 1 Panel Assy, Trim** R FC01-68-420D-02
L FC01-68-450D-02
- Black listed, Order by Application
02 Black; 19 Red; 48 Blue*
- 2 Weatherstrip, Belt (a)** R FB01-58-821
L FB01-59-821
- 3 Grille, Vent (a)**
Black R FB01-68-44X-02
L FB01-68-47X-02
Red R FB01-68-44X-19
L FB01-68-47X-19
Blue R FB01-68-44X-48
L FB01-68-47X-48
- 4 Cover, Lever (a)**
Black R FB01-68-423-02
L FB01-68-453-02
Red R FB01-68-423-19
L FB01-68-453-19
Blue R FB01-68-423-48
L FB01-68-453-48
- 5 Grille, Speaker (a)**
Black R/L FC01-68-4H0A-02
Blue R/L FC01-68-4H0A-48
- (a) Included w/Trim Panel Assy*
- Speaker, Radio** R/L 0000-81-5612-01
Order by Application, Price Determined by Local Dealer
- 6 Armrest**
Black R FB02-69-370-02
L FB02-69-390-02
Red R FB02-69-370-19
L FB02-69-390-19
Blue R FB02-69-370-48
L FB02-69-390-48

HARDWARE

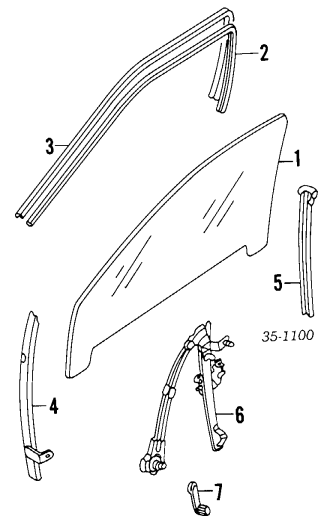
- Handle, Inside**
Coupe
w/Theft Deterrent
Black R FB02-58-330A-02
L FB02-59-330A-02
Red R FB02-58-330A-19
L FB02-59-330A-19
Blue R FB02-58-330A-48
L FB02-59-330A-48
- w/o Theft Deterrent
Black R FB01-58-330B-02
L FB01-59-330B-02
Red R FB01-58-330B-10
L FB01-59-330B-10
Blue R FB01-58-330B-48
L FB01-59-330B-48
- Conv
Black R FB02-58-330A-02
L FB02-59-330A-02
Red R FB02-58-330A-19
L FB02-59-330A-19
Blue R FB02-58-330A-48
L FB02-59-330A-48

- Cover, Inside Handle**
Black R FB01-58-303B-02
L FB01-59-303B-02
Red R FB01-58-303B-19
L FB01-59-303B-19
Blue R FB01-58-303B-48
L FB01-59-303B-48
- Latch, Door**
Coupe
w/Pwr Locks R FC01-58-310
L FC01-59-310
w/o Pwr Locks R FC01-58-310
L FC01-59-310
- Conv
R FB05-58-310A
L FB05-59-310A
R FB03-58-496
L FB03-59-496
- Switch, Lock**
R/L FB06-58-350B
R FB01-76-210B
L FB01-76-220B
R FB02-58-410C-PZ
L FB06-59-410D-PZ

- Black listed, Order by Application
GU Shade Green; PZ Brilliant Black;
SQ Blaze Red; UC Crystal White;
WY Noble White; 1F Winning Silver M;
3G Shadow Silver M; 5D Harbor Blue;
5N Brave Blue; 6H Mellow Burgundy*
- Hinge, Upper**
R B156-59-240
L B156-58-240
R FB67-58-240
L B092-59-240
- Hinge, Lower**
R/L B092-58-201A
R/L FB01-58-270B
- Shim, Hinge**
Check, Door
Weatherstrip, Door
Coupe R FB01-58-760C
L FB01-59-760C
- Conv
On Door R FB67-58-760B
L FB67-59-760B
On Body R FB67-58-770F
L FB67-59-770F

- Welt, Seaming**
Coupe
Black R FB01-68-911-02
L FB01-68-912-02
Red R FB01-68-911-19
L FB01-68-912-19
Blue R FB01-68-911-48
L FB01-68-912-48
- Conv
Front
Black R FB67-68-911C-02
L FB67-68-912C-02
Blue R FB67-68-911C-48
L FB67-68-912C-48
- Rear
Black R FB67-68-921A-02
L FB67-68-922A-02
Blue R FB67-68-921A-48
L FB67-68-922A-48

GLASS & PARTS COUPE

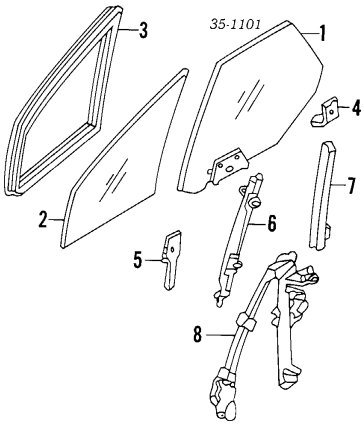


- 1 Glass, Front Door**
Mazda (Tint) R FB01-58-511
L FB01-59-511
- 2 Mldg, Sash Door**
R FB01-50-981B
L FB01-50-985B
- 3 Channel Assy, Glass Run**
R FB01-58-60XD
L FB01-59-60XD
- Retainer, Glass Run** R/L FB01-58-606A
Included w/Glass Run Channel Assy
- 4 Guide, Glass Front**
R FB01-58-603B
L FB01-59-603B
- 5 Guide, Glass Rear**
R FB01-58-604A
L FB01-59-604A

MAZDA RX7 1989-91

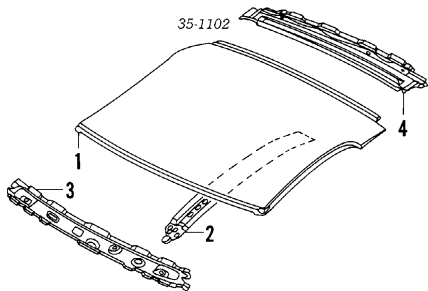
FRONT DOOR Cont'd	
GLASS & PARTS	
COUPE Cont'd	
W/Strip, Belt Outer	R FB01-58-810 L FB01-59-810
6 Regulator Assy	
Manual	R FB01-58-560E L FB01-59-560E
Power	R FB05-58-560J L FB05-59-560J
7 Handle, Regulator	
Black	R/L B092-58-580-02
Red	R/L B092-58-580-19
Blue	R/L B092-58-580-48
Escutcheon, Handle	
Black	R/L B001-58-582A-02
Red	R/L B001-58-582A-19
Blue	R/L B001-58-582A-48
Motor, Regulator¶	R FB05-58-58X L FB05-59-58X
¶Included w/Power Regulator Assy	

GLASS & PARTS CONV



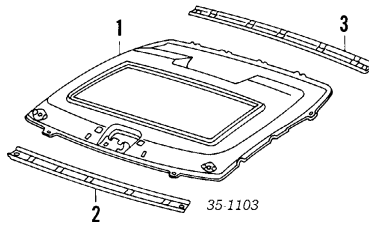
- | | |
|------------------------|----------------------------------|
| 1 Glass, Front Door | R FB67-58-510C
L FB67-59-510C |
| 2 Glass, Front Vent | R FB67-58-661B
L FB67-59-661B |
| 3 W/Strip, Vent Glass | R FB67-58-651
L FB67-59-651 |
| 4 Protector, Door Sash | R FB67-58-877C
L FB67-59-877C |
| 5 Stopper, Glass | R/L FB67-58-910 |
| 6 Guide, Front | R FB67-58-6A0A
L FB67-59-6A0A |
| 7 Guide, Rear | R FB67-58-61XB
L FB67-59-61XB |
| 8 Regulator, Power | R FB67-58-560E
L FB67-59-560E |
- Motor, Regulator-Serviced w/Regulator

ROOF SHEET METAL/EXTERIOR TRIM



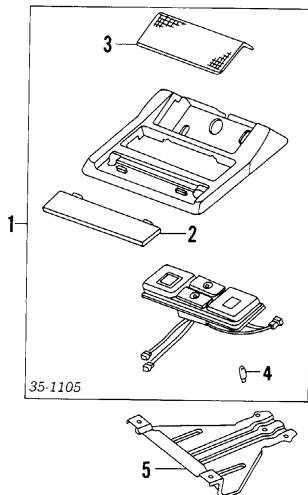
- | | |
|---|----------------------------------|
| 1 Panel, Roof | FC03-70-601 |
| w/Sunroof | FC01-70-601 |
| w/o Sunroof | FC01-70-609A |
| 2 Reinf, Center | FC01-70-640A |
| 3 Panel, Front Header | FC01-70-700 |
| 4 Panel, Rear Header | |
| Rail, Side-See Rocker/Pillars/Floor Section | |
| Rail, Drip-See Rocker/Pillars/Floor Section | |
| W/Strip, Drip Rail | R FB01-58-831E
L FB01-59-831E |

INTERIOR TRIM



- | | |
|-------------------------------------|--|
| 1 Headliner¶ | |
| w/Sunroof | FC03-68-030-02 |
| w/o Sunroof | FC01-68-030-02 |
| ¶Black listed. Order by Application | |
| 02 Black; 19 Red; 48 Blue | |
| 2 Moulding, Garnish Front | FB01-68-020-02
FB01-68-020-19
FB01-68-020-48 |
| 3 Moulding, Garnish Rear | FB01-68-040-02
FB01-68-040-19
FB01-68-040-48 |
| Cover, Rail Side | |
| Front | |
| Black | R FC01-68-1A0B-02
L FC01-68-1B0B-02 |
| Red | R FC01-68-1A0B-19
L FC01-68-1B0B-19 |
| Blue | R FC01-68-1A0B-48
L FC01-68-1B0B-48 |
| Rear | |
| Black | R FC01-68-1C0A-02
L FC01-68-1D0A-02 |
| Red | R FC01-68-1C0A-19
L FC01-68-1D0A-19 |
| Blue | R FC01-68-1C0A-48
L FC01-68-1D0A-48 |

OVERHEAD CONSOLE



- | | |
|-------------------------------------|---|
| 1 Console Assy, Overhead¶ | |
| USA | FB03-69-870A-02 |
| w/Sunroof | FB02-69-870A-02 |
| w/o Sunroof | FB01-69-870A-02 |
| Canada | FB01-69-870A-02 |
| ¶Black listed. Order by Application | |
| 02 Black; 19 Red; 48 Blue | |
| 2 Panel, Cover¶ | FB01-69-872-02
FB01-69-872-19
FB02-69-870A-48 |
| 3 Lens¶ | FB01-69-873 |
| 4 Bulb¶ | 0000-11-0194 |
| ¶Included w/Overhead Console Assy | |
| 5 Bracket, Console | FB01-69-874 |

SUNROOF

Illustration Located in Next Column

- | | |
|------------------|-----------------|
| 1 Panel, Sliding | FB03-69-810H |
| 2 Weatherstrip | FB03-69-895C |
| 3 Trim, Panel | |
| Black | FB03-69-860C-02 |
| Red | FB03-69-860C-19 |
| Blue | FB03-69-860C-48 |

4 Welt, Seam	Black FB03-69-915A-02 Red FB03-69-915A-19 Blue FB03-69-915A-48 FB03-69-831J
5 Frame, Sliding Roof	
6 Panel, Lower Sliding Roof	R FB03-69-838C L FB03-69-839C
7 Shim, Lower Panel (4)	FB03-69-925A
8 Guide, Rear	R FB03-69-842A L FB03-69-843A
9 Rail, Guide	R FB03-69-832C L FB03-69-833C
10 Cable, Slide	R/L FB03-69-865-6
11 Motor, Sliding Panel	FB03-69-848B
12 Bracket, Drive Unit	FB03-69-844A
13 Deflector, Wind	FB03-69-845
14 Link, Deflector	R FB03-69-846B L FB03-69-847B

CONVERTIBLE TOP

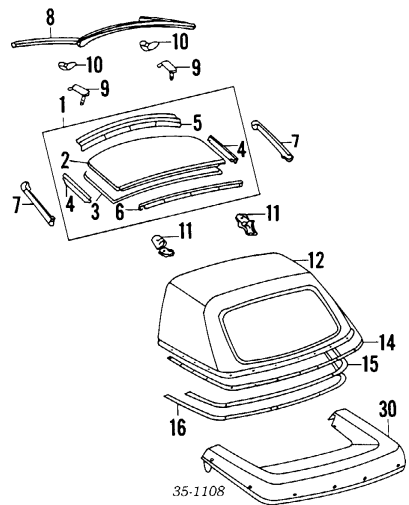
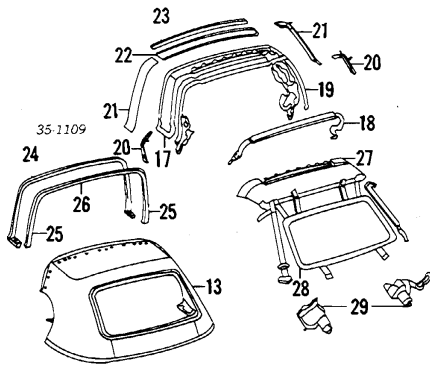


Illustration Located in Next Column

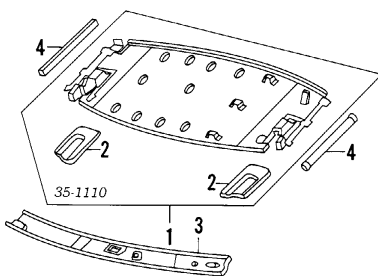
- | | |
|--------------------------|----------------------------------|
| 1 Panel Assy, Front Roof | FCZ3-R1-2Y0A |
| 2 Cover, Roof Panel¶ | FC33-R1-217 |
| 3 Panel, Roof w/o Cover¶ | FCZ3-R1-2Y0A |
| 4 Retainer, Roof Panel¶ | R FB67-R1-930A
L FB67-R1-940A |
| Plate Set, Roof Panel¶ | |
| 5 Front | FB67-R1-251 |
| 6 Rear | FB67-R1-252 |

MAZDA RX7 1989-91



- ¶Included w/Front Roof Panel Assy*
- 7 W/Strip, Roof Panel
 - R FC54-R1-951B
 - L FC54-R1-952B
 - Panel, Front Header Outer
 - FB67-70-631B
 - Panel, Front Header Inner
 - FB67-70-640A
 - 8 Weatherstrip, Header
 - FB67-R1-711F
 - 9 Latch, Roof Panel
 - R FB67-R1-860D
 - L FB67-R1-870D
 - R FB67-R1-881C
 - L FB67-R1-882C
 - 10 Striker, Latch
 - R FB67-R1-910H-02
 - Black
 - L FB67-R1-920E
 - Blue
 - R FB67-R1-910H-48
 - L FB67-R1-920E
 - Bracket, Latch
 - R FB67-R1-9A3A
 - L FB67-R1-9B3A
 - FC23-R1-210
 - 12 Folding Top, Rear Outer
 - 13 Folding Top, Rear Inner
 - Black
 - FB67-R1-212C-02
 - Blue
 - FB67-R1-212C-48
 - 14 Retainer, Folding Top
 - FB67-R1-214A
 - 15 Seal, Folding Top Upper
 - FB67-R1-236
 - 16 Seal, Folding Top Lower
 - FB67-R1-235
 - 17 Bar, Front Roll
 - FB67-R1-100
 - 18 Bar, Rear Roll-Serviced w/Front Roll Bar
 - 19 Protector, Roll Bar
 - FB67-R1-237A
 - 20 Bracket, Roll Bar
 - R FB67-R1-03X
 - L FB67-R1-03Y
 - 21 Pad, Spacer Side
 - R/L FB67-R1-232-3
 - 22 Pad, Spacer Center
 - FB67-R1-231
 - 23 Retainer, Pad
 - FB67-R1-234
 - 24 Weatherstrip, Roll Bar
 - FB67-R1-721E
 - 25 Retainer, W/Strip Side
 - R FB67-R1-912A
 - L FB67-R1-913A
 - FB67-R1-911A
 - FB67-R1-213
 - FB67-R1-421B
 - 26 Retainer, W/Strip Top
 - 27 Insulator, Folding Top
 - 28 Frame, Back Window
 - Window, Back
 - Mazda (Tint)
 - FB67-63-931A
 - FB67-63-932B
 - 29 Motor, Folding Top
 - R FB67-R1-510D
 - L FB67-R1-520B
 - 30 Boot, Folding Top
 - Black
 - FB67-R1-960G-02
 - Blue
 - FB67-R1-960G-48
 - Bag, Roof Panel Storage
 - FB67-68-095A

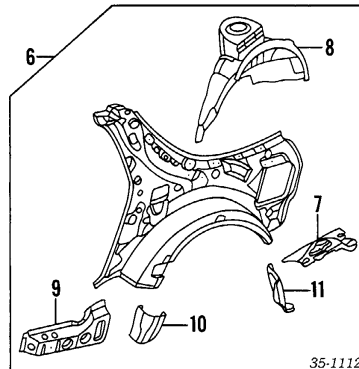
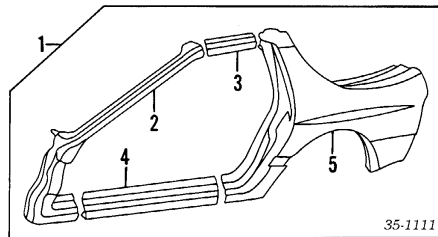
INTERIOR TRIM



- 1 Headliner Assy
 - Black
 - FB67-68-03XB-02
 - Blue
 - FB67-68-03XB-48
- 2 Lid, Headliner¶
 - Black
 - R FB67-68-0D1-02
 - L FB67-68-0E1-02
 - Blue
 - R FB67-68-0D1-48
 - L FB67-68-0E1-48
- ¶Included w/Headliner Assy*
- 3 Moulding, Inside Garnish
 - Black
 - FB67-68-020A-02
 - Blue
 - FB67-68-020A-48
- 4 Well, Seaming
 - Black
 - R/L FB67-68-032-02
 - Blue
 - R/L FB67-68-032-48
- Blocker, Wind
 - Black
 - FB67-68-845-02
 - Blue
 - FB67-68-845-48
- Trim, Roll Bar
 - Side

- Black
 - R FB67-68-24YA-02
 - L FB67-68-25YA-02
- Blue
 - R FB67-68-24YA-48
 - L FB67-68-25YA-48
- Center
 - Black
 - FB67-68-21XC-02
 - Blue
 - FB67-68-21XC-48

SIDE BODY SHEET METAL COUPE

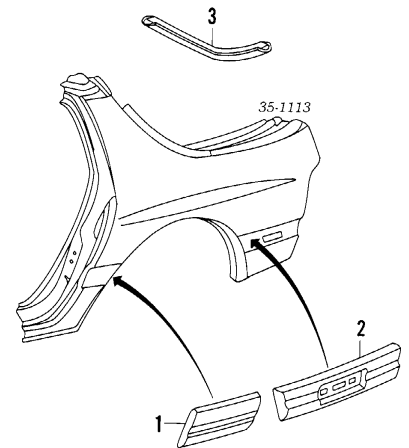


- 1 Body Assy, Side
 - R FCY1-70-200B
 - L FCY1-71-200B
- 2 Pillar, Hinge¶ (a)
- 3 Rail, Roof¶ (a)
- 4 Panel, Rocker¶ (a)
 - ¶(a) See Rocker/Pillars/Floor Section*
- 5 Panel, Quarter Outer¶
 - R FCY1-70-400A
 - L FCY1-71-400A
- ¶Included w/Side Body Assy*
- Striker, Door Latch
 - FB01-58-361A
- Door, Fuel
 - FB01-42-410B
- Opener, Fuel Door
 - FB01-56-890A
- Antenna Assy, Power
 - 0000-81-930A
- Mast, Antenna¶
 - 0000-81-A901
- ¶Included w/Power Antenna Assy*
- 6 Panel Assy, Quarter Inner
 - USA
 - R FC01-70-100C
 - L FC01-71-100C
 - Canada
 - R N.A.
 - L N.A.
- 7 Panel, Lower¶
 - R FB01-70-112A
 - L FB01-71-112D
- 8 Panel, Whilse Inner¶
 - R FB01-70-150B
 - L FB01-71-150B
- 9 Plate, Front Joint¶
 - R FB01-70-114A
 - L FB01-71-114A
- 10 Extension, Front¶
 - R FC01-70-113
 - L FC01-71-113
- 11 Protector, Splash Shield¶
 - Right
 - FB01-70-118A
 - Left
 - FB01-71-118A
- ¶Included w/Inner Quarter Panel Assy*

EXTERIOR TRIM COUPE

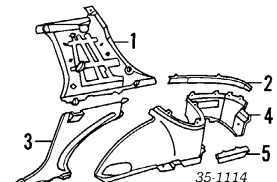
Illustration Located in Next Column

- 1 Mldg, Side Front
 - R FC01-50-683A-PZ
 - L FC01-50-683A-PZ
- 2 Mldg, Side Rear
 - R FC01-50-6W0A-PZ
 - L FC01-50-6W0A-PZ
- ¶Black listed, Order by Application*
- GU Shade Green; GU Shade Green;
- SQ Blaze Red; UC Crystal White;
- WY Noble White; 1F Winning Silver M;
- 3G Shadow Silver M; 5D Harbor Blue;
- 5N Brave Blue; 6H Mellow Burgundy
- 3 Moulding, Rear
 - R FB01-50-942A
 - L FB01-50-943A
- Chamber, Extractor
 - R FB01-51-920A



- Grille, Extractor
 - L FB01-51-940A
 - R FC01-51-910
 - L FC01-51-930

INTERIOR TRIM COUPE



- 1 Panel, Trim Upper Front
 - 2 Seater
 - USA
 - R FC01-68-190A-02
 - L FC01-68-210A-02
 - Canada
 - R/L N.A.
 - 4 Seater
 - USA
 - R FC20-68-190A-02
 - L FC20-68-210A-02
 - Canada
 - R/L N.A.
- 2 Panel, Trim Upper Rear
 - R FB01-68-860-02
 - L FB01-68-870-02
- 3 Panel, Trim Lower Front
 - 2 Seater
 - USA
 - R FC01-68-520A-02
 - L FC01-68-550A-02
 - Canada
 - R/L N.A.
 - 4 Seater
 - USA
 - R FC20-68-520A-02
 - L FC20-68-550A-02
 - Canada
 - R/L N.A.
- 4 Panel, Trim Lower Rear
 - 2 Seater
 - w/Silencer
 - R FC04-68-85Y-02
 - L FC04-68-87Y-02
 - w/o Silencer
 - R FC01-68-85Y-02
 - L FC01-68-87Y-02
 - 4 Seater
 - R FC22-68-85Y-02
 - L FC22-68-87Y-02
- 5 Bracket, Rear Package¶
 - R FC01-68-3D1-02
 - L FC01-68-3E1-02
- Tray, Package
 - 2 Seater¶
 - FC01-68-310D-02
 - 4 Seater¶
 - FC20-68-310B-02
- ¶Black listed, Order by Application*
- 02 Black; 19 Red; 48 Blue
- Speaker, Radio
 - w/CD Player
 - R/L 0000-81-6051-01
 - w/o CD Player
 - R/L 0000-81-615A-01
- Grille, Speaker¶
 - R FC01-68-3S0A-02
 - L FC01-68-3P0A-02
- ¶Black listed, Order by Application*
- 02 Black; 19 Red; 48 Blue

SHEET METAL CONV

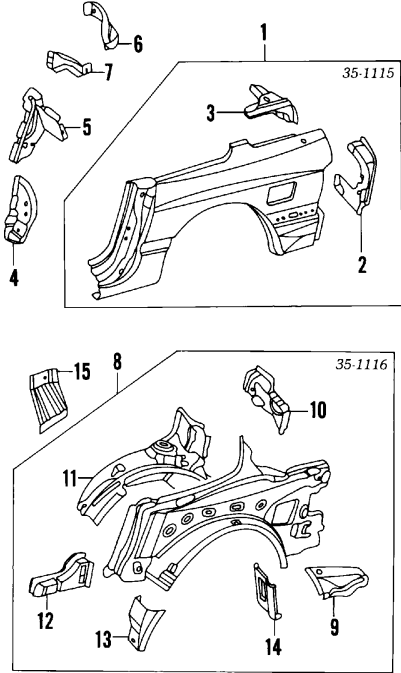
Illustration Located in Next Column

- 1 Panel Assy, Quarter Outer
 - R FC33-70-400A
 - L FC33-71-400A
- 2 Housing, Lamp¶
 - R FB67-70-491A
 - L FB67-71-491A
- 3 Panel, Trough¶
 - R FB67-70-441A
 - L FB67-71-441A
- ¶Included w/Outer Quarter Panel Assy*
- Door, Fuel
 - FB01-42-410B
- Opener, Fuel Door
 - FB01-56-890A

MAZDA RX7 1989-91

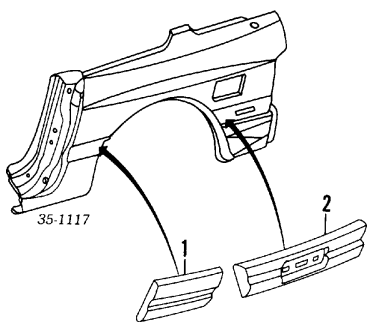
SIDE BODY Cont'd

SHEET METAL CONV Cont'd



Antenna Assy, Power Mast, Antenna†	0000-81-930A 0000-81-A901
†Included w/Power Antenna Assy	
4 Reinf, Striker	R FB67-70-420 L FB67-71-420
5 Bracket, Roll Bar	R FB67-70-130D L FB67-71-130D
6 Reinf, Rear	R FB67-70-169A L FB67-71-169A
7 Brkt, Quarter Panel	R FB67-52-750 L FB67-52-760
8 Panel Assy, Quarter Inner	R FC33-70-100A L FC33-71-100A
9 Panel, Lower Rear†	R FB01-70-112A L FB01-71-112D
10 Plate, Rear Corner†	R FB67-70-160B L FB67-71-160B
11 Panel, Whlsh Inner†	R FB67-70-150D L FB67-71-150D
12 Plate, Front Joint†	R FB67-70-114 L FB67-71-114
13 Extension, Front†	R FB67-70-113 L FB67-71-113
14 Protector, Splash Shield†	Right FB01-70-118A Left FB01-71-118A
†Included w/Inner Quarter Panel Assy	
15 Gusset, Wheelhouse	R FB67-70-690A L FB67-71-690A

EXTERIOR TRIM CONV

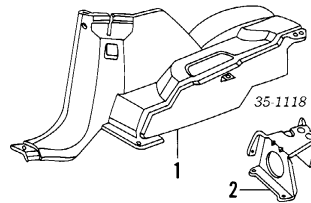


1 Midg, Side Front†	R FC01-50-683A-PZ L FC01-50-693A-PZ
2 Midg, Side Rear†	R FC01-50-6V0A-PZ L FC01-50-6W0A-PZ

†Black listed, Order by Application
GU Shade Green; PZ Brilliant Black;
SQ Blaze Red; UC Crystal White;
WY Noble White; 1F Winning Silver M;

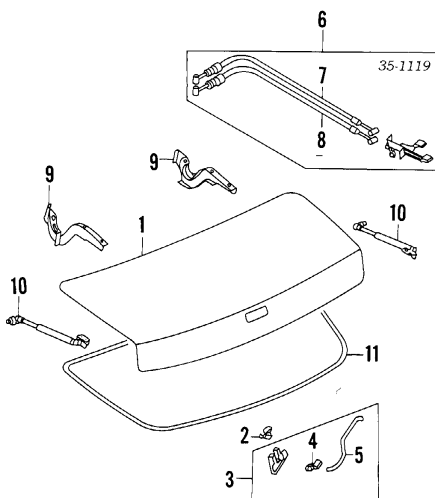
3G Shadow Silver M; 5D Harbor Blue;
5N Brave Blue; 6H Mellow Burgundy

INTERIOR TRIM CONV



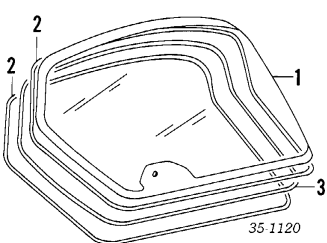
1 Panel, Trim	Black R FB67-68-520E-02 L FB67-68-550E-02 Blue R FB67-68-520E-48 L FB67-68-550E-48
2 Bracket, Trim Panel	Tray, Package Brkt, Package Tray R FB67-70-512 L FB67-71-512

LUGGAGE LID



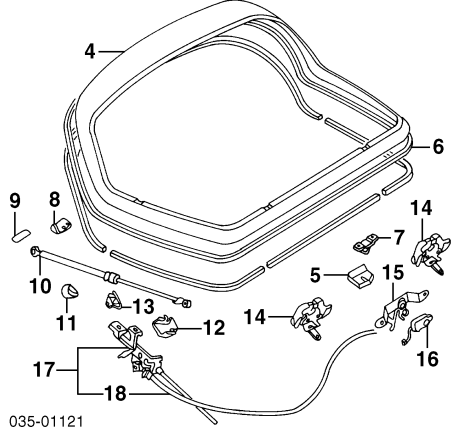
1 Lid, Luggage Nameplate	FB67-52-610C
2 Striker, Latch	"Mazda" FB02-51-740 "Mazda RX7" FB02-51-720
3 Cylinder Assy w/Key	FB67-56-840
4 Gasket, Key Cylinder†	FB68-76-230 FB67-56-904
†Included w/Cylinder Assy w/Key	
5 Lock Assy	FB67-56-820A
6 Clip (4)	FB67-56-820A L FB67-56-820A
5 Rod, Lock Opening (a)	FB67-56-835A
(a) Included w/Lock Assy	
6 Cable Assy, Release†	FB67-56-920G
7 Cable, Fuel Lid Opener†	FB67-56-940F
8 Cable, Trunk Lid Opener† (a)	FB67-56-930F
†Attached to Rear Body Panel	
(a) Included w/Release Cable Assy	
9 Hinge, Lid	R FB67-52-710A L FB67-52-720A
10 Stay, Support	R 8BF1-56-860 L 8BF1-56-870
11 Weatherstrip, Lid	FB67-56-952

LIFTGATE



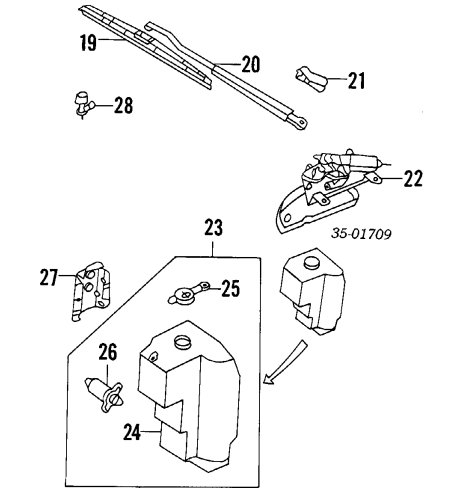
1 Midg, Side Front†	R FC01-50-683A-PZ L FC01-50-693A-PZ
2 Midg, Side Rear†	R FC01-50-6V0A-PZ L FC01-50-6W0A-PZ

†Black listed, Order by Application
GU Shade Green; PZ Brilliant Black;
SQ Blaze Red; UC Crystal White;
WY Noble White; 1F Winning Silver M;



035-01121

1 Glass, Liftgate	Mazda (Tint) FB02-63-930 w/Wiper FB01-63-930 w/o Wiper FB01-50-891
2 Spacer, Glass	FB01-50-896
3 Dam, Glass	FB01-50-611C
4 Frame, Liftgate	FC02-62-020 w/Wiper FC01-62-020 w/o Wiper FOY1-51-960-RH
†Black listed, Order by Application GU Shade Green; PZ Brilliant Black; SQ Blaze Red; UC Crystal White; WY Noble White; 1F Winning Silver M; 3G Shadow Silver M; 5D Harbor Blue; 5N Brave Blue; 6H Mellow Burgundy	
5 Cover, Frame	R FB01-62-866B L FB01-63-866B
6 Weatherstrip, Frame	FB01-62-761C
7 Striker, Latch	R/L FB01-62-361B
8 Hinge, Frame	R/L FB01-62-210D
9 Gasket, Hinge	R/L FB01-62-212
10 Stay, Prop†	R 8BF7-62-620 L 8BF3-63-620
†Order by Application	
11 Cover, Prop Stay Front	R/L FB01-62-615
12 Cover, Prop Stay Rear	R FB01-62-865A L FB01-63-865A
13 Bracket, Prop Stay	R/L FB01-62-867A
14 Latch, Liftgate†	R FB01-62-310D L FB01-63-310E
15 Control, Latch†	FB01-62-350E
16 Switch, Anti-Theft†	FB02-62-496A
†Attached to Rear Body Panel	
Cylinder w/Key	FB01-76-260
Retainer, Cylinder Lock	FB01-62-495
Cable Assy, Release	FB02-56-850E
Cable, Fuel Lid Opener (c)	FB01-56-870B
18 Cable, Liftgate Opener (c)	FB01-56-880C
(c) Included w/Release Cable Assy	

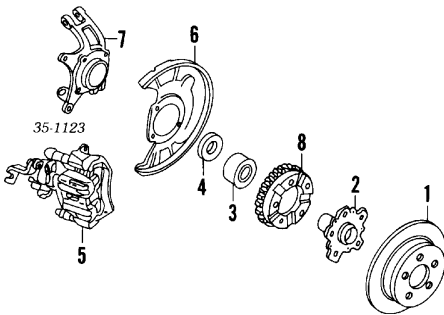


19 Blade, Wiper	FB02-67-330
20 Arm, Wiper	FC01-67-421
21 Cover, Arm	B093-76-641
22 Motor, Wiper	FB02-67-450A
23 Tank Assy, Washer	FB02-67-480A
24 Tank, Fluid (a)	FB02-67-481
25 Cap, Tank (a)	G030-76-673A
26 Pump, Washer (a)	8532-76-672
(a) Included w/Washer Tank Assy	

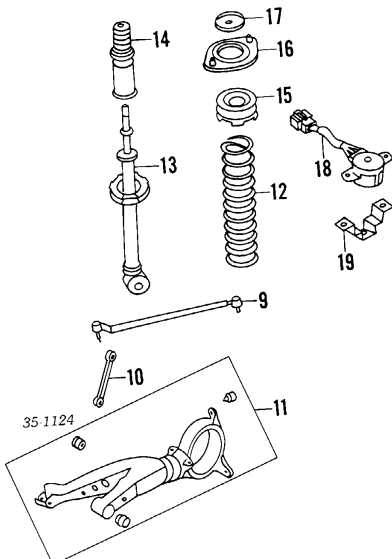
MAZDA RX7 1989-91

- 27 Bracket, Tank Mount (b) FB02-67-520A
(b) Attached to Rear Body Panel
- 28 Nozzle, Spray DX52-67-510

REAR SUSPENSION



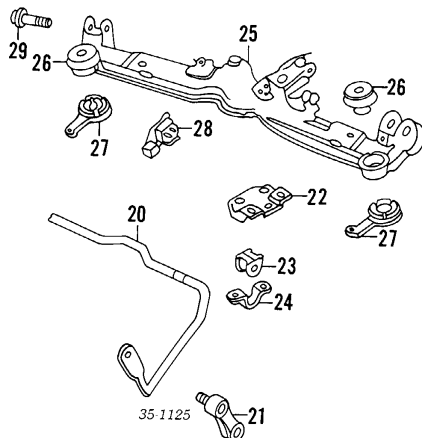
- 1 Rotor, Brake
w/Turbo R/L FB05-26-251A
w/o Turbo R/L FB01-26-251A
- 2 Hub R/L FB05-26-240A
- 3 Bearing, Wheel R/L GA2A-33-047D-MV
- 4 Seal, Grease R/L FB01-26-065A
- 5 Caliper, Brake
w/Turbo R FBY5-26-98ZR
L FBY5-26-99ZR
w/o Turbo R FBY1-26-98ZR
L FBY1-26-99ZR
- 6 Plate, Backing R/L FB01-26-261B
- 7 Spindle, Hub R FB01-49-130
L FB01-49-140
- 8 Ring, ABS Exciter
See ABS/Brakes Section
Hose, Brake R/L FB01-43-810B



- 9 Link, Lateral R/L FB01-28-200A
- 10 Link, Control R/L FB01-28-830
- 11 Arm, Control R F070-28-300
L FB43-28-350D
- 12 Spring, Coil R/L FC01-28-011
Coupe R/L FC33-28-011
- 13 Strut R/L FC04-28-700
w/Auto Adjust Susp R/L FC02-28-700
w/o Auto Adjust Susp R/L FB01-28-014
- 14 Bumper, Stop R/L FB01-28-040
- 15 Seat, Spring R/L FB01-28-050
- 16 Plate, Mounting R/L FB01-28-030A
- 17 Pad, Plate Mounting R/L FC04-28-080
- 18 Actuator, Auto Adj Susp R/L H126-28-088
- 19 Bracket, Actuator Auto Adjust Susp

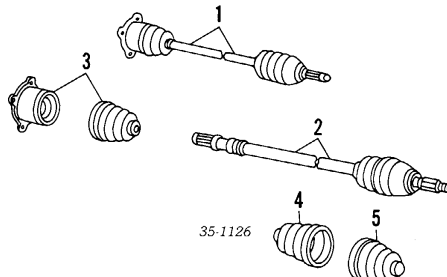
Illustration Located in Next Column

- 20 Bar, Stabilizer Coupe FC02-28-151
Conv FC01-28-151
- 21 Link, Stabilizer R/L FC01-28-170
- 22 Bracket, Stabilizer R/L FB01-28-160A
- 23 Bushing, Stabilizer Coupe R/L FB43-28-156A
Conv R/L FB01-28-156



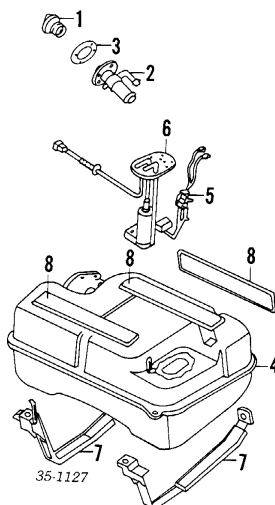
- 24 Plate, Bushing R/L FB01-28-155
- 25 Sub-Frame Assy FB43-28-800G
- 26 Rubber, Mounting R/L FB43-28-840
- 27 Stopper, Mounting R FB43-28-845A
L FB43-28-855B
- 28 Rubber, Mtg Center FC01-28-980
- 29 Bolt, Adjust R/L FB01-28-470A

REAR DRIVE AXLE



- 1 Shaft, Axle w/Turbo R/L M040-25-500E
w/o Turbo R/L M030-25-500C
- 2 Joint Set, Outer R/L M040-22-510C
w/o Turbo R/L M030-22-510B
- 3 Joint Set, Inner R/L M040-22-520A
w/o Turbo R/L M030-22-520A
- 4 Boot Kit, Joint Outer R/L M040-22-530B
w/o Turbo R/L M030-22-530A
- 5 Boot Kit, Joint Inner R/L M040-22-540A
w/o Turbo R/L M030-22-540A

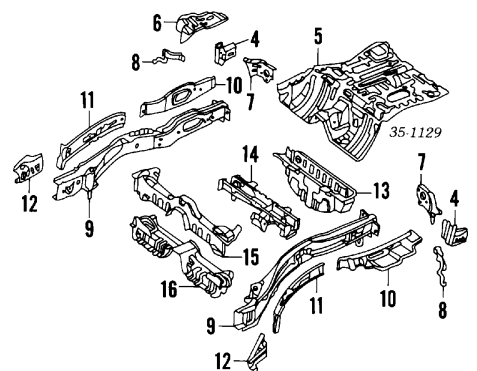
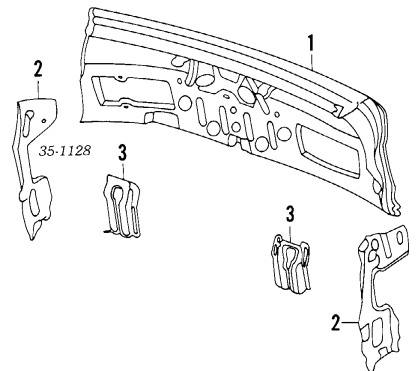
FUEL TANK



- 1 Cap, Filler To Ch 708021 FC01-42-250
From Ch 708021 FC02-42-250
- 2 Pipe Assy, Filler FB01-42-210B

- 3 Gasket, Filler Pipe¶ 0866-42-366B
¶Included w/Filler Pipe Assy
- 4 Tank, Fuel FC02-42-110A
- 5 Gauge, Tank Unit FC02-60-960
- 6 Pump Assy, Fuel w/Turbo N370-13-35ZB
w/o Turbo N351-13-35ZB
- Pump, Electric Fuel¶ w/Turbo N380-13-350B
w/o Turbo N380-13-350B
- Filter, Fuel Pump¶ N327-13-ZE1
¶Included w/Electric Fuel Pump Assy
- 7 Strap, Tank Support R FB71-42-710
L FC01-42-720
- 8 Insulator (3) FB01-42-761

REAR BODY SHEET METAL COUPE



- 1 Panel, Rear Body¶ FC01-70-75X
¶Add'l Parts &/or Dealer Contact Required
- 2 Reinf, End Quarter R FB01-70-77X
L FB01-71-771A
- Panel, Finish Outer FC01-50-850
- 3 Bracket, Lid Latch R FB01-70-760C
L FB01-71-760B
- 4 Gusset, Lid Latch Brkt R FB01-53-895B
L FB01-54-895B
- 5 Pan, Rear Floor FC01-53-710A
- 6 Extension, Rear Floor FB01-53-732A
- 7 Plate, Seal R FB01-53-731B
L FB01-54-731B
- 8 Bracket, Muffler R FB01-53-750B
L FB01-54-750B
- 9 Rail, Side USA R FC01-53-810A
L FC01-54-810B
Canada R/L N.A.
- 10 Plate, Closing Rear R FC01-53-75Y
L FC01-54-75Y
- 11 Plate, Closing Center R FC01-53-74X
L FC01-54-74X
- 12 Plate, Closing Front R FB01-53-796
L FB01-54-796
- 13 Pan, Spare Tire FC01-53-760H
- 14 Crossmember, Floor FC01-53-930A
- 15 Crossmember, Upper FC66-53-91X
- 16 Crossmember, Lower FC01-53-920

INTERIOR TRIM COUPE

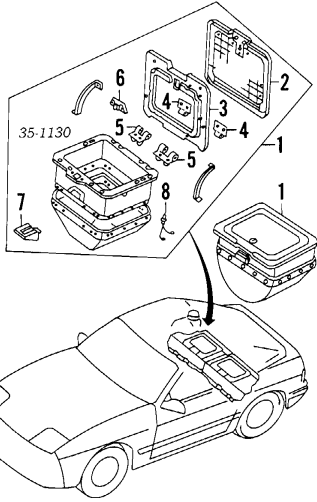
Illustration Located in Next Column

- 1 Box Assy, Storage¶ R/L FC01-69-760A-03

MAZDA RX7 1989-91

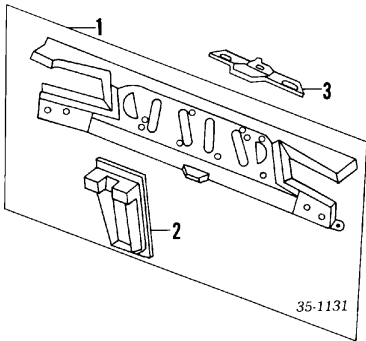
REAR BODY Cont'd

INTERIOR TRIM COUPE Cont'd



- 2 Lid, Box Outer (a) FB01-69-780-03
- 3 Lid, Box Inner (a) FB01-69-782A-03
Black listed, Order by Application
 02 Black; 19 Red; 48 Blue
- 4 Hinge, Lid Outer (a) FB01-69-774-07
- 5 Hinge, Lid Inner (a) FB01-69-775-07
Dark Gray listed, Order by Application
 07 Dark Gray; 10 Red; 48 Blue
- 6 Latch, Box (a)
 Black FB01-69-762-02
 Red FB01-69-762-19
 Blue FB01-69-762-49
- 7 Striker (a) FB01-69-776
- 8 Switch, Box (a) G030-66-540B
(a) Included w/Storage Box Assy
- Mat, Trunk Room (a)
 USA
 2 Seater w/Storage Box FC04-68-81XA-02
 w/o Storage Box FC06-68-81XA-02
 4 Seater FB09-68-69X-02
 Canada
 2 Seater N.A.
 w/Storage Box N.A.
 w/o Storage Box N.A.
Black listed, Order by Application

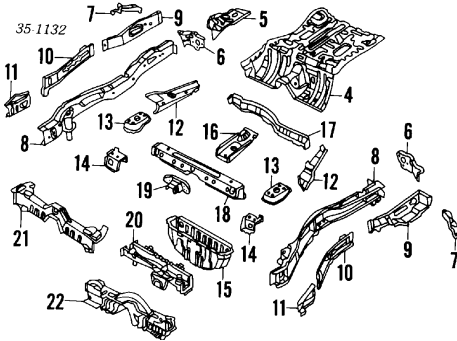
SHEET METAL CONV



- 1 Panel Assy, Rear Body FC33-70-750A
- 2 Reinf, Rear End (a) FB67-70-752
Included w/Rear End Panel Assy
- Panel, Finish Outer FB67-50-850B
- 3 Bracket, Lid Latch FB67-56-890

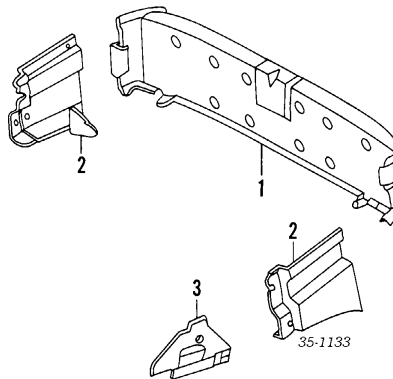
Illustration Located in Next Column

- 4 Pan, Rear Floor FC01-53-710A
- 5 Extension, Rear Floor FB01-53-732A
- 6 Plate, Seal R FB01-53-731B
 L FB01-54-731B
- 7 Bracket, Muffler R FB67-53-750A
 L FB67-54-750A
- 8 Rail, Side R FC33-53-810A
 L FC33-54-810B



- 9 Plate, Closing Rear R FC33-53-75X
 L FC33-54-75X
- 10 Plate, Closing Center R FC33-53-74X
 L FC33-54-74X
- 11 Plate, Closing Front R FB01-53-796
 L FB01-54-796
- 12 Rail, Side Upper R FB67-53-81XA
 L FB67-54-81XA
- 13 Bracket, Side Rail R FB67-53-94X
 L FB67-54-94X
- 14 Reinf, Side Rail R FB67-53-917
 L FB67-54-917
- 15 Pan, Spare Tire FB67-53-760B
- 16 Reinf, Spare Tire FB67-53-92X
- 17 Panel, Bulkhead FB67-53-726A
- 18 Reinf, Crossmember FC66-53-910
- 19 Reinf, Tunnel Rear FB67-53-918
- 20 Crossmember, Floor FC01-53-930A
- 21 Crossmember, Upper FC66-53-91X
- 22 Crossmember, Lower FC33-53-920

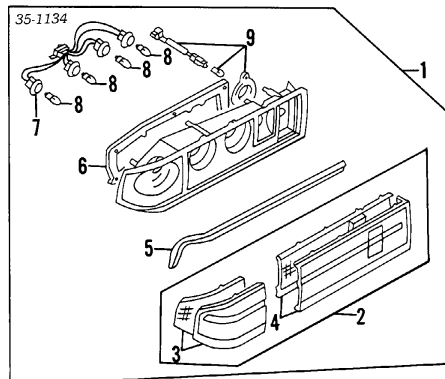
INTERIOR TRIM CONV



- 1 Panel, Trim End FB67-68-891B-07
- 2 Panel, Trim Side R FB67-68-861-07
 L FB67-68-871-07
- 3 Lid, Side FB01-68-85X

REAR LAMPS

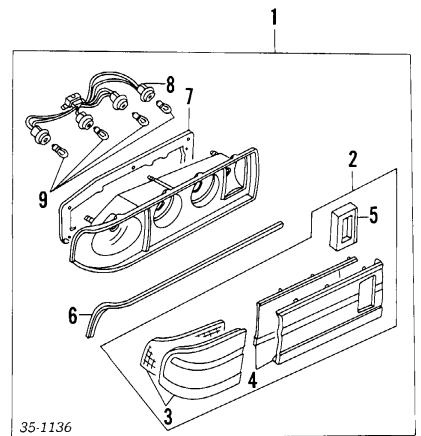
COMBINATION LAMP COUPE



- 1 Lamp Assy, Combination R 8BFA-51-150
 L 8BFA-51-160
- 2 Lens & Body Assy (a) R FC01-51-170A
 L FC01-51-180A
- 3 Lens, Outer (a) R FC01-51-170A

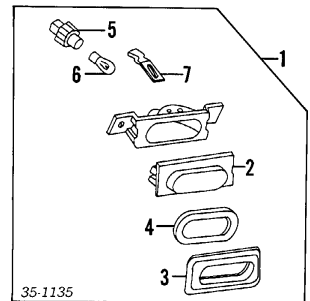
- 4 Lens, Inner (a) L FC01-51-180A
 R FC01-51-170A
- Shade, Lamp (a) L FC01-51-180A
 R FC01-51-1G1
 L FC01-51-1H1
(a) Included w/Lens & Body Assy
- 5 Moulding, Upper (a) R FC01-51-159A
 L FC01-51-169A
- 6 Gasket (a) R/L FB01-51-156
- 7 Socket w/Wire (a) R/L FC01-51-155
- 8 Bulb (a)
 Back-Up/Signal R/L 0000-11-1156
 Stop/Tail R/L 0000-11-1157
- 9 Lamp, License (a) See License Lamp Section
(a) Included w/Combination Lamp Assy

COMBINATION LAMP CONV



- 1 Lamp Assy, Combination R 8BFB-51-150
 L 8BFB-51-160
- 2 Lens & Body Assy (a) R FC33-51-170A
 L FC33-51-180A
- 3 Lens, Outer (a) R FC01-51-170A
 L FC01-51-180A
- 4 Lens, Inner (a) R FC33-51-170A
 L FC33-51-180A
- 5 Shade, Lamp (a) R FC33-51-1G1
 L FC33-51-1H1
(a) Included w/Lens & Body Assy
- 6 Moulding, Upper (a) R FC33-51-159A
 L FC33-51-169A
- 7 Gasket (a) R/L FB01-51-156
- 8 Socket w/Wire (a) R/L FC01-51-155
- 9 Bulb (a)
 Back-Up/Signal R/L 0000-11-1156
 Stop/Tail R/L 0000-11-1157
(a) Included w/Combination Lamp Assy

HIGH MOUNT STOP LAMP

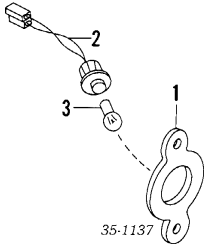


- 1 Lamp Assy, Stop (a) FB01-51-580B
(a) Coupe-Located on Liftgate or Luggage Lid
(a) Convertible-Located on Luggage Lid
- 2 Lens (b) FB01-51-583A
- 3 Gasket (b) FB01-51-582A
- 4 Protector (b) FB01-51-586
- 5 Socket (b) FB01-51-584A
- 6 Bulb (b) 0000-11-1156
- 7 Clip, Lamp (b) FB01-51-587
(b) Included w/Lamp Assy

LICENSE LAMP COUPE

Illustration Located in Next Column

- 1 Gasket (a) R/L FB01-51-157

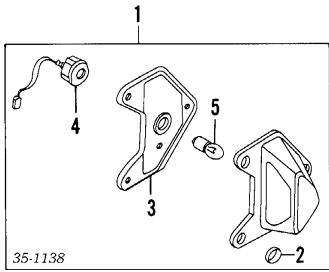


35-1137

- 2 Socket w/Wire R/L FB01-51-172
- 3 Bulb R/L 0000-11-0089

†Included w/Combination Lamp Assy

LICENSE LAMP CONV

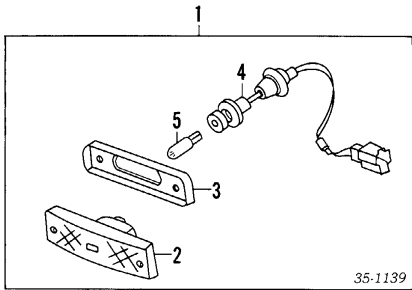


35-1138

- 1 Lamp Assy, License R/L 8BF1-51-270
- 2 Gasket R/L FB67-51-273
- 3 Shade, Lamp R/L FB67-51-276
- 4 Socket & Wire R/L FB67-51-272
- 5 Bulb R/L 0000-11-0089

†Included w/License Lamp Assy

SIDE MARKER LAMP



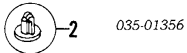
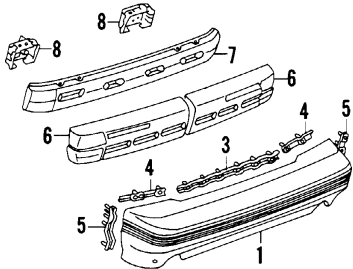
35-1139

- 1 Lamp Assy, Side Marker R 8BF1-51-550
L 8BF1-51-560
- 2 Lens R FB01-51-555
L FB01-51-565
- 3 Gasket R/L FB01-51-552A
- 4 Socket w/Wire R/L FB01-51-554
- 5 Bulb R/L 0000-11-0194

†Included w/Side Marker Lamp Assy

REAR BUMPER

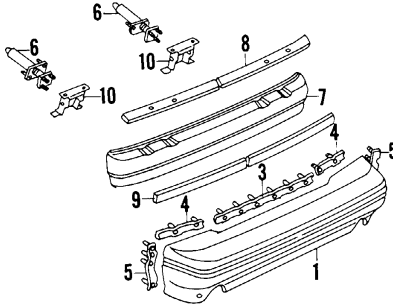
USA



- 1 Cover, Rear (P) FC01-50-221A
(P) Paint to Match
- 2 Clip, Cover (3) R/L FB01-50-072
- 3 Plate, Cover Mtg Center FB01-50-350
- 4 Plate, Cover Mtg Side R FB01-50-360

- 5 Plate, Support L FB01-50-370
R FB01-50-380
L FB01-50-390
- 6 Absorber, Impact R/L FC01-50-312-3
- 7 Bar, Reinf FB01-50-330B
- 8 Arm, Mounting R FB01-50-280
L FB01-50-290

CANADA



- 1 Cover, Rear (P) N.A.
(P) Paint to Match
- 2 Clip, Cover (3) R/L N.A.
- 3 Plate, Cover Mtg Center N.A.
- 4 Plate, Cover Mtg Side R/L N.A.
- 5 Plate, Support R/L N.A.
- 6 Absorber, Impact R/L N.A.
- 7 Bar, Reinf N.A.
- 8 Spacer, Bar Upper N.A.
- 9 Spacer, Bar Lower N.A.
- 10 Arm, Mounting R/L N.A.