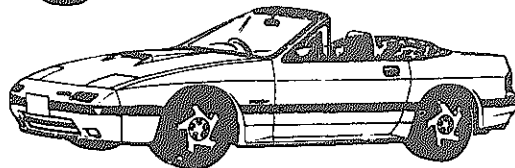
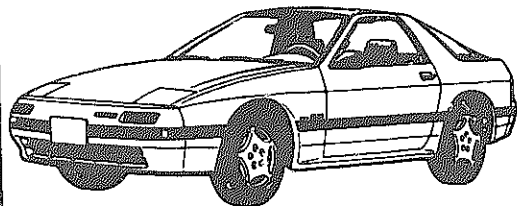


# Parts Catalog

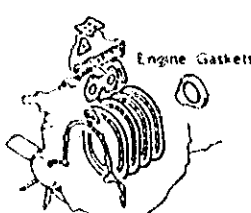
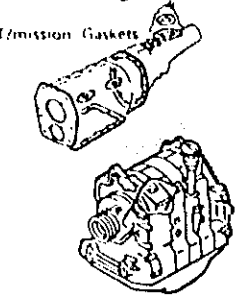
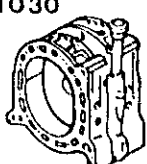

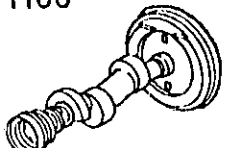

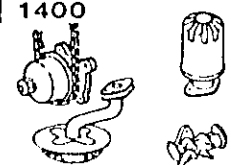
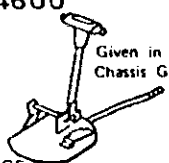
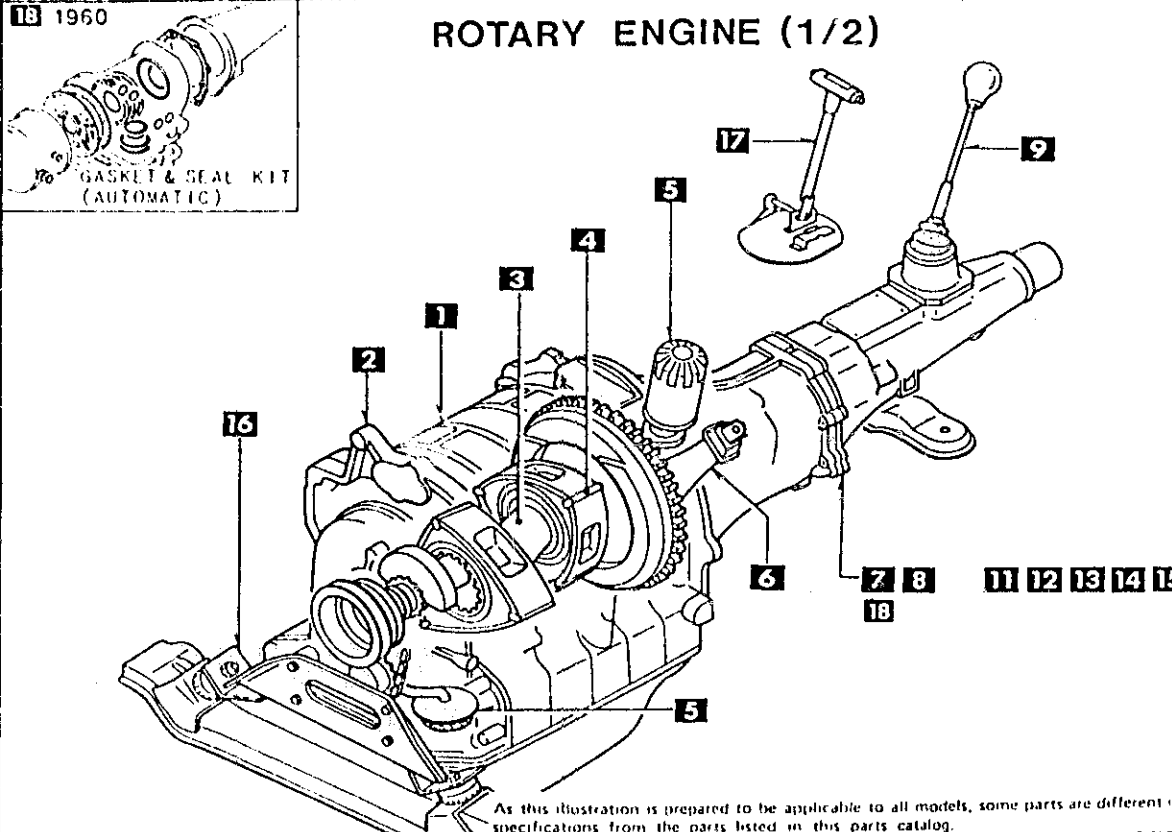
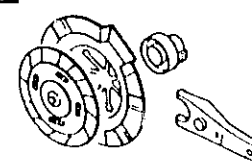
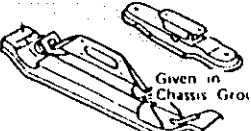
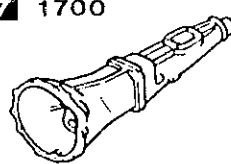
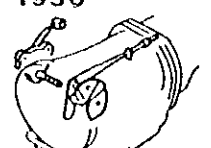
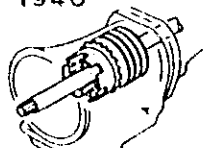
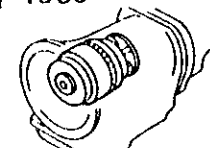
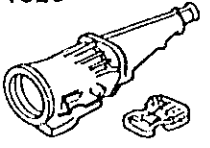
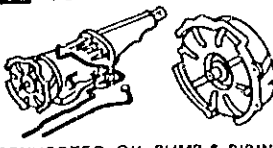
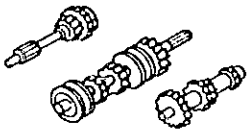
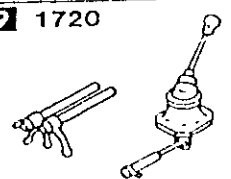
Mazda RX-7

('86-'88)

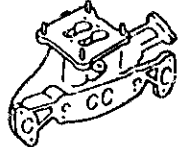
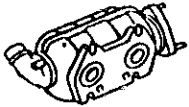
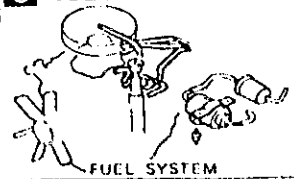
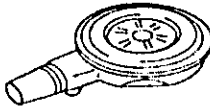
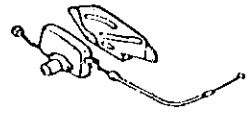

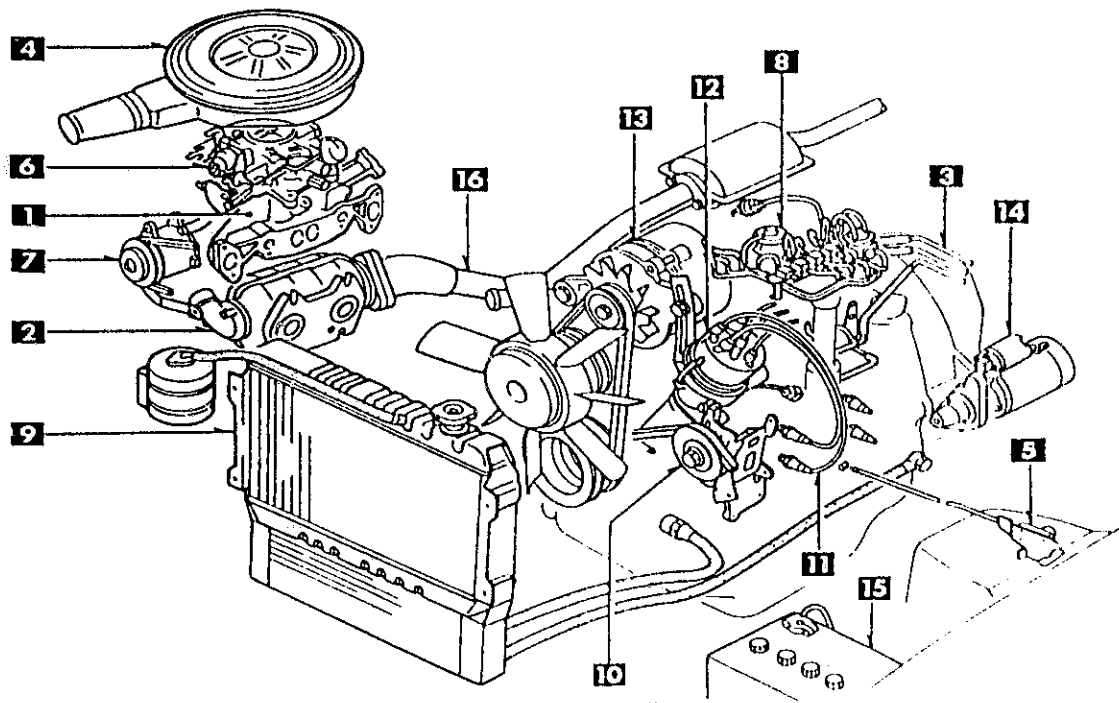
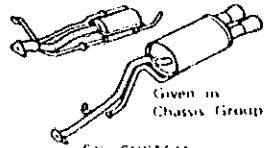

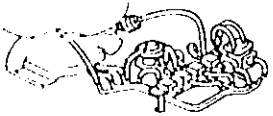
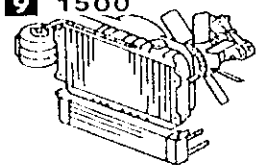

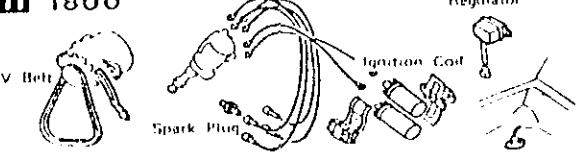
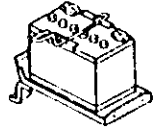
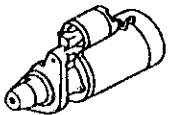
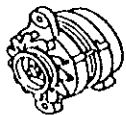
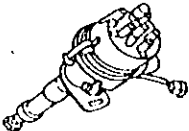


FC33-100001 -  
FC351-100001 -

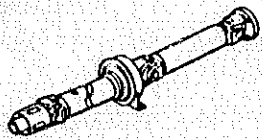
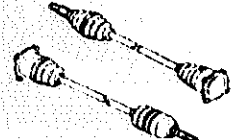

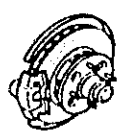
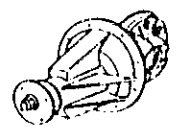
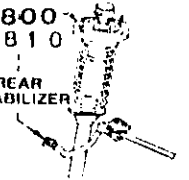
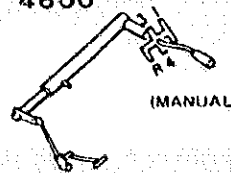
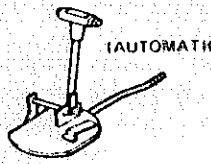
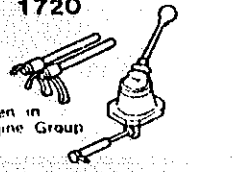
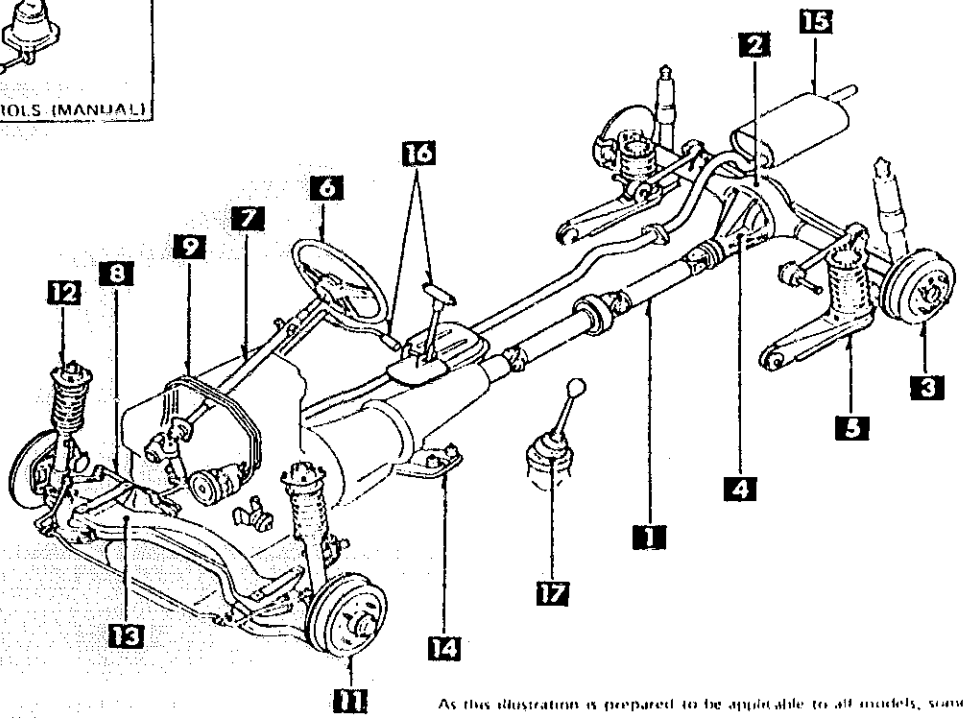
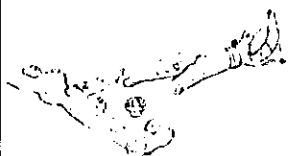
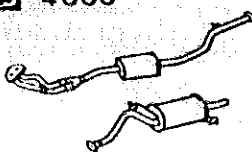

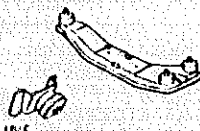
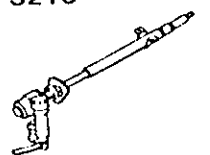
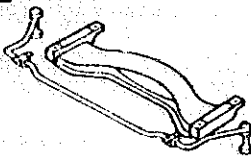
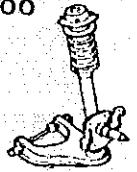

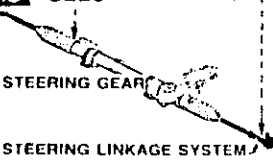
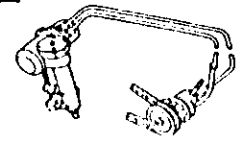
# PICTORIAL INDEX

<p><b>1000</b></p>  <p>Engine Gaskets</p>  <p>Transmission Gaskets</p> <p><b>SHORT ENGINE &amp; GASKET SETS</b></p>	<p><b>1 1030</b></p>  <p>ROTOR HOUSING</p>	<p><b>2 1040</b></p>  <p>OIL PAN &amp; FRONT &amp; REAR HOUSINGS</p>	<p><b>3 1100</b></p>  <p>ECCENTRIC SHAFT &amp; FLYWHEEL</p>	<p><b>4 1110</b></p>  <p>ROTOR &amp; RELATED</p>	<p><b>5 1400</b></p>  <p>OIL PUMP &amp; FILTER</p>
<p><b>17 4600</b></p>  <p>Given in Chassis Group</p> <p>CHANGE CONTROLS (MANUAL)</p>	<p><b>ROTARY ENGINE (1/2)</b></p> 				<p><b>6 1600</b></p>  <p>CLUTCH (MANUAL)</p>
<p><b>16 3900</b></p>  <p>Given in Chassis Group</p> <p>ENGINE &amp; TRANSMISSION MOUNTINGS</p>	<p>As this illustration is prepared to be applicable to all models, some parts are different in specifications from the parts listed in this parts catalog.</p>				<p><b>7 1700</b></p>  <p>TRANSMISSION CASE (MANUAL)</p>
<p><b>15 1950</b></p>  <p>MANUAL LINKAGE (AUTOMATIC TRANSMISSION)</p>	<p><b>14 1940</b></p>  <p>LOW, REVERSE &amp; GOVERNOR (AUTOMATIC TRANSMISSION)</p>	<p><b>13 1930</b></p>  <p>CLUTCH &amp; PLANETARY GEARS (AUTOMATIC TRANSMISSION)</p>	<p><b>12 1920</b></p>  <p>CASE &amp; MAIN CONTROLS (AUTOMATIC TRANSMISSION)</p>	<p><b>11 1910</b></p>  <p>CONVERTER, OIL PUMP &amp; PIPING (AUTOMATIC TRANSMISSION)</p>	<p><b>8 1710</b></p>  <p>TRANSMISSION GEARS (MANUAL)</p>
					<p><b>9 1720</b></p>  <p>CHANGE CONTROLS (MANUAL)</p>
					<p><b>10</b></p>

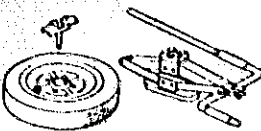
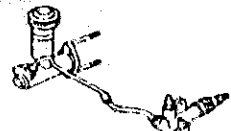

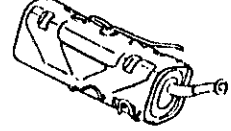
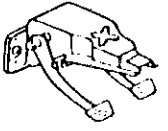
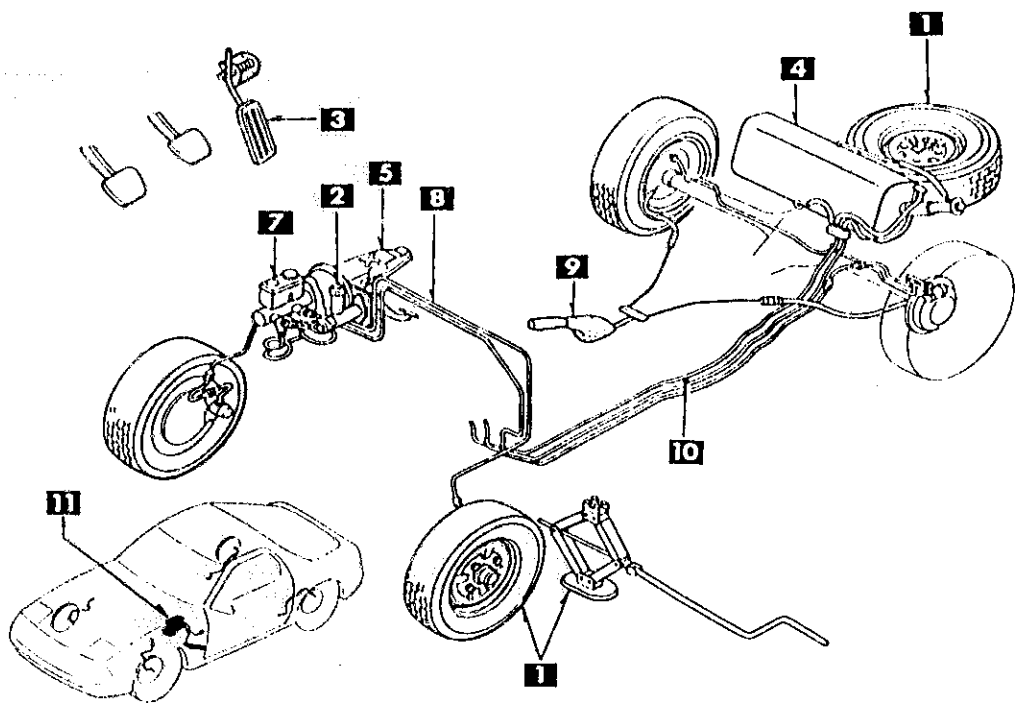
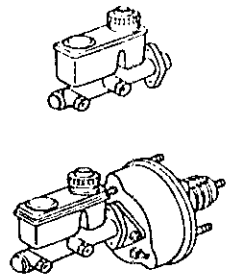


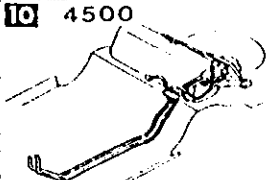
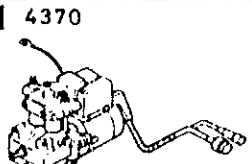
## PICTORIAL INDEX

<p><b>1 1300</b></p>  <p style="text-align: center;">IN MANIFOLD</p>	<p><b>2 1310</b></p>  <p style="text-align: center;">THERMAL REACTOR</p>	<p><b>3 1320</b></p>  <p style="text-align: center;">FUEL SYSTEM</p>	<p><b>4 1330</b></p>  <p style="text-align: center;">AIR CLEANER</p>	<p><b>5 1350</b></p>  <p style="text-align: center;">STARTING ASSIST SYSTEM</p>	<p><b>6 1364</b></p>  <p style="text-align: center;">THROTTLE BODY</p>
<p><b>ROTARY ENGINE (2/2)</b></p> 					
<p><small>As this illustration is prepared to be applicable to all models, some parts are different in specifications from the parts listed in this parts catalog.</small></p>					
<p><b>16 4000</b></p>  <p style="text-align: center;">EX SYSTEM <small>Given in Chassis Group</small></p>	<p><b>7 1371</b></p>  <p style="text-align: center;">EMISSION CONTROLS (AIR PUMP &amp; CONTROL VALVE)</p>	<p><b>8 1380</b></p>  <p style="text-align: center;">EMISSION CONTROLS (EX SIDE)</p>	<p><b>9 1500</b></p>  <p style="text-align: center;">COOLING SYSTEM</p>	<p><b>10 1580</b></p>  <p style="text-align: center;">COMPRESSOR BRACKET, PULLEY &amp; BELT (AIR CONDITIONER)</p>	<p><b>11 1800</b></p>  <p style="text-align: center;">ELECTRICAL SYSTEM (ENGINE)</p>
<p><b>15 1850</b></p>  <p style="text-align: center;">BATTERY</p>	<p><b>14 1840</b></p>  <p style="text-align: center;">STARTER</p>	<p><b>13 1830</b></p>  <p style="text-align: center;">ALTERNATOR</p>	<p><b>12 1820</b></p>  <p style="text-align: center;">DISTRIBUTOR</p>		

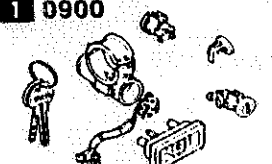
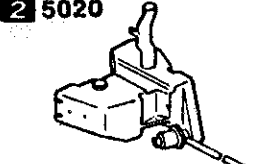
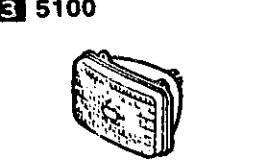
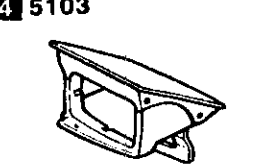
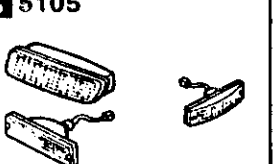
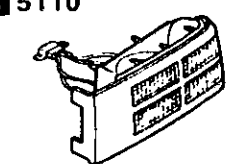
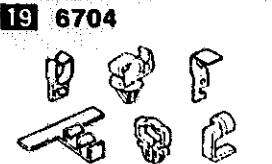
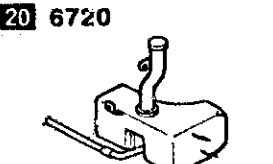
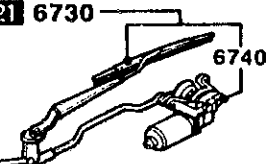
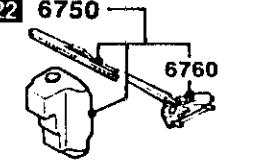
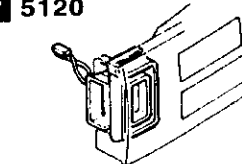
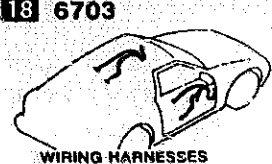
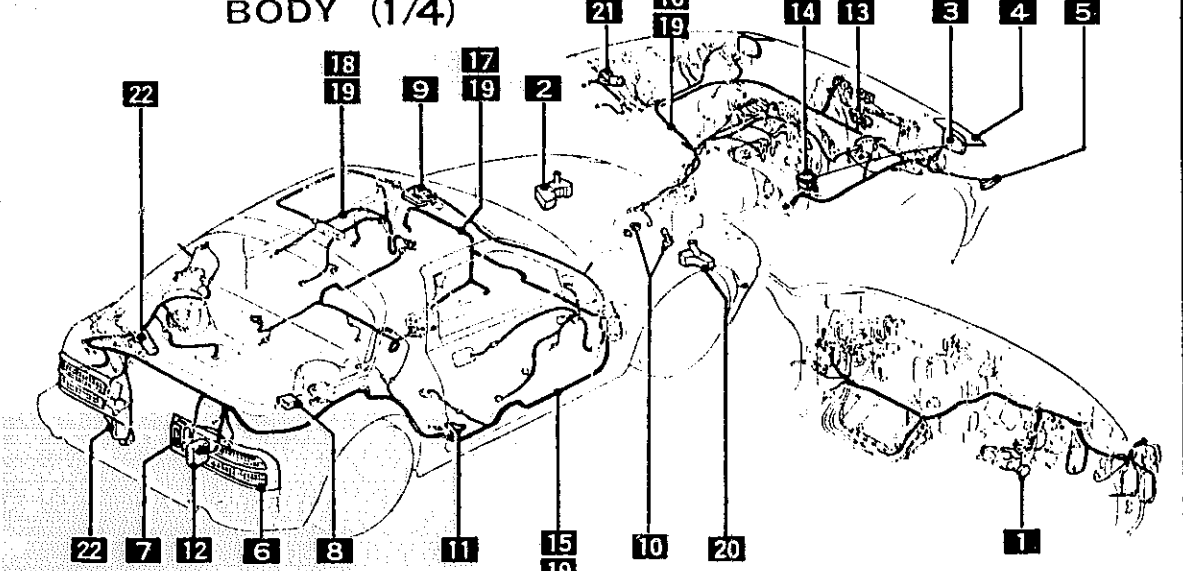
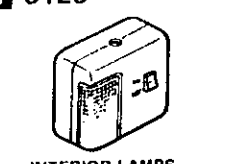
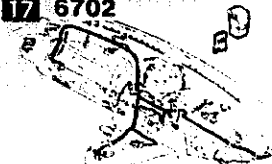
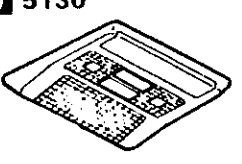

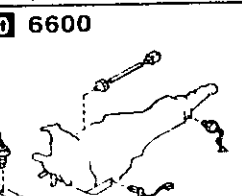

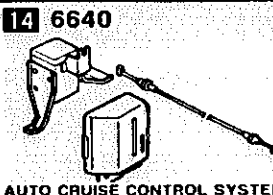
# PICTORIAL INDEX

<p><b>1</b> 2500</p>  <p>PROPELLER SHAFT</p>	<p><b>2</b> 2550</p>  <p>REAR DRIVE SHAFTS</p>	<p>2600</p>  <p>REAR AXLE</p>	<p><b>3</b> 2610</p>  <p>REAR BRAKE MECHANISMS</p>	<p><b>4</b> 2710</p>  <p>DIFFERENTIAL (REAR)</p>	<p><b>5</b> 2800 2810</p>  <p>REAR STABILIZER</p> <p>REAR SUSPENSION MECHANISMS</p>
<p><b>16</b> 4600</p>  <p>(MANUAL)</p>  <p>(AUTOMATIC)</p> <p>CHANGE CONTROLS</p>	<p><b>17</b> 1720</p> <p>Given in Engine Group</p>  <p>CHANGE CONTROLS (MANUAL)</p>	<p><b>CHASSIS (1/2)</b></p>  <p>As this illustration is prepared to be applicable to all models, some parts are different in specifications from the parts listed in this parts catalog.</p>			<p>2830</p>  <p>REAR LOWER ARMS &amp; SUB FRAME</p>
<p><b>15</b> 4000</p>  <p>EX SYSTEM</p>					<p><b>6</b> 3200</p>  <p>STEERING WHEEL</p>
<p><b>14</b> 3900</p>  <p>ENGINE &amp; TRANSMISSION MOUNTINGS</p>		<p><b>7</b> 3210</p>  <p>STEERING GEAR &amp; COLUMN</p>			
<p><b>13</b> 3410</p>  <p>CROSSMEMBER &amp; STABILIZER</p>	<p><b>12</b> 3400</p>  <p>FRONT SUSPENSION</p>	<p><b>11</b> 3300</p>  <p>FRONT AXLE &amp; BRAKES</p>	<p><b>10</b></p>	<p><b>8</b> 3220      3230</p>  <p>STEERING GEAR</p> <p>STEERING LINKAGE SYSTEM</p>	
				<p><b>9</b> 3240</p>  <p>POWER STEERING SYSTEM</p>	

# PICTORIAL INDEX


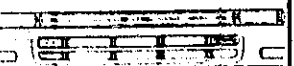





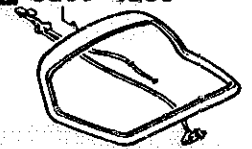

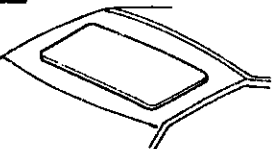

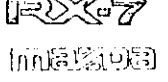
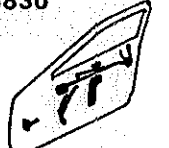
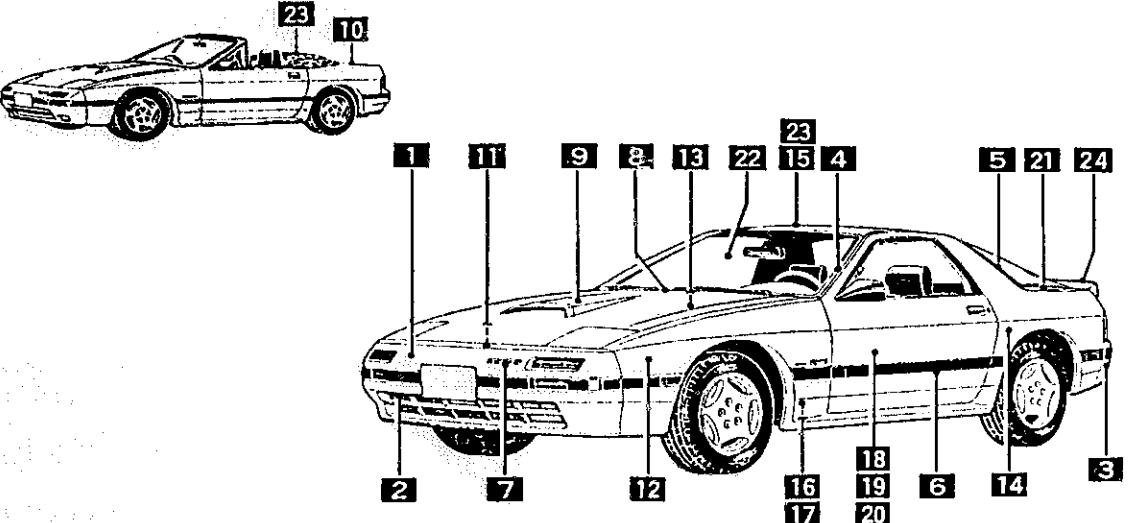
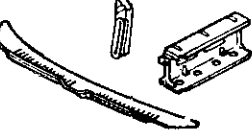
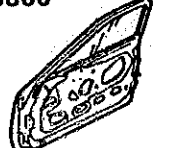
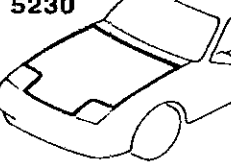
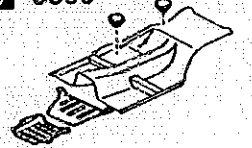

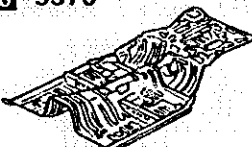
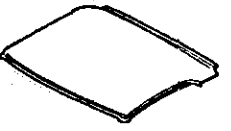
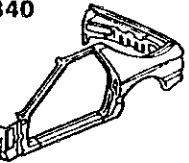
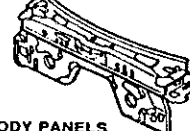
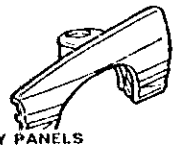
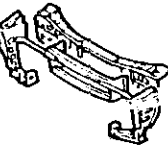
<p><b>1</b> 3700</p>  <p>TIRE &amp; JACK</p>	<p><b>2</b> 4140</p>  <p>CLUTCH RELEASE &amp; MASTER CYLINDERS</p>	<p><b>3</b> 4160</p>  <p>ACCELERATOR CONTROLS</p>	<p><b>4</b> 4200</p>  <p>FUEL TANK</p>	<p><b>5</b> 4300</p>  <p>CLUTCH &amp; BRAKE</p>
<p><b>CHASSIS (2/2)</b></p>				
				
<p>As this illustration is prepared to be applicable to all models, some parts are different in specifications from the parts listed in this parts catalog.</p>				
<p><b>6</b></p>				
<p><b>7</b> 4340</p>  <p>TANDEM MASTER CYL &amp; VACUUM POWER ASSIST SYSTEM</p>				
<p><b>8</b> 4360</p>  <p>BRAKE PIPING</p>				
<p><b>9</b> 4400</p>  <p>PARKING BRAKE SYSTEM</p>				
<p><b>10</b> 4500</p>  <p>FUEL &amp; EVAPORATION PIPINGS</p>				
<p><b>11</b> 4370</p>  <p>ANTI LOCK BRAKE SYSTEM</p>				

# PICTORIAL INDEX

<b>1 0900</b>  <b>KEY SETS</b>	<b>2 5020</b>  <b>HEAD LAMP CLEANER</b>	<b>3 5100</b>  <b>HEAD LAMPS</b>	<b>4 5103</b>  <b>HEAD LAMP RETRACTORS</b>	<b>5 5105</b>  <b>FRONT COMBINATION LAMPS</b>	<b>6 5110</b>  <b>REAR COMBINATION LAMPS</b>
<b>19 6704</b>  <b>WIRING HARNESS CLAMPS</b>	<b>20 6720</b>  <b>WINDSHIELD WASHER</b>	<b>21 6730</b>  <b>WINDSHIELD WIPERS</b>	<b>22 6750</b>  <b>WINDOW WIPER &amp; WASHER (REAR)</b>	<b>7 5120</b>  <b>LICENSE LAMPS</b>	
<b>18 6703</b>  <b>WIRING HARNESSSES (DOOR, FLOOR/CEILING)</b>	<p style="text-align: center;"><b>BODY (1/4)</b></p> 				<b>8 5125</b>  <b>INTERIOR LAMPS</b>
<b>17 6702</b>  <b>WIRING HARNESSSES (DASHBOARD)</b>					<b>9 5130</b>  <b>OVERHEAD CONSOLE</b>
<b>16 6701</b>  <b>WIRING HARNESSSES (ENGINE &amp; TRANSMISSION)</b>					<b>10 6600</b>  <b>SWITCHES &amp; RELAYS (ENGINE)</b>
<b>15 6700</b>  <b>WIRING HARNESSSES (FRONT &amp; REAR)</b>					<b>14 6640</b>  <b>AUTO CRUISE CONTROL SYSTEM</b>

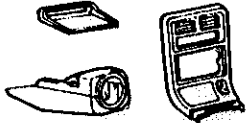
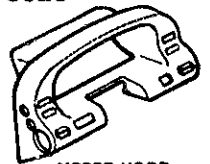
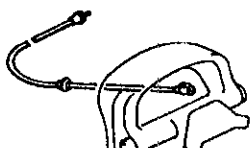
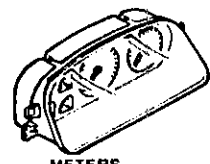
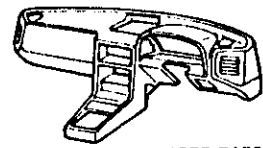
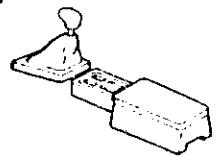
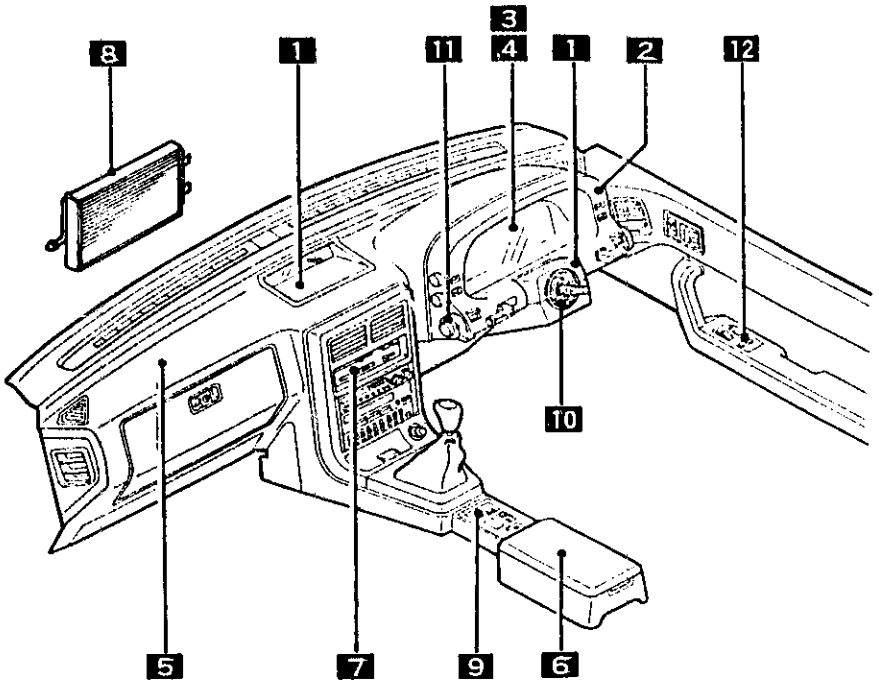
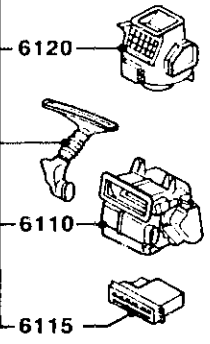
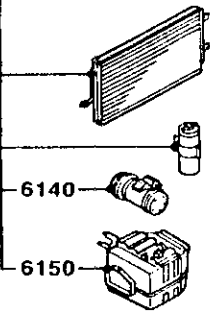
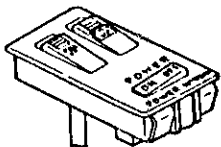
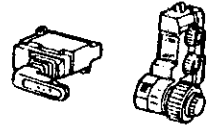
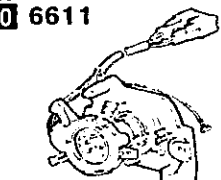
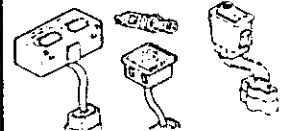
As this illustration is prepared to be applicable to all models, some parts are different in specifications from the parts listed in this parts Catalog

# PICTORIAL INDEX

<p><b>1</b> 5000</p>  <p>FRONT BUMPER</p>	<p><b>2</b> 5005</p>  <p>RADIATOR GRILLE</p>	<p><b>3</b> 5010</p>  <p>REAR BUMPER</p>	<p><b>4</b> 5030</p>  <p>WINDOW MOULDINGS</p>	<p><b>5</b> 5040</p>  <p>BODY MOULDINGS</p>	<p><b>6</b> 5060</p>  <p>SIDE PROTECTORS</p>
<p><b>20</b> 5840</p>  <p>FRONT DOOR TRIMS &amp; RELATED PARTS</p>	<p><b>21</b> 6200 6230</p>  <p>LIFT GATE MECHANISMS</p>	<p><b>22</b> 6300</p>  <p>WINDOW GLASSES</p>	<p><b>23</b> 6330</p>  <p>SUNROOF</p>	<p><b>24</b> 7800</p>  <p>SPOILERS &amp; RELATED PARTS</p>	<p><b>7</b> 5170</p>  <p>ORNAMENTS</p>
<p><b>19</b> 5830</p>  <p>FRONT DOOR MECHANISMS</p>	<p><b>BODY (2/4)</b></p> 				<p><b>8</b> 5180</p>  <p>COWL &amp; EXTRACTOR GRILLES</p>
<p><b>18</b> 5800</p>  <p>FRONT DOORS</p>					<p><b>9</b> 5230</p>  <p>BONNET</p>
<p><b>17</b> 5390</p>  <p>FLOOR ATTACHMENTS</p>					<p><b>10</b> 5260</p>  <p>TRUNK LID</p>
<p><b>16</b> 5370</p>  <p>BODY PANELS (FLOOR)</p>	<p><b>15</b> 5360</p>  <p>BODY PANELS (ROOF)</p>	<p><b>14</b> 5340</p>  <p>BODY PANELS (SIDE)</p>	<p><b>13</b> 5330</p>  <p>BODY PANELS (DASH &amp; COWL PANEL)</p>	<p><b>12</b> 5320</p>  <p>BODY PANELS (FENDER &amp; WHEEL APRON)</p>	<p><b>11</b> 5310</p>  <p>BODY PANELS (FRONT)</p>

As this illustration is prepared to be applicable to all models, some parts are different in specifications from the parts listed in this parts Catalog

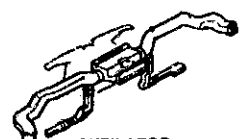

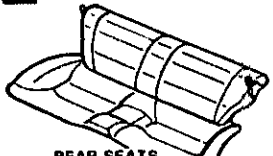

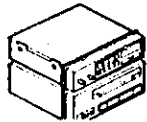
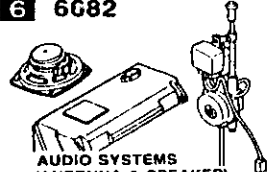
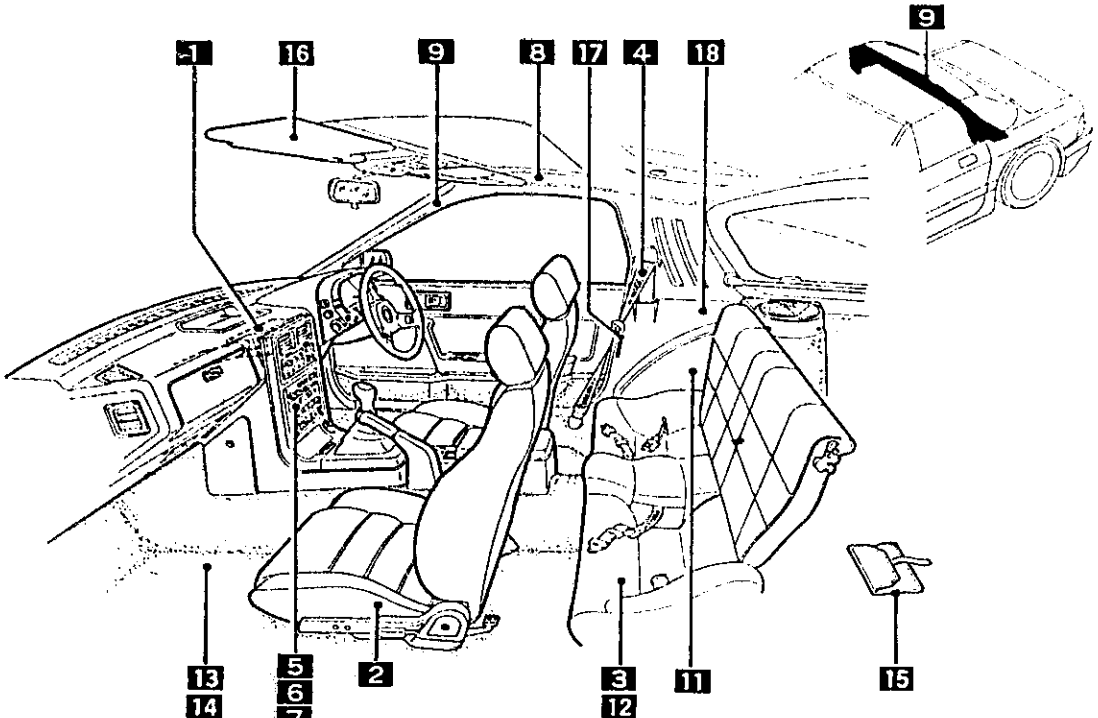
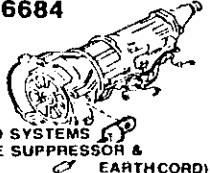



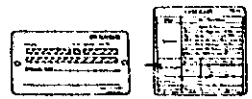

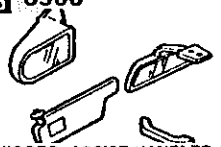

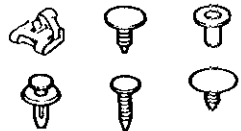
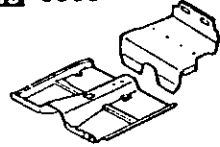
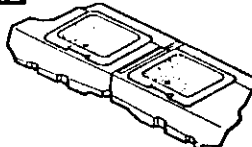
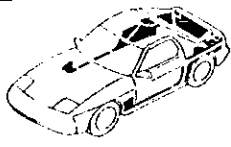
# PICTORIAL INDEX

<p><b>1 5500</b></p>  <p><b>DASHBOARD EQUIPMENTS</b></p>	<p><b>2 5520</b></p>  <p><b>METER HOOD</b></p>	<p><b>3 5530</b></p>  <p><b>SPEEDOMETER CABLE</b></p>	<p><b>4 5540</b></p>  <p><b>METERS</b></p>	<p><b>5 5560</b></p>  <p><b>DASHBOARD &amp; RELATED PARTS</b></p>	<p><b>6 5570</b></p>  <p><b>CONSOLE</b></p>			
<p><b>BODY (3/4)</b></p> 								
<p><b>7 6100</b></p>  <p>6120</p> <p>6110</p> <p>6115</p> <p><b>HEATER</b></p>								
<p><b>8 6130</b></p>  <p>6140</p> <p>6150</p> <p><b>AIR CONDITIONER</b></p>								
<p><b>12 6615</b></p>  <p><b>POWER WINDOW SWITCHES</b></p>						<p><b>11 6612</b></p>  <p><b>CLUSTER SWITCH</b></p>	<p><b>10 6611</b></p>  <p><b>COMBINATION SWITCH</b></p>	<p><b>9 6610</b></p>  <p><b>DASHBOARD SWITCHES (MANUAL OPERATING)</b></p>

As this illustration is prepared to be applicable to all models, some parts are different in specifications from the parts listed in this parts Catalog.



# PICTORIAL INDEX

<b>1 5580</b>  VENTILATOR	<b>2 5700</b>  FRONT SEATS	<b>3 5750</b>  REAR SEATS	<b>4 5790</b>  SEAT BELTS	<b>5 6680</b>  AUDIO SYSTEMS (RADIO & TAPE DECK)	<b>6 6682</b>  AUDIO SYSTEMS (ANTENNA & SPEAKER)		
<b>BODY (4/4)</b> 						<b>7 6684</b>  AUDIO SYSTEMS (NOISE SUPPRESSOR & EARTHCORD)	
							<b>8 6800</b>  CEILING TRIMS
<b>18 7250</b>  REAR WINDOW GLASSES & TRIMS							<b>9 6820</b>  PILLAR TRIMS
<b>17 6930</b>  CAUTION PLATES & LABELS							<b>10 6810</b>  ROLLERBAR
<b>16 6900</b>  VISORS, ASSIST HANDLES & MIRRORS	<b>15 6870</b>  SERVICE TOOLS	<b>14 6865</b>  TRIM CLIPS & FASTENERS	<b>13 6860</b>  FLOOR MATS & PADS	<b>12 6845</b>  STORAGE BOX	<b>11 6840</b>  TRIMS & SCUFF PLATES		

As this illustration is prepared to be applicable to all models, some parts are different in specifications from the parts listed in this parts Catalog

## MODEL IDENTIFICATION

MDL NO.	ENG*		T/M	BODY		ROOF	SUSP		DIFF	BRK		SUSP		SEAT	PERIOD		YEAR			TRIM LEVEL							VIN (CHASSIS #)	COMPLETE ASSEMBLY UNIT					
	W/O	TURBO	W/TURBO	5	AUTO	C	C	N	S	W/O	W/O	N	H	2	F	T	1	1	1	B	L	S	S	G	G	T		C	1	PART NUMBER			
				SP	COUPE	CONV	NORM	SUNROOF	W/O	W/O	NORM	LIM	W/O	W/O	NORM	HARD	2	2	86	87	88	BASE	PKG	SPORT	GTU	GL		TURBO	CONV	10TH ANN	ENGINE	T/MISSION	CABIN
FB01	X		X		X	X	X	X	X	X	X	X	X	X	8/85	12/88	X	X	X	X	X								FC33*-100001-	N326-02-000	M582-03-000	FB01-07-000	
FB02	X			X	X	X	X	X	X	X	X	X	X	X	8/85	12/88	X	X	X	X	X								FC33*-100001-	N327-02-000	BU17-19-090F	FB02-07-000	
FB03	X		X		X		X	X	X	X	X	X	X	X	8/85	12/88	X	X	X		X	X							FC33*-100001-	N326-02-000	M582-03-000	FB03-07-000	
FB04	X			X	X		X	X	X	X	X	X	X	X	8/85	12/88	X	X	X		X	X							FC33*-100001-	N327-02-000	BU17-19-090F	FB04-07-000	
FB07	X		X		X		X	X	X	X	X		X	X	8/85	12/88	X	X	X						X				FC33*-100001-	N326-02-000	M582-03-000	FB07-07-000	
FB08	X			X	X		X	X	X	X		X	X	X	8/85	12/88	X	X	X						X				FC33*-100001-	N327-02-000	BU17-19-090F	FB08-07-000	
FB11	X		X		X		X	X	X	X		X	X	X	8/85	12/88	X	X	X						X				FC33*-100001-	N326-02-000	M582-03-000	FB07-07-000	
FB12	X			X	X		X	X	X	X		X	X	X	8/85	12/88	X	X	X						X				FC33*-100001-	N327-02-000	BU17-19-090F	FB08-07-000	
FB39	X		X		X	X	X	X	X	X		X		X	8/85	12/88	X	X	X	X	X								FC33*-100001-	N326-02-000	M582-03-000	FB01-07-000	
FB40	X			X	X	X	X	X	X	X		X		X	8/85	12/88	X	X	X	X	X								FC33*-100001-	N327-02-000	BU17-19-090F	FB02-07-000	
FB41	X		X		X		X	X	X	X		X		X	8/85	12/88	X	X	X		X	X							FC33*-100001-	N326-02-000	M582-03-000	FB03-07-000	
FB42	X			X	X		X	X	X	X		X		X	8/85	12/88	X	X	X		X	X							FC33*-100001-	N327-02-000	BU17-19-090F	FB04-07-000	
FB43	X		X		X	X	X	X	X	X		X	X	X	8/85	12/88	X	X	X				X	X					FC33*-100001-	N326-02-000	M582-03-000	FB01-07-000	
FB47		X	X		X		X	X		X	X		X	X	2/86	12/88		X	X							X			FC33*-500001-	N332-02-000	R526-03-000	FB46-07-000	
FB69	X		X		X		X	X	X	X		X	X	X	11/85	12/88	X	X	X				X	X					FC33*-100001-	N326-02-000	M582-03-000	FB03-07-000	
FB55	X		X		X		X	X	X	X		X	X	X	6/86	12/88		X	X						X				FC33*-500001-	N326-02-000	M582-03-000	FB55-07-000	
FB56	X			X	X		X	X	X	X		X	X	X	6/86	12/88		X	X						X				FC33*-500001-	N327-02-000	BU17-19-090F	FB56-07-000	
FB57	X		X		X		X	X	X	X		X	X	X	6/86	12/88		X	X						X				FC33*-500001-	N326-02-000	M582-03-000	FB55-07-000	

\* 13B ENGINE.

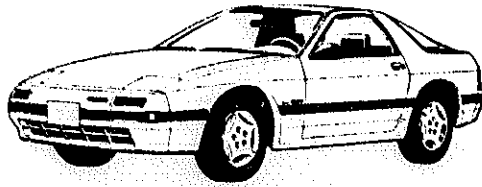
## MODEL IDENTIFICATION

MODEL NO.	ENG*		T/M	BODY		ROOF		SUSP		DIFF	BRK		SUSP		SEAT		PERIOD		YEAR			TRIM LEVEL										VW (CHASSIS #)	COMPLETE ASSEMBLY UNIT			
	W/O	W/TURBO	SPEED	AUTO	COUPE	CONV	NORM	SUNROOF	W/O	W/AAS	NORM	LIMSLIP	W/O	W/AAS	NORM	HARD	2	2	F	T	1986	1987	1988	BASE	LX	SE	SPORT	GTL	GXL	TURBO	CONV		10TH ANN	PART NUMBER		
																																			ENGINE	T/MISSION
FB58	X			X	X		X		X		X	X		X	X	X		6/86	12/88		X	X						X					FC33*-500001-	N327-02-000	BU17-19-090F	FB58-07-000
FB61		X	X		X		X	X			X		X		X	X		6/86	12/88		X	X						X				FC33*-500001-	N332-02-000	R526-03-000	FB61-07-000	
FB77	X		X		X		X		X	X		X	X		X	X		7/87	12/88			X					X	X				FC33*-600001-	N326-02-000	M582-03-000	FB01-07-000	
FB78	X		X		X		X	X		X	X		X	X	X	X		7/87	12/88			X					X	X				FC33*-600001-	N326-02-000	M582-03-000	FB03-07-000	
FB68	X		X			X		X		X	X		X	X	X	X		7/87	12/88			X							X		FC351-100001-	N338-02-000	M50N-03-000	FB67-07-000		
FB79		X	X				X	X			X	X		X	X	X		2/88	12/88			X							X		FC33*-500001-	N332-02-000	R526-03-000	FB79-07-000		

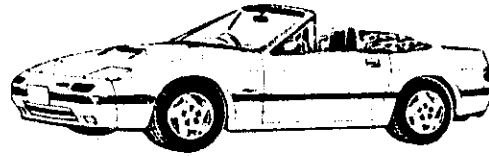
\* 13B ENGINE.

# MODEL IDENTIFICATION

COUPE



CONVERTIBLE



**COMBINATION LIST OF BODY PAINTS AND INTERIOR COLORS**

BODY PAINT		INTERIOR COLOR CODE						EFFECTIVE DATE
NAME	CODE	COUPE			CONV.			
ARCTIC SILVER METALLIC	J5		FD5	FD6		FD5	FD6	
TORONADE SILVER METALLIC	K8	FD2	FD5					
BRILLIANT BLACK	PZ	FD2	FD5			FD5		860402-
SUNRISE RED	RH	FD2	FD5			FD5		
CRYSTAL WHITE	UC				FD7			880215-
NOBLE WHITE	WY			FD6			FD6	
SATIN GOLD METALLIC	1A	FD2						
CLARET MICA	2H		FD5					870701-
SAPPHIRE BLUE METALLIC	5A		FD5	FD6			FD6	
PURE RED	NP		FD5					860402-
DOVER WHITE	WU	FD2	FD5	FD6				860402-
ROYAL MAROON METALLIC	3A	FD2	FD5					861225-

**INTERIOR COLOR CODES**

FD2 = RED  
 FD5 = GRAY  
 FD6 = BLUE  
 FD7 = BLACK

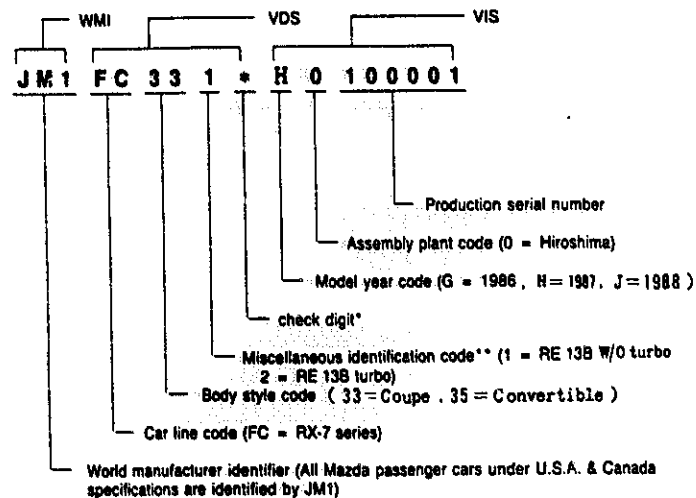
**VIN BREAKDOWN**

860402 FC33° -140427  
 861225 FC33° -528438  
 870701 FC33° -800001

## VEHICLE IDENTIFICATION SYSTEM FOR RX-7

### SERIES (1986~1988)

VIN (= Vehicle Identification Number) for RX-7 series (1986~1988 Year Model) consists of WMI (= World Manufacturer Identifier), VDS (= Vehicle Description Section) and VIS (= Vehicle Identification Section). VDS consisting of six alphanumeric characters denotes the "MODEL SERIES". VIS consisting of eight alphanumeric characters denotes the serial unit number of vehicle and is sequentially numbered within each VDS.

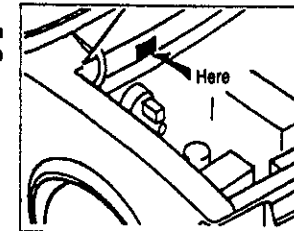


\* Check digit is included as a VIN security feature to permit law enforcement verification of the authenticity of a suspected illegal VIN plate. This single digit number is determined, based upon a complex mathematical formula which is applied to each vehicle's VIN number.

\*\* Miscellaneous Identification Code identifies major components such as engine, brake system, cab type, etc.

### LOCATION OF VIN PLATE

The plate is attached to the top ledge of the dash panel under the bonnet (engine hood), refer to the illustration shown right.



### [NOTE]

If the VIN (chassis) reference number in the PCM (Parts catalog microfiche) appeared as:

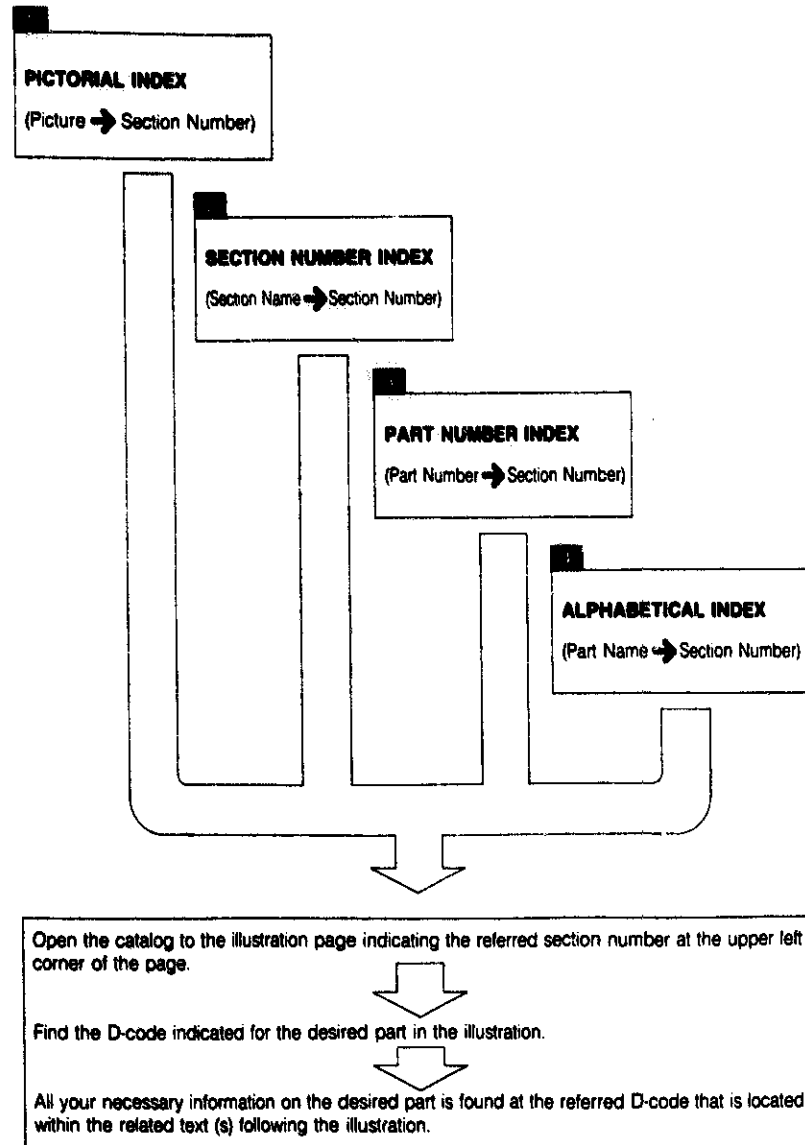
FC33 \*-100001

..... the vehicle's VIN would be e.g. FC3311H0100001.

# **INSTRUCTIONS**

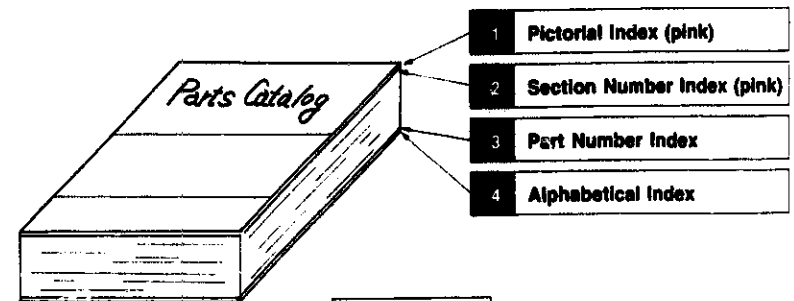
# HOW TO LOCATE PARTS

There are four approaches to locate parts as follows.



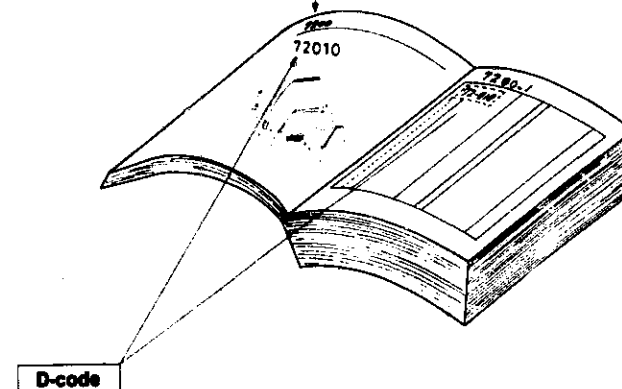
## IMPORTANT

If you are not sure which parts catalog compiled to cover the model you are researching, refer to **MODEL IDENTIFICATION** and/or **VEHICLE IDENTIFICATION SYSTEM** located at the very front part of the parts catalog



## Section Number

The illustration and related text pages are compiled in numerical sequence by section number through the parts catalog. However, there is one exception: the section number, "0900 key sets" is always located in the first part of Body group.

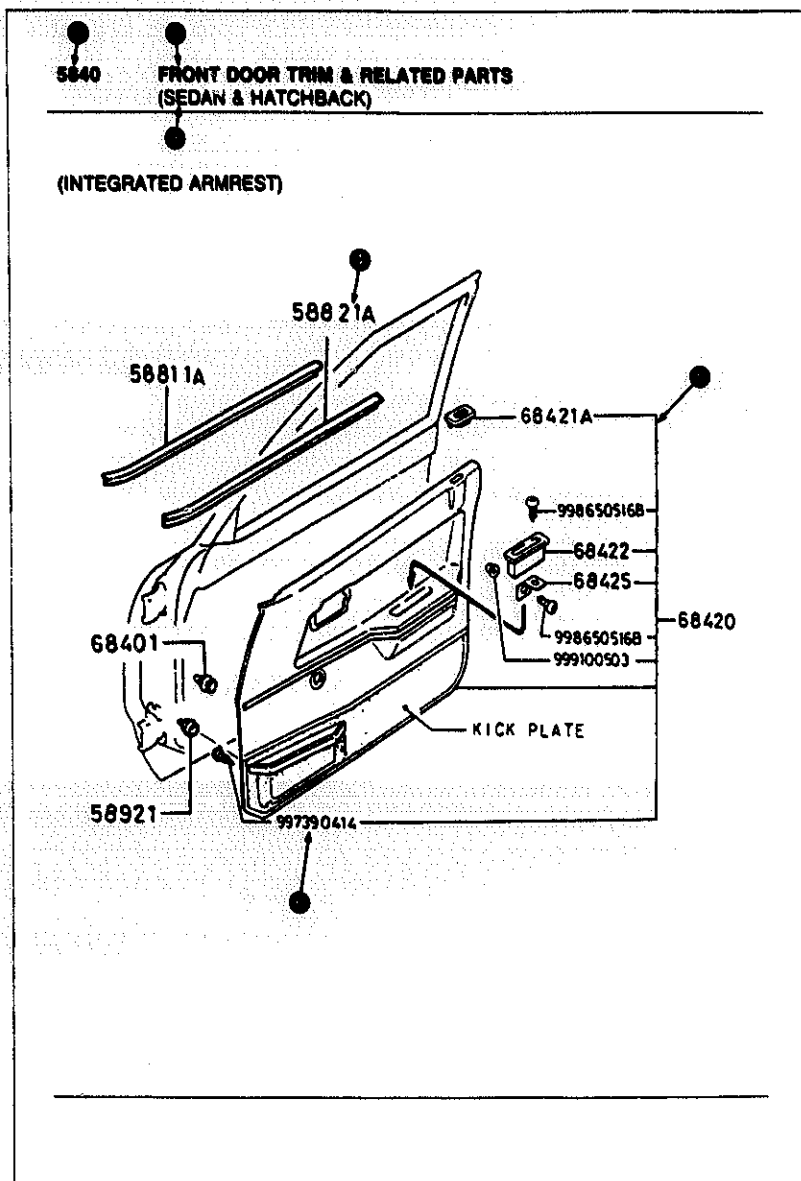


In the text, the D-codes and the related information are listed in the alphabetical and numerical sequence by D-code within each section number



## HOW TO INTERPRET THE ILLUSTRATION

In the example shown below, each item is interpreted as follows.



### 1 SECTION NUMBER

Each illustration is identified by Section Number which indicates the group of parts classified by function.

### 2 SECTION NAME

### 3 SECTION'S APPLICATION

The section's application is indicated in parentheses ( ) below the section name when the affected illustration/text is applicable to specific model, certain period of the production, etc.

### 4 D-CODE (KEY NUMBER)

The D-code consisting of five or six digits serves as a "KEY NUMBER" to co-ordinate a drawing with its detail information in the text.

### 5 RELATIONSHIP BETWEEN ASSEMBLY AND ITS COMPONENTS

The relationship between an Assembly and its Components is illustrated only by drawing. The example shown left denotes that D-code 68420 includes D-codes, 68421A, 68422 and 68425 and standard part numbers, 998650516B, 999100503 and 997390414.

### 6 STANDARD PART NUMBER

Nine or ten-digit number which appears in the illustration is standard part number. The standard part number indicated in the illustration instead of D-code does not appear in the related text.

# HOW TO INTERPRET THE TEXT

In the example shown below, each item is interpreted as follows.

PART NO.	QT	MODEL RESTRICTION	MODE RESTRICTION	MODEL RESTRICTION	FROM-TO
<b>5840-2 FRONT DOOR TRIM &amp; RELATED PARTS (SEDAN &amp; HATCHBACK)</b>					
58-9211		FASTENER	AGRAFE, GARNITURE	FUJADOR, DECORACION	
G030-68-401	22	CE > SDN	MOT CONV > BRLN	MG > SDN	-3315
C (G030-68-401A)		CE > HB	MOT CONV > A/HYO AR	MG > DPT	
G030-68-401A	22	CE > SDN	MOT CONV > BRLN	MG > SDN	3315-
		CE > HB	MOT CONV > A/HYO AR	MG > DPT	
68-420		TRIM(R), DOOR	GARNITURE (D), PORTE	MOLDURA (DER), PUERTA	
G806-68-420B	1	(INTEGRATED ARMREST)	(APPUJ-BRAS INTEGRE)	(DESCANSABRAZO INTEGRADO)	-2801
		CE > SDN	MOT CONV > BRLN	MG > SDN	
		CE > HB	MOT CONV > A/HYO AR	MG > DPT	
00		BA1 BLACK	BA1 NOIR	BA1 NEGRO	-2801
A (G806-68-420C00)					
10		BA2 RED	BA2 ROUGE	BA2 ROJO	-2801
A (G806-68-420C10)					
G806-68-420C	1	(INTEGRATED ARMREST)	(APPUJ-BRAS INTEGRE)	(DESCANSABRAZO INTEGRADO)	2801-
		CE > SDN	MOT CONV > BRLN	MG > SDN	
		CE > HB	MOT CONV > A/HYO AR	MG > DPT	
00		BA1 BLACK	BA1 NOIR	BA1 NEGRO	2801-
10		BA2 RED	BA2 ROUGE	BA2 ROJO	2801-

2801 GC221-503889	G030-68-401 C
GC241-501129	G030-68-401A 01
3315 GC221-515671	9928-10-500 02
GC241-504548	

## 1 SECTION NUMBER

## 2 TEXT SEQUENCE NUMBER

The number following a hyphen denotes the text sequence number within each section number.

## 3 SECTION NAME

## 4 SECTION'S APPLICATION

## 5 D-CODE

In the text, D-codes and the related information are listed in the alphabetic and numeric sequence by D-code within each section number.

## 6 PART NAME

Part name is described for each D-code in one through three languages out of four languages such as English, French, Spanish and German.

The indicated languages vary, depending upon the market which the parts catalog is applicable to.

## 7 PART NUMBER



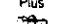
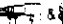

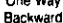
Under one D-code, if there are more than one part number due to the part change involved, the part numbers are listed in the sequence of the part production timing: the early used part number is shown first and the later one follows it.

## 8 INTERCHANGEABILITY CODE

One- or two-digit alphabet appearing in the extreme left hand side of the text is an interchangeability code.

This code indicates the nature of interchangeability between the two part numbers shown in the right with parentheses and above.

The following interchangeability codes have been currently used in the parts catalog.

Code	Definition
A	 One Way A new part can be used in place of the former part, but the former part cannot be used in place of the new part.
AN	 Both Way A new part and the former part are fully interchangeable.
C	 Plus A new part requires additional part(s) to be used in place of the former part.
CG	 Plus A new part requires additional part(s) and modification work to be used in place of the former part.
G	 Plus A new part requires modification work to be used in place of the former part.
S	 One Way Backward The former part can be used in place of a new part, but the new part cannot be used in place of the former part.

● **SUPERSEDING PART NUMBER**

When a part is changed and new part is interchangeable with the former part, the new part number as the superseding part is shown in parentheses right under the former (superseded) part number.

● **NEW PART NUMBER IDENTIFICATION**

An asterisk (\*) denotes that the indicated part number has been added since the last microfiche edition (not the last paper edition).

The microfiche parts catalog is revised more frequently than the paper one.

● **QUANTITY**

This denotes the quantity of the part used under the indicated D-code within each section number.

● **MODEL APPLICATION**

Model application for each part number is described in one through three languages out of four languages such as English, French, Spanish and German.

● **PART USAGE RESTRICTION**

Part usage restriction is shown for factory installed option parts to indicate under what condition the part is installed.

This information is also described in one through three languages.

● **COLOR CODE OF PART NUMBER**

For color keyed parts, two-digit color code(s) appear(s) right under its basic part number consisting of nine or ten digits. The complete part number for color keyed parts consists of the basic part number (9 or 10 digits) and the color code (2 digits).

● **INTERIOR or PAINT CODE FOR VEHICLE**

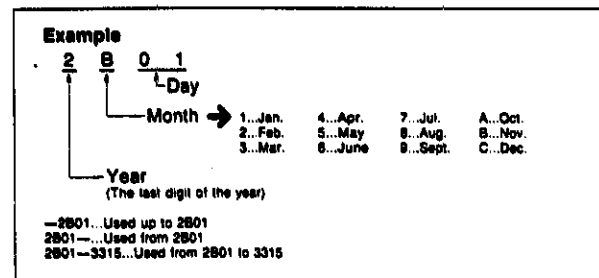
The applicable interior or paint code(s) for the vehicle is (are) indicated to each color code of part number.

● **COLOR DESCRIPTION OF PART**

A color description of the part is indicated to each part's color code in one through three languages.

⑪ **PART CHANGE DATE**

When a part is added, changed or deleted, the effective date coded in four digits is shown as follows.



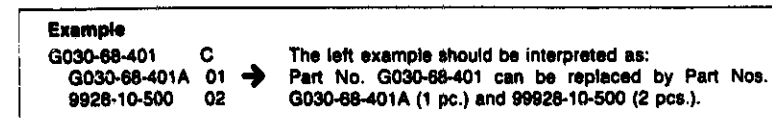
⑫ **VIN NUMBER**

The VIN number(s) related to the part change date is (are) shown in the footnote column, referring each date shown above.

⑬ **MULTIPLE SUPERSESSION**

Shown as the example is a multiple supersession identified by the interchangeability codes "C" and "CG": one part can be replaced by more than one part.

When the interchangeability codes "C" or "CG" appears in the text, a complete information on the multiple supersession will be shown in the footnote column of the same text.



## HOW TO INTERPRET THE VIN APPLICATION

If the part change date appears as the example below:

PART NO.	QT	MODEL/RESTRICTION	MODEL/RESTRICTION	MODEL/RESTRICTION	FROM-TO
11-210		RCD, CONNECTING	BIELLE	BIELA	
① E30-11-210	4	1100 1300	1100 1300	1100 1300	-3801
② E301-11-210A	4	1100 1300	1100 1300	1100 1300	3801-4215
③ E301-11-210B	4	1100 1300	1100 1300	1100 1300	4215-

3801	BD1012	805912	
	BD1032	824340	
4215	BD1012	816750	
	BD1032	830192	

it should be interpreted:

- ① Part No. E301-11-210 is applicable to 1100 cc, from the initial production through BD1012 805911 (= 805912 minus 1) and 1300 cc, from the initial production through BD1032 824339 (= 824340 minus 1).
- ② Part No. E301-11-210A is applicable to 1100 cc, from BD1012 805912 through BD1012 816749 (= 816750 minus 1) and 1300 cc, from BD1032 824340 through BD1032 830191 (= 830192 minus 1).
- ③ Part No. E301-11-210B is applicable to 1100 cc, from and after BD1012 816750 and 1300 cc, from and after BD1032 83192.

### Note:

The parts catalog often shows the catalog designation VIN instead of the actual VIN. For the correct interpretation for the catalog designation VIN, refer to explanation in "Vehicle Identification System" shown in the extreme right row of the last microfiche in the set.

## HOW TO INTERPRET THE SUPERSESSION

If the supersession information appears as the example below:

	PART NO.	QT	MODEL/RESTRICTION
	58-921		FASTENER
	G030-68-401	22	1300
Interchangeability Code	A (G030-68-401A)		1500
Superseding Part Number	G030-68-401A	22	1300
			1500

	PART NO.	QT	MODEL/RESTRICTION
	68-420		TRIM (R) DOOR
Color Code	GB06-68-420A	1	
	00		BA1 BLACK
Interchangeability Code	A (GB06-68-420B00)		
Superseding Part Number	10		BA2 RED
	A (GB06-68-420B10)		
	GB06-68-420B	1	
	00		BA1 BLACK
	10		BA2 RED

it should be interpreted:

- ① Part No. G030-68-401A can be used in place of part No. G030-68-401.
- ② Part No. GB06-68-420B00 can be used in place of part No. GB06-68-420A00.
- ③ Part No. GB06-68-420B10 can be used in place of part No. GB06-68-420A10.

## HOW TO INTERPRET THE MODEL APPLICATION

If the model application and the usage restriction appear as the example below:



Watch the information in parentheses ( )!!

3210 -1 STEERING COLUMN  
(SEDAN)

PART NO.	QT	MODEL/RESTRICTION	MODEL/RESTRICTION	MODEL/RESTRICTION
32-071	BUSH		BUSELURE	BUJE
8001-32-071	1			
32-100	SHAFT, ENGY. ABSORBER		COLONE TELESCOPIQUE	EJE, AMORTIGUAD
8A29-32-100A	1	(W/POWER STEERING)	(A/DIRECCION ASSISTEE)	(C/DIRCCION DE POTENCIA)
		1300 > MT 1500 > MT	1300 > B. V. MANU 1500 > B. V. MANU	1300 > TM 1500 > TM

It should be interpreted:

- ① Part No. 8001-32-071 is applicable to all the Sedans covered by this particular catalog.
- ② Part No. 8A29-32-100A is applicable to Sedan 1300 Manual Trans. and Sedan 1500 Manual Trans in case they are equipped with the power steering.

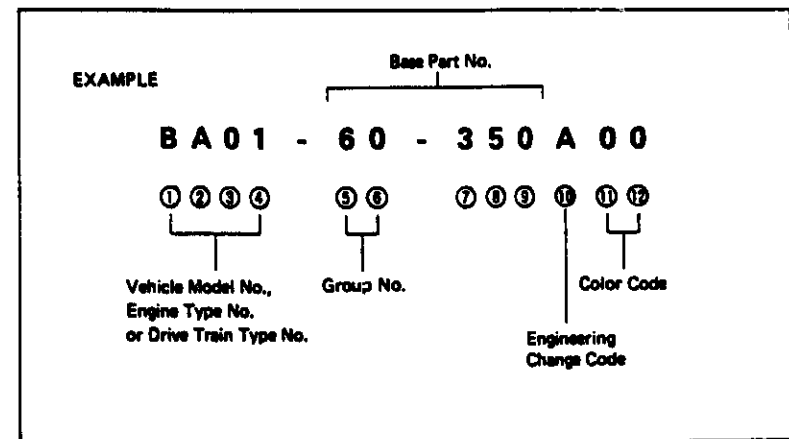
## MAZDA PART NUMBERING SYSTEM

Mazda Part Numbers are generally classified into three categories:  
General Service Parts & Accessories, Standard Parts and Special Tools.

**Note:** Mazda Part Number consists of numeric and alphabet letters. In order to avoid the confusion due to similar characters among number and alphabet, alphabet letters I and O are not used in the part number. However, these letters are rarely used in 10th digit of the part number as an exception.

### MAZDA GENERAL SERVICE PARTS & MAZDA ACCESSORIES

These part numbers basically consist of nine or ten digits. The 10th digit (if applicable) identifies the engineering change of the part. The color keyed part, however, consists of twelve digits since two-digit color code are added to nine or ten-digit number to identify its color.



**Note:** In case the engineering change is not made to a part, the 10th digit of the part number is left blank even for the color coded part, e.g.,

**BA01-60-350 00**

↑  
Blank

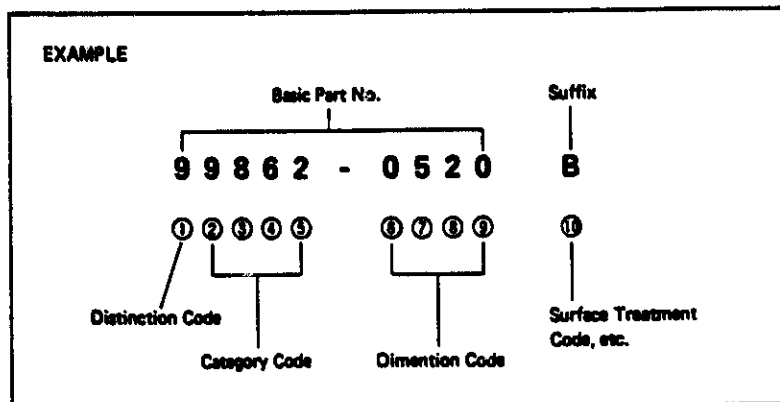
## MAZDA STANDARD PARTS

The Parts standardized in form and dimension such as Bolts, Nuts, Washers, Hoses, Disc Wheels, etc. are called Mazda Standard Parts.

All Mazda Standard Part Numbers are identified by "9" in the first digit. The numbering structure of Standard Parts varies, depending upon the type of part.

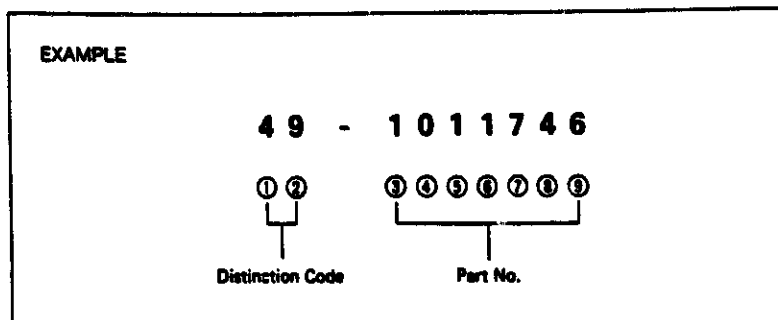
The following is just one example of Standard Part Number.

For further details and examples, refer to the wall chart, "LIST OF STANDARD PARTS".



## MAZDA SPECIAL TOOLS

In order to repair Mazda Vehicles, several special tools are required. These are called Mazda Special Tools. Mazda Special Tools are identified by the Part Number starting with "49".



**ABBREVIATION LIST**

ABBREV.	MAY REPLACE	ABBREV.	MAY REPLACE
1ST	First	CAL.	California
2ND	Second	CASS.	Cassette
3RD	Third	CAT.	Category
4TH	Fourth	Cd	Coefficient Of Drag
4 SPD	Four Speed	CD	Compact Disk
4WS	Four Wheel Steering	C.G.R.	Constant Gear Ratio
4WD, 4X4	Four Wheel Drive	CHG.	Change
5TH	Fifth	CHK.	Check
5 SPD	Five Speed	CHMBR	Chamber
		CHN.	Chain
AA.	Anti Aftabum	CIGAR.	Cigarette
A.A.S.	Auto Adjusting Suspension	CI	Coefficient Of Lift
ABS	Anti Lock Braking System	CLPR	Caliper
A/C	Air Conditioning	CNVTR.	Converter
A.C.C.	Automatic Cruise Control	COMB.	Combination
ACCEL.	Accelerator	COND.	Condenser
A.C.V.	Air Control Valve	COMP.	Compressor
A.E.	Acoustical Equalizer	CONV.	Convertible
ALUM	Aluminum	C/P	Cab Plus
ALL	Automatic Load Leveling	C.S.D.	Cold Start Device
ALT.	Alternator	CSTG.	Coasting
AMP.	Amplifier	CTR.	Center
ANT.	Antenna	CTRL.	Control
APR.	April	CV	Constant Velocity
ASSY.	Assembly	CVR.	Cover
A/T	Automatic Transmission	CYL.	Cylinder
AUG.	August		
AUTO.	Automatic	DASH.	Dashboard
		Db	Decibels
BAL.	Balance	DEC.	December
BELT.	Beltline	DEF.	Defroster
BFGR	B. F. Goodrich	DIAPH	Diaphragm
BRDG	Bridgestone	DIFF.	Differential
BRG.	Bearing	DNLP	Dunlop
BRKT.	Bracket	DOHC	Double Overhead Camshaft
BRN.	Brown	DSL.	Diesel
BLK.	Black	DTSS	Dynamic Tracking Suspension System
BLU.	Blue		Deluxe
BMPR.	Bumper	DX	
B.S.V.	Bleed Solenoid Valve	ECAT	Electronically Controlled A/T
BULL.	Bulletin	EGI	Electronic Gas Injection
BW	Black Wall	EGR	Exhaust Gas Recirculation

**ABBREVIATION LIST**

ABBREV.	MAY REPLACE	ABBREV.	MAY REPLACE
ELEC.	Electric	INN.	Inner
ENG.	Engine	INT.	Interior
ETR	Electronically Tuned Radio	INTMT.	Intermittent
		INJ.	Injector, Injected
EXC.	Except	I.R.S.	Independent Rear Suspension
EXH.	Exhaust		
EXT.	Extension	JAN.	January
EQ	Equalizer	JUL.	July
		JUN.	June
FEB.	February		
FED.	Federal	KG	Kilogram
F.I.	Fuel Injection	KM	Kilometer
FLEX	Flexible	KW	Kilowatt
F/LID	Fuel Lid		
FRT.	Front	(L), LT	Left
FRST	Firestone	L=	Length
FSTNR.	Fastener	LCD	Liquid Crystal Display
		L/B	Long Bed
G	Gram	LH	Left Hand
GAS.	Gasoline	LPG	Liquid Petroleum Gas
GDYR	Goodyear	L.S.D.	Limited Slip Differential
GEN.	General		
GOV.	Governor	LWR	Lower
GRN.	Green	LX	Luxury
GRY.	Gray		
GSKT.	Gasket	M	Metallic
		MAR.	March
H.A.C.	High Altitude Compensator	MC	Mica
		MCHN	Michelin
HARN.	Harness	MLDG.	Moulding, Mould
H/B	Hatchback	MM	Millimeter
HD.	Head	MNFLD.	Manifold
H/DUTY	Heavy Duty	MPX	Multiplex
HDWE.	Hardware	MSTR.	Master
HI. ALT.	High Altitude	M/T	Manual Transmission
HSG.	House, Housing	MTG.	Mounting
HTR.	Heater	MTR	Manually Tuned Radio
IC	Integrated Circuit	N=	Number Of Teeth
ID	Inside Diameter	N/A	Not Available
IGN.	Ignition	N/B	Notchback
ILLUM.	Illumination, Illuminated	NO.	Number
		NORM.	Normal
INCL	Includes	NOV.	November
IND	Indicator		
INFO.	Information		
INST.	Instrument		

## ABBREVIATION LIST

---

ABBREV.	MAY REPLACE	ABBREV.	MAY REPLACE
OCT.	October	SPEC.	Specification
OD	Outer Diameter	SPEEDO.	Speedometer
O/DRIVE	Overdrive	SPG.	Spring
OHC	Overhead Camshaft	SPKR.	Speaker
OPT.	Optional	SPRKT.	Sprocket
O.S.	Oversize	SRS	Supplemental Restraint System
OUT.	Outer	STAB.	Stabilizer
PANSC	Panasonic	STD.	Standard
PARK.	Parking	STRG.	Steering
PB	Parking Brake	S/ROOF	Sunroof
PCV	Positive Crankcase Ventilation	SUSP.	Suspension
PN.	Pinion	S/W	Station Wagon
PKG	Package	SW.	Switch
PLR	Pillar	SYNC.	Synchronizer
PROD.	Production	T-	Thickness
P/S	Power Steering	TEMP.	Temperature
P/TRIM	Pillar Trim	THERMO.	Thermostat
PTH	Phillips Truss Head	TMG.	Timing
PWR.	Power	T/MISSION	Transmission
QTR.	Quarter	TRK.	Truck
QTY.	Quantity	T/LID	Trunk Lid
(R), RT	Right	T/S	Touring Sedan
RH	Right Hand	TTL	Twin Trapezoidal Links
RAD.	Radiator	TURBO	Turbocharged
REINF.	Reinforcement	UP.	Upper
REG.	Regular	U.S.	Undersize
REGUL.	Regulator	VAC.	Vacuum
REL.	Release	V.G.R.	Variable Gear Ratio
REM.	Remote	VPV	Variable Port Valve
RET.	Return	VNL.	Vinyl
REV.	Reverse	W-	Width
RR.	Rear	W/	With
RWL	Raised White Letters	W/P	Water Pump
S/B	Short Bed	WGN.	Wagon
S/ROD	Shift Rod	WHL.	Wheel
S/S	SupercSSION	W/O	Without
SDN.	Sedan	WHT.	White
SEP.	September	W/SHIELD	Wind Shield, Screen
SERV.	Service	WTR.	Water
SLND.	Solenoid	W/W	White Walls
SOHC	Single Overhead		



# Mazda

## 1986-88 RX-7 ACCESSORIES

### AERO

0000-86-325 - Wing Spoiler  
F061-V4-920-0F - Factory Spoiler

### AIR CONDITIONER

Refer to Accy. Bulletin XA-1 for Air Conditioner information.

### ALARM

0000-88-1901 - Electronic Shock Sensor  
Refer to Accy. Bulletin XG-6 for Alarm information.

### ARM REST

Refer to Accy. Bulletin XN-1 for replacement parts.

### BATTERY

0000-80-1261  
Refer to Accy. Bulletin XG-4 for Battery information.

### BLOCK HEATER

0000-88-6600  
Refer to Accy. Bulletin XG-5 for installation information.

### CAR COVER

0000-88-092A - Evolution 3 Blue  
0000-88-090-LK - Lock Kit  
Refer to Accy. Bulletin XG-8 for more Car Cover information.

### CARGO COVER

FB01-V1-350-1F - Red  
FB01-V1-350-5F - Blue  
FB01-V1-350-7F - Grey

### CIGARETTE LIGHTERS

B001-66-252

### CRUISE CONTROL

8AF1-66-340 - Coupe  
8AF2-66-340 - Convertible  
Refer to Accy. Bulletin XG-7 for more Cruise Control information.

### DOOR EDGE GUARDS

0000-88-3199-BK - Black Universal Type

### FLOOR MATS

0000-88-7688-05 - Gray Plush Mat  
0000-88-7688-11 - Wine Plush Mat  
0000-88-7688-50 - Blue Plush Mat  
0000-88-7688-TA - 10th Anniversary Edition Mat

### FOG LIGHTS

0000-88-500A-R6 - Clear Complete Kit  
Refer to Accy. Bulletin XE-4 for Fog Light parts information.

### FRONT MASK

0000-88-0588 - GTU, w/o Air Dam

### MUD GUARDS

F045-V3-350-0F - Front Set  
F045-V3-351-0F - Front Left  
F045-V3-352-0F - Front Right  
F045-V3-360-0F - Rear Set  
F045-V3-361-0F - Rear Left  
F045-V3-362-0F - Rear Right

### PAINT

Refer to Accy. Bulletin XE-2 for Touch-Up Paint information.

### RACKS

0000-88-1077 - Piper Ski Rack  
0000-88-1067 - Sport Rack  
0000-88-1200 - Ski Attachment  
0000-88-1300 - Bike Attachment  
0000-88-1400 - Sail/Surf Attachment  
0000-88-1500 - Luggage Attachment

### STEREO EQUIPMENT

Refer to Accy. Bulletins XS-1, XS-2, and XS-3 for Audio information.

### SUNROOF WIND DEFLECTOR

0000-86-3007

### TIRES

Refer to Accy. Bulletins XE-1 for Tire information.

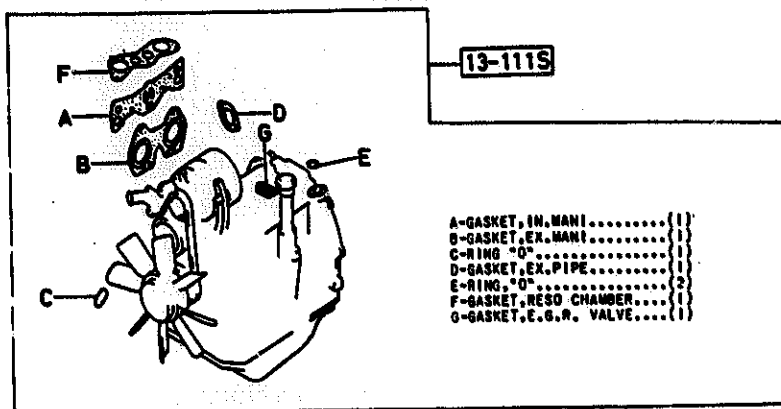
### WHEEL LOCKS

0000-88-120C - Wheel Lock Set  
0000-88-120C-BP - Lock Blister Pack  
Refer to Accy. Bulletin XE-5 for more Wheel Lock information.

# SECTION INDEX -- ENGINE

ENGINE LOCATION	SECT. NO.	SECTION NAME	ENGINE LOCATION	SECT. NO.	SECTION NAME	STARTING LOCATION	SECT. NO.	SECTION NAME
1 - C 3	1000B	SHORT ENGINE BLOCK & GASKET SETS (W/O TURBO)	1 - C 6	1400B	OIL PUMP & FILTER (W/O TURBO)			
1 - D 3	100UBA	SHORT ENGINE & GASKET SETS (TURBO)	1 - E 6	1400BA	OIL PUMP & FILTER (TURBO)			
1 - E 3	1030B	ROTOR HOUSINGS (W/O TURBO)	1 - G 6	1500B	COOLING SYSTEM (W/O TURBO)			
1 - F 3	1030BA	ROTOR HOUSINGS (TURBO)	1 - I 6	1500BA	COOLING SYSTEM (TURBO)			
1 - G 3	1040B	OIL PAN, FRONT & REAR HOUSING (W/O TURBO)	1 - K 6	1580B	BRACKET, PULLEY & BELT			
1 - H 3	1040BA	OIL PAN, FRONT & REAR HOUSING (TURBO)	1 - L 6	1600	CLUTCH DISC & COVER (MANUAL) (W/O TURBO)			
1 - I 3	1100B	ECCENTRIC SHAFT & FLYWHEEL (W/O TURBO)	1 - M 6	1600A	CLUTCH DISC & COVER (MANUAL) (TURBO)			
1 - J 3	1100BA	ECCENTRIC SHAFT & FLYWHEEL (TURBO)	1 - N 6	1700	TRANSMISSION CASE (MANUAL) (W/O TURBO)			
1 - K 3	1110B	ROTORS & RELATED PARTS (W/O TURBO)	1 - C 7	1700A	TRANSMISSION CASE (MANUAL) (TURBO)			
1 - L 3	1110BA	ROTORS & RELATED PARTS (TURBO)	1 - D 7	1710	TRANSMISSION GEARS (MANUAL) (W/O TURBO)			
1 - M 3	1300B	INTAKE MANIFOLD (W/O TURBO)	1 - G 7	1710A	TRANSMISSION GEARS (MANUAL) (TURBO)			
1 - N 3	1300BA	INTAKE MANIFOLD (TURBO)	1 - J 7	1720	CHANGE CONTROL SYSTEM (MANUAL) (W/O TURBO)			
			1 - K 7	1720A	CHANGE CONTROL SYSTEM (MANUAL) (TURBO)			
1 - C 4	1310B	EXHAUST MANIFOLD (W/O TURBO)	1 - L 7	1800B	ENGINE ELECTRICAL SYSTEM (W/O TURBO)			
1 - D 4	1310BA	EXHAUST MANIFOLD (TURBO)	1 - C 8	1800BA	ENGINE ELECTRICAL SYSTEM (TURBO)			
1 - G 4	1320B	FUEL SYSTEM (W/O TURBO)	1 - F 8	1830B	ALTERNATOR (W/O TURBO)			
1 - I 4	1320BA	FUEL SYSTEM (TURBO)	1 - G 8	1830BA	ALTERNATOR (TURBO)			
1 - K 4	1330B	AIR CLEANER (W/O TURBO)	1 - H 8	1840B	STARTER (W/O TURBO)			
1 - L 4	1330BA	AIR CLEANER (TURBO)	1 - I 8	1840BA	STARTER (TURBO)			
1 - M 4	1350B	STARTING ASSIST SYSTEM (W/O TURBO)	1 - J 8	1850B	BATTERY			
1 - N 4	1350BA	STARTING ASSIST SYSTEM (TURBO)	1 - K 8	1910	TORQUE CONVERTER, OIL PUMP & PIPINGS (AUTOMATIC)			
1 - C 5	1364B	THROTTLE BODY COMPONENTS (W/O TURBO)	1 - L 8	1920	TRANSMISSION CASE & MAIN CONTROL SYSTEM (AUTOMATIC)			
1 - D 5	1364BA	THROTTLE BODY COMPONENTS (TURBO)	1 - C 9	1925	CONTROL VALVE (AUTOMATIC)			
1 - E 5	1371B	AIR PUMP & AIR CONTROL VALVE (W/O TURBO)	1 - E 9	1930	CLUTCHES & PLANETARY GEARS (AUTOMATIC)			
1 - F 5	1371BA	AIR PUMP & AIR CONTROL VALVE (TURBO)	1 - H 9	1940	GOVERNOR, LOW & REVERSE PISTON (AUTOMATIC)			
1 - G 5	1380B	EMISSION CONTROL SYSTEM (EXHAUST SIDE) (W/O TURBO)	1 - I 9	1950	MANUAL LINKAGE SYSTEM (AUTOMATIC)			
1 - K 5	1380BA	EMISSION CONTROL SYSTEM (EXHAUST SIDE) (TURBO)	1 - J 9	1960	GASKET & SEAL KIT (AUTOMATIC)			

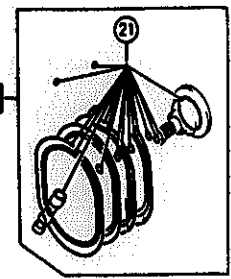
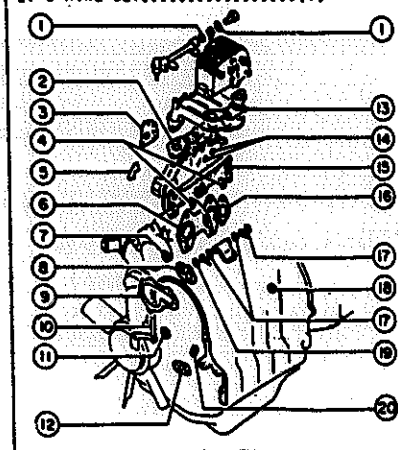
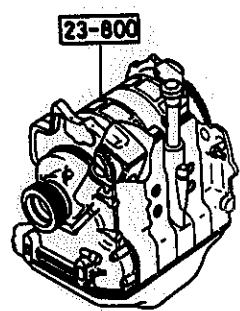
# 1000B-1 SHORT ENGINE BLOCK & GASKET SETS (W/O TURBO)



- A-GASKET, IN. MANI.....(1)
- B-GASKET, EX. MANI.....(1)
- C-RING "O".....(1)
- D-GASKET, EX. PIPE.....(1)
- E-RING, "O".....(2)
- F-GASKET, RESO. CHAMBER.....(1)
- G-GASKET, E.G.R. VALVE.....(1)

- 1-PACKING, FUEL.....(2)
- 2-GASKET, IN. MANI.....(1)
- 3-GASKET.....(1)
- 4-"O" RING.....(2)
- 5-GASKET.....(2)
- 6-GASKET, EX. MANI.....(2)
- 7-SHI.....(2)
- 8-GASKET, P. PUMP.....(2)
- 9-GASKET, P. PUMP.....(2)
- 10-GASKET, F. COVER.....(1)
- 11-GASKET.....(1)
- 12-GASKET.....(1)
- 13-GASKET, SURGE TANK.....(1)
- 14-"O" RING.....(2)
- 15-GASKET, INT. MANI.....(2)
- 16-GASKET, EXH. PIPE.....(2)
- 17-PACKING, FUEL.....(3)
- 18-GASKET.....(1)
- 19-GASKET.....(1)
- 20-GASKET.....(1)
- 21-O-RING SET.....(1)

10-271S



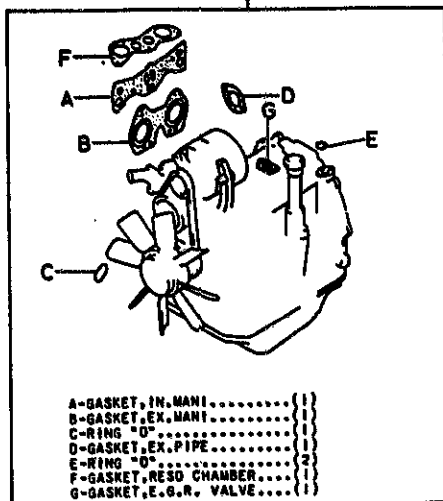
ITEM NO.	D-CODE	DESCRIPTION	PART NO.	QTY	MODEL/DESCRIPTION	REMARKS
10 271S		GASKET SET, ENGINE	8AF1-10-271B	1		
13 111S		GASKET SET, SUB-ENGINE	8AF1-13-111A	1		
23 0401		O-RING SET	N326-10-S60	1		
23 800		ENGINE BLOCK, SHORT	N326-02-2000	1	M/T	
			N327-02-2000	1	A/T	
<p>REFER TO PARTS BULL. NOS. R-6 &amp; R-8 FOR REBUILT ENGINE INFO.</p> <p>REFER TO SERV. BULL. NO. 046/88, CAT. 4 FOR AIR BLEED SOCKET INFO.</p>						

# 1000BA-1 SHORT ENGINE & GASKET SETS (TURBO)

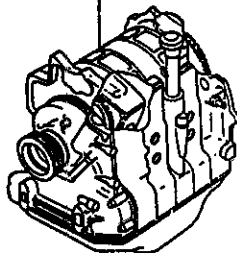
10-271S

- 1-O-RING, SET.....(1)
- 2-GASKET.....(1)
- 3-GASKET, OIL PAN.....(1)
- 4-GASKET, F. COVER.....(1)
- 5-GASKET, IN. MANI.....(1)
- 6-GASKET.....(1)
- 7-GASKET.....(1)
- 8-GASKET.....(1)
- 9-GASKET.....(3)
- 10-GASKET.....(4)
- 11-GASKET, EX. PIPE.....(1)
- 12-GASKET, OIL PIPE.....(1)
- 13-GASKET, OIL PIPE.....(2)
- 14-GASKET.....(1)
- 15-GASKET, A.C. VALVE.....(1)
- 16-GASKET, OIL STRAINER.....(1)
- 17-GASKET.....(1)
- 18-GASKET.....(2)
- 19-GASKET, WATER PIMP.....(1)
- 20-GASKET.....(1)
- 21-GASKET.....(1)
- 22-GASKET.....(10)
- 23-GASKET.....(8)
- 24-GASKET.....(1)
- 25-GASKET.....(1)
- 26-GASKET.....(4)
- 27-GASKET.....(2)
- 28-GASKET.....(2)
- 29-GASKET.....(1)
- 30-GASKET, TEX. MANI.....(1)
- 31-GASKET.....(1)
- 32-GASKET, E.G.R. VALVE.....(1)

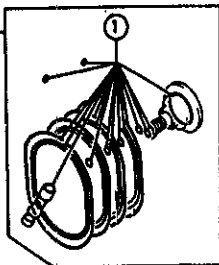
13-111S



23-800

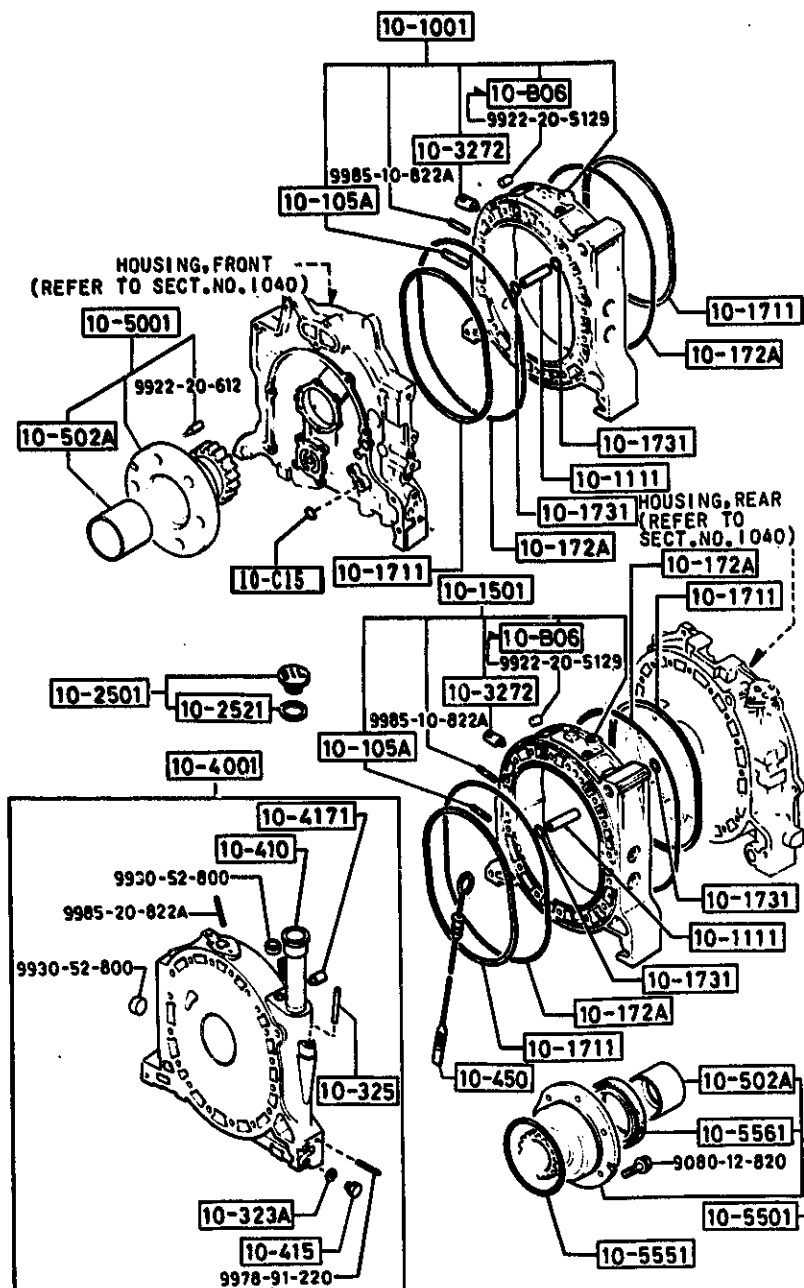


23-0401



ITEM NO.	D-CODE	DESCRIPTION	PART NO.	QTY	MODEL/DESCRIPTION	REMARKS
10	271S	GASKET SET, ENGINE	BAF4-10-271B	1		
13	111S	GASKET SET, SUB-ENGINE	BAF3-13-111A	1		
23	0401	O-RING SET	N318-10-560	1		
23	800	ENGINE BLOCK, SHORT	N332-02-200B	1		
		REFER TO PARTS BULL. NOS. R-6 & R-8 FOR REBUILT ENGINE INFO.				
		REFER TO SERV. BULL. NO. 046/88, CAT. 4 FOR AIR BLEED SOCKET INFO.				

**1030B-1 ROTOR HOUSINGS (W/O TURBO)**

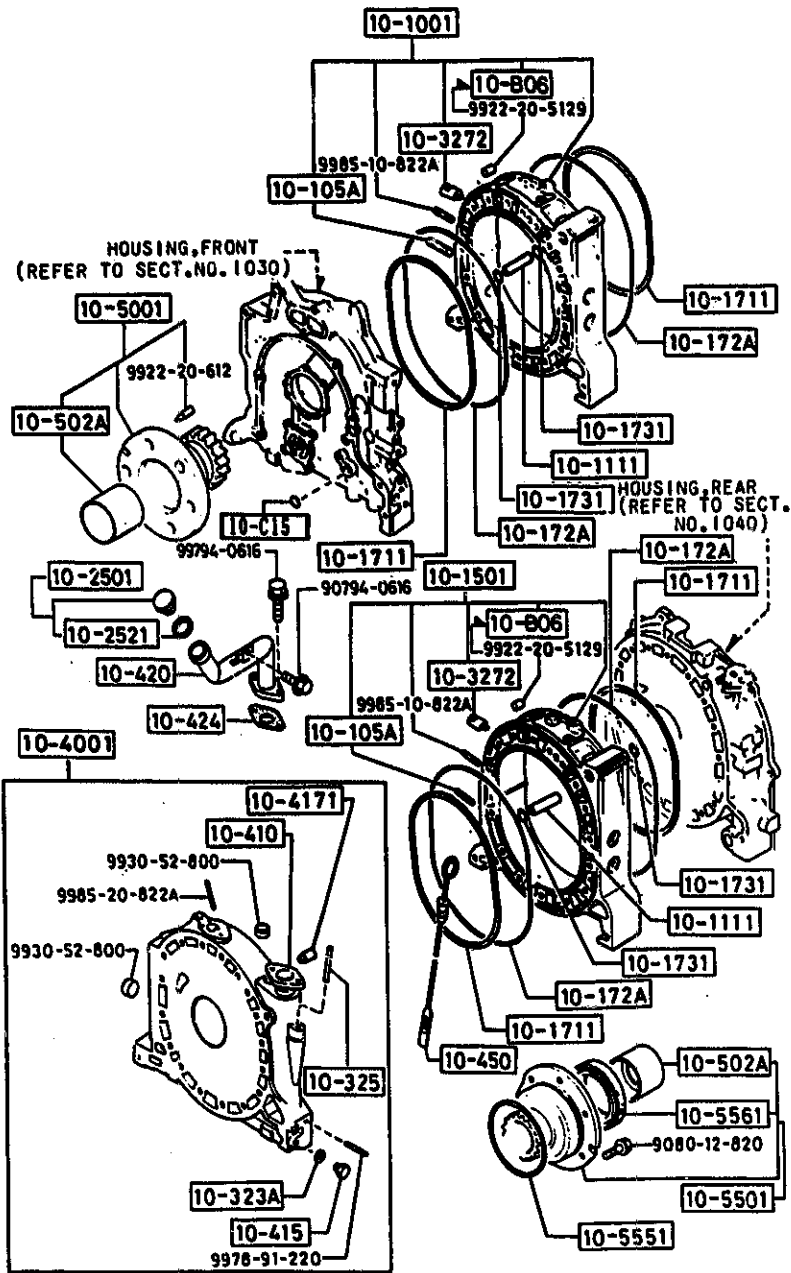


ITEM NO.	D-CODE	DESCRIPTION	PART NO.	QTY	MODEL/DESCRIPTION	REMARKS
10 1001		HOUSING, ROTOR-FRONT	N326-10-810	1		
10 105A		STUD, ROTOR HOUSING	0839-10-105	4		
10 1111		DOWEL, TUBULAR	1757-10-111	4		
10 1501		HOUSING, ROTOR-REAR	N326-10-850C	1		
10 1711		RING, SQUARE	N326-10-871A	4		
10 172A		RING, SQUARE-OUTER	N326-10-872	4		
10 1731		O-RING	N231-10-173	4		
10 2501		CAP, OIL FILLER	8871-10-250	1		
10 2521		GASKET, OIL CAP	8871-10-252	1		
10 323A		GASKET, WATER DRAIN	N326-10-323	1		
10 325		PIPE, DIPSTICK	N326-10-441	1		
10 3272		PLUG, JET	N326-14-633	2		
10 4001		HOUSING, INTERMEDIATE	N326-10-D00B	1		
10 410		PIPE, OIL FILLER	N326-10-420	1		
10 415		PLUG, SOCKET	N225-10-415	1		
10 4171		JOINT, PIPE	8562-10-417	1		
10 450		DIPSTICK	N326-10-450B	1		
10 5001		GEAR, STATIONARY-FRT.	3648-10-500	1		
10 502A		BEARING, M. N.	0820-10-502B	2		
10 5501		GEAR, STATIONARY-RR.	3648-10-550A	1		
10 5551		O-RING	0813-10-555A	1		
10 5561		SEAL, OIL	1668-10-556A	1		
10 806		PIN, SPRING	N326-10-806	4		

6910 FC33\* -513803

6910-

**1030BA-1 ROTOR HOUSINGS (TURBO)**

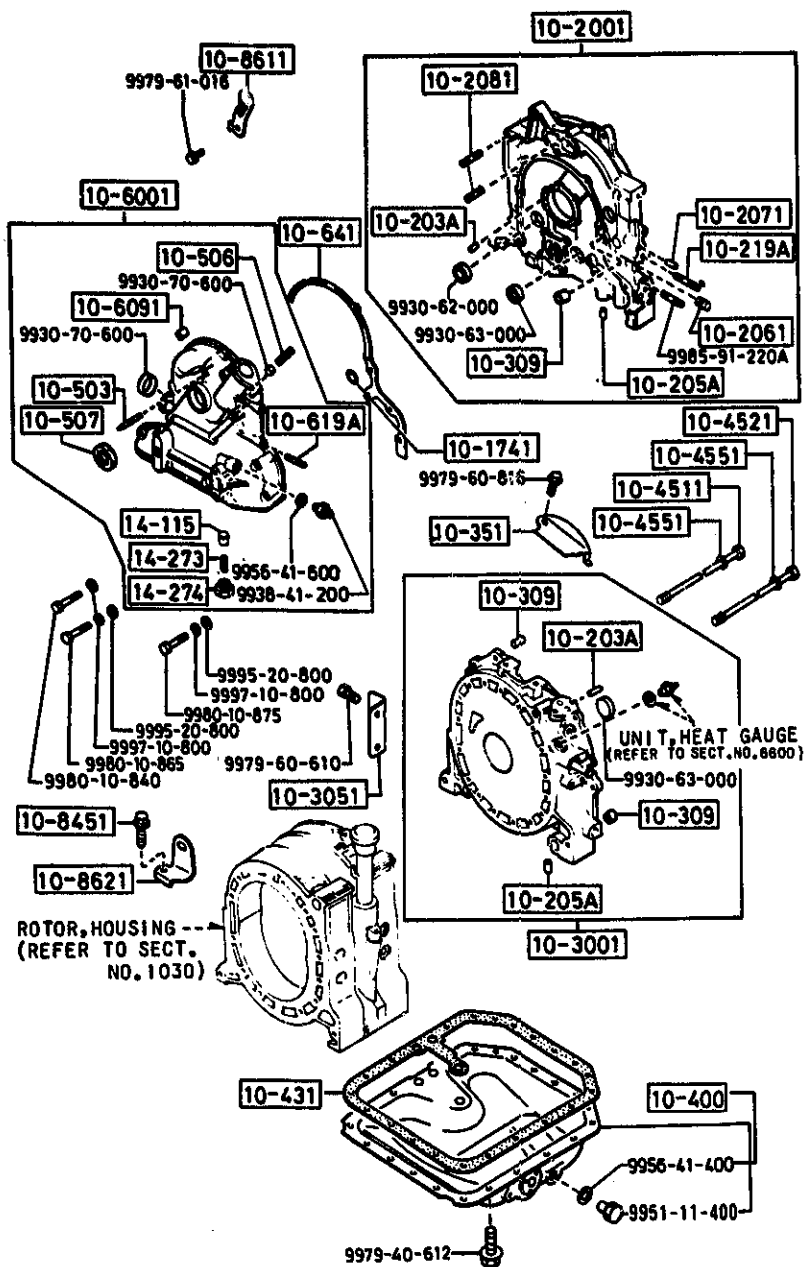


ITEM NO.	D-CODE	DESCRIPTION	PART NO.	QTY	MGDEL/DESCRIPTION	REMARKS
10 1001		HOUSING, ROTOR-FRONT	N332-10-B10	1		
10 105A		STUD, ROTOR HOUSING	0839-10-105	4		
10 1111		DOWEL, TUBULAR	1757-10-111	4		
10 1501		HOUSING, ROTOR-REAR	N332-10-B50B	1		
10 1711		RING, SQUARE	N326-10-B71A	4		
10 172A		RING, SQUARE-OUTER	N326-10-B72	4		
10 1731		O-RING	N231-10-173	4		
10 2501		CAP, OIL FILLER	8871-10-250A	1		
10 2521		GASKET, OIL CAP	8871-10-252	1		
10 323A		GASKET, WATER DRAIN	N326-10-323	1		
10 325		PIPE, DIPSTICK	N318-10-441	1		
10 3272		PLUG, JET	N326-14-633	2		
10 4001		HOUSING, INTERMEDIATE	N332-10-D00B	1		
10 410		PIPE, OIL FILLER	N318-10-D10B	1		
10 415		PLUG, SOCKET	N225-10-415	1		
10 4171		JOINT, PIPE	8562-10-417	1		
10 420		PIPE NO. 2, OIL FILLER	N332-10-420B	1		
10 424		GASKET, OIL FILLER PIPE	N318-10-424	1		
10 450		DIPSTICK	N332-10-450A	1		
10 5001		GEAR, STATIONARY-FRT.	3648-10-500	1		
10 502A		BEARING, MAIN	0820-10-502B	2		
10 5501		GEAR, STATIONARY-RR.	3648-10-550A	1		
10 5551		O-RING	0813-10-555A	1		
10 5561		SEAL, OIL	1668-10-556A	1		
10 806		PIN, SPRING	N326-10-806	4		

6910-

6910 FC33\* -513803

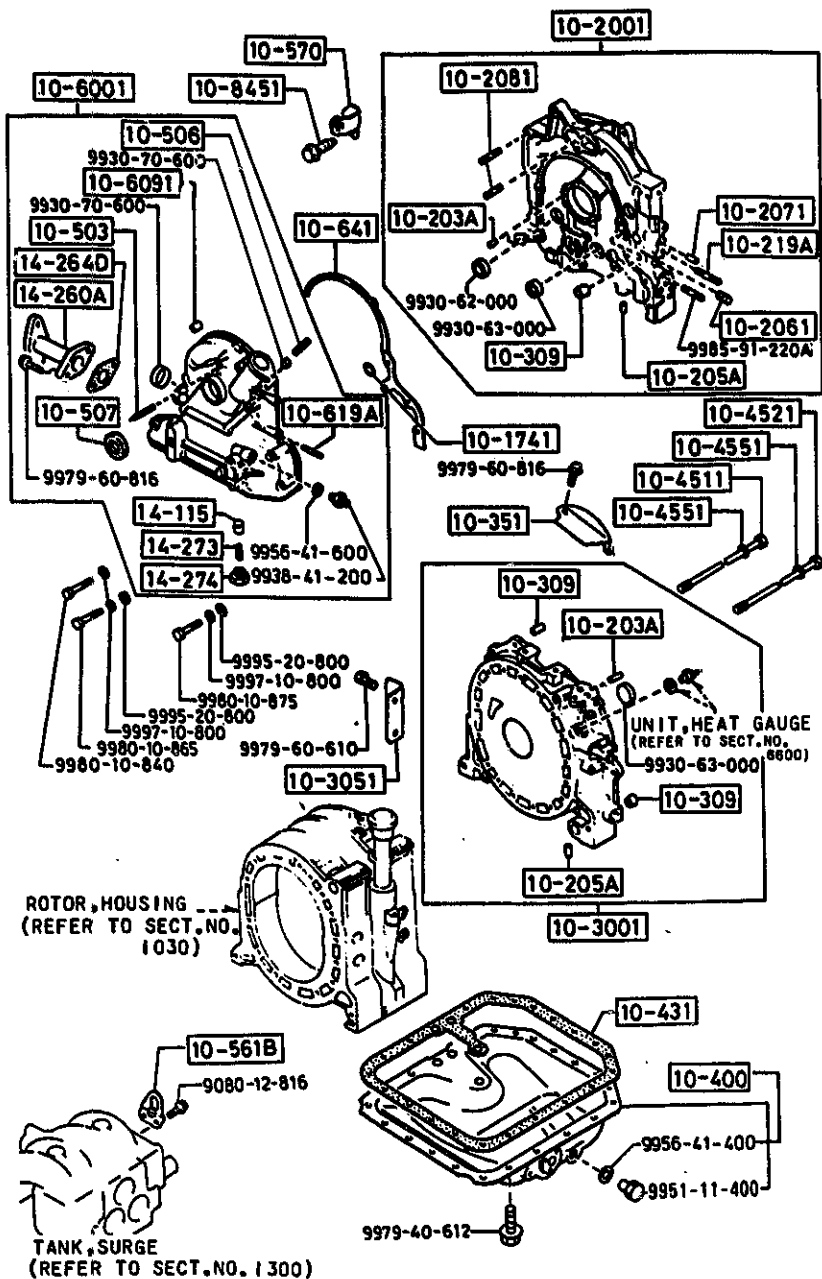
**1040B-1 OIL PAN, FRONT & REAR HOUSING (W/O TURBO)**



ITEM NO.	D-CODE	DESCRIPTION	PART NO.	QTY	MODEL/DESCRIPTION	REMARKS
10 1741		O-RING	N231-10-174	1		
10 2001		HOUSING, FRONT	N326-10-C00C	1		
10 203A		PIN, DOWEL	0839-10-203	2		
10 205A		PLUG, BLIND	8562-10-205	4		
10 2061		PLUG, BLIND	1757-10-206A	1		
10 2071		PLUG, BLIND	1757-10-207A	1		
10 2081		STUD	1757-10-208	4		
10 219A		STUD, HOUSING	N249-10-219	1		
10 3001		HOUSING, REAR	N326-10-C50B	1		
10 3051		COVER, DUST	N225-10-305	1		
10 309		PIN, TUBULAR	1757-10-309	4		
10 351		COVER, DUST	N304-10-351	1		
10 400		PAN, OIL	N326-10-400E	1	FED.	
			N328-10-400E	1	CAL.	
10 404		PLUG, DRAIN	99511-1400	1		
10 431		GASKET, OIL PAN	N3Y6-10-427	1		
10 4511		BOLT, TENSION	N326-10-E51	17		
10 4521		BOLT, TENSION	N326-10-E52	1		
10 4551		WASHER, SEAL	0839-10-455	18		
10 503		PIN, TOP INDICATOR	8871-10-631	1		
10 506		STUD, FRONT COVER	N326-10-506	1		6901-
10 507		SEAL, OIL	0820-10-605	1		
10 6001		COVER, FRONT	N326-10-500B	1		
10 6091		PIN, SPRING	1757-10-609	1		
10 619A		STUD, COVER	N249-10-619	2		
10 641		GASKET, FRONT COVER	8527-10-641	1		
10 8451		BOLT	N307-10-845	1		
10 8611		HANGER, ENGINE	N225-10-861	1		
10 8621		HANGER, ENGINE	N304-10-862	1		
14 115		PLUNGER, CONTROL	0839-14-115	1		
14 273		SPRING	0839-14-273A	1		
14 274		PLUG	0839-14-274	1		
99 384		JOINT, UNION	9938-41-200F	1		
99 560		GASKET	9956-41-400	1		
			9956-41-600	1		

6901 FC33\* -512255

**1040BA-1 OIL PAN, FRONT & REAR HOUSING (TURBO)**

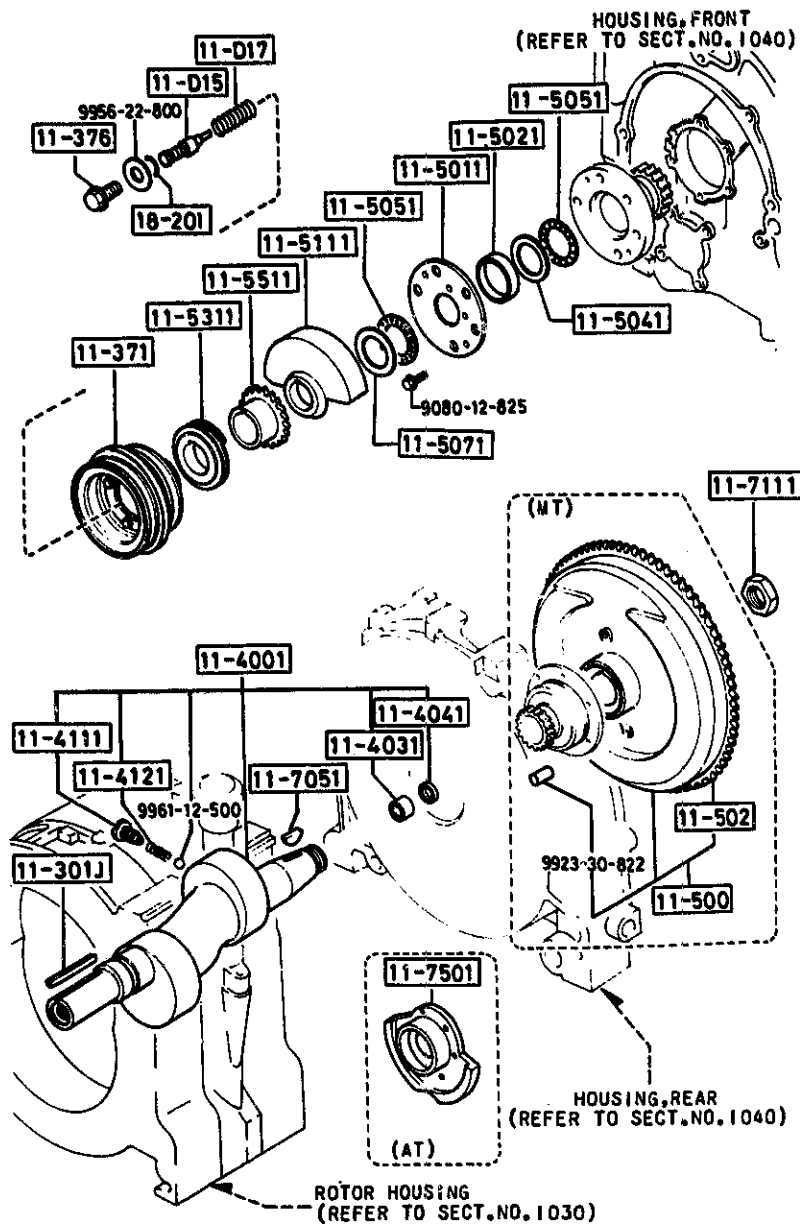


ITEM NO.	D-CODE	DESCRIPTION	PART NO.	QTY	MODEL/DESCRIPTION	REMARKS
10 1741		O-RING	N231-10-174	1		
10 2001		HOUSING, FRONT	N318-10-C00B	1		
10 203A		PIN, DOWEL	0839-10-203	2		
10 205A		PLUG, BLIND	8562-10-205	3		
10 2061		PLUG, BLIND	1757-10-206A	1		
10 2071		PLUG, BLIND	1757-10-207A	1		
10 2081		STUD	1757-10-208	4		
10 219A		STUD, HOUSING	N249-10-219	1		
10 3001		HOUSING, REAR	N318-10-C50A	1		
		< AN >	N318-10-C50B	1		
10 3051		COVER, DUST	N225-10-305	1		
10 309		PIN, TUBULAR	1757-10-309	4		
10 351		COVER, DUST	N304-10-351	1		
10 400		PAN, OIL	N326-10-400E	1	FED. CAL.	
			N328-10-400E	1		
10 404		PLUG, DRAIN	99511-1400	1		
10 431		GASKET, OIL PAN	N3Y6-10-427	1		
10 4511		BOLT, TENSION	N326-10-E51	17		
10 4521		BOLT, TENSION	N326-10-E52	1		
10 4551		WASHER, SEAL	0839-10-455	18		
10 503		PIN, TOP INDICATOR	8871-10-631A	1		
10 506		STUD, FRONT COVER	N326-10-506	1		
10 507		SEAL, OIL	0820-10-605	1		6901-
10 561B		HANGER, ENGINE-REAR	N318-10-566A	1		
10 570		BRACKET, HANGER-ENGINE	N318-10-570A	1		
10 6001		COVER, FRONT	N318-10-500B	1		
10 6091		PIN, SPRING	1757-10-609	1		
10 619A		STUD, COVER	N249-10-619	2		
10 641		GASKET, FRONT COVER	8527-10-641	1		
10 8451		BOLT	N318-10-908	1		
14 115		PLUNGER, CONTROL	0839-14-115	1		
14 260A		PIPE, OIL OUTLET	N318-14-260	1		
14 264D		GASKET, OIL OUTLET PIPE	N318-14-264	1		
14 273		SPRING	0839-14-273A	1		
14 274		PLUG	0839-14-274	1		
99 384		JOINT, UNION	9938-41-200F	1		
99 560		GASKET	9956-41-400	1		
			9956-41-600	1		

6901 FC33\* -512255



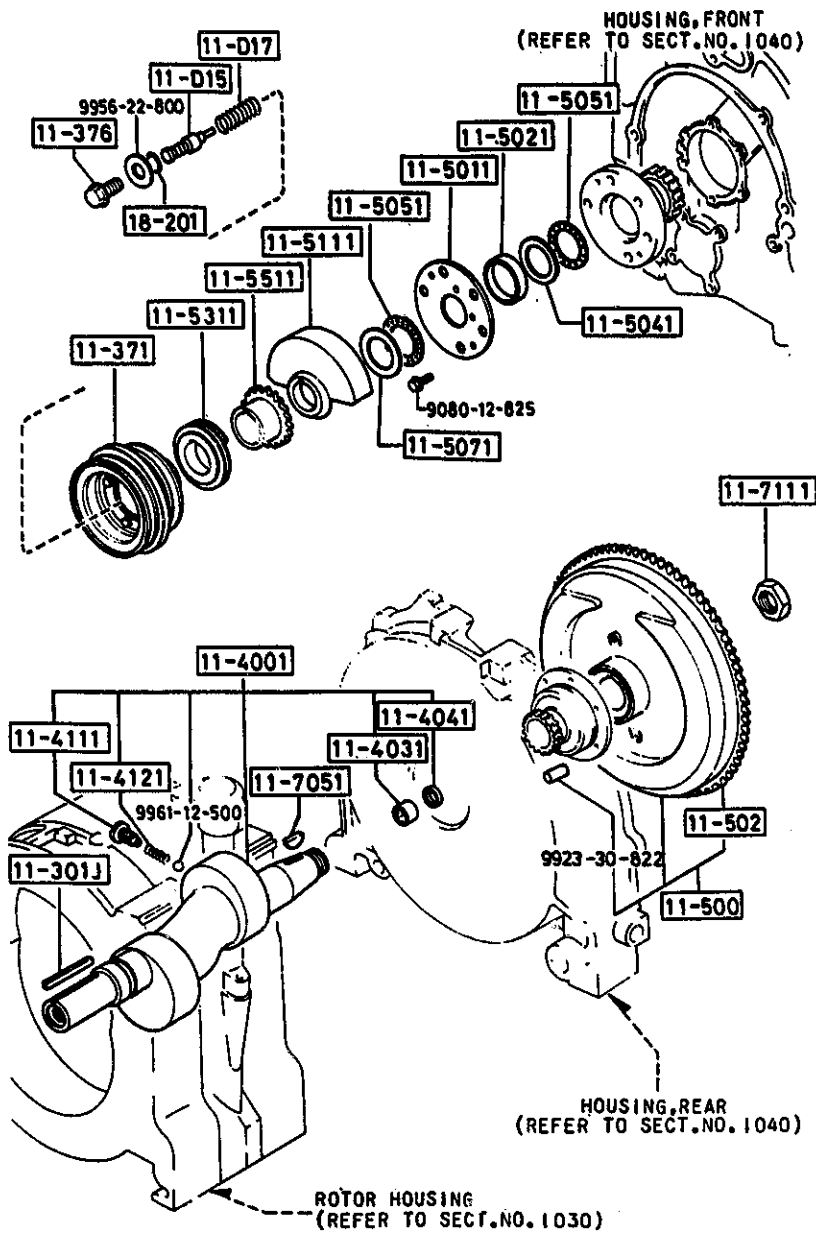
**1100B-1 ECCENTRIC SHAFT & FLYWHEEL (W/O TURBO)**



ITEM NO.	D-CODE	DESCRIPTION	PART NO.	QTY	MODEL/DESCRIPTION	REMARKS
11 301J		KEY, WOODRUFF-PULLEY	9923-60-571	1		
11 371		PULLEY, CRANKSHAFT	N326-11-400B	1		
11 376		BOLT, PULLEY	N318-11-420A	1		
11 4001		SHAFT, ECCENTRIC	N326-11-D00A	1	M/T	
			N327-11-D00A	1	A/T	
11 4031		BEARING, NEEDLE	N326-11-D03	1	M/T	
11 4041		SEAL, OIL	1881-11-404	1	M/T	
11 4111		PLUG, OIL JET	N326-11-D11	2		
11 4121		SPRING	0839-11-412	2		
11 500		FLYWHEEL	N326-11-500	1	M/T	
11 5011		PLATE	1011-11-501	1		
11 502		GEAR, RING-FLYWHEEL	0866-11-702	1	M/T	
11 5021		SPACER	0839-11-509	1	L=8MM	
			0839-11-502	1	L=8.02MM	
			0839-11-506	1	L=8.08MM	
			0839-11-508	1	L=8.04MM	
			8519-11-517	1	L=8.06MM	
11 5041		PLATE, THRUST	1011-11-504	1		
11 5051		BEARING, NEEDLE	0813-11-505B	2		
11 5071		WASHER, THRUST	1011-11-507	1		
11 5111		WEIGHT, BALANCE	N326-11-D61A	1		
11 5311		GEAR, DRIVE	0839-11-531	1		
11 5511		GEAR, DRIVE-OIL PUMP	N326-11-D75	1		
11 7051		KEY, FLYWHEEL	0820-11-705	1		
11 7111		NUT, LOCK	0810-11-711	1		
11 7501		WEIGHT, COUNTER	N327-11-521A	1	A/T	
11 D15		PELLET, THERMO-ECCENTRIC	N326-11-D15	1		
11 D17		SPRING, THERMO PELLETT	N326-11-D17	1		
18 201		O-RING	9954-10-1105	1		
99 220		PIN	9923-30-822	3	M/T	7201-

7201 FC33\* -532667

**1100BA-1 ECCENTRIC SHAFT & FLYWHEEL (TURBO)**

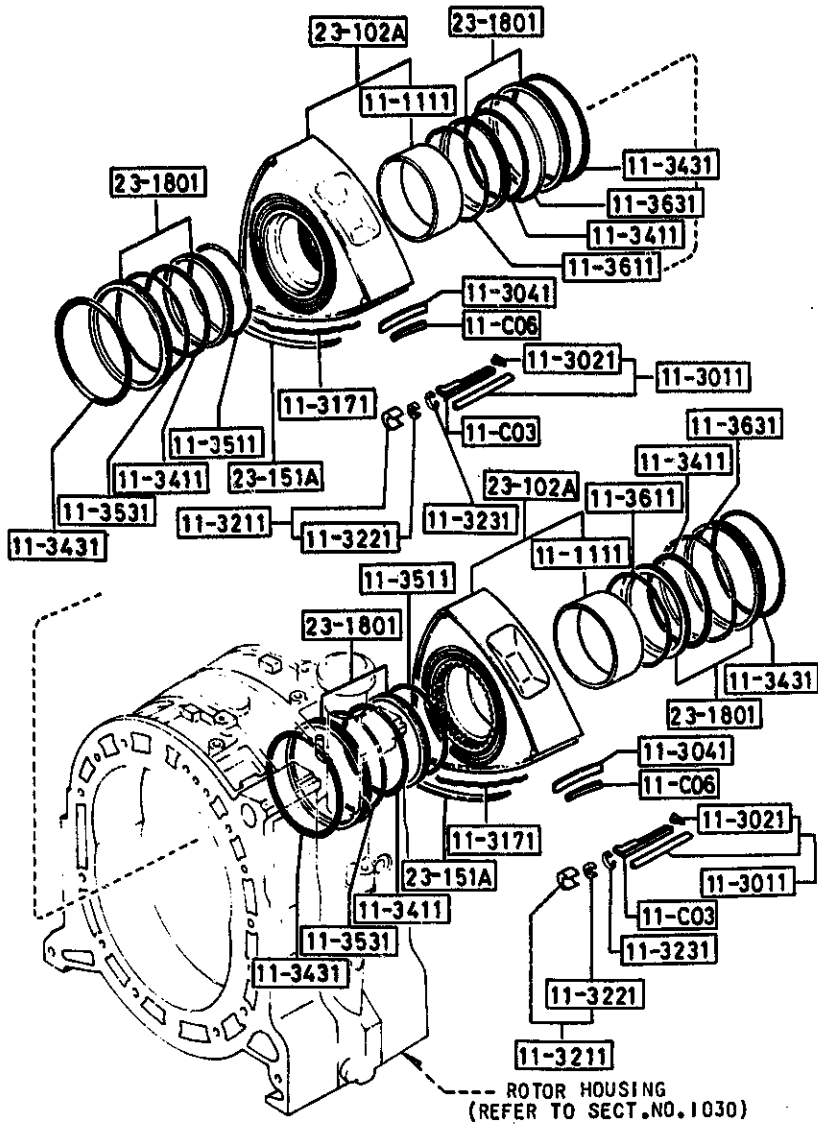


ITEM NO.	D-CODE	DESCRIPTION	PART NO.	QTY	MODEL/DESCRIPTION	REMARKS
11 301J		KEY, WOODRUFF-PULLEY	99236-0571	1		
11 371		PULLEY, CRANKSHAFT	N326-11-400B	1		
11 376		BOLT, PULLEY	N318-11-420A	1		
11 4001		SHAFT, ECCENTRIC	N326-11-D00A	1		
11 4031		BEARING, NEEDLE	N326-11-D03	1		
11 4041		SEAL, OIL	1881-11-404	1		
11 4111		PLUG, OIL JET	N326-11-D11	2		
11 4121		SPRING	0839-11-412	2		
11 500		FLYWHEEL	N318-11-500A	1		
11 5011		PLATE	1011-11-501	1		
11 502		GEAR, RING-FLYWHEEL	N318-11-502A	1		
11 5021		SPACER	0839-11-509	1	L=8MM	
			0839-11-502	1	L=8.02MM	
			0839-11-508	1	L=8.04MM	
			8519-11-517	1	L=8.06MM	
			0839-11-506	1	L=8.08MM	
11 5041		PLATE, THRUST	1011-11-504	1		
11 5051		BEARING, NEEDLE	0813-11-505B	2		
11 5071		WASHER, THRUST	1011-11-507	1		
11 5111		WEIGHT, BALANCE	N326-11-D61A	1		
11 5311		GEAR, DRIVE	0839-11-531	1		
11 5511		GEAR, DRIVE-OIL PUMP	N326-11-D75	1		
11 7051		KEY, FLYWHEEL	0820-11-705	1		
11 7111		NUT, LOCK	0810-11-711	1		
11 D15		PELLET, THERMO-ECCENTRIC	N326-11-D15	1		
11 D17		SPRING, THERMO PELLE	N326-11-D17	1		
18 201		O-RING	9954-10-1105	1		
99 220		PIN	9923-30-822	3		

7501-

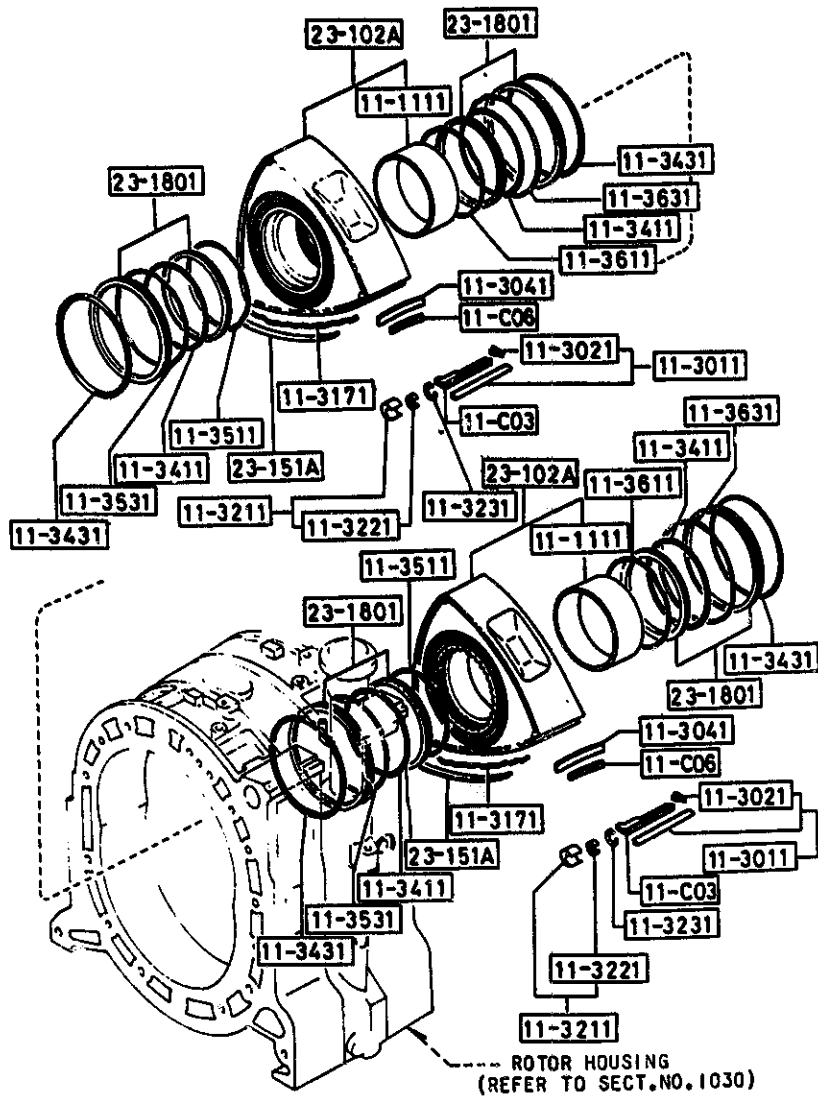
7501 FC33\* -547831

**1110B-1 ROTORS & RELATED PARTS (W/O TURBO)**



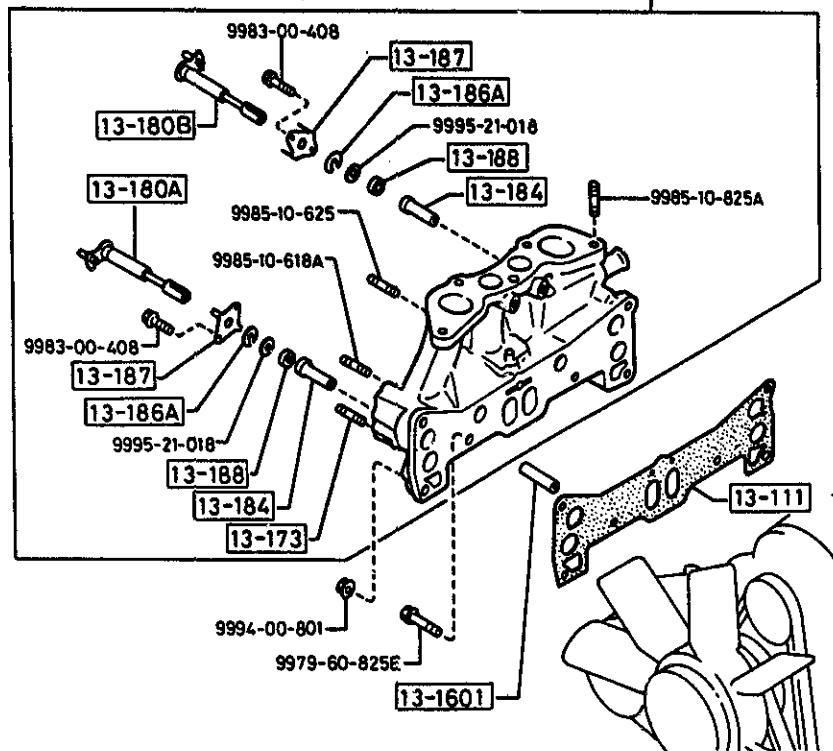
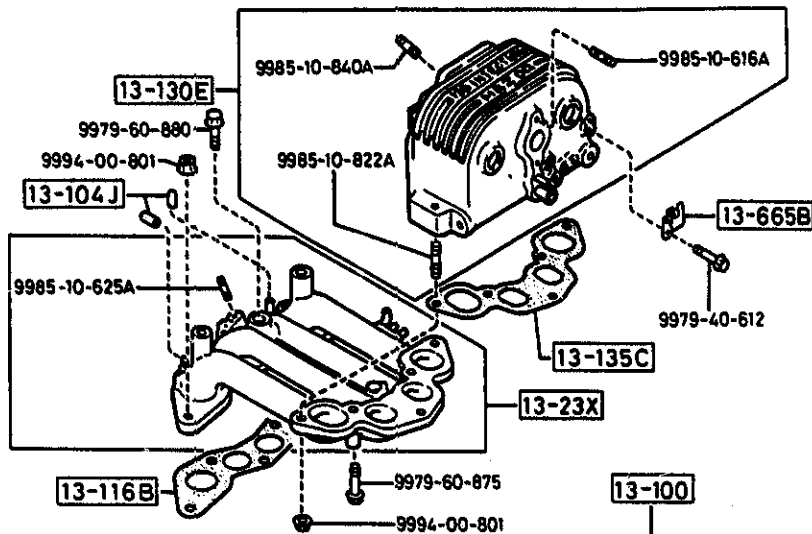
ITEM NO.	D-CODE	DESCRIPTION	PART NO.	QTY	MODEL/DESCRIPTION	REMARKS
11 1111		BEARING, ROTOR	1011-11-111	2		
11 3011		SEAL, APEX	N326-11-C00B	6		
11 3021		PIECE, SIDE	N326-11-C02	6		
11 3041		SPRING, APEX SEAL	N326-11-C04A	6		
11 3171		SPRING, SIDE SEAL	N326-11-C17	12		
11 3211		SEAL, CORNER	N326-11-C20A	12		
11 3221		PLUG, CORNER SEAL	N326-11-C22A	24		
11 3231		SPRING, CORNER SEAL	1202-11-323	12		
11 3411		O-RING, INNER	0820-11-341	4		
11 3431		O-RING, OUTER	0820-11-341	4		
11 3511		SPRING, FRT.-INNER	N225-11-351	2		
11 3531		SPRING, FRT.-OUTER	1011-11-353A	2		
11 3611		SPRING, REAR-INNER	N225-11-361	2		
11 3631		SPRING, REAR-OUTER	1011-11-363A	2		
11 C03		PIECE, 2ND-APEX SEAL	N326-11-C03A	6		
11 C06		SPRING, OUTER-APEX SEAL	N326-11-C06A	6		
23 102A		ROTOR	N3Y6-11-800	2	W/O CHROMIUM PLATING	
		< AN >	N3Y6-11-B10	2	W/O CHROMIUM PLATING	
23 151A		SEAL, SIDE	N3Y6-11-C11	12		
23 1801		SEAL SET, OIL	8871-23-180	4		

**1110BA-1 ROTORS & RELATED PARTS (TURBO)**



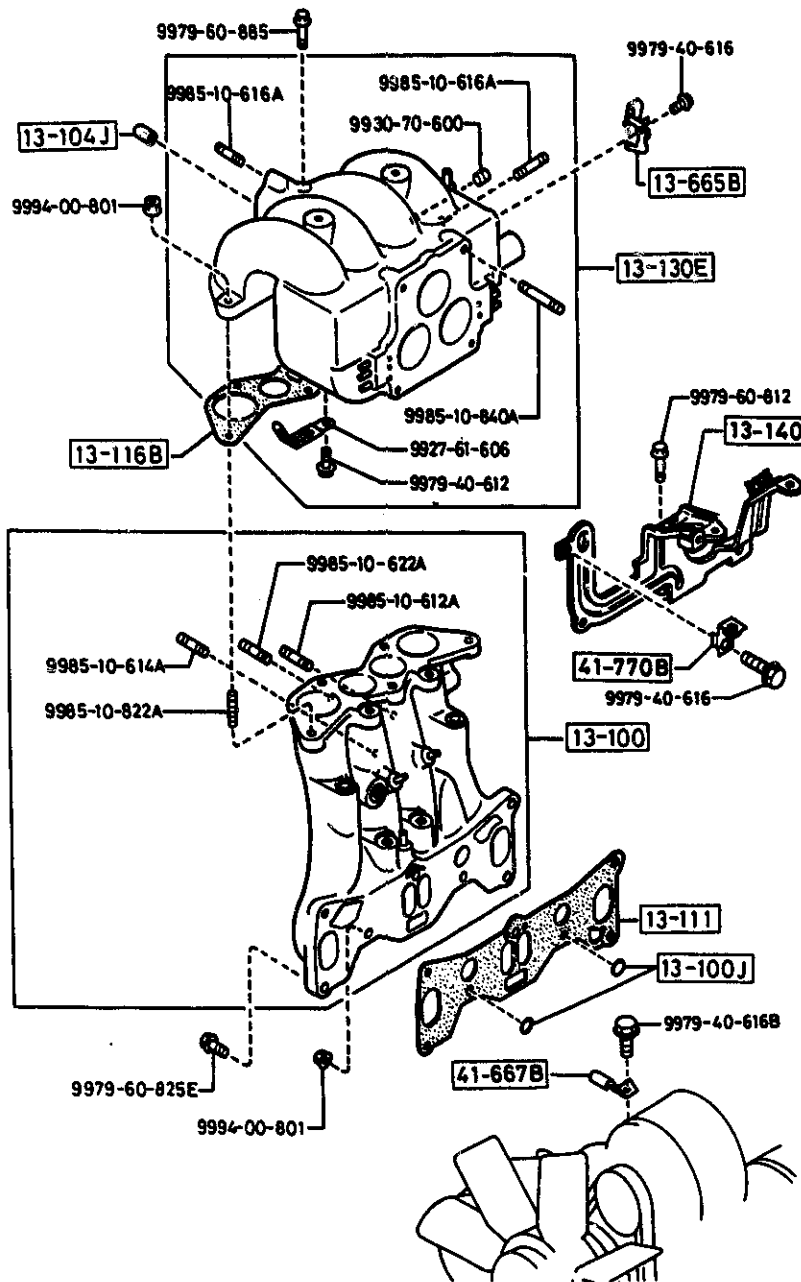
ITEM NO.	D-CODE	DESCRIPTION	PART NO.	QTY	MODEL/DESCRIPTION	REMARKS
11 1111		BEARING, ROTOR	1011-11-111	2		
11 3011		SEAL, APEX	N326-11-C00B	6		
11 3021		PIECE, SIDE	N326-11-C02A	6		
11 3041		SPRING, APEX SEAL	N326-11-C04A	6		
11 3171		SPRING, SIDE SEAL	N326-11-C17	12		
11 3211		SEAL, CORNER	N326-11-C20A	12		
11 3221		PLUG, CORNER SEAL	N326-11-C22A	24		
11 3231		SPRING, CORNER SEAL	1202-11-323	12		
11 3411		O-RING, INNER	0820-11-341	4		
11 3431		O-RING, OUTER	1202-11-343	4		
11 3511		SPRING, FRT.-INNER	N225-11-351	2		
11 3531		SPRING, FRT.-OUTER	1011-11-353A	2		
11 3611		SPRING, REAR-INNER	N225-11-361	2		
11 3631		SPRING, REAR-OUTER	1011-11-363A	2		
11 C03		PIECE, 2ND-APEX SEAL	N326-11-C03	6		
11 C06		SPRING, OUTER-APEX SEAL	N326-11-C06A	6		
23 102A		ROTOR	N3Y2-11-B10A	2		
23 151A		SEAL, SIDE	N3Y1-11-C11	12		
23 1801		SEAL SET, OIL	8735-23-180	4		

# 1300B-1 INTAKE MANIFOLD (W/O TURBO)



ITEM NO.	D-CODE	DESCRIPTION	PART NO.	QTY	MODEL/DESCRIPTION	REMARKS
13 100		MANIFOLD, INTAKE	N326-13-100D	1		
13 104J		CAP, BLIND	1010-13-104	4		
13 111		GASKET, INTAKE MANIFOLD	N326-13-111	1		
13 116B		GASKET, RESOLUTION CHAMBER	N326-13-112	1		
13 130E		TANK, SURGE	N326-13-130A	1		
13 135C		GASKET	N326-13-135	1		
13 1601		VALVE, VARIABLE PORT	N225-13-160A	2		
13 173		STUD	N225-13-173A	2		
13 180A		SHAFT, VPV CONTROL	N326-13-880A	1		
13 180B		SHAFT, VPV CONTROL	N327-13-880A	1		
13 184		BUSHING	N225-13-184	2		
13 186A		PLATE, LOCATING	N225-13-186	2		
13 187		COVER	N304-13-187	2		
13 188		RUBBER, SEALING	N225-13-188A	2		
13 23X		MANIFOLD, EXTENSION	N326-13-23XE	1	FED.	
			N328-13-23XD	1	CAL.	
13 665B		BRACKET, ACCEL WIRE	N326-13-660	1		

# 1300BA-1 INTAKE MANIFOLD (TURBO)



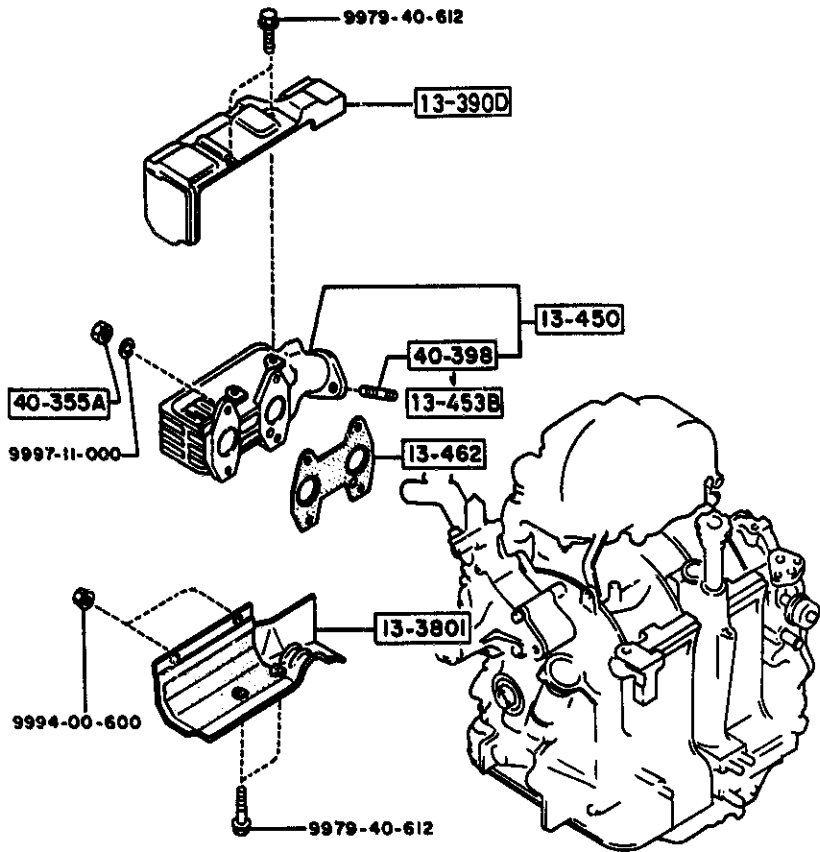
ITEM NO.	D-CODE	DESCRIPTION	PART NO.	QTY	MODEL/DESCRIPTION	REMARKS
13 100		MANIFOLD, INTAKE	N332-13-100A	1	FED.	
			N334-13-100A	1	CAL.	
13 100J		O-RING	8527-13-113	2		
13 104J		CAP, BLIND	1010-13-104	1		
13 111		GASKET, INTAKE MANIFOLD	N318-13-111C	1		
13 116B		GASKET, RESOLUTION CHAMBER	N318-13-117	1		
13 130E		TANK, SURGE	N332-13-132C	1		
13 140		BRACKET, SURGE TANK	N319-13-140D	1		
13 665B		BRACKET, ACCEL WIRE	N318-13-665A	1		
41 667B		BRACKET, ACCEL WIRE-THERMOSTAT	F844-41-667B	1		
41 770B		BRACKET, ACCEL WIRE-SURGE TANK	F844-41-770A	1		

# SECTION INDEX -- ENGINE

STARTING LOCATION	SECT. NO.	SECTION NAME	STARTING LOCATION	SECT. NO.	SECTION NAME	STARTING LOCATION	SECT. NO.	SECTION NAME
1 - C 3	1000B	SHORT ENGINE BLOCK & GASKET SETS (W/O TURBO)	1 - K 5	1380BA	EMISSION CONTROL SYSTEM (EXHAUST SIDE) (TURBO)			
1 - D 3	1000BA	SHORT ENGINE & GASKET SETS (TURBO)	1 - C 6	1400B	OIL PUMP & FILTER (W/O TURBO)			
1 - E 3	1030B	ROTOR HOUSINGS (W/O TURBO)	1 - E 6	1400BA	OIL PUMP & FILTER (TURBO)			
1 - F 3	1030BA	ROTOR HOUSINGS (TURBO)	1 - G 6	1500B	COOLING SYSTEM (W/O TURBO)			
1 - G 3	1040B	OIL PAN, FRONT & REAR HOUSING (W/O TURBO)	1 - I 6	1500BA	COOLING SYSTEM (TURBO)			
1 - H 3	1040BA	OIL PAN, FRONT & REAR HOUSING (TURBO)	1 - K 6	1580B	BRACKET, PULLEY & BELT			
1 - I 3	1100B	ECCENTRIC SHAFT & FLYWHEEL (W/O TURBO)	1 - L 6	1600	CLUTCH DISC & COVER (MANUAL) (W/O TURBO)			
1 - J 3	1100BA	ECCENTRIC SHAFT & FLYWHEEL (TURBO)	1 - M 6	1600A	CLUTCH DISC & COVER (MANUAL) (TURBO)			
1 - K 3	1110B	ROTORS & RELATED PARTS (W/O TURBO)	1 - N 6	1700	TRANSMISSION CASE (MANUAL) (W/O TURBO)			
1 - L 3	1110BA	ROTORS & RELATED PARTS (TURBO)	1 - C 7	1700A	TRANSMISSION CASE (MANUAL) (TURBO)			
1 - M 3	1300B	INTAKE MANIFOLD (W/O TURBO)	1 - D 7	1710	TRANSMISSION GEARS (MANUAL) (W/O TURBO)			
1 - N 3	1300BA	INTAKE MANIFOLD (TURBO)	1 - G 7	1710A	TRANSMISSION GEARS (MANUAL) (TURBO)			
1 - C 4	1310B	EXHAUST MANIFOLD (W/O TURBO)	1 - J 7	1720	CHANGE CONTROL SYSTEM (MANUAL) (W/O TURBO)			
1 - D 4	1310BA	EXHAUST MANIFOLD (TURBO)	1 - K 7	1720A	CHANGE CONTROL SYSTEM (MANUAL) (TURBO)			
1 - G 4	1320B	FUEL SYSTEM (W/O TURBO)	1 - L 7	1800B	ENGINE ELECTRICAL SYSTEM (W/O TURBO)			
1 - I 4	1320BA	FUEL SYSTEM (TURBO)	1 - C 8	1800BA	ENGINE ELECTRICAL SYSTEM (TURBO)			
1 - K 4	1330B	AIR CLEANER (W/O TURBO)	1 - F 8	1830B	ALTERNATOR (W/O TURBO)			
1 - L 4	1330BA	AIR CLEANER (TURBO)	1 - G 8	1830BA	ALTERNATOR (TURBO)			
1 - M 4	1350B	STARTING ASSIST SYSTEM (W/O TURBO)	1 - H 8	1840B	STARTER (W/O TURBO)			
1 - N 4	1350BA	STARTING ASSIST SYSTEM (TURBO)	1 - I 8	1840BA	STARTER (TURBO)			
1 - C 5	1364B	THROTTLE BODY COMPONENTS (W/O TURBO)	1 - J 8	1850B	BATTERY			
1 - D 5	1364BA	THROTTLE BODY COMPONENTS (TURBO)	1 - K 8	1910	TORQUE CONVERTER, OIL PUMP & PIPINGS (AUTOMATIC)			
1 - E 5	1371B	AIR PUMP & AIR CONTROL VALVE (W/O TURBO)	1 - L 8	1920	TRANSMISSION CASE & MAIN CONTROL SYSTEM (AUTOMATIC)			
1 - F 5	1371BA	AIR PUMP & AIR CONTROL VALVE (TURBO)	1 - C 9	1925	CONTROL VALVE (AUTOMATIC)			
1 - G 5	1380B	EMISSION CONTROL SYSTEM (EXHAUST SIDE) (W/O TURBO)	1 - E 9	1930	CLUTCHES & PLANETARY GEARS (AUTOMATIC)			
			1 - H 9	1940	GOVERNOR, LOW & REVERSE PISTON (AUTOMATIC)			
			1 - I 9	1950	MANUAL LINKAGE SYSTEM (AUTOMATIC)			
			1 - J 9	1960	GASKET & SEAL KIT (AUTOMATIC)			

**1310B-1 EXHAUST MANIFOLD  
(W/O TURBO)**

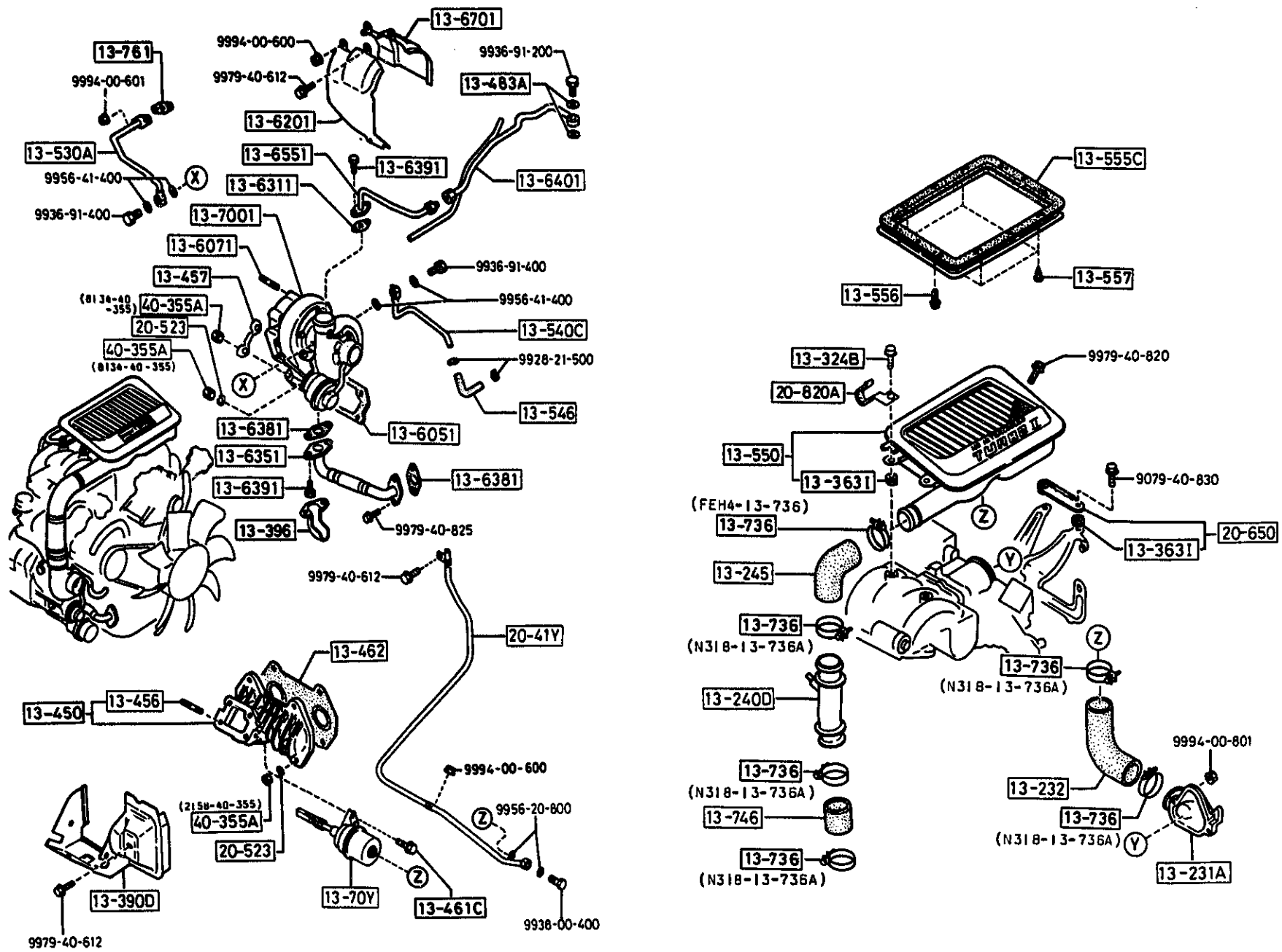
ITEM NO.	D-CODE	DESCRIPTION	PART NO.	QTY	MODEL/DESCRIPTION	REMARKS
13 3801		PLATE, ABSORBER	N326-13-C80A	1		
13 390D		INSULATOR, EXHAUST MANIFOLD	N326-13-390B	1		
13 450		MANIFOLD, EXHAUST	N326-13-450	1		
13 453B		STUD	N326-40-353	2		
13 462		GASKET, EXHAUST MANIFOLD	N326-13-461	1		5903-
40 355A		NUT	2158-40-355	4		
40 398		STUD	N326-40-353	2		



5903 FC33\* -102271



# 1310BA-1 EXHAUST MANIFOLD (TURBO)



**1310BA-2 EXHAUST MANIFOLD (TURBO)**

ITEM NO.	D-CODE	DESCRIPTION	PART NO.	QTY	MODEL/DESCRIPTION	REMARKS
13 231A		PIPE, AIR	N318-13-332B	1		
13 232		SEAL, RUBBER	N318-13-246C	1		
13 240D		PIPE, AIR INTAKE-INTERCOOLER	N318-13-24XA	1		
13 245		JOINT, RUBBER	N319-13-245A	1		
13 324B		BOLT, INTERCOOLER	N318-13-324	2		
13 3631		RUBBER, INSULATION	N318-13-363	4		
13 390D		INSULATOR, EXHAUST MANIFOLD	N332-13-390A	1		
13 450		MANIFOLD, EXHAUST	N332-13-450A	1		
13 456		STUD	N318-13-456	4		
13 457		WASHER, LOCK-TURBO CHARGER	N318-13-457	1		
13 461C		BOLT	N318-13-453B	2		
13 462		GASKET, EXHAUST MANIFOLD	N318-13-461	1		
13 483A		GASKET	N236-13-483	2		
13 530A		PIPE, WATER INTAKE-TURBO CHARGER	N318-13-530	1		-6401
13 540C		PIPE, WATER OUTLET-TURBO CHARGER	N319-13-530A	1		6401-
13 546		HOSE, WATER-TURBO CHARGER WATER-PIPE	N318-13-546	1		
13 550		INTERCOOLER	N332-13-550	1		
13 555C		RUBBER, SEAL-INTERCOOLER	N318-13-555A	1		
13 556		SCREW, SEAL RUBBER-INTERCOOLER	N319-13-556A	4		
13 557		CLIP, SEAL RUBBER-INTERCOOLER	N318-13-557	4		
13 6051		GASKET	N318-13-711	1		
13 6071		STUD	N253-13-607A	3		
13 6201		INSULATOR, TURBO	N332-13-380C	1		
13 6311		GASKET, OIL PIPE	N236-13-631	1		
13 6351		PIPE, OIL OUTLET	N318-14-290	1		
13 6381		GASKET, OIL PIPE	N236-13-638	2		
13 6391		BOLT, OIL PIPE	N236-13-639	4		
13 6401		PIPE, OIL INLET	N318-14-270B	1		
13 6551		PIPE, OIL INLET	N318-14-280C	1		
13 6701		INSULATOR, TURBO	N332-13-38XC	1		
13 7001		CHARGER, TURBO	N318-13-700C	1		
13 70Y		ACTUATOR, EXHAUST VALVE	N332-13-70YA	1		
13 736		CLAMP, HOSE-A.I. PIPE SIDE	FEH4-13-736	1		
			N318-13-736A	5		
13 746		JOINT, RUBBER	N236-13-746A	1		
13 761		GASKET	N318-13-164A	1		

**SEE ILLUSTRATION/S AT FRAME 1 - D 4**

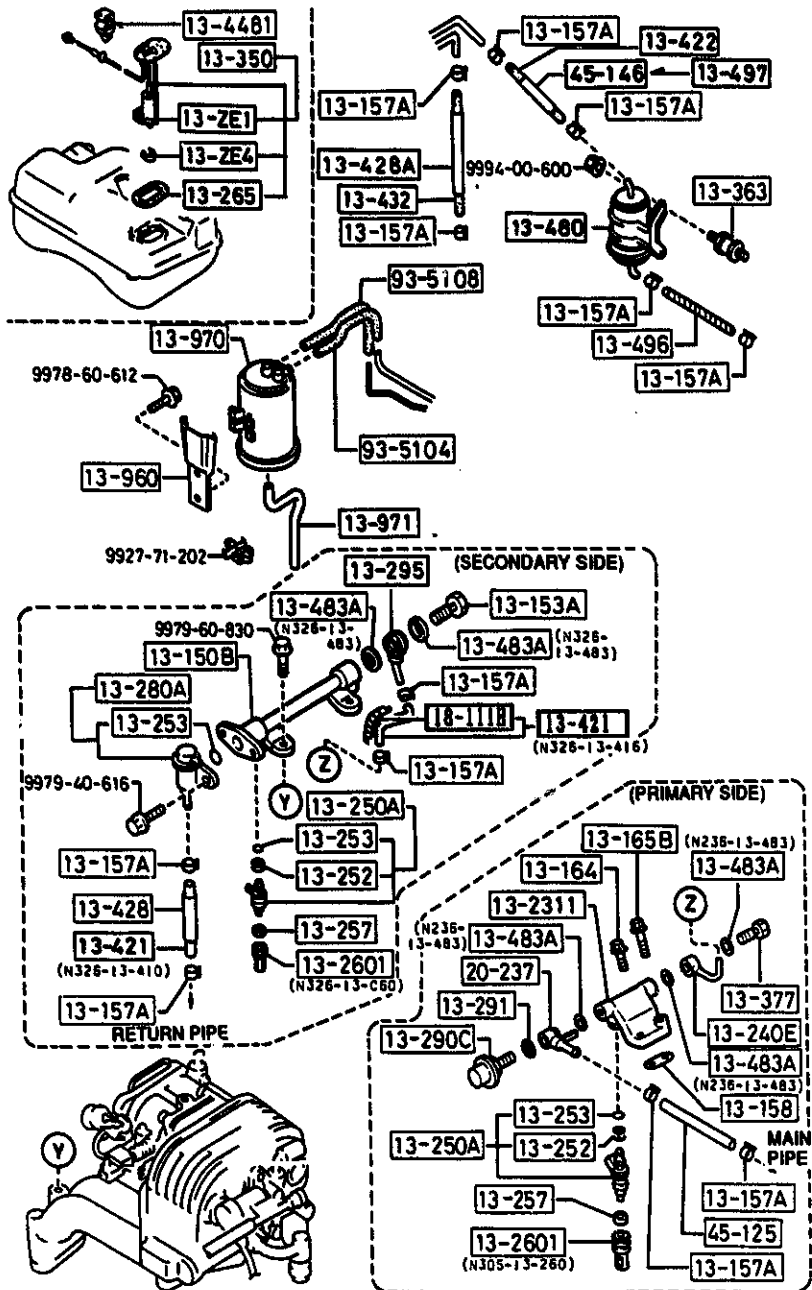
6401 FC33\* -140158

**1310BA-3 EXHAUST MANIFOLD  
(TURBO)**

ITEM NO.	D-CODE	DESCRIPTION	PART NO.	QTY	MODEL/DESCRIPTION	REMARKS
20 41Y		PIPE, AIR-VALVE ACTUATOR	N332-20-41YD	1		
20 523		WASHER, PLAIN	E508-20-523	6		
20 650		BRACKET, INTERCOOLER	N318-13-56X	1		
20 820A		CLIP, WATER HOSE-BY. A.C.V.	N318-20-820	1		
40 355A		NUT	8134-40-355	4		

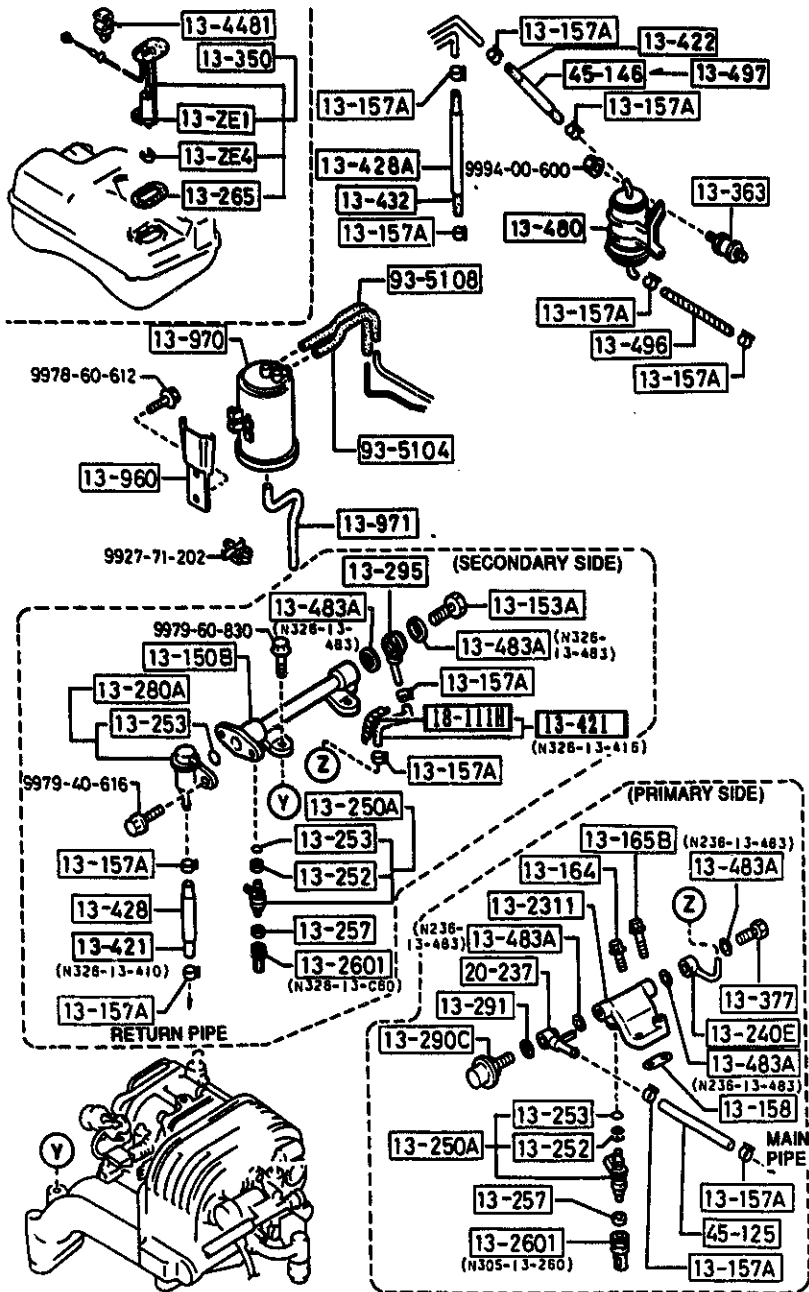
SEE ILLUSTRATION/S AT FRAME 1 - D 4

# 1320B-1 FUEL SYSTEM (W/O TURBO)



ITEM NO.	D-CODE	DESCRIPTION	PART NO.	QTY	MODEL/DESCRIPTION	REMARKS
13 150B		DISTRIBUTOR, FUEL	N326-13-151A	1		
13 153A		BOLT, CONNECTOR	N326-13-153	1		
13 157A		CLIP	8574-13-157	12		
13 158		INSULATOR, FUEL DISTRIBUTOR	N326-13-158	1		
13 164		BOLT, FUEL DISTRIBUTOR	N326-13-164	1		
13 165B		BOLT, FUEL DISTRIBUTOR REAR SIDE	N326-13-165	1		
13 2311		PIPE, DELIVERY	N327-13-151	1		
13 240E		PIPE, CONNECTOR	N326-13-285	1		
13 250A		INJECTOR, FUEL	N326-13-250	4		-7601
		REFER TO SERV. BULL. NO. 049/88, CAT. 4 FOR MORE INFO.				
			N327-13-250	4		7601-
13 252		GROMMET	8574-13-252	4		
13 253		O-RING	8574-13-253	5		
13 257		INSULATOR, INJECTION	N326-13-257	4		
13 2601		SOCKET, AIR BLEED	N326-13-C60	2		
			N305-13-260	2		
13 265		GASKET	N326-60-962	1		
13 280A		PRESSURE REGULATOR, FUEL	N326-13-280	1		
13 290C		DAMPER, PULSATION	N304-13-230	1		
13 291		GASKET	N304-13-291	1		
13 295		CONNECTOR, FUEL	N326-13-295B	1		
13 350		PUMP, FUEL	N326-13-350A	1		
13 363		RUBBER, INSULATION	N236-13-363	2		
13 377		BOLT, CONNECTOR	0552-13-377	1		
13 421		HOSE, FUEL MAIN	N326-13-410	1		
			N326-13-416	1		
13 422		PIPE-FUEL	FE69-13-496	1		-5801
			8574-13-422	1		5801-
13 428		PROTECTOR	N326-13-428A	1		
13 428A		PROTECTOR	FE87-13-428	1		
13 432		HOSE, FUEL	N326-13-431B	1		5A01-
13 4481		CLIP	N326-20-811	1		
13 480		FILTER, FUEL	N326-20-490	1		
13 483A		GASKET	N236-13-483	3		
			N326-13-483	2		
13 496		HOSE, FUEL	N326-13-49XC	1		
13 497		HOSE, FUEL	N327-13-497	2		-5A01
				1		5A01-
13 960		BRACKET, CANISTER	N326-13-961A	1		
5A01	FC33*	-107570				
5801	FC33*	-113629				
7601	FC33*	-550168				

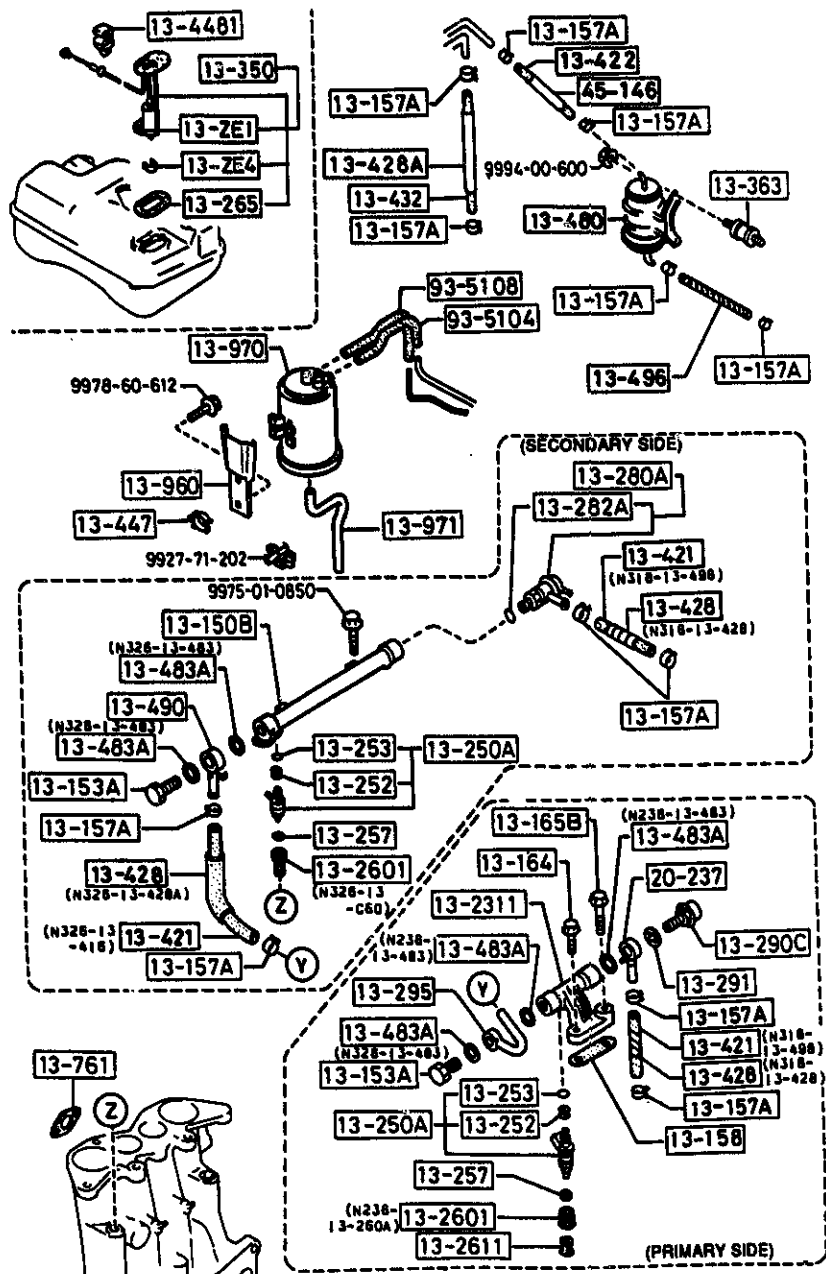
**1320B-2 FUEL SYSTEM (W/O TURBO)**



ITEM NO.	D-CODE	DESCRIPTION	PART NO.	QTY	MODEL/DESCRIPTION	REMARKS
13 970		CANISTER	N326-13-970	1		
13 971		HOSE, VENTILATION	N326-13-971	1		
13 ZE1		FILTER, FUEL PUMP	N327-13-ZE1	1		
13 ZE4		WASHER, LOCK-PUMP FILTER	FEH2-13-ZE4	1		
20 237		CONNECTOR, FUEL	N326-13-275B	1		
45 125		HOSE, FUEL	FA66-45-125A	1		5A01-
45 146		PROTECTOR, FUEL HOSE	8116-45-146	1		5A01-
93 5104		HOSE	9935-10-4999	1		
93 5108		HOSE	9935-10-8999	1		

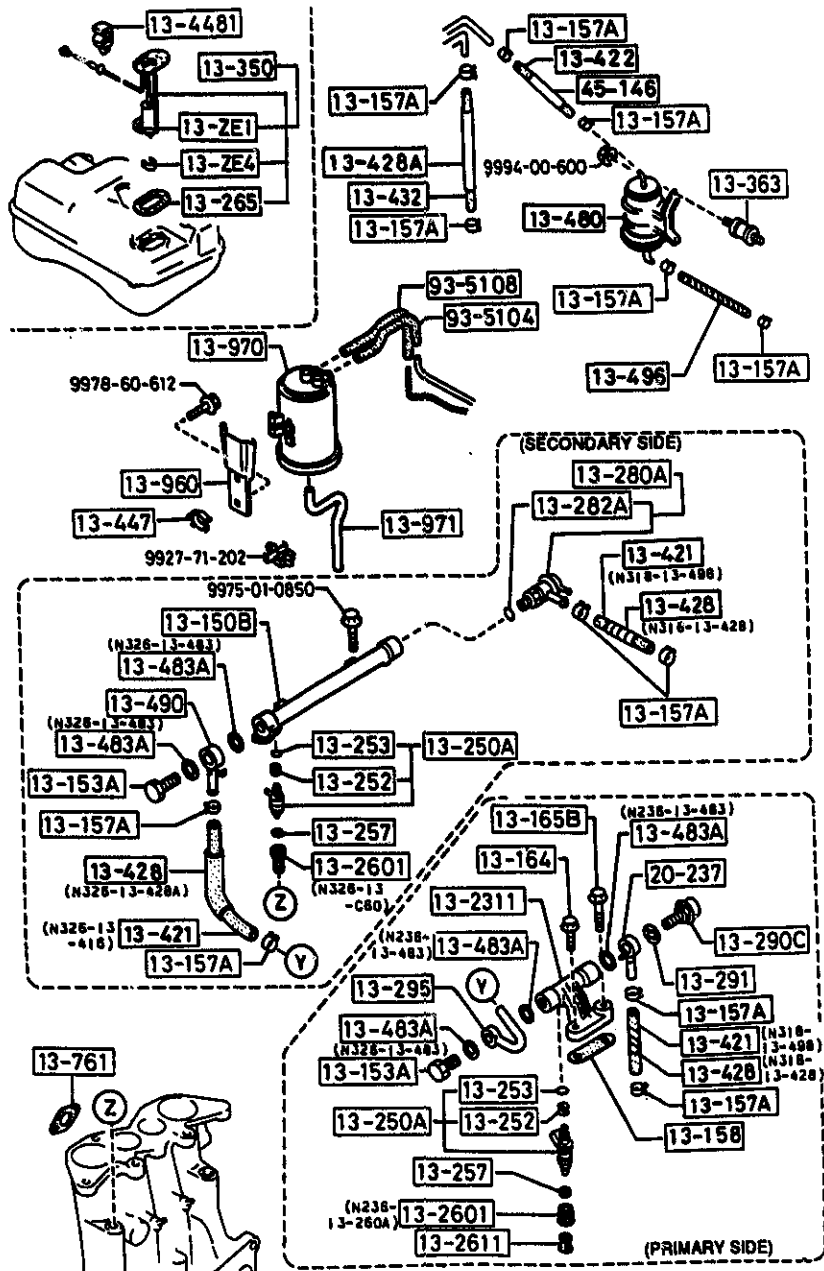
5A01 FC33\* -107570

# 1320BA-1 FUEL SYSTEM (TURBO)



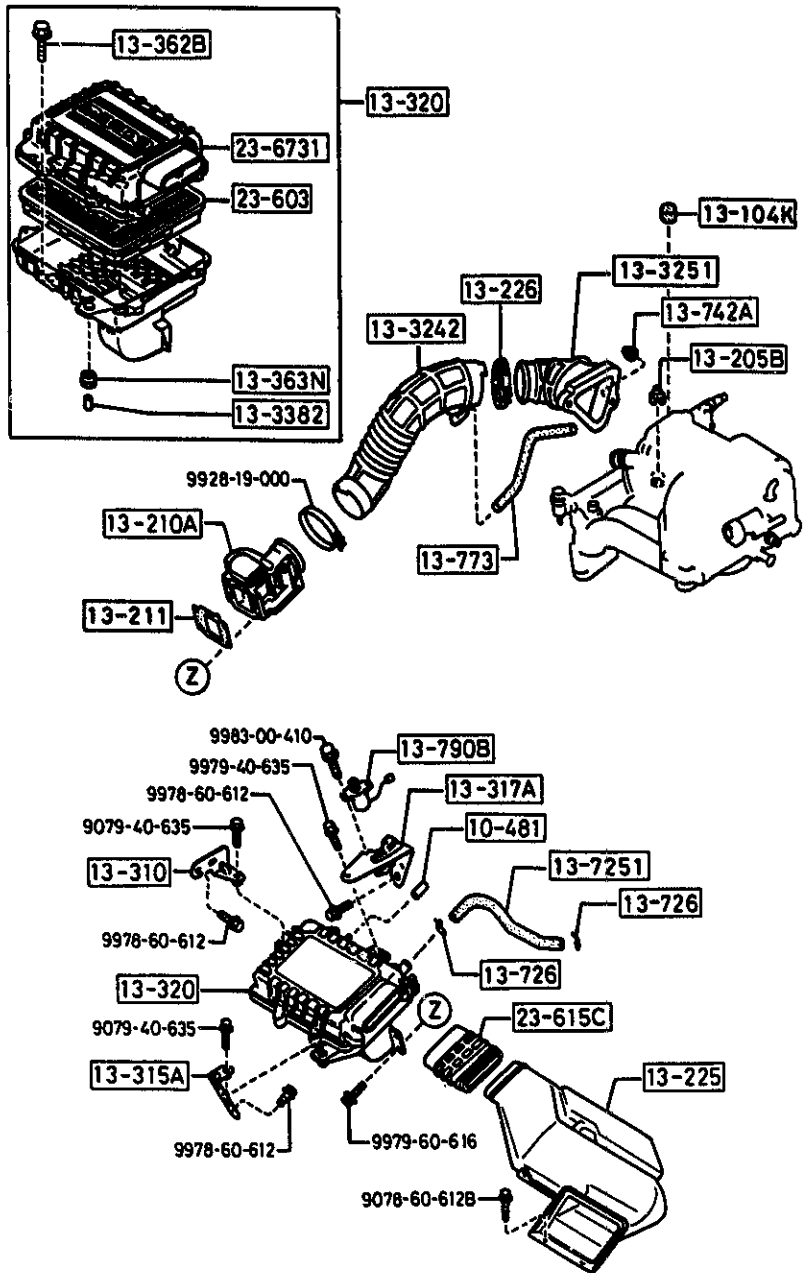
ITEM NO.	D-CODE	DESCRIPTION	PART NO.	QTY	MODEL/DESCRIPTION	REMARKS
13 150B		DISTRIBUTOR, FUEL	N333-13-151	1		
13 153A		BOLT, CONNECTOR	N326-13-153	2		
13 157A		CLIP	8574-13-157	12		
13 158		INSULATOR, FUEL DISTRIBUTOR	N326-13-158	1		
13 164		BOLT, FUEL DISTRIBUTOR	N326-13-164	1		
13 165B		BOLT, FUEL DISTRIBUTOR REAR SIDE	N326-13-165	1		
13 2311		PIPE, DELIVERY	N332-13-151	1		
13 250A		INJECTOR, FUEL	N318-13-250	4		-7601
		REFER TO SERV. BULL. NO. 049/88, CAT. 4 FOR MORE INFO.				
			N319-13-250	4		7601-
13 252		GROMMET	8574-13-252	4		
13 253		O-RING	8574-13-253	4		
13 257		INSULATOR, INJECTION	N326-13-257	4		
13 2601		SOCKET, AIR BLEED	N326-13-C60	2		
			N236-13-260A	2		
13 2611		PLATE, MIXING	N236-13-261	2		
13 265		GASKET	N326-60-962	1		
13 280A		PRESSURE REGULATOR, FUEL	N318-13-280	1		
13 282A		O-RING, PRESSURE REGULATOR	N253-13-282	1		
13 290C		DAMPER, PULSATION	N304-13-230	1		
13 291		GASKET	N304-13-291	1		
13 295		CONNECTOR, FUEL-FUEL DISTRIBUTOR	N318-13-295A	1		
13 350		PUMP, FUEL	N318-13-350A	1		
13 363		RUBBER, INSULATION	N236-13-363	2		
13 421		HOSE, FUEL MAIN	N326-13-416	1		
			N318-13-498	2		
13 422		PIPE-FUEL	8574-13-422	1		
13 428		PROTECTOR	N318-13-428	2		
			N326-13-428A	1		
13 428A		PROTECTOR	FE87-13-428	1		
13 432		HOSE, FUEL	N326-13-431B	1		
13 447		CLIP	N326-13-447	2		
13 4481		CLIP	N326-20-811	1		
13 480		FILTER, FUEL	N326-20-490	1		
13 483A		GASKET	N236-13-483	3		
			N326-13-483	4		
13 490		CONNECTOR, FUEL	N318-13-285	1		
13 496		HOSE, FUEL	N326-13-49XC	1		
13 761		GASKET	N318-13-164A	1		
7601	FC33*	-550168				

# 1320BA-2 FUEL SYSTEM (TURBO)



ITEM NO.	D-CODE	DESCRIPTION	PART NO.	QTY	MODEL/DESCRIPTION	REMARKS
13 960		BRACKET, CANISTER	N326-13-961A	1		
13 970		CANISTER	N326-13-970	1		
13 971		HOSE, VENTILATION	N326-13-971	1		
13 2E1		FILTER, FUEL PUMP	N327-13-2E1	1		
13 2E4		WASHER, LOCK-PUMP FILTER	FEH2-13-2E4	1		
20 237		CONNECTOR, FUEL	N318-13-275	1		
45 146		PROTECTOR, FUEL HOSE	8116-45-146	1		
93 5104		HOSE	9935-10-4999	1		
93 5108		HOSE	9935-10-8999	1		

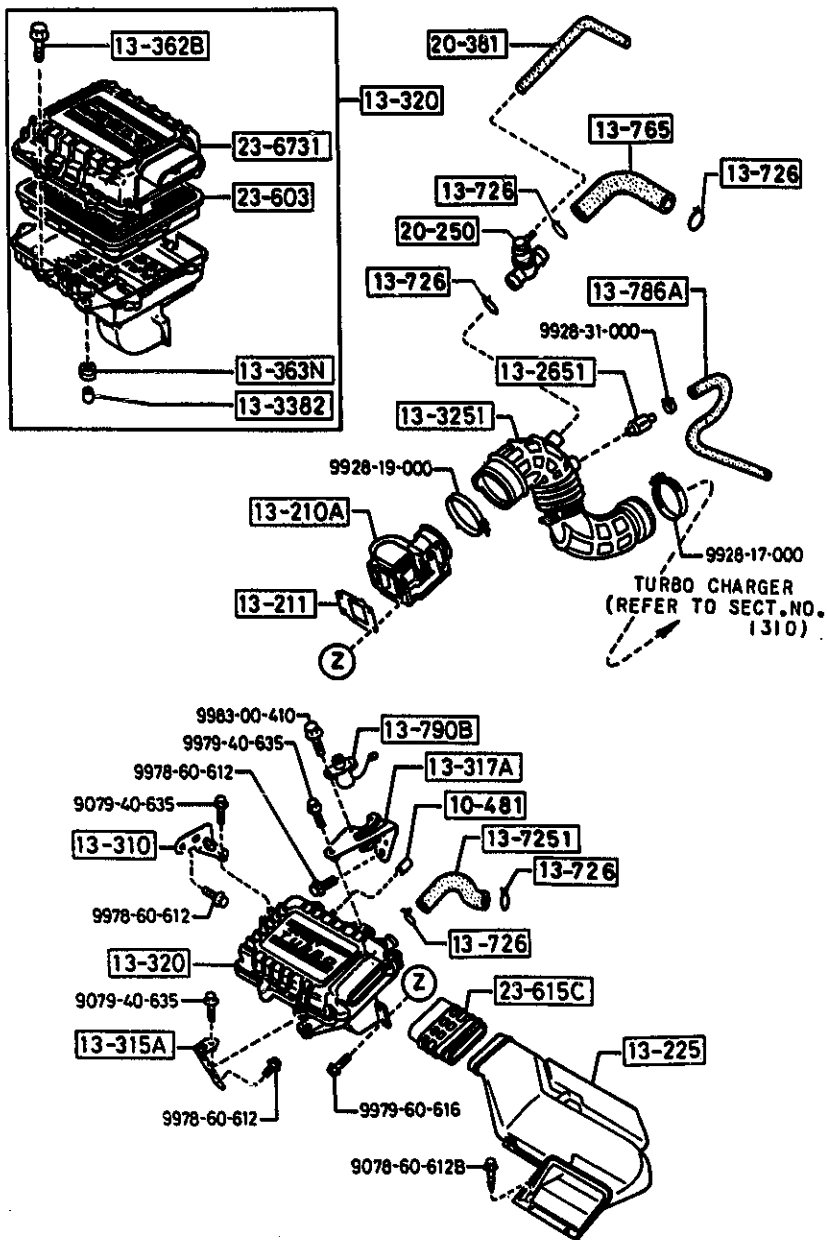
**1330B-1 AIR CLEANER (W/O TURBO)**



ITEM NO.	D-CODE	DESCRIPTION	PART NO.	QTY	MODEL/DESCRIPTION	REMARKS
10 481		CAP	2306-10-481	1	FED.	
13 104K		CAP, BLIND	N326-13-104	1		
13 205B		CAP, IDLE SWITCH	1481-13-205C	1		
13 210A		METER, AIR FLOW	N326-13-210	1		
13 211		GASKET	N326-13-211C	1		
13 225		DUCT, FRESH AIR	N326-13-201D	1		
13 226		CLAMP, HOSE	FE05-13-240	1		
13 310		BRACKET, AIR CLEANER	N326-20-200A	1		
13 315A		BRACKET, AIR CLEANER	N326-20-210A	1		
13 317A		BRACKET, AIR CLEANER	N326-20-220B	1		
13 320		CLEANER, AIR	N326-13-320B	1		
13 3242		HOSE, AIR INTAKE	N326-13-222B	1		
13 3251		DUCT, AIR	N326-13-221A	1		
13 3382		SPACER	FE51-13-329	3		
13 362B		SCREW	N326-13-234A	8		
13 363N		RUBBER, MOUNTING	FE51-13-363	3		
13 7251		HOSE, AIR	N326-20-751	1		
13 726		CLIP, AIR HOSE	1480-13-726	2		
13 742A		NUT, CAP	N236-13-742	2		
13 773		HOSE, AIR-BY-PASS	N326-13-773A	1		
13 790B		RESISTOR, VARIABLE	N236-13-790B	1		
23 603		ELEMENT, AIR CLEANER	N326-13-240	1		
23 615C		DUCT, FRESH AIR	N326-13-202A	1		
23 6731		COVER, AIR CLEANER	N326-13-201	1		

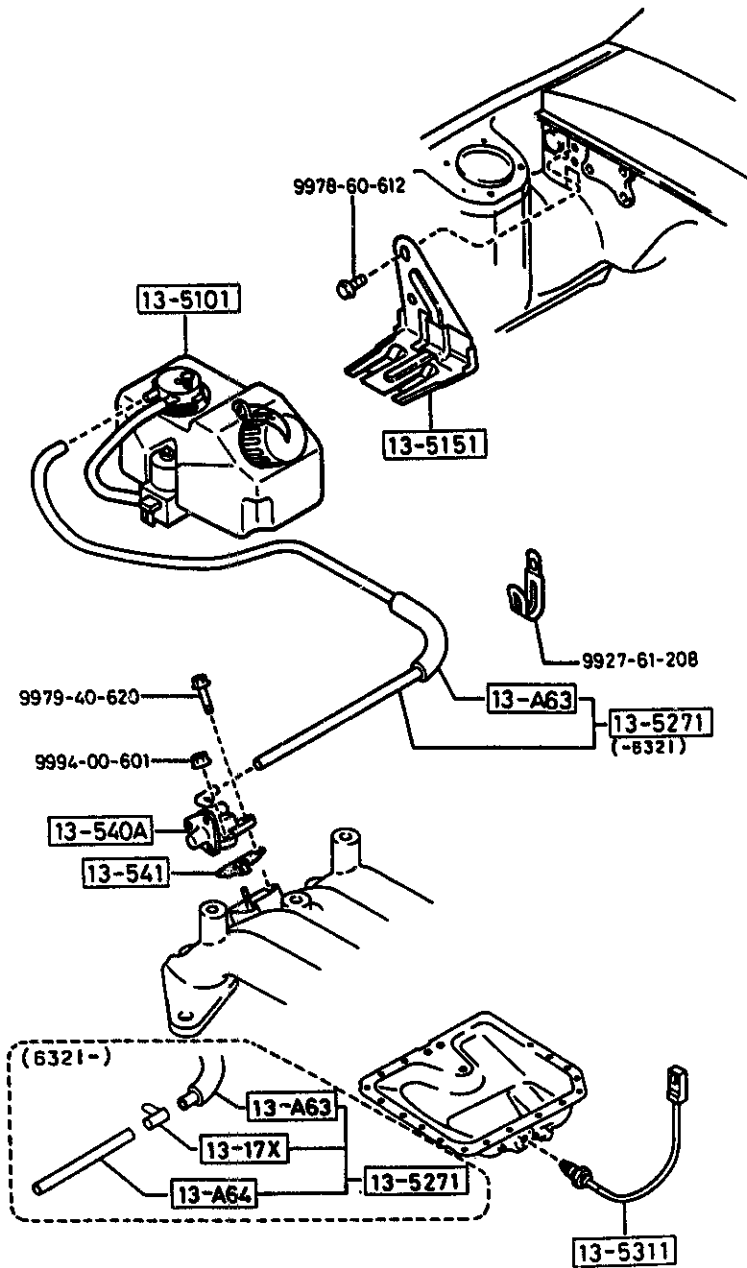


# 1330BA-1 AIR CLEANER (TURBO)



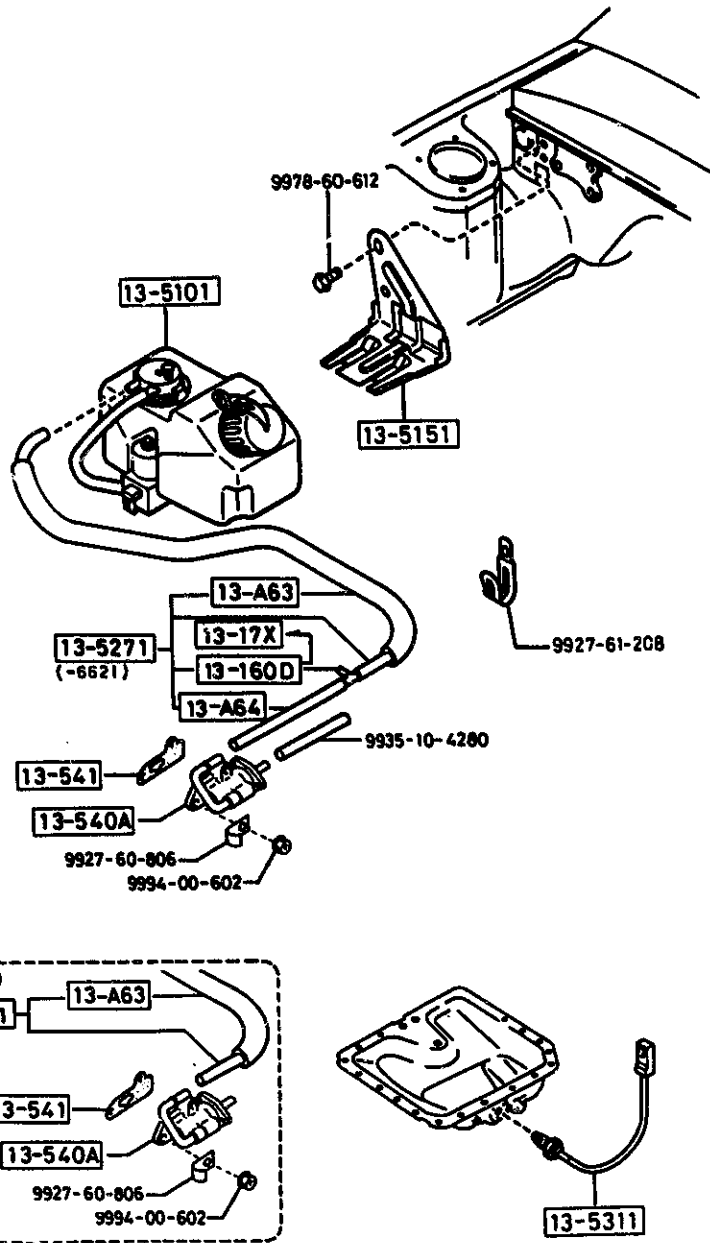
ITEM NO.	D-CODE	DESCRIPTION	PART NO.	QTY	MODEL/DESCRIPTION	REMARKS
10 481		CAP	2306-10-481	1		
13 210A		METER, AIR FLOW	N318-13-210	1		
13 211		GASKET	N326-13-211C	1		
13 225		DUCT, FRESH AIR	N326-13-201D	1		
13 2651		VALVE, CHECK	N236-13-265	1		
13 310		BRACKET, AIR CLEANER	N326-20-200A	1		
13 315A		BRACKET, AIR CLEANER	N326-20-210A	1		
13 317A		BRACKET, AIR CLEANER	N326-20-220B	1		
13 320		CLEANER, AIR	N326-13-320B	1		
13 3251		DUCT, AIR	N319-13-220A	1		
13 3382		SPACER	FE51-13-329	3		
13 3628		SCREW	N326-13-234A	8		
13 363N		RUBBER, MOUNTING	FE51-13-363	3		
13 7251		HOSE, AIR	N332-20-751B	1		
13 726		CLIP, AIR HOSE	1480-13-726	5		
13 765		HOSE, AIR-A.B.S.V. & SURGE TANK	N318-13-765A	1		
13 786A		HOSE, VENTILATION	N318-13-743	1		
13 790B		RESISTOR, VARIABLE	N236-13-790B	1		
20 250		VALVE, AIR BY-PASS	FEG7-20-250	1		
23 603		ELEMENT, AIR CLEANER	N326-13-240	1		
23 615C		DUCT, FRESH AIR	N326-13-202A	1		
23 6731		COVER, AIR CLEANER	N326-13-201	1		

**1350B-1 STARTING ASSIST SYSTEM  
(W/O TURBO)**



ITEM NO.	D-CODE	DESCRIPTION	PART NO.	QTY	MODEL/DESCRIPTION	REMARKS
13 17X		CONNECTOR, FLUID HOSE	N326-13-17X	1		
13 5101		TANK, STARTING FLUID	1881-13-510G	1	FED.	
13 5151		BRACKET, TANK	N326-13-A5YB	1	FED.	
13 5271		HOSE	N326-13-A6YC	1		
13 5311		THERMO UNIT	N326-13-A61	1	M/T	
13 540A		VALVE, STARTING FLUID	N326-13-A65A	1	M/T	
13 541		GASKET	N326-13-A66	1		
13 A63		PROTECTOR, HOSE-FLUID	N326-13-A63B	1		
13 A64		HOSE, FLUID-START FLUID	N326-13-A64	1		

**1350BA-1 STARTING ASSIST SYSTEM (TURBO)**



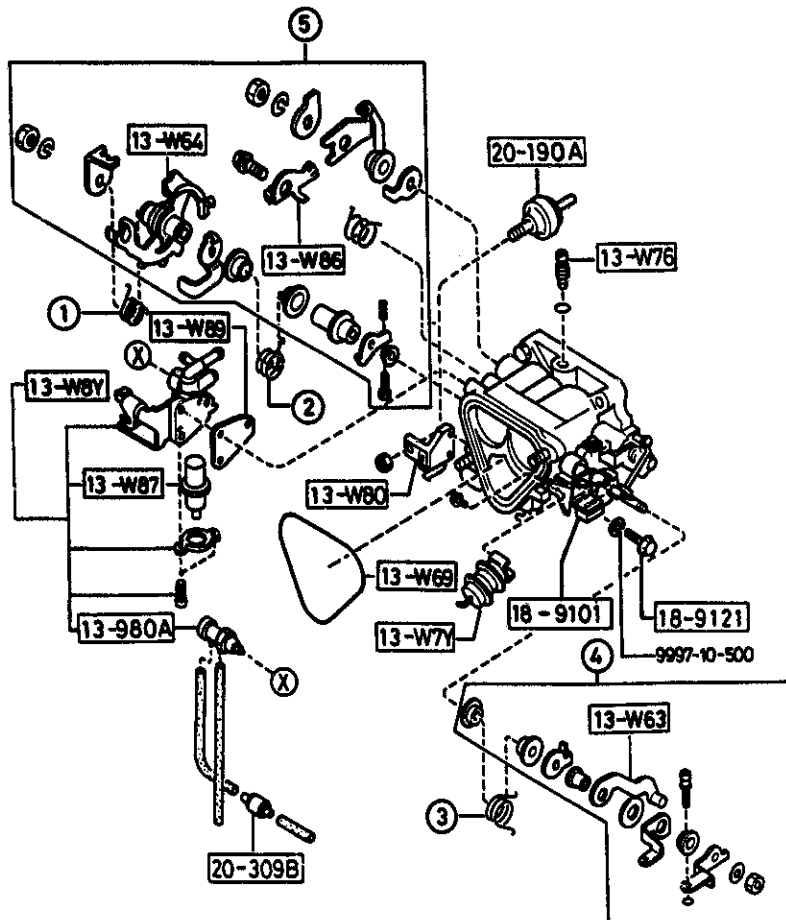
ITEM NO.	D-CODE	DESCRIPTION	PART NO.	QTY	MODEL/DESCRIPTION	REMARKS
13 160D		CONNECTOR	E586-13-945	1		
13 17X		CONNECTOR, FLUID HOSE	N326-13-17X	1		
13 5101		TANK, STARTING FLUID	18A1-13-510G	1	FED.	
13 5151		BRACKET, TANK	N326-13-A5YB	1	FED.	
13 5271		HOSE	N332-13-A6YB	1		
13 5311		THERMO UNIT	N326-13-A61	1		
13 540A		VALVE, STARTING FLUID	N332-13-A65C	1		
13 541		GASKET	N326-13-A66	1		
13 A63		PROTECTOR, HOSE-FLUID	N332-13-A63	1		
13 A64		HOSE, FLUID-START FLUID	N332-13-A64B	1		

# SECTION INDEX -- ENGINE

STARTING LOCATION	SECT. NO.	SECTION NAME	STARTING LOCATION	SECT. NO.	SECTION NAME	STARTING LOCATION	SECT. NO.	SECTION NAME
1 - C 3	1000B	SHORT ENGINE BLOCK & GASKET SETS (W/O TURBO)	1 - C 6	1400B	OIL PUMP & FILTER (W/O TURBO)			
1 - D 3	1000BA	SHORT ENGINE & GASKET SETS (TURBO)	1 - E 6	1400BA	OIL PUMP & FILTER (TURBO)			
1 - E 3	1030B	ROTOR HOUSINGS (W/O TURBO)	1 - G 6	1500B	COOLING SYSTEM (W/O TURBO)			
1 - F 3	1030BA	ROTOR HOUSINGS (TURBO)	1 - I 6	1500BA	COOLING SYSTEM (TURBO)			
1 - G 3	1040B	OIL PAN, FRONT & REAR HOUSING (W/O TURBO)	1 - K 6	1580B	BRACKET, PULLEY & BELT			
1 - H 3	1040BA	OIL PAN, FRONT & REAR HOUSING (TURBO)	1 - L 6	1600	CLUTCH DISC & COVER (MANUAL) (W/O TURBO)			
1 - I 3	1100B	ECCENTRIC SHAFT & FLYWHEEL (W/O TURBO)	1 - M 6	1600A	CLUTCH DISC & COVER (MANUAL) (TURBO)			
1 - J 3	1100BA	ECCENTRIC SHAFT & FLYWHEEL (TURBO)	1 - N 6	1700	TRANSMISSION CASE (MANUAL) (W/O TURBO)			
1 - K 3	1110B	ROTORS & RELATED PARTS (W/O TURBO)	1 - C 7	1700A	TRANSMISSION CASE (MANUAL) (TURBO)			
1 - L 3	1110BA	ROTORS & RELATED PARTS (TURBO)	1 - D 7	1710	TRANSMISSION GEARS (MANUAL) (W/O TURBO)			
1 - M 3	1300B	INTAKE MANIFOLD (W/O TURBO)	1 - G 7	1710A	TRANSMISSION GEARS (MANUAL) (TURBO)			
1 - N 3	1300BA	INTAKE MANIFOLD (TURBO)	1 - J 7	1720	CHANGE CONTROL SYSTEM (MANUAL) (W/O TURBO)			
1 - C 4	1310B	EXHAUST MANIFOLD (W/O TURBO)	1 - K 7	1720A	CHANGE CONTROL SYSTEM (MANUAL) (TURBO)			
1 - D 4	1310BA	EXHAUST MANIFOLD (TURBO)	1 - L 7	1800B	ENGINE ELECTRICAL SYSTEM (W/O TURBO)			
1 - G 4	1320B	FUEL SYSTEM (W/O TURBO)	1 - C 8	1800BA	ENGINE ELECTRICAL SYSTEM (TURBO)			
1 - I 4	1320BA	FUEL SYSTEM (TURBO)	1 - F 8	1830B	ALTERNATOR (W/O TURBO)			
1 - K 4	1330B	AIR CLEANER (W/O TURBO)	1 - G 8	1830BA	ALTERNATOR (TURBO)			
1 - L 4	1330BA	AIR CLEANER (TURBO)	1 - H 8	1840B	STARTER (W/O TURBO)			
1 - M 4	1350B	STARTING ASSIST SYSTEM (W/O TURBO)	1 - I 8	1840BA	STARTER (TURBO)			
1 - N 4	1350BA	STARTING ASSIST SYSTEM (TURBO)	1 - J 8	1850B	BATTERY			
1 - C 5	1364B	THROTTLE BODY COMPONENTS (W/O TURBO)	1 - K 8	1910	TORQUE CONVERTER, OIL PUMP & PIPINGS (AUTOMATIC)			
1 - D 5	1364BA	THROTTLE BODY COMPONENTS (TURBO)	1 - L 8	1920	TRANSMISSION CASE & MAIN CONTROL SYSTEM (AUTOMATIC)			
1 - E 5	1371B	AIR PUMP & AIR CONTROL VALVE (W/O TURBO)	1 - C 9	1925	CONTROL VALVE (AUTOMATIC)			
1 - F 5	1371BA	AIR PUMP & AIR CONTROL VALVE (TURBO)	1 - E 9	1930	CLUTCHES & PLANETARY GEARS (AUTOMATIC)			
1 - G 5	1380B	EMISSION CONTROL SYSTEM (EXHAUST SIDE) (W/O TURBO)	1 - H 9	1940	GOVERNOR, LOW & REVERSE PISTON (AUTOMATIC)			
1 - K 5	1380BA	EMISSION CONTROL SYSTEM (EXHAUST SIDE) (TURBO)	1 - I 9	1950	MANUAL LINKAGE SYSTEM (AUTOMATIC)			
			1 - J 9	1960	GASKET & SEAL KIT (AUTOMATIC)			

1364B-1

THROTTLE BODY COMPONENTS  
(W/O TURBO)

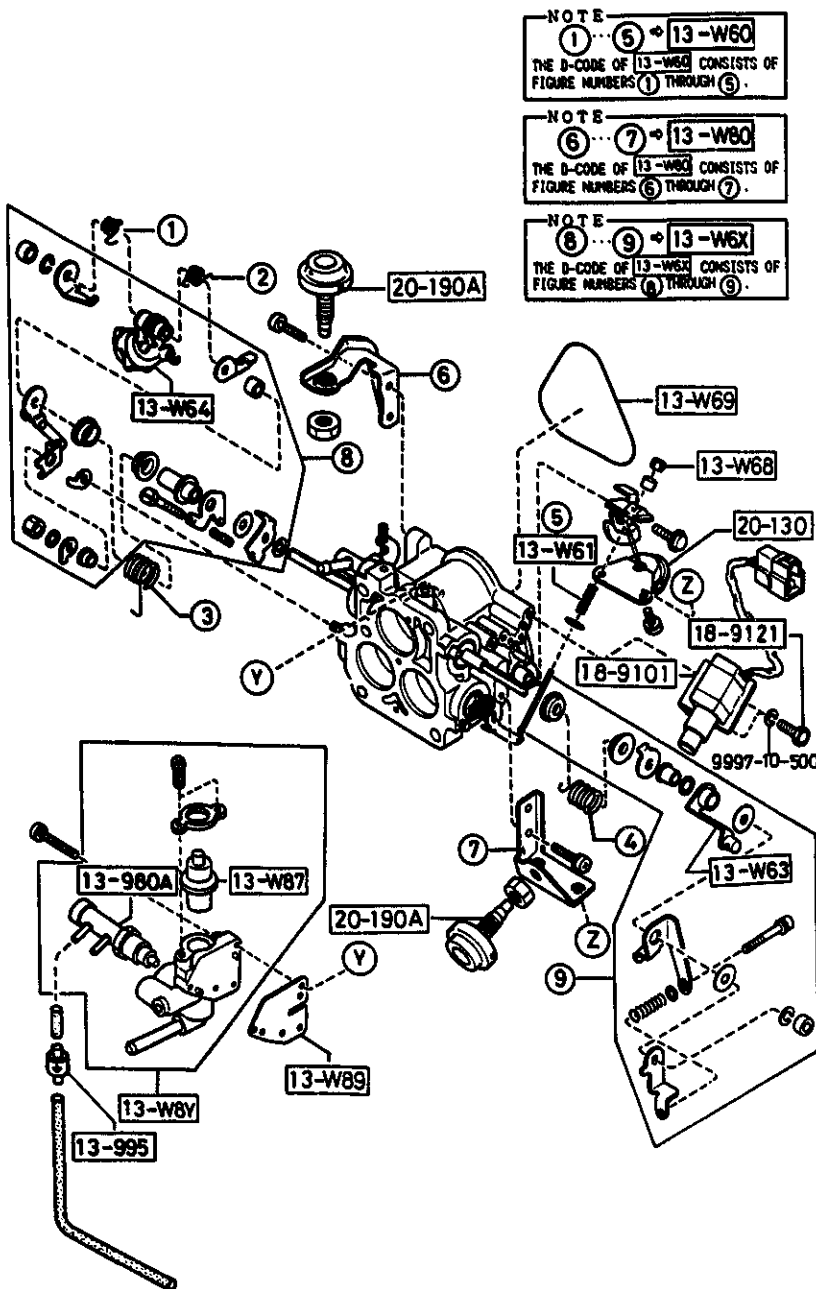


NOTE  
①...③ ⇨ 13-W60  
THE D-CODE OF 13-W60 CONSISTS OF  
FIGURE NUMBERS ① THROUGH ③.

NOTE  
④...⑤ ⇨ 13-W6X  
THE D-CODE OF 13-W6X CONSISTS OF  
FIGURE NUMBERS ④ THROUGH ⑤.

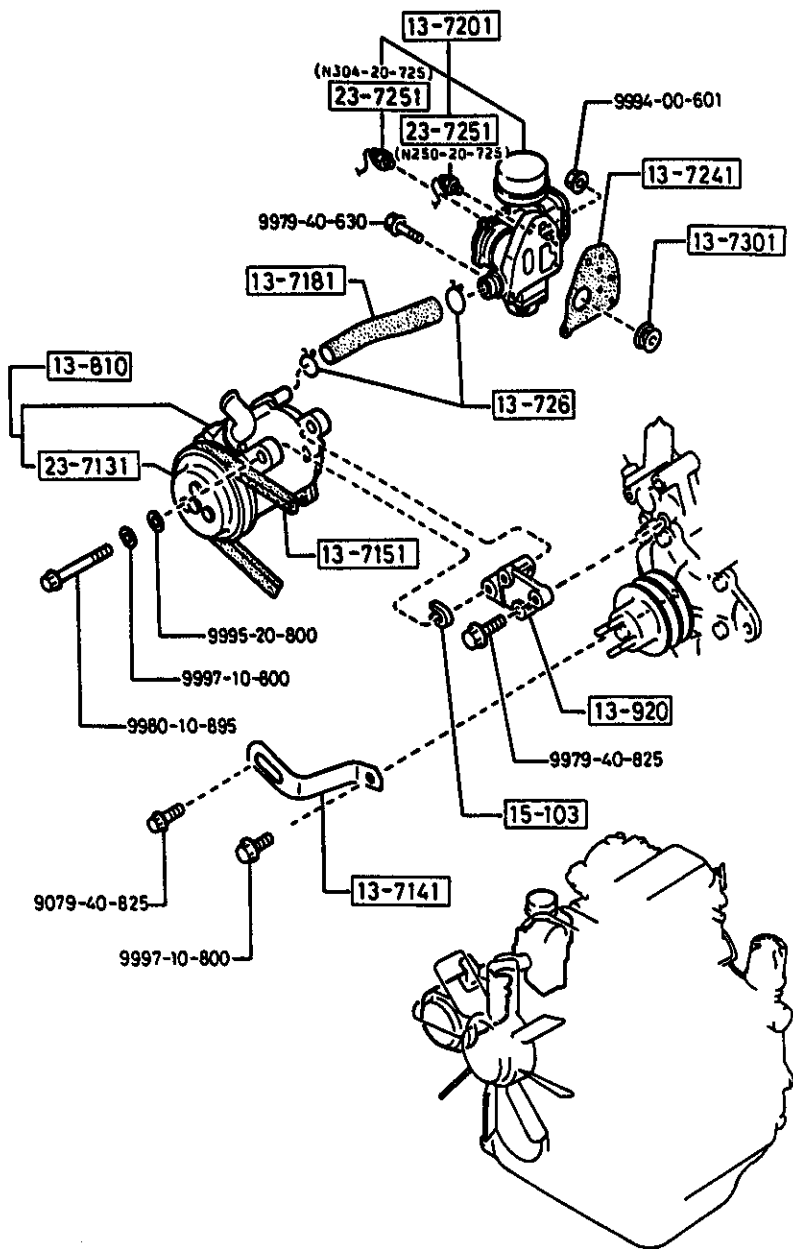
ITEM NO.	D-CODE	DESCRIPTION	PART NO.	QTY	MODEL/DESCRIPTION	REMARKS
13 980A		VALVE, THERMO	N304-13-980A	1	M/T	
			N326-13-980	1	A/T	
13 980F		VALVE, DELAY	N236-13-980A	1	A/T	
13 995		VALVE, CHECK	HE41-13-995	1		
13 W60		SPRING SET, THROTTLE BODY	N326-13-W60	1	M/T	
			N327-13-W60	1	A/T	
13 W61		SPRING, DAMPER	N327-13-W61	1	A/T	
13 W64		LEVER, THROTTLE	N326-13-W64	1		
13 W68		NUT	N326-13-W68	1	A/T	
13 W69		O-RING	N326-13-W69	1		
13 W6X		LEVER SET, THROTTLE BODY	N326-13-W6X	1	M/T	
			N327-13-W6X	1	A/T	
13 W76		SCREW, IDLER ADJUST-THROTTLE BODY	N326-13-W76	1		
13 W7Y		DIAPHRAGM	N326-13-W7Y	1	M/T	
			N327-13-W7Y	1	A/T	
13 W80		BRACKET SET, DASH POT-THROTTLE	N326-13-W80	1		
13 W87		WAX	N326-13-W87	1		
13 W89		GASKET	N326-13-W89	1		
13 W8Y		HOUSING, WAX	N326-13-W8Y	1	M/T	
			N327-13-W8Y	1	A/T	
18 9101		SENSOR, THROTTLE	N326-18-911A	1		
18 9121		BOLT	N304-18-912	2		
20 190A		DASH POT	8341-13-215	1		
20 309		VALVE, VACUUM DELAY	8574-20-309	1	A/T	
20 309B		VALVE, DELAY	HE01-20-309	1	M/T	

**1364BA-1 THROTTLE BODY COMPONENTS (TURBO)**



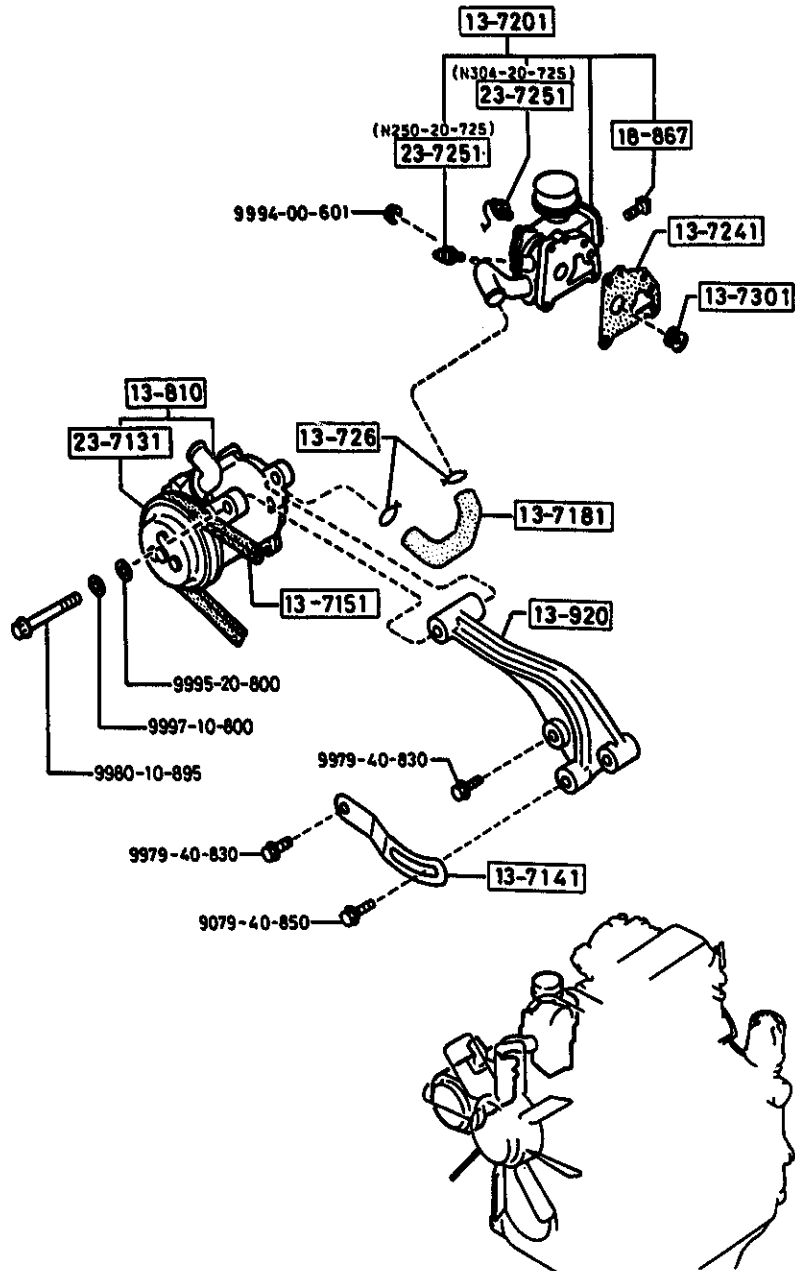
ITEM NO.	D-CODE	DESCRIPTION	PART NO.	QTY	MODEL/DESCRIPTION	REMARKS
13 980A		VALVE, THERMO	N304-13-980A	1		
13 995		VALVE, CHECK	HE41-13-995	1		
13 W60		SPRING SET, THROTTLE BODY	N332-13-W60	1		
13 W61		SPRING, DAMPER	N332-13-W61	1		
13 W64		LEVER, THROTTLE	N330-13-W64	1		
13 W68		NUT	N326-13-W68	1		
13 W69		O-RING	N326-13-W69	1		
13 W6X		LEVER SET, THROTTLE BODY	N330-13-W6X	1		
13 W80		BRACKET SET, DASH POT-THROTTLE	N331-13-W80	1		
13 W87		WAX	N326-13-W87	1		
13 W89		GASKET	N330-13-W89	1		
13 W8Y		HOUSING, WAX	N332-13-W8Y	1		
18 9101		SENSOR, THROTTLE	N326-18-911A	1		
18 9121		BOLT	N304-18-912	2		
20 130		ACTUATOR, SHUTTER VALVE	N332-20-130	1		
20 190A		DASH POT	HE21-20-190	2		

**1371B-1 AIR PUMP & AIR CONTROL VALVE (W/O TURBO)**



ITEM NO.	D-CODE	DESCRIPTION	PART NO.	QTY	MODEL/DESCRIPTION	REMARKS
13 7141		STRAP, AIR PUMP	N326-13-812	1		
13 7151		V-BELT	N304-13-715	1		
13 7181		HOSE, AIR	N304-13-718A	1		
13 7201		VALVE, AIR CONTROL	N326-13-990	1	M/T	
			N327-13-990	1	A/T	
13 7241		GASKET, AIR CONTROL VALVE	N304-13-724A	1		
13 726		CLIP, AIR HOSE	N304-13-726	2		
13 7301		VALVE, CHECK	1480-13-730	1		
13 810		PUMP, AIR	N304-13-710	1		
13 920		BRACKET, AIR PUMP	N326-13-921	1		
15 103		SPACER	N304-15-103	1		
23 7131		PULLEY, AIR PUMP	N304-23-713	1		
23 7251		VALVE, SOLENOID	N250-20-725	1		
			N304-20-725	1		

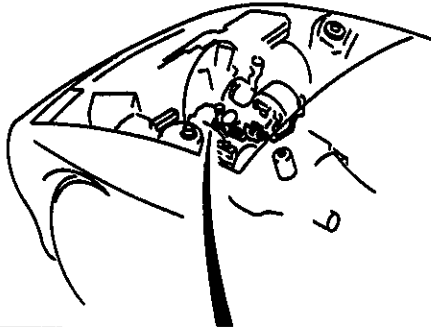
# 1371BA-1 AIR PUMP & AIR CONTROL VALVE (TURBO)



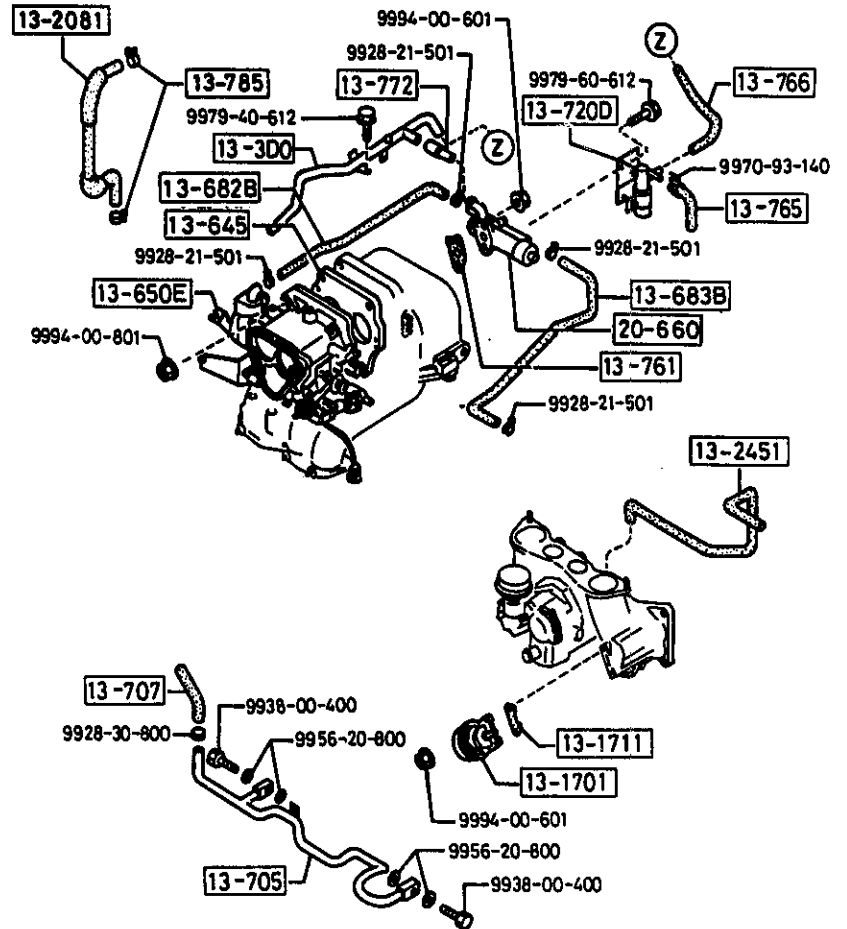
ITEM NO.	D-CODE	DESCRIPTION	PART NO.	QTY	MODEL/DESCRIPTION	REMARKS
13 7141		STRAP, AIR PUMP	N332-13-812A	1		
13 7151		V-BELT	N332-13-813A	1		
13 7181		HOSE, AIR	N332-20-752B	1		
13 7201		VALVE, AIR CONTROL	N332-13-990	1		
13 7241		GASKET, AIR CONTROL VALVE	N318-13-996	1		
13 726		CLIP, AIR HOSE	N304-13-726	2		
13 7301		VALVE, CHECK	1480-13-730	1		
13 810		PUMP, AIR	N332-13-810	1		
13 920		BRACKET, AIR PUMP	N332-13-921A	1		
18 867		CLIP	FE30-18-867A	1		
23 7131		PULLEY, AIR PUMP	N304-23-713	1		
23 7251		VALVE, SOLENOID	N250-20-725	1		
			N304-20-725	1		



(THIS ILLUSTRATION CONSISTS OF 3 PAGES)



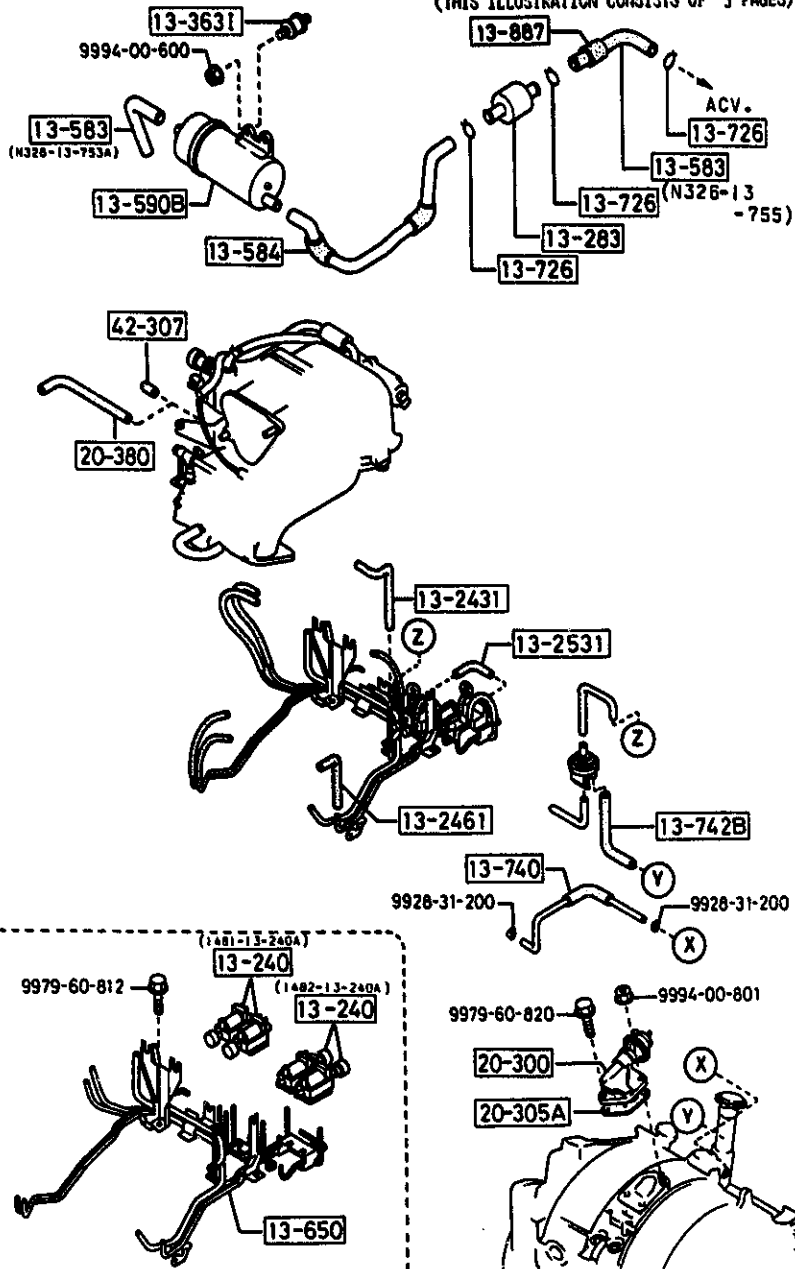
(THIS ILLUSTRATION CONSISTS OF 3 PAGES)



<b>93-5104</b> <b>93-5108</b> (HOSE)			9935-10-4999 D=4MM	
			9935-10-8999 D=8MM	
<b>18-291B</b> <b>13-447</b> (CLIP)				
	N326-13-447	HE21-18-291		
<b>20-950A</b> (VALVE, PURGE)				
	1480-20-950A			
<b>13-9801</b> (VALVE, DELAY)				
	8712-13-980			

**1380B-2 EMISSION CONTROL SYSTEM (EXHAUST SIDE)  
(W/O TURBO)**

(THIS ILLUSTRATION CONSISTS OF 3 PAGES)



1380B-3

EMISSION CONTROL SYSTEM (EXHAUST SIDE)  
(W/O TURBO)

ITEM NO.	D-CODE	DESCRIPTION	PART NO.	QTY	MODEL/DESCRIPTION	REMARKS
13 1701		ACTUATOR, A.P.V.	N324-13-870B	2		
13 1711		GASKET	N225-13-171	2		
13 2081		HOSE, WATER INLET	N326-13-680A	1		
13 240		VALVE, 3-WAY	1481-13-240A	2		
			1482-13-240A	2		
13 2431		HOSE, VACUUM	N326-20-341	1		
13 2451		HOSE, VACUUM	N326-20-342	1		
13 2461		HOSE, VACUUM	N307-13-246	1		
13 2531		HOSE, VACUUM	N236-13-253A	1		
13 283		CHAMBER, AIR	N304-13-283A	1		
13 3631		RUBBER, INSULATION	N326-13-363A	2		
13 3D0		PIPE, AIR-B.A.C.V. & A.I.H.	N326-13-3D0C	1		
13 447		CLIP	N326-13-447	2		
13 583		HOSE, AIR	N326-13-755	1		
			N326-13-753A	1		
13 584		HOSE, AIR	N326-13-750A	1		
13 590B		SILENCER, RELIEF	N326-13-C90A	1		
13 645		INSULATOR, THROTTLE BODY	N326-13-645A	1		
13 650		PIPE, VACUUM	N326-20-410D	1		
13 650E		BODY, THROTTLE	N326-13-650A	1	M/T	
			N327-13-650A	1	A/T	
13 682B		HOSE, WATER-B.A.C.V. & T.B.	N326-20-665A	1		
13 683B		HOSE, WATER-B.A.C.V. & R.H.	N326-20-666	1		
13 705		PIPE, AIR	N326-13-890A	1		
13 707		HOSE, AIR	N326-13-896A	1		5A01-
13 720D		VALVE, SOLENOID-AIR BLEED	N327-13-720A	1		
13 726		CLIP, AIR HOSE	N304-13-726	3		
13 740		HOSE, VENT.-PURGE CONTROL	N326-13-740	1		-5A01
			N326-13-740B	1		5A01-
13 742B		HOSE, VENTILATION	N326-13-742A	1		
13 761		GASKET	N326-20-661	1		
13 765		HOSE, AIR-A.B.S.V. & SURGE	N326-13-765	1		
13 766		HOSE, AIR	N326-13-766A	1		
13 772		HOSE, AIR	N326-13-772	1		
13 785		CLIP, WATER HOSE	N326-13-785	6		5901-
13 887		PROTECTOR, SPONGE-AIR HOSE	N326-13-887	1		
13 9801		VALVE, DELAY	8712-13-980	1		
18 291B		CLAMP, HOSE	HE21-18-291	1		
20 300		VALVE, E.G.R.	N326-20-300A	1		
20 305A		GASKET, E.G.R. VALVE	N326-20-305	1		
20 380		TUBE, VACUUM	N327-20-381	1	A/T	

SEE ILLUSTRATION/S AT FRAME 1 - G 5

5901 FC33\* -102044  
5A01 FC33\* -107570

**1380B-4 EMISSION CONTROL SYSTEM (EXHAUST SIDE)  
(W/O TURBO)**

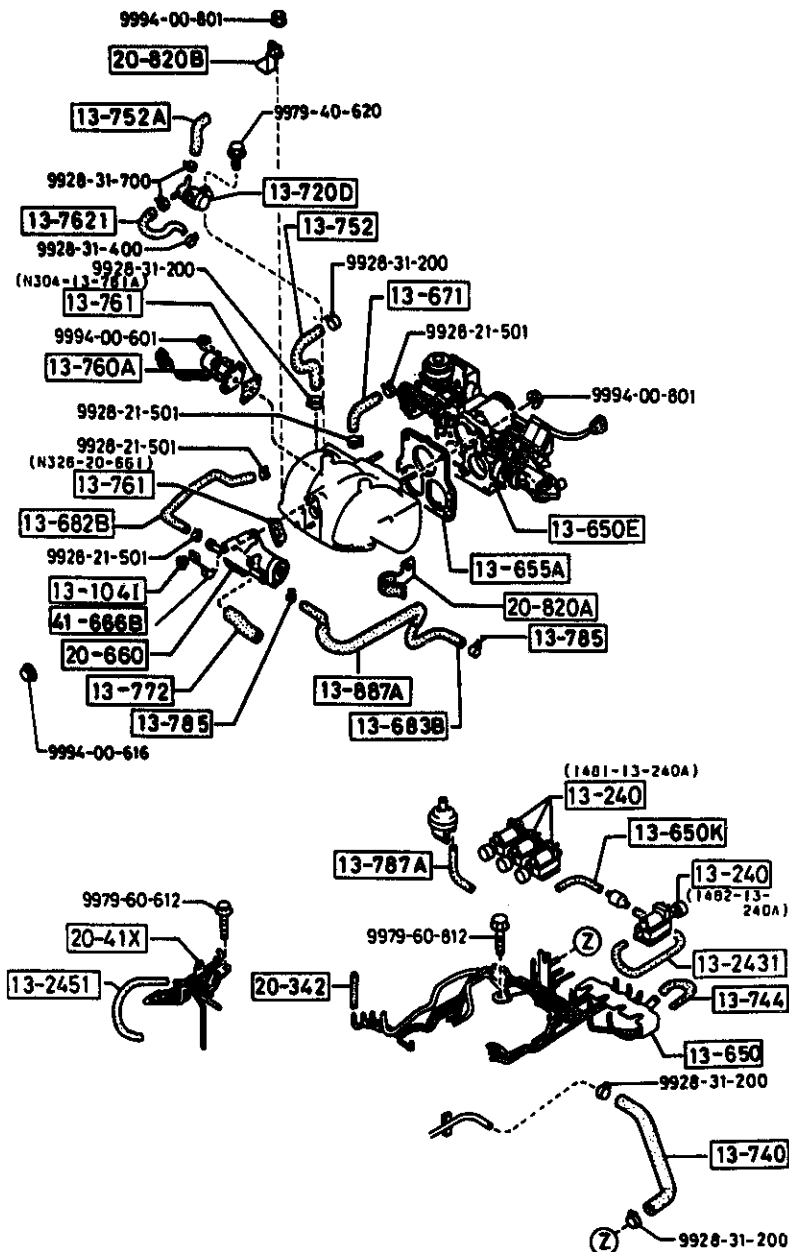
ITEM NO.	D-CODE	DESCRIPTION	PART NO.	QTY	MODEL/DESCRIPTION	REMARKS
20 660		VALVE, BY-PASS AIR CONTROL	N326-20-660	1		
20 950A		VALVE, PURGE	1480-20-950A	1	A/T	
		REFER TO WARR. CAMPAIGN NO. 25711 FOR RECALL INFO. ON CERTAIN 1986 MODELS.				
42 307		CAP	0223-42-307	1	M/T	
93 5104		HOSE	9935-10-4999	1		
93 5108		HOSE	9935-10-8999	1		

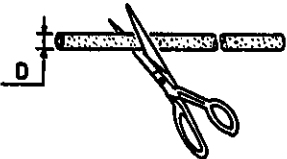


**SEE ILLUSTRATION/S AT FRAME 1 - G 5**

**1380BA-1 EMISSION CONTROL SYSTEM (EXHAUST SIDE)  
(TURBO)**

(THIS ILLUSTRATION CONSISTS OF 3 PAGES)

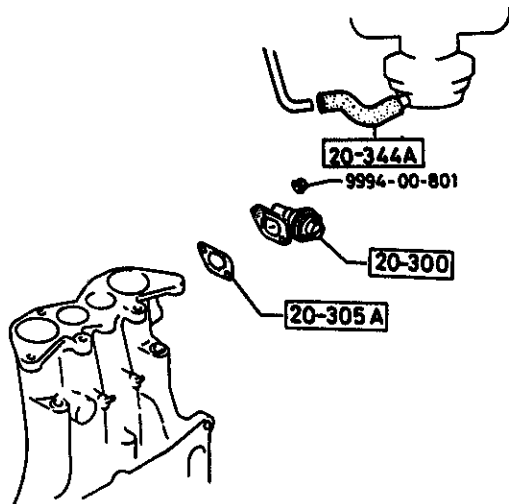
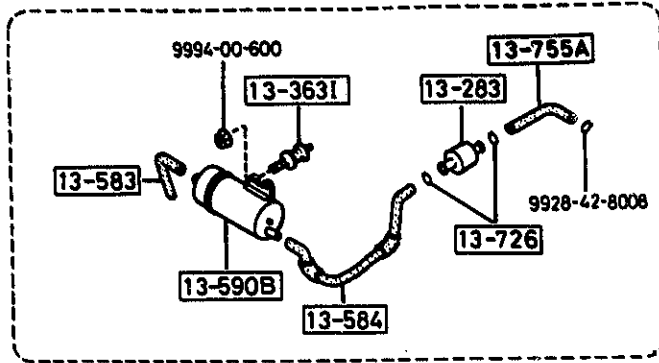
(THIS ILLUSTRATION CONSISTS OF 3 PAGES)



93-5104 93-5106 93-5108 (HOSE)		9935-10-4999 D=4MM 9935-10-6999 D=6MM 9935-10-8999 D=8MM		
20-950A (VALVE, PURGE)				
	1480-20-950A			
13-447 (CLIP)				
	N326-13-447			

**1380BA-2 EMISSION CONTROL SYSTEM (EXHAUST SIDE)  
(TURBO)**

(THIS ILLUSTRATION CONSISTS OF 3 PAGES)



**1380BA-3 EMISSION CONTROL SYSTEM (EXHAUST SIDE)  
(TURBO)**

**SEE ILLUSTRATION/S AT FRAME 1 - K 5**

ITEM NO.	D-CODE	DESCRIPTION	PART NO.	QTY	MODEL/DESCRIPTION	REMARKS
13 104I		CAP, BLIND	N318-20-662	1		-6501
			< A > N318-20-662A	1		6501-
13 240		VALVE, 3-WAY	1481-13-240A	3		
			1482-13-240A	2		
13 243I		HOSE, VACUUM	N318-20-341A	1		
13 245I		HOSE, VACUUM	N318-20-342	7		-6601
				6		6601-
13 283		CHAMBER, AIR	N304-13-283A	1		
13 363I		RUBBER, INSULATION	N326-13-363A	2		
13 447		CLIP	N326-13-447	2		
13 583		HOSE, AIR	N326-13-753A	1		
13 584		HOSE, AIR	N319-13-750A	1		
13 590B		SILENCER, RELIEF	N326-13-C90A	1		
13 650		PIPE, VACUUM	N332-20-410B	1		-6711
			N332-20-410C	1		6711-
13 650E		BODY, THROTTLE	N332-13-650	1		
13 650K		TUBE, VACUUM	N318-20-343	1		-6711
			N318-20-343A	1		6711-
13 655A		GASKET	N319-13-645A	1		
13 671		HOSE, WATER	N318-13-681	1		
13 682B		HOSE, WATER-B.A.C.V. & T.B.	N318-20-665C	1		
13 683B		HOSE, WATER-B.A.C.V. & R.H.	N318-20-666C	1		
13 720D		VALVE, SOLENOID-AIR BLEED	N332-13-720	1		
13 726		CLIP, AIR HOSE	N304-13-726	3		
13 740		HOSE, VENT.-PURGE CONTROL VALVE	N332-13-741	1		
13 744		HOSE, VENTILATION	N318-13-744A	1		
13 752		HOSE, AIR-A.B.V. & AIR CLEANER	N332-13-761B	1		
13 752A		HOSE, AIR-EXHAUST MANIFOLD	N332-13-752A	1		
13 755A		HOSE, AIR	N332-13-755A	1		
13 760A		VALVE, AIR SUPPLY	N304-13-760B	1		
13 761		GASKET	N304-13-761A	1		
			N326-20-661	1		
13 762I		HOSE, AIR	N332-13-762B	1		
13 772		HOSE, AIR	N318-13-772	1		
13 785		CLIP, WATER HOSE	N326-13-785	8		
13 787A		HOSE, VENTILATION	N319-13-742	1		
13 887A		PROTECTOR, SPONGE-WATER HOSE	N318-13-887A	1		
20 300		VALVE, E.G.R.	N332-20-300	1		
20 305A		GASKET, E.G.R. VALVE	N332-20-305A	1		
20 342		HOSE, VACUUM	N332-20-342A	1		
6501	FC33*	-146093				
6601	FC33*	-152302				
6711	FC33*	-502690				

**1380BA-4 EMISSION CONTROL SYSTEM (EXHAUST SIDE)  
(TURBO)**

ITEM NO.	D-CODE	DESCRIPTION	PART NO.	QTY	MODEL/DESCRIPTION	REMARKS
20 344A		HOSE, AIR-A.C.V. & VACUUM PIPE	N318-20-344	1		
20 41X		PIPE NO. 2, VACUUM	N318-20-41XD	1	CAL.	6621-
			N332-20-41XB	1	FED.	6601-6621
20 660		VALVE, BY-PASS AIR CONTROL	N332-20-660	1	FED.	6621-
20 820A		CLIP, WATER HOSE	N318-20-820	1		
20 820B		CLIP, FLUID HOSE	N332-20-820B	1		
20 950A		VALVE, PURGE	1480-20-950A	1		
		REFER TO WARR. CAMPAIGN NO. 25711 FOR RECALL INFO. ON CERTAIN 1986 MODELS.				
41 666B		BRACKET, ACCELERATOR WIRE	FB44-41-666A	1		
93 5104		HOSE	9935-10-4999	1		
93 5106		HOSE	9935-10-6999	1		
93 5108		HOSE	9935-10-8999	1		

**SEE ILLUSTRATION/S AT FRAME 1 - K 5**

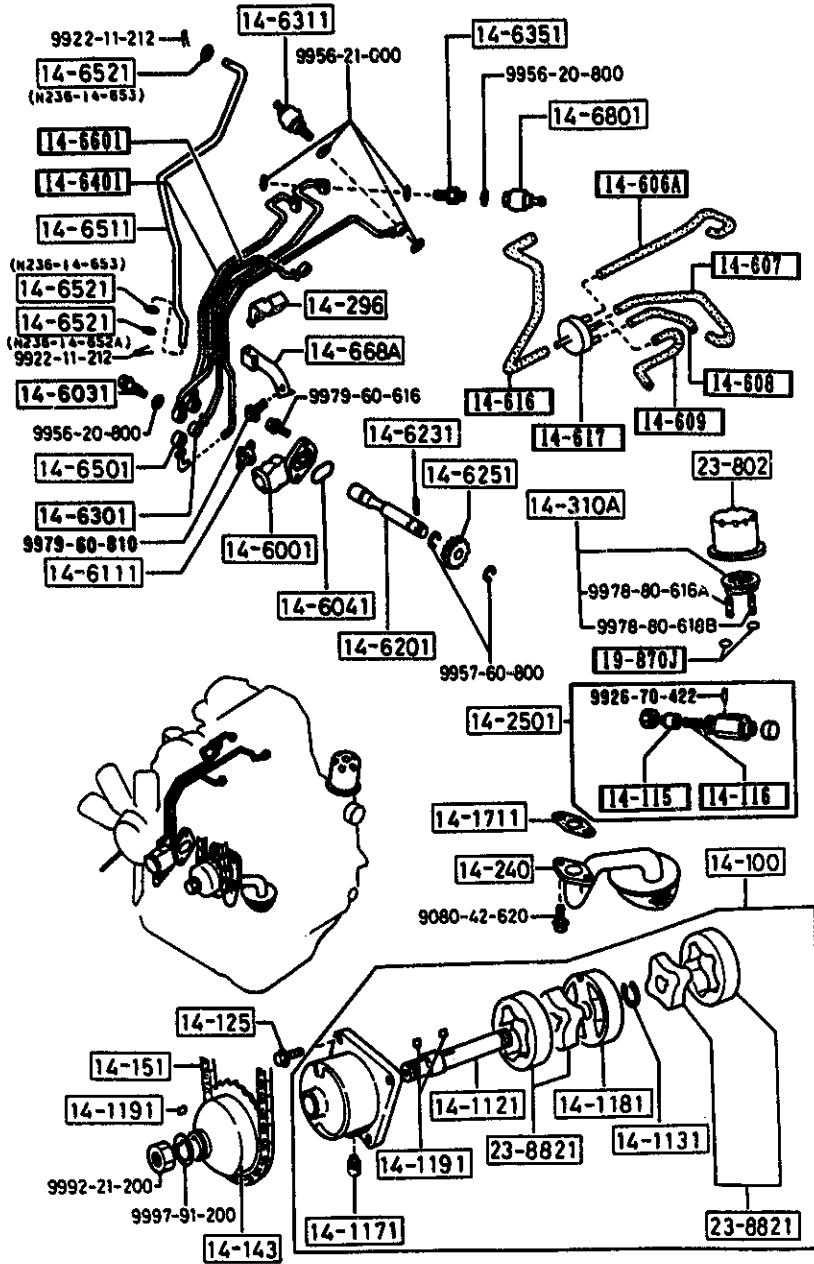
6601 FC33\* -152302  
6621 FC33\* -157179



# SECTION INDEX -- ENGINE

STARTING LOCATION	SECT. NO.	SECTION NAME	STARTING LOCATION	SECT. NO.	SECTION NAME	STARTING LOCATION	SECT. NO.	SECTION NAME
1 - C 3	1000B	SHORT ENGINE BLOCK & GASKET SETS (W/O TURBO)	1 - C 6	1400B	OIL PUMP & FILTER (W/O TURBO)			
1 - D 3	1000BA	SHORT ENGINE & GASKET SETS (TURBO)	1 - E 6	1400BA	OIL PUMP & FILTER (TURBO)			
1 - E 3	1030B	ROTOR HOUSINGS (W/O TURBO)	1 - G 6	1500B	COOLING SYSTEM (W/O TURBO)			
1 - F 3	1030BA	ROTOR HOUSINGS (TURBO)	1 - I 6	1500BA	COOLING SYSTEM (TURBO)			
1 - G 3	1040B	OIL PAN, FRONT & REAR HOUSING (W/O TURBO)	1 - K 6	1580B	BRACKET, PULLEY & BELT			
1 - H 3	1040BA	OIL PAN, FRONT & REAR HOUSING (TURBO)	1 - L 6	1600	CLUTCH DISC & COVER (MANUAL) (W/O TURBO)			
1 - I 3	1100B	ECCENTRIC SHAFT & FLYWHEEL (W/O TURBO)	1 - M 6	1600A	CLUTCH DISC & COVER (MANUAL) (TURBO)			
1 - J 3	1100BA	ECCENTRIC SHAFT & FLYWHEEL (TURBO)	1 - N 6	1700	TRANSMISSION CASE (MANUAL) (W/O TURBO)			
1 - K 3	1110B	ROTORS & RELATED PARTS (W/O TURBO)	1 - C 7	1700A	TRANSMISSION CASE (MANUAL) (TURBO)			
1 - L 3	1110BA	ROTORS & RELATED PARTS (TURBO)	1 - D 7	1710	TRANSMISSION GEARS (MANUAL) (W/O TURBO)			
1 - M 3	1300B	INTAKE MANIFOLD (W/O TURBO)	1 - G 7	1710A	TRANSMISSION GEARS (MANUAL) (TURBO)			
1 - N 3	1300BA	INTAKE MANIFOLD (TURBO)	1 - J 7	1720	CHANGE CONTROL SYSTEM (MANUAL) (W/O TURBO)			
1 - C 4	1310B	EXHAUST MANIFOLD (W/O TURBO)	1 - K 7	1720A	CHANGE CONTROL SYSTEM (MANUAL) (TURBO)			
1 - D 4	1310BA	EXHAUST MANIFOLD (TURBO)	1 - L 7	1800B	ENGINE ELECTRICAL SYSTEM (W/O TURBO)			
1 - G 4	1320B	FUEL SYSTEM (W/O TURBO)	1 - C 8	1800BA	ENGINE ELECTRICAL SYSTEM (TURBO)			
1 - I 4	1320BA	FUEL SYSTEM (TURBO)	1 - F 8	1830B	ALTERNATOR (W/O TURBO)			
1 - K 4	1330B	AIR CLEANER (W/O TURBO)	1 - G 8	1830BA	ALTERNATOR (TURBO)			
1 - L 4	1330BA	AIR CLEANER (TURBO)	1 - H 8	1840B	STARTER (W/O TURBO)			
1 - M 4	1350B	STARTING ASSIST SYSTEM (W/O TURBO)	1 - I 8	1840BA	STARTER (TURBO)			
1 - N 4	1350BA	STARTING ASSIST SYSTEM (TURBO)	1 - J 8	1850B	BATTERY			
1 - C 5	1364B	THROTTLE BODY COMPONENTS (W/O TURBO)	1 - K 8	1910	TORQUE CONVERTER, OIL PUMP & PIPINGS (AUTOMATIC)			
1 - D 5	1364BA	THROTTLE BODY COMPONENTS (TURBO)	1 - L 8	1920	TRANSMISSION CASE & MAIN CONTROL SYSTEM (AUTOMATIC)			
1 - E 5	1371B	AIR PUMP & AIR CONTROL VALVE (W/O TURBO)	1 - C 9	1925	CONTROL VALVE (AUTOMATIC)			
1 - F 5	1371BA	AIR PUMP & AIR CONTROL VALVE (TURBO)	1 - E 9	1930	CLUTCHES & PLANETARY GEARS (AUTOMATIC)			
1 - G 5	1380B	EMISSION CONTROL SYSTEM (EXHAUST SIDE) (W/O TURBO)	1 - H 9	1940	GOVERNOR, LOW & REVERSE PISTON (AUTOMATIC)			
1 - K 5	1380BA	EMISSION CONTROL SYSTEM (EXHAUST SIDE) (TURBO)	1 - I 9	1950	MANUAL LINKAGE SYSTEM (AUTOMATIC)			
			1 - J 9	1960	GASKET & SEAL KIT (AUTOMATIC)			

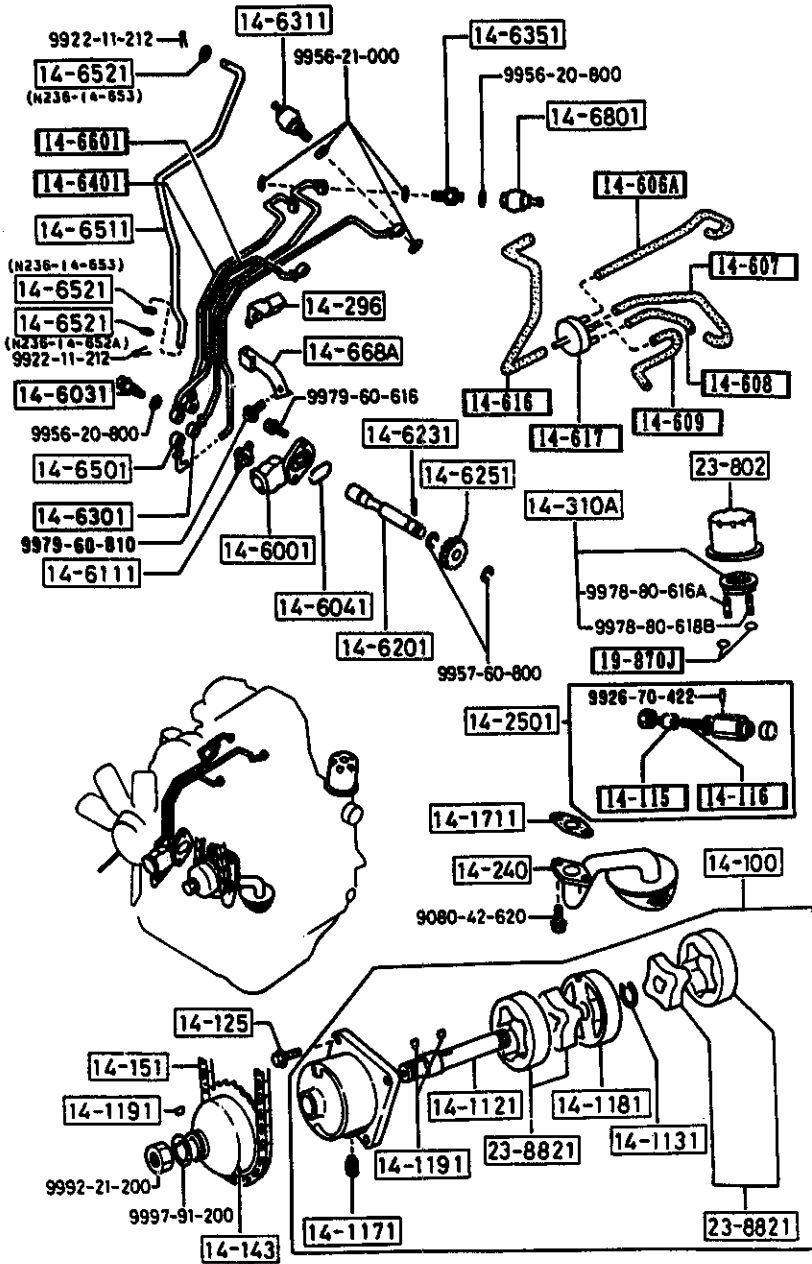
**1400B-1 OIL PUMP & FILTER (W/O TURBO)**



ITEM NO.	D-CODE	DESCRIPTION	PART NO.	QTY	MODEL/DESCRIPTION	REMARKS
14 100		PUMP, OIL	N326-14-100A	1		
14 112		SHAFT, OIL PUMP	N326-14-131	1		
14 113		RING, SNAP	0810-14-113	1		
14 115		PLUNGER, CONTROL	0221-14-115	1		
14 116		SPRING, PRESSURE	0221-14-116	1		
14 117		BOLT, LOCK	N326-14-117	1		
14 118		PLATE, MIDDLE	N326-14-135	1		-6A01
			N326-14-135A	1		6A01-
14 119		KEY	0839-14-119B	3		
14 125		BOLT, SET	8553-14-125	4		
14 143		WHEEL, SPROCKET	N326-14-143	1		
14 151		CHAIN, OIL PUMP	N326-14-151	1		
14 171		GASKET, OIL STRAINER	0810-14-171A	1		
14 240		STRAINER, OIL	N326-14-240A	1		-6B01
			N326-14-240B	1		6B01-
14 250		REGULATOR, PRESSURE	3648-14-250	1		
14 296		CLIP, OIL TUBE	N304-14-667C	1		
14 310A		BODY, OIL FILTER	8341-14-310	1		
14 600		PUMP, METERING OIL	N246-14-600	1		
14 603		BOLT, CONNECTOR	N236-14-603B	4		
14 604		O-RING	N236-14-604	1		
14 606A		TUBE NO. 1, AIR	N326-14-606A	1		
14 607		TUBE NO. 2, AIR	N326-14-607A	1		
14 608		TUBE NO. 3, AIR	N326-14-608B	1		
14 609		TUBE NO. 4, AIR	N326-14-609A	1		
14 611		GASKET, METERING OIL	N236-14-602A	1		
14 616		TUBE, AIR INLET	N326-14-616A	1		
14 617		CONNECTOR, AIR TUBE	N326-14-617	1		
14 620		SHAFT, DRIVEN GEAR	0820-14-620A	1		
14 623		PIN, DRIVEN GEAR	0813-14-623	1		
14 625		GEAR, DRIVEN	0820-14-625A	1		
14 630		TUBE, METERING OIL	N326-14-660A	1		
14 631		BOLT, CONNECTOR	N326-14-631	2		
14 635		BOLT, CONNECTOR	N236-14-635A	2		
14 640		TUBE, METERING OIL	N326-14-670A	1		
14 650		TUBE, METERING OIL	N326-14-680A	1		
14 651		ROD, CONNECTING	N326-14-651	1		
14 652		SHIM, ADJUST	N236-14-653	2	T=0.5MM	
			N236-14-652A	1	T=1MM	
14 660		TUBE, METERING OIL	N326-14-690A	1		
14 668A		CLIP, METERING OIL TUBE	N304-14-668E	1		

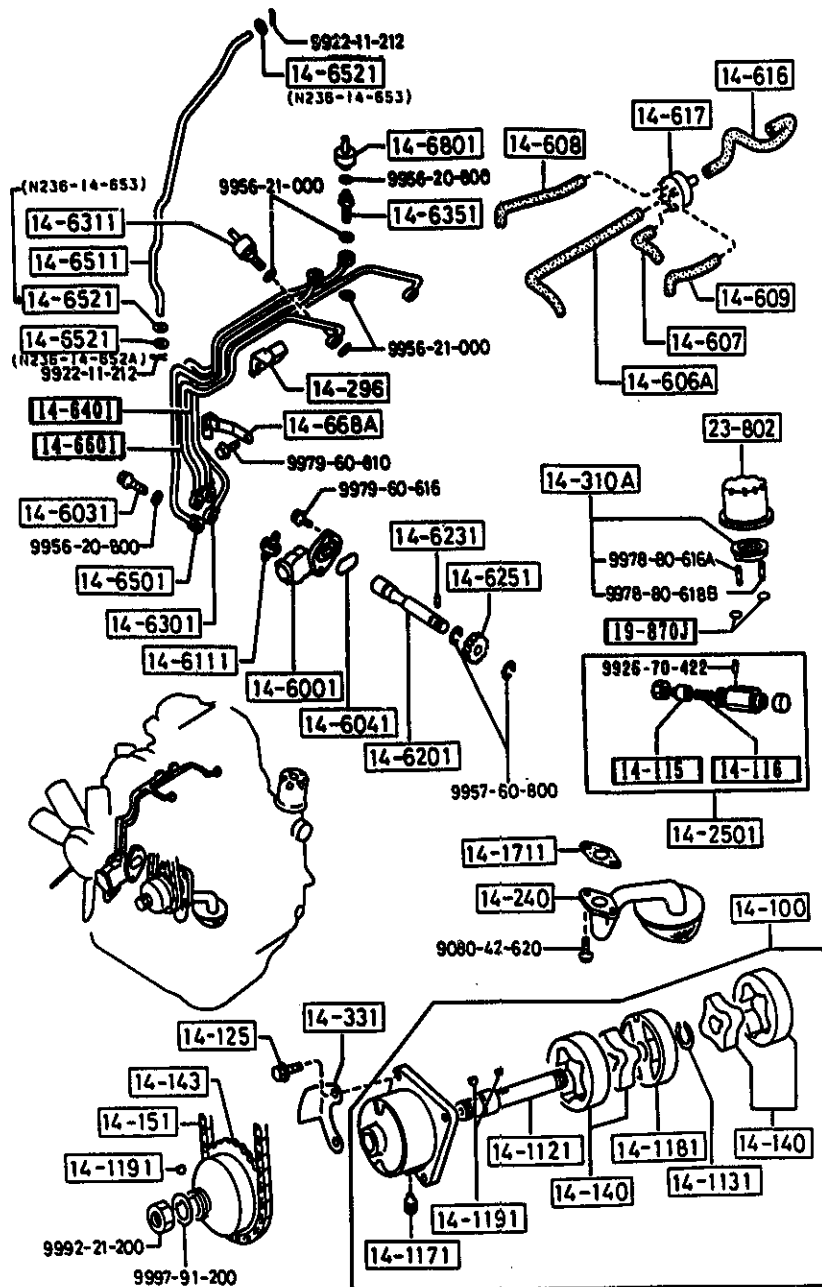
6A01 FC33\* -517640  
6B01 FC33\* -522333

# 1400B-2 OIL PUMP & FILTER (W/O TURBO)



ITEM NO.	P-CODE	DESCRIPTION	PART NO.	QTY	MODEL/DESCRIPTION	REMARKS
14 6801		VALVE, CHECK	N236-14-639B	2		
23 802		CARTRIDGE, OIL FILTER REFER TO PARTS BULL. NO. T-1-7 FOR MORE INFO.	N3Y6-14-302	1		
23 8821		ROTOR SET, OIL PUMP	N326-14-140	2		

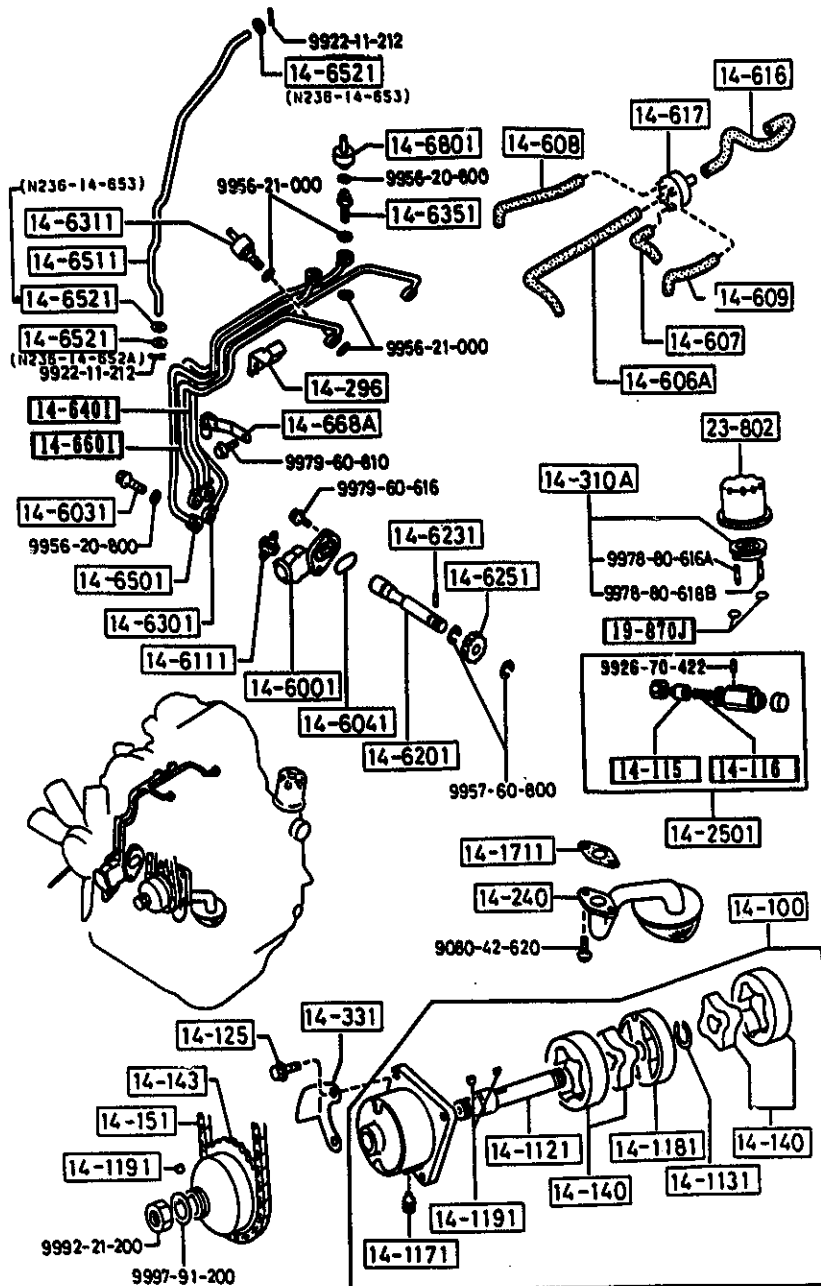
# 1400BA-1 OIL PUMP & FILTER (TURBO)



ITEM NO.	D-CODE	DESCRIPTION	PART NO.	QTY	MODEL/DESCRIPTION	REMARKS
14 100		PUMP, OIL	N318-14-100A	1		
14 1121		SHAFT, OIL PUMP	N326-14-131	1		
14 1131		RING, SNAP	0810-14-113	1		
14 115		PLUNGER, CONTROL	0221-14-115	1		
14 116		SPRING, PRESSURE	0221-14-116	1		
14 1171		BOLT, LOCK	N326-14-117	1		
14 1181		PLATE, MIDDLE	N318-14-135	1		-6A01
			N318-14-135A	1		6A01-
14 1191		KEY	0839-14-119B	2		
14 125		BOLT, SET	8553-14-125	4		
14 140		ROTOR	N318-14-140	2		
14 143		WHEEL, SPROCKET	N326-14-143	1		
14 151		CHAIN, OIL PUMP	N326-14-151	1		
14 1711		GASKET, OIL STRAINER	0810-14-171A	1		
14 240		STRAINER, OIL	N326-14-240A	1		-6801
			N326-14-240B	1		6801-
14 2501		REGULATOR, PRESSURE	3648-14-250	1		
14 296		CLIP, OIL TUBE	N318-14-667	1		
14 310A		BODY, OIL FILTER	8341-14-310	1		
14 331		PLATE, BAFFLE	N318-14-126	1		
14 6001		PUMP, METERING OIL	N318-14-600	1		
14 6031		BOLT, CONNECTOR	N236-14-603B	4		
14 6041		O-RING	N236-14-604	1		
14 606A		TUBE NO. 1, AIR	N318-14-606A	1		
14 607		TUBE NO. 2, AIR	N318-14-607	1		
14 608		TUBE NO. 3, AIR	N318-14-608	1		
14 609		TUBE NO. 4, AIR	N318-14-609	1		
14 6111		GASKET, METERING OIL	N236-14-602A	1		
14 616		TUBE, AIR INLET	N318-14-616A	1		
14 617		CONNECTOR, AIR TUBE	N326-14-617	1		
14 6201		SHAFT, DRIVEN GEAR	0820-14-620A	1		
14 6231		PIN, DRIVEN GEAR	0813-14-623	1		
14 6251		GEAR, DRIVEN	0820-14-625A	1		
14 6301		TUBE, METERING OIL	N318-14-660B	1		
14 6311		BOLT, CONNECTOR	N326-14-631	2		
14 6351		BOLT, CONNECTOR	N236-14-635A	2		
14 6401		TUBE, METERING OIL	N318-14-670B	1		
14 6501		TUBE, METERING OIL	N318-14-680B	1		
14 6511		ROD, CONNECTING	N318-14-651	1		
14 6521		SHIM, ADJUST	N236-14-653	2	T=0.5MM	
			N236-14-652A	1	T=1MM	

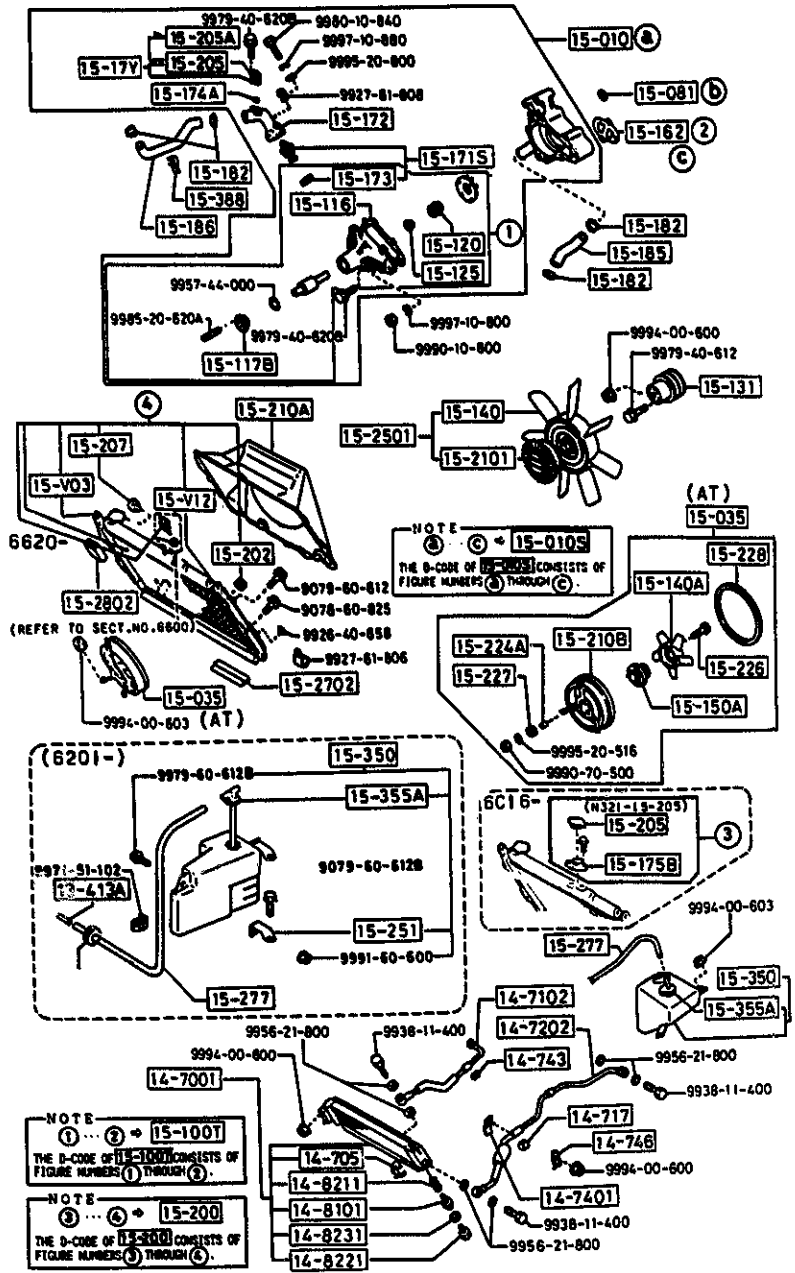
6A01 FC33\* -517640  
 6801 FC33\* -522333

**1400BA-2 OIL PUMP & FILTER (TURBO)**



ITEM NO.	D-CODE	DESCRIPTION	PART NO.	QTY	MODEL/DESCRIPTION	REMARKS
14 6601		TUBE, METERING OIL	N318-14-690A	1		
14 668A		CLIP, M. OIL TUBE	N318-14-668A	1		
14 6801		VALVE, CHECK	N236-14-639B	2		
23 802		CARTRIDGE, OIL FILTER	N3Y6-14-302	1		
		REFER TO PARTS BULL. NO. T-1-7 FOR MORE INFO.				

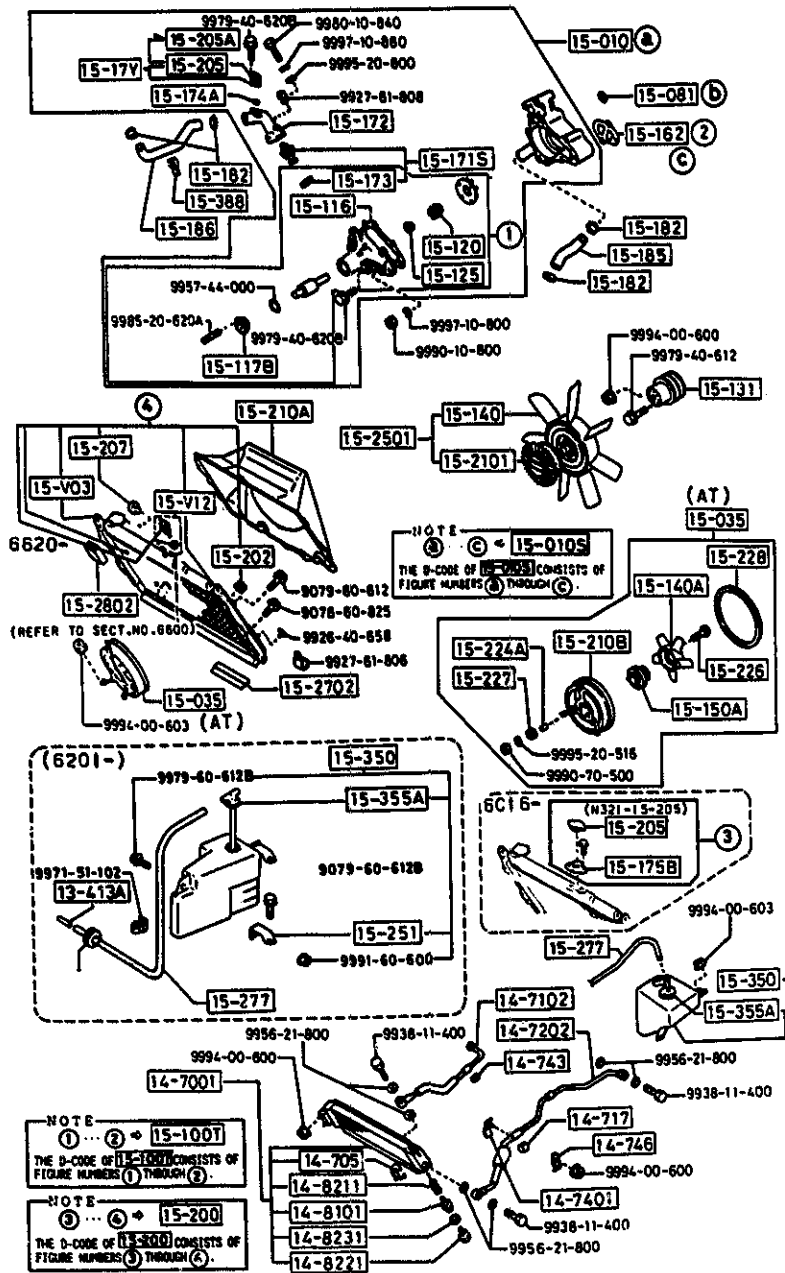
**1500B-1 COOLING SYSTEM (W/O TURBO)**



ITEM NO.	D-CODE	DESCRIPTION	PART NO.	QTY	MODEL/DESCRIPTION	REMARKS
13 413A		PIPE, CONNECTOR	D410-13-413	1		
14 7001		COOLER, OIL	N326-14-700A	1		
14 7102		HOSE, OIL	N326-14-710B	1		
14 717		CLIP, OIL HOSE	N326-14-717B	1		
14 7202		HOSE, OIL	N326-14-720B	1		
14 7401		BRACKET, OIL HOSE	N326-14-760B	1		
14 743		PROTECTOR	N326-14-736	1		
14 746		PROTECTOR	N326-14-737	1		
14 8101		PELLET, THERMO	8871-14-810	1		
14 8211		SPRING, PELLET	1757-14-821	1		
14 8221		NUT, STOPPER	1757-14-822	1		
14 8231		GASKET	1757-14-823	1		
15 010		PUMP, WATER	8AF2-15-010	1	M/T	
			BAF3-15-010	1	A/T	
15 010S		PUMP SET, WATER	8AF2-15-010	1	M/T	6601-6C16
			8AF2-15-010A	1	M/T	6C16-
			8AF3-15-010	1	A/T	6601-6C16
			8AF3-15-010A	1	A/T	6C16-
15 035		FAN, ADDITIONAL	N326-15-035A	1	A/T	
15 081		GASKET	1757-15-106	2		-7201
			N326-15-168	2		7201-
15 100T		HOUSING SET, WATER PUMP	8AF1-15-100A	1		
15 103		SPACER	N304-15-103	1		
15 116		GASKET, WATER PUMP	N326-15-116A	1		
15 117B		HUB, WATER PUMP PULLEY	N326-15-117A	1		
15 120		SEAL, WATER PUMP	B630-15-120	1		-7601
15 125		PLATE, WATER BAFFLE	N304-15-125	1		
15 131		PULLEY, WATER PUMP	N326-15-131A	1		
15 140		FAN, COOLING	N326-15-141	1		
15 140A		FAN, COOLING	N326-15-142	1	A/T	
15 150A		MOTOR, COOLING FAN	N326-15-151	1	A/T	
15 162		GASKET	N326-15-162	1		
15 171S		THERMOSTAT SET	8AF1-15-171	1		
15 172		COVER, THERMOSTAT	N326-15-172B	1	M/T	
			N318-15-172A	1	A/T	
15 173		GASKET, THERMOSTAT COVER	1757-15-173	1		
15 174A		RING	N326-15-174	1		
15 175B		BODY, FILLER CAP	N326-15-175A	1		
15 17Y		CAP, FILLER-WATER PUMP	N326-15-17YA	1		
15 17YA		CAP SET, FILLER-RADIATOR	N323-15-17Y	1		
15 182		CLAMP, WATER HOSE	N326-15-182	4		

- 6601 FC33\* -152302
- 6C16 FC33\* -527275
- 7201 FC33\* -532667
- 7601 FC33\* -550168

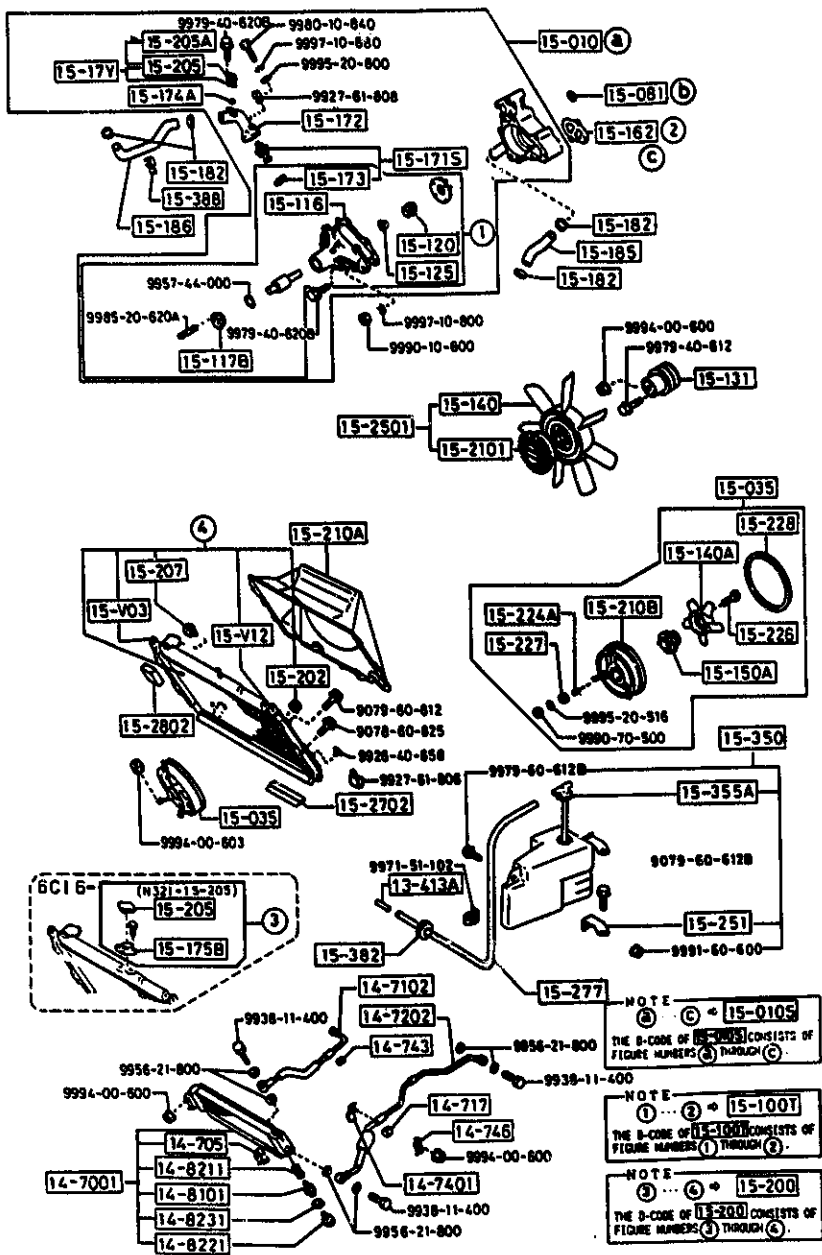
**1500B-2 COOLING SYSTEM (W/O TURBO)**



ITEM NO.	D-CODE	DESCRIPTION	PART NO.	QTY	MODEL/DESCRIPTION	REMARKS
15 185		HOSE, WATER	N326-15-185A	1		
15 186		HOSE, WATER	N326-15-186A	1		
15 200		RADIATOR	N326-15-200C	1	M/T	
			<C> N326-15-200D	1	M/T	
			N327-15-200C	1	A/T	
			<C> N327-15-200D	1	A/T	REQUIRES PIPE: D410-13-413 & CAP: N323-15-17Y
15 202		RUBBER, MOUNTING	N326-15-202	4		
15 205		CAP, RADIATOR	D316-15-205	1		-6C16
			N321-15-205	1		6C16-
			N323-15-205	1		6C16-
15 207		COCK, DRAIN	N326-15-203	2		
15 2101		FAN DRIVE	N326-15-150	1		
15 210A		COWLING, RADIATOR	N326-15-211B	1		
15 210B		COWLING, FAN	N326-15-15X	1	A/T	
15 224A		RUBBER, SEAL	N326-15-156	3	A/T	
15 226		BOLT	N326-15-153	3	A/T	
15 227		SUPPORT, SEAL RUBBER	N326-15-154	3	A/T	
15 228		SEAL, AIR-ADDITIONAL FAN	N326-15-228	1	A/T	
15 234		TANK, UPPER-RADIATOR	N326-15-V02	1		
15 2501		FAN & FAN DRIVE	N326-15-140	1		
15 251		BRACKET, SUB TANK	N332-15-370B	2		
15 2702		SEAL (L), RADIATOR	N326-15-441	1		
15 277		HOSE, WATER SUB TANK	N326-15-381A	1		-6201
			N332-15-381A	1		6201-6C16
			N332-15-381B	1		6C16-
15 2802		SEAL (R), RADIATOR	N326-15-421	1		
15 350		TANK, SUB-RADIATOR	N326-15-350A	1		-6201
			N332-15-350B	1		6201-
15 355A		CAP, SUB TANK	N326-15-355A	1		-6201
			N332-15-355	1		6201-
15 382		PROTECTOR, HOSE-SUB TANK	N332-15-382	1		6201-
15 388		CLIP, HOSE-SUB TANK & WATER HOSE	N327-15-388	1		-6C16
15 V03		BRACKET (R), RADIATOR	N326-15-V03	1		
15 V12		BRACKET (L), RADIATOR	N326-15-V12	1		

6201 FC33\* -129445  
6C16 FC33\* -527275

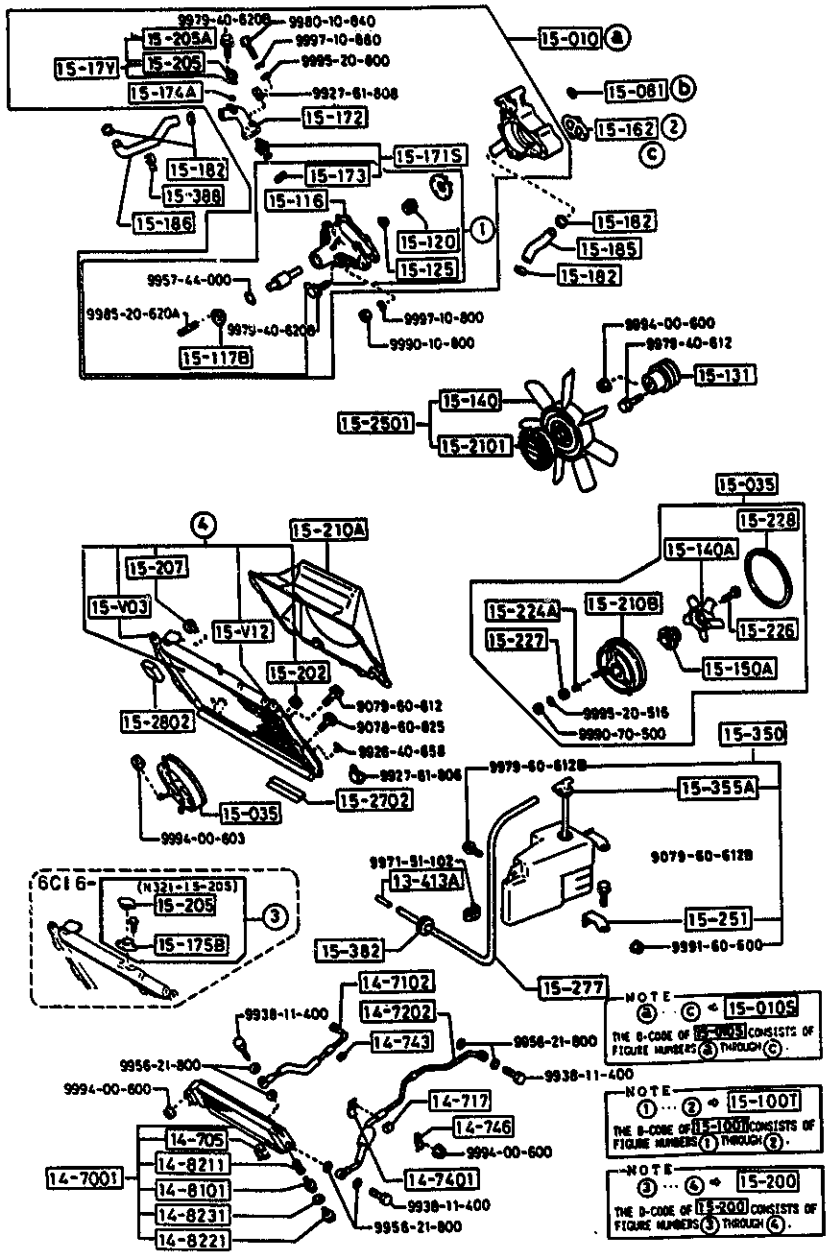
# 1500BA-1 COOLING SYSTEM (TURBO)



ITEM NO.	D-CODE	DESCRIPTION	PART NO.	QTY	MODEL/DESCRIPTION	REMARKS
13 413A		PIPE, CONNECTOR	D410-13-413	1		
14 7001		COOLER, OIL	N326-14-700A	1		
14 7102		HOSE, OIL	N326-14-710B	1		
14 717		CLIP, OIL HOSE	N326-14-717B	1		
14 7202		HOSE, OIL	N326-14-720B	1		
14 7401		BRACKET, OIL HOSE	N326-14-740B	1		
14 743		PROTECTOR	N326-14-736	1		
14 746		PROTECTOR	N326-14-737	1		
14 8101		PELLET, THERMO	8871-14-810	1		
14 8211		SPRING, PELLET	1757-14-821	1		
14 8221		NUT, STOPPER	1757-14-822	1		
14 8231		GASKET	9956-42-200	1		
15 010		PUMP, WATER	8AF4-15-010	1		
15 010S		PUMP SET, WATER	8AF4-15-010A	1		6601-6C16
			8AF4-15-010A	1		6C16-
15 035		FAN, ADDITIONAL	N326-15-035A	1		
15 081		GASKET	1757-15-106	2		-7201
			N326-15-168	2		7201-
15 100T		HOUSING SET, WATER PUMP	8AF1-15-100A	1		
15 116		GASKET, WATER PUMP	N326-15-116	1		
15 117B		HUB, WATER PUMP PULLEY	N326-15-117A	1		
15 120		SEAL, WATER-PUMP	8630-15-120	1		-7601
15 125		PLATE, WATER Baffle	N304-15-125	1		
15 131		PULLEY, WATER PUMP	N326-15-131A	1		
15 140		FAN, COOLING	N326-15-141	1		
15 140A		FAN, COOLING	N326-15-142	1		
15 150A		MOTOR, COOLING FAN	N326-15-151	1		
15 162		GASKET	N326-15-162	1		
15 171S		THERMOSTAT SET	8AF1-15-171	1		
15 172		COVER, THERMOSTAT	N318-15-172A	1		
15 173		GASKET, THERMOSTAT COVER	1757-15-173	1		
15 174A		RING	N326-15-174	1		
15 175B		BODY, FILLER CAP	N326-15-175A	1		
15 17Y		CAP, FILLER-WATER PUMP	N326-15-17YA	1		-6C16
15 17YA		CAP SET, FILLER-RADIATOR	N323-15-17Y	1		6C16-
15 182		CLAMP, WATER HOSE	N326-15-182	4		
15 185		HOSE, WATER	N326-15-185A	1		
15 186		HOSE, WATER	N326-15-186A	1		
15 200		RADIATOR	N326-15-200C	1		
			<C> N326-15-200D	1		REQUIRES PIPE: D410-13-413 & CAP: N323-15-17Y
6601	FC33*	-152302				
6C16	FC33*	-527275				
7201	FC33*	-532667				
7601	FC33*	-550168				



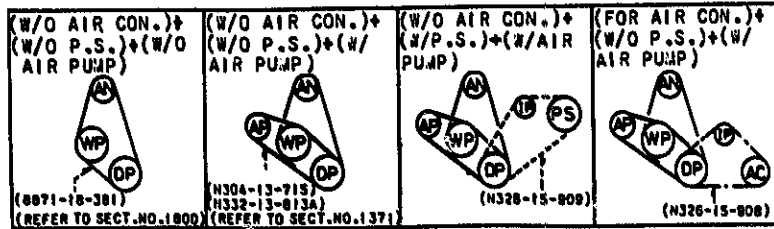
# 1500BA-2 COOLING SYSTEM (TURBO)



ITEM NO.	D-CODE	DESCRIPTION	PART NO.	QTY	MODEL/DESCRIPTION	REMARKS
15 202		RUBBER, MOUNTING	N326-15-202	4		
15 205		CAP, RADIATOR	D316-15-205	1		-6C16
			N321-15-205	1		6C16-
			N323-15-205	1		6C16-
15 207		COCK, DRAIN	N326-15-203	2		
15 2101		FAN DRIVE	N326-15-150	1		
15 210A		COWLING, RADIATOR	N326-15-211B	1		
15 210B		COWLING, FAN	N326-15-15X	1		
15 224A		RUBBER, SEAL	N326-15-156	3		
15 226		BOLT	N326-15-153	3		
15 227		SUPPORT, SEAL RUBBER	N326-15-154	3		
15 228		SEAL, AIR-ADDITIONAL FAN	N326-15-228	1		
15 234		TANK, UPPER-RADIATOR	N326-15-V02	1		
15 2501		FAN & FAN DRIVE	N326-15-140	1		
15 251		BRACKET, SUB TANK	N332-15-370B	2		
15 2702		SEAL (L), RADIATOR	N326-15-441	1		
15 277		HOSE, WATER SUB TANK	N332-15-381A	1		-6C16
			N332-15-381B	1		6C16-
15 2802		SEAL (R), RADIATOR	N326-15-421	1		
15 350		TANK, SUB-RADIATOR	N332-15-350B	1		
15 355A		CAP, SUB TANK	N332-15-355	1		
15 382		PROTECTOR, HOSE-SUB TANK	N332-15-382	1		
15 388		CLIP, HOSE-SUB TANK & WATER HOSE	N327-15-388	1		-6C16
15 V03		BRACKET (R), RADIATOR	N326-15-V03	1		
15 V12		BRACKET (L), RADIATOR	N326-15-V12	1		

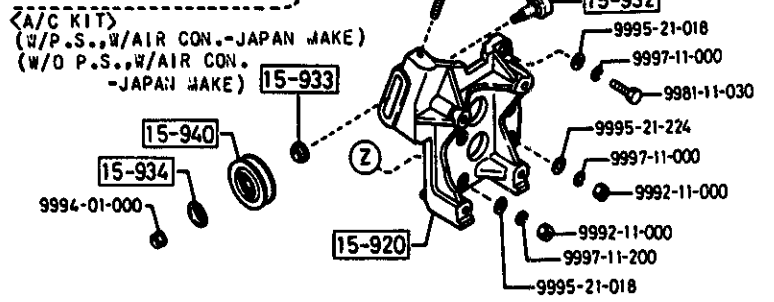
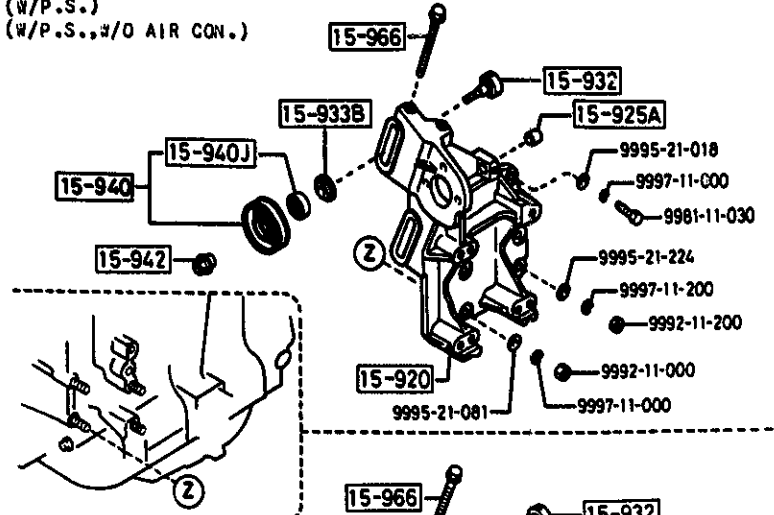
6C16 FC33\* -527275

**1580B-1 BRACKET, PULLEY & BELT**



AC	AIR CON.	SECT. NO.	D-CODE
AN	ALTERNATOR	1371	13-7151
AP	AIR PUMP	1580	15-907
DP	DRIVE PULLEY	1580	15-907
IP	IDLE PULLEY	1800	18-381
PS	POWER STEERING		
WP	WATER PUMP		

<P.S.KIT>  
(W/P.S.)  
(W/P.S., W/O AIR CON.)

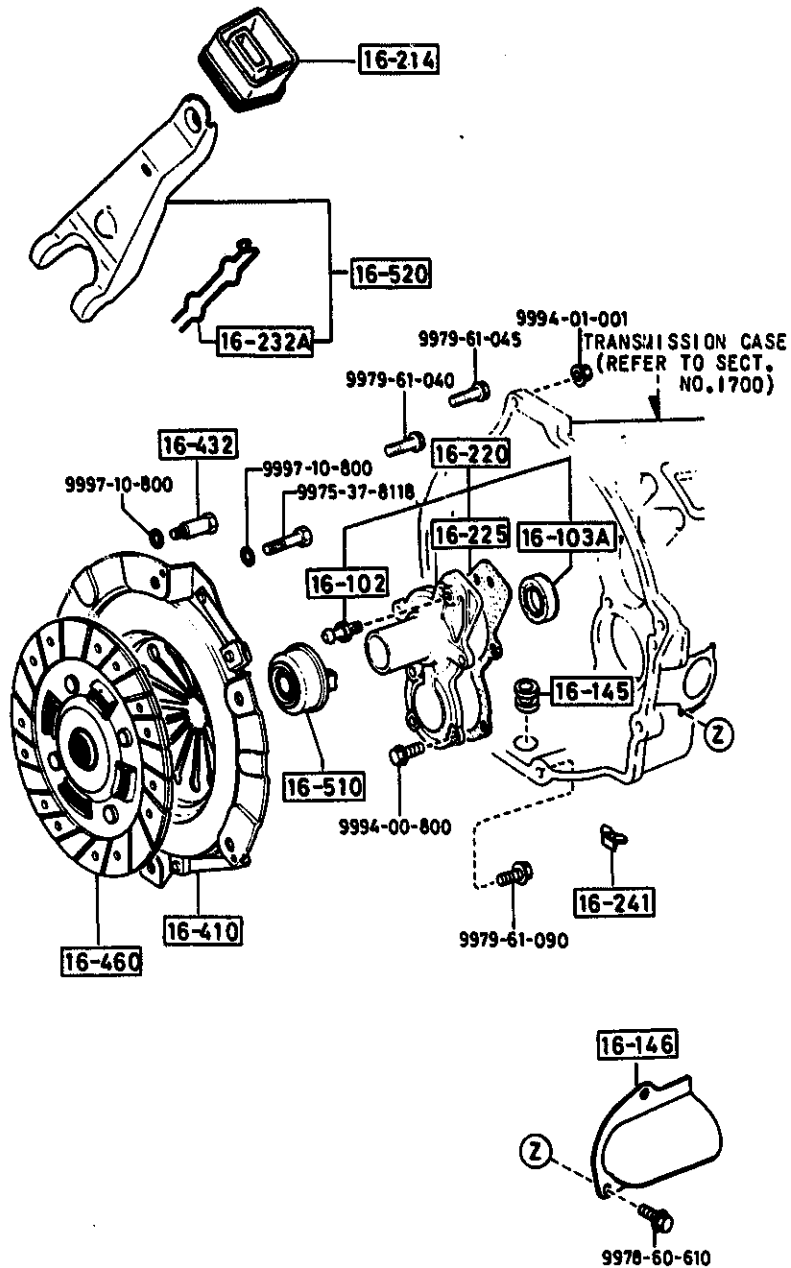


<A/C KIT>  
(W/P.S., W/AIR CON. - JAPAN MAKE)  
(W/O P.S., W/AIR CON. - JAPAN MAKE)

ITEM NO.	D-CODE	DESCRIPTION	PART NO.	QTY	MODEL/DESCRIPTION	REMARKS
15 907		V-BELT	N326-15-908	1	L=96.5CM TURBO FACTORY A/C	
			N326-15-909	1	L=105.5CM P/S	
15 920		BRACKET, COMPRESSOR	N327-15-811	1	TURBO W/O P/S, W/ A/C	
			N326-15-910A	1	TURBO W/ P/S & A/C	
			N327-15-910A	1	NON-TURBO	
15 925A		BUSHING	N326-15-812	1	P/S	
15 932		SHAFT, PULLEY	N249-15-932A	1	NON-TURBO	
			N326-15-932	1	TURBO	
15 933		COLLAR, COMPRESSOR BRACKET	N326-15-933	1	TURBO	
15 933B		SPACER	N249-15-933	2		
15 934		COVER, DUST	N326-15-934	1	TURBO	
15 940		PULLEY, IDLE	N249-15-940	1		
			R230-15-940	1	TURBO	
15 940J		BEARING	9960-62-203	1		
15 942		COLLAR, COMPRESSOR BRACKET-PULLEY	N249-15-942	1		
15 966		BOLT, ADJUST	N326-15-966	1	TURBO W/O P/S	
			N327-15-966	1	TURBO W/ P/S	
			N328-15-966	1	NON-TURBO P/S	

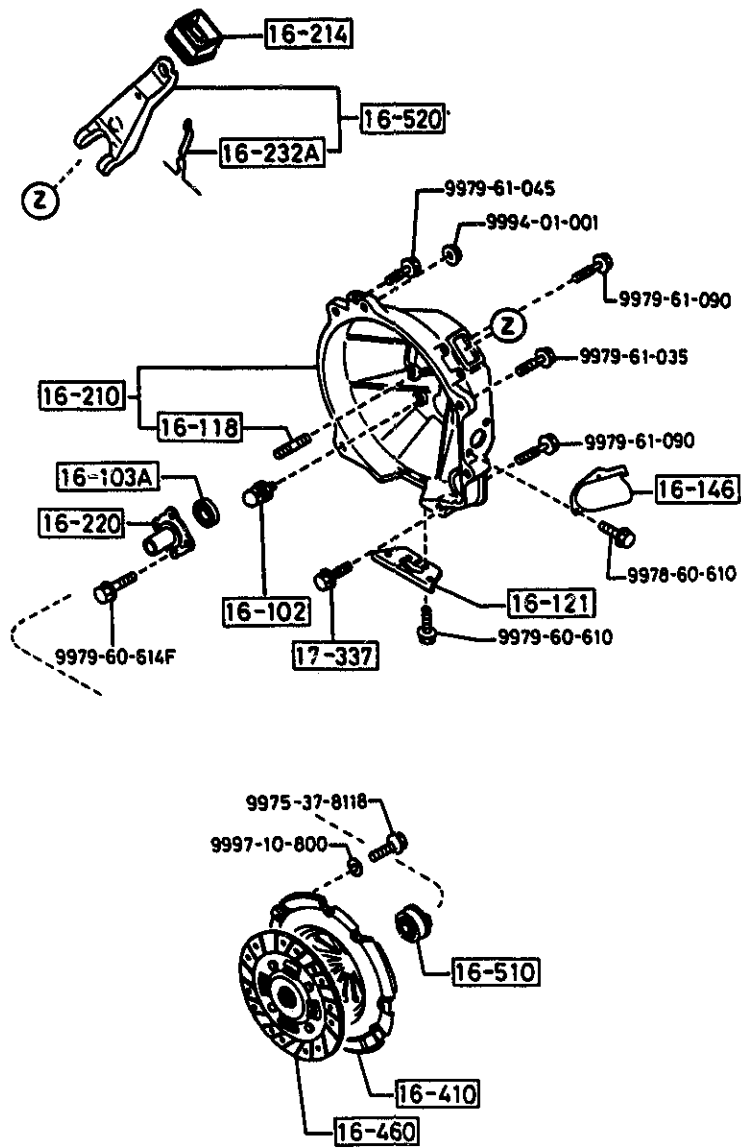
1600-1

# CLUTCH DISC & COVER (MANUAL) (W/O TURBO)



ITEM NO.	D-CODE	DESCRIPTION	PART NO.	QTY	MODEL/DESCRIPTION	REMARKS
16 102		PIN, PIVOT-CLUTCH RELEASE FORK	0603-16-102B	1		
16 103A		SEAL, OIL	0603-16-103	1		
16 145		RUBBER, SEAL	N204-16-145	1		
16 146		COVER, VENTILATION	N302-16-150B	1		
16 214		COVER, DUST-CLUTCH FORK	3973-16-214A	1		
16 220		COVER, FRONT CLUTCH	N204-16-220A	1		
16 225		GASKET, FRONT COVER	8540-16-225	1		
16 232A		SUPPORTER, FORK	1416-16-232A	1		
16 241		PLUG, BLIND	8540-16-241A	1		
16 410		COVER, CLUTCH	N206-16-410	1	COUPE	
			N304-16-410	1	CONVERTIBLE	
16 432		BOLT	0839-16-432	2		
16 460		DISC, CLUTCH	N303-16-460	1		
16 510		COLLAR, CLUTCH RELEASE	H606-16-510A	1		
16 520		FORK, CLUTCH RELEASE	N204-16-520	1		

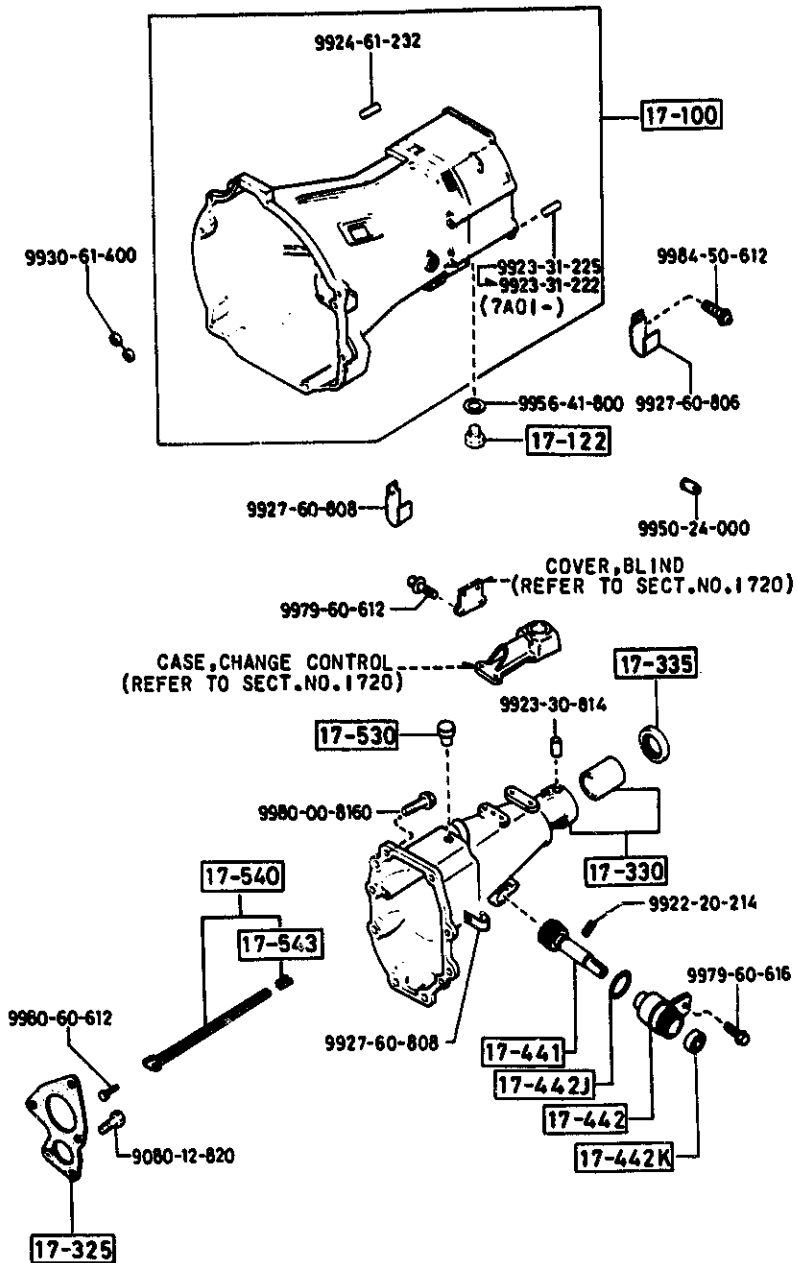
**1600A-1 CLUTCH DISC & COVER (MANUAL)  
(TURBO)**



ITEM NO.	D-CODE	DESCRIPTION	PART NO.	QTY	MODEL/DESCRIPTION	REMARKS
16 102		PIN, PIVOT-CLUTCH RELEASE FORK	N302-16-102	1		
16 103A		SEAL, OIL	0603-16-103	1		
16 118		STUD, CLUTCH HOUSING	N302-16-118A	4		
16 121		COVER, UNDER CLUTCH HOUSING	N302-16-140	1		
16 146		COVER, VENTILATION	N302-16-150B	1		
16 210		HOUSING, CLUTCH	N302-16-210B	1		
16 214		COVER, DUST-CLUTCH FORK	N302-16-214	1		
16 220		COVER, FRONT CLUTCH	N302-16-221	1		
16 232A		SUPPORTER, FORK	1416-16-232A	1		
16 410		COVER, CLUTCH	JE01-16-410B	1		
16 460		DISC, CLUTCH	N307-16-460	1		
16 510		COLLAR, CLUTCH RELEASE	F853-16-510	1		
16 520		FORK, CLUTCH RELEASE	N302-16-520	1		
17 337		BOLT	R401-17-337A	8		

1700-1

**TRANSMISSION CASE (MANUAL)  
(W/O TURBO)**



ITEM NO.	D-CODE	DESCRIPTION	PART NO.	QTY	MODEL/DESCRIPTION	REMARKS
17 100		CASE, T/MISSION	M511-17-100B	1		
			< A > M511-17-100C	1		
17 122		PLUG, MAGNET	0810-17-121	1		
17 325		COVER, BEARING	8086-17-326	1		
17 330		HOUSING, EXTENSION	M517-17-330A	1		
17 335A		SEAL, OIL	0437-17-335A	1		
17 441		GEAR, DRIVEN	0862-17-441A	1	N=19 CONVERTIBLE	
			1669-17-441A	1	N=20 COUPE	
17 442		SLEEVE, SPEEDOMETER	1669-17-442B	1		
17 442J		O-RING	1011-17-443	1		
17 442K		SEAL, OIL	9958-60-8166	1		
17 530		BREATHER, AIR-T/MISSION	0884-17-530	1		
17 540		PASS, OIL	8086-17-540A	1		
			M501-17-550A	1		
17 543		RUBBER, SEAL	M501-17-543A	1		

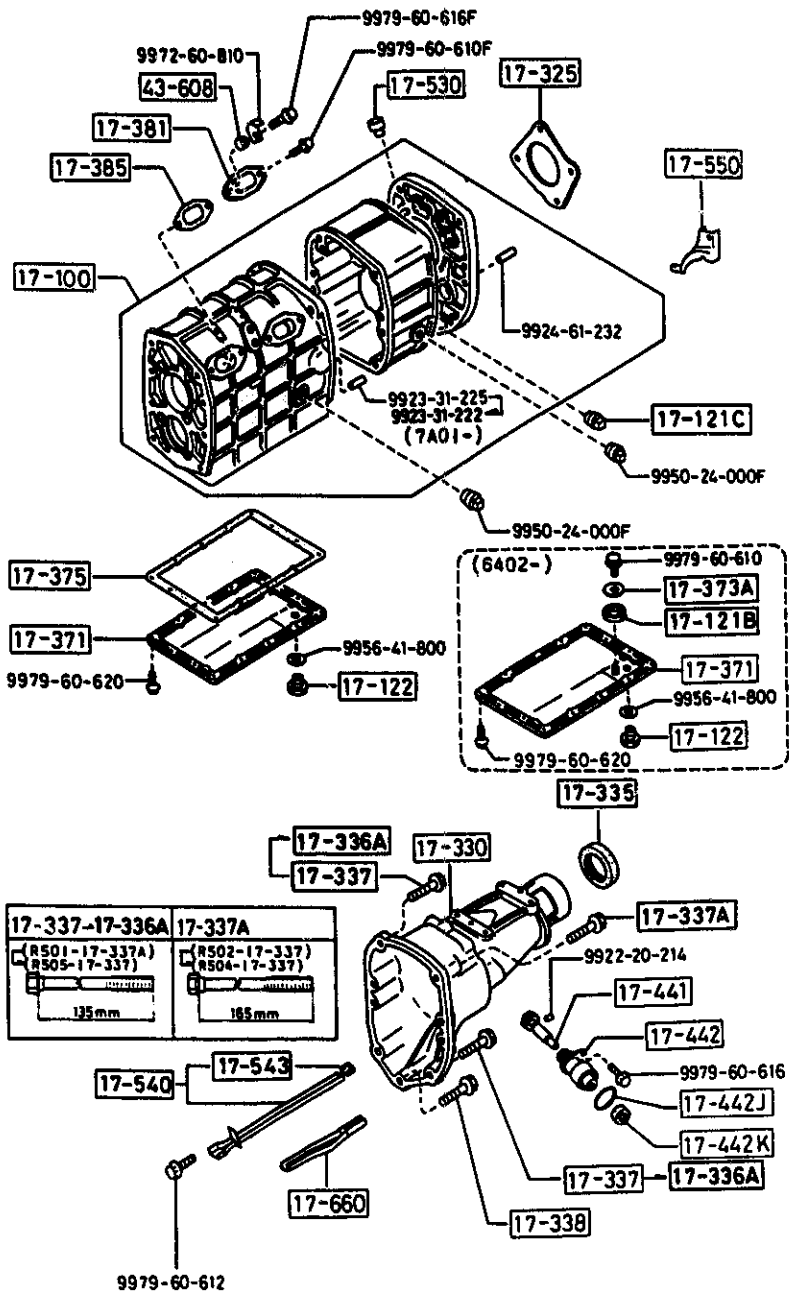
.7201  
7201-  
7201-

7201 FC33\* -532667

# SECTION INDEX -- ENGINE

STARTING LOCATION	SECT. NO.	SECTION NAME	STARTING LOCATION	SECT. NO.	SECTION NAME	STARTING LOCATION	SECT. NO.	SECTION NAME
1 - C 3	1000B	SHORT ENGINE BLOCK & GASKET SETS (W/O TURBO)	1 - E 6	1400BA	OIL PUMP & FILTER (TURBO)			
1 - D 3	1000BA	SHORT ENGINE & GASKET SETS (TURBO)	1 - G 6	1500B	COOLING SYSTEM (W/O TURBO)			
1 - E 3	1030B	ROTOR HOUSINGS (W/O TURBO)	1 - I 6	1500BA	COOLING SYSTEM (TURBO)			
1 - F 3	1030BA	ROTOR HOUSINGS (TURBO)	1 - K 6	1580B	BRACKET, PULLEY & BELT			
1 - G 3	1040B	OIL PAN, FRONT & REAR HOUSING (W/O TURBO)	1 - L 6	1600	CLUTCH DISC & COVER (MANUAL) (W/O TURBO)			
1 - H 3	1040BA	OIL PAN, FRONT & REAR HOUSING (TURBO)	1 - M 6	1600A	CLUTCH DISC & COVER (MANUAL) (TURBO)			
1 - I 3	1100B	ECCENTRIC SHAFT & FLYWHEEL (W/O TURBO)	1 - N 6	1700	TRANSMISSION CASE (MANUAL) (W/O TURBO)			
1 - J 3	1100BA	ECCENTRIC SHAFT & FLYWHEEL (TURBO)	1 - C 7	1700A	TRANSMISSION CASE (MANUAL) (TURBO)			
1 - K 3	1110B	ROTORS & RELATED PARTS (W/O TURBO)	1 - D 7	1710	TRANSMISSION GEARS (MANUAL) (W/O TURBO)			
1 - L 3	1110BA	ROTORS & RELATED PARTS (TURBO)	1 - G 7	1710A	TRANSMISSION GEARS (MANUAL) (TURBO)			
1 - M 3	1300B	INTAKE MANIFOLD (W/O TURBO)	1 - J 7	1720	CHANGE CONTROL SYSTEM (MANUAL) (W/O TURBO)			
1 - N 3	1300BA	INTAKE MANIFOLD (TURBO)	1 - K 7	1720A	CHANGE CONTROL SYSTEM (MANUAL) (TURBO)			
1 - C 4	1310B	EXHAUST MANIFOLD (W/O TURBO)	1 - L 7	1800B	ENGINE ELECTRICAL SYSTEM (W/O TURBO)			
1 - D 4	1310BA	EXHAUST MANIFOLD (TURBO)	1 - C 8	1800BA	ENGINE ELECTRICAL SYSTEM (TURBO)			
1 - G 4	1320B	FUEL SYSTEM (W/O TURBO)	1 - F 8	1830B	ALTERNATOR (W/O TURBO)			
1 - I 4	1320BA	FUEL SYSTEM (TURBO)	1 - G 8	1830BA	ALTERNATOR (TURBO)			
1 - K 4	1330B	AIR CLEANER (W/O TURBO)	1 - H 8	1840B	STARTER (W/O TURBO)			
1 - L 4	1330BA	AIR CLEANER (TURBO)	1 - I 8	1840BA	STARTER (TURBO)			
1 - M 4	1350B	STARTING ASSIST SYSTEM (W/O TURBO)	1 - J 8	1850B	BATTERY			
1 - N 4	1350BA	STARTING ASSIST SYSTEM (TURBO)	1 - K 8	1910	TORQUE CONVERTER, OIL PUMP & PIPINGS (AUTOMATIC)			
1 - C 5	1364B	THROTTLE BODY COMPONENTS (W/O TURBO)	1 - L 8	1920	TRANSMISSION CASE & MAIN CONTROL SYSTEM (AUTOMATIC)			
1 - D 5	1364BA	THROTTLE BODY COMPONENTS (TURBO)	1 - C 9	1925	CONTROL VALVE (AUTOMATIC)			
1 - E 5	1371B	AIR PUMP & AIR CONTROL VALVE (W/O TURBO)	1 - E 9	1930	CLUTCHES & PLANETARY GEARS (AUTOMATIC)			
1 - F 5	1371BA	AIR PUMP & AIR CONTROL VALVE (TURBO)	1 - H 9	1940	GOVERNOR, LOW & REVERSE PISTON (AUTOMATIC)			
1 - G 5	1380B	EMISSION CONTROL SYSTEM (EXHAUST SIDE) (W/O TURBO)	1 - I 9	1950	MANUAL LINKAGE SYSTEM (AUTOMATIC)			
1 - K 5	1380BA	EMISSION CONTROL SYSTEM (EXHAUST SIDE) (TURBO)	1 - J 9	1960	GASKET & SEAL KIT (AUTOMATIC)			
1 - C 6	1400B	OIL PUMP & FILTER (W/O TURBO)						

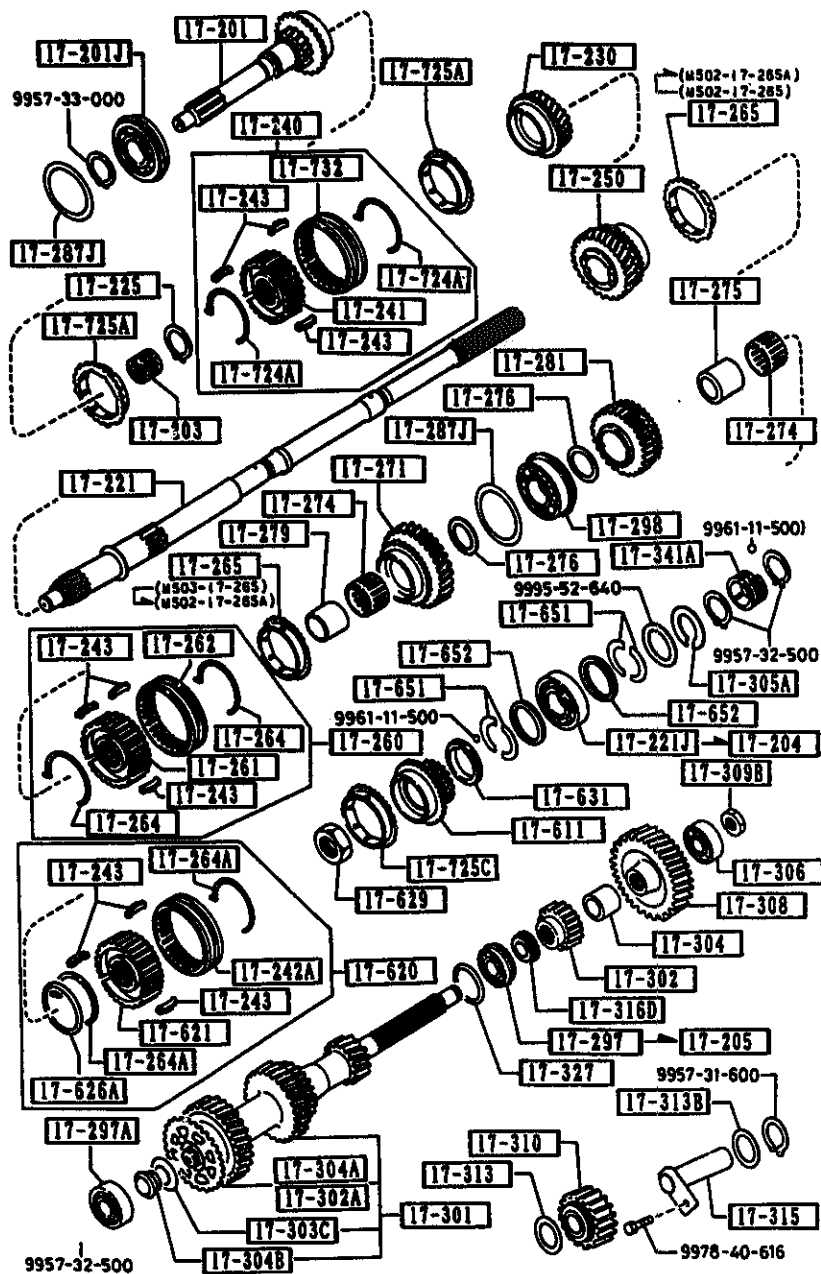
**1700A-1 TRANSMISSION CASE (MANUAL)  
(TURBO)**



ITEM NO.	D-CODE	DESCRIPTION	PART NO.	QTY	MODEL/DESCRIPTION	REMARKS
17 100		CASE, T/MISSION	R503-17-200E	1		
17 121B		MAGNET	B501-17-121	1		6402-
17 121C		PLUG, MAGNET	Q107-17-121	1		
17 122		PLUG, MAGNET	Q810-17-121	1		
17 325		COVER, BEARING	Q884-17-325B	1		
17 330		HOUSING, EXTENSION	R503-17-330C	1		
17 335		SEAL, OIL	M502-17-335A	1		
17 337		BOLT	R501-17-337A	5		
17 337A		BOLT	R504-17-337	1		
17 338		BOLT	R501-17-338A	1		
17 371		COVER, UNDER	Q862-17-371	1		-6402
			R501-17-371A	1		6402-
			R501-17-373	1		6402-
17 373A		PLATE, DRAIN PLUG-UNDER COVER	R501-17-373	1		
17 375		GASKET, UNDER COVER	R501-17-375	1		
17 381		COVER, BLIND	Q810-17-381A	2		
17 385		GASKET, BLIND COVER	Q810-17-385	2		
17 441		GEAR, DRIVEN	1669-17-441A	1	N=20	
17 442		SLEEVE, SPEEDOMETER	1669-17-442B	1		
17 442J		O-RING	1011-17-443	1		
17 442K		SEAL, OIL	9958-60-8166	1		
17 530		BREATHER, AIR-T/MISSION	Q884-17-530	1		
17 540		PASS, OIL	R502-17-540B	1		
17 543		RUBBER, SEAL	M501-17-543A	1		
17 550		GUIDE, OIL	1281-17-550	1		
17 660		PASS, OIL	Q862-17-660C	1		
43 608		SPACER	1281-17-383	2		

6402 FC33\* -140427

**1710-1 TRANSMISSION GEARS (MANUAL)  
(W/O TURBO)**

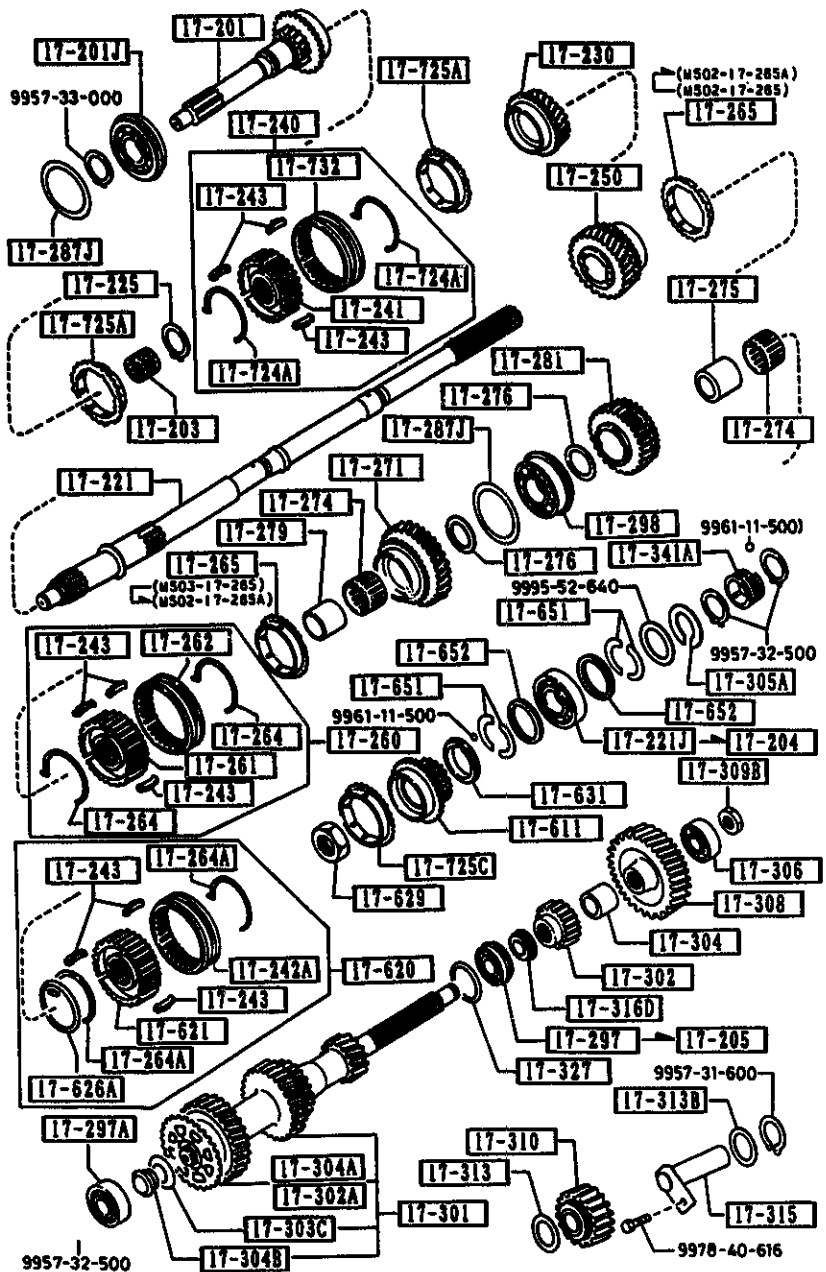


ITEM NO.	D-CODE	DESCRIPTION	PART NO.	QTY	MODEL/DESCRIPTION	REMARKS
17 201		GEAR, MAIN DRIVE	M515-17-201A	1		
17 201J		BEARING, BALL-MAIN DRIVE GEAR	M502-17-295C	1		
17 203		BEARING, NEEDLE	M501-17-210	1		
17 204		BEARING, BALL-MAIN SHAFT	M503-17-204	1		7123-
17 205		BEARING, ROLLER	R502-17-306	1		
			<C> R502-17-306A	1	REQUIRES SPACER: R502-17-316	
17 221		SHAFT, MAIN	M505-17-221A	1		
17 221J		BEARING, BALL	M503-17-204	1		-7123
17 225		RING, SNAP	0317-17-225	1		
17 230		GEAR, 3RD	M510-17-231A	1		
17 241		HUB, CLUTCH	M508-17-261A	1		3RD GEAR, OVERTOP
17 242A		SLEEVE, CLUTCH HUB	F401-17-242A	1		OVERTOP
17 243		KEY, SYNCHRONIZER	F401-17-243A	9		
17 250		GEAR, 2ND	M508-17-251	1		
17 261		HUB, CLUTCH	M502-17-261	1		1ST, 2ND
17 262		SLEEVE, CLUTCH HUB	M503-17-262	1		1ST, 2ND
17 264		SPRING, SYNCHRONIZER KEY	G401-17-264	2		1ST, 2ND
17 264A		SPRING, SYNCHRONIZER	F401-17-264A	2		2ND
17 265		RING, SYNCHRONIZER	M502-17-265A	2		1ST, 2ND
17 271		GEAR, 1ST	M510-17-271	1		
17 274		BEARING, NEEDLE	4069-17-283A	2		
17 275		RACE, INNER	4069-17-284E	1		REVERSE
17 276		WASHER, THRUST	0259-17-276	2		T=2.2MM
			0259-17-277	2		T=2.7MM
			0259-17-274A	2		T=3MM
			0259-17-278	2		T=3.2MM
			0259-17-279	2		T=3.7MM
17 279		SLEEVE, GEAR	8540-17-275A	1		1ST
17 281		GEAR, REVERSE	M501-17-281B	1		
17 287J		SHIM, ADJUST	9996-36-310	2		T=0.1MM
			9996-36-315	1		T=0.15MM
			9996-36-330	2		T=0.3MM
17 297		BEARING, BALL-COUNTER SHAFT GEAR	R502-17-306	1		
			<C> R502-17-306A	1	REQUIRES SPACER: R502-17-316	
17 297A		BEARING, BALL-COUNTER SHAFT GEAR	M502-17-297A	1		
17 298		BEARING	M502-17-298A	1		
17 301		GEAR, COUNTER SHAFT	M519-17-300B	1		
17 302		GEAR, COUNTER REVERSE	8086-17-302C	1		-7301

7123 FC33\* -531326  
7301 FC33\* -537230



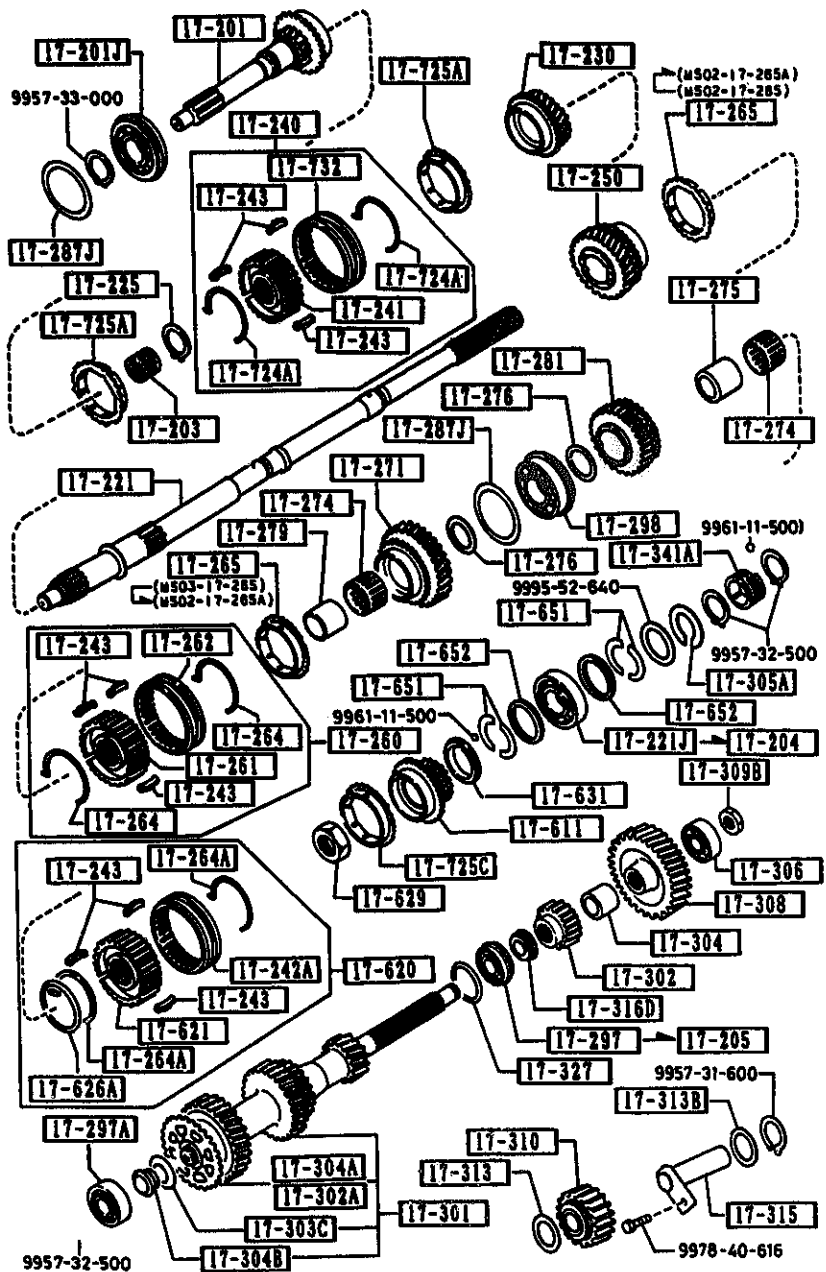
**1710-2 TRANSMISSION GEARS (MANUAL)  
(W/O TURBO)**



ITEM NO.	D-CODE	DESCRIPTION	PART NO.	QTY	MODEL/DESCRIPTION	REMARKS
17 302 (CONT'D)			M503-17-302B	1		7301-
17 302A		GEAR, FRICTION	M502-17-302B	1		
17 303C		SPRING, DIAPHRAGM	M501-17-303	1		
17 304		SPACER	M504-17-304	1		
17 304B		SPACER	M501-17-304B	1		
17 305A		RING, RETAINING-BALL BEARING	0839-17-305B	1		
17 306		BEARING, BALL	M502-17-299A	1		
17 308		GEAR, COUNTER	M504-17-308	1		-6422
		REFER TO SERV. BULL. NO. 020/86, CAT. 7 FOR MORE INFO.				
			M507-17-308	1		6422-
17 309B		NUT, LOCK-COUNTER SHAFT BRACKET	M501-17-309	1		
17 310		GEAR, REVERSE IDLE	M504-17-310C	1		
17 313		WASHER, THRUST-REVERSE IDLE GEAR	4069-17-313	1		
17 313B		WASHER, THRUST	4077-17-316	1	T=2.6MM	
			4077-17-314A	1	T=2.8MM	
			4077-17-315A	1	T=3MM	
17 315		SHAFT, REVERSE IDLE GEAR	8086-17-140A	1		
17 327		SHIM, ADJUST-COUNTER SHAFT GEAR	0305-17-327	2	T=0.1MM	
			0305-17-328	1	T=0.3MM	
17 341A		GEAR, SPEEDOMETER DRIVE	1281-17-341	1		
17 611		GEAR, OVERTOP	M509-17-611	1		-6422
		REFER TO SERV. BULL. NO. 020/86, CAT. 7, FOR MORE INFO.				
			M512-17-611	1		6422-
17 621		HUB, CLUTCH	M510-17-261	1	OVERTOP & REVERSE	
17 626A		RING, RETAINING-CLUTCH HUB	3648-17-626	1	OVERTOP & REVERSE	
17 629		NUT, LOCK-CLUTCH HUB	8601-17-629	1		
17 631		WASHER, THRUST LOCK-OVERTOP GEAR	0884-17-632B	1	T=6.2MM	
			0884-17-633B	1	T=6.4MM	
			0884-17-634B	1	T=6.5MM	
			0884-17-635B	1	T=6.6MM	
17 651		WASHER, THRUST	M501-17-655	2	T=2.9MM	
			M501-17-651	4	T=3MM	
			M501-17-653	2	T=3.1MM	
			M501-17-654	2	T=3.2MM	
17 652		RING, THRUST WASHER	M501-17-652	2		

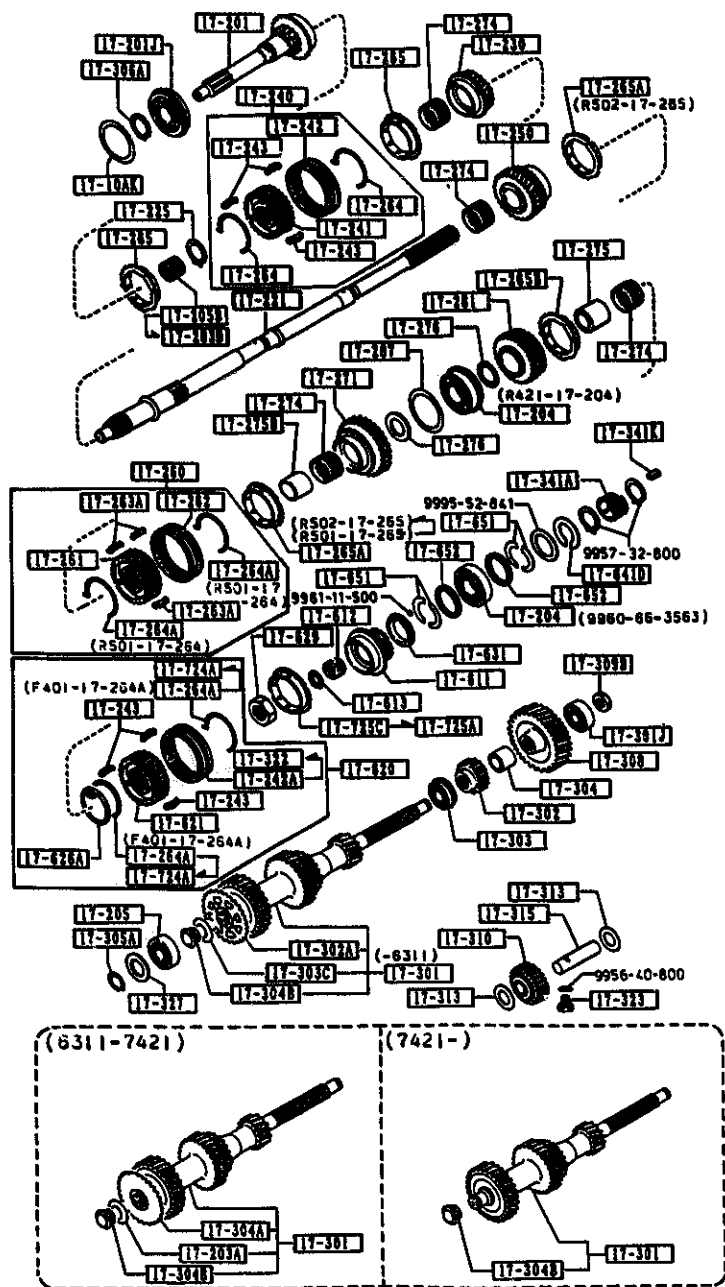
6422 FC33\* -144863  
7301 FC33\* -537230

**1710-3 TRANSMISSION GEARS (MANUAL)  
(W/O TURBO)**



ITEM NO.	D-CODE	DESCRIPTION	PART NO.	QTY	MODEL/DESCRIPTION	REMARKS
17 724A		SPRING, SYNCHRONIZER KEY	W501-17-724	2	3RD & OVERTOP	
17 725A		RING, SYNCHRONIZER	W501-17-725A	2	3RD & OVERTOP	
17 725C		RING, SYNCHRONIZER	V501-17-725	1	OVERTOP	
17 732		SLEEVE, CLUTCH HUB	W501-17-732A	1	3RD & OVERTOP	

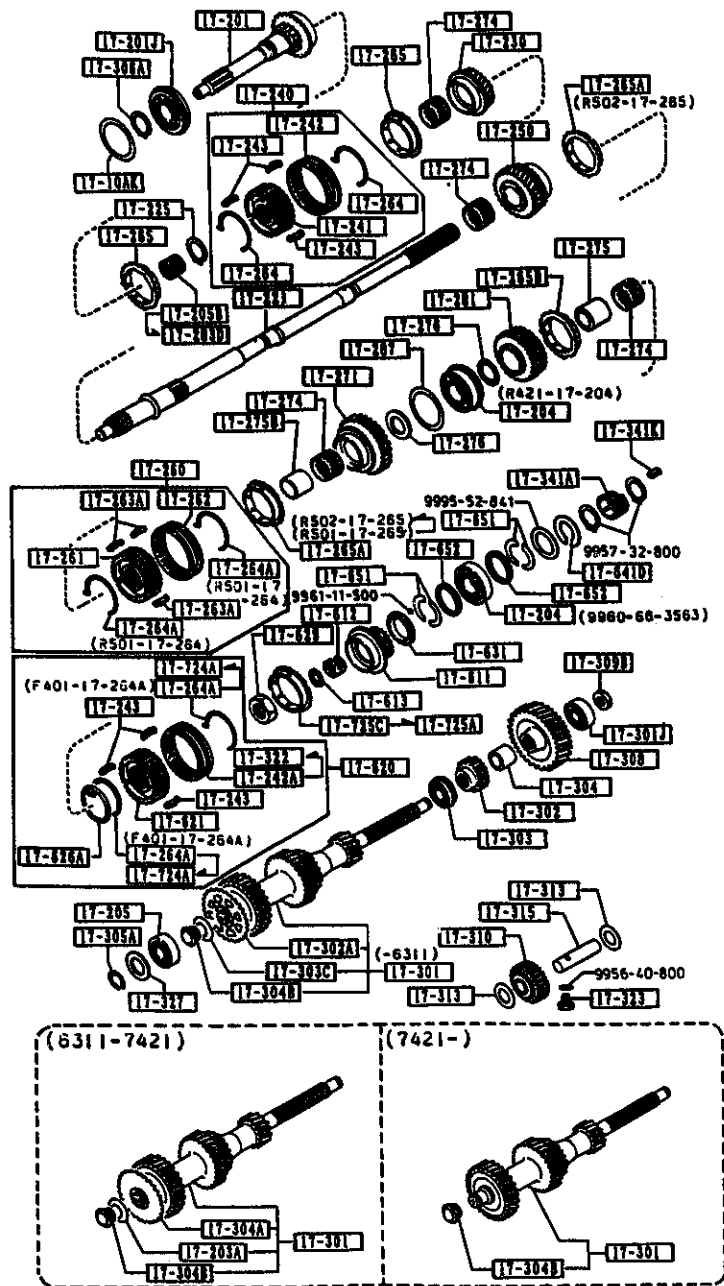
**1710A-1 TRANSMISSION GEARS (MANUAL)  
(TURBO)**



ITEM NO.	D-CODE	DESCRIPTION	PART NO.	QTY	MODEL/DESCRIPTION	REMARKS
17 10AK		SHIM, ADJUST	9996-36-910	2	T=0.1MM	
			9996-36-930	1	T=0.3MM	
17 201		GEAR, MAIN DRIVE	R501-17-21XA	1		
17 201J		BEARING, BALL-MAIN DRIVE GEAR	R421-17-295	1		
17 203A		SPRING, DIAPHRAGM	R502-17-203A	1		6311-7201
			R504-17-203	1		7201-7421
17 204		BEARING, BALL-MAIN SHAFT	R421-17-204	1	1ST	
			9960-66-3563	1	OVERTOP	
17 205		BEARING, ROLLER	R502-17-306	1		
			<C> R502-17-306A	1	REQUIRES SPACER: R502-17-316	
17 205B		BEARING, NEEDLE	H505-17-283A	1		
17 221		SHAFT, MAIN	R503-17-221B	1		
17 225		RING, SNAP	0317-17-225	1		
17 230		GEAR, 3RD	R502-17-231B	1		
17 241		HUB, CLUTCH	R501-17-241	1	3RD, OVERTOP	
17 242		SLEEVE, CLUTCH HUB	R501-17-242	1	3RD, OVERTOP	
17 242A		SLEEVE, CLUTCH HUB	F401-17-242A	1	REVERSE	-6801
17 243		KEY, SYNCHRONIZER	F401-17-243A	6	3RD, REVERSE	
17 250		GEAR, 2ND	R502-17-250A	1		
17 261		HUB, CLUTCH	R501-17-261	1	1ST, 2ND	
17 262		SLEEVE, CLUTCH HUB	R501-17-262	1		
17 263A		KEY, SYNCHRONIZER	W501-17-263A	3		
17 264		SPRING, SYNCHRONIZER KEY	G402-17-264	2	3RD, OVERTOP	
17 264A		SPRING, SYNCHRONIZER	R501-17-264	2	1ST, 2ND	
			F401-17-264A	2	REVERSE	-6801
17 265		RING, SYNCHRONIZER	M502-17-265A	2	1ST, 2ND	
17 265A		RING, SYNCHRONIZER	R502-17-265A	2	1ST, 2ND	
17 265B		RING, SYNCHRONIZER	R503-17-265A	1	REVERSE	6801-
17 271		GEAR, 1ST	R502-17-270A	1		
17 274		BEARING, NEEDLE	0884-17-274	4		
17 275		RACE, INNER	3648-17-275A	1	REVERSE	
17 275B		RACE, INNER	0884-17-275B	1	1ST	
17 276		WASHER, THRUST	0839-17-276	1	T=2.5MM	
			0839-17-277	2	T=3MM	
			0839-17-278	1	T=3.5MM	
17 281		GEAR, REVERSE	R501-17-281A	1		-6801
			R502-17-281A	1		6801-
17 287		SHIM, ADJUST	0839-17-287	2	T=0.1MM	
			0839-17-288	1	T=0.3MM	
17 301		GEAR, COUNTER SHAFT	R506-17-300G	1		

6311 FC33\* -136264  
 6801 FC33\* -522333  
 7201 FC33\* -532667  
 7421 FC33\* -547007

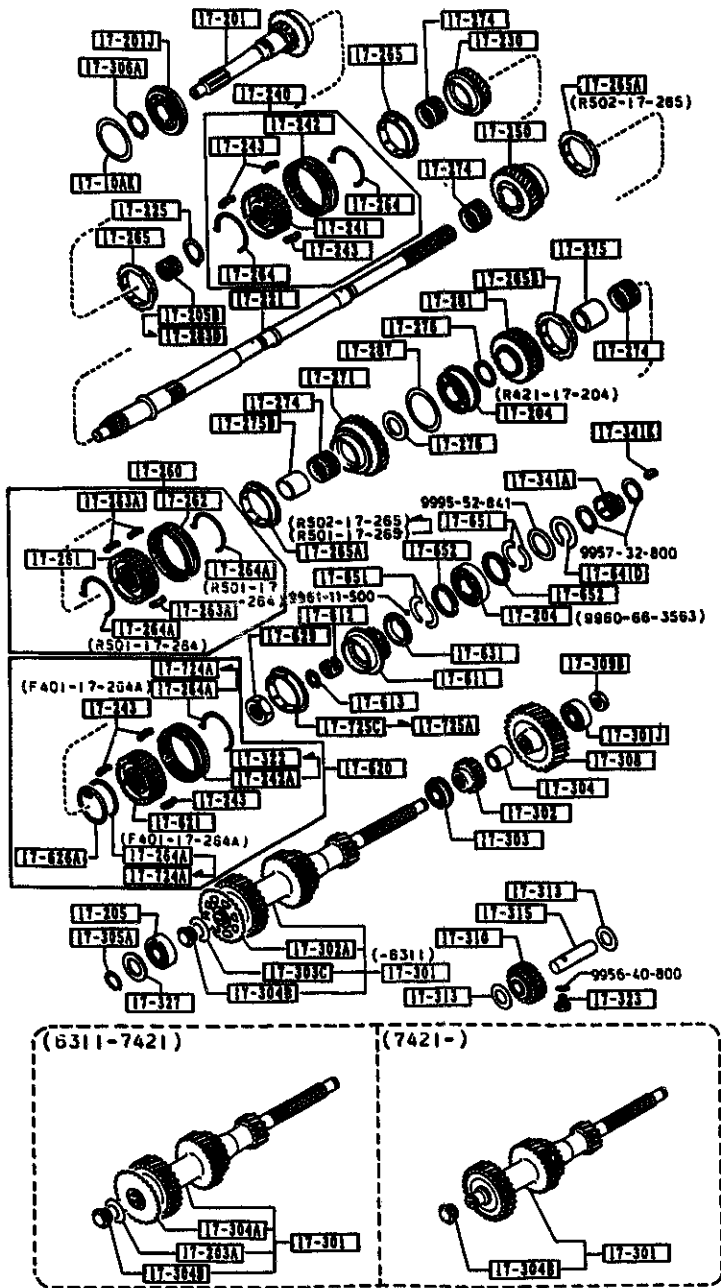
**1710A-2 TRANSMISSION GEARS (MANUAL)  
(TURBO)**



ITEM NO.	D-CODE	DESCRIPTION	PART NO.	QTY	MODEL/DESCRIPTION	REMARKS
17 301J		BEARING, BALL	R521-17-299	1		
17 302		GEAR, COUNTER REVERSE	0821-17-302A	1		-6B01
			R501-17-302	1		6B01-
17 302A		GEAR, FRICTION	R502-17-304B	1		-6311
17 303		BEARING, BALL	0821-17-303	1		
17 303C		SPRING, DIAPHRAGM	M502-17-303	1		-6311
17 304		SPACER	R501-17-304	1		
17 304A		GEAR, FRICTION	R505-17-304	1		6311-7421
17 304B		SPACER	M501-17-304B	1		-6311
			R501-17-316A	1		6311-
17 305A		RING, RETAINING-BALL BEARING	0839-17-305B	1		
17 306A		RING, SNAP	0727-17-306	1		
17 308		GEAR, COUNTER	R503-17-308A	1		-6B01
			R505-17-308	1		6B01-
17 309B		NUT, LOCK-COUNTER SHAFT BRACKET	M501-17-309	1		
17 310		GEAR, REVERSE IDLE	3648-17-310	1		-6B01
			R502-17-310	1		6B01-
17 313		WASHER, THRUST-REVERSE IDLE GEAR	0821-17-313	2		
17 315		SHAFT, REVERSE IDLE GEAR	0884-17-315	1		
17 322		SLEEVE, CLUTCH HUB	R501-17-622	1	REVERSE	6B01-
17 323		BOLT SET	4069-17-323	1		
17 327		SHIM, ADJUST-COUNTER SHAFT GEAR	0305-17-327	1	T=0.1MM	-6501
				2	T=0.1MM	6501-
			0305-17-328	1	T=0.3MM	
17 341A		GEAR, SPEEDOMETER DRIVE	R501-17-341	1		
17 341K		KEY	M501-17-342	1		
17 611		GEAR, OVERTOP	R503-17-611	1		-6B01
			R505-17-610B	1		6B01-
17 612		BEARING, NEEDLE	R501-17-612	1		
17 613		RING, RETAINING	R501-17-613	1		
17 621		HUB, CLUTCH	R501-17-621	1	REVERSE	-6B01
			R502-17-621A	1	REVERSE	6B01-
17 624		SPRING, SYNCHRONIZER	F401-17-264A	2	REVERSE	-6B01
17 626A		RING, RETAINING-CLUTCH HUB	3648-17-626	1	REVERSE	-6B01
17 629		NUT, LOCK-CLUTCH HUB	3648-17-629	1		
17 631		WASHER, THRUST LOCK-OVERTOP GEAR	R501-17-636	1	T=6.2MM	
			R501-17-635	1	T=6.3MM	
			R501-17-631A	1	T=6.4MM	
			R501-17-632A	1	T=6.5MM	

6311 FC33\* -136264  
 6501 FC33\* -146093  
 6B01 FC33\* -522333  
 7421 FC33\* -547007

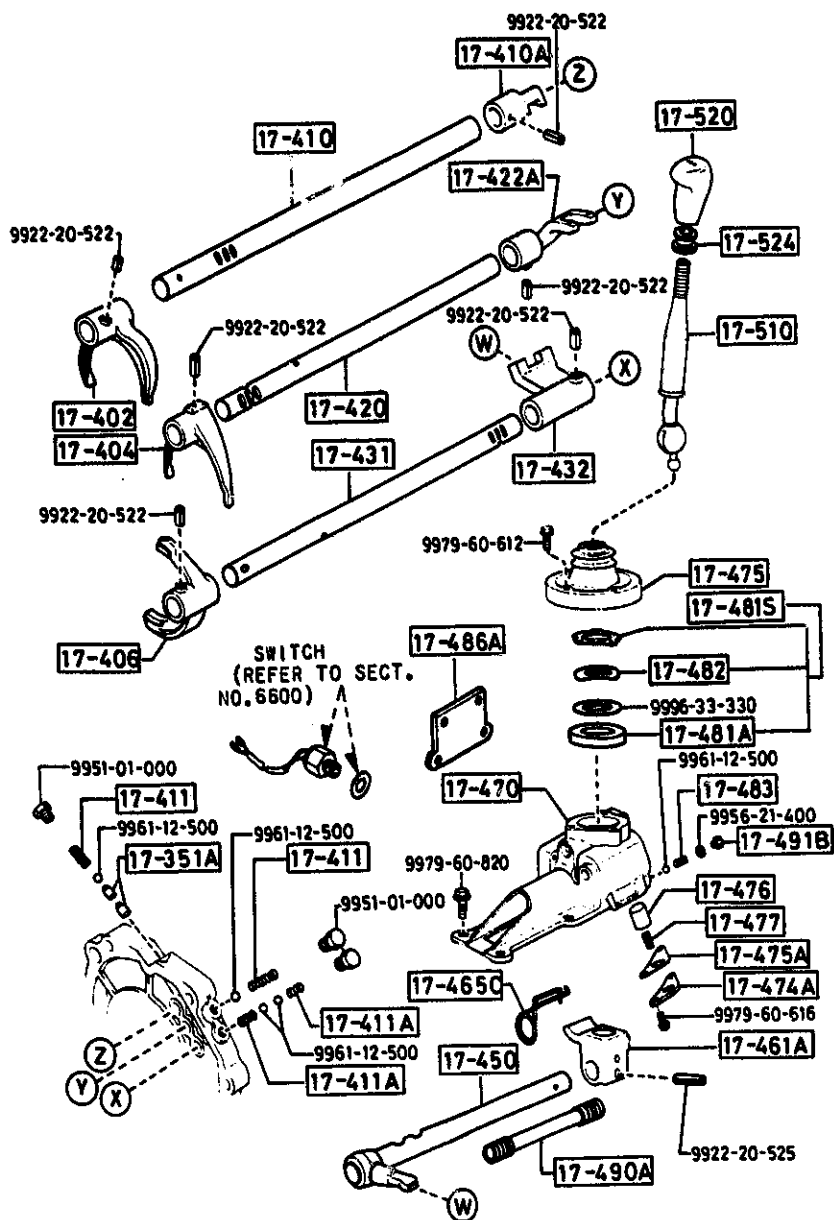
**1710A-3 TRANSMISSION GEARS (MANUAL)  
(TURBO)**



ITEM NO.	D-CODE	DESCRIPTION	PART NO.	QTY	MODEL/DESCRIPTION	REMARKS
17 631	(CONT'D)		R501-17-633A	1	T=6.6MM	
			R501-17-634A	1	T=6.7MM	
17 641D		RING, SNAP	0821-17-641B	1		
17 651		WASHER, THRUST	M502-17-655	2	T=2.9MM	
			M502-17-651	4	T=3MM	
			M502-17-653	2	T=3.1MM	
			M502-17-654	2	T=3.2MM	
17 652		RING, THRUST WASHER	M502-17-652	2		
17 724A		SPRING, SYNCHRONIZER KEY	W501-17-724	2	REVERSE	6801-
17 725A		RING, SYNCHRONIZER	W501-17-725A	1		6801-
17 725C		RING, SYNCHRONIZER	V501-17-725	1		-6801

6801 FC33\* -522333

**1720-1 CHANGE CONTROL SYSTEM (MANUAL)  
(W/O TURBO)**

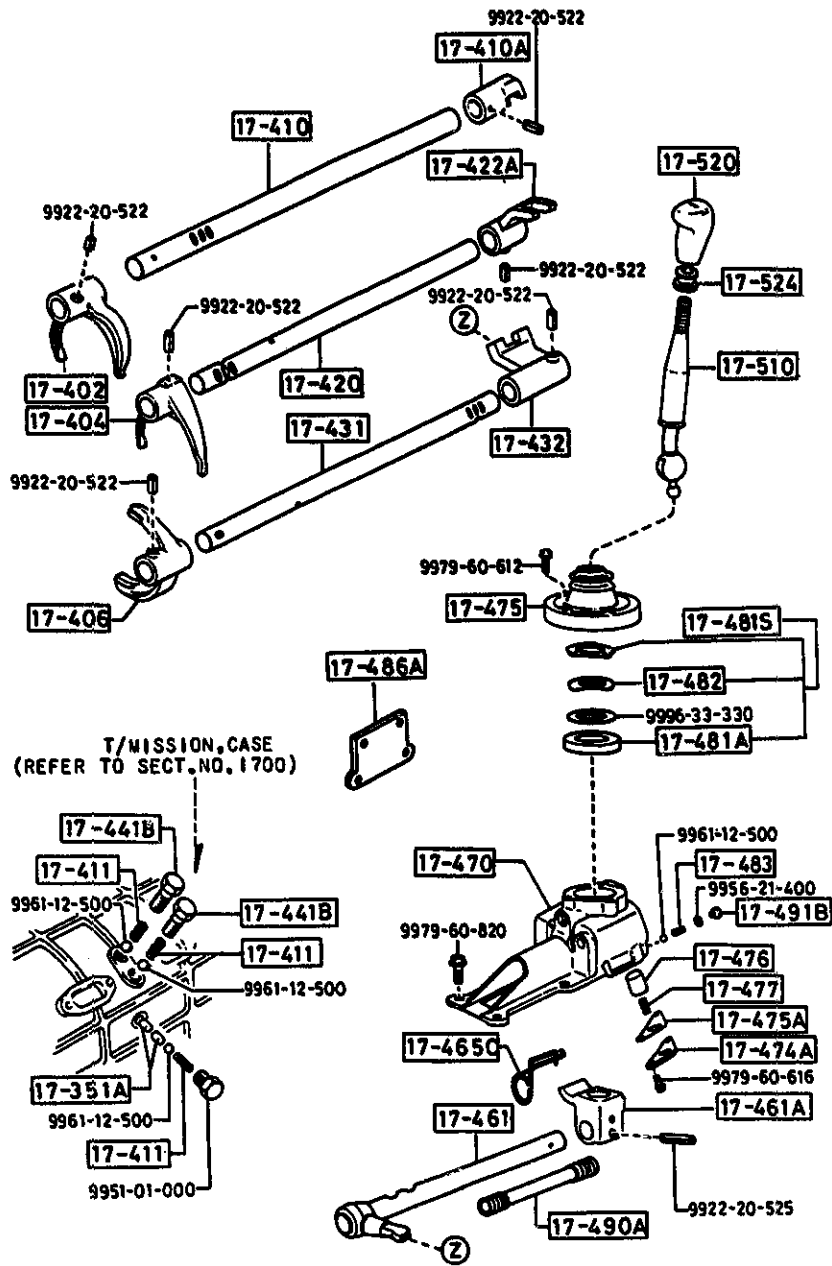


ITEM NO.	D-CODE	DESCRIPTION	PART NO.	QTY	MODEL/DESCRIPTION	REMARKS
17 351A		PIN, INTER LOCK	0114-17-351	2		
17 402		FORK, SHIFT (1ST & 2ND)	M502-17-402A	1		
17 404		FORK, SHIFT (3RD & 4TH)	M501-17-404B	1		-6C01
17 406		FORK, SHIFT	M504-17-406A	1		
17 410		ROD, SHIFT (1ST & 2ND)	M502-17-411A	1		
17 410A		END, S/ROD (1ST & 2ND)	M501-17-412	1		
17 411		SPRING, SHIFT ROD	0103-17-411	2		
17 411A		SPRING, SHIFT ROD-REVERSE	0014-17-411	2		
17 420		ROD, SHIFT (3RD & 4TH)	M503-17-421	1		
17 422A		END, S/ROD (3RD & 4TH)	M501-17-422	1		
17 431		ROD, SHIFT-OVERTOP & REVERSE	M505-17-431A	1		
17 432		END, SHIFT	M501-17-432	1		
17 450		LEVER, SHIFT	M512-17-450	1		
17 461A		END, CONTROL LEVER	M505-17-461A	1		
17 465C		SPRING, SELECT	M501-17-465B	1		
17 470		CASE, CHANGE CONTROL	M508-17-470D	1		
17 474A		CAP, SPRING	M501-17-474	1		
17 475		BOOT, DUST-CHANGE LEVER	M509-17-480A	1		
17 475A		GASKET, SPRING CAP	M501-17-475	1		
17 476		SPINDLE, SELECT LOCK	M502-17-476A	1		
17 477		SPRING	M501-17-477	1		
17 481A		BUSHING, CHANGE	M508-17-481A	1		
17 482		WASHER, WAVE-CHANGE CONTROL CASE	M505-17-482	1		
17 483		SPRING	8599-17-482	1		
17 486A		COVER, BLIND	0824-17-483	1		
17 490A		COVER, ROD	M501-17-486A	1		
17 491B		CAP, SPRING	M502-17-490A	1		
17 510		LEVER, CHANGE	0183-17-491	1		
17 520		KNOB, CHANGE LEVER	M515-17-510A	1		
17 524		NUT, LOCK	M507-17-520 00 M503-17-524A	1		

6C01 FC33\* -525576

1720A-1

CHANGE CONTROL SYSTEM (MANUAL)  
(TURBO)

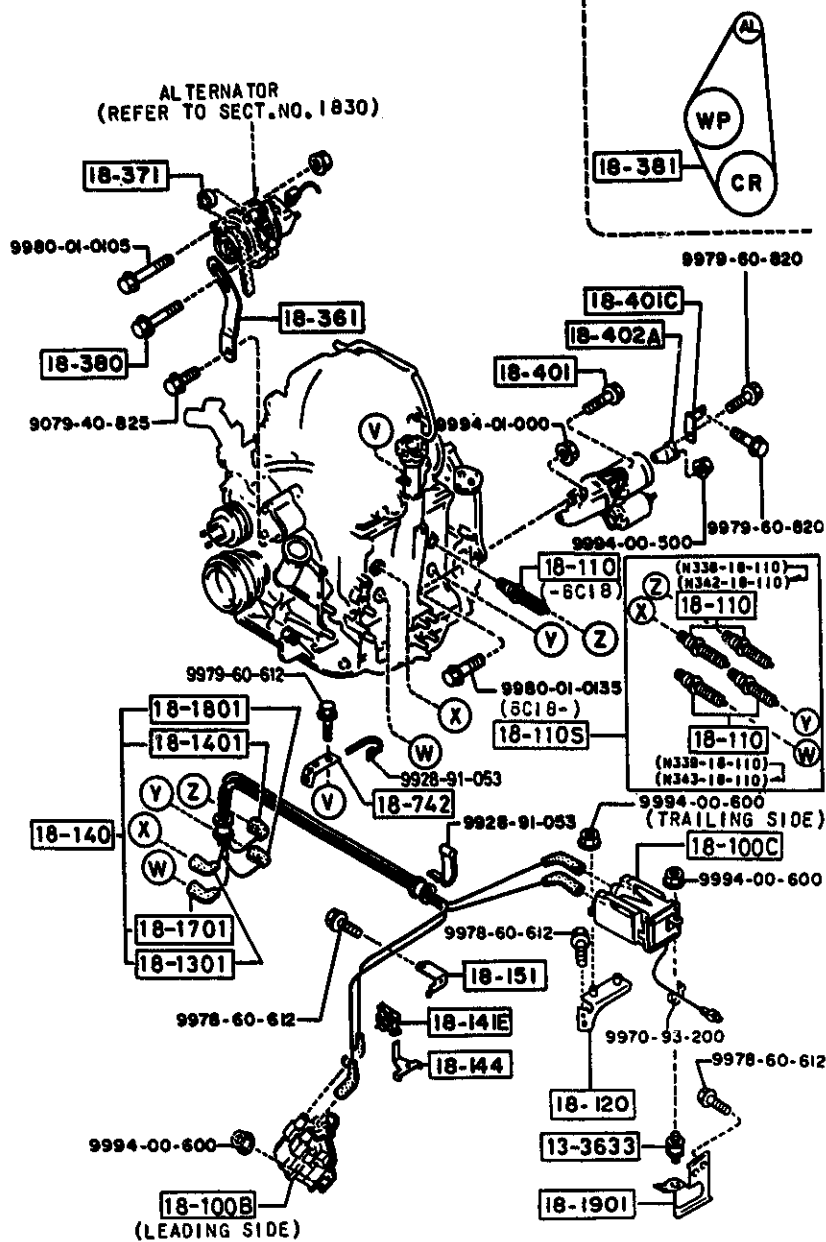


ITEM NO.	D-CODE	DESCRIPTION	PART NO.	QTY	MODEL/DESCRIPTION	REMARKS
17 351A		PIN, INTER LOCK	0114-17-351	2		
17 402		FORK, SHIFT (1ST & 2ND)	R501-17-402A	1		
17 404		FORK, SHIFT (3RD & 4TH)	R501-17-404A	1		-7601
			< A >			7601-
17 406		FORK, SHIFT	R503-17-406A	1		-6801
			R504-17-406A	1		6801-
17 410		ROD, SHIFT (1ST & 2ND)	R502-17-411B	1		
17 410A		END, S/ROD (1ST & 2ND)	R502-17-412	1		
17 411		SPRING, SHIFT ROD	0103-17-411	3		
17 420		ROD, SHIFT (3RD & 4TH)	R502-17-421B	1		
17 422A		END, S/ROD (3RD & 4TH)	R502-17-422	1		
17 431		ROD, SHIFT-OVERTOP & REVERSE	R503-17-431A	1		-7101
			R506-17-431	1		7101-
17 432		END, SHIFT	R502-17-432	1		
17 441B		PLUG, CAP	0221-17-441	2		
17 461		LEVER, CONTROL	R503-17-450	1		
17 461A		END, CONTROL LEVER	M505-17-461A	1		
17 465C		SPRING, SELECT	M501-17-465A	1		
17 470		CASE, CHANGE CONTROL	M508-17-470D	1		
17 474A		CAP, SPRING	M501-17-474	1		
17 475		BOOT, DUST-CHANGE LEVER	M509-17-480A	1		
17 475A		GASKET, SPRING CAP	M501-17-475	1		
17 476		SPINDLE, SELECT LOCK	M502-17-476A	1		
17 477		SPRING	M501-17-477	1		
17 481A		BUSHING, CHANGE	M508-17-481A	1		
17 482		WASHER, WAVE-CHANGE CONTROL CASE	M505-17-482	1		
			8599-17-482	1		
17 483		SPRING	0824-17-483	1		
17 486A		COVER, BLIND	M501-17-486A	1		
17 490A		COVER, ROD	M501-17-490B	1		
17 491B		CAP, SPRING	0183-17-491	1		
17 510		LEVER, CHANGE	M515-17-510A	1		
17 520		KNOB, CHANGE LEVER	M507-17-520	1		
		BLACK	00			
17 524		NUT, LOCK	M503-17-524A	1		

6801	FC33*	-522333
7101	FC33*	-528625
7601	FC33*	-550168

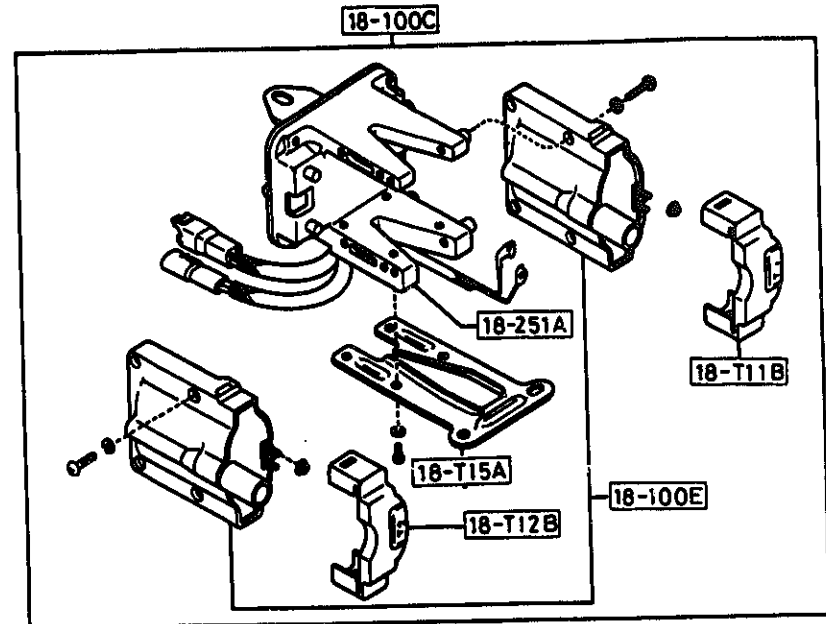
**1800E-1 ENGINE ELECTRICAL SYSTEM  
(W/O TURBO)**

(THIS ILLUSTRATION CONSISTS OF 2 PAGES)

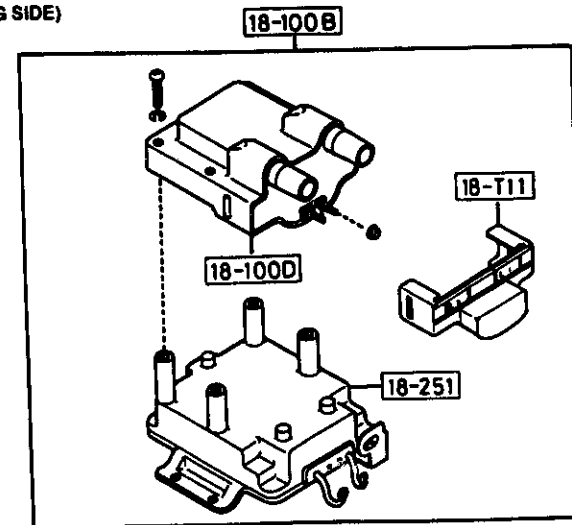


(TRAILING SIDE)

(THIS ILLUSTRATION CONSISTS OF 2 PAGES)



(LEADING SIDE)





**1800B-2 ENGINE ELECTRICAL SYSTEM  
(W/O TURBO)**

ITEM NO.	D-CODE	DESCRIPTION	PART NO.	QTY	MODEL/DESCRIPTION	REMARKS
13 3633		RUBBER, MOUNTING-IGNITION COIL	N327-13-363	1		6501-
18 100B		COIL & IGNITER, LEADING	N327-18-100	1		
18 100C		COIL & IGNITER, TRAILING	N326-18-100A	1		-6501
		<C>	N326-18-100B	1	REQUIRES: N326-18-115A (BRACKET) & N327-13-363 (RUBBER)	6501-
18 100D		COIL, IGNITION-LEADING	N339-18-100	1		
18 100E		COIL, IGNITION-TRAILING	N338-18-100	2		
18 110		PLUG, SPARK	N343-18-110	2	LEADING	
		REFER TO SPECIAL SERVICE PROGRAM NO. SSP03 FOR MORE INFO.				
			N342-18-110	2	TRAILING	
18 110S		PLUG SET, SPARK	N3X4-18-110	1	BLISTER PACK	
		REFER TO SPECIAL SERVICE PROGRAM NO. SSP03 FOR MORE INFO.				
18 120		BRACKET, IGNITION COIL	N326-18-105	1		
18 1301		WIRE, HIGH TENSION (T-1)	N326-18-160B	1		
18 140		WIRE SET, HIGH TENSION	0000-18-100A	1		
18 1401		WIRE, HIGH TENSION (T-2)	N326-18-190B	1		
18 141E		SUPPORTER, WIRE	N326-18-141	1		
18 144		BRACKET, SUPPORT-HIGH TENSION WIRE	N326-18-144	1		
18 151		BRACKET, HIGH TENSION WIRE SUPPORTER	N326-18-151	1		
18 1701		WIRE, HIGH TENSION (L-1)	N326-18-170B	1		
18 1801		WIRE, HIGH TENSION (L-2)	N326-18-180B	1		
18 1901		BRACKET, IGNITION COIL	N326-18-115	1		-6501
			N326-18-115A	1		6501-
18 201		O-RING	9954-10-3501	1		
18 251		IGNITER, IGNITION COIL-LEADING	N327-18-251	1		
18 251A		IGNITER, IGNITION COIL-TRAILING	N326-18-251	1		-6501
		<C>	N326-18-251A	1		6501-
18 361		STRAP, ALTERNATOR	N326-18-361A	1		
18 371		BRACKET, ALTERNATOR	N245-18-311B	1		
18 380		BOLT, ALTERNATOR	N326-18-397	1		
18 381		V-BELT	8871-18-381	1	l=80VMM	
18 401		BOLT, STARTER	N327-18-401	1		
18 401C		BRACKET, STARTER	N327-18-410	1	A/T	-5901
18 402A		BRACKET, STARTER	N327-18-411	1	A/T	-5901

SEE ILLUSTRATION/S AT FRAME 1 - L 7

5901 FC33\* -102044  
6501 FC33\* -146093

1800B-3

**ENGINE ELECTRICAL SYSTEM  
(W/O TURBO)**

ITEM NO.	D-CODE	DESCRIPTION	PART NO.	QTY	MODEL/DESCRIPTION	REMARKS
	18 742	BRACKET	N327-18-141	1		
	18 T11	COVER, IGNITION COIL-LEADING	N327-18-T11	1		
	18 T11B	COVER, IGNITION COIL-T-1	N326-18-T11	1		
	18 T12B	COVER, IGNITION COIL-T-2	N326-18-T12	1		
	18 T15A	BRACKET, IGNITION COIL-TRAILING	N326-18-T15	1		

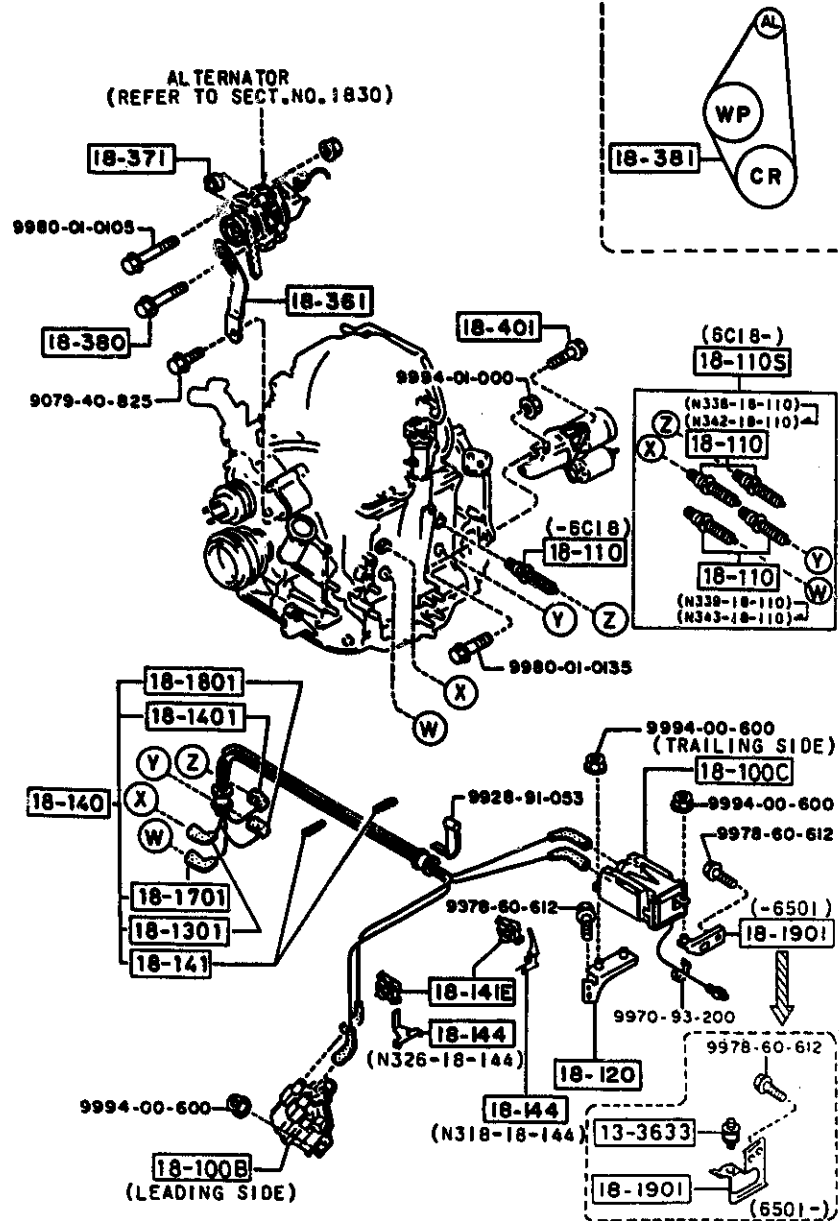
**SEE ILLUSTRATION/S AT FRAME 1 - L 7**

# SECTION INDEX -- ENGINE

STARTING LOCATION	SECT. NO.	SECTION NAME	STARTING LOCATION	SECT. NO.	SECTION NAME	STARTING LOCATION	SECT. NO.	SECTION NAME
1 - C 3	1000B	SHORT ENGINE BLOCK & GASKET SETS (W/O TURBO)	1 - E 6	1400BA	OIL PUMP & FILTER (TURBO)			
1 - D 3	1000BA	SHORT ENGINE & GASKET SETS (TURBO)	1 - G 6	1500B	COOLING SYSTEM (W/O TURBO)			
1 - E 3	1030B	ROTOR HOUSINGS (W/O TURBO)	1 - I 6	1500BA	COOLING SYSTEM (TURBO)			
1 - F 3	1030BA	ROTOR HOUSINGS (TURBO)	1 - K 6	1580B	BRACKET, PULLEY & BELT			
1 - G 3	1040B	OIL PAN, FRONT & REAR HOUSING (W/O TURBO)	1 - L 6	1600	CLUTCH DISC & COVER (MANUAL) (W/O TURBO)			
1 - H 3	1040BA	OIL PAN, FRONT & REAR HOUSING (TURBO)	1 - M 6	1600A	CLUTCH DISC & COVER (MANUAL) (TURBO)			
1 - I 3	1100B	ECCENTRIC SHAFT & FLYWHEEL (W/O TURBO)	1 - N 6	1700	TRANSMISSION CASE (MANUAL) (W/O TURBO)			
1 - J 3	1100BA	ECCENTRIC SHAFT & FLYWHEEL (TURBO)	1 - C 7	1700A	TRANSMISSION CASE (MANUAL) (TURBO)			
1 - K 3	1110B	ROTORS & RELATED PARTS (W/O TURBO)	1 - D 7	1710	TRANSMISSION GEARS (MANUAL) (W/O TURBO)			
1 - L 3	1110BA	ROTORS & RELATED PARTS (TURBO)	1 - G 7	1710A	TRANSMISSION GEARS (MANUAL) (TURBO)			
1 - M 3	1300B	INTAKE MANIFOLD (W/O TURBO)	1 - J 7	1720	CHANGE CONTROL SYSTEM (MANUAL) (W/O TURBO)			
1 - N 3	1300BA	INTAKE MANIFOLD (TURBO)	1 - K 7	1720A	CHANGE CONTROL SYSTEM (MANUAL) (TURBO)			
1 - C 4	1310B	EXHAUST MANIFOLD (W/O TURBO)	1 - L 7	1800B	ENGINE ELECTRICAL SYSTEM (W/O TURBO)			
1 - D 4	1310BA	EXHAUST MANIFOLD (TURBO)	1 - C 8	1800BA	ENGINE ELECTRICAL SYSTEM (TURBO)			
1 - G 4	1320B	FUEL SYSTEM (W/O TURBO)	1 - F 8	1830B	ALTERNATOR (W/O TURBO)			
1 - I 4	1320BA	FUEL SYSTEM (TURBO)	1 - G 8	1830BA	ALTERNATOR (TURBO)			
1 - K 4	1330B	AIR CLEANER (W/O TURBO)	1 - H 8	1840B	STARTER (W/O TURBO)			
1 - L 4	1330BA	AIR CLEANER (TURBO)	1 - I 8	1840BA	STARTER (TURBO)			
1 - M 4	1350B	STARTING ASSIST SYSTEM (W/O TURBO)	1 - J 8	1850B	BATTERY			
1 - N 4	1350BA	STARTING ASSIST SYSTEM (TURBO)	1 - K 8	1910	TORQUE CONVERTER, OIL PUMP & PIPINGS (AUTOMATIC)			
1 - C 5	1364B	THROTTLE BODY COMPONENTS (W/O TURBO)	1 - L 8	1920	TRANSMISSION CASE & MAIN CONTROL SYSTEM (AUTOMATIC)			
1 - D 5	1364BA	THROTTLE BODY COMPONENTS (TURBO)	1 - C 9	1925	CONTROL VALVE (AUTOMATIC)			
1 - E 5	1371B	AIR PUMP & AIR CONTROL VALVE (W/O TURBO)	1 - E 9	1930	CLUTCHES & PLANETARY GEARS (AUTOMATIC)			
1 - F 5	1371BA	AIR PUMP & AIR CONTROL VALVE (TURBO)	1 - H 9	1940	GOVERNOR, LOW & REVERSE PISTON (AUTOMATIC)			
1 - G 5	1380B	EMISSION CONTROL SYSTEM (EXHAUST SIDE) (W/O TURBO)	1 - I 9	1950	MANUAL LINKAGE SYSTEM (AUTOMATIC)			
1 - K 5	1380BA	EMISSION CONTROL SYSTEM (EXHAUST SIDE) (TURBO)	1 - J 9	1960	GASKET & SEAL KIT (AUTOMATIC)			
1 - C 6	1400B	OIL PUMP & FILTER (W/O TURBO)						

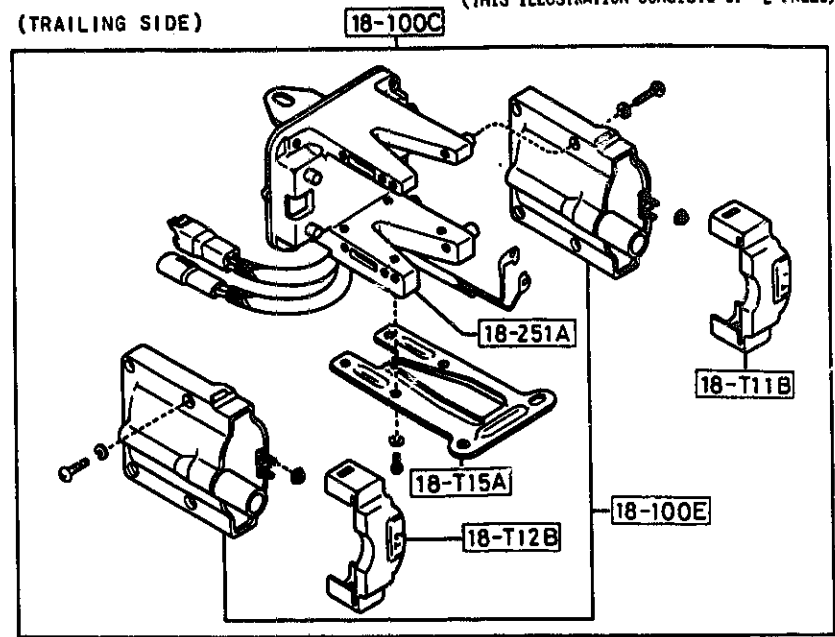
**1800BA-1 ENGINE ELECTRICAL SYSTEM (TURBO)**

(THIS ILLUSTRATION CONSISTS OF 2 PAGES)

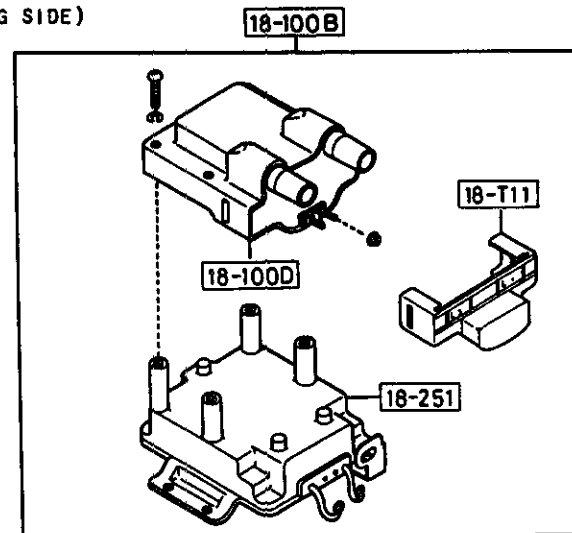


(THIS ILLUSTRATION CONSISTS OF 2 PAGES)

(TRAILING SIDE)



(LEADING SIDE)



**1800BA-2 ENGINE ELECTRICAL SYSTEM (TURBO)**

ITEM NO.	D-CODE	DESCRIPTION	PART NO.	QTY	MODEL/DESCRIPTION	REMARKS
13 3633		RUBBER, MOUNTING-IGNITION COIL	N327-13-363	1		
18 100B		COIL & IGNITER, LEADING	N327-18-100	1		
18 100C		COIL & IGNITER, TRAILING	N326-18-100A	1		-6501
			<C> N326-18-100B	1	REQUIRES BRACKET - N326-18-115A & RUBBER - N327-13-363	6501-
18 100D		COIL, IGNITION-LEADING	N339-18-100	1		
18 100E		COIL, IGNITION-TRAILING	N338-18-100	2		
18 110		PLUG, SPARK	N343-18-110	2	LEADING	
		REFER TO SPECIAL SERVICE PROGRAM NO. SSP03 FOR MORE INFO.				
			N342-18-110	2	TRAILING	
18 110S		PLUG SET, SPARK	N3X4-18-110	1	BLISTER PACK	6C18-
		REFER TO SPECIAL SERVICE PROGRAM NO. SSP03 FOR MORE INFO.				
18 120		BRACKET, IGNITION COIL	N326-18-105	1		
18 1301		WIRE, HIGH TENSION (T-1)	N318-18-160B	1		
18 140		WIRE SET, HIGH TENSION	0000-18-100A	1	RC-ZE02, NGK	
18 1401		WIRE, HIGH TENSION (T-2)	N318-18-190B	1		
18 141		SUPPORTER	N318-18-141	3		
18 141E		SUPPORTER, WIRE	N326-18-141	2		
18 144		BRACKET, SUPPORT-HIGH TENSION WIRE	N318-18-144	1		
			N326-18-144	1		
18 1701		WIRE, HIGH TENSION (L-1)	N318-18-170B	1		
18 1801		WIRE, HIGH TENSION (L-2)	N318-18-180B	1		
18 1901		BRACKET, IGNITION COIL	N326-18-115	1		-6501
			N326-18-115A	1		6501-
18 201		O-RING	9954-10-3501	1		
18 251		IGNITER, IGNITION COIL-LEADING	N327-18-251	1		
18 251A		IGNITER, IGNITION COIL-TRAILING	N326-18-251	1		-6501
			<C> N326-18-251A	1	REQUIRES: N326-18-115A (BRACKET) (BRACKET)	6501-
18 361		STRAP, ALTERNATOR	N326-18-361	1		
18 371		BRACKET, ALTERNATOR	N245-18-311B	1		
18 380		BOLT, ALTERNATOR	N326-18-397	1		
18 381		V-BELT	8311-18-381A	1	L=800MM	
18 401		BOLT, STARTER	N327-18-401	1		

SEE ILLUSTRATION/S AT FRAME 1 - C 8

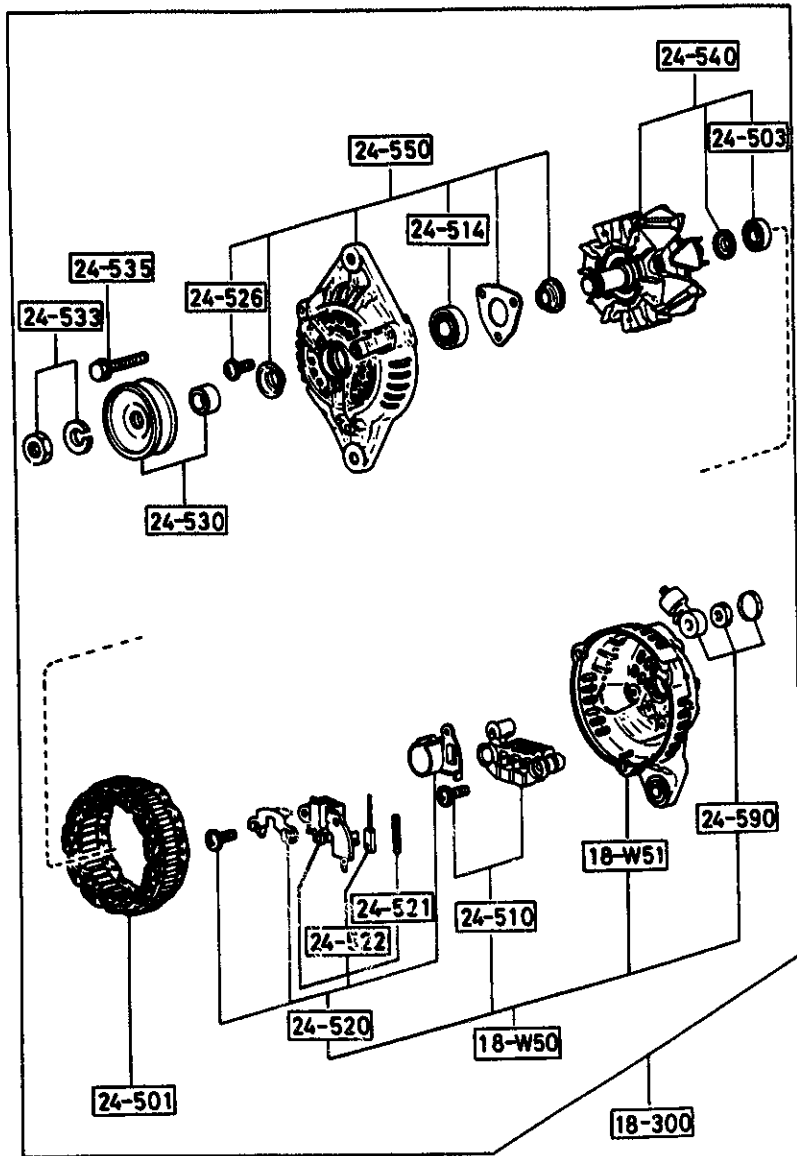
6501 FC33\* -146093  
6C18 FC33\* -527592

**1800BA-3 ENGINE ELECTRICAL SYSTEM  
(TURBO)**

ITEM NO.	D-CODE	DESCRIPTION	PART NO.	QTY	MODEL/DESCRIPTION	REMARKS
	18 T11	COVER, IGNITION COIL-LEADING	N327-18-T11	1		
	18 T11B	COVER, IGNITION COIL-T-1	N326-18-T11	1		
	18 T12B	COVER, IGNITION COIL-T-2	N326-18-T12	1		
	18 T15A	BRACKET, IGNITION COIL-TRAILING	N326-18-T15	1		

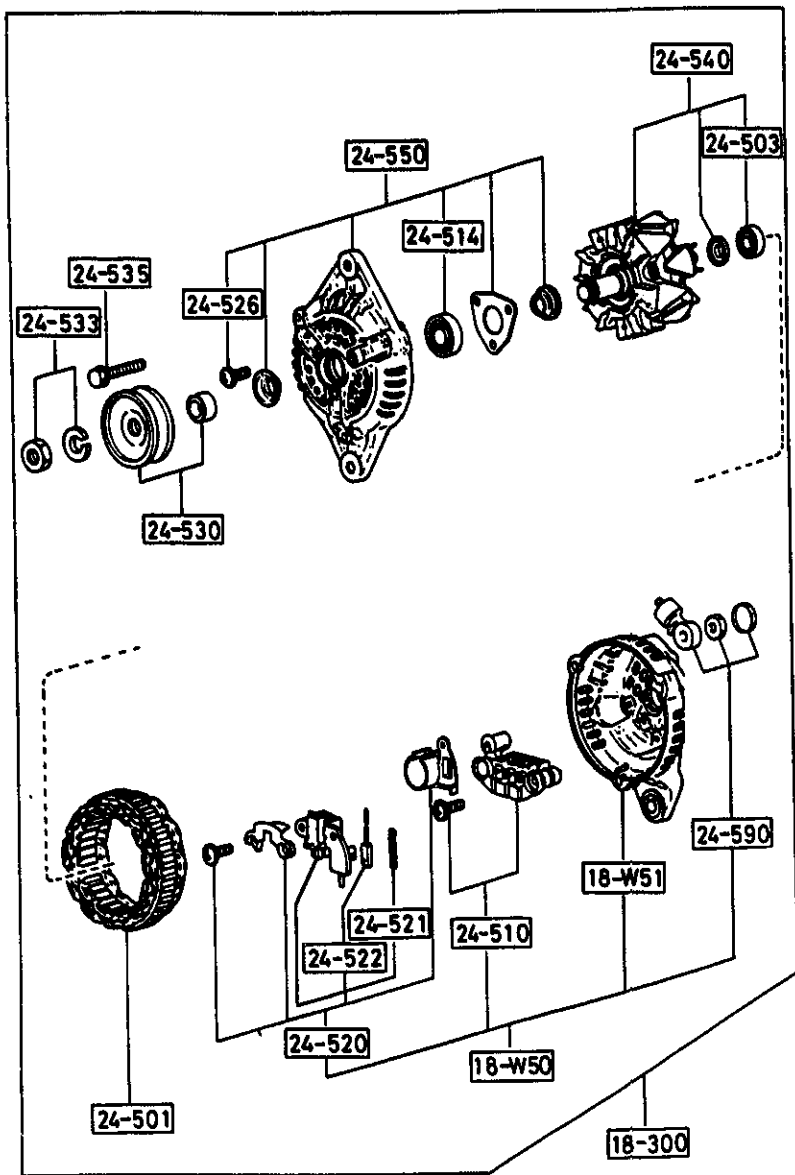
**SEE ILLUSTRATION/S AT FRAME 1 - C 8**

**1830B-1 ALTERNATOR (W/O TURBO)**



ITEM NO.	D-CODE	DESCRIPTION	PART NO.	QTY	MODEL/DESCRIPTION	REMARKS
18 300		ALTERNATOR REFER TO PARTS BULL. NO. R-1 FOR CORE RETURN PROCEDURES.	N320-18-300R	1	REMANUFACTURED	
18 W50		COVER, REAR-ALTERNATOR	N326-18-W50	1		
18 W51		COVER, REAR-ALTERNATOR	F811-18-W51A	1		
24 501		STATOR	E5D3-18-W45	1		
24 503		BEARING, BALL-ALTERNATOR REAR	B612-18-W36	1		
24 510		RECTIFIER	E5D3-18-W60A	1		
24 514		BEARING, BALL-ALTERNATOR FRONT	FE3B-18-W27	1		
24 520		REGULATOR	E356-18-W70	1		
24 521		SPRING, BRUSH	B173-24-521	2		
24 522		BRUSH	FE65-24-522	2		
24 526		SCREW SET	FE65-24-526	1		
24 530		PULLEY	N304-24-530A	1		
24 533		NUT SET	B028-24-533	1		
24 535		SCREW SET	FE65-24-535	1		
24 540		ROTOR	FE81-18-W35A	1		
24 550		BRACKET, FRONT	F811-24-550B	1		
24 590		TERMINAL SET	N326-18-W80	1		

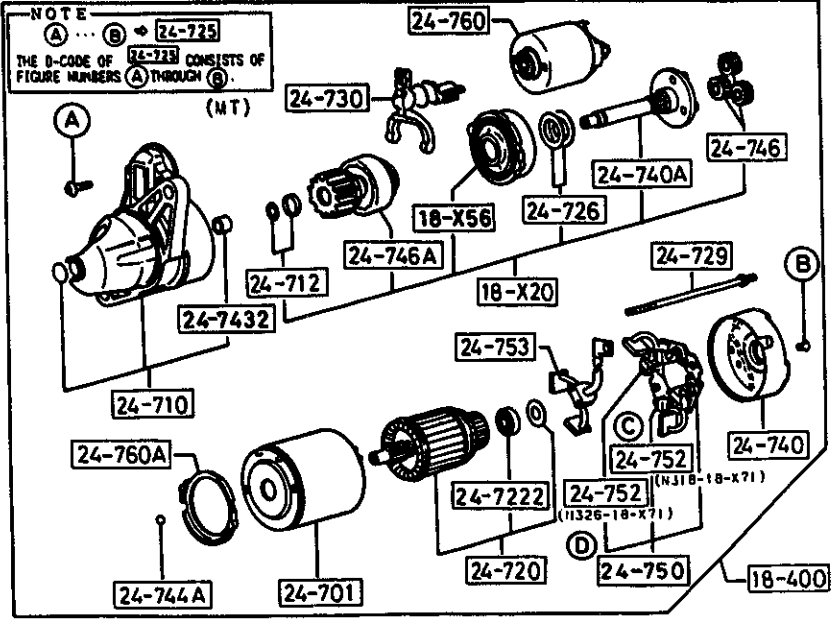
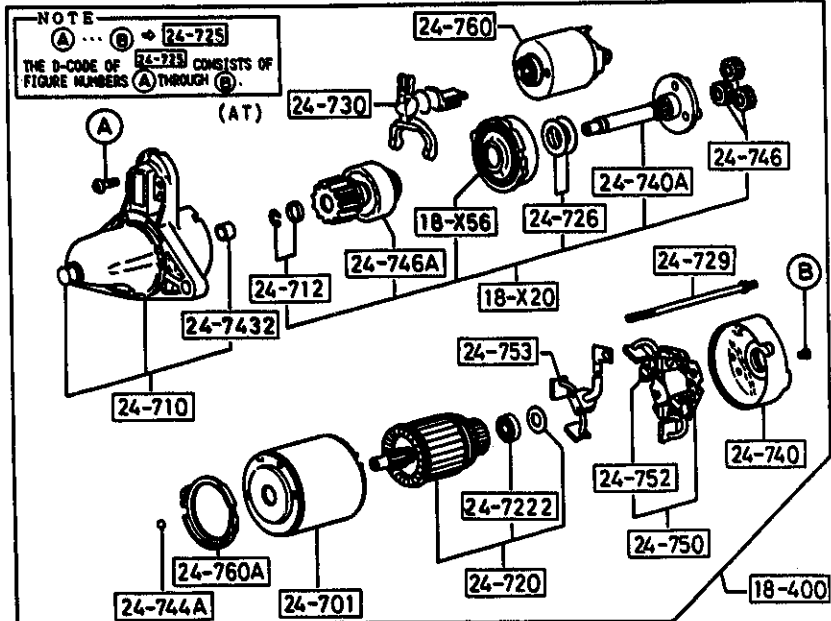
**1830BA-1 ALTERNATOR (TURBO)**



ITEM NO.	D-CODE	DESCRIPTION	PART NO.	QTY	MODEL/DESCRIPTION	REMARKS
18 300		ALTERNATOR REFER TO PARTS BULL. NO. R-1 FOR CORE RETURN PROCEDURES.	N318-18-300R	1	REMANUFACTURED	
18 W50		COVER, REAR-ALTERNATOR	N318-18-W50	1		
18 W51		COVER, REAR-ALTERNATOR	F811-18-W51A	1		
24 501		STATOR	E5D3-18-W45	1		
24 503		BEARING, BALL-ALTERNATOR REAR	B612-18-W36	1		
24 510		RECTIFIER	E5D3-18-W60A	1		
24 514		BEARING, BALL-ALTERNATOR FRONT	FE38-18-W27	1		
24 520		REGULATOR	E356-18-W70	1		
24 521		SPRING, BRUSH	8173-24-521	2		
24 522		BRUSH	FE65-24-522	2		
24 526		SCREW SET	FE65-24-526	1		
24 530		PULLEY	N304-24-530A	1		
24 533		NUT SET	8028-24-533	1		
24 535		SCREW SET	FE65-24-535	1		
24 540		ROTOR	FEB1-18-W35A	1		
24 550		BRACKET, FRONT	F811-24-550B	1		
24 590		TERMINAL SET	N326-18-W80	1		

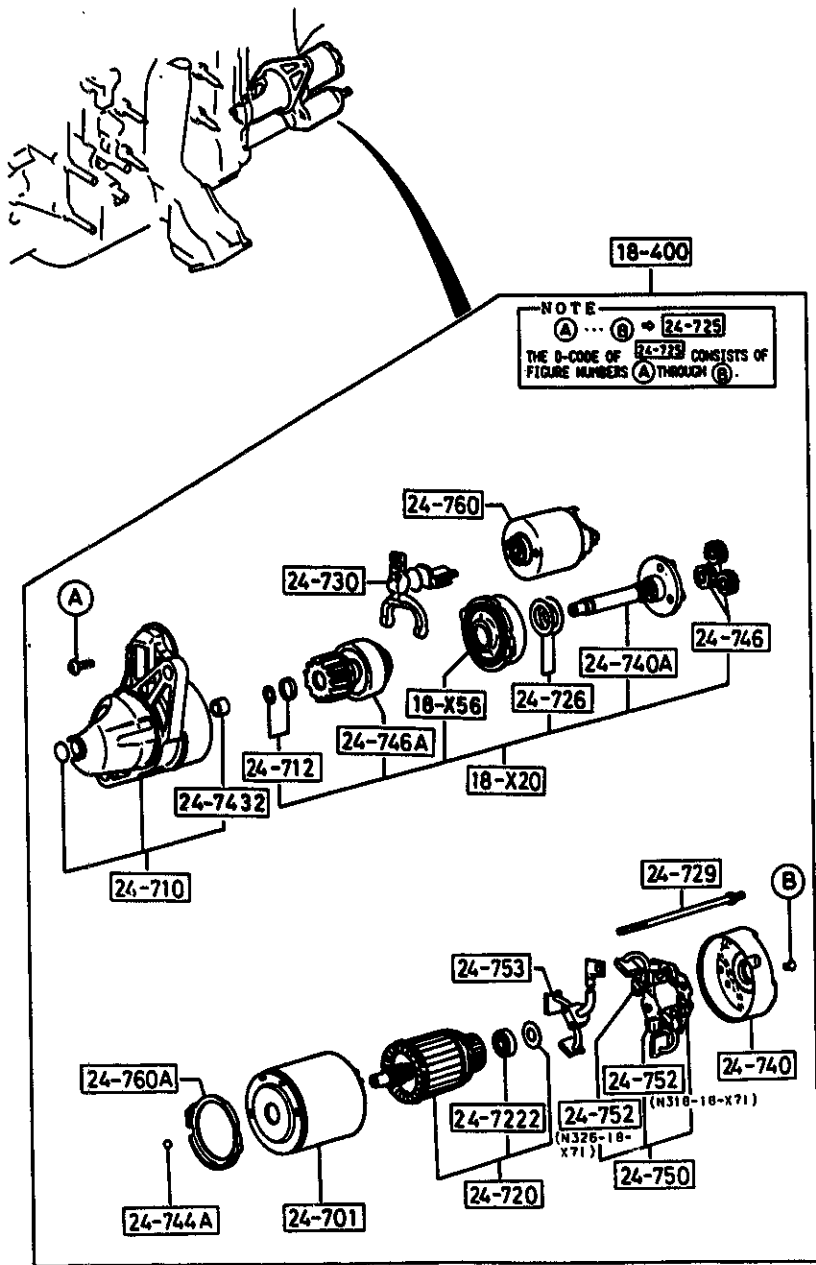


**1840B-1 STARTER  
(W/O TURBO)**



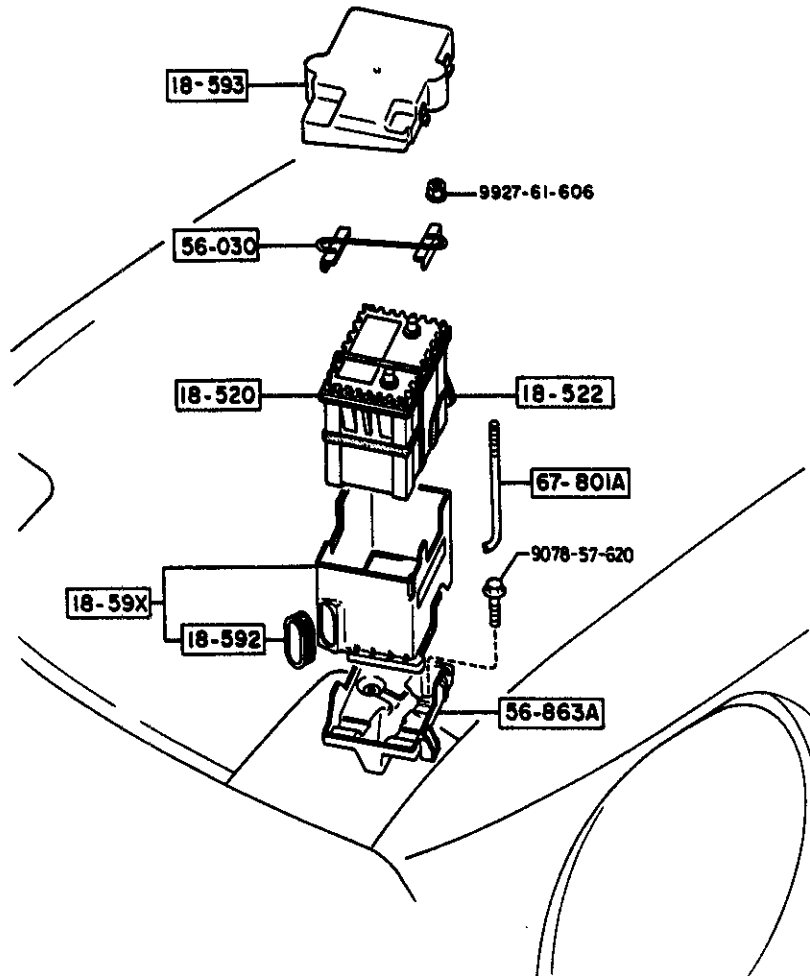
ITEM NO.	D-CODE	DESCRIPTION	PART NO.	QTY	MODEL/DESCRIPTION	REMARKS
18 400		STARTER	N326-18-400R	1	M/T REMANUFACTURED	
		REFER TO PARTS BULL. NO. R-1 FOR CORE RETURN PROCEDURES.				
			N327-18-400R	1	A/T REMANUFACTURED	
18 X20		SHAFT, PINION	N318-18-X20	1	A/T	
18 X56		GEAR, INTERNAL-STARTER	N326-18-X20	1	M/T	
24 701		YOKE	N326-18-X56	1	M/T	
24 710		BRACKET, FRONT	N327-18-X65	1	A/T	
24 712		STOPPER SET	N326-18-X00	1	M/T	
24 720		ARMATURE	N327-18-X00	1	A/T	
24 722		SLEEVE, BEARING-REAR	N326-18-X30	1	M/T	
24 725		SCREW SET	N326-18-X60	1	M/T	
24 726		WASHER SET	N326-18-X60	1	A/T	
24 729		BOLT	N326-18-X62	1	M/T	
			JE01-18-X91	2	A/T	
24 730		LEVER	N326-18-X05	1		
24 740		BRACKET, REAR	N326-18-X80	1		
24 740A		SHAFT	N326-18-X80	1		
24 7432		SLEEVE, BEARING-FRONT	E356-18-X01	1		
24 744A		BALL, STEEL	N326-18-X93	1		
24 746		GEAR	N326-18-X93	1		
24 746A		PINION	N326-18-X57	3	A/T	
			N326-18-X25	1	M/T	
24 750		HOLDER, BRUSH	N326-18-X25	1	M/T	
			N327-18-X70	1	A/T	
24 752		SPRING, BRUSH	N318-18-X71	2	M/T	
			N326-18-X71	2	M/T	
24 753		BRUSH, YOKE	N327-18-X71	4	A/T	
			N326-18-X66	1	M/T	
			N327-18-X66	1	A/T	
24 760		SWITCH	N326-18-X10	1		
24 760A		GASKET	N326-18-X87	1		

**1840BA-1 STARTER (TURBO)**



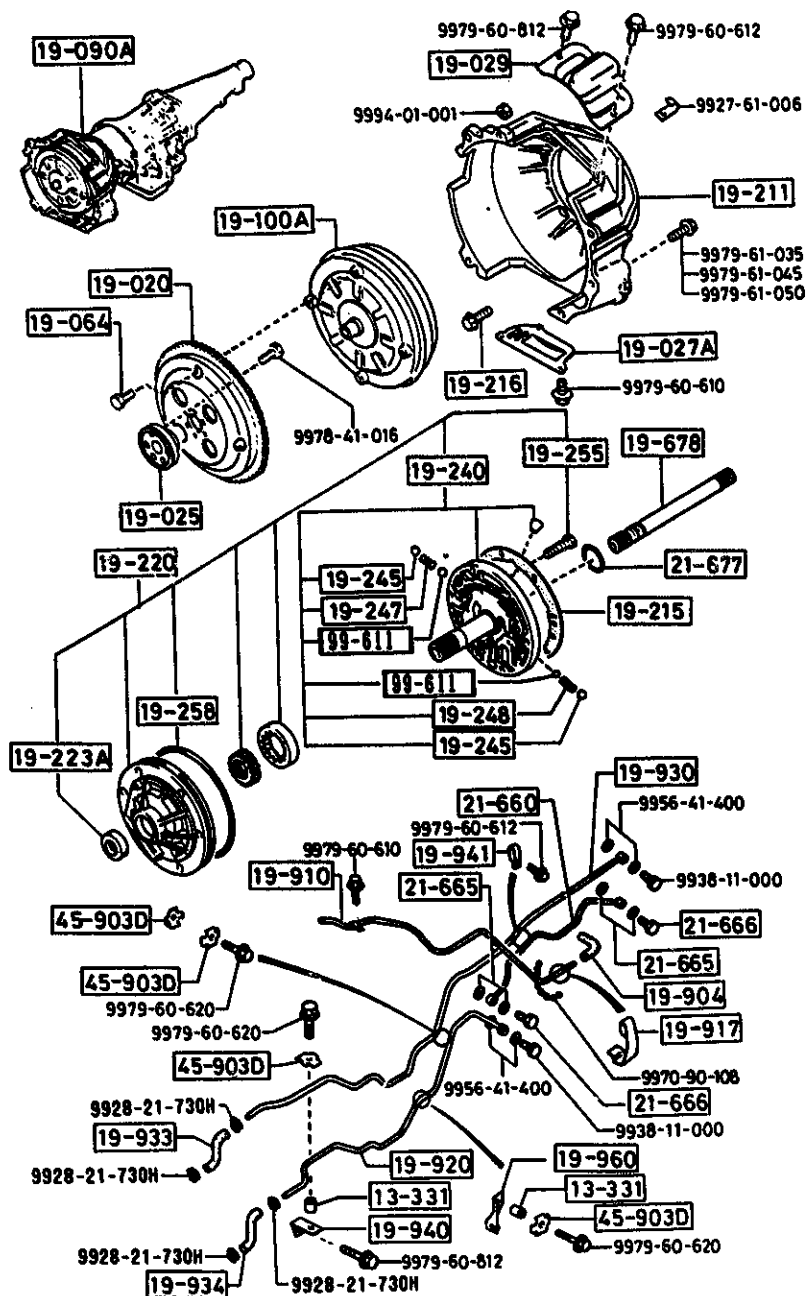
ITEM NO.	D-CODE	DESCRIPTION	PART NO.	QTY	MODEL/DESCRIPTION	REMARKS
18 400		STARTER REFER TO PARTS BULL. NO. R-1 FOR CORE RETURN PROCEDURES.	N318-18-400R	1	REMANUFACTURED	
18 X20		SHAFT, PINION	N318-18-X20	1		
18 X56		GEAR, INTERNAL-STARTER	N326-18-X56	1		
24 701		YOKE	N326-18-X65	1		
24 710		BRACKET, FRONT	N318-18-X00	1		
24 712		STOPPER SET	N326-18-X30	1		
24 720		ARMATURE	N326-18-X60	1		
24 7222		SLEEVE, BEARING-REAR	N326-18-X62	1		
24 725		SCREW SET	E356-18-X95	1		
24 726		WASHER SET	N326-18-X92	1		
24 729		BOLT	N326-18-X91	2		
24 730		LEVER	N326-18-X05	1		
24 740		BRACKET, REAR	N326-18-X80	1		
24 740A		SHAFT	N326-18-X40	1		
24 7432		SLEEVE, BEARING-FRONT	E356-18-X01	1		
24 744A		BALL, STEEL	N326-18-X93	1		
24 746		GEAR	N326-18-X57	3		
24 746A		PINION	N318-18-X25	1		
24 750		HOLDER, BRUSH	N326-18-X70	1		
24 752		SPRING, BRUSH	N318-18-X71	2		
			N326-18-X71	2		
24 753		BRUSH, YOKE	N326-18-X66	1		
24 760		SWITCH	N326-18-X10	1		
24 760A		GASKET	N326-18-X87	1		

**1850B-1 BATTERY**



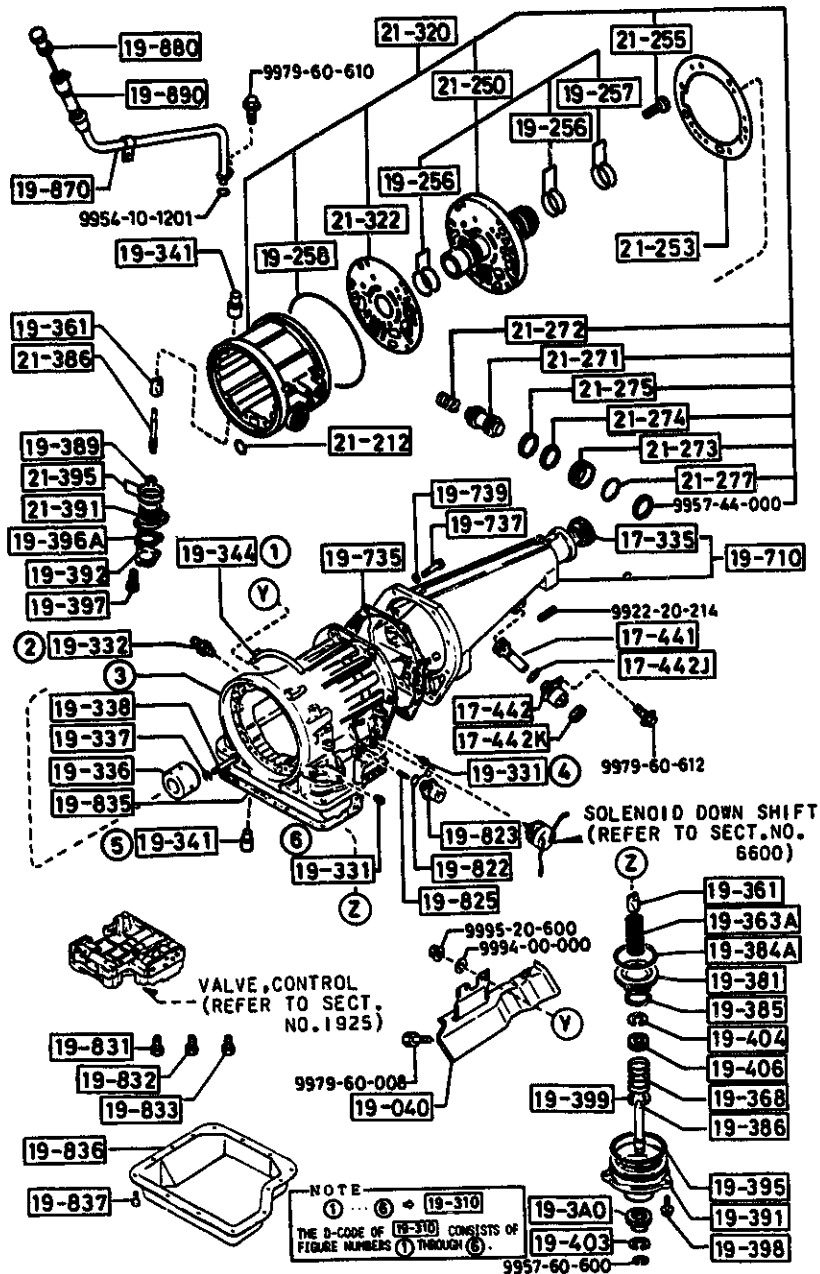
ITEM NO.	D-CODE	DESCRIPTION	PART NO.	QTY	MODEL/DESCRIPTION	REMARKS
18 520		BATTERY REFER TO ACC. BULL. NO. XG-4 FOR MORE INFO.	0000-80-126F	1		
18 522		BAND, BATTERY	FE50-18-522	1		
18 592		SEAL, RUBBER-BATTERY BOX	N318-18-592A	1		
18 593		COVER, BOX-BATTERY	N318-18-593C	1		
18 59X		BOX, BATTERY	N318-18-59XD	1		
56 030		CLAMP, BATTERY	FB01-56-030	1		
56 863A		TRAY, BATTERY	FB01-56-981D	1		
67 801A		BOLT, CLAMP	0243-56-231	2		

# 1910-1 TORQUE CONVERTER, OIL PUMP & PIPINGS (AUTOMATIC)



ITEM NO.	D-CODE	DESCRIPTION	PART NO.	QTY	MODEL/DESCRIPTION	REMARKS
13 331		SPACER, AIR CLEANER	2850-13-331	2		
19 020		PLATE, DRIVE	BU17-19-020B	1		
19 025		PLATE, BACKING	0842-19-025	1		
19 027A		COVER, UNDER	BU17-19-027	1		
19 029		COVER, TOP	BU17-19-050	1		
19 064		BOLT	3649-19-064A	4		
19 090A		T/MISSION, COMPLETE	BU17-19-090F	1		
19 100A		CONVERTER, TORQUE	BU17-19-100	1		
19 211		HOUSING, CONVERTER	BU17-19-211A	1		
19 215		GASKET, OIL PUMP	BU01-19-215	1		
19 216		BOLT	BU01-19-216	6		
19 220		PUMP, OIL	BU18-19-220	1		
19 223A		SEAL, OIL	0338-19-223A	1		
19 240		COVER	BU18-19-240	1		
19 245		BALL	0338-19-245A	2		
19 248		SPRING	0338-19-248	1		
19 255		BOLT	0338-19-255	5		
19 258		SEAL, CUT RING	0338-19-258	1		
19 678		SHAFT, INPUT	BU01-21-678	1		
19 904		HOSE, VACUUM	0338-19-904A	1		
19 910		PIPE, VACUUM	BU17-19-910	1		
19 917		CLIP	BU17-19-917	1		
19 920		PIPE, OIL	BU17-19-920B	1		
19 930		PIPE, OIL	BU17-19-930B	1		
19 933		HOSE, OIL	BV09-19-933A	1		
19 934		HOSE, OIL	BV09-19-980A	1		
19 940		BRACKET, PIPE	BU17-19-940	1		
19 941		CLIP	BU01-19-941	1		
19 960		BRACKET	BU17-19-961A	1		
21 660		TUBE, GOVERNOR	BU01-21-660A	1		
21 665		WASHER, SEAL	BU01-21-665	4		
21 666		BOLT, CONNECTOR	BU17-21-666	2		
21 677		O-RING	BU01-21-677	1		
45 903D		CLIP, PIPE	8173-45-903	4		

# 1920-1 TRANSMISSION CASE & MAIN CONTROL SYSTEM (AUTOMATIC)

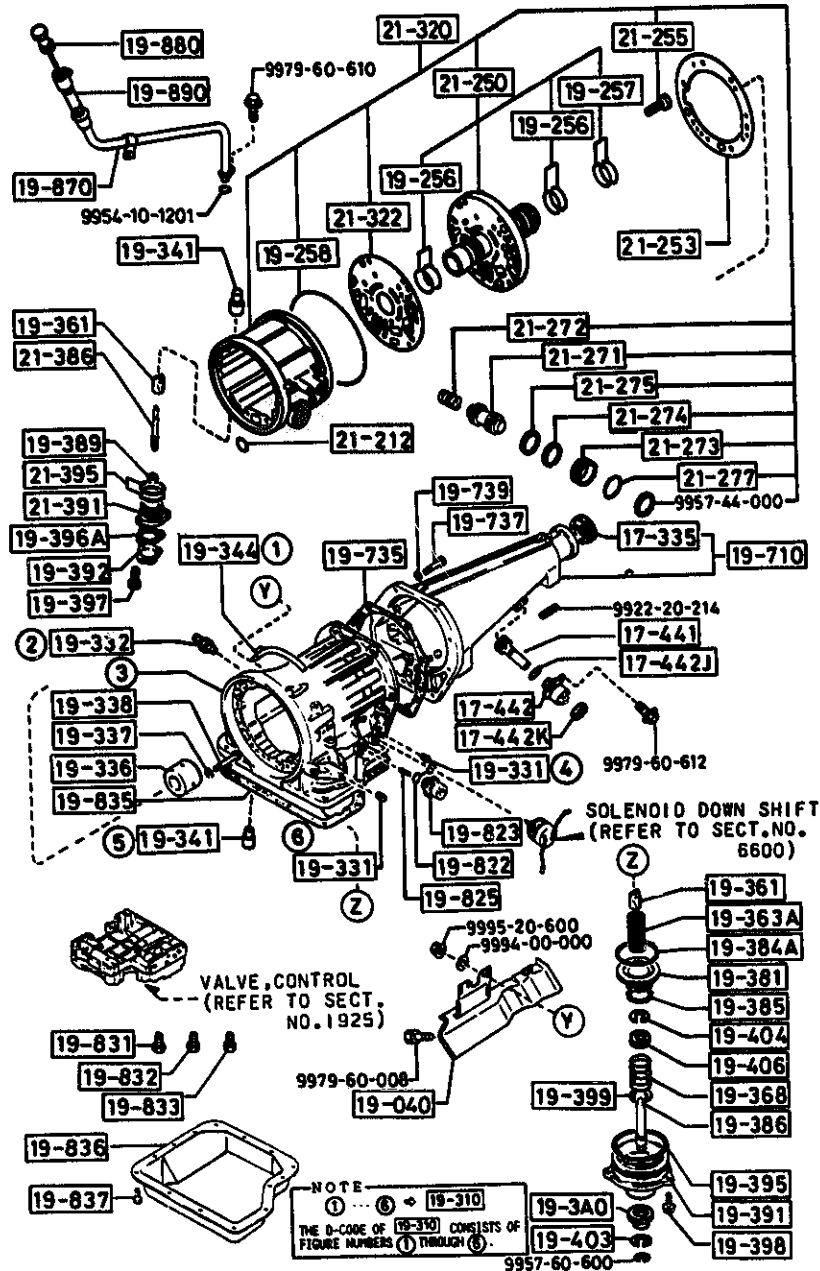


ITEM NO.	D-CODE	DESCRIPTION	PART NO.	QTY	MODEL/DESCRIPTION	REMARKS
17 335		SEAL, OIL	M502-17-335A	1		
17 441		GEAR, DRIVEN	0862-17-441A	1	N=19	
17 442		SLEEVE, SPEEDOMETER	1669-17-442B	1		
17 442J		O-RING	1011-17-443	1		
17 442K		SEAL, OIL	9958-60-8166	1		
19 040		INSULATOR, OIL PAN	BU17-19-040A	1		
19 247		SPRING	0338-19-247	1		
19 256		RING, SEAL	BU01-19-256	4		
19 257		RING, SEAL	BU01-19-257	2		
19 258		SEAL, CUT RING	0338-19-258	1		
19 310		CASE, T/MISSION	BU05-19-310A	1		
19 331		PLUG, SQUARE HEAD	0338-19-331A	3		
19 332		CONNECTOR, STRAIGHT	BU01-19-332A	1		
19 336		RACE, INNER	0338-19-336	1		
19 337		WASHER, PLAIN	0338-19-337	8		
19 338		BOLT	0338-19-338	8		
19 341		BOLT, ANCHOR END	0338-19-341	2		
19 344		BREATHER, AIR	0397-19-340	1		
19 361		STRUT, BAND	0338-19-361B	2		
19 363A		SPRING, PISTON RETURN	BU10-19-363	1		
			BU06-19-363	1		
19 368		SPRING, CUSHION-PISTON STEM	BU17-19-368	1		
19 381		PISTON, BAND SERVO	BU17-19-381	1		
19 384A		SEAL, PISTON	BU05-19-384	1		
19 385		SEAL, PISTON	BU17-19-385	1		
19 386		STEM, PISTON	BU17-19-386	1		
19 389		NUT	0338-19-389	2		
19 391		RETAINER, SERVO	BU17-19-391	1		
19 392		COVER, SERVO	1758-19-392A	1		
19 395		O-RING	0338-19-395	1		
19 396A		GASKET	1758-19-394A	2		
19 397		BOLT	1758-19-397	3		
19 398		BOLT	0338-19-398	3		
19 399		RING, SNAP	BU17-19-399	1		
19 3A0		SPACER, PISTON STEM	BU17-19-3A0	1	T=8MM	
			BU17-19-3A1	1	T=8.5MM	
			BU17-19-3A2	1	T=9MM	
			BU17-19-3A3	1	T=9.5MM	
			BU17-19-3A4	1	T=10MM	
			BU17-19-3A5	1	T=10.5MM	
			BU17-19-3A6	1	T=11MM	

6620 FC33\* -156850

-6620  
6620-

# 1920-2 TRANSMISSION CASE & MAIN CONTROL SYSTEM (AUTOMATIC)

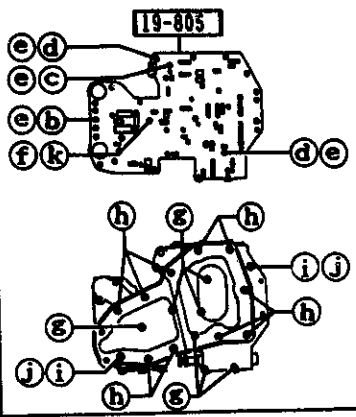
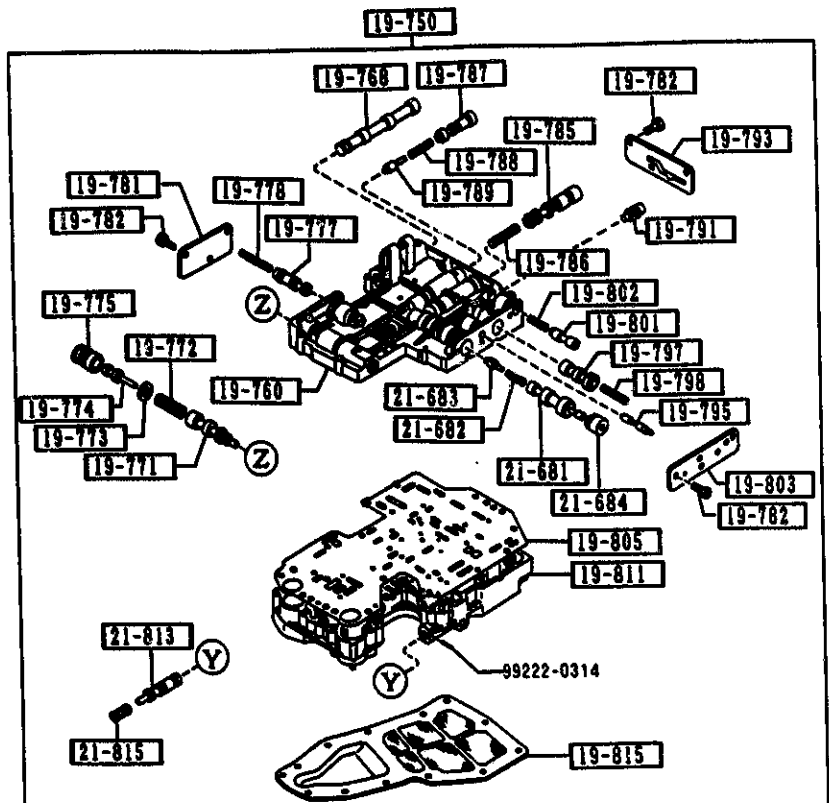


ITEM NO.	D-CODE	DESCRIPTION	PART NO.	QTY	MODEL/DESCRIPTION	REMARKS
19 403		RING, SNAP-PISTON STEM-LOWER	BU17-19-403	1		
19 404		RING, SNAP-PISTON STEM-UPPER	BU17-19-404	1		
19 406		RETAINER, SPRING-PISTON STEM	BU17-19-406	1		
19 710		HOUSING, EXTENSION	BU17-19-710	1		
19 735		GASKET, EXTENSION	0338-19-735	1		
19 737		BOLT	0338-19-737	8		
19 739		WASHER, PLAIN	0338-19-739	8		
19 750		VALVE, CONTROL	BU17-19-750C	1		
19 768		VALVE, MANUAL	0338-19-768	1		
19 815		STRAINER, OIL	BU01-19-815	1		
19 822		SEAL, O-RING	0338-19-822	2		
19 823		DIAPHRAGM, VACUUM	BU17-19-823	1		
19 825		ROD, DIAPHRAGM	0338-19-828	1	L=29MM	
			0338-19-829	1	L=29.5MM	
			0338-19-825	1	L=30MM	
			0338-19-827	1	L=30.5MM	
			0338-19-826	1	L=31MM	
19 831		BOLT, CONTROL VALVE	0338-19-831	3		
19 832		BOLT, CONTROL VALVE	0338-19-832	2		
19 833		BOLT, CONTROL VALVE	0338-19-833	2		
19 835		GASKET, OIL PAN	0338-19-835B	1		
19 836		PAN, OIL	BU17-19-830	1		
19 837		BOLT, OIL PAN	0338-19-837	18		
19 870		TUBE, OIL LEVEL	BU17-19-870A	1		
19 880		GAUGE, OIL LEVEL	BU17-19-880B	1		
19 890		TUBE, OIL FILTER-UPPER	BU17-19-890B	1		
21 212		O-RING	BU01-21-212	1		
21 250		SUPPORT, DRUM	BU10-21-250	1		
21 253		GASKET, DRUM SUPPORT	BU01-21-253	1		
21 255		BOLT	BU01-21-255	5		
21 271		PISTON, ACCUMULATOR	BU10-21-271	1		
21 272		SPRING, ACCUMULATOR	BU01-21-272A	1		
21 273		PLUG, ACCUMULATOR	BU01-21-273	1		
21 274		SEAL, O-RING	BU01-21-274	1		
21 275		SEAL, O-RING	BU10-21-275	1		
21 277		O-RING	BU01-21-277	1		
21 320		CASE, OVERDRIVE	BU17-21-320A	1		
21 322		GASKET, O/DRIVE CASE	BU01-21-322	1		
21 386		STEM, PISTON BAND	BU01-21-386	1		
21 391		RETAINER, SERVO	BU20-21-391	1		
21 395		O-RING	BU01-21-395	2		

# SECTION INDEX -- ENGINE

STARTING LOCATION	SECT. NO.	SECTION NAME	STARTING LOCATION	SECT. NO.	SECTION NAME	STARTING LOCATION	SECT. NO.	SECTION NAME
1 - C 3	1000B	SHORT ENGINE BLOCK & GASKET SETS (W/O TURBO)	1 - E 6	1400BA	OIL PUMP & FILTER (TURBO)			
1 - D 3	1000BA	SHORT ENGINE & GASKET SETS (TURBO)	1 - G 6	1500B	COOLING SYSTEM (W/O TURBO)			
1 - E 3	1030B	ROTOR HOUSINGS (W/O TURBO)	1 - I 6	1500BA	COOLING SYSTEM (TURBO)			
1 - F 3	1030BA	ROTOR HOUSINGS (TURBO)	1 - K 6	1580B	BRACKET, PULLEY & BELT			
1 - G 3	1040B	OIL PAN, FRONT & REAR HOUSING (W/O TURBO)	1 - L 6	1600	CLUTCH DISC & COVER (MANUAL) (W/O TURBO)			
1 - H 3	1040BA	OIL PAN, FRONT & REAR HOUSING (TURBO)	1 - M 6	1600A	CLUTCH DISC & COVER (MANUAL) (TURBO)			
1 - I 3	1100B	ECCENTRIC SHAFT & FLYWHEEL (W/O TURBO)	1 - N 6	1700	TRANSMISSION CASE (MANUAL) (W/O TURBO)			
1 - J 3	1100BA	ECCENTRIC SHAFT & FLYWHEEL (TURBO)	1 - C 7	1700A	TRANSMISSION CASE (MANUAL) (TURBO)			
1 - K 3	1110B	ROTORS & RELATED PARTS (W/O TURBO)	1 - D 7	1710	TRANSMISSION GEARS (MANUAL) (W/O TURBO)			
1 - L 3	1110BA	ROTORS & RELATED PARTS (TURBO)	1 - G 7	1710A	TRANSMISSION GEARS (MANUAL) (TURBO)			
1 - M 3	1300B	INTAKE MANIFOLD (W/O TURBO)	1 - J 7	1720	CHANGE CONTROL SYSTEM (MANUAL) (W/O TURBO)			
1 - N 3	1300BA	INTAKE MANIFOLD (TURBO)	1 - K 7	1720A	CHANGE CONTROL SYSTEM (MANUAL) (TURBO)			
1 - C 4	1310B	EXHAUST MANIFOLD (W/O TURBO)	1 - L 7	1800B	ENGINE ELECTRICAL SYSTEM (W/O TURBO)			
1 - D 4	1310BA	EXHAUST MANIFOLD (TURBO)	1 - C 8	1800BA	ENGINE ELECTRICAL SYSTEM (TURBO)			
1 - G 4	1320B	FUEL SYSTEM (W/O TURBO)	1 - F 8	1830B	ALTERNATOR (W/O TURBO)			
1 - I 4	1320BA	FUEL SYSTEM (TURBO)	1 - G 8	1830BA	ALTERNATOR (TURBO)			
1 - K 4	1330B	AIR CLEANER (W/O TURBO)	1 - H 8	1840B	STARTER (W/O TURBO)			
1 - L 4	1330BA	AIR CLEANER (TURBO)	1 - I 8	1840BA	STARTER (TURBO)			
1 - M 4	1350B	STARTING ASSIST SYSTEM (W/O TURBO)	1 - J 8	1850B	BATTERY			
1 - N 4	1350BA	STARTING ASSIST SYSTEM (TURBO)	1 - K 8	1910	TORQUE CONVERTER, OIL PUMP & PIPINGS (AUTOMATIC)			
1 - C 5	1364B	THROTTLE BODY COMPONENTS (W/O TURBO)	1 - L 8	1920	TRANSMISSION CASE & MAIN CONTROL SYSTEM (AUTOMATIC)			
1 - D 5	1364BA	THROTTLE BODY COMPONENTS (TURBO)	1 - C 9	1925	CONTROL VALVE (AUTOMATIC)			
1 - E 5	1371B	AIR PUMP & AIR CONTROL VALVE (W/O TURBO)	1 - E 9	1930	CLUTCHES & PLANETARY GEARS (AUTOMATIC)			
1 - F 5	1371BA	AIR PUMP & AIR CONTROL VALVE (TURBO)	1 - H 9	1940	GOVERNOR, LOW & REVERSE PISTON (AUTOMATIC)			
1 - G 5	1380B	EMISSION CONTROL SYSTEM (EXHAUST SIDE) (W/O TURBO)	1 - I 9	1950	MANUAL LINKAGE SYSTEM (AUTOMATIC)			
1 - K 5	1380BA	EMISSION CONTROL SYSTEM (EXHAUST SIDE) (TURBO)	1 - J 9	1960	GASKET & SEAL KIT (AUTOMATIC)			
1 - C 6	1400B	OIL PUMP & FILTER (W/O TURBO)						

1925-1 CONTROL VALVE (AUTOMATIC)

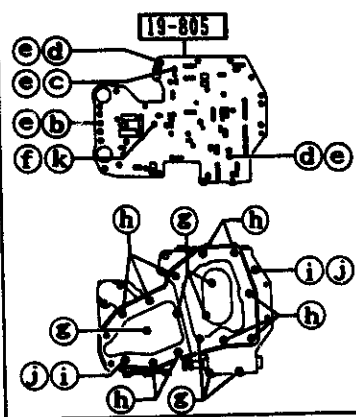
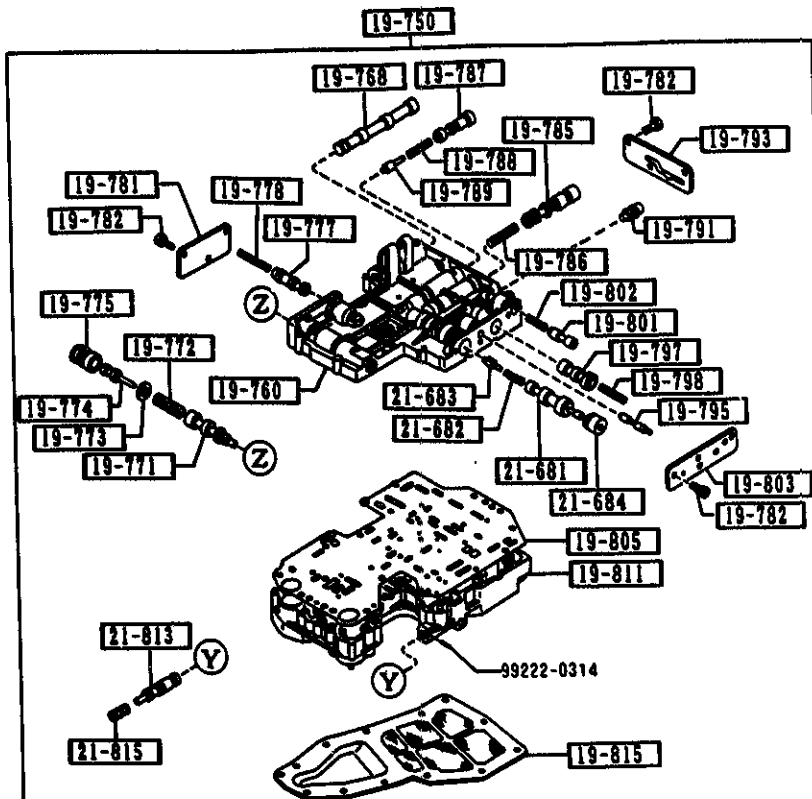


b		19-807	D=1.5MM (BU17-19-807)
c		19-807	D=1.5MM (BU01-19-807)
d		19-807	D=2MM (0338-19-807A)
e		19-808	D=4.77MM, L=15.5MM
f		19-814	D=5.6MM, L=28.0MM
g		19-816	L=25MM
h		19-817	L=40MM
i		19-818	L=57MM
j		19-819	
k		99611-2000	

ITEM NO.	D-CODE	DESCRIPTION	PART NO.	QTY	MODEL/DESCRIPTION	REMARKS
19 750		VALVE, CONTROL	BU17-19-750C	1		
19 760		BODY, CONTROL VALVE-UPPER	BU17-19-760A	1		
19 765		SPRING	0338-19-765	1		
19 768		VALVE, MANUAL	0338-19-768	1		
19 771		VALVE, REGULATOR	BU01-19-771	1		
19 772		SPRING, REGULATOR	0338-19-772	1		
19 773		SEAT, REGULATOR SPRING	0338-19-773	1		
19 774		PLUG, REGULATOR	0397-19-774	1		
19 775		SLEEVE, REGULATOR PLUG	0397-19-775	1		
19 777		VALVE, SECONDARY LOCK	0338-19-777	1		
19 778		SPRING, SECONDARY LOCK	0338-19-778	1		
19 781		PLATE, SIDE 'D'	1758-19-781	1		
19 782		SCREW	0338-19-782	9		
19 785		VALVE, 1-2 SHIFT	0338-19-785	1		
19 786		SPRING, 1-2 SHIFT	1758-19-786	1		
19 787		VALVE, 2-3 SHIFT	0338-19-787	1		
19 788		SPRING, 2-3 SHIFT	BU17-19-788	1		
19 789		PLUG, 2-3 SHIFT	BU17-19-789	1		
19 791		VALVE, MODIFIER	0338-19-791A	1		
19 793		PLATE, SIDE 'A'	0338-19-793A	1		
19 795		VALVE, THROTTLE	0338-19-795B	1		
19 797		VALVE, THROTTLE BACK-UP	0338-19-797	1		
19 798		SPRING, THROTTLE BACK-UP	BU02-19-798	1		
19 801		VALVE, DOWN SHIFT	0338-19-801	1		
19 802		SPRING, DOWN SHIFT	0338-19-802	1		
19 803		PLATE, SIDE 'B'	BU01-19-803A	1		
19 805		PLATE, SEPARATOR	BU17-19-805	1		
19 807		VALVE, ORIFICE CHECK	BU01-19-807	1		
			BU17-19-807	1		
			0338-19-807A	2		
19 808		SPRING	0338-19-808	4		
19 811		BODY, VALVE-LOWER	BU10-19-811	1		
19 814		SPRING	0338-19-814	1		
19 815		STRAINER, OIL	BU01-19-815	1		
19 816		SCREW	0338-19-816	7		
19 817		SCREW	0338-19-817	10		
19 818		BOLT	0338-19-818	2		
19 819		NUT	0338-19-819	2		
21 681		VALVE, 3-4 SHIFT	BU01-21-681	1		
			BU16-21-681	1		
21 682		SPRING, 3-4 SHIFT	EU05-21-682	1		



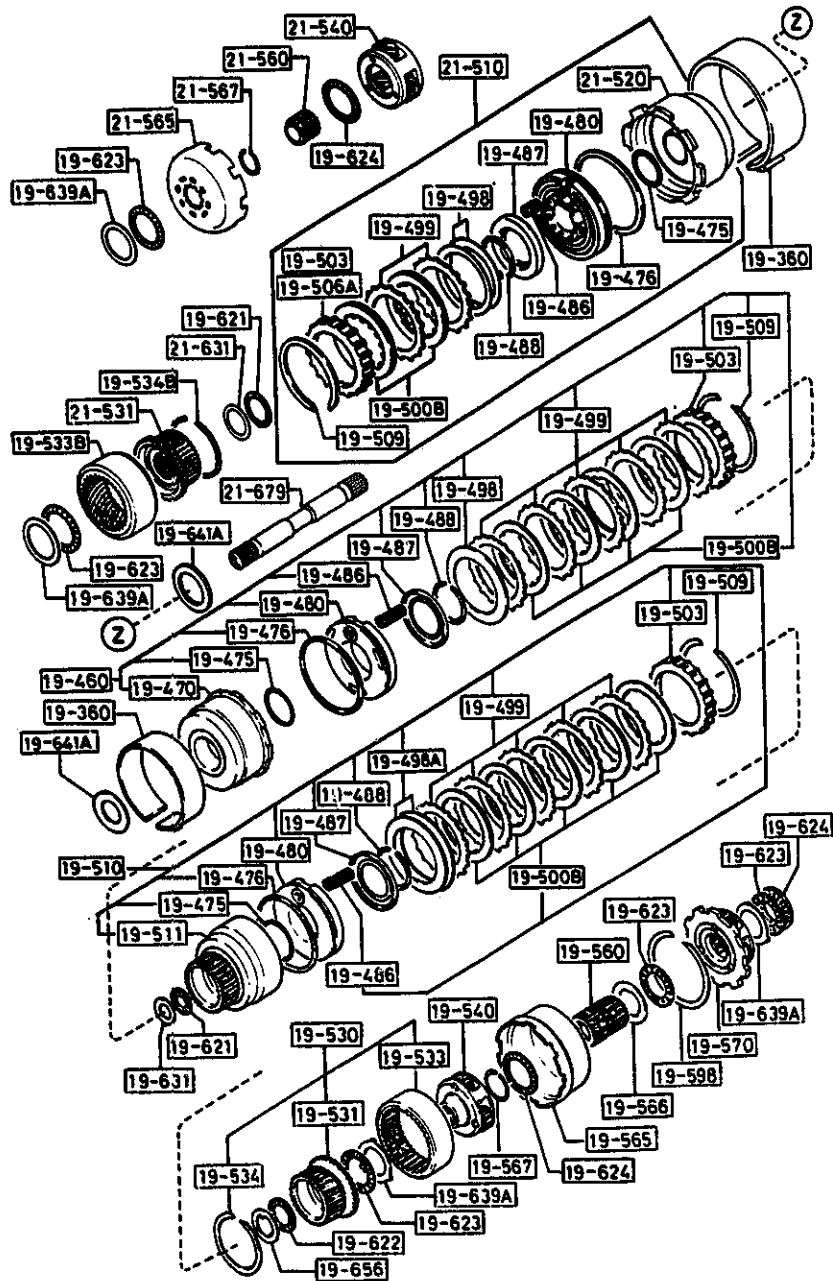
1925-2 CONTROL VALVE (AUTOMATIC)



b		19-807	D=1.8MM (BU17-19-807)
c		19-807	D=1.5MM (BU01-19-807)
d		19-807	D=2MM (0330-19-807A)
e		19-808	g=4.77MM, L=15.5MM
f		19-814	D=5.6MM, L=26.6MM
g		19-816	L=25MM
h		19-817	L=40MM
i		19-818	L=57MM
j		19-819	
k		99611-2000	

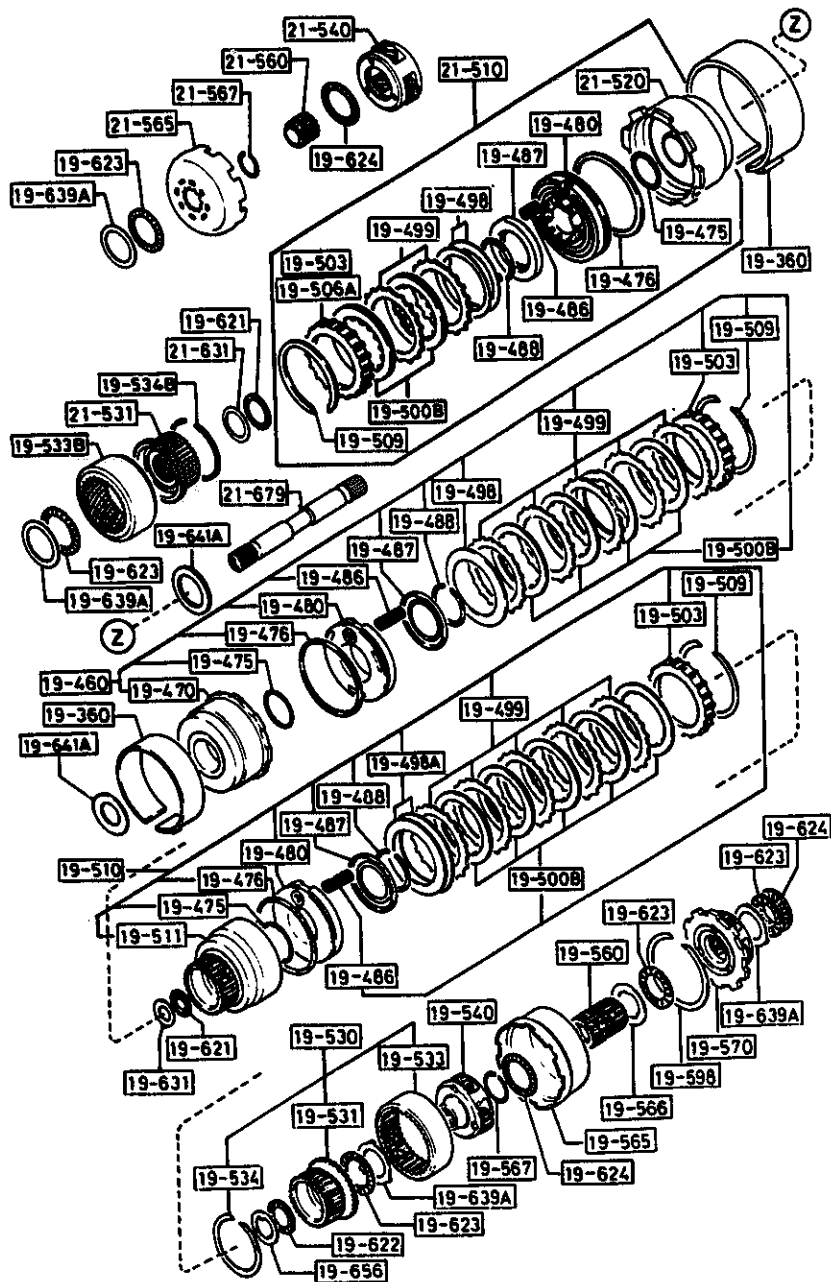
ITEM NO.	D-CODE	DESCRIPTION	PART NO.	QTY	MODEL/DESCRIPTION	REMARKS
21 683		PLUG, 3-4 SHIFT	BU03-21-683A	1		
21 684		VALVE, 3-4 SHIFT-COAST	BU01-21-684	1		
			BU16-21-684	1		
21 813		VALVE, 3-2 TIMING	BU17-21-813	1		
21 815		SPRING, 3-2 TIMING	BU17-21-815	1		

1930-1 CLUTCHES & PLANETARY GEARS (AUTOMATIC)



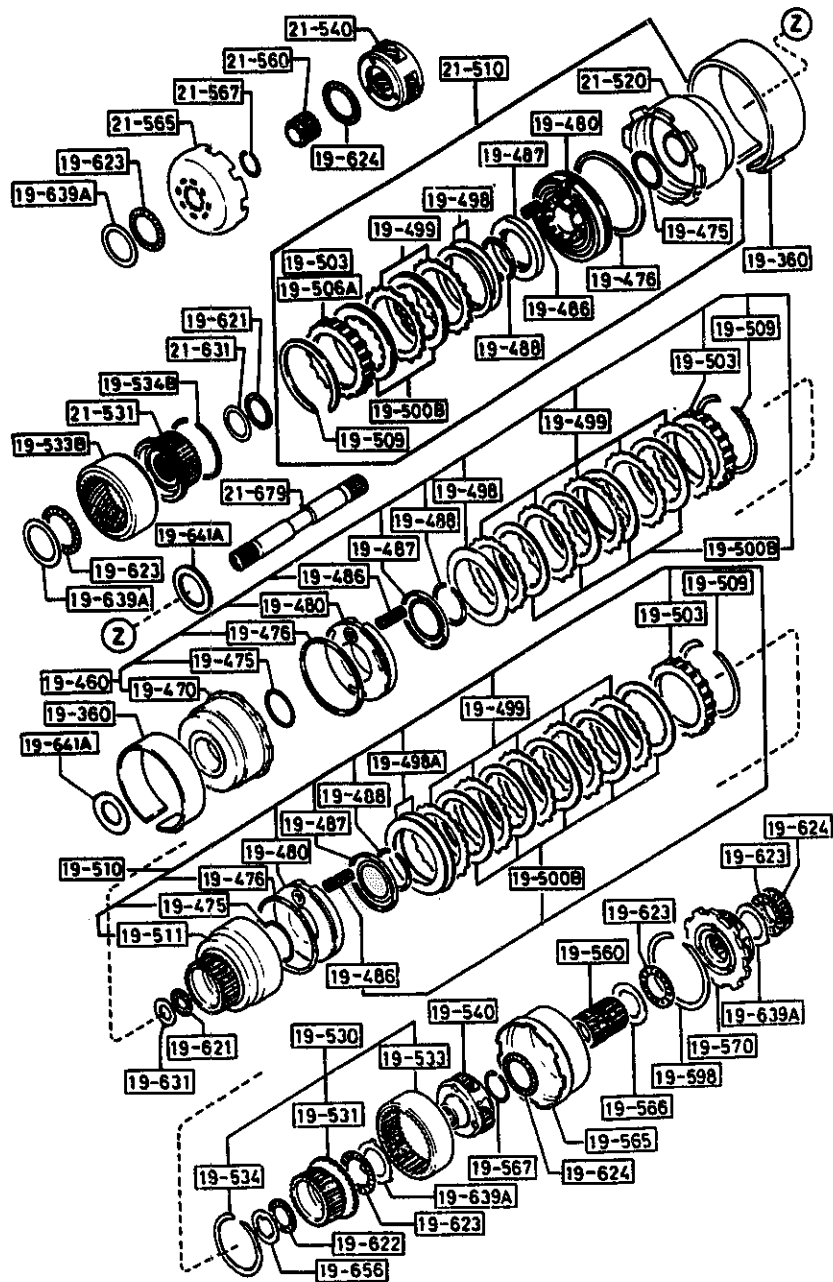
ITEM NO.	D-CODE	DESCRIPTION	PART NO.	QTY	MODEL/DESCRIPTION	REMARKS
	12 9506	PLATE, RETAINING	BU05-21-528	1	T=7MM DIRECT	
	19 360	BAND, BRAKE	0338-19-360B	2		
	19 460	CLUTCH, FRONT	BU17-19-460	1		
	19 470	DRUM, CLUTCH	0338-19-470	1		
	19 475	SEAL, O-RING	0338-19-475	3	FRONT, REAR & DIRECT CLUTCH	
	19 476	SEAL, LATHE CUT	0338-19-476	3	FRONT, REAR & DIRECT CLUTCH	
	19 480	PISTON, CLUTCH	0338-19-480	3	FRONT, REAR & DIRECT CLUTCH	
	19 486	SPRING, PISTON RETURN	0338-19-486	25	FOR FRONT 5, REAR 10 & DIRECT 10	
	19 487	RETAINER, SPRING	0338-19-487	3	FOR FRONT, REAR & DIRECT CLUTCH	
	19 488	RING, SNAP	0338-19-488	3	FRONT, REAR & DIRECT CLUTCH	
	19 498	PLATE, DISHED	0338-19-498	3	FRONT 1, DIRECT 2	
	19 498A	PLATE, DISHED	BU17-19-498	1	REAR	
	19 499	PLATE, DRIVEN	FT01-19-499	12	FRONT 5, REAR 5, DIRECT 2	
	19 500B	PLATE, DRIVE	BU17-19-500	11	FRONT 4, REAR 5, DIRECT 2	
	19 503	PLATE, RETAINING	3959-19-503	1	T=5MM FRONT	
			3959-19-504	1	T=5.2MM FRONT	
			3959-19-505	1	T=5.4MM FRONT	
			3959-19-506	3	T=5.6MM FRONT, REAR & DIRECT	
			3959-19-507	2	T=5.8MM FRONT & DIRECT	
			3959-19-508	2	T=6MM FRONT & DIRECT	
			3959-19-509	2	T=6.2MM FRONT & DIRECT	
	19 506A	PLATE, RETAINING	BU05-21-525	1	T=6.4MM DIRECT	
			BU05-21-526	1	T=6.6MM DIRECT	
			BU05-21-527	1	T=6.8MM DIRECT	
			BU05-21-528	1	T=7MM DIRECT	
	19 509	RING, SNAP	0338-19-509	3	FRONT, REAR & DIRECT	
	19 510	CLUTCH, REAR	BU17-19-510	1		
	19 511	DRUM, REAR CLUTCH	1758-19-511	1		

# 1930-2 CLUTCHES & PLANETARY GEARS (AUTOMATIC)



ITEM NO.	D-CODE	DESCRIPTION	PART NO.	QTY	MODEL/DESCRIPTION	REMARKS
19 530		HUB, REAR CLUTCH	0338-19-530	1		
19 531		HUB, REAR CLUTCH	0338-19-531	1		
19 533		GEAR, INTERNAL	0338-19-533	1	REAR CLUTCH HUB	
19 533B		GEAR, INTERNAL	BU03-19-533	1	OVERDRIVE CLUTCH HUB	
19 534		RING, SNAP	0338-19-534	1	REAR CLUTCH	
19 534B		RING, SNAP	BU03-19-534	1	OVERDRIVE CLUTCH HUB	
19 540		CARRIER, FRONT	BU02-19-540	1		
19 560		GEAR, SUN	BU02-19-560	1		
19 565		SHELL, CONNECTING	BU02-19-565	1		
19 566		RACE, SHELL BEARING	FT01-19-566	1		
19 567		RING, SNAP	BU02-19-567	1		
19 570		CARRIER, REAR	BU02-19-570	1		
19 598		RING, SNAP	0338-19-598	1		
19 621		BEARING, NEEDLE	0338-19-621	2		
19 622		BEARING, NEEDLE	0338-19-622	1		
19 623		BEARING, NEEDLE	0338-19-623	5		
19 624		BEARING, NEEDLE	0338-19-624	3		
19 631		RACE, BEARING PUMP COVER	0338-19-631	1	T=1.2MM	
			0338-19-632	1	T=1.4MM	
			0338-19-633	1	T=1.6MM	
			0338-19-634	1	T=1.8MM	
			0338-19-635	1	T=2MM	
			0338-19-636	1	T=2.2MM	
19 639A		RACE, BEARING	0338-19-639	4		
19 641A		WASHER	0338-19-648	2	T=1.3MM	
			0338-19-646	2	T=1.5MM	
			0338-19-647	2	T=1.7MM	
			0338-19-641	2	T=1.9MM	
			0338-19-642	2	T=2.1MM	
			0338-19-643	2	T=2.3MM	
			0338-19-644	2	T=2.5MM	
			0338-19-645	2	T=2.7MM	
19 656		RACE, BEARING OIL DISTRIBUTOR	0436-19-656	1		
21 510		CLUTCH, DIRECT	BU17-21-510	1		
21 520		DRUM, DIRECT	BU05-21-520	1		
21 531		HUB, O/DRIVE CLUTCH	BU03-21-531	1		
21 540		CARRIER, OVERDRIVE	BU03-21-540	1		
21 560		GEAR, OVERDRIVE	BU03-21-560	1		
21 565		CONNECTING, SHELL	BU03-21-565	1		

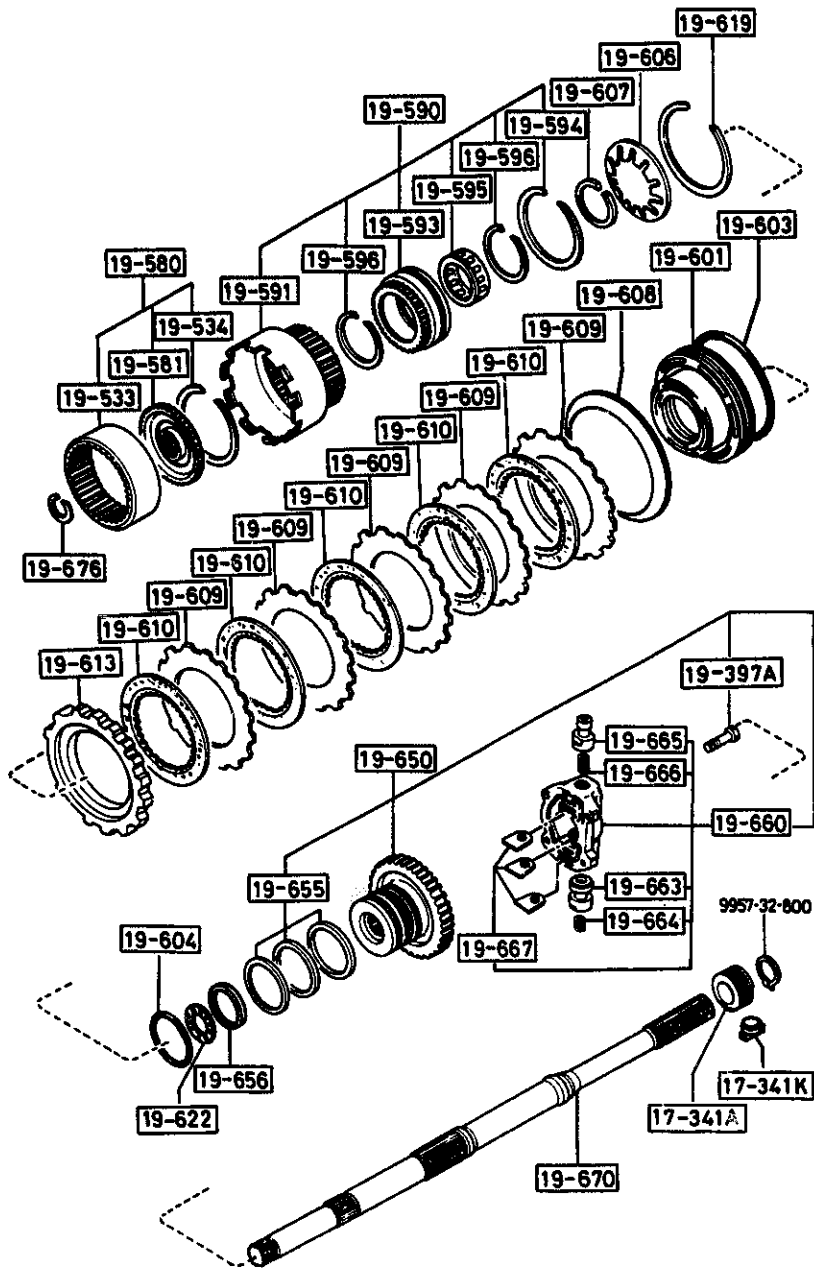
1930-3 CLUTCHES & PLANETARY GEARS (AUTOMATIC)



ITEM NO.	D-CODE	DESCRIPTION	PART NO.	QTY	MODEL/DESCRIPTION	REMARKS
21 567		RING, SNAP	BU03-21-567	1		
21 631		RACE, BEARING HUB CLUTCH	BU01-21-631	1	L=1.2MM	
			BU01-21-632	1	L=1.4MM	
			BU01-21-633	1	L=1.6MM	
			BU01-21-634	1	L=1.8MM	
			BU01-21-635	1	L=2MM	
			BU01-21-636	1	L=2.2MM	
21 679		SHAFT, INTERMEDIATE	BU01-21-679	1		

1940-1

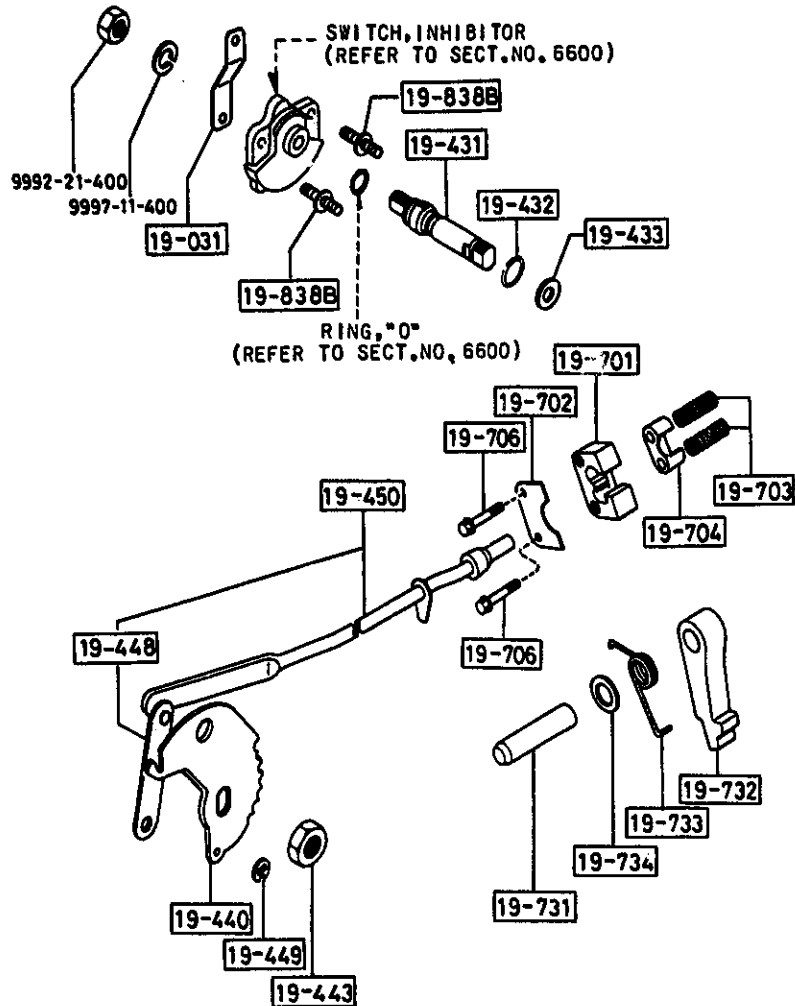
## GOVERNOR, LOW &amp; REVERSE PISTON (AUTOMATIC)



ITEM NO.	D-CODE	DESCRIPTION	PART NO.	QTY	MODEL/DESCRIPTION	REMARKS
17 341A		GEAR, SPEEDOMETER DRIVE	R501-17-341	1		
17 341K		KEY	M501-17-342	1		
19 397A		BOLT	0338-19-398	4		
19 533		GEAR, INTERNAL	0338-19-533A	1		
19 534		RING, SNAP	0338-19-534	1		
19 580		FLANGE	0338-19-580	1		
19 581		FLANGE, DRIVE	0338-19-581	1		
19 590		DRUM, CONNECTING	0338-19-590	1		
19 591		DRUM, CONNECTING	0338-19-591	1		
19 593		RACE, OUTER	0338-19-593	1		
19 594		RING, SNAP	0338-19-594	1		
19 595		CLUTCH, ONE-WAY	0338-19-595	1		
19 596		RING, SNAP	0338-19-596	2		
19 601		PISTON, LOW & REVERSE	8T08-19-600	1		
19 603		SEAL, PISTON	0338-19-603	1		
19 604		SEAL, O-RING	0338-19-604	1		
19 606		SPRING, PISTON	0338-19-606	1		
19 607		RING, SNAP	0338-19-607	1		
19 608		PLATE, DISHED	0338-19-608	1		
19 609		PLATE, DRIVEN	0338-19-609	5		
19 610		PLATE, DRIVE	BU17-19-610	5		
19 613		PLATE, RETAINING	1758-19-613	1	T=7.8MM	
			1758-19-614	1	T=8MM	
			1758-19-615	1	T=8.2MM	
			1758-19-616	1	T=8.4MM	
			1758-19-617	1	T=8.6MM	
			1758-19-618	1	T=8.8MM	
19 619		RING, SNAP	0338-19-619	1		
19 622		BEARING, NEEDLE	0338-19-622	1		
19 650		DISTRIBUTOR, OIL	BU02-19-650A	1		
19 655		RING, SEAL	0338-19-655	3		
19 656		RACE, BEARING OIL DISTRIBUTOR	0436-19-656	1		
19 660		GOVERNOR	BU02-19-660	1		
19 663		VALVE	0338-19-663	1		
19 664		SPRING	0338-19-664	1		
19 665		VALVE	BU02-19-665	1		
19 666		SPRING, GOVERNOR	0338-19-666	1		
19 667		PLATE, RETAINER	0338-19-667	3		
19 670		SHAFT	BU17-19-670	1		
19 676		RING	0338-19-676	1		

1950-1

MANUAL LINKAGE SYSTEM (AUTOMATIC)

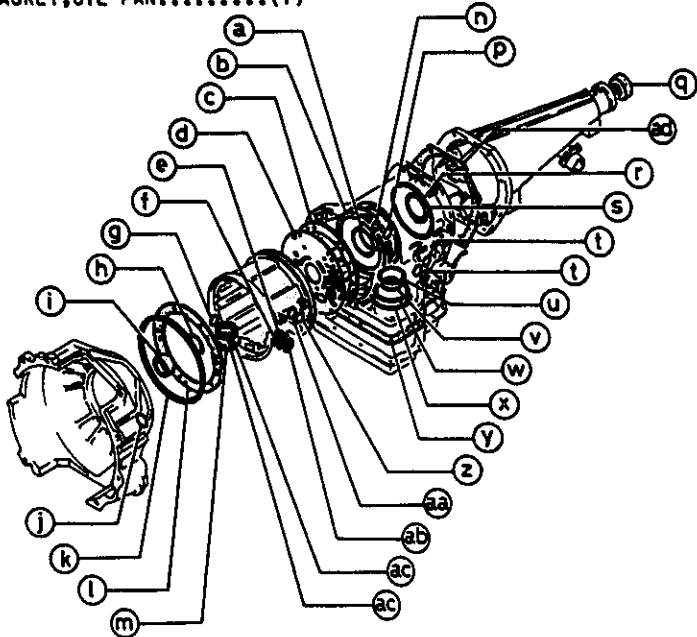


ITEM NO.	D-CODE	DESCRIPTION	PART NO.	QTY	MODEL/DESCRIPTION	REMARKS
19 031		LEVER, SELECT	BU17-19-031	1		
19 431		SHAFT, MANUAL	0338-19-431	1		
19 432		O-RING	0338-19-432	1		
19 433		WASHER	0338-19-433A	1		
19 440		PLATE, MANUAL	BU17-19-440	1		
19 443		NUT, SHAFT	0338-19-443	1		
19 448		LEVER, PARKING	0338-19-448	1		
19 449		RING, SNAP	0338-19-449	1		
19 450		ROD, PARKING	BU17-19-450	1		
19 701		SUPPORTER, ACTUATOR	BU17-19-701	1		
19 702		PLATE, RETAINING	0338-19-702A	1		
19 703		SPRING, BALL PARK	BU17-19-703	2		
19 704		RETAINER	BU17-19-704	1		
19 706		BOLT	0338-19-706	2		
19 731		SHAFT, PARKING PAWL	0338-19-731	1		
19 732		PAWL, PARKING	BU17-19-732	1		
19 733		SPRING, PAWL RETURN	0338-19-733C	1		
19 734		SPACER, DOWEL	0338-19-734A	1		
19 838B		BOLT	BU17-19-838	2		

1960-1 GASKET & SEAL KIT (AUTOMATIC)

22-900

- a-SEAL, "O"RING.....(3)
- b-SEAL.....(3)
- c-GASKET, DRUM SUPPORT.....(1)
- d-GASKET, DRIVE CASE.....(1)
- e-SEAL, "O"RING.....(1)
- f-SEAL, "O"RING.....(1)
- g-RING, "O".....(1)
- h-RING, "O".....(1)
- i-SEAL, OIL.....(1)
- j-RING, "O".....(1)
- k-SEAL.....(1)
- l-GASKET, OIL PUMP.....(1)
- m-RING, "O".....(1)
- n-RING, "O".....(1)
- p-RING, "O".....(1)
- q-SEAL, OIL.....(1)
- r-SEAL, "O"RING.....(1)
- s-SEAL, PISTON.....(1)
- t-SEAL, "O"RING.....(2)
- u-SEAL, PISTON.....(1)
- v-SEAL, PISTON.....(1)
- w-SEAL.....(1)
- x-GASKET.....(1)
- y-GASKET, OIL PAN.....(1)
- z-RING, "O".....(1)
- aa-RING, "O".....(1)
- ab-RING, "O".....(1)
- ac-RING, "O".....(2)
- ad-GASKET, EXTENTION.....(1)



ITEM NO.	D-CODE	DESCRIPTION	PART NO.	QTY	MODEL/DESCRIPTION	REMARKS
22 900		GASKET & SEAL KIT	BU01-99-190	1		-7501
		< A >	BU01-99-190A	1		7501-

7501 FC33\* -547831