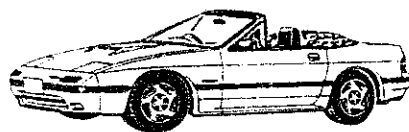
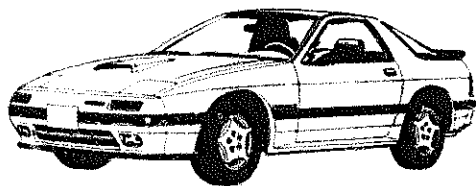


Parts Catalog

Mazda RX-7
U.S.A.
('91 ▶ '92)



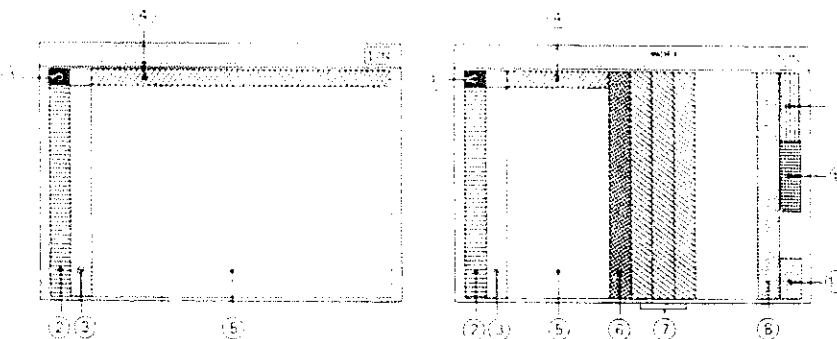
FC3 ••• -800001-950000
FC35 • -100001-200000

Jan. '94 (FINAL)
Catalog No. AU-FA03-07

mazda
© 1994 Mazda Motor Corporation

LAYOUT OF CONTENTS / DISPOSITION TYPOGRAPHIQUE DE CONTENU DISPOSICION DEL CONTENIDO / ANORDNUNG DES INHALTS

- The following is a typical example of the layout of contents on Mazda microfilm parts catalog.
- Voici un exemple typique de la disposition typographique de contenu dans les microfilms du catalogue des pièces de Mazda.
- El siguiente es un ejemplo típico de la disposición del contenido en una microficha del catálogo de repuestos de Mazda.
- Folgendes ist ein typisches Beispiel der Inhaltsanordnung des Mazda Mikrofiche-Teilekatalogs.


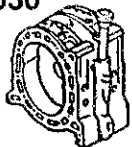

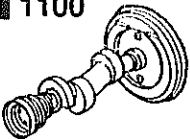
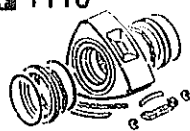
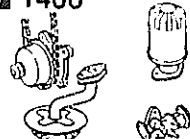

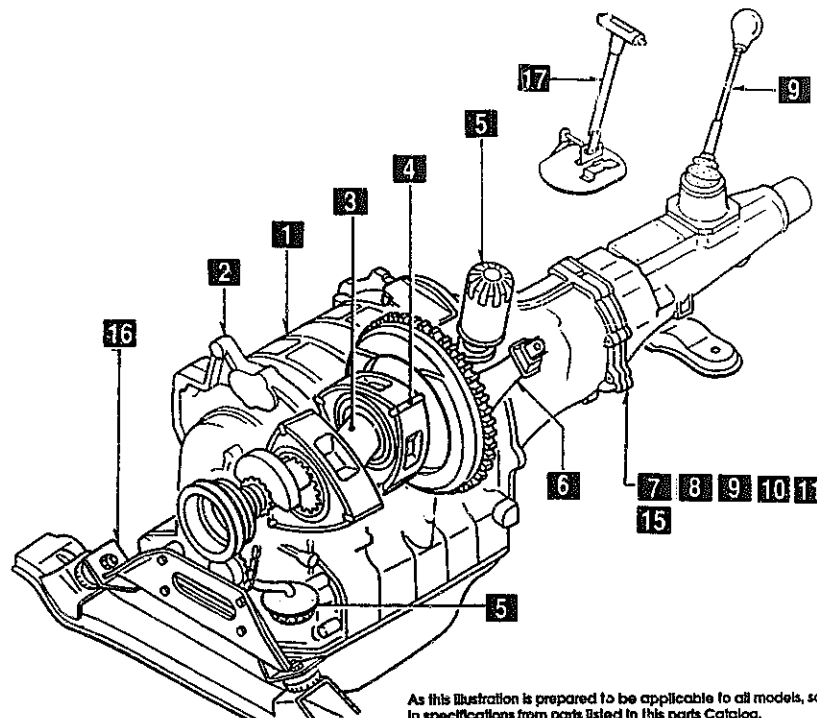
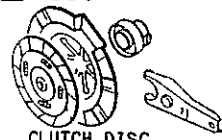
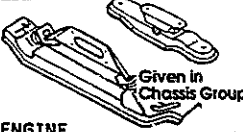
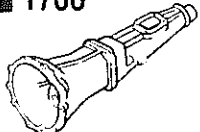
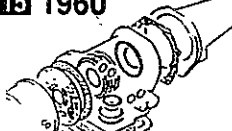

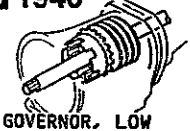
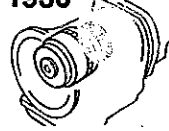

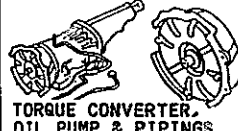


Remark: The items listed under ④ have been deleted from each fiche since Dec. '93






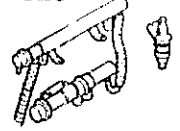

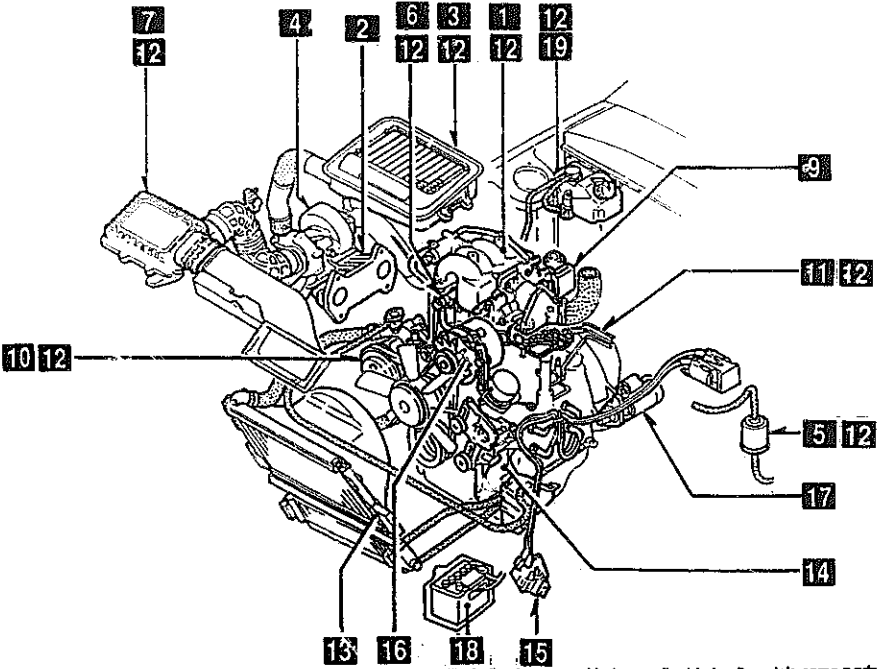
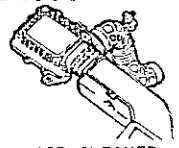
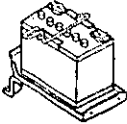
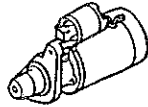
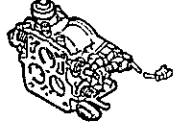
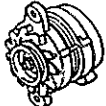

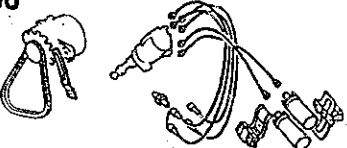
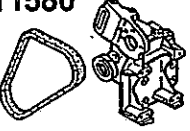
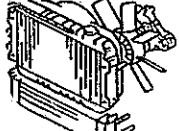

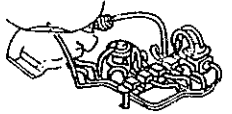
- | | | |
|--|---|---|
| ① • Layout of contents
• Disposition Typographique de Contenu
• Disposición del contenido
• Anordnung des Inhalts | ② • Pictorial Index
• Index par Schémas
• Índice Gráfico
• Illustrierter Index | ③ • Master Section No. Index
• Index des Numéros des Sections Totale
• Índice del Número de la Sección Maestra
• Hauptabschnittsnummer-Index |
| ④ • Section No. Index for the Column
• Index des Numéros des Sections pour les Colonnes
• N° de la Sección para el Índice
• Abschnittsnummer-Index für die Spalte | ⑤ • Illustration & Text
• Illustrations et Textes
• Ilustración y Texto
• Abbildung und Text | ⑥ • Part No. Index
• Index des Numéros des Pièces
• Índice del N° de Pieza
• Teile-Nr.-Index |
| ⑦ • Alphabetical Index
• Index Alphabétique
• Índice Alfabético
• Alphabetischer Index | ⑧ • Model Identification
• Identification des Modèles
• Identificación del Modelo
• Modell-Kennzeichnung | ⑨ • Vehicle Identification System
• Système d'Identification de Véhicule
• Sistema de Identificación de Vehículo
• Fahrzeug-Identifikations-system |

1-B 1

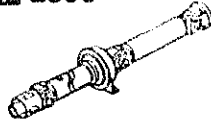
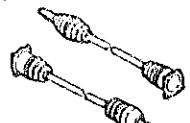
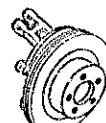

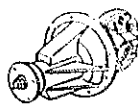


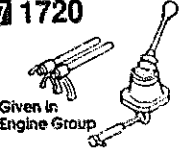
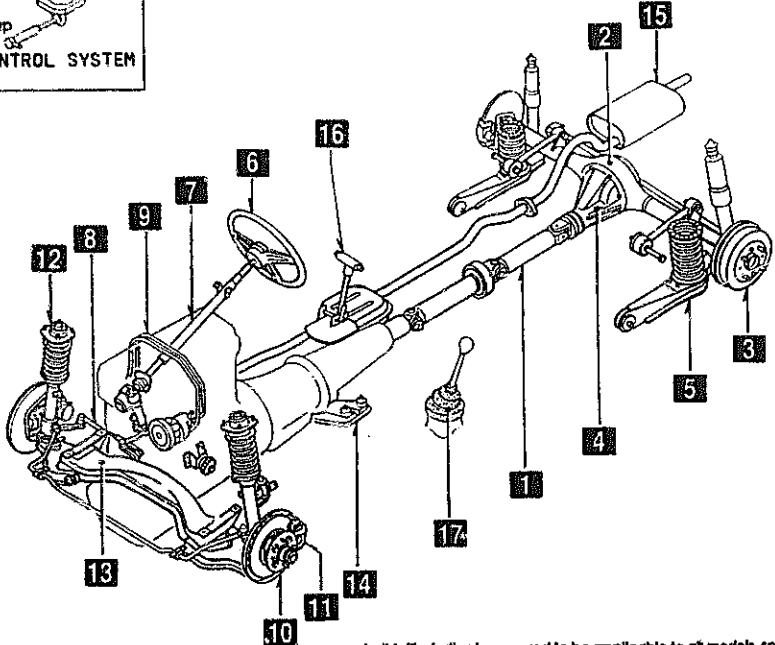
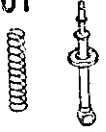
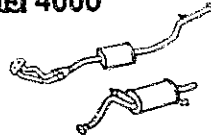

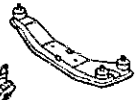

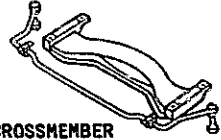

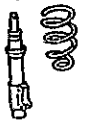


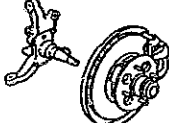
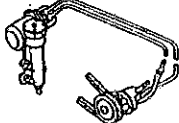
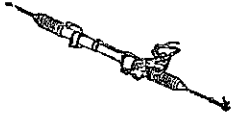
PICTORIAL INDEX

<p>1000</p>  <p style="text-align: center;">ROTOR HOUSINGS</p>	<p>11 1030</p>  <p style="text-align: center;">ROTOR HOUSINGS</p>	<p>12 1040</p>  <p style="text-align: center;">OIL PAN, FRONT & REAR HOUSING</p>	<p>13 1100</p>  <p style="text-align: center;">ECCENTRIC SHAFT & FLYWHEEL</p>	<p>14 1110</p>  <p style="text-align: center;">ROTORS & RELATED PARTS</p>	<p>15 1400</p>  <p style="text-align: center;">OIL PUMP & FILTER</p>
<p>16 4600</p> <p>Given in Chassis Group</p>  <p style="text-align: center;">CHANGE CONTROL SYSTEM (AT)</p>	<p style="font-size: 1.5em; font-weight: bold;">ENGINE (1/2)</p> 				<p>16 1600</p>  <p style="text-align: center;">CLUTCH DISC & COVER (MANUAL)</p>
<p>17 3900</p> <p>Given in Chassis Group</p>  <p style="text-align: center;">ENGINE & TRANSMISSION MOUNTINGS</p>	<p style="font-size: 0.8em;">As this illustration is prepared to be applicable to all models, some parts are different in specifications from parts listed in this parts Catalog.</p>				<p>17 1700</p>  <p style="text-align: center;">TRANSMISSION CASE (MANUAL)</p>
<p>15 1960</p>  <p style="text-align: center;">GASKET & SEAL KIT (AUTOMATIC)</p>	<p>14 1950</p>  <p style="text-align: center;">MANUAL LINKAGE SYSTEM (AUTOMATIC)</p>	<p>13 1940</p>  <p style="text-align: center;">GOVERNOR, LOW & REVERSE PISTON (AUTOMATIC)</p>	<p>12 1930</p>  <p style="text-align: center;">CLUTCHES & PLANETARY GEARS (AUTOMATIC)</p>	<p>11 1920 & 1925</p>  <p style="text-align: center;">TRANSMISSION CASE & MAIN CONTROL SYSTEM (AUTOMATIC)</p>	<p>10 1910</p>  <p style="text-align: center;">TORQUE CONVERTER, OIL PUMP & PIPINGS (AUTOMATIC)</p>

PICTORIAL INDEX

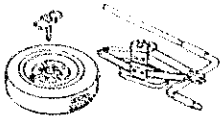


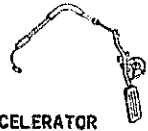
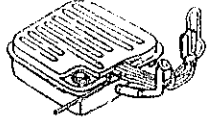
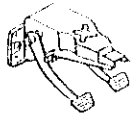
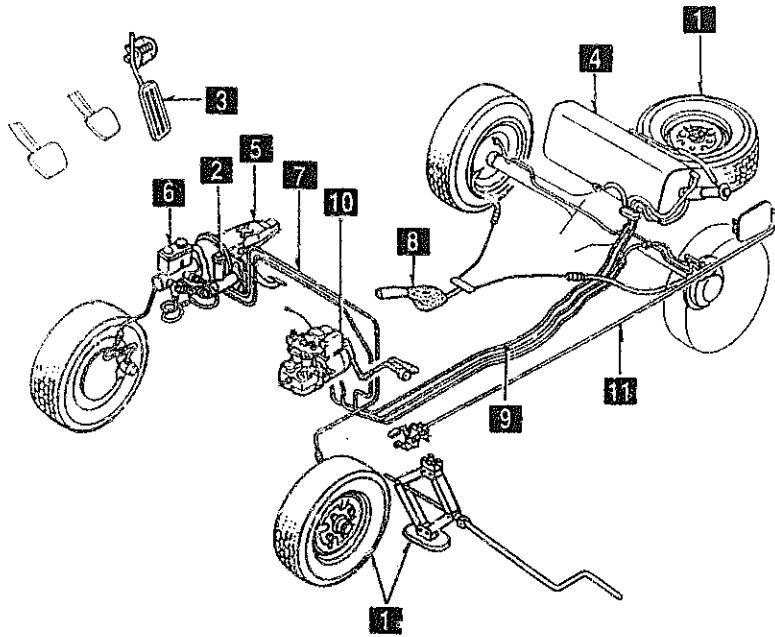
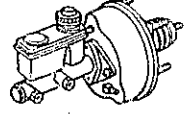
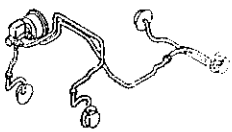


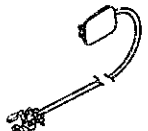
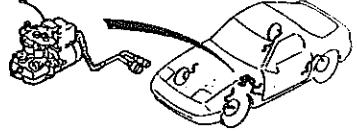
<p>1 1300</p>  <p style="text-align: center;">INLET MANIFOLD</p>	<p>2 1310</p>  <p style="text-align: center;">EXHAUST MANIFOLD</p>	<p>3 1311</p>  <p style="text-align: center;">INTER COOLER</p>	<p>4 1312</p>  <p style="text-align: center;">TURBO CHARGER</p>	<p>5 1320</p>  <p style="text-align: center;">FUEL SYSTEM</p>	<p>6 1325</p>  <p style="text-align: center;">FUEL DISTRIBUTOR</p>
<p>19 1350</p>  <p style="text-align: center;">STARTING ASSIST SYSTEM</p>	<p>ENGINE (2/2)</p>  <p style="font-size: small; text-align: center;">As this illustration is prepared to be applicable to all models, some parts are different in specifications from parts listed in this parts Catalog.</p>				<p>7 1330</p>  <p style="text-align: center;">AIR CLEANER</p>
<p>18 1850</p>  <p style="text-align: center;">BATTERY</p>					<p>8</p>
<p>17 1840</p>  <p style="text-align: center;">STARTER</p>					<p>9 1364</p>  <p style="text-align: center;">THROTTLE BODY</p>
<p>16 1830</p>  <p style="text-align: center;">ALTERNATOR</p>					<p>10 1371</p>  <p style="text-align: center;">AIR PUMP & AIR CONTROL VALVE</p>
<p>15 1800</p>  <p style="text-align: center;">ENGINE ELECTRICAL SYSTEM</p>	<p>14 1580</p>  <p style="text-align: center;">BRACKET, PULLEY & BELT</p>	<p>16 1500</p>  <p style="text-align: center;">COOLING SYSTEM</p>	<p>12 1399</p>  <p style="text-align: center;">CAP & HOSE CLIP (INLET & EXHAUST SIDE)</p>	<p>11 1380</p>  <p style="text-align: center;">EMISSION CONTROL SYSTEM</p>	

PICTORIAL INDEX


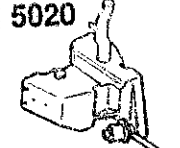

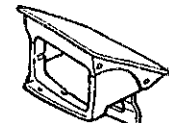
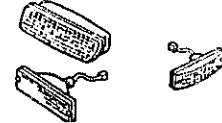
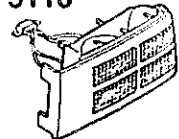
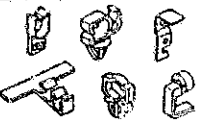
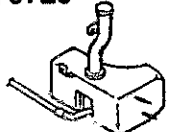
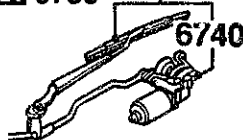

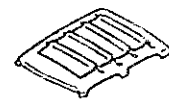
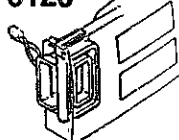

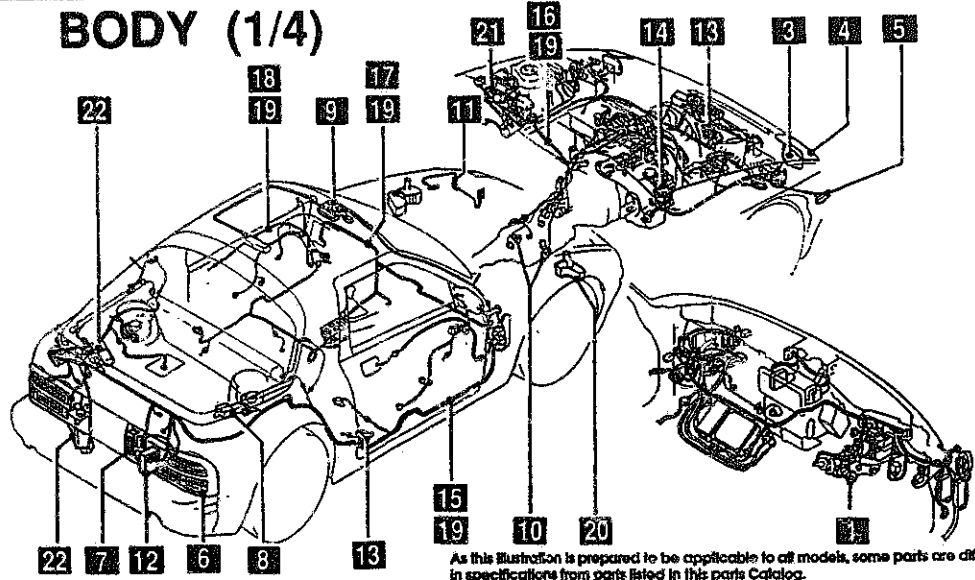

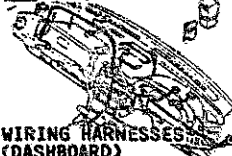


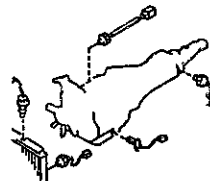

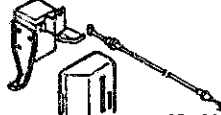
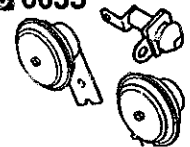

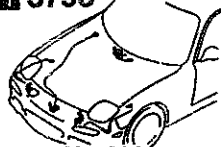
<p>1 2505</p>  <p>REAR PROPELLER SHAFT</p>	<p>2 2550</p>  <p>REAR DRIVE SHAFT</p>	<p>2600</p>  <p>REAR AXLE</p>	<p>3 2610</p>  <p>REAR BRAKE MECHANISMS</p>	<p>4 2710</p>  <p>REAR DIFFERENTIALS</p>	<p>5 2800 & 2810</p>  <p>REAR SUSPENSION MECHANISMS</p>
<p>16 4600</p>  <p>CHANGE CONTROL SYSTEM (AT)</p>	<p>17 1720</p> <p>Given in Engine Group</p>  <p>CHANGE CONTROL SYSTEM (MANUAL)</p>	<h2 style="margin: 0;">CHASSIS (1/2)</h2> 			<p>2801</p>  <p>REAR SPRING & DAMPER</p>
<p>15 4000</p>  <p>EXHAUST SYSTEM</p>				<p>2830</p>  <p>REAR LOWER ARMS & SUB FRAME</p>	
<p>12 3900</p>  <p>ENGINE & TRANSMISSION MOUNTINGS</p>				<p>6 3200</p>  <p>STEERING WHEEL</p>	
<p>13 3410</p>  <p>CROSSMEMBER & STABILIZER</p>				<p>7 3210</p>  <p>STEERING COLUMN & SHAFTS</p>	
<p>12 3401</p>  <p>FRONT SPRING & DAMPER</p>	<p>3400</p>  <p>FRONT SUSPENSION MECHANISMS</p>	<p>11 3310</p>  <p>FRONT BRAKE MECHANISMS</p>	<p>10 3300</p>  <p>FRONT AXLE</p>	<p>9 3240</p>  <p>POWER STEERING SYSTEM</p>	<p>8 3220</p>  <p>STEERING GEAR</p>

As this illustration is prepared to be applicable to all models, some parts are different in specifications from parts listed in this parts Catalog.

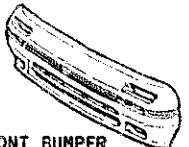



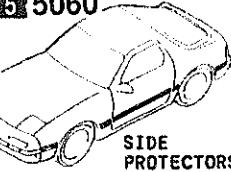


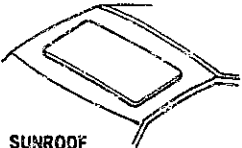

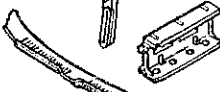

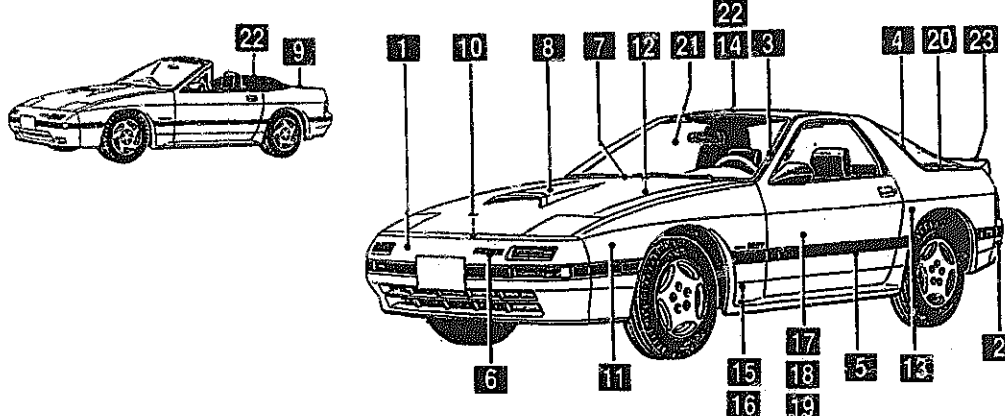
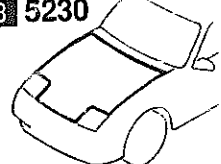

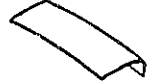

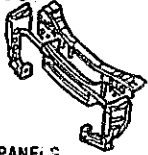



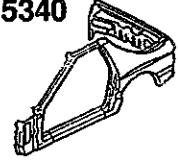

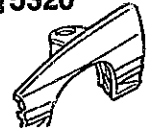
PICTORIAL INDEX

<p>1 3700</p>  <p style="text-align: center;">TIRES & JACK</p>	<p>2 4140</p>  <p style="text-align: center;">CLUTCH RELEASE & MASTER CYLINDERS (MANUAL TRANSMISSION)</p>	<p>4145</p>  <p style="text-align: center;">CLUTCH PIPINGS (MANUAL TRANSMISSION)</p>	<p>3 4160</p>  <p style="text-align: center;">ACCELERATOR CONTROL SYSTEM</p>	<p>4 4200</p>  <p style="text-align: center;">FUEL TANK</p>	<p>5 4300</p>  <p style="text-align: center;">CLUTCH & BRAKE PEDALS</p>
<h3 style="margin: 0;">CHASSIS (2/2)</h3>  <p style="text-align: center; font-size: small; margin-top: 5px;">As this illustration is prepared to be applicable to all models, some parts are different in specifications from parts listed in this parts Catalog.</p>					
<p>6 4340</p>  <p style="text-align: center;">BRAKE MASTER CYLINDER & POWER BRAKE</p>					
<p>7 4360</p>  <p style="text-align: center;">BRAKE PIPINGS</p>					
<p>8 4400</p>  <p style="text-align: center;">PARKING BRAKE SYSTEM</p>					
<p>9 4500</p>  <p style="text-align: center;">FUEL PIPINGS</p>					
<p>11 4210</p>  <p style="text-align: center;">FUEL LID OPENER</p>					
<p>10 4370</p>  <p style="text-align: center;">ANTILOCK BRAKE SYSTEM</p>					

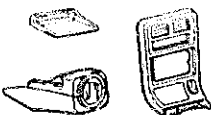
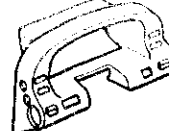
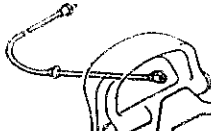
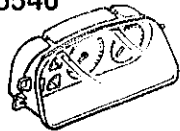
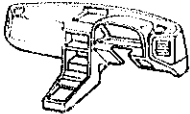
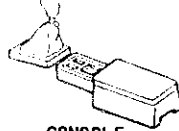
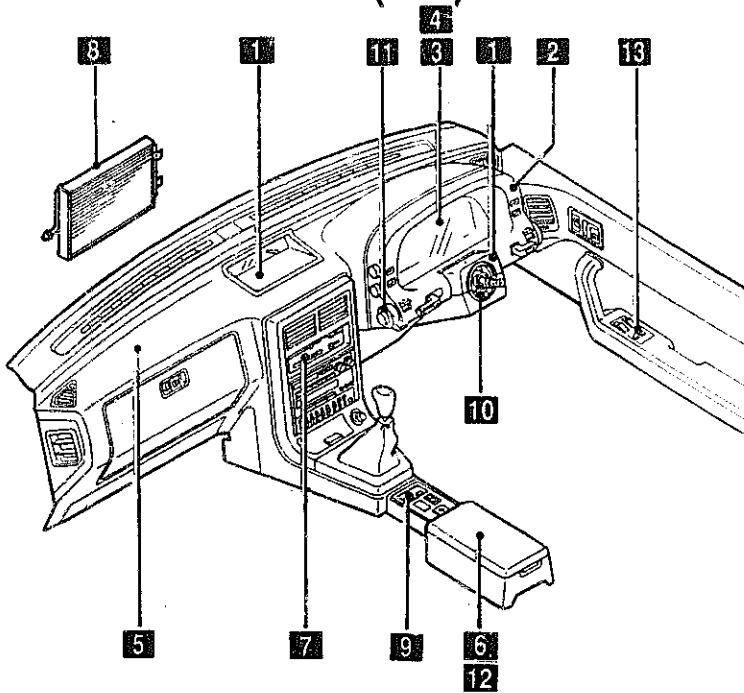
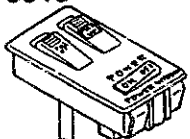
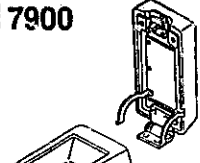
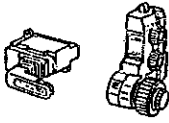
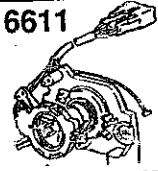
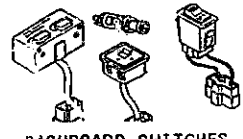




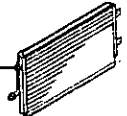




PICTORIAL INDEX

<p>1 0900</p>  <p>KEY SETS</p>	<p>2 5020</p>  <p>HEAD LAMP CLEANER</p>	<p>3 5100</p>  <p>HEAD LAMPS</p>	<p>4 5103</p>  <p>HEAD LAMP RETRACTORS</p>	<p>5 5105</p>  <p>FRONT COMBINATION LAMPS</p>	<p>6 5110</p>  <p>REAR COMBINATION LAMPS</p>
<p>19 6704</p>  <p>WIRING HARNESS CLAMPS</p>	<p>20 6720</p>  <p>WINDSHIELD WASHER</p>	<p>21 6730</p>  <p>WINDSHIELD WIPERS</p>	<p>22 6750</p>  <p>WINDOW WIPER & WASHER (REAR)</p>	<p>23 6800</p>  <p>CEILING TRIMS</p>	<p>7 5120</p>  <p>LICENSE LAMPS</p>
<p>18 6703</p>  <p>WIRING HARNESSES (DOOR, FLOOR/CEILING)</p>	<p>BODY (1/4)</p>  <p style="font-size: small; text-align: center;">As this illustration is prepared to be applicable to all models, some parts are different in specifications from parts listed in this parts Catalog.</p>				<p>8 5125</p>  <p>INTERIOR LAMPS</p>
<p>17 6702</p>  <p>WIRING HARNESSES (DASHBOARD)</p>					<p>9 5130</p>  <p>OVERHEAD CONSOLE</p>
<p>16 6701</p>  <p>WIRING HARNESSES (ENGINE & TRANSMISSION)</p>					<p>10 6600</p>  <p>SWITCHES & RELAYS (ENGINE)</p>
<p>15 6700</p>  <p>WIRING HARNESSES (FRONT & REAR)</p>	<p>14 6640</p>  <p>AUTO CRUISE CONTROL SYSTEM</p>	<p>13 6635</p>  <p>DOOR SWITCH & HORNS</p>	<p>12 6630</p>  <p>RELAYS & UNIT (BODY)</p>	<p>11 5795</p>  <p>AIR BAG</p>	

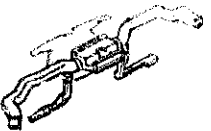

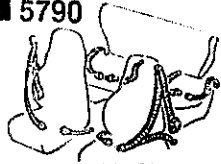
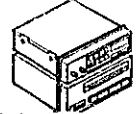
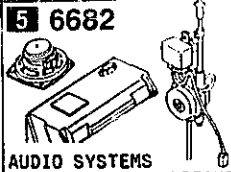

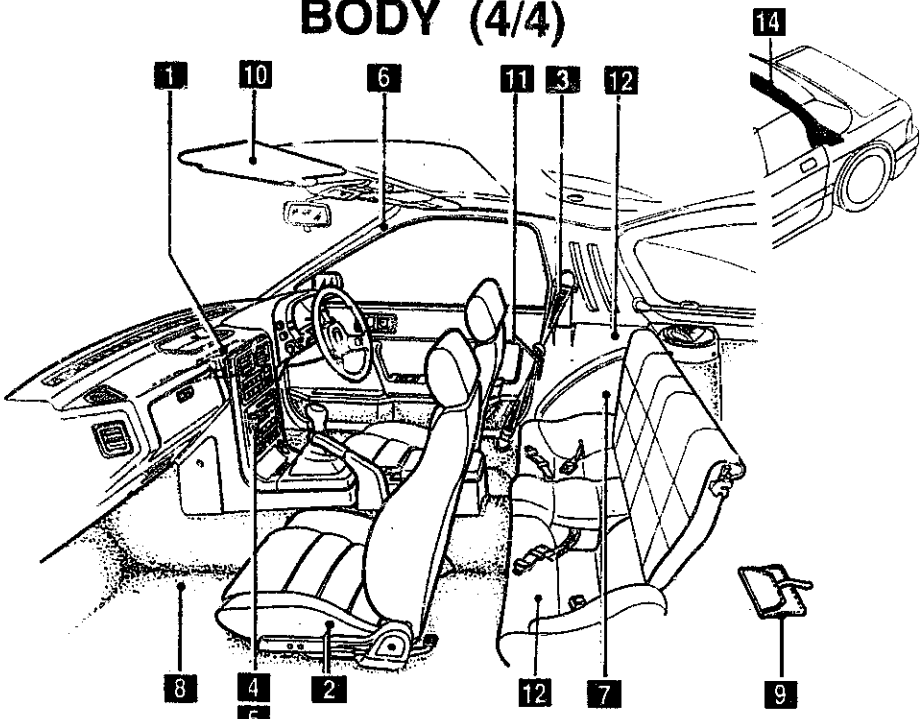

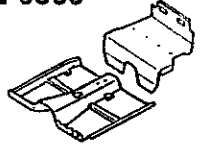


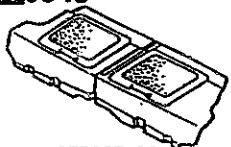


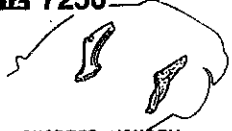

PICTORIAL INDEX

<p>1 5000</p>  <p>FRONT BUMPER</p>	<p>2 5010</p>  <p>REAR BUMPER</p>	<p>3 5030</p>  <p>WINDOW MOULDINGS</p>	<p>4 5040</p>  <p>BODY MOULDINGS</p>	<p>5 5060</p>  <p>SIDE PROTECTORS</p>	<p>6 5170</p> <p style="text-align: center;">RX-7 MAZDA</p> <p>ORNAMENTS</p>
<p>20 6230</p>  <p>LIFT GATE MECHANISMS</p>	<p>21 6300</p>  <p>WINDOW GLASSES</p>	<p>22 6330</p>  <p>SUNROOF</p>	<p>23 7800</p>  <p>SPOILERS & RELATED PARTS</p>		<p>7 5180</p>  <p>COWL & EXTRACTOR GRILLES</p>
<p>19 5840</p>  <p>FRONT DOOR TRIMS & RELATED PARTS</p>	<p>BODY (2/4)</p> 				<p>8 5230</p>  <p>BONNET</p>
<p>13 5830</p>  <p>FRONT DOOR MECHANISMS</p>					<p>9 5260</p>  <p>TRUNK LID</p>
<p>17 5800</p>  <p>FRONT DOORS</p>					<p>10 5310</p>  <p>FRONT PANELS</p>
<p>16 5390</p> <p>5380</p>  <p>FLOOR ATTACHMENTS</p>	<p>15 5370</p>  <p>FLOOR PANELS</p>	<p>14 5360</p>  <p>ROOF PANELS</p>	<p>13 5340</p>  <p>SIDE PANELS</p>	<p>12 5330</p>  <p>DASH & COWL PANELS</p>	<p>11 5320</p>  <p>FENDER & WHEEL APRON PANELS</p>

PICTORIAL INDEX

<p>1 5500</p>  <p>DASHBOARD EQUIPMENTS</p>	<p>2 5520</p>  <p>METER HOOD</p>	<p>3 5530</p>  <p>SPEEDOMETER CABLE</p>	<p>4 5540</p>  <p>METER SET & METER COMPONENTS</p>	<p>5 5560</p>  <p>DASHBOARD & RELATED PARTS</p>	<p>6 5570</p>  <p>CONSOLE</p>
<p>BODY (3/4)</p> 					
<p>As this illustration is prepared to be applicable to all models, some parts are different in specifications from the parts listed in this parts catalog.</p>					
<p>13 6615</p>  <p>POWER WINDOW SWITCHES</p>		<p>12 7900</p>  <p>ACCESSORIES</p>		<p>11 6612</p>  <p>CLUSTER SWITCH</p>	
<p>10 6611</p>  <p>COMBINATION SWITCH</p>		<p>9 6610</p>  <p>DASHBOARD SWITCHES</p>		<p>7</p> <p>6120 </p> <p>6100 </p> <p>6110 </p> <p>6115 </p> <p>HEATER</p>	
<p>8</p> <p>6130 </p> <p>6130 </p> <p>6140 </p> <p>6135 </p> <p>6150 </p> <p>AIR CONDITIONER</p>					

PICTORIAL INDEX

1 5580  VENTILATOR	2 5700  SEATS	3 5790  SEAT BELTS	4 6680  AUDIO SYSTEMS (RADIO & TAPE DECK)	5 6682  AUDIO SYSTEMS (ANTENNA & SPEAKER)	6 6820  FRONT HEADER TRIM & PILLAR TRIMS	
<h3 style="margin: 0;">BODY (4/4)</h3>  <p style="font-size: small; text-align: center;"> As this illustration is prepared to be applicable to all models, some parts are different in specifications from the parts listed in this parts catalog. </p>						7 6840  TRIMS & SCUFF PLATES
						8 6860  FLOOR MATS & PADS
						9 6870  SERVICE TOOLS
						10 6900  VISORS, ASSIST HANDLES & MIRRORS
		15 6845  STRAGE BOX	14 6810  ROLLEBAR	13 6684  AUDIO SYSTEMS (NOISE SUPPRESSOR & EARTH CORD)	12 7250  QUARTER WINDOW & TRIMS	
						11 6930  CAUTION PLATES & LABELS

SECTION NAME INDEX (ENGINE)

LO.NO	SEC.NO	SECTION NAME	LO.NO	SEC.NO	SECTION NAME	LO.NO	SEC.NO	SECTION NAME
1-C03	1000	ENGINE & GASKET SETS (W/O TURBO)	1-C09	1600	CLUTCH DISC & COVER (MANUAL) (W/O TURBO)			
1-D03	1000 A	ENGINE & GASKET SETS (TURBO)	1-D09	1600 A	CLUTCH DISC & COVER (MANUAL) (TURBO)			
1-E03	1030	ROTOR HOUSINGS (W/O TURBO)	1-F09	1700	TRANSMISSION CASE (MANUAL) (W/O TURBO)			
1-G03	1030 A	ROTOR HOUSINGS (TURBO)	1-H09	1700 A	TRANSMISSION CASE (MANUAL) (TURBO)			
1-I03	1040	OIL PAN, FRONT & REAR HOUSING (W/O TURBO)	1-K09	1710	TRANSMISSION GEARS (MANUAL) (W/O TURBO)			
1-L03	1040 A	OIL PAN, FRONT & REAR HOUSING (TURBO)	1-E10	1710 A	TRANSMISSION GEARS (MANUAL) (TURBO)			
1-C04	1100	ECCENTRIC SHAFT & FLYWHEEL	1-K10	1720	CHANGE CONTROL SYSTEM (MANUAL) (W/O TURBO)			
1-F04	1110	ROTORS & RELATED PARTS	1-N10	1720 A	CHANGE CONTROL SYSTEM (MANUAL) (TURBO)			
1-H04	1300	INLET MANIFOLD (W/O TURBO)	1-E11	1800	ENGINE ELECTRICAL SYSTEM			
1-J04	1300 A	INLET MANIFOLD (TURBO)	1-I11	1830	ALTERNATOR			
1-K04	1310	EXHAUST MANIFOLD	1-K11	1840	STARTER			
1-L04	1311	INTER COOLER (TURBO)	1-N11	1850	BATTERY			
1-M04	1312	TURBO CHARGER	1-C12	1910	TORQUE CONVERTER, OIL PUMP & PIPINGS (AUTOMATIC)			
1-C05	1320	FUEL SYSTEM	1-F12	1920	TRANSMISSION CASE & MAIN CONTROL SYSTEM (AUTOMATIC)			
1-E05	1325	FUEL DISTRIBUTOR	1-M12	1925	CONTROL VALVE (AUTOMATIC)			
1-F05	1330	AIR CLEANER (W/O TURBO)	1-H13	1930	CLUTCHES & PLANETARY GEARS (AUTOMATIC)			
1-H05	1330 A	AIR CLEANER (TURBO)	1-D14	1940	GOVERNOR, LOW & REVERSE PISTON (AUTOMATIC)			
1-J05	1364	THROTTLE BODY (W/O TURBO)	1-G14	1950	MANUAL LINKAGE SYSTEM (AUTOMATIC)			
1-M05	1364 A	THROTTLE BODY (TURBO)	1-I14	1960	GASKET & SEAL KIT (AUTOMATIC)			
1-C06	1371	AIR PUMP & AIR CONTROL VALVE						
1-F06	1380	EMISSION CONTROL SYSTEM (W/O TURBO)						
1-J06	1380 A	EMISSION CONTROL SYSTEM (TURBO)						
1-C07	1400	OIL PUMP & FILTER (W/O TURBO)						
1-F07	1400 A	OIL PUMP & FILTER (TURBO)						
1-J07	1500	COOLING SYSTEM						
1-C08	1580	BRACKET, PULLEY & BELT						

CATLOG-NO= AUFA03-07

DATE. 1993-10

PAGE. 1

SECTION NAME INDEX (CHASSIS)

LD.NO	SEC.NO	SECTION NAME	LD.NO	SEC.NO	SECTION NAME	LD.NO	SEC.NO	SECTION NAME
2-C03	2505	REAR PROPELLER SHAFT	2-C08	4160	ACCELERATOR CONTROL SYSTEM			
2-D03	2550	REAR DRIVE SHAFT	2-D08	4200	FUEL TANK			
2-E03	2600	REAR AXLE	2-G08	4210	FUEL LID OPENER			
2-G03	2610	REAR BRAKE MECHANISMS	2-H08	4300	CLUTCH & BRAKE PEDALS (MANUAL TRANSMISSION)			
2-J03	2710	REAR DIFFERENTIALS (NORMAL DIFF.)	2-K08	4300A	BRAKE PEDALS (AUTOMATIC TRANSMISSION)			
2-N03	2710 A	REAR DIFFERENTIALS (LIMITED SLIP DIFF.)	2-M08	4340	BRAKE MASTER CYLINDER & POWER BRAKE (W/O TURBO)			
2-F04	2800	REAR SUSPENSION MECHANISMS	2-C09	4340 A	BRAKE MASTER CYLINDER & POWER BRAKE (TURBO)			
2-G04	2801	REAR SPRING & DAMPER	2-E09	4360	BRAKE PIPINGS (W/O TURBO)			
2-H04	2810	REAR STABILIZER	2-G09	4360 A	BRAKE PIPINGS (TURBO)			
2-I04	2830	REAR LOWER ARMS & SUB FRAME	2-I09	4370	ANTILOCK BRAKE SYSTEM			
2-K04	3200	STEERING WHEEL (W/O AIR BAG)	2-M09	4400	PARKING BRAKE SYSTEM			
2-M04	3200 A	STEERING WHEEL (W/ AIR BAG)	2-C10	4500	FUEL PIPINGS			
2-N04	3210	STEERING COLUMN & SHAFTS	2-G10	4600	CHANGE CONTROL SYSTEM (AT)			
2-D05	3220	STEERING GEAR (W/ POWER STEERING:ENGINE REVOLUTION PER MINUTE SENSOR)						
2-G05	3220 A	STEERING GEAR (W/ POWER STEERING:VELOCITY SENSOR)						
2-J05	3240	POWER STEERING SYSTEM						
2-M05	3300	FRONT AXLE						
2-C06	3310	FRONT BRAKE MECHANISMS						
2-G06	3400	FRONT SUSPENSION MECHANISMS						
2-I06	3401	FRONT SPRING & DAMPER						
2-J06	3410	CROSSMEMBER & STABILIZER						
2-K06	3700	TIRES & JACK						
2-C07	3900	ENGINE & TRANSMISSION MOUNTINGS (MT)						
2-D07	3900A	ENGINE & TRANSMISSION MOUNTINGS (AT)						
2-E07	4000	EXHAUST SYSTEM (W/O TURBO)						
2-I07	4000 A	EXHAUST SYSTEM (TURBO)						
2-L07	4140	CLUTCH RELEASE & MASTER CYLINDERS (MANUAL TRANSMISSION)						
2-N07	4145	CLUTCH PIPINGS (MANUAL TRANSMISSION)						

SECTION NAME INDEX (BODY) 1/2

LD.NO	SEC.NO	SECTION NAME	LD.NO	SEC.NO	SECTION NAME	LD.NO	SEC.NO	SECTION NAME
3-C03	0900	KEY SETS	3-E09	5390	FLOOR ATTACHMENTS			
3-F03	5000	FRONT BUMPER	3-C10	5500	DASHBOARD EQUIPMENTS			
3-H03	5010	REAR BUMPER	3-F10	5520	METER HOOD			
3-J03	5020	HEAD LAMP CLEANER	3-G10	5530	SPEEDOMETER CABLE			
3-L03	5030	WINDOW MOULDINGS	3-H10	5540	METER COMPONENTS			
3-M03	5040	BODY MOULDINGS (COUPE)	3-J10	5560	DASHBOARD & RELATED PARTS			
3-D04	5060	SIDE PROTECTORS	3-D11	5570	CONSOLE			
3-C04	5100	HEAD LAMPS	3-G11	5580	VENTILATOR			
3-H04	5103	HEAD LAMP RETRACTORS	3-H11	5700	FRONT SEATS (COUPE)			
3-K04	5105	FRONT COMBINATION LAMPS	3-J12	5700A	FRONT SEATS (CONVERTIBLE)			
3-D05	5110	REAR COMBINATION LAMPS	3-D13	5790	SEAT BELTS (COUPE)			
3-H05	5120	LICENSE LAMPS	3-F13	5790A	SEAT BELTS (CONVERTIBLE)			
3-J05	5125	INTERIOR LAMPS	3-G13	5795	AIR BAG			
3-K05	5130	OVERHEAD CONSOLE	3-H13	5800	FRONT DOORS (COUPE)			
3-L05	5170	ORNAMENTS	3-K13	5800A	FRONT DOORS (CONVERTIBLE)			
3-M05	5180	COWL & EXTRACTOR GRILLES	3-C14	5830	FRONT DOOR MECHANISMS (COUPE)			
3-D06	5230	BONNET	3-I14	5830A	FRONT DOOR MECHANISMS (CONVERTIBLE)			
3-G06	5260	TRUNK LID (CONVERTIBLE)	3-M14	5840	FRONT DOOR TRIMS & RELATED PARTS (COUPE)			
3-H06	5310	FRONT PANELS (COUPE)	3-H15	5840A	FRONT DOOR TRIMS & RELATED PARTS (CONVERTIBLE)			
3-J06	5310 A	FRONT PANELS (CONVERTIBLE)	3-C16	6100	HEATER			
3-M06	5320	FENDER & WHEEL APRON PANELS (COUPE)	3-E16	6110	HEATER UNIT COMPONENTS			
3-D07	5320 A	FENDER & WHEEL APRON PANELS (CONVERTIBLE)	3-F16	6115	HEATER CONTROLS COMPONENTS			
3-G07	5330	DASH & COWL PANELS	3-G16	6120	HEATER BLOWER COMPONENTS			
3-H07	5340	SIDE PANELS (COUPE)	3-I16	6130	AIR CONDITIONER (JAPAN MAKE)			
3-M07	5340A	SIDE PANELS (CONVERTIBLE)	3-L16	6130A	AIR CONDITIONER (OPTIONAL PARTS)			
3-G08	5360	ROOF PANELS (COUPE)						
3-H08	5370	FLOOR PANELS (COUPE)						
3-K08	5370 A	FLOOR PANELS (CONVERTIBLE)						
3-C09	5380	FLOOR ATTACHMENTS (HOLE COVERS)						

CATLOG-NO= AUFA03-07

DATE. 1993-12

PAGE. 3

1-D 2

SECTION NAME INDEX (BODY) 2/2

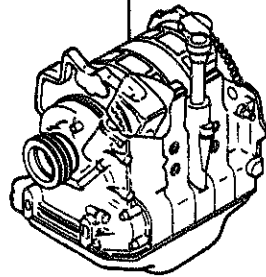
LO.NO	SEC.NO	SECTION NAME	LO.NO	SEC.NO	SECTION NAME	LO.NO	SEC.NO	SECTION NAME
4-C03	6135	D RING SET,PIPING	4-J07	6701 A	WIRING HARNESSSES(ENGINE & T/MISSION) (CONVERTIBLE)			
4-D03	6140	COMPRESSOR COMPONENTS (AIR CONDITIONER) (JAPAN MAKE)	4-K07	6702	WIRING HARNESSSES(DASHBOARD)			
4-G03	6140A	COMPRESSOR COMPONENTS (AIR CONDITIONER) (OPTIONAL PARTS)	4-L07	6703	WIRING HARNESSSES(DDDR,FLOOR/CETILING)			
4-ID3	6150	COOLING UNIT (AIR CONDITIONER) (JAPAN MAKE)	4-M07	6704	WIRING HARNESS CLAMPS			
4-J03	6150A	COOLING UNIT (AIR CONDITIONER) (OPTIONAL PARTS)	4-D08	6720	WINDSHIELD WASHER			
4-K03	6230	LIFT GATE MECHANISMS (COUPE)	4-F08	6730	WINDSHIELD WIPERS			
4-N03	6300	WINDOW GLASSES (COUPE)	4-G08	6740	WIPER MOTOR COMPONENTS(FRONT)			
4-C04	6300A	WINDOW GLASSES (CONVERTIBLE)	4-H08	6750	WINDOW WIPER & WASHER (REAR)			
4-D04	6330	SUNROOF (COUPE)	4-K08	6760	WINDOW WIPER MOTOR COMPONENTS (REAR)			
4-H04	6330A	SUNROOF (CONVERTIBLE)	4-L08	6800	CEILING TRIMS (COUPE)			
4-M04	6600	SWITCHES & RELAYS (ENGINE)	4-N08	6800A	CEILING TRIMS (CONVERTIBLE)			
4-G05	6610	DASHBOARD SWITCHES	4-C09	6810	ROLLEBAR (CONVERTIBLE)			
4-H05	6611	COMBINATION SWITCH	4-E09	6820	PILLAR TRIMS (COUPE)			
4-ID5	6612	CLUSTER SWITCH	4-G09	6820A	PILLAR TRIMS (CONVERTIBLE)			
4-L05	6615	POWER WINDOW SWITCHES	4-H09	6840	TRIMS & SCUFF PLATES (COUPE)			
4-M05	6630	RELAYS & UNIT (BODY)	4-L09	6840A	TRIMS & SCUFF PLATES (CONVERTIBLE)			
4-C06	6635	DOOR SWITCH & HORNS	4-N09	6845	STRAGE BOX			
4-D06	6640	AUTO CRUISE CONTROL SYSTEM	4-D10	6860	FLOOR MATS & PADS (COUPE)			
4-E06	6680	AUDIO SYSTEMS (RADIO & TAPE DECK)	4-I10	6860A	FLOOR MATS & PADS (CONVERTIBLE)			
4-J06	6682	AUDIO SYSTEMS (ANTENNA & SPEAKER)	4-M10	6870	SERVICE TOOLS			
4-C07	6684	AUDIO SYSTEMS(NOISE SUPPRESSOR & EARTH CORD)	4-N10	6900	VISORS,ASSIST HANDLES & MIRRORS (COUPE)			
4-D07	6700	WIRING HARNESSSES(FRONT & REAR) (COUPE)	4-E11	6900A	VISORS,ASSIST HANDLES & MIRRORS (CONVERTIBLE)			
4-F07	6700 A	WIRING HARNESSSES(FRONT & REAR) (CONVERTIBLE)	4-G11	6930	CAUTION PLATES & LABELS			
4-H07	6701	WIRING HARNESSSES(ENGINE & T/MISSION) (COUPE)	4-I11	7250	QUARTER WINDOW & TRIMS			
			4-K11	7800	SPOILERS & RELATED PARTS			

1000 -1 * ENGINE & GASKET SETS
(W/O TURBO)

1000 ENGINE & GASKET SETS
(W/O TURBO)

10-271S

- 1-RING SET, "O"..... (1)
- 2-GASKET, OIL PAN..... (1)
- 3-GASKET, FRONT COVER..... (1)
- 4-GASKET..... (1)
- 5-GASKET, IN MANIFOLD..... (1)
- 6-GASKET, NO. 2, IN MANIFOLD..... (1)
- 7-GASKET..... (1)
- 8-GASKET, EX MANIFOLD..... (1)
- 9-GASKET, A. C. VALVE..... (1)
- 10-GASKET, OIL STRAINER..... (1)
- 11-GASKET, METERING OIL..... (1)
- 12-GASKET, WATER PUMP..... (1)
- 13-GASKET..... (1)
- 14-GASKET, THERMOSTAT COVER..... (1)
- 15-GASKET, SHUTTER VALVE..... (1)
- 16-GASKET, B. A. C. VALVE..... (1)
- 17-GASKET, EXH. PIPE..... (1)
- 18-GASKET..... (4)
- 19-GASKET..... (8)
- 20-GASKET..... (2)
- 21-GASKET..... (1)
- 22-GASKET..... (1)

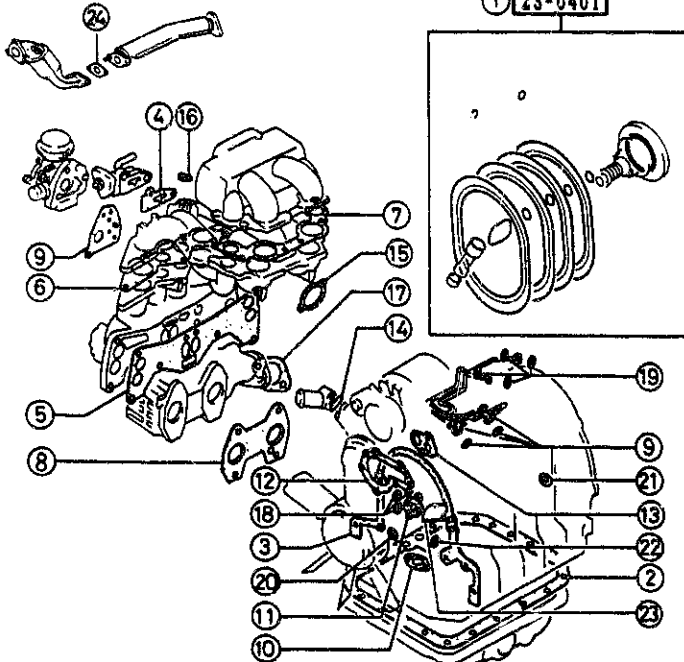


23-800

- 4-GASKET..... (1)
- 5-GASKET, IN MANIFOLD..... (1)
- 8-GASKET, EX MANIFOLD..... (1)
- 23-RING, "O"..... (1)
- 24-GASKET..... (1)

13-111S

1 23-0401



PART NO.	QTY	MODEL/RESTRICTION	MODEL/RESTRICTION	MODEL/RESTRICTION	FROM TO
10-271S		GASKET SET, ENGINE			
8AFD-10-271	1	ASBESTOS ('92 MODEL)			
8AF5-10-271	1	('91 MODEL)			
13-111S		GASKET SET, SUB-ENG.			
8AF4-13-111	1	('91 MODEL)			
8AF6-13-111	1	ASBESTOS ('92 MODEL)			
23-0401		RING SET, "O"			
N350-10-S60	1				
23-800		ENGINE, SHORT			
N3B1-02-200	1	(('92 MODEL))<(MT))			
N3B2-02-200	1	(('92 MODEL))<(AT))			
N350-02-200A	1	(('91 MODEL))<(MT))			
N351-02-200A	1	(('91 MODEL))<(AT))			

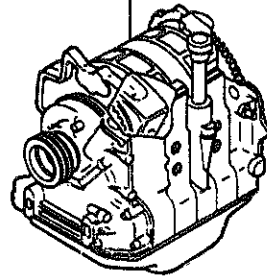
1000 A-1 * ENGINE & GASKET SETS
(TURBO)

1000 A ENGINE & GASKET SETS
(TURBO)

10-271S

- 1-RING SET, "O".....(1)
- 2-GASKET, OIL FLLER PIPE.....(1)
- 3-GASKET, OIL PAN.....(1)
- 4-GASKET, FRON COVER.....(1)
- 5-GASKET.....(1)
- 6-GASKET, IN MANIFOLD.....(1)
- 7-GASKET, NO. 2, IN MANIFOLD.....(1)
- 8-GASKET.....(2)
- 9-GASKET, EX MANIFOLD.....(1)
- 10-GASKET, FUEL DIS.....(2)
- 11-GASKET, EXH PIPE.....(1)
- 12-GASKET, OIL PIPE.....(1)
- 13-GASKET, OIL PIPE.....(2)
- 14-GASKET, TURBO CHARGER.....(1)
- 15-GASKET.....(1)
- 16-GASKET, A. C. VALVE.....(1)
- 17-GASKET, OIL STRAINER.....(1)
- 18-GASKET, OIL STRAINER.....(1)
- 19-GASKET, METERING OIL.....(1)
- 20-GASKET, WATER PUMP.....(1)
- 21-GASKET.....(1)
- 22-GASKET, THERMOSTAT COVER.....(1)
- 23-GASKET, B. A. C. VALVE.....(1)
- 24-GASKET.....(4)
- 25-GASKET.....(8)
- 26-GASKET.....(2)
- 27-GASKET.....(1)
- 28-GASKET.....(4)
- 29-GASKET.....(3)

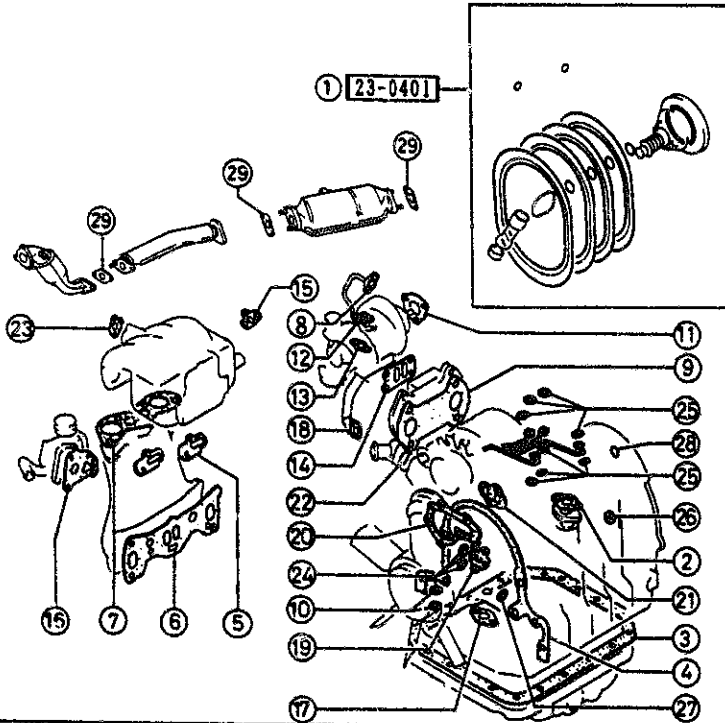
23-800



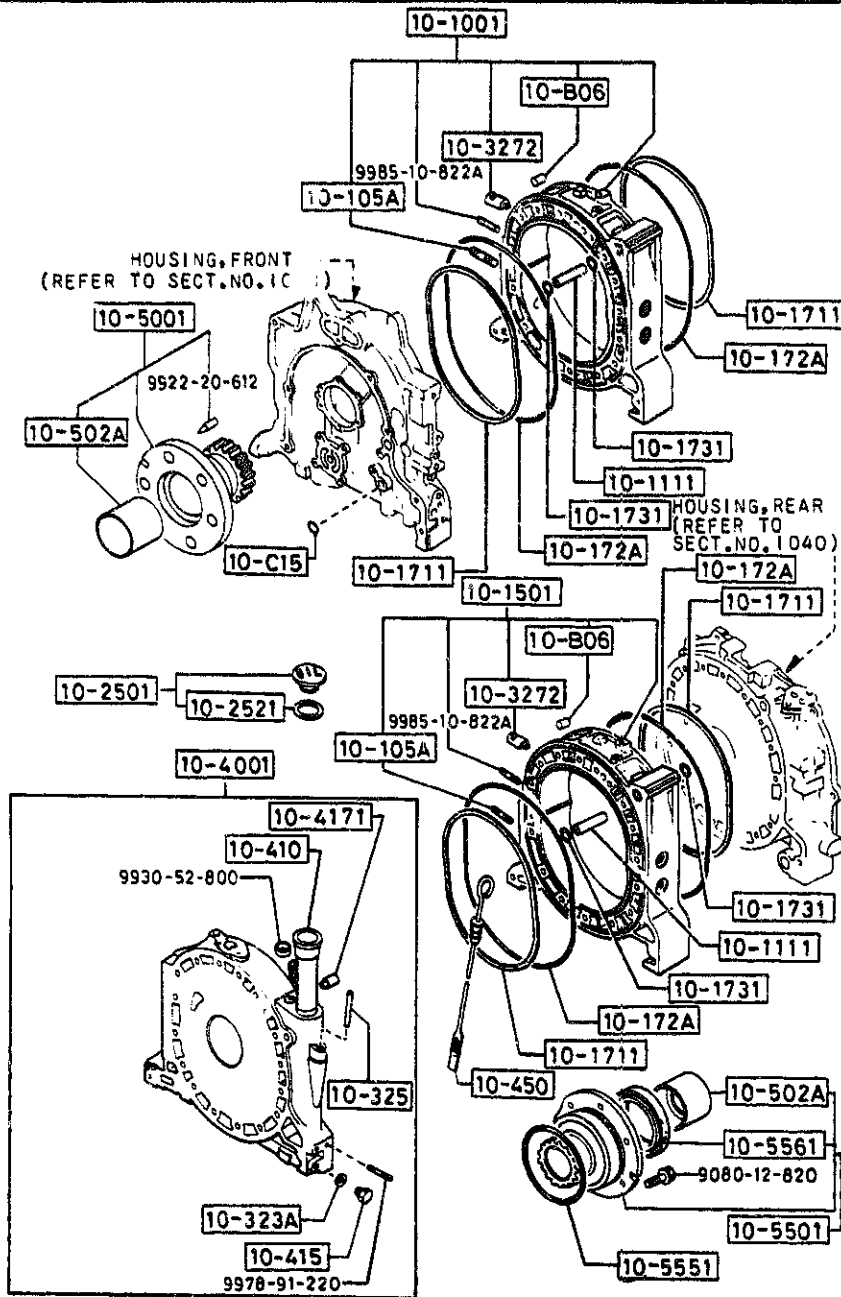
- 6-GASKET, IN MANIFOLD.....(1)
- 7-GASKET, NO. 2, IN MANIFOLD.....(1)
- 9-GASKET, EX MANIFOLD.....(1)
- 25-GASKET.....(8)

13-111S

1 23-0401



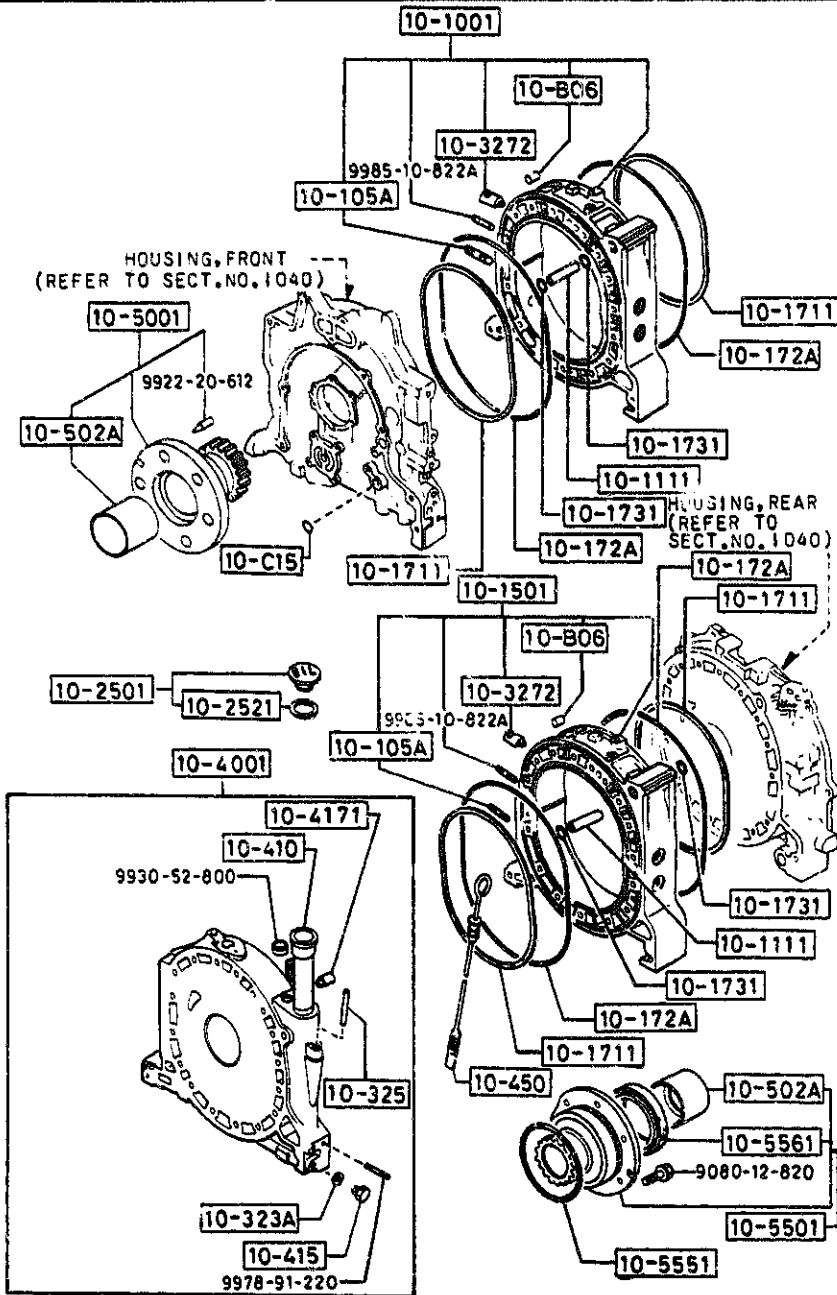
PART NO.	QTY	MODEL/RESTRICTION	MODEL/RESTRICTION	MODEL/RESTRICTION	FROM-TO
10-271S		GASKET SET, ENGINE			
8AF6-10-271	1	ASBESTOS			
13-111S		GASKET SET, SUB-ENG.			
8AF5-13-111	1				
23-0401		RING SET, "O"			
N370-10-560	1				
23-800		ENGINE, SHORT			
N370-02-200A	1				



PART NO.	QTY	MODEL/RESTRICTION	MODEL/RESTRICTION	MODEL/RESTRICTION	FROM TO
10-B06		PIN, SPRING			
N326-10-806	4				
10-C15		RING, BACKUP			
N326-10-C15	1				
10-1001		HOUSING, ROTOR-FRONT			
N350-10-B10A	1				
10-105A		STUD, ROTOR HOUSING			
0839-10-105	4				
10-1111		DOWEL, TUBULAR			
1757-10-111	4				
10-1501		HOUSING, ROTOR-REAR			
N350-10-B50A	1				
10-1711		RING, SQUARE			
N326-10-B71A	4				
10-172A		RING, SQUARE-OUTER			
N326-10-B72	4				
10-1731		RING, 'O'			
N231-10-173	4				
10-2501		CAP, OIL FILLER			
8871-10-250A	1				
10-2521		GASKET, OIL CAP			
8871-10-252	1				
10-323A		GASKET, WATER DRAIN-INTER.			
N326-10-323	1				
10-325		PIPE, OIL LEVEL GAUGE			
N326-10-441	1				
10-3272		PLUG, JET			
N326-14-633	2				

1030 ROTOR HOUSINGS
(W/O TURBO)

1030 -2 * ROTOR HOUSINGS
(W/O TURBO)



PART NO.	QTY	MODEL/RESTRICTION	MODEL/RESTRICTION	MODEL/RESTRICTION	FROM-10
10-4001		HOUSING, INTERMEDIATE			
N350-10-D00C	1				
10-410		PIPE, OIL FILLER			
N350-10-420	1				
10-415		PLUG, SOCKET			
N225-10-415	1				
10-4171		JOINT, PIPE			
8562-10-417	1				
10-450		GAUGE, OIL LEVEL			
N326-10-450B	1				
10-5001		GEAR, STATIONARY-FRT.			
N370-10-E00C	1				
10-502A		METAL, STATIONARY GEAR O.S.			
N350-10-E02	2				
0820-10-502B	2	STD.			
10-5501		GEAR, STATIONARY-RR.			
N370-10-E10B	1				
10-5551		RING, 'O'			
0813-10-555A	1				
10-5561		SEAL, OIL			
1668-10-556A	1				

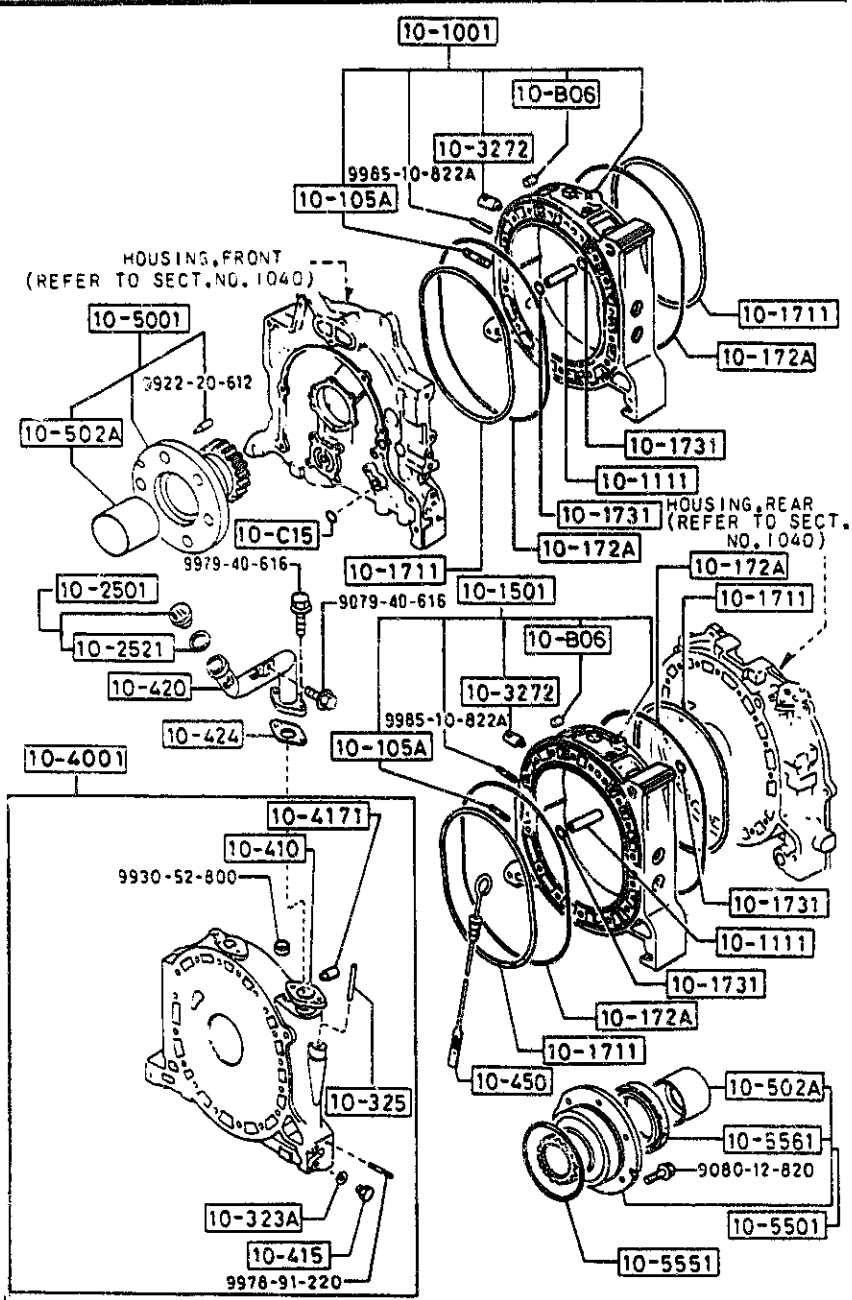
AUFA03

CAT. AUFA03-07

1993-12

1030 A ROTOR HOUSINGS
(TURBO)

1030 A-1 ROTOR HOUSINGS
(TURBO)



PART NO.	QTY	MODEL/RESTRICTION	MODEL/RESTRICTION	MODEL/RESTRICTION	FROM-TO
10-B06		PIN, SPRING			
N326-10-B06	4				
10-C15		RING, BACKUP			
N326-10-C15	1				
10-1001		HOUSING, ROTOR-FRONT			
N318-10-B10A	1				
10-105A		STUD, ROTOR HOUSING			
0839-10-105	4				
10-1111		DOWEL, TUBULAR			
1757-10-111	4				
10-1501		HOUSING, ROTOR-REAR			
N318-10-B90C	1				
10-1711		RING, SQUARE			
N326-10-B71A	4				
10-172A		RING, SQUARE-OUTER			
N326-10-B72	4				
10-1731		RING, 'O'			
N231-10-173	4				
10-2501		CAP, OIL FILLER			
8871-10-250A	1				
10-2521		GASKET, OIL CAP			
8871-10-252	1				
10-323A		GASKET, WATER DRAIN-INTER.			
N326-10-323	1				
10-325		PIPE, OIL LEVEL GAUGE			
N318-10-441	1				
10-3272		PLUG, JET			
N326-14-633	2				

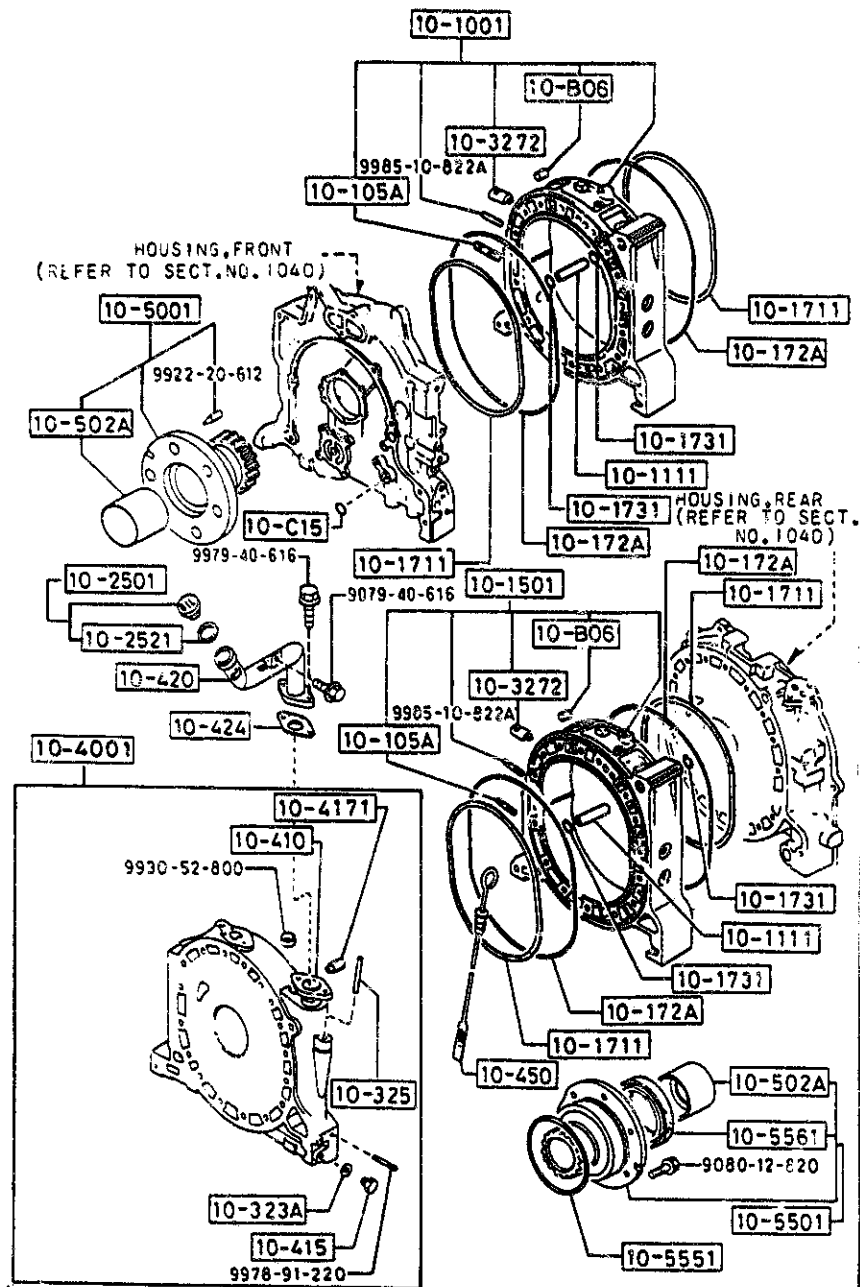
AUFA03

CAT. AUFA03-07

1993-12

1030 A ROTOR HOUSINGS
(TURBO)

1030 A-2 M ROTOR HOUSINGS
(TURBO)



PART NO.	QTY	MODEL/RESTRICTION	MODEL/RESTRICTION	MODEL/RESTRICTION	FROM TO
10-4001	1	HOUSING, INTERMEDIATE			
N370-10-D00C					
10-410	1	PIPE, OIL FILLER			
N318-10-010B					
10-415	1	PLUG, SOCKET			
N225-10-415					
10-4171	1	JOINT, PIPE			
8562-10-417					
10-420	1	PIPE NO. 2, OIL FILLER			
N332-10-420B					
10-424	1	GASKET, OIL FILLER PIPE ASBESTOS			
N318-10-424					
10-450	1	GAUGE, OIL LEVEL			
N332-10-450A					
10-5001	1	GEAR, STATIONARY-FRT.			
N370-10-E00C					
10-502A	2	METAL, STATIONARY GEAR O.S.			
N350-10-E02					
0820-10-502B	2	STD.			
10-5501	1	GEAR, STATIONARY-RR.			
N370-10-E10B					
10-5551	1	RING, 'O'			
0813-10-555A					
10-5561	1	SEAL, OIL			
1668-10-556A					

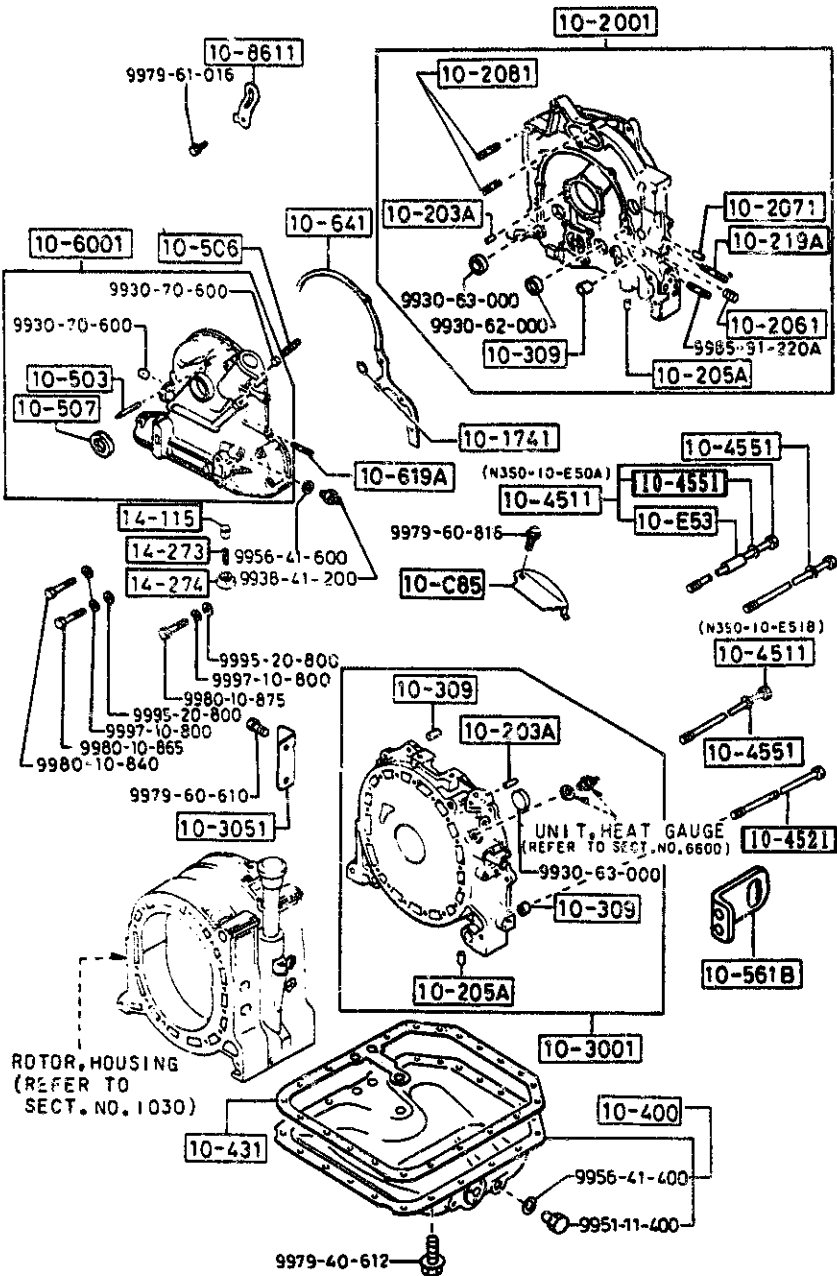
AUFA03

CAT. AUFA03-07

1993-12

1-H 3

1040

OIL PAN, FRONT & REAR HOUSING
(W/O TURBO)

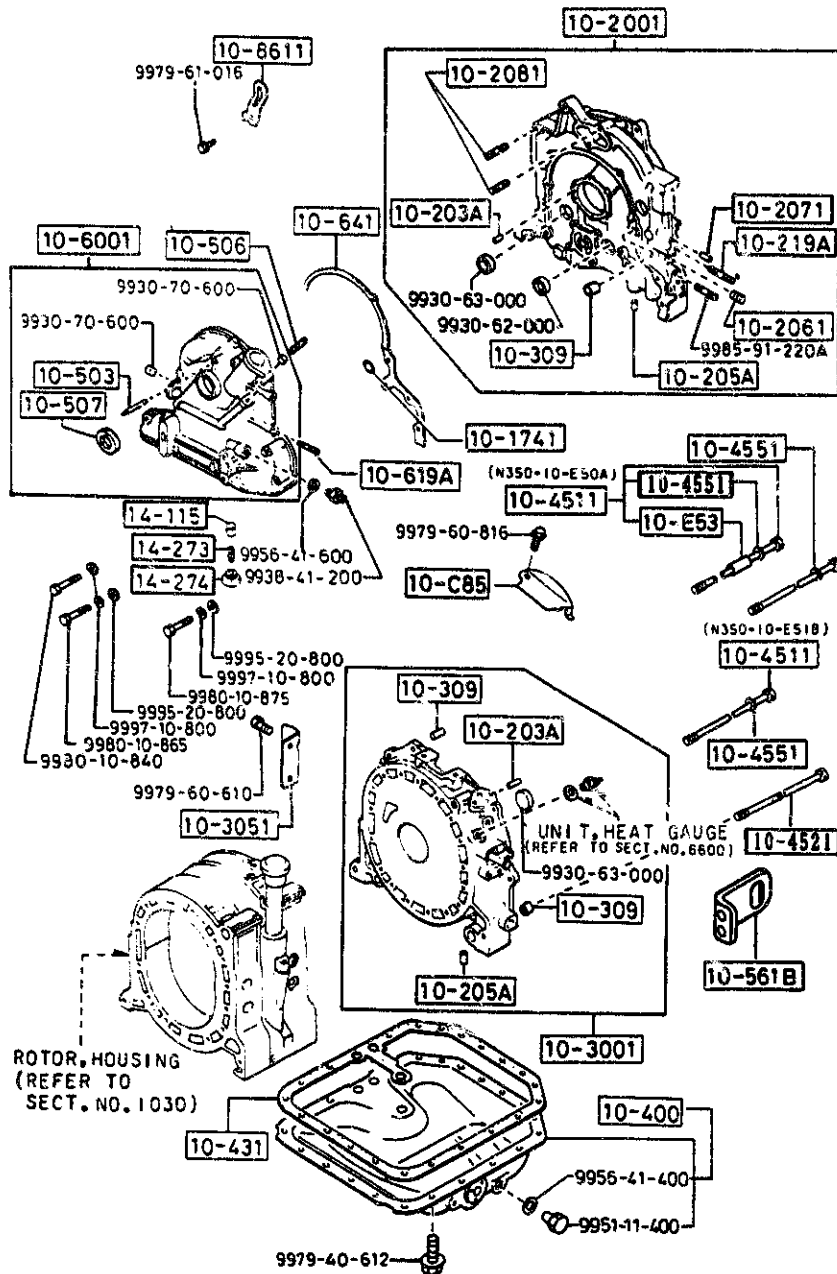
AUFA03

1040 -1 OIL PAN, FRONT & REAR HOUSING
(W/O TURBO)

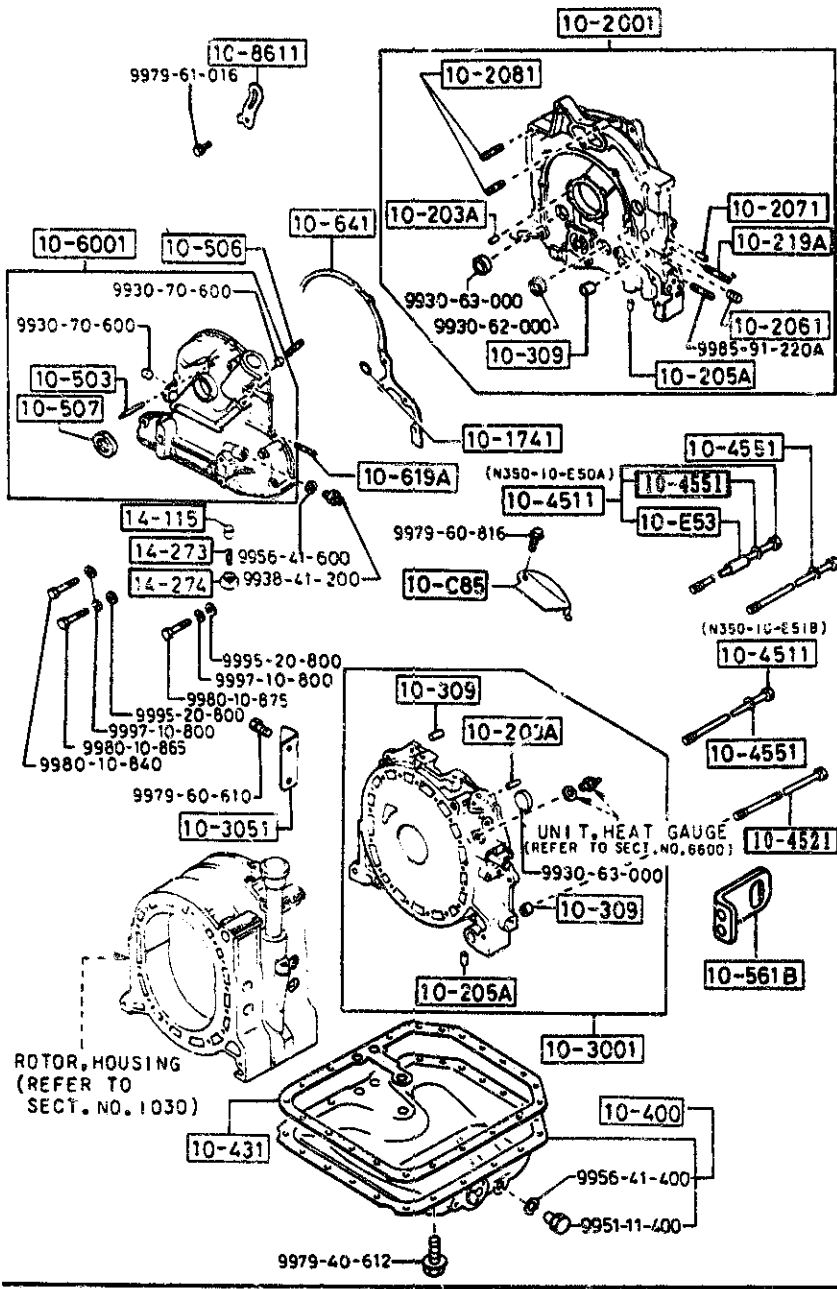
PART NO.	QTY	MODEL/RESTRICTION	MODEL/RESTRICTION	MODEL/RESTRICTION	FROM-TO
10-C85		COVER, DUST			
N350-10-C85	1				
10-E53		RING, 'O'-TENSION BOL			
N350-10-E56	1				
10-1741		RING, 'O'			
N231-10-174	1				
10-2001		HOUSING, FRONT			
N350-10-C00A	1				
10-203A		PIN, DOWEL			
0839-10-203	2				
10-205A		PLUG, BLIND			
8562-10-205	4				
10-2061		PLUG, BLIND			
1757-10-206A	1				
10-2071		PLUG, BLIND			
1757-10-207A	1				
10-2081		STUD			
1757-10-208	4				
10-219A		STUD, HOUSING			
N249-10-219	1				
10-3001		HOUSING, REAR			
N350-10-C50A	1				
10-3051		COVER, DUST			
N225-10-305	1				
10-309		PIN, TUBULAR			
1757-10-309	4				
10-400		PAN, OIL			
N328-10-400E	1				

CAT. AUFA03-07

1993-12



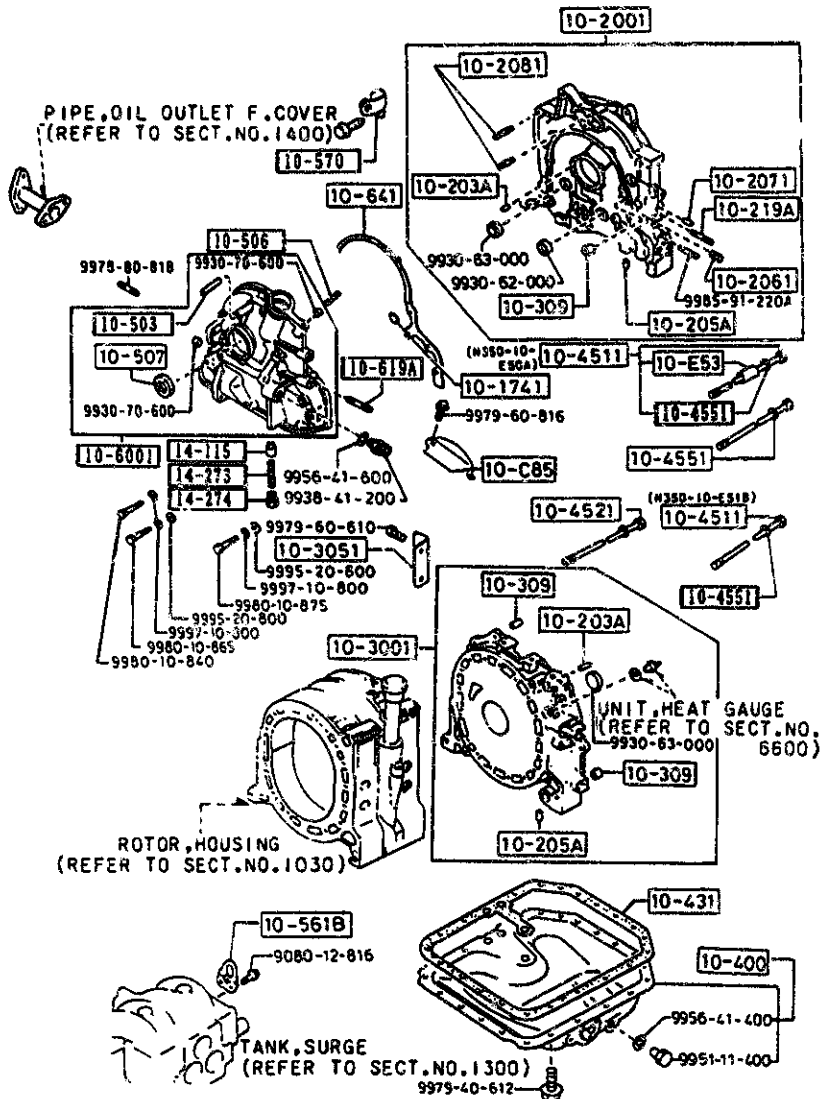
PART NO.	QTY	MODEL/RESTRICTION	MODEL/RESTRICTION	MODEL/RESTRICTION	FROM TO
10-431		GASKET, OIL PAN			
N3Y6-10-427	1	ASBESTOS			
10-4511		BOLT, TENSION			
N350-10-E50A	1				
N350-10-E51B	17				
10-4521		BOLT, TENSION			
N350-10-E61A	1				
10-4551		WASHER, SEAL			
0839-10-455	18				
10-503		PIN, TOP INDICATOR			
8871-10-631A	1				
10-506		STUD, FRONT COVER			
N326-10-506	1				
10-507		SEAL, OIL			
0820-10-605	1				
10-561B		HANGER, ENGINE-REAR			
N350-10-566	1				
10-6001		COVER, FRONT			
N350-10-500A	1				
10-619A		STUD, COVER			
N249-10-619	2				
10-641		GASKET, FRONT COVER			
N326-10-502A	1	ASBESTOS ('91 MODEL)			
N386-10-502	1	NON ASBESTOS ('92 MODEL)			
10-8611		HANGER, ENGINE			
N225-10-861	1				



PART NO.	QTY	MODEL/RESTRICTION	MODEL/RESTRICTION	MODEL/RESTRICTION	FROM-TO
14-115		PLUNGER, CONTROL			
0839-14-115	1				
14-273		SPRING			
0839-14-273A	1				
14-274		PLUG			
0839-14-274	1				

1040 A OIL PAN, FRONT & REAR HOUSING
(TURBO)

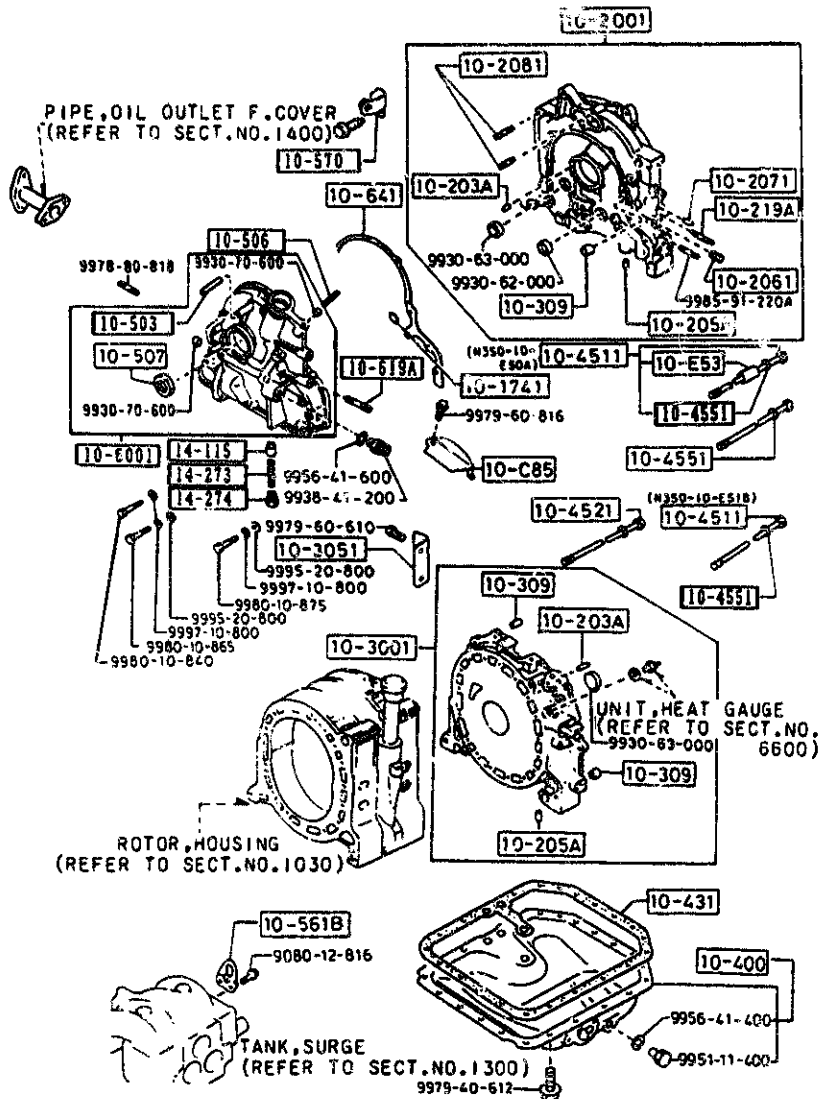
1040 A-1 OIL PAN, FRONT & REAR HOUSING
(TURBO)



PART NO.	QTY	MODEL/RESTRICTION	MODEL/RESTRICTION	MODEL/RESTRICTION	FROM-TO
10-C85		COVER, DUST			
N350-10-C85	1				
10-E53		RING, 'O'-TENSION BOLT			
N350-10-E56	1				
10-1741		RING, 'O'			
N231-10-174	1				
10-2001		HOUSING, FRONT			
N370-10-C00B	1				
10-203A		PIN, DOWEL			
0839-10-203	2				
10-205A		PLUG, BLIND			
8562-10-205	3				
10-2061		PLUG, BLIND			
1757-10-206A	1				
10-2071		PLUG, BLIND			
1757-10-207A	1				
10-2081		STUD			
1757-10-208	4				
10-219A		STUD, HOUSING			
N249-10-219	1				
10-3001		HOUSING, REAR			
N370-10-C50A	1				
10-3051		COVER, DUST			
N225-10-305	1				
10-309		PIN, TUBULAR			
1757-10-309	4				
10-400		PAN, OIL			
N328-10-400E	1				

1040 A OIL PAN, FRONT & REAR HOUSING
(TURBO)

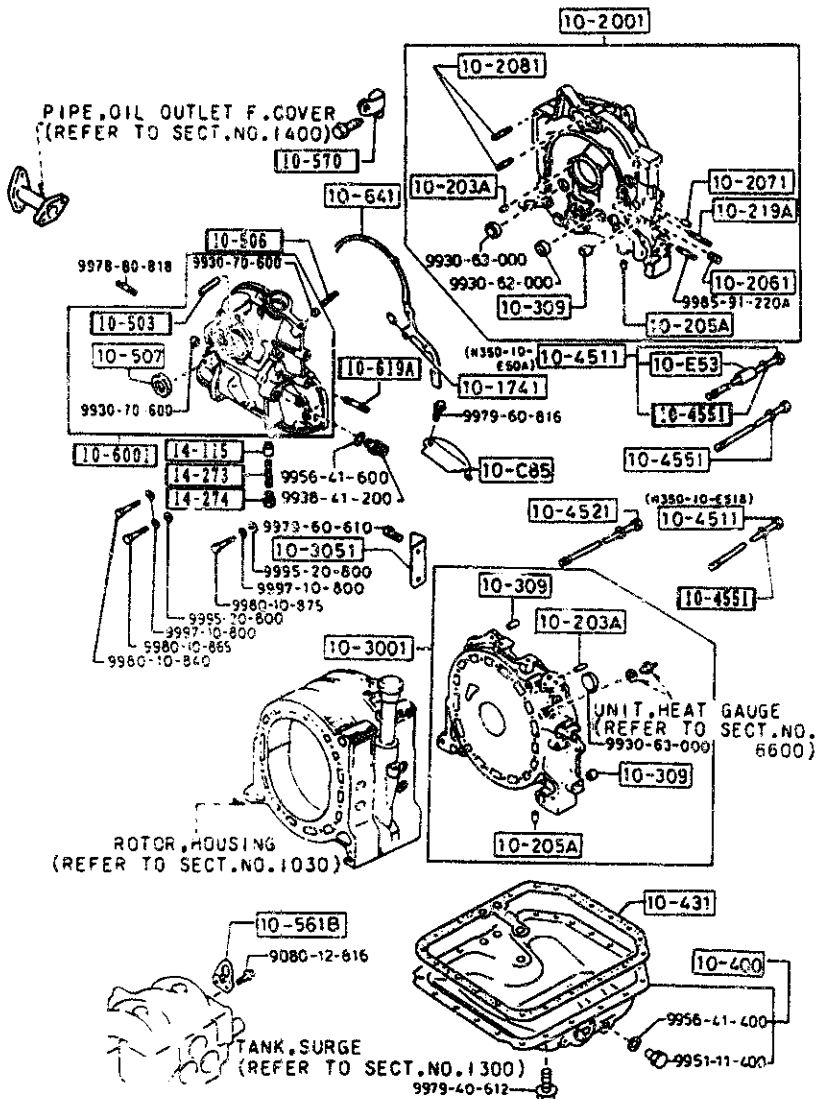
1040 A-2 OIL PAN, FRONT & REAR HOUSING
(TURBO)



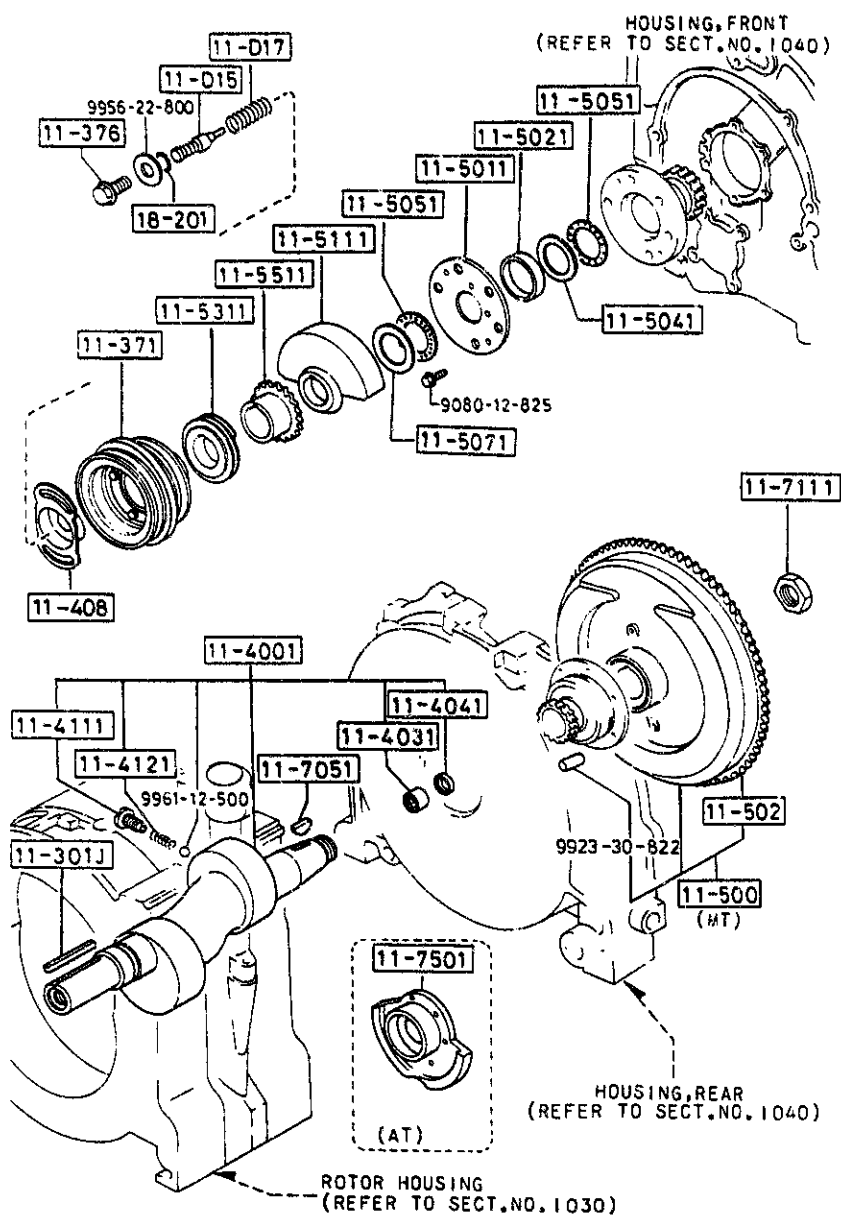
PART NO.	QTY	MODEL/RESTRICTION	MODEL/RESTRICTION	MODEL/RESTRICTION	FROM 10
10-431 N3Y6-10-427	1	GASKET, OIL PAN ASBESTOS			
10-4511 N350-10-E50A	1	BOLT, TENSION			
10-4521 N350-10-E51B	17	BOLT, TENSION			
10-4521 N350-10-E61A	1	BOLT, TENSION			
10-4551 0839-10-455	18	WASHER, SEAL			
10-503 8871-10-631A	1	PIN, TOP INDICATOR			
10-506 N326-10-506	1	STUD, FRONT COVER			
10-507 0820-10-605	1	SEAL, OIL			
10-561B N318-10-566A	1	HANGER, ENGINE-REAR			
10-570 N318-10-570B	1	BRACKET, HANGER-ENGINE			
10-6001 NF01-10-500	1	COVER, FRONT			
10-619A N249-10-619	2	STUD, COVER			
10-641 N326-10-502A	1	GASKET, FRONT COVER ASBESTOS			
14-115 0839-14-115	1	FLUNGER, CONTROL			

1040 A OIL PAN, FRONT & REAR HOUSING
(TURBO)

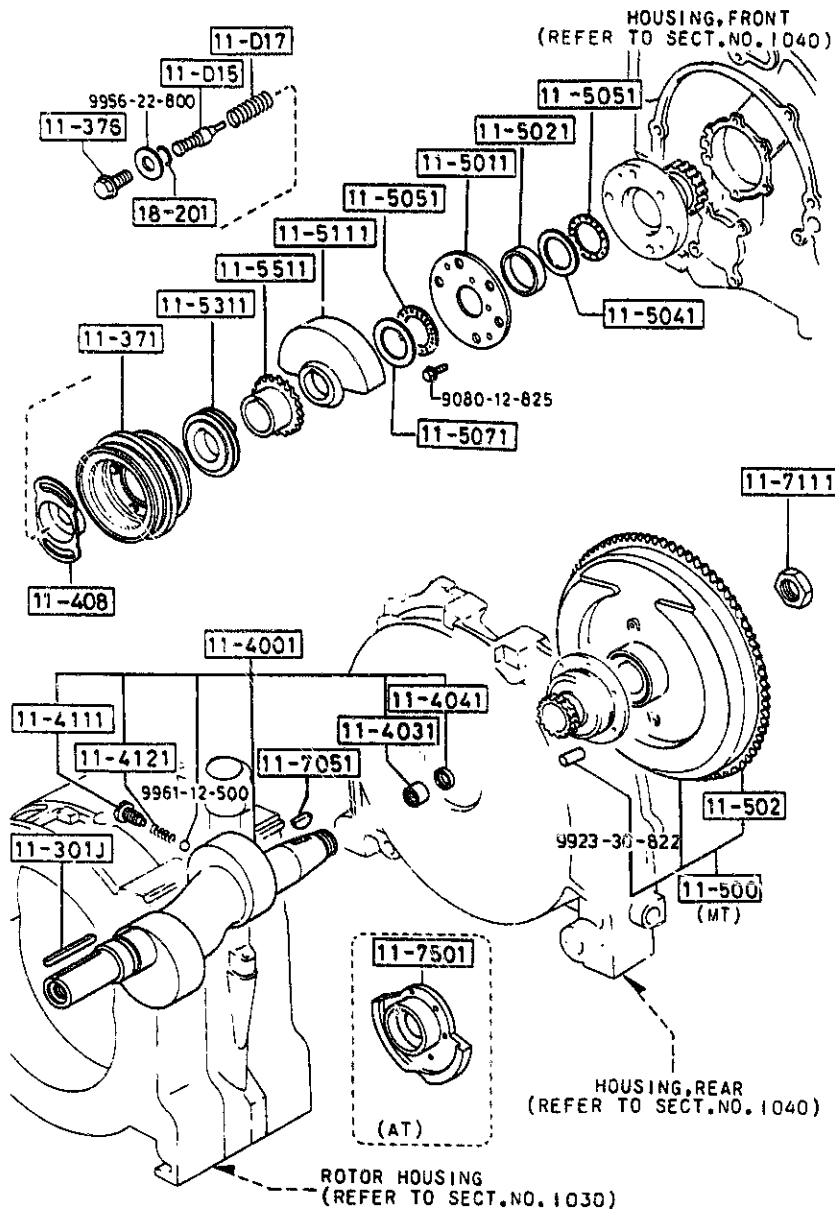
1040 A-3 * OIL PAN, FRONT & REAR HOUSING
(TURBO)



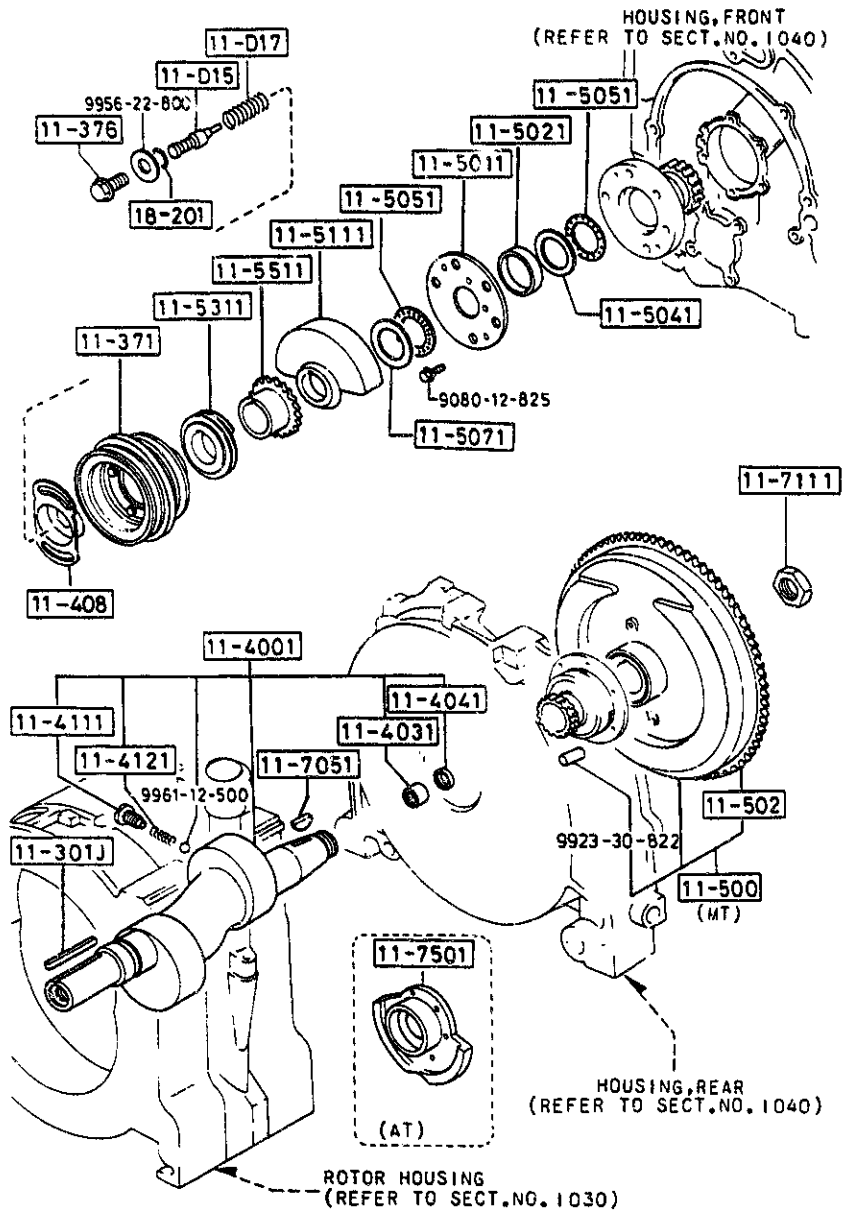
PART NO.	QTY	MODEL/RESTRICTION	MODEL/RESTRICTION	MODEL/RESTRICTION	FROM TO
14-273		SPRING			
0839-14-273A	1				
14-274		PLUG			
0839-14-274	1				



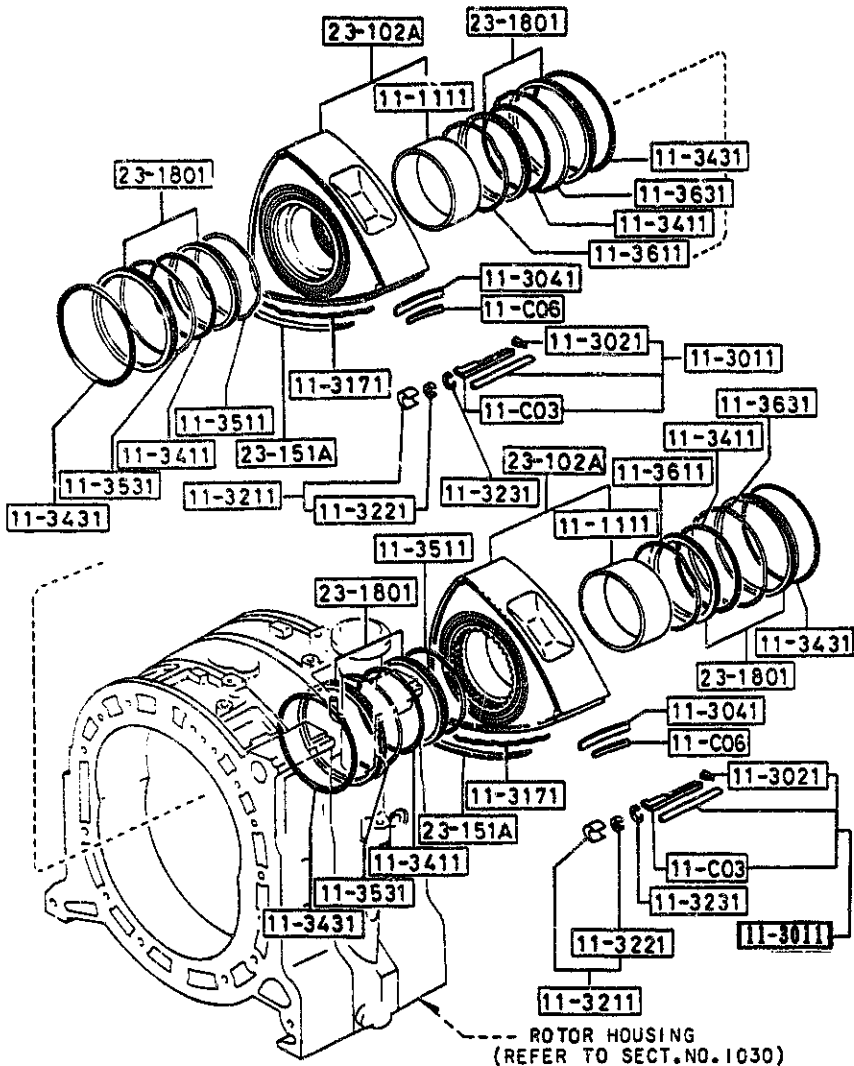
PART NO.	QTY	MODEL/RESTRICTION	MODEL/RESTRICTION	MODEL/RESTRICTION	FROM-TO
11-D15 N326-11-D15	1	PELLET, THERMO-ECCENTRIC			
11-D17 N326-11-D17	1	SPRING, THERMO PELLET-E/S			
11-301J 99236-0571	1	KEY, WOODRUFF-PULLEY			
11-371 N381-11-400 N350-11-400B	1 1	PULLEY, CRANKSHAFT ('92 MODEL) ('91 MODEL)			
11-376 N390-11-406 N318-11-420B	1 1	BOLT, PULLEY ('92 MODEL) ('91 MODEL)			
11-4001 N326-11-D00B N327-11-D00B	1 1	SHAFT, ECCENTRIC (MT) (AT)			
11-4031 N326-11-D03	1	BEARING, NEEDLE (MT)			
11-4041 1881-11-404	1	SEAL, OIL (MT)			
11-408 N350-11-408A	1	PLATE, CRANKSHAFT PULLEY			
11-4111 N326-11-D11	2	PLUG, OIL JET			
11-4121 0839-11-412	2	SPRING			
11-500 N350-11-500 N370-11-500	1 1	WHEEL, FLY ((W/O TURBO) > (MT)) (TURBO)			



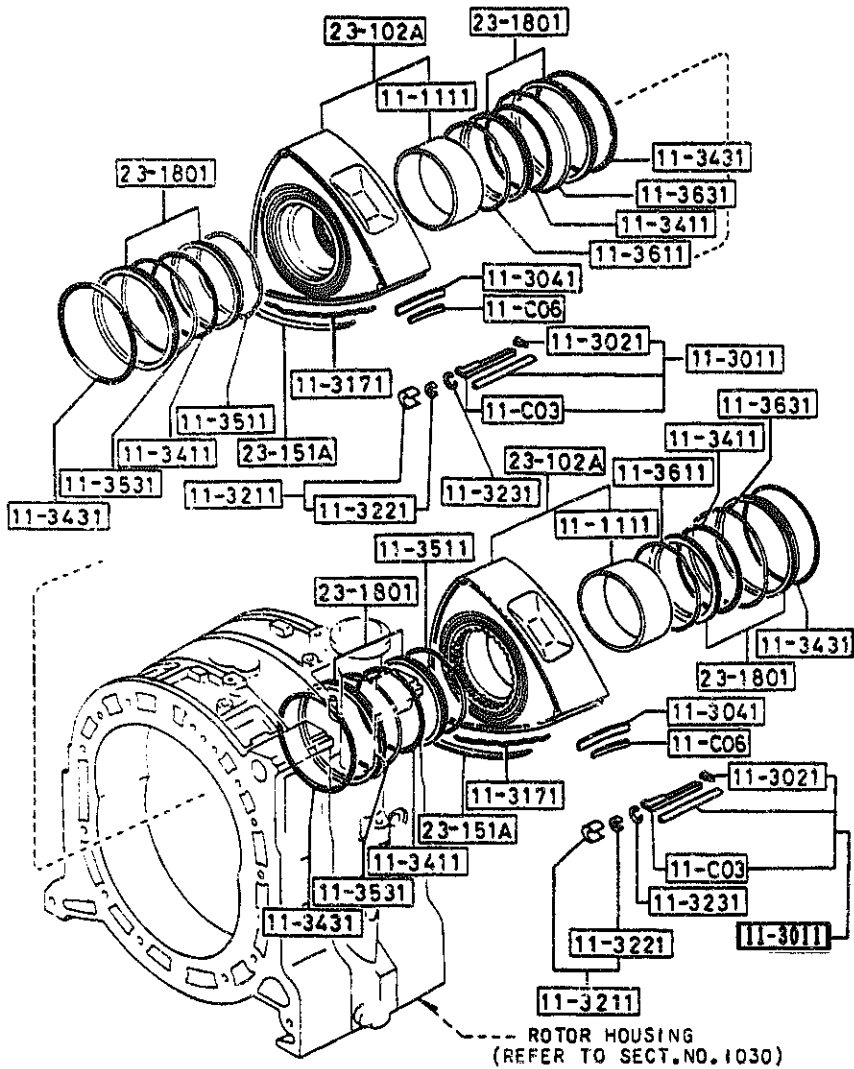
PART NO.	QTY	MODEL/RESTRICTION	MODEL/RESTRICTION	MODEL/RESTRICTION	FROM TO
11-5011		PLATE			
NF01-11-051	1	('92 MODEL)			
1011-11-501	1	('91 MODEL)			
11-502		GEAR, RING-FLY WHEEL			
N318-11-502A	1	(TURBO)			
0866-11-702	1	((W/D TURBO)) (MT)			
11-5021		SPACER			
NF01-11-055	1	L=8.0,-0.005/-0.025 ('92 MODEL)			
NF01-11-056	1	L=8.0,-0.005/+0.015 ('92 MODEL)			
NF01-11-057	1	L=8.0,+0.015/+0.035 ('92 MODEL)			
NF01-11-058	1	L=8.0,+0.035/+0.055 ('92 MODEL)			
NF01-11-059	1	L=8.0,+0.055/+0.075 ('92 MODEL)			
0839-11-502	1	L=8.02MM ('91 MODEL)			
0839-11-506	1	L=8.08MM ('91 MODEL)			
0839-11-508	1	L=8.04MM ('91 MODEL)			
0839-11-509	1	L=8MM ('91 MODEL)			
8519-11-517	1	L=8.06MM ('91 MODEL)			
8534-11-518	1	L=8.1MM ('91 MODEL)			
8871-23-129	1	L=8.12MM ('91 MODEL)			
11-5041		PLATE, THRUST			
N390-11-052	1	('92 MODEL)			
1011-11-504	1	('91 MODEL)			
11-5051		BEARING, NEEDLE			
NF01-11-054	2	('92 MODEL)			
0813-11-505B	2	('91 MODEL)			



PART NO.	QTY	MODEL/RESTRICTION	MODEL/RESTRICTION	MODEL/RESTRICTION	FROM TO
11-5071		WASHER, THRUST			
NF01-11-D53	1	('92 MODEL)			
1011-11-507	1	('91 MODEL)			
11-5111		WEIGHT, BALANCE			
N3A7-11-D61	1	((MT))('92 MODEL)			
N3A8-11-D61	1	((AT))('92 MODEL)			
N326-11-D61A	1	((AT))('91 MODEL)			
N350-11-D61	1	((MT))('91 MODEL)			
11-5311		GEAR, DRIVE			
0839-11-531	1				
11-5511		GEAR, DRIVE-OIL PUMP			
N326-11-D75	1				
11-7051		KEY, FLY WHEEL			
0820-11-705	1				
11-7111		NUT, LOCK			
0810-11-711	1				
11-7501		WEIGHT, COUNTER			
N351-11-521	1	(AT)			
18-201		RING, 'O'			
99541-01105	1				



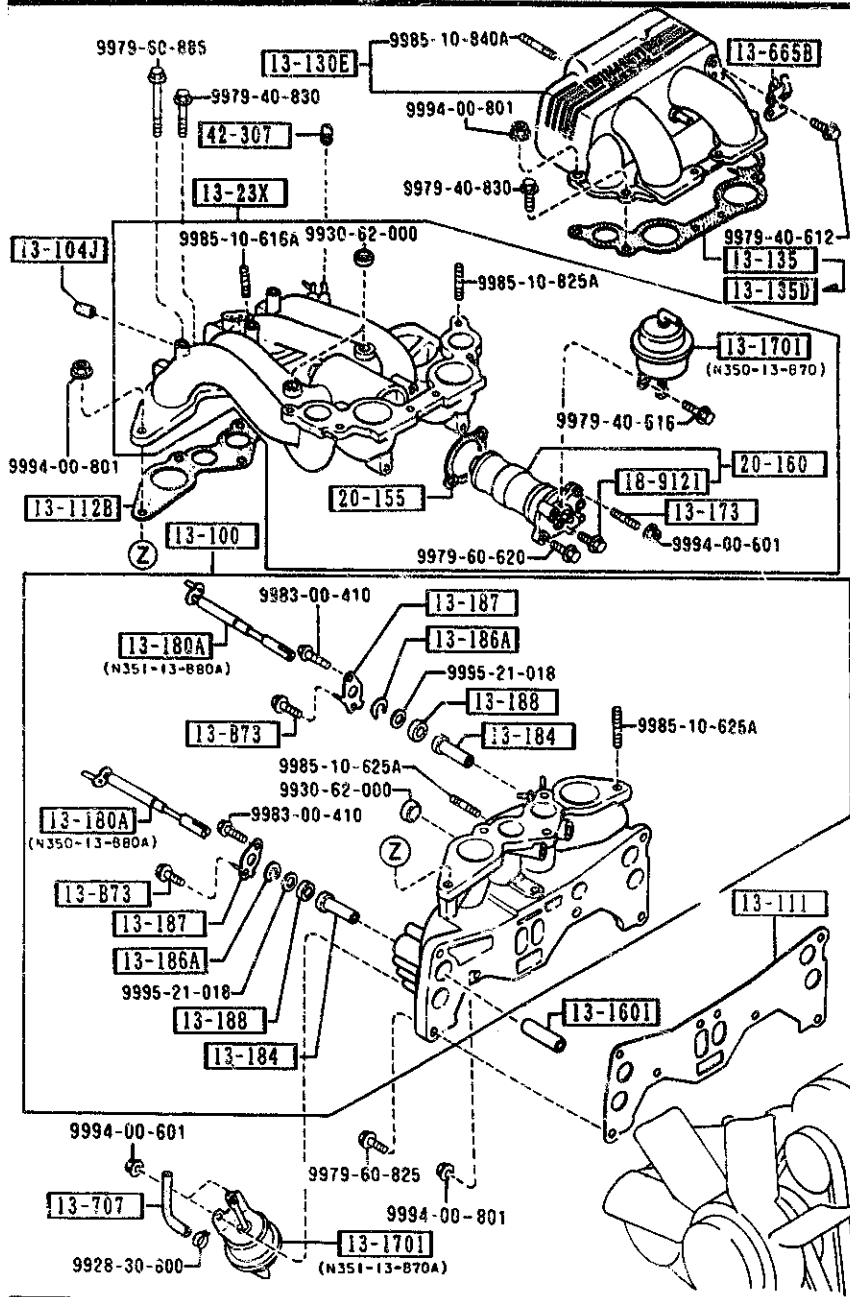
PART NO.	QTY	MODEL/RESTRICTION	MODEL/RESTRICTION	MODEL/RESTRICTION	FROM-TO
11-C03		PIECE, 2ND.-APEX SEAL			
N326-11-C03A	6				
11-C06		SPRING, OUTER-APEX SEAL			
N326-11-C06A	6				
11-1111		METAL, ROTOR			
1011-11-111	2				
11-3011		SEAL, APEX			
N326-11-C00C	6 (TURBO)				
N351-11-C00	6 (W/O TURBO)				
11-3021		PIECE, SIDE			
N326-11-C02A	6				
11-3041		SPRING, APEX SEAL			
N326-11-C04A	6				
11-3171		SPRING, SIDE SEAL			
N326-11-C17	12				
11-3211		SEAL, CORNER			
N326-11-C20A	12				
11-3221		PLUG, CORNER SEAL			
N326-11-C22A	24				
11-3231		SPRING, CORNER SEAL			
1202-11-323A	12				
11-3411		RING, 'O'-INNER			
0820-11-341	4				
11-3431		RING, 'O'-OUTER			
8341-11-343	4				
11-3511		SPRING, FRT.-INNER			
N225-11-351	2				



PART NO.	QTY	MODEL/RESTRICTION	MODEL/RESTRICTION	MODEL/RESTRICTION	FROM TO
11-3531		SPRING, FRT.-OUTER			
1011-11-353A	2				
11-3611		SPRING, REAR-INNER			
N225-11-361	2				
11-3631		SPRING, REAR-OUTER			
1011-11-363A	2				
23-102A		ROTOR			
N3Y5-11-B10 AN(N3Y5-11-B10A)	2				-1501
N3Y8-11-B10 AN(N3Y8-11-B10B)	2				-1501
N3Y5-11-B10A	2	(W/D TURBO)			1501-
N3Y8-11-B10B	2	(TURBO)			1501-
23-151A		SEAL, SIDE			
N3Y1-11-C11	12	(TURBO)			
N3Y6-11-C11	12	(W/D TURBO)			
23-1801		SEAL SET, OIL			
8735-23-180	4	(TURBO)			
8871-23-180	4	(W/D TURBO)			
1501 FC3***-907346					

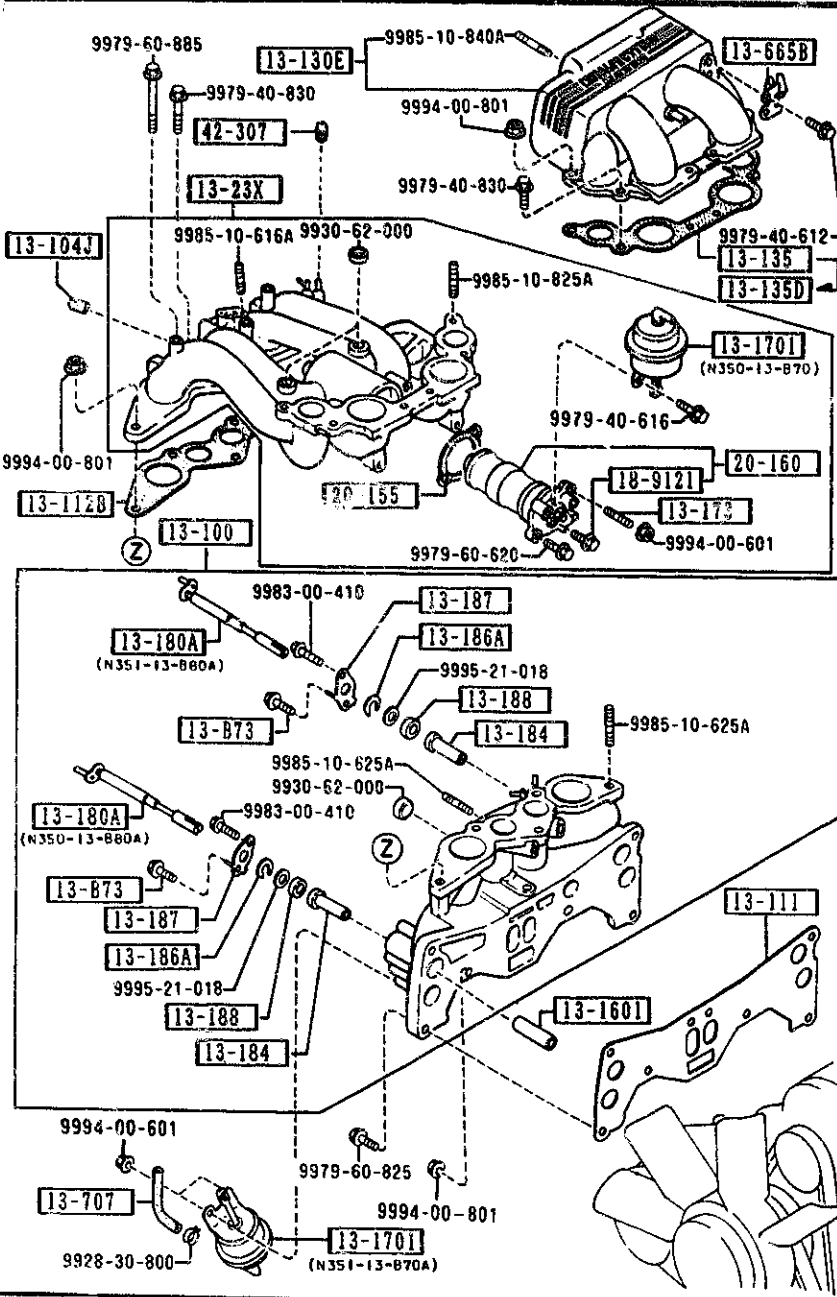
1300 INLET MANIFOLD
(W/O TURBO)

1300 -1 INLET MANIFOLD
(W/O TURBO)



PART NO.	QTY	MODEL/RESTRICTION	MODEL/RESTRICTION	MODEL/RESTRICTION	FROM TO
13-873		BOLT, REAM-SHTR V. ACTUATOR			
N350-13-873	2				
13-100		MANIFOLD, INLET			
N350-13-100A	1				
13-104J		CAP, BLIND			
1010-13-104	2				
13-111		GASKET, IN. MANIFOLD			
NSB1-13-111	1	NON ASBESTOS ('92 MODEL)			
N350-13-111	1	ASBESTOS ('91 MODEL)			
13-112B		GASKET NO. 2, IN. MANIFOLD			
NSB1-13-112	1	NON ASBESTOS ('92 MODEL)			
N350-13-112	1	ASBESTOS ('91 MODEL)			
13-130E		TANK, SURGE			
N350-13-130A	1				
13-135		GASKET			
N350-13-135	1	ASBESTOS ('91 MODEL)			
13-135D		GASKET, SURGE TANK			
NSB1-13-135	1	('92 MODEL)			
13-1601		VALVE, VARIABLE PORT			
N225-13-160A	2				
13-1701		ACTUATOR, A.P.V.			
N350-13-870	1				
N351-13-870A	2				
13-173		STUD			
N225-13-173A	1				
13-180A		SHAFT, V.P.V. CONTROL			

1300 INLET MANIFOLD
(W/O TURBO)



AUFA03

1300 -2 * INLET MANIFOLD
(W/O TURBO)

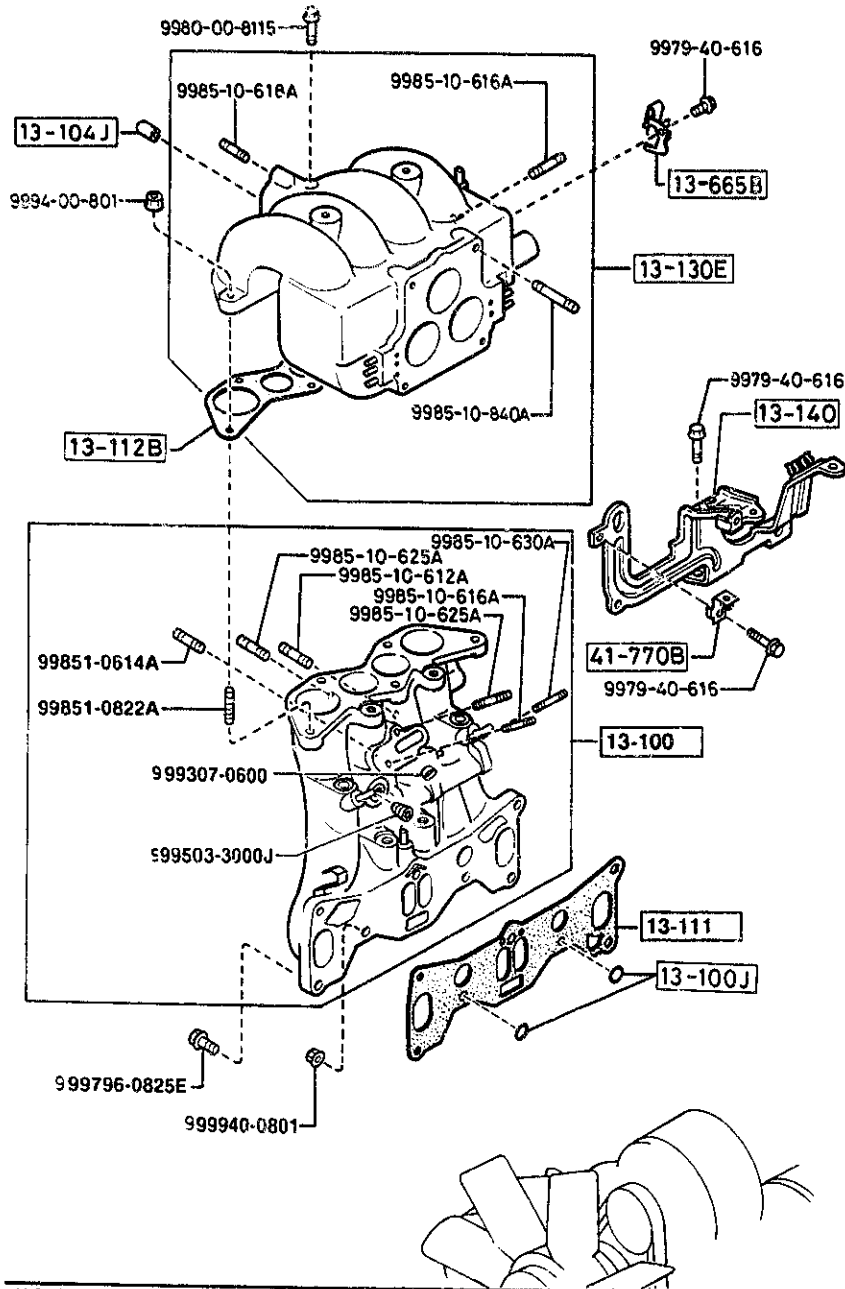
PART NO.	QTY	MODEL/RESTRICTION	MODEL/RESTRICTION	MODEL/RESTRICTION	FROM-TO
CONT'D					
N350-13-880A	1				
N351-13-880A	1				
13-184		BUSH			
N225-13-184	2				
13-186A		PLATE, LOCATING			
N225-13-186	2				
13-187		COVER			
N350-13-887	2				
13-188		RUBBER, SEALING			
N225-13-188A	3				
13-23X		MANIFOLD, EXTENSION-I			
N352-13-23XA	1	N. MAN			
N352-13-23XB	1	('92 MODEL)			
13-665B		BRACKET, ACCEL WIRE			
N350-13-660	1				
13-797		HOSE, AIR			
N350-13-896	2				
18-9121		BOLT			
N304-18-912	2				
20-155		GASKET, SHUTTER VALVE			
N381-20-155	1	('92 MODEL)			
N350-20-155	1	ASBESTOS			
		('91 MODEL)			
20-160		VALVE, SHUTTER-MANIFOLD			
N350-20-160	1				
42-307		CAP			
0223-42-307	1	(5-SP)			

CAT. AUFA03-07

1993-12

1300 A INLET MANIFOLD
(TURBO)

1300 A-1 INLET MANIFOLD
(TURBO)



PART NO.	QTY	MODEL/RESTRICTION	MODEL/RESTRICTION	MODEL/RESTRICTION	FROM-TO
13-100		MANIFOLD, INLET			
N372-13-100A	1				
13-100J		RING, 'O'			
8527-13-213	2				
13-104J		CAP, BLIND			
1010-13-104	1				
13-111		GASKET, IN. MANIFOLD ASBESTOS			
N370-13-111	1				
13-112B		GASKET NO. 2, IN. MANI FOLD ASBESTOS			
N370-13-112	1				
13-130E		TANK, SURGE			
N370-13-130C	1				
13-140		BRKT. SURGE TANK			
N370-13-140B	1				
13-665B		BRACKET, ACCEL WIRE			
N370-13-660A	1				
41-770B		BRACKET, ACCEL. WIRE-S URG. T			
FB44-41-776A	1				

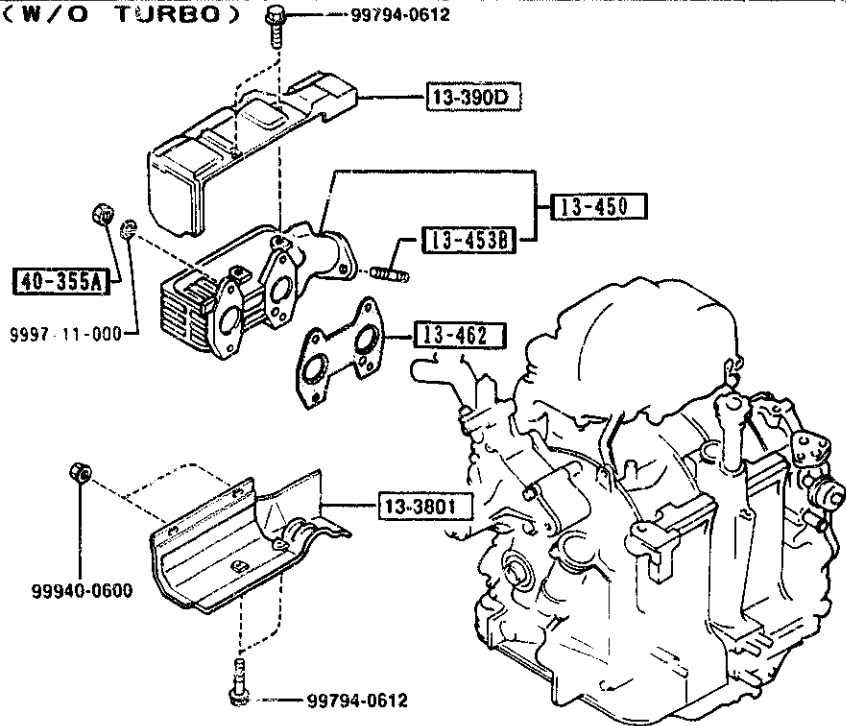
AUFA03

CAT. AUFA03-07

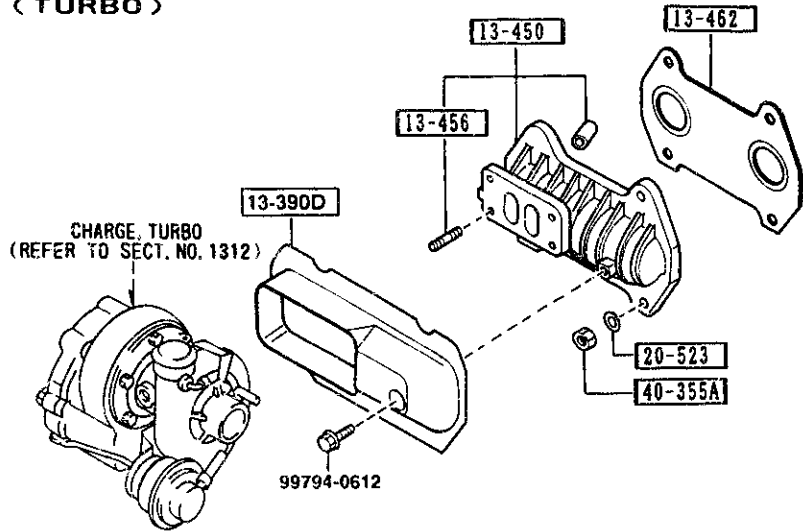
1993-12

1310 EXHAUST MANIFOLD

(W/O TURBO)



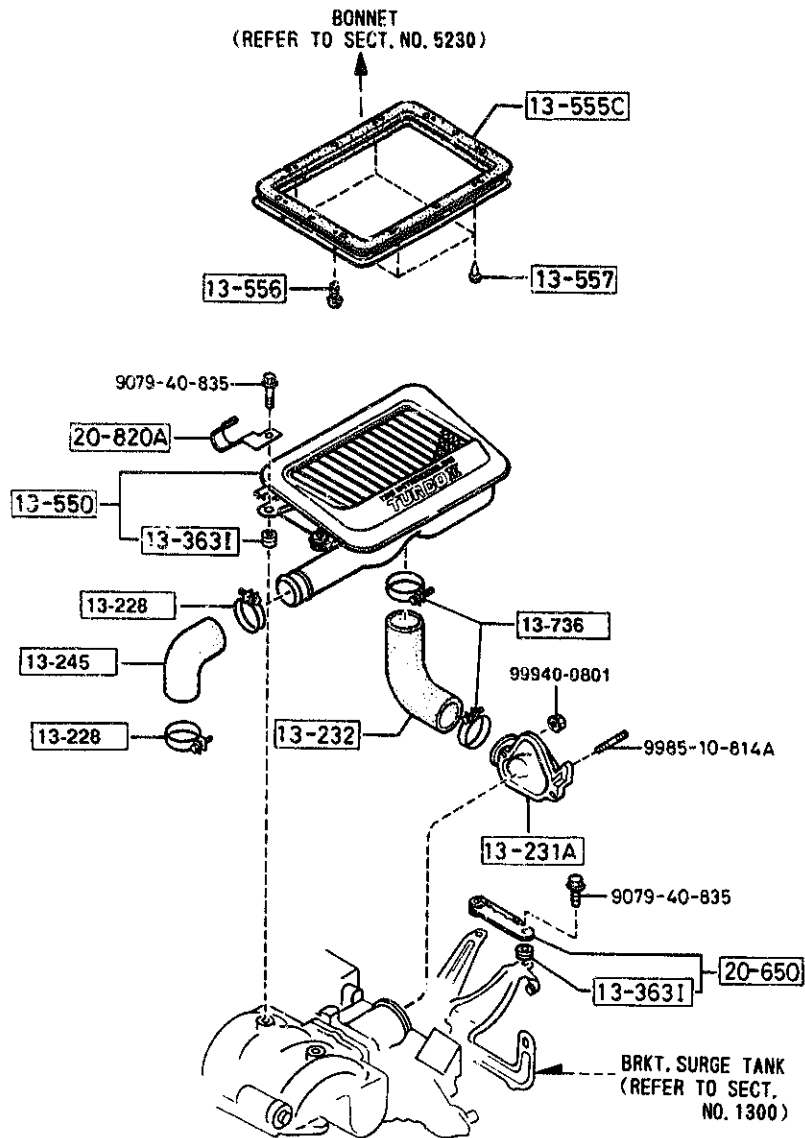
(TURBO)



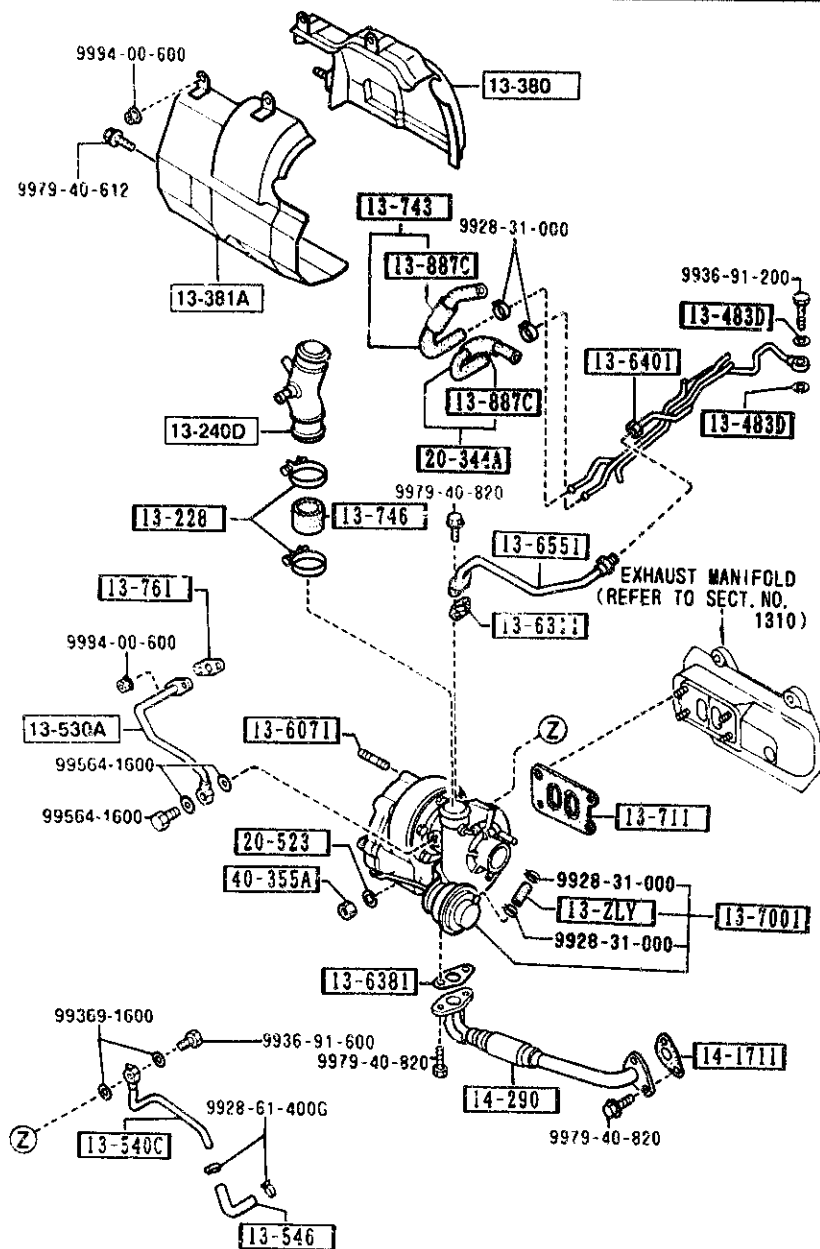
PART NO.	QTY	MODEL/RESTRICTION	MODEL/RESTRICTION	MODEL/RESTRICTION	FROM-TO
13-3801	1	PLATE, ABSORBER			
N326-13-C80A	1	(W/O TURBO)			
13-390D	1	INSULATOR, EX. MANIFOLD			
N326-13-390B	1	(W/O TURBO)			
N370-13-390A	1	(TURBO)			
13-450	1	MANIFOLD, EXHAUST			
N350-13-450	1	(W/O TURBO)			
N370-13-450B	1	(TURBO)			
13-453B	2	STUD			
N326-40-353	2	(W/O TURBO)			
13-456	4	STUD			
N370-13-456	4	(TURBO)			
13-462	1	GASKET, EX. MANIFOLD			
N318-13-461	1	ASBESTOS (TURBO)			
N330-13-461	1	ASBESTOS (W/O TURBO)			
20-523	4	WASHER, PLAIN			
E508-20-523	4	(TURBO)			
40-355A	4	NUT			
2158-40-355	4				

1311 INTER COOLER
(TURBO)

1311 -1 M INTER COOLER
(TURBO)



PART NO.	QTY	MODEL/RESTRICTION	MODEL/RESTRICTION	MODEL/RESTRICTION	FROM-TO
13-228		CLAMP, HOSE			
SL50-13-736	2				
13-231A		PIPE, AIR			
N370-13-332	1				
13-232		SEAL, RUBBER			
N318-13-246C	3				
13-245		JOINT, RUBBER			
N370-13-245	1				
13-363I		RUBBER, INSULATION			
N318-13-363	4				
13-550		CHARGE, AIR COOLER			
N370-13-550	1				
13-555C		RUBBER, SEAL-INTER COOLER			
N318-13-555A	1				
13-556		SCREW, SEAL RUBBER-INT. CLR			
N319-13-556A	4				
13-557		CLIP, SEAL RUBBER-INT. CLR			
N318-13-557	4				
13-736		CLAMP, HOSE-A.I. PIPE SIDE			
N318-13-736A	2				
20-650		BRACKET, INTER COOLER			
N318-13-56X	1				
20-820A		CLIP, WATER HOSE-BY.A.C.V.			
N318-20-820	1				

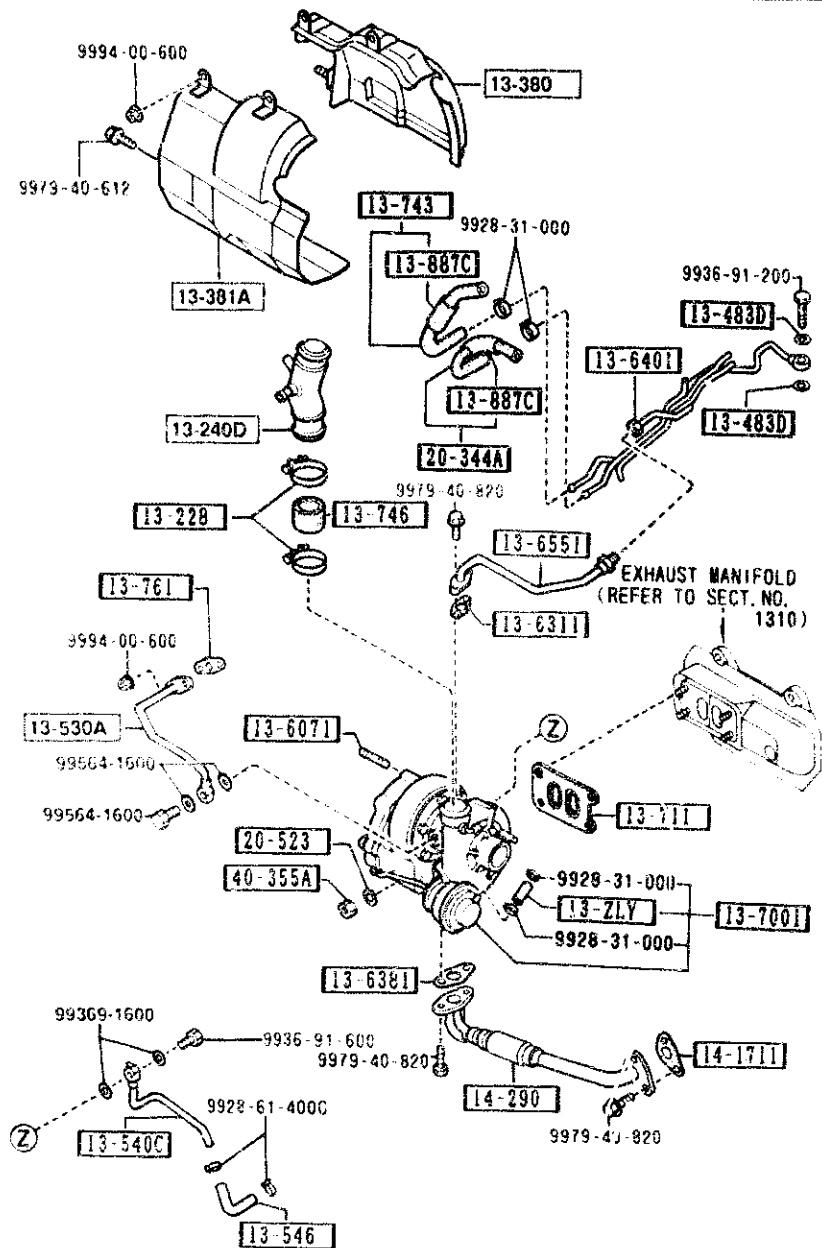


PART NO.	QTY	MODEL/RESTRICTION	MODEL/RESTRICTION	MODEL/RESTRICTION	FROM TO
13-ZLY N370-13-ZLY	1	TUBE, VACUUM-TURBO CHARGER			
13-228 SL50-13-736	2	CLAMP, HOSE			
13-240D N370-13-24X	1	PIPE, AIR INT/KE-INT. COOLE			
13-380 N370-13-38XA	1	INSULATOR, HEAT NON ASBESTOS			
13-381A N370-13-380B	1	INSULATOR, HEAT NON ASBESTOS			
13-483D N236-13-483	2	GASKET NON ASBESTOS			
13-530A N319-13-530A	1	PIPE, WATER IN -T/C			
13-540C N370-13-540	1	PIPE, WATER OUT -T/C			
13-546 N318-13-546	1	HOSE, WATER-T/C WATER-PIPE			
13-6071 N370-13-708	3	STUD			
13-6311 N236-13-631	1	GASKET, OIL PIPE ASBESTOS			
13-6381 N236-13-638	1	GASKET, OIL PIPE ASBESTOS			
13-6401 N370-14-270B	1	PIPE, OIL INLET			

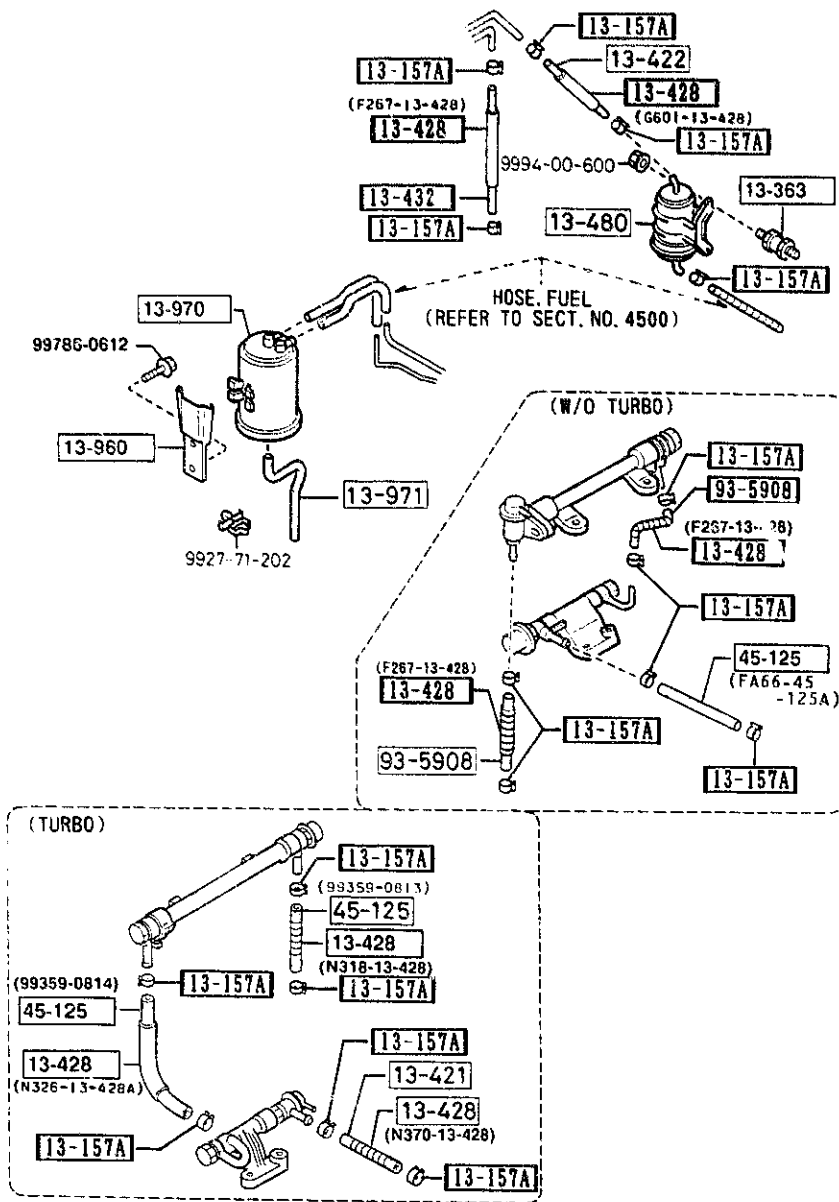
AUFA03

CAT. AUFA03-07

1993-12



PART NO.	QTY	MODEL/RESTRICTION	MODEL/RESTRICTION	MODEL/RESTRICTION	FROM-TO
13-655I		PIPE, OIL INLET			
N370-14-280A	1				
13-700I		TURBOCHARGER			
N370-13-700	1				
13-711		GASKET, TURBOCHARGER			
N370-13-710A	1	NON ASBESTOS			
13-743		HOSE, VENTILATION			
N370-13-74YA	1				
13-746		JOINT, RUBBER			
N236-13-746A	1				
13-761		GASKET			
N318-13-164A	1	ASBESTOS			
13-887C		PROTECTOR, SPONGE			
N370-13-886	2				
14-171I		GASKET, OIL STRAINER			
N270-14-295A	1	ASBESTOS			
14-290		PIPE, OIL			
N370-14-290B	1				
20-344A		HOSE, AIR-A. C. V. & VAC.			
N370-20-34XA	1	PIPE			
20-523		WASHER, PLAIN			
E508-20-523	4				
40-355A		NUT			
8134-40-355	4				

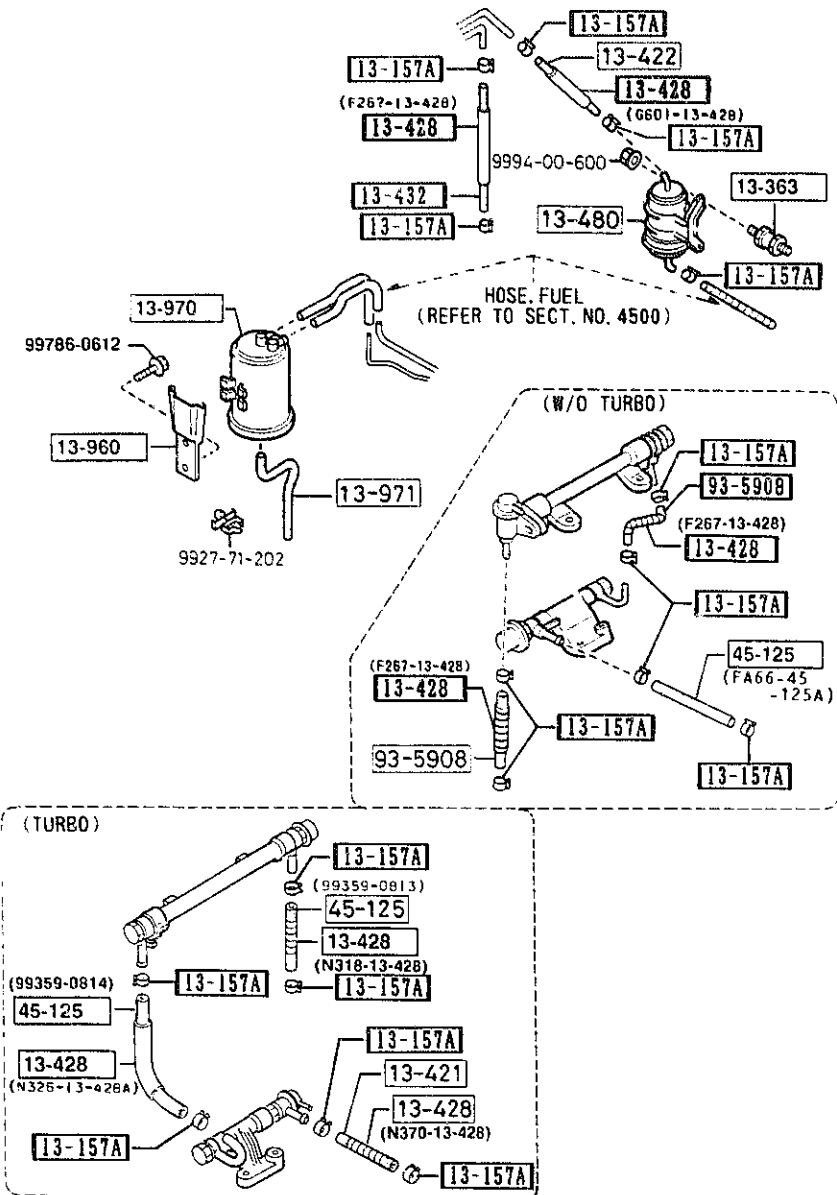


PART NO.	QTY	MODEL/RESTRICTION	MODEL/RESTRICTION	MODEL/RESTRICTION	FROM-10
13-157A		CLIP			
8574-13-157	11				
13-363		RUBBER, INSULATION			
N236-13-363	2				
13-421		HOSE, FUEL MAIN			
N318-13-498	1 (TURBO)				
13-422		HOSE, FUEL RETURN			
8574-13-422	1				
13-428		PROTECTOR			
F267-13-428	1 (TURBO)				
F267-13-428	3 (W/O TURBO)				
G601-13-428	1				
N318-13-428	1 (TURBO)				
N326-13-428A	1 (TURBO)				
N370-13-428	1 (TURBO)				
13-432		HOSE, FUEL			
N326-13-431B	1				
13-480		FILTER, FUEL			
N326-20-490	1				-1101
A (N326-20-490A)					
N326-20-490A	1 (W/O TURBO)				1101-
13-960		BRACKET, CANISTER			
N326-13-961A	1				
13-970		CANISTER			
N326-13-970	1				
13-971		HOSE, VENTILATION			
N326-13-971	1				
45-125		HOSE, FUEL			
FA66-45-125A	1 (W/O TURBO)				
99359-0813	1 (TURBO)				
1101 FC3***-905262					

AUFA03

CAT. AUFA03-07

1993-12



PART NO.	QTY	MODEL/RESTRICTION	MODEL/RESTRICTION	MODEL/RESTRICTION	FROM TO
CONT'D					
99359-0814	1	(TURBO)			
93-5908		HOSE			
99359-0822	1	(W/O TURBO)			

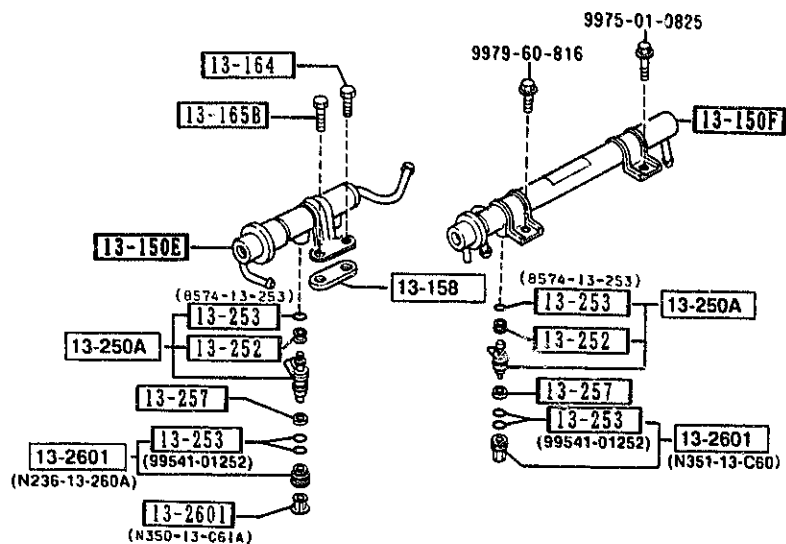
AUFA03

CAT. AUFA03-07

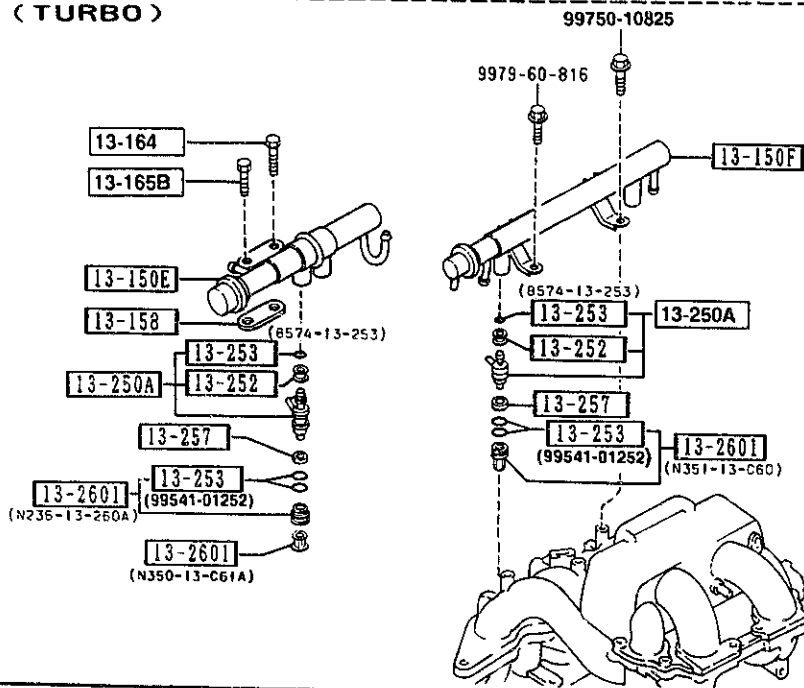
1993-12

1325 FUEL DISTRIBUTOR

(W/O TURBO)



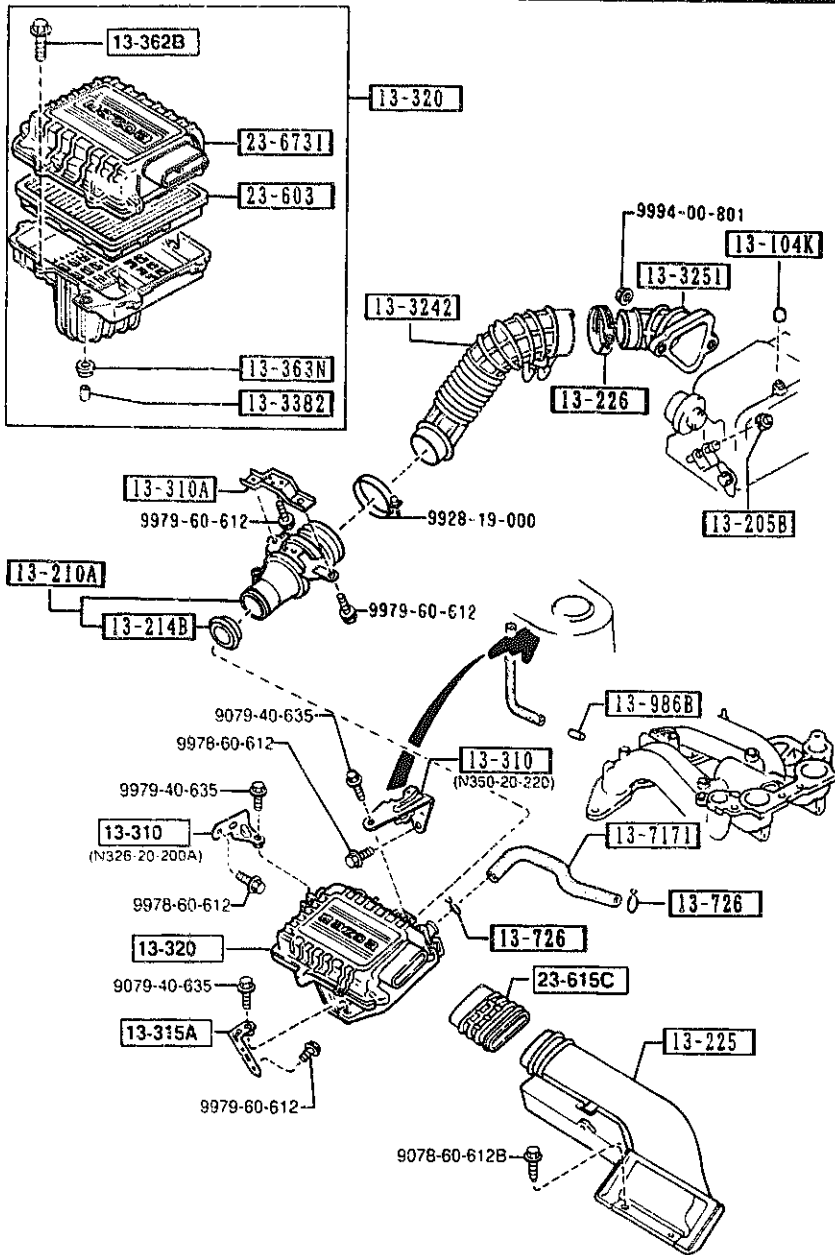
(TURBO)



PART NO.	QTY	MODEL/RESTRICTION	MODEL/RESTRICTION	MODEL/RESTRICTION	FROM-TO
13-150E		DISTRIBUTOR(P), FUEL			
N350-13-150	1	(W/O TURBO)			
N370-13-150	1	(TURBO)			
13-150F		DISTRIBUTOR(S), FUEL			
N351-13-150	1	(W/O TURBO)			
N371-13-150	1	(TURBO)			
13-158		INSULATOR, FUEL DIST.			
N326-13-158	1				
13-164		BOLT, FUEL DISTRIBUTOR			
N350-13-164	1				
13-165B		BOLT, FUEL DIST. REAR SIDE			
N350-13-165	1				
13-250A		INJECTION, FUEL-M.P. ELECT.			
N350-13-250	4	(W/O TURBO)			
N370-13-250	4	(TURBO)			
13-252		GROMMET			
8574-13-252	4				
13-253		RING, 'O'			
8574-13-253	4				
99541-01252	8				
13-257		INSULATOR, INJECTION			
N350-13-257	4				
13-2601		SOCKET, AIR BLEED			
N351-13-C60	2				
N350-13-C61A	2				
N236-13-260A	2				

1330 AIR CLEANER
(W/O TURBO)

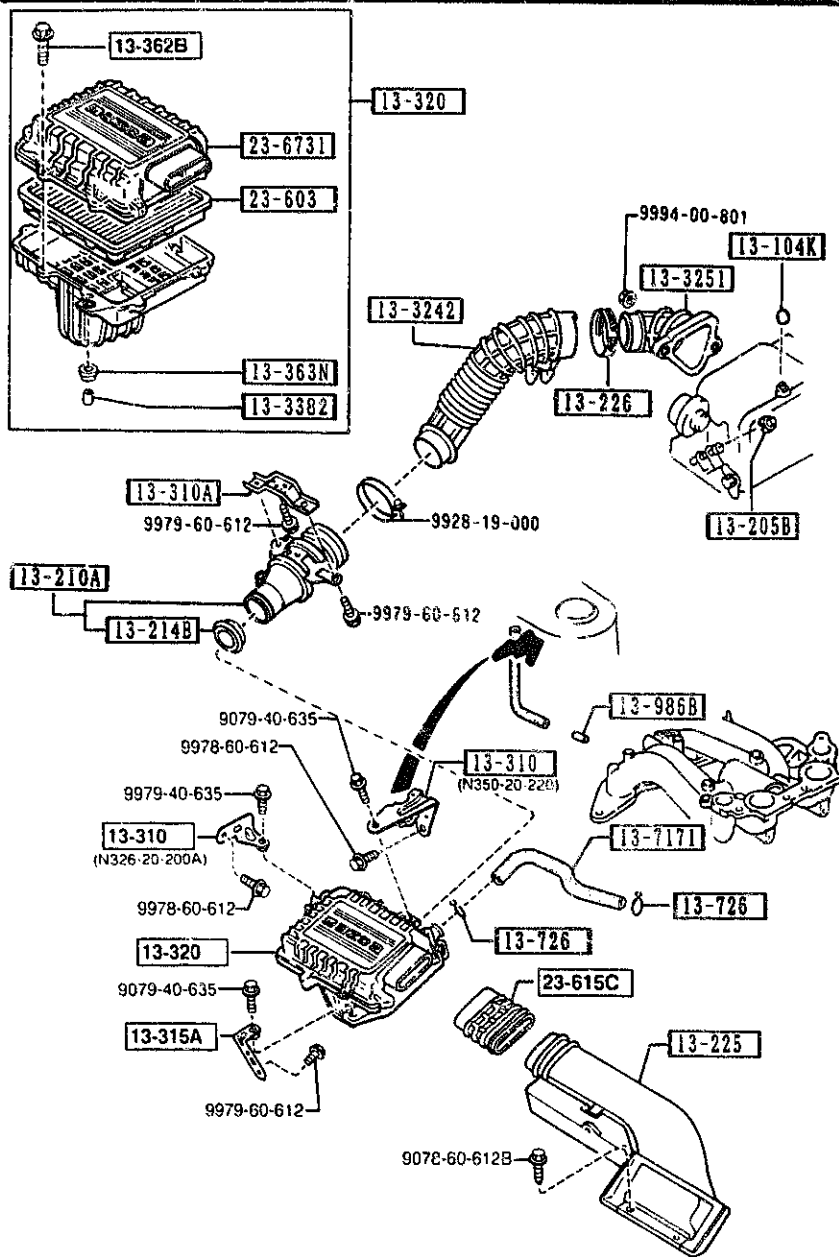
1330 -1 AIR CLEANER
(W/O TURBO)



PART NO.	QTY	MODEL/RESTRICTION	MODEL/RESTRICTION	MODEL/RESTRICTION	FROM-TO
13-104K		CAP, BLIND			
N350-13-104	1				
13-205B		CAP, IDLE SWITCH			
1481-13-205C	1				
13-210A		SENSOR, AIR FLOW			
N350-13-210	1				
13-214B		GROMMET, AIRFLOW METER			
N350-13-214	1				
13-225		DUCT, FRESH AIR			
N350-13-201	1				
13-226		CLAMP, HOSE			
FE05-13-240	1				
13-310		BRACKET, AIR CLEANER			
N326-20-200A	1				
N350-20-220	1				
13-310A		BRKT, AIR FLOW METER			
N350-13-310	1				
13-315A		BRACKET, AIR CLEANER			
N326-20-210A	1				
13-320		HOUSING, AIR CLEANER			
N350-13-320	1				
13-3242		HOSE, AIR INTAKE			
N350-13-222	1				
13-3251		DUCT, AIR			
N326-13-221A	1				
13-3382		SPACER			
FE51-13-329	3				

1330 AIR CLEANER
(W/D TURBO)

1330 -2 * AIR CLEANER
(W/D TURBO)



PART NO.	QTY	MODEL/RESTRICTION	MODEL/RESTRICTION	MODEL/RESTRICTION	FROM-TO
13-362B N326-13-234A	8	BOLT			
13-363N FE51-13-363	3	RUBBER, MOUNTING			
13-7171 N350-20-751	1	HOSE, AIR			
13-726 1480-13-726	2	CLIP, AIR HOSE			
13-986B 8931-13-986	1	ORIFICE D=0.5 BLACK			
23-603 N350-13-240	1	ELEMENT, AIR CLEANER			
23-615C N350-13-202	1	DUCT, FRESH AIR			
23-6731 N326-13-201	1	COVER, AIR CLEANER			

AUFA03

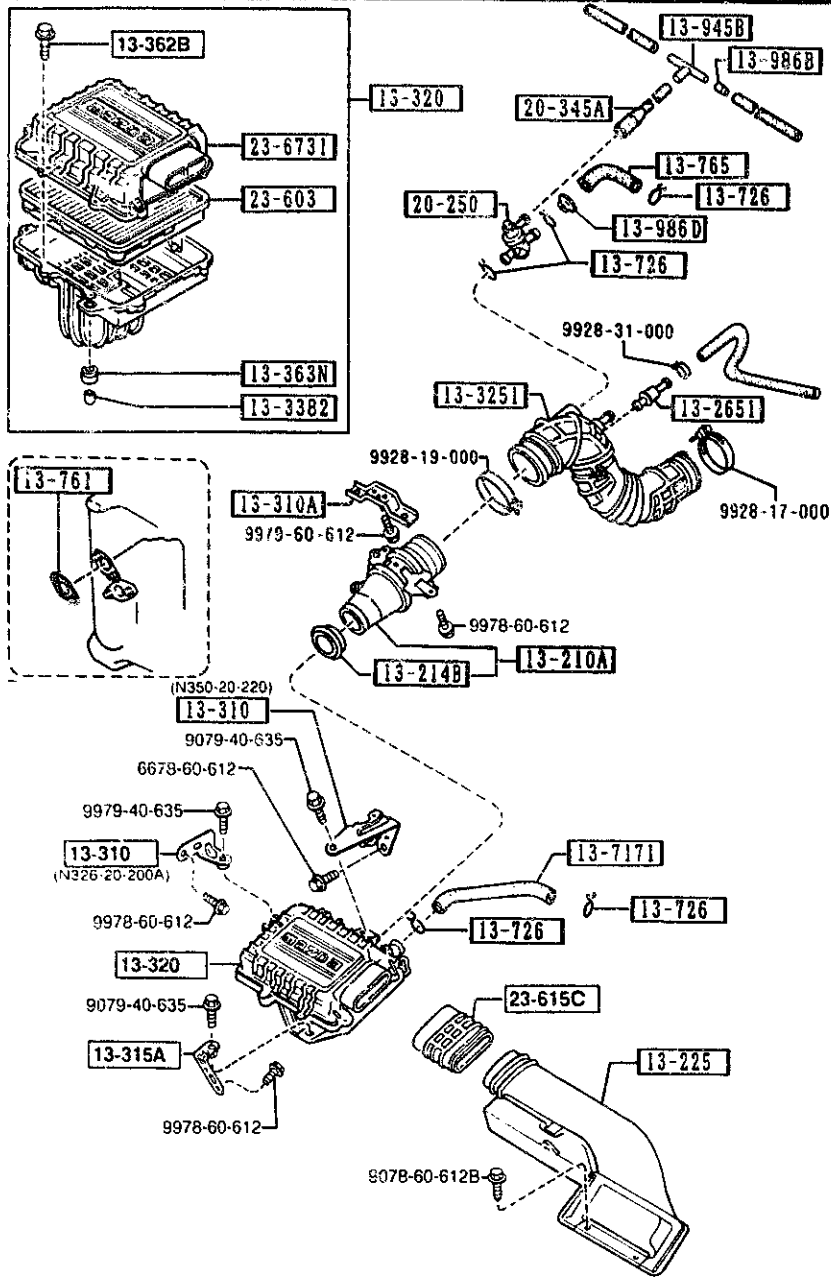
(CONT'D)

CAT. AUFA03-07

1993-12

1330 A AIR CLEANER
(TURBO)

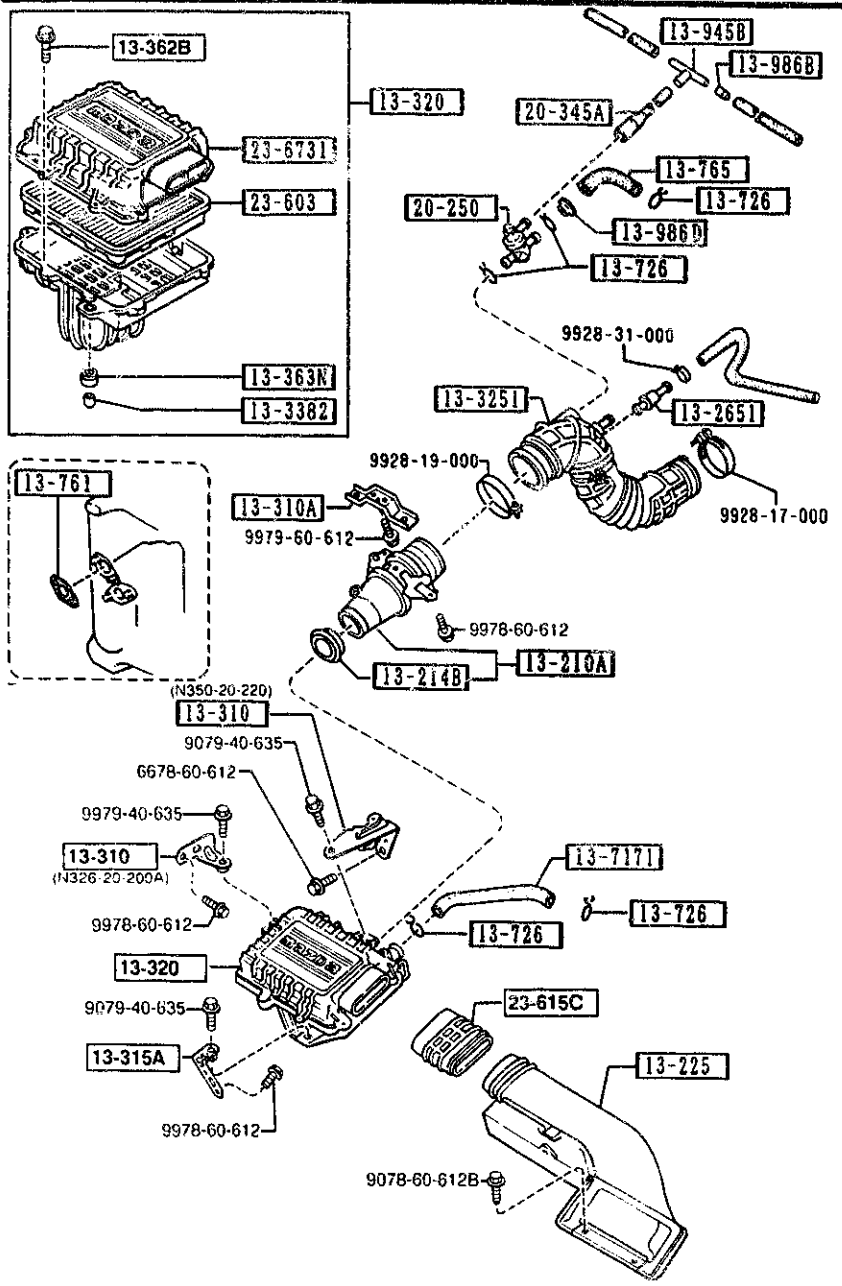
1330 A-1 AIR CLEANER
(TURBO)



PART NO.	QTY	MODEL/RESTRICTION	MODEL/RESTRICTION	MODEL/RESTRICTION	FROM-TO
13-210A		SENSOR, AIR FLOW			
N370-13-210	1				
13-214B		GROMMET, AIRFLOW METER			
N350-13-214	1				
13-225		DUCT, FRESH AIR			
N350-13-201	1				
13-2651		VALVE, CHECK			
N236-13-265	1				
13-310		BRACKET, AIR CLEANER			
N326-20-200A	1				
N350-20-220	1				
13-310A		BRKT, AIR FLOW METER			
N350-13-310	1				
13-315A		BRACKET, AIR CLEANER			
N326-20-210A	1				
13-320		HOUSING, AIR CLEANER			
N350-13-320	1				
13-3251		DUCT, AIR			
N370-13-220	1				
13-3382		SPACER			
FE51-13-329	3				
13-362B		BOLT			
N326-13-234A	8				
13-363N		RUBBER, MOUNTING			
FE51-13-363	3				
13-7171		HOSE, AIR			
N370-20-751	1				

1330 A AIR CLEANER
(TURBO)

1330 A-2 AIR CLEANER
(TURBO)

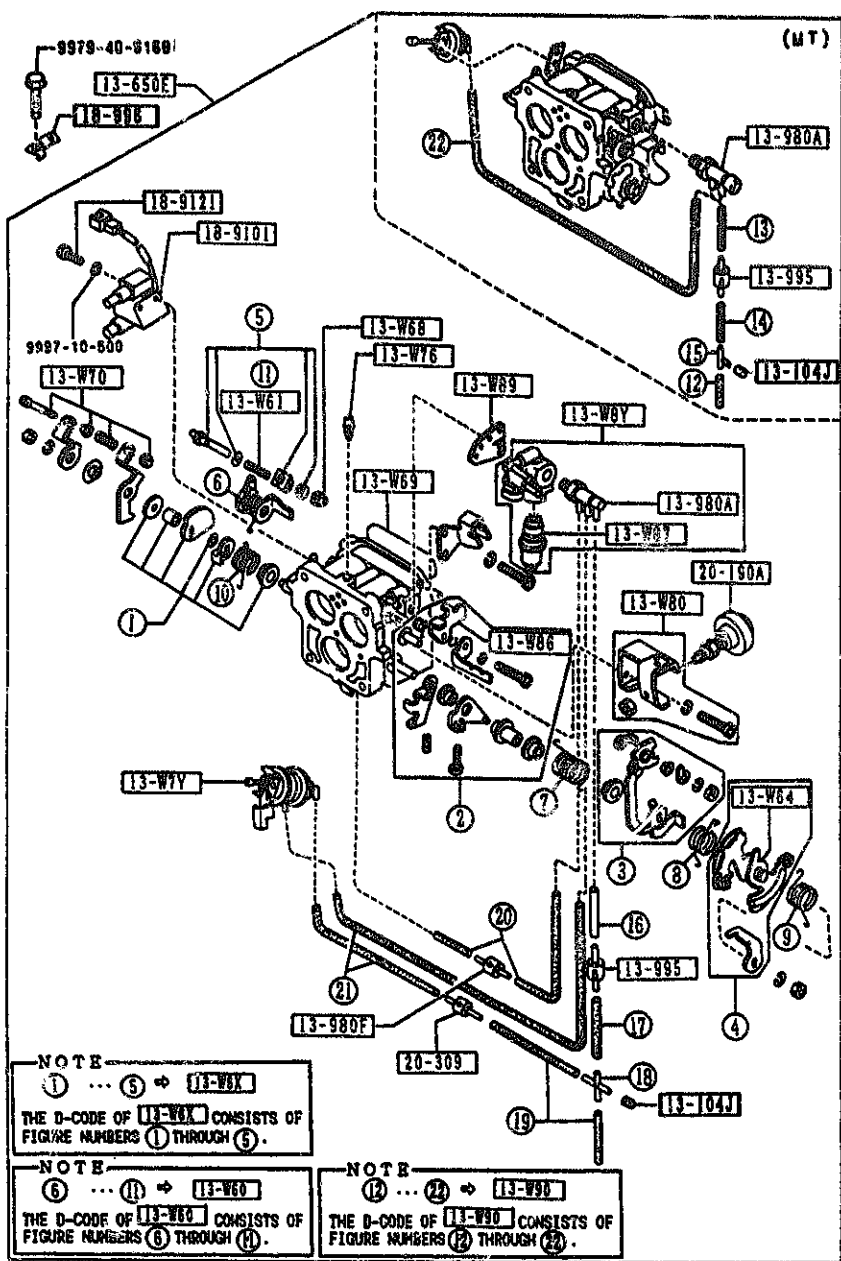


PART NO.	QTY	MODEL/RESTRICTION	MODEL/RESTRICTION	MODEL/RESTRICTION	FROM-TO
13-726		CLIP, AIR HOSE			
1480-13-726	5				
13-761		GASKET			
N318-13-164A	2	ASBESTOS			
13-765		HOSE, AIR-A.B.S.V.&SU			
N370-13-765	1	ROE T			
13-945B		CONNECTOR			
1700-13-945A	1				
13-986B		ORIFICE			
8931-13-986	1	D=0.5 BLACK			
13-986D		ORIFICE			
N370-13-986	1				
20-250		VALVE, AIR BYPASS			
JF01-20-250B	1				
20-345A		TUBE, VACUUM			
N370-20-381A	1				
23-603		ELEMENT, AIR CLEANER			
N350-13-240	1				
23-615C		DUCT, FRESH AIR			
N350-13-202	1				
23-6731		COVER, AIR CLEANER			
N326-13-201	1				

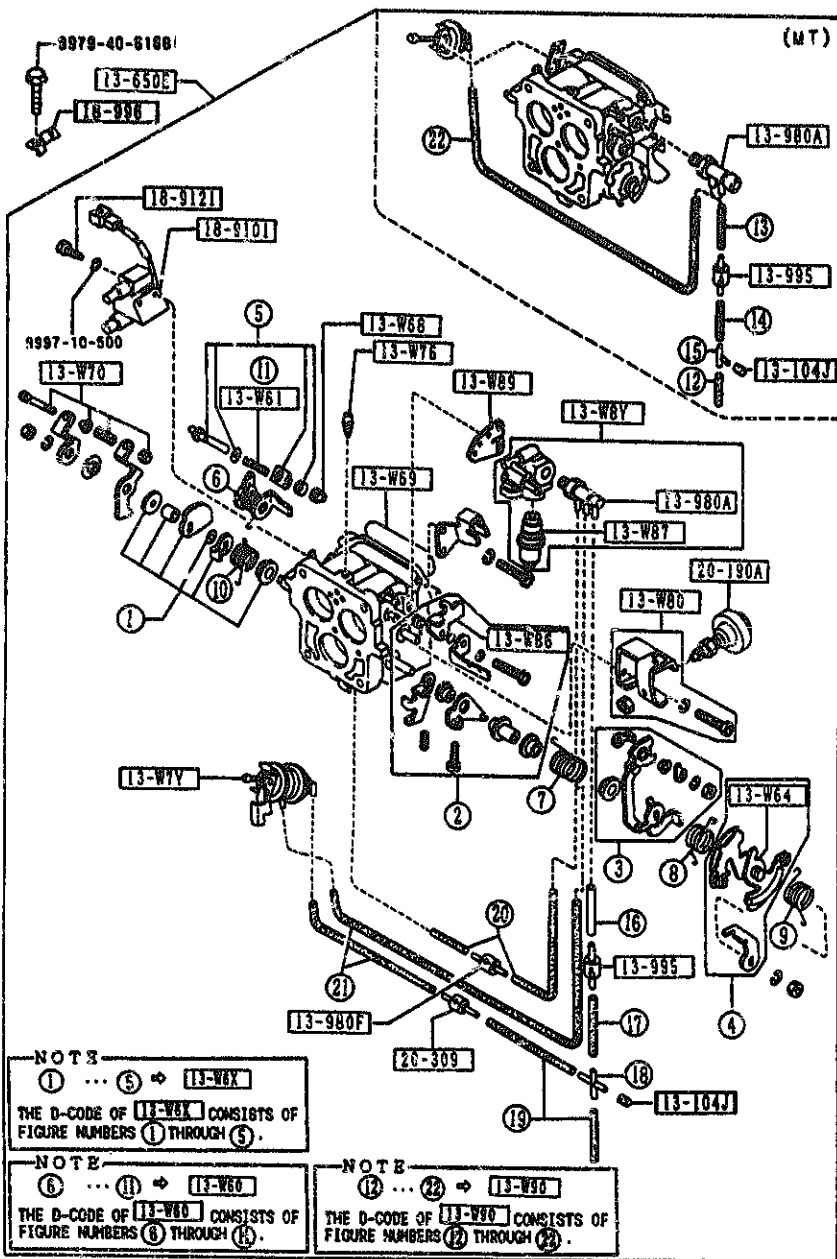
AUFA03

CAT. AUFA03-07

1993-12



PART NO.	QTY	MODEL/RESTRICTION	MODEL/RESTRICTION	MODEL/RESTRICTION	FROM-TO
13-W6X	1	LEVER SET, THROTTLE BODY (MT)			
N350-13-W6X	1	(AT)			
13-W60	1	SPRING SET, THROTTLE BODY (MT)			
N350-13-W60	1	(AT)			
13-W61	1	SPRING, DAMPER			
N327-13-W61	1	(AT)			
13-W64	1	LEVER, THROTTLE			
N326-13-W64	1	(AT)			
13-W68	1	NUT			
N326-13-W68	1	(AT)			
13-W69	1	RING, 'O'			
N326-13-W69	1	(AT)			
13-W7Y	1	DIAPHRAGM (MT)			
N350-13-W7Y	1	(AT)			
13-W70	1	SCREW SET, THROTTLE BODY			
N350-13-W70	1	(AT)			
13-W76	1	SCREW, ID. ADJUST-TH. BODY			
N326-13-W76	1	(AT)			
13-W8Y	1	HOUSING, WAX (MT)			
N350-13-W8Y	1	(AT)			
13-W80	1	BRKT SET, DASH POT-TH ROT (MT)			
N350-13-W80	1	(AT)			
13-W86	1	CAM, FIRST IDLE (MT)			
N326-13-W86	1	(AT)			

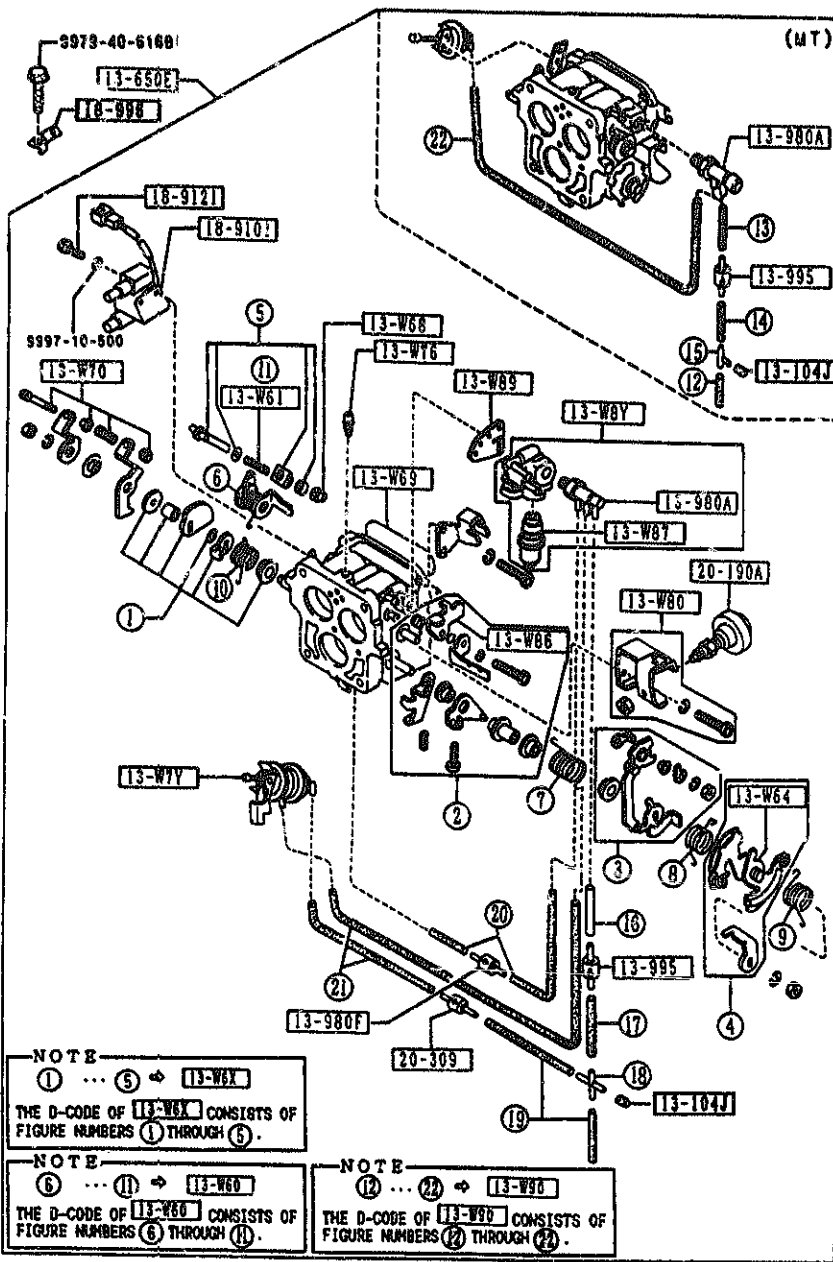


PART NO.	QTY	MODEL/RESTRICTION	MODEL/RESTRICTION	MODEL/RESTRICTION	FROM TO
CONT'D N327-13-W86	1	(AT)			
13-W87		WAX, THERMO			
N326-13-W87	1				
13-W89		GASKET, THERMO			
N350-13-W89	1				
13-W90		TUBE SET, VACUUM-THROTTLE			
N350-13-W90	1	(MT)			
N351-13-W90	1	(AT)			
13-104J		CAP, BLIND			
1010-13-104	1				
13-650E		BODY, THROTTLE			
N350-13-650B	1	(MT)			
N351-13-650B	1	(AT)			
13-980A		VALVE, THERMO			
N304-13-980A	1	(MT)			
N326-13-980	1	(AT)			
13-980F		VALVE, DELAY			
N236-13-980A	1	(AT)			
13-995		VALVE, CHECK			
HE41-13-995	1				
18-910I		SENSOR, THROTTLE POSITION			
N350-18-911B	1				
18-912I		BOLT			
N304-18-912	2				
18-996		CLIP			
N350-18-996	1				
20-190A		DASH POT			
N350-20-190	1				

AUFA03

CAT. AUFA03-07

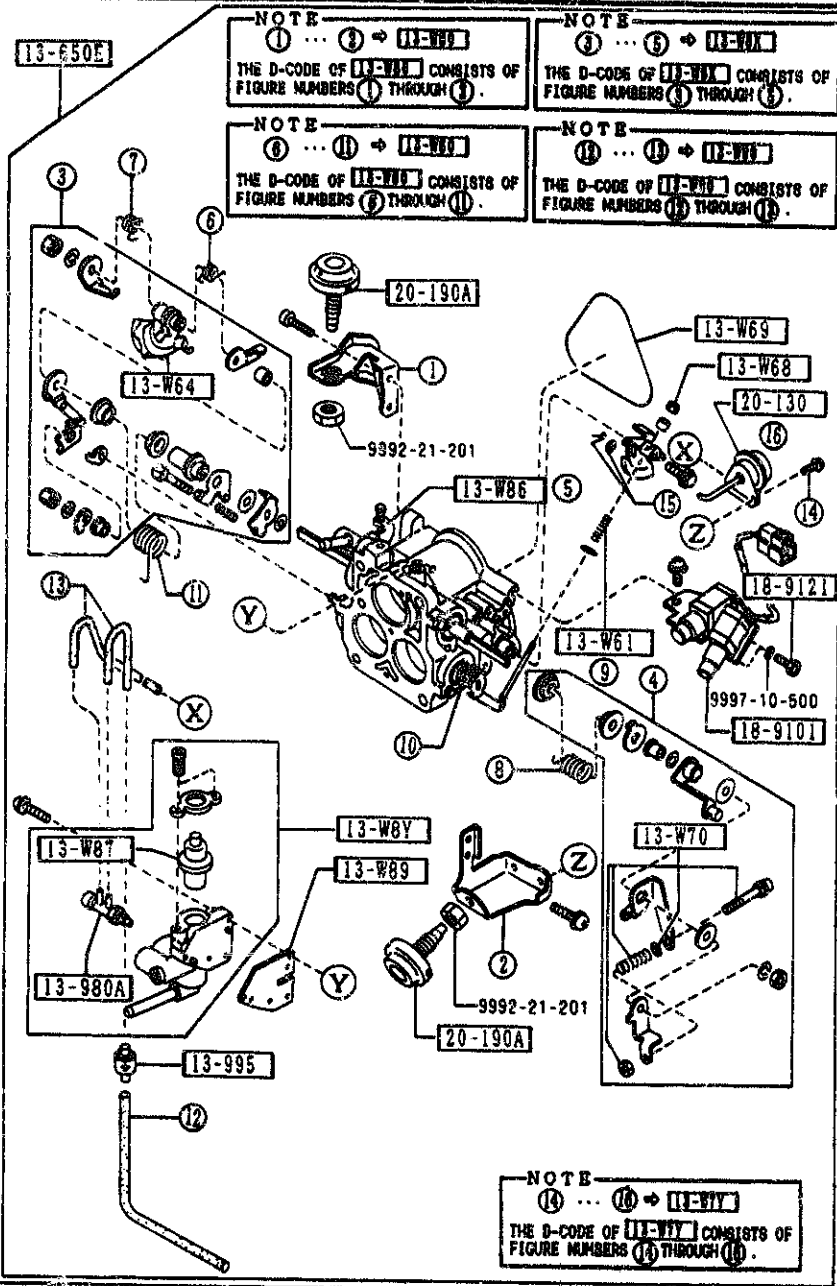
1993-12



PART NO.	QTY	MODEL/RESTRICTION	MODEL/RESTRICTION	MODEL/RESTRICTION	FROM TO
20-309		VALVE, VACUUM DELAY			
8574-20-309	1	(AT)			

1364 A THROTTLE BODY
(TURBO)

1364 A-1 THROTTLE BODY
(TURBO)



PART NO.	QTY	MODEL/RESTRICTION	MODEL/RESTRICTION	MODEL/RESTRICTION	FROM-TO
13-W6X		LEVER SET, THROTTLE B			
N370-13-W6X	1	ODY			
13-W60		SPRING SET, THROTTLE			
N332-13-W60	1	BODY			
13-W61		SPRING, DAMPER			
N332-13-W61	1				
13-W64		LEVER, THROTTLE			
N337-13-W64	1				
13-W68		NUT			
N326-13-W68	1				
13-W69		RING, 'O'			
N326-13-W69	1				
13-W7Y		DIAPHRAGM			
N370-13-W7Y	1				
13-W70		SCREW SET, THROTTLE B			
N350-13-W70	1	ODY			
13-W8Y		HOUSING, WAX			
N370-13-W8Y	1				
13-W80		BRKT SET, DASH PGT-TH			
N370-13-W80	1	ROT			
13-W86		CAM, FIRST IDLE			
N570-13-W86	1				
13-W87		WAX, THERMO			
N326-13-W87	1				
13-W89		GASKET, THERMO			
N350-13-W89	1				
13-W90		TUBE SET, VACUUM-THRO			
N376-13-W90	1	TILE			

AUFA03

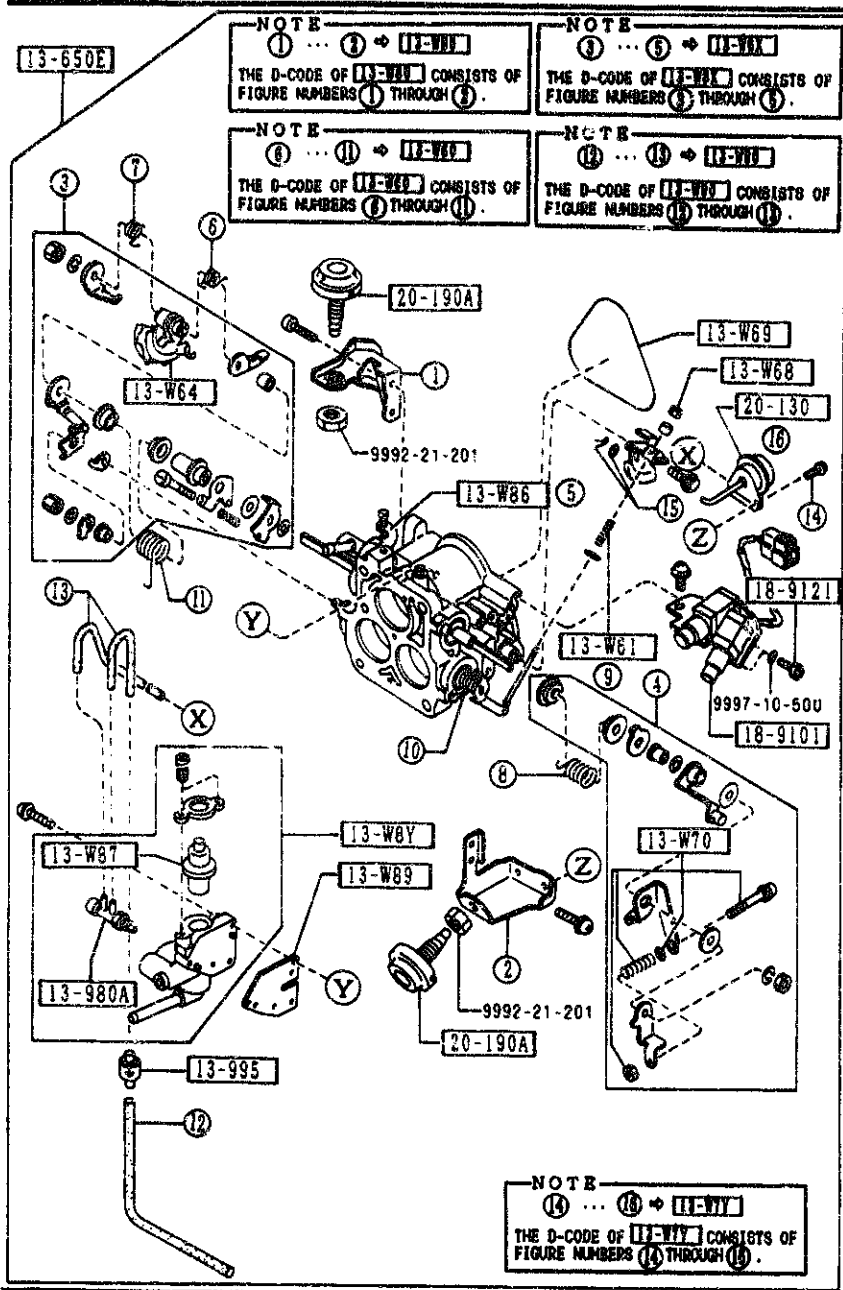
CAT. AUFA03-07

1993-12

1-M 5

1364 A THROTTLE BODY
(TURBO)

1364 A-2 * THROTTLE BODY
(TURBO)



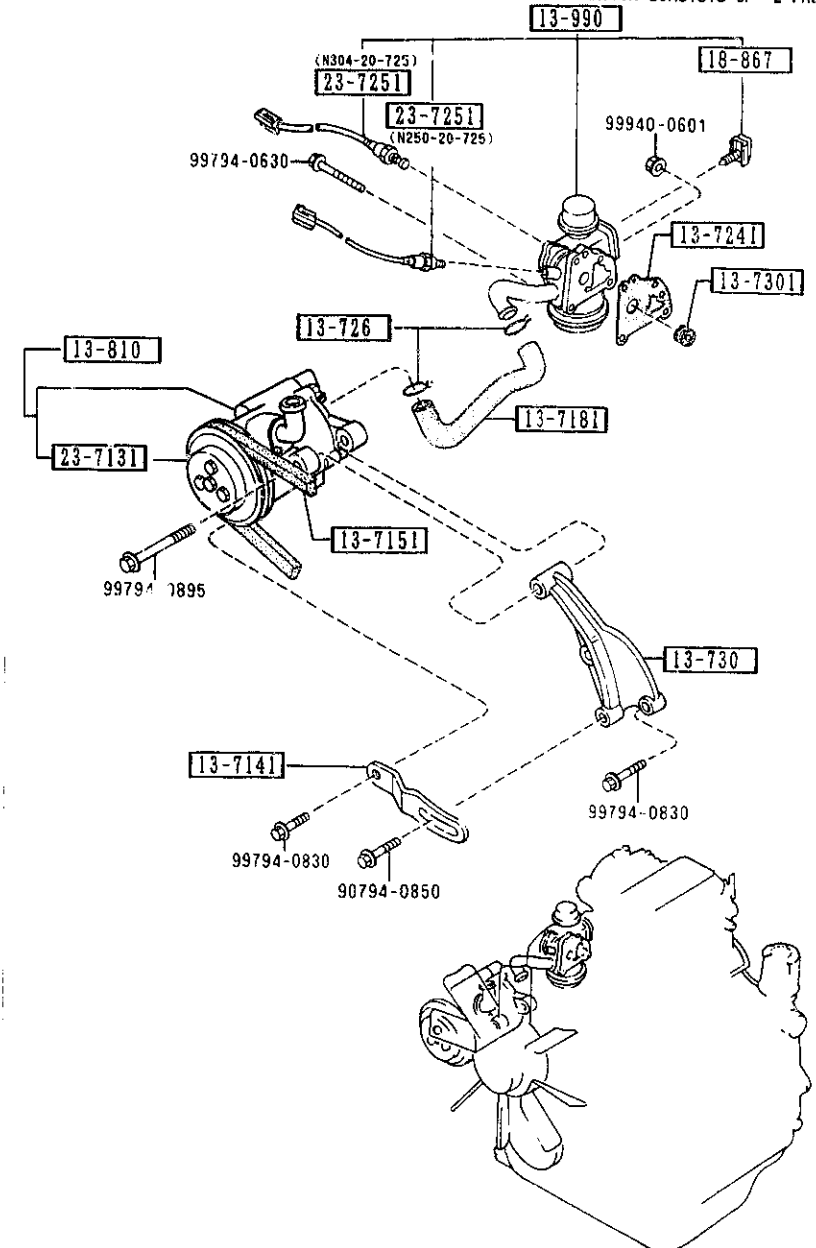
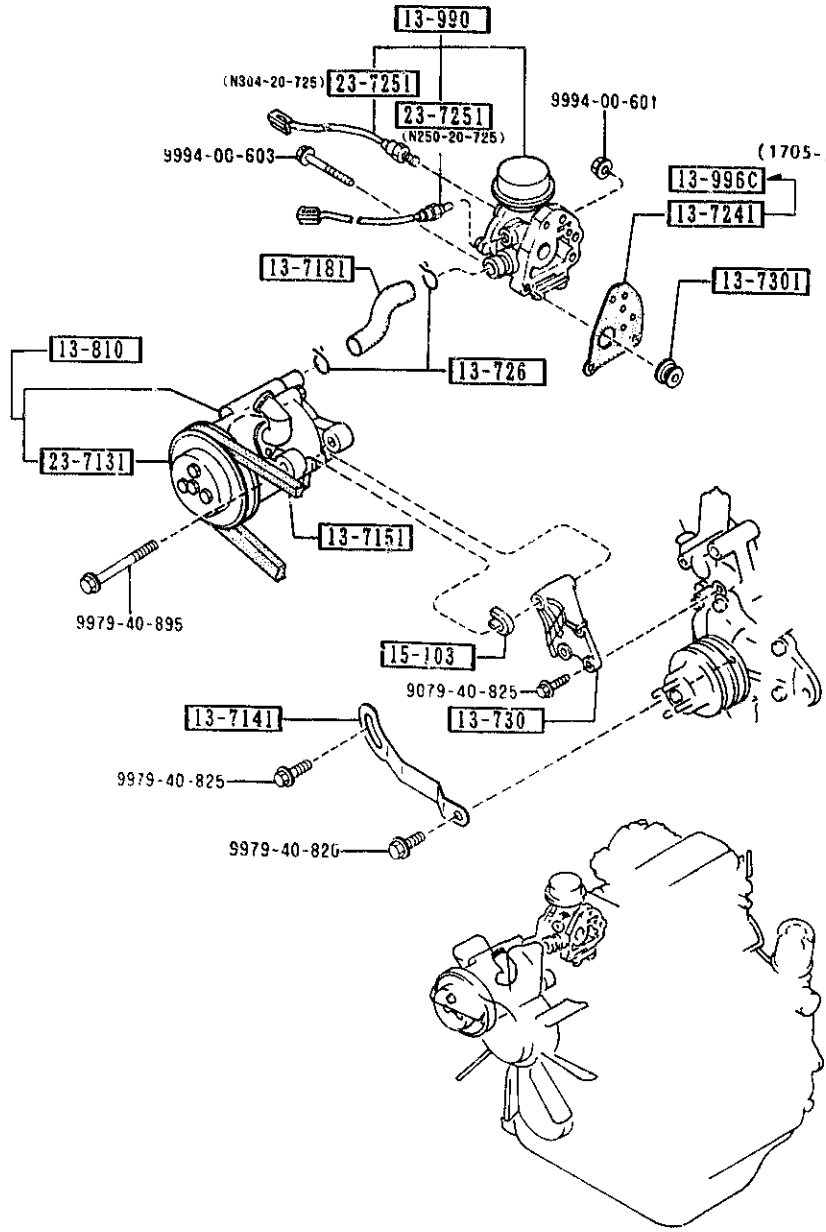
PART NO.	QTY	MODEL/RESTRICTION	MODEL/RESTRICTION	MODEL/RESTRICTION	IPOM-10
13-650E N370-13-650B	1	BODY, THROTTLE			
13-980A N304-13-980A	1	VALVE, THERMO			
13-995 HE41-13-995	1	VALVE, CHECK			
18-9101 N380-18-911	1	SENSOR, THROTTLE POSITION			
18-9121 N304-18-912	2	BOLT			
20-130 N370-20-130	1	ACTUATOR, SHUTTER VALVE			
20-190A N350-20-190	2	DASH POT			

AUFA03

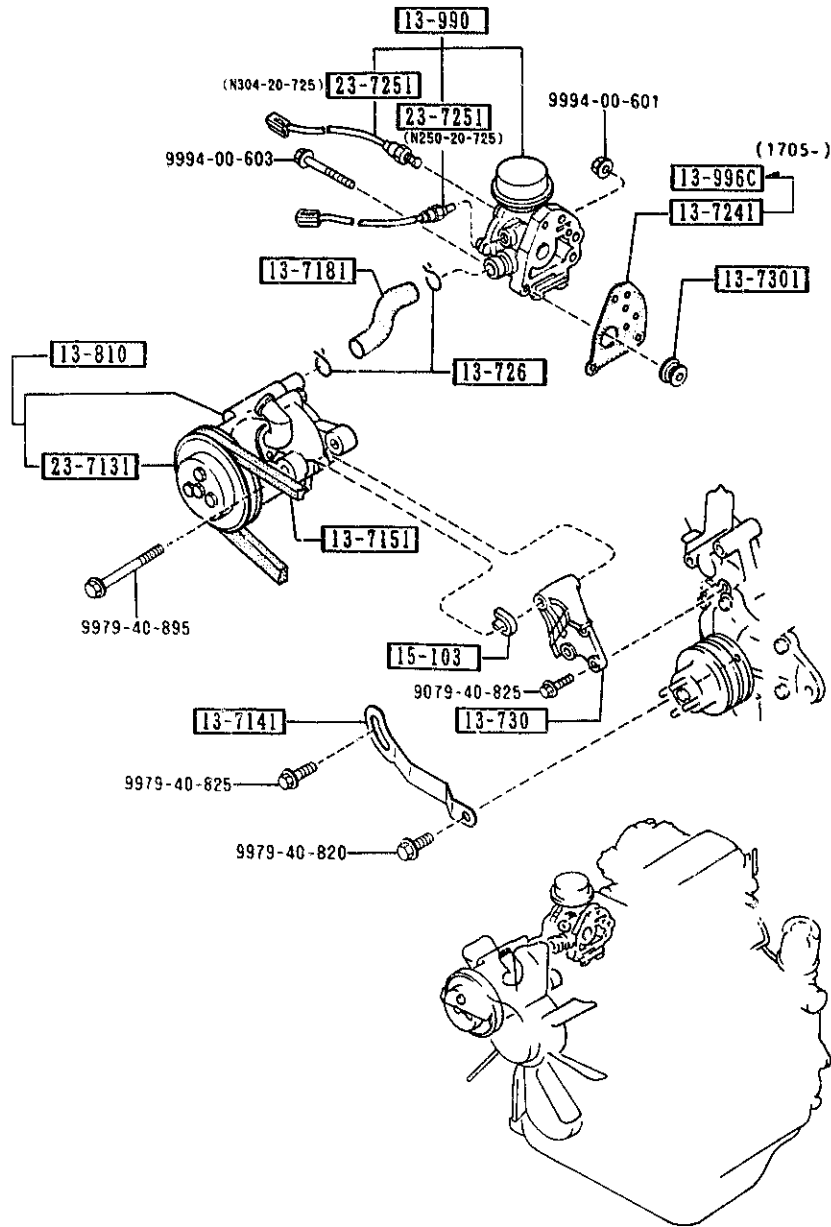
CAT. AUFA03-07

1993-12

1-N 5



1371 AIR PUMP & AIR CONTROL VALVE (1/2)
 (W/O TURBO) (THIS ILLUSTRATION CONSISTS OF 2 PAGES)



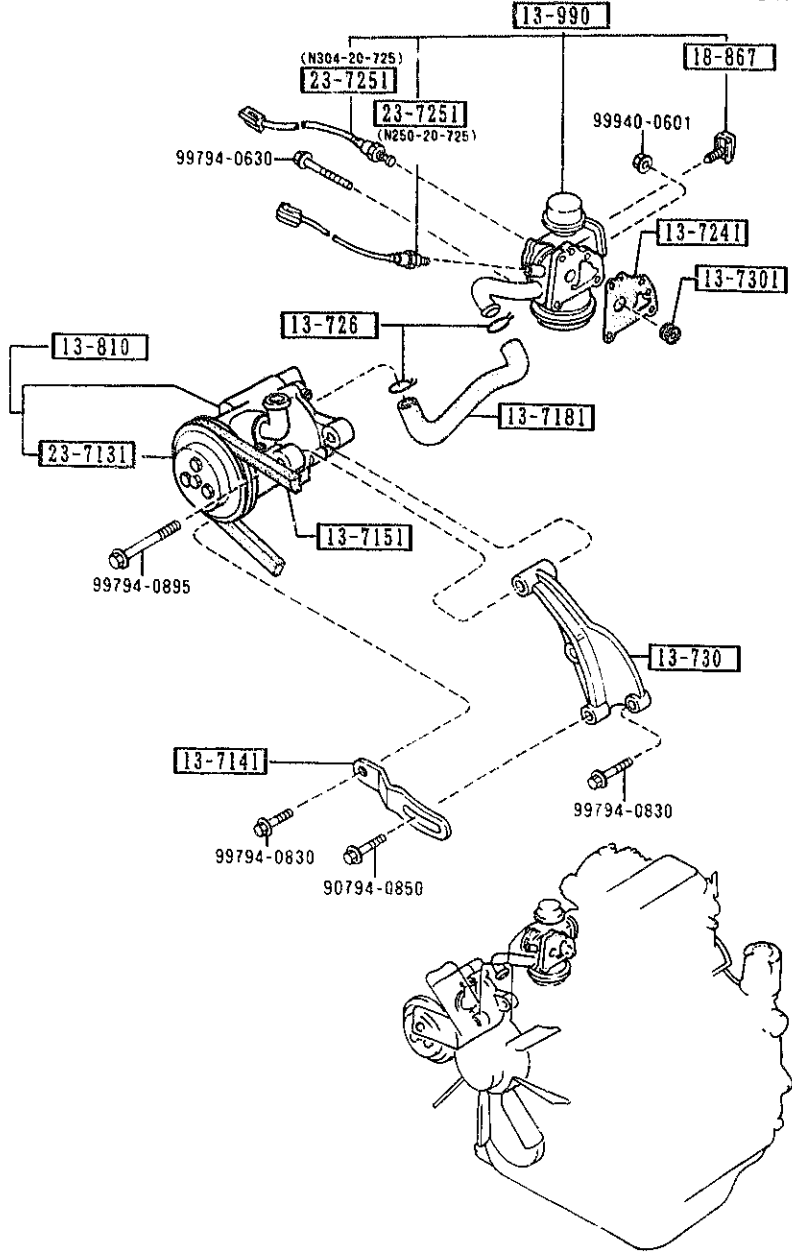
PART NO.	QTY	MODEL/RESTRICTION	MODEL/RESTRICTION	MODEL/RESTRICTION	FROM-TO
13-7141		STRAP,AIR PUMP			
N350-13-812	1	(W/O TURBO)			
N370-13-812	1	(TURBO)			
13-7151		BELT 'V'			
N370-13-813A	1				
13-7181		HOSE,AIR			
N350-20-752	1	(W/O TURBO)			
N370-20-752	1	(TURBO)			
13-7241		GASKET,A.C.VALVE			
N304-13-724A	1	ASBESTOS (W/O TURBO)>>('91 MODEL)			
N318-13-996	1	ASBESTOS (TURBO)			
13-726		CLIP,AIR HOSE			
N304-13-726	2				
13-730		BRACKET,AIR PUMP			
N350-13-921	1	(W/O TURBO)			
N370-13-921A	1	(TURBO)			
13-7301		VALVE,CHECK			
1480-13-730	1				
13-810		PUMP,AIR			
N350-13-810	1	(W/O TURBO)			
N370-13-810	1	(TURBO)			
13-990		VALVE,AIR CONTROL			
N381-13-990	1	((W/O TURBO)>>(MT)>>('92 MODEL)			
N382-13-990	1	((W/O TURBO)>>(AT)>>('92 MODEL)			
N350-13-990A	1	((W/O TURBO)>>(MT)>>('91 MODEL)			
N351-13-990A	1	((W/O TURBO)>>(AT)>>('91 MODEL)			
N370-13-990A	1	(TURBO)			

1371 AIR PUMP & AIR CONTROL VALVE

(2/2)

(TURBO)

(THIS ILLUSTRATION CONSISTS OF 2 PAGES)

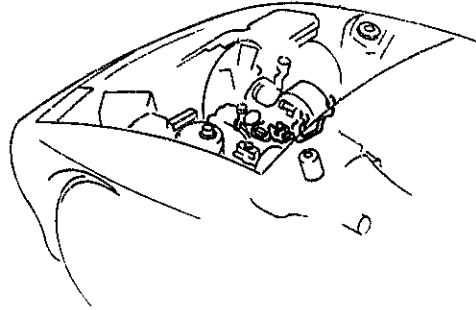


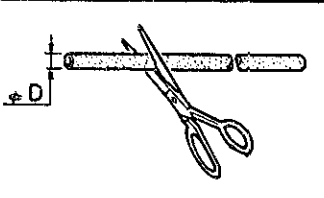
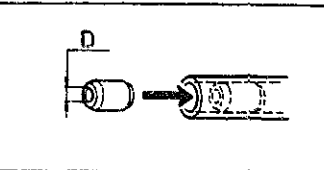
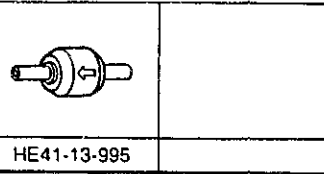
1371 -2 * AIR PUMP & AIR CONTROL VALVE

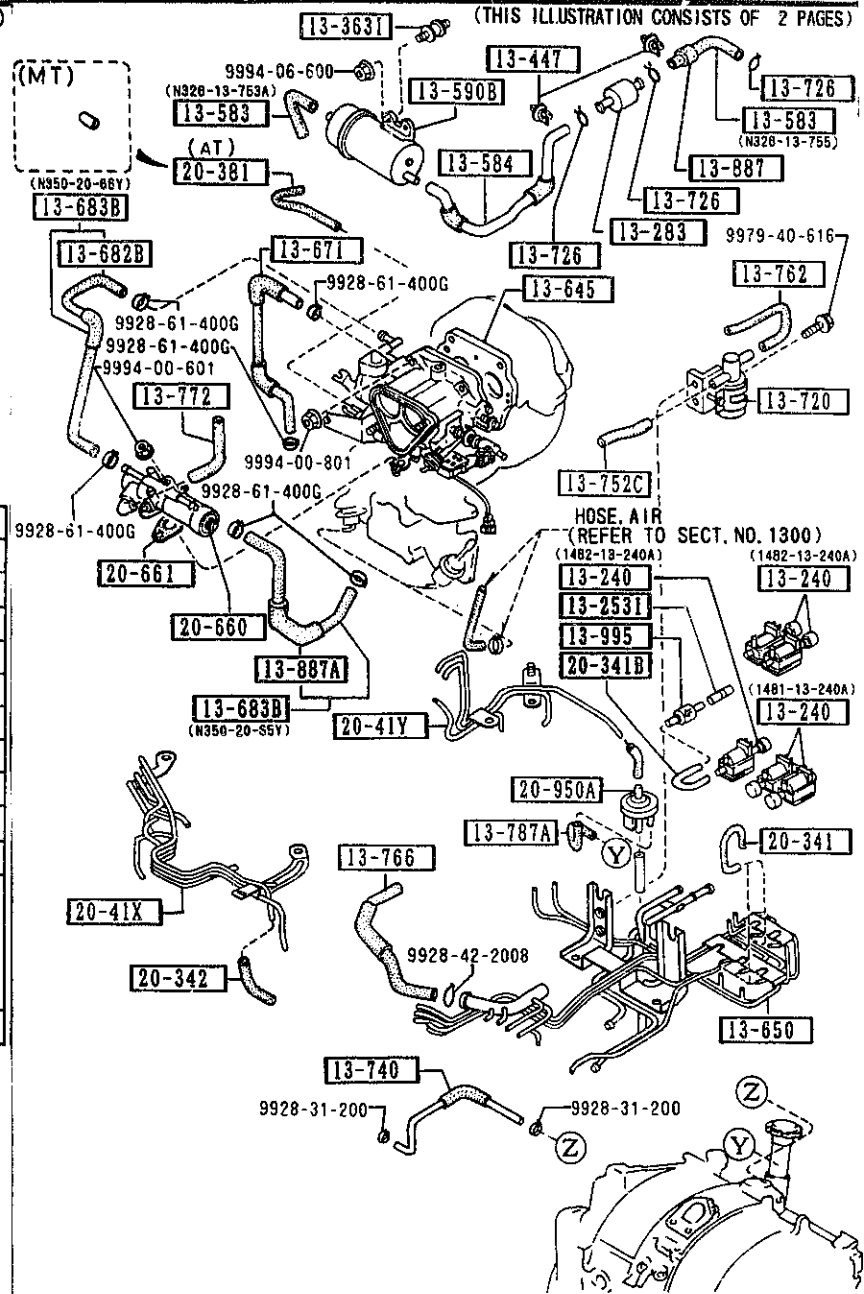
PART NO.	QTY	MODEL/RESTRICTION	MODEL/RESTRICTION	MODEL/RESTRICTION	FROM-TO
13-996C		GASKET, A.C.V.			
N301-13-996	1	((W/O TURBO)) ('92 MD DEL)			
15-103		SPACER			
N304-15-103	1	(W/O TURBO)			
18-867		CLIP			
FE30-18-867A	1	(TURBO)			
23-7131		PULLEY, AIR PUMP			
N350-13-811	1				
23-7251		VALVE, SOLENOID			
N250-20-725	1				
N304-20-725	1				

(THIS ILLUSTRATION CONSISTS OF 2 PAGES)

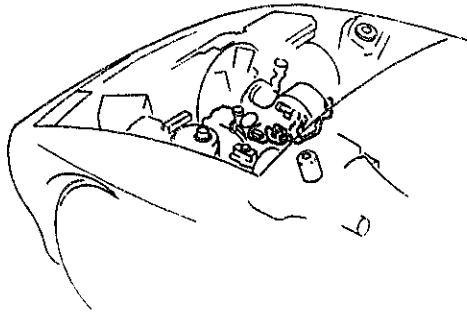
(THIS ILLUSTRATION CONSISTS OF 2 PAGES)



<p>93-5104 HOSE</p> 	<p>9935-10-4999</p> <p>D = 4MM</p>	
<p>13-986B ORIFICE</p> 	<p>8931-13-986</p> <p>D = 0.5(BLACK)</p>	
<p>13-995 VALVE, CHECK</p> 	<p>HE41-13-995</p>	

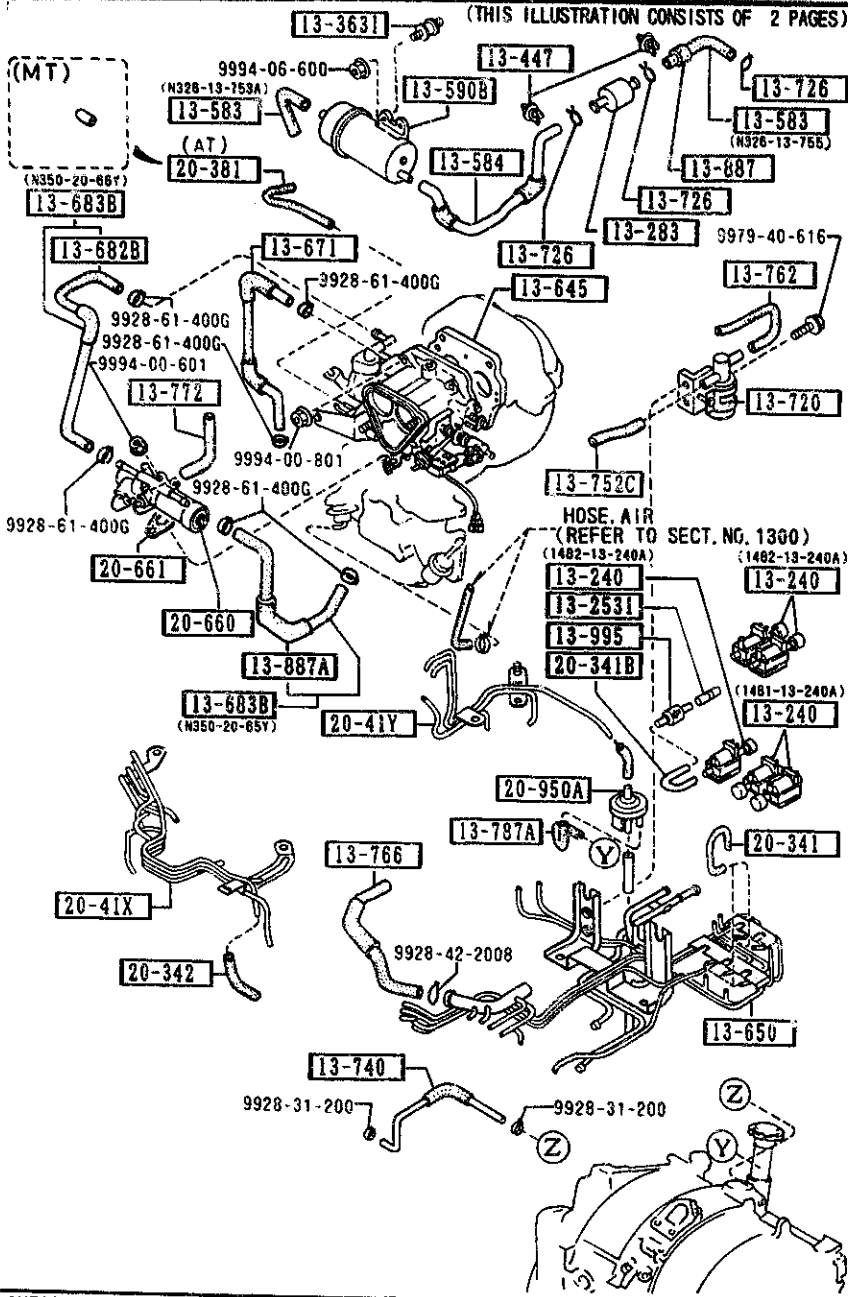


(THIS ILLUSTRATION CONSISTS OF 2 PAGES)



<p>93-5104 HOSE</p>		<p>9935-10-4999</p>	<p>D = . . . M</p>
<p>13-986B ORIFICE</p>		<p>8931-13-986</p>	<p>D = 0.5 (BLACK)</p>
<p>13-995 VALVE, CHECK</p>			
	<p>HE41-13-995</p>		

PART NO.	QTY	MODEL/RESTRICTION	MODEL/RESTRICTION	MODEL/RESTRICTION	FROM-TO
13-240		VALVE, SWAY			
1481-13-240A	2				
1482-13-240A	3				
13-2531		HOSE, VACUUM			
N236-13-253A	1				
13-283		CHAMBER, AIR			
N304-13-283A	1				
13-363I		RUBBER, INSULATION			
N326-13-363B	2				
13-447		CLIP			
N326-13-447	2				
13-583		HOSE, AIR			
N326-13-753A	1				
N326-13-755	1				
13-584		HOSE, AIR			
N326-13-750A	1				
13-590B		SILENCER, RELIEF			
N350-13-C90	1				
13-645		INSULATOR, THROTTLE B ODY			
N381-13-645	1	('92 MODEL)			
N350-13-645	1	('91 MODEL)			
13-650		PIPE, VACUUM			
N350-20-410C	1				
13-671		HOSE, WATER			
N350-13-680	1				
13-682B		HOSE, WATER-B.A.C.V. & T.B.			
N350-20-665	1				
13-683B		HOSE, WATER-B.A.C.V. & R.H.			



PART NO.	QTY	MODEL/RESTRICTION	MODEL/RESTRICTION	MODEL/RESTRICTION	FROM-TO
CONT'D					
N350-20-65Y	1				
N350-20-66Y	1				
13-720		VALVE, SOL.-AIR BLEED EXTE			
N350-13-720	1				
13-726		CLIP, AIR HOSE			
N304-13-726	3				
13-740		HOSE, VENT.-PURGE CON T. V.			
N350-13-740	1				
13-752C		HOSE, AIR			
N350-13-752	1				
13-762		HOSE, AIR			
N350-13-762	1				
13-766		HOSE, AIR			
N350-13-760A	1				
13-772		HOSE, AIR-AIR P.&BY.A .C.V.			
N350-13-772	1				
13-787A		HOSE, VENTILATION			
N350-13-742	1				
13-887		PROTECTOR, SPONGE-AIR HOSE			
N326-13-887	1				
13-887A		PROTECTOR, SPONGE-WAT .HOSE			
N350-13-887	1				
13-986B		ORIFICE			
8931-13-986	1	D=0.5 BLACK			
13-995		VALVE, CHECK			
HE41-13-995	3				
20-341		HOSE, VACUUM			

(THIS ILLUSTRATION CONSISTS OF 2 PAGES)

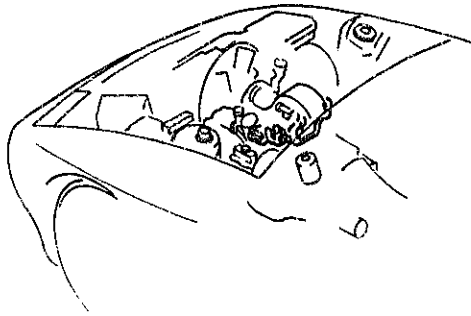


<p>93-5104 HOSE</p>		<p>9935-10-4999</p>	<p>D = 4MM</p>
<p>13-986B ORIFICE</p>		<p>8931-13-986</p>	<p>D = 0.5(BLACK)</p>
<p>13-995 VALVE, CHECK</p>		<p>HE41-13-995</p>	

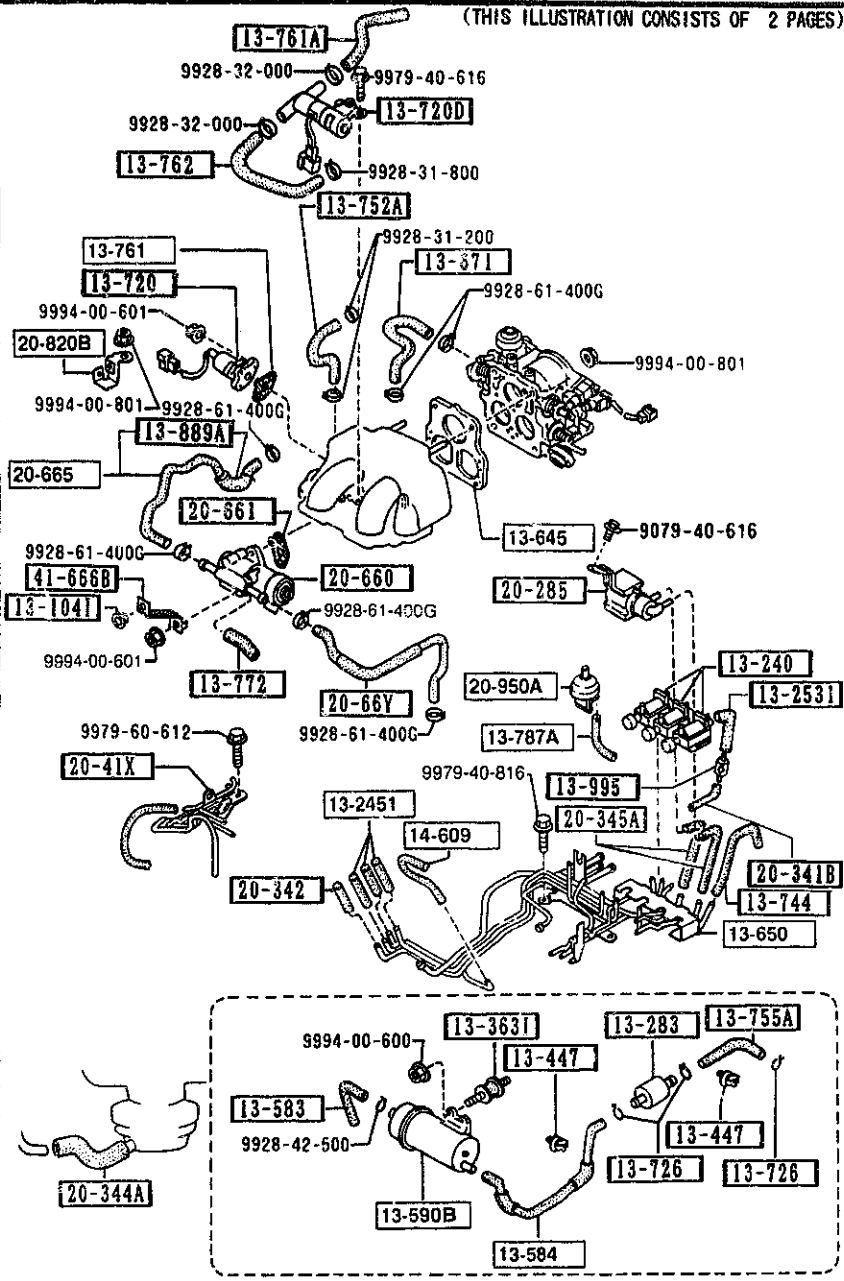
PART NO.	QTY	MODEL/RESTRICTION	MODEL/RESTRICTION	MODEL/RESTRICTION	FROM-TO
CONT'D					
N350-20-341	5				
20-341B		TUBE, VACUUM-SOL. VALVE			
B305-20-341	1				
20-342		HOSE, VACUUM			
N332-20-342A	1				
20-381		TUBE, VACUUM			
N351-20-381	1	(AT)			
20-41X		PIPE NO. 2, VACUUM			
N350-20-41XB	1				
20-41Y		PIPE, AIR-VALVE ACTUATOR			
N350-20-41YC	1				
20-660		VALVE, IDLE AIR CONTROL			
N350-20-660	1				
20-661		GASKET, B.A.C. VALVE			
N381-20-661	1	('92 MODEL)			
N350-20-661	1	ASBESTOS ('91 MODEL)			
20-950A		VALVE, PURGE			
1480-20-950A	1				
93-5104		HOSE			
99351-04999	1				

(THIS ILLUSTRATION CONSISTS OF 2 PAGES)

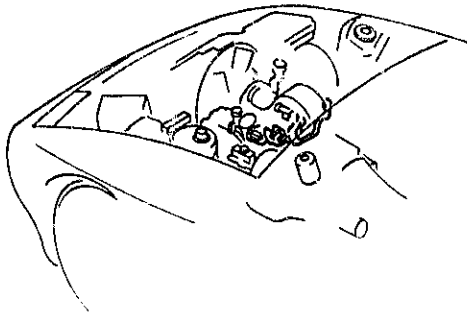
(THIS ILLUSTRATION CONSISTS OF 2 PAGES)



93-5104 93-5106 HOSE		9935-10-4999	D = 4MM
		9935-10-6999	D = 6MM
13-986B ORIFICE		8931-13-986	D = 0.5(BLACK)
13-945B CONNECTOR			
		1700-13-945A	
13-995 VALVE, CHECK			
		HE41-13-995	



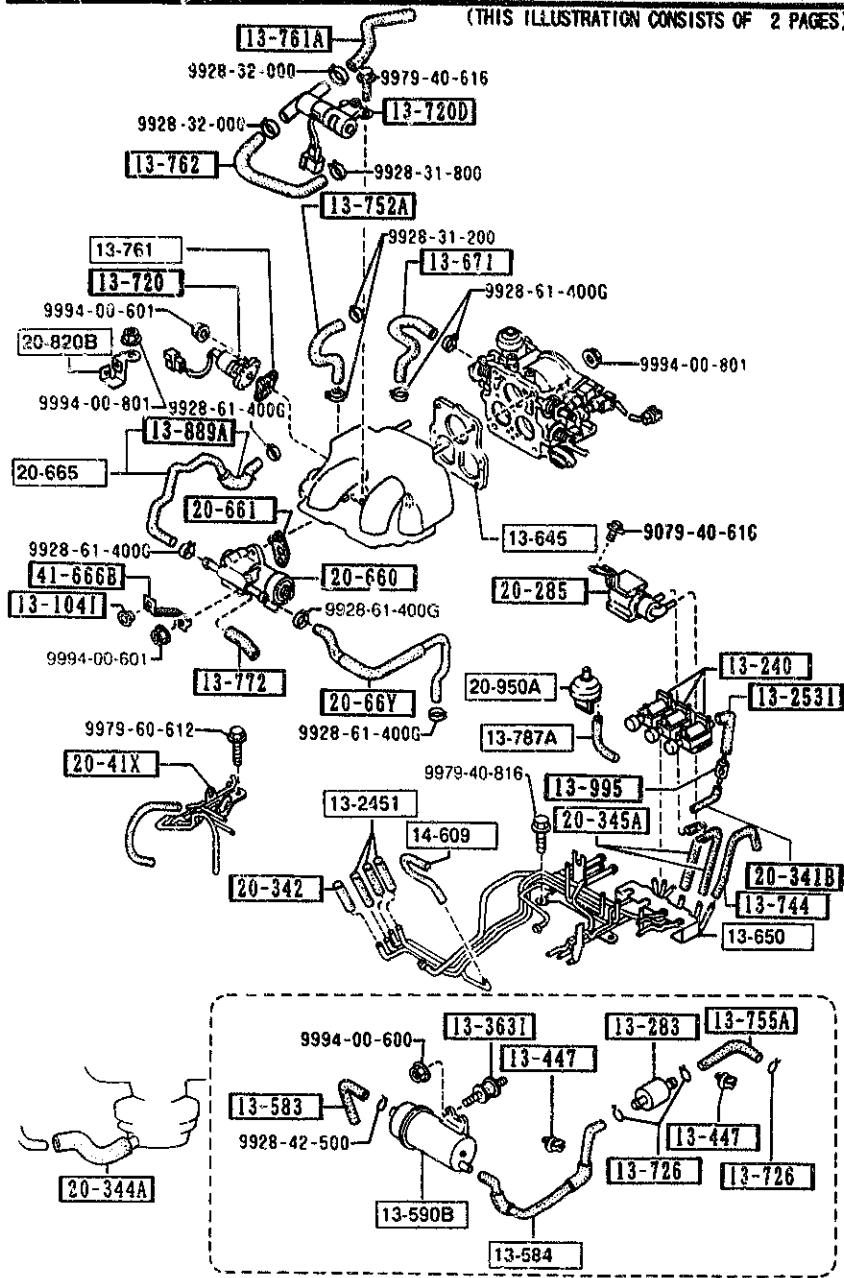
(THIS ILLUSTRATION CONSISTS OF 2 PAGES)



93-5104 93-5106 HOSE		9935-10-4999	D = 4MM
		9935-10-6999	D = 6MM
13-986B ORIFICE		8931-13-986	D = 0.5 (BLACK)
13-945B CONNECTOR			
		1700-13-945A	
13-995 VALVE, CHECK			
		HE41-13-995	

PART NO.	QTY	MODEL/RESTRICTION	MODEL/RESTRICTION	MODEL/RESTRICTION	FROM-TO
13-1041		CAP, BLIND			
N318-20-662A	1				
13-240		VALVE, 3WAY			
1481-13-240A	3				
13-2451		HOSE, VACUUM			
N318-20-342	3				
13-2531		HOSE, VACUUM			
N236-13-253A	1				
13-283		CHAMBER, AIR			
N304-13-283A	1				
13-363I		RUBBER, INSULATION			
N326-13-363B	2				
13-447		CLIP			
N326-13-447	2				
13-583		HOSE, AIR			
N326-13-753A	1				
13-584		HOSE, AIR			
N319-13-750A	1				
13-590B		SILENCER, RELIEF			
N350-13-C90	1				
13-645		INSULATOR, THROTTLE BODY, ASBESTOS			
N370-13-645	1				
13-650		PIPE, VACUUM			
N370-20-410C	1				
13-671		HOSE, WATER			
N370-13-681	1				
13-720		VALVE, SOL. -AIR BLEED EXTE			

(THIS ILLUSTRATION CONSISTS OF 2 PAGES)



PART NO.	QTY	MODEL/RESTRICTION	MODEL/RESTRICTION	MODEL/RESTRICTION	FROM-TO
CONT'D					
N370-13-725	1				
13-7200		VALVE, SOL.-AIR BLEED SURG			
N370-13-720A	1				
13-726		CLIP, AIR HOSE			
N304-13-726	3				
13-744		HOSE, VENTILATION			
N318-13-744A	1				
13-752A		HOSE, AIR-EXT. MANIFOLD			
N332-13-752A	1				
13-755A		HOSE, AIR			
N332-13-755A	1				
13-761		GASKET ASBESTOS			
N304-13-761A	1				
13-761A		HOSE, AIR			
N370-13-761A	1				
13-762		HOSE, AIR			
N370-13-762A	1				
13-772		HOSE, AIR-AIR P. 8BY. A.C.V.			
N370-13-772A	1				
13-787A		HOSE, VENTILATION			
N319-13-742	1				
13-889A		PROTECTOR			
N370-13-889	1				
13-945B		CONNECTOR			
1700-13-945A	1				
13-986B		ORIFICE			
8931-13-986	1	D=0.5 BLACK			

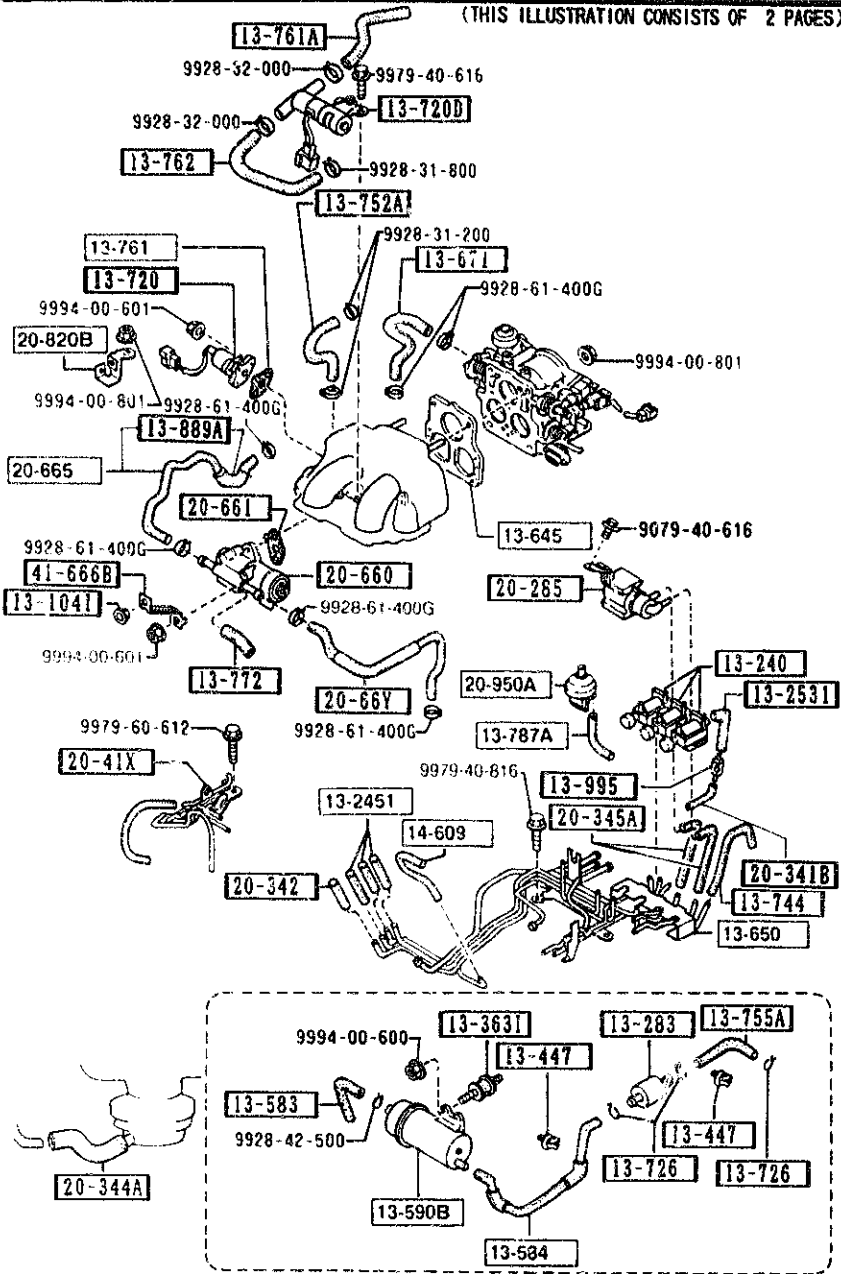
(THIS ILLUSTRATION CONSISTS OF 2 PAGES)



93-5104 93-5106 HOSE		9935-10-4999	D = 4MM
		9935-10-6999	D = 6MM
13-986B ORIFICE		8931-13-986	D = 0.5(BLACK)
13-945B CONNECTOR		1700-13-945A	
13-995 VALVE, CHECK		HE41-13-995	

PART NO.	QTY	MODEL/RESTRICTION	MODEL/RESTRICTION	MODEL/RESTRICTION	FROM-TO
13-995 HE41-13-995	2	VALVE, CHECK			
14-609 N326-14-609A	1	TUBE NO. 4, AIR			
20-285 N370-20-285A	1	VALVE, DUTY SOLENOID			
20-341B B305-20-341	1	TUBE, VACUUM-SOL. VALVE			
20-342 N332-20-342A	1	HOSE, VACUUM			
20-344A N318-20-344	1	HOSE, AIR-A.C.V. & VAC. PIPE			
20-345A N370-20-345A	2	TUBE, VACUUM			
20-41X N372-20-41XA	1	PIPE NO. 2, VACUUM			
20-66Y N370-20-66YA	1	HOSE, WATER			
20-660 N570-20-660A	1	VALVE, IDLE AIR CONTROL			
20-661 N350-20-661	1	GASKET, B.A.C. VALVE ASBESTOS			
20-665 N370-20-65Y	1	HOSE, WATER BY-PASS			
20-820B N332-20-820B	1	CLIP, FLUID HOSE			
20-950A		VALVE, PURGE			

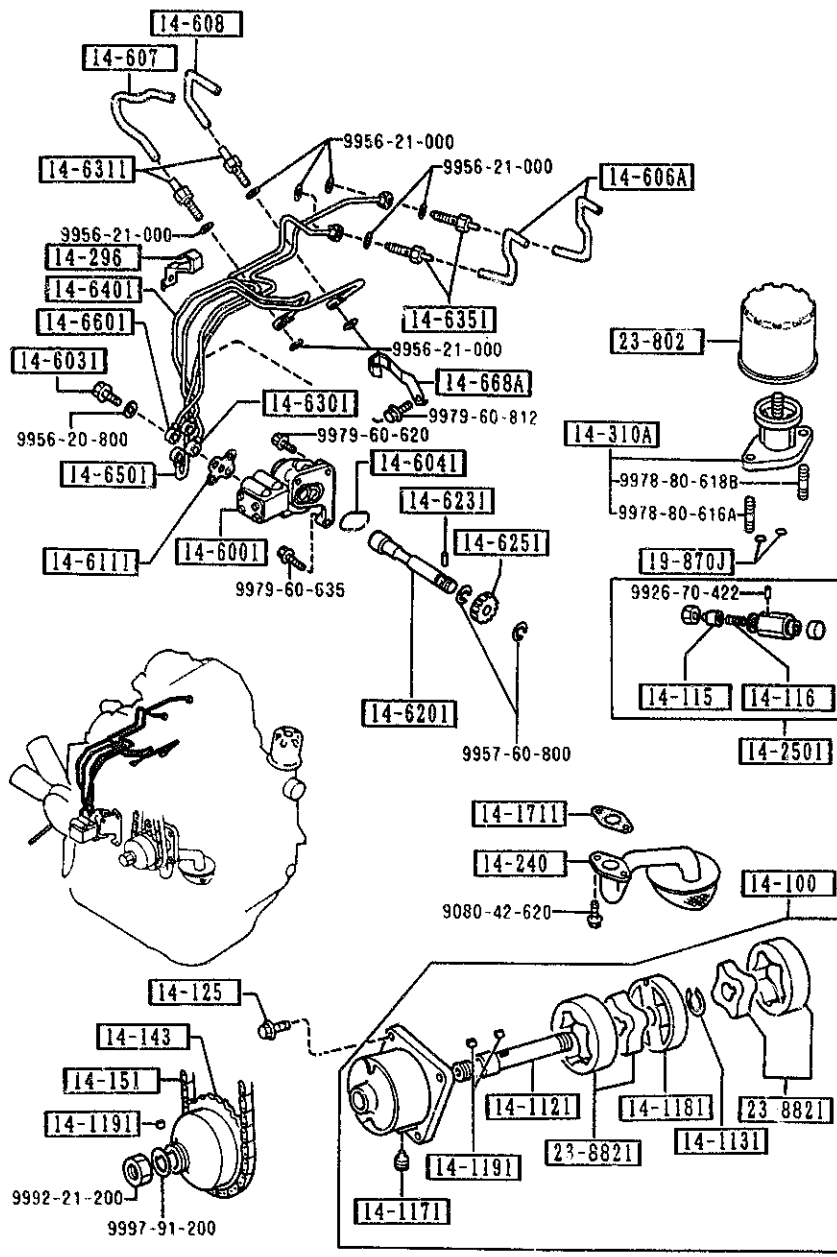
(THIS ILLUSTRATION CONSISTS OF 2 PAGES)



PART NO.	QTY	MODEL/RESTRICTION	MODEL/RESTRICTION	MODEL/RESTRICTION	FROM TO
CONT'D					
1480-20-950A	1				
41-666B		BRACKET, ACCEL. WIRE-B			
PB44-41-666A	1	Y.A.C.			
93-5104		HOSE			
99351-04999	1				
93-5106		HOSE			
99351-06999	1				

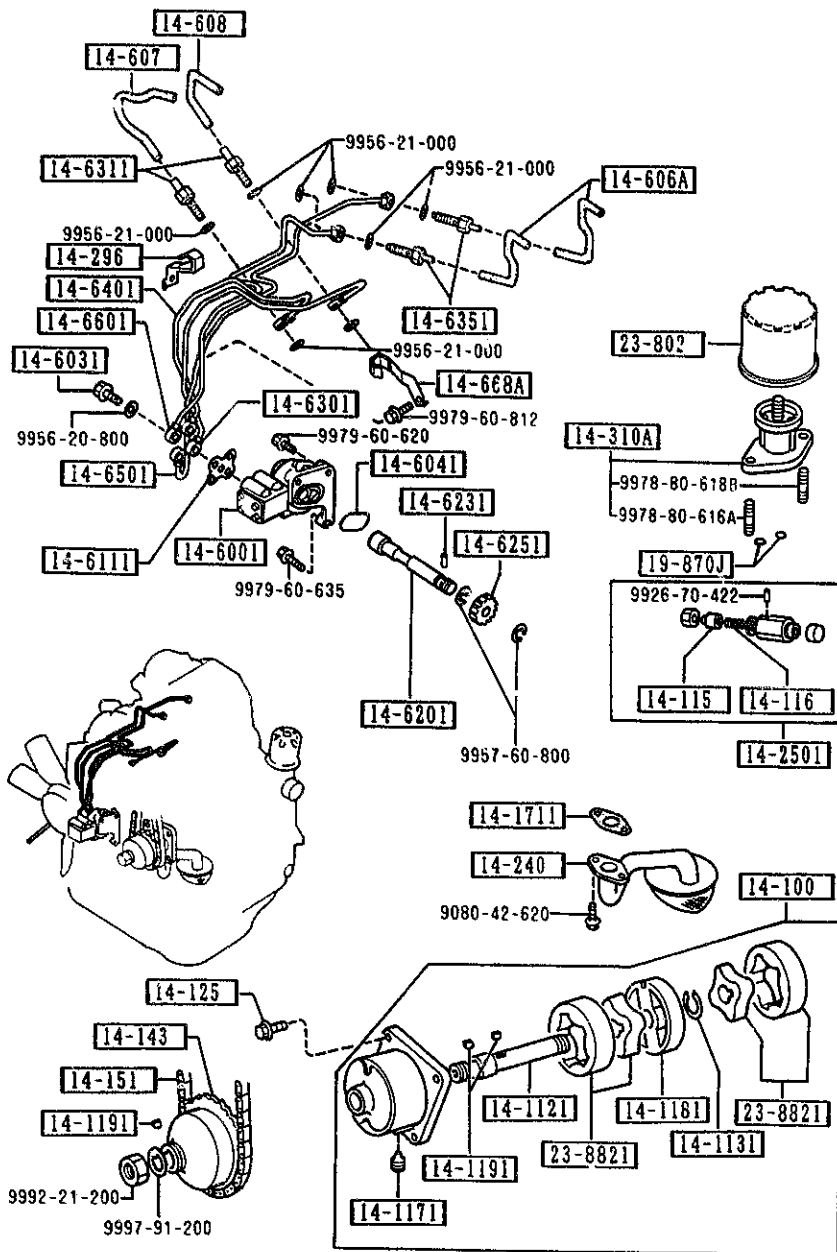
1400 OIL PUMP & FILTER
(W/O TURBO)

1400 -1 OIL PUMP & FILTER
(W/O TURBO)



PART NO.	QTY	MODEL/RESTRICTION	MODEL/RESTRICTION	MODEL/RESTRICTION	FROM TO
14-100		PUMP, OIL			
N326-14-100A	1				
14-1121		SHAFT, OIL PUMP			
N326-14-131	1				
14-1131		RING, SNAP			
0810-14-113	1				
14-115		PLUNGER, CONTROL			
0221-14-115	1				
14-116		SPRING, PRESSURE			
0221-14-116	1				
14-1171		BOLT, LOCK			
N326-14-117	1				
14-1181		PLATE, MIDDLE			
N326-14-135A	1				
14-1191		KEY			
0839-14-119B	3				
14-125		BOLT, SET			
8553-14-125	4				
14-143		WHEEL, SPROCKET			
N326-14-143	1				
14-151		CHAIN, OIL PUMP			
N326-14-151	1				
14-1711		GASKET, OIL STRAINER			
0810-14-171A	1	ASBESTOS ('91 MODEL)			
N386-14-248	1	NON ASBESTOS ('92 MODEL)			
14-240		STRAINER, OIL			
N326-14-240B	1				

1400 OIL PUMP & FILTER
(W/O TURBO)



1400 -2 OIL PUMP & FILTER
(W/O TURBO)

PART NO.	QTY	MODEL/RESTRICTION	MODEL/RESTRICTION	MODEL/RESTRICTION	FROM-TO
14-2501		REGULATOR,PRESSURE			
3648-14-250	1				
14-296		CLIP,OIL TUBE			
N350-14-667	1				
14-310A		BODY,OIL FILTER			
8341-14-310	1				
14-6001		PUMP,METERING OIL			
N350-14-600B	1				
14-6031		BOLT,CONNECTOR			
N236-14-603B	4				
14-6041		RING,'O'			
N350-14-604	1				
14-606A		TUBE NO.1,AIR			
N350-14-606	2				
14-607		TUBE NO.2,AIR			
N350-14-607	1				
14-608		TUBE NO.3,AIR			
N350-14-608	1				
14-6111		GASKET,METERING OIL NON ASBESTOS			
N350-14-602	1				
14-6201		SHAFT,DRIVEN GEAR			
N350-14-620	1				
14-6231		PIN,DRIVEN GEAR			
0813-14-623	1				
14-6251		GEAR,DRIVEN			
0820-14-625A	1				
14-6301		TUBE,METERING OIL			

AUFA03

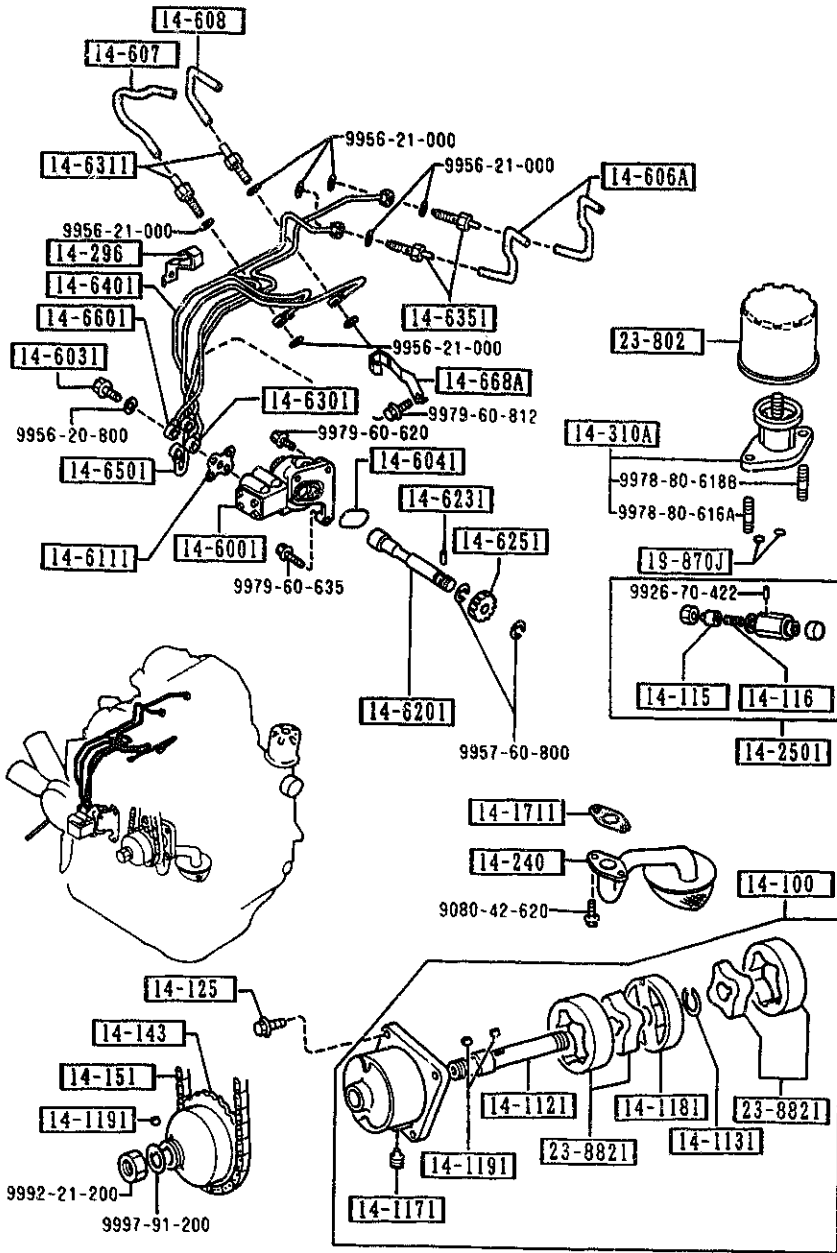
CAT. AUFA03-07

1993-12

1-D 7

1400 OIL PUMP & FILTER
(W/O TURBO)

1400 -3 * OIL PUMP & FILTER
(W/O TURBO)



PART NO.	QTY	MODEL/RESTRICTION	MODEL/RESTRICTION	MODEL/RESTRICTION	FROM-TO
CONT'D					
N350-14-660B	1				
14-6311		BOLT,CONNECTOR			
N318-14-631	2				
14-6351		BOLT,CONNECTOR			
N318-14-635	2				
14-6401		TUBE,METERING OIL			
N350-14-670B	1				
14-6501		TUBE,METERING OIL			
N350-14-680A	1				
14-6601		TUBE,METERING OIL			
N350-14-690A	1				
14-668A		CLIP,M.OIL TUBE			
N350-14-668A	1				
19-870J		RING,'O'			
99541-01601	2				
23-802		CARTRIDGE,OIL FILTER			
B6Y1-14-302	1	TOKYO ROKI			
23-8821		ROTOR SET,OIL PUMP			
N326-14-140	2				

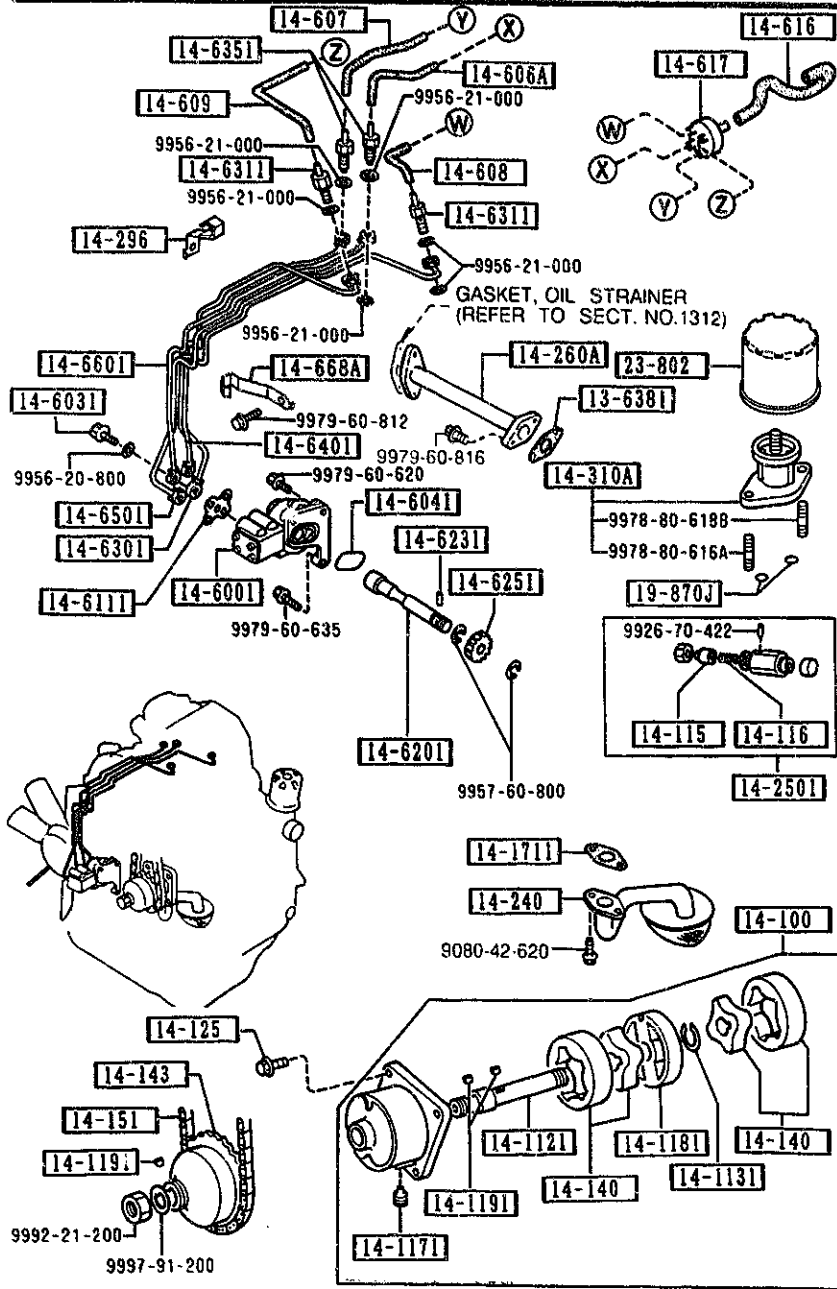
AUFA03

CAT. AUFA03-07

1993-12

1400 A OIL PUMP & FILTER
(TURBO)

1400 A-1 OIL PUMP & FILTER
(TURBO)



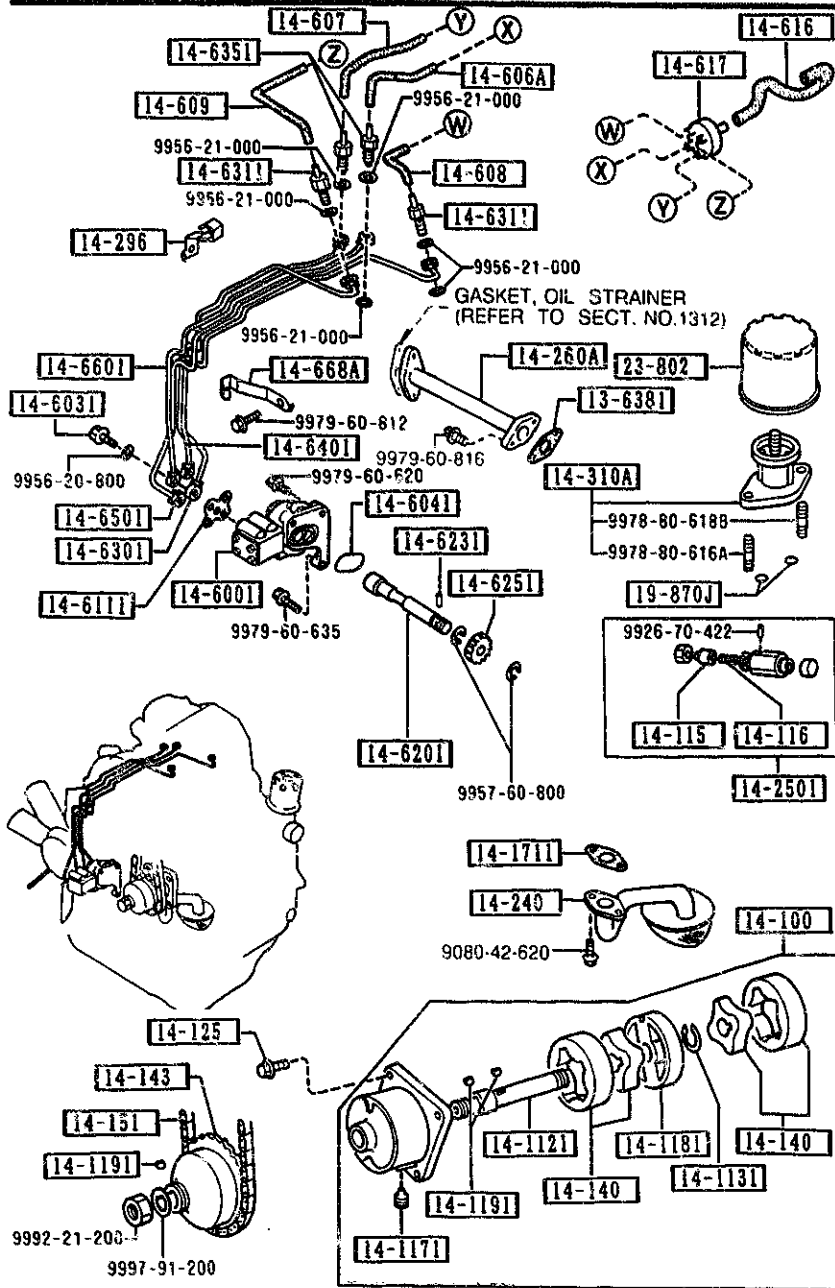
PART NO.	QTY	MODEL/RESTRICTION	MODEL/RESTRICTION	MODEL/RESTRICTION	FROM-TO
13-6381 N236-13-638	1	GASKET, OIL PIPE ASBESTOS			
14-100 N318-14-100A	1	PUMP, OIL			
14-1121 N326-14-131	1	SHAFT, OIL PUMP			
14-1131 0810-14-113	1	RING, SNAP			
14-115 0221-14-115	1	PLUNGER, CONTROL			
14-116 0221-14-116	1	SPRING, PRESSURE			
14-1171 N326-14-117	1	BOLT, LOCK			
14-1181 N318-14-135A	1	PLATE, MIDDLE			
14-1191 0839-14-1198	3	KEY			
14-125 8953-14-125	4	BOLT, SET			
14-140 N318-14-140	2	ROTOR			
14-143 N326-14-143	1	WHEEL, SPROCKET			
14-151 N326-14-151	1	CHAIN, OIL PUMP			
14-1711		GASKET, OIL STRAINER			

AUFA03

CAT. AUFA03-07

1993-12

1400 A OIL PUMP & FILTER
(TURBO)

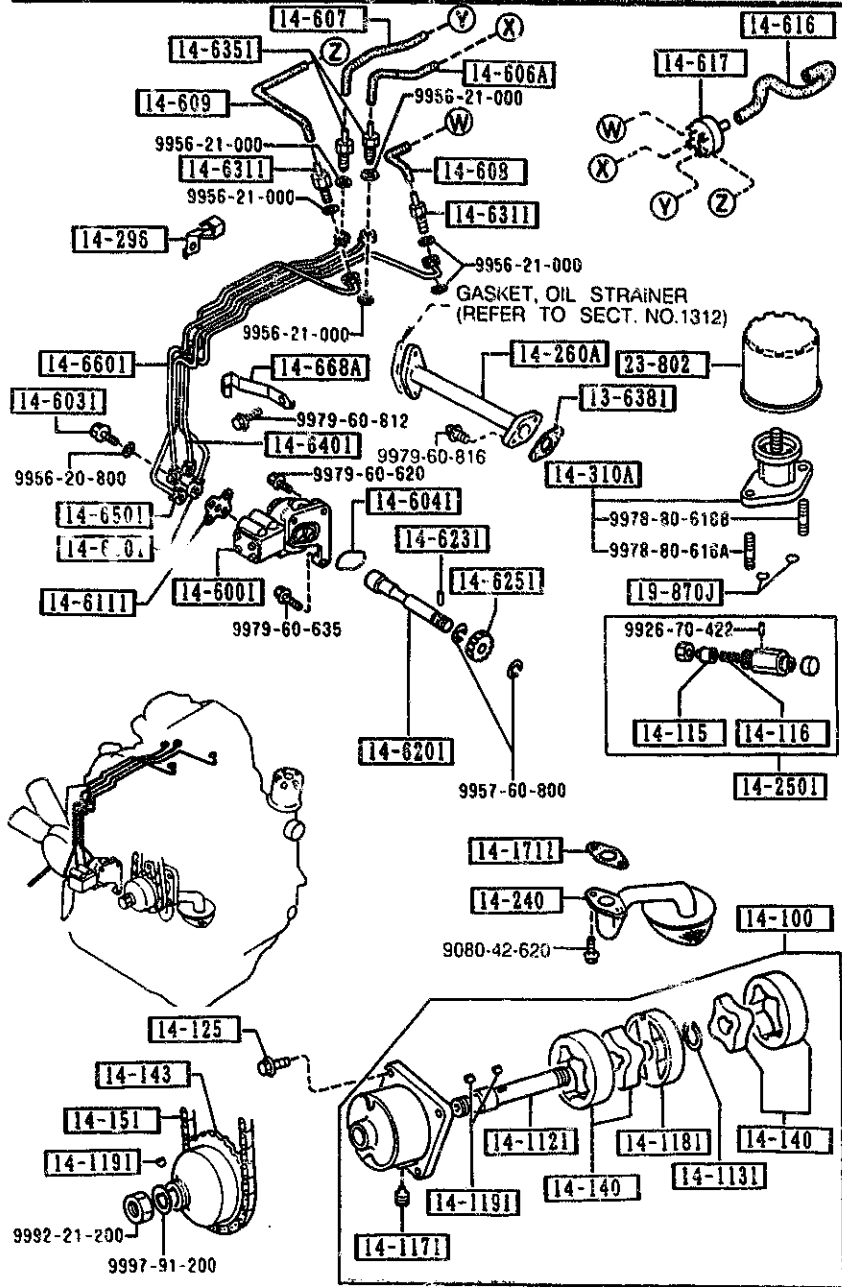


1400 A-2 OIL PUMP & FILTER
(TURBO)

PART NO.	QTY	MODEL/RESTRICTION	MODEL/RESTRICTION	MODEL/RESTRICTION	FROM-TO
CONT'D					
0810-14-171A	1	ASBESTOS			
14-240		STRAINER,OIL			
N326-14-240B	1				
14-250I		REGULATOR,PRESSURE			
3648-14-250	1				
14-260A		PIPE,OIL OUYLET-F.CO			
N370-14-260B	1	VER			
14-296		CLIP,OIL TUBE			
N370-14-667	1				
14-310A		BODY,OIL FILTER			
8341-14-310	1				
14-600I		PUMP,METERING OIL			
N350-14-600B	1				
14-603I		BOLT,CONNECTOR			
N236-14-603B	4				
14-604I		RING,'O'			
N350-14-604	1				
14-606A		TUBE NO.1,AIR			
N370-14-606	1				
14-607		TUBE NO.2,AIR			
N370-14-607	1				
14-608		TUBE NO.3,AIR			
N370-14-608	1				
14-609		TUBE NO.4,AIR			
N370-14-609	1				
14-611I		GASKET,METERING OIL			
N350-14-602	1	NON ASBESTOS			

1400 A OIL PUMP & FILTER
(TURBO)

1400 A-3 OIL PUMP & FILTER
(TURBO)



PART NO.	QTY	MODEL/RESTRICTION	MODEL/RESTRICTION	MODEL/RESTRICTION	FROM-TO
14-616		TUBE,AIR INLET			
N318-14-616A	1				
14-617		CONNECTOR,AIR TUBE			
N326-14-617	1				
14-6201		SHAFT,DRIVEN GEAR			
N350-14-620	1				
14-6231		PIN,DRIVEN GEAR			
0813-14-623	1				
14-6251		GEAR,DRIVEN			
0820-14-625A	1				
14-6301		TUBE,METERING OIL			
N370-14-660A	1				
14-6311		BOLT,CONNECTOR			
N318-14-631	2				
14-6351		BOLT,CONNECTOR			
N318-14-635	2				
14-6401		TUBE,METERING OIL			
N370-14-670A	1				
14-6501		TUBE,METERING OIL			
N370-14-680A	1				
14-6601		TUBE,METERING OIL			
N370-14-690A	1				
14-668A		CLIP,M.OIL TUBE			
N370-14-668A	1				
19-870J		RING,'O'			
99541-01601	2				
23-802		CARTRIDGE,OIL FILTER			
86Y1-14-302		TOKYO ROKI			

AUFA03

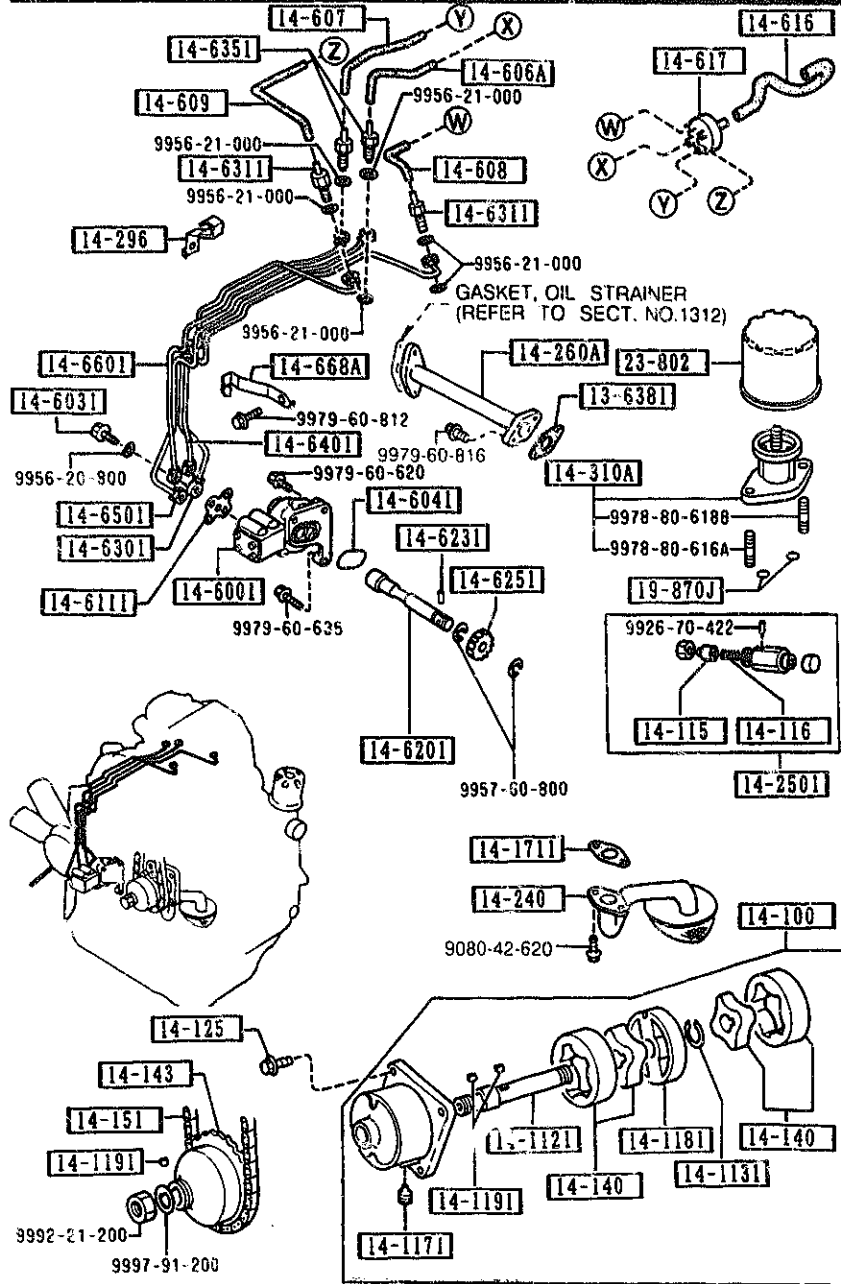
CAT. AUFA03-07

1993-12

1-H 7

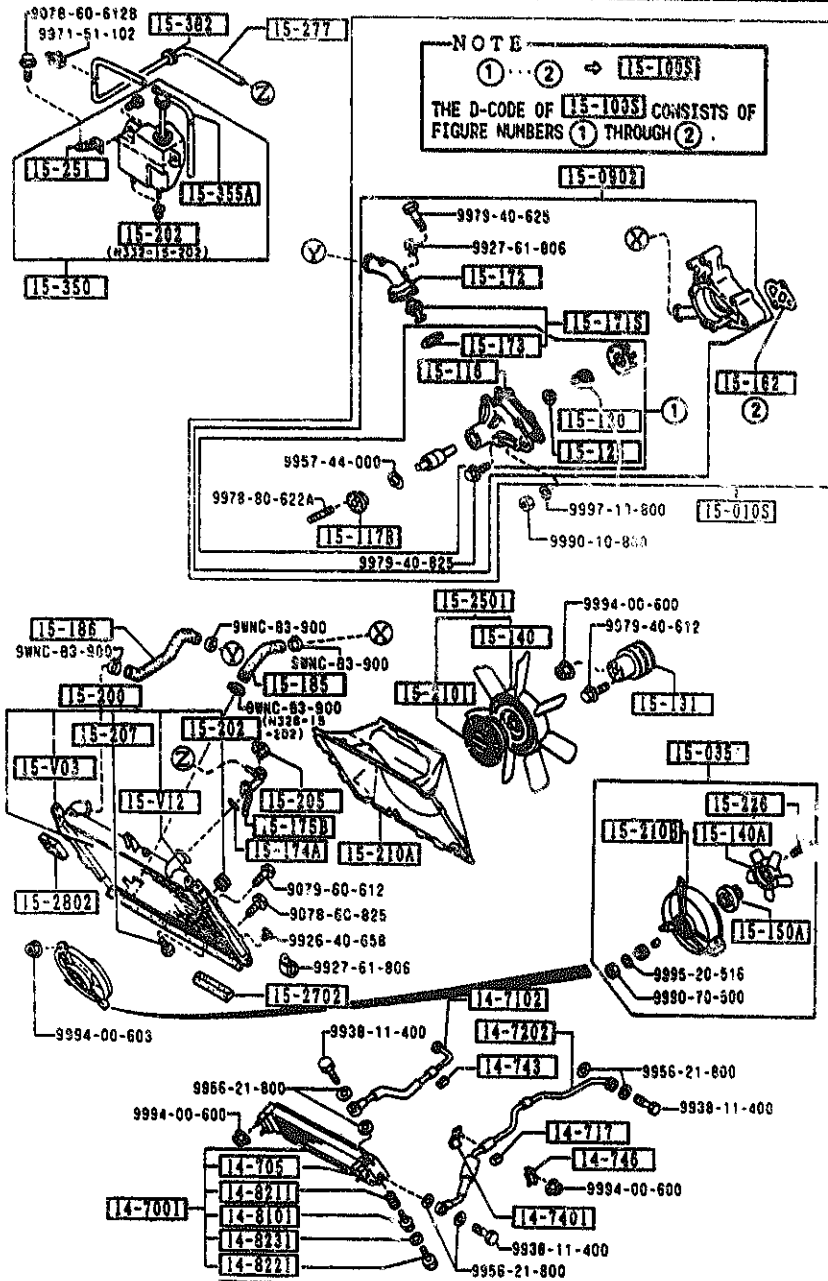
1400 A OIL PUMP & FILTER
(TURBO)

1400 A-4 H OIL PUMP & FILTER
(TURBO)



PART NO.	QTY	MODEL/RESTRICTION	MODEL/RESTRICTION	MODEL/RESTRICTION	FROM-TO
CONT'D	1				

1500 COOLING SYSTEM



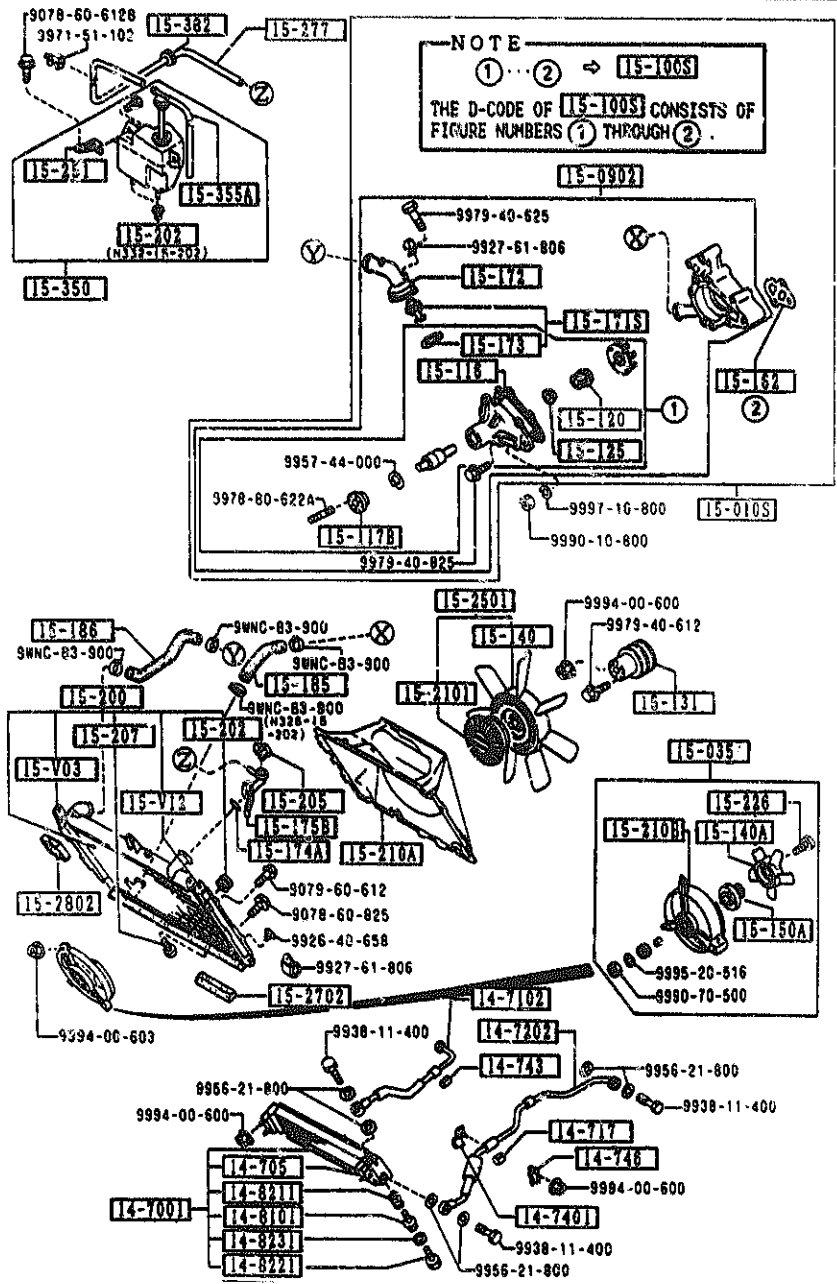
PART NO.	QTY	MODEL/RESTRICTION	MODEL/RESTRICTION	MODEL/RESTRICTION	FROM 10
14-7001		COOLER, OIL			
N326-14-700A	1				
14-705		RUBBER, INSULATION			
N326-14-705	2				
14-7102		HOSE, OIL			
N326-14-710B	1				
14-717		CLIP, OIL HOSE			
N326-14-717B	1				
14-7202		HOSE, OIL			
N326-14-720B	1				
14-7401		BRACKET, OIL HOSE			
N326-14-760C	1				
14-743		PROTECTOR			
N326-14-736	1				
14-746		PROTECTOR			
N326-14-737	1				
14-8101		PELLET, THERMO			
8871-14-810	1				
14-8211		SPRING, PELLET			
1757-14-821	1				
14-8221		NUT, STOPPER			
1757-14-822	1				
14-8231		GASKET			
1757-14-823	1				
15-V03		BRACKET(R), RADIATOR			
N350-15-V03	1				
15-V12		BRACKET(L), RADIATOR			
N350-15-V12	1				

AUFA03

CAT. AUFA03-07

1993-12

1500 COOLING SYSTEM



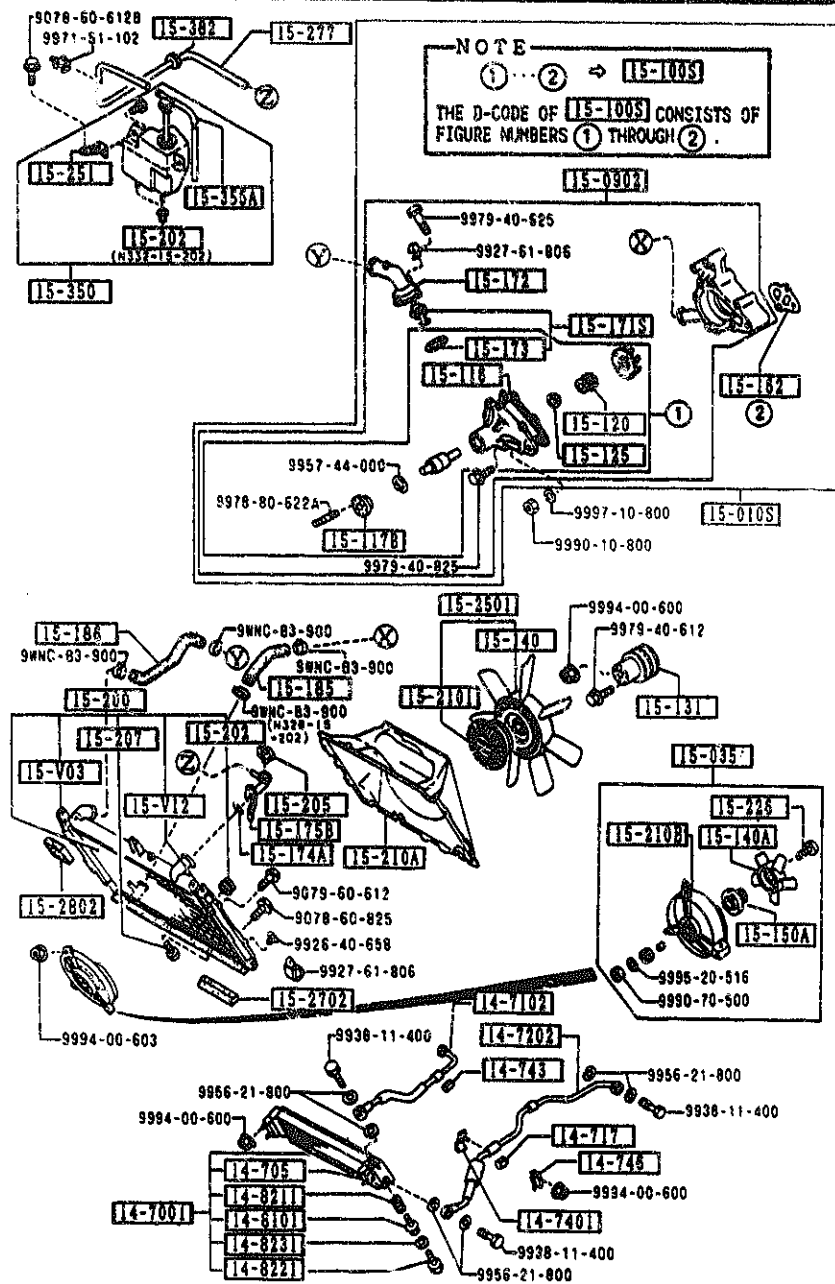
NOTE
 ①...② → 15-100S
 THE D-CODE OF 15-100S CONSISTS OF FIGURE NUMBERS ① THROUGH ②.

PART NO.	QTY	MODEL/RESTRICTION	MODEL/RESTRICTION	MODEL/RESTRICTION	FROM TO
15-010S		PUMP SET, WATER			
8AFB-15-010A	1	((W/O TURBO)>(MT)>('91 MODEL))			
8AFC-15-010A	1	((W/O TURBO)>(AT)>('91 MODEL))			
8AFD-15-010	1	(TURBO)			
8AFE-15-010	1	((W/O TURBO)>(MT)>('92 MODEL))			
8AFF-15-010	1	((W/O TURBO)>(AT)>('92 MODEL))			
15-035		FAN, ADDITIONAL			
N350-15-035A	1	((W/O TURBO)>(AT)) (TURBO)			
15-0902		BODY, WATER PUMP			
N350-15-090A	1	((W/O TURBO)>(MT))			
N351-15-090A	1	((W/O TURBO)>(AT))			
N370-15-090	1	(TURBO)			
15-100S		BODY SET, WATER PUMP			
8AF3-15-100	1				
15-116		GASKET, WATER PUMP			
N350-15-116	1	ASBESTOS ('91 MODEL)			
N386-15-116	1	NON ASBESTOS ('92 MODEL)			
15-117B		HUB, W. PUMP PULLEY			
N350-15-117	1				
15-120		SEAL, WATER-PUMP			
8630-15-120	1				
15-125		PLATE, WATER BAFFLE			
N304-15-125	1	(AT)			
15-131		PULLEY, WATER PUMP			
N350-15-131	1				
15-140		FAN, COOLING			

1-K-7

1500 COOLING SYSTEM

1500 -3 COOLING SYSTEM



PART NO.	QTY	MODEL/RESTRICTION	MODEL/RESTRICTION	MODEL/RESTRICTION	FROM-TO
CONT'D					
N350-15-141	1				
15-140A		FAN, COOLING			
N326-15-142	1	((W/O TURBO)) (AT)			
		(TURBO)			
15-150A		MOTOR, COOLING FAN			
N326-15-151	1	((W/O TURBO)) (AT)			
		(TURBO)			
15-162		GASKET			
N326-15-162A	1	ASBESTOS			
		('91 MODEL)			
N386-15-162	1	NON ASBESTOS			
		('92 MODEL)			
15-171S		THERMOSTAT SET			
8AF3-15-171	1				
15-172		COVER, THERMOSTAT			
N350-15-172	1				
15-173		GASKET, THERMOSTAT CO			
		VER			
N350-15-173	1	NON ASBESTOS			
15-174A		RING			
N350-15-174A	1				
15-175B		BODY, FILLER CAP			
N350-15-175	1				
15-185		HOSE, WATER			
N350-15-185	1				
15-186		HOSE, WATER			
N350-15-186	1				
15-200		RADIATOR			
N350-15-200	1	(MT)			
N351-15-200A	1	(AT)			

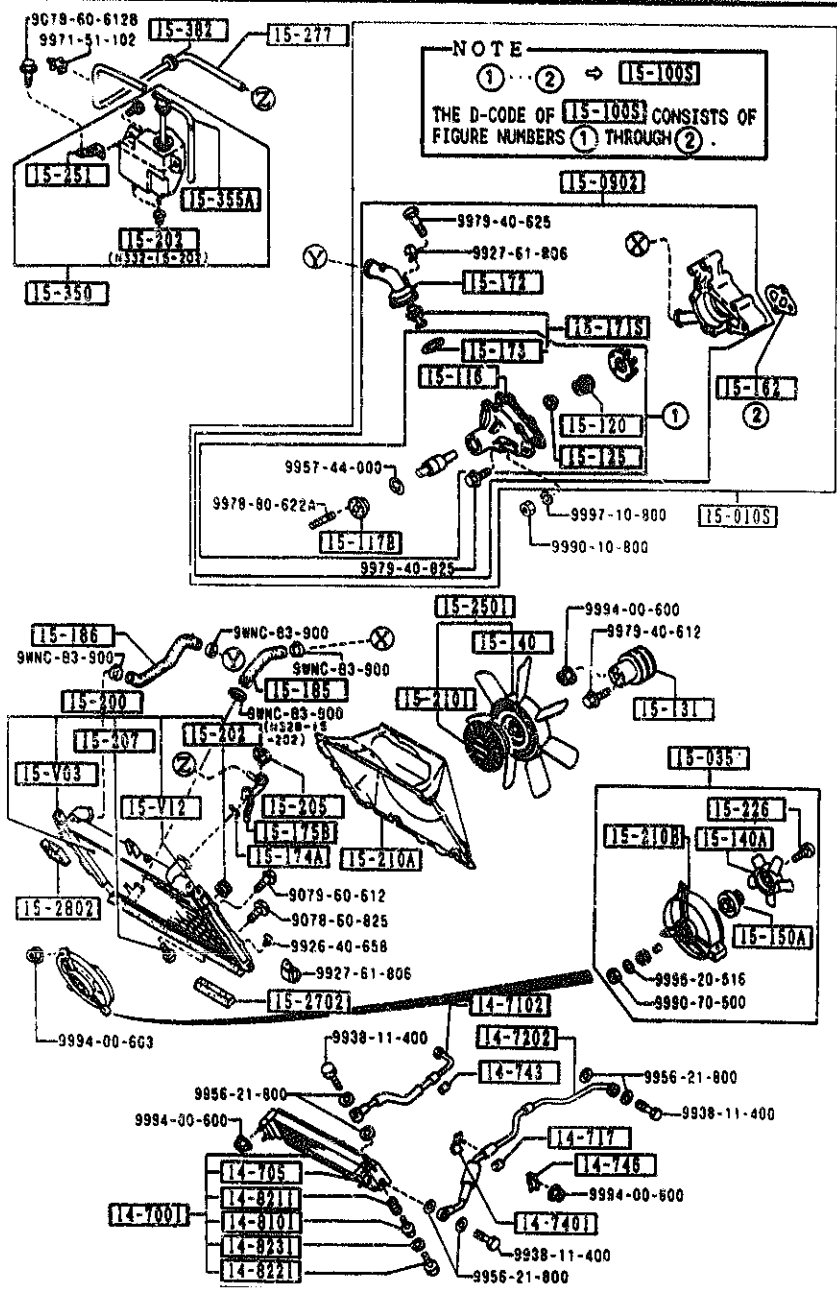
AUFA03

CAT. AUFA03-07

1993-12

1-L 7

1500 COOLING SYSTEM



NOTE
 ①...② → 15-100S
 THE D-CODE OF 15-100S CONSISTS OF FIGURE NUMBERS ① THROUGH ②.

PART NO.	QTY	MODEL/RESTRICTION	MODEL/RESTRICTION	MODEL/RESTRICTION	FROM TO
15-202		RUBBER, MOUNT			
N326-15-202	4				
N332-15-202	2				
15-205		CAP, RADIATOR			
N350-15-205	1				
15-207		COCK, DRAIN			
N326-15-203	1				
15-210A		COWLING, RADIATOR			
N350-15-211	1				
15-210B		COWLING, FAN			
N350-15-15XA	1	((W/O TURBO)>(AT)) (TURBO)			
15-2101		FAN DRIVE			
N350-15-150	1				
15-226		BOLT			
N326-15-153	3	((W/O TURBO)>(AT)) (TURBO)			
15-2501		FAN & FAN DRIVE			
N350-15-140	1				
15-251		BRACKET, SUB TANK			
N332-15-370B	2				
15-2702		SEAL(L), RADIATOR			
N326-15-441	1				
15-277		HOSE, WATER SUB TANK			
N350-15-381	1				
15-2802		SEAL(R), RADIATOR			
N326-15-421	1				
15-350		TANK, SUB-RADIATOR			
N332-15-350B	1				

AUFA03

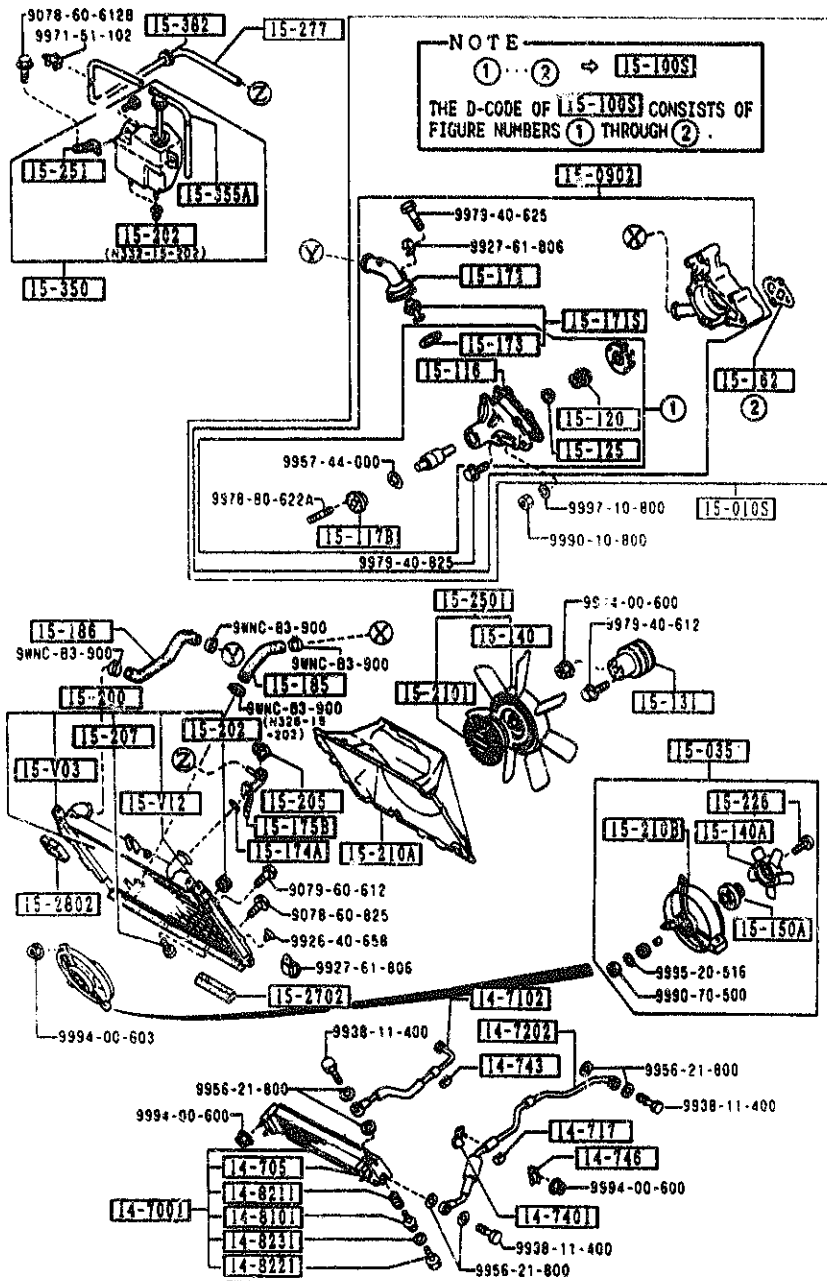
CAT. AUFA03-07

1993-12

1-M 7

1500 -5 M COOLING SYSTEM

1500 COOLING SYSTEM



NOTE
 ①...② ⇔ 15-1009
 THE D-CODE OF 15-1009 CONSISTS OF
 FIGURE NUMBERS ① THROUGH ②.

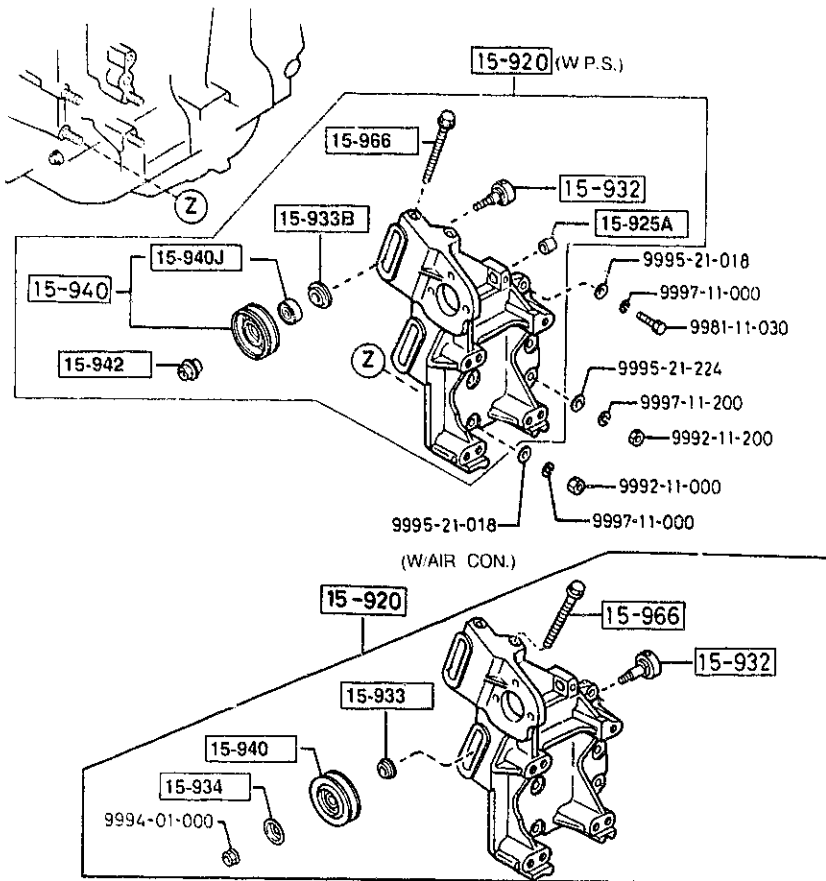
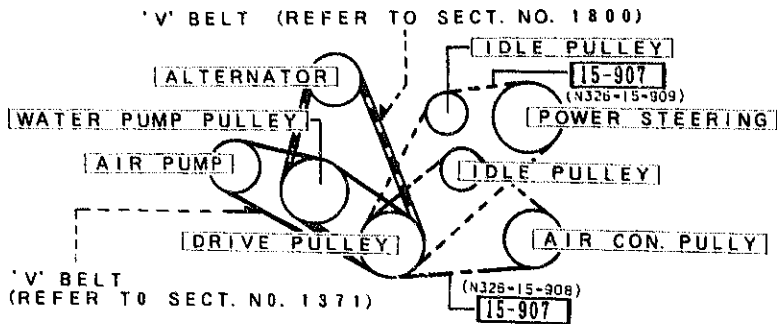
PART NO.	QTY	MODEL/RESTRICTION	MODEL/RESTRICTION	MODEL/RESTRICTION	FROM TO
15-355A		CAP, SUB TANK			
N332-15-355	1				
15-382		PROTECTOR, HOSE-SUB TANK			
N332-15-382	1				

AUFA03

CAT. AUFA03-07

1993-12

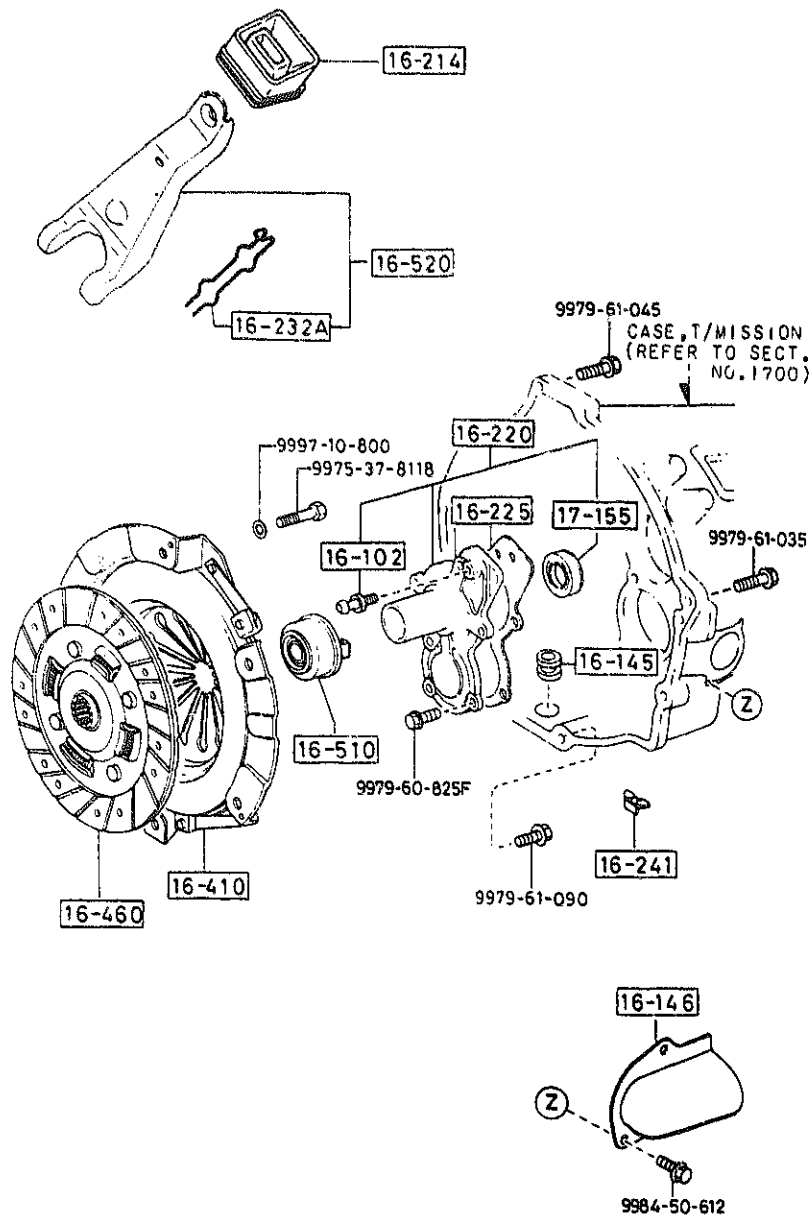
1-N/7



PART NO.	QTY	MODEL/RESTRICTION	MODEL/RESTRICTION	MODEL/RESTRICTION	FROM-TO
15-907		BELT 'V'			
N326-15-908	1	L=965MM V BELT (W/AIR CON.)			
N326-15-909	1	L=1055MM V BELT (W/ P.S.)			
15-920		BRACKET,COMPRESSOR			
N326-15-9108	1	(W/AIR CON.+W/ P.S.)			
N327-15-9108	1	(W/O AIR CON.+W/ P.S.)			
15-925A		BUSH			
N326-15-812	1	(W/ P.S.)			
15-932		SHAFT,PULLEY			
N249-15-932A	1	(W/ P.S.)			
N326-15-932	1	(W/AIR CON.)			
15-933		COLLAR,COMP.BRKT			
N326-15-933	1	(W/AIR CON.)			
15-933B		SPACER			
N249-15-933	1	(W/ P.S.)			
15-934		COVER,DUST			
N326-15-934	1	(W/AIR CON.)			
15-940		PULLEY, IDLE			
N249-15-940	1	(W/ P.S.)			
R230-15-940	1	(W/AIR CON.)			
15-940J		BEARING			
99606-22030	1	(W/ P.S.)			
15-942		COLLAR,COMP.BRKT-PULLEY			
N249-15-942	1	(W/ P.S.)			
15-966		BOLT,ADJUST			
N326-15-966	1	(W/AIR CON.)			
N328-15-966	1	(W/ P.S.)			

1600 CLUTCH DISC & COVER (MANUAL)
(W/O TURBO)

1600 -1 * CLUTCH DISC & COVER (MANUAL)
(W/O TURBO)



PART NO.	QTY	MODEL/RESTRICTION	MODEL/RESTRICTION	MODEL/RESTRICTION	FROM TO
16-102		PIN, PIVOT-CLUTCH REL. FORK			
0603-16-102B	1				
16-145		RUBBER, SEAL			
N204-16-145	1				
16-146		COVER, VENT.			
N302-16-150B	1				
16-214		COVER, DUST-CLUTCH FORK			
3975-16-214A	1				
16-220		COVER, FRONT CLUTCH			
N309-16-220	1				
16-225		GASKET, FRONT COVER			
8540-16-225	1				
16-232A		SUPPORTER, FORK			
1416-16-232A	1				
16-241		PLUG, BLIND			
8540-16-241A	1				
16-410		COVER, CLUTCH			
N309-16-410B	1				
16-460		DISC, CLUTCH NON ASBESTOS			
N309-16-460B	1				
16-510		COLLAR, CLUTCH REL.			
N309-16-510	1				
16-520		FORK, CLUTCH RELEASE			
N302-16-520	1				
17-155		SEAL, OIL			
H501-17-103	1				

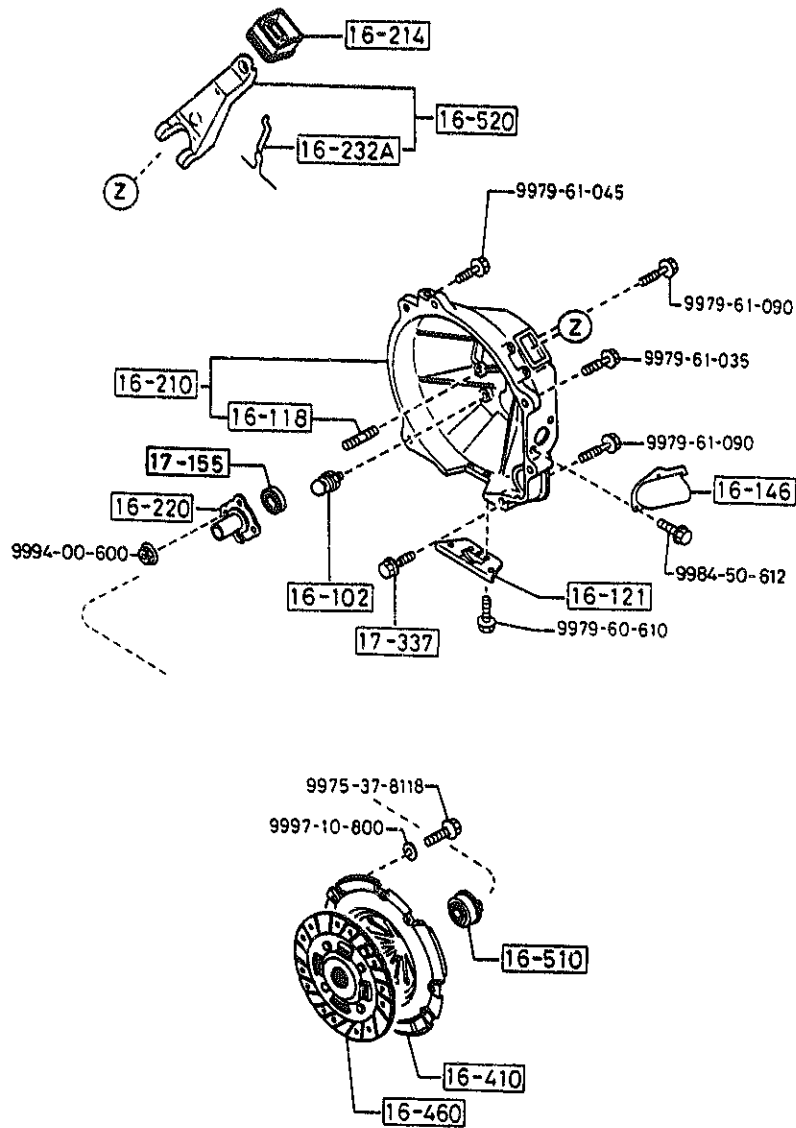
AUFA03

CAT. AUFA03-07

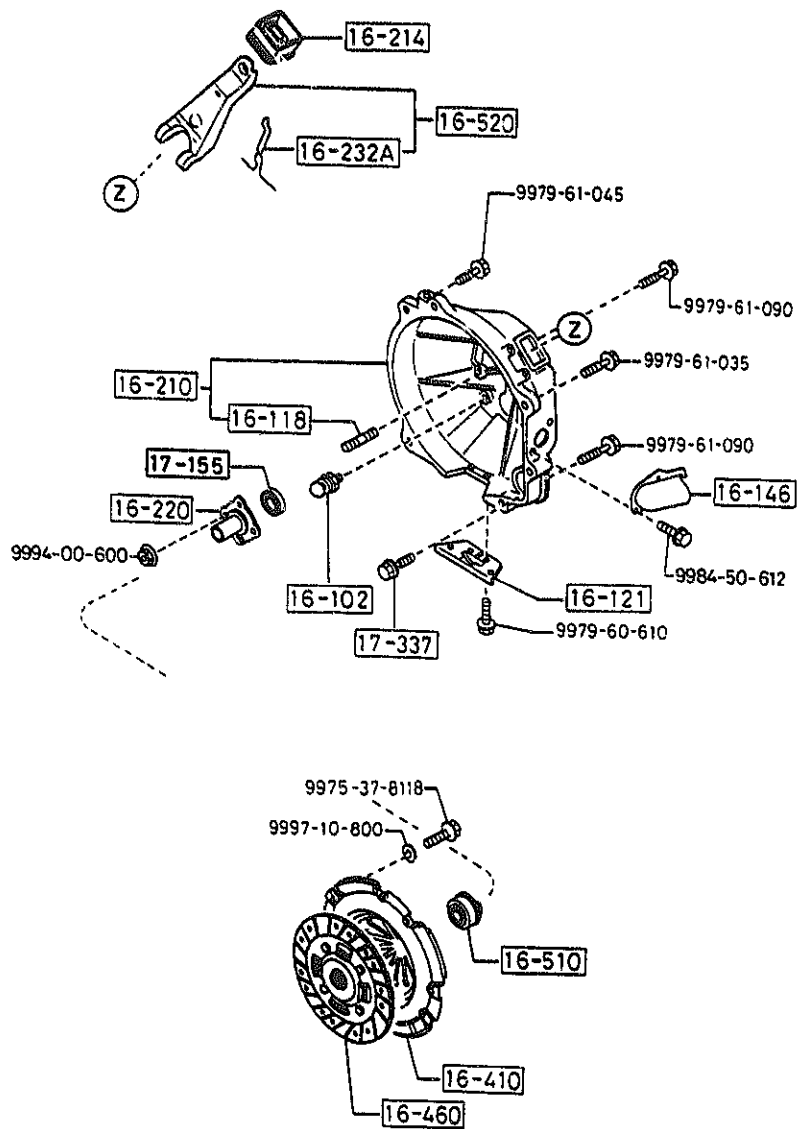
1993-12

1600 A CLUTCH DISC & COVER (MANUAL)
(TURBO)

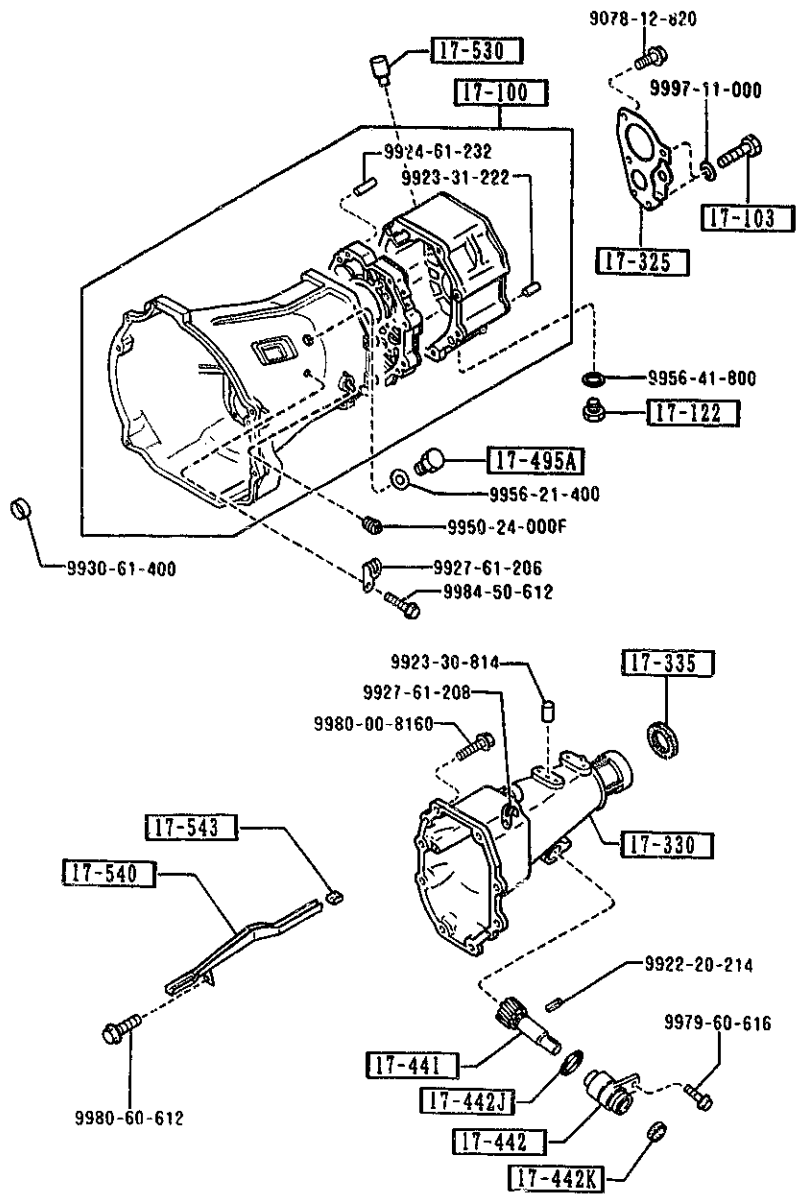
1600 A-1 CLUTCH DISC & COVER (MANUAL)
(TURBO)



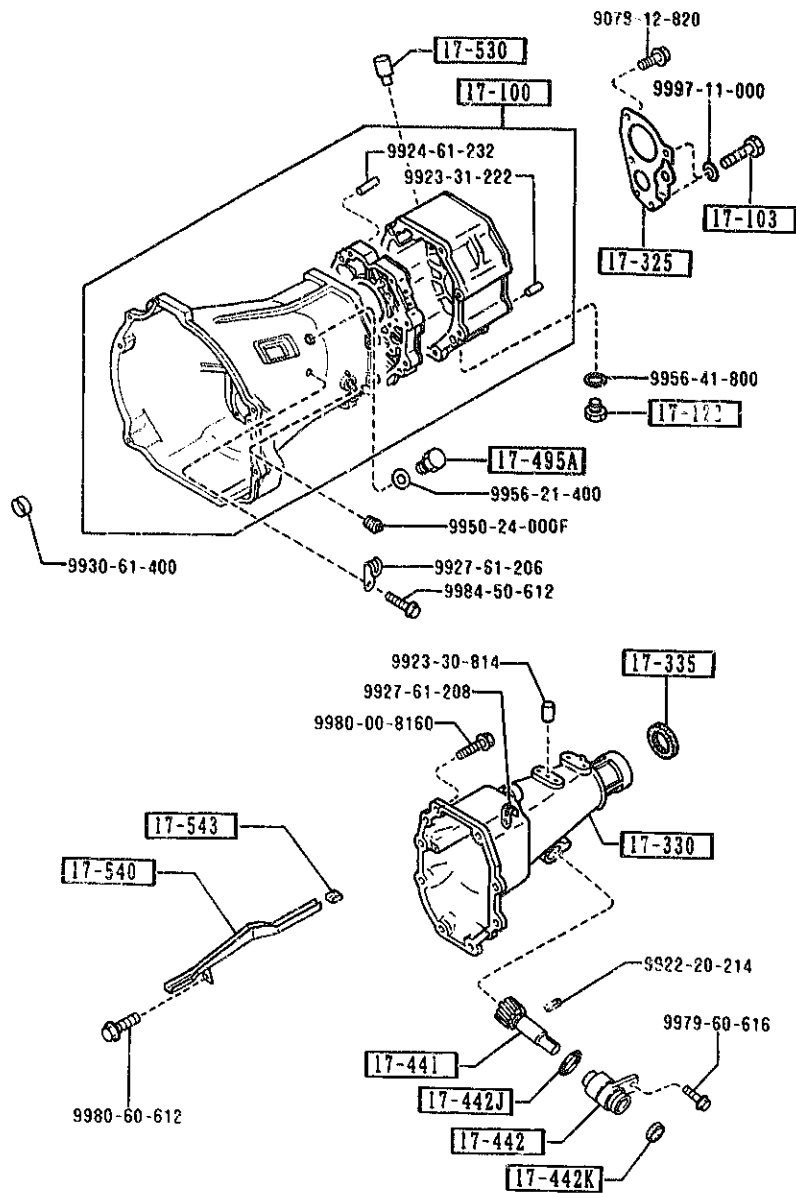
PART NO.	QTY	MODEL/RESTRICTION	MODEL/RESTRICTION	MODEL/RESTRICTION	FROM-TO
16-102 N310-16-102	1	PIN, PIVOT-CLUTCH REL. FORK			
16-118 N302-16-118A	4	STUD, CLUTCH HOUSING			
16-121 N302-16-140	1	COVER, UNDER CLUTCH HOUSING			
16-146 N302-16-150B	1	COVER, VENT.			
16-210 N310-16-210	1	HOUSING, CLUTCH			
16-214 N302-16-214	1	COVER, DUST-CLUTCH FORK			
16-220 JF07-16-221	1	COVER, FRONT CLUTCH			
16-232A F214-16-232	1	SUPPORTER, FORK			
16-410 N310-16-410B	1	COVER, CLUTCH			
16-460 N310-16-460B	1	DISC, CLUTCH NON ASBESTOS			
16-510 N309-16-510	1	COLLAR, CLUTCH REL.			
16-520 N310-16-520	1	FORK, CLUTCH RELEASE			
17-155 H501-17-103	1	SEAL, OIL			
17-337		BOLT			



PART NO.	QTY	MODEL/RESTRICTION	MODEL/RESTRICTION	MODEL/RESTRICTION	FROM-TO
CONT'D R401-17-337A	10				



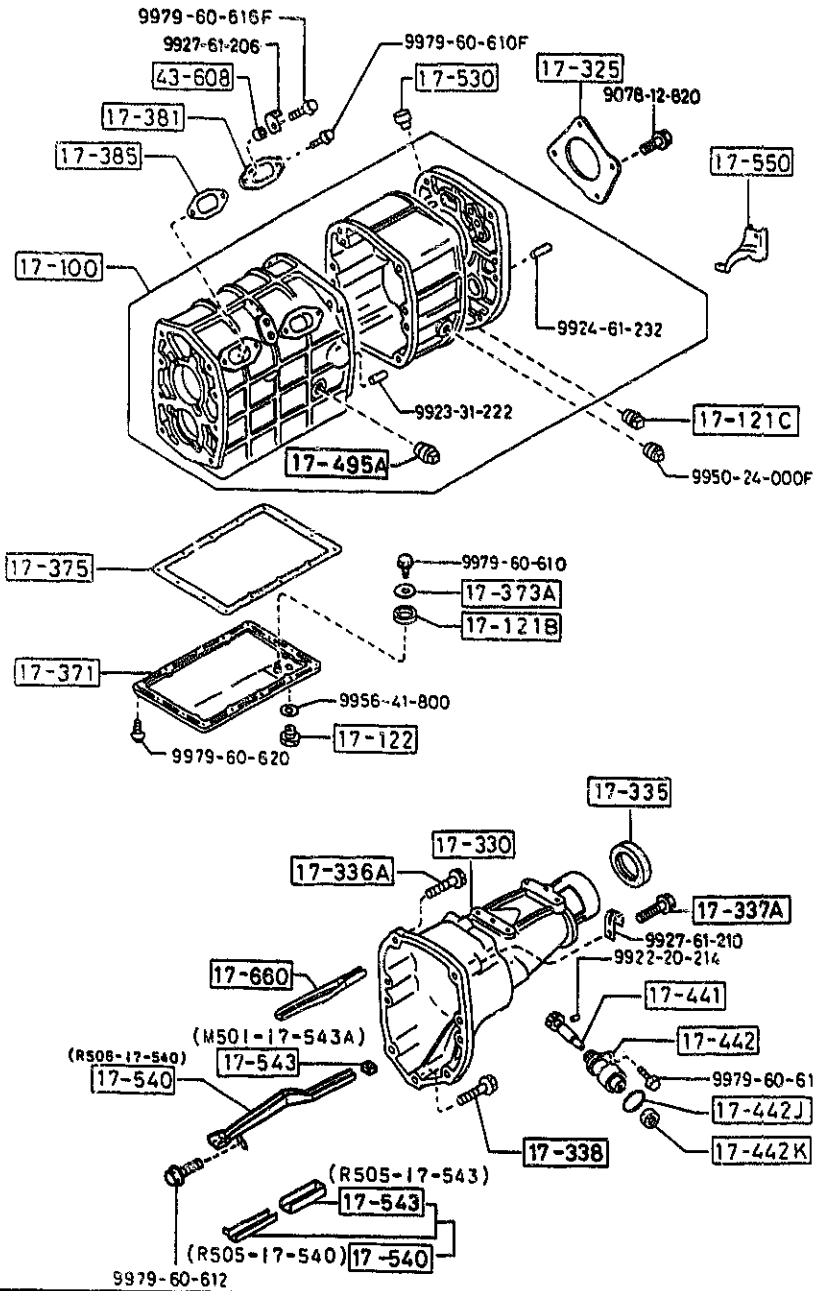
PART NO.	QTY	MODEL/RESTRICTION	MODEL/RESTRICTION	MODEL/RESTRICTION	FROM-TO
17-100		CASE, T/MISSION			
M525-17-100	1				
17-103		BOLT			
M501-17-103	2				
17-122		PLUG, MAGNET			
0810-17-121	1				
17-325		COVER, BEARING			
M501-17-370A	1				
17-330		HOUSING, EXTENSION			
M520-17-330A	1				
17-335		SEAL, OIL			
M507-17-335	1				
17-441		GEAR, DRIVEN			
1669-17-441A	1	N=20			
17-442		SLEEVE, SPEEDOMETER			
1669-17-442B	1				
17-442J		RING, 'O'			
1011-17-443	1				
17-442K		SEAL, OIL			
99586-08166	1				
17-495A		PLUG			
G402-17-495	1				
17-530		BREATHER, AIR-T/MISSION			
0884-17-530	1				
17-540		PASS, OIL			
M510-17-540	1				



PART NO.	QTY	MODEL/RESTRICTION	MODEL/RESTRICTION	MODEL/RESTRICTION	FROM-TO
17-543	1	RUBBER, SEAL			
M501-17-543A					

1700 A TRANSMISSION CASE (MANUAL)
(TURBO)

1700 A-1 TRANSMISSION CASE (MANUAL)
(TURBO)



PART NO.	QTY	MODEL/RESTRICTION	MODEL/RESTRICTION	MODEL/RESTRICTION	FROM-TO
17-100		CASE, T/MISSION			
R505-17-200B	1				-0CD1
R506-17-200A	1				0C01-
17-121B		MAGNET			
B501-17-121	1				
17-121C		PLUG, MAGNET			
0107-17-121	1				
17-122		PLUG, MAGNET			
0810-17-121	1				
17-325		COVER, BEARING			
0884-17-325B	1				
17-330		HOUSING, EXTENSION			
R523-17-330A	1				
17-335		SEAL, OIL			
M502-17-335A	1				
17-336A		BOLT			
R505-17-337	5				
17-337A		BOLT			
R504-17-337	1				
17-338		BOLT			
R502-17-338	1				
17-371		COVER, UNDER			
R501-17-371A	1				
17-373A		PLATE, DRAIN PLUG-UNDER C.			
R501-17-373	1				
17-375		GASKET, UNDER COVER			
R501-17-375	1	NON ASBESTOS			
0C01 FC3***-904305					

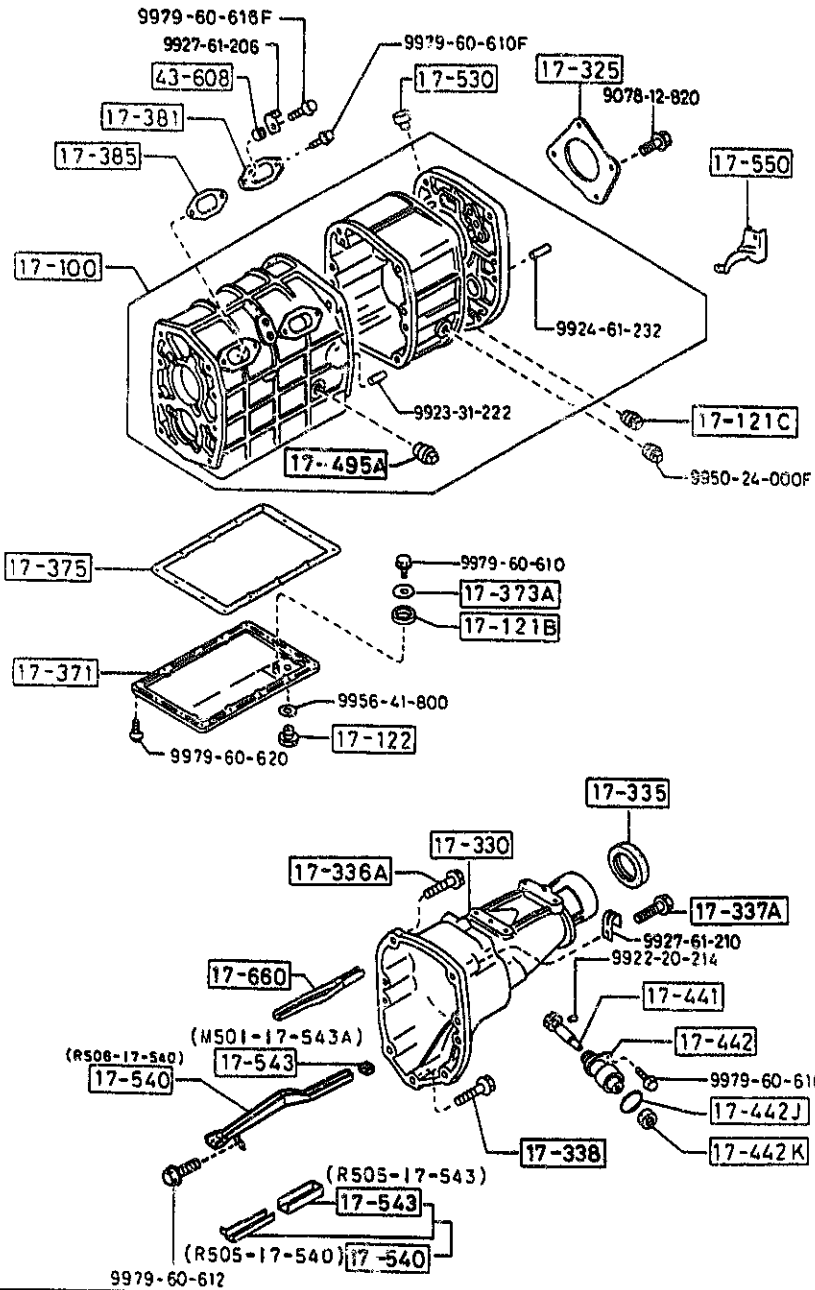
AUFA03

CAT. AUFA03-07

1993-12

1700 A TRANSMISSION CASE (MANUAL)
(TURBO)

1700 A-2 TRANSMISSION CASE (MANUAL)
(TURBO)



PART NO.	QTY	MODEL/RESTRICTION	MODEL/RESTRICTION	MODEL/RESTRICTION	FROM-TO
17-381		COVER, BLIND			
0810-17-381A	2				
17-385		GASKET, BLIND COVER			
R501-17-385A	2	NON ASBESTOS			
17-441		GEAR, DRIVEN			
1669-17-441A	1	N=20			
17-442		SLEEVE, SPEEDOMETER			
1669-17-442B	1				
17-442J		RING, 'O'			
1011-17-443	1				
17-442K		SEAL, OIL			
99586-08166	1				
17-495A		PLUG			
R502-17-495	1				
17-530		BREATHER, AIR-T/MISSI ON			
0884-17-530	1				
17-540		PASS, OIL			
R505-17-540	1				
R506-17-540	1				
17-543		RUBBER, SEAL			
M501-17-543A	1				
R505-17-543	1				
17-550		GUIDE, OIL			
1281-17-550	1				
17-660		PASS, OIL			
0862-17-660C	1				
43-608		SPACER			

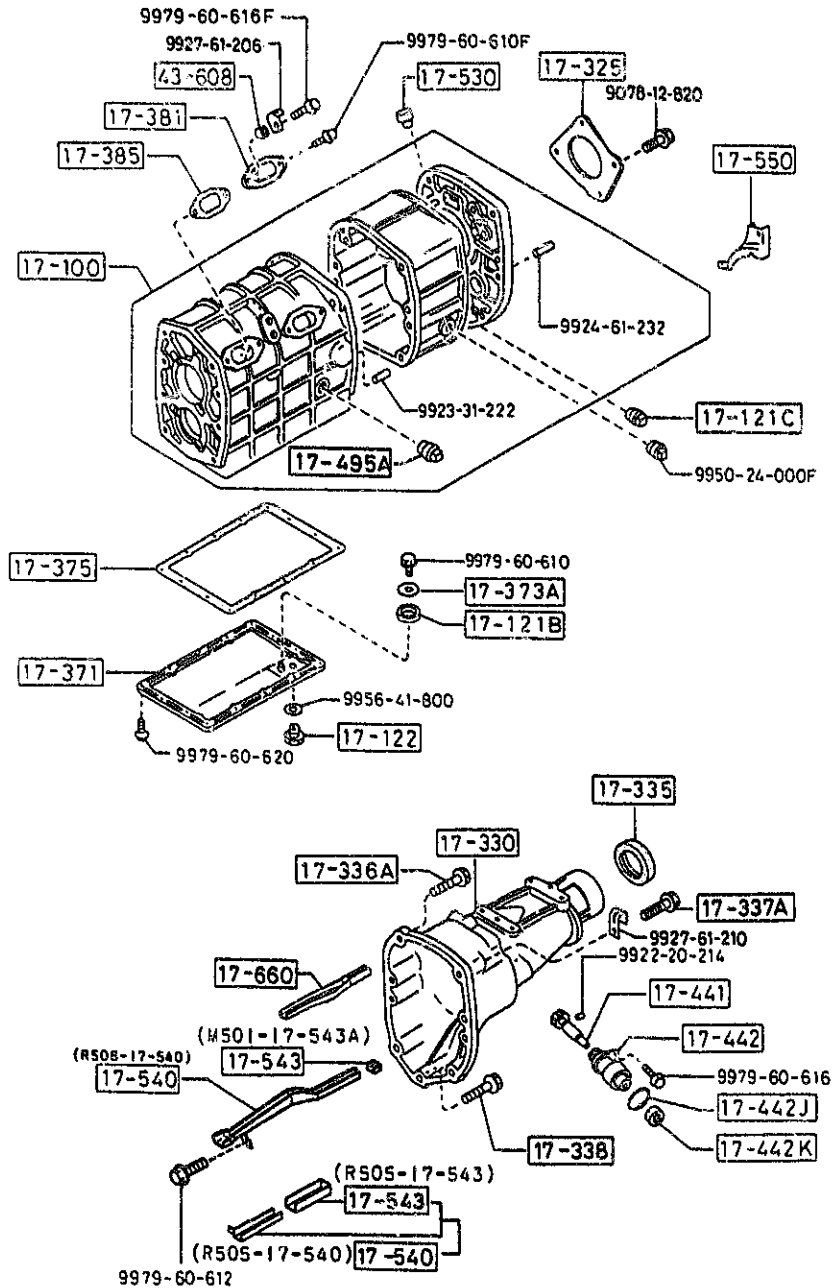
AUFA03

CAT. AUFA03-07

1993-12

1700 A TRANSMISSION CASE (MANUAL)
(TURBO)

1700 A-3 * TRANSMISSION CASE (MANUAL)
(TURBO)

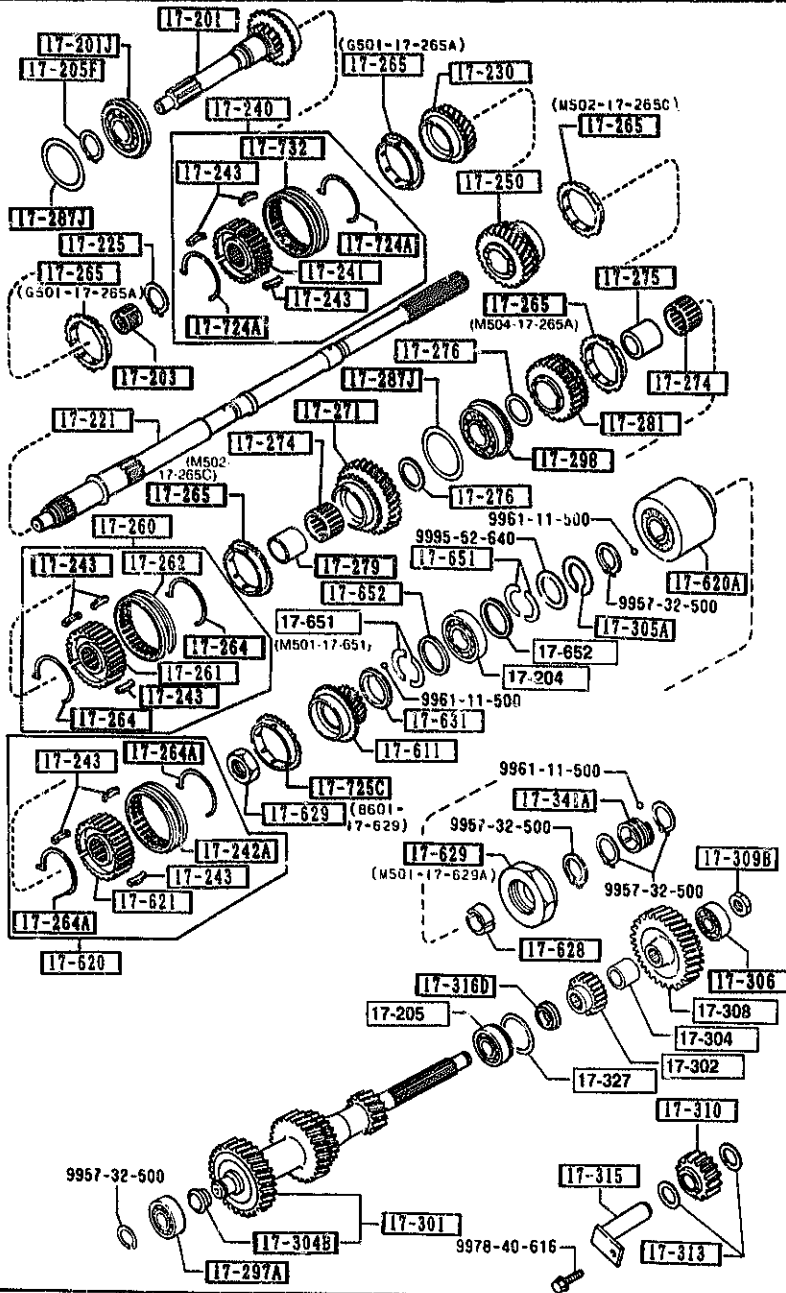


PART NO.	QTY	MODEL/RESTRICTION	MODEL/RESTRICTION	MODEL/RESTRICTION	FROM-TO
CONT'D 1281-17-383	2				

AUFA03

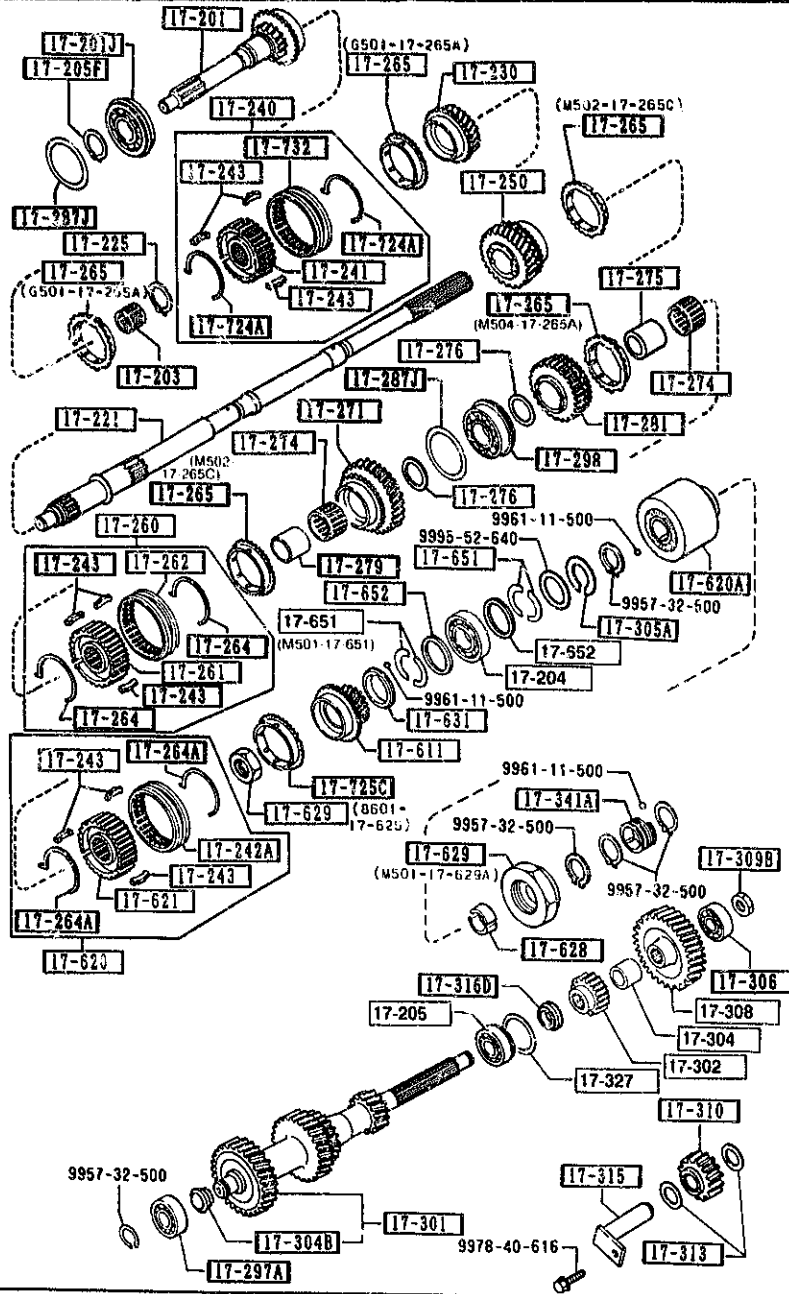
CAT. AUFA03-07

1993-12



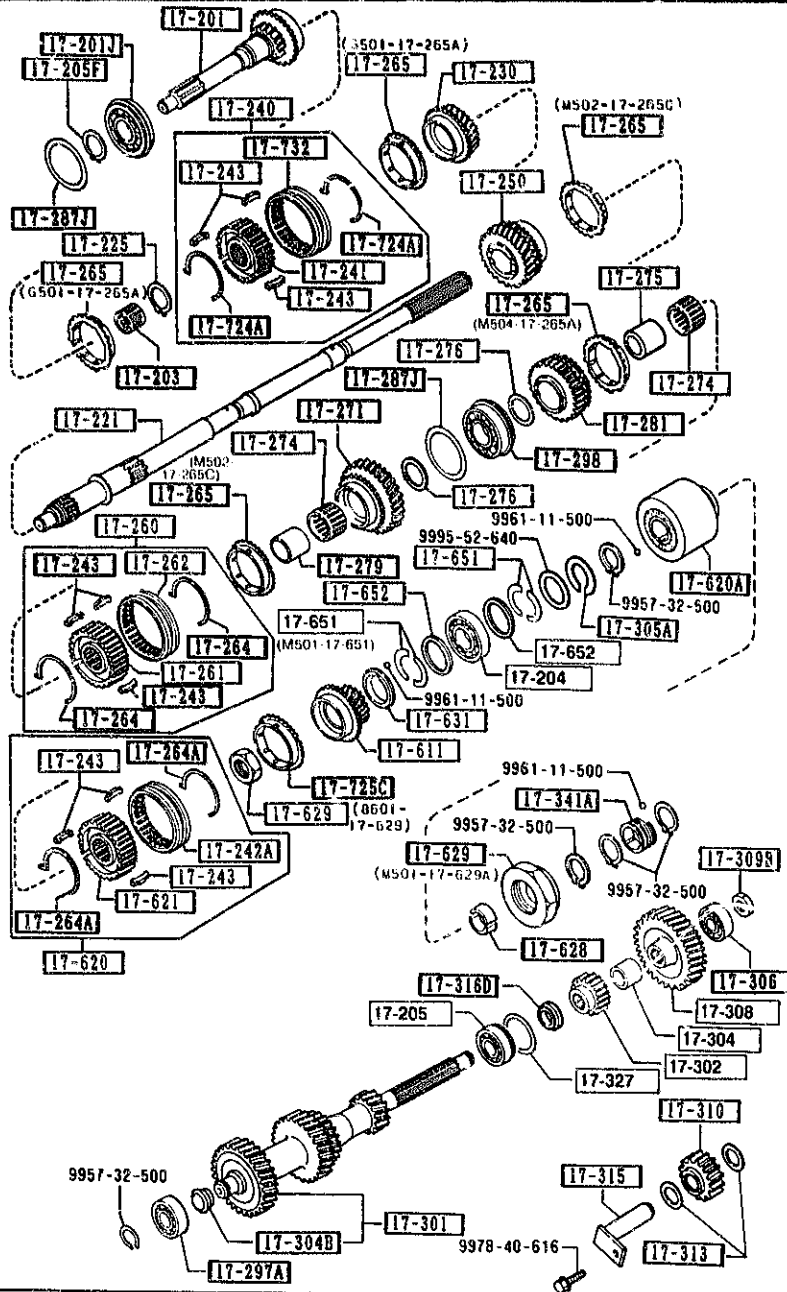
PART NO.	QTY	MODEL/RESTRICTION	MODEL/RESTRICTION	MODEL/RESTRICTION	FROM-TO
17-201		GEAR,MAIN DRIVE			
M515-17-201A	1				
17-201J		BEARING,BALL-MAIN DR IVE GEAR			
M502-17-295C	1				
17-203		BEARING,NEEDLE			
M501-17-210	1				
17-204		BEARING,BALL-MAIN SH AFT			
M503-17-204	1				
17-205		BEARING,ROLLER			
R502-17-306A	1				
17-205F		RING,RETAINING			
M501-17-205	1				
17-221		SHAFT,MAIN			
M510-17-221	1				
17-225		RING,SNAP			
0317-17-225	1				
17-230		GEAR,3RD			
M510-17-231A	1				
17-240		HUB SET,CLUTCH-3RD & 4TH			
M502-17-240C AN(M502-17-240D)	1				-1513
M502-17-240D	1				1513-
17-241		HUB,CLUTCH			
M501-17-241B AN(M501-17-241C)	1				-1513
M501-17-241C	1				1513-
17-242A		SLEEVE,CLUTCH HUB			
F401-17-242A	1				
17-243		KEY,SYNCHRONIZER			

1513 FC3***-907439



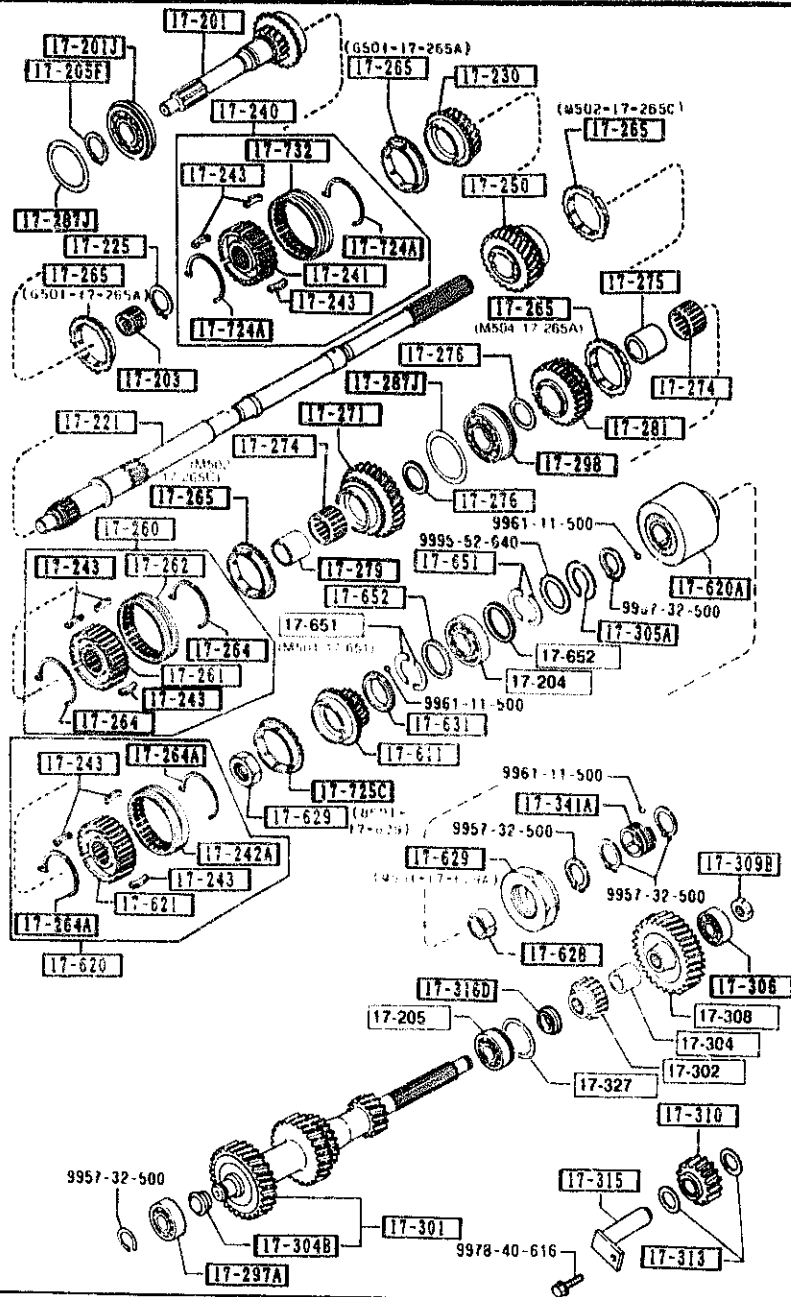
PART NO.	QTY	MODEL/RESTRICTION	MODEL/RESTRICTION	MODEL/RESTRICTION	FROM-TO
CONT'D					
F401-17-243A	9				
17-250		GEAR, 2ND			
M501-17-250	1	(CONVERTIBLE)			
M508-17-251	1	(CPE)			
17-260		HUB SET, CLUTCH-1ST & 2ND			
M505-17-260A A (M505-17-260B)	1				-1115
M505-17-260B	1				1115-
17-261		HUB, CLUTCH			
M502-17-261	1				
17-262		SLEEVE, CLUTCH HUB			
M503-17-262 A (M503-17-262A)	1				-1115
M503-17-262A	1				1115-
17-264		SPRING, SYNCHRO. KEY			
G401-17-264	2				
17-264A		SPRING, SYNCHRONIZER			
F401-17-264A	2				
17-265		RING, SYNCHRONIZER			
G501-17-265A	2				
M504-17-265A	1				
M502-17-265A A (M502-17-265B)	2				-0C05
M502-17-265B A (M502-17-265C)	2				0C05-1410
M502-17-265C	2				1410-
17-271		GEAR, 1ST			
M510-17-271	1				
17-274		BEARING, NEEDLE			
4069-17-283A	2				
17-275		RACE, INNER			

0C05 FC3***-904394
1115 FC3***-905501
1410 FC3***-907046



PART NO.	QTY	MODEL/RESTRICTION	MODEL/RESTRICTION	MODEL/RESTRICTION	FROM TO
CONT'D					
4069-17-284E	1				
17-276	2	WASHER, THRUST			
0259-17-274A	2	T=3MM			
0259-17-276	2	T=2.2MM			
0259-17-277	2	T=2.7MM			
0259-17-278	2	T=3.2MM			
0259-17-279	2	T=3.7MM			
17-279	1	SLEEVE, GEAR			
8540-17-275A	1				
17-281	1	GEAR, REVERSE			
M507-17-281B	1				
17-287J	2	SHIM, ADJUST			
99963-6310	2	T=0.1MM			
99963-6315	1	T=0.15MM			
99963-6330	2	T=0.3MM			
17-297A	1	BEARING, BALL-COUNTER SHAFT G.			
M502-17-297A	1				
17-298	1	BEARING			
M502-17-298A	1				
17-301	1	GEAR, COUNTER SHAFT			
M518-17-300	1				
17-302	1	GEAR, COUNTER REVERSE			
M503-17-302B	1				
17-304	1	SPACER			
M504-17-304	1				

1710 TRANSMISSION GEARS(MANUAL)
(W/O TURBO)



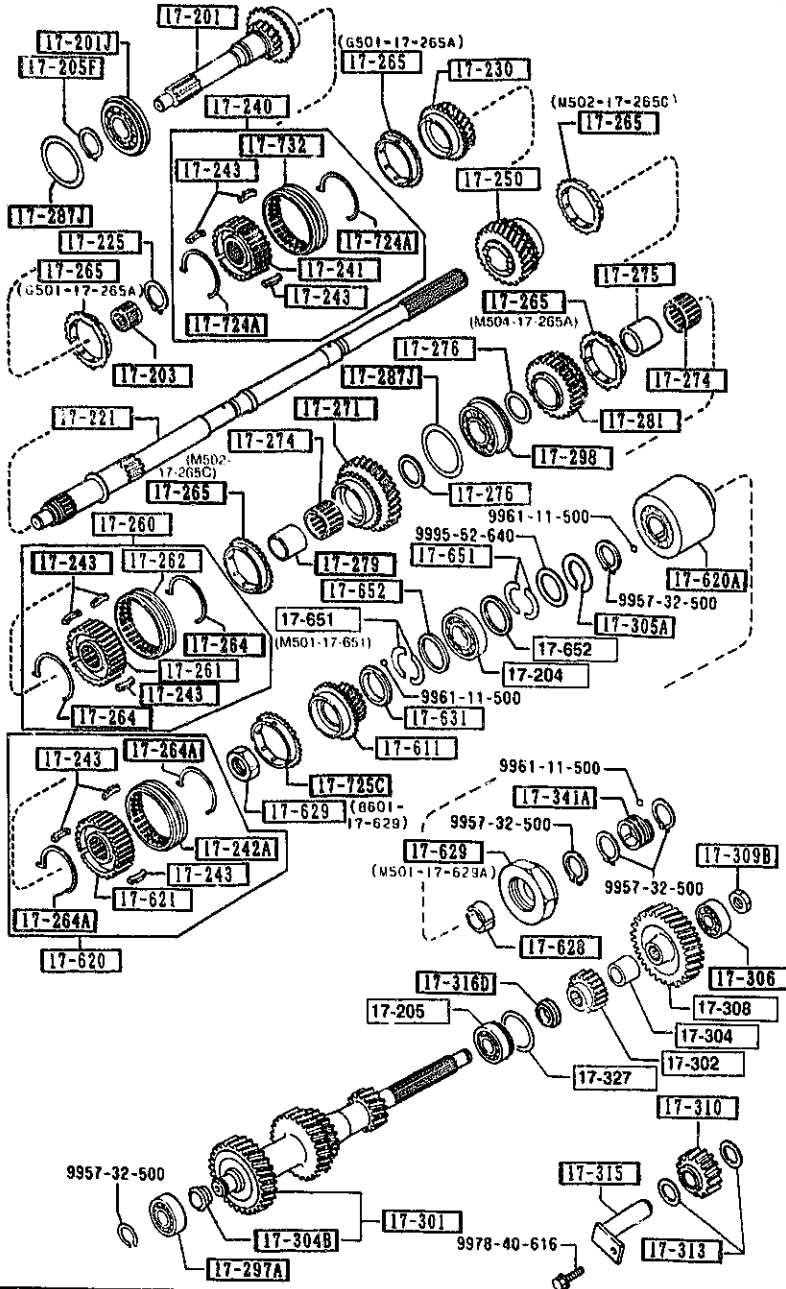
1710 -4 TRANSMISSION GEARS(MANUAL)
(W/O TURBO)

PART NO.	QTY	MODEL/RESTRICTION	MODEL/RESTRICTION	MODEL/RESTRICTION	FROM 10
17-304B		SPACER			
M501-17-304B	1				
17-305A		RING, RETAINING-BALL BEARING			
0839-17-305B	1				
17-306		BEARING, BALL			
M502-17-299A	1				
17-308		GEAR, COUNTER			
M507-17-308	1				
17-309B		NUT, LOCK-COUNTER SHAFT BR			
M501-17-309	1				
17-310		GEAR, REVERSE IDLE			
M504-17-310C	1				
17-313		WASHER, THRUST-REVERSE IDLE G. T=2MM			
M501-17-313	2				
17-315		SHAFT, REV. IDLE GEAR			
M501-17-140	1				
17-316D		SPACER			
R502-17-316	1				
17-327		SHIM, ADJUST-COUNTER SHAFT GEAR T=0.1MM			
0305-17-327	2				
0305-17-328	1	T=0.3MM			
17-341A		GEAR, SPEEDO.DRIVE			
1281-17-341	1				
17-611		GEAR, OVER TOP			
M512-17-611	1				
17-620		HUB SET, CLUTCH-O.T. & REV			
M505-17-620	1				

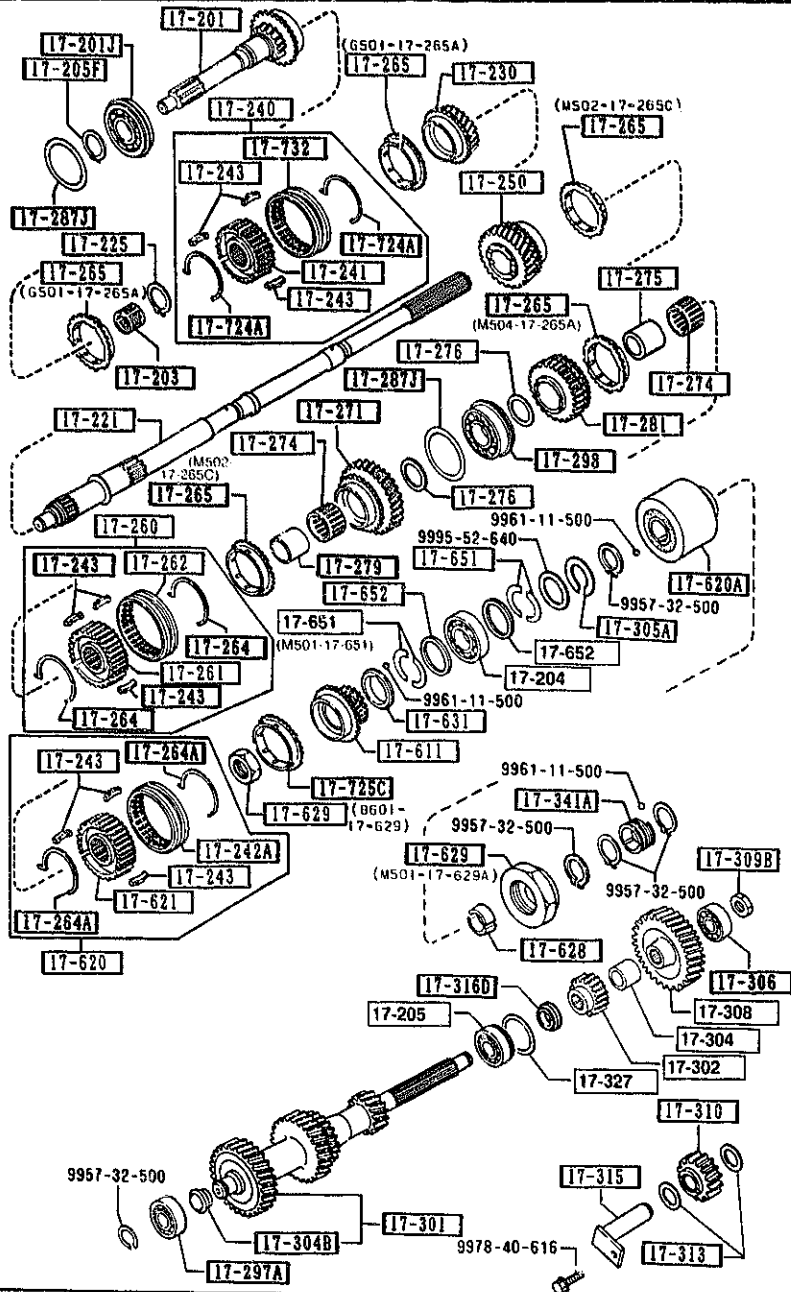
AUFA03

CAT. AUFA03-07

1993-12



PART NO.	QTY	MODEL/RESTRICTION	MODEL/RESTRICTION	MODEL/RESTRICTION	FROM-TO
17-620A		DAMPER, DYNAMIC			
M505-17-070	1				
17-621		HUB, CLUTCH			
M505-17-621	1				
17-628		COTTER, TAPER			
M501-17-628A	1				
17-629		NUT, LOCK-CLUTCH HUB			
M501-17-629A	1				
8601-17-629	1				
17-631		WASHER, THRUST LOCK-O VER TOP G. T=6.2MM			
0884-17-632B	1				
0884-17-633B	1	T=6.4MM			
0884-17-634B	1	T=6.5MM			
0884-17-635B	1	T=6.6MM			
17-651		WASHER, THRUST			
M501-17-651	4	T=3MM			
M501-17-653	2	T=3.1MM			
M501-17-654	2	T=3.2MM			
M501-17-655	2	T=2.9MM			
17-652		RING, THRUST WASHER			
M501-17-652	2	T=2MM			
17-724A		SPRING, SYNCHRO KEY			
W501-17-724	2				
17-725C		RING, SYNCHRONIZER			
V501-17-725	1				



PART NO.	QTY	MODEL/RESTRICTION	MODEL/RESTRICTION	MODEL/RESTRICTION	FROM-TO
17-732		SLEEVE,CLUTCH HUB			
W501-17-732B	1				

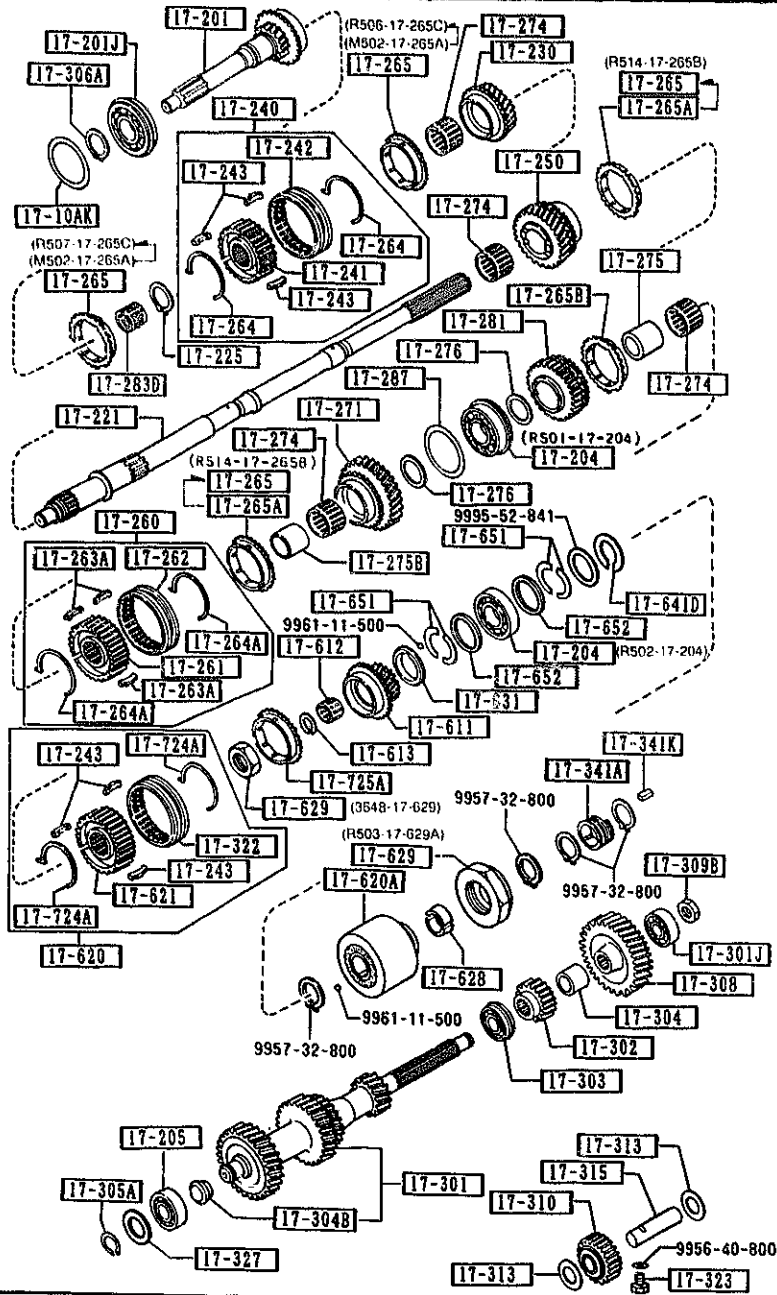
AUFA03

1-D10

CAT. AUFA03-07

1993-12

1710 A TRANSMISSION GEARS(MANUAL)
(TURBO)

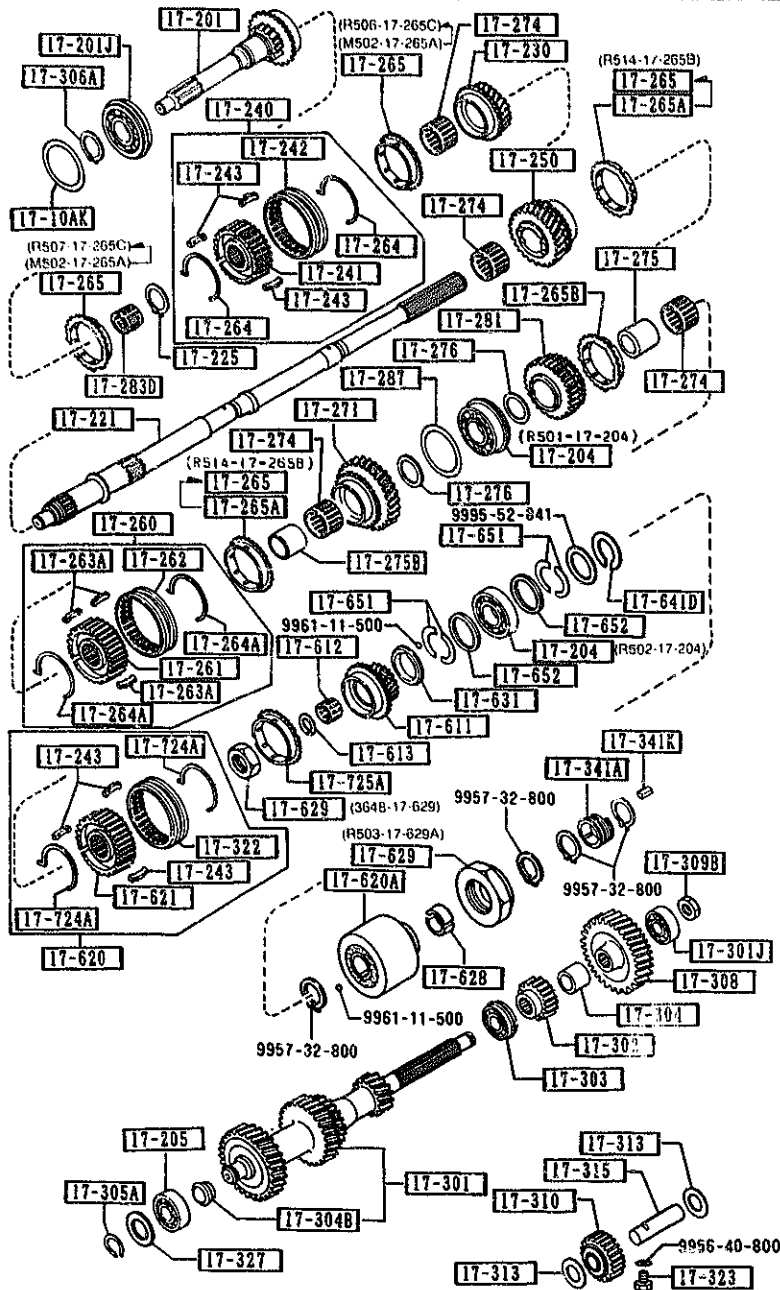


1710 A-1 TRANSMISSION GEARS(MANUAL)
(TURBO)

PART NO.	QTY	MODEL/RESTRICTION	MODEL/RESTRICTION	MODEL/RESTRICTION	FROM-TO
17-10AK		SHIM, ADJUST			
99963-6930	1	T=0.3MM			
99963-6940	1	T=0.4MM			
99963-6950	1	T=0.5MM			
99963-6960	1	T=0.6MM			
99963-6970	1	T=0.7MM			
17-201		GEAR, MAIN DRIVE			
R501-17-21XA	1				
17-201J		BEARING, BALL-MAIN DR IVE GEAR			
R501-17-295	1				
17-204		BEARING, BALL-MAIN SH AFT			
R501-17-204	1	O=75/I=32/W=20			
R502-17-204	1	O=68/I=28/W=18			
17-205		BEARING, ROLLER			
R502-17-306A	1				
17-221		SHAFT, MAIN			
R507-17-221	1				
17-225		RING, SNAP			
O317-17-225	1				
17-230		GEAR, 3RD			
R505-17-230C	1				
17-240		HUB SET, CLUTCH-3RD & 4TH			
R501-17-240A	1				
R504-17-240	1				
R504-17-240A	1				
A (R504-17-240B)					
R504-17-240B	1				
0A01		FCS***-902450			-0A01
1131		FCS***-906037			0A01-1131
1201		FCS***-906121			1131-1201
					1201-

1710 A TRANSMISSION GEARS(MANUAL)
(TURBO)

1710 A-2 TRANSMISSION GEARS(MANUAL)
(TURBO)



PART NO.	QTY	MODEL/RESTRICTION	MODEL/RESTRICTION	MODEL/RESTRICTION	FROM-TO
17-241		HUB, CLUTCH			
R501-17-241	1				-0A01
R501-17-241B	1				0A01-
17-242		SLEEVE, CLUTCH HUB			
R501-17-242	1				-0A01
R504-17-242	1				0A01-1131
R502-17-242C	1				1131-1201
R502-17-242D	1				1201-
17-243		KEY, SYNCHRONIZER			
F401-17-243A	6				
17-250		GEAR, 2ND			
R517-17-250	1				
17-260		HUB SET, CLUTCH-1ST & 2ND			
R501-17-260A	1				-0A01
R501-17-260D	1				0A01-1131
R501-17-260E A (R501-17-260F)	1				1131-1201
R501-17-260F	1				1201-
17-261		HUB, CLUTCH			
R501-17-261	1				-0A01
R501-17-261B	1				0A01-
17-262		SLEEVE, CLUTCH HUB			
R501-17-262	1				-0A01
R501-17-262C	1				0A01-1131
R501-17-262D A (R501-17-262E)	1				1131-1201
R501-17-262E	1				1201-
17-263A		KEY, SYNCHRONIZER			
W501-17-263A	3				
17-264		SPRING, SYNCHRO. KEY			
G401-17-264	2				
0A01 FC3***-902450 1131 FC3***-906037 1201 FC3***-906121					

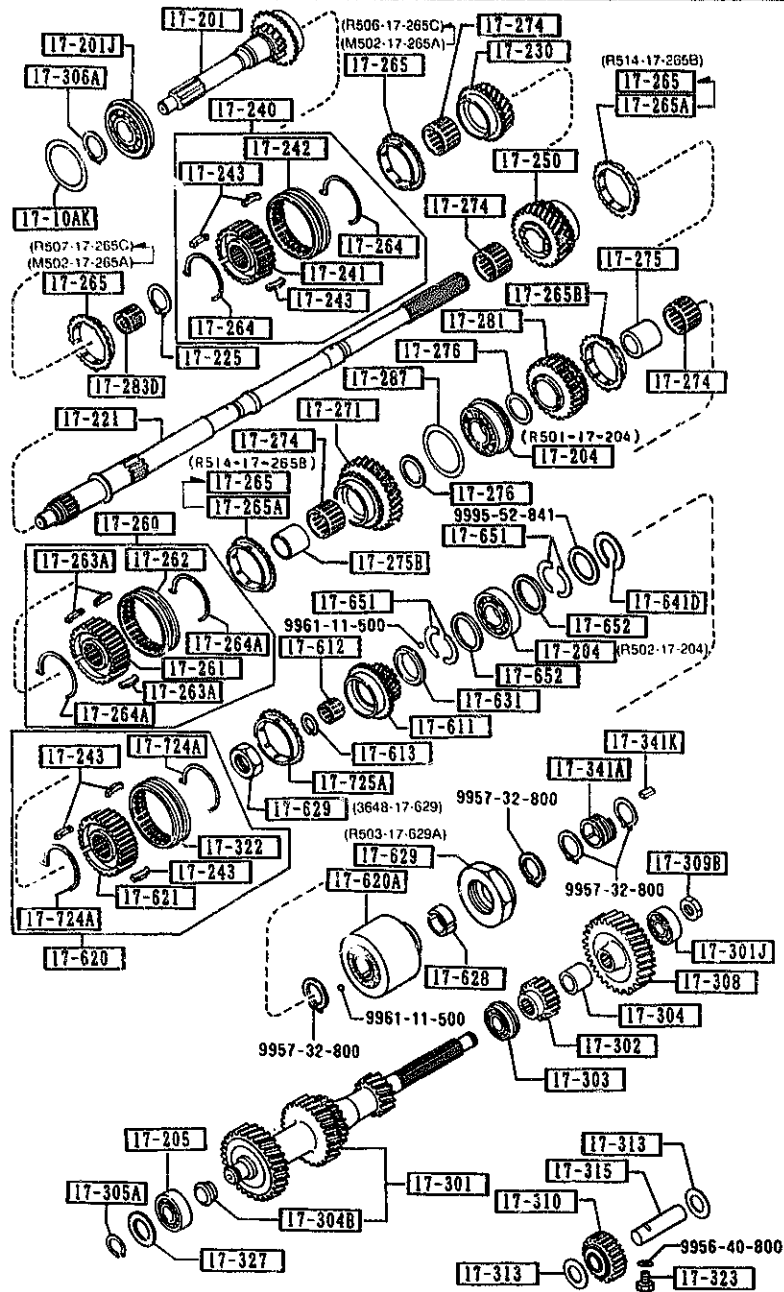
AUFA03

CAT. AUFA03-07

1993-12

1-F10

1710 A TRANSMISSION GEARS(MANUAL)
(TURBO)



1710 A-3 TRANSMISSION GEARS(MANUAL)
(TURBO)

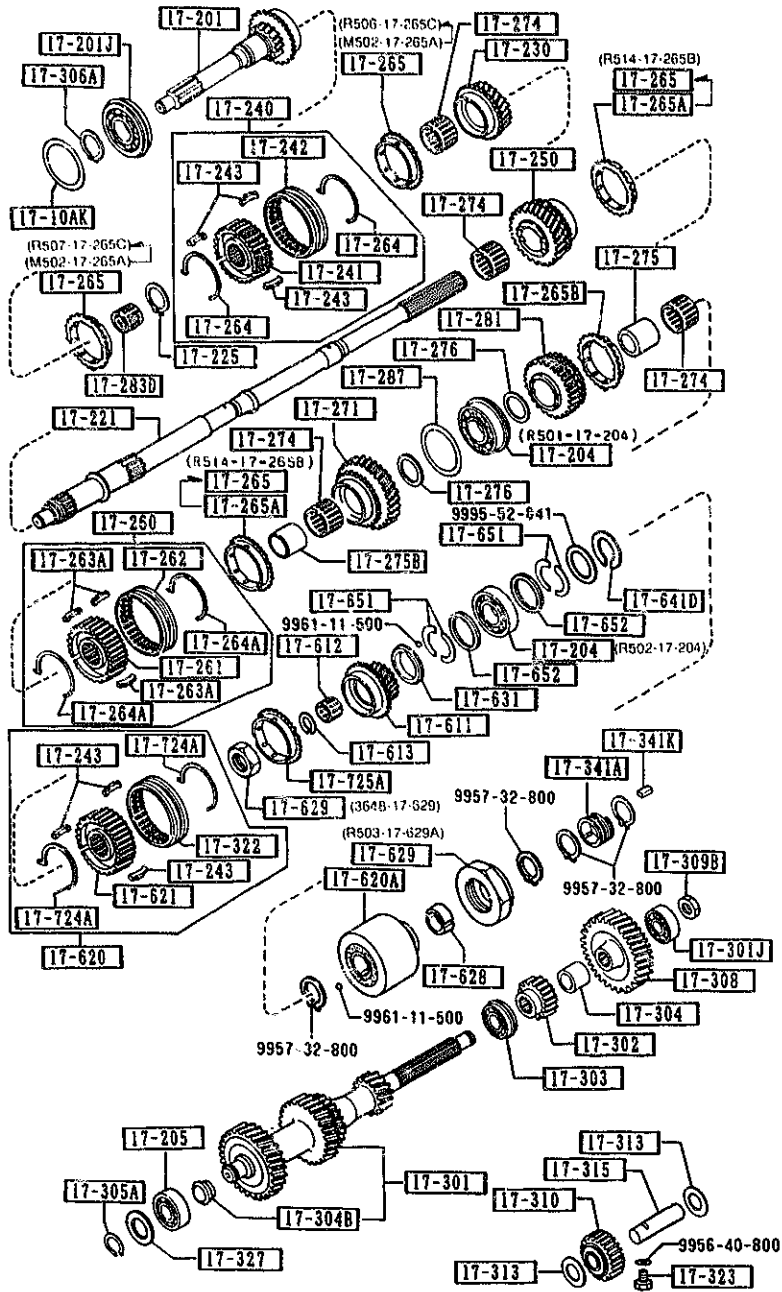
PART NO.	QTY	MODEL/RESTRICTION	MODEL/RESTRICTION	MODEL/RESTRICTION	FROM-TO
17-264A		SPRING, SYNCHRONIZER			
R501-17-264	2				
17-265		RING, SYNCHRONIZER			
M502-17-265A	2				-1131
R514-17-265B	2				1131-
R506-17-265B	1				1131-1408
A (R506-17-265C)					1131-1408
R507-17-265B	1				1408-
A (R507-17-265C)					1408-
R506-17-265C	1				
R507-17-265C	1				
17-265A		RING, SYNCHRONIZER			
R502-17-265A	2				-1131
17-265B		RING, SYNCHRONIZER			
R503-17-265A	1				
17-271		GEAR, 1ST			
R513-17-270A	1				
17-274		BEARING, NEEDLE			
0884-17-274	4				
17-275		RACE, INNER			
3648-17-275A	1				
17-275B		RACE, INNER			
0884-17-275B	1				
17-276		WASHER, THRUST			
0839-17-276	1	T=2.5MM			
0839-17-277	2	T=3MM			
0839-17-278	1	T=3.5MM			
17-281		GEAR, REVERSE			
R505-17-281	1				
1131 FCS***-906037					
1408 FCS***-907019					

AUFA03

CAT. AUFA03-07

1993-12

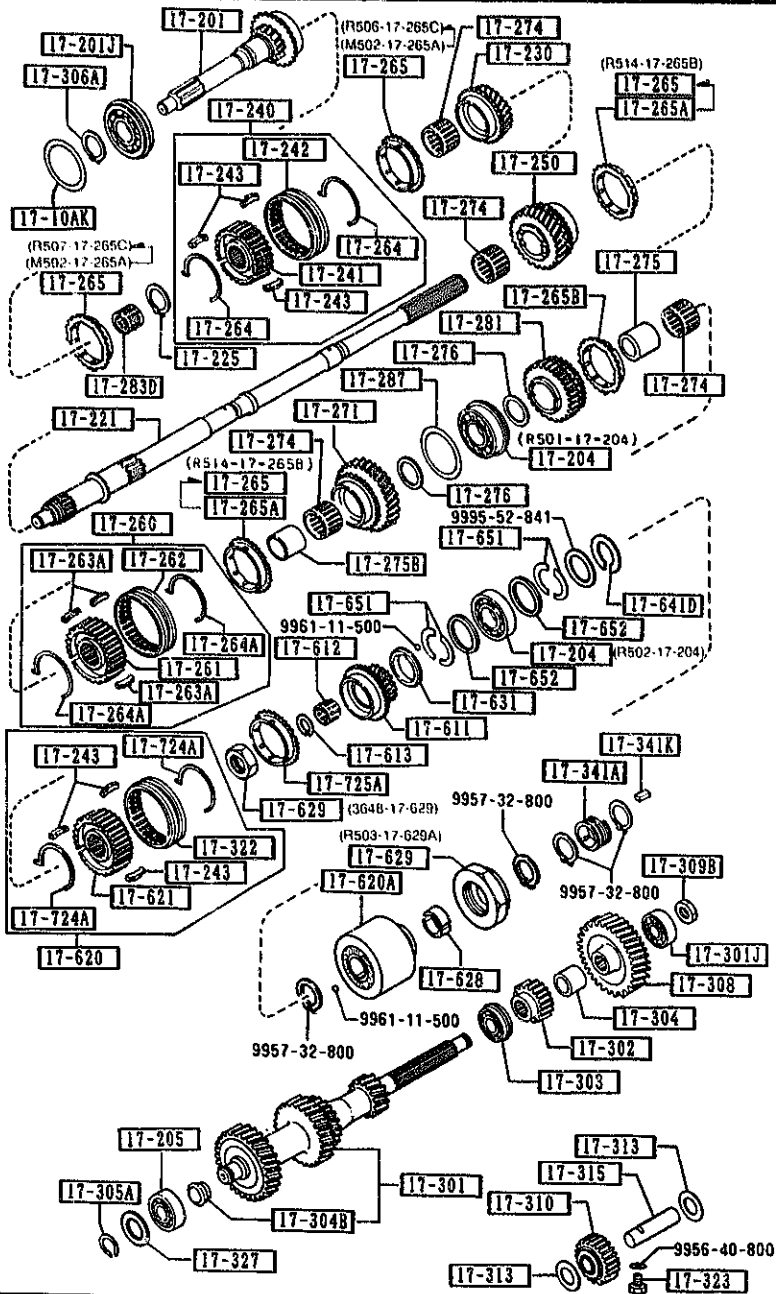
1-G10



PART NO.	QTY	MODEL/RESTRICTION	MODEL/RESTRICTION	MODEL/RESTRICTION	FROM TO
17-283D		BEARING, NEEDLE			
R502-17-283	1				
17-287		SHIM, ADJUST			
0839-17-287	2	T=0.1MM			
0839-17-288	1	T=0.3MM			
17-301		GEAR, COUNTER SHAFT			
R506-17-300G	1				
17-301J		BEARING, BALL			
R501-17-299	1				
17-302		GEAR, COUNTER REVERSE			
R504-17-302A	1				
17-303		BEARING, BALL			
0821-17-303	1				
17-304		SPACER			
R501-17-304	1				
17-304B		SPACER			
R501-17-316A	1				
17-305A		RING, RETAINING-BALL BEARING			
0839-17-305B	1				
17-306A		RING, SNAP			
0727-17-306	1				
17-308		GEAR, COUNTER			
R524-17-308	1				
17-309B		NUT, LOCK-COUNTER SHAFT BR			
M501-17-309	1				
17-310		GEAR, REVERSE IDLE			
R505-17-310B	1				

1710 A TRANSMISSION GEARS(MANUAL)
(TURBO)

1710 A-5 TRANSMISSION GEARS(MANUAL)
(TURBO)



PART NO.	QTY	MODEL/RESTRICTION	MODEL/RESTRICTION	MODEL/RESTRICTION	FROM-TO
17-313		WASHER, THRUST-REVERS			
0821-17-313	2	E IDLE G.			
17-315		SHAFT, REV. IDLE GEAR			
0884-17-315	1				
17-322		SLEEVE, CLUTCH HUB			
R501-17-622	1				
17-323		BOLT SET			
4069-17-323	1				
17-327		SHIM, ADJUST-COUNTER			
0305-17-327	2	SHAFT GEAR			
		T=0.1MM			
0305-17-328	1	T=0.3MM			
17-341A		GEAR, SPEEDO. DRIVE			
R501-17-341A	1				
17-341K		KEY			
M501-17-342	1				
17-611		GEAR, OVER TOP			
R523-17-610	1				
17-612		BEARING, NEEDLE			
R501-17-612	1				
17-613		RING, RETAINING			
R501-17-613	1				
17-620		HUB SET, CLUTCH-O.T.			
R502-17-620C	1	& REV			
17-620A		DAMPER, DYNAMIC			
R503-17-070	1				
17-621		HUB, CLUTCH			
R502-17-621A	1				

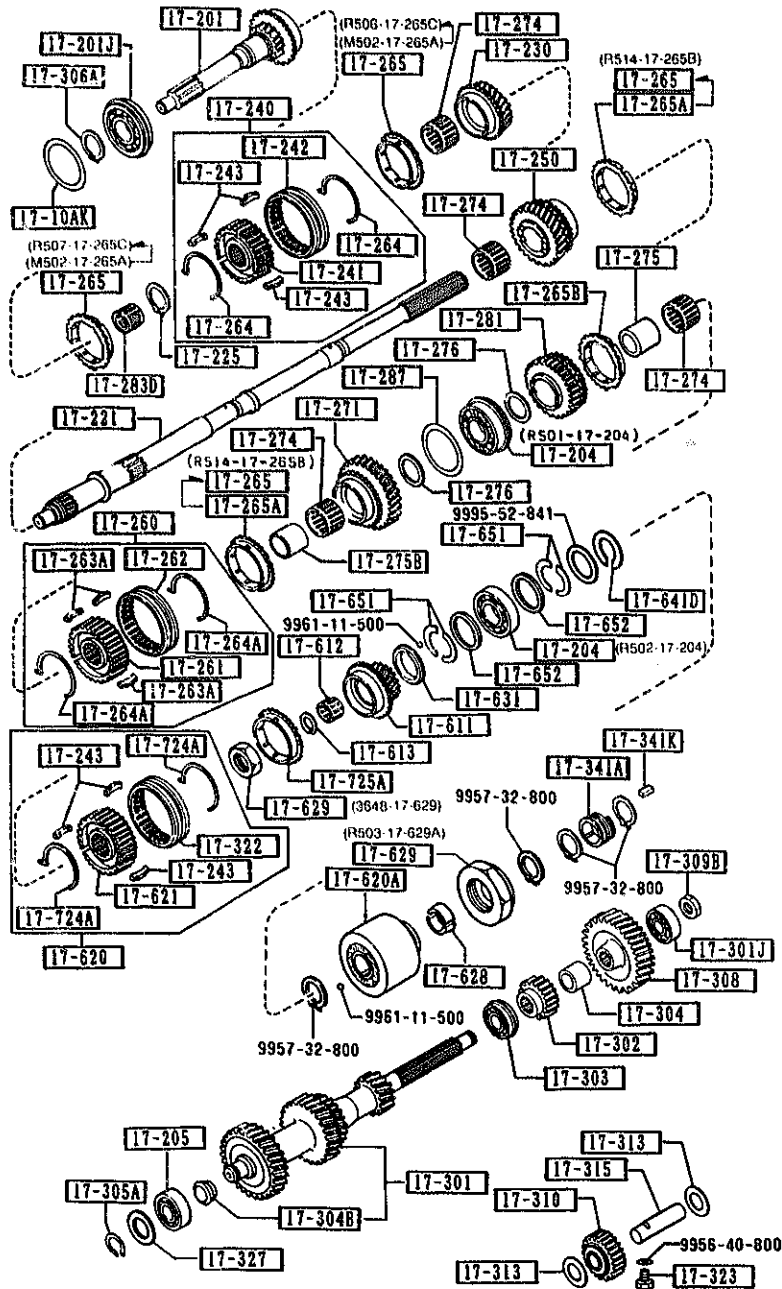
AUFA03

CAT. AUFA03-07

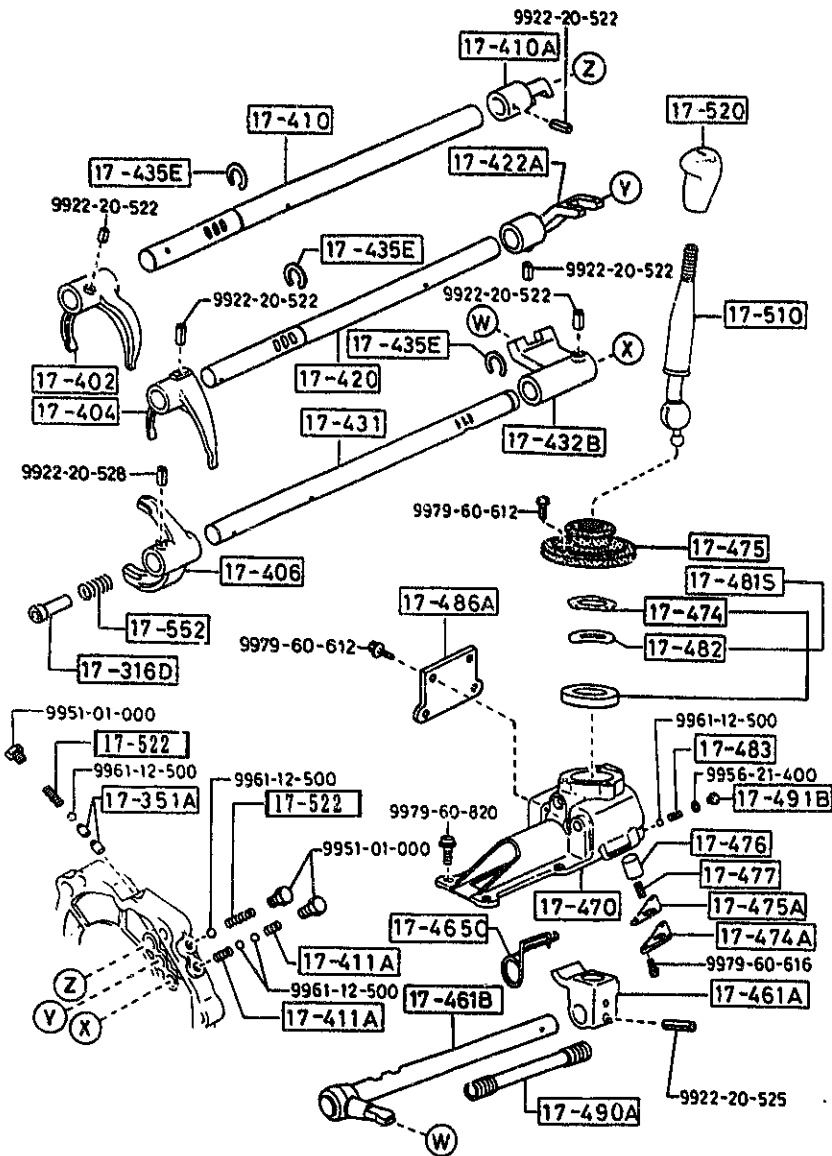
1993-12

1710 A TRANSMISSION GEARS(MANUAL)
(TURBO)

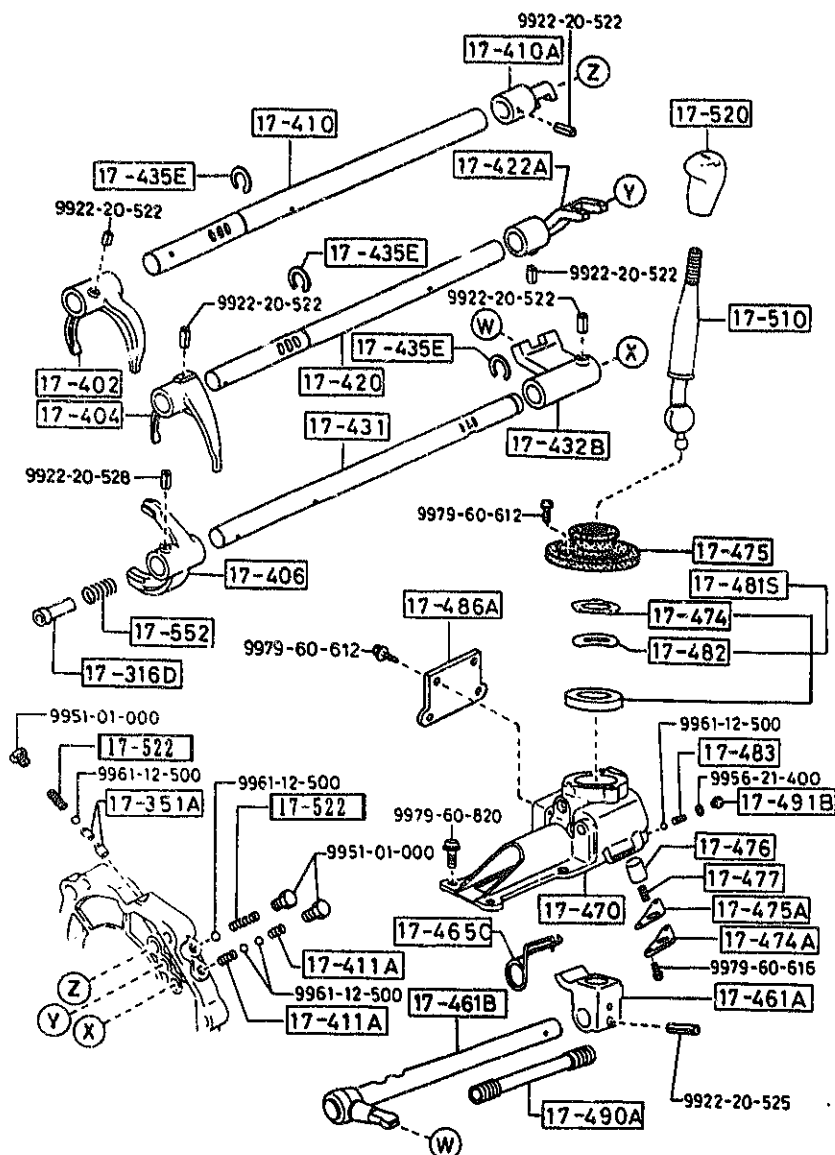
1710 A-6 * TRANSMISSION GEARS(MANUAL)
(TURBO)



PART NO.	QTY	MODEL/RESTRICTION	MODEL/RESTRICTION	MODEL/RESTRICTION	FROM-TO
<u>17-628</u>		COTTER, TAPER			
R501-17-628A	1				
<u>17-629</u>		NUT, LOCK-CLUTCH HUB			
R503-17-629A	1				
3648-17-629	1				
<u>17-631</u>		WASHER, THRUST LOCK-O VER TOP G. T=6.4MM			
R501-17-631A	1				
R501-17-632A	1	T=6.5MM			
R501-17-633A	1	T=6.6MM			
R501-17-634A	1	T=6.7MM			
R501-17-635	1	T=6.3MM			
R501-17-636	1	T=6.2MM			
<u>17-641D</u>		RING, SNAP			
0821-17-641B	1				
<u>17-651</u>		WASHER, THRUST T=3MM			
M502-17-651	4				
M502-17-653	2	T=3.1MM			
M502-17-654	2	T=3.2MM			
M502-17-655	2	T=2.9MM			
<u>17-652</u>		RING, THRUST WASHER			
M502-17-652	2				
<u>17-724A</u>		SPRING, SYNCHRO. KEY			
W501-17-724	2				
<u>17-725A</u>		RING, SYNCHRONIZER			
W501-17-725A	1				



PART NO.	QTY	MODEL/RESTRICTION	MODEL/RESTRICTION	MODEL/RESTRICTION	FROM-TO
17-316D		SPACER			
M504-17-316	1				
17-351A		PIN, INTER LOCK			
0114-17-351	2				
17-402		FORK, SHIFT (1ST&2ND)			
M503-17-402	1				
17-404		FORK, SHIFT (3RD&4TH)			
M501-17-404B	1				
17-406		FORK, SHIFT			
M504-17-406A	1				
17-410		ROD, SHIFT (1ST&2ND)			
M503-17-411	1				
17-410A		END, S/ROD (1ST&2ND)			
M507-17-412	1				
17-411A		SPRING, SHIFT ROD-REVERSE			
0014-17-411	2				
17-420		ROD, SHIFT (3RD&4TH)			
M503-17-421	1				
17-422A		END, S/ROD (3RD&4TH)			
M507-17-422	1				
17-431		ROD, SHIFT-OVER TOP & REVERSE			
M506-17-431A	1				
17-432B		END, SHIFT ROD (O/TOP & REV.)			
M508-17-432	1				
17-435E		RING, RETAINING			
R502-17-435	3				
17-461A		END, CONTROL LEVER			
M510-17-46Y	1				



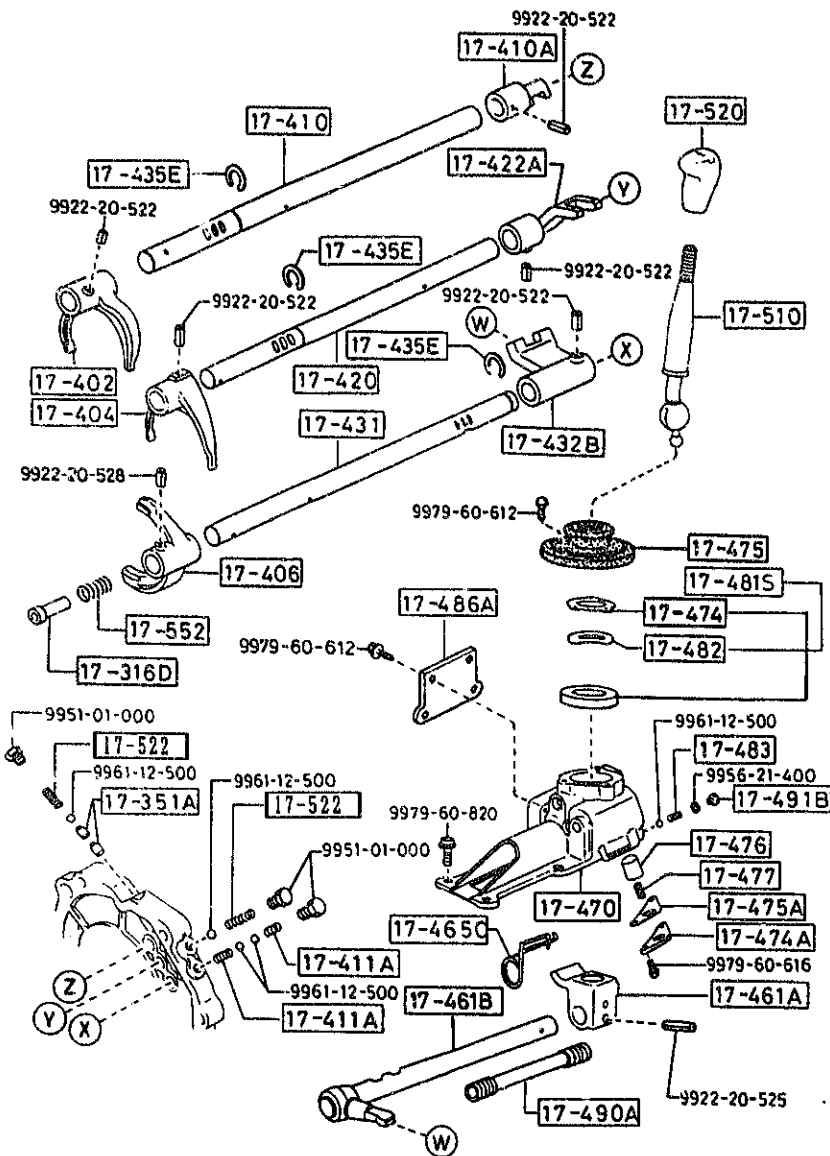
PART NO.	QTY	MODEL/RESTRICTION	MODEL/RESTRICTION	MODEL/RESTRICTION	FROM-TO
17-461B		ROD, CONTROL			
M515-17-450	1				
17-465C		SPRING, SELECT			
M501-17-465B	1				
17-470		CASE, CHANGE CONTROL			
M512-17-470A	1				
17-474		GASKET, COVER PLATE			
0303-17-474	1				
17-474A		CAP, SPRING			
M501-17-474	1				
17-475		BOOT, DUST-CHANGE LEVER			
M514-17-480A	1				
17-475A		GASKET, SPRING CAP			
M501-17-475	1				
17-476		SPINDLE, SELECT LOCK			
M502-17-476A	1				
17-477		SPRING			
M501-17-477	1				
17-481S		BUSH SET, CHANGE LEVER			
8AF2-17-481	1				
17-482		WASHER, WAVE-CHANGE CONTROL CASE			
M505-17-482	1				
17-483		SPRING			
0824-17-483	1				
17-486A		COVER, BLIND			
M501-17-486A	1				
17-490A		COVER, ROD			
M502-17-490A	1				

AUFA03

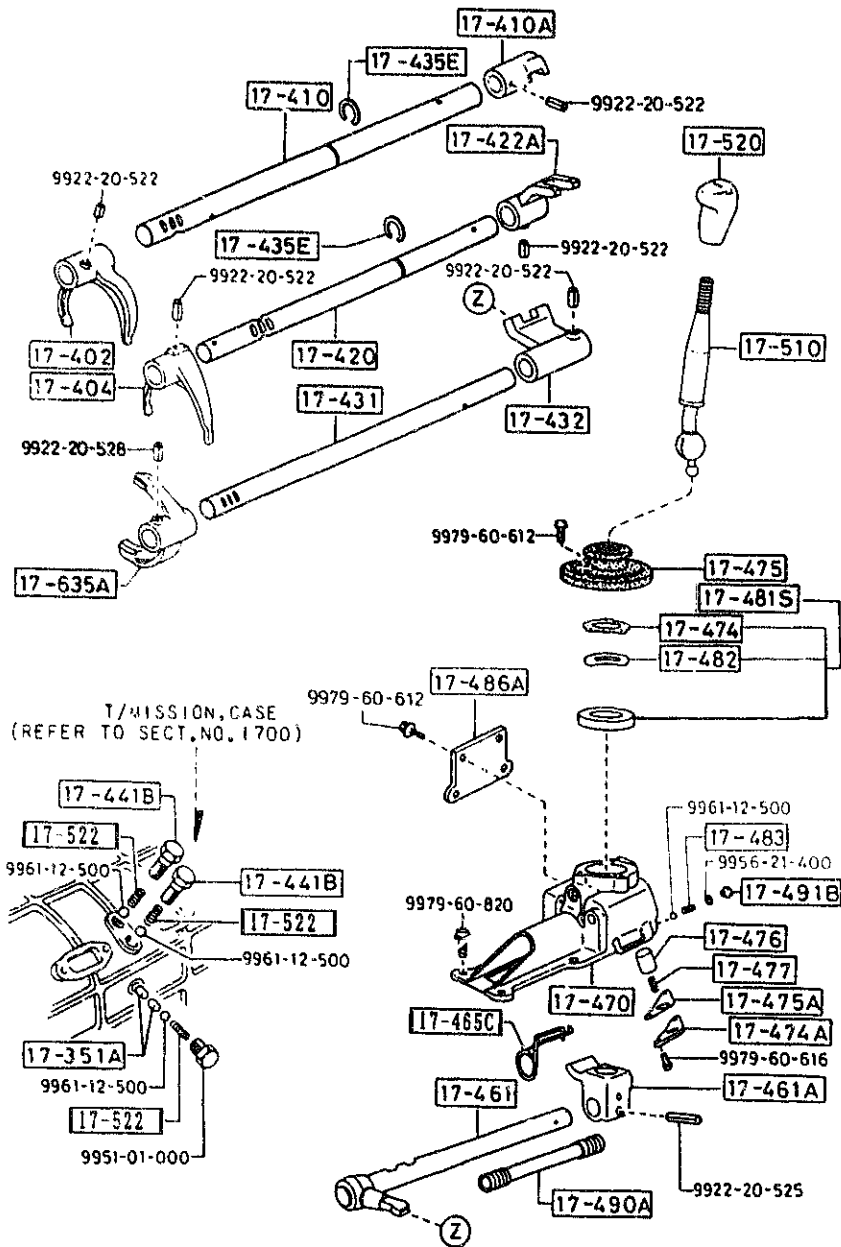
CAT. AUFA03-07

1993-12

1-L10



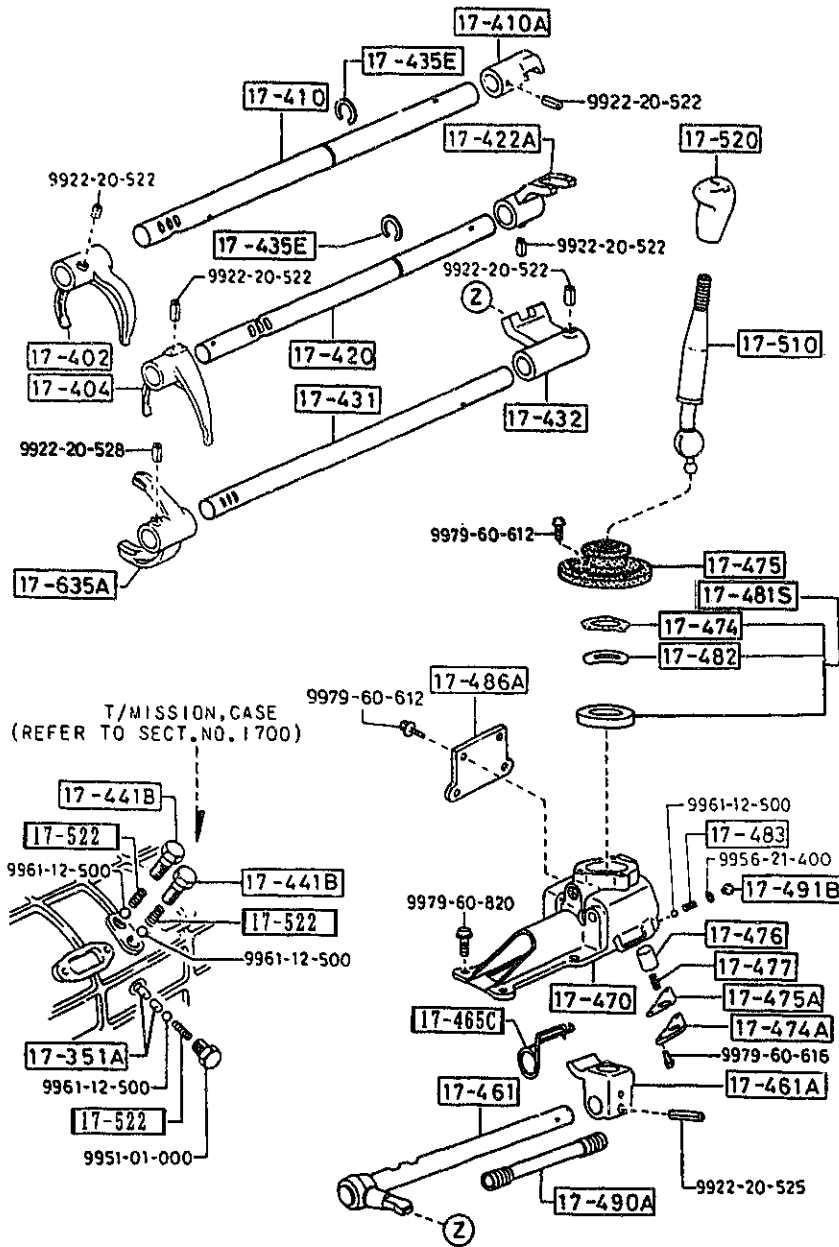
PART NO.	QTY	MODEL/RESTRICTION	MODEL/RESTRICTION	MODEL/RESTRICTION	FROM ID
17-491B		CAP, SPRING			
0183-17-491	1				
17-510		LEVER, CHANGE			
M522-17-510	1				
17-520		KNOB, CHANGE LEVER			
M513-17-520	1				
00	INT-	F08 FD9 FE0 FE1 BLACK			
17-522		SPRING			
M0103-17-411	2				
17-552		SPRING			
M504-17-552	1				



PART NO.	QTY	MODEL/RESTRICTION	MODEL/RESTRICTION	MODEL/RESTRICTION	FROM 10
17-351A		PIN, INTER LOCK			
0114-17-351	2				
17-402		FORK, SHIFT (1ST&2ND)			
R501-17-402A	1				
17-404		FORK, SHIFT (3RD&4TH)			
R501-17-404B	1				
17-410		ROD, SHIFT (1ST&2ND)			
R504-17-411	1				
17-410A		END, S/ROD (1ST&2ND)			
R502-17-412A	1				
17-420		ROD, SHIFT (3RD&4TH)			
R505-17-421	1				
17-422A		END, S/ROD (3RD&4TH)			
R506-17-422	1				
17-431		ROD, SHIFT-OVER TOP & REVERSE			
R506-17-431	1				
17-432		END, SHIFT			
R502-17-432A	1				
17-435E		RING, RETAINING			
R502-17-435	2				
17-441B		PLUG, CAP			
0221-17-441	2				
17-461		LEVER, CONTROL			
R503-17-450	1				
17-461A		END, CONTROL LEVER			
M510-17-46Y	1				
17-465C		SPRING, SELECT			
M501-17-465B	1				

1720 A CHANGE CONTROL SYSTEM (MANUAL)
(TURBO)

1720 A-2 CHANGE CONTROL SYSTEM (MANUAL)
(TURBO)



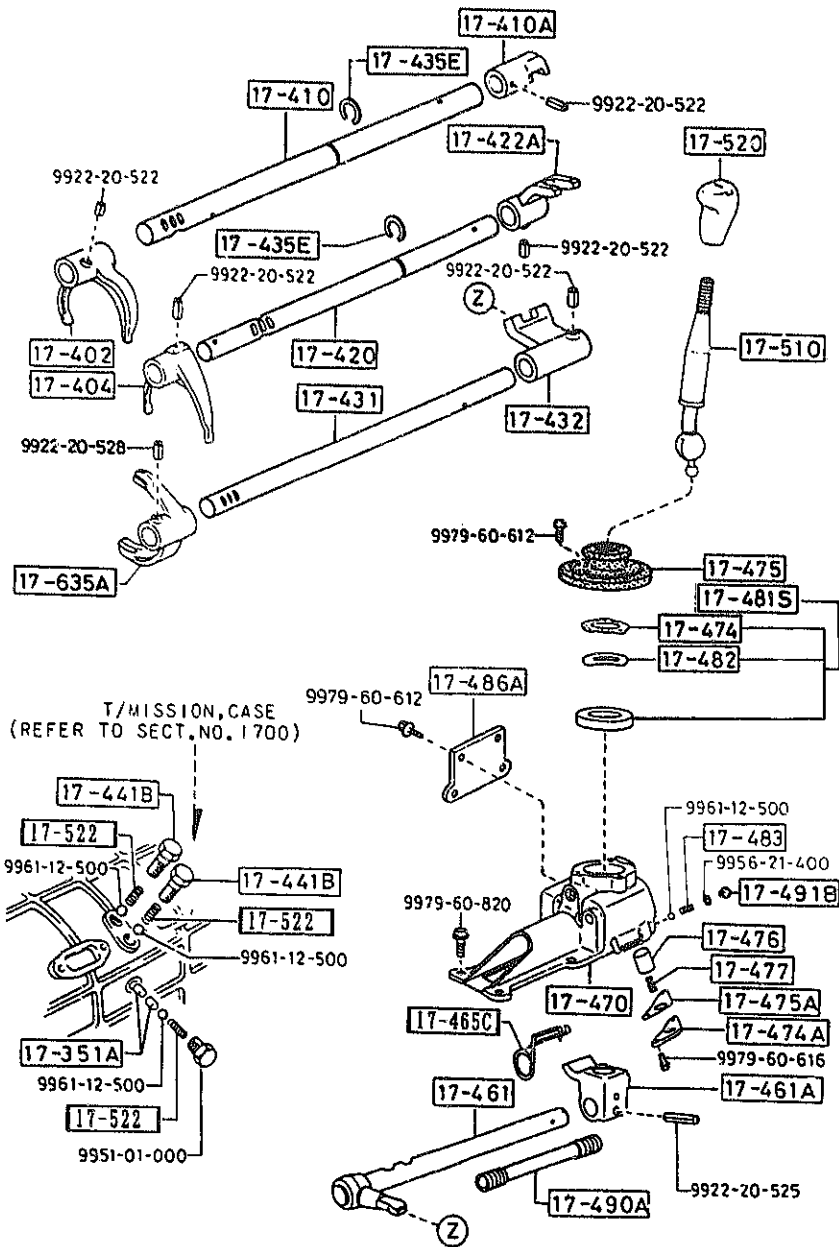
PART NO.	QTY	MODEL/RESTRICTION	MODEL/RESTRICTION	MODEL/RESTRICTION	FRDM-10
17-470		CASE, CHANGE CONTROL			
M512-17-470A	1				
17-474		GASKET, COVER PLATE			
0303-17-474	1				
17-474A		CAP, SPRING			
M501-17-474	1				
17-475		BOOT, DUST-CHANGE LEVER			
M514-17-480A	1				
17-475A		GASKET, SPRING CAP			
M501-17-475	1				
17-476		SPINDLE, SELECT LOCK			
M502-17-476A	1				
17-477		SPRING			
M501-17-477	1				
17-481S		BUSH SET, CHANGE LEVER			
8AF2-17-481	1				
17-482		WASHER, WAVE-CHANGE CONTROL CASE			
M505-17-482	1				
17-483		SPRING			
0824-17-483	1				
17-486A		COVER, BLIND			
M501-17-486A	1				
17-490A		COVER, ROD			
M501-17-490B	1				
17-491B		CAP, SPRING			
0183-17-491	1				
17-510		LEVER, CHANGE			
M522-17-510	1				

AUFA03

CAT. AUFA03-07

1993-12

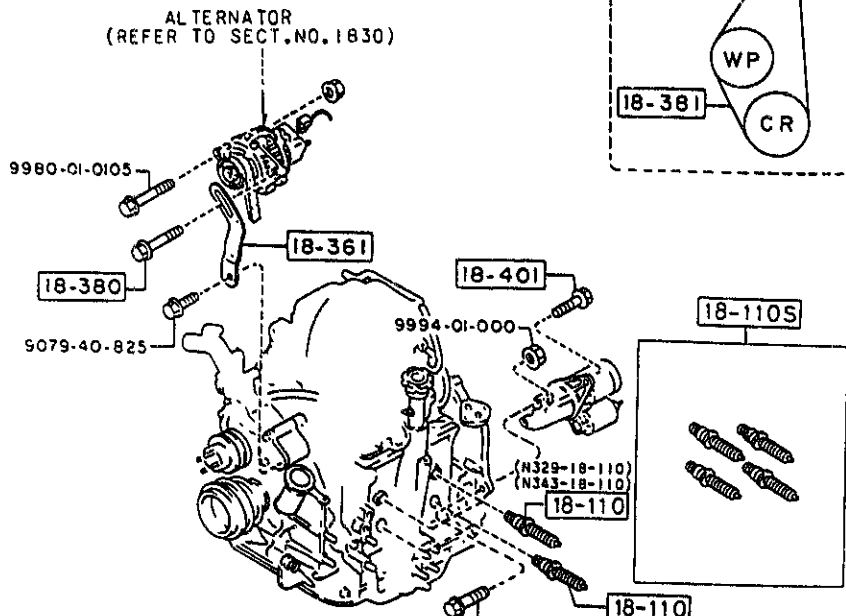
1-C11



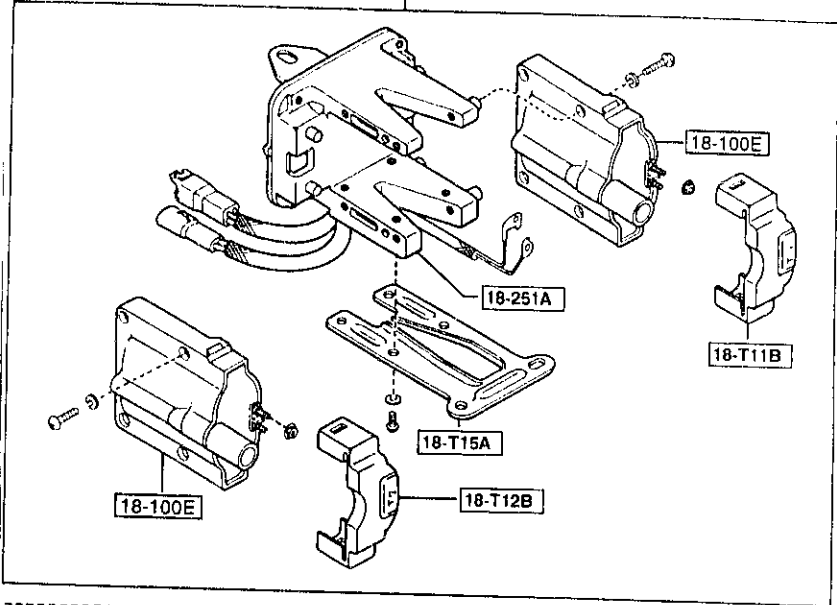
PART NO.	QTY	MODEL/RESTRICTION	MODEL/RESTRICTION	MODEL/RESTRICTION	FROM-TG
17-520		KNOB, CHANGE LEVER			
M513-17-520	1				
00	INT-	FD8 FD9 FE0 FE1 BLACK			
17-522		SPRING			
0103-17-411	3	5TH & REVERSE			
17-635A		FORK, SHIFT-5TH & REVERSE			
R505-17-406	1				

(THIS ILLUSTRATION CONSISTS OF 2 PAGES)

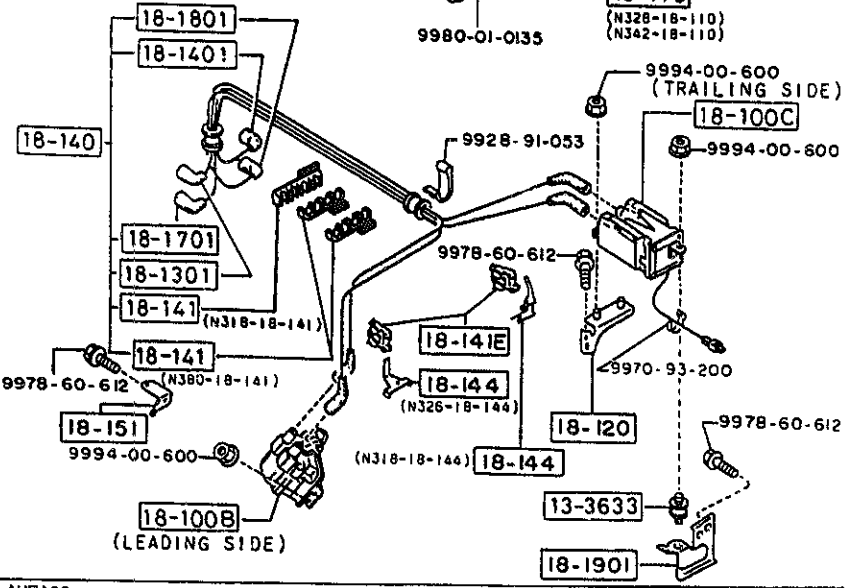
(THIS ILLUSTRATION CONSISTS OF 2 PAGES)



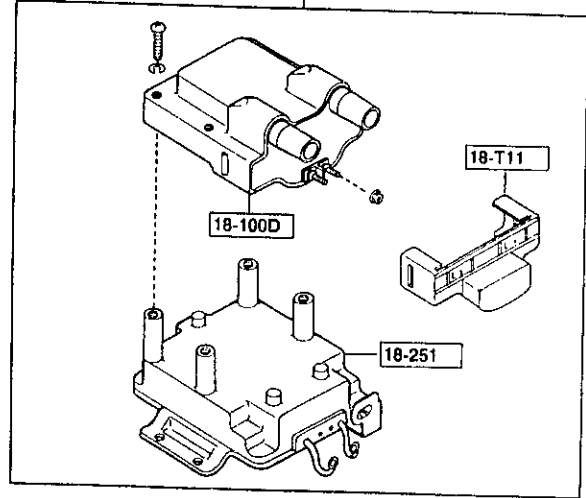
(TRAILING SIDE)



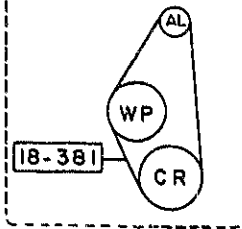
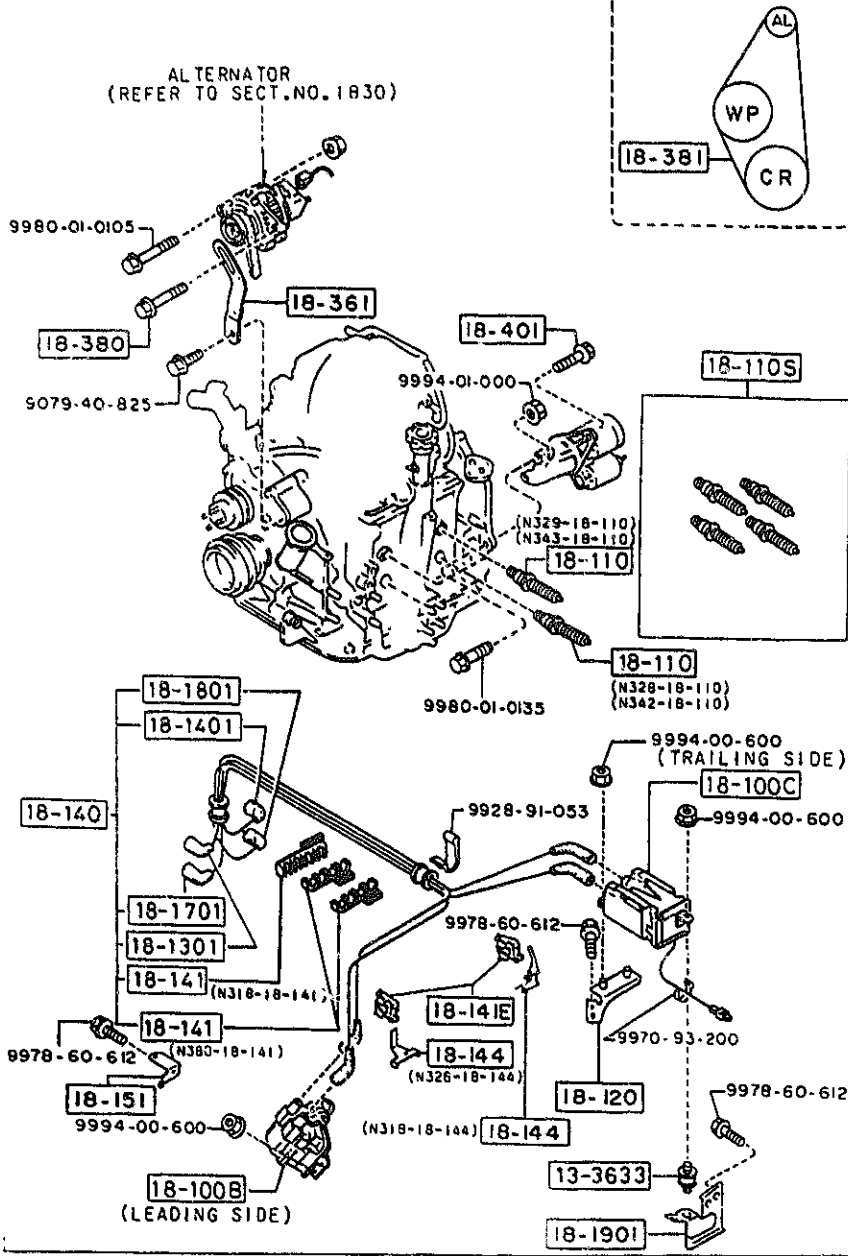
(LEADING SIDE)



18-100B



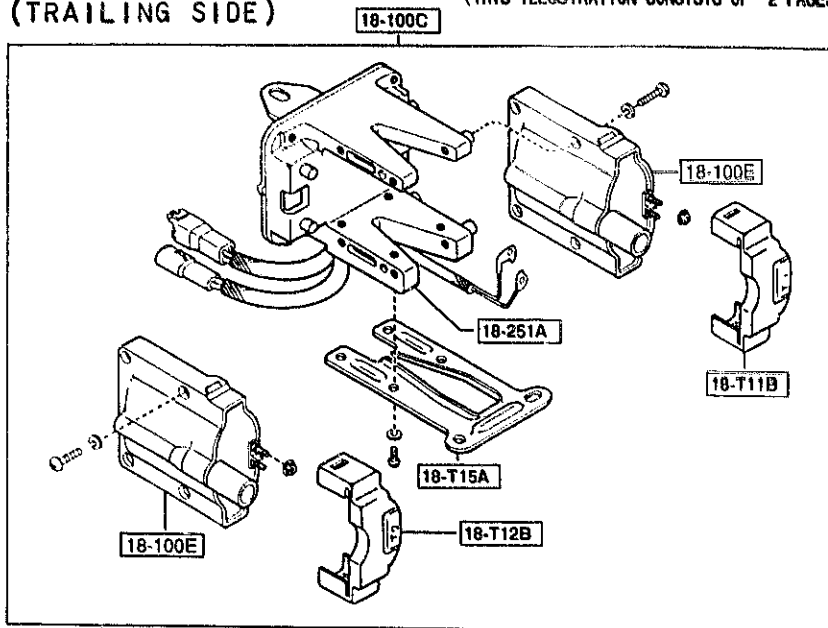
(THIS ILLUSTRATION CONSISTS OF 2 PAGES)



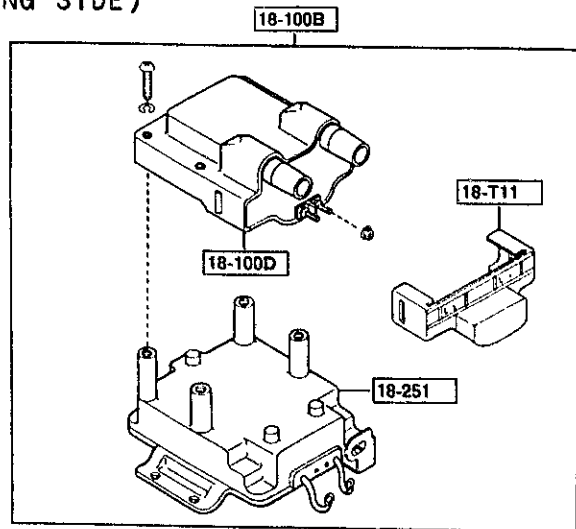
PART NO.	QTY	MODEL/RESTRICTION	MODEL/RESTRICTION	MODEL/RESTRICTION	FROM-TO
13-3633		RUBBER, MOUNTING-IG. COIL			
N327-13-363	1				
18-T11		COVER, IG. COIL-LEADING			
N327-18-T11	1				
18-T11B		COVER, IG. COIL-T-1			
N326-18-T11	1				
18-T12B		COVER, IG. COIL-T-2			
N326-18-T12	1				
18-T15A		BRACKET, IG. COIL-TRAILING			
N326-18-T15	1				
18-100B		COIL & IGNITER, LEADING			
N327-18-100	1	DENSO			
18-100C		COIL & IGNITER, TRAILING			
N326-18-100B	1	DENSO			
18-100D		COIL, IGNITION-LEADING			
N339-18-100	1	DENSO			
18-100E		COIL, IGNITION-TRAILING			
N338-18-100	2	DENSO			
18-110		PLUG, SPARK			
N328-18-110	2	BUR9EQ NGK (OPTION HOT TYPE)			
N329-18-110	2	BUR6EQ NGK (OPTION HOT TYPE)			
N342-18-110	2	BUR9EQ NGK (STD.)			
N343-18-110	2	BUR7EQ NGK (STD.)			
18-110S		PLUG SET, SPARK			
N3X4-18-110	1	BUR9EQ/BUR7EQ NGK			

(TRAILING SIDE)

(THIS ILLUSTRATION CONSISTS OF 2 PAGES)

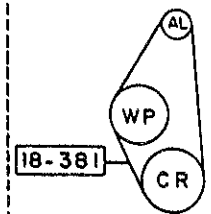
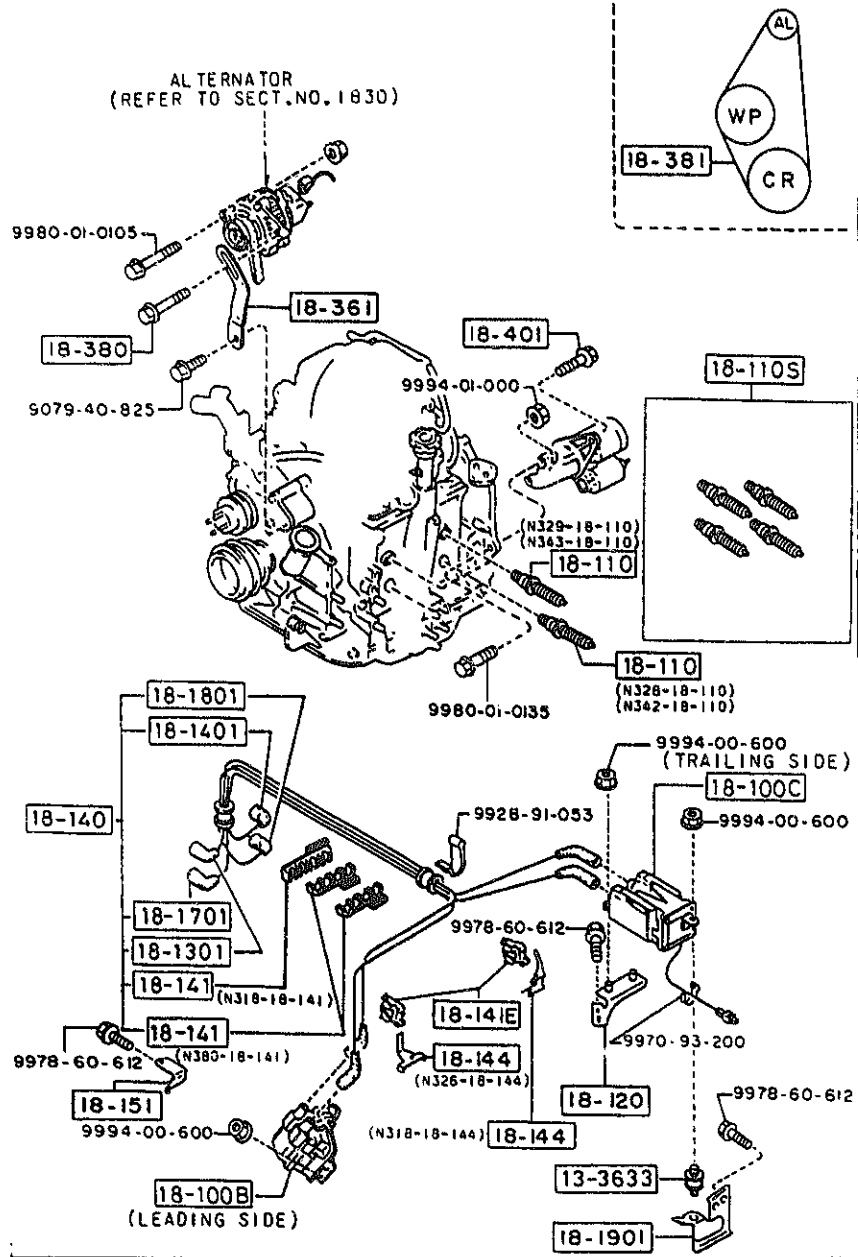


(LEADING SIDE)



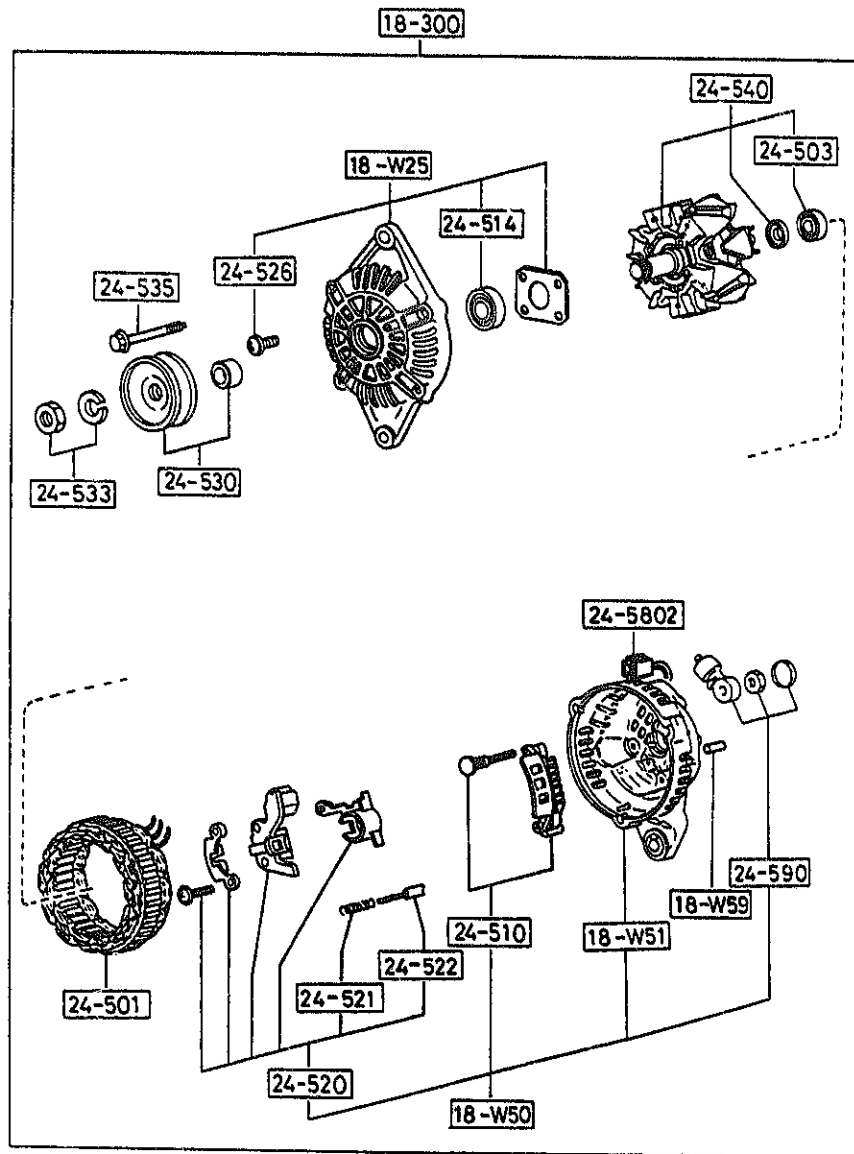
PART NO.	QTY	MODEL/RESTRICTION	MODEL/RESTRICTION	MODEL/RESTRICTION	FROM-TO
18-120		BRACKET, IG. COIL			
N326-18-105	1				
18-1301		CORD, HIGH TENSION (T-1)			
N318-18-160B	1	(TURBO)			
N326-18-160B	1	(W/O TURBO)			
18-140		CORD SET, HI. TENSION			
N326-18-140C	1	(W/O TURBO)			
N380-18-140	1	(TURBO)			
18-1401		CORD, HIGH TENSION (T-2)			
N318-18-190B	1	(TURBO)			
N326-18-190B	1	(W/O TURBO)			
18-141		SUPPORTER			
N318-18-141	1	(TURBO)			
N380-18-141	2	(TURBO)			
18-141E		SUPPORTER, CORD			
N326-18-141A	1	(W/O TURBO)			
N326-18-141A	2	(TURBO)			
18-144		BRACKET, SUPPORT-H.T. CORD			
N318-18-144	1	(TURBO)			
N326-18-144	1	(W/O TURBO)			
18-151		BRACKET, HT. CORD SUPPORTER			
N326-18-151	1	(W/O TURBO)			
18-1701		CORD, HIGH TENSION (L-1)			
N318-18-170B	1	(TURBO)			
N326-18-170B	1	(W/O TURBO)			
18-1801		CORD, HIGH TENSION (L-2)			
N318-18-180B	1	(TURBO)			
N326-18-180B	1	(W/O TURBO)			
18-1901		BRKT, IGNITION COIL			

(THIS ILLUSTRATION CONSISTS OF 2 PAGES)



PART NO.	QTY	MODEL/RESTRICTION	MODEL/RESTRICTION	MODEL/RESTRICTION	FROM-TO
CONT'D					
N326-18-115A	1				
18-251		IGNITER, IG. COIL-LEADING			
N327-18-251	1				
18-251A		IGNITER, IG. COIL-TRAILING			
N326-18-251A	1				
18-361		STRAP, ALTERNATOR			
N336-18-361	1				
18-380		BOLT, ALTERNATOR			
N326-18-397	1				
18-381		BELT 'V'			
N350-18-381	1				
18-401		BOLT, STARTER			
N327-18-401	1				

1-H11

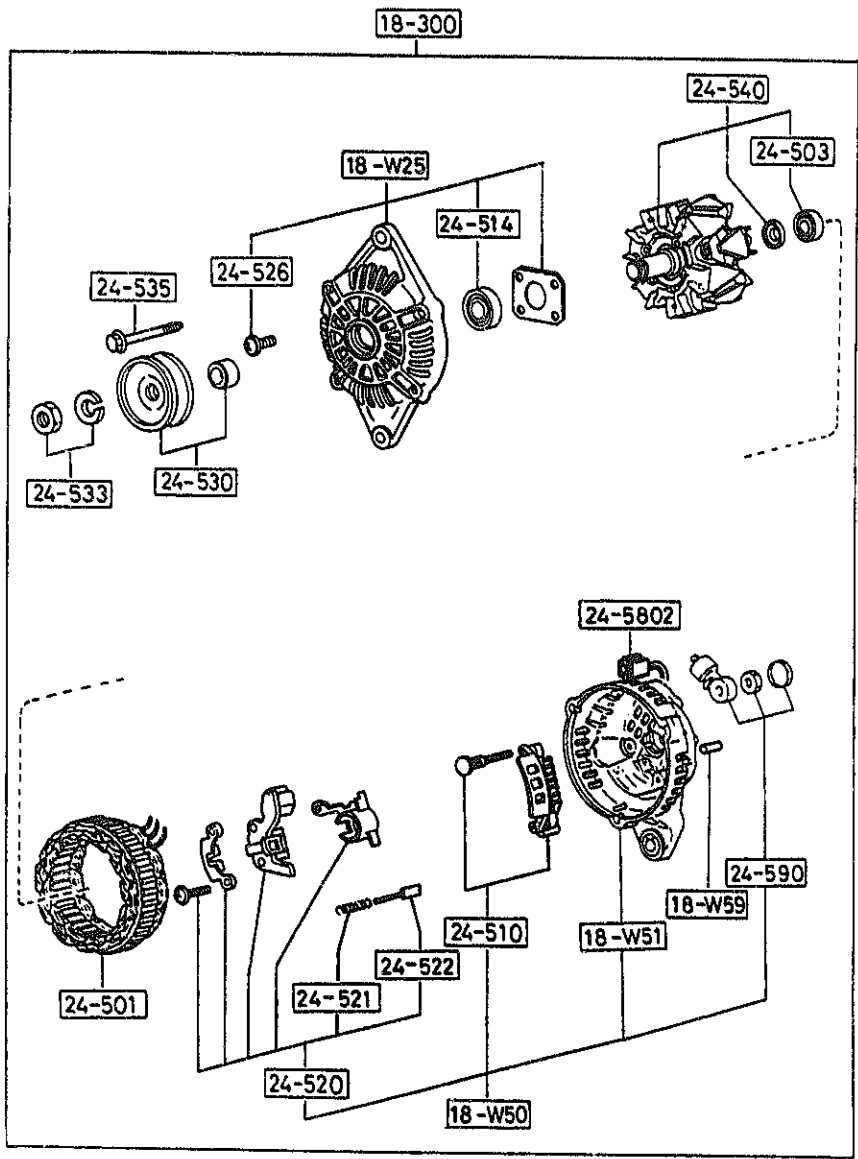


AUFA03

PART NO.	QTY	MODEL/RESTRICTION	MODEL/RESTRICTION	MODEL/RESTRICTION	FROM-TO
18-W25 JE15-18-W25	1	COVER, FRONT-ALTERNATOR			
18-W50 N350-18-W50	1	COVER, REAR-ALTERNATOR (W/O TURBO)			
18-W51 N370-18-W51	1	COVER, REAR-ALTERNATOR (TURBO)			
18-W51 N350-18-W51	1	COVER, REAR-ALTERNATOR (W/O TURBO)			
18-W51 N370-18-W51	1	COVER, REAR-ALTERNATOR (TURBO)			
18-W59 B675-18-W59	1	PLUG			
18-300 N350-18-300B	1	ALTERNATOR (W/O TURBO)			
18-300 N370-18-300B	1	ALTERNATOR (TURBO)			
24-501 JF07-18-W45	1	STATOR			
24-503 N336-18-W36	1	BEARING, BALL-ALT. REAR			
24-510 N350-18-W60	1	RECTIFIER			
24-514 F811-18-W27	1	BEARING, BALL-ALT. FRONT			
24-520 F285-18-W70	1	REGULATOR, VOLTAGE ((W/O TURBO)>('91 MODEL))			
24-521 JE15-18-W70A	1	BRUSH (TURBO)			
24-521 N350-18-W70	1	BRUSH ((W/O TURBO)>('92 MODEL))			
24-521 8599-24-521	2	SPRING, BRUSH			

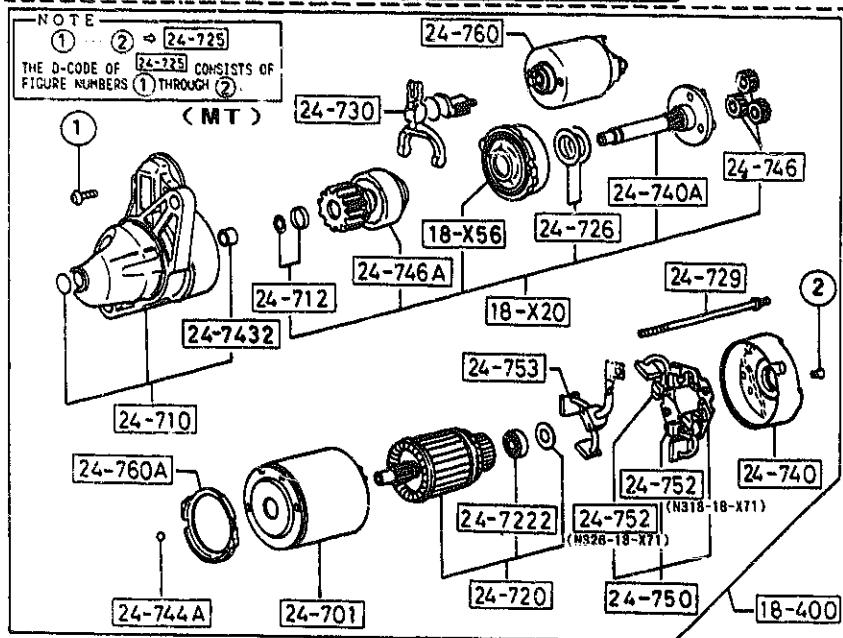
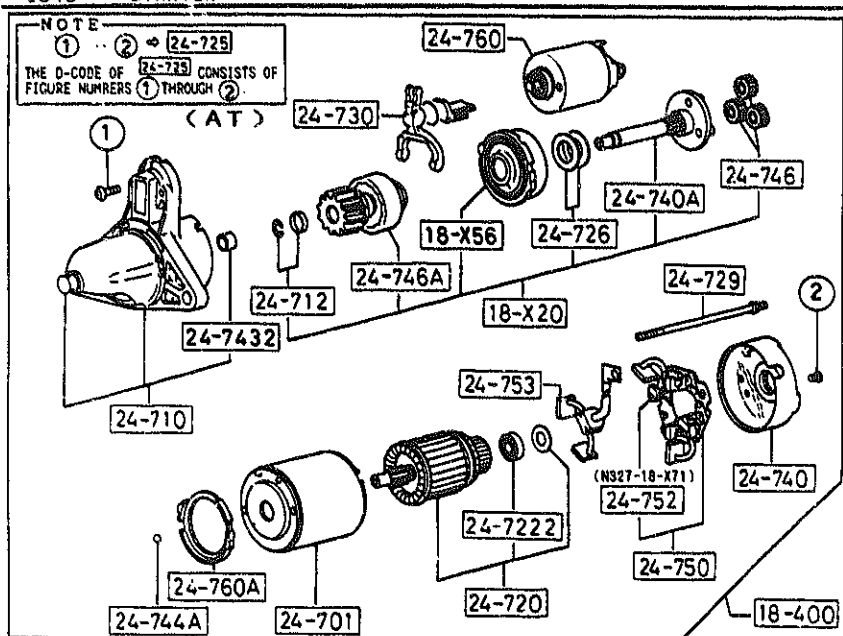
CAT. AUFA03-07

1993-12



PART NO.	QTY	MODEL/RESTRICTION	MODEL/RESTRICTION	MODEL/RESTRICTION	FROM-TO
24-522		BRUSH			
FE2H-18-W77	2				
24-526		SCREW SET			
RF71-18-W26	1				
24-530		PULLEY			
N336-18-W10	1				
24-533		NUT SET			
8028-24-533	1				
24-535		SCREW SET			
RF71-18-W20	1				
24-540		ROTOR			
JE15-18-W35A	1	NON ASBESTOS			
24-5802		CONNECTOR SET			
N349-18-W54	1	((TURBO))<'92 MODEL			
N370-18-W54	1	((TURBO))<'91 MODEL			
24-590		TERMINAL SET			
N350-18-W80	1				

1840 STARTER



PART NO.	QTY	MODEL/RESTRICTION	MODEL/RESTRICTION	MODEL/RESTRICTION	FROM-TO
18-X20		SHAFT, PINION			
N318-18-X20	1	((W/O TURBO))<(AT)<			
		<(TURBO)<			
N326-18-X20	1	((W/O TURBO))<(MT)<			
18-X56		GEAR, INTERNAL-STARTER			
N326-18-X56	1				-1601
F225-18-X56	1				1601-
18-400		STARTER			
N318-18-400A		NON ASBESTOS			
A (N318-18-400B)	1				-0908
N326-18-400A		NON ASBESTOS			
A (N326-18-400B)	1				-0915
N327-18-400					-0801
A (N327-18-400A)	1				
N318-18-400B	1	<(TURBO)<			0908-
N326-18-400B		NON ASBESTOS			
	1	((W/O TURBO))<(MT)<			0915-
N327-18-400A	1	((W/O TURBO))<(AT)<			0801-
24-701		YOEK			
N326-18-X65	1	<(MT)<			
N327-18-X65	1	<(AT)<			
24-710		BRACKET, FRONT			
N318-18-X00	1	<(TURBO)<			
N326-18-X00	1	((W/O TURBO))<(MT)<			
N327-18-X00	1	((W/O TURBO))<(AT)<			
24-712		STOPPER SET			
N326-18-X30	1				
24-720		ARMATURE			
F214-18-X60		NON ASBESTOS			
	1	<(MT)<			-0908
N327-18-X60		ASBESTOS			
	1	<(AT)<			-0801
F214-18-X60A		NON ASBESTOS			
	1	<(MT)<			0908-
N327-18-X60A		NON ASBESTOS			
	1	<(AT)<			0801-
0908 FC3***-901588 0915 FC3***-901866 0801 FC3***-903509 1601 FC3***-907848					

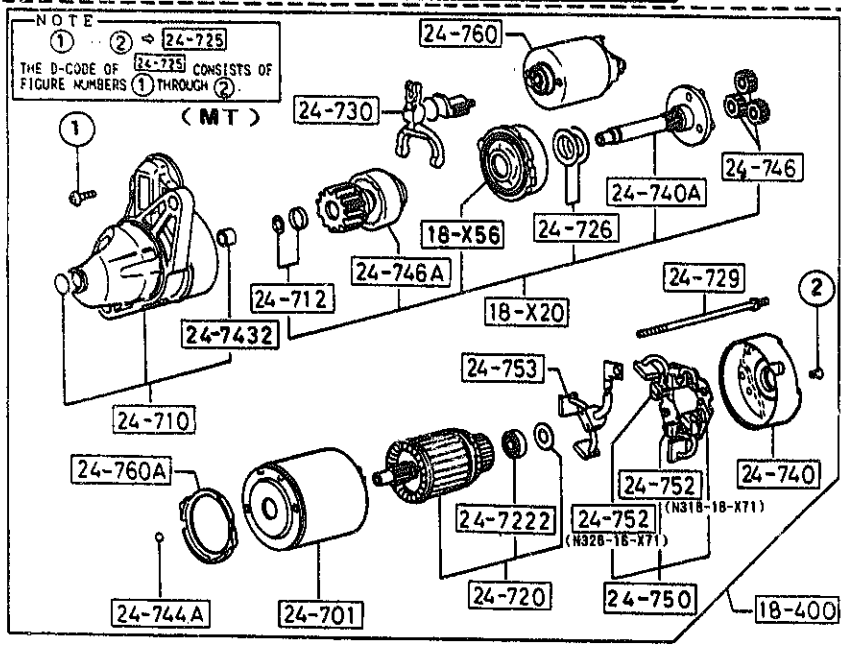
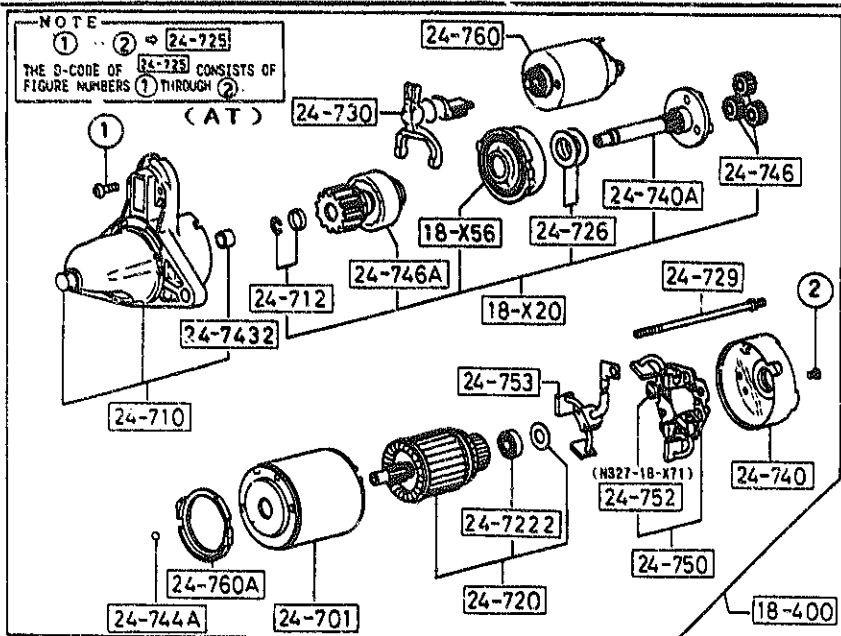
AUFA03

CAT. AUFA03-07

1993-12

1-K11

1840 STARTER



PART NO.	QTY	MODEL/RESTRICTION	MODEL/RESTRICTION	MODEL/RESTRICTION	FROM-TO
24-7222		SLEEVE, BEARING-REAR			
N326-18-X62	1				-0908
N326-18-X62A	1				0908-
24-725		SCREW SET			
E356-18-X95	1				
24-726		WASHER SET			
N326-18-X92	1				
24-729		BOLT			
JE01-18-X91	2 (AT)				
N326-18-X91	2 (MT)				
24-730		LEVER			
N326-18-X05	1				
24-740		BRACKET, REAR			
N318-18-X80	1 ((W/O TURBO)>(AT)) (TURBO)				-0908
N320-18-X80	1 ((W/O TURBO)>(MT))				-0915
N318-18-X80A	1 ((W/O TURBO)>(AT)) (TURBO)				0908-
N320-18-X80A	1 ((W/O TURBO)>(MT))				0915-
24-740A		SHAFT			
N326-18-X40	1				
24-7432		SLEEVE, BEARING-FRONT			
E356-18-X01	1				
24-744A		BALL, STEEL			
N326-18-X93	1				
24-746		GEAR			
N326-18-X57	3				
24-746A		PINION			
N318-18-X25	1 ((W/O TURBO)>(AT)) (TURBO)				
N326-18-X25	1 ((W/O TURBO)>(MT))				
0908 FC3***-901588					
0915 FC3***-901866					

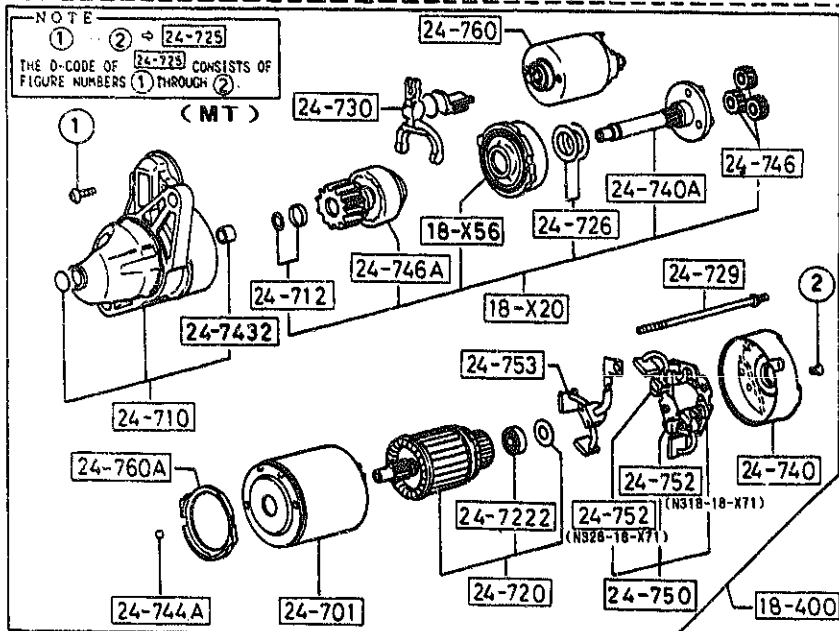
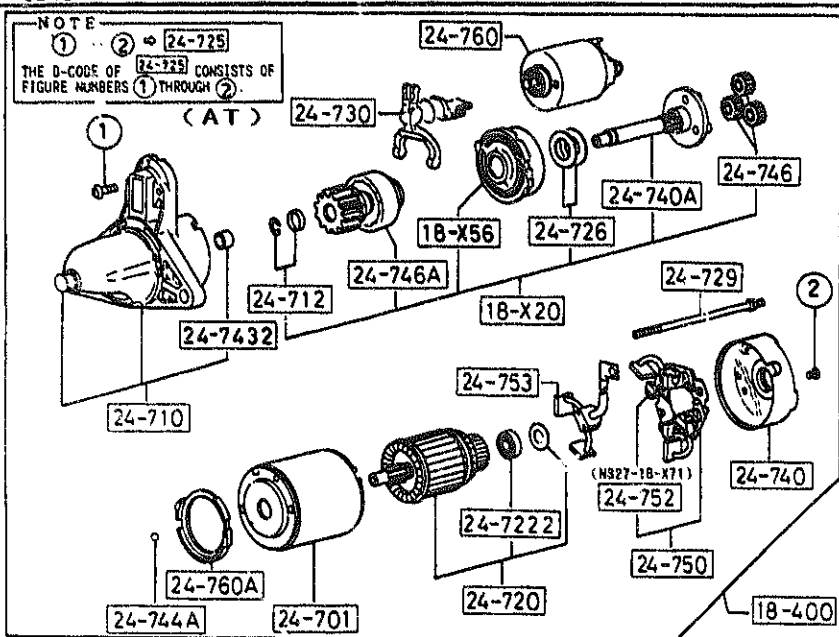
AUFA03

CAT. AUFA03-07

1993-12

1-L11

1840 STARTER



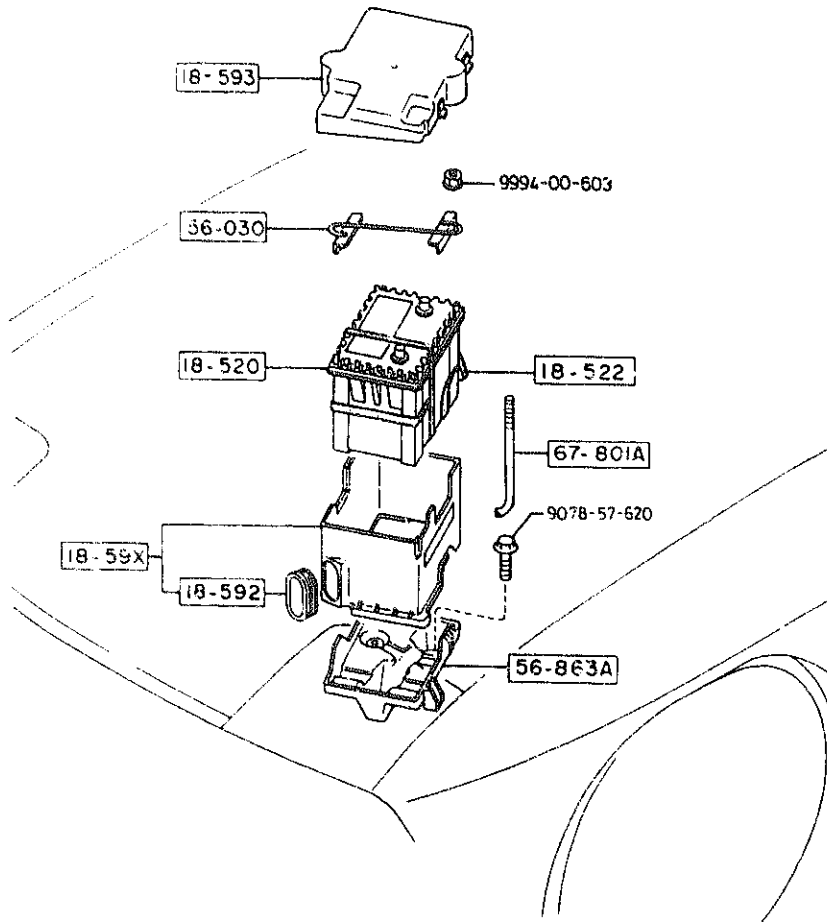
PART NO.	QTY	MODEL/RESTRICTION	MODEL/RESTRICTION	MODEL/RESTRICTION	FROM TO
24-750		HOLDER, BRUSH			
JE01-18-X70	1	(AT)			
JF01-18-X70	1	(MT)			
24-752		SPRING, BRUSH			
N318-18-X71	2	(MT)			
N326-18-X71	2	(MT)			
N327-18-X71	4	(AT)			
24-753		BRUSH, YOKE			
F214-18-X66	1	(MT)			
N319-18-X66	1	(AT)			
24-760		SWITCH			
N326-18-X10	1				
24-760A		GASKET			
N326-18-X87	1				

AUFA03

CAT. AUFA03-07

1993-12

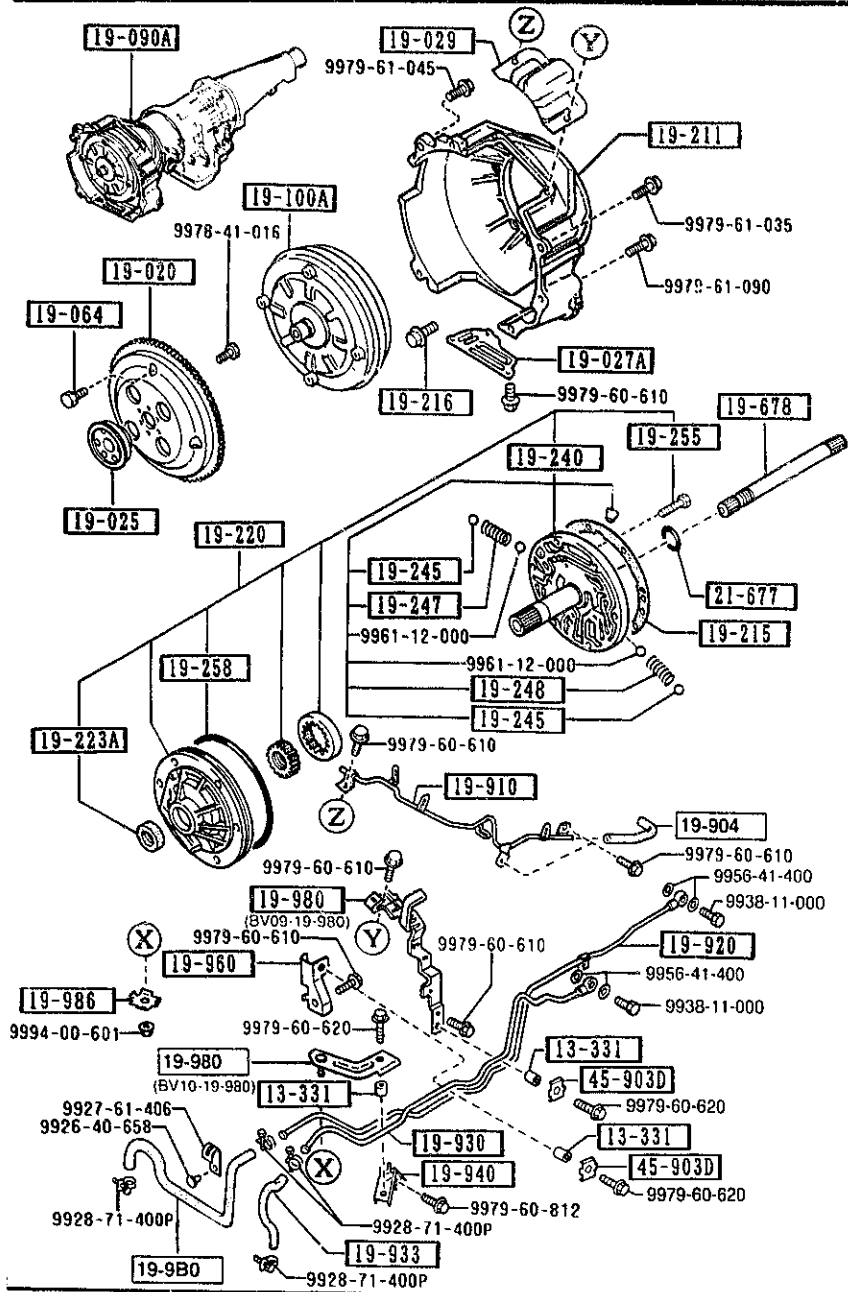
1-M11



PART NO.	QTY	MODEL/RESTRICTION	MODEL/RESTRICTION	MODEL/RESTRICTION	FROM TO
18-520		BATTERY			
AM15-18-520A	1	75D26L GS			
E566-18-520A	1	P5D23L GS M/F TYPE			
N251-18-520A	1	65D23L GS M/F TYPE			
18-522		BAND, BATTERY			
N350-18-522	1				
18-59X		BOX, BATTERY			
N318-18-59XE	1				
18-592		SEAL, RUBBER-BATTERY BOX			
N318-18-592A	1				
18-593		COVER, BOX-BATTERY			
N318-18-593C	1				
56-030		CLAMP, BATTERY			
FB01-56-030	1				
56-863A		TRAY, BATTERY			
FB01-56-981D	1				
67-801A		BOLT, CLAMP			
0243-56-231	2				

1910 -1 TORQUE CONVERTER,OIL PUMP & PIPINGS (AUTOMATIC)

1910 TORQUE CONVERTER,OIL PUMP & PIPINGS (AUTOMATIC)



PART NO.	QTY	MODEL/RESTRICTION	MODEL/RESTRICTION	MODEL/RESTRICTION	FROM-TO
13-331		SPACER,AIR CLEANER			
2850-13-331	3				
19-020		PLATE,DRIVE			
BU17-19-020B	1				
19-025		PLATE,BACKING			
0842-19-025	1				
19-027A		COVER,UNDER			
BU17-19-027	1				
19-029		COVER, TOP			
BU17-19-050	1				
19-064		BOLT			
3649-19-064A	4				
19-090A		T/MISSION CPT.			
BV09-19-090B	1	('91 MODEL)			
BV09-19-090C	1	('92 MODEL)			
19-100A		CONVERTER,TORQUE			
BV03-19-100	1				-1201
A (BV03-19-100A)					
BV03-19-100A	1				1201-
19-211		HOUSING, CONVERTER			
BV03-19-211	1				
19-215		GASKET,OIL PUMP			
BU01-19-215	1	ASBESTOS ('91 MODEL)			
BU46-19-215	1	NON ASBESTOS ('92 MODEL)			
19-216		BOLT			
BU01-19-216	6				
19-220		PUMP,OIL			
BV03-19-220B	1	('91 MODEL)			
1201 FC3***-906121					

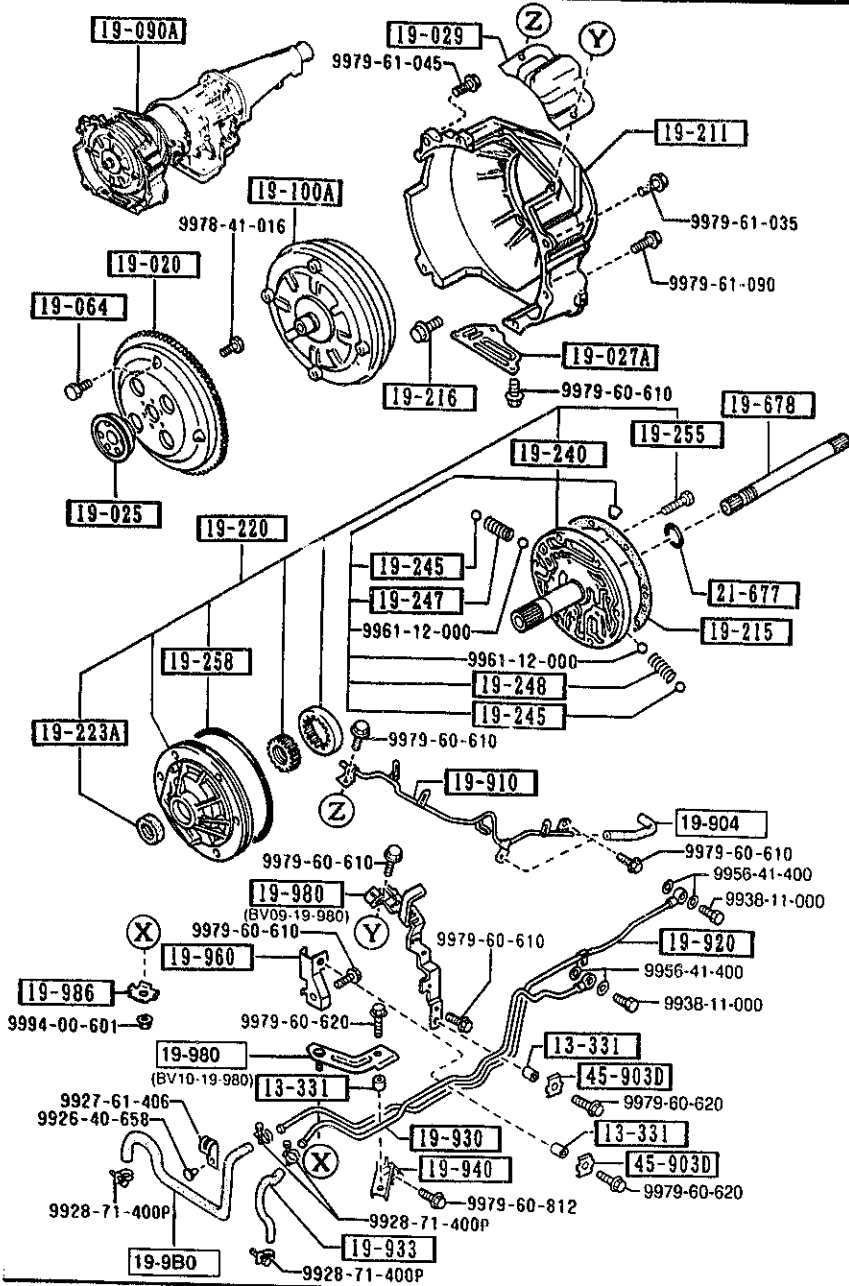
AUFA03

CAT. AUFA03-07

1993-12

1910 TORQUE CONVERTER, OIL PUMP & PIPINGS (AUTOMATIC)

1910 -2 TORQUE CONVERTER, OIL PUMP & PIPINGS (AUTOMATIC)



PART NO.	QTY	MODEL/RESTRICTION	MODEL/RESTRICTION	MODEL/RESTRICTION	FROM-TO
CONT'D					
BV03-19-220C	1	('92 MODEL)			
19-223A		SEAL, OIL			
0338-19-223A	1	NOK			
19-240		COVER, OIL PUMP			
BV03-19-240B	1	('91 MODEL)			
BV03-19-240C	1	('92 MODEL)			
19-245		BALL			
0338-19-245A	2				
19-247		SPRING			
0338-19-247	1				
19-248		SPRING			
0338-19-248	1				
19-255		BOLT			
0338-19-255	5				
19-258		SEAL, CUT RING			
0338-19-258	1				
19-678		SHAFT, INPUT			
BV01-21-678C	1				
19-980		HOSE, OIL-OIL PUMP			
BV09-19-980A	1				
19-904		HOSE, VACUUM			
BV09-19-904	1				
19-910		PIPE, VACUUM			
BV09-19-910A	1				
19-920		PIPE, OIL			
BV09-19-920B	1				
19-930		PIPE, OIL			

AUFA03

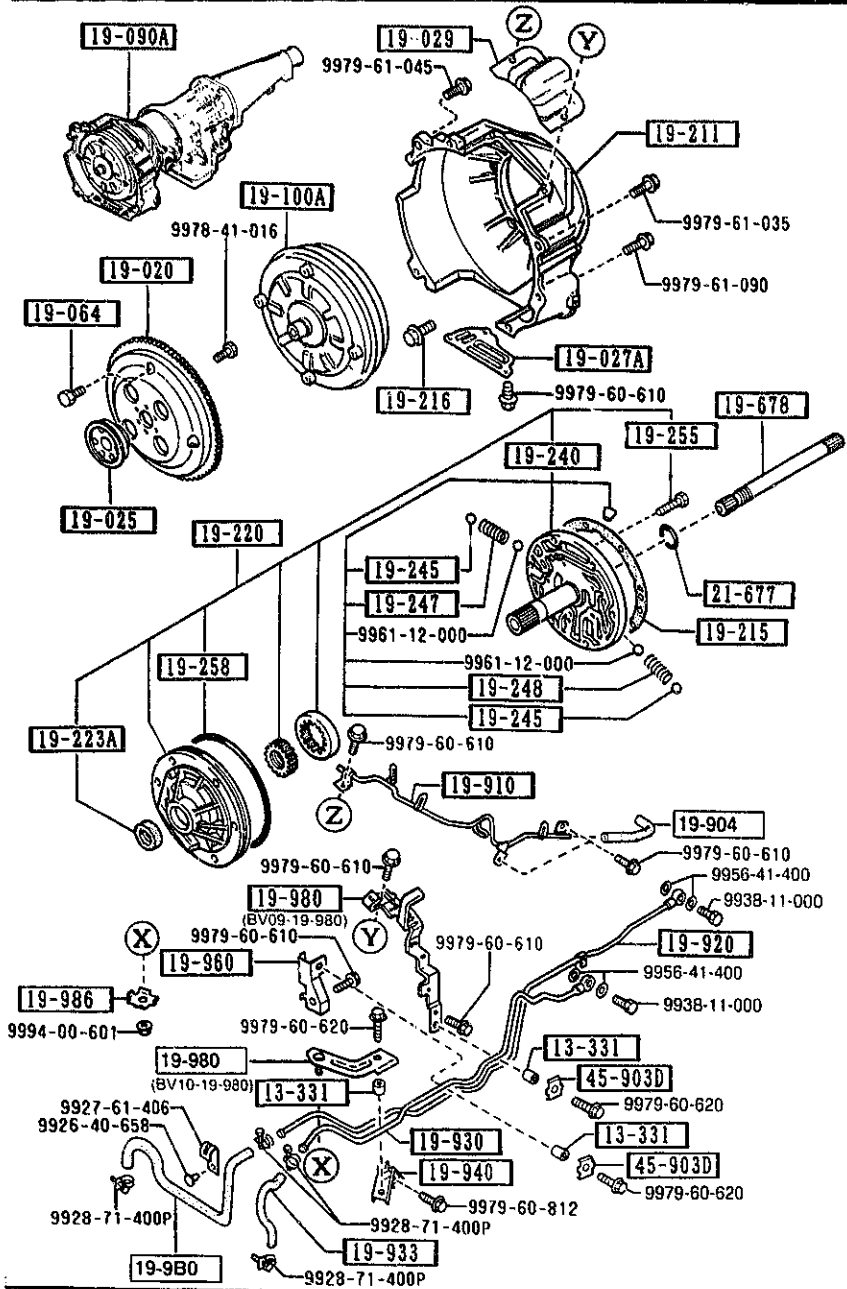
CAT. AUFA03-07

1993-12

1-D12

1910 -3 * TORQUE CONVERTER,OIL PUMP & PIPINGS (AUTOMATIC)

1910 TORQUE CONVERTER,OIL PUMP & PIPINGS (AUTOMATIC)



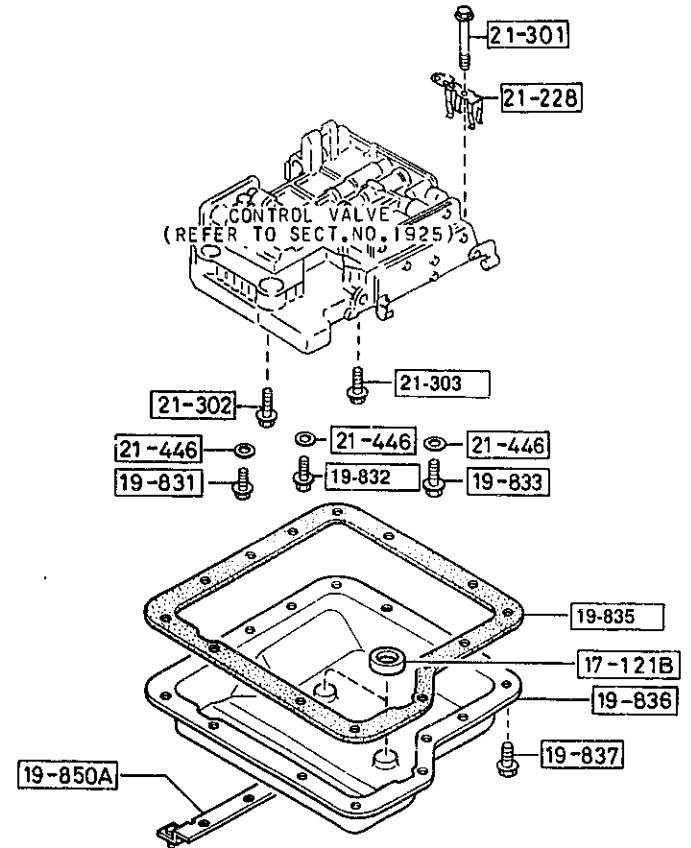
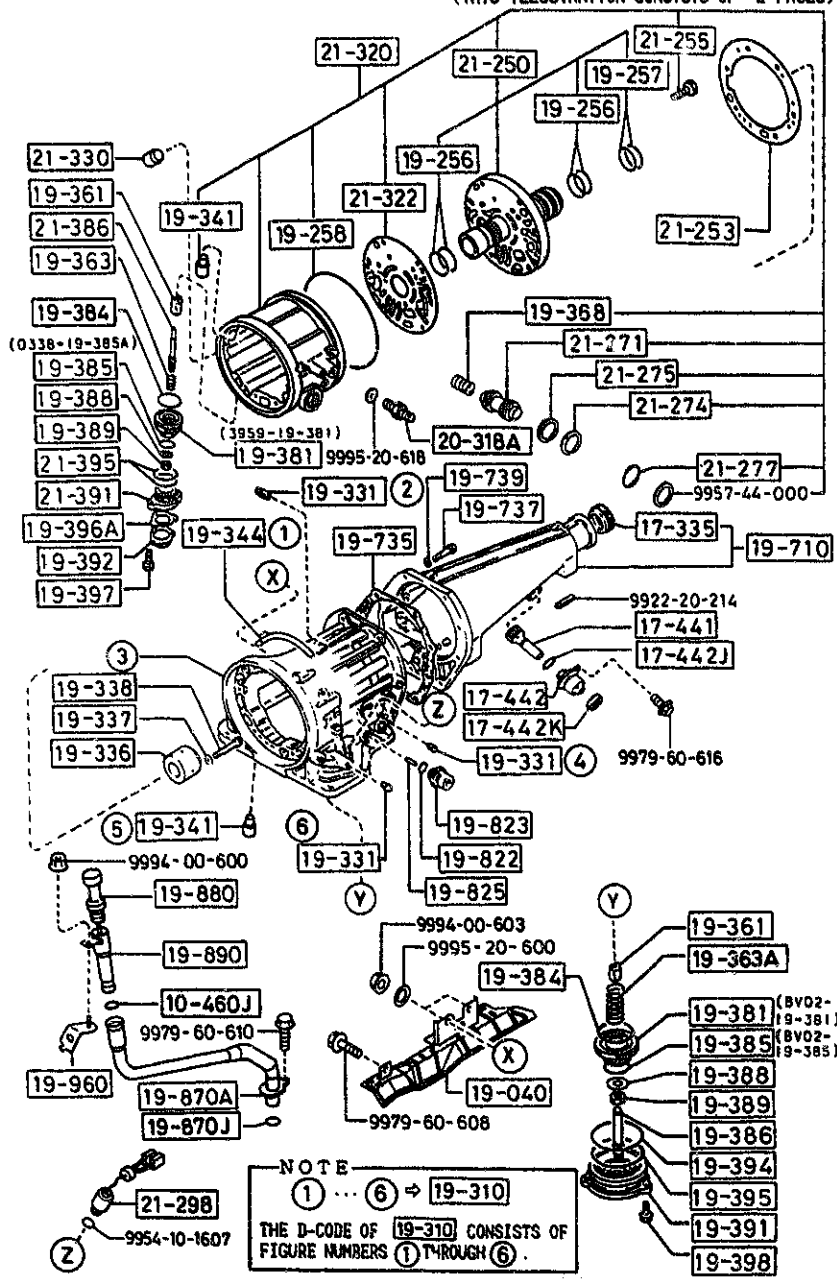
PART NO.	QTY	MODEL/RESTRICTION	MODEL/RESTRICTION	MODEL/RESTRICTION	FROM-TO
CONT'D					
3V09-19-930B	1				
19-933		HOSE,OIL			
BV09-19-933A	1				
19-940		BRACKET,PIPE			
BU17-19-940	1				
19-960		BRACKET			
BU17-19-961A	1				
19-980		BRACKET			
BV09-19-980	1				
BV10-19-980	1				
19-986		CLIP			
BV10-19-986	1				
21-677		RING,'O'			
BV01-21-677	1				
45-903D		CLIP,PIPE			
0866-45-903A	2				

AUFA03

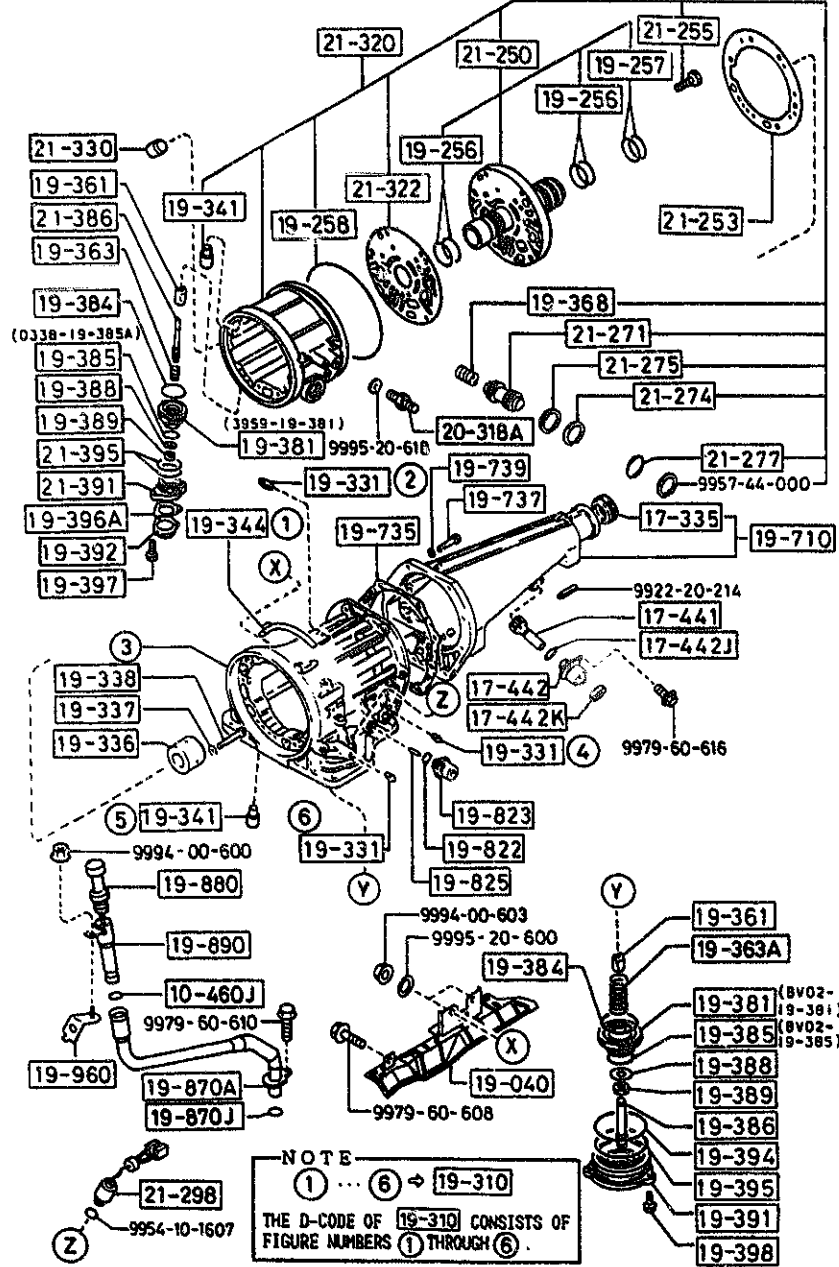
CAT. AUFA03-07

1993-12

1-E12

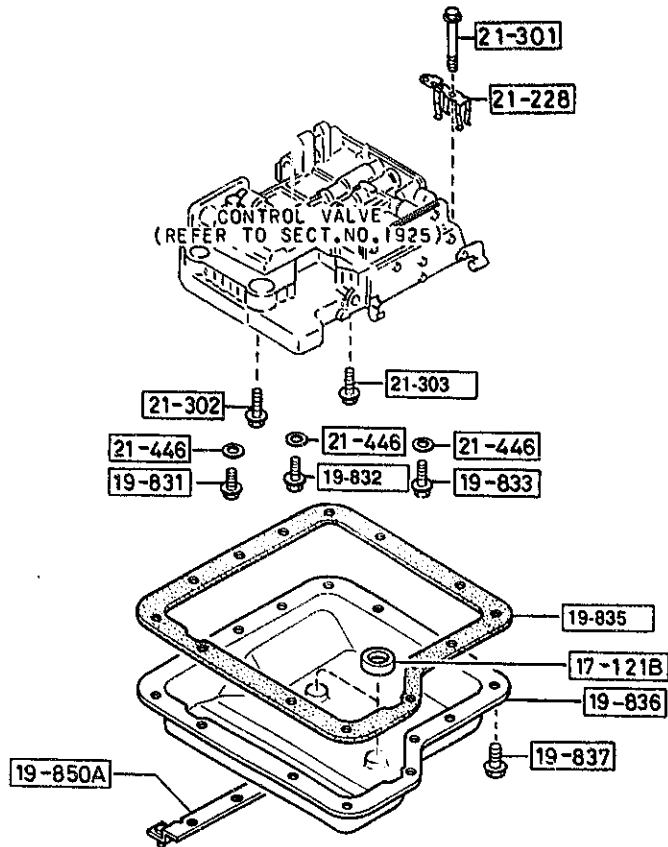


1920 TRANSMISSION CASE & MAIN CONTROL SYSTEM (AUTOMATIC) (1/2)
 (THIS ILLUSTRATION CONSISTS OF 2 PAGES)



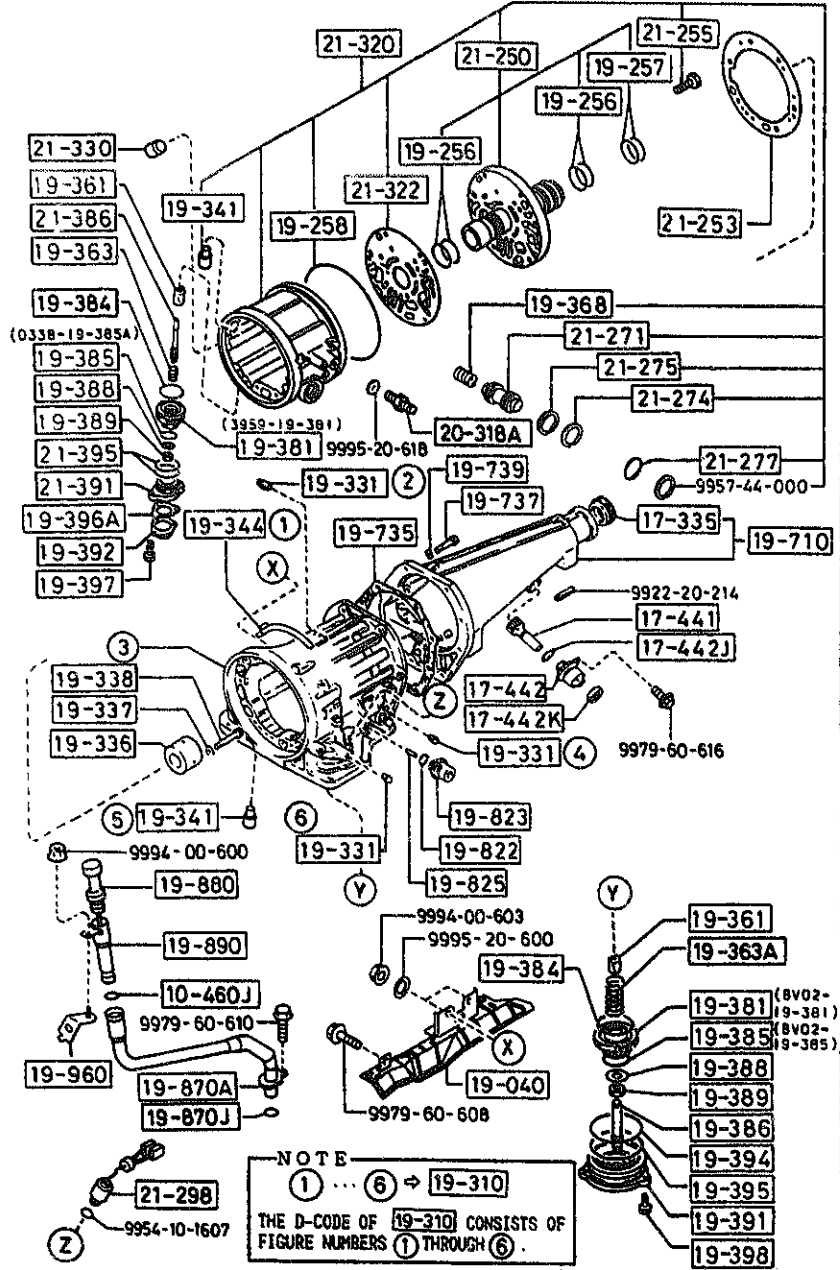
PART NO.	QTY	MODEL/RESTRICTION	MODEL/RESTRICTION	MODEL/RESTRICTION	FROM-TO
10-460J		RING, 'O'			
99541-01201	1				
17-121B		MAGNET			
F401-17-121	2				
17-335		SEAL, OIL			
R501-17-335A	1				
17-441		GEAR, DRIVEN			
1669-17-441A	1	N=20			
17-442		SLEEVE, SPEEDOMETER			
1669-17-442B	1				
17-442J		RING, 'O'			
1011-17-443	1				
17-442K		SEAL, OIL			
99586-08166	1				
19-040		INSULATOR, OIL PAN			
BV09-19-040	1				
19-256		RING, SEAL			
BU01-19-256	4				
19-257		RING, SEAL			
BU01-19-257	2				
19-258		SEAL, CUT RING			
0338-19-258	1				
19-310		CASE, T/MISSION			
BV09-19-310	1				-0C01
C (BV09-19-310A)					
BV09-19-310A	1				0C01-
19-331		PLUG, SQUARE HEAD			
0338-19-331A	3				
BV09-19-310			0C01 FC3MM-904305		
C BV09-19-310A	1				
BU01-21-292A	1				

1-G12



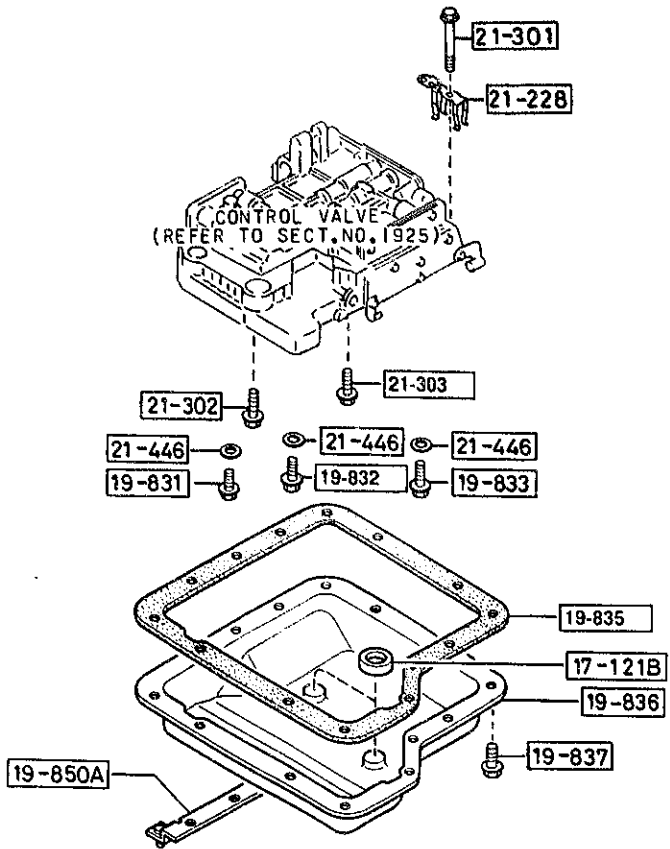
PART NO.	QTY	MODEL/RESTRICTION	MODEL/RESTRICTION	MODEL/RESTRICTION	FROM-TO
19-336		RACE, INNER			
0338-19-336	1				
19-337		WASHER, PLAIN			
0338-19-337	8				
19-338		BOLT			
0338-19-338	8				
19-341		BOLT, ANCHOR END			
0338-19-341	2				
19-344		BREATHER, AIR			
0397-19-340	1				
19-361		STRUT, BAND			
0338-19-361B	2				
19-363		SPRING, PISTON RETURN			
FT40-19-363	1				
19-363A		SPRING, PISTON RETURN			
BU17-19-363	1				
19-368		SPRING, CUSHION-PS TN. STEM			
BU20-19-368	1				
19-381		PISTON, BAND SERVO			
BV02-19-381	1				
3959-19-381	1				
19-384		SEAL, PISTON			
3959-19-384	2				
19-385		SEAL, PISTON			
BV02-19-385	1	D=46.6MM			
0338-19-385A	1	D=40MM			
19-386		STEM, PISTON			

(THIS ILLUSTRATION CONSISTS OF 2 PAGES)



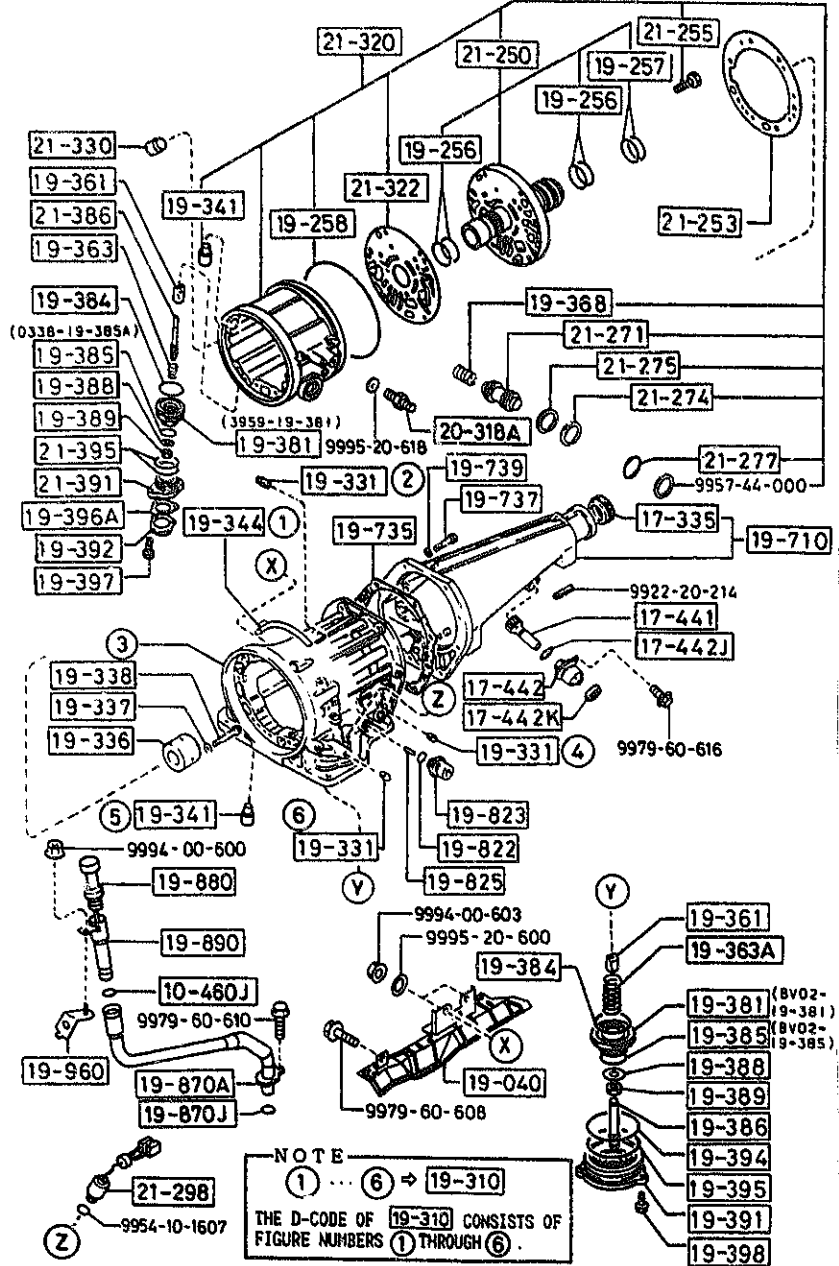
PART NO.	QTY	MODEL/RESTRICTION	MODEL/RESTRICTION	MODEL/RESTRICTION	FROM-10
CONT'D 0338-19-386A	1				
19-388		WASHER, PLAIN			
0338-19-388A	2	(CONVERTIBLE)			
19-389		NUT			
0338-19-389	2				
19-391		RETAINER, SERVO			
BV02-19-391	1				
19-392		COVER, SERVO			
1758-19-392A	1				
19-394		SEAL, LATHE CUT			
BV01-19-394	1				
19-395		RING, 'O'			
0338-19-395	1				
19-396A		GASKET			
BU46-19-3J4	1	NON ASBESTOS ('92 MODEL)			
1758-19-394A	1	ASBESTOS ('91 MODEL)			
19-397		BOLT			
1758-19-397	3				
19-398		BOLT			
0338-19-398	3				
19-710		HOUSING, EXTENSION			
BV09-19-710	1				
19-735		GASKET, EXTENSION			
BT28-19-735	1	NON ASBESTOS ('92 MODEL)			
0338-19-735	1	ASBESTOS ('91 MODEL)			
19-737		BOLT			

1920 TRANSMISSION CASE & MAIN CONTROL SYSTEM (AUTOMATIC) (2/2)
 (THIS ILLUSTRATION CONSISTS OF 2 PAGES)



PART NO.	QTY	MODEL/RESTRICTION	MODEL/RESTRICTION	MODEL/RESTRICTION	FROM-TO
CONT'D					
0338-19-737	8				
19-739		WASHER, PLAIN			
0338-19-739	8				
19-822		SEAL, 'O'RING			
0338-19-822	1				
19-823		DIAPHRAGM, VACUUM			
BV04-19-823A	1				
19-825		ROD, DIAPHRAGM			
0338-19-825	1	L=30MM			
0338-19-826	1	L=31MM			
0338-19-827	1	L=30.5MM			
0338-19-828	1	L=29MM			
0338-19-829	1	L=29.5MM			
19-831		BOLT, CONTROL VALVE			
0338-19-831	3				
19-832		BOLT, CONTROL VALVE			
0338-19-832	2				
19-833		BOLT, CONTROL VALVE			
0338-19-833	2				
19-835		GASKET, OIL PAN			
BT28-19-835	1	NON ASBESTOS ('92 MODEL)			
0338-19-835B	1	ASBESTOS ('91 MODEL)			
19-836		PAN, OIL			
BV02-19-836	1				
19-837		BOLT, OIL PAN			
0338-19-837	17				

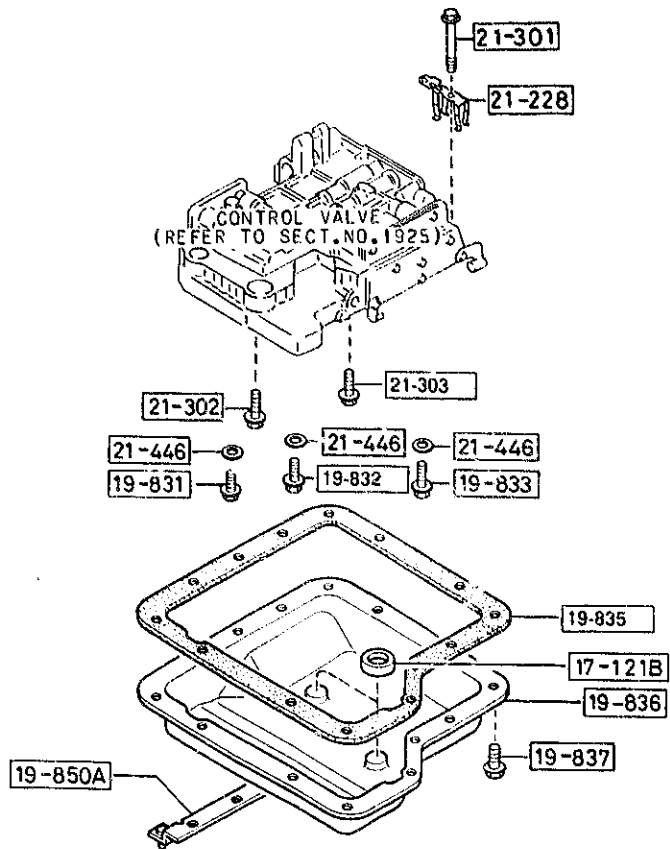
(THIS ILLUSTRATION CONSISTS OF 2 PAGES)



PART NO.	QTY	MODEL/RESTRICTION	MODEL/RESTRICTION	MODEL/RESTRICTION	FROM-TO
19-850A		BRACKET, INSULATOR			
BV09-19-850	1				
19-870A		TUBE, FILLER			
BV09-19-870	1				
19-870J		RING, 'O'			
99541-01601	1				
19-880		GAUGE, OIL LEVEL			
BV05-19-880A	1				
19-890		TUBE, OIL FILTER-UPPER			
BU17-19-890B	1				
19-960		BRACKET			
BV09-19-960	1				
20-318A		BOLT			
BU27-19-838	1				
21-228		HOLDER, SOCKET			
BV01-21-228A	1				
21-250		SUPPORT, DRUM			
BV01-21-250A	1				
21-253		GASKET, DRUM SUPPORT			
BU44-21-2F3	1	NON ASBESTOS ('92 MODEL)			
BU01-21-253	1	ASBESTOS ('91 MODEL)			
21-255		BOLT			
BU01-21-255	5				
21-271		PISTON, ACCUMULATOR			
BV01-21-271	1				
21-274		SEAL, 'O'RING			
BU01-21-274	1				

1-K12

(THIS ILLUSTRATION CONSISTS OF 2 PAGES)

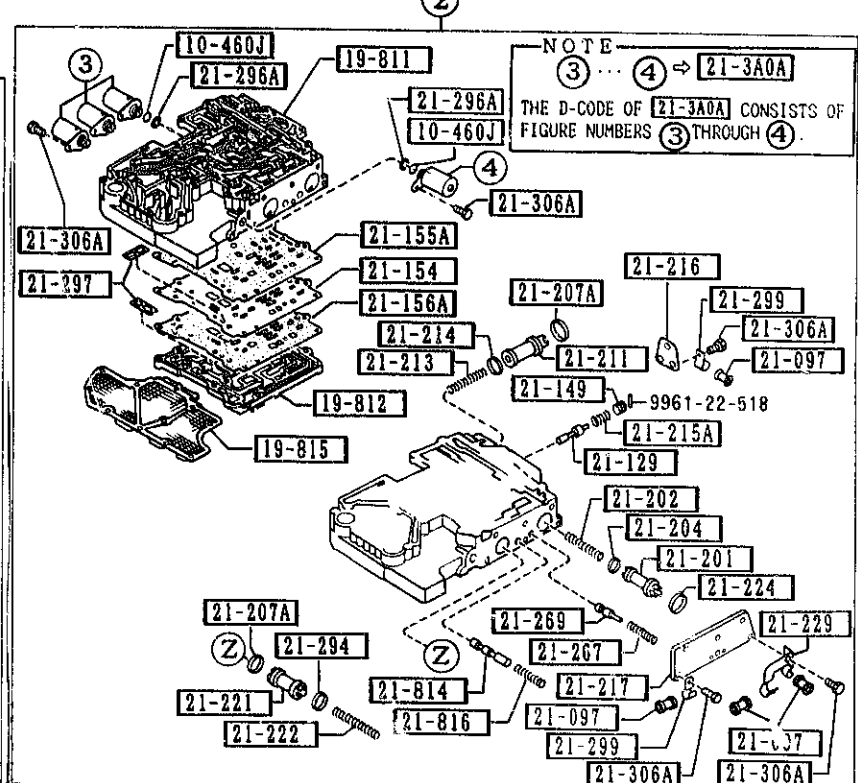
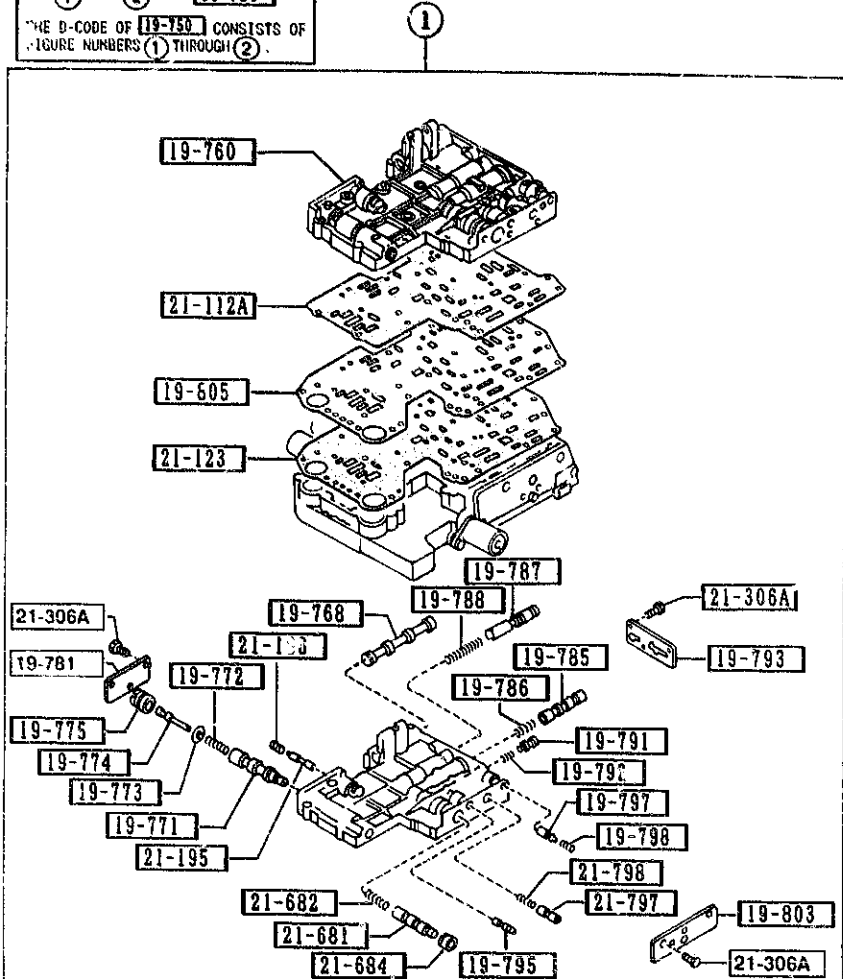


PART NO.	QTY	MODEL/RESTRICTION	MODEL/RESTRICTION	MODEL/RESTRICTION	FROM TO
21-275		SEAL, 'O' RING			
BV01-21-275	1				
21-277		RING, 'O'			
BU01-21-277	1				
21-298		COUPLER, SOLENOID VALVE			
BV09-21-2K0	1				
21-301		BOLT, CONTROL VALVE			
BV01-21-301	2				
21-302		BOLT, CONTROL VALVE			
BV01-21-302	4				
21-303		BOLT, CONTROL VALVE			
BV01-21-303	1				
21-320		CASE, OVER DRIVE ASBESTOS			
BV01-21-320D	1				
21-322		GASKET, O/DRIVE CASE			
BU01-21-322	1				
21-330		VALVE, ONE WAY			
BV01-21-330	1				
21-386		STEM, PISTON BAND			
BU01-21-386	1				
21-391		RETAINER, SERVO			
BU20-21-391	1				
21-395		RING, 'O'			
BU01-21-395	2				
21-446		WASHER, DISHED			
BV01-21-446	7				

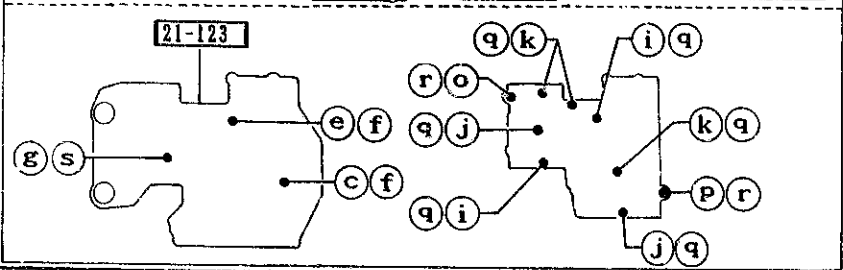
NOTE
 ① ... ② ⇨ 19-750
 THE D-CODE OF 19-750 CONSISTS OF
 FIGURE NUMBERS ① THROUGH ②.

(THIS ILLUSTRATION CONSISTS OF 2 PAGES)

(THIS ILLUSTRATION CONSISTS OF 2 PAGES)



NOTE
 ③ ... ④ ⇨ 21-3A0A
 THE D-CODE OF 21-3A0A CONSISTS OF
 FIGURE NUMBERS ③ THROUGH ④.



a			
b		19-8A2	D = 1.2MM
c		19-8A9	D = 1.8MM
d		19-8B2	D = 1.5MM
e		21-333	
f		19-808	D = 4.7MM, L = 15.5MM
g		19-814	D = 5.8MM, L = 26.8MM
h		19-819	
i		21-261	L = 30MM (BV01-21-261)
j		21-261	L = 40MM (FU01-21-261D)
k		21-262	L = 35MM
l		21-263	L = 25MM
m		21-265	L = 12MM
n		21-302	L = 59MM
o		21-305	L = 82MM
p		21-091	D = 21MM, d = 5.3MM
q		21-446	D = 12.5MM, d = 6.4MM
r			
s		9961-12-000	

AUFA03

(CONT'D)

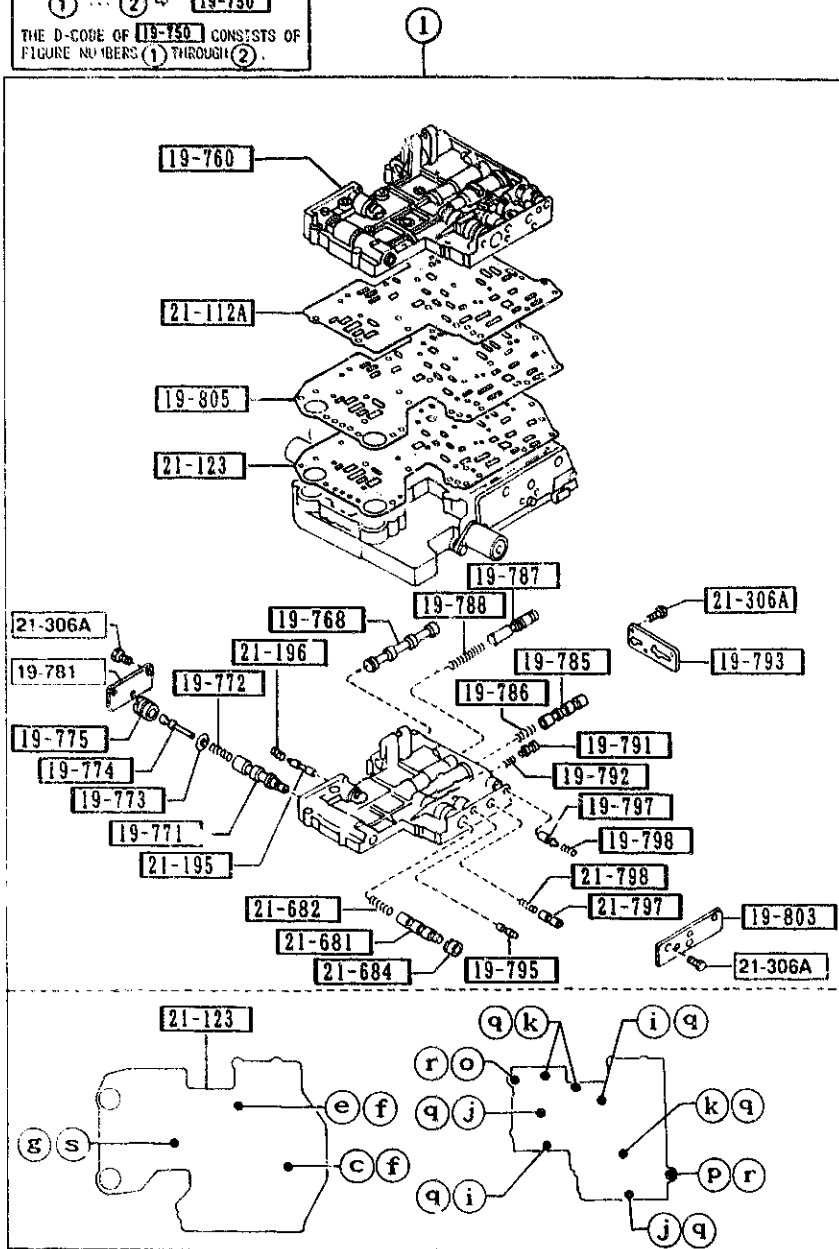
AUFA03

1-M12

NOTE

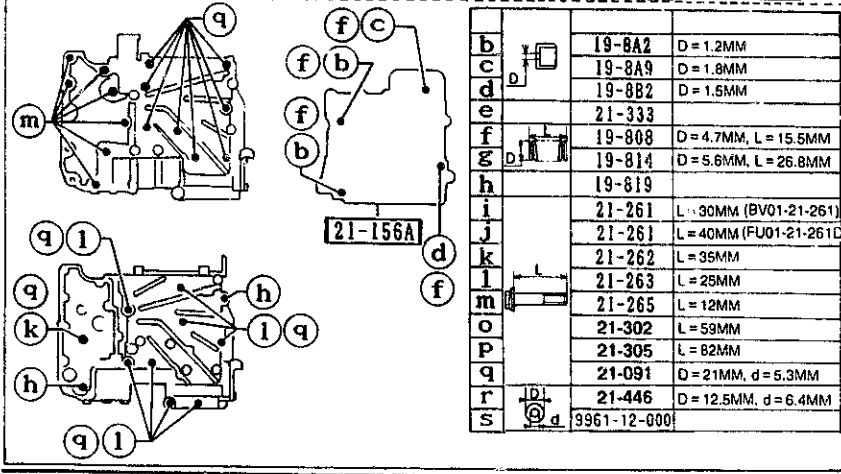
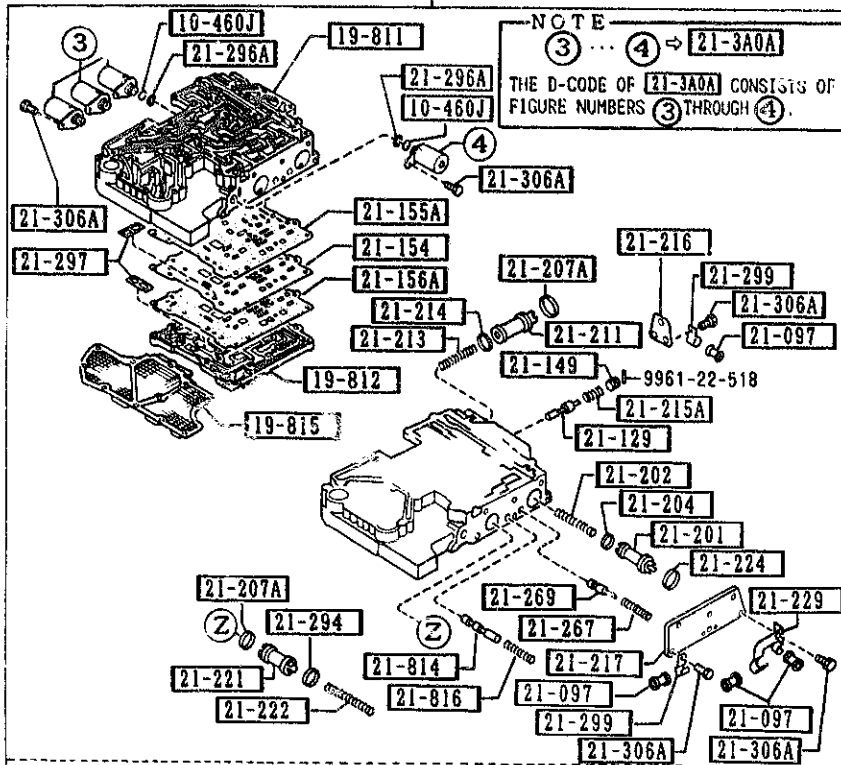
① ... ② ⇨ 19-750
 THE D-CODE OF 19-750 CONSISTS OF FIGURE NUMBERS ① THROUGH ②.

(THIS ILLUSTRATION CONSISTS OF 2 PAGES)



PART NO.	QTY	MODEL/RESTRICTION	MODEL/RESTRICTION	MODEL/RESTRICTION	FROM-TO
10-460J		RING, 'D'			
99541-00707	4				
19-750		VALVE, CONTROL			
BV09-19-750	1				
19-760		BODY, CONTROL VALVE-U			
BV01-19-760F	1				
19-768		VALVE, MANUAL			
0338-19-768	1				
19-771		VALVE, REGULATOR			
BV01-19-771	1				
19-772		SPRING, REGULATOR			
0338-19-772	1				
19-773		SEAT, REGULATOR SPRING			
0338-19-773	1				
19-774		PLUG, REGULATOR			
BV01-19-774A	1				
19-775		SLEEVE, REGULATOR PLUG			
BV01-19-775A	1				
19-781		PLATE, SIDE 'D'			
1758-19-781	1				
19-785		VALVE, 1-2 SHIFT			
BV01-19-785	1				
19-786		SPRING, 1-2 SHIFT			
BV01-19-786	1				
19-787		VALVE, 2-3 SHIFT			
BV01-19-787A	1				
19-788		SPRING, 2-3 SHIFT			
BV01-19-788	1				

(THIS ILLUSTRATION CONSISTS OF 2 PAGES)

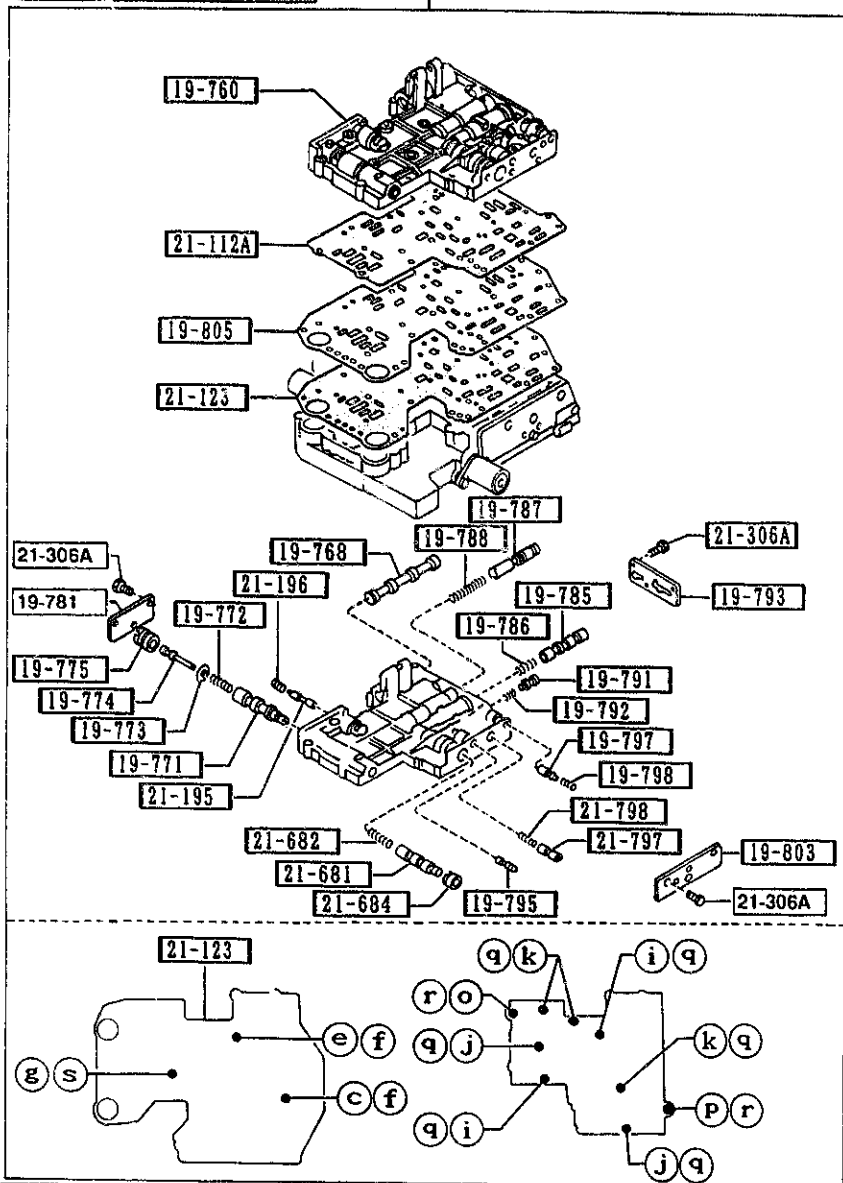


PART NO.	QTY	MODEL/RESTRICTION	MODEL/RESTRICTION	MODEL/RESTRICTION	FROM-TO
19-791		VALVE,MODIFIER			
0338-19-791A	1				
19-792		SPRING,MODIFIER			
BV01-19-792	1				
19-793		PLATE,SIDE 'A'			
BV01-19-793	1				
19-795		VALVE,THROTTLE			
0338-19-795B	1				
19-797		VALVE,THROTTLE BACK-UP			
BV01-19-797A	1				
19-798		SPRING,THROTTLE BACK-UP			
BV01-19-798	1				
19-8A2		VALVE,ORIFICE CHECK			
BV01-19-8A2	2				
19-8A9		VALVE,ORIFICE CHECK			
BV01-19-8A9	2				
19-8B2		VALVE,ORIFICE CHECK			
BV01-19-8B2	1				
19-803		PLATE,SIDE 'B'			
BV01-19-803	1				
19-805		PLATE,SEPARATOR			
BV01-19-805C	1				
19-808		SPRING			
*0338-19-808	6				
19-811		BODY,VALVE LWR			
BV01-19-811B A (BV01-19-811C)	1				-1401
BV01-19-811C	1				1401-

1401 FC3***-906971

NOTE
 ① ... ② ⇄ 19-750
 THE D-CODE OF 19-750 CONSISTS OF
 FIGURE NUMBERS ① THROUGH ②.

(THIS ILLUSTRATION CONSISTS OF 2 PAGES)



PART NO.	QTY	MODEL/RESTRICTION	MODEL/RESTRICTION	MODEL/RESTRICTION	FROM-TO
19-812		COVER, VALVE BODY			
BV01-19-812A	1				
19-814		SPRING			
0338-19-814	1				
19-815		STRAINER, OIL			
BV01-19-815	1				
19-819		NUT			
BV01-19-819	2 (CONVERTIBLE)				
21-091		WASHER			
FU01-21-091	24				
21-097		PROTECTOR			
FU01-21-097	4				
21-112A		GASKET			
BV01-21-112A	1				
21-123		GASKET			
BV01-21-123A	1				
21-129		VALVE, 1-2 REDUCING			
BV02-21-129	1				
21-149		PLUG, STOPPER			
BV01-21-149A	1				
21-154		PLATE, SEPARATOR			
BV02-21-154	1				
21-155A		GASKET			
BV01-21-155	1				
21-156A		GASKET			
BV01-21-156	1				
21-195		VALVE, REDUCING			
BV01-21-195	1				

AUFA03

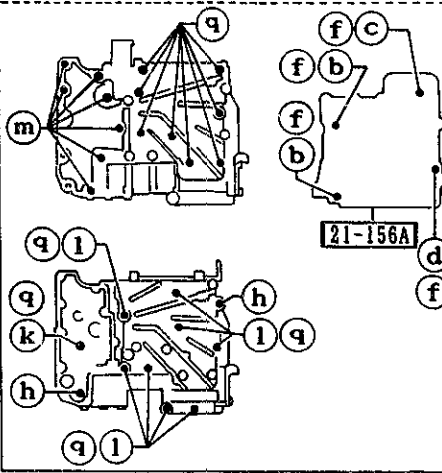
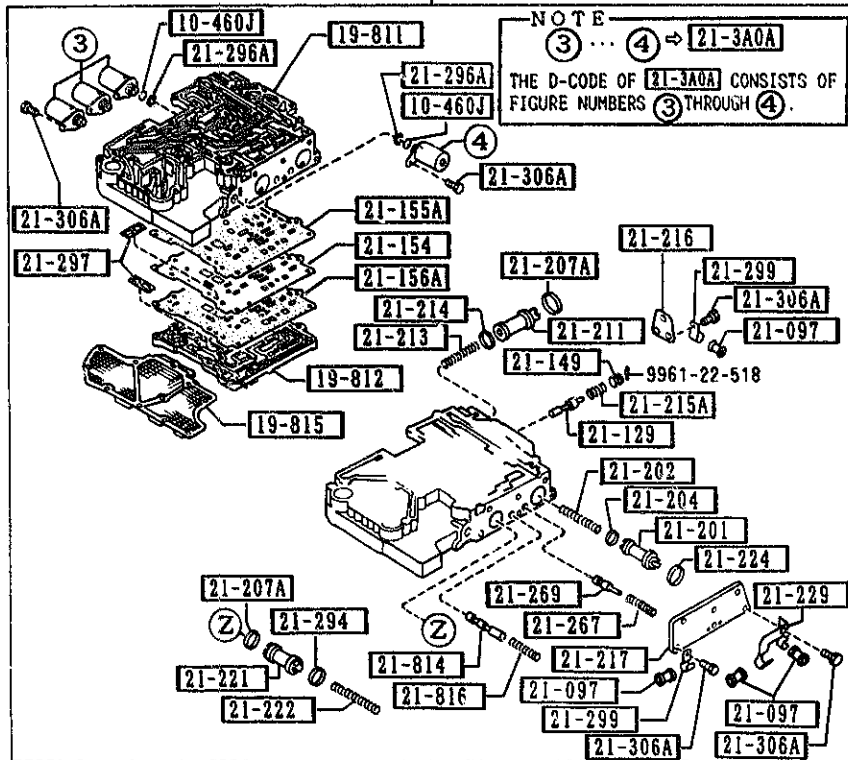
(CONT'D)

CAT. AUFA03-07

1993-12

1-D13

(THIS ILLUSTRATION CONSISTS OF 2 PAGES)

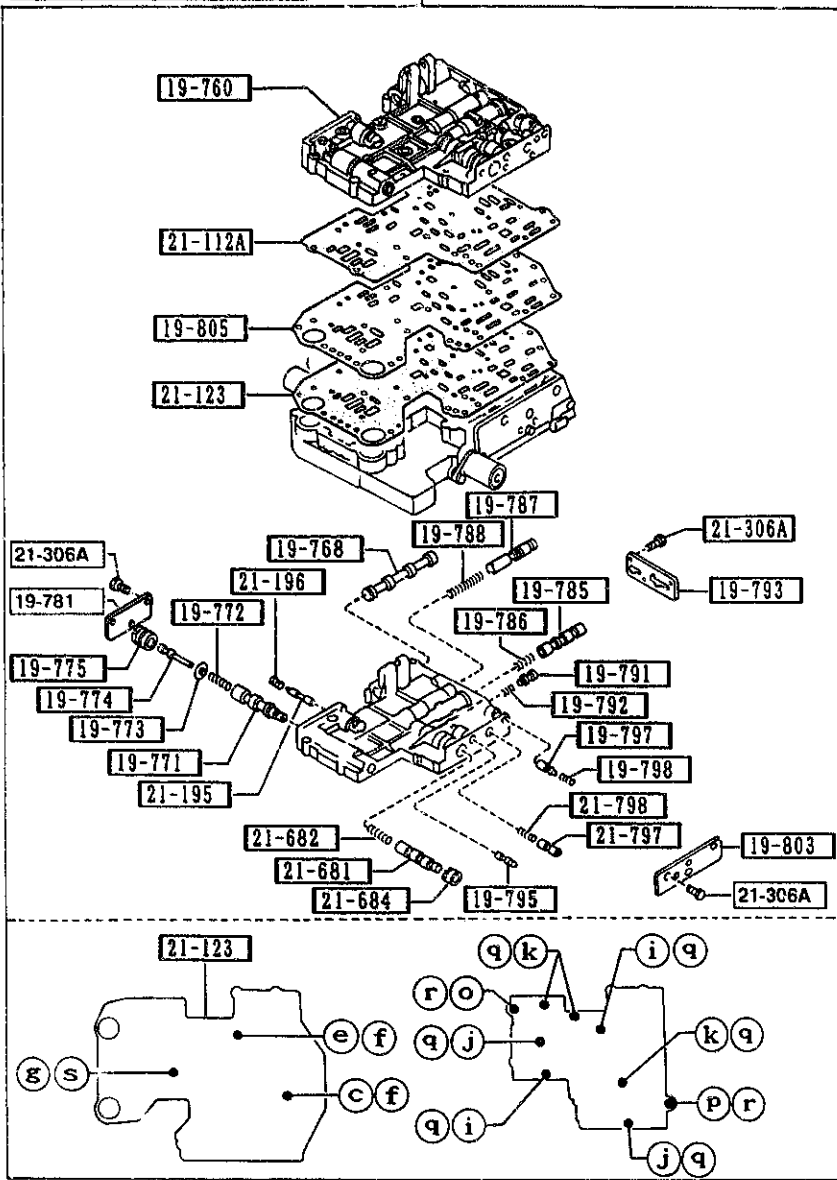


b	19-8A2	D=1.2MM
c	19-8A9	D=1.8MM
d	19-8B2	D=1.5MM
e	21-333	
f	19-808	D=4.7MM, L=15.5MM
g	19-814	D=5.6MM, L=26.8MM
h	19-819	
i	21-261	L=30MM (BV01-21-261)
j	21-261	L=40MM (FL01-21-261D)
k	21-262	L=35MM
l	21-263	L=25MM
m	21-265	L=12MM
o	21-302	L=59MM
p	21-305	L=82MM
q	21-091	D=21MM, d=5.3MM
r	21-446	D=12.5MM, d=6.4MM
s	9961-12-000	

PART NO.	QTY	MODEL/RESTRICTION	MODEL/RESTRICTION	MODEL/RESTRICTION	FROM-TO
21-196		SPRING, REDUCING			
BV01-21-196	1				
21-201		PISTON, ACCUM			
BV01-21-201	1				
21-202		SPRING, ACCUM N-R			
BV01-21-202	1				
21-204		RING, SEAL			
BV01-21-204	1				
21-207A		RING, SEAL			
BV01-21-207	2				
21-211		PISTON, N/D ACCUM			
BV01-21-211	1				
21-213		SPRING, N/D ACCUM			
BV01-21-213	1				
21-214		RING, SEAL			
BV01-21-214	1				
21-215A		SPRING, 1/2 REDUCING			
BV03-21-215A	1				
21-216		PLATE 'E', SIDE			
BV01-21-216	1				
21-217		PLATE 'F', SIDE			
BV01-21-217	1				
21-221		PISTON, 1/2 ACCUM			
BV01-21-221	1				
21-222		SPRING, ACCUM 1-2			
BV01-21-222A	1				
21-224		PLUG, LOCK UP			
BV01-21-224	1				

(THIS ILLUSTRATION CONSISTS OF 2 PAGES)

NOTE
 ① ... ② ⇨ 19-750
 THE D-CODE OF 19-750 CONSISTS OF
 FIGURE NUMBERS ① THROUGH ②.



AUFA03

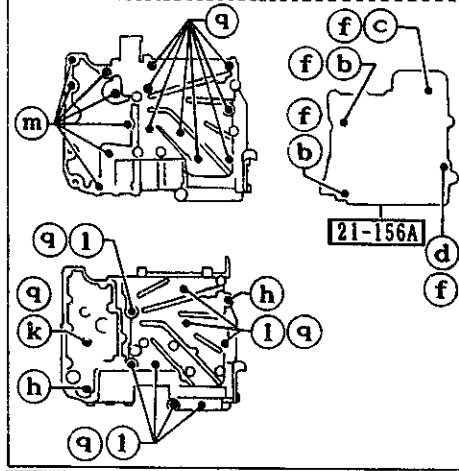
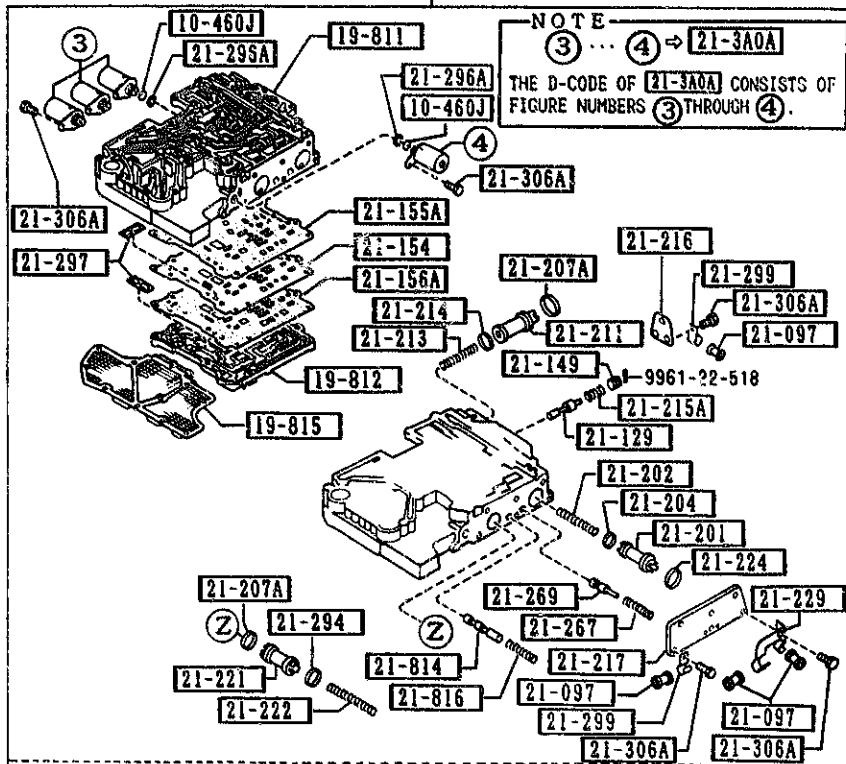
(CONT'D)

PART NO.	QTY	MODEL/RESTRICTION	MODEL/RESTRICTION	MODEL/RESTRICTION	FROM-TO
21-229		CLIP			
BV01-21-229A	1				
21-261		BOLT			
BV01-21-261	2				
FU01-21-261C AN(FU01-21-261D)	2				-0901
FU01-21-261D	2				0901-
21-262		BOLT			
FU01-21-262C AN(FU01-21-262D)	4				-0901
FU01-21-262D	4				0901-
21-263		BOLT			
FU01-21-263C AN(FU01-21-263D)	8				-0901
FU01-21-263D	8				0901-
21-265		BOLT			
FU01-21-265C	7				
21-267		SPRING, THROTTLE RELIEF			
BV01-21-267	1				
21-269		VALVE, THROTTLE RELIEF			
BV01-21-269	1				
21-294		RING, 'O'			
BV01-21-294	1				
21-296A		STRAINER, OIL			
BV01-21-296	4				
21-297		STRAINER, INNER			
BV01-21-297	2				
21-299		CLIP			
BV01-21-299	2				
21-3A0A		VALVE, SOLENOID NO1			
0901 FC3***-901310					

CAT. AUFA03-07

1993-12

(THIS ILLUSTRATION CONSISTS OF 2 PAGES)

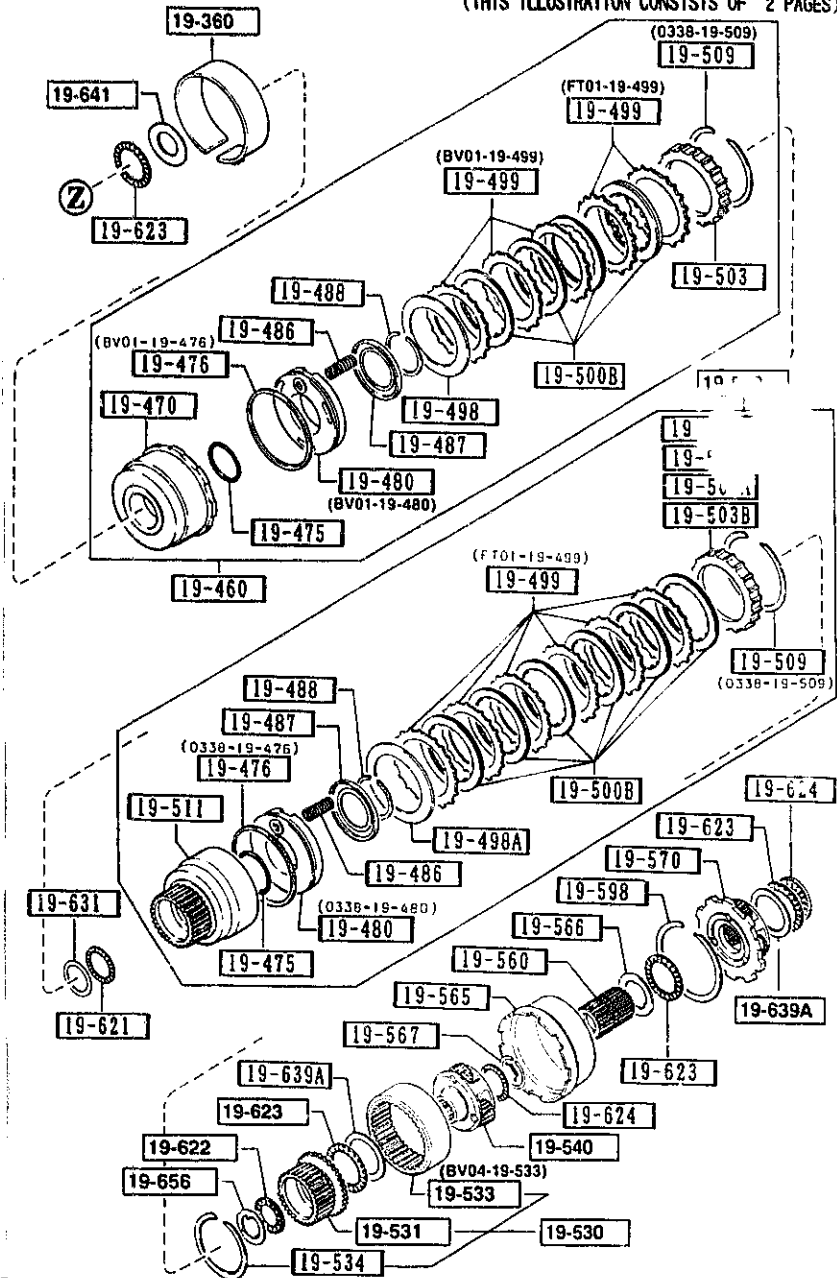
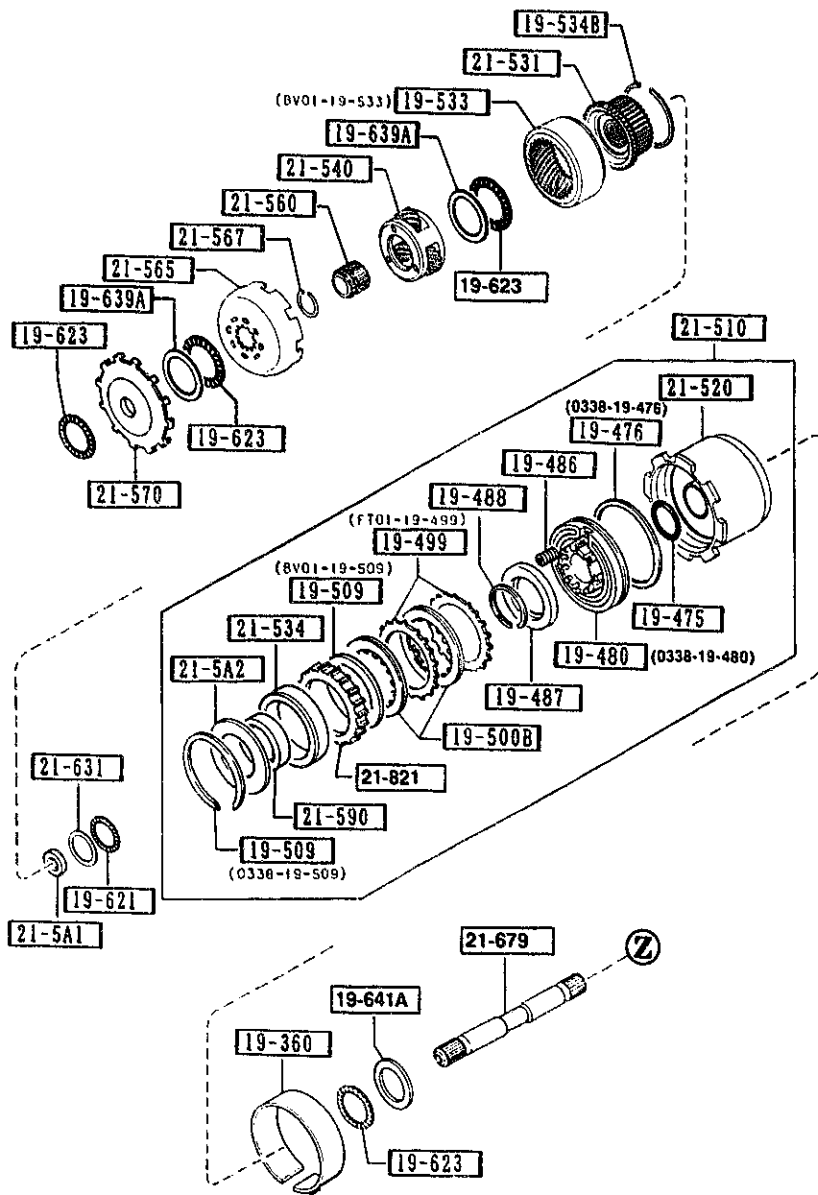


b		19-8A2	D=1.2MM
c		19-8A9	D=1.8MM
d		19-8B2	D=1.5MM
e		21-333	
f		19-808	D=4.7MM, L=15.5MM
g		19-814	D=5.6MM, L=26.8MM
h		19-819	
i		21-261	L=30MM (BV01-21-261)
j		21-261	L=40MM (FU01-21-261D)
k		21-262	L=35MM
l		21-263	L=25MM
m		21-265	L=12MM
o		21-302	L=59MM
p		21-305	L=82MM
q		21-091	D=21MM, d=6.3MM
r		21-446	D=12.5MM, d=6.4MM
s		9961-12-000	

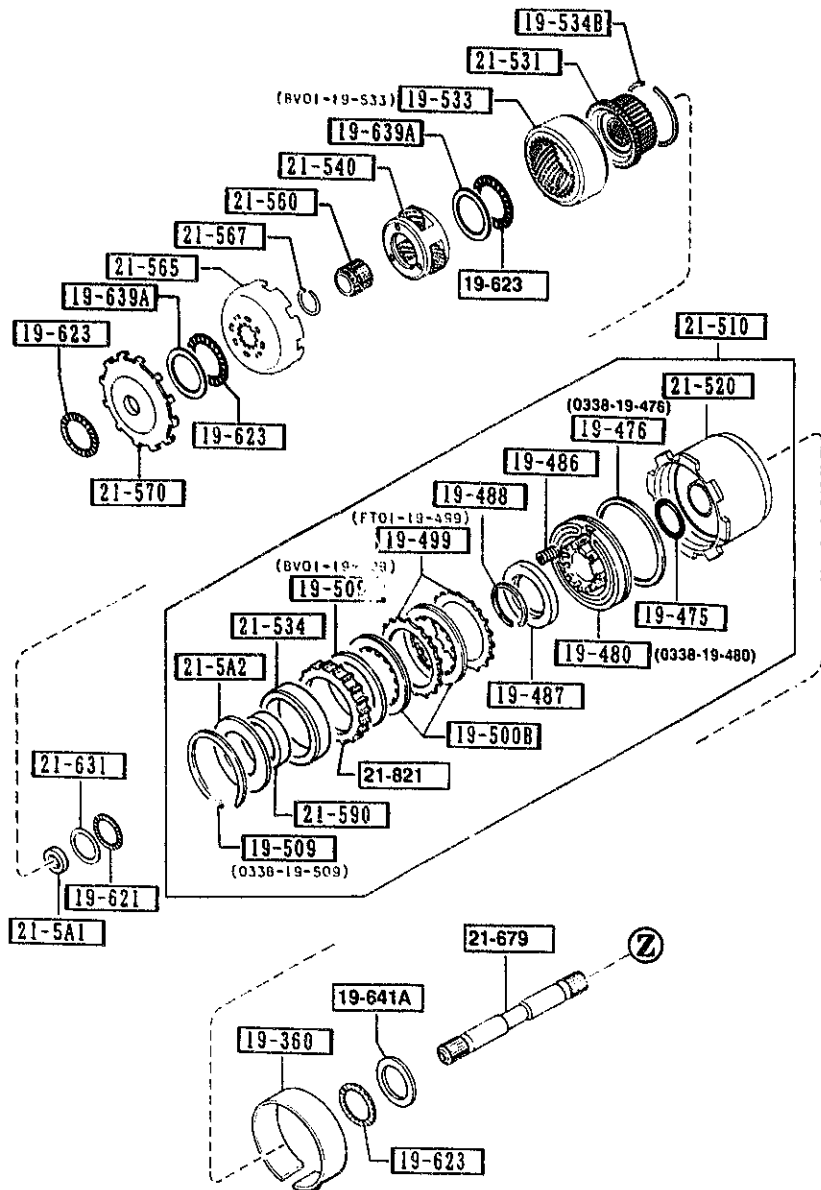
PART NO.	QTY	MODEL/RESTRICTION	MODEL/RESTRICTION	MODEL/RESTRICTION	FROM-TO
CONT'D					
BV01-21-3A0A	1				
21-302		BOLT, CONTROL VALVE			
BV02-21-302	1				
21-305		BOLT			
BV01-21-305B	1				
21-306A		BOLT			
BV01-21-306	22				
21-333		VALVE, ONE WAY			
BV01-21-333	1				
21-446		WASHER, DISHED			
BV01-21-446	2				
21-681		VALVE, SHIFT 3-4			
BV01-21-681	1				
21-682		SPRING, 3-4 SHIFT			
BV01-21-682	1				
21-684		VALVE, 3-4 SHIFT-COAST			
BV01-21-684	1				
21-797		VALVE, CONTROL BACK UP			
BV01-21-797	1				
21-798		SPRING, BACK UP			
BV01-21-798	1				
21-814		SPRING, 3-2 TIMING			
BV01-21-814	1				
21-816		SPRING, 3-2 TIMING			
BV01-21-816	1				

(THIS ILLUSTRATION CONSISTS OF 2 PAGES)

(THIS ILLUSTRATION CONSISTS OF 2 PAGES)



(THIS ILLUSTRATION CONSISTS OF 2 PAGES)

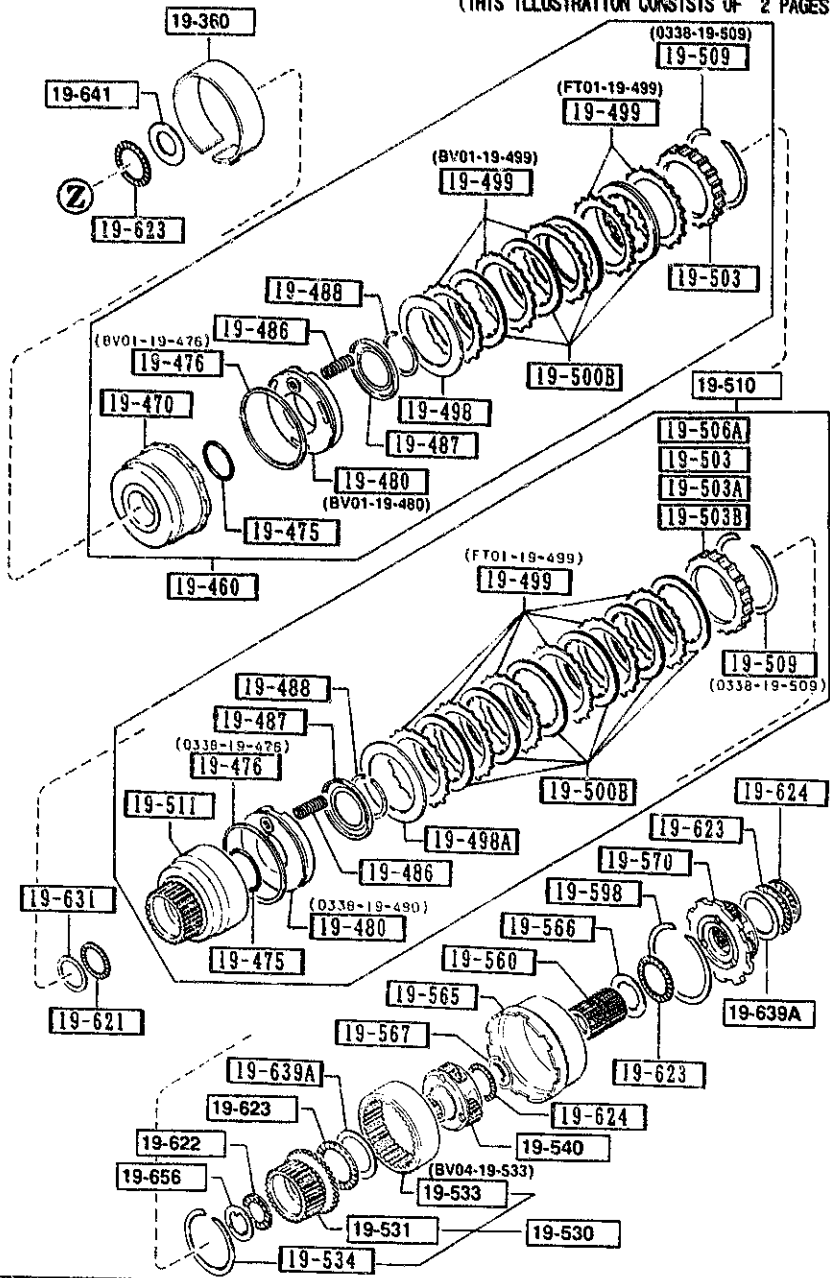


PART NO.	QTY	MODEL/RESTRICTION	MODEL/RESTRICTION	MODEL/RESTRICTION	FROM-TO
19-360		BAND, BRAKE			
0338-19-360B	2				
19-460		CLUTCH, FRONT			
BV03-19-460B	1				-0C01
AN(BV03-19-460C)					
BV03-19-460C	1				0C01-
19-470		DRUM, CLUTCH			
BV01-19-470B	1				
19-475		SEAL, 'O'RING			
0338-19-475	3				
19-476		SEAL, LATHE CUT			
BV01-19-476	1				
0338-19-476	2				
19-480		PISTON, CLUTCH			
BV01-19-480	1				
0338-19-480	2				
19-486		SPRING, PISTON RETURN			
0338-19-486	25				
19-487		RETAINER, SPRING			
0338-19-487	3				
19-488		RING, SNAP			
0338-19-488	3				
19-498		PLATE, DISHED			
0338-19-498	1				
19-498A		PLATE, DISHED			
BU17-19-498	1				
19-499		PLATE, DRIVEN			
BV01-19-499	3				
FT01-19-499	10				

0C01 FC3***-904305

1930 CLUTCHES & PLANETARY GEARS (AUTOMATIC) (2/2)

(THIS ILLUSTRATION CONSISTS OF 2 PAGES)



PART NO.	QTY	MODEL/RESTRICTION	MODEL/RESTRICTION	MODEL/RESTRICTION	FROM-10
19-500B		PLATE, DRIVEN			
BU17-19-500 AN(BU17-19-500A)	12				-0C01
BU17-19-500A	12				0C01-
19-503		PLATE, RETAINING			
3959-19-503	1	T=5MM			
3959-19-504	1	T=5.2MM			
3959-19-505	1	T=5.4MM			
3959-19-506	1	T=5.6MM			
3959-19-507	1	T=5.8MM			
3959-19-508	1	T=6MM			
3959-19-509	2	T=6.2MM			
19-503A		PLATE, RETAINING			
1758-19-503	1	T=7.2MM			
1758-19-504	1	T=7.4MM			
1758-19-505	1	T=7.6MM			
19-503B		PLATE, RETAINING			
BV02-19-506	1	T=6.6MM			
BV02-19-507	1	T=6.8MM			
BV02-19-508	1	T=7MM			
BV02-19-505	1	T=6.4MM			-1301
19-506A		PLATE, RETAINING			
BU05-21-525	1	T=6.4MM			1301-
19-509		RING, SNAP			
BV01-19-509	1				
0C01 FC3***-904305 1301 FC3***-906890					

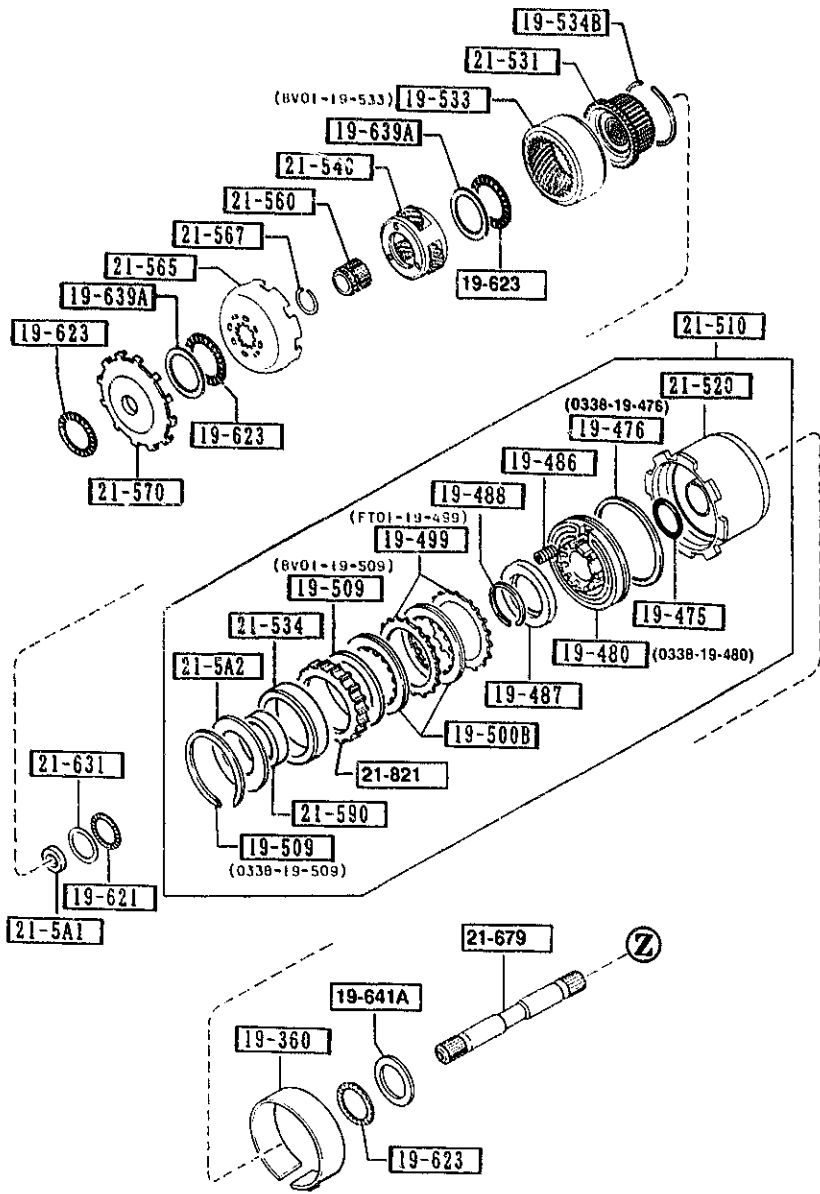
AUFA03

CAT. AUFA03-07

1993-12

1-J13

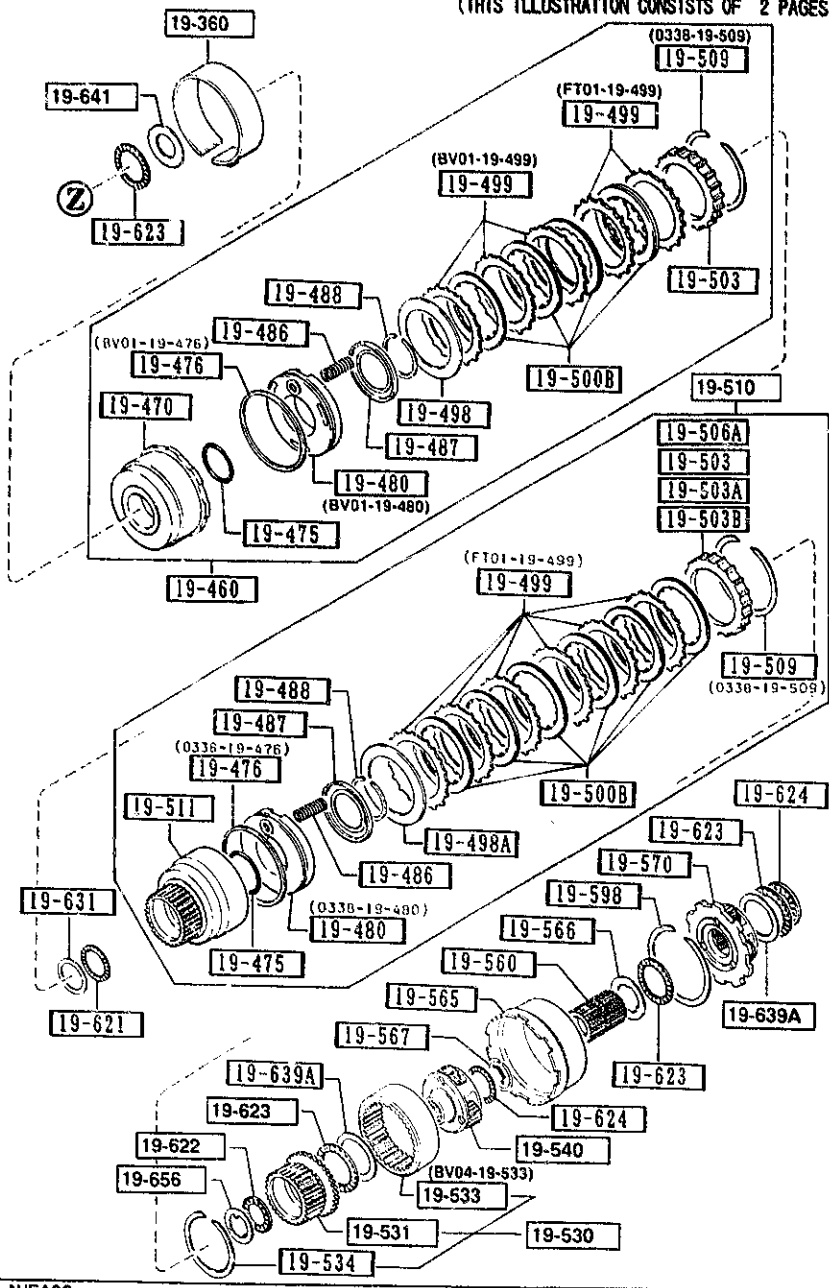
1930 CLUTCHES & PLANETARY GEARS (AUTOMATIC) (1/2)
 (THIS ILLUSTRATION CONSISTS OF 2 PAGES)



PART NO.	QTY	MODEL/RESTRICTION	MODEL/RESTRICTION	MODEL/RESTRICTION	FROM-TO
CONT'D					
0338-19-509	3				
19-510		CLUTCH, REAR			
BV01-19-510	1				
19-511		DRUM, REAR CLUTCH			
1758-19-511	1				
19-530		HUB, REAR CLUTCH			
BV04-19-530	1				
19-531		HUB, REAR CLUTCH			
BV04-19-531	1				
19-533		GEAR, INTERNAL			
BV01-19-533	1				
BV04-19-533	1				
19-534		RING, SNAP			
0338-19-534	1				
19-534B		RING, SNAP			
BU03-19-534	1				
19-540		CARRIER, FRONT			
BV09-19-540	1				
19-560		GEAR, SUN			
BV04-19-560	1				
19-565		SHELL, CONNECTING			
BV04-19-565	1				
19-566		RACE, SHELL BEARING			
BV04-19-566	1				
19-567		RING, SNAP			
BU02-19-567	1				
19-570		CARRIER, REAR			
BV04-19-570	1				

1930 CLUTCHES & PLANETARY GEARS (AUTOMATIC) (2/2)

(THIS ILLUSTRATION CONSISTS OF 2 PAGES)



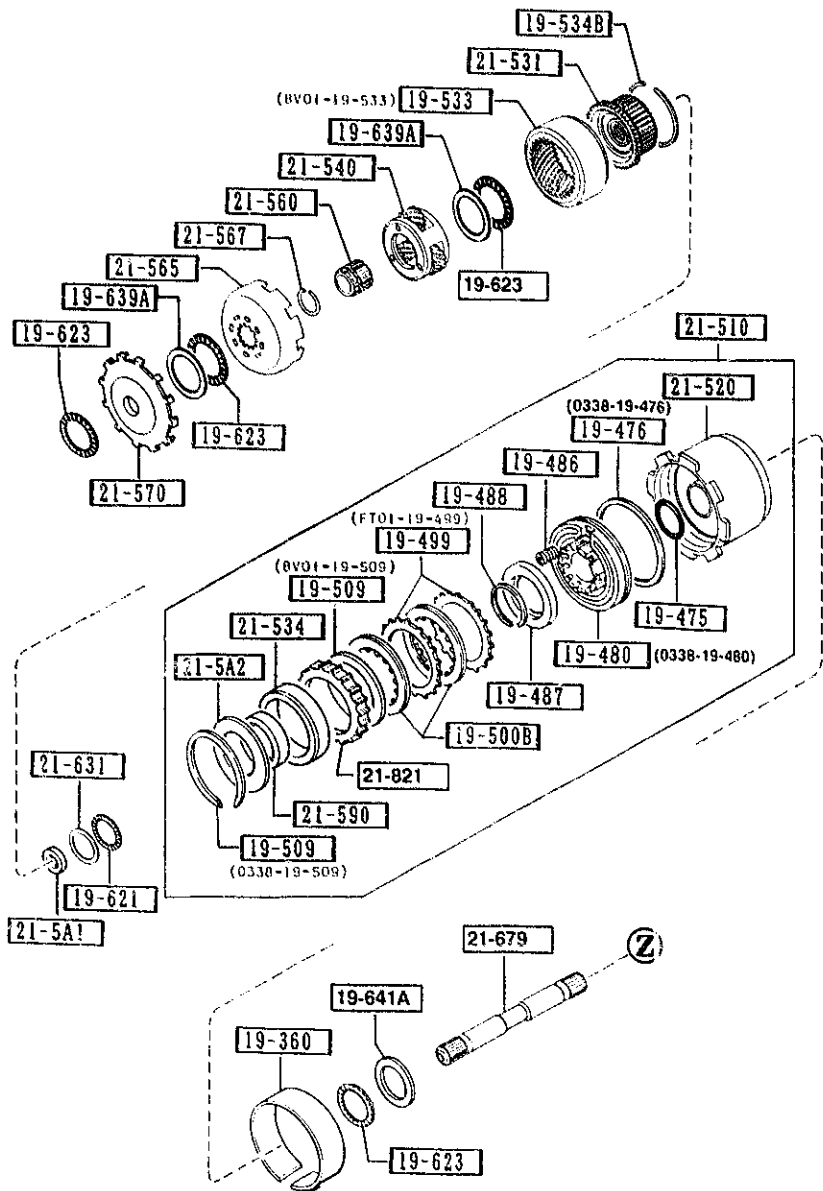
PART NO.	QTY	MODEL/RESTRICTION	MODEL/RESTRICTION	MODEL/RESTRICTION	FROM-TO
19-598	1	RING, SNAP			
0338-19-598					
19-621	2	BEARING, NEEDLE			
0338-19-621					
19-622	1	BEARING, NEEDLE			
0338-19-622					
19-623	8	BEARING, NEEDLE			
0338-19-623A					
19-624	2	BEARING, NEEDLE			
0338-19-624					
19-631	1	RACE, BRG. PUMP COVER			
0338-19-631		T=1.2MM			
0338-19-632	1	T=1.4MM			
0338-19-633	1	T=1.6MM			
0338-19-634	1	T=1.8MM			
0338-19-635	1	T=2MM			
0338-19-636	1	T=2.2MM			
19-639A	4	RACE, BEARING			
0338-19-639					
19-641	1	WASHER, FRONT CLUTCH			
BV01-19-6C1	1	T=0.8MM			
BV01-19-6C2	1	T=1MM			
BV01-19-6C3	1	T=1.2MM			
BV01-19-6C4	1	T=1.4MM			
BV01-19-6C5	1	T=1.6MM			

AUFA03

CAT. AUFA03-07

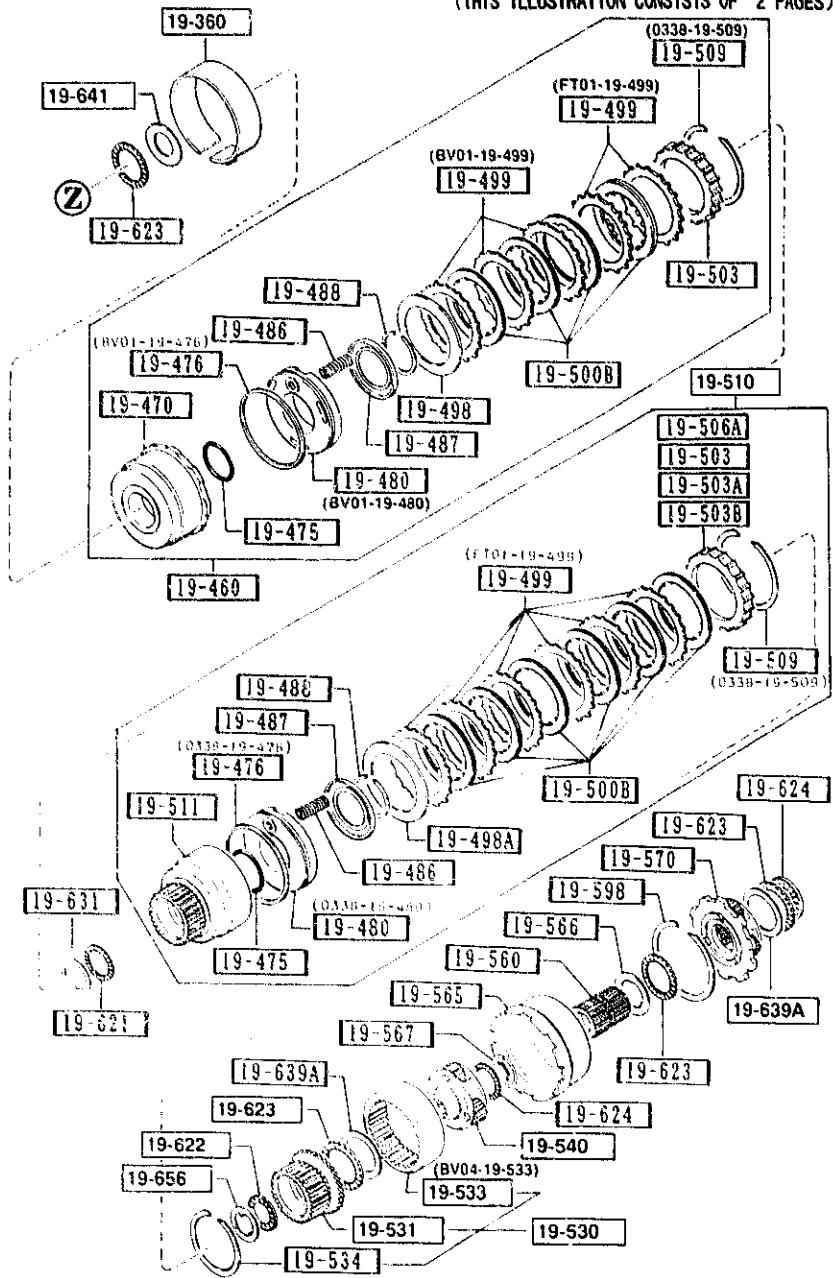
1993-12

(THIS ILLUSTRATION CONSISTS OF 2 PAGES)



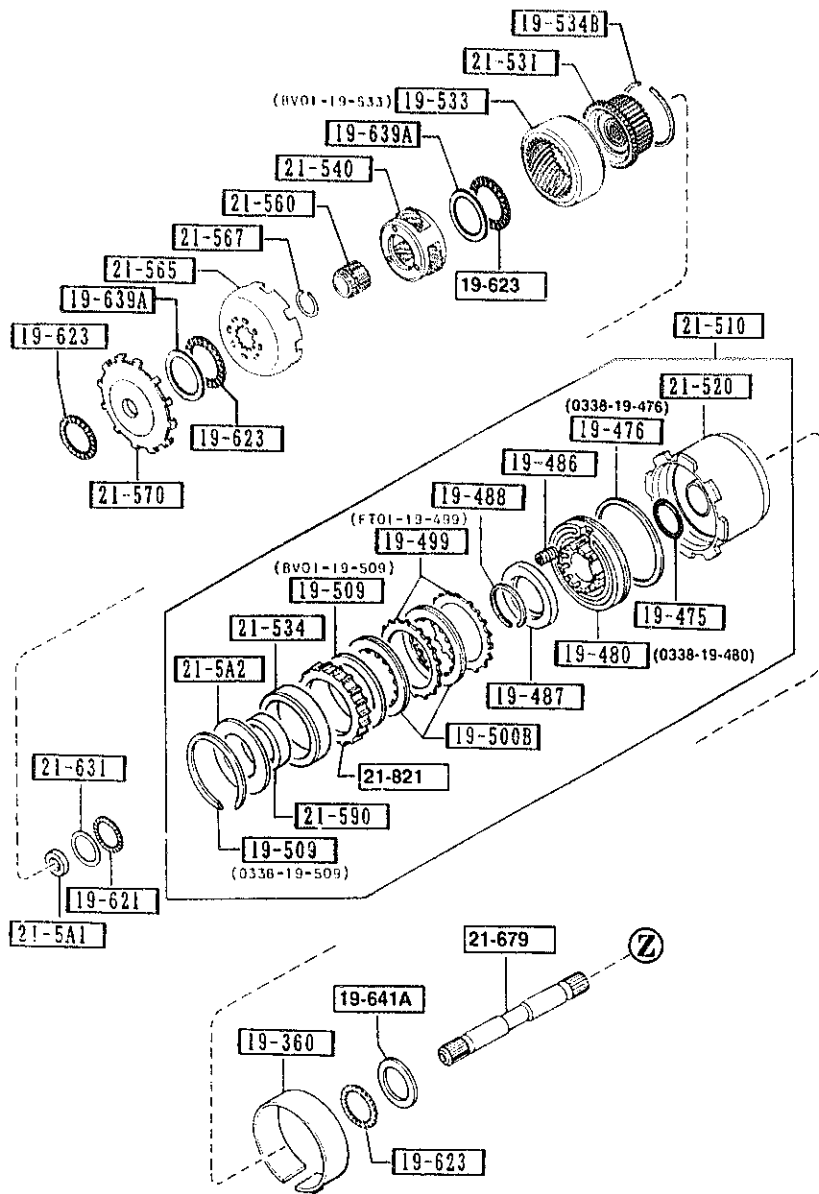
PART NO.	QTY	MODEL/RESTRICTION	MODEL/RESTRICTION	MODEL/RESTRICTION	FROM-TO
CONT'D					
BV01-19-6C6	1	T=1.8MM			
BV01-19-6C7	1	T=2MM			
BV01-19-6C8	1	T=2.2MM			
19-641A		WASHER			
BV03-19-6C1	1	T=0.8MM			
BV03-19-6C2	1	T=1MM			
BV03-19-6C3	1	T=1.2MM			
BV03-19-6C4	1	T=1.4MM			
BV03-19-6C5	1	T=1.6MM			
BV03-19-6C6	1	T=1.8MM			
BV03-19-6C7	1	T=2MM			
BV03-19-6C8	1	T=2.2MM			
19-656		RACE, BEARING OIL DISTRIBUTOR			
0436-19-656	1				
21-5A1		SLEEVE, SEAL-O.D. CARRIER			
BV01-21-5A1	1				
21-5A2		RACE, SIDE-ONE WAY CLUTCH			
BV01-21-5A2	1	T=0.6MM			
BV01-21-5A3	1	T=0.8MM			
BV01-21-5A4	1	T=1MM			
BV01-21-5A5	1	T=1.2MM			
BV01-21-535	1	T=0.4MM			
21-510		CLUTCH, DIRECT			
BV01-21-510B	1				

(THIS ILLUSTRATION CONSISTS OF 2 PAGES)



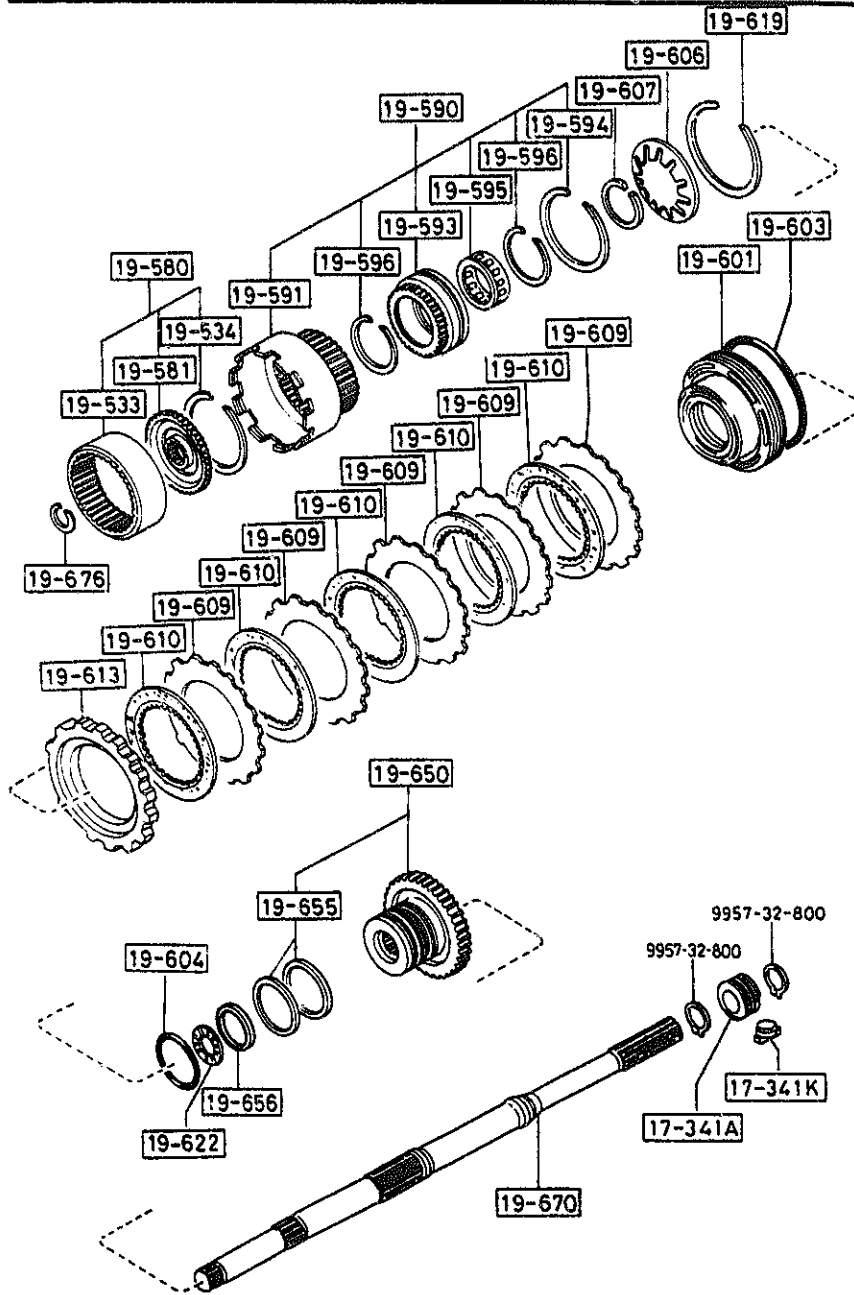
PART NO.	QTY	MODEL/RESTRICTION	MODEL/RESTRICTION	MODEL/RESTRICTION	FROM-10
21-520		DRUM, DIRECT			
BV01-21-530C	1				
21-531		HUB, O/DRIVE CLUTCH			
BV01-21-536	1				
21-534		RACE, OUTER-ONE WAY CLUTCH			
BV01-21-534	1				
21-540		CARRIER, OVER DRIVE			
BV01-21-540B	1				
21-560		GEAR, OVER DRIVE			
BV01-21-560	1				
21-565		CONNECTING, SHELL			
BU03-21-565	1				
21-567		RING, SNAP			
BU03-21-567	1				
21-570		SUPPORT, CENTER			
BV01-21-570A	1				
21-590		CLUTCH, ONE WAY			
BV01-21-590	1				
21-631		RACE, BRG. HUB CLUTCH			
BU01-21-631	1	L=1.2MM			
BU01-21-632	1	L=1.4MM			
BU01-21-633	1	L=1.6MM			
BU03-21-634	1	L=1.8MM			
BU01-21-635	1	L=2MM			
BU01-21-636	1	L=2.2MM			
21-679		SHAFT, INTERMEDIATE			

1930 CLUTCHES & PLANETARY GEARS (AUTOMATIC) (1/2)
 (THIS ILLUSTRATION CONSISTS OF 2 PAGES)



PART NO.	QTY	MODEL/RESTRICTION	MODEL/RESTRICTION	MODEL/RESTRICTION	FROM-TO
CONT'D BU01-21-679	1				
21-821		PLATE, RETAINING			
BV01-21-821A	1				

1940 GOVERNOR, LOW & REVERSE PISTON(AUTOMATIC)



PART NO.	QTY	MODEL/RESTRICTION	MODEL/RESTRICTION	MODEL/RESTRICTION	FROM-TO
17-341A		GEAR, SPEEDO.DRIVE			
R501-17-341A	1				
17-341K		KEY			
M501-17-342	1				
19-533		GEAR, INTERNAL			
BV04-19-533	1				
19-534		RING, SNAP			
0338-19-534	1				
19-580		FLANGE			
BV04-19-5K0	1				
19-581		FLANGE, DRIVE			
BV04-19-5K1	1				
19-590		DRUM, CONNECTING			
0338-19-590	1				
19-591		DRUM, CONNECTING			
0338-19-591	1				
19-593		RACE, OUTER			
0338-19-593	1				
19-594		RING, SNAP			
0338-19-594	1				
19-595		CLUTCH, ONE WAY			
0338-19-595	1				
19-596		RING, SNAP			
0338-19-596	2				
19-601		PISTON, LOW & REVERSE			
BT08-19-600	1				
19-603		SEAL, PISTON			
0338-19-603	1				

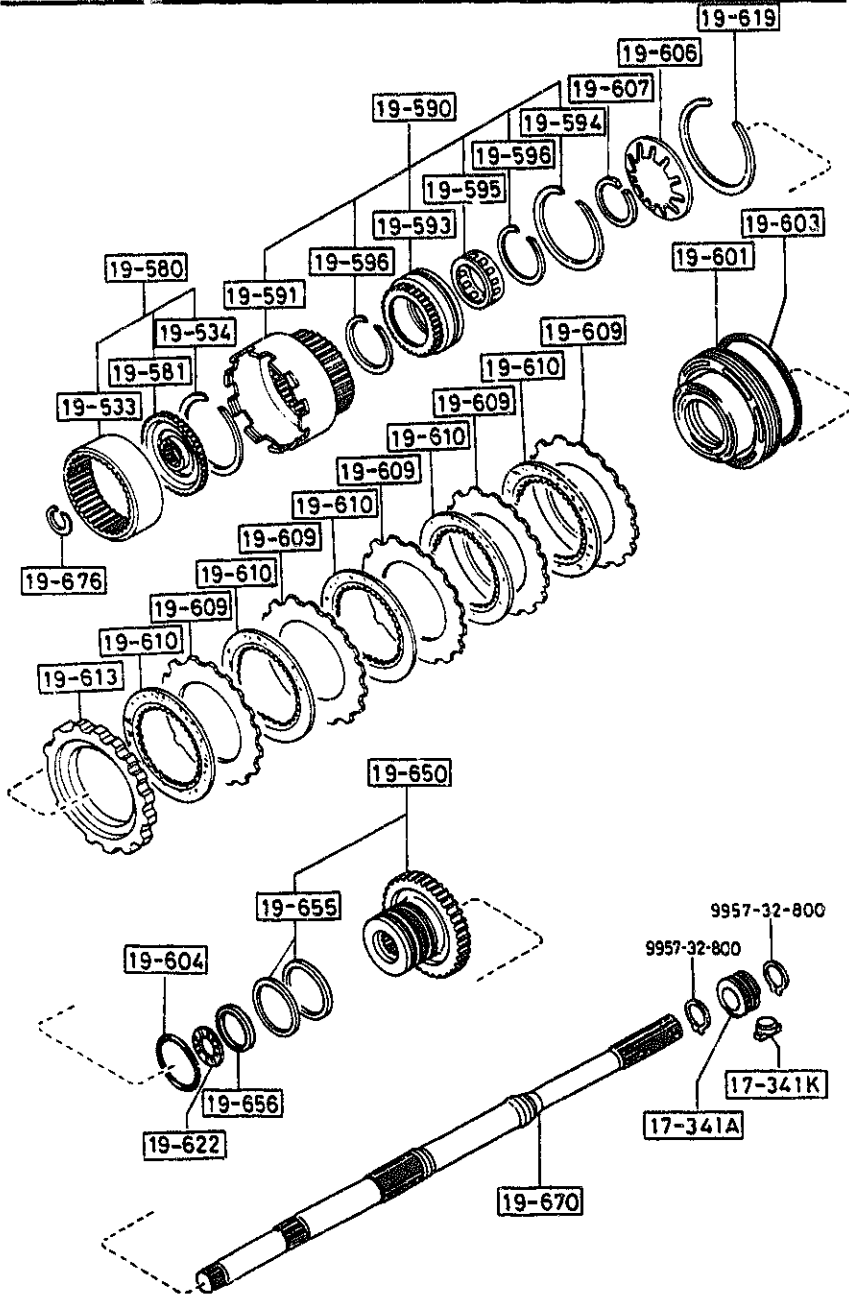
AUFA03

CAT. AUFA03-07

1993-12

1-D14

1940 GOVERNOR, LOW & REVERSE PISTON(AUTOMATIC)



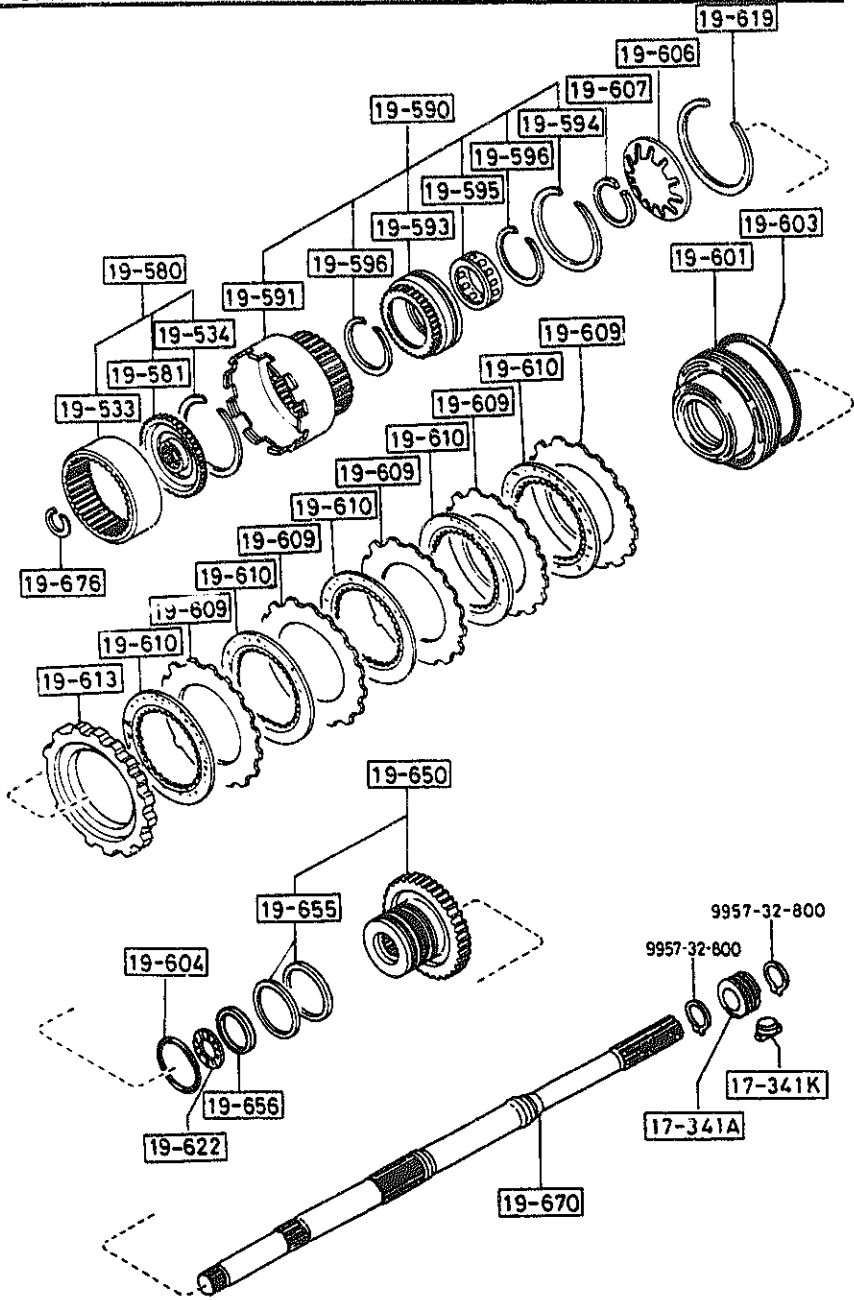
PART NO.	QTY	MODEL/RESTRICTION	MODEL/RESTRICTION	MODEL/RESTRICTION	FROM-TO
19-604		SEAL, 'O'RING			
0338-19-604	1				
19-606		SPRING, PISTON			
0338-19-606	1				
19-607		RING, SNAP			
0338-19-607	1				
19-609		PLATE, DRIVEN			
0338-19-609	5				
19-610		PLATE, DRIVEN			
BU17-19-610	5				
19-613		PLATE, RETAINING			
1758-19-613	1	T=7.8MM			
1758-19-614	1	T=8MM			
1758-19-615	1	T=8.2MM			
1758-19-616	1	T=8.4MM			
1758-19-617	1	T=8.6MM			
1758-19-618	1	T=8.8MM			
19-619		RING, SNAP			
0338-19-619	1				
19-622		BEARING, NEEDLE			
0338-19-622	1				
19-650		DISTRIBUTOR, OIL			
BV01-19-650	1				
19-655		RING, SEAL			
BV01-19-655	2				
19-656		RACE, BEARING OIL DIS TR			

AUFA03

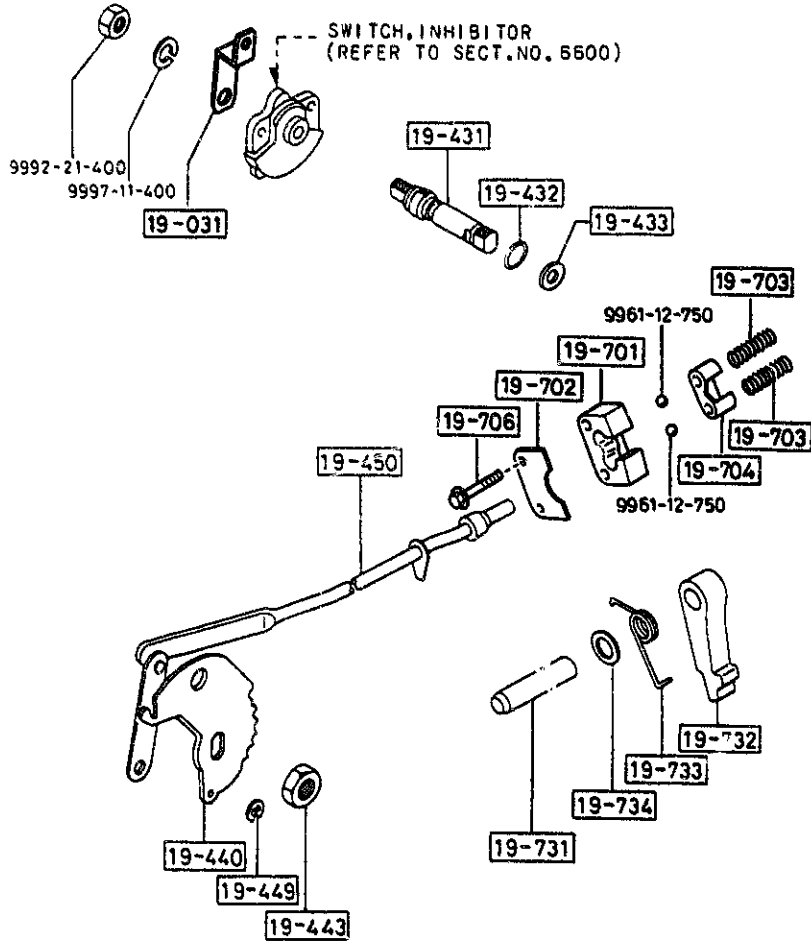
CAT. AUFA03-07

1993-12

1-E14

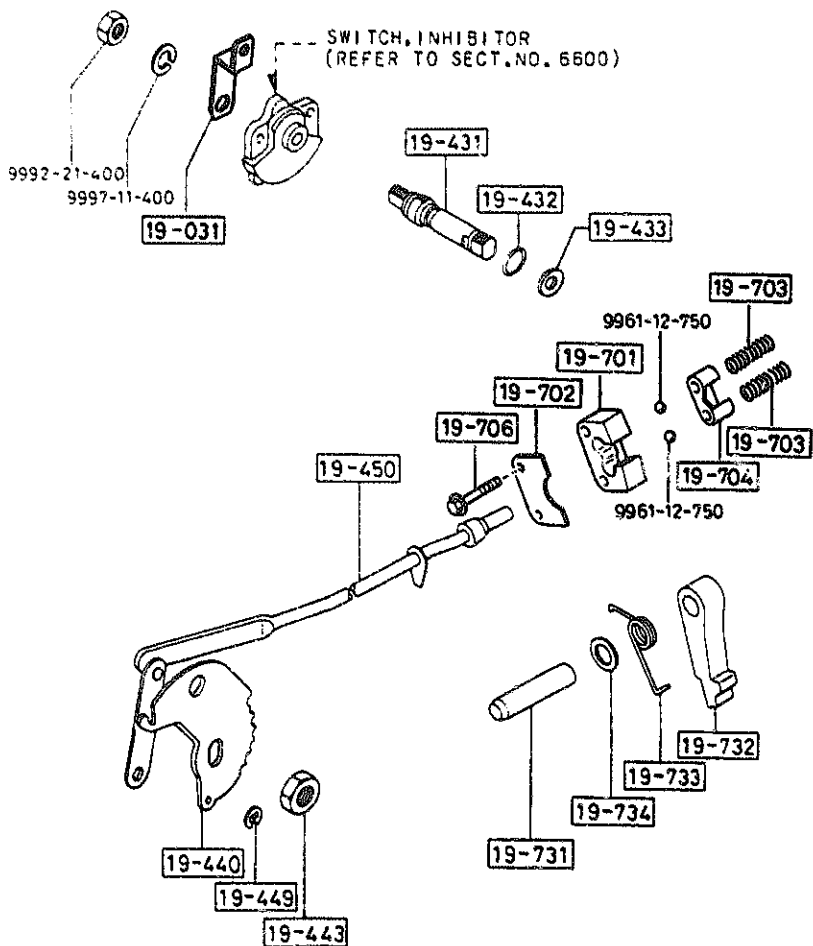


PART NO.	QTY	MODEL/RESTRICTION	MODEL/RESTRICTION	MODEL/RESTRICTION	FROM-TO
CONT'D					
0436-19-656	1				
19-676		SHAFT			
BUI7-19-670	1				
19-676		RING			
0338-19-676	1				



PART NO.	QTY	MODEL/RESTRICTION	MODEL/RESTRICTION	MODEL/RESTRICTION	FROM-TO
19-031		LEVER, SELECT			
BV09-19-031	1				
19-431		SHAFT, MANUAL			
BV17-19-431	1				-0901
BU67-19-431	1				0801-
19-432		RING, 'O'			
0338-19-432	1				
19-433		WASHER			
0338-19-433A	1				
19-440		PLATE, MANUAL			
BU17-19-440	1				-0801
BU55-19-440	1				0801-
19-443		NUT, SHAFT			
0338-19-443	1				-1301
BV45-19-443	1				1301-
19-449		RING, SNAP			
0338-19-449	1				
19-450		ROD, PARKING			
BU17-19-450	1				
19-701		SUPPORTER, ACTUATOR			
BU17-19-701	1				
19-702		PLATE, RETAINING			
0338-19-702A	1				
19-703		SPRING, BALL PARK			
BU17-19-703	2				
19-704		RETAINER			
BU17-19-704	1				
19-706		BOLT			

0801 FC3***-903509
1301 FC3***-906890



PART NO.	QTY	MODEL/RESTRICTION	MODEL/RESTRICTION	MODEL/RESTRICTION	FROM-TO
CONT'D 0338-19-706	2				
19-731		SHAFT, PARKING PAWL			
0338-19-731	1				
19-732		PAWL, PARKING			
BU26-19-732	1				
19-733		SPRING, PAWL RETURN			
0338-19-733C	1				
19-734		SPACER, DOWEL			
0338-19-734A	1				

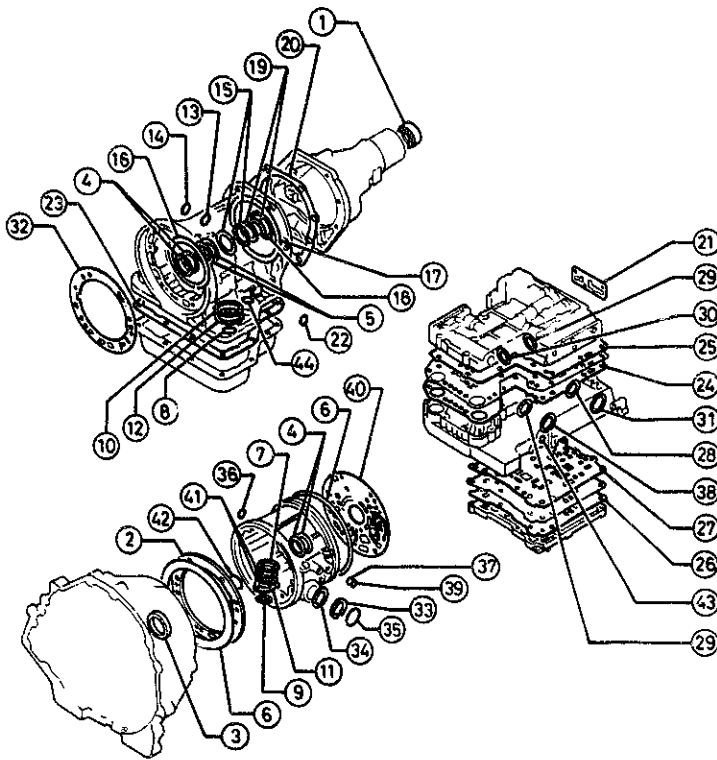
(' 91 MODEL)

(THIS ILLUSTRATION CONSISTS OF 2 PAGES) (' 92 MODEL)

(THIS ILLUSTRATION CONSISTS OF 2 PAGES)

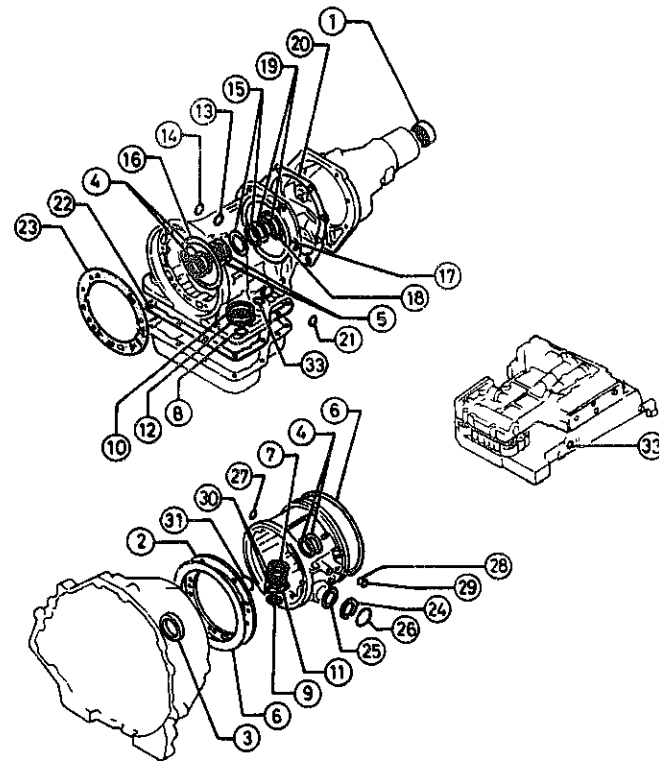
22-900

- | | | | |
|---------------------------|-----|------------------------------|-----|
| 1-SEAL, OIL..... | (1) | 23-GASKET, OIL PAN..... | (1) |
| 2-GASKET, OIL PUMP..... | (1) | 24-GASKET..... | (1) |
| 3-SEAL, OIL..... | (1) | 25-GASKET..... | (1) |
| 4-RING SEAL..... | (4) | 26-GASKET..... | (1) |
| 5-RING SEAL..... | (2) | 27-GASKET..... | (1) |
| 6-SEAL, CUT RING..... | (2) | 28-RING SEAL..... | (1) |
| 7-SEAL, PISTON..... | (1) | 29-RING SEAL..... | (2) |
| 8-SEAL, PISTON..... | (2) | 30-RING SEAL..... | (1) |
| 9-SEAL, PISTON..... | (1) | 31-RING SEAL..... | (1) |
| 10-RING, "O"..... | (1) | 32-GASKET, DRUM SUPPORT..... | (1) |
| 11-GASKET, SERVO..... | (1) | 33-SEAL, "O" RING..... | (1) |
| 12-SEAL, "O" RING..... | (1) | 34-SEAL, "O" RING..... | (1) |
| 13-SEAL, "O" RING..... | (1) | 35-RING, "O"..... | (1) |
| 14-SEAL, "O" RING..... | (1) | 36-RING, "O"..... | (1) |
| 15-SEAL, "O" RING..... | (3) | 37-RING, "O"..... | (1) |
| 16-RING, "O"..... | (1) | 38-RING, SEAL..... | (3) |
| 17-SEAL, PISTON..... | (1) | 39-RING, "O"..... | (1) |
| 18-SEAL, "O" RING..... | (1) | 40-GASKET, DRIVE CASE..... | (1) |
| 19-RING SEAL..... | (2) | 41-RING, "O"..... | (1) |
| 20-GASKET, EXTENTION..... | (1) | 42-SEAL, "O" RING..... | (1) |
| 21-PLATE, SIDE "A"..... | (1) | 43-RING, "O"..... | (4) |
| 22-SEAL, "O" RING..... | (2) | 44-RING, "O"..... | (2) |



22-900

- | | | | |
|-------------------------|-----|------------------------------|-----|
| 1-SEAL, OIL..... | (1) | 18-SEAL, "O" RING..... | (1) |
| 2-GASKET, OIL PUMP..... | (1) | 19-RING, SEAL..... | (2) |
| 3-SEAL, OIL..... | (1) | 20-GASKET, EXTENTION..... | (1) |
| 4-RING SEAL..... | (4) | 21-SEAL, "O" RING..... | (2) |
| 5-RING SEAL..... | (2) | 22-GASKET, OIL PAN..... | (1) |
| 6-SEAL, CUT RING..... | (2) | 23-GASKET, DURM SUPPORT..... | (1) |
| 7-SEAL, PISTON..... | (1) | 24-SEAL, "O" RING..... | (1) |
| 8-SEAL, PISTON..... | (2) | 25-SEAL, "O" RING..... | (1) |
| 9-SEAL, PISTON..... | (1) | 26-RING, "O"..... | (1) |
| 10-RING, "O"..... | (1) | 27-RING, "O"..... | (1) |
| 11-GASKET, SERVO..... | (1) | 28-RING, "O"..... | (1) |
| 12-SEAL, "O" RING..... | (1) | 29-RING, "O"..... | (1) |
| 13-SEAL, "O" RING..... | (1) | 30-RING, "O"..... | (1) |
| 14-SEAL, "O" RING..... | (1) | 31-SEAL, "O" RING..... | (1) |
| 15-SEAL, "O" RING..... | (3) | 32-RING, "O"..... | (4) |
| 16-RING, "O"..... | (1) | 33-RING, "O"..... | (2) |
| 17-SEAL, PISTON..... | (1) | | |

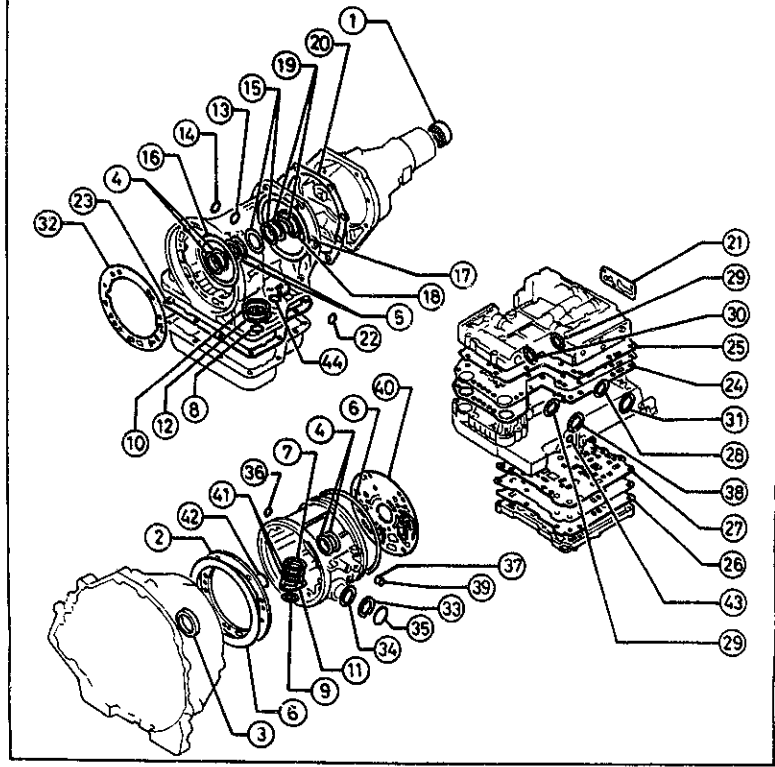


('91 MODEL)

(THIS ILLUSTRATION CONSISTS OF 2 PAGES)

22-900

- | | | | |
|---------------------------|-----|----------------------------------|-----|
| 1-SEAL, OIL..... | (1) | 23-GASKET, OIL PAN..... | (1) |
| 2-GASKET, OIL PUMP..... | (1) | (1) 24-GASKET..... | (1) |
| 3-SEAL, OIL..... | (1) | (1) 25-GASKET..... | (1) |
| 4-RING SEAL..... | (4) | (4) 26-GASKET..... | (1) |
| 5-RING SEAL..... | (2) | (2) 27-GASKET..... | (1) |
| 6-SEAL, CUT RING..... | (2) | (2) 28-RING SEAL..... | (1) |
| 7-SEAL, PISTON..... | (1) | (1) 29-RING SEAL..... | (2) |
| 8-SEAL, PISTON..... | (2) | (2) 30-RING SEAL..... | (1) |
| 9-SEAL, PISTON..... | (1) | (1) 31-RING SEAL..... | (1) |
| 10-RING, O..... | (1) | (1) 32-GASKET, DRUM SUPPORT..... | (1) |
| 11-GASKET, SERVO..... | (1) | (1) 33-SEAL, O RING..... | (1) |
| 12-SEAL, O RING..... | (1) | (1) 34-SEAL, O RING..... | (1) |
| 13-SEAL, O RING..... | (1) | (1) 35-RING, O..... | (1) |
| 14-SEAL, O RING..... | (1) | (1) 36-RING, O..... | (1) |
| 15-SEAL, O RING..... | (3) | (3) 37-RING, O..... | (1) |
| 16-RING, O..... | (1) | (1) 38-RING SEAL..... | (1) |
| 17-SEAL, PISTON..... | (1) | (1) 39-RING, O..... | (1) |
| 18-SEAL, O RING..... | (1) | (1) 40-GASKET, DRIVE CASE..... | (1) |
| 19-RING SEAL..... | (2) | (2) 41-RING, O..... | (1) |
| 20-GASKET, EXTENTION..... | (1) | (1) 42-SEAL, O RING..... | (1) |
| 21-PLATE, SIDE 'A'..... | (4) | (1) 43-RING, O..... | (4) |
| 22-SEAL, O RING..... | (2) | (2) 44-RING, O..... | (2) |



PART NO.	QTY	MODEL/RESTRICTION	MODEL/RESTRICTION	MODEL/RESTRICTION	FROM-TO
22-900		GASKET & SEAL KIT			
8AF3-22-900	1	('91 MODEL)			
8AH2-22-900	1	NON ASBESTOS ('92 MODEL)			