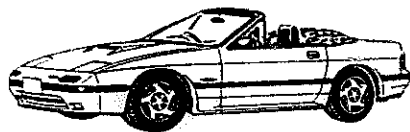
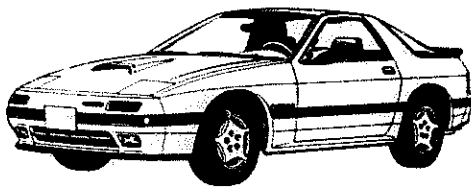


Parts Catalog

Mazda RX-7
U.S.A.
('91 ▶ '92)



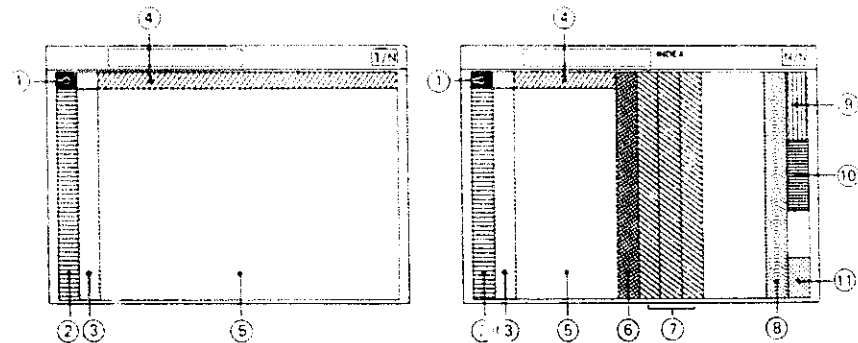
FC3 *** -900001-950000
FC35 * -100001-200000

Jan. '94 (FINAL)
Catalog No. AU-FA03-07

mazda
© 1994 Mazda Motor Corporation

LAYOUT OF CONTENTS / DISPOSITION TYPOGRAPHIQUE DE CONTENU / DISPOSICION DEL CONTENIDO / ANORDNUNG DES INHALTS


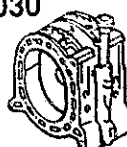

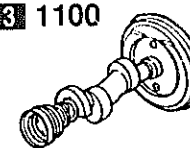
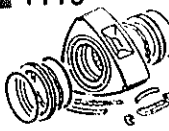
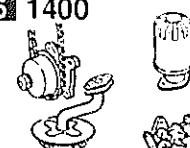
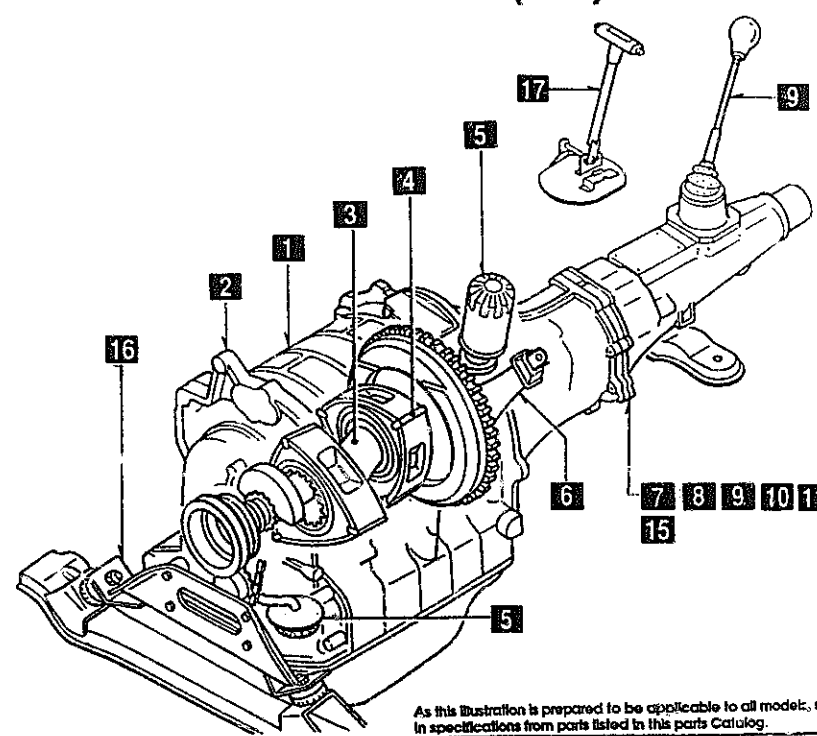

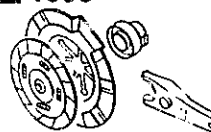

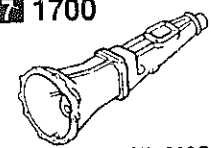
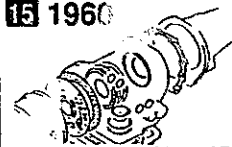

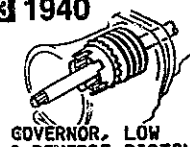
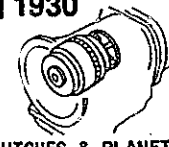
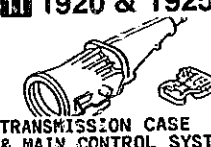
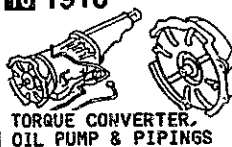
- The following is a typical example of the layout of contents on Mazda microfiche parts catalog
- Voici un exemple typique de la disposition typographique de contenu dans les microfiches de catalogue des pièces de Mazda
- El siguiente es un ejemplo típico de la disposición del contenido en una microficha del catálogo de repuestos de Mazda
- Folgendes ist ein typisches Beispiel der Inhaltsanordnung des Mazda-Mikrofiche-Teilekatalogs








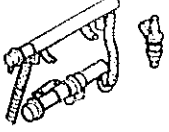

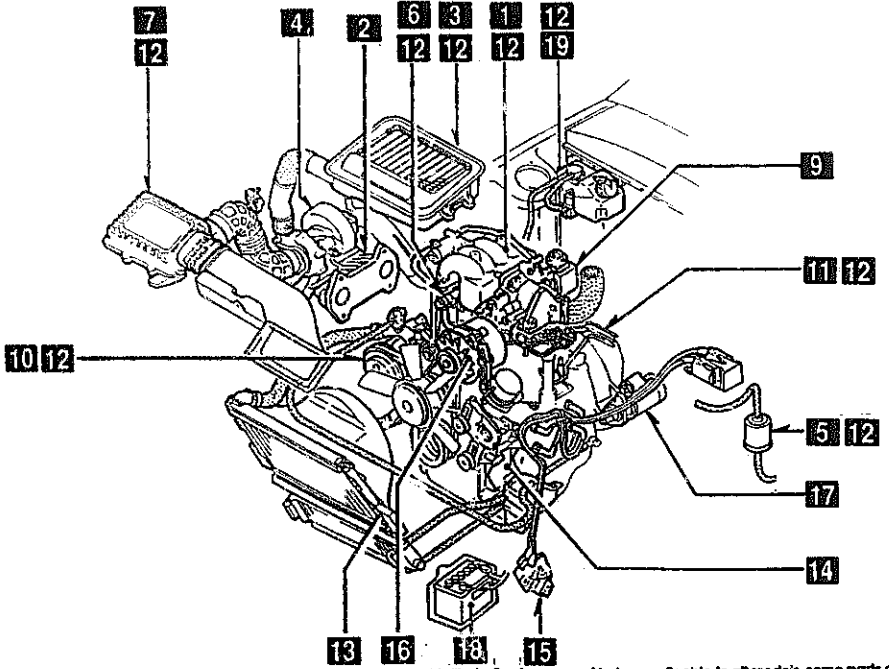
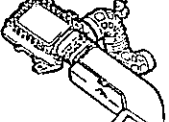
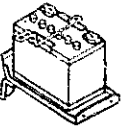
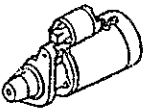
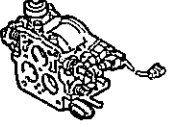
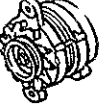

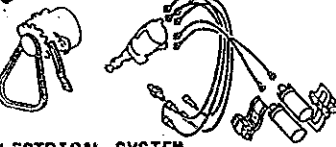
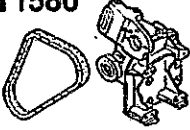
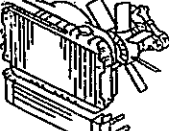
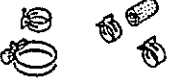
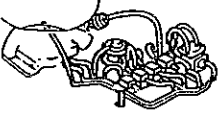
Remark : The items listed under ④ have been deleted from each ficha since Dec. '93

- | | | |
|--|---|--|
| ① • Layout of contents
• Disposition Typographique de Contenu
• Disposición del contenido
• Anordnung des Inhalts | ② • Pictorial Index
• Index par Schémas
• Índice Gráfico
• Illustrierter Index | ③ • Master Section No. Index
• Index des Numéros des Sections Totale
• Índice del Número de la Sección Maestra
• Hauptabschnittsnummer-Index |
| ④ • Section No. Index for the Column
• Index des Numéros des Sections pour les Colonnes
• N° de la Sección para el Índice
• Abschnittsnummer-Index für die Spalte | ⑤ • Illustration & Text
• Illustrations et Textes
• Ilustración y Texto
• Abbildung und Text | ⑥ • Part No. Index
• Index des Numéros des Pièces
• Índice del N° de Pieza
• Teile-Nr.-Index |
| ⑦ • Alphabetical Index
• Index Alphabétique
• Índice Alfabético
• Alphabetischer Index | ⑧ • Model Identification
• Identification des Modèles
• Identificación del Modelo
• Modell-Kennzeichnung | ⑨ • Vehicle Identification System
• Système d'Identification de Véhicule
• Sistema de Identificación de Vehículo
• Fahrzeug-Identifikationssystem |

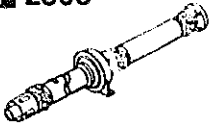
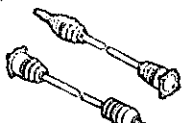
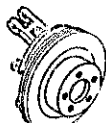


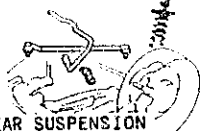

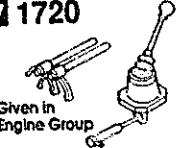
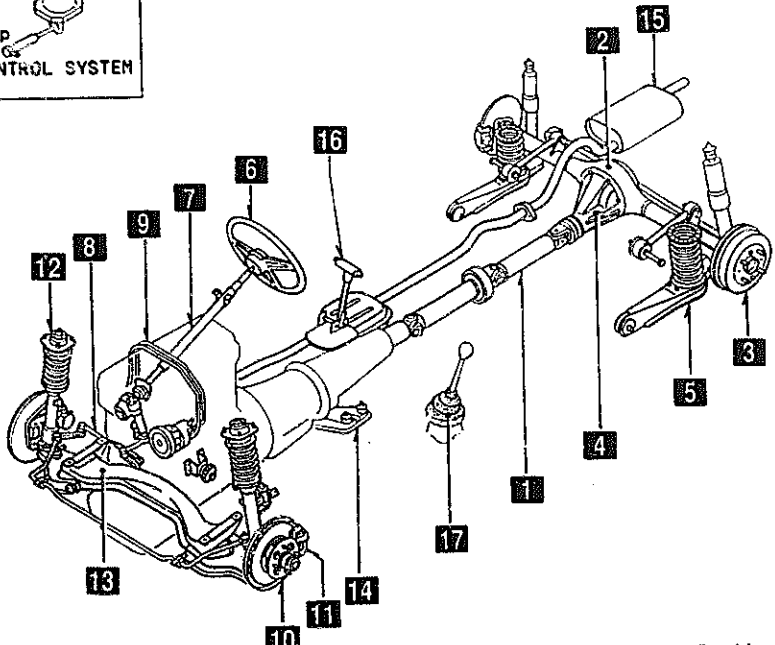
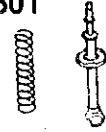
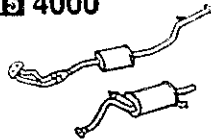
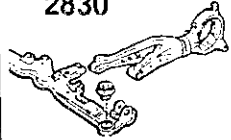


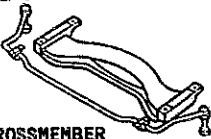

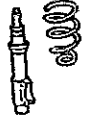
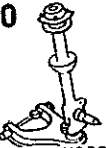

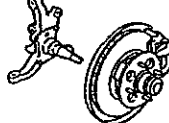
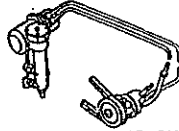
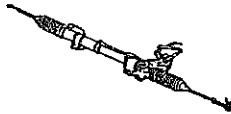
PICTORIAL INDEX

<p>1000</p>  <p style="text-align: center;">ROTOR HOUSINGS</p>	<p>11 1030</p>  <p style="text-align: center;">ROTOR HOUSINGS</p>	<p>12 1040</p>  <p style="text-align: center;">OIL PAN, FRONT & REAR HOUSING</p>	<p>13 1100</p>  <p style="text-align: center;">ECCENTRIC SHAFT & FLYWHEEL</p>	<p>14 1110</p>  <p style="text-align: center;">ROTORs & RELATED PARTS</p>	<p>15 1400</p>  <p style="text-align: center;">OIL PUMP & FILTER</p>
<h3 style="margin: 0;">ENGINE (1/2)</h3>  <p style="text-align: center; font-size: small;">As this illustration is prepared to be applicable to all models, some parts are different in specifications from parts listed in this parts Catalog.</p>					
<p>17 4600</p> <p style="font-size: x-small;">Given in Chassis Group</p>  <p style="text-align: center;">CHANGE CONTROL SYSTEM (AT)</p>					<p>16 1600</p>  <p style="text-align: center;">CLUTCH DISC & COVER (MANUAL)</p>
<p>16 3900</p> <p style="font-size: x-small;">Given in Chassis Group</p>  <p style="text-align: center;">ENGINE & TRANSMISSION MOUNTINGS</p>					<p>17 1700</p>  <p style="text-align: center;">TRANSMISSION CASE (MANUAL)</p>
<p>15 1960</p>  <p style="text-align: center;">GASKET & SEAL KIT (AUTOMATIC)</p>	<p>14 1950</p>  <p style="text-align: center;">MANUAL LINKAGE SYSTEM (AUTOMATIC)</p>	<p>13 1940</p>  <p style="text-align: center;">GOVERNOR, LOW & REVERSE PISTON (AUTOMATIC)</p>	<p>12 1930</p>  <p style="text-align: center;">CLUTCHES & PLANETARY GEARS (AUTOMATIC)</p>	<p>11 1920 & 1925</p>  <p style="text-align: center;">TRANSMISSION CASE & MAIN CONTROL SYSTEM (AUTOMATIC)</p>	<p>10 1910</p>  <p style="text-align: center;">TORQUE CONVERTER, OIL PUMP & PIPINGS (AUTOMATIC)</p>

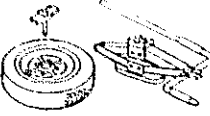



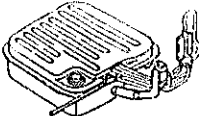
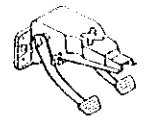
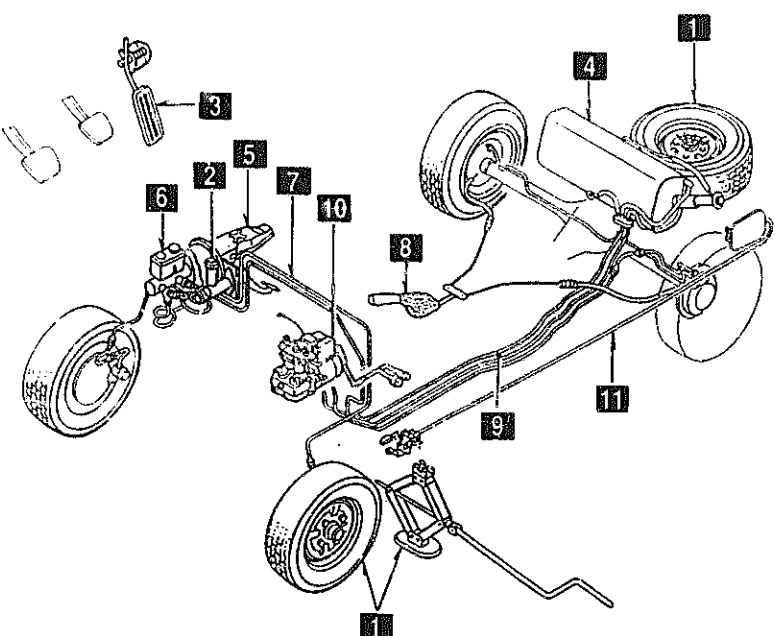
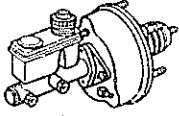



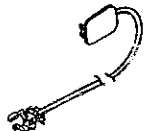
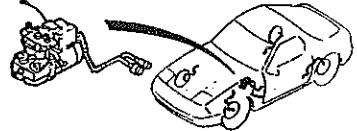
PICTORIAL INDEX

1 1300  INLET MANIFOLD	2 1310  EXHAUST MANIFOLD	3 1311  INTER COOLER	4 1312  TURBO CHARGER	5 1320  FUEL SYSTEM	6 1325  FUEL DISTRIBUTOR
19 1350  STARTING ASSIST SYSTEM	<h2 style="margin: 0;">ENGINE (2/2)</h2>  <p style="font-size: small; text-align: center;">As this illustration is prepared to be applicable to all models, some parts are different in specifications from parts listed in this parts Catalog.</p>				7 1330  AIR CLEANER
18 1850  BATTERY					8
17 1840  STARTER					9 1364  THROTTLE BODY
16 1830  ALTERNATOR					10 1371  AIR PUMP & AIR CONTROL VALVE
15 1800  ENGINE ELECTRICAL SYSTEM	14 1580  BRACKET, PULLEY & BELT	13 1500  COOLING SYSTEM	12 1399  CAP & HOSE CLIP (INLET & EXHAUST SIDE)	11 1380  EMISSION CONTROL SYSTEM	


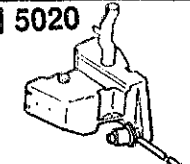

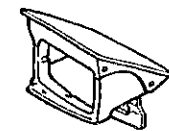



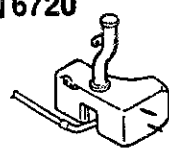
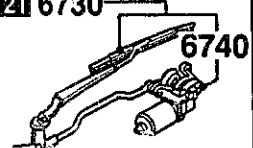
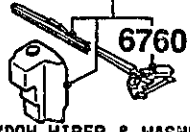

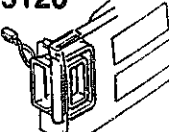

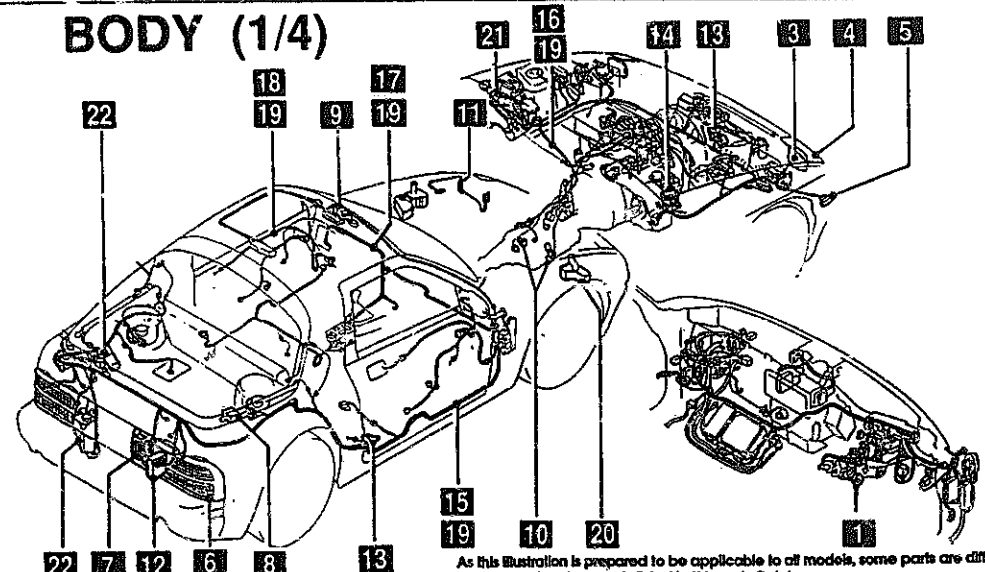
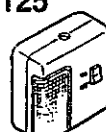






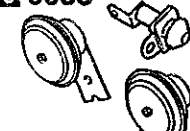


PICTORIAL INDEX

<p>1 2505</p>  <p>REAR PROPELLER SHAFT</p>	<p>2 2550</p>  <p>REAR DRIVE SHAFT</p>	<p>2600</p>  <p>REAR AXLE</p>	<p>3 2610</p>  <p>REAR BRAKE MECHANISMS</p>	<p>4 2710</p>  <p>REAR DIFFERENTIALS</p>	<p>5 2800 & 2810</p>  <p>REAR SUSPENSION MECHANISMS</p>
<p>13 4600</p>  <p>CHANGE CONTROL SYSTEM (AT)</p>	<p>17 1720</p> <p>Given in Engine Group</p>  <p>CHANGE CONTROL SYSTEM (MANUAL)</p>	<h2 style="margin: 0;">CHASSIS (1/2)</h2> 			<p>2801</p>  <p>REAR SPRING & DAMPER</p>
<p>15 4000</p>  <p>EXHAUST SYSTEM</p>	<p style="font-size: small;">As this illustration is prepared to be applicable to all models, some parts are different in specifications from parts listed in this parts Catalog.</p>			<p>2830</p>  <p>REAR LOWER ARMS & SUB FRAME</p>	
<p>14 3900</p>  <p>ENGINE & T/MISSION MOUNTINGS</p>				<p>6 3200</p>  <p>STEERING WHEEL</p>	
<p>18 3410</p>  <p>CROSSMEMBER & STABILIZER</p>				<p>7 3210</p>  <p>STEERING COLUMN & SHAFTS</p>	
<p>12 3401</p>  <p>FRONT SPRING & DAMPER</p>	<p>3400</p>  <p>FRONT SUSPENSION MECHANISMS</p>	<p>11 3310</p>  <p>FRONT BRAKE MECHANISMS</p>	<p>10 3300</p>  <p>FRONT AXLE</p>	<p>9 3240</p>  <p>POWER STEERING SYSTEM</p>	<p>8 3220</p>  <p>STEERING GEAR</p>

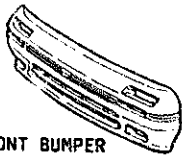



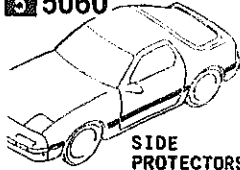


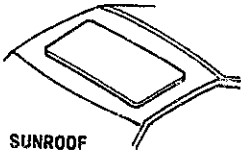


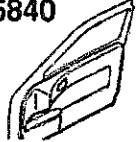
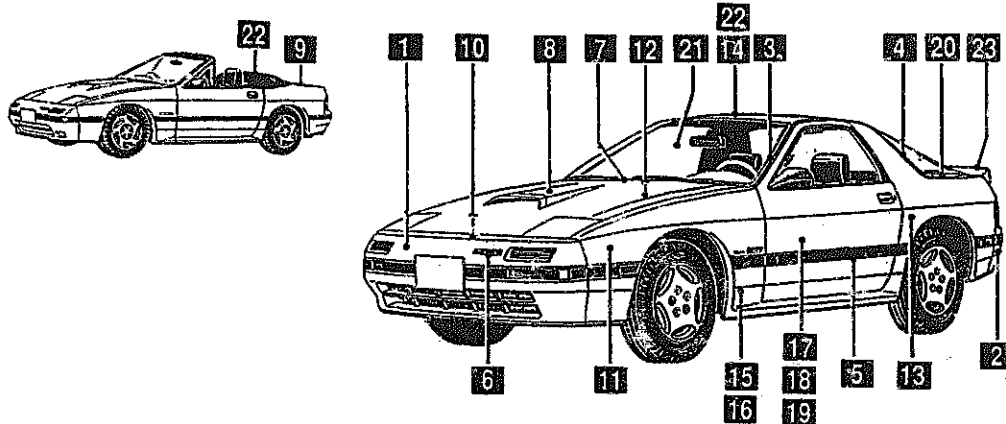
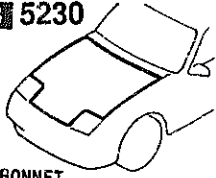

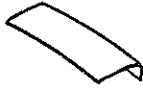

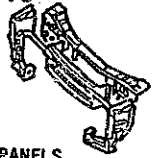
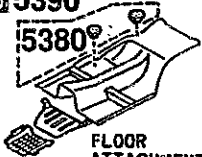
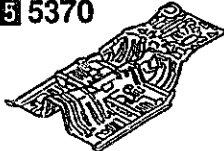
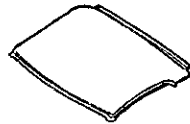
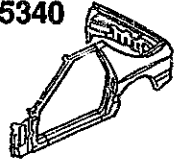
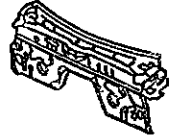
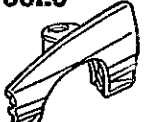
PICTORIAL INDEX

<p>1 3700</p>  <p style="text-align: center;">TIRES & JACK</p>	<p>2 4140</p>  <p style="text-align: center;">CLUTCH RELEASE & MASTER CYLINDERS (MANUAL TRANSMISSION)</p>	<p>4145</p>  <p style="text-align: center;">CLUTCH PIPINGS (MANUAL TRANSMISSION)</p>	<p>3 4160</p>  <p style="text-align: center;">ACCELERATOR CONTROL SYSTEM</p>	<p>4 4200</p>  <p style="text-align: center;">FUEL TANK</p>	<p>5 4300</p>  <p style="text-align: center;">CLUTCH & BRAKE PEDALS</p>
<h3 style="margin: 0;">CHASSIS (2/2)</h3>  <p style="text-align: center; font-size: small; margin-top: 5px;">As this illustration is prepared to be applicable to all models, some parts are different in specifications from parts listed in this parts Catalog.</p>					
<p>6 4340</p>  <p style="text-align: center;">BRAKE MASTER CYLINDER & POWER BRAKE</p>					
<p>7 4360</p>  <p style="text-align: center;">BRAKE PIPINGS</p>					
<p>8 4400</p>  <p style="text-align: center;">PARKING BRAKE SYSTEM</p>					
<p>9 4500</p>  <p style="text-align: center;">FUEL PIPINGS</p>					
<p>11 4210</p>  <p style="text-align: center;">FUEL LID OPENER</p>					
<p>10 4370</p>  <p style="text-align: center;">ANTILOCK BRAKE SYSTEM</p>					

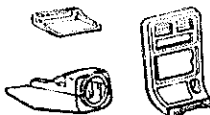
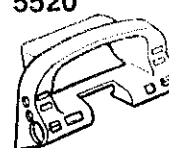
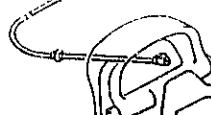
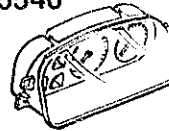
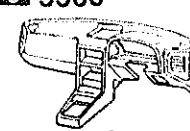
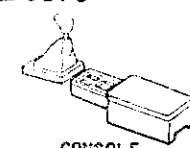
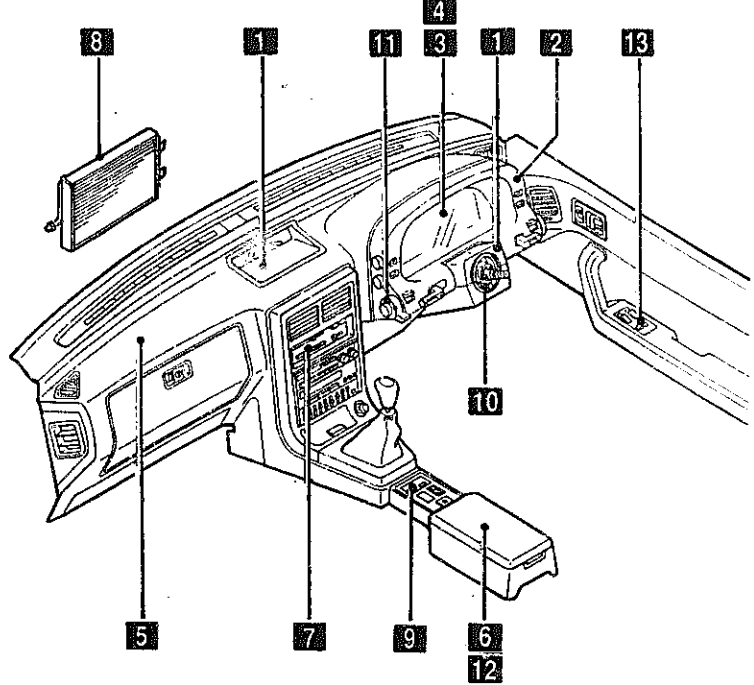




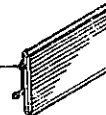



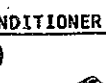
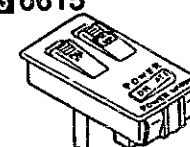
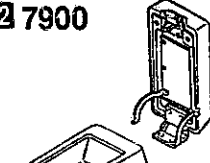
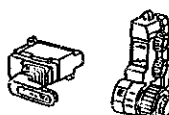
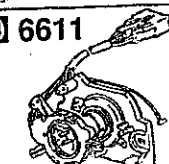
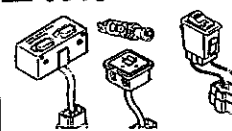
PICTORIAL INDEX

<p>1 0900</p>  <p style="text-align: center;">KEY SETS</p>	<p>2 5020</p>  <p style="text-align: center;">HEAD LAMP CLEANER</p>	<p>3 5100</p>  <p style="text-align: center;">HEAD LAMPS</p>	<p>4 5103</p>  <p style="text-align: center;">HEAD LAMP RETRACTORS</p>	<p>5 5105</p>  <p style="text-align: center;">FRONT COMBINATION LAMPS</p>	<p>6 5110</p>  <p style="text-align: center;">REAR COMBINATION LAMPS</p>
<p>19 6704</p>  <p style="text-align: center;">WIRING HARNESS CLAMPS</p>	<p>20 6720</p>  <p style="text-align: center;">WINDSHIELD WASHER</p>	<p>21 6730</p>  <p style="text-align: center;">WINDSHIELD WIPERS</p>	<p>22 6750</p>  <p style="text-align: center;">WINDOW WIPER & WASHER (REAR)</p>	<p>23 6800</p>  <p style="text-align: center;">CEILING TRIMS</p>	<p>7 5120</p>  <p style="text-align: center;">LICENSE LAMPS</p>
<p>18 6703</p>  <p style="text-align: center;">WIRING HARNESSSES (DOOR, FLOOR/CEILING)</p>	<p>BODY (1/4)</p>  <p style="text-align: center; font-size: small;">As this illustration is prepared to be applicable to all models, some parts are different in specifications from parts listed in this parts Catalog.</p>				<p>8 5125</p>  <p style="text-align: center;">INTERIOR LAMPS</p>
<p>17 6702</p>  <p style="text-align: center;">WIRING HARNESSSES (DASHBOARD)</p>					<p>9 5130</p>  <p style="text-align: center;">OVERHEAD CONSOLE</p>
<p>16 6701</p>  <p style="text-align: center;">WIRING HARNESSSES (ENGINE & T/MISSION)</p>					<p>10 6600</p>  <p style="text-align: center;">SWITCHES & RELAYS (ENGINE)</p>
<p>15 6700</p>  <p style="text-align: center;">WIRING HARNESSSES (FRONT & REAR)</p>	<p>14 6640</p>  <p style="text-align: center;">AUTO CRUISE CONTROL SYSTEM</p>	<p>13 6635</p>  <p style="text-align: center;">DOOR SWITCH & HORNS</p>	<p>12 6630</p>  <p style="text-align: center;">RELAYS & UNIT (BODY)</p>	<p>11 5795</p>  <p style="text-align: center;">AIR BAG</p>	



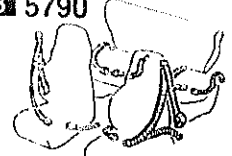
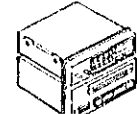
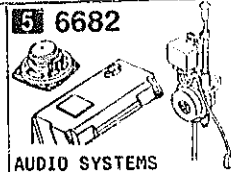

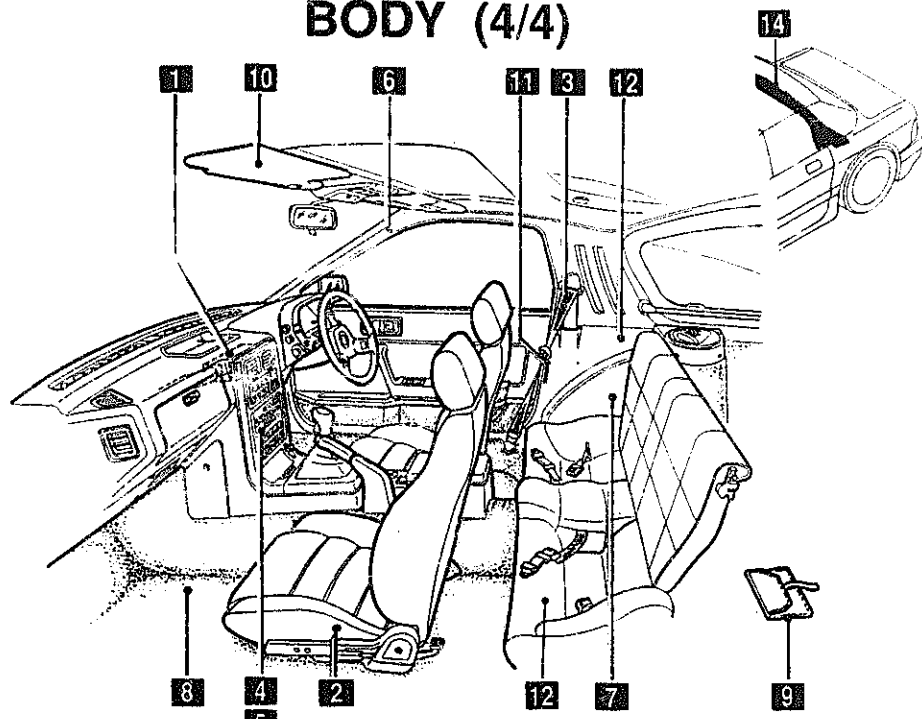
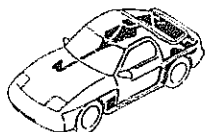
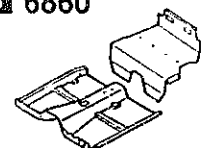

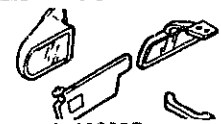
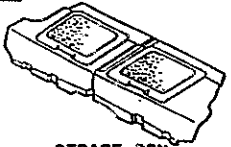

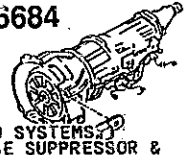

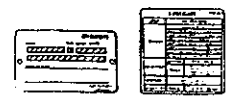
PICTORIAL INDEX

<p>1 5000</p>  <p>FRONT BUMPER</p>	<p>2 5010</p>  <p>REAR BUMPER</p>	<p>3 5030</p>  <p>WINDOW MOULDINGS</p>	<p>4 5040</p>  <p>BODY MOULDINGS</p>	<p>5 5060</p>  <p>SIDE PROTECTORS</p>	<p>6 5170</p> <p style="text-align: center;">RX-7 MAZDA</p> <p style="text-align: center;">ORNAMENTS</p>
<p>20 6230</p>  <p>LIFT GATE MECHANISMS</p>	<p>21 6300</p>  <p>WINDOW GLASSES</p>	<p>22 6330</p>  <p>SUNROOF</p>	<p>23 7800</p>  <p>SPOILERS & RELATED PARTS</p>		<p>7 5180</p>  <p>COWL & EXTRACTOR GRILLES</p>
<p>19 5840</p>  <p>FRONT DOOR TRIMS & RELATED PARTS</p>	<p style="font-size: 24pt; font-weight: bold;">BODY (2/4)</p> 				<p>8 5230</p>  <p>BONNET</p>
<p>18 5830</p>  <p>FRONT DOOR MECHANISMS</p>					<p>9 5260</p>  <p>TRUNK LID</p>
<p>17 5800</p>  <p>FRONT DOORS</p>					<p>10 5310</p>  <p>FRONT PANELS</p>
<p>13 5390</p> <p>15380</p>  <p>FLOOR ATTACHMENTS</p>	<p>15 5370</p>  <p>FLOOR PANELS</p>	<p>14 5360</p>  <p>ROOF PANELS</p>	<p>13 5340</p>  <p>SIDE PANELS</p>	<p>12 5330</p>  <p>DASH & COWL PANELS</p>	<p>11 5320</p>  <p>FENDER & WHEEL APRON PANELS</p>

PICTORIAL INDEX

<p>1 5500</p>  <p>DASHBOARD EQUIPMENTS</p>	<p>2 5520</p>  <p>METER HOOD</p>	<p>3 5530</p>  <p>SPEEDOMETER CABLE</p>	<p>4 5540</p>  <p>METER SET & METER COMPONENTS</p>	<p>5 5560</p>  <p>DASHBOARD & RELATED PARTS</p>	<p>6 5570</p>  <p>CONSOLE</p>
<p>BODY (3/4)</p> 					
<p><small>As this illustration is prepared to be applicable to all models, some parts are different in specifications from the parts listed in this parts catalog.</small></p>					
<p>7</p> <div style="display: flex; justify-content: space-between;"> <div style="width: 45%;"> <p>6120 </p> <p>6100 </p> <p>6110 </p> <p>6115 </p> <p>HEATER</p> </div> <div style="width: 45%;"> <p>8</p> <p>6130 </p> <p>6130 </p> <p>6140 </p> <p>6135 </p> <p>6150 </p> <p>AIR CONDITIONER</p> </div> </div>					
<p>13 6615</p>  <p>POWER WINDOW SWITCHES</p>	<p>12 7900</p>  <p>ACCESSORIES</p>	<p>11 6612</p>  <p>CLUSTER SWITCH</p>	<p>10 6611</p>  <p>COMBINATION SWITCH</p>	<p>9 6610</p>  <p>DASHBOARD SWITCHES</p>	

PICTORIAL INDEX

1 5580  VENTILATOR	2 5700  SEATS	3 5790  SEAT BELTS	4 6680  AUDIO SYSTEMS (RADIO & TAPE DECK)	5 6682  AUDIO SYSTEMS (ANTENNA & SPEAKER)	6 6820  FRONT HEADER TRIM & PILLAR TRIMS		
<h3 style="margin: 0;">BODY (4/4)</h3>  <p style="font-size: small; text-align: center;">As this illustration is prepared to be applicable to all models, some parts are different in specifications from the parts listed in this parts catalog.</p>							
7 6840  TRIMS & SCUFF PLATES							
8 6860  FLOOR MATS & PADS							
9 6870  SERVICE TOOLS							
10 6900  VISORS, ASSIST HANDLES & MIRRORS							
15 6845  STORAGE BOX		14 6810  ROLLERBAR		13 6684  AUDIO SYSTEMS (NOISE SUPPRESSOR & EARTH CORD)		12 7250  QUARTER WINDOW & TRIMS	
11 6930  CAUTION PLATES & LABELS							

SECTION NAME INDEX (ENGINE)

LD.NO	SEC.NO	SECTION NAME	LD.NO	SEC.NO	SECTION NAME	LD.NO	SEC.NO	SECTION NAME
1-C03	1000	ENGINE & GASKET SETS (W/O TURBO)	1-C09	1600	CLUTCH DISC & COVER (MANUAL) (W/O TURBO)			
1-D03	1000 A	ENGINE & GASKET SETS (TURBO)	1-D09	1600 A	CLUTCH DISC & COVER (MANUAL) (TURBO)			
1-E03	1030	ROTOR HOUSINGS (W/O TURBO)	1-F09	1700	TRANSMISSION CASE (MANUAL) (W/O TURBO)			
1-G03	1030 A	ROTOR HOUSINGS (TURBO)	1-H09	1700 A	TRANSMISSION CASE (MANUAL) (TURBO)			
1-I03	1040	OIL PAN,FRONT & REAR HOUSING (W/O TURBO)	1-K09	1710	TRANSMISSION GEARS(MANUAL) (W/O TURBO)			
1-L03	1040 A	OIL PAN,FRONT & REAR HOUSING (TURBO)	1-E10	1710 A	TRANSMISSION GEARS(MANUAL) (TURBO)			
1-C04	1100	ECCENTRIC SHAFT & FLYWHEEL	1-K10	1720	CHANGE CONTROL SYSTEM (MANUAL) (W/O TURBO)			
1-F04	1110	ROTORS & RELATED PARTS	1-N10	1720 A	CHANGE CONTROL SYSTEM (MANUAL) (TURBO)			
1-H04	1300	INLET MANIFOLD (W/O TURBO)	1-E11	1800	ENGINE ELECTRICAL SYSTEM			
1-J04	1300 A	INLET MANIFOLD (TURBO)	1-I11	1830	ALTERNATOR			
1-K04	1310	EXHAUST MANIFOLD	1-K11	1840	STARTER			
1-L04	1311	INTER COOLER (TURBO)	1-N11	1850	BATTERY			
1-M04	1312	TURBO CHARGER	1-C12	1910	TORQUE CONVERTER,OIL PUMP & PI PINGS (AUTOMATIC)			
1-C05	1320	FUEL SYSTEM	1-F12	1920	TRANSMISSION CASE & MAIN CONTR OL SYSTEM (AUTOMATIC)			
1-E05	1325	FUEL DISTRIBUTOR	1-M12	1925	CONTROL VALVE (AUTOMATIC)			
1-F05	1330	AIR CLEANER (W/O TURBO)	1-H13	1930	CLUTCHES & PLANETARY GEARS (AU TOMATIC)			
1-H05	1330 A	AIR CLEANER (TURBO)	1-D14	1940	GOVERNOR, LOW & REVERSE PISTON (AUTOMATIC)			
1-J05	1364	THROTTLE BODY (W/O TURBO)	1-G14	1950	MANUAL LINKAGE SYSTEM (AUTOMAT IC)			
1-M05	1364 A	THROTTLE BODY (TURBO)	1-I14	1960	GASKET & SEAL KIT (AUTOMATIC)			
1-C06	1371	AIR PUMP & AIR CONTROL VALVE						
1-F06	1380	EMISSION CONTROL SYSTEM (W/O TURBO)						
1-J06	1380 A	EMISSION CONTROL SYSTEM (TURBO)						
1-C07	1400	OIL PUMP & FILTER (W/O TURBO)						
1-F07	1400 A	OIL PUMP & FILTER (TURBO)						
1-J07	1500	COOLING SYSTEM						
1-C08	1580	BRACKET,PULLEY & BELT						

SECTION NAME INDEX (CHASSIS)

LO.NO	SEC.NO	SECTION NAME	LO.NO	SEC.NO	SECTION NAME	LO.NO	SEC.NO	SECTION NAME
2-C03	2505	REAR PROPELLER SHAFT	2-C08	4160	ACCELERATOR CONTROL SYSTEM			
2-D03	2550	REAR DRIVE SHAFT	2-D08	4200	FUEL TANK			
2-E03	2600	REAR AXLE	2-G08	4210	FUEL LID OPENER			
2-G03	2610	REAR BRAKE MECHANISMS	2-H08	4300	CLUTCH & BRAKE PEDALS (MANUAL TRANSMISSION)			
2-J03	2710	REAR DIFFERENTIALS (NORMAL DIFF.)	2-K08	4300A	BRAKE PEDALS (AUTOMATIC TRANSMISSION)			
2-N03	2710 A	REAR DIFFERENTIALS (LIMITED SLIP DIFF.)	2-M08	4340	BRAKE MASTER CYLINDER & POWER BRAKE (W/O TURBO)			
2-F04	2800	REAR SUSPENSION MECHANISMS	2-C09	4340 A	BRAKE MASTER CYLINDER & POWER BRAKE (TURBO)			
2-G04	2801	REAR SPRING & DAMPER	2-E09	4360	BRAKE PIPINGS (W/O TURBO)			
2-H04	2810	REAR STABILIZER	2-G09	4360 A	BRAKE PIPINGS (TURBO)			
2-I04	2830	REAR LOWER ARMS & SUB FRAME	2-I09	4370	ANTILOCK BRAKE SYSTEM			
2-K04	3200	STEERING WHEEL (W/O AIR BAG)	2-M09	4400	PARKING BRAKE SYSTEM			
2-M04	3200 A	STEERING WHEEL (W/ AIR BAG)	2-C10	4500	FUEL PIPINGS			
2-N04	3210	STEERING COLUMN & SHAFTS	2-G10	4600	CHANGE CONTROL SYSTEM (AT)			
2-D05	3220	STEERING GEAR (W/ POWER STEERING:ENGINE REVOLUTION PER MINUTE SENSOR)						
2-G05	3220 A	STEERING GEAR (W/ POWER STEERING:VELOCITY SENSOR)						
2-J05	3240	POWER STEERING SYSTEM						
2-M05	3300	FRONT AXLE						
2-C06	3310	FRONT BRAKE MECHANISMS						
2-G06	3400	FRONT SUSPENSION MECHANISMS						
2-I05	3401	FRONT SPRING & DAMPER						
2-J06	3410	CROSSMEMBER & STABILIZER						
2-K06	3700	TIRES & JACK						
2-C07	3900	ENGINE & T/MISSION MOUNTINGS (MT)						
2-D07	3900A	ENGINE & T/MISSION MOUNTINGS (AT)						
2-E07	4000	EXHAUST SYSTEM (W/O TURBO)						
2-I07	4000 A	EXHAUST SYSTEM (TURBO)						
2-L07	4140	CLUTCH RELEASE & MASTER CYLINDERS (MANUAL TRANSMISSION)						
2-N07	4145	CLUTCH PIPINGS (MANUAL TRANSMISSION)						

SECTION NAME INDEX (BODY) 1/2

LD.NO	SEC.NO	SECTION NAME	LD.NO	SEC.NO	SECTION NAME	LD.NO	SEC.NO	SECTION NAME
3-C03	0900	KEY SETS	3-E09	5390	FLOOR ATTACHMENTS			
3-F03	5000	FRONT BUMPER	3-C10	5500	DASHBOARD EQUIPMENTS			
3-H03	5010	REAR BUMPER	3-F10	5520	METER HOOD			
3-J03	5020	HEAD LAMP CLEANER	3-G10	5530	SPEEDOMETER CABLE			
3-L03	5030	WINDOW MOULDINGS	3-H10	5540	METER COMPONENTS			
3-M03	5040	BODY MOULDINGS (COUPE)	3-J10	5560	DASHBOARD & RELATED PARTS			
3-D04	5060	SIDE PROTECTORS	3-D11	5570	CONSOLE			
3-G04	5100	HEAD LAMPS	3-G11	5580	VENTILATOR			
3-H04	5103	HEAD LAMP RETRACTORS	3-H11	5700	FRONT SEATS (COUPE)			
3-K04	5105	FRONT COMBINATION LAMPS	3-J12	5700A	FRONT SEATS (CONVERTIBLE)			
3-D05	5110	REAR COMBINATION LAMPS	3-D13	5790	SEAT BELTS (COUPE)			
3-H05	5120	LICENSE LAMPS	3-F13	5790A	SEAT BELTS (CONVERTIBLE)			
3-J05	5125	INTERIOR LAMPS	3-G13	5795	AIR BAG			
3-K05	5130	OVERHEAD CONSOLE	3-H13	5800	FRONT DOORS (COUPE)			
3-L05	5170	ORNAMENTS	3-K13	5800A	FRONT DOORS (CONVERTIBLE)			
3-M05	5180	COWL & EXTRACTOR GRILLES	3-C14	5830	FRONT DOOR MECHANISMS (COUPE)			
3-D06	5230	BONNET	3-I14	5830A	FRONT DOOR MECHANISMS (CONVERTIBLE)			
3-G06	5260	TRUNK LID (CONVERTIBLE)	3-M14	5840	FRONT DOOR TRIMS & RELATED PARTS (COUPE)			
3-H06	5310	FRONT PANELS (COUPE)	3-H15	5840A	FRONT DOOR TRIMS & RELATED PARTS (CONVERTIBLE)			
3-J06	5310 A	FRONT PANELS (CONVERTIBLE)	3-C16	6100	HEATER			
3-M06	5320	FENDER & WHEEL APRON PANELS (COUPE)	3-E16	6110	HEATER UNIT COMPONENTS			
3-D07	5320 A	FENDER & WHEEL APRON PANELS (CONVERTIBLE)	3-F16	6115	HEATER CONTROLS COMPONENTS			
3-G07	5330	DASH & COWL PANELS	3-G16	6120	HEATER BLOWER COMPONENTS			
3-H07	5340	SIDE PANELS (COUPE)	3-I16	6130	AIR CONDITIONER (JAPAN MAKE)			
3-M07	5340A	SIDE PANELS (CONVERTIBLE)	3-L16	6130A	AIR CONDITIONER (OPTIONAL PARTS)			
3-G08	5360	ROOF PANELS (COUPE)						
3-H08	5370	FLOOR PANELS (COUPE)						
3-K08	5370 A	FLOOR PANELS (CONVERTIBLE)						
3-C09	5380	FLOOR ATTACHMENTS (HOLE COVERS)						

SECTION NAME INDEX (BODY) 2/2

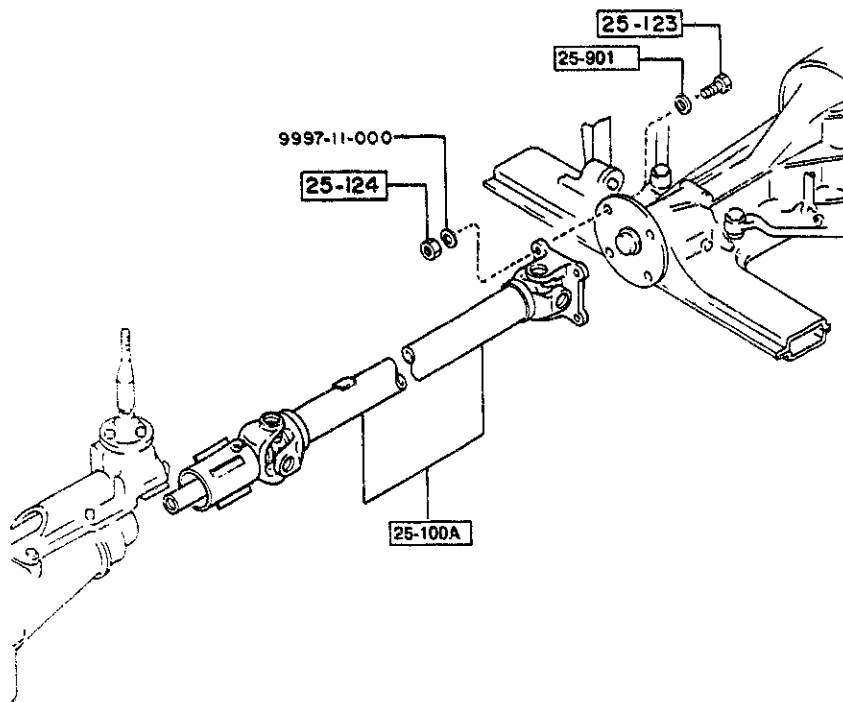
LO.NO	SEC.NO	SECTION NAME	LO.NO	SEC.NO	SECTION NAME	LO.NO	SEC.NO	SECTION NAME
4-C03	6135	O RING SET,PIPING	4-J07	6701 A	WIRING HARNESSSES(ENGINE & T/MISSION) (CONVERTIBLE)			
4-D03	6140	COMPRESSOR COMPONENTS (AIR CONDITIONER) (JAPAN MAKE)	4-K07	6702	WIRING HARNESSSES(DASHBOARD)			
4-G03	6140A	COMPRESSOR COMPONENTS (AIR CONDITIONER) (OPTIONAL PARTS)	4-L07	6703	WIRING HARNESSSES(DOOR,FLOOR/CEILING)			
4-I03	6150	COOLING UNIT (AIR CONDITIONER) (JAPAN MAKE)	4-M07	6704	WIRING HARNESS CLAMPS			
4-J03	6150A	COOLING UNIT (AIR CONDITIONER) (OPTIONAL PARTS)	4-D08	6720	WINDSHIELD WASHER			
4-K03	6230	LIFT GATE MECHANISMS (COUPE)	4-F08	6730	WINDSHIELD WIPERS			
4-N03	6300	WINDOW GLASSES (COUPE)	4-G08	6740	WIPER MOTOR COMPONENTS(FRONT)			
4-C04	6300A	WINDOW GLASSES (CONVERTIBLE)	4-H08	6750	WINDOW WIPER & WASHER (REAR)			
4-D04	6330	SUNROOF (COUPE)	4-K08	6760	WINDOW WIPER MOTOR COMPONENTS (REAR)			
4-H04	6330A	SUNROOF (CONVERTIBLE)	4-L08	6800	CEILING TRIMS (COUPE)			
4-M04	6600	SWITCHES & RELAYS (ENGINE)	4-N08	6800A	CEILING TRIMS (CONVERTIBLE)			
4-G05	6610	DASHBOARD SWITCHES	4-C09	6810	ROLLEBAR (CONVERTIBLE)			
4-H05	6611	COMBINATION SWITCH	4-E09	6820	PILLAR TRIMS (COUPE)			
4-I05	6612	CLUSTER SWITCH	4-G09	6820A	PILLAR TRIMS (CONVERTIBLE)			
4-L05	6615	POWER WINDOW SWITCHES	4-H09	6840	TRIMS & SCUFF PLATES (COUPE)			
4-M05	6630	RELAYS & UNIT (BODY)	4-L09	6840A	TRIMS & SCUFF PLATES (CONVERTIBLE)			
4-C06	6635	DOOR SWITCH & HORNS	4-N09	6845	STRAGE BOX			
4-D06	6640	AUTO CRUISE CONTROL SYSTEM	4-D10	6860	FLOOR MATS & PADS (COUPE)			
4-E06	6680	AUDIO SYSTEMS (RADIO & TAPE DECK)	4-I10	6860A	FLOOR MATS & PADS (CONVERTIBLE)			
4-J06	6682	AUDIO SYSTEMS (ANTENNA & SPEAKER)	4-M10	6870	SERVICE TOOLS			
4-C07	6684	AUDIO SYSTEMS(NOISE SUPPRESSOR & EARTH CORD)	4-N10	6900	VISORS,ASSIST HANDLES & MIRRORS (COUPE)			
4-D07	6700	WIRING HARNESSSES(FRONT & REAR) (COUPE)	4-E11	6900A	VISORS,ASSIST HANDLES & MIRRORS (CONVERTIBLE)			
4-F07	6700 A	WIRING HARNESSSES(FRONT & REAR) (CONVERTIBLE)	4-G11	6930	CAUTION PLATES & LABELS			
4-H07	6701	WIRING HARNESSSES(ENGINE & T/MISSION) (COUPE)	4-I11	7250	QUARTER WINDOW & TRIMS			
			4-K11	7800	SPOILERS & RELATED PARTS			

CATLOG-NO= AUFA03-07

DATE. 1993-12

PAGE. 4

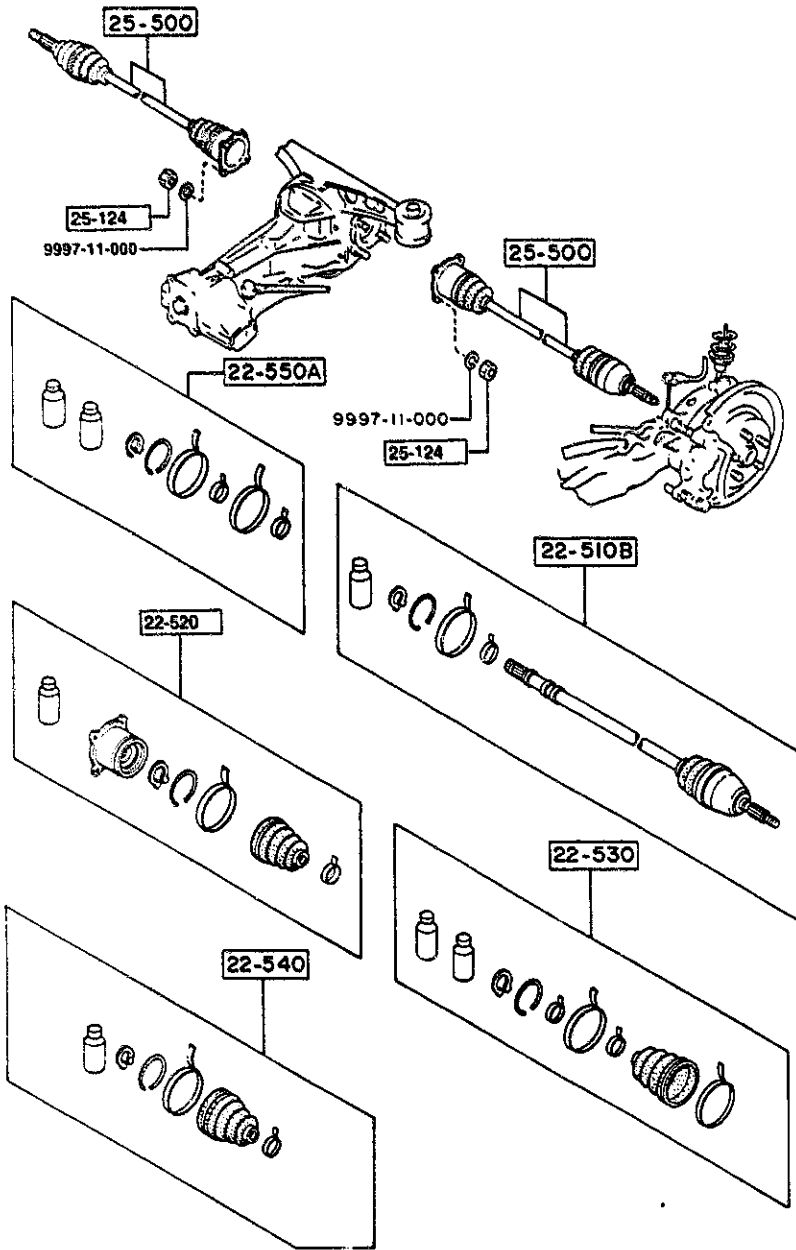
2505 REAR PROPELLER SHAFT



PART NO.	QTY	MODEL/RESTRICTION	MODEL/RESTRICTION	MODEL/RESTRICTION	FROM-TO
25-100A		SHAFT, PROPELLER			
M051-25-100C	1	((W/O TURBO))<(AT))			
M092-25-100	1	((W/O TURBO))<(MT))			
P039-25-100A	1	(TURBO)			-0904
P039-25-100B	1	(TURBO)			0904-
25-123		BOLT			
P012-25-123	4				
25-124		NUT			
1368-25-124	4				
25-901		WASHER, BALANCE WEIGH			
M055-25-901	2	W=2.2G			
M055-25-902	2	W=3.4G			
M055-25-903	2	W=4.5G			
M055-25-904	2	W=5.6G			
0904 FC3***-901387					

2550 -1 * REAR DRIVE SHAFT

2550 REAR DRIVE SHAFT

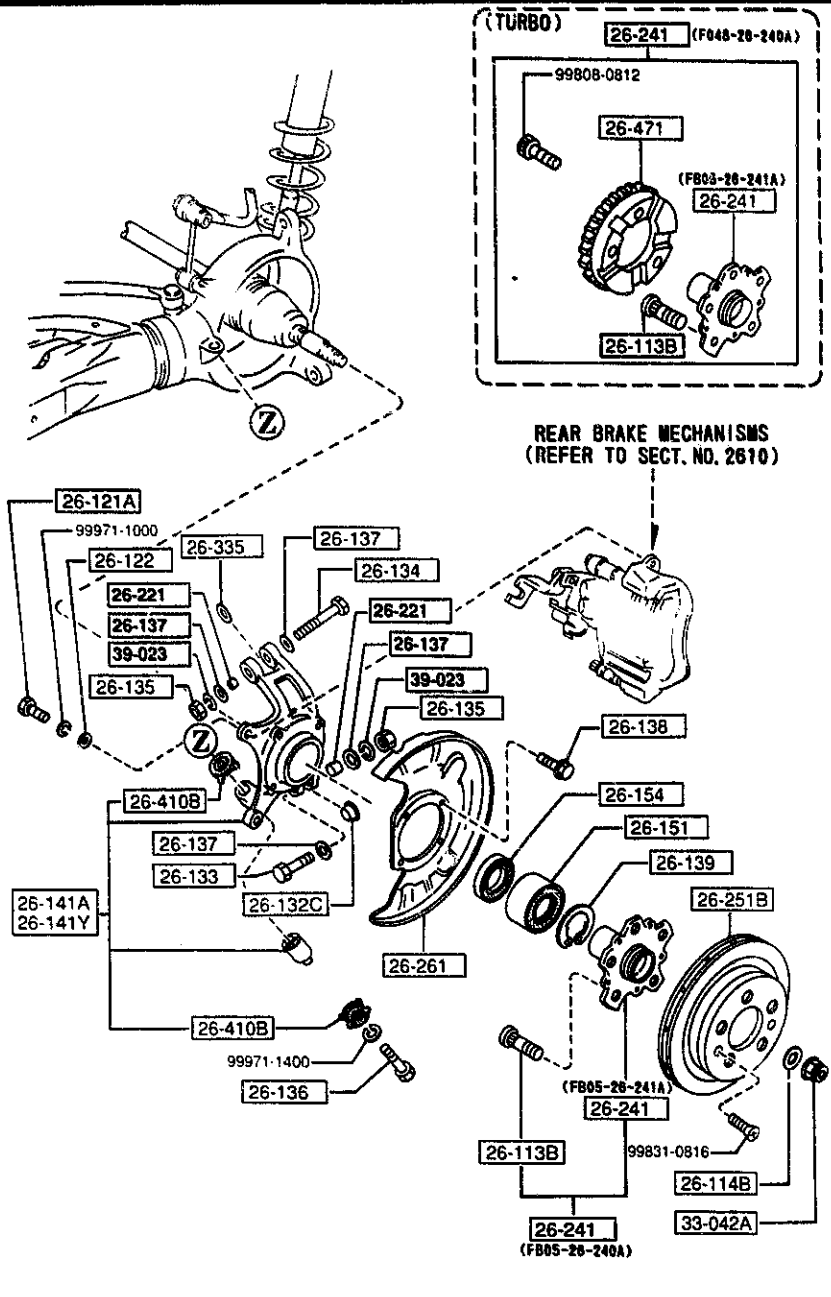


PART NO.	QTY	MODEL/RESTRICTION	MODEL/RESTRICTION	MODEL/RESTRICTION	FROM-TO
22-510B		JOINT SET, OUTER			
M030-22-510B	2	(W/O TURBO)			
M040-22-510C	2	(TURBO)			
22-520		JOINT SET, INNER			
M030-22-520A	2	(W/O TURBO)			
M040-22-520A	2	(TURBO)			
22-530		BOOT SET, OUTER JOINT			
M030-22-530A	2	(W/O TURBO)			
M040-22-530B	2	(TURBO)			
22-540		BOOT SET, INNER JOINT			
M030-22-540A	2	(W/O TURBO)			
M040-22-540A	2	(TURBO)			
22-550A		CLIP SET, DRIVE SHAFT			
M030-22-550A	2	(W/O TURBO)			
M040-22-550B	2	(TURBO)			
25-124		NUT			
1368-25-124	8				
25-500		SHAFT, DRIVE			
M030-25-500C	2	(W/O TURBO)			
M040-25-500E	2	(TURBO)			

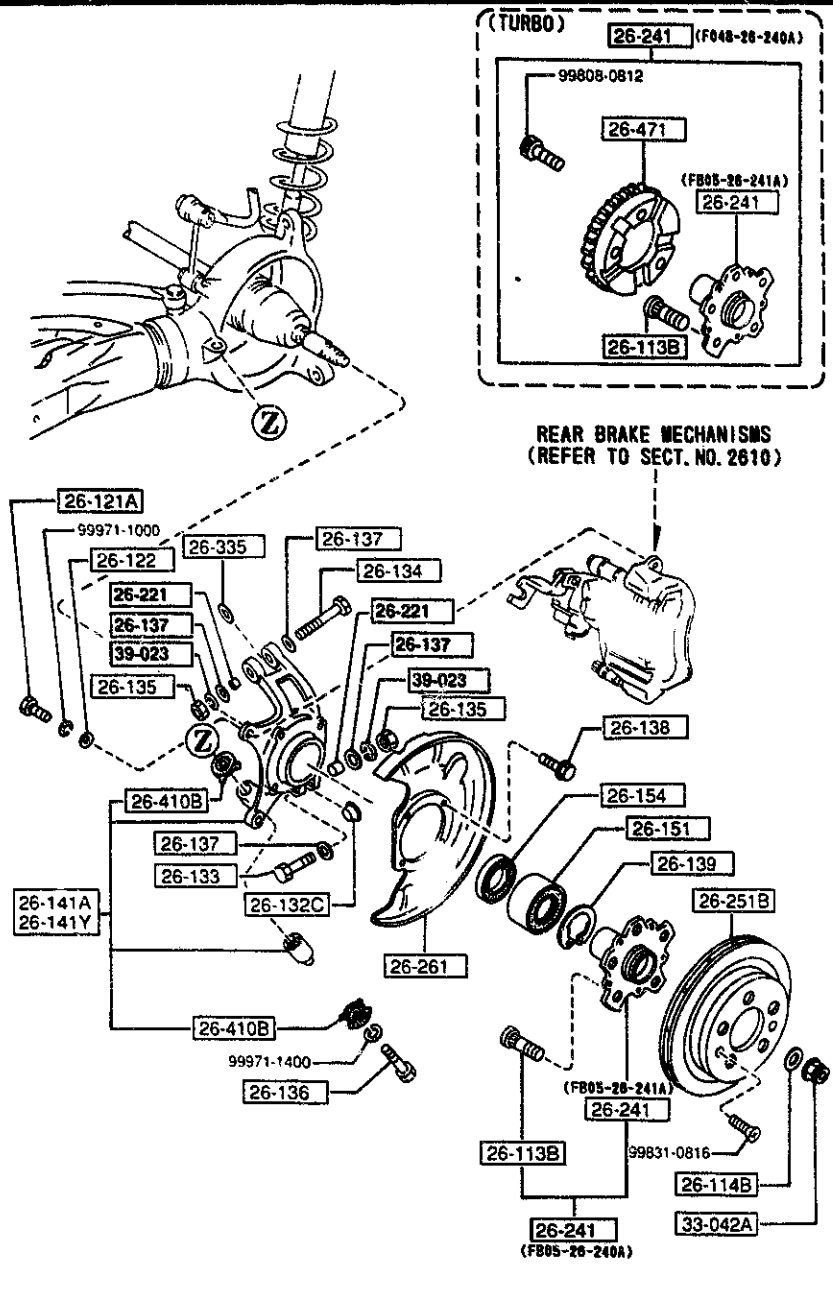
AUFA03

CAT. AUFA03-07

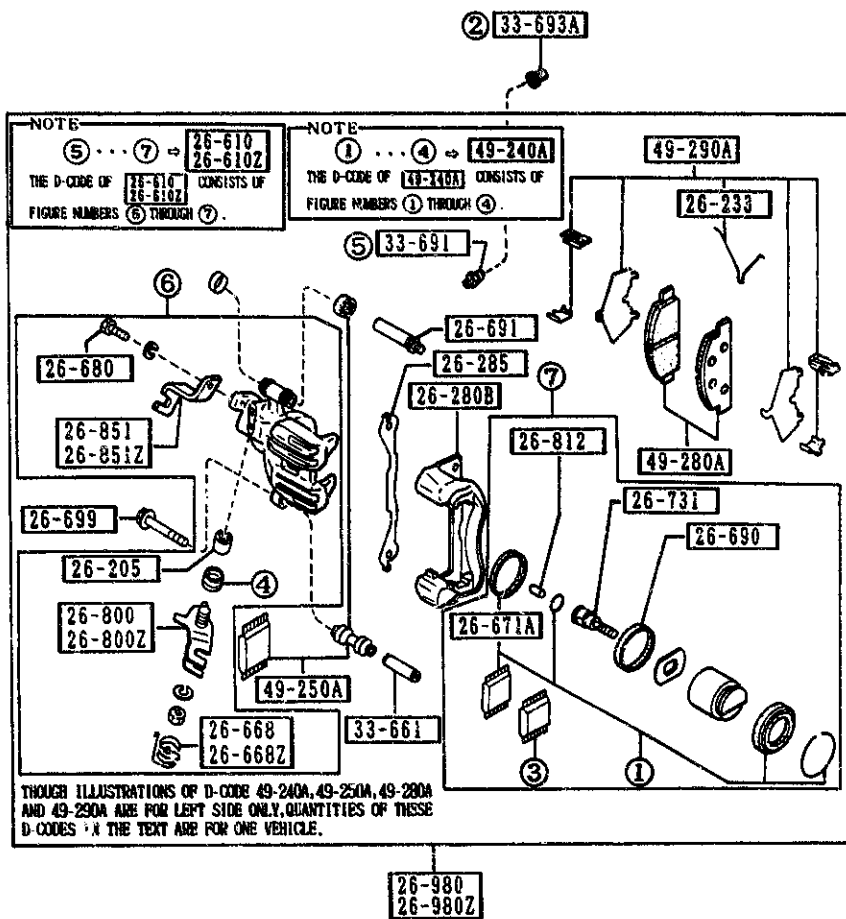
1993-12



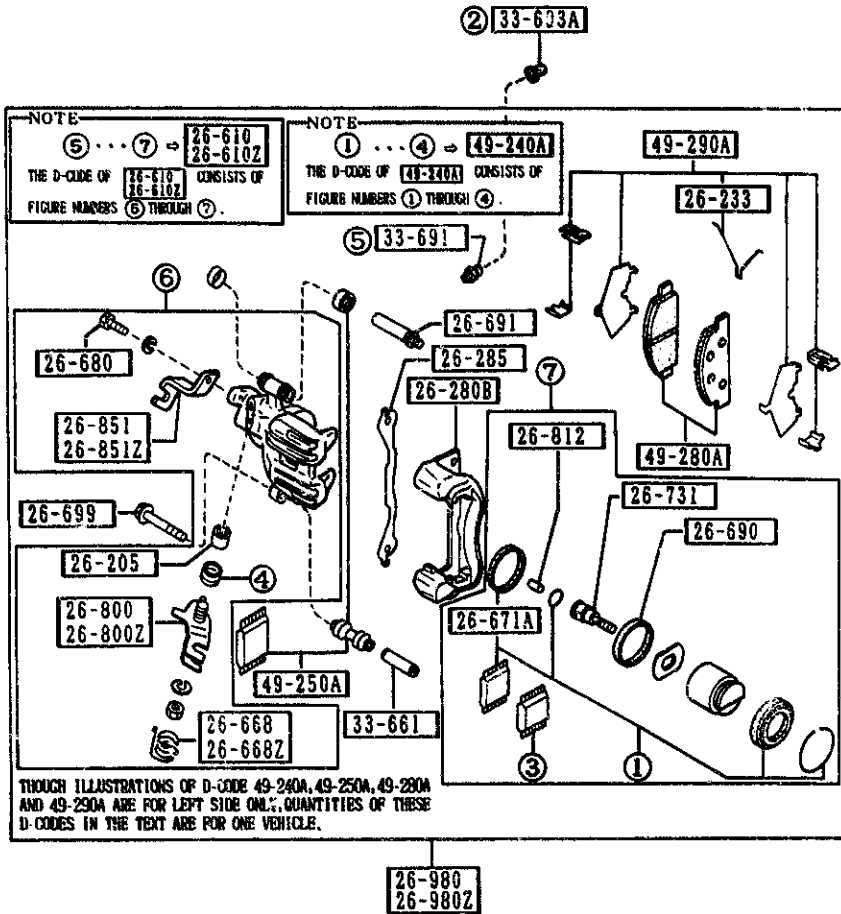
PART NO.	QTY	MODEL/RESTRICTION	MODEL/RESTRICTION	MODEL/RESTRICTION	FROM-10
26-113B		BOLT, HUB			
H001-26-113	10				
26-114B		WASHER, PLAIN			
H266-26-114	2				
26-121A		BOLT, REAR BRAKE			
FB01-26-121A	4				
26-122		WASHER, PLAIN-REAR BRAKE			
FB01-26-122	4				
26-132C		WASHER, SLEEVE-REAR BRAKE			
FB01-26-132	2				
26-133		BOLT			
FB01-26-133	2				
26-134		BOLT, LOWER ARM			
FB01-26-134	2				
26-135		NUT, LOWER ARM			
FB01-26-135	4				
26-136		BOLT, LOWER ARM			
FB01-26-136	2				
26-137		WASHER, PLAIN-LOWER ARM			
FB05-26-137	8				
26-138		BOLT, DUST COVER			
FB01-26-138	8				
26-139		RING, RETAINING			
FB01-26-139	2				
26-141A		HUB(R), TOE CONTROL-OUTER			
FB01-49-130	1				
26-141Y		HUB(L), TOE CONTROL-OUTER			
FB01-49-140	1				



PART NO.	QTY	MODEL/RESTRICTION	MODEL/RESTRICTION	MODEL/RESTRICTION	FROM-TO
26-151		BEARING, WHEEL			
FB01-26-151A	2				
26-154		SEAL, OIL-REAR AXLE			
FB01-26-065A	2				
26-221		SLEEVE, LOWER ARM			
FB01-26-221A	4				
26-241		FLANGE, REAR AXLE			
MFB05-26-240A	2	(W/O TURBO)			
MFB048-26-240A	2	(TURBO)			
FB05-26-241A	2				
26-251B		PLATE, DISC			
FB05-26-251A	2	D=273MM/T=18MM SHOLE (CPE)>(W/O TURBO)>(A.A.SUSP) (CPE)>(TURBO) (CONVERTIBLE)			
FC01-26-251	2	D=261MM/T=10MM SHOLE (CPE)>(W/O TURBO)>(W/O A.A.SUSP)			
26-261		COVER, DUST			
FB01-26-261B	2				
26-335		STOPPER, LOWER ARM			
FB01-26-335	2				
26-410B		RUBBER, SEAT-BRG HOUSING			
FC01-26-410	4				
26-471		ROTOR, SENSOR-RR A.B.S.			
F048-26-471	2	(TURBO)			
33-042A		NUT			
H001-26-042	2				
39-023		WASHER, SPRING-LOWER ARM			
FB01-39-023	4				



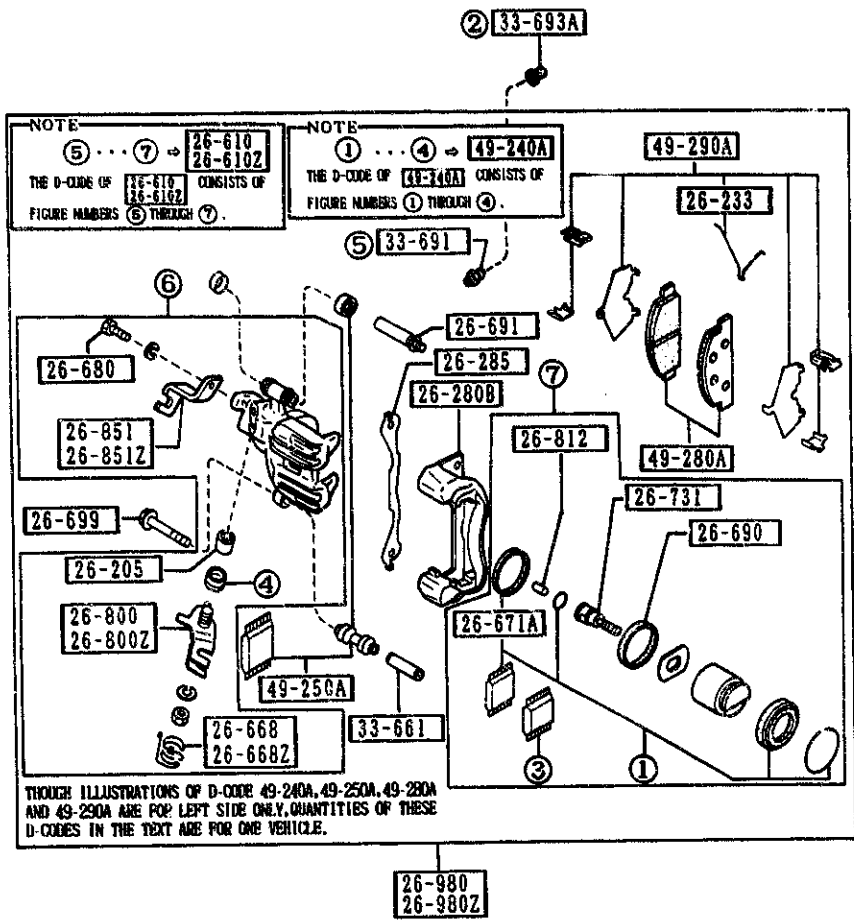
PART NO.	QTY	MODEL/RESTRICTION	MODEL/RESTRICTION	MODEL/RESTRICTION	FROM-TO
26-205		BEARING			
H001-26-205	2				
26-233		SPRING(V), REAR BRAKE			
MFB01-26-233	2	((CPE))<(W/O TURBO))<(W/O A.A.SUSP)			
MFB05-26-233	2	((CPE))<(W/O TURBO))<(A.A.SUSP)			
		((CPE))<(TURBO))			
		(CONVERTIBLE)			
26-280B		SUPPORT, MOUNTING			
FB01-26-281A	2	((CPE))<(W/O TURBO))<(W/O A.A.SUSP)			
FB05-26-281A	2	((CPE))<(W/O TURBO))<(A.A.SUSP)			
		((CPE))<(TURBO))			
		(CONVERTIBLE)			
26-285		PLATE, GUARD-CALIPER BRAKE			
FB01-26-285A	2				
26-610		BODY & PISTON(R), CALIPER			
FB01-26-610B	1	((CPE))<(W/O TURBO))<(W/O A.A.SUSP)			
FB05-26-610B	1	((CPE))<(W/O TURBO))<(A.A.SUSP)			
		((CPE))<(TURBO))			
		(CONVERTIBLE)			
26-610Z		BODY & PISTON(L), CALIPER			
FB01-26-710B	1	((CPE))<(W/O TURBO))<(W/O A.A.SUSP)			
FB05-26-710B	1	((CPE))<(W/O TURBO))<(A.A.SUSP)			
		((CPE))<(TURBO))			
		(CONVERTIBLE)			
26-668		SPRING(R), LEVER			
FB01-26-668	1				
26-668Z		SPRING(L), LEVER			
FB01-26-669	1				
26-671A		SEAL, PISTON			
1243-26-671	2				



PART NO.	QTY	MODEL/RESTRICTION	MODEL/RESTRICTION	MODEL/RESTRICTION	FROM-TO
26-680		BOLT			
FA18-26-680	2				
26-690		STOPPER, CALIPER-RR			
FB01-26-694	2				
26-691		PIN, GUIDE			
FA66-26-695	2				
26-699		PIN, LOCK			
FA66-26-998	2				
26-731		SPINDLE, ADJUSTER			
H001-26-731A	2				
26-800		LEVER(R), OPERATING			
FB01-26-800A	1				
26-800Z		LEVER(L), OPERATING			
FB01-26-810A	1				
26-812		LINK, CONNECTING			
H001-26-812	2				
26-851		BRACKET(R), CABLE			
FB01-26-851	1				
26-851Z		BRACKET(L), CABLE			
FB01-26-861	1				
26-980		CALIPER(R), RR BRAKE			
FB01-26-980F	1	ASBESTOS (CPE)>(W/O TURBO)>(W/O A.A.SUSP)			
FB05-26-980F	1	ASBESTOS (CPE)>(W/O TURBO)>(A.A.SUSP) (CPE)>(TURBO) (CONVERTIBLE)			
26-980Z		CALIPER(L), RR BRAKE			
FB01-26-990F	1	ASBESTOS (CPE)>(W/O TURBO)>(W/O A.A.SUSP)			

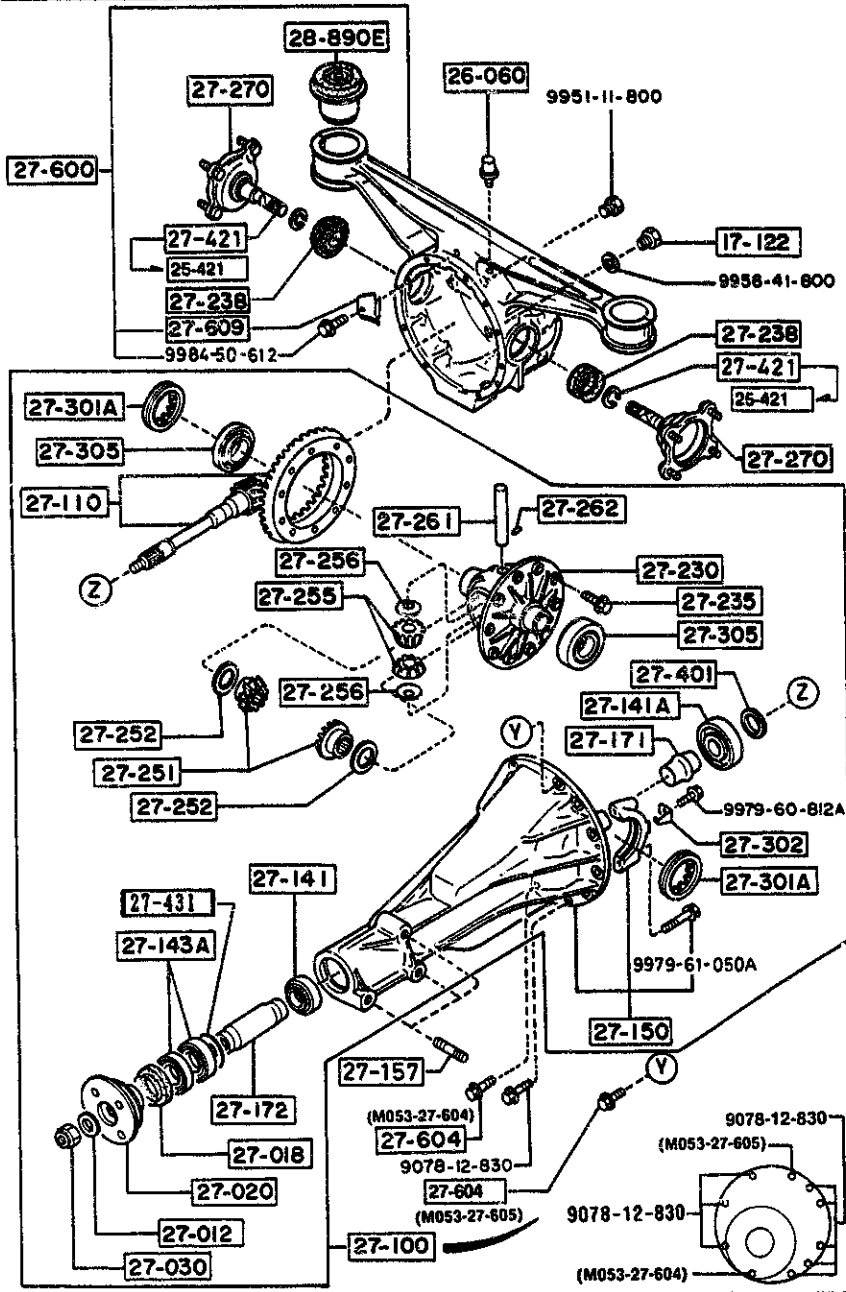
2610 REAR BRAKE MECHANISMS

2610 -3 * REAR BRAKE MECHANISMS



PART NO.	QTY	MODEL/RESTRICTION	MODEL/RESTRICTION	MODEL/RESTRICTION	FROM-TO
CONT'D FB05-26-990F	1	ASBESTOS ((CPE)) (W/D TURBO) (A.A.SUSP) ((CPE)) (TURBO) (CONVERTIBLE)			
33-661	2	SLEEVE, MAIN-FRT CALI PER			
G030-33-661	2				
33-691	4	SCREW, BLEEDER			
B107-33-691	4				
33-693A	4	CAP, BLEEDER SCREW			
O259-33-693	4				
49-240A	1	SEAL KIT, CALIPER-RR			
FB02-49-240	1				
49-250A	1	BOOT KIT, RR CALIPER			
FA67-26-45Z	1	((CPE)) (W/D TURBO) (W/O A.A.SUSP)			
FB06-49-250	1	((CPE)) (W/D TURBO) (A.A.SUSP) ((CPE)) (TURBO) (CONVERTIBLE)			
49-280A	1	PAD SUB SET, RR CALIP ER ASBESTOS			
FB06-49-280A	1				
49-290A	1	ATTACHMENT, PAD-REAR			
FB02-49-290B	1	((CPE)) (W/D TURBO) (W/O A.A.SUSP)			
FB06-49-290B	1	((CPE)) (W/D TURBO) (A.A.SUSP) ((CPE)) (TURBO) (CONVERTIBLE)			

2710 REAR DIFFERENTIALS
(NORMAL DIFF.)



AUFA03

2710 -1 REAR DIFFERENTIALS
(NORMAL DIFF.)

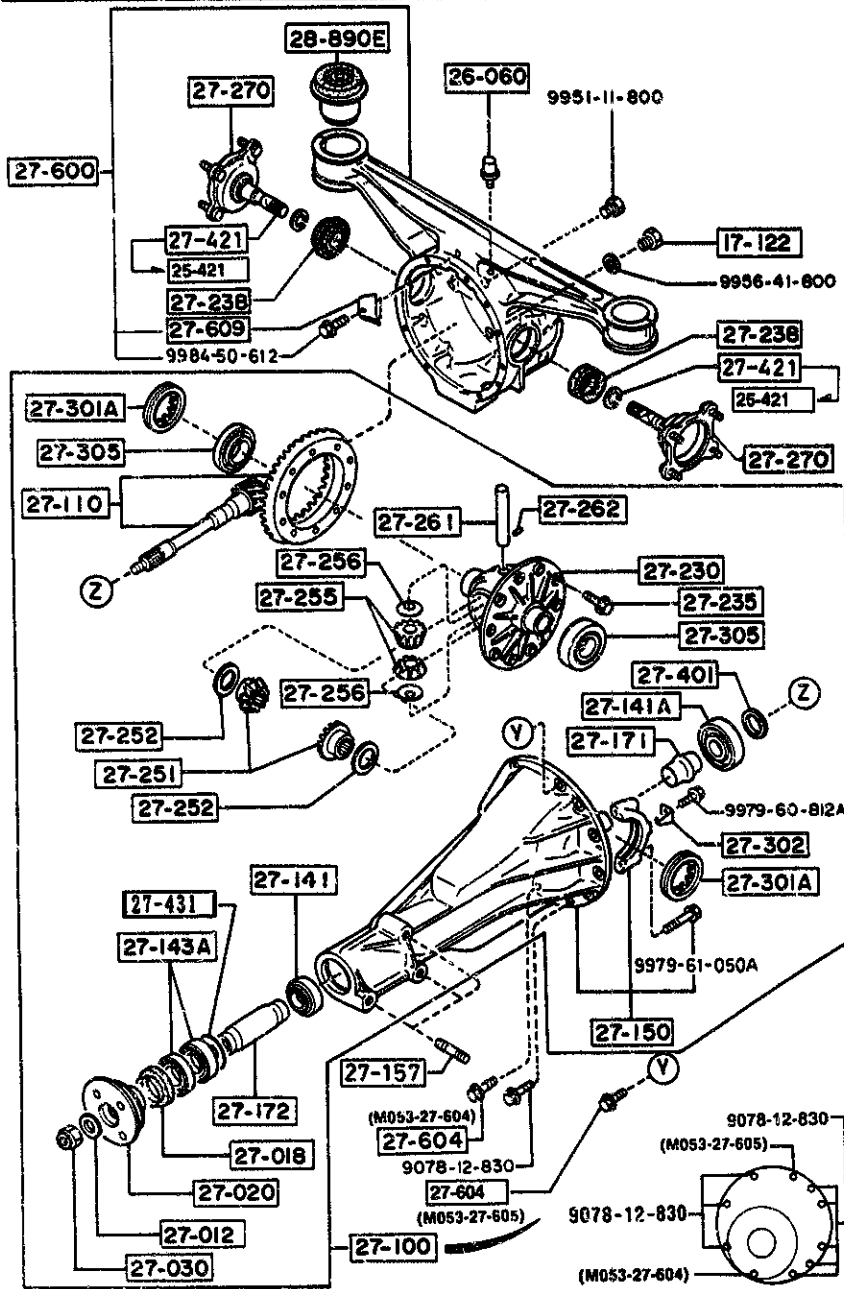
PART NO.	QTY	MODEL/RESTRICTION	MODEL/RESTRICTION	MODEL/RESTRICTION	FROM-TO
17-122		PLUG, MAGNET			
0810-17-121	1				
25-421		CLIP			
G003-25-421	2				0801-
26-060		BREATHER			
0730-26-060	1				
27-012		WASHER			
0223-27-012	1				
27-018		SEAL, OIL			
M055-27-165	1				
27-020		FLANGE, COMPANION			
M055-27-120E	1				
27-030		NUT, LOCK			
0223-27-030	1				
27-100		DRIVING & DIFF.			
M055-27-100E	1	((CPE)>(MT) (CONVERTIBLE)			
M067-27-100E	1	((CPE)>(AT)			
27-110		GEAR SET, FINAL			
M055-27-110A	1	((CPE)>(MT) (CONVERTIBLE)			
M067-27-110A	1	((CPE)>(AT)			
27-141		BEARING, PINION			
0755-27-210	1				
27-141A		BEARING, PINION			
M025-27-210	1				
27-143A		BEARING, BALL-DRIVE P INION			
M055-27-143	2				
27-150		CARRIER, DIFFERENTIAL			
0801 FC3***-903509					

CAT. AUFA03-07

1993-12

2710 REAR DIFFERENTIALS
(NORMAL DIFF.)

2710 -2 REAR DIFFERENTIALS
(NORMAL DIFF.)



PART NO.	QTY	MODEL/RESTRICTION	MODEL/RESTRICTION	MODEL/RESTRICTION	FROM-TO
CONT'D					
M055-27-150B	1				
27-157		STUD, DIFF. CARRIER			
P090-27-157	3				
27-171		PIECE, DISTANCE			
M035-27-171	1				
27-172		COLLAR, LONG-DRIVING DIFF.			
M055-27-172B	1				
27-230		CASE			
M069-27-231	1				
27-235		BOLT, RING GEAR			
8051-27-235	10	O=10MM			
8051-27-236	10	O=10.2MM			
27-238		SEAL, OIL			
M0A1-27-238	2				
27-251		GEAR, DIFF. SIDE			
M069-27-251	2				
27-252		WASHER			
0290-27-252	2	T=2MM			
0290-27-253	2	T=2.1MM			
0290-27-254	2	T=2.2MM			
0290-27-256	2	T=2.05MM			
0290-27-259	2	T=2.15MM			
27-255		PINION, DIFFERENTIAL			
M025-27-255B	2				
27-256		WASHER, THRUST			
M025-27-256		T=2MM			

AUFA03

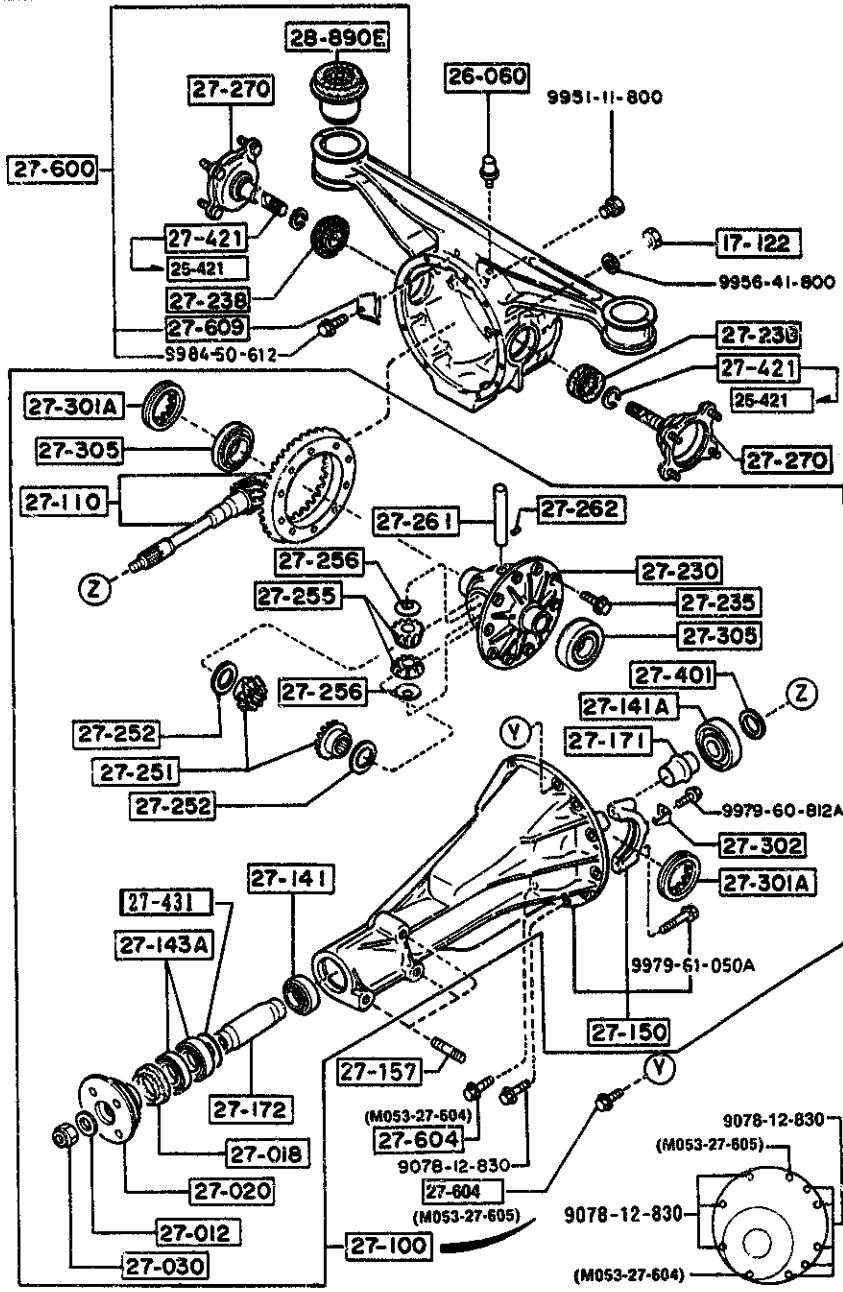
CAT. AUFA03-07

1993-12

2-K 3

2710 REAR DIFFERENTIALS (NORMAL DIFF.)

2710 -3 REAR DIFFERENTIALS (NORMAL DIFF.)



PART NO.	QTY	MODEL/RESTRICTION	MODEL/RESTRICTION	MODEL/RESTRICTION	FROM-TO
CONT'D	2				
27-261	1	SHAFT,DIFF. PINION			
M025-27-261A	1				
27-262	1	PIN			
0114-27-262	1				
27-270	2	YOKE,DIFFERENTIAL			
M055-27-270B	2				-0801
A (M055-27-270C)	2				0801-
M055-27-270C	2				
27-301A	2	SCREW,ADJUST			
0290-27-301	2				
27-302	2	PLATE, LOCK			
0290-27-302	2				
27-305	2	BEARING			
0221-27-350	2				
27-401	1	SPACER			
0223-27-401A	1	T=3.08MM			
0223-27-402A	1	T=3.11MM			
0223-27-403A	1	T=3.14MM			
0223-27-404A	1	T=3.17MM			
0223-27-405A	1	T=3.2MM			
0223-27-406A	1	T=3.23MM			
0223-27-407A	1	T=3.26MM			
0223-27-408A	1	T=3.29MM			
0223-27-409A	1	T=3.32MM			
0223-27-411A	1	T=3.35MM			
0801 FC3MM-903509					

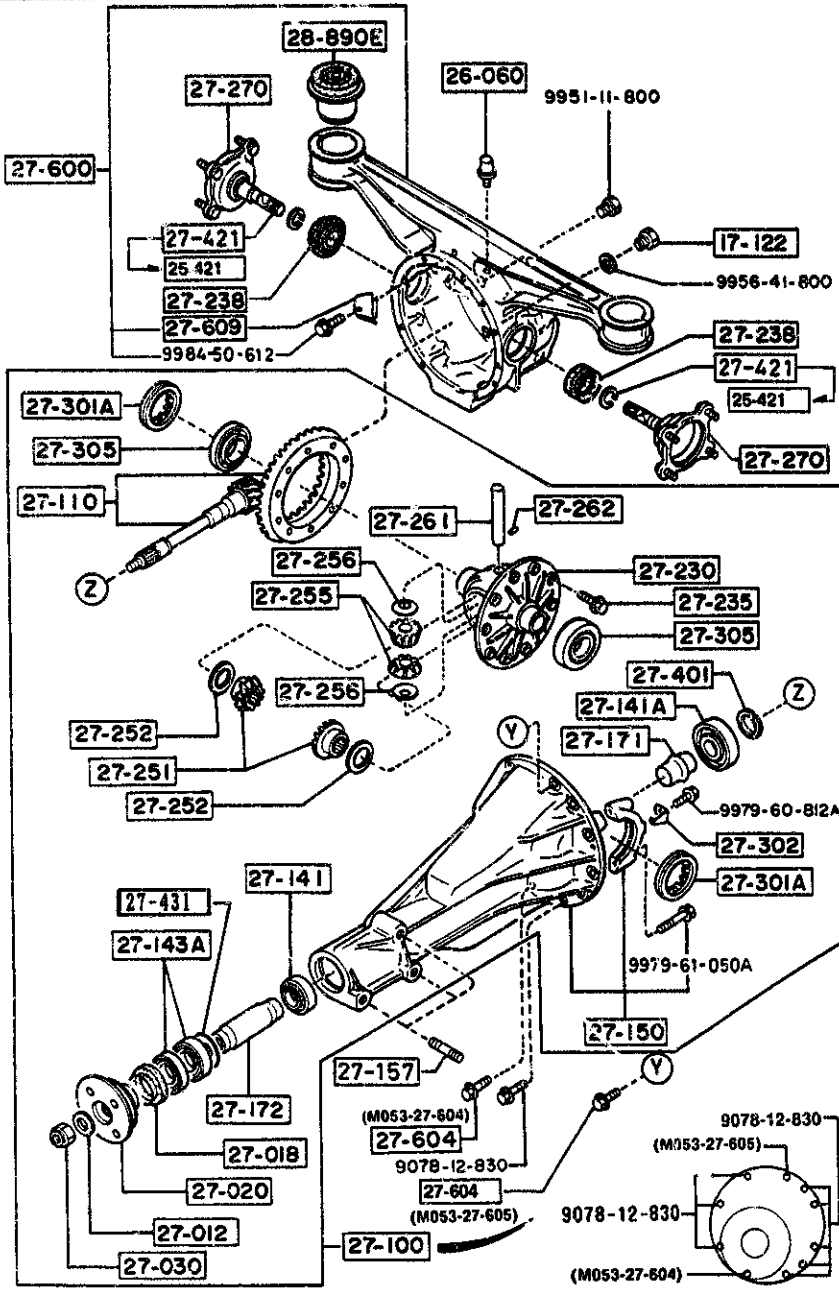
AUFA03

CAT. AUFA03-07

1993-12

2710 REAR DIFFERENTIALS
(NORMAL DIFF.)

2710 -4 M REAR DIFFERENTIALS
(NORMAL DIFF.)



PART NO.	QTY	MODEL/RESTRICTION	MODEL/RESTRICTION	MODEL/RESTRICTION	FROM-TO
CONT'D					
0223-27-412A	1	T=3.38MM			
0223-27-413A	1	T=3.41MM			
0223-27-414A	1	T=3.44MM			
0223-27-415A	1	T=3.47MM			
[27-421]		CLIP			
M005-27-421	2				-0801
[27-431]		SPACER			
P044-27-431A	1				
[27-600]		CASING, DIFFERENTIAL			
M0A1-27-600	1				
[27-604]		BOLT, CARRIER			
M053-27-604	1				
M053-27-605	1				
[27-609]		PLATE, BAFFLE-DIFF CASING			
M0A1-27-609A	1				
[28-890E]		RUBBER, MOUNT.-DIFF. CASING			
FB01-28-890C	2				

0801 FC3MM-903509

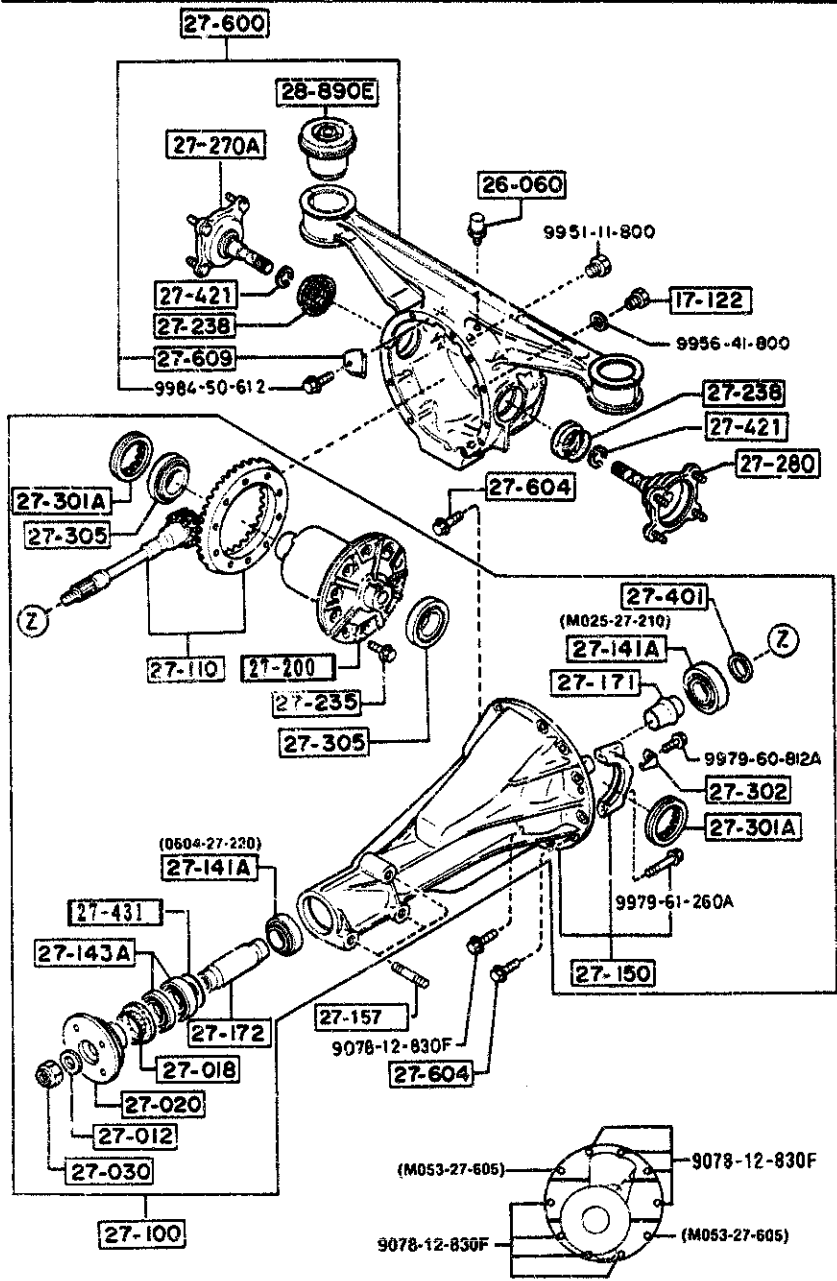
AUFA03

CAT. AUFA03-07

1993-12

2-M 3

2710 A REAR DIFFERENTIALS
(LIMITED SLIP DIFF.)

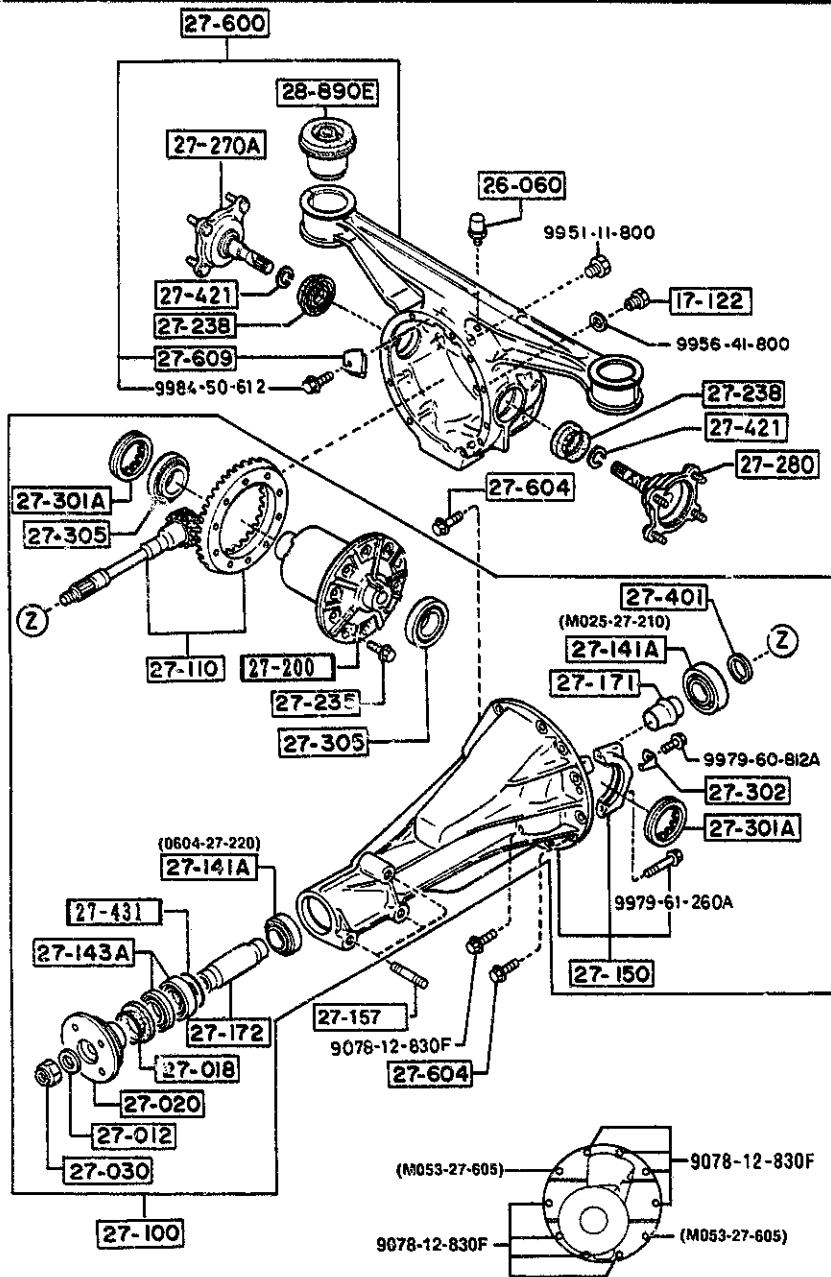


2710 A-1 REAR DIFFERENTIALS
(LIMITED SLIP DIFF.)

PART NO.	QTY	MODEL/RESTRICTION	MODEL/RESTRICTION	MODEL/RESTRICTION	FROM TO
17-122		PLUG, MAGNET			
0810-17-121	1				
26-060		BREATHER			
0730-26-060	1				
27-012		WASHER			
0223-27-012	1				
27-018		SEAL, OIL			
P090-27-165	1				
27-020		FLANGE, COMPANION			
P016-27-120F A (P016-27-120G)	1				-0901
P016-27-120G	1				0901-
27-030		NUT, LOCK			
0223-27-030	1				
27-100		DRIVING & DIFF.			
P094-27-100b A (P094-27-100C)	1				-0901
P094-27-100C A (P094-27-100D)	1				0901-0801
P094-27-100D	1				0801-
27-110		GEAR SET, FINAL			
P012-27-110A	1				
27-141A		BEARING, PINION			
M025-27-210	1				
0604-27-220	1				
27-143A		BEARING, BALL-DRIVE P INION			
P016-27-143	2				
27-150		CARRIER, DIFFERENTIAL			
P016-27-150A	1				
27-157		STUD, DIFF. CARRIER			
0901 FC3MKK-901310					
0801 FC3MKK-903509					

2710 A REAR DIFFERENTIALS
(LIMITED SLIP DIFF.)

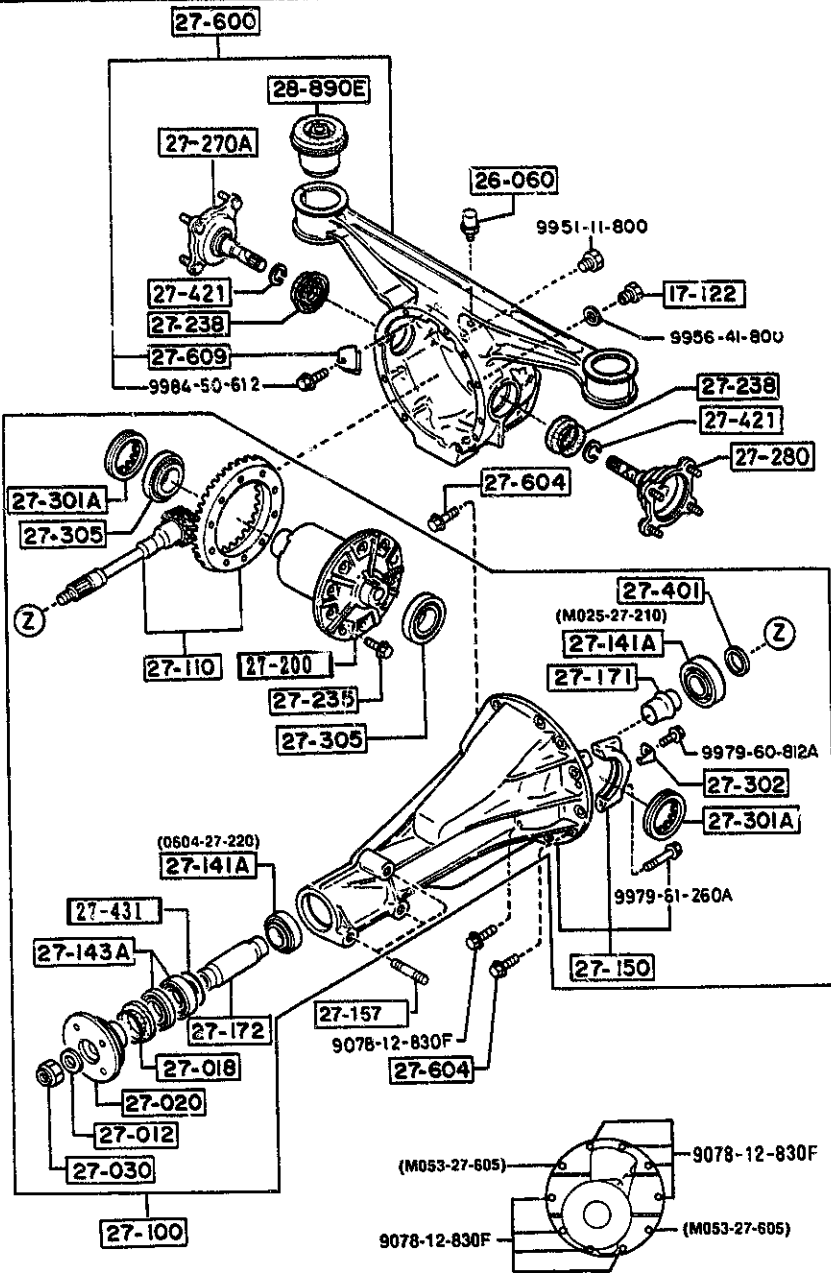
2710 A-2 REAR DIFFERENTIALS
(LIMITED SLIP DIFF.)



PART NO.	QTY	MODEL/RESTRICTION	MODEL/RESTRICTION	MODEL/RESTRICTION	FROM-TO
CONT'D P090-27-157	3				
27-171		PIECE, DISTANCE			
0305-27-171	1				
27-172		COLLAR, LONG-DRIVING DIFF.			
P016-27-172B	1				
27-200		DIFFERENTIAL			
P094-27-200A A (P094-27-200B)	1				-0801
P094-27-200B	1				0801-
27-235		BOLT, RING GEAR			
8051-27-235	10	D=10MM			
8051-27-236	10	D=10.2MM			
27-238		SEAL, OIL			
P016-27-238	2				
27-270A		SHAFT, OUTPUT			
P094-27-270A A (P094-27-270B)	1				-0801
P094-27-270B	1				0801-
27-280		SHAFT(L), OUTPUT			
P094-27-280A A (P094-27-280B)	1				-0801
P094-27-280B	1				0801-
27-301A		SCREW, ADJUST			
0110-27-301	2				
27-302		PLATE, LOCK			
0578-27-302	2				
27-305		BEARING			
0118-27-350A	2				
27-401		SPACER			
0801 FC3***-903509					

2710 A REAR DIFFERENTIALS
(LIMITED SLIP DIFF.)

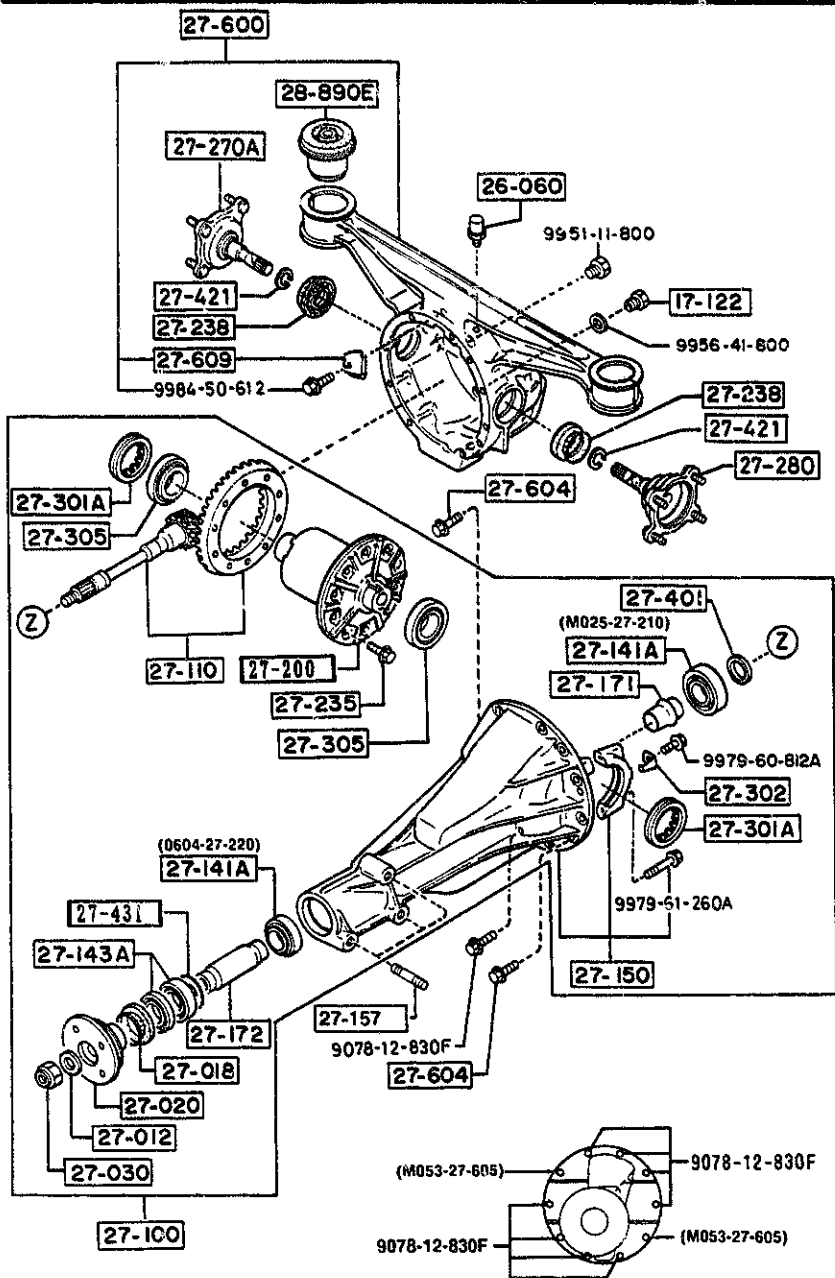
2710 A-3 REAR DIFFERENTIALS
(LIMITED SLIP DIFF.)



PART NO.	QTY	MODEL/RESTRICTION	MODEL/RESTRICTION	MODEL/RESTRICTION	FROM-TO
CONT'D					
0223-27-401A	1	T=3.08MM			
0223-27-402A	1	T=3.11MM			
0223-27-403A	1	T=3.14MM			
0223-27-404A	1	T=3.17MM			
0223-27-405A	1	T=3.2MM			
0223-27-406A	1	T=3.23MM			
0223-27-407A	1	T=3.26MM			
0223-27-408A	1	T=3.29MM			
0223-27-409A	1	T=3.32MM			
0223-27-411A	1	T=3.35MM			
0223-27-412A	1	T=3.38MM			
0223-27-413A	1	T=3.41MM			
0223-27-414A	1	T=3.44MM			
0223-27-415A	1	T=3.47MM			
27-421		CLIP			
P016-27-421	2				-08C1
P017-27-421A	2				0801-
27-431		SPACER			
P044-27-431A	1				
27-600		CASING, DIFFERENTIAL			
P016-27-600B	1				
27-604		BOLT, CARRIER			
M053-27-605	2				
27-609		PLATE, BAFFLE-DIFF CASING			
M055-27-609	1				
0801 FC3MXX-903509					

2710 A REAR DIFFERENTIALS
(LIMITED SLIP DIFF.)

2710 A-4 * REAR DIFFERENTIALS
(LIMITED SLIP DIFF.)



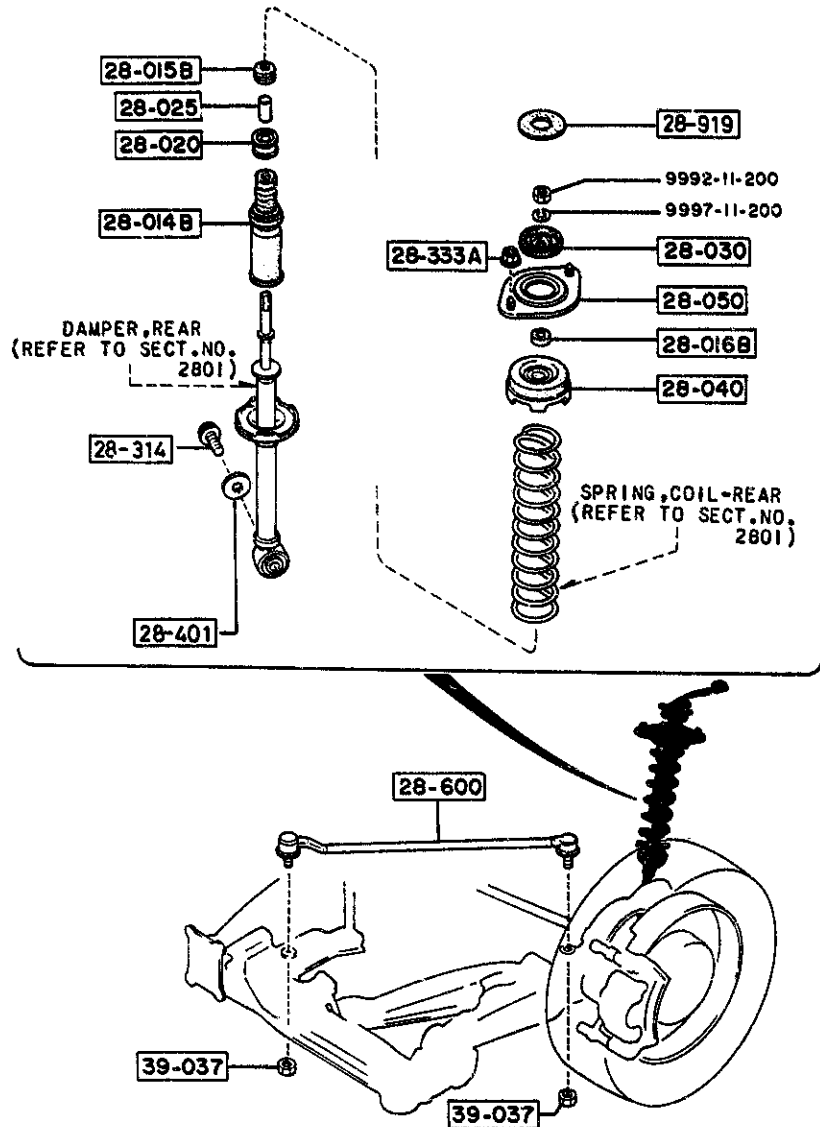
PART NO.	QTY	MODEL/RESTRICTION	MODEL/RESTRICTION	MODEL/RESTRICTION	FROM-TO
28-890E FB01-28-890C	2	RUBBER, MOUNT.-DIFF. C ASING			

AUFA03

CAT. AUFA03-07

1993-12

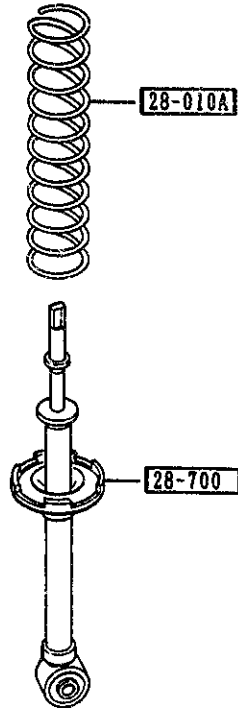
2800 REAR SUSPENSION MECHANISMS



PART NO.	QTY	MODEL/RESTRICTION	MODEL/RESTRICTION	MODEL/RESTRICTION	FROM-TO
28-014B FB01-28-014	2	RUBBER, STOPPER-RR DAMPER			
28-015B F044-28-015	2	BUSH, RUBBER-REAR DAMPER			
28-016B F044-28-013	2	BUSH, RUBBER-REAR DAMPER			
28-020 FB01-28-020	2	PLATE SET, REAR DAMPER			
28-025 FB01-28-025	2	SPACER, REAR DAMPER			
28-030 FB01-28-030A	2	STOPPER, REAR DAMPER			
28-040 FB01-28-040	2	SHEET, SPRING-REAR DAMPER			
28-050 FB01-28-050	2	PLATE, MOUNTING-RR DAMPER			
28-314 H260-34-037A	2	BOLT 'B', LINK			
28-333A H001-28-333	4	NUT, FLANGE			
28-401 FB01-28-401	2	WASHER			
28-600 FB01-28-209A	2	LINK, LATERAL			
28-919 F055-28-919	2	SHEET, DAMPER-UPPER (CONVERTIBLE)			
39-037 B001-39-037B	4	NUT			

2801 REAR SPRING & DAMPER

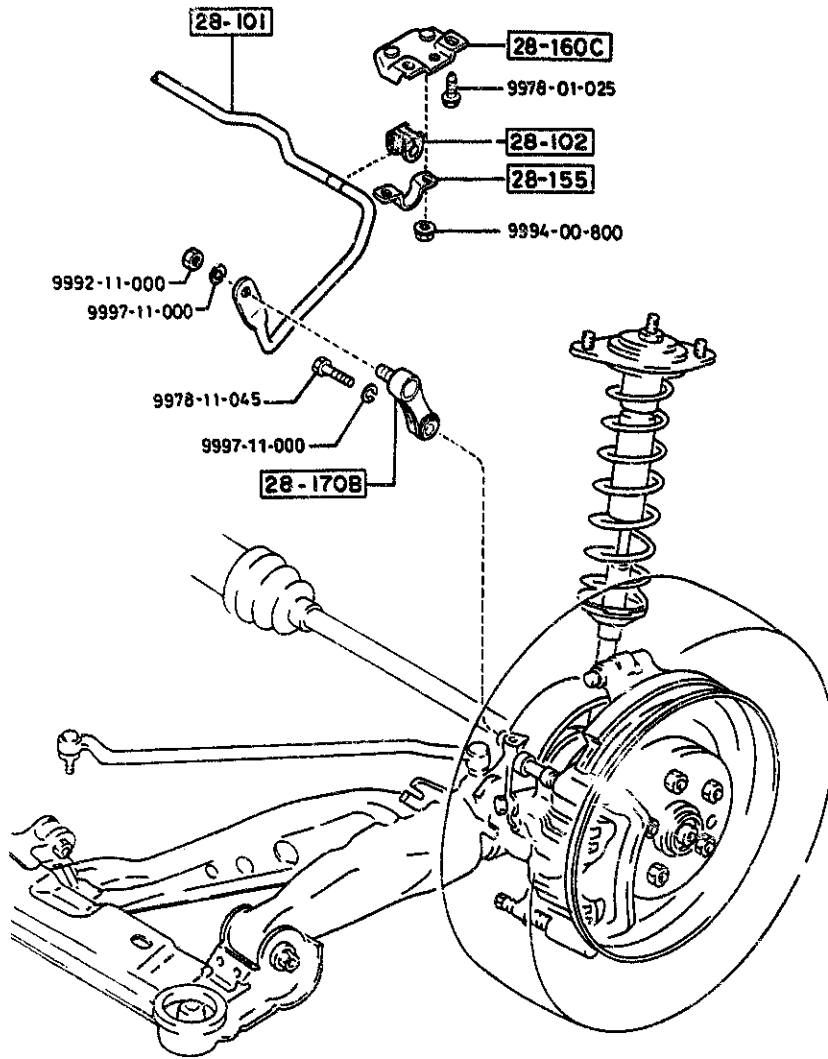
2801 -1 * REAR SPRING & DAMPER



PART NO.	QTY	MODEL/RESTRICTION	MODEL/RESTRICTION	MODEL/RESTRICTION	FROM-TO
28-010A		SPRING, COIL-REAR			
FC01-28-011	2	(CPE)			
FC33-28-011	2	(CONVERTIBLE)			
28-700		DAMPER, REAR			
FC02-28-700	2				

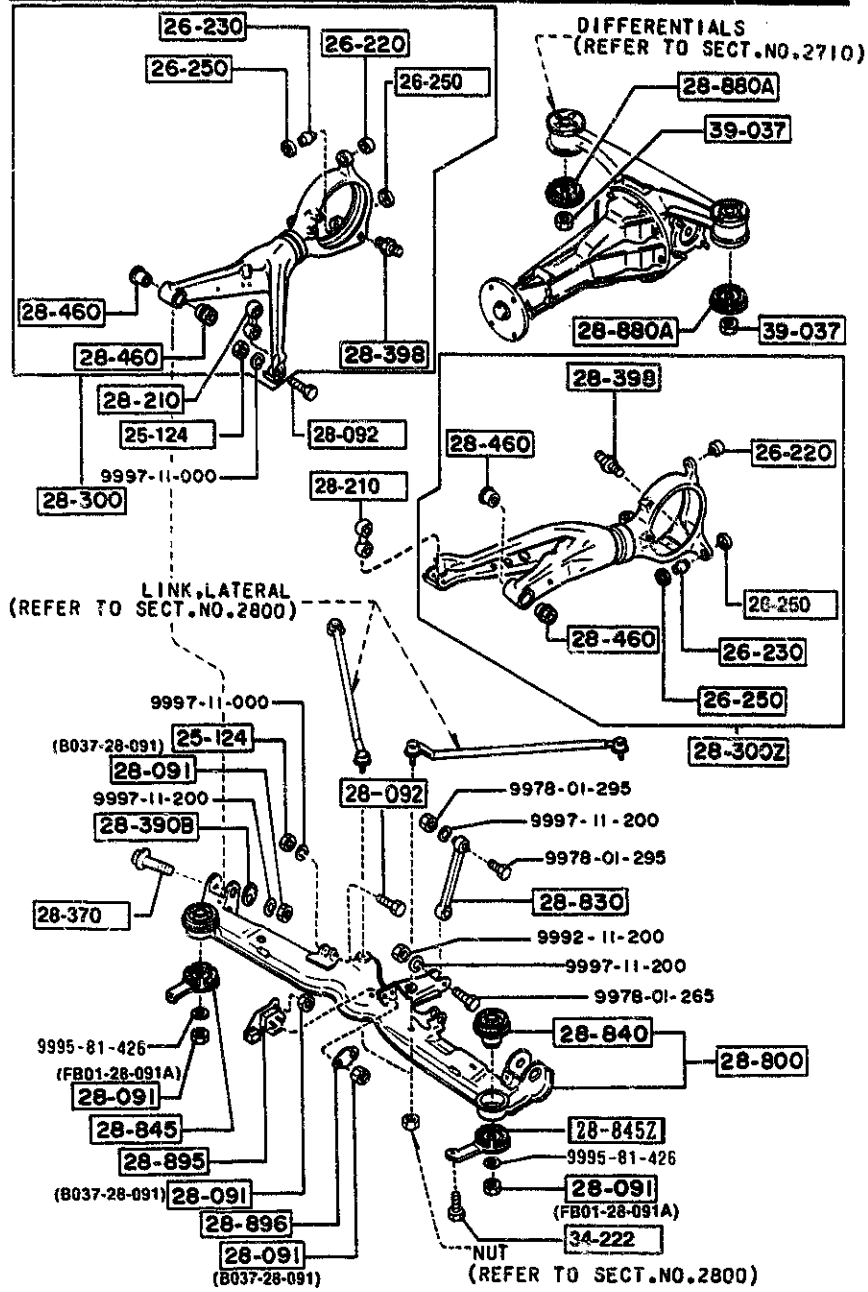
2810 REAR STABILIZER

2810 -1 * REAR STABILIZER



PART NO.	QTY	MODEL/RESTRICTION	MODEL/RESTRICTION	MODEL/RESTRICTION	FROM-TO
28-101		STABILIZER, RR			
FC01-28-151	1	(CONVERTIBLE)			
FC02-28-151	1	(CPE)			
28-102		BUSH, STABILIZER-RR			
FB01-28-156	2	(CONVERTIBLE)			
FB43-28-156A	2	(CPE)			
28-155		PLATE, STABILIZER-RR			
FB01-28-155	2				
28-160C		BRACKET, STAB -RR			
FB01-28-160A	2				
28-170B		LINK, CONTROL-STAB			
FC01-28-170	2				

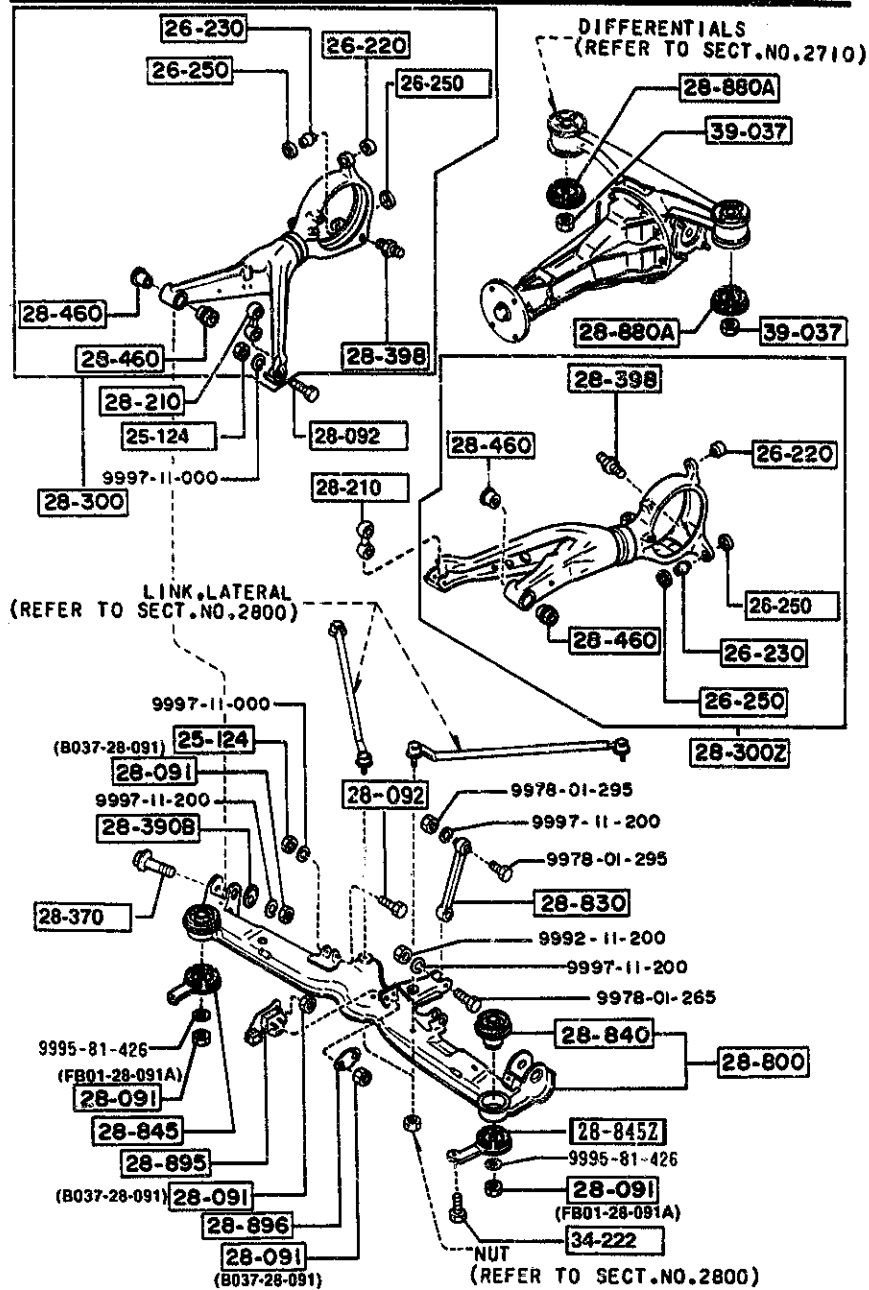
2830 REAR LOWER ARMS & SUB FRAME



PART NO.	QTY	MODEL/RESTRICTION	MODEL/RESTRICTION	MODEL/RESTRICTION	FROM-TO
25-124		NUT			
1368-25-124	4				
26-220		BUSH,RUBBER-RR LOWER ARM			
FB01-26-220	2				
26-230		BALL,PILLOW-RR LOWER ARM			
FB01-26-230	2				
26-250		RUBBER,SEAL-RR LOWER ARM			
FB01-26-250	4				
28-091		NUT			
B037-28-091	7				
FB01-28-091	2				-1510
AN(FB01-28-091A)					
FB01-28-091A	2				1510-
28-092		BOLT,CONTROL LINK			
FB01-28-092	4				
28-210		LINK,CONTROL-LWR ARM			
FC01-28-210	2				
28-300		ARM(R),LOWER-REAR			
FB43-28-300B	1				
28-300Z		ARM(L),LOWER-REAR			
FB43-28-350D	1				
28-370		BGLT,ADJUST			
FB01-28-470A	2				
28-390B		PLATE,CAM			
FB01-28-473	2				
28-398		BOLT,DAMPER-REAR			
F044-28-398A	2				
28-460		BUSHING,LOWER ARM			
FB01-28-460	4				
1510 FC3MXX-907410					

2830 -2 * REAR LOWER ARMS & SUB FRAME

2830 REAR LOWER ARMS & SUB FRAME



AUFA03

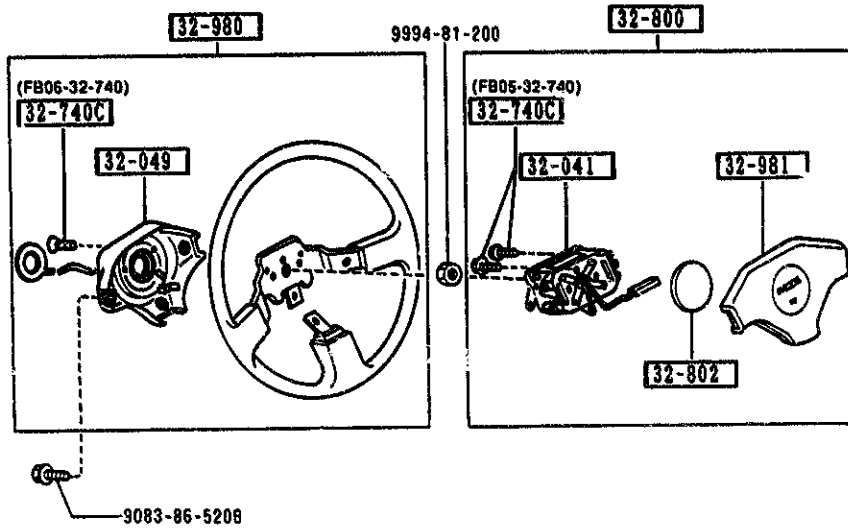
PART NO.	QTY	MODEL/RESTRICTION	MODEL/RESTRICTION	MODEL/RESTRICTION	FROM-TO
28-800		FRAME, SUB			
FB43-28-800G	1				
28-830		LINK, SUB-LOWER ARM			
FB01-28-830	1				
28-840		RUBBER, SUB FRAME			
FB43-28-840	2				
28-845		WASHER (R), STOP-LOWER ARM			
FB43-28-845B	1				
28-845Z		WASHER (L), STOP-LOWER ARM			
FB43-28-845B	1				
28-880A		WASHER, STOP			
FB01-28-880A	2				
28-895		RUBBER, MOUNTING-DIFF			
FC01-28-980	1				
28-896		WASHER, MOUNT RUBBER-DIFF.			
FB01-28-896	1				
34-222		NUT			
8871-34-222	2				
39-037		NUT			
B001-39-037B	2				

CAT. AUFA03-07

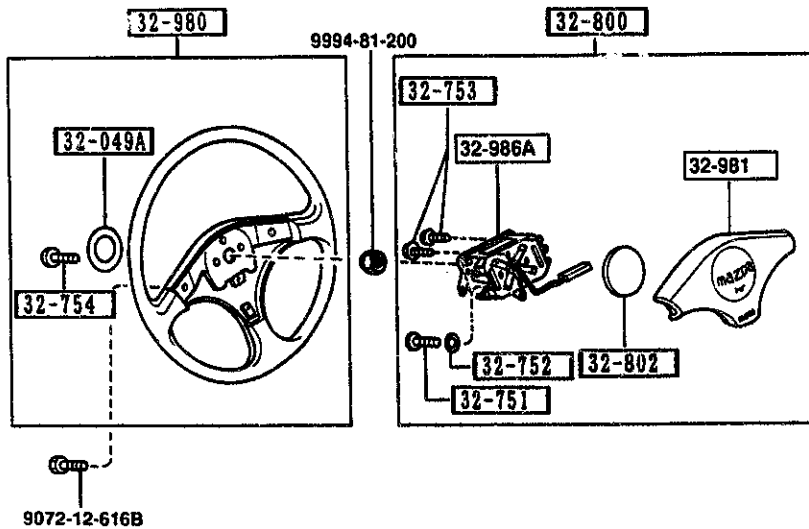
1993-12

3200 STEERING WHEEL
(W/O AIR BAG)

(W/O TURBO)



(TURBO)

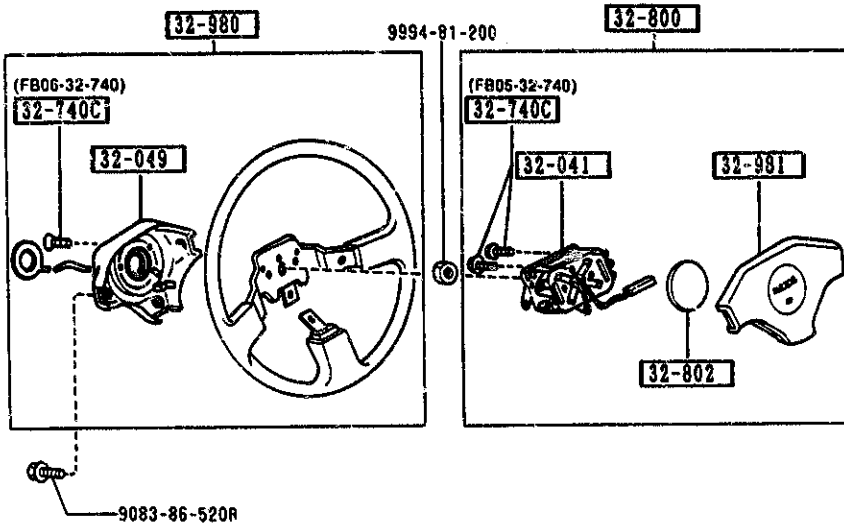


3200 -1 STEERING WHEEL
(W/O AIR BAG)

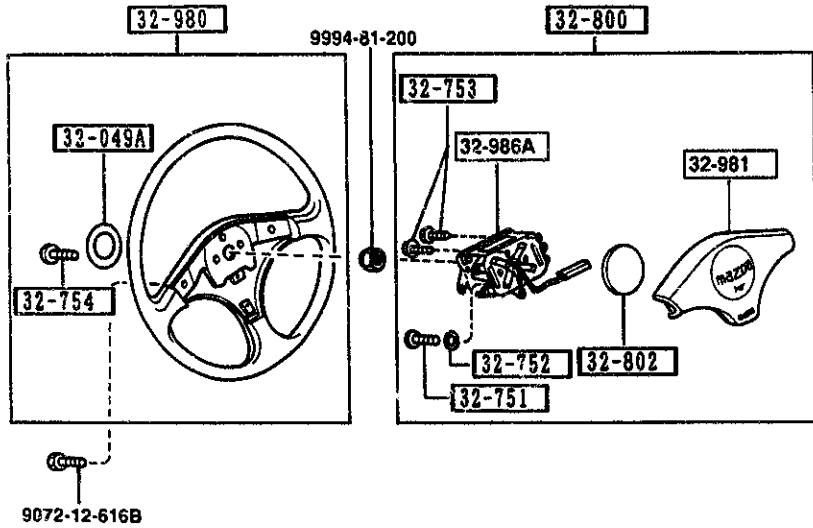
PART NO.	QTY	MODEL/RESTRICTION	MODEL/RESTRICTION	MODEL/RESTRICTION	FROM-TD
32-041		PLATE, SET			
FB05-32-986	1	(W/O TURBO)			
32-049		COVER, WHEEL CORE			
FB05-32-049	1	(W/O TURBO)			
32-049A		RING, CONTACT			
FC17-32-049	1	(TURBO)			
32-740C		PARTS SET, ST. WHEEL			
FB05-32-740	1	(W/O TURBO)			
FB06-32-740	1	(W/O TURBO)			
32-751		SCREW, HORN CAP			
FC17-32-751	4	(TURBO)			
32-752		WASHER, HORN CAP			
FC17-32-752	4	(TURBO)			
32-753		SCREW, HORN CAP			
FC17-32-753	4	(TURBO)			
32-754		SCREW, ST. WHEEL BOSS			
FC17-32-754	2	(TURBO)			
32-800		CAP, HORN			
FB06-32-800A	1	(W/O TURBO)			
FC17-32-800A	1	(TURBO)			
32-802		COVER, HORN PAD			
FB05-32-802	1	(W/O TURBO)			
FC17-32-802A	1	(TURBO)			
32-980		BOSS, STEERING WHEEL			
FB06-32-980C	1	(W/O TURBO)			
FC17-32-980B	1	(TURBO)			
32-981		PAD, HORN			
FB06-32-801	1	(W/O TURBO)			
FC17-32-801	1	(TURBO)			

3200 STEERING WHEEL
(W/O AIR BAG)

(W/O TURBO)



(TURBO)

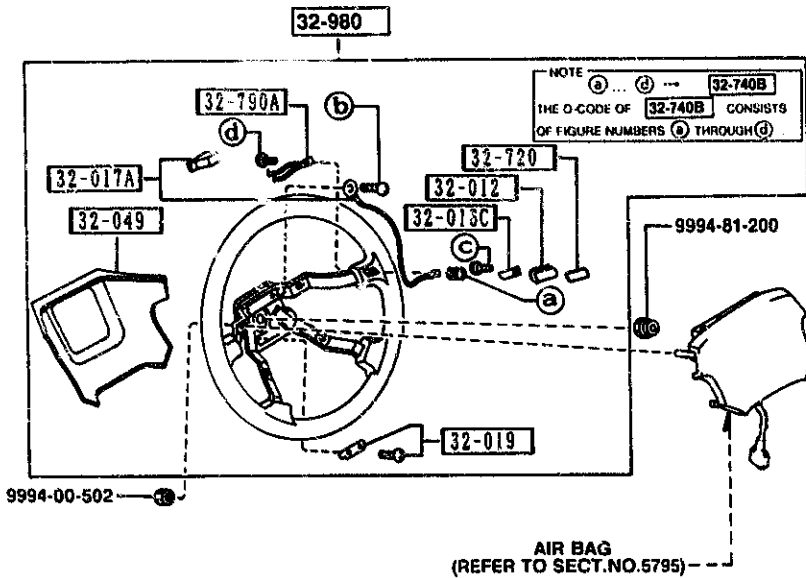


3200 -2 * STEERING WHEEL
(W/O AIR BAG)

PART NO.	QTY	MODEL/RESTRICTION	MODEL/RESTRICTION	MODEL/RESTRICTION	FROM-TO
32-986A FC17-32-986	1	ABSORBER, ENERGY (TURBO)			

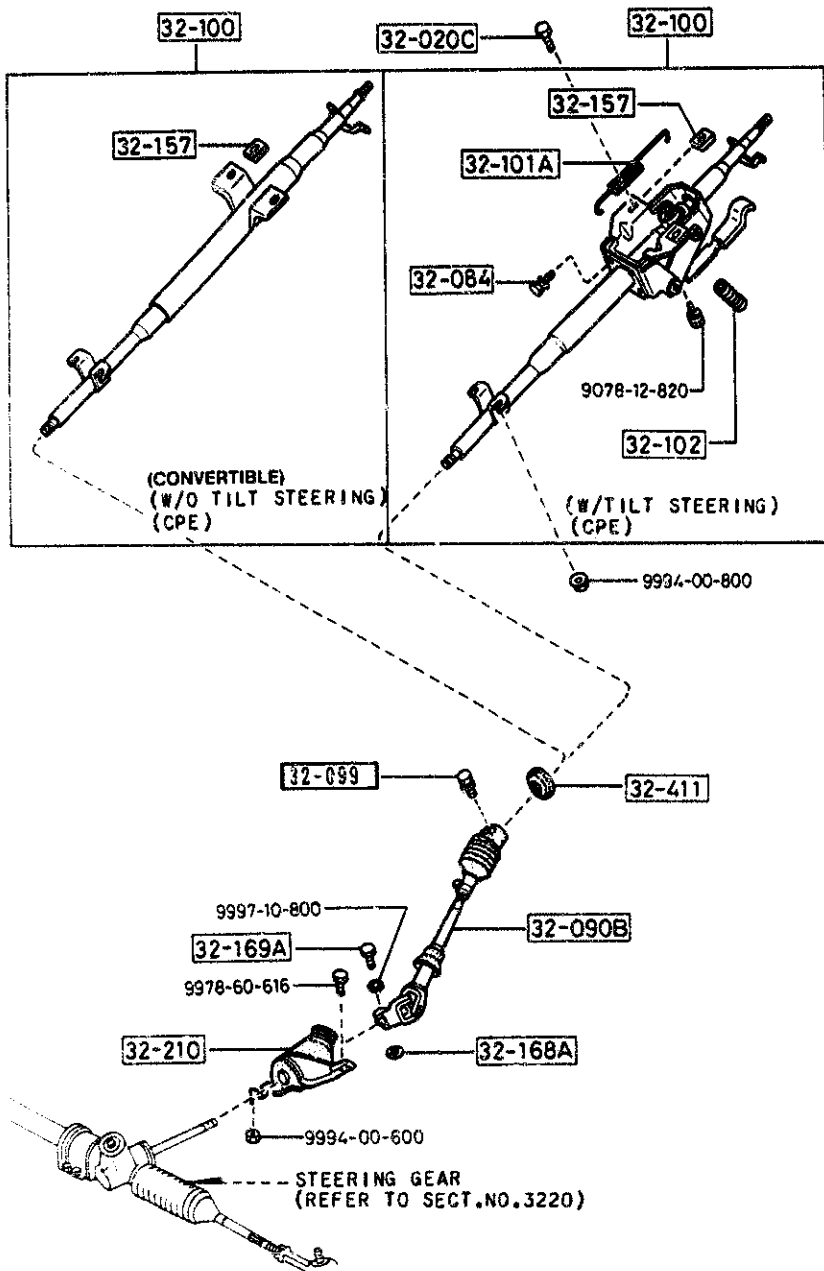
3200 A STEERING WHEEL
(W/ AIR BAG)

3200 A-1 * STEERING WHEEL
(W/ AIR BAG)



PART NO.	QTY	MODEL/RESTRICTION	MODEL/RESTRICTION	MODEL/RESTRICTION	FROM-TO
32-012 FC66-32-730	1	BUTTON, HORN			
32-014C FC66-32-020	1	PLATE, CONTACT			
32-017A FC66-32-030	1	PLATE, CONTACT			
32-019 FC66-32-019A	1	BRACKET, COUPLER			
32-049 FC66-32-049A	1	COVER, WHEEL CORE			
32-720 FC66-32-740	1	BASE, HORN BUTTON			
32-740B FC66-32-770	1	SCREW SET, ST. WHEEL			
32-790A FC66-32-040	1	CORD, HORN-ST. WHEEL			
32-980 FC66-32-980B A (FC66-32-980C)	1	BOSS, STEERING WHEEL			-2601
FC66-32-980C	1				2601-

3210 STEERING COLUMN & SHAFTS



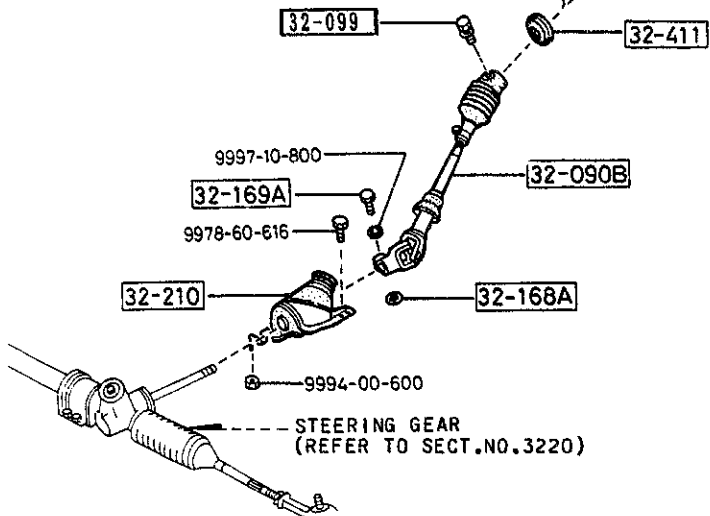
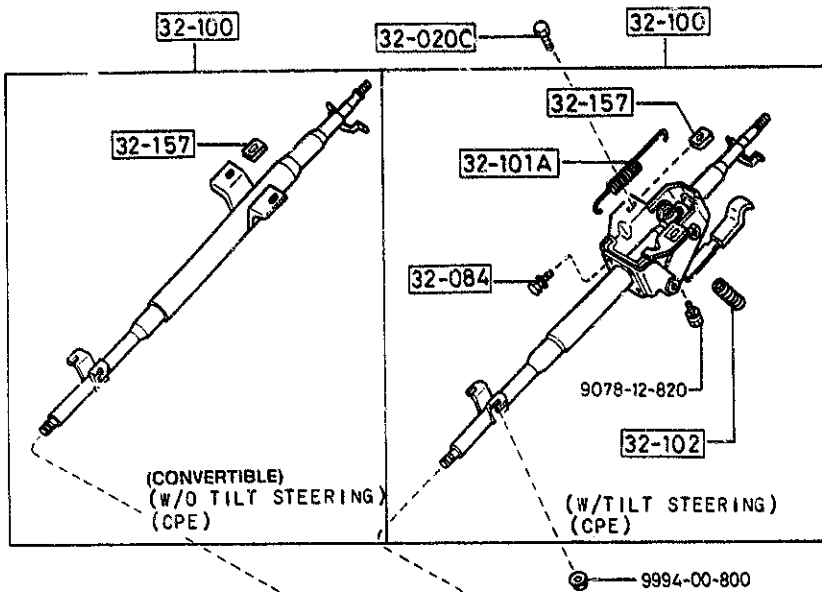
PART NO.	QTY	MODEL/RESTRICTION	MODEL/RESTRICTION	MODEL/RESTRICTION	FROM-TO
32-020C		BOLT			
B001-32-020	2	(CPE)			
32-084		BOLT			
W001-32-084	4	BASE-OPT, TURBO, (W/TILT STEERING) (CPE)			
32-090B		SHAFT, INTERMED.			
FB05-32-090F	1				
32-099		BOLT, SHAFT			
B455-32-099	1				
32-100		SHAFT, ENG/. ABSORBER			
FB01-32-100	1	BASE, (W/O TILT STEERING) (CPE)			
FB05-32-100B	1	BASE-OPT, TURBO, (W/TILT STEERING) (CPE)			
FC66-32-100B	1	(CONVERTIBLE)			
32-101A		SPRING, BALANCE-SHAFT			
FB05-32-101	1	BASE-OPT, TURBO, (W/TILT STEERING) (CPE)			
32-102		SPRING, RETURN-SHAFT			
FB05-32-102	1	BASE-OPT, TURBO, (W/TILT STEERING) (CPE)			
32-157		PLATE, COATING-SHAFT			
FB01-32-157	2	BASE, (W/O TILT STEERING) (CPE)			
FB05-32-157	2	BASE-OPT, TURBO, (W/TILT STEERING) (CPE)			
32-168A		WASHER, STOP			
FB01-32-168	1				
32-169A		BOLT			
B001-32-169A	1				

AUFA03

CAT. AUFA03-07

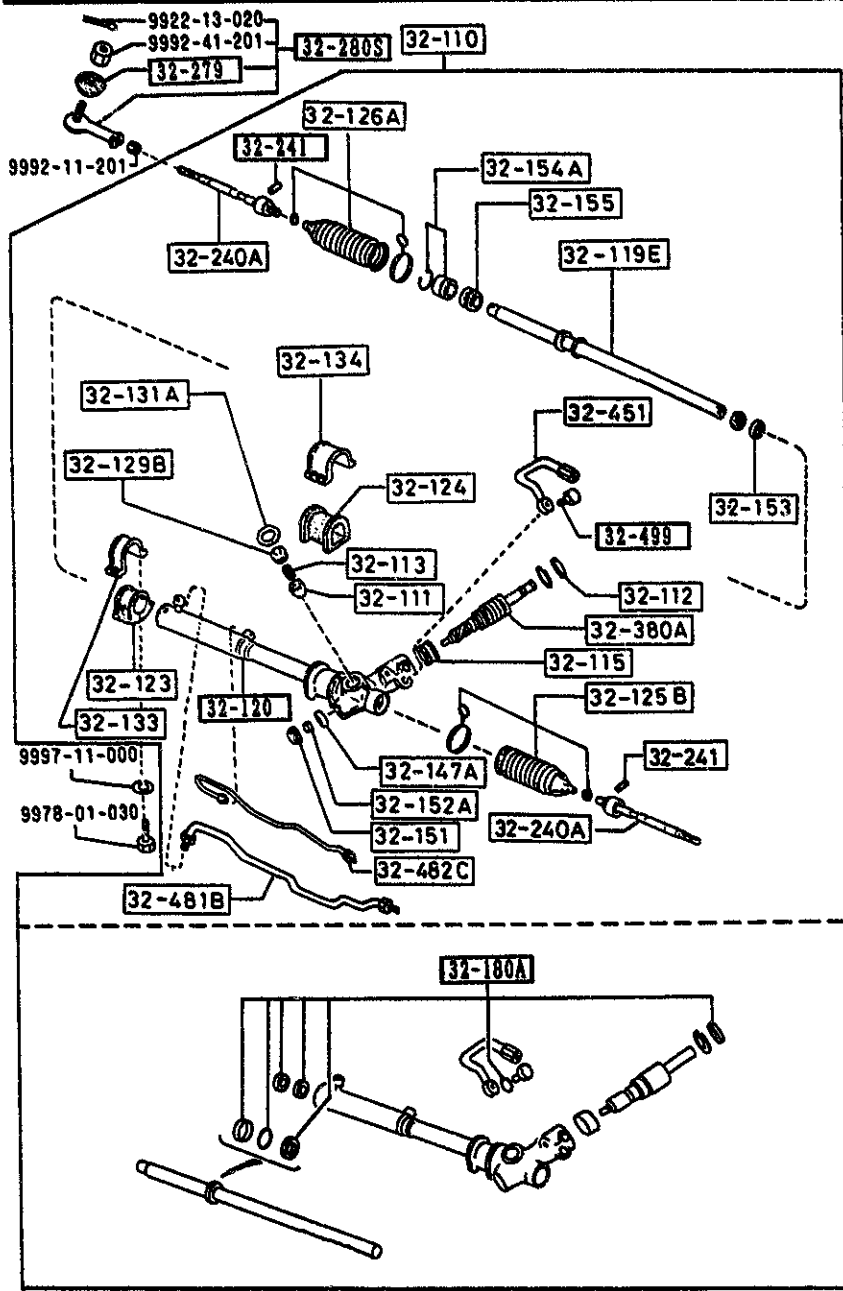
1993-12

3210 STEERING COLUMN & SHAFTS



PART NO.	QTY	MODEL/RESTRICTION	MODEL/RESTRICTION	MODEL/RESTRICTION	FROM-TO
32-210		COVER, STEERING SHAFT			
FB01-32-210	1				
32-411		COVER, DUST			
FB01-32-411A	1				

3220 STEERING GEAR (W/ POWER STEERING;ENGINE REVOLUTION PER MINUTE SENSOR)



3220 -1 STEERING GEAR (W/ POWER STEERING;ENGINE REVOLUTION PER MINUTE SENSOR)

PART NO.	QTY	MODEL/RESTRICTION	MODEL/RESTRICTION	MODEL/RESTRICTION	FROM TO
32-110		GEAR, STEERING			
FC01-32-110A	1				
32-111		YOKE, SUPPORT			
FB05-32-111	1				
32-112		COVER, DUST			
FB05-32-112	1				
32-113		SPRING, YOKE			
FB05-32-113	1				
32-115		BEARING, ST. GEAR			
FB05-32-115	1				
32-119E		RACK, STEERING GEAR			
FC01-32-119	1				
32-120		HOUSING, GEAR			
FC01-32-120	1				
32-123		RUBBER, MOUNTING			
FB05-32-123	1				
32-124		RUBBER, MOUNTING			
FB01-32-124	1				
32-125B		BOOT, RACK			
FB01-32-125	1				
32-126A		BOOT, RACK			
FB01-32-126	1				
32-129B		PLUG, PINION			
FB05-32-129	1				
32-131A		NUT, LOCK-RACK			
FB05-32-131	1				
32-133		PLATE, CLAMP			
FB05-32-133	1				

AUFA03

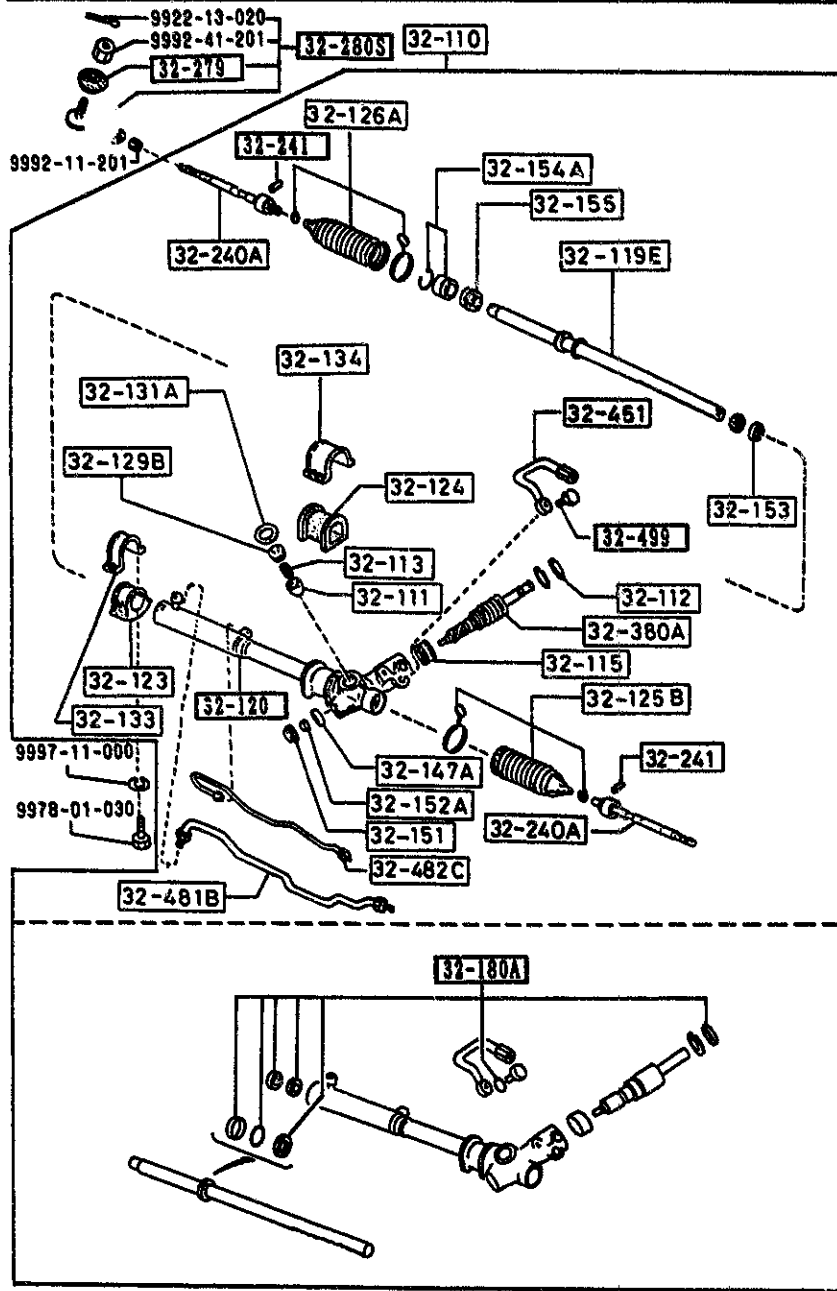
CAT. AUFA03-07

1993-12

2-D 5

3220 STEERING GEAR
(W/ POWER STEERING ENGINE REVOLUTION PER MINUTE SENSOR)

3220 -2 STEERING GEAR
(W/ POWER STEERING ENGINE REVOLUTION PER MINUTE SENSOR)



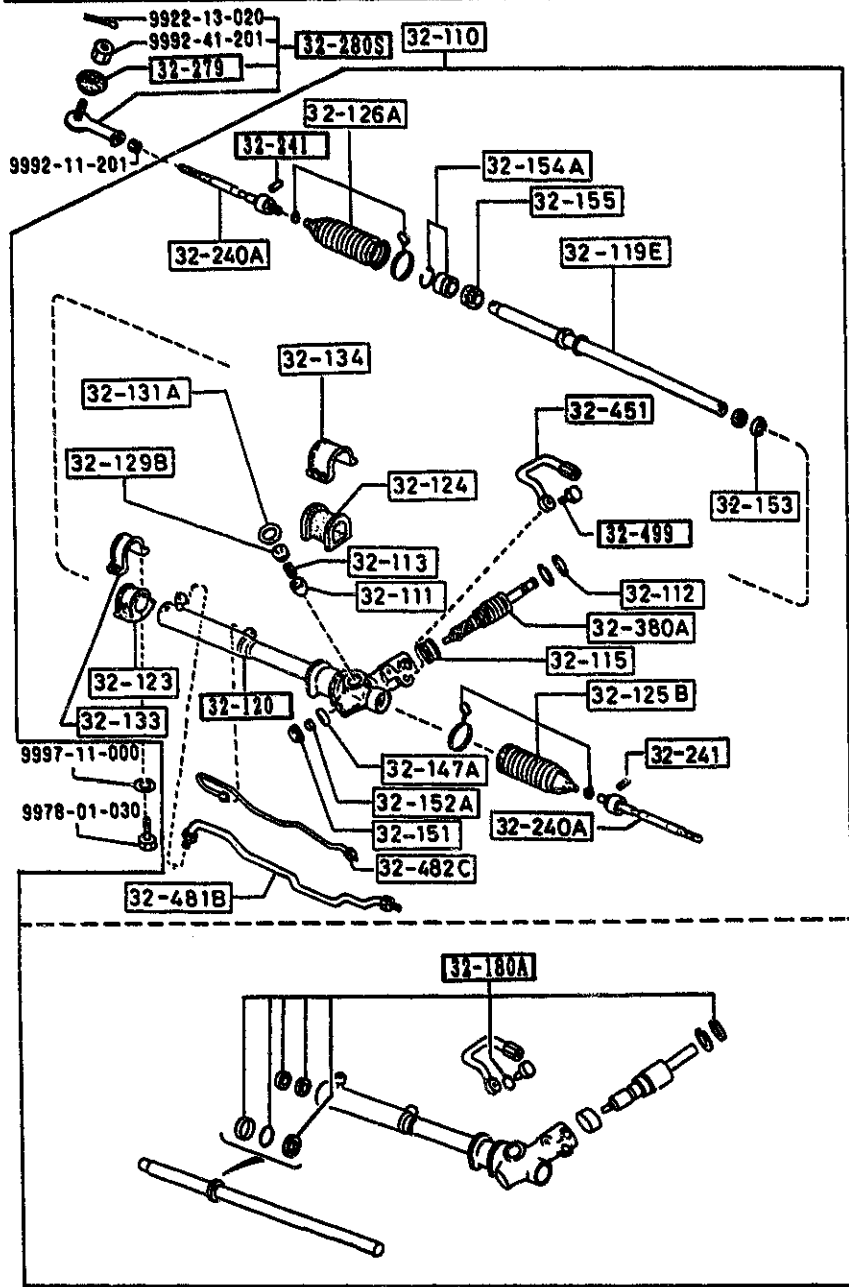
PART NO.	QTY	MODEL/RESTRICTION	MODEL/RESTRICTION	MODEL/RESTRICTION	FROM-TO
32-134		PLATE, CLAMP			
FB01-32-134	1				
32-147A		BEARING, PINION			
FB05-32-147	1				
32-151		COVER, END			
FB05-32-151	1				
32-152A		NUT, ADJUST			
FB05-32-152	1				
32-153		RING, BACK UP			
FB05-32-153	1				
32-154A		HOLDER, STEERING GEAR			
FB05-32-154	1				
32-155		BUSH, RUBBER			
FB05-32-155	1				
32-180A		SEAL KIT, ST. GEAR			
FB05-32-180	1				
32-240A		JOINT, BALL			
FB01-32-240A	2				
32-241		PIN, SPRING-STEERING GEAR			
FB01-32-241	2				
32-279		SEAL, DUST-BALL JOINT			
8021-32-279	2				
32-280S		JOINT SET, BALL			
8AF1-32-280	2				
32-380A		VALVE, ST. GEAR			
FC01-32-380	1				
32-451		PIPE 'A', ST. GEAR			
FB05-32-451	1				

AUFA03

CAT. AUFA03-07

1993-12

3220 STEERING GEAR
(W/ POWER STEERING:ENGINE REVOLUTION PER MINUTE SENSOR)



3220 -3 * STEERING GEAR
(W/ POWER STEERING:ENGINE REVOLUTION PER MINUTE SENSOR)

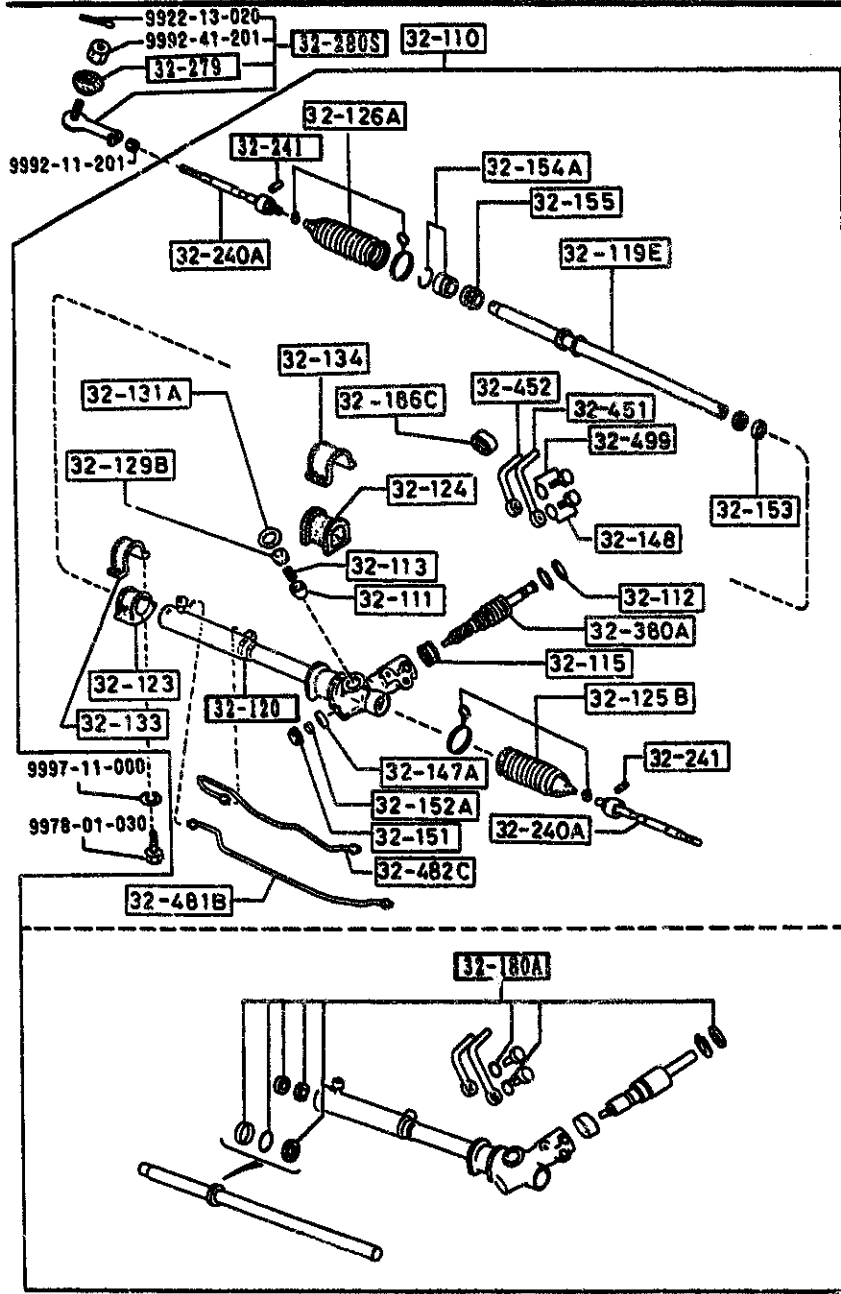
PART NO.	QTY	MODEL/RESTRICTION	MODEL/RESTRICTION	MODEL/RESTRICTION	FROM-TO
32-481B		PIPE 'A', CYLINDER			
FB05-32-481A	1				
32-482C		PIPE 'B', CYLINDER			
FB05-32-482	1				
32-499		EYE BOLT KIT, ST. GEAR			
FB78-32-499	1				

AUFA03

CAT. AUFA03-07

1993-12

3220 A STEERING GEAR
(W/ POWER STEERING VELOCITY SENSOR)



3220 A-1 STEERING GEAR
(W/ POWER STEERING VELOCITY SENSOR)

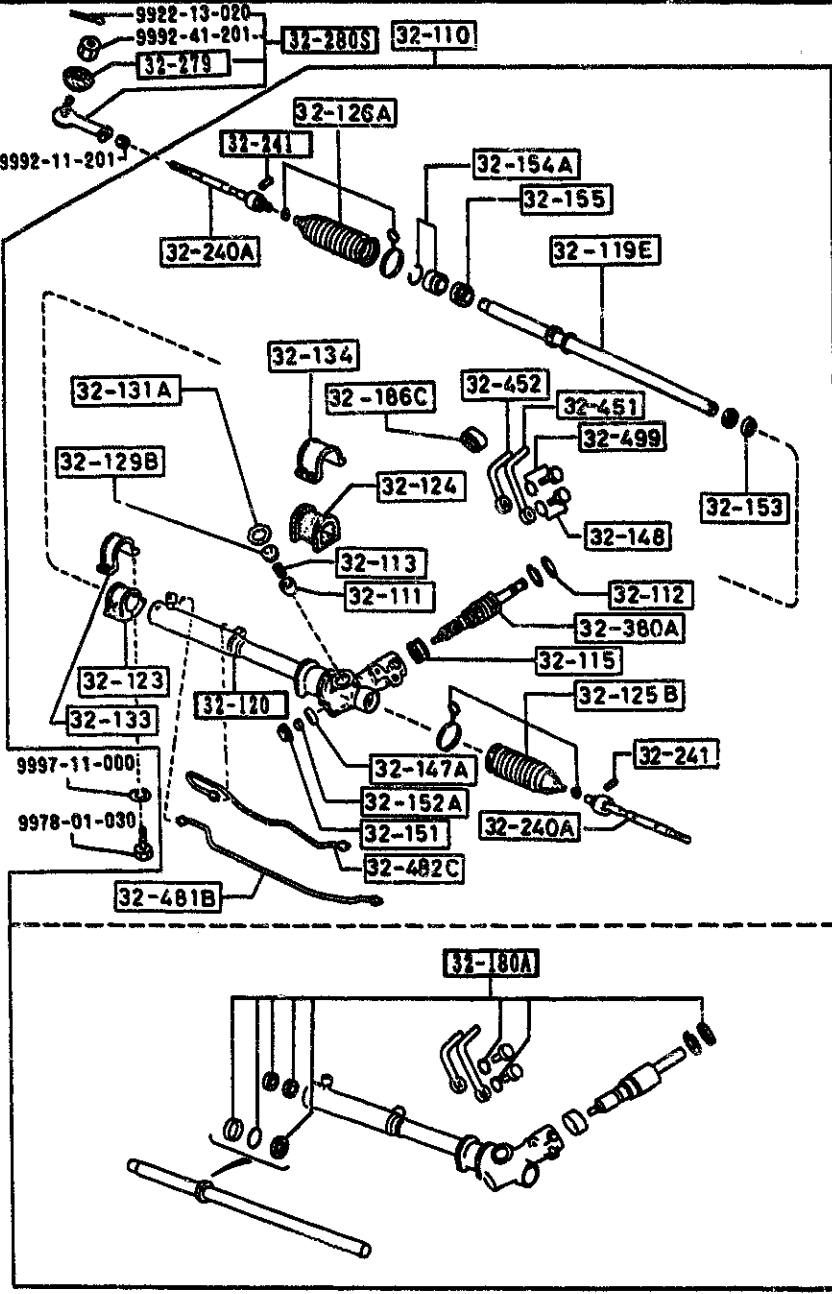
PART NO.	QTY	MODEL/RESTRICTION	MODEL/RESTRICTION	MODEL/RESTRICTION	FROM-TO
32-110		GEAR, STEERING			
FB78-32-110C	1				
32-111		YOKE, SUPPORT			
FB05-32-111	1				
32-112		COVER, DUST			
FB05-32-112	1				
32-113		SPRING, YOKE			
FB05-32-113	1				
32-115		BEARING, ST. GEAR			
FB05-32-115	1				
32-119E		RACK, STEERING GEAR			
FB05-32-119	1				
32-120		HOUSING, GEAR			
FB05-32-120A	1				
32-123		RUBBER, MOUNTING			
FB05-32-123	1				
32-124		RUBBER, MOUNTING			
FB01-32-124	1				
32-125B		BOOT, RACK			
FB01-32-125	1				
32-126A		BOOT, RACK			
FB01-32-126	1				
32-129B		PLUG, PINION			
FB05-32-129	1				
32-131A		NUT, LOCK-RACK			
FB05-32-131	1				
32-133		PLATE, CLAMP			
FB05-32-133	1				

AUFA03

CAT. AUFA03-07

1993-12

3220 A STEERING GEAR
(W/ POWER STEERING-VELOCITY SENSOR)



AUFA03

3220 A-2 STEERING GEAR
(W/ POWER STEERING-VELOCITY SENSOR)

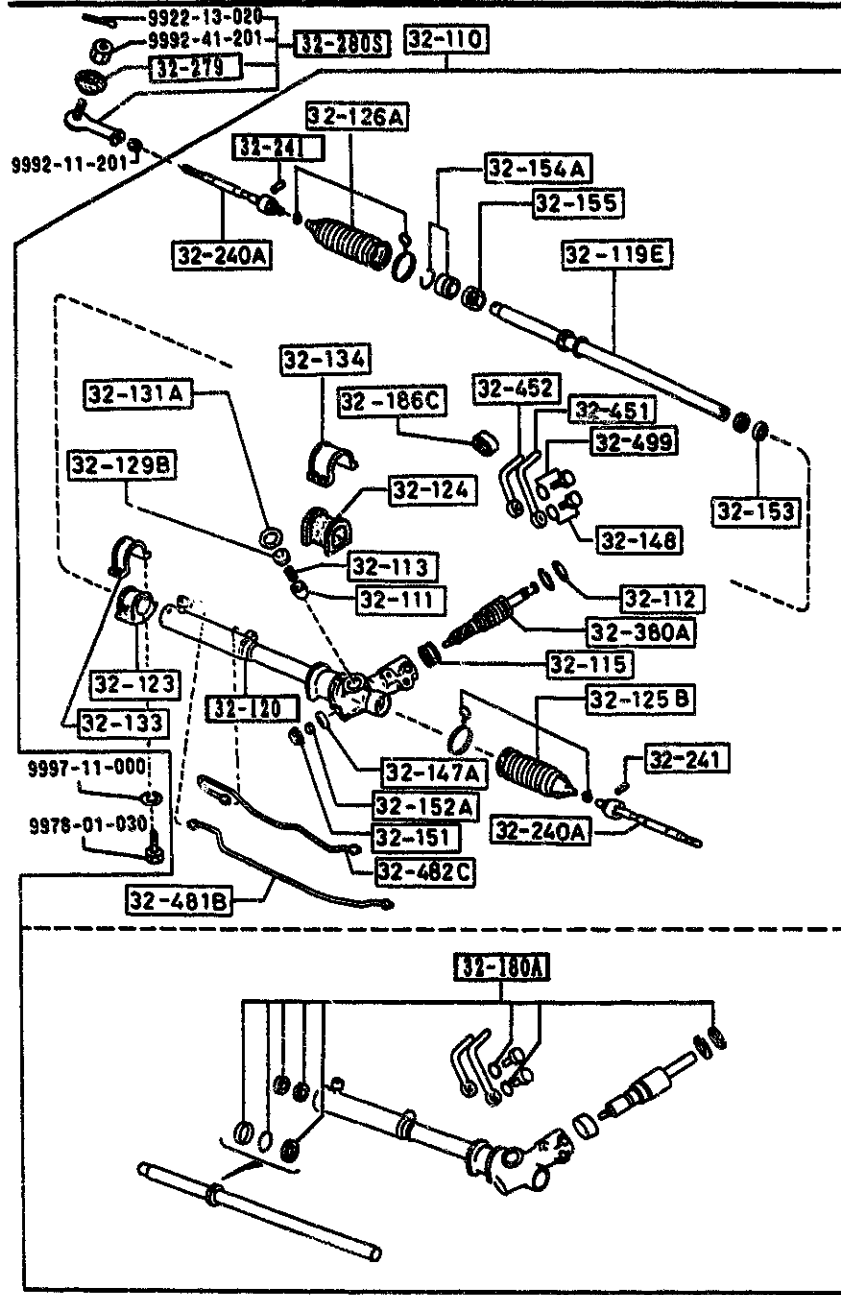
PART NO.	QTY	MODEL/RESTRICTION	MODEL/RESTRICTION	MODEL/RESTRICTION	FROM-TO
32-134		PLATE, CLAMP			
FB01-32-134	1				
32-147A		BEARING, PINION			
FB05-32-147	1				
32-148		EYE BOLT KIT, ST. GEAR			
FB78-32-498	1				
32-151		COVER, END			
FB05-32-151	1				
32-152A		NUT, ADJUST			
FB05-32-152	1				
32-153		RING, BACK UP			
FB05-32-153	1				
32-154A		HOLDER, STEERING GEAR			
FB05-32-154	1				
32-155		BUSH, RUBBER			
FB05-32-155	1				
32-180A		SEAL KIT, ST. GEAR			
FB05-32-180	1				
32-186C		CLIP KIT, ST. GEAR			
FB05-32-186	1				
32-240A		JOINT, BALL			
FB01-32-240A	2				
32-241		PIN, SPRING-STEERING GEAR			
FB01-32-241	2				
32-279		SEAL, DUST-BALL JOINT			
8021-32-279	2				
32-280S		JOINT SET, BALL			
8AF1-32-280	2				

CAT. AUFA03-07

1993-12

3220 A STEERING GEAR
(W/ POWER STEERING VELOCITY SENSOR)

3220 A-3 * STEERING GEAR
(W/ POWER STEERING VELOCITY SENSOR)



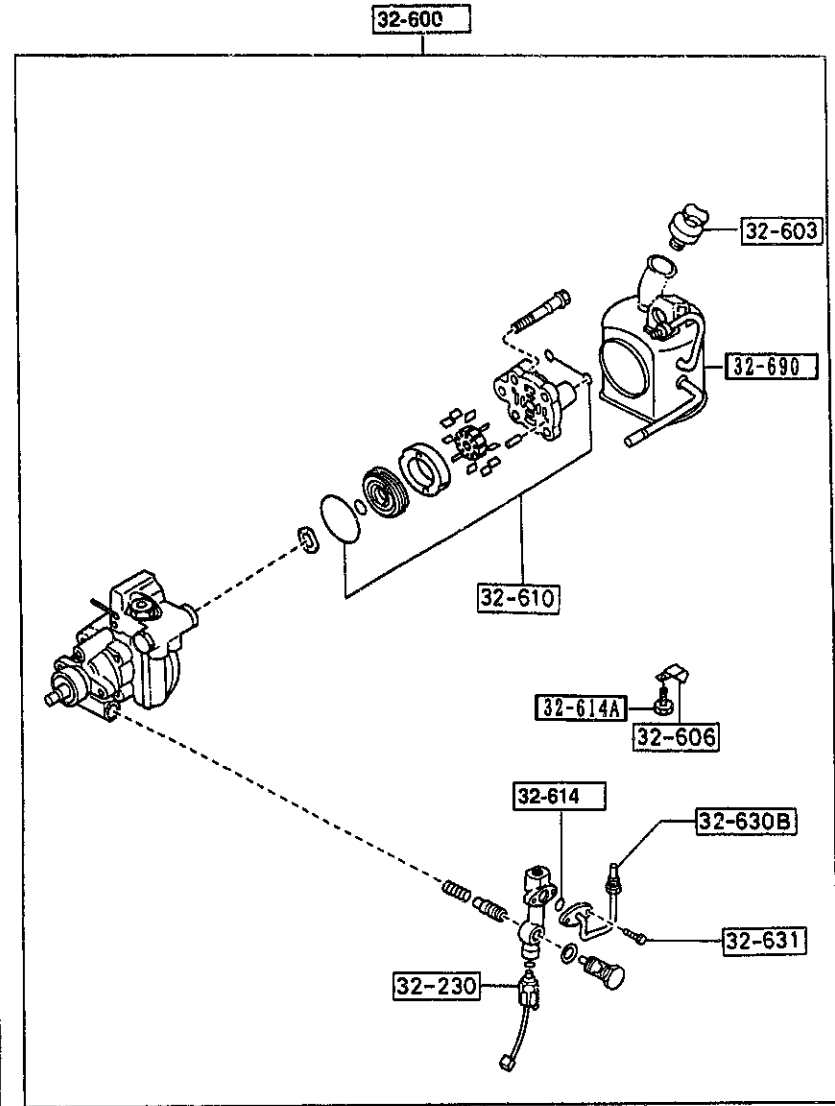
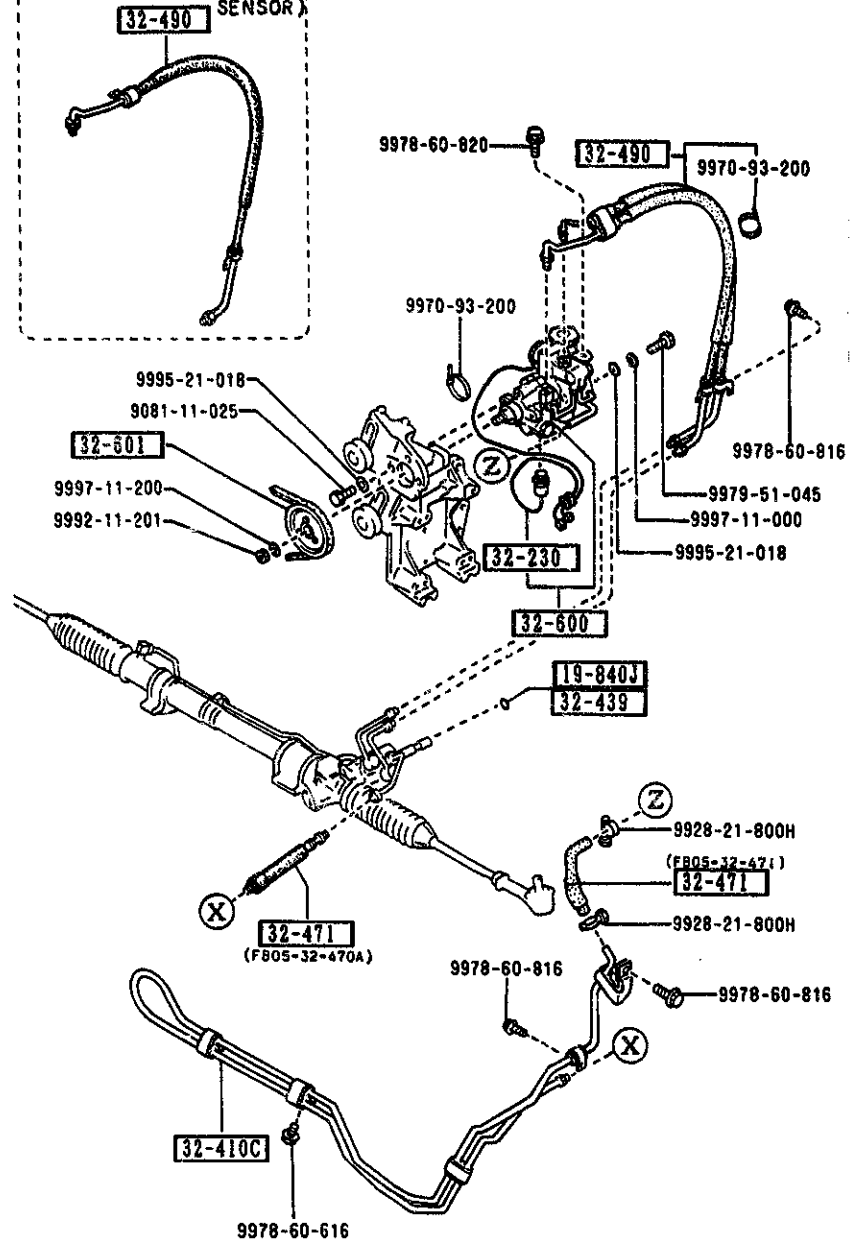
PART NO.	QTY	MODEL/RESTRICTION	MODEL/RESTRICTION	MODEL/RESTRICTION	FROM-TO
32-380A		VALVE, ST. GEAR			
FB05-32-380	1				
32-451		PIPE 'A', ST. GEAR			
FB05-32-451	1				
32-452		PIPE 'B', ST. GEAR			
FB05-32-452A	1				
32-481B		PIPE 'A', CYLINDER			
FB05-32-481A	1				
32-482C		PIPE 'B', CYLINDER			
FB05-32-482	1				
32-499		EYE BOLT KIT, ST. GEAR			
FB78-32-499	1				

AUFA03

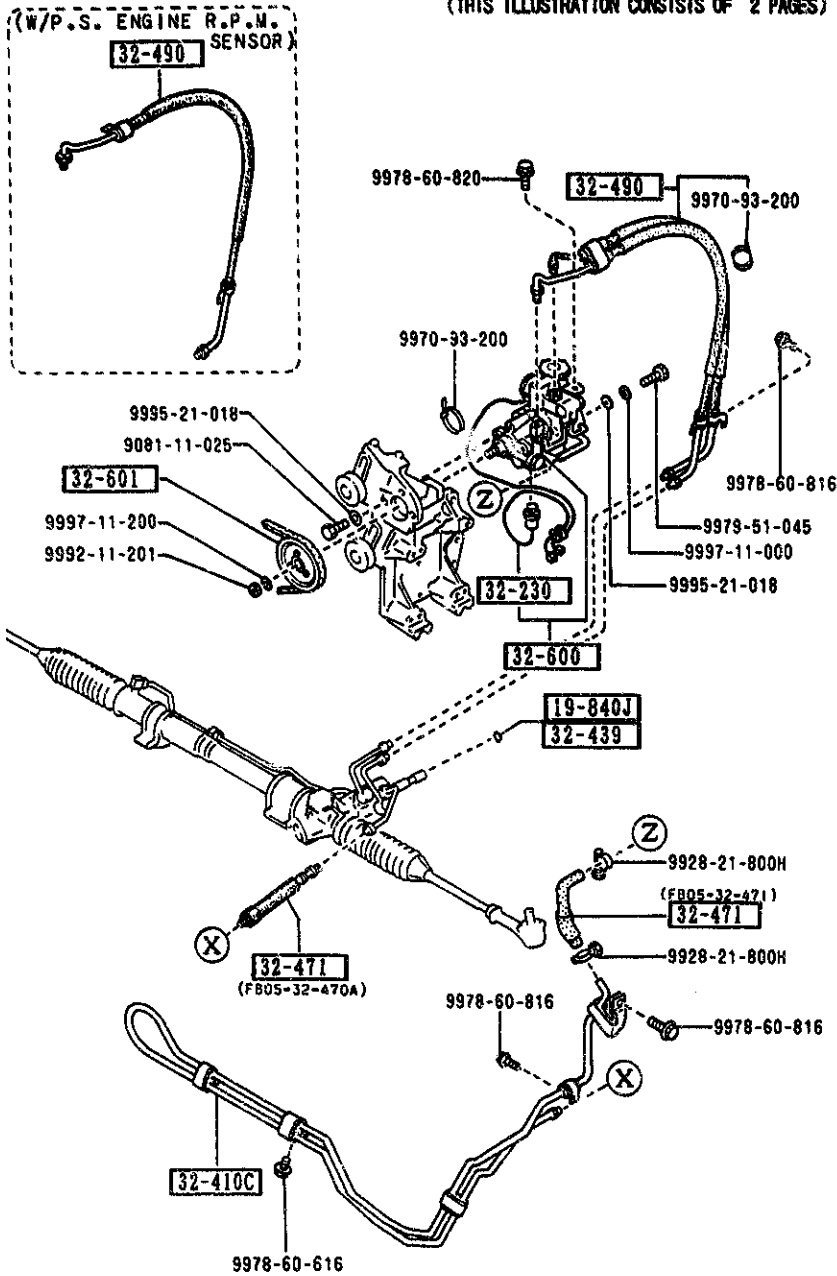
CAT. AUFA03-07

1993-12

(W/P.S. ENGINE R.P.M. SENSOR)

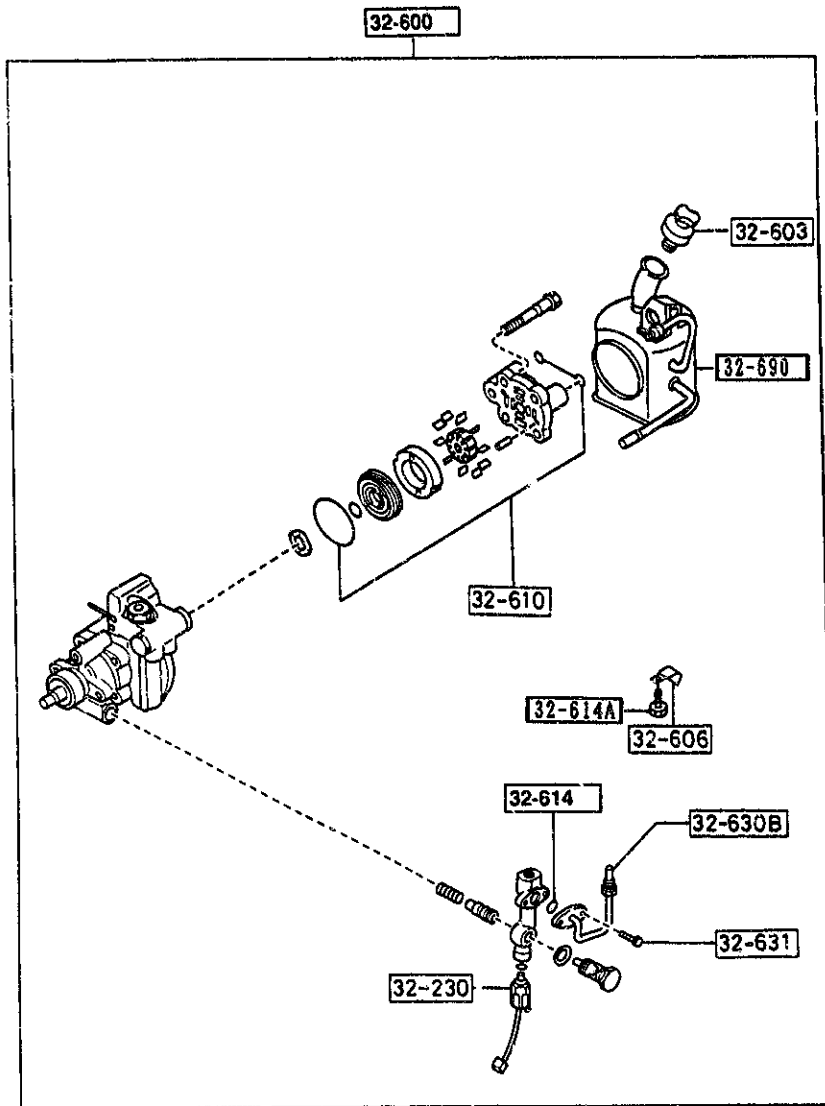


(THIS ILLUSTRATION CONSISTS OF 2 PAGES)



PART NO.	QTY	MODEL/RESTRICTION	MODEL/RESTRICTION	MODEL/RESTRICTION	FROM-TO
19-840J		RING, 'O'			
99541-01401	1	BASE, CONV., (W/P.S.-ENGINE R.P.M. SENSOR)			
32-230		SENSOR, STEERING PRESSURE			
FC01-32-230	1	BASE, CONV., (W/P.S.-ENGINE R.P.M. SENSOR)			
FC02-32-230A	1	TURBO, (W/P.S.-VELOCITY SENSOR)			
32-410C		PIPE, RETURN			
FC01-32-410	1				
32-439		RING, 'O'-ST. GEAR			
FB78-32-439	1	TURBO, (W/P.S.-VELOCITY SENSOR)			
32-471		HOSE, RETURN			
FB05-32-470A	1				
FB05-32-471	3				
32-490		HOSE, PRESSURE			
FB05-32-490E	1	TURBO, (W/P.S.-VELOCITY SENSOR)			
FC01-32-490A	1	BASE, CONV., (W/P.S.-ENGINE R.P.M. SENSOR)			
32-600		PUMP, VANE			
FC01-32-600A	1	BASE, CONV., (W/P.S.-ENGINE R.P.M. SENSOR)			
FC02-32-600A	1	TURBO, (W/P.S.-VELOCITY SENSOR)			
32-601		PULLEY, VANE PUMP			
FB05-32-620	1				
32-603		CAP, FILLER			
FB78-32-611	1				

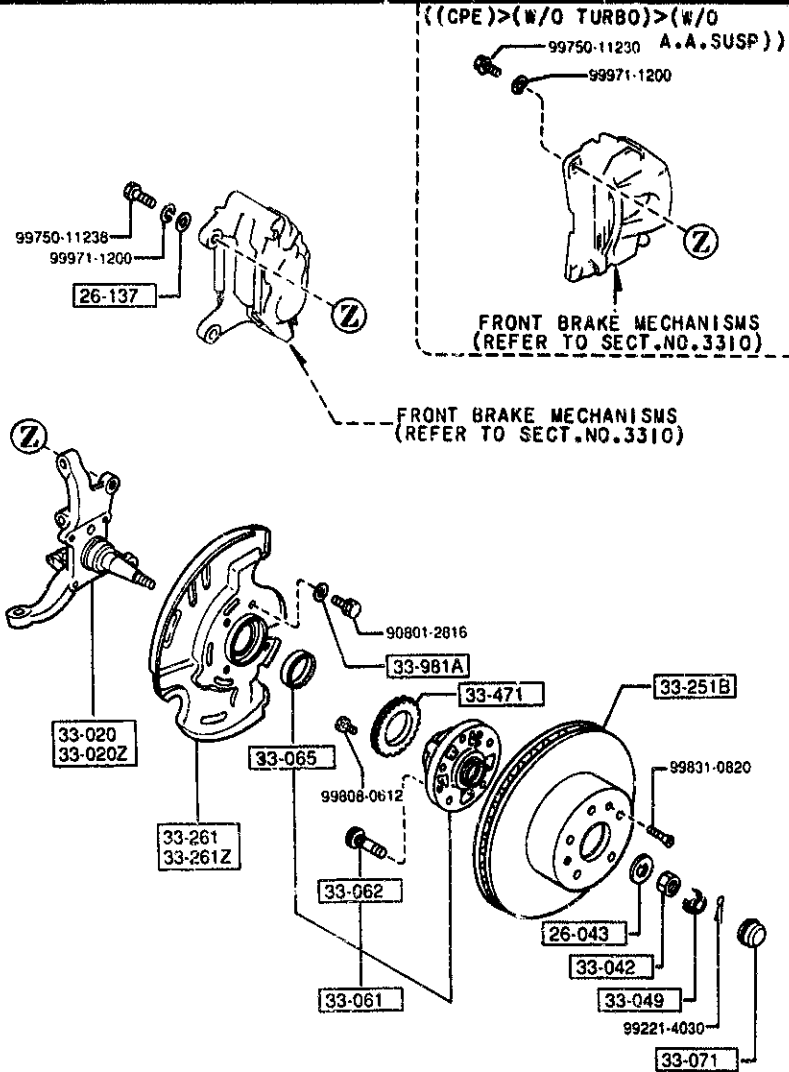
(THIS ILLUSTRATION CONSISTS OF 2 PAGES)



PART NO.	QTY	MODEL/RESTRICTION	MODEL/RESTRICTION	MODEL/RESTRICTION	FROM-TO
32-606		CLIP			
FB05-32-642	1				
32-610		SEAL KIT,VANE PUMP			
FC01-32-610	1	BASE, CONV., (W/P.S.-ENGINE R.P.M .SENSOR)			
32-614		RING,'O'-VANE PUMP			
FB05-32-632	1	TURBO, (W/P.S.-VELOCITY SEN SOR)			
32-614A		BOLT			
FB78-32-614	2				
32-630B		PIPE,VANE PUMP			
FB78-32-630	1	TURBO, (W/P.S.-VELOCITY SEN SOR)			
32-631		BOLT,VANE PUMP			
FB05-32-631	2				
32-690		TANK,VANE PUMP			
FB78-32-690	1	TURBO, (W/P.S.-VELOCITY SEN SOR)			
FC01-32-690	1	BASE, CONV., (W/P.S.-ENGINE R.P.M .SENSOR)			

3300 FRONT AXLE

3300 -1 FRONT AXLE



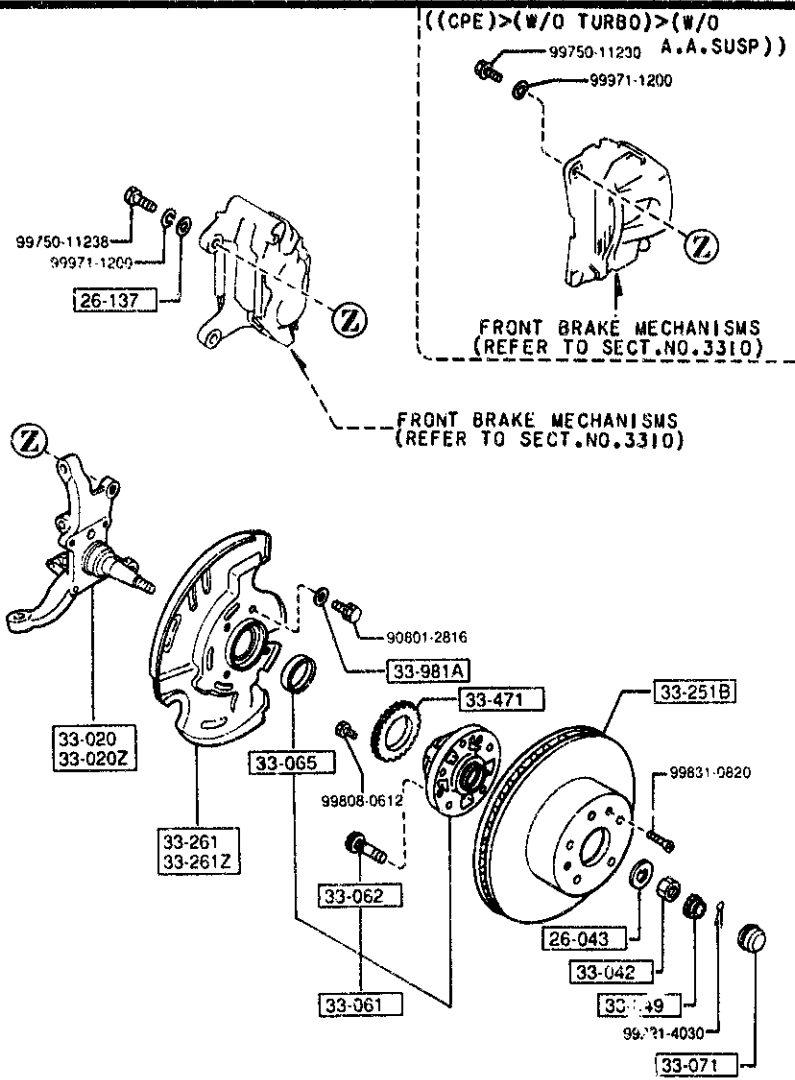
PART NO.	QTY	MODEL/RESTRICTION	MODEL/RESTRICTION	MODEL/RESTRICTION	FROM-TO
26-043		WASHER, CLAW			
1011-33-043	2				
26-137		WASHER, PLAIN-LOWER ARM			
FB01-26-137	4	((CPE)>(W/O TURBO)>(A.A.SUSP)) ((CPE)>(TURBO)) (CONVERTIBLE)			
33-020		KNUCKLE(R), STEERING			
FB01-33-021B	1	(W/O TURBO)			
F051-33-021B	1	(TURBO)			
33-020Z		KNUCKLE(L), STEERING			
FB01-33-031B	1	(W/O TURBO)			
F051-33-031B	1	(TURBO)			
33-042		NUT			
0662-33-042	2				
33-049		COVER, SET			
0662-33-049	2				
33-061		HUB, WHEEL			
FB05-49-060E	5	HUB BOLT			
33-062		BOLT, HUB			
FB05-26-113A	10				
33-065		SEAL, OIL-AXLE			
FB01-33-065A	2				
33-071		CAP, HUB			
FB01-33-071A	2				
33-251B		PLATE, HUB/DISK			
FB05-33-251	2				
33-261		COVER(R), DUST			
FB05-33-260B A (FB05-33-260D)	1				

-1201

1201 FC3***-906121

3300 FRONT AXLE

3300 -2 * FRONT AXLE



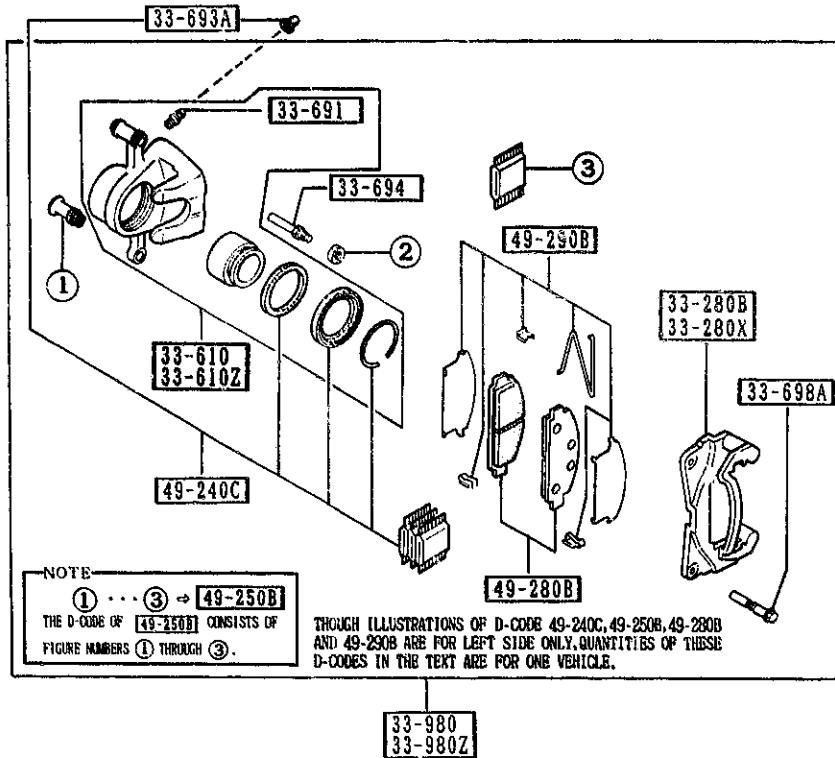
PART NO.	QTY	MODEL/RESTRICTION	MODEL/RESTRICTION	MODEL/RESTRICTION	FRGM-10
CONT'D FB05-33-260D	1				1201-
33-261Z		COVER(L),DUST			
FB05-33-270B A (FB05-33-270D)	1				-1201
FB05-33-270D	1				1201-
33-471		ROTOR,SENSOR-FRT A.B S.			
F048-33-471	2	(TURBO)			
33-981A		WASHER,PLAIN-DUST CO VER			
FB01-33-981	3				

1201 FC3MMK-906121

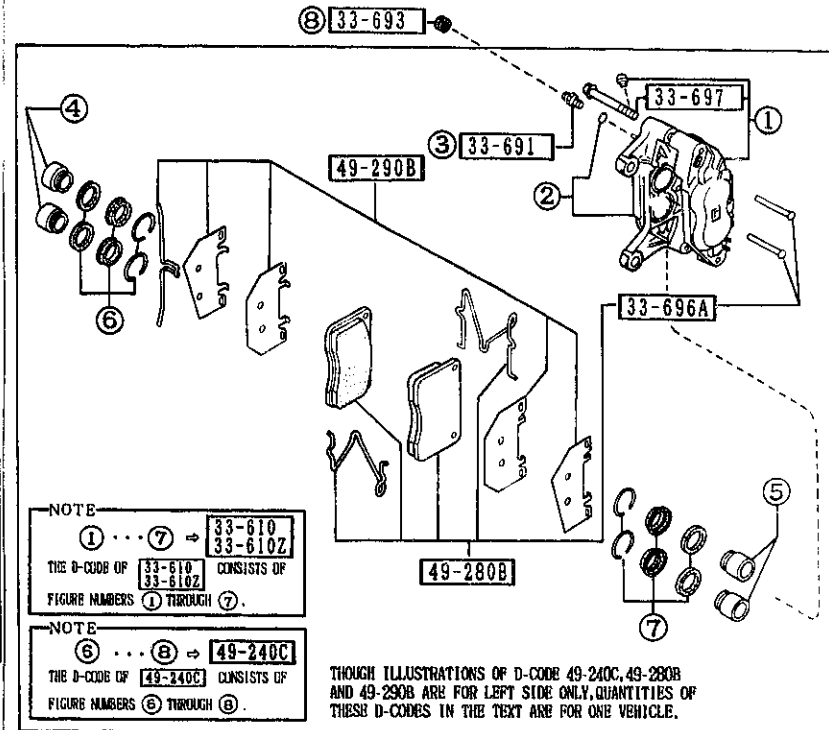
((CPE)>(W/O TURBO)>(W/O A.A.SUSP)) (THIS ILLUSTRATION CONSISTS OF 2 PAGES)

((CPE)>(W/O TURBO)>(A.A.SUSP))
 ((CPE)>(TURBO))
 (CONVERTIBLE)

(THIS ILLUSTRATION CONSISTS OF 2 PAGES)

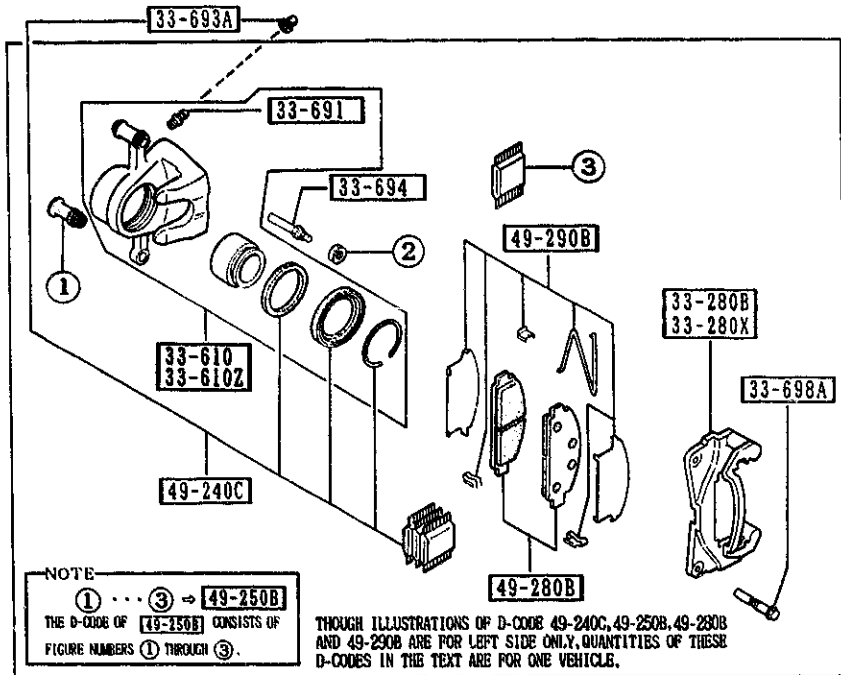


33-980
 33-980Z



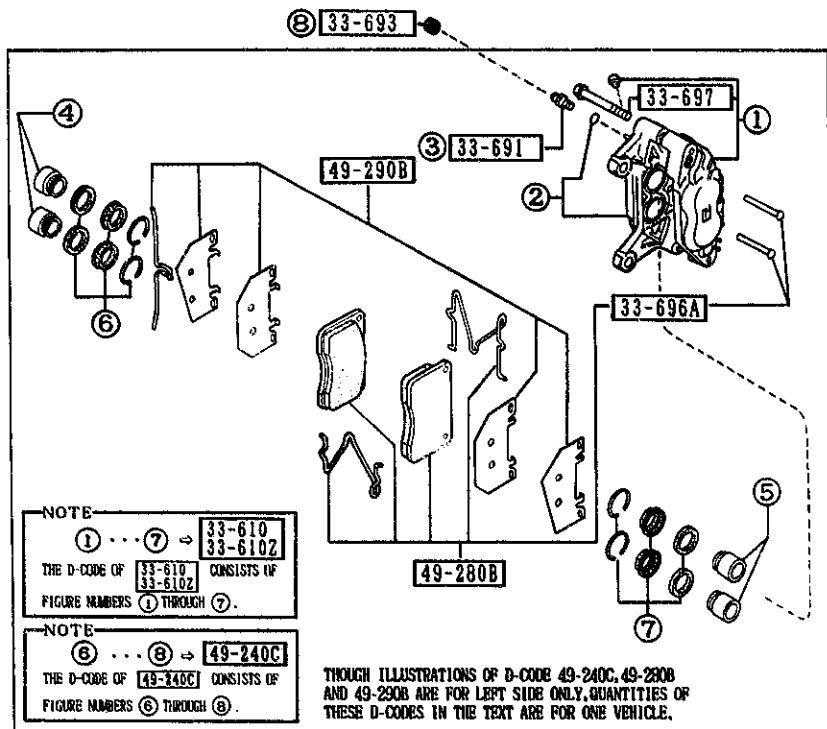
33-980
 33-980Z

((CPE)>(W/O TURBO)>(W/O A.A.SUSP)) (THIS ILLUSTRATION CONSISTS OF 2 PAGES)



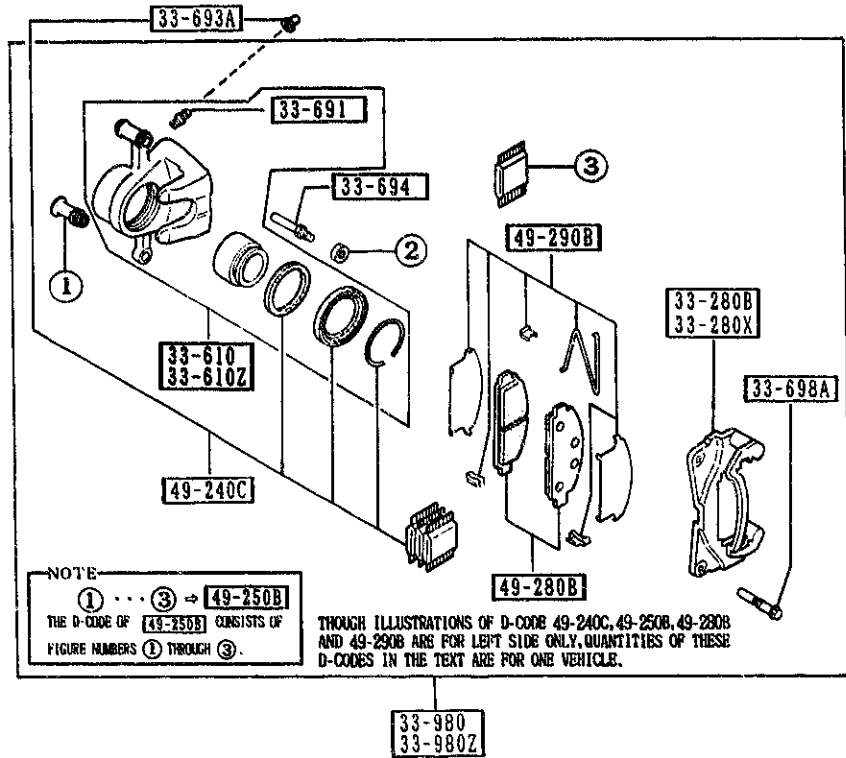
PART NO.	QTY	MODEL/RESTRICTION	MODEL/RESTRICTION	MODEL/RESTRICTION	FROM-TO
33-280B		SUPPORT(R), MOUNTING			
FC01-33-281	1	((CPE)>(W/O TURBO)>(W/O A.A.SUSP))			
33-280X		SUPPORT(L), MOUNTING			
FC01-33-291	1	((CPE)>(W/O TURBO)>(W/O A.A.SUSP))			
33-610		BODY & PISTON(R), CALIPER			
FB05-33-610B	1	((CPE)>(W/O TURBO)>(A.A.SUSP)) ((CPE)>(TURBO)) (CONVERTIBLE)			
FC01-33-610	1	((CPE)>(W/O TURBO)>(W/O A.A.SUSP))			
33-610Z		BODY & PISTON(L), CALIPER			
FB05-33-710B	1	((CPE)>(W/O TURBO)>(A.A.SUSP)) ((CPE)>(TURBO)) (CONVERTIBLE)			
FC01-33-710	1	((CPE)>(W/O TURBO)>(W/O A.A.SUSP))			
33-691		SCREW, BLEEDER			
0233-33-691	2	((CPE)>(W/O TURBO)>(W/O A.A.SUSP))			
FB05-33-691A	2	((CPE)>(W/O TURBO)>(A.A.SUSP)) ((CPE)>(TURBO)) (CONVERTIBLE)			-2401
B001-33-691	2	((CPE)>(W/O TURBO)>(A.A.SUSP)) ((CPE)>(TURBO)) (CONVERTIBLE)			2401-
33-693		CAP, RUBBER			
FB05-33-693	2	((CPE)>(W/O TURBO)>(A.A.SUSP)) ((CPE)>(TURBO)) (CONVERTIBLE)			
33-693A		CAP, BLEEDER SCREW			
0600-33-693	2	((CPE)>(W/O TURBO)>(W/O A.A.SUSP))			
33-694		PIN, GUIDE-FRT CALIPER			
FC01-33-694	2	((CPE)>(W/O TURBO)>(W/O A.A.SUSP))			

((CPE)>(W/O TURBO)>(A.A.SUSP)) (THIS ILLUSTRATION CONSISTS OF 2 PAGES)
 ((CPE)>(TURBO))
 (CONVERTIBLE)

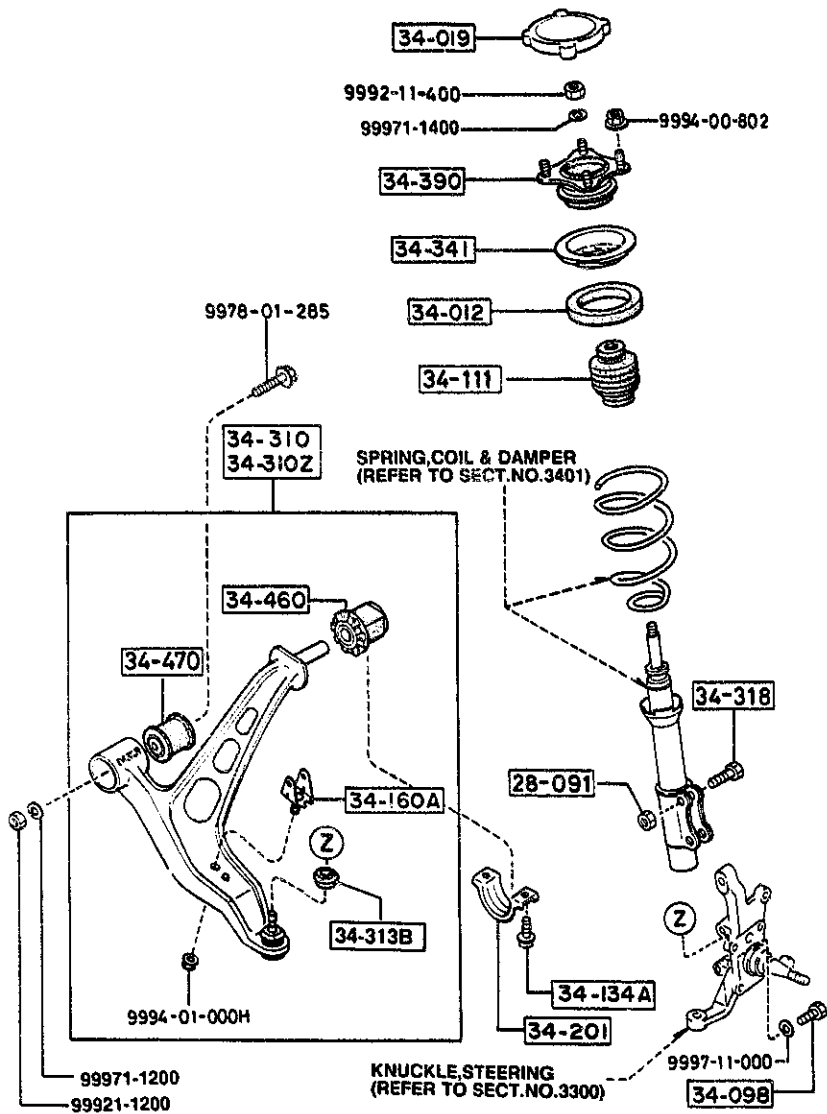


PART NO.	QTY	MODEL/RESTRICTION	MODEL/RESTRICTION	MODEL/RESTRICTION	FROM-TO
33-696A MFB05-33-696B	4	PIN, PAD-FRT BRAKE ((CPE)>(W/O TURBO)>(A.A.SUSP)) ((CPE)>(TURBO)) (CONVERTIBLE)			
33-697 FD01-33-697	8	BOLT, BRIDGE-FRT BRAKE ((CPE)>(TURBO)) ((CPE)>(W/O TURBO)>(A.A.SUSP)) (CONVERTIBLE)			2401-
33-698A FA66-33-699	2	PIN ((CPE)>(W/O TURBO)>(W/O A.A.SUSP))			
33-980 FC01-33-980 FC02-33-980A	1	CALIPER(R), FRT BRAKE ((CPE)>(W/O TURBO)>(W/O A.A.SUSP)) ((CPE)>(TURBO)) (CONVERTIBLE)			
33-980Z FC01-33-990 FC02-33-990A	1	CALIPER(L), FRT BRAKE ((CPE)>(W/O TURBO)>(W/O A.A.SUSP)) ((CPE)>(TURBO)) (CONVERTIBLE)			
49-240C FB05-49-240	1	SEAL KIT, CALIPER-FRT ((CPE)>(W/O TURBO)>(A.A.SUSP)) ((CPE)>(TURBO)) (CONVERTIBLE)			
8341-49-240	1	((CPE)>(W/O TURBO)>(W/O A.A.SUSP))			
49-250B FA66-49-250	1	BOOT KIT, FRT CALIPER ((CPE)>(W/O TURBO)>(W/O A.A.SUSP))			
49-280B FC02-33-28Z	1	PAD SUB SET, FRT CALIPER ASBESTOS ((CPE)>(W/O TURBO)>(A.A.SUSP)) ((CPE)>(TURBO)) (CONVERTIBLE)			

3310 FRONT BRAKE MECHANISMS (1/2)
 ((CPE)>(W/O TURBO)>(W/O A.A.SUSP)) (THIS ILLUSTRATION CONSISTS OF 2 PAGES)

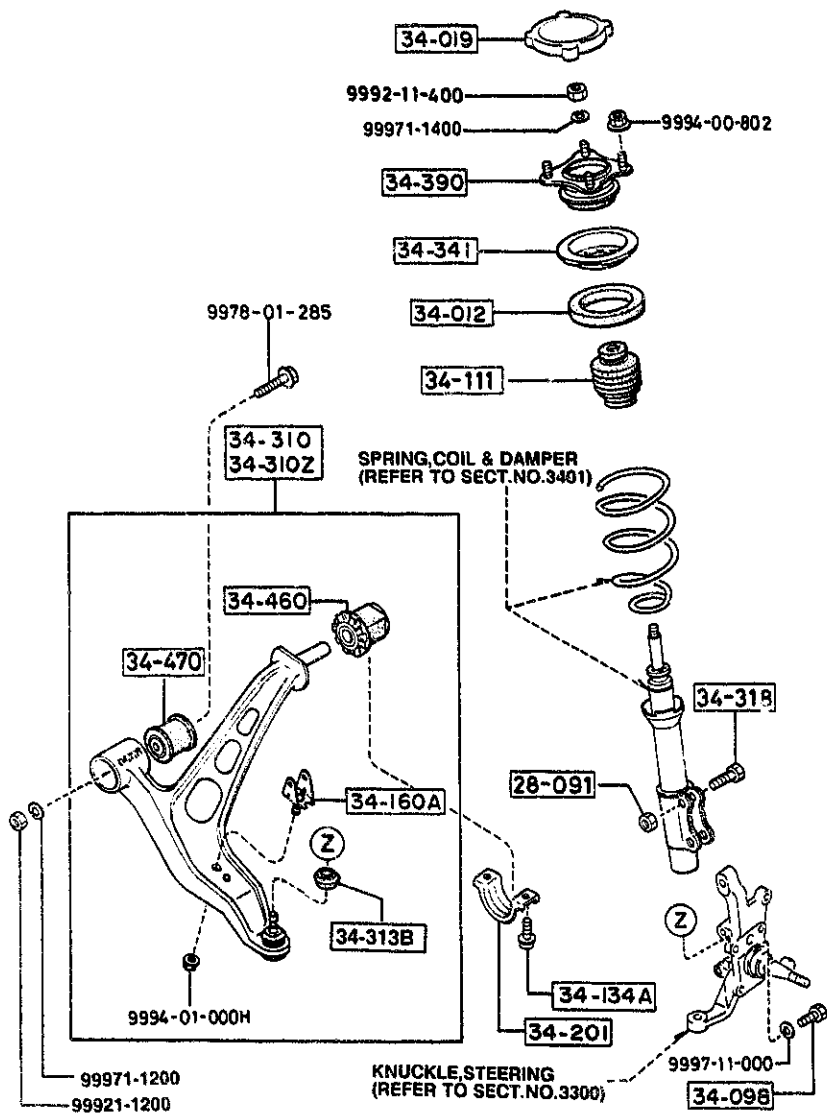


PART NO.	QTY	MODEL/RESTRICTION	MODEL/RESTRICTION	MODEL/RESTRICTION	FROM-TO
CONT'D FA66-49-280	1	ASBESTOS ((CPE)>(W/O TURBO)> W/O A.A.SUSP)			
49-290B		ATTACHMENT, PAD-FRONT			
FCY1-33-29Z	1	((CPE)>(W/O TURBO)> W/O A.A.SUSP)			
FB05-49-290B	1	((CPE)>(W/O TURBO)> A.A.SUSP) ((CPE)>(TURBO) (CONVERTIBLE)			

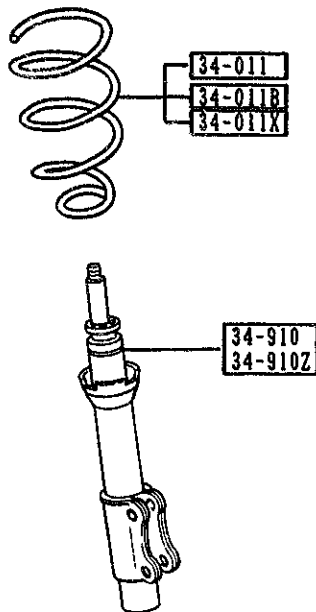


PART NO.	QTY	MODEL/RESTRICTION	MODEL/RESTRICTION	MODEL/RESTRICTION	FROM-TO
28-091 H266-28-091	4	NUT			
34-012 FB01-34-012	2	SHEET, RUBBER			
34-019 FB01-34-019	2	CAP, DAMPER			
34-098 FB01-34-098	2	BOLT			
34-111 FB01-34-111A	2	BUMPER, BOUND			
34-134A 8871-34-134A	4	BOLT, TENSION ROD			
34-160A FC01-34-160	2	BRACKET, STABILIZER			
34-201 FC01-34-201	2	BRACKET, LWR ARM			
34-310 FC02-34-300	1	ARM(R), LOWER			
34-310Z FC02-34-350	1	ARM(L), LOWER			
34-313B FC02-34-313	2	BOOT, BALL JOINT-LWR ARM			
34-318 H260-34-318	4	BOLT, FLANGE-ST. KNUCKLE			
34-341 FB01-34-341	2	SHEET, SPRING			
34-390 FB01-34-380C	2	RUBBER, MOUNTING			

3400 FRONT SUSPENSION MECHANISMS



PART NO.	QTY	MODEL/RESTRICTION	MODEL/RESTRICTION	MODEL/RESTRICTION	FROM-TO
34-460		BUSH, RUBBER-LWR ARM			
FB01-34-460	2				
34-470		BUSHING, RUBBER-FRT			
FB01-34-470	2				



D-CODE 34-011,34-011B,34-011X

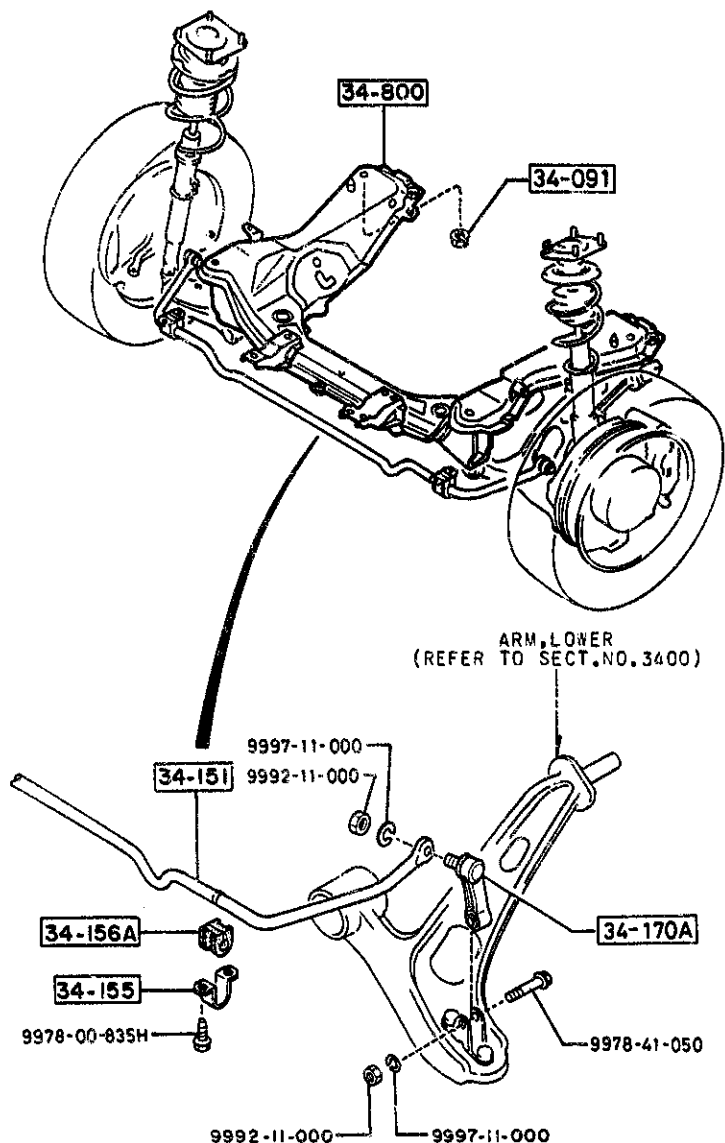
	TURBO	A.A. SUSP	SPRONG, COIL	
			RIGHT	LEFT
COUPE	-	-	FC01-34-021	FB01-34-011B
		X	FB44-34-021	FB67-34-011
	X	-	FB44-34-021	FB67-34-011
CONVERTIBLE			FB67-34-011	FB67-34-021

(CNTRL. NO. 6-52)

PART NO.	QTY	MODEL/RESTRICTION	MODEL/RESTRICTION	MODEL/RESTRICTION	FROM-TO
34-011 FC01-34-021	1	SPRING, COIL-FRONT (REFER TO THE CHART IN THE ILLUSTRATION)			
34-011B FB01-34-011B	1	SPRING(R), COIL-FRONT (REFER TO THE CHART IN THE ILLUSTRATION)			
34-011X FB67-34-011	1	SPRING(L), COIL-FRONT (REFER TO THE CHART IN THE ILLUSTRATION)			
34-910 FB44-34-700C	1	DAMPER(R), FRONT (REFER TO THE CHART IN THE ILLUSTRATION)			
34-910Z FB44-34-900C	1	DAMPER(L), FRONT (REFER TO THE CHART IN THE ILLUSTRATION)			

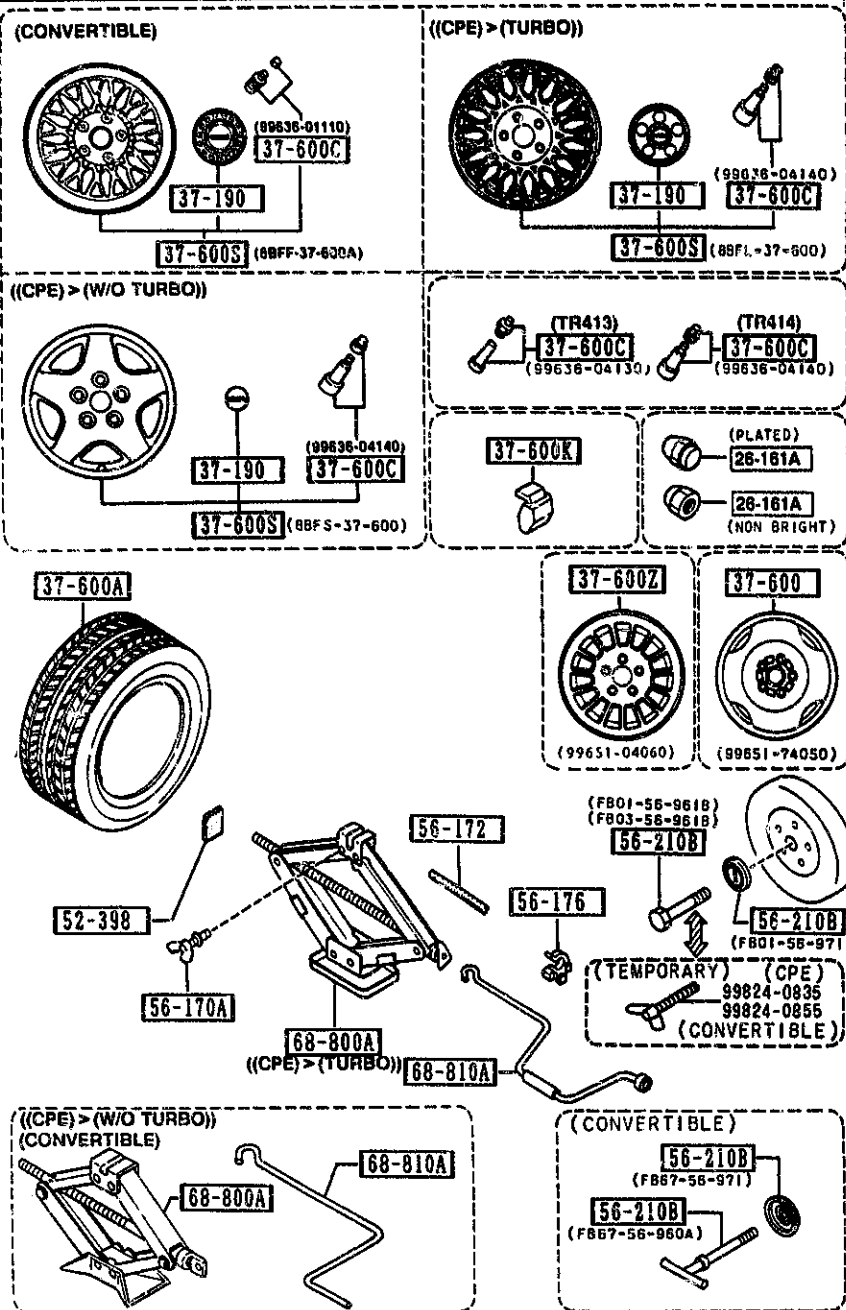
3410 CROSSMEMBER & STABILIZER

3410 -1 * CROSSMEMBER & STABILIZER



PART NO.	QTY	MODEL/RESTRICTION	MODEL/RESTRICTION	MODEL/RESTRICTION	FROM-TO
34-091 FB01-34-091	4	NUT			
34-151 FC02-34-151	1	STABILIZER, FRONT (W/O TURBO)			
34-151 FC18-34-151	1	(TURBO)			
34-155 FB01-34-155	2	PLATE, STABILIZER			
34-156A FB43-34-156B	2	RUBBER, STAB -FRT			
34-170A FC01-34-170	2	LINK, CONTROL-STAB			
34-800 FB01-34-800G	1	MEMBER, CROSS (CPE)			
34-800 FB67-34-800C	1	(CONVERTIBLE)			

3700 TIRES & JACK



AUFA03

2-K 6

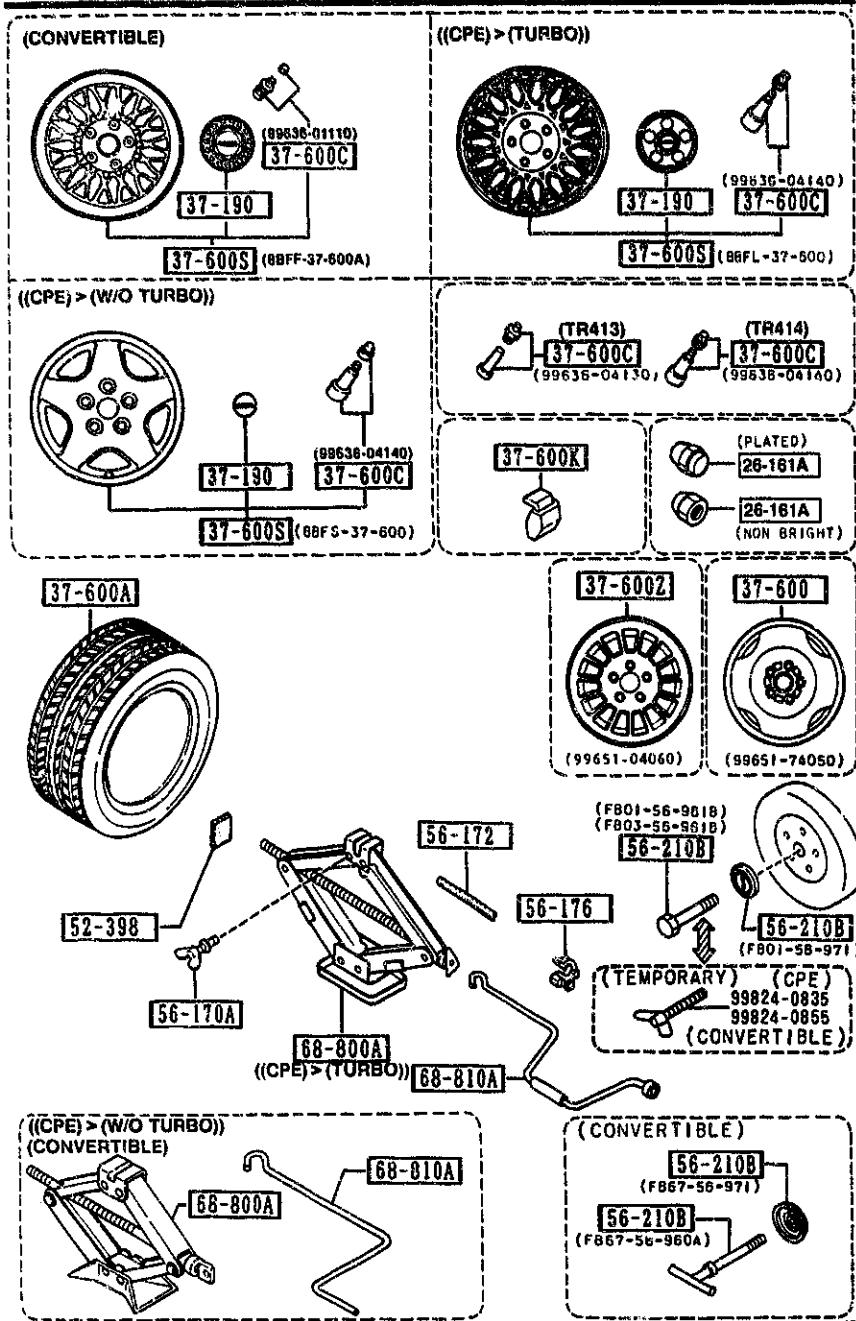
3700 -1 TIRES & JACK

PART NO.	QTY	MODEL/RESTRICTION	MODEL/RESTRICTION	MODEL/RESTRICTION	FROM-TO
26-161A		NUT, HUB			
0603-26-161	20	NON BRIGHT ((CPE) > (TURBO)) (CONVERTIBLE)			
B002-37-160	20	PLATED ((CPE) > (W/O TURBO))			
37-190		CAP, CENTER			
FB68-37-190	4	(CONVERTIBLE)			
FC02-37-190A	4	((CPE) > (TURBO))			
FC73-37-190	4	((CPE) > (W/O TURBO))			
37-600		WHEEL, DISC-STEEL			
99651-74050	1	4-TX15 ((CPE) > (W/O TURBO))			
99651-74050	1	4-TX15 ((CONVERTIBLE) > (W/O TURBO)) ('91 MODEL)			
37-600A		TIRE			
90620-17635	1	T135/70D15 TEMPORARY			
90620-17636	1	T135/70D16 BS			
90620-35706	4	205/55VR16 BS			
90620-65706	4	205/55R16 GOOD YEAR			
90620-66705	4	205/60VR15 BS			
90623-06705	4	205/70R15 89H			
90623-46705	4	205/60VR15			
37-600C		VALVE, AIR			
99636-01110	4	TR111			
99636-04130	1	TR413			
99636-04140	4	TR414			
37-600K		WEIGHT, DISC WHEEL-ALUMI			
99655-90005		56 FOR 1-PIECE WHL			

CAT. AUFA03-07

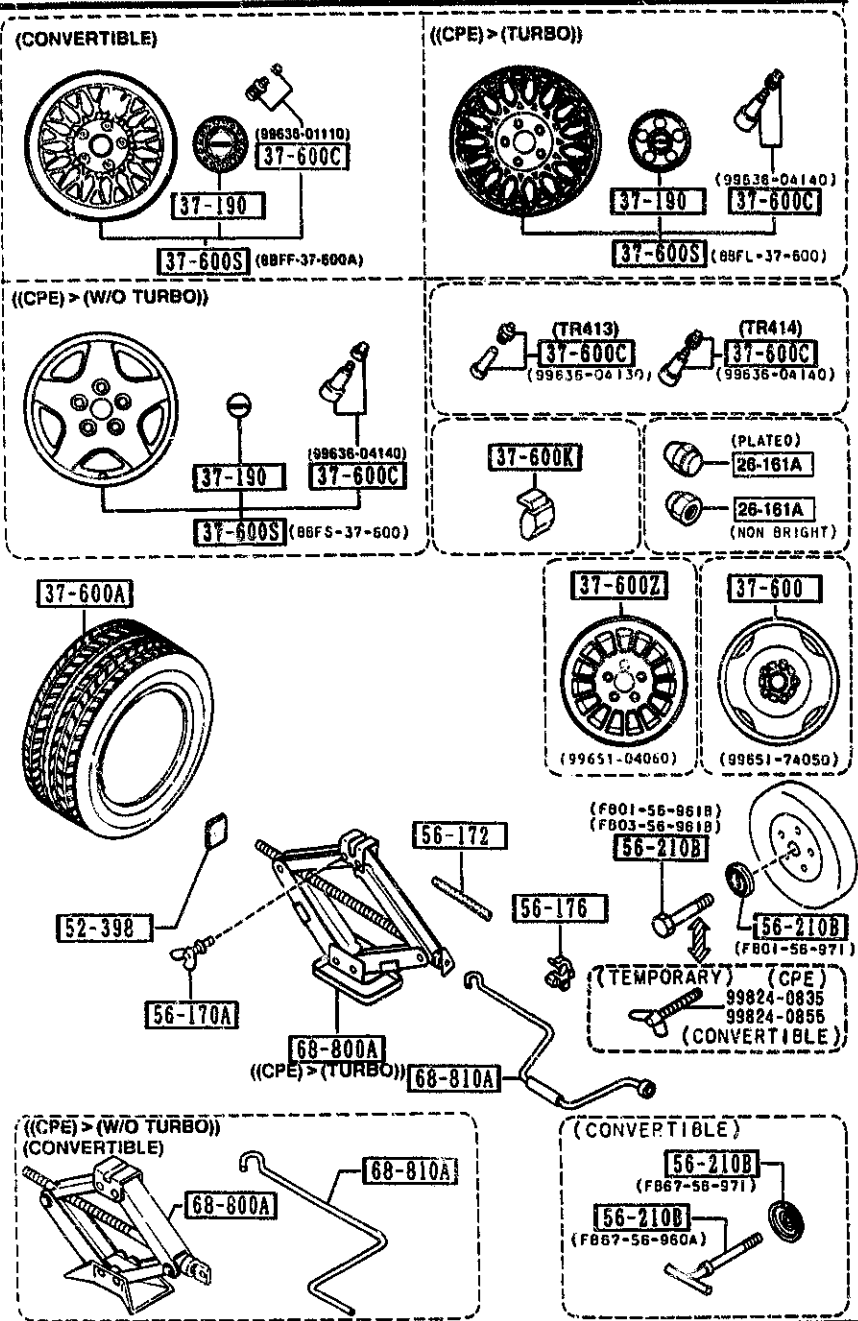
1993-12

3700 TIRES & JACK



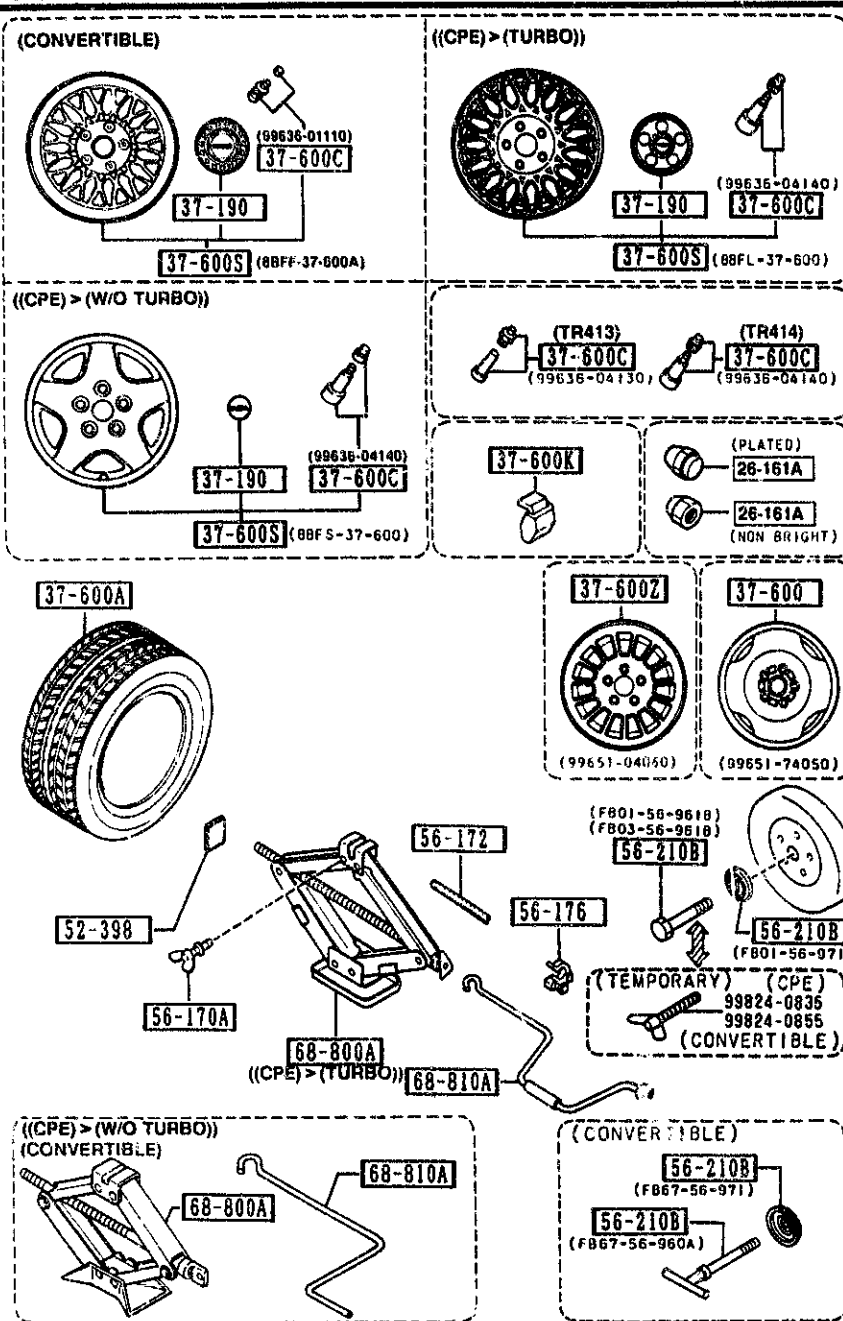
PART NO.	QTY	MODEL/RESTRICTION	MODEL/RESTRICTION	MODEL/RESTRICTION	FROM-TO
CONT'D					
99655-90010	4	10G FOR 1-PIECE WHL			
99655-90015	4	15G FOR 1-PIECE WHL			
99655-90020	4	20G FOR 1-PIECE WHL			
99655-90025	4	25G FOR 1-PIECE WHL			
99655-90030	4	30G FOR 1-PIECE WHL			
99655-90035	4	35G FOR 1-PIECE WHL			
99655-90040	4	40G FOR 1-PIECE WHL			
99655-90045	4	45G FOR 1-PIECE WHL			
99655-90050	4	50G FOR 1-PIECE WHL			
99655-90055	4	55G FOR 1-PIECE WHL			
99655-90060	4	60G FOR 1-PIECE WHL			
99656-10005	4	5G FOR 2-PIECE WHL			
99656-10010	4	10G FOR 2-PIECE WHL			
99656-10015	4	15G FOR 2-PIECE WHL			
99656-10020	4	20G FOR 2-PIECE WHL			
99656-10025	4	25G FOR 2-PIECE WHL			
99656-10030	4	30G FOR 2-PIECE WHL			
99656-10035	4	35G FOR 2-PIECE WHL			
99656-10040	4	40G FOR 2-PIECE WHL			
99656-10045	4	45G FOR 2-PIECE WHL			
99656-10050	4	50G FOR 2-PIECE WHL			
99656-10055	4	55G FOR 2-PIECE WHL			

3700 TIRES & JACK



PART NO.	QTY	MODEL/RESTRICTION	MODEL/RESTRICTION	MODEL/RESTRICTION	FROM-TO
CONT'D					
99656-10060	4	600 FOR 2-PIECE WHL			
37-600S		WHEEL SET, DISC-ALUMI			
88FF-37-600A	4	6.5JX15 P=114/O=40 (CONVERTIBLE)			
88FL-37-600	4	7JX16 P=114/O=40 ((CPE) > (TURBO))			
88FS-37-600	4	6JX15 P=114/O=40 ((CPE) > (W/O TURBO))			
37-600Z		WHEEL, DISC-ALUMI.			
99651-04060	1	4-TX16 FOR TEMPORALY ((CPE) > (TURBO))			
99651-04060	1	4-TX16 FOR TEMPORALY ((CONVERTIBLE) > (W/O TURBO) > ('92 MODEL))			
52-398		PAD, TANK PROTECTOR			
0866-52-398A	1				
56-170A		BOLT, JACK SET			
FB01-56-177	1				
56-172		WELT, SEAMING-JACK			
FB01-56-172A	1				
56-176		HOLDER, JACK HANDLE			
FB01-56-176	2				
56-210B		CLAMP, SPARE TIRE			
FB67-56-960A	1	L=110MM (CONVERTIBLE)			
FB01-56-961B	1	L=165MM ((CPE) > (W/O TURBO))			
FB03-56-961B	1	L=178MM ((CPE) > (TURBO))			
FB01-56-971	1	((CPE) > (TURBO))			
FB67-56-971	1	(CONVERTIBLE)			
68-800A		JACK			
FB07-37-790A	1	((CPE) > (TURBO))			
FB07-37-790A	1	((CONVERTIBLE) > (W/O TURBO) > ('91 MODEL))			

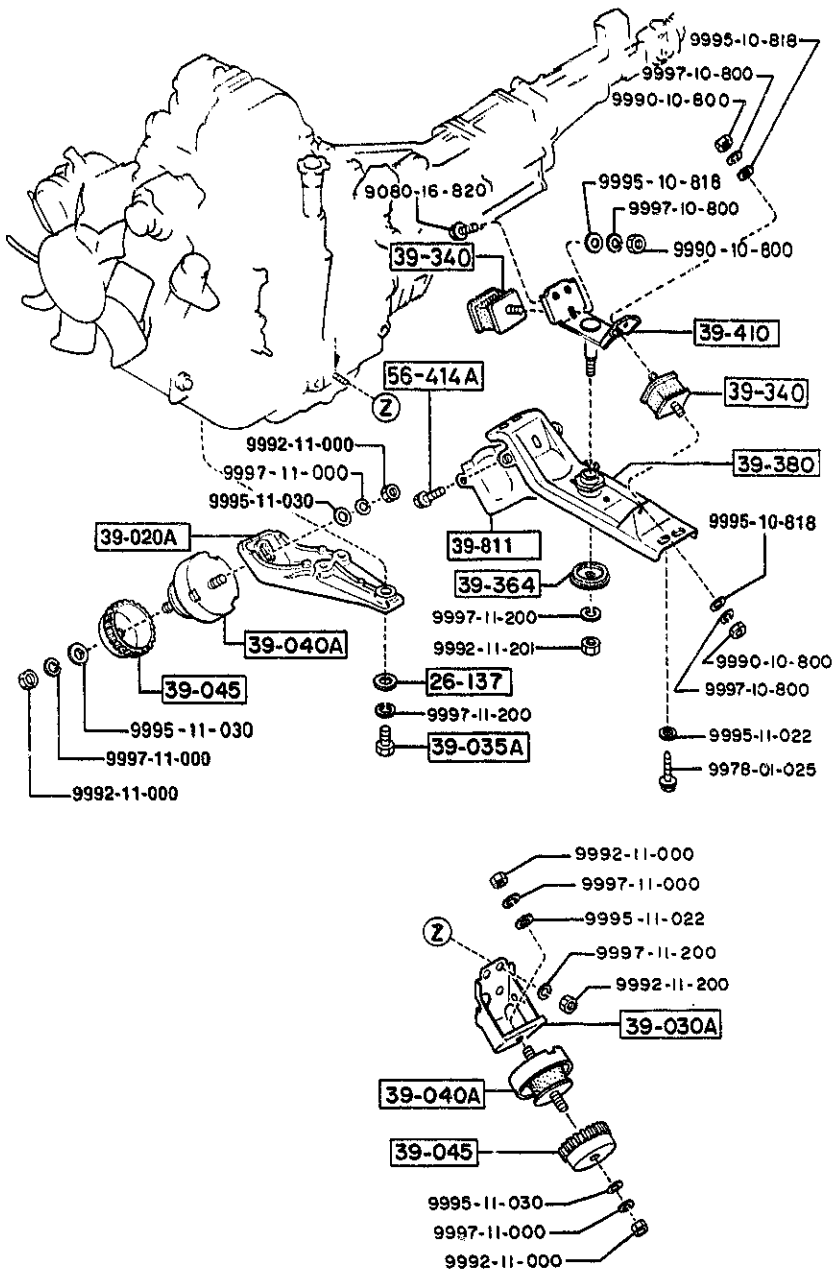
3700 TIRES & JACK



PART NO.	QTY	MODEL/RESTRICTION	MODEL/RESTRICTION	MODEL/RESTRICTION	FROM 10
CONT'D					
FC01-37-790	1	((CPE)) > (W/O TURBO)			
FC01-37-790	1	((CONVERTIBLE)) > (W/O TURBO) > ('92 MODEL)			
68-810A		HANDLE, JACK			
B210-37-810	1	((CPE)) > (W/O TURBO)			
B210-37-810	1	((CONVERTIBLE)) > (W/O TURBO) > ('91 MODEL)			
FB01-37-810	1	((CPE)) > (TURBO)			
FB01-37-810	1	((CONVERTIBLE)) > (W/O TURBO) > ('92 MODEL)			

3900 ENGINE & T/MISSION MOUNTINGS (MT)

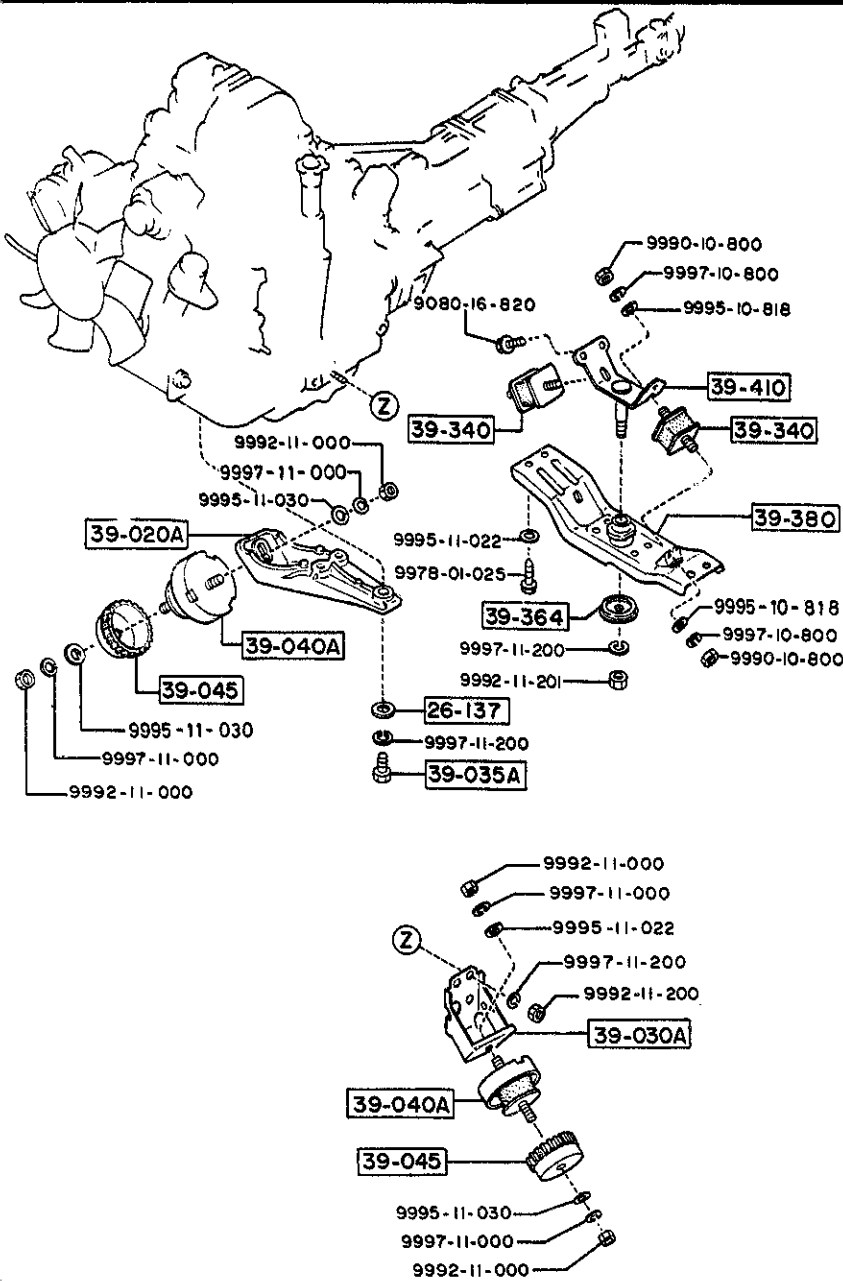
3900 -1 * ENGINE & T/MISSION MOUNTINGS (MT)



PART NO.	QTY	MODEL/RESTRICTION	MODEL/RESTRICTION	MODEL/RESTRICTION	FROM-TO
26-137		WASHER, PLAIN-LOWER ARM			
FB01-26-137	3				
39-020A		BRACKET(R), ENGINE			
FB01-39-021A	1				
39-030A		BRACKET(L), ENGINE			
FB01-39-031	1				
39-035A		BOLT			
FB01-39-022	3				
39-040A		RUBBER, ENGINE MT.			
FB01-39-040A	2	(CPE)			
FB67-39-040A	2	(CONVERTIBLE)			
39-045		CASING, STOPPER			
3975-39-045	2				
39-340		RUBBER, T/MISSION MT.			
FB01-39-340A	2	(CPE)			
FB67-39-340B	2	(CONVERTIBLE)			
39-364		WASHER			
FB01-39-364	1				
39-380		MEMBER, T/MISSION MT.			
FC02-39-370	1	(W/O TURBO)			
FC18-39-370	1	(TURBO)			
39-410		BRACKET, T/MISSION MT			
FC02-39-350	1				
39-811		INSULATOR			
FC02-39-385	1	(W/O TURBO)			
56-414A		BOLT, SILENCER			
FB01-56-416	3	(W/O TURBO)			

3900A ENGINE & T/MISSION MOUNTINGS
(AT)

3900A -1 * ENGINE & T/MISSION MOUNTINGS
(AT)



PART NO.	QTY	MODEL/RESTRICTION	MODEL/RESTRICTION	MODEL/RESTRICTION	FROM-TO
26-137		WASHER, PLAIN-LOWER ARM			
FB01-26-137	3				
39-020A		BRACKET(R), ENGINE			
FB01-39-021A	1				
39-030A		BRACKET(L), ENGINE			
FB01-39-031	1				
39-035A		BOLT			
FB01-39-022	3				
39-040A		RUBBER, ENGINE MT.			
FB01-39-040A	2 (CPE)				
FB67-39-040A	2 (CONVERTIBLE)				
39-045		CASING, STOPPER			
3975-39-045	2				
39-340		RUBBER, T/MISSION MT.			
FB01-39-340A	2 (CPE)				
FB67-39-340B	2 (CONVERTIBLE)				
39-364		WASHER			
FB01-39-364	1				
39-380		MEMBER, T/MISSION MT.			
FB02-39-370C	1				
39-410		BRACKET, T/MISSION MT			
FB02-39-350A	1				

AUFA03

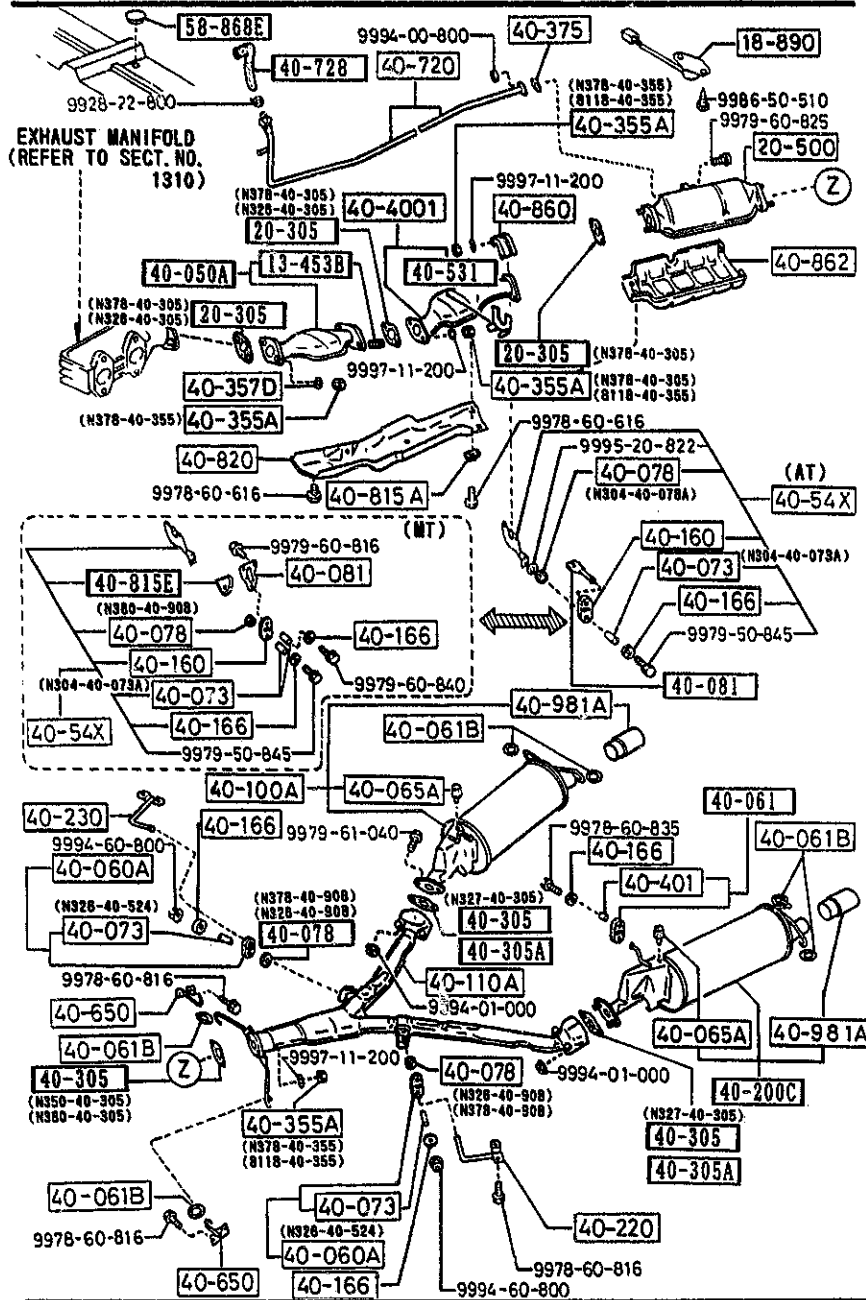
CAT. AUFA03-07

1993-12

2-D 7

4000 EXHAUST SYSTEM
(W/O TURBO)

4000 -1 EXHAUST SYSTEM
(W/O TURBO)



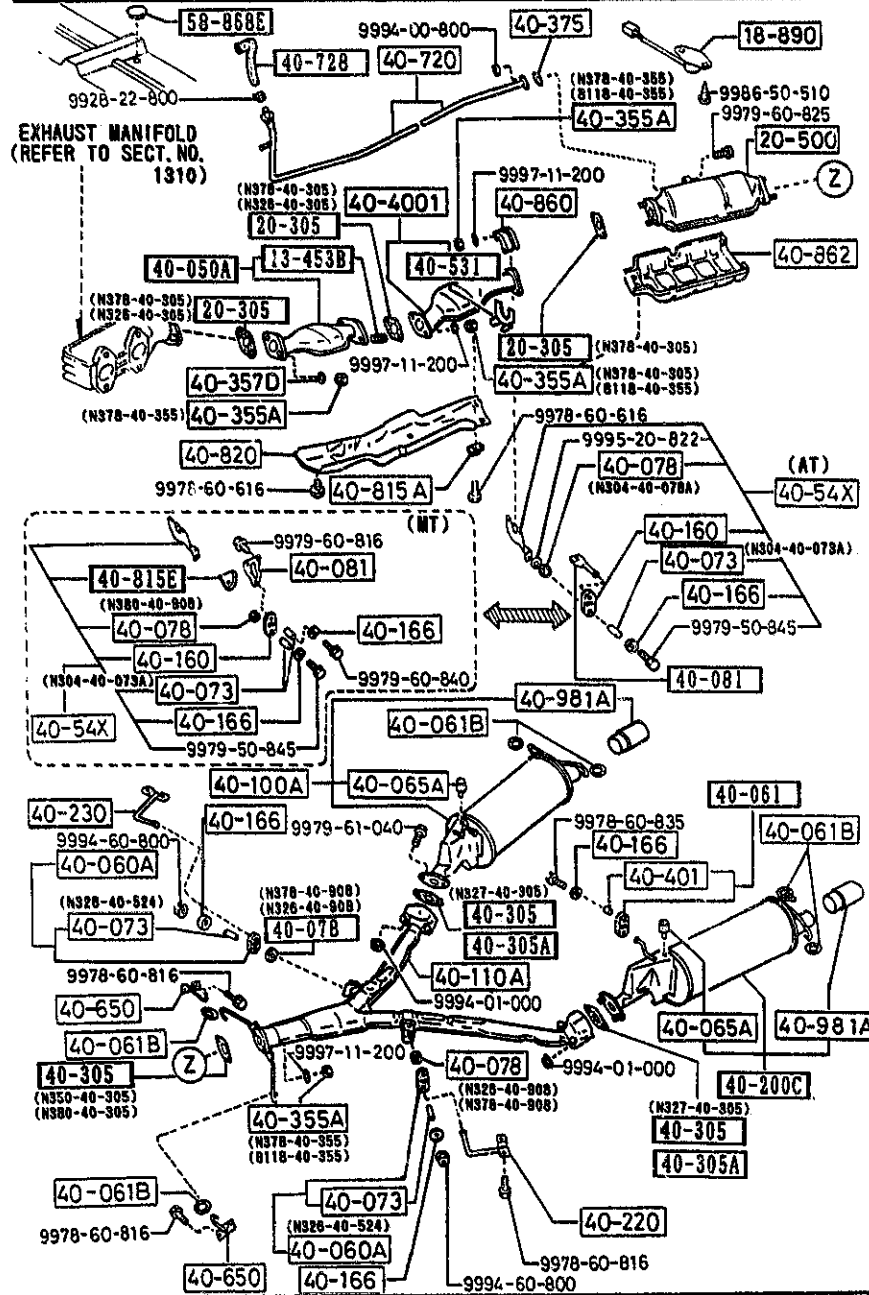
PART NO.	QTY	MODEL/RESTRICTION	MODEL/RESTRICTION	MODEL/RESTRICTION	FROM-TO
13-453B					
N326-40-353	2	STUD			
18-890					
N3A1-18-890	1	SWITCH, THERMO			
N326-18-890A	1	('92 MODEL)			
20-305					
N326-40-305	2	GASKET, EXH. PIPE-CONVERTER ASBESTOS (CPE) ((CONVERTIBLE)) < '91 MODEL)			
N378-40-305	1	NON ASBESTOS (CPE) ((CONVERTIBLE)) < '91 MODEL)			
N378-40-305	3	NON ASBESTOS ((CONVERTIBLE)) < '92 MODEL)			
20-500					
N350-20-600A	1	CONVERTER, CATALYST			
40-050A					
N350-40-500B	1	PIPE, EXHAUST-FRONT			
40-060A					
N326-40-060B	2	HANGER, SILENCER			
40-061					
N328-40-060B	2	HANGER, SILENCER			
40-061B					
N225-40-061	6	RUBBER, HANGER			
40-065A					
N326-40-065	2	RUBBER, STOPPER			
40-073					
N304-40-073A	1	SPACER	(AT)		
N304-40-073A	2		(MT)		
N326-40-524	2				

AUFA03

CAT. AUFA03-07

1993-12

4000 EXHAUST SYSTEM
(W/O TURBO)



4000 -2 EXHAUST SYSTEM
(W/O TURBO)

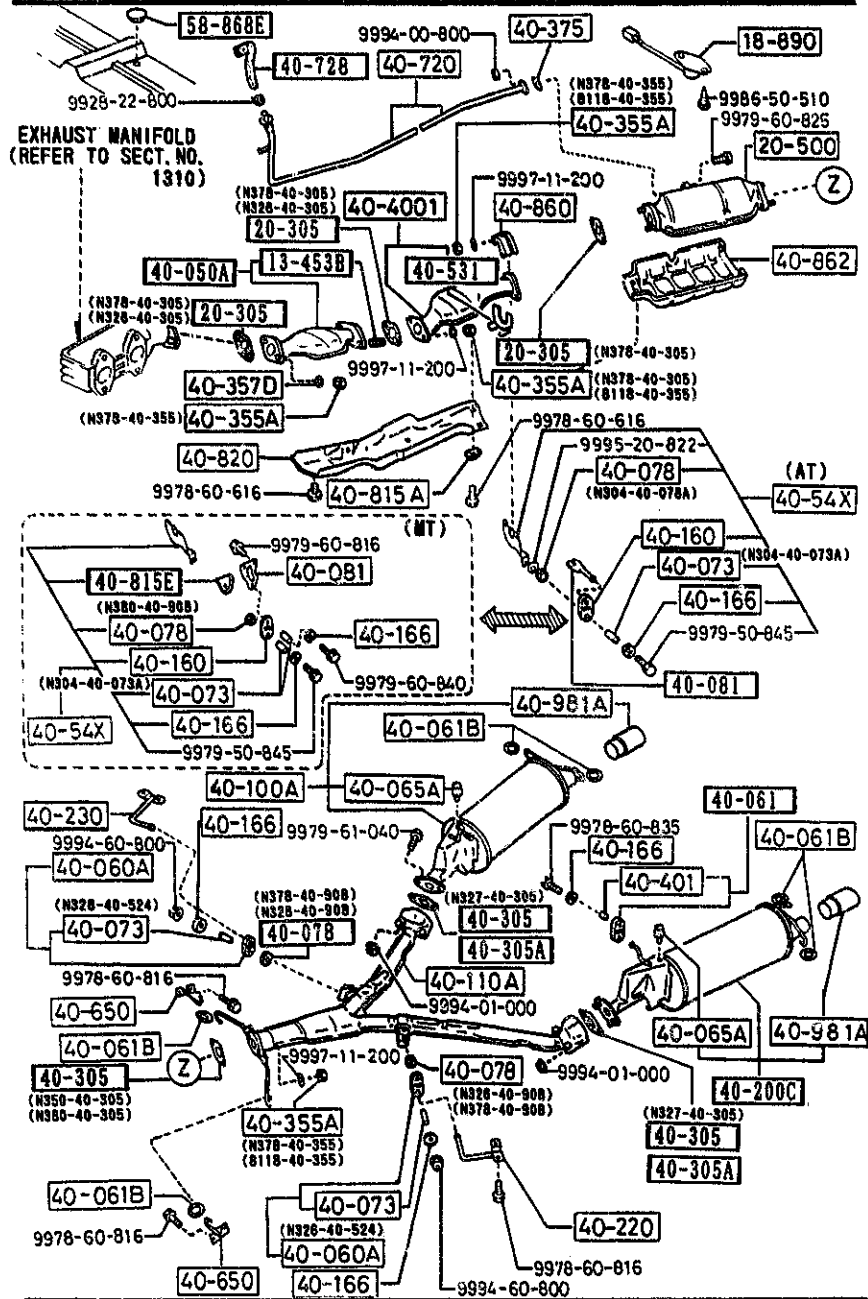
PART NO.	QTY	MODEL/RESTRICTION	MODEL/RESTRICTION	MODEL/RESTRICTION	FROM-TO
40-078		GASKET			
N304-40-078A	1	ASBESTOS ((CPE))>(AT) ((CONVERTIBLE))>(AT)			
N326-40-908	2	ASBESTOS (CPE) ((CONVERTIBLE))>('91 MODEL)			
N378-40-908	2	NON ASBESTOS ((CONVERTIBLE))>('92 MODEL)			
N380-40-908	1	NON ASBESTOS ((CPE))>(MT) ((CONVERTIBLE))>(MT)			
40-081		BRACKET, HANGER			
N326-40-080	1	(MT)			
N327-40-080	1	(AT)			
40-100A		SILENCER(R), MAIN			
N350-40-100B	1	((CPE))>(AT)			
N351-40-100B	1	((CPE))>(MT)			
N362-40-100C	1	((CONVERTIBLE))>(AT)			
N367-40-100B	1	((CONVERTIBLE))>(MT)			
40-110A		PIPE, MIDDLE			
N319-40-600B	1				
40-160		HANGER, SILENCER			
N304-40-161A	1	(AT)			
1114-40-161	1	(MT)			
40-166		WASHER			
0820-40-166	5	(AT)			
0820-40-166	6	(MT)			
40-200C		SILENCER(L), MAIN			
N350-40-200B	1	((CPE))>(AT)			
N351-40-200B	1	((CPE))>(MT)			
N362-40-200C	1	((CONVERTIBLE))>(AT)			

AUFA03

CAT. AUFA03-07

1993-1P

4000 EXHAUST SYSTEM
(W/O TURBO)



4000 -3 EXHAUST SYSTEM
(W/O TURBO)

PART NO.	QTY	MODEL/RESTRICTION	MODEL/RESTRICTION	MODEL/RESTRICTION	FROM-TO
CONT'D					
N367-40-200B	1	((CONVERTIBLE))>(MT)			
40-220		BRACKET, HANGER			
N326-40-69XB	1				
40-230		BRACKET, HANGER			
N326-40-690B	1				
40-305		GASKET			
N327-40-375	2	ASBESTOS (CPE) ((CONVERTIBLE))>'91 MODEL)			
N350-40-305	1	ASBESTOS (CPE) ((CONVERTIBLE))>'91 MODEL)			
N380-40-305	1	((CONVERTIBLE))>'92 MODEL)			
40-305A		GASKET			
N322-40-305	2	NON ASBESTOS ((CONVERTIBLE))>'92 MODEL)			
40-355A		NUT			
N378-40-355	8	((CONVERTIBLE))>'92 MODEL)			
8118-40-355	6	(CPE) ((CONVERTIBLE))>'91 MODEL)			
40-357D		WASHER			
N326-40-357	2				
40-375		GASKET			
N378-40-307	1	((CONVERTIBLE))>'92 MODEL)			
1480-40-375	1	ASBESTOS (CPE) ((CONVERTIBLE))>'91 MODEL)			
40-4001		CONVERTER, MONOLITH			
N350-20-550A	1				

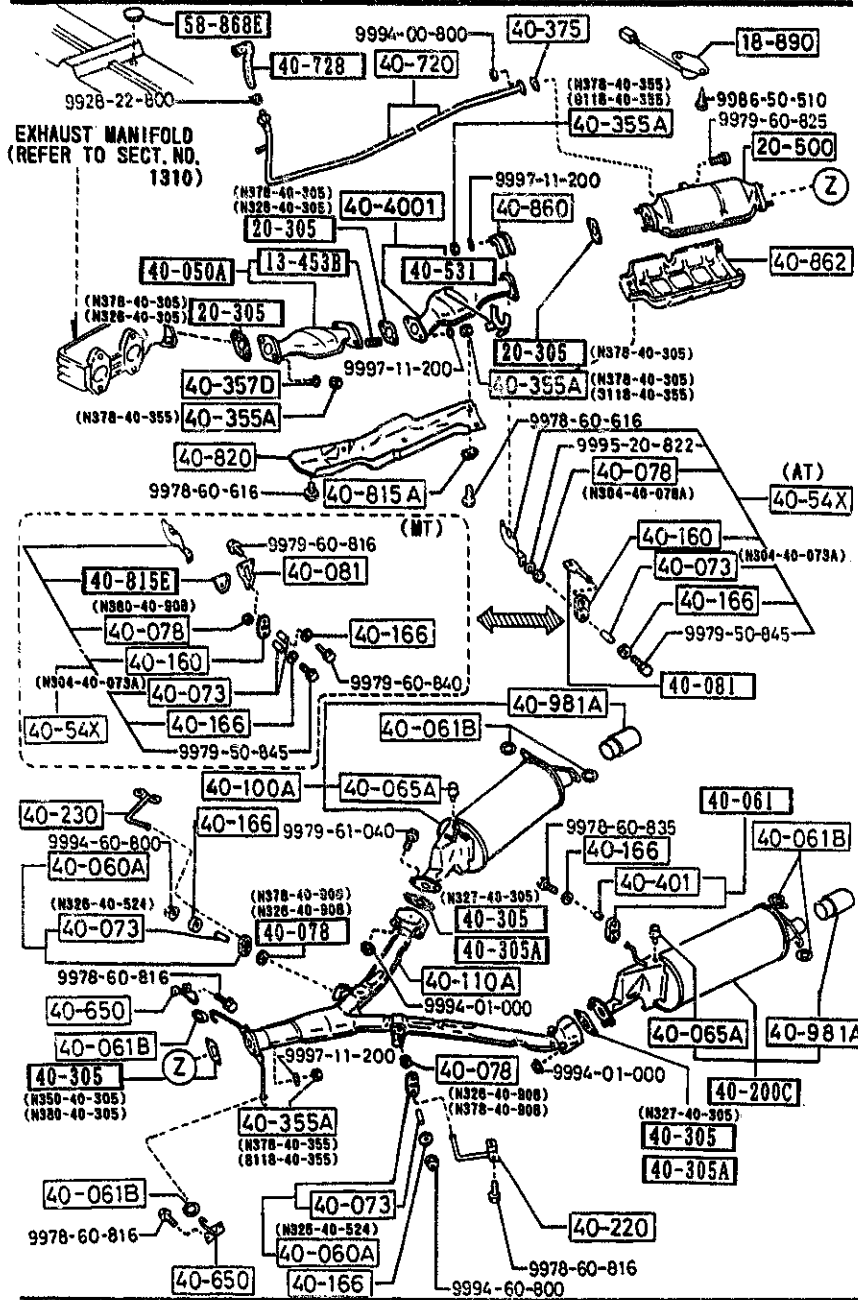
AUFA03

CAT. AUFA03-07

1993-12

4000 -4 M EXHAUST SYSTEM
(W/D TURBO)

4000 EXHAUST SYSTEM
(W/D TURBO)



PART NO.	QTY	MODEL/RESTRICTION	MODEL/RESTRICTION	MODEL/RESTRICTION	FROM-TO
40-401		INSULATOR			
N328-40-524	2				
40-531		BRACKET, HANGER-FRONT PIPE			
N326-40-530B	1				
40-54X		BRACKET, HNGR -MONOLI TH CONVER			
N326-40-54XA	1	(MT)			
N327-40-54X	1	(AT)			
40-650		BRACKET, HANGER			
N326-40-640A	2				
40-720		PIPE, AIR			
N350-20-840A	1				
40-728		HOSE, AIR			
N326-20-750	1				
40-815A		WASHER			
1480-40-815	2				
40-815E		PROTECTOR, HANGER BRA CKET			
N326-40-815	1	(MT)			
40-820		PROTECTOR NO.2			
N326-40-874B	1				
40-860		PROTECTOR, CONVERTER			
N326-40-861A	1				
40-862		PROTECTOR, CONVERTER			
N350-40-870	1				
40-981A		GARNISH, TAIL PIPE			
N326-40-990C	2				
58-868E		PLUG, SERVICE COVER			
0559-58-868	1				

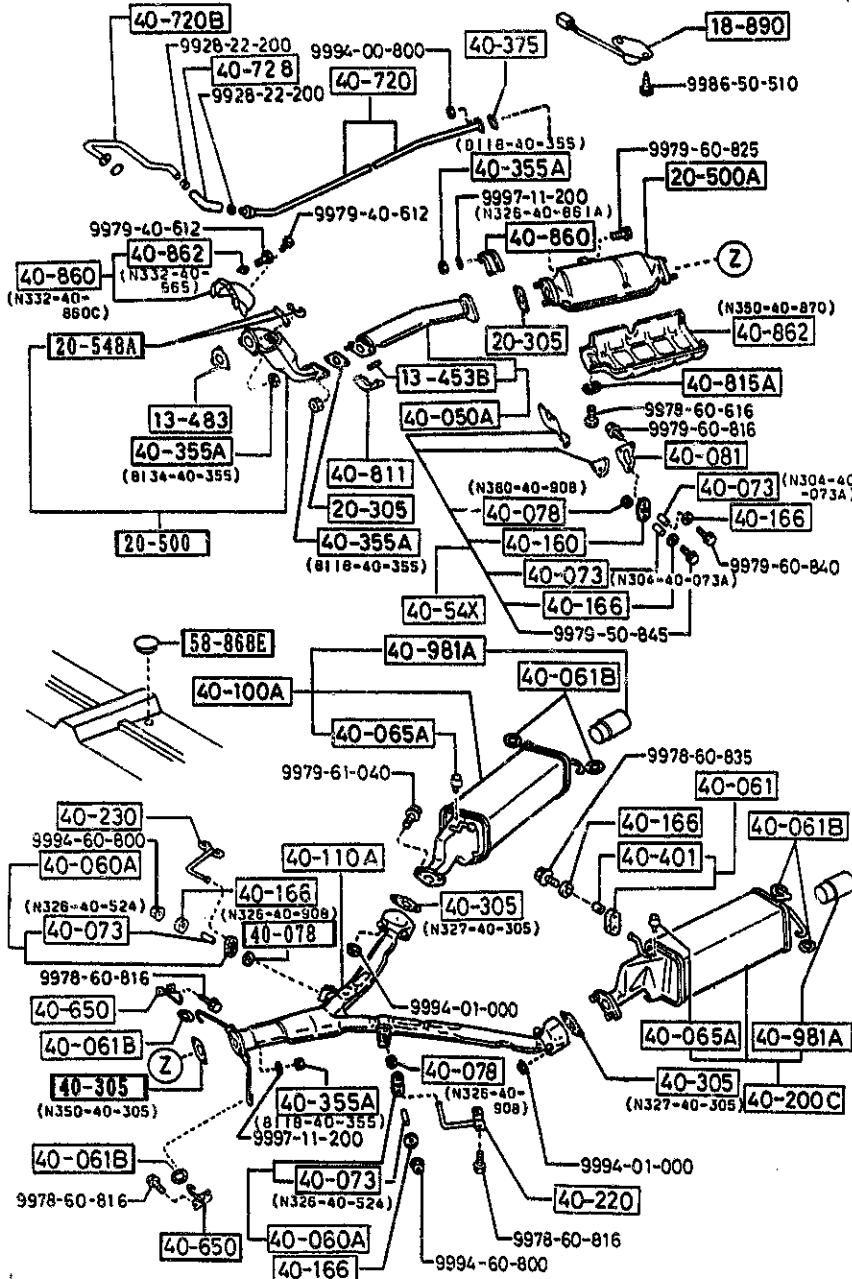
AUFA03

CAT. AUFA03-07

1993-12

4000 A EXHAUST SYSTEM
(TURBO)

4000 A-1 EXHAUST SYSTEM
(TURBO)



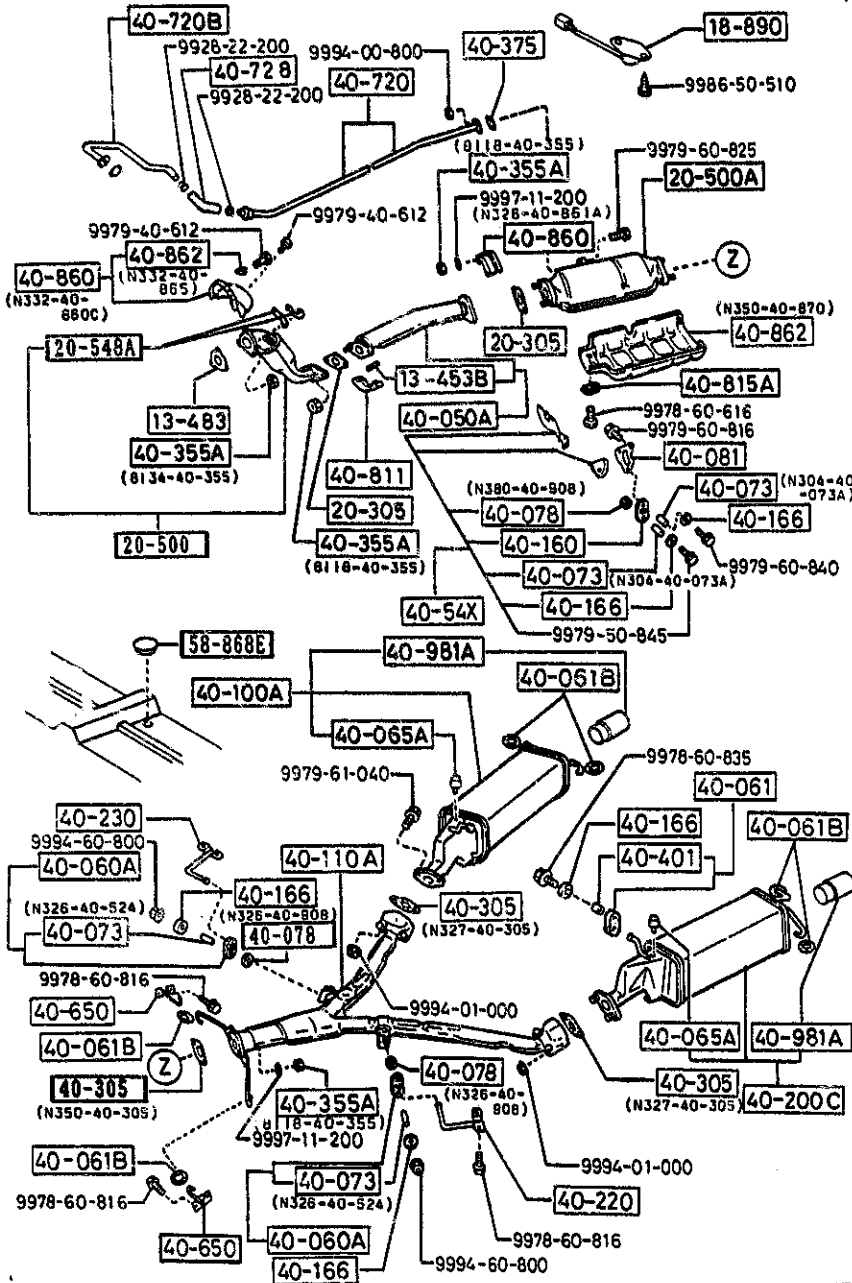
PART NO.	QTY	MODEL/RESTRICTION	MODEL/RESTRICTION	MODEL/RESTRICTION	FROM-TO
13-453B		STUD			
N326-40-393	2				
13-483		GASKET, EXHAUST PIPE NON ASBESTOS			
N370-13-491	1				
18-890		SWITCH, THERMO			
N326-18-890A	1				
20-305		GASKET, EXH. PIPE-CONV ERTER ASBESTOS			
N326-40-305	2				
20-500		CONVERTER, CATALYST			
N370-20-500A	1				
20-500A		CATALYST, THREE WAY			
N370-20-600	1				
20-548A		WASHER, LOCK			
N319-13-457B	2				
40-050A		PIPE, EXHAUST-FRONT			
N332-40-500A	1				
40-060A		HANGER, SILENCER			
N326-40-060B	2				
40-061		HANGER, SILENCER			
N328-40-060B	2				
40-061B		RUBBER, HANGER			
N225-40-061	6				
40-065A		RUBBER, STOPPER			
N326-40-065	2				
40-073		SPACER			
N304-40-073A	2				
N326-40-524	2				

AUFA03

CAT. AUFA03-07

1993-12

4000 A EXHAUST SYSTEM
(TURBO)



4000 A-2 EXHAUST SYSTEM
(TURBO)

PART NO.	QTY	MODEL/RESTRICTION	MODEL/RESTRICTION	MODEL/RESTRICTION	FROM-TO
40-078		GASKET			
N326-40-908	2	ASBESTOS			
N380-40-908	1	NON ASBESTOS			
40-081		BRACKET, HANGER			
N326-40-080	1				
40-100A		SILENCER(R), MAIN			
N378-40-100A	1				
40-110A		PIPE, MIDDLE			
N319-40-600B	1				
40-160		HANGER, SILENCER			
1114-40-161	1				
40-166		WASHER			
0820-40-166	6				
40-200C		SILENCER(L), MAIN			
N378-40-200A	1				
40-220		BRACKET, HANGER			
N326-40-69XB	1				
40-230		BRACKET, HANGER			
N326-40-690B	1				
40-305		GASKET			
N327-40-305	2	ASBESTOS			
N350-40-305	1	ASBESTOS			
40-355A		NUT			
8118-40-355	6				
8134-40-355	3				
40-375		GASKET			
1480-40-375		ASBESTOS			

AUFA03

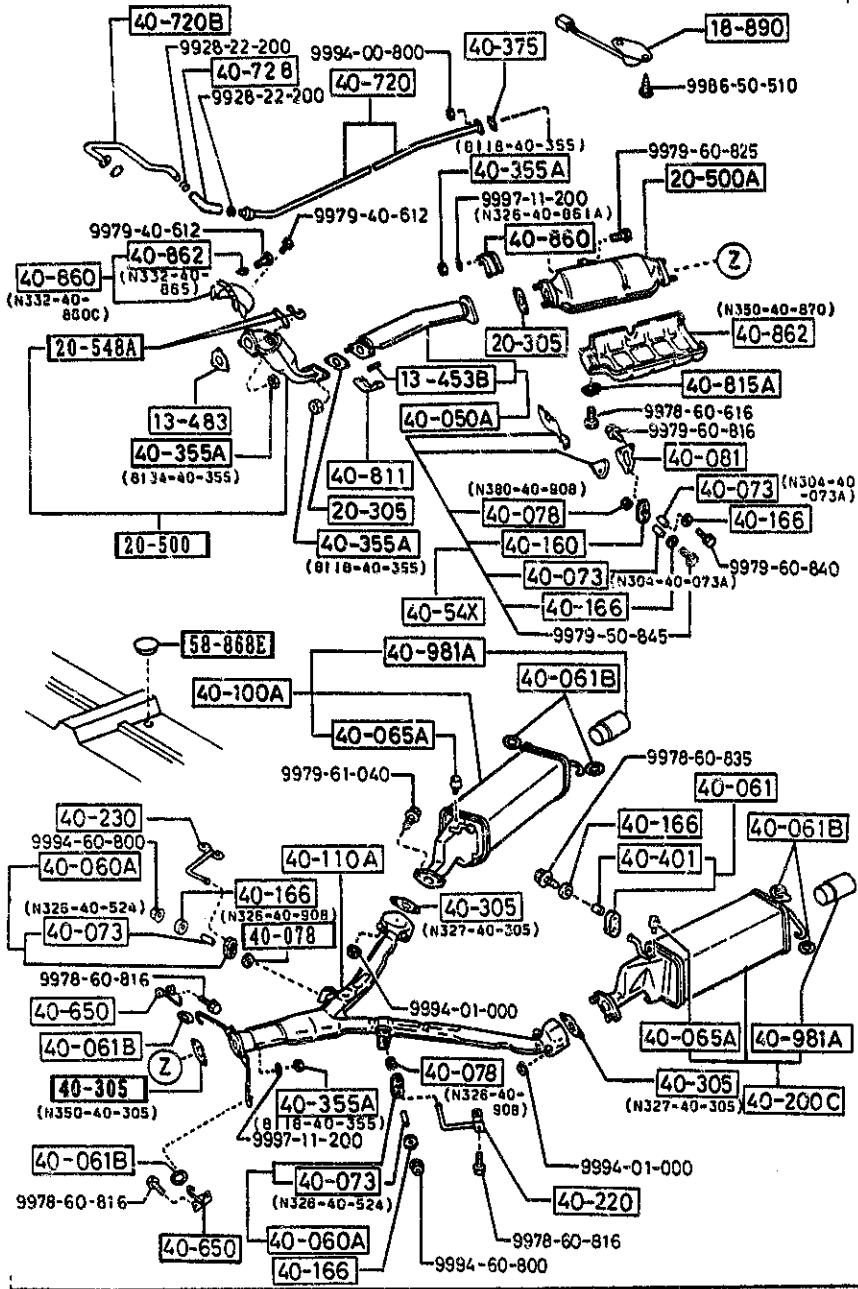
CAT. AUFA03-07

1993-12

2-J 7

4000 A EXHAUST SYSTEM
(TURBO)

4000 A-3 M EXHAUST SYSTEM
(TURBO)



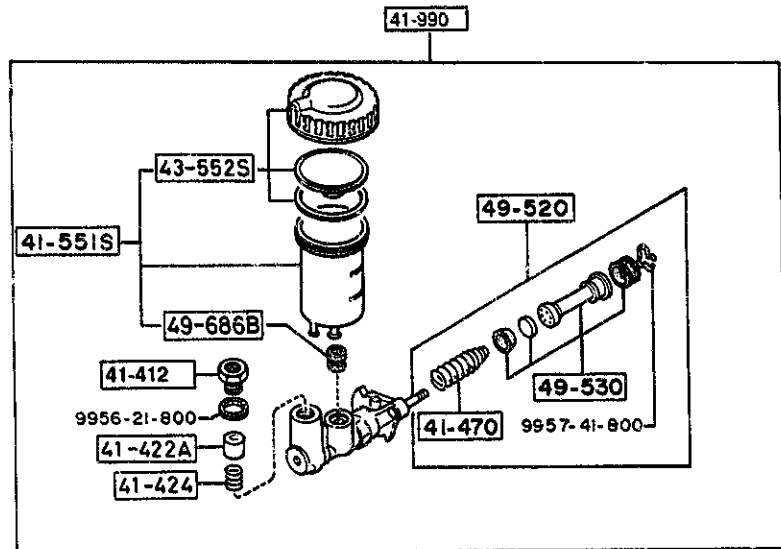
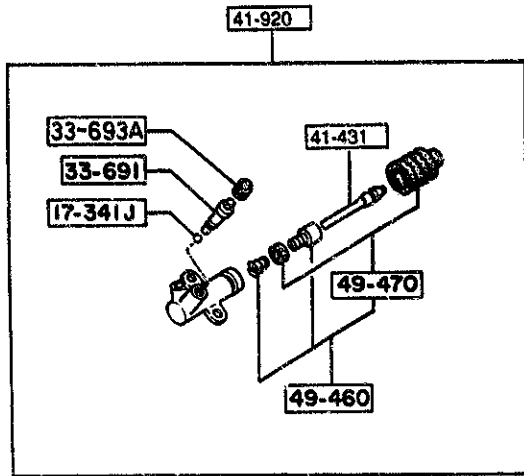
PART NO.	QTY	MODEL/RESTRICTION	MODEL/RESTRICTION	MODEL/RESTRICTION	FROM-TO
CONT'D	1				
40-401		INSULATOR			
N328-40-524	2				
40-54X		BRACKET, HNGR -MONOLITH CONVER			
N326-40-54XA	1				
40-650		BRACKET, HANGER			
N326-40-640A	2				
40-720		PIPE, AIR			
N370-20-840	1				
40-720B		PIPE, AIR			
N332-20-850A	1				
40-728		HOSE, AIR			
N332-13-814A	1				
40-811		PROTECTOR, FRONT PIPE			
N332-40-823A	1				
40-815A		WASHER			
1480-40-815	2				
40-860		PROTECTOR, CONVERTER			
N332-40-860C	1				
N326-40-861A	1				
40-862		PROTECTOR, CONVERTER			
N332-40-845	1				
N350-40-870	1				
40-981A		GARNISH, TAIL PIPE			
N332-40-990A	2				
58-868E		PLUG, SERVICE COVER			
0559-58-868	1				

AUFA03

CAT. AUFA03-07

1993-12

2-K 7



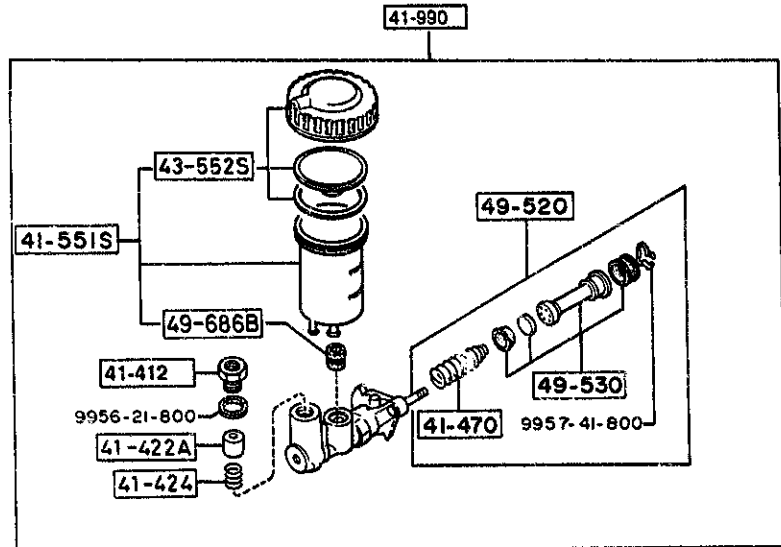
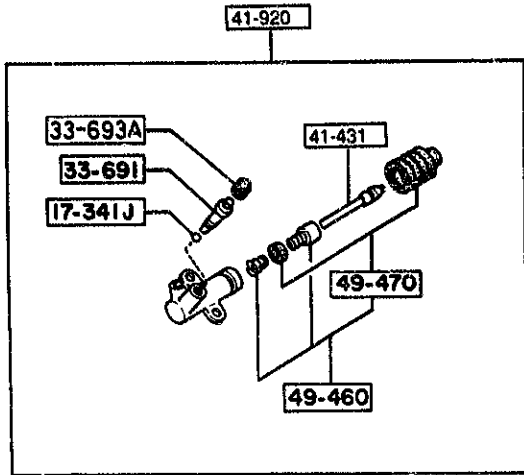
PART NO.	QTY	MODEL/RESTRICTION	MODEL/RESTRICTION	MODEL/RESTRICTION	FROM-TO
17-341J		BALL, STEEL			
99611-1500	1				
33-691		SCREW, BLEEDER			
0259-33-691	1				
33-693A		CAP, BLEEDER SCREW			
0259-33-693	1				
41-341		ROD, PUSH			
H005-41-341	1				
41-412		BOLT, JOINT			
W001-41-412	1				
41-422A		PISTON, O.W. VALVE			
0813-41-422D	1				
41-424		SPRING, O.W. VALVE			
H005-41-424	1				
41-470		SPRING			
B312-41-470	1				
41-551S		TANK SET, RESERVE			
H115-49-570B	1				
41-920		CYL., CLUTCH RELEASE			
FB01-41-920A	1	(W/O TURBO)			
F044-41-920C	1	(TURBO)			
41-990		CYL., CLUTCH MASTER			
FB01-41-400C	1				
43-552S		CAP SET, RESERVE TANK			
B093-49-580	1				
49-460		PARTS KIT, INNER			
FB01-49-460	1				

AUFA03

CAT. AUFA03-07

1993-12

4140 CLUTCH RELEASE & MASTER CYLINDERS (MANUAL TRANSMISSION)



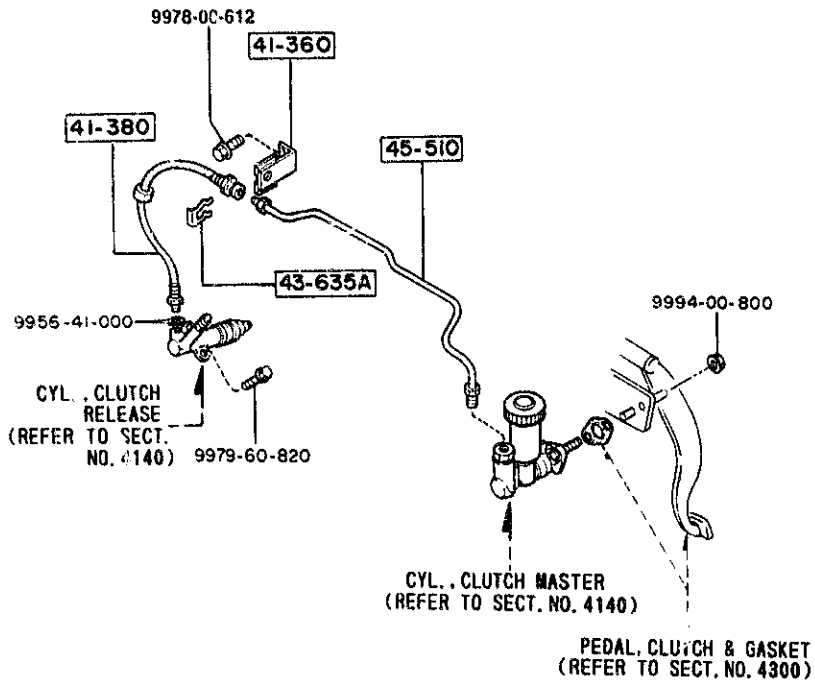
PART NO.	QTY	MODEL/RESTRICTION	MODEL/RESTRICTION	MODEL/RESTRICTION	FROM-TO
49-470		SEAL KIT			
F801-49-470	1				
49-520		PARTS KIT, INN.-CLUTC H			
B312-41-52Z	1				
49-530		SEAL KIT			
B312-41-53Z	1				
49-686B		BUSH, ELBOW JOINT			
0305-49-686B	1				

AUFA03

CAT. AUFA03-07

1993-12

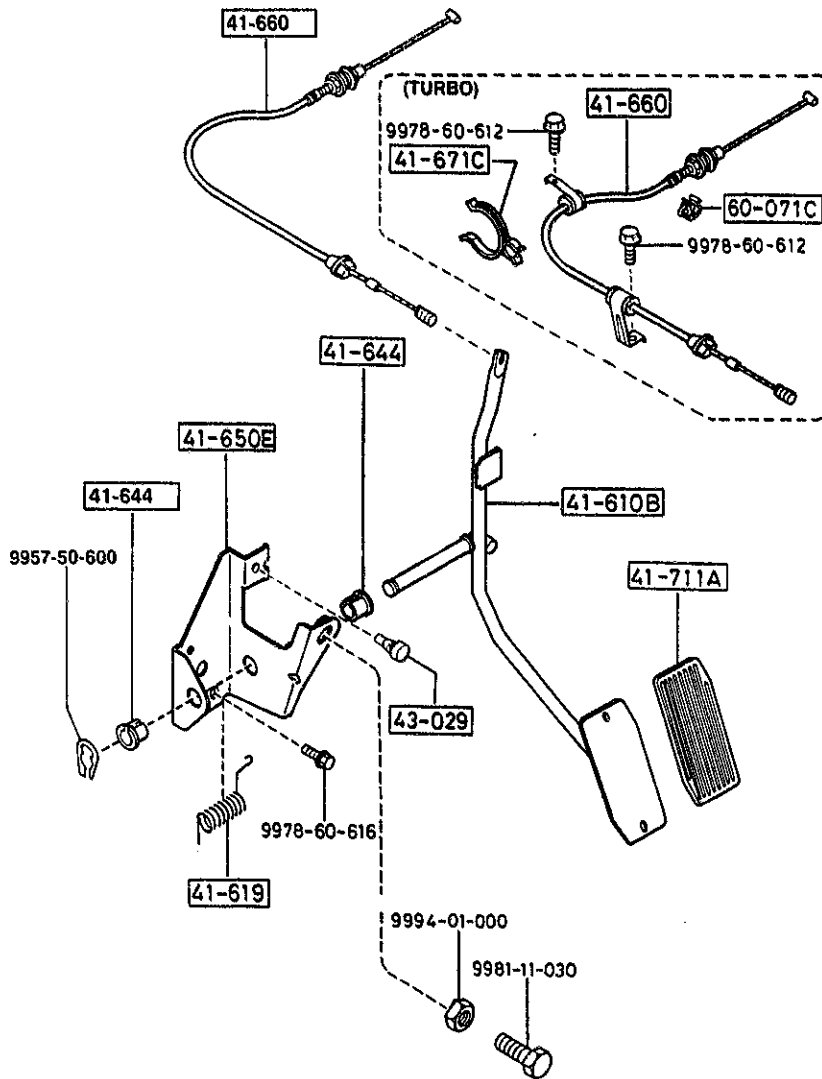
4145 CLUTCH PIPINGS (MANUAL TRANSMISSION)



PART NO.	QTY	MODEL/RESTRICTION	MODEL/RESTRICTION	MODEL/RESTRICTION	FROM-TO
41-360		HOLDER, CLUTCH			
F044-41-370A	1	(TURBO)			
8871-41-370	1	(W/O TURBO)			
41-380		HOSE, FLEXIBLE			
FB01-41-380	1	(W/O TURBO)			
F044-41-380B	1	(TURBO)			
43-635A		CLIP, FLEXIBLE HOSE			
0136-43-635	1				
45-510		PIPE, CLUTCH			
FB01-45-510A	1	(W/O TURBO)			
FB44-45-510	1	(TURBO)			

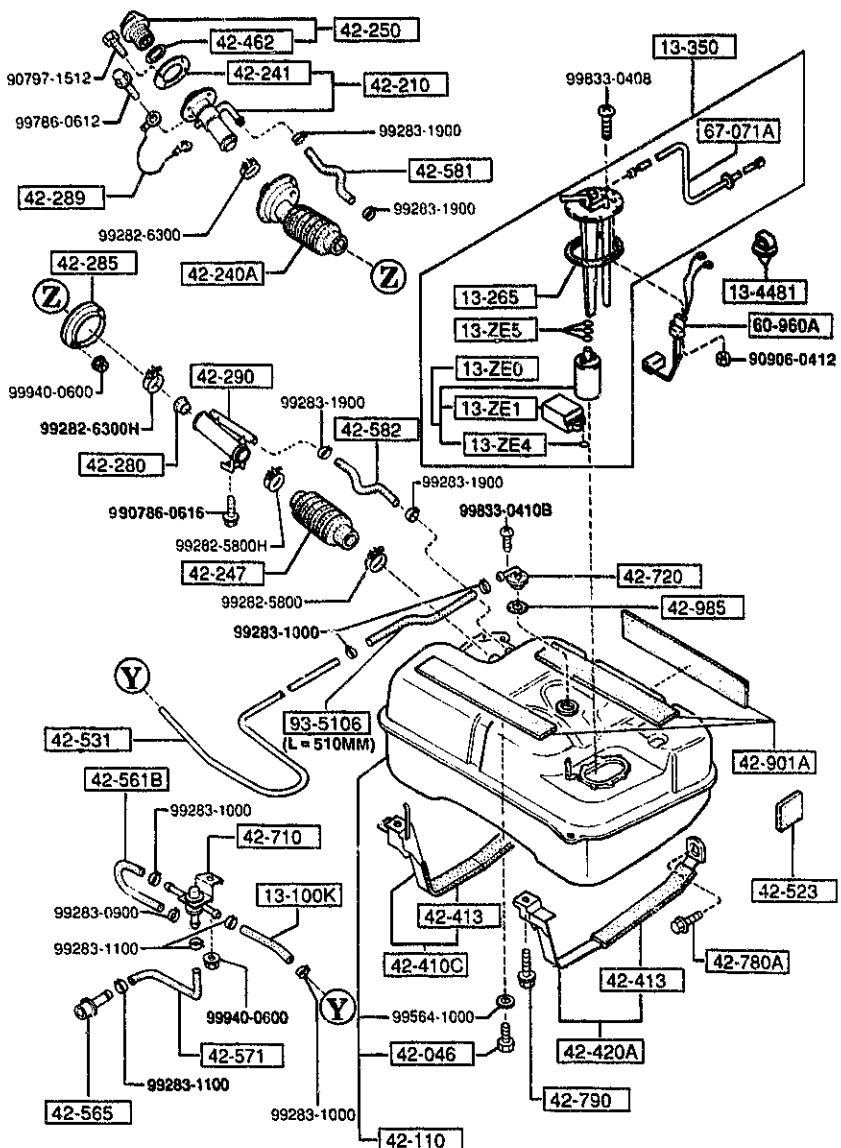
2-N 7


4160 ACCELERATOR CONTROL SYSTEM



PART NO.	QTY	MODEL/RESTRICTION	MODEL/RESTRICTION	MODEL/RESTRICTION:	FROM-TO
41-610B FB01-41-610	1	PEDAL & ARM			
41-619 8239-41-619	1	SPRING, RETURN			
41-644 B092-41-644	2	BUSH OIRES KOGYO			
41-650E FB01-41-650A FC08-41-650	1 1	RETAINER, ACCEL. ROD (MT) (AT)			
41-660 FC01-41-660 FC17-41-660	1 1	CABLE, ACCEL. (W/O TURBO) (TURBO)			
41-671C FC17-41-671	1	CLIP, CABLE (TURBO)			
41-711A FA54-41-711A	1	PAD, ACCEL. PEDAL			
43-029 8001-43-029	1	RUBBER, STOPPER KUROISHI TEKKO			
60-071C UB40-60-071	1	CLIP (TURBO)			

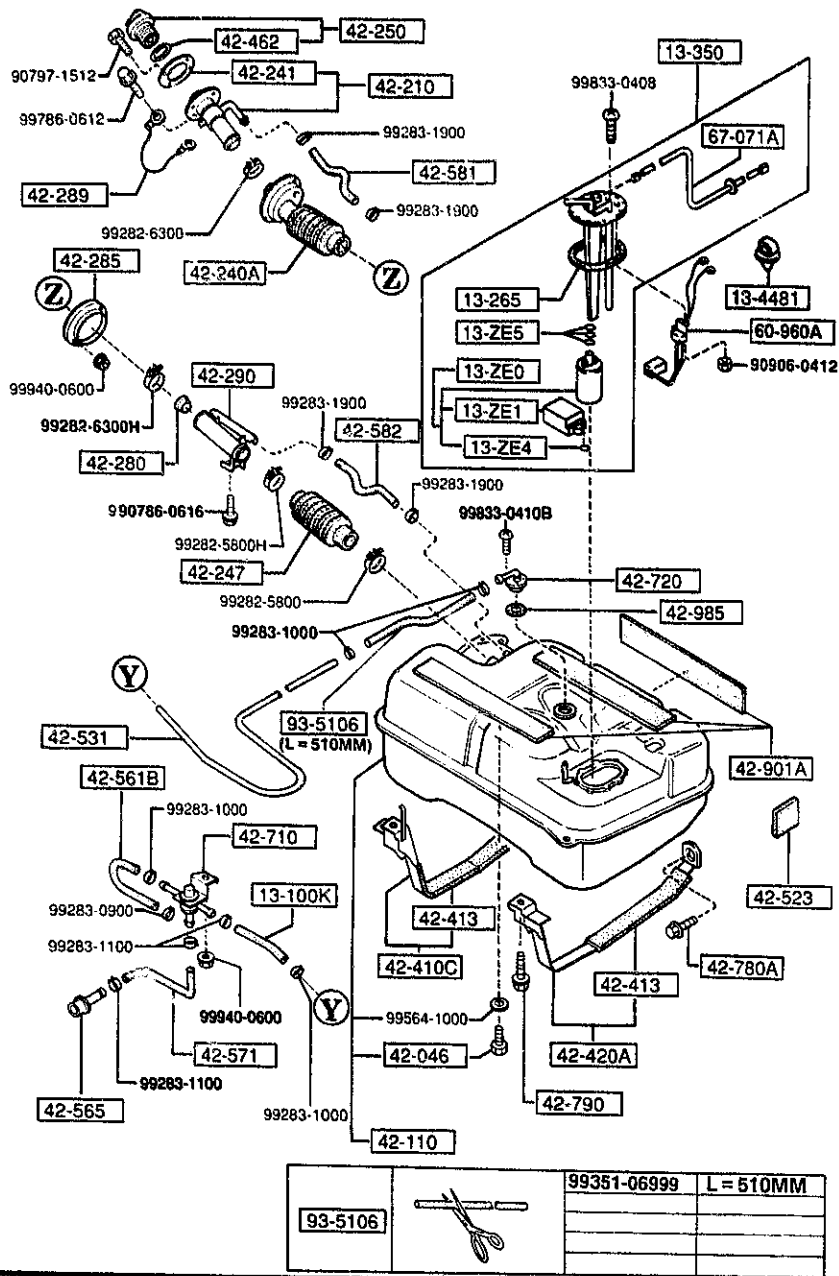
4200 FUEL TANK



93-5106		99351-06999	L = 510MM

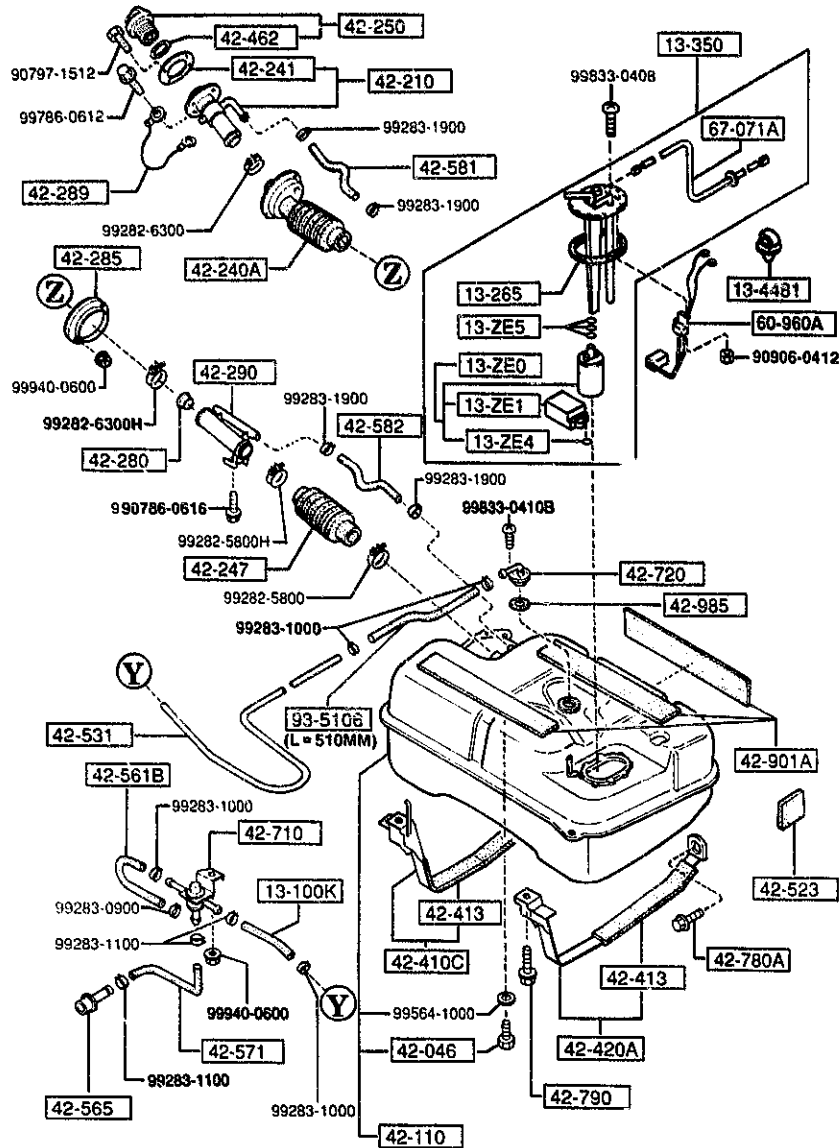
PART NO.	QTY	MODEL/RESTRICTION	MODEL/RESTRICTION	MODEL/RESTRICTION	FROM-TO
13-ZE0		PUMP, FUEL			
N350-13-350	1	(W/O TURBO)			
*N380-13-350B	1	NON ASBESTOS (TURBO)			
13-ZE1		FILTER, FUEL PUMP			
N327-13-ZE1	1				
13-ZE4		WASHER, LOCK-PUMP FILTER DENSO			
FEH2-13-ZE4	1				
13-ZE5		RING, 'O'-FUEL PUMP			
BP02-13-ZE5	1				
13-100K		HOSE, VACUUM			
99351-06130	1				
13-265		GASKET			
FC01-60-962	1				
13-350		PUMP, FUEL			
N351-13-352B	1	(W/O TURBO)			
N370-13-352E	1	(TURBO)			
13-4481		CLIP			
*N326-20-811	1				
42-046		PLUG, DRAIN			
BC88-42-045	1				
42-110		TANK, FUEL			
FC02-42-110A	1				
42-210		PIPE, FILLER			
FB01-42-210B	1				
42-240A		HOSE, JOINT-FILLER PIPE			
FB01-42-240E	1				
42-241		GASKET, FILLER PIPE			

4200 FUEL TANK



PART NO.	QTY	MODEL/RESTRICTION	MODEL/RESTRICTION	MODEL/RESTRICTION	FROM-TO
CONT'D 0866-42-366B	1				
42-247		HOSE, JOINT-FUEL TANK SIDE			
FB01-42-247A	1				
42-250		CAP, FILLER			
FC02-42-250	1				
42-280		VALVE, NON RETURN			
GB53-42-270	1				
42-285		REINF., JOINT HOSE-FU EL			
FB01-42-285	1				
42-289		WIRE, EARTH-FILLER PI PE			
FB01-42-289	1				
42-290		PIPE, FILLER NO.2			
FB01-42-290	1				
42-410C		BAND(R), TANK FIX.			
FB71-42-710	1				
42-413		SHEET,			
FB71-42-715	2				
42-420A		BAND(L), TANK FIX.			
FC01-42-720	1				
42-462		GASKET, CAP			
BF67-42-252	1				
42-523		PAD, FUEL TANK			
8531-42-762A	1				
42-531		PIPE, EVAPORATION			
FB01-42-531B	1				
42-561B		HOSE, EVAPORATION			
FB01-42-561A	1				

4200 FUEL TANK

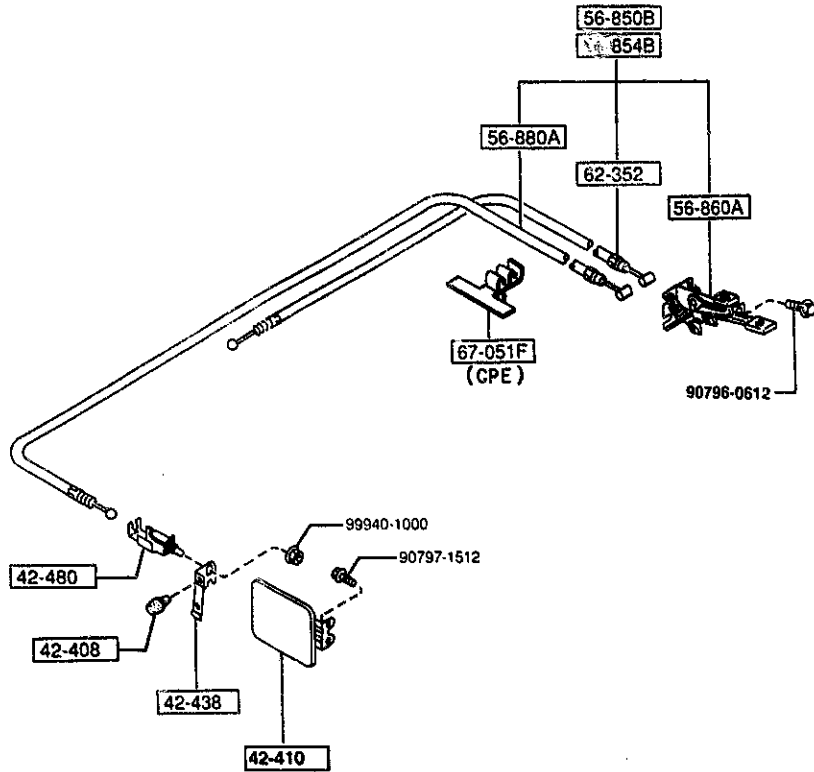
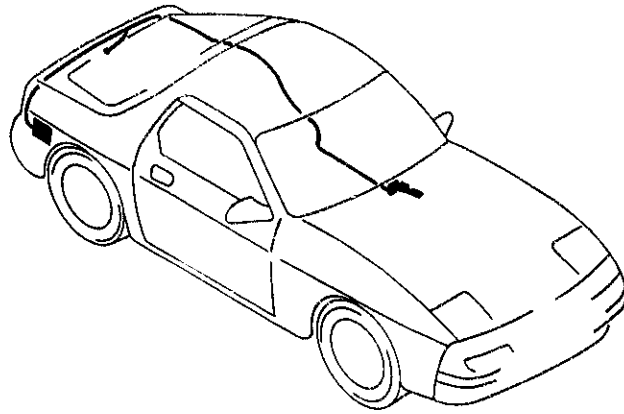


93-5106		99351-06999	L = 510MM

PART NO.	QTY	MODEL/RESTRICTION	MODEL/RESTRICTION	MODEL/RESTRICTION	FROM-TO
42-565	1	PLUG, DRAIN-VENT. HOSE			
FB01-42-565					
42-571	1	HOSE, VENT			
FB01-42-562					
42-581	1	HOSE, BREATHER			
FB01-42-245A					
42-582	1	HOSE, BREATHER			
FB01-42-248					
42-710	1	VALVE, CHECK			
FB01-42-910A					
42-720	1	VALVE, FUEL VAPOR.			
FB01-42-980					
42-780A	2	SCREW 'A', FIXING BAND			
H260-42-780					
42-790	2	SCREW 'B', FIXING BAND			
H260-42-790					
42-901A	3	INSULATOR			
FB01-42-761					
42-985	1	GASKET, VAPOR VALVE			
FB01-42-985					
60-960A	1	GAUGE, FUEL TANK			
FC02-60-960					
67-071A	1	CORD			
N351-67-071A					
93-5106	1	HOSE			
99351-06999					

4210 FUEL LID OPENER

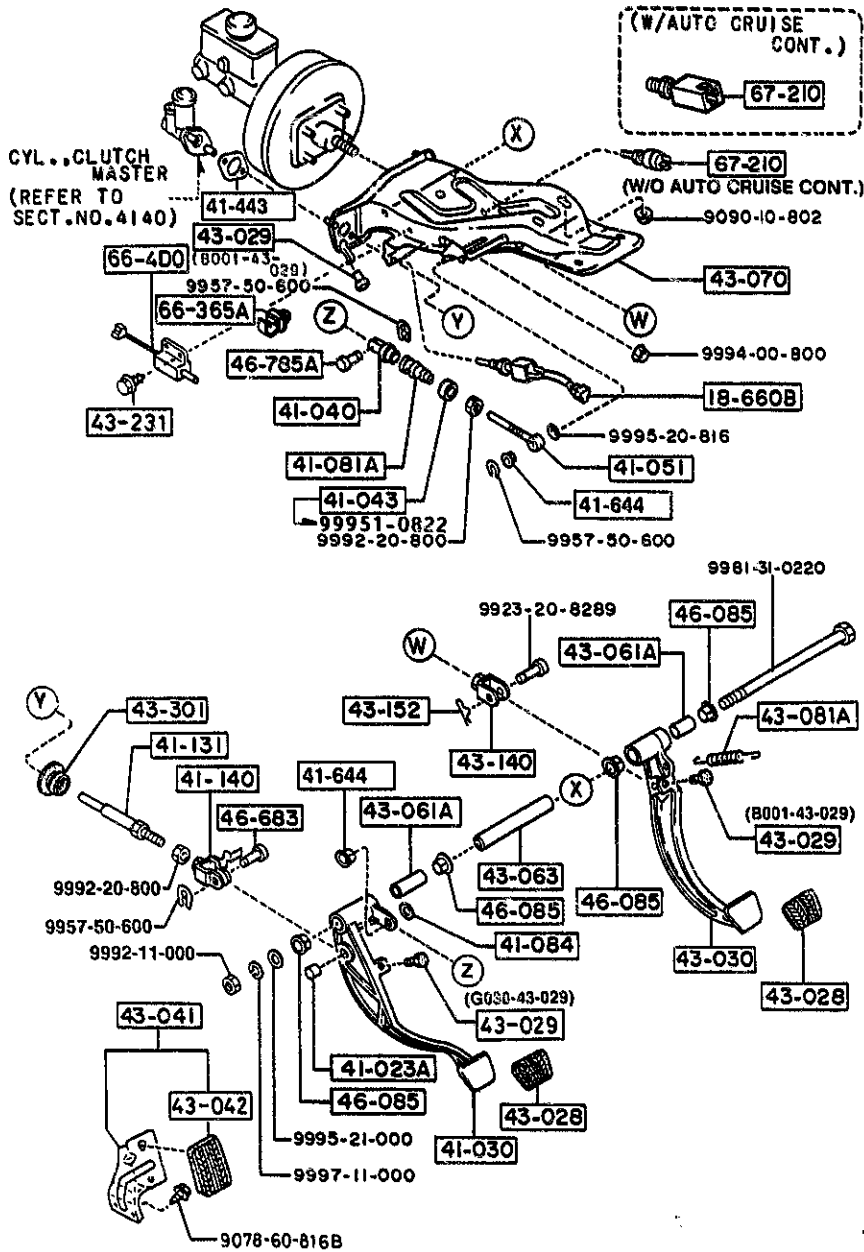
4210 -1 * FUEL LID OPENER



PART NO.	QTY	MODEL/RESTRICTION	MODEL/RESTRICTION	MODEL/RESTRICTION	FROM-TO
42-408 8871-70-491	1	STOPPER, FILLER LID			
42-410 FB01-42-410B	1	LID, FUEL FILLER			
42-438 FB01-42-451C	1	SPRING, LIFT			
42-480 FB01-56-890	1	OPENER, FILLER LID			
56-850B FB02-56-850E	1	OPENER, L/GATE & F/LID (CPE)			
56-854B FB67-56-920G	1	OPENER, T/LID & F/LID (CONVERTIBLE)			
56-860A *F055-56-860	1	LEVER, OPENER (CONVERTIBLE)			
56-880A FB01-56-870B	1	CABLE, F/LID OPENER (CPE)			
56-880A FB67-56-940F	1	CABLE, OPENER (CONVERTIBLE)			
62-352 FB01-56-880C	1	CABLE, OPENER (CPE)			
62-352 FB67-56-930F	1	CABLE, OPENER (CONVERTIBLE)			
67-051F FB01-67-051	1	CLIP (CPE)			

4300 CLUTCH & BRAKE PEDALS (MANUAL TRANSMISSION)

4300 -1 CLUTCH & BRAKE PEDALS (MANUAL TRANSMISSION)



PART NO.	QTY	MODEL/RESTRICTION	MODEL/RESTRICTION	MODEL/RESTRICTION	FROM-TO
18-660B		SWITCH, CLUTCH			
LA01-66-490A	1				
41-023A		BUSH			
0727-41-023	1				
41-030		PEDAL, CLUTCH			
FB01-41-031C	1				
41-040		SHEET, SPRING			
W090-41-041	1				
41-043		SHEET, SPRING			
0183-41-043	1				-1501
41-051		ROD, CLUTCH PEDAL			
0824-41-051A	1				
41-081A		SPRING, RETURN			
0559-41-081A	1				
41-084		SPACER			
0824-41-084	1				-0901
41-131		ROD, PUSH			
0727-41-131	1				
41-140		FORK, CLUTCH			
FB05-41-140A	1				
41-443		GASKET			
H001-41-443	1				
41-644		BUSH			
0259-41-644	2	ONDO KOSAKUSHO			
43-028		PAD, PEDAL			
S083-43-028	2				
43-029		RUBBER, STOPPER			

0901 FCSMKK-901310
1501 FCSMKK-907346

AUFA03

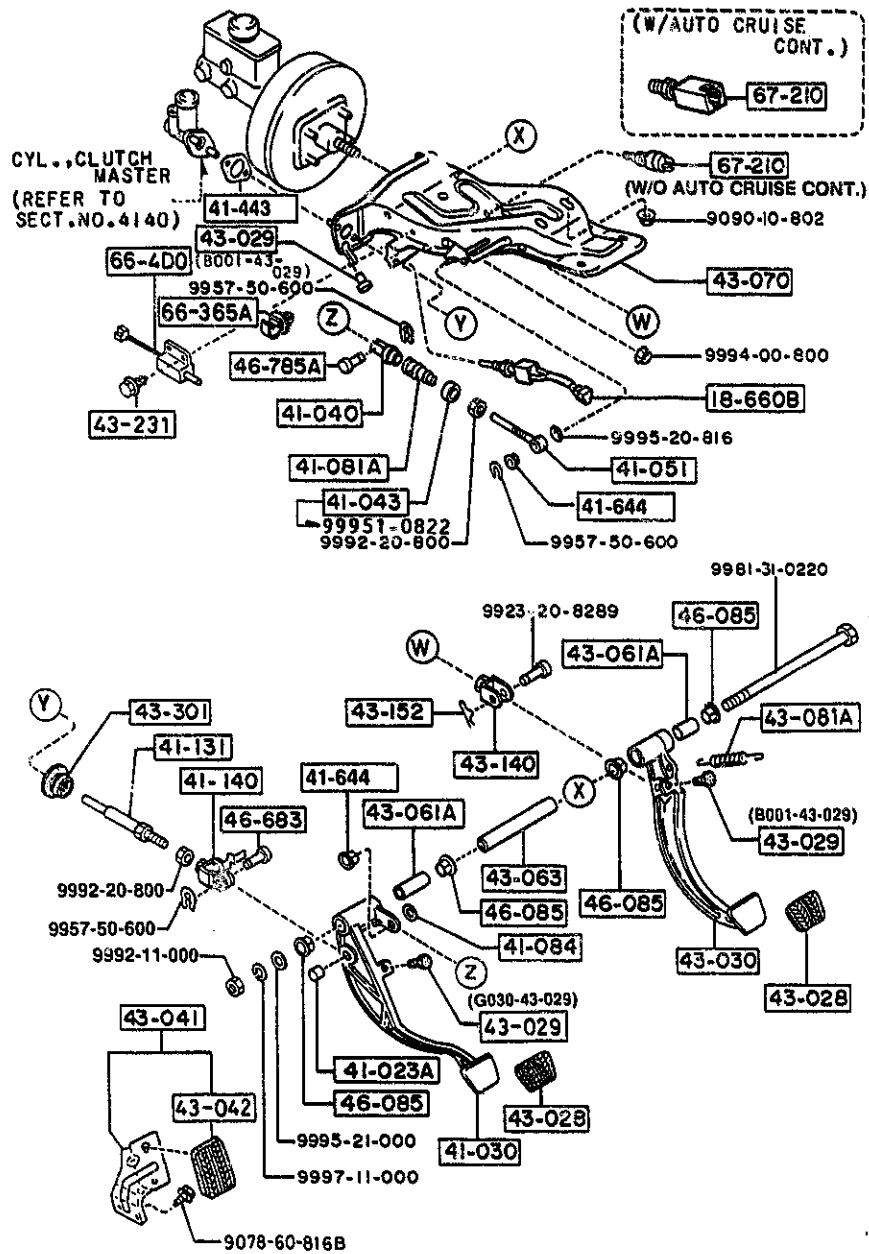
CAT. AUFA03-07

1993-12

2-H 8

4300 CLUTCH & BRAKE PEDALS (MANUAL TRANSMISSION)

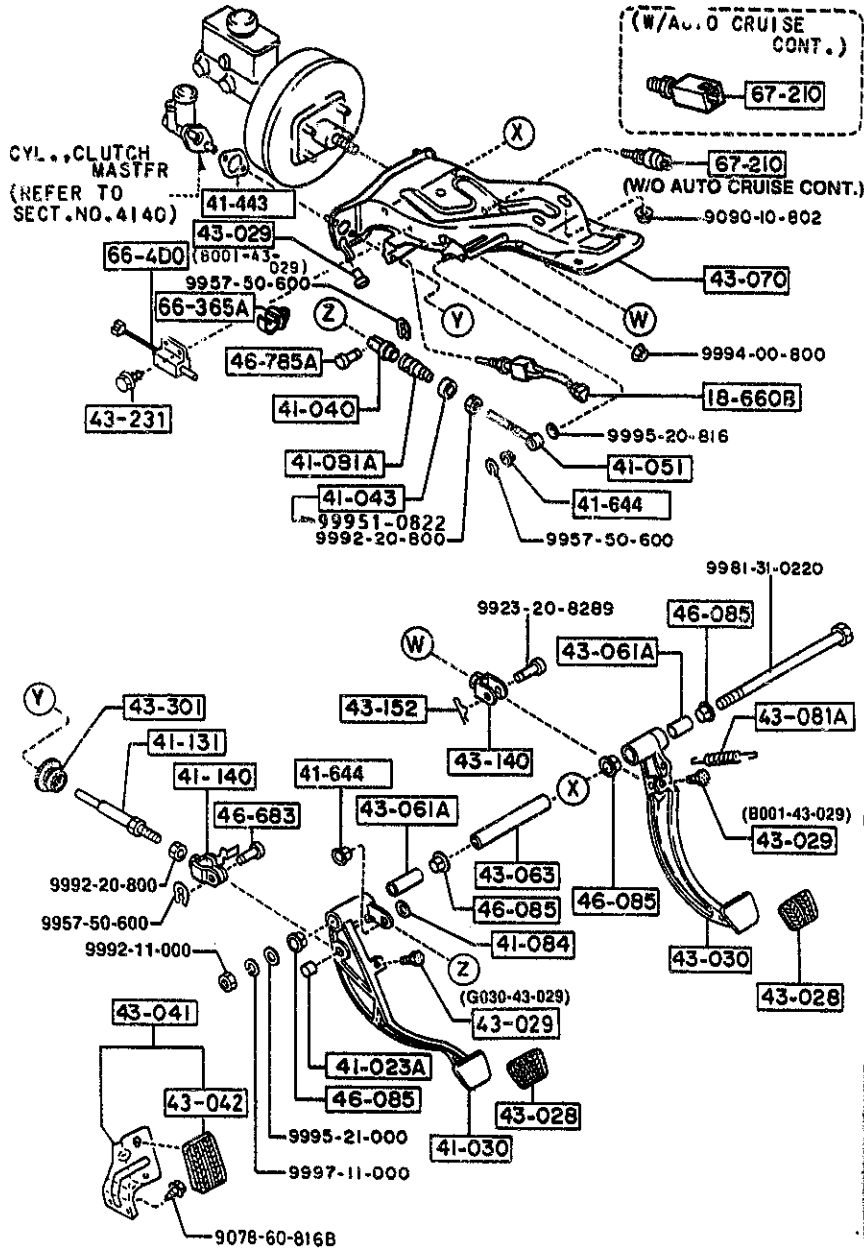
4300 -2 CLUTCH & BRAKE PEDALS (MANUAL TRANSMISSION)



PART NO.	QTY	MODEL/RESTRICTION	MODEL/RESTRICTION	MODEL/RESTRICTION	FROM-TO
CONT'D					
B001-43-029	2	KUROISHI TEKKO			
G030-43-029	1	OIRES KOGYO			
43-030		PEDAL, BRAKE			
FB01-43-031	1				
43-041		REST, FOOT			
FB01-43-040B	1				
43-042		PAD, FOOT REST			
FB01-43-042	1				
43-061A		PIPE, PEDAL			
0866-43-062	2				
43-063		SPACER			
FB01-43-063	1				
43-070		BRACKET, MASTER CYL.			
FB05-43-070A	1				
43-081A		SPRING, RETURN-BRAKE			
B092-41-081	1				
43-140		FORK, BRAKE			
HF05-43-140	1				
43-152		PIN, SNAP			
D001-43-152	1				
43-231		BOLT, CLUTCH CUT SWIT CH			
GE68-43-231	1				
43-301		PROTECTOR			
H001-43-301	1				
46-085		BUSH			
1015-46-085	4				

4300 CLUTCH & BRAKE PEDALS (MANUAL TRANSMISSION)

4300 -3 M CLUTCH & BRAKE PEDALS (MANUAL TRANSMISSION)



PART NO.	QTY	MODEL/RESTRICTION	MODEL/RESTRICTION	MODEL/RESTRICTION	FROM-TO
46-683		PIN			
0187-46-683	1				
46-785A		PIN			
0604-46-785	1				
66-365A		CLIP			
9258-66-365	1				
66-400		SWITCH, CLUTCH CUT			
FB01-66-400	1				
67-210		SWITCH, STOP			
BR70-66-490A	1	BASE-OPT, TURBO, (W/AUTO CRUISE CONT)			
B002-66-490A	1	BASE, (W/O AUTO CRUISE CONT.)			

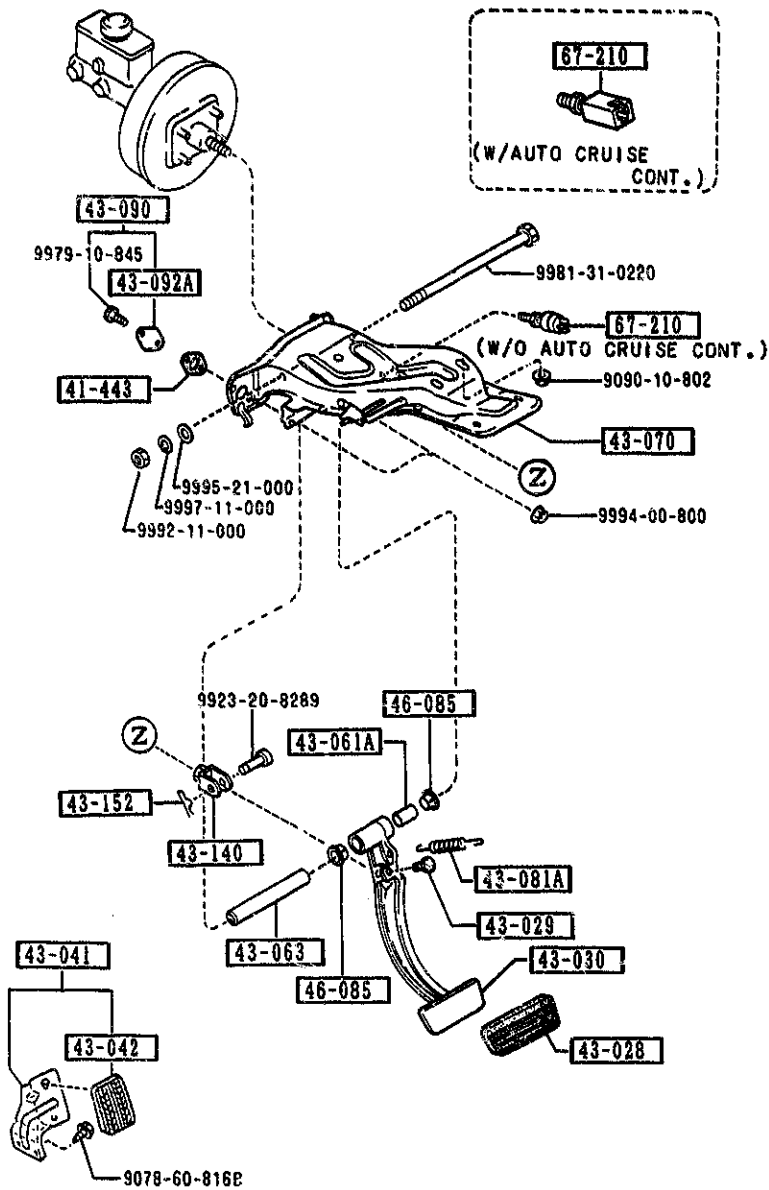
AUFA03

CAT. AUFA03-07

1993-12

2-J 8

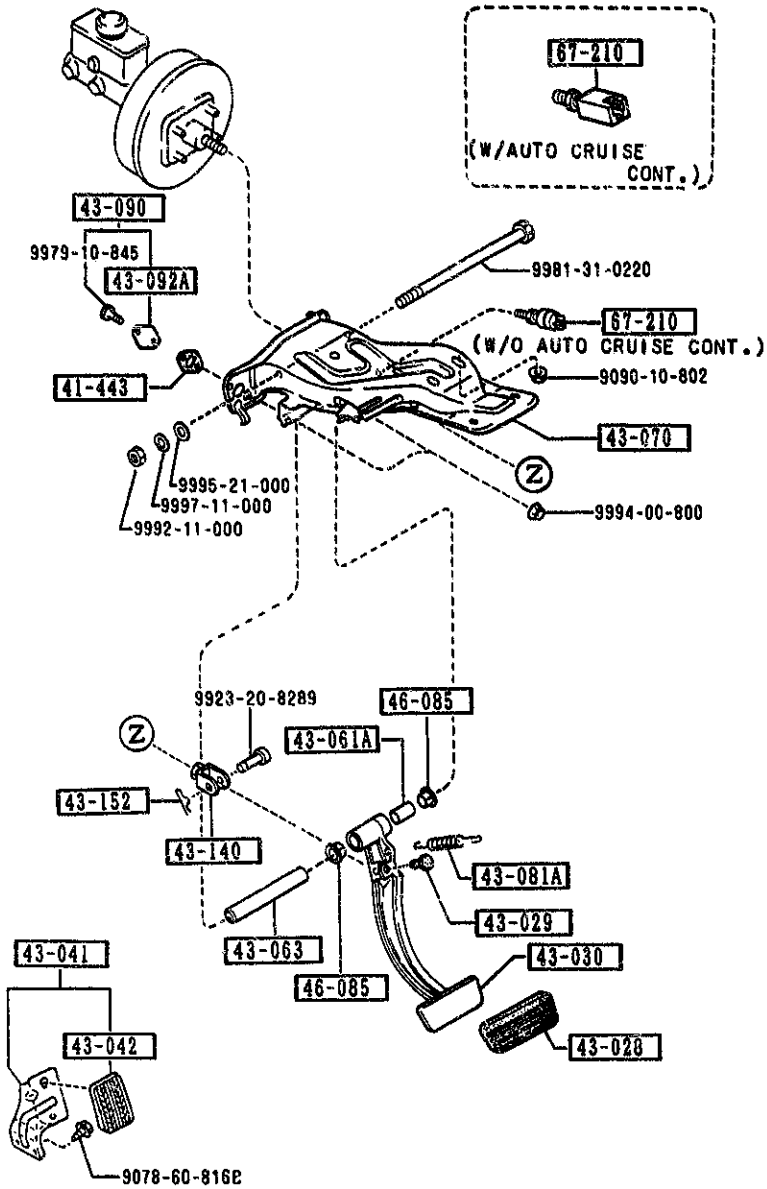
4300A BRAKE PEDALS (AUTOMATIC TRANSMISSION)



PART NO.	QTY	MODEL/RESTRICTION	MODEL/RESTRICTION	MODEL/RESTRICTION	FROM-TO
41-443		GASKET			
H001-41-443	1				
43-028		PAD, PEDAL			
FB01-43-028A	1				
43-029		RUBBER, STOPPER			
B001-43-029	1	KURUSHI TEKKO			
43-030		PEDAL, BRAKE			
FB02-43-031	1				
43-041		REST, FOOT			
FB01-43-040B	1				
43-042		PAD, FOOT REST			
FB01-43-042	1				
43-061A		PIPE, PEDAL			
0866-43-062	1				
43-063		SPACER			
FB01-43-063	1				
43-070		BRACKET, MASTER CYL.			
FB01-43-070E	1				
43-081A		SPRING, RETURN-BRAKE			
B092-41-081	1				
43-090		PLATE			
FB02-43-090A	1				
43-092A		PLATE			
1525-43-092	1				
43-140		FORK, BRAKE			
HF05-43-140	1				
43-152		PIN, SNAP			

4300A -2 W BRAKE PEDALS (AUTOMATIC TRANSMISSION)

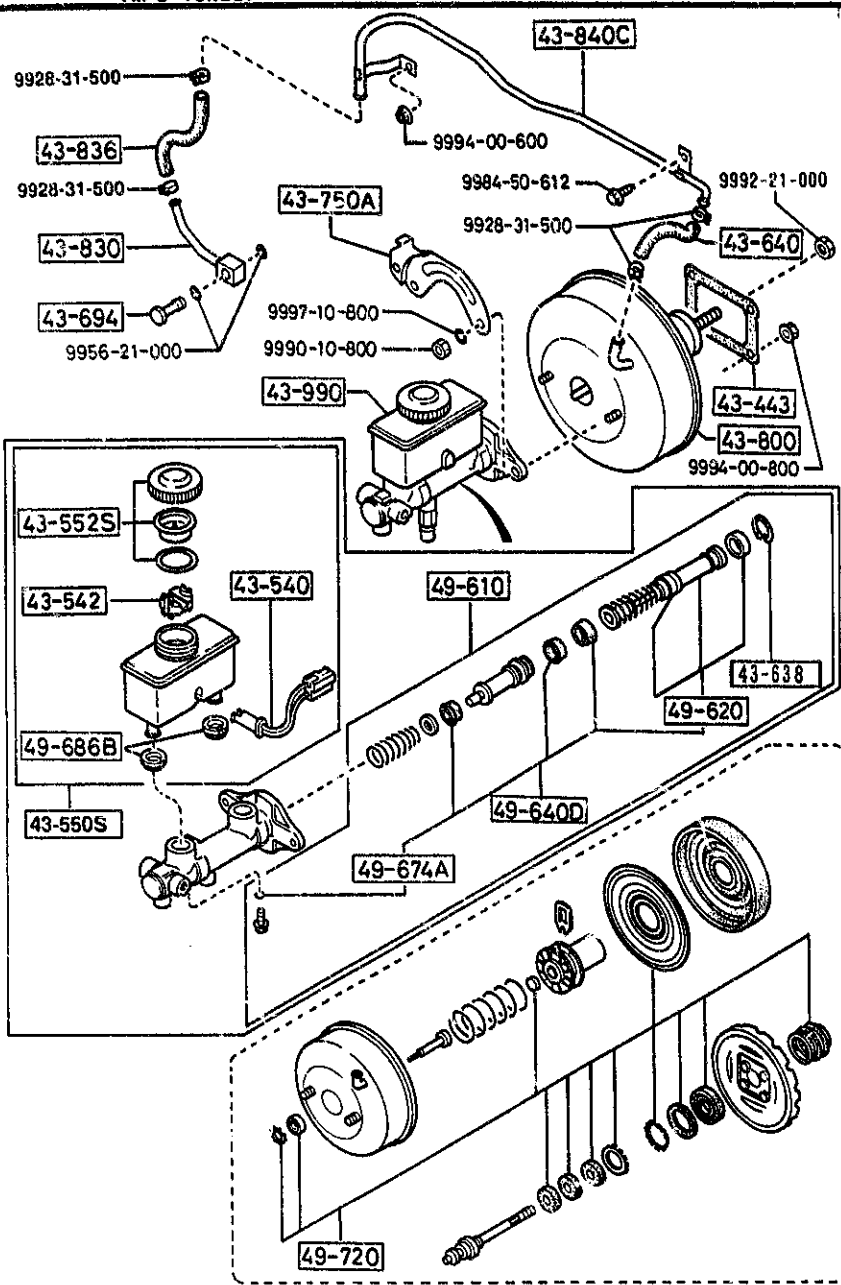
4300A BRAKE PEDALS (AUTOMATIC TRANSMISSION)



PART NO.	QTY	MODEL/RESTRICTION	MODEL/RESTRICTION	MODEL/RESTRICTION	FROM TO
CONT'D					
D001-43-152	1				
46-085		BUSH			
1015-46-085	2				
67-210		SWITCH, STOP			
BR70-66-490A	1	BASE-OPT, TURBO, (W/AUTO CRUISE CONT)			
B002-66-490A	1	BASE, (W/O AUTO CRUISE CON T.)			

4340 BRAKE MASTER CYLINDER & POWER BRAKE
(W/O TURBO)

4340 -1 BRAKE MASTER CYLINDER & POWER BRAKE
(W/O TURBO)



PART NO.	QTY	MODEL/RESTRICTION	MODEL/RESTRICTION	MODEL/RESTRICTION	FROM TO
43-443 H001-43-443	1	GASKET, VAC POWER AS SIST NON ASBESTOS			
43-540 FB01-43-540	1	INDICATOR, LEVEL			
43-542 3597-43-542	1	FLOAT			
43-550S FB01-49-680 A (FB01-49-680A)	1	TANK SET, RESERVE			-1601
43-552S B093-49-580 B603-49-580	1	CAP SET, RESERVE TANK			1601-
43-638 GA02-49-638	1	RING, RETAINING			-1601
43-640 FB01-43-640	1	HOSE, VACUUM			1601-
43-694 8573-43-694	1	BOLT, CONNECTOR			
43-750A FB01-43-750	1	HOLDER, P. B. VALVE			
43-800 FB05-43-800D	1	VACUUM POWER ASSIST			
43-830 FB01-43-830A	1	PIPE, VACUUM			
43-836 FB01-43-836	1	HOSE, VACUUM			
43-840C		PIPE, VACUUM			
1601 FC3MMK-907848					

AUFA03

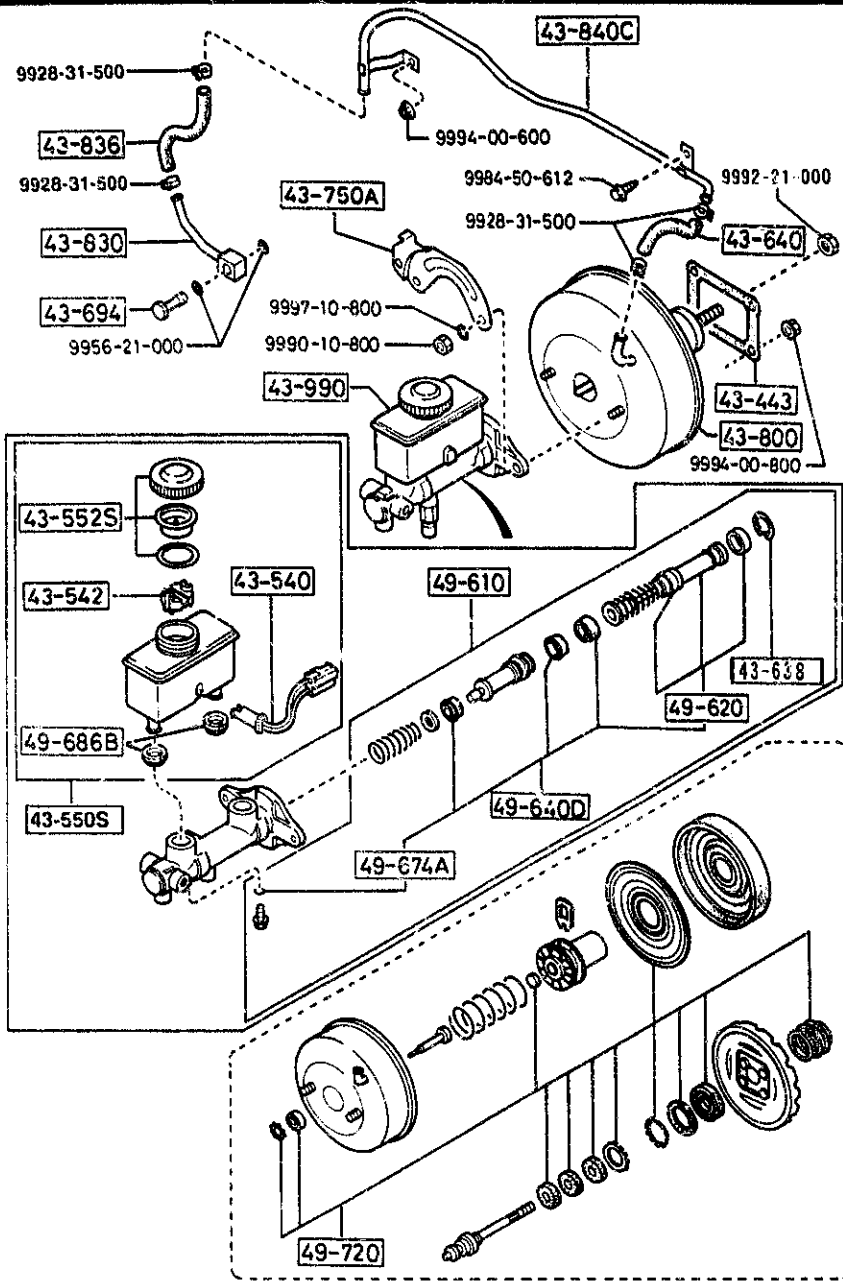
CAT. AUFA03-07

1993-12

2-M 8

4340 BRAKE MASTER CYLINDER & POWER BRAKE
(W/D TURBO)

4340 -2 * BRAKE MASTER CYLINDER & POWER BRAKE
(W/D TURBO)



PART NO.	QTY	MODEL/RESTRICTION	MODEL/RESTRICTION	MODEL/RESTRICTION	FROM: TO
CONT'D					
FB01-43-840A	1				
43-990		CYL., TANDEM MASTER			
FB02-43-400C A (FB02-43-400D)	1				-1601
FB02-43-400D	1				1601-
49-610		PARTS KIT, INN.-BRAKE			
FB05-49-610A	1				
49-620		PISTON, PRIMARY			
FB05-49-620A	1				
49-640D		PARTS KIT, INNER			
FB05-49-640A	1				
49-674A		RING, 'O'-MASTER CYL.			
99541-00403	1				
49-686B		BUSH, ELBDW JOINT			
0305-49-686B	2				
49-720		REPAIR KIT			
FB05-49-720	1				
1601 FC3MMX-907848					

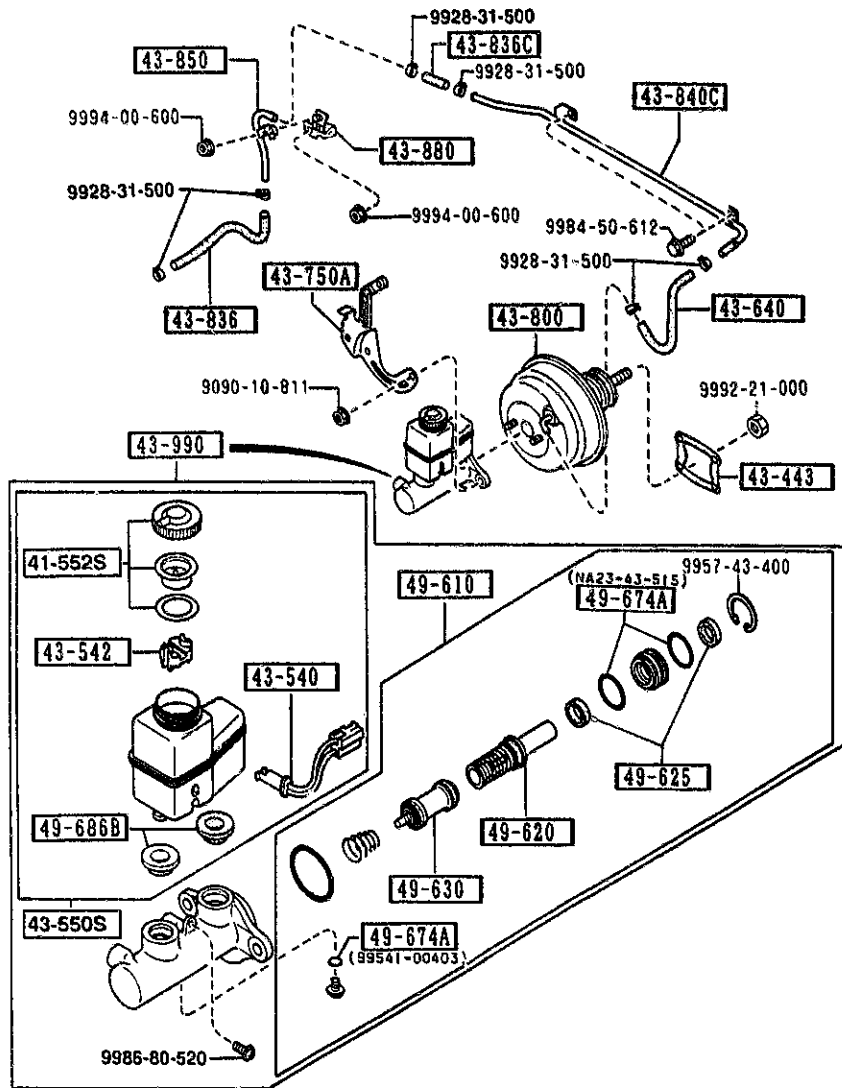
AUFA03

CAT. AUFA03-07

1993-12

4340 A BRAKE MASTER CYLINDER & POWER BRAKE
(TURBO)

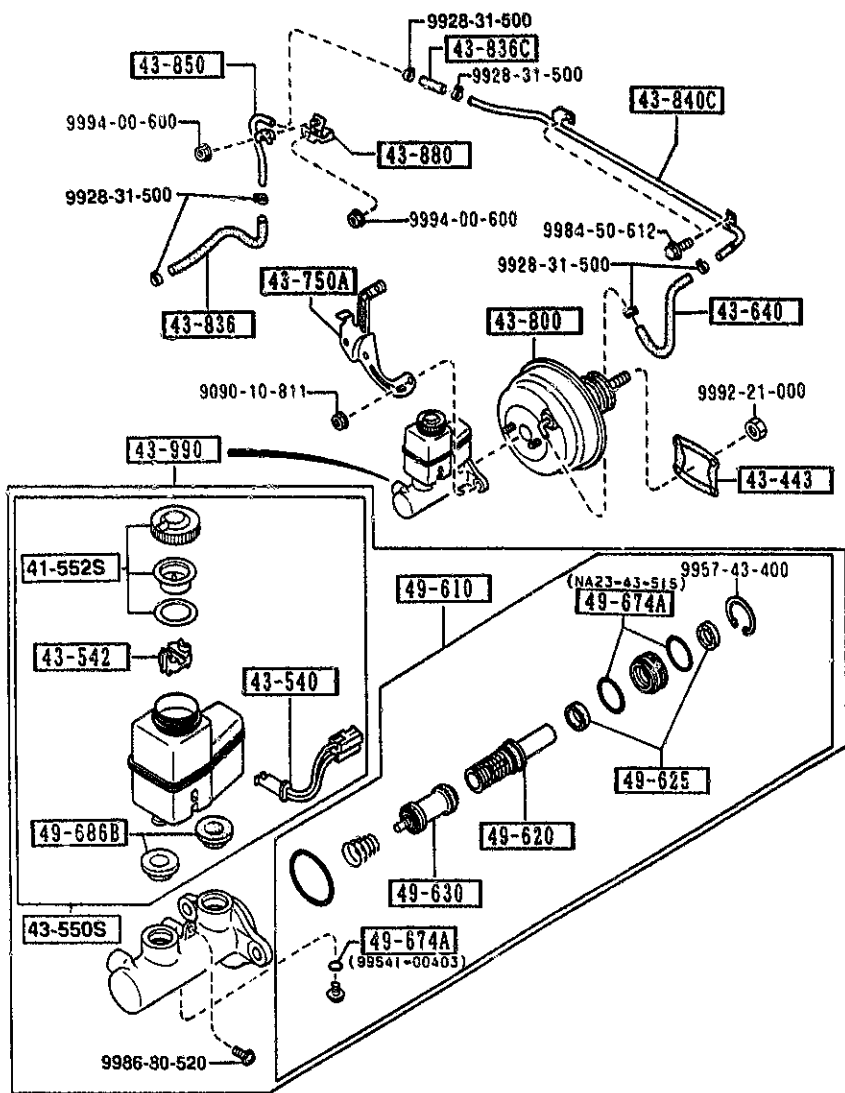
4340 A-1 BRAKE MASTER CYLINDER & POWER BRAKE
(TURBO)



PART NO.	QTY	MODEL/RESTRICTION	MODEL/RESTRICTION	MODEL/RESTRICTION	FROM-TO
41-552S	1	CAP SET, RESERVE TANK			
H115-49-580A					
43-443	1	GASKET, VAC POWER AS SIST NON ASBESTOS			
H001-43-443					
43-540	1	INDICATOR, LEVEL			
F065-43-540					
43-542	1	FLOAT			
3597-43-542					
43-550S	1	TANK SET, RESERVE			
F065-43-552A					
43-640	1	HOSE, VACUUM			
FC18-43-640A					
43-750A	1	HOLDER, P.B. VALVE			
FC39-43-750C					
43-800	1	VACUUM POWER ASSIST			
FC06-43-800A					
43-836	1	HOSE, VACUUM			
FB44-43-836B					
43-836C	1	HOSE, VACUUM			
2192-43-835A					
43-840C	1	PIPE, VACUUM			
FC18-43-840					
43-850	1	PIPE, VACUUM			
FB44-43-850B					
43-880	1	BRACKET, VACUUM PIPE			
FB44-43-880B					
43-990	1	CYL., TANDEM MASTER			

4340 A BRAKE MASTER CYLINDER & POWER BRAKE
(TURBO)

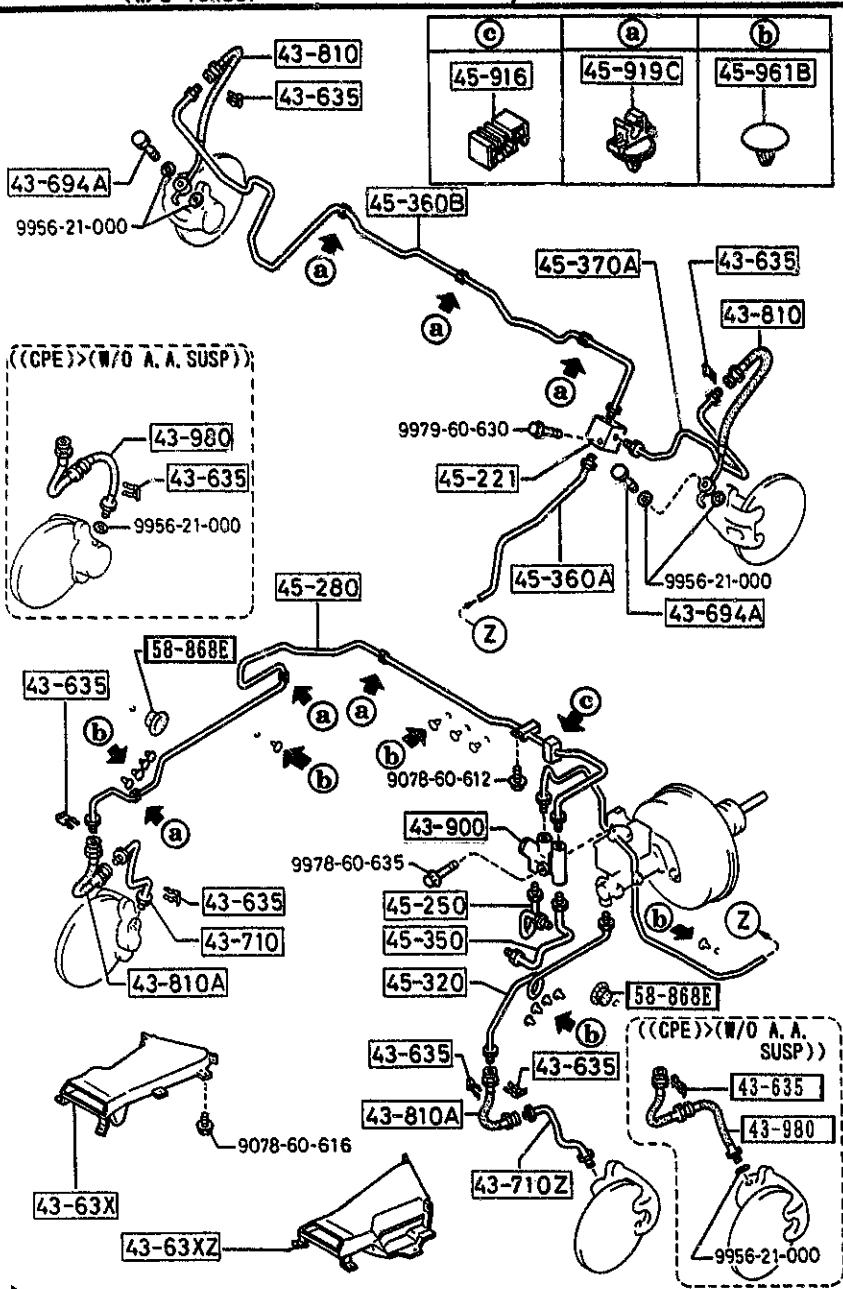
4340 A-2 * BRAKE MASTER CYLINDER & POWER BRAKE
(TURBO)



PART NO.	QTY	MODEL/RESTRICTION	MODEL/RESTRICTION	MODEL/RESTRICTION	FROM-TO
CONT'D FCY8-43-40Z	1				
49-610		PARTS KIT, INN.-BRAKE			
B4Y3-43-41Z	1				
49-620		PISTON, PRIMARY			
B533-43-62Z	1				
49-625		CUP, SECONDARY			
NA23-43-625	2				
49-630		PISTON, FLOATING			
B533-43-63Z	1				
49-674A		RING, 'O'-MASTER CYL.			
NA23-43-515	2	SHINEI KOGYO			
99541-00403	1				
49-686B		BUSH, ELBOW JOINT			
0305-49-686B	2				

4360 BRAKE PIPINGS
(W/O TURBO)

4360 -1 BRAKE PIPINGS
(W/O TURBO)



PART NO.	QTY	MODEL/RESTRICTION	MODEL/RESTRICTION	MODEL/RESTRICTION	FROM-TO
43-63X FC01-43-63XA	1	DUCT(R),AIR-BRAKE PIPE			
43-63XZ FC01-43-64XA	1	DUCT(L),AIR-BRAKE PIPE			
43-635 W023-43-635	6	CLIP,FLEXIBLE HOSE			
43-694A B001-43-694A	2	BOLT,CONNECTOR			
43-710 FB05-43-710B	1	PIPE(R),BRAKE-FRONT (CONVERTIBLE) ((CPE))>>(A.A.SUSP)			
43-710Z FB05-43-720B	1	PIPE(L),BRAKE-FRONT (CONVERTIBLE) ((CPE))>>(A.A.SUSP)			
43-810 FB01-43-810B	2	HOSE,FLEXIBLE			
43-810A FB05-43-810	2	HOSE NO.1,FLEXIBLE (CONVERTIBLE) ((CPE))>>(A.A.SUSP)			
43-900 FB10-43-900	1	VALVE,DUAL PROPORTIONING			
43-980 FB01-43-980	2	HOSE,FLEXIBLE (CONVERTIBLE) ((CPE))>>(W/O A.A.SUSP)			
45-221 FB01-45-291A	1	JOINT,PIPE			
45-250 FB01-43-360	1	PIPE,BRAKE-FRT			
45-280 FB01-45-280E	1	PIPE(R),BRAKE-FRONT			

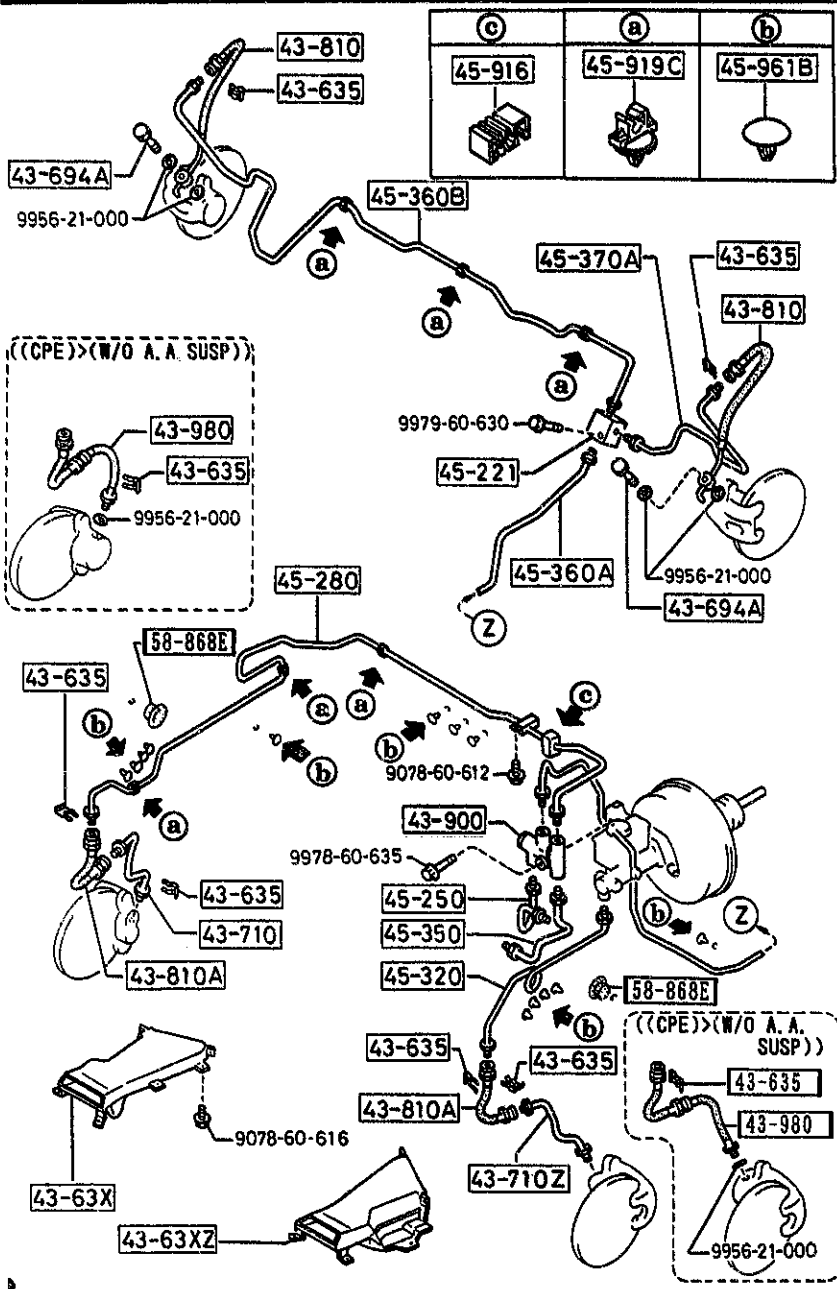
AUFA03

CAT. AUFA03-07

1993-12

4360 BRAKE PIPINGS
(W/O TURBO)

4360 -2 M BRAKE PIPINGS
(W/O TURBO)



PART NO.	QTY	MODEL/RESTRICTION	MODEL/RESTRICTION	MODEL/RESTRICTION	FROM-TO
45-320		PIPE(L), BRAKE-FRONT			
FB01-45-320	1				
45-350		PIPE, BRAKE-REAR			
FB02-45-370	1				
45-360A		PIPE, BRAKE-REAR			
FB01-45-360C	1				
45-360B		PIPE(R), REAR BRAKE			
FB01-45-380E	1				
45-370A		PIPE(L), REAR BRAKE			
FB01-45-370D	1				
45-916		HOLDER, PIPE			
FB55-45-961B	1				
45-919C		CLIP, PIPE			
0030-45-919	6				
45-961B		CAP			
MH002-45-961	13				
58-868E		PLUG, SERVICE COVER			
0559-58-868	2				

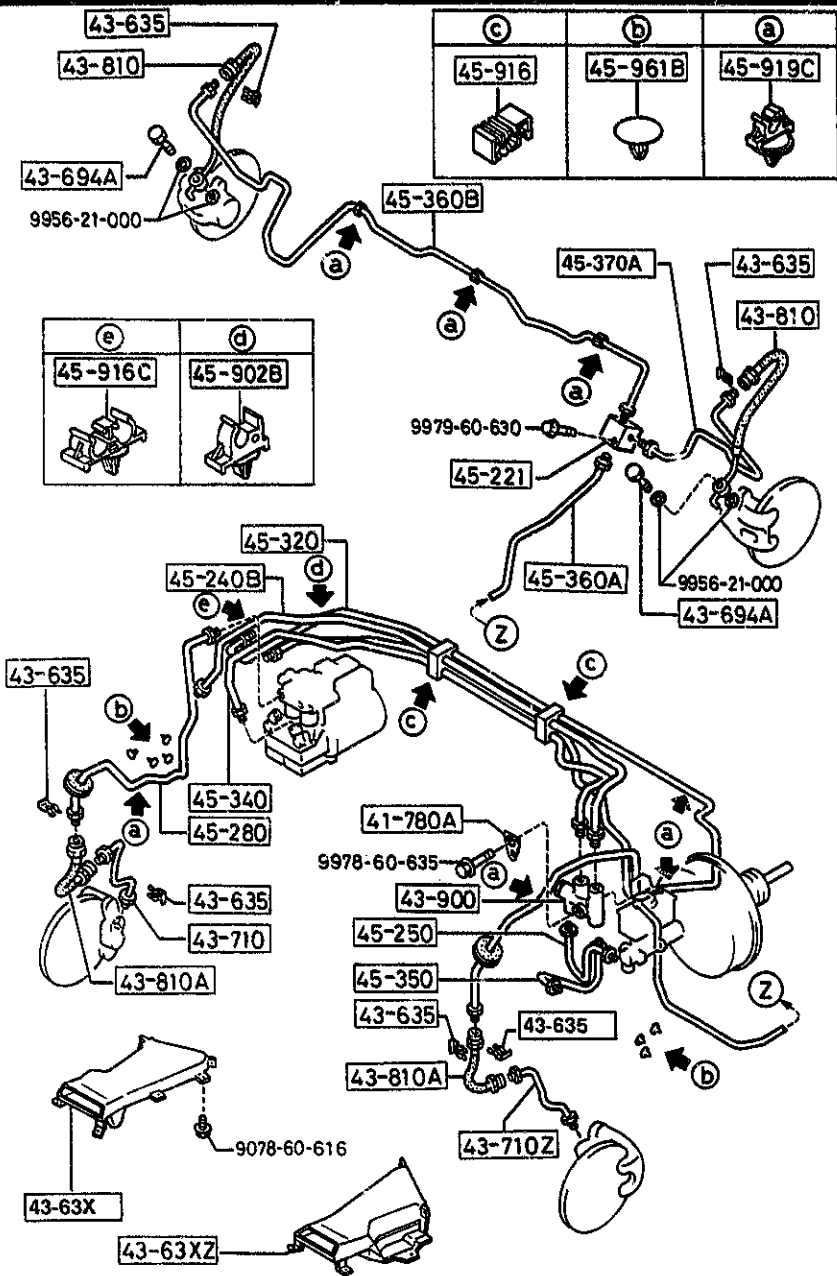
AUFA03

CAT. AUFA03-07

1993-12

4360 A BRAKE PIPINGS
(TURBO)

4360 A-1 BRAKE PIPINGS
(TURBO)



PART NO.	QTY	MODEL/RESTRICTION	MODEL/RESTRICTION	MODEL/RESTRICTION	FROM-TO
41-780A		BRACKET, P.B. VALVE			
FB44-41-780A	1				
43-63X		DUCT(R), AIR-BRAKE PIPE			
FC01-43-63XA	1				
43-63XZ		DUCT(L), AIR-BRAKE PIPE			
FC01-43-64XA	1				
43-635		CLIP, FLEXIBLE HOSE			
W023-43-635	6				
43-694A		BOLT, CONNECTOR			
B001-43-694A	2				
43-710		PIPE(R), BRAKE-FRONT			
FB05-43-710B	1				
43-710Z		PIPE(L), BRAKE-FRONT			
FB05-43-720B	1				
43-810		HOSE, FLEXIBLE			
FB01-43-810B	2				
43-810A		HOSE NO.1, FLEXIBLE			
FB05-43-810	2				
43-900		VALVE, DUAL PROPORTIONING			
FB10-43-900	1				
45-221		JOINT, PIPE			
FB01-45-291A	1				
45-240B		PIPE, BRAKE-FRT			
FC49-45-330C	1				
45-250		PIPE, BRAKE-FRT			
FC06-43-360B	1				
45-280		PIPE(R), BRAKE-FRONT			
FB55-45-280F	1				

AUFA03

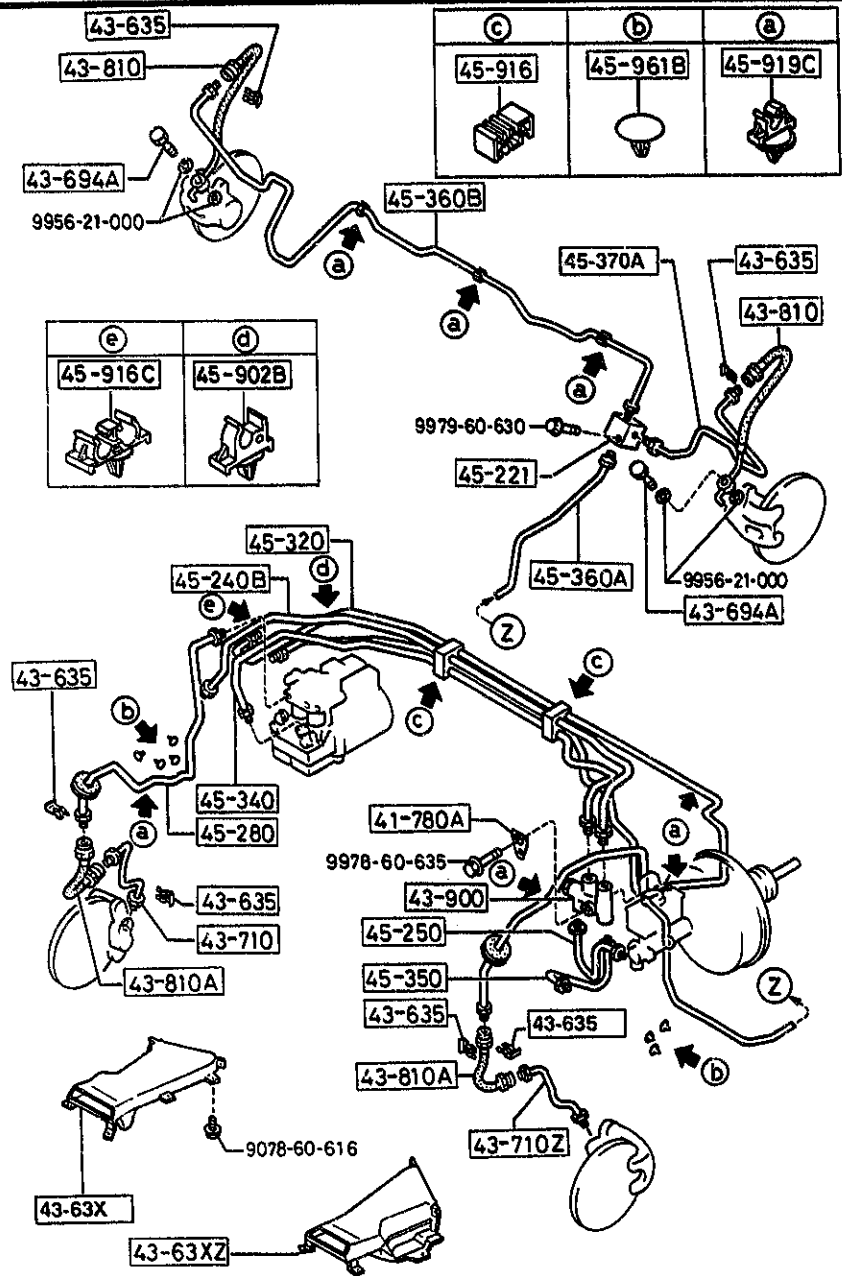
CAT. AUFA03-07

1993-12

2-G 9

4360 A BRAKE PIPINGS
(TURBO)

4360 A-2 * BRAKE PIPINGS
(TURBO)



PART NO.	QTY	MODEL/RESTRICTION	MODEL/RESTRICTION	MODEL/RESTRICTION	FROM-TO
45-320		PIPE(L), BRAKE-FRONT			
FB55-45-320H	1				
45-340		PIPE, BRAKE-REAR			
FC49-45-340B	1				
45-350		PIPE, BRAKE-REAR			
FC06-43-370	1				
45-360A		PIPE, BRAKE-REAR			
FB55-45-360C	1				
45-360B		PIPE(R), REAR BRAKE			
FB01-45-380E	1				
45-370A		PIPE(L), REAR BRAKE			
FB01-45-370D	1				
45-902B		CLIP			
UA01-45-902	1				
45-916		HOLDER, PIPE			
FB55-45-961B	2				
45-916C		HOLDER, PIPE			
FB55-45-951	1				
45-919C		CLIP, PIPE			
G030-45-919	7				
45-961B		CAP			
H002-45-961	7				

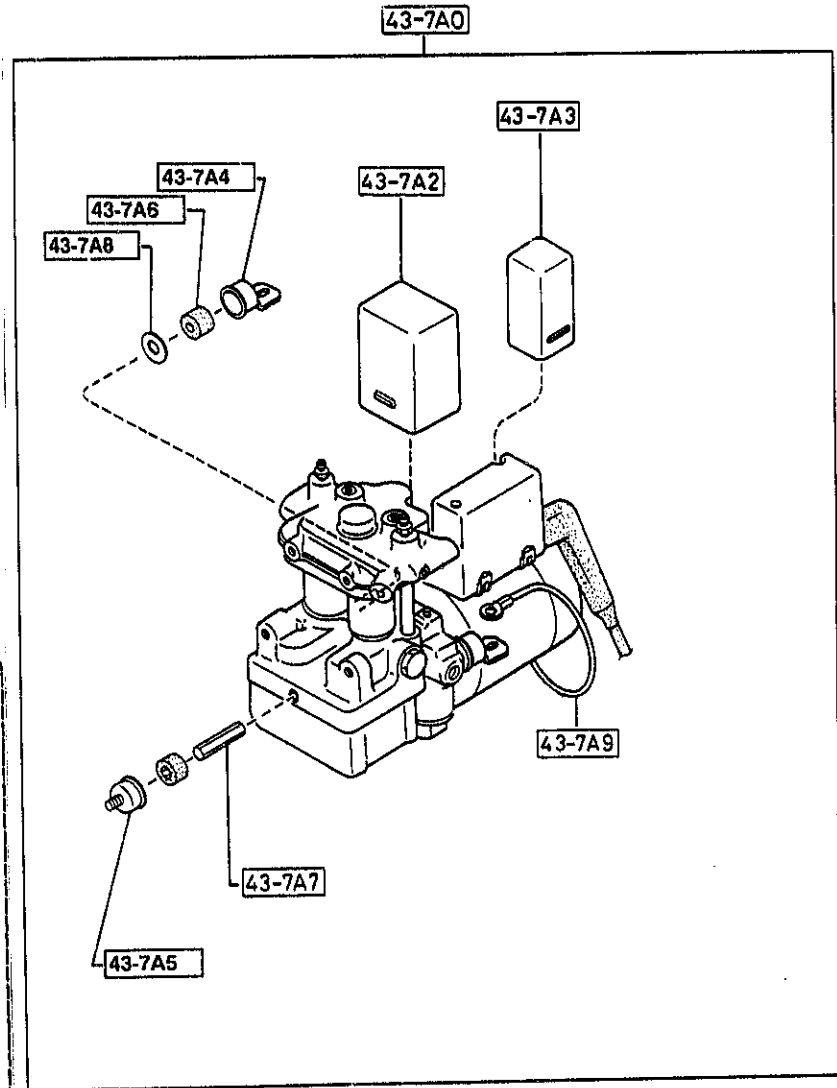
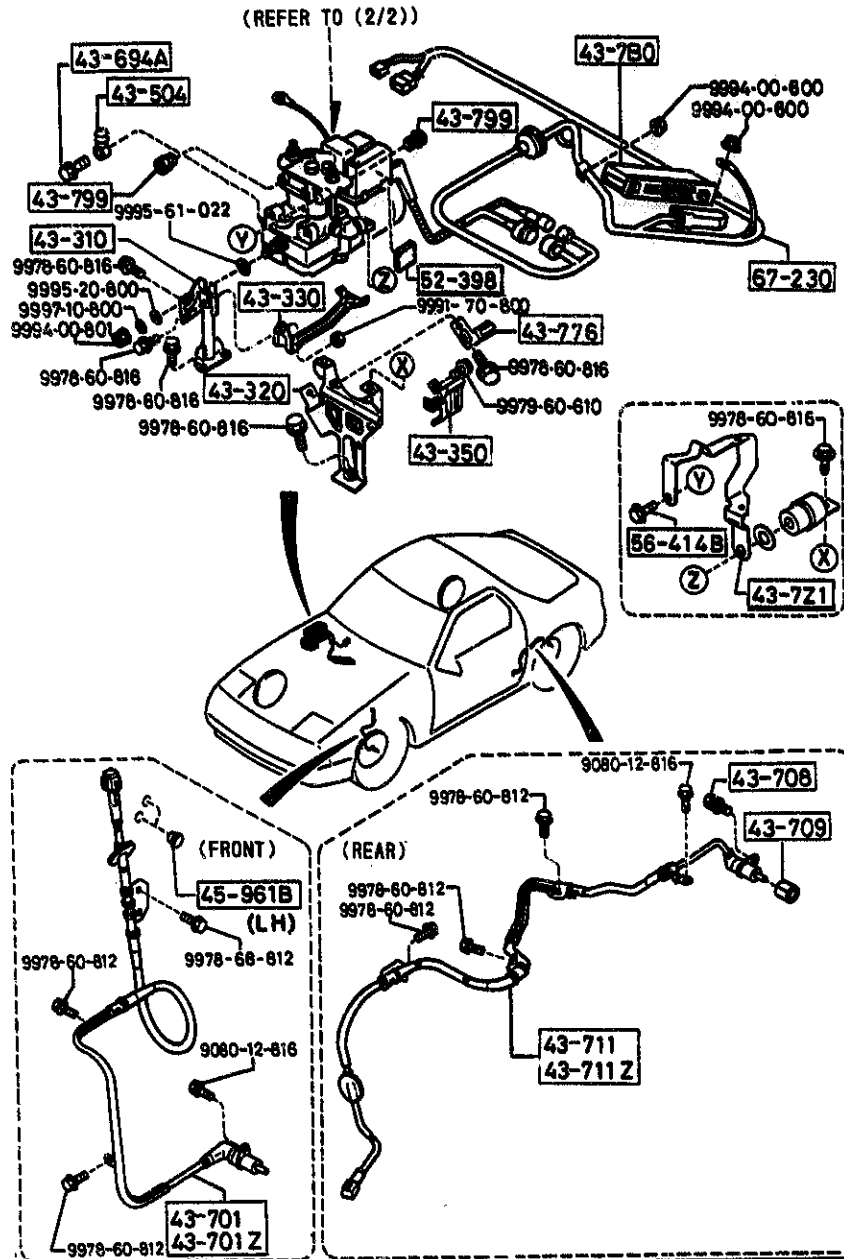
AUFA03

CAT. AUFA03-07

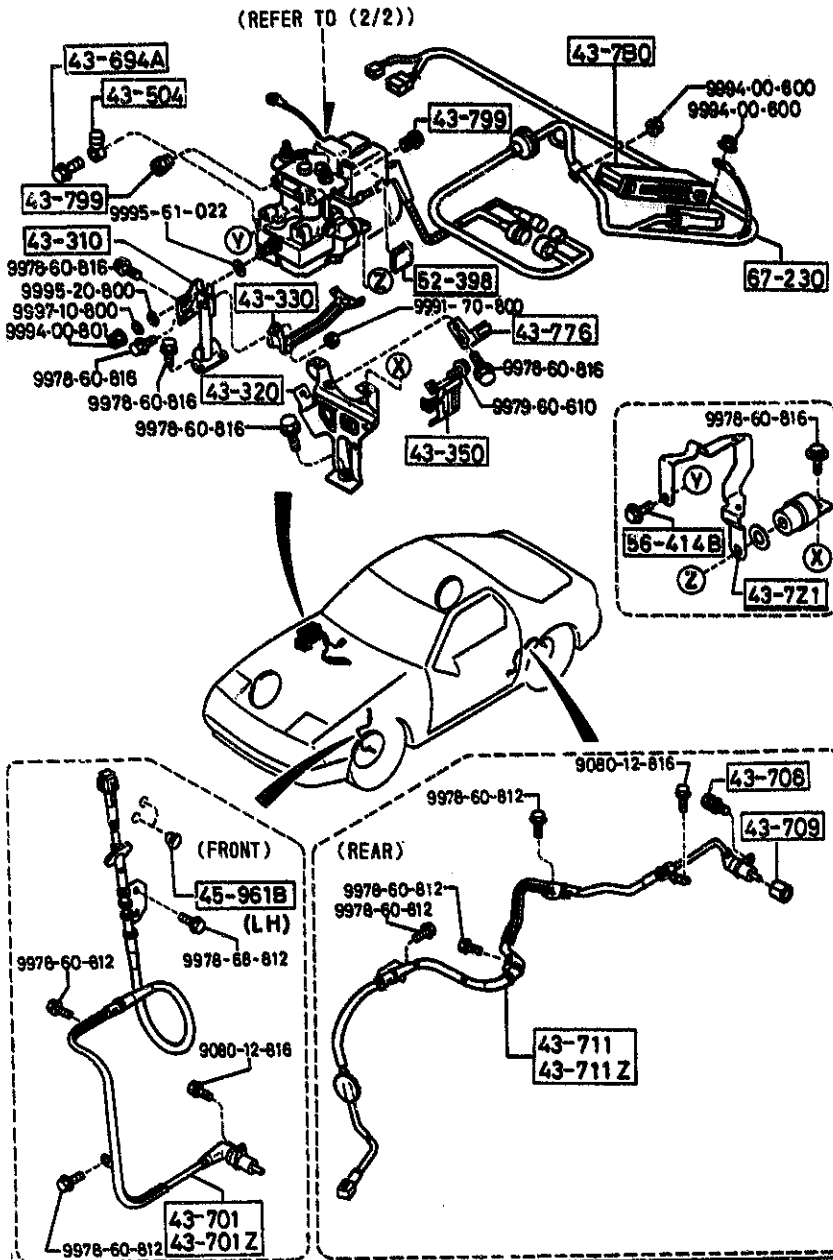
1993-12

(THIS ILLUSTRATION CONSISTS OF 2 PAGES)

(THIS ILLUSTRATION CONSISTS OF 2 PAGES)



(THIS ILLUSTRATION CONSISTS OF 2 PAGES)



PART NO.	QTY	MODEL/RESTRICTION	MODEL/RESTRICTION	MODEL/RESTRICTION	FROM-TO
43-310 FB55-43-310D	1	BRACKET NO 1,A.B.S.			
43-320 FB55-43-320D	1	BRACKET NO 2,A.B.S.			
43-330 FB55-43-330C	1	BRACKET NO.5,A.B.S.			
43-350 FB55-43-350A	1	INSULATOR, HYDRAULIC UNIT			
43-504 W023-43-504	2	JOINT, PIPE			
43-694A B001-43-694A	2	BOLT, CONNECTOR			
43-7A0 F048-43-7A0J	1	HYDRAULIC UNIT, A B S			
43-7A2 F048-43-7A2	1	RELAY, MOTOR-HYD. UNIT			
43-7A3 F048-43-7A3	1	RELAY, VALVE-HYD. UNIT			
43-7A4 F048-43-7A4B	1	COVER 'L', HYDRAULIC UNIT			
43-7A5 F048-43-7A5	1	COVER 'I', HYDRAULIC UNIT			
43-7A6 F048-43-7A6	1	RUBBER, MOUNT-HYD. UNIT			
43-7A7 F048-43-7A7	1	STUD, HEX-HYD. UNIT			
43-7A8 F048-43-7A8	1	WASHER, HYD. UNIT			

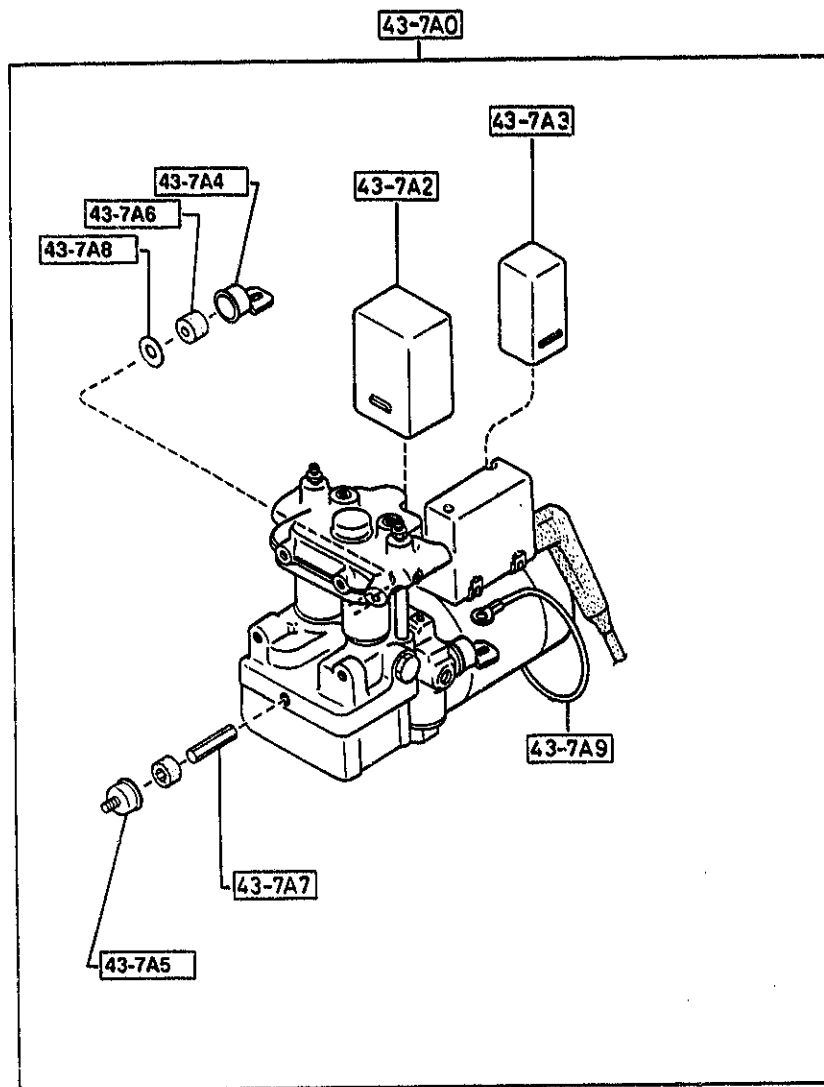
AUFA03

(CONT'D)

CAT. AUFA03-07

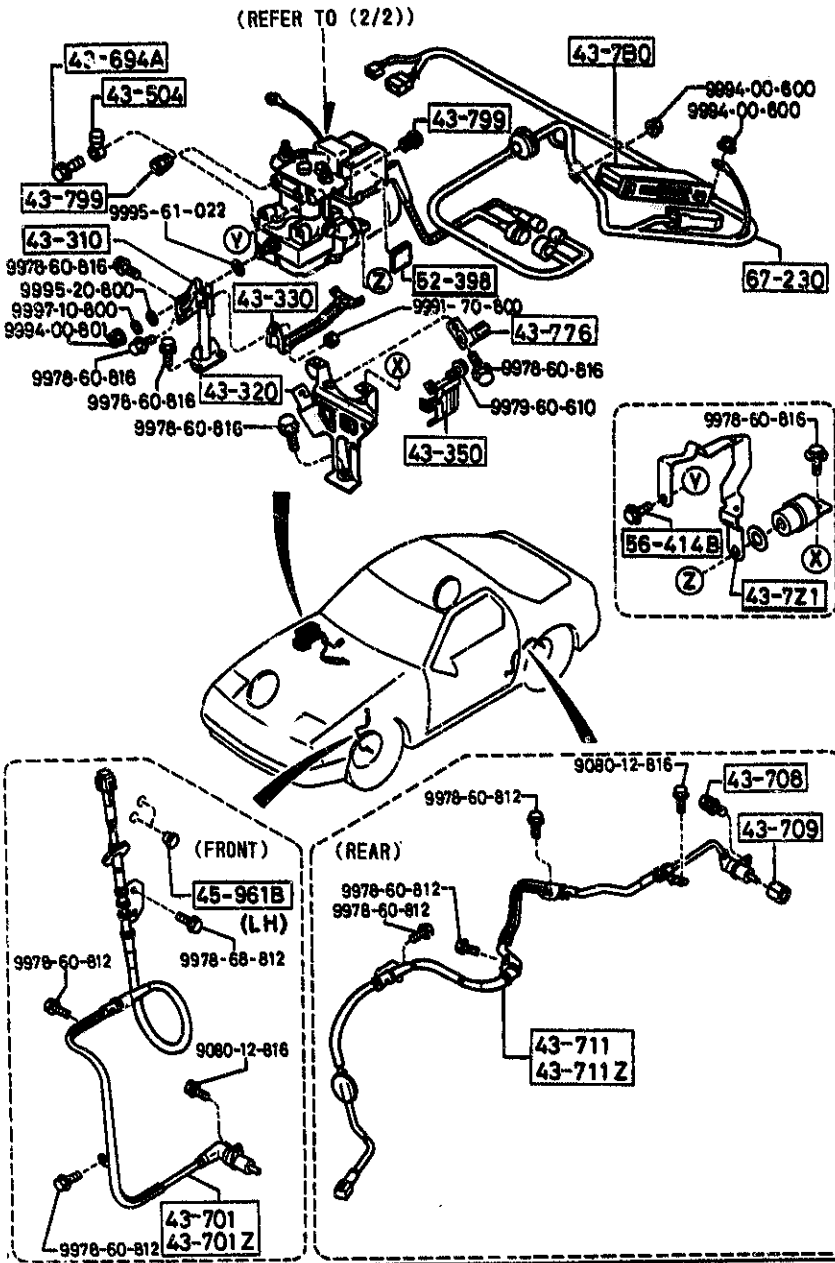
1993-12

(THIS ILLUSTRATION CONSISTS OF 2 PAGES)



PART NO.	QTY	MODEL/RESTRICTION	MODEL/RESTRICTION	MODEL/RESTRICTION	FROM-10
43-7A9 F048-43-7A9A	1	WIRE, EARTH-HYD. UNIT			
43-7B0 F048-43-7B0B	1	ELECTRIC UNIT, A.B.S.			
43-7Z1 FB55-43-7Z1A	1	BRACKET, PIPE HOLDER			
43-701 F051-43-70XB	1	SENSOR(R), FRT-A.B.S.			
43-701Z F051-43-73XB	1	SENSOR(L), FRT-A.B.S.			
43-708 F051-43-708A	2	BOLT, REAR SENSOR			
43-709 F051-43-709	2	SLEEVE, GUIDE-CONTROL HUB			
43-711 F051-43-71YC	1	SENSOR(R), RR A.B.S.			
43-711Z F051-43-72YC	1	SENSOR(L), RR-A.B.S.			
43-776 F048-43-776C	1	CLIP, ANTILOCK BRAKE SYS.			
43-799 FB55-43-799	2	JOINT, FLARE			
45-961B H002-45-961	2	CAP			
52-398 0866-52-398A	1	PAD, TANK PROTECTOR			
56-414B FB01-56-414	1	BOLT, INSULATOR, FRT H EAT			

(THIS ILLUSTRATION CONSISTS OF 2 PAGES)



PART NO.	QTY	MODEL/RESTRICTION	MODEL/RESTRICTION	MODEL/RESTRICTION	FROM TO
67-230 FB55-67-230E	1	WIRING, ANTILOCK BRAKE SYS			

AUFA03

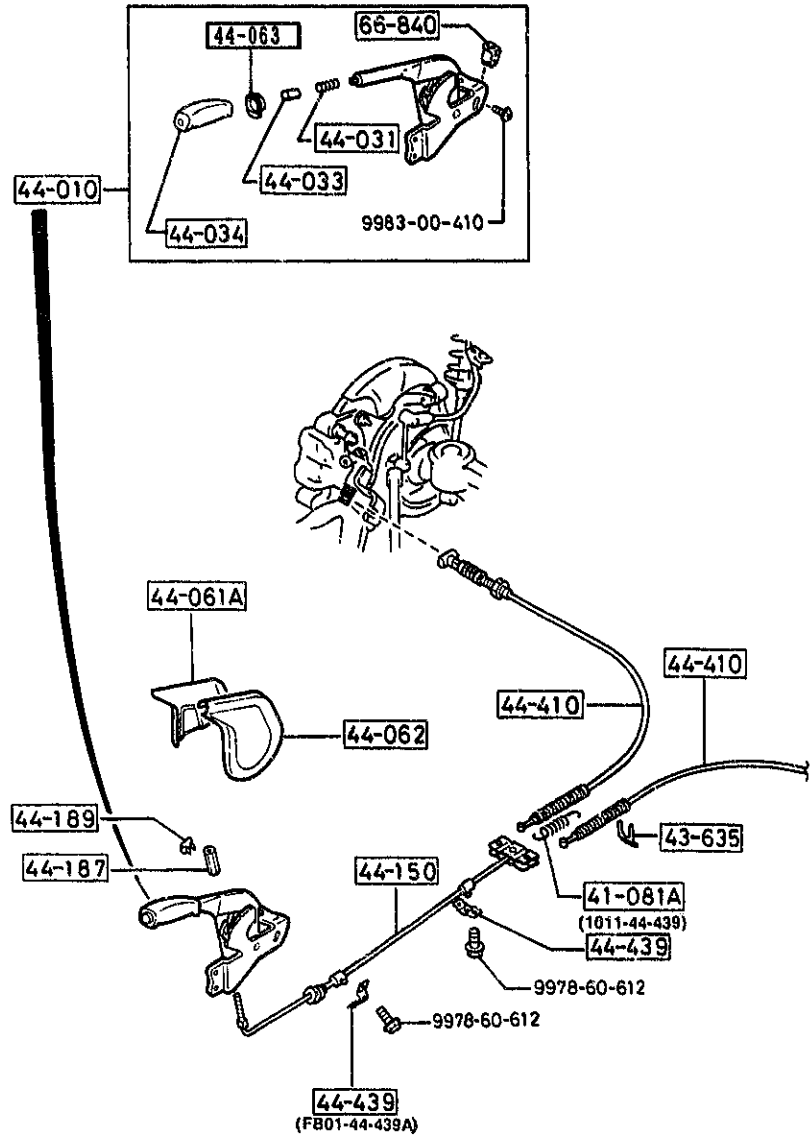
(CONT'D)

CAT. AUFA03-07

1993-12

4400 PARKING BRAKE SYSTEM

4400 -1 PARKING BRAKE SYSTEM



PART NO.	QTY	MODEL/RESTRICTION	MODEL/RESTRICTION	MODEL/RESTRICTION	FROM-TO
41-081A		SPRING, RETURN			
0613-41-308	1				
43-635		CLIP, FLEXIBLE HOSE			
W023-43-635	2				
44-010		LEVER, PARKING BRAKE			
FC01-44-010A	1				
44-031		SPRING, PARKING REVER			
G030-44-031	1				
44-033		BUTTON, RELEASE			
FB01-44-033	1				
44-034		CAP, PARK BRAKE LEVER			
FC01-44-034A	1				
44-061A		COVER			
FB01-44-061B	1				
44-062		COVER			
FB01-44-062A	1				
44-063		SPACER			
FC01-44-063 AN(FC01-44-063A)	1				
FC01-44-063A	1				
44-150		CABLE, PARKING-FRT			
FB01-44-150B	1				
44-187		SCREW, ADJUST			
0866-44-187A	1				
44-189		CLIP			
0866-44-189	1				
44-410		CABLE (R), R.-PARK.			
FB01-44-410E	2				

0A01 FC3MM-902450

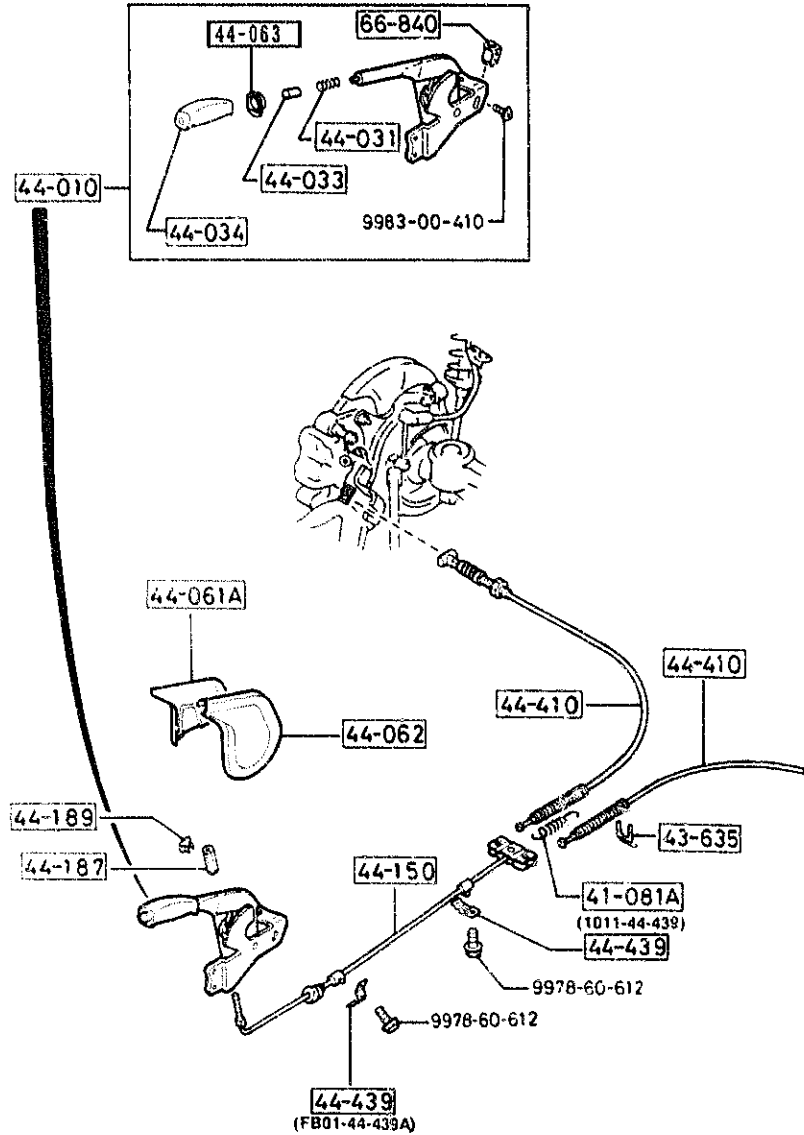
AUFA03

CAT. AUFA03-07

1993-12

2-M 9

4400 PARKING BRAKE SYSTEM



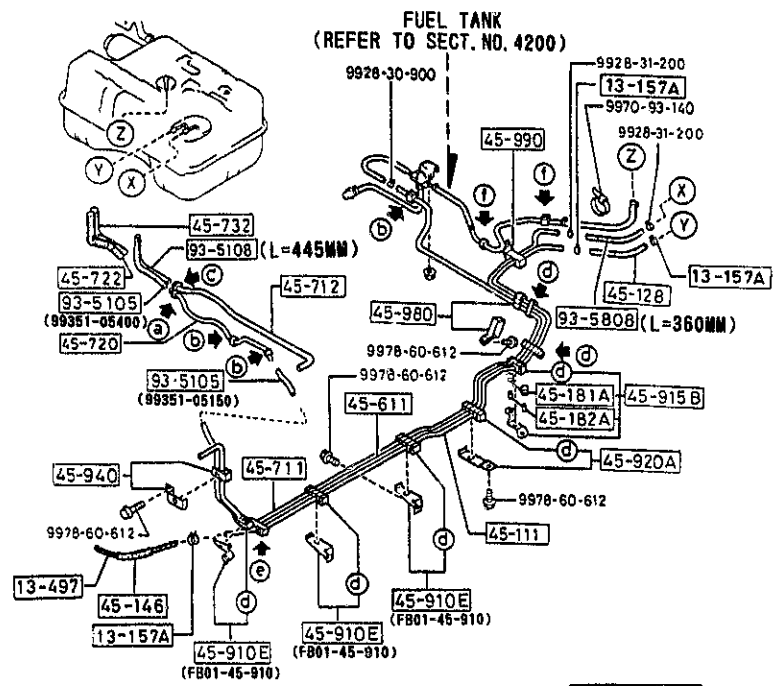
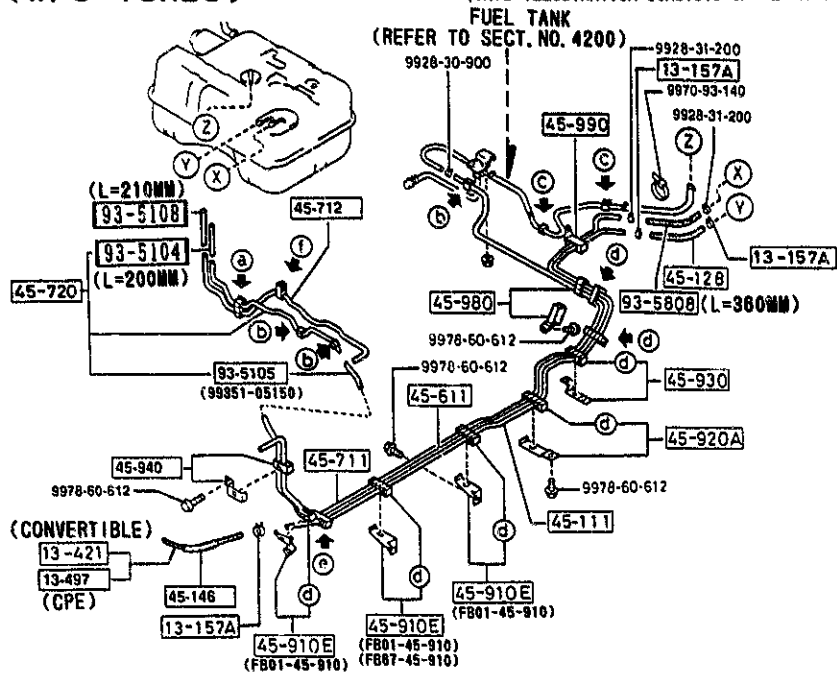
PART NO.	QTY	MODEL/RESTRICTION	MODEL/RESTRICTION	MODEL/RESTRICTION	FROM-TO
44-439		CLIP, CABLE			
FB01-44-439A	1				
1011-44-439	1				
66-840		SWITCH, PARKING LAMP			
GJ21-66-450A	1				

(W/O TURBO)

(THIS ILLUSTRATION CONSISTS OF 2 PAGES)

(TURBO)

(THIS ILLUSTRATION CONSISTS OF 2 PAGES)



f				
45-918				
a	b	c	d	e
45-915A	45-919C	45-914	45-912D	45-919

f				
45-914				
a	b	c	d	e
45-915A	45-919C	45-918	45-912D	45-919

93-5104		99351-04999	L=200MM
93-5808		99358-08999	L=360MM
93-5108		99351-08999	L=210MM

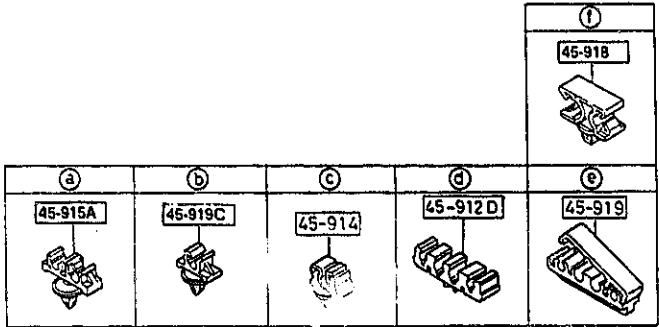
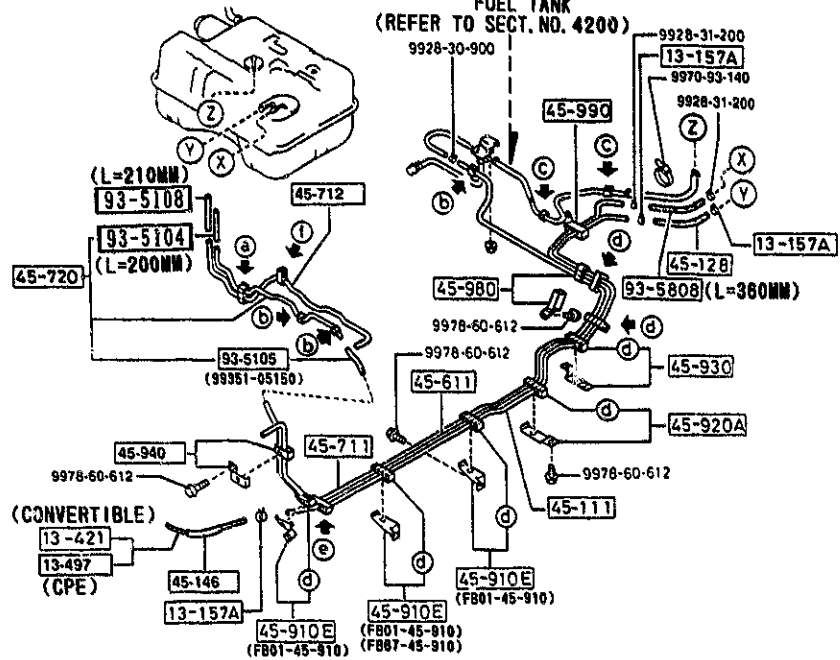
93-5108		99351-08999	L=445MM
93-5808		99358-08999	L=360MM

4500 FUEL PIPINGS

(W/O TURBO)

(THIS ILLUSTRATION CONSISTS OF 2 PAGES)

FUEL TANK
(REFER TO SECT. NO. 4200)

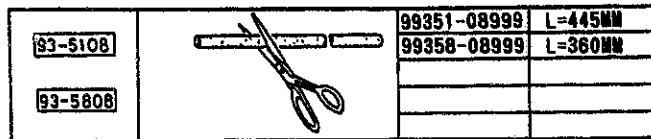
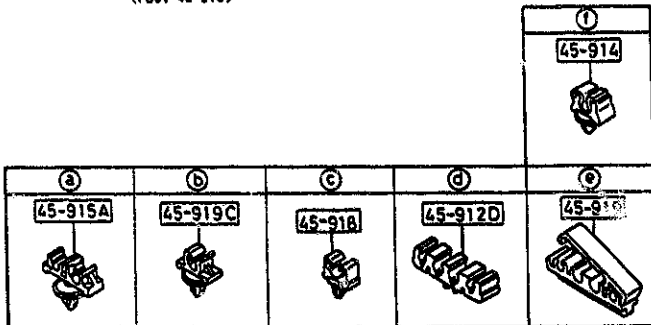
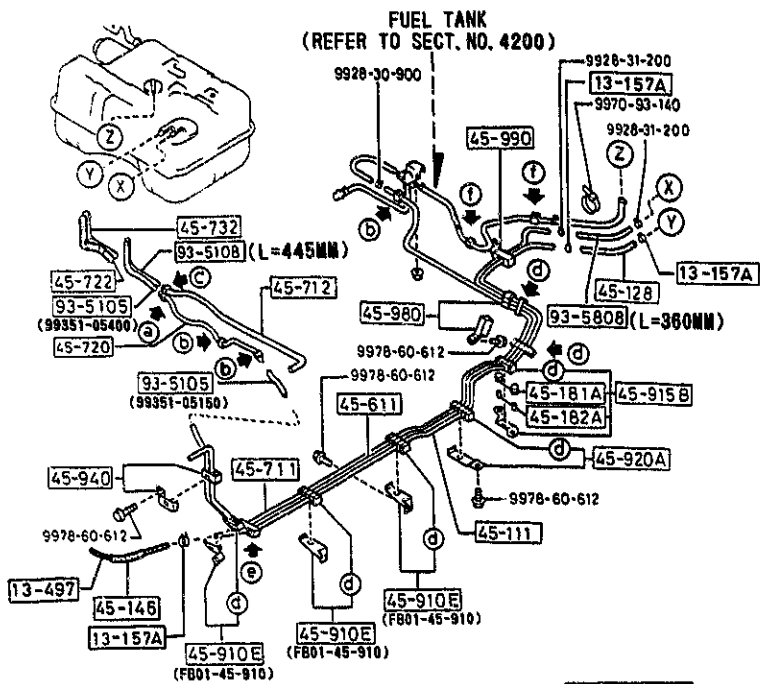


93-5104		99351-04999	L=200MM
93-5808		99358-08999	L=360MM
93-5108		99351-08999	L=210MM

PART NO.	QTY	MODEL/RESTRICTION	MODEL/RESTRICTION	MODEL/RESTRICTION	FROM-TO
13-157A		CLIP			
8574-13-157	3				
13-421		HOSE, FUEL MAIN			
8630-13-496	1	(CONVERTIBLE)			
13-497		HOSE, FUEL			
E5A1-13-497A	1	(CPE)			
45-111		PIPE, FUEL-MAIN			
FB01-45-111C	1	(CPE)			
FB70-45-111	1	(CONVERTIBLE)			
45-128		HOSE, FUEL MAIN			
99359-0826P	1				
45-146		PROTECTOR, FUEL HOSE			
FB55-45-146	1	(CPE)			
8116-45-146	1	(CONVERTIBLE)			
45-181A		RUBBER, MOUNT			
FA23-45-181	2	(TURBO)			
45-182A		SPACER			
FA23-45-182	2	(TURBO)			
45-611		PIPE, FUEL-RETURN			
FB01-45-611E	1				
45-711		PIPE, EVAPORATION			
FB01-45-711B	1				
45-712		PIPE, EVAPORATOR			
FB01-45-712D	1	(W/O TURBO)			
FB55-45-731	1	(TURBO)			
45-720		PIPE, EVAPORATION-FRONT			
FC01-45-720	1	(W/O TURBO)			
FB55-45-721	1	(TURBO)			

(TURBO)

(THIS ILLUSTRATION CONSISTS OF 2 PAGES)

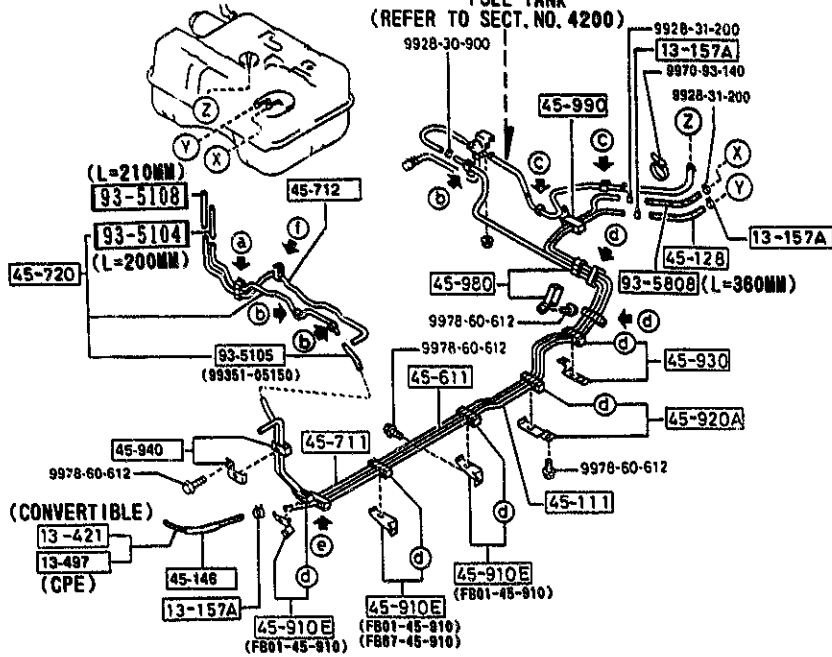


PART NO.	QTY	MODEL/RESTRICTION	MODEL/RESTRICTION	MODEL/RESTRICTION	FROM-TO
45-722 FB55-45-722A	1	PROTECTOR, EVAPO HOSE -FRT (TURBO)			
45-732 FB55-45-732A	1	PROTECTOR, EVAPO HOSE (TURBO)			
45-910E FB01-45-910	2	HOLDER, PIPE (CONVERTIBLE)			
FB01-45-910	3	(CPE)			
FB67-45-910	1	(CONVERTIBLE)			
45-912D FB01-45-912	7	HOLDER 'A'			
45-914 FB01-45-914	2	HOLDER, PIPE NIFUKO			
45-915A G037-45-913	1	HOLDER, PIPE			
45-915B F048-45-930	1	HOLDER, PIPE (TURBO)			
45-918 B075-45-918	1	CLIP, FUEL PIPE (TURBO)			
B180-45-918	1	(W/O TURBO)			
45-919 FB01-45-919	1	CLIP, PIPE			
45-919C *G030-45-919	3	CLIP, PIPE			
45-920A FB01-45-920	1	HOLDER 'B', PIPE			
45-930 FB01-45-930	1	HOLDER 'C', PIPE (W/O TURBO)			

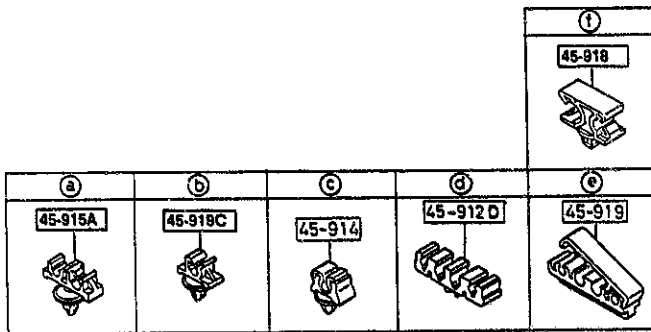
4500 FUEL PIPINGS

(W/O TURBO)

(THIS ILLUSTRATION CONSISTS OF 2 PAGES)
 FUEL TANK
 (REFER TO SECT. NO. 4200)



(CONVERTIBLE)

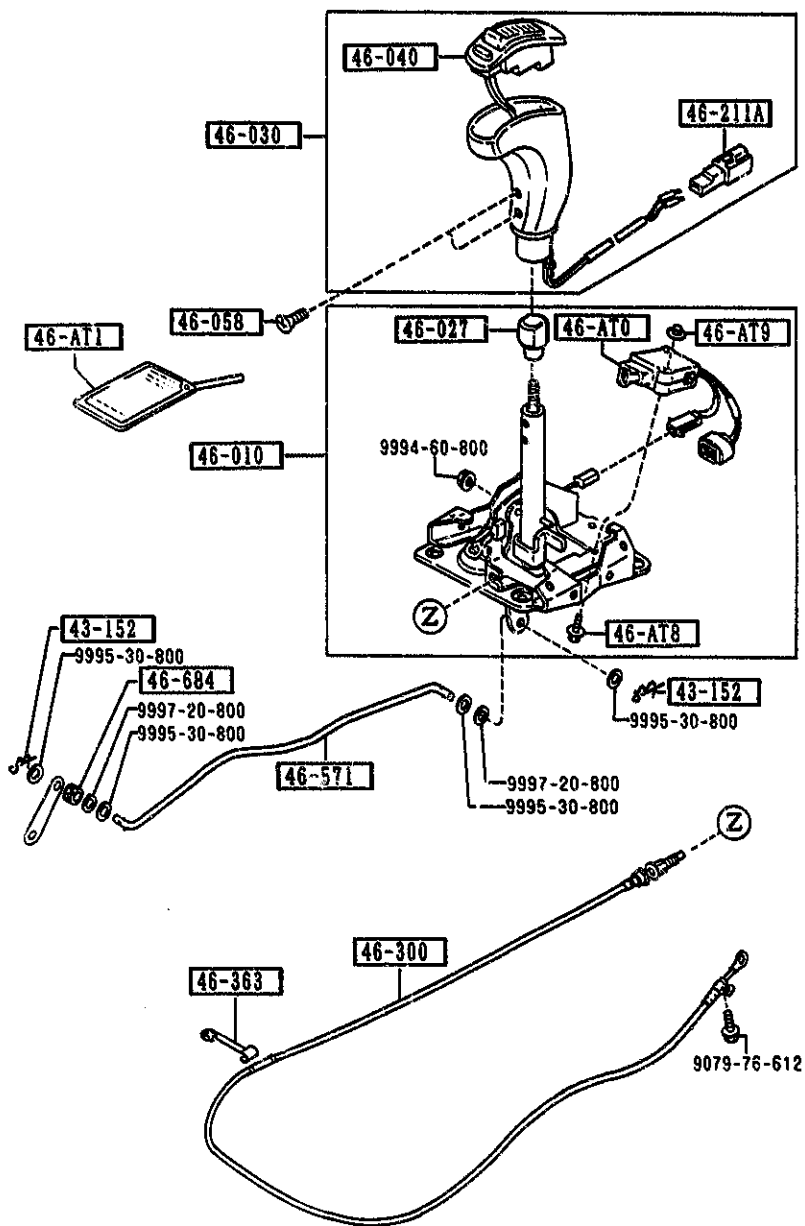


93-5104		99351-04999	L=200MM
93-5808		99358-08999	L=360MM
93-5108		99351-08999	L=210MM

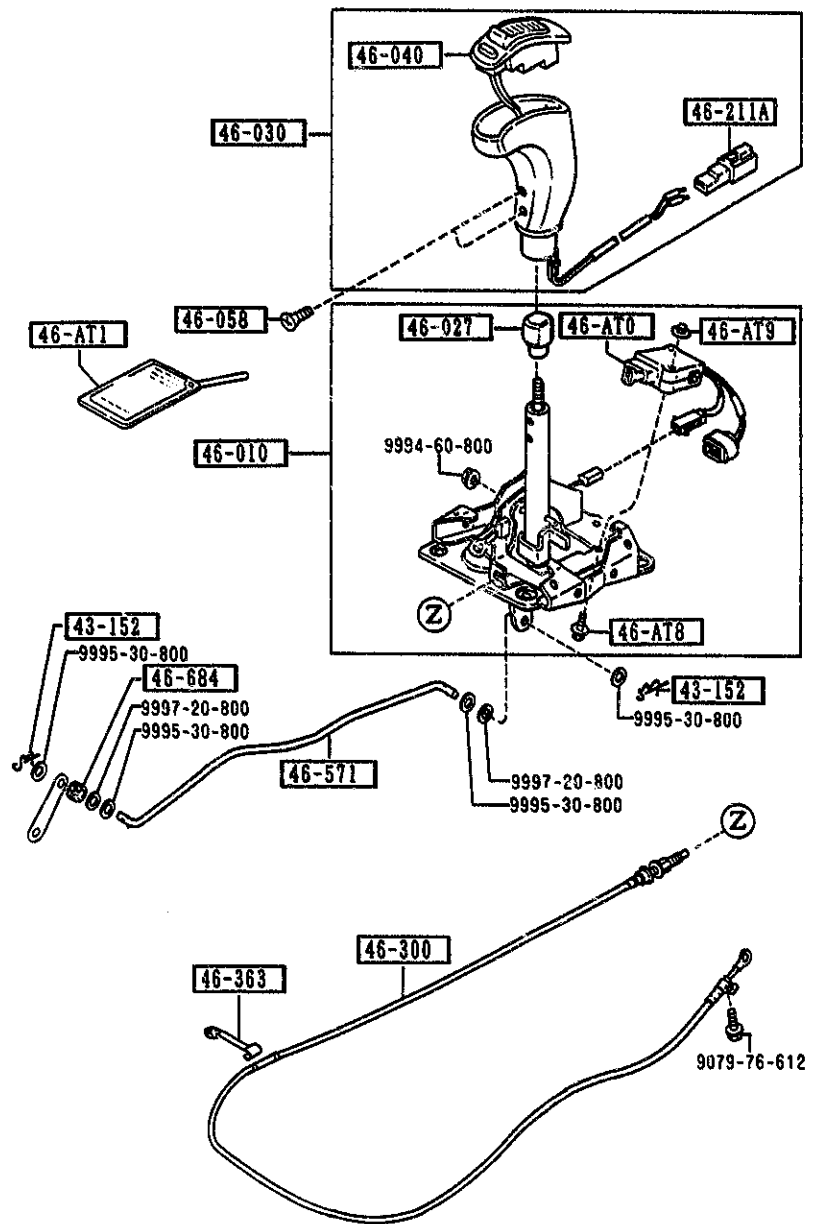
PART NO.	QTY	MODEL/RESTRICTION	MODEL/RESTRICTION	MODEL/RESTRICTION	FROM-TO
45-940		HOLDER, PIPE			
FB01-45-940	1				
45-980		HOLDER'D', PIPE			
FB01-45-980A	1				
45-990		HOLDER'K', PIPE-FUEL			
FB01-45-990	1				
93-5104		HOSE			
99351-04999	1				
93-5105		HOSE, FUEL			
99351-05150	1				
99351-05400	1	(TURBO)			
93-5108		HOSE			
99351-08999	1				
93-5808		HOSE			
99358-08999	1				

4600 CHANGE CONTROL SYSTEM (AT)

4600 -1 CHANGE CONTROL SYSTEM (AT)



PART NO.	QTY	MODEL/RESTRICTION	MODEL/RESTRICTION	MODEL/RESTRICTION	FROM-TO
43-152		PIN, SNAP			
D001-43-152	2				
46-AT0		ACTUATOR, SHIFT LOCK			
F062-46-AT0A	1				
46-AT1		TAG, CAUTION-CHANGE			
GN92-46-AT1B	1				
46-AT8		SCREW			
H338-46-AT8	2				
46-AT9		NUT			
H338-46-AT9	2				
46-010		LEVER, SELECT			
FC08-46-100C	1				
46-027		CAM, CHANGE LEVER			
FC07-46-027	1				
46-030		KNOB, CHANGE LEVER			
FC08-46-030A	1				
46-040		SWITCH, OVER DRIVE CONTROL			
FC07-46-040A	1				
46-058		SCREW, CHANGE LEVER KNOB			
FB02-46-058C	2				
46-211A		CONNECTOR, CHANGE LEVER			
H338-46-211	1				
46-300		CABLE, INTER LOCK			
FC08-46-300C	1				
46-363		CLIP, INTER LOCK CABLE			
FC08-46-363	1				
46-571		ROD, SELECTOR			
FC07-46-571	1				



PART NO.	QTY	MODEL/RESTRICTION	MODEL/RESTRICTION	MODEL/RESTRICTION	FROM-TO
46-684		BUSH			
1015-46-684A	1				