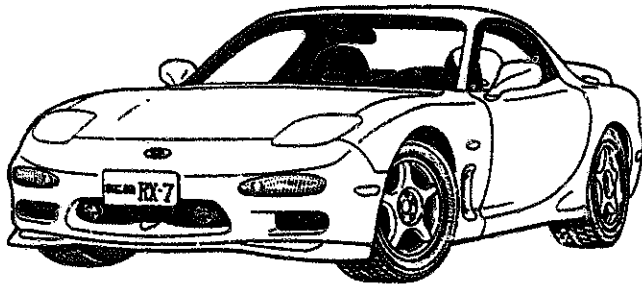


# Parts Catalog

Mazda RX-7  
U.S.A.  
'94



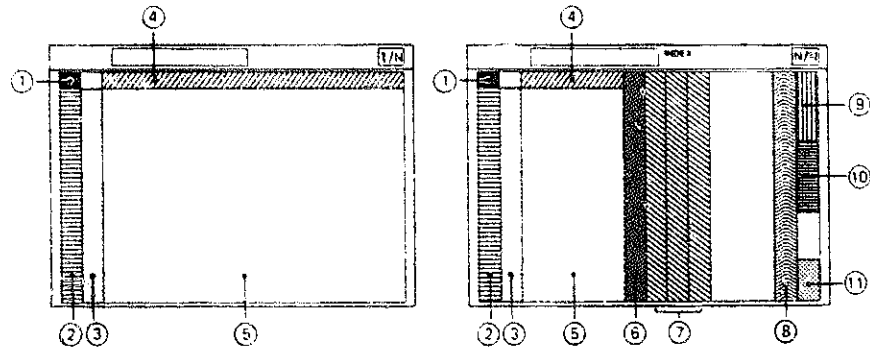
FD333 • 30001-31000

Apr. '95 (FINAL)  
Catalog No. AU-FA05-03

**MAZDA**  
© 1995 Mazda Motor Corporation

## LAYOUT OF CONTENTS / DISPOSITION TYPOGRAPHIQUE DE CONTENU / DISPOSICION DEL CONTENIDO / ANORDNUNG DES INHALTS


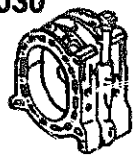




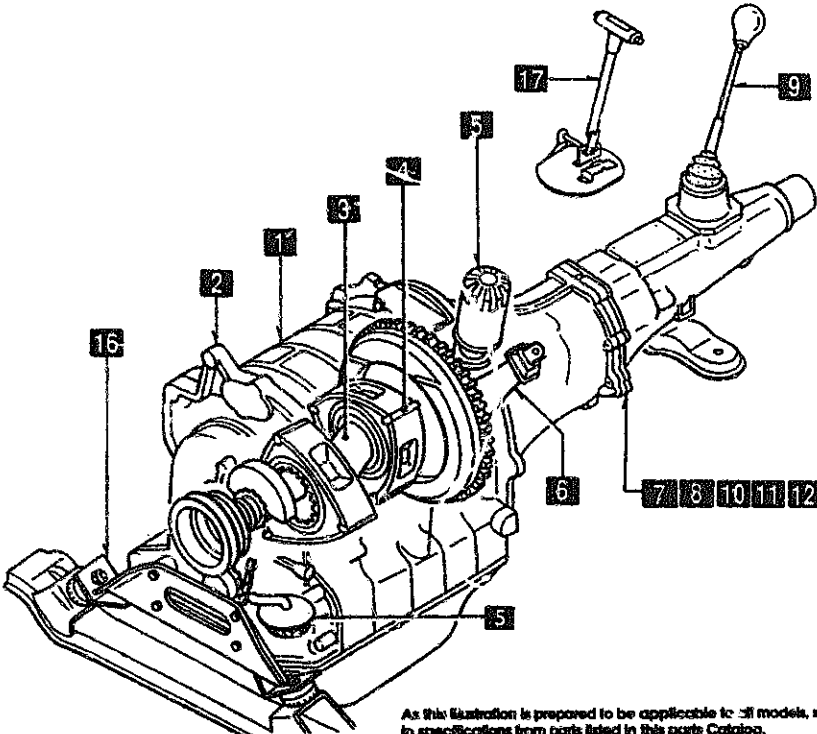

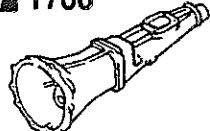

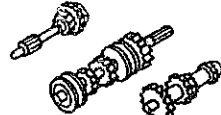
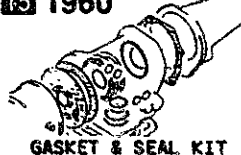
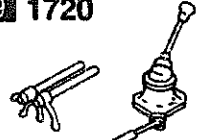

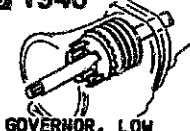
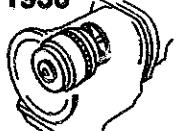


- The following is a typical example of the layout of contents on Mazda microfiche parts catalog
- Voici un exemple typique de la disposition typographique de contenu dans les microfiches de catalogue des pièces de Mazda.
- El siguiente es un ejemplo típico de la disposición del contenido en una microficha del catálogo de repuestos de Mazda.
- Folgendes ist ein typisches Beispiel der Inhaltsanordnung des Mazda-Mikrofiche Teilkatalogs.








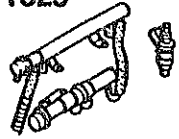
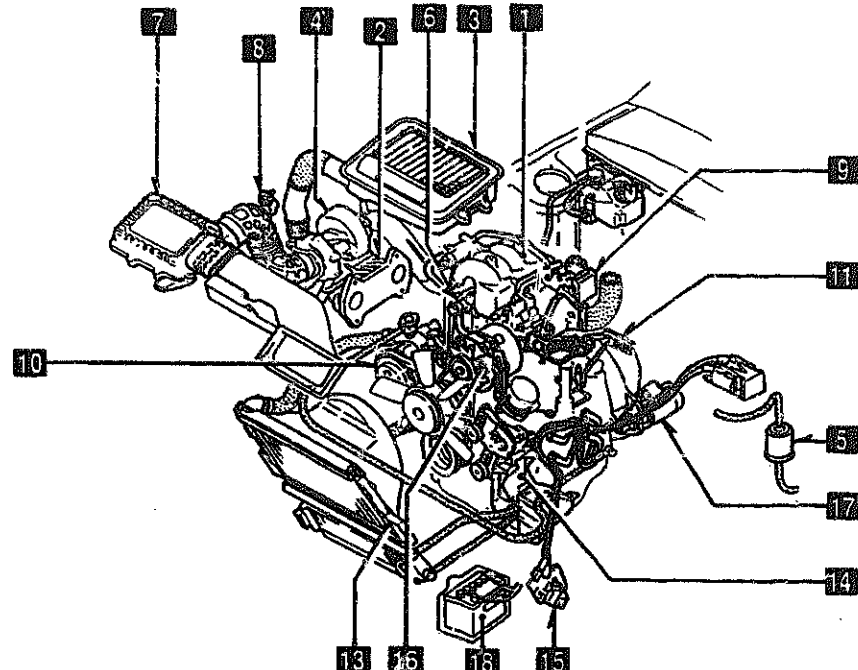
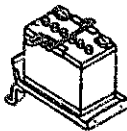
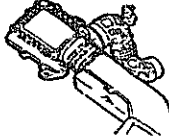

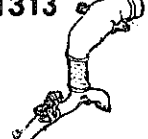
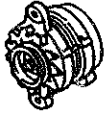



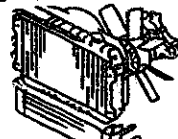

Remark : The items listed under ④ have been deleted from each fiche since Dec. '93

- |  |   |   |
|--|---|---|
| ① • Layout of contents<br>• Disposition Typographique de Contenu<br>• Disposición del contenido<br>• Anordnung des Inhalts   | ② • Pictorial Index<br>• Index par Schémas<br>• Índice Gráfico<br>• Illustrierter Index                           | ③ • Master Section No. Index<br>• Index des Numéros des Sections Totale<br>• Índice del Número de la Sección Maestra<br>• Hauptabschnittsnummer-Index       |
| <del>④ • Section No. Index for the Column<br/>• Index des Numéros des Sections pour les Colonnes<br/>• N° de la Sección para el Índice<br/>• Abschnittsnummer-Index für die Spalte</del> | ⑤ • Illustration & Text<br>• Illustrations et Textes<br>• Ilustración y Texto<br>• Abbildung und Text             | ⑥ • Part No. Index<br>• Index des Numéros des Pièces<br>• Índice del N° de Pieza<br>• Teile-Nr.-Index   |
| ⑦ • Alphabetical Index<br>• Index Alphabétique<br>• Índice Alfabético<br>• Alphabetischer Index  | ⑧ • Model Identification<br>• Identification des Modèles<br>• Identificación del Modelo<br>• Modell-Kennzeichnung | ⑨ • Vehicle Identification System<br>• Système d'identification de Véhicule<br>• Sistema de Identificación de Vehículo<br>• Fahrzeug-Identifikations-system |

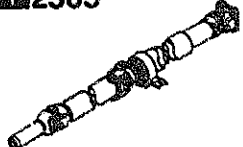
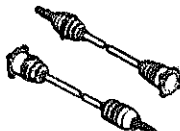


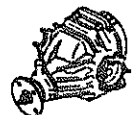



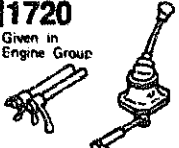
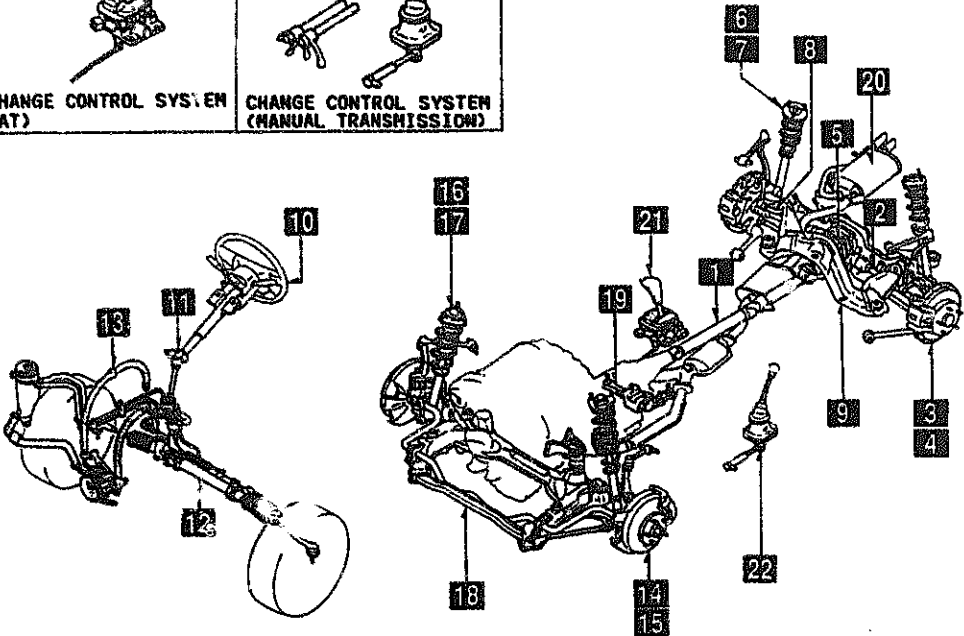

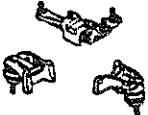

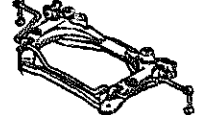

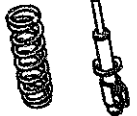







## PICTORIAL INDEX

<p><b>1000</b></p>  <p style="text-align: center;"><b>ROTOR HOUSINGS</b></p>	<p><b>1 1030</b></p>  <p style="text-align: center;"><b>OIL PAN, FRONT &amp; REAR HOUSING</b></p>	<p><b>2 1040</b></p>  <p style="text-align: center;"><b>ECCENTRIC SHAFT &amp; FLYWHEEL</b></p>	<p><b>3 1100</b></p>  <p style="text-align: center;"><b>ROTORs &amp; RELATED PARTS</b></p>	<p><b>4 1110</b></p>  <p style="text-align: center;"><b>OIL PUMP &amp; FILTER</b></p>	<p><b>5 1400</b></p>  <p style="text-align: center;"><b>CLUTCH DISC &amp; COVER (MANUAL)</b></p>
<h3 style="margin: 0;">ENGINE (1/2)</h3> 					
<p><b>17 4600</b></p> <p style="font-size: small;">Given in Chassis Group</p>  <p style="text-align: center;"><b>CHANGE CONTROL SYSTEM (AT)</b></p>	<p style="font-size: x-small;">As this illustration is prepared to be applicable to all models, some parts are different in specifications from parts listed in this parts Catalog.</p>				<p><b>6 1600</b></p>  <p style="text-align: center;"><b>TRANSMISSION CASE (MANUAL)</b></p>
<p><b>16 3900</b></p> <p style="font-size: small;">Given in Chassis Group</p>  <p style="text-align: center;"><b>ENGINE &amp; TRANSMISSION MOUNTINGS</b></p>					<p><b>7 1700</b></p>  <p style="text-align: center;"><b>TRANSMISSION GEARS (MANUAL)</b></p>
<p><b>15 1960</b></p>  <p style="text-align: center;"><b>GASKET &amp; SEAL KIT (AUTOMATIC)</b></p>					<p><b>8 1710</b></p>  <p style="text-align: center;"><b>CHANGE CONTROL SYSTEM (MANUAL)</b></p>
<p><b>14 1950</b></p>  <p style="text-align: center;"><b>MANUAL LINKAGE SYSTEM (AUTOMATIC)</b></p>	<p><b>13 1940</b></p>  <p style="text-align: center;"><b>GOVERNOR, LOW &amp; REVERSE PISTON (AUTOMATIC)</b></p>	<p><b>12 1930</b></p>  <p style="text-align: center;"><b>CLUTCHES &amp; PLANETARY GEARS (AUTOMATIC)</b></p>	<p><b>11 1920 &amp; 1925</b></p>  <p style="text-align: center;"><b>TRANSMISSION CASE &amp; MAIN CONTROL SYSTEM (AUTOMATIC)</b></p>	<p><b>10 1910</b></p>  <p style="text-align: center;"><b>TORQUE CONVERTER, OIL PUMP &amp; PIPINGS (AUTOMATIC)</b></p>	

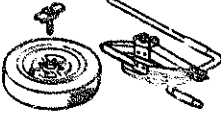



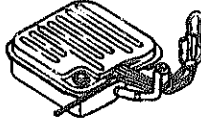
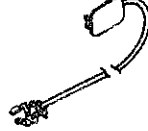
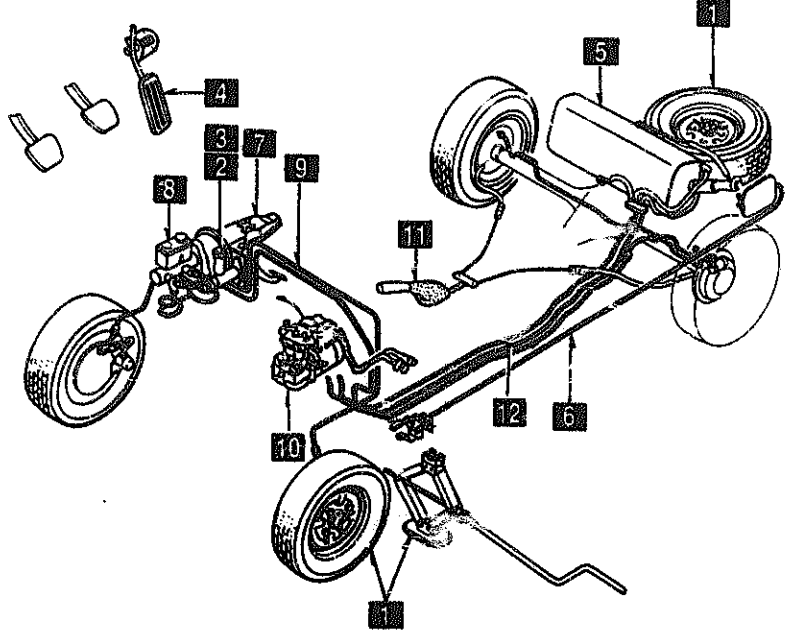
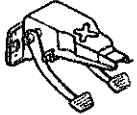
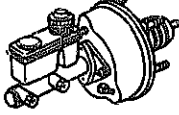

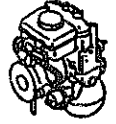
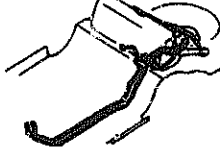

## PICTORIAL INDEX

<b>1</b> 1300  INLET MANIFOLD	<b>2</b> 1310  EXHAUST MANIFOLD	<b>3</b> 1311  INTER COOLER	<b>4</b> 1312  TURBO CHARGER	<b>5</b> 1320  FUEL SYSTEM	<b>6</b> 1325  FUEL DISTRIBUTOR
<h3 style="margin: 0;">ENGINE (2/2)</h3> 					
<b>18</b> 1850  BATTERY					<b>7</b> 1330  AIR CLEANER
<b>17</b> 1840  STARTER					<b>8</b> 1313  TWIN TURBO AIR INTAKE SYSTEM
<b>16</b> 1330  ALTERNATOR					<b>9</b> 1364  THROTTLE BODY
As this illustration is prepared to be applicable to all models, some parts are different in specifications from parts listed in this parts Catalog.					
<b>15</b> 1800  ENGINE ELECTRICAL SYSTEM	<b>12</b> 1580  BRACKET, PULLEY & BELT	<b>13</b> 1500  COOLING SYSTEM			<b>11</b> 1380  EMISSION CONTROL SYSTEM

# PICTORIAL INDEX


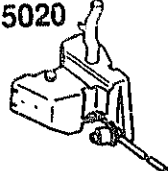

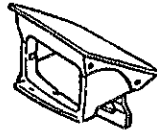
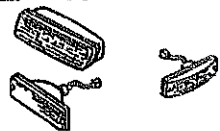
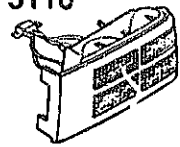
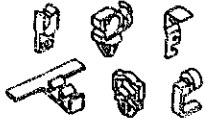
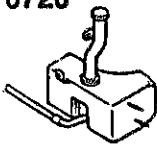
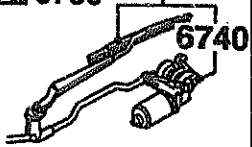
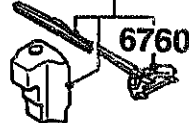
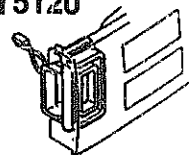

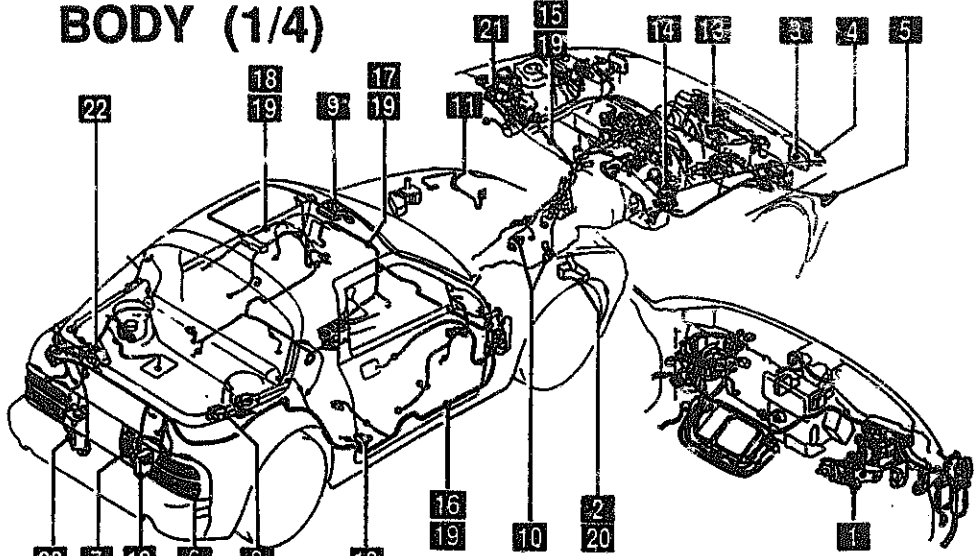
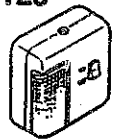





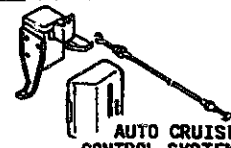
<b>1 2505</b>  REAR PROPELLER SHAFT	<b>2 2550</b>  REAR DRIVE SHAFT	<b>3 2600</b>  REAR AXLE	<b>4 2610</b>  REAR BRAKE MECHANISMS	<b>5 2710</b>  REAR DIFFERENTIALS	<b>6 2800</b>  REAR SUSPENSION MECHANISMS
<b>20 4000</b>  EXHAUST SYSTEM	<b>21 4600</b>  CHANGE CONTROL SYS'EN (AT)	<b>22 1720</b> Given in Engine Group  CHANGE CONTROL SYSTEM (MANUAL TRANSMISSION)	<h2 style="margin: 0;">CHASSIS (1/2)</h2> 		<b>7 2801</b>  REAR SPRING & DAMPER
<b>19 3900</b>  ENGINE & T/MISSION MOUNTINGS	(This area contains the large chassis diagram with callouts 1-22.)			<b>8 2810</b>  REAR STABILIZER	
<b>13 3410</b>  CROSSMEMBER & STABILIZER				<b>9 2830</b>  REAR LOWER ARMS & SUB FRAME	
<b>17 3401</b>  FRONT SPRING & DAMPER				<b>10 3200</b>  STEERING WHEEL	
<b>16 3400</b>  FRONT SUSPENSION MECHANISMS				As this illustration is prepared to be applicable to all models, some parts are different in specifications from parts listed in this parts catalog.	
<b>15 3310</b>  FRONT BRAKE MECHANISMS	<b>14 3300</b>  FRONT AXLE	<b>13 3240</b>  POWER STEERING SYSTEM (FRONT)	<b>12 3220</b>  STEERING GEAR	<b>11 3210</b>  STEERING COLUMN & SHAFTS	

## PICTORIAL INDEX










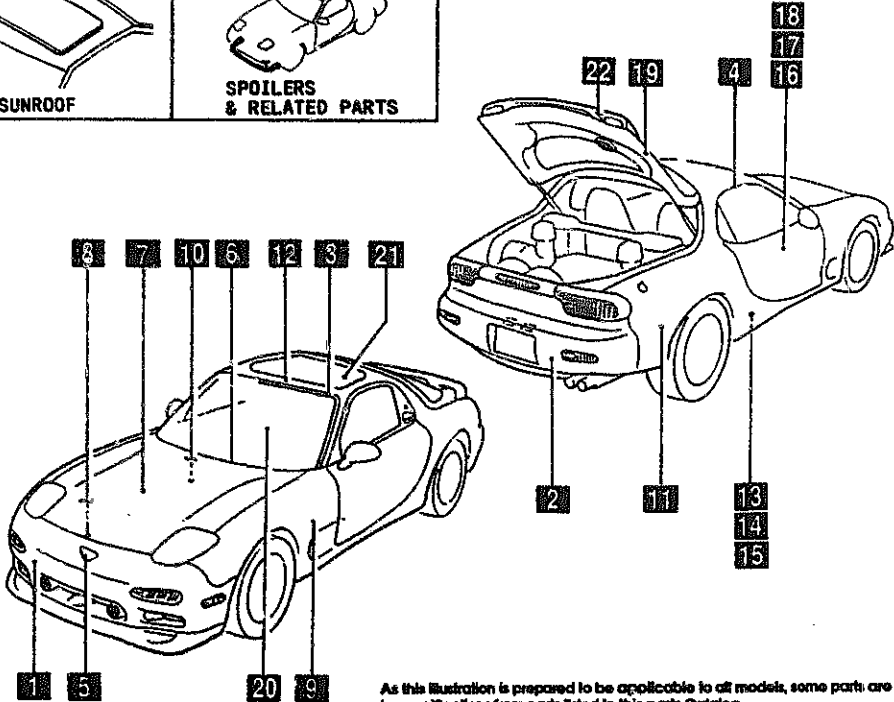
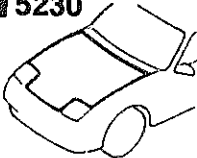

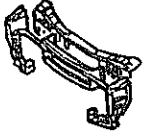

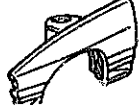



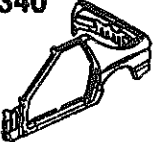




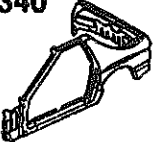
<b>1</b> 3700  TIRES & JACK	<b>2</b> 4140  CLUTCH RELEASE & MASTER CYLINDERS	<b>3</b> 4145  CLUTCH PIPINGS	<b>4</b> 4160  ACCELERATOR CONTROL SYSTEM	<b>5</b> 4200  FUEL TANK	<b>6</b> 4210  FUEL LID OPENER
<h3 style="margin: 0;">CHASSIS (2/2)</h3> 					
					<b>7</b> 4300  CLUTCH & BRAKE PEDALS
					<b>8</b> 4340  BRAKE MASTER CYLINDER & POWER BRAKE
					<b>9</b> 4360  BRAKE PIPINGS
					<b>10</b> 4370  ANTILOCK BRAKE SYSTEM
				<b>12</b> 4500  FUEL PIPINGS	<b>11</b> 4400  PARKING BRAKE SYSTEM

As this illustration is prepared to be applicable to all models, some parts are different in specifications from parts listed in this parts Catalog.

## PICTORIAL INDEX

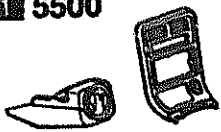

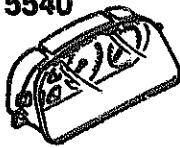
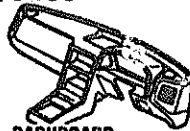
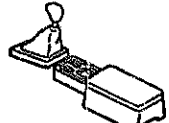
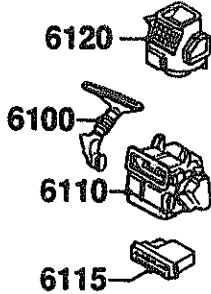
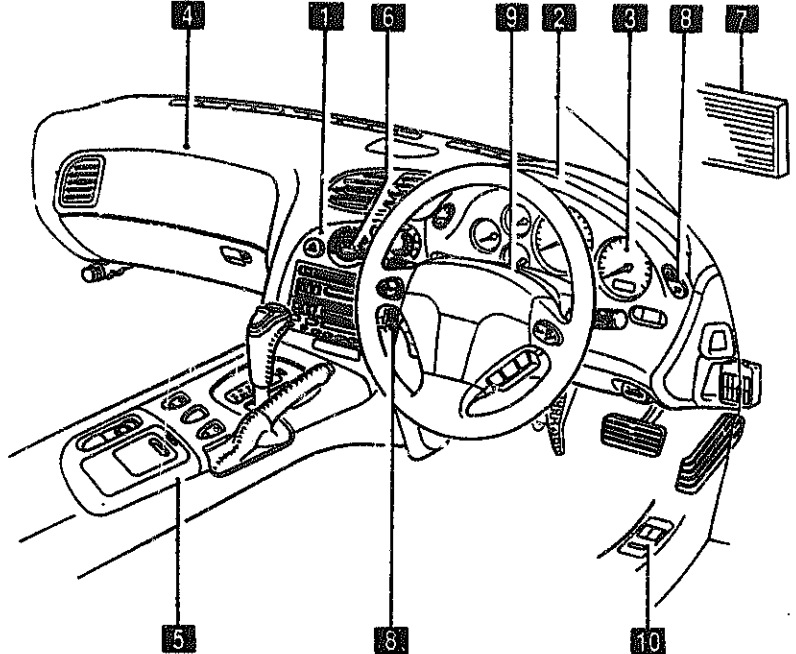
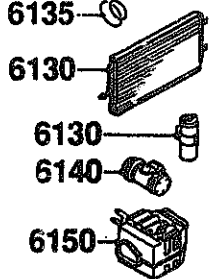
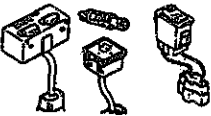
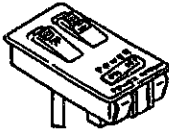
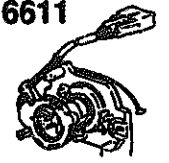
<p><b>1</b> 0900</p>  <p>KEY SETS</p>	<p><b>2</b> 5020</p>  <p>HEAD LAMP CLEANER</p>	<p><b>3</b> 5100</p>  <p>HEAD LAMPS</p>	<p><b>4</b> 5103</p>  <p>HEAD LAMP RETRACTORS</p>	<p><b>5</b> 5105</p>  <p>FRONT COMBINATION LAMPS</p>	<p><b>6</b> 5110</p>  <p>REAR COMBINATION LAMPS</p>
<p><b>19</b> 6704</p>  <p>WIRING HARNESS CLAMPS</p>	<p><b>20</b> 6720</p>  <p>WINDSHIELD WASHER</p>	<p><b>21</b> 6730</p>  <p>WINDSHIELD WIPERS</p>	<p><b>22</b> 6750</p>  <p>WINDOW WIPER &amp; WASHER (REAR)</p>	<p><b>7</b> 5120</p>  <p>LICENSE LAMPS</p>	
<p><b>18</b> 6703</p>  <p>WIRING HARNESSSES (DOOR, FLOOR/CEILING)</p>	<p><b>BODY (1/4)</b></p>  <p style="font-size: small; text-align: center;">As this illustration is prepared to be applicable to all models, some parts are different in specifications from parts listed in this parts Catalog.</p>				<p><b>8</b> 5125</p>  <p>INTERIOR LAMPS</p>
<p><b>17</b> 6702</p>  <p>WIRING HARNESSSES (DASHBOARD)</p>					<p><b>9</b> 5130</p>  <p>OVERHEAD CONSOLE</p>
<p><b>16</b> 6700</p>  <p>WIRING HARNESSSES (FRONT &amp; REAR)</p>					<p><b>10</b> 6600</p>  <p>SWITCHES &amp; RELAYS (ENGINE)</p>
<p><b>15</b> 6701</p>  <p>WIRING HARNESSSES (ENGINE &amp; T/MISSION)</p>					<p><b>14</b> 6640</p>  <p>AUTO CRUISE CONTROL SYSTEM</p>

## PICTORIAL INDEX

<b>1</b> 5000  FRONT BUMPER	<b>2</b> 5010  REAR BUMPER	<b>3</b> 5030  WINDOW MOULDINGS	<b>4</b> 5040  BODY MOULDINGS	<b>5</b> 5170  ORNAMENTS	<b>6</b> 5180  COWL & EXTRACTOR GRILLES
<b>20</b> 6300  WINDOW GLASSES	<b>21</b> 6330  SUNROOF	<b>22</b> 7800  SPOILERS & RELATED PARTS	<b>BODY (2/4)</b> 		<b>7</b> 5230  BONNET
<b>19</b> 6230  LIFT GATE MECHANISMS				<b>8</b> 5310  FRONT PANELS	
<b>13</b> 5840  FRONT DOOR TRIMS & RELATED PARTS				<b>9</b> 5320  FENDER & WHEEL APRON PANELS	
<b>17</b> 5830  FRONT DOOR MECHANISMS				<b>10</b> 5330  DASH & COWL PANELS	
<b>16</b> 5800  FRONT DOORS				<b>11</b> 5340  SIDE PANELS	
<b>15</b> 5390  FLOOR ATTACHMENTS	<b>14</b> 5380  FLOOR ATTACHMENTS (HOLE COVERS)	<b>13</b> 5370  FLOOR PANELS	<b>12</b> 5360  ROOF PANELS	<b>11</b> 5340  SIDE PANELS	

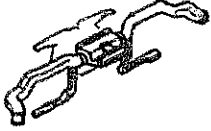



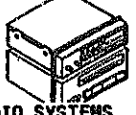
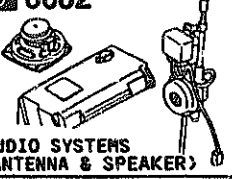
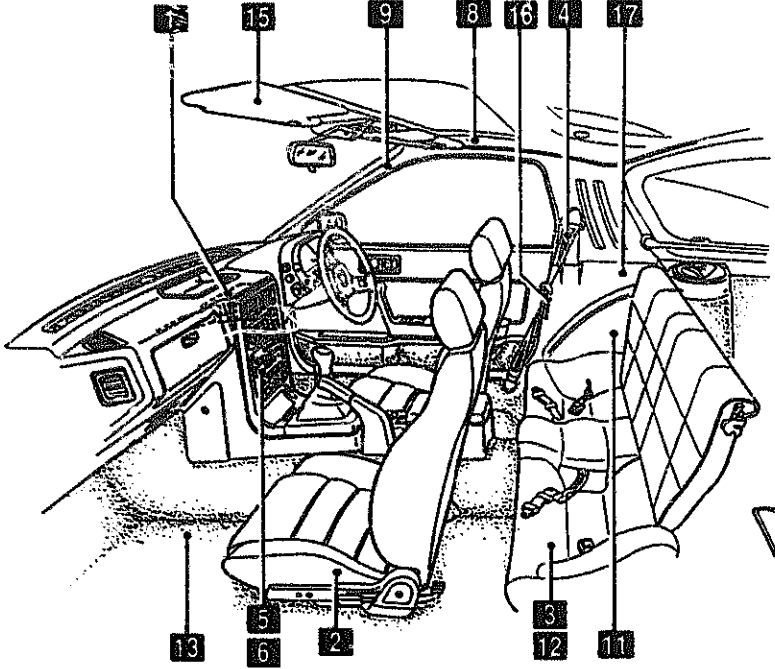
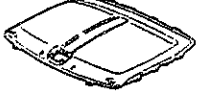
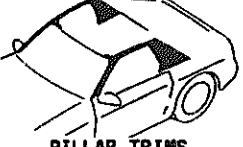




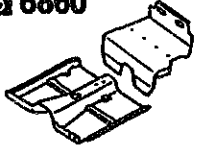

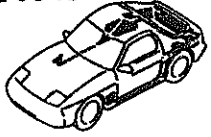
As this illustration is prepared to be applicable to all models, some parts are different in specifications from parts listed in this parts Catalog.

## PICTORIAL INDEX

<p><b>1 5500</b></p>  <p><b>DASHBOARD EQUIPMENTS</b></p>	<p><b>2 5520</b></p>  <p><b>METER HOOD</b></p>	<p><b>3 5540</b></p>  <p><b>METER COMPONENTS</b></p>	<p><b>4 5560</b></p>  <p><b>DASHBOARD &amp; RELATED PARTS</b></p>	<p><b>5 5570</b></p>  <p><b>CONSOLE</b></p>	<p><b>6</b></p>  <p><b>HEATER</b></p>
<p><b>BODY (3/4)</b></p> 					
<p><small>As this illustration is prepared to be applicable to all models, some parts are different in specifications from parts listed in this parts Catalog.</small></p>					
				<p><b>7</b></p>  <p><b>AIR CONDITIONER</b></p>	<p><b>8 6610</b></p>  <p><b>DASHBOARD SWITCHES</b></p>
				<p><b>10 6615</b></p>  <p><b>POWER WINDOW SWITCHES</b></p>	<p><b>9 6611</b></p>  <p><b>COMBINATION SWITCH</b></p>



## PICTORIAL INDEX

<b>1</b> 5580  VENTILATOR	<b>2</b> 5700  FRONT SEATS	<b>3</b> 5750  REAR SEATS	<b>4</b> 5790  SEAT BELTS	<b>5</b> 6680  AUDIO SYSTEMS (RADIO & TAPE DECK)	<b>6</b> 6682  AUDIO SYSTEMS (ANTENNA & SPEAKER)
<h3 style="margin: 0;">BODY (4/4)</h3>  <p style="font-size: small; text-align: center;">As this illustration is prepared to be applicable to all models, some parts are different in specifications from parts listed in this parts Catalog.</p>					
<b>7</b>					
<b>8</b> 6800  CEILING TRIMS					
<b>9</b> 6820  PILLAR TRIMS					
<b>10</b>					
<b>11</b> 7250  QUARTER WINDOW & TRIMS					
<b>15</b> 6930  CAUTION PLATES & LABELS	<b>15</b> 6900  VISORS, ASSIST HANDLES & MIRRORS	<b>14</b> 6870  SERVICE TOOLS	<b>13</b> 6860  FLOOR MATS & PADS	<b>12</b> 6845  STORAGE BOX	<b>11</b> 6840  TRIMS & SCUFF PLATES

## SECTION NAME INDEX (ENGINE)

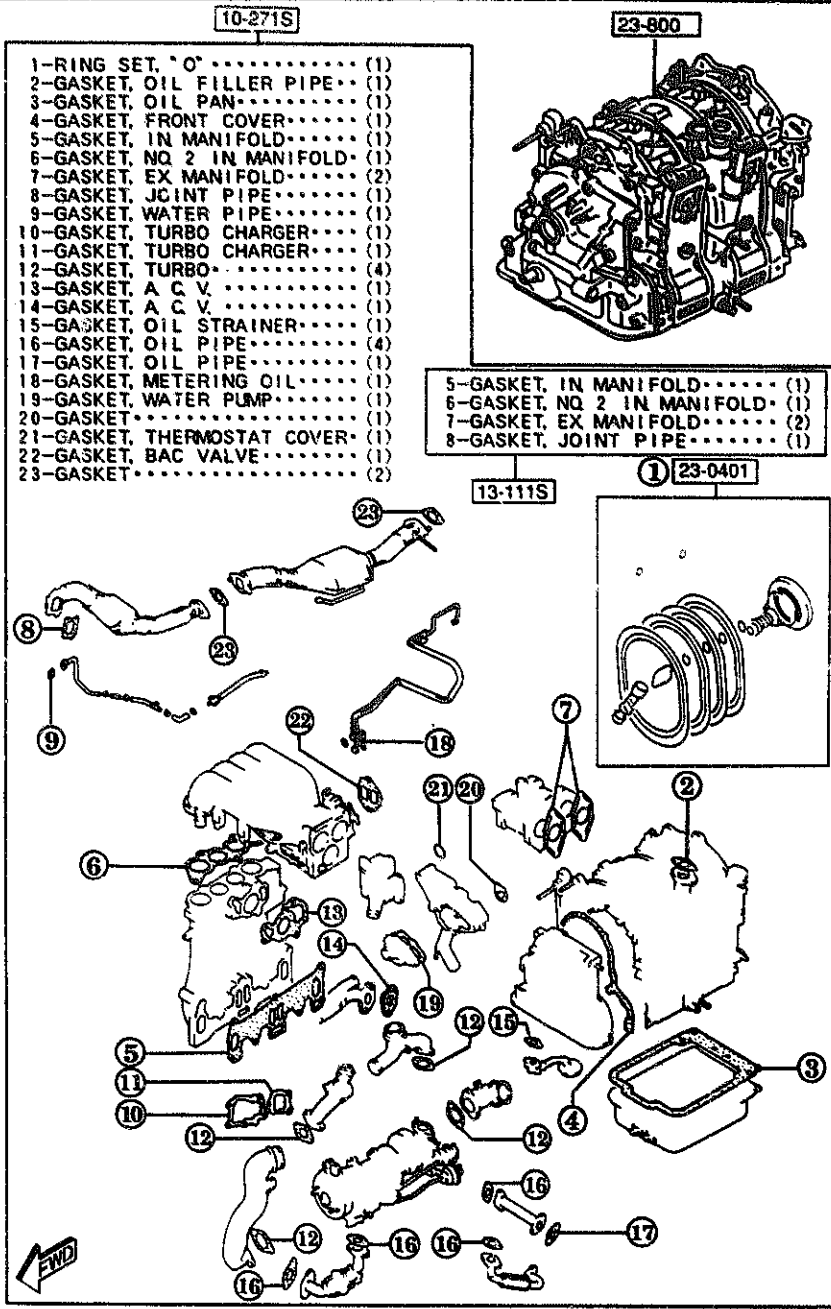
LD.NO	SEC.NO	SECTION NAME	LD.NO	SEC.NO	SECTION NAME	LD.NO	SEC.NO	SECTION NAME
1-C03	1000	ENGINE & GASKET SETS	1-F11	1940	GOVERNOR, LOW & REVERSE PISTON (AUTOMATIC)			
1-D03	1030	ROTOR HOUSINGS	1-H11	1950	MANUAL LINKAGE SYSTEM (AUTOMATIC)			
1-G03	1040	OIL PAN, FRONT & REAR HOUSING	1-J11	1960	GASKET & SEAL KIT (AUTOMATIC)			
1-J03	1100	ECCENTRIC SHAFT & FLYWHEEL						
1-N03	1110	ROTORS & RELATED PARTS						
1-C04	1300	INLET MANIFOLD						
1-D04	1310	EXHAUST MANIFOLD						
1-E04	1311	INTER COOLER						
1-F04	1312	TURBO CHARGER						
1-H04	1313	TWIN TURBO AIR INTAKE SYSTEM						
1-J04	1320	FUEL SYSTEM						
1-K04	1325	FUEL DISTRIBUTOR						
1-N04	1330	AIR CLEANER						
1-C05	1364	THROTTLE BODY						
1-E05	1371	AIR PUMP & AIR CONTROL VALVE						
1-G05	1380	EMISSION CONTROL SYSTEM						
1-C06	1400	OIL PUMP & FILTER						
1-F06	1500	COOLING SYSTEM						
1-N06	1580	BRACKET, PULLEY & BELT						
1-C07	1600	CLUTCH DISC & COVER (MANUAL)						
1-E07	1700	TRANSMISSION CASE (MANUAL)						
1-I07	1710	TRANSMISSION GEARS (MANUAL)						
1-C08	1720	CHANGE CONTROL SYSTEM (MANUAL)						
1-E08	1800	ENGINE ELECTRICAL SYSTEM						
1-H08	1830	ALTERNATOR						
1-J08	1840	STARTER (MT)						
1-L08	1840 A	STARTER (AT)						
1-N08	1850	BATTERY						
1-C09	1910	TORQUE CONVERTER, OIL PUMP & PIPINGS (AUTOMATIC)						
1-H09	1920	TRANSMISSION CASE & MAIN CONTROL SYSTEM (AUTOMATIC)						
1-N09	1925	CONTROL VALVE (AUTOMATIC)						
1-J10	1930	CLUTCHES & PLANETARY GEARS (AUTOMATIC)						

## SECTION NAME INDEX (CHASSIS)

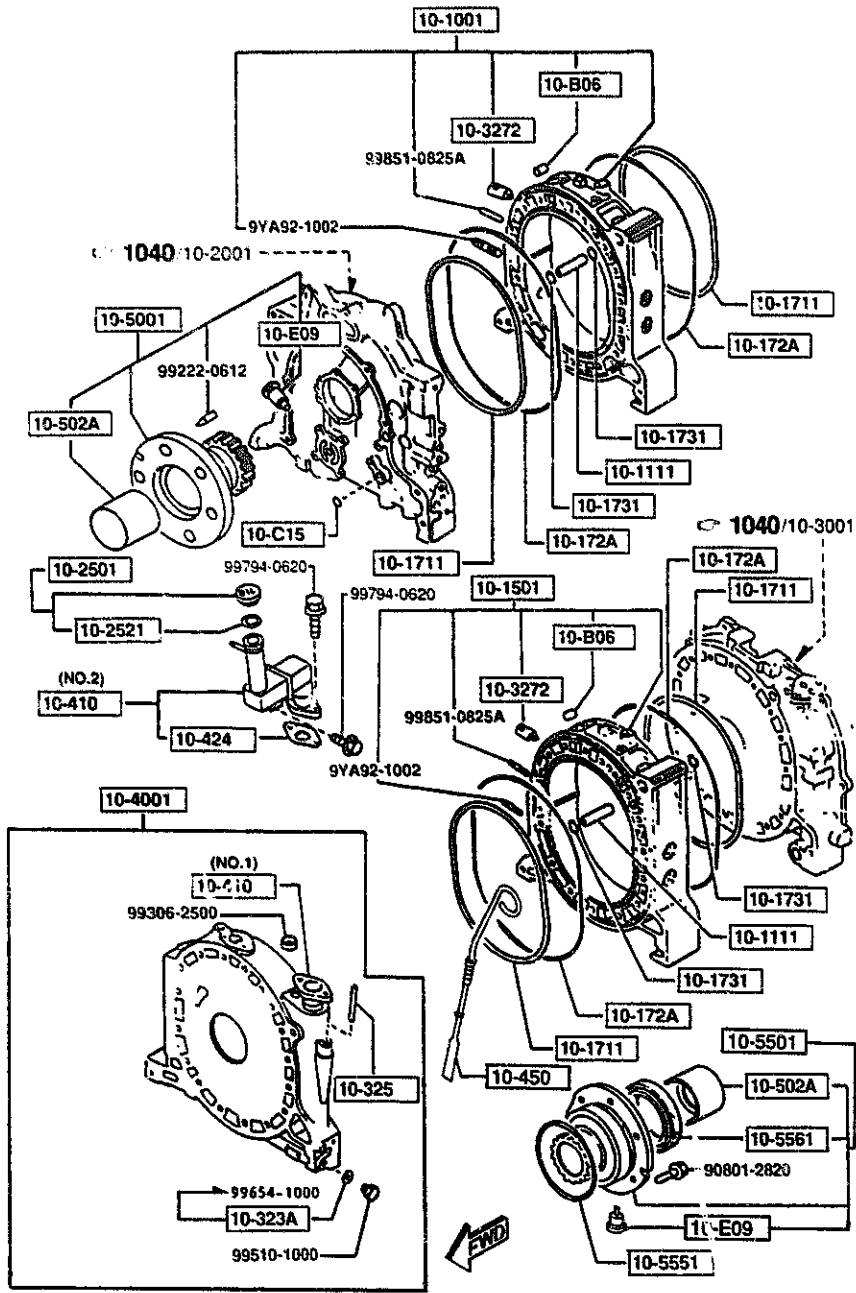
LD.NO	SEC.NO	SECTION NAME	LD.NO	SEC.NO	SECTION NAME	LD.NO	SEC.NO	SECTION NAME
2-C03	2505	REAR PROPELLER SHAFT	2-E08	4600	CHANGE CONTROL SYSTEM (AT)			
2-D03	2550	REAR DRIVE SHAFT						
2-E03	2600	REAR AXLE						
2-G03	2610	REAR BRAKE MECHANISMS						
2-J03	2710	REAR DIFFERENTIALS						
2-N03	2800	REAR SUSPENSION MECHANISMS						
2-C04	2801	REAR SPRING & DAMPER						
2-D04	2810	REAR STABILIZER						
2-E04	2830	REAR LOWER ARMS & SUB FRAME						
2-H04	3200	STEERING WHEEL						
2-I04	3210	STEERING COLUMN & SHAFTS						
2-J04	3220	STEERING GEAR						
2-L04	3240	POWER STEERING SYSTEM						
2-M04	3300	FRONT AXLE						
2-N04	3310	FRONT BRAKE MECHANISMS						
2-C05	3400	FRONT SUSPENSION MECHANISMS						
2-E05	3401	FRONT SPRING & DAMPER						
2-F05	3410	CROSSMEMBER & STABILIZER						
2-G05	3700	TIRES & JACK						
2-C06	3900	ENGINE & T/MISSION MOUNTINGS						
2-D06	4000	EXHAUST SYSTEM						
2-G06	4140	CLUTCH RELEASE & MASTER CYLINDERS (MANUAL TRANSMISSION)						
2-I06	4145	CLUTCH PIPINGS (MANUAL TRANSMISSION)						
2-J06	4160	ACCELERATOR CONTROL SYSTEM						
2-K06	4200	FUEL TANK						
2-C07	4210	FUEL LID OPENER						
2-D07	4300	CLUTCH & BRAKE PEDALS (MANUAL TRANSMISSION)						
2-F07	4300A	BRAKE PEDALS (AUTOMATIC TRANSMISSION)						
2-G07	4340	BRAKE MASTER CYLINDER & POWER BRAKE						
2-I07	4360	BRAKE PIPINGS						
2-L07	4370	ANTILOCK BRAKE SYSTEM						
2-N07	4400	PARKING BRAKE SYSTEM						
2-C08	4500	FUEL PIPINGS						

## SECTION NAME INDEX (BODY)

LO.NO	SEC.NO	SECTION NAME	LO.NO	SEC.NO	SECTION NAME	LO.NO	SEC.NO	SECTION NAME
2-C10	0900	KEY SETS	3-C03	5795	AIR BAG	3-E08	6702	WIRING HARNESSSES(DASHBOARD)
2-E10	5000	FRONT BUMPER	3-D03	5800	FRONT DOORS	3-G08	6703	WIRING HARNESSSES(DOOR,FLOOR/CEILING)
2-H10	5010	REAR BUMPER	3-G03	5830	FRONT DOOR MECHANISMS	3-H08	6704	WIRING HARNESS CLAMPS
2-J10	5020	HEAD LAMP CLEANER (SUN ROOF)	3-J03	5840	FRONT DOOR TRIMS & RELATED PARTS	3-I08	6720	WINDSHIELD WASHER
2-L10	5030	WINDOW MOULDINGS	3-C04	6100	HEATER	3-K08	6730	WINDSHIELD WIPERS
2-M10	5040	BODY MOULDINGS	3-D04	6110	HEATER UNIT COMPONENTS	3-M08	6740	WIPER MOTOR COMPONENTS(FRONT)
2-N10	5100	HEAD LAMPS	5-E04	6115	HEATER CONTROLS COMPONENTS	3-N08	6750	WINDOW WIPER & WASHER (REAR)
2-D11	5103	HEAD LAMP RETRACTORS	3-F04	6120	HEATER BLOWER COMPONENTS	3-E09	6760	WINDOW WIPER MOTOR COMPONENTS (REAR)
2-F11	5105	FRONT COMBINATION LAMPS	3-G04	6130	AIR CONDITIONER (DENSO MAKE)	3-F09	6800	CEILING TRIMS
2-K11	5110	REAR COMBINATION LAMPS	3-J04	6130A	AIR CONDITIONER (MANA MAKE)	3-G09	6820	PILLAR TRIMS
2-D12	5120	LICENSE LAMPS	3-M04	6135	O RING SET,PIPING	3-H09	6840	TRIMS & SCUFF PLATES
2-E12	5125	INTERIOR LAMPS	3-N04	6140	COMPRESSOR COMPONENTS (AIR CONDITIONER) (DENSO MAKE)	3-L09	6845	STRAGE BOX
2-F12	5130	OVERHEAD CONSOLE	3-N04	6140	COMPRESSOR COMPONENTS (AIR CONDITIONER) (DENSO MAKE)	3-M09	6860	FLOOR MATS & PADS
2-G12	5170	ORNAMENTS	3-D05	6140A	COMPRESSOR COMPONENTS (AIR CONDITIONER) (MANA MAKE)	3-D10	6870	SERVICE TOOLS
2-H12	5180	COWL & EXTRACTOR GRILLES	3-F05	6150	COOLING UNIT (AIR CONDITIONER) (DENSO MAKE)	3-E10	6900	VISORS,ASSIST HANDLE & MIRRORS
2-J12	5230	BONNET	3-G05	6150A	COOLING UNIT (AIR CONDITIONER) (MANA MAKE)	3-H10	6930	CAUTION PLATES & LABELS
2-L12	5310	FRONT PANELS	3-I05	6230	LIFT GATE MECHANISMS	3-J10	7250	QUARTER WINDOW & TRIMS
2-M12	5320	FENDER & WHEEL APRON PANELS	3-L05	6300	WINDOW GLASSES	3-L10	7800	SPOILERS & RELATED PARTS
2-D13	5330	DASH & COWL PANELS	3-M05	6330	SUNROOF			
2-E13	5340	SIDE PANELS	3-F06	6600	SWITCHES & RELAYS (ENGINE)			
2-I13	5360	ROOF PANELS (W/O SUN ROOF)	3-J06	6610	DASHBOARD SWITCHES			
2-J13	5360 A	ROOF PANELS (SUN ROOF)	3-K06	6611	COMBINATION SWITCH			
2-K13	5370	FLOOR PANELS	3-L06	6615	POWER WINDOW SWITCHES			
2-M13	5380	FLOOR ATTACHMENTS (HOLE COVERS)	3-M06	6630	RELAYS & UNIT (BODY)			
2-C14	5390	FLOOR ATTACHMENTS	3-C07	6635	DOOR SWITCH & HORNS			
2-C15	5500	DASHBOARD EQUIPMENTS	3-D07	6640	AUTO CRUISE CONTROL SYSTEM			
2-D15	5520	METER HOOD	3-E07	6680	AUDIO SYSTEMS (RADIO & TAPE DECK)			
2-E15	5540	METER COMPONENTS	3-G07	6682	AUDIO SYSTEMS (ANTENNA & SPEAKER)			
2-G15	5560	DASHBOARD & RELATED PARTS	3-K07	6700	WIRING HARNESSSES(FRONT & REAR)			
2-K15	5570	CONSOLE	3-C08	6701	WIRING HARNESSSES(ENGINE & TRANSMISSION)			
2-M15	5580	VENTILATOR						
2-C16	5700	FRONT SEATS						
2-M16	5790	SEAT BELTS						



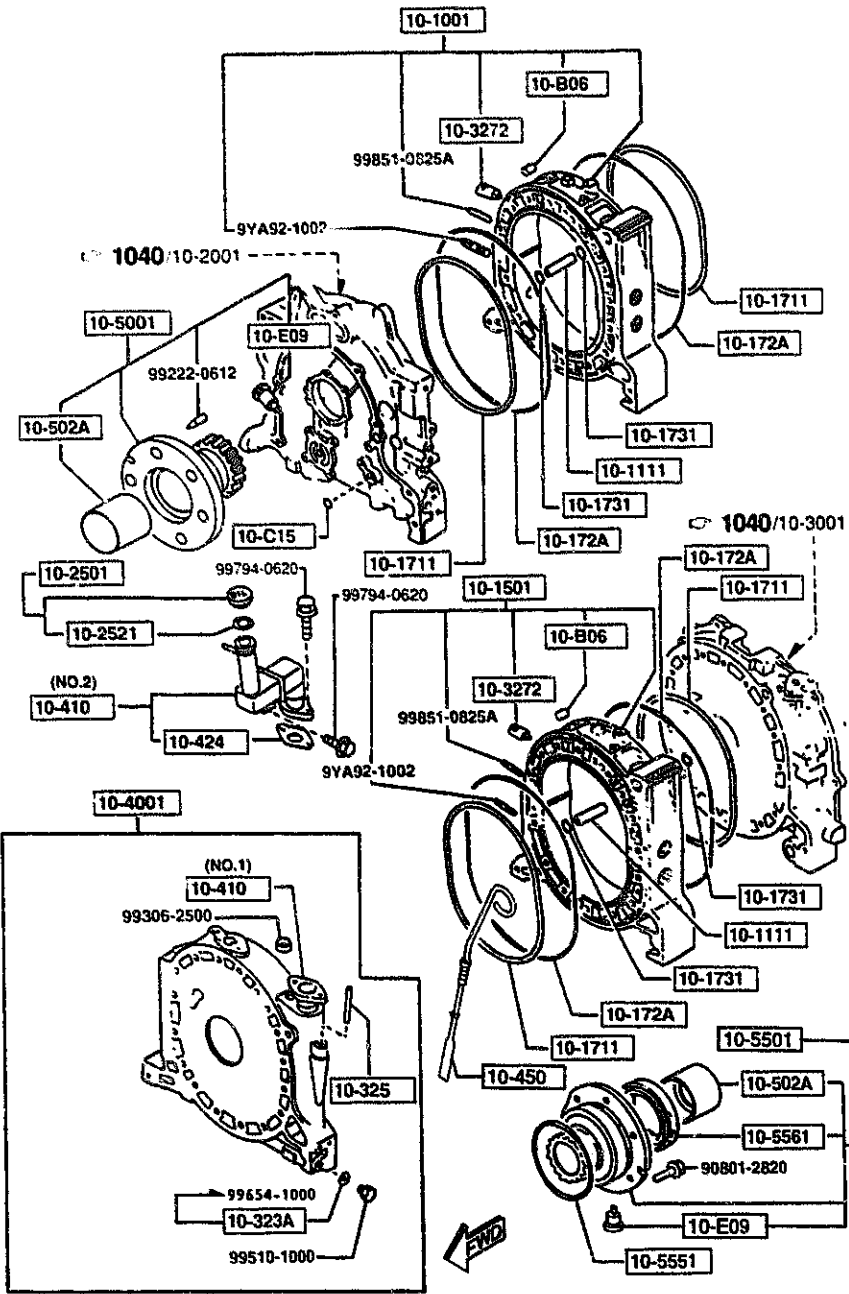
PART NO.	QTY	MODEL /RESTRICTION	MODEL /RESTRICTION	MODEL /RESTRICTION	FROM
10-271S		GASKET SET,ENGINE			
BAFH-10-271	1				
13-111S		GASKET SET,SUB-ENG.			
BAF7-13-111	1				
23-0401		RING SET,"O"			
N3A1-10-560	1				
23-800		ENGINE,SHORT			
N3A1-02-200	1	(MT)			
N3A2-02-200	1	(AT)			



PART NO	QTY	MODEL/RESTRICTION	MODEL/RESTRICTION	MODEL/RESTRICTION	FROM TO
10-B06		PIN, SPRING			
N326-10-B06	4				
10-C15		RING, BACKUP			
N326-10-C15	1				
10-E09		PIN, STOPPER			
NF01-10-E09	2				
10-1001		HOUSING, ROTOR-FRONT			
N3A1-10-B10	1				
10-1111		DOWEL, TUBULAR			
1757-10-111	4				
10-1501		HOUSING, ROTOR-REAR			
N3A1-10-B50	1				
10-1711		RING, SQUARE			
N326-10-B71A	4				
10-172A		RING, SQUARE-OUTER			
N326-10-B72	4				
10-1731		RING, O'			
N3A1-10-B73	4				
10-2501		CAP, OIL FILLER			
8871-10-250A	1				
10-2521		GASKET, OIL CAP			
8871-10-252	1				
10-323A		GASKET, WATER DRAIN-INTER.			
N326-10-323	1				
10-325		PIPE, OIL LEVEL GAUGE			
N318-10-441	1				
10-3272		PLUG, JET			
N326-14-633	2				

3A01 FD333\*-300888

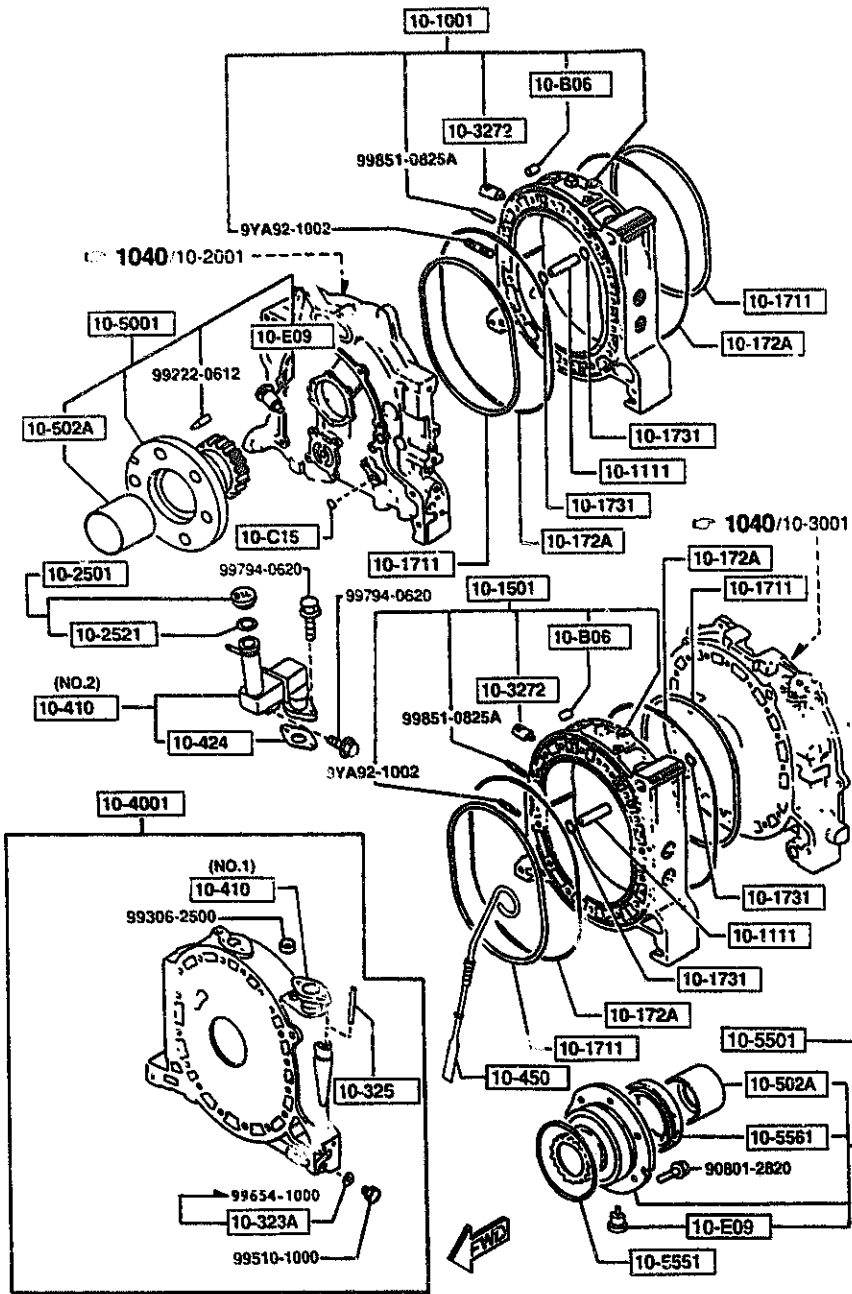
-3A01



PART NO.	QTY	MODEL/RESTRICTION	MODEL/RESTRICTION	MODEL/RESTRICTION	FROM TO
10-4001		HOUSING, INTERMEDIATE			
N3A1-10-D00	1				
10-410		PIPE, OIL FILLER			
N3A1-10-D10	1	(ILLUST. NO.1)			
N3A1-10-420B	1	(ILLUST. NO.2)			
10-424		GASKET, OIL FILLER PIPE			
N3A1-10-424A	1				
10-450		GAUGE, OIL LEVEL			
N3A1-10-450A	1				
10-5001		GEAR, STATIONARY-FRT.			
N3YA-10-E00A (N3YA-10-E00A)	1				-3A01
N3YA-10-E00A	1				3A01-3C01
N3A1-10-E0YB	1				3C01-
10-502A		METAL, STATIONARY GEAR			
NF01-10-E04	2	T=1.980MM YELLOW			
NF01-10-E05	2	T=1.983MM GREEN			
NF01-10-E06	2	T=1.986MM BROWN			
NF01-10-E07	2	T=1.989MM BLACK			
NF01-10-E08	2	T=1.992MM BLUE			
NF01-10-E22	2	T=1.988MM YELLOW			
NF01-10-E23	2	T=1.991MM GREEN			
NF01-10-E24	2	T=1.994MM BROWN			
NF01-10-E25	2	T=1.997MM BLACK			
NF01-10-E26	2	T=2.000MM BLUE			
10-5501		GEAR, STATIONARY-RR.			
N3YA-10-E10A	1				-3A01
3A01 FD333*-300888 3C01 FD333*-301464					

1030 ROTOR HOUSINGS

1030 -3 # ROTOR HOUSINGS

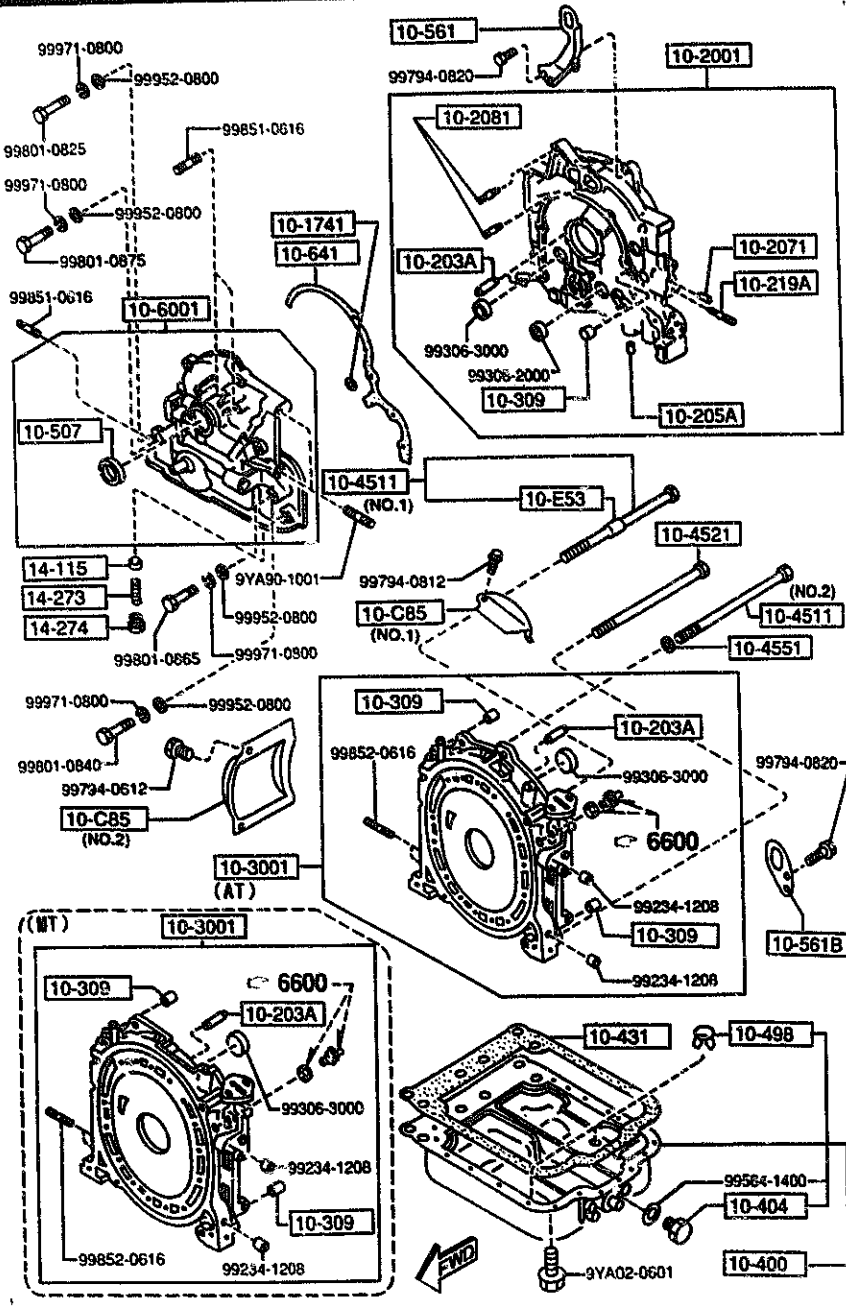


PART NO.	QTY	MODEL/RESTRICTION	MODEL/RESTRICTION	MODEL/RESTRICTION	FRGM-TO
CONT'D					
A (NSYA-10-E10B)					
NSYA-10-E10B	1				3A01-3C01
NSA1-10-21YC	1				3C01-
10-5551		RING, 'O'			
0813-10-555A	1				
10-5561		SEAL, OIL			
1668-10-556A	1				

3A01 FD333\*-300888  
3C01 FD333\*-301464



1040 OIL PAN,FRONT & REAR HOUSING



PART NO.	QTY	MODEL/RESTRICTION	MODEL/RESTRICTION	MODEL/RESTRICTION	FROM-TO
10-C85		COVER, DUST			
N350-10-C85	1	(ILLUST. NO.1) (MT)			
NF01-10-C86	1	(ILLUST. NO.2)			
10-E53		RING, 'O'-TENSION BOL			
N350-10-E56	1				
10-1741		RING, 'O'			
N231-10-174	1				
10-2001		HOUSING, FRONT			
N3A1-10-C00C AN(N3A1-10-C00D)	1				-3C01
N3A1-10-C00D	1				3C01-
10-203A		PIN, DOWEL			
0839-10-203	2				
10-205A		PLUG, BLIND			
8562-10-205	3				
10-2071		PLUG, BLIND			
1757-10-207A	1				
10-2081		STUD			
N3A1-10-C08	4				
10-219A		STUD, HOUSING			
N249-10-219	1				
10-3001		HOUSING, REAR			
N3YA-10-C50C AN(N3YA-10-C50D)	1				-3C01
N3YB-10-C50C AN(N3YB-10-C50D)	1				-3C01
N3YA-10-C50D	1	(MT)			3C01-
N3YB-10-C50D	1	(AT)			3C01-
10-309		PIN, TUBULAR			
1757-10-309	4				
3C01 FD333*-301464					

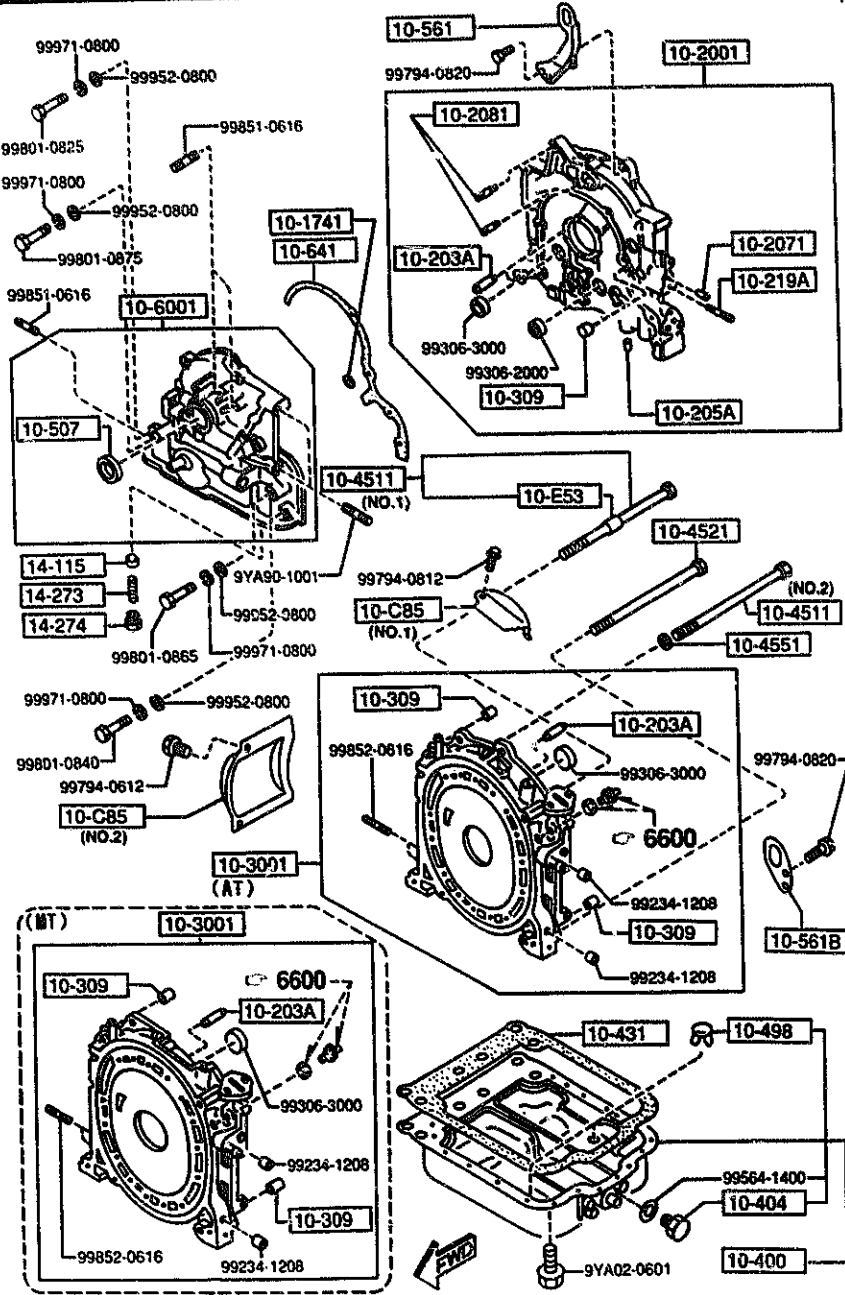
AUFA05

CAT. AUFA05-03

1995-03



1040 OIL PAN, FRONT & REAR HOUSING



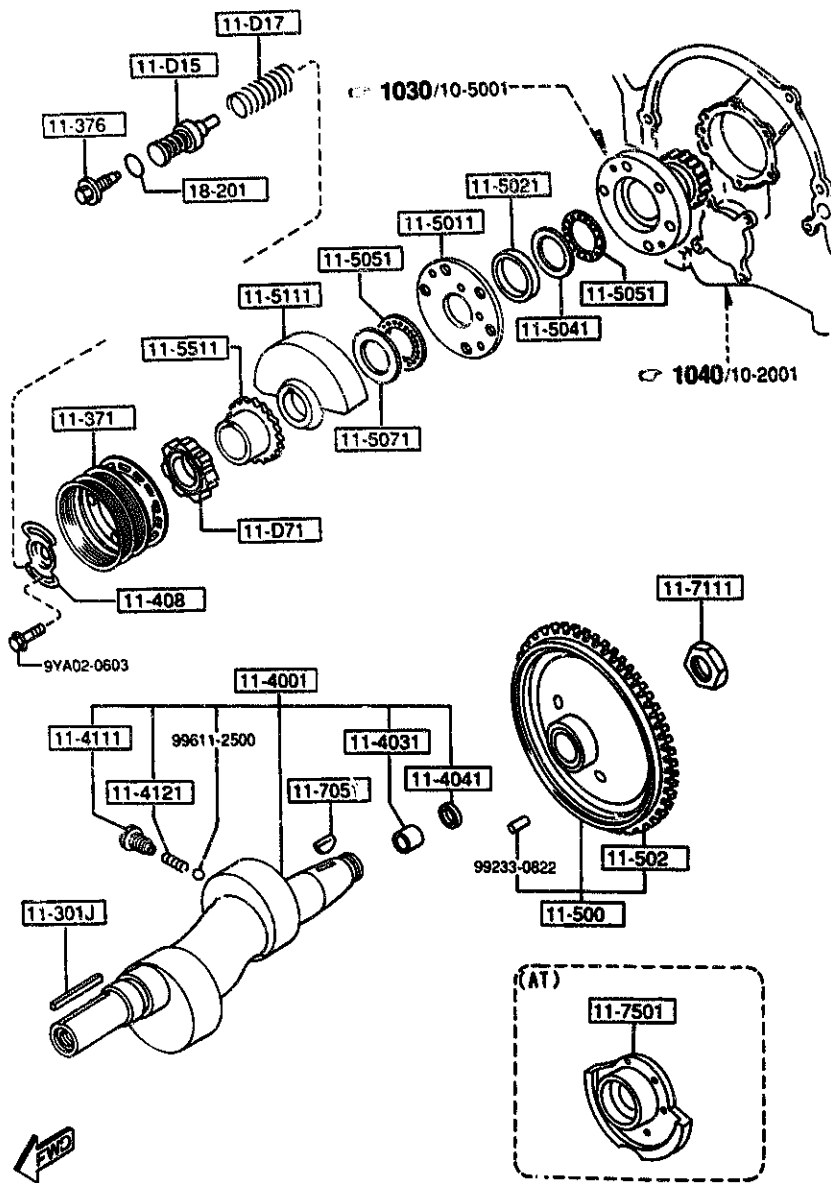
PART NO.	QTY	MODEL/RESTRICTION	MODEL/RESTRICTION	MODEL/RESTRICTION	FROM-TO
14-273 N3A1-14-273A	1	SPRING			
14-274 0839-14-274	1	PLUG			

AUFA05

CAT. AUFA05-03

1995-03

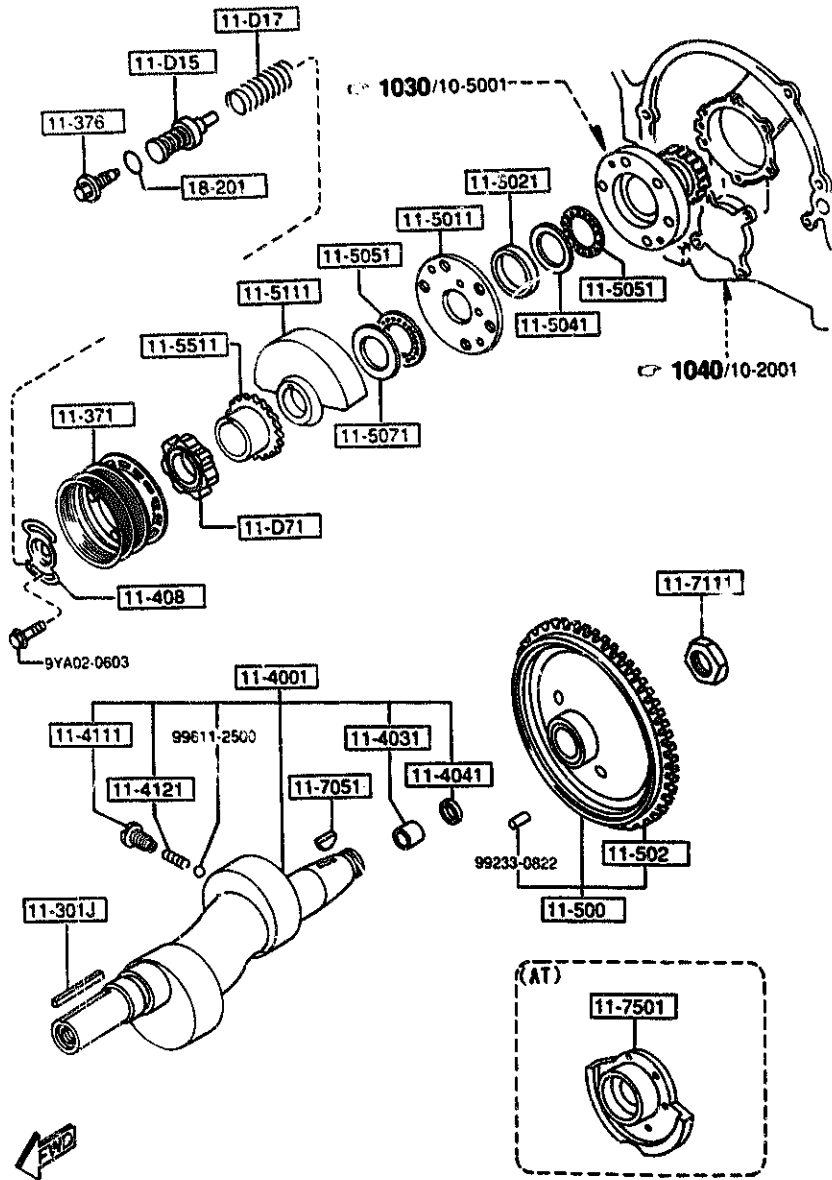




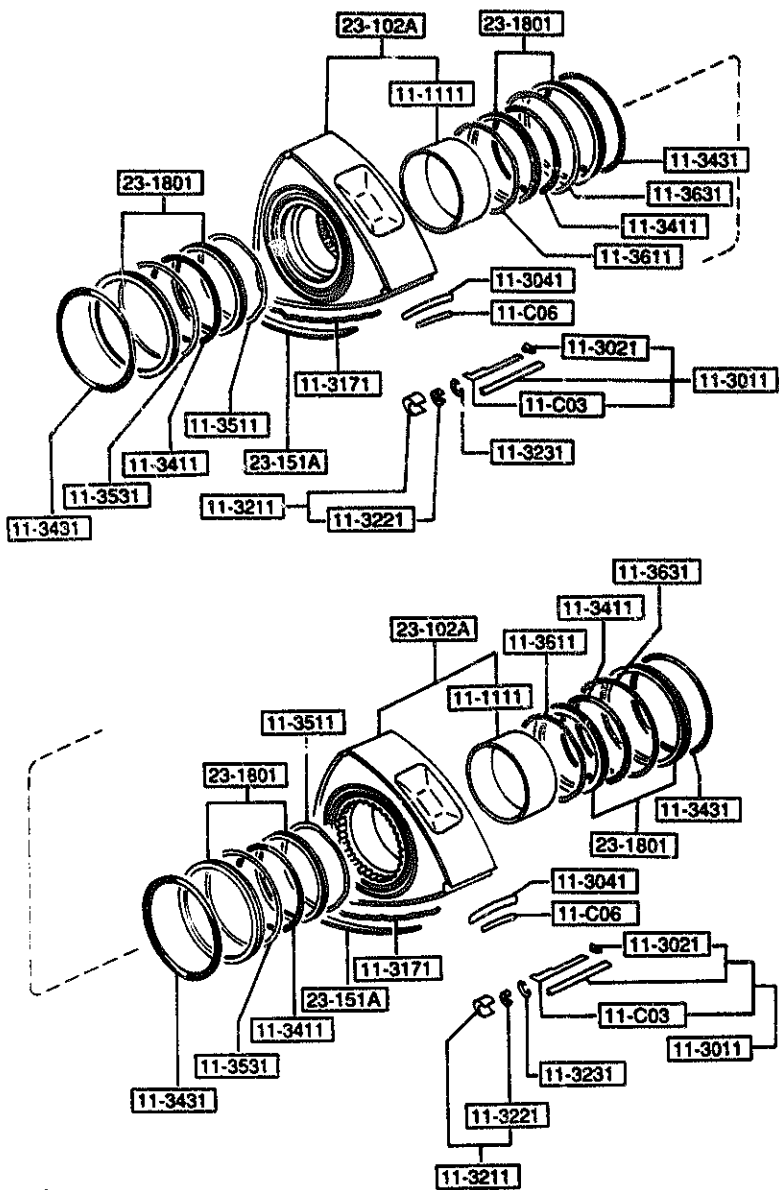
PART NO.	QTY	MODEL/RESTRICTION	MODEL/RESTRICTION	MODEL/RESTRICTION	FROM 10
11-5011		PLATE			
NF01-11-D51	1				
11-502		GEAR,RING-FLY WHEEL			
N318-11-502A	1 (MT)				
11-5021		SPACER			
NF01-11-D55	1	L=8.0,-0.005/-0.025			
NF01-11-D56	1	L=8.0,-0.005/+0.015			
NF01-11-D57	1	L=8.0,+0.015/+0.035			
NF01-11-D58	1	L=8.0,+0.035/+0.055			
NF01-11-D59	1	L=8.0,+0.055/+0.075			
11-5041		PLATE, THRUST			
N398-11-D52	1				
11-5051		BEARING, NEEDLE			
NF01-11-D54	2				
11-5071		WASHER, THRUST			
NF01-11-D53	1				
11-5111		WEIGHT, BALANCE			
N3A7-11-D61	1 (MT)				
N3A8-11-D61	1 (AT)				
11-5511		GEAR, DRIVE-OIL PUMP			
N326-11-D75	1				
11-7051		KEY, FLY WHEEL			
0820-11-705	1				
11-7111		NUT, LOCK			
0810-11-711	1				
11-7501		WEIGHT, COUNTER			
N351-11-521	1 (AT)				

1100 ECCENTRIC SHAFT & FLYWHEEL

1100 -3 W ECCENTRIC SHAFT & FLYWHEEL



PART NO.	QTY	MODEL/RESTRICTION	MODEL/RESTRICTION	MODEL/RESTRICTION	FROM TO
18-201		RING, '0'			
99541-01105	1				

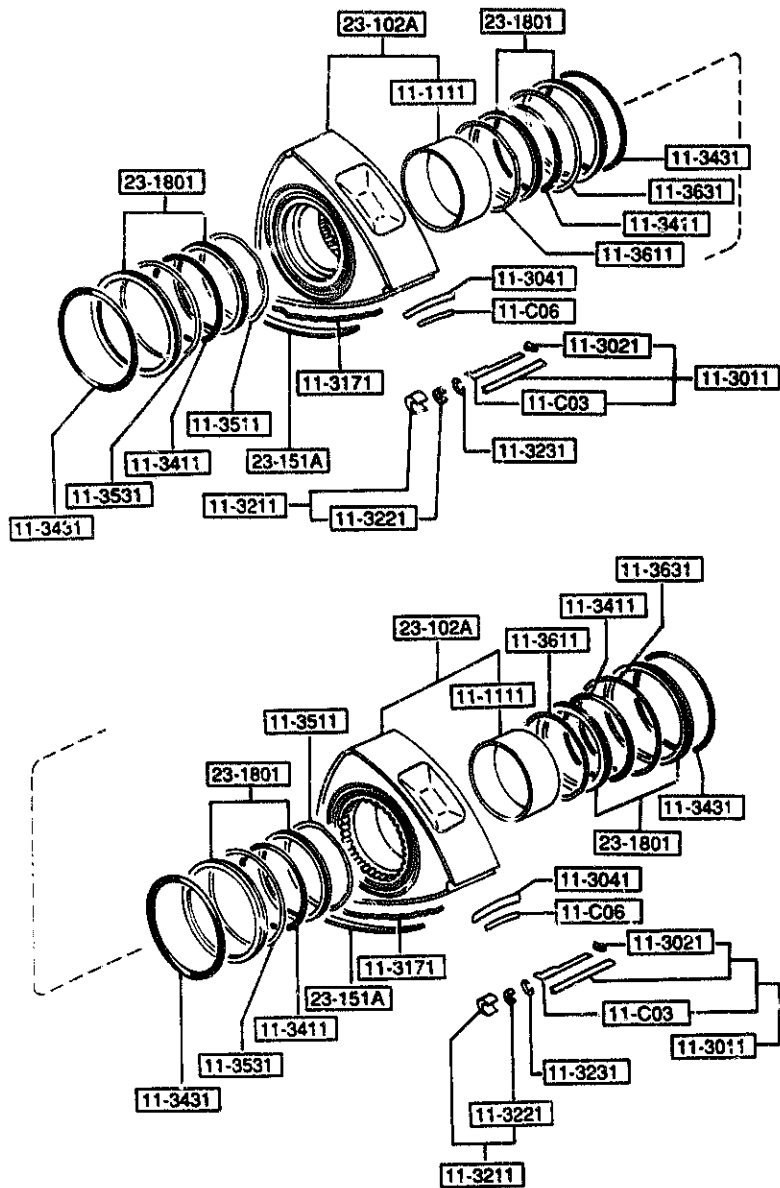


PART NO.	QTY	MODEL/RESTRICTION	MODEL/RESTRICTION	MODEL/RESTRICTION	FIGURE
11-C03		PIECE, 2ND - APEX SEAL			
N326-11-C03A	6				
11-C06		SPRING, CENTER-APEX SEAL			
N326-11-C06A	6				
11-1111		METAL, ROTOR			
N3A1-11-B11	2	3.000(-0.005--0.010)			
N3A2-11-B11	2	3.000(0.000--0.005)			
N3A3-11-B11	2	3.000(+0.005-0.000)			
11-3011		SEAL, APEX			
N351-11-C00	6				
11-3021		PIECE, SIDE			
N326-11-C02A	6				
11-3041		SPRING, APEX SEAL			
N326-11-C04A	6				
11-3171		SPRING, SIDE SEAL			
NF01-11-C17	12				
11-3211		SEAL, CORNER			
N326-11-C20A	12				
11-3221		PLUG, CORNER SEAL			
N326-11-C22A	24				
11-3231		SPRING, CORNER SEAL			
NF01-11-C24	12				
11-3411		RING, 'O'-INNER			
0820-11-341	4				
11-3431		RING, 'O'-OUTER			
8341-11-343	4				

AUFA05

CAT. AUFA05-03

1995-03



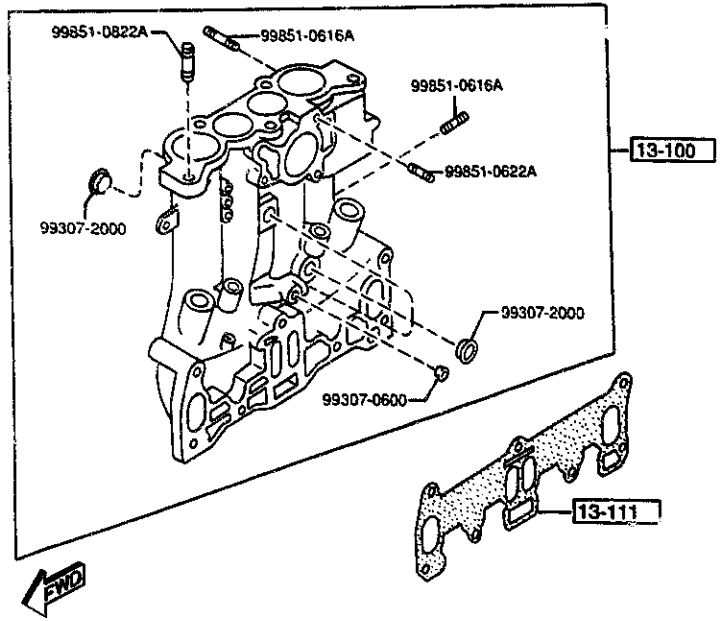
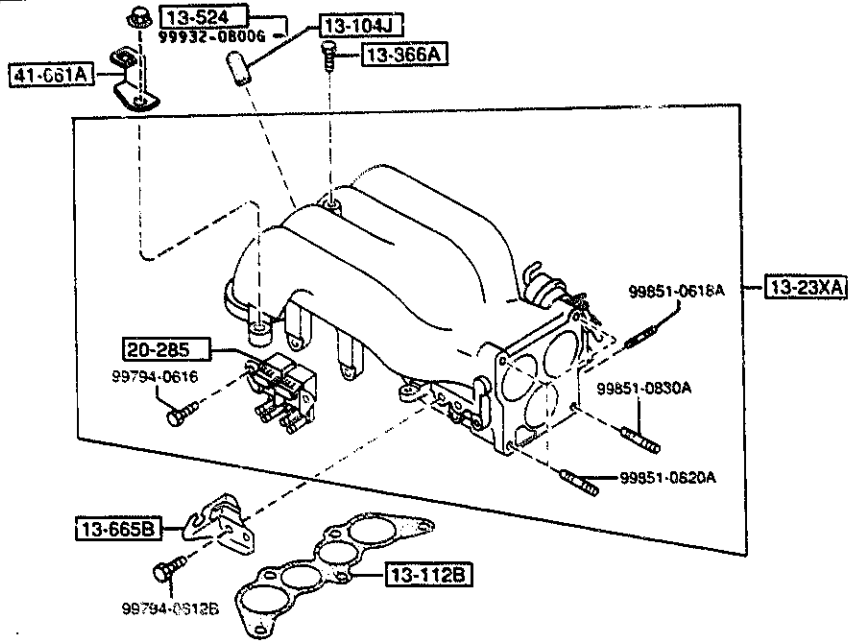
PART NO.	QTY	MODEL/RESTRICTION	MODEL/RESTRICTION	MODEL/RESTRICTION	FROM TO
11-3511		SPRING, FRT. - INNER			
N225-11-351	2				
11-3531		SPRING, FRT. - OUTER			
1011-11-353A	2				
11-3611		SPRING, REAR - INNER			
N225-11-361	2				
11-3631		SPRING, REAR - OUTER			
1011-11-363A	2				
23-102A		ROTOR			
NSVA-11-B10	2				
23-151A		SEAL, SIDE			
NSV1-11-C11	12				
23-1801		SEAL SET, OIL			
8871-23-180	4				





1300 -1 \* INLET MANIFOLD

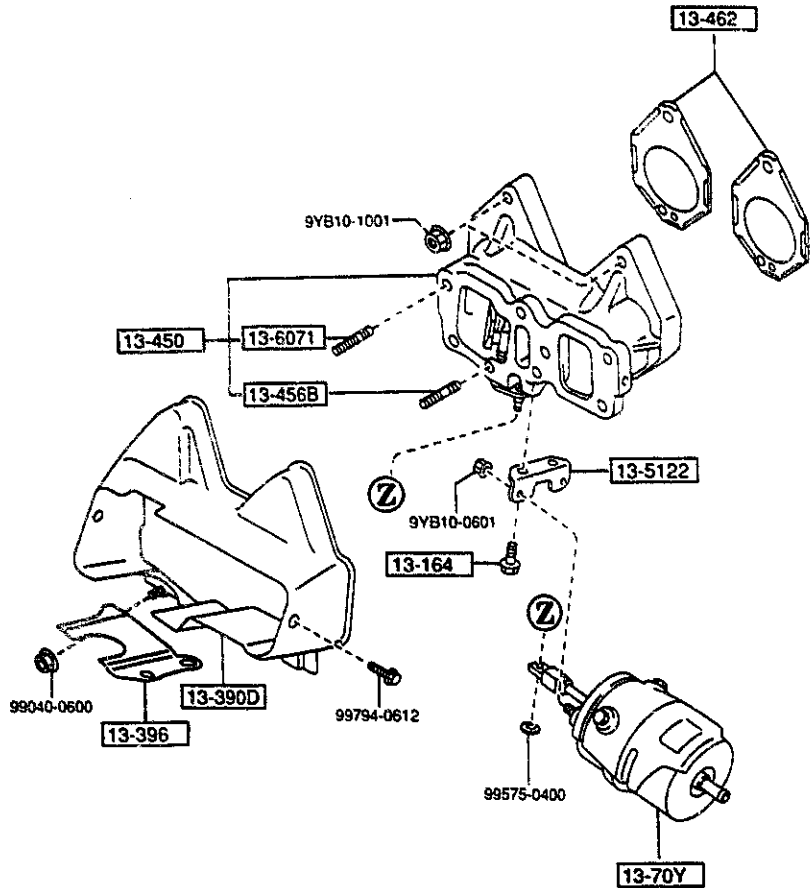
1300 INLET MANIFOLD



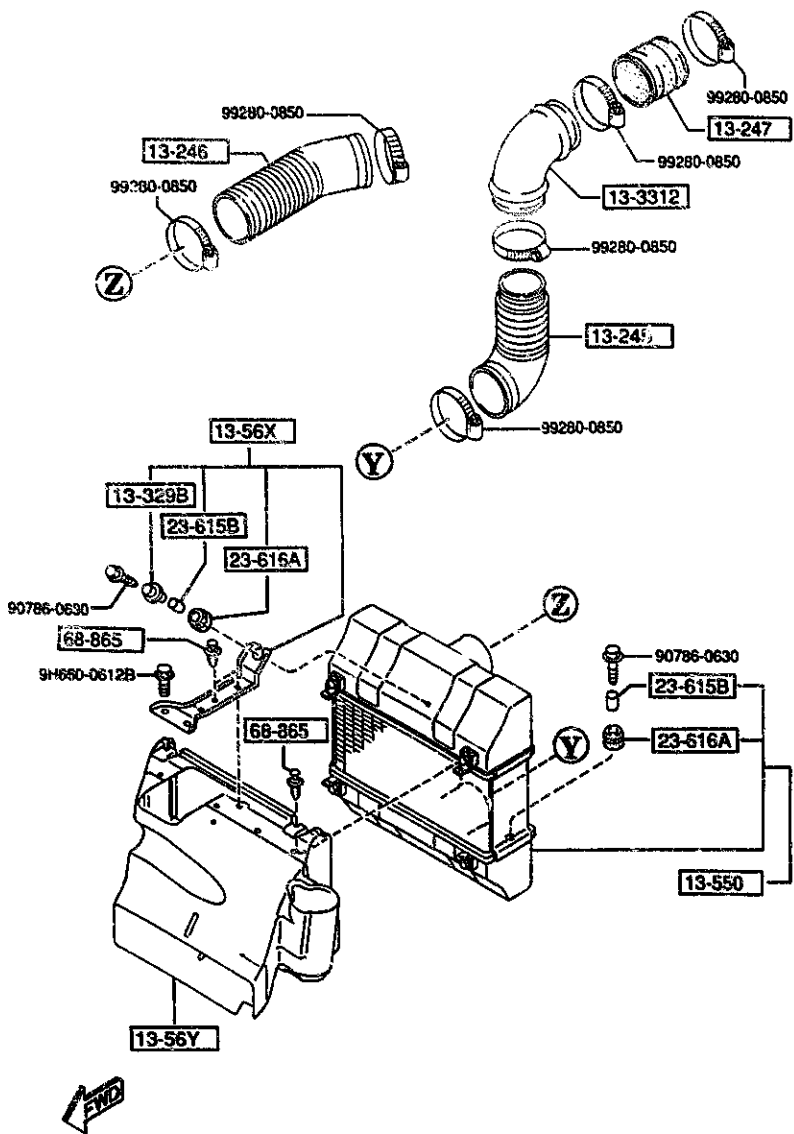
PART NO.	QTY	MODEL/RESTRICTION	MODEL/RESTRICTION	MODEL/RESTRICTION	FROM TO
13-100		MANIFOLD, INLET			
NSC1-13-100	1				
13-104J		CAP, BLIND			
1010-13-104	1				
13-111		GASKET, IN. MANIFOLD			
NSA1-13-111	1				-3805
A (NSA1-13-111A)					
NSA1-13-111A	1				3805-
13-112B		GASKET NO. 2, IN. MANIFOLD			
NSA1-13-112	1				
13-23XA		MANIFOLD(R), EXTENSION			
NSA1-13-23XB	1				
13-366A		BOLT			
NF01-13-366	1				
13-524		NUT			
NF01-13-524	4				-3901
13-665B		BRACKET, ACCEL WIRE			
NSA1-13-661	1				
20-285		VALVE, DUTY SOLENOID			
NSA1-20-285	1				
41-661A		BRACKET, ACCEL CABLE			
FD01-41-661B	1				
3805 FD333*-300031					
3901 FD333*-300438					

1310 -1 \* EXHAUST MANIFOLD

1310 EXHAUST MANIFOLD



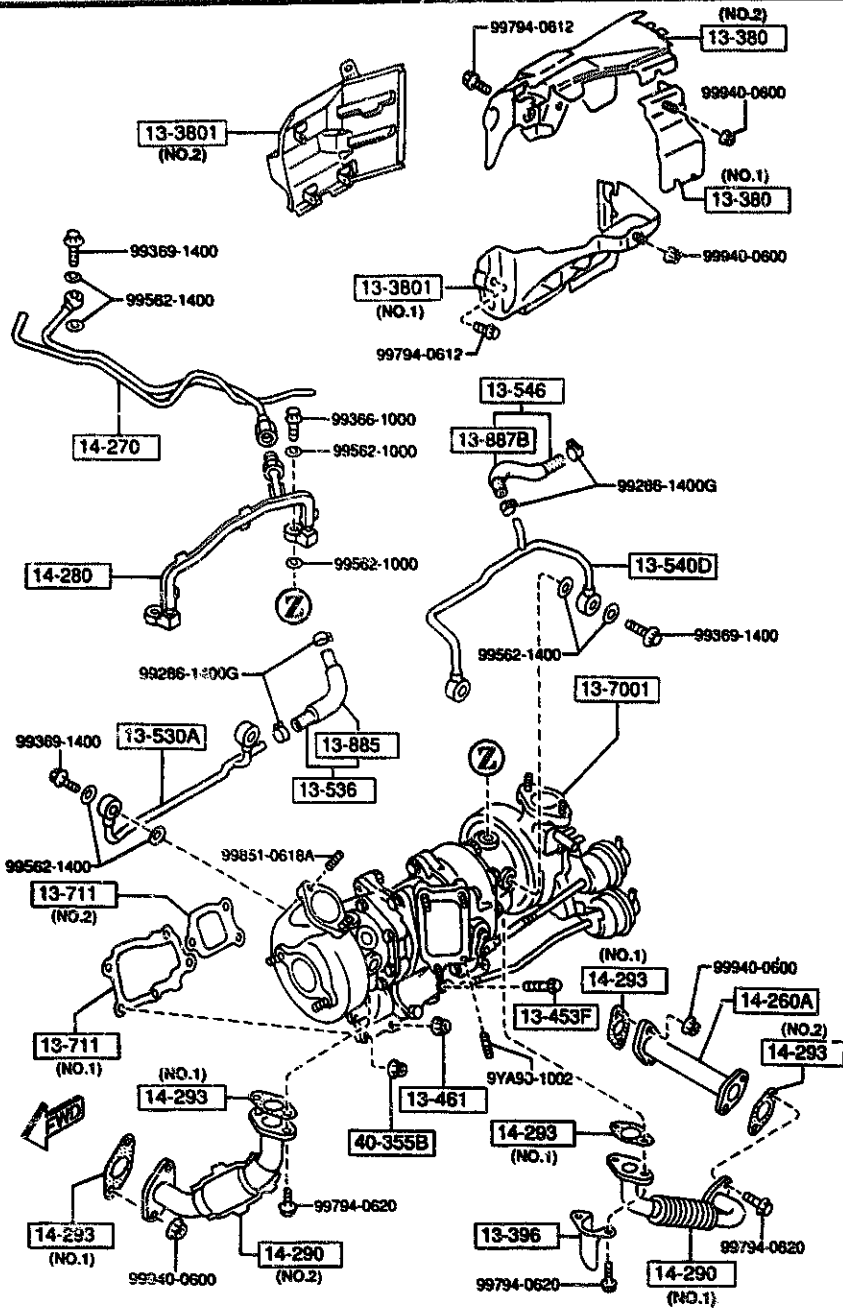
PART NO	QTY	MODEL/RESTRICTION	MODEL/RESTRICTION	MODEL/RESTRICTION	FROM TC
13-164 N350-13-164	2	BOLT, FUEL DISTRIBUTOR			
13-390D N3A1-13-390B	1	INSULATOR, EX. MANIFOLD			
13-396 N3A1-13-396A	1	INSULATOR, SUB			
13-450 N3A1-13-450A	1	MANIFOLD, EXHAUST			
13-456B N391-13-456	1	STUD, EX. MANIFOLD			
13-462 N3A1-13-461	2	GASKET, EX. MANIFOLD			
13-5122 N3C1-13-468	1	BRACKET, EX. MANIFOLD			
13-6071 NF01-13-708A	5	STUD			
13-70Y N3A1-13-70Y	1	ACTUATOR, EXHAUST VALVE			



PART NO.	QTY	MODEL/RESTRICTION	MODEL/RESTRICTION	MODEL/RESTRICTION	FROM TO
13-245		JOINT, RUBBER			
N3C1-13-245	1				
13-246		JOINT, RUBBER			
N3A1-13-246A	1				
13-247		JOINT, RUBBER			
N3A2-13-247	1				
13-329B		SPACER			
N3A1-13-329	1				
13-3312		PIPE, AIR INTAKE			
N3A1-13-33X	1				
13-550		CHARGE, AIR COOLER			
N3A1-13-550	1				
13-56X		BRACKET, INTER COOLER			
N3A1-13-56X	1				
13-56Y		DUCT, AIR-INTER COOLER			
N3A1-13-56YB	1				
23-615B		COLLAR			
SL50-13-211	3				
23-616A		INSULATOR			
SL50-13-208	3				
68-865		FASTENER			
BR70-68-865	6				

1312 TURBO CHARGER

1312 -1 TURBO CHARGER



AUFA05

PART NO.	QTY	MODEL/RESTRICTION	MODEL/RESTRICTION	MODEL/RESTRICTION	FROM TO
13-380		INSULATOR,HEAT			
N3A1-13-380	1	(ILLUST. NO.1)			
N3A1-13-385A	1	(ILLUST. NO.2)			
13-3801		PLATE,ABSORBER			
N3A1-13-C80B	1	(ILLUST. NO.1)			
N3A2-13-C80C	1	(ILLUST. NO.2)			
13-396		INSULATOR,SUB			
N3A1-13-397A	1				
13-453F		BOLT,INSULATOR			
N393-13-453A	2				
13-461		NUT,EX.MANIFOLD			
E5B6-13-461B	1				
13-530A		PIPE,WATER IN -T/C			
N3C1-13-530	1				
13-536		HOSE,WATER-TURBOCHARGER			
N3A1-13-53X	1				
13-540D		PIPE,WATER			
N3A1-13-540A	1				
13-546		HOSE,WATER-T/C WATER-PIPE			
N3A1-13-54X	1				
13-7001		TURBOCHARGER			
N3C1-13-700	1				
13-711		GASKET,TURBOCHARGER			
N3A1-13-710	1	(ILLUST. NO.1)			
N3A2-13-710	1	(ILLUST. NO.2)			
13-885		PROTECTOR,SPONGE			
N3A1-13-885	1				
13-887B		PROTECTOR,SPONGE			

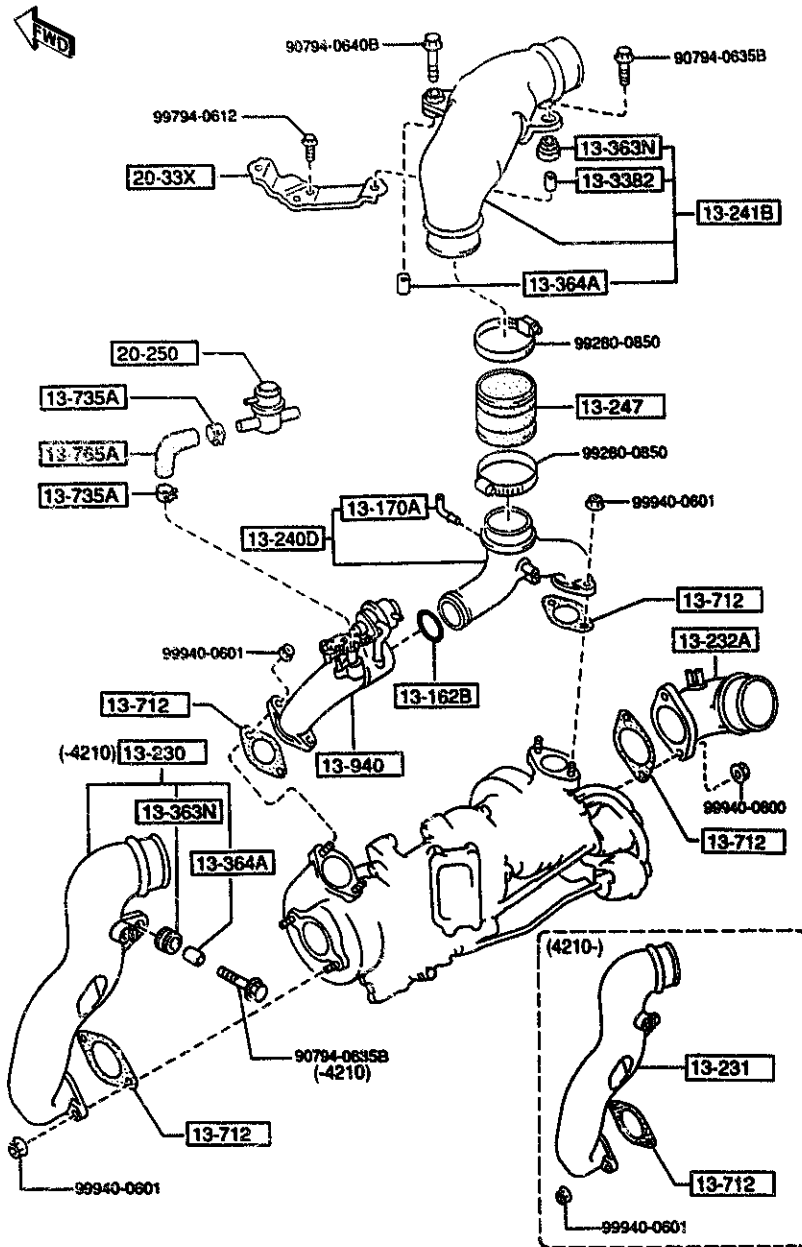
CAT. AUFA05-03

1995-03



1313 TWIN TURBO AIR INTAKE SYSTEM

1313 -1 TWIN TURBO AIR INTAKE SYSTEM

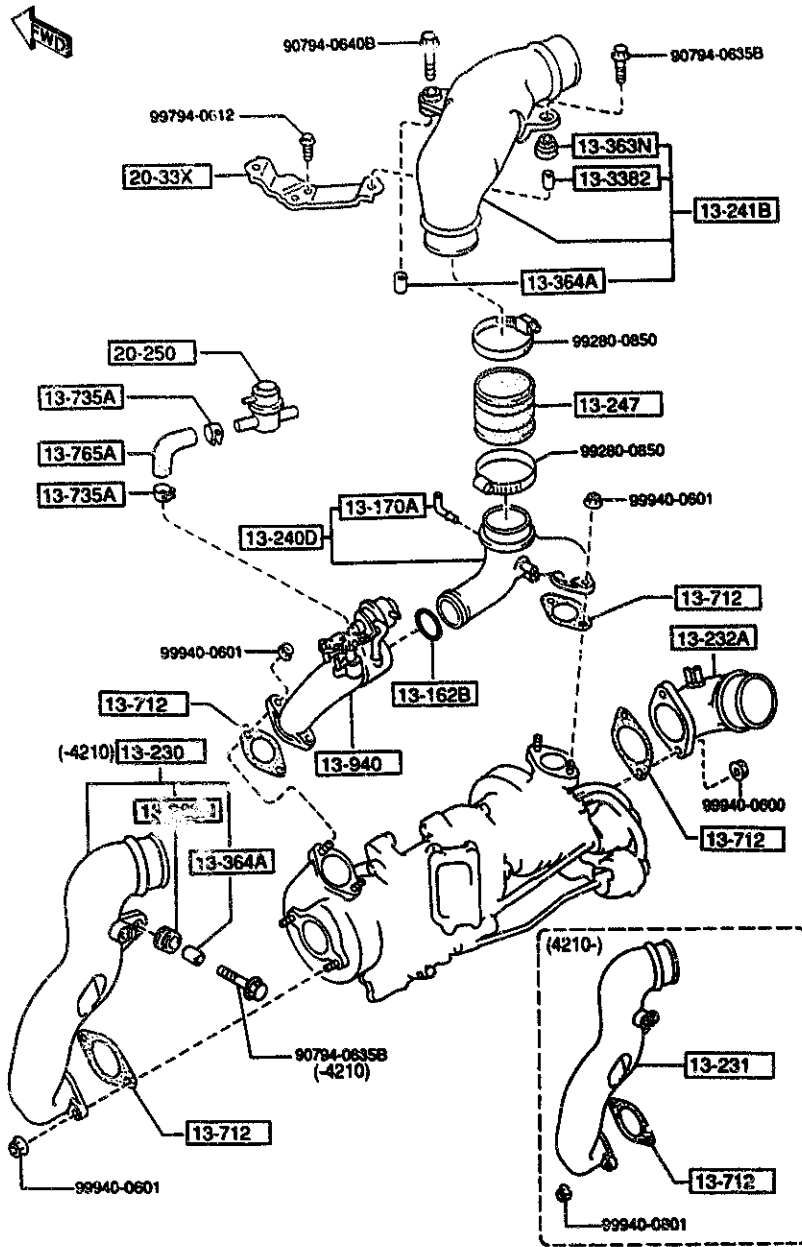


PART NO.	QTY	MODEL/RESTRICTION	MODEL/RESTRICTION	MODEL/RESTRICTION	FROM-TO
13-162B		RING, 'O'-INLET MANIF			
NSA1-13-162	1	OLD			
13-170A		CONNECTOR, HOSE			
NSAS-13-170	1				
13-230		PIPE, AIR INTAKE			
NSA1-13-230	1				-4210
AN(NSA1-13-231)					
13-231		PIPE, AIR			
*NSA1-13-231	1				4210-
13-232A		PIPE, AIR INTAKE			
NSA1-13-232	1				
13-240D		PIPE, AIR INTAKE-INT.			
NSA1-13-240A	1	COOLE			
13-241B		PIPE, AIR INTAKE			
NSA1-13-240A	1				
13-247		JOINT, RUBBER			
NSA2-13-247	1				
13-3382		SPACER			
FE51-13-329	1				
13-363N		RUBBER, MOUNTING			
FE51-13-363	3				-4210
FE51-13-363	2				4210-
13-364A		SPACER			
NF02-13-364	2				-4210
NF02-13-364	1				4210-
13-712		GASKET, TURBO			
NSA1-13-712	4				
13-735A		CLAMP, HOSE			
NF01-13-735	2				

4210 FD333\*-302425

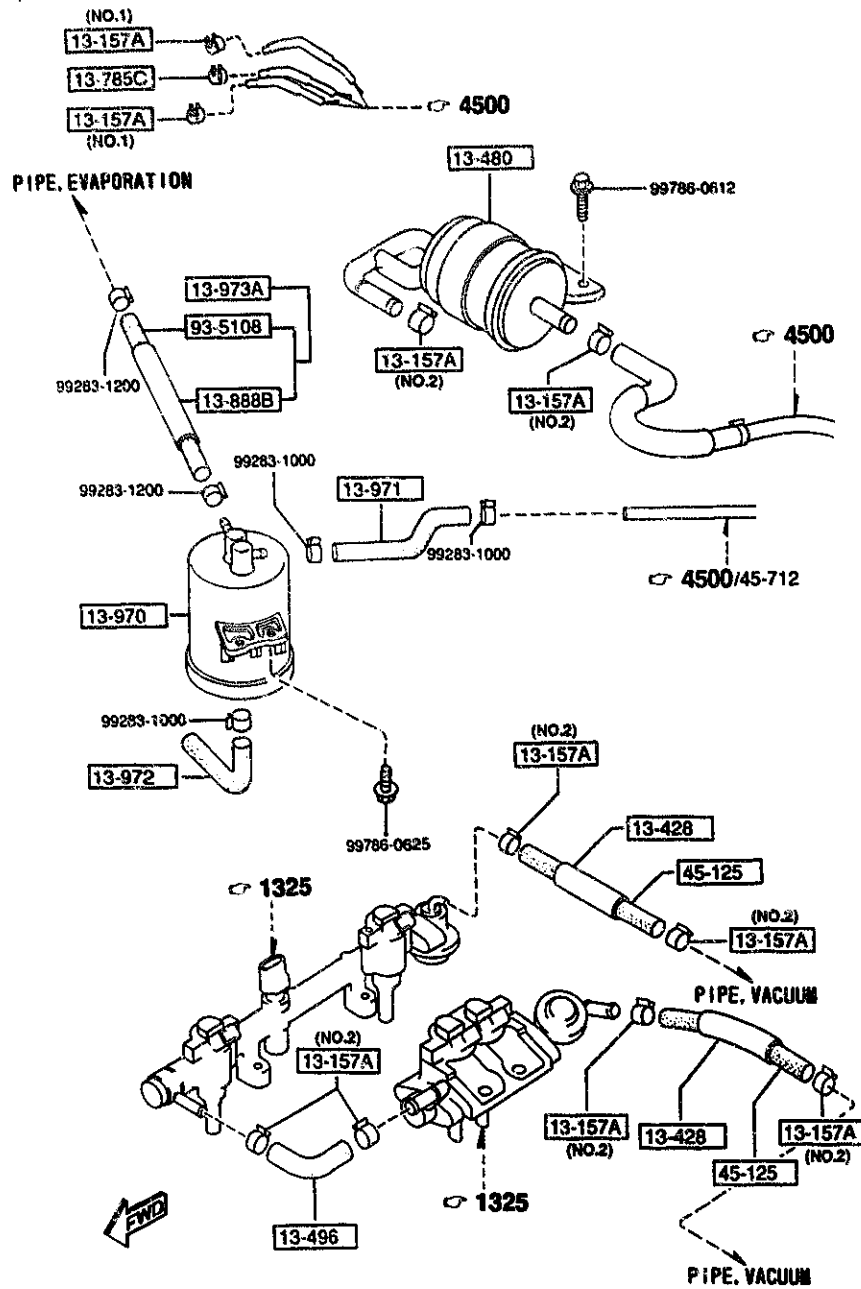
1313 TWIN TURBO AIR INTAKE SYSTEM

1313 -2 = TWIN TURBO AIR INTAKE SYSTEM



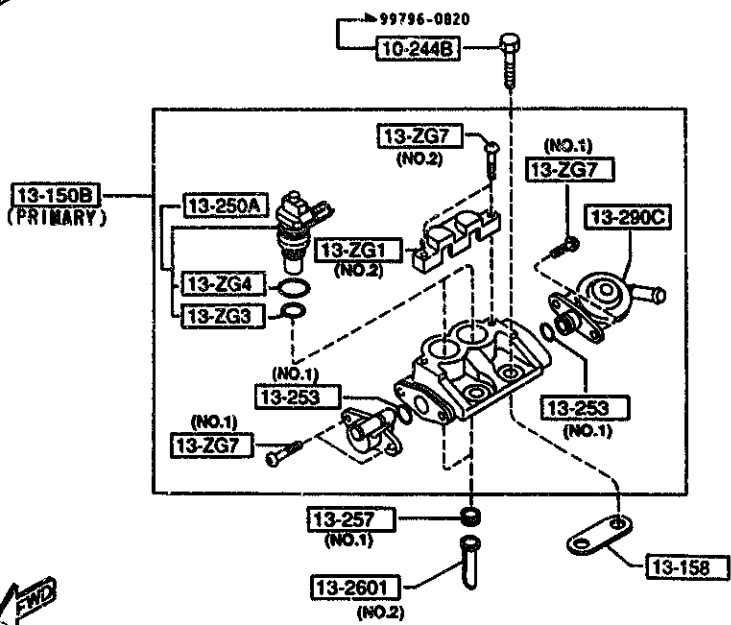
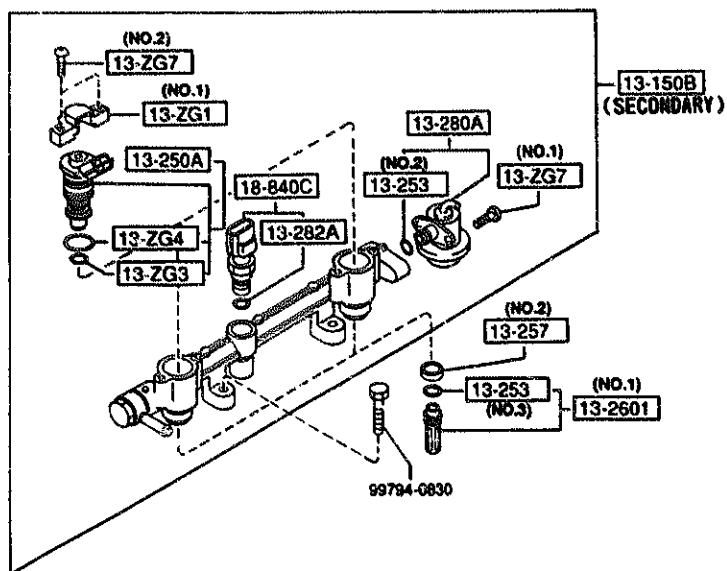
PART NO.	QTY	MODEL/RESTRICTION	MODEL/RESTRICTION	MODEL/RESTRICTION	FROM-TO
13-765A		HOSE, AIR			
NSA1-13-765	1				
13-940		VALVE, CONTROL			
N3C1-13-36Y	1				
20-250		VALVE, AIR BYPASS			
N39D-20-250	1				
20-33X		BRACKET, VACUUM CHAMBER			
NSA1-20-33X	1				

1320 FUEL SYSTEM



PART NO.	QTY	MODEL/RESTRICTION	MODEL/RESTRICTION	MODEL/RESTRICTION	FROM TO
<del>13-157A</del>		CLIP			
B6B1-13-157	2	(ILLUST. NO.1)			
8574-13-157	8	(ILLUST. NO.2)			
<del>13-428</del>		PROTECTOR			
N326-13-428A	2				
<del>13-489</del>		FILTER, FUEL			
NSA1-20-490	1				
<del>13-496</del>		HOSE, FUEL			
NSA1-13-496	1				
<del>13-785C</del>		CLIP, HOSE			
NSA1-13-785	1				
<del>13-888B</del>		PROTECTOR, VACUUM TUBE			
NSA3-13-888	1				
<del>13-970</del>		CANISTER			
NSA1-13-970	1				
<del>13-971</del>		HOSE, VENTILATION			
NSA1-13-971	1				
<del>13-972</del>		HOSE, EVAPORATION			
NSA1-13-972	1				
<del>13-973A</del>		HOSE, EVAPORATION			
NSA3-13-97X	1				
<del>45-125</del>		HOSE, FUEL			
99359-0814	2				
<del>93-5108</del>		HOSE			
99351-08999	1				



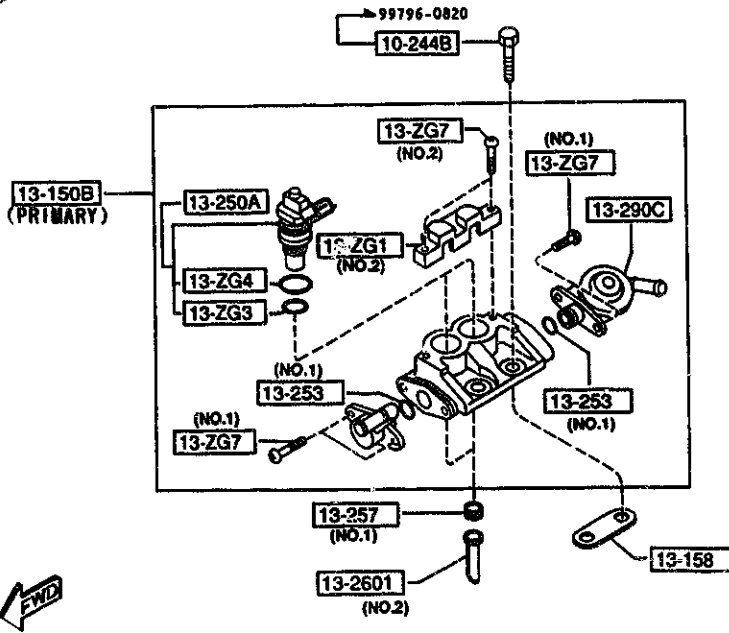
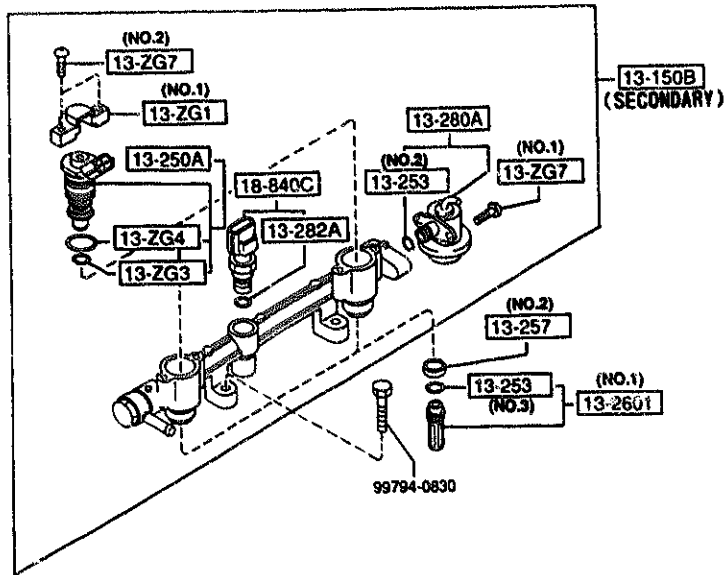


PART NO.	QTY	MODEL/RESTRICTION	MODEL/RESTRICTION	MODEL/RESTRICTION	FROM-10
10-244B 4767-10-244	2	BOLT, FUEL INJECTION PUMP			-3901
13-ZG1 JE48-13-ZG1	2	COVER, INJECTOR (ILLUST. NO. 1)			
13-ZG7 N390-13-ZG1	1	(ILLUST. NO. 2)			
13-ZG3 NF01-13-ZG3	4	RING, 'O'-INJECTOR			
13-ZG4 NF01-13-ZG4	4	RING, 'O'-INJECTOR			
13-ZG7 N3A3-13-ZG7	6	SCREW, FUEL DIS. (ILLUST. NO. 1)			
13-ZG7 N3A4-13-ZG7	6	(ILLUST. NO. 2)			
13-150B N3A1-13-150	1	DISTRIBUTOR, FUEL (PRIMARY)			
13-150B N3A2-13-150	1	(SECONDARY)			
13-158 N326-13-158	1	INSULATOR, FUEL DIST.			
13-250A N3A1-13-250	2	INJECTION, FUEL-M.P.E LECT. (PRIMARY)			
13-250A N3A2-13-250	2	(SECONDARY)			
13-253 N3A1-13-2G5	2	RING, 'O' (ILLUST. NO. 1)			
13-253 8574-13-253	1	(ILLUST. NO. 2)			
13-253 99541-01252	2	(ILLUST. NO. 3)			
13-257 NF01-13-257A	2	INSULATOR, INJECTION (ILLUST. NO. 1)			
13-257 N3A1-13-257	2	(ILLUST. NO. 2)			
13-2601 N3A1-13-C60	2	SOCKET, AIR BLEED (ILLUST. NO. 1)			

3901 FD333\*-500438

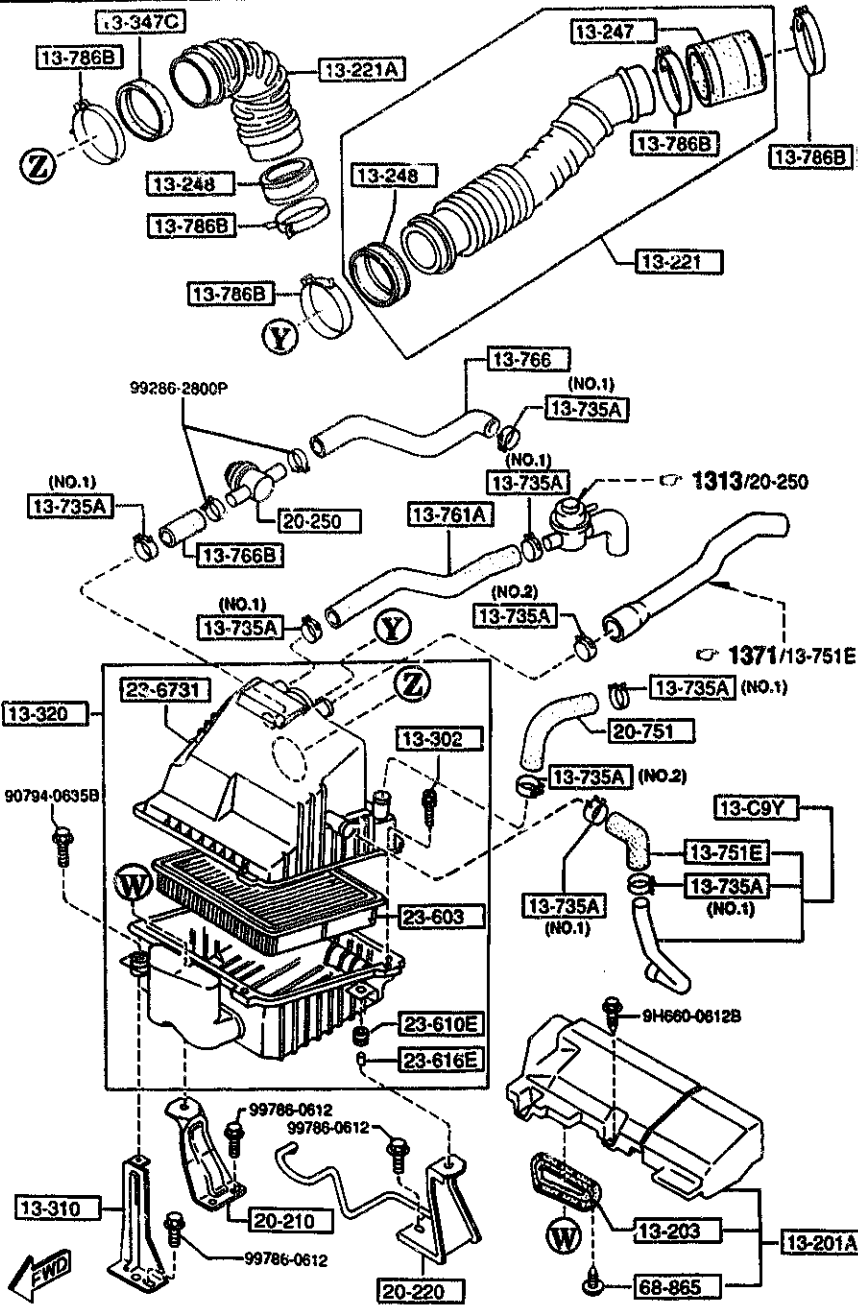
1325 FUEL DISTRIBUTOR

1325 -2 \* FUEL DISTRIBUTOR



PART NO.	QTY	MODEL/RESTRICTION	MODEL/RESTRICTION	MODEL/RESTRICTION	FROM-TO
CONT'D NSA2-13-C61	2	(ILLUST. NO.2)			
↑ 13-280A ↓		PRESSURE RG., FUEL			
NSA1-13-280	1				
↑ 13-282A ↓		RING, 'O'-PRESSURE RE GU.			
N253-13-282	1				
↑ 13-290C ↓		DAMPER, PULSATION			
N3A2-20-180	1				
↑ 18-840C ↓		SENSOR, TEMP. -ENG. COO LANT			
N391-18-840	1				

1330 AIR CLEANER



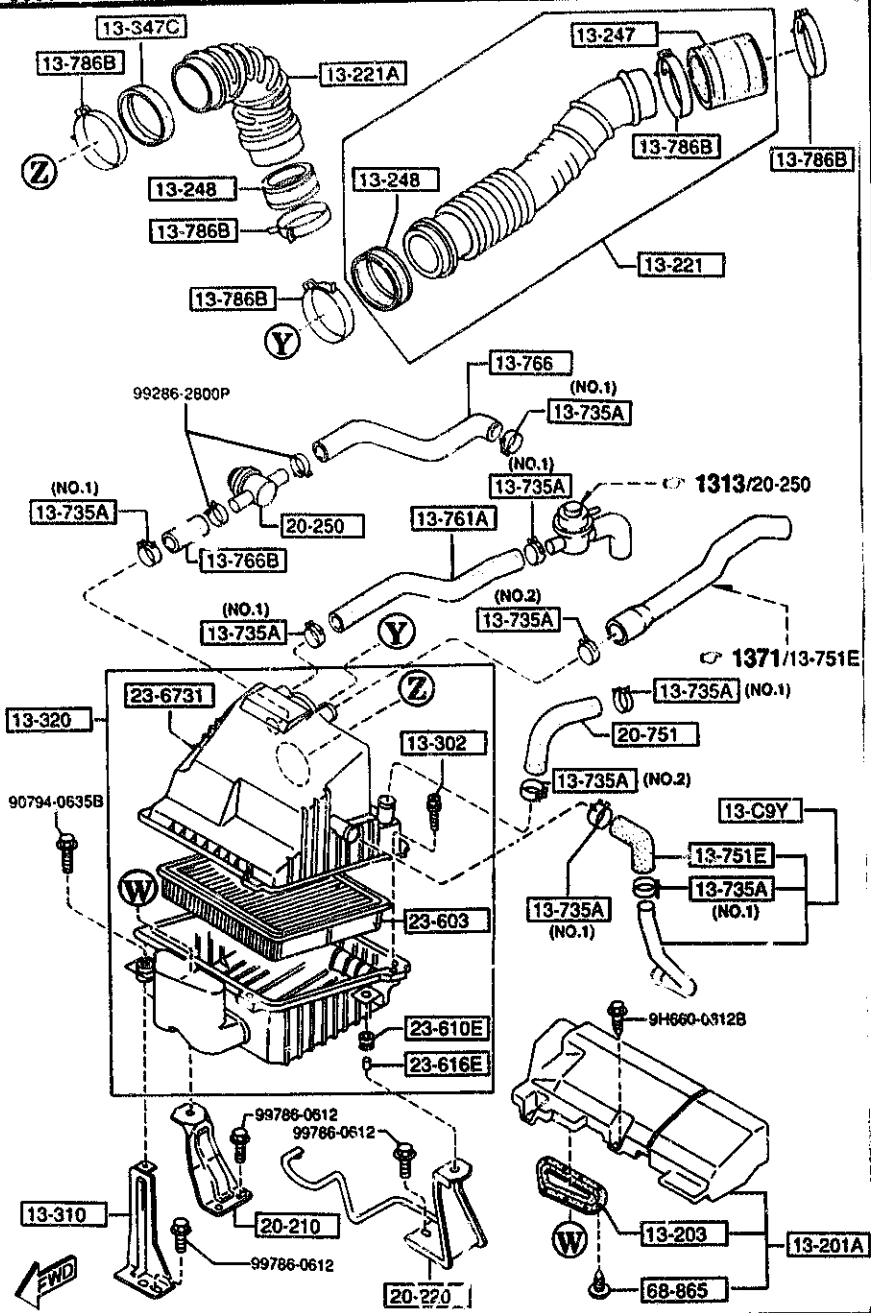
AUFA05

PART NO.	QTY	MODEL/RESTRICTION	MODEL/RESTRICTION	MODEL/RESTRICTION	FROM-TO
13-C9Y	1	PIPE,RELIEF			
N5C1-13-C9Y					
13-201A	1	DUCT,FRESH AIR			
N5A1-13-200					
13-203	1	RUBBER,SEAL-FRESH AIR DUC			
N5A1-13-203					
13-221	1	HOSE,AIR			
N5A1-13-220					
13-221A	1	HOSE,AIR			
N5A1-13-221A					
13-247	1	JOINT,RUBBER			
N5A3-13-247					
13-248	2	JOINT,RUBBER			
N5A1-13-247					
13-302	2	BOLT,AIR CLEANER			
F201-13-302A					
13-310	1	BRACKET,AIR CLEANER			
N3A1-20-200					
13-320	1	HOUSING,AIR CLEANER			
N5A1-13-320					
13-347C	1	JOINT,RUBBER			
N5A1-13-249					
13-735A	7 (ILLUST. NO.1)	CLAMP,HOSE			
NF01-13-735					
N5A1-13-735	2 (ILLUST. NO.2)				
13-751E	1	HOSE,AIR			
N5C1-13-751					

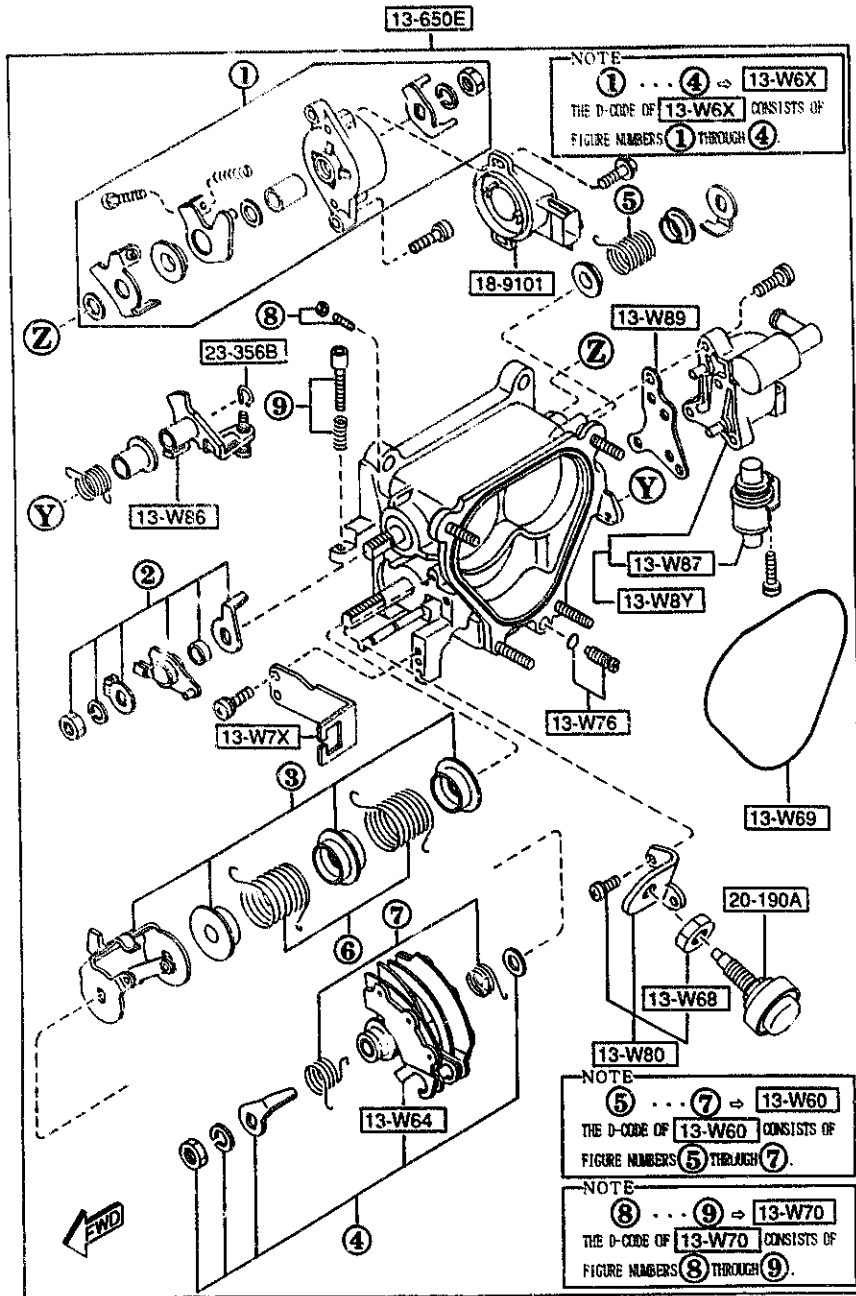
CAT. AUFA05-03

1995-03

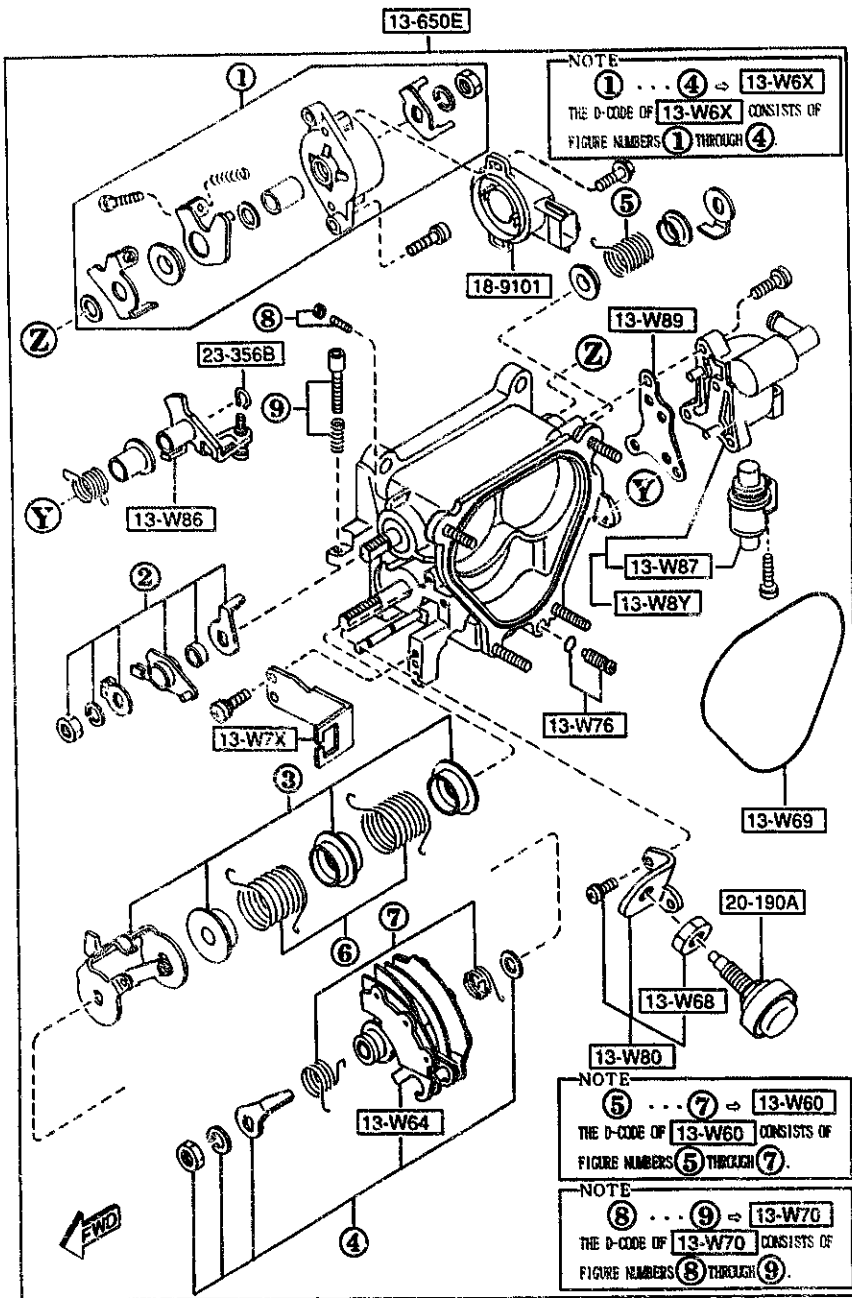
1330 AIR CLEANER



PART NO	QTY	MODEL/RESTRICTION	MODEL/RESTRICTION	MODEL/RESTRICTION	FROM TO
13-761A		HOSE, AIR			
N3A2-13-768	1				
13-766		HOSE, AIR			
N3A1-13-766	1				
13-766B		HOSE, AIR			
N3A1-13-767	1				
13-786B		CLIP, HOSE			
N3A3-13-786	5				
20-210		BRACKET, AIR CLEANER			
N3A1-20-210	1				
20-220		BRACKET, AIR CLEANER			
N3A2-20-220	1				
20-250		VALVE, AIR BYPASS			
N3A1-20-250	1				
20-751		HOSE, AIR			
N3A1-20-751	1				
23-603		ELEMENT, AIR CLEANER			
N3A1-13-240	1				
23-610E		INSULATOR			
HE19-23-610	3				
23-616E		PIPE			
HE19-23-616	3				
23-6731		COVER, AIR CLEANER			
N3A1-13-201	1				
68-865		FASTENER			
BR70-68-865	5				

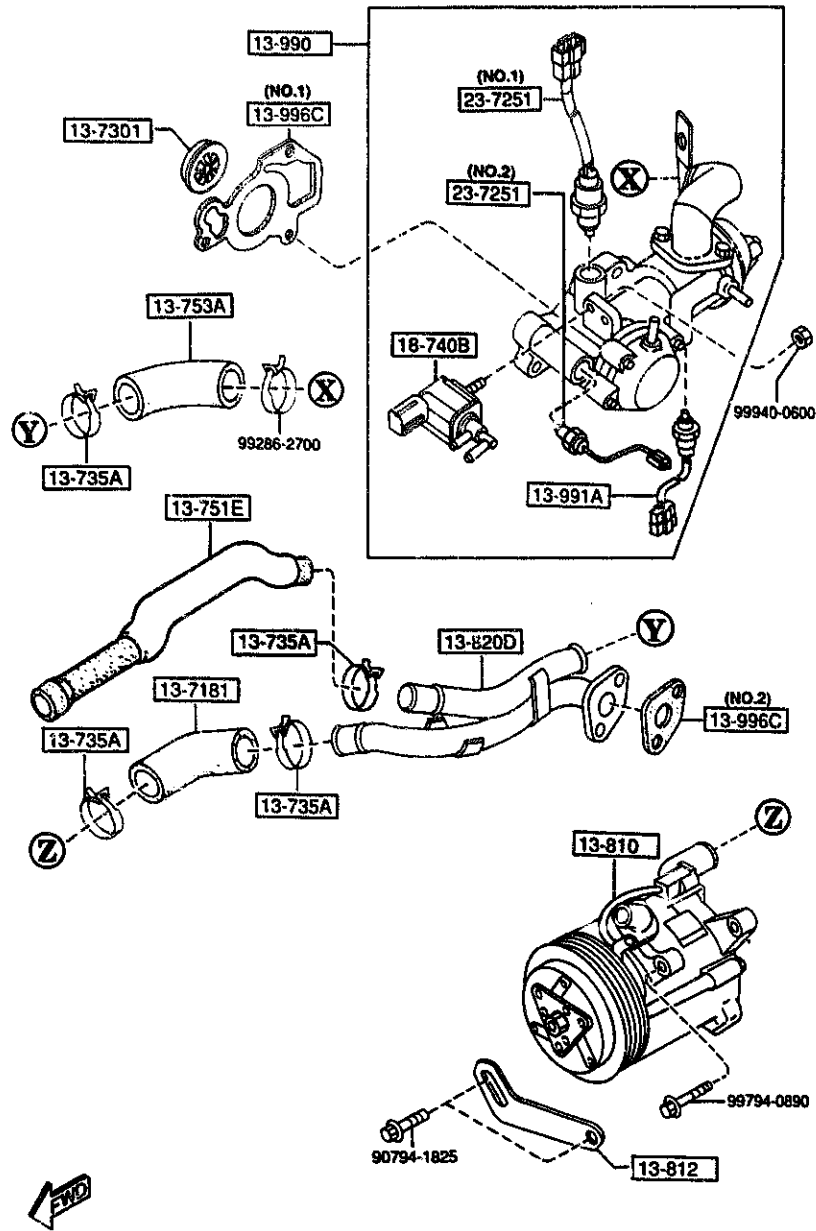


PART NO.	QTY	MODEL/RESTRICTION	MODEL RESTRICTION	MODEL RESTRICTION	FORM
13-W6X		LEVER SET, THROTTLE B			
NSA1-13-W6X	1	ODY (MT)			
NSA2-13-W6X	1	(AT)			
13-W60		SPRING SET, THROTTLE			
NSA1-13-W60	1	BODY (MT)			
NSA2-13-W60	1	(AT)			
13-W64		LEVER, THROTTLE			
NSA1-13-W64	1	(MT)			
NSA2-13-W64	1	(AT)			
13-W68		NUT			
NSA1-13-W68	1				
13-W69		RING, 'O'			
NS90-13-W69	1				
13-W7X		HOLDER SET, THROTTLE			
NSA1-13-W7X	1	BODY			
13-W70		SCREW SET, THROTTLE B			
NSA1-13-W70	1	ODY			
13-W76		SCREW, ID. ADJUST-TH.			
NSA1-13-W76	1	BODY			
13-W8Y		HOUSING, WAX			
NSA1-13-W8Y	1				
13-W80		BRKT SET, DASH POT-TH			
NSA1-13-W80	1	ROT			
13-W86		CAM, FIRST IDLE			
NSA1-13-W86	1				
13-W87		WAX, THERMO			
NSA1-13-W87	1				
13-W89		GASKET, THERMO			



PART NO.	QTY	MODEL/RESTRICTION	MODEL/RESTRICTION	MODEL/RESTRICTION	FROM TO
CONT'D					
N3A1-13-W89	1				
↑ 13-650E ↓		BODY, THROTTLE			
N3A1-13-640	1 (MT)				
N3A2-13-640	1 (AT)				
↑ 18-9101 ↓		SENSOR, THROTTLE POSI TION			
N3A1-18-911	1 (MT)				
N3A2-18-911	1 (AT)				
↑ 20-190A ↓		DASH POT			
N3A1-20-190	1				-3830
N350-20-190	1				3830-
↑ 23-356B ↓		RING, STOP			
N236-23-356	1				

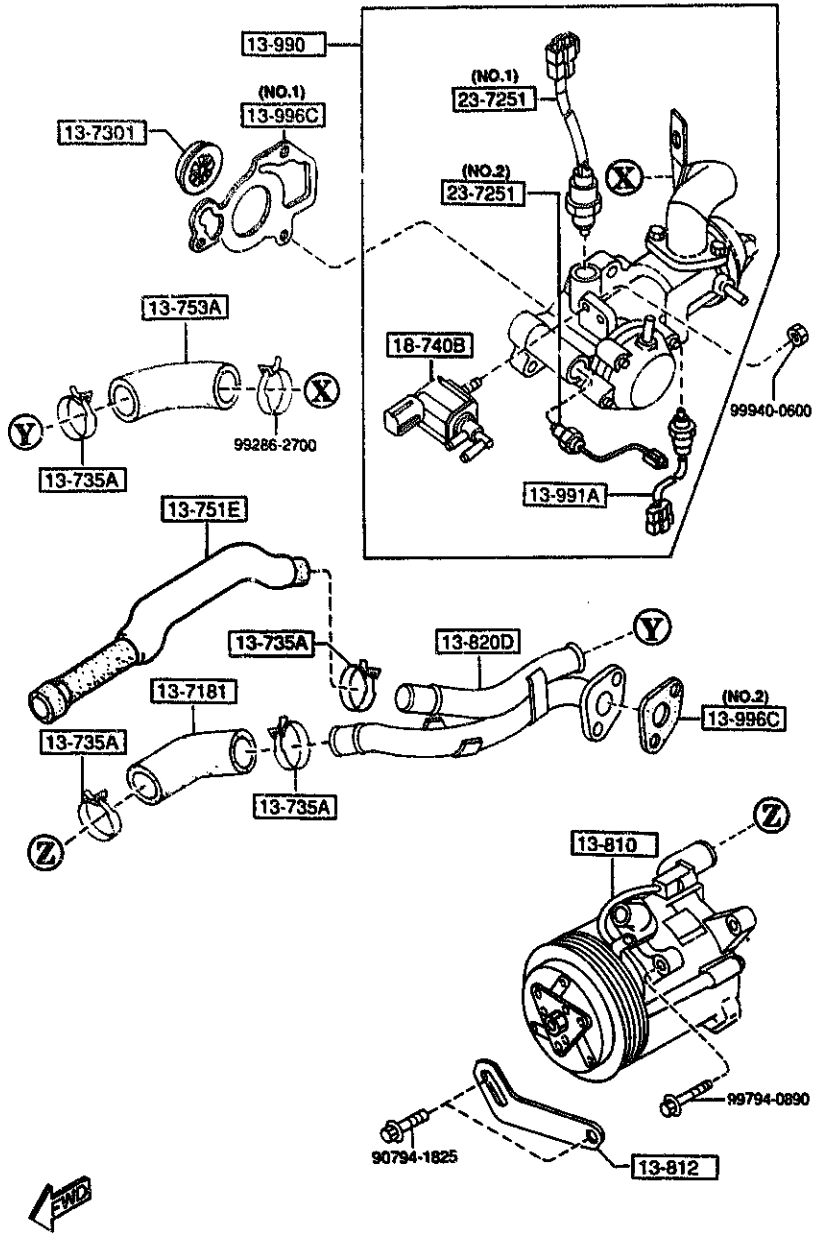
3830 FD333\*-300373



PART NO.	QTY	MODEL/RESTRICTION	MODEL/RESTRICTION	MODEL/RESTRICTION	FROM-TO
13-7181		HOSE, AIR			
N3A3-20-752	1				
13-7301		VALVE, CHECK			
1480-13-730	1				
13-735A		CLAMP, HOSE			
NF01-13-735	4				
13-751E		HOSE, AIR			
N3A3-13-754A	1				
13-753A		HOSE, AIR			
N3A3-13-753	1				
13-810		PUMP, AIR			
N3A3-13-810	1 (MT)				
N3A4-13-810	1 (AT)				
13-812		STRAP, AIR PUMP			
N3A1-13-812	1				
13-820D		PIPE, AIR			
N3A3-13-820A	1				
13-990		VALVE, AIR CONTROL			
N3A3-13-990	1 (MT)				
N3A4-13-990	1 (AT)				
13-991A		VALVE, SOLENOID-A.C. VALVE			
N3A1-13-991	1				
13-996C		GASKET, A.C.V.			
N3A3-13-996	1 (ILLUST. NO.1)				
N3A4-13-996	1 (ILLUST. NO.2)				
18-740B		VALVE, SOLENOID			
N3A1-18-741	1				
23-7251		VALVE, SOLENOID			

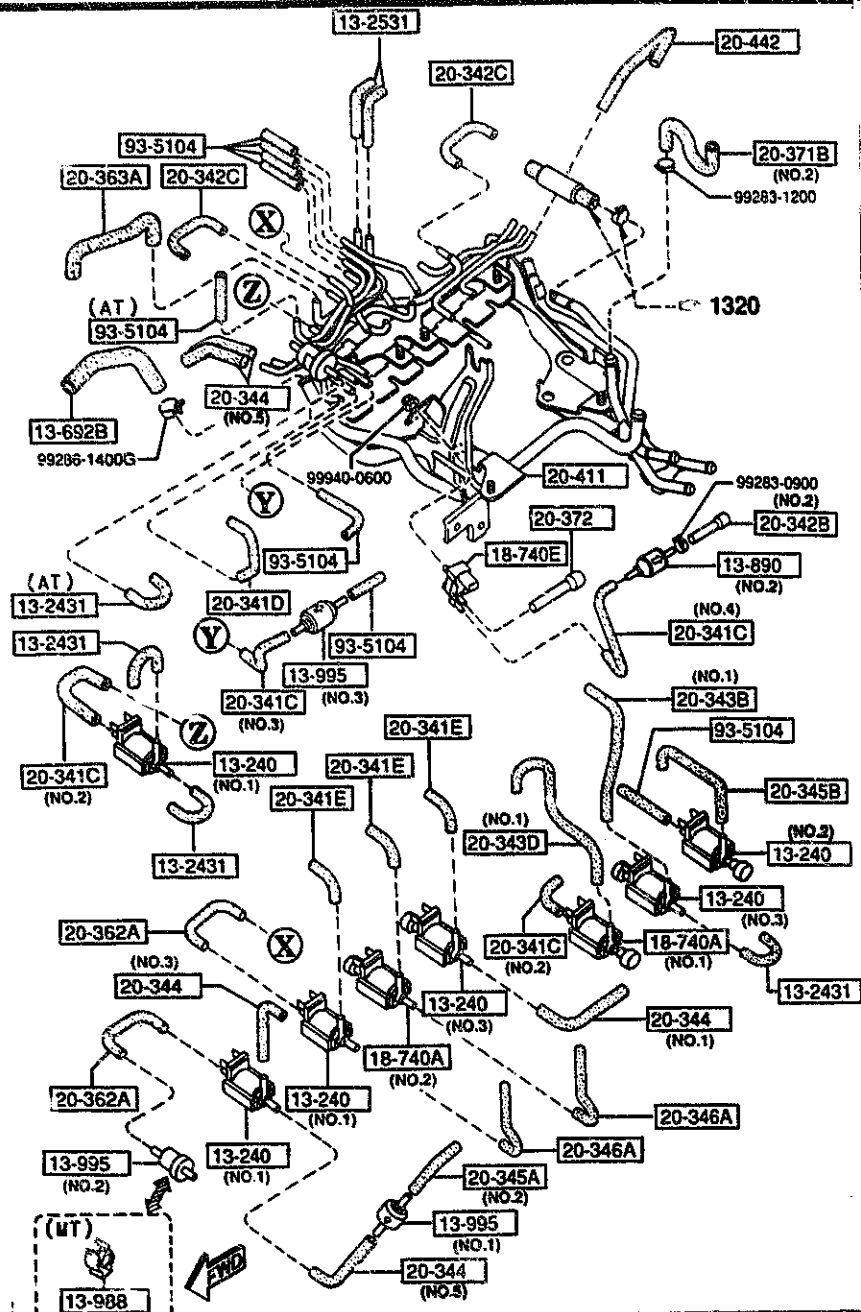
1371 AIR PUMP & AIR CONTROL VALVE

1371 -2 \* AIR PUMP & AIR CONTROL VALVE

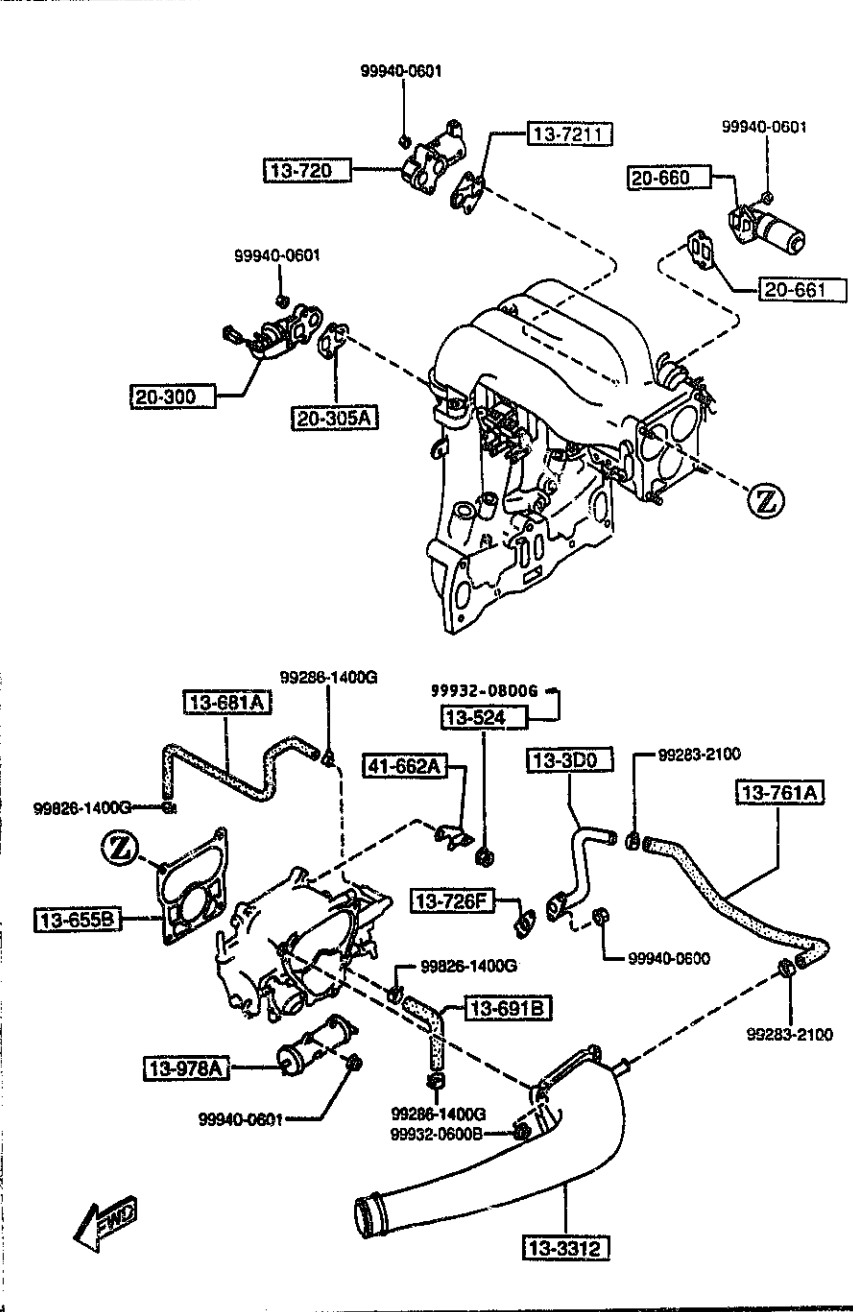


PART NO.	QTY	MODEL/RESTRICTION	MODEL/RESTRICTION	MODEL/RESTRICTION	FROM-TO
CONT'D					
N250-20-725	1	(ILLUST. NO.1)			
N304-20-725	1	(ILLUST. NO.2)			

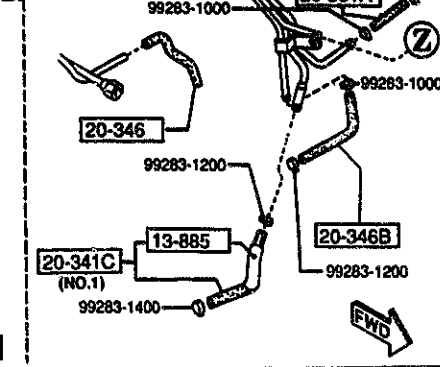
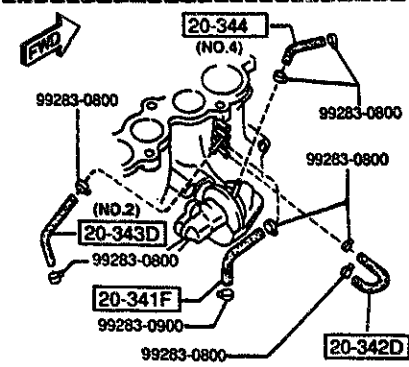
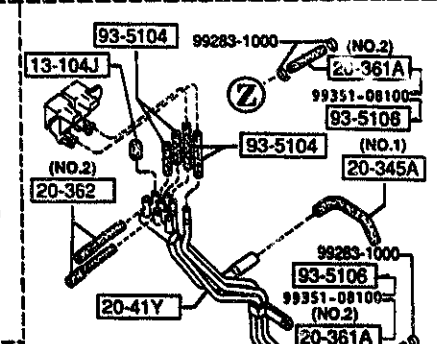
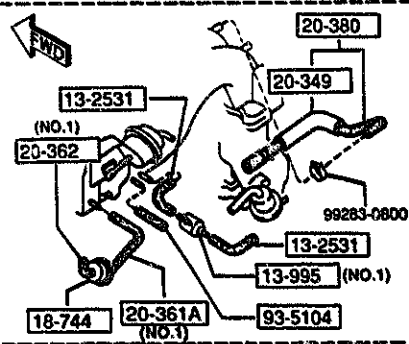
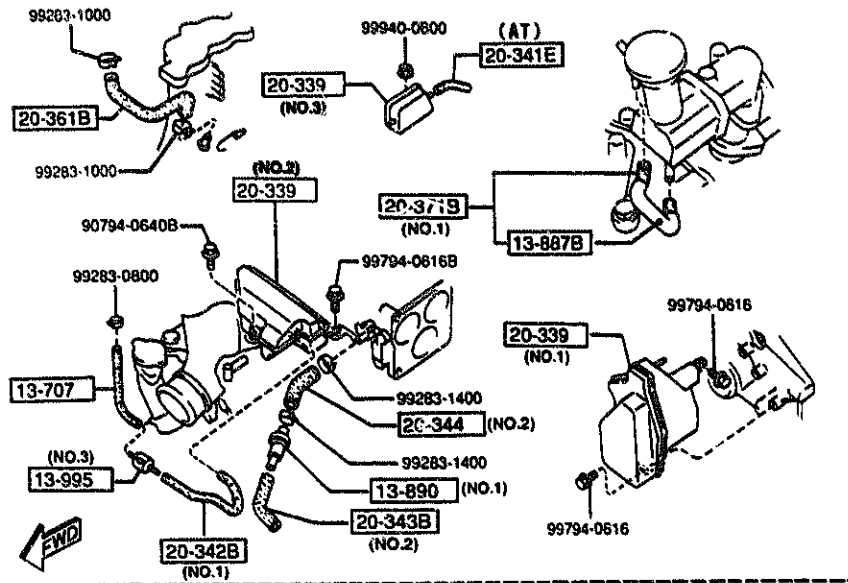




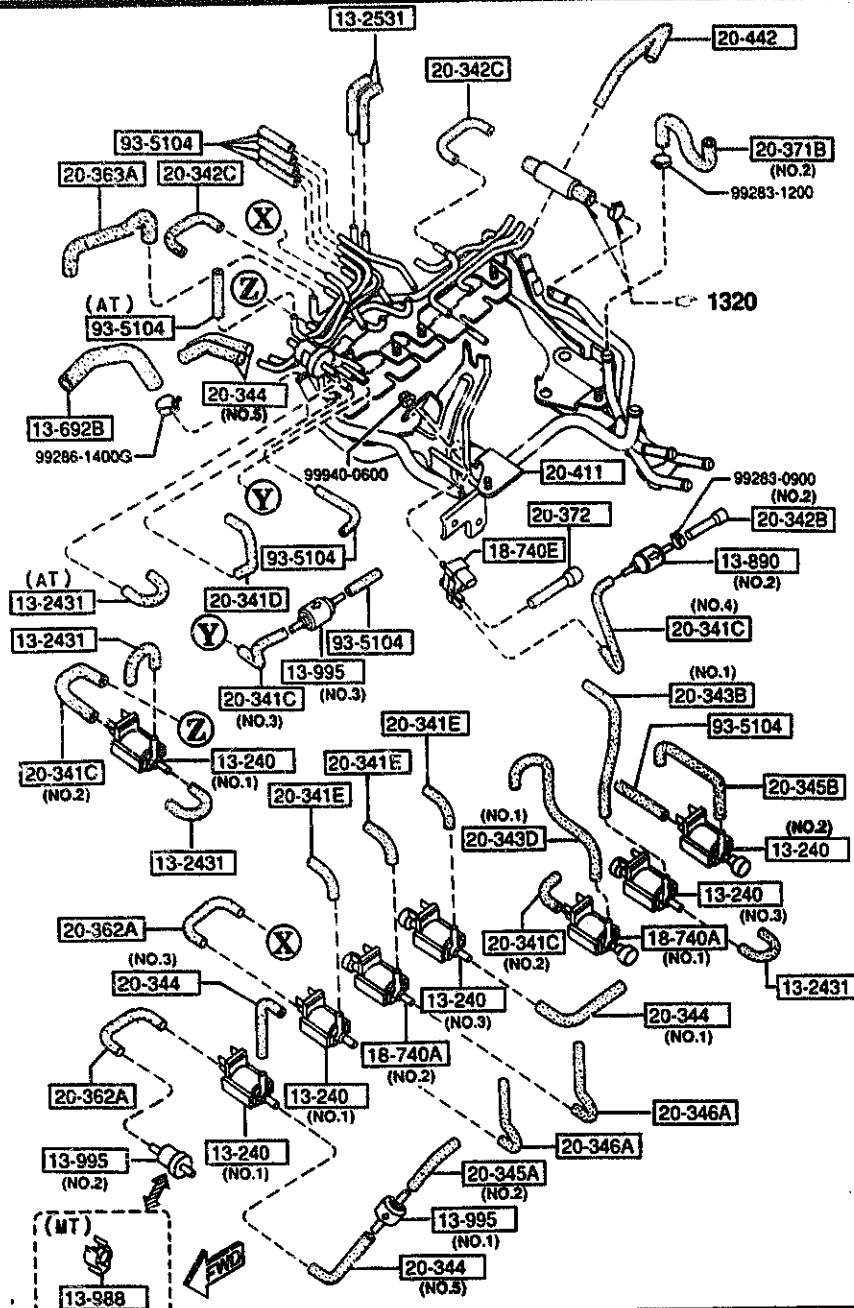
AUFA05



AUFA05



AUFA05



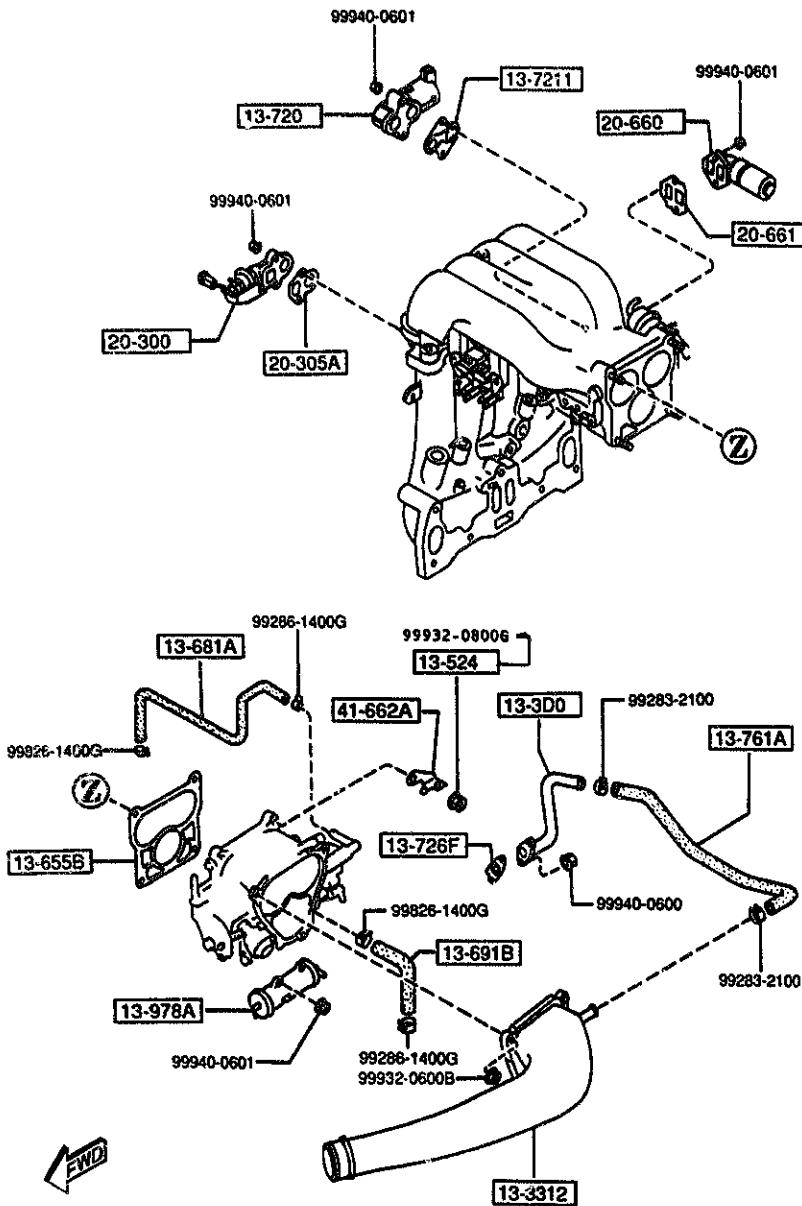
PART NO.	QTY	MODEL/RESTRICTION	MODEL/RESTRICTION	MODEL/RESTRICTION	FROM-TO
13-104J		CAP, BLIND			
1010-13-104	1	(MT)			
13-240		VALVE, SWAY			
1480-13-240A	3	(ILLUST. NO. 1)			
1481-13-240A	1	(ILLUST. NO. 2)			
1482-13-240A	2	(ILLUST. NO. 3)			
13-2431		HOSE, VACUUM			
N318-20-341A	3	(MT)			
N318-20-341A	4	(AT)			
13-2531		HOSE, VACUUM			
N236-13-253A	4				
13-3D0		PIPE, AIR-B.A.C.V. &A. I.H.			
N3A1-13-3D0A	1				
13-3312		PIPE, AIR INTAKE			
N3C1-13-330	1				
13-524		NUT			
NF01-13-524	4				
13-655B		GASKET, THROTTLE BODY			
N3A1-13-655	1				
13-681A		HOSE, WATER			
N3A1-13-681	1				
13-691B		HOSE, WATER			
N3A1-13-691	1				
13-692B		HOSE, WATER			
N3A1-13-692A	1				
13-707		HOSE, AIR			
N350-13-B96	1				
13-720		VALVE, SOL.-AIR BLEED EXTE			
3901 FD333*-300438					

-3901

AUFA05

CAT. AUFA05-03

1995-03

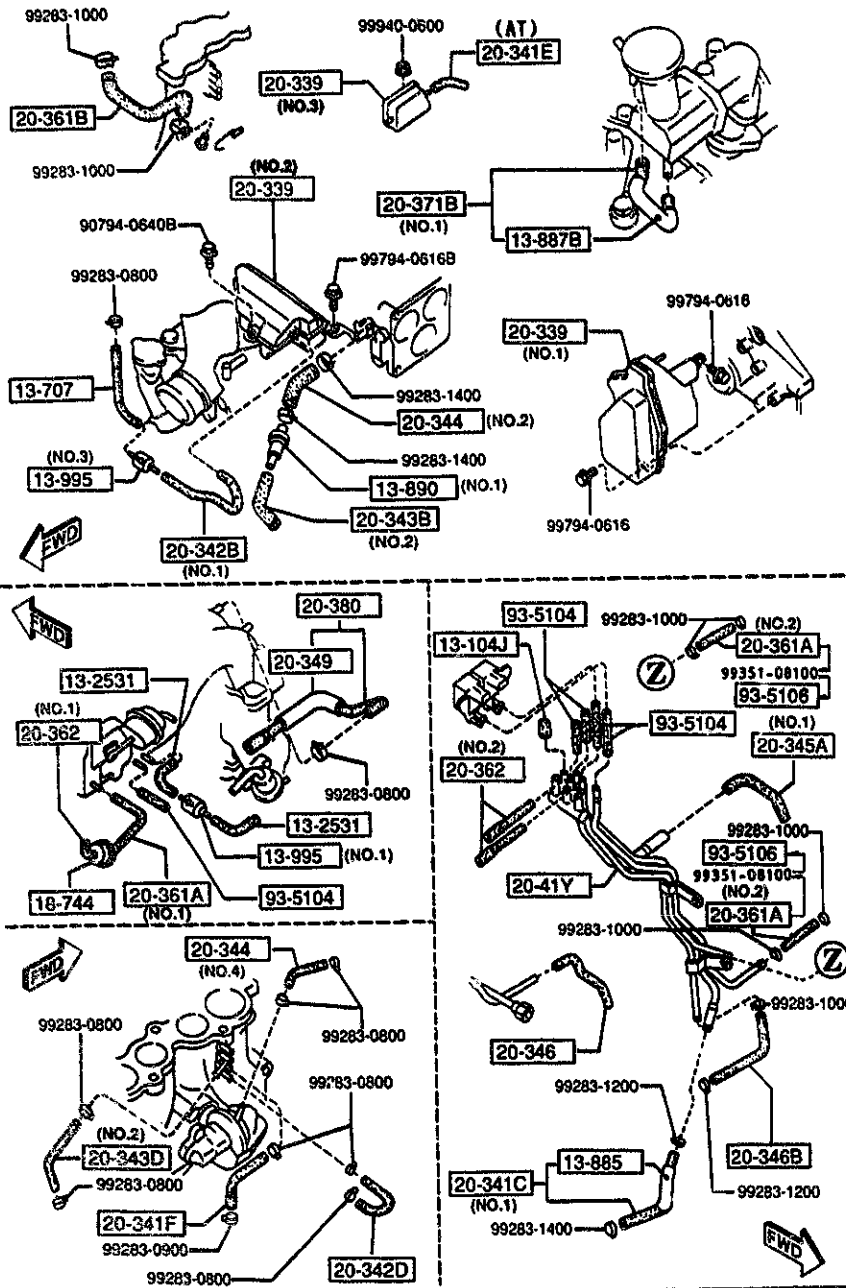


PART NO.	QTY	MODEL/RESTRICTION	MODEL/RESTRICTION	MODEL/RESTRICTION	FROM TO
CONT'D					
NSA1-13-720	1				
13-7211		GASKET			
NSA1-13-721	1				
13-726F		GASKET, SOLENOID VALVE			
NSA1-13-726	1				
13-761A		HOSE, AIR			
NSA1-13-761A	1				
13-885		PROTECTOR, SPONGE			
NSA3-13-885	1				
13-887B		PROTECTOR, SPONGE			
NSA2-13-887A	1				-3901
13-890		VALVE, P.C.V.			
NF01-13-890	1 (ILLUST. NO.1)				
NSA1-13-890	1 (ILLUST. NO.2)				
13-978A		TANK, CATCH			
NSA1-13-978	1				
13-988		FILTER, AIR			
NF01-13-988A	1 (MT)				
13-995		VALVE, CHECK			
HE41-13-995	2 (ILLUST. NO.1)				
NSA1-13-995	1 (ILLUST. NO.2) (AT)				
N390-13-995A	2 (ILLUST. NO.3)				
18-740A		VALVE, SOLENOID			
NSA7-18-741	1 (ILLUST. NO.1)				
N390-18-741	1 (ILLUST. NO.2)				
18-740E		VALVE, SOLENOID			
F285-18-741	1 MITSUBISHI				

3901 FD333\*-300438

1380 EMISSION CONTROL SYSTEM

(3/3)



PART NO.	QTY	MODEL/RESTRICTION	MODEL/RESTRICTION	MODEL/RESTRICTION	FROM-TO
18-744		FILTER, AIR			
SSA1-18-744	1				
20-300		VALVE, E. G. R.			
N3A3-20-300	1				
20-305A		GASKET, E. G. R. VALVE			
N3A1-20-305A	1				
20-339		CHAMBER, VACUUM			
N3C1-20-339	1	(ILLUST. NO. 1)			
N3C2-20-339	1	(ILLUST. NO. 2)			
N3C3-20-339	1	(ILLUST. NO. 3) (AT)			
20-341C		TUBE, VACUUM			
N3A5-20-340	1	(ILLUST. NO. 1)			
NF01-20-341	2	(ILLUST. NO. 2)			
N3A4-20-341	1	(ILLUST. NO. 3)			
N3A5-20-341	1	(ILLUST. NO. 4)			
20-341D		TUBE, VACUUM			
N3A1-20-341	1				
20-341E		TUBE, VACUUM			
N3A2-20-341A	3	(MT)			
N3A2-20-341A	4	(AT)			
20-341F		TUBE, VACUUM			
N3A3-20-341A	1				
20-342B		TUBE, VACUUM			
N3A1-20-342	1	(ILLUST. NO. 1)			
N3A5-20-342	1	(ILLUST. NO. 2)			
20-342C		TUBE, VACUUM			
N3A2-20-342	2				
20-342D		TUBE, VACUUM			
N3A3-20-342	1				

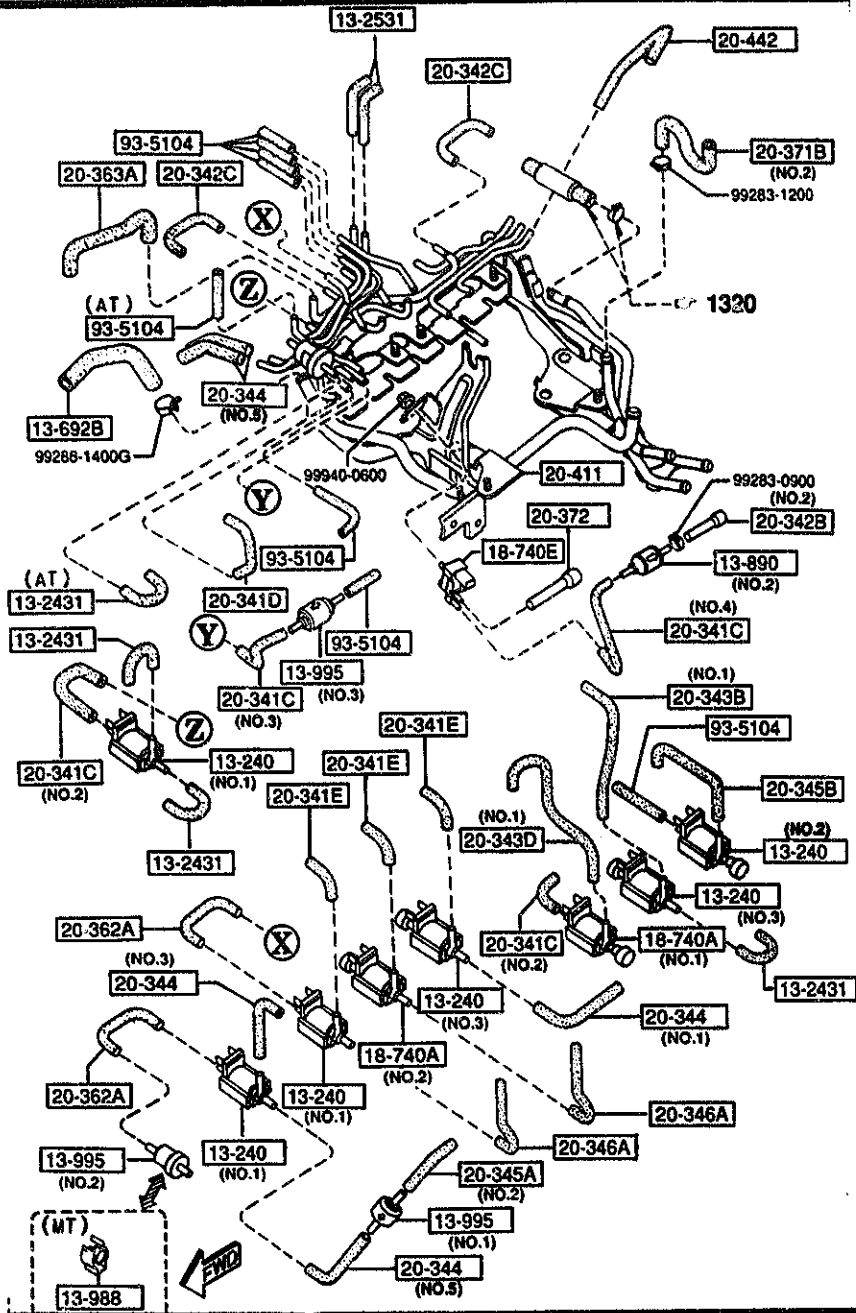
AUFA05

CAT. AUFA05-03

1995-03

1380 EMISSION CONTROL SYSTEM

(1/3)



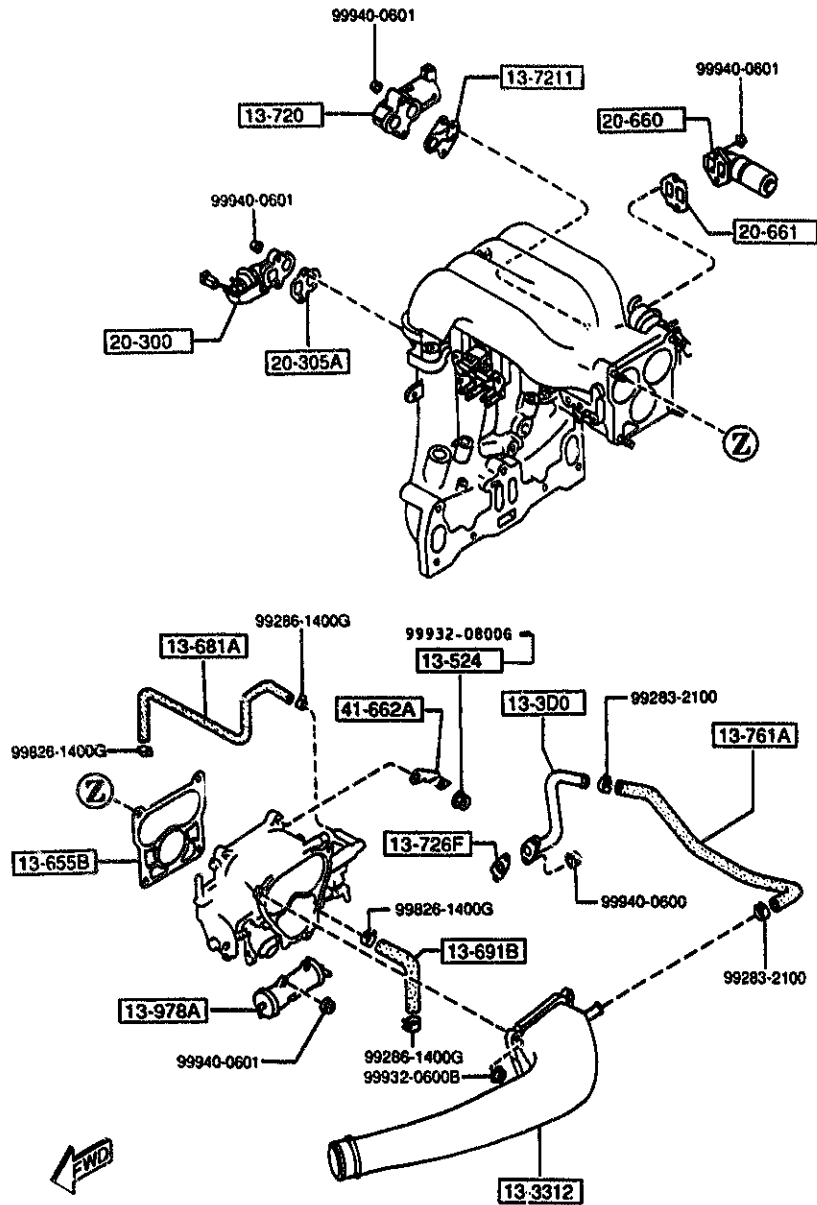
PART NO.	QTY	MODEL/RESTRICTION	MODEL/RESTRICTION	MODEL/RESTRICTION	FROM-TO
20-345B		TUBE, VACUUM			
NSA1-20-345A	1	(ILLUST. NO.1)			
NSA4-20-345	1	(ILLUST. NO.2)			
20-343D		TUBE, VACUUM			
NSA2-20-343B	1	(ILLUST. NO.1)			
NSA3-20-343A	1	(ILLUST. NO.2)			
20-344		TUBE, VACUUM			
FE4J-20-344	1	(ILLUST. NO.1)			
NSA1-20-344A	1	(ILLUST. NO.2)			
NSA2-20-344A	1	(ILLUST. NO.3) (AT)			
NSA3-20-344	1	(ILLUST. NO.4)			
NSA4-20-344	3	(ILLUST. NO.5)			
20-345A		TUBE, VACUUM			
NSA1-20-345	1	(ILLUST. NO.1)			
NSA4-20-345	1	(ILLUST. NO.2)			
20-345B		TUBE, VACUUM			
NSA2-20-345A	1				
20-346		TUBE, VACUUM			
NSA1-20-346	1				
20-346A		TUBE, VACUUM			
NSA2-20-346	2				
20-346B		TUBE, VACUUM			
NSA3-20-346A	1				
20-349		PROTECTOR, VACUUM PIPE			
NSA1-20-348	1				
20-361A		TUBE, VACUUM			
NSA1-20-361A	1	(ILLUST. NO.1)			
NSA4-20-361	2	(ILLUST. NO.2)			
3B15 FD333*-301312					

-3B15

AUFA05

CAT. AUFA05-03

1995-03



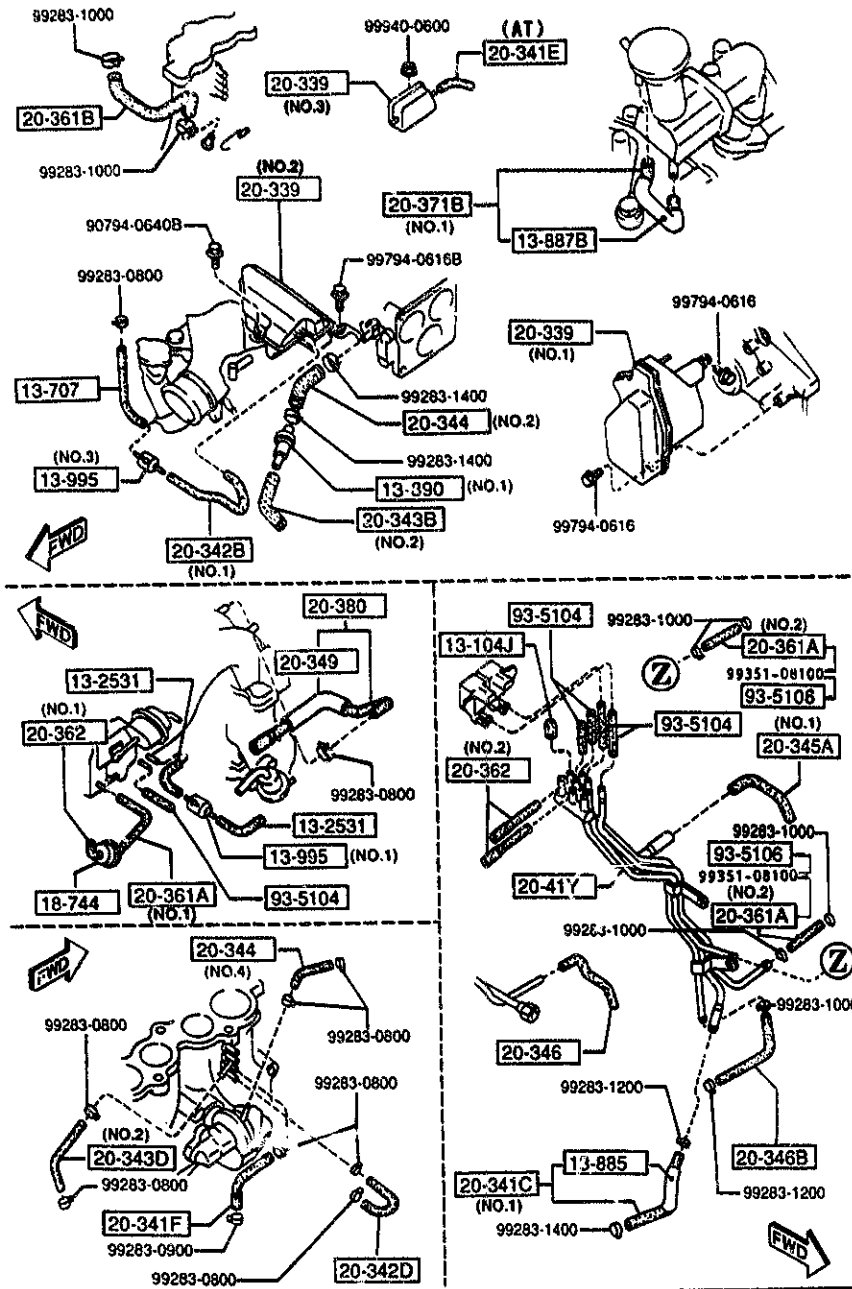
PART NO.	QTY	MODEL/RESTRICTION	MODEL/RESTRICTION	MODEL/RESTRICTION	FROM-TO
20-361B NSA2-20-361A	1	TUBE, VACUUM			
20-362 NSA1-20-362 NSA4-20-362	1 2	TUBE, VACUUM (ILLUST. NO.1) (ILLUST. NO.2)			
20-362A NSA2-20-362	2	TUBE, VACUUM			
20-363A NSA2-20-363	1	TUBE, VACUUM			
20-371B NSA1-20-371 NSA2-20-370A NSA2-20-371A	1 1 1	TUBE, VACUUM (ILLUST. NO.2) (ILLUST. NO.1) (ILLUST. NO.1)			-3901 3901-
20-372 NSA1-20-372A	1	TUBE, VACUUM			
20-380 NSA1-20-380	1	TUBE, VACUUM			
20-41Y NSA1-20-41YA	1	PIPE, AIR-VALVE ACTUATOR			
20-411 NSA1-20-410C	1	PIPE, VACUUM			
20-442 J501-20-442	1	TUBE, VACUUM			
20-660 NSA1-20-660	1	VALVE, IDLE AIR CONTROL			
20-661 NSA1-20-661	1	GASKET, B.A.C. VALVE			
41-662A		BRACKET, ACCEL CABLE			
3901 FD333*-300438					

CAT. AUFA05-03

1995-03

1380 EMISSION CONTROL SYSTEM

(3/3)

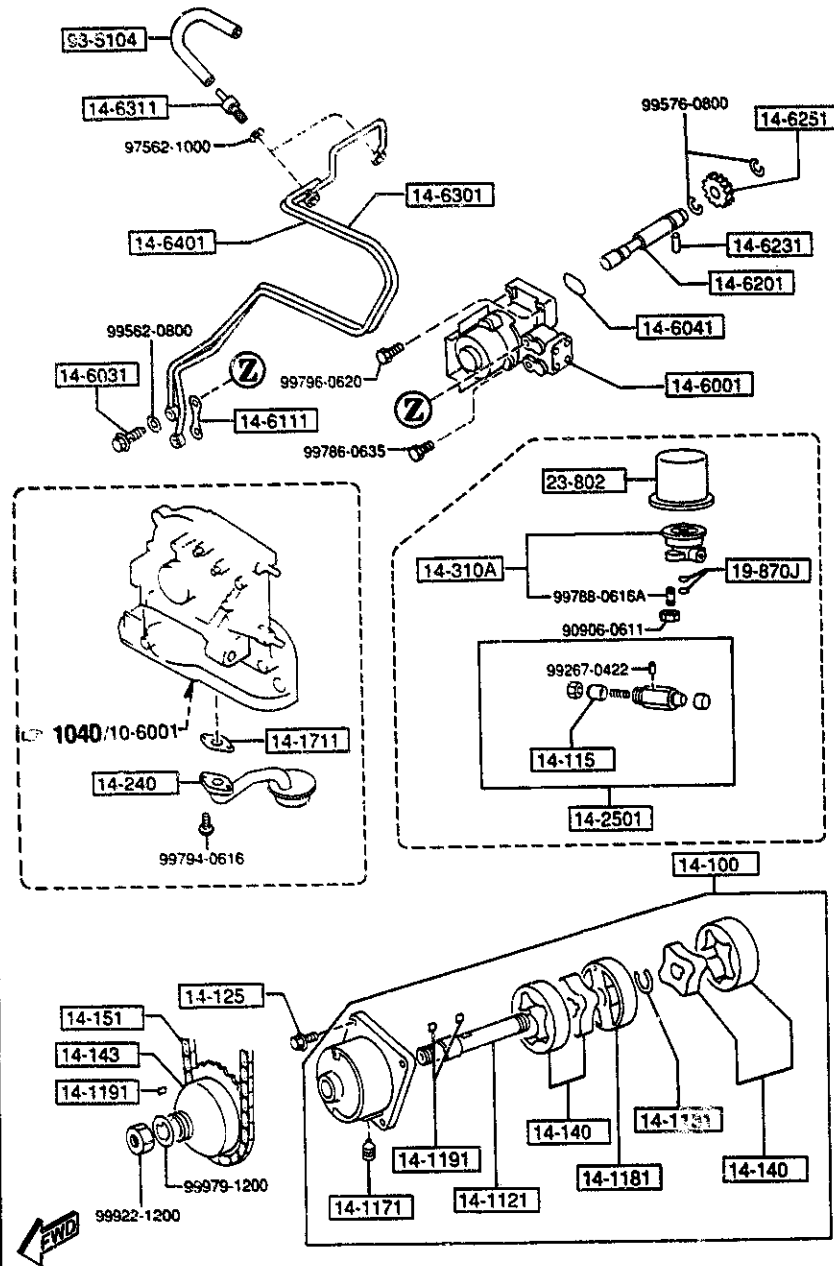


PART NO.	QTY	MODEL/RESTRICTION	MODEL/RESTRICTION	MODEL/RESTRICTION	FROM TO
CONT'D FD01-41-662B	1				
↑-----↑ 93-5104 ↓-----↓		HOSE			
99351-04999	2				
↑-----↑ 93-5106 ↓-----↓		HOSE			
99351-06999	1				3B23-

3B23 FD333X-301403



1400 OIL PUMP & FILTER



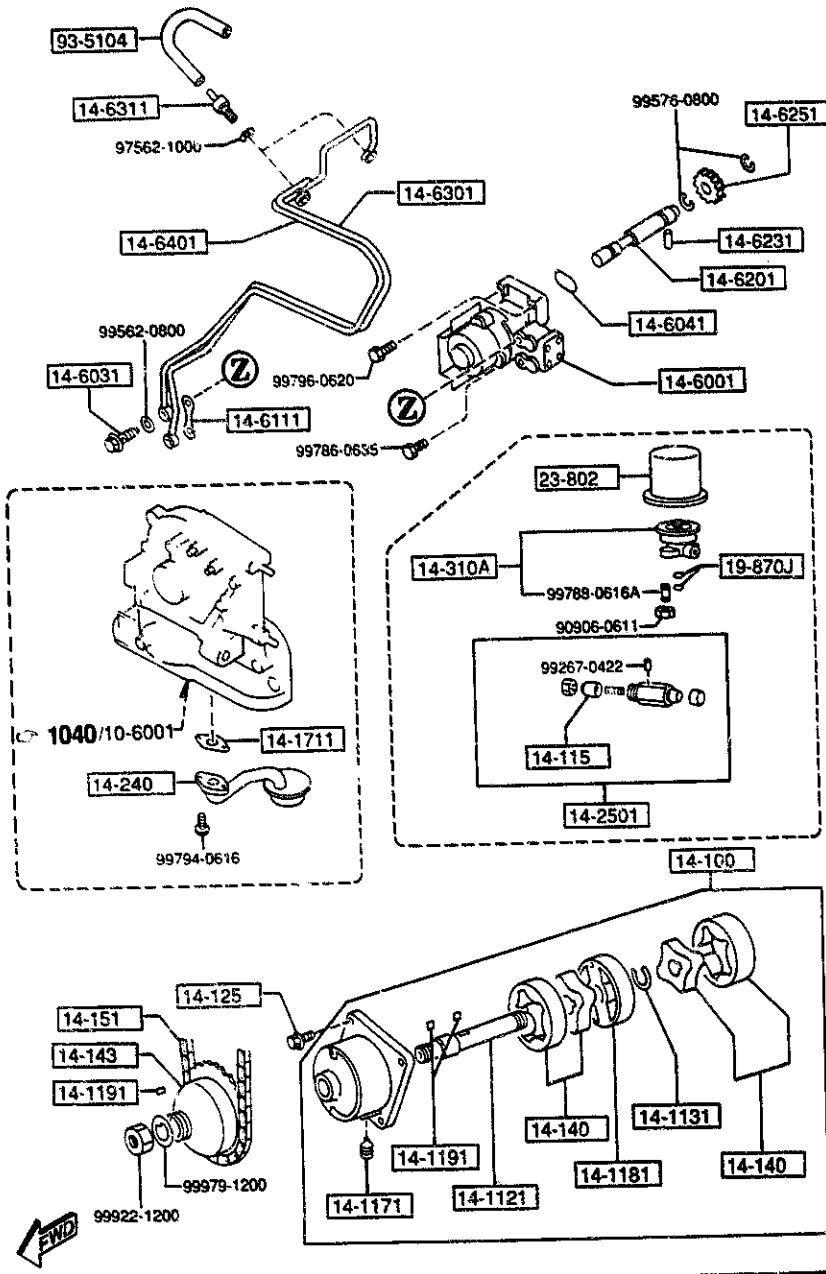
PART NO.	QTY	MODEL/RESTRICTION	MODEL/RESTRICTION	MODEL/RESTRICTION	FORM
14-100		PUMP,OIL			
NF01-14-100	1				
14-1121		SHAFT,OIL PUMP			
N326-14-131	1				
14-1131		RING,SNAP			
0810-14-113	1				
14-115		PLUNGER,CONTROL			
0221-14-115	1				
14-1171		BOLT,LOCK			
N326-14-117	1				
14-1181		PLATE,MIDDLE			
NF01-14-135	1				
14-1191		KEY			
0839-14-119B	3				
14-125		BOLT,SET			
8553-14-125	4				
14-140		ROTOR			
N318-14-140	2				
14-143		WHEEL,SPROCKET			
N326-14-143	1				
14-151		CHAIN,OIL PUMP			
N326-14-151	1				
14-1711		GASKET,OIL STRAINER NON ASBESTOS			
N386-14-248	1				
14-240		STRAINER,OIL			
N3A1-14-240A	1				
14-2501		REGULATOR,PRESSURE			

AUFAC:

CAT. AUF065-03

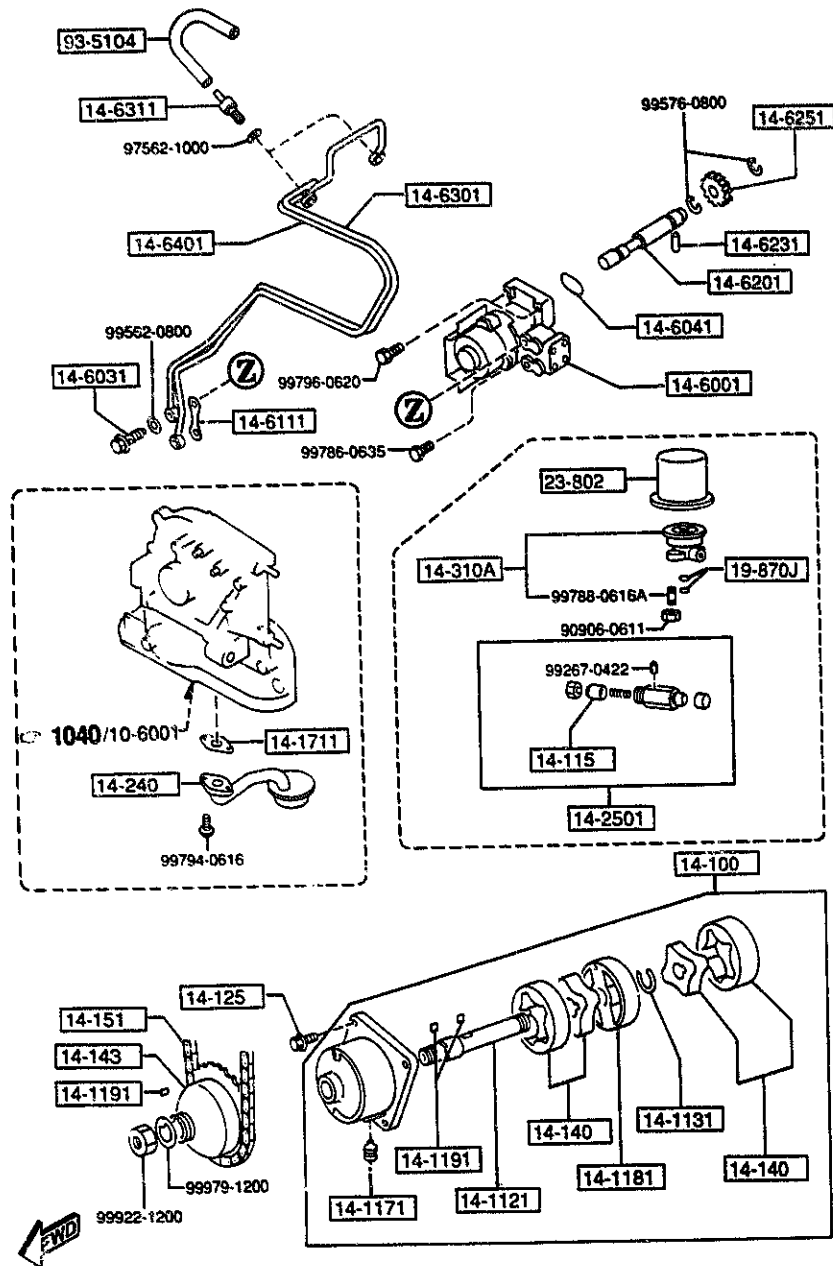
1995-03

1400 OIL PUMP & FILTER

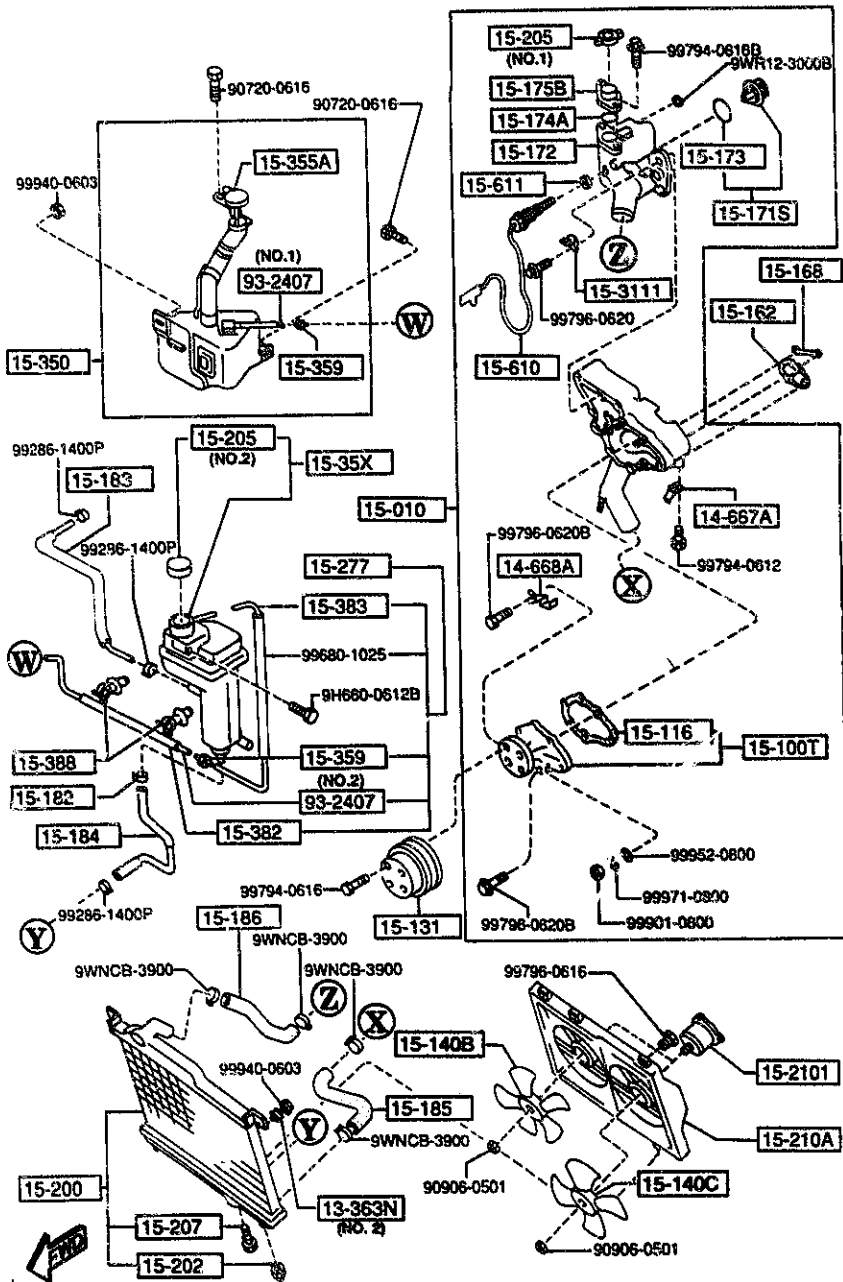


PART NO.	QTY	MODEL / RESTRICTION	MODEL / RESTRICTION	MODEL / RESTRICTION	FROM - I.
CONT'D					
N3A1-14-230	1				
----- 14-310A -----		BODY, OIL FILTER			
N3A1-14-310A	1				
----- 14-6001 -----		PUMP, METERING OIL			
N3A2-14-600	1				
----- 14-6031 -----		BOLT, CONNECTOR			
N236-14-603B	2				
----- 14-6041 -----		RING, 'O'			
N350-14-604	1				
----- 14-6111 -----		GASKET, METERING OIL			
N390-14-602	1				
----- 14-6201 -----		SHAFT, DRIVEN GEAR			
N350-14-620	1				
----- 14-6231 -----		PIN, DRIVEN GEAR			
0813-14-623	1				
----- 14-6251 -----		GEAR, DRIVEN			
0820-14-625A	1				
----- 14-6301 -----		TUBE, METERING OIL			
N3A1-14-660	1				-3A01
N3A1-14-660A	1				3A01-
----- 14-6311 -----		BOLT, CONNECTOR			
N318-14-631	2				
----- 14-6401 -----		TUBE, METERING OIL			
N3A1-14-670	1				-3A01
N3A1-14-670A	1				3A01-
----- 19-870J -----		RING, 'O'			
99541-01601	2				
3A01 FD333*-300888					

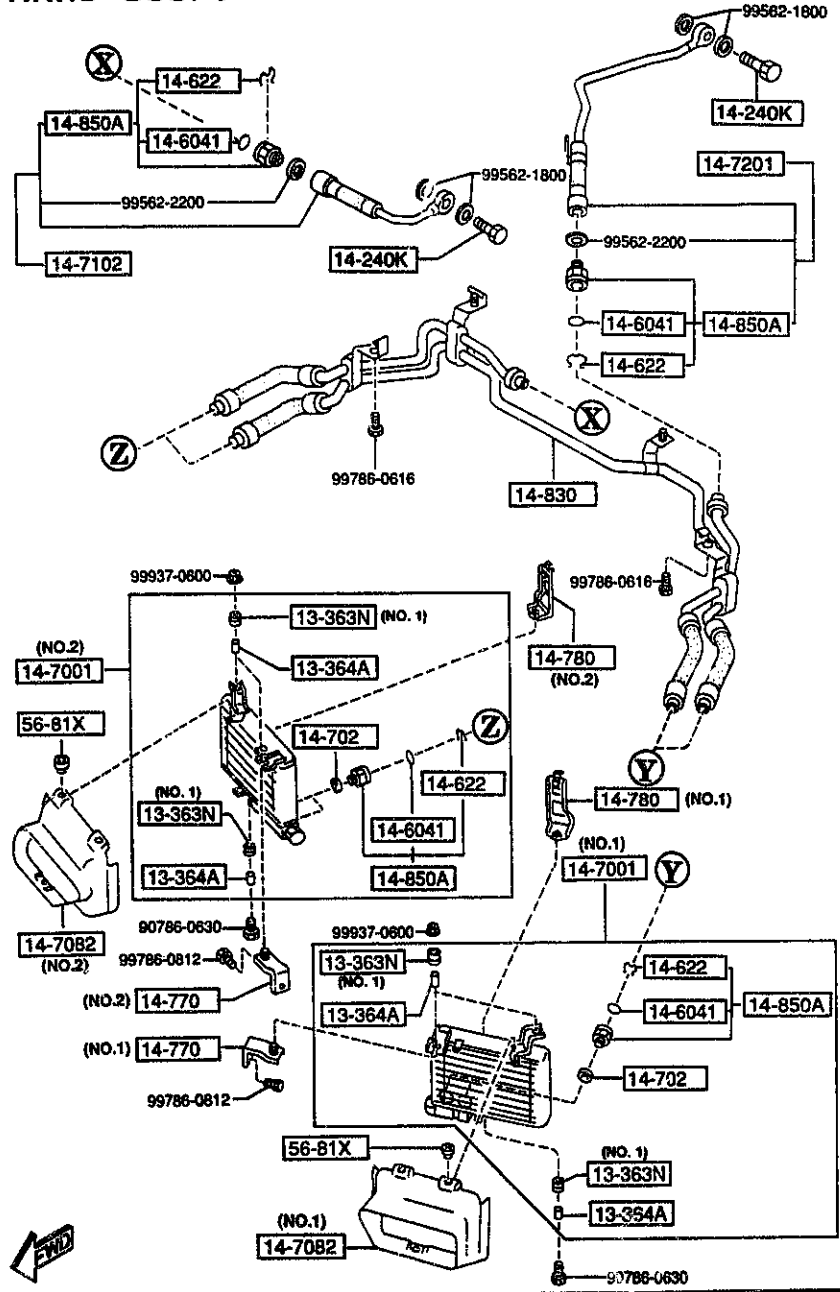
1400 OIL PUMP & FILTER



PART NO.	QTY	MODEL/RESTRICTION	MODEL/RESTRICTION	MODEL/RESTRICTION	FROM-TO
23-802 B6Y1-14-302	1	CARTRIDGE,OIL FILTER TOKYD ROKI			
93-5104 99351-04999	1	HOSE			



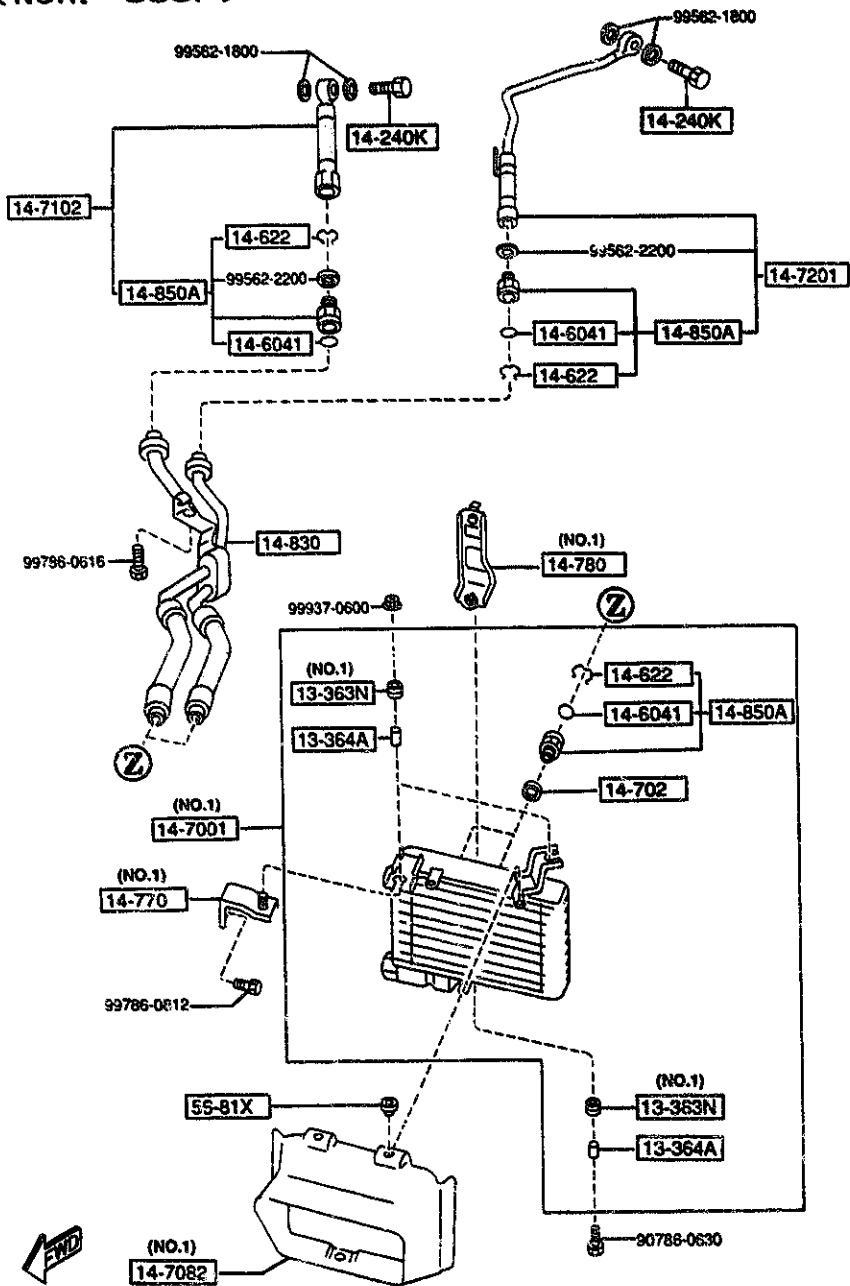
AUFA05



AUFA05

1500 COOLING SYSTEM  
(NOR. SUSP)

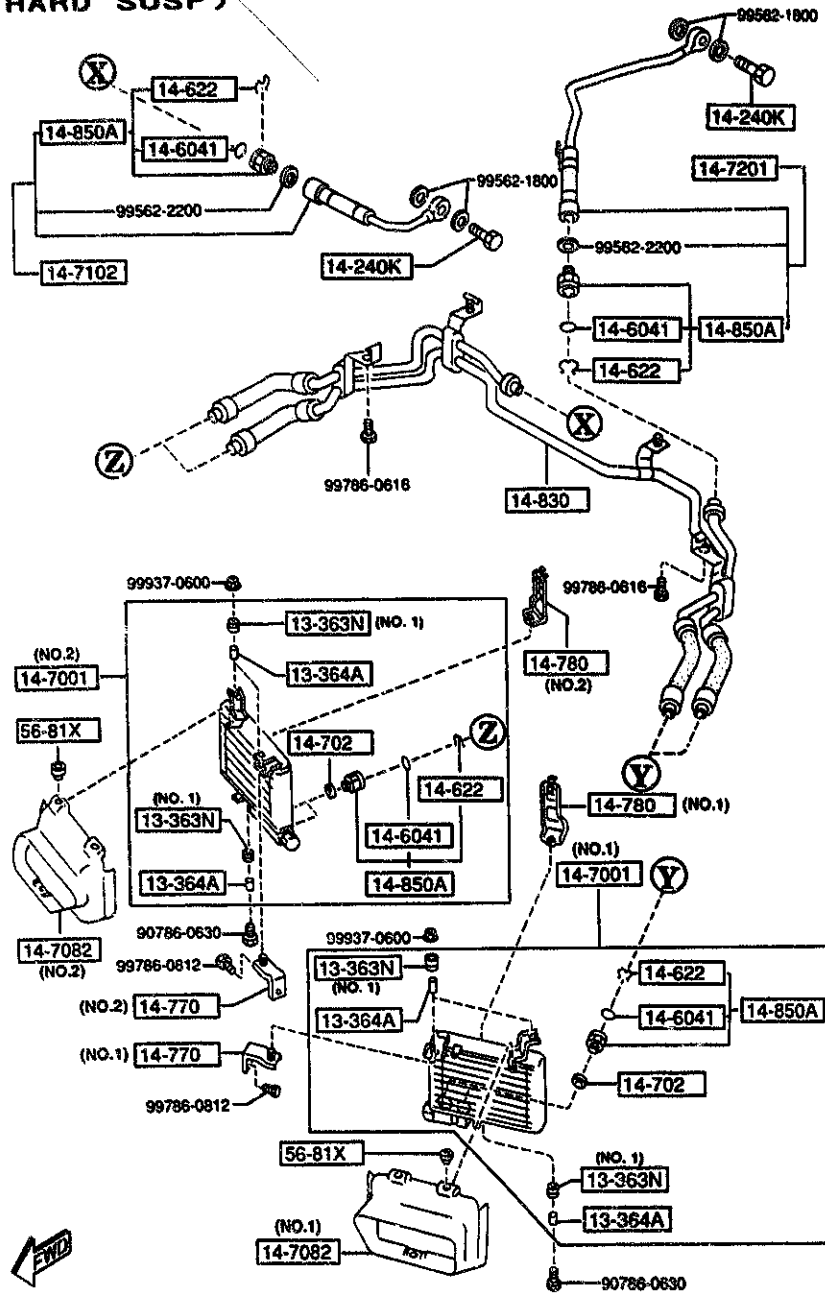
(3/3)



AWD  
AUF05

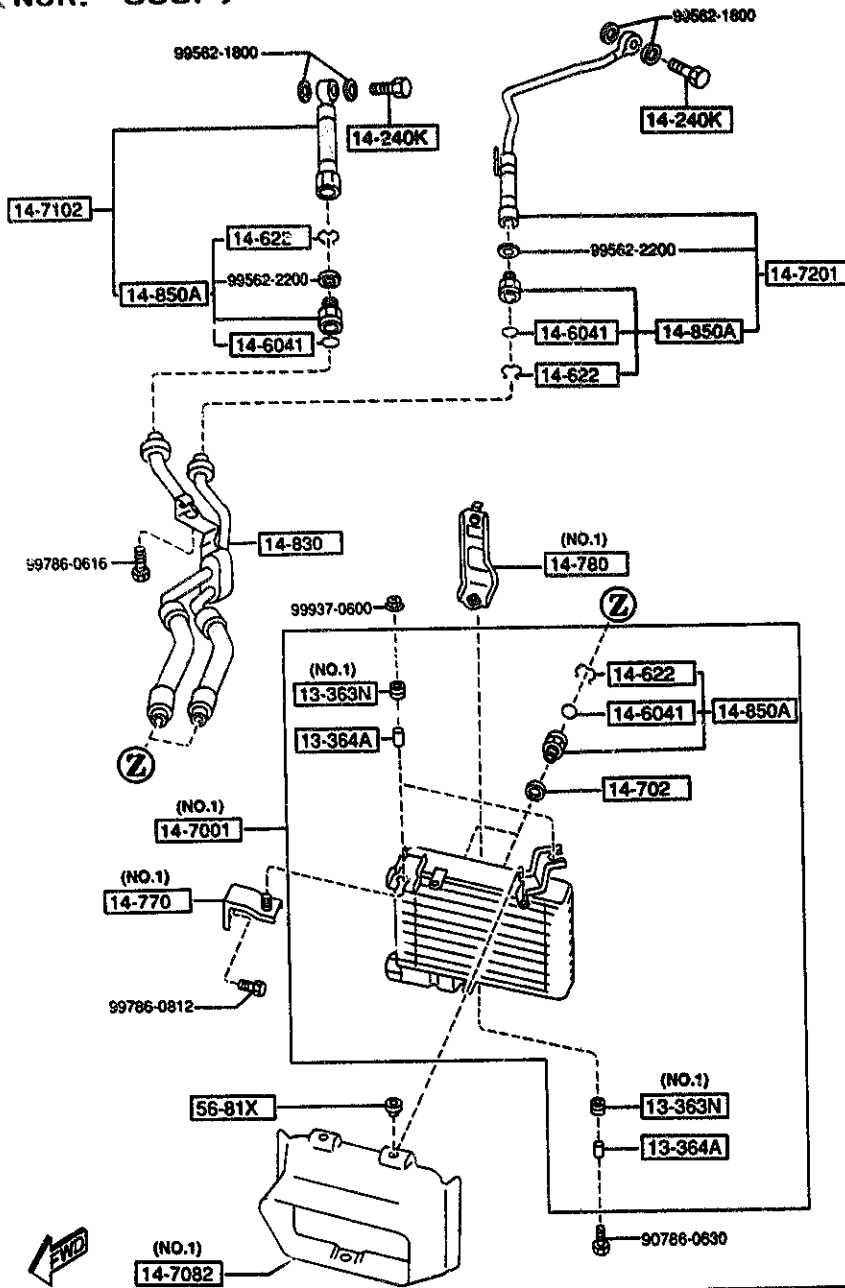


1500 COOLING SYSTEM  
(HARD SUSP)



PART NO.	QTY	MODEL/RESTRICTION	MODEL/RESTRICTION	MODEL/RESTRICTION	FROM-TO
14-7082		DUCT,OIL COOLER			
NSA1-14-708	1	(ILLUST. NO.1)			
NSB2-14-708	1	(ILLUST. NO.2) (HARD SUSP)			
14-7102		HOSE,OIL			
NSA1-14-710B	1	(HARD SUSP)			
NSA2-14-710B	1	(NOR.SUSP)			
14-7201		HOSE,OIL			
NSA1-14-720B	1				
14-770		BRACKET,OIL COOLER			
NSA1-14-770B	1	(ILLUST. NO.1)			
NSA2-14-770B	1	(ILLUST. NO.2) (HARD SUSP)			
14-780		BRACKET,OIL COOLER			
NSA1-14-780B	1	(ILLUST. NO.1)			
NSA2-14-780B	1	(ILLUST. NO.2) (HARD SUSP)			
14-830		HOSE,OIL			
NSA1-14-830A	1	(NOR.SUSP)			
NSA3-14-830A	1	(HARD SUSP)			
14-850A		CONNECTOR,OIL COOLER			
NSA1-14-850	4	(NOR.SUSP)			
NSA1-14-850	6	(HARD SUSP)			
15-010		PUMP,WATER			
NSC1-15-010	1				-3A01
A (NSC1-15-010A)					
NSC2-15-010	1				-3A01
A (NSC2-15-010A)					
NSC1-15-010A	1				3A01-3C16
A (NSC1-15-010B)					
NSC2-15-010A	1				3A01-3C16
A (NSC2-15-010B)					
NSC1-15-010B	1				3C16-4113
A (NSC1-15-010C)					
NSC2-15-010B	1				3C16-4113
3A01 FD533*-300888 3C16 FD533*-301628 4113 FD533*-301899					

1500 COOLING SYSTEM  
(NOR. SUSP)



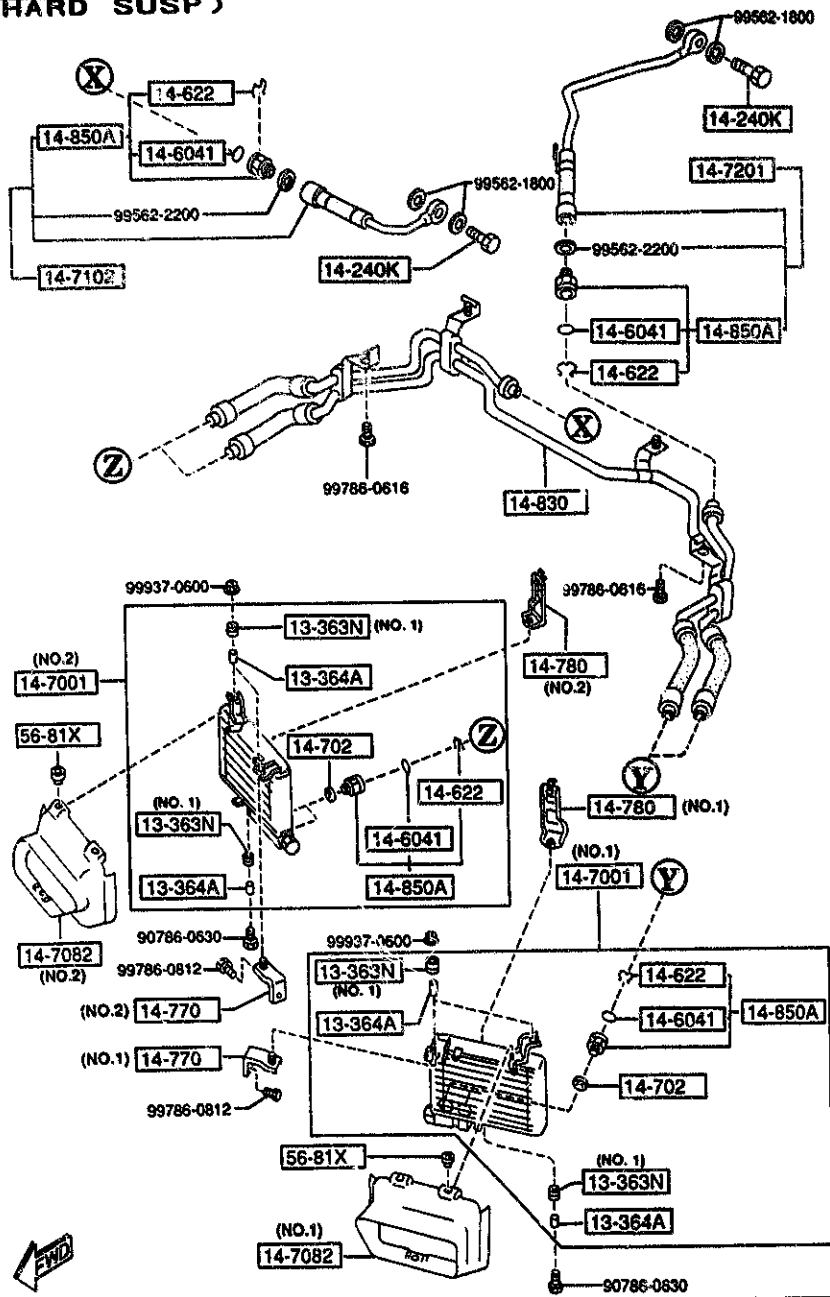
PART NO.	QTY	MODEL/RESTRICTION	MODEL/RESTRICTION	MODEL/RESTRICTION	FROM-TO
<b>CONT'D</b>					
A (NSC2-15-010C)					
NSC1-15-010C	1				4113-4216
A (NSC1-15-010D)					
NSC2-15-010C	1				4113-4216
A (NSC2-15-010D)					
NSC1-15-010D	1	(MT)			4216-
NSC2-15-010D	1	(AT)			4216-
↑-----↑					
15-100T					
↓-----↓					
		HOUSING SET, BRG WATER PUMP			
8AF4-15-100	1				-3C15
A (8AF4-15-100A)					
8AF4-15-100A	1				3C15-
↑-----↑					
15-116					
↓-----↓					
		GASKET, WATER PUMP			
NSA1-15-116	1				
↑-----↑					
15-131					
↓-----↓					
		PULLEY, WATER PUMP			
NSA1-15-131	1				
↑-----↑					
15-140B					
↓-----↓					
		FAN(R), COOLING			
MNSA2-15-140	1				
↑-----↑					
15-140C					
↓-----↓					
		FAN(L), COOLING			
MNSA1-15-140	1				
↑-----↑					
15-162					
↓-----↓					
		GASKET			
NS86-15-162	1				NON ASBESTOS
↑-----↑					
15-168					
↓-----↓					
		SHIM, WATER PIPE BRACKET			
NSA1-15-168	1				
↑-----↑					
15-171S					
↓-----↓					
		THERMOSTAT SET			
8AF6-15-171	1				
↑-----↑					
15-172					
↓-----↓					
		COVER, THERMOSTAT			
NSA1-15-172	1	(MT)			
NSA2-15-172	1	(AT)			
↑-----↑					
15-173					
↓-----↓					
		GASKET, THERMOSTAT COVER			
NSC1-15-173	1				

3C15 FD333\*-301612  
4113 FD333\*-301899  
4216 FD333\*-302529





1500 COOLING SYSTEM  
(HARD SUSP)



PART NO.	QTY	MODEL/RESTRICTION	MODEL/RESTRICTION	MODEL/RESTRICTION	FRONT
CONT'D	1				
15-210A	1	COWLING, RADIATOR			
NSA2-15-211B	1				
15-2101	2	FAN DRIVE			
NSA1-15-150	2				
15-277	1	HOSE, WATER SUB TANK			
NSA1-15-380C	1				
15-3111	1	BRACKET			
NSA1-15-109	1				
15-35X	1	TANK, AIR SEPARATE			-4301
NSA1-15-35XA	1				
A (NSA1-15-35XB)	1				4301-
NSA1-15-35XB	1				
15-350	1	TANK, SUB-RADIATOR			
NSA1-15-350B	1				
15-355A	1	CAP, SUB TANK			
NSA1-15-355	1				
15-359	2	PIPE, JOINT			
NSA1-15-359	2				
15-382	1	PROTECTOR, HOSE-SUB TANK			
F201-15-382	1				
15-383	1	HOSE, SUB TANK			
NSA1-15-383	1				
15-388	2	CLIP, HOSE-SUB T. & WATER H			
F201-15-388A	2				
15-610	1	SENSOR, WATER LEVEL			-4113
NSA1-15-610	1				
A (NSA1-15-610A)	1				4113-
NSA1-15-610A	1				

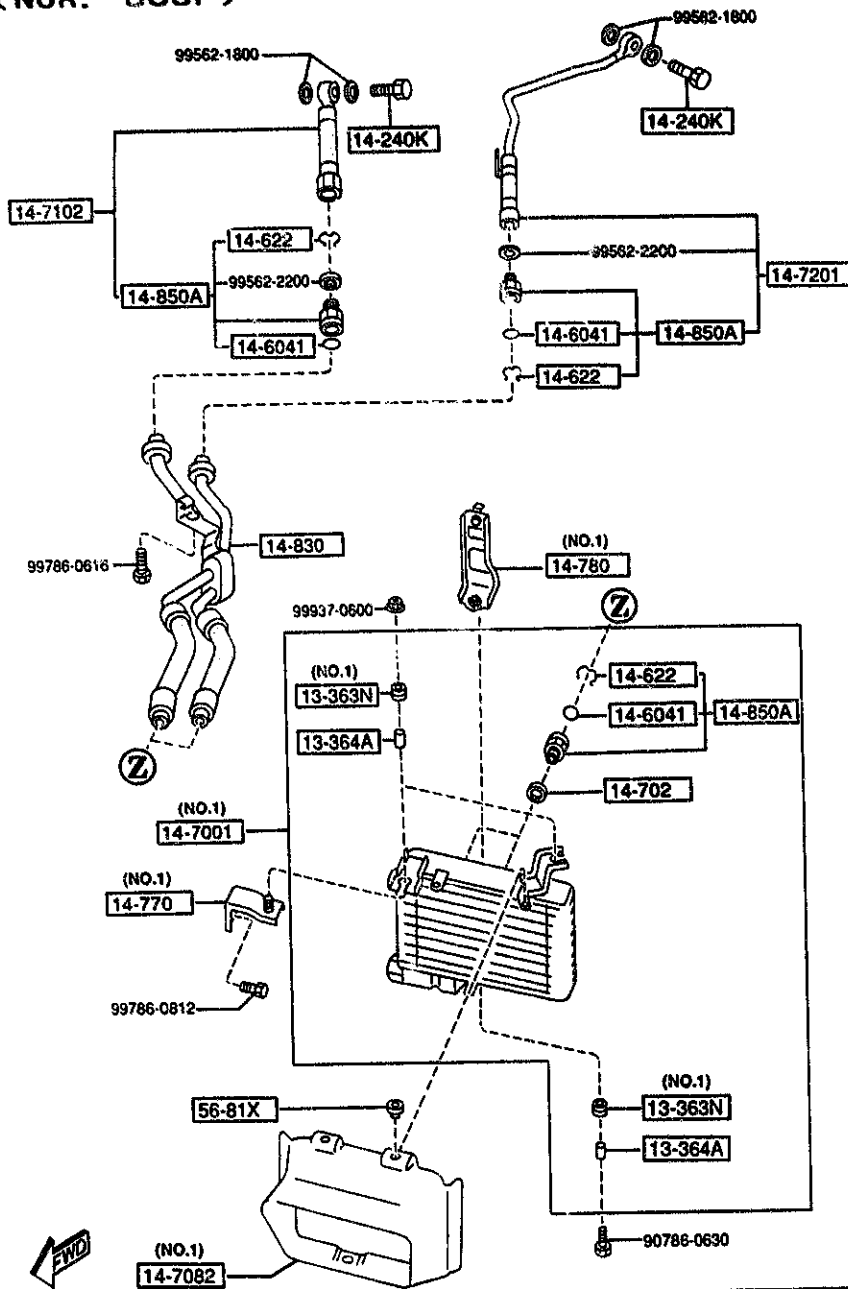
4113 FD333X-301899  
4301 FD333X-302764

AUFA05

CAT. AUFA05-03

1995-03

1500 COOLING SYSTEM  
(NOR. SUSP)



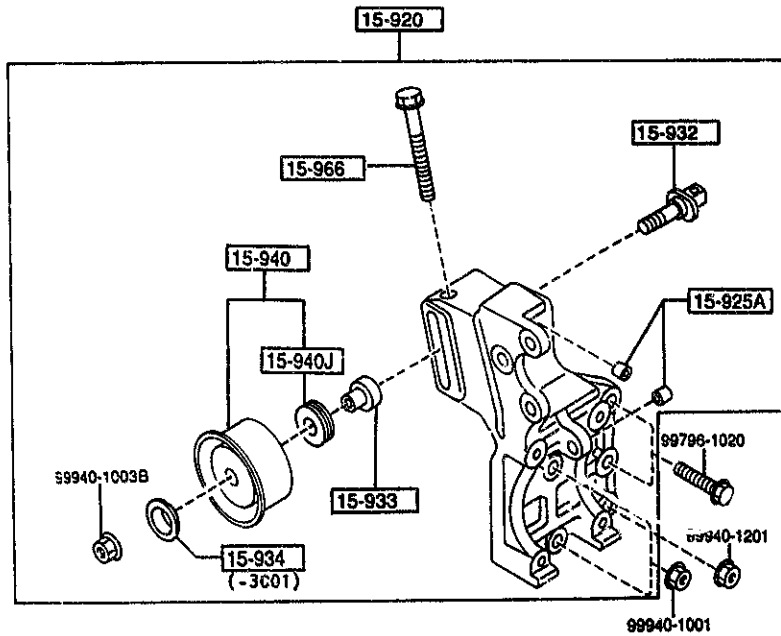
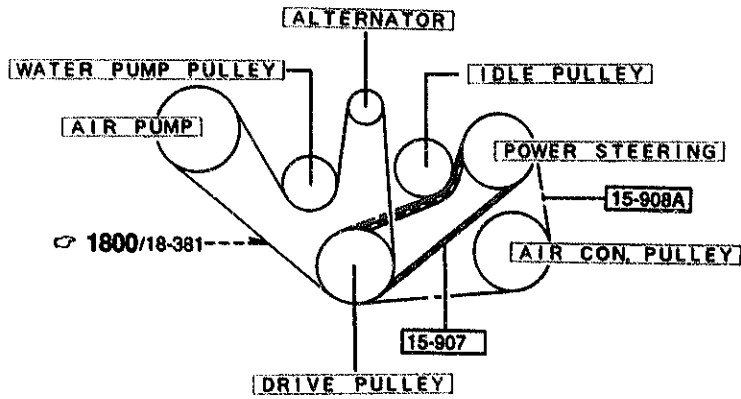
PART NO.	QTY	MODEL/RESTRICTION	MODEL/RESTRICTION	MODEL/RESTRICTION	FROM 15
15-611		GASKET			
8553-15-611	1				
56-81X		FASTENER, DUCT PANEL			
FB01-56-81X	3	(NOR. SUSP)			
FB01-56-81X	6	(HARD SUSP)			
93-2407		HOSE, WATER			
99324-07200	1	(ILLUST. NO.1)			
99324-07400	1	(ILLUST. NO.2)			

AUFA05

CAT. AUFA05-03

1995-03

1580 BRACKET, PULLEY & BELT

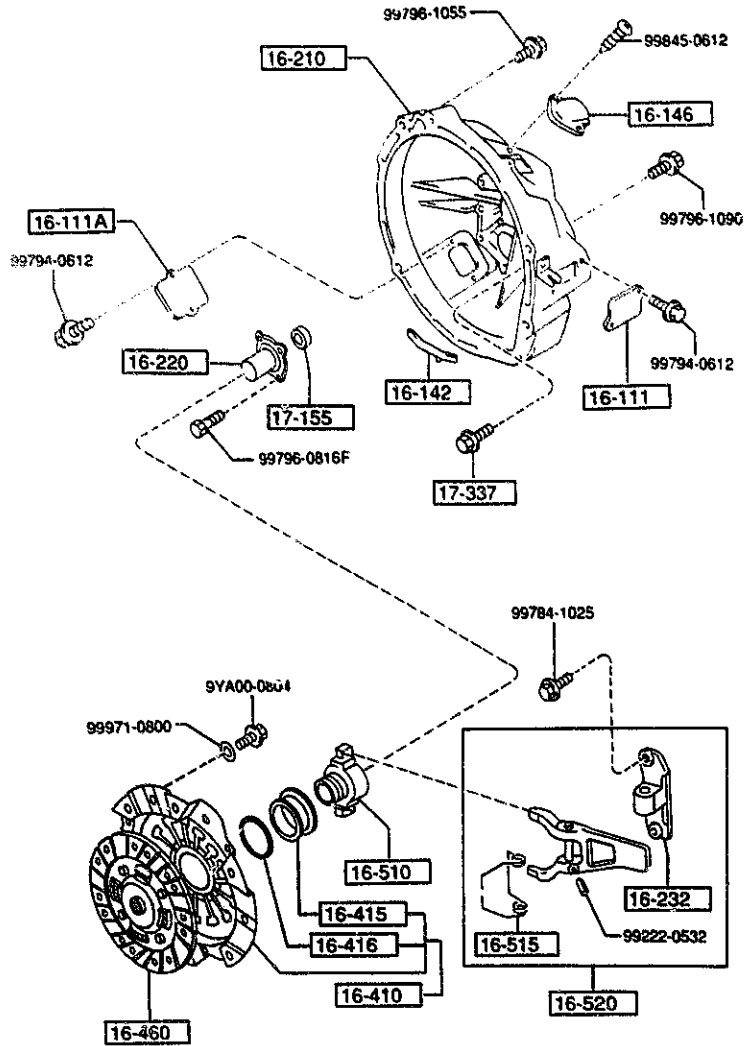


1580 -1 M BRACKET, PULLEY & BELT

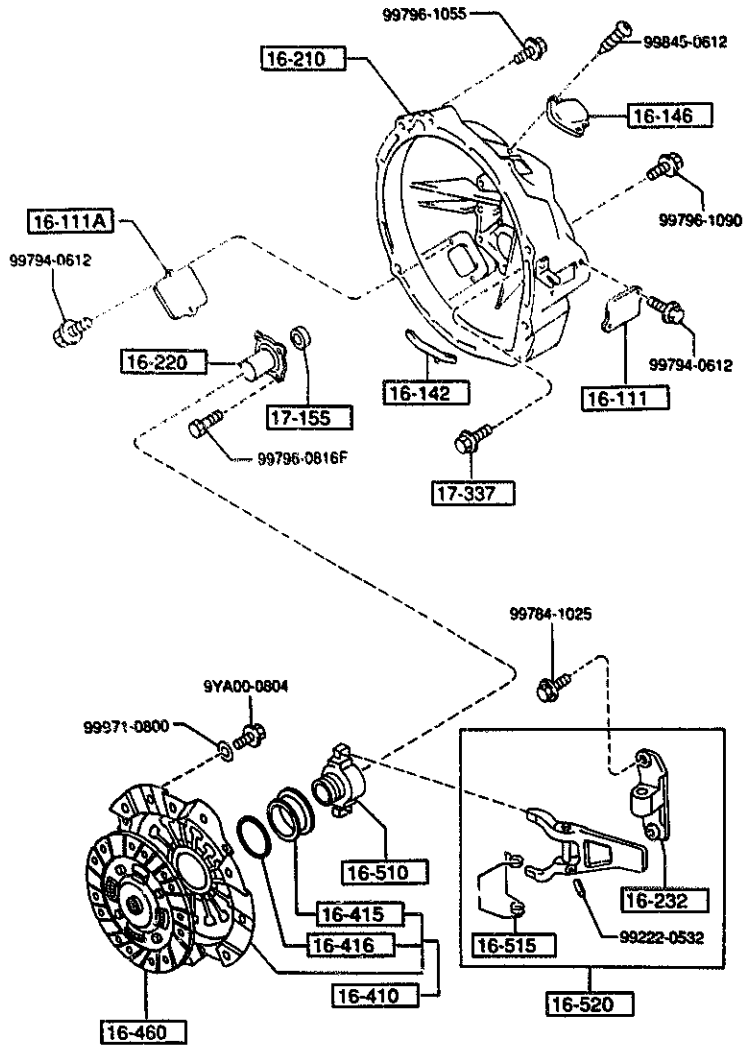
PART NO.	QTY	MODEL/RESTRICTION	MODEL/RESTRICTION	MODEL/RESTRICTION	FROM 10
15-907		BELT*V*			
NSA1-15-907	1	6PK-920 (W/ P.S.)			
15-908A		DELT,V			
NSA1-15-908	1	6PK-1045 (W/AIR CON.)			
15-920		BRACKET,COMPRESSOR			
NSA1-15-910A	1	(W/ P.S.)			
15-925A		BUSH			
N326-15-812	2	(W/ P.S.)			
15-932		SHAFT,PULLEY			
NSA1-15-932	1	(W/ P.S.)			-3C01
NSA1-15-932A	1	(W/ P.S.)			3C01-
15-933		COLLAR,COMP.BRKT			
NSA1-15-933	1	(W/ P.S.)			-3C01
NSA1-15-933A	1	(W/ P.S.)			3C01-
15-934		COVER,DUST			
NSA1-15-934	1	(W/ P.S.)			-3C01
15-940		PULLEY,IDLE			
NSA1-15-94V	1	(W/ P.S.)			
15-940J		BEARING			
99606-23030	1	(W/ P.S.)			
15-966		BOLT,ADJUST			
NSA1-15-966	1	(W/ P.S.)			

3C01 FD335\*-301464

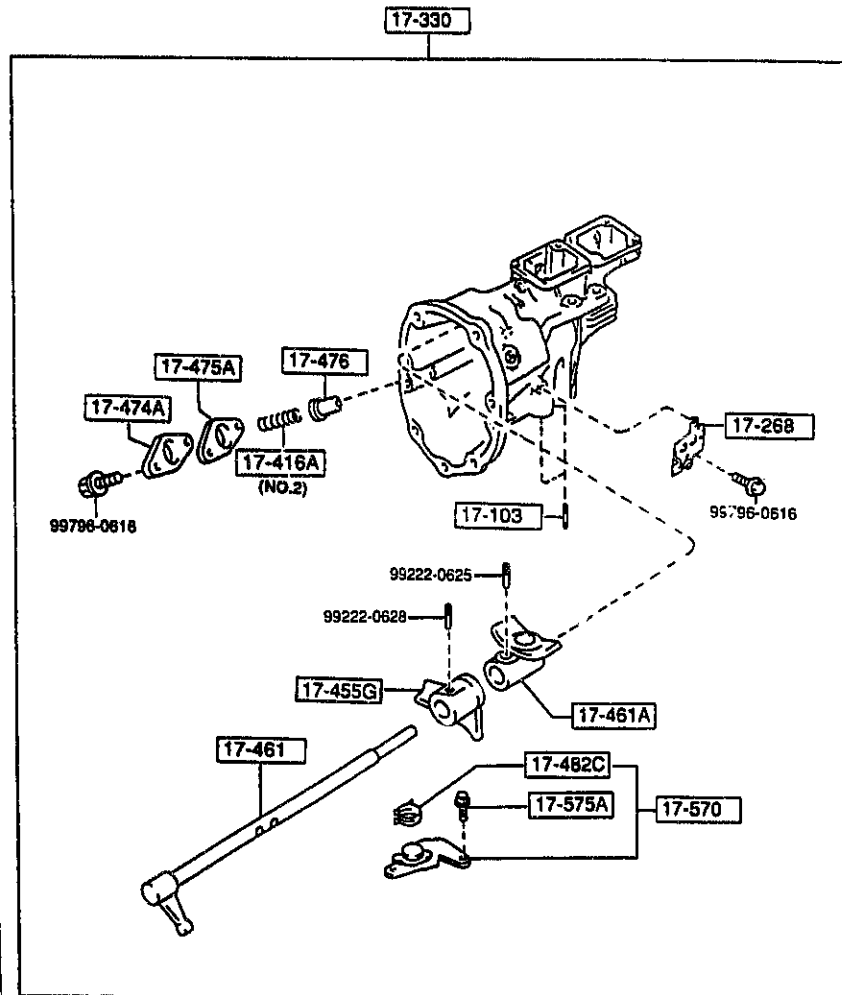
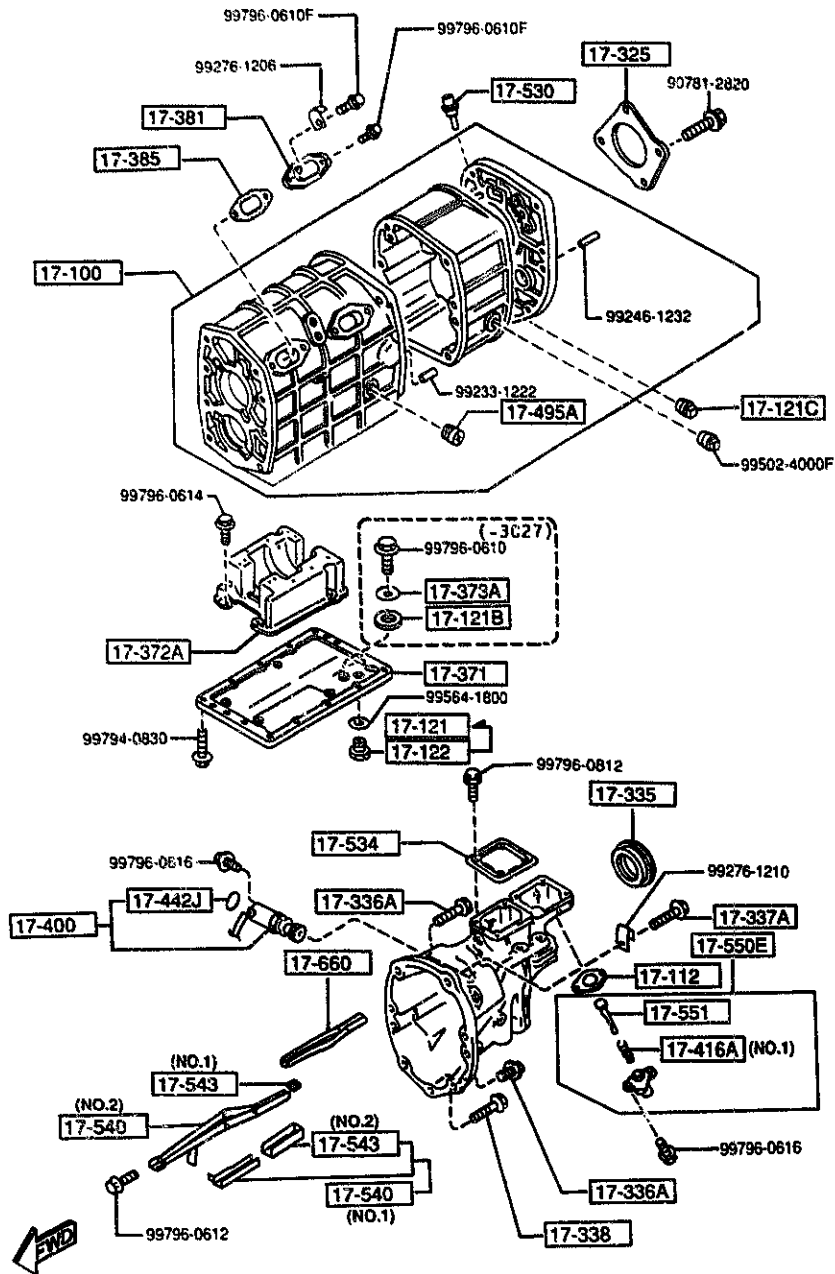


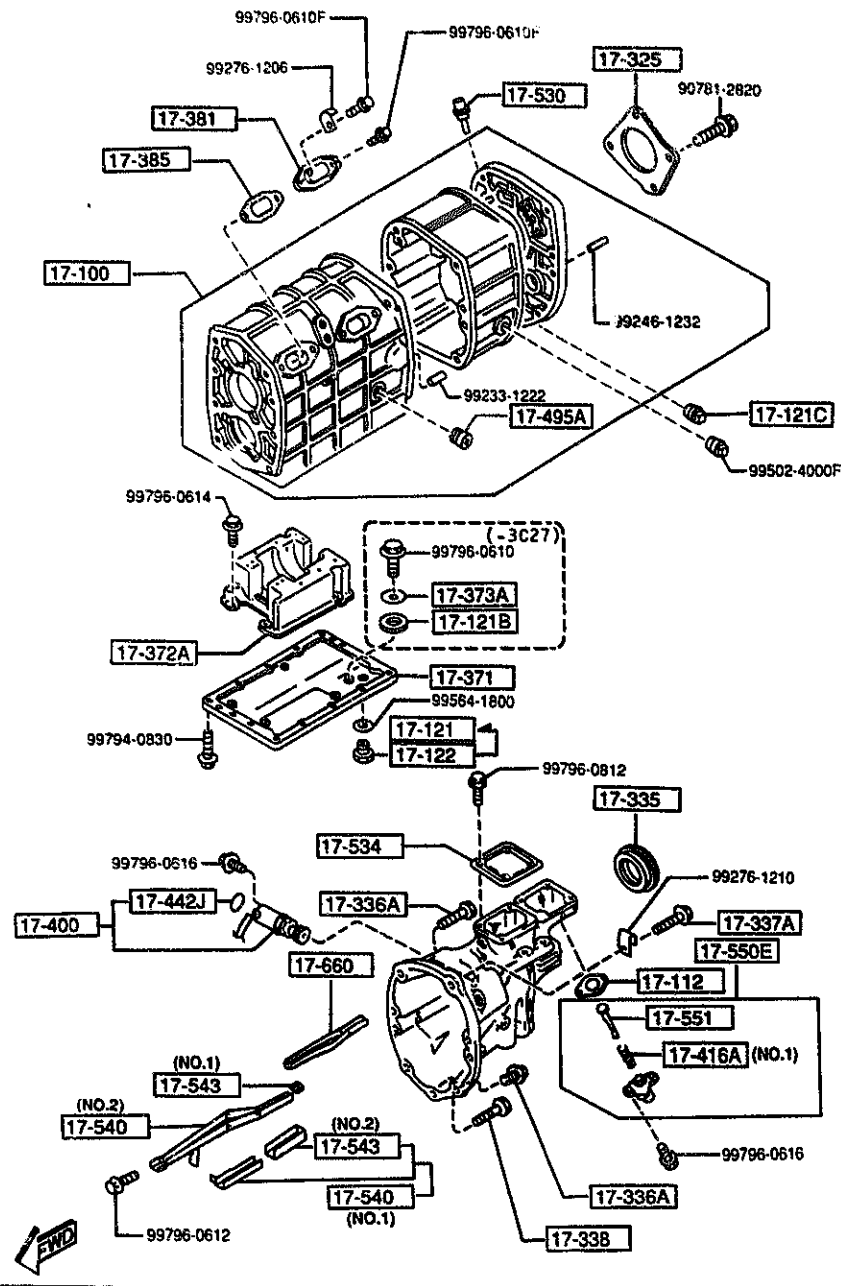


PART NO	QTY	MODEL/RESTRICTION	MODEL/RESTRICTION	MODEL/RESTRICTION	FROM-TO
16-111		COVER, PEEPING HOLE			
N315-16-111	1				
16-111A		COVER, PEEPING HOLE			
N315-16-117	1				
16-142		COVER, DUST			
N315-16-142	1				
16-146		COVER, VENT.			
N315-16-150	1				
16-210		HOUSING, CLUTCH			
N315-16-210B	1				
16-220		COVER, FRONT CLUTCH			
N315-16-221	1				
16-232		BUSH			
N315-16-522	1				
16-410		COVER, CLUTCH			
N315-16-410B	1				
16-415		COLLAR, WEDGE			
N315-16-415	1				
16-416		RING, WRE			
N315-16-416	1				
16-460		DISC, CLUTCH			
N315-16-460B		NON ASBESTOS			
A (N315-16-460C)	1				-3805
N315-16-460C	1				3805-
16-510		COLLAR, CLUTCH REL.			
N315-16-510	1				
16-515		SPRING, CLUTCH COLLAR			
N315-16-515	1				
3805 FD333*-300031					



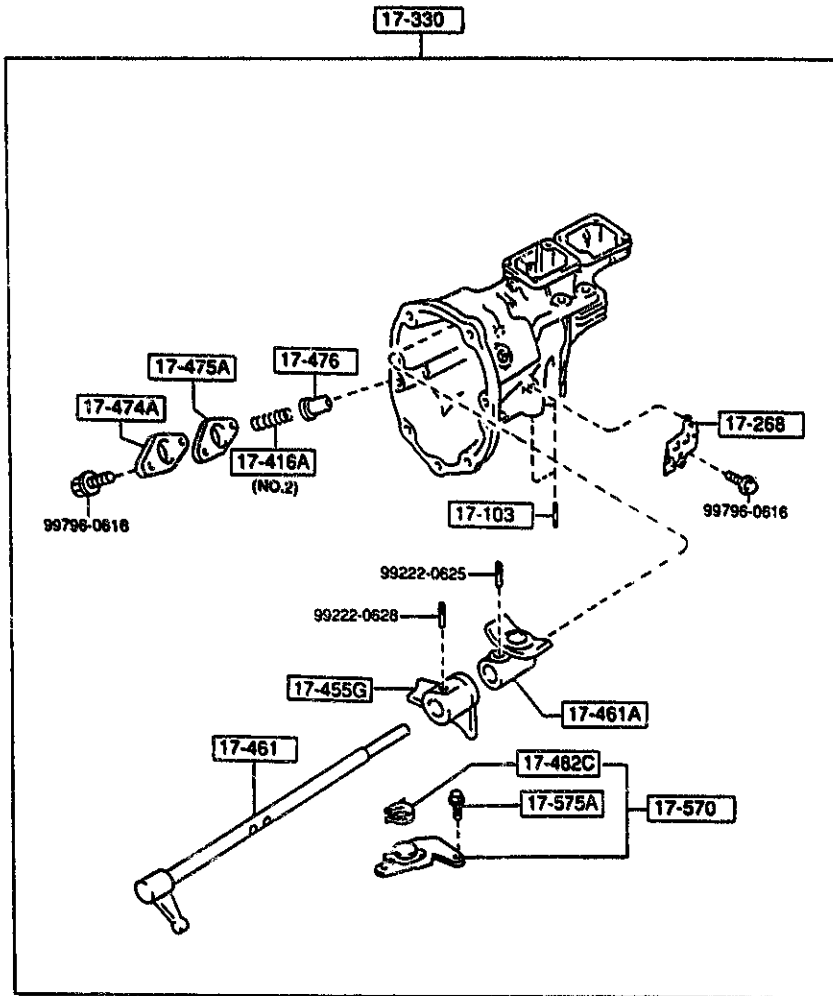
PART NO.	QTY	MODEL/RESTRICTION	MODEL/RESTRICTION	MODEL/RESTRICTION	FORM-19
16-520		FORK, CLUTCH RELEASE			
N515-16-520B	1				
17-155		SEAL, OIL			
H501-17-103	1				
17-337		BOLT			
R402-17-337A	10				





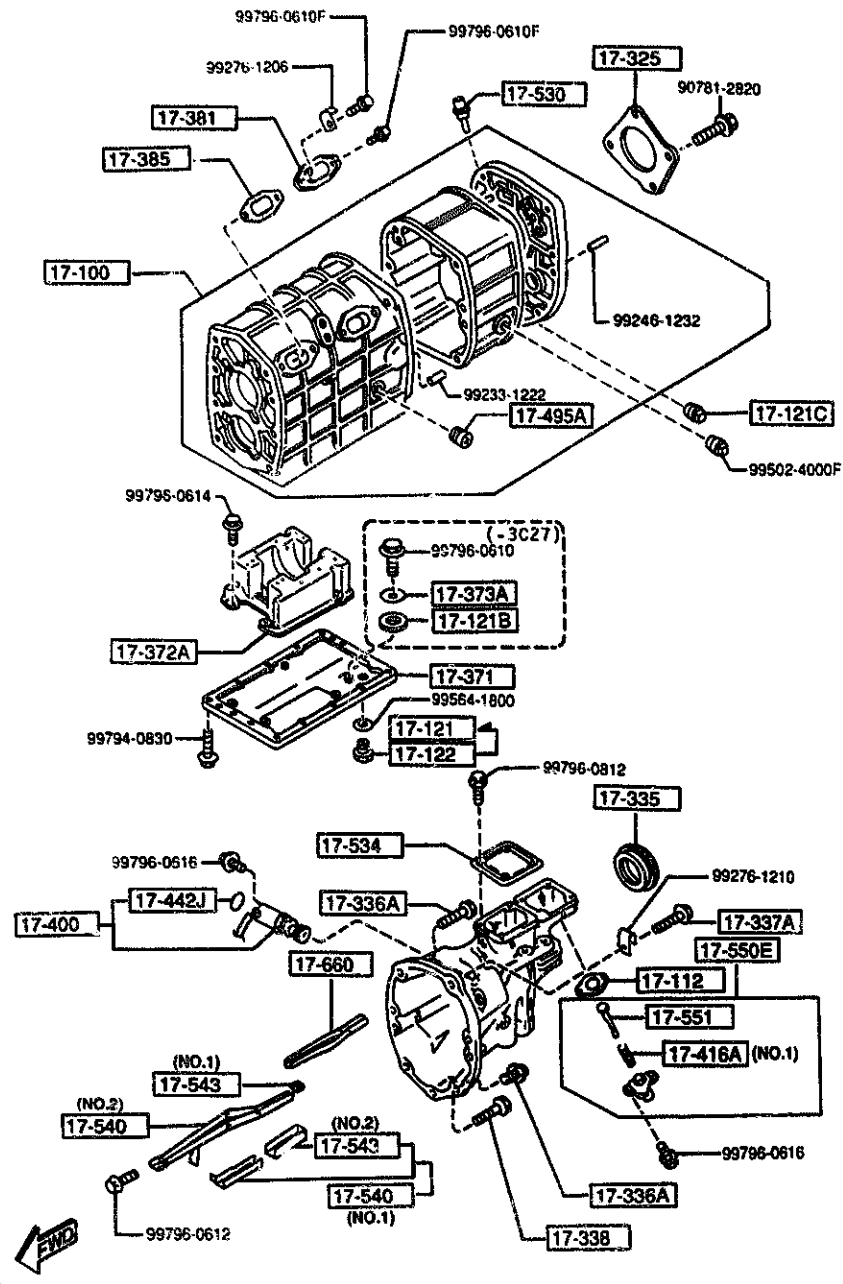
PART NO.	QTY	MODEL/RESTRICTION	MODEL/RESTRICTION	MODEL/RESTRICTION	FROM-TO
17-100	1	CASE, T/MISSION			
R501-17-20XA	1				
17-103	2	BOLT			
R526-17-103	2				
17-112	1	GASKET			
S524-17-112	1				
17-121	1	PLUG, MAGNET DRAIN			3C27-
P501-17-125A	1	L=50MM			
17-121B	1	MAGNET			-3C27
R501-17-121	1				
17-121C	1	PLUG, MAGNET			
0107-17-121	1				
17-122	1	PLUG, MAGNET			-3C27
0810-17-121	1				
17-268	1	CLIP			
R507-17-268	1				
17-325	1	COVER, BEARING			
0884-17-325B	1				
17-330	1	HOUSING, EXTENSION			
R526-17-330A	1				
17-335	1	SEAL, OIL			
R501-17-335A	1				
17-336A	5	BOLT			
R505-17-337	5				
17-337A	1	BOLT			
R504-17-337	1				
17-338	1	BOLT			
3C27 FD333*-301727					





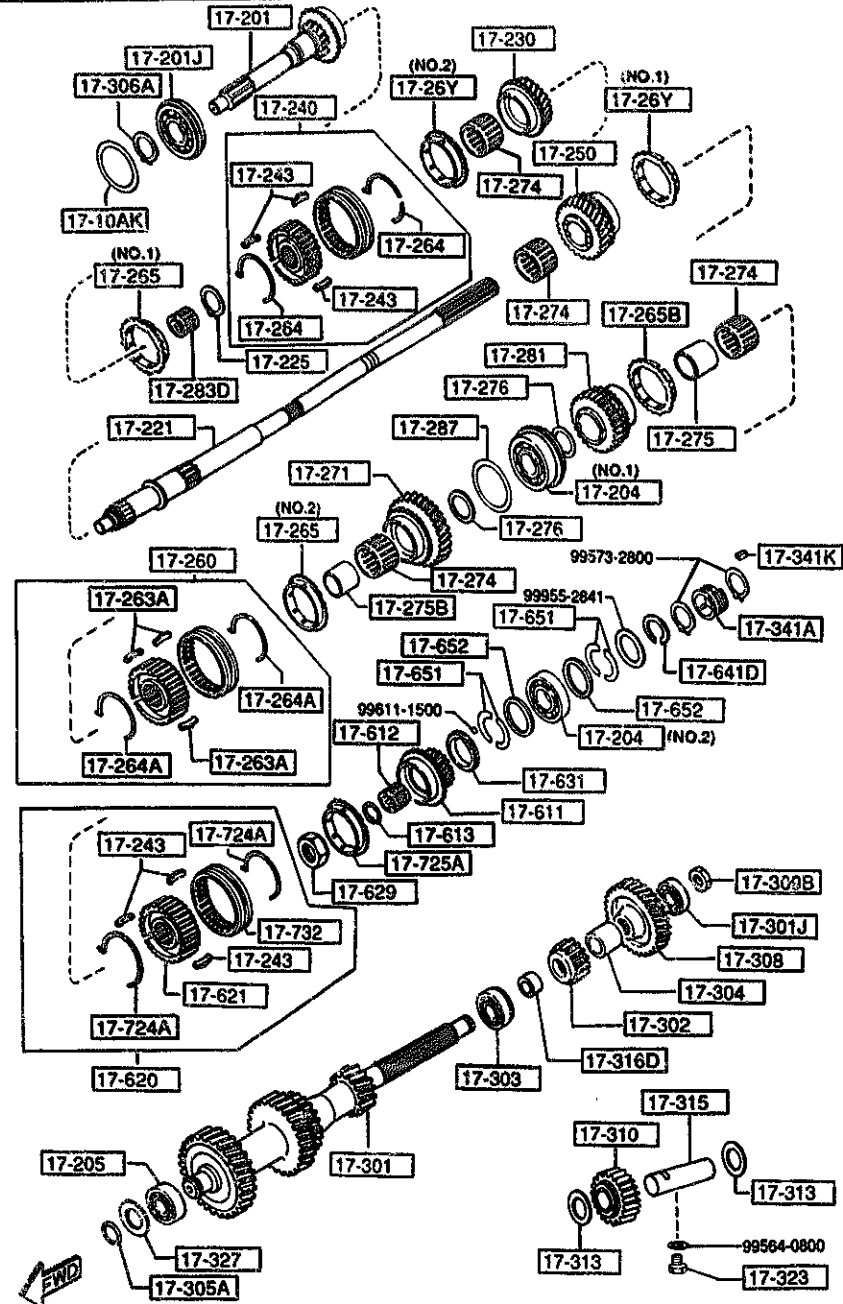
PART NO.	QTY	MODEL/RESTRICTION	MODEL/RESTRICTION	MODEL/RESTRICTION	FROM-TO
CONT'D					
R502-17-338	1				
↑ 17-371 ↓		COVER, UNDER			
R502-17-371	1				
↑ 17-372A ↓		BAFFLE, OIL			
R501-17-372	1				
↑ 17-373A ↓		PLATE, DRAIN PLUG-UNDER C.			
R501-17-373	1				-3C27
↑ 17-381 ↓		COVER, BLIND			
0810-17-381A	2				
↑ 17-385 ↓		GASKET, BLIND COVER			
R501-17-385A	2	NON ASBESTOS			
↑ 17-400 ↓		GEAR SEAL, DRIVEN-SPEED			
R505-17-400B	1				
↑ 17-416A ↓		SPRING			
R505-17-416	1	(ILLUST. NO. 1)			
R506-17-416	1	(ILLUST. NO. 2)			
↑ 17-442J ↓		RING, 'O'			
1011-17-443	1				
↑ 17-455G ↓		SELECTOR			
R504-17-455	1				
↑ 17-461 ↓		LEVER, CONTROL			
R514-17-450A	1				
↑ 17-461A ↓		END, CONTROL LEVER			
R522-17-461A	1				
↑ 17-474A ↓		CAP, SPRING			
M501-17-474	1				
↑ 17-475A ↓		GASKET, SPRING CAP			

3C27 FD333\*-301727



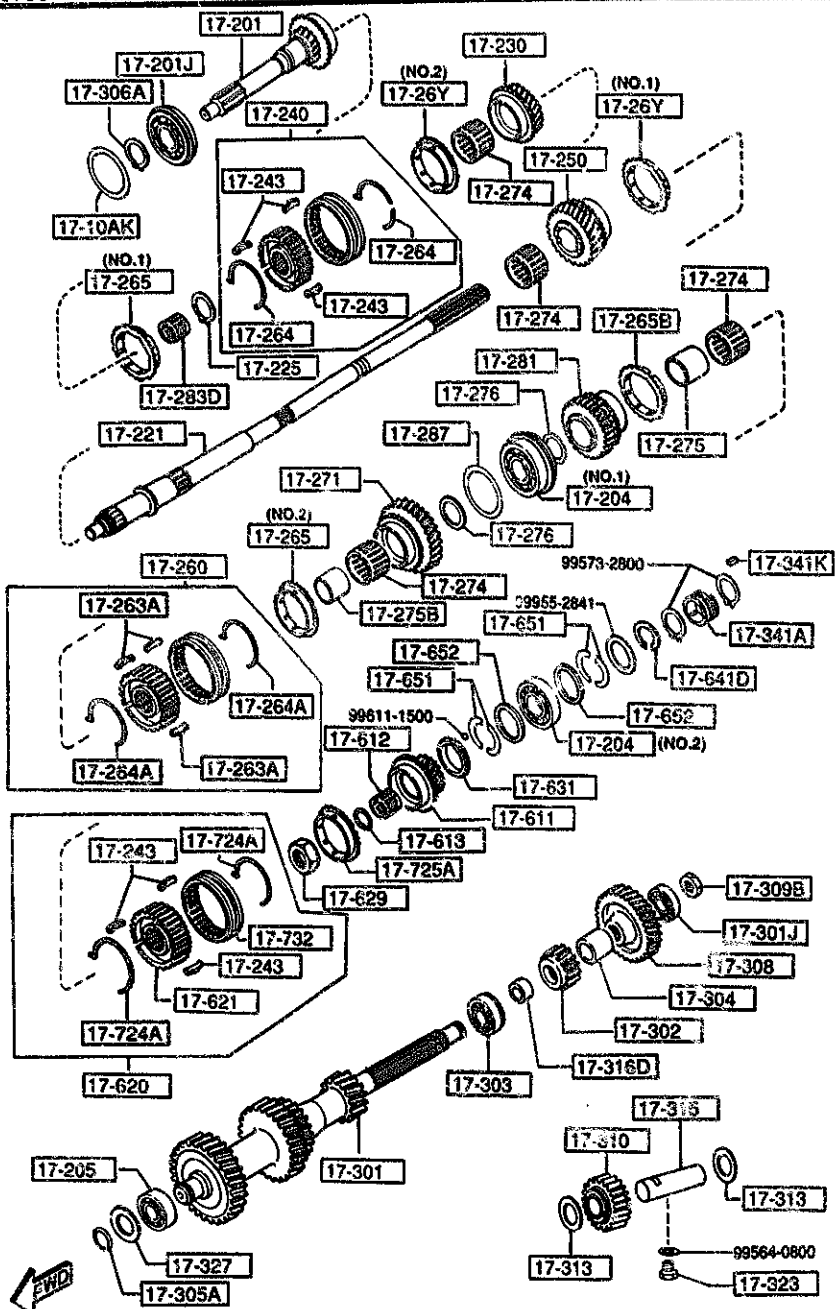
PART NO.	QTY	MODEL/RESTRICTION	MODEL/RESTRICTION	MODEL/RESTRICTION	FROM-TO
CONT'D					
M501-17-475	1				
17-476		SPINDLE, SELECT LOCK			
R501-17-476	1				
17-482C		SPRING, REVERSE GATE			
G5A0-17-482B	1				
17-495A		PLUG			
R502-17-495	1				
17-530		BREATHER, AIR-T/MISSION			
M501-17-530A	1				
17-534		COVER, BLIND-EXTENSION HOUSING			
R501-17-523	1				
17-540		PASS, OIL			
R505-17-540	1	(ILLUST. NO. 1)			
R507-17-540	1	(ILLUST. NO. 2)			
17-543		RUBBER, SEAL			
M501-17-543A	1	(ILLUST. NO. 1)			
R505-17-543	1	(ILLUST. NO. 2)			
17-550E		SPINDLE, SELECT			
R503-17-550	1				
17-551		SPINDLE, SELECT LOCK			
R502-17-551	1				
17-570		GUIDE, CHANGE			
R526-17-570	1				
17-575A		BOLT			
P501-17-575	2				
17-660		PASS, OIL			
0862-17-660C	1				

1710 TRANSMISSION GEARS(MANUAL)

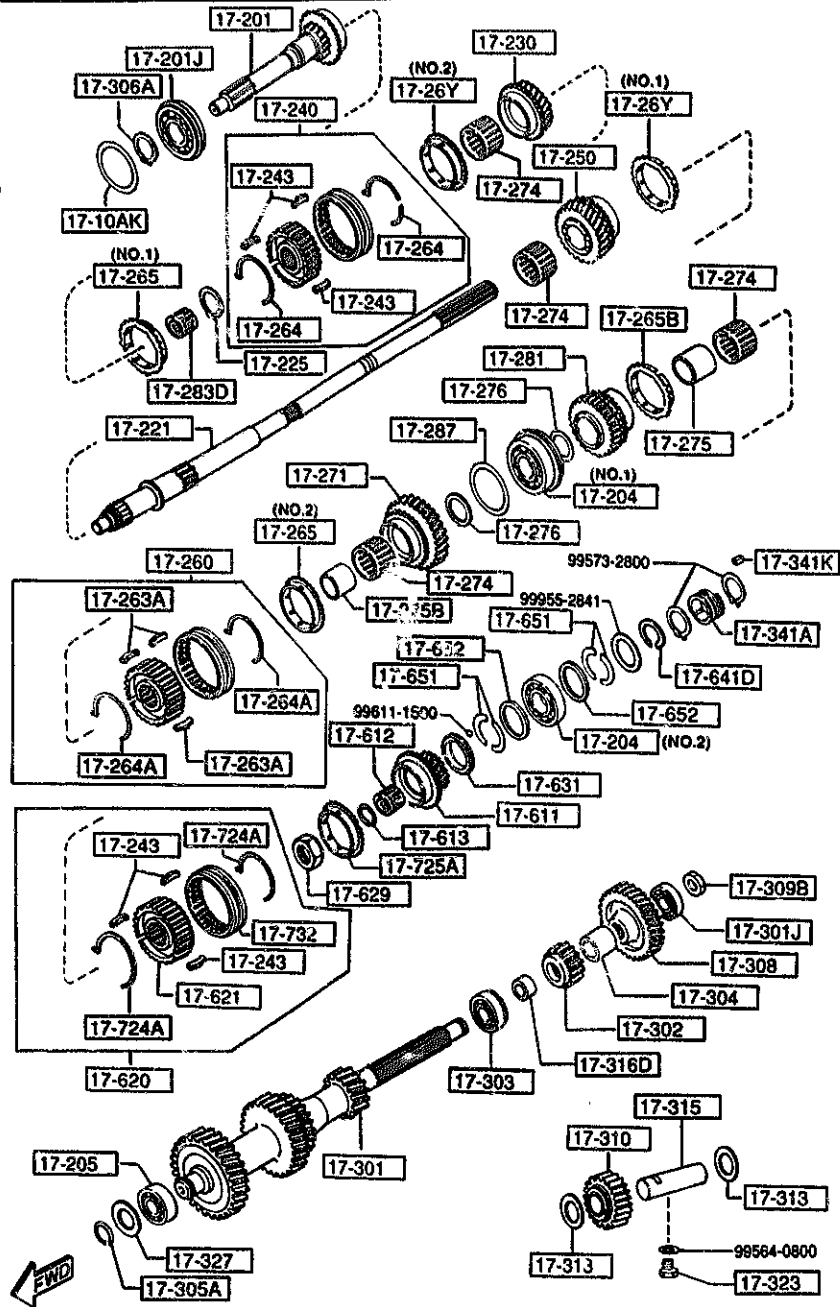


PART NO.	QTY	MODEL/RESTRICTION	MODEL/RESTRICTION	MODEL/RESTRICTION	FROM-TO
17-10AK	1	SHIM, ADJUST			
99963-6930	1	T=0.3MM			
99963-6940	1	T=0.4MM			
99963-6950	1	T=0.5MM			
99963-6960	1	T=0.6MM			
99963-6970	1	T=0.7MM			
17-201	1	GEAR, MAIN DRIVE			
R509-17-21X	1				
17-201J	1	BEARING, BALL-MAIN DR IVT GEAR			
R501-17-295	1				
17-204	1	BEARING, BALL-MAIN SH AFT			
R501-17-204	1	D=75/I=32/W=20 (ILLUST. NO.1)			
R502-17-204	1	D=68/I=28/W=18 (ILLUST. NO.2)			
17-205	1	BEARING, ROLLER			
R502-17-306A	1				
17-221	1	SHAFT, MAIN			
R503-17-221B	1				
17-225	1	RING, SNAP			
0517-17-225	1				
17-230	1	GEAR, 3RD			
R527-17-230	1				
17-240	1	HUB SET, CLUTCH-3RD & 4TH			
R523-17-240	1				
17-243	6	KEY, SYNCHRONIZER			
F401-17-243A	6				

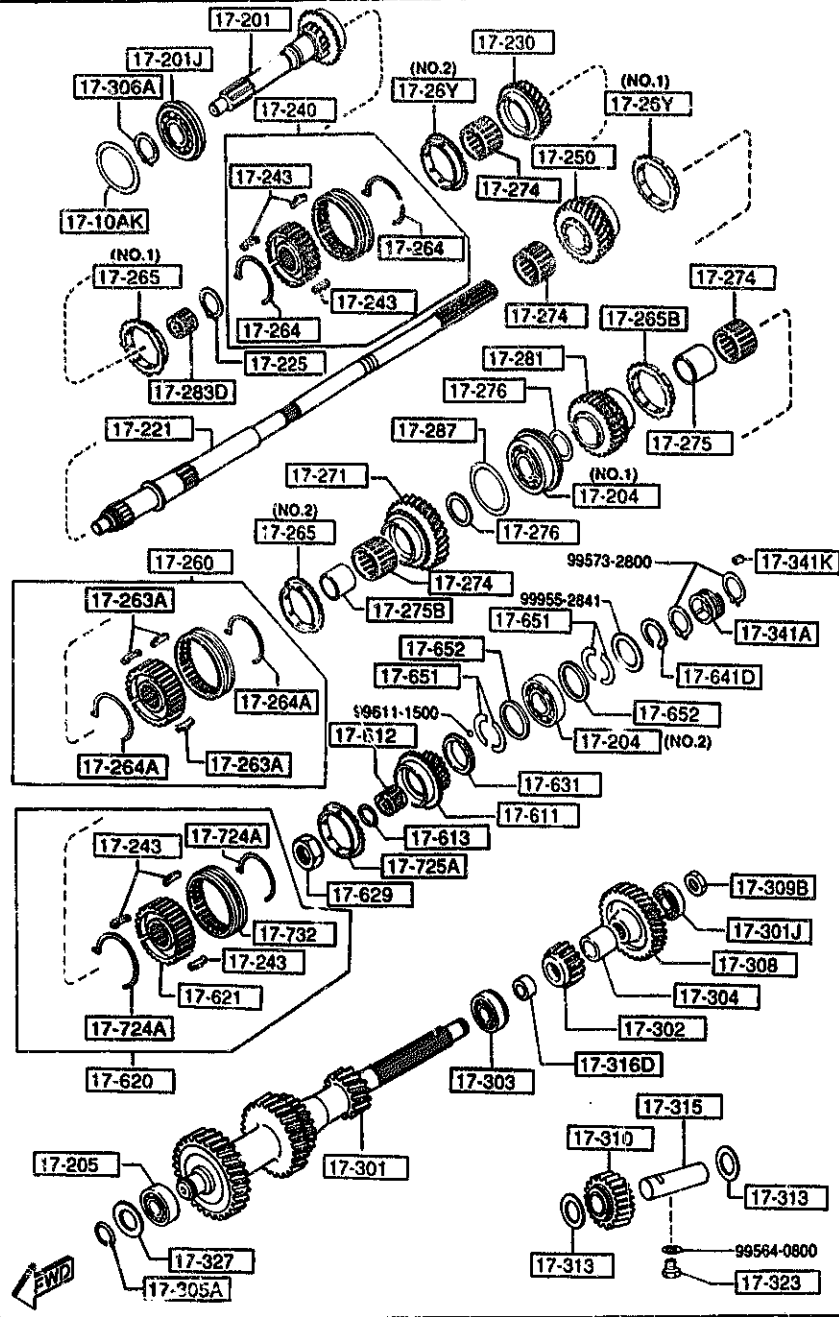
1710 TRANSMISSION GEARS(MANUAL)



PART NO.	QTY	MODEL/RESTRICTION	MODEL/RESTRICTION	MODEL/RESTRICTION	FROM TO
17-250		GEAR, 2ND			
R535-17-250	1				
17-26Y		RING, SYNCHRONIZER			
R503-17-26Y	1	(ILLUST. NO. 1)			
R504-17-26Y	1	(ILLUST. NO. 2)			
17-260		HUB SET, CLUTCH-1ST & 2ND			
R523-17-260A	1				
17-263A		KEY, SYNCHRONIZER			
W501-17-263A	3				
17-264		SPRING, SYNCHRO. KEY			
G401-17-264	2				
17-264A		SPRING, SYNCHRONIZER			
R501-17-264	2				
17-265		RING, SYNCHRONIZER			
M502-17-265C	1	(ILLUST. NO. 1)			
R514-17-265B	1	(ILLUST. NO. 2)			
17-265B		RING, SYNCHRONIZER			
R503-17-265B	1				
17-271		GEAR, 1ST			
R513-17-270A	1				
17-274		BEARING, NEEDLE			
0884-17-274	4				
17-275		RACE, INNER			
3648-17-275A	1				
17-275B		RACE, INNER			
0884-17-275B	1				
17-276		WASHER, THRUST			
0839-17-276	1	T=2.5MM			

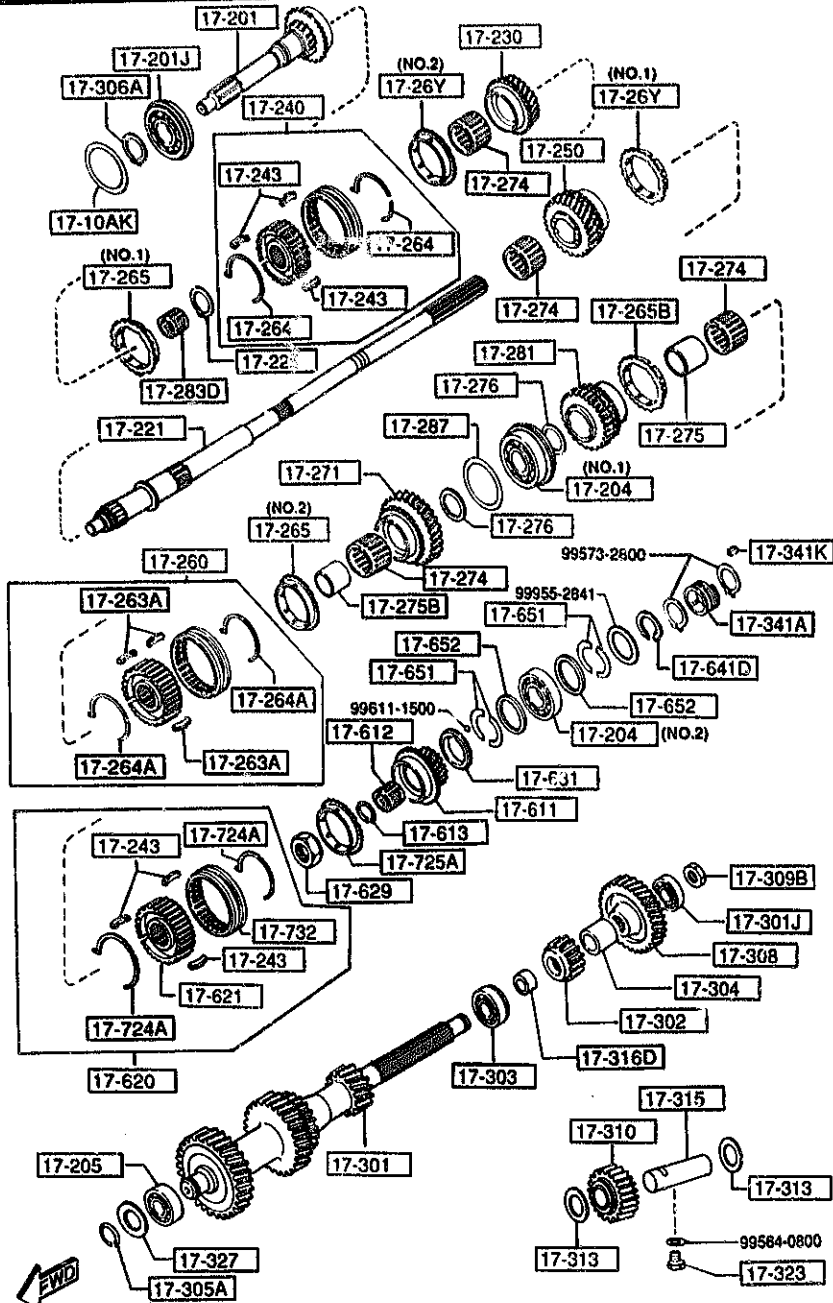


PART NO.	QTY	MODEL/RESTRICTION	MODEL/RESTRICTION	MODEL/RESTRICTION	FROM ID
CONT'D					
0839-17-277	2	T=3MM			
0839-17-278	1	T=3.5MM			
17-281		GEAR, REVERSE			
R505-17-281	1				
17-283D		BEARING, NEEDLE			
R502-17-283	1				
17-287		SHIM, ADJUST			
0839-17-287	2	T=0.1MM			
0839-17-288	1	T=0.3MM			
17-301		GEAR, COUNTER SHAFT			
R525-17-301	1				
17-301J		BEARING, BALL			
R501-17-299	1				
17-302		GEAR, COUNTER REVERSE			
R504-17-302A	1				
17-303		BEARING, BALL			
0821-17-303	1				
17-304		SPACER			
R501-17-304	1				
17-305A		RING, RETAINING-BALL BEARING			
0839-17-305B	1				
17-306A		RING, SNAP			
0727-17-306	1				
17-308		GEAR, COUNTER			
R524-17-308	1				
17-309B		NUT, LOCK-COUNTER SHAFT BR			



PART NO.	QTY	MODEL/RESTRICTION	MODEL/RESTRICTION	MODEL/RESTRICTION	FROM TO
CONT'D M501-17-309	1				
17-310		GEAR, REVERSE IDLE			
R505-17-310B	1				
17-313		WASHER, THRUST-REVERSE IDLE G.			
0821-17-313	2				
17-315		SHAFT, REV. IDLE GEAR			
0884-17-315	1				
17-316D		SPACER			
R502-17-316	1				
17-323		BOLT SET			
4069-17-323	1				
17-327		SHIM, ADJUST-COUNTER SHAFT GEAR T=0.1MM			
0305-17-327	2				
0305-17-328	1	T=0.3MM			
17-341A		GEAR, SPEEDO. DRIVE			
R502-17-341A	1				
17-341K		KEY			
M501-17-342	1				
17-611		GEAR, OVER TOP			
R523-17-610	1				
17-612		BEARING, NEEDLE			
R501-17-612	1				
17-613		RING, RETAINING			
R501-17-613	1				
17-620		HUB SET, CLUTCH-O.T. & REV			
R504-17-620	1				

1710 TRANSMISSION GEARS(MANUAL)

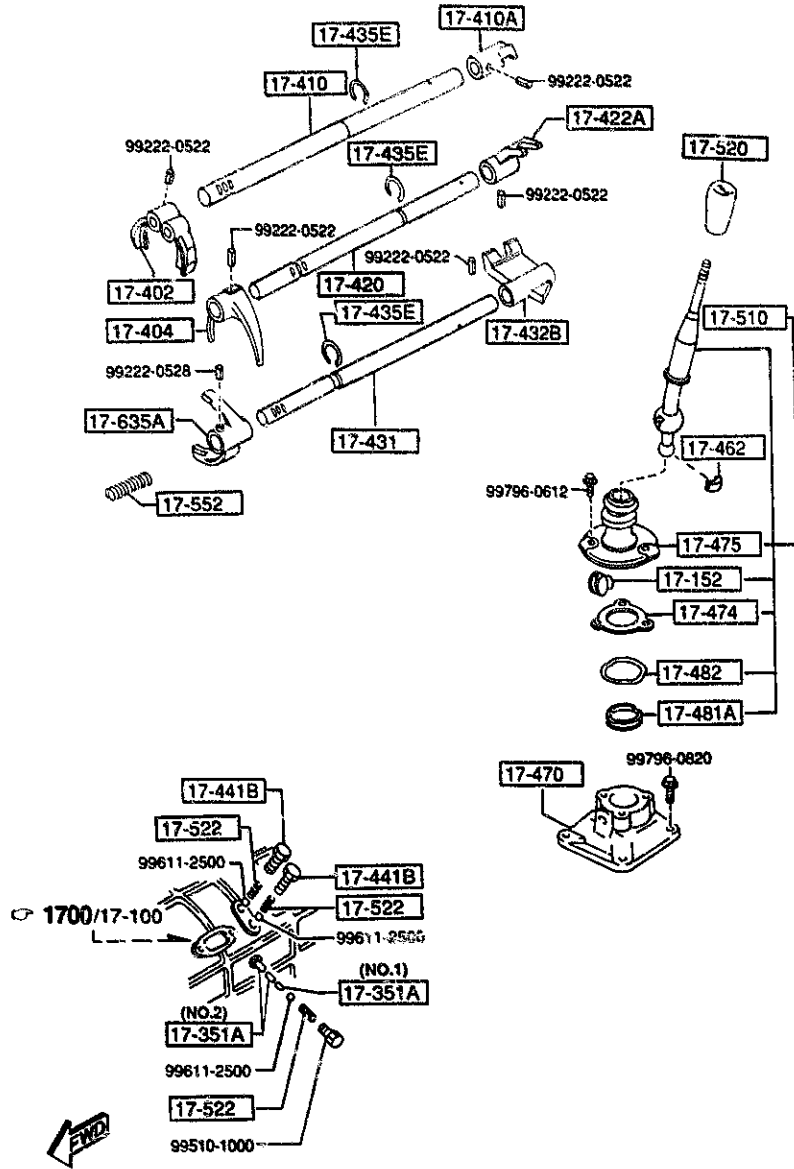


PART NO.	QTY	MODEL/RESTRICTION	MODEL/RESTRICTION	MODEL/RESTRICTION	FROM TO
17-621		HUB, CLUTCH			
R502-17-621A	1				
17-629		NUT, LOCK-CLUTCH HUB			
3648-17-629	1				
17-631		WASHER, THRUST LOCK-O VER TOP G. T=6.4MM			
R501-17-631A	1				
R501-17-632A	1	T=6.5MM			
R501-17-633A	1	T=6.6MM			
R501-17-634A	1	T=6.7MM			
R501-17-635	1	T=6.3MM			
R501-17-636	1	T=6.2MM			
17-641D		RING, SNAP			
0821-17-641B	1				
17-651		WASHER, THRUST			
M502-17-651	4	T=3MM			
M502-17-653	2	T=3.1MM			
M502-17-654	2	T=3.2MM			
M502-17-655	2	T=2.9MM			
17-652		RING, THRUST WASHER			
M502-17-652	2				
17-724A		SPRING, SYNCHRO KEY			
W501-17-724	2				
17-725A		RING, SYNCHRONIZER			
W501-17-725B	1				
17-732		SLEEVE, CLUTCH HUB			



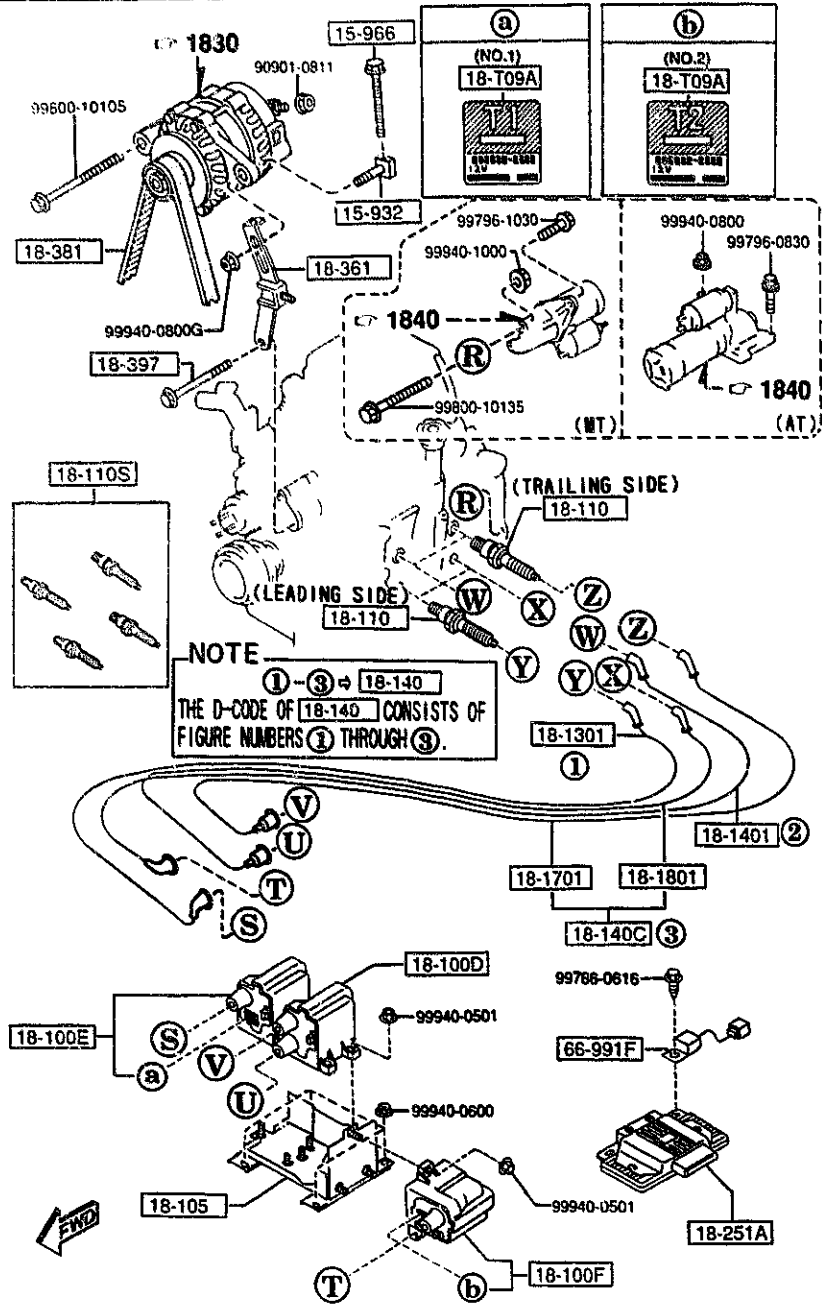






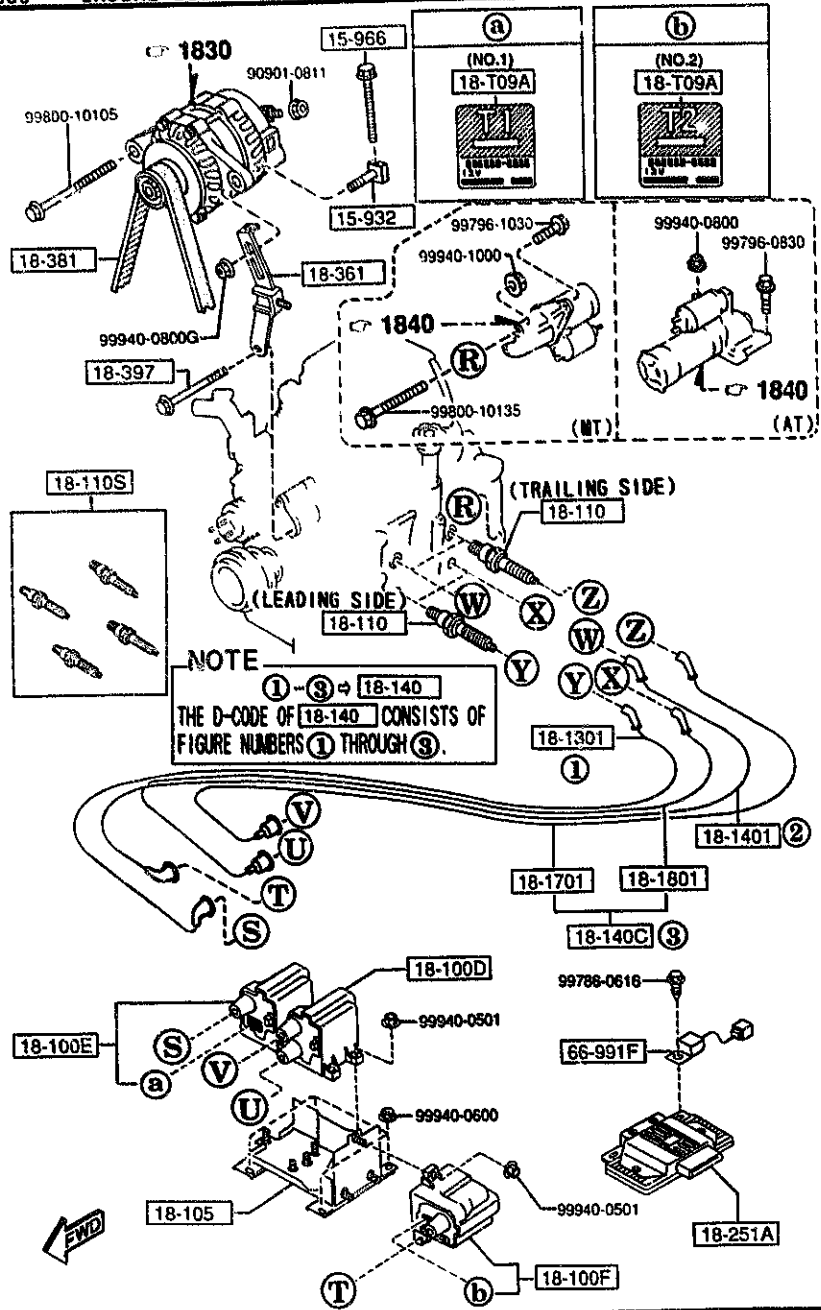
PART NO.	QTY	MODEL/RESTRICTION	MODEL/RESTRICTION	MODEL/RESTRICTION	FROM TO
17-152		BUSH			
M501-17-515	2				
17-351A		PIN, INTER LOCK			
R501-17-351	1	(ILLUST. NO.1)			
O114-17-351	2	(ILLUST. NO.2)			
17-402		FORK, SHIFT (1ST&2ND)			
R522-17-402	1				
17-404		FORK, SHIFT (3RD&4TH)			
R501-17-404B	1				
17-410		ROD, SHIFT (1ST&2ND)			
R522-17-411	1				
17-410A		END, S/ROD (1ST&2ND)			
R502-17-412A	1				
17-420		ROD, SHIFT (3RD&4TH)			
R522-17-421	1				
17-422A		END, S/ROD (3RD&4TH)			
R506-17-422	1				
17-431		ROD, SHIFT-OVER TOP & REVERSE			
R512-17-431A AN(R512-17-431B)	1				-3906
R512-17-431B	1				3906-
17-432B		END, SHIF ROD (O/TOP & REV.)			
R513-17-432	1				
17-435E		RING, RETAINING			
R502-17-435	3				
17-441B		PLUG, CAP			
O221-17-441A	2				
17-462		SHEET, SPRING			
O398-17-462A	1				
3906 FD333*-300440					





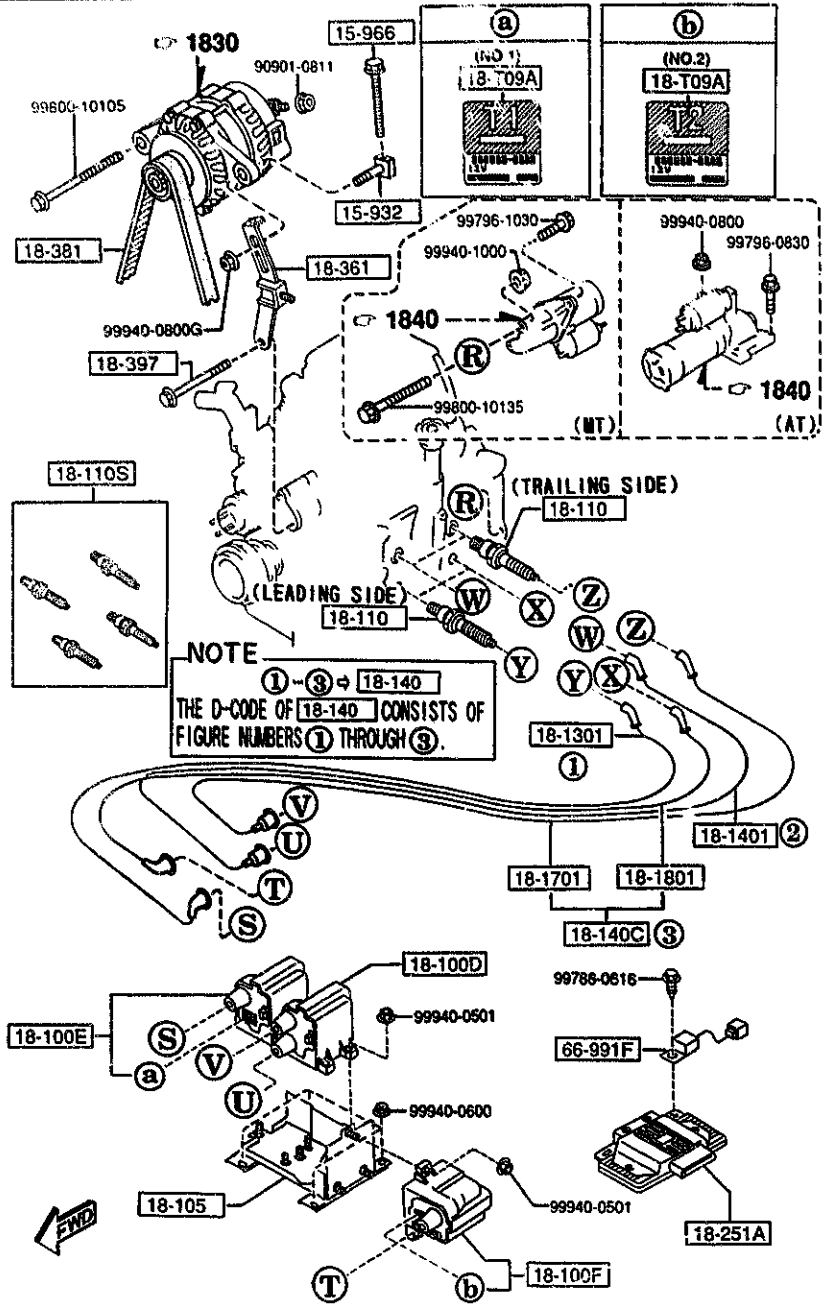
PART NO.	QTY	MODEL/RESTRICTION	MODEL/RESTRICTION	MODEL/RESTRICTION	FROM-TO
15-932		SHAFT, PULLEY			
NF01-15-932	1				
15-966		BOLT, ADJUST			
N390-15-966	1				
18-T09A		LABEL, IG. COIL			
N3A1-18-T09	1 (ILLUST. NO. 1)				
N3A2-18-T09	1 (ILLUST. NO. 2)				
18-100D		COIL, IGNITION-LEADING			
N3A3-18-100	1				
18-100E		COIL, IGNITION-TRAILING			
N3A1-18-100	1				
18-100F		COIL, IGNITION-TRAILING			
N3A2-18-100	1				
18-105		BRACKET, DIST. MODULE			
N3A2-18-105A	1				
18-110		PLUG, SPARK			
N3A1-18-110	2	BUR9EQP NGK (TRAILING SIDE) (OPTION)			
N3A2-18-110	2	BUR7EQP NGK (LEADING SIDE) (STD.)			
N3A3-18-110	2	BUR8EQP NGK (TRAILING SIDE) (OPTION HOT TYPE)			
N3A4-18-110	2	BUR6EQP NGK (LEADING SIDE) (OPTION HOT TYPE)			
N328-18-110	2	BUR8EQ NGK (TRAILING SIDE) (OPTION HOT TYPE)			
N329-18-110	2	BUR6EQ NGK (LEADING SIDE) (OPTION HOT TYPE)			
N342-18-110	2	BUR9EQP NGK (TRAILING SIDE) (STD.)			

1800 ENGINE ELECTRICAL SYSTEM

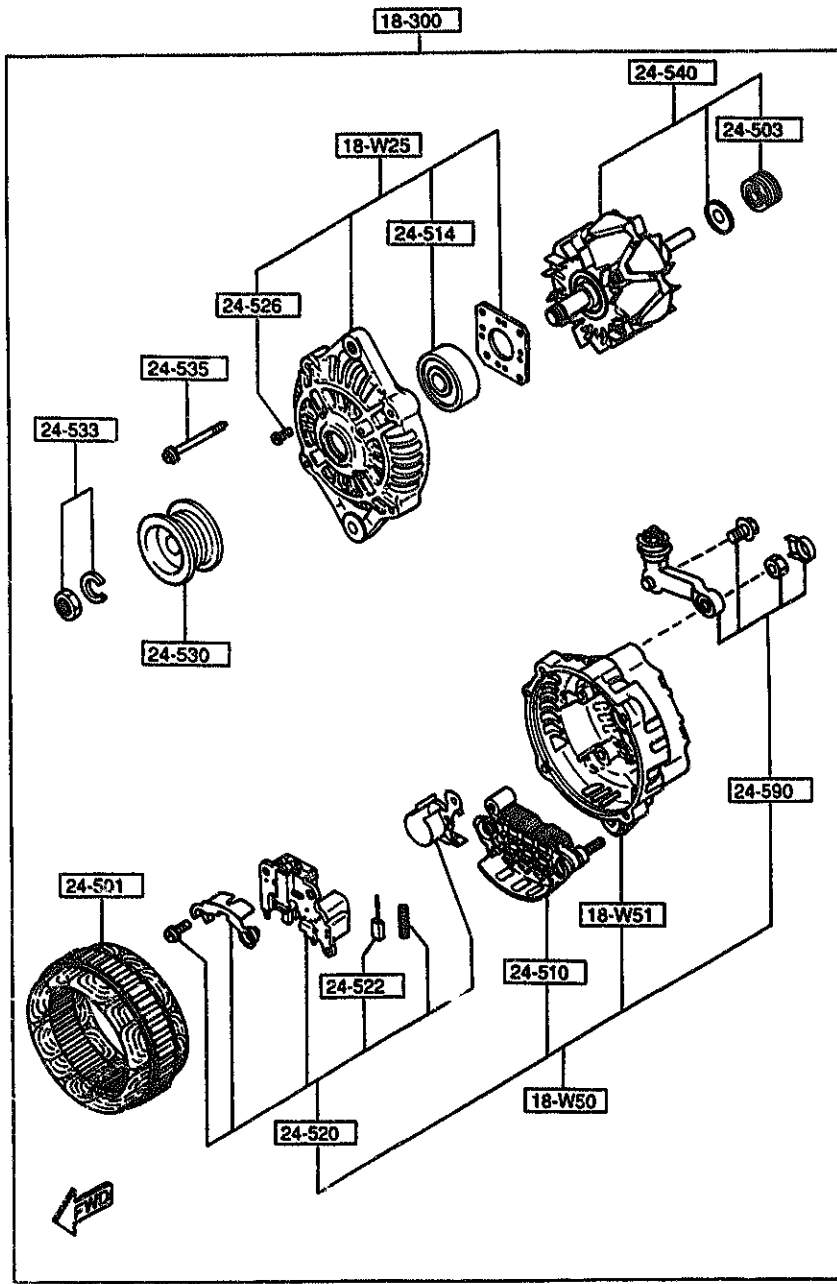


PART NO.	QTY	MODEL/RESTRICTION	MODEL/RESTRICTION	MODEL/RESTRICTION	FROM-TO
CONT'D N343-18-110	2	BUR7EQ NGK (LEADING SIDE) (OPTION)			
18-110S		PLUG SET, SPARK			
N3X4-18-110	1	BUR9EQ/BUR7EQ NGK (OPTION)			
N3X5-18-110	1	BUR9EQ/BUR7EQP NGK (STD.)			
18-1301		CORD, HIGH TENSION (T -1)			
N3A1-18-180A	1				
18-140		CORD SET, HI. TENSION			
88F1-18-140A	1				
18-140C		CORD, HIGH TENSION			
N3A1-18-140	1				
18-1401		CORD, HIGH TENSION (T -2)			
N3A1-18-190A	1				
18-1701		CORD, HIGH TENSION (L -1)			
N3A1-18-T53	1				
18-1801		CORD, HIGH TENSION (L -2)			
N3A1-18-T54	1				
18-251A		IGNITER, IG. COIL-TRAIL ING			
N3A1-18-251	1				
18-361		STRAP, ALTERNATOR			
N3A1-18-360B	1				
18-381		BELT 'V'			
N3A1-18-381	1	5PK-1355 (MT)			
N3A2-18-381	1	5PK-1310 (AT)			
18-397		BOLT, FLANGE			
N3A1-18-397	1				

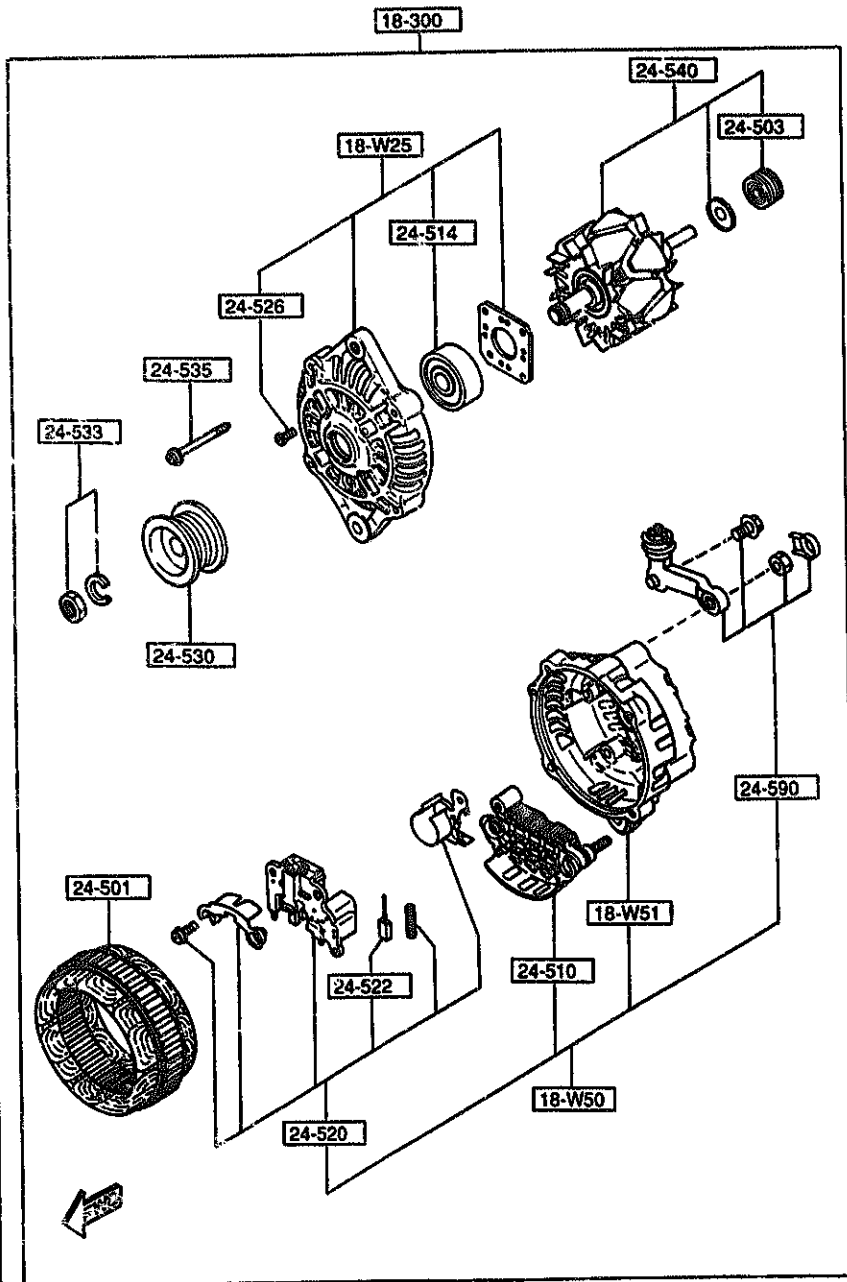
1800 ENGINE ELECTRICAL SYSTEM



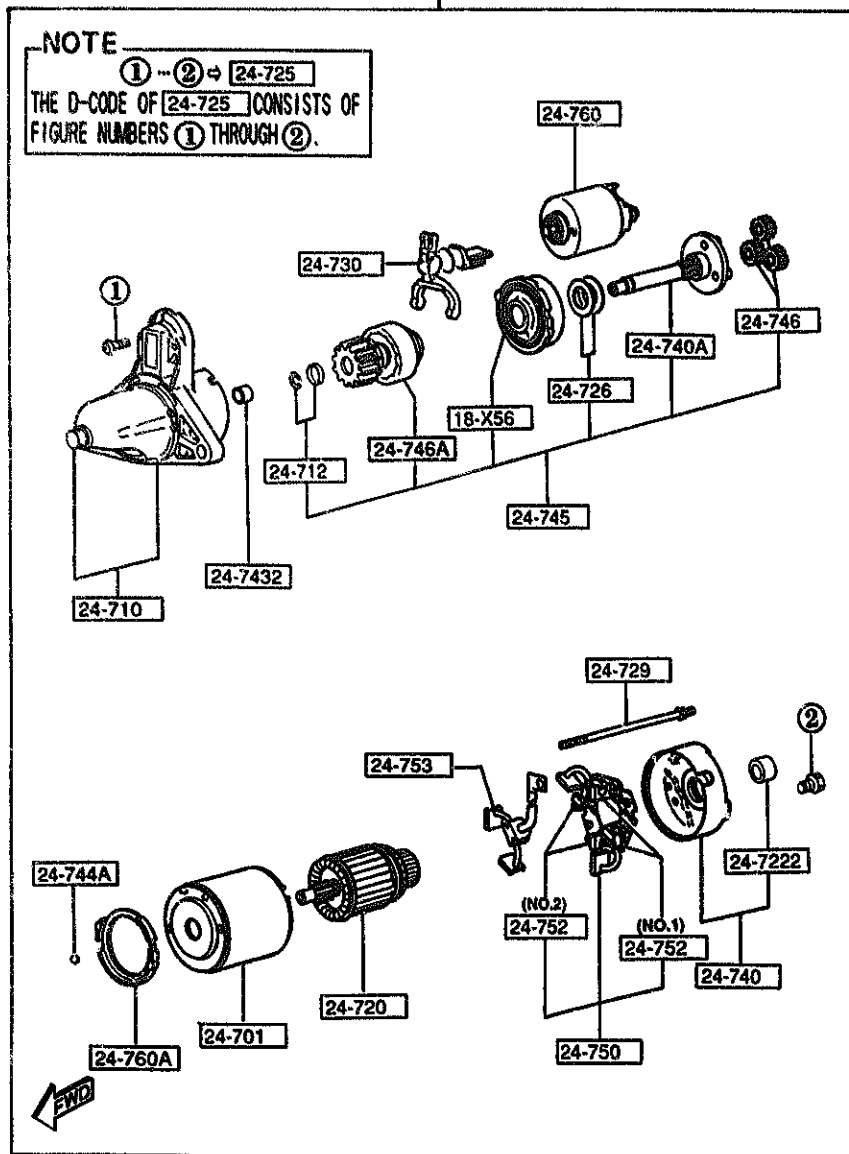
PART NO.	QTY	MODEL/RESTRICTION	MODEL/RESTRICTION	MODEL/RESTRICTION	FROM-TO
66-991F NSA1-66-991	1	CONDENSER			



PART NO.	QTY	MODEL/RESTRICTION	MODEL/RESTRICTION	MODEL/RESTRICTION	FROM-TO
18-W25	1	COVER, FRONT-ALTERNATOR			
NSA1-18-W25	1				
18-W50	1	COVER, REAR-ALTERNATOR			
NSA1-18-W50	1				
18-W51	1	COVER, REAR-ALTERNATOR			
NSA1-18-W51	1				
18-300	1	ALTERNATOR			
NSA1-18-300A	1				
24-501	1	STATOR			
NSA1-18-W45	1				
24-503	1	BEARING, BALL-ALT. REAR			
NS36-18-W36	1				
24-510	1	RECTIFIER			
NSA1-18-W6C	1				
24-514	1	BEARING, BALL-ALT. FRONT			
PN16-18-W27	1				
24-520	1	REGULATOR, VOLTAGE			
JE48-18-W70	1				
24-522	2	BRUSH			
B3C7-18-W77	2				
24-526	1	SCREW SET			
RF71-18-W26	1				
24-530	1	PULLEY			
NS90-18-W11	1				
24-533	1	NUT SET			
B3C7-18-W05	1				
24-535	1	SCREW SET			
RF71-18-W20	1				



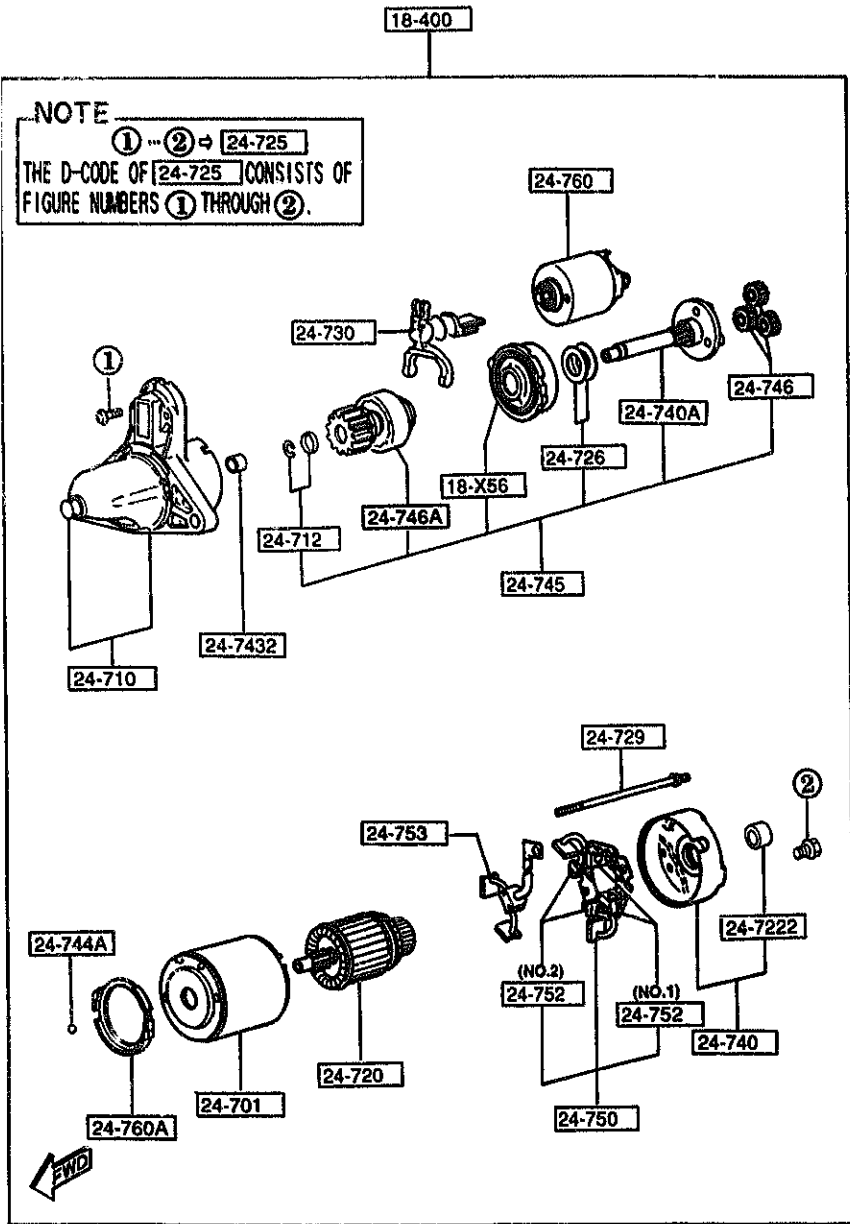
PART NO.	QTY	MODEL/RESTRICTION	MODEL/RESTRICTION	MODEL/RESTRICTION	FROM TO
24-540		ROTOR			
NSA1-18-W35	1				
24-590		TERMINAL SET			
NSA1-18-W80	1				



PART NO.	QTY	MODEL/RESTRICTION	MODEL/RESTRICTION	MODEL/RESTRICTION	FROM-TO
18-X56		GEAR, INTERNAL-STARTER			
F225-18-X56	1				
18-400		STARTER			
N3A1-18-400	1				
24-701		YOKE			
N326-18-X65	1				
24-710		BRACKET, FRONT			
N3A1-18-X00	1				
24-712		STOPPER SET			
N326-18-X30	1				
24-720		ARMATURE			
F214-18-X60A	1	NON ASBESTOS			
24-722		SLEEVE, BEARING-REAR			
N326-18-X62A	1				
24-725		SCREW SET			
E356-18-X95	1				
24-726		WASHER SET			
N326-18-X92	1				
24-729		BOLT			
N326-18-X91	2				
24-730		LEVER			
N326-18-X05	1				
24-740		BRACKET, REAR			
N318-18-X80A	1				-4201
N315-18-X80	1				4201-
24-740A		SHAFT			
N326-18-X40	1				

4201 FD333\*-302262



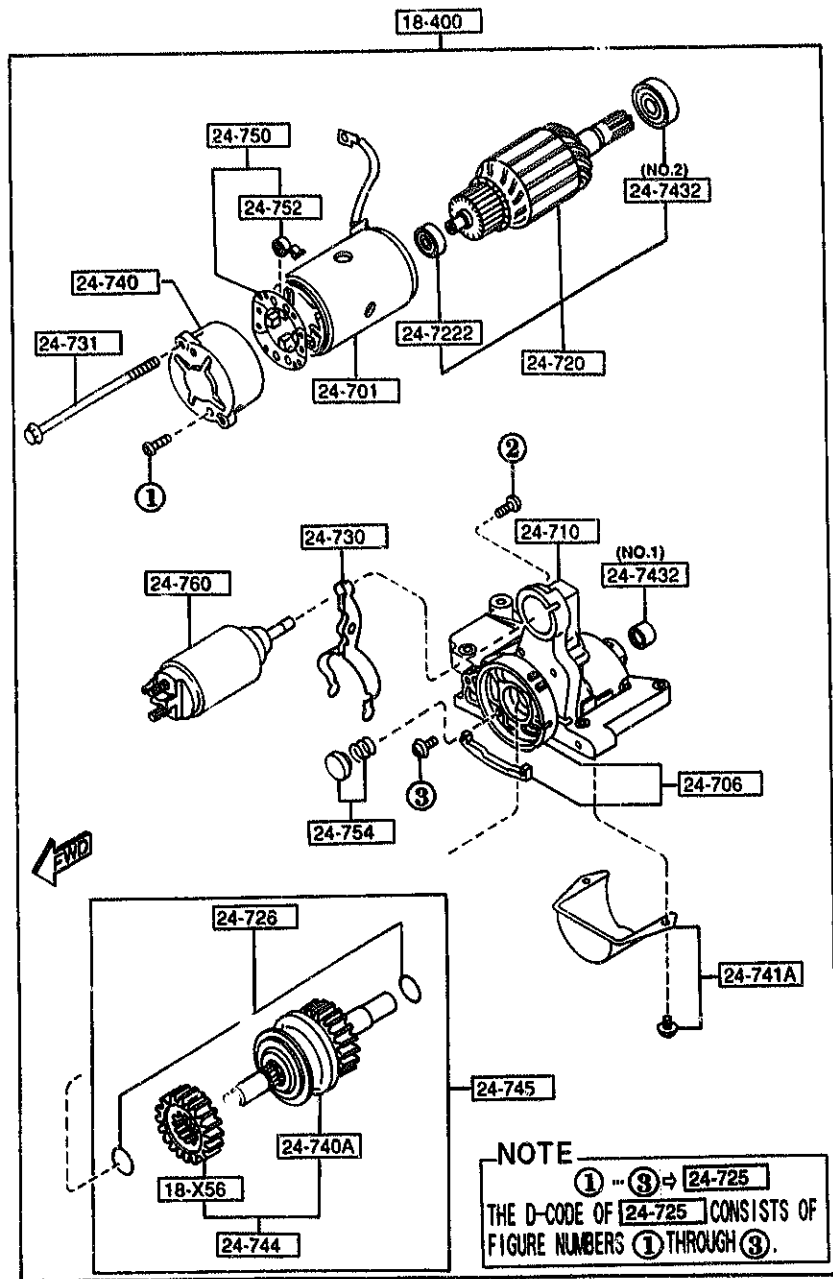


PART NO.	QTY	MODEL/RESTRICTION	MODEL/RESTRICTION	MODEL/RESTRICTION	FRGM-10
24-7432		SLEEVE, BEARING-FRONT			
E356-18-X01	1				
24-744A		BALL, STEEL			
N326-18-X93	1				
24-745		SHAFT, CLUTCH			
N327-18-X20	1				
24-746		GEAR			
N326-18-X57	3				
24-746A		PINION			
N318-18-X25	1				
24-750		HOLDER, BRUSH			
F214-18-X70	1				
24-752		SPRING, BRUSH			
N318-18-X71	2 (ILLUST. NO.1)				
N326-18-X71	2 (ILLUST. NO.2)				
24-753		BRUSH, YOKE			
F214-18-X66	1				
24-760		SWITCH			
N3A1-18-X10	1				
N315-18-X10	1				
24-760A		GASKET			
N326-18-X87	1				
4201 FD333*-302262					

-4201-  
4201-

1840 A STARTER  
(AT)

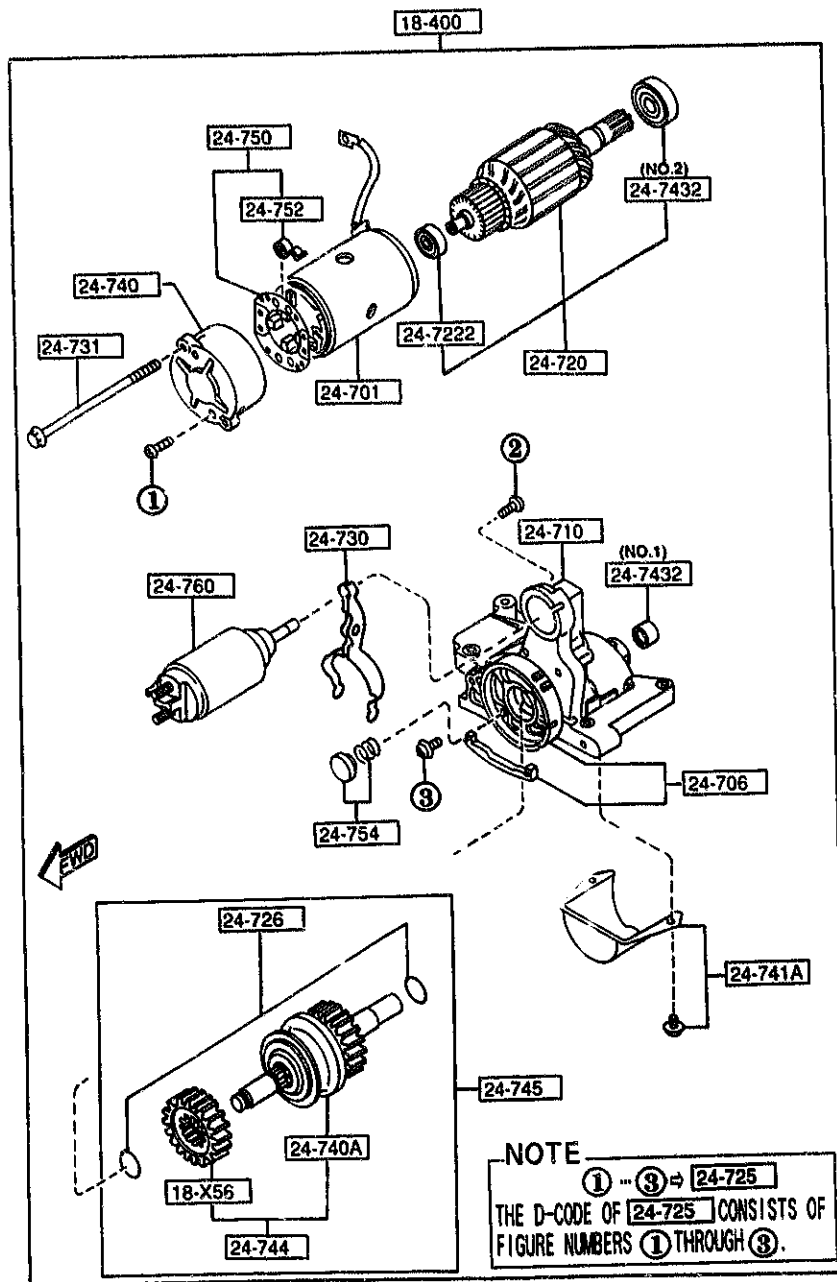
1840 A-1 STARTER  
(AT)



PART NO.	QTY	MODEL/RESTRICTION	MODEL/RESTRICTION	MODEL/RESTRICTION	FROM-TO
18-X56		GEAR, INTERNAL-STARTER			
NF01-18-X56	1				
18-400		STARTER			
NF01-18-400B	1				
24-701		YOKE			
NF01-18-X65	1				
24-706		BRACKET, CENTER			
NF01-18-X75	2				
24-710		BRACKET, FRONT			
NF01-18-X00A	1				
24-720		ARMATURE			
NF01-18-X60A	1				
24-7222		SLEEVE, BEARING-REAR			
8599-24-722	1				
24-725		SCREW SET			
NF01-18-X95	1				
24-726		WASHER SET			
NF01-18-X92	1				
24-730		LEVER			
NF01-18-X05	1				
24-731		BOLT SET			
NF01-18-X90	1				
24-740		BRACKET, REAR			
8599-24-720	1				
24-740A		SHAFT			
NF01-18-X40	1				
24-741A		COVER SET			
NF01-18-X50	1				

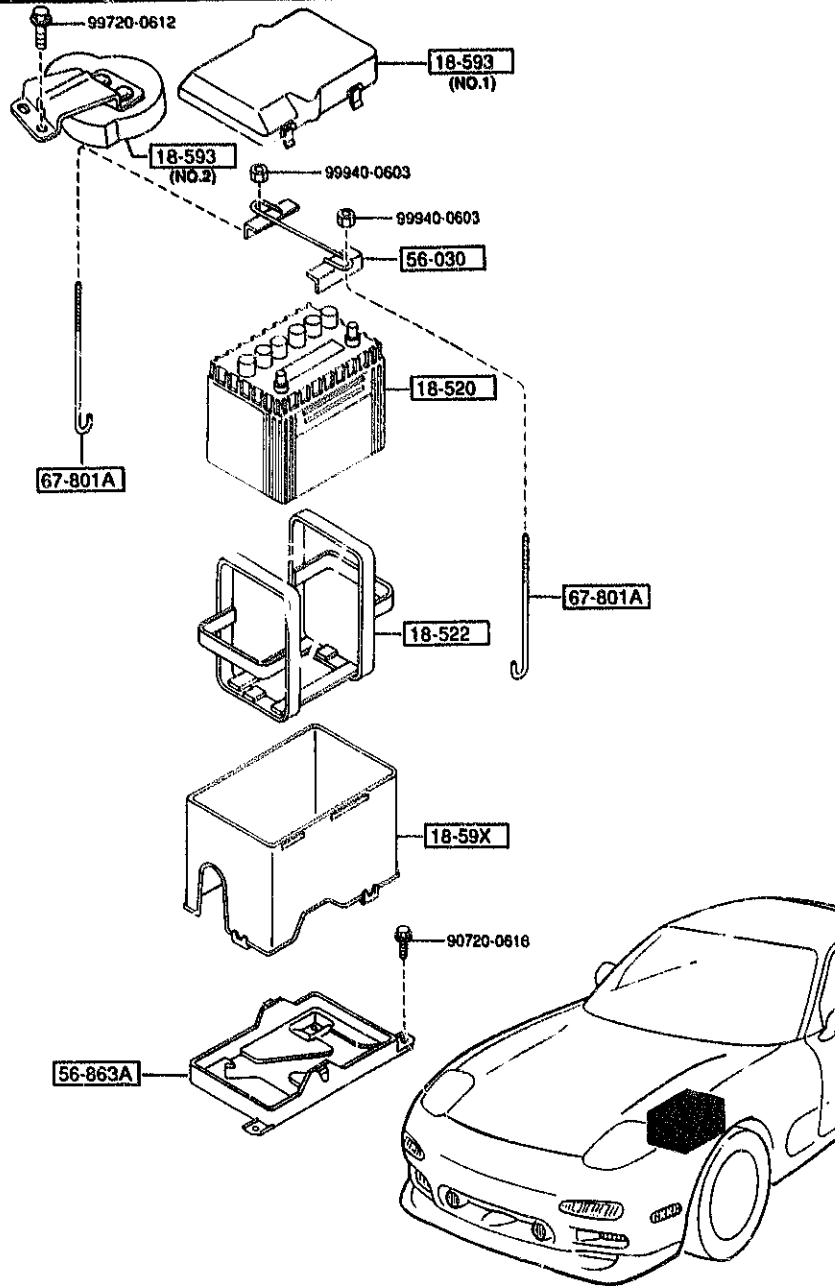
1840 A STARTER  
(AT)

1840 A-2 \* STARTER  
(AT)



PART NO.	QTY	MODEL/RESTRICTION	MODEL/RESTRICTION	MODEL/RESTRICTION	FROM-TO
24-7452		SLEEVE, BEARING-FRONT			
F210-18-X01	1	(ILLUST. NO. 1)			
8599-24-743	1	(ILLUST. NO. 2)			
24-744		GEAR SET			
NF01-18-X35	1				
24-745		SHAFT, CLUTCH			
NF01-18-X20	1				
24-750		HOLDER, BRUSH			
NF01-18-X70	1				
24-752		SPRING, BRUSH			
8599-24-752	4				
24-754		SPRING SET			
G601-18-X06	1				
24-760		SWITCH			
NF01-18-X10	1				

1850 BATTERY



PART NO.	QTY	MODEL/RESTRICTION	MODEL/RESTRICTION	MODEL/RESTRICTION	FROM-TO
18-520		BATTERY			
AM15-18-520A	1	75D26L GS (AT)			
N251-18-520B	1	65D23L GS (MT)			
N252-18-520E	1	65D23L PANASONIC (MT)			
18-522		BAND, BATTERY			
FE50-18-522	1				
18-59X		BOX, BATTERY			
N3A1-18-591E A (N3A1-18-591F)	1				- 3C01
N3A1-18-591F	1				3C01-
18-593		COVER, BOX-BATTERY			
N3A1-18-593B	1	MIYAGAWA KASEI (ILLUST. NO.1)			
N3A2-18-593A	1	(ILLUST. NO.2) (W/O AIR CON.)			
56-030		CLAMP, BATTERY			
H384-56-03XA	1				
56-863A		TRAY, BATTERY			
FD01-56-981A	1				
67-801A		BOLT, CLAMP			
0243-56-231	2				

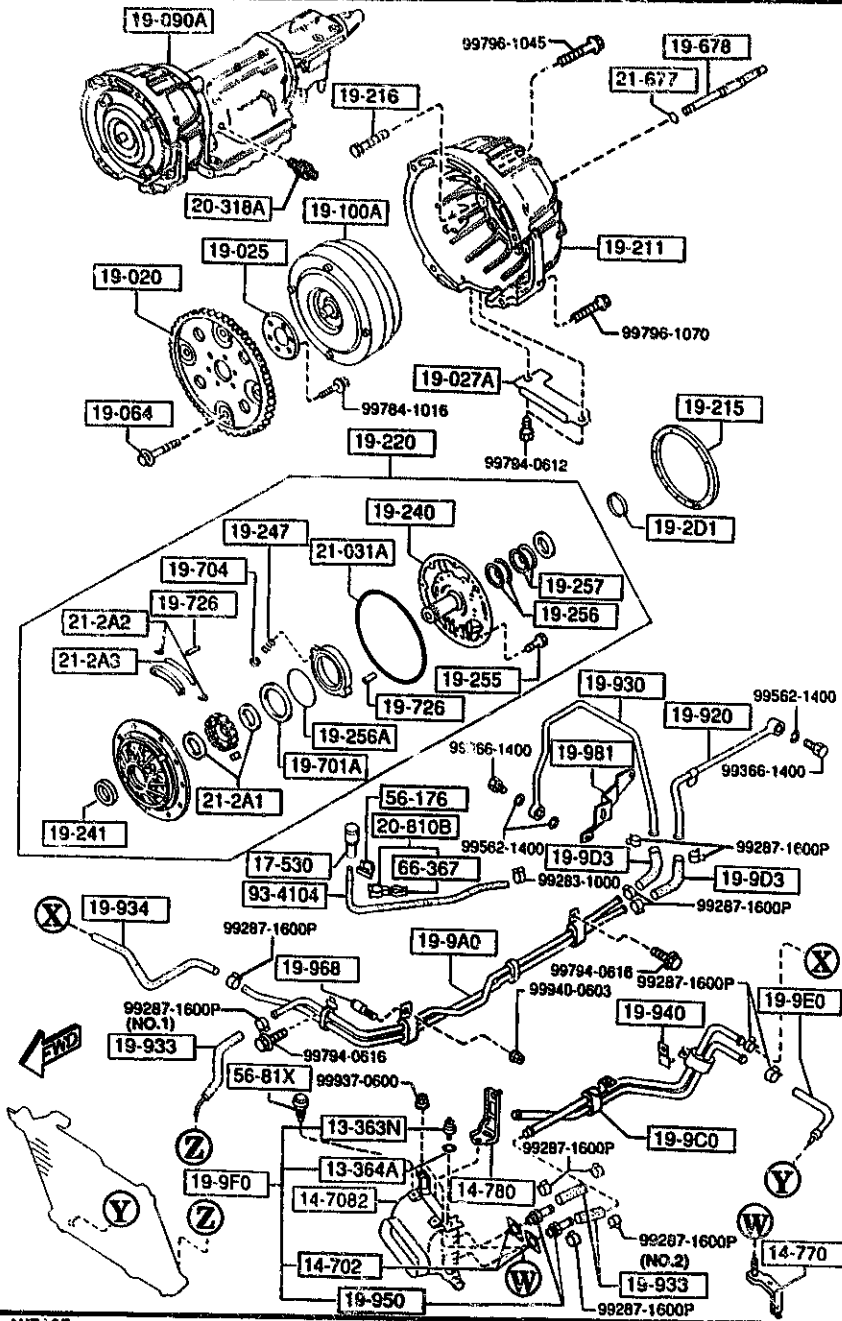
3C01 FD333\*-301464







1910 TORQUE CONVERTER, OIL PUMP & PIPINGS (AUTOMATIC)



PART NO.	QTY	MODEL/RESTRICTION	MODEL/RESTRICTION	MODEL/RESTRICTION	FROM-TO
CONT'D FU9E-19-933	2	(ILLUST. NO.2)			
19-934	1	HOSE, OIL			
BV66-19-934	1				
19-940	1	BRACKET, PIPE			
BV65-19-940	1				
19-950	2	PIPE, OIL			
BV65-19-950A	2				
19-968	1	STUD			
BV65-19-968	1				
19-981	1	BRACKET			
BV65-19-981A	1				
20-318A	1	BOLT			
BU27-19-858	1				
20-810B	1	CLIP			
E5D5-20-810	1				
21-031A	1	RING, 'O'			
BV11-21-031	1				
21-2A1	2	SPRING, RING			
BV11-21-2A1	2				
21-2A2	2	SEAL, SIDE			
BV11-21-2A2	2				
21-2A3	1	SEAL, FLANGE			
BV11-21-2A3	1				
21-677	1	RING, 'O'			
BV01-21-677	1				
56-176	1	HOLDER, JACK HANDLE			
FB01-56-176	1				

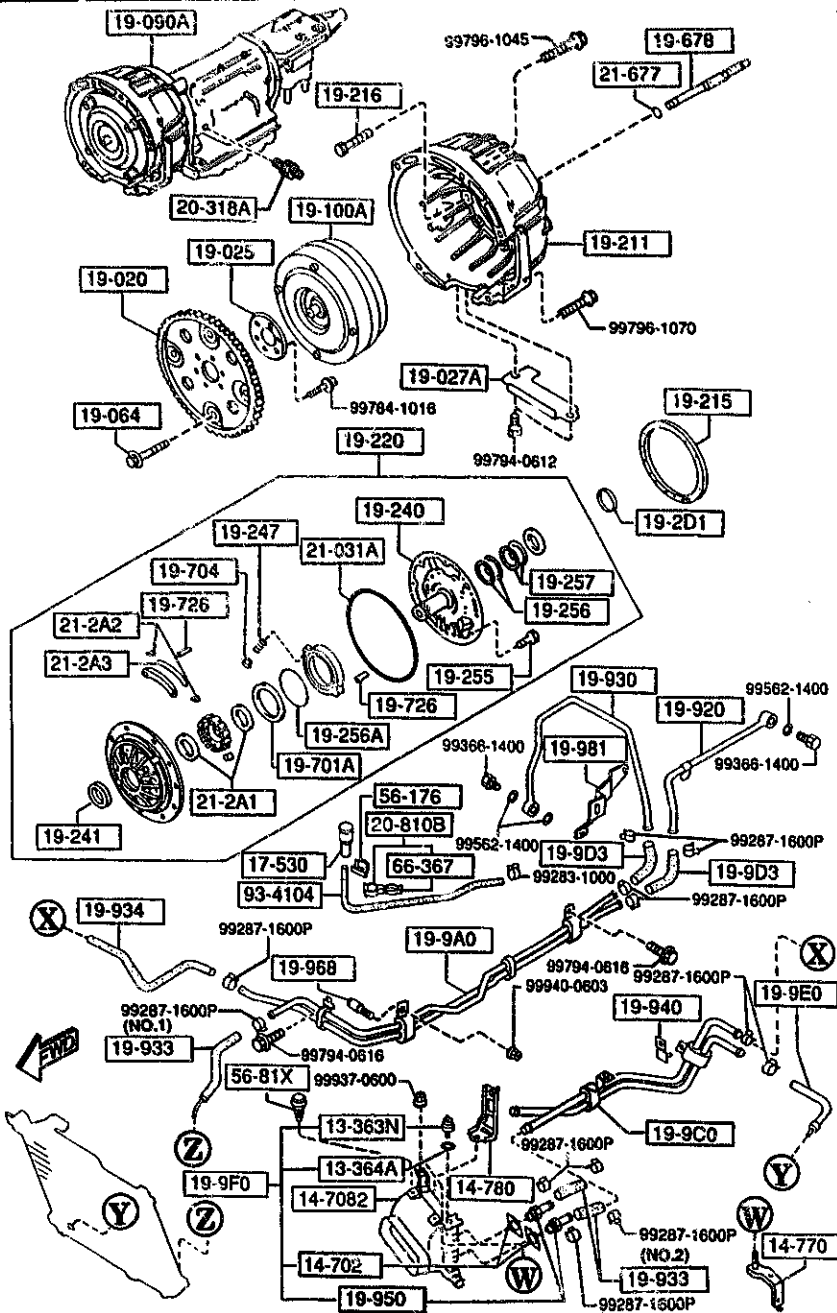
AUFA05

CAT. AUFA05-83

1995-03



1910 TORQUE CONVERTER,OIL PUMP & PIPINGS (AUTOMATIC)



AUFA05

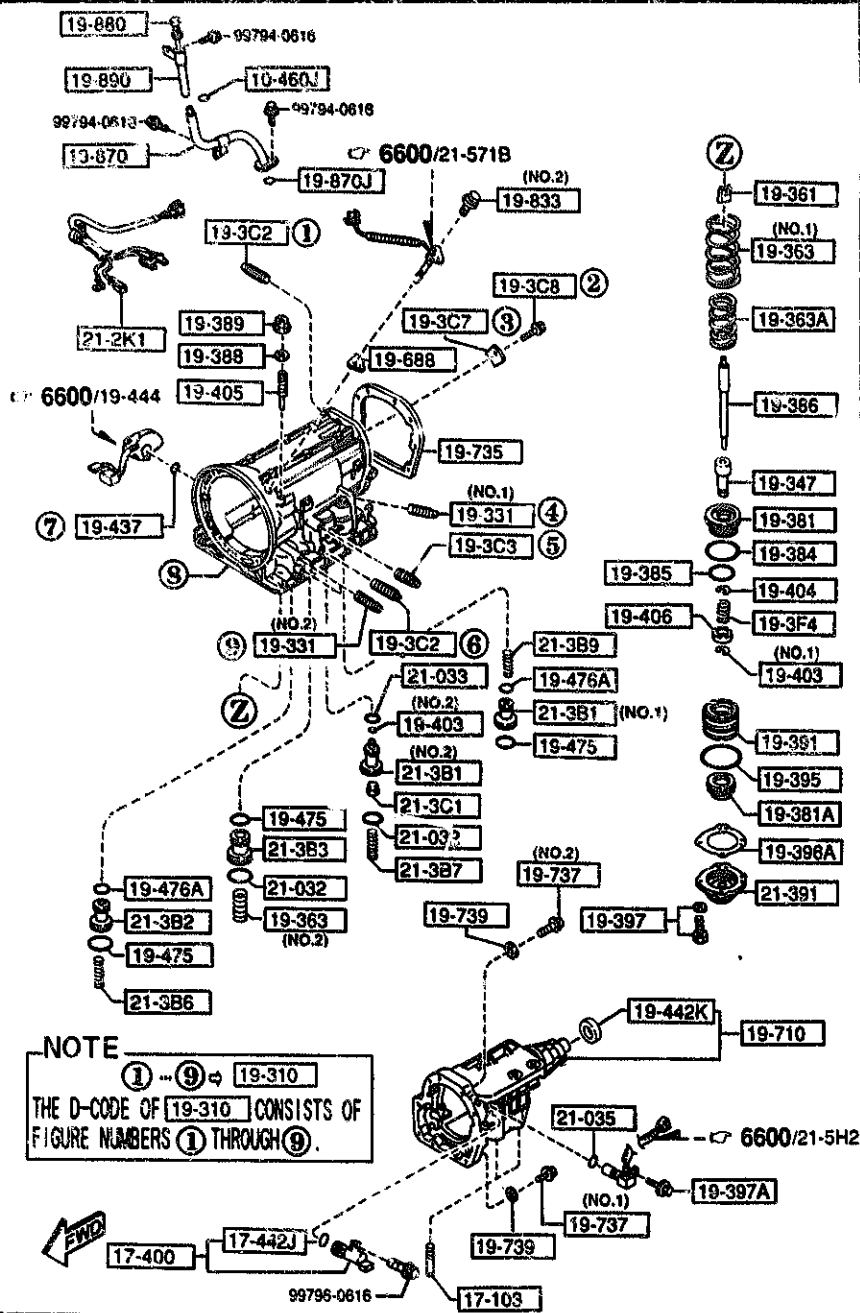
PART NO.	QTY	MODEL/RESTRICTION	MODEL/RESTRICTION	MODEL/RESTRICTION	FROM-TO
56-81X		FASTENER, DUCT PANEL			
FB01-56-81X	3				
66-367		CLIP			
GA98-66-367A	1				
93-4104		HOSE			
99340-05540	1				

CAT. AUFA05-03

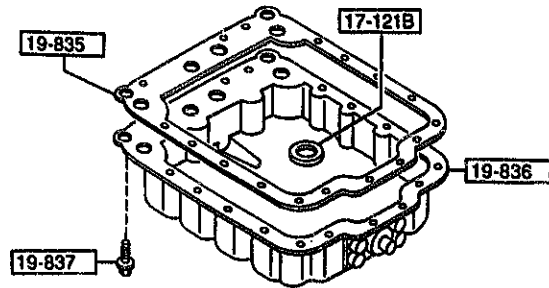
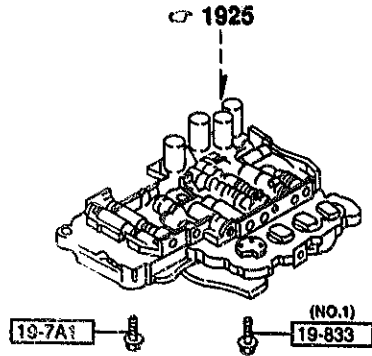
1995-03



1920 TRANSMISSION CASE & MAIN CONTROL SYSTEM (AUTOMATIC) (1/2)

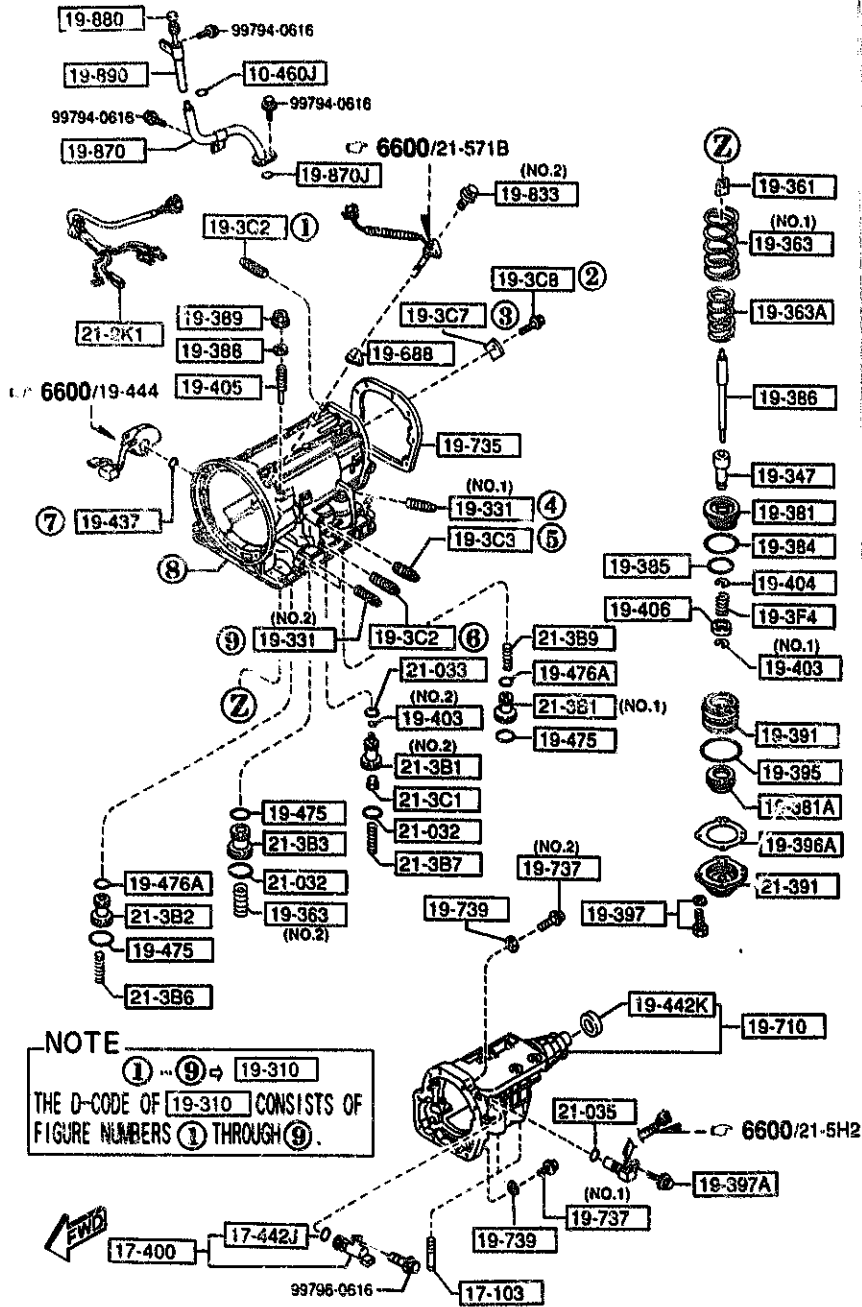


PART NO.	QTY	MODEL/RESTRICTION	MODEL/RESTRICTION	MODEL/RESTRICTION	FROM TO
10-460J		RING, 'O'			
99541-01201	1				
17-103		BOLT			
MS26-17-103	2				
17-121B		MAGNET			
F401-17-121	1				
17-400		GEAR SET, DRIVEN-SPEED			
BV65-17-400	1				
17-442J		RING, 'O'			
1011-17-443	1				
19-3C2		PLUG			
BV11-19-3C2	2				
19-3C3		PLUG			
BV11-19-3C3	1				
19-3C7		PLATE, BAFFLE			
BV11-19-3C7	1				
19-3C8		BOLT, BAFFLE PLATE			
BV11-19-3C8	1				
19-3F4		SPRING, PISTON RETURN			
BV11-19-3F4	1				
19-310		CASE, T/MISSION			
BV56-19-310A	1				
19-331		PLUG, SQUARE HEAD			
BV11-19-331	1	(ILLUST. NO. 1)			
0338-19-331A	3	(ILLUST. NO. 2)			
19-347		RETAINER, SERVO SPRING			
BV11-19-347	1				



PART NO.	QTY	MODEL/RESTRICTION	MODEL/RESTRICTION	MODEL/RESTRICTION	FROM-TO
19-361		STRUT, BAND			
BV11-19-361	1				
19-363		SPRING, PISTON RETURN			
BV11-19-363	1 (ILLUST. NO.1)				
BV65-19-363	1 (ILLUST. NO.2)				
19-363A		SPRING, PISTON RETURN			
BV11-19-363	1				
19-381		PISTON, BAND SERVO			
BV11-19-381	1				
19-381A		PISTON, BAND SERVO			
BV65-21-321	1				
19-384		SEAL, PISTON			
BV11-19-384	1				
19-385		SEAL, PISTON			
BV11-19-385	1				
19-386		STEM, PISTON			
BV11-19-386	1				
19-388		WASHER, PLAIN			
BV11-19-388	1				
19-389		NUT			
BV11-19-389	1				
19-391		RETAINER, SERVO			
BV11-19-391	1				
19-395		RING, 'O'			
0338-19-395	1				
19-396A		GASKET			
BV11-19-3J4	1				

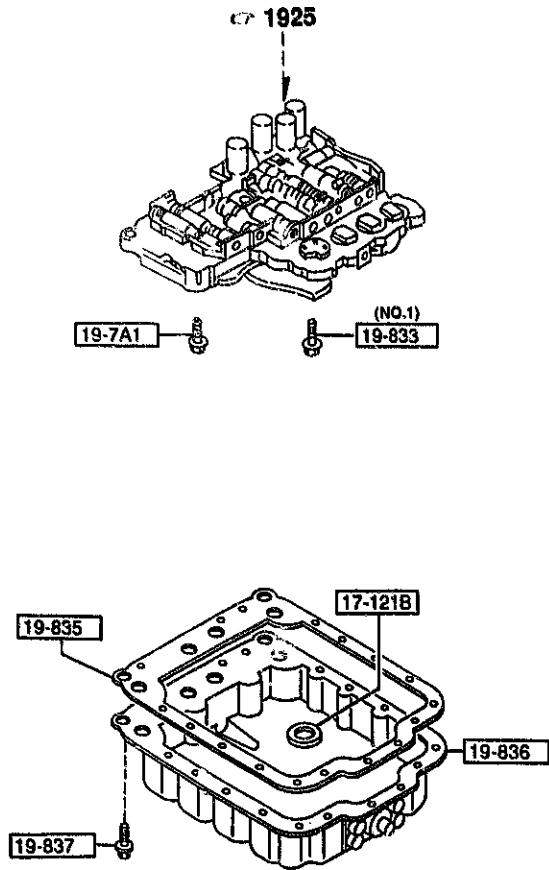
1920 TRANSMISSION CASE & MAIN CONTROL SYSTEM (AUTOMATIC) (1/2)



**NOTE**  
 ① ... ⑨ ⇒ 19-310  
 THE D-CODE OF 19-310 CONSISTS OF  
 FIGURE NUMBERS ① THROUGH ⑨.

PART NO.	QTY	MODEL/RESTRICTION	MODEL/RESTRICTION	MODEL/RESTRICTION	FROM-TO
19-397		BOLT			
BV11-19-397	4				
19-397A		BOLT			
0338-19-397	1				
19-403		RING, SNAP-PISTON STE M LOW			
BV11-19-403	1	(ILLUST. NO.1)			
BV35-19-403	1	(ILLUST. NO.2)			
19-404		RING, SNAP-PISTON STE M UP			
BV11-19-404	1				
19-405		PIN			
BV11-19-405	1				
19-406		RETAINER, SPRING-PISTN STEM			
BV11-19-406	1				
19-437		SEAL, MANUAL SHAFT LE VER			
BV11-19-437	1				
19-442K		SEAL, OIL			
BV65-19-437	1				
19-475		SEAL, 'O'RING			
BV11-19-475	3				
19-476A		RING, 'O'			
BV11-19-476	2				
19-688		GASKET, GOVERNOR			
BV56-19-688	1				
19-7A1		BOLT			
BV11-19-7A3	7				
19-710		HOUSING, EXTENSION			
BV65-19-710	1				

1-K 9

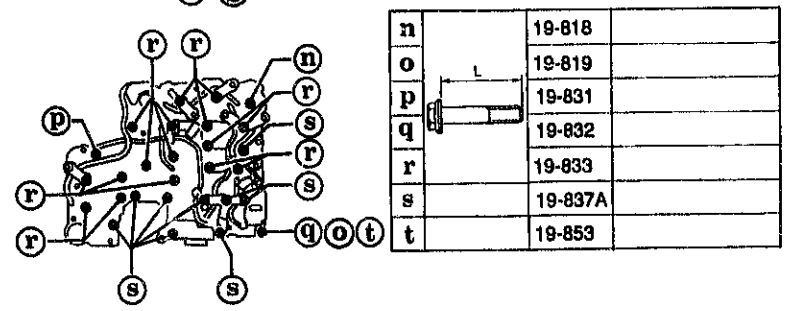
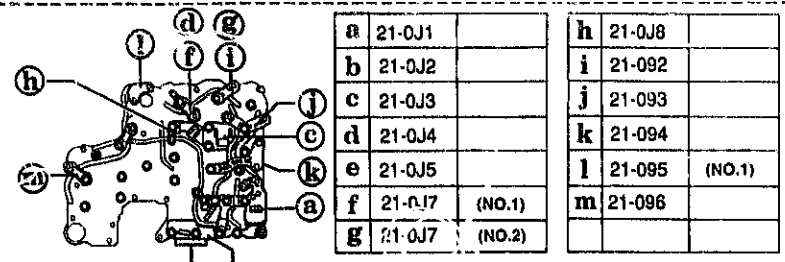
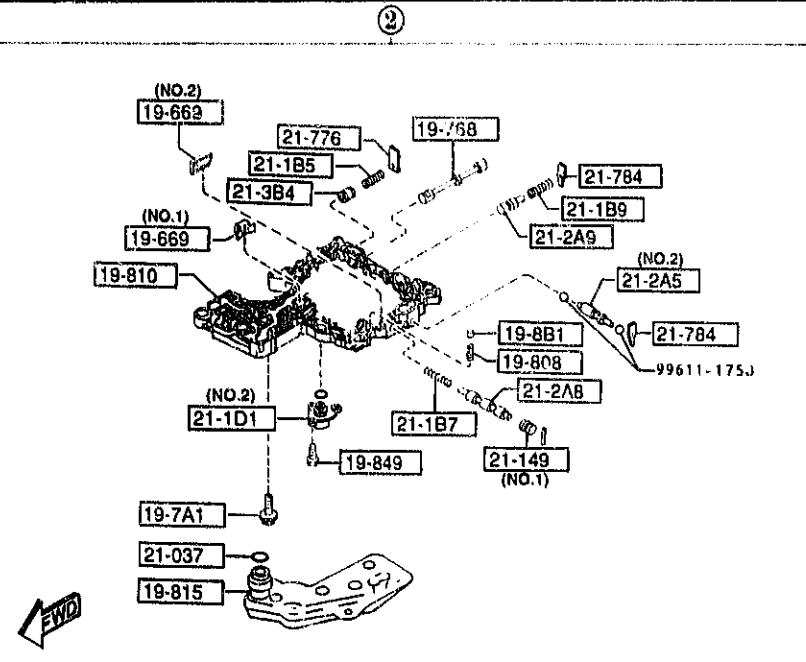
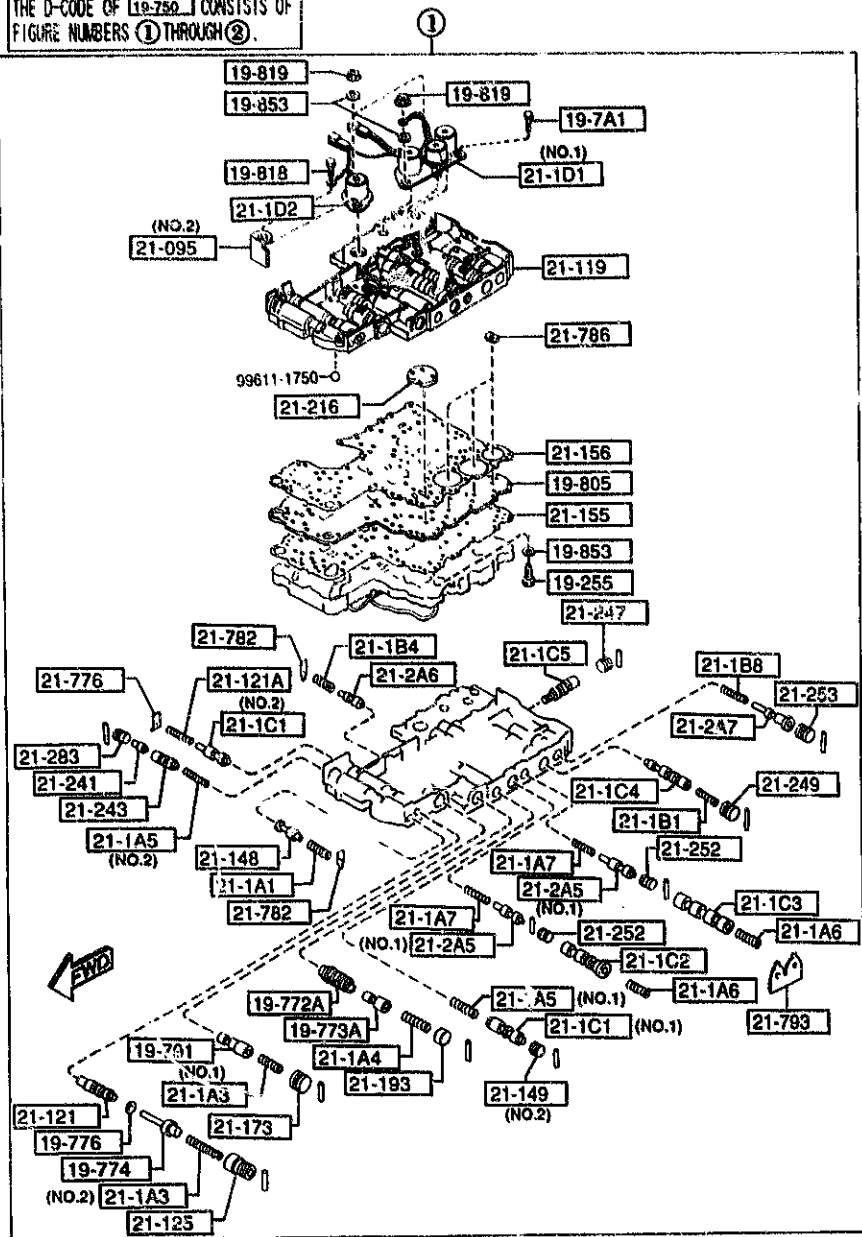


PART NO.	QTY	MODEL/RESTRICTION	MODEL/RESTRICTION	MODEL/RESTRICTION	FROM-TO
19-735		GASKET, EXTENSION			
BV60-19-735	1				
19-737		BOLT			
BV12-19-737	3 (ILLUST. NO.1)				
BV40-19-737	5 (ILLUST. NO.2)				
19-739		WASHER, PLAIN			
0338-19-739	10				
19-833		BOLT, CONTROL VALVE			
BV11-19-833	13 (ILLUST. NO.1)				
BV56-19-833	2 (ILLUST. NO.2)				
19-835		GASKET, OIL PAN			
BV60-19-835	1				
19-836		PAN, OIL			
BV65-19-836	1				
19-837		BOLT, OIL PAN			
0338-19-837	18				
19-870		TUBE, OIL LEVEL			
BV65-19-870	1				
19-870J		RING, 'O'			
99541-01601	1				
19-880		GAUGE, OIL LEVEL			
BV45-19-880	1				
19-890		TUBE, OIL FILTER-UPPER			
BV65-19-890	1				
21-032		RING, 'O'-UP. ACCUM 2ND PIS			
BV11-21-032	2				
21-033		RING, 'O'-ACCUM. CLUTCH			
BV11-21-033	1				



NOTE

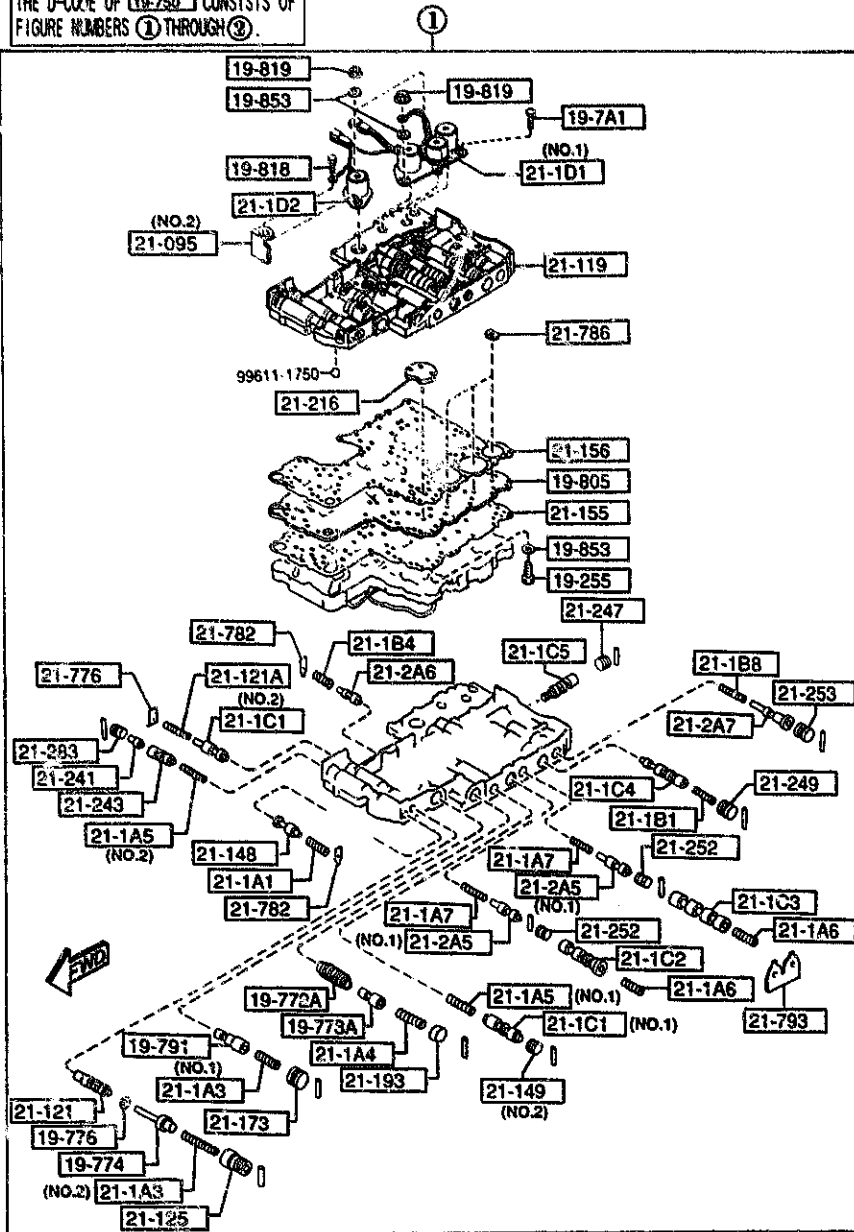
①...③ → [19-780]  
 THE D-CODE OF [19-750] CONSISTS OF  
 FIGURE NUMBERS ① THROUGH ③.



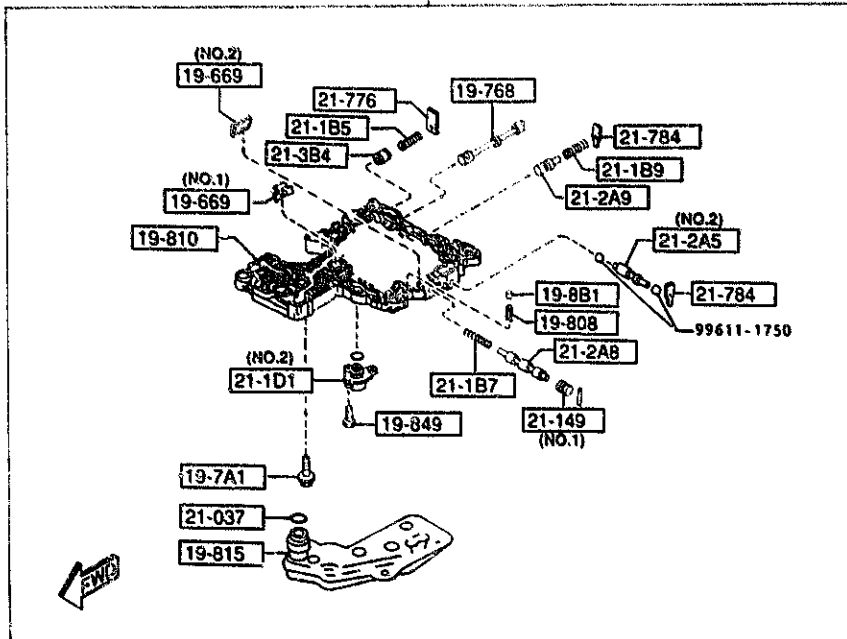


NOTE

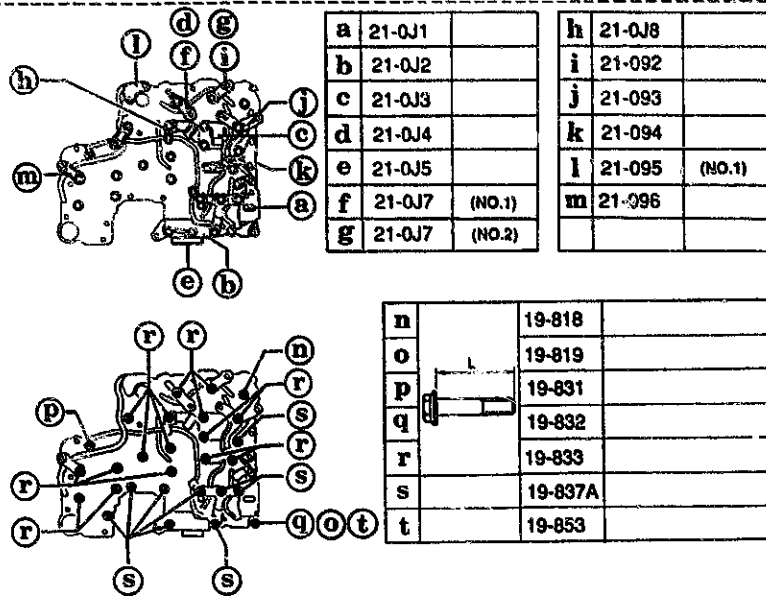
①-③ → 19-750  
 THE D-CODE OF 19-750 CONSISTS OF  
 FIGURE NUMBERS ① THROUGH ③.



PART NO.	QTY	MODEL/RESTRICTION	MODEL/RESTRICTION	MODEL/RESTRICTION	FROM-TO
19-255		BOLT			
BV50-19-255	1				
19-669		FILTER, GOVERNOR			
BV11-19-669	1 (ILLUST. NO.1)				
BV50-19-669	1 (ILLUST. NO.2)				
19-7A1		BOLT			
BV11-19-7A1	2				
19-750		VALVE, CONTROL			
BV65-19-750A	1				
19-768		VALVE, MANUAL			
BV11-19-768	1				
19-772A		SLEEVE, ACCUMULATOR			
BV11-19-772	1				
19-773A		VALVE, ACCUMULATOR			
BV11-19-773	1				
19-774		PLUG, REGULATOR			
BV45-19-774	1				
19-776		SHEET, SPRING			
BV11-19-776	1				
19-791		VALVE, MODIFIER			
BV11-19-791	1				
19-8B1		VALVE, ORIFICE CHECK			
BV30-19-8B1	1				
19-805		PLATE, SEPARATOR			
BV56-19-805	1				
19-808		SPRING			
0338-19-808	1				



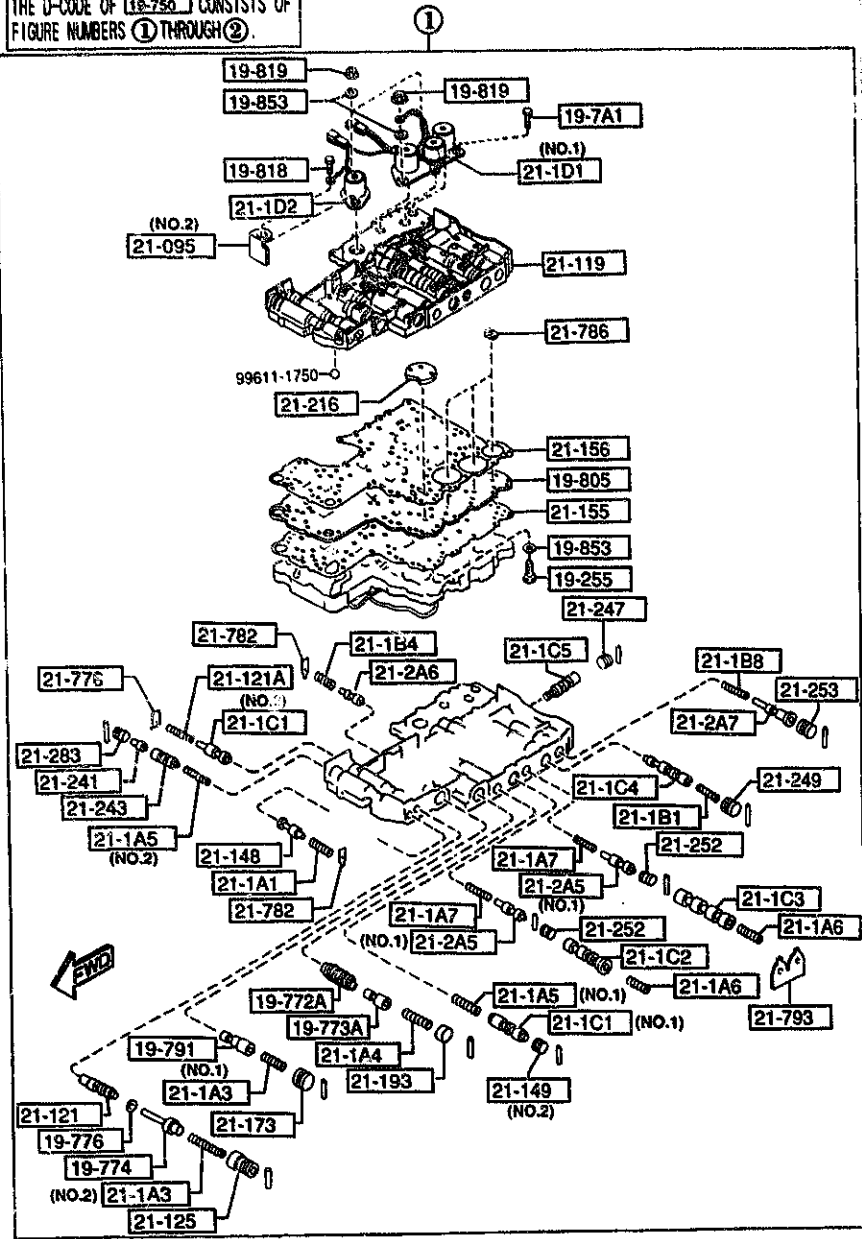
PART NO.	QTY	MODEL/RESTRICTION	MODEL/RESTRICTION	MODEL/RESTRICTION	FROM-TO
19-810		BODY, LWR-CONT. VALVE			
BV40-19-810	1				
19-815		STRAINER, OIL			
BV65-19-815	1				
19-818		BOLT			
BV11-19-818	2				
19-819		NUT			
BV11-19-819	4				
19-831		BOLT, CONTROL VALVE			
BV11-19-831	1				
19-832		BOLT, CONTROL VALVE			
BV50-19-832	1				
19-835		BOLT, CONTROL VALVE			
BV11-19-835	16				
19-837A		BOLT, CONTROL VALVE			
BV11-19-837	9				
19-849		BOLT			
BV11-19-849	2				
19-853		WASHER			
BV11-19-853	6				
21-0J1		CLIP, HARNESS			
BV50-21-0J1	1				
21-0J2		CLIP, HARNESS			
BV45-19-0J2	1				
21-0J3		CLIP, HARNESS			
BV11-21-0J3	1				
21-0J4		CLIP, HARNESS			
BV11-21-0J4	1				



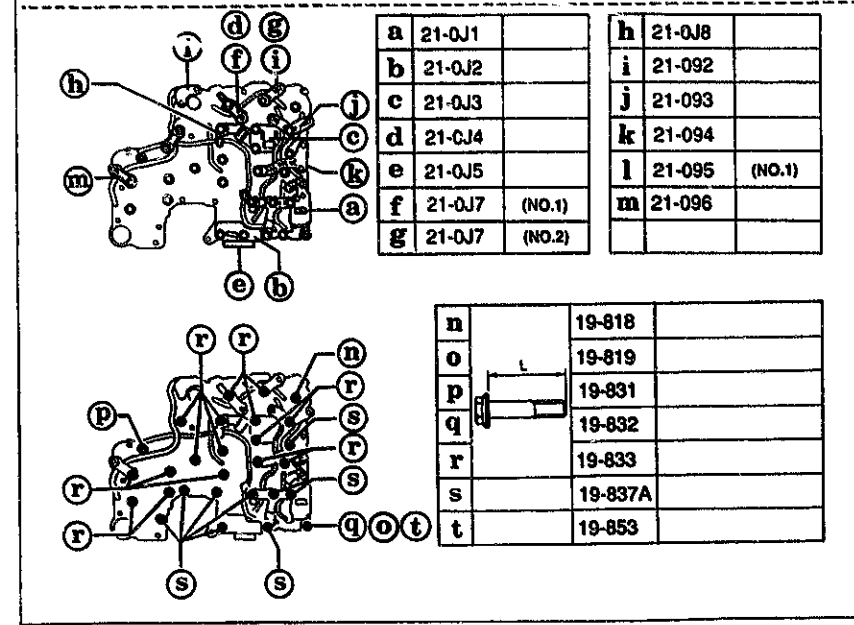
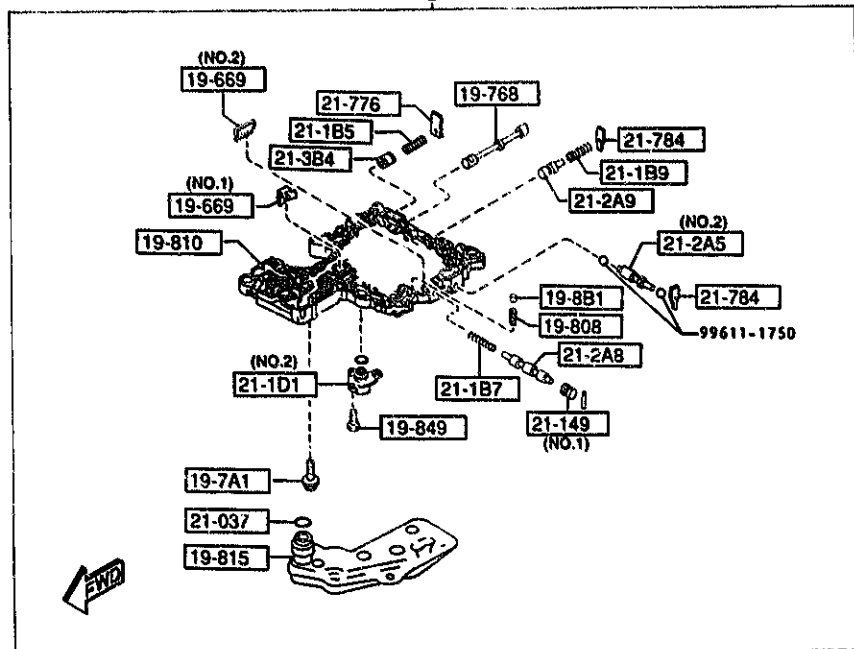
1925 CONTROL VALVE (AUTOMATIC)

NOTE

① ② → 19-750  
 THE D-CODE OF 19-750 CONSISTS OF  
 FIGURE NUMBERS ① THROUGH ②.



PART NO.	QTY	MODEL/RESTRICTION	MODEL/RESTRICTION	MODEL/RESTRICTION	FROM-TO
21-0J5		CLIP, HARNESS			
BV11-21-0J5	1				
21-0J7		BRACKET, TUBE			
BV11-21-0J7A	1	(ILLUST. NO.1)			
BV56-21-0J7	1	(ILLUST. NO.2)			
21-0J8		BRACKET, TUBE			
BV11-21-0J8	1				
21-037		RING, 'O'			
BV11-21-037	1				
21-092		BRACKET, TUBE			
BV11-21-092	1				
21-093		BRACKET, TUBE			
BV11-21-093	1				
21-094		BRACKET, TUBE			
BV35-21-094	1				
21-095		BRACKET			
BV11-21-095	1	(ILLUST. NO.1)			
BV56-21-095	1	(ILLUST. NO.2)			
21-096		BRACKET, TUBE			
BV11-21-096	1				
21-1A1		SPRING, VALVE			
BV65-21-1A1	1				
21-1A3		SPRING, VALVE			
BV11-21-1A3	1	(ILLUST. NO.1)			
BV40-21-1A3	1	(ILLUST. NO.2)			
21-1A4		SPRING, VALVE			
BV11-21-1A4	1				
21-1A5		SPRING, VALVE			



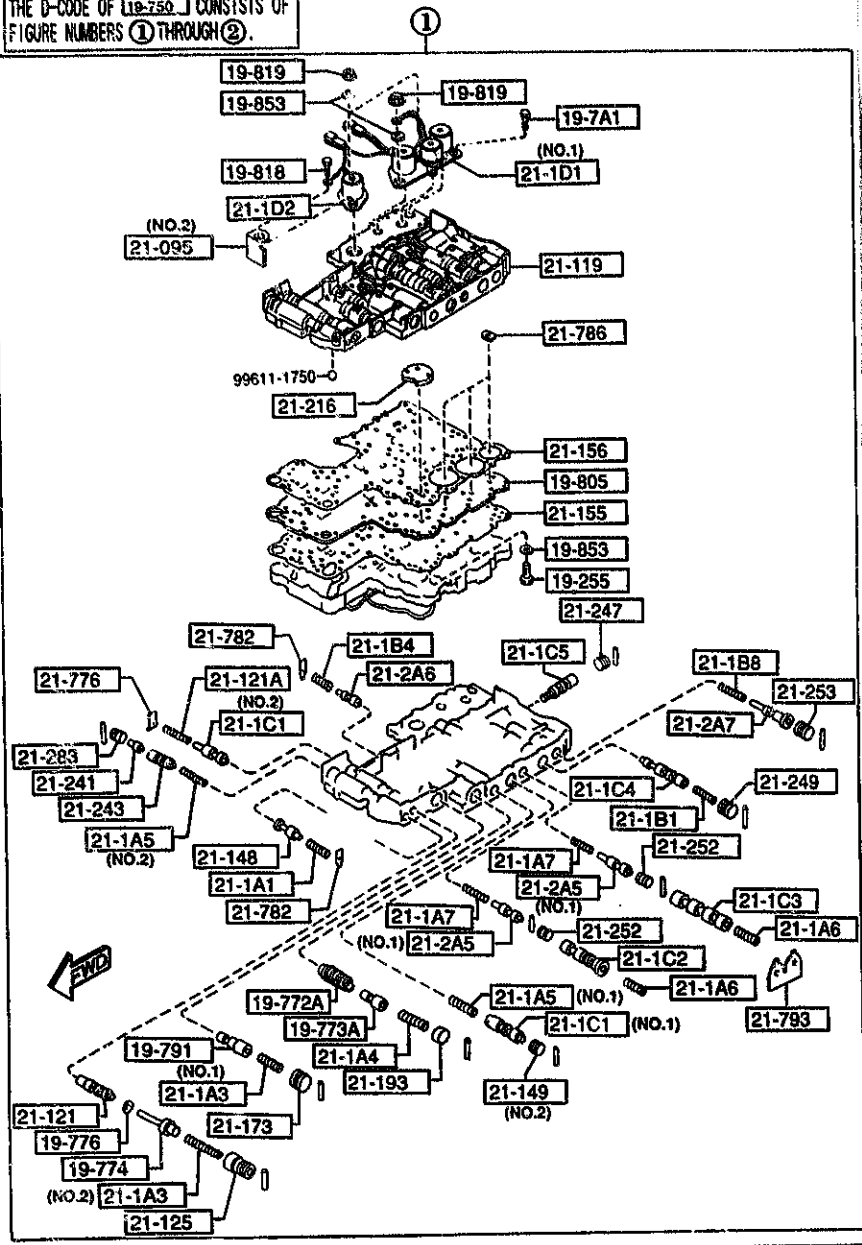
PART NO.	QTY	MODEL/RESTRICTION	MODEL/RESTRICTION	MODEL/RESTRICTION	FROM-TO
CONT'D					
BV11-21-1A5	1	(ILLUST. NO.1)			
BV56-21-1A5	1	(ILLUST. NO.2)			
21-1A6		SPRING, VALVE			
BV11-21-1A6	2				
21-1A7		SPRING, VALVE			
BV11-21-1A7	2				
21-1B1		SPRING, VALV.			
BV11-21-1B1	1				
21-1B4		SPRING, VALVE			
BV11-21-1B4	1				
21-1B5		SPRING, VALVE			
BV12-21-1B5	1				
21-1B7		SPRING, VALVE			
BV11-21-1B7	1				
21-1B8		SPRING, VALVE			
BV45-21-1B8	1				
21-1B9		SPRING, VALVE			
BV11-21-1B9	1				
21-1C1		VALVE, SHIFT			
BV11-21-1C1	1	(ILLUST. NO.1)			
BV40-21-1C1	1	(ILLUST. NO.2)			
21-1C2		VALVE, SHIFT			
BV11-21-1C2	1				
21-1C3		VALVE, SHIFT			
BV11-21-1C3	1				
21-1C4		VALVE, SHIFT			
BV11-21-1C4	1				

1925 CONTROL VALVE (AUTOMATIC)

(1/2)

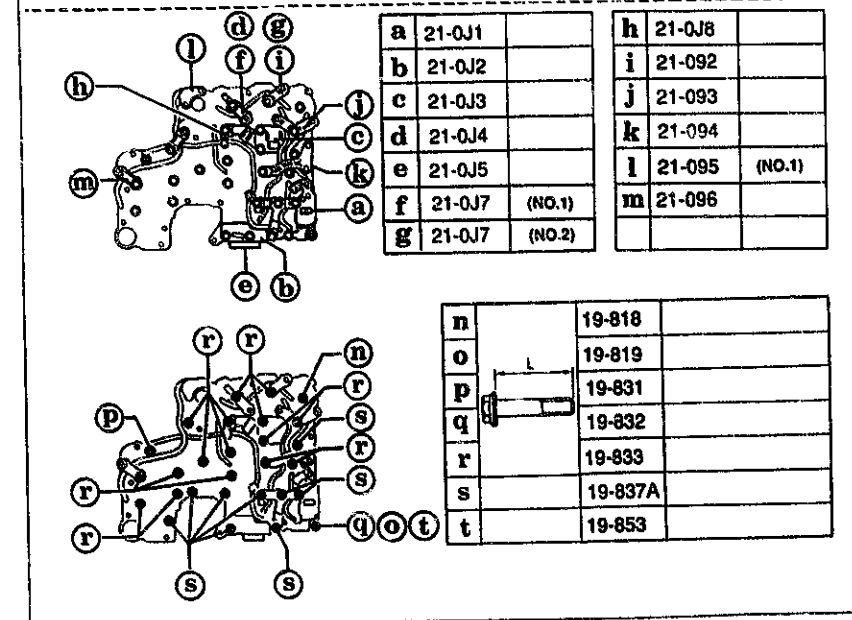
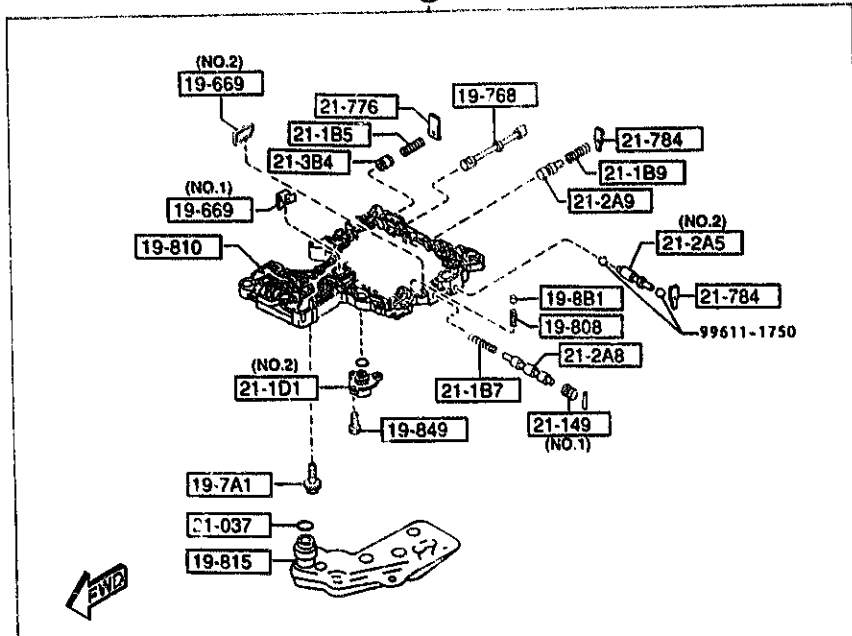
NOTE

①-② → 19-750  
 THE D-CODE OF 19-750 CONSISTS OF  
 FIGURE NUMBERS ① THROUGH ②.



1925 -5 CONTROL VALVE (AUTOMATIC)

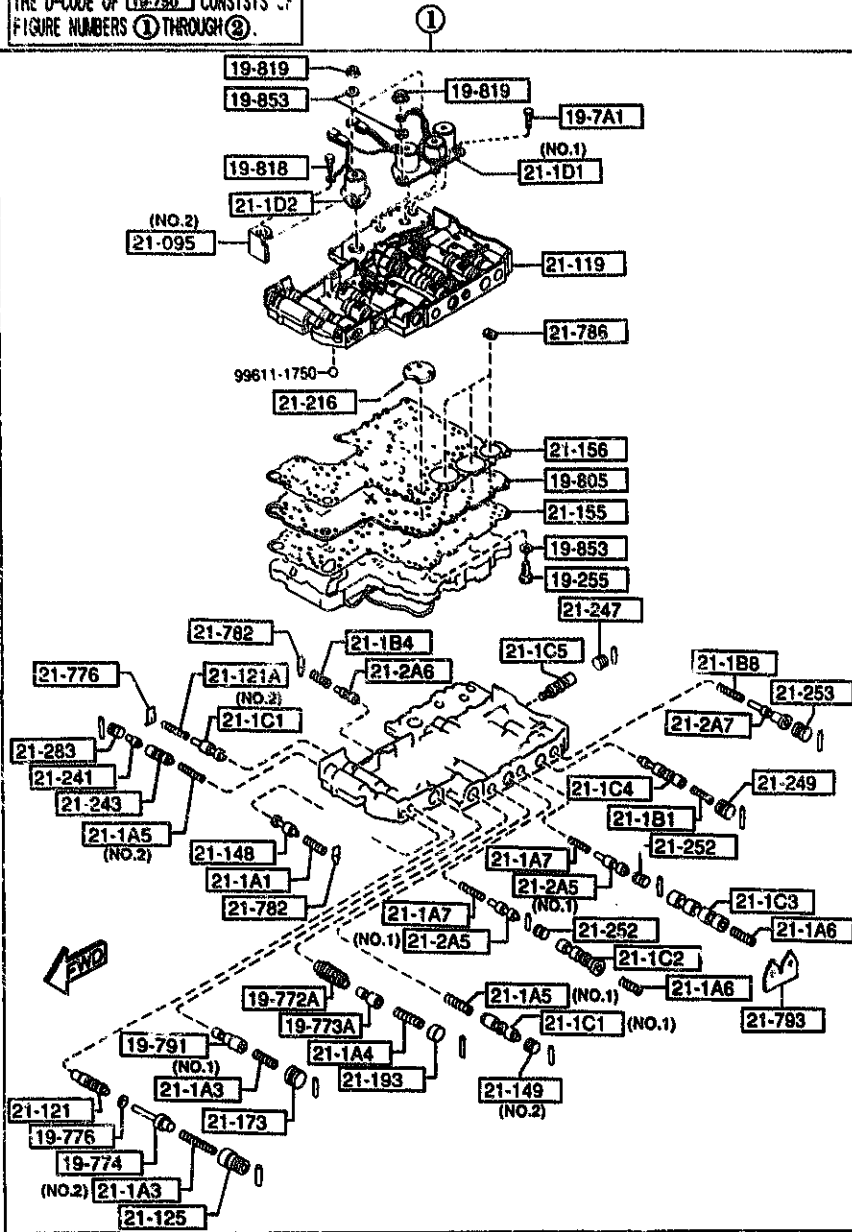
PART NO.	QTY	MODEL/RESTRICTION	MODEL/RESTRICTION	MODEL/RESTRICTION	FROM-TO
21-1C5		VALVE, SHIFT			
BV45-21-1C5	1				
21-1D1		SOLENOID			
BV11-21-1D1	1	(ILLUST. NO.1)			
BV45-21-1D1	1	(ILLUST. NO.2)			
21-1D2		SOLENOID			
BV11-21-1D2	1				
21-119		BODY, UPPER-CONTROL			
BV40-21-119	1				
21-121		VALVE			
BV11-21-121	1				
21-121A		SPRING, VALVE			
BV45-21-121	1				
21-125		SLEEVE, PLUG REGULATO R			
BV11-21-125	1				
21-148		VALVE, CONVR RELIEF			
BV21-21-148	1				
21-149		PLUG, STOPPER			
BV11-21-149	1	(ILLUST. NO.1)			
BV30-21-149	1	(ILLUST. NO.2)			
21-155		GASKET, BODY-LWR			
BV40-21-155	1				
21-156		GASKET, BODY-UPP			
BV40-21-156	1				
21-173		PLUG, STOPPER			
BV11-21-173	1				
21-193		PLUG, STOPPER			
BV11-21-193	1				



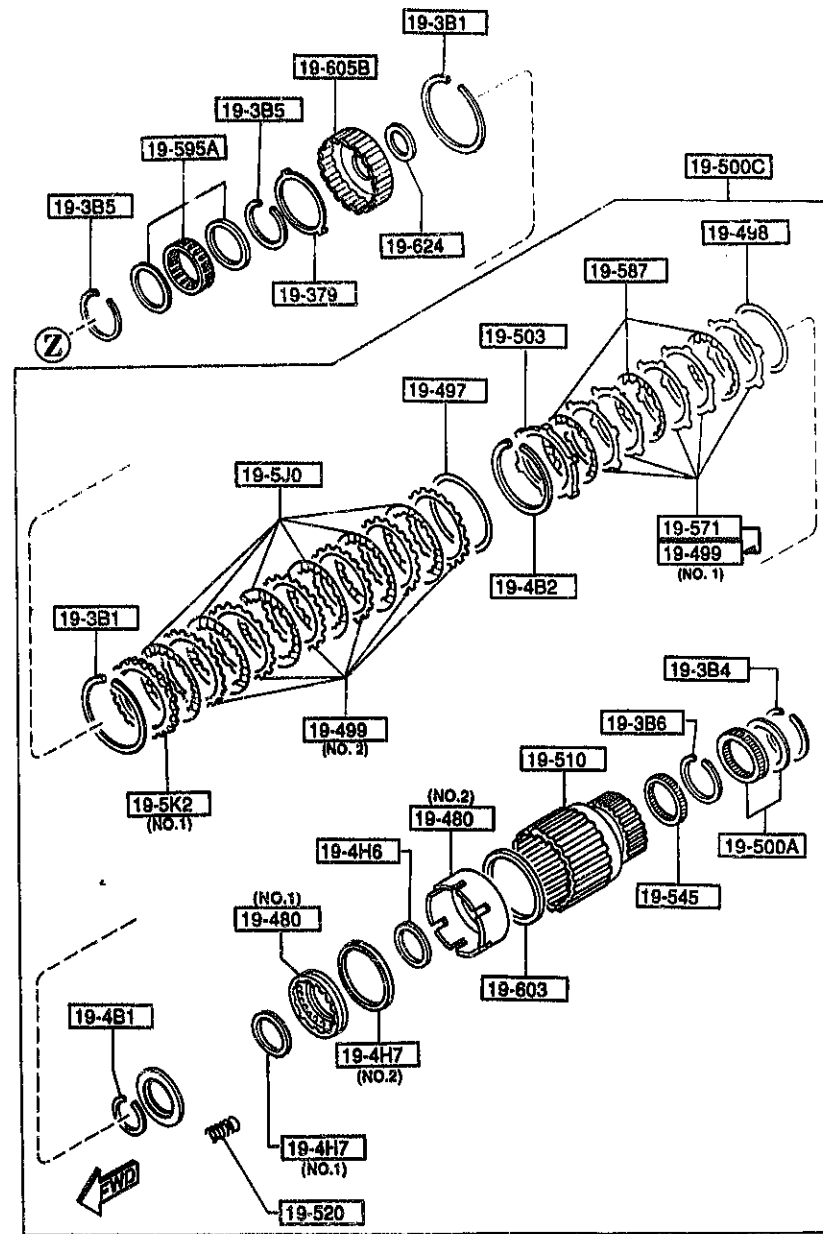
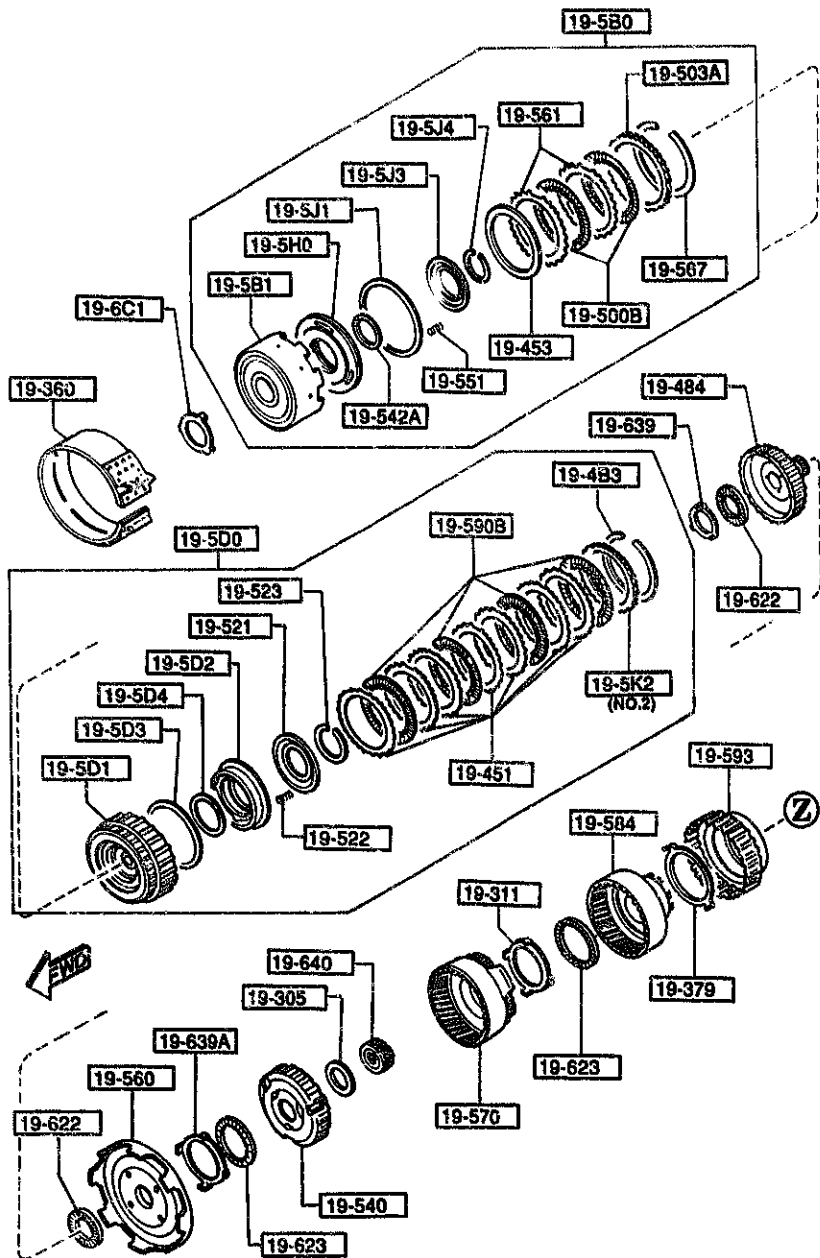
PART NO.	QTY	MODEL/RESTRICTION	MODEL/RESTRICTION	MODEL/RESTRICTION	FROM-TO
21-2A5		VALVE, SPOOL			
BV11-21-2A5	2	(ILLUST. NO.1)			
BV12-21-2A5	1	(ILLUST. NO.2)			
21-2A6		VALVE, SPOOL			
BV11-21-2A6	1				
21-2A7		VALVE, SPOOL			
BV11-21-2A7	1				
21-2A8		VALVE, SPOOL			
BV11-21-2A8	1				
21-2A9		VALVE, SPOOL			
BV35-21-2A9	1				
21-216		PLATE 'E', SIDE			
BV11-21-216	1				
21-241		SLEEVE, LOCK UP			
BV40-21-241	1				
21-243		VALVE, 3RD LOCK UP			
BV40-21-243	1				
21-247		PLUG, STOPPER			
BV30-21-247	1				
21-249		PLUG			
BV56-21-249	1				
21-252		PLUG, STOPPER			
BV11-21-252	2				
21-253		GASKET, DRUM SUPPORT			
BV11-21-253	1				
21-283		VALVE, LOCK UP CONTROL			
BV40-21-283	1				

NOTE

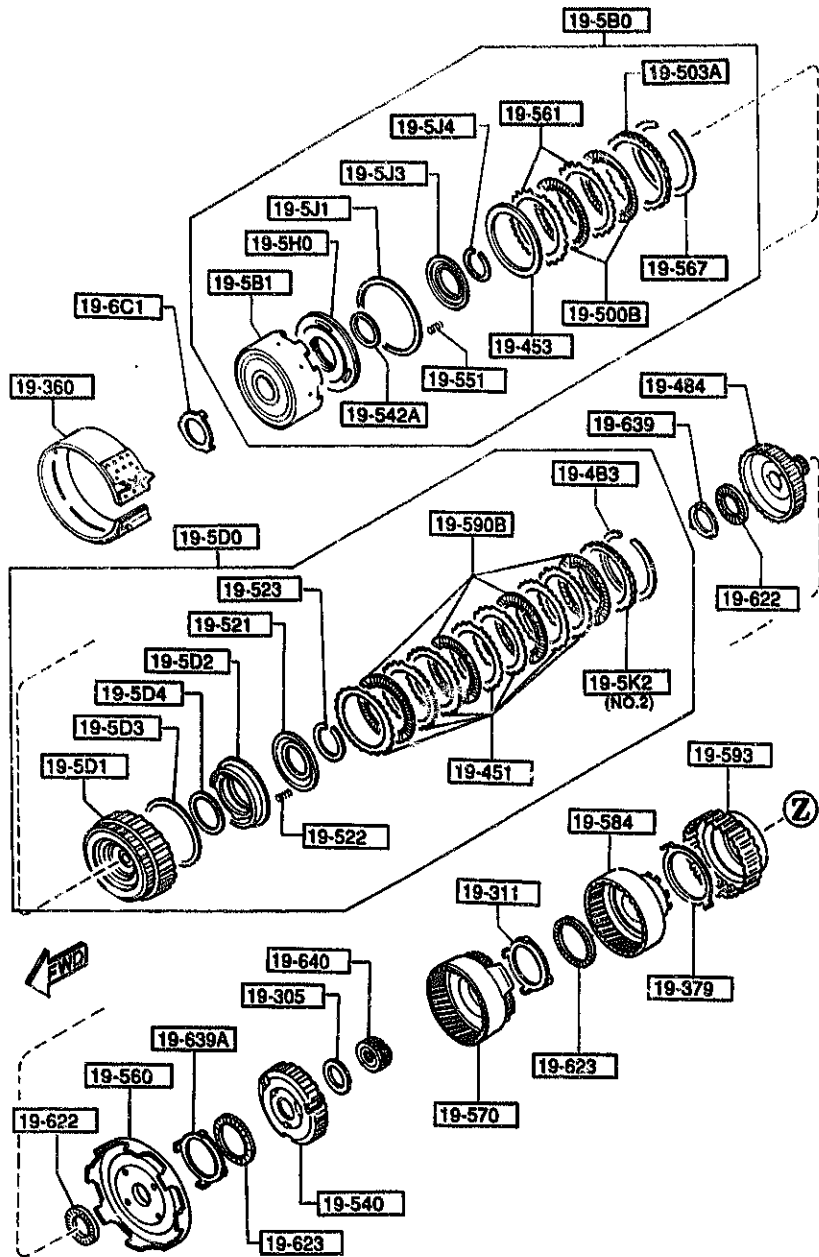
① → ② → 19-750  
 THE D-CODE OF 19-750 CONSISTS OF  
 FIGURE NUMBERS ① THROUGH ②.



PART NO.	QTY	MODEL/RESTRICTION	MODEL/RESTRICTION	MODEL/RESTRICTION	FROM-TO
21-384		PISTON, ACCUMULATOR			
BV11-21-384	1				
21-776		PLATE, RETAINING			
BV40-21-776	2				
21-782		PLATE			
BV11-21-782	2				
21-784		PLATE			
BV11-21-784	2				
21-786		PLATE			
BV11-21-786	3				
21-793		PLATE			
BV35-21-793	1				

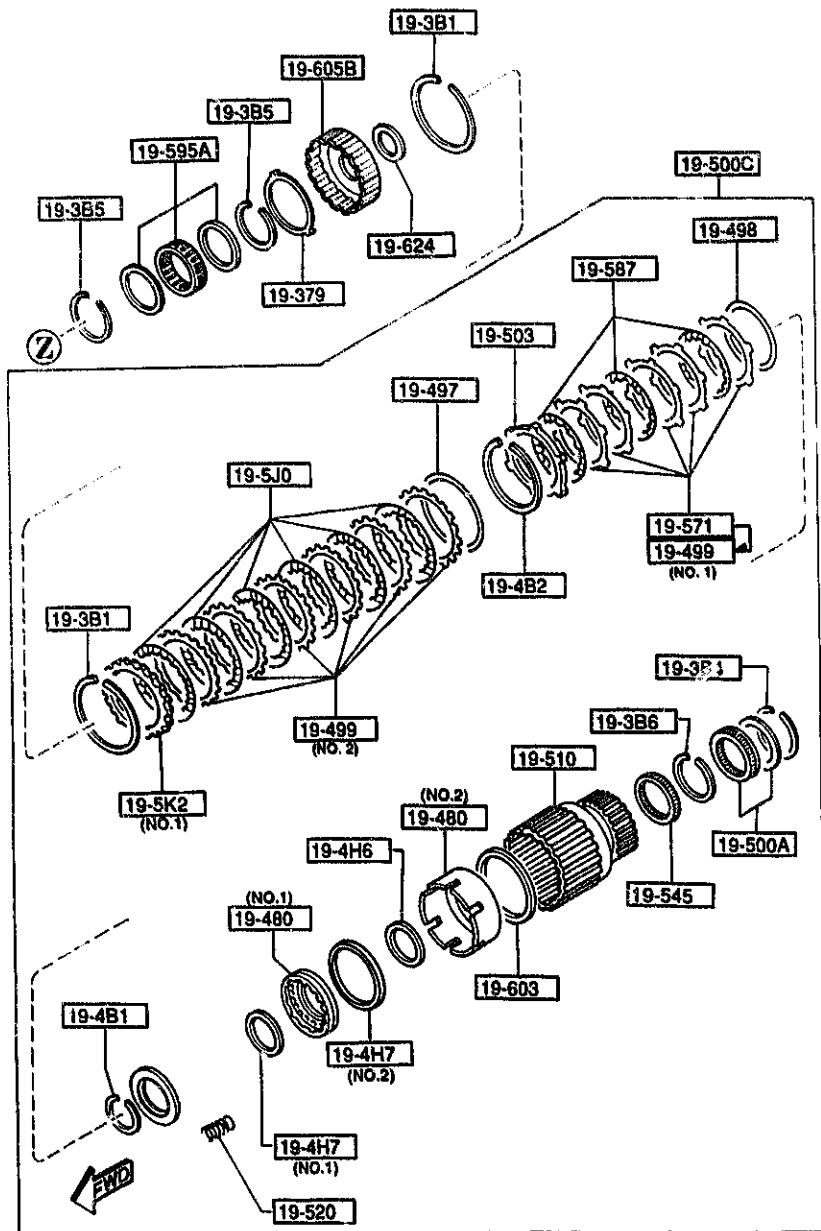




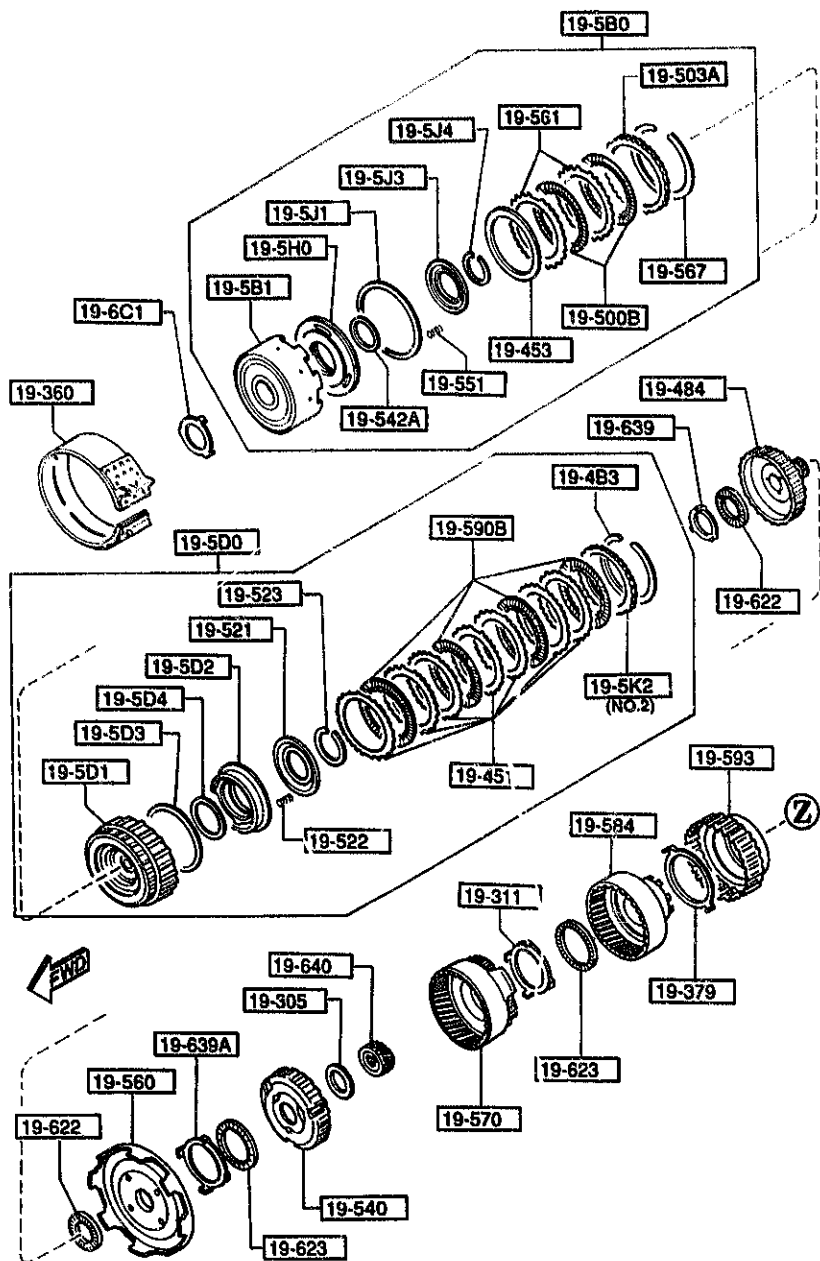


PART NO.	QTY	MODEL/RESTRICTION	MODEL/RESTRICTION	MODEL/RESTRICTION	FROM-TO
19-3B1		RING, SNAP			
BV11-19-3B1	2				
19-3B4		RING, SNAP			
BV45-19-3B4	1				-3A01
BV11-19-3B4	1				3A01-
19-3B5		RING, SNAP			
BV11-19-3B5A	2				
19-3B6		RING, SNAP			
BV11-19-3B6	1				
19-305		BEARING, NEEDLE			
BV11-19-305	1				
19-311		RACE, BEARING			
BV11-19-311	1				
19-360		BAND, BRAKE			
BV65-19-360	1				
19-379		WASHER, TRUST			
BV11-19-379	2				
19-4B1		RING, SNAP			
BV11-19-4B1	1				-3A01
BV30-19-4B1	1				3A01-
19-4B2		RING, SNAP			
BV11-19-4B2	1				
19-4B3		RING, SNAP			
BV11-19-4B3	1				
19-4H6		SEAL, LATHE CUT			
BV11-19-4H6	1				
19-4H7		SEAL, PISTON			
BV11-19-4H7	1	(ILLUST. NO.1)			

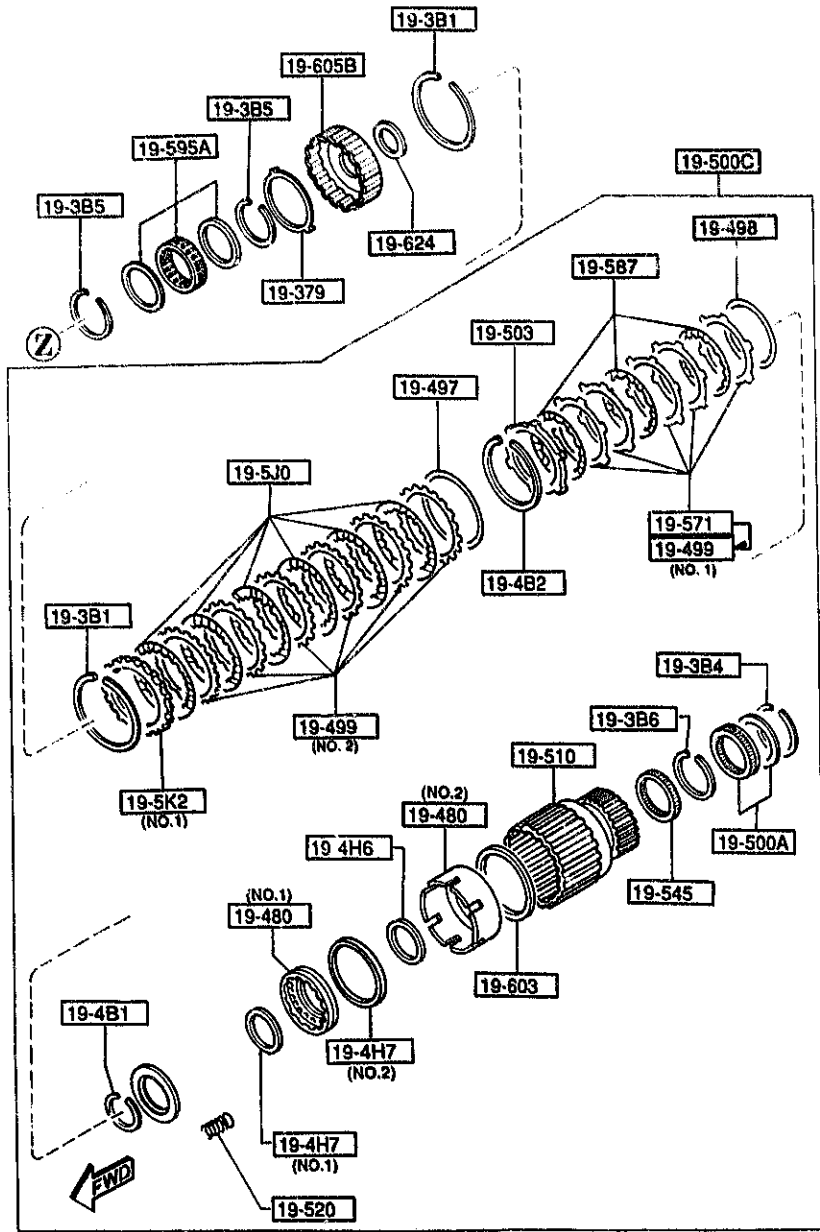
3A01 FD333\*-300888



PART NO.	QTY	MODEL/RESTRICTION	MODEL/RESTRICTION	MODEL/RESTRICTION	FROM-TO
CONT'D BV30-19-4H7	1	(ILLUST. NO. 2)			
19-451		PLATE, DRIVEN			
B/11-19-451	7				
19-453		PLATE, RETAINING			
BV11-19-453	1				
19-480		PISTON, CLUTCH			
BV45-19-3F0	1	(ILLUST. NO. 1)			
BV11-19-480	1	(ILLUST. NO. 2)			
19-484		HJB, FORWARD CLUTCH			
BV11-19-484	1				
19-497		PLATE, DISHED			
BV11-19-497	1				
19-498		PLATE, DISHED			
BV11-19-498	1				
19-499		PLATE, DRIVEN			
BV45-19-499	6	(ILLUST. NO. 2)			3A01-
BV11-19-499	5	(ILLUST. NO. 1)			-4120
19-580		CLUTCH, REVERSE			
BV11-19-580A A (BV11-19-580B)	1				4120-
BV11-19-580B	1				
19-581		DRUM, REVERSE			
BV11-19-581 A (BV11-19-581A)	1				-4120
BV11-19-581A	1				4120-
19-5D0		CLUTCH, HIGH			
BV65-19-5DDA	1				
19-5D1		DRUM, HIGH CLUTCH			
BV11-19-5D1B	1				
3A01 FD333*-300888					
4120 FD333*-302035					

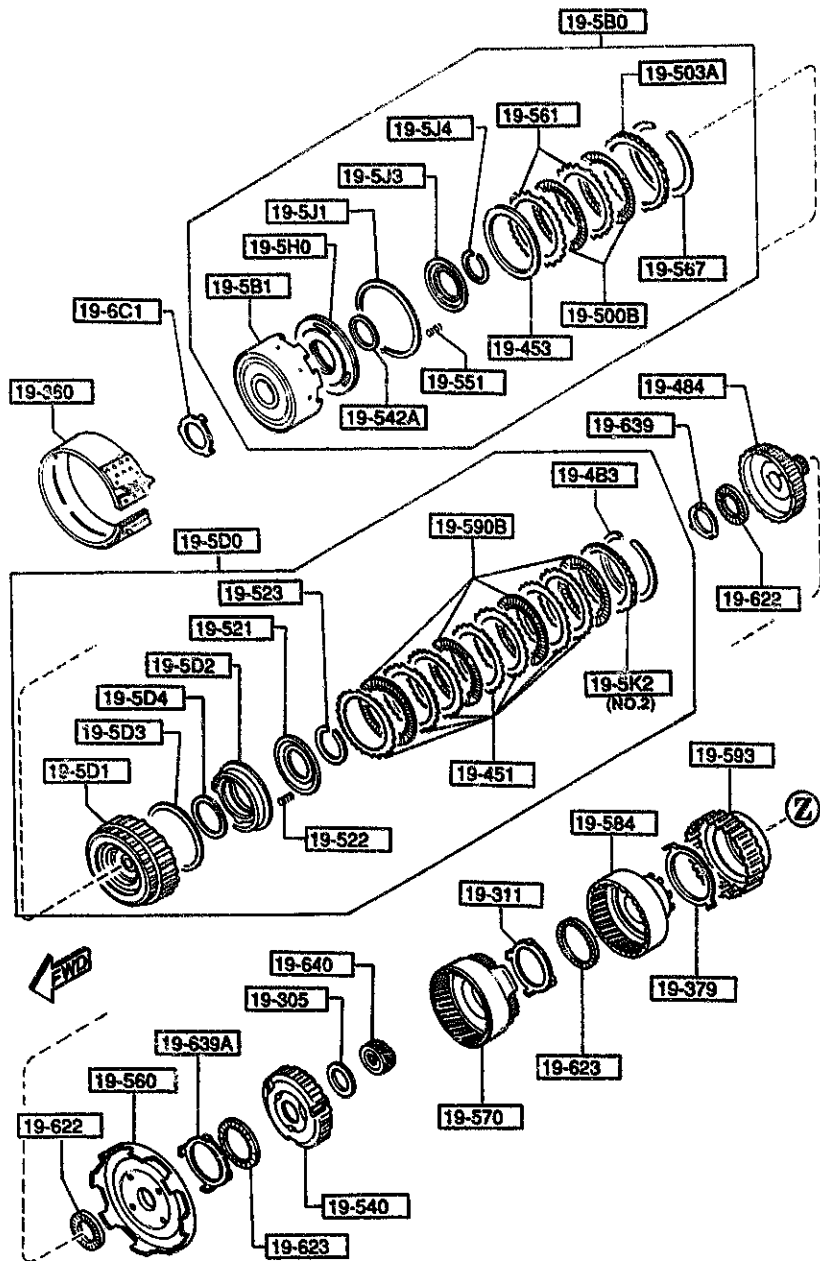


PART NO.	QTY	MODEL/RESTRICTION	MODEL/RESTRICTION	MODEL/RESTRICTION	FROM-TO
19-5D2		PISTON,HIGH CLUTCH			
BV11-19-5D2	1				
19-5D3		SEAL,LATHE CUT			
BV11-19-5D3	1				
19-5D4		SEAL,LATHE CUT			
BV11-19-5D4	1				
19-5H0		PISTON,REVERSE			
BV11-19-5H0	1				
19-5J0		PLATE,DRIVE			
BV11-19-5J0	6				
19-5J1		SEAL,OUTER			
BV11-19-5J1	1				
19-5J3		SPRING,RETURN			
BV11-19-5J3	1				
19-5J4		RING,SNAP			
BV11-19-5J4	1				
19-5K2		PLATE,RETAINING			
BV11-19-5K2	1	T=4MM (ILLUST. NO.1)			
BV65-19-5K2	1	T=3.4MM (ILLUST. NO.2)			
BV11-19-5K3	1	T=4.2MM (ILLUST. NO.1)			
BV65-19-5K3	1	T=3.6MM (ILLUST. NO.2)			
BV11-19-5K4	1	T=4.4MM (ILLUST. NO.1)			
BV65-19-5K4	1	T=3.8MM (ILLUST. NO.2)			
BV11-19-5K5	1	T=4.6MM (ILLUST. NO.1)			
BV65-19-5K5	1	T=4MM (ILLUST. NO.2)			
BV11-19-5K6	1	T=4.8MM (ILLUST. NO.1)			



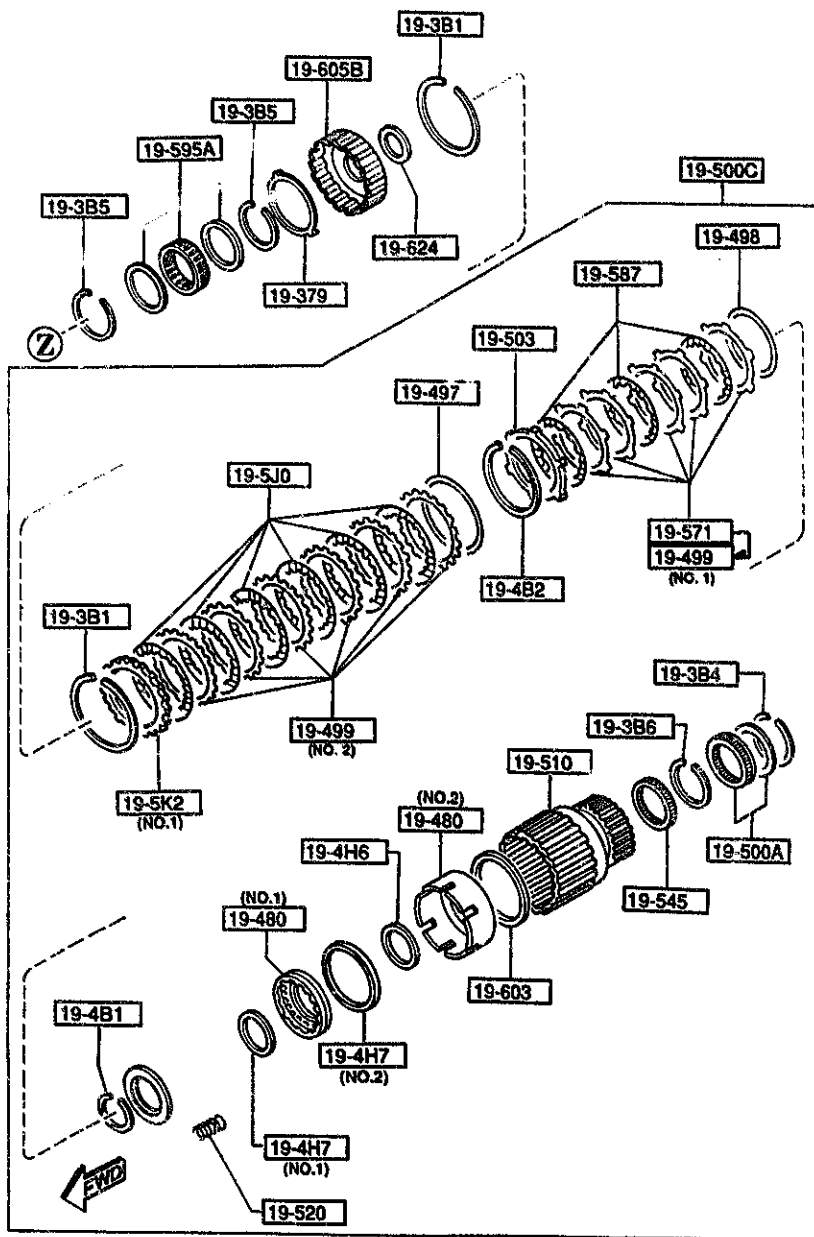
PART NO.	QTY	MODEL/RESTRICTION	MODEL/RESTRICTION	MODEL/RESTRICTION	FROM TO
CONT'D					
BV65-19-5K6	1	T=4.2MM (ILLUST. NO.2)			
BV11-19-5K7	1	T=5MM (ILLUST. NO.1)			
BV11-19-5K8	1	T=5.2MM (ILLUST. NO.1)			
+-----+ 19-500A +-----+		CLUTCH & ONE WAY			
BV45-19-651	1				-3A01
BV11-19-651	1				3A01-
+-----+ 19-500B +-----+		PLATE,DRIVEN			
BV11-19-620A	2				
+-----+ 19-500C +-----+		CLUTCH			
BV45-19-500	1				-3A01
BV11-19-500A	1				3A01-
+-----+ 19-503 +-----+		PLATE,RETAINING			
BV11-19-5K9	1	T=5.2MM			
BV11-19-503	1	T=4MM			
BV11-19-504	1	T=4.2MM			
BV11-19-505	1	T=4.4MM			
BV11-19-506	1	T=4.6MM			
BV11-19-507	1	T=4.8MM			
BV11-19-508	1	T=5MM			
+-----+ 19-503A +-----+		PLATE,RETAINING			
BV11-19-454A	1	T=4.6MM			
BV11-19-456A	1	T=4.8MM			
BV11-19-457A	1	T=5MM			
BV11-19-458A	1	T=5.2MM			
BV11-19-459A	1	T=5.4MM			

3A01 FD333\*-300888



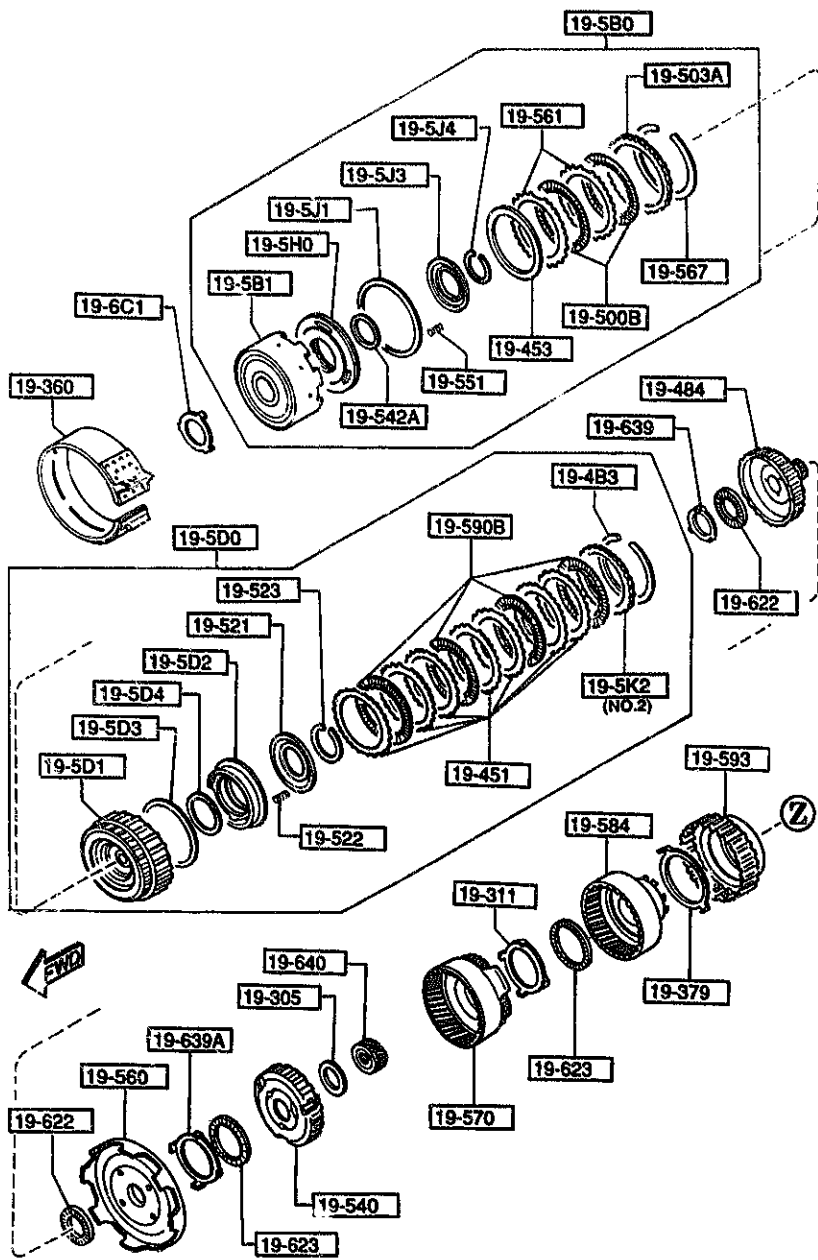
PART NO.	QTY	MODEL/RESTRICTION	MODEL/RESTRICTION	MODEL/RESTRICTION	FROM-TO
CONT'D	1				
BV11-19-572A	1	T=5.6MM			
BV11-19-573A	1	T=5.8MM			
19-510		CLUTCH, REAR			
BV45-19-510	1				-3A01
BV11-19-510A	1				3A01-
19-520		RETAINER, SPRING-CLU. ONE W			
BV11-19-520	1				
19-521		RETAINER			
BV11-19-521	1				
19-522		SPRING			
BV11-19-522	16				
19-523		RING, SNAP			
BV11-19-523	1				
19-540		CARRIER, FRONT			
BV45-19-540	1				
19-542A		SEAL, 'O'RING			
BV11-19-542	1				
19-545		BEARING, NEEDLE			
BV56-19-545	1				
19-551		SPRING, PISTON RETAINER			
BV11-19-551	16				
19-560		GEAR, SUN			
BV65-19-560	1				
19-561		PLATE, DRIVEN-REV. PISTON			
BV45-19-561A	2				
19-567		RING, SNAP			

3A01 FD333\*-300888



PART NO.	QTY	MODEL/RESTRICTION	MODEL/RESTRICTION	MODEL/RESTRICTION	FROM-TO
CONT'D BV11-19-567	1				
19-570		CARRIER, REAR			
BV46-19-570	1				
19-571		PLATE, DRIVEN-FRONT			
BV45-19-571	5				-3A01
19-584		GEAR, INTERNAL			
BV45-19-584	1				
19-587		PLATE			
BV11-19-587	5				
19-590B		PLATE, DRIVE			
BV11-19-590	4				
19-593		RACE, OUTER			
BV11-19-593	1				
19-595A		CLUTCH, ONE WAY			
BV11-19-595	1				
19-6C1		RACE, BEARING			
BV11-19-6C1	1	T=0.8MM			
BV11-19-6C2	1	T=1MM			
BV11-19-6C3	1	T=1.2MM			
BV11-19-6C4	1	T=1.4MM			
BV11-19-6C5	1	T=1.6MM			
BV11-19-6C6	1	T=1.8MM			
BV11-19-6C7	1	T=2MM			
19-603		SEAL, PISTON			
BV11-19-603	1				

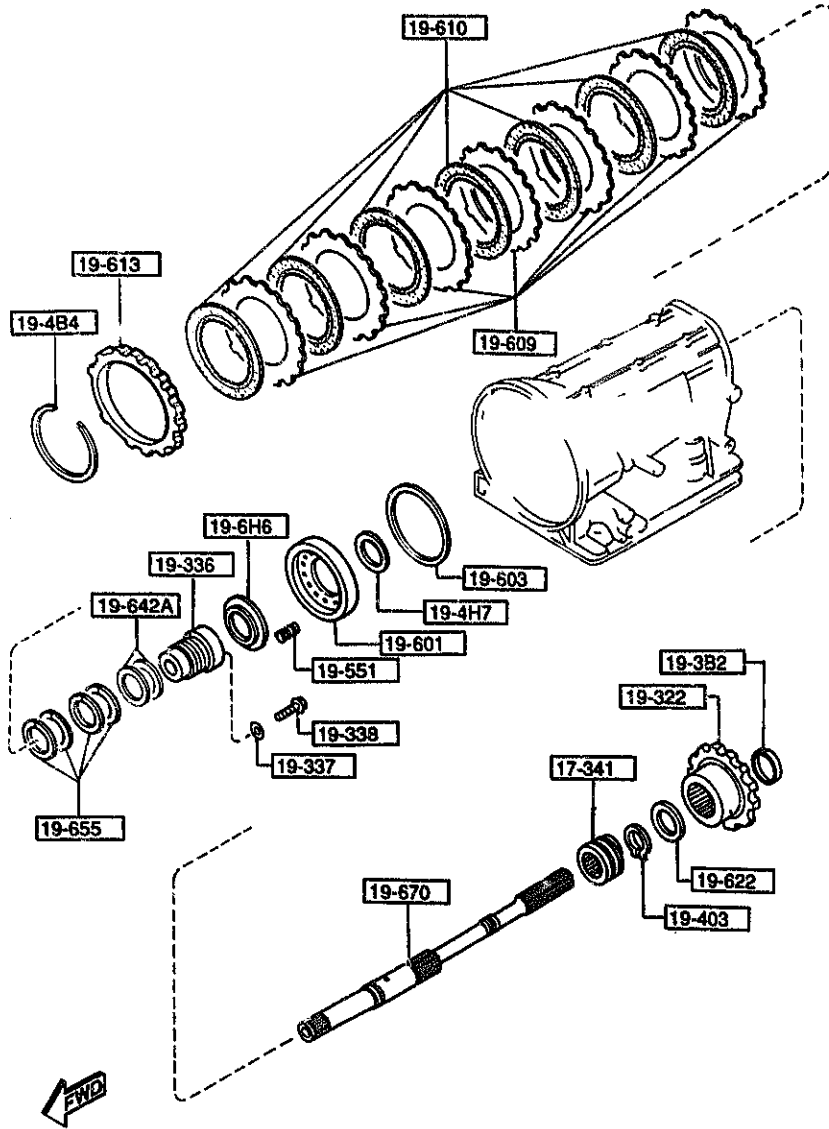
3A01 FD333\*-300888



PART NO.	QTY	MODEL/RESTRICTION	MODEL/RESTRICTION	MODEL/RESTRICTION	FROM-TO
19-605B		HUB			
BV11-19-605	1				
19-622		BEARING, NEEDLE			
0338-19-622	2				
19-623		BEARING, NEEDLE			
BV11-19-307	2				
19-624		BEARING, NEEDLE			
BV55-19-304	1				
19-639		RACE, BEARING			
BV11-19-303	1				
19-639A		RACE, BEARING			
BV11-19-306	1				
19-640		GEAR, SMALL SUN			
BV46-19-6F1	1				

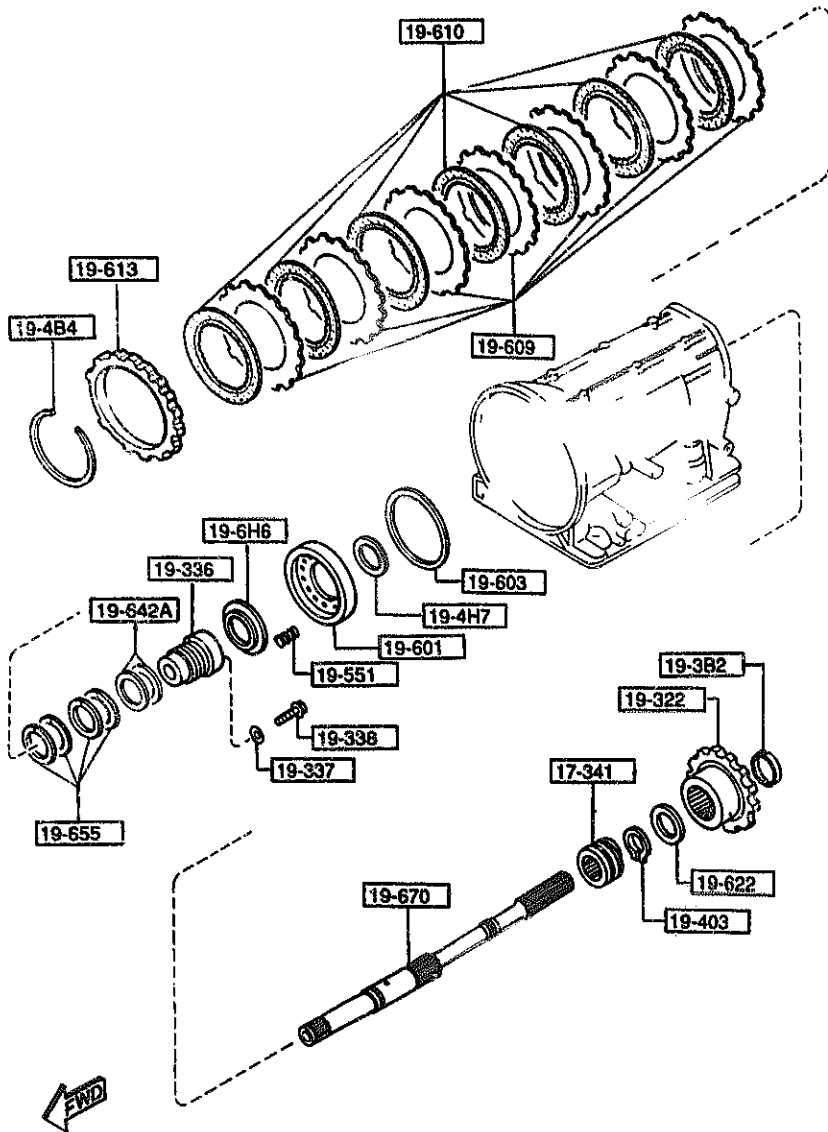
1940 GOVERNOR, LOW & REVERSE PISTON(AUTOMATIC)

1940 -1 GOVERNOR, LOW & REVERSE PISTON(AUTOMATIC)



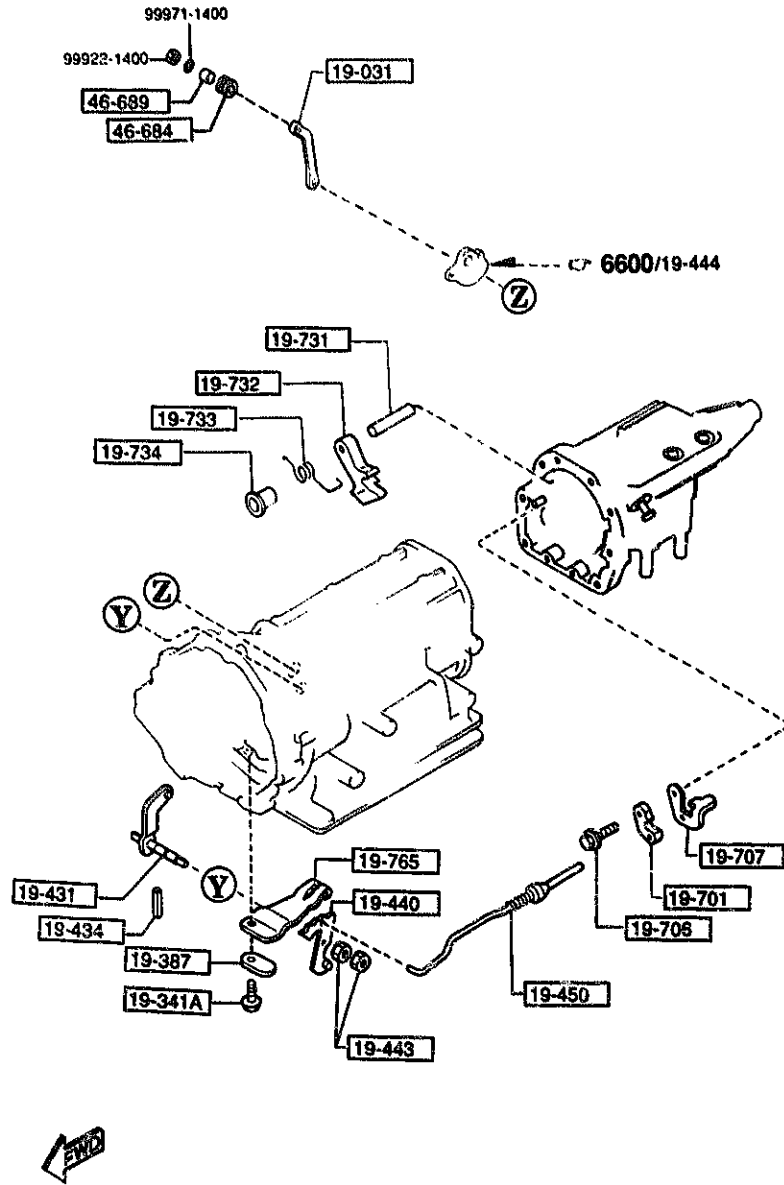
PART NO.	QTY	MODEL/RESTRICTION	MODEL/RESTRICTION	MODEL/RESTRICTION	FROM-TO
17-341		GEAR,DRIVE			
BV41-17-341	1				
19-382		RING,SNAP			
BV11-19-382	1				
19-322		GEAR,PARKING			
BV11-19-322	1				
19-336		RACE,INNER			
BV55-19-336	1				
19-337		WASHER,PLAIN			
BV11-19-337	8				
19-338		BOLT			
BV11-19-338	8				
19-4B4		RING,SNAP			
BV11-19-4B4	1				
19-4H7		SEAL,PISTON			
BV11-19-4H7	1				
19-403		RING,SNAP-PISTON STE M LOW			
BV40-19-403	1				
19-551		SPRING,PISTON RETAIN ER			
BV65-19-551	18				
19-6H6		RETAINER,SPRING			
BV65-19-6H6	1				
19-601		PISTON,LOW & REVERSE			
BV65-19-601	1				
19-603		SEAL,PISTON			
BV11-19-603	1				
19-609		PLATE,DRIVEN			
BV45-19-609	7				





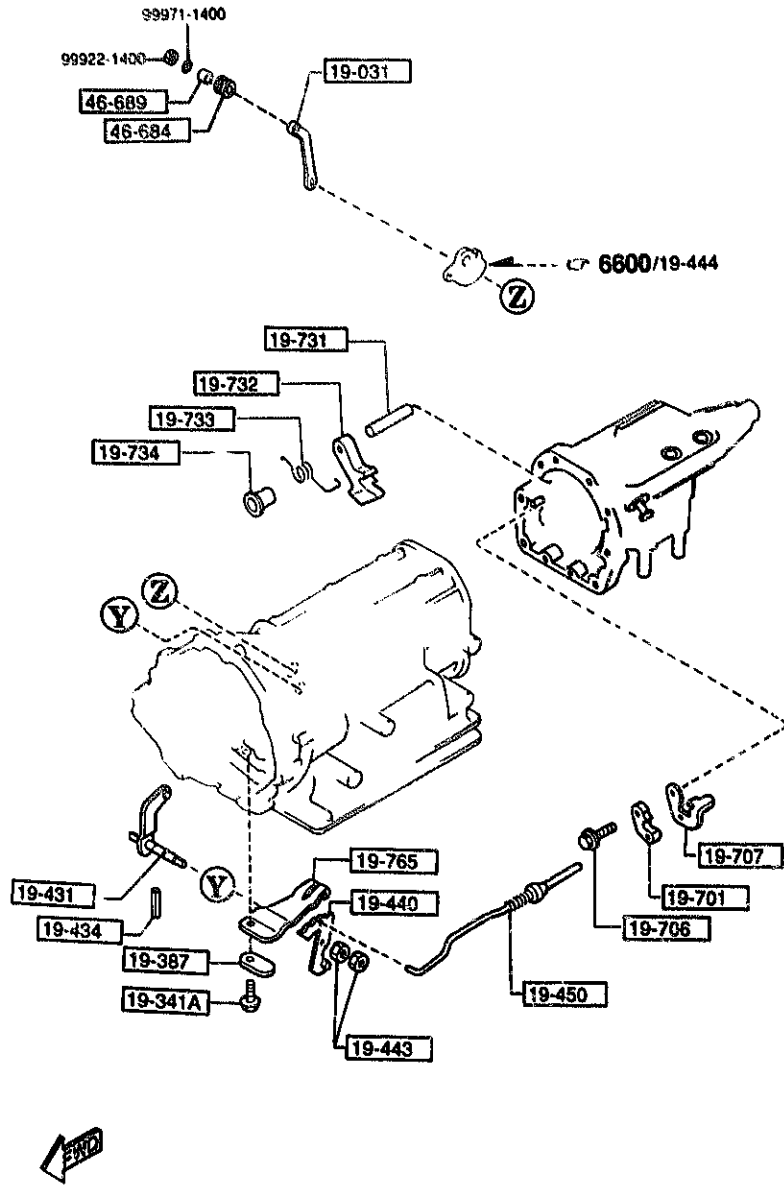
PART NO.	QTY	MODEL/RESTRICTION	MODEL/RESTRICTION	MODEL/RESTRICTION	FROM-TO
19-610		PLATE, DRIVEN			
BV56-19-610	7				
19-613		PLATE, RETAINING			
BV11-19-613	1	T=9.8MM			
BV45-19-613	1	T=8.4MM			
BV65-19-613	1	T=8MM			
BV66-19-613	1	T=8.2MM			
BV45-19-615	1	T=8.6MM			
BV65-19-615	1	T=7.6MM			
BV11-19-616	1	T=9MM			
BV45-19-616	1	T=8.8MM			
BV65-19-616	1	T=7.8MM			
BV65-19-617	1	T=6.8MM			
BV65-19-618	1	T=7MM			
BV65-19-623	1	T=7.2MM			
BV65-19-625	1	T=7.4MM			
BV65-19-628	1	T=6.6MM			
19-622		BEARING, NEEDLE			
BV11-19-622	4				
19-642A		WASHER, THRUST			
BV11-19-5F1	2				
19-655		RING, SEAL			
BV11-19-655	4				
19-670		SHAFT			
BV45-19-670	1				

1950 MANUAL LINKAGE SYSTEM (AUTOMATIC)



PART NO.	QTY	MODEL/RESTRICTION	MODEL/RESTRICTION	MODEL/RESTRICTION	FROM-TO
19-031		LEVER, SELECT			
BV65-19-030	1				
19-341A		BOLT			
BV11-19-341	1				
19-387		SPACER			
BV11-19-387A	1				
19-431		SHAFT, MANUAL			
BV11-19-431	1				
19-434		PIN			
BV11-19-434	1				
19-440		PLATE, MANUAL			
BV65-19-440	1				
19-443		NUT, SHAFT			
BV45-19-443	2				
19-450		ROD, PARKING			
BV11-19-450	1				
19-701		SUPPORTER, ACTUATOR			
BV12-21-471	1				
19-706		BOLT			
BV11-21-475	2				
19-707		GUIDE, PARKING ROD			
BV11-19-707	1				
19-731		SHAFT, PARKING PAWL			
BV11-21-472	1				
19-732		PAWL, PARKING			
BV11-19-732	1				
19-733		SPRING, PAWL RETURN			
BV11-19-733	1				

1950 MANUAL LINKAGE SYSTEM (AUTOMATIC)

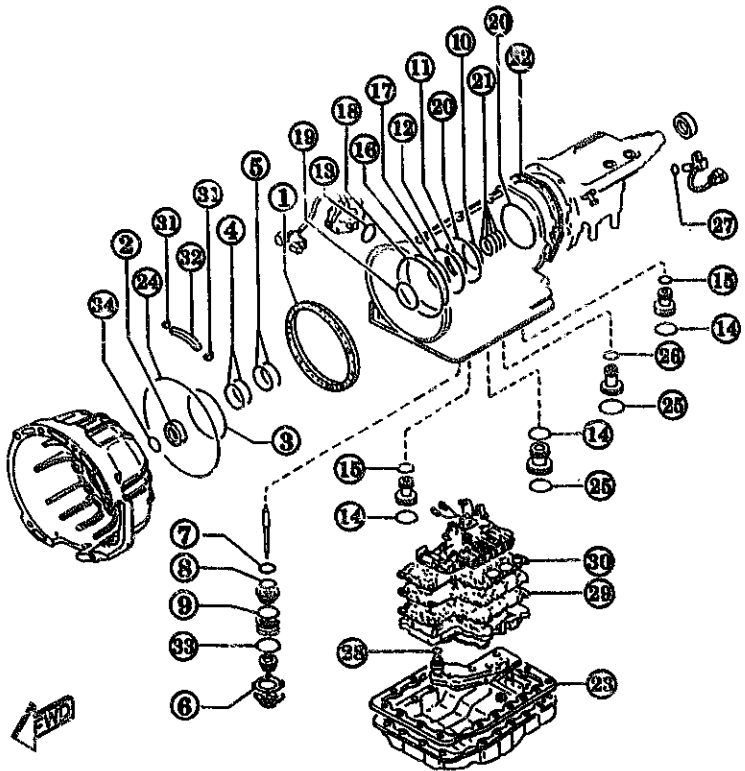


PART NO.	QTY	MODEL/RESTRICTION	MODEL/RESTRICTION	MODEL/RESTRICTION	FROM-TO
19-734		SPACER, DOWEL			
BV11-19-734	1				
19-765		SPRING			
BV65-19-765A	1				
46-684		BUSH			
H380-46-684	1				
46-689		SPACER, CONTROL CABLE			
H380-46-689	1				

1960 GASKET & SEAL KIT (AUTOMATIC)

22-900

- |                                      |                                  |
|--------------------------------------|----------------------------------|
| 1-GASKET, OIL PUMP..... (1)          | 18-SEAL OUTER..... (1)           |
| 2-SEAL, OIL..... (1)                 | 19-SEAL "O" RING..... (1)        |
| 3-RING SEAL..... (1)                 | 20-SEAL PISTON..... (2)          |
| 4-RING SEAL..... (1)                 | 21-RING SEAL..... (4)            |
| 5-RING SEAL..... (1)                 | 22-GASKET, EXTENTION..... (1)    |
| 6-GASKET..... (1)                    | 23-GASKET, OIL PAN..... (1)      |
| 7-SEAL PISTON..... (1)               | 24-RING "O"..... (1)             |
| 8-SEAL PISTON..... (1)               | 25-RING "O" -UP, ACCUM..... (2)  |
| 9-RING "O"..... (1)                  | 26-RING "O" -ACCUMLATOR..... (1) |
| 10-SEAL, LATHE CUT..... (1)          | 27-RING "O" -ACCUMLATOR..... (1) |
| 11-SEAL PISTON..... (1)              | 28-RING "O"..... (1)             |
| 12-SEAL PISTON..... (1)              | 29-GASKET, BODY-LWR..... (1)     |
| 13-SEAL, MANUAL SHAFT LEVER..... (1) | 30-GASKET, BODY-UPP..... (1)     |
| 14-SEAL "O" RING..... (3)            | 31-SEAL, SIDE..... (2)           |
| 15-RING "O"..... (2)                 | 32-SEAL, FLANGE..... (1)         |
| 16-SEAL, LATHE CUT..... (1)          | 33-SEAL, LATHE CUT..... (1)      |
| 17-SEAL, LATHE CUT..... (1)          | 34-RING "O"..... (1)             |



1960 -1 \* GASKET & SEAL KIT (AUTOMATIC)

PART NO.	QTY	MODEL/RESTRICTION	MODEL/RESTRICTION	MODEL/RESTRICTION	FROM-TO
22-900		GASKET & SEAL KIT			
BV65-22-900	1				