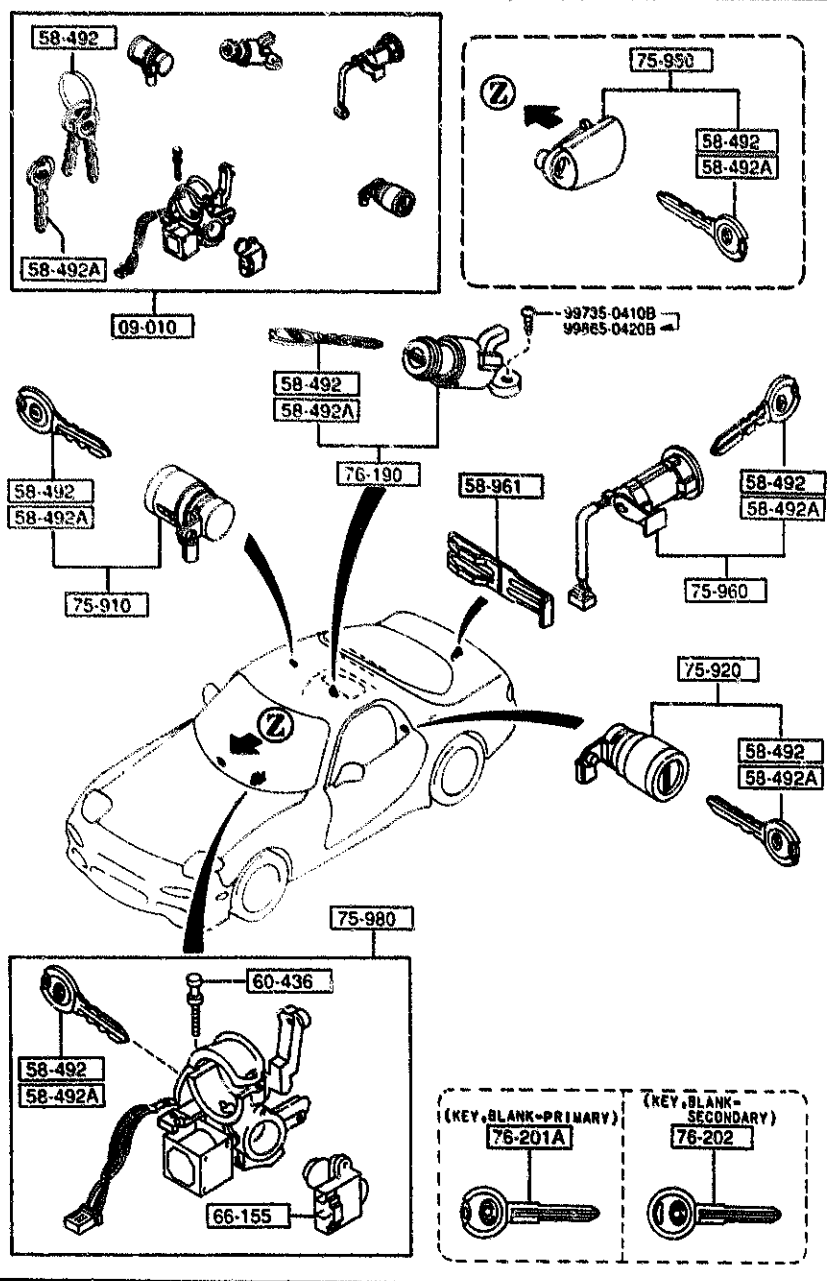


0900 KEY SETS



PART NO.	QTY	MODEL/RESTRICTION	MODEL/RESTRICTION	MODEL/RESTRICTION	FROM-TO
09-010		KEY SET			
FD01-09-010C	1	(MT)			-2413
02	INT-	FE2 FE3 FE4 BLACK			
FD02-09-010C	1	(AT)			-2415
02	INT-	FE2 FE3 FE4 BLACK			
FD01-09-010D	1	(MT)			2413-
02	INT-	FE2 FE3 FE4 BLACK			
FD02-09-010D	1	(AT)			2415-
02	INT-	FE2 FE3 FE4 BLACK			
58-492		KEY, PRIMARY			
FD01-58-492	2	KEY NO. IS REQUIRED			
58-492A		KEY, SECONDARY			
FD01-58-492	1	KEY NO. IS REQUIRED			
58-961		FASTENER, KEY CYL.			
GJ21-56-902A	1				
60-436		BOLT, SET			
H043-66-154	2				
66-155		SWITCH, IGNITION			
FD01-66-151	1				
75-910		KEY SUB SET(R), DOOR			
FD01-76-210	1				
75-950		KEY SUB SET, GLOVE			
FD01-76-250	1				
02	INT-	FE2 FE3 FE4 BLACK			
75-960		KEY SUB SET, LIFT GATE			
FD01-76-260	1				
75-980		KEY SUB SET, IG. SWICH			
FD01-76-290	1	(MT)			
FD02-76-290	1	(AT)			

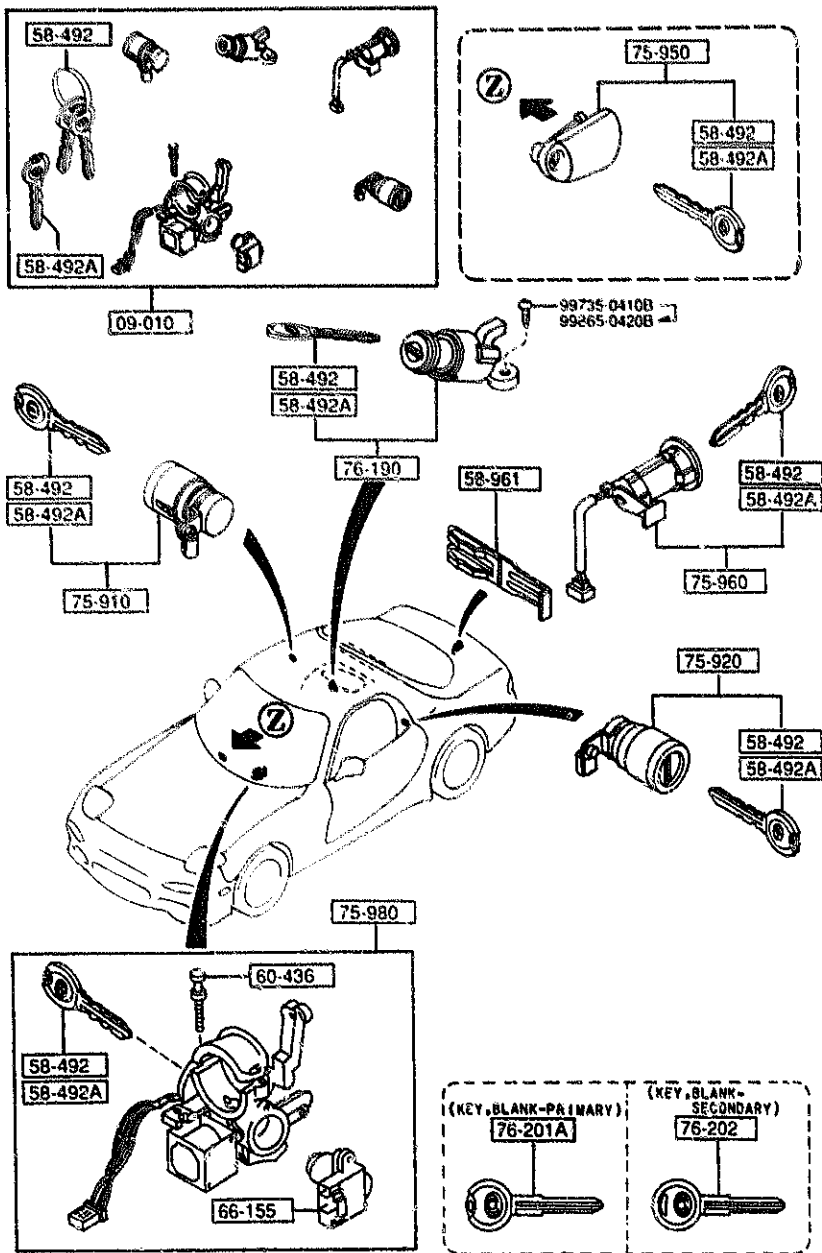
2413 FD3MXX-204866
2415 FD3MXX-205010

AUFA04

CAT. AUFA04-06

1994-09

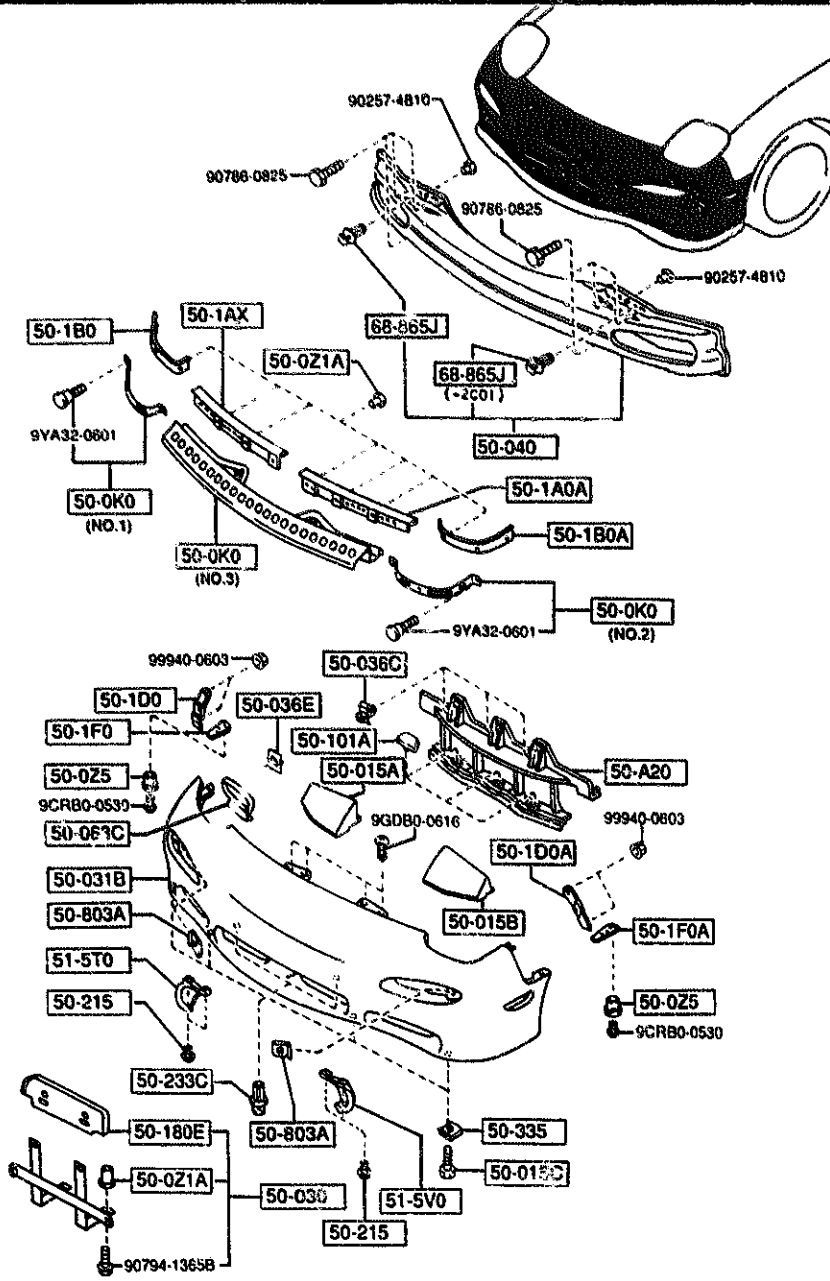
0900 KEY SETS



PART NO.	QTY	MODEL/RESTRICTION	MODEL/RESTRICTION	MODEL/RESTRICTION	FROM TO
76-190		KEY SUB SET,STOWAGE			
FD01-76-190	1				
76-201A		KEY, BLANK-PRIMARY			
FD01-76-201	1				
76-202		KEY, BLANK-SECONDARY			
FD01-76-202	1				

5000 FRONT BUMPER

5000 -1 FRONT BUMPER

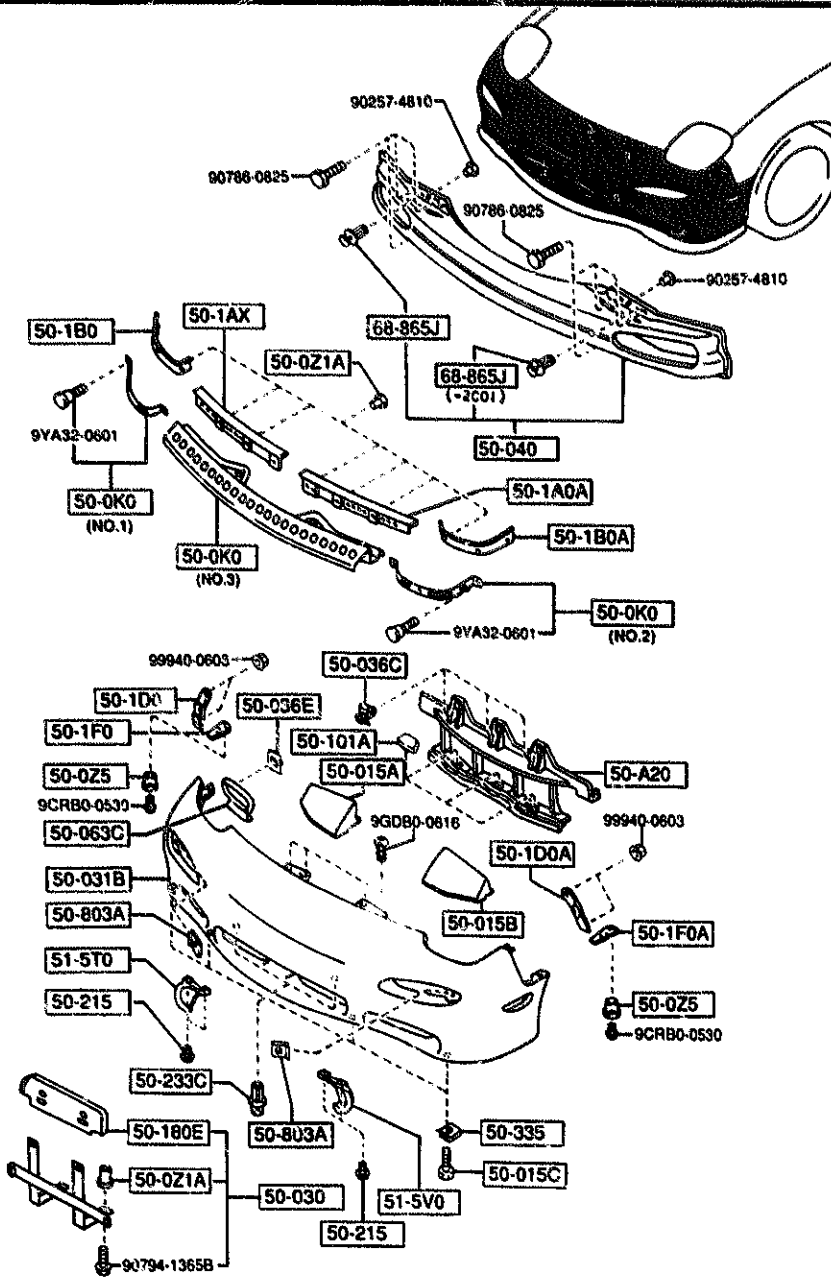


PART NO.	QTY	MODEL/RESTRICTION	MODEL/RESTRICTION	MODEL/RESTRICTION	FROM-TO
50-A20		GUIDE, AIR			
FD01-50-A21	1				
50-0K0		RETAINER, FASCIA			
FD01-50-0KXA	1	(ILLUST. NO.1)			
FD01-50-0K0A	1	(ILLUST. NO.2)			
FD01-50-0K1B	1	(ILLUST. NO.3)			
50-021A		RIVET, BLIND			
BR70-50-021	13				
50-025		GROMMET, SCREW			
FD01-50-025	2				
50-015A		SPACER			
FD01-50-CR0	1				
50-015B		SPACER			
FD01-50-CS0	1				
50-015C		BOLT			
BR70-50-022	4				
50-030		HOLDER, NO. PLATE			
FD01-50-170B	1				
50-031B		FACE, FRONT BUMPER			
FD01-50-031C	1	PAINT TO MATCH			
50-036C		FASTENER			
BF67-50-033	3				
50-036E		CLIP			
GJ21-50-049	2	(MT)			
50-040		REINFORCEMENT, BUMPER			
FD01-50-070B	1				
50-063C		COVER(R), BUMPER			
FD01-51-3G5	1	(MT)			

AUFA04

CAT. AUFA04-06

1994-09



PART NO.	QTY	MODEL/RESTRICTION	MODEL/RESTRICTION	MODEL/RESTRICTION	FROM-10
50-1AX FD01-50-1AYB	1	PLATE NO.1,SET-F. BUMPER			
50-1A0A FD01-50-1AXB	1	PLATE NO.1(L),SET-F.			
50-1B0 FD01-50-1B0A	1	PLATE NO.2(R),SET-F. BUMPER			
50-1B0A FD01-50-1C0A	1	PLATE NO.2(L),SET-F. BUMPER			
50-1D0 FD01-50-1D0	1	PLATE NO.3(R),SET-F. BUMPER			
50-1D0A FD01-50-1E0	1	PLATE NO.3(L),SET-F. BUMPER			
50-1F0 FD01-50-1G1	1	PLATE NO.4(R),SET-F. BUMPER			
50-1F0A FD01-50-1F1	1	PLATE NO.4(L),SET-F. BUMPER			
50-101A NA01-50-101A	3	COVER,GRILLE			
50-180E FB01-50-144	1	PROTECTOR,NO. PLATE			
50-215 D001-50-222	4	SCREW,REAR BUMPER (W/O SUN-RF)			
50-233C BF82-50-233	2	FASTENER,REAR BUMPER			
50-335 FB01-50-133C	10	NUT,CLIP			
50-803A G158-50-803	2	NUT,SIDE PROTECTOR			

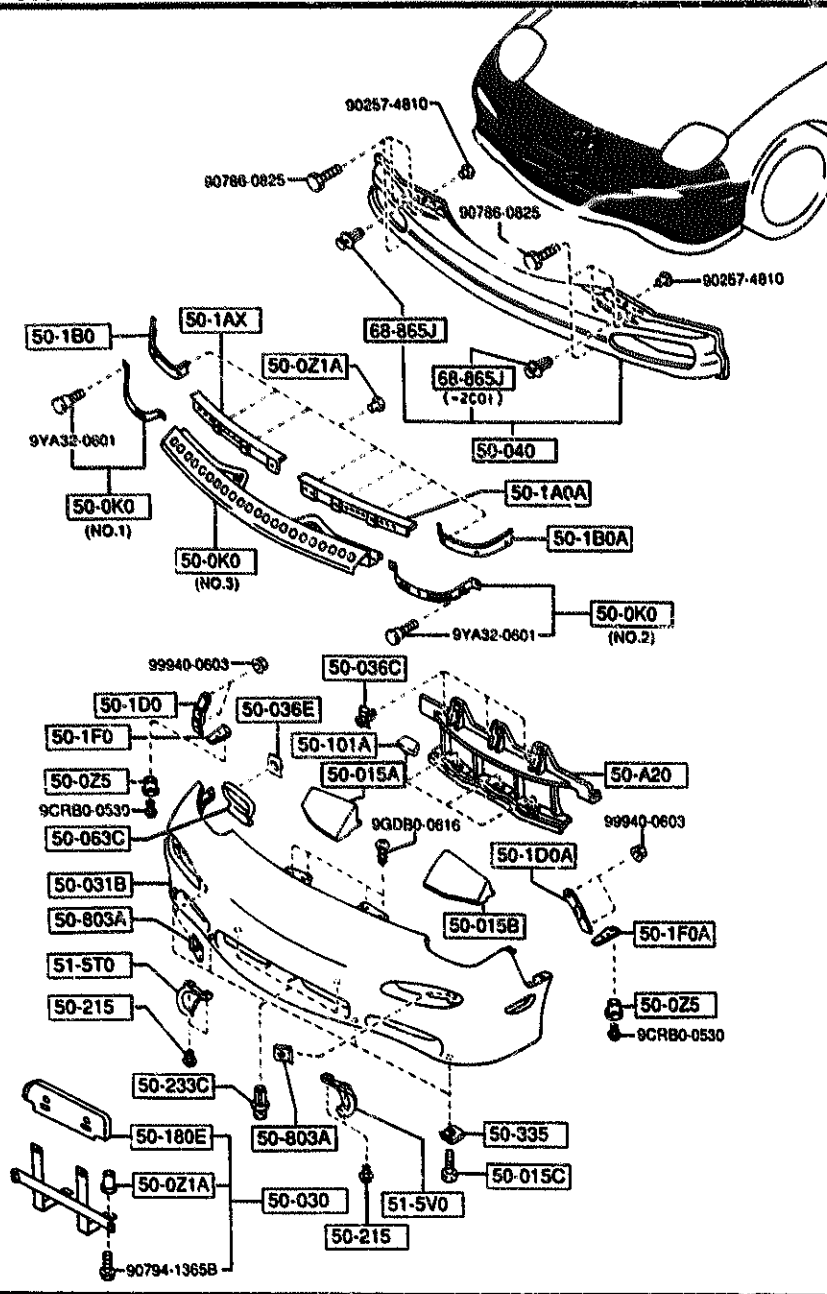
AUFA04

CAT. AUFA04-06

1994-09

5000 FRONT BUMPER

5000 -3 * FRONT BUMPER



PART NO.	QTY	MODEL/RESTRICTION	MODEL/RESTRICTION	MODEL/RESTRICTION	FROM-TO
51-5T0		COVER(R), BUMPER			
FD01-51-5T0	1	(W/O SUN-RF)			
51-5V0		COVER(L), BUMPER			
FD01-51-5V0	1	(W/O SUN-RF)			
68-865J		FASTENER, TRK. S. TRIM			
B103-68-865	2				-2C01
B103-68-865	1				2C01-

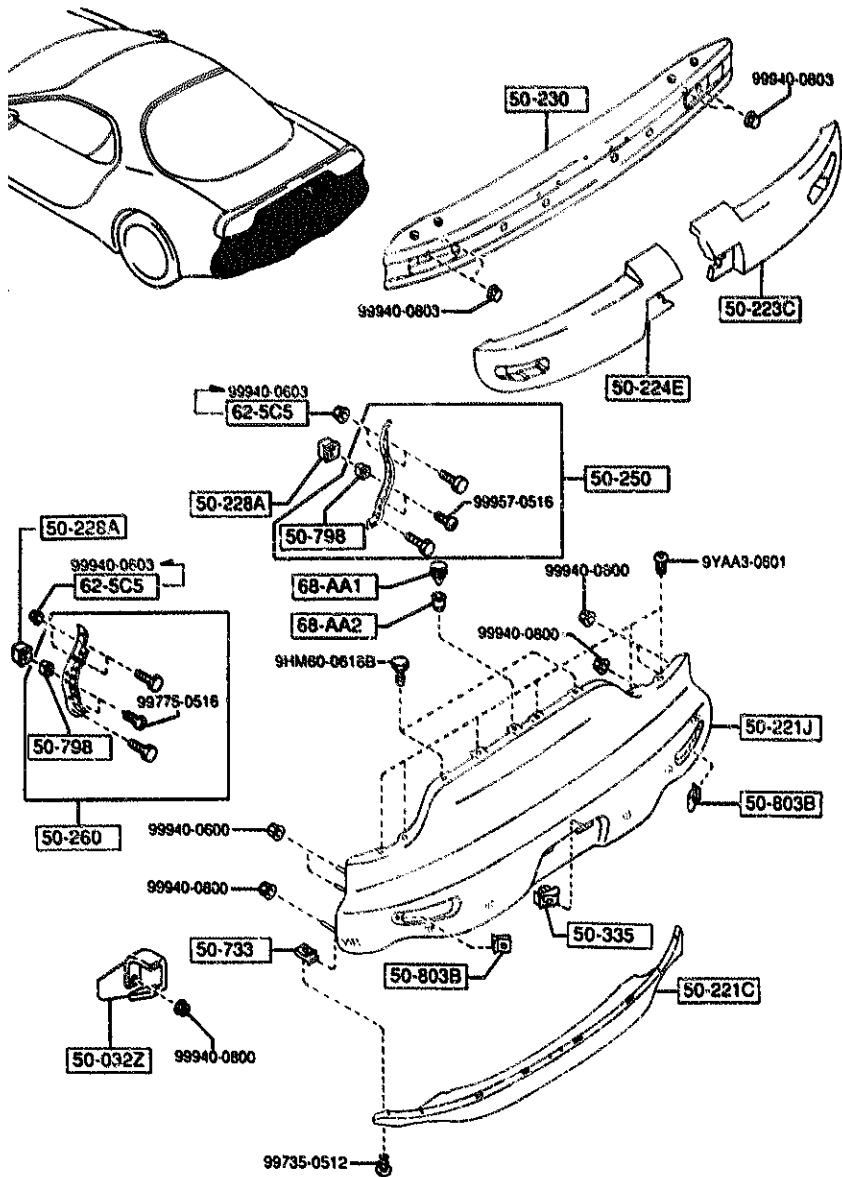
2C01 FD3MM-210514

AUFA04

CAT. AUFA04-06

1994-09

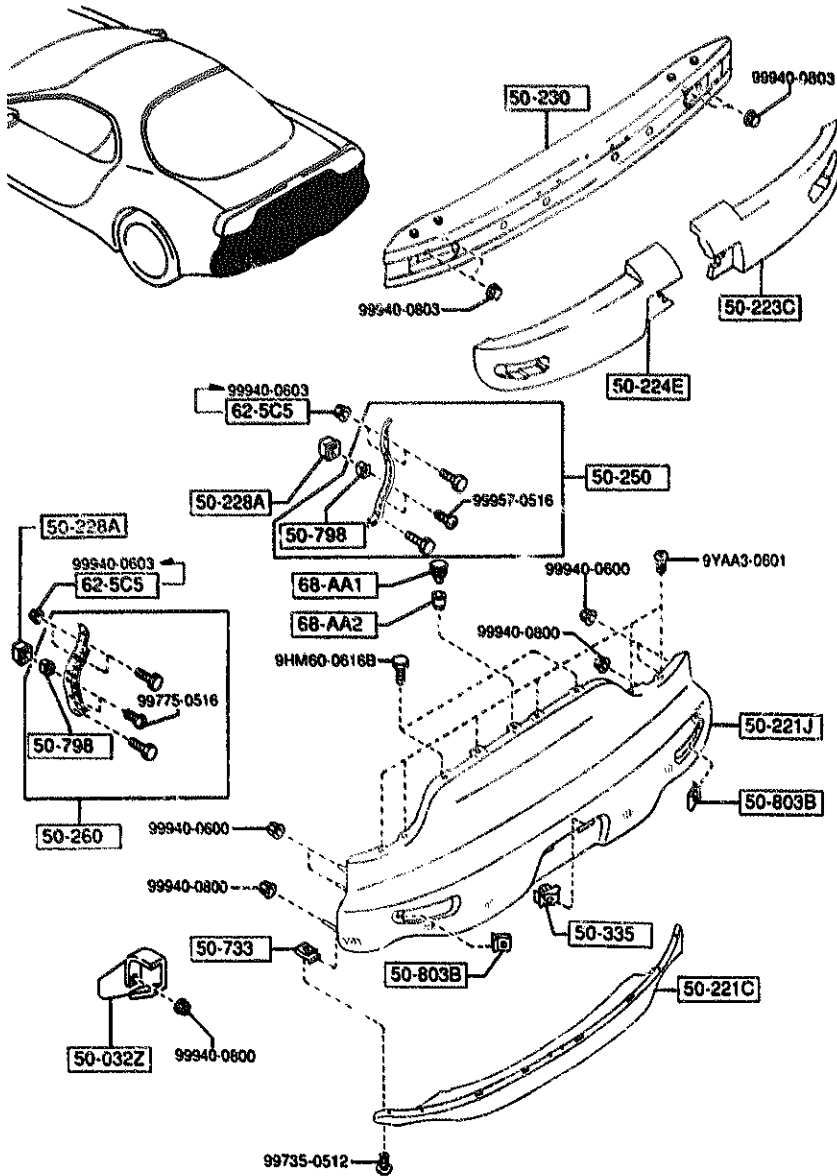
5010 REAR BUMPER



PART NO.	QTY	MODEL/RESTRICTION	MODEL/RESTRICTION	MODEL/RESTRICTION	FRON-TO
50-0322		PROTECTOR(L)			
FD01-50-1J1	1				
50-221C		BUMPER, REAR LOWER			
FD01-50-231A	1	PAINT TO MATCH			
50-221J		BUMPER, REAR			
FD01-50-221B	1	PAINT TO MATCH			
50-223C		FOAM(R), ENGY. ABS.-RR			
FD07-50-31X	1	BUMP			
50-224E		FOAM(L), ENGY. ABS.-RR			
FD07-50-31Y	1	BUMP			
50-228A		GROMMET			
FD01-50-AF3	4				
50-230		REINFORCEMENT, BUMPER			
FD01-50-260A	1				
50-250		BRACKET(R), RR. BUMPER			
FD01-50-3A0	1				
50-260		BRACKET(L), RR. BUMPER			
FD01-50-3B0	1				
50-335		NUT, CLIP			
FB01-50-133C	2				
50-733		NUT, SPRING-AIR DAM S			
FB01-50-733	7	KIRT			
50-798		SCREW, GROMMET			
FD01-50-799	4				
50-803B		NUT, SPRING			
FD01-50-803	2				

5010 REAR BUMPER

5010 -2 R REAR BUMPER

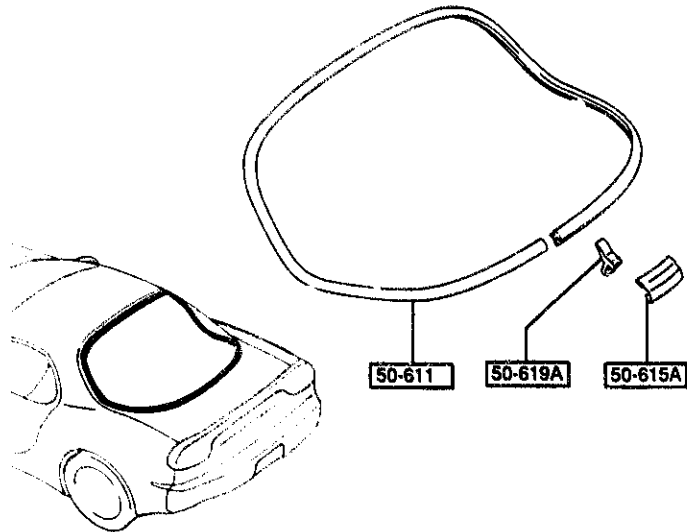
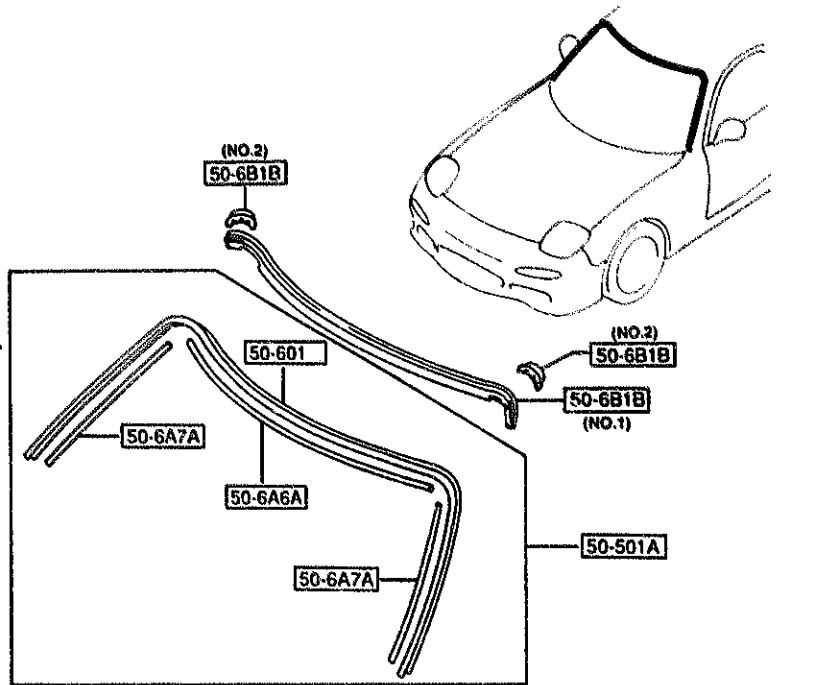


PART NO.	QTY	MODEL/RESTRICTION	MODEL/RESTRICTION	MODEL/RESTRICTION	FRM-10
62-5C5 LA01-62-5C5	4	NUT, HINGE-QTR WINDOW			-2C01
68-AA1 LA10-68-AA1	1	FASTENER			
68-AA2 LA10-68-AA2	1	FASTENER, SEAL-TRIM			

2C01 F03M*-210514

5030 WINDOW MOULDINGS

5030 -1 M WINDOW MOULDINGS



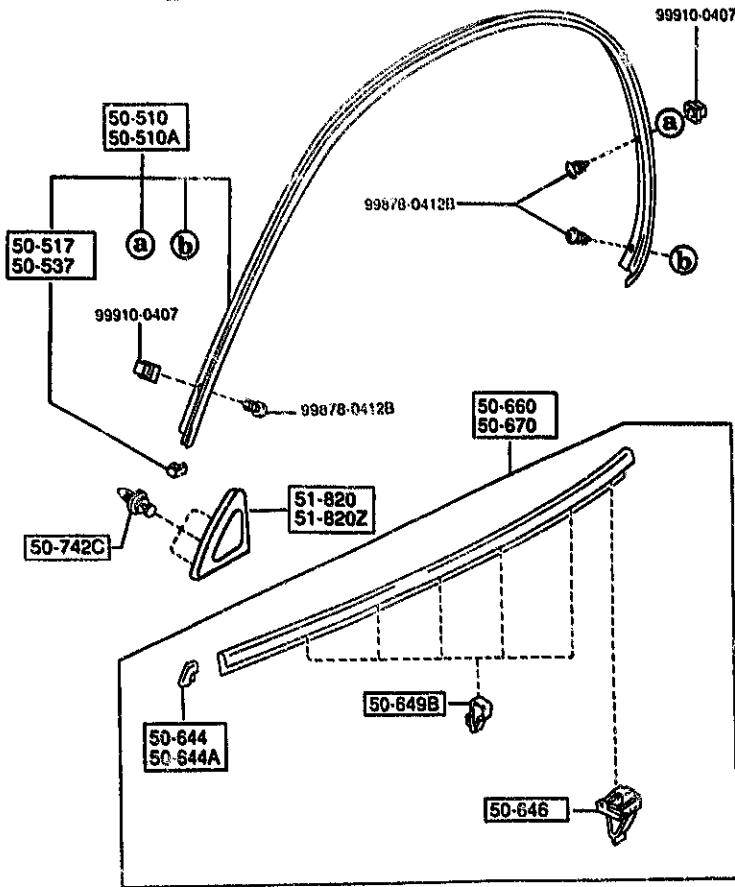
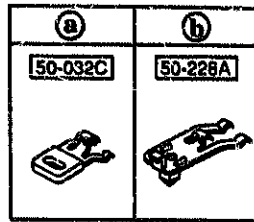
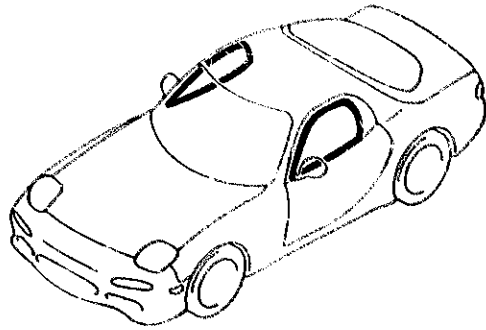
PART NO.	QTY	MODEL/RESTRICTION	MODEL/RESTRICTION	MODEL/RESTRICTION	FROM-TO
50-501A		MOULD(CUP), FRT. WINDOW			
FD01-50-6AXA A (FD01-50-6AXA)	1				2601-2722
FD01-50-6AXA AN(FD01-50-6AXB)	1				2722-2809
FD01-50-6AXB	1				2809-
50-6A6A		SEALANT			
FD01-50-6A6	1				2601-2722
50-6A7A		SEALANT			
FD01-50-6A7	2				2601-2722
50-6B1B		PROTR. MOULD-FRT WIND OW			
NA01-50-6B1	1	(ILLUST. NO.1)			
NA01-50-6B2	2	(ILLUST. NO.2)			
50-601		MOULD, WINDOW-FRONT			
FD01-50-601A AN(FD01-50-601B)	1				-2201
FD01-50-601B A (FD01-50-6AX)	1				2201-2601
50-611		MOULD, RR. WINDOW			
FD01-50-600 AN(FD01-50-600A)	1				-2201
FD01-50-600A AN(FD01-50-600B)	1				2201-2825
FD01-50-600B	1				2825-
50-615A		JOINT, BACK WINDOW MO ULD			
FD01-50-615	1				
50-619A		CLIP, RR. WINDOW MOULD			
FD01-50-619 AN(FD01-50-619A)	1				-2201
FD01-50-619A	1				2201-
2201	FD3MXX-201428				
2601	FD3MXX-207062				
2722	FD3MXX-209519				
2809	FD3MXX-210514				
2825	FD3MXX-210514				

AUFA04

CAT. AUFA04-06

1994-09

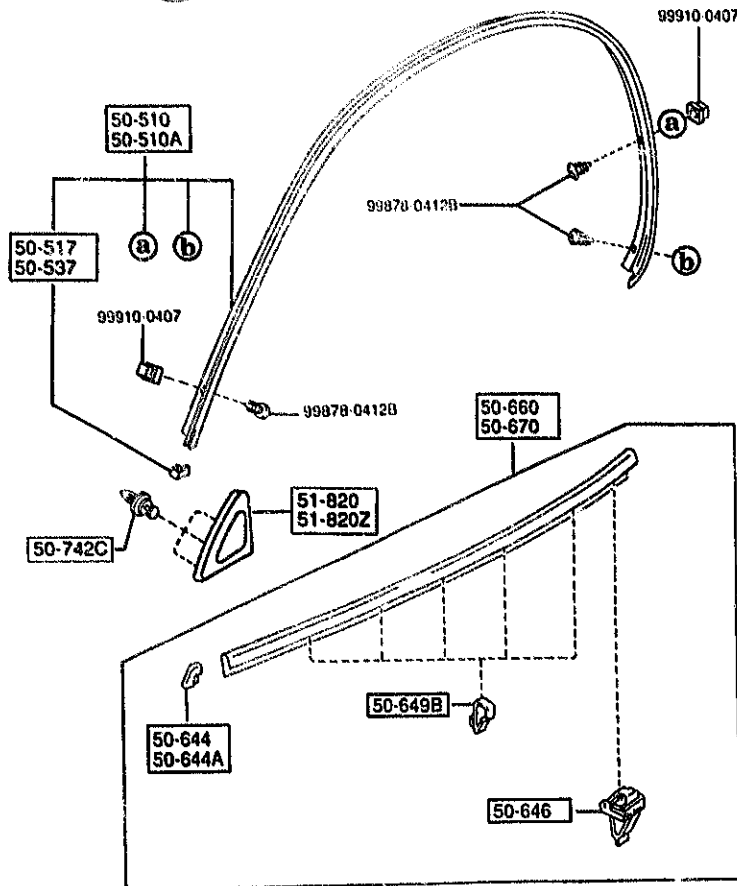
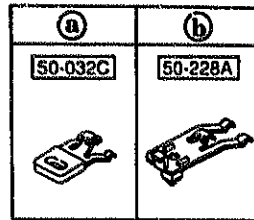
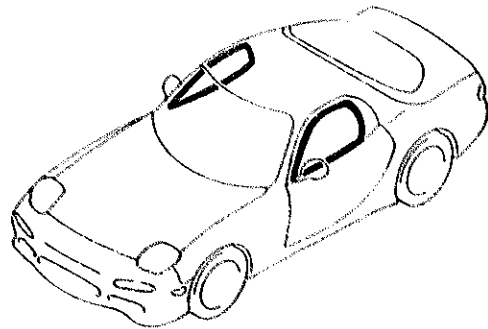
2-J10



PART NO.	QTY	MODEL/RESTRICTION	MODEL/RESTRICTION	MODEL/RESTRICTION	FROM-TO
50-032C		GROMMET			
MFD01-50-538A	2				
50-228A		GROMMET			
MFD01-50-539A	2				
50-510		MOULD(R), DRIP			
FD01-50-510E	1				
50-510A		MOULD(L), DRIP			
FD01-50-530E	1				
50-517		PROTECTOR(R), DRIP MLDG			
FD01-50-516A	1				
50-537		PROTECTOR(L), DRIP MLDG			
FD01-50-536A	1				
50-644		PROTECTOR'A'(R), BELT LINE			
FD01-50-644A	1				
50-644A		PROTECTOR'A'(L), BELT LINE			
FD01-50-654A	1				
50-646		CLIP, BELTLINE MOULD			
FD01-50-646B	2				
50-649B		CLIP'A', BELTLINE MOULD			
FD01-50-649A	10				
50-660		MOULD(R), BELTLINE			
FD01-50-640D	1				
50-670		MOULD(L), BELTLINE			
FD01-50-650D	1				
50-742C		CLIP			
G043-50-742	6				
51-820		GARNISH(R)			
FD01-50-8R0B	1				

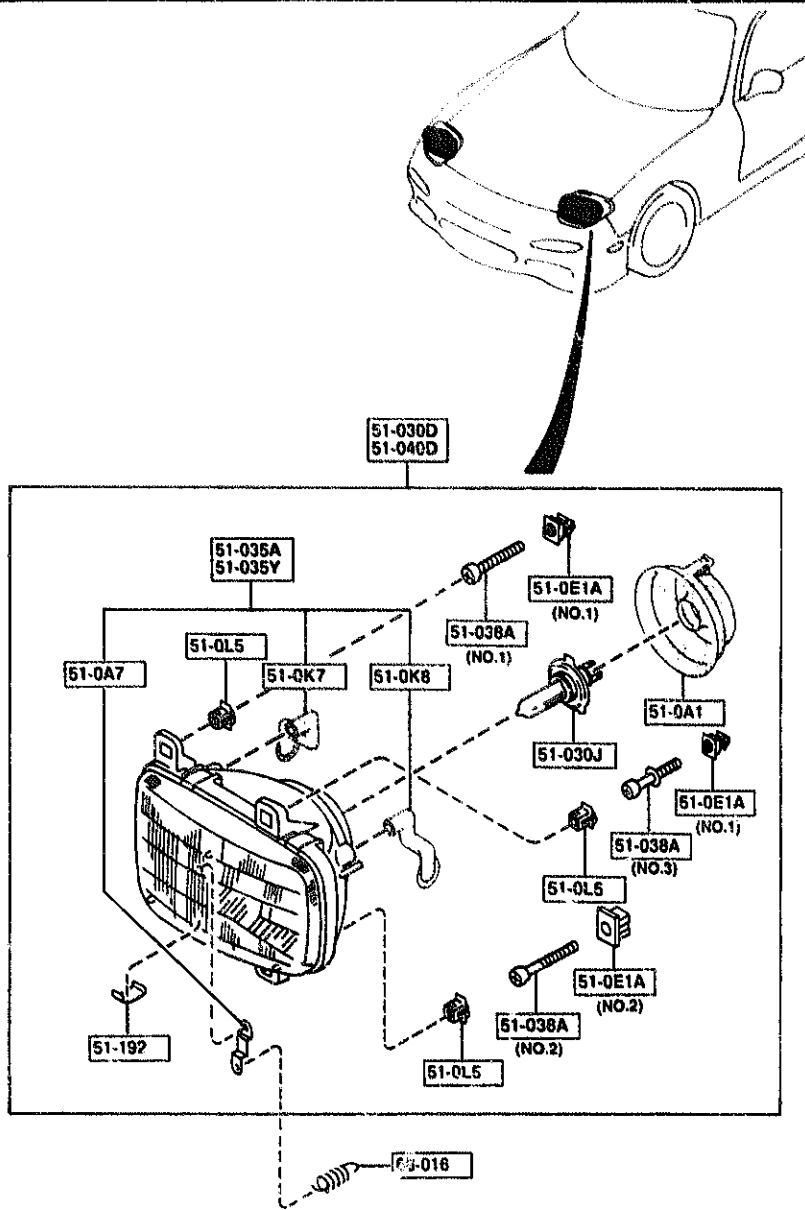
5040 BODY MOULDINGS

9040 -2 W BODY MOULDINGS



PART NO.	QTY	MODEL/RESTRICTION	MODEL/RESTRICTION	MODEL/RESTRICTION	FROM TO
51-820Z FD01-90-8S08	1	GARNISH(L)			

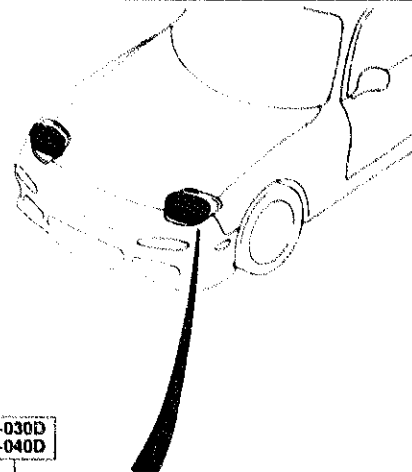
5100 HEAD LAMPS



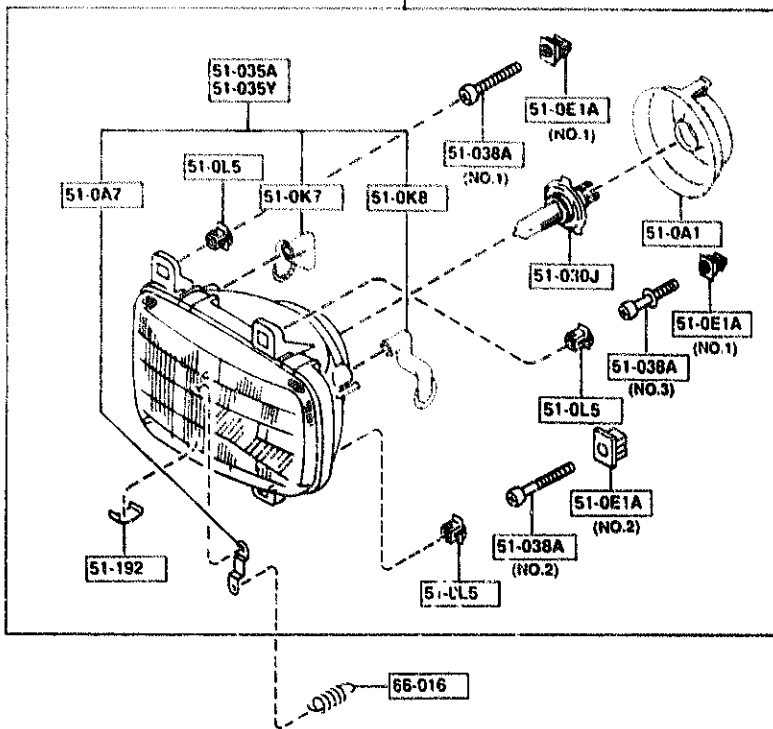
PART NO.	QTY	MODEL/RESTRICTION	MODEL/RESTRICTION	MODEL/RESTRICTION	FROM TO
51-0A1		COVER, SOCKET-HEAD LAMP			
FD01-51-0A1	2				
51-0A7		BRACKET, HEAD LAMP			
FD01-51-0B7	2				
51-0E1A		FASTENER, LAMP			
BR70-51-0E1	4 (ILLUST. NO.1)				
FD01-51-025	2 (ILLUST. NO.2)				
51-0K7		TUBE, HEAD LAMP			
FD01-51-0K7	2				
51-0K8		TUBE, HEAD LAMP			
FD01-51-0K8	2				
51-0L5		BEARING, HEAD LAMP			
FD01-51-0L5	6				
51-030D		LAMP(R), HEAD			
FD01-51-030C	1				-2401
AN(FD01-51-030D)					
FD01-51-030D	1				2401-
51-030J		BULB			
99703-8605	2	12V 60/55W			
51-035A		UNIT(R), HEAD LAMP			
FD01-51-0K0C	1				-2401
AN(FD01-51-0K0D)					
FD01-51-0K0D	1				2401-
51-035Y		UNIT(L), HEAD LAMP			
FD01-51-0L0C	1				-2401
AN(FD01-51-0L0D)					
FD01-51-0L0D	1				2401-
51-038A		SCREW, ADJUST			
FD01-51-037	2 (ILLUST. NO.1)				
FD02-51-037	2 (ILLUST. NO.2)				
2401 FD3MM-204313					

5100 -2 W HEAD LAMPS

5100 HEAD LAMPS



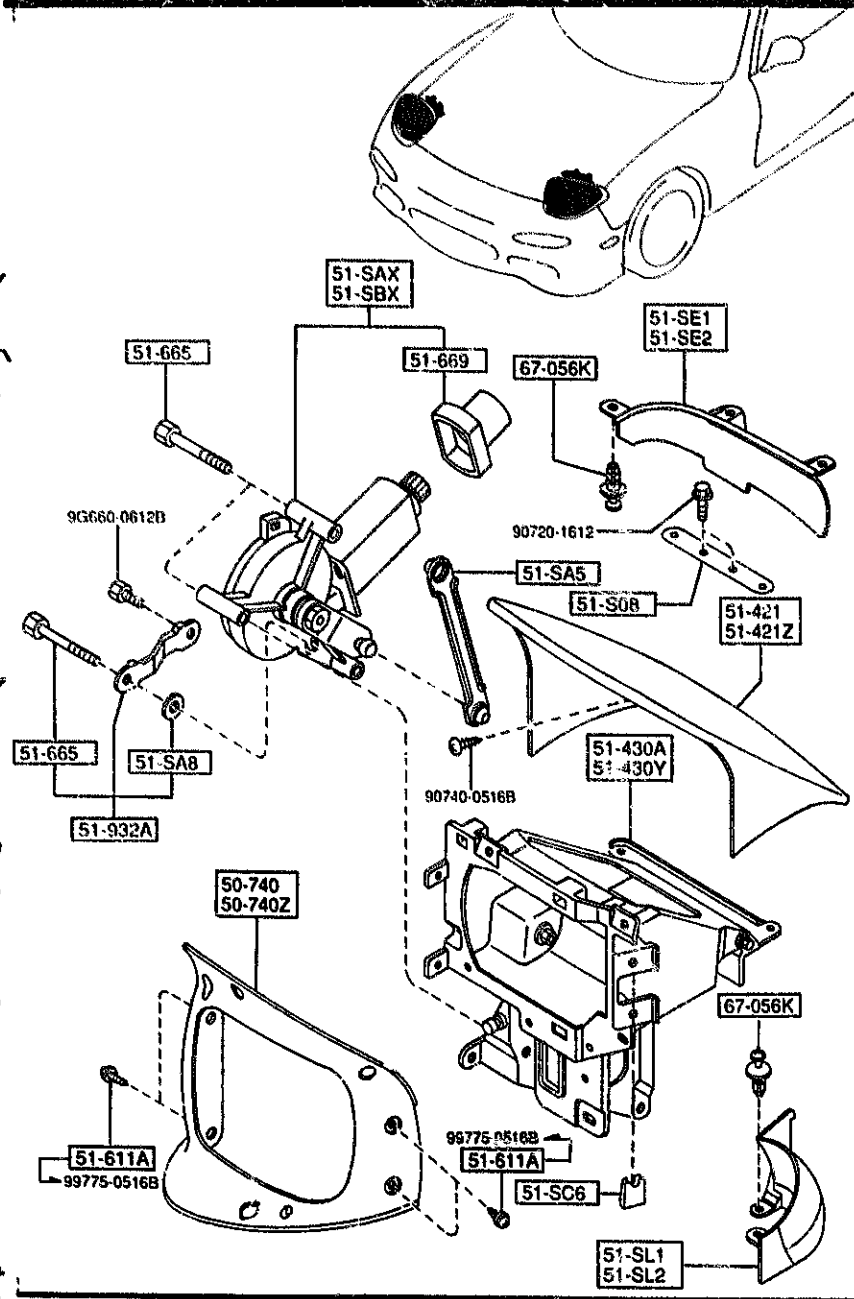
51-030D
51-040D



PART NO.	QTY	MODEL/RESTRICTION	MODEL/RESTRICTION	MODEL/RESTRICTION	FROM TO
CONT'D					
FD01-51-047	2	(ILLUST. NO.3)			
51-040D		LAMP(L).HEAD			
FD01-51-040C AN(FD01-51-040D)	1				-2401
FD01-51-040D	1				2401-
51-192		CLIP			
B455-51-0A6	8				
66-016		SPRING,ADJUST			
FC42-51-036	2				

2401 FD3MM-204313

5103 HEAD LAMP RETRACTORS



PART NO.	QTY	MODEL/RESTRICTION	MODEL/RESTRICTION	MODEL/RESTRICTION	FROM TO
50-740		BEZEL (R), LAMP			
FD01-50-741B AN(FD01-50-741C)	1				-2501
FD01-50-741C	1				2501-
50-740Z		BEZEL (L), LAMP			
FD01-50-751B AN(FD01-50-751C)	1				-2501
FD01-50-751C	1				2501-
51-SAX		MOTOR (R), RETRACTABLE HEAD			
FD01-51-SAXB	1				
51-SA5		ROD, RETRACTABLE			
FD01-51-SA5	2				
51-SA8		WASHER			
NA01-51-SA8	2				
51-SBX		MOTOR (L), RETRACTABLE HEAD			
FD01-51-SBXB	1				
91-SC6		NUT, STOPPER-LAMP HINGE			
FD01-69-276 C (FD01-69-276A)	6				-2101
FD01-69-276A	6				2101-
51-SE1		PROTECTOR (R), RETRA H/L			
FD01-51-SE1A	1				
51-SE2		PROTECTOR (L), RETRA. H/L			
FD01-51-SE2A	1				
51-SL1		PROTECTOR (R), FENDER			
FD01-51-SL1A	1				
51-SL2		PROTECTOR (L), FENDER			
FD01-51-SL2A	1				
51-S08		PLATE, RETRACTABLE			
FD01-51-S08A	2				
FD01-69-276 C FD01-69-276A 99775-0516B			2101 FD3MMK-200251 2501 FD3MMK-205709		

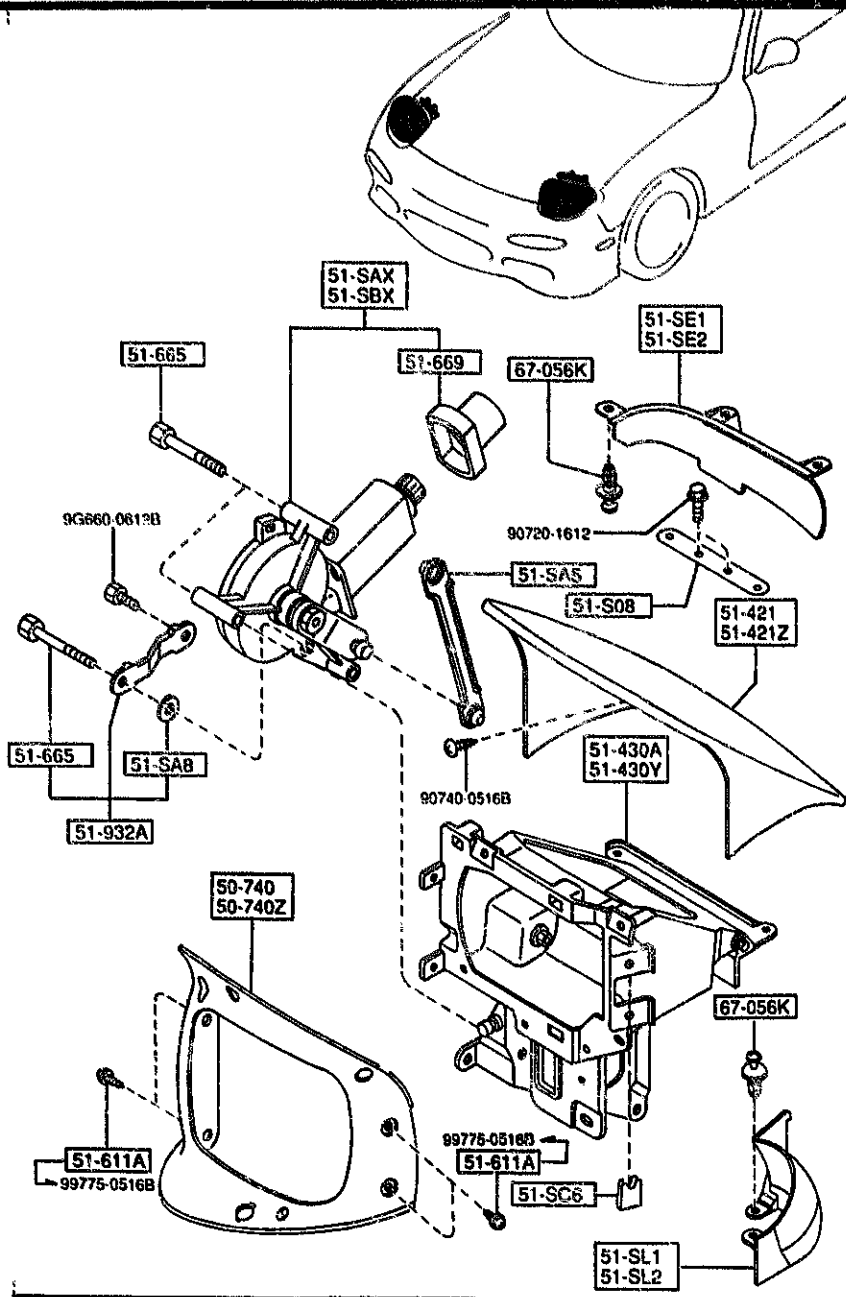
AUFA04

CAT. AUFA04-06

1994-09

5103 HEAD LAMP RETRACTORS

5103 -2 * HEAD LAMP RETRACTORS



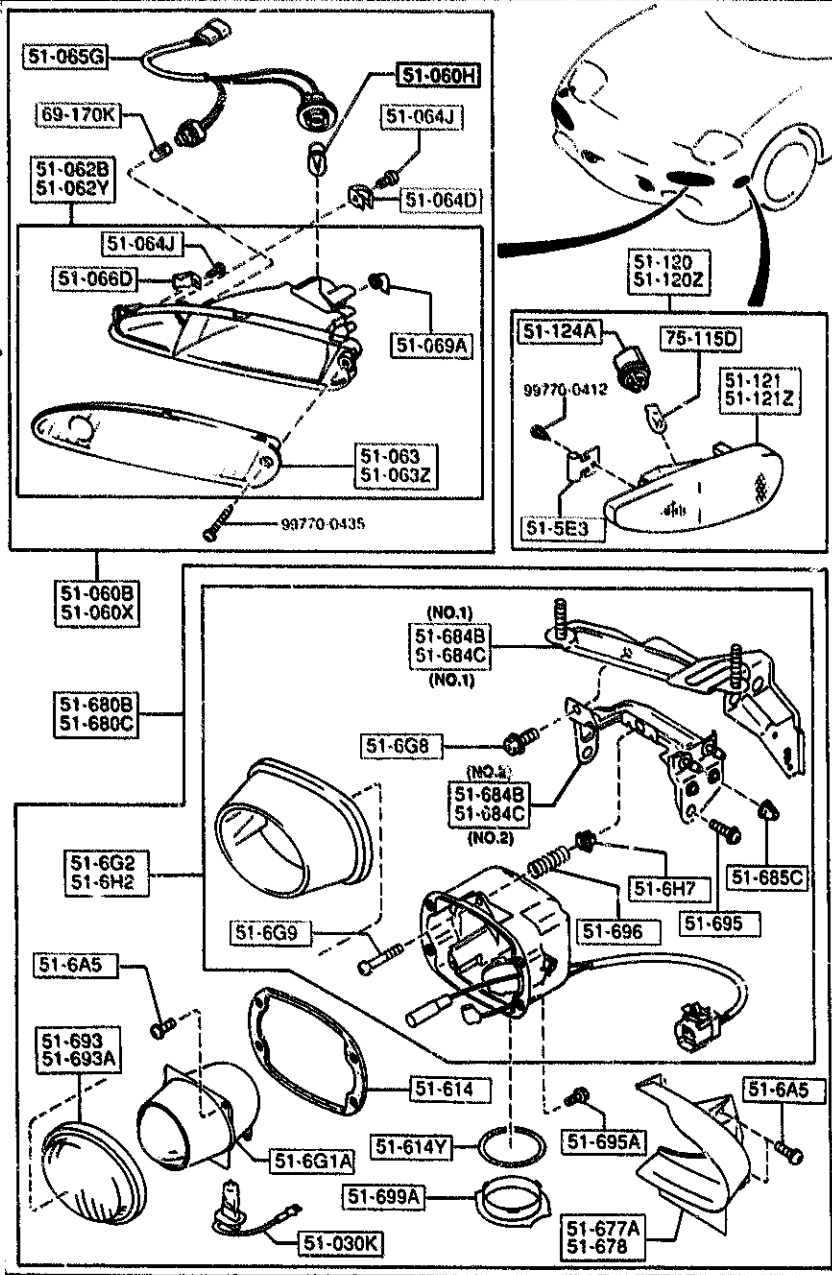
PART NO.	QTY	MODEL/RESTRICTION	MODEL/RESTRICTION	MODEL/RESTRICTION	FROM-TO
51-421		LID(R), LAMP			
FDY2-51-SH1	1				
51-421Z		LID(L), LAMP			
FDY2-51-SH2	1				
51-430A		HINGE(R), LID-LAMP			
FD01-51-SC0B C (FD01-51-SC0C)	1				-2101
FD01-51-SC0C AN(FD01-51-SC0D)	1				2101-2901
FD01-51-SC0D	1				2901-
51-430Y		HINGE(L), LID-LAMP			
FD01-51-SD0B C (FD01-51-SD0C)	1				-2101
FD01-51-SD0C AN(FD01-51-SD0D)	1				2101-2901
FD01-51-SD0D	1				2901-
51-611A		SCREW, HEAD LAMP BEZE			
8481-50-75X	6				-2101
51-665		BOLT, MOTOR-RETRACT H /LAMP			
F801-51-665	6				
51-669		BOOY, MOTOR-RETRACT H /L			
NA01-51-669	2				
51-932A		BRACKET, MOTOR			
FD01-51-S1Y	2				
67-056K		RIVET			
UB39-50-795	10				
FD01-51-SC0B C FD01-51-SC0C 99775-0516B			2101 FD3MXX-200251 2901 FD3MXX-210499		
FD01-51-SD0B C FD01-51-SD0C 99775-0516B					

AUFA04

CAT. AUFA04-06

1994-09

5105 FRONT COMBINATION LAMPS



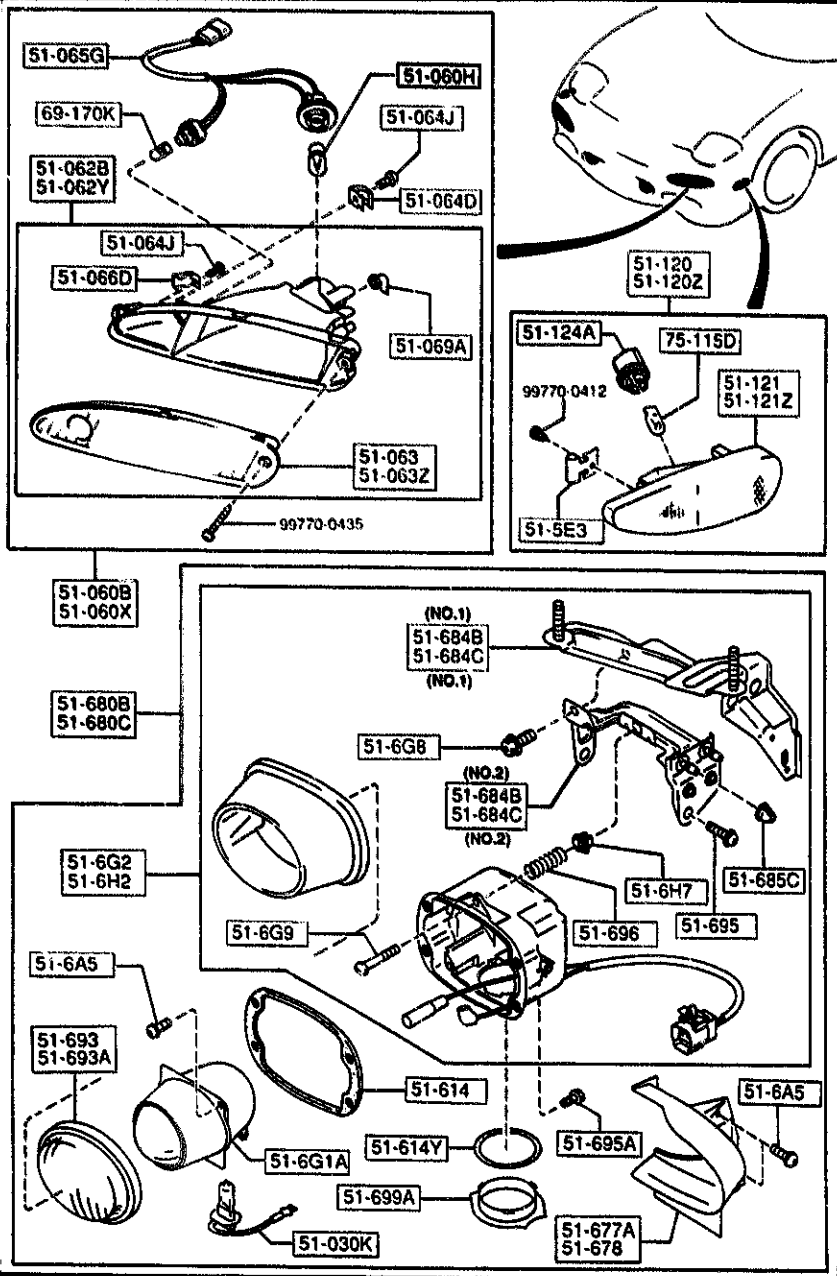
AUFA04

PART NO.	QTY	MODEL/RESTRICTION	MODEL/RESTRICTION	MODEL/RESTRICTION	FROM TO
51-030K		BULB			
99703-4350	2	12V/35W (SUNROOF)			
51-060B		LAMP(R), FRT. COMB.			
FD01-51-060D	1				
51-060H		BULB			
90701-7270	2	12V/27W			
51-060X		LAMP(L), FRT. COMB.			
FD01-51-070D	1				
51-062B		LENS & BODY(R), F. CO MB.			
FD01-51-06XB	1				
51-062Y		LENS & BODY(L), F. CO MB.			
FD01-51-07XB	1				
51-063		LENS(R), FRT COMB.			
FD01-51-061	1				
51-063Z		LENS(L), FRT COMB.			
FD01-51-071	1				
51-064D		SPRING, FRT. COMB.			
FD01-51-057	2				
51-064J		SCREW, TAPPING			
FD01-51-1E6	4				
51-0650		SOCKET, F. COMB. LAMP			
FD01-51-064A	2				
51-066D		BRACKET, FRONT COMB. LAMP			
FD01-51-056	2				
51-069A		TUBE, HEAD LAMP			
NA01-51-069	2				

CAT. AUFA04-06

1994-09

5105 FRONT COMBINATION LAMPS



PART NO.	QTY	MODEL/RESTRICTION	MODEL/RESTRICTION	MODEL/RESTRICTION	FROM-TO
51-120		LAMP(R),SIDE TURN			
FD01-51-5E0B	1				
51-120Z		LAMP(L),SIDE TURN			
FD01-51-5F0B	1				
51-121		LENS & BODY(R)			
FD01-51-5E1B	1				
51-121Z		LENS & BODY(L)			
FD01-51-5F1B	1				
51-124A		SOCKET,SIDE TURN			
H380-51-5E2	2				
51-5E3		SPRING,FRONT SIDE			
FD01-51-5E3	2				
51-6A5		SCREW,F. FOG LAMP			
FD01-51-6A5	8 (SUNROOF)				
51-601A		UNIT,FOG LAMP			
FD01-51-601A	2 (SUNROOF)				
51-602		HOUSING(R),FOG LAMP			
FD01-51-68YB	1 (SUNROOF)				
51-608		BOLT,SPECIAL			
FD01-51-608	2 (SUNROOF)				
51-609		SCREW,ADJUST			
FD01-51-609	2 (SUNROOF)				
51-6H2		HOUSING(L),FOG LAMP			
FD01-51-69YB	1 (SUNROOF)				
51-6H7		SCREW,GROMMET			
FD01-51-6H7	2 (SUNROOF)				
51-614		GASKET			
FD01-51-68Z	2 (SUNROOF)				
2401 FD3MM-204313					

-2401

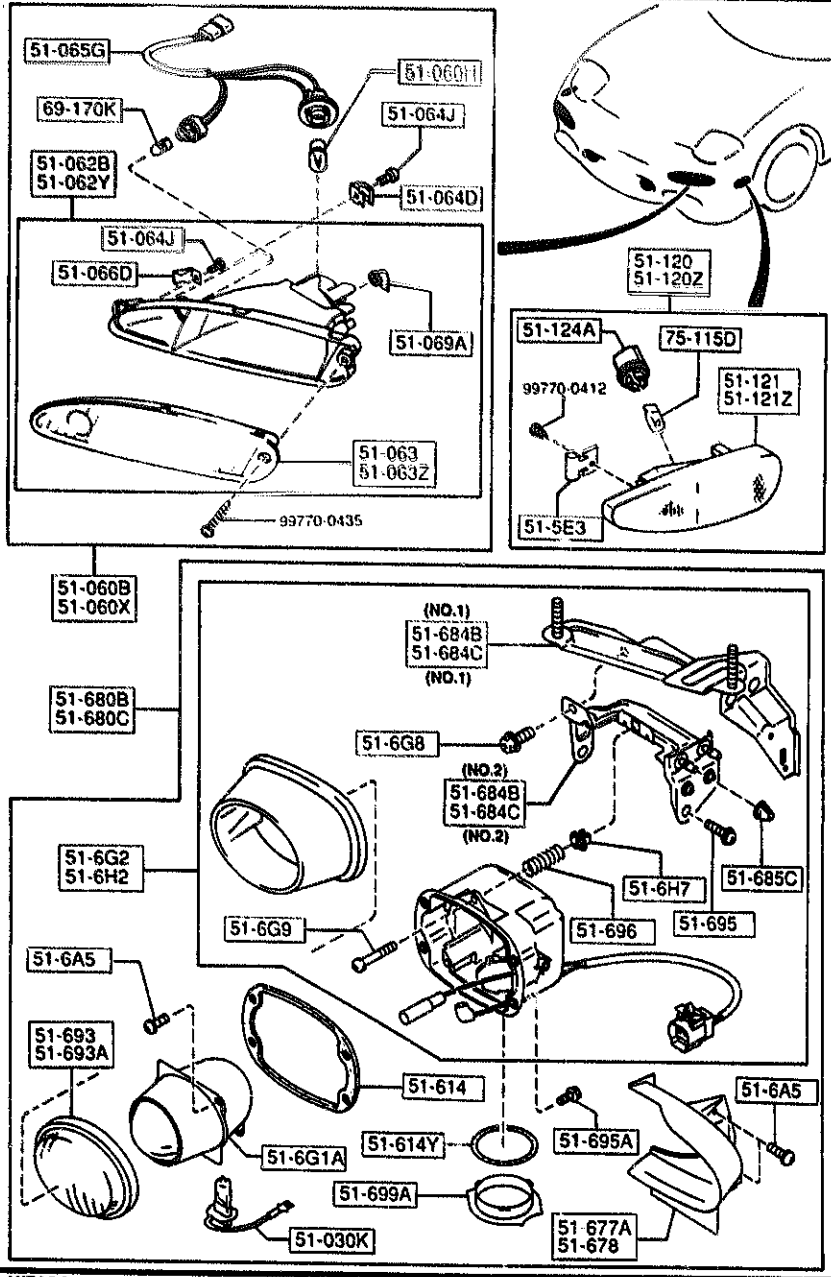
AUFA04

CAT. AUFA04-06

1994-09

5105 FRONT COMBINATION LAMPS

9105 -3 FRONT COMBINATION LAMPS



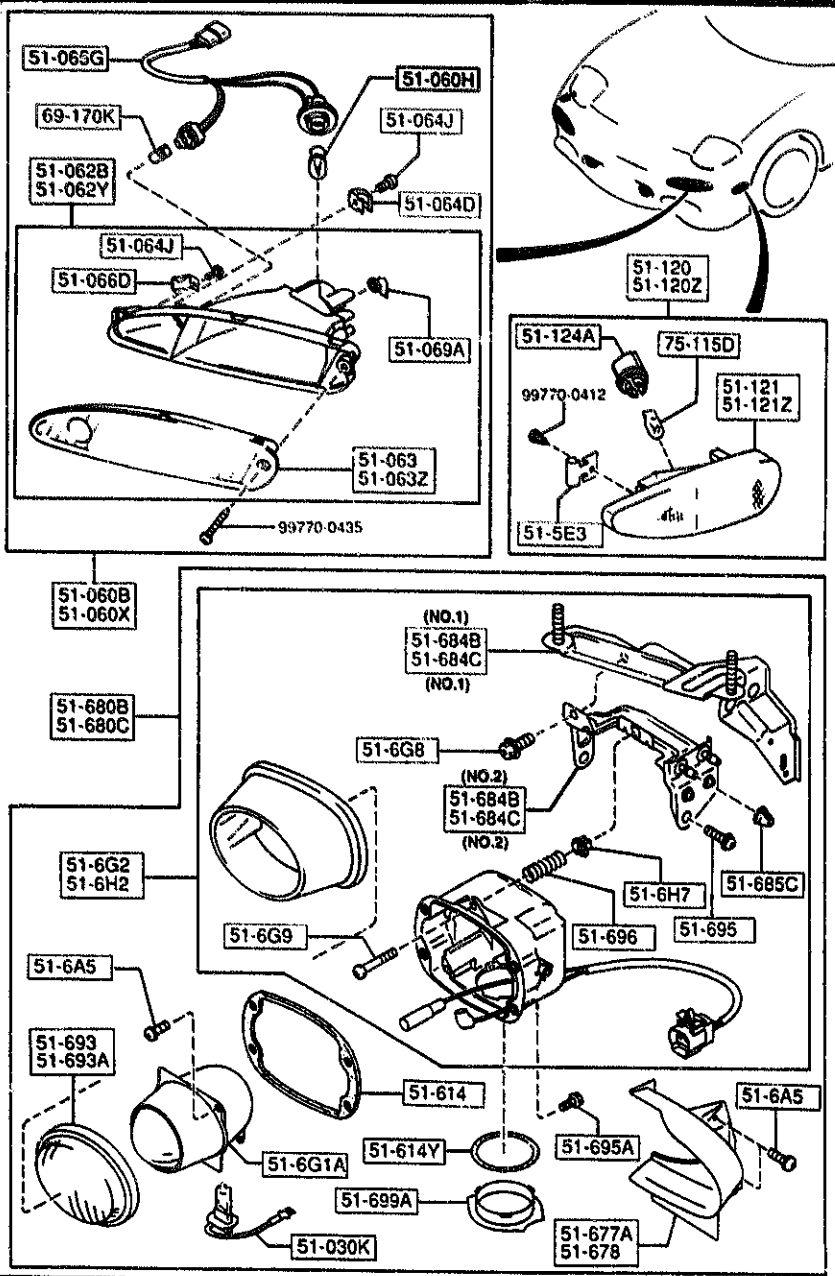
PART NO.	QTY	MODEL/RESTRICTION	MODEL/RESTRICTION	MODEL/RESTRICTION	FROM TO
51-614Y		GASKET(L)			
FD01-51-692	2	(SUNROOF)			
51-677A		COVER(R), FOG LAMP			
FD01-51-677	1	(SUNROOF)			
51-678		COVER(L), FOG LAMP			
FD01-51-678	1	(SUNROOF)			
51-680B		LAMP(R), F. FOG			
FD01-51-680C	1	(SUNROOF)			
51-680C		LAMP(L), F. FOG			
FD01-51-690C	1	(SUNROOF)			
51-684B		BRACKET(R), F. FOG LAMP			
FD01-51-684A	1	(ILLUST. NO.1) (SUNROOF)			
FD02-51-684	1	(ILLUST. NO.2) (SUNROOF)			
51-684C		BRACKET(L), LAMP-F. FOG			
FD01-51-694A	1	(ILLUST. NO.1) (SUNROOF)			
FD02-51-694	1	(ILLUST. NO.2) (SUNROOF)			
51-685C		CLIP			
FD01-51-674	4	(SUNROOF)			
51-693		LENS(R), FOG LAMP			
FD01-51-683	1	(SUNROOF)			
51-693A		LENS(L), FOG LAMP			
FD01-51-693	1	(SUNROOF)			
51-695		SCREW, FRONT FOG LAMP			
FD01-51-695	4	(SUNROOF)			
51-695A		SCREW, LAMP			
FD01-51-671	8	(SUNROOF)			

AUFA04

CAT. AUFA04-06

1994-09

5105 FRONT COMBINATION LAMPS



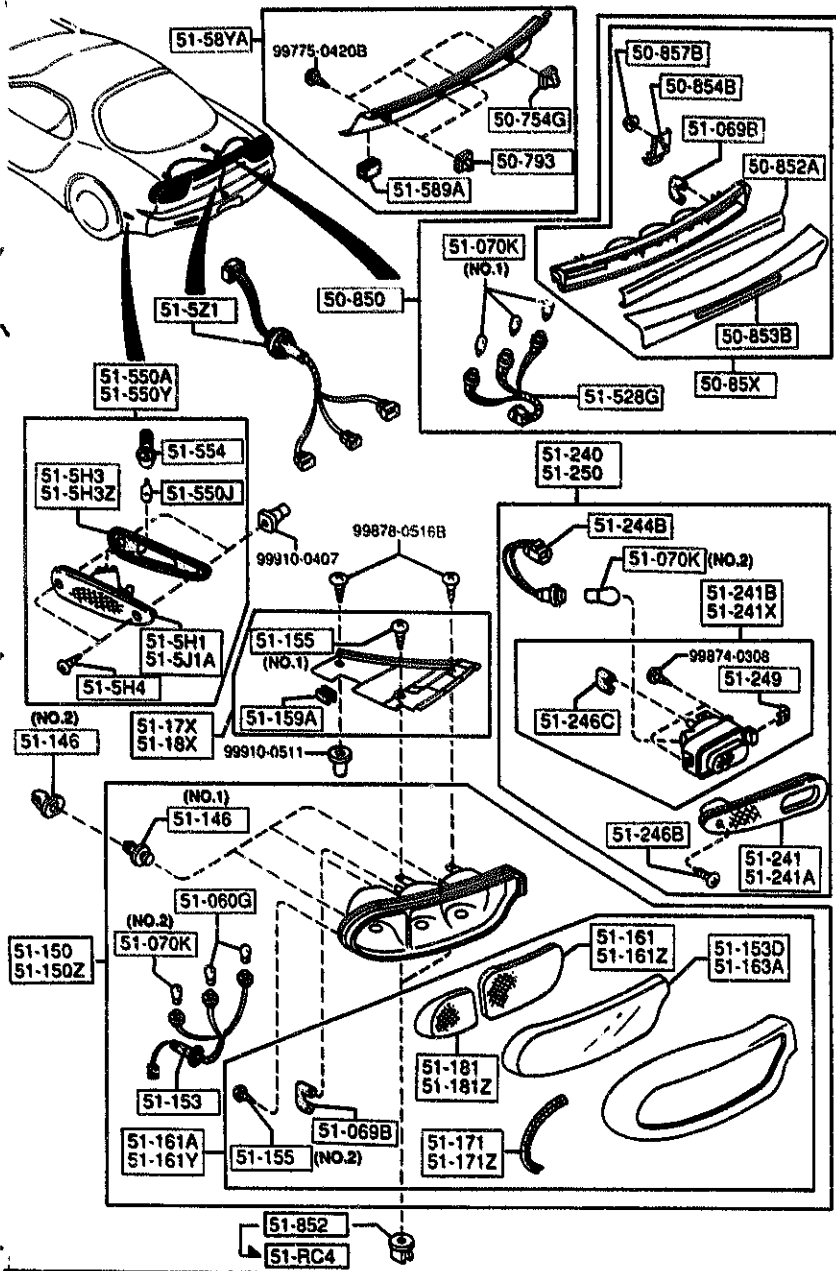
PART NO.	QTY	MODEL/RESTRICTION	MODEL/RESTRICTION	MODEL/RESTRICTION	FRONT
51-696 FD01-51-696	2	SPRING, FRONT FOG LAMP (SUNROOF)			
51-699A FD01-51-676	2	COVER, F. FOG LAMP (SUNROOF)			
69-170K 99701-6050	2	BULB, INTERIOR MIRROR 12V 5W			
75-115D 99701-6049	2	BULB 12V JCP			

AUFA04

CAT. AUFA04-06

1994-09

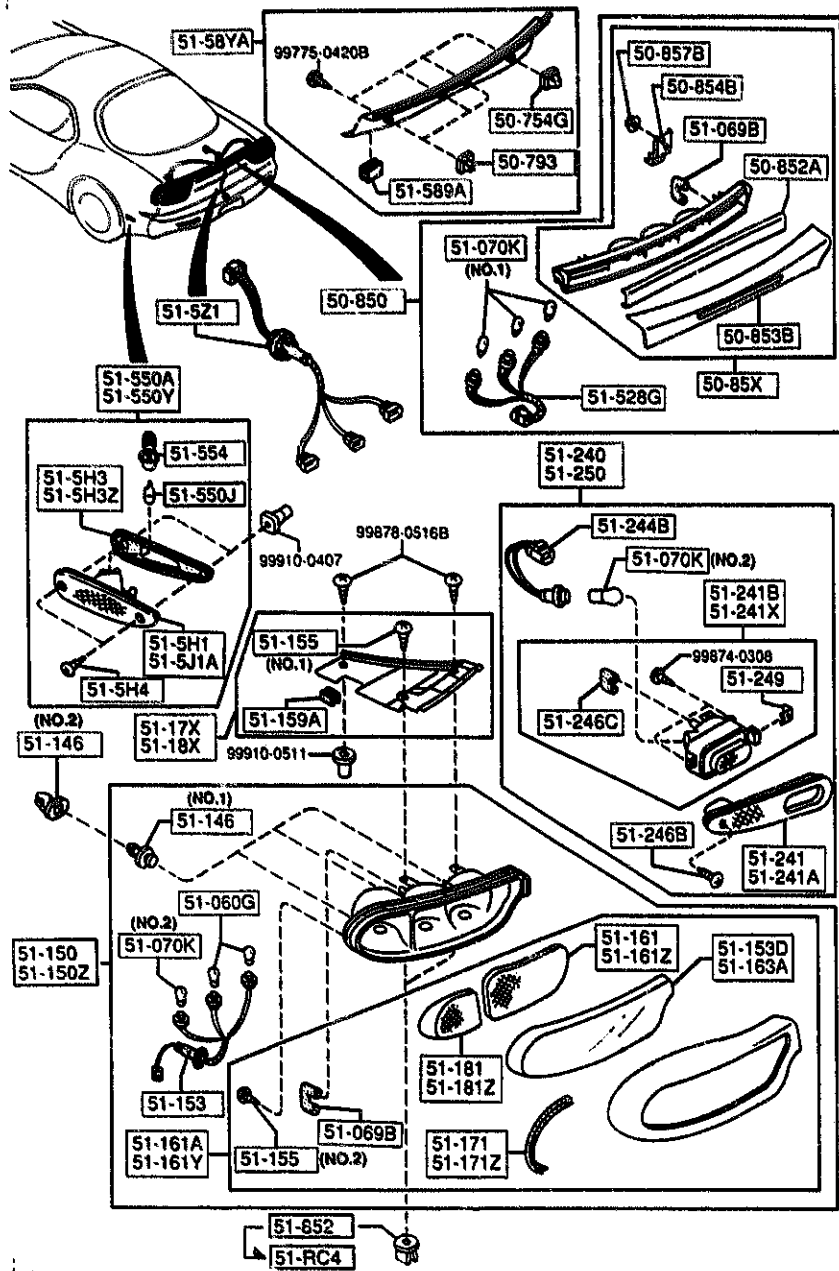
5110 REAR COMBINATION LAMPS



PART NO.	QTY	MODEL/RESTRICTION	MODEL/RESTRICTION	MODEL/RESTRICTION	FROM-TO
50-7940		GROMMET, SCREW			
FD03-50-792	1				
50-793		GROMMET, SCREW			
FD02-50-792	3				
50-85X		LENS & BODY, REAR FINISHER			
FD01-51-59XA	1				
50-850		FINISHER, REAR			
FD01-50-850C	1				
50-892A		LENS, REAR FINISHER			
FD01-51-877	1				
50-853B		LENS, REAR FINISHER			
FD01-51-591	1				
50-854B		BRACKET, REAR FINISHER			
FD01-51-585	4				
50-897B		NUT, SPEED-REAR FINISHER			
FD01-51-594	8				
51-RC4		GROMMET, SIDE GARNISH			
FD01-51-RC4	4				
51-060G		BULB			
99701-4278	4	12V 27W/8W			
51-069B		TUBE, LAMP-FRONT COMB			
8481-51-069	3				
51-070K		BULB			
99700-7180	3	A12V 18.4W (ILLUST. NO.1)			
99701-3270	4	12V 27W (ILLUST. NO.2)			
51-146		GROMMET, SCREW-R.COMB			
EA04-51-146A	6	(ILLUST. NO.1)			
2309 FD3MM-203215					

2309-

5110 REAR COMBINATION LAMPS

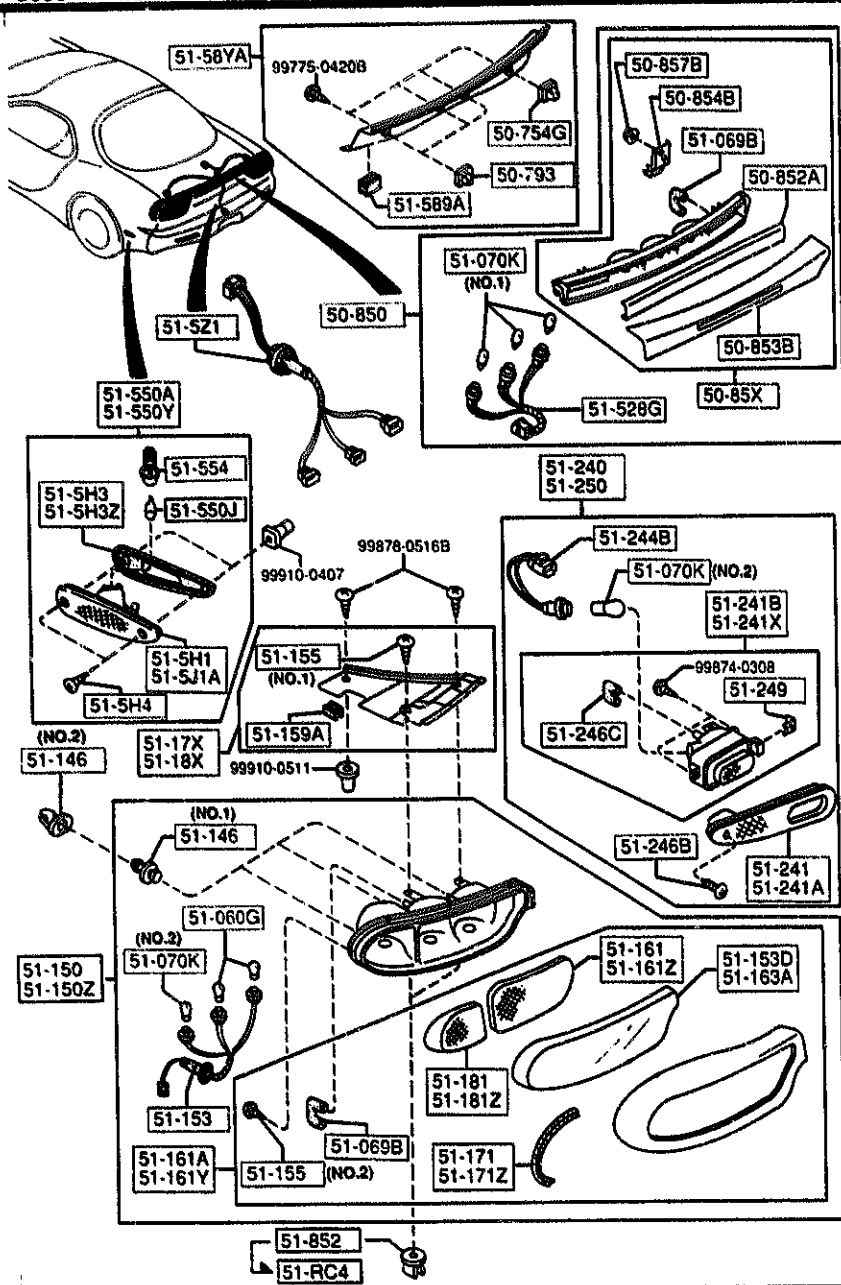


5110 -2 REAR COMBINATION LAMPS

PART NO.	QTY	MODEL/RESTRICTION	MODEL/RESTRICTION	MODEL/RESTRICTION	FROM-TO
CONT'D EA02-51-146 AN(EA02-51-146A)	6	(ILLUST. NO.2)			-2204
EA02-51-146A	6	(ILLUST. NO.2)			2204-
51-190	1	LAMP SET(R), RR.COMB.			
88FH-51-190	1				
51-190Z	1	LAMP SET(L), RR.COMB.			
88FH-51-160	1				
51-193	2	SOCKET, RR.COMB.			
FD01-51-193B	2				
51-193D	1	LENS NO.3(R), RR COMB .LAMP			
FD01-51-193B	1				
51-195	2	SCREW, RR.COMB.			
FD01-51-143	2	(ILLUST. NO.1)			
FD01-51-144	12	(ILLUST. NO.2)			
51-199A	14	PROTECTOR, RR.COMB.			
FD01-51-199	14				
51-161	1	LENS(R), RR.COMB.			
FD01-51-191	1				
51-161A	1	LENS & BODY(R), RR CO MB.			
FD01-51-170B	1				
51-161Y	1	LENS & BODY(L), RR CO MB.			
FD01-51-180B	1				
51-161Z	1	LENS(L), RR.COMB.			
FD01-51-161	1				
51-163A	1	LENS NO.3(L), RR COMB .LAMP			
FD01-51-163B	1				
51-17X	1	COVER(R), RR.COMB.			
FD01-51-17XE	1				

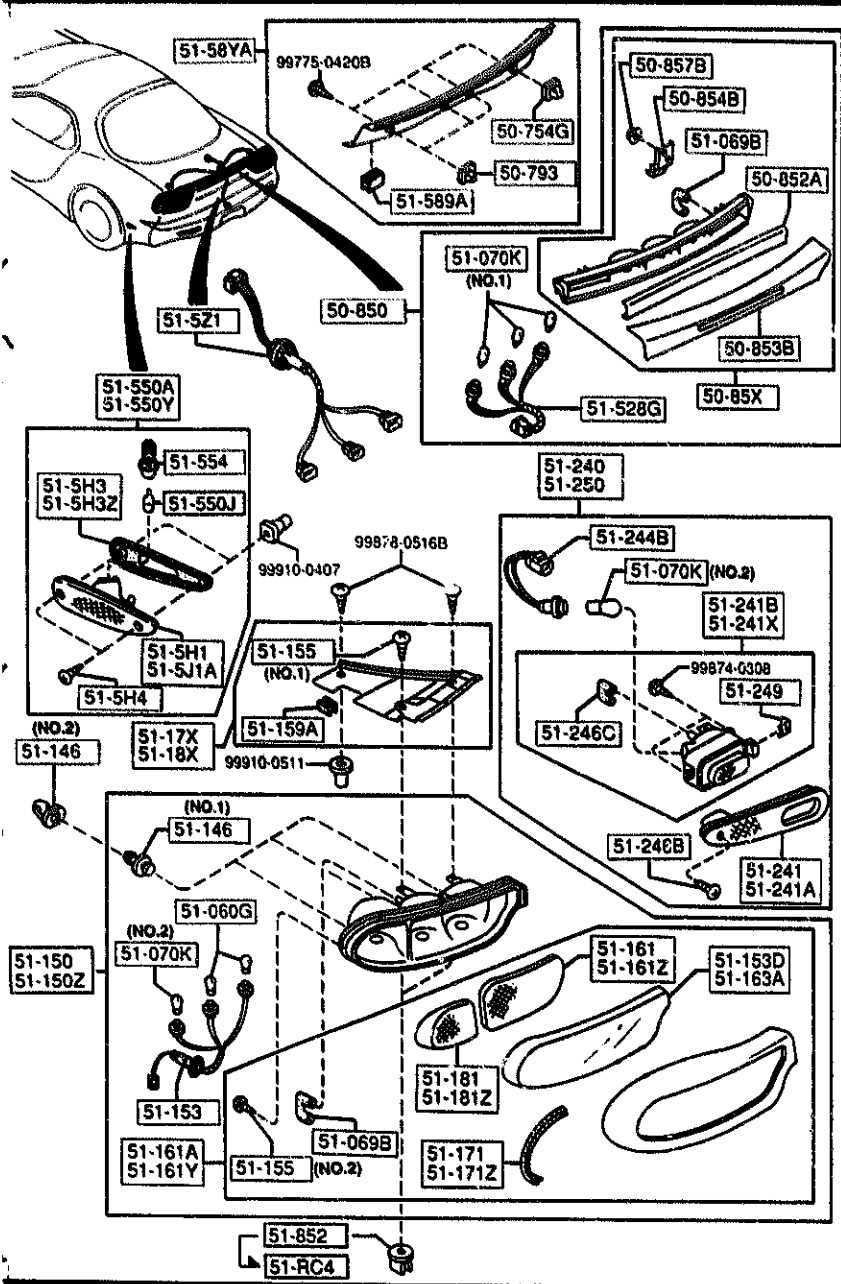
2204 FD3MWN-201525

5110 REAR COMBINATION LAMPS



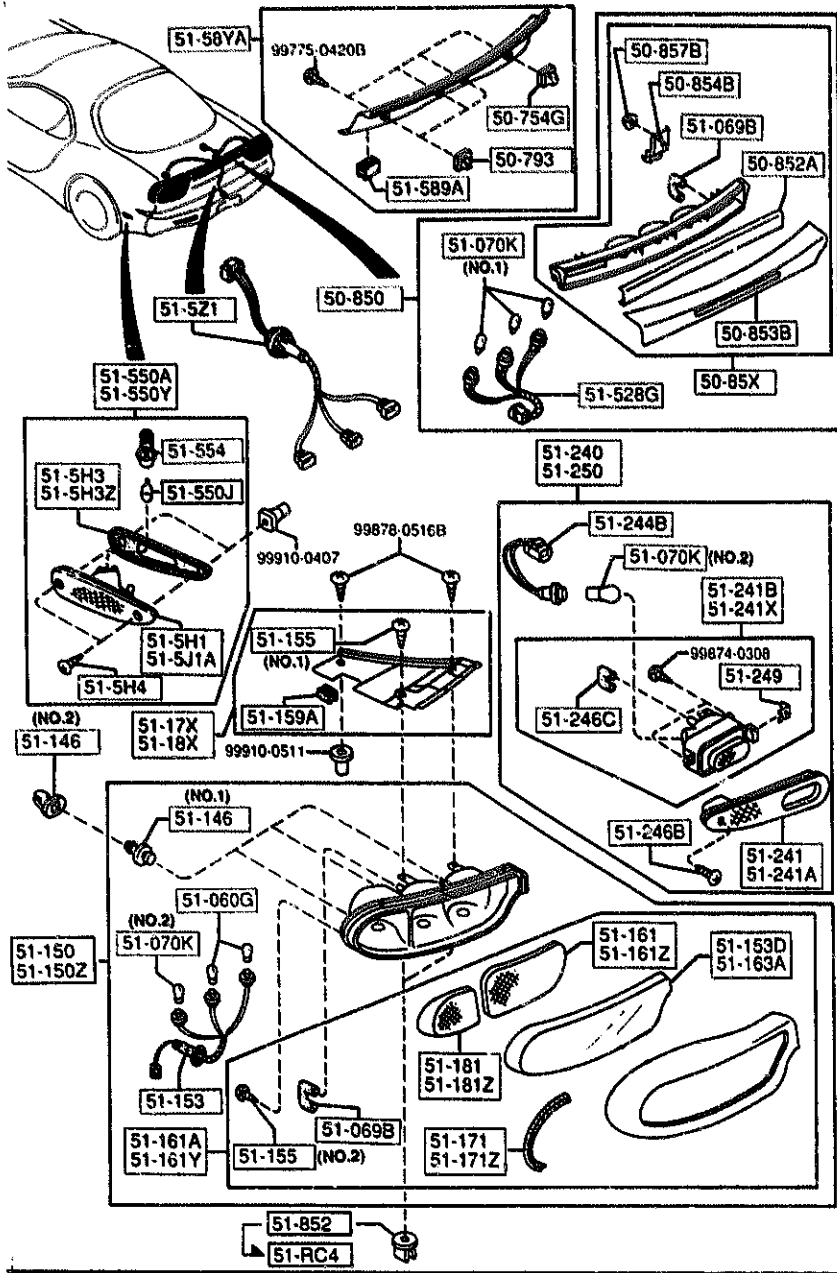
PART NO.	QTY	MODEL/RESTRICTION	MODEL/RESTRICTION	MODEL/RESTRICTION	FROM-TO
51-171		PROTECTOR(R),RR.COMB			
FD01-51-173	1				
51-171Z		PROTECTOR(L),RR.COMB			
FD01-51-183	1				
51-18X		COVER(L),RR.COMB.			
FD01-51-18XE	1				
51-181		LENS NO.2(R),RR.COMB			
FD01-51-192	1				
51-181Z		LENS NO.2(L),RR.COMB			
FD01-51-162	1				
51-240		LAMP(R),BACK UP			
FD01-51-240B	1				
51-241		HOUSING(R),BACK UP LAMP			
FD01-51-241B	1				
51-241A		HOUSING(L),BACK UP LAMP			
FD01-51-251B	1				
51-241B		LENS & BODY(R),BACK UP			
FD01-51-24XA	1				
51-241X		LENS & BODY(L),BACK UP			
FD01-51-25XA	1				
51-244B		SOCKET,BACK UP LAMP			
FD01-51-244	2				
51-246B		SCREW,BACK LAMP			
FD01-51-248	2				
51-246C		TUBE,BACK UP LAMP			
FD01-51-246	2				
51-249		SPRING,BACK UP LAMP			
FD01-51-249	2				

5110 REAR COMBINATION LAMPS

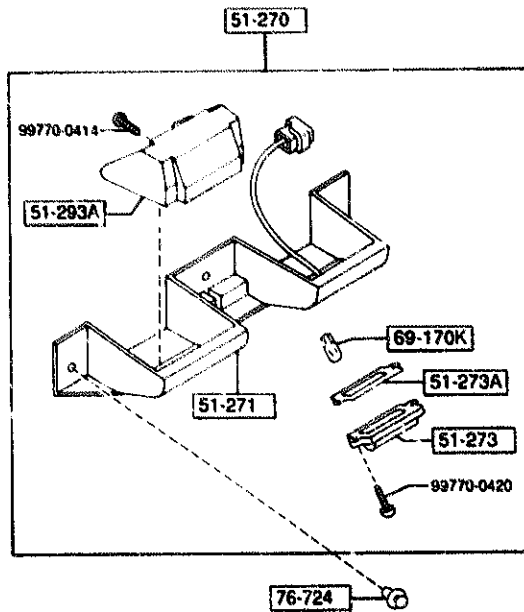
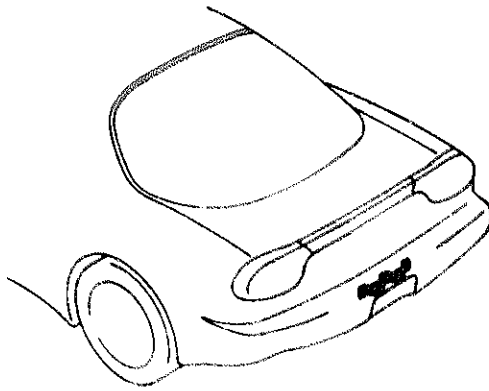


PART NO.	QTY	MODEL/RESTRICTION	MODEL/RESTRICTION	MODEL/RESTRICTION	FROM-TO
51-250		LAMP(L), BACK UP			
FD01-51-250B	1				
51-9H1		LENS & BODY(R), RR SI DE TURN			
FD01-51-9H1B	1				
51-9H3		GASKET(R), REAR SIDE			
FD01-51-9H3	1				
51-9H3Z		GASKET(L), REAR SIDE			
FD01-51-9J3	1				
51-9H4		SCREW, REAR SIDE			
FD01-51-9H4	4				
51-9J1A		LENS & BODY(L), RR SI DE TURN			
FD01-51-9J1B	1				
51-9Z1		CORD, LAMP			
FD01-51-9Z1B	1				
51-9Z8G		SOCKET			
FD01-51-9Z8A	1				
51-950A		LAMP(R), SIDE TURN-RR			
FD01-51-9H0C	1				
51-950J		BULB			
99701-6040	2	12V 3.8W			
51-950Y		LAMP(L), SIDE TURN-RR			
FD01-51-9J0C	1				
51-954		SOCKET, RR SIDE TURN LAMP			
FD01-51-9H2	2				
51-98YA		COVER, RR FINISHER			
FD01-51-98YC	1				
51-989A		PROTECTOR, COVER			

5110 REAR COMBINATION LAMPS



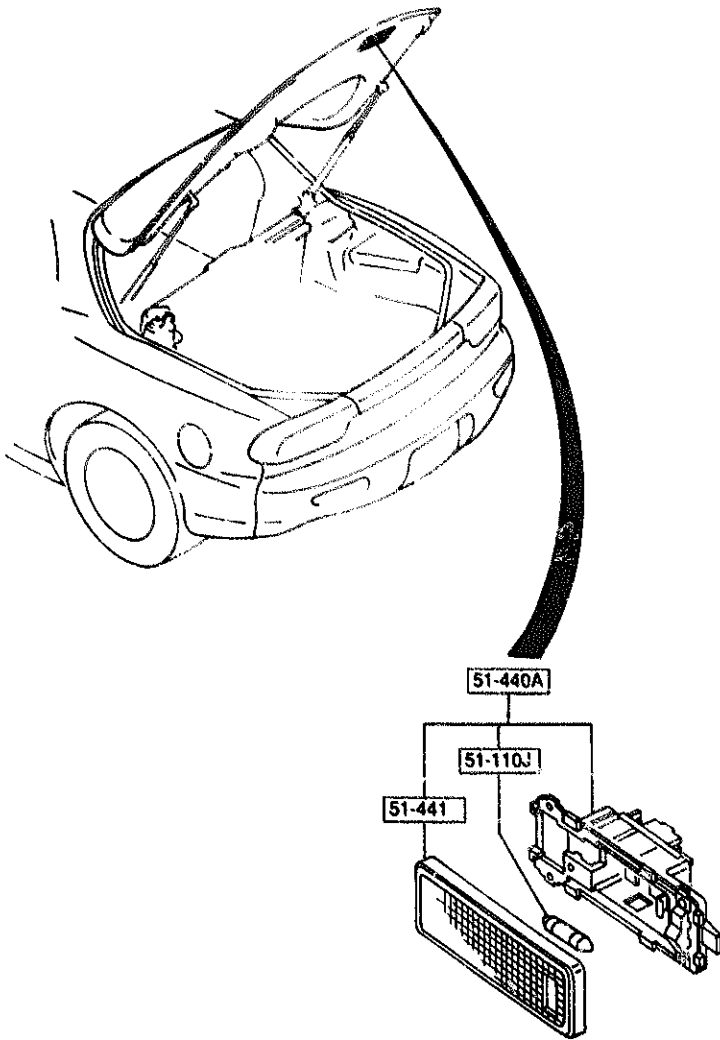
PART NO.	QTY	MODEL/RESTRICTION	MODEL/RESTRICTION	MODEL/RESTRICTION	FROM-TO
CONT'D FD01-51-589	4				
91-852	4	GROMMET, SCREW			
H272-51-RC5	4				-2309
2309 FD3MM-203215					



PART NO.	QTY	MODEL/RESTRICTION	MODEL/RESTRICTION	MODEL/RESTRICTION	FROM TO
51-270		LAMP, LICENSE			
FD01-51-270C	1				
51-271		BRACKET, LICENCE LAMP			
FD01-51-261A	1				
51-273		LENS, LICENCE LAMP			
Q225-51-274B	2				
51-273A		GASKET, LICENSE			
Q225-51-273	2				
51-293A		COVER, LICENSE LAMP			
FD01-51-293	2				
69-170K		BULB, INTERIOR MIRROR			
99701-6050	2	12V 5W			
76-724		RIVET			
B092-51-833	3				

5125 -1 * INTERIOR LAMPS

5125 INTERIOR LAMPS

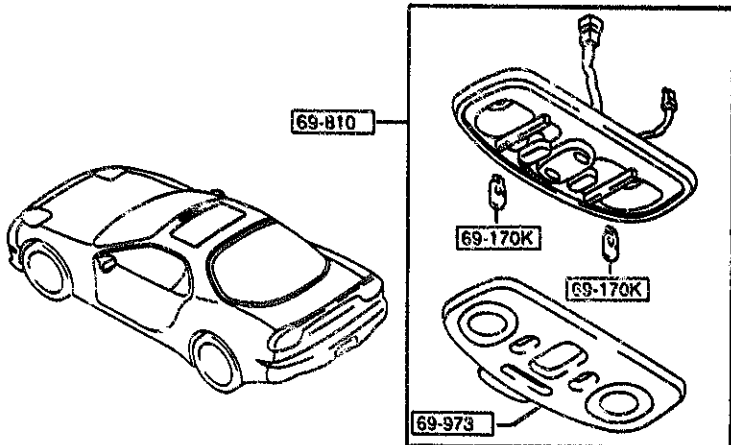
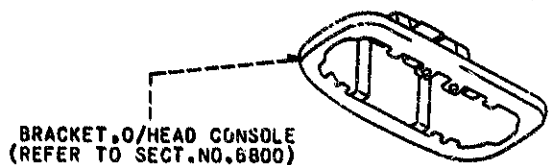


PART NO.	QTY	MODEL RESTRICTION	MODEL RESTRICTION	MODEL RESTRICTION	FROM TO
51-110J 99700-5080	1	BULB 12V/8W			
51-440A LA01-51-440	1	LAMP, CARGO ROOM			
51-441 0225-51-441	1	LENS			

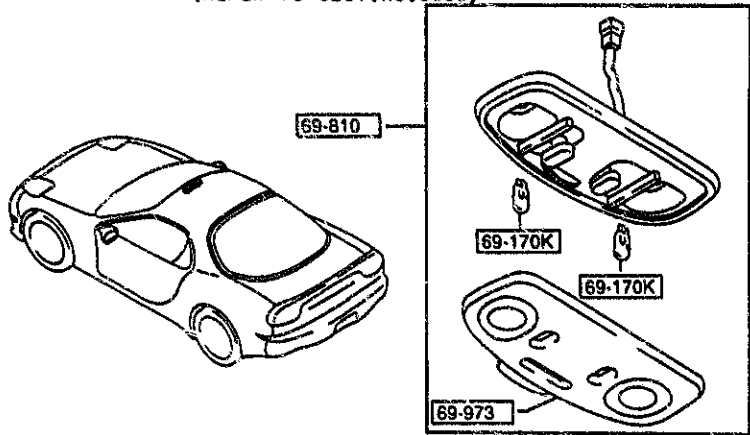
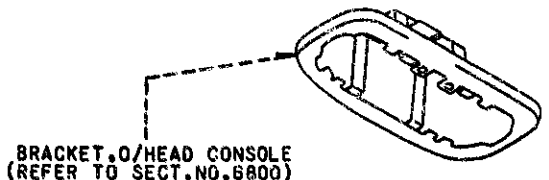
5130 -1 * OVERHEAD CONSOLE

5130 OVERHEAD CONSOLE

(SUNROOF)



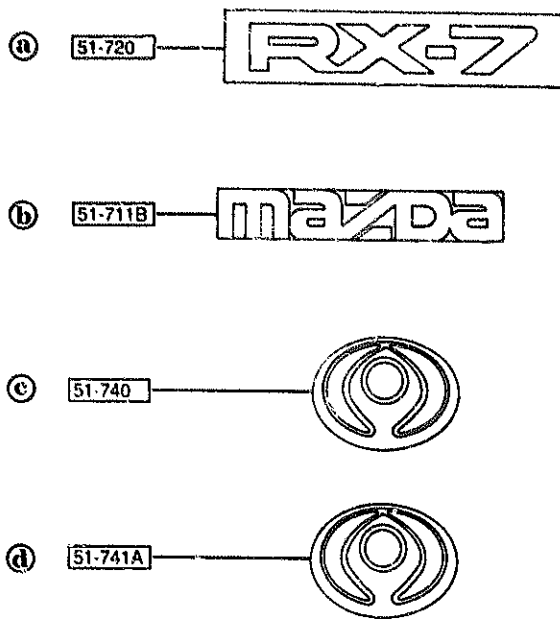
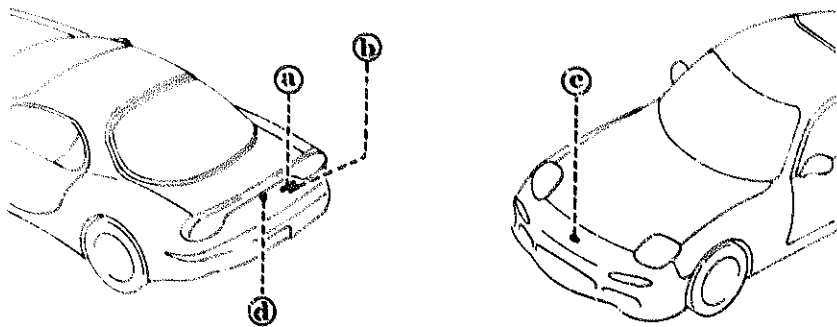
(W/O SUN-RF)



PART NO.	QTY	MODEL/RESTRICTION	MODEL/RESTRICTION	MODEL/RESTRICTION	FROM TO
69-170K		BULB, INTERIOR MIRROR			
99701-6050	2	12V 5W			
69-810		CONSOLE, OVERHEAD			
FD01-69-970C	1	(SUNROOF)			
02	INT-	FE2 BLACK			
17	INT-	FE4 RED			
33	INT-	FE3 TAN			
FD03-69-970C	1	(W/O SUN-RF)			
02	INT-	FE2 BLACK			
17	INT-	FE4 RED			
33	INT-	FE3 TAN			
69-973		LENS, OVERHEAD CONSOLE			
FD02-69-973	1	(W/O SUN-RF)			-3601
FD05-69-973	1	(SUNROOF)			-3601
MEA01-69-973	1	(W/O SUN-RF)			3601-
MEA05-69-973	1	(SUNROOF)			3601-

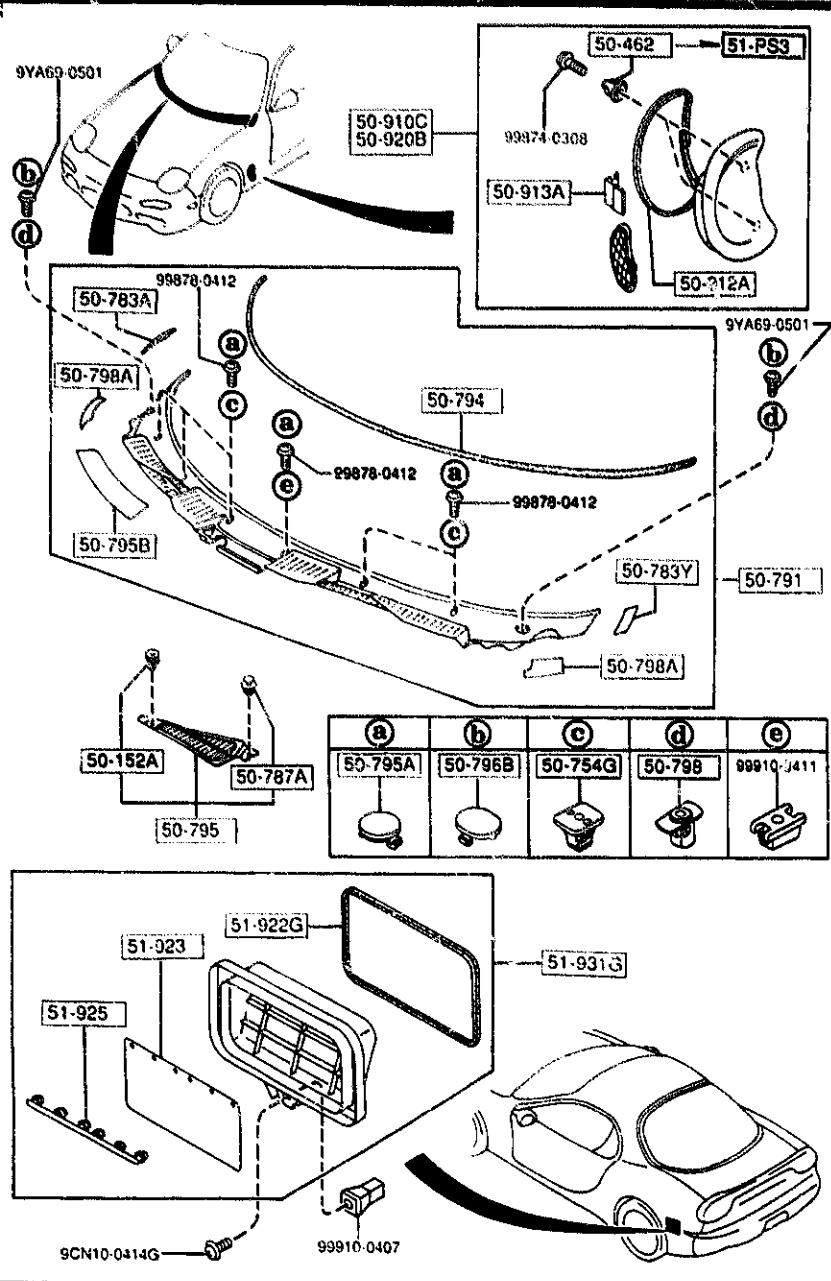
3601 FD3MMN-210664

5170 ORNAMENTS



PART NO.	QTY	MODEL/RESTRICTION	MODEL/RESTRICTION	MODEL/RESTRICTION	FROM TO
51-711B FD01-51-711A	1	ORNAMENT, MAKER NAME-REAR			
51-720 FD01-51-721C	1	ORNAMENT, CAR NAME-REAR			
51-740 FD02-51-731	1	MASCOT, FRONT			
51-741A FD02-51-741 A (FD02-51-741A)	1	MASCOT, REAR			-2302
FD02-51-741A	1				2302-
2302 FD3MM-202878					

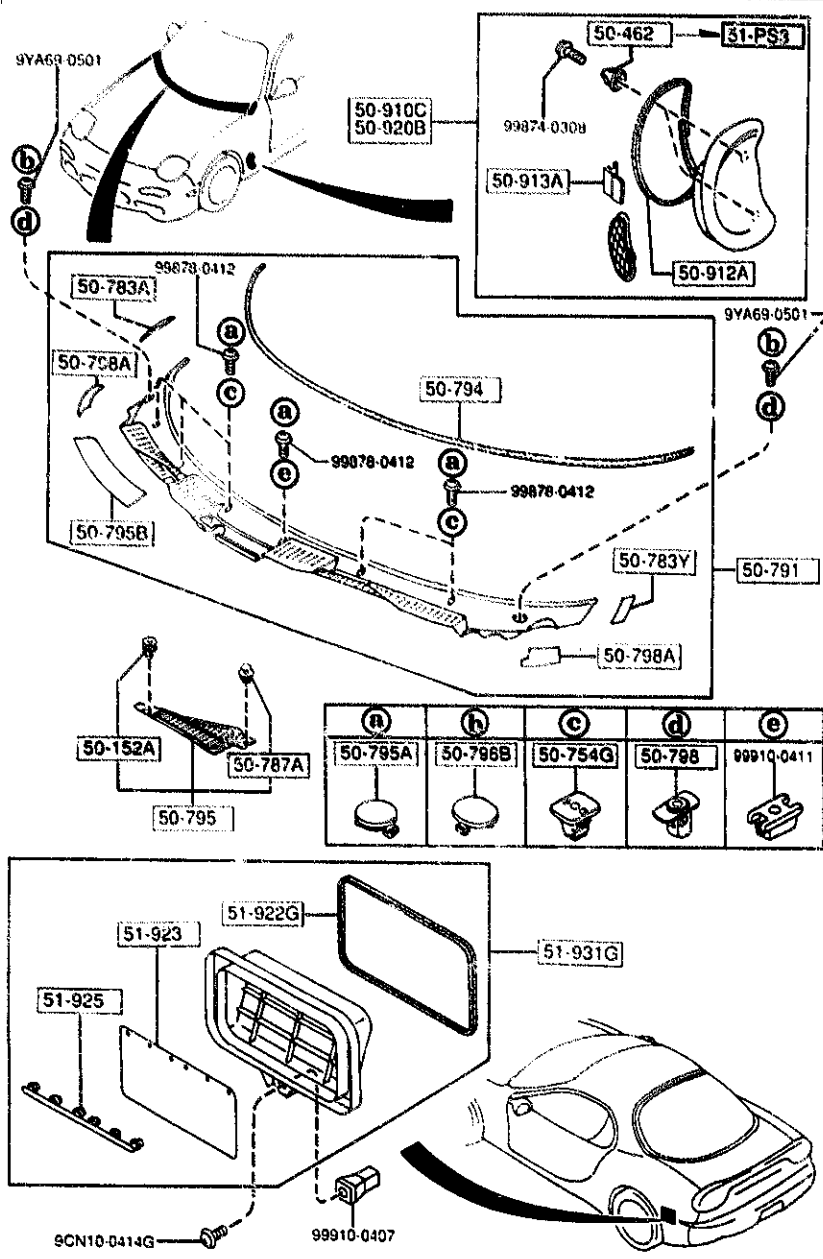
5180 COWL & EXTRACTOR GRILLES



PART NO.	QTY	MODEL/RESTRICTION	MODEL/RESTRICTION	MODEL/RESTRICTION	FROM-10
50-192A		CLIP			
3897-50-192	1				
50-462		CLIP, STEP MOULD			
FC17-51-PS9	4				-2219
50-754G		GROMMET, SCREW			
B482-50-792	5				
50-783A		PROTECTOR(R), COWL GRILLE			
FD01-50-783	1				
50-783Y		PROTECTOR(L), COWL GRILLE			
FD01-50-793	1				
50-787A		FASTENER			
B252-51-PJ5A	1				
50-791		GRILLE, COWL			
FD01-50-790A	1				
50-794		PROTECTOR			
FD01-50-794A	1				
50-795		BAFFLE, COWL			
FD01-50-790	1				
50-795A		CAP			
M001-50-795B	6				-2A01
GA7B-50-795	6				2A01-
50-795B		PROTECTOR, COWL GRILLE			
FD01-50-795	1				
50-796B		CAP			
E016-50-796	2				
50-798		SCREW, GROMMET			
FD02-50-798	2				

2219 FD3MM-202326
2A01 FD3MM-210508

5180 COWL & EXTRACTOR GRILLES

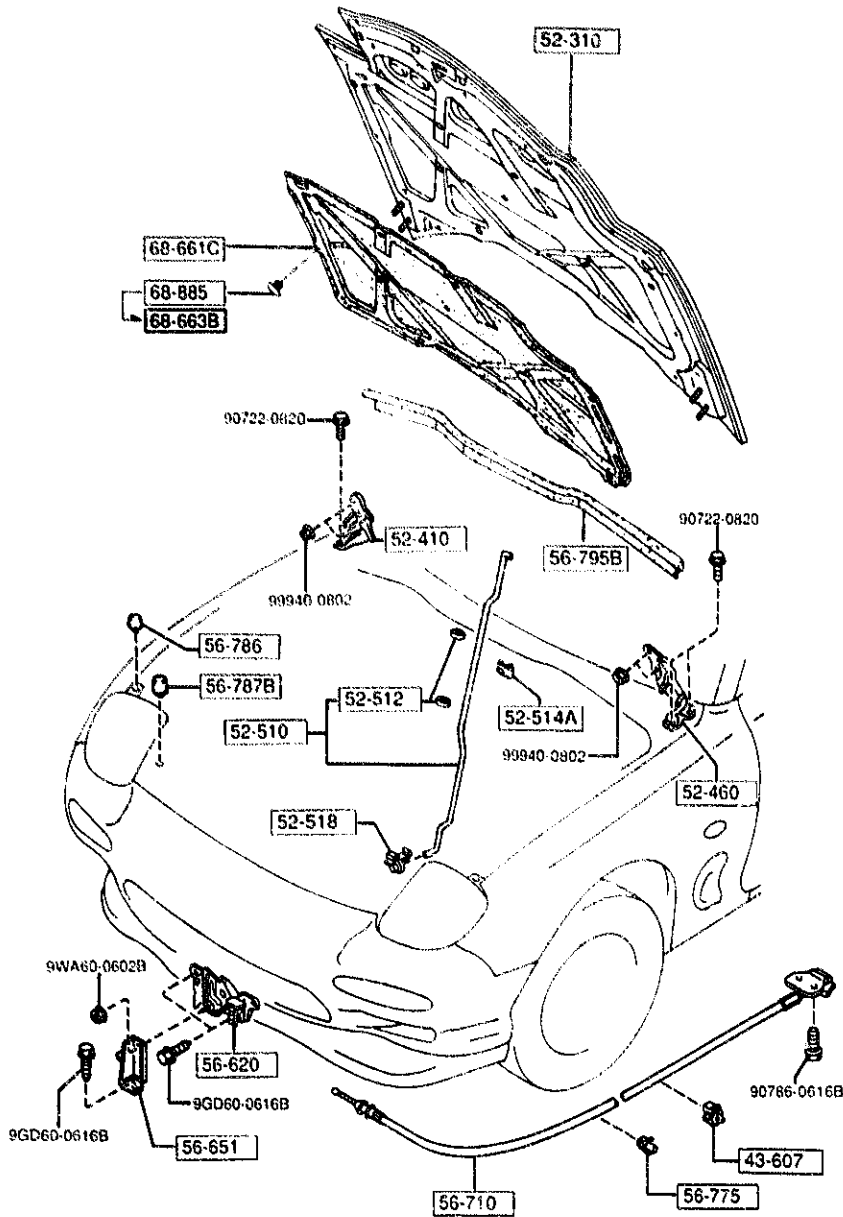


PART NO.	QTY	MODEL/RESTRICTION	MODEL/RESTRICTION	MODEL/RESTRICTION	FROM-TO
50-798A	2	PROTECTOR, COWL GRILL			
FD01-50-798		E			
50-910C	1	GRILLE(R), FENDER			-2201
FDY2-50-91X					
A (FDY2-50-91XA)					2201-2219
FDY2-50-91XA	1				2219-
A (FDY2-50-91XB)					
FDY2-50-91XB	1				
50-912A	2	PROTECTOR, FENDER GRILLE			
FD01-50-912					
50-913A	2	CLIP, FENDER GRILLE			
FD01-50-913					
50-920B	1	GRILLE(L), FENDER			-2201
FDY2-50-92X					
A (FDY2-50-92XA)					2201-2219
FDY2-50-92XA	1				2219-
A (FDY2-50-92XB)					
FDY2-50-92XB	1				
51-PS3	4	CLIP			2219-
FD01-51-PS3					
51-9220	1	GASKET, CHAMBER-EXTRACTOR			
FD01-51-922A					
51-923	1	VALVE, EXTRACT CHAMBER			
FD01-51-923					
51-925	1	RETAINER, CHAMBER-EXTRACTOR			
FD01-51-924					
51-931G	1	CHAMBER, EXTRACTOR			-2802
FD01-51-920A					
A (FD01-51-920B)					2802-
FD01-51-920B					
2201 FD3MM-201428 2219 FD3MM-202324 2802 FD3MM-210514					

AUFA04

CAT. AUFA04-06

1994-09

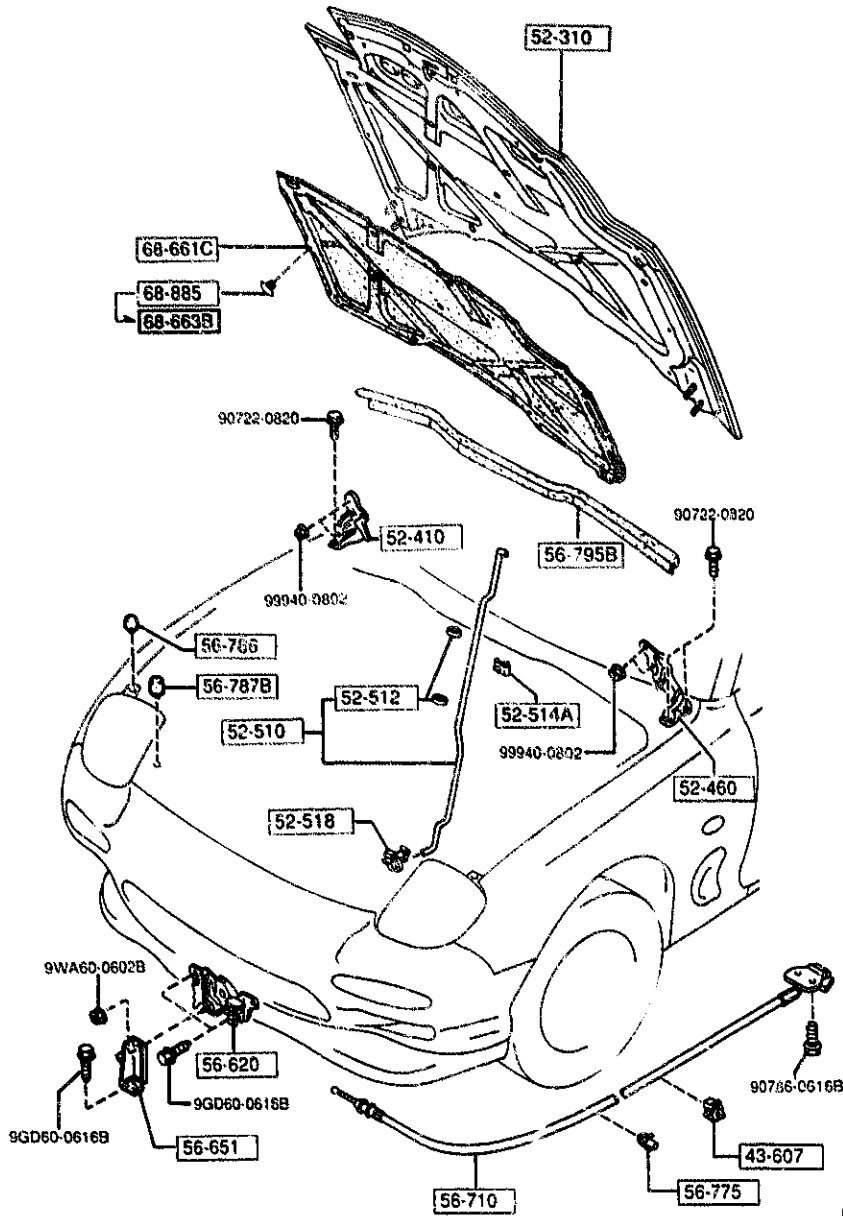


PART NO.	QTY	MODEL/RESTRICTION	MODEL/RESTRICTION	MODEL/RESTRICTION	FROM TO
43-607		CLIP,RR BRAKE PIPE			
9309-43-607	1				
52-310		BONNET			
FD01-52-310C AN(FD01-52-310E)	1				-1C13
FD01-52-310E AN(FD01-52-310F)	1				1C13-2703
FD01-52-310F AN(FD01-52-310G)	1				2703-2804
FD01-52-310G	1				2804-
52-410		HINGE (R), BONNET			
FD01-52-410B	1				
52-460		HINGE (L), BONNET			
FD01-52-420B	1				
52-510		STAY, BONNET			
FD01-56-650	1				
52-512		SPACER, BONNET STAY			
FB01-52-512	2				
52-514A		HOLDER, BONNET STAY-S HRGUD			
FD01-56-642	1				
52-518		HOLDER, BONNET STAY			
Q144-52-518B	1				
56-620		LOCK, BONNET			
FD01-56-620A AN(FD01-56-620B)	1				-2206
FD01-56-620B	1				2206-
56-651		STAY, LOCK-BONNET			
FD01-56-67X	1				
56-710		WIRE, RELEASE-BONNET			
FD01-56-720A	1				-1C16
02	INT-	FE2 FE3 FE4 BLACK			
1C13	FD3***-200081				
1C16	FD3***-200096				
2206	FD3***-201662				
2703	FD3***-208751				
2804	FD3***-210514				

AUFA04

CAT. AUFA04-06

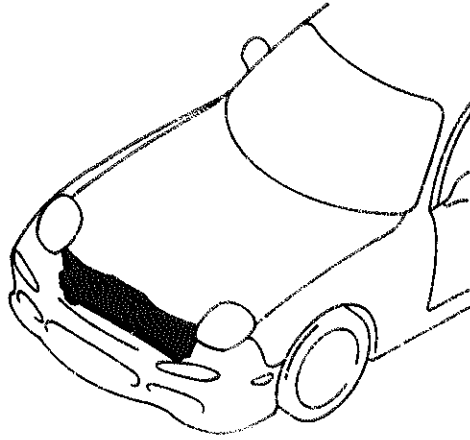
1994-09



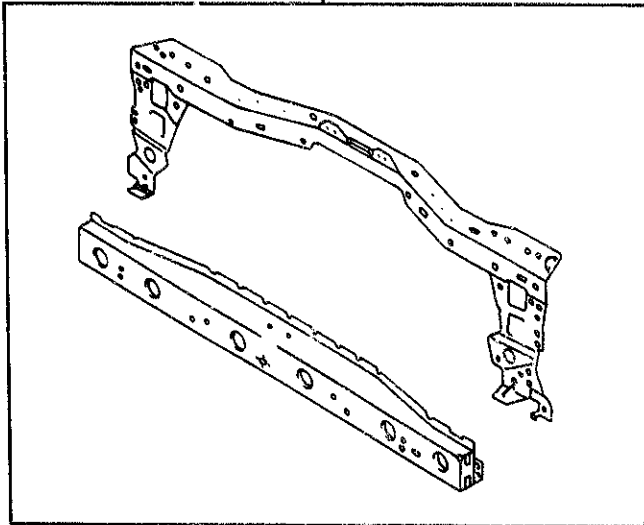
PART NO.	QTY	MODEL/RESTRICTION	MODEL/RESTRICTION	MODEL/RESTRICTION	FROM TO
CONT'D					
FD01-56-720B	1				1C16-2101
A (FD01-56-720C)					
02	INT-	FE2 FE3 FE4 BLACK			
FD01-56-720C	1				2101-
56-775		CLIP, WIRE-BONNET			
D001-56-731	1				
56-786		RUBBER(C), CUSHION-BONNET			
FB01-56-786A	2				
56-787B		RUBBER, CUSHION-BONNET FRT			
FB01-56-787A	2				
56-795B		WEATHERSTRIP, BONNET-REAR			
FD01-56-760A	1				-1C13
A (FD01-56-760B)					
FD01-56-760E	1				1C13-
68-661C		INSULATOR, BONNET			
FD01-68-601B	1				
68-663B		FASTENER, BONNET			
GA2A-56-694	13				2A20-
68-885		FASTENER			
G030-68-885C	13				-2A20
00	INT-	FE2 FE3 FE4 BLACK			
1C13	FD3MM-200081				
1C16	FD3MM-200096				
2101	FD3MM-200251				
2A20	FD3MM-210512				

5310 FRONT PANELS

5310 -1 M FRONT PANELS



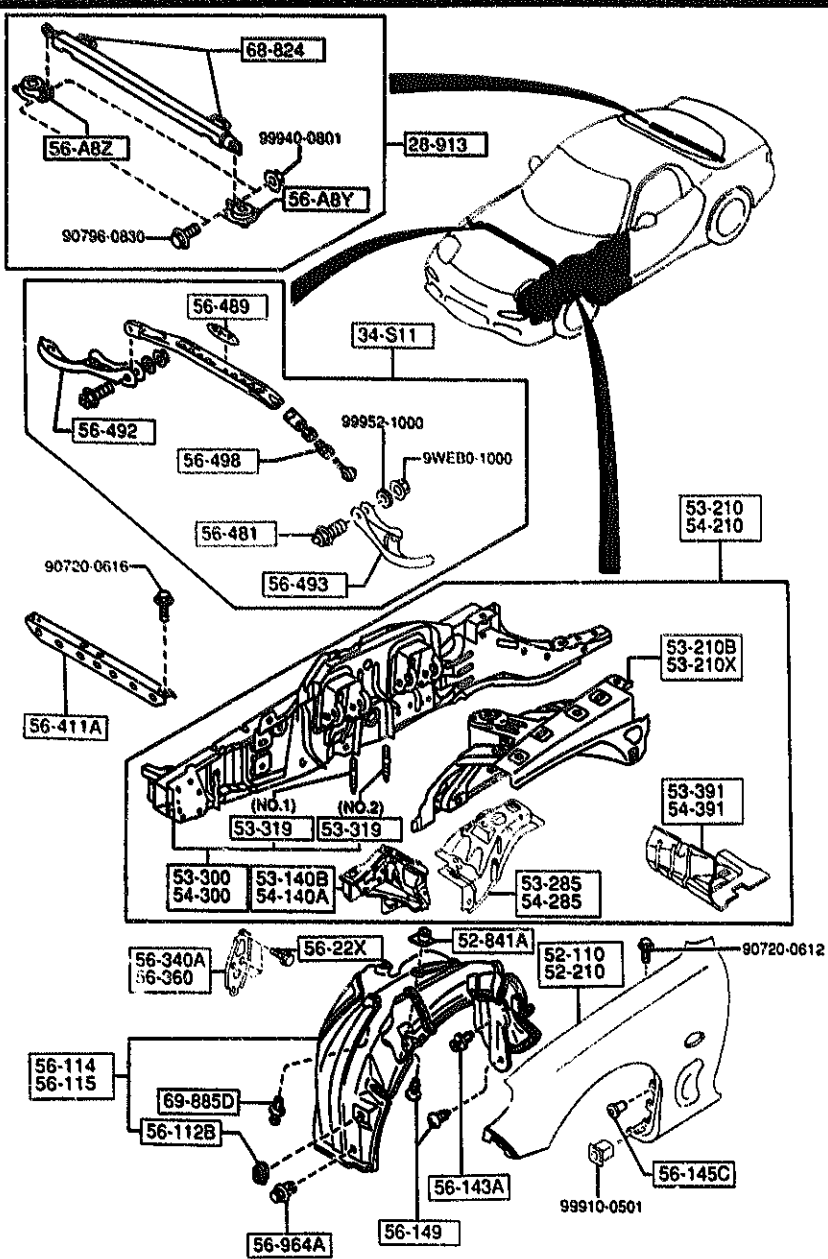
53-162



PART NO.	QTY	MODEL/RESTRICTION	MODEL/RESTRICTION	MODEL/RESTRICTION	FROM-TO
53-162 FO01-53-180A		MEMBER,CROSS			

5320 -1 FENDER & WHEEL APRON PANELS

5320 FENDER & WHEEL APRON PANELS



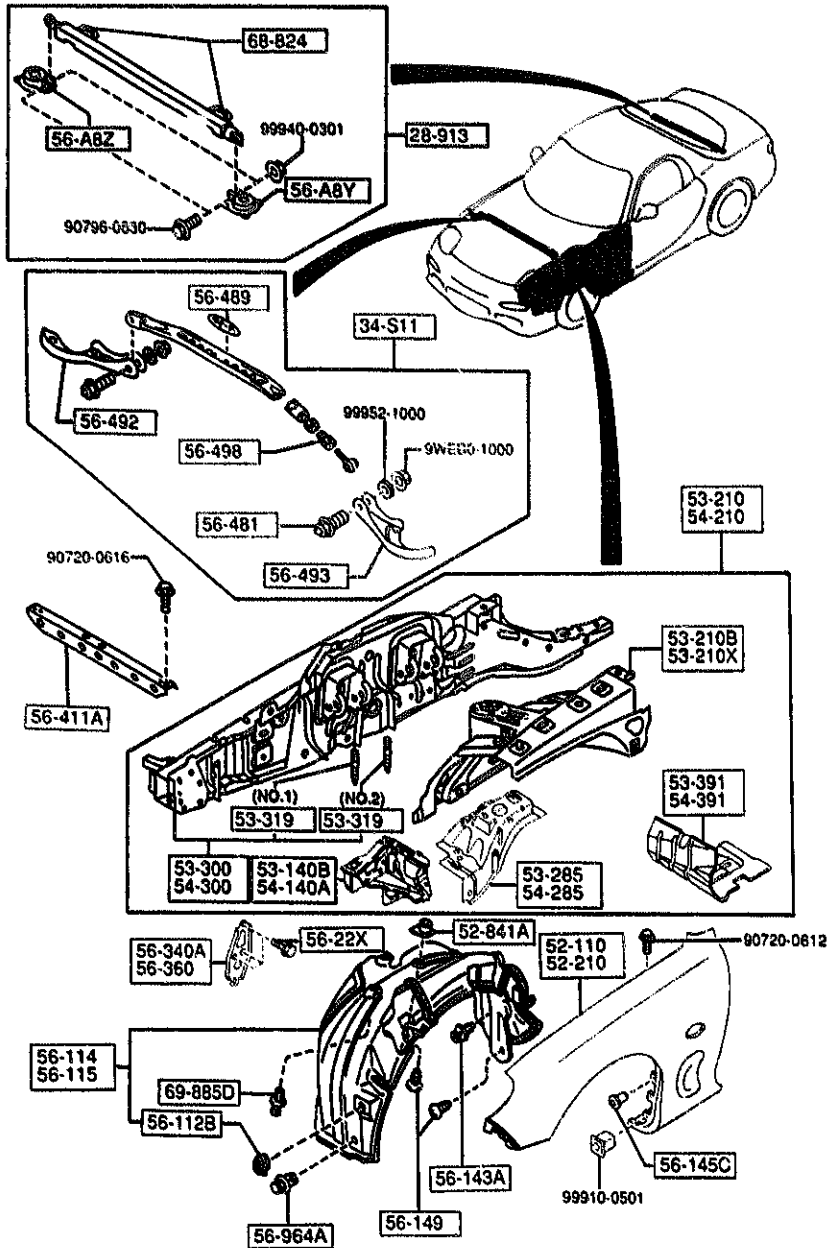
PART NO.	QTY	MODEL/RESTRICTION	MODEL/RESTRICTION	MODEL/RESTRICTION	FROM TO
28-913		BAR, STRUT			
FD01-56-38Y A (FD01-56-38YB)	1				-2101
02	INT-	FE2 FE3 FE4 BLACK			2101-
FD01-56-38YB	1				
02	INT-	FE2 FE3 FE4 BLACK			
34-S11		BAR, STRUT			
FD03-56-48ZA	1	(HARD SUSP)			
92-110		PANEL (R), FENDER-FRT.			
FD01-92-111B A (FD01-92-111C)	1				-1C18
FD01-92-111C A (FD01-92-111D)	1				1C18-2114
FD01-92-111D	1				2114-
52-210		PANEL (L), FENDER-FRT.			
FD01-92-211B A (FD01-92-211C)	1				-1C18
FD01-92-211C A (FD01-92-211D)	1				1C18-2115
FD01-92-211D	1				2115-
52-841A		NUT, CLIP			
B455-56-135	6				
53-140B		PANEL (R), SHROUD-SIDE			
FD01-53-12XG A (FD01-53-12XJ)	1				-2401
FD01-53-12XJ	1				2401-
53-210		PANEL (R), WHEEL APRON			
FD01-53-200A	1				
53-210B		PANEL (R), WHEEL APRON			
FD01-53-210E	1				
53-210X		PANEL (L), WHEEL APRON			
FD01-54-210F	1				
1C18 FD3***-200100 2101 FD3***-200251 2114 FD3***-200464 2115 FD3***-200652 2401 FD3***-204313					

AUFA04

CAT. AUFA04-06

1994-09

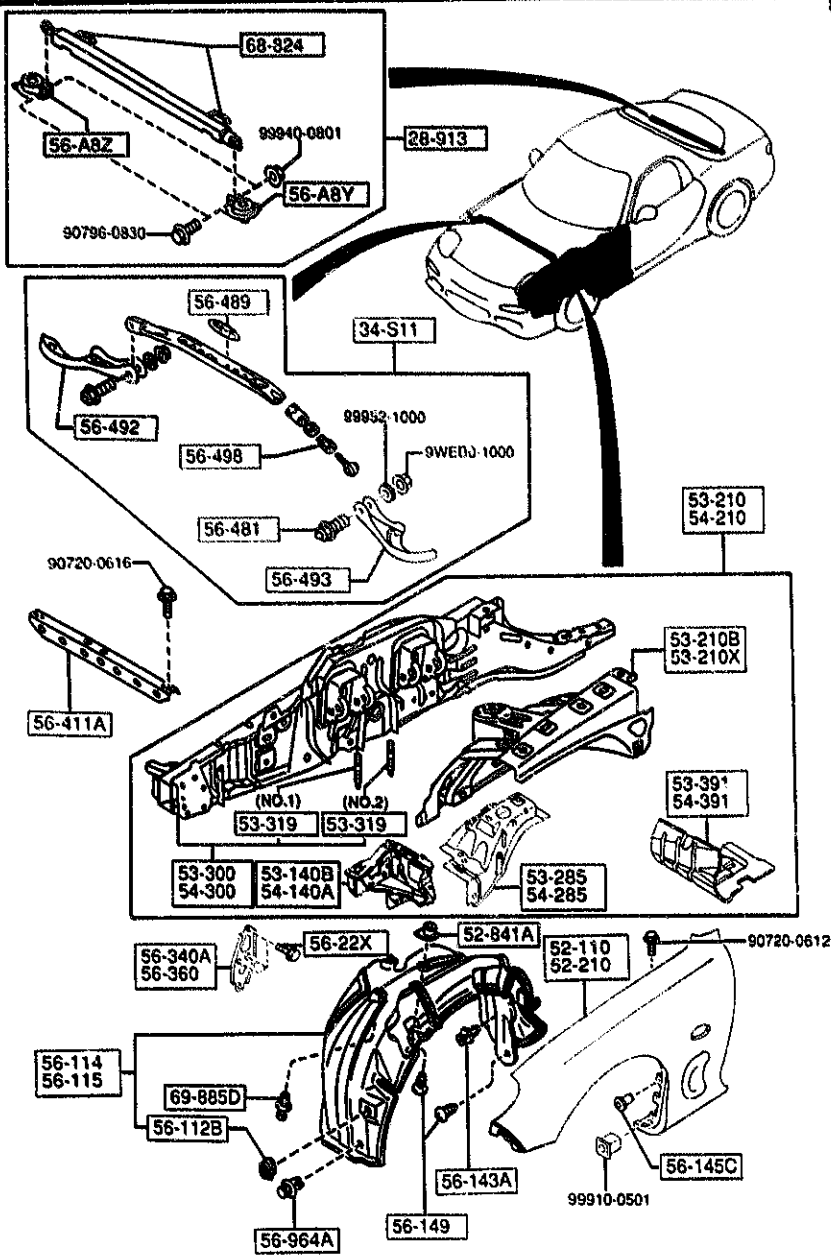
5320 FENDER & WHEEL APRON PANELS



PART NO.	QTY	MODEL/RESTRICTION	MODEL/RESTRICTION	MODEL/RESTRICTION	FROM TO
53-285		REINF. (R), WHL. APRON			
FD01-93-270A	1				
53-300		FRAME (R), SIDE-FRONT			
FD01-93-300H A (FD01-93-300K)	1				-1C17
FD01-93-300K A (FD01-93-300L)	1				1C17-2602
FD01-93-300L AN (FD01-93-300M)	1				2602-3201
FD01-93-300M	1				3201-
53-319		BOLT, MOUNT-MEMBER			
*FD01-93-317A	2 (ILLUST. NO.1)				
FD01-93-318	2 (ILLUST. NO.2)				
53-391		BOX (R), TORQUE			
FD01-93-391	1				
54-140A		PANEL (L), SHROUD-SIDE			
FD01-54-12XG A (FD01-54-12XJ)	1				-2401
FD01-54-12XJ	1				2401-
54-210		PANEL (L), WHEEL APRON			
FD01-54-200A	1				
54-285		REINF. (L), WHL. APRON			
FD01-54-270A	1				
54-300		FRAME (L), SIDE-FRONT			
FD01-54-300H A (FD01-54-300J)	1				-2201
FD01-54-300J A (FD01-54-300L)	1				2201-2301
FD01-54-300L A (FD01-54-300M)	1				2301-2602
FD01-54-300M AN (FD01-54-300N)	1				2602-3201
FD01-54-300N	1				3201-
54-391		BOX (L), TORQUE			
1C17	FD3MXX-200099				
2201	FD3MXX-201428				
2301	FD3MXX-202878				
2401	FD3MXX-204313				
2602	FD3MXX-207143				
3201	FD3MXX-210578				

5320 -3 FENDER & WHEEL APRON PANELS

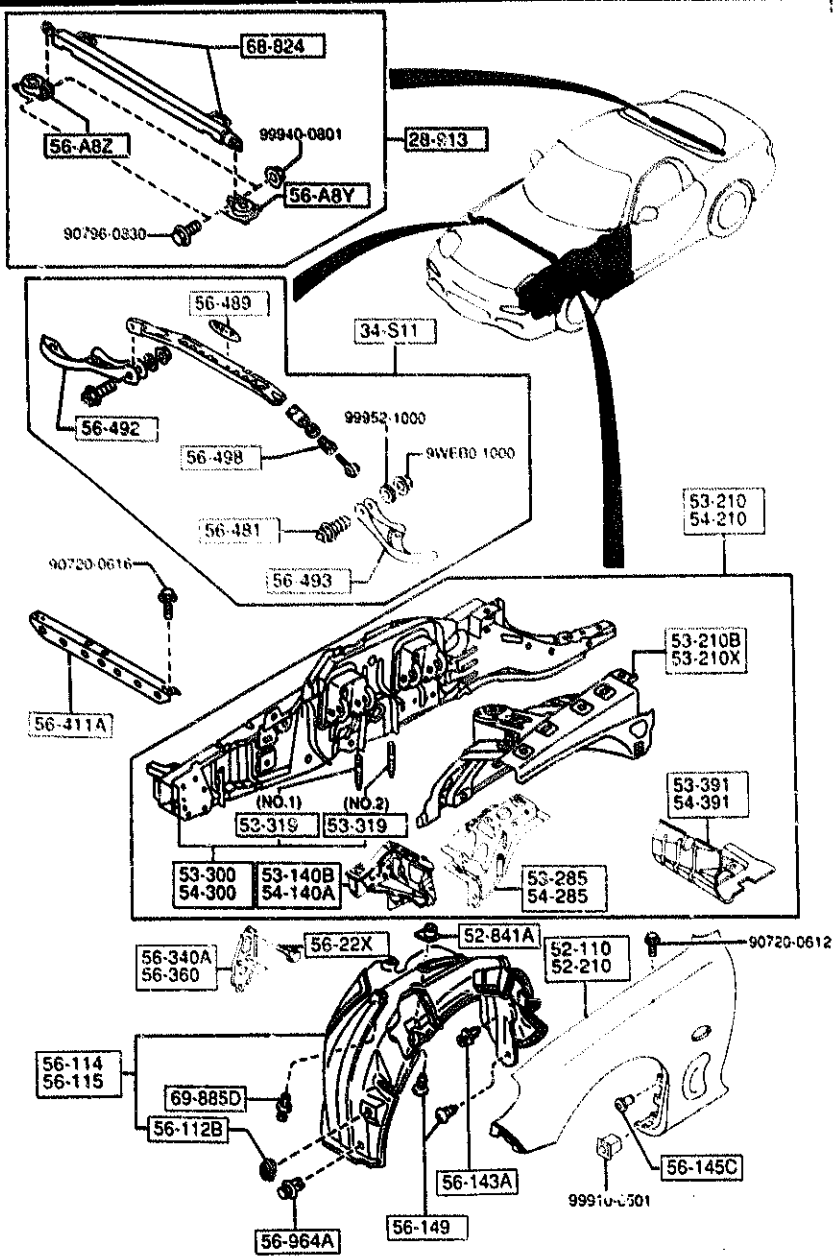
5320 FENDER & WHEEL APRON PANELS



PART NO.	QTY	MODEL/RESTRICTION	MODEL/RESTRICTION	MODEL/RESTRICTION	FROM TO
CONT'D FD01-54-391	1				
56-ABY		BRKT(L), STRUT BAR			
MFD01-56-ABY	1				
56-ABZ		BRKT(R), STRUT BAR			
MFD01-56-ABZ	1				
56-112B		PLUG, DRAIN			
B092-56-053	2				
56-114		GUARD(R), MUD			
FD01-56-130D A (FD01-56-130E)	1				-2201
FD01-56-130E A (FD01-56-130G)	1				2201-2301
FD01-56-130G	1				2301-
56-115		GUARD(L), MUD			
FD01-56-140D A (FD01-56-140E)	1				-2201
FD01-56-140E A (FD01-56-140G)	1				2201-2301
FD01-56-140G	1				2301-
56-143A		RIVET, MUD GUARD			
B455-56-143	2				
56-145C		CLIP, MUD GUARD			
B455-56-145	2				
56-149		SCREW, TAPPING-MUD GUARD			
B455-56-149	8				
56-22X		BOLT, TIE DOWN HOOK-FRONT			
FB01-56-22X	6				
56-340A		HOOK(R), TIE DOWN-FRONT			
FD01-56-221	1				
56-360		HOOK(L), TIE DOWN-FRONT			
FD01-56-231	1				
2201 FD3MM-201428					
2301 FD3MM-202878					

5320 -4 * FENDER & WHEEL APRON PANELS

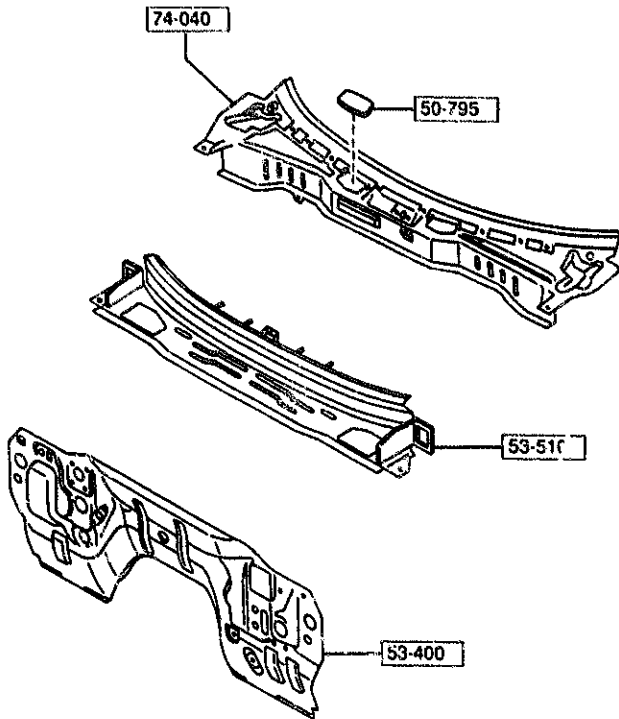
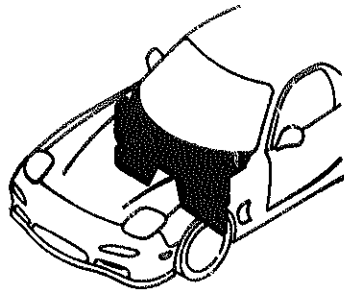
5320 FENDER & WHEEL APRON PANELS



PART NO.	QTY	MODEL/RESTRICTION	MODEL/RESTRICTION	MODEL/RESTRICTION	FROM TO
56-411A		MEMBER.CROSS			
FD01-56-290A	1				
56-481		BOLT,STRUT BAR			
FD03-56-491	2	(HARD SUSP)			
56-489		PLATE.LOGO-STRUT BAR			
FD03-56-489	1	(HARD SUSP)			
56-492		PLATE(R),STRUT BAR			
FD03-56-482A	1	(HARD SUSP)			
56-493		PLATE(L),STRUT BAR			
FD03-56-483A	1	(HARD SUSP)			
56-498		JOINT(L),STRUT BAR			
FD03-56-498	1	(HARD SUSP)			
56-964A		RIVET,SEAL PLATE-SHR			
FD01-56-964	6	OOD			
68-824		HINGE			
FD01-68-305	2				
69-885D		FASTENER			
NA01-56-145	16				

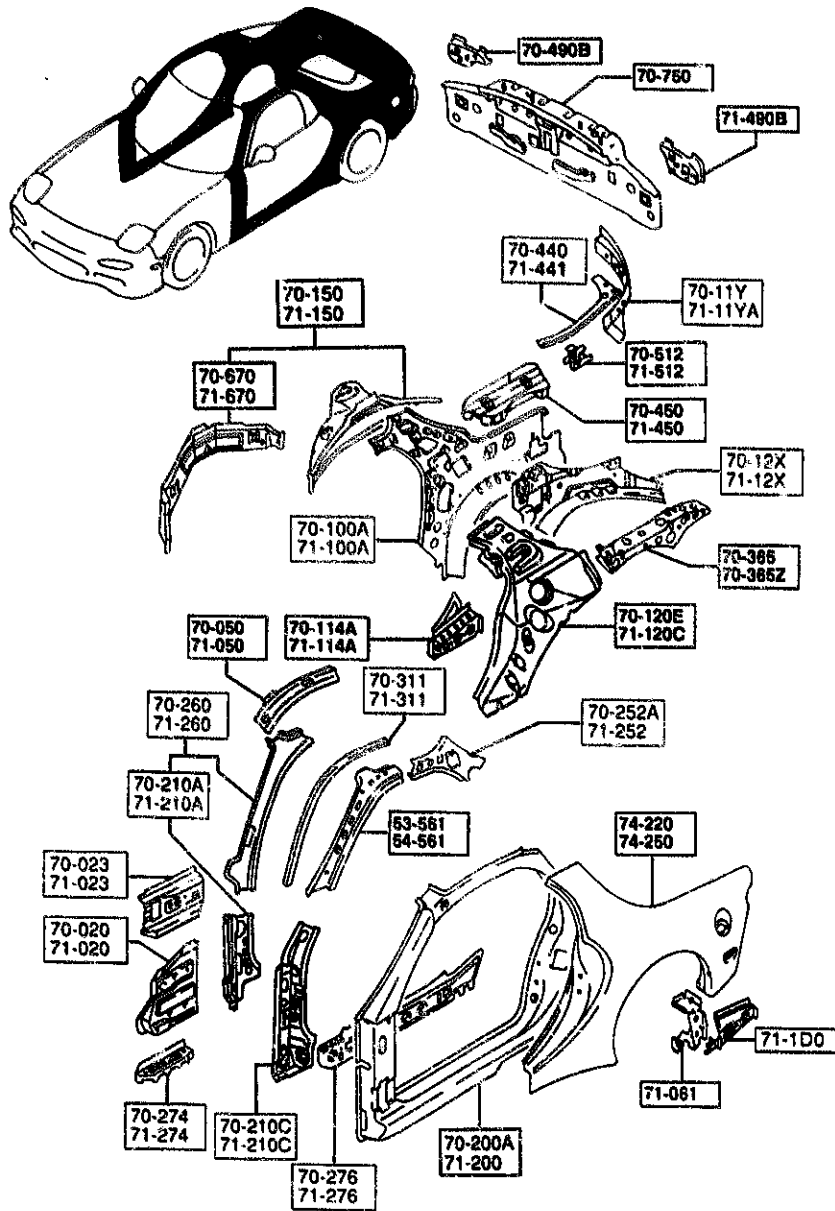
5330 DASH & COWL PANELS

5330 -1 M DASH & COWL PANELS

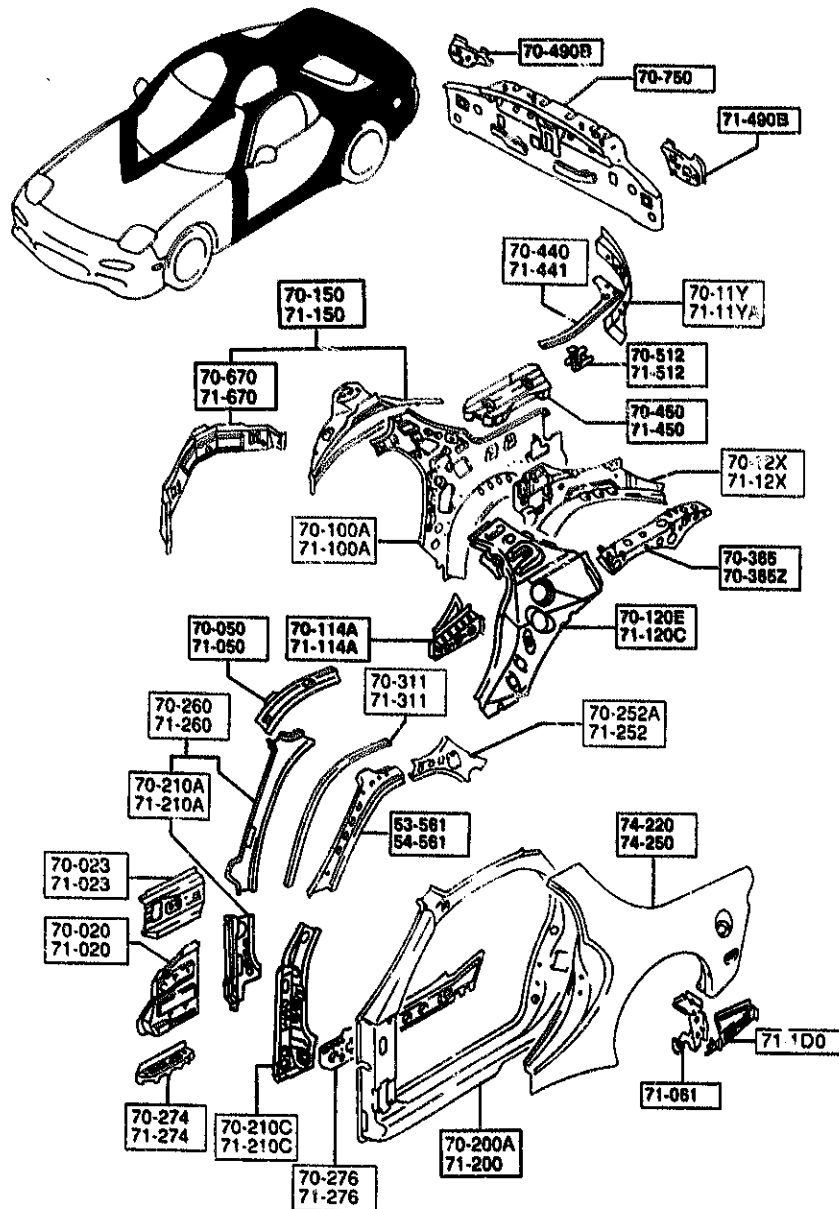


PART NO.	QTY	MODEL/RESTRICTION	MODEL/RESTRICTION	MODEL/RESTRICTION	FROM TO
50-795		BAFFLE,COWL			
FD01-56-351	1				
53-400		PANEL,DASH-LOWER			
FD01-54-4000	1	(N/O SUN-ROF)			
FD04-54-4000	1	(SUNROOF)			
53-310		PANEL,DASH-UPPER			
FD01-53-510B A (FD01-53-510C)	1				-2401
FD01-53-510C	1				2401-
74-040		PANEL,COWL			
FD01-70-610A	1				

2401 FD3MM-204315



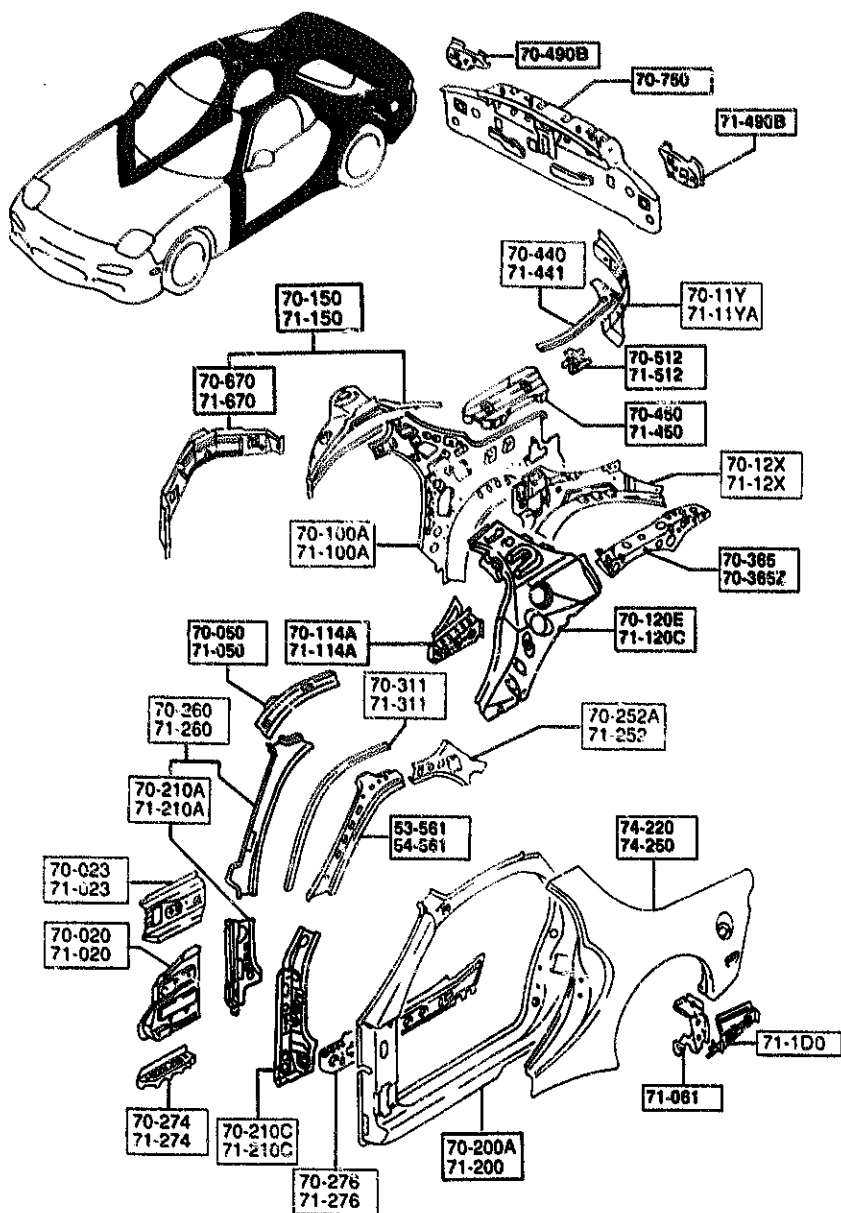
PART NO.	QTY	MODEL/RESTRICTION	MODEL/RESTRICTION	MODEL/RESTRICTION	FROM-TO
53-561 FD01-70-242B	1	REINF.(R),F. PILLAR INNER			
54-561 FD01-71-242B	1	REINF.(L),F. PILLAR INNER			
70-020 FD01-70-020B	1	PANEL(R),COWL SIDE			
70-023 FD01-70-691A	1	REINF.(R),COWL SIDE			
70-050 FD01-70-050	1	RAIL(R),ROOF-INNER			
70-100A FDY1-70-110A	1	PANEL(R),REAR PILLAR			
70-11Y FD01-70-11Y	1	PILLAR'C'(R),REAR-IN NER			
70-114A FD01-70-11ZA AN(FD01-70-112B)	1	JUNCTION(R),CORNER-O /PANE			-2901
70-114A FD01-70-112B AN(FD01-70-112C)	1				2901-3201
70-114A FD01-70-112C	1				3201-
70-12X FD01-70-12XA	1	REINF.(R),SUSPENSION HSG			
70-120E FD01-70-120B	1	REINF.(R),REAR PILLA R IN.			
70-150 FD01-70-150C A (FD01-70-150D)	1	PANEL(R),WHEEL HOUSE			-2101
70-150 FD01-70-150D	1				2101-
70-200A FDY1-70-280	1	FRAME(R),SIDE-OUTER			
2101 FDS***-200251 2901 FDS***-210499 3201 FDS***-210575					



PART NO.	QTY	MODEL/RESTRICTION	MODEL/RESTRICTION	MODEL/RESTRICTION	FROM-TO
70-210A		PILLAR(R),HINGE			
FD01-70-230A	1				
70-210C		REINF.(R),HINGE			
FD01-70-030C AN(FD01-70-030D)	1				-3301
FD01-70-030D	1				3301-
70-252A		REINF.(R),ROOF RAIL			
FD01-70-252A	1				
70-260		PILLAR(R),FRT.-INNER			
FDY1-70-24X	1	(W/O SUN-RF)			
FDY4-70-24X	1	(SUNROOF)			
70-274		GUSSET(R),SIDE SILL OUTER			
FD01-70-274A	1				
70-276		REINF.(R),SIDE SILL			
FD01-70-272B	1				
70-311		RAIL(R),RAIN			
FD01-70-311A	1				
70-365		REINF.(R),BELT LINE- C.PIL			
FD01-70-130A	1				
70-365Z		REINF.(L),BELT LINE- C.PIL			
FD01-71-131A	1				
70-440		PLATE(R),CORNER			
FD01-70-440B	1				
70-450		PANEL(R),FLOOR SIDE			
FD01-70-1X1	1				
70-490B		BRACKET(R),LAMP			
FD01-70-490B	1				
70-512		BRACKET(R),TRIM-QTR PANEL			
FD01-70-119	1				

3301 FD3NMH-210620

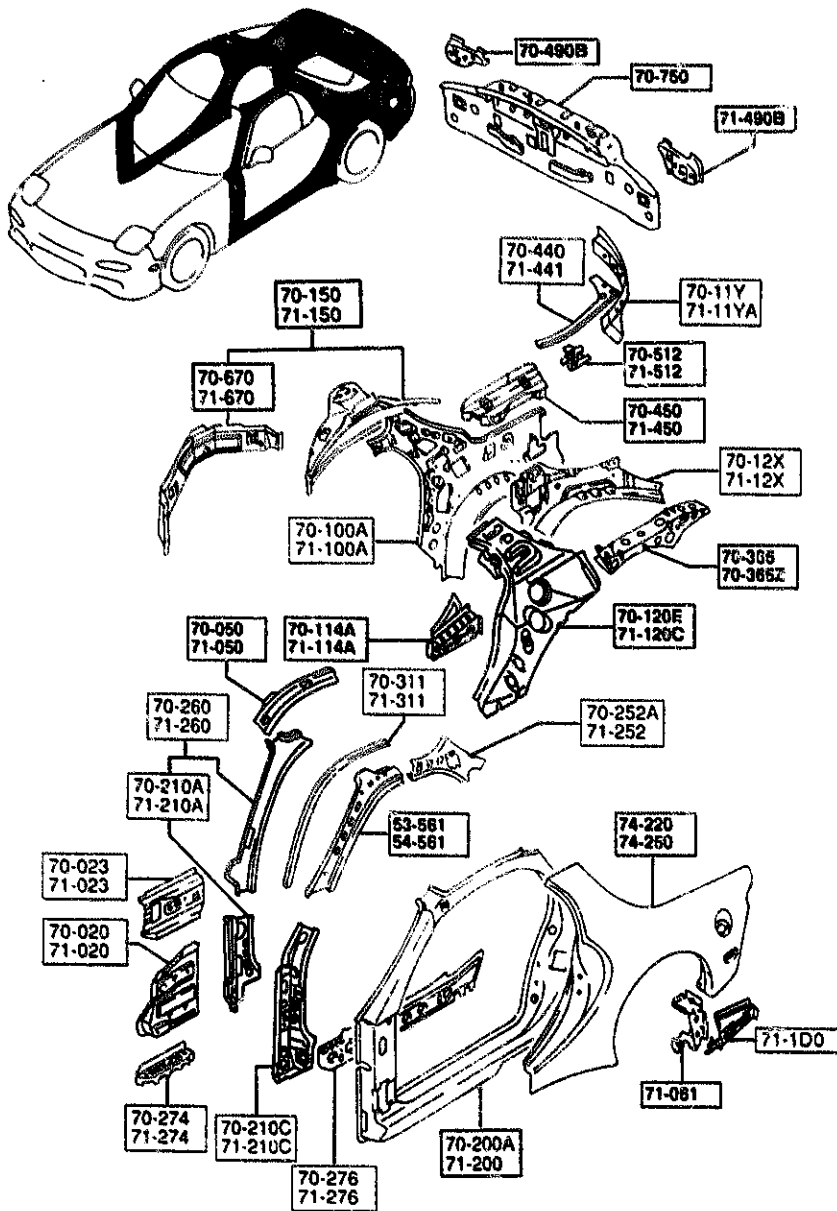
5340 SIDE PANELS



PART NO.	QTY	MODEL/RESTRICTION	MODEL/RESTRICTION	MODEL/RESTRICTION	FROM-TO
70-670		PLATE(R),CLOSING-QTR PANEL			-2101
FD01-70-15XB A (FD01-70-15XC)	1				2101-
FD01-70-15XC	1				
70-750		PANEL,REAR END			
FD01-70-750C	1				
71-020		PANEL(L),COWL SIDE			
FD01-71-020B	1				
71-023		REINF.(L),COWL SIDE			
FD01-71-651A	1				
71-050		RAIL(L),ROOF-INNER			
FD01-71-050	1				
71-061		GUSSET(L),RR PILLAR			
FD01-71-180A	1				
71-100		REINF.(L),FLOOR SIDE			
FD01-71-100	1				
71-100A		PANEL(L),REAR PILLAR			
FDY1-71-110A	1				
71-11YA		PILLAR'C'(L),REAR-IN NER			
FD01-71-11Y	1				
71-114A		JUNCTION(L),CORNER-Q /PANE			-2901
FD01-71-11ZA AN(FD01-71-11ZB)	1				2901-3201
FD01-71-11ZB AN(FD01-71-11ZC)	1				
FD01-71-11ZC	1				3201-
71-12X		REINF.(L),SUSPENSION HSG			
FD01-71-12XB	1				
71-120C		REINF.(L),REAR PILLA R IN.			
FD01-71-120B	1				
2101	FD3MM-200251				
2901	FD3MM-210499				
3201	FD3MM-210578				

5340 SIDE PANELS

5340 -4 SIDE PANELS



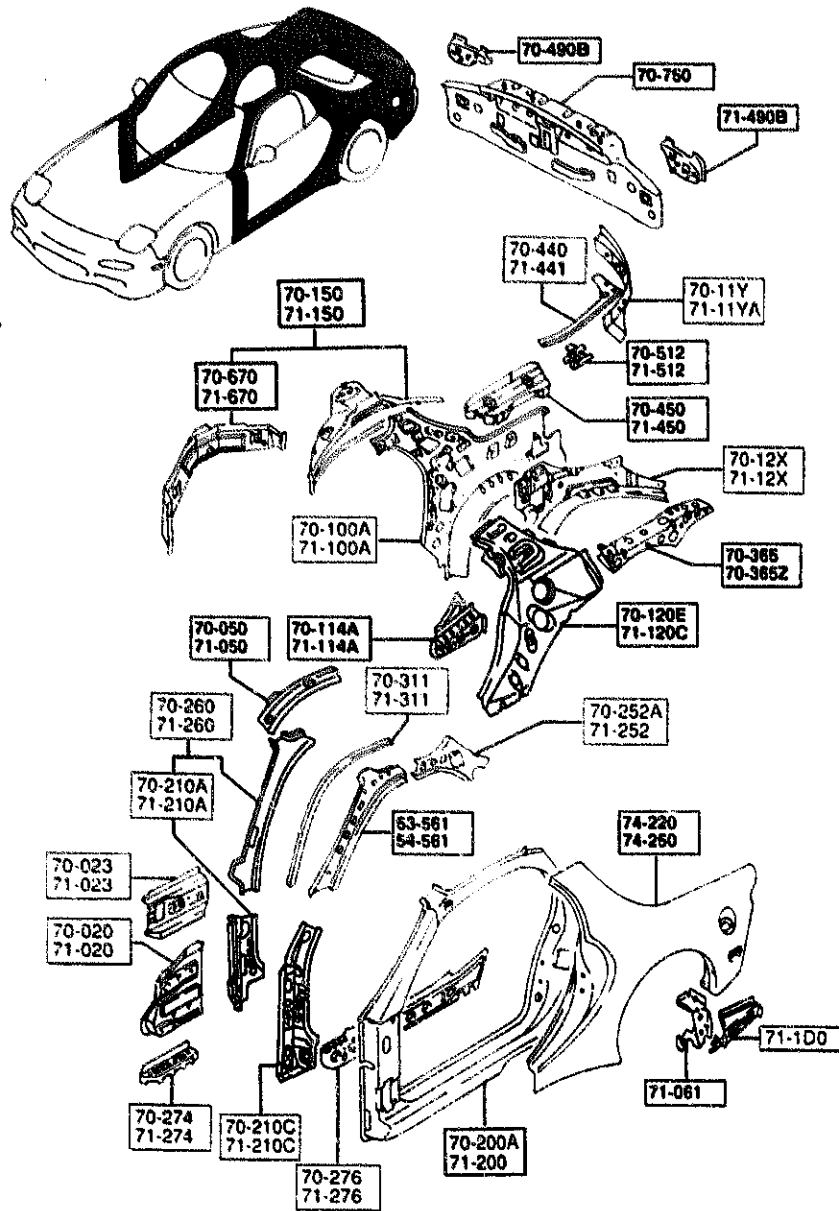
PART NO.	QTY	MODEL/RESTRICTION	MODEL/RESTRICTION	MODEL/RESTRICTION	FROM-TO
71-150		PANEL(L), WHEEL HOUSE			
FD01-71-150C A (FD01-71-150D)	1				-2101
FD01-71-150D AN(FD01-71-150E)	1				2101-2501
FD01-71-150E	1				2501-
71-200		FRAME(L), SIDE-OUTER			
FDY1-71-200	1				
71-210A		PILLAR(L), HINGE			
FD01-71-230A	1				
71-210C		REINF.(L), HINGE			
FD01-71-030C AN(FD01-71-030D)	1				-3301
FD01-71-030D	1				3301-
71-252		REINF.(L), ROOF RAIL			
FD01-71-252A	1				
71-260		PILLAR(L), FRT.-INNER			
FDY1-71-24X	1	(W/O SUN-RF)			
FDY4-71-24X	1	(SUNROOF)			
71-274		GUSSET(L), SIDE SILL OUTER			
FD01-71-274A	1				
71-276		REINF.(L), SIDE SILL			
FD01-71-272B	1				
71-311		RAIL(L), RAIN			
FD01-71-311A	1				
71-441		PLATE(L), CORNER			
FD01-71-440B	1				
71-450		PANEL(L), FLOOR SIDE			
FD01-71-1X1	1				
71-490B		BRACKET(L), LAMP			
2101 FD3MM-200251 2501 FD3MM-205709 3301 FD3MM-210620					

AUFA04

CAT. AUFA04-06

1994-09

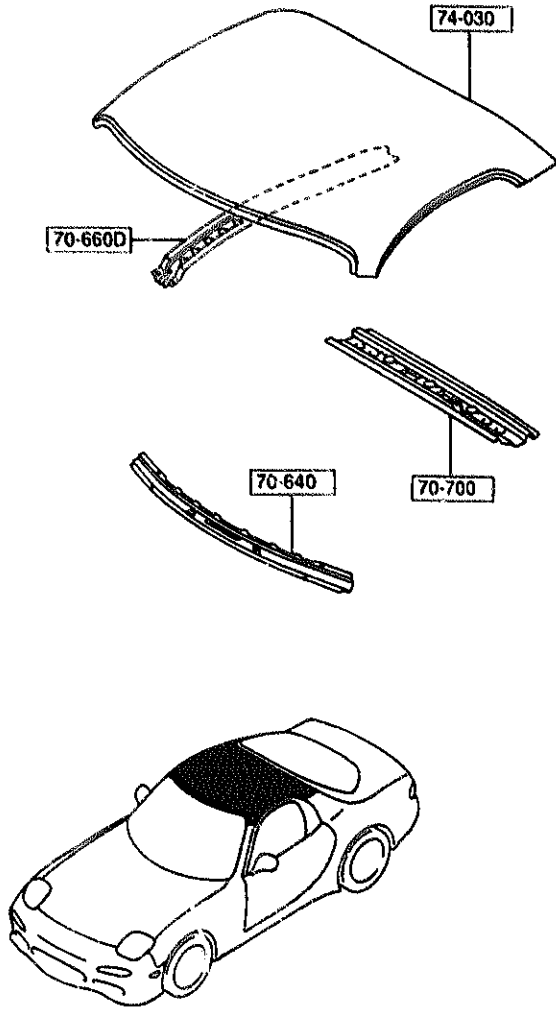
5340 SIDE PANELS



PART NO.	QTY	MODEL/RESTRICTION	MODEL/RESTRICTION	MODEL/RESTRICTION	FROM-TO
CONT'D FD01-71-490B	1				
71-512		BRACKET(L), TRIM-QTR PANEL			
FD01-71-119	1				
71-670		PLATE(L), CLOSING-QTR PANEL			
FD01-71-15XB A (FD01-71-15XC)	1				-2101
FD01-71-15XC AN (FD01-71-15XD)	1				2101-2501
FD01-71-15XD	1				2501-
74-220		PANEL (R), FENDER-REAR			
FDY1-70-400B	1				
74-250		PANEL (L), FENDER-REAR			
FDY1-71-400B	1				
2101 FDSMNM-200251 2501 FDSMNM-205709					

5360 ROOF PANELS
(W/O SUN ROOF)

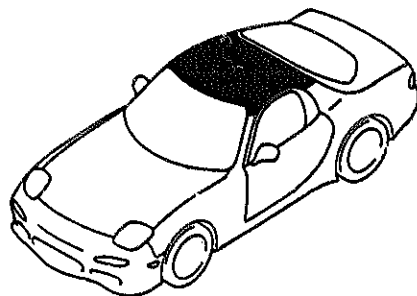
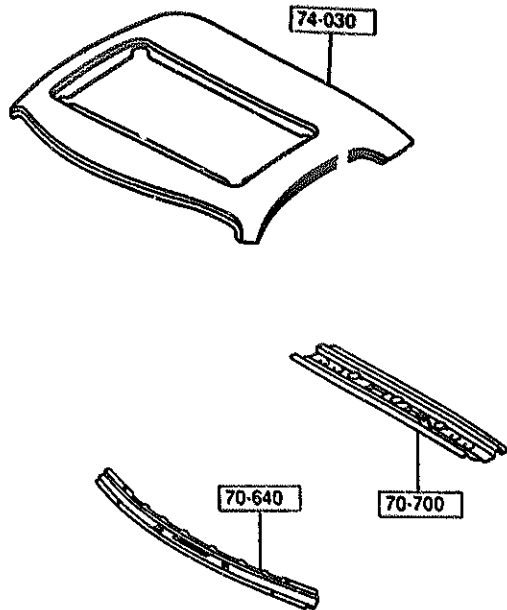
5360 -1 M ROOF PANELS
(W/O SUN ROOF)



PART NO.	QTY	MODEL/RESTRICTION	MODEL/RESTRICTION	MODEL/RESTRICTION	FROM-ID
70-640 FD01-70-640	1	HEADER, FRONT			
70-660D FD01-70-661	1	REINF., ROOF			
70-700 FD01-70-700B	1	HEADER, REAR			
74-030 FD01-70-601A	1	PANEL, ROOF			

5360 A ROOF PANELS
(SUN ROOF)

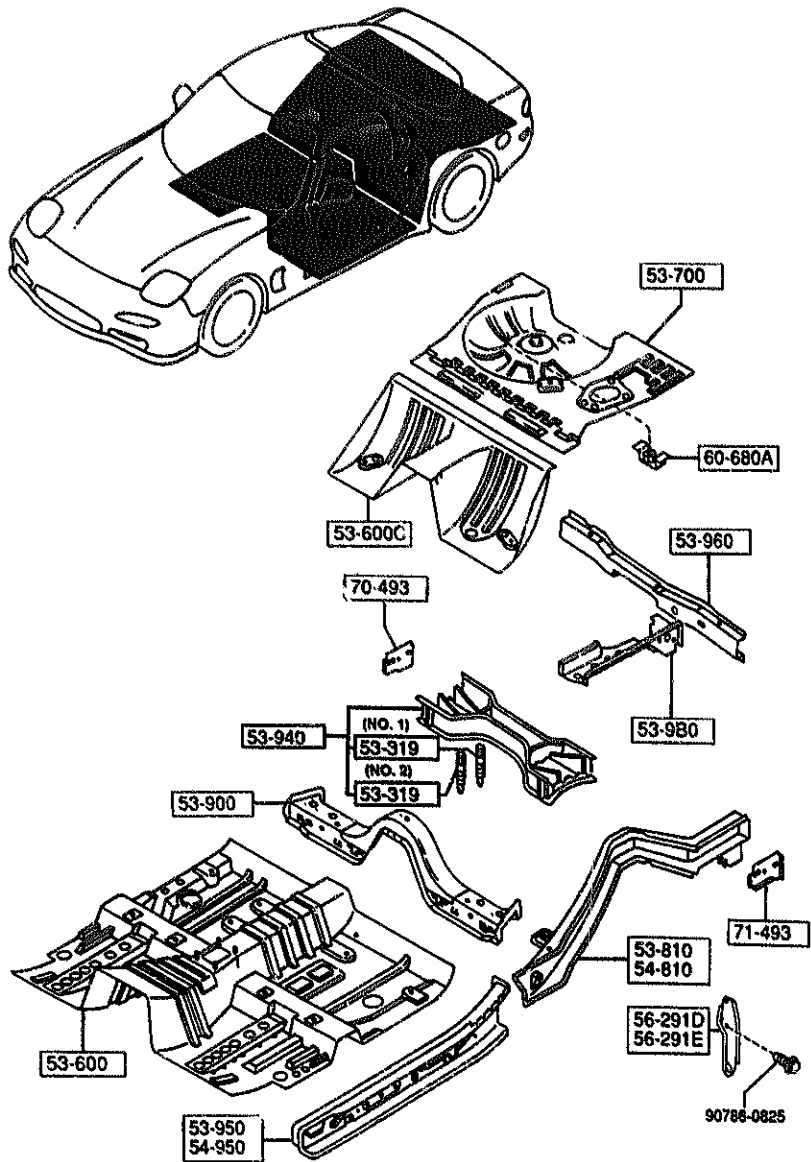
9360 A-1 * ROOF PANELS
(SUN ROOF)



PART NO.	QTY	MODEL/RESTRICTION	MODEL/RESTRICTION	MODEL/RESTRICTION	FROM-TO
70-640 FD01-70-640	1	HEADER, FRONT			
70-700 FD01-70-700B	1	HEADER, REAR			
74-030 FD04-70-600B	1	PANEL, ROOF			

5370 FLOOR PANELS

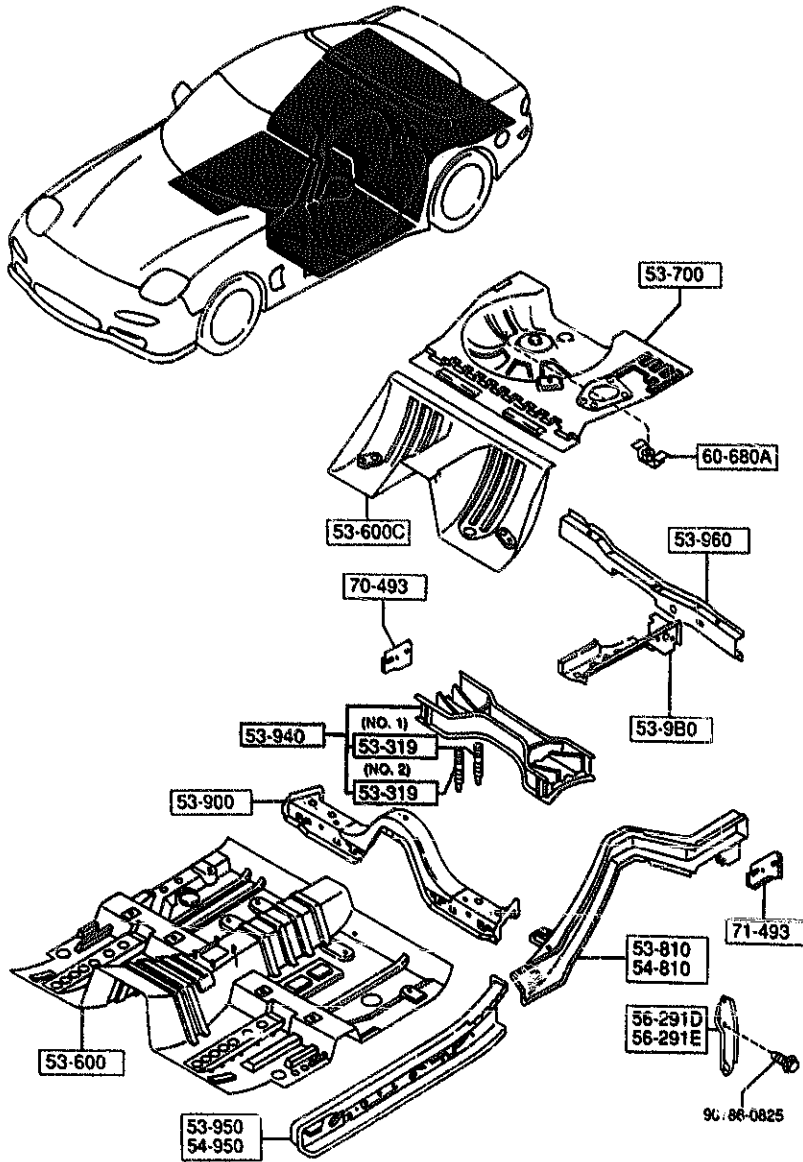
5370 -1 FLOOR PANELS



PART NO.	QTY	MODEL/RESTRICTION	MODEL/RESTRICTION	MODEL/RESTRICTION	FROM-TO
53-319		BOLT, MOUNT-MEMBER			
FD01-53-317A	2	(ILLUST. NO.1)			
FD01-53-318	2	(ILLUST. NO.2)			
53-600		PAN, FLOOR-FRONT			
FDY1-53-600 A (FDY1-53-600A)	1				-3401
FDY1-53-600A	1				3401-
53-600C		PAN, FLOOR-CENTER			
FDY1-53-720	1				
53-700		PAN, FLOOR-REAR			
FDY1-53-710	1				
53-810		FRAME(R), REAR SIDE			
FD01-53-810E	1				
53-980		FRAME, CENTER-REAR SIDE			
FD01-53-980 A (FD01-53-980A)	1				-2201
FD01-53-980A	1				2201-
53-900		MEMBER NO. 3, CROSS			
FD01-53-910A	1				
53-940		MEMBER NO. 4, CROSS			
FD01-53-930C	1				
53-950		PANEL(R), SIDE SILL			
FD01-53-950B	1				
53-960		MEMBER NO. 5, CROSS			
FD01-53-940A	1				
54-810		FRAME(L), REAR SIDE			
FD01-54-810E A (FD01-54-810F)	1				-2601
FD01-54-810F	1				2601-
54-950		PANEL(L), SIDE SEAL			
2201 FDSMM-201428 2601 FDSMM-207062 3401 FDSMM-210661					

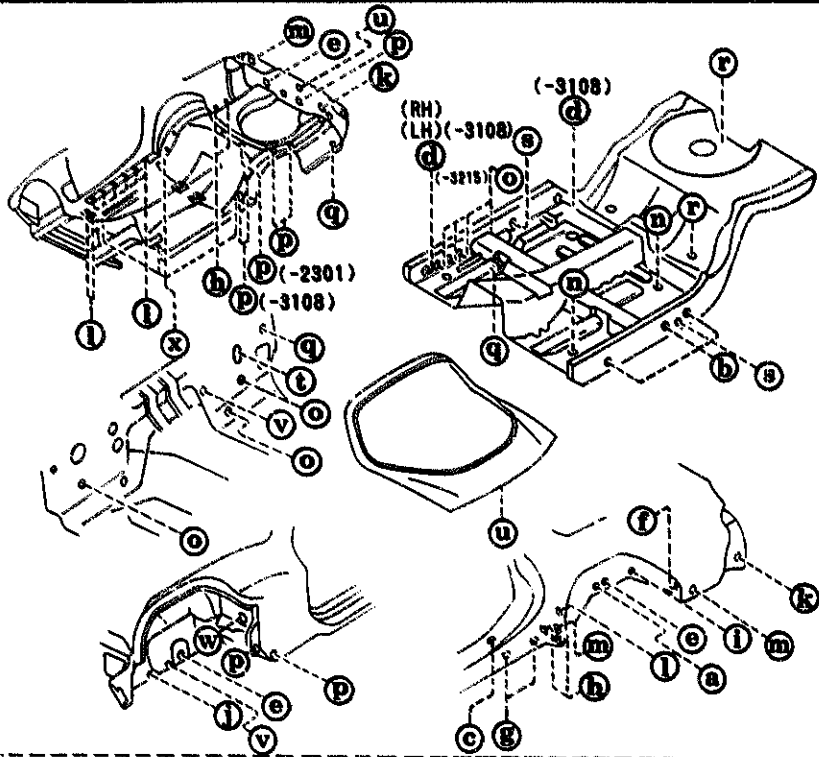
5370 FLOOR PANELS

5370 -2 W FLOOR PANELS



PART NO.	QTY	MODEL/RESTRICTION	MODEL/RESTRICTION	MODEL/RESTRICTION	FROM-TO
CONT'D FD01-54-950A	1				
56-291D		HOOK(R),TIE DOWN			
FD01-56-251B	1				
56-291E		HOOK(L),TIE DOWN			
FD01-56-252B	1				
60-680A		BRACKET,FLOOR			
0305-53-160	2				
70-493		PLATE(R),CLOSING-R.F ENDER			
FD01-53-781A AN(FD01-53-781B)	1				-2211
FD01-53-781B	1				2211-
71-493		PLATE(L),CLOSING-R.F ENDER			
FD01-54-781A AN(FD01-54-781B)	1				-2211
FD01-54-781B	1				2211-

2211 FD3MM-201896



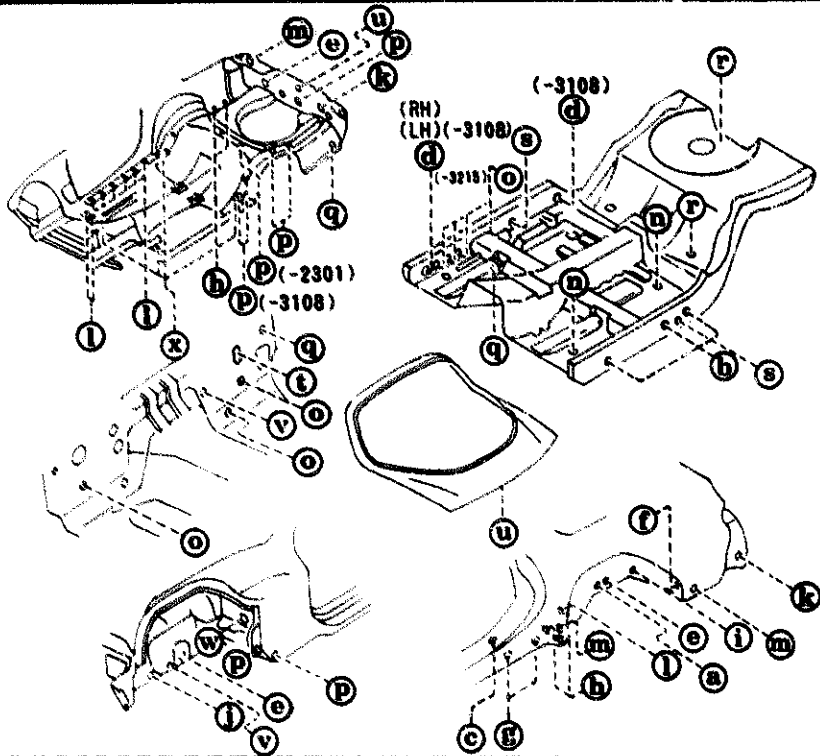
- | | | |
|------------------|------------------|------------------|
| a 43-095 | i 56-051B | q 56-242 |
| b 45-961B | j 56-052 | r 56-971 |
| c 50-753A | k 56-052A | s 58-869E |
| d 51-051C | l 56-056 | t 61-238 |
| e 51-274H | m 56-112B | u 62-869A |
| f 51-831B | n 56-231A | v 66-9A1 |
| g 51-9A1 | o 56-241 | w 67-056A |
| h 51-9A2 | p 56-241B | x 56-054 |

PART NO.	QTY	MODEL/RESTRICTION	MODEL/RESTRICTION	MODEL/RESTRICTION	FROM-TO
43-095		GROMMET			
H001-43-095	2				
45-961B		CAP			
H002-45-961	3				
50-753A		FASTENER			
FD01-50-753	2				
51-051C		PLUG, HOLE			
BR70-51-264	3				-3108
MBR70-51-264	1				3108-
51-274H		GROMMET			
BF67-51-261	6				
51-831B		PLUG, HOLE-FLAP			
DA14-51-831	2				
51-9A1		PLUG 'A', BLIND-S. SPOILER			
FB03-51-9A1	4				
51-9A2		PLUG 'B', BLIND-S. SPOILER			
FB03-51-9A2	8				
56-051B		COVER, HOLE			
GA5R-56-051	2				
56-052		PLUG, DRAIN			
B092-56-052	2	D=12MM			
56-052A		PLUG, HOLE-F. SIDE FRAME			
H260-56-052	5				
56-054		PLUG, HOLE			
FD01-56-051	4				2520-
56-056		COVER, HOLE			
GA5R-56-052	18				

2520 FD3MM-206494
3108 FD3MM-210568

5380 FLOOR ATTACHMENTS (HOLE COVERS)

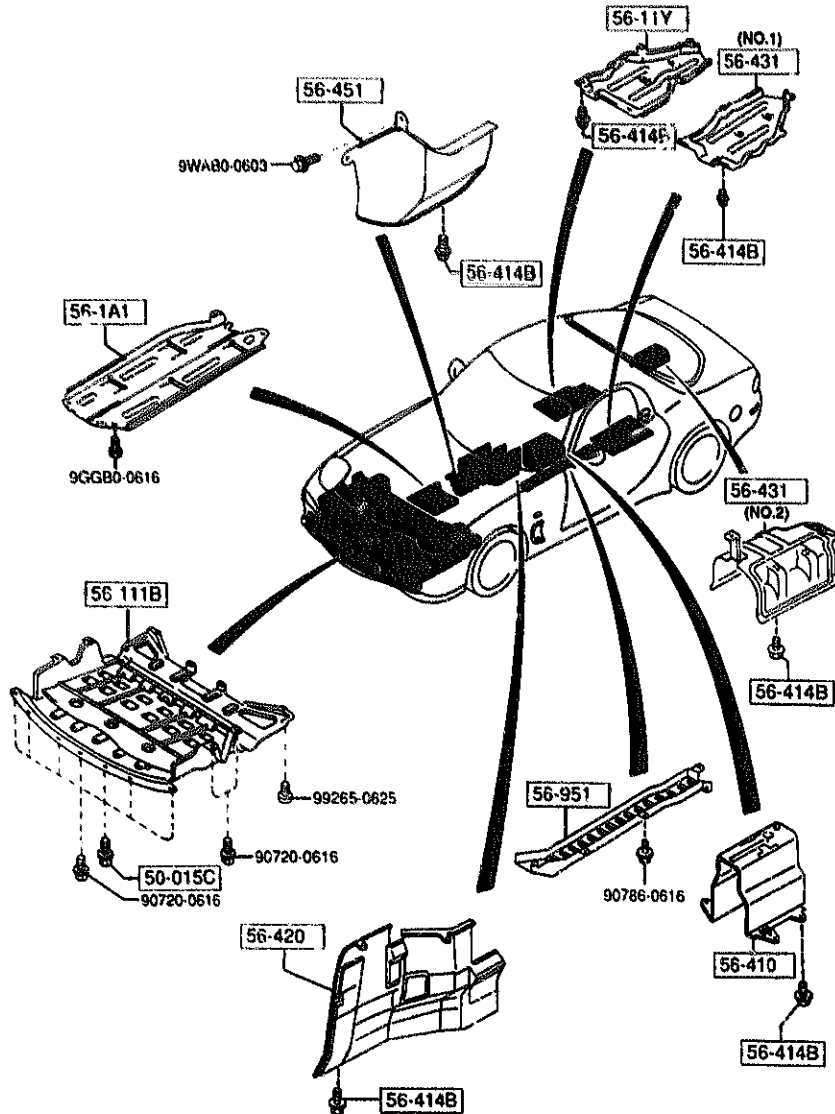
5380 -2 M FLOOR ATTACHMENTS (HOLE COVERS)



- | | | |
|-----------|-----------|-----------|
| a 43-095 | i 56-051B | q 56-242 |
| b 45-961B | j 56-052 | r 56-971 |
| c 50-753A | k 56-052A | s 58-868E |
| d 51-051C | l 56-056 | t 61-238 |
| e 51-274H | m 56-112B | u 62-869A |
| f 51-831B | n 56-231A | v 66-9A1 |
| g 51-9A1 | o 56-241 | w 67-056A |
| h 51-9A2 | p 56-241B | x 56-054 |

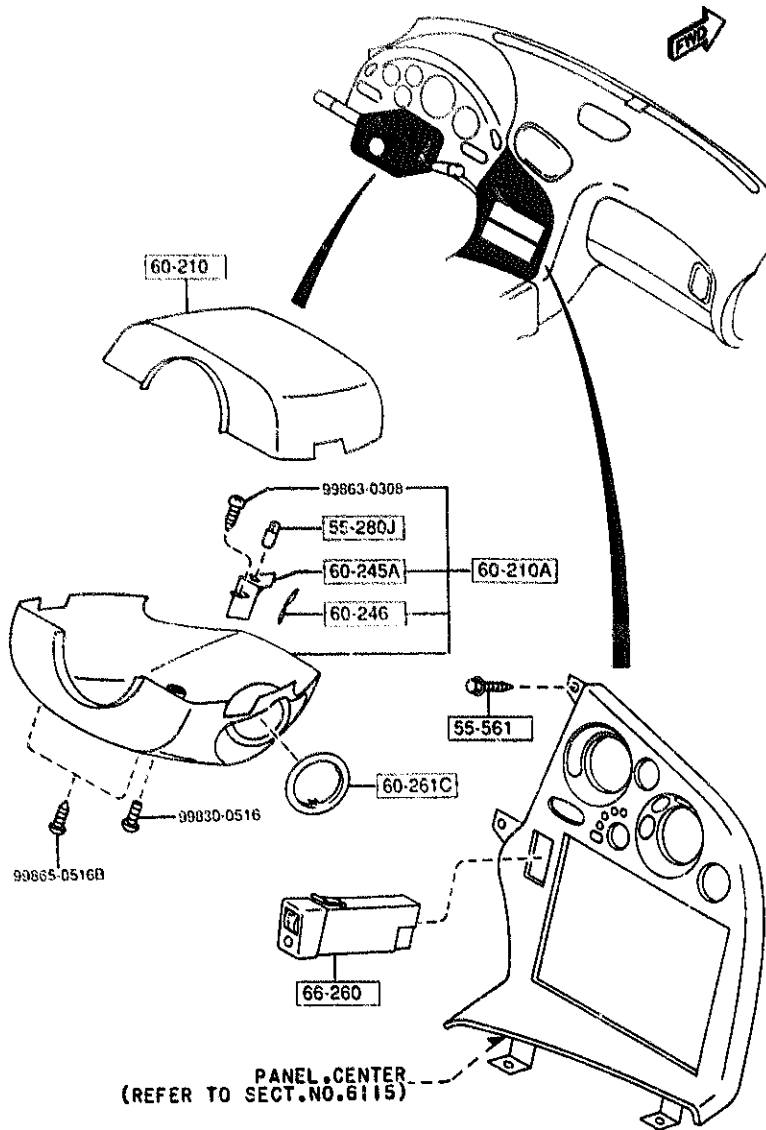
PART NO.	QTY	MODEL/RESTRICTION	MODEL/RESTRICTION	MODEL/RESTRICTION	FROM-TO
56-112B		PLUG, DRAIN			
FB01-56-057	6				
56-231A		COVER, SERVICE HOLE			
6173-56-053	4				
56-241		PLUG, DRAIN			
0118-56-241	9	(SUNROOF)			-3215
0118-56-241	10	(W/O SUN-RF)			-3215
M0118-56-241	2				3215-
56-241B		PLUG			
D001-56-051	16				-2301
MB001-56-051	14				2301-3108
MB001-56-051	10				3108-
56-242		PLUG, DRAIN			
0118-56-242B	6				
56-971		COVER, HOLE			
0866-56-971	3				
58-868E		PLUG, SERVICE COVER			
0599-58-868	2				
61-238		GROMMET, REAR FLOOR			
H260-61-238	1				
62-869A		PLUG, DRAIN-LIFT GATE UP.			
8216-62-869	2				
66-9A1		COVER, HOLE-ANTENNA			
KA01-66-9A1	2	(W/O SUN-RF)			
KA01-66-9A1	3	(SUNROOF)			
67-056A		COVER, HOLE			
FD01-67-HD1	1				

2301 FD3MM-202878
 3108 FD3MM-210568
 3215 FD3MM-210600



PART NO.	QTY	MODEL/RESTRICTION	MODEL/RESTRICTION	MODEL/RESTRICTION	FROM-TO
50-015C		BOLT			
BR70-50-022	6				
56-1A1		COVER, T/MISSION			
FD01-56-1A1 AN(FD01-56-1A1C)	1				-2402
FD01-56-1A1C	1	(MT)			2402-
56-11Y		COVER, UNDER-REAR			
FD01-56-113A	1				
56-111B		COVER, UNDER-FRONT			
FD01-56-1B0B	1				
56-410		INSULATOR, HEAT-FRONT			
FD01-56-430B A (FD01-56-430C)	1				-1C13
FD01-56-430C	1				1C13-
56-414B		BOLT, INSULATOR, FRT H EAT			
FB01-56-414	25				
56-420		INSULATOR, FRONT			
FD01-56-420B A (FD01-56-420C)	1				-1C13
FD01-56-420C	1				1C13-
56-431		INSULATOR, HEAT			
FD01-56-114A	1	(ILLUST. NO.1)			
FD01-56-450	1	(ILLUST. NO.2)			
56-451		INSULATOR			
FD01-56-411	1				
56-951		PROTECTOR			
FD01-56-181	1				
1C13 FD3***-200081					
2402 FD3***-204376					

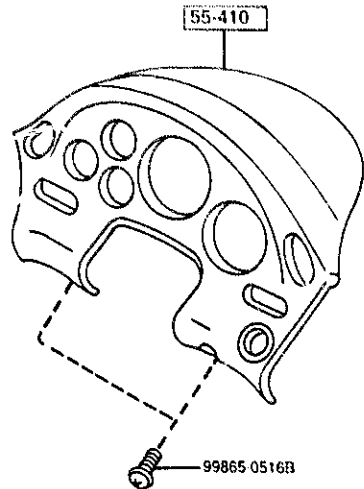
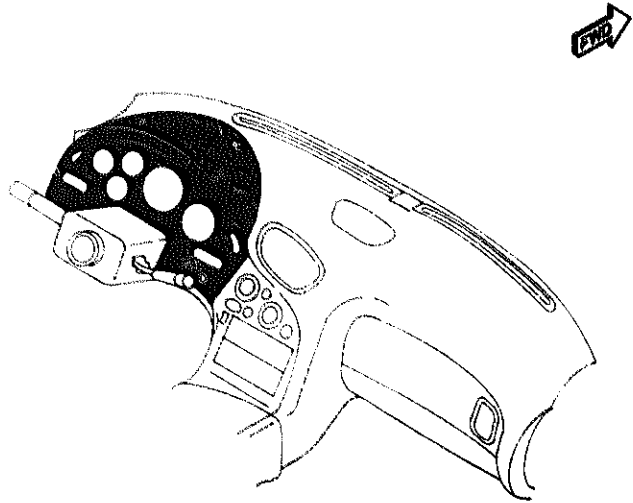
5500 DASHBOARD EQUIPMENTS



PART NO.	QTY	MODEL/RESTRICTION	MODEL/RESTRICTION	MODEL/RESTRICTION	FROM-TO
55-280J		BULB			
B456-60-223	1				
55-561		BOLT, INST. PANEL			
B455-55-561	4				
60-210		COVER, COLUMN-UPPER			
FD01-60-221C	1				
00	INT-	FE2 FE3 FE4 BLACK			
60-210A		COVER, COLUMN-LOWER			
FD01-60-230D	1				
00	INT-	FE2 FE3 FE4 BLACK			
60-245A		CASE, LAMP			
FD01-60-245A	1				
60-246		LENS, COLUMN COVER			
FD01-60-246	1				
60-261C		RING SET-KEY CYLINDER			
LA01-60-261	1				
66-260		RESISTOR			
FD01-55-490A	1				

5520 METER HOOD

5520 -1 * METER HOOD

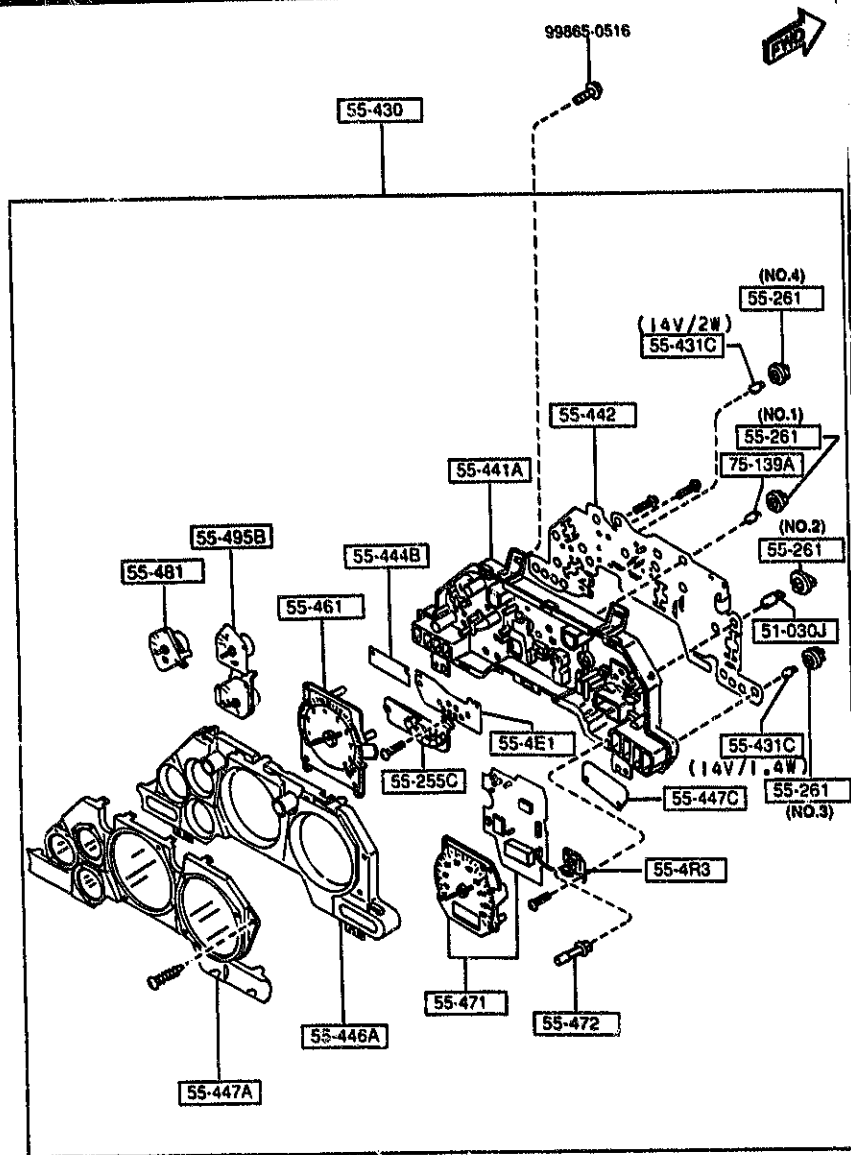


PART NO.	QTY	MODEL/RESTRICTION	MODEL/RESTRICTION	MODEL/RESTRICTION	FROM-TO
55-410		HOOD,METER			
FD01-55-420C	1				-1C21
00	INT-	FE2 FE3 FE4 BLACK			
FD01-55-420D	1				1C21-2722
00	INT-	FE2 FE3 FE4 BLACK			
FD01-55-420E	1				2722-
00	INT-	FE2 FE3 FE4 BLACK			

1C21 FDSMM-200106
 2722 FDSMM-209519

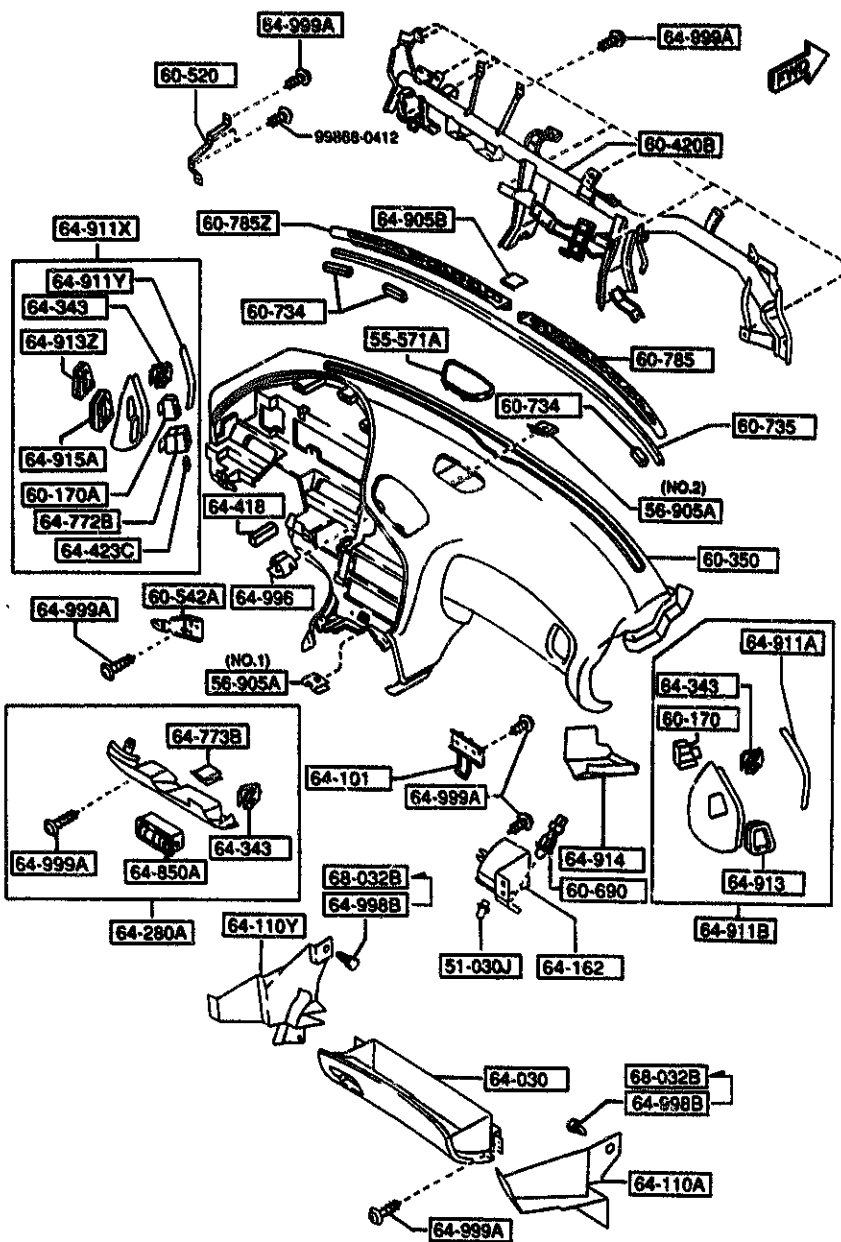
5540 METER COMPONENTS

5540 -1 METER COMPONENTS



PART NO.	QTY	MODEL/RESTRICTION	MODEL/RESTRICTION	MODEL/RESTRICTION	FROM TO
51-030J		BULB			
99701-6030	4	12V 3.4W			
55-255C		CASE, WARNING UNIT			
FD01-55-4W1	1	((MT))<(NOR. SUSP))			
FD02-55-4W1	1	(AT)			
55-261		SOCKET			
8456-55-261	6	12V 3W (ILLUST. NO.1)			
FD01-55-261	4	(ILLUST. NO.2)			
FD02-55-261	7	(ILLUST. NO.3)			
FD03-55-261	2	(ILLUST. NO.4)			
55-4E1		INDICATOR, ECONOMY-METER			
FD02-55-4E1	1	(AT)			
55-4R3		SWITCH			
FD01-55-487	1				
55-430		METER SET			
FD01-55-430D	1	((MT))<(NOR. SUSP))			
FD02-55-430D	1	(AT)			
FD03-55-430D	1	((MT))<(HARD SUSP))			
55-431C		BULB 'B', WARNING UNIT			
FD01-55-431	2	14V/2W			
FD02-55-431	7	14V/1.4W			
55-441A		CASE, METER			
FD01-55-441	1				
55-442		PLATE NO.1, PRINT			
FD01-55-442	1	((MT))<(NOR. SUSP))			
FD02-55-442	1	(AT)			
FD03-55-442	1	((MT))<(HARD SUSP))			

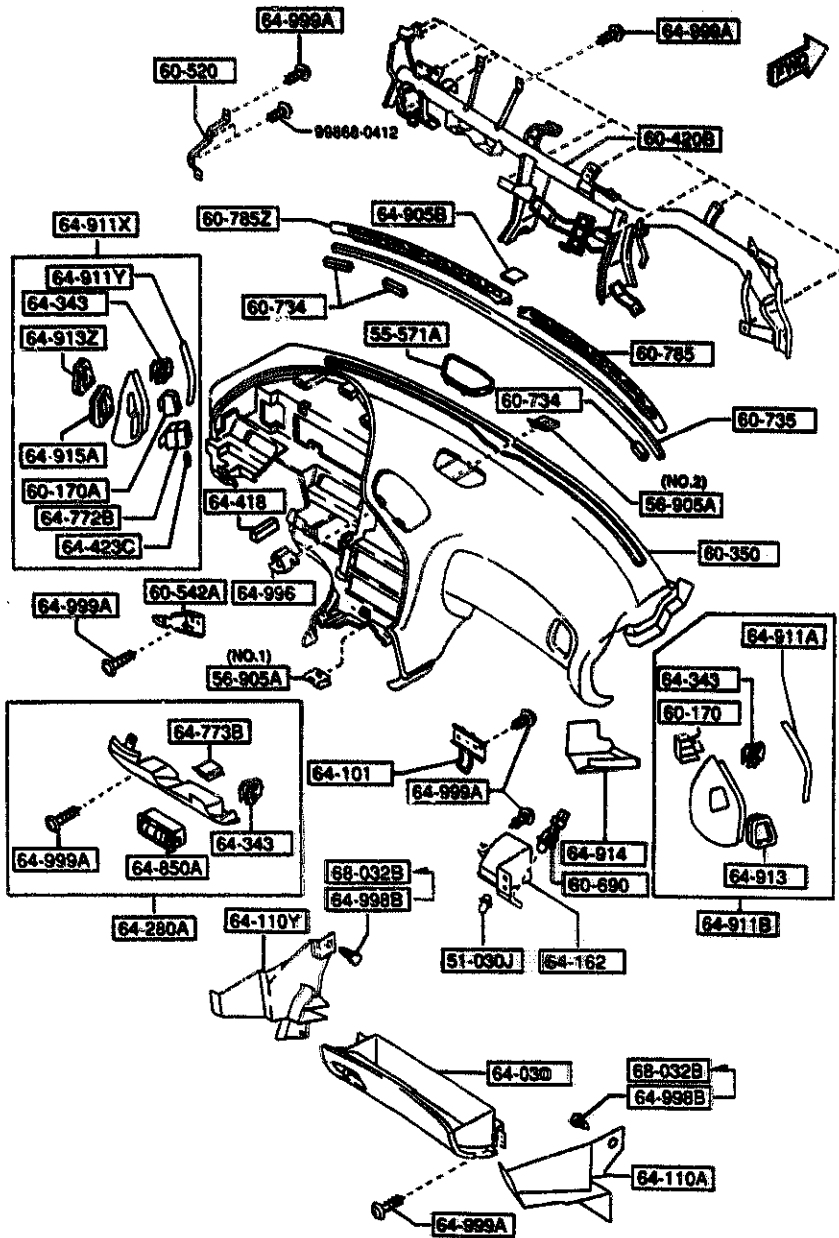
5560 DASHBOARD & RELATED PARTS



PART NO.	QTY	MODEL/RESTRICTION	MODEL/RESTRICTION	MODEL/RESTRICTION	FROM-TO
51-030J		BULB			
99701-6050	1	12V 3.4W			
55-571A		GRILLE, SPEAKER			
FD01-55-530A	1				
00	INT-	FE2 FE3 FE4 BLACK			
56-905A		NUT, SPRING			
8092-60-408	9	(ILLUST. NO.1)			
E016-60-408	3	(ILLUST. NO.2)			
60-170		NOZZLE(R), SIDE-DEMISTER			
FD01-60-182	1				
60-170A		NOZZLE(L), SIDE-DEMISTER			
FD01-60-192	1				
60-350		PAD, CRASH			
FD01-60-350D	1				
02	INT-	FE2 FE3 FE4 BLACK			
60-420B		MEMBER, CRASH PAD			
FD01-60-420C	1				
60-520		BRACKET, CENTER			
FD01-60-534	1				
60-542A		BRACKET, CENTER PANEL			
FD01-60-582	1				
60-690		SWITCH, GLOVE TRAY			
J002-66-540A	1				
60-734		PAD NO.1, GARNISH-UPPER			
MFD01-60-734A	3				
60-735		PAD NO.2, GARNISH-UPPER			
FD01-60-735	1				

5560 DASHBOARD & RELATED PARTS

5560 -2 DASHBOARD & RELATED PARTS

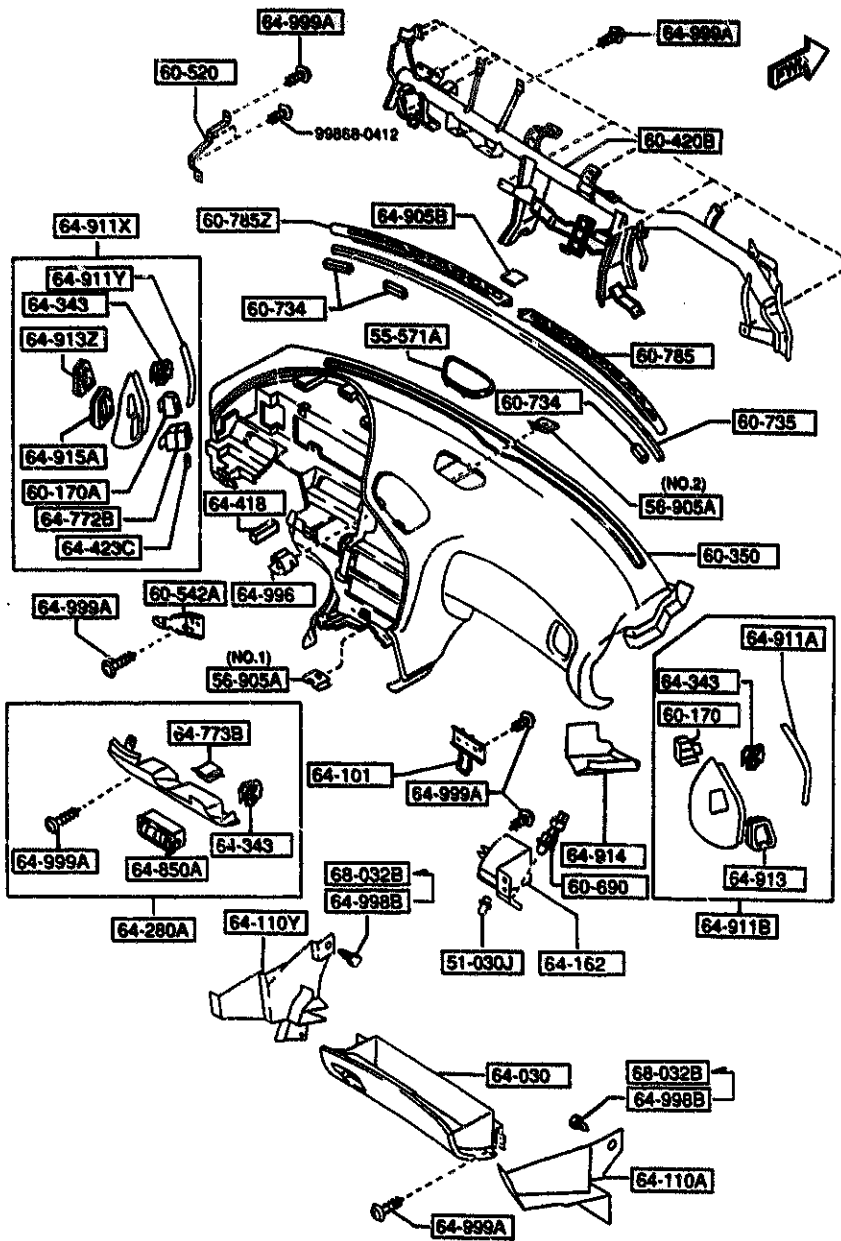


PART NO.	QTY	MODEL/RESTRICTION	MODEL/RESTRICTION	MODEL/RESTRICTION	FRONT
60-785		GRILLE(R),DEF.NOZZLE			
FD01-60-780	1				
02	INT-	FE2 FE3 FE4 BLACK			
60-785Z		GRILLE(L),DEF.NOZZLE			
FD01-60-790	1				
02	INT-	FE2 FE3 FE4 BLACK			
64-030		BOX,GLOVE			
FD01-64-030C	1				
02	INT-	FE2 FE3 FE4 BLACK			
64-101		STRIKER			
FD01-64-10X	1				
64-110A		COVER(R),GLOVE			
FD01-64-116B	1				
64-110Y		COVER(L),GLOVE			
FD01-64-117B	1				
64-162		COVER,LAMP			
FD01-64-170	1				
64-280A		PANEL,LOWER			
FD01-64-280C	1				
02	INT-	FE2 FE3 FE4 BLACK			
64-343		SPRING			
H260-64-343	8				
64-418		PAD			
WFD01-60-757	1				
64-423C		NUT,PUSH			
B455-64-423	3				-2601
64-772B		DUCT NO.2(L)			
FD01-64-842	1				

2601 FD3MKN-207062

5540 DASHBOARD & RELATED PARTS

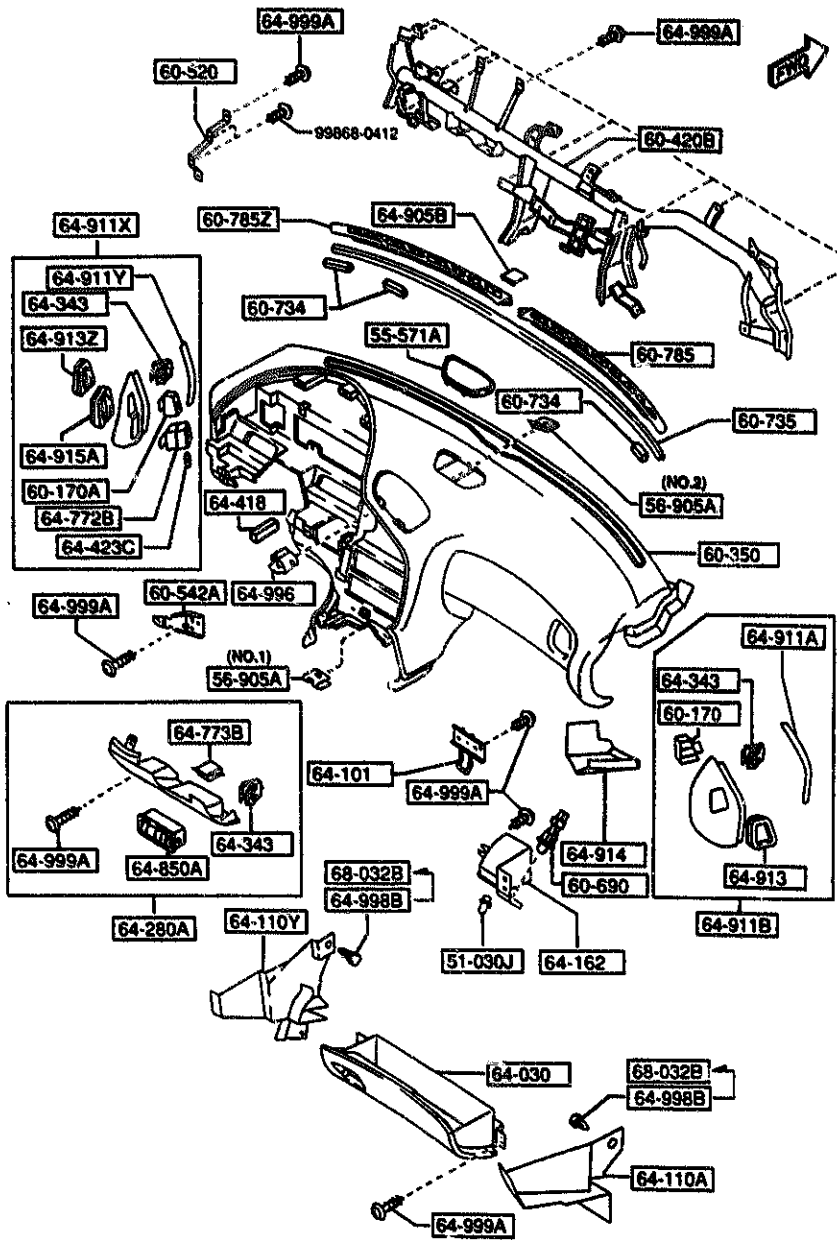
5560 -3 DASHBOARD & RELATED PARTS



PART NO.	QTY	MODEL/RESTRICTION	MODEL/RESTRICTION	MODEL/RESTRICTION	FRUM-TO
64-773B		SPRING			
8455-64-773	2				
64-850A		LOUVER, LAP-LOWER PANEL			
FD01-64-850	1				
02	INT-	FE2 FE3 FE4 BLACK			
64-905B		COVER, HOLE-(C)			
FD01-64-905	1				
02	INT-	FE2 FE3 FE4 BLACK			
64-911A		COVER(R), SIDE			
FD01-64-981	1				
02	INT-	FE2 FE3 FE4 BLACK			
64-911B		PANEL(R), SIDE-CRASH PAD			
FD01-64-910A	1				
02	INT-	FE2 FE3 FE4 BLACK			
64-911X		PANEL(L), SIDE-CRASH PAD			
FD01-64-920B	1				
02	INT-	FE2 FE3 FE4 BLACK			
64-911Y		COVER(L), SIDE			
FD01-64-971	1				
02	INT-	FE2 FE3 FE4 BLACK			
64-913		RUBBER(R), SEAL-SIDE PANEL			
FD01-64-912	1				
64-913Z		RUBBER(L), SEAL-SIDE PANEL			
FD01-64-922	1				
64-914		COVER(R), SIDE NO.2			
FD01-64-914B	1				
02	INT-	FE2 FE3 FE4 BLACK			
64-915A		RUBBER, SEAL-SIDE PANEL			
FD01-64-923	1				

5560 -4 M DASHBOARD & RELATED PARTS

5560 DASHBOARD & RELATED PARTS

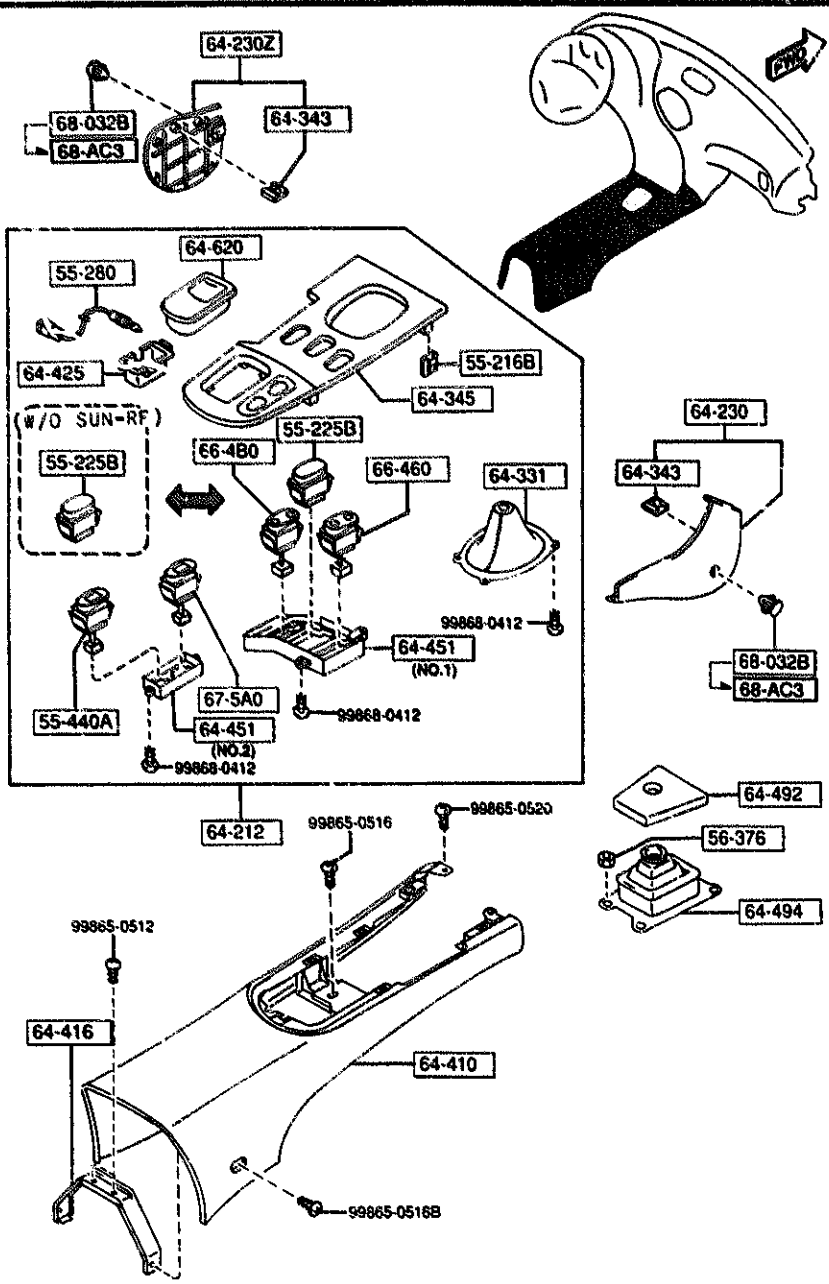


PART NO.	QTY	MODEL/RESTRICTION	MODEL/RESTRICTION	MODEL/RESTRICTION	FRUM-10
64-996		NUT, EXPANSION			
GJ21-64-996	2				
64-998B		CLIP			
FD01-64-998	3				-2A01
64-999A		SCREW, TAPPING			
W201-64-999	32				
68-032B		FASTENER			
D003-68-032	3				2A01-

2A01 FD3MM-210508

5570 CONSOLE

5570 -1 CONSOLE



PART NO.	QTY	MODEL/RESTRICTION	MODEL/RESTRICTION	MODEL/RESTRICTION	FROM-TO
55-216B		SPRING,CENTER PANEL			
8092-99-257	5				
55-225B		COVER,HOLE			
FD01-55-225A	1	(SUNROOF)			
00	INT-	FE2 FE3 FE4 BLACK			
FD01-55-225A	2	(W/O SUN-RF)			
00	INT-	FE2 FE3 FE4 BLACK			
55-280		BULB & SOCKET			
FD01-55-280	1				
55-440A		WARNING,HEAT			
FD01-67-5H0B	1				-2201
AN(FD01-67-5H0C)					
FD01-67-5H0C	1				2201-
56-376		NUT,SELF LOCK			
8001-56-376	4	(MT)			
64-212		PANEL,CONSOLE			
FD01-64-470C	1	((MT))>(W/O SUN-RF)			-2201
00	INT-	FE2 FE3 FE4 BLACK			
FD02-64-470C	1	((AT))>(W/O SUN-RF)			-2201
00	INT-	FE2 FE3 FE4 BLACK			
FD04-64-470C	1	((MT))>(SUNROOF)			-2201
00	INT-	FE2 FE3 FE4 BLACK			
FD05-64-470C	1	((AT))>(SUNROOF)			-2201
00	INT-	FE2 FE3 FE4 BLACK			
FD01-64-470D	1	((MT))>(W/O SUN-RF)			2201-2301
00	INT-	FE2 FE3 FE4 BLACK			
FD02-64-470D	1	((AT))>(W/O SUN-RF)			2201-2301
00	INT-	FE2 FE3 FE4 BLACK			
FD04-64-470D	1	((MT))>(SUNROOF)			2201-2301
00	INT-	FE2 FE3 FE4 BLACK			
FD05-64-470D	1	((AT))>(SUNROOF)			2201-2301
00	INT-	FE2 FE3 FE4 BLACK			

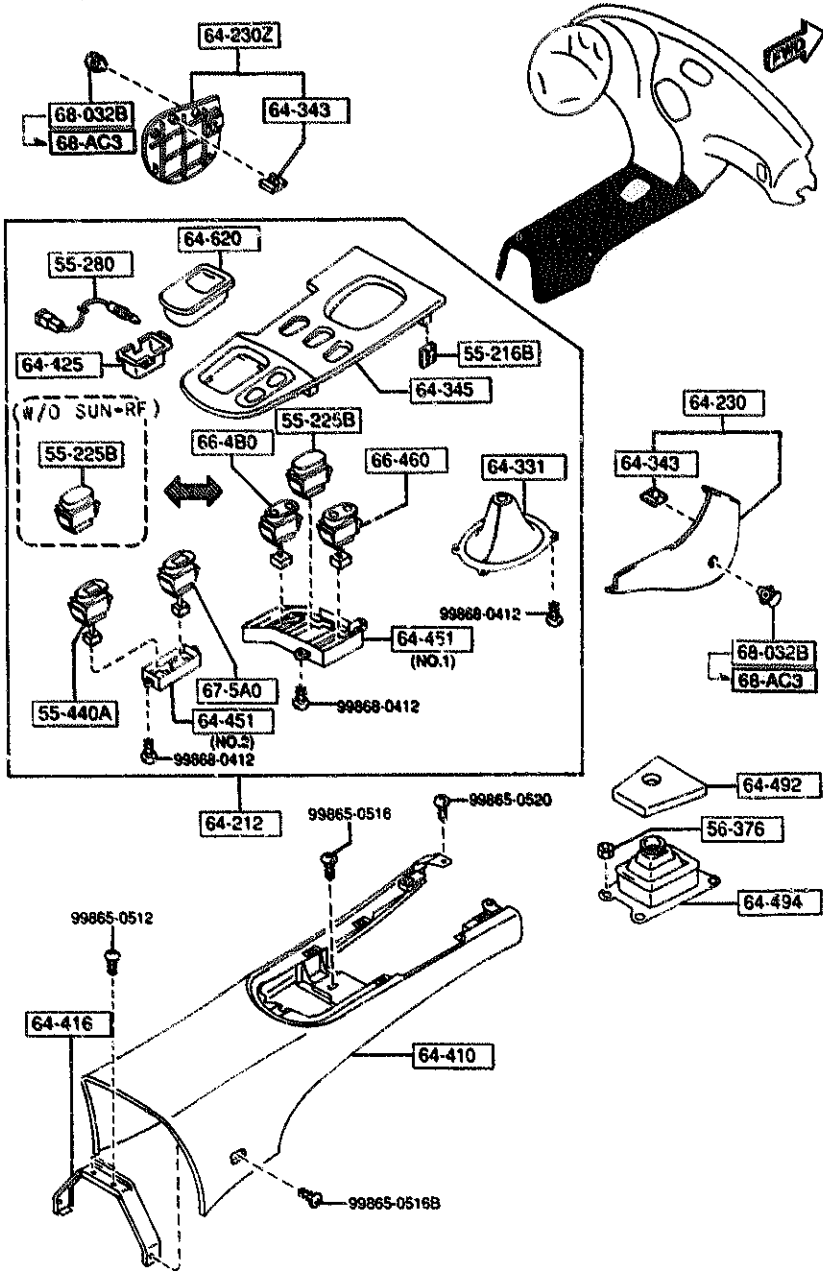
2201 FD3***-201428
2301 FD3***-202878

AUFA04

CAT. AUFA04-06

1994-09

5570 CONSOLE



5570 -2 CONSOLE

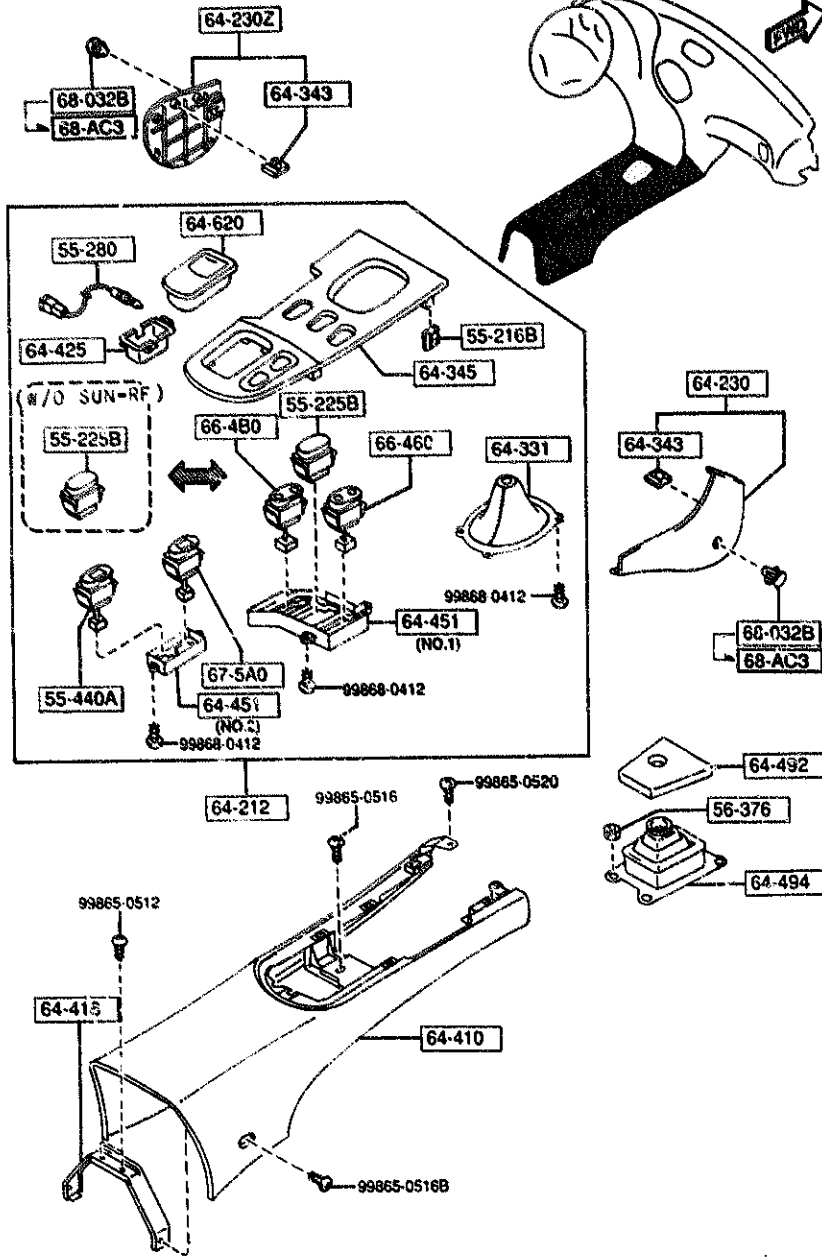
PART NO.	QTY	MODEL/RESTRICTION	MODEL/RESTRICTION	MODEL/RESTRICTION	FROM-TO
CONT'D					
FD01-64-470E	1	((MT)) (W/O SUN-RF)			2301-2303
00	INT-	FE2 FE3 FE4 BLACK			
FD02-64-470E	1	((AT)) (W/O SUN-RF)			2301-2303
00	INT-	FE2 FE3 FE4 BLACK			
FD04-64-470E	1	((MT)) (SUNROOF)			2301-2303
00	INT-	FE2 FE3 FE4 BLACK			
FD05-64-470E	1	((AT)) (SUNROOF)			2301-2303
00	INT-	FE2 FE3 FE4 BLACK			
FD01-64-470F	1	((MT)) (W/O SUN-RF)			2303-
00	INT-	FE2 FE3 FE4 BLACK			
FD02-64-470F	1	((AT)) (W/O SUN-RF)			2303-
00	INT-	FE2 FE3 FE4 BLACK			
FD04-64-470F	1	((MT)) (SUNROOF)			2303-
00	INT-	FE2 FE3 FE4 BLACK			
FD05-64-470F	1	((AT)) (SUNROOF)			2303-
00	INT-	FE2 FE3 FE4 BLACK			
64-230		WALL (R), SIDE			
FD01-64-220A	1				
02	INT-	FE2 FE3 FE4 BLACK			
64-230Z		WALL (L), SIDE			
FD01-64-240A	1				
02	INT-	FE2 FE3 FE4 BLACK			
64-331		BOOT, CHANGE			
FD01-64-330C	1	((MT))			
00	INT-	FE2 FE3 FE4 BLACK			
64-343		SPRING			
H260-64-343	4				
64-345		PANEL, SWITCH			
FD01-64-471B	1				-2301
00	INT-	FE2 FE3 FE4 BLACK			
FD01-64-471C	1	((MT))			2301-2303
00	INT-	FE2 FE3 FE4 BLACK			
2301 FD3MM-202878					
2303 FD3MM-202943					

AUFA04

CAT. AUFA04-06

1994-09

5570 CONSOLE



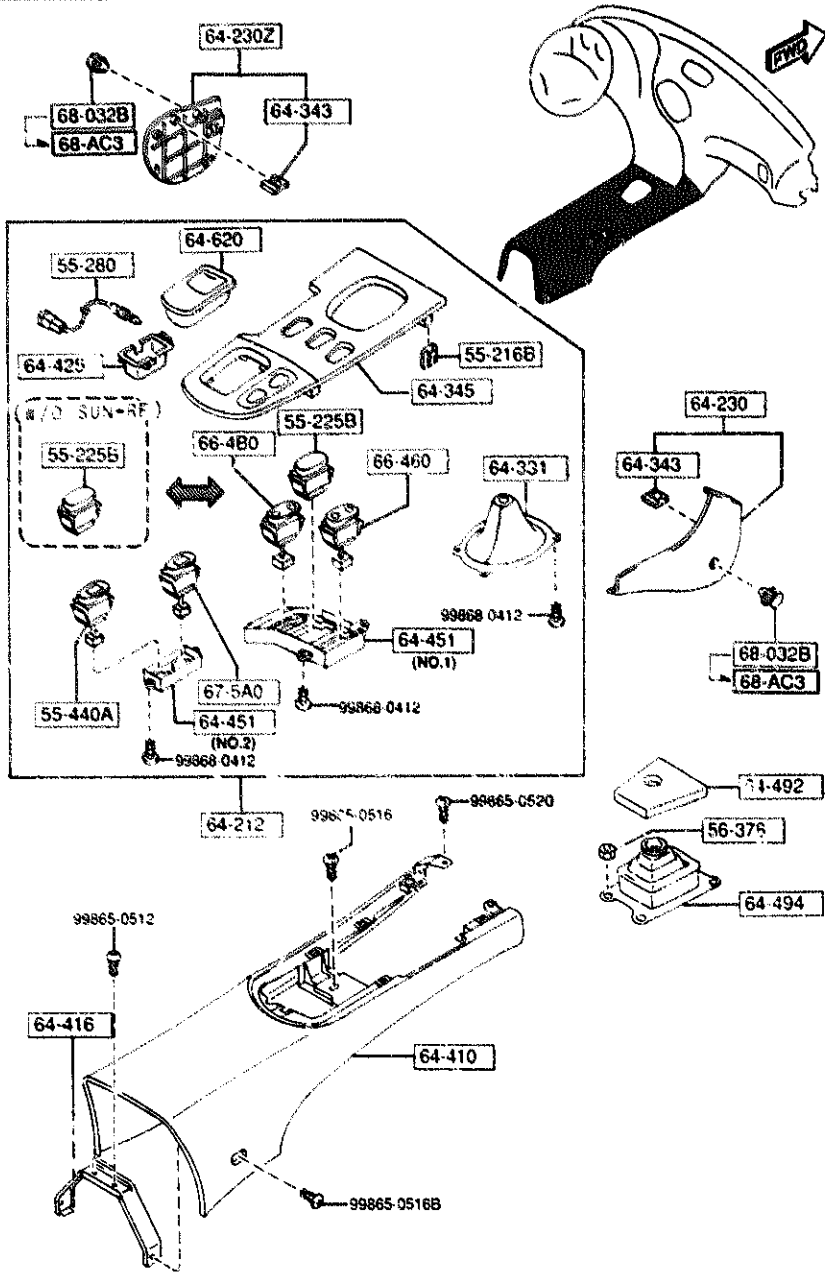
5570 -3 CONSOLE

PART NO.	QTY	MODEL/RESTRICTION	MODEL/RESTRICTION	MODEL/RESTRICTION	FROM-TO
CONT'D					
FD02-64-471	1				2301-2303
A (FD02-64-471A)					
00	INT-	FE2 FE3 FE4 BLACK			
FD01-64-471D	1	(MT)			2303-
00	INT-	FE2 FE3 FE4 BLACK			
FD02-64-471A	1	(AT)			2303-
00	INT-	FE2 FE3 FE4 BLACK			
64-410		CONSOLE, REAR			
FD01-64-429D	1				-2115
32	INT-	FE2 FE3 FE4 BLACK			
FD02-64-20E	1				2115-
02	INT-	FE2 FE3 FE4 BLACK			
64-416		BRACKET, CONSOLE-NO. 3			
FD01-64-416	1				
64-429		CASE, LAMP			
FD01-64-414A	1				
64-451		PANEL, SWITCH			
FD01-66-468	1	(ILLUST. NO.1)			
FD02-66-468	1	(ILLUST. NO.2)			
64-492		INSULATOR, BOOT			
FD01-64-490	1	(MT)			
64-494		PAD, CHANGE BOOT			
FB01-64-495	1	(MT)			
64-620		TRAY, ASH			
FD01-64-610A	1				
00	INT-	FE2 FE3 FE4 BLACK			
66-480		SWITCH, FOG-FRONT			
FD01-66-480A	1	(SUNROOF)			
66-460		SWITCH, RR. DEF.			
FD01-66-460A	1				

2115 FD3MXX-200652
 2301 FD3MXX-202878
 2303 FD3MXX-202943

5570 CONSOLE

5570 -4 * CONSOLE

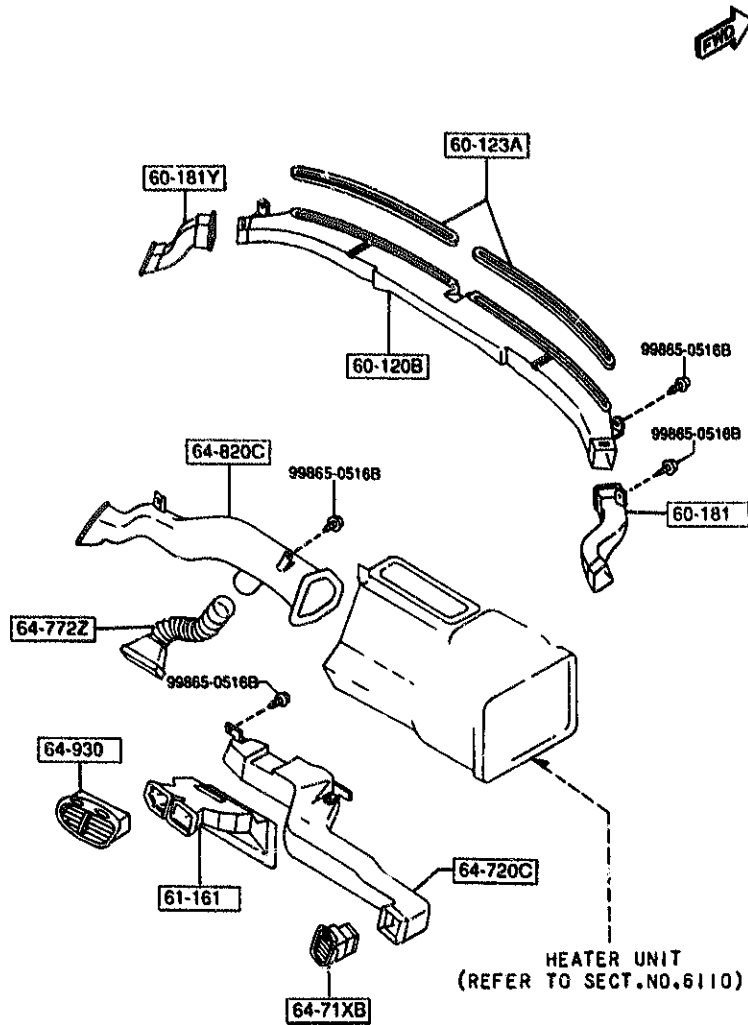


PART NO.	QTY	MODEL/RESTRICTION	MODEL/RESTRICTION	MODEL/RESTRICTION	FROM TO
67-5A0		DISPLAY, SECURITY-ALARM			
FD01-67-9A0B AN(FD01-67-5A0C)	1				-2201
FD01-67-5A0C	1				2201-
68-AC3		FASTENER			
8467-68-AC3	2				2101-
02	INT-	FE2 FE3 FE4 BLACK			
68-032B		FASTENER			
D003-68-032	2				-2101
2101 F03***-200251 2201 F03***-201428					

AUFA04

CAT. AUFA04-06

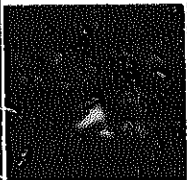
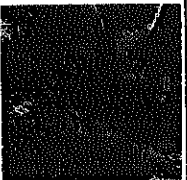




1994-09

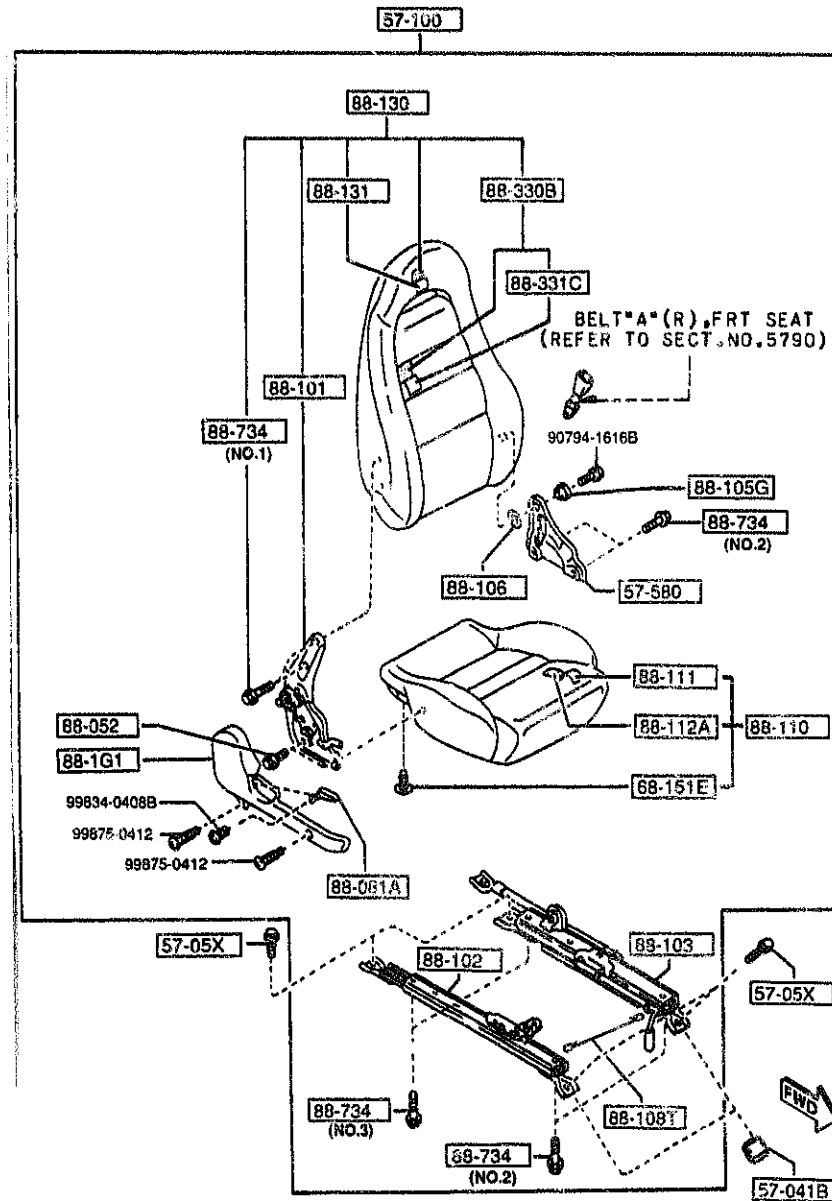


PART NO.	QTY	MODEL/RESTRICTION	MODEL/RESTRICTION	MODEL/RESTRICTION	FROM-TO
60-120B		NOZZLE,DEFROSTER			
FD01-60-120	1				
60-123A		TAPE,SOFT-DEF.NOZZLE			
FD01-60-123	2				
60-181		HOSE,SIDE-DEMISTER			
FD01-60-181	1				
60-181Y		DUCT(L),SIDE DEMIST.			
FD01-60-191	1				
61-161		DUCT,CENTER			
FD01-61-160B	1				
64-71XB		LOUVER(R),VENT.GRILLE			
FD01-64-81XA	1				
02	INT-	FE2 FE3 FE4 BLACK			
64-720C		DUCT(R),VENTILATOR			
FD01-64-74XA	1				
64-772Z		DUCT(L),LAP			
FD01-64-772B	1				
64-820C		DUCT(L),VENTILATOR			
FD01-64-84XA	1				
64-930		GRILLE(C),VENTILATOR			
FD01-64-930A	1				
02	INT-	FE2 FE3 FE4 BLACK			

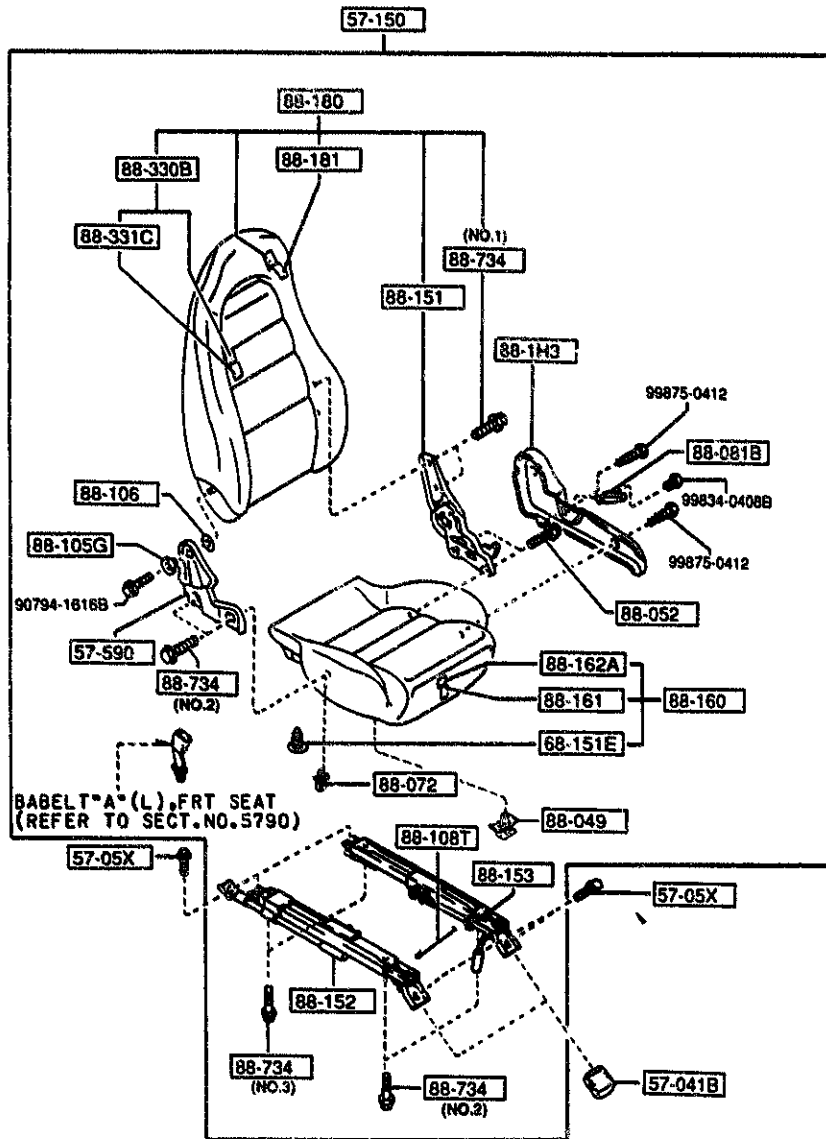
(THIS ILLUSTRATION CONSISTS OF 3 PAGES)

(THIS ILLUSTRATION CONSISTS OF 3 PAGES)

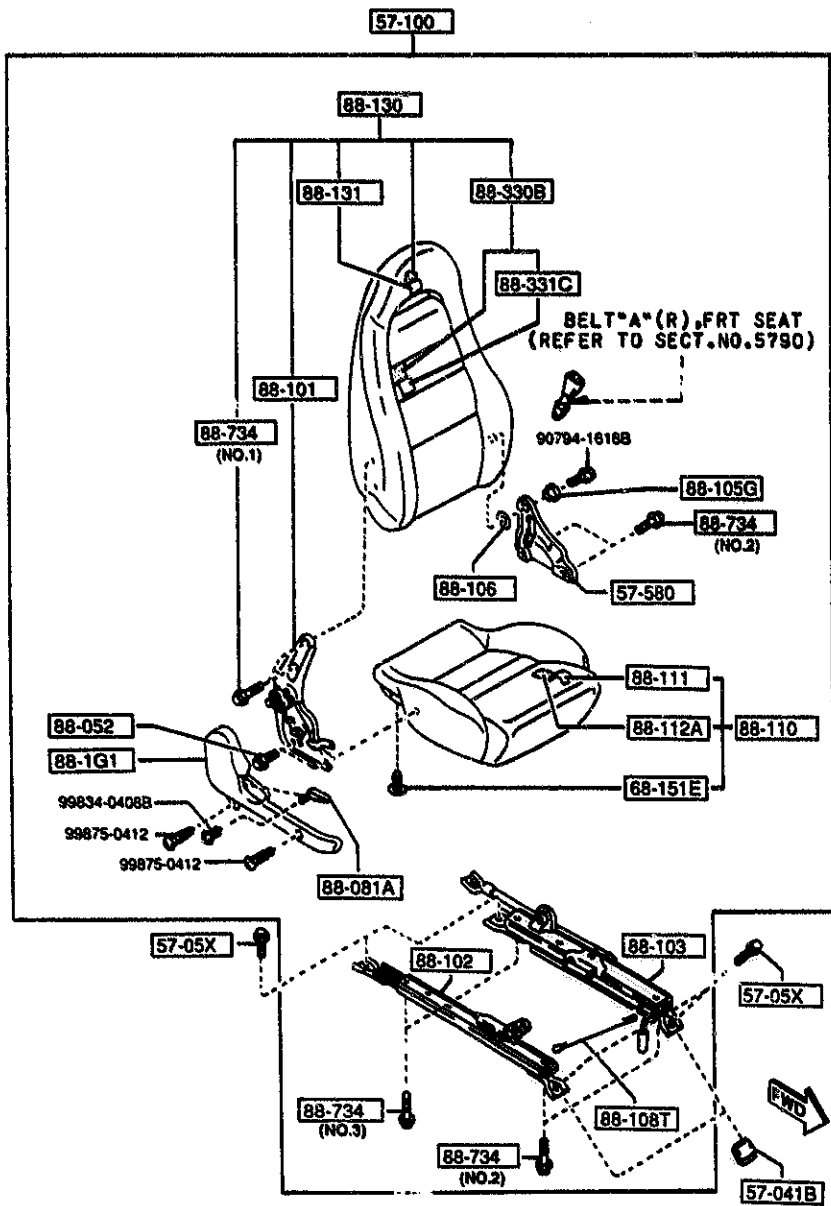
GRADES TYPES	BASE	R I	TOURING BASE-OPT
SPECIFICATIONS	STA	STB	STC
	CLOTH 'A'	CLOTH 'C'	LEATHER
SEAT TRIMS			
			



(THIS ILLUSTRATION CONSISTS OF 3 PAGES)

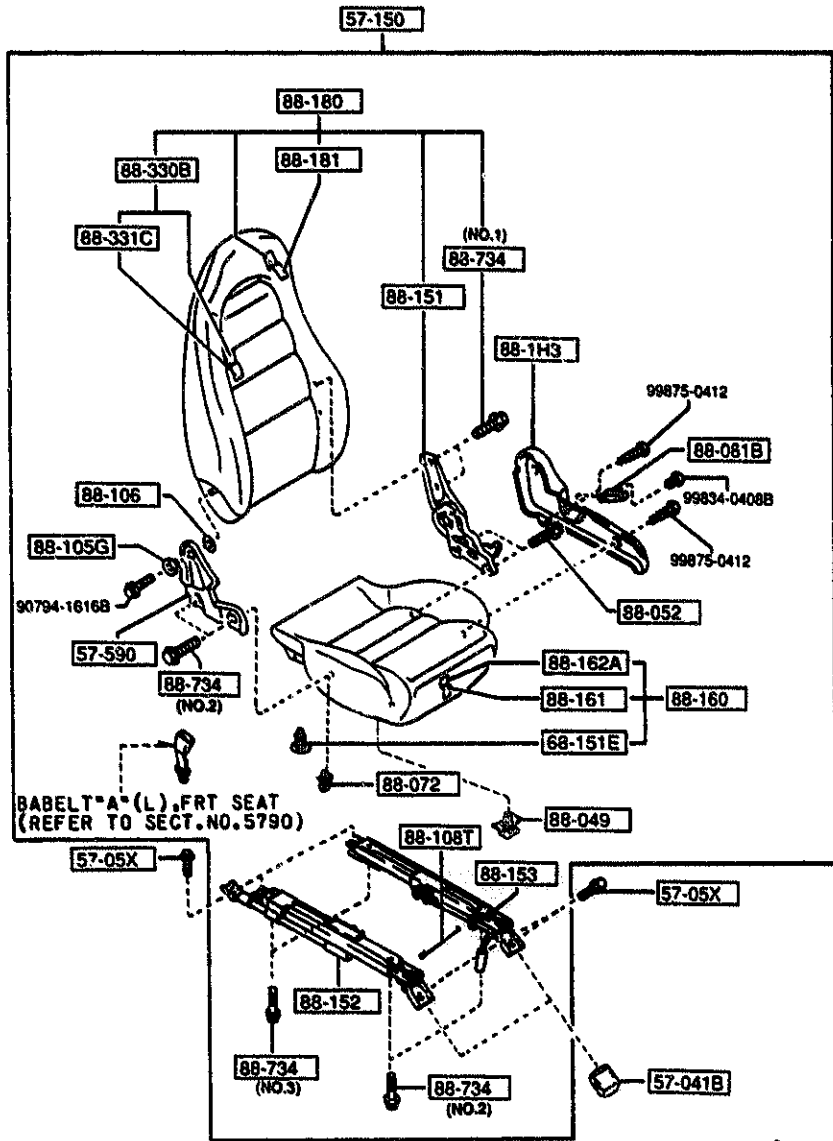


(THIS ILLUSTRATION CONSISTS OF 3 PAGES)



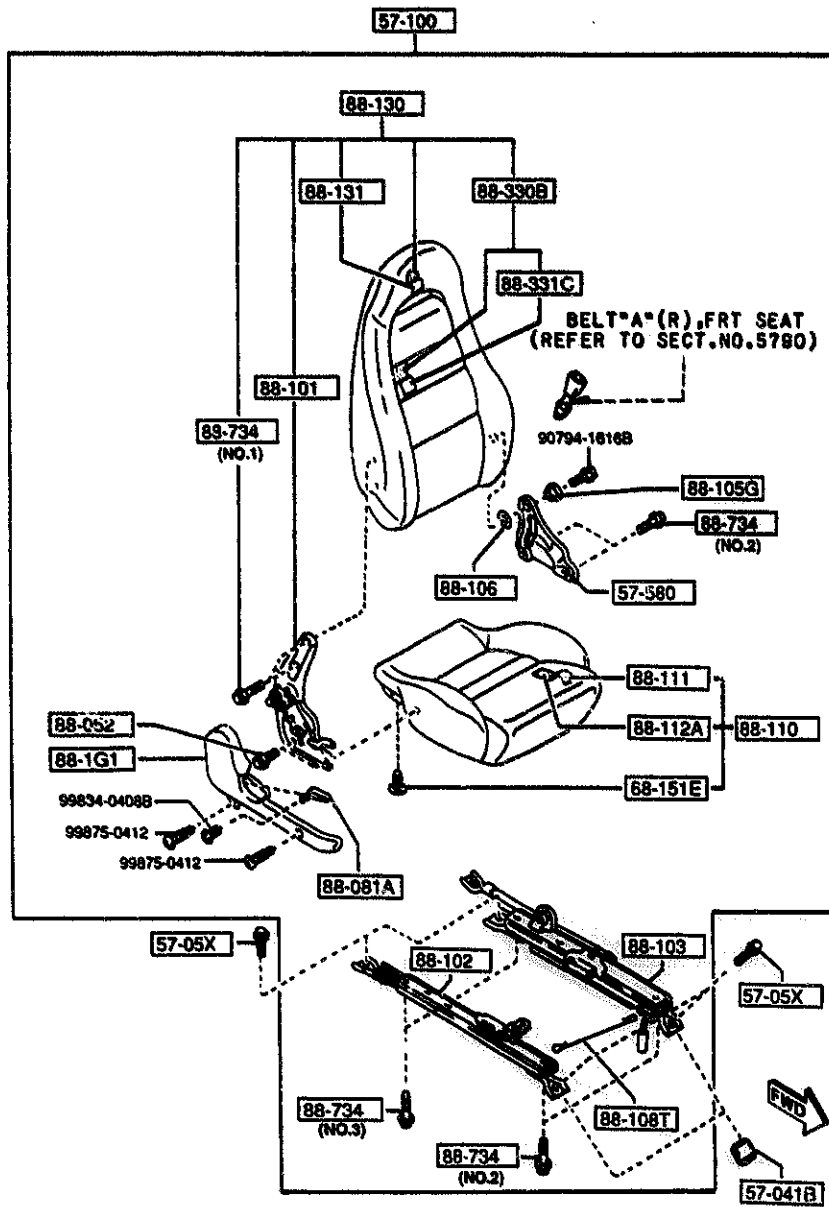
PART NO.	QTY	MODEL/RESTRICTION	MODEL/RESTRICTION	MODEL/RESTRICTION	FROM-TO
57-041B		COVER NO.1, ADJ-FRT			
J001-57-041	4				
02	INT-	FE2 FE4 BLACK			
33	INT-	FE3 TAN			
57-05X		BOLT, LINK			
B455-57-05X AN(B455-57-05XA)	8				-3401
B455-57-05XA	8				3401-
57-100		SEAT(R), FRONT			
FD01-57-100C	1	BASE, (STA TYPE)			
02	INT-	FE2 BLACK			
FD03-57-100C	1	R1, (STB TYPE) (STD TYPE)			
02	INT-	FE2 BLACK			
FD05-57-100C	1	BASE-OPT, TOURING, (STC TYPE)			
02	INT-	FE2 BLACK			
17	INT-	FE4 RED			
33	INT-	FE3 TAN			
57-150		SEAT(L), FRONT			
FD01-57-150C	1	BASE, (STA TYPE)			
02	INT-	FE2 BLACK			
FD03-57-150C	1	R1, (STB TYPE) (STD TYPE)			
02	INT-	FE2 BLACK			
FD05-57-150C	1	BASE-OPT, TOURING, (STC TYPE)			
02	INT-	FE2 BLACK			
17	INT-	FE4 RED			
33	INT-	FE3 TAN			
57-580		BRACKET(R), FRT SEAT			
FD01-88-124	1				
3401 FD3MM-210661					

(THIS ILLUSTRATION CONSISTS OF 3 PAGES)



PART NO.	QTY	MODEL/RESTRICTION	MODEL/RESTRICTION	MODEL/RESTRICTION	FROM TO
57-590		BRACKET(L), FRT SEAT			
FD01-88-174	1				
68-151E		CLIP			
B102-68-865	10				
00	INT-	FE2 FE3 FE4 BLACK			
88-049		CLIP			
F100-88-073	1				
88-052		BOLT			
FD01-88-062	4				
88-072		CLIP			
FD01-88-072	1				
88-081A		KNOB(R), KNUCKLE			
FD01-88-105	1				
02	INT-	FE2 BLACK			
17	INT-	FE4 RED			
33	INT-	FE3 TAN			
88-081B		KNOB(L), KNUCKLE			
FD01-88-1H5	1				
02	INT-	FE2 BLACK			
17	INT-	FE4 RED			
33	INT-	FE3 TAN			
88-101		COVER NO.1, SIDE-F. SEAT			
FD01-88-101	1				
02	INT-	FE2 BLACK			
17	INT-	FE4 RED			
33	INT-	FE3 TAN			
88-1H3		COVER NO.4, SIDE-F. SEAT			
FD01-88-1H3	1				
02	INT-	FE2 BLACK			
17	INT-	FE4 RED			

(THIS ILLUSTRATION CONSISTS OF 3 PAGES)



AUFA04

(CONT'D)

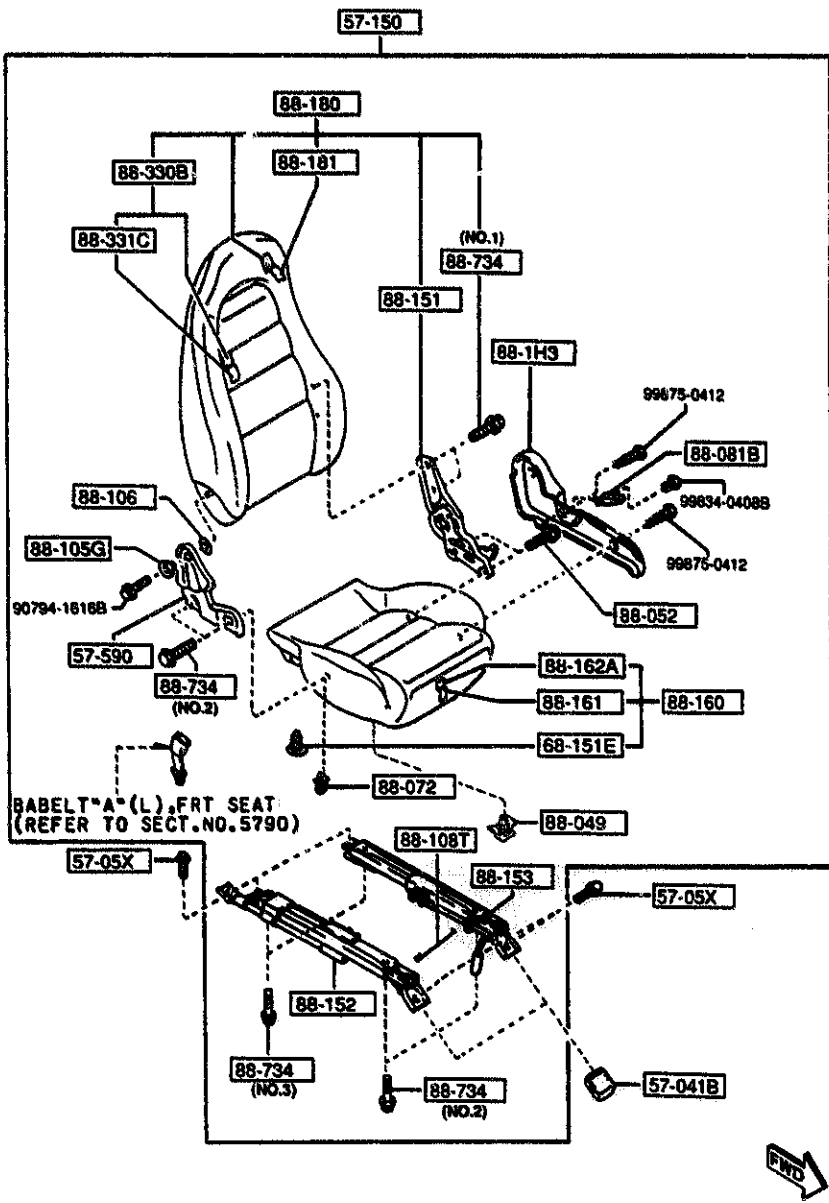
PART NO.	QTY	MODEL/RESTRICTION	MODEL/RESTRICTION	MODEL/RESTRICTION	FROM-TO
CONT'D 33	INT-	FES TAN			
88-101		KNUCKLE(R), RECLINING			
FD01-88-101	1				
88-102		ADJUSTER, NO. 1			
FD01-88-102	1				
88-103		ADJUSTER, NO. 2			
FD01-88-103	1				
88-105G		BUSH, HINGE			
FD01-88-005	2				
88-106		WASHER			
FD01-88-006	2				
88-108T		WIRE, RELEASE			
H115-88-108	2				
FD01-88-106	2				
88-110		CUSHION(R), FRT SEAT			
FD01-88-110	1	BASE, (STA TYPE)			
02	INT-	FE2 BLACK			
FD03-88-110	1	R1, (STB TYPE) (STD TYPE)			
02	INT-	FE2 BLACK			
FD05-88-110	1	BASE-OPT, TOURING, (STC TYPE)			
02	INT-	FE2 BLACK			
17	INT-	FE4 RED			
33	INT-	FE3 TAN			
88-111		TRIM(R), SEAT CUSHION			
FD01-88-111	1	BASE, (STA TYPE)			
02	INT-	FE2 BLACK			
FD03-88-111	1	R1, (STB TYPE) (STD TYPE)			
2701 FD3MM-208628					

-2701
2701-

CAT. AUFA04-06

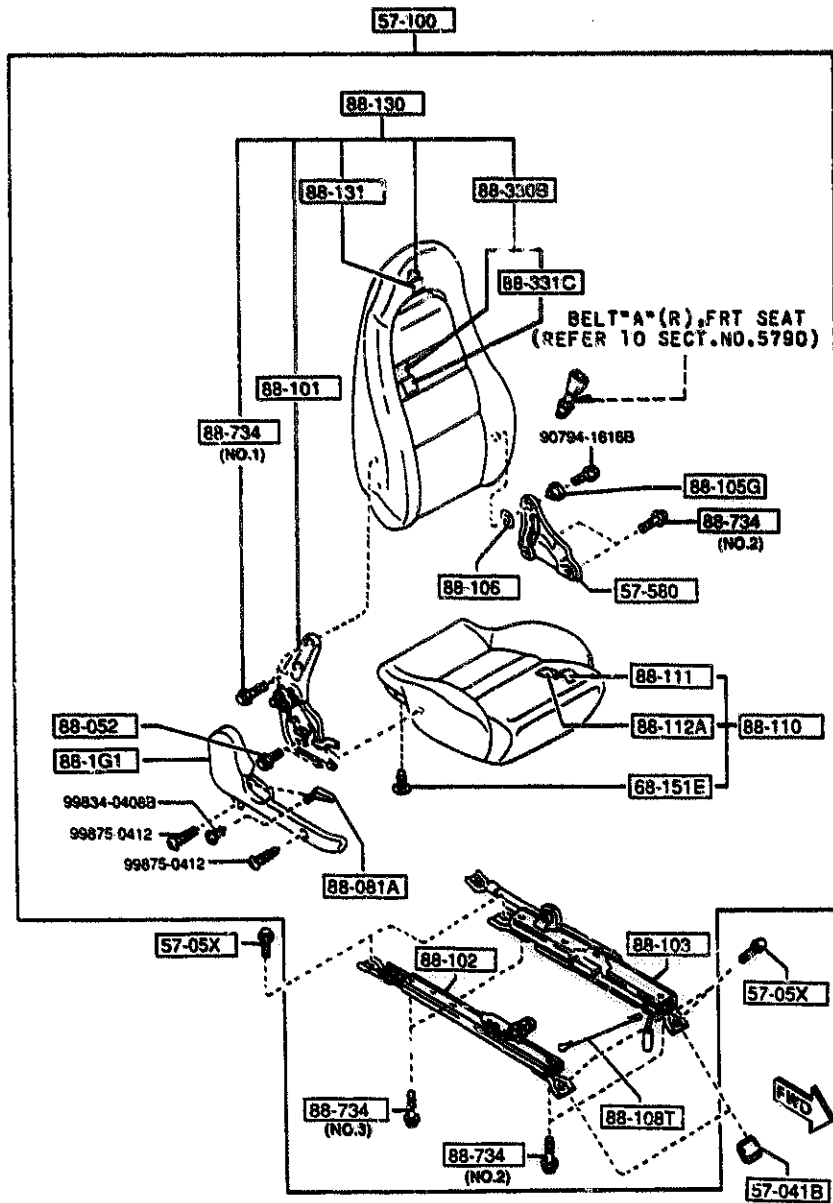
1994-09

(THIS ILLUSTRATION CONSISTS OF 3 PAGES)



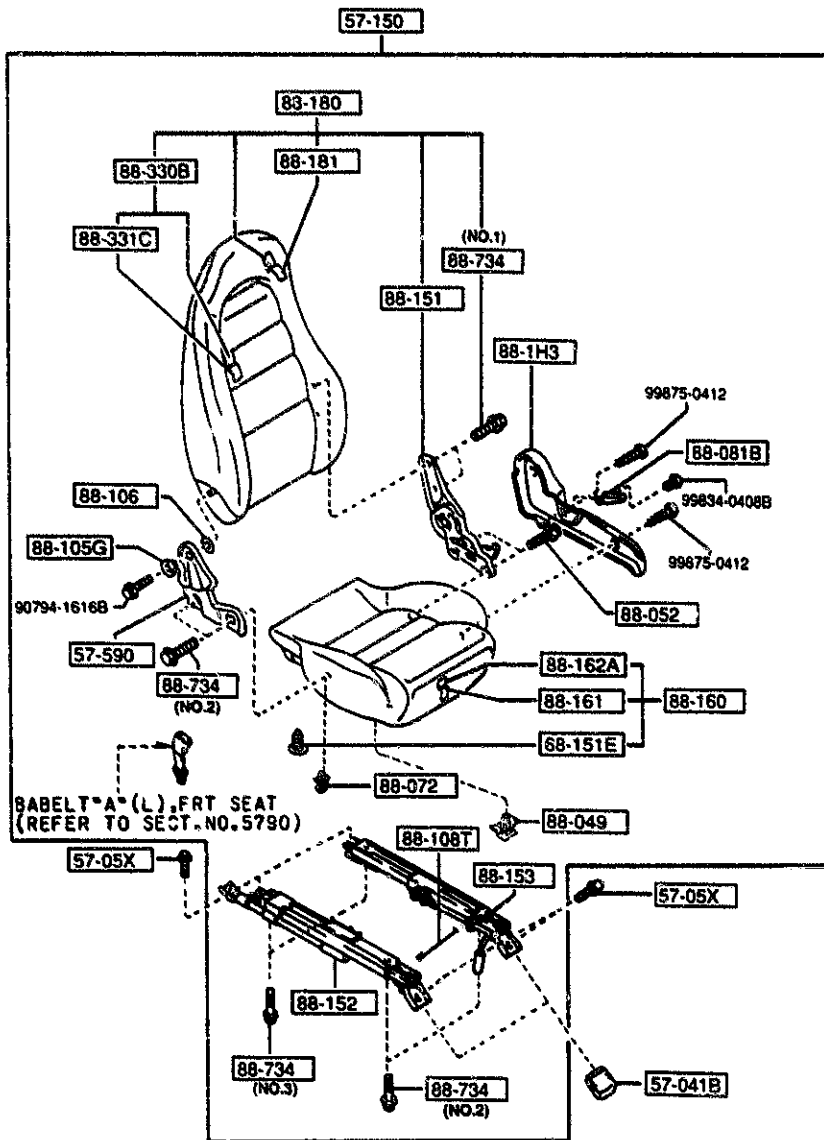
PART NO.	QTY	MODEL/RESTRICTION	MODEL/RESTRICTION	MODEL/RESTRICTION	FROM-TO
CONT'D					
02	INT-	FE2 BLACK			
FD05-88-111	1	BASE-OPT, TOURING, (STC TYPE)			
02	INT-	FE2 BLACK			
17	INT-	FE4 RED			
33	INT-	FE3 TAN			
		88-112A	PAD(R), CUSHION-FRT		
FD01-88-112	1				
		88-130	BACK(R), FRONT SEAT		
FD01-88-130	1	BASE, (STA TYPE)			
02	INT-	FE2 BLACK			
FD03-88-130	1	R1, (STB TYPE) (STD TYPE)			
02	INT-	FE2 BLACK			
FD05-88-130	1	BASE-OPT, TOURING, (STC TYPE)			
02	INT-	FE2 BLACK			
17	INT-	FE4 RED			
33	INT-	FE3 TAN			
		88-131	TRIM(R), SEAT BACK		
FD01-88-131	1	BASE, (STA TYPE)			
02	INT-	FE2 BLACK			
FD03-88-131	1	R1, (STB TYPE) (STD TYPE)			
02	INT-	FE2 BLACK			
FD05-88-131	1	BASE-OPT, TOURING, (STC TYPE)			
02	INT-	FE2 BLACK			
17	INT-	FE4 RED			
33	INT-	FE3 TAN			
		88-151	KNUCKLE(L), RECLINING		
FD01-88-155	1				

(THIS ILLUSTRATION CONSISTS OF 3 PAGES)



PART NO.	QTY	MODEL/RESTRICTION	MODEL/RESTRICTION	MODEL/RESTRICTION	FROM-TO
88-152		ADJUSTER NO.3			
FD01-88-152	1				
88-153		ADJUSTER NO.4			
FD01-88-153	1				
88-160		CUSHION(L), FRT SEAT			
FD01-88-160	1	BASE, (STA TYPE)			
02	INT-	FE2 BLACK			
FD03-88-160	1	R1, (STB TYPE) (STD TYPE)			
02	INT-	FE2 BLACK			
FD05-88-160	1	BASE-OPT, TOURING, (STC TYPE)			
02	INT-	FE2 BLACK			
17	INT-	FE4 RED			
33	INT-	FE3 TAN			
88-161		TRIM(L), SEAT CUSHION			
FD01-88-161	1	BASE, (STA TYPE)			
02	INT-	FE2 BLACK			
FD03-88-161	1	R1, (STB TYPE) (STD TYPE)			
02	INT-	FE2 BLACK			
FD05-88-161	1	BASE-OPT, TOURING, (STC TYPE)			
02	INT-	FE2 BLACK			
17	INT-	FE4 RED			
33	INT-	FE3 TAN			
88-162A		PAD(L), CUSHION-FRT			
FD01-88-162	1				
88-180		BACK(L), FRONT SEAT			
FD01-88-180	1	BASE, (STA TYPE)			
02	INT-	FE2 BLACK			

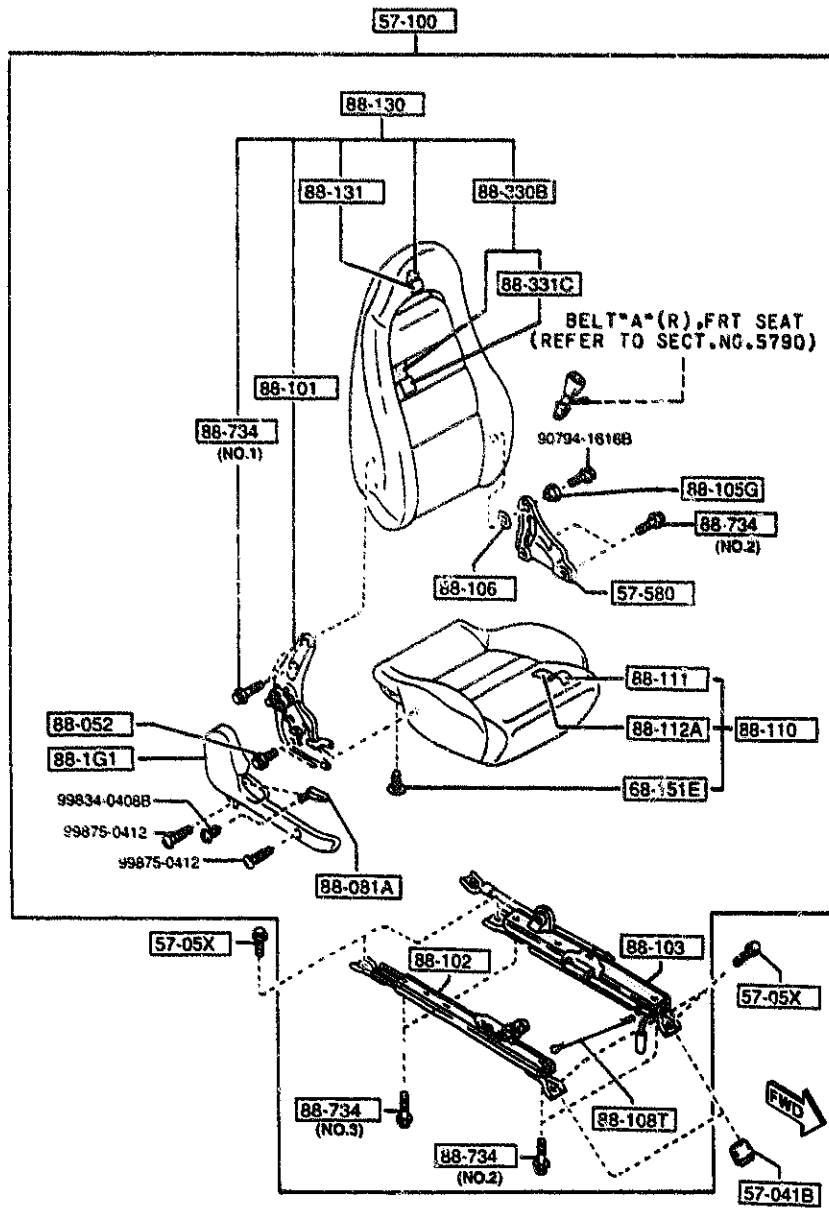
(THIS ILLUSTRATION CONSISTS OF 3 PAGES)



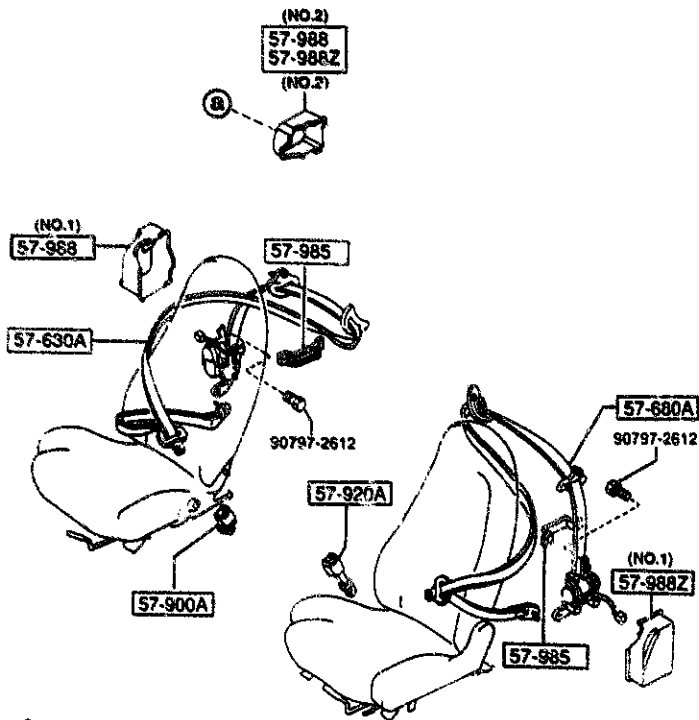
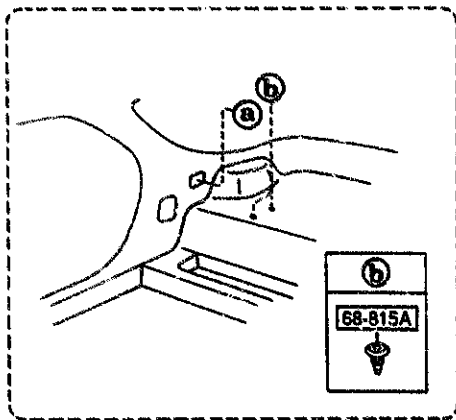
PART NO.	QTY	MODEL/RESTRICTION	MODEL/RESTRICTION	MODEL/RESTRICTION	FROM-10
CONT'D					
FD03-88-180	1	R1, (STB TYPE) (STD TYPE)			
02	INT-	FE2 BLACK			
FD05-88-180	1	BASE-OPT, TOURING, (STC TYPE)			
02	INT-	FE2 BLACK			
17	INT-	FE4 RED			
33	INT-	FE3 TAN			
88-181		TRIM(L), SEAT BACK			
FD01-88-181	1	BASE, (STA TYPE)			
02	INT-	FE2 BLACK			
FD03-88-181	1	R1, (STB TYPE) (STD TYPE)			
02	INT-	FE2 BLACK			
FD05-88-181	1	BASE-OPT, TOURING, (STC TYPE)			
02	INT-	FE2 BLACK			
17	INT-	FE4 RED			
33	INT-	FE3 TAN			
88-330B		BACK(C), FRT SEAT			
FD01-88-600	2	BASE, (STA TYPE)			
02	INT-	FE2 BLACK			
FD03-88-600	2	R1, (STB TYPE) (STD TYPE)			
02	INT-	FE2 BLACK			
FD05-88-600	2	BASE-OPT, TOURING, (STC TYPE)			
02	INT-	FE2 BLACK			
17	INT-	FE4 RED			
33	INT-	FE3 TAN			
88-331C		TRIM(C), FRT BACK			
FD01-88-602	2	BASE, (STA TYPE)			
02	INT-	FE2 BLACK			

(THIS ILLUSTRATION CONSISTS OF 3 PAGES)

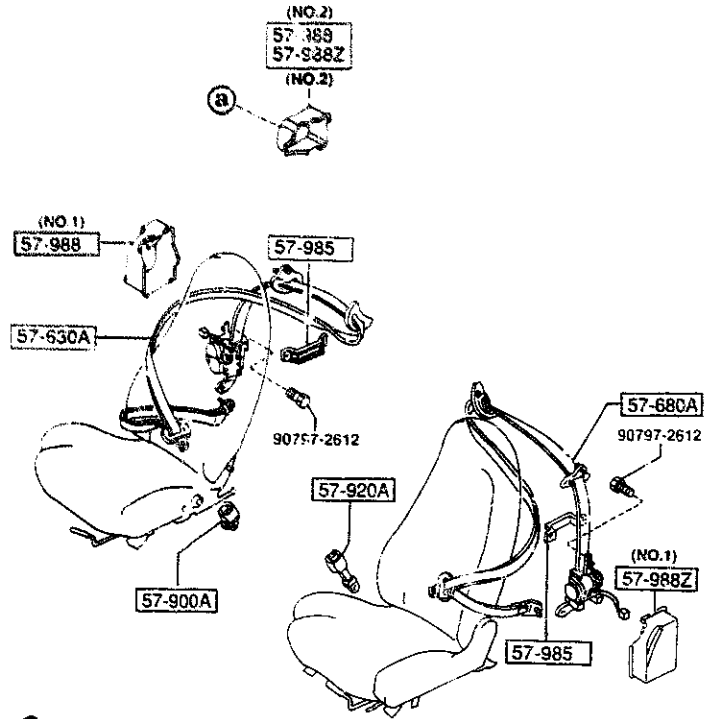
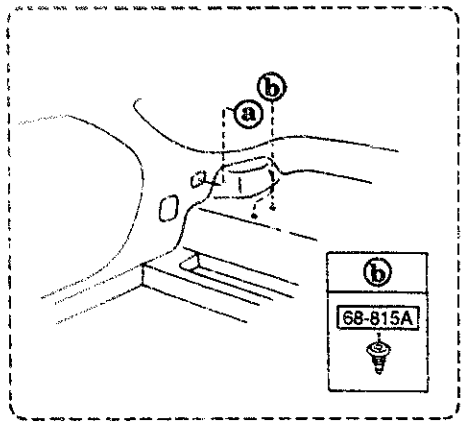
5700 -7 * FRONT SEATS



PART NO.	QTY	MODEL/RESTRICTION	MODEL/RESTRICTION	MODEL/RESTRICTION	FRONT TO
CONT'D FD03-88-602	2	R1, (STB TYPE) (STD TYPE)			
02	INT-	FE2 BLACK			
FD05-88-6D2	2	BASE-OPT. TOURING, (STC TYPE)			
02	INT-	FE2 BLACK			
17	INT-	FE4 RED			
33	INT-	FE3 TAN			
88-734		BOLT			
B456-88-815	4	(ILLUST. NO.1)			
B260-88-818	8	(ILLUST. NO.2)			
EA01-88-818	4	(ILLUST. NO.3)			



PART NO.	QTY	MODEL/RESTRICTION	MODEL/RESTRICTION	MODEL/RESTRICTION	FROM TO
57-630A		BELT 'B' (R), FRT SEAT			
FD01-57-630C	1				
00	INT-	FE2 BLACK			
17	INT-	FE4 RED			
33	INT-	FE3 TAN			
57-680A		BELT 'B' (L), FRT SEAT			
FD01-57-690D	1				-2A01
00	INT-	FE2 BLACK			
17	INT-	FE4 RED			
33	INT-	FE3 TAN			
FD01-57-690E	1				2A01-2C01
00	INT-	FE2 BLACK			
17	INT-	FE4 RED			
33	INT-	FE3 TAN			
FD01-57-690F	1				2C01-
00	INT-	FE2 BLACK			
17	INT-	FE4 RED			
33	INT-	FE3 TAN			
57-900A		BELT 'A' (R), FRT SEAT			
FD01-57-620A	1				
02	INT-	FE2 BLACK			
17	INT-	FE4 RED			
33	INT-	FE3 TAN			
57-920A		BELT 'A' (L), FRT SEAT			
FD01-57-680B	1				-2301
02	INT-	FE2 BLACK			
17	INT-	FE4 RED			
33	INT-	FE3 TAN			
FD01-57-680C	1				2301-
02	INT-	FE2 BLACK			
17	INT-	FE4 RED			
33	INT-	FE3 TAN			
2301 FD3MM-202578 2A01 FD3MM-210508 2C01 FD3MM-210514					



PART NO.	QTY	MODEL/RESTRICTION	MODEL/RESTRICTION	MODEL RESTRICTION
57-985		PLATE SET, SEAT BELT		
FD01-57-985A	2			
57-988		COVER(R), RETRACTOR		
FD01-57-988	1	(ILLUST. NO.1)		
F100-57-988	1	(ILLUST. NO.2)		
57-988Z		COVER(L), RETRACTOR		
FD01-57-989	1	(ILLUST. NO.1)		
F100-57-989	1	(ILLUST. NO.2)		
68-815A		TACKER		
1011-68-815	4			



AUFA04

CAT. AUFA04-06