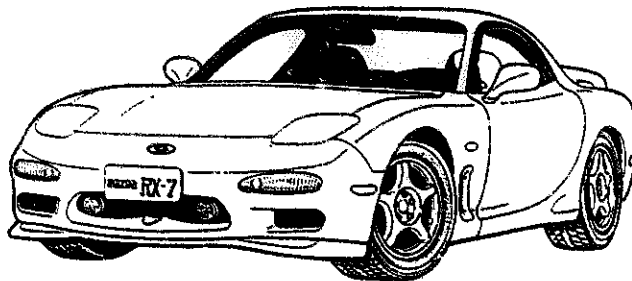


# Parts Catalog

Mazda RX-7  
U.S.A.  
'93



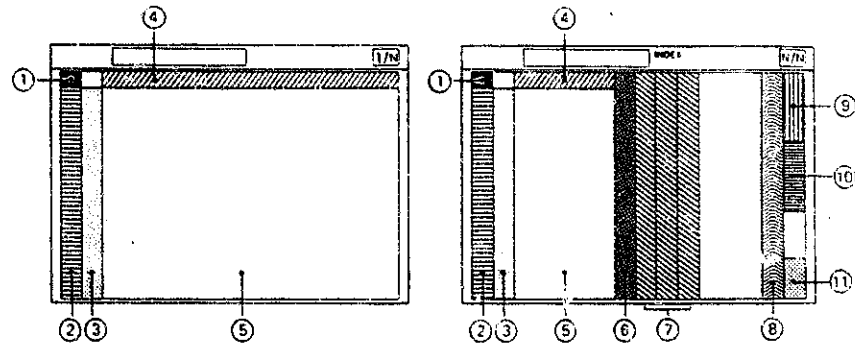
FD3\*\*\*-200001-300000

Oct. '94 (FINAL)  
Catalog No. AU-FA04-06

**Mazda**  
© 1994 Mazda Motor Corporation

## LAYOUT OF CONTENTS / DISPOSITION TYPOGRAPHIQUE DE CONTENU / DISPOSICION DEL CONTENIDO / ANORDNUNG DES INHALTS


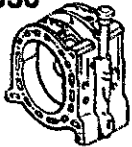

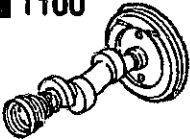

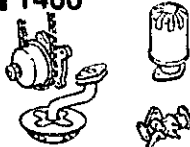
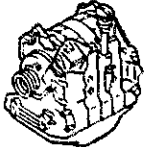
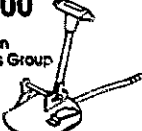
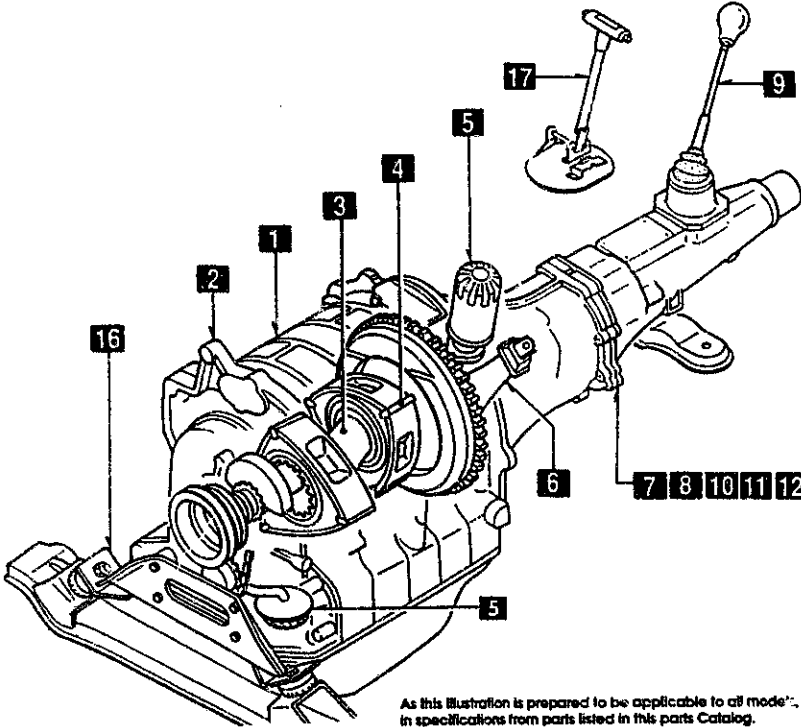
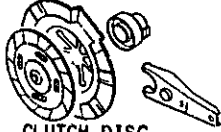
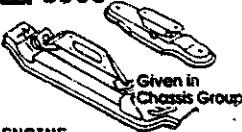
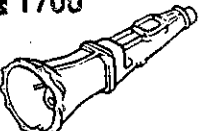
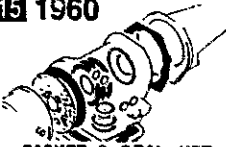

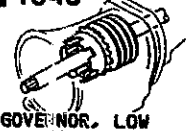
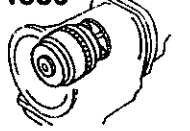

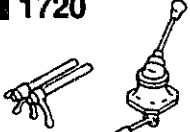
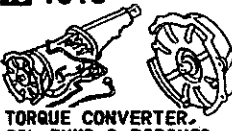
- The following is a typical example of the layout of contents on Mazda microfiche parts catalog.
- Voici un exemple typique de la disposition typographique de contenu dans les microfiches de catalogue des pièces de Mazda.
- El siguiente es un ejemplo típico de la disposición del contenido en una microficha del catálogo de repuestos de Mazda.
- Folgendes ist ein typisches Beispiel der Inhaltsanordnung des Mazda-Mikrofiche-Teilekatalogs.








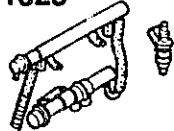
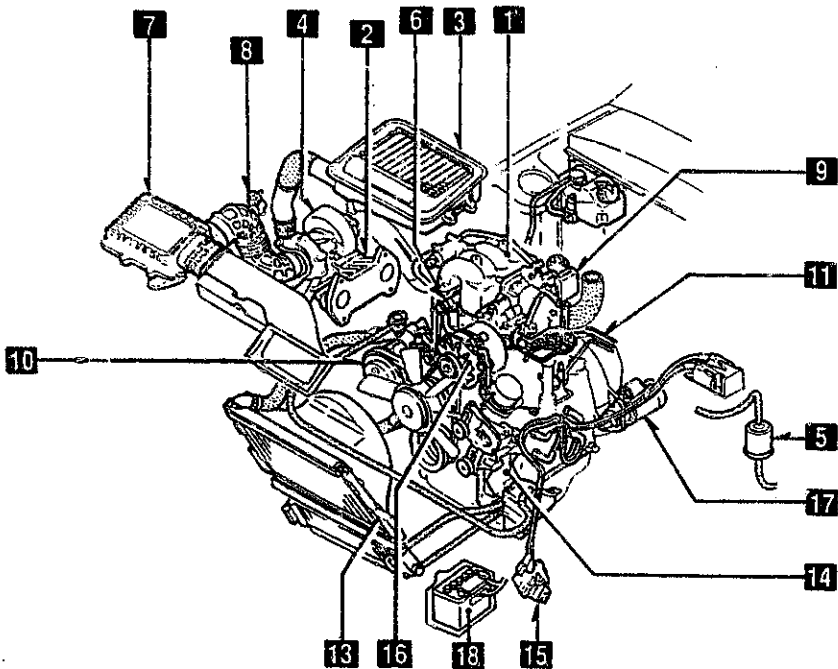
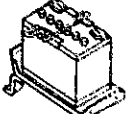
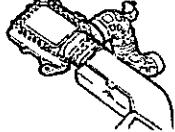

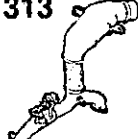
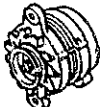
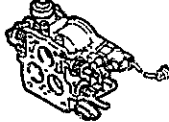



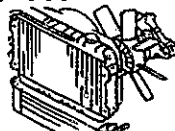
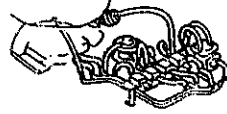
Remark : The items listed under ④ have been deleted from each fiche since Dec. '93

- |  |   |   |
|--|---|---|
| ① • Layout of contents<br>• Disposition Typographique de Contenu<br>• Disposición del contenido<br>• Anordnung des Inhalts   | ② • Pictorial Index<br>• Index par Schémas<br>• Índice Gráfico<br>• Illustrierter Index                           | ③ • Master Section No. Index<br>• Index des Numéros des Sections Totale<br>• Índice del Número de la Sección Maestra<br>• Hauptabschnittsnummer-Index       |
| <del>④ • Section No. Index for the Column<br/>• Index des Numéros des Sections pour les Colonnes<br/>• N° de la Sección para el Índice<br/>• Abschnittsnummer-Index für die Spalte</del> | ⑤ • Illustration & Text<br>• Illustrations et Textes<br>• Ilustración y Texto<br>• Abbildung und Text             | ⑥ • Part No. Index<br>• Index des Numéros des Pièces<br>• Índice del N° de Pieza<br>• Teile-Nr.-Index   |
| ⑦ • Alphabetical Index<br>• Index Alphabétique<br>• Índice Alfabético<br>• Alphabetischer Index  | ⑧ • Model Identification<br>• Identification des Modèles<br>• Identificación del Modelo<br>• Modell-Kennzeichnung | ⑨ • Vehicle Identification System<br>• Système d'Identification de Véhicule<br>• Sistema de Identificación de Vehículo<br>• Fahrzeug-Identifikations-system |

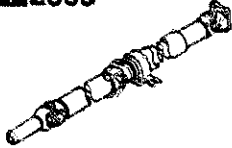
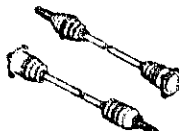


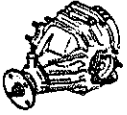



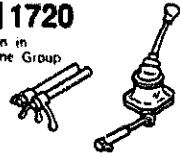
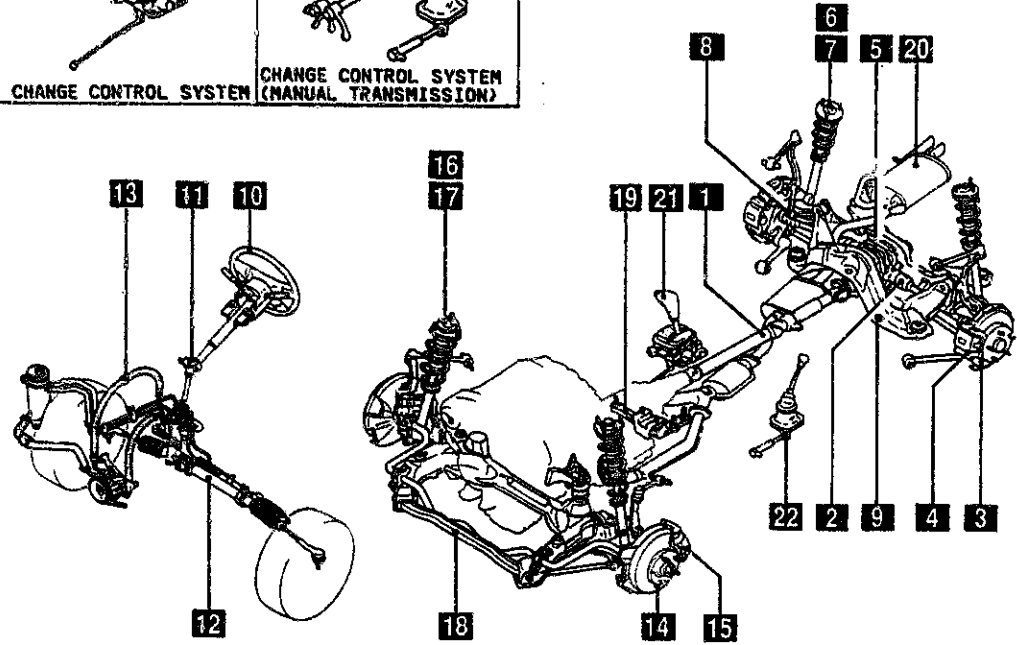



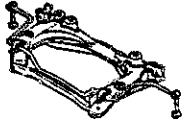

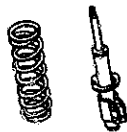




## PICTORIAL INDEX

<p><b>1000</b></p>  <p style="text-align: center;"><b>ROTOR HOUSINGS</b></p>	<p><b>1 1030</b></p>  <p style="text-align: center;"><b>ROTOR HOUSINGS</b></p>	<p><b>2 1040</b></p>  <p style="text-align: center;"><b>OIL PAN, FRONT &amp; REAR HOUSING</b></p>	<p><b>3 1100</b></p>  <p style="text-align: center;"><b>ECCENTRIC SHAFT &amp; FLYWHEEL</b></p>	<p><b>4 1110</b></p>  <p style="text-align: center;"><b>ROTORS &amp; RELATED PARTS</b></p>	<p><b>5 1400</b></p>  <p style="text-align: center;"><b>OIL PUMP &amp; FILTER</b></p>
<p><b>ENGINE &amp; GASKET SETS</b></p>  <p><b>17 4600</b> Given in Chassis Group</p> <p><b>CHANGE CONTROL SYSTEM (AT)</b></p> 	<p style="font-size: 1.5em;"><b>ENGINE (1/2)</b></p>  <p style="font-size: 0.8em;">As this illustration is prepared to be applicable to all models, some parts are different in specifications from parts listed in this parts Catalog.</p>				<p><b>6 1600</b></p>  <p style="text-align: center;"><b>CLUTCH DISC &amp; COVER (MANUAL)</b></p>
<p><b>18 3900</b> Given in Chassis Group</p> <p><b>ENGINE &amp; TRANSMISSION MOUNTINGS</b></p> 					<p><b>7 1700</b></p>  <p style="text-align: center;"><b>TRANSMISSION CASE (MANUAL)</b></p>
<p><b>15 1960</b></p>  <p style="text-align: center;"><b>GASKET &amp; SEAL KIT (AUTOMATIC)</b></p>	<p><b>14 1950</b></p>  <p style="text-align: center;"><b>MANUAL LINKAGE SYSTEM (AUTOMATIC)</b></p>	<p><b>13 1940</b></p>  <p style="text-align: center;"><b>GOVERNOR, LOW &amp; REVERSE PISTON (AUTOMATIC)</b></p>	<p><b>12 1930</b></p>  <p style="text-align: center;"><b>CLUTCHES &amp; PLANETARY GEARS (AUTOMATIC)</b></p>	<p><b>11 1920 &amp; 1925</b></p>  <p style="text-align: center;"><b>TRANSMISSION CASE &amp; MAIN CONTROL SYSTEM (AUTOMATIC)</b></p>	<p><b>9 1720</b></p>  <p style="text-align: center;"><b>CHANGE CONTROL SYSTEM (MANUAL)</b></p>
<p><b>10 1910</b></p>  <p style="text-align: center;"><b>TORQUE CONVERTER, OIL PUMP &amp; PIPINGS (AUTOMATIC)</b></p>					





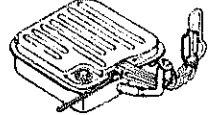

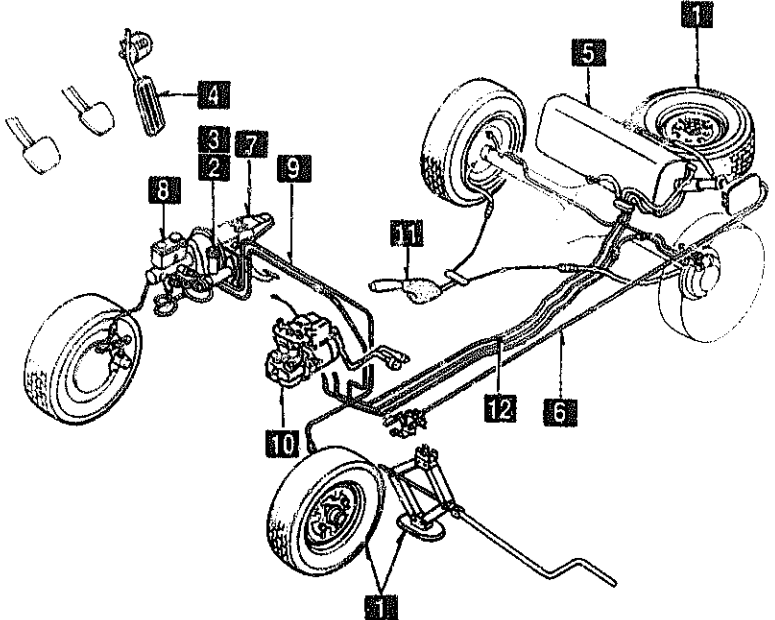
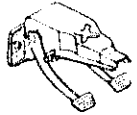
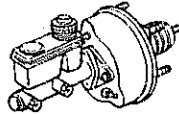

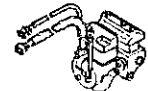
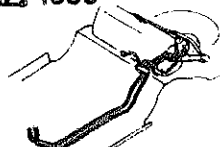

## PICTORIAL INDEX

<b>1 1300</b>  INLET MANIFOLD	<b>2 1310</b>  EXHAUST MANIFOLD	<b>3 1311</b>  INTER COOLER	<b>4 1312</b>  TURBO CHARGER	<b>5 1320</b>  FUEL SYSTEM	<b>6 1325</b>  FUEL DISTRIBUTOR
<h3 style="margin: 0;">ENGINE (2/2)</h3> 					
<b>13 1850</b>  BATTERY	As this illustration is prepared to be applicable to all models, some parts are different in specifications from parts listed in this parts Catalog.				<b>7 1330</b>  AIR CLEANER
<b>17 1840</b>  STARTER					<b>8 1313</b>  TWIN TURBO AIR INTAKE SYSTEM
<b>16 1830</b>  ALTERNATOR					<b>9 1364</b>  THROTTLE BODY
<b>15 1800</b>  ENGINE ELECTRICAL SYSTEM					<b>10 1371</b>  AIR PUMP & AIR CONTROL VALVE
<b>14 1580</b>  BRACKET, PULLEY & BELT	<b>13 1500</b>  COOLING SYSTEM	<b>12</b>	<b>11 1380</b>  EMISSION CONTROL SYSTEM		

## PICTORIAL INDEX



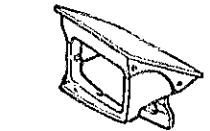
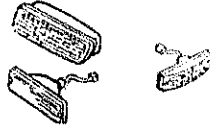
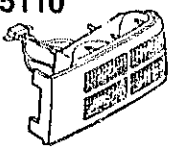
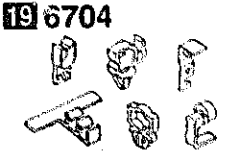
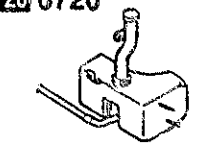
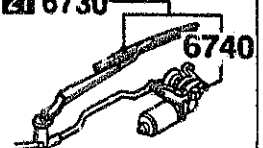
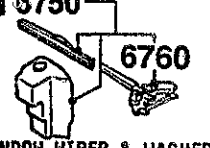
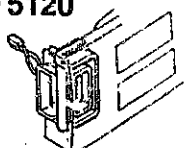

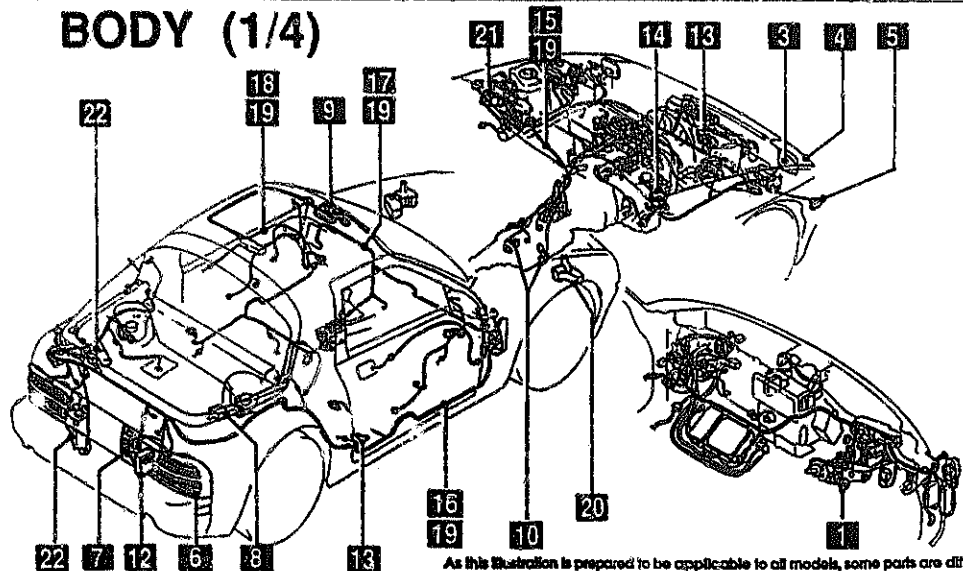
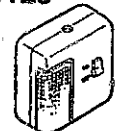




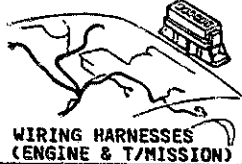
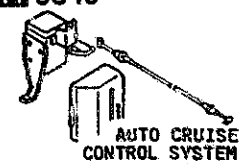
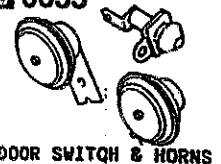

<p><b>1 2505</b></p>  <p>REAR PROPELLER SHAFT</p>	<p><b>2 2550</b></p>  <p>REAR DRIVE SHAFT</p>	<p><b>3 2600</b></p>  <p>REAR AXLE</p>	<p><b>4 2610</b></p>  <p>REAR BRAKE MECHANISMS</p>	<p><b>5 2710</b></p>  <p>REAR DIFFERENTIALS</p>	<p><b>6 2800</b></p>  <p>REAR SUSPENSION MECHANISMS</p>	
<p><b>20 4000</b></p>  <p>EXHAUST SYSTEM</p>	<p><b>21 4600</b></p>  <p>CHANGE CONTROL SYSTEM</p>	<p><b>22 1720</b> Given in Engine Group</p>  <p>CHANGE CONTROL SYSTEM (MANUAL TRANSMISSION)</p>		<h3 style="margin: 0;">CHASSIS (1/2)</h3> 		<p><b>7 2801</b></p>  <p>REAR SPRING &amp; DAMPER</p>
<p><b>19 3900</b></p>  <p>ENGINE &amp; T/MISSION MOUNTINGS</p>	<p>As this illustration is prepared to be applicable to all models, some parts are different in specifications from parts listed in this parts Catalog.</p>				<p><b>8 2810</b></p>  <p>REAR STABILIZER</p>	
<p><b>18 3410</b></p>  <p>CROSSMEMBER &amp; STABILIZER</p>					<p><b>9 2830</b></p>  <p>REAR LOWER ARMS &amp; SUB FRAME</p>	
<p><b>17 3401</b></p>  <p>FRONT SPRING &amp; DAMPER</p>					<p><b>10 3200</b></p>  <p>STEERING WHEEL</p>	
<p><b>16 3400</b></p>  <p>FRONT SUSPENSION MECHANISMS</p>					<p><b>15 3310</b></p>  <p>FRONT BRAKE MECHANISMS</p>	<p><b>14 3300</b></p>  <p>FRONT AXLE</p>

## PICTORIAL INDEX










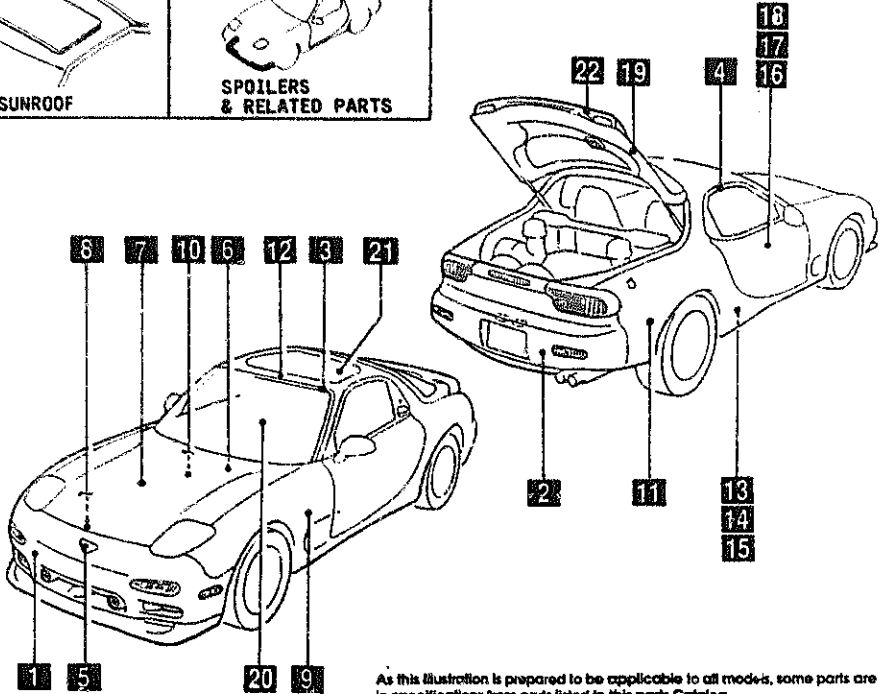
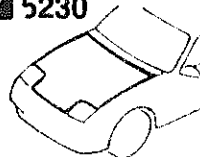

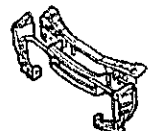



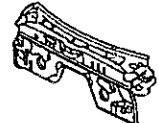

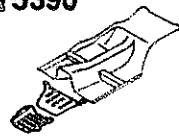



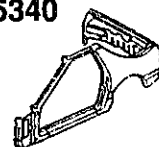
<b>1</b> 3700  TIRES & JACK	<b>2</b> 4140  CLUTCH RELEASE & MASTER CYLINDERS	<b>3</b> 4145  CLUTCH PIPINGS	<b>4</b> 4160  ACCELERATOR CONTROL SYSTEM	<b>5</b> 4200  FUEL TANK	<b>6</b> 4210  FUEL LID OPENER
<h3 style="margin: 0;">CHASSIS (2/2)</h3> 					
					<b>7</b> 4300  CLUTCH & BRAKE PEDALS
					<b>8</b> 4340  BRAKE MASTER CYLINDER & POWER BRAKE
					<b>9</b> 4360  BRAKE PIPINGS
					<b>10</b> 4370  ANTILOCK BRAKE SYSTEM
				<b>12</b> 4500  FUEL PIPINGS	<b>11</b> 4400  PARKING BRAKE SYSTEM

As this illustration is prepared to be applicable to all models, some parts are different in specifications from parts listed in this parts Catalog.

## PICTORIAL INDEX

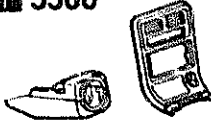
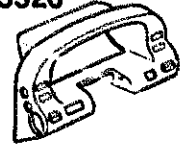

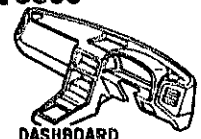
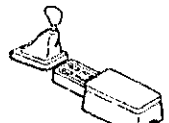




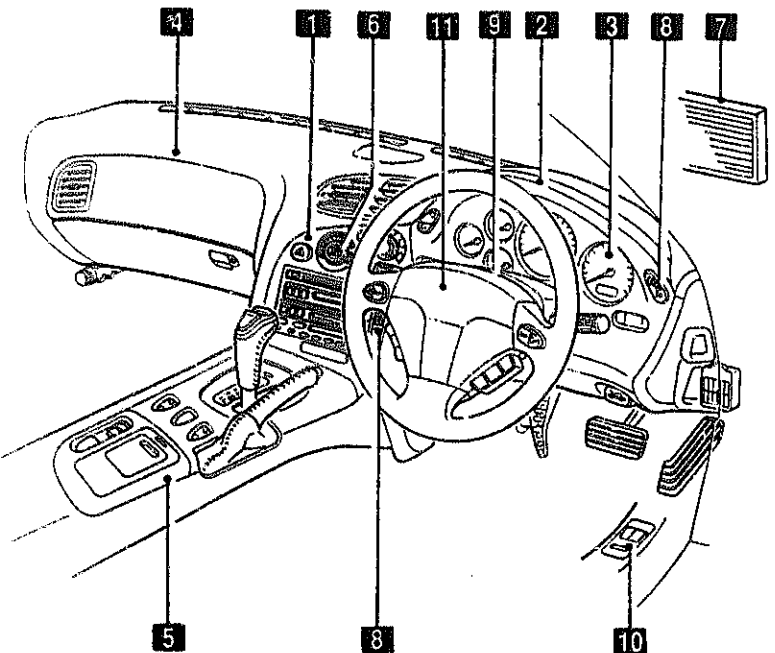
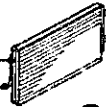




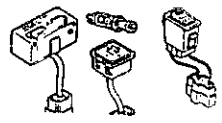
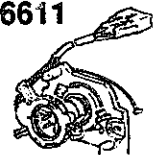

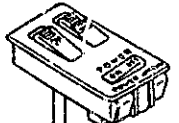
<p><b>1</b> 0900</p>  <p style="text-align: center;">KEY SETS</p>	<p><b>2</b></p>	<p><b>3</b> 5100</p>  <p style="text-align: center;">HEAD LAMPS</p>	<p><b>4</b> 5103</p>  <p style="text-align: center;">HEAD LAMP RETRACTORS</p>	<p><b>5</b> 5105</p>  <p style="text-align: center;">FRONT COMBINATION LAMPS</p>	<p><b>6</b> 5110</p>  <p style="text-align: center;">REAR COMBINATION LAMPS</p>
<p><b>19</b> 6704</p>  <p style="text-align: center;">WIRING HARNESS CLAMPS</p>	<p><b>20</b> 6720</p>  <p style="text-align: center;">WINDSHIELD WASHER</p>	<p><b>21</b> 6730</p>  <p style="text-align: center;">WINDSHIELD WIPERS</p>	<p><b>22</b> 6750</p>  <p style="text-align: center;">WINDOW WIPER &amp; WASHER (REAR)</p>	<p><b>7</b> 5120</p>  <p style="text-align: center;">LICENSE LAMPS</p>	
<p><b>18</b> 6703</p>  <p style="text-align: center;">WIRING HARNESSES (DOOR, FLOOR/CEILING)</p>	<p><b>BODY (1/4)</b></p>  <p style="text-align: center; font-size: small;">As this illustration is prepared to be applicable to all models, some parts are different in specifications from parts listed in this parts Catalog.</p>				<p><b>8</b> 5125</p>  <p style="text-align: center;">INTERIOR LAMPS</p>
<p><b>17</b> 6702</p>  <p style="text-align: center;">WIRING HARNESSES (DASHBOARD)</p>					<p><b>9</b> 5130</p>  <p style="text-align: center;">OVERHEAD CONSOLE</p>
<p><b>16</b> 6700</p>  <p style="text-align: center;">WIRING HARNESSES (FRONT &amp; REAR)</p>					<p><b>10</b> 6600</p>  <p style="text-align: center;">SWITCHES &amp; RELAYS (ENGINE)</p>
<p><b>15</b> 6701</p>  <p style="text-align: center;">WIRING HARNESSES (ENGINE &amp; TRANSMISSION)</p>	<p><b>14</b> 6640</p>  <p style="text-align: center;">AUTO CRUISE CONTROL SYSTEM</p>	<p><b>13</b> 6635</p>  <p style="text-align: center;">DOOR SWITCH &amp; HORNS</p>	<p><b>12</b> 6630</p>  <p style="text-align: center;">RELAYS &amp; UNIT (BODY)</p>	<p><b>11</b></p>	

## PICTORIAL INDEX

<p><b>1</b> 5000</p>  <p style="text-align: center;">FRONT BUMPER</p>	<p><b>2</b> 5010</p>  <p style="text-align: center;">REAR BUMPER</p>	<p><b>3</b> 5030</p>  <p style="text-align: center;">WINDOW MOULDINGS</p>	<p><b>4</b> 5040</p>  <p style="text-align: center;">BODY MOULDINGS</p>	<p><b>5</b> 5170</p>  <p style="text-align: center;">ORNAMENTS</p>	<p><b>6</b> 5180</p>  <p style="text-align: center;">COWL &amp; EXTRACTOR GRILLES</p>
<p><b>20</b> 6300</p>  <p style="text-align: center;">WINDOW GLASSES</p>	<p><b>21</b> 6330</p>  <p style="text-align: center;">SUNROOF</p>	<p><b>22</b> 7800</p>  <p style="text-align: center;">SPOILERS &amp; RELATED PARTS</p>	<p><b>BODY (2/4)</b></p> 		<p><b>7</b> 5230</p>  <p style="text-align: center;">BONNET</p>
<p><b>19</b> 6230</p>  <p style="text-align: center;">LIFT GATE MECHANISMS</p>				<p><b>8</b> 5310</p>  <p style="text-align: center;">FRONT PANELS</p>	
<p><b>18</b> 5840</p>  <p style="text-align: center;">FRONT DOOR TRIMS &amp; RELATED PARTS</p>				<p><b>9</b> 5320</p>  <p style="text-align: center;">FENDER &amp; WHEEL APRON PANELS</p>	
<p><b>17</b> 5830</p>  <p style="text-align: center;">FRONT DOOR MECHANISMS</p>				<p><b>10</b> 5330</p>  <p style="text-align: center;">DASH &amp; COWL PANELS</p>	
<p><b>16</b> 5800</p>  <p style="text-align: center;">FRONT DOORS</p>	<p><b>15</b> 5390</p>  <p style="text-align: center;">FLOOR ATTACHMENTS</p>	<p><b>14</b> 5380</p>  <p style="text-align: center;">FLOOR ATTACHMENTS (HOLE COVERS)</p>	<p><b>13</b> 5370</p>  <p style="text-align: center;">FLOOR PANELS</p>	<p><b>12</b> 5360</p>  <p style="text-align: center;">ROOF PANELS</p>	<p><b>11</b> 5340</p>  <p style="text-align: center;">SIDE PANELS</p>

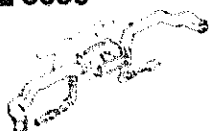


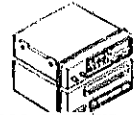
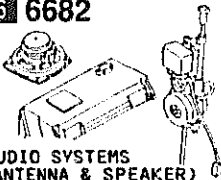
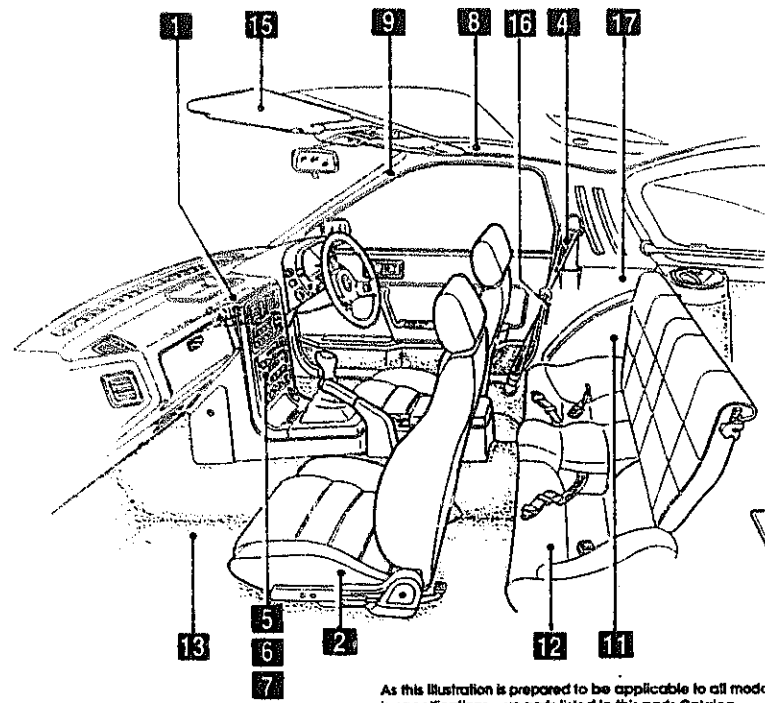




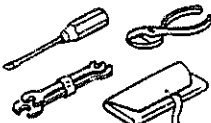
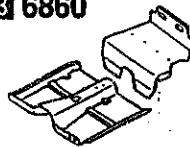
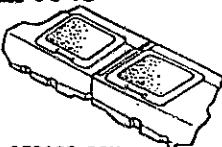

As this illustration is prepared to be applicable to all models, some parts are different in specifications from parts listed in this parts Catalog.

## PICTORIAL INDEX

<p><b>1 5500</b></p>  <p><b>DASHBOARD EQUIPMENTS</b></p>	<p><b>2 5520</b></p>  <p><b>METER HOOD</b></p>	<p><b>3 5540</b></p>  <p><b>METER COMPONENTS</b></p>	<p><b>4 5560</b></p>  <p><b>DASHBOARD &amp; RELATED PARTS</b></p>	<p><b>5 5570</b></p>  <p><b>CONSOLE</b></p>	<p><b>6</b></p>  <p><b>6120</b></p>  <p><b>6100</b></p>  <p><b>6110</b></p>  <p><b>6115</b></p> <p><b>HEATER</b></p>
<h3 style="margin: 0;">BODY (3/4)</h3> 					
<p style="font-size: small;">As this illustration is prepared to be applicable to all models, some parts are different in specifications from parts listed in this parts Catalog.</p>					
<p><b>7</b></p>  <p><b>6130</b></p>  <p><b>6130</b></p>  <p><b>6140</b></p>  <p><b>6150</b></p>  <p><b>6135 - AIR CONDITIONER</b></p>					
<p><b>8 6610</b></p>  <p><b>DASHBOARD SWITCHES</b></p>					
<p><b>9 6611</b></p>  <p><b>COMBINATION SWITCH</b></p>					
<p><b>11 5795</b></p>  <p><b>AIR BAG</b></p>					
<p><b>10 6615</b></p>  <p><b>POWER WINDOW SWITCHES</b></p>					



## PICTORIAL INDEX

<b>1</b> 5580  VENTILATOR	<b>2</b> 5700  FRONT SEATS		<b>4</b> 5790  SEAT BELTS	<b>5</b> 6680  AUDIO SYSTEMS (RADIO & TAPE DECK)	<b>6</b> 6682  AUDIO SYSTEMS (ANTENNA & SPEAKER)
<h3 style="margin: 0;">BODY (4/4)</h3> 					
As this illustration is prepared to be applicable to all models, some parts are different in specifications than parts listed in this parts Catalog.					
<b>17</b> 7250  QUARTER WINDOW & TRIMS					<b>7</b> 6684  AUDIO SYSTEMS (NOISE SUPPRESSOR & EARTH CORD)
<b>16</b> 6930  CAUTION PLATES & LABELS	<b>15</b> 6900  VISORS, ASSIST HANDLES & MIRRORS	<b>14</b> 6870  SERVICE TOOLS	<b>13</b> 6860  FLOOR MATS & PADS	<b>12</b> 6845  STORAGE BOX	<b>11</b> 6840  TRIMS & SCUFF PLATES

## SECTION NAME INDEX (ENGINE)

LD.NO	SEC.NO	SECTION NAME	LD.NO	SEC.NO	SECTION NAME	LD.NO	SEC.NO	SECTION NAME
1-C03	1000	ENGINE & GASKET SETS	1-L11	1960	GASKET & SEAL KIT (AUTOMATIC)			
1-D03	1030	ROTOR HOUSINGS						
1-G03	1040	OIL PAN, FRONT & REAR HOUSING						
1-J03	1100	ECCENTRIC SHAFT & FLYWHEEL						
1-L03	1110	ROTORS & RELATED PARTS						
1-N03	1300	INLET MANIFOLD						
1-C04	1310	EXHAUST MANIFOLD						
1-D04	1311	INTER COOLER						
1-E04	1312	TURBO CHARGER						
1-G04	1313	TWIN TURBO AIR INTAKE SYSTEM						
1-I04	1320	FUEL SYSTEM						
1-J04	1325	FUEL DISTRIBUTOR						
1-L04	1330	AIR CLEANER						
1-C05	1344	THROTTLE BODY						
1-E05	1371	AIR PUMP & AIR CONTROL VALVE						
1-G05	1380	EMISSION CONTROL SYSTEM						
1-C06	1400	OIL PUMP & FILTER						
1-F06	1500	COOLING SYSTEM						
1-M06	1580	BRACKET, PULLEY & BELT						
1-C07	1600	CLUTCH DISC & COVER (MANUAL)						
1-E07	1700	TRANSMISSION CASE (MANUAL)						
1-J07	1710	TRANSMISSION GEARS (MANUAL)						
1-D08	1720	CHANGE CONTROL SYSTEM (MANUAL)						
1-F08	1800	ENGINE ELECTRICAL SYSTEM						
1-I08	1830	ALTERNATOR						
1-K08	1840	STARTER						
1-C09	1850	BATTERY						
1-D09	1910	TORQUE CONVERTER, OIL PUMP & PI PINGS (AUTOMATIC)						
1-I09	1920	TRANSMISSION CASE & MAIN CONTR OL SYSTEM (AUTOMATIC)						
1-C10	1925	CONTROL VALVE (AUTOMATIC)						
1-K10	1930	CLUTCHES & PLANETARY GEARS (AU TOMATIC)						
1-G11	1940	GOVERNOR, LOW & REVERSE PISTON (AUTOMATIC)						
1-J11	1950	MANUAL LINKAGE SYSTEM (AUTOMAT IC)						

## SECTION NAME INDEX (CHASSIS)

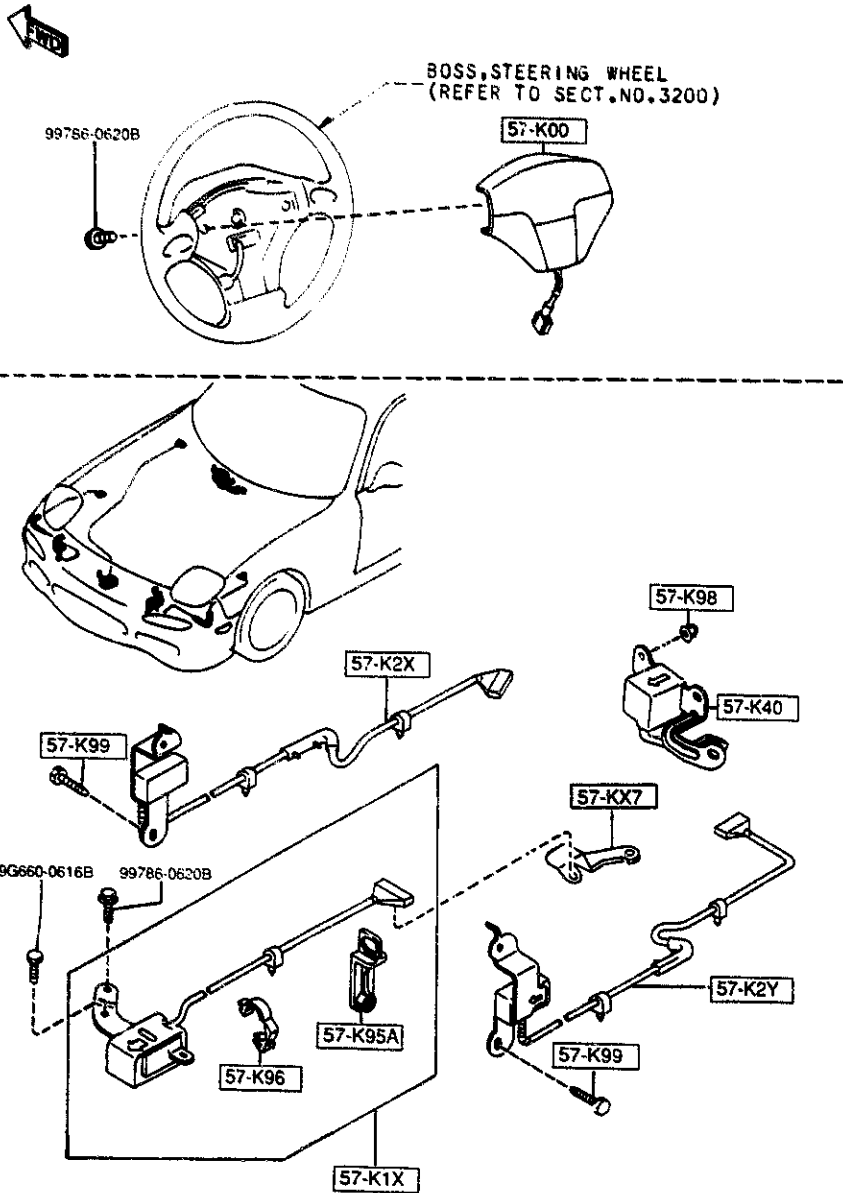
LD.NO	SEC.NO	SECTION NAME	LD.NO	SEC.NO	SECTION NAME	LD.NO	SEC.NO	SECTION NAME
2-C03	2505	REAR PROPELLER SHAFT	2-I08	4600	CHANGE CONTROL SYSTEM (AT)			
2-D03	2550	REAR DRIVE SHAFT						
2-E03	2600	REAR AXLE						
2-G03	2610	REAR BRAKE MECHANISMS						
2-J03	2710	REAR DIFFERENTIALS						
2-N03	2800	REAR SUSPENSION MECHANISMS						
2-C04	2801	REAR SPRING & DAMPER						
2-D04	2810	REAR STABILIZER						
2-E04	2830	REAR LOWER ARMS & SUB FRAME						
2-G04	3200	STEERING WHEEL						
2-H04	3210	STEERING COLUMN & SHAFTS						
2-I04	3220	STEERING GEAR						
2-X04	3240	POWER STEERING SYSTEM						
2-L04	3300	FRONT AXLE						
2-M04	3310	FRONT BRAKE MECHANISMS						
2-C05	3400	FRONT SUSPENSION MECHANISMS						
2-F05	3401	FRONT SPRING & DAMPER						
2-G05	3410	CROSSMEMBER & STABILIZER						
2-H05	3700	TIRES & JACK						
2-C06	3900	ENGINE & TRANSMISSION MOUNTINGS						
2-D06	4000	EXHAUST SYSTEM						
2-H06	4140	CLUTCH RELEASE & MASTER CYLINDERS (MANUAL TRANSMISSION)						
2-J06	4145	CLUTCH PIPINGS (MANUAL TRANSMISSION)						
2-K06	4160	ACCELERATOR CONTROL SYSTEM						
2-L06	4200	FUEL TANK						
2-D07	4210	FUEL LID OPENER						
2-E07	4300	CLUTCH & BRAKE PEDALS (MANUAL TRANSMISSION)						
2-G07	4300A	BRAKE PEDALS (AUTOMATIC TRANSMISSION)						
2-H07	4340	BRAKE MASTER CYLINDER & POWER BRAKE						
2-J07	4360	BRAKE PIPINGS						
2-N07	4370	ANTILOCK BRAKE SYSTEM						
2-E08	4400	PARKING BRAKE SYSTEM						
2-F08	4500	FUEL PIPINGS						

## SECTION NAME INDEX (BODY)

LD.NO	SEC.NO	SECTION NAME	LD.NO	SEC.NO	SECTION NAME	LD.NO	SEC.NO	SECTION NAME
2-C10	0900	KEY SETS	3-H03	5830	FRONT DOOR MECHANISMS	3-H08	6702	WIRING HARNESSSES(DASHBOARD)
2-E10	5000	FRONT BUMPER	3-K03	5840	FRONT DOOR TRIMS & RELATED PARTS	3-J08	6703	WIRING HARNESSSES(DOOR,FLOOR/CEILING)
2-H10	5010	REAR BUMPER	3-C04	6100	HEATER	3-K08	6704	WIRING HARNESS CLAMPS
2-J10	5030	WINDOW MOULDINGS	3-E04	6110	HEATER UNIT COMPONENTS	3-L08	6720	WINDSHIELD WASHER
2-K10	5040	BODY MOULDINGS	3-G04	6115	HEATER CONTROLS COMPONENTS	3-N08	6730	WINDSHIELD WIPERS
2-M10	5100	HEAD LAMPS	3-H04	6120	HEATER BLOWER COMPONENTS	3-D09	6740	WIPER MOTOR COMPONENTS(FRONT)
2-C11	5103	HEAD LAMP RETRACTORS	3-I04	6130	AIR CONDITIONER (JAPAN MAKE)	3-E09	6750	WINDOW WIPER & WASHER (REAR)
2-E11	5105	FRONT COMBINATION LAMPS	3-L04	6130A	AIR CONDITIONER (OPTIONAL PARTS)	3-G09	6760	WINDOW WIPER MOTOR COMPONENTS (REAR)
2-I11	5110	REAR COMBINATION LAMPS	3-C05	6135	O RING SET,PIPING	3-H09	6800	CEILING TRIMS
2-N11	5120	LICENSE LAMPS	3-D05	6140	COMPRESSOR COMPONENTS (AIR CONDITIONER) (JAPAN MAKE)	3-J09	6820	PILLAR TRIMS
2-C12	5125	INTERIOR LAMPS	3-F05	6140A	COMPRESSOR COMPONENTS (AIR CONDITIONER) (OPTIONAL PARTS)	3-K09	6840	TRIMS & SCUFF PLATES
2-D12	5130	OVERHEAD CONSOLE	3-H05	6150	COOLING UNIT (AIR CONDITIONER) (JAPAN MAKE)	3-C10	6845	STRAGE BOX
2-E12	5170	ORNAMENTS	3-I05	6150A	COOLING UNIT (AIR CONDITIONER) (OPTIONAL PARTS)	3-D10	6860	FLOOR MATS & PADS
2-F12	5180	COWL & EXTRACTOR GRILLES	3-K05	6230	LIFT GATE MECHANISMS	3-G10	6870	SERVICE TOOLS
2-H12	5230	BONNET	3-N05	6300	WINDOW GLASSES	3-H10	6900	VISORS,ASSIST HANDLES & MIRRORS
2-J12	5310	FRONT PANELS	3-C06	6330	SUNROOF	3-K10	6930	CAUTION PLATES & LABELS
2-K12	5320	FENDER & WHEEL APRON PANELS	3-G06	6600	SWITCHES & RELAYS (ENGINE)	3-M10	7250	QUARTER WINDOW & TRIMS
2-C13	5330	DASH & COWL PANELS	3-L06	6610	DASHBOARD SWITCHES	3-D11	7800	SPOILERS & RELATED PARTS
2-D13	5340	SIDE PANELS	3-M06	6611	COMBINATION SWITCH			
2-I13	5360	ROOF PANELS (W/O SUN ROOF)	3-N06	6615	POWER WINDOW SWITCHES			
2-J13	5360 A	ROOF PANELS (SUN ROOF)	3-C07	6630	RELAYS & UNIT (BODY)			
2-K13	5370	FLOOR PANELS	3-E07	6635	DOOR SWITCH & HORNS			
2-M13	5380	FLOOR ATTACHMENTS (HOLE COVERS)	3-F07	6640	AUTO CRUISE CONTROL SYSTEM			
2-C14	5390	FLOOR ATTACHMENTS	3-G07	6680	AUDIO SYSTEMS (RADIO & TAPE DECK)			
2-C15	5500	DASHBOARD EQUIPMENTS	3-I07	6682	AUDIO SYSTEMS (ANTENNA & SPEAKER)			
2-D15	5520	METER HOOD	3-M07	6684	AUDIO SYSTEMS(NOISE SUPPRESSOR & EARTH CORD)			
2-E15	5540	METER COMPONENTS	3-N07	6700	WIRING HARNESSSES(FRONT & REAR)			
2-G15	5560	DASHBOARD & RELATED PARTS	3-F08	6701	WIRING HARNESSSES(ENGINE & TRANSMISSION)			
2-K15	5570	CONSOLE						
2-C16	5580	VENTILATOR						
2-D16	5700	FRONT SEATS						
2-M16	5790	SEAT BELTS						
3-C03	5795	AIR BAG						
3-D03	5800	FRONT DOORS						

5795 AIR BAG

5795 -1 M AIR BAG

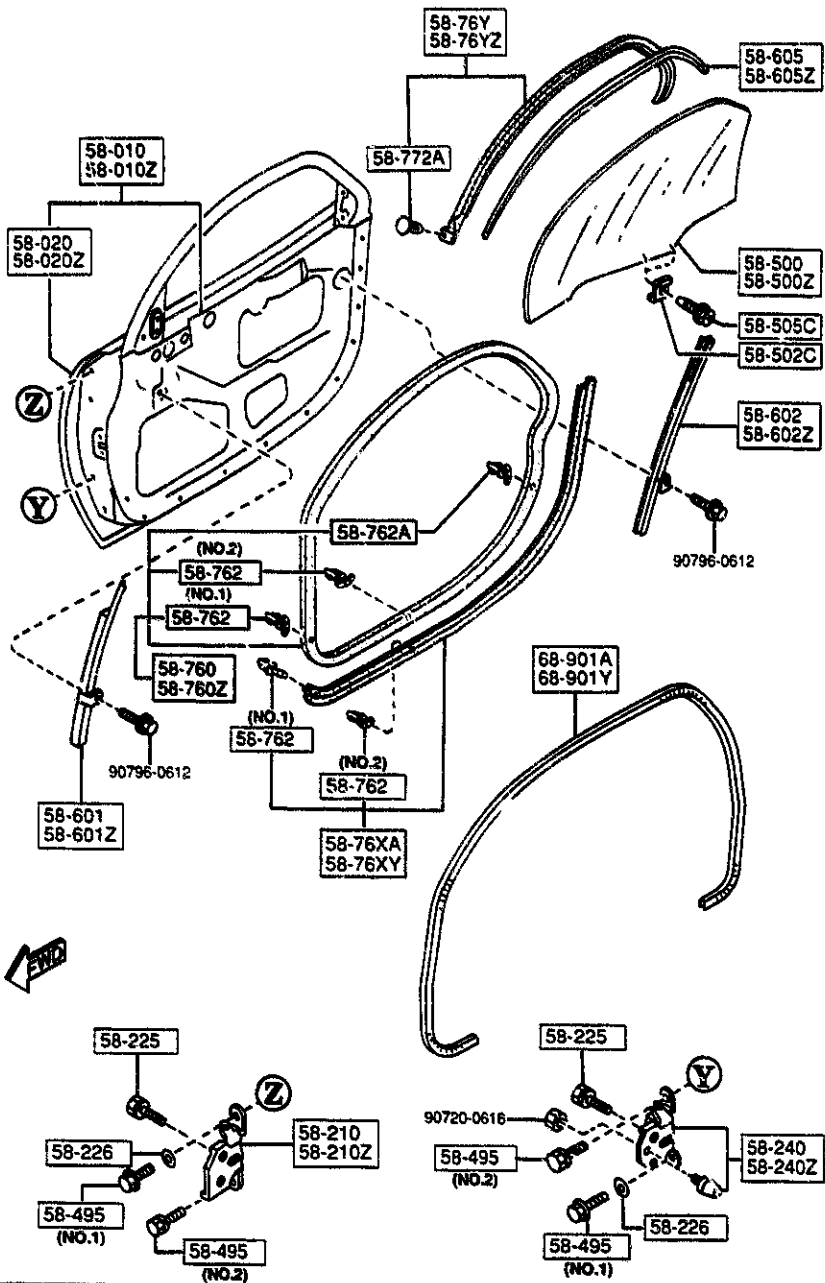


PART NO.	QTY	MODEL/RESTRICTION	MODEL/RESTRICTION	MODEL/RESTRICTION	FROM-TO
57-KX7		BRACKET, AIR BAG			
FD01-57-KX7	1				
57-K00		MODULE, AIR BAG			
FD01-57-K00C	1				-2101
FD01-57-K00D	1				2101-3201
FD15-57-K00	1				3201-
57-K1X		SENSOR, AIR BAG			
FD01-57-K1XB	1				-2701
FD01-57-K1XD	1				2701-
57-K2X		SENSOR(R), AIR BAG			
FD01-57-K2XB	1				-2701
A (FD01-57-K2XC)					
FD01-57-K2XC	1				2701-
57-K2Y		SENSOR(L), AIR BAG			
FD01-57-K2YB	1				-2701
A (FD01-57-K2YC)					
FD01-57-K2YC	1				2701-
57-K40		SENSOR, AIR BAG-INNER			
FD01-57-K40A	1				
57-K95A		CLIP, AIR BAG			
FD01-57-K95	1				
57-K96		CLIP			
FD01-57-K96	1				
57-K98		NUT			
FC66-57-K98	2				
57-K99		SCREW, TAPPING			
FC66-57-K99	4				

2101 FD3\*\*\*-200251  
 2701 FD3\*\*\*-208628  
 3201 FD3\*\*\*-210578

5800 FRONT DOORS

5800 -1 FRONT DOORS

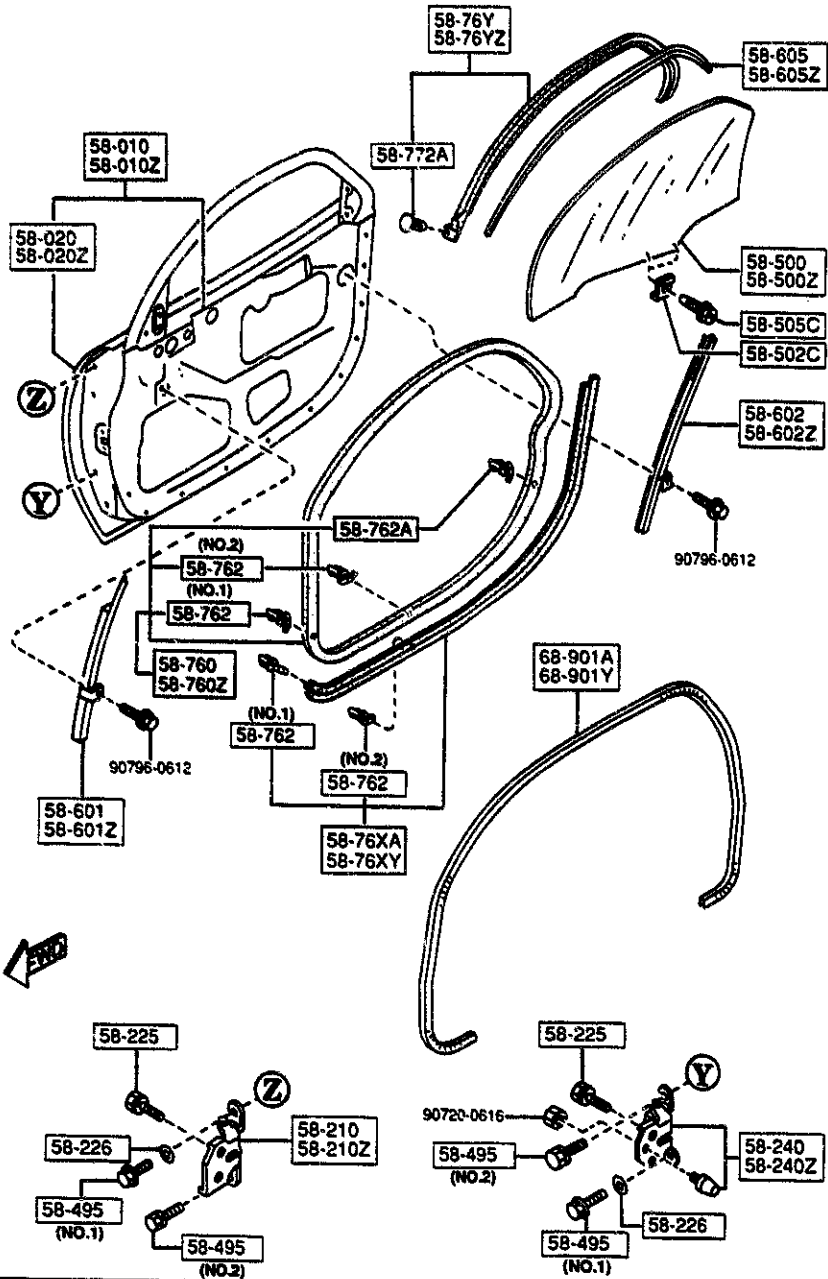


PART NO.	QTY	MODEL/RESTRICTION	MODEL/RESTRICTION	MODEL/RESTRICTION	FROM-TO
58-010		BODY(R),FRONT DOOR			
FD01-58-020G	1				
58-010Z		BODY(L),FRONT DOOR			
FD01-59-020G	1				
58-020		PANEL(R),OUT.-FRT DOOR			
FD01-58-030B	1				
58-020Z		PANEL(L),OUT.-FRT DOOR			
FD01-59-030B	1				
58-210		HINGE(R),DOOR-UPPER			
FD01-58-210A	1				
58-210Z		HINGE(L),DOOR-UPPER			
FD01-59-210A	1				
58-225		BOLT,SETTING-HINGE LOWER			
B455-58-225	8				
58-226		WASHER,SETTING			
GJ21-58-226	4				
58-240		HINGE(R),DOOR-LOWER			
FD01-58-240B	1				
58-240Z		HINGE(L),DOOR-LOWER			
FD01-59-240B	1				
58-495		BOLT,SET			
BA54-58-225	4	(ILLUST. NO.1)			
S085-58-225	4	(ILLUST. NO.2)			
58-500		GLASS(R),DOOR-FRT			
FD01-58-511	1				
58-500Z		GLASS(L),DOOR-FRT			
FD01-59-511	1				

AUFA04

CAT. AUFA04-06

1994-09



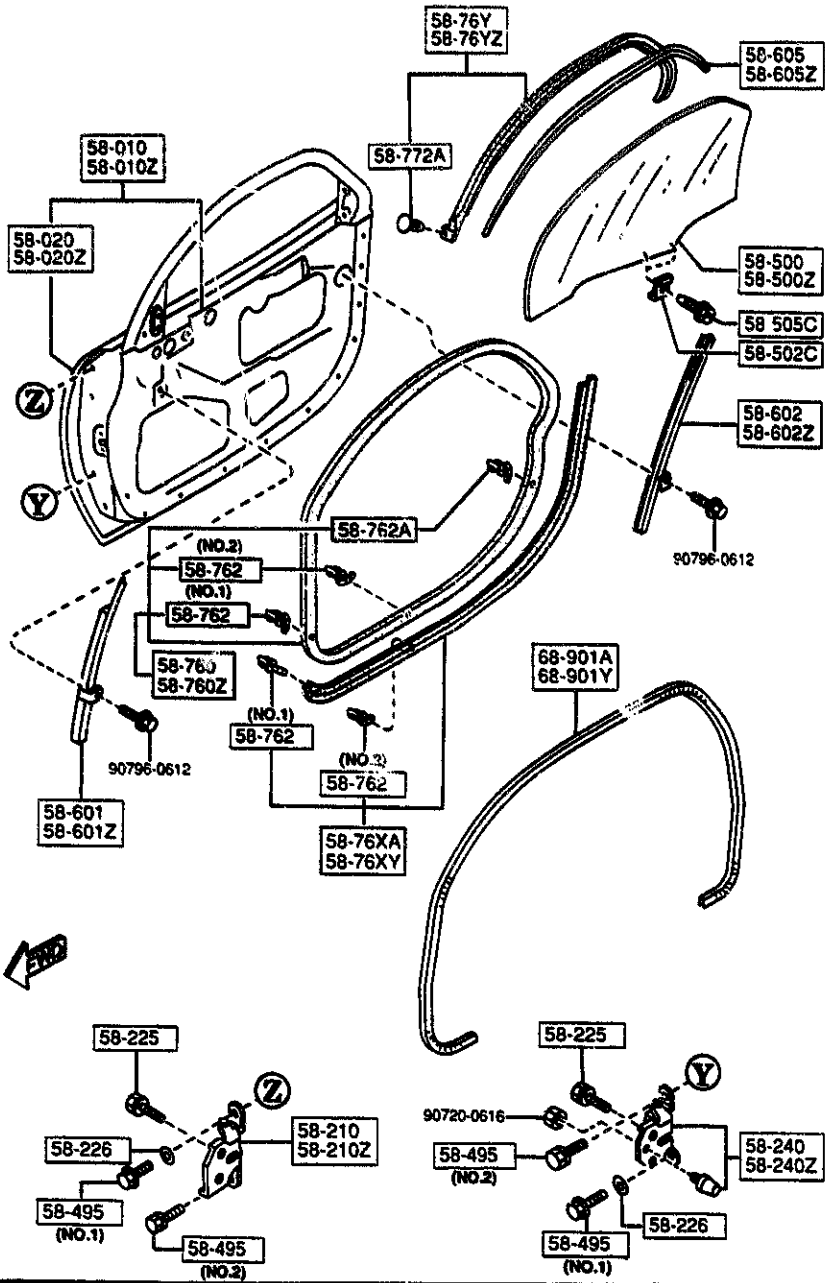
PART NO.	QTY	MODEL/RESTRICTION	MODEL/RESTRICTION	MODEL/RESTRICTION	FROM TO
58-502C		GROMMET, SCREW			
S084-58-502	4				
58-505C		SCREW, WINDOW REGULATOR			
B092-58-505	4				
58-601		GUIDE 'A' (R), GLASS			
FD01-58-601 AN(FD01-58-601A)	1				-1C27
FD01-58-601A AN(FD01-58-601B)	1				1C27-2424
FD01-58-601B	1				2424-
58-601Z		GUIDE 'A' (L), GLASS			
FD01-58-601 AN(FD01-58-601A)	1				-1C27
FD01-58-601A AN(FD01-58-601B)	1				1C27-2424
FD01-58-601B	1				2424-
58-602		GUIDE 'B' (R), GLASS			
FD01-58-602 A (FD01-58-602A)	1				-1C27
FD01-58-602A	1				1C27-
58-602Z		GUIDE 'B' (L), GLASS			
FD01-58-602 A (FD01-58-602A)	1				-1C27
FD01-58-602A	1				1C27-
58-605		CHANNEL (R), GLASS			
FD01-58-605 AN(FD01-58-605D)	1				-2701
FD01-58-605D AN(FD01-58-605E)	1				2701-3118
FD01-58-605E	1				3118-
58-605Z		CHANNEL (L), GLASS			
FD01-58-605 AN(FD01-58-605D)	1				-2701
FD01-58-605D AN(FD01-58-605E)	1				2701-3118
FD01-58-605E	1				3118-
1C27 FD3***-200205 2424 FD3***-205505 2701 FD3***-208628 3118 FD3***-210571					

AUFA04

CAT. AUFA04-06

1994-09

5800 FRONT DOORS



PART NO.	QTY	MODEL/RESTRICTION	MODEL/RESTRICTION	MODEL/RESTRICTION	FROM-TO
58-76XA	1	WEATHERSTRIP(R), DOOR -LOW.			
*FD01-58-76XA	1				
58-76XY	1	WEATHERSTRIP(L), DOOR -LOW.			
FD01-59-76XA	1				
58-76Y	1	WTHSTP(R), GLASS-F. D DOOR			-2903
FD01-58-76YB A (FD01-58-76YC)	1				2903-
FD01-58-76YC	1				
58-76YZ	1	WTHSTP(L), GLASS-F. DOOR			-2903
FD01-59-76YB A (FD01-59-76YC)	1				2903-
FD01-59-76YC	1				
58-76U	1	WEATHERSTRIP(R), DOOR			-2917
FD01-58-760B A (FD01-58-760D)	1				2917-
FD01-58-760D	1				
58-760Z	1	WEATHERSTRIP(L), DOOR			-2917
FD01-59-760B A (FD01-59-760D)	1				2917-
FD01-59-760D	1				
58-762	14	FASTENER			
GA2A-58-762	14	(ILLUST. NO.1)			
G031-58-762	40	(ILLUST. NO.2)			
58-762A	4	FASTENER			
FD01-58-762	4				
58-772A	2	FASTENER			
1011-58-772	2				
68-901A	1	WELT(R), SEAMING			
FD01-68-911A	1				
02	INT-	FE2 FE3 FE4 BLACK			
68-901Y	1	WELT(L), SEAMING			
		2903 FDSMXX-210500			
		2917 FDSMXX-210503			

AUFA04

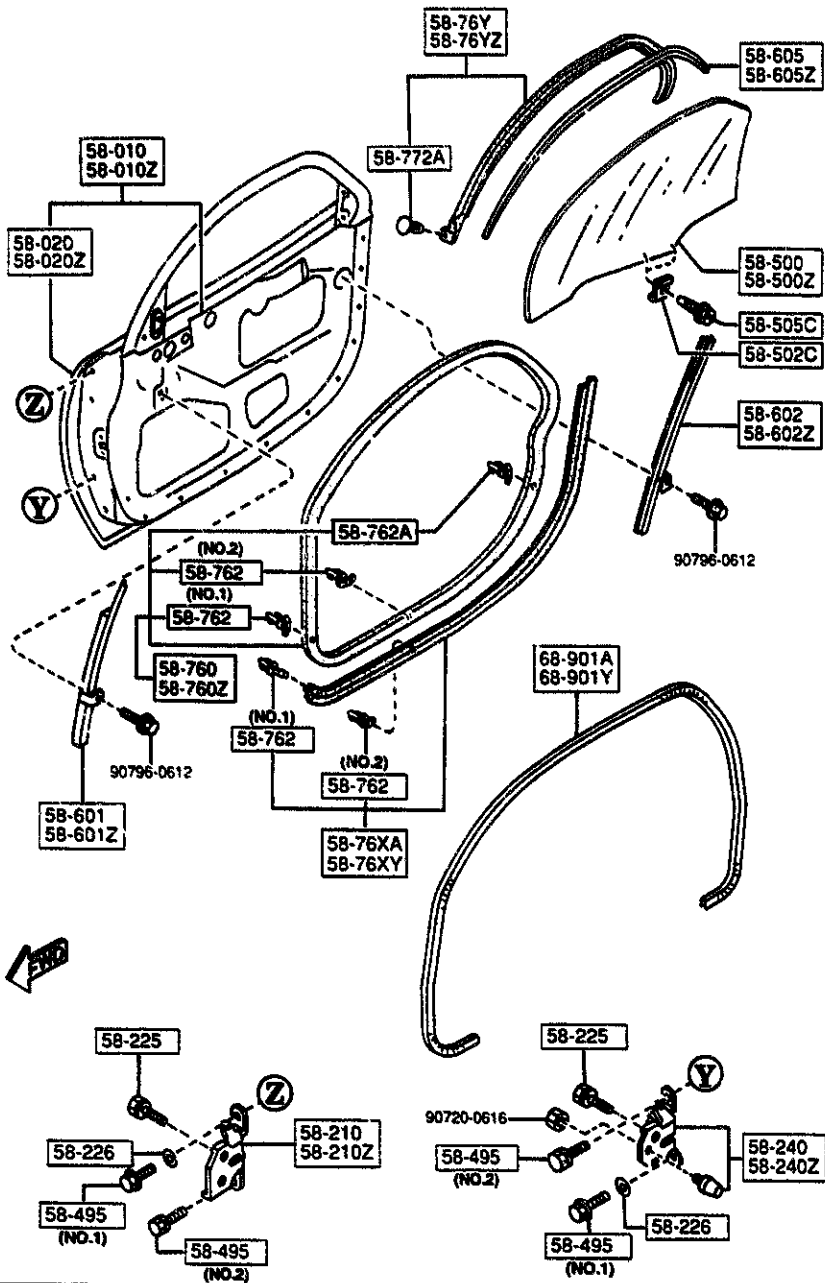
CAT. AUFA04-06

1994-09



5800 FRONT DOORS

5800 -4 M FRONT DOORS



PART NO.	QTY	MODEL/RESTRICTION	MODEL/RESTRICTION	MODEL/RESTRICTION	FROM-TO
CONT'D FD01-68-912A	1				
02	INT-	FE2 FE3 FE4 BLACK			

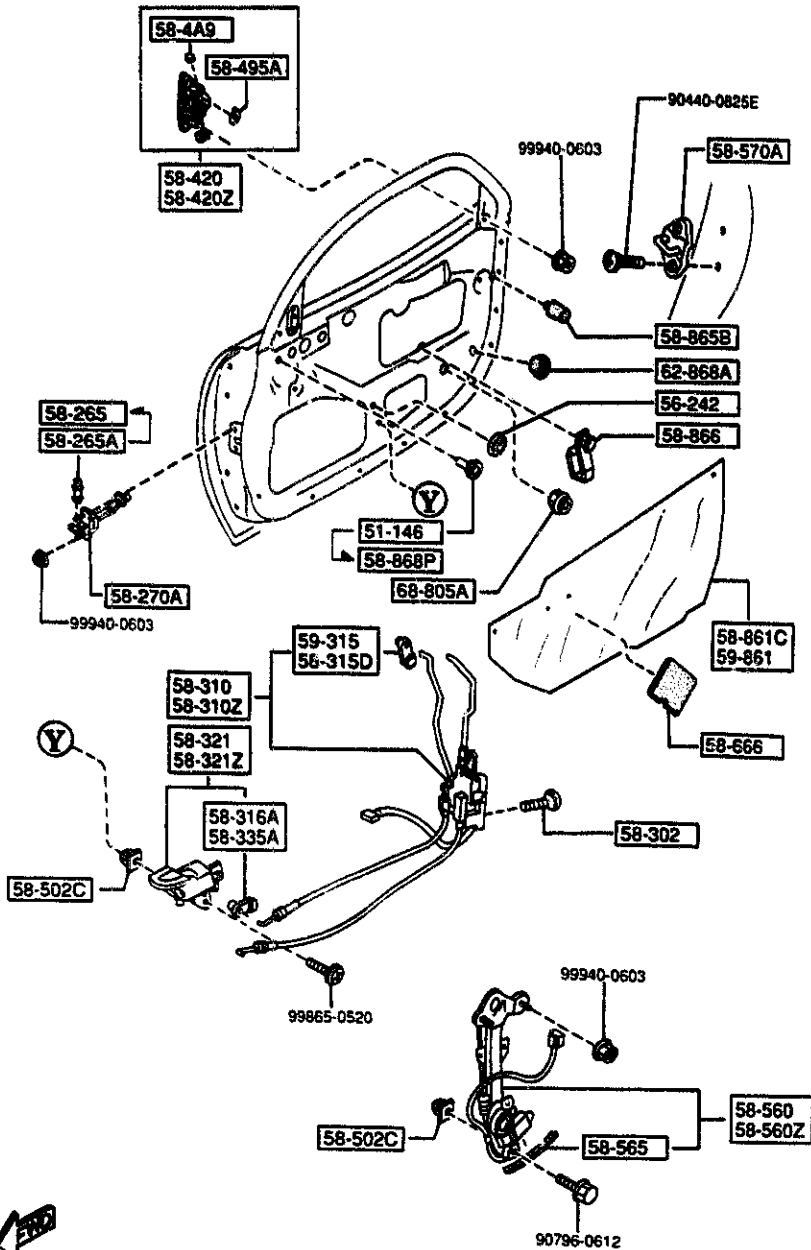
AUFA04

CAT. AUFA04-06

1994-09



5830 FRONT DOOR MECHANISMS



PART NO.	QTY	MODEL/RESTRICTION	MODEL/RESTRICTION	MODEL/RESTRICTION	FROM-TO
58-321Z		HANDLE(L), INNER			
FD01-59-330B	1				-2212
00	INT-	FE2 FE3 FE4 BLACK			
FD01-59-330C	1				2212-
00	INT-	FE2 FE3 FE4 BLACK			
58-335A		CLIP			
WFB01-58-335	2				
58-4A9		PLUG, OUTER HANDLE			
HG30-58-4A9	1				2801-
58-420		HANDLE(R), OUT.			
FD01-58-410A	1				-2801
A (FD01-58-410D)					
FD01-58-410D	1				2801-
58-420Z		HANDLE(L), OUT.			
FD01-59-410	1				-2801
AN(FD01-59-410B)					
FD01-59-410B	1				2801-
58-495A		RETAINER, LOCK CYL.			
J001-58-495	2				
58-502C		GROMMET, SCREW			
FD01-58-332	6				-2501
FD01-58-332	10				2501-
58-560		REGULATOR(R), WINDOW			
FD01-58-560A	1				-2901
AN(FD01-58-560B)					
FD01-58-560B	1				2901-
58-560Z		REGULATOR(L), WINDOW			
FD01-59-560A	1				-2901
AN(FD01-59-560B)					
FD01-59-560B	1				2901-
58-565		RUBBER, STOPPER			
DD62-58-565	2				2801-2901
2212 F03MXX-201963 2501 F03MXX-205709 2801 F03MXX-209984 2901 F03MXX-210499					

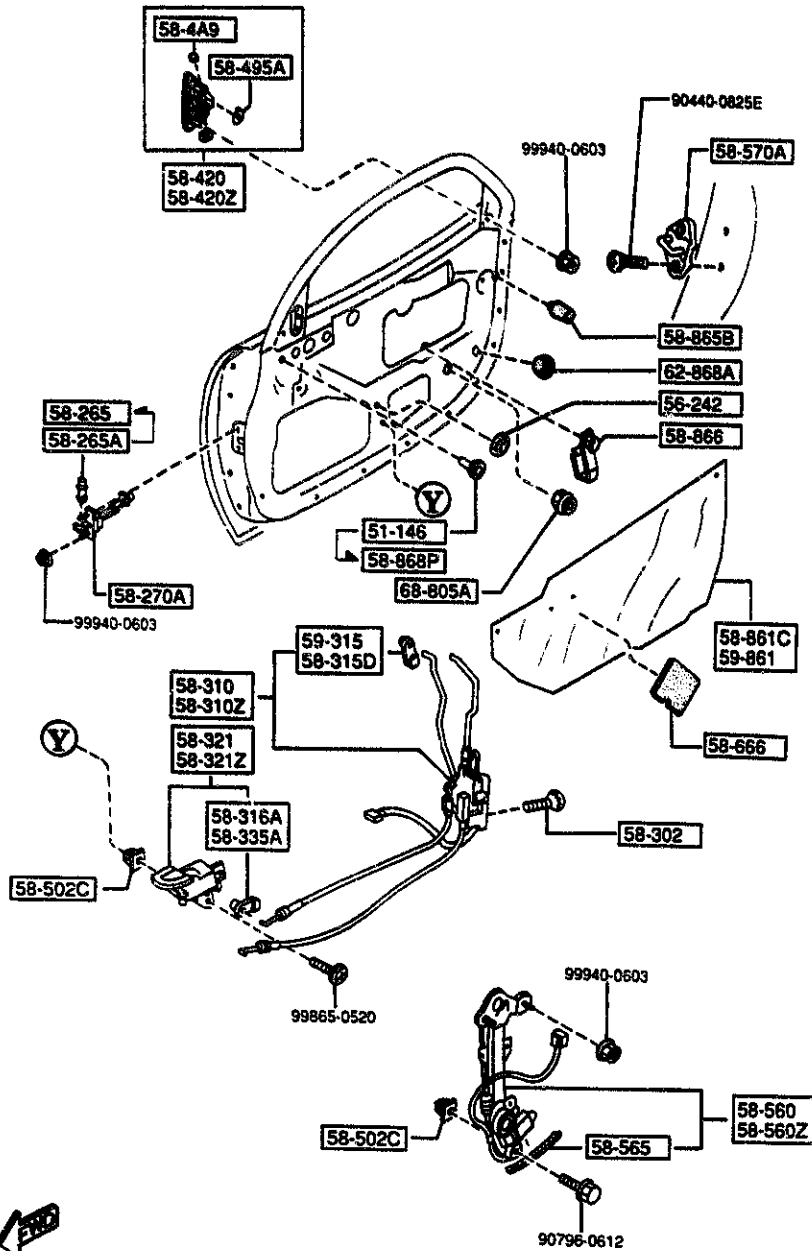
AUFA04

CAT. AUFA04-06

1994-09

5830 FRONT DOOR MECHANISMS

5830 -3 \* FRONT DOOR MECHANISMS



PART NO.	QTY	MODEL/RESTRICTION	MODEL/RESTRICTION	MODEL/RESTRICTION	FROM-TO
CONT'D					
GA7C-58-565	2				2901-
58-570A		STRIKER			
FD01-58-361	2				
58-666		SHEET			
B092-58-862	3				
58-861C		SCREEN(R), FRONT DOOR			
FD01-58-861A	1				
58-865B		CUSHION, RUBBER			
G067-58-873	2				
58-866		CLIP			
B038-58-866	2				
58-868P		COVER, HOLE-DOOR BODY			
FD01-58-868	4				2401-
59-315		CLIP			
G030-59-315	1				
59-861		SCREEN(L), FRONT DOOR			
FD01-59-861	1				
62-868A		COVER, HOLE-LIFT GATE			
B499-62-868	2				
68-805A		GROMMET, SCREW			
B216-68-755	4				-2501
2401 FDSMKN-204313 2501 FDSMKN-205709 2901 FDSMKN-210499					

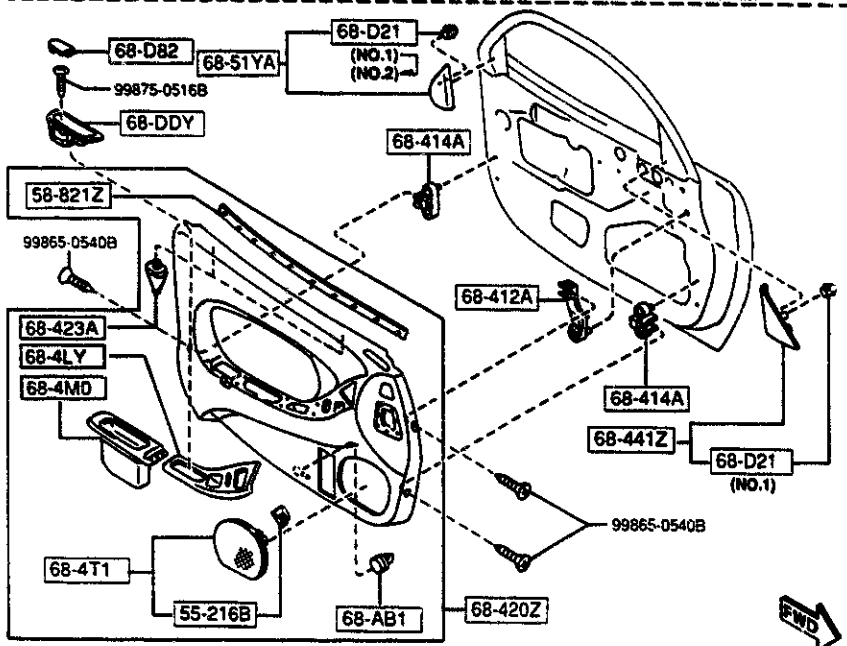
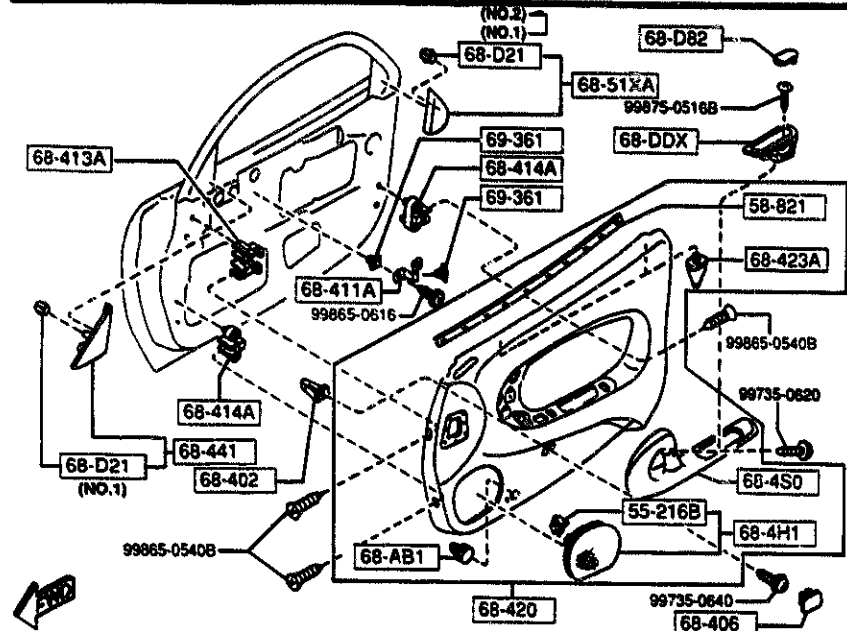


AUFA04

CAT. AUFA04-06

1994-09

5840 FRONT DOOR TRIMS & RELATED PARTS



PART NO.	QTY	MODEL/RESTRICTION	MODEL/RESTRICTION	MODEL/RESTRICTION	FROM-TO
55-216B		SPRING,CENTER PANEL			
B092-55-257	4				
58-821		WEATHERSTRIP(R), INN.			
FD01-58-821	1				
58-821Z		WEATHERSTRIP(L), INN.			
FD01-59-821	1				
68-AB1		FASTENER			
G350-68-AB1	6				
68-DDX		PANEL (R), RECESS			
FD01-68-DDXC	1				-2B02
00	INT-	FE2 FE3 FE4 BLACK			
FD01-68-DDXD	1				2B02-
00	INT-	FE2 FE3 FE4 BLACK			
68-DDY		PANEL (L), RECESS			
FD01-68-DDYC	1				-2B02
00	INT-	FE2 FE3 FE4 BLACK			
FD01-68-DDYD	1				2B02-
00	INT-	FE2 FE3 FE4 BLACK			
68-D21		CLIP, TRIM			
LA10-68-D21	6	(ILLUST. NO.1)			-2301
FD01-68-D21	4	(ILLUST. NO.2)			2301-
LA10-68-D21	2	(ILLUST. NO.1)			2301-
68-D82		CAP,ASSIST-DOOR TRIM			
FD01-68-D82A	2				
00	INT-	FE2 FE3 FE4 BLACK			
68-4H1		GRILLE(R),SPEAKER			
FD01-68-4H0	1				
02	INT-	FE2 BLACK			
17	INT-	FE4 RED			
33	INT-	FE3 TAN			

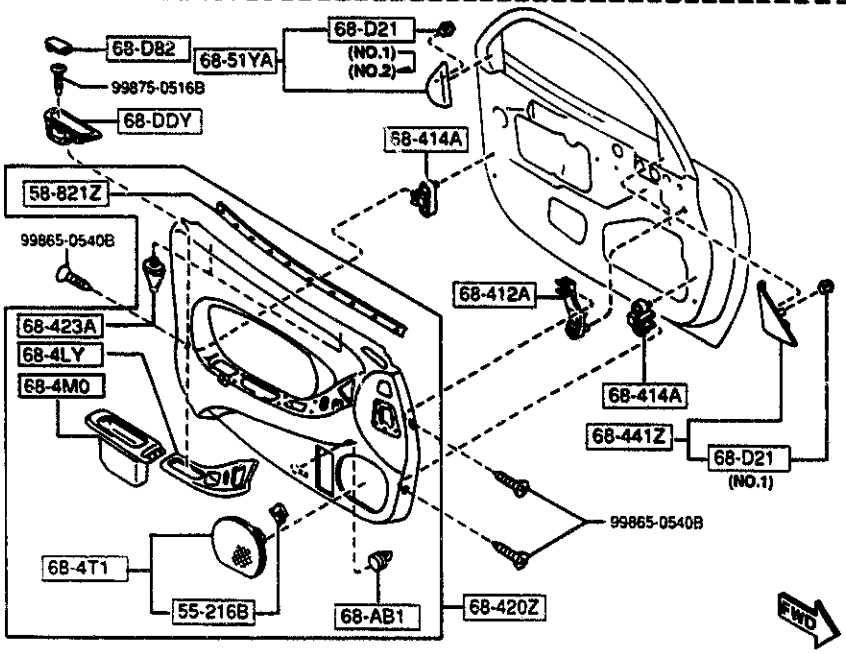
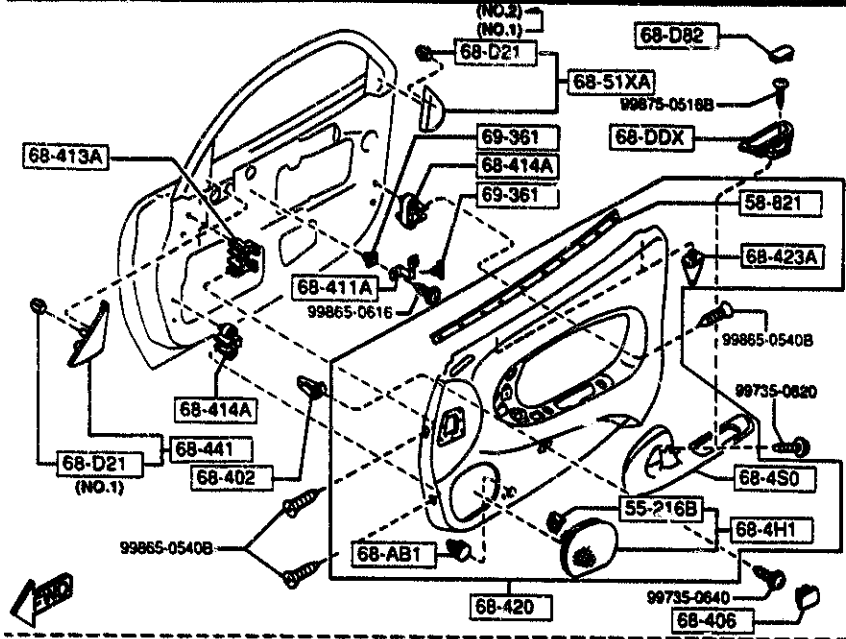
2301 FD3\*\*\*-202878  
2B02 FD3\*\*\*-210514

AUFA04

CAT. AUFA04-06

1994-09

5840 FRONT DOOR TRIMS & RELATED PARTS



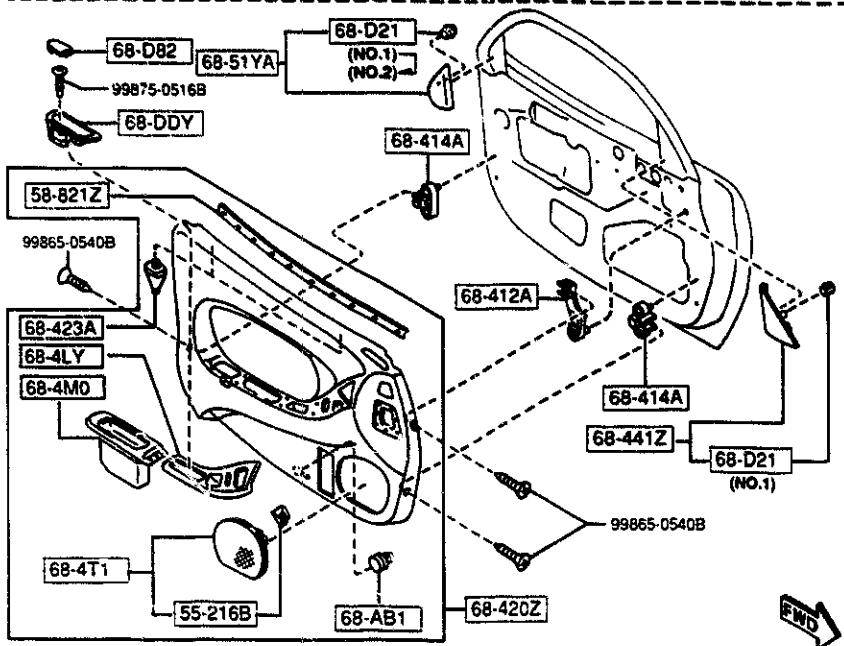
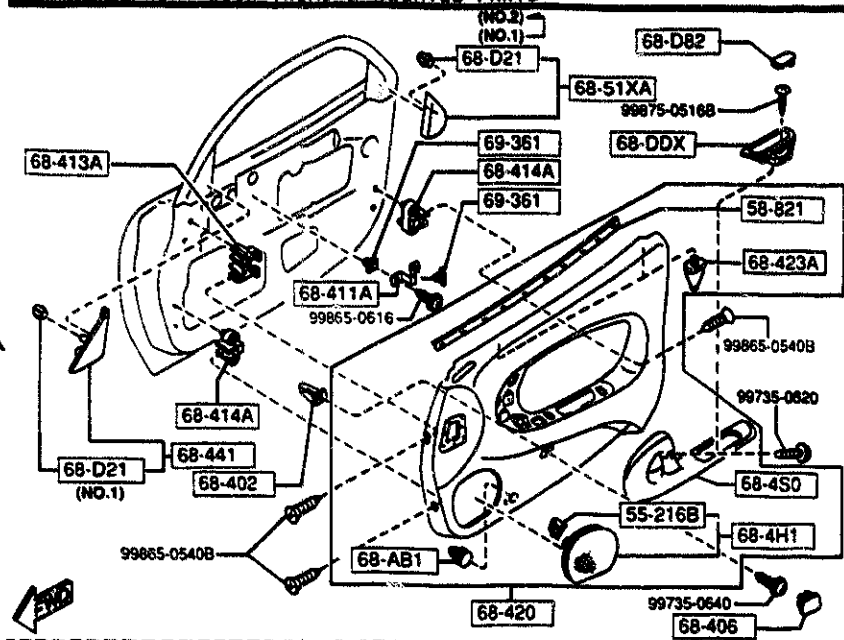
PART NO.	QTY	MODEL/RESTRICTION	MODEL/RESTRICTION	MODEL/RESTRICTION	FROM TO
68-4LY		PANEL(L), SWITCH			
FD01-68-4LY	1				
00	INT-	FE2 FE3 FE4 BLACK			
68-4M0		LID(L), ARM REST-TRIM			
FD01-68-4M0A	1				-2802
00	INT-	FE2 FE3 FE4 BLACK			
FD01-68-4M0B	1				2802-3720
00	INT-	FE2 FE3 FE4 BLACK			
FD01-68-4M0C	1				3720-
00	INT-	FE2 FE3 FE4 BLACK			
68-4S0		GRIP, FRT ASSIST			
FD01-69-44XA	1				-3303
00	INT-	FE2 FE3 FE4 BLACK			
FD01-69-44XB	1				3303-
00	INT-	FE2 FE3 FE4 BLACK			
68-4T1		GRILLE(L), SPEAKER			
FD01-68-4W0	1				
02	INT-	FE2 BLACK			
17	INT-	FE4 RED			
33	INT-	FE3 TAN			
68-402		GROMMET, SCREW			
H380-68-402	2				
68-406		CAP, DOOR TRIM			
FD01-68-406	1				
02	INT-	FE2 BLACK			
17	INT-	FE4 RED			
33	INT-	FE3 TAN			
68-411A		BRACKET, TRIM			
FD01-68-411	1				
68-412A		BRACKET, TRIM			
FD01-68-412A	1				
2802 FD3***-210514					
3303 FD3***-210624					

AUFA04

CAT. AUFA04-06

1994-09

5840 FRONT DOOR TRIMS & RELATED PARTS



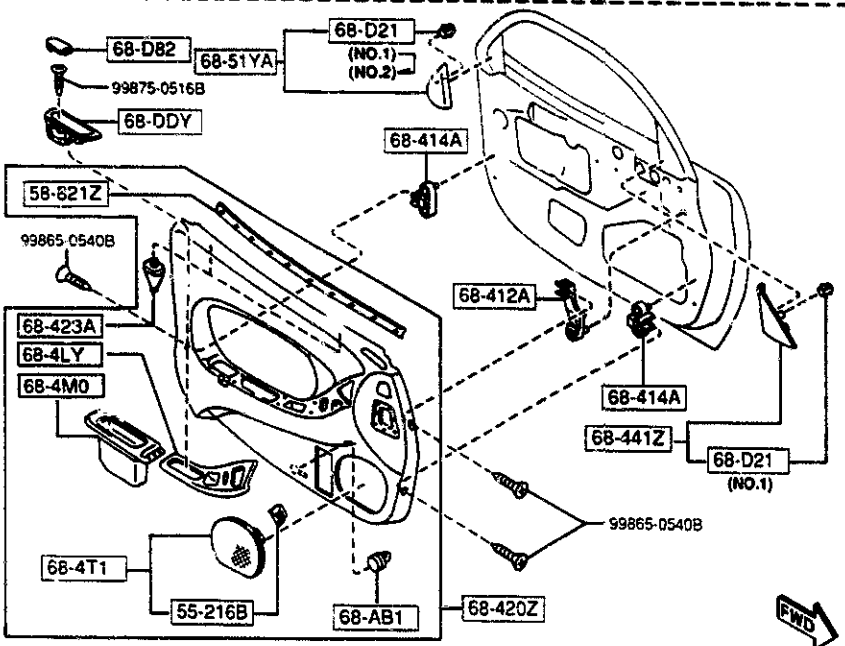
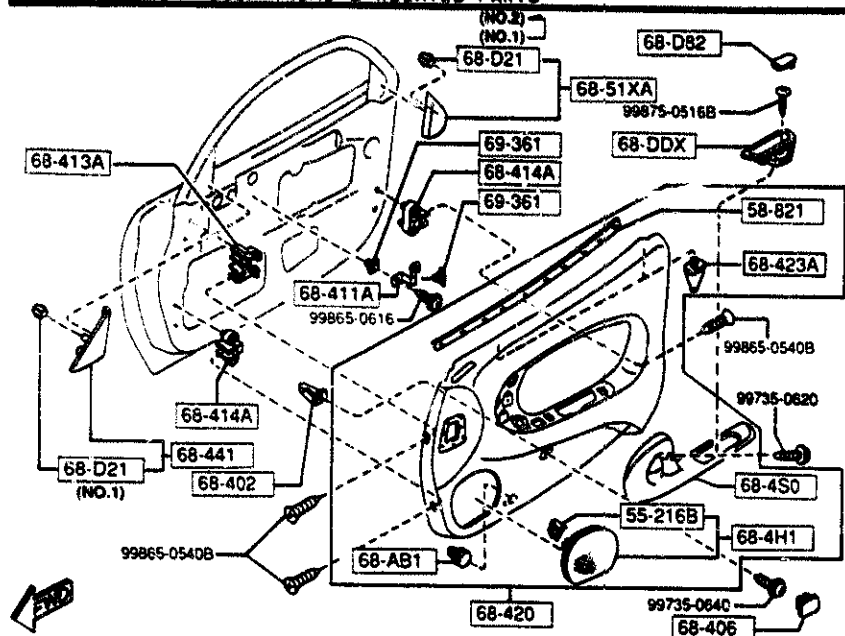
PART NO.	QTY	MODEL/RESTRICTION	MODEL/RESTRICTION	MODEL/RESTRICTION	FROM-TO
68-413A		BRACKET, TRIM			
FD01-68-413A	1				
68-414A		BRACKET, TRIM			
FD01-68-414A	4				
68-420		TRIM(R), DOOR			
FD01-68-420E	1				-2B02
	02	INT- FE2 BLACK			
	17	INT- FE4 RED			
	33	INT- FE3 TAN			
FD01-68-420F	1				2B02-3303
	02	INT- FE2 BLACK			
	17	INT- FE4 RED			
	33	INT- FE3 TAN			
FD01-68-420G	1				3303-
	02	INT- FE2 BLACK			
	17	INT- FE4 RED			
	33	INT- FE3 TAN			
68-420Z		TRIM(L), DOOR			
FD01-68-450D	1				-2B02
	02	INT- FE2 BLACK			
	17	INT- FE4 RED			
	33	INT- FE3 TAN			
FD01-68-450E	1				2B02-
	02	INT- FE2 BLACK			
	17	INT- FE4 RED			
	33	INT- FE3 TAN			
68-423A		PIN, LOCATOR			
FD01-68-423	4				
68-441		GARNISH(R), DOOR			
FD01-68-DJXB	1				-2201
A (FD01-68-DJXC)					
FD01-68-DJXC	1				2201-
2201 FD3***-201428 2B02 FD3***-210514 3303 FD3***-210624					

AUFA04

CAT. AUFA04-06

1994-09

5840 FRONT DOOR TRIMS & RELATED PARTS



PART NO.	QTY	MODEL/RESTRICTION	MODEL/RESTRICTION	MODEL/RESTRICTION	FROM TO
68-441Z		GARNISH(L), DOOR			
FD01-68-DJYB A (FD01-68-DJYC)	1				-2201
FD01-68-DJYC	1				2201-
68-51XA		GARNISH(R), SAIL-INN.			
FD01-68-51XD	1				
68-51YA		GARNISH(L), SAIL-INN.			
FD01-68-51YD	1				
69-361		GROMMET, SCREW			
B316-69-361	3				
2201 FD3***-201428					

AUFA04

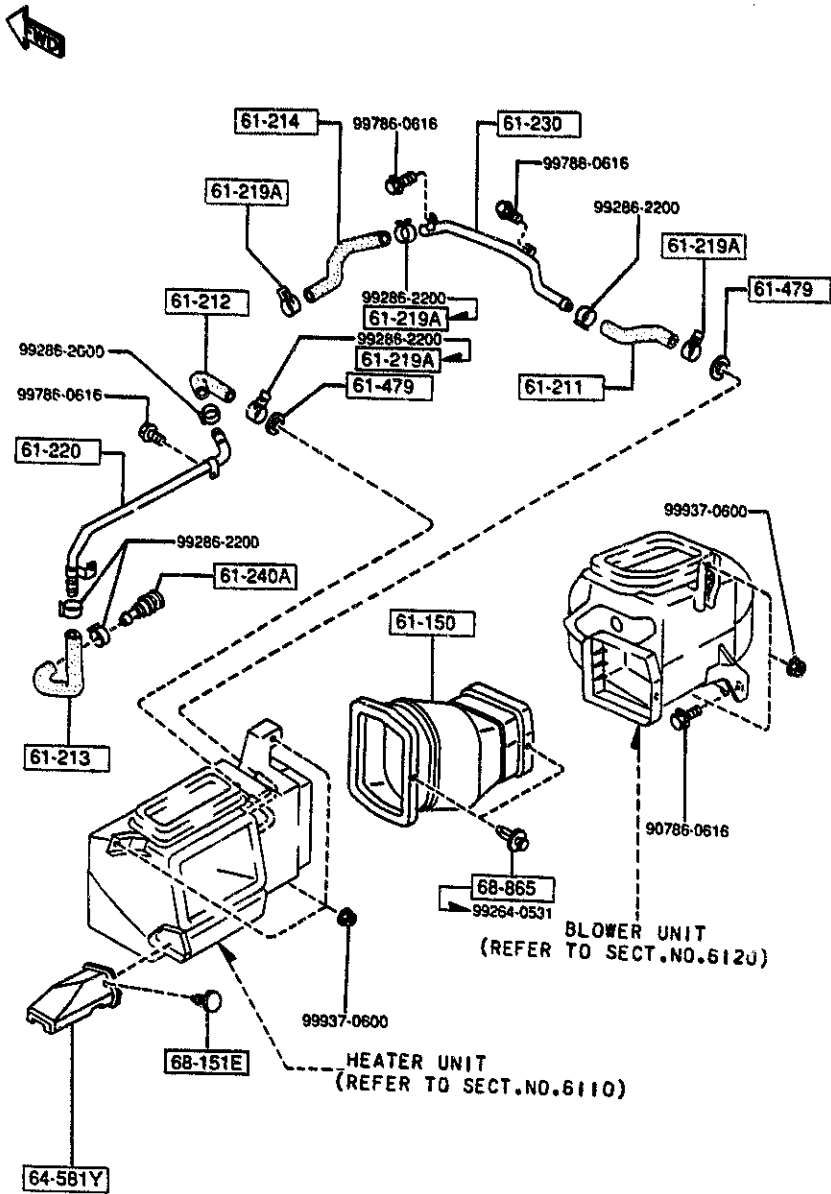
CAT. AUFA04-06

1994-09



6100 HEATER

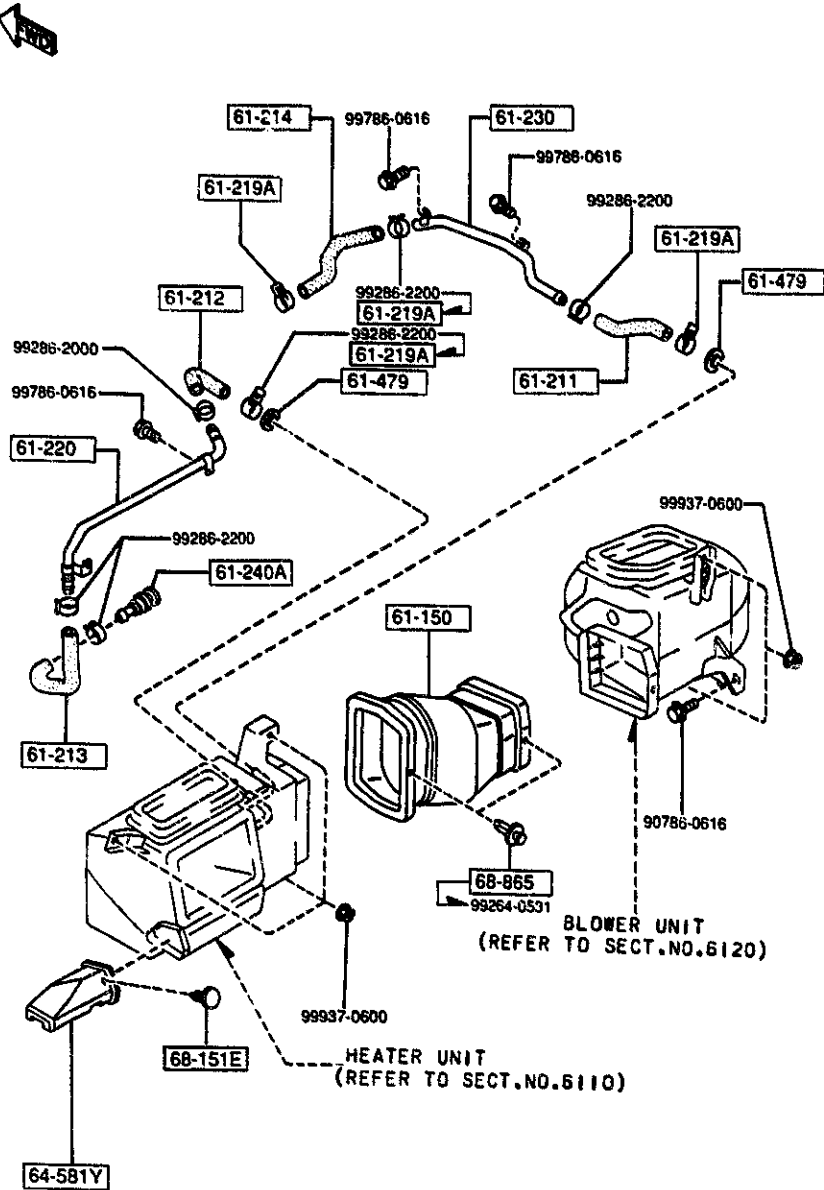
6100 -1 HEATER



PART NO.	QTY	MODEL/RESTRICTION	MODEL/RESTRICTION	MODEL/RESTRICTION	FROM-TO
61-150 FD01-61-150B	1	DUCT, AIR (W/O AIR CON.)			
61-211 FD01-61-211 A (FD01-61-211A)	1	HOSE NO.1, WATER			-1C18
FD01-61-211A	1				1C18-
61-212 FD01-61-212 A (FD01-61-212A)	1	HOSE NO.2, WATER			-1C18
FD01-61-212A	1				1C18-
61-213 FD01-61-213A A (FD01-61-213B)	1	HOSE NO.3, WATER			-2120
FD01-61-213B	1				2120-
61-214 FD01-61-214A A (FD01-61-214B)	1	HOSE NO.4, WATER			-2120
FD01-61-214B	1				2120-
61-219A H266-61-242	2	CLAMP, HOSE			-2120
H266-61-242	4				2120-
61-220 FD01-61-220	1	PIPE, HEATER			
61-230 FD01-61-230	1	PIPE, HEATER			
61-240A B455-61-240A	1	CONNECTOR, WATER HOSE			
61-479 8871-61-219A	2	GROMMET			
64-581Y FD01-61-156A	1	DUCT(L), SHOWER			
1C18 FD3***-200100 2120 FD3***-200848					

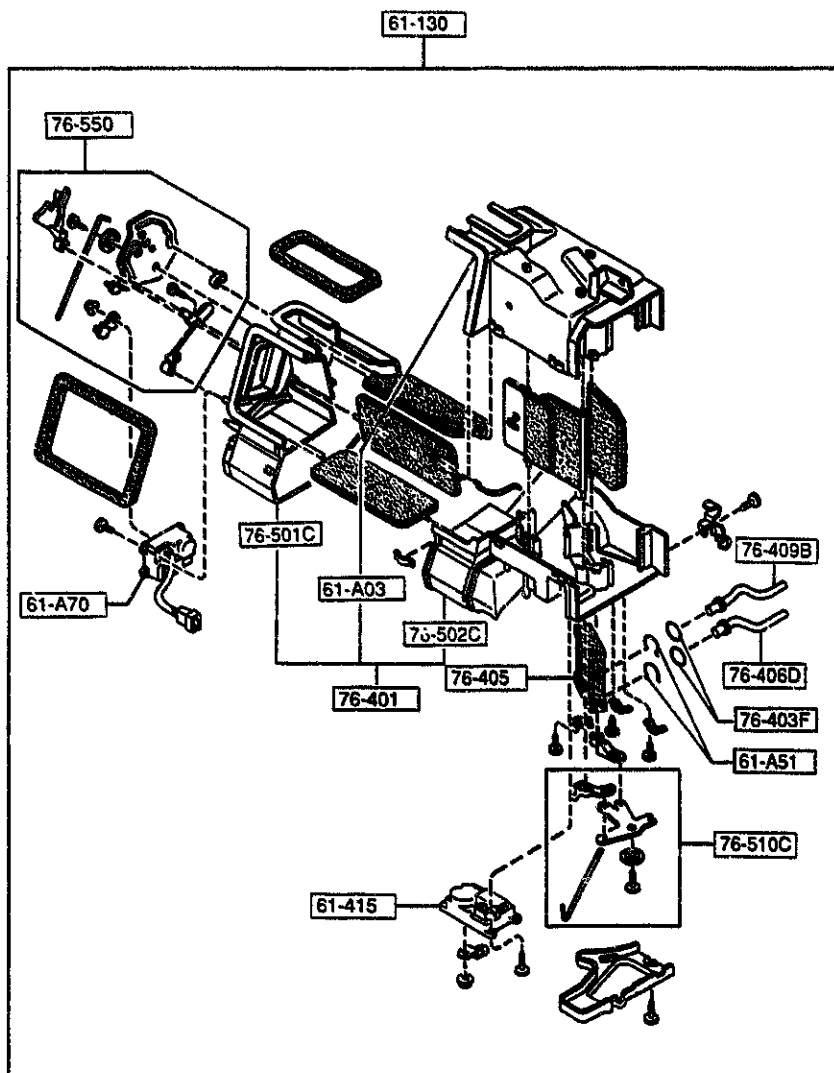
6100 HEATER

6100 -2 M HEATER

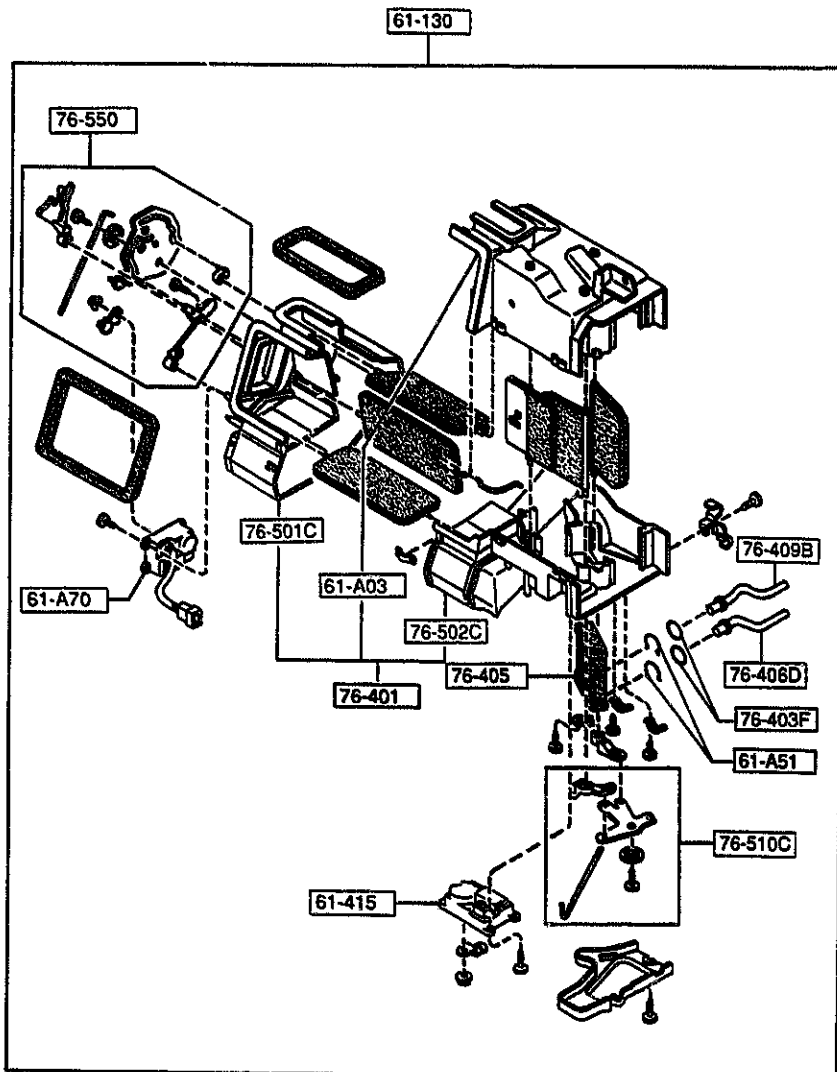


PART NO.	QTY	MODEL/RESTRICTION	MODEL/RESTRICTION	MODEL/RESTRICTION	FROM-TO
68-151E		CLIP			
B102-68-865	1				
00	INT-	FE2 FE3 FE4 BLACK			
68-865		FASTENER			
B040-68-865A	2	(W/O AIR CON.)			-3106
00	INT-	FE2 BLACK			
18	INT-	FE4 RED			
33	INT-	FE3 TAN			

3106 FD3\*\*\*-210567



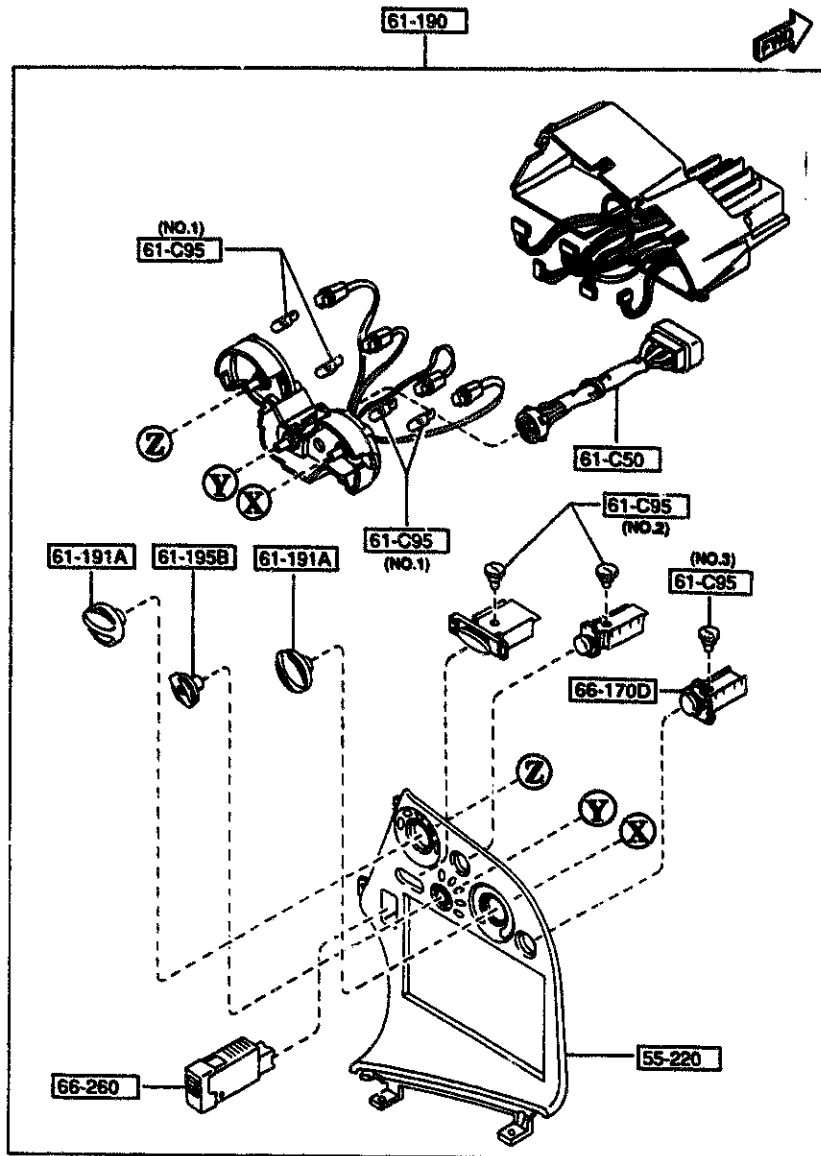
PART NO.	QTY	MODEL/RESTRICTION	MODEL/RESTRICTION	MODEL/RESTRICTION	FROM-TO
61-A03		CASE 'C', HEATER UNIT			
FD01-61-A03	1				-2311
61-A51		CLIP, HEATER UNIT			
MFD01-61-A18	2				
61-A70		ACTUATOR, MODE-HEATER UNIT			
FD01-61-A70	1				
61-130		HEATER UNIT			
FD01-61-130A AN(FD01-61-130B)	1				-2311
FD01-61-130B	1				2311-
61-415		ACTUATOR, TEMP			
FD01-61-A60	1				
76-401		CASE, HEATER			
FD01-61-A80	1				2311-
76-403F		RING, 'O'			
MFD01-61-A19	2				
76-405		CORE, HEATER			
FD01-61-A10	1				
76-406D		PIPE, HEATER UNIT			
FD01-61-A15 AN(FD01-61-A15A)	1				-2311
FD01-61-A15A	1				2311-
76-409B		PIPE, HEATER UNIT			
FD01-61-A16 AN(FD01-61-A16A)	1				-2311
FD01-61-A16A	1				2311-
76-501C		CASE (R), HEATER UNIT			
FD01-61-A01	1				-2311
76-502C		CASE (L), HEATER UNIT			
FD01-61-A02	1				-2311
2311 FDSXXX-203346					



PART NO.	QTY	MODEL/RESTRICTION	MODEL/RESTRICTION	MODEL/RESTRICTION	FROM-TO
76-510C		LINK SET,TEMP			
FD01-61-A20	1				
76-550		LINK SET,MODE			
FD01-61-A30	1				

6115 HEATER CONTROLS COMPONENTS

6115 -1 M HEATER CONTROLS COMPONENTS



PART NO.	QTY	MODEL/RESTRICTION	MODEL/RESTRICTION	MODEL/RESTRICTION	FROM-TO
55-220		PANEL, CENTER			
FD01-55-210B	1				
00	INT-	FE2 FE3 FE4 BLACK			
61-C50		SWITCH, FAN-HEATER CONTROL			
FD01-61-C50	1				
61-C95		BULB, MODE CONTROL			
FD01-61-C95	4	(ILLUST. NO.1)			
FD02-61-C95	2	(ILLUST. NO.2)			
FD03-61-C95	1	(ILLUST. NO.3)			
61-190		CONTROL, HEATER			
FD01-61-192C	1				-2420
A (FD01-61-192D)					
00	INT-	FE2 FE3 FE4 BLACK			
FD01-61-192D	1				2420-
00	INT-	FE2 FE3 FE4 BLACK			
61-191A		KNOB NO.1			
FD01-61-191	2				
61-195B		KNOB, FAN SWITCH			
FD01-61-195	1				
66-170D		SWITCH, HAZARD			
FD01-66-4H0	1				
66-260		RESISTOR			
FD01-55-490A	1				

2420 FD3MXX-205217

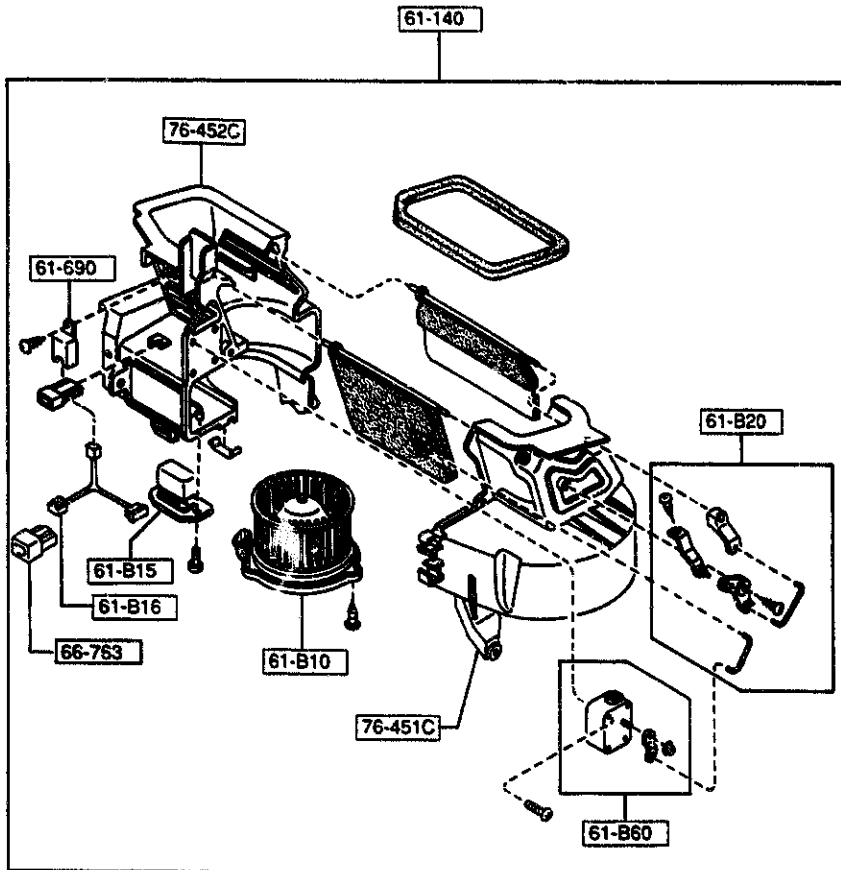
AUFA04

CAT. AUFA04-06

1994-09

6120 HEATER BLOWER COMPONENTS

6120 -1 M HEATER BLOWER COMPONENTS

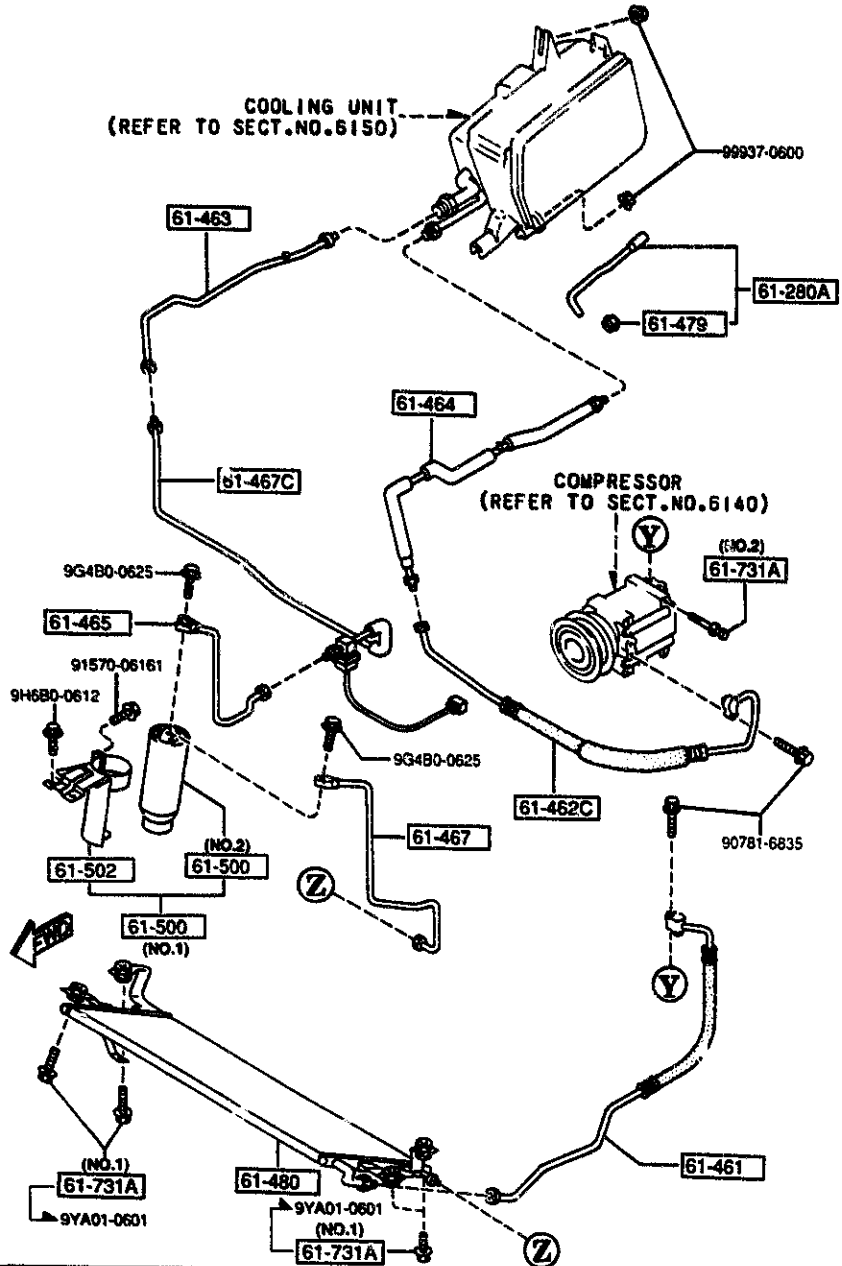


PART NO.	QTY	MODEL/RESTRICTION	MODEL/RESTRICTION	MODEL/RESTRICTION	FROM-TO
61-B10		MOTOR,FAN-BLOWER UNIT			
FD01-61-B10	1				
61-B15		RESISTOR,BLOWER UNIT			
D061-61-B15	1				
61-B16		HARNES, BLOWER UNIT			
FD01-61-B16 AN(FD01-61-B16A)	1				-3601
MFD01-61-B16A	1				3601-
61-B20		LINK, RECYCLE & FRESH			
FD01-61-B20	1				
61-B60		ACTUATOR, RECYCLE & FRESH			
FD01-61-B60	1				
61-140		BLOWER UNIT			
FD01-61-140B	1				
61-690		RELAY			
FB03-61-691	1	W/IG.RELAY BLOWER			
66-763		FUSE			
FD01-61-B18	1				-3601
76-451C		CASE(R), BLOWER			
FD01-61-B01	1				
76-452C		CASE(L), BLOWER			
FD01-61-B02	1				
3601 FD310K-210664					

AUFA04

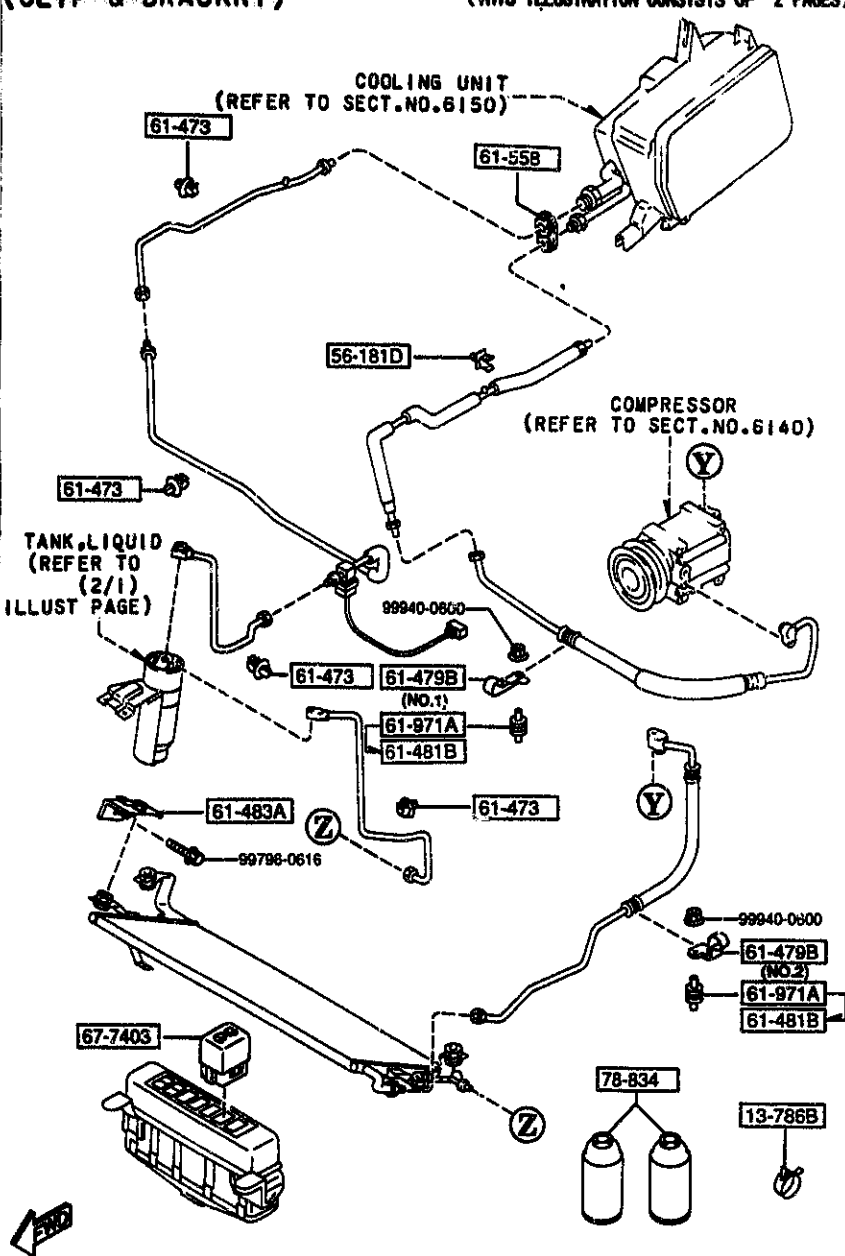
CAT. AUFA04-06

1994-09



AUFA04

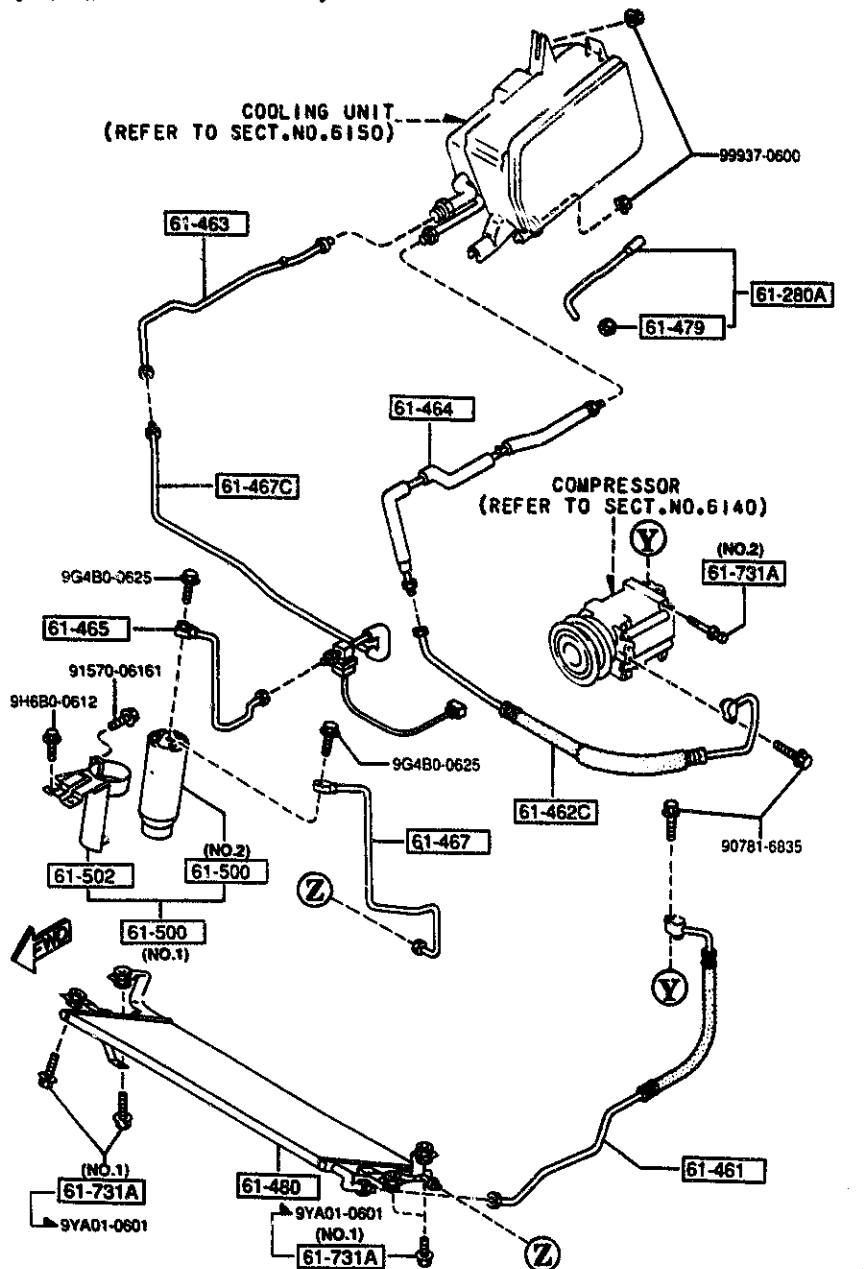
(CONT'D)



AUFA04

(PIPE & CONDENSER)

(THIS ILLUSTRATION CONSISTS OF 2 PAGES)



AUFA04

(CONT'D)

PART NO.	QTY	MODEL/RESTRICTION	MODEL/RESTRICTION	MODEL/RESTRICTION	FROM-TO
13-786B		CLIP, HOSE			
#N3A3-13-786	1				
96-181D		CLIP			
S083-56-181	1				
61-280A		HOSE, DRAIN			
FD04-61-280	1				
61-461		HOSE, FLEXIBLE-HIGH			
FD04-61-461B	1				
61-462C		HOSE, FLEXIBLE-LOW			
FD04-61-462A	1				
61-463		PIPE NO.1, COOLER			
FD04-61-464	1				-2201
A (FD04-61-464A)					
FD04-61-464A	1				2201-
61-464		PIPE NO.2, COOLER			
FD04-61-465	1				
61-465		PIPE NO.3, COOLER			
FD04-61-466A	1				
61-467		PIPE NO.5, COOLER			
FD04-61-468A	1				
61-467C		PIPE, COOLER-NO.4			
FD04-61-467A	1				-2201
A (FD04-61-467B)					
FD04-61-467B	1				2201-
61-473		CLIP, PIPE			
FD01-61-473	4				
61-479		GROMMET			
FB01-61-478A	1				
61-479B		CLIP			
2201 FD3MXX-201428					

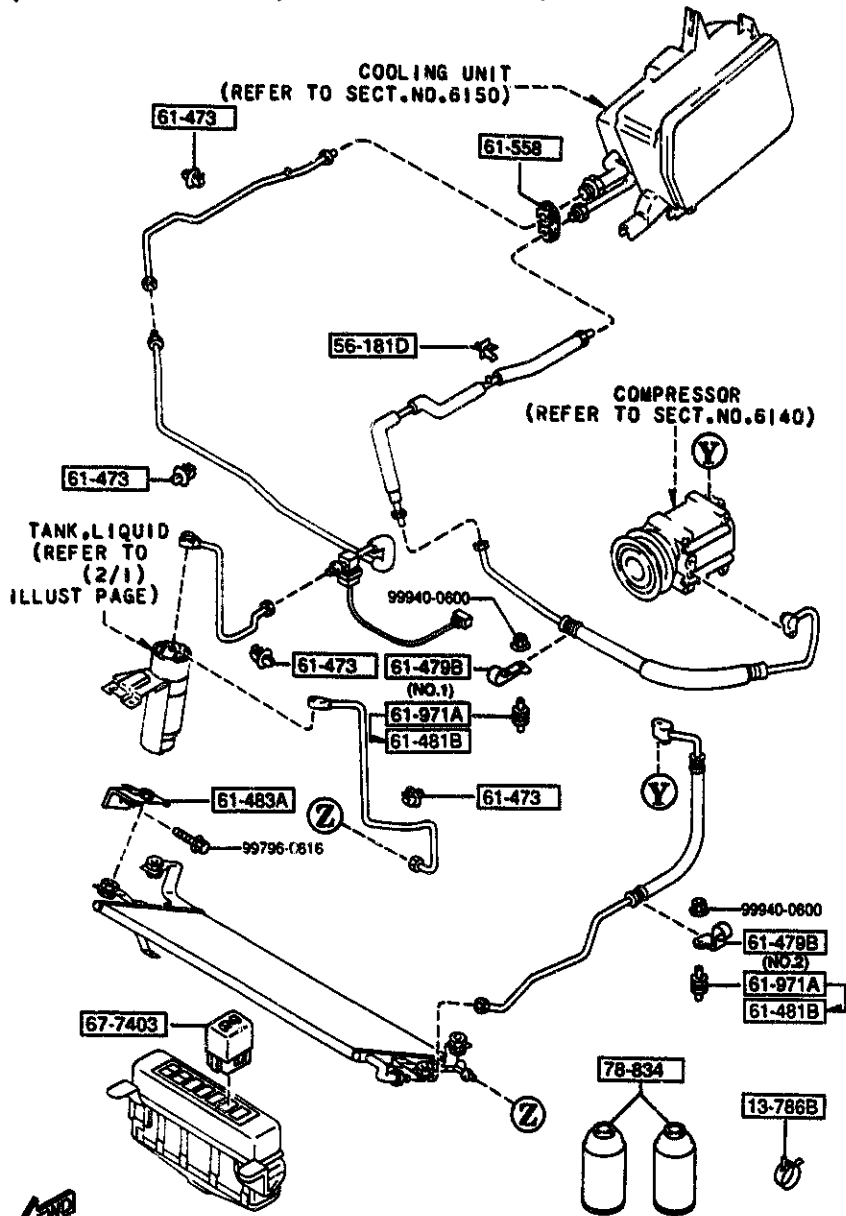
CAT. AUFA04-06

1994-09



(CLIP & BRACKET)

(THIS ILLUSTRATION CONSISTS OF 2 PAGES)

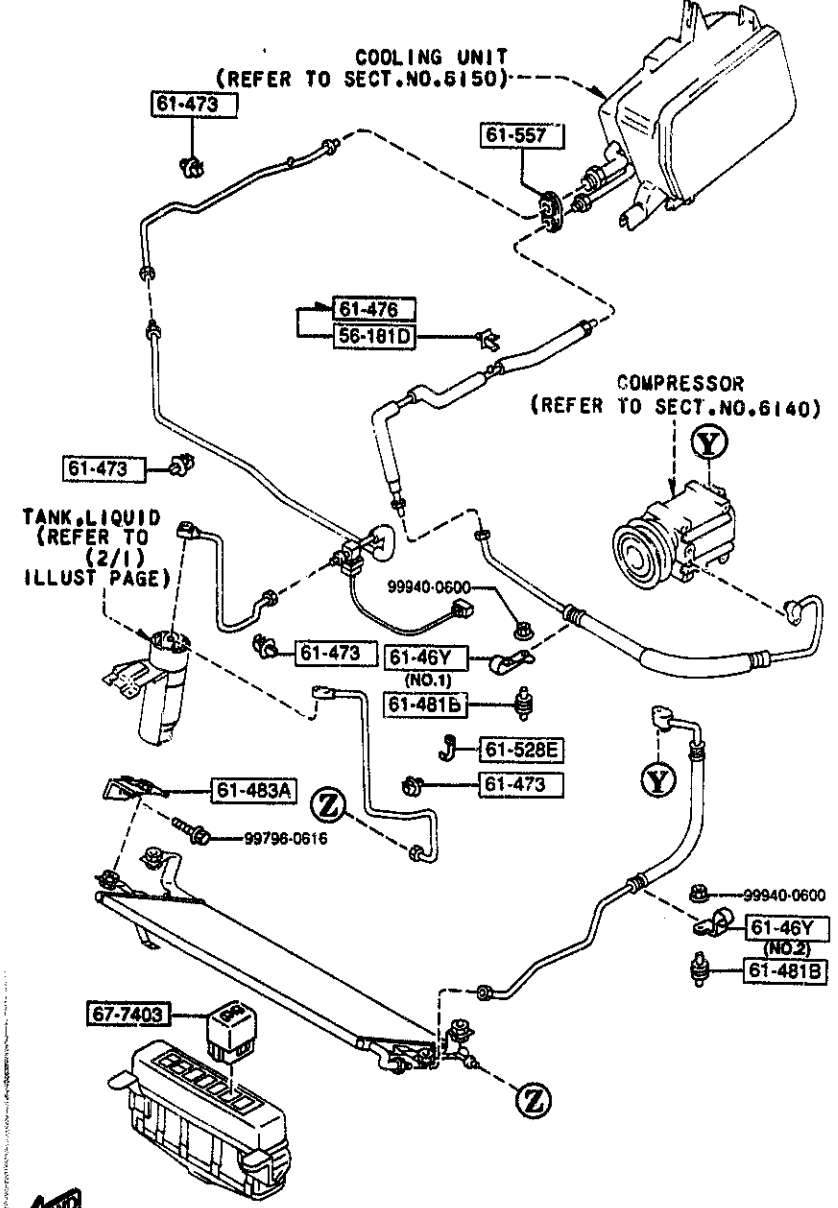
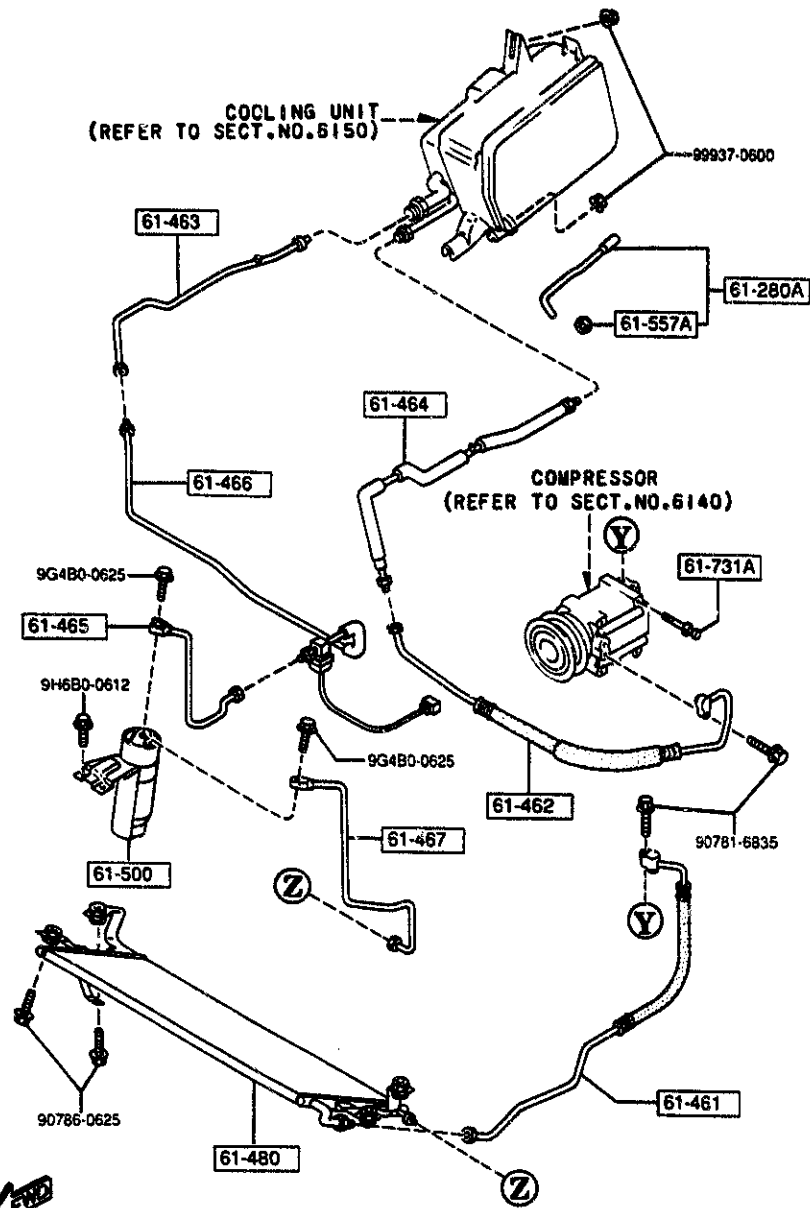


AUFA04

PART NO.	QTY	MODEL/RESTRICTION	MODEL/RESTRICTION	MODEL/RESTRICTION	FROM-TO
CONT'D					
FD04-61-479A	1	(ILLUST. NO.1)			
FD05-61-479	1	(ILLUST. NO.2)			
61-480		CONDENSER			
FD04-61-480	1				
61-481B		RUBBER, INSULATOR			
FD04-61-481	2				3201-
61-483A		BRACKET, CONDENSER			
FD04-61-483A	1				
61-500		TANK, LIQUID			
FD04-61-500	1	(ILLUST. NO.1)			
N001-61-501	1	(ILLUST. NO.2)			
61-502		BRACKET, TANK			
FD04-61-502	1				
61-558		GROMMET, UNIT-COOLING			
LA01-61-558A	1				
61-731A		BOLT, AIR CON.			
FD04-61-731	4	(ILLUST. NO.1)			-2501
B111-61-731	4	(ILLUST. NO.2)			-3201
FD05-61-731	4	(ILLUST. NO.2)			3201-
61-971A		RUBBER, INSULATOR			
FB01-61-731	2				-3201
67-7403		RELAY, N.O.			
H270-67-740	1	30A			
78-834		REFRIGERANT ORUM			
H030-61-834	2	300G			
2501 FD3MXX-205709					

CAT. AUFA04-06

1994-09



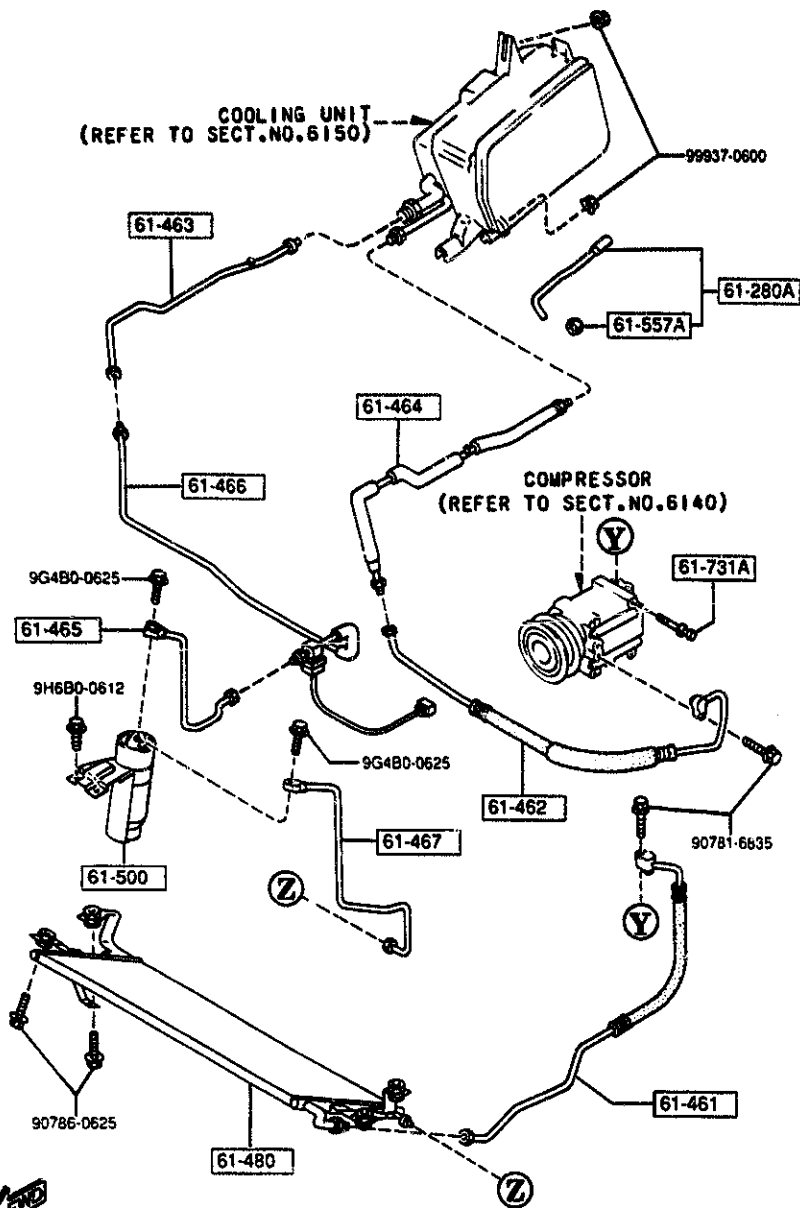
← FWD  
AUFA04

← FWD  
AUFA04

(CONT'D)

(PIPE & CONDENSER)

(THIS ILLUSTRATION CONSISTS OF 2 PAGES)



PART NO.	QTY	MODEL/RESTRICTION	MODEL/RESTRICTION	MODEL/RESTRICTION	FROM-TO
56-181D		CLIP			
S083-56-181	1				-2101
61-280A		HOSE, DRAIN			
FD01-61-280	1	(A)			
61-46Y		CLIP, PIPE			
FD01-61-46YA	1	(A) (ILLUST. NO.1)			
FD02-61-46Y	1	(A) (ILLUST. NO.2)			
61-461		HOSE, FLEXIBLE-HIGH			
FD01-61-461	1	(A)			
61-462		HOSE, FLEXIBLE-LOW			
FD01-61-462A	1	(A)			
61-463		PIPE NO.1, COOLER			
FD01-61-464	1	(A)			
61-464		PIPE NO.2, COOLER			
FD01-61-465	1	(A)			
61-465		PIPE NO.3, COOLER			
FD01-61-466	1	(A)			
61-466		PIPE NO.4, COOLER			
FD01-61-467A	1	(A)			
61-467		PIPE NO.5, COOLER			
FD01-61-468A	1	(A)			
61-473		CLIP, PIPE			
FD01-61-473	4				
2101 FDSMKN-200251					

AUFA04

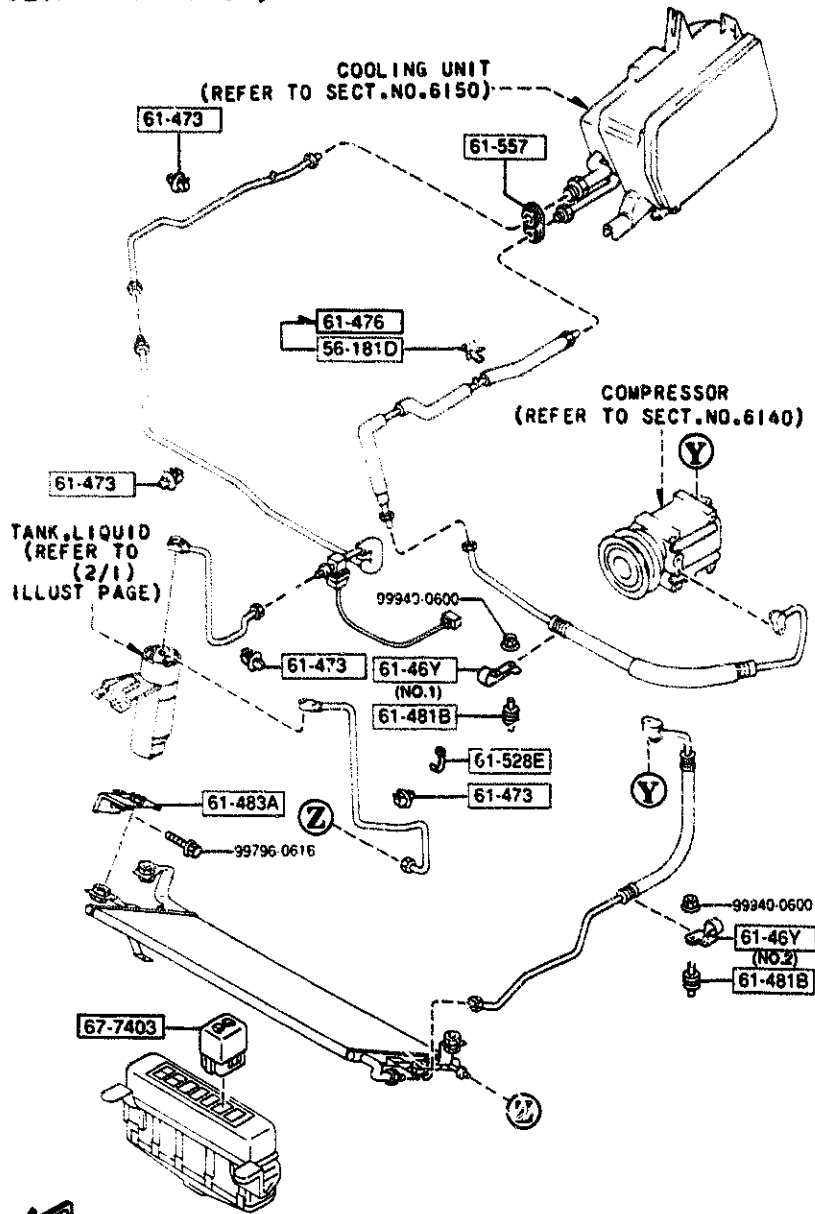
(CONT'D)

CAT. AUFA04-06

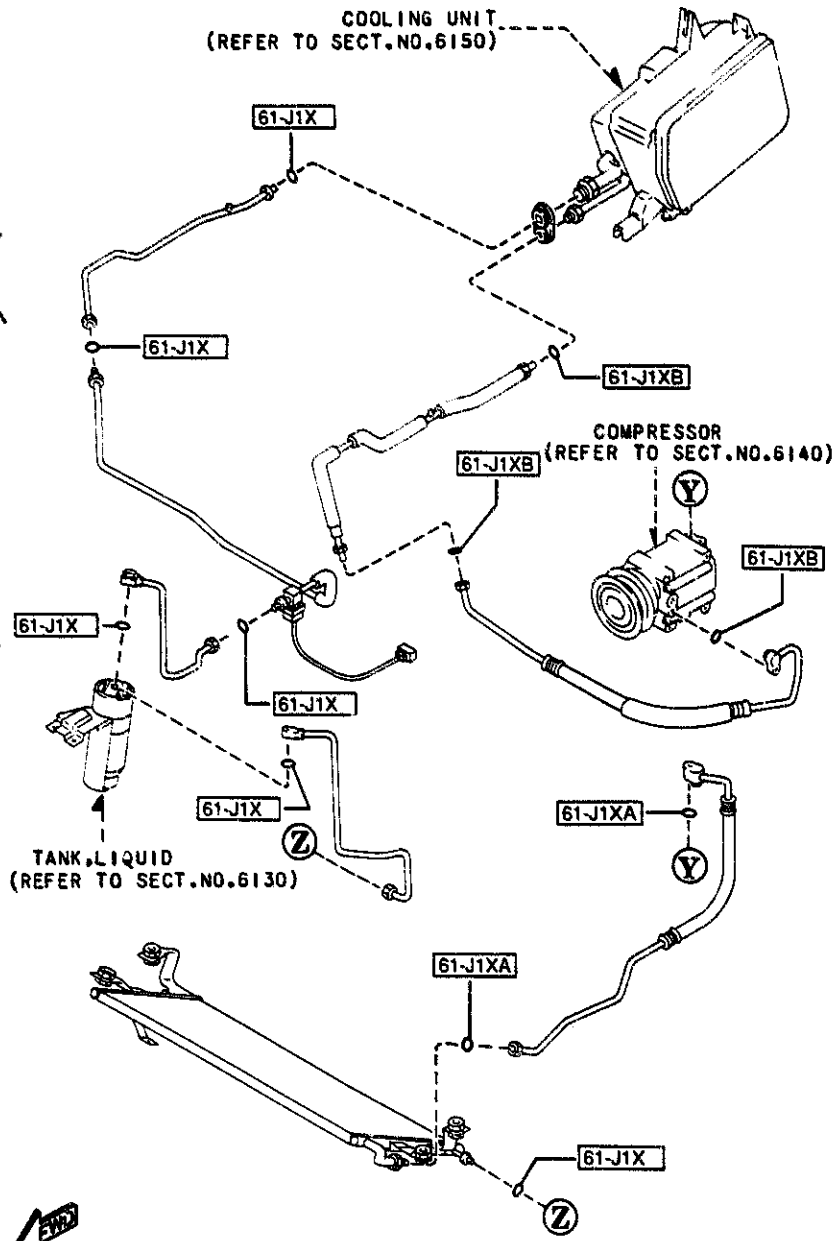
1994-09

**(CLIP & BRACKET)**

(THIS ILLUSTRATION CONSISTS OF 2 PAGES)



PART NO.	QTY	MODEL/RESTRICTION	MODEL/RESTRICTION	MODEL/RESTRICTION	FROM-TO
61-476		CLIP			
FD01-61-476	1	(A)			2101-
61-480		CONDENSER			
FD01-61-480A	1	(A) (13B)			
61-481B		RUBBER, INSULATOR			
FC20-61-481	2	(A) (13B)			
61-483A		BRACKET, CONDENSER			
FD01-61-483A	1	(A) (13B)			
61-500		TANK, LIQUID			
FD01-61-500	1	(A) (13B)			
61-528E		BAND			
NA01-61-435	2	(G)			
61-557		GROMMET, REAR COOLER			
M269-61-557	1				
61-557A		GROMMET			
FB04-61-557	1	(A)			
61-731A		BOLT, AIR CON.			
B111-61-731	4				
67-7403		RELAY, N.O.			
M270-67-740	1	30A			
2101 FD3MM-200251					

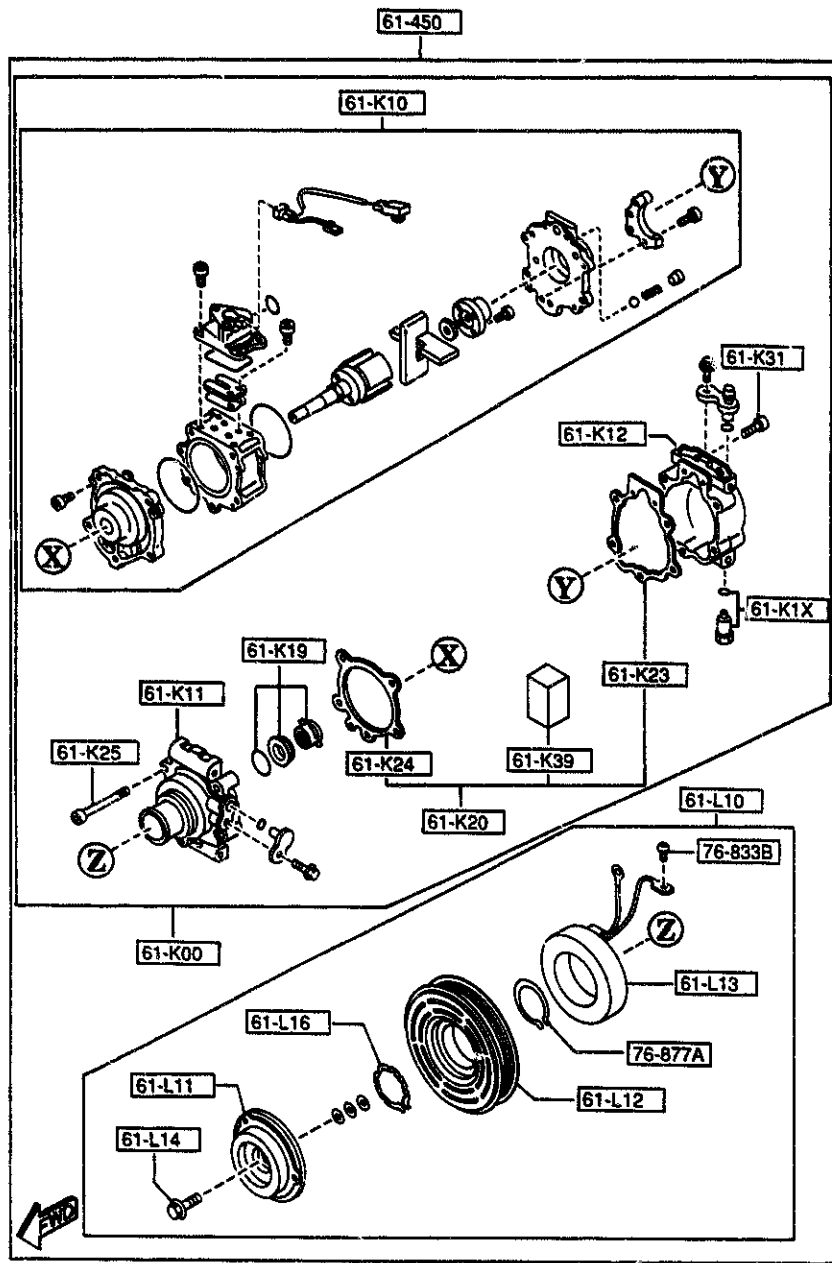


AUFA04

PART NO.	QTY	MODEL/RESTRICTION	MODEL/RESTRICTION	MODEL/RESTRICTION	FROM-TO
61-J1X FCY0-61-J17	6	RING, 'O'-NO.1			
61-J1XA FCY6-61-J17	2	RING, 'O'-NO.2			
61-J1XB FCY1-61-J17	3	RING, 'O'-NO.3			

CAT. AUFA04-06

1994-09

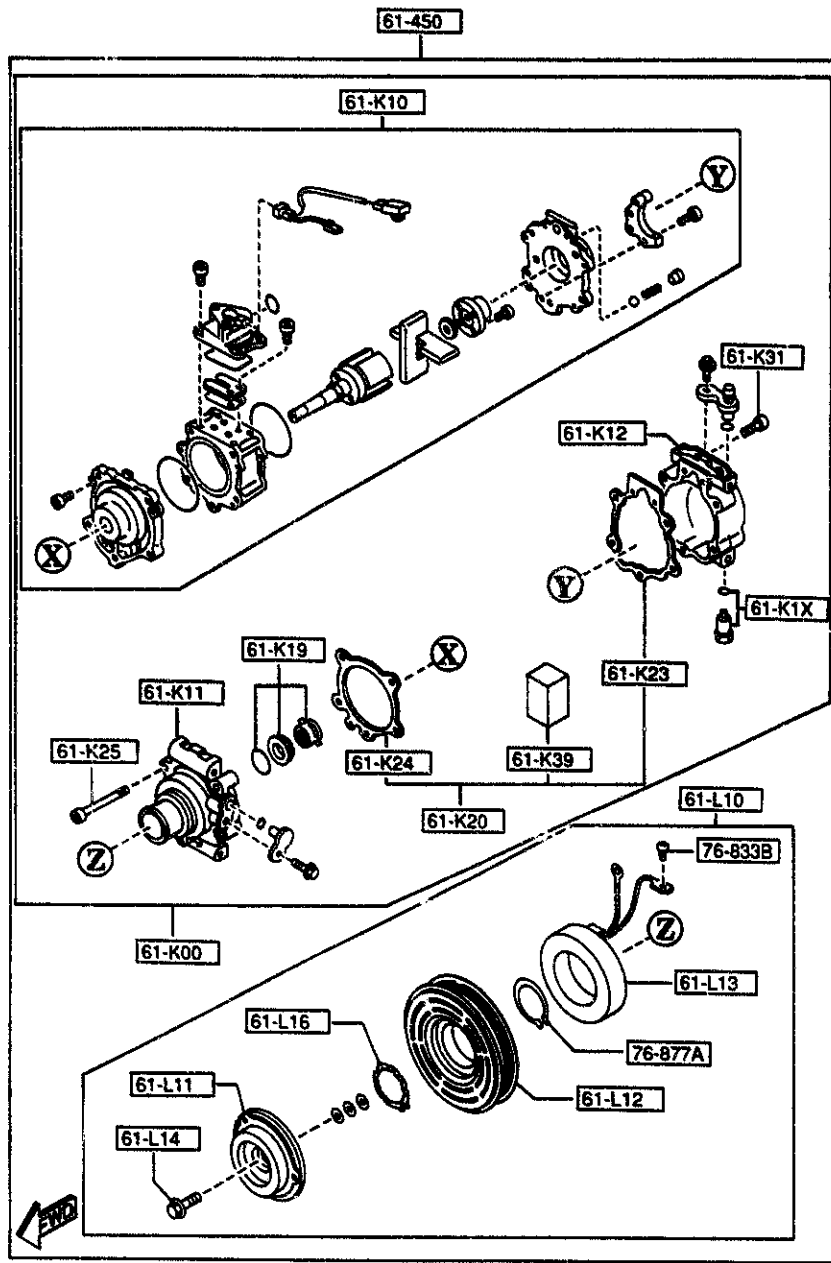


PART NO.	QTY	MODEL/RESTRICTION	MODEL/RESTRICTION	MODEL/RESTRICTION	FROM-TO
61-K00		COMPRESSOR, AIR CON.			
FD05-61-K00 A (FD05-61-K00A)	1				-3301
FD05-61-K00A	1				3301-
61-K1X		VALVE, RELIEF			
FD05-61-K1X	1				
61-K10		SHAFT, CYL -COMPRESSOR			
FD05-61-K10 A (FD05-61-K10A)	1				-3301
FD05-61-K10A	1				3301-
61-K11		HEAD, CYL. -COMPRESSOR			
FD05-61-K11	1				
61-K12		HEAD, CYL. -COMPRESSOR			
FD05-61-K12	1				
61-K19		SEAL, SHAFT-COMPR.			
F065-61-K19	1				-3301
FD05-61-K19	1				3301-
61-K20		GASKET KIT, COMPRESSOR			
FD05-61-K2X	1				
61-K23		PLUG, COMPRESSOR			
FD05-61-K23	1				
61-K24		GASKET, COMPRESSOR			
FD05-61-K24	1				
61-K25		BOLT, COMPRESSOR-AIR CON.			
F065-61-K25	5				
61-K31		BOLT, COMPRESSOR			
F065-61-K31	2				
61-K39		OIL, COMPRESSOR			
FD05-61-K39	1				
3301 FD3***-210620					

AUFA04

CAT. AUFA04-06

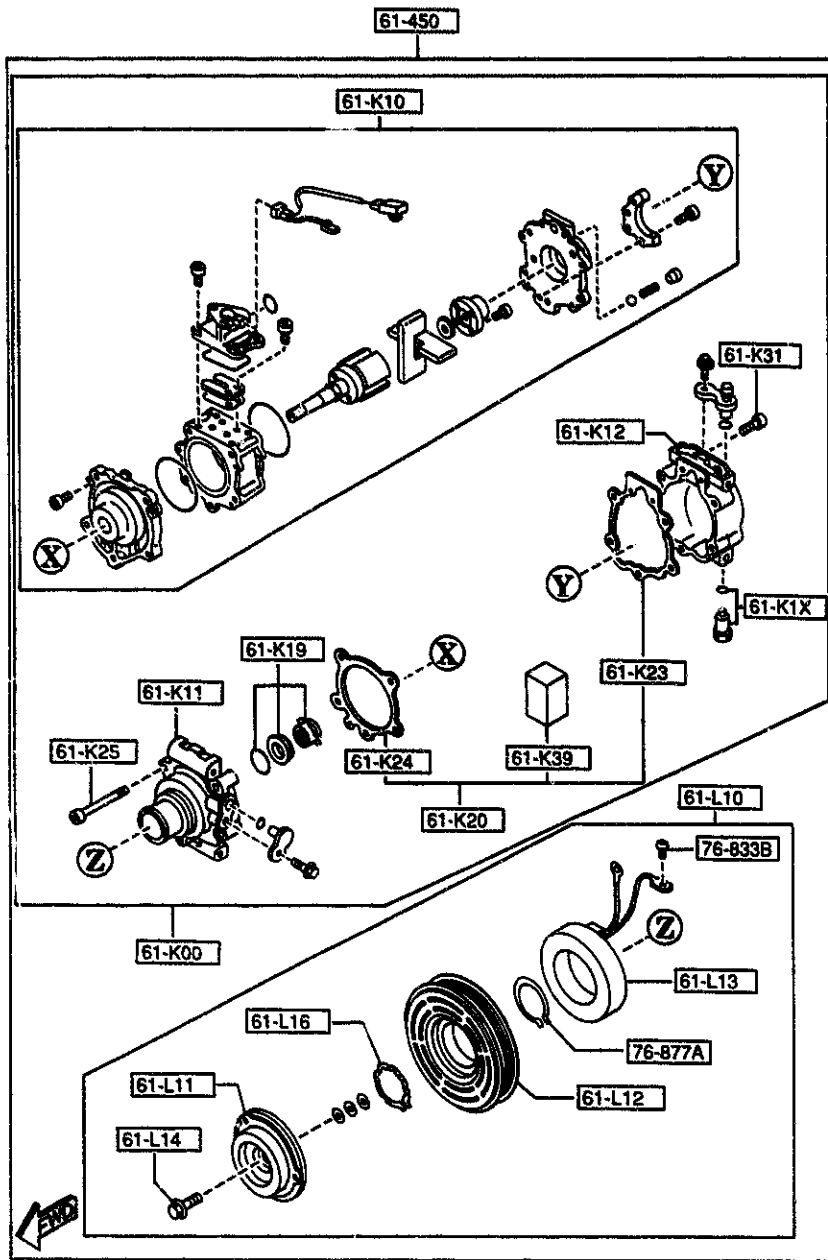
1994-09



PART NO.	QTY	MODEL/RESTRICTION	MODEL/RESTRICTION	MODEL/RESTRICTION	FROM-TO
61-L10		CLUTCH, MAGNET			
FD05-61-L10	1				
61-L11		ARMATURE, MAGNETIC CLUTCH			
F065-61-L11	1				
61-L12		PULLEY, MAGNET CLUTCH			
FD05-61-L12	1				
61-L13		COIL, FIELD-MAGNET CLUTCH			
F065-61-L13	1				
61-L14		BOLT, MAGNET CLUTCH			
F065-61-L14	1				
61-L16		RING, SNAP-MAGNET CLUTCH			
F065-61-L16	1				
61-450		COMPRESSOR			
FD05-61-450	1				-3301
A (FD05-61-450A)					
FD05-61-450A	1				3301-
76-833B		WASHER			
B001-76-734	1				
76-877A		RING, SNAP			
B001-76-725	1				
3301 FD3***-210620					

6140A COMPRESSOR COMPONENTS (AIR CONDITIONER)  
(OPTIONAL PARTS)

6140A -1 COMPRESSOR COMPONENTS (AIR CONDITIONER)  
(OPTIONAL PARTS)



PART NO.	QTY	MODEL/RESTRICTION	MODEL/RESTRICTION	MODEL/RESTRICTION	FROM-TO
61-K00		COMPRESSOR, AIR CON.			
FD01-61-K00	1	(A)			
61-K1X		VALVE, RELIEF			
FD01-61-K1X	1	(A)			
61-K10		SHAFT, CYL -COMPRESSOR			
FD01-61-K10	1	(A)			
61-K11		HEAD, CYL. -COMPRESSOR			
NA02-61-K11	1	(A)			
61-K12		HEAD, CYL. -COMPRESSOR			
FD01-61-K12	1	(A)			
61-K19		SEAL, SHAFT-COMPR.			
F065-61-K19	1				
61-K20		GASKET KIT, COMPRESSOR			
NA02-61-K2X	1	(A)			
61-K23		PLUG, COMPRESSOR			
NA02-61-K23	1	(A)			
61-K24		GASKET, COMPRESSOR			
NA02-61-K24	1	(A)			
61-K25		BOLT, COMPRESSOR-AIR CON.			
F065-61-K25	5				
61-K31		BOLT, COMPRESSOR			
F065-61-K31	2				
61-K39		OIL, COMPRESSOR			
NA02-61-K39	1	(A)			

AUFA04

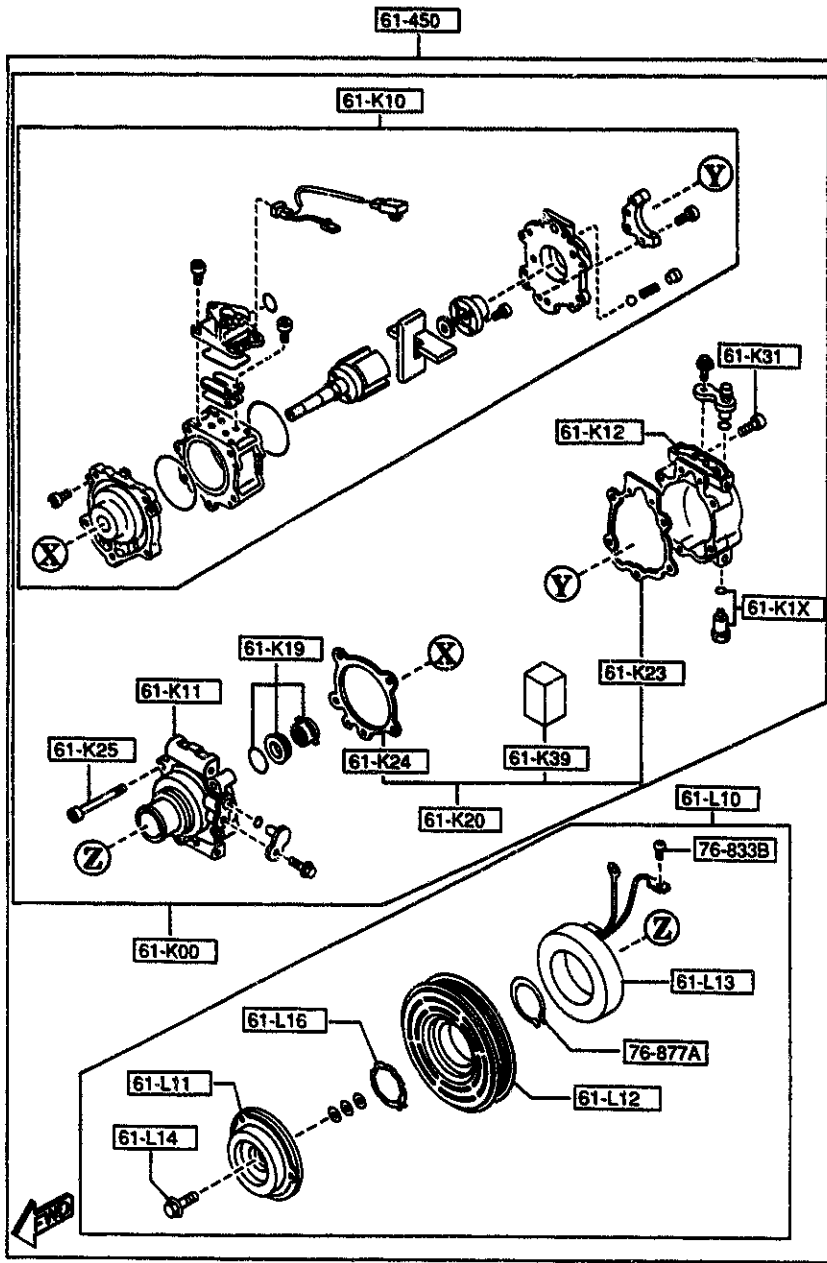
CAT. AUFA04-06

1994-09



6140A COMPRESSOR COMPONENTS (AIR CONDITIONER)  
(OPTIONAL PARTS)

6140A -2 M COMPRESSOR COMPONENTS (AIR CONDITIONER)  
(OPTIONAL PARTS)



PART NO.	QTY	MODEL/RESTRICTION	MODEL/RESTRICTION	MODEL/RESTRICTION	FROM-TO
61-L10		CLUTCH, MAGNET			
FD01-61-L10	1	(A)			
61-L11		ARMATURE, MAGNETIC CLUTCH			
F065-61-L11	1				
61-L12		PULLEY, MAGNET CLUTCH			
FD01-61-L12	1	(A)			
61-L13		COIL, FIELD-MAGNET CLUTCH			
F065-61-L13	1				
61-L14		BOLT, MAGNET CLUTCH			
F065-61-L14	1				
61-L16		RING, SNAP-MAGNET CLUTCH			
F065-61-L16	1				
61-450		COMPRESSOR			
FD01-61-450	1	(A)			
76-833B		WASHER			
B001-76-734	1				
76-877A		RING, SNAP			
B001-76-725	1				

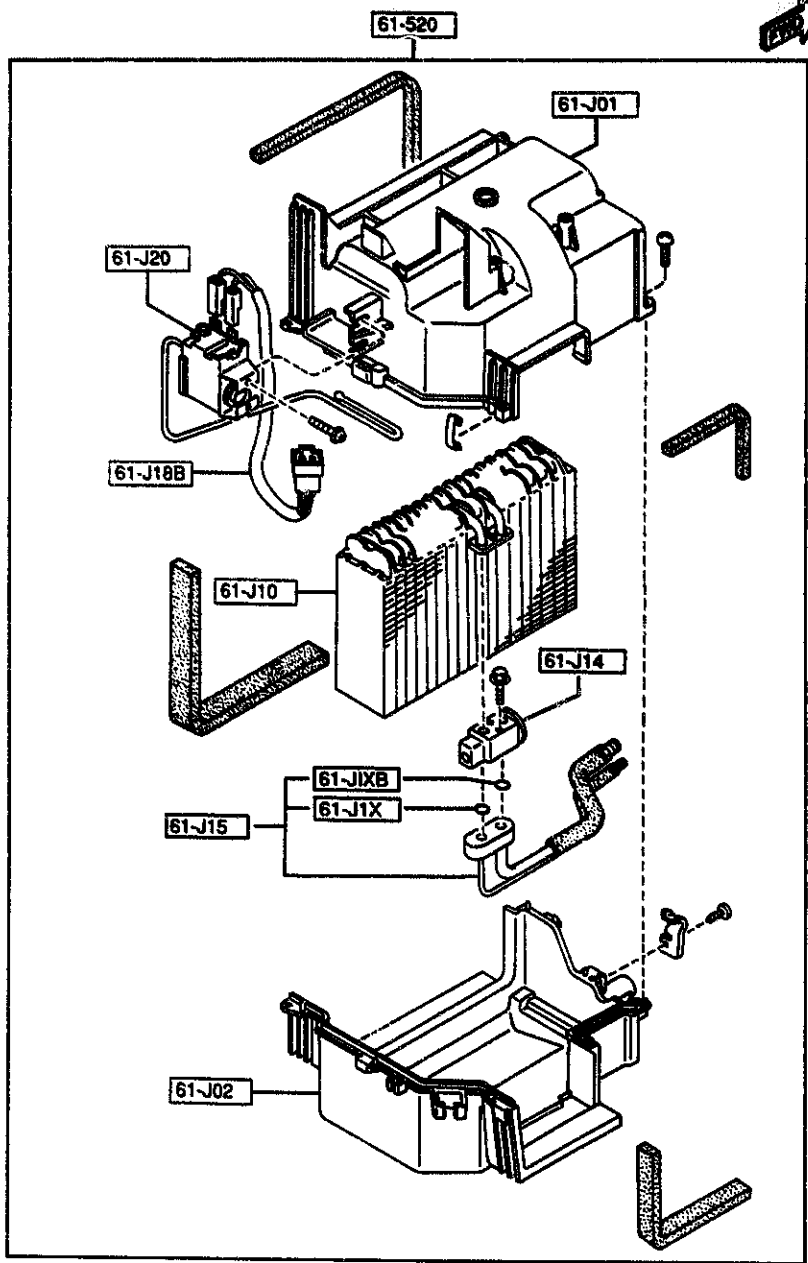
AUFA04

CAT. AUFA04-06

1994-09

6150 COOLING UNIT (AIR CONDITIONER)  
(JAPAN MAKE)

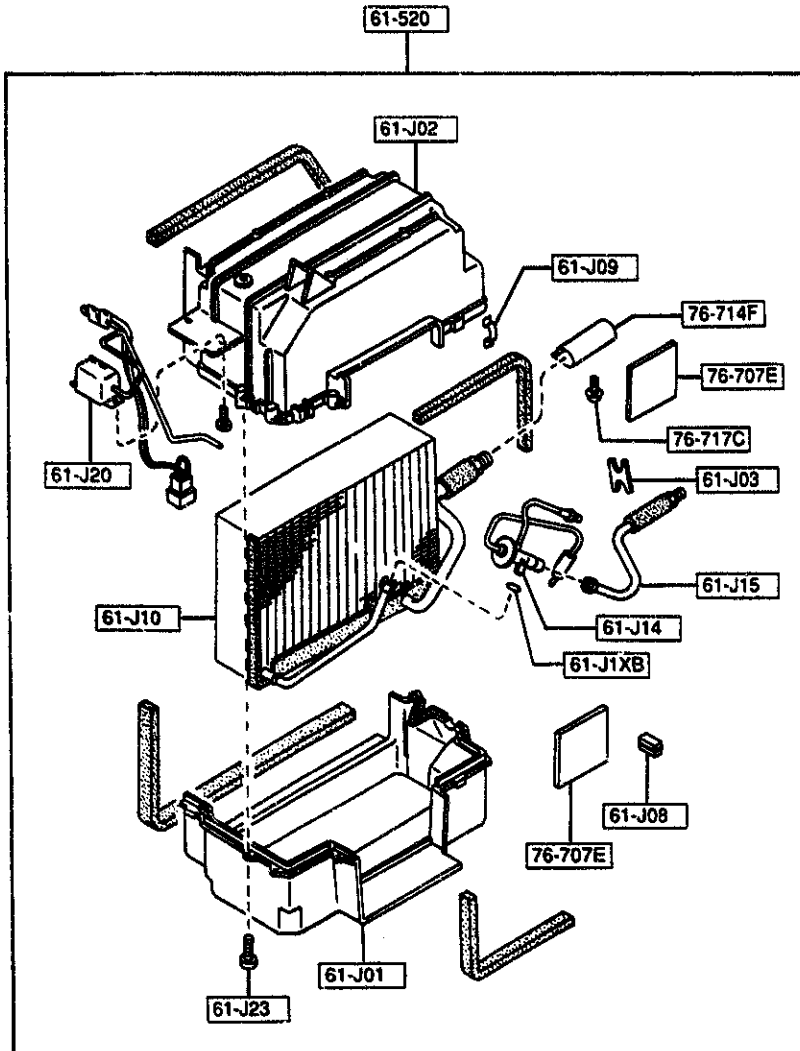
6150 -1 \* COOLING UNIT (AIR CONDITIONER)  
(JAPAN MAKE)



PART NO.	QTY	MODEL/RESTRICTION	MODEL/RESTRICTION	MODEL/RESTRICTION	FROM-10
61-J01		CASE 'A', COOLING UNIT			
FD04-61-J01	1				
61-J02		CASE 'B', COOLING UNIT			
FD04-61-J02	1				
61-J1X		RING, 'O'-NO.1			
FCY0-61-J17	1				
61-J1XB		RING, 'O'-NO.3			
FCY1-61-J17	1				
61-J10		EVAPORATOR			
FD04-61-J10	1				
61-J14		VALVE, EXPANSION			
FD04-61-J14	1				
61-J15		PIPE, COOLING UNIT			
FD04-61-J15	1				
61-J18B		HARNESS, COOLING UNIT			
F100-61-J43	1				
61-J20		THERMOSTAT, COOLING UNIT			
N001-61-J20	1				
61-520		UNIT, COOLING			
FD04-61-520	1				

6150A COOLING UNIT (AIR CONDITIONER)  
(OPTIONAL PARTS)

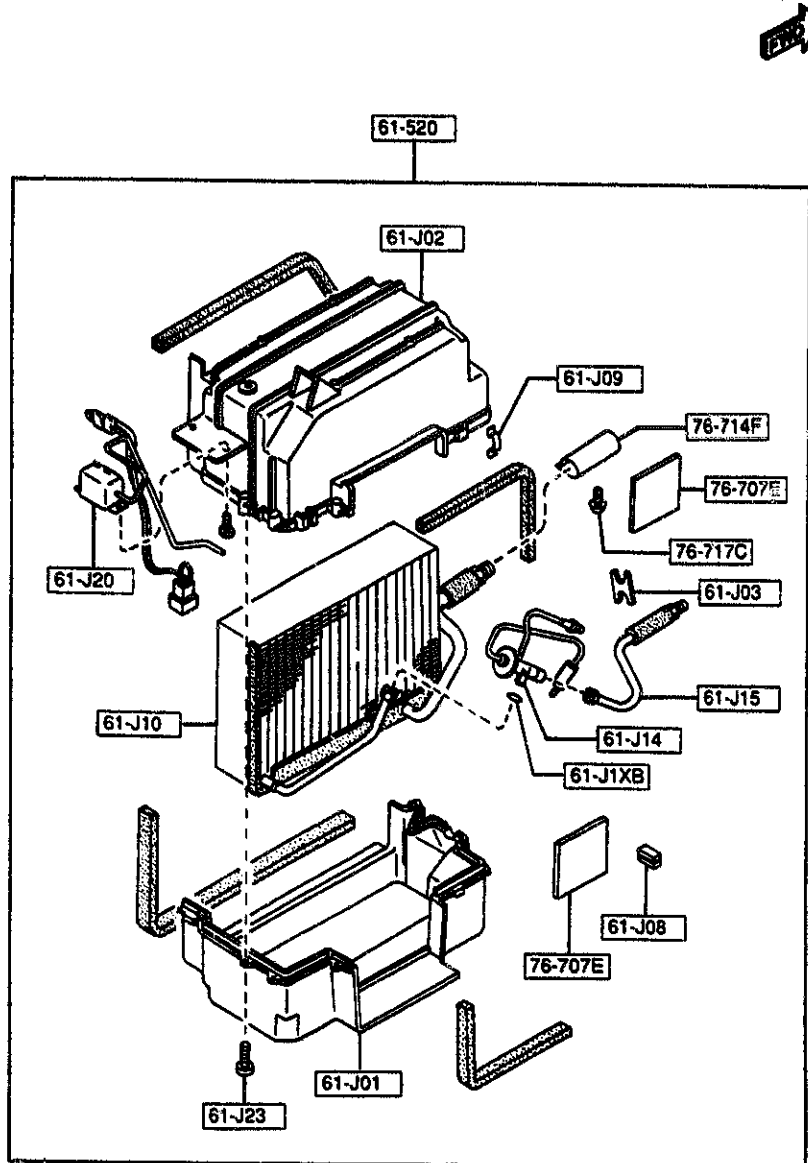
6150A -1 COOLING UNIT (AIR CONDITIONER)  
(OPTIONAL PARTS)



PART NO.	QTY	MODEL/RESTRICTION	MODEL/RESTRICTION	MODEL/RESTRICTION	FROM-TO
61-J01 FD01-61-J01	1	CASE 'A', COOLING UNIT (A)			
61-J02 FD01-61-J02	1	CASE 'B', COOLING UNIT (A)			
61-J03 FD01-61-J03	1	CASE 'C', COOLING UNIT (A)			
61-J08 GJ51-61-J08	1	CLIP, COOLING UNIT (G)			
61-J09 G213-61-J09	2	CLIP, COOLING UNIT			
61-J1XB M261-61-J17	1	RING, 'O'-NO.3			
61-J10 FD01-61-J10	1	EVAPORATOR (A)			
61-J14 FD01-61-J14	1	VALVE, EXPANSION (A)			
61-J15 FD01-61-J15	1	PIPE, COOLING UNIT (A)			
61-J20 FD01-61-J20	1	THERMOSTAT, COOLING U NIT			
61-J23 GJ51-61-J23	5	SCREW, COOLING UNIT (G)			
61-520 FD01-61-520A	1	UNIT, COOLING (A)			

6150A COOLING UNIT (AIR CONDITIONER)  
(OPTIONAL PARTS)

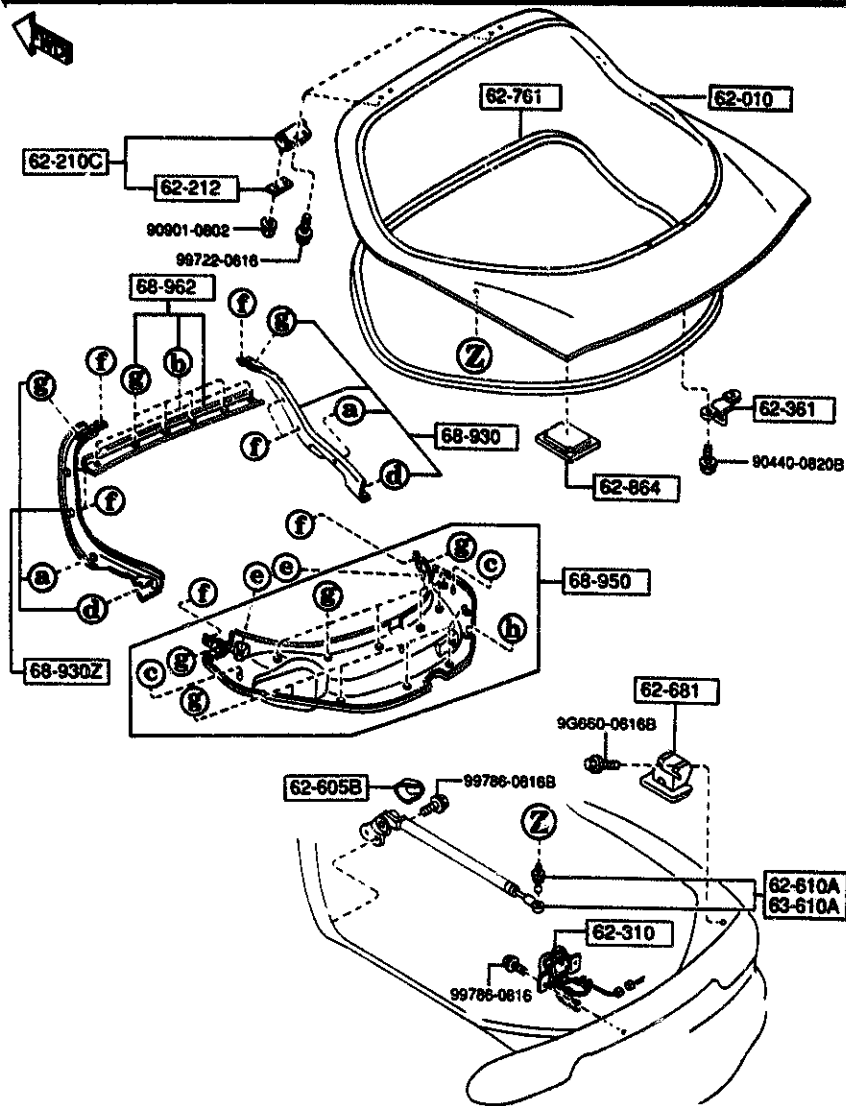
6150A -2 \* COOLING UNIT (AIR CONDITIONER)  
(OPTIONAL PARTS)



PART NO.	QTY	MODEL/RESTRICTION	MODEL/RESTRICTION	MODEL/RESTRICTION	FROM-TO
76-707E HA14-76-707	2	INSULATOR			
76-714F H001-76-714	1	CLIP			
76-717C H001-76-717	1	SCREW			

6230 LIFT GATE MECHANISMS

6230 -1 LIFT GATE MECHANISMS



PART NO.	QTY	MODEL/RESTRICTION	MODEL/RESTRICTION	MODEL/RESTRICTION	FROM-TO
62-010		BODY, LIFT GATE			
FD01-62-020A A (FD01-62-020D)	1				-2101
FD03-62-020A A (FD03-62-020D)	1				-2101
FD04-62-020A A (FD04-62-020D)	1				-2101
FD01-62-020D	1	((W/O SUN-RF)>(NOR.S USP) )			2101-
FD03-62-020D	1	((W/O SUN-RF)>(HARD SUSP) )			2101-
FD04-62-020D	1	(SUNROOF)			2101-
62-210C		HINGE, GLASS HATCH			
FD01-62-210A A (FD01-62-210B)	2				-2820
FD01-62-210B AN(FD01-62-210C)	2				2820-3106
FD01-62-210C	2				3106-
62-212		GASKET, HINGE-LIFT GA TE			
8001-62-212	2				
62-310		LOCK, LIFT GATE			
FD01-62-310	1				
62-361		STRIKER, LOCK			
KA01-62-361	1				
62-605B		COVER, DAMPER STAY			
FB01-62-615	2				
62-610A		STAY(R), DAMPER			
88FA-62-620	1	(SUNROOF) ((W/O SUN-RF)>(HARD SUSP) )			
88F9-62-620	1	((W/O SUN-RF)>(NOR.S USP) )			
62-681		WEDGE, LIFTGATE			
FD01-62-681A AN(FD01-62-681B)	2				-2C17
FD01-62-681B	2				2C17-
2101 FDSMMR-200251 2820 FDSMMR-210514 2C17 FDSMMR-210552 3106 FDSMMR-210567					

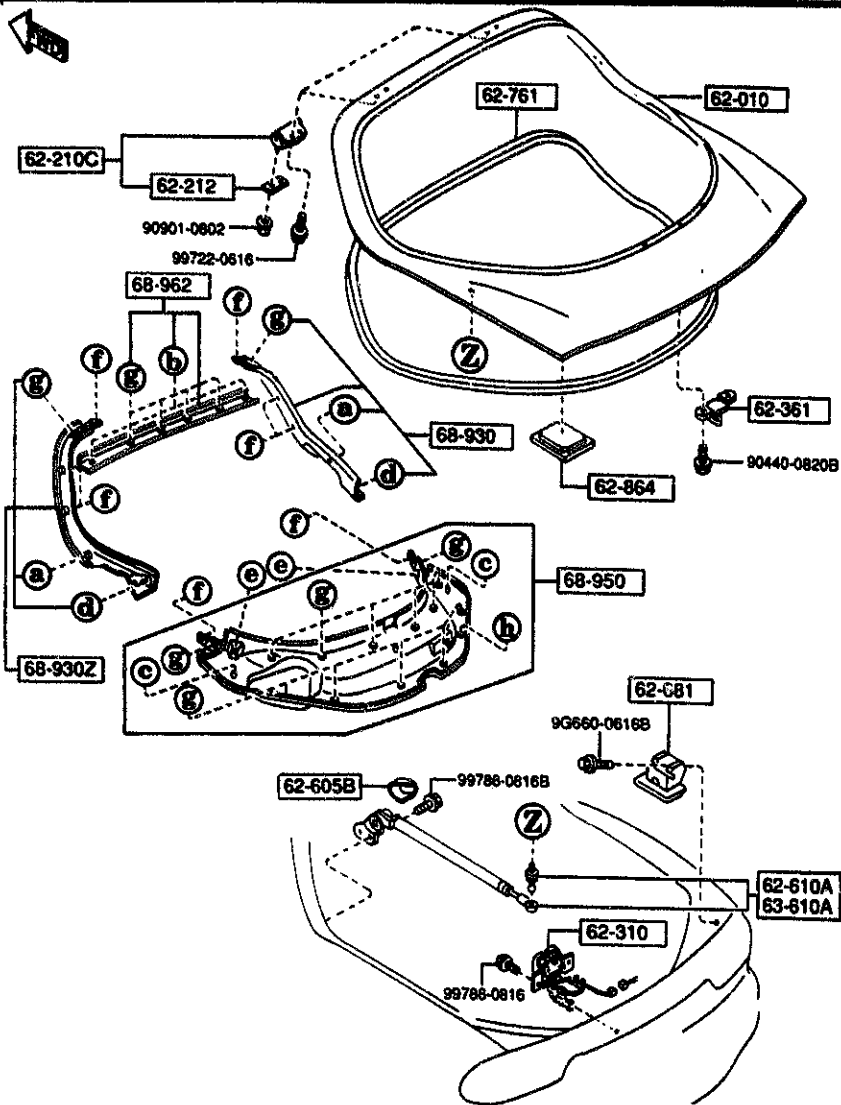
a	b	c	d	e	f	g	h
68-AD1	68-AD2	68-D21	68-172H	68-305B	68-865Q	68-865S	68-865U

CAT. AUFA04-06

1994-09

6230 LIFT GATE MECHANISMS

6230 -2 LIFT GATE MECHANISMS



a	b	c	d	e	f	g	h
68-AD1	68-AD2	68-D21	68-172H	68-305B	68-865Q	68-865S	68-865U

PART NO.	QTY	MODEL/RESTRICTION	MODEL/RESTRICTION	MODEL/RESTRICTION	FROM-TO
62-761		WTHSTP ,LIFT GATE			
FD01-62-761	1				
62-864		TAPE,PROTECTOR-STOPPER			
B467-62-864	2				
63-610A		STAY(L),DAMPER			
8BF5-63-620	1	((W/O SUN-RF))<(NDR.S USP)			
8BF6-63-620	1	(SUNROOF) (W/O SUN-RF)<(HARD SUSP)			
68-AD1		CLIP,SLIDE			
B499-68-AD1A	2				
68-AD2		CLIP			
B455-68-AD2	2				
68-D21		CLIP,TRIM			
LA10-68-D21	2				
68-172H		FASTENER,CTR.P/UPP.			
B100-68-215A	2				
68-305B		HANGER,STRAP			
FD01-68-301	2				
02	INT-	FE2 FE3 FE4 BLACK			
68-865Q		FASTENER			
GJ21-68-885B	8				
00	INT-	FE2 FE3 FE4 BLACK			
68-865S		CLIP,TRIM			
GJ12-68-865	19				
68-865U		CLIP,TRIM			
GJ21-68-865	1				
68-930		TRIM(R),LIFT GATE-SIDE			
FD01-68-940B	1				

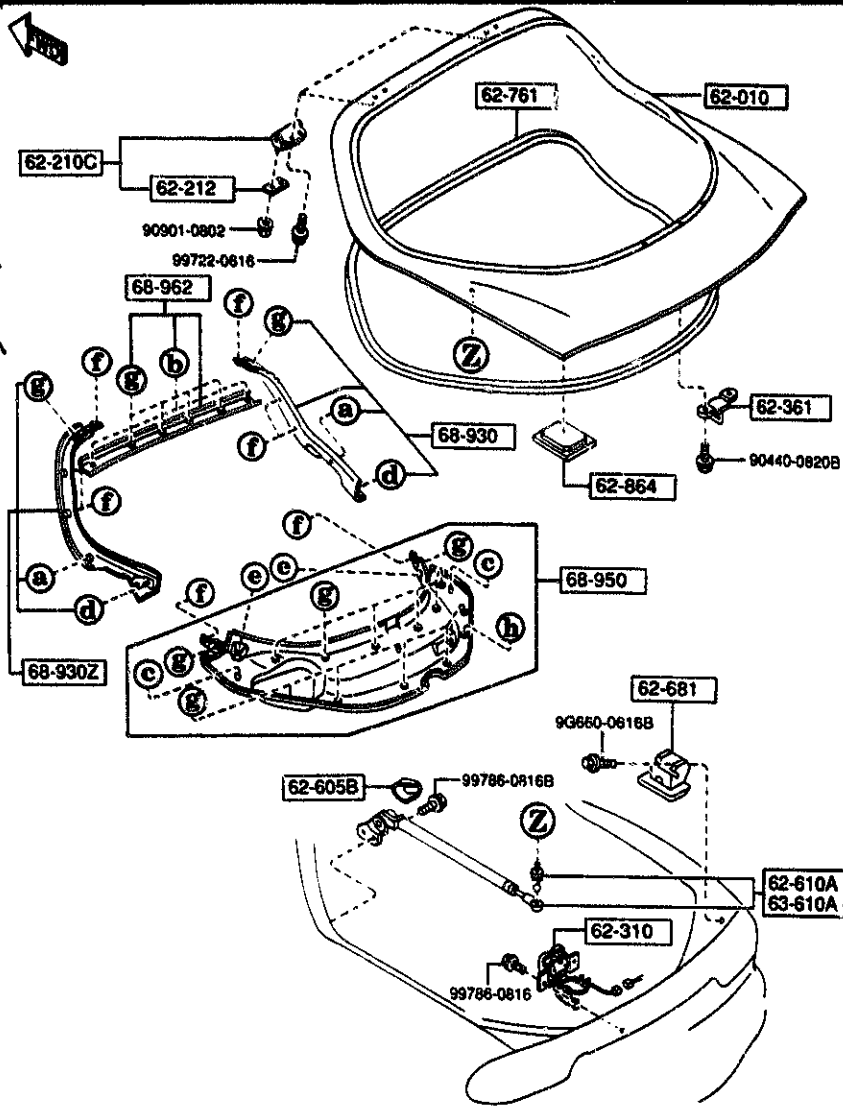
AUFA04

CAT. AUFA04-06

1994-09

6230 LIFT GATE MECHANISMS

6230 -3 M LIFT GATE MECHANISMS



a	b	c	d	e	f	g	h
68-AD1	68-AD2	68-D21	68-172H	68-305B	68-865Q	68-865S	68-865U

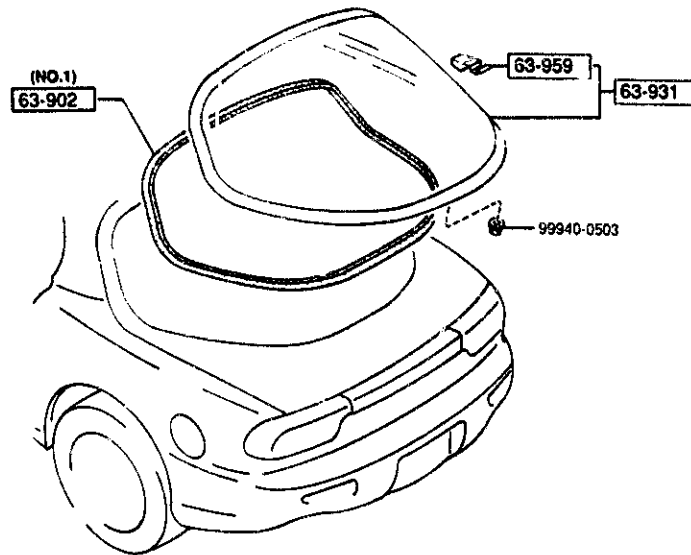
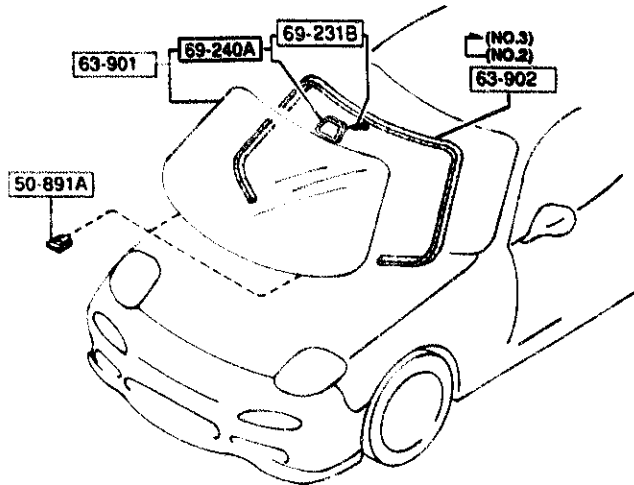
PART NO.	QTY	MODEL/RESTRICTION	MODEL/RESTRICTION	MODEL/RESTRICTION	FRUM-10
CONT'D					
02	INT-	FE2 FE3 FE4 BLACK			
68-930Z		TRIM(L),LIFT GATE-SI			
FD01-68-950B	1	DE			
02	INT-	FE2 FE3 FE4 BLACK			
68-950		TRIM,LIFTGATE-LOWER			
FD01-68-960B	1				-2B02
02	INT-	FE2 FE3 FE4 BLACK			
FD01-68-960C	1				2B02-
02	INT-	FE2 FE3 FE4 BLACK			
68-962		TRIM,LIFTGATE-UPPER			
FD01-68-930A	1				
02	INT-	FE2 FE3 FE4 BLACK			

2B02 FD3\*\*\*-210514

AUFA04

CAT. AUFA04-06

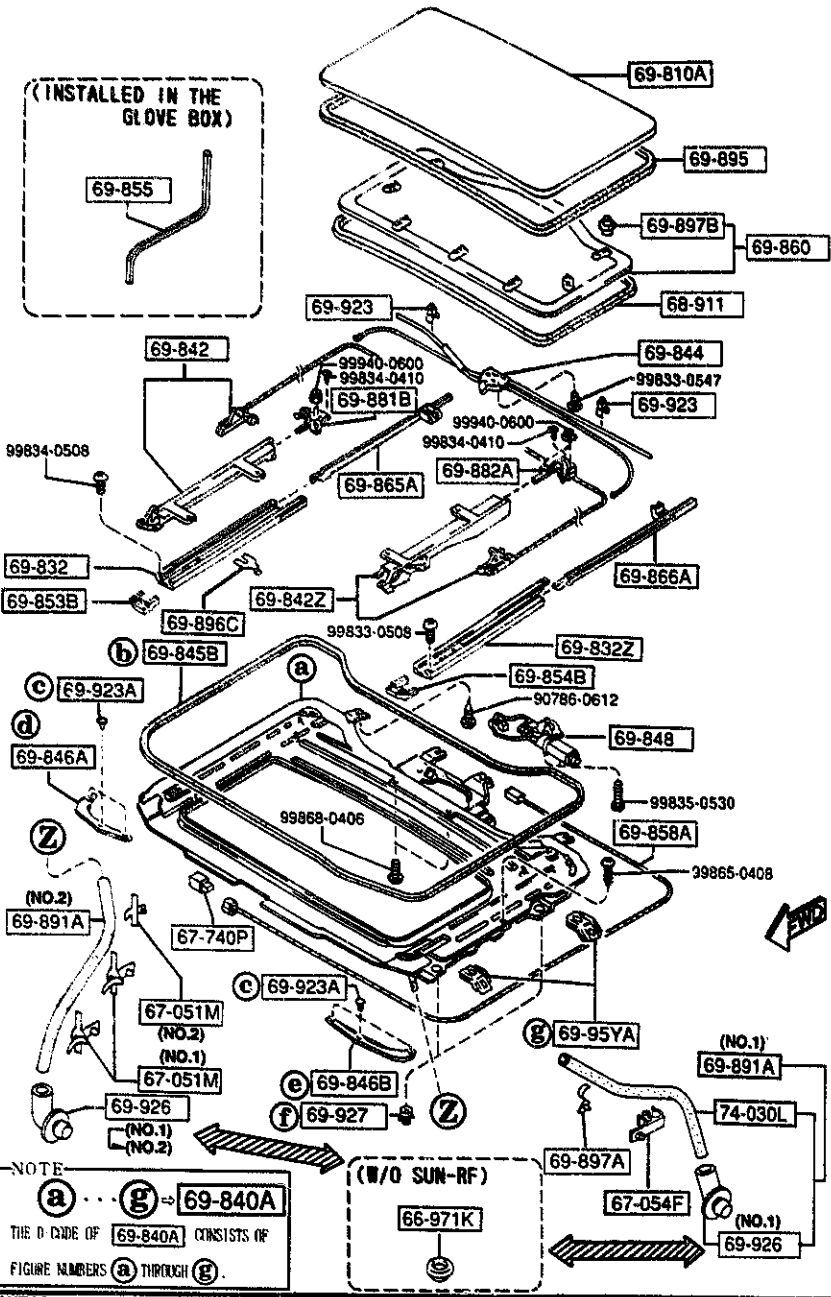
1994-09



PART NO.	QTY	MODEL/RESTRICTION	MODEL/RESTRICTION	MODEL/RESTRICTION	FROM-TO
50-891A B455-50-891	2	SPACER, WINDOW BLACK			-3621
EA01-50-891	2	WHITE			3621-
63-901 FD01-63-900	1	GLASS, WINDSHIELD			
63-902 8545-63-902	1	DAM. FRT. WSHLD GLASS L=3850MM (ILLUST. NO.1)			
B481-50-894	1	L=3120MM (ILLUST. NO.2)			-2123
FD01-50-894	1	L=3120MM (ILLUST. NO.3)			2123-
63-931 FD01-63-930C AN(FD01-63-930D)	1	GLASS, BACK WINDOW			-2716
FD01-63-930D	1				2716-
63-959 FB01-63-959	3	TERMINAL, BACK WIND. GLASS			
69-231B HG30-69-119	2	SCREW			
69-240A HG31-69-240	1	BASE, INTERIOR MIRROR			

2123 FD3MM-201017  
2716 FD3MM-209289



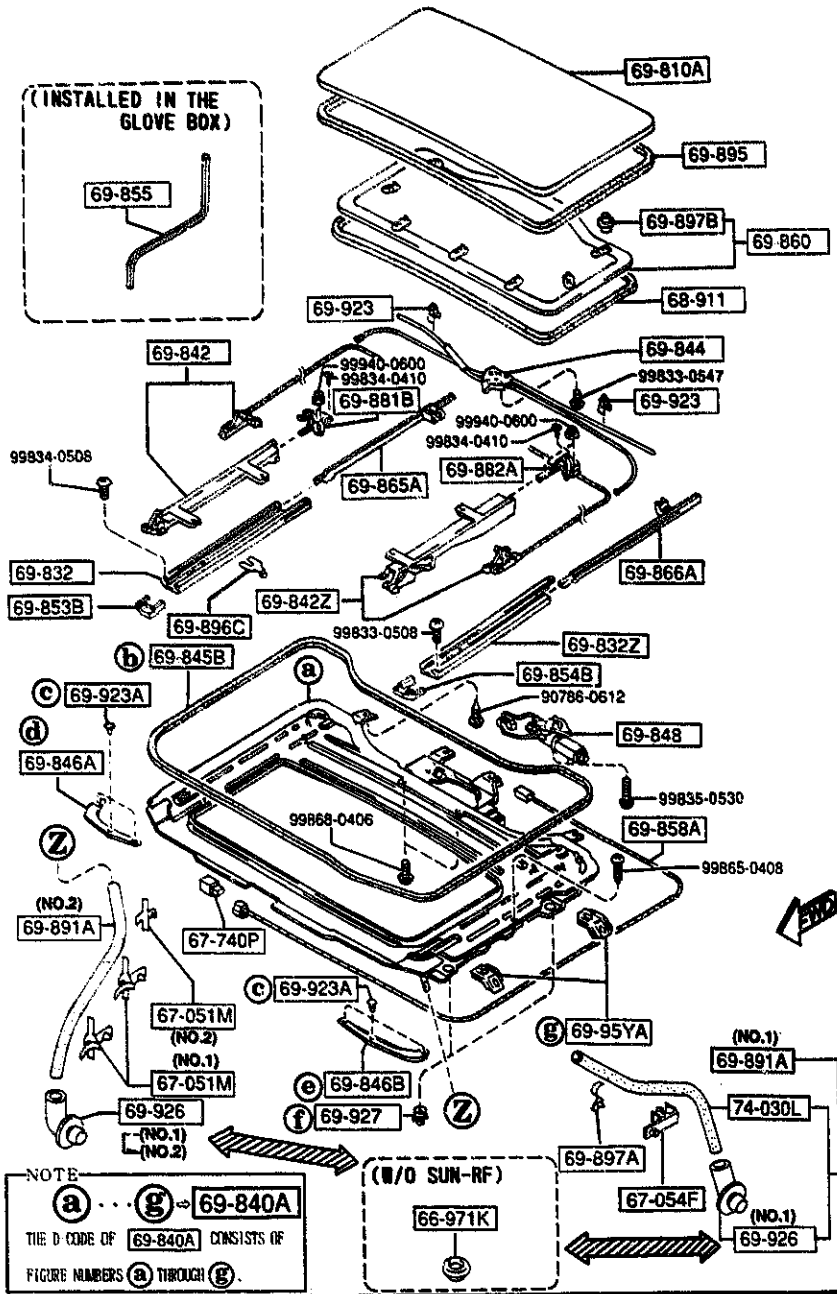


PART NO.	QTY	MODEL/RESTRICTION	MODEL/RESTRICTION	MODEL/RESTRICTION	FROM-TO
66-971K		GROMMET			
0222-66-971	4	(W/O SUN-RF)			
67-051M		CLIP			
B455-67-C31	2	(ILLUST. NO.1)			
GA2A-67-C33	1	(ILLUST. NO.2)			
67-054F		CLIP			
G030-67-052	2				
67-740P		RELAY, SLIDE ROOF			
EA05-69-873	1				
68-911		WELT, SEAMING			
FD01-69-981	1				-2201
02	INT-	FE2 BLACK			
17	INT-	FE4 RED			
33	INT-	FE3 TAN			
FD01-69-981A	1				2201-
02	INT-	FE2 BLACK			
17	INT-	FE4 RED			
33	INT-	FE3 TAN			
69-810A		PANEL, SLIDING ROOF			
FD01-69-810A	1				-2A01
A (FD01-69-810B)					
FD01-69-810B	1				2A01-
69-832		RAIL (R), GUIDE			
FD01-69-851	1				
69-832Z		RAIL (L), GUIDE			
FD01-69-852	1				
69-840A		FRAME, SLIDING ROOF			
FD01-69-840	1				
69-842		GUIDE (R), REAR			
FD01-69-864	1				
2201 FD3MXX-201428					
2A01 FD3MXX-210508					

AUFA04

CAT. AUFA04-06

1994-09

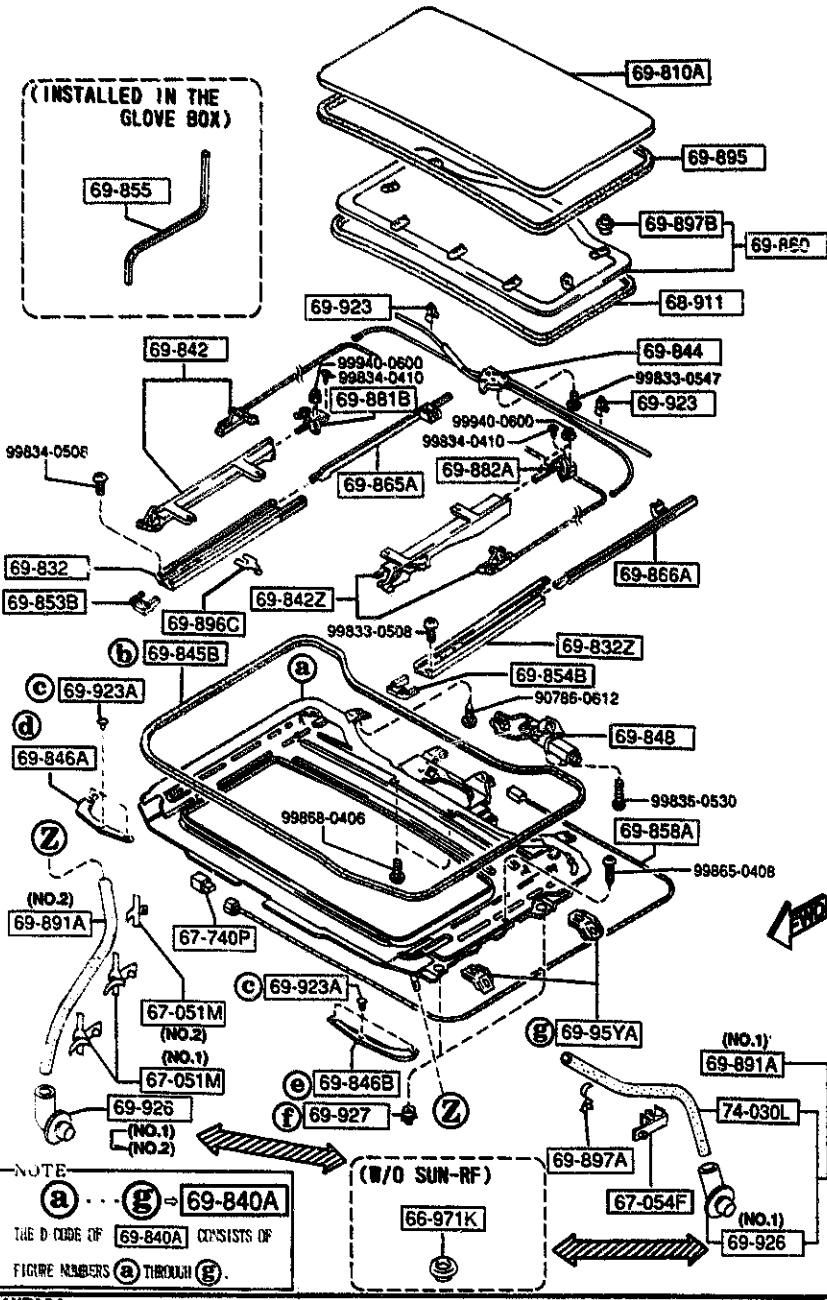


PART NO.	QTY	MODEL/RESTRICTION	MODEL/RESTRICTION	MODEL/RESTRICTION	FROM TO
69-842Z		GUIDE(L), REAR			
FD01-69-865	1				
69-844		UNIT, DRIVE			
FD01-69-861	1				
69-845B		TAPE, SEAL-SLDG ROOF FRAME			
FD01-69-845	1				
69-846A		COVER 'A', FRAME-SLIDE ROOF			
FD01-69-846	1				
69-846B		COVER 'B', FRAME-SLIDE ROOF			
FD02-69-846	1				
69-848		MOTOR, SLIDING ROOF			
EA05-69-871	1				
69-853B		PLATE(R), POSITION-S. ROOF			
FD01-69-858	1				
69-854B		PLATE(L), POSITION-S. ROOF			
FD01-69-859	1				
69-855		HANDLE, SLIDING ROOF			
EA05-69-924	1				
69-858A		HARNES, SLIDING ROOF			
EA05-69-872	1				
69-860		TRIM, SLIDING ROOF			
FD01-69-960	1				-2201
02	INT-	FE2 BLACK			
17	INT-	FE4 RED			
33	INT-	FE3 TAN			
FD01-69-960A	1				2201-
02	INT-	FE2 BLACK			
17	INT-	FE4 RED			
33	INT-	FE3 TAN			
2201 FD3***-201428					

AUFA04

CAT. AUFA04-06

1994-09

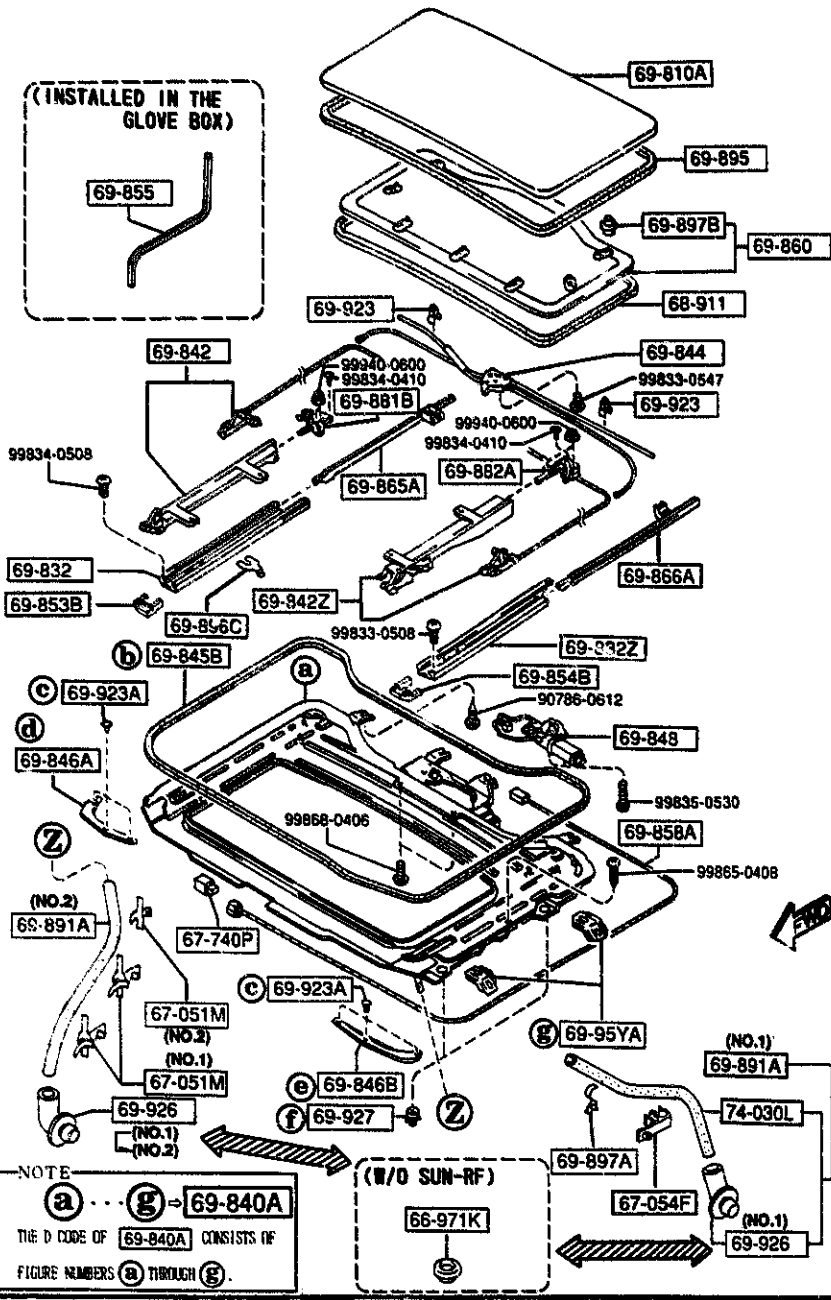


PART NO.	QTY	MODEL/RESTRICTION	MODEL/RESTRICTION	MODEL/RESTRICTION	FROM-TO
69-865A		SHUTTING(R), SLIDING ROOF			
FD01-69-9H1	1				
69-866A		SHUTTING(L), SLIDING ROOF			
FD01-69-9H2	1				
69-881B		PLATE(R), GUIDE			
FD01-69-9H3	1				
69-882A		PLATE(L), GUIDE			
FD01-69-9H4	1				
69-891A		HOSE, DRAIN-SUN ROOF FRONT			
FD04-69-920	2 (ILLUST. NO.1)				
FD01-69-921	2 (ILLUST. NO.2)				
69-895		WEATHERSTRIP, S/ROOF			
FD01-69-825A	1				
69-896C		SHIM, LOWER PANEL FRONT			
FB03-69-896A	4				
69-897A		CLIP			
G034-69-897	2				
69-897B		FASTENER, TRIM-SLIDE ROOF			
FB03-69-897	7				-2201
GA2B-69-897	7				2201-
69-923		CLIP, DRAIN HOSE-SUN ROOF			
FD01-69-929	2				
69-923A		CLIP, DRAIN HOSE-REAR			
FD01-69-923	6				
69-926		JOINT, DRAIN HOSE-REAR			
KA02-69-926	4 (ILLUST. NO.1)				-2701
KA02-69-926	2 (ILLUST. NO.1)				2701-
F100-69-926	2 (ILLUST. NO.2)				2701-3401
AN(F100-69-926A)					
2201 FD3MXX-201428 2701 FD3MXX-208628 3401 FD3MXX-210661					

AUFA04

CAT. AUFA04-06

1994-09



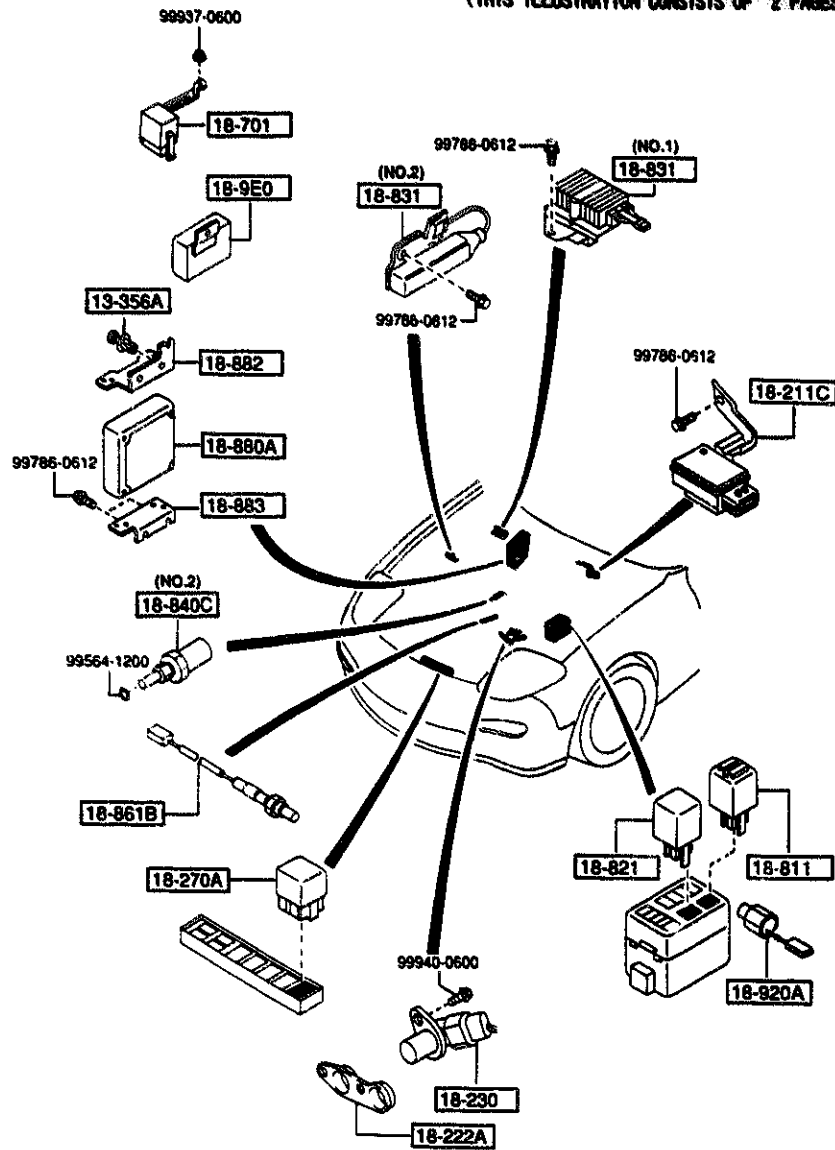
PART NO.	QTY	MODEL/RESTRICTION	MODEL/RESTRICTION	MODEL/RESTRICTION	FROM-TO
CONT'D					
F100-69-926A	2	(ILLUST. NO.2)			3401-
69-927		NUT, ADJUST-S/ROOF FR			
GA2B-69-927	4	AME			
69-95YA		BRACKET, SUN ROOF-FRO			
FD01-69-842	4	NT			
74-030L		HOSE, DRAIN-REAR			
FD04-69-922	2				
3401 FD3MM-210661					

AUFA04

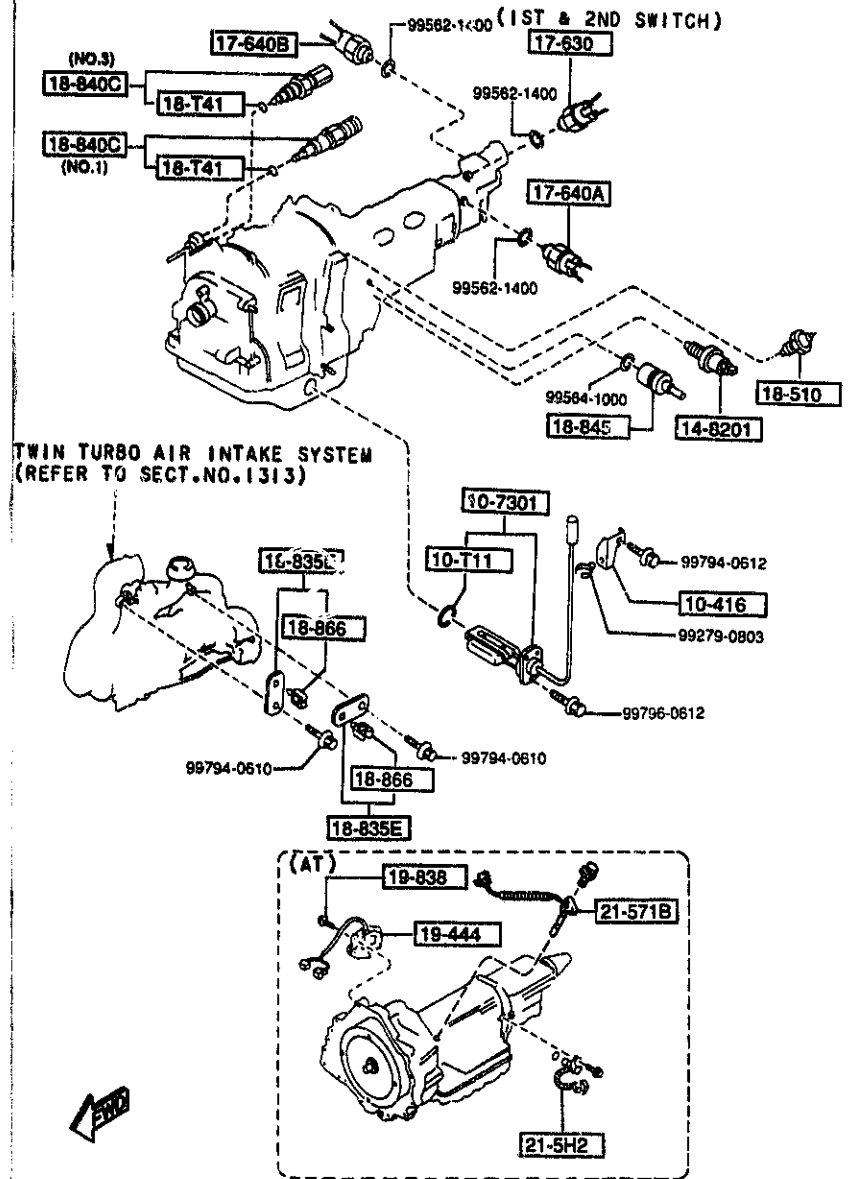
CAT. AUFA04-06

1994-09

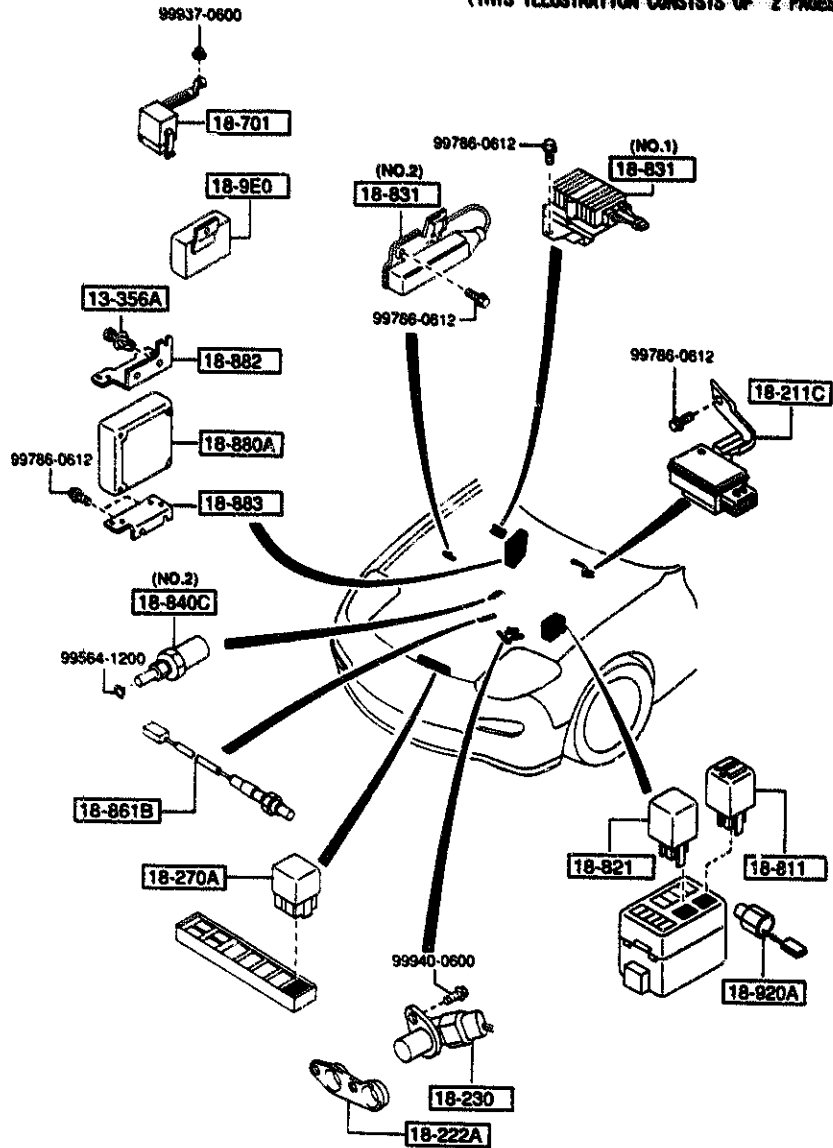
(THIS ILLUSTRATION CONSISTS OF 2 PAGES)



(THIS ILLUSTRATION CONSISTS OF 2 PAGES)

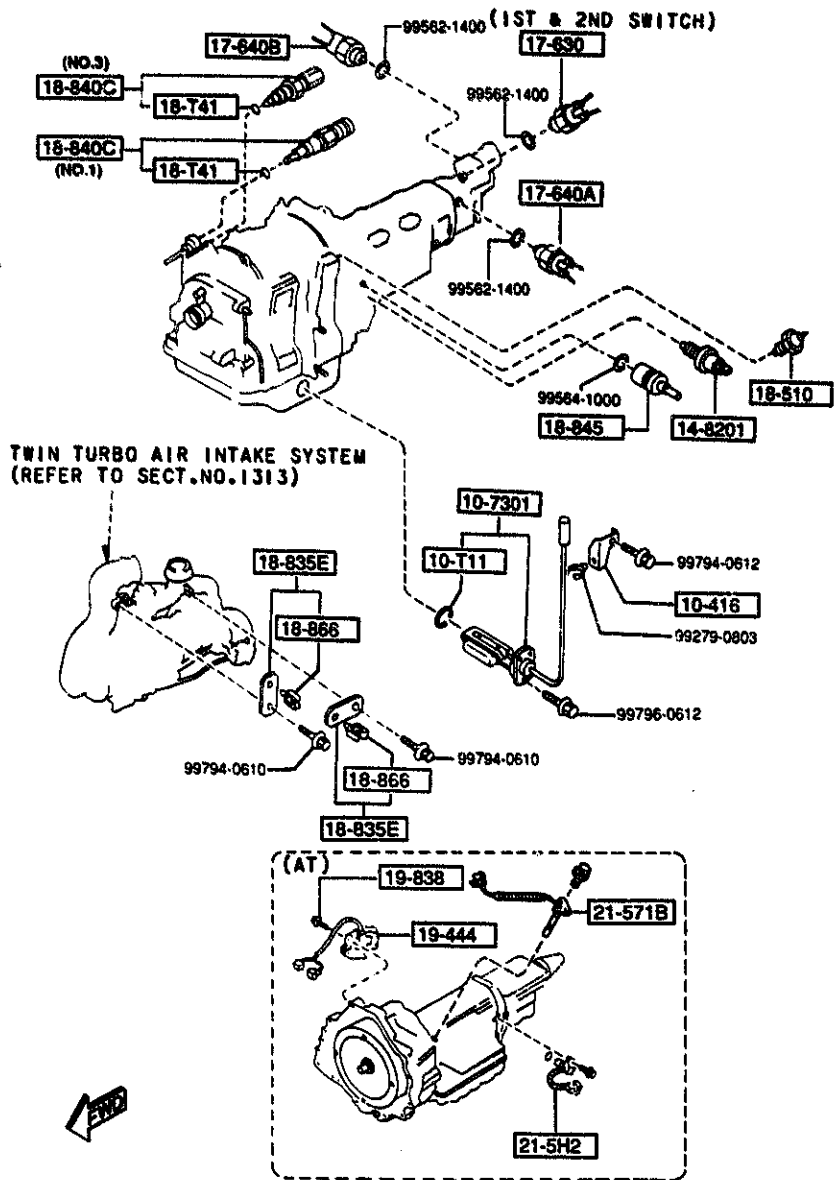


(THIS ILLUSTRATION CONSISTS OF 2 PAGES)



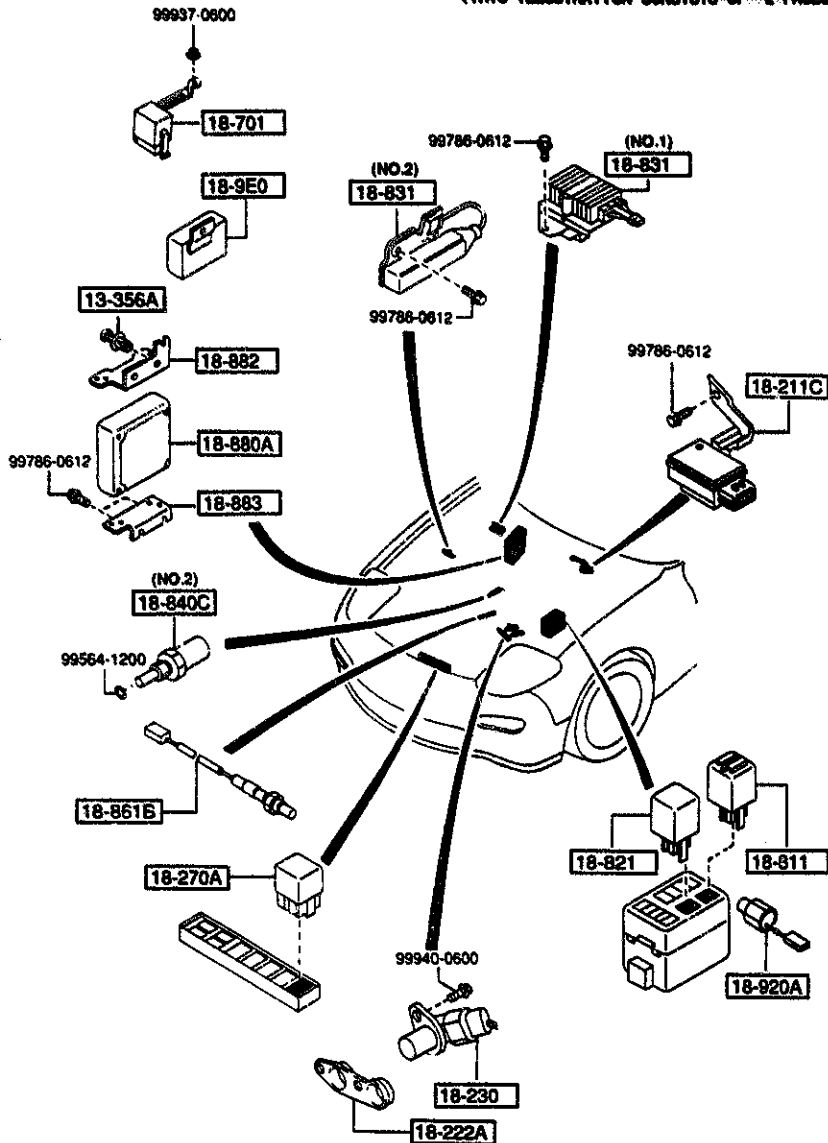
PART NO.	QTY	MODEL/RESTRICTION	MODEL/RESTRICTION	MODEL/RESTRICTION	FROM-TO
10-T11		RING, 'O'-OIL LEVEL S			
NS26-10-T11	1	SENSOR			
10-416		PLATE, LOCKING			
NSA1-10-416	1				
10-7301		SENSOR, OIL LEVEL			
NSA1-10-470	1				
13-356A		RIVET			
NS04-13-356B	1				
14-8201		GAUGE UNIT, OIL PRES.			
NSA1-14-820	1				
17-630		SWITCH			
R506-17-640	1 (MT)				
17-640A		SWITCH, PARK & NEUTRA			
R507-17-640	1 (MT)				
17-640B		SWITCH, BACK UP LAMP			
R508-17-640	1 (MT)				
18-T41		RING, 'O'-WATER THERM			
F885-18-T41	1 (MT)	O SW.			
F885-18-T41	2 (AT)				
18-211C		SENSOR, M.A.P.			
NSA1-18-211	1				
18-222A		PLATE, SENSOR			
NSA1-18-222	1				
18-230		SENSOR, CRANKSHAFT PO			
NSA1-18-221	2	SI.			
18-270A		RELAY, FUEL PUMP			
NF01-18-821	1				

(THIS ILLUSTRATION CONSISTS OF 2 PAGES)



PART NO.	QTY	MODEL/RESTRICTION	MODEL/RESTRICTION	MODEL/RESTRICTION	FROM-TO
18-510		UNIT, HEAT GAUGE			
JE15-18-51X	1	PANASONIC			
KL01-18-51X	1	NIHON THERMOSTAT			3401-
18-701		CONTROL UNIT			
N3A1-18-701	1				
18-811		RELAY, MAIN			
JE16-18-811	1	DENSO			
18-821		RELAY, FUEL PUMP			
NF02-18-821A	1				
18-831		RESISTOR			
N3A1-18-831	1	(ILLUST. NO.1)			
N3A2-18-831A	1	(ILLUST. NO.2) (AT)			
18-835E		BRACKET, BOOST SENSOR			
N3A1-18-835	2				
18-840C		SENSOR, TEMP.-ENG. COOLANT			
F202-18-840A	1	DENSO (ILLUST. NO.1)			
NF02-18-840	1	(ILLUST. NO.2)			
N370-18-840	1	(ILLUST. NO.3) (AT)			
18-845		SENSOR, IN. AIR TEMP			
N3A1-18-845	1				
18-861B		SENSOR, OXYGEN			
N3A1-18-861A	1				
18-866		CLIP			
E5A1-18-867	2				
18-880A		MODULE, POWERTRAIN CONTROL			
N3A1-18-881 A (N3A1-18-881A)	1				-2709
2709 FD3KXX-208988					
3401 FD3KXX-210661					

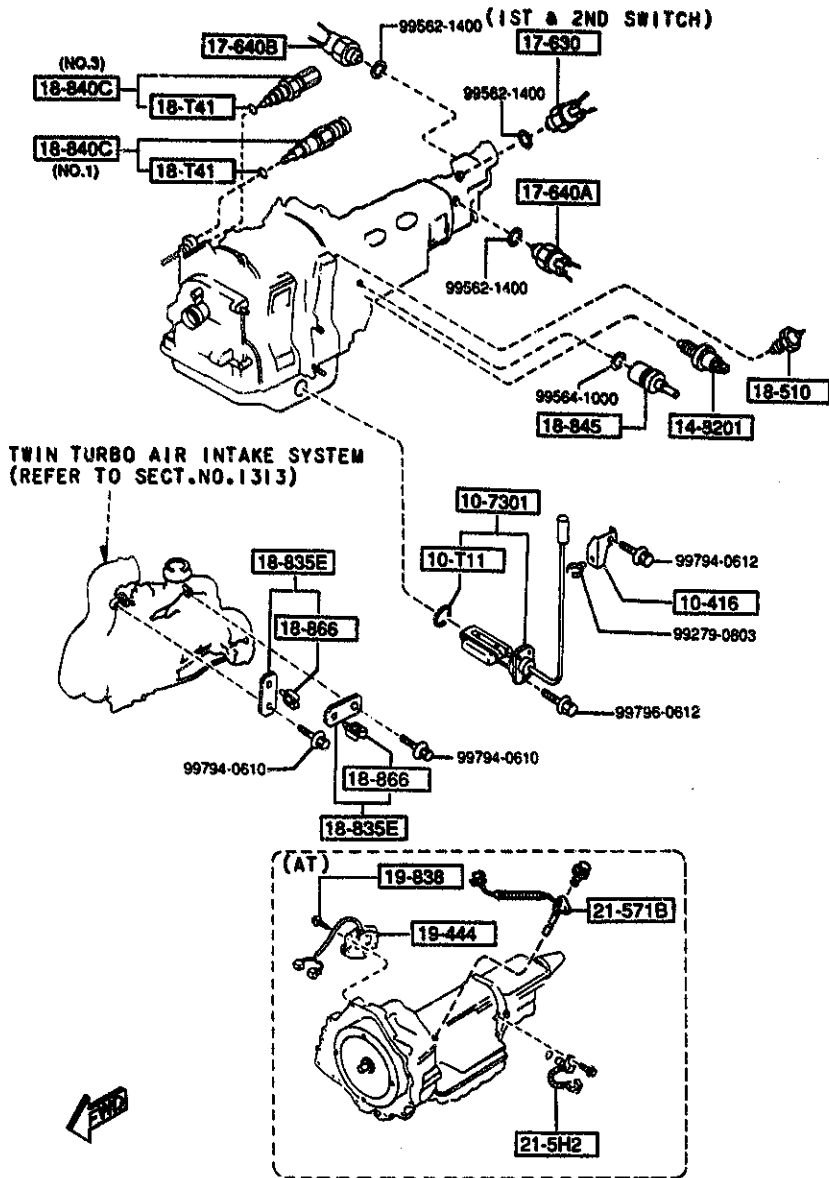
(THIS ILLUSTRATION CONSISTS OF 2 PAGES)



PART NO.	QTY	MODEL/RESTRICTION	MODEL/RESTRICTION	MODEL/RESTRICTION	FROM-TO
CONT'D					
N3A2-18-881	1				-2709
A (N3A2-18-881A)					
N3A3-18-881	1				-2709
A (N3A3-18-881A)					
N3A4-18-881	1				-2709
A (N3A4-18-881A)					
N3A1-18-881A	1	(FED.) (MT)			2709-
N3A3-18-881A	1	(CALIF.) (MT)			2709-
N3A2-18-881A	1				2709-2A23
A (N3A2-18-881B)					
N3A4-18-881A	1				2709-2A23
A (N3A4-18-881B)					
N3A2-18-881B	1	(FED.) (AT)			2A23-
N3A4-18-881B	1	(CALIF.) (AT)			2A23-
18-882		BRACKET, CONTROL UNIT			
N3A2-18-882	1				
18-883		BRACKET, CONTROL UNIT			
N3A2-18-883	1				
18-9E0		MODULE, PWT. CONTROL			
N3A2-18-9E1	1				-1C20
A (N3A2-18-9E1A)					
N3A2-18-9E1A	1				1C20-2511
A (N3A2-18-9E1B)					
N3A2-18-9E1B	1	(AT)			2511-
18-920A		SENSOR, KNOCK			
N3A1-18-921	1				
19-444		SWITCH, INHIBITOR			
BV65-19-444	1				-3301
A (BV65-19-444A)					
BV65-19-444A	1	(AT)			3301-
19-838		BOLT-HEX, HD WASHER			
BV11-19-429	3	(AT)			
1C20	FD3XXX-200104				
2511	FD3XXX-205980				
2709	FD3XXX-208988				
2A23	FD3XXX-210513				
3301	FD3XXX-210620				



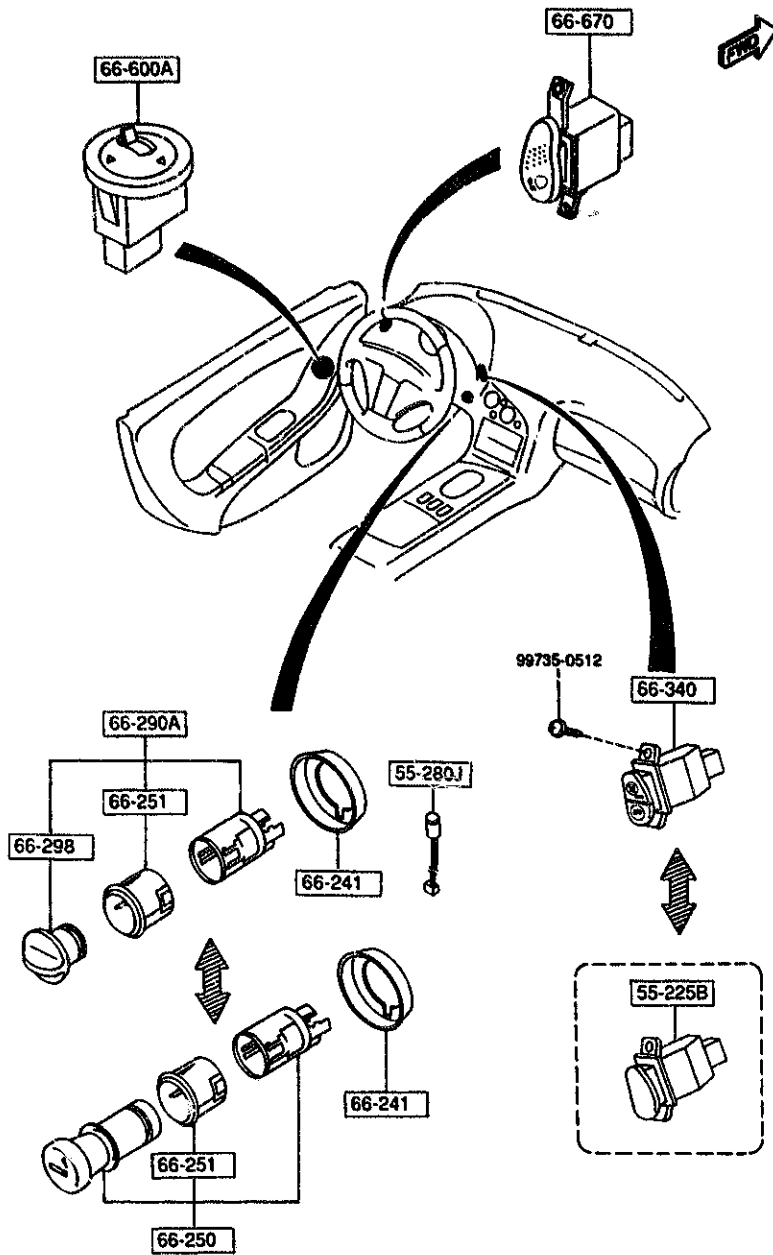
(THIS ILLUSTRATION CONSISTS OF 2 PAGES)



PART NO.	QTY	MODEL/RESTRICTION	MODEL/RESTRICTION	MODEL/RESTRICTION	FROM-TO
21-5H2		SENSOR, REVOLUTION			
BV65-21-5H2	1	(AT)			
21-571B		GENERATOR, SPEED PULS			
BV65-21-5H1	1	(AT)			

6610 DASHBOARD SWITCHES

6610 -1 N DASHBOARD SWITCHES



PART NO.	QTY	MODEL/RESTRICTION	MODEL/RESTRICTION	MODEL/RESTRICTION	FROM-TO
55-225B		COVER, HOLE			
FD03-55-225	1				
00	INT-	FE2 FE3 FE4 BLACK			
55-280J		BULB			
B456-60-223	1				
66-241		PROTECTOR			
FD01-66-241	1				
66-250		LIGHTER, CIGAR			
UB40-66-250	1	(NOR. SUSP)			1C21-
UB40-66-250	1	(HARD SUSP)			
66-251		RING, ILLUMINATION			
UB40-66-251	1				
66-290A		OUTLET			
F104-66-290	1	(HARD SUSP)			-1C21
66-298		CAP, OUTLET			
F104-66-298	1	(HARD SUSP)			-1C21
66-340		SWITCH, MAIN			
FD01-66-340	1	(NOR. SUSP)			
66-600A		SWITCH, RMT. MIRROR			
FD01-66-600A	1				
66-670		SWITCH, RETRACTOR			
FD01-66-670	1				
1C21 FD3MEX-200106					

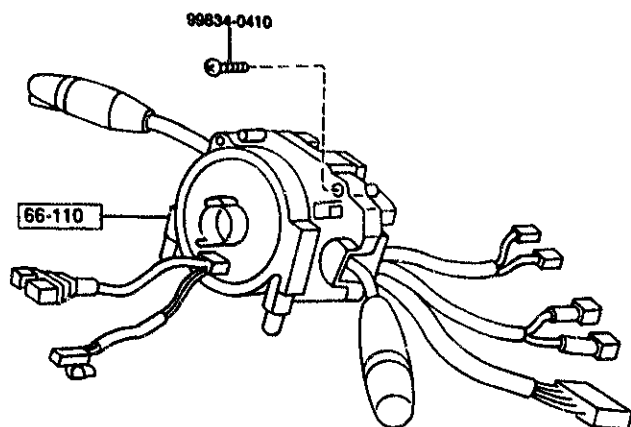
AUFA04

CAT. AUFA04-06

1994-09

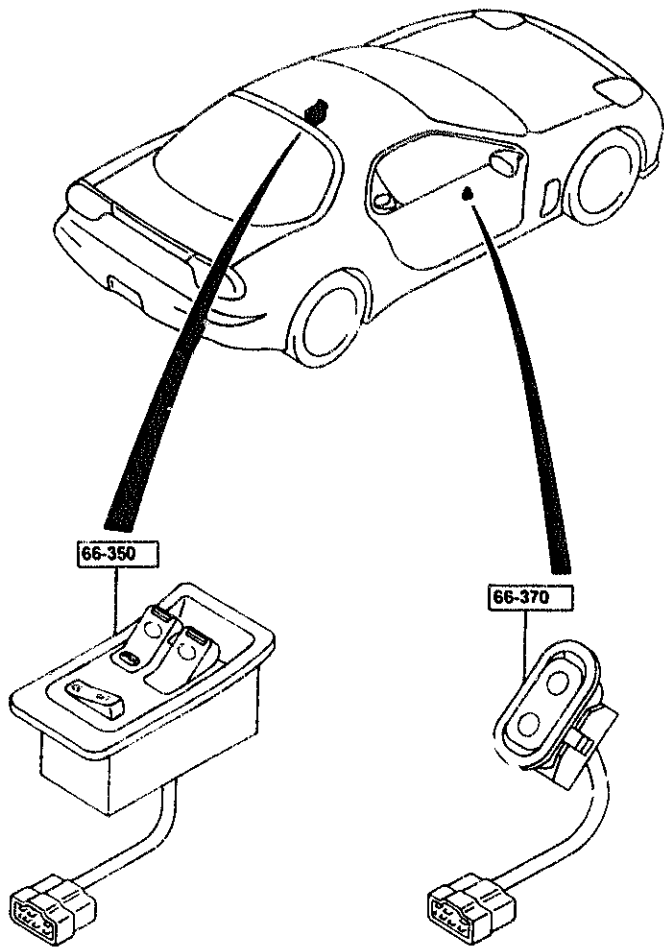
6611 COMBINATION SWITCH

6611 -1 M COMBINATION SWITCH



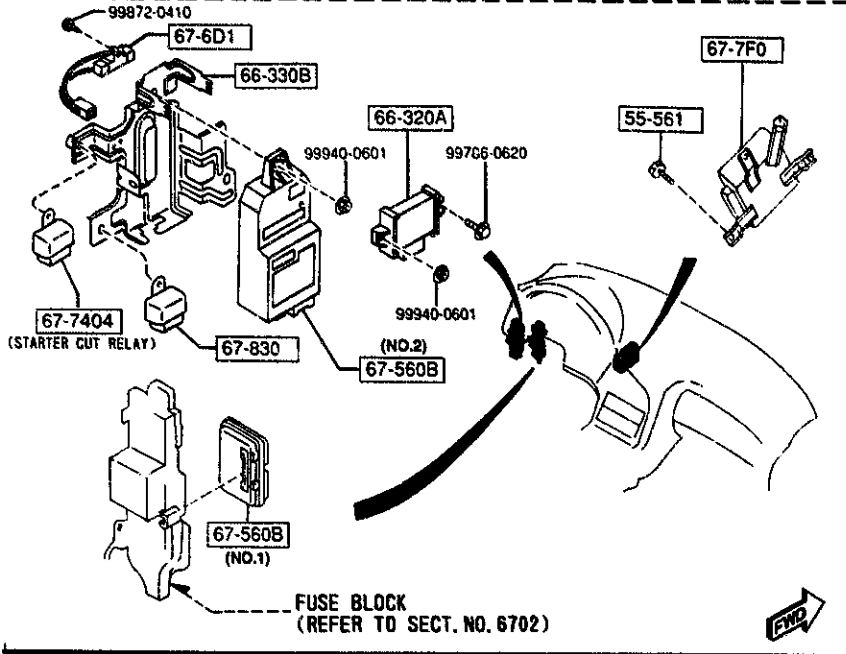
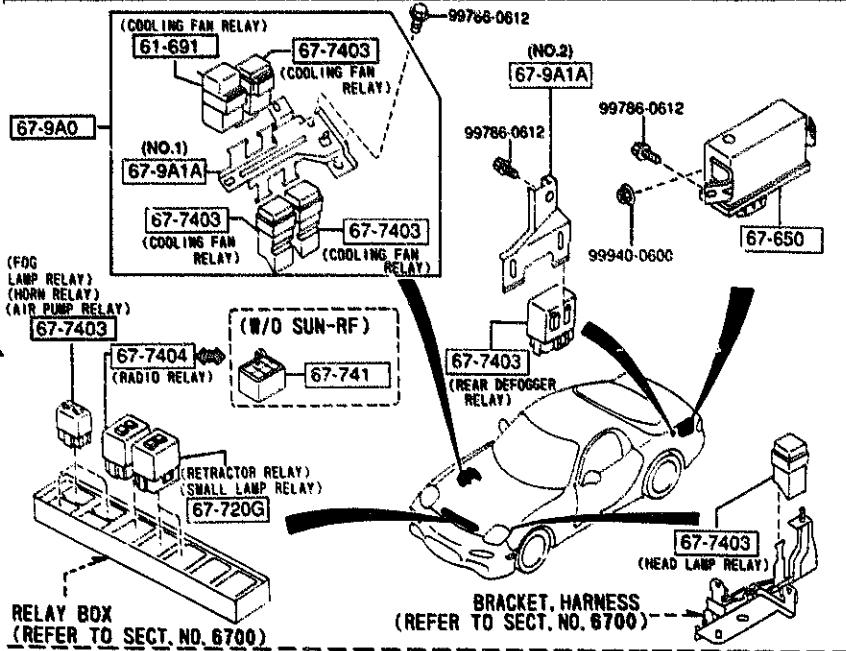
The inner parts of the combination switch with air bag are not serviced separately.

PART NO.	QTY	MODEL/RESTRICTION	MODEL/RESTRICTION	MODEL/RESTRICTION	FROM TO
66-110		SWITCH, COMBINATION			
FD01-66-120C AN(FD01-66-120D)	1				-1C25
FD04-66-120C A (FD04-66-120D)	1				-3401
FD01-66-120D A (FD01-66-120E)	1				1C25-3401
FD01-66-120E	1	(W/O SUN-RF)			3401-
FD04-66-120D	1	(SUNROOF)			3401-
1C25 FD3MM-200147 3401 FD3MM-210661					



PART NO.	QTY	MODEL/RESTRICTION	MODEL/RESTRICTION	MODEL/RESTRICTION	FROM-TO
66-350 FD01-66-350C	1	SWITCH, POWER WINDOW			
66-370 FD01-66-370A	1	SWITCH, POWER WINDOW			

6630 RELAYS & UNIT (BODY)

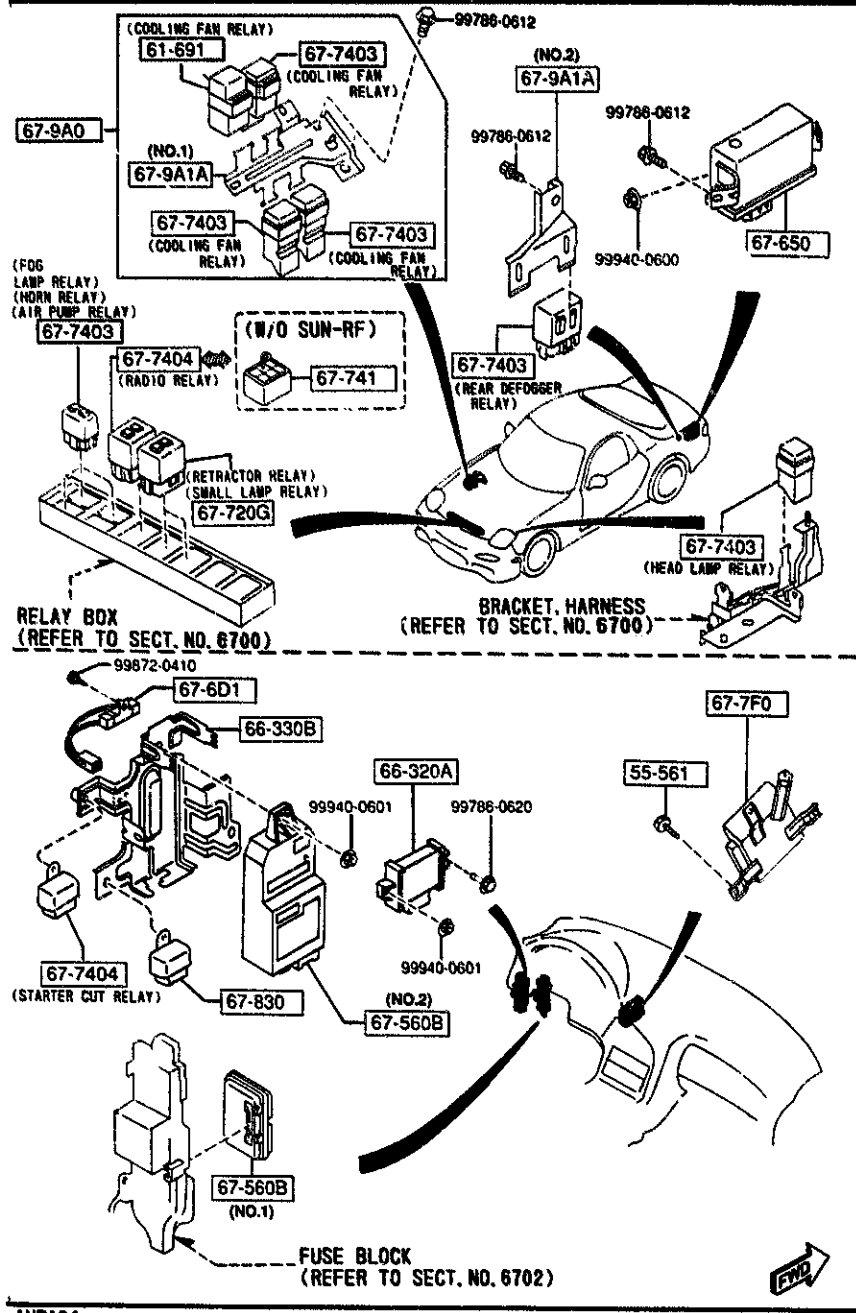


PART NO.	QTY	MODEL/RESTRICTION	MODEL/RESTRICTION	MODEL/RESTRICTION	FROM-TO
55-561		BOLT, INST. PANEL			
B455-55-561	3				
61-691		RELAY			
H380-61-690A	1	(COOLING FAN RELAY)			
66-320A		UNIT, A.C. CONTROL			
FD01-66-320A	1				
66-330B		BRACKET, A.C.C. BOX			
FD01-67-BCX AN(FD01-67-BCXB)	1				-2309
FD01-67-BCXB	1				2309-
67-560B		UNIT, CENTRAL PROCESSING			
FD01-67-580	1	(ILLUST. NO.1) (MT)			
FD02-67-580	1	(ILLUST. NO.1) (AT)			
FD01-67-560 A (FD01-67-560A)	1				-2608
FD01-67-560A	1	(ILLUST. NO.2)			2608-
67-6D1		RESISTOR, INTERLOCK			
M020-67-6D1	1	(AT)			
67-650		BOX, CONTROL-A.B.S.			
FD01-67-650	1				
67-7F0		UNIT, DIAGNOSIS-AIR BAG			
FD01-67-7F0B A (FD01-67-7F0C)	1				-2122
FD01-67-7F0C	1				2122-
67-720G		RELAY, TRANSFER			
KAS2-67-720	2	(SMALL LAMP RELAY) (RETRACTOR RELAY)			
67-7403		RELAY, N.O.			
GE10-67-730	1	(HEAD LAMP RELAY)			
KE10-67-730	3	(COOLING FAN RELAY)			
H270-67-740	30A				

2122 FD3\*\*\*-200962  
 2309 FD3\*\*\*-203215  
 2608 FD3\*\*\*-207441

6630 RELAYS & UNIT (BODY)

6630 -2 M RELAYS & UNIT (BODY)



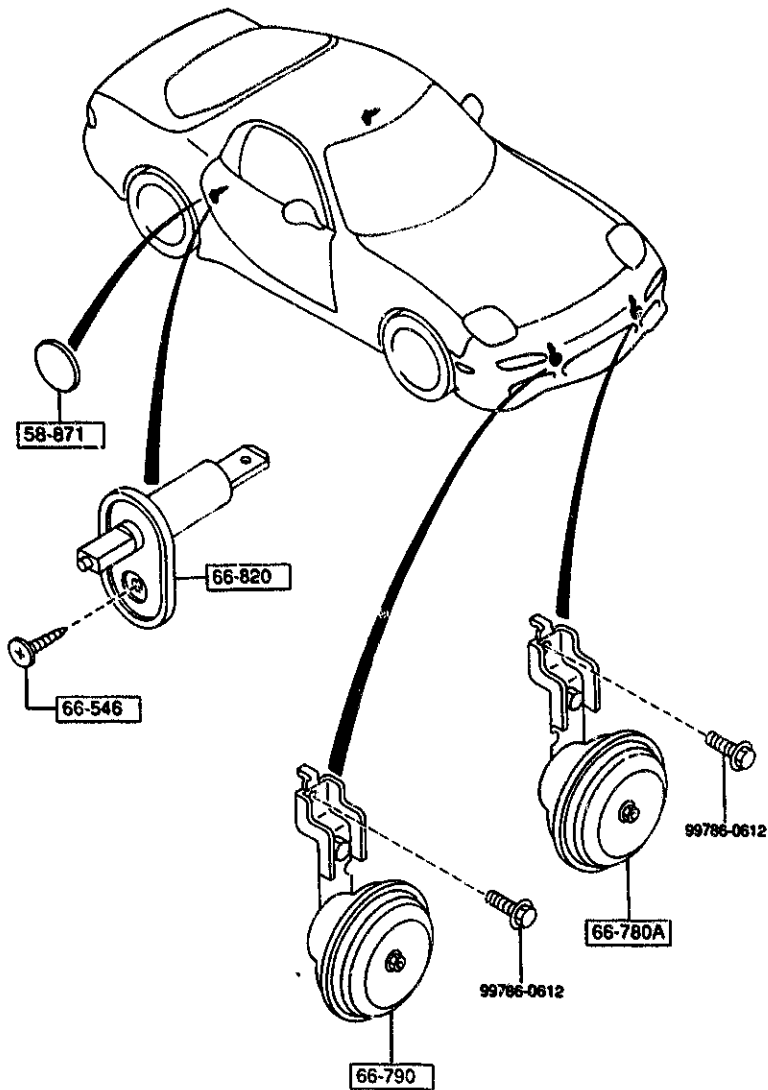
PART NO.	QTY	MODEL/RESTRICTION	MODEL/RESTRICTION	MODEL/RESTRICTION	FROM-TO
CONT'D					
	1	(REAR DEFOGGER RELAY)			
LA10-67-740	2	(FOG LAMP RELAY) (HORN RELAY) (W/O SUN-RF)			
LA10-67-740	3	(FOG LAMP RELAY) (HORN RELAY) (AIR PUMP RELAY) (SUNROOF)			
		67-7404	RELAY, TRANSFER		
HD22-67-740	1	(RADIO RELAY) (SUNROOF)			
H302-67-740	1	20A (STARTER CUT RELAY)			
		67-741	CONNECTOR, SHDRT		
F100-67-741	1	(W/O SUN-RF)			
		67-830	UNIT, DOOR LOCK & TIMER		
FC33-67-830	1				
		67-9A0	BRACKET & RELAY		
FD01-67-9B0	1				-2506
FD01-67-9B0A	1				2506-
		67-9A1A	BRACKET, RELAY		
FD01-67-9B1A	1	(ILLUST. NO.1)			
FD01-67-9C1	1	(ILLUST. NO.2)			

2506 FD3\*\*\*-205709

AUFA04

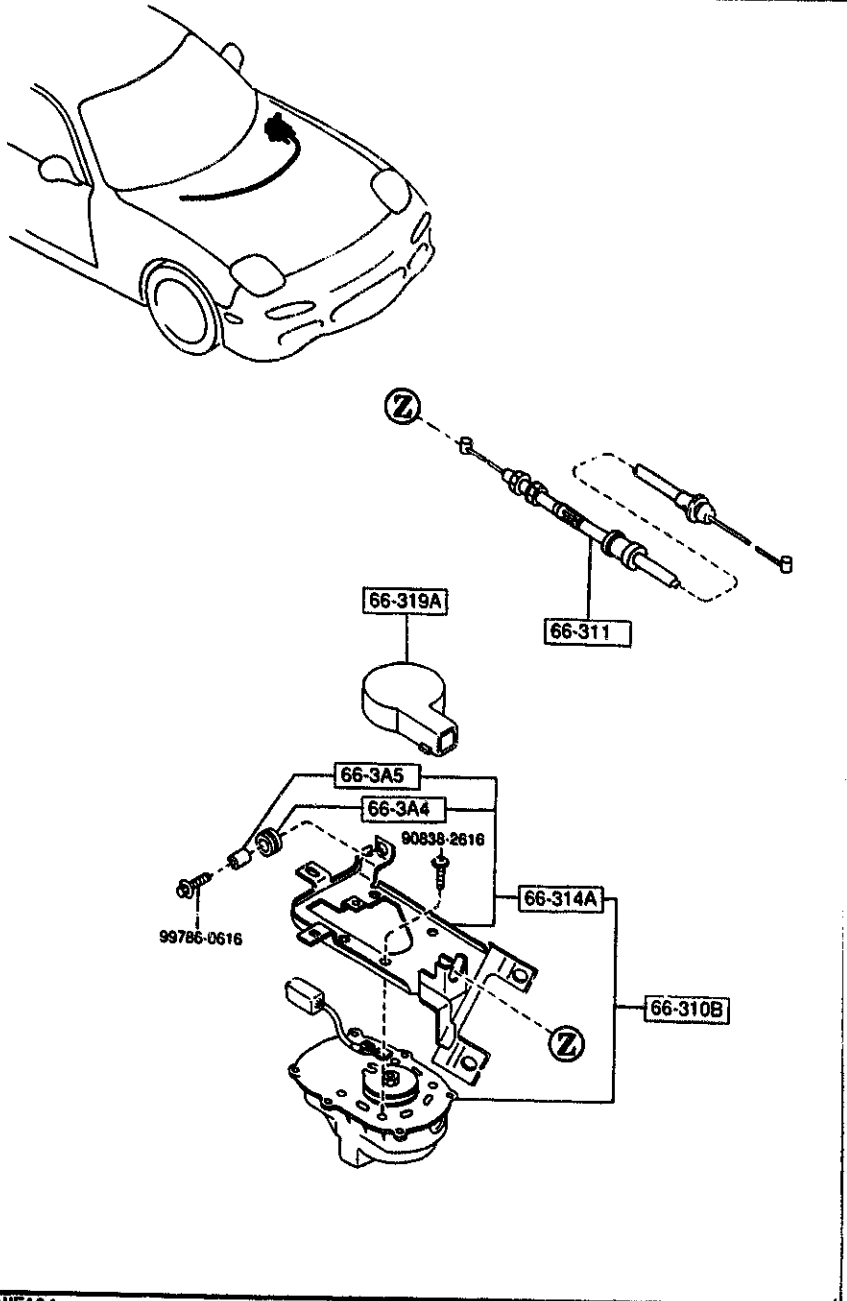
CAT. AUFA04-06

1994-09



PART NO.	QTY	MODEL/RESTRICTION	MODEL/RESTRICTION	MODEL/RESTRICTION	FROM TO
58-871	2	PROTECTOR, DOOR SWITC			
EAD1-66-547 AN(EAD1-66-547A)	2				-2311
EA01-66-547A	2				2311-
66-546	2	SCREW, DOOR SWITCH			
LA01-66-546	2				
66-780A	1	HORN, HIGH TONE			
F100-66-780A	1				
66-790	1	HORN, LOW TONE			
FD01-66-790A	1				
66-820	2	SWITCH, DOOR			
8455-66-540	2				

2311 F03MXX-203346



PART NO.	QTY	MODEL/RESTRICTION	MODEL/RESTRICTION	MODEL/RESTRICTION	FROM-TO
66-3A4 UE54-66-3A4	3	GROMMET, ACTUATOR			
66-3A5 UE54-66-3A5	3	SPACER, ACTUATOR			
66-310B FD01-66-310C	1	ACTUATOR, A.C.C.			
66-311 FD01-66-311B	1	WIRE, A.C.C.			
66-314A FD02-66-3AXC	1	BRACKET, A.C.C.			
66-319A GN55-66-319C A (GN55-66-319D)	1	COVER, ACTUATOR			-2701
GN55-66-319D	1				2701-
2701 FD3MMK-208628					

AUFA04

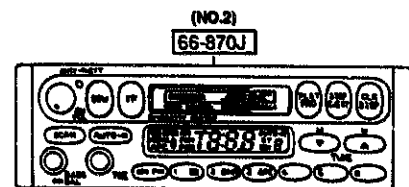
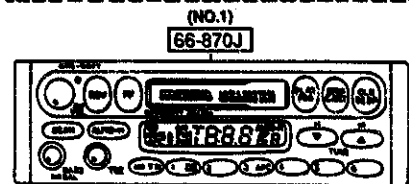
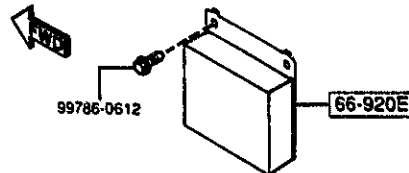
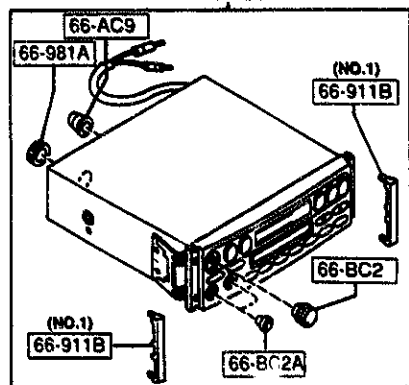
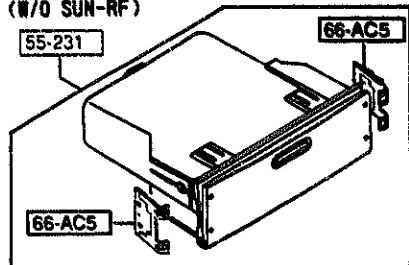
CAT. AUFA04-06

1994-09

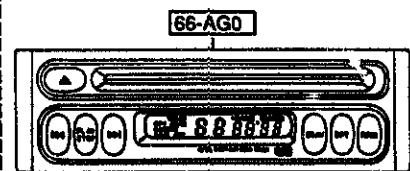
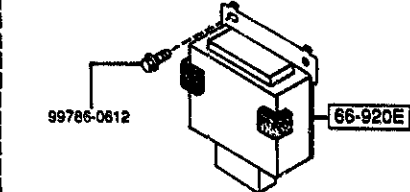
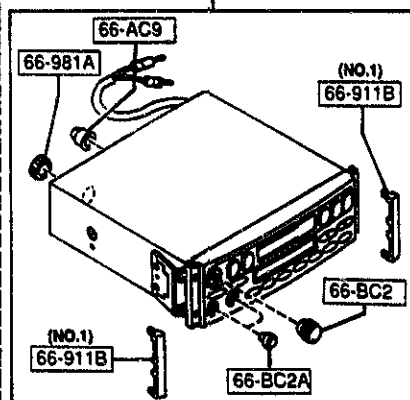
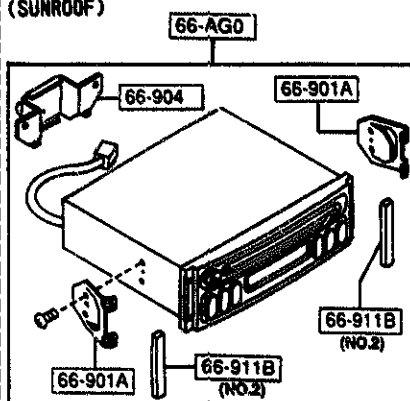


6680 AUDIO SYSTEMS (RADIO & TAPE DECK)

(W/O SUN-RF)



(SUNROOF)



PART NO.	QTY	MODEL/RESTRICTION	MODEL/RESTRICTION	MODEL/RESTRICTION	FROM-TO
55-231		ORNAMENT, STEREO			-2128
FD01-66-9M0C A (FD01-66-9MOD)	1	(W/O SUN-RF)			2128-
FD01-66-9MOD	1	(W/O SUN-RF)			2128-
66-AC5		SPRING, A/DIG			
E016-66-AC5	2	(W/O SUN-RF)			
66-AC9		RUBBER, REAR-ET. & CO MBI.			
FD01-66-AC9	1				
66-AG0		PLAYER, COMPACT DISC			
FD04-66-9G0B	1				
66-BC2		KNOB, VOLUME-TUNER & DECK			
FD01-66-BC1	1				
66-BC2A		KNOB, BASS/TREBLE			
FD01-66-BC2	2				
66-870J		AUDIO SET			
FD01-66-9C0B	1	(ILLUST. NO.1) (W/O SUN-RF)			
FD04-66-9C0B	1	(ILLUST. NO.2) (SUNROOF)			
66-901A		BRACKET(R), TUNER			
FD04-66-AW1	2	(SUNROOF)			
66-904		BRACKET, REAR			
FD04-66-AW6	1	(SUNROOF)			
66-911B		COVER, HOLE			
FD01-66-BC4	2	(ILLUST. NO.1)			
FD04-66-BC4	2	(ILLUST. NO.2) (SUNROOF)			
66-920E		AMP, POWER-FRONT			
FD01-66-920A	1	(W/O SUN-RF)			
FD04-66-920A	1	(SUNROOF)			
2128 F03MM-201213					

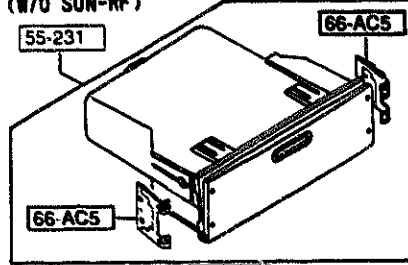
AUFA04

CAT. AUFA04-06

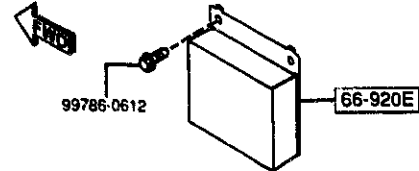
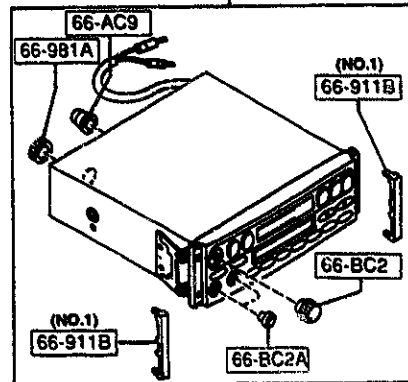
1994-09

6680 AUDIO SYSTEMS (RADIO & TAPE DECK)

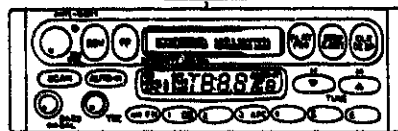
(W/O SUN-RF)



66-870J (NO.1)



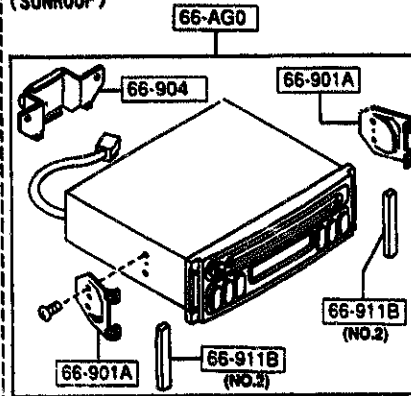
(NO.1)  
66-870J



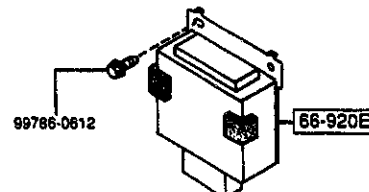
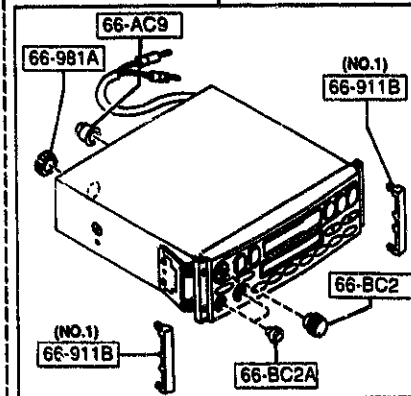
(NO.2)  
66-870J



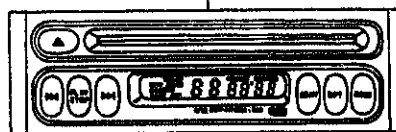
(SUNROOF)



66-870J (NO.2)



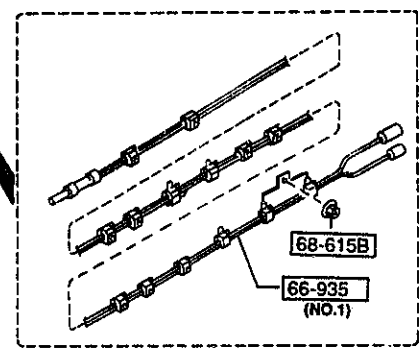
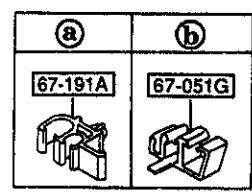
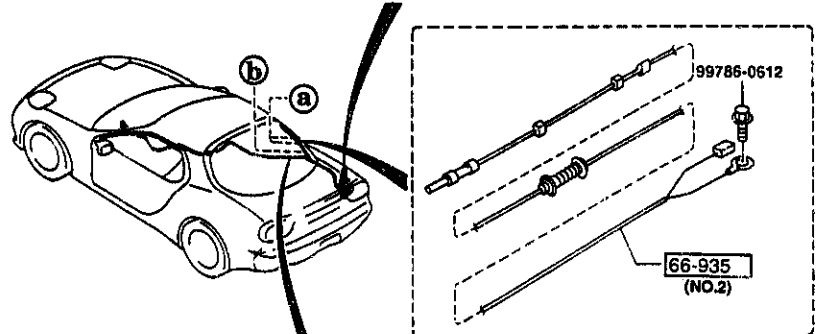
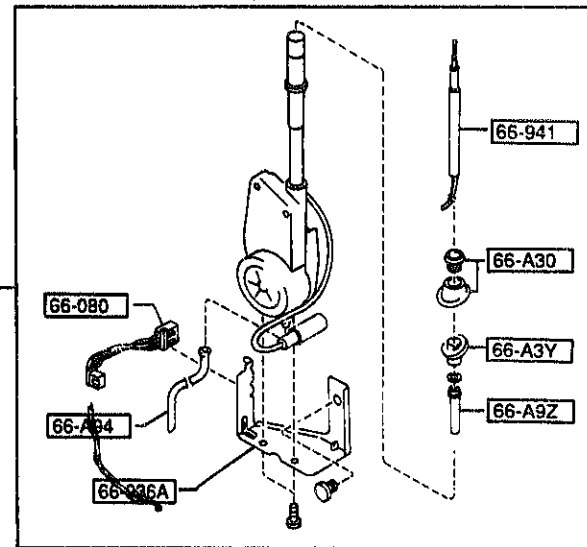
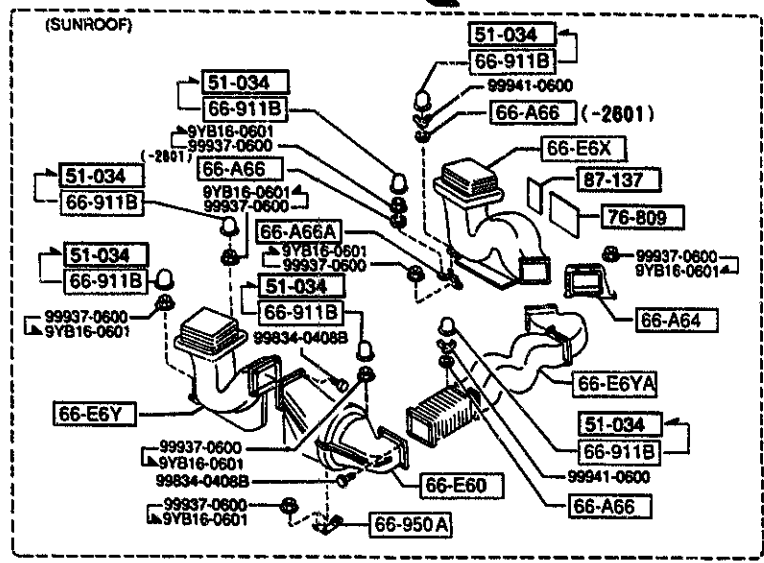
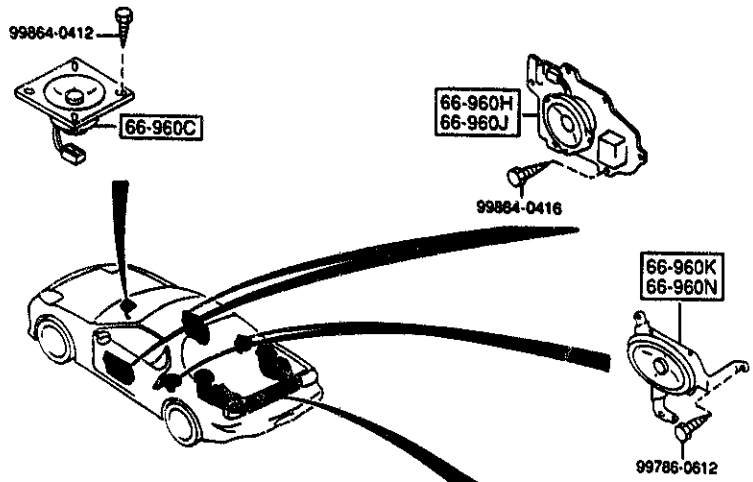
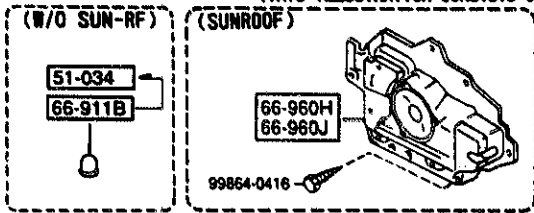
66-AGO



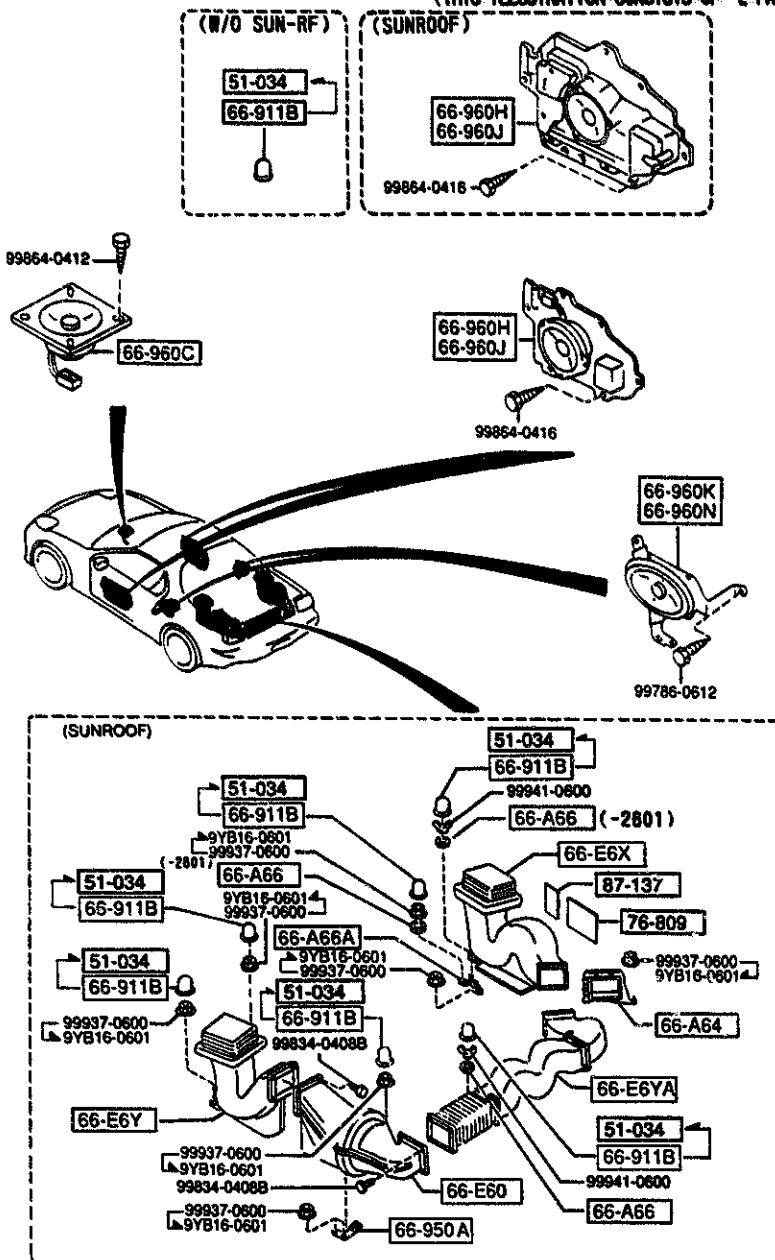
PART NO.	QTY	MODEL/RESTRICTION	MODEL/RESTRICTION	MODEL/RESTRICTION	FROM-TO
66-981A FD01-66-BC9	1	CONNECTOR, SHORT			

(THIS ILLUSTRATION CONSISTS OF 2 PAGES)

(THIS ILLUSTRATION CONSISTS OF 2 PAGES)

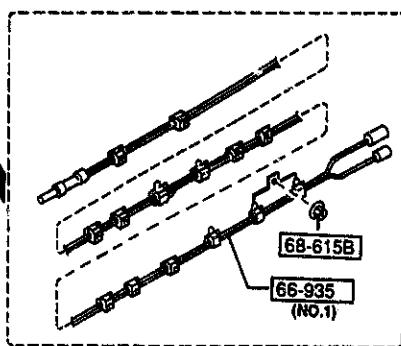
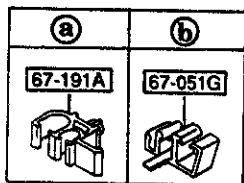
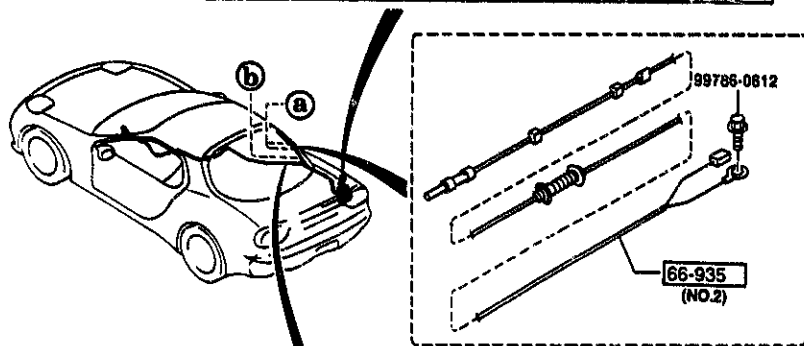
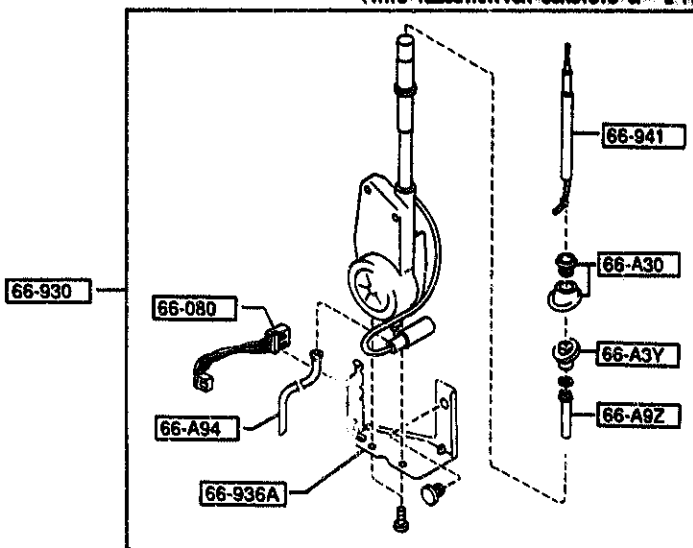


(THIS ILLUSTRATION CONSISTS OF 2 PAGES)



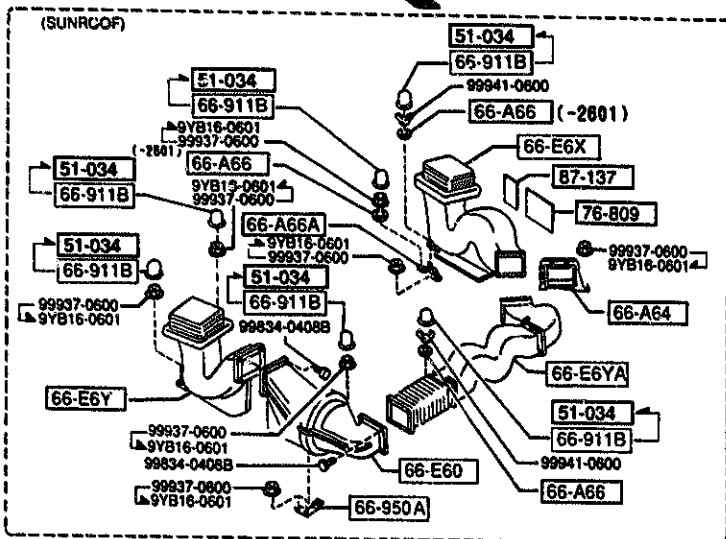
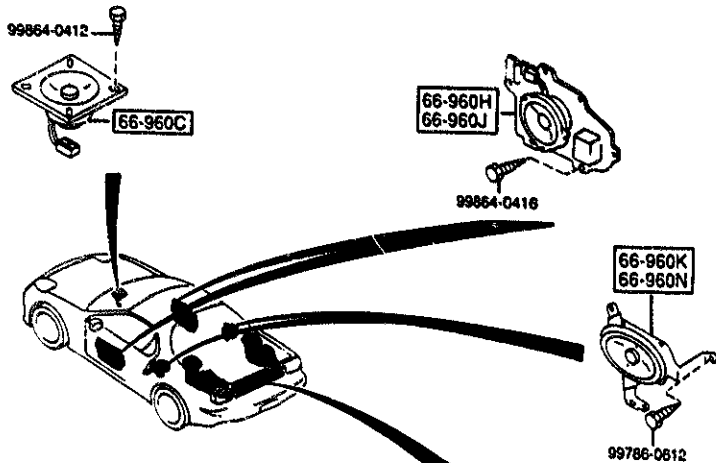
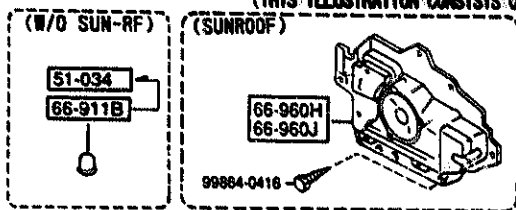
PART NO.	QTY	MODEL/RESTRICTION	MODEL/RESTRICTION	MODEL/RESTRICTION	FROM-TO
51-034		CAP			
H380-51-013	6	(SUNROOF)			2128-
H380-51-013	8	(W/O SUN-RF)			2128-
66-A3Y		PLATE, EARTH-MOTOR AN			
FD01-66-A3Z	1	TENNA			
66-A30		NUT, MOUNTING-ANTENNA			
FD01-66-A9Y	1				
66-A64		BRKT, JOINT-SPEAKER D			
FD10-66-A64A	1	UCT			
		(SUNROOF)			
66-A66		WASHER, SPEAKER			
FD09-66-A66	3	(SUNROOF)			-2601
FD09-66-A66	1	(SUNROOF)			2601-
66-A66A		BRACKET, DUCT SPEAKER			
FD10-66-A66	1	(SUNROOF)			
66-A9Z		INSULATOR, ROD-ANTENN			
FD01-66-A9Z	1	A			
66-A94		PIPE, DRAIN-ANTENNA			
FD01-66-A90	1				
66-E6X		DUCT 'A', REAR SPEAKER			
FD10-66-E6XC	1	(SUNROOF)			
66-E6Y		DUCT 'B', RR SPEAKER			
FD10-66-E6ZB	1				-2601
A (FD10-66-E6ZC)					
FD10-66-E6ZC	1	(SUNROOF)			2601-
66-E6YA		DUCT 'C', RR SPEAKER			
FD10-66-E6YB	1				-2601
A (FD10-66-E6YC)					
FD10-66-E6YC	1	(SUNROOF)			2601-
66-E60		SPEAKER, REAR			
FD10-66-960B	1	(SUNROOF)			
2128 FD3MM-201213					
2601 FD3MM-207062					

(THIS ILLUSTRATION CONSISTS OF 2 PAGES)

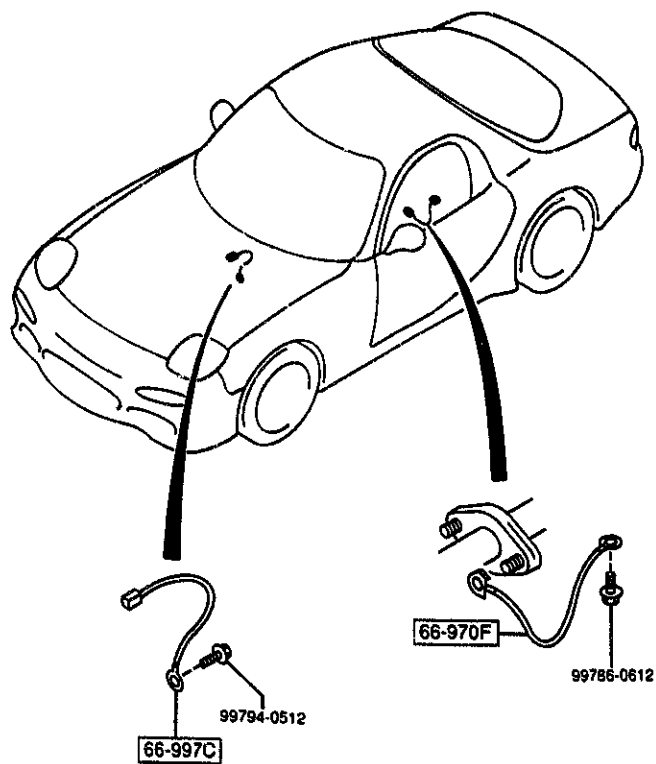


PART NO.	QTY	MODEL/RESTRICTION	MODEL/RESTRICTION	MODEL/RESTRICTION	FROM-TO
66-080		CORD			
FD01-66-D10	1				
66-911B		COVER, HOLE			
FD01-66-FE4	6	(SUNROOF)			-2128
FD01-66-FE4	8	(W/O SUN-RF)			-2128
66-930		ANTENNA, RADIO			
FD01-66-930B	1				
66-935		FEEDER-ANTENNA			
FD01-66-940B	1	(ILLUST. NO.1)			
FD02-66-940C	1	(ILLUST. NO.2)			
66-936A		BRKT, MOTOR-ANTENNA			
FD01-66-949X	1				
66-941		POLE, ANTENNA			
FD01-66-A3X	1				
66-950A		BRACKET(L), SPEAKER			
FD10-66-A65A	1	(SUNROOF)			
66-960C		SPEAKER, FRONT			
FD01-66-960A	1	(W/O SUN-RF)			
FD04-66-960A	1	(SUNROOF)			
66-960H		SPEAKER(R), LOUD-DOOR			
FD02-66-96XC	1				-2222
A (FD02-66-96XD)					
FD09-66-960A	1				-2A01
A (FD09-66-960C)					
FD02-66-96XD	1	(W/O SUN-RF)			2222-
FD09-66-960C	1	(SUNROOF)			2A01-
66-960J		SPEAKER(L), LOUD-DOOR			
FD02-66-96YC	1				-2222
A (FD02-66-96YD)					
FD08-66-960A	1				-2A01
A (FD08-66-960C)					
FD02-66-96YD	1	(W/O SUN-RF)			2222-
2128 FD3MXX-201213 2222 FD3MXX-202524 2A01 FD3MXX-210508					

(THIS ILLUSTRATION CONSISTS OF 2 PAGES)



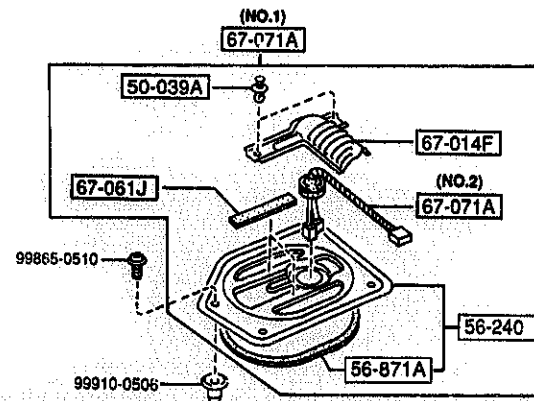
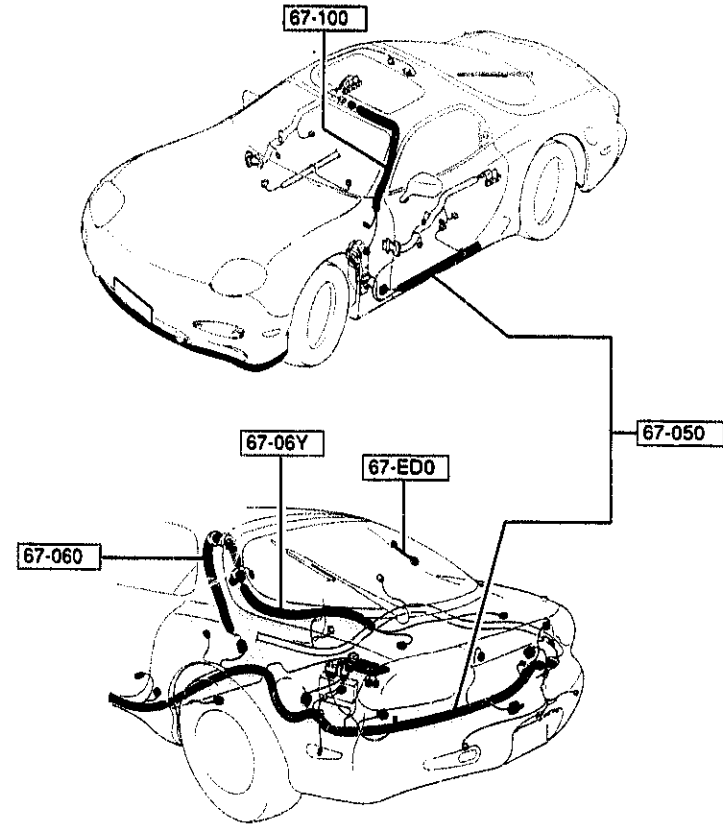
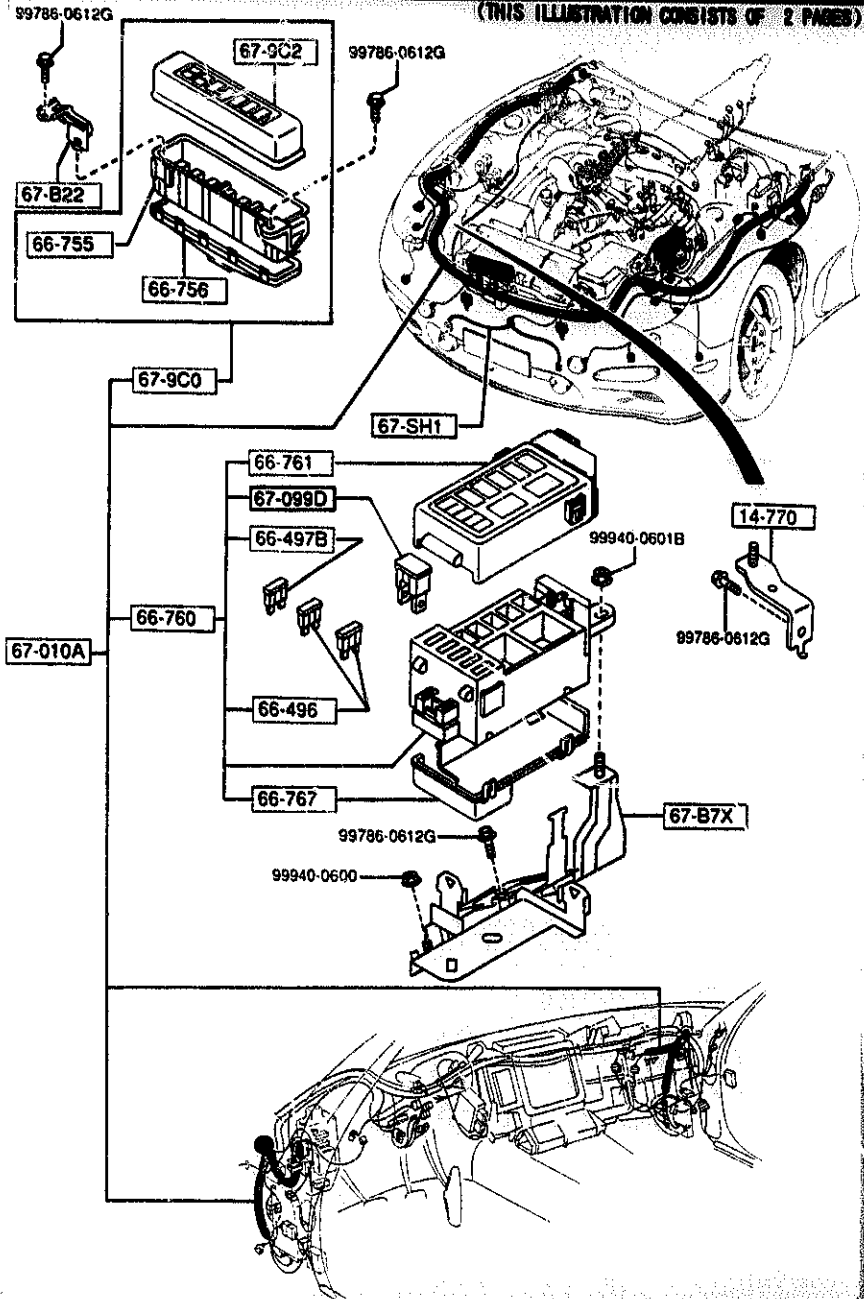
PART NO.	QTY	MODEL/RESTRICTION	MODEL/RESTRICTION	MODEL/RESTRICTION	FROM-TO
CONT'D FD08-66-960C	1	(SUNROOF)			2A01-
66-960K		SPEAKER(R), LOUD-RR			
FD06-66-96X	1	(W/O SUN-RF)			
66-960N		SPEAKER(L), REAR			
FD06-66-96Y	1	(W/O SUN-RF)			
67-0510		CLIP			
BU93-67-051	1				
67-191A		CLIP			
B467-67-CE1	2				
68-615B		NUT, FLANGE-CAP			2201-
B100-68-615	1				
76-809		FELT			
FD08-66-E05A	1	(SUNROOF)			
87-137		FELT			
FD11-66-E05	2	(SUNROOF)			
2201 FDSMM-201428					
2A01 FDSMM-210508					



PART NO.	QTY	MODEL/RESTRICTION	MODEL/RESTRICTION	MODEL/RESTRICTION	FROM-TO
66-970F FD01-66-997A	1	CORD, EARTH			
66-997C FD02-66-997A	1	CORD, EARTH-RADIO			

(THIS ILLUSTRATION CONSISTS OF 2 PAGES)

(THIS ILLUSTRATION CONSISTS OF 2 PAGES)

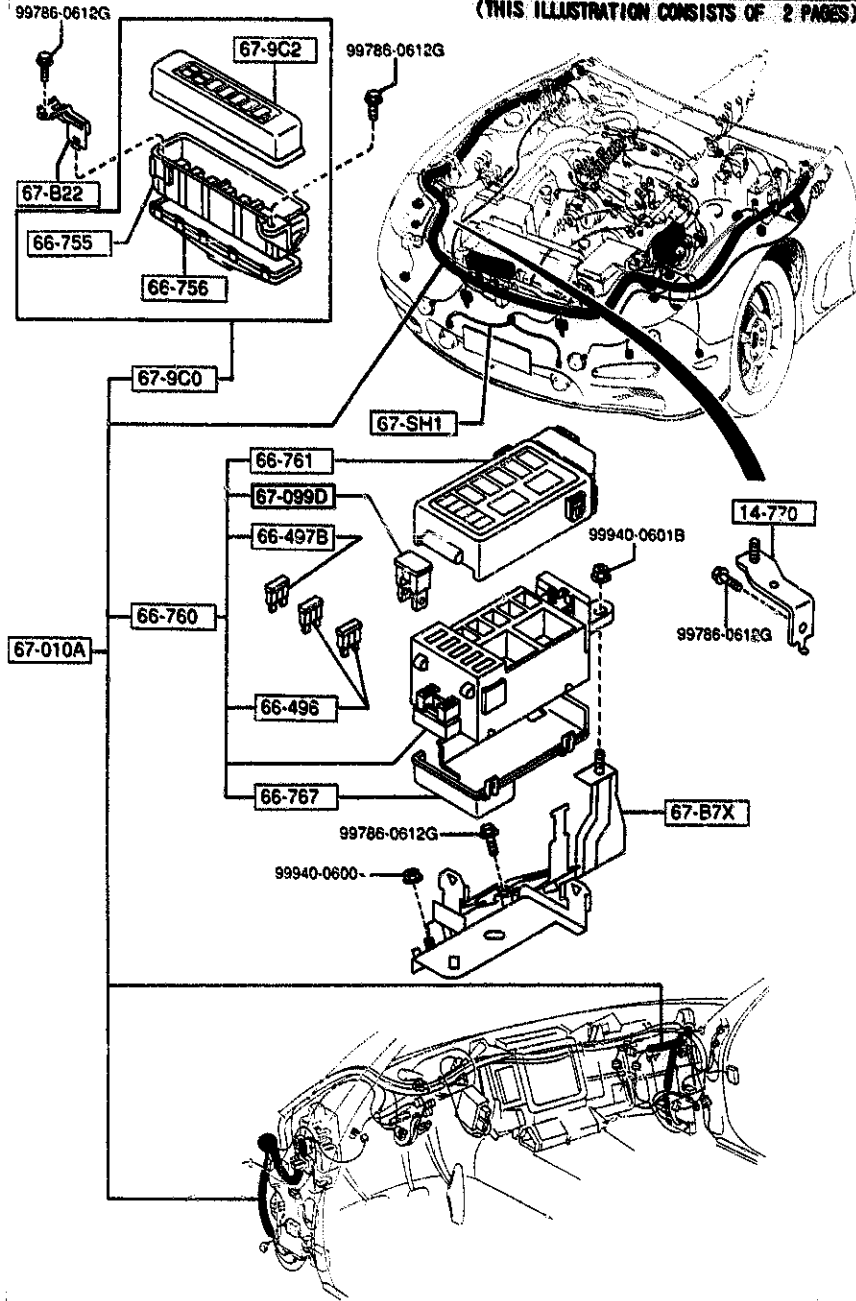




6700 WIRING HARNESSSES(FRONT & REAR)

(1/2)

(THIS ILLUSTRATION CONSISTS OF 2 PAGES)



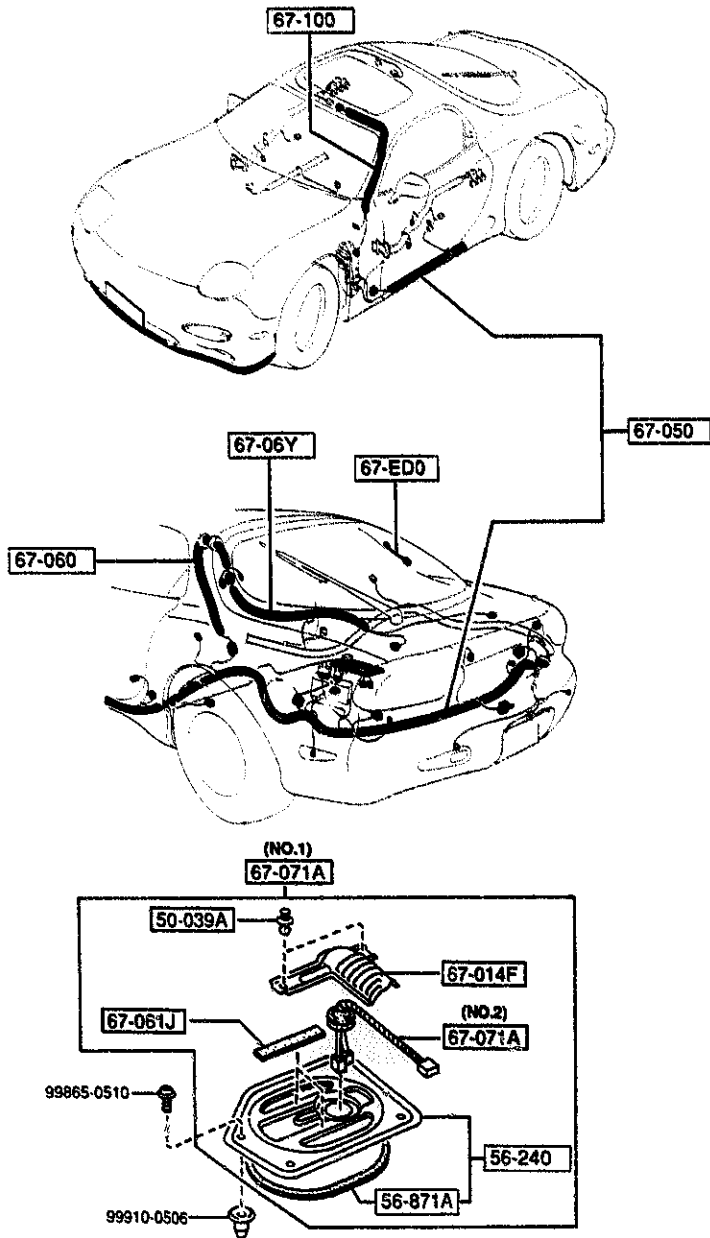
6700 -1 WIRING HARNESSSES(FRONT & REAR)

PART NO.	QTY	MODEL/RESTRICTION	MODEL/RESTRICTION	MODEL/RESTRICTION	FROM-TO
14-770		BRACKET,OIL COOLER			
NSA2-14-770A A (NSA2-14-770B)	1				-2401
NSA2-14-770B	1	(MT)			2401-
50-039A		CLIP,PROTECTOR			
F100-67-CH1	2				
56-240		COVER			
FD01-56-06XA	1				
56-871A		RUBBER, SEAL			
FD01-56-062	1				
66-496		FUSE(15A)			
99705-1115	2				
66-497B		FUSE(30A)			
99705-1130	1				
66-755		CASE,RELAY BOX			
FD01-66-755B AN(FD01-66-755C)	1				-2401
FD01-66-755C	1				2401-
66-756		COVER,UNDER-RELAY BOX			
FD01-66-756	1				
66-760		BLOCK,MAIN FUSE			
FD01-66-760B	1				
66-761		COVER,MAIN FUSE BLOCK			
FD01-66-761B	1				
66-767		COVER,UNDER-MAIN FUSE BLK			
FD01-66-767	1				
67-B22		BRACKET, HARNESS			
FD01-67-B12	1				
67-B7X		BRACKET, HARNESS			
2401 FD3MMX-204313					

6700 WIRING HARNESSSES(FRONT & REAR )

(2/2)

(THIS ILLUSTRATION CONSISTS OF 2 PAGES)



6700 -2 WIRING HARNESSSES(FRONT & REAR )

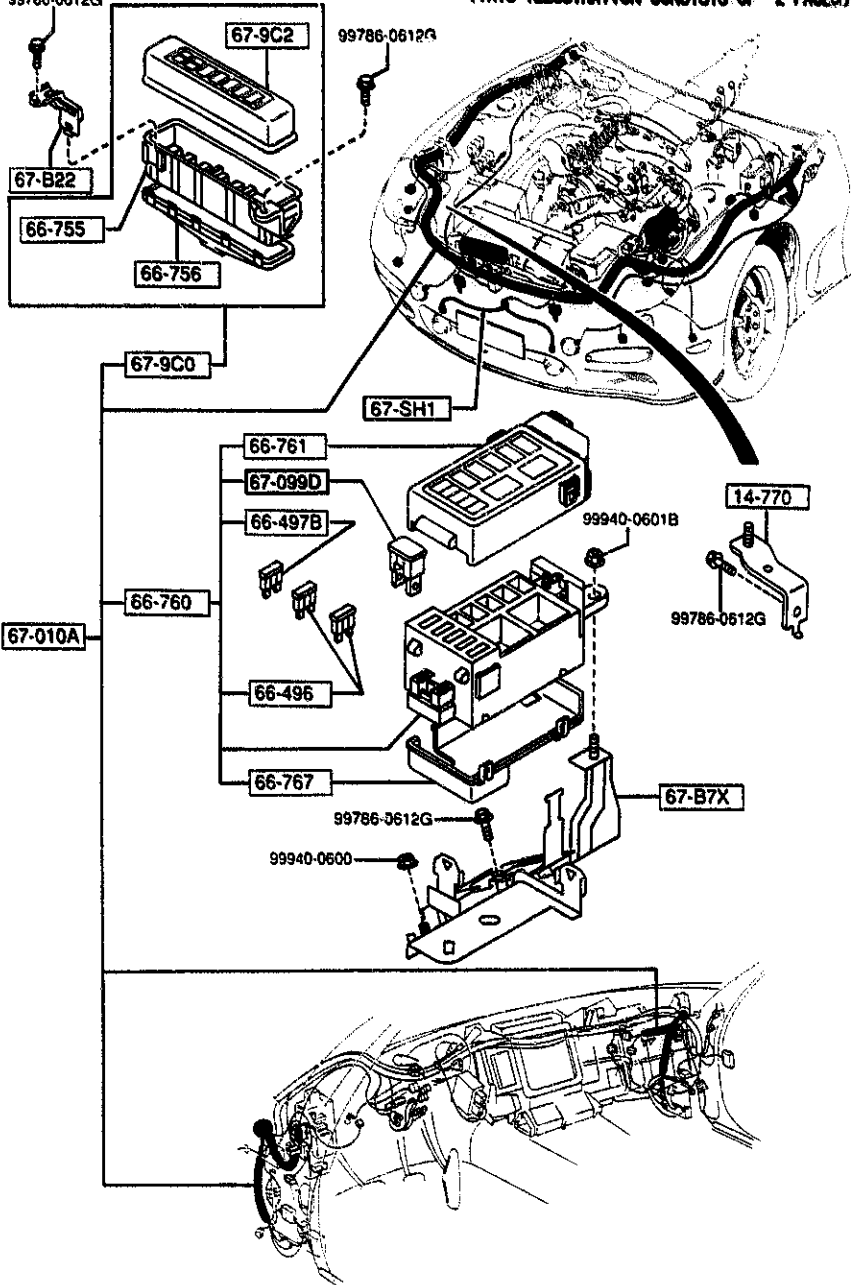
PART NO.	QTY	MODEL/RESTRICTION	MODEL/RESTRICTION	MODEL/RESTRICTION	FROM-TO
CONT'D					
FD05-67-B7X	1				-2101
FD05-67-B7XC A (FD05-67-B7XD)	1				2101-2201
FD05-67-B7XD A (FD05-67-B7XE)	1				2201-2707
FD05-67-B7XE	1				2707-
67-ED0		WIRE, EARTH-REAR DEFF OGER			
FD01-67-ED0A	1				
67-SH1		CORD, SHORT			
F100-67-SH0C	1	(SUNROOF)			
67-010A		HARNESS, FRONT			
FD01-67-010E A (FD01-67-010J)	1				-2401
FD02-67-010E A (FD02-67-010J)	1				-2401
FD01-67-010J	1	(MT)			2401-
FD02-67-010J	1	(AT)			2401-
67-014F		PROTECTOR, HARNESS			
F100-67-PS1	1				
67-050		HARNESS, REAR			
FD01-67-050D	1	(W/O SUN-RF)			
FD04-67-050D	1	(SUNROOF)			
67-06Y		HARNESS NO. 3, REAR			
FD01-67-06YD	1	(W/O SUN-RF)			
FD04-67-06YE	1	(SUNROOF)			-3320
FD04-67-06YF	1	(SUNROOF)			3320-
67-060		HARNESS NO. 2, REAR			
FD01-67-060D A (FD01-67-060E)	1				-2101
FD04-67-060C A (FD04-67-060D)	1				-2101
FDD1-67-060E	1	(W/O SUN-RF)			2101-
FD04-67-060D	1	(SUNROOF)			2101-
2101 FD3MXX-200251 2201 FD3MXX-201428 2401 FD3MXX-204313 2707 FD3MXX-208875					

6700 WIRING HARNESSSES(FRONT & REAR)

(1/2)

6700 -3 M WIRING HARNESSSES(FRONT & REAR)

99786-0612G (THIS ILLUSTRATION CONSISTS OF 2 PAGES)



PART NO.	QTY	MODEL/RESTRICTION	MODEL/RESTRICTION	MODEL/RESTRICTION	FROM-TO
67-061J		PAD, PROTECTOR-HARNES			
F100-67-PP1	2				
67-071A		CORD			
F100-67-071E	1	(ILLUST. NO.2)			
F100-67-270A	1	(ILLUST. NO.1)			
67-099D		FUSE (60A)			
FB01-67-099	4	60A			
67-100		HARNES, INT. LAMP			
FD01-67-100C	1	(W/O SUN-RF)			-3415
FD04-67-100C	1	(SUNROOF)			3415-
FD04-67-100D	1	(SUNROOF)			
67-9C0		BOX, RELAY-FRONT HARN			
FD01-66-750B	1	ESS			-2401
AN(FD01-66-750C)					
FD01-66-750C	1				2401-
67-9C2		COVER, RELAY BOX-F. HA			
FD01-66-752	1	RNESS			

2401 FD3XXX-204313  
3415 FD3XXX-210662

AUFA04

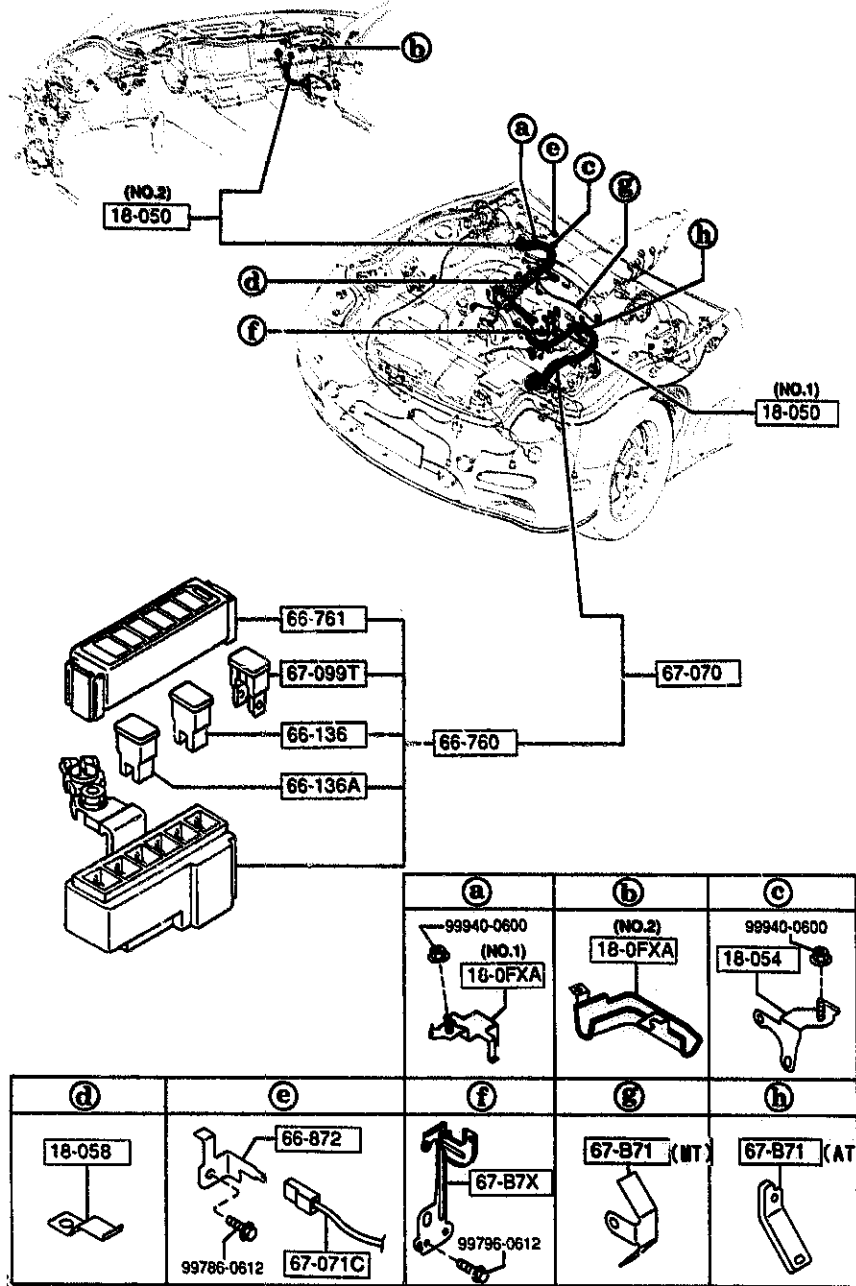
(CONT'D)

CAT. AUFA04-06

1994-09

6701 WIRING HARNESSSES(ENGINE & T/MISSION)

6701 -1 WIRING HARNESSSES(ENGINE & T/MISSION)



AUFA04

PART NO.	QTY	MODEL/RESTRICTION	MODEL/RESTRICTION	MODEL/RESTRICTION	FROM-TO
18-0FXA NSA1-18-0FXA	1	BRACKET, ENGINE HARNESS (ILLUST. NO.1)			
NSA2-18-0FX AN(NSA2-18-0FXA)	1				-2401
NSA2-18-0FXA	1	(ILLUST. NO.2)			2401-
18-050 NSA3-18-05Z	1	WIRING, ENGINE (ILLUST. NO.1)			
NSA1-18-05ZC AN(NSA1-18-05ZD)	1				-2401
NSA2-18-05ZD AN(NSA2-18-05ZE)	1				-2401
NSA2-18-05ZE A (NSA2-18-05ZF)	1				2401-2901
NSA1-18-05ZD A (NSA1-18-05ZE)	1				2401-3527
NSA2-18-05ZF A (NSA2-18-05ZG)	1				2901-3527
NSA1-18-05ZE	1	(ILLUST. NO.2) (MT)			3527-
NSA2-18-05ZG	1	(ILLUST. NO.2) (AT)			3527-
18-054 NSA1-18-0FY	1	BRACKET, HOLE-ENG. WIRING			
18-058 NSA2-18-054	1	BRACKET, ENGINE HARNESS			
66-136 H115-67-099	3	FUSE (30A)			
66-136A H116-67-099	1	FUSE (40A)			
66-760 FD02-66-760C	1	BLOCK, MAIN FUSE			
66-761 FD02-66-762A	1	COVER, MAIN FUSE BLOCK			
66-872		TAB, EARTH			

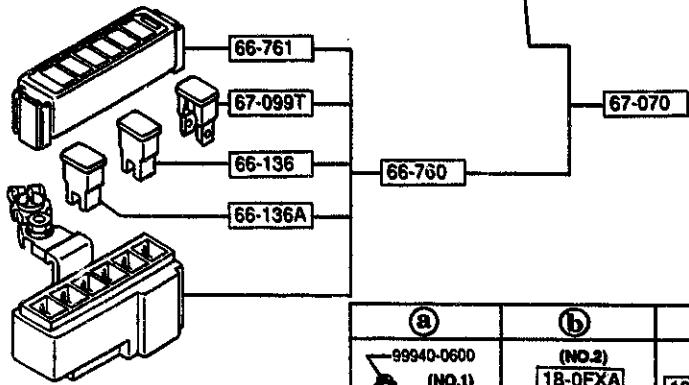
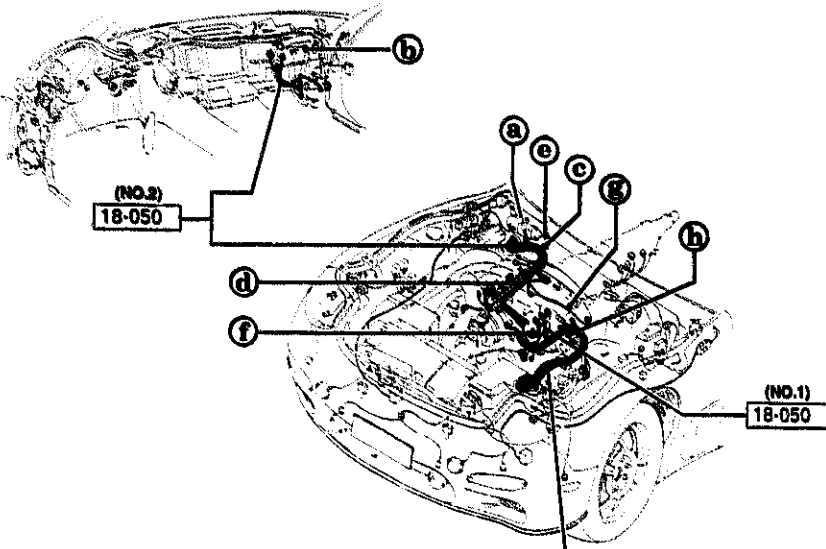
2401 FDSMKN-204313  
2901 FDSMKN-210499  
3527 FDSMKN-210664

CAT. AUFA04-06

1994-09

6701 WIRING HARNESSSES(ENGINE & T/MISSION)

6701 -2 \* WIRING HARNESSSES(ENGINE & T/MISSION)



		(a) 99940-0600 (NO.1) 18-0FXA	(b) (NO.2) 18-0FXA	(c) 99940-0600 18-054
(d) 18-058	(e) 66-872 99786-0612 67-071C	(f) 67-B7X 99796-0612	(g) 67-B71 (MT)	(h) 67-B71 (AT)

AUFA04

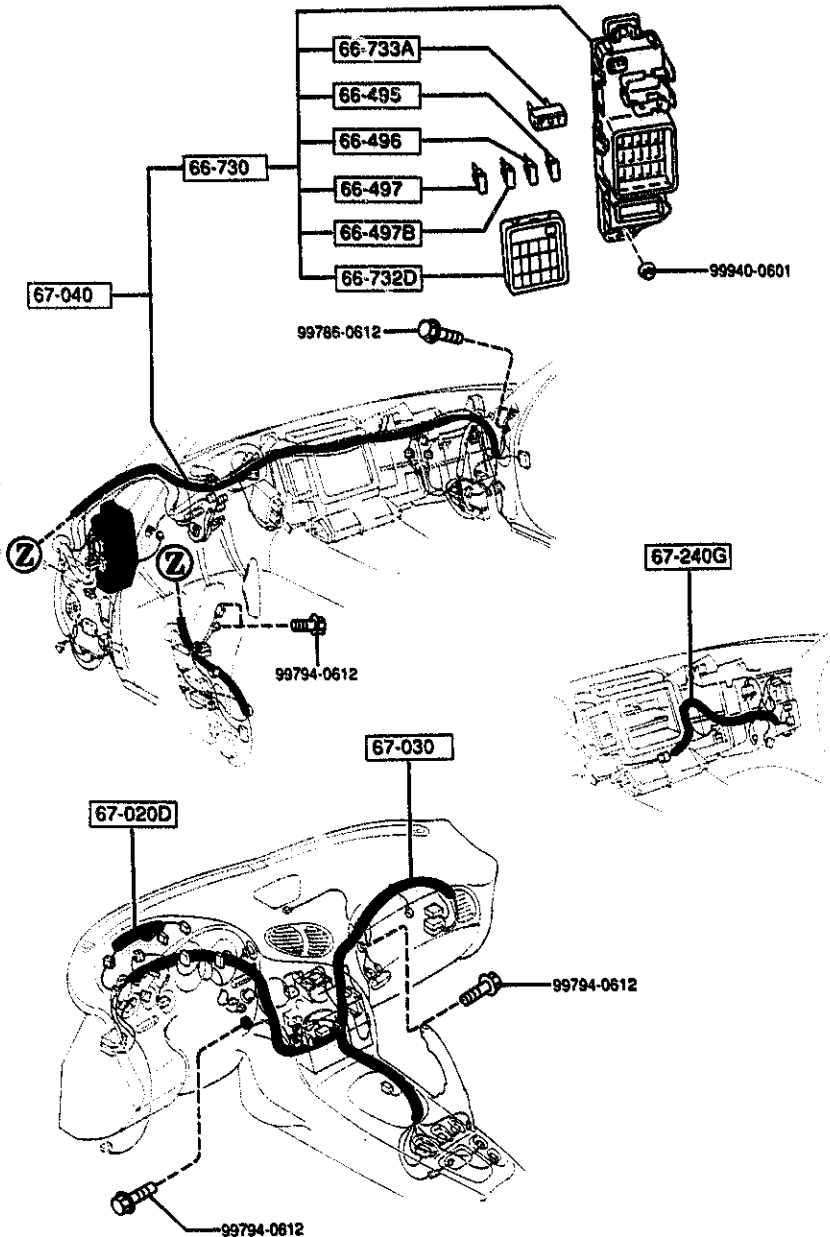
PART NO.	QTY	MODEL/RESTRICTION	MODEL/RESTRICTION	MODEL/RESTRICTION	FROM-TO
CONT'D					
FD01-67-TE1C	1				
67-B7X		BRACKET, HARNESS			
FD03-67-B7XC A (FD03-67-B7XD)	1				-2707
FD03-67-B7XD	1				2707-
67-B71		BRACKET, HARNESS			
FD02-67-B71A	1	(AT)			
FD01-67-B71A A (FD01-67-B71B)	1				-2201
FD01-67-B71B	1	(MT)			2201-
67-070		HARNESS, ENGINE			
FD01-67-070E A (FD01-67-070G)	1				-1C21
FD01-67-070G A (FD01-67-070H)	1	(AT)			1C21-2901
FD01-67-070G A (FD01-67-070H)	1				1C21-2801
FD02-67-070 AN(FD02-67-070A)	1				2901-2802
FD01-67-070H AN(FD01-67-070J)	1				2801-2802
FD01-67-070J	1	(MT)			2802-
FD02-67-070A	1	(AT)			2802-
67-071C		WIRE, EARTH			
FD01-67-E70A	1				
67-099T		FUSE(120A)			
J001-67-099	1				
1C21 FD3MXX-200106 2201 FD3MXX-201428 2707 FD3MXX-208875 2901 FD3MXX-210499 2801 FD3MXX-210514 2802 FD3MXX-210514					

CAT. AUFA04-06

1994-09

6702 -1 WIRING HARNESSES(DASHBOARD)

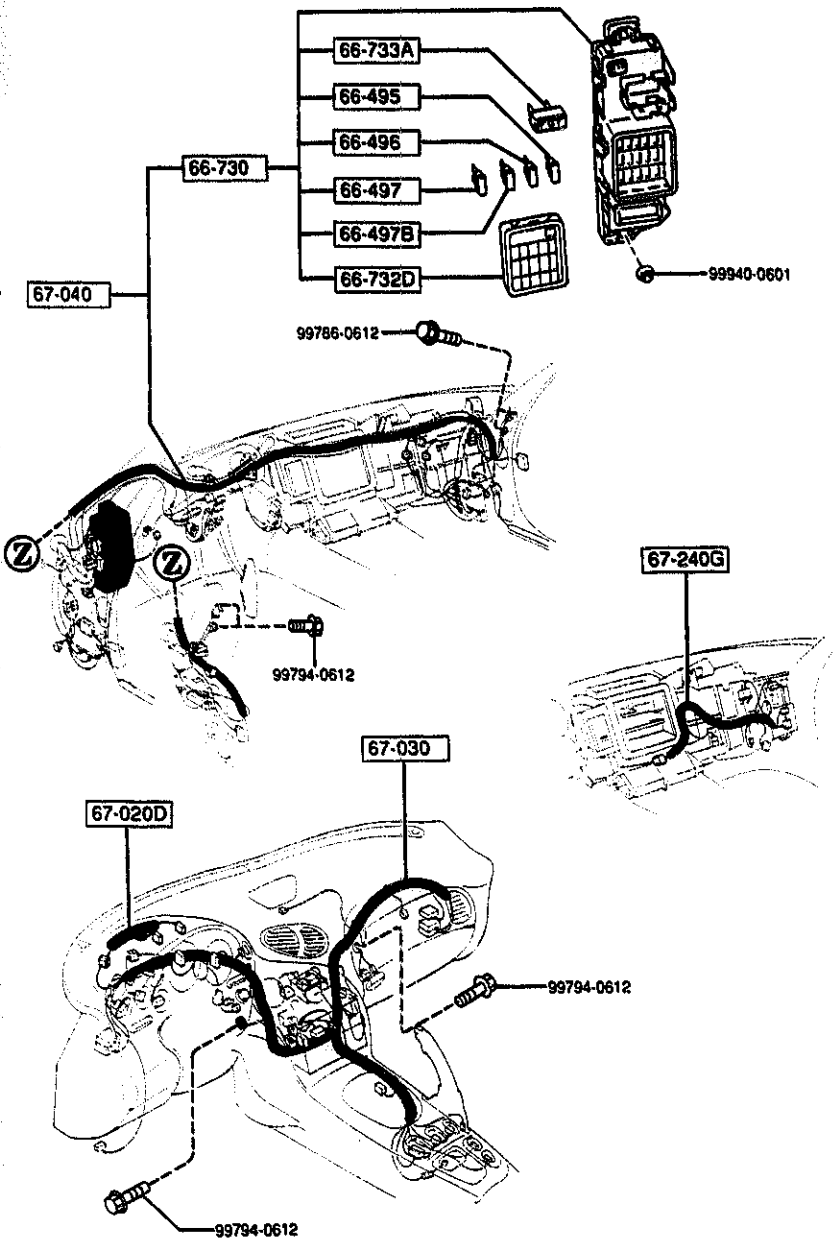
6702 WIRING HARNESSES(DASHBOARD)



PART NO.	QTY	MODEL/RESTRICTION	MODEL/RESTRICTION	MODEL/RESTRICTION	FROM-TO
66-495		FUSE(10A)			
99705-1110	5				
66-496		FUSE(15A)			
99705-1115	7				
66-497		FUSE(20A)			
99705-1120	4				
66-497B		FUSE(30A)			
99705-1130	1				
66-730		BLOCK, FUSE			
FD01-66-730A	1				
66-732D		COVER, FUSE BLOCK			
FD01-66-731A	1				
66-733A		BREAKER			
H001-66-733	1				
67-020D		HARNESS, INST.			
FD01-67-032A	1				
67-030		HARNESS, INSTRUMENT			
FD01-67-030D A (FD01-67-030F)	1				-2501
FD02-67-030D A (FD02-67-030F)	1				-2501
FD04-67-030D A (FD04-67-030F)	1				-2501
FD05-67-030D A (FD05-67-030F)	1				-2501
FD01-67-030F	1	((W/O SUN-RF))>(MT)			2501-
FD02-67-030F	1	((W/O SUN-RF))>(AT)			2501-
FD04-67-030F	1	((SUNROOF))>(MT)			2501-
FD05-67-030F	1	((SUNROOF))>(AT)			2501-
67-040		HARNESS, DASHBOARD			
FD01-67-040E A (FD01-67-040F)	1				-2401

2401 FDSMXX-204313  
2501 FDSMXX-203709

6702 WIRING HARNESSSES(DASHBOARD)



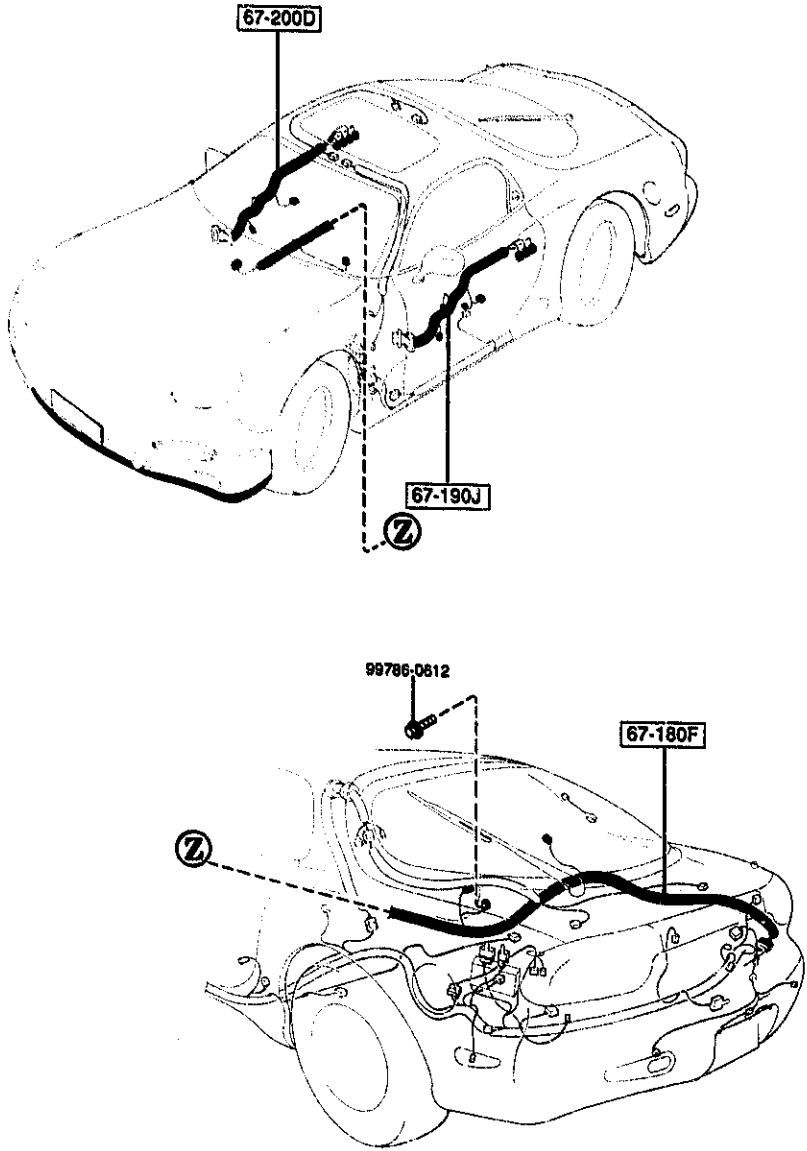
6702 -2 M WIRING HARNESSSES(DASHBOARD)

PART NO.	QTY	MODEL/RESTRICTION	MODEL/RESTRICTION	MODEL/RESTRICTION	FROM-TO
CONT'D					
FD02-67-040E	1				-2401
A (FD02-67-040F)					
FD04-67-040E	1				-2401
A (FD04-67-040F)					
FD05-67-040E	1				-2401
A (FD05-67-040F)					
FD01-67-040F	1	<<W/O SUN-RF>>(MT)			2401-
FD02-67-040F	1	<<W/O SUN-RF>>(AT)			2401-
FD04-67-040F	1	<<SUNROOF>>(MT)			2401-
FD05-67-040F	1	<<SUNROOF>>(AT)			2401-
		┌-----┐			
		67-240G			
		└-----┘			
FD01-67-240E	1	HARNESS, LOGICAL CONTROL			

2401 FD3MM-204313

6703 -1 M WIRING HARNESES(DOOR,FLOOR/CEILING)

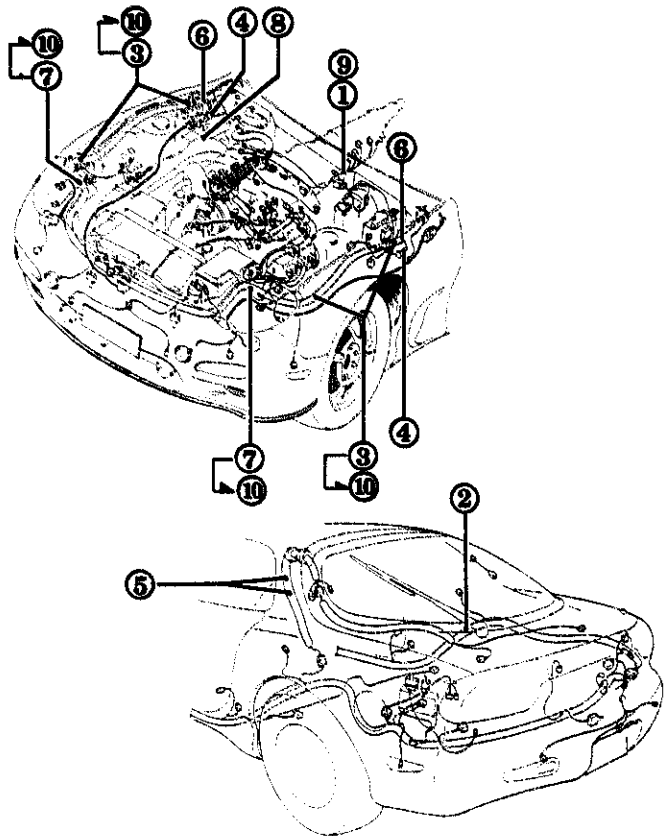
6703 WIRING HARNESES(DOOR,FLOOR/CEILING)



PART NO.	QTY	MODEL/RESTRICTION	MODEL/RESTRICTION	MODEL/RESTRICTION	FROM-TO
67-180F		WIRING,FLOOR			
FD04-67-180D	1				
67-190J		HARNESS,DOOR-DRIVER SIDE			
FD01-67-190C AN(FD01-67-190D)	1				-2201
FD04-67-190C AN(FD04-67-190D)	1				-2201
FD04-67-190D	1	(SUNROOF)			2201-
FD01-67-190D	1	(W/O SUN-RF)			2201-3410
FD01-67-190E	1	(W/O SUN-RF)			3410-
67-200D		HARNESS,DOOR-PASSENGER SIDE			
FD01-67-200C AN(FD01-67-200D)	1				-2201
FD04-67-200C AN(FD04-67-200D)	1				-2201
FD01-67-200D	1	(W/O SUN-RF)			2201-
FD04-67-200D	1	(SUNROOF)			2201-

2201 FD3MM-201428  
3410 FD3MM-210662





⑦ 18-141	⑧ 45-961B	⑨ 67-013A (NO.1)	⑩ 67-CC1 (NO.2)		
① 66-941A	② 67-CC1 (NO.1)	③ 67-013A (NO.2)	④ 67-013D	⑤ 67-191A	⑥ 67-CT1

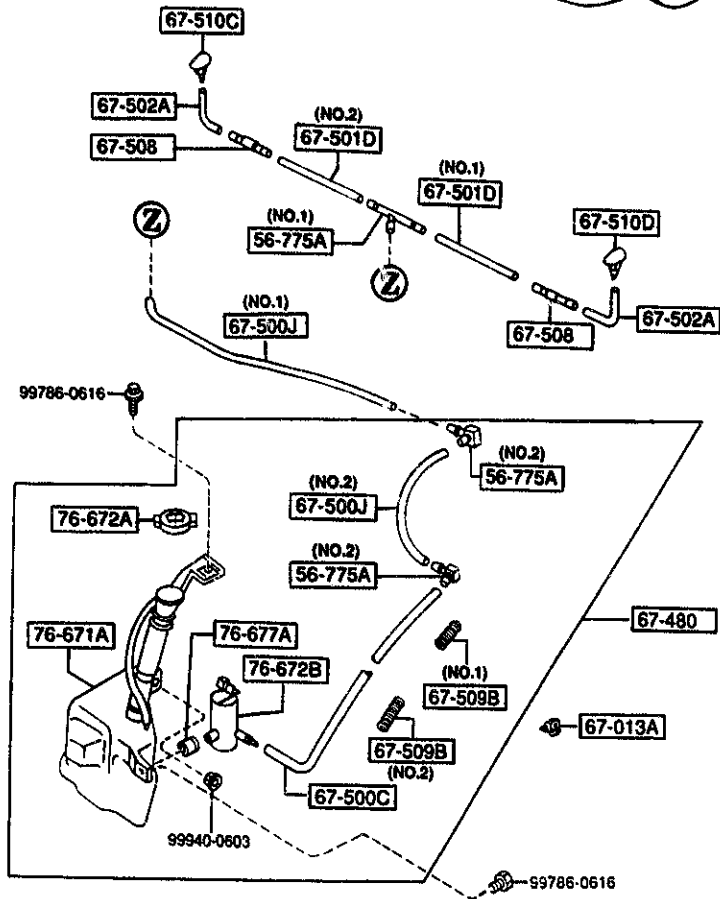
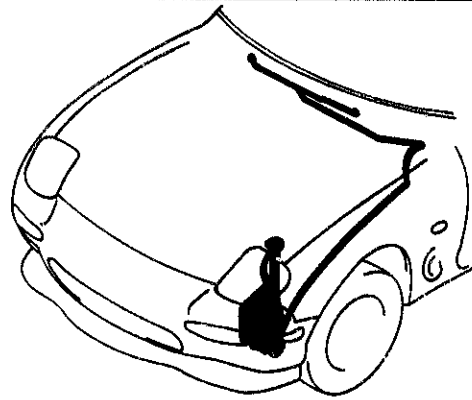
AUFA04

PART NO.	QTY	MODEL/RESTRICTION	MODEL/RESTRICTION	MODEL/RESTRICTION	FROM-TO
18-141		SUPPORTER			
JF03-18-141A	2				-2401
45-961B		CAP			
H002-45-961	1				
66-941A		CLIP			
FB01-66-945	1 (MT)				
67-CC1		CLIP, HARNESS			
F100-67-C41	1 (ILLUST. NO.1)				2401-
FD01-67-CC1	6 (ILLUST. NO.2)				
67-CT1		CLIP, HARNESS			
FD01-67-CD1	2				
67-013A		CLIP			
UB42-67-013	1 (ILLUST. NO.1) (AT)				
B092-67-013A	4 (ILLUST. NO.2)				-2401
67-013D		PROTECTOR, HARNESS			
FD01-67-P13	2				
67-191A		CLIP			
B467-67-CE1	2				

2401 FDSMKK-204313

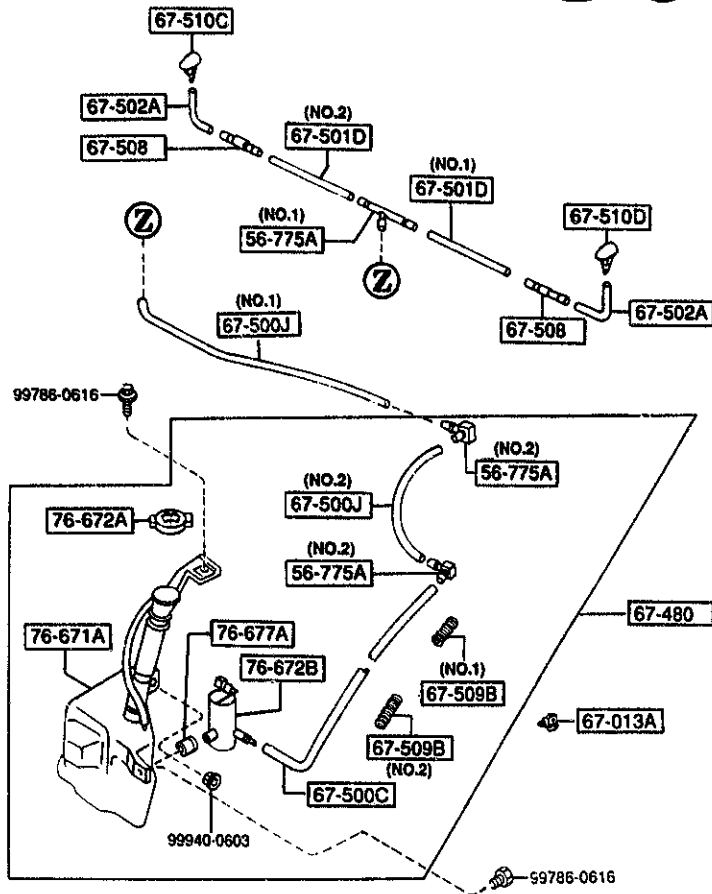
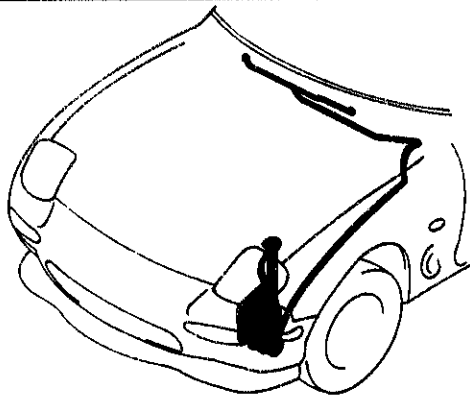
CAT. AUFA04-06

1994-09



PART NO.	QTY	MODEL/RESTRICTION	MODEL/RESTRICTION	MODEL/RESTRICTION	FROM-TO
56-775A		CLIP, WASHER HOSE			
D061-67-505	1	(ILLUST. NO.1)			
LA01-67-505B	2	(ILLUST. NO.2)			
67-013A		CLIP			
H045-67-013	1				
67-480		TANK, WASHER-FRONT			
FD01-67-480B	1				
67-500C		PIPE, SCREEN WASHER			
FD05-67-501	1				
67-500J		PIPE, SCREEN WASHER			
FD03-67-501	1	(ILLUST. NO.1)			
FD04-67-501A	1	(ILLUST. NO.2)			
67-501D		PIPE, WASHER-FRONT WITH PER			
FD01-67-501	1	(ILLUST. NO.1)			
FD02-67-501	1	(ILLUST. NO.2)			
67-502A		JOINT, HOSE			
FD01-67-502	2				
67-508		VALVE, CHECK			
FD01-67-508	2				
67-509B		TUBE, CORRUGATE			
FD01-67-509	1	(ILLUST. NO.1)			
FD02-67-509	1	(ILLUST. NO.2)			
67-510C		NOZZLE (R), WASHER			
FD02-67-510	1				
J9	EXT-	J9 COMPETITION YELLOW 0			
NU	EXT-	NT NU VINTAGE RED			
03	EXT-	GU M8 PX PZ SX UC 2A 3L 4G BLACK			
67-510D		NOZZLE (L), WASHER			

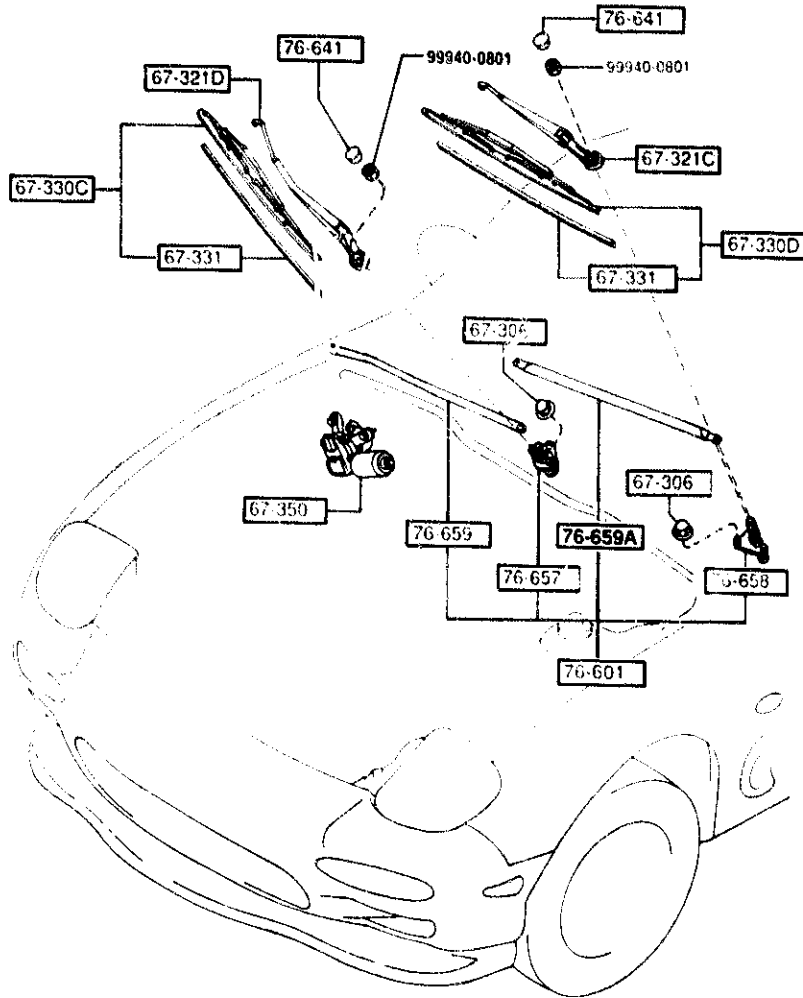
6720 WINDSHIELD WASHER



PART NO.	QTY	MODEL/RESTRICTION	MODEL/RESTRICTION	MODEL/RESTRICTION	FROM-TO
CONT'D					
FD01-67-510	1				
J9	EXT-	J9	COMPETITION YELLOW 0		
NU	EXT-	NT NU	VINTAGE RED		
03	EXT-	GU M8 PX PZ SX UC 2A	3L 4G BLACK		
76-671A		TANK, WASHER-RR WIPER			
FD01-67-481A	1				
76-672A		CAP, TANK			
FD01-67-483	1				
76-672B		PUMP, WASHER			
FD01-67-482	1				
76-677A		GROMMET, WASHER TANK			
S084-76-677	1				

6730 WINDSHIELD WIPERS

6730 -1 WINDSHIELD WIPERS

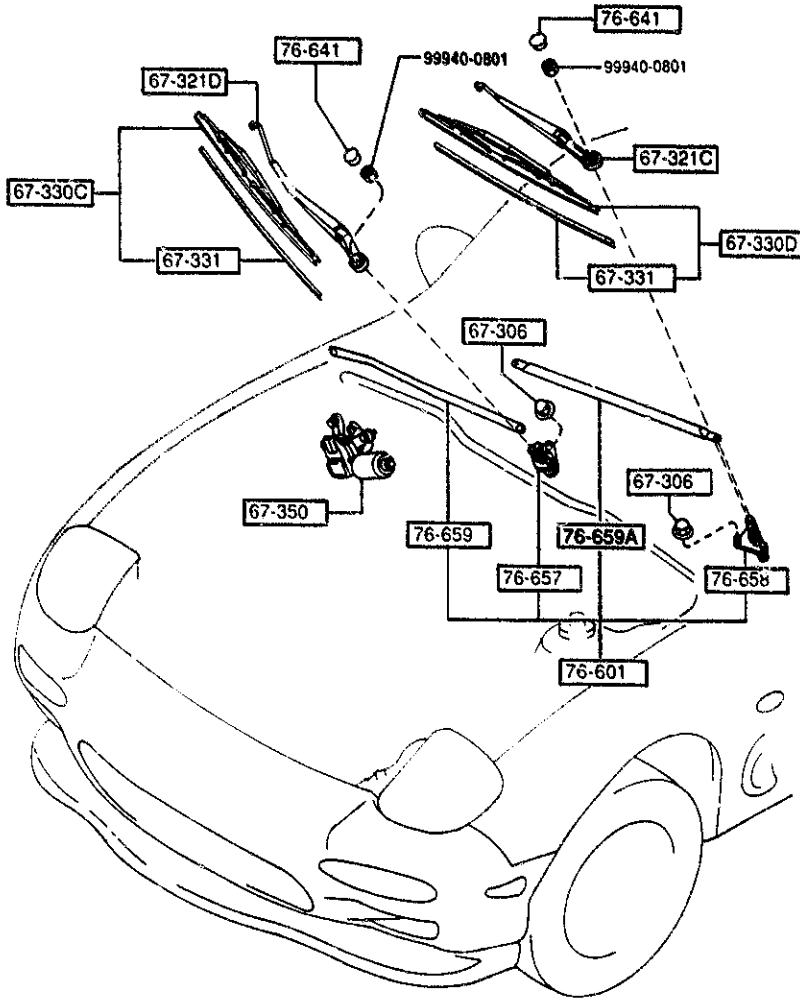


PART NO.	QTY	MODEL/RESTRICTION	MODEL/RESTRICTION	MODEL/RESTRICTION	FROM TO
67-306		NUT, WIPER LINK			
GJ21-67-306	5				
67-321C		ARM, WIPER-DRIVER SIDE			
FD01-67-321	1				
67-321D		ARM, WIPER-CO DRIVER SIDE			
FD02-67-321	1				
67-330C		BLADE (R), WIPER-FRONT			
HG31-67-330	1				-2923
A (GA7D-67-330)					
GA7D-67-330	1				2923-
67-330D		BLADE (L), WIPER-FRONT			
FD01-67-330	1				-2923
AN(FD01-67-330A)					
FD01-67-330A	1				2923-
67-331		RUBBER, BLADE-FRONT			
FD01-67-331	1				-2923
A (F100-67-331)					
LA02-67-331A	1				-2923
AN(CH381-67-331)					
F100-67-331	1	(FOR LEFT)			2923-
H381-67-331	1	(FOR RIGHT)			2923-
67-350		MOTOR, WIPER			
FD01-67-340	1	(STD)			
FD02-67-340	1	(COLD SPEC.)			
76-601		LINK, WIPER			
FD01-67-360	1	(STD)			
FD02-67-360	1	(COLD SPEC.)			
76-641		COVER, WIPER ARM-FRONT			
LA01-67-395A	2				
76-657		SHAFT, DRIVE NO.1			
FD01-67-363	1	(STD)			
FD02-67-363	1	(COLD SPEC.)			

2923 FD3MM-210505

6730 WINDSHIELD WIPERS

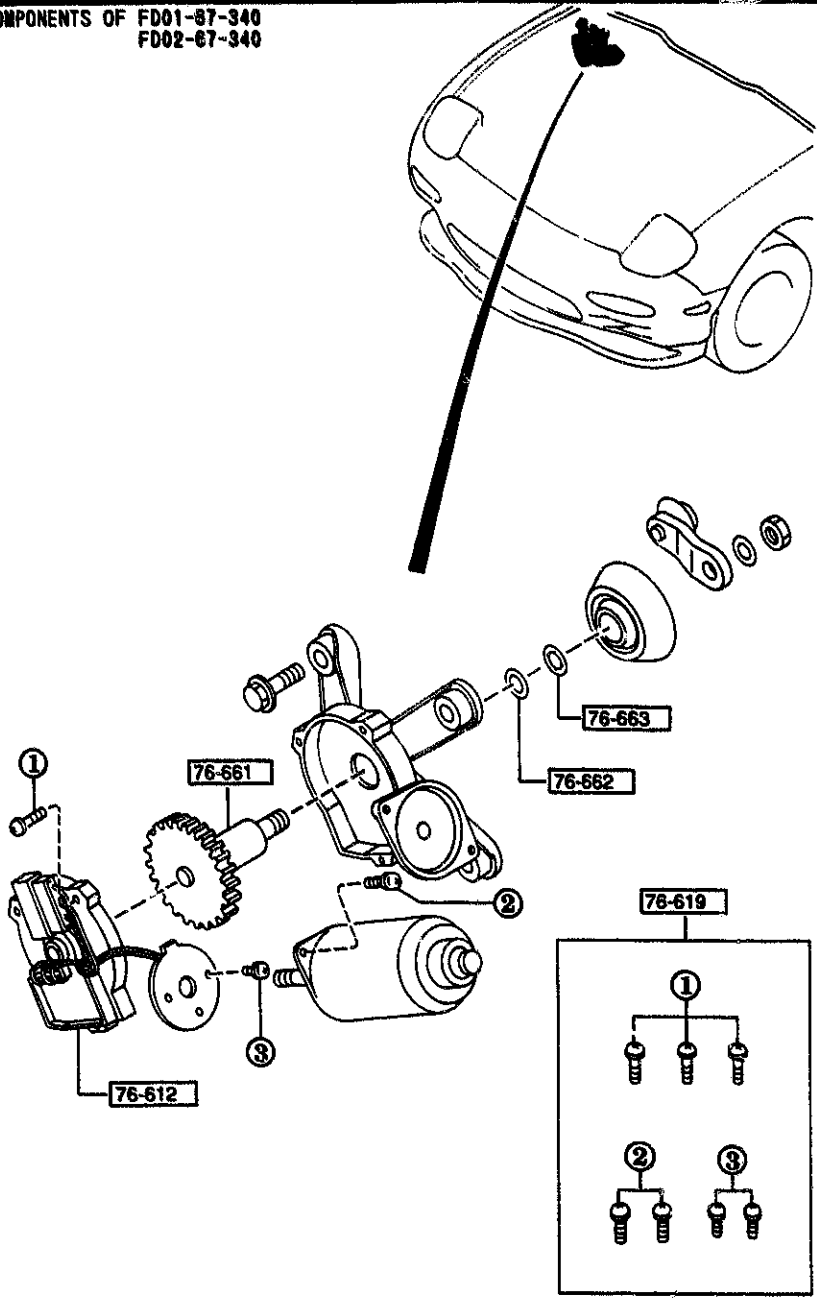
6730 -2 M WINDSHIELD WIPERS



PART NO.	QTY	MODEL/RESTRICTION	MODEL/RESTRICTION	MODEL/RESTRICTION	FROM-TO
76-658		SHAFT,DRIVE NO.2			
FD01-67-364	1	(STD)			
FD02-67-364	1	(COLD SPEC.)			
76-659		ARM NO.1, LINK			
FD01-67-361	1				
76-659A		ARM NO.2, LINK			
FD01-67-362	1				

6740 WIPER MOTOR COMPONENTS(FRONT)

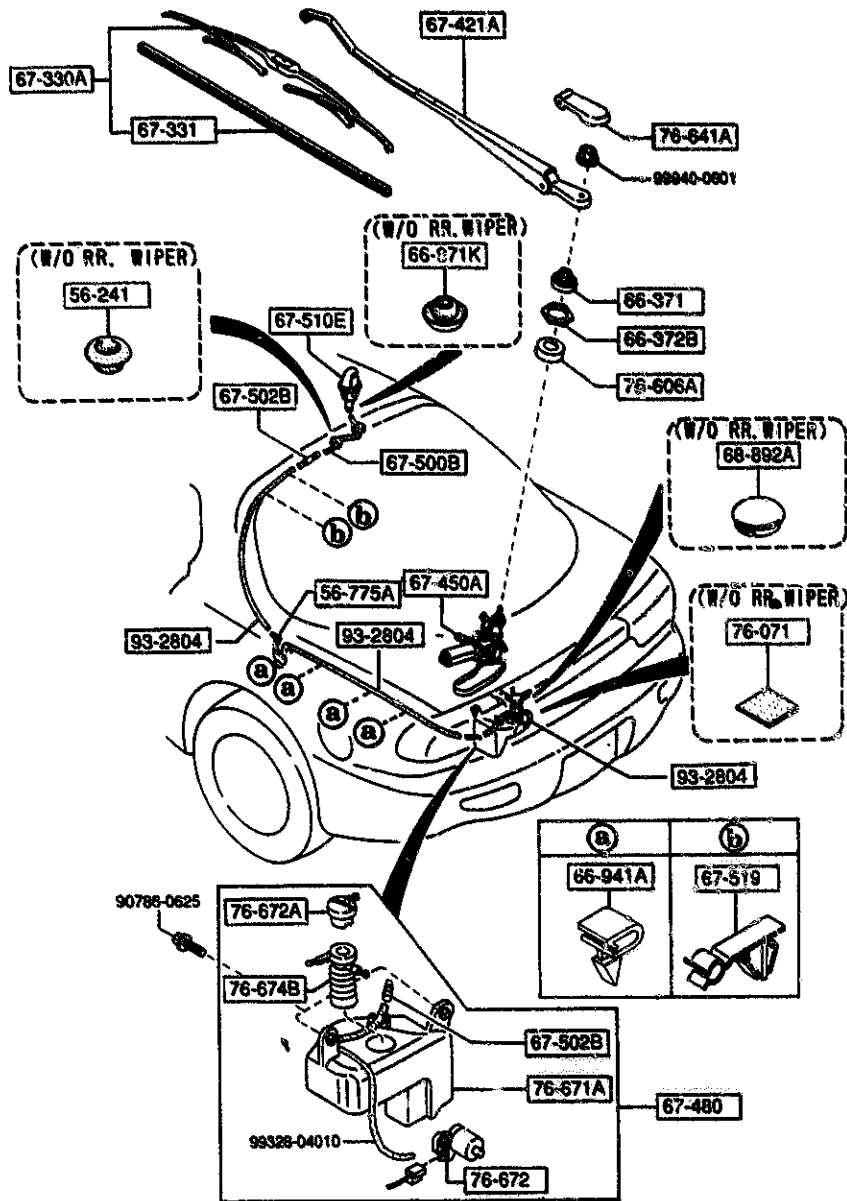
COMPONENTS OF FD01-87-340  
FD02-67-340



6740 -1 \* WIPER MOTOR COMPONENTS(FRONT)

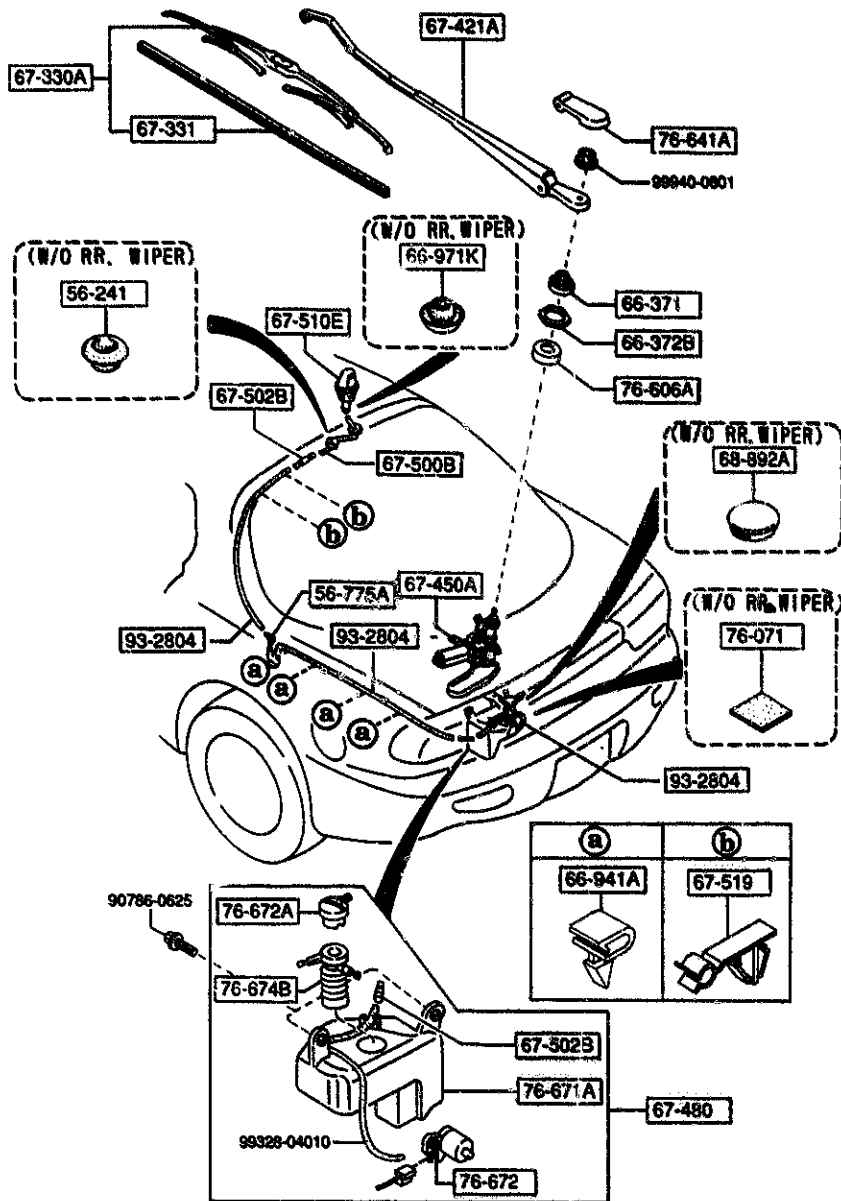
PART NO.	QTY	MODEL/RESTRICTION	MODEL/RESTRICTION	MODEL/RESTRICTION	FROM-TO
76-612		PLATE, HOLDER-BRUSH			
FD01-67-351	1	(STD)			
FD02-67-351	1	(COLD SPEC.)			
76-619		PARTS SET			
H043-76-619A	1				
76-661		GEAR, SHAFT			
FD01-67-354	1				
76-662		WASHER			
B094-76-662	1				
76-663		WASHER, TOOTHED			
B094-76-663	1				

6750 WINDOW WIPER & WASHER (REAR)



PART NO.	QTY	MODEL/RESTRICTION	MODEL/RESTRICTION	MODEL/RESTRICTION	FROM-TO
56-241		PLUG, DRAIN			
0116-56-241	1	(W/O RR. WIPER)			
56-775A		CLIP, WASHER HOSE			
LA01-67-505B	1				
66-371		CAP, SEAL			
FD01-67-366	1				
66-372B		NUT			
8093-76-609	1				
66-941A		CLIP			
GB08-66-941	4				
66-971K		GROMMET			
0222-66-971	1	(W/O RR. WIPER)			
67-330A		BLADE, WIPER-REAR			
FD03-67-330	1				
67-331		RUBBER, BLADE-FRONT			
B461-67-331	1				
67-422A		ARM, WIPER			
FD01-67-421	1				
67-450A		MOTOR			
FD01-67-450A	1				
67-480		TANK, WASHER-FRONT			
FD02-67-480	1				
67-500B		PIPE, REAR WASHER-PPER			
FD04-67-500	1				
67-502B		JOINT, NOSE			
4116-67-502	2				
67-510E		NOZZLE, WASHER			
FD03-67-510	1				

6750 WINDOW WIPER & WASHER (REAR)

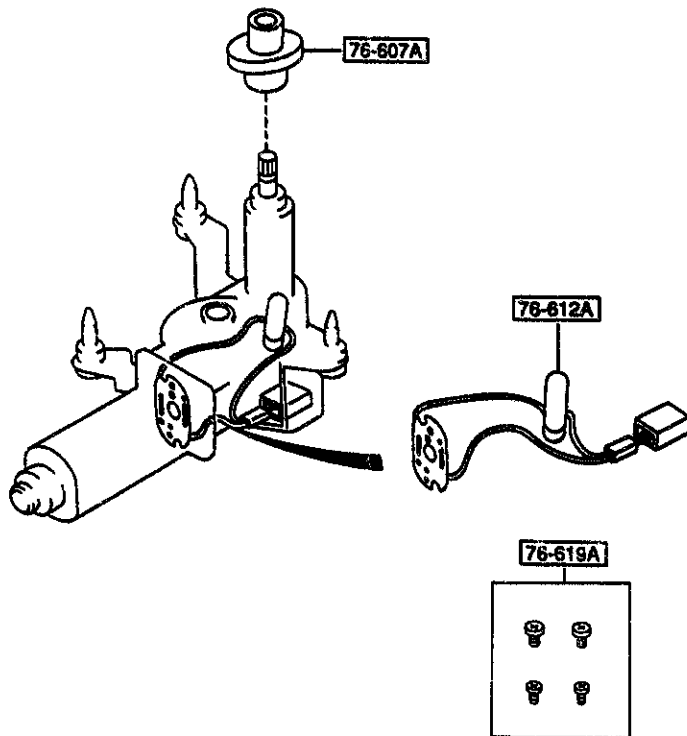
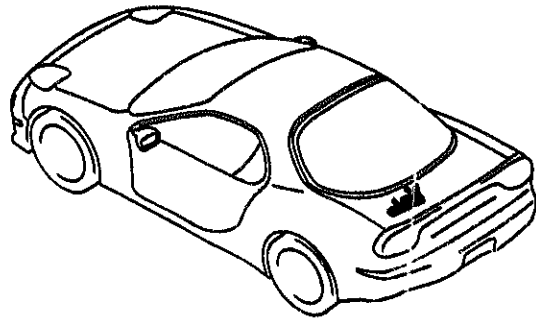


PART NO.	QTY	MODEL/RESTRICTION	MODEL/RESTRICTION	MODEL/RESTRICTION	FROM-TO
67-519		CLIP, PIPE			
B499-67-519	2				
68-892A		COVER, HOLE-RR WIPER			
FD01-67-492	1	(W/O RR. WIPER)			
76-071		SILENCER, FLOOR			
0208-76-071	1	30CMX30CM (W/O RR. WIPER)			
76-606A		BUSH, OUTER			
FD01-67-407	1				
76-641A		COVER, WIPER ARM-REAR			
B093-76-641	1				
76-671A		TANK, WASHER-RR WIPER			
FD02-67-481	1				
76-672		PUMP, WASHER			
FD02-67-482	1				
76-672A		CAP, TANK			
FD02-67-483	1				
76-674B		FANNEL			
FD02-67-484	1				
93-2804		PIPE, VINYL			
99328-04010	1	L=1.0M			



6760 -1 M WINDOW WIPER MOTOR COMPONENTS (REAR)

6760 WINDOW WIPER MOTOR COMPONENTS (REAR)  
COMPONENTS OF FD01-67-450A

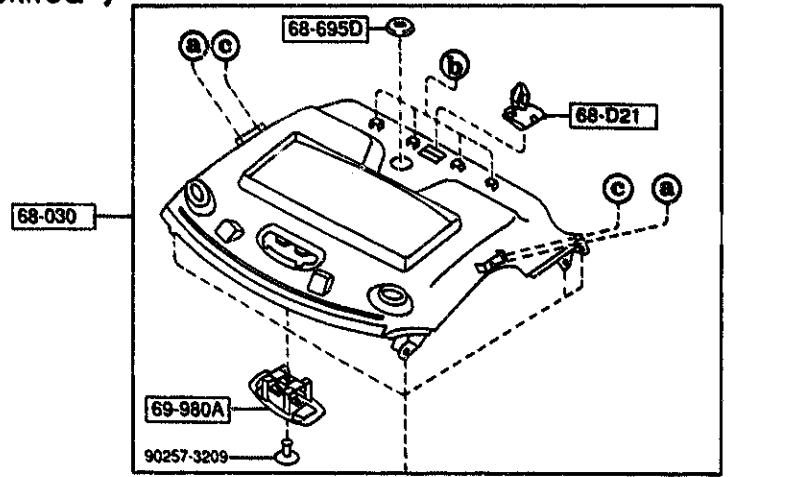


PART NO.	QTY	MODEL/RESTRICTION	MODEL/RESTRICTION	MODEL/RESTRICTION	FROM-10
76-607A FD01-67-402	1	BUSH, INNER			
76-612A FD01-67-451	1	PLATE, HOLDER-BRUSH			
76-619A B002-76-619A	1	PARTS SET			

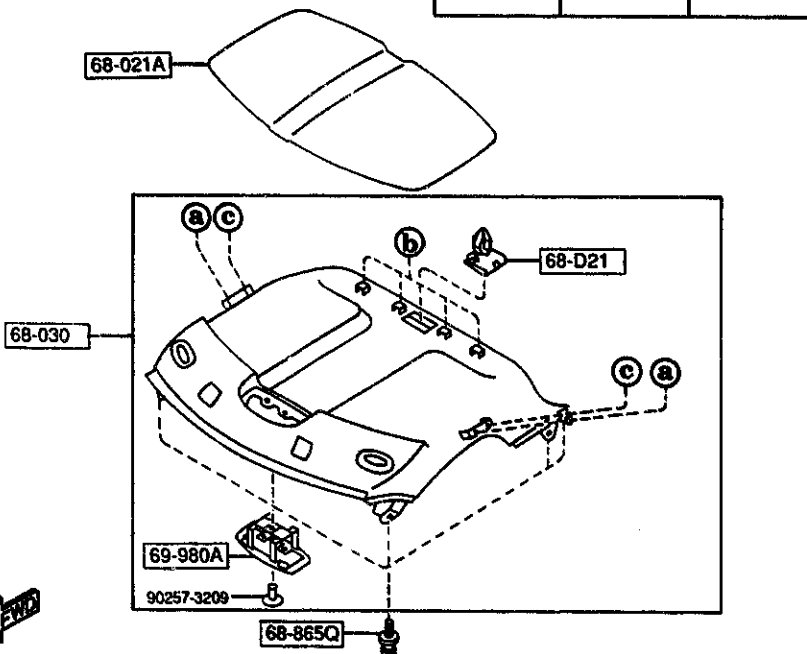
6800 -1 CEILING TRIMS

6800 CEILING TRIMS

(SUNROOF)



(W/O SUN-RF)



AUFA04

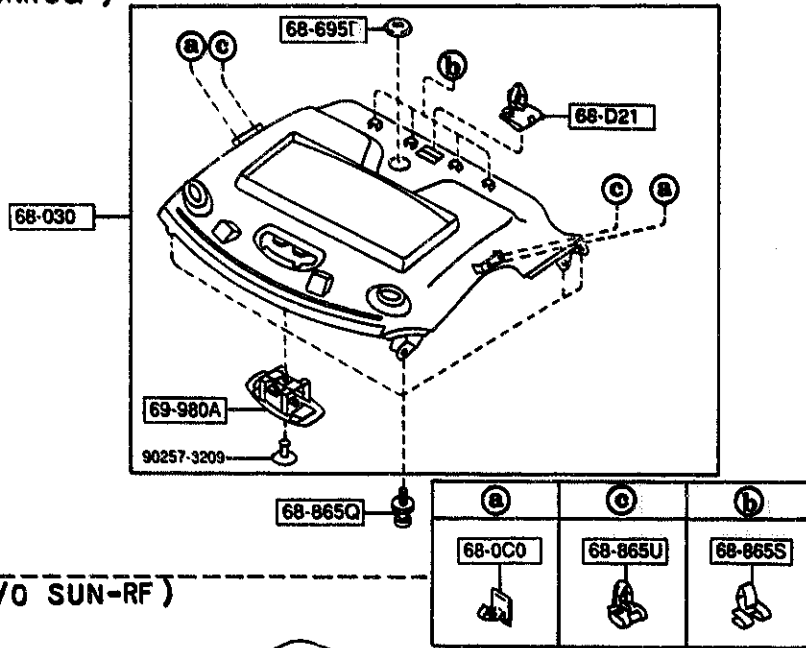
PART NO.	QTY	MODEL/RESTRICTION	MODEL/RESTRICTION	MODEL/RESTRICTION	FROM-TO
68-D21		CLIP, TRIM			
GA2A-68-D21	1				
68-0C0		CLIP, TOP CEILING			
M001-68-0C0A	2				
68-021A		INSULATOR, ROOF			
FD01-68-021	1	(W/O SUN-RF)			
68-030		CEILING, TOP			
FD01-68-030B	1	(SUNROOF)			-2201
02	INT-	FE2 BLACK			
17	INT-	FE4 RED			
33	INT-	FE3 TAN			
FD03-68-030B	1	(W/O SUN-RF)			-2201
02	INT-	FE2 BLACK			
17	INT-	FE4 RED			
33	INT-	FE3 TAN			
FD01-68-030C	1	(SUNROOF)			2201-
02	INT-	FE2 BLACK			
17	INT-	FE4 RED			
33	INT-	FE3 TAN			
FD03-68-030C	1	(W/O SUN-RF)			2201-
02	INT-	FE2 BLACK			
17	INT-	FE4 RED			
33	INT-	FE3 TAN			
68-695D		COVER, HOLE-BELT			
GM09-68-049	1	(SUNROOF)			
02	INT-	FE2 BLACK			
17	INT-	FE4 RED			
33	INT-	FE3 TAN			
68-865Q		FASTENER			
GJ21-68-885B	6				
00	INT-	FE2 FE3 FE4 BLACK			
02	INT-	FE2 BLACK			
2201 FD3MMK-201428					

CAT. AUFA04-06

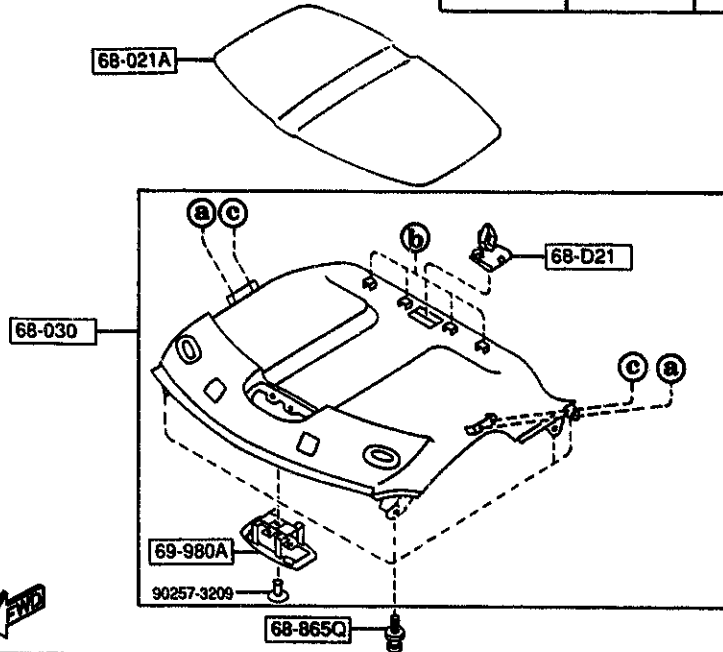
1994-09

6800 CEILING TRIMS

(SUNROOF)



(W/O SUN-RF)



PART NO.	QTY	MODEL/RESTRICTION	MODEL/RESTRICTION	MODEL/RESTRICTION	FROM-TO
CONT'D					
17	INT-	FE4 RED			
33	INT-	FES TAN			
68-865S		CLIP, TRIM			
GJ12-68-865	4				
68-865U		CLIP, TRIM			
GJ21-68-865	2				
69-980A		BRACKET, OVERHEAD CONSOLE			
FD01-69-98X	1				



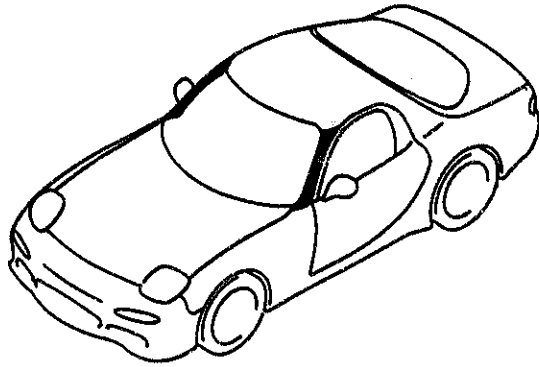
AUFA04

CAT. AUFA04-06

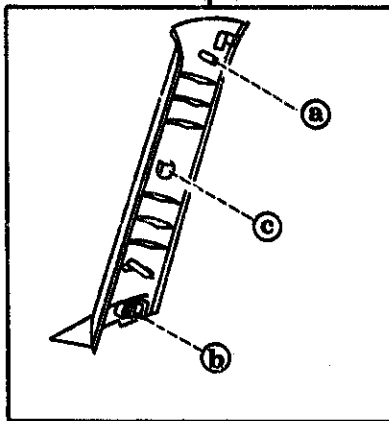
1994-09

6820 PILLAR TRIMS

6820 -1 M PILLAR TRIMS



68-160  
68-160Z

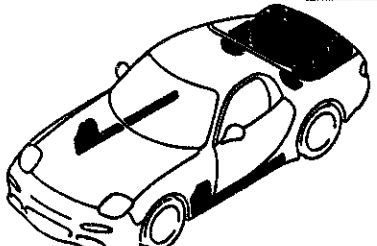
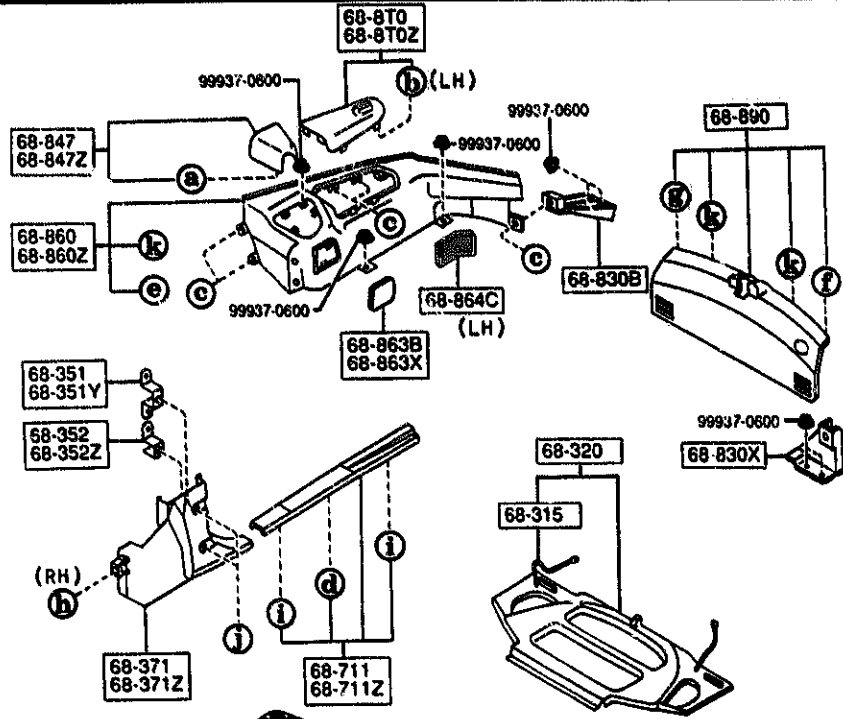


a	b	c
68-D21	68-218B	68-865S

PART NO.	QTY	MODEL/RESTRICTION	MODEL/RESTRICTION	MODEL/RESTRICTION	FROM-TO
68-D21 FD01-68-D21	2	CLIP, TRIM			
68-160 FD01-68-160E	1	TRIM(R), 'A'PILLAR			
02	INT-	FE2 FE3 FE4 BLACK			
68-160Z FD01-68-170E	1	TRIM(L), 'A'PILLAR			
02	INT-	FE2 FE3 FE4 BLACK			
68-218B FD01-68-165	2	SPRING, TRIM			
68-865S GJ12-68-865	2	CLIP, TRIM			

6840 -1 TRIMS & SCUFF PLATES

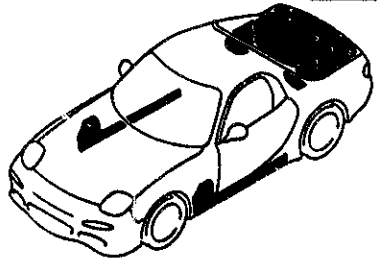
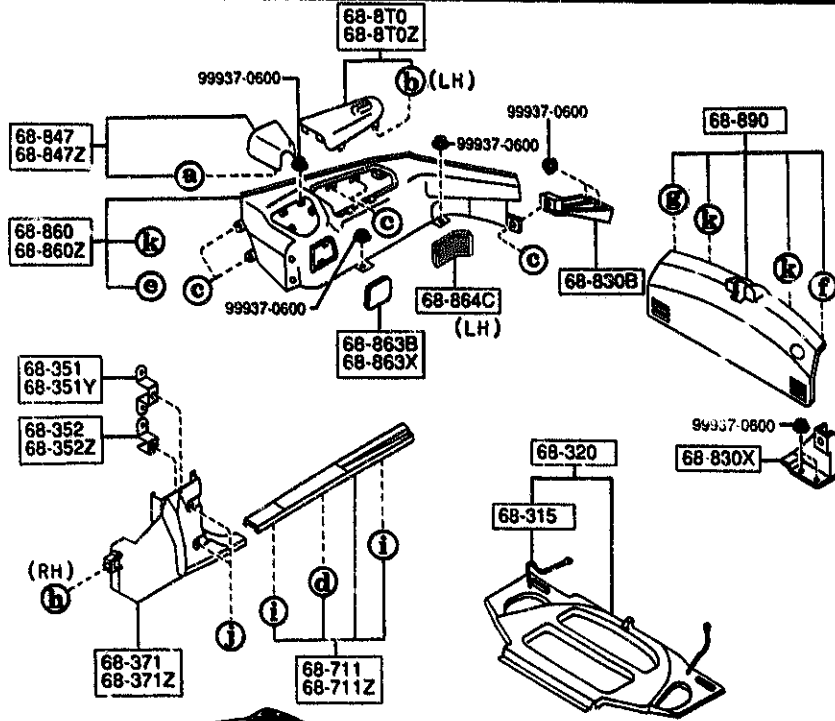
6840 TRIMS & SCUFF PLATES



<b>a</b>	<b>b</b>	<b>c</b>	<b>d</b>	<b>e</b>	<b>f</b>
64-345C	68-AB1	68-AC3	68-AD3	68-AD4	68-D21
<b>g</b>	<b>h</b>	<b>i</b>	<b>j</b>	<b>k</b>	
68-172H	68-353	68-712D	68-865Q	68-865S	

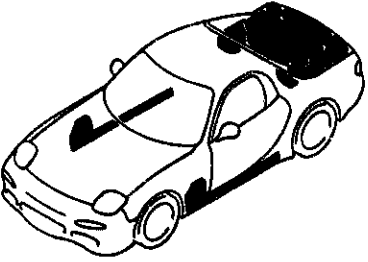
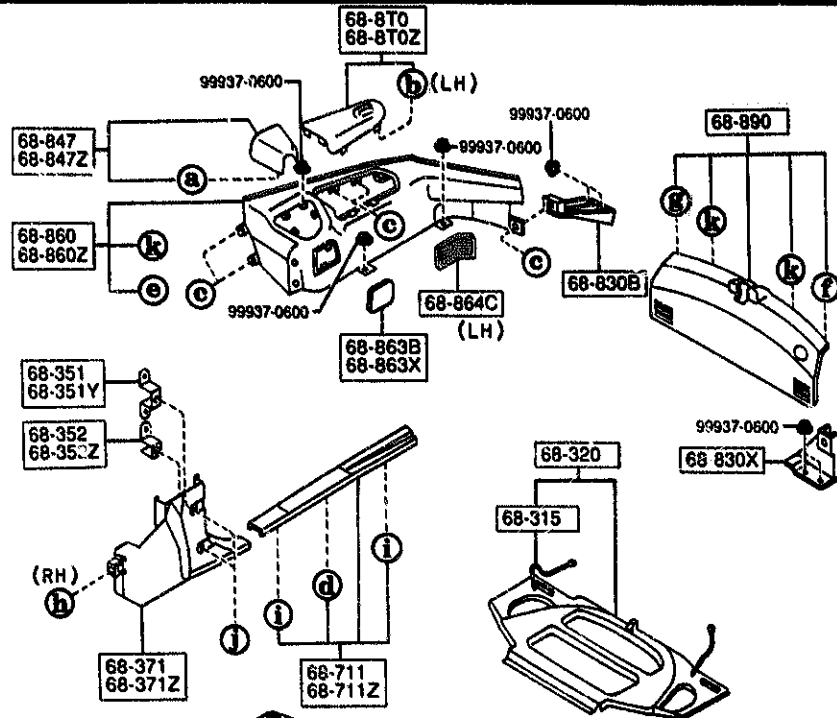
PART NO.	QTY	MODEL/RESTRICTION	MODEL/RESTRICTION	MODEL/RESTRICTION	FROM-TO
64-345C		SPRING, UPPER PLATE			
H260-64-345	6				
68-AB1		FASTENER			
FD01-68-AB1A	1				-2301
FD01-68-AB1B	1				2301-
68-AC3		FASTENER			
B467-68-AC3	10				
02	INT-	FE2 FE3 FE4 BLACK			
68-AD3		CLIP, SCUFF PLATE			
H380-68-AD3	2				
68-AD4		GROMMET, SCUFF PLATE			
FD01-68-AD4A	2				-2301
FD01-68-AD4B	2				2301-
68-D21		CLIP, TRIM			
LA10-68-D21	1				
68-172H		FASTENER, CTR. P/UPP.			
B100-68-215A	1				
68-315		STRAP			
EA01-68-315	2	(SUNROOF)			
68-320		TRAY, REAR PACKAGE			
FD05-68-310C	1	(SUNROOF)			
02	INT-	FE2 FE3 FE4 BLACK			
68-351		BRKT, FRT SIDE TRIM			
FD01-68-351	1				
68-351Y		BRACKET(L), UPPER-F.S. SIDE			
FD01-68-356	1				
68-352		BRACKET(R), LOWER-F.S. SIDE			
FD01-68-352	1				

2301 FD3MM-202878



<b>a</b> 64-345C 	<b>b</b> 68-AB1 	<b>c</b> 68-AC3 	<b>d</b> 68-AD3 	<b>e</b> 68-AD4 	<b>f</b> 68-D21 
<b>g</b> 68-172H 	<b>h</b> 68-353 	<b>i</b> 68-712D 	<b>j</b> 68-865Q 	<b>k</b> 68-865S 	

PART NO.	QTY	MODEL/RESTRICTION	MODEL/RESTRICTION	MODEL/RESTRICTION	FROM-TO
68-392Z		BRACKET(L), LOWER-F.S			
FD01-68-357	1				
68-353		PIN, GUIDE-F.SIDE TRI			
FD01-68-353	1				
68-371		TRIM(R), FRONT SIDE			
FD01-68-371A	1				
02	INT-	FE2 BLACK			
17	INT-	FE4 RED			
33	INT-	FE3 TAN			
68-371Z		TRIM(L), FRONT SIDE			
FD01-68-391A	1				
02	INT-	FE2 BLACK			
17	INT-	FE4 RED			
33	INT-	FE3 TAN			
68-711		PLATE(R), FRONT SCUFF			
FD01-68-710A	1				
02	INT-	FE2 BLACK			
17	INT-	FE4 RED			
33	INT-	FE3 TAN			
68-711Z		PLATE(L), FRONT SCUFF			
FD01-68-720A	1				
02	INT-	FE2 BLACK			
17	INT-	FE4 RED			
33	INT-	FE3 TAN			
68-712D		CLIP			
B456-68-712	4				
68-870		LID(R), TRUNK SIDE			
FD01-68-870A	1				-2301
02	INT-	FE2 FE3 FE4 BLACK			
FD01-68-870B	1				2301-
02	INT-	FE2 FE3 FE4 BLACK			
2301 FD3MM-202878					



<b>a</b> 64-345C 	<b>b</b> 68-AB1 	<b>c</b> 68-AC3 	<b>d</b> 68-AD3 	<b>e</b> 68-AD4 	<b>f</b> 68-D21 
<b>g</b> 68-172H 	<b>h</b> 68-353 	<b>i</b> 68-712D 	<b>j</b> 68-865Q 	<b>k</b> 68-865S 	

AUFA04

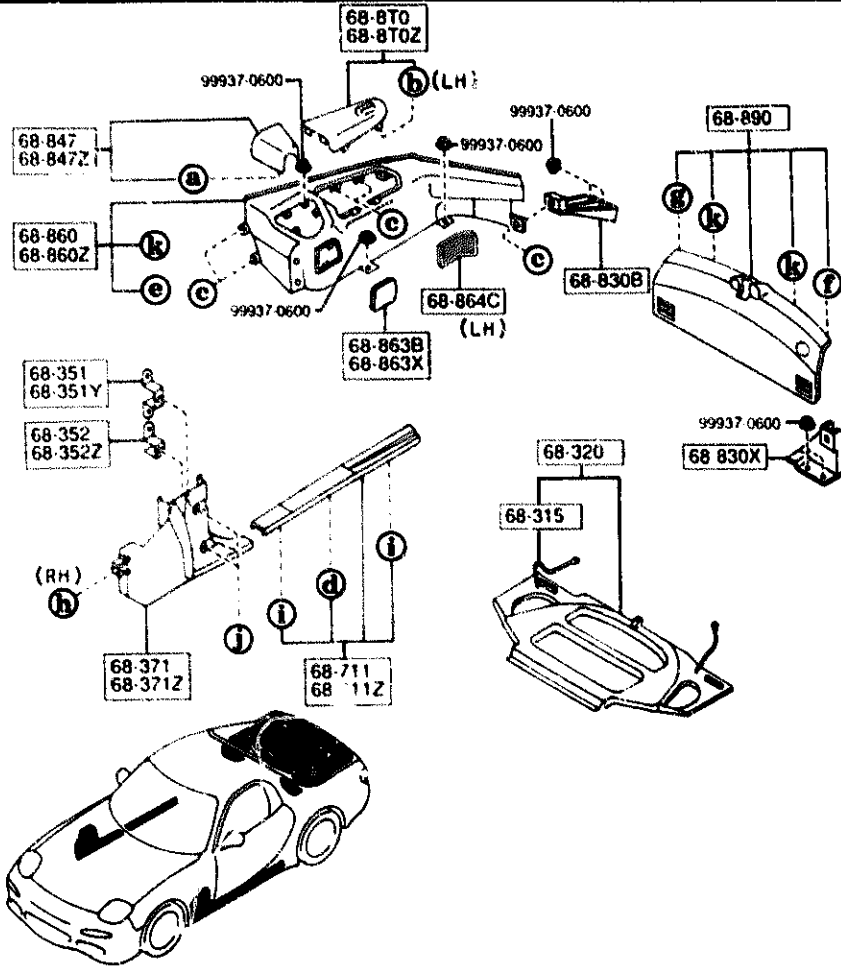
PART NO.	QTY	MODEL/RESTRICTION	MODEL/RESTRICTION	MODEL/RESTRICTION	FROM-TO
68-870Z		LID(L), TRUNK SIDE			
FD01-68-8V0A	1				-2301
02	INT-	FE2 FE3 FE4 BLACK			
FD01-68-8V0B	1				2301-
02	INT-	FE2 FE3 FE4 BLACK			
68-830B		BRACKET(R), TRUNK SIDE			
FD01-68-8H2	1				
68-830X		BRACKET(L), TRUNK SIDE			
FD01-68-8H7	1				
68-847		CAP(R), HOLE-TRUNK TRIM			
FD01-68-J50	1				-2109
02	INT-	FE2 FE3 FE4 BLACK			
FD01-68-J30A	1				2109-
02	INT-	FE2 FE3 FE4 BLACK			
68-847Z		CAP(L), HOLE-TRUNK TRIM			
FD01-68-J40	1				-2109
02	INT-	FE2 FE3 FE4 BLACK			
FD01-68-J40A	1				2109-
02	INT-	FE2 FE3 FE4 BLACK			
68-860		TRIM(R), TRUNK SIDE			
FD01-68-850C	1				-2301
02	INT-	FE2 FE3 FE4 BLACK			
FD01-68-850D	1				2301-
02	INT-	FE2 FE3 FE4 BLACK			
68-860Z		TRIM(L), TRUNK SIDE			
FD01-68-870C	1				-2123
02	INT-	FE2 FE3 FE4 BLACK			
FD01-68-870D	1				2123-2301
02	INT-	FE2 FE3 FE4 BLACK			
FD01-68-870E	1				2301-
02	INT-	FE2 FE3 FE4 BLACK			

2109 FD3MM-200409  
 2123 FD3MM-201017  
 2301 FD3MM-202678

CAT. AUFA04-06

1994-09

6840 TRIMS & SCUFF PLATES

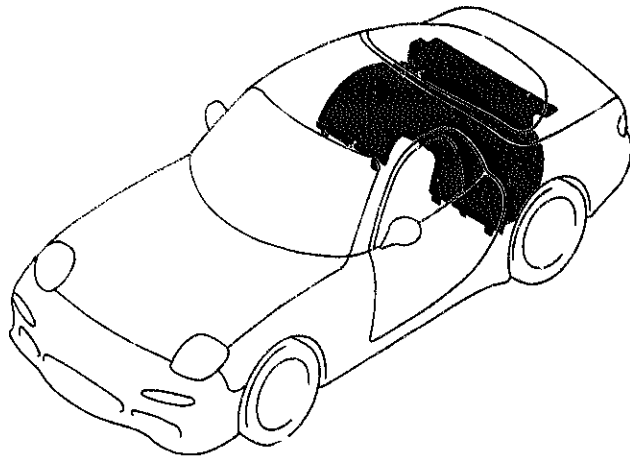
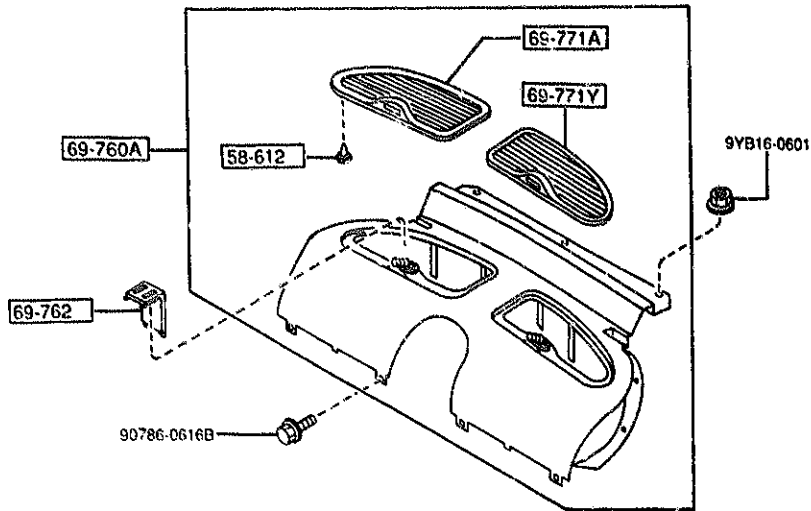


<b>a</b> 64-345C 	<b>b</b> 68-AB1 	<b>c</b> 68-AC3 	<b>d</b> 68-AD3 	<b>e</b> 68-AD4 	<b>f</b> 68-D21 
<b>g</b> 68-172H 	<b>h</b> 68-353 	<b>i</b> 68-712D 	<b>j</b> 68-865Q 	<b>k</b> 68-865S 	

PART NO.	QTY	MODEL/RESTRICTION	MODEL/RESTRICTION	MODEL/RESTRICTION	FROM TO
68-863B		COVER(R), TRUNK SIDE			
FD01-68-857	1				
02	INT-	FE2 FE3 FE4 BLACK			
68-863X		COVER(L), TRUNK SIDE			
FD01-68-877	1				
02	INT-	FE2 FE3 FE4 BLACK			
68-864C		GRILLE, EXTRACT.-T.S. TRIM			
FD01-68-J5Y	1				-2C01
02	INT-	FE2 FE3 FE4 BLACK			
FD09-68-J5Y	1				2C01-
02	INT-	FE2 FE3 FE4 BLACK			
68-8650		FASTENER			
GJ21-68-885B	4				
00	INT-	FE2 FE3 FE4 BLACK			
02	INT-	FE2 BLACK			
17	INT-	FE4 RED			
33	INT-	FE3 TAN			
68-865S		CLIP, TRIM			
GJ12-68-865	4				
68-890		TRIM, TRUNK END			
FDJ1-68-89X	1				
02	INT-	FE2 FE3 FE4 BLACK			

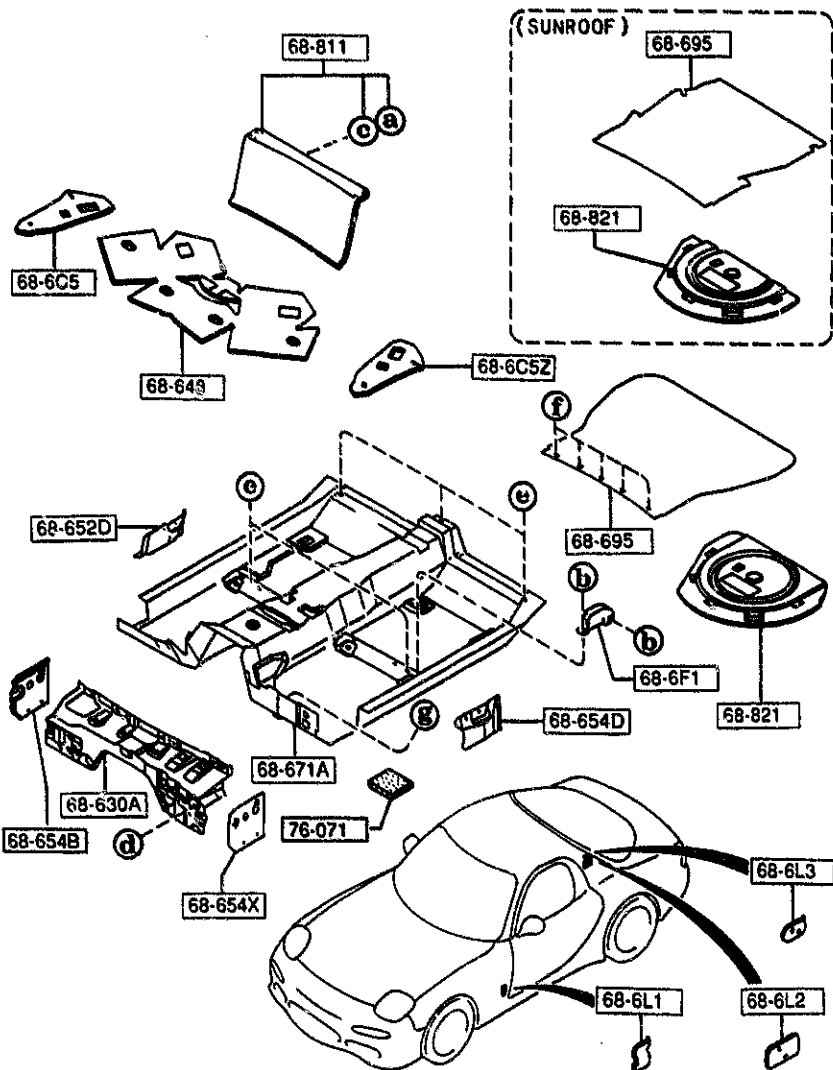
2C01 FD3MM-210514





PART NO.	QTY	MODEL/RESTRICTION	MODEL/RESTRICTION	MODEL/RESTRICTION	FROM-TO
58-612		CUSHION, RUBBER			
M0259-58-612	18				
69-760A		BOX, STORAGE			
FD01-69-760B	1				-2803
02	INT-	FE2 BLACK			
17	INT-	FE4 RED			
33	INT-	FE3 TAN			
FD01-69-760C	1				2803-
02	INT-	FE2 BLACK			
17	INT-	FE4 RED			
33	INT-	FE3 TAN			
69-762		PLATE, LOCK			
FD01-69-768	1				-2401
02	INT-	FE2 BLACK			
17	INT-	FE4 RED			
33	INT-	FE3 TAN			
FD01-69-768A	1				2401-
02	INT-	FE2 BLACK			
17	INT-	FE4 RED			
33	INT-	FE3 TAN			
69-771A		LID(R), OUTER-STRAGE BOX			
*FD01-69-771A	1				
* 02	INT-	FE2 BLACK			
* 17	INT-	FE4 RED			
* 33	INT-	FE3 TAN			
69-771Y		LID(L), OUTER-STRAGE BOX			
*FD01-69-781	1				
* 02	INT-	FE2 BLACK			
* 17	INT-	FE4 RED			
* 33	INT-	FE3 TAN			

2401 FD3\*\*\*-204313  
2803 FD3\*\*\*-209998

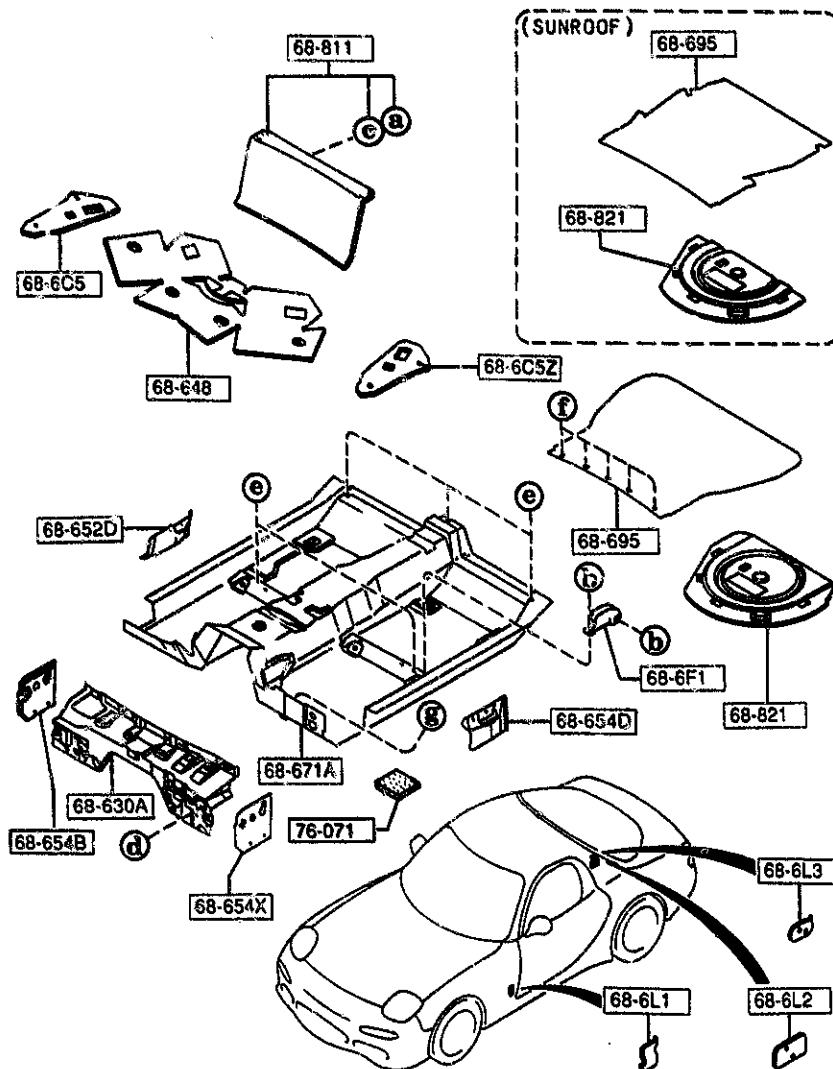


<b>a</b>	<b>b</b>	<b>c</b>	<b>d</b>	<b>e</b>	<b>f</b>	<b>g</b>
68-018B	68-172A 68-675	68-213 89868-0410B	68-615B	68-865A	68-865C 68-865	69-885C

PART NO.	QTY	MODEL/RESTRICTION	MODEL/RESTRICTION	MODEL/RESTRICTION	FROM-TO
68-018B		CAP			
FB01-68-151	14				-3720
02	INT-	FE2 FE3 FE4 BLACK			
68-172A		FASTENER			
B101-68-252	2				-2401
00	INT-	FE2 FE4 BLACK			
33	INT-	FE3 TAN			
68-213		SCREW, TAPPING			
G030-68-213B	14				
68-6C5		PAD(R), TIRE HOUSE			
FD01-68-644A	1				
68-6C5Z		PAD(L), TIRE HOUSE			
FD01-68-649A	1				
68-6F1		BEZZEL, OPENER LEVER			
FD01-68-6F6A	1				
02	INT-	FE2 FE4 BLACK			
33	INT-	FE3 TAN			
68-6L1		COVER 'A', HOLE			
FD01-68-6L1A	2				
68-6L2		COVER 'B', HOLE			
FD01-68-6L2A	2				
68-6L3		COVER 'C', HOLE			
FD01-68-6L3A	2				
68-615B		NUT, FLANGE-CAP			
B100-68-615	9				
68-630A		INSULATOR, DASHBOARD			
FD01-68-63XD	1	(W/O SUN-RF)			-3701
A (FD01-68-63XE)					
FD05-68-63XD	1	(SUNROOF)			-3701
A (FD05-68-63XE)					
2401 FD3MXX-204313					

6860 FLOOR MATS & PADS

6860 -2 FLOOR MATS & PADS



a	b	c	d	e	f	g
68-018B	68-172A 68-675	68-213 99868-0410B	68-615B	68-865A	68-865C 68-865	69-885C

AUFA04

PART NO.	QTY	MODEL/RESTRICTION	MODEL/RESTRICTION	MODEL/RESTRICTION	FROM-TO
CONT'D					
MFD01-68-63XE	1	(W/O SUN-RF)			3701-
MFD05-68-43XE	1	(SUNROOF)			3701-
68-648		PAD, REAR SEAT			
FD01-68-648	1	(W/O SUN-RF)			
FD05-68-648	1	(SUNROOF)			
68-652D		INSULATOR(R), F. FLOOR			
FD01-68-6N6	1				
68-654B		INSULATOR(R), COWL SIDE			
FD01-68-6A1	1				
68-654D		INSULATOR(L), F. FLOOR			
FD01-68-6N7	1				
68-654X		INSULATOR(L), COWL SIDE			
FD01-68-6A2	1				
68-671A		MAT, FLOOR			
FD01-68-670E	1	(W/O SUN-RF)			
02	INT-	FE2 FE4 BLACK			
33	INT-	FE3 TAN			
FD05-68-670E	1	(SUNROOF)			
02	INT-	FE2 FE4 BLACK			
33	INT-	FE3 TAN			
68-675		FASTENER			
B100-68-675	2				2401-
02	INT-	FE2 FE4 BLACK			
33	INT-	FE3 TAN			
68-695		MAT, TRUNK ROOM			
FD01-68-81X	1	(W/O SUN-RF)			
02	INT-	FE2 FE3 FE4 BLACK			
FD05-68-81X	1	(SUNROOF)			
02	INT-	FE2 FE3 FE4 BLACK			

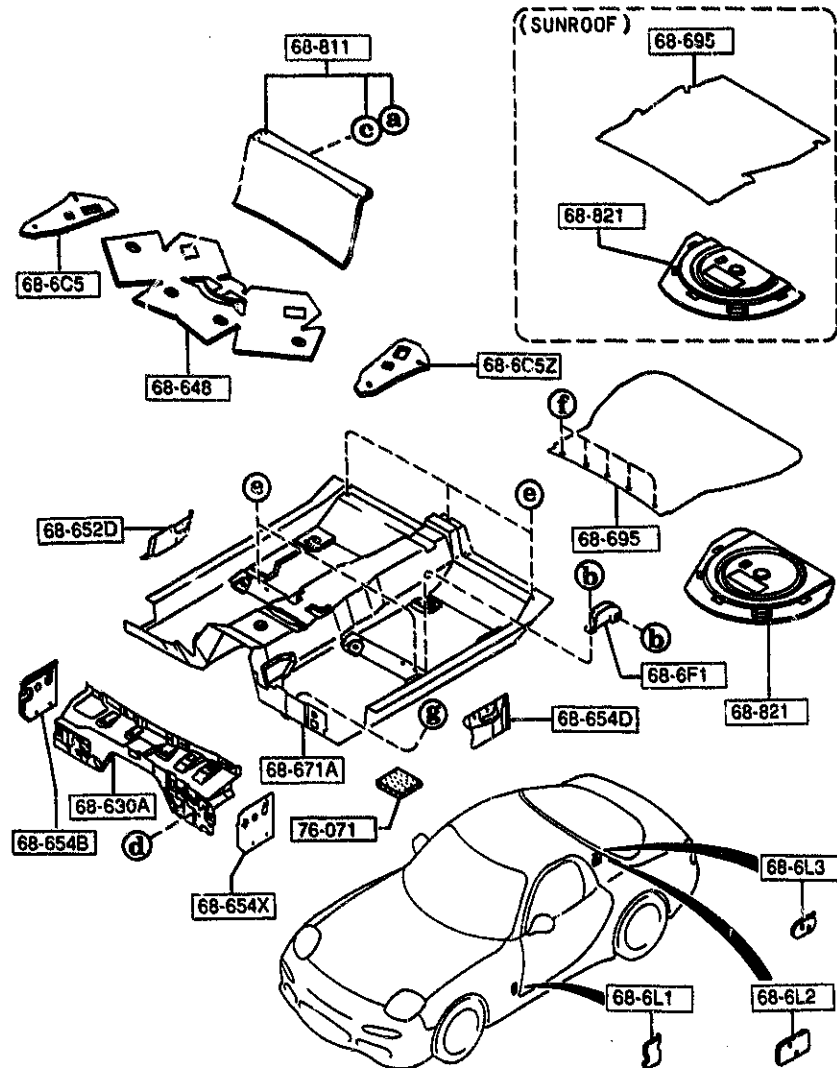
2401 FD3XXX-204313

CAT. AUFA04-06

1994-09

6860 FLOOR MATS & PADS

6860 -3 \* FLOOR MATS & PADS



a	b	c	d	e	f	g
68-018B	68-172A 68-675	68-213 39868-04108	68-615B	68-865A	68-865C 68-865	69-885C

AUFA04

PART NO.	QTY	MODEL/RESTRICTION	MODEL/RLSTRICTION	MODEL/RESTRICTION	FROM-TO
68-811		BOARD, PARTITION			
FD01-68-82X	1				
02	INT-	FE2 BLACK			
17	INT-	FE4 RED			
32	INT-	FE3 TAN			
68-821		BOARD(C), TRUNK			
FD01-68-83X	1	(W/O SUN-RF)			
FD05-68-83XA	1	(SUNROOF)			
68-865		FASTENER			
G032-68-865A	5				2401-
00	INT-	FE2 FE3 FE4 BLACK			
68-865A		FASTENER			
BF70-68-865	5				
00	INT-	FE2 FE4 BLACK			
33	INT-	FE3 TAN			
68-865C		FASTENER			
B455-68-865	5				-2401
00	INT-	FE2 FE3 FE4 BLACK			
69-885C		FASTENER			
UB54-68-885	1				
02	INT-	FE2 FE4 BLACK			
82	INT-	FE3 BEIGE			
76-071		SILENCER, FLOOR			
0208-76-071	1	30CMX30CM			

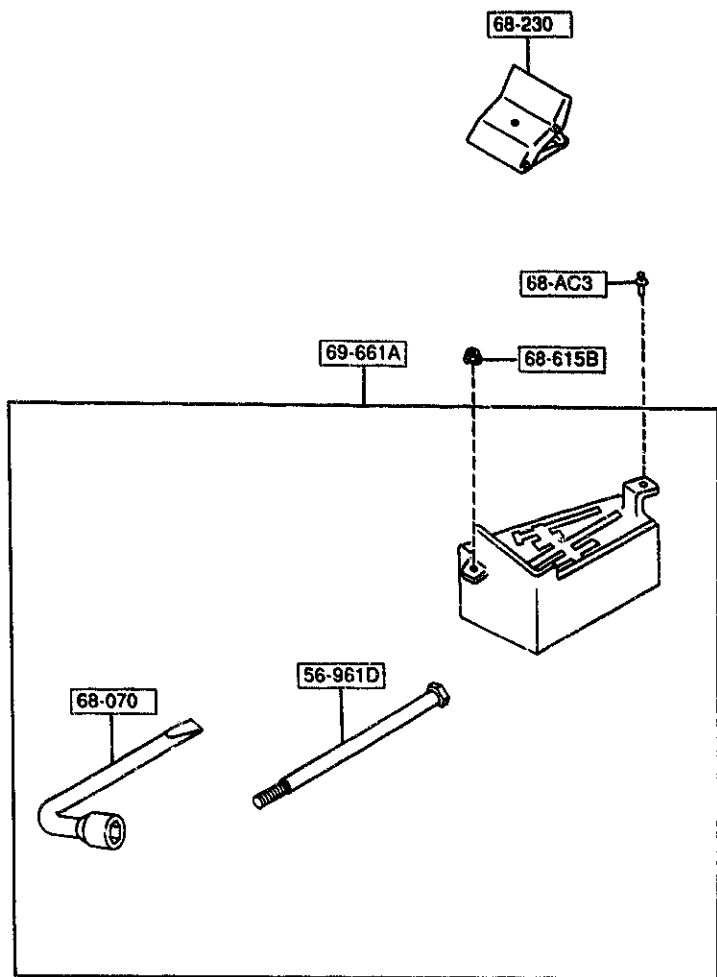
2401 FD3\*\*\*-204313

CAT. AUFA04-06

1994-09

6870 SERVICE TOOLS

6870 -1 \* SERVICE TOOLS

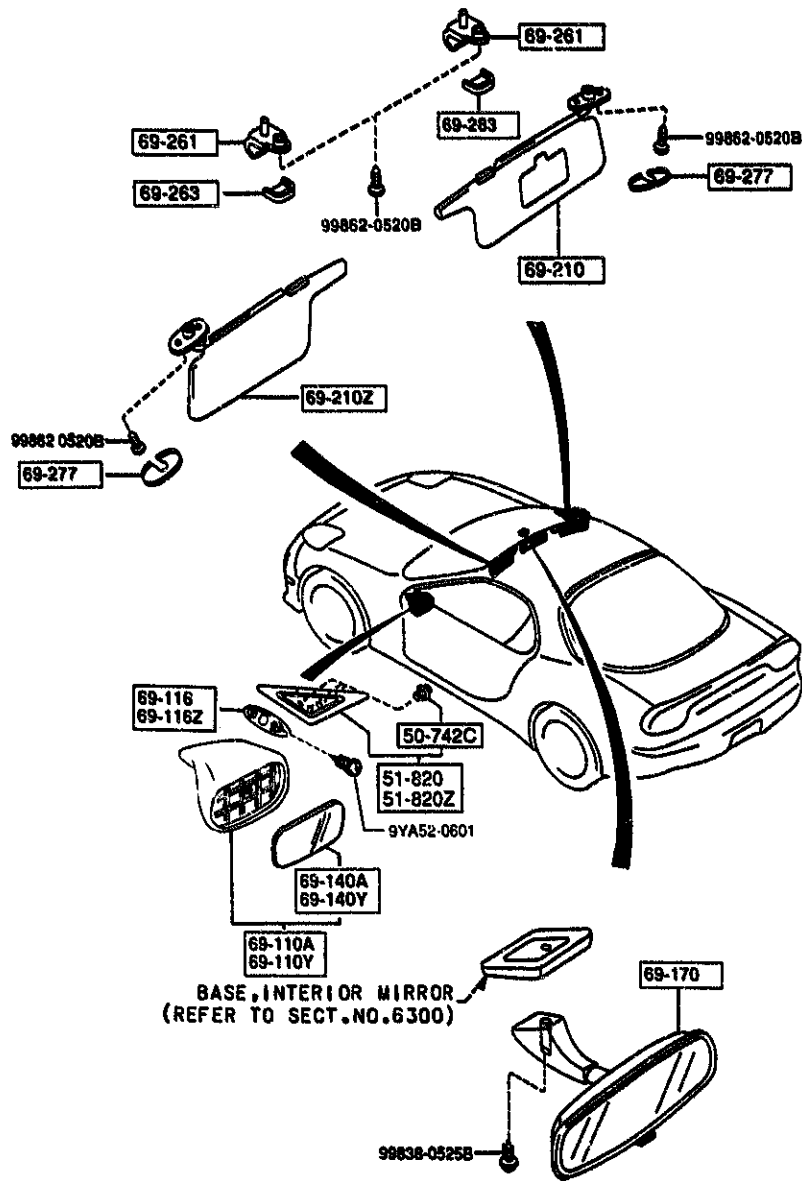


PART NO.	QTY	MODEL/RESTRICTION	MODEL/RESTRICTION	MODEL/RESTRICTION	FROM-TO
56-961D		BOLT			
FD01-56-961	1				
68-AC3		FASTENER			
FD01-68-AC3	1				
68-070		WRENCH, HUB NUT			
NA01-68-070	1				
68-230		STOPPER, WHEEL			
0208-68-230	1				
68-615B		NUT, FLANGE-CAP			
B100-68-615	1				
69-661A		BOX, TOOL			
FD01-69-67Y	1				-2110
FD01-69-67YA	1				2110-

2110 FD3\*\*\*-200464

6900 VISORS, ASSIST HANDLES & MIRRORS

6900 -1 VISORS, ASSIST HANDLES & MIRRORS

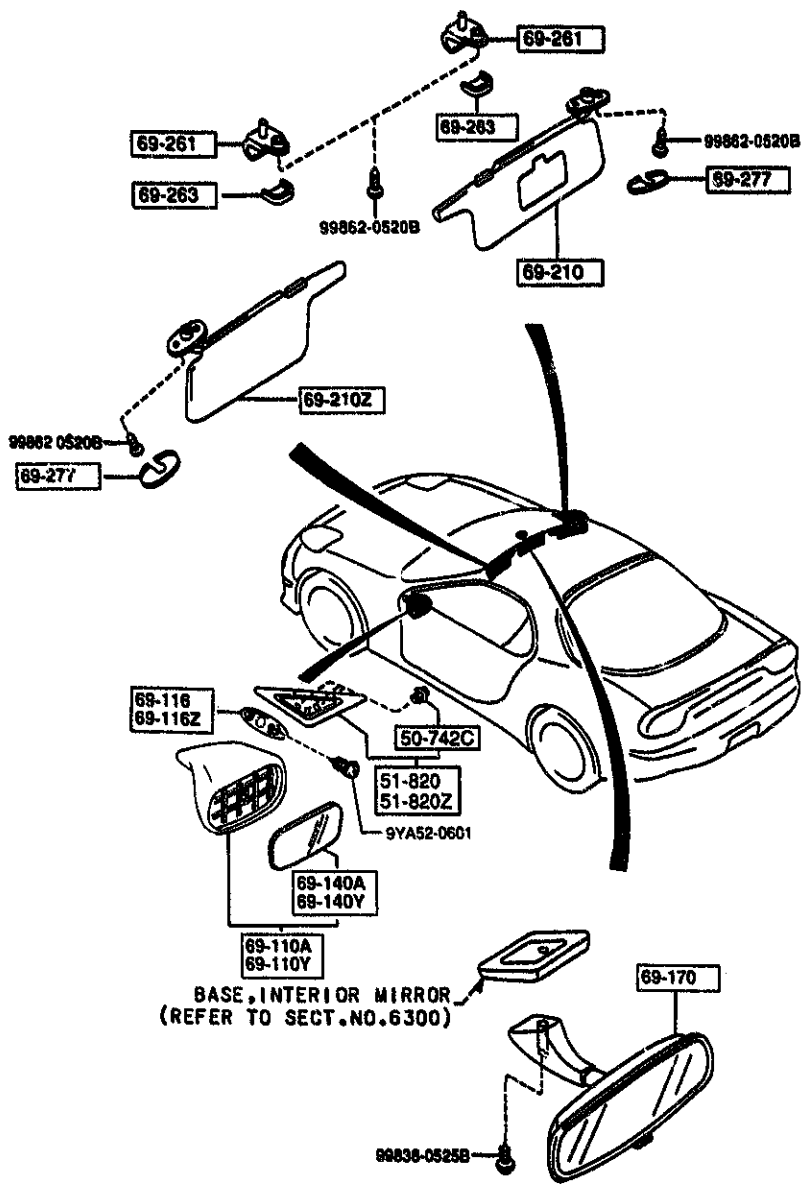


BASE, INTERIOR MIRROR  
(REFER TO SECT. NO. 6300)

PART NO.	QTY	MODEL/RESTRICTION	MODEL/RESTRICTION	MODEL/RESTRICTION	FROM-TO
50-742C		CLIP			
G043-50-742	6				
51-820		GARNISH(R)			
FD01-50-8R08	1				
51-820Z		GARNISH(L)			
FD01-50-850B	1				
69-110A		MIRROR(R), DOOR			
FD01-76-120	1				
J9	EXT-	J9	COMPETITION YELLOW O		
M8	EXT-	M8	2A MONTEGO BLUE M		
NU	EXT-	NT	NU VINTAGE RED		
PZ	EXT-	PX PZ	BRILLIANT BLACK		
3L	EXT-	3L 43	SILVER STONE METALLIC		
69-110Y		MIRROR(L), DOOR			
FD01-76-180	1				
J9	EXT-	J9	COMPETITION YELLOW O		
M8	EXT-	M8	2A MONTEGO BLUE M		
NU	EXT-	NT	NU VINTAGE RED		
PZ	EXT-	PX PZ	BRILLIANT BLACK		
3L	EXT-	3L 4G	SILVER STONE METALLIC		
69-116		BASE(R), MIRROR			
FD01-69-240	1				
J9	EXT-	J9	COMPETITION YELLOW O		
M8	EXT-	M8	2A MONTEGO BLUE M		
NU	EXT-	NT	NU VINTAGE RED		
PZ	EXT-	PX PZ	BRILLIANT BLACK		
3L	EXT-	3L 4G	SILVER STONE METALLIC		

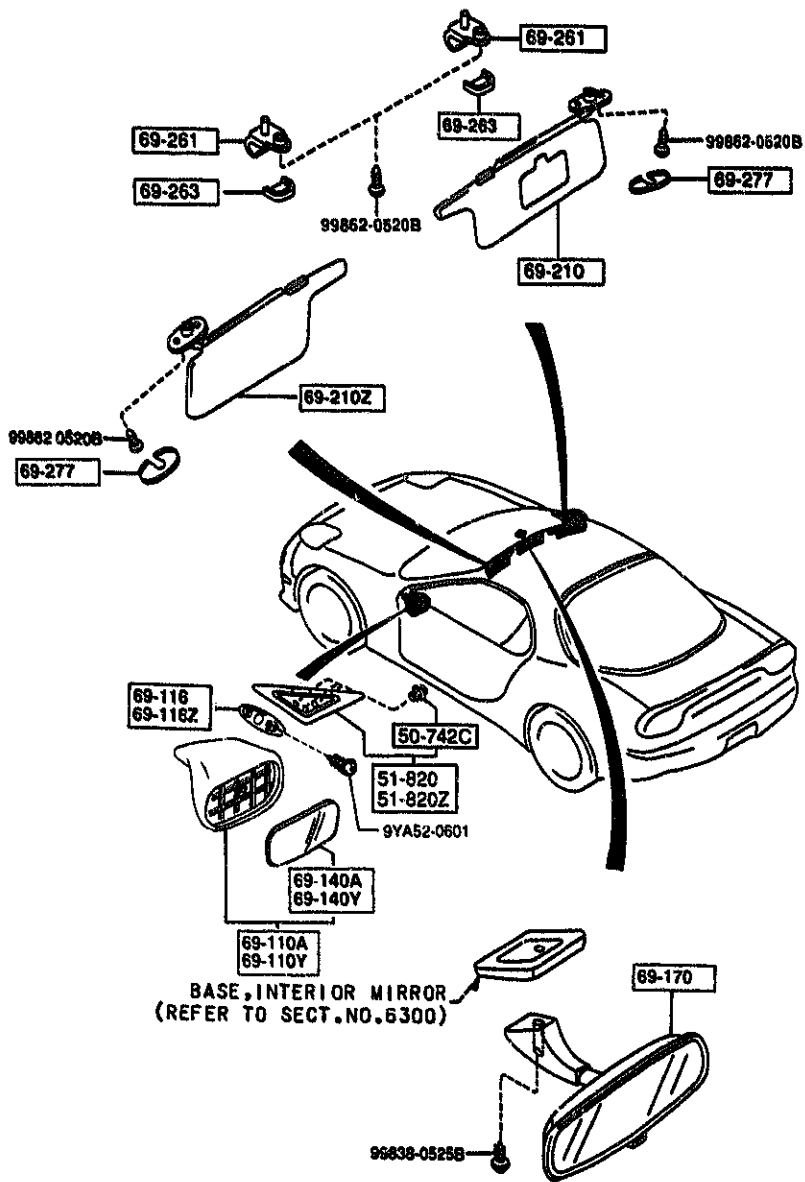
6900 VISORS, ASSIST HANDLES & MIRRORS

6900 -2 VISORS, ASSIST HANDLES & MIRRORS



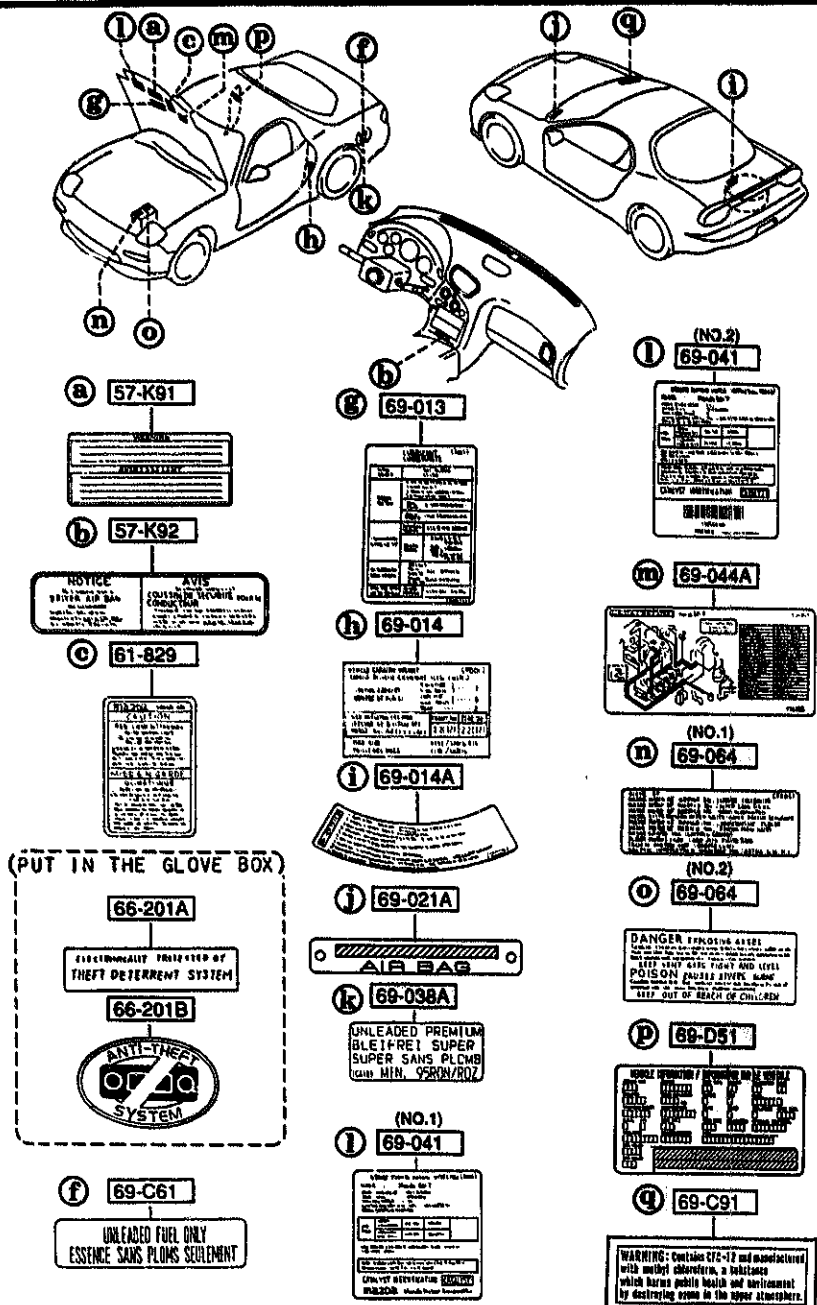
PART NO.	QTY	MODEL/RESTRICTION	MODEL/RESTRICTION	MODEL/RESTRICTION	FROM TO
69-116Z		BASE(L), MIRROR			
FD01-69-242	1	J9	EXT-	J9 COMPETITION YELLOW O	
		M8	EXT-	M8 2A MONTEGO BLUE M	
		NU	EXT-	NT NU VINTAGE RED	
		PZ	EXT-	PX PZ BRILLIANT BLACK	
		3L	EXT-	3L 4G SILVER STONE METALLIC	
69-140A		GLASS(R), MIRROR			
FD01-69-123	1				2115-
69-140Y		GLASS(L), MIRROR			
FD01-69-183	1				2115-
69-170		MIRROR, INTERIOR			
HG31-69-220	1				-2728
02	INT-	FE2 FE3 FE4 BLACK			
HG31-69-220A	1				2728-3301
AN(HG31-69-220B)					
02	INT-	FE2 FE3 FE4 BLACK			
HG31-69-220B	1				3301-
69-210		SUN VISOR(R)			
FD01-69-270C	1	(SUNROOF)			
02	INT-	FE2 BLACK			
17	INT-	FE4 RED			
33	INT-	FE3 TAN			
FD03-69-270C	1	(W/O SUN-RF)			
02	INT-	FE2 BLACK			
17	INT-	FE4 RED			
33	INT-	FE3 TAN			
69-210Z		SUN VISOR(L)			
FD01-69-320C	1	(SUNROOF)			
02	INT-	FE2 BLACK			
17	INT-	FE4 RED			

2115 FDSMXX-200652  
 2728 FDSMXX-209750  
 3301 FDSMXX-210620



PART NO.	QTY	MODEL/RESTRICTION	MODEL/RESTRICTION	MODEL/RESTRICTION	FROM-TO
CONT'D					
33	INT-	FE3 TAN			
FD03-69-320C	1	(W/O SUN-RF)			
02	INT-	FE2 BLACK			
17	INT-	FE4 RED			
33	INT-	FE3 TAN			
69-261		ADAPTER, SUN VISOR			
GA5R-69-261	2				
02	INT-	FE2 BLACK			
17	INT-	FE4 RED			
33	INT-	FE3 TAN			
69-263		COVER, CENTER ADAPTER			
GA5R-69-263	2				
02	INT-	FE2 BLACK			
17	INT-	FE4 RED			
33	INT-	FE3 TAN			
69-277		COVER, SUN VISOR			
GA5R-69-277	2				
02	INT-	FE2 BLACK			
17	INT-	FE4 RED			
33	INT-	FE3 TAN			





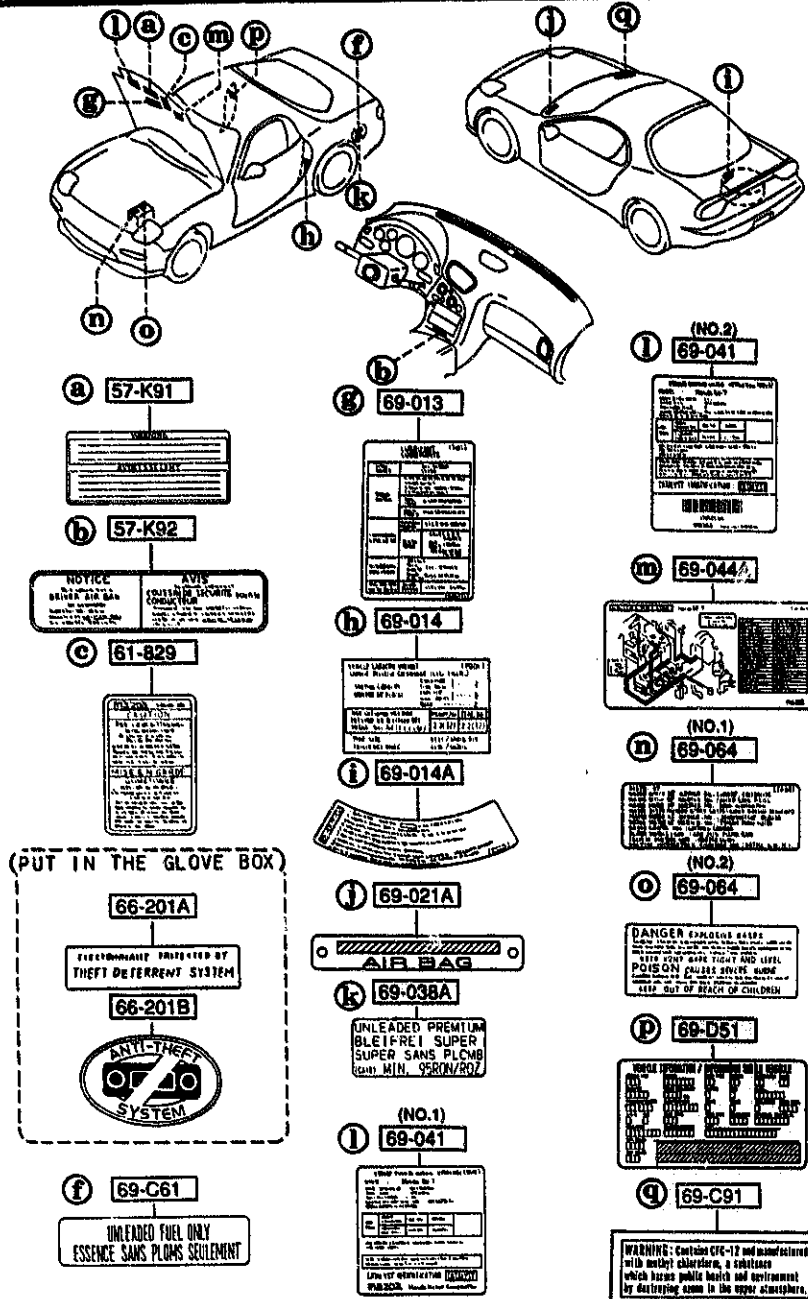
PART NO.	QTY	MODEL/RESTRICTION	MODEL/RESTRICTION	MODEL/RESTRICTION	FROM-TO
57-K91 KA78-57-K91	1	LABEL 'A', CAUTION-A/B			
57-K92 FD01-57-K92	1	LABEL 'B', CAUTION-A/B			-2401
57-K92 FD02-57-K92	1				2401-
61-829 FD04-61-439	1	LABEL, CAUTION (W/AIR CON. JAPAN MAKE)			
61-829 FD01-61-439	1	(A) (W/AIR CON. JAPAN MAKE)			-2107
61-829 NA01-61-439	1	(A) (W/AIR CON. OPTIONAL PARTS)			2107-
66-201A FB01-66-201	1	LABEL, BURGLAR ALARM			
66-201B NA01-66-201	1	LABEL, ANTI THEFT-AUDIO			
69-C61 UB40-69-C61	1	LABEL, UNLEADED FUEL			
69-C91 MB001-69-C91	1	LABEL, CFC			3506-
69-D51 B001-69-D51	1	LABEL, VEHICLE INFORMATION VIN NO. IS REQUIRED			
69-013 FD01-69-D21	1	LABEL, OIL			
69-014 FD01-69-014	1	LABEL, TIRE			
69-014A FD03-69-074	1	LABEL, TEMPORARY TIRE ENGLISH			

2107 FD3MXX-200298  
2401 FD3MXX-204313  
3506 FD3MXX-210662

WARNING: Contains 2TC-17 and manufactured with methyl chloroform, a substance which harms public health and environment by destroying ozone in the upper atmosphere.

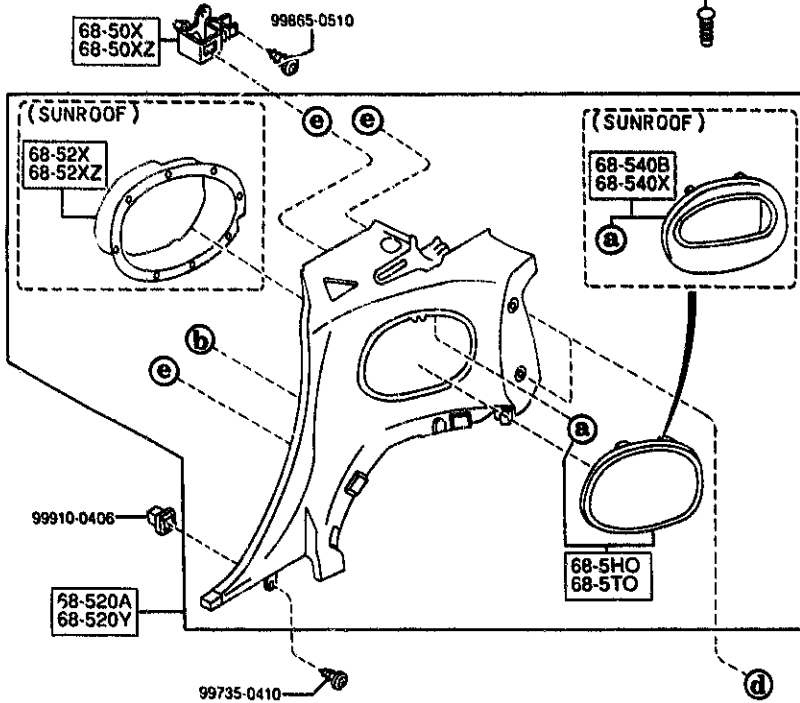
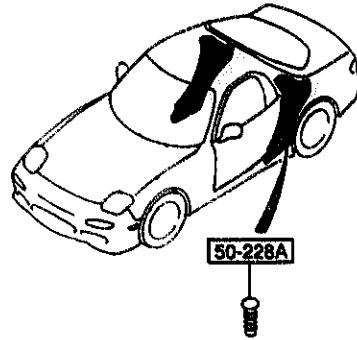
6930 CAUTION PLATES & LABELS

6930 -2 M CAUTION PLATES & LABELS



PART NO.	QTY	MODEL/RESTRICTION	MODEL/RESTRICTION	MODEL/RESTRICTION	FROM-TO
69-021A NA01-69-068A	1	PLATE, CAUTION			
69-038A HG30-69-065	1	LABEL, GASOLINE			2120-
69-041 NSA1-69-036	1	LABEL, EMISSION ENGLISH (ILLUST. NO.1) (EM LABEL-FED.) (MT)			
69-041 NSA2-69-036	1	ENGLISH (ILLUST. NO.1) (EM LABEL-FED.) (AT)			
69-041 NSA3-69-036	1	ENGLISH (ILLUST. NO.2) (EM LABEL-CALIF.) (MT)			
69-041 NSA4-69-036	1	ENGLISH (ILLUST. NO.2) (EM LABEL-CALIF.) (AT)			
69-044A NSA1-69-044A	1	LABEL, VAC. DIAPHRAGM			
69-064 FA03-69-C72A	1	LABEL, BATTERY (ILLUST. NO.1)			
69-064 FA01-69-064A	1	(ILLUST. NO.2)			

2120 FD3MM-200848

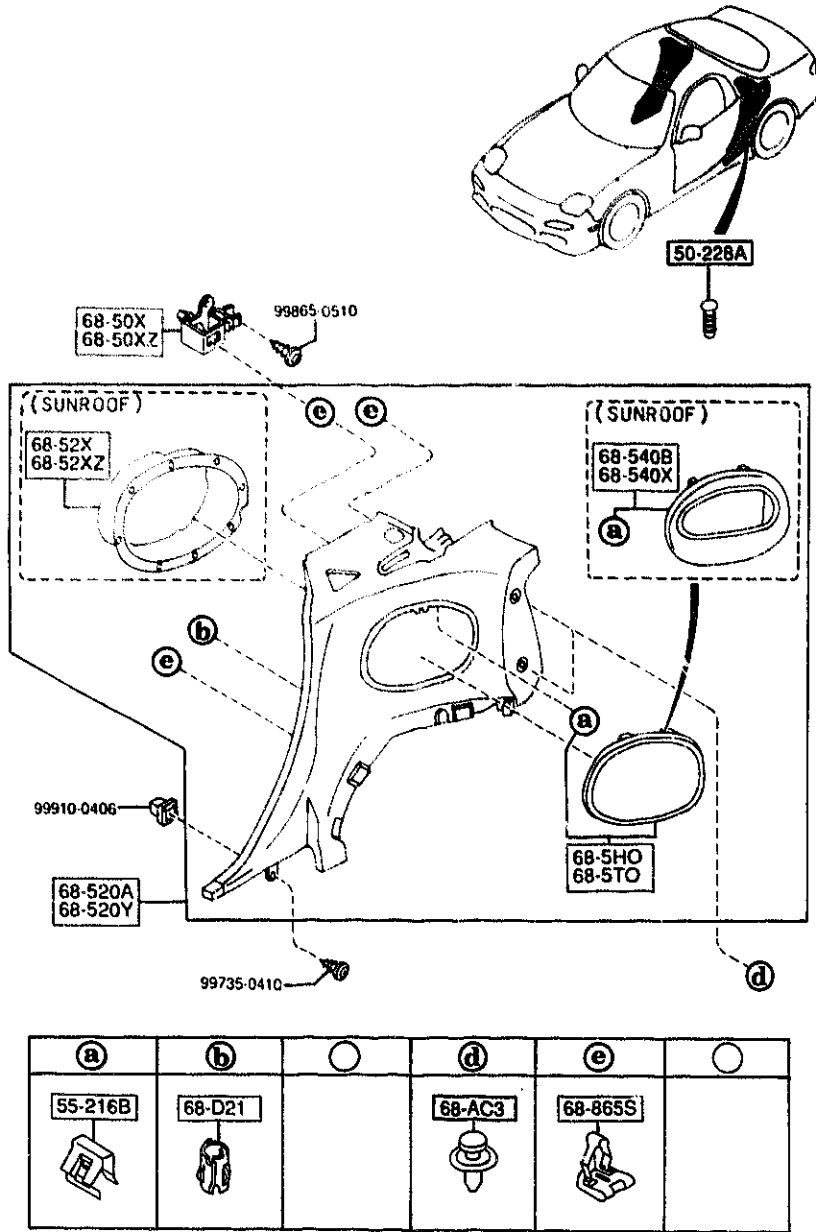


(a)	(b)		(d)	(e)	
55-216B	68-D21		68-AC3	68-865S	

PART NO.	QTY	MODEL/RESTRICTION	MODEL/RESTRICTION	MODEL/RESTRICTION	FROM-TO
50-228A		GROMMET			
0002-50-228	6				
55-216B		SPRING, CENTER PANEL			
B092-55-257	4				
68-AC3		FASTENER			
B467-68-AC3	6				
02	INT-	FE2 BLACK			
17	INT-	FE4 RED			
33	INT-	FE3 TAN			
68-D21		CLIP, TRIM			
LA10-68-D21	2				
68-5H0		GRILLE(R), SPEAKER			
FD01-68-5H0	1	(W/O SUN-RF)			
02	INT-	FE2 BLACK			
17	INT-	FE4 RED			
33	INT-	FE3 TAN			
68-5T0		GRILLE(L), SPEAKER			
FD01-68-5W0	1	(W/O SUN-RF)			
02	INT-	FE2 BLACK			
17	INT-	FE4 RED			
33	INT-	FE3 TAN			
68-50X		BRACKET(R), QUARTER T RIM			
FD01-68-505	1				
68-50XZ		BRACKET(L), QUARTER T RIM			
FD01-68-509	1				
68-52X		POCKET(R), QTR. TRIM			
FD05-68-5C1	1	(SUNROOF)			
02	INT-	FE2 BLACK			
17	INT-	FE4 RED			
33	INT-	FE3 TAN			

7250 QUARTER WINDOW & TRIMS

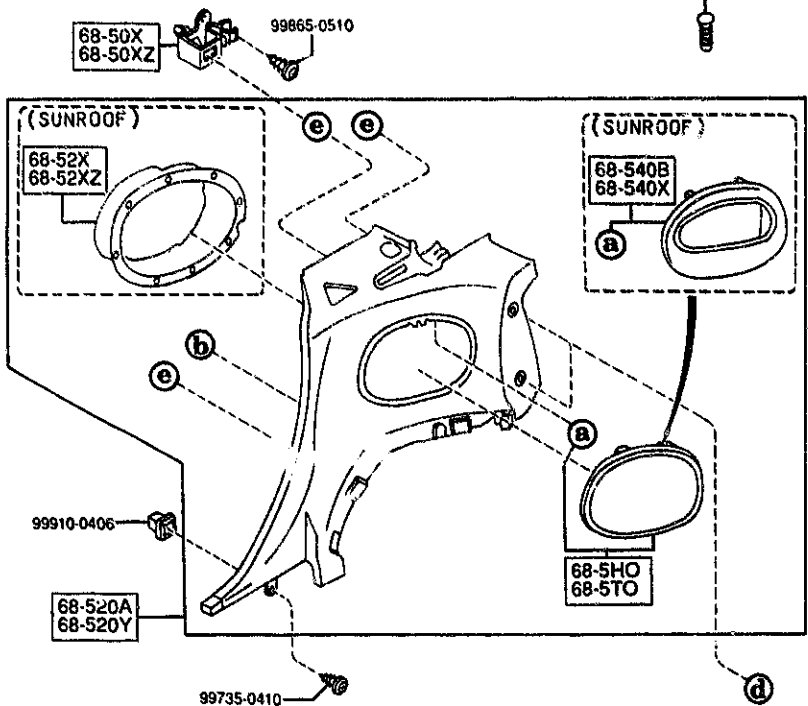
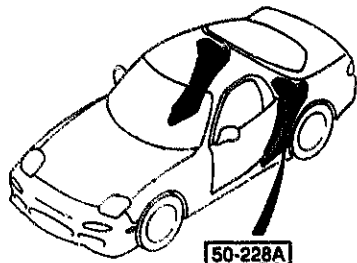
7250 -2 QUARTER WINDOW & TRIMS



PART NO.	QTY	MODEL/RESTRICTION	MODEL/RESTRICTION	MODEL/RESTRICTION	FROM-TO
68-52XZ		POCKET(L), QTR. TRIM			
FD05-68-5N1	1	(SUNROOF)			
02	INT-	FE2 BLACK			
17	INT-	FE4 RED			
33	INT-	FE3 TAN			
68-520A		TRIM(R), QUARTER			
FD01-68-520D	1	(W/O SUN-RF)			-2901
02	INT-	FE2 BLACK			
17	INT-	FE4 RED			
33	INT-	FE3 TAN			
FD05-68-520D	1	(SUNROOF)			-2901
02	INT-	FE2 BLACK			
17	INT-	FE4 RED			
33	INT-	FE3 TAN			
FD01-68-520E	1	(W/O SUN-RF)			2901-
02	INT-	FE2 BLACK			
17	INT-	FE4 RED			
33	INT-	FE3 TAN			
FD05-68-520E	1	(SUNROOF)			2901-
02	INT-	FE2 BLACK			
17	INT-	FE4 RED			
33	INT-	FE3 TAN			
68-520Y		TRIM(L), QUARTER			
FD01-68-950D	1	(W/O SUN-RF)			-2901
02	INT-	FE2 BLACK			
17	INT-	FE4 RED			
33	INT-	FE3 TAN			
FD05-68-550D	1	(SUNROOF)			-2901
02	INT-	FE2 BLACK			
17	INT-	FE4 RED			
33	INT-	FE3 TAN			
FD01-68-550E	1	(W/O SUN-RF)			2901-
02	INT-	FE2 BLACK			
2901 FD3***-210499					

7250 QUARTER WINDOW & TRIMS

7250 -3 \* QUARTER WINDOW & TRIMS



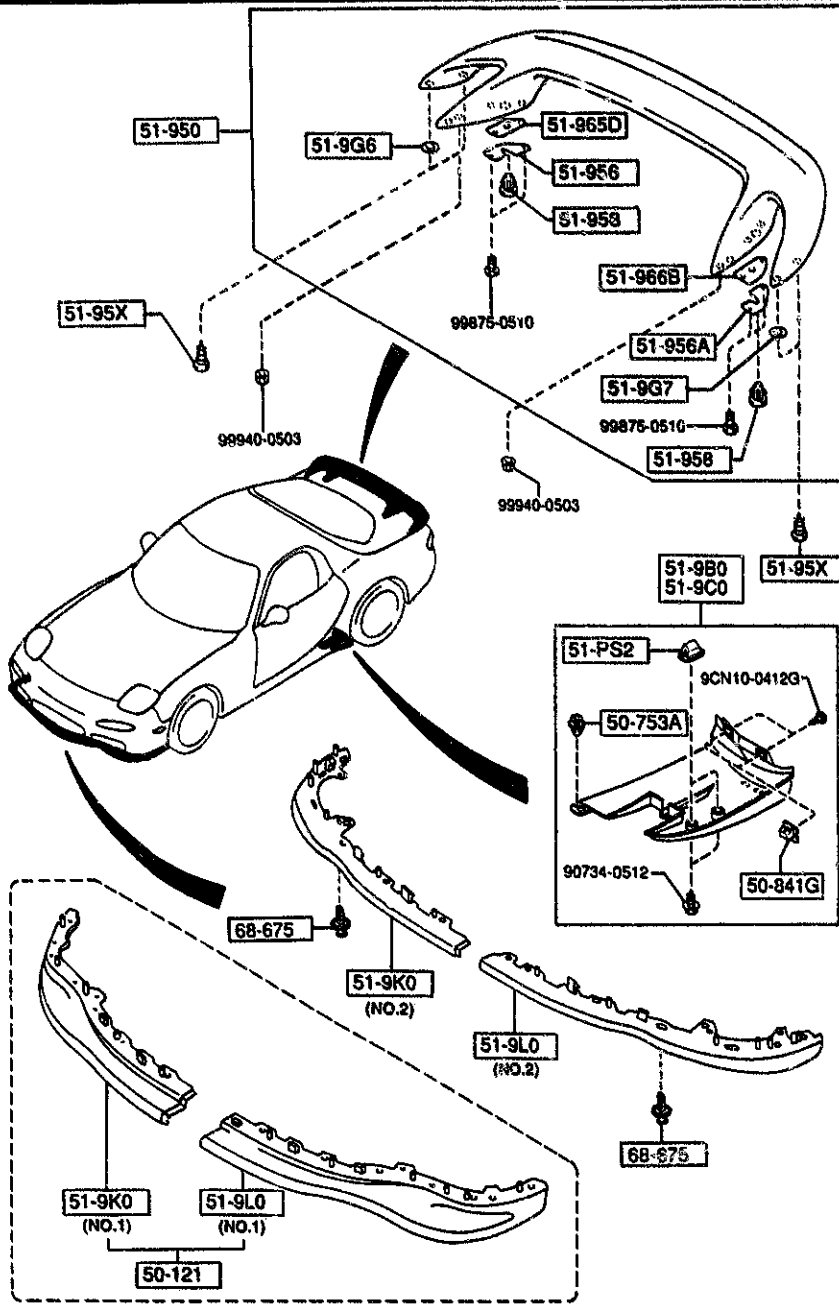
a	b	c	d	e	f
55-216B 	68-D21 		68-AC3 	68-865S 	

PART NO.	QTY	MODEL/RESTRICTION	MODEL/RESTRICTION	MODEL/RESTRICTION	FROM-TO
CONT'D					
17	INT-	FE4 RED			
33	INT-	FE3 TAN			
FD05-68-550E	1	(SUNROOF)			2901-
02	INT-	FE2 BLACK			
17	INT-	FE4 RED			
33	INT-	FE3 TAN			
68-540B		COVER(R), QTR. TRIM			
FD05-68-5CX	1	(SUNROOF)			
02	INT-	FE2 BLACK			
17	INT-	FE4 RED			
33	INT-	FE3 TAN			
68-540X		COVER(L), QTR. TRIM			
FD05-68-5NX	1	(SUNROOF)			
02	INT-	FE2 BLACK			
17	INT-	FE4 RED			
33	INT-	FE3 TAN			
68-865S		CLIP, TRIM			
GJ12-68-865	18				

2901 FD3XXX-210499

7800 SPOILERS & RELATED PARTS

7800 -1 SPOILERS & RELATED PARTS



PART NO.	QTY	MODEL/RESTRICTION	MODEL/RESTRICTION	MODEL/RESTRICTION	FROM-TO
50-121		DAM, AIR-SKIRT			
FD03-51-9H0	1				
50-753A		FASTENER			
0043-50-753	2				
50-841G		GROMMET, SCREW			
F044-51-912	4				
51-PS2		SCREW, GROMMET			
FC17-51-PS2 A (FC17-51-PS2A)	4				-2301
FC17-51-PS2A	4				2301-
51-9B0		SPOILER(R), SIDE			
FD03-51-9B0A A (FD01-51-9B0B)	1				-2501
FD01-51-9B0B	1				2501-
51-9C0		SPOILER(L), SIDE			
FD01-51-9C0A A (FD01-51-9C0B)	1				-2501
FD01-51-9C0B	1				2501-
51-9G6		GASKET(R), SPOILER			
FD03-51-9G6	1				
51-9G7		GASKET(L), SPOILER			
FD03-51-9G7	1				
51-9K0		SKIRT(R), FRONT AIR D AM			
FD03-51-9H3A	1	(ILLUST. NO.1)			
FD01-51-9K1	1	(ILLUST. NO.2)			
51-9L0		SKIRT(L), FRONT AIR D AM			
FD03-51-9H2A	1	(ILLUST. NO.1)			
FD01-51-9L1	1	(ILLUST. NO.2)			
51-95X		SCREW SET			
BW1N-51-95X	4				

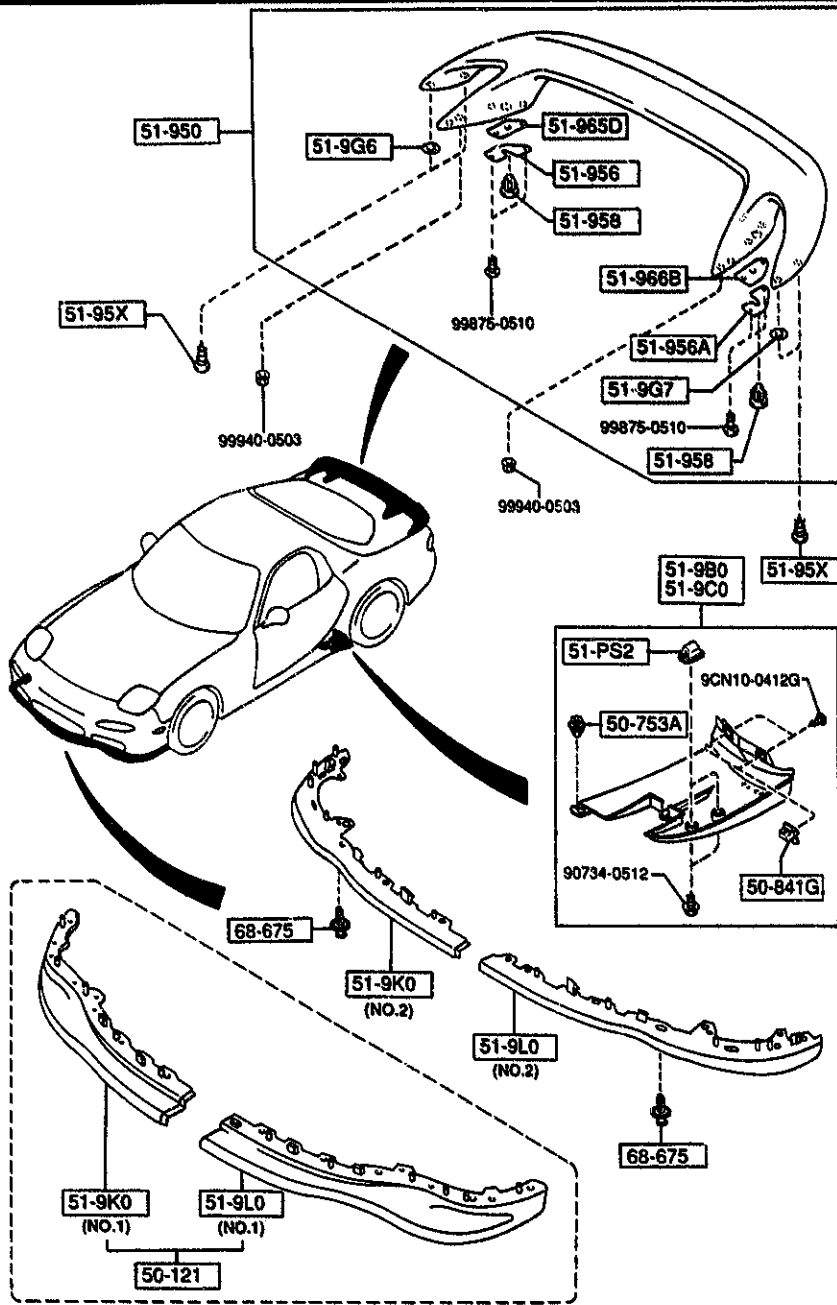
2301 FD3MM-202878  
2501 FD3MM-205709

AUFA04

CAT. AUFA04-06

1996-09

7800 SPOILERS & RELATED PARTS



AUFA04

PART NO.	QTY	MODEL/RESTRICTION	MODEL/RESTRICTION	MODEL/RESTRICTION	FROM-TO
51-950		SPOILER, REAR			
FD03-51-960	1	J9	EXT-	J9	COMPETITION YELLOW O
		M8	EXT-	M8	MONTEGO BLUE M
		NU	EXT-	NU	VINTAGE RED
		PZ	EXT-	PZ	BRILLIANT BLACK
		UC	EXT-	UC	CRYSTAL WHITE
		3L	EXT-	3L	SILVER STONE METALLIC
FD03-51-960A	1	J9	EXT-	J9	COMPETITION YELLOW O
		M8	EXT-	M8 2A	MONTEGO BLUE M
		NU	EXT-	NT	NU VINTAGE RED
		PZ	EXT-	PX PZ	BRILLIANT BLACK
		UC	EXT-	UC	CRYSTAL WHITE
		3L	EXT-	3L 40	SILVER STONE METALLIC
51-956		BRACKET(R), SPOILER			
FD03-51-965	1	51-956A		BRACKET(L), SPOILER	
FD03-51-966	1	51-958		CLIP, SPOILER	
B459-51-958	2	51-965D		GASKET(C), SPOILER	
FD03-51-908	1	51-966B		GASKET, SPOILER	
FD03-51-909	1	68-675		FASTENER	
B100-68-675	2	00	EXT-	QU J9 M8 NT NU PX PZ SX UC 2A 3L 40	BLACK

2201 FD3MM-201428

CAT. AUFA04-06

1994-09